

**Model: 92A 11**      **Model life 2011>>2018**

Model Overview Sales Type

| Sales term | Description                                  | Mounting time | Remark |
|------------|--|---------------|--------|
| 92AA11     | Cayenne V6 FSI<br>Platinum                   | 05/13-05/15   |        |
| 92AA21     | Cayenne V6 TFSI<br>Platinum                  | 05/13-05/15   |        |
| 92AA31     | Cayenne V6 TDI<br>Platinum                   | 05/13-05/15   |        |
| 92AA41     | Cayenne V6 TDI<br>Platinum                   | 05/13-05/15   |        |
| 92AA51     | Cayenne V6 TDI<br>Platinum                   | 05/13-05/15   |        |
| 92AAA1     | Cayenne V6 3.6l                              | 05/14-05/18   |        |
| 92AAB1     | Cayenne S V6 Turbo                           | 05/14-05/18   |        |
| 92AAC1     | Cayenne V6 Diesel                            | 05/14-05/18   |        |
| 92AAD1     | Cayenne S V8 Diesel                          | 05/14-05/18   |        |
| 92AAE1     | Cayenne V6 E-Hybrid                          | 05/14-05/18   |        |
| 92AAF1     | Cayenne V8 Turbo                             | 05/14-05/18   |        |
| 92AAG1     | Cayenne<br>V6 with tiptronic<br>gearbox      | 05/10-05/15   |        |
| 92AAG7     | Cayenne<br>V6 mit Schaltgetriebe             | 05/10-05/15   |        |
| 92AAH1     | Cayenne S V8                                 | 05/10-05/15   |        |
| 92AAI1     | Cayenne V8 Turbo                             | 05/10-05/15   |        |
| 92AAJ1     | Cayenne<br>V6 Diesel Belgium                 | 05/14-05/18   |        |
| 92AAK1     | Cayenne<br>V6 Diesel EU4/EU5                 | 05/14-05/18   |        |
| 92AAL1     | Cayenne GTS V8 with<br>tiptronic gearbox     | 05/12-05/15   |        |
| 92AAM1     | Cayenne V6 Hybrid                            | 05/10-05/15   |        |
| 92AAN1     | Cayenne V8 Turbo S                           | 05/12-05/15   |        |
| 92AAP1     | Cayenne V6 Diesel                            | 05/10-05/15   |        |
| 92AAQ1     | Cayenne V8 Diesel                            | 05/12-05/15   |        |
| 92AAR1     | Cayenne V6 TFSI China                        | 05/13-05/18   |        |
| 92AAS1     | Cayenne V6 GTS                               | 05/13-05/18   |        |
| 92AAT1     | Cayenne V6 China                             | 05/10-05/15   |        |
| 92AAU1     | Cayenne V6 Diesel<br>Belgium/Norway          | 05/10-05/15   |        |
| 92AAV1     | Cayenne V6<br>Diesel BIN5                    | 05/12-05/15   |        |
| 92AAW1     | Cayenne V8 Turbo S                           | 05/14-05/18   |        |
| 92AAY1     | Cayenne V6<br>Diesel BIN5                    | 05/14-05/18   |        |
| 92AAZ1     | Cayenne<br>V6 Diesel Italy                   | 05/14-05/18   |        |
| 92ABA1     | Cayenne VR6<br>Platinum Edition              | 05/16-05/18   |        |
| 92ABB1     | Cayenne S Platinum<br>Edition                | 05/17-05/18   |        |
| 92ABC1     | Cayenne<br>V6 Diesel EU6<br>Platinum Edition | 05/16-05/18   |        |
| 92ABD1     | Cayenne S Diesel<br>Platinum Edition         | 05/17-05/18   |        |

**Model: 92A 11** **Model life 2011>>2018**

|        |   |             |
|--------|---|-------------|
| 92ABE1 | Cayenne V6 Hybrid<br>Platinum Edition           | 05/16-05/18 |
| 92ABJ1 | Cayenne<br>V6 Diesel 155 kW<br>Platinum Edition | 05/16-05/18 |
| 92ABK1 | Cayenne<br>V6 Diesel EU4/5<br>Platinum Edition  | 05/16-05/18 |
| 92ABR1 | Cayenne V6 TFSI<br>Platinum Edition             | 05/16-05/18 |
| 92ABY1 | Cayenne<br>V6 Diesel BIN5<br>Platinum Edition   | 05/16-05/18 |
| 92ABZ1 | Cayenne<br>V6 Diesel 148kW<br>Platinum Edition  | 05/16-05/18 |

Model: 92A 11

Model life 2011&gt;&gt;2018

## Model Overview EC

| EC   | Sales term | LTR  | KW  | Hp  | Cyl | Mounting time | Remark  |
|------|------------|------|-----|-----|-----|---------------|---------|
| 059E |            | 3,00 | 176 | 239 | 6   | 05/10-05/11   |         |
| 06EC |            | 3,00 | 245 | 333 | 6   | 05/10-05/11   |         |
| 4802 |            | 4,80 | 294 | 399 | 8   | 05/10-05/14   |         |
| 4802 |            | 4,80 | 309 | 420 | 8   | 05/12-05/14   |         |
| 4852 |            | 4,80 | 368 | 500 | 8   | 05/10-05/14   |         |
| 4852 |            | 4,80 | 397 | 539 | 8   | 05/11-05/14   |         |
| 4852 |            | 4,80 | 404 | 549 | 8   | 05/13-05/14   |         |
| 5502 |            | 3,60 | 220 | 299 | 6   | 05/10-05/14   |         |
| CEYA |            | 3,60 | 220 | 299 | 6   | 05/14-05/18   |         |
| CFT  |            | 4,80 | 382 | 519 | 8   | 05/17-05/18   |         |
| CFTB |            | 4,80 | 382 | 519 | 8   | 05/14-05/18   |         |
| CGE  |            | 3,00 | 245 | 333 | 6   | 05/11-05/18   |         |
| CGEA |            | 3,00 | 245 | 333 | 6   | 05/11-05/18   | TFSI HY |
| CGFA |            | 3,00 | 245 | 333 | 6   | 05/11-05/18   | TFSI HY |
| CJT  |            | 3,00 | 245 | 333 | 6   | 05/11-05/18   |         |
| CJTb |            | 3,00 | 245 | 333 | 6   | 05/12-05/13   |         |
| CNRB |            | 3,00 | 176 | 239 | 6   | 05/12-05/18   | TDI CR  |
| CRC  |            | 3,00 | 180 | 244 | 6   | 05/11-05/14   |         |
| CRCA |            | 3,00 | 180 | 245 | 6   | 05/11-05/18   | TDI CR  |
| CRCB |            | 3,00 | 155 | 210 | 6   | 05/11-05/14   |         |
| CUDB |            | 4,20 | 281 | 382 | 8   | 05/12-05/14   |         |
| CUDC |            | 4,20 | 283 | 384 | 8   | 05/14-05/18   |         |
| CUR  |            | 3,60 | 309 | 420 | 6   | 05/17-05/18   |         |
| CURA |            | 3,60 | 309 | 420 | 6   | 05/14-05/18   |         |
| CVVA |            | 3,00 | 190 | 258 | 6   | 05/14-05/15   |         |
| CVVA |            | 3,00 | 193 | 262 | 6   | 05/15-05/18   | TDI CR  |
| CVVB |            | 3,00 | 184 | 250 | 6   | 05/14-05/18   |         |
| CVVC |            | 3,00 | 155 | 210 | 6   | 05/14-05/18   |         |
| CXZ  |            | 3,60 | 324 | 440 | 6   | 05/09-05/18   |         |
| CXZA |            | 3,60 | 324 | 440 | 6   | 05/14-05/18   |         |
| CYX  |            | 4,80 | 419 | 569 | 8   | 05/09-05/18   |         |
| CYXA |            | 4,80 | 419 | 569 | 8   | 05/15-05/18   |         |

**Model: 92A 11****Model life 2011>>2018**

## Model Overview TC

| TC    | Sales term | Type | Mounting time | Remark |
|-------|------------|------|---------------|--------|
| A0604 |            | 8A   | 05/10-05/18   |        |
| A0605 |            | 8A   | 05/11-05/18   |        |
| A4804 |            | 8A   | 05/10-05/18   |        |
| A4805 |            | 8A   | 05/10-05/18   |        |
| A4854 |            | 8A   | 05/10-05/18   |        |
| A5504 |            | 8A   | 05/10-05/18   |        |
| A5704 |            | 8A   | 05/13-05/18   |        |
| A5904 |            | 8A   | 05/10-05/18   |        |
| G5504 |            | 6S   | 05/10-05/18   |        |



Model: 92A 11

Model life 2011&gt;&gt;2018

## VIN-Numbers Overview

| Model | year | Date       | VIN         | Remark                                      |
|-------|------|------------|-------------|---|
| 2011  |      | 31.05.2010 | 92-BLA00061 | >92-BLA20000 Cayenne                        |
| 2011  |      | 31.05.2010 | A2-BLA00061 | >A2-BLA20000 Cayenne (USA, CDN)             |
| 2011  |      | 31.05.2010 | 92-BLA60061 | >92-BLA70000 Cayenne C33 (CN)               |
| 2011  |      | 31.05.2010 | 92-BLA20061 | >92-BLA40000 Cayenne Diesel                 |
| 2011  |      | 31.05.2010 | 92-BLA90061 | >92-BLA99999 Cayenne Hybrid                 |
| 2011  |      | 31.05.2010 | 92-BLA40061 | >92-BLA60000 Cayenne S                      |
| 2011  |      | 31.05.2010 | A2-BLA40061 | >A2-BLA60000 Cayenne S (USA, CDN)           |
| 2011  |      | 31.05.2010 | 92-BLA80061 | >92-BLA90000 Cayenne Turbo                  |
| 2011  |      | 31.05.2010 | A2-BLA80061 | >A2-BLA90000 Cayenne Turbo (USA, CDN)       |
| 2011  |      | 31.05.2010 | A2-BLA90061 | >A2-BLA99999 Cayenne Hybrid (USA, CDN)      |
| 2012  |      | 01.06.2011 | 92-CLA00061 | >92-CLA20000 Cayenne                        |
| 2012  |      | 01.06.2011 | A2-CLA00061 | >A2-CLA20000 Cayenne (USA, CDN)             |
| 2012  |      | 01.06.2011 | 92-CLA60061 | >92-CLA70000 Cayenne C33 (CN)               |
| 2012  |      | 01.06.2011 | 92-CLA20061 | >92-CLA40000 Cayenne Diesel                 |
| 2012  |      | 01.06.2011 | 92-CLA90061 | >92-CLA99999 Cayenne Hybrid                 |
| 2012  |      | 01.06.2011 | 92-CLA40061 | >92-CLA60000 Cayenne S                      |
| 2012  |      | 01.06.2011 | A2-CLA40061 | >A2-CLA60000 Cayenne S (USA, CDN)           |
| 2012  |      | 01.06.2011 | 92-CLA80061 | >92-CLA90000 Cayenne Turbo                  |
| 2012  |      | 01.06.2011 | A2-CLA80061 | >A2-CLA90000 Cayenne Turbo (USA, CDN)       |
| 2012  |      | 01.06.2011 | A2-CLA90061 | >A2-CLA99999 Cayenne Hybrid (USA, CDN)      |
| 2013  |      | 01.06.2012 | 92-DLA00061 | >92-DLA14000 Cayenne                        |
| 2013  |      | 01.06.2012 | 92-DLA19001 | >92-DLA20000 Cayenne                        |
| 2013  |      | 01.06.2012 | A2-DLA00061 | >A2-DLA14000 Cayenne (USA, CDN)             |
| 2013  |      | 01.06.2012 | A2-DLA19001 | >A2-DLA20000 Cayenne (USA, CDN)             |
| 2013  |      | 01.06.2012 | 92-DLA47061 | >92-DLA69000 Cayenne C33 (CN)               |
| 2013  |      | 01.06.2012 | 92-DLA20061 | >92-DLA45000 Cayenne Diesel                 |
| 2013  |      | 01.06.2012 | 92-DLA95061 | >92-DLA99999 Cayenne Diesel V8              |
| 2013  |      | 01.06.2012 | 92-DLA45001 | >92-DLA47000 Cayenne GTS                    |
| 2013  |      | 01.06.2012 | 92-DLA70061 | >92-DLA80000 Cayenne GTS                    |
| 2013  |      | 01.06.2012 | 92-DLA14061 | >92-DLA19000 Cayenne Hybrid                 |
| 2013  |      | 01.06.2012 | 92-DLA80061 | >92-DLA89000 Cayenne S                      |
| 2013  |      | 01.06.2012 | A2-DLA80061 | >A2-DLA89000 Cayenne S (USA, CDN)           |
| 2013  |      | 01.06.2012 | 92-DLA90061 | >92-DLA94000 Cayenne Turbo                  |
| 2013  |      | 01.06.2012 | A2-DLA45001 | >A2-DLA47000 Cayenne GTS (USA, CDN)         |
| 2013  |      | 01.06.2012 | A2-DLA70061 | >A2-DLA80000 Cayenne GTS (USA, CDN)         |
| 2013  |      | 01.06.2012 | A2-DLA90061 | >A2-DLA94000 Cayenne Turbo (USA, CDN)       |
| 2013  |      | 01.06.2012 | A2-DLA14061 | >A2-DLA19000 Cayenne Hybrid (USA, CDN)      |
| 2013  |      | 01.06.2012 | A2-DLA20061 | >A2-DLA45000 Cayenne Diesel BIN5 (USA, CDN) |
| 2014  |      | 01.06.2013 | 92-ELA00061 | >92-ELA10000 Cayenne                        |
| 2014  |      | 01.06.2013 | 92-ELA90061 | >92-ELA99999 Cayenne                        |
| 2014  |      | 01.06.2013 | A2-ELA00061 | >A2-ELA10000 Cayenne (USA, CDN)             |
| 2014  |      | 01.06.2013 | A2-ELA90061 | >A2-ELA99999 Cayenne (USA, CDN)             |
| 2014  |      | 01.06.2013 | 92-ELA10061 | >92-ELA30000 Cayenne C33 (CN)               |
| 2014  |      | 01.06.2013 | 92-ELA60061 | >92-ELA65000 Cayenne C33 (CN)               |
| 2014  |      | 01.06.2013 | 92-ELA85061 | >92-ELA87000 Cayenne C33 (CN)               |

| Model: 92A 11 |            | Model life 2011>>2018 |              |   |
|---------------|------------|-----------------------|--------------|---|
| 2014          | 01.06.2013 | 92-ELA30061           | >92-ELA50000 | Cayenne Diesel                                |
| 2014          | 01.06.2013 | 92-ELA82061           | >92-ELA85000 | Cayenne Diesel                                |
| 2014          | 01.06.2013 | 92-ELA52061           | >92-ELA55000 | Cayenne Diesel V8                             |
| 2014          | 01.06.2013 | 92-ELA65061           | >92-ELA70000 | Cayenne Diesel V8                             |
| 2014          | 01.06.2013 | 92-ELA70061           | >92-ELA80000 | Cayenne GTS                                   |
| 2014          | 01.06.2013 | 92-ELA50061           | >92-ELA55000 | Cayenne Hybrid                                |
| 2014          | 01.06.2013 | 92-ELA55061           | >92-ELA60000 | Cayenne S                                     |
| 2014          | 01.06.2013 | A2-ELA55061           | >A2-ELA60000 | Cayenne S (USA, CDN)                          |
| 2014          | 01.06.2013 | 92-ELA80061           | >92-ELA85000 | Cayenne Turbo                                 |
| 2014          | 01.06.2013 | A2-ELA70061           | >A2-ELA80000 | Cayenne GTS<br>(USA, CDN)                     |
| 2014          | 01.06.2013 | A2-ELA80061           | >A2-ELA85000 | Cayenne Turbo<br>(USA, CDN)                   |
| 2014          | 01.06.2013 | A2-ELA50061           | >A2-ELA55000 | Cayenne Hybrid<br>(USA, CDN)                  |
| 2014          | 01.06.2013 | A2-ELA30061           | >A2-ELA40000 | Cayenne Diesel BIN5<br>(USA, CDN)             |
| 2014          | 01.06.2013 | A2-ELA82061           | >A2-ELA85000 | Cayenne Diesel BIN5<br>(USA, CDN)             |
| 2014          | 01.06.2013 | 92-ELA85061           | >92-ELA87000 | Cayenne Turbo S<br>(-->05/2013)               |
| 2014          | 01.06.2013 | 92-ELA87001           | >92-ELA90000 | Cayenne Turbo S<br>(05/2013-->)               |
| 2014          | 01.06.2013 | A2-ELA85061           | >A2-ELA87000 | Cayenne Turbo S<br>(-->05/2013)<br>(USA, CDN) |
| 2014          | 01.06.2013 | A2-ELA87001           | >A2-ELA90000 | Cayenne Turbo S<br>(05/2013-->)<br>(USA, CDN) |
| 2015          | 01.06.2014 | 92-FLA10061           | >92-FLA30000 | Cayenne C33 (CN)                              |
| 2015          | 01.06.2014 | 92-FLA30061           | >92-FLA50000 | Cayenne Diesel                                |
| 2015          | 01.06.2014 | 92-FLA65061           | >92-FLA70000 | Cayenne Diesel V8                             |
| 2015          | 01.06.2014 | 92-FLA85061           | >92-FLA86000 | Cayenne Hybrid                                |
| 2015          | 01.06.2014 | 92-FLA55061           | >92-FLA65000 | Cayenne S                                     |
| 2015          | 01.06.2014 | A2-FLA55061           | >A2-FLA65000 | Cayenne S (USA, CDN)                          |
| 2015          | 01.06.2014 | 92-FLA50061           | >92-FLA55000 | Cayenne S Hybrid                              |
| 2015          | 01.06.2014 | 92-FLA80061           | >92-FLA85000 | Cayenne Turbo                                 |
| 2015          | 01.06.2014 | A2-FLA80061           | >A2-FLA85000 | Cayenne Turbo<br>(USA, CDN)                   |
| 2015          | 01.06.2014 | A2-FLA85061           | >A2-FLA86000 | Cayenne Hybrid<br>(USA, CDN)                  |
| 2015          | 01.06.2014 | A2-FLA30061           | >A2-FLA50000 | Cayenne Diesel<br>(USA, CDN)                  |
| 2015          | 01.06.2014 | A2-FLA50061           | >A2-FLA55000 | Cayenne S Hybrid<br>(USA, CDN)                |
| 2015          | 01.06.2014 | A2-FLA50061           | >A2-FLA55000 | Cayenne S Hybrid (CN)                         |
| 2016          | 01.06.2015 | 92-GKA08061           | >92-GKA16000 | Cayenne                                       |
| 2016          | 01.06.2015 | 92-GKA36061           | >92-GKA40000 | Cayenne                                       |
| 2016          | 01.06.2015 | 92-GLA00061           | >92-GLA08000 | Cayenne                                       |
| 2016          | 01.06.2015 | 92-GLA08061           | >92-GLA16000 | Cayenne                                       |
| 2016          | 01.06.2015 | 92-GLA16061           | >92-GLA20000 | Cayenne                                       |
| 2016          | 01.06.2015 | A2-GKA08061           | >A2-GKA16000 | Cayenne (USA, CDN)                            |
| 2016          | 01.06.2015 | A2-GKA36061           | >A2-GKA40000 | Cayenne (USA, CDN)                            |
| 2016          | 01.06.2015 | A2-GLA00061           | >A2-GLA08000 | Cayenne (USA, CDN)                            |
| 2016          | 01.06.2015 | 92-GKA20061           | >92-GKA36000 | Cayenne C33 (CN)                              |
| 2016          | 01.06.2015 | 92-GLA20061           | >92-GLA36000 | Cayenne C33 (CN)                              |
| 2016          | 01.06.2015 | 92-GKA40061           | >92-GKA58000 | Cayenne Diesel                                |
| 2016          | 01.06.2015 | 92-GLA40061           | >92-GLA58000 | Cayenne Diesel                                |

| Model: 92A 11 |            | Model life 2011>>2018 |              |   |
|---------------|------------|-----------------------|--------------|---|
| 2016          | 01.06.2015 | 92-GLA65061           | >92-GLA70000 | Cayenne Diesel V8                                   |
| 2016          | 01.06.2015 | 92-GLA70061           | >92-GLA75000 | Cayenne GTS   |
| 2016          | 01.06.2015 | 92-GLA75061           | >92-GLA85000 | Cayenne GTS   |
| 2016          | 01.06.2015 | 92-GLA58061           | >92-GLA65000 | Cayenne Hybrid                                      |
| 2016          | 01.06.2015 | 92-GLA80061           | >92-GLA85000 | Cayenne Turbo                                       |
| 2016          | 01.06.2015 | 92-GLA85061           | >92-GLA86000 | Cayenne Turbo S                                     |
| 2016          | 01.06.2015 | A2-GLA70061           | >A2-GLA75000 | Cayenne GTS<br>(USA, CDN)                           |
| 2016          | 01.06.2015 | A2-GLA75061           | >A2-GLA85000 | Cayenne GTS<br>(USA, CDN)                           |
| 2016          | 01.06.2015 | A2-GLA80061           | >A2-GLA85000 | Cayenne Turbo<br>(USA, CDN)                         |
| 2016          | 01.06.2015 | A2-GLA16061           | >A2-GLA20000 | Cayenne Hybrid<br>(USA, CDN)                        |
| 2016          | 01.06.2015 | A2-GKA40061           | >A2-GKA58000 | Cayenne Diesel<br>(USA, CDN)                        |
| 2016          | 01.06.2015 | A2-GLA85061           | >A2-GLA86000 | Cayenne Turbo S<br>(USA, CDN)                       |
| 2017          | 01.06.2016 | 92-HLA80061           | >92-HLA92000 | Cayenne GTS   |
| 2017          | 01.06.2016 | 92-HLA80061           | >92-HLA92000 | Cayenne GTS (CN)                                    |
| 2017          | 01.06.2016 | 92-HLA50061           | >92-HLA60000 | Cayenne S   |
| 2017          | 01.06.2016 | A2-HLA50061           | >A2-HLA60000 | Cayenne S (USA, CDN)                                |
| 2017          | 01.06.2016 | 92-HLA50061           | >92-HLA60000 | Cayenne S C33 (CN)                                  |
| 2017          | 01.06.2016 | 92-HLA60061           | >92-HLA68000 | Cayenne S Diesel                                    |
| 2017          | 01.06.2016 | 92-HLA92061           | >92-HLA97000 | Cayenne Turbo                                       |
| 2017          | 01.06.2016 | 92-HLA92061           | >92-HLA97000 | Cayenne Turbo (CN)                                  |
| 2017          | 01.06.2016 | 92-HLA97061           | >92-HLA99999 | Cayenne Turbo S                                     |
| 2017          | 01.06.2016 | 92-HLA97061           | >92-HLA99999 | Cayenne Turbo S (CN)                                |
| 2017          | 01.06.2016 | A2-HLA80061           | >A2-HLA92000 | Cayenne GTS<br>(USA, CDN)                           |
| 2017          | 01.06.2016 | A2-HLA92061           | >A2-HLA97000 | Cayenne Turbo<br>(USA, CDN)                         |
| 2017          | 01.06.2016 | A2-HLA97061           | >A2-HLA99999 | Cayenne Turbo S<br>(USA, CDN)                       |
| 2017          | 01.06.2016 | 92-HKA80061           | >92-HKA99999 | Cayenne / Cayenne<br>Platinum Edition               |
| 2017          | 01.06.2016 | A2-HKA80061           | >A2-HKA99999 | Cayenne / Cayenne<br>Platinum Edition<br>(USA, CDN) |
| 2017          | 01.06.2016 | 92-HKA00061           | >92-HKA28000 | Cayenne / Cayenne<br>Platinum Edition<br>(CN)       |
| 2017          | 01.06.2016 | 92-HKA80061           | >92-HKA99999 | Cayenne / Cayenne<br>Platinum Edition<br>(CN)       |
| 2017          | 01.06.2016 | 92-HLA00061           | >92-HLA28000 | Cayenne / Cayenne<br>Platinum Edition<br>(CN)       |
| 2017          | 01.06.2016 | 92-HKA28061           | >92-HKA50000 | Cayenne Diesel /<br>Platinum Edition                |
| 2017          | 01.06.2016 | 92-HLA28061           | >92-HLA50000 | Cayenne Diesel /<br>Platinum Edition                |
| 2017          | 01.06.2016 | A2-HKA28061           | >A2-HKA50000 | Cayenne Diesel /<br>Platinum Edition<br>(USA, CDN)  |
| 2017          | 01.06.2016 | A2-HLA28061           | >A2-HLA50000 | Cayenne Diesel /<br>Platinum Edition<br>(USA, CDN)  |

| Model: | 92A 11     | Model life  | 2011>>2018   |  |
|--------|------------|-------------|--------------|--|
| 2017   | 01.06.2016 | 92-HKA28061 | >92-HKA50000 | Cayenne Diesel C33 (CN)                      |
| 2017   | 01.06.2016 | 92-HLA28061 | >92-HLA50000 | Cayenne Diesel C33 (CN)                      |
| 2017   | 01.06.2016 | 92-HLA60061 | >92-HLA68000 | Cayenne S Diesel C33 (CN)                    |
| 2017   | 01.06.2016 | 92-HLA68061 | >92-HLA80000 | Cayenne Hybrid / Platinum Edition            |
| 2017   | 01.06.2016 | A2-HLA68061 | >A2-HLA80000 | Cayenne Hybrid / Platinum Edition (USA, CDN) |
| 2017   | 01.06.2016 | 92-HLA68061 | >92-HLA80000 | Cayenne Hybrid / Platinum Edition (CN)       |
| 2018   | 01.06.2017 | 92-JLA80061 | >92-JLA85000 | Cayenne GTS                                  |
| 2018   | 01.06.2017 | 92-JLA80061 | >92-JLA85000 | Cayenne GTS (CN)                             |
| 2018   | 01.06.2017 | 92-JLA85061 | >92-JLA90000 | Cayenne Turbo                                |
| 2018   | 01.06.2017 | 92-JLA85061 | >92-JLA90000 | Cayenne Turbo (CN)                           |
| 2018   | 01.06.2017 | 92-JLA90061 | >92-JLA95000 | Cayenne Turbo S                              |
| 2018   | 01.06.2017 | 92-JLA90061 | >92-JLA95000 | Cayenne Turbo S (CN)                         |
| 2018   | 01.06.2017 | A2-JLA80061 | >A2-JLA85000 | Cayenne GTS (USA, CDN)                       |
| 2018   | 01.06.2017 | A2-JLA85061 | >A2-JLA90000 | Cayenne Turbo (USA, CDN)                     |
| 2018   | 01.06.2017 | A2-JLA90061 | >A2-JLA95000 | Cayenne Turbo S (USA, CDN)                   |
| 2018   | 01.06.2017 | 92-JKA00061 | >92-JKA15000 | Cayenne / Cayenne Platinum Edition           |
| 2018   | 01.06.2017 | 92-JKA40061 | >92-JKA55000 | Cayenne Diesel / Platinum Edition            |
| 2018   | 01.06.2017 | 92-JLA40061 | >92-JLA55000 | Cayenne Diesel / Platinum Edition            |
| 2018   | 01.06.2017 | 92-JLA60061 | >92-JLA65000 |  |
| 2018   | 01.06.2017 | 92-JLA70061 | >92-JLA80000 | Cayenne S Hybrid/ Platinum Edition           |
| 2018   | 01.06.2017 | A2-JKA00061 | >A2-JKA15000 | Cayenne/Platinum Edition (USA,CDN)           |
| 2018   | 01.06.2017 | 92-JKA00061 | >92-JKA15000 | Cayenne/Platinum Edition (CN)                |
| 2018   | 01.06.2017 | 92-JKA20061 | >92-JKA35000 | Cayenne/Platinum Edition (CN)                |
| 2018   | 01.06.2017 | 92-JLA20061 | >92-JLA35000 | Cayenne/Platinum Edition (CN)                |
| 2018   | 01.06.2017 | 92-JKA40061 | >92-JKA55000 | Cayenne Diesel/ Platinum Edition (CN)        |
| 2018   | 01.06.2017 | 92-JLA40061 | >92-JLA55000 | Cayenne Diesel/ Platinum Edition (CN)        |
| 2018   | 01.06.2017 | A2-JKA40061 | >A2-JKA55000 | Cayenne Diesel/ Platinum Edition (USA,CDN)   |
| 2018   | 01.06.2017 | A2-JLA40061 | >A2-JLA55000 | Cayenne Diesel/ Platinum Edition (USA,CDN)   |
| 2018   | 01.06.2017 | 92-JLA60061 | >92-JLA65000 | Cayenne S/Platinum Edition (CN)              |
| 2018   | 01.06.2017 | A2-JLA60061 | >A2-JLA65000 | Cayenne S/Platinum Edition (USA,CDN)         |

**Model: 92A 11**                      **Model life 2011>>2018**

|      |            |             |              |  |
|------|------------|-------------|--------------|--|
| 2018 | 01.06.2017 | 92-JLA65061 | >92-JLA70000 | Cayenne S Diesel/<br>Platinum Edition              |
| 2018 | 01.06.2017 | 92-JLA65061 | >92-JLA70000 | Cayenne S Diesel/<br>Platinum Edition (CN)         |
| 2018 | 01.06.2017 | 92-JLA70061 | >92-JLA80000 | Cayenne S Hybrid/<br>Platinum Edition<br>(CN)      |
| 2018 | 01.06.2017 | A2-JLA70061 | >A2-JLA80000 | Cayenne S Hybrid/<br>Platinum Edition<br>(USA,CDN) |

Model: 92A 11

Model life 2011&gt;&gt;2018

## Engine Numbers

| Engine number   | Model year | Vehicle type             | Engine type |
|-----------------|------------|--------------------------|-------------|
| CAS 0001>999999 | 2011       | CAYENNE DIESEL           | 059E        |
| _B 00501>99999  | 2011       | CAYENNE CHINA ID11       | 06EC        |
| _B 00501>99999  | 2011       | CAYENNE HYBRID           | 06EC        |
| _B 00501>59999  | 2011       | CAYENNE S                | 4802        |
| _VB 00501>59999 | 2011       | CAYENNE S I1A5           | 4802        |
| _B 00501>99999  | 2011       | CAYENNE TURBO            | 4852        |
| _B 01001>99999  | 2011       | CAYENNE                  | 5502        |
| CGE 0001>999999 | 2012       | CAYENNE HYBRID (C33)     | CGE         |
| CGE 0001>999999 | 2012       | CAYENNE HYBRID           | CGEA        |
| CGF 0001>999999 | 2012       | CAYENNE HYBRID I553      | CGFA        |
| CJT 0001>999999 | 2012       | CAYENNE CHINA ID11       | CJT         |
| CRC 0001>999999 | 2012       | CAYENNE DIESEL (C33)     | CRC         |
| CRC 0001>999999 | 2012       | CAYENNE DIESEL           | CRCA        |
| CRC 0001>999999 | 2012       | CAYENNE DIESEL (C22/C20) | CRCB        |
| _C 00501>99999  | 2012       | CAYENNE S                | 4802        |
| _VC 00501>99999 | 2012       | CAYENNE S I1A5           | 4802        |
| _C 00501>99999  | 2012       | CAYENNE TURBO            | 4852        |
| S_C 00501>99999 | 2012       | CAYENNE TURBO KIT (IE81) | 4852        |
| _C 01001>99999  | 2012       | CAYENNE                  | 5502        |
| CGE 0001>999999 | 2013       | CAYENNE HYBRID (C33)     | CGE         |
| CGE 0001>999999 | 2013       | CAYENNE HYBRID           | CGEA        |
| CGF 0001>999999 | 2013       | CAYENNE HYBRID I553      | CGFA        |
| CJT 0001>999999 | 2013       | CAYENNE CHINA ID11       | CJT         |
| CJT 0001>999999 | 2013       | CAYENNE CHINA ID11       | CJTb        |
| CNR 0001>999999 | 2013       | CAYENNE DIESEL (USA.CDN) | CNRB        |
| CRC 0001>999999 | 2013       | CAYENNE DIESEL (C33)     | CRC         |
| CRC 0001>999999 | 2013       | CAYENNE DIESEL           | CRCA        |
| CRC 0001>999999 | 2013       | CAYENNE DIESEL (C22/C20) | CRCB        |
| CUD 0001>999999 | 2013       | CAYENNE V8 DIESEL (IDD8) | CUDb        |
| _D 00501>99999  | 2013       | CAYENNE S                | 4802        |
| _VD 00501>99999 | 2013       | CAYENNE S I1A5           | 4802        |
| G_D 00501>99999 | 2013       | CAYENNE GTS              | 4802        |
| GVD 00501>99999 | 2013       | CAYENNE GTS I1A5         | 4802        |
| _D 00501>99999  | 2013       | CAYENNE TURBO            | 4852        |
| S_D 00501>99999 | 2013       | CAYENNE TURBO KIT (IE81) | 4852        |
| _D 01001>99999  | 2013       | CAYENNE                  | 5502        |
| CGE 0001>999999 | 2014       | CAYENNE HYBRID (C33)     | CGE         |
| CGE 0001>999999 | 2014       | CAYENNE HYBRID           | CGEA        |
| CGF 0001>999999 | 2014       | CAYENNE HYBRID I553      | CGFA        |
| CJT 0001>999999 | 2014       | CAYENNE CHINA ID11       | CJT         |
| CNR 0001>999999 | 2014       | CAYENNE DIESEL (USA.CDN) | CNRB        |
| CRC 0001>999999 | 2014       | CAYENNE DIESEL (C33)     | CRC         |
| CRC 0001>999999 | 2014       | CAYENNE DIESEL           | CRCA        |
| CRC 0001>999999 | 2014       | CAYENNE DIESEL (C22/C20) | CRCB        |
| CUD 0001>999999 | 2014       | CAYENNE V8 DIESEL (IDD8) | CUDb        |
| _E 00501>99999  | 2014       | CAYENNE S                | 4802        |
| _VE 00501>99999 | 2014       | CAYENNE S I1A5           | 4802        |
| G_E 00501>99999 | 2014       | CAYENNE GTS              | 4802        |
| GVE 00501>99999 | 2014       | CAYENNE GTS I1A5         | 4802        |
| _E 00501>99999  | 2014       | CAYENNE TURBO            | 4852        |
| S_E 00501>99999 | 2014       | CAYENNE TURBO KIT (IE81) | 4852        |
| T_E 00501>99999 | 2014       | CAYENNE TURBO S (IE8A)   | 4852        |
| _E 01001>99999  | 2014       | CAYENNE                  | 5502        |
| CEY 0001>999999 | 2015       | CAYENNE                  | CEYA        |

**Model: 92A 11**                      **Model life 2011>>2018**

|                 |      |                              |      |
|-----------------|------|------------------------------|------|
| CFT 0501>999999 | 2015 | CAYENNE V8 TURBO             | CFTB |
| CGE 0001>999999 | 2015 | CAYENNE HYBRID (C33)         | CGE  |
| CGE 0001>999999 | 2015 | CAYENNE HYBRID               | CGEA |
| CGF 0001>999999 | 2015 | CAYENNE HYBRID I553          | CGFA |
| CJT 0001>999999 | 2015 | CAYENNE CHINA ID11           | CJT  |
| CNR 0001>999999 | 2015 | CAYENNE DIESEL (USA.CDN)     | CNRB |
| CUD 0001>999999 | 2015 | CAYENNE V8 DIESEL (IDD8)     | CUDC |
| CUR 0501>999999 | 2015 | CAYENNE V6 TURBO             | CURA |
| CVV 0001>999999 | 2015 | CAYENNE DIESEL               | CVVA |
| CVV 0001>999999 | 2015 | CAYENNE DIESEL (C07)         | CVVB |
| CVV 0001>999999 | 2015 | CAYENNE DIESEL (C22)         | CVVC |
| CXZ 0501>999999 | 2015 | CAYENNE V6 TURBO GTS         | CXZA |
| CEY 0001>999999 | 2016 | CAYENNE                      | CEYA |
| CFT 0501>999999 | 2016 | CAYENNE V8 TURBO             | CFTB |
| CGE 0001>999999 | 2016 | CAYENNE HYBRID (C33)         | CGE  |
| CGE 0001>999999 | 2016 | CAYENNE HYBRID               | CGEA |
| CGF 0001>999999 | 2016 | CAYENNE HYBRID I553          | CGFA |
| CJT 0001>999999 | 2016 | CAYENNE CHINA ID11           | CJT  |
| CNR 0001>999999 | 2016 | CAYENNE DIESEL (USA.CDN)     | CNRB |
| CUD 0001>999999 | 2016 | CAYENNE V8 DIESEL (IDD8)     | CUDC |
| CUR 0501>999999 | 2016 | CAYENNE V6 TURBO             | CURA |
| CVV 0001>999999 | 2016 | CAYENNE DIESEL               | CVVA |
| CVV 0001>999999 | 2016 | CAYENNE DIESEL (C07)         | CVVB |
| CVV 0001>999999 | 2016 | CAYENNE DIESEL (C22)         | CVVC |
| CXZ 0501>999999 | 2016 | CAYENNE V6 TURBO GTS         | CXZA |
| CYX 0501>999999 | 2016 | CAYENNE V8 TURBO S           | CYXA |
| CEY 0001>999999 | 2017 | CAYENNE                      | CEYA |
| CFT 0501>999999 | 2017 | CAYENNE V8 Bi-TURBO          | CFTB |
| CGE 0001>999999 | 2017 | CAYENNE HYBRID (C33)         | CGE  |
| CGE 0001>999999 | 2017 | CAYENNE HYBRID               | CGEA |
| CGF 0001>999999 | 2017 | CAYENNE HYBRID I553          | CGFA |
| CJT 0001>999999 | 2017 | CAYENNE CHN VNM ID11         | CJT  |
| CNR 0001>999999 | 2017 | CAYENNE DIESEL (USA.CDN)     | CNRB |
| CRC 0001>999999 | 2017 | CAYENNE DIESEL               | CRCA |
| CUD 0001>999999 | 2017 | CAYENNE V8 DIESEL (IDD8)     | CUDC |
| CUR 0501>999999 | 2017 | CAYENNE V6 Bi-TURBO          | CURA |
| CVV 0001>999999 | 2017 | CAYENNE DIESEL               | CVVA |
| CVV 0001>999999 | 2017 | CAYENNE DIESEL (C07)         | CVVB |
| CVV 0001>999999 | 2017 | CAYENNE DIESEL (C22)         | CVVC |
| CXZ 0501>999999 | 2017 | CAYENNE V6 Bi-TURBO GTS      | CXZA |
| CYX 0501>999999 | 2017 | CAYENNE V8 Bi-TURBO S        | CYXA |
| CEY 0001>999999 | 2018 | CAYENNE                      | CEYA |
| CFT 0501>999999 | 2018 | CAYENNE V8 Bi-TURBO (C33)    | CFT  |
| CFT 0501>999999 | 2018 | CAYENNE V8 Bi-TURBO          | CFTB |
| CGE 0001>999999 | 2018 | CAYENNE HYBRID (C33)         | CGE  |
| CGE 0001>999999 | 2018 | CAYENNE HYBRID               | CGEA |
| CGF 0001>999999 | 2018 | CAYENNE HYBRID I553          | CGFA |
| CJT 0001>999999 | 2018 | CAYENNE CHN VNM ID11         | CJT  |
| CNR 0001>999999 | 2018 | CAYENNE DIESEL (USA.CDN)     | CNRB |
| CRC 0001>999999 | 2018 | CAYENNE DIESEL               | CRCA |
| CUD 0001>999999 | 2018 | CAYENNE V8 DIESEL (IDD8)     | CUDC |
| CUR 0501>999999 | 2018 | CAYENNE V6 Bi-TURBO C33)     | CUR  |
| CUR 0501>999999 | 2018 | CAYENNE V6 Bi-TURBO          | CURA |
| CVV 0001>999999 | 2018 | CAYENNE DIESEL               | CVVA |
| CVV 0001>999999 | 2018 | CAYENNE DIESEL (C07)         | CVVB |
| CVV 0001>999999 | 2018 | CAYENNE DIESEL (C22)         | CVVC |
| CXZ 0501>999999 | 2018 | CAYENNE V6 Bi-TURBO GTS      | CXZA |
| CXZ 0501>999999 | 2018 | CAYENNE V6 Bi-TURBO GTS C33) | CXZA |

**Model: 92A 11****Model life 2011>>2018**

|                 |      |                            |      |
|-----------------|------|----------------------------|------|
| CYX 0501>999999 | 2018 | CAYENNE V8 Bi-TURBO S      | CYXA |
| CYX 0501>999999 | 2018 | CAYENNE V8 Bi-TURBO S C33) | CYXA |



Model: 92A 11

Model life 2011>>2018

Transmission Numbers

| Transmission Number   | Model year | Vehicle type      | Gearbox type |
|-----------------------|------------|-------------------|--------------|
| A0604 0 002001>999999 | 2011       | CAYENNE HYBRID    | A0604        |
| A4804 0 002001>999999 | 2011       | CAYENNE S         | A4804        |
| A4854 0 002001>999999 | 2011       | CAYENNE TURBO     | A4854        |
| A5504 0 002001>999999 | 2011       | CAYENNE           | A5504        |
| A5904 0 002001>999999 | 2011       | CAYENNE DIESEL    | A5904        |
| G5504 0 002001>999999 | 2011       | CAYENNE           | G5504        |
| A0604 0 002001>999999 | 2012       | CAYENNE HYBRID    | A0604        |
| A0605 0 002001>999999 | 2012       | CAYENNE (CN)      | A0605        |
| A4804 0 002001>999999 | 2012       | CAYENNE S         | A4804        |
| A4854 0 002001>999999 | 2012       | CAYENNE TURBO     | A4854        |
| A5504 0 002001>999999 | 2012       | CAYENNE           | A5504        |
| A5904 0 002001>999999 | 2012       | CAYENNE DIESEL    | A5904        |
| G5504 0 002001>999999 | 2012       | CAYENNE           | G5504        |
| A0604 0 002001>999999 | 2013       | CAYENNE HYBRID    | A0604        |
| A0605 0 002001>999999 | 2013       | CAYENNE (CN)      | A0605        |
| A4804 0 002001>999999 | 2013       | CAYENNE S         | A4804        |
| A4854 0 002001>999999 | 2013       | CAYENNE TURBO     | A4854        |
| A5504 0 002001>999999 | 2013       | CAYENNE           | A5504        |
| A5904 0 002001>999999 | 2013       | CAYENNE DIESEL    | A5904        |
| G5504 0 002001>999999 | 2013       | CAYENNE           | G5504        |
| A0604 0 002001>999999 | 2014       | CAYENNE HYBRID    | A0604        |
| A0605 0 002001>999999 | 2014       | CAYENNE (CN)      | A0605        |
| A4804 0 002001>999999 | 2014       | CAYENNE S         | A4804        |
| A4854 0 002001>999999 | 2014       | CAYENNE TURBO     | A4854        |
| A5504 0 002001>999999 | 2014       | CAYENNE           | A5504        |
| A5704 0 002001>999999 | 2014       | CAYENNE DIESEL V8 | A5704        |
| A5904 0 002001>999999 | 2014       | CAYENNE DIESEL    | A5904        |
| G5504 0 002001>999999 | 2014       | CAYENNE           | G5504        |
| A0604 0 002001>999999 | 2015       | CAYENNE HYBRID    | A0604        |
| A0605 0 002001>999999 | 2015       | CAYENNE (CN)      | A0605        |
| A4804 0 002001>999999 | 2015       | CAYENNE S         | A4804        |
| A4854 0 002001>999999 | 2015       | CAYENNE TURBO     | A4854        |
| A5504 0 002001>999999 | 2015       | CAYENNE           | A5504        |
| A5704 0 002001>999999 | 2015       | CAYENNE DIESEL V8 | A5704        |
| A5904 0 002001>999999 | 2015       | CAYENNE DIESEL    | A5904        |
| G5504 0 002001>999999 | 2015       | CAYENNE           | G5504        |
| A0604 0 002001>999999 | 2016       | CAYENNE HYBRID    | A0604        |
| A0605 0 002001>999999 | 2016       | CAYENNE (CN)      | A0605        |
| A4804 0 002001>999999 | 2016       | CAYENNE S         | A4804        |
| A4854 0 002001>999999 | 2016       | CAYENNE TURBO     | A4854        |
| A5504 0 002001>999999 | 2016       | CAYENNE           | A5504        |
| A5704 0 002001>999999 | 2016       | CAYENNE DIESEL V8 | A5704        |
| A5904 0 002001>999999 | 2016       | CAYENNE DIESEL    | A5904        |
| G5504 0 002001>999999 | 2016       | CAYENNE           | G5504        |
| A0604 0 002001>999999 | 2017       | CAYENNE HYBRID    | A0604        |
| A0605 0 002001>999999 | 2017       | CAYENNE (CHN)     | A0605        |
| A4804 0 002001>999999 | 2017       | CAYENNE S         | A4804        |
| A4854 0 002001>999999 | 2017       | CAYENNE TURBO     | A4854        |
| A5504 0 002001>999999 | 2017       | CAYENNE           | A5504        |
| A5704 0 002001>999999 | 2017       | CAYENNE DIESEL V8 | A5704        |
| A5904 0 002001>999999 | 2017       | CAYENNE DIESEL    | A5904        |
| G5504 0 002001>999999 | 2017       | CAYENNE           | G5504        |
| A0604 0 002001>999999 | 2018       | CAYENNE HYBRID    | A0604        |
| A0605 0 002001>999999 | 2018       | CAYENNE (CHN)     | A0605        |

**Model: 92A 11**      **Model life 2011>>2018**

|       |   |               |      |                   |       |
|-------|---|---------------|------|-------------------|-------|
| A4804 | 0 | 002001>999999 | 2018 | CAYENNE S         | A4804 |
| A4854 | 0 | 002001>999999 | 2018 | CAYENNE TURBO     | A4854 |
| A5504 | 0 | 002001>999999 | 2018 | CAYENNE           | A5504 |
| A5704 | 0 | 002001>999999 | 2018 | CAYENNE DIESEL V8 | A5704 |
| A5904 | 0 | 002001>999999 | 2018 | CAYENNE DIESEL    | A5904 |
| G5504 | 0 | 002001>999999 | 2018 | CAYENNE           | G5504 |

Model: 92A 11

Model life 2011&gt;&gt;2018

| NR  | Description  |
|-----|--|
| 450 | Ceramic brake (PCCB)   |
| 452 | Multi-function steering wheel, Sycamore, touch + feel  |
| 509 | Fire extinguishers   |
| 610 | DVD navigation, "Europe package"   |
| 611 | DVD navigation South Africa  |
| 612 | DVD navigation middle east   |
| 613 | DVD navigation australia   |
| 614 | DVD navigation asia-pacific  |
| 615 | DVD navigation system, North America   |
| 616 | DVD, Navigation Russia   |
| 656 | Steering column with electric reach/height adjustment and memory                             |
| B0A | Component set without country assignment   |
| B0D | Component set for USA  |
| B0E | Component set for Canada   |
| B0L | Component set for Japan  |
| B0M | Component set for AGCC countries   |
| B0N | Component set for Great Britain  |
| B0R | Component set for Australia  |
| B0W | Component set for California   |
| B1C | Component set for Mexico   |
| B1D | Component set for Brazil   |
| B1P | Component set for China  |
| B1Q | Component set for Argentina  |
| B2A | Component set PAP LHD  |
| B2G | Component set for Thailand   |
| B2H | Component set for Korea  |
| B3D | Component set for Turkey   |
| CD3 | 18-inch Turbo wheel-2 (8 X 18 RO 57)   |
| CJ2 | Cayenne S wheel 8x18, wheel offset 57  |
| CJ3 | 19-inch (9 X 19) Cayenne Design wheel  |
| CJ6 | 18-inch (8 x 18) Cayenne Turbo wheel   |
| CK0 | 21" Cayenne Sport Edition wheel (10 x 21)  |
| CN5 | 21" Cayenne Sport Edition wheel (10 x 21)<br>in vehicle colour                               |
| CN7 | 20" Cayenne Sport Design wheel (10 x 20)   |
| CP5 | RS Spyder Design wheel, 9" x 20"   |
| CP7 | 19-inch (9 x 19) Cayenne Design wheel painted<br>in body colour                              |
| CQ1 | Cayenne Sport Edition 21" (10 x 21)<br>in black  |
| CS5 | 20-inch (9X20) Cayenne Sport Design wheel  |
| CS6 | Cayenne Sport Techno wheel 9x20, wheel offset 60   |
| CT1 | Cayenne Sport Techno wheel 9x20, wheel offset 60,<br>wheel spokes painted in exterior colour |
| CW3 | Cayenne Design wheel 19 " in titanium metallic   |

Model: 92A 11

Model life 2011&gt;&gt;2018

| NR  | Description   |
|-----|---|
| CY2 | 21-inch Cayenne Sport wheel (10 x 21 RO 50)                           |
| CY3 | RS Spyder Design wheel, 20"   |
| CY4 | Cayenne Sport Techno wheel 9"/10" x 20"<br>in vehicle colour          |
| CY6 | RS SportDesign 20" wheel (GTS), Matt Black                            |
| CZ4 | 21" 911 Turbo Design wheel (10 X 21)                                  |
| C1J | Cayenne Rad 18" (8 x 18 ET 53)  |
| C1Q | 18" Cayenne S wheel (8 x 18 RO 53)                                    |
| C2R | 18-inch Cayenne S wheel-2 (8 x 18 RO 57)                              |
| C2Y | 911 Turbo Design wheel, 21", E2 II, Black                             |
| C4I | 21" Cayenne E2 SportClassic wheel<br>Wheel centre painted in Platinum |
| C4P | 21" Cayenne E2 Sport Classic wheel,<br>Black                          |
| C5B | RS Spyder Design wheel, 9.5" x 20"                                    |
| C5D | 20" RS Spyder Design wheel, Platinum                                  |
| C5E | 19" RS Sport Classic Tequipment wheel                                 |
| C7F | 20-inch 911 Turbo Design wheel, Black                                 |
| C8K | 19" Turbo wheel (8.5 x 19 RO 59)                                      |
| C9N | 21" Sport Classic wheel in Black                                      |
| C9S | 21" Sport Classic wheel in exterior colour                            |
| DD7 | 6-cylinder diesel engine 3.0 l/190 kW TDI                             |
| DD8 | 8-cylinder diesel engine 4.2 l KW TDI                                 |
| DT1 | 8-cylinder biturbo engine, 4.8 l 382 kW                               |
| DT5 | 4.8 litre turbo engine, 8-cylinder                                    |
| DU1 | 6-cylinder turbo engine 3.6 l/294 kW                                  |
| DU2 | 6-cylinder turbo engine, 3.6 l 309 kW                                 |
| DU3 | 3.6 litre turbo engine, 6-cylinder                                    |
| DV7 | 6-cylinder diesel engine 3.0 l/193 kW TDI                             |
| D1V | 6-cylinder diesel engine 3.0/155 kW TDI                               |
| D11 | 6-cylinder petrol engine 3.0/245 kW                                   |
| D19 | 6-cyl. spark-ignition engine, 3.0 l/245 kW (HYBRID)                   |
| D34 | 6-cyl. spark-ignition engine, 3.6 l/220 kW (E2)                       |
| D43 | 6-cylinder diesel engine 3.0 l/180 kW TDI                             |
| D50 | 6-cylinder diesel engine, 3.0 l/176 kW TDI                            |
| D51 | 6-Zylinder-Dieselmotor 3,0 L/184 KW TDI                               |
| D58 | 8-cyl. spark-ign. engine, 4.8 l/368 kW biturbo (E2)                   |
| D6V | 8-cyl. spark-ignition engine, 4.8 l/294 kW DFI (E2)                   |
| EH1 | Length of charging cable: standard                                    |
| EH2 | Charging cable length: 7.5 metres                                     |
| ER1 | Regional code "ECE" for radio   |
| ER2 | Regional code "RdW" for radio   |
| ER3 | Region code "USA" for radio   |
| ER4 | Region code "Mexico/NAR2" for radio                                   |
| ER5 | Region code Japan for radio   |
| ER6 | Regional code "China" for radio                                       |
| ER7 | Regional code "Korea" for radio                                       |

Model: 92A 11

Model life 2011&gt;&gt;2018

| NR  | Description                                       |
|-----|---|
| ER8 | Regional code "Taiwan" for radio                  |
| ES1 | Charging socket, AC type 1, mode 2-3 (NAR/Japan)  |
| ES3 | Charging socket, AC type 2, mode 2-3 (EU)         |
| ES4 | Household charging socket, type L                 |
| EV1 | Household charging cable, type E/F                |
| EV2 | Household charging cable, type Japan 100V         |
| EV3 | Household charging cable, type J                  |
| EV4 | Household charging cable, type G                  |
| EV5 | Household charging cable, type B                  |
| EV6 | Household charging cable, type K                  |
| EV7 | Household charging cable, type I Australia        |
| EV8 | Household charging cable, type M                  |
| EV9 | Household charging cable, type I CN China         |
| E0A | No campaign version, basic equipment              |
| E0L | Cayenne special model<br>Platinum edition         |
| E0W | GTS version                                       |
| E1T | Sondermodell CAYENNE.<br>Porsche Design Edition 3 |
| E2D | Special model Transsyberia                        |
| E8A | Turbo S   |
| E81 | Enhanced performance engine                       |
| FI0 | Seat belts in Agate Grey                          |
| FI1 | Seat belts in Saddle Tan                          |
| FI2 | Seat belts in Garnet Red                          |
| FI3 | Seat belts in Espresso                            |
| FI5 | Seat belts in Rhodium Silver                      |
| FI7 | Seat belts in Cohiba Brown                        |
| FZ0 | Seat belts in Black                               |
| FZ1 | Seat belts in Guards Red                          |
| FZ2 | Seat belts in Silver Grey                         |
| FZ3 | Seat belts in Luxor Beige                         |
| FZ4 | Seat belts in Orange                              |
| FZ5 | Seat belts in Cognac                              |
| FZ6 | Seat belts in Umber                               |
| FZ7 | Seat belts in Titanium Blue                       |
| FZ8 | Seat belts in Carmine Red                         |
| FZ9 | Seat belts in Peridot                             |
| F09 | 19" Cayenne Design wheel (8.5 x 19)               |
| GM4 | Sound box without deactivation                    |
| GP0 | Vehicle without product enhancement               |
| GP1 | Product enhancement E2 II                         |
| GY0 | Without electric closing aid for tailgate         |
| GY1 | Power closing mechanism for tailgate              |
| GZ0 | Without closing aid for doors                     |
| GZ2 | Closing aid for doors                             |
| G0L | 6-speed manual transmission for all-wheel drive   |

Model: 92A 11

Model life 2011&gt;&gt;2018

| NR  | Description  |
|-----|--|
|     | vehicle  |
| G0R | Tiptronic s  |
| G1G | 8-speed auto. transmission for all-wheel drive                     |
| HA8 | Tyres 295/35 R21 107 Y   |
| HD9 | Tyres 275/40 R20 106 Y   |
| HP2 | All-season tyres 275/45 R19 108 V                                  |
| HQ3 | All-season tyres 265/50 R19 110 V                                  |
| HQ4 | All-season tyres 275/45 R20 110 V                                  |
| HS9 | Tyres 265/50 R19 110 Y   |
| HT0 | Tyres 275/45 R20 110 Y   |
| HV7 | All-season tyres 235/65 R17 108 V                                  |
| H8Z | Tyres 235/65 R17 108 V   |
| H9K | Tyres 255/55 R18 109 Y   |
| H9L | Tyres 275/45 R19 108 Y   |
| H9M | All-season tyre on 18-inch aluminium wheel                         |
| IY1 | Model year period from week 22 to week 45                          |
| IY2 | Model year period from week 45 to week 22                          |
| I8L | Premium radio (2nd gen.)   |
| J0B | Battery (92 Ah)Battery (92 Ah)                                     |
| J0L | 340 A (70 Ah) battery  |
| J0P | Battery (105 Ah)   |
| J0Z | 520 A (110 Ah) battery   |
| J1N | Battery (75 Ah)  |
| J1U | 450 A (95 Ah) battery  |
| KB1 | Charger, 3.6 kW  |
| KB2 | Charger, 7.2 kW  |
| KE0 | Without theft protection for engine control unit                   |
| KE2 | Theft protection for engine control unit                           |
| KK1 | Refrigerant R134a  |
| KK3 | Refrigerant R1234yf  |
| K4H | Closed body  |
| L0L | Left-hand drive version  |
| L0R | Right-hand drive version   |
| NJ1 | Charging Dock (wall mount)   |
| NJ2 | Charging Dock, flush-mounted (wall mount)                          |
| NZ0 | without emergency call control unit                                |
| NOG | Full-leather seat covers, smooth-finish for A/C seat               |
| NOQ | Seat covers in leather, smooth-finish for A/C seats                |
| N1A | Seat covers in natural leather for A/C seats                       |
| N1B | Seat covers in full leather, two-colour<br>with air conditioning   |
| N1D | Seat covers in partial leather (emb.) two-colour                   |
| N1M | Two-colour seat covers in partial leather,<br>smooth-finish        |
| N1P | Seat covers in partial leather (natural leather,<br>smooth-finish) |
| N1X | Part-leather seat covers, grained                                  |

Model: 92A 11

Model life 2011&gt;&gt;2018

| NR  | Description   |
|-----|---|
| N2S | Seat covers in partial leather ALCANTARA                                      |
| N2Z | Two-tone seat covers in partial leather, embossed for Cayenne S special model |
| N5U | Part-leather seat covers, smooth leather                                      |
| N5Y | Seat covers in partial leather (natural leather, soft ruffled leather)        |
| N7D | Soft ruffled leather seats in smooth leather                                  |
| N7F | Soft ruffled leather seats in embossed leather                                |
| OK3 | Hybrid propulsion system PHEV   |
| QA0 | without child seat  |
| QG1 | LongLife Service Regime   |
| QH0 | not with voice control  |
| QH1 | Voice control   |
| QJ2 | Aluminium package   |
| QJ3 | Alum. package, Platinum Silver Metallic                                       |
| QJ4 | Aluminium package, Black  |
| QJ5 | Aluminium package, Titanium-Metallic  |
| QL3 | Tinted glass, green at rear   |
| QL5 | Dark tinted rear privacy glass  |
| QL6 | Heat-insulating glass at rear, metallized                                     |
| QR0 | Without compass   |
| QR1 | With compass  |
| QR3 | Analog clock on dashboard   |
| QR4 | Sport Chrono package  |
| QR5 | Sport Chrono Package Plus   |
| QU0 | Digital radio reception (DAB)   |
| QU1 | TV reception + digital radio reception (DAB) MIB                              |
| QU8 | SAT radio reception, USA  |
| QV0 | Without TV and digital radio reception  |
| QV1 | With TV reception   |
| QV3 | HD radio reception (high-definition)  |
| QV4 | XM satellite radio receiver   |
| QV5 | TV reception and digital radio reception (DAB)                                |
| QV8 | HD radio reception and SAT radio XM (SDARS)                                   |
| Q1D | Sports seats with expanded memory function in smooth leather                  |
| Q1G | Standard seats (front), 8-way   |
| Q1J | GTS sports seats front and rear   |
| Q2J | Convenience seat  |
| Q4P | Sports seat GTS 8-way   |
| TF1 | V6 TDI (generation 2) basic engine components                                 |
| TH1 | V6 TDI (SCR) basic engine components  |
| UF0 | Without electric interface  |
| UF1 | Multimedia socket for external source   |
| UI2 | 2 X USB/IPOD interface  |
| UI4 | AUX-IN and USB/IPOD electric interface  |

Model: 92A 11 Model life 2011>>2018

| NR  | Description  |
|-----|--|
| UI6 | AUX + USB/IPOD electric interface<br>+ 2X charging               |
| UP1 | Sport Chrono / compass, Black                                    |
| UP3 | Sport Chrono / compass, White                                    |
| UP4 | Sport Chrono / compass, Luxor Beige                              |
| UP5 | Sport Chrono / compass, Garnet Red                               |
| UX6 | TPM valve, Silver  |
| UX7 | TPM valve, Black   |
| U00 | Cayenne E2 II Turbo wheel, 19" (8.5 x 19, R059)                  |
| U01 | 911 Turbo Design wheel, 21" E2 II (10 x 21)                      |
| U02 | 21" Sport Classic wheel  |
| U5A | Instrument insert, km/h indication, RoW                          |
| U5B | Instrument insert, mph indication, GB                            |
| U5C | Instrument insert, mph indication, USA                           |
| U5D | Instrument insert, km/h indication, Canada                       |
| U5E | Instrument insert, km/h indication, Japan                        |
| U5F | Instrument insert, display km/h, AGCC                            |
| U5G | Instrument insert, km/h indication, Australia                    |
| U97 | Cayenne E2 Platinum Sport Edition wheel, 21"                     |
| VC0 | Ohne Garagentoröffner  |
| VC1 | Garage door opener, 433 MHz                                      |
| VC2 | Garage door opener, 315 MHz                                      |
| VR0 | Without impact protection measures                               |
| VR1 | Side protection, running board                                   |
| VR2 | Side impact protection measures, off-road                        |
| VR3 | Front-end and side protection                                    |
| VR4 | Front impact protection measures                                 |
| VR5 | Sill cover with aluminium trim                                   |
| VW5 | Insulating glass in rear   |
| V98 | Cayenne E2 II wheel, 18" (8 x 18, R053)                          |
| V99 | Cayenne S E2 II wheel, 18" (8 x 18, R053)                        |
| 0AB | Anti-roll bar, front and rear                                    |
| 0AC | Anti-roll bar, active body control<br>(pdcc)                     |
| 0AG | Anti-roll bar, front, disengageable                              |
| 0AW | Front and rear anti-roll bars with active<br>Body control -PDCC- |
| 0BB | Rear stabilizer bar  |
| 0BJ | Anti-roll bar, rear, disengageable                               |
| 0F5 | Fuel system for diesel engine                                    |
| 0F9 | Cooled fuel system for diesel engine                             |
| 0GD | Emissions compliance EU 2, (CN)                                  |
| 0GG | Emissions compliance EU 4  |
| 0GM | Emissions compliance LEV   |
| 0GU | Emissions compliance EU 2  |
| 0GZ | EU 3 diesel emissions concept with E-OBd                         |
| 0JA | Weight class 1, front axle - 1170-1210 kg                        |



Model: 92A 11

Model life 2011&gt;&gt;2018

| NR  | Description   |
|-----|---|
| 0JB | Weight class 2, front axle - 1211-1226 kg                   |
| 0JC | Weight class 3, front axle - 1227-1251 kg                   |
| 0JD | Weight class 4, front axle - 1252-1276 kg                   |
| 0JE | Weight class 5, front axle - 1277-1292 kg                   |
| 0JF | Weight class 6, front axle - 1293-1328 kg                   |
| 0JG | Weight class 7, front axle - 1329-1428 kg                   |
| OK0 | Without alternative drive system                            |
| OK1 | Hybrid propulsion system                                    |
| OK3 | Hybrid propulsion system PHEV                               |
| OM0 | Fuel tank, 85 litre   |
| OM1 | Fuel tank, 100 litre  |
| ONA | Deletion of model designation                               |
| ONB | Nameplate set in basic version                              |
| OP0 | Standard tailpipe   |
| OP3 | Sports tailpipe of polished stainless steel,<br>4-pipe look |
| OP6 | Exhaust tailpipe, Black                                     |
| OP8 | Sports exhaust system                                       |
| OP9 | Sports exhaust system, Black tailpipe                       |
| OSA | Without special stickers, plates                            |
| OSB | Stickers, plates in German                                  |
| OSC | Stickers, plates in English                                 |
| OSD | Stickers, plates in Swedish                                 |
| OSE | Stickers, plates in Dutch                                   |
| OSF | Stickers, plates in Danish                                  |
| OSG | Stickers, plates in French                                  |
| OSH | Stickers, plates in Portuguese                              |
| OSJ | Stickers, plates in Spanish                                 |
| OSK | Stickers, plates in Italian                                 |
| OSL | Stickers, plates in Japanese                                |
| OSM | Stickers, plates in Chinese                                 |
| OSN | Stickers, plates in Russian                                 |
| OSP | Stickers, plates in Finnish                                 |
| OSQ | Stickers, plates in Norwegian                               |
| OSS | Stickers, plates in English/French                          |
| OSV | Stickers, plates in Greek                                   |
| OSW | Stickers, plates in Arabic                                  |
| OYA | Weight class 1, rear axle - 1039-1074 kg                    |
| OYB | Weight class 2, rear axle - 1075-1128 kg                    |
| OYC | Weight class 3, rear axle - 1129-1159 kg                    |
| OYD | Weight class 4, rear axle - 1160-1215 kg                    |
| OYE | Weight class 5, rear axle - 1216-1244 kg                    |
| OYF | Weight class 6, rear axle - 1245-1299 kg                    |
| OYG | Weight class 7, rear axle - 1300-1331 kg                    |
| OYH | Weight class 8, rear axle                                   |
| OY1 | Standard climatic zone                                      |
| OY2 | Tropical climatic zone                                      |

Model: 92A 11

Model life 2011&gt;&gt;2018

| NR  | Description  |
|-----|--|
| 0Y3 | Cold climatic zone   |
| 1A2 | Engine variant without reduced compression                               |
| 1A5 | Engine variant with reduced compression                                  |
| 1BA | Suspension/dampers, standard   |
| 1BH | Suspension/dampers, standard 2 PASM                                      |
| 1BK | Air suspension with levelling system and height adjustment (PASM)        |
| 1BS | 4-corner air suspension  |
| 1BW | Comfort suspension/damping (steel springs)                               |
| 1BZ | Comfort suspension/damping, PASM   |
| 1D0 | without tow bar  |
| 1D1 | Trailer hitch, removable, lockable, ECE R55                              |
| 1D2 | Detachable trailer coupling  |
| 1D3 | Trailer hitch, electrically retractable, ECE R55                         |
| 1D6 | Trailer coupling without tow ball  |
| 1D7 | Preparation for detachable trailer coupling                              |
| 1D8 | Preparation for detachable trailer coupling "usa"                        |
| 1D9 | Electric folding trailer coupling  |
| 1E0 | Without activated charcoal canister                                      |
| 1E1 | Active charcoal container  |
| 1E9 | without activated carbon canister with SCR                               |
| 1G1 | 18-inch collapsible spare wheel  |
| 1G3 | High-pressure alloy spare wheel with tyre                                |
| 1G4 | 19" collapsible spare wheel  |
| 1G6 | Spare wheel, space saving - 17-inch, radial tyre, compressor, in vehicle |
| 1G8 | Tire Fit, tyre repair set  |
| 1KF | Rear brake discs, disc diameter 18 inches, Black brake callipers, (NAR)  |
| 1KP | Rear disc brakes - disc diameter 18"plus<br>Brake calliper painted red   |
| 1KS | Rear disc brakes, 18", green   |
| 1KT | Rear disc brakes, 18", green (USA)                                       |
| 1KU | Rear disc brakes - disc diameter 18 inches, brake calliper painted red   |
| 1KW | Rear disc brakes - disc diameter 17 inches, brake calliper painted black |
| 1KY | Rear brake discs, Disc diameter 18", Silver brake calliper               |
| 1KZ | Rear disc brakes, 18-inch disc diameter, brake calliper painted black    |
| 1LD | Front disc brake, 18-inch disc diameter,                                 |

Model: 92A 11

Model life 2011&gt;&gt;2018

| NR  | Description  |
|-----|--|
|     | brake calliper painted silver,<br>North America  |
| 1LH | Rear disc brake - disc diameter 19 inches,<br>brake calliper painted red                 |
| 1LK | Front disc brake, disc diameter 19 inches,<br>brake calliper painted Green               |
| 1LL | Front disc brake, disc diameter 19 inches,<br>brake calliper painted Green               |
| 1LM | Front disc brake, disc diameter 19 inches,<br>brake calliper painted Black               |
| 1LN | Front disc brake - 18-inch disc diameter,<br>brake calliper painted Black                |
| 1LP | Front disc brakes, disc diameter 19 inches,<br>brake calliper painted Black              |
| 1LT | Front disc brake, 20", yellow/PCCB   |
| 1LU | Front disc brake - 18-inch disc diameter,<br>brake calliper in anodised silver           |
| 1LV | Front disc brake - 20-inch disc diameter<br>plus brake calliper<br>painted Yellow (PCCB) |
| 1LX | Front disc brake - disc diameter 20 inch,<br>brake calliper painted yellow (PCCB)        |
| 1LY | Front disc brake - 19-inch disc diameter,<br>brake calliper painted Yellow (PCCB)        |
| 1L0 | Standard air cleaner   |
| 1L1 | Air cleaner for dusty regions  |
| 1L2 | Equipment for countries<br>with dust-laden air   |
| 1MD | Leather steering wheel for airbag system - 3 spokes,<br>heatable, TWO-COLOUR             |
| 1ML | Sports steering wheel with paddle  |
| 1MV | Lederlenkrad fuer Airbagsystem - 3 Speichen,<br>aufgepolstert                            |
| 1MW | Leather steering wheel for airbag system<br>- 3 spokes, padded                           |
| 1NE | Wheel centres STANDARD   |
| 1NP | Wheel centres with full-colour Porsche Crest<br>(concave)                                |
| 1N1 | Power steering   |
| 1N3 | Speed-dependent power-assisted steering (servotronic)                                    |
| 1PC | Wheel bolts with theft protection  |
| 1SA | Without protective plate for engine  |
| 1SB | Protective plate for engine in steel   |
| 1XE | 3-spoke multi-function steering wheel,<br>wood, Anthracite Birch with radio controls     |
| 1XG | Multi-function steering wheel,<br>American Walnut, Brown, heated                         |

Model: 92A 11

Model life 2011&gt;&gt;2018

| NR  | Description  |
|-----|--|
| 1XJ | 3-spoke multi-function steering wheel in dark Burr maple wood with radio control element     |
| 1XK | 3-spoke multi-function steering wheel in Light Olive wood with radio control element         |
| 1Y0 | Ohne Vorder- /Hinterachssperre   |
| 1Y1 | Differential lock, rear, centre differential lock  |
| 1ZA | Front disc brake, 18" disc brake, brake calliper painted Green                               |
| 1ZB | Front disc brake, 18" disc brake, brake calliper painted Green, North America                |
| 1ZL | Front disc brake, 19-inch disc diameter, brake calliper painted red, North America           |
| 1ZT | Front disc brake, 18-inch disc diameter, brake calliper painted black, North America         |
| 2C4 | Steering column, reach + height adjustable with memory                                       |
| 2C5 | Steering column, reach + height adjustable, mechanical                                       |
| 2D0 | Without Aerokit  |
| 2D1 | Aerokit, with sill cover   |
| 2D2 | Aerokit, without sill cover  |
| 2D3 | Sill cover   |
| 2D4 | Cayenne GTS aerokit standard spoiler   |
| 2ED | Rear brake discs, disc diameter 20 inches, brake calliper painted Acid Green                 |
| 2EE | Rear disc brakes - 18-inch disc diameter, brake calliper in anodised silver                  |
| 2EH | Rear disc brakes - disc diameter 19 inch Brake calliper painted yellow (PCCB)                |
| 2EJ | Rear disc brakes, disc diameter 18 inches, Silver brake callipers (NAR)                      |
| 2EL | Rear brake discs, disc diameter 18 inches, brake callipers, Red (NAR)                        |
| 2FV | 3-spoke multi-function steering wheel in light Olive wood , matt, with radio control element |
| 2FX | 3-spoke multi-function steering wheel, wood, Carbon with radio controls                      |
| 2G0 | Without insert for filling with diesel   |
| 2G1 | Insert for fuelling with unleaded petrol   |
| 2G3 | Without insert for unleaded filling  |

Model: 92A 11

Model life 2011&gt;&gt;2018

| NR  | Description  |
|-----|--|
| 2G4 | Insert for fuelling with unleaded petrol (CARB Diagnosis)              |
| 2G6 | Without fuel tank adapter; ethanol fuel                                |
| 2G7 | Insert for unleaded fuelling in bad fuel region                        |
| 2G8 | Insert for unleaded fuelling - MAPPS                                   |
| 2HB | Interior sound measures (shaker)                                       |
| 2JB | Bumper, standard   |
| 2JC | Comfort bumper, stainless-steel attachment, front apron bottom section |
| 2JL | Comfort bumper (stainless steel trim at rear)                          |
| 2JX | Comfort bumper (stainless steel trim at front + rear)                  |
| 2PH | Leather steering wheel for airbag system - 3 spokes, heated            |
| 2PM | Leather steering wheel for airbag system - 3-spoke steering wheel      |
| 2PR | Alcantara steering wheel, 3-spoke, heated, padded                      |
| 2PW | Alcantara steering wheel, 3-spoke, padded                              |
| 2PX | Sports steering wheel, Alcantara with paddles                          |
| 2V5 | Fresh air intake with activated charcoal filter                        |
| 2W0 | Tank cap, standard   |
| 2W2 | Tank cap in Green (NAR diesel)   |
| 2W6 | Fuel tank cap in Aluminium Look  |
| 2X0 | Without Tiptronic operation  |
| 2X2 | tiptronic control on steering wheel                                    |
| 2ZF | 3-sp. multi-funct steering wheel, Alcantara, heated                    |
| 2ZH | 3-spoke multi-function steering wheel, heated                          |
| 2ZM | 3-spoke multi-function steering wheel                                  |
| 2ZU | Multi-function steering wheel, Yachting Mahogany, heated               |
| 3B1 | Child seat anchors, USA/Canada requirement                             |
| 3B4 | Child seat anchors for ISOFIX child seat system, RoW                   |
| 3CA | with no partition  |
| 3CX | net partition  |
| 3D1 | Centre console STANDARD (PVC)  |
| 3D3 | Centre console MEDIUM, grained leather                                 |
| 3D4 | Centre console in natural leather                                      |
| 3D5 | Centre console Alcantara   |
| 3D6 | Centre console in two-colour leather                                   |
| 3D7 | Centre console in two-colour natural leather                           |
| 3D8 | Centre console Leather, smooth   |
| 3D9 | Centre console, standard, two-colour                                   |
| 3FA | Without roof insert  |
| 3FE | Electric glass slide/tilt sunroof                                      |
| 3FU | Porsche large roof system  |

Model: 92A 11

Model life 2011&gt;&gt;2018

| NR  | Description  |
|-----|--|
| 3F4 | Spare wheel with tyre, internal  |
| 3GA | without cargo management   |
| 3GE | Raised loadspace floor   |
| 3GN | Variable luggage/load compartment floor  |
| 3J4 | Headrests for front seats  |
| 3J7 | Headrests for front seats, with embossed crest   |
| 3LD | Door & side trim panel - standard - PAG  |
| 3LE | Door & side trim panel - MEDIUM - PAG  |
| 3LH | Door trim and side wall - all leather -- pillars/<br>rooflining in Alcantara - PAG         |
| 3LM | Door panel/side trim panel in natural leather  |
| 3LS | Door & side trim panel - Alcantara   |
| 3LT | Door, side trim panel in two-colour natural leather  |
| 3LX | Door/side trim panel in two-colour natural leather   |
| 3L3 | Manual height adjustment for both 8-way adjustable<br>front seats                          |
| 3L4 | Driver memory package  |
| 3L5 | Electrical adjustment for both 12-way adjustable<br>front seats                            |
| 3ME | Tufted velour carpeting with protective pad  |
| 3MT | Pearl velour carpeting with protective pad   |
| 3NW | Rear seats, split backrest can be folded down  |
| 3PN | 12-way electrical adjustment for both front seats<br>+ memory                              |
| 3QT | 3-point automatic seat belts at front with seat-belt<br>pre-tensioners + height adjustment |
| 3S1 | Bright roof rails  |
| 3S2 | Black roof rails without drip mouldings  |
| 3S4 | Preparation for roof rack, black   |
| 3S5 | Black roof rails with drip mouldings   |
| 3S7 | Roof rails   |
| 3S8 | Roof Transport System  |
| 3W4 | Acoustic package, standard   |
| 3W7 | Extra audio package  |
| 3X0 | not with through-loading aperture  |
| 3X1 | Load-through hatch with ski bag  |
| 3Y0 | without roll-up sun screen   |
| 3Y3 | Manual sun blind, rear side window   |
| 3Y4 | Roller blind for rear side windows   |
| 3Y7 | Roll-up sun blind, side windows,<br>rear, electric   |
| 3Y8 | Electric roll-up sunblind for rear side window   |
| 3ZD | 3-point automatic seat belt (rear), "NAR"  |
| 3ZU | 3-point automatic seat belt (rear), "RoW"  |
| 4AP | Door/side trim panel, standard two-colour  |
| 4AV | Door trim and side wall - smooth-leather insert  |
| 4A0 | without seat heater  |

Model: 92A 11

Model life 2011&gt;&gt;2018

| NR  | Description  |
|-----|--|
| 4A3 | Heated seats, front  |
| 4A4 | Heated seats, front/rear   |
| 4D0 | without seat ventilation   |
| 4D1 | Seat ventilation for A/C seat front and rear   |
| 4D3 | Seat ventilation (front), a/c seat   |
| 4E0 | Tailgate release from outside  |
| 4E2 | Interior tailgate release, electrical  |
| 4E7 | Trunk lid power closing  |
| 4F2 | Porsche entry + drive  |
| 4F6 | Porsche entry + drive (usa/can)  |
| 4GC | Windscreen in heat-insulating glass,<br>with top tint  |
| 4GF | Windscreen of tinted glass   |
| 4GG | Windscreen, insulating glass with top tint,<br>heated  |
| 4GH | Windscreen, heat-insulating glass<br>with top tint, heated                                   |
| 4GK | Windscreen, insulating glass with top tint   |
| 4GY | Windscreen of heat-insulating glass  |
| 4KC | Green heat-insulating glass in rear  |
| 4KF | Dark tinted glass in rear  |
| 4K0 | Central-locking system with key remote and<br>interior operation                             |
| 4K3 | Central locking with remote control,<br>inner release and safe lock system                   |
| 4LA | no controls on steering wheel  |
| 4LB | 3-spoke multi-function steering wheel in leather<br>with radio control element               |
| 4LC | 3-spoke multi-function steering wheel in leather<br>with radio and telephone control element |
| 4L2 | Safety interior mirror, manual dimming function  |
| 4L6 | Safety interior mirror, automatic dimming function   |
| 4N1 | Padded dashboard   |
| 4N3 | Switch panel in two-tone leather w. decor. stitching   |
| 4N4 | Dashboard in two-colour natural leather  |
| 4N5 | Dashboard in natural leather   |
| 4N8 | Dashboard with genuine leather   |
| 4N9 | Upholstered dashboard, two-colour  |
| 4QF | 3-point automatic belts at front with electrical<br>height adjustment and memory             |
| 4QR | 3-point automatic seat belt (front), "NAR"   |
| 4UB | Airbag with kneebar  |
| 4UD | Airbag, can not be deactivated on passenger's side   |
| 4UE | Airbags for driver and front-seat passenger;<br>front-seat passenger side can be deactivated |
| 4UP | Airbag for driver, passenger,<br>with knee airbag, passenger's side, deactivatable           |

Model: 92A 11

Model life 2011&gt;&gt;2018

| NR  | Description   |
|-----|---|
| 4UQ | Advanced airbag   |
| 4X3 | Front side airbag with head airbag                                  |
| 4X4 | Side-airbag, front and rear with curtain airbag                     |
| 5D1 | Carrier frequency 433.92 MHz  |
| 5D2 | Carrier frequency 315 MHz   |
| 5D3 | Carrier frequency 315 MHz with reduced transmission power for Japan |
| 5D8 | Carrier frequency 434 MHz   |
| 5D9 | Carrier frequency 433.92 MHz with changed transmission duration     |
| 5J1 | Rear spoiler, unpainted   |
| 5J2 | Body-colored rear spoiler   |
| 5J8 | Rear spoiler in Platinum Silver Metallic                            |
| 5MA | Decorative inlays - paint, painted plastic                          |
| 5MB | Decorative inlay in Swedish Birch Anthracite                        |
| 5MG | Burr maple wood package, dark high gloss                            |
| 5MH | Carbon decorative inlays  |
| 5ML | Decorative inlays in Mahogany Yachting                              |
| 5MP | Decorative inlays in American Walnut, Brown                         |
| 5RK | Door mirror, right, flat  |
| 5RP | Right exterior mirror, convex with camera                           |
| 5RQ | Exterior mirror, right, convex                                      |
| 5RR | Door mirror, right, convex (US)                                     |
| 5RT | Door mirror, right, convex (AGCC)                                   |
| 5RV | Door mirror, right, aspherical                                      |
| 5SG | Door mirror, left, flat   |
| 5SJ | Door mirror, left, convex   |
| 5SL | Door mirror, left, aspherical                                       |
| 5SU | Left exterior mirror, convex with camera                            |
| 5TE | Aluminium "sport" package   |
| 5TF | "Olive" wood package, light high gloss                              |
| 5TK | Decorative inlays, grained olive wood                               |
| 5TL | Decorative inlay in Piano Look                                      |
| 5W0 | Roof rail, Titanium-Metallic  |
| 5W1 | Silver roof rails plus bars   |
| 5W2 | Preparation for roof rack, bright, silver                           |
| 5W3 | Roof rack black, guide rails bright                                 |
| 5W4 | Black roof rails plus bars  |
| 5XH | Sun visor, illuminated mirror with dual function                    |
| 5ZD | Headrests, front and rear, with logo                                |
| 5ZF | Headrests for front seats, with embossed crest                      |
| 6A0 | without fire extinguisher   |
| 6A4 | Preparation for fire extinguisher                                   |
| 6A5 | Fire extinguishers  |
| 6A7 | With fire extinguisher  |



Model: 92A 11

Model life 2011&gt;&gt;2018

| NR  | Description   |
|-----|---|
| 6DL | Sun visors, mirror (Korea)  |
| 6DQ | Sun visors, mirror (China)  |
| 6EA | Without additional body covers,<br>side stone guards  |
| 6EB | Additional body covers, stone guards and partial<br>cover                                       |
| 6EC | Underbody protection, rear axle   |
| 6EP | Additional body covers, stone guards, type 1  |
| 6EQ | Additional body covers, stone guards, type 2  |
| 6ES | Additional body covers, stone guards, type 3  |
| 6ET | Additional body covers, stone guards, type 4  |
| 6E2 | Front centre armrest in natural leather   |
| 6E3 | Centre armrest, front - PVC foam film   |
| 6E4 | GTS front centre armrest in natural leather   |
| 6E6 | Centre armrest, front - smooth leather  |
| 6E7 | Centre armrest, front - grained leather   |
| 6FA | without contrasting colour  |
| 6FB | Door-mirror housing painted in exterior colour  |
| 6FI | Contrasting colour: Orange  |
| 6FJ | Mirror lower shell/base, Black  |
| 6FM | Contrasting colour: Crystal Silver Metallic   |
| 6FP | Contrasting colour: Meteor Grey Metallic  |
| 6FU | Mirror lower shell/base, vehicle colour   |
| 6F0 | Without imprint on armrest  |
| 6F6 | Porsche Crest on front armrest  |
| 6F8 | Model logo on front armrest   |
| 6GA | without exterior body styling kit   |
| 6GB | Component set - wider<br>wheel arch cover, off-road   |
| 6GE | Component set - wheel arch extensions,<br>extra wide for Australia                              |
| 6GF | Component set - wider wheel arch covers   |
| 6GG | Component set for wider wheel arch trim (USA/CAN)   |
| 6GH | Component set for wider wheel arch trim in<br>exterior colour (USA) - 2010,<br>2011 - worldwide |
| 6GJ | Component set for wider wheel arch trim in<br>exterior colour (RoW) - 2010,<br>2011 - worldwide |
| 6GK | Component set for wider wheel arch trim in<br>exterior colour (AUS)                             |
| 6NA | One-piece rooflining in Alcantara, USA  |
| 6NF | One-piece rooflining in Alcantara, Canada   |
| 6NG | Standard roof lining, fabric (Japan)  |
| 6NH | Standard roof lining, Alcantara (Japan)   |
| 6NJ | Standard rooflining, fabric   |
| 6NL | Standard rooflining in fabric, Canada   |

Model: 92A 11

Model life 2011&gt;&gt;2018

| NR  | Description  |
|-----|--|
| 6NN | Alcantara rooflining   |
| 6NQ | Roof lining, standard, fabric, USA   |
| 6N1 | Mudguards, rear  |
| 6P1 | Number-plate holder, rear (ECE)  |
| 6P2 | Number-plate holder, rear (USA)  |
| 6P4 | Rear number plate bracket (Japan)  |
| 6P5 | Rear number plate bracket (China)  |
| 6Q2 | Gear selector knob + grip in leather, gear lever<br>in leather/aluminium                                 |
| 6Q3 | Selector lever in Swedish Birch, Anthracite  |
| 6Q4 | Selector lever in Carbon   |
| 6Q7 | EXC selector lever   |
| 6Q8 | Gear lever, wood, dark   |
| 6W1 | Number-plate holder, front, large (ECE)  |
| 6W2 | Number-plate holder, front, small (RoW)  |
| 6W3 | Number-plate holder, front (NAR)   |
| 6W4 | Front number plate bracket, Japan  |
| 6W7 | Number plate bracket, front, China   |
| 6XP | Door mirrors, electrically retractable,<br>electrically adjustable, separately heated                    |
| 6XQ | Exterior mirror with memory function,<br>electr. retractable/adjustable, separately heated               |
| 6XT | Door mirrors, automatically dimmable, electrically<br>retractable/adjustable, separately heated + memory |
| 6XW | Door mirrors, automatically dimmable, electrically<br>retractable/adjustable, separately heated          |
| 6Y2 | Comfort air pressure, 270 km/h   |
| 6Y4 | Comfort air pressure, 100 mph  |
| 6Y7 | Comfort air pressure, 100 mph USA  |
| 7AC | Alarm system, interior surveillance, alarm horn  |
| 7AH | Alarm system, interior surveillance can be<br>deactivated Backup horn                                    |
| 7AK | Alarm system, interior surveillance system,<br>anti-towing protection                                    |
| 7AL | Alarm system, interior surveillance system,<br>backup horn, anti-towing protection                       |
| 7AT | Alarm system, interior surveillance, with VTS<br>(Vehicle Tracking System)                               |
| 7AU | Alarm system, backup horn, with VTS<br>(Vehicle Tracking System)   |
| 7A0 | Without CD autochanger/player  |
| 7A1 | Preparation for CD autochanger   |
| 7A2 | CD autochanger (6-disc)  |
| 7B2 | Five 12-volt plug sockets (USA)  |
| 7B3 | Four 12-volt plug sockets (ROW)  |
| 7B6 | Six 12-V sockets   |
| 7B7 | Five 12-V sockets  |

Model: 92A 11

Model life 2011&gt;&gt;2018

| NR  | Description   |
|-----|---|
| 7B8 | Seven 12-V sockets  |
| 7D7 | Integrated CD/DVD autochanger   |
| 7E0 | Without heat accumulator  |
| 7E6 | Auxiliary heater  |
| 7F2 | Selector lever in Mahogany Yachting   |
| 7F3 | Selector lever, American Walnut, Brown  |
| 7F7 | Gear lever, wood, light, high gloss   |
| 7GA | Emission standard LEV 2   |
| 7GB | Emission standard ULEV 2  |
| 7GG | EU 4 emissions concept with particle filter   |
| 7GH | EU4 emissions concept without EOBD  |
| 7G1 | VTS (Vehicle Tracking System) preparation,<br>without driver card   |
| 7G2 | VTS (Vehicle Tracking System) preparation,<br>with driver card  |
| 7G5 | Preparation, VTS (Vehicle Tracking<br>System), with driver card, connection<br>to alarm system,<br>re-start inhibitor |
| 7G9 | VTS preparation and Porsche Car Connect<br>(pcc)  |
| 7HI | Emissions concept EU5 Russia  |
| 7I0 | VTS security package (incl. PCC)<br>and keypad  |
| 7I2 | VTS security package (with PCC)   |
| 7K0 | Without Tire Pressure Monitoring (TPM)  |
| 7K3 | Tyre pressure monitoring (TPM) 433 MHz  |
| 7K4 | Tyre pressure monitoring system 315 MHz   |
| 7K5 | 315-MHz Tire Pressure Monitoring<br>with reduced transmission power   |
| 7L4 | Start/Stop "last mode" with recuperation  |
| 7L6 | Start/Stop "default off"<br>mit Rekuperation  |
| 7L7 | StopRecuperation without Start/Stop   |
| 7L8 | Start/Stop "default on"<br>mit Rekuperation   |
| 7MG | Emissions concept EU 5  |
| 7MJ | Emissions concept EU 5J   |
| 7MM | EU6 plus exhaust concept  |
| 7MN | EU5 emissions concept for Japan (hybrid)  |
| 7MQ | Emissions concept EU5   |
| 7M0 | Door entry guards of plastic from MY 04   |
| 7M1 | Door entry guards of stainless steel from MY 04   |
| 7M3 | Door entry guards in carbon   |
| 7M7 | Door entry guards, stainless steel, illuminated   |
| 7M8 | Door entry guards in Carbon, illuminated  |
| 7QT | Navigation "Europe package"   |

Model: 92A 11

Model life 2011&gt;&gt;2018

| NR  | Description   |
|-----|---|
| 7QV | Navigation south africa   |
| 7QX | Navigation North America  |
| 7QZ | Navigation middle east  |
| 7Q0 | not with navigation system  |
| 7Q2 | PCM navigation module   |
| 7Q4 | Navigation system preparation, Japan  |
| 7Q7 | PCM incl. navigation & compass display in instrument cluster                        |
| 7RA | Navigation, Australia   |
| 7RB | Navigation, Hong Kong   |
| 7RC | Navigation, Singapore   |
| 7RD | Navigation Taiwan   |
| 7RG | Navigation China  |
| 7RH | Navigation Middle East  |
| 7RJ | Navigation Australia  |
| 7RM | Navigation Hong Kong  |
| 7RN | Navigation Taiwan   |
| 7RS | Navigation North America  |
| 7RT | Navigation package Europe   |
| 7RV | Navigation Russia   |
| 7RX | Navigation South Africa   |
| 7RY | Navigation Singapore  |
| 7T0 | Compass display in instrument cluster   |
| 7T1 | Offroad navigation, with course calculator showing latitude and longitude           |
| 7T3 | Offroad navigation, with course calculator showing latitude and longitude + COMPASS |
| 7T4 | Navigation module China   |
| 7T7 | Navigation system preparation, China  |
| 7UG | Navigation device, High   |
| 7VE | Auxiliary heater with integrated timer.   |
| 7VL | Auxiliary heater with integrated timer and remote control                           |
| 7V0 | Instrument dials in Black   |
| 7V1 | Instrument dials in Guards Red  |
| 7V3 | Instrument dials in White   |
| 7V4 | Instrument dials in Luxor Beige   |
| 7V5 | Instrument dials in Silver  |
| 7V6 | Instrument dials in Black/Silver  |
| 7V7 | Instrument dials, Garnet Red  |
| 7V8 | Instrument dials in Carmine Red   |
| 7X0 | Without park distance control   |
| 7X1 | Ultrasound ParkAssist and reversing camera  |
| 7X2 | ParkAssist, front/rear  |
| 7X3 | Rear view camera system   |
| 7X7 | Ultrasound parking aid with camera (LOW)  |

Model: 92A 11

Model life 2011&gt;&gt;2018

| NR  | Description   |
|-----|---|
| 7X8 | Ultrasound parking aid and reversing camera   |
| 7X9 | Rear view camera system   |
| 7Y0 | No lane change assistant  |
| 7Y1 | Lane change assist  |
| 7Y2 | Lane keeping system   |
| 7Y3 | Lane Change Assist and Lane Keep Assist   |
| 7Y6 | Lane departure warning (LDW)  |
| 7Y7 | Lane Change Assist and<br>Lane departure warning  |
| 70H | Household charging cable, type N Brazil   |
| 70L | Household charging cable, type N<br>ZA South Africa   |
| 70S | Household charging cable, type L, Italy   |
| 71X | Household charging cable, type B, Mexico  |
| 71Y | Household charging cable, type I, China   |
| 73B | Industrial charging cable, NEMA 6-30  |
| 73C | Industrial charging cable, NEMA 6-50  |
| 73D | Industrial charging cable, type NEMA 14-30  |
| 73E | Industrial charging cable, NEMA 14-50   |
| 73F | Industrial charging cable, Japan 200V   |
| 73G | Industrial charging cable, CEE 16A/230V/6H  |
| 73H | Industrial charging cable, CEE 32A/230V/6H  |
| 73J | Industrial charging cable, CEE 16A/400V/6H  |
| 73K | Industrial charging cable, CEE 32A/400V/6H  |
| 73L | Infrastructure charging cable, fixed (USA)  |
| 73S | Industrial charging cable Japan YP-43   |
| 77J | Navigation software Argentina   |
| 77K | Navigation software Chile   |
| 8AJ | Porsche CDR 31 radio WW   |
| 8A4 | Ultrasound parking aid with<br>Real Topview   |
| 8BB | Halogen main headlights, right-hand traffic   |
| 8BC | Main headlights with gas-discharge lamps +<br>direction indicators, XENON, right-hand traffic               |
| 8BE | Main headlight with gas-discharge lamp &<br>direction indicator light, XENON, left-hand traffic             |
| 8BF | Halogen main headlight, left-hand traffic   |
| 8BR | Halogen main headlights, U.S. version with<br>direction indicator and running lights,<br>right-hand traffic |
| 8BT | Main headlight with<br>gas discharge lamp USA,<br>XENON right-hand traffic,<br>with black interior lining   |
| 8BZ | Main headlights with gas-discharge lamps +<br>direction indicators, XENON, left-hand traffic                |
| 8DQ | Basic radio/PCM terminal, USA,  |

Model: 92A 11 Model life 2011>>2018

| NR  | Description  |
|-----|--|
|     | double-DIN colour display  |
| 8DR | Porsche CDR 30 radio WW  |
| 8DU | Porsche CDR 23 radio WW  |
| 8DV | Basic radio/PCM terminal, RoW,<br>double-DIN colour display  |
| 8EA | Xenon USA, right-hand traffic  |
| 8EC | Xenon ECE RHD with<br>daytime running lights   |
| 8ED | Xenon ECE LHD with<br>daytime running lights   |
| 8EE | Xenon, ECE, left-hand traffic (Black)  |
| 8EF | Xenon, ECE, right-hand traffic (Black)   |
| 8EG | Xenon, USA, right-hand traffic (Black)   |
| 8EH | Xenon USA, right-hand traffic with<br>daytime running lights.  |
| 8EX | LED headlights, r-h traffic + dyn. cornering light   |
| 8EY | LED headlights, USA with dynamic cornering light   |
| 8FE | Preparation for second battery   |
| 8F2 | side-mounted turn signals  |
| 8F5 | Side-marker lamps and turn signals   |
| 8GH | Alternator 190 A   |
| 8GR | Alternator 150 A   |
| 8GV | Alternator 180 A   |
| 8G0 | Without high-beam assistant  |
| 8G1 | PDLs+ High beam assist   |
| 8G2 | Dynamic high beam PDLs+  |
| 8IS | LED headlights, l-h traffic + dyn. cornering light   |
| 8JD | Main headlights with gas-discharge lamps<br>U.S. version, XENON RHD                                    |
| 8JE | Main headlight with gas-discharge lamp<br>ECE, XENON, right-hand traffic.                              |
| 8JG | Main headlight with<br>gas discharge lamp ECE, XENON, right-hand traffic<br>with black interior lining |
| 8JJ | Main headlight with gas-discharge lamp ECE,<br>XENON, left-hand traffic, with black interior lining    |
| 8K0 | No special driving light activation  |
| 8K1 | Daytime driving light setting, Scandinavia   |
| 8K3 | Daytime driving lights, auxiliary driving lights,<br>RoW, with COMING/LEAVING HOME function            |
| 8K4 | Daytime driving light setting, Canada  |
| 8K5 | Auxiliary driving lights, USA (NAR)  |
| 8K8 | Auxiliary driving lights (RoW)   |
| 8K9 | Daytime driving lights, auxiliary driving lights,<br>Canada (NAR), with COMING/LEAVING HOME function   |
| 8L6 | Diversity antenna  |
| 8N3 | Wipers - variable interval setting with rain sensor  |

Model: 92A 11

Model life 2011&gt;&gt;2018

| NR  | Description  |
|-----|--|
| 8Q1 | Headlight levelling, manual  |
| 8Q2 | Static headlight beam adjustment   |
| 8Q3 | Headlight levelling - dynamic  |
| 8RV | 10 loudspeakers, passive   |
| 8SA | side tail light<br>standard design                                       |
| 8SB | side tail light<br>standard design, Black                                |
| 8SI | side tail light<br>(USA, Canada), Black                                  |
| 8SJ | side tail light<br>(USA, Canada)   |
| 8TF | Rear left and right fog lights   |
| 8T1 | Cruise control   |
| 8T3 | Automatic distance control +<br>cruise control ACC from MY 04            |
| 8WB | Front fog lamps  |
| 8WH | Street junction light and<br>fog lights                                  |
| 8WU | Roof-mounted lights  |
| 8X0 | Without headlamp washer system   |
| 8X1 | Headlamp washer system   |
| 8YZ | Without radio but with preparation for 10<br>loudspeakers                |
| 8Y1 | Standard horns   |
| 8Y2 | Horns for extreme driving situations                                     |
| 8ZM | Antenna in rear spoiler  |
| 9AB | Manually controlled air conditioning<br>system                           |
| 9AD | Climatronic, free of CFCs  |
| 9AH | 4-zone air conditioning system   |
| 9G1 | 220 A generator  |
| 9JA | Non-smoker package   |
| 9JB | Smoker version; ashtrays at front and rear                               |
| 9L1 | engine compartment lighting  |
| 9MA | Interior lighting in basic equipment                                     |
| 9MB | Comfort interior lighting, dimmable,<br>with light strips on door panels |
| 9M0 | Without auxiliary heater/parking heater                                  |
| 9M1 | Water heater with timer  |
| 9M5 | Preheater for diesel   |
| 9M9 | Auxiliary water heater with timer<br>and remote control                  |
| 9NY | electronic log book  |
| 9P3 | Belt control, visual and acoustic<br>for driver and passenger            |
| 9P7 | Belt control, visual and acoustic  |

Model: 92A 11

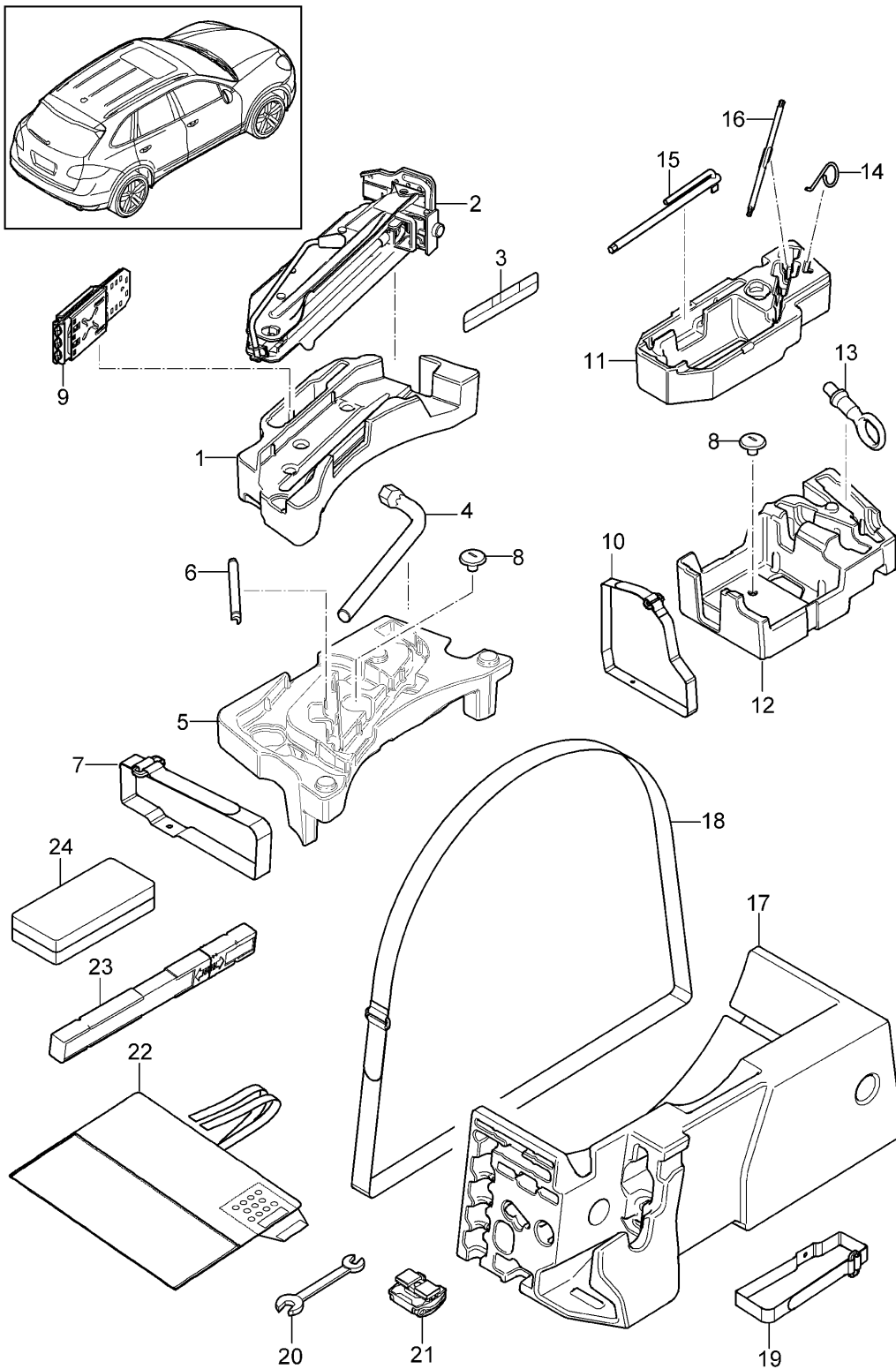
Model life 2011&gt;&gt;2018

| NR  | Description  |
|-----|--|
|     | only for driver  |
| 9Q1 | Multi-function display, on-board computer                                |
| 9Q6 | Traffic sign recognition   |
| 9TF | Courtesy entry and exit lights   |
| 9TH | Safety lights on front and rear doors                                    |
| 9T1 | Heated washer nozzles, front   |
| 9VJ | Top Premium sound systemTop Premium sound system                         |
| 9VK | Sound package 1/sound package  |
| 9VL | Sound package 2/High-end sound system                                    |
| 9WC | Without multimedia in the vehicle rear                                   |
| 9WM | Preparation for "Rear Seat Entertainment"                                |
| 9WU | MIRRORLINK + RSE PREPARATION   |
| 9W0 | Without preparation for installation of car phone                        |
| 9W1 | Telephone module without passive handset                                 |
| 9W5 | BLUETOOTH mobile phone preparation                                       |
| 9ZC | Telephone module with connection box                                     |
| 9ZF | Telephone preparation for VDA mobile phone<br>with hands-free facility   |
| 9ZH | Installation of car phone with emergency-call<br>system - PCM telematics |
| 9ZK | Telephone module   |
| 9ZP | Telephone module with passive handset                                    |
| 9ZT | Telephone preparation USA, JAPAN   |
| 9ZX | Mobile phone preparation   |



Model: 92A 11

Model life 2011>>2018



Model: 92A 11 Model life 2011>>2018

| Pos  | Part Number    | Description  | Remark | Qty | Model                   |
|------|----------------|--|--------|-----|-------------------------|
| 1    | 958 721 101 00 | Tool<br>jack   |        | 1   |                         |
| 2    | 958 721 211 00 | warning triangle<br>first aid kit<br>socket - jack<br>jack |        | 1   | PR:-2D1                 |
| 2    | 958 721 211 01 | Discontinued part<br>jack                                  |        | 1   | PR:-2D1                 |
| (2)  | 958 721 211 05 | jack<br>Discontinued part                                  |        | 1   | PR:2D1                  |
| (2)  | 958 721 211 06 | jack   |        | 1   | PR:2D1                  |
| 3    | 958 701 280 00 | Sticker<br>jack  |        | 1   | PR:B1P,B2A,<br>B2H,-2D1 |
| (3)  | 958 701 281 00 | D >> - MJ 2015<br>Sticker<br>jack                          |        | 1   | PR:B1P,B2A,<br>B2H,2D1  |
| (3)  | 958 701 282 00 | D >> - MJ 2015<br>Sticker<br>jack                          |        | 1   | PR:B0M,-2D1             |
| (3)  | 958 701 283 00 | D >> - MJ 2015<br>Sticker<br>jack                          |        | 1   | PR:B0M,2D1              |
| (3)  | 958 701 284 00 | D >> - MJ 2015<br>Sticker<br>jack                          |        | 1   | PR:B0R                  |
| (3)  | 958 701 285 00 | D >> - MJ 2015<br>Sticker<br>jack                          |        | 1   | PR:B0L                  |
| 4    | 955 721 135 02 | D >> - MJ 2015<br>socket wrench for<br>wheel bolts         |        | 1   |                         |
| 5    | 958 721 102 00 | Mounting for vehicle tools<br>D >> - MJ 2014               |        | 1   |                         |
| 5    | 958 721 102 10 | Mounting for vehicle tools<br>D - MJ 2015>>                |        | 1   |                         |
| 6    | 999 571 074 30 | Threaded stud<br>for<br>Wheels                             |        | 1   |                         |
| 7    | 958 721 111 00 | Holding strap<br>for cars without<br>jack                  |        | 1   |                         |
| (7)  | 958 721 111 05 | retaining strip for jack                                   |        | 1   |                         |
| 8    | N 908 713 01   | press stud   |        | 2   |                         |
| 9    | 955 721 725 00 | Wedge  |        | 2   |                         |
| 10   | 958 721 111 10 | Holding strap  |        | 1   |                         |
| 11   | 958 721 103 00 | Mounting for vehicle tools                                 |        | 1   |                         |
| 12   | 958 721 104 00 | Mounting for vehicle tools                                 |        | 1   |                         |
| 13   | 958 721 151 00 | Tow hitch  |        | 1   |                         |
| 14   | 955 721 153 00 | Extractor<br>for<br>Hub cap                                |        | 1   |                         |
| 15   | 955 721 135 01 | No longer use the part here<br>Socket wrench<br>Release    |        | 1   |                         |
| 16   | 955 721 135 04 | Headlights<br>screwdriver                                  |        | 1   |                         |
| (16) | 958 721 135 05 | screwdriver<br>for<br>Torx screw                           |        | 1   |                         |
| 17   | 958 721 105 00 | Mounting for vehicle tools                                 |        | 1   | PR:0K1,1G4              |
| (17) | 958 721 105 01 | Mounting for vehicle tools                                 |        | 1   | PR:0K1,1G1              |
| 18   | 958 721 111 15 | retain. strap for spare wheel                              |        | 1   | PR:0K1,1G1,<br>1G4      |

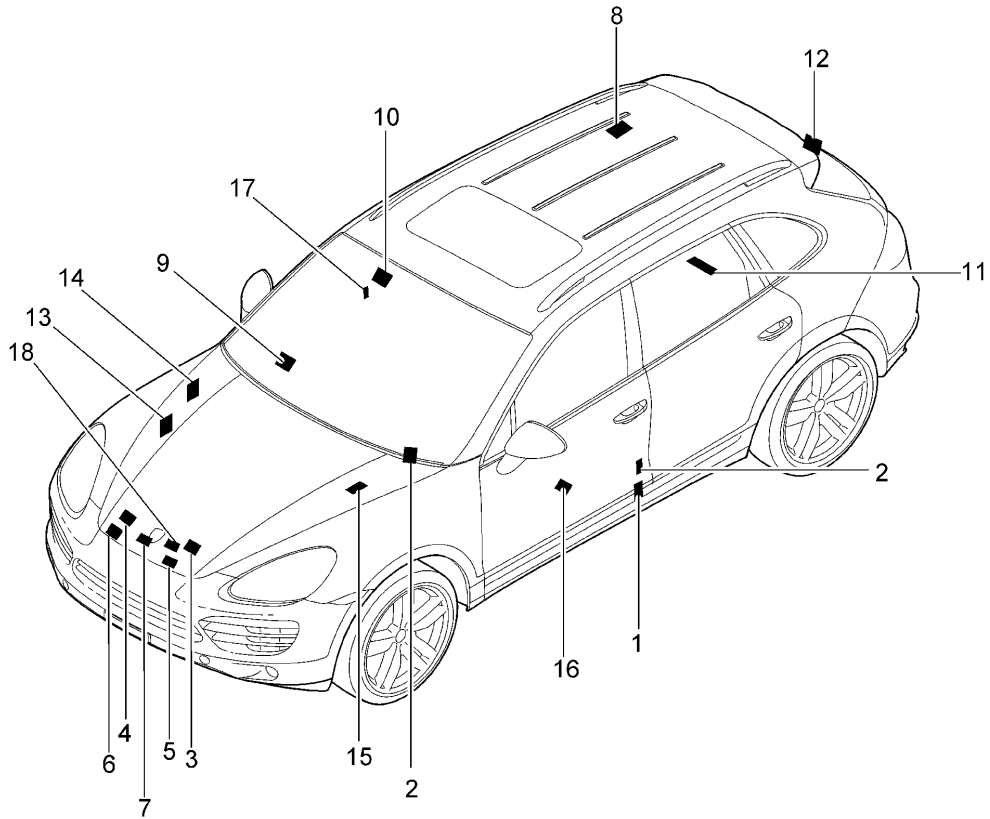
Model: 92A 11

Model life 2011&gt;&gt;2018

| Pos | Part Number    | Description                           | Remark | Qty | Model              |
|-----|----------------|---------------------------------------|--------|-----|--------------------|
| 19  | 958 721 111 20 | retaining strip for jack              |        | 1   | PR:0K1,1G1,<br>1G4 |
| 20  | 955 721 135 03 | Double open-ended spanner<br>10 X 13  |        | 1   |                    |
| 21  | 955 551 539 00 | Eye                                   |        | 4   |                    |
| 22  | 958 721 120 00 | tool kit bag                          |        | 1   |                    |
| 23  | 000 722 722 06 | warning triangle<br>Discontinued part |        | 1   |                    |
| 23  | 8K0 860 251    | warning triangle                      |        | 1   |                    |
| 24  | 7PP 860 282    | first aid kit                         |        | 1   |                    |

Model: 92A 11

Model life 2011>>2018



Model: 92A 11 Model life 2011>>2018

| Pos | Part Number    | Description   | Remark | Qty | Model  |
|-----|----------------|---|--------|-----|--|
| 1   | 958 701 297 00 | Signs/notices<br>Data plate for<br>tyre pressure                |        | 1   | PR: -D58, HA8,<br>HS9, HT0, H9K,<br>6Y2, 6Y4, 7K0  |
| 1   | 958 701 298 00 | Data plate for<br>tyre pressure                                 |        | 1   | PR: -D58, HA8,<br><br>HS9, HT0, H9K,<br>6Y4, 7K3, 7K4  |
| 1   | 958 701 299 00 | Data plate for<br>tyre pressure                                 |        | 1   | PR: -D58, HQ3,<br><br>HQ4, H9M, 6Y2,<br>6Y4  |
| 1   | 958 701 297 10 | Data plate for<br>tyre pressure                                 |        | 1   | PR: D58, HS9,<br><br>HT0, 6Y2  |
| 1   | 958 701 298 10 | Data plate for<br>tyre pressure                                 |        | 1   | PR: D58, HS9,<br><br>HT0, 6Y4  |
| 1   | 958 701 299 10 | Data plate for<br>tyre pressure                                 |        | 1   | PR: D58, HQ3,<br><br>HQ4, 6Y2, 6Y4   |
| 1   | 958 701 299 20 | Data plate for<br>tyre pressure                                 |        | 1   | PR: D58, H9L,<br><br>6Y2   |
| 1   | 958 701 299 30 | Data plate for<br>tyre pressure                                 |        | 1   | PR: D58, H9L,<br><br>6Y4   |
| 1   | 958 701 297 20 | Data plate for<br>tyre pressure                                 |        | 1   | PR: D58, HA8,<br>6Y2   |
| 1   | 958 701 298 20 | Data plate for<br>tyre pressure                                 |        | 1   | PR: D58, HA8,<br><br>6Y4   |
| 1   | 958 701 302 70 | Data plate for<br>tyre pressure                                 |        | 1   | PR: DD7, DD8,<br>DU2, DU3, DV7,<br>D1V, D11, D34,<br>D43, D50, D51,<br>HQ3, HQ4, HS9,<br>HT0 |
| 1   | 958 701 302 80 | Data plate for<br>tyre pressure                                 |        | 1   | PR: DD7, DD8,<br>DU2, DU3, DV7,<br>D1V, D11, D34,<br>D43, D50, D51,<br>HA8                   |
| 1   | 958 701 302 90 | Data plate for<br>tyre pressure                                 |        | 1   | PR: D19, HQ3,<br>HS9, H9K, H9M   |
| 1   | 958 701 303 00 | Data plate for<br>tyre pressure                                 |        | 1   | PR: D19, HA8,<br>HQ4, HT0  |
| 1   | 958 701 303 10 | Data plate for<br>tyre pressure                                 |        | 1   | PR: DT1, HQ3,<br>HQ4, HS9, HT0   |
| 1   | 958 701 303 20 | Data plate for<br>tyre pressure                                 |        | 1   | PR: DT1, HA8   |
| 1   | 958 701 303 30 | Data plate for<br>tyre pressure                                 |        | 1   | PR: DT5, HA8,<br>HQ4, HT0  |
| 1   | 958 701 303 40 | Data plate for<br>tyre pressure                                 |        | 1   | PR: DD7, DD8,<br>DU2, DV7, D1V,<br>D11, D34, D43,<br>D50, D51, H9K,<br>H9M                   |
| 2   | 7PP 010 686 F  | Sticker<br>Top speed<br>240 Km/h<br>Dashboard<br>D >> - MJ 2012 |        | 1   |  |

Model: 92A 11 Model life 2011>>2018

| Pos | Part Number    | Description   | Remark | Qty | Model                              |
|-----|----------------|---|--------|-----|------------------------------------|
| 2   | 7PP 010 831 D  | Notice for maximum speed<br>240 KM/H<br>Dashboard                             |        | 1   |                                    |
| (2) | 7PP 010 686 G  | Sticker<br>Top speed<br>150 MPH / 240 KM/H<br>Dashboard                       |        | 1   |                                    |
| (2) | 7PP 010 831 G  | D >> - MJ 2012<br>Notice for maximum speed<br>150 MPH / 240 KM/H<br>Dashboard |        | 1   | PR:B1P<br>"CN."                    |
| (2) | 7PP 010 831 E  | Notice for maximum speed<br>150 MPH / 240 KM/H<br>Dashboard                   |        | 1   |                                    |
| -   |                | Signs/notices<br>Engine specifications  |        |     |                                    |
| 4   | 7PP 010 751 C  | Sticker<br>Exhaust gas  |        | 1   | (THA)<br>PR:B2G                    |
| 4   | 7PP 010 001 A  | Sticker<br>Exhaust gas<br>Diesel  |        | 1   | (THA)<br>PR:B2G                    |
| 5   | 958 006 150 00 | Sticker<br>Assembly<br>v-belt   |        | 1   | PR:D6V,D58,<br>DT1,DT5,DU2,<br>DU3 |
| 5   | 958 701 739 00 | Warning sign for hybrid vehicles  |        | 1   | PR:D19                             |
| (5) | 955 006 675 00 | Sticker<br>Motor fan  |        | 1   | PR:B0L                             |
| 6   | 958 701 141 00 | Sticker<br>Air conditioning<br>D >> - MJ 2016                                 |        | 1   | PR:-B0L                            |
| (6) | 958 701 676 25 | Sticker<br>Air conditioning<br>D >> - MJ 2016                                 |        | 1   | PR:B0L                             |
| (6) | 9A7 010 014 00 | Sticker<br>Air conditioning   |        | 1   | PR:B1P                             |
| (6) | 9A7 010 014 01 | Sticker<br>Air conditioning   |        | 1   | PR:B0L,B1P                         |
| (6) | 997 006 544 00 | Sticker<br>engine oil<br>- MOBILOEL -<br>D >> - MJ 2012                       |        | 1   | PR:D6V,D58                         |
| (6) | 7PP 010 786 T  | Sticker<br>engine oil<br>- MOBILOEL -<br>D - MJ 2013>>                        |        | 1   | PR:D6V,D58                         |
| (6) | 955 006 544 00 | Sticker<br>engine oil<br>- MOBILOEL -<br>D >> - MJ 2012                       |        | 1   | PR:D50,D43                         |
| (6) | 7PP 010 786 T  | Sticker<br>engine oil<br>- MOBILOEL -<br>D - MJ 2013>>                        |        | 1   | PR:D50,D43,<br>DD8                 |
| (6) | 955 006 544 00 | Sticker<br>engine oil<br>- MOBILOEL -<br>D >> - MJ 2012                       |        | 1   | PR:D19,D34                         |
| (6) | 7PP 010 786 T  | Sticker<br>engine oil   |        | 1   | PR:D19,D34                         |

Model: 92A 11 Model life 2011>>2018

| Pos  | Part Number    | Description   | Remark | Qty | Model  |
|------|----------------|---|--------|-----|--|
| 7    | 7PP 010 714 R  | - MOBILLOEL -<br>D - MJ 2013>><br>Warning sign<br>Start/Stop<br>Discontinued part |        | 1   | PR:7L4,7L6,<br>7L8                                     |
| 8    | 958 006 117 30 | Sticker<br>Type of fuel<br>No longer use the part here                            |        | 1   | PR:B0M,D19,<br>D34,D6V,D58                             |
| 8    | 958 006 117 31 | Sticker<br>Type of fuel   |        | 1   | PR:B0M,D19,<br>D34,D6V,D58                             |
| 8    | 958 006 117 40 | Sticker<br>Type of fuel   |        | 1   | PR:B1P,D19,<br>D34,D6V,D58,<br>D11                     |
| (8)  | 958 006 117 50 | Sticker<br>Type of fuel   |        | 1   | PR:B0A,B0N,<br>B0R,B1C,B2G,<br>B2A,B2H,D19             |
| (8)  | 958 006 117 60 | Sticker<br>Type of fuel   |        | 1   | PR:B0A,B0N,<br>B0R,B1C,B2A,<br>B2G,B2H,D34,<br>D6V,D58 |
| (8)  | 958 006 117 60 | Sticker<br>Type of fuel   |        | 1   | PR:B0L,D19,<br>D34,D6V,D58                             |
| (8)  | 955 701 676 10 | Sticker<br>Fuel filler flap   |        | 1   | PR:B0L   |
| (8)  | 955 701 676 15 | sticker for<br>fuel filler neck   |        | 1   | PR:B0L   |
| (8)  | 955 701 676 20 | Sticker<br>Type of fuel   |        | 1   | PR:D50,D43,<br>DV7                                     |
| (8)  | 958 701 676 20 | Sticker<br>Type of fuel<br>"ULTRA LOW SULFUR"                                     |        | 1   | PR:D50,D43,  |
| (8)  | 958 701 676 21 | D >> - MJ 2012<br>Sticker<br>Type of fuel<br>"ULTRA LOW SULFUR"                   |        | 1   | PR:D43   |
| (8)  | 958 701 119 00 | D - MJ 2013>><br>Sticker<br>Auxiliary heater                                      |        | 1   | PR:-0SM,9M1,<br>9M9                                    |
| (8)  | 958 701 119 10 | Sticker<br>Auxiliary heater   |        | 1   | PR:0SM,9M1   |
| -    |                | Signs/notices<br>Airbag   |        |     |  |
| 10   | 955 701 435 00 | Warning sign<br>Airbag  |        | 1   | PR:B0A,B0D,<br>B0E,B0L,B0N,<br>B1C,B2G,B2H             |
| (10) | 955 701 435 10 | Warning sign<br>Airbag  |        | 1   | PR:B0A,B0D,<br>B0E,B0L,B0N,<br>B1C,B2G,B2H,<br>B1P,B2A |
| (10) | 955 701 435 20 | Warning sign<br>Airbag  |        | 1   | PR:B0M   |
| (10) | 955 701 435 30 | Warning sign<br>Airbag  |        | 1   | PR:B0R   |
| (10) | 958 701 435 00 | Warning sign<br>Airbag  |        | 1   | PR:6NG,6NH<br>"J.."                                    |
| 11   | 7PP 010 707 K  | Sticker<br>Spare wheel  |        | 1   | PR:1G1,1G4   |
| (11) | 958 701 289 00 | D >> - MJ 2012<br>Sticker<br>Spare wheel<br>Russian                               |        | 1   | PR:1G1,1G4   |
| (11) | 958 701 289 01 | D >> - MJ 2012<br>Sticker   |        | 1   | PR:1G1,1G4,  |

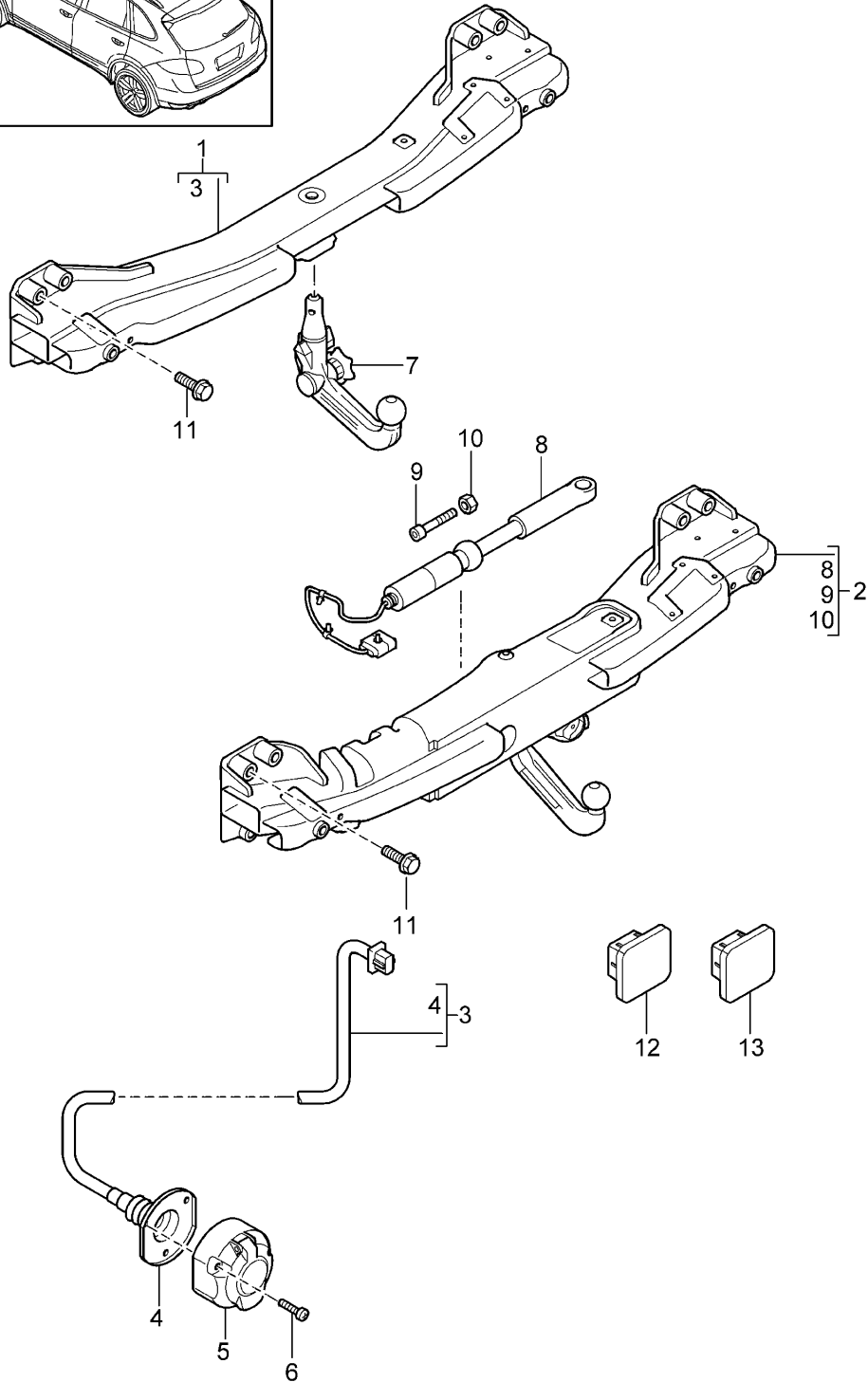
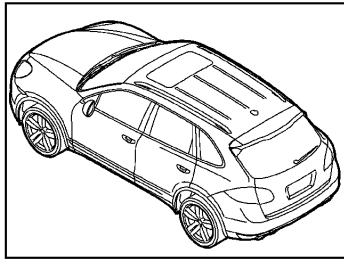
Model: 92A 11 Model life 2011>>2018

| Pos  | Part Number    | Description   | Remark | Qty | Model                  |
|------|----------------|---|--------|-----|------------------------|
| (11) | 958 701 680 00 | Spare wheel<br>D - MJ 2013>><br>Warning sign<br>Battery<br>Hybrid<br>German |        | 1   | 1G6<br>PR:D19,0SB      |
| (11) | 958 701 642 00 | Warning sign<br>Battery<br>Hybrid<br>French                                 |        | 1   | PR:D19,0SG             |
| (11) | 958 701 674 00 | Warning sign<br>Battery<br>Hybrid<br>Italian                                |        | 1   | PR:D19,0SK             |
| (11) | 958 701 681 00 | Warning sign<br>Battery<br>Hybrid<br>Spanish                                |        | 1   | PR:D19,0SJ             |
| (11) | 958 701 681 10 | Warning sign<br>Battery<br>Hybrid<br>Arabic                                 |        | 1   | PR:D19,0SW             |
| (11) | 958 701 681 20 | Warning sign<br>Battery<br>Hybrid<br>Japanese                               |        | 1   | PR:D19,0SL             |
| (11) | 958 701 681 21 | D >> - MJ 2012<br>Warning sign<br>Battery<br>Hybrid<br>Japanese             |        | 1   | PR:D19,0SL             |
| (11) | 958 701 681 30 | D - MJ 2013>><br>Warning sign<br>Battery<br>Hybrid<br>Chinese               |        | 1   | PR:D19,0SM             |
| 12   | 955 701 675 15 | Sticker<br>Import<br>Japan  |        | 1   | PR:B0L                 |
| 13   | 955 701 160 00 | Sticker<br>Window cleaner   |        | 1   |                        |
| 14   | 958 701 675 00 | Sticker<br>Reservoir  |        | 1   | PR:B0L                 |
| 14   | 955 701 675 00 | Sticker<br>Cover<br>Reservoir   |        | 1   | PR:B0L                 |
| 15   | 955 701 675 05 | Sticker<br>brake fluid  |        | 1   | PR:B0L                 |
| 16   | 955 701 673 00 | Sticker<br>Battery  |        | 1   | PR:B0L                 |
| 17   | 958 701 733 00 | Sticker<br>Recycling<br>Discontinued part                                   |        | 1   | PR:B0L                 |
| 17   | 970 701 523 00 | Sticker<br>Recycling  |        | 1   | PR:B0L                 |
| 18   | 958 010 001 00 | Sticker<br>Assembly<br>Poly-rib belt<br>D - MJ 2015>>                       |        | 1   | PR:DT1,DT5,<br>DU2,DU3 |



Model: 92A 11

Model life 2011>>2018



Model: 92A 11 Model life 2011>>2018

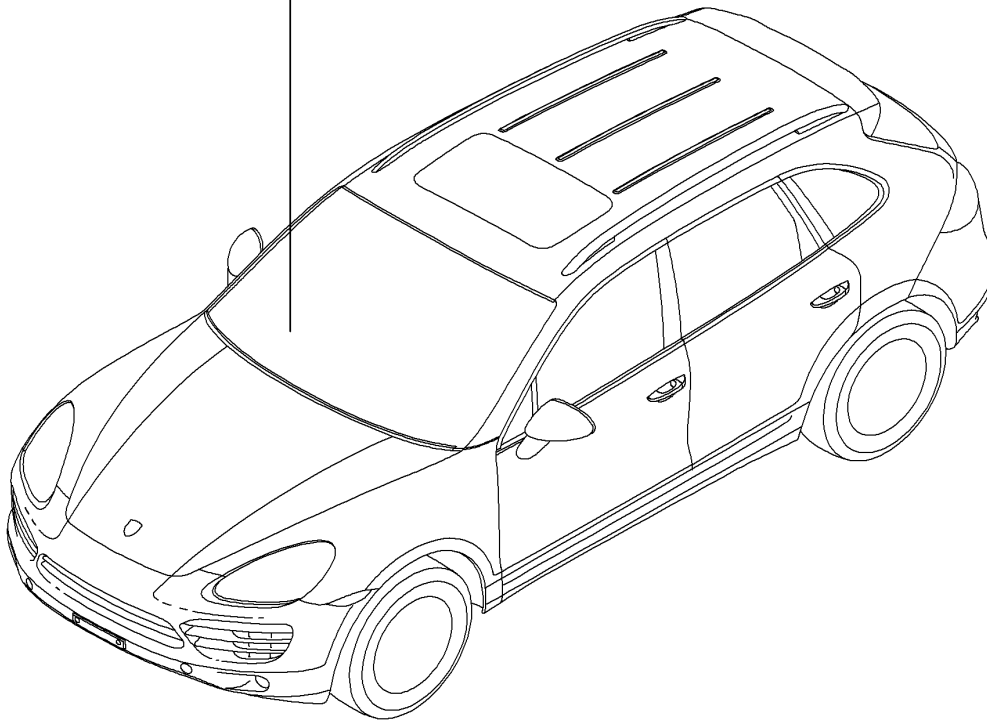
| Pos | Part Number    | Description   | Remark | Qty | Model                      |
|-----|----------------|---|--------|-----|----------------------------|
| 1   | 958 722 003 00 | Tow hitch<br>Tow hitch<br>with:<br>Wire set<br>use if required: |        | 1   | PR:1D2                     |
| (1) | 958 722 003 10 | POS. 7<br>Tow hitch<br>with:<br>Wire set<br>use if required:    |        | 1   | PR:1D1                     |
| (1) | 958 722 004 00 | POS. 7<br>Tow hitch<br>with:                                    |        | 1   | PR:B0A,B0D,<br>B0E,B1C,1D6 |
| (1) | 958 722 006 00 | Wire set<br>Tow hitch<br>with:                                  |        | 1   | PR:B0R,1D6<br>"AUS"        |
| 2   | 958 722 005 00 | Wire set<br>Tow hitch<br>with:                                  |        | 1   | PR:1D9                     |
| (2) | 958 722 005 10 | Wire set<br>Tow hitch<br>with:                                  |        | 1   | PR:1D3,-D19                |
| (2) | 958 722 005 20 | Wire set<br>Tow hitch<br>with:                                  |        | 1   | PR:1D3,D19                 |
|     |                | Wire set<br>for<br>Hybrid                                       |        |     |                            |
| 3   | 958 612 505 00 | Wire set  |        | 1   | PR:1D2,1D1                 |
| 3   | 958 612 506 00 | Wire set  |        | 1   | PR:B0A,B0D,<br>B0E,B1C,1D6 |
| (3) | 958 612 507 00 | Wire set  |        | 1   | PR:1D9,1D3                 |
| (3) | 958 612 508 00 | Wire set  |        | 1   | PR:B0R,1D6<br>"AUS"        |
| 4   | 955 612 520 01 | Cable support sleeve  |        | 1   |                            |
| 5   | 955 612 533 01 | Socket  |        | 1   | PR:1D2,1D9,<br>1D1,1D3     |
| (5) | 999 650 893 40 | Socket  |        | 1   | PR:1D6<br>"AUS"            |
| 6   | N 014 156 5    | fillister hd. bolt<br>M 5 X 30                                  |        | 3   |                            |
| 7   | 958 722 023 00 | ball head   |        | 1   | PR:1D2,1D1                 |
| 8   | 958 624 010 00 | Electric motor<br>Tow hitch                                     |        | 1   | PR:1D9,1D3                 |
| 9   | 999 218 069 02 | Socket head bolt<br>M 5 X 40                                    |        | 3   | PR:1D9,1D3                 |
| 10  | 900 910 007 02 | Locknut<br>M 5  |        | 3   | PR:1D9,1D3                 |
| 11  | N 910 292 02   | Hex collared bolt<br>BM 12 x 1,5 x 100                          |        | 8   |                            |
| 12  | 955 722 030 00 | Dummy cover   |        | 1   | PR:1D6                     |
| 13  | 955 722 030 10 | Dummy cover<br>Tow hitch  |        | 1   | PR:1D2                     |

Model: 92A 11

Model life 2011>>2018

|   |                   |
|---|-------------------|
| PROD. NUMMER<br>PROD. NUMBER            | 888 0815          |
| FIN<br>VIN                              | WP1ZZZ12345678912 |
| TYP<br>TYPE                             | 9PAAG1            |
| MOTORKB./GETR.KB<br>ENG.CODE/TRANS.CODE | M5502/C7050       |
| VERTRIEBSFARBCODE<br>SALESNO.           | G1                |
| AUSSTATTUNGSCODE<br>INTERIOR CODE       | AT                |
| FARBCODE<br>COLORCODE                   | 6B8               |

7P5\_010\_732.T



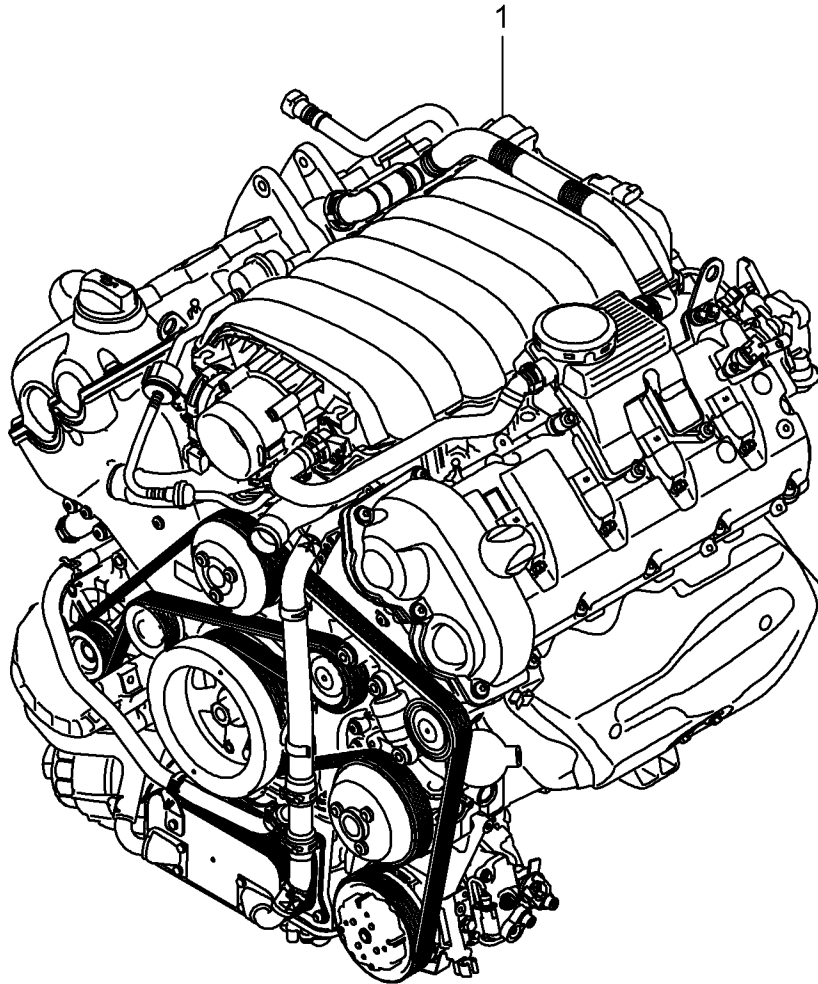
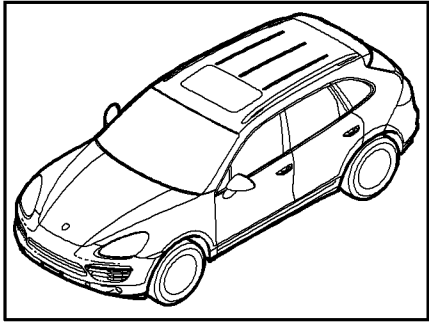
Model: 92A 11

Model life 2011>>2018

| Pos | Part Number        | Description  | Remark | Qty | Model |
|-----|--------------------|--|--------|-----|-------|
| -   |                    | paint touch-up applicator<br>Paints<br>Paint identification label<br>see<br>Vehicle wallet<br>Vehicle data carrier |        |     |       |
| -   | 911 095 932 20     | paint touch-up applicator  |        | X   |       |
|     | 911 095 932 20 041 | Black  |        |     | A 1   |
|     | 911 095 932 20 R9A | Ivory white  |        |     | R 6   |
|     | 911 095 932 20 M1C | Sand yellow  |        |     | B 3   |
|     | 911 095 932 20 C9A | white  |        |     | 0 Q   |
|     | 911 095 932 20 M3C | Carmine red  |        |     | 0 L   |
| -   | 911 095 933 20     | Paint pen set<br>Set<br>comprising:<br>base paint<br>clear paint   |        | X   |       |
|     | 911 095 933 20 X7W | Classic Silver Metallic  |        |     | P 5   |
|     | 911 095 933 20 C9X | Jet Black Metallic   |        |     | 2 T   |
|     | 911 095 933 20 M5X | Dark blue metallic   |        |     | N 4   |
|     | 911 095 933 20 M8U | Umbra Metallic   |        |     | R 7   |
|     | 911 095 933 20 Z6H | Jet Green Metallic   |        |     | J 6   |
|     | 911 095 933 20 M3T | Auburn Metallic  |        |     | E 6   |
|     | 911 095 933 20 M7W | Meteor Grey Metallic   |        |     | 9 Q   |
|     | 911 095 933 20 M4Z | Amethyst metallic  |        |     | N 6   |
|     | 911 095 933 20 2S1 | Peridot Metallic   |        |     | 7 L   |
|     | 911 095 933 20 M8Y | Mahogany Metallic  |        |     | Y 8   |
|     | 911 095 933 20 C1Y | Palladium Metallic   |        |     | 4 T   |
|     | 911 095 933 20 M7U | Rhodium Silver Metallic  |        |     | S 2   |
|     | 911 095 933 20 C5M | Moonlight Blue Metallic  |        |     | C 7   |
| -   | 911 095 933 21     | Paint pen set<br>Set<br>comprising:<br>base paint<br>clear paint   |        | X   |       |
|     | 911 095 933 21 M4W | Purpurite Metallic   |        |     | 4 H   |
| -   | 911 095 933 30     | Paint pen set<br>Set<br>comprising:<br>Primer filler<br>base paint<br>clear paint                                  |        | X   |       |
|     | 911 095 933 30 S9R | Carrara White metallic   |        |     | 2 Y   |

Model: 92A 11

Model life 2011>>2018



Model: 92A 11

Model life 2011&gt;&gt;2018

| Pos | Part Number    | Description   | Remark | Qty | Model               |
|-----|----------------|---|--------|-----|---------------------|
|     |                | Replacement engine<br>without:<br>Clutch plate<br>Tiptronic<br>without:<br>Compressor   |        |     | 4802,4852           |
| 1   | 948 100 902 00 | Replacement engine<br>Not ready for installation<br>poss. replacement:<br>See technical information<br>see main group 1 (engine)<br>1001 93/10<br>Discontinued part |        | 1   | 4802+<br>PR:1A2,E0A |
| (1) | 948 100 902 X  | Replacement engine<br>Not ready for installation<br>poss. replacement:<br>See technical information<br>see main group 1 (engine)<br>1001 93/10<br>Discontinued part |        | 1   | 4802+<br>PR:1A2,E0A |
| (1) | 948 100 902 02 | Replacement engine<br>Not ready for installation<br>See technical information<br>see main group 1 (engine)<br>1001 93/10<br>Discontinued part                       |        | 1   | 4802+<br>PR:1A2,E0A |
| (1) | 948 100 902 BX | Replacement engine<br>Not ready for installation<br>See technical information<br>see main group 1 (engine)<br>1001 93/10<br>Discontinued part                       |        | 1   | 4802+<br>PR:1A2,E0A |
| (1) | 948 100 902 04 | Replacement engine<br>Not ready for installation<br>See technical information<br>see main group 1 (engine)<br>1001 93/10<br>Discontinued part                       |        | 1   | 4802+<br>PR:1A2,E0A |
| (1) | 948 100 902 DX | Replacement engine<br>Not ready for installation<br>See technical information<br>see main group 1 (engine)<br>1001 93/10<br>Discontinued part                       |        | 1   | 4802+<br>PR:1A2,E0A |
| (1) | 948 100 902 06 | Replacement engine<br>Not ready for installation<br>See technical information<br>see main group 1 (engine)<br>1001 93/10<br>Discontinued part                       |        | 1   | 4802+<br>PR:1A2,E0A |
| (1) | 948 100 902 FX | Replacement engine<br>Not ready for installation<br>See technical information<br>see main group 1 (engine)<br>1001 93/10<br>Discontinued part                       |        | 1   | 4802+<br>PR:1A2,E0A |
| (1) | 948 100 902 10 | Replacement engine<br>Not ready for installation<br>See technical information<br>see main group 1 (engine)<br>1001 93/10<br>Discontinued part                       |        | 1   | 4802+<br>PR:1A2,E0A |
| (1) | 948 100 902 KX | Replacement engine  |        | 1   | 4802+               |

Model: 92A 11

Model life 2011&gt;&gt;2018

| Pos | Part Number    | Description  | Remark         | Qty | Model               |
|-----|----------------|--|----------------|-----|---------------------|
| (1) | 948 100 902 14 | Not ready for installation<br>See technical information<br>see main group 1 (engine)<br>1001 93/10<br>Discontinued part<br>Replacement engine              |                | 1   | PR:1A2,E0A<br>4802+ |
| (1) | 948 100 902 PX | Not ready for installation<br>See technical information<br>see main group 1 (engine)<br>1001 93/10<br>also use:  | 958 106 322 10 | 1   | 4802+<br>PR:1A2,E0A |
| (1) | 948 100 903 00 | Discontinued part<br>Replacement engine<br>Not ready for installation<br>See technical information<br>see main group 1 (engine)<br>1001 93/10<br>also use: | 958 106 322 10 | 1   | 4802+<br>PR:1A2,E0A |
| (1) | 948 100 903 X  | Discontinued part<br>Replacement engine<br>Not ready for installation<br>See technical information<br>see main group 1 (engine)<br>1001 93/10<br>also use: | 958 106 322 10 | 1   | 4802+<br>PR:1A2,E0A |
| (1) | 948 100 902 08 | Replacement engine<br>Not ready for installation<br>Discontinued part  | 958 106 322 10 | 1   | 4802+<br>PR:1A2,E0W |
| (1) | 948 100 902 HX | Replacement engine<br>Not ready for installation<br>Discontinued part  |                | 1   | 4802+<br>PR:1A2,E0W |
| (1) | 948 100 902 12 | Replacement engine<br>Not ready for installation<br>Discontinued part  |                | 1   | 4802+<br>PR:1A2,E0W |
| (1) | 948 100 902 MX | Replacement engine<br>Not ready for installation<br>Discontinued part  |                | 1   | 4802+<br>PR:1A2,E0W |
| (1) | 948 100 902 16 | Replacement engine<br>Not ready for installation<br>also use:  | 958 106 322 10 | 1   | 4802+<br>PR:1A2,E0W |
| (1) | 948 100 902 RX | Discontinued part<br>Replacement engine<br>Not ready for installation<br>also use:   | 958 106 322 10 | 1   | 4802+<br>PR:1A2,E0W |
| (1) | 948 100 903 02 | Discontinued part<br>Replacement engine<br>Not ready for installation<br>also use:   | 958 106 322 10 | 1   | 4802+<br>PR:1A2,E0W |
| (1) | 948 100 903 BX | Replacement engine<br>Not ready for installation<br>also use:  | 958 106 322 10 | 1   | 4802+<br>PR:1A2,E0W |
| (1) | 948 100 902 01 | Replacement engine<br>Not ready for installation<br>poss. replacement:<br>See technical information<br>see main group 1 (engine)<br>1001 93/10             | 958 106 322 10 | 1   | 4802+<br>PR:1A5,E0A |

Model: 92A 11

Model life 2011&gt;&gt;2018

| Pos | Part Number    | Description   | Remark | Qty | Model               |
|-----|----------------|---|--------|-----|---------------------|
| (1) | 948 100 902 AX | Discontinued part<br>Replacement engine<br>Not ready for installation<br>poss. replacement:<br>See technical information<br>see main group 1 (engine)<br>1001 93/10 |        | 1   | 4802+<br>PR:1A5,E0A |
| (1) | 948 100 902 03 | Discontinued part<br>Replacement engine<br>Not ready for installation<br>See technical information<br>see main group 1 (engine)<br>1001 93/10                       |        | 1   | 4802+<br>PR:1A5,E0A |
| (1) | 948 100 902 CX | Discontinued part<br>Replacement engine<br>Not ready for installation<br>See technical information<br>see main group 1 (engine)<br>1001 93/10                       |        | 1   | 4802+<br>PR:1A5,E0A |
| (1) | 948 100 902 05 | Discontinued part<br>Replacement engine<br>Not ready for installation<br>See technical information<br>see main group 1 (engine)<br>1001 93/10                       |        | 1   | 4802+<br>PR:1A5,E0A |
| (1) | 948 100 902 EX | Discontinued part<br>Replacement engine<br>Not ready for installation<br>See technical information<br>see main group 1 (engine)<br>1001 93/10                       |        | 1   | 4802+<br>PR:1A5,E0A |
| (1) | 948 100 902 07 | Discontinued part<br>Replacement engine<br>Not ready for installation<br>See technical information<br>see main group 1 (engine)<br>1001 93/10                       |        | 1   | 4802+<br>PR:1A5,E0A |
| (1) | 948 100 902 GX | Discontinued part<br>Replacement engine<br>Not ready for installation<br>See technical information<br>see main group 1 (engine)<br>1001 93/10                       |        | 1   | 4802+<br>PR:1A5,E0A |
| (1) | 948 100 902 11 | D           >> -     MJ 2013<br>Replacement engine<br>Not ready for installation<br>See technical information<br>see main group 1 (engine)<br>1001 93/10            |        | 1   | 4802+<br>PR:1A5,E0A |
| (1) | 948 100 902 LX | D -     MJ 2014>><br>Replacement engine<br>Not ready for installation<br>See technical information<br>see main group 1 (engine)<br>1001 93/10                       |        | 1   | 4802+<br>PR:1A5,E0A |
| (1) | 948 100 902 15 | D -     MJ 2014>><br>Replacement engine<br>Not ready for installation<br>See technical information<br>see main group 1 (engine)<br>1001 93/10                       |        | 1   | 4802+<br>PR:1A5,E0A |
| (1) | 948 100 902 QX | D -     MJ 2014>><br>Replacement engine   |        | 1   | 4802+               |



Model: 92A 11

Model life 2011&gt;&gt;2018

| Pos | Part Number    | Description   | Remark | Qty | Model               |
|-----|----------------|---|--------|-----|---------------------|
|     |                | Not ready for installation<br>See technical information<br>see main group 1 (engine)<br>1001 93/10<br>D - MJ 2014>>   |        |     | PR:1A5,E0A          |
| (1) | 948 100 902 09 | Replacement engine<br>Not ready for installation<br>Discontinued part   |        | 1   | 4802+<br>PR:1A5,E0W |
| (1) | 948 100 902 JX | Replacement engine<br>Not ready for installation<br>D >> - MJ 2013  |        | 1   | 4802+<br>PR:1A5,E0W |
| (1) | 948 100 902 13 | Replacement engine<br>Not ready for installation<br>D - MJ 2014>>   |        | 1   | 4802+<br>PR:1A5,E0W |
| (1) | 948 100 902 NX | Replacement engine<br>Not ready for installation<br>D - MJ 2014>>   |        | 1   | 4802+<br>PR:1A5,E0W |
| (1) | 948 100 902 17 | Replacement engine<br>Not ready for installation<br>D - MJ 2014>>   |        | 1   | 4802+<br>PR:1A5,E0W |
| (1) | 948 100 902 SX | Replacement engine<br>Not ready for installation<br>D - MJ 2014>>   |        | 1   | 4802+<br>PR:1A5,E0W |
| (1) | 948 100 952 00 | Replacement engine<br>Not ready for installation<br>poss. replacement:<br>See technical information<br>see main group 1 (engine)<br>1001 93/10<br>Discontinued part |        | 1   | 4852+<br>PR:E0A     |
| (1) | 948 100 952 X  | Replacement engine<br>Not ready for installation<br>poss. replacement:<br>See technical information<br>see main group 1 (engine)<br>1001 93/10<br>Discontinued part |        | 1   | 4852+<br>PR:E0A     |
| (1) | 948 100 952 01 | Replacement engine<br>Not ready for installation<br>See technical information<br>see main group 1 (engine)<br>1001 93/10<br>Discontinued part                       |        | 1   | 4852+<br>PR:E0A     |
| (1) | 948 100 952 AX | Replacement engine<br>Not ready for installation<br>See technical information<br>see main group 1 (engine)<br>1001 93/10<br>Discontinued part                       |        | 1   | 4852+<br>PR:E0A     |
| (1) | 948 100 952 02 | Replacement engine<br>Not ready for installation<br>See technical information<br>see main group 1 (engine)<br>1001 93/10<br>Discontinued part                       |        | 1   | 4852+<br>PR:E0A     |
| (1) | 948 100 952 BX | Replacement engine<br>Not ready for installation<br>See technical information<br>see main group 1 (engine)<br>1001 93/10<br>Discontinued part                       |        | 1   | 4852+<br>PR:E0A     |
| (1) | 948 100 952 04 | Replacement engine<br>Not ready for installation  |        | 1   | 4852+<br>PR:E0A     |

Model: 92A 11 Model life 2011>>2018

| Pos | Part Number    | Description   | Remark         | Qty | Model           |
|-----|----------------|---|----------------|-----|-----------------|
| (1) | 948 100 952 DX | See technical information<br>see main group 1 (engine)<br>1001 93/10<br>Discontinued part<br>Replacement engine<br>Not ready for installation<br>See technical information<br>see main group 1 (engine)<br>1001 93/10 |                | 1   | 4852+<br>PR:E0A |
| (1) | 948 100 952 07 | Discontinued part<br>Replacement engine<br>Not ready for installation<br>See technical information<br>see main group 1 (engine)<br>1001 93/10   |                | 1   | 4852+<br>PR:E0A |
| (1) | 948 100 952 GX | Discontinued part<br>Replacement engine<br>Not ready for installation<br>See technical information<br>see main group 1 (engine)<br>1001 93/10   |                | 1   | 4852+<br>PR:E0A |
| (1) | 948 100 952 10 | Discontinued part<br>Replacement engine<br>Not ready for installation<br>See technical information<br>see main group 1 (engine)<br>1001 93/10   |                | 1   | 4852+<br>PR:E0A |
| (1) | 948 100 952 KX | also use:<br>Discontinued part<br>Replacement engine<br>Not ready for installation<br>See technical information<br>see main group 1 (engine)<br>1001 93/10  | 958 106 322 10 | 1   | 4852+<br>PR:E0A |
| (1) | 948 100 952 13 | also use:<br>Discontinued part<br>Replacement engine<br>Not ready for installation<br>See technical information<br>see main group 1 (engine)<br>1001 93/10  | 958 106 322 10 | 1   | 4852+<br>PR:E0A |
| (1) | 948 100 952 NX | also use:<br>Replacement engine<br>Not ready for installation<br>See technical information<br>see main group 1 (engine)<br>1001 93/10   | 958 106 322 10 | 1   | 4852+<br>PR:E0A |
| (1) | 948 100 952 03 | also use:<br>Replacement engine<br>Not ready for installation<br>Discontinued part  | 958 106 322 10 | 1   | 4852+<br>PR:E81 |
| (1) | 948 100 952 CX | Replacement engine<br>Not ready for installation<br>Discontinued part   |                | 1   | 4852+<br>PR:E81 |
| (1) | 948 100 952 05 | Replacement engine<br>Not ready for installation<br>Discontinued part   |                | 1   | 4852+<br>PR:E81 |
| (1) | 948 100 952 EX | Replacement engine<br>Not ready for installation<br>Discontinued part   |                | 1   | 4852+<br>PR:E81 |
| (1) | 948 100 952 08 | Replacement engine<br>Not ready for installation<br>use if required:  | 958 106 322 10 | 1   | 4852+<br>PR:E81 |

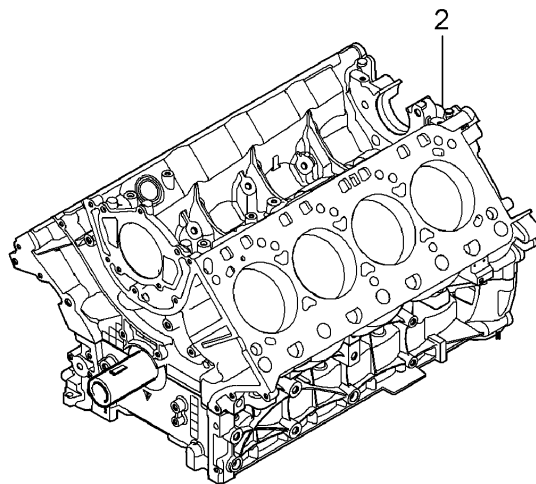
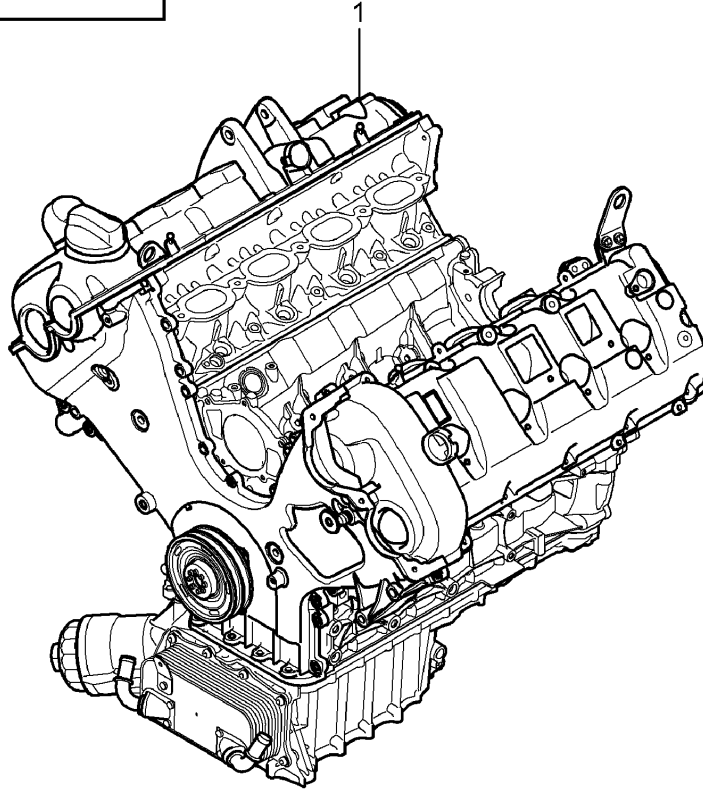
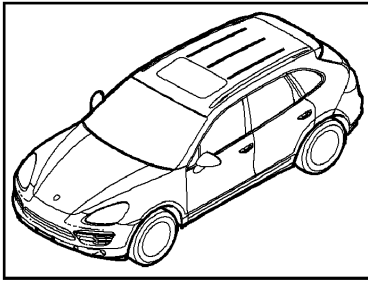
Model: 92A 11

Model life 2011>>2018

| Pos | Part Number    | Description   | Remark         | Qty | Model           |
|-----|----------------|---|----------------|-----|-----------------|
| (1) | 948 100 952 HX | Discontinued part<br>Replacement engine<br>Not ready for installation |                | 1   | 4852+<br>PR:E81 |
|     |                | use if required:  | 958 106 322 10 | 1   |                 |
| (1) | 948 100 952 11 | Discontinued part<br>Replacement engine<br>Not ready for installation |                | 1   | 4852+<br>PR:E81 |
|     |                | use if required:  | 958 106 322 10 | 1   |                 |
| (1) | 948 100 952 LX | Replacement engine<br>Not ready for installation                      |                | 1   | 4852+<br>PR:E81 |
|     |                | use if required:  | 958 106 322 10 | 1   |                 |
| (1) | 948 100 952 06 | Replacement engine<br>Not ready for installation                      |                | 1   | 4852+<br>PR:E8A |
| (1) | 948 100 952 FX | Discontinued part<br>Replacement engine<br>Not ready for installation |                | 1   | 4852+<br>PR:E8A |
|     |                | D >> - MJ 2013  |                |     |                 |
| (1) | 948 100 952 09 | Replacement engine<br>Not ready for installation                      |                | 1   | 4852+<br>PR:E8A |
|     |                | D - MJ 2014>>   |                |     |                 |
| (1) | 948 100 952 JX | Replacement engine<br>Not ready for installation                      |                | 1   | 4852+<br>PR:E8A |
|     |                | D - MJ 2014>>   |                |     |                 |

Model: 92A 11

Model life 2011>>2018



Model: 92A 11 Model life 2011>>2018

| Pos | Part Number    | Description   | Remark         | Qty | Model                                |
|-----|----------------|---|----------------|-----|--------------------------------------|
| (1) | 948 100 903 60 | Base engine<br>Short block<br>Base engine<br>comprising:<br>Valve cover<br>Cylinder head<br>Crank drive<br>oil sump<br>repair set<br><br>without:<br>Seal |                | 1   | 4802,4852<br><br>4802+<br>PR:E0A,1A2 |
|     |                |   | also use:      |     |                                      |
|     |                |   | WHT 004 966    | 10  |                                      |
|     |                |   | 948 111 181 01 | 2   |                                      |
|     |                |   | 999 707 582 41 | 1   |                                      |
|     |                |   | 999 707 581 41 | 1   |                                      |
|     |                |   | 948 110 615 00 | 1   |                                      |
|     |                |   | 999 701 502 41 | 2   |                                      |
| (1) | 948 100 903 PX | Base engine<br>comprising:<br>Valve cover<br>Cylinder head<br>Crank drive<br>oil sump<br>repair set<br><br>without:<br>Seal                               |                | 1   | 4802+<br>PR:E0A,1A2                  |
|     |                |   | also use:      |     |                                      |
|     |                |   | WHT 004 966    | 10  |                                      |
|     |                |   | 948 111 181 01 | 2   |                                      |
|     |                |   | 999 707 582 41 | 1   |                                      |
|     |                |   | 999 707 581 41 | 1   |                                      |
|     |                |   | 948 110 615 00 | 1   |                                      |
|     |                |   | 999 701 502 41 | 2   |                                      |
| (1) | 948 100 903 62 | Base engine<br>comprising:<br>Valve cover<br>Cylinder head<br>Crank drive<br>oil sump<br>repair set<br><br>without:<br>Seal                               |                | 1   | 4802+<br>PR:E0A,1A5                  |
|     |                |   | also use:      |     |                                      |
|     |                |   | WHT 004 966    | 10  |                                      |
|     |                |   | 948 111 181 01 | 2   |                                      |
|     |                |   | 999 707 582 41 | 1   |                                      |
|     |                |   | 999 707 581 41 | 1   |                                      |
|     |                |   | 948 110 615 00 | 1   |                                      |
|     |                |   | 999 701 502 41 | 2   |                                      |
| (1) | 948 100 903 QX | Base engine<br>comprising:<br>Valve cover<br>Cylinder head<br>Crank drive<br>oil sump<br>repair set<br><br>without:<br>Seal                               |                | 1   | 4802+<br>PR:E0A,1A5                  |
|     |                |   | also use:      |     |                                      |
|     |                |   | WHT 004 966    | 10  |                                      |
|     |                |   | 948 111 181 01 | 2   |                                      |
|     |                |   | 999 707 582 41 | 1   |                                      |
|     |                |   | 999 707 581 41 | 1   |                                      |
|     |                |   | 948 110 615 00 | 1   |                                      |
|     |                |   | 999 701 502 41 | 2   |                                      |
| (1) | 948 100 903 64 | Base engine   |                | 1   | 4802+                                |

Model: 92A 11 Model life 2011>>2018

| Pos | Part Number    | Description   | Remark         | Qty | Model               |
|-----|----------------|---|----------------|-----|---------------------|
|     |                | comprising:<br>Valve cover<br>Cylinder head<br>Crank drive<br>oil sump<br>repair set                |                |     | PR:E0W,1A2          |
|     |                | without:<br>Seal  |                |     |                     |
|     |                | also use:   | WHT 004 966    | 10  |                     |
|     |                |   | 948 111 181 01 | 2   |                     |
|     |                |   | 999 707 582 41 | 1   |                     |
|     |                |   | 999 707 581 41 | 1   |                     |
|     |                |   | 948 110 615 00 | 1   |                     |
|     |                |   | 999 701 502 41 | 2   |                     |
| (1) | 948 100 903 RX | Base engine<br>comprising:<br>Valve cover<br>Cylinder head<br>Crank drive<br>oil sump<br>repair set |                | 1   | 4802+<br>PR:E0W,1A2 |
|     |                | without:<br>Seal  |                |     |                     |
|     |                | also use:   | WHT 004 966    | 10  |                     |
|     |                |   | 948 111 181 01 | 2   |                     |
|     |                |   | 999 707 582 41 | 1   |                     |
|     |                |   | 999 707 581 41 | 1   |                     |
|     |                |   | 948 110 615 00 | 1   |                     |
|     |                |   | 999 701 502 41 | 2   |                     |
| (1) | 948 100 903 66 | Base engine<br>comprising:<br>Valve cover<br>Cylinder head<br>Crank drive<br>oil sump<br>repair set |                | 1   | 4802+<br>PR:E0W,1A5 |
|     |                | without:<br>Seal  |                |     |                     |
|     |                | also use:   | WHT 004 966    | 10  |                     |
|     |                |   | 948 111 181 01 | 2   |                     |
|     |                |   | 999 707 582 41 | 1   |                     |
|     |                |   | 999 707 581 41 | 1   |                     |
|     |                |   | 948 110 615 00 | 1   |                     |
|     |                |   | 999 701 502 41 | 2   |                     |
| (1) | 948 100 903 SX | Base engine<br>comprising:<br>Valve cover<br>Cylinder head<br>Crank drive<br>oil sump<br>repair set |                | 1   | 4802+<br>PR:E0W,1A5 |
|     |                | without:<br>Seal  |                |     |                     |
|     |                | also use:   | WHT 004 966    | 10  |                     |
|     |                |   | 948 111 181 01 | 2   |                     |
|     |                |   | 999 707 582 41 | 1   |                     |
|     |                |   | 999 707 581 41 | 1   |                     |
|     |                |   | 948 110 615 00 | 1   |                     |
|     |                |   | 999 701 502 41 | 2   |                     |
| -   | 948 106 533 00 | Seal<br>repair set<br>for<br>Base engine  |                | 1   | 4802                |

Model: 92A 11 Model life 2011>>2018

| Pos | Part Number    | Description  | Remark  | Qty   | Model |
|-----|----------------|--|---|---|-------|
| (1) | 948 100 952 60 | 94810090360/62/64/66<br>948100903PX/QX/RX/SX<br>also use:  | 948 106 124 02<br>948 106 154 01<br>999 707 586 40<br>999 701 825 40<br>948 107 437 20<br>948 107 438 20<br>999 707 606 40<br>999 704 020 90<br>948 110 146 01  | 2<br>2<br>2<br>2<br>1<br>1<br>8<br>8<br>8                           | 4852  |
| (1) | 948 100 952 RX | Base engine<br>comprising:<br>Valve cover<br>Cylinder head<br>Crank drive<br>oil sump<br>repair set<br>without:<br>Seal<br>also use: | WHT 004 966<br>948 111 181 01<br>999 707 582 41<br>999 707 581 41<br>948 110 615 00<br>999 701 502 41   | 10<br>2<br>1<br>1<br>1<br>2   | 4852  |
| -   | 948 106 533 00 | Seal<br>repair set<br>for<br>Base engine<br>94810095260<br>948100952RX<br>also use:  | WHT 004 966<br>948 111 181 01<br>999 707 582 41<br>999 707 581 41<br>948 110 615 00<br>999 701 502 41<br>948 106 124 02<br>948 106 154 01<br>999 707 586 40<br>999 701 825 40<br>948 107 437 20<br>948 107 438 20<br>999 707 606 40<br>999 704 020 90<br>948 110 146 01 | 10<br>2<br>1<br>1<br>1<br>2<br>2<br>2<br>2<br>1<br>1<br>8<br>8<br>8 | 4852  |
| -   | 999 707 763 40 | O-ring<br>Exhaust gas turbocharger<br>repair set<br>for<br>Base engine<br>94810095260<br>948100952RX                                 | 948 106 124 02<br>948 106 154 01<br>999 707 586 40<br>999 701 825 40<br>948 107 437 20<br>948 107 438 20<br>999 707 606 40<br>999 704 020 90<br>948 110 146 01  | 2<br>2<br>2<br>2<br>1<br>1<br>8<br>8<br>8                           |       |

Model: 92A 11 Model life 2011>>2018

| Pos | Part Number    | Description  | Remark         | Qty | Model           |
|-----|----------------|--|----------------|-----|-----------------|
|     |                |  | also use:      |     |                 |
|     |                |  | 900 123 005 20 | 2   |                 |
|     |                |  | 900 123 018 20 | 4   |                 |
|     |                |  | 948 107 123 50 | 2   |                 |
|     |                |  | 999 707 568 40 | 2   |                 |
|     |                |  | 999 707 503 40 | 1   |                 |
|     |                |  | 900 123 005 20 | 8   |                 |
| 2   | 948 100 903 50 | Short block<br>comprising:<br>Crankcase housing<br>Conrod with piston<br>Crankshaft    |                | 1   | 4802+<br>PR:1A2 |
|     |                |  | also use:      |     |                 |
|     |                |  | 948 107 013 12 | 1   |                 |
|     |                |  | 948 111 181 01 | 2   |                 |
|     |                |  | 999 170 130 90 | 8   |                 |
|     |                |  | WHT 004 966    | 10  |                 |
| (2) | 948 100 903 TX | Short block<br>comprising:<br>Crankcase housing<br>Conrod with piston<br>Crankshaft    |                | 1   | 4802+<br>PR:1A2 |
|     |                |  | also use:      |     |                 |
|     |                |  | 948 107 013 12 | 1   |                 |
|     |                |  | 948 111 181 01 | 2   |                 |
|     |                |  | 999 170 130 90 | 8   |                 |
|     |                |  | WHT 004 966    | 10  |                 |
| (2) | 948 100 903 52 | Short block<br>comprising:<br>Crankcase housing<br>Conrod with piston<br>Crankshaft    |                | 1   | 4802+<br>PR:1A5 |
|     |                |  | also use:      |     |                 |
|     |                |  | 948 107 013 12 | 1   |                 |
|     |                |  | 948 111 181 01 | 2   |                 |
|     |                |  | 999 170 130 90 | 8   |                 |
|     |                |  | WHT 004 966    | 10  |                 |
| (2) | 948 100 903 UX | Short block<br>comprising:<br>Crankcase housing<br>Conrod with piston<br>Crankshaft    |                | 1   | 4802+<br>PR:1A5 |
|     |                |  | also use:      |     |                 |
|     |                |  | 948 107 013 12 | 1   |                 |
|     |                |  | 948 111 181 01 | 2   |                 |
|     |                |  | 999 170 130 90 | 8   |                 |
|     |                |  | WHT 004 966    | 10  |                 |
| -   | 948 101 910 20 | Sealing flange<br>repair set<br>for<br>Short block<br>94810090350/52<br>948100903TX/UX |                | 1   | 4802            |
|     |                |  | also use:      |     |                 |
|     |                |  | 948 106 533 00 | 1   |                 |
|     |                |  | 948 106 124 02 | 2   |                 |
|     |                |  | 948 106 154 01 | 2   |                 |
|     |                |  | 999 707 586 40 | 2   |                 |
|     |                |  | 999 701 825 40 | 2   |                 |
|     |                |  | 948 107 437 20 | 1   |                 |
|     |                |  | 948 107 438 20 | 1   |                 |
|     |                |  | 999 707 606 40 | 8   |                 |
|     |                |  | 999 704 020 90 | 8   |                 |
|     |                |  | 948 110 146 01 | 8   |                 |
| -   | 999 707 575 40 | O-ring<br>repair set<br>for<br>Short block   |                | 1   | 4802            |



Model: 92A 11 Model life 2011>>2018

| Pos | Part Number    | Description   | Remark  | Qty  | Model |
|-----|----------------|---|---|--|-------|
| -   | 948 105 935 01 | Seal<br>repair set<br>for<br>Short block<br>94810090350/52<br>948100903TX/UX              | also use:<br>999 707 481 40<br>948 101 130 21<br>948 101 125 20<br>948 101 127 20<br>948 101 129 21<br>000 043 204 35<br>948 104 173 05<br>948 104 174 05<br>948 104 181 10   | 1<br>1<br>1<br>1<br>1<br>X<br>1<br>1<br>20<br>1                          | 4802  |
| -   | 948 107 222 00 | Oil filter insert<br>repair set<br>for<br>Short block<br>94810090350/52<br>948100903TX/UX | also use:<br>948 105 936 01<br>948 105 938 00<br>948 105 937 02<br>999 073 905 31<br>999 073 908 31<br>948 105 169 10<br>948 105 023 12<br>948 105 068 11<br>948 105 065 10<br>948 105 180 11<br>948 105 166 12<br>999 015 022 01<br>999 015 021 01 | 1<br>2<br>8<br>23<br>3<br>1<br>1<br>1<br>1<br>1<br>1<br>2<br>1<br>2<br>1 | 4802  |
| (2) | 948 100 952 50 | Short block<br>comprising:<br>Crankcase housing<br>Conrod with piston<br>Crankshaft       | also use:<br>999 707 496 40<br>999 915 573 43<br>999 073 905 31<br>948 107 322 00<br>999 707 603 40<br>999 707 567 40<br>999 707 530 40<br>999 707 547 40<br>999 707 585 40<br>999 707 568 40<br>038 103 196 B<br>948 107 252 12                    | 2<br>X<br>29<br>1<br>1<br>1<br>1<br>1<br>1<br>1<br>1<br>1<br>1<br>1      | 4852  |
| (2) | 948 100 952 TX | Short block<br>comprising:<br>Crankcase housing<br>Conrod with piston<br>Crankshaft       | also use:<br>948 107 013 62<br>948 111 181 01<br>999 170 228 90<br>WHT 004 966  | 1<br>2<br>8<br>10<br>1   | 4852  |
|     |                |   | also use:<br>948 107 013 62   | 1  |       |

Model: 92A 11 Model life 2011>>2018

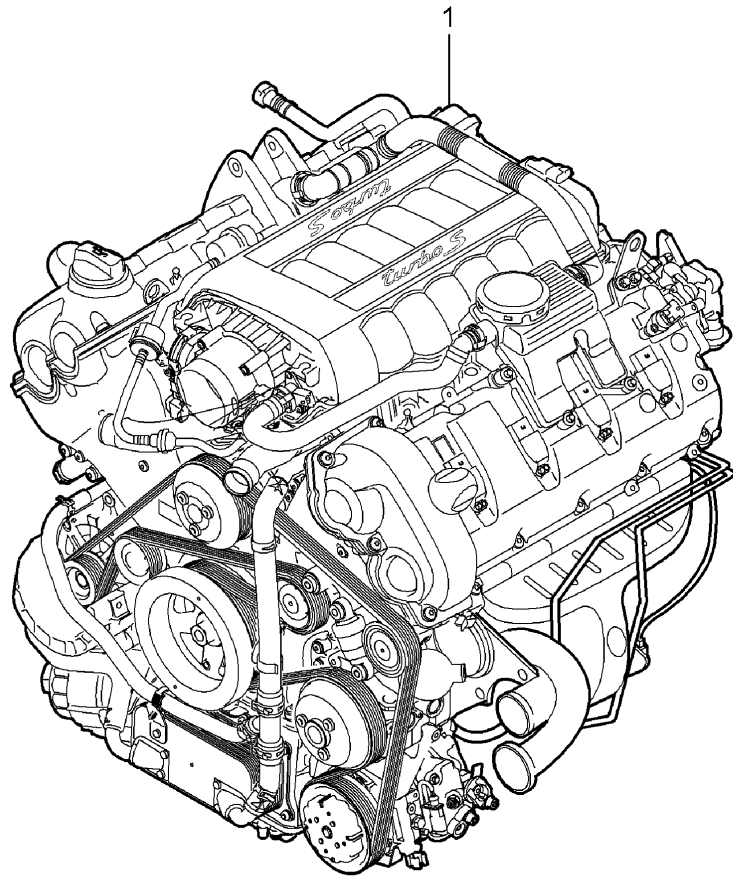
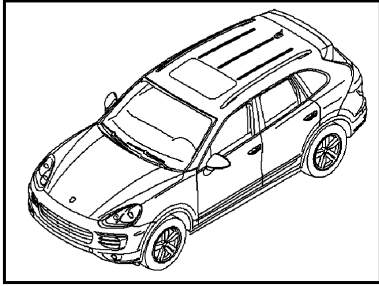
| Pos | Part Number    | Description  | Remark   | Qty  | Model |
|-----|----------------|--|--|--|-------|
| -   | 948 101 910 20 | Sealing flange<br>repair set<br>for<br>Short block<br>94810095250<br>948100952TX                     | 948 111 181 01<br>999 170 228 90<br>WHT 004 966  | 2<br>8<br>10<br>1                                    | 4852  |
|     |                | also use:  | 948 106 533 00<br>948 106 124 02<br>948 106 154 01<br>999 707 586 40<br>999 701 825 40<br>948 107 437 20<br>948 107 438 20<br>999 707 606 40<br>999 704 020 90<br>948 110 146 01 | 1<br>2<br>2<br>2<br>2<br>1<br>1<br>8<br>8<br>8       |       |
| -   | 999 707 763 40 | O-ring<br>Exhaust gas turbocharger<br>repair set<br>for<br>Short block<br>94810095250<br>948100952TX |  | 2  | 4852  |
|     |                | also use:  | 900 123 005 20<br>900 123 018 20<br>948 107 123 50<br>999 707 568 40<br>999 707 503 40<br>900 123 005 20   | 2<br>4<br>2<br>2<br>1<br>8                           |       |
| -   | 999 707 575 40 | O-ring<br>repair set<br>for<br>Short block<br>94810095250<br>948100952TX                             |  | 1  | 4852  |
|     |                | also use:  | 999 707 481 40<br>948 101 130 21<br>948 101 125 20<br>948 101 127 20<br>948 101 129 21<br>000 043 204 35<br>948 104 173 05<br>948 104 174 05<br>948 104 181 10                   | 1<br>1<br>1<br>1<br>1<br>X<br>1<br>1<br>20           |       |
| -   | 948 105 935 01 | Seal<br>repair set<br>for<br>Short block<br>94810095250<br>948100952TX                               |  | 1  | 4852  |
|     |                | also use:  | 948 105 936 01<br>948 105 938 00<br>948 105 937 02<br>999 073 905 31<br>999 073 908 31<br>948 105 169 10<br>948 105 023 12<br>948 105 068 11<br>948 105 065 10<br>948 105 180 11 | 1<br>2<br>8<br>23<br>3<br>1<br>1<br>1<br>1<br>1<br>1 |       |

Model: 92A 11 Model life 2011>>2018

| Pos | Part Number    | Description   | Remark  | Qty  | Model |
|-----|----------------|---|---|--|-------|
| -   | 948 107 222 00 | Oil filter insert<br>repair set<br>for<br>Short block<br>94810095250<br>948100952TX | 948 105 166 12<br>999 015 022 01<br>999 015 021 01  | 2<br>1<br>2<br>1   | 4852  |
|     |                | also use:   | 999 707 496 40<br>999 915 573 43<br>999 073 905 31<br>948 107 322 00<br>999 707 603 40<br>999 707 567 40<br>999 707 530 40<br>999 707 547 40<br>999 707 585 40<br>999 707 568 40<br>038 103 196 B<br>948 107 252 12 | 2<br>X<br>29<br>1<br>5<br>1<br>1<br>1<br>1<br>1<br>1<br>1<br>1 |       |

Model: 92A 11

Model life 2011>>2018



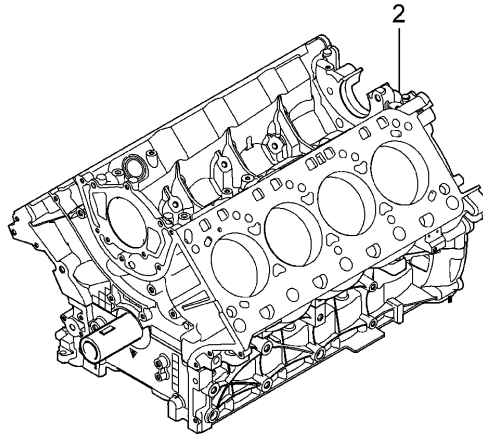
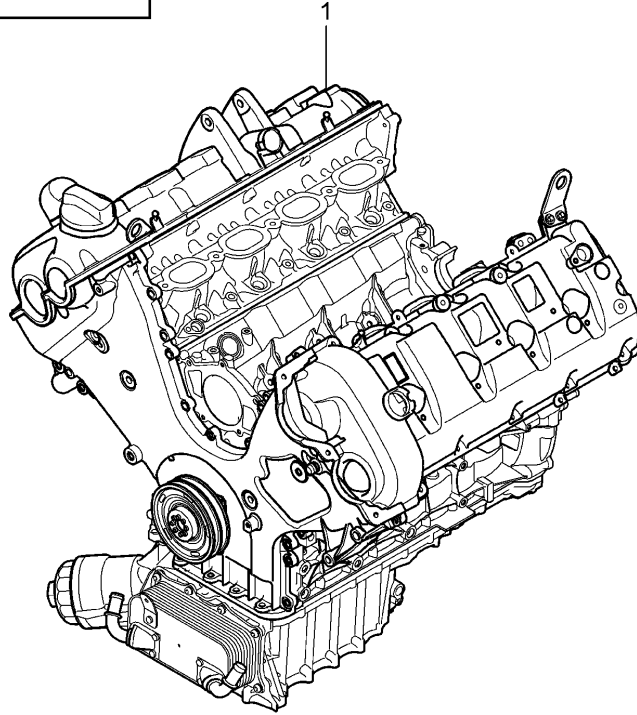
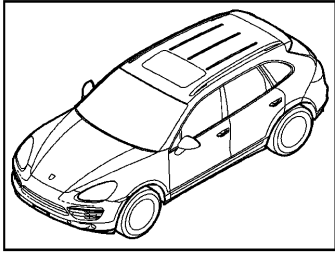
Model: 92A 11

Model life 2011>>2018

| Pos | Part Number    | Description   | Remark | Qty | Model                 |
|-----|----------------|---|--------|-----|-----------------------|
|     |                | Replacement engine<br>without:<br>Clutch plate<br>Tiptronic<br>without:<br>Compressor |        |     | CFTB,CFT,<br>CYXA,CYX |
| 1   | 948 100 953 00 | Replacement engine<br>Not ready for installation                                      |        | 1   | CFTB,CFT              |
| (1) | 948 100 953 X  | Replacement engine<br>Not ready for installation                                      |        | 1   | CFTB,CFT              |
| (1) | 948 100 953 01 | Replacement engine<br>Not ready for installation                                      |        | 1   | CYXA,CYX              |
| (1) | 948 100 953 AX | Replacement engine<br>Not ready for installation                                      |        | 1   | CYXA,CYX              |

Model: 92A 11

Model life 2011>>2018



Model: 92A 11 Model life 2011>>2018

| Pos | Part Number    | Description   | Remark         | Qty | Model                             |
|-----|----------------|---|----------------|-----|-----------------------------------|
| (1) | 948 100 952 60 | Base engine<br>Short block<br>Base engine<br>comprising:<br>Valve cover<br>Cylinder head<br>Crank drive<br>oil sump<br>repair set<br><br>without:<br>Seal |                | 1   | CFTB,CFT,<br>CYXA,CYX<br>CFTB,CFT |
|     |                |   | also use:      |     |                                   |
|     |                |   | WHT 004 966    | 10  |                                   |
|     |                |   | 948 111 181 01 | 2   |                                   |
|     |                |   | 999 707 582 41 | 1   |                                   |
|     |                |   | 999 707 581 41 | 1   |                                   |
|     |                |   | 948 110 615 00 | 1   |                                   |
|     |                |   | 999 701 502 41 | 2   |                                   |
| (1) | 948 100 952 RX | Base engine<br>comprising:<br>Valve cover<br>Cylinder head<br>Crank drive<br>oil sump<br>repair set<br><br>without:<br>Seal                               |                | 1   | CFTB,CFT                          |
|     |                |   | also use:      |     |                                   |
|     |                |   | WHT 004 966    | 10  |                                   |
|     |                |   | 948 111 181 01 | 2   |                                   |
|     |                |   | 999 707 582 41 | 1   |                                   |
|     |                |   | 999 707 581 41 | 1   |                                   |
|     |                |   | 948 110 615 00 | 1   |                                   |
|     |                |   | 999 701 502 41 | 2   |                                   |
| (1) | 948 100 953 65 | Base engine<br>comprising:<br>Valve cover<br>Cylinder head<br>Crank drive<br>oil sump<br>repair set<br><br>without:<br>Seal                               |                | 1   | CYXA,CYX                          |
|     |                |   | also use:      |     |                                   |
|     |                |   | WHT 004 966    | 10  |                                   |
|     |                |   | 948 111 181 70 | 2   |                                   |
|     |                |   | 999 707 582 41 | 1   |                                   |
|     |                |   | 999 707 581 41 | 1   |                                   |
|     |                |   | 948 110 615 00 | 1   |                                   |
|     |                |   | 999 701 502 41 | 2   |                                   |
| (1) | 948 100 953 SX | Base engine<br>comprising:<br>Valve cover<br>Cylinder head<br>Crank drive<br>oil sump<br>repair set<br><br>without:<br>Seal                               |                | 1   | CYXA,CYX                          |
|     |                |   | also use:      |     |                                   |
|     |                |   | WHT 004 966    | 10  |                                   |
|     |                |   | 948 111 181 70 | 2   |                                   |
|     |                |   | 999 707 582 41 | 1   |                                   |
|     |                |   | 999 707 581 41 | 1   |                                   |
|     |                |   | 948 110 615 00 | 1   |                                   |
|     |                |   | 999 701 502 41 | 2   |                                   |
| -   | 948 106 533 00 | Seal  |                | 1   |                                   |

Model: 92A 11 Model life 2011>>2018

| Pos | Part Number    | Description  | Remark   | Qty                                       | Model    |
|-----|----------------|--|--|---|----------|
| -   | 999 707 763 40 | repair set<br>for<br>Base engine<br><br>also use:  | 948 106 124 02<br>948 106 154 01<br>999 707 586 40<br>999 701 825 40<br>948 107 437 20<br>948 107 438 20<br>999 707 606 40<br>999 704 020 90<br>948 110 146 01 | 2<br>2<br>2<br>2<br>1<br>1<br>8<br>8<br>8 | CFTB,CFT |
| -   | 999 707 763 40 | O-ring<br>Exhaust gas turbocharger<br>repair set<br>for<br>Base engine<br><br>also use:              | 900 123 005 20<br>900 123 018 20<br>948 107 123 50<br>999 707 568 40<br>999 707 503 40<br>900 123 005 20   | 2<br>4<br>2<br>2<br>1<br>8                | CYXA,CYX |
| 2   | 948 100 952 50 | Short block<br>comprising:<br>Crankcase housing<br>Conrod with piston<br>Crankshaft<br><br>also use: | 900 123 005 20<br>948 107 123 50<br>999 707 568 40<br>999 707 503 40<br>900 123 005 20   | 4<br>2<br>2<br>1<br>8                     | CFTB,CFT |
| (2) | 948 100 952 TX | Short block<br>comprising:<br>Crankcase housing<br>Conrod with piston<br>Crankshaft<br><br>also use: | 948 107 013 62<br>948 111 181 01<br>999 170 228 90<br>WHT 004 966  | 1<br>2<br>8<br>10                         | CFTB,CFT |
| (2) | 948 100 953 55 | Short block<br>comprising:<br>Crankcase housing<br>Conrod with piston<br>Crankshaft<br><br>also use: | 948 107 013 62<br>948 111 181 01<br>999 170 228 90<br>WHT 004 966  | 1<br>2<br>8<br>10                         | CYXA,CYX |
| (2) | 948 100 953 UX | Short block<br>comprising:   | 948 107 013 62<br>948 111 181 70<br>999 170 228 90<br>WHT 004 966  | 1<br>2<br>8<br>10                         | CYXA,CYX |



Model: 92A 11 Model life 2011>>2018

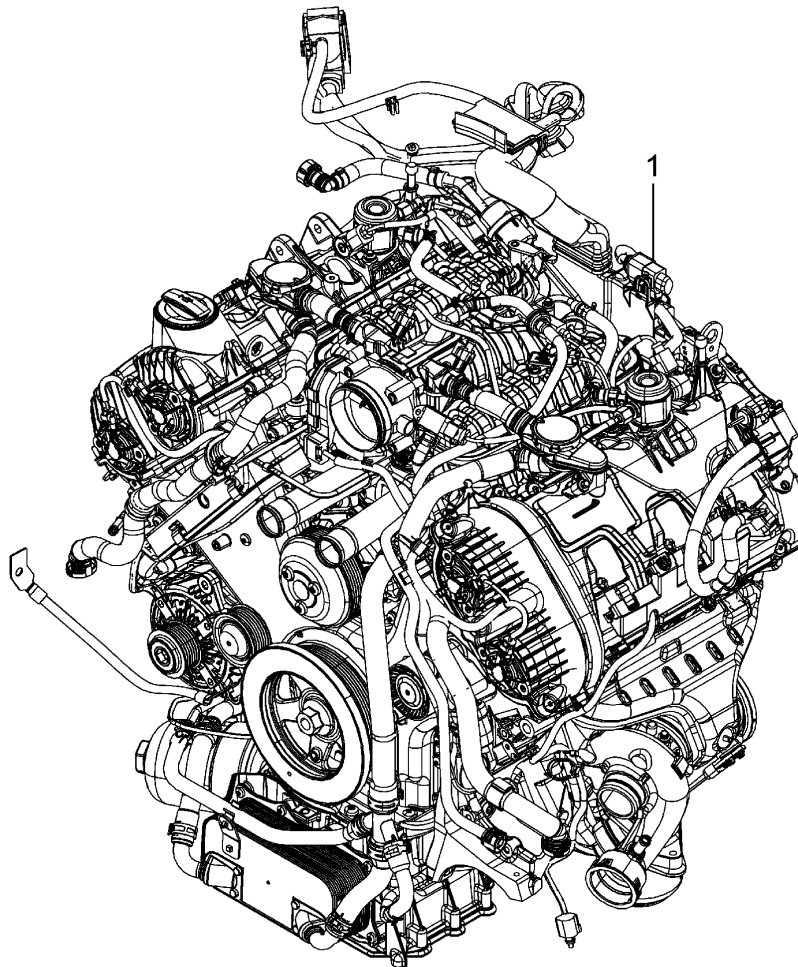
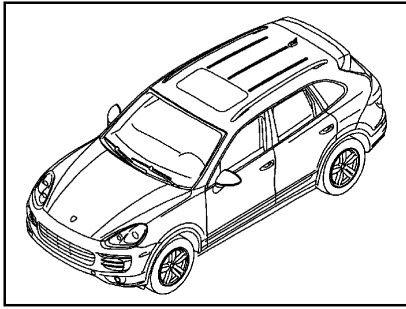
| Pos | Part Number    | Description   | Remark   | Qty  | Model    |
|-----|----------------|---|--|--|----------|
| -   | 948 101 910 20 | Crankcase housing<br>Conrod with piston<br>Crankshaft<br><br>also use:                  | 948 107 013 62<br>948 111 181 70<br>999 170 228 90<br>WHT 004 966  | 1<br>2<br>8<br>10                              |          |
| -   | 948 101 910 20 | Sealing flange<br>repair set<br>for<br>Short block<br><br>also use:                     | 948 106 533 00<br>948 106 124 02<br>948 106 154 01<br>999 707 586 40<br>999 701 825 40<br>948 107 437 20<br>948 107 438 20<br>999 707 606 40<br>999 704 020 90<br>948 110 146 01 | 1<br>2<br>2<br>2<br>2<br>1<br>1<br>8<br>8<br>8 |          |
| -   | 999 707 763 40 | O-ring<br>Exhaust gas turbocharger<br>repair set<br>for<br>Base engine<br><br>also use: | 900 123 005 20<br>900 123 018 20<br>948 107 123 50<br>999 707 568 40<br>999 707 503 40<br>900 123 005 20   | 2<br>4<br>2<br>2<br>1<br>8                     | CFTB,CFT |
| -   | 999 707 763 40 | O-ring<br>Exhaust gas turbocharger<br>repair set<br>for<br>Base engine<br><br>also use: | 900 123 005 20<br>948 107 123 50<br>999 707 568 40<br>999 707 503 40<br>900 123 005 20   | 2<br>2<br>2<br>1<br>8                          | CYXA,CYX |
| -   | 999 707 575 40 | O-ring<br>repair set<br>for<br>Short block<br><br>also use:                             | 999 707 481 40<br>948 101 130 21<br>948 101 125 20<br>948 101 127 20<br>948 101 129 21<br>000 043 204 35<br>948 104 173 05<br>948 104 174 05<br>948 104 181 10                   | 1<br>1<br>1<br>1<br>1<br>X<br>1<br>1<br>20     |          |
| -   | 948 105 935 01 | Seal<br>repair set<br>for<br>Short block<br><br>also use:                               | 948 105 936 01<br>948 105 938 00<br>948 105 937 02<br>999 073 905 31   | 1<br>2<br>8<br>23                              |          |

Model: 92A 11 Model life 2011>>2018

| Pos | Part Number    | Description   | Remark         | Qty | Model |
|-----|----------------|---|----------------|-----|-------|
|     |                |   | 999 073 908 31 | 3   |       |
|     |                |   | 948 105 169 10 | 1   |       |
|     |                |   | 948 105 023 12 | 1   |       |
|     |                |   | 948 105 068 11 | 1   |       |
|     |                |   | 948 105 065 10 | 1   |       |
|     |                |   | 948 105 180 11 | 1   |       |
|     |                |   | 948 105 166 12 | 2   |       |
|     |                |   | 999 015 022 01 | 1   |       |
|     |                |   | 999 015 021 01 | 2   |       |
| -   | 948 107 222 00 | Oil filter insert<br>repair set<br>for<br>Short block |                | 1   |       |
|     |                | also use:   | 999 707 496 40 | 2   |       |
|     |                |   | 999 915 573 43 | X   |       |
|     |                |   | 999 073 905 31 | 29  |       |
|     |                |   | 948 107 322 00 | 1   |       |
|     |                |   | 999 707 603 40 | 5   |       |
|     |                |   | 999 707 567 40 | 1   |       |
|     |                |   | 999 707 530 40 | 1   |       |
|     |                |   | 999 707 547 40 | 1   |       |
|     |                |   | 999 707 585 40 | 1   |       |
|     |                |   | 999 707 568 40 | 1   |       |
|     |                |   | 038 103 196 B  | 1   |       |
|     |                |   | 948 107 252 12 | 1   |       |

Model: 92A 11

Model life 2011>>2018



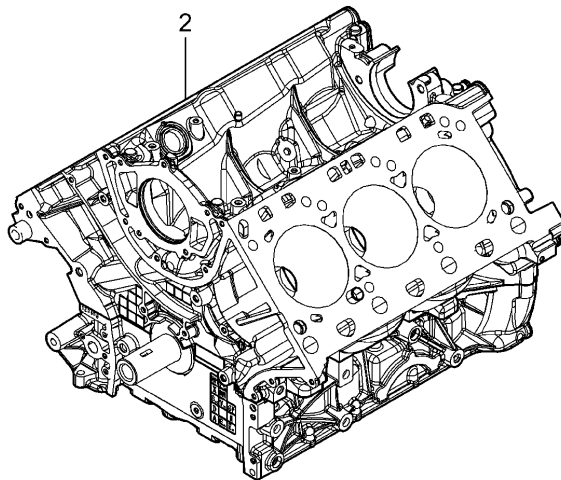
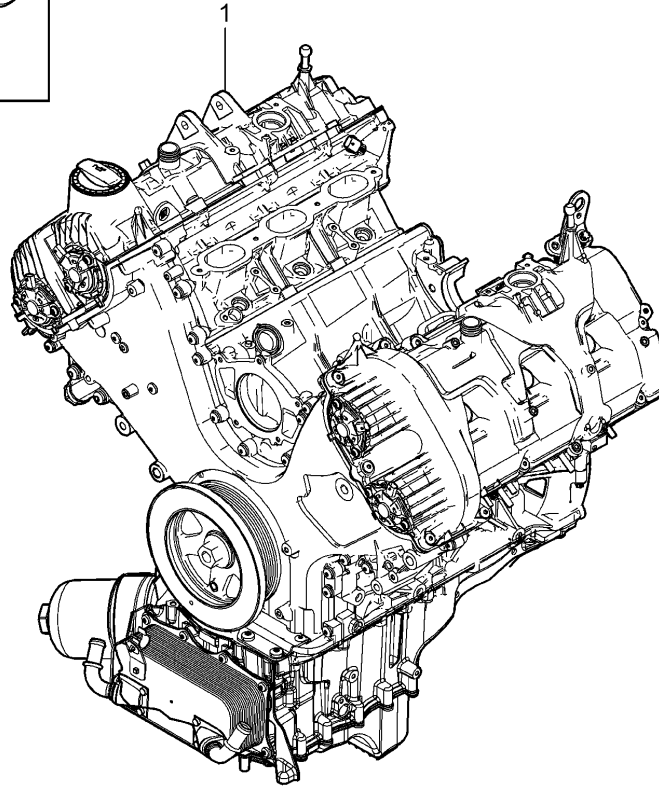
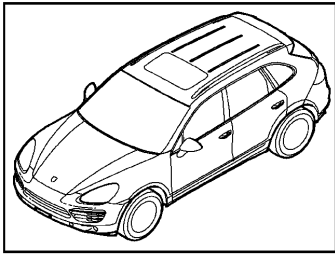
Model: 92A 11

Model life 2011>>2018

| Pos | Part Number    | Description   | Remark | Qty | Model                   |
|-----|----------------|---|--------|-----|-------------------------|
|     |                | Replacement engine<br>without:<br>Clutch plate<br>without:<br>Compressor  |        |     | CURA, CUR,<br>CXZA, CXZ |
| 1   | 946 100 955 00 | Replacement engine<br>Not ready for installation<br>for vehicles up to<br>Model year<br>2016<br>Base engine<br>Use                  |        | 1   | CURA, CUR               |
| 1   | 946 100 955 X  | D - MJ 2017>><br>Replacement engine<br>Not ready for installation<br>for vehicles up to<br>Model year<br>2016<br>Base engine<br>Use |        | 1   | CURA, CUR               |
| (1) | 946 100 955 01 | D - MJ 2017>><br>Replacement engine<br>Not ready for installation   |        | 1   | CXZA, CXZ               |
| (1) | 946 100 955 AX | Replacement engine<br>Not ready for installation  |        | 1   | CXZA, CXZ               |

Model: 92A 11

Model life 2011>>2018



Model: 92A 11 Model life 2011>>2018

| Pos | Part Number    | Description  | Remark         | Qty | Model                   |
|-----|----------------|--|----------------|-----|-------------------------|
| 1   | 946 100 955 60 | Base engine<br>Short block<br>Base engine<br>comprising:<br>Valve cover<br>Cylinder head<br>Crank drive<br>oil sump<br>repair set<br><br>without:<br>Gaskets |                | 1   | CURA, CUR,<br>CXZA, CXZ |
|     |                |  | also use:      |     |                         |
|     |                |  | 946 111 181 75 | 2   |                         |
|     |                |  | WHT 004 966    | 10  |                         |
|     |                |  | 999 707 582 41 | 1   |                         |
|     |                |  | 999 707 581 41 | 1   |                         |
|     |                |  | 999 701 048 40 | 2   |                         |
|     |                |  | 06L 109 311    | 2   |                         |
| (1) | 946 100 955 RX | Base engine<br>comprising:<br>Valve cover<br>Cylinder head<br>Crank drive<br>oil sump<br>repair set<br><br>without:<br>Gaskets                               |                | 1   |                         |
|     |                |  | also use:      |     |                         |
|     |                |  | 946 111 181 75 | 2   |                         |
|     |                |  | WHT 004 966    | 10  |                         |
|     |                |  | 999 707 582 41 | 1   |                         |
|     |                |  | 999 707 581 41 | 1   |                         |
|     |                |  | 999 701 048 40 | 2   |                         |
|     |                |  | 06L 109 311    | 2   |                         |
| -   | 948 106 533 00 | Seal<br>repair set<br>for<br>Base engine<br><br>also use:  |                | 1   |                         |
|     |                |  | 948 106 124 02 | 2   |                         |
|     |                |  | 948 106 154 01 | 2   |                         |
|     |                |  | 999 707 586 40 | 2   |                         |
|     |                |  | 999 701 825 40 | 2   |                         |
|     |                |  | 999 707 677 40 | 2   |                         |
|     |                |  | 999 707 677 41 | 2   |                         |
|     |                |  | 999 701 187 42 | 6   |                         |
|     |                |  | 946 110 328 31 | 6   |                         |
|     |                |  | 946 110 428 61 | 6   |                         |
|     |                |  | 999 701 187 42 | 6   |                         |
|     |                |  | 946 110 228 60 | 6   |                         |
|     |                |  | 946 110 146 60 | 6   |                         |
| 2   | 946 100 955 50 | Short block<br>comprising:<br>Crankcase housing<br>Conrod with piston<br>Crankshaft<br><br>also use:   |                | 1   |                         |
|     |                |  | 946 107 013 36 | 1   |                         |
|     |                |  | 946 111 181 75 | 2   |                         |
|     |                |  | 999 170 233 90 | 6   |                         |
|     |                |  | WHT 004 966    | 10  |                         |
| (2) | 946 100 955 TX | Short block<br>comprising:<br>Crankcase housing<br>Conrod with piston<br>Crankshaft<br><br>also use:   |                | 1   |                         |
|     |                |  | 946 107 013 36 | 1   |                         |

Model: 92A 11 Model life 2011>>2018

| Pos | Part Number    | Description   | Remark   | Qty   | Model |
|-----|----------------|---|--|---|-------|
| -   | 948 101 910 20 | Sealing flange<br>repair set<br>for<br>Short block    | 946 111 181 75<br>999 170 233 90<br>WHT 004 966  | 2<br>6<br>10<br>1   |       |
|     |                | also use:   | 948 106 533 00<br>948 106 124 02<br>948 106 154 01<br>999 707 586 40<br>999 701 825 40<br>999 707 677 40<br>999 707 677 41<br>946 110 428 61<br>946 110 328 31<br>999 701 187 42<br>946 110 228 60<br>06L 109 311<br>946 110 146 60                      | 1<br>2<br>2<br>2<br>2<br>2<br>2<br>6<br>6<br>6<br>6<br>6<br>2<br>6        |       |
| -   | 999 707 575 40 | O-ring<br>repair set<br>for<br>Short block            | also use:  | 1   |       |
|     |                | also use:   | 999 707 481 40<br>946 101 130 04<br>948 101 125 20<br>948 101 127 20<br>946 101 129 04<br>000 043 209 93<br>000 043 204 35<br>999 073 913 31<br>999 073 914 31<br>999 073 905 31<br>999 073 903 31<br>946 104 173 02<br>946 104 174 02<br>948 104 181 10 | 1<br>1<br>1<br>1<br>1<br>X<br>X<br>2<br>9<br>25<br>2<br>1<br>1<br>16<br>1 |       |
| -   | 946 105 935 65 | Seal<br>repair set<br>for<br>Short block              | also use:  | 1   |       |
|     |                | also use:   | 946 105 936 65<br>946 105 937 65<br>999 073 905 31<br>999 073 908 31<br>946 105 169 75<br>948 105 023 12<br>946 105 068 00<br>948 105 065 10<br>946 105 180 76<br>948 105 166 12<br>999 015 022 01<br>999 015 021 01                                     | 1<br>6<br>17<br>7<br>1<br>1<br>1<br>1<br>1<br>2<br>1<br>2<br>1            |       |
| -   | 948 107 222 00 | Oil filter insert<br>repair set<br>for<br>Short block | also use:  | 1   |       |
|     |                | also use:   | 999 915 573 43<br>999 073 905 31<br>946 107 322 75<br>999 707 567 40<br>999 707 547 40   | X<br>20<br>1<br>1<br>2  |       |

Model: 92A 11

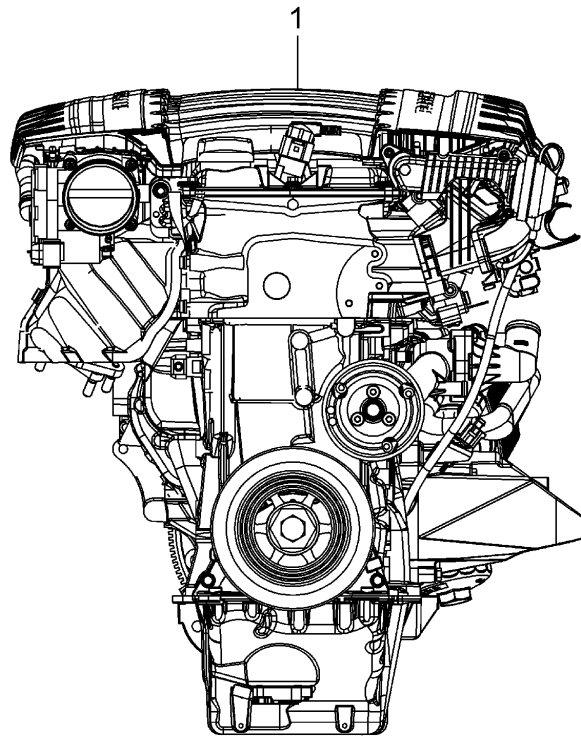
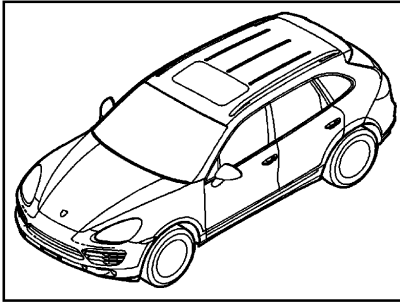
Model life 2011>>2018

| Pos | Part Number | Description | Remark         | Qty | Model |
|-----|-------------|-------------|----------------|-----|-------|
|     |             |             | 999 707 585 40 | 1   |       |
|     |             |             | 999 707 568 40 | 2   |       |
|     |             |             | 038 103 196 B  | 1   |       |
|     |             |             | 946 107 252 75 | 1   |       |



Model: 92A 11

Model life 2011>>2018



Model: 92A 11

Model life 2011>>2018

| Pos | Part Number    | Description   | Remark | Qty | Model                        |
|-----|----------------|---|--------|-----|------------------------------|
| 1   | 958 100 955 00 | Replacement engine<br>Replacement engine<br>Together with<br>Manual gearbox<br>Not ready for installation<br>Discontinued part      |        | 1   | 5502,CEYA<br>5502+<br>PR:G0L |
| (1) | 958 100 955 X  | Replacement engine<br>Together with<br>Manual gearbox<br>Not ready for installation<br>Discontinued part                            |        | 1   | 5502+<br>PR:G0L              |
| (1) | 958 100 955 02 | Replacement engine<br>Together with<br>Manual gearbox<br>Not ready for installation<br>Discontinued part                            |        | 1   | 5502+<br>PR:G0L              |
| (1) | 958 100 955 BX | Replacement engine<br>Together with<br>Manual gearbox<br>Not ready for installation<br>Discontinued part                            |        | 1   | 5502+<br>PR:G0L              |
| (1) | 958 100 955 04 | Replacement engine<br>Together with<br>Manual gearbox<br>Not ready for installation<br>Discontinued part                            |        | 1   | 5502+<br>PR:G0L              |
| (1) | 958 100 955 DX | Replacement engine<br>Together with<br>Manual gearbox<br>Not ready for installation<br>Discontinued part                            |        | 1   | 5502+<br>PR:G0L              |
| (1) | 958 100 955 06 | Replacement engine<br>Together with<br>Manual gearbox<br>Not ready for installation<br>Discontinued part                            |        | 1   | 5502+<br>PR:G0L              |
| (1) | 958 100 955 FX | Replacement engine<br>Together with<br>Manual gearbox<br>Not ready for installation<br>Discontinued part                            |        | 1   | 5502+<br>PR:G0L              |
| (1) | 958 100 955 08 | D - MJ 2013>> - MJ 2013<br>Replacement engine<br>Together with<br>Manual gearbox<br>Not ready for installation<br>Discontinued part |        | 1   | 5502+<br>PR:G0L              |
| (1) | 958 100 955 HX | D - MJ 2014>> - MJ 2014<br>Replacement engine<br>Together with<br>Manual gearbox<br>Not ready for installation<br>Discontinued part |        | 1   | 5502+<br>PR:G0L              |
| (1) | 958 100 955 01 | D - MJ 2014>> - MJ 2014<br>Replacement engine<br>Together with<br>Tiptronic<br>Not ready for installation<br>Discontinued part      |        | 1   | 5502+<br>PR:G1G              |
| (1) | 958 100 955 AX | Replacement engine<br>Together with<br>Tiptronic<br>Not ready for installation<br>Discontinued part                                 |        | 1   | 5502+<br>PR:G1G              |
| (1) | 958 100 955 03 | Replacement engine<br>Together with   |        | 1   | 5502+<br>PR:G1G              |

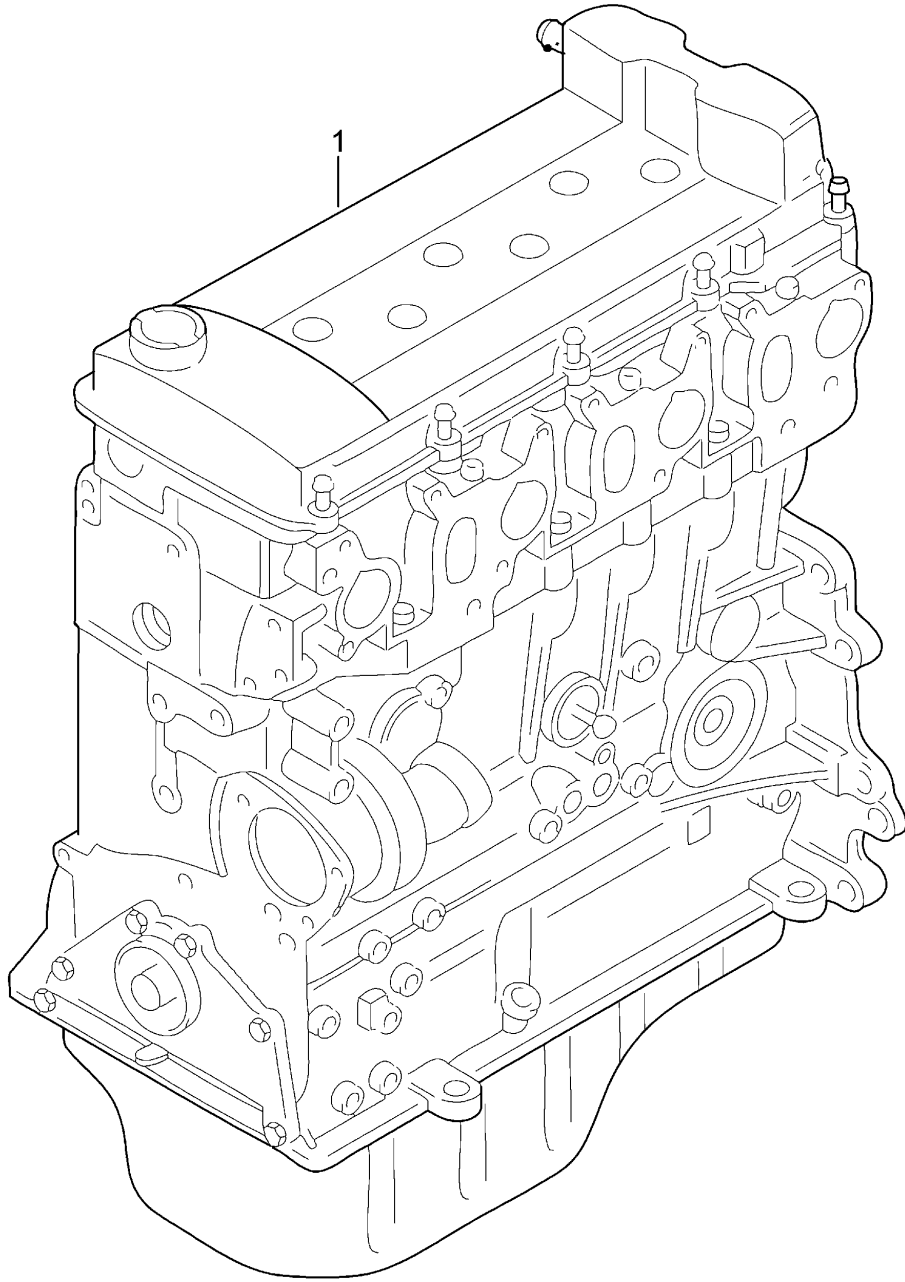
Model: 92A 11

Model life 2011>>2018

| Pos | Part Number    | Description  | Remark | Qty | Model           |
|-----|----------------|--|--------|-----|-----------------|
| (1) | 958 100 955 CX | Tiptronic<br>Not ready for installation<br>Discontinued part<br>Replacement engine<br>Together with<br>Tiptronic |        | 1   | 5502+<br>PR:G1G |
| (1) | 958 100 955 05 | Not ready for installation<br>Discontinued part<br>Replacement engine<br>Together with<br>Tiptronic              |        | 1   | 5502+<br>PR:G1G |
| (1) | 958 100 955 EX | Not ready for installation<br>Discontinued part<br>Replacement engine<br>Together with<br>Tiptronic              |        | 1   | 5502+<br>PR:G1G |
| (1) | 958 100 955 07 | Not ready for installation<br>Discontinued part<br>Replacement engine<br>Together with<br>Tiptronic              |        | 1   | 5502+<br>PR:G1G |
| (1) | 958 100 955 GX | Not ready for installation<br>Discontinued part<br>Replacement engine<br>Together with<br>Tiptronic              |        | 1   | 5502+<br>PR:G1G |
| (1) | 958 100 955 09 | Not ready for installation<br>Discontinued part<br>Replacement engine<br>Together with<br>Tiptronic              |        | 1   | 5502+<br>PR:G1G |
| (1) | 958 100 955 JX | Not ready for installation<br>Discontinued part<br>Replacement engine<br>Together with<br>Tiptronic              |        | 1   | 5502+<br>PR:G1G |
| (1) | 958 100 955 10 | Not ready for installation<br>Discontinued part<br>Replacement engine<br>Together with<br>Tiptronic              |        | 1   | CEYA+<br>PR:G1G |
| (1) | 958 100 955 KX | Not ready for installation<br>Replacement engine<br>Together with<br>Tiptronic<br>Not ready for installation     |        | 1   | CEYA+<br>PR:G1G |

Model: 92A 11

Model life 2011>>2018



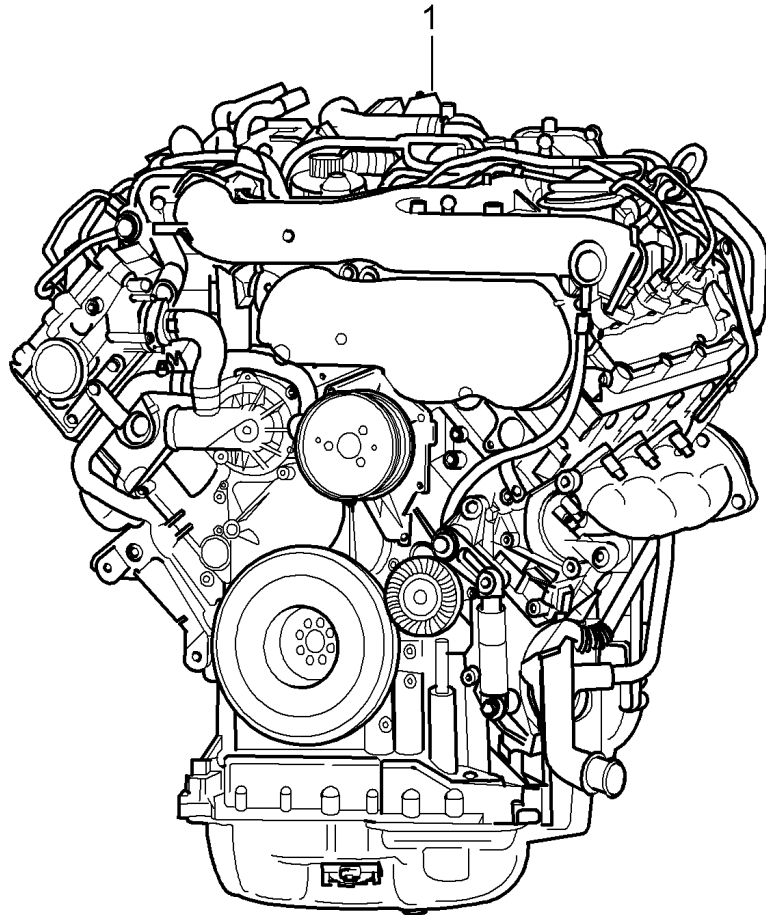
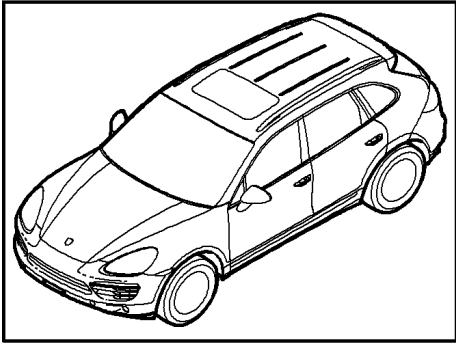
Model: 92A 11

Model life 2011>>2018

| Pos | Part Number    | Description  | Remark | Qty | Model           |
|-----|----------------|--|--------|-----|-----------------|
|     |                | Base engine<br>comprising:<br>Valve cover<br>Cylinder head<br>Crankcase housing<br>Crank drive<br>oil sump |        |     | 5502,CEYA       |
| 1   | 958 100 937 00 | Base engine<br>Together with<br>Manual gearbox   |        | 1   | 5502+<br>PR:G0L |
| (1) | 958 100 937 X  | Not ready for installation<br>Base engine<br>Together with<br>Manual gearbox                               |        | 1   | 5502+<br>PR:G0L |
| (1) | 958 100 937 01 | Not ready for installation<br>Base engine<br>Together with<br>Tiptronic                                    |        | 1   | 5502+<br>PR:G1G |
| (1) | 958 100 937 AX | Not ready for installation<br>Base engine<br>Together with<br>Tiptronic                                    |        | 1   | 5502+<br>PR:G1G |
| (1) | 958 100 937 01 | Not ready for installation<br>Base engine<br>Together with<br>Tiptronic                                    |        | 1   | CEYA            |
| (1) | 958 100 937 AX | Not ready for installation<br>Base engine<br>Together with<br>Tiptronic<br>Not ready for installation      |        | 1   | CEYA            |

Model: 92A 11

Model life 2011>>2018



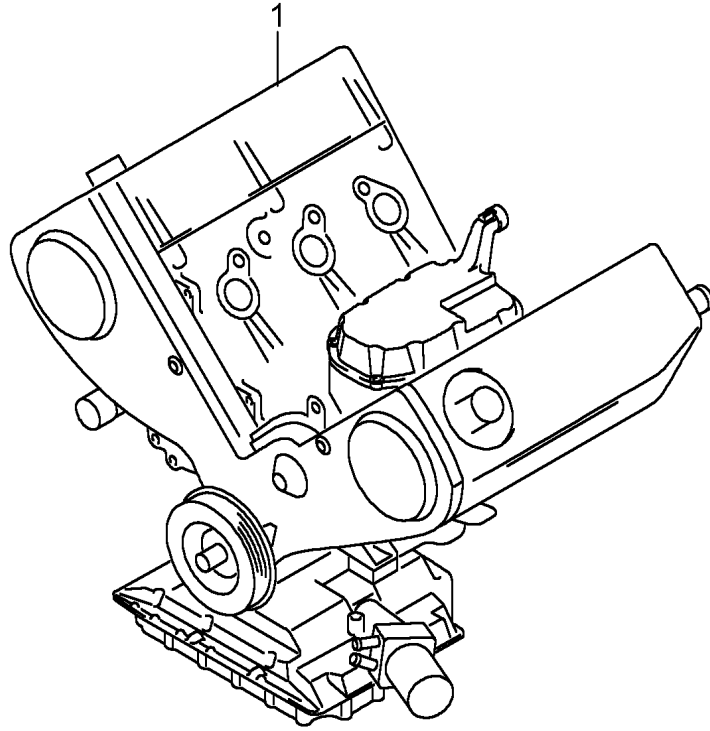
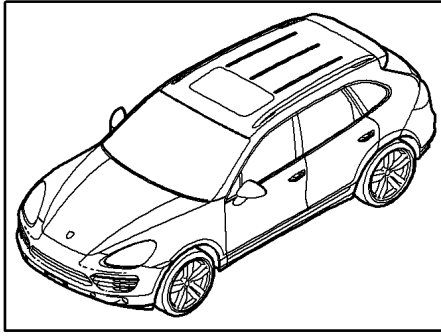
Model: 92A 11

Model life 2011>>2018

| Pos | Part Number    | Description  | Remark | Qty | Model |
|-----|----------------|--|--------|-----|-------|
| 1   | 958 100 959 00 | Replacement engine<br>Replacement engine<br>Together with<br>Tiptronic<br>Not ready for installation |        | 1   | 059E  |
| (1) | 958 100 959 X  | Replacement engine<br>Together with<br>Tiptronic<br>Not ready for installation                       |        | 1   |       |

Model: 92A 11

Model life 2011>>2018





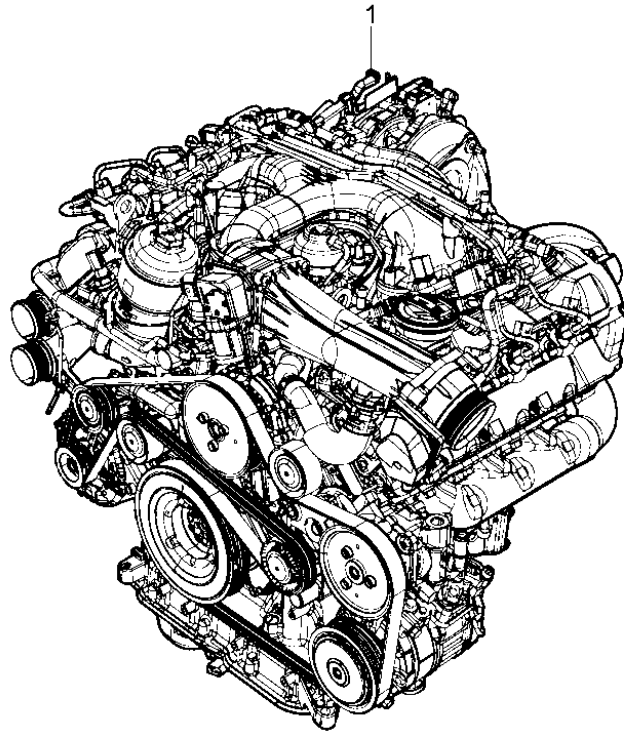
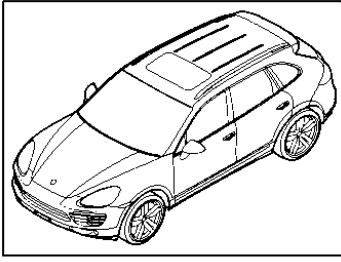
Model: 92A 11

Model life 2011>>2018

| Pos | Part Number    | Description  | Remark         | Qty | Model |
|-----|----------------|--|----------------|-----|-------|
|     |                | Base engine<br>comprising:<br>Valve cover<br>Cylinder head<br>Crankcase housing<br>Crank drive<br>oil sump |                |     | 059E  |
| 1   | 958 100 933 00 | Base engine<br>Not ready for installation  |                | 1   | 059E  |
|     |                | also use:  | 955 102 329 00 | 1   |       |
|     |                |  | N 013 199 4    | 1   |       |
| (1) | 958 100 933 X  | Discontinued part<br>Base engine<br>Not ready for installation   |                | 1   | 059E  |
|     |                | also use:  | 955 102 329 00 | 1   |       |
|     |                |  | N 013 199 4    | 1   |       |
| (1) | 958 100 933 01 | Discontinued part<br>Base engine<br>Not ready for installation   |                | 1   | 059E  |
|     |                | also use:  | 955 102 329 00 | 1   |       |
|     |                |  | N 013 199 4    | 1   |       |
| (1) | 958 100 933 AX | Base engine<br>Not ready for installation  |                | 1   | 059E  |
|     |                | also use:  | 955 102 329 00 | 1   |       |
|     |                |  | N 013 199 4    | 1   |       |

Model: 92A 11

Model life 2011>>2018



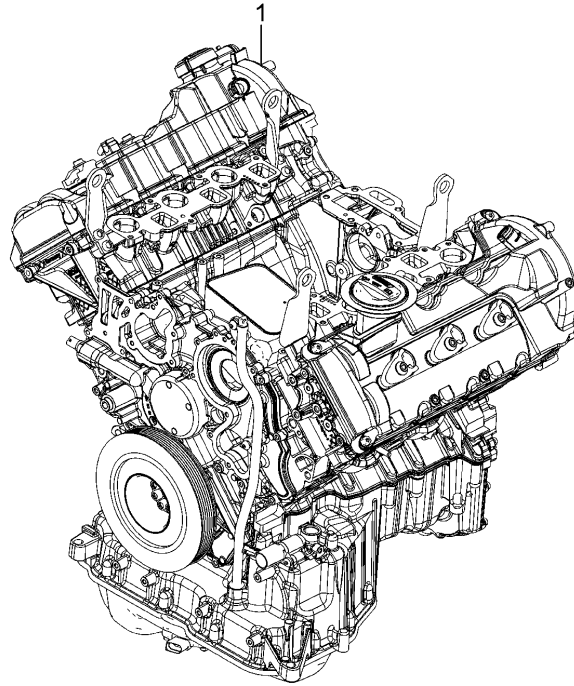
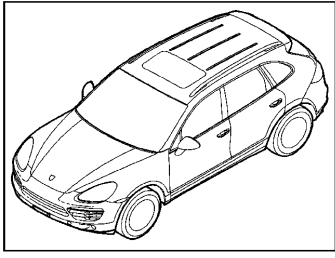
Model: 92A 11

Model life 2011>>2018

| Pos | Part Number    | Description  | Remark | Qty | Model  |
|-----|----------------|--|--------|-----|--|
|     |                | Replacement engine   |        |     | CRCA, CRCB,<br>CNRB, CVVA,<br>CVVB, CVVC<br>CRCA, CRCB |
| 1   | 958 100 959 10 | Replacement engine<br>Together with<br>Tiptronic<br>Not ready for installation |        | 1   |  |
| (1) | 958 100 959 KX | Replacement engine<br>Together with<br>Tiptronic<br>Not ready for installation |        | 1   | CRCA, CRCB   |
| (1) | 958 100 926 10 | Replacement engine<br>Together with<br>Tiptronic<br>Not ready for installation |        | 1   | CVVA, CVVB,<br>CVVC                                    |
| (1) | 958 100 926 KX | Replacement engine<br>Together with<br>Tiptronic<br>Not ready for installation |        | 1   | CVVA, CVVB,<br>CVVC                                    |

Model: 92A 11

Model life 2011>>2018



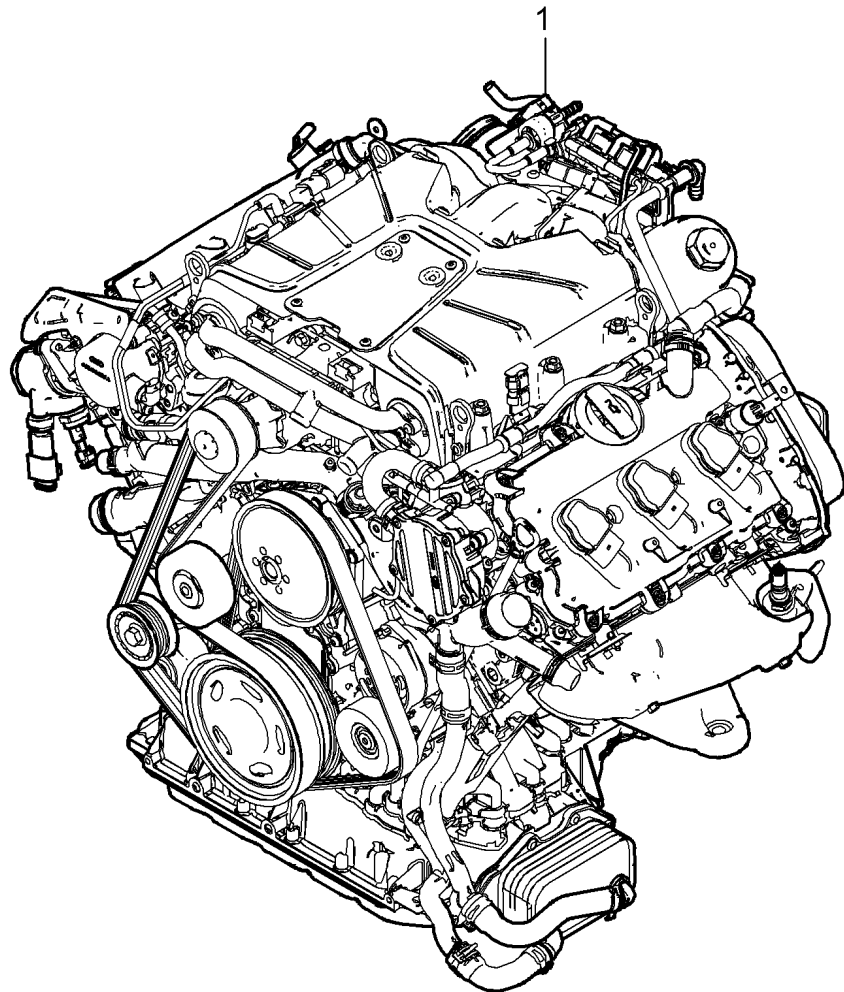
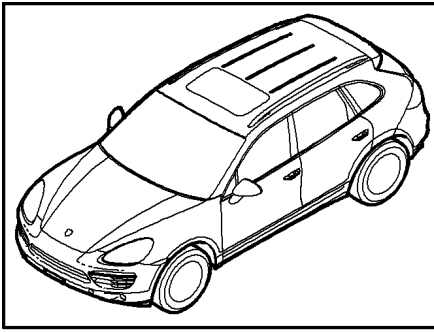
Model: 92A 11

Model life 2011>>2018

| Pos | Part Number    | Description   | Remark         | Qty | Model                              |
|-----|----------------|---|----------------|-----|------------------------------------|
|     |                | Base engine<br>comprising:<br>Valve cover<br>Cylinder head<br>Crankcase housing<br>Crankshaft<br>piston<br>oil sump |                |     | CRCA, CRCB,<br>CVVA, CVVB,<br>CVVC |
| (1) | 958 100 934 00 | Base engine   |                | 1   | CRCA, CRCB                         |
|     |                | also use:   | 955 102 329 00 | 1   |                                    |
|     |                |   | N 013 199 4    | 1   |                                    |
|     |                |   | WHT 005 400    | 1   |                                    |
| (1) | 958 100 934 X  | Discontinued part<br>Base engine  |                | 1   | CRCA, CRCB                         |
|     |                | also use:   | 955 102 329 00 | 1   |                                    |
|     |                |   | N 013 199 4    | 1   |                                    |
|     |                |   | WHT 005 400    | 1   |                                    |
| (1) | 958 100 934 01 | Discontinued part<br>Base engine  |                | 1   | CRCA, CRCB                         |
|     |                | also use:   | 955 102 329 00 | 1   |                                    |
|     |                |   | N 013 199 4    | 1   |                                    |
|     |                |   | WHT 005 400    | 1   |                                    |
| (1) | 958 100 934 BX | Base engine   |                | 1   | CRCA, CRCB                         |
|     |                | also use:   | 955 102 329 00 | 1   |                                    |
|     |                |   | N 013 199 4    | 1   |                                    |
|     |                |   | WHT 005 400    | 1   |                                    |
| (1) | 958 100 946 01 | Base engine   |                | 1   | CVVA, CVVB,<br>CVVC                |
|     |                | also use:   | 955 102 329 00 | 1   |                                    |
|     |                |   | N 013 199 4    | 1   |                                    |
| (1) | 958 100 946 AX | Base engine   |                | 1   | CVVA, CVVB,<br>CVVC                |
|     |                | also use:   | 955 102 329 00 | 1   |                                    |
|     |                |   | N 013 199 4    | 1   |                                    |

Model: 92A 11

Model life 2011>>2018



Model: 92A 11

Model life 2011>>2018

| Pos | Part Number    | Description   | Remark | Qty | Model   |
|-----|----------------|---|--------|-----|---|
|     |                | Replacement engine  |        |     | 06EC,CGEA,<br>CGE,CGFA,<br>CJTB,CJT<br>PR:D19 |
| 1   | 958 100 960 00 | Replacement engine<br>Together with<br>Tiptronic<br>Not ready for installation<br>Discontinued part |        | 1   | - "CN. "                                      |
| (1) | 958 100 960 X  | Replacement engine<br>Together with<br>Tiptronic<br>Not ready for installation<br>Discontinued part |        | 1   | PR:D19<br>- "CN. "                            |
| (1) | 958 100 960 04 | Replacement engine<br>Together with<br>Tiptronic<br>Not ready for installation<br>Discontinued part |        | 1   | PR:D19<br>- "CN. "                            |
| (1) | 958 100 960 DX | Replacement engine<br>Together with<br>Tiptronic<br>Not ready for installation<br>Discontinued part |        | 1   | PR:D19<br>- "CN. "                            |
| (1) | 958 100 960 02 | Replacement engine<br>Together with<br>Tiptronic<br>Not ready for installation<br>Discontinued part |        | 1   | PR:D19<br>"CN. "                              |
| (1) | 958 100 960 BX | Replacement engine<br>Together with<br>Tiptronic<br>Not ready for installation<br>Discontinued part |        | 1   | PR:D19<br>"CN. "                              |
| (1) | 958 100 960 06 | Replacement engine<br>Together with<br>Tiptronic<br>Not ready for installation<br>Discontinued part |        | 1   | PR:D19<br>"CN. "                              |
| (1) | 958 100 960 FX | Replacement engine<br>Together with<br>Tiptronic<br>Not ready for installation<br>Discontinued part |        | 1   | PR:D19<br>"CN. "                              |
| (1) | 958 100 960 03 | Replacement engine<br>Together with<br>Tiptronic<br>Not ready for installation<br>Discontinued part |        | 1   | PR:D11<br>"CN. "                              |
| (1) | 958 100 960 CX | Replacement engine<br>Together with<br>Tiptronic<br>Not ready for installation<br>Discontinued part |        | 1   | PR:D11<br>"CN. "                              |
| (1) | 958 100 960 07 | Replacement engine<br>Together with<br>Tiptronic<br>Not ready for installation<br>Discontinued part |        | 1   | PR:D11<br>"CN. "                              |
| (1) | 958 100 960 GX | Replacement engine<br>Together with<br>Tiptronic<br>Not ready for installation<br>D >> - MJ 2013    |        | 1   | PR:D11<br>"CN. "                              |
| (1) | 958 100 960 09 | Replacement engine<br>Together with<br>Tiptronic<br>Not ready for installation<br>D >> - MJ 2013    |        | 1   | PR:D11  |

Model: 92A 11

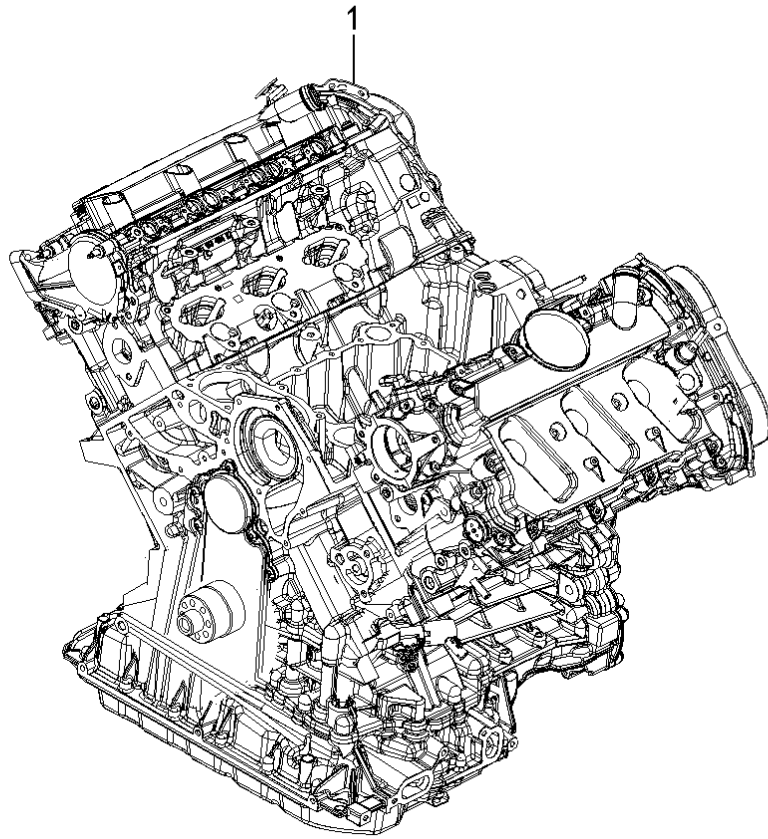
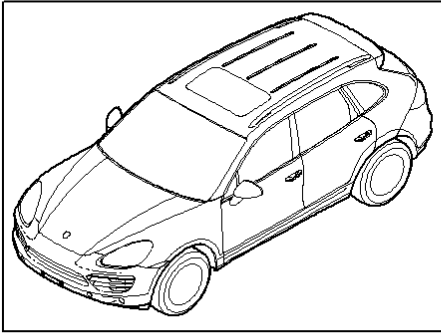
Model life 2011&gt;&gt;2018

| Pos | Part Number    | Description  | Remark | Qty | Model  |
|-----|----------------|--|--------|-----|--------|
| (1) | 958 100 960 JX | D - MJ 2014>><br>Replacement engine<br>Together with<br>Tiptronic<br>Not ready for installation<br>D - MJ 2014>> |        | 1   | PR:D11 |



Model: 92A 11

Model life 2011>>2018



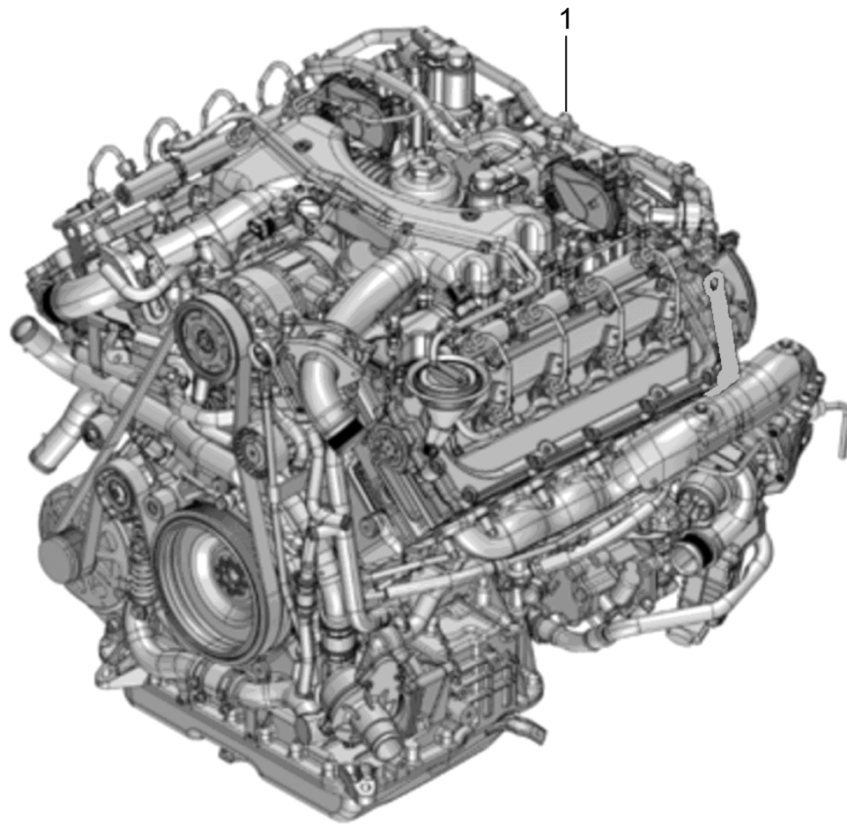
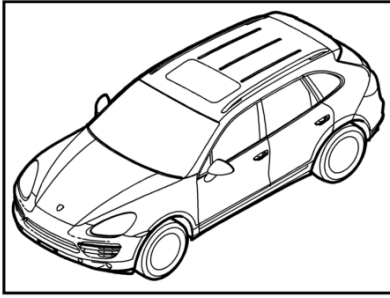
Model: 92A 11

Model life 2011>>2018

| Pos | Part Number    | Description  | Remark         | Qty | Model                         |
|-----|----------------|--|----------------|-----|-------------------------------|
|     |                | Base engine<br>comprising:<br>Valve cover<br>Cylinder head<br>Crankcase housing<br>Crank drive<br>oil sump |                |     | 06EC, CGEA,<br>CGE, CGFA, CJT |
| (1) | 958 100 935 00 | Base engine<br>Not ready for installation  |                | 1   | PR:D19<br>-"CN."              |
|     |                | also use:  | 958 102 313 00 | 1   |                               |
| (1) | 958 100 935 X  | Base engine<br>Not ready for installation  |                | 1   | PR:D19<br>-"CN."              |
|     |                | also use:  | 958 102 313 00 | 1   |                               |
| (1) | 958 100 935 05 | Base engine<br>Not ready for installation  |                | 1   | PR:D19<br>"CN."               |
|     |                | also use:  | 958 102 313 00 | 1   |                               |
| (1) | 958 100 935 EX | Base engine<br>Not ready for installation  |                | 1   | PR:D19<br>"CN."               |
|     |                | also use:  | 958 102 313 00 | 1   |                               |
| (1) | 958 100 935 15 | Base engine<br>Not ready for installation  |                | 1   | PR:D11                        |
|     |                | also use:  | 955 102 329 00 | 1   |                               |
| (1) | 958 100 935 QX | Base engine<br>Not ready for installation  |                | 1   | PR:D11                        |
|     |                | also use:  | 955 102 329 00 | 1   |                               |

Model: 92A 11

Model life 2011>>2018



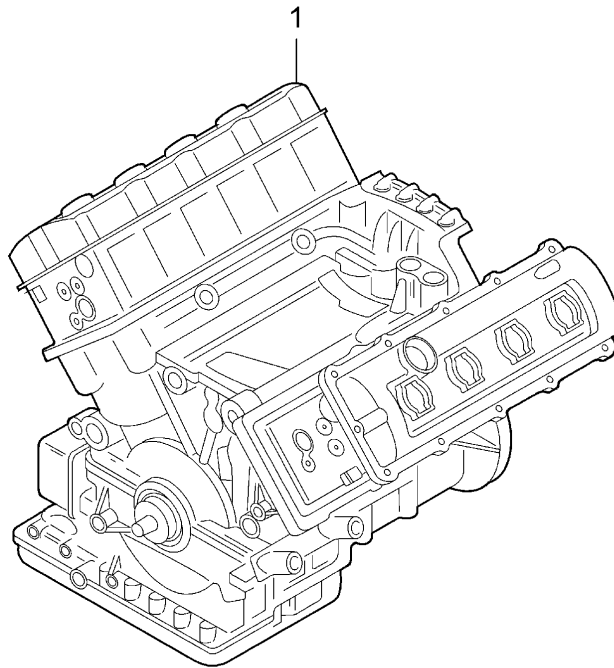
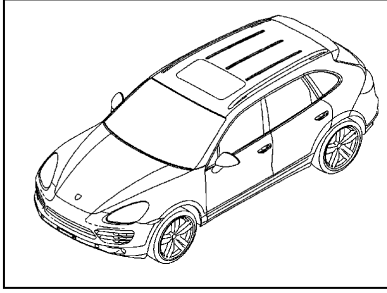
Model: 92A 11

Model life 2011>>2018

| Pos | Part Number    | Description   | Remark | Qty | Model              |
|-----|----------------|---|--------|-----|--------------------|
| 1   | 958 100 957 00 | Replacement engine<br>Replacement engine<br>Together with<br>Tiptronic<br>Not ready for installation      |        | 1   | CUDB, CUDC<br>CUDB |
| (1) | 958 100 957 X  | Replacement engine<br>Together with<br>Tiptronic<br>Not ready for installation                            |        | 1   | CUDB               |
| (1) | 958 100 957 01 | Replacement engine<br>Together with<br>Tiptronic<br>Not ready for installation                            |        | 1   | CUDC+<br>PR: IY1   |
| (1) | 958 100 957 AX | D >> - MJ 2016<br>Replacement engine<br>Together with<br>Tiptronic<br>Not ready for installation          |        | 1   | CUDC+<br>PR: IY1   |
| (1) | 958 100 957 02 | D >> - MJ 2016<br>Replacement engine<br>Together with<br>Tiptronic<br>Not ready for installation          |        | 1   | CUDC+<br>PR: IY2   |
| (1) | 958 100 957 BX | D - MJ 2016>> - MJ 2016<br>Replacement engine<br>Together with<br>Tiptronic<br>Not ready for installation |        | 1   | CUDC+<br>PR: IY2   |
| (1) | 958 100 957 02 | D - MJ 2016>> - MJ 2016<br>Replacement engine<br>Together with<br>Tiptronic<br>Not ready for installation |        | 1   | CUDC+<br>PR: KK1   |
| (1) | 958 100 957 BX | D - MJ 2017>><br>Replacement engine<br>Together with<br>Tiptronic<br>Not ready for installation           |        | 1   | CUDC+<br>PR: KK1   |
| (1) | 958 100 957 03 | D - MJ 2017>><br>Replacement engine<br>Together with<br>Tiptronic<br>Not ready for installation           |        | 1   | CUDC+<br>PR: KK3   |
| (1) | 958 100 957 CX | D - MJ 2017>><br>Replacement engine<br>Together with<br>Tiptronic<br>Not ready for installation           |        | 1   | CUDC+<br>PR: KK3   |

Model: 92A 11

Model life 2011>>2018



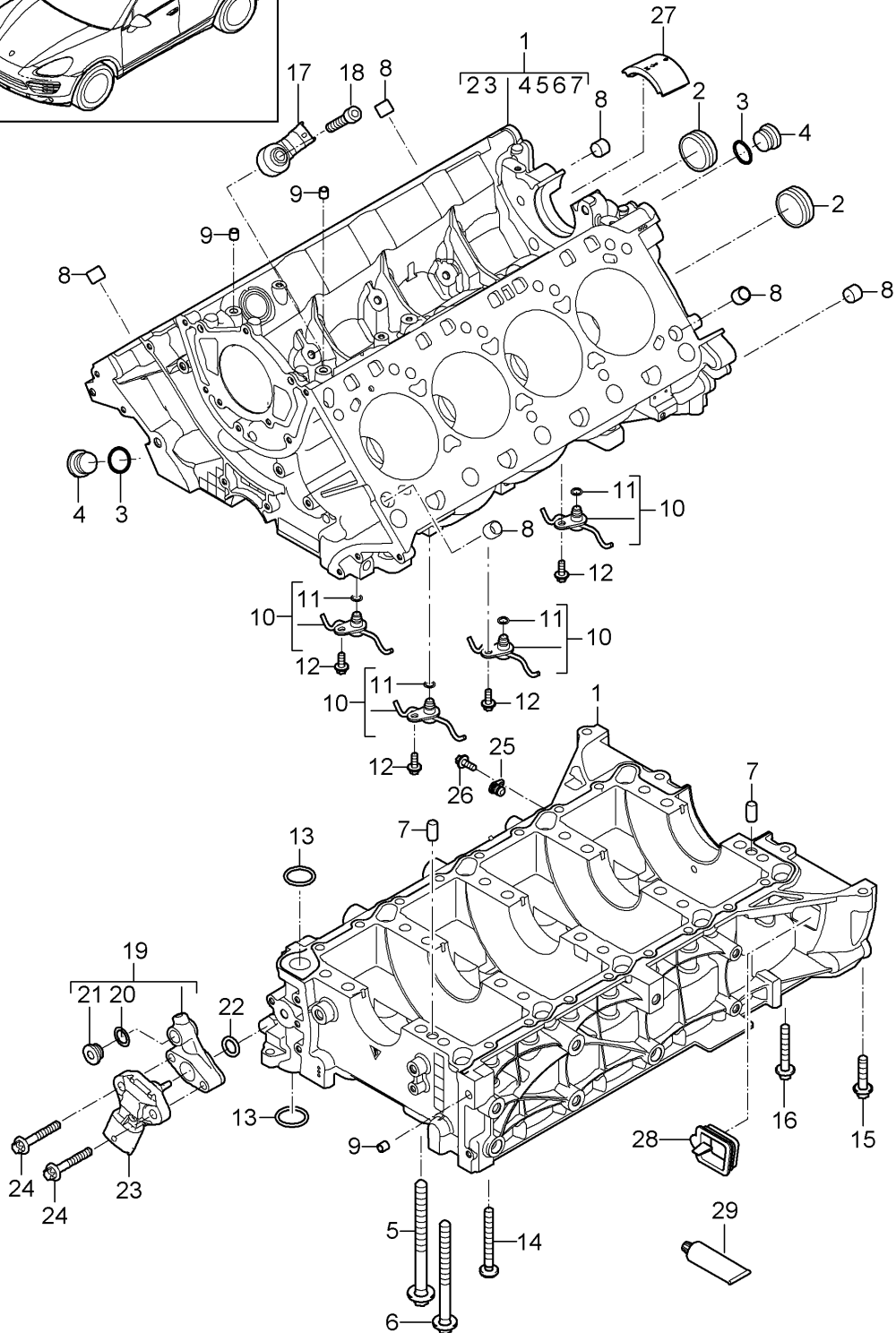
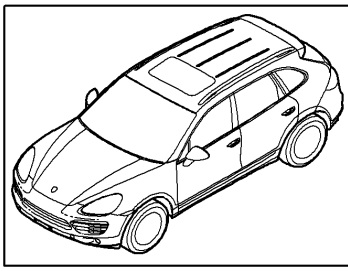
Model: 92A 11

Model life 2011>>2018

| Pos | Part Number    | Description  | Remark | Qty | Model      |
|-----|----------------|--|--------|-----|------------|
| 1   | 958 100 931 00 | Base engine<br>comprising:<br>Valve cover<br>Cylinder head<br>Crankcase housing<br>Crank drive<br>oil sump |        | 1   | CUDB, CUDC |
| (1) | 958 100 931 X  | Base engine<br>Together with<br>Tiptronic<br>Not ready for installation                                    |        | 1   |            |

Model: 92A 11

Model life 2011>>2018



Model: 92A 11 Model life 2011>>2018

| Pos | Part Number    | Description   | Remark         | Qty | Model                               |
|-----|----------------|---|----------------|-----|-------------------------------------|
| 1   | 948 101 001 20 | Crankcase housing<br>Individual parts<br>Crankcase housing<br>without:<br>piston                              |                | 1   | 4802,4852,<br>CFTB,CFT,<br>CYXA,CYX |
|     |                |   | also use:      |     |                                     |
|     |                |   | 014 301 153 B  | 6   |                                     |
|     |                |   | 996 106 103 50 | 3   |                                     |
|     |                |   | 948 101 017 11 | 4   |                                     |
|     |                |   | 900 385 009 01 | 4   |                                     |
|     |                |   | 999 707 481 40 | 1   |                                     |
|     |                | piston  |                | 8   |                                     |
| (1) | 948 101 001 21 | Discontinued part<br>Crankcase housing<br>without:<br>piston  |                | 1   | 4802,4852+<br>PR:1A2,1A5            |
|     |                |   | also use:      |     |                                     |
|     |                |   | 014 301 153 B  | 6   |                                     |
|     |                |   | 996 106 103 50 | 3   |                                     |
|     |                |   | 948 101 017 11 | 4   |                                     |
|     |                |   | 900 385 009 01 | 4   |                                     |
|     |                |   | 999 707 481 40 | 1   |                                     |
|     |                | piston  |                | 8   |                                     |
|     |                | M >> M C 12136  |                |     | 4802, 1A2                           |
|     |                | M >> MVC 12137  |                |     | 4802, 1A5                           |
|     |                | M >> M C 05371  |                |     | 4852                                |
| (1) | 948 101 001 22 | No longer use the part here<br>Crankcase housing<br>without:<br>piston  |                | 1   | 4802+<br>PR:1A2,E0A                 |
|     |                |   | also use:      |     |                                     |
|     |                |   | 948 103 058 21 | 4   |                                     |
|     |                |   | 948 103 057 21 | 4   |                                     |
|     |                |   | 014 301 153 B  | 6   |                                     |
|     |                |   | 996 106 103 50 | 3   |                                     |
|     |                |   | 948 101 017 12 | 4   |                                     |
|     |                |   | 900 385 009 01 | 4   |                                     |
|     |                |   | 999 707 481 40 | 1   |                                     |
|     |                | See technical information<br>Service<br>Group 1<br>Document<br>1010 25/13<br>M M C 12137 >><br>D >> - MJ 2013 |                |     |                                     |
| (1) | 948 101 001 22 | Discontinued part<br>Crankcase housing<br>without:<br>piston  |                | 1   | 4802+<br>PR:1A2,E0W                 |
|     |                |   | also use:      |     |                                     |
|     |                |   | 014 301 153 B  | 6   |                                     |
|     |                |   | 996 106 103 50 | 3   |                                     |
|     |                |   | 948 101 017 12 | 4   |                                     |
|     |                |   | 900 385 009 01 | 4   |                                     |
|     |                |   | 999 707 481 40 | 1   |                                     |
|     |                | piston  |                | 8   |                                     |
|     |                | D >> - MJ 2013  |                |     |                                     |
| (1) | 948 101 001 22 | Discontinued part<br>Crankcase housing<br>without:<br>piston  |                | 1   | 4802+<br>PR:1A5,E0A                 |
|     |                |   | also use:      |     |                                     |
|     |                |   | 948 103 058 51 | 4   |                                     |
|     |                |   | 948 103 057 51 | 4   |                                     |
|     |                |   | 014 301 153 B  | 6   |                                     |
|     |                |   | 996 106 103 50 | 3   |                                     |
|     |                |   | 948 101 017 12 | 4   |                                     |



Model: 92A 11 Model life 2011>>2018

| Pos | Part Number    | Description  | Remark  | Qty                             | Model                               |
|-----|----------------|--|---|---------------------------------|-------------------------------------|
|     |                |  | 900 385 009 01  | 4                               |                                     |
|     |                |  | 999 707 481 40  | 1                               |                                     |
| (1) | 948 101 001 22 | See technical information<br>Service<br>Group 1<br>Document<br>1010 25/13<br>M V C 12138 >><br>D >> - MJ 2013<br>Discontinued part<br>Crankcase housing<br><br>without:<br>piston<br><br>also use:             | 014 301 153 B<br>996 106 103 50<br>948 101 017 12<br>900 385 009 01<br>999 707 481 40                                     | 6<br>3<br>4<br>4<br>1<br>8      | 4802+<br>PR:1A5,E0W                 |
| (1) | 948 101 001 22 | piston<br>D >> - MJ 2013<br>Discontinued part<br>Crankcase housing<br><br>without:<br>piston<br><br>also use:  | 948 103 046 71<br>948 103 045 71<br>014 301 153 B<br>996 106 103 50<br>948 101 017 12<br>900 385 009 01<br>999 707 481 40 | 4<br>4<br>6<br>3<br>4<br>4<br>1 | 4852                                |
| (1) | 948 101 001 23 | See technical information<br>Service<br>Group 1<br>Document<br>1010 25/13<br>M C 05372 >><br>D >> - MJ 2013<br>Discontinued part<br>Crankcase housing<br><br>without:<br>piston<br><br>also use:               | 014 301 153 B<br>946 101 153 30<br>996 106 103 50<br>948 101 017 13<br>900 385 009 01<br>999 707 481 40                   | 4<br>2<br>3<br>4<br>4<br>1<br>8 |                                     |
| (1) | 948 101 001 24 | piston<br>See technical information<br>Service<br>Group 1<br>Document<br>1359 24/13<br>and<br>1010 25/13<br>D - MJ 2014>><br>Discontinued part<br>Crankcase housing<br><br>without:<br>piston<br><br>also use: | 014 301 153 B<br>946 101 153 30   | 4<br>2                          | 4802,4852,<br>CFTB,CFT,<br>CYXA,CYX |

Model: 92A 11 Model life 2011>>2018

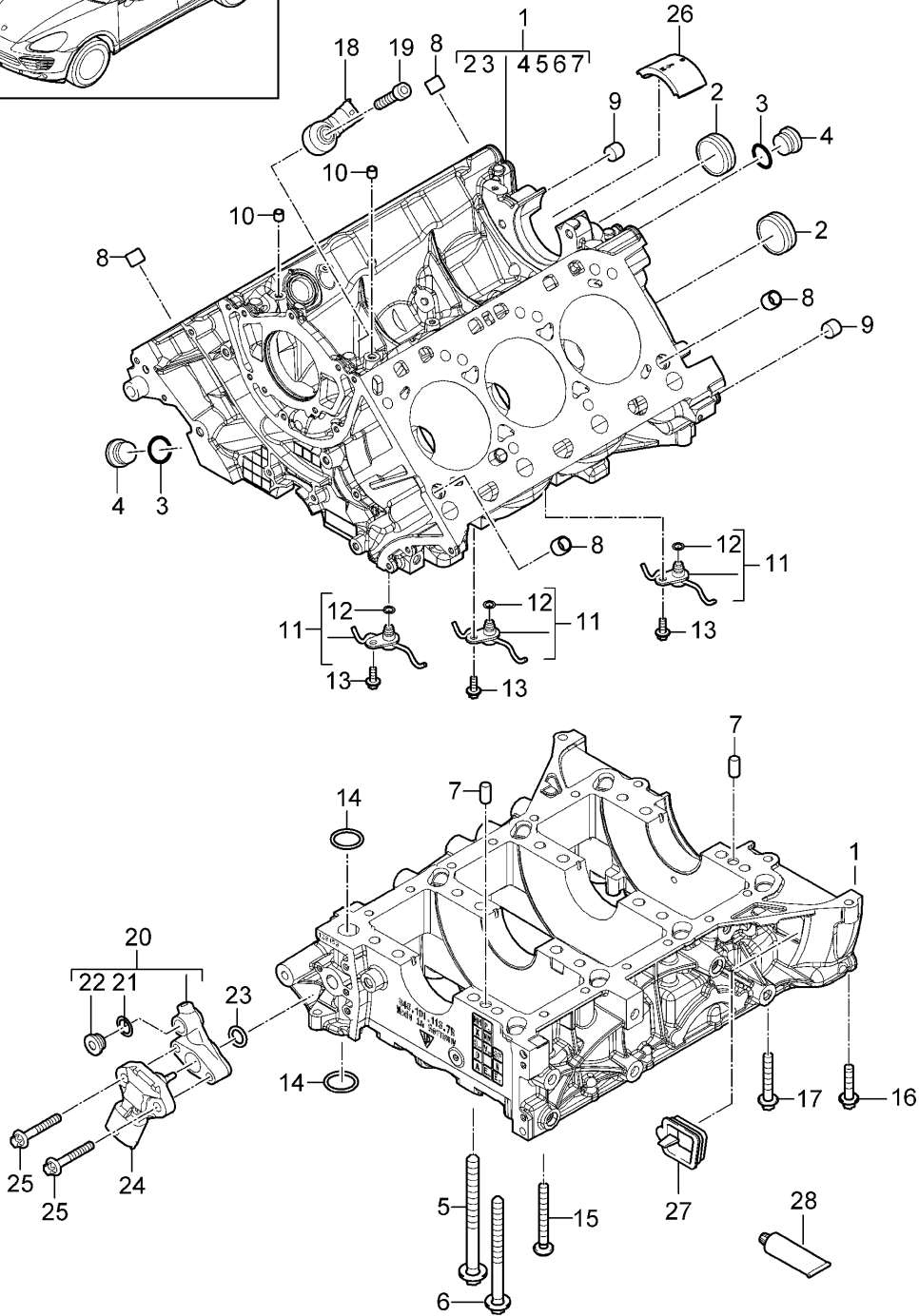
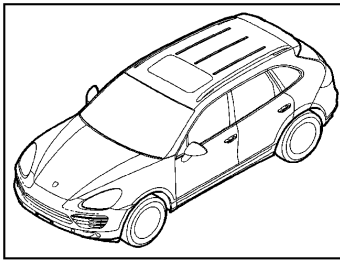
| Pos | Part Number    | Description               | Remark         | Qty | Model                 |
|-----|----------------|---------------------------|----------------|-----|-----------------------|
|     |                |                           | 996 106 103 50 | 3   |                       |
|     |                |                           | 948 101 017 13 | 4   |                       |
|     |                |                           | 948 101 017 70 | 4   |                       |
|     |                |                           | 900 385 009 01 | 4   |                       |
|     |                |                           | 999 707 481 40 | 1   |                       |
|     |                | piston                    |                | 8   |                       |
|     |                | See technical information |                |     |                       |
|     |                | Service                   |                |     |                       |
|     |                | Group 1                   |                |     |                       |
|     |                | Document                  |                |     |                       |
|     |                | 1359 24/13                |                |     |                       |
|     |                | and                       |                |     |                       |
|     |                | 1010 25/13                |                |     |                       |
|     |                | D - MJ 2014>>             |                |     |                       |
| 2   | 948 101 216 00 | End cap                   |                | 2   |                       |
| 3   | 900 123 118 30 | seal ring                 |                | 2   |                       |
|     |                | A 22 X 27                 |                |     |                       |
| 4   | 999 063 024 30 | sealing plug              |                | 2   |                       |
|     |                | M 22 X 1,5                |                |     |                       |
| 5   | 948 101 190 01 | Screw                     |                | 10  |                       |
|     |                | M 11 X 1,5 X 130          |                |     |                       |
| 6   | 948 101 191 01 | Screw                     |                | 10  |                       |
|     |                | M 10 X 1,5 X 117          |                |     |                       |
| 7   | 999 012 051 00 | Cylinder pin              |                | 2   |                       |
|     |                | BM 10 X 18                |                |     |                       |
| 8   | 014 301 153 B  | dowel sleeve              |                | 6   |                       |
|     |                | 13 X 16 X 13,5            |                |     |                       |
|     |                | M >> D 13502              |                |     | 4802                  |
|     |                | M >> D 03712              |                |     | 4852                  |
| (8) | 014 301 153 B  | dowel sleeve              |                | 4   |                       |
|     |                | 13 X 16 X 13,5            |                |     |                       |
|     |                | For attachment to:        |                |     |                       |
|     |                | Cylinder head             |                |     |                       |
|     |                | M D 13503 >>              |                |     | 4802                  |
|     |                | M D 03713 >>              |                |     | 4852                  |
| (8) | 014 301 153 B  | dowel sleeve              |                | 4   | CFTB,CFT,<br>CYXA,CYX |
|     |                | 13 X 16 X 13,5            |                |     |                       |
|     |                | For attachment to:        |                |     |                       |
|     |                | Cylinder head             |                |     |                       |
| (8) | 946 101 153 30 | dowel sleeve              |                | 2   |                       |
|     |                | 13 X 16 X 15              |                |     |                       |
|     |                | For attachment to:        |                |     |                       |
|     |                | Gearbox                   |                |     |                       |
|     |                | See technical information |                |     |                       |
|     |                | Service                   |                |     |                       |
|     |                | Group 1                   |                |     |                       |
|     |                | Document                  |                |     |                       |
|     |                | 1004 34/15                |                |     |                       |
|     |                | M D 13503 >>              |                |     | 4802                  |
|     |                | M D 03713 >>              |                |     | 4852                  |
| (8) | 946 101 153 30 | dowel sleeve              |                | 2   | CFTB,CFT,<br>CYXA,CYX |
|     |                | 13 X 16 X 15              |                |     |                       |
|     |                | For attachment to:        |                |     |                       |
|     |                | Gearbox                   |                |     |                       |
|     |                | See technical information |                |     |                       |
|     |                | Service                   |                |     |                       |
|     |                | Group 1                   |                |     |                       |
|     |                | Document                  |                |     |                       |
|     |                | 1004 34/15                |                |     |                       |
|     |                | M >> CFT 003 084          |                |     |                       |
| (8) | 946 101 153 31 | dowel sleeve              |                | 2   | CFTB,CFT,<br>CYXA,CYX |
|     |                | 13 X 16 X 16,5            |                |     |                       |
|     |                | For attachment to:        |                |     |                       |

Model: 92A 11 Model life 2011>>2018

| Pos  | Part Number    | Description  | Remark | Qty | Model                              |
|------|----------------|--|--------|-----|------------------------------------|
|      |                | Gearbox<br>See technical information<br>Service<br>Group 1<br>Document<br>1004 34/15<br>M CFT 003 085>><br>M CYX 000 501>> |        |     |                                    |
| 9    | 996 106 103 50 | dowel sleeve<br>8,2 X 7  |        | 3   |                                    |
| 10   | 948 101 017 11 | Water jet<br>Discontinued part   |        | 4   |                                    |
| (10) | 948 101 017 12 | Water jet<br>Discontinued part   |        | 4   |                                    |
| (10) | 948 101 017 13 | Water jet  |        | 4   | 4802,4852,<br>CFTB,CFT<br>CYXA,CYX |
| (10) | 948 101 017 70 | Water jet  |        | 4   |                                    |
| 11   | 999 707 509 40 | O-ring<br>8,55 X 2   |        | 4   |                                    |
| 12   | 900 385 009 01 | Torx screw<br>BM 6 X 16  |        | 4   |                                    |
| 13   | 999 707 481 40 | O-ring<br>24 X 3   |        | 2   |                                    |
| 14   | 999 073 915 31 | fillister hd. bolt<br>aluminium<br>M 8 X 70  |        | 16  |                                    |
| 15   | 900 385 042 01 | Torx screw<br>BM 8 X 35  |        | 2   |                                    |
| 16   | 900 385 071 01 | Torx screw<br>BM 8 X 50  |        | 2   |                                    |
| 17   | 997 606 121 00 | Knock sensor   |        | 4   |                                    |
| 18   | 900 067 102 02 | Socket head bolt<br>M 8 X 35   |        | 4   |                                    |
| 19   | 948 107 314 20 | Adapter  |        | 1   |                                    |
| 20   | 900 123 144 30 | seal ring<br>A 10 X 13,5   |        | 1   |                                    |
| 21   | 900 219 023 01 | sealing plug<br>M 10 X 1   |        | 1   |                                    |
| 22   | 999 707 575 40 | O-ring<br>20 X 3   |        | 1   |                                    |
| 23   | 948 606 213 00 | Oil pressure sender  |        | 1   |                                    |
| 24   | 900 385 045 01 | Torx screw<br>BM 6 X 40  |        | 2   |                                    |
| 25   | 948 107 260 00 | End cap  |        | 1   | 4802                               |
| 26   | 900 385 041 01 | Torx screw<br>BM 6 X 12  |        | 1   | 4802                               |
| 27   | 7P5 103 113    | End cap<br>No longer use the part here   |        | 1   |                                    |
| (27) | 7PP 103 113    | End cap  |        | 1   |                                    |
| 28   | 955 301 729 10 | Sealing cap  |        | 1   |                                    |
| 29   | 999 915 573 43 | sealant<br>1 tube<br>for<br>Crankcase housing<br>discontinued part   | 75 ml  | X   |                                    |
| 29   | 000 043 305 33 | sealant<br>1 tube<br>for<br>Crankcase housing  | 75 ml  | X   |                                    |

Model: 92A 11

Model life 2011>>2018



Model: 92A 11

Model life 2011&gt;&gt;2018

| Pos | Part Number    | Description   | Remark  | Qty                                 | Model                   |
|-----|----------------|---|---|-------------------------------------|-------------------------|
| (1) | 946 101 001 61 | Crankcase housing<br>Individual parts<br>Crankcase housing<br><br>without:<br>piston<br><br>also use:   | 014 301 153 B<br>946 101 153 30<br>996 106 103 50<br>946 101 017 78<br>900 385 009 01<br>999 707 481 40 | 1<br><br>4<br>2<br>2<br>3<br>3<br>2 | CURA, CUR,<br>CXZA, CXZ |
| 2   | 948 101 216 00 | piston  |   | 6                                   |                         |
| 3   | 948 101 216 00 | End cap   |   | 2                                   |                         |
| 3   | 900 123 118 30 | seal ring<br>A 22 X 27  |   | 2                                   |                         |
| 4   | 999 063 024 30 | sealing plug<br>M 22 X 1,5  |   | 2                                   |                         |
| 5   | 948 101 190 01 | Screw<br>M 11 X 1,5 X 130   |   | 6                                   |                         |
| (5) | 948 101 190 40 | Screw<br>M 11 X 1,5 X 113,5   |   | 2                                   |                         |
| 6   | 948 101 191 01 | Screw<br>M 10 X 1,5 X 117   |   | 6                                   |                         |
| (6) | 948 101 191 41 | Screw<br>M 10 X 1,5 X 107,5   |   | 2                                   |                         |
| 7   | 999 012 051 00 | Cylinder pin<br>BM 10 X 18  |   | 2                                   |                         |
| 8   | 014 301 153 B  | dowel sleeve<br>13 X 16 X 13,5  |   | 4                                   |                         |
| 9   | 946 101 153 30 | dowel sleeve<br>13 X 16 X 15<br>See technical information<br>Service<br>Group 1<br>Document<br>1004 34/15<br>M >> CUR 005 824<br>M >> CXZ 002 134 |   | 2                                   |                         |
| (9) | 946 101 153 31 | dowel sleeve<br>13 X 16 X 16,5<br>See technical information<br>Service<br>Group 1<br>Document<br>1004 34/15<br>M CUR 005 825>><br>M CXZ 002 135>> |   | 2                                   |                         |
| 10  | 996 106 103 50 | dowel sleeve<br>8,2 X 7   |   | 2                                   |                         |
| 11  | 946 101 017 78 | Water jet   |   | 3                                   |                         |
| 12  | 999 707 509 40 | O-ring<br>8,55 X 2  |   | 3                                   |                         |
| 13  | 900 385 009 01 | Torx screw<br>BM 6 X 16   |   | 3                                   |                         |
| 14  | 999 707 481 40 | O-ring<br>24 X 3  |   | 2                                   |                         |
| 15  | 999 073 915 31 | fillister hd. bolt<br>aluminium<br>M 8 X 70   |   | 12                                  |                         |
| 16  | 900 385 042 01 | Torx screw<br>BM 8 X 35   |   | 2                                   |                         |
| 17  | 900 385 071 01 | Torx screw<br>BM 8 X 50   |   | 2                                   |                         |

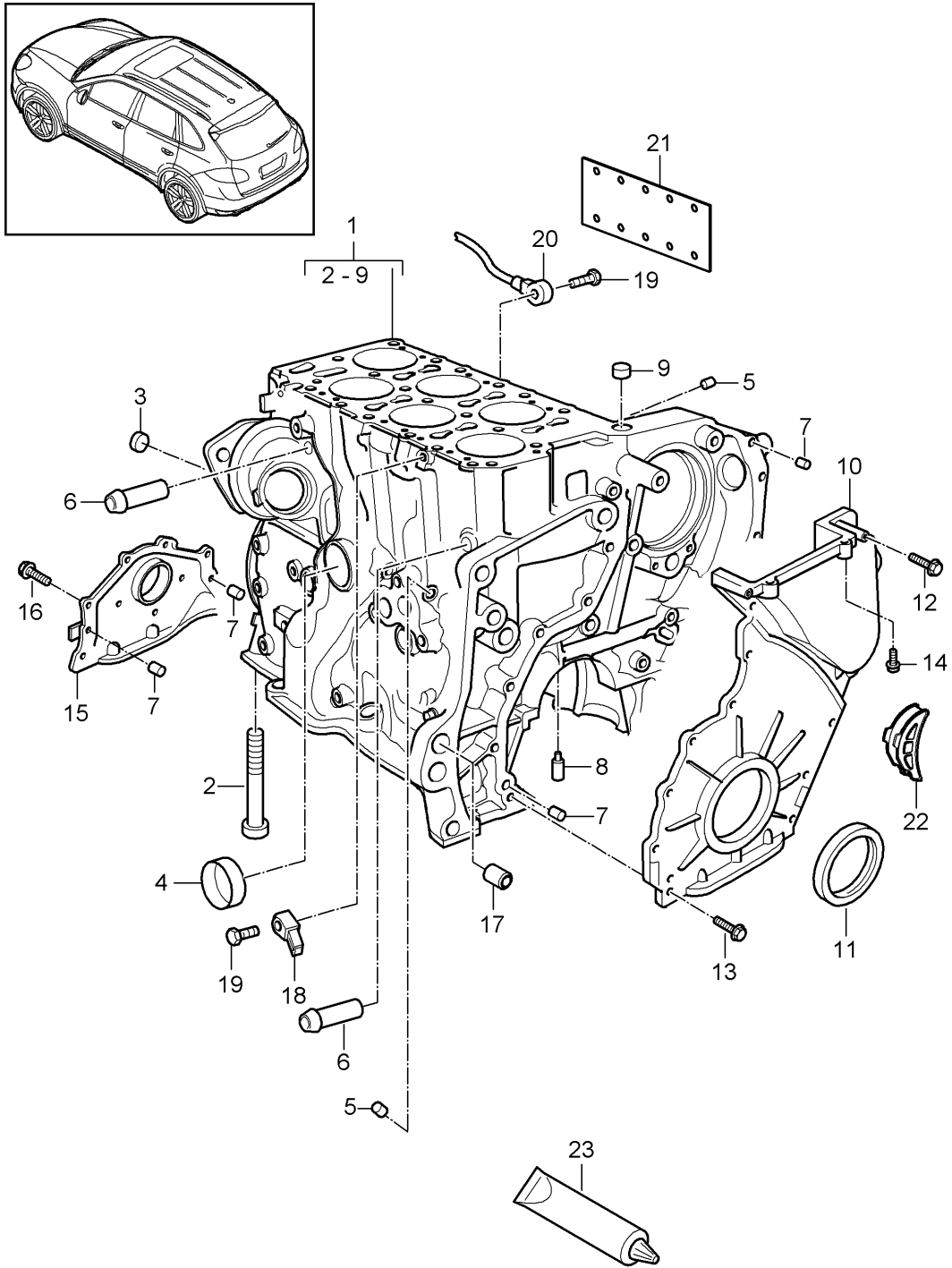
Model: 92A 11

Model life 2011>>2018

| Pos  | Part Number    | Description  | Remark | Qty | Model |
|------|----------------|--|--------|-----|-------|
| 18   | 997 606 121 00 | Knock sensor   |        | 2   |       |
| 19   | 900 067 102 02 | Socket head bolt<br>M 8 X 35                                       |        | 2   |       |
| 20   | 948 107 314 20 | Adapter  |        | 1   |       |
| 21   | 900 123 144 30 | seal ring<br>A 10 X 13,5   |        | 1   |       |
| 22   | 900 219 023 01 | sealing plug<br>M 10 X 1   |        | 1   |       |
| 23   | 999 707 575 40 | O-ring<br>20 X 3   |        | 1   |       |
| 24   | 948 606 213 00 | Oil pressure sender  |        | 1   |       |
| 25   | 900 385 045 01 | Torx screw<br>BM 6 X 40  |        | 2   |       |
| 26   | 7PP 103 113    | End cap  |        | 1   |       |
| 27   | 955 301 729 10 | Sealing cap  |        | 1   |       |
| 28   | 999 915 573 43 | sealant<br>1 tube<br>for<br>Crankcase housing                      | 75 ml  | X   |       |
| (28) | 000 043 305 33 | Discontinued part<br>sealant<br>1 tube<br>for<br>Crankcase housing | 75 ml  | X   |       |

Model: 92A 11

Model life 2011>>2018



Model: 92A 11

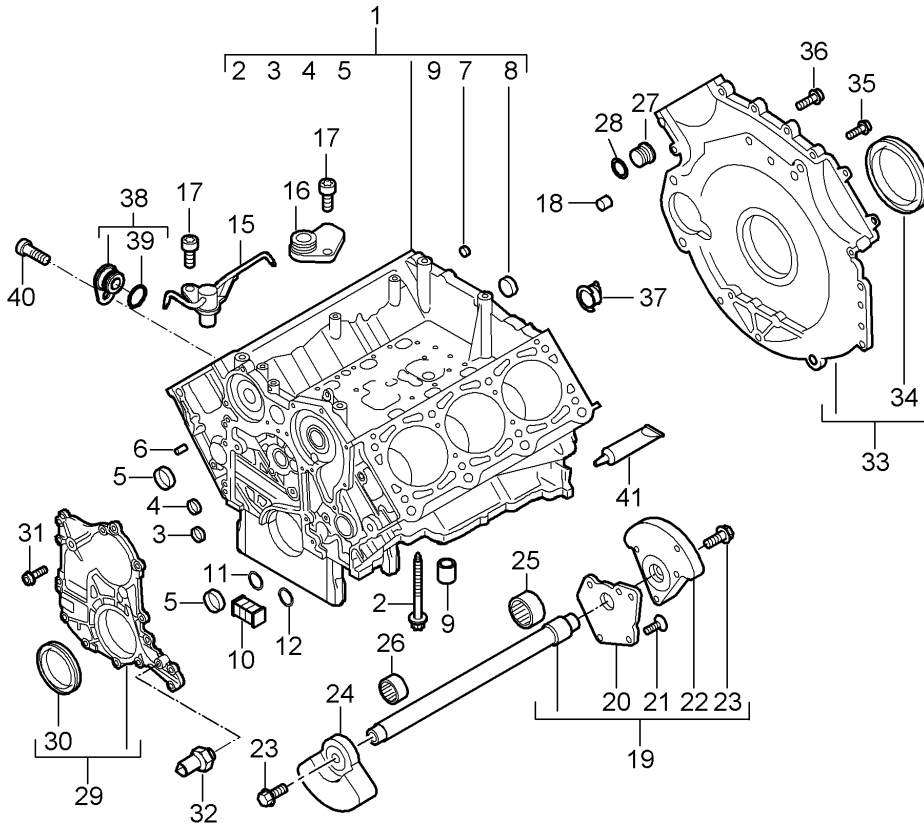
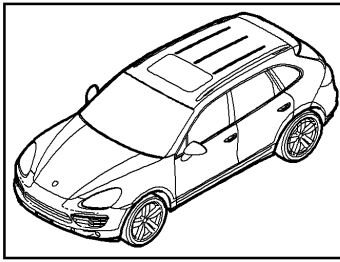
Model life 2011>>2018

| Pos  | Part Number    | Description  | Remark        | Qty | Model                    |
|------|----------------|--|---------------|-----|--------------------------|
|      |                | Crankcase housing<br>Individual parts<br>Crankcase housing<br>Not available                  |               | 1   | 5502, CEYA               |
| 2    | N 903 658 01   | Socket head bolt with inner<br>multipoint head<br>AM 10 X 78                                 |               | 14  |                          |
| 3    | N 102 186 03   | End cap<br>15 MM   |               | 2   |                          |
| 4    | 955 101 215 00 | End cap<br>36,6 MM   |               | 1   |                          |
| 5    | 955 101 115 01 | Sealing cap<br>B 7,3 X 9,3   |               | 4   |                          |
| 6    | 955 101 382 01 | Pipe union   |               | 2   |                          |
| 7    | N 910 170 01   | Cylinder pin<br>8 X 18   |               | 4   |                          |
| 8    | 958 101 017 00 | Water jet<br>engine oil  |               | 6   |                          |
| 9    | N 905 026 01   | dowel sleeve<br>14 X 12  |               | 2   |                          |
| 10   | 955 101 173 01 | Cover for timing chain   | rear          | 1   | PR:G0L                   |
| (10) | 955 101 173 11 | Cover for timing chain   | rear          | 1   | PR:G1G                   |
| 11   | 955 101 051 00 | Shaft oil seal<br>85 X 105 X 11  |               | 1   |                          |
| 12   | N 101 160 03   | hexagon head bolt (combi)<br>M 6 X 58  |               | 2   |                          |
| 13   | N 100 829 11   | hexagon head bolt (combi)<br>M 6 X 16  |               | 14  |                          |
| 14   | N 903 559 05   | Socket head bolt with hexagon<br>socket head (combination)<br>M 8 X 30                       |               | 2   |                          |
| 15   | 958 101 151 00 | Sealing flange   | front         | 1   |                          |
| 16   | N 100 292 05   | Oval hexagon socket head bolt<br>M 6 X 15  |               | 6   |                          |
| 17   | 955 101 139 01 | dowel sleeve<br>16 X 13,5  |               | 2   |                          |
| 18   | 955 606 125 00 | Knock sensor   |               | 1   |                          |
| 19   | N 010 272 5    | Hexagon bolt<br>M 8 X 26   |               | 2   |                          |
| 20   | 955 606 125 21 | Knock sensor   |               | 1   |                          |
| 21   | 955 606 461 00 | Heat insulation<br>Discontinued part   |               | 1   |                          |
| (21) | 955 606 461 01 | Heat insulation  |               | 1   |                          |
| 22   | 955 101 732 00 | Cover cap<br>D >> - MJ 2014  |               | 1   | PR:G1G, 7L7              |
| (22) | 958 101 732 00 | Cover cap<br>D >> - MJ 2012  |               | 1   | PR:G1G, 7L4,<br>7L6, 7L8 |
| (22) | 958 101 732 00 | Cover cap<br>D - MJ 2013>>   |               | 1   | PR:G1G, 7L4,<br>7L8      |
| 23   | 000 043 300 39 | sealant<br>1 tube<br>50 ml.<br>for<br>Sealing flange<br>and                                  | front<br>rear | X   |                          |
| (23) | 000 043 210 45 | Cover for timing chain<br>Cleaning solution<br>container<br>100 ML.<br>for<br>Sealing flange | front         | 1   |                          |



Model: 92A 11

Model life 2011>>2018



Model: 92A 11 Model life 2011>>2018

| Pos  | Part Number    | Description  | Remark         | Qty | Model |
|------|----------------|--|----------------|-----|-------|
|      |                | Crankcase housing<br>Individual parts<br>Crankcase housing |                |     | 059E  |
| 1    | 958 101 011 00 |  |                | 1   |       |
|      |                | also use:  |                |     |       |
|      |                | piston   |                | 6   |       |
| (1)  | 958 101 011 01 | Discontinued part<br>Crankcase housing                     |                | 1   |       |
|      |                | also use:  |                |     |       |
|      |                | piston   |                | 6   |       |
| 2    | 955 101 190 00 | Bearing screw<br>M 11 X 112                                |                | 16  |       |
| 3    | N 011 903 4    | End cap<br>A 16  |                | 1   |       |
| 4    | N 011 904 7    | End cap<br>18  |                | 1   |       |
| 5    | N 011 908 5    | End cap<br>28  |                | 2   |       |
| 6    | N 106 678 01   | Cylinder pin<br>6 X 16                                     |                | 2   |       |
| 7    | N 910 818 01   | End cap<br>8   |                | 3   |       |
| 8    | N 011 914 10   | End cap<br>24  |                | 1   |       |
| 9    | 955 101 139 10 | dowel sleeve   |                | 2   |       |
| 10   | 955 101 147 00 | Seal<br>Sealing flange                                     | front and rear | 4   |       |
| 11   | N 903 649 01   | O-ring<br>7 X 2  |                | 1   |       |
| 12   | N 904 054 02   | O-ring<br>11 X 2,5   |                | 1   |       |
| 15   | 955 101 017 00 | Water jet<br>engine oil                                    |                | 3   |       |
| (15) | 958 101 017 20 | Discontinued part<br>Water jet<br>engine oil               |                | 3   |       |
| 16   | 955 101 765 00 | Valve  |                | 1   |       |
| 17   | N 910 547 01   | Hex socket head locating bolt<br>M 6 X 6 X 12              |                | 4   |       |
| 18   | 955 101 139 01 | dowel sleeve<br>16 X 13,5                                  |                | 2   |       |
| 19   | 955 101 025 00 | balancer shaft<br>Discontinued part                        |                | 1   |       |
| (19) | 955 101 025 01 | balancer shaft   |                | 1   |       |
| 20   | 955 101 407 00 | End cap  |                | 1   |       |
| 21   | N 104 560 04   | Hexagon socket head bolt,<br>self-locking<br>M 6 X 12      |                | 4   |       |
| 22   | 955 101 331 00 | Balancer weight  | rear           | 1   |       |
| 23   | N 908 932 02   | fitted bolt, hexagon head<br>M 10 X 20                     |                | 2   |       |
| 24   | 955 101 332 00 | Balancer weight  | front          | 1   |       |
| 25   | 955 101 869 00 | needle bearing -<br>Durchm. 25 MM                          |                | 1   |       |
| 26   | 955 101 869 10 | needle bearing -<br>Durchm. 22 MM                          |                | 1   |       |
| 27   | 955 101 189 00 | End cap<br>20  |                | 1   |       |
| 28   | 955 107 124 00 | O-ring<br>15 X 2,5   |                | 1   |       |
| 29   | 958 101 150 00 | Sealing flange   | front          | 1   |       |
|      |                | also use:  |                |     |       |
|      |                | N 903 649 01   |                | 1   |       |
|      |                | N 904 054 02   |                | 1   |       |
|      |                | 000 043 207 49   |                | X   |       |

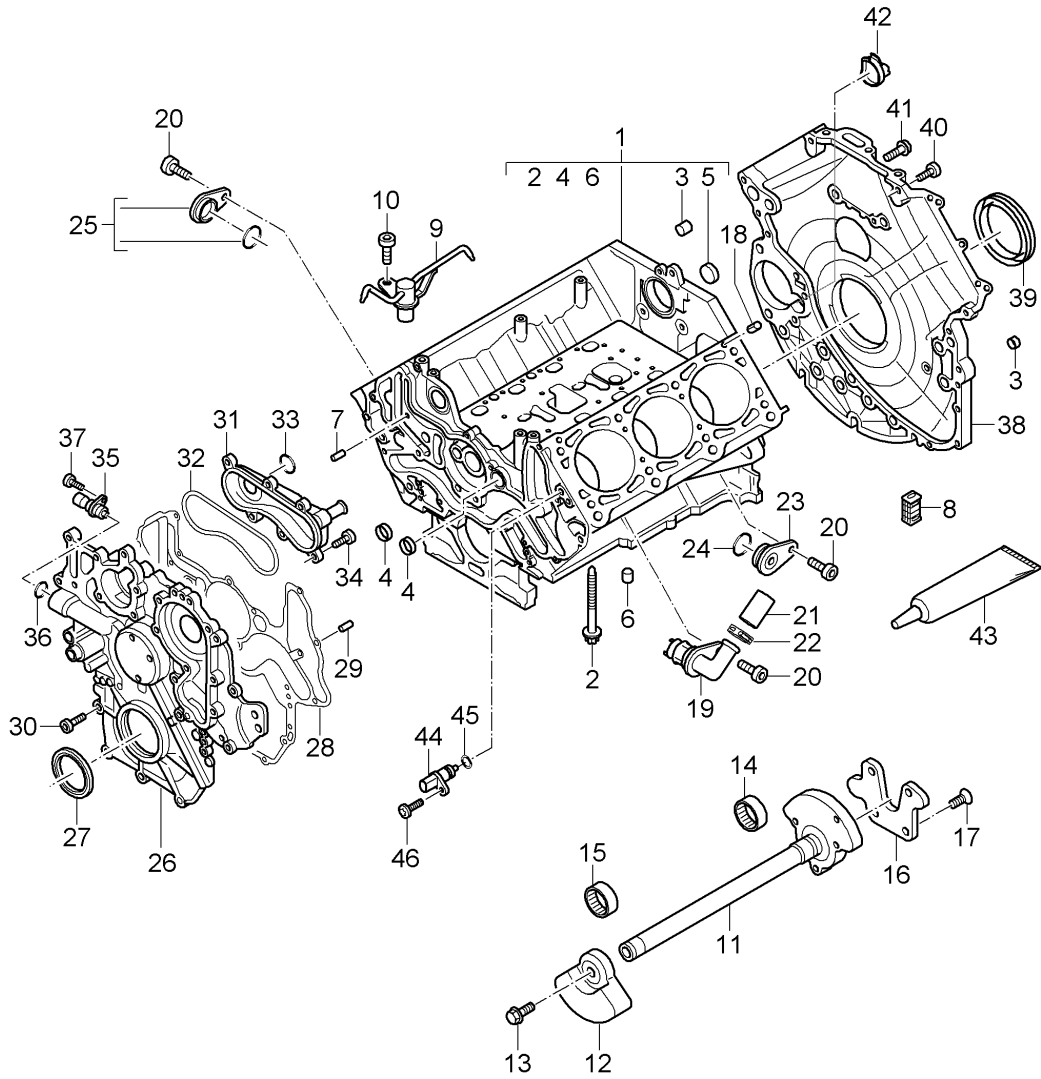
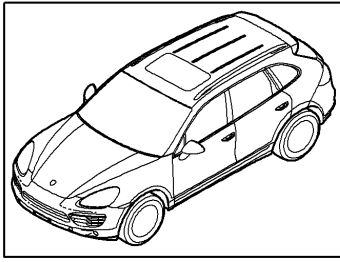
Model: 92A 11

Model life 2011>>2018

| Pos  | Part Number    | Description  | Remark | Qty | Model |
|------|----------------|--|--------|-----|-------|
| 30   | 955 101 052 00 | Shaft oil seal   |        | 1   |       |
| 31   | N 101 243 06   | Oval hexagon socket head bolt<br>M 6 X 20                  |        | 12  |       |
| (31) | N 910 048 02   | double stud with hexagon drive<br>M 6 X 22 / M 6 X 12      |        | 1   |       |
| 32   | 958 606 081 50 | Oil pressure switch<br>Discontinued part                   |        | 1   |       |
| (32) | 958 606 081 70 | Oil pressure switch  |        | 1   |       |
| 33   | 958 101 071 00 | Sealing flange   | rear   | 1   |       |
| 34   | 955 101 053 00 | Shaft oil seal   |        | 1   |       |
| 35   | N 101 562 06   | Oval hexagon socket head bolt<br>M 6 X 30                  |        | 21  |       |
| 36   | N 102 258 02   | Socket head bolt with<br>inner multipoint head<br>M 8 X 32 |        | 6   |       |
| 37   | 958 101 565 00 | Cover  |        | 1   |       |
| 38   | 955 106 155 01 | End cap<br>Crankcase housing                               |        | 1   |       |
| 39   | N 910 084 01   | O-ring<br>19,6 X 3   |        | 1   |       |
| 40   | N 101 703 02   | round hd. screw<br>M 6 X 10                                |        | 1   |       |
| 41   | 000 043 207 49 | sealant<br>1 tube<br>80 ML<br>Discontinued part            |        | X   |       |
| (41) | 958 101 902 00 | sealant<br>80 ML   |        | X   |       |

Model: 92A 11

Model life 2011>>2018



Model: 92A 11 Model life 2011>>2018

| Pos  | Part Number    | Description   | Remark | Qty    | Model                                    |
|------|----------------|---|--------|--------|--|
|      |                | Crankcase housing<br>Individual parts   |        |        | CRCA, CRCB,<br>CNRB, CVVA,<br>CVVB, CVVC |
| 1    | 958 101 011 20 | Crankcase housing<br>also use:<br>piston  |        | 1<br>6 |  |
| (1)  | 958 101 011 21 | Discontinued part<br>Crankcase housing<br>also use:<br>piston                           |        | 1<br>6 |  |
| (1)  | 958 101 011 22 | D >> - 15.09.2016<br>Crankcase housing<br>also use:<br>piston                           |        | 1<br>6 |  |
| 2    | WHT 003 959    | D - 16.09.2016>><br>Hexagon head bolt<br>M 11 X 1,5 X 107                               |        | 16     |  |
| 3    | 955 101 139 01 | dowel sleeve<br>16 X 13,5   |        | 4      |  |
| 4    | N 011 903 10   | End cap<br>A 16   |        | 2      |  |
| 5    | N 011 914 10   | End cap<br>24   |        | 2      |  |
| 6    | 955 101 139 10 | dowel sleeve  |        | 4      |  |
| 7    | N 106 678 01   | Cylinder pin<br>6 X 16  |        | 2      |  |
| 8    | 955 101 147 00 | Seal  | rear   | 2      |  |
| 9    | 958 101 017 30 | Sealing flange<br>Water jet<br>engine oil   |        | 3      |  |
| 10   | N 910 547 01   | Hex socket head locating bolt<br>M 6 X 6 X 12   |        | 3      |  |
| 11   | 958 101 025 10 | balancer shaft<br>Discontinued part   |        | 1      |  |
| (11) | 958 101 025 11 | balancer shaft  |        | 1      |  |
| 12   | 955 101 332 00 | Balancer weight   | front  | 1      |  |
| 13   | N 908 932 02   | fitted bolt, hexagon head<br>M 10 X 20  |        | 1      |  |
| 14   | 958 101 869 30 | needle bearing -<br>DURCHM. 25 MM<br>Only<br>for<br>Crankcase housing<br>059.103.011.ED |        | 1      |  |
| (14) | 958 101 869 40 | needle bearing -<br>DURCHM. 25 MM<br>Only<br>for<br>Crankcase housing<br>059.103.011.FA |        | 1      |  |
| 15   | 955 101 869 10 | needle bearing -<br>Durchm. 22 MM   |        | 1      |  |
| 16   | 958 101 407 01 | End cap   |        | 1      |  |
| 17   | N 104 560 04   | Hexagon socket head bolt,<br>self-locking<br>M 6 X 12                                   |        | 4      |  |
| 18   | 955 102 277 00 | spring pin<br>6,2 X 22  |        | 4      |  |
| 19   | 958 106 155 10 | Connector union   |        | 1      |  |
| 20   | N 101 703 02   | round hd. screw<br>M 6 X 10   |        | 3      |  |
| 21   | 958 110 335 10 | Cap closure<br>Connector union  |        | 1      |  |

Model: 92A 11

Model life 2011&gt;&gt;2018

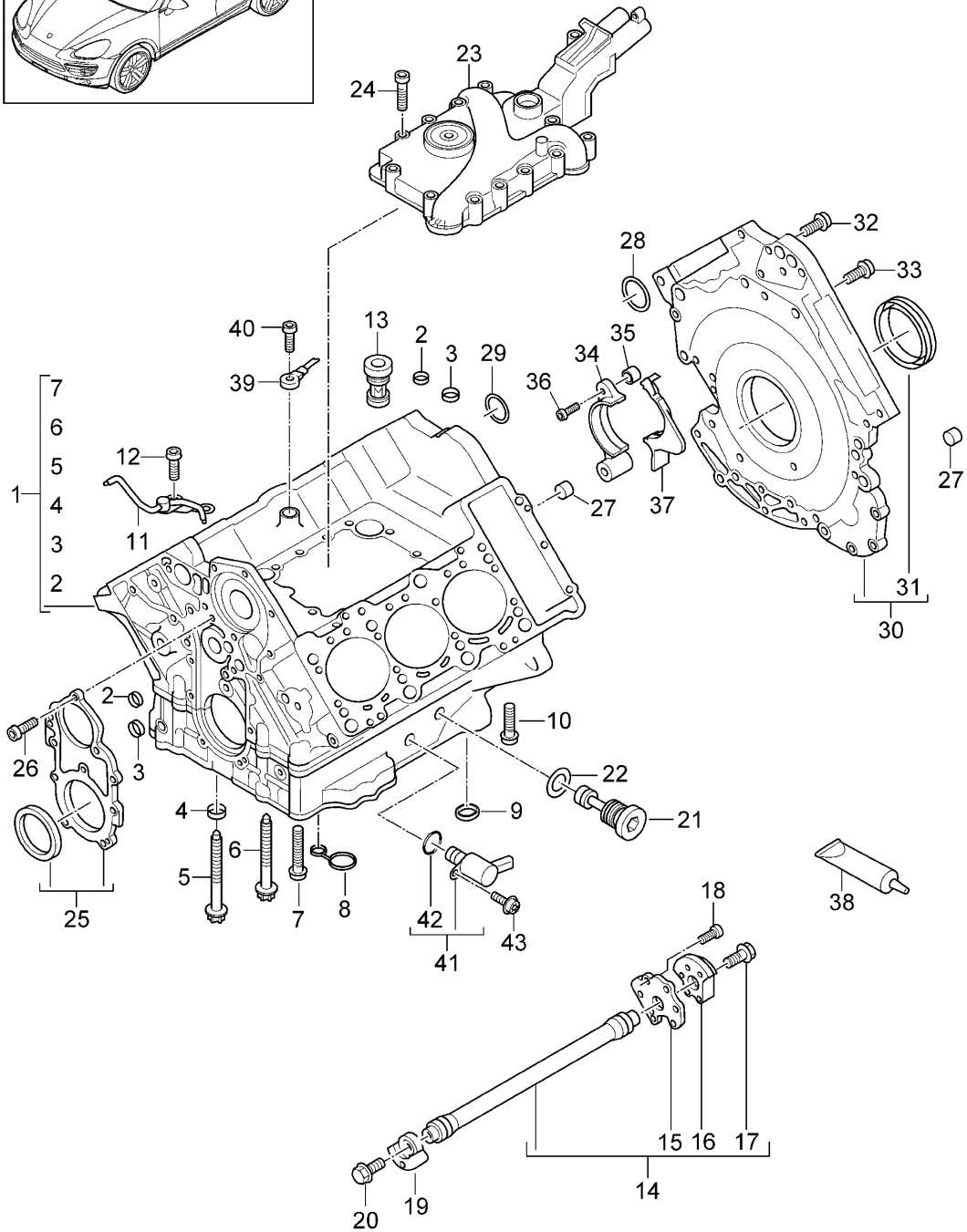
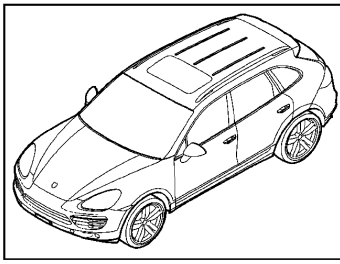
| Pos  | Part Number    | Description   | Remark      | Qty | Model                              |
|------|----------------|---|-------------|-----|------------------------------------|
| 22   | N 906 869 01   | Spring band clamp<br>B 23 X 12  |             | 1   |                                    |
| (22) | N 102 020 01   | No longer use the part here<br>Ear crimp hose clamp<br>24,1 X 7 X 0,6 |             | 1   |                                    |
| 23   | 958 106 155 00 | End cap<br>Discontinued part  |             | 1   |                                    |
| (23) | 958 106 155 01 | End cap   |             | 1   |                                    |
| 24   | N 907 834 02   | O-ring<br>13,1 X 1,6  |             | 1   |                                    |
| 25   | 958 106 155 20 | End cap   |             | 1   |                                    |
| 26   | 958 101 150 20 | Sealing flange  | front       | 1   |                                    |
|      |                | also use:   | WHT 005 400 | 1   |                                    |
| 26   | 958 101 151 10 | No longer use the part here<br>Sealing flange<br>Discontinued part    | front       | 1   | CRCA, CRCB                         |
| (26) | 958 101 151 11 | Sealing flange  | front       | 1   | CRCA, CRCB                         |
| (26) | 958 101 151 12 | D >> - MJ 2013<br>Sealing flange                                      | front       | 1   | CRCA, CRCB,<br>CVVA, CVVB,<br>CVVC |
| -    | WHT 005 400    | D - MJ 2014>><br>Washer<br>11 X 67 X 3,5                              |             | 1   |                                    |
| 27   | 958 101 052 00 | Shaft oil seal<br>No longer use the part here                         |             | 1   |                                    |
| (27) | 955 101 052 00 | Shaft oil seal  |             | 1   |                                    |
| 28   | 958 101 161 01 | Seal<br>No longer use the part here                                   |             | 1   |                                    |
| (28) | 958 101 161 02 | Seal<br>Rubber  |             | 1   |                                    |
| (28) | 958 101 161 03 | D >> - MJ 2013<br>Seal<br>Metal                                       |             | 1   |                                    |
| 29   | N 106 678 01   | D - MJ 2014>><br>Cylinder pin<br>6 X 16                               |             | 2   |                                    |
| 30   | N 911 804 01   | Hexalobular flange screw<br>M 6 X 22                                  |             | 22  |                                    |
| 31   | 958 101 525 00 | Cover   |             | 1   |                                    |
| 32   | 958 101 161 10 | Seal<br>Discontinued part   |             | 1   | CRCA, CRCB                         |
| (32) | 958 101 161 11 | Seal  |             | 1   | CRCA, CRCB,<br>CVVA, CVVB,<br>CVVC |
| 33   | N 904 650 04   | O-ring<br>23 X 2,6  |             | 1   |                                    |
| 34   | N 107 002 01   | round hd. screw<br>M 6 X 22   |             | 6   |                                    |
| 35   | 958 606 623 20 | Temperature sensor  |             | 1   |                                    |
| -    | 958 101 826 02 | Sleeve<br>for<br>Temperature sensor                                   |             | 1   |                                    |
| 36   | WHT 002 287 C  | O-ring<br>5,6 X 2   |             | 1   |                                    |
| (36) | N 908 514 01   | O-ring<br>14 X 1,78<br>Behind<br>Adapter<br>Sleeve                    |             | 1   |                                    |
| 37   | N 104 514 08   | Temperature sensor<br>Oval hexagon socket head bolt<br>M 6 X 16       |             | 1   |                                    |
| 38   | 958 101 071 30 | Sealing flange  | rear        | 1   |                                    |

Model: 92A 11 Model life 2011>>2018

| Pos  | Part Number    | Description                            | Remark                   | Qty | Model |
|------|----------------|--|--------------------------|-----|-------|
|      |                |  | also use: 955 101 147 00 | 2   |       |
|      |                |  | 000 043 207 49           | X   |       |
| (38) | 958 101 071 31 | Discontinued part<br>Sealing flange    | rear                     | 1   |       |
|      |                |  | also use: 955 101 147 00 | 2   |       |
|      |                |  | 000 043 300 39           | X   |       |
| (38) | 958 101 071 32 | Discontinued part<br>Sealing flange    | rear                     | 1   |       |
|      |                |  | also use: 955 101 147 00 | 2   |       |
|      |                |  | 000 043 300 39           | X   |       |
| 39   | 958 101 153 00 | Shaft oil seal                         |                          | 1   |       |
| (39) | 958 101 153 01 | Discontinued part<br>Shaft oil seal    |                          | 1   |       |
| 40   | N 107 002 01   | round hd. screw                        |                          | 18  |       |
|      |                | M 6 X 22                               |                          |     |       |
| 41   | N 107 453 01   | Oval hexagon socket head bolt          |                          | 6   |       |
|      |                | M 8 X 30                               |                          |     |       |
| 42   | 958 101 565 10 | Cover                                  |                          | 1   |       |
| 43   | 000 043 207 49 | sealant                                |                          | X   |       |
|      |                | 1 tube                                 |                          |     |       |
|      |                | 80 ML                                  |                          |     |       |
| (43) | 000 043 300 39 | No longer use the part here<br>sealant |                          | X   |       |
|      |                | 1 tube                                 |                          |     |       |
|      |                | 50 ML                                  |                          |     |       |
| 44   | 958 606 623 00 | Coolant temperature sender             |                          | 1   |       |
| 45   | WHT 002 287 B  | O-ring                                 |                          | 1   |       |
|      |                | 5,6 X 2 -N-                            |                          |     |       |
| 46   | N 101 703 02   | round hd. screw                        |                          | 1   |       |
|      |                | M 6 X 10                               |                          |     |       |

Model: 92A 11

Model life 2011>>2018





Model: 92A 11

Model life 2011&gt;&gt;2018

| Pos  | Part Number    | Description   | Remark | Qty | Model                         |
|------|----------------|---|--------|-----|-------------------------------|
| 1    | 958 101 011 10 | Crankcase housing<br>Individual parts<br>Crankcase housing    |        | 1   | 06EC, CGEA,<br>CGE, CGFA, CJT |
|      |                | also use:   |        |     |                               |
| 2    | N 011 903 10   | piston  |        | 6   |                               |
|      |                | End cap   |        | 2   |                               |
|      |                | 16  |        |     |                               |
| 3    | N 011 904 7    | End cap   |        | 3   |                               |
|      |                | 18  |        |     |                               |
| 4    | 958 107 543 00 | Centre sleeve   |        | 4   |                               |
|      |                | 10,4 X 12 X 12  |        |     |                               |
| 5    | WHT 002 949    | Hexagon head bolt   |        | 8   |                               |
|      |                | M 10 X 1,5 X 120  |        |     |                               |
| 6    | WHT 002 671 A  | Hexagon head bolt   |        | 8   |                               |
|      |                | M 10 X 1,5 X 110  |        |     |                               |
| 7    | N 910 506 01   | Hexagon socket head<br>bolt                                   |        | 4   |                               |
|      |                | M 8 X 85  |        |     |                               |
|      |                | D >> - MJ 2012  |        |     |                               |
| (7)  | N 911 991 01   | Socket head bolt with inner<br>multipoint head                |        | 4   |                               |
|      |                | M 8 X 85  |        |     |                               |
|      |                | D - MJ 2013>>   |        |     |                               |
| 8    | 958 101 581 00 | Seal  |        | 1   |                               |
| 9    | 958 101 582 00 | Seal  |        | 1   |                               |
| 10   | N 911 389 01   | Socket head collared bolt with<br>inner multipoint head       |        | 2   |                               |
|      |                | M 8 X 55  |        |     |                               |
|      |                | D >> - MJ 2012  |        |     |                               |
| (10) | N 107 418 02   | Socket head collared bolt with<br>inner multipoint head       |        | 2   |                               |
|      |                | M 8 X 55  |        |     |                               |
|      |                | D - MJ 2013>>   |        |     |                               |
| 11   | 958 101 017 10 | Water jet   |        | 3   |                               |
|      |                | engine oil  |        |     |                               |
| 12   | N 104 514 07   | Socket head bolt with multi-<br>point inner drive, self-lock. |        | 3   |                               |
|      |                | M 6 X 16  |        |     |                               |
|      |                | No longer use the part here                                   |        |     |                               |
| (12) | N 107 512 01   | Hexagon socket flat<br>head bolt                              |        | 3   |                               |
|      |                | M 6 X 14  |        |     |                               |
| 13   | 958 101 271 00 | choke   |        | 2   |                               |
| 14   | 958 101 025 00 | balancer shaft  |        | 1   |                               |
| 15   | 958 101 407 00 | End cap   |        | 1   |                               |
| 16   | 958 101 331 00 | Balancer weight   | rear   | 1   |                               |
| 17   | N 908 932 02   | fitted bolt, hexagon head                                     |        | 1   |                               |
|      |                | M 10 X 20   |        |     |                               |
| 18   | N 104 514 07   | Socket head bolt with multi-<br>point inner drive, self-lock. |        | 1   |                               |
|      |                | M 6 X 16  |        |     |                               |
| 19   | 958 101 332 00 | Balancer weight   | front  | 1   |                               |
| 20   | N 908 932 02   | fitted bolt, hexagon head                                     |        | 1   |                               |
|      |                | M 10 X 20   |        |     |                               |
|      |                | D >> - MJ 2012  |        |     |                               |
| (20) | N 107 682 01   | fitted bolt, hexagon head                                     |        | 1   |                               |
|      |                | M 10 X 20   |        |     |                               |
|      |                | D - MJ 2013>>   |        |     |                               |
| 21   | WHT 000 399    | sealing plug  |        | 1   |                               |
|      |                | M 14 X 1,5  |        |     |                               |
| 22   | 958 107 444 00 | O-ring  |        | 1   |                               |
|      |                | 16 X 3  |        |     |                               |
| 23   | 958 101 247 00 | trim for ventilation  |        | 1   |                               |

Model: 92A 11 Model life 2011>>2018

| Pos  | Part Number    | Description   | Remark                      | Qty    | Model                    |
|------|----------------|---|-----------------------------|--------|--------------------------|
| (23) | 958 101 247 02 | Crankcase housing<br>D >> - MJ 2013<br>Discontinued part<br>trim for ventilation          |                             | 1      |                          |
| (23) | 958 101 247 00 | Crankcase housing<br>D >> - MJ 2013<br>trim for ventilation                               |                             | 1      | CGEA, CGE,<br>CGFA       |
| (23) | 958 101 247 02 | Crankcase housing<br>D - MJ 2014>> - MJ 2014<br>Discontinued part<br>trim for ventilation |                             | 1      | CGEA, CGE,<br>CGFA       |
| (23) | 958 101 247 04 | Crankcase housing<br>D - MJ 2015>> - MJ 2016<br>trim for ventilation                      |                             | 1      | CGEA, CGE,<br>CGFA       |
| (23) | 958 101 247 01 | Crankcase housing<br>D - MJ 2017>><br>trim for ventilation                                |                             | 1      | CJT<br>"CN. "            |
| (23) | 958 101 247 03 | Crankcase housing<br>D - MJ 2014>> - MJ 2014<br>Discontinued part<br>trim for ventilation |                             | 1      | CJT<br>"CN. "            |
| (23) | 958 101 247 05 | Crankcase housing<br>D - MJ 2015>> - MJ 2016<br>trim for ventilation                      |                             | 1      | CJT                      |
| 24   | N 101 562 06   | Oval hexagon socket head bolt<br>M 6 X 30   |                             | 14     |                          |
| (24) | N 101 562 07   | No longer use the part here<br>Oval hexagon socket head bolt<br>M 6 X 30                  |                             | 14     |                          |
| 25   | 958 101 150 10 | Sealing flange  | front                       | 1      |                          |
|      |                | with:<br>Shaft oil seal   |                             |        |                          |
| 26   | N 910 717 01   | Hexagon socket flat<br>head bolt<br>M 6 X 25  | also use:<br>000 043 300 39 | X<br>9 |                          |
| (26) | N 104 514 05   | No longer use the part here<br>Oval hexagon socket head bolt<br>M 6 X 16                  |                             | 9      |                          |
| 27   | 955 101 139 01 | dowel sleeve<br>16 X 13,5   |                             | 3      |                          |
| 28   | 958 101 583 00 | Seal  |                             | 1      |                          |
| 29   | 958 101 584 00 | Seal  |                             | 2      |                          |
| 30   | 958 101 071 11 | Sealing flange  | rear                        | 1      | 06EC, CGEA,<br>CGE, CGFA |
|      |                | also use:   | 000 043 207 49              | X      |                          |
| (30) | 958 101 071 12 | No longer use the part here<br>Sealing flange   | rear                        | 1      | 06EC, CGEA,<br>CGE, CGFA |
|      |                | also use:   | 000 043 300 39              | X      |                          |
| (30) | 958 101 071 13 | Discontinued part<br>Sealing flange   | rear                        | 1      | 06EC, CGEA,<br>CGE, CGFA |
|      |                | also use:   | 000 043 300 39              | X      |                          |
| (30) | 958 101 071 21 | Sealing flange  | rear                        | 1      | CJT<br>"CN. "            |
|      |                | also use:   | 000 043 207 49              | X      |                          |
| (30) | 958 101 071 22 | No longer use the part here<br>Sealing flange   | rear                        | 1      | CJT<br>"CN. "            |
|      |                | also use:   | 000 043 300 39              | X      |                          |

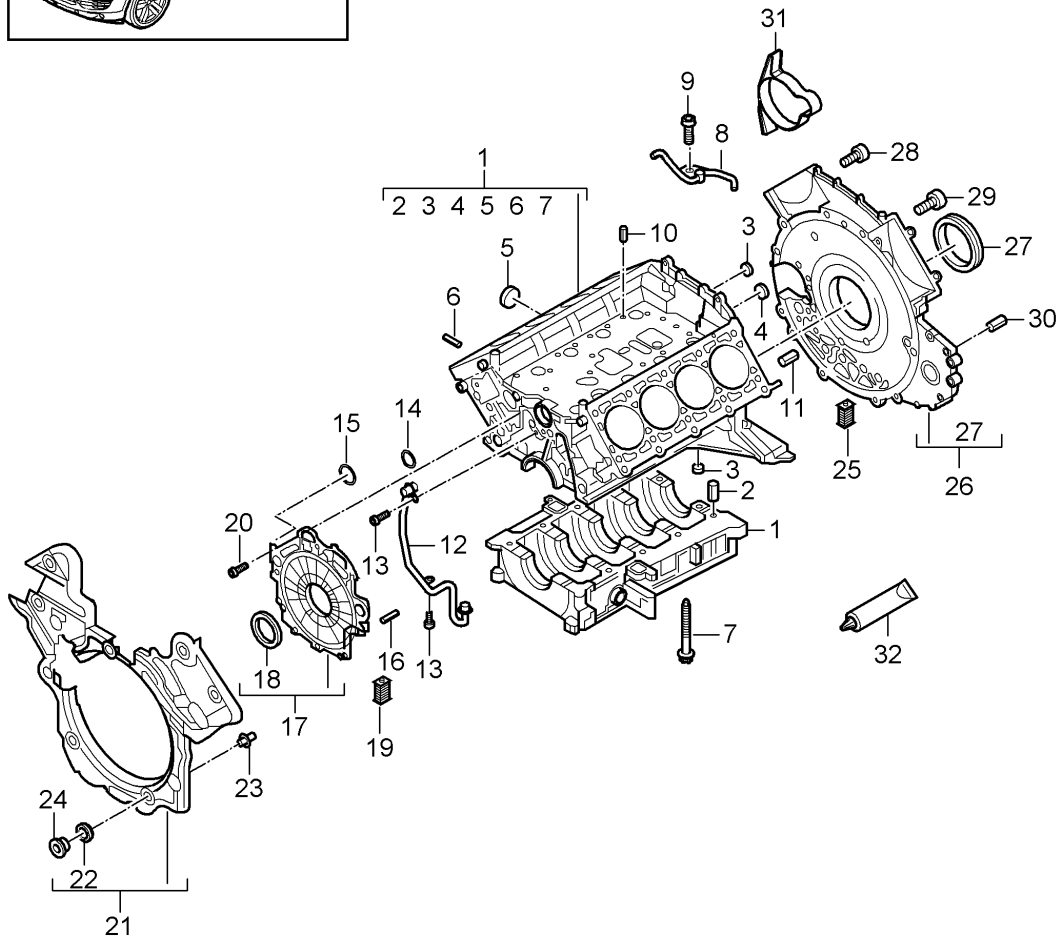
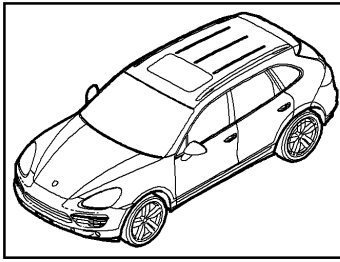
Model: 92A 11

Model life 2011>>2018

| Pos  | Part Number    | Description   | Remark         | Qty | Model        |
|------|----------------|---|----------------|-----|--------------|
| (30) | 958 101 071 23 | Discontinued part<br>Sealing flange                                   | rear           | 1   | CJT          |
|      |                | also use:   | 000 043 300 39 | X   |              |
| 31   | 955 101 053 00 | Shaft oil seal  |                | 1   |              |
|      |                | No longer use the part here   |                |     |              |
| (31) | 958 101 153 20 | Shaft oil seal  |                | 1   |              |
| 32   | N 107 503 01   | Hexagon socket flat<br>head bolt<br>M 6 X 30                          |                | 12  |              |
| 33   | N 107 509 01   | 12-point head bolt<br>M 8 X 30  |                | 8   |              |
| (33) | N 107 508 01   | dodecagonal head bolt<br>M 12 X 50                                    |                | 1   | CJT          |
| 34   | 958 101 479 00 | Adapter<br>Starter  |                | 1   | CJT          |
| 35   | 955 341 139 01 | Centre sleeve   |                | 2   | CJT          |
| 36   | N 104 562 01   | Socket head bolt with inner<br>multipoint head<br>M 6 X 25            |                | 1   | CJT          |
| 37   | 958 101 565 01 | Cover<br>Starter<br>D >> - MJ 2014                                    |                | 1   | CJT<br>"CN." |
| (37) | 958 301 597 00 | Cover<br>Starter<br>D - MJ 2015>>                                     |                | 1   | CJT          |
| 38   | 000 043 207 49 | sealant<br>1 tube<br>80 ML<br>for<br>Sealing flange                   | front and rear | X   |              |
| (38) | 958 101 902 00 | Discontinued part<br>sealant<br>80 ML<br>for<br>Sealing flange        | front and rear | X   |              |
| (38) | 000 043 300 39 | D >> - MJ 2013<br>sealant<br>1 tube<br>50 ML<br>for<br>Sealing flange | front and rear | X   |              |
| 39   | 958 606 121 10 | D - MJ 2014>><br>Knock sensor   | right          | 1   |              |
|      |                | Discontinued part   |                |     |              |
| (39) | 958 606 121 11 | Knock sensor  | right          | 1   |              |
| (39) | 958 606 121 20 | Knock sensor  | left           | 1   |              |
|      |                | Discontinued part   |                |     |              |
| (39) | 958 606 121 21 | Knock sensor  | left           | 1   |              |
| 40   | N 106 886 01   | Socket head bolt with inner<br>multipoint head<br>M 8 X 32            |                | 2   |              |
| 41   | 958 107 243 30 | control valve   |                | 1   |              |
| 42   | N 910 568 01   | O-ring<br>12 X 2  |                | 1   |              |
| 43   | N 104 056 04   | Oval hexagon socket head bolt<br>M 6 X 14                             |                | 1   |              |

Model: 92A 11

Model life 2011>>2018



Model: 92A 11 Model life 2011>>2018

| Pos  | Part Number    | Description  | Remark   | Qty              | Model      |
|------|----------------|--|--|------------------|------------|
|      |                | Crankcase housing<br>Individual parts                                    |  |                  | CUDB, CUDC |
| 1    |                | Crankcase housing<br>Not available                                       |  | 1                |            |
| 2    | 955 101 139 10 | dowel sleeve   |  | 2                |            |
| 3    | N 011 918 5    | End cap<br>12  |  | 5                |            |
| 4    | N 011 901 9    | End cap<br>20  |  | 1                |            |
| 5    | N 011 914 10   | End cap<br>24  |  | 1                |            |
| 6    | 955 102 277 00 | spring pin<br>6,2 X 22   |  | 4                |            |
| 7    | 955 101 190 00 | Bearing screw<br>M 11 X 112  |  | 20               |            |
| 8    | 958 101 017 30 | Water jet<br>engine oil  |  | 4                |            |
| 9    | N 910 547 01   | Hex socket head locating bolt<br>M 6 X 6 X 12                            |  | 4                |            |
| 10   | N 106 678 01   | Cylinder pin<br>6 X 16   |  | 2                |            |
| 11   | 955 101 139 01 | dowel sleeve<br>16 X 13,5  |  | 2                |            |
| 12   | 958 101 688 60 | oil pipe   |  | 1                |            |
| 13   | N 101 703 02   | round hd. screw<br>M 6 X 10  |  | 2                |            |
| 14   | N 910 200 01   | O-ring<br>17,3 X 1,5   |  | 1                |            |
| 15   | N 908 950 01   | O-ring<br>8 X 2  |  | 1                |            |
| 16   | N 013 210 2    | Cylinder pin<br>6 X 16   |  | 2                |            |
| 17   | 958 101 150 30 | Sealing flange   | front<br>also use:<br>N 910 200 01<br>N 908 950 01<br>000 043 300 39 | 1<br>1<br>1<br>X |            |
| 18   | 958 101 251 00 | Shaft oil seal<br>55 X 70 X 8  |  | 1                |            |
| 19   | 955 101 147 00 | Seal<br>9,5 X 19,6   |  | 1                |            |
| (19) | 958 101 147 20 | Seal<br>9,5 X 13,6   |  | 1                |            |
| (19) | 958 101 147 40 | Seal   |  | 1                |            |
| 20   | N 101 243 06   | No longer use the part here<br>Oval hexagon socket head bolt<br>M 6 X 20 |  | 16               |            |
| 21   | 958 101 326 30 | Cover  |  | 1                |            |
| 22   | 958 105 551 00 | Grommet  |  | 7                |            |
| 23   | WHT 000 939    | Threaded pin<br>M 6 X 6,4 / M 6 X 12                                     |  | 6                |            |
| 24   | WHT 000 750    | Collar nut with hexagon socket<br>M 6                                    |  | 6                |            |
| 25   | 955 101 147 00 | Seal   |  | 2                |            |
| 26   | 958 101 071 40 | Sealing flange   | rear<br>also use:<br>000 043 300 39                                  | 1<br>X           |            |
| 27   | 958 101 153 10 | Shaft oil seal   |  | 1                |            |
| 28   | N 101 562 06   | Oval hexagon socket head bolt<br>M 6 X 30                                |  | 21               |            |
| 29   | N 910 686 01   | Socket head bolt with<br>inner multipoint head<br>M 8 X 32               |  | 6                |            |
| 30   | 955 101 139 01 | dowel sleeve<br>16 X 13,5  |  | 2                |            |

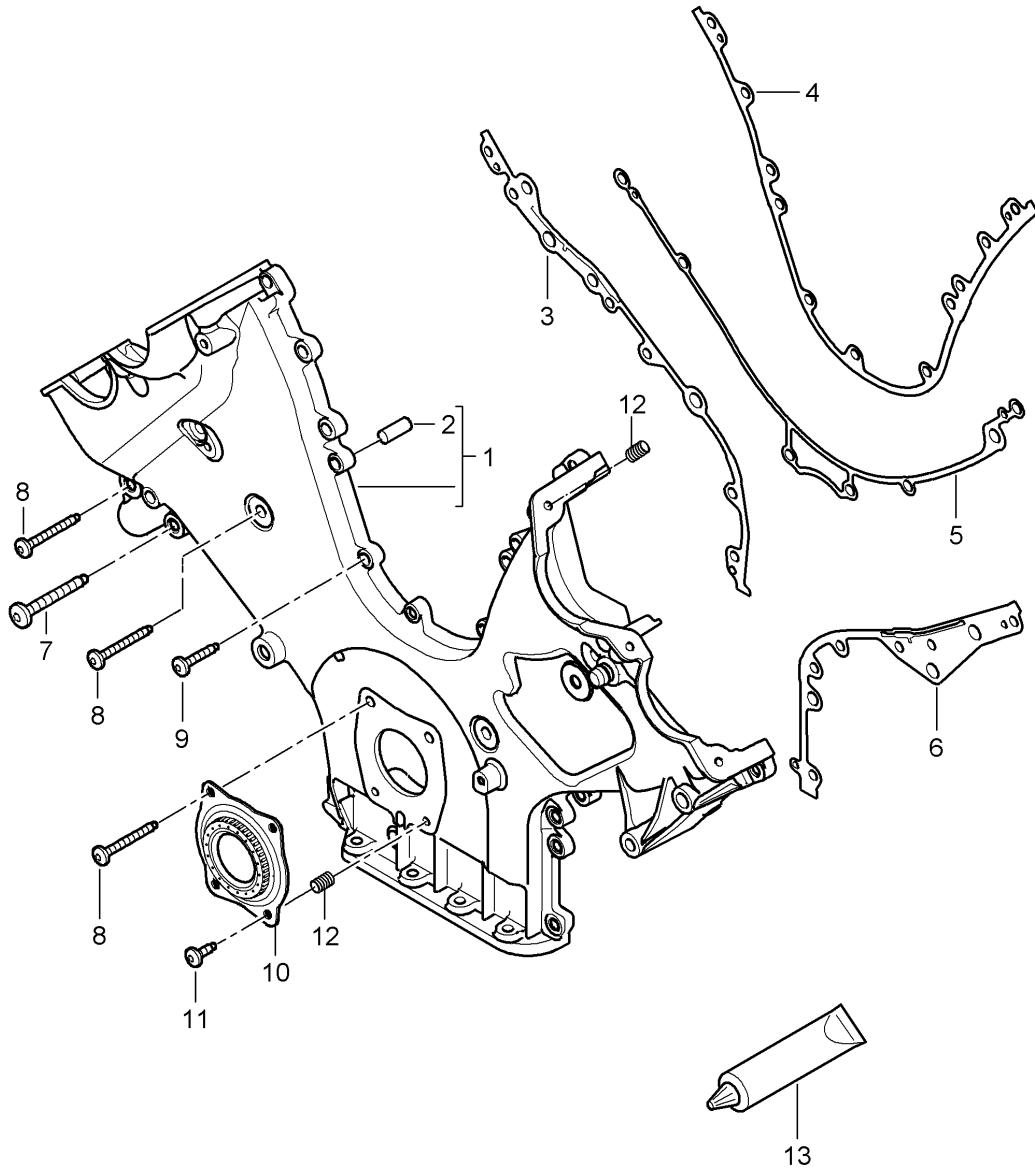
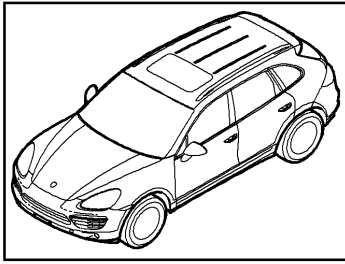
Model: 92A 11

Model life 2011>>2018

| Pos | Part Number    | Description                | Remark | Qty | Model |
|-----|----------------|----------------------------|--------|-----|-------|
| 31  | 958 101 565 20 | Cover                      |        | 1   |       |
| 32  | 000 043 300 39 | sealant<br>1 tube<br>50 ML |        | X   |       |

Model: 92A 11

Model life 2011>>2018



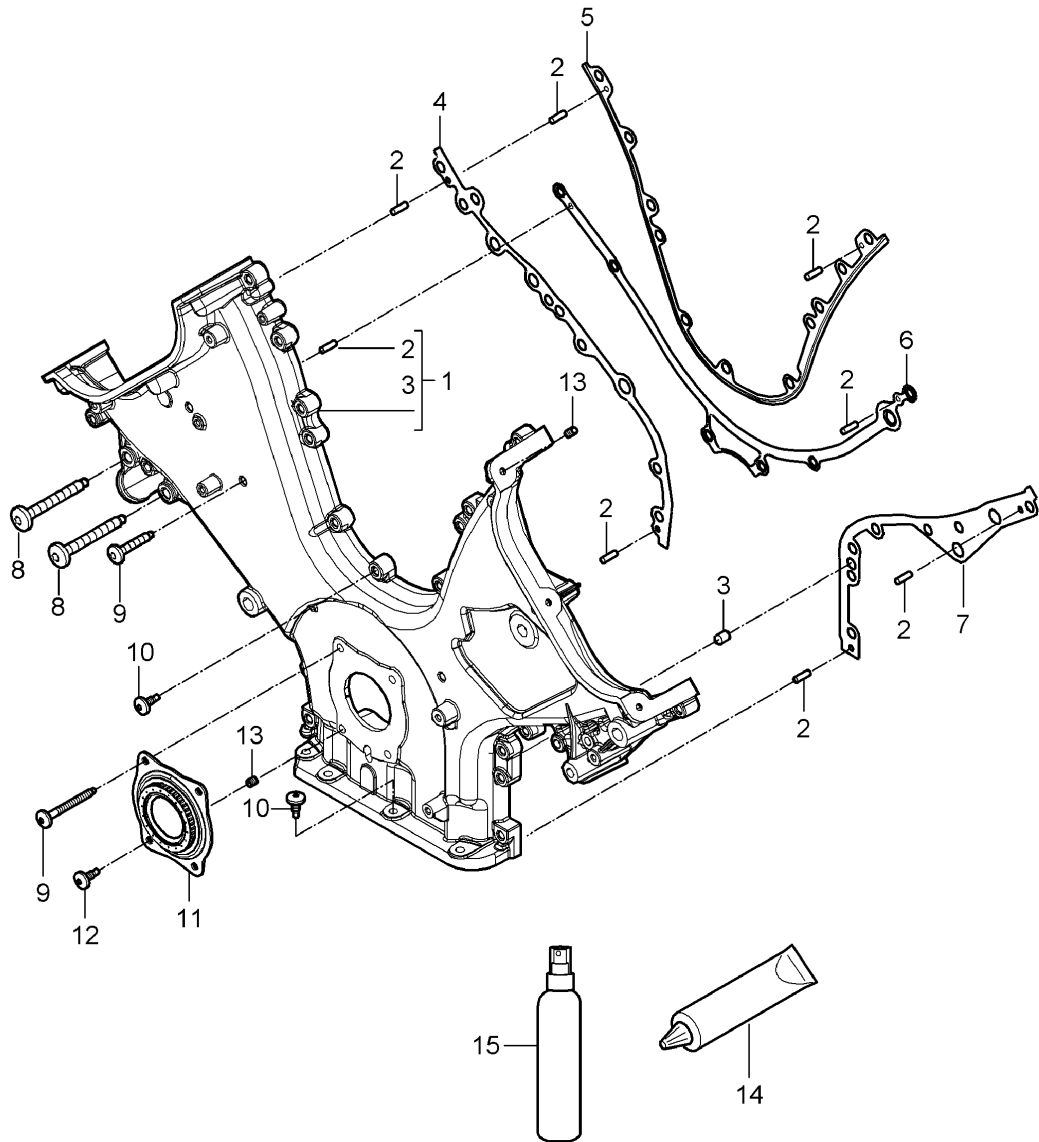
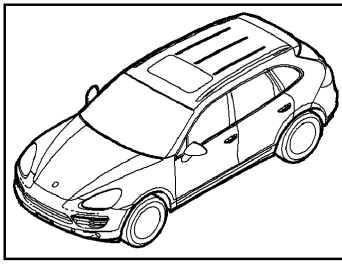
Model: 92A 11 Model life 2011>>2018

| Pos | Part Number    | Description  | Remark    | Qty | Model                               |
|-----|----------------|--|-----------|-----|-------------------------------------|
|     |                | Cover for timing chain<br>Sealing flange   |           |     | 4802,4852,<br>CFTB,CFT,<br>CYXA,CYX |
| 1   | 948 101 022 20 | Cover for timing chain   | Magnesium | 1   |                                     |
| 2   | 900 012 204 30 | Cylinder pin<br>6 X 16   |           | 8   |                                     |
| 3   | 948 101 130 20 | Seal<br>M >> B 05942<br>M >> B 03714   |           | 1   | 4802<br>4852                        |
| (3) | 948 101 130 21 | Seal<br>M B 05943 >><br>M B 03715 >>   |           | 1   | 4802<br>4852                        |
| (3) | 948 101 130 21 | Seal   |           | 1   | CFTB,CFT,<br>CYXA,CYX               |
| 4   | 948 101 125 20 | Seal   |           | 1   |                                     |
| 5   | 948 101 127 20 | Seal   |           | 1   |                                     |
| 6   | 948 101 129 20 | Seal<br>M >> B 05942<br>M >> B 03714   |           | 1   | 4802<br>4852                        |
| (6) | 948 101 129 21 | Seal<br>M B 05943 >><br>M B 03715 >>   |           | 1   | 4802<br>4852                        |
| (6) | 948 101 129 21 | Seal   |           | 1   | CFTB,CFT,<br>CYXA,CYX               |
| 7   | 999 073 913 31 | fillister hd. bolt<br>aluminium<br>M 8 X 55  |           | 2   |                                     |
| 8   | 999 073 914 31 | fillister hd. bolt<br>aluminium<br>M 6 X 55  |           | 9   |                                     |
| 9   | 999 073 905 31 | fillister hd. bolt<br>aluminium<br>M 6 X 30  |           | 21  |                                     |
| 10  | 948 101 910 20 | Sealing flange   | with:     | 1   |                                     |
| 11  | 999 073 903 31 | Mounting sleeve<br>fillister hd. bolt<br>aluminium<br>M 6 X 20                         |           | 2   |                                     |
| 12  | 999 504 084 01 | threaded insert<br>M 6 X 12<br>for<br>Thread repair                                    |           | X   |                                     |
| 13  | 000 043 204 35 | Cover for timing chain<br>sealant<br>1 tube<br>50 ML.<br>for<br>Cover for timing chain | Magnesium | X   |                                     |



Model: 92A 11

Model life 2011>>2018



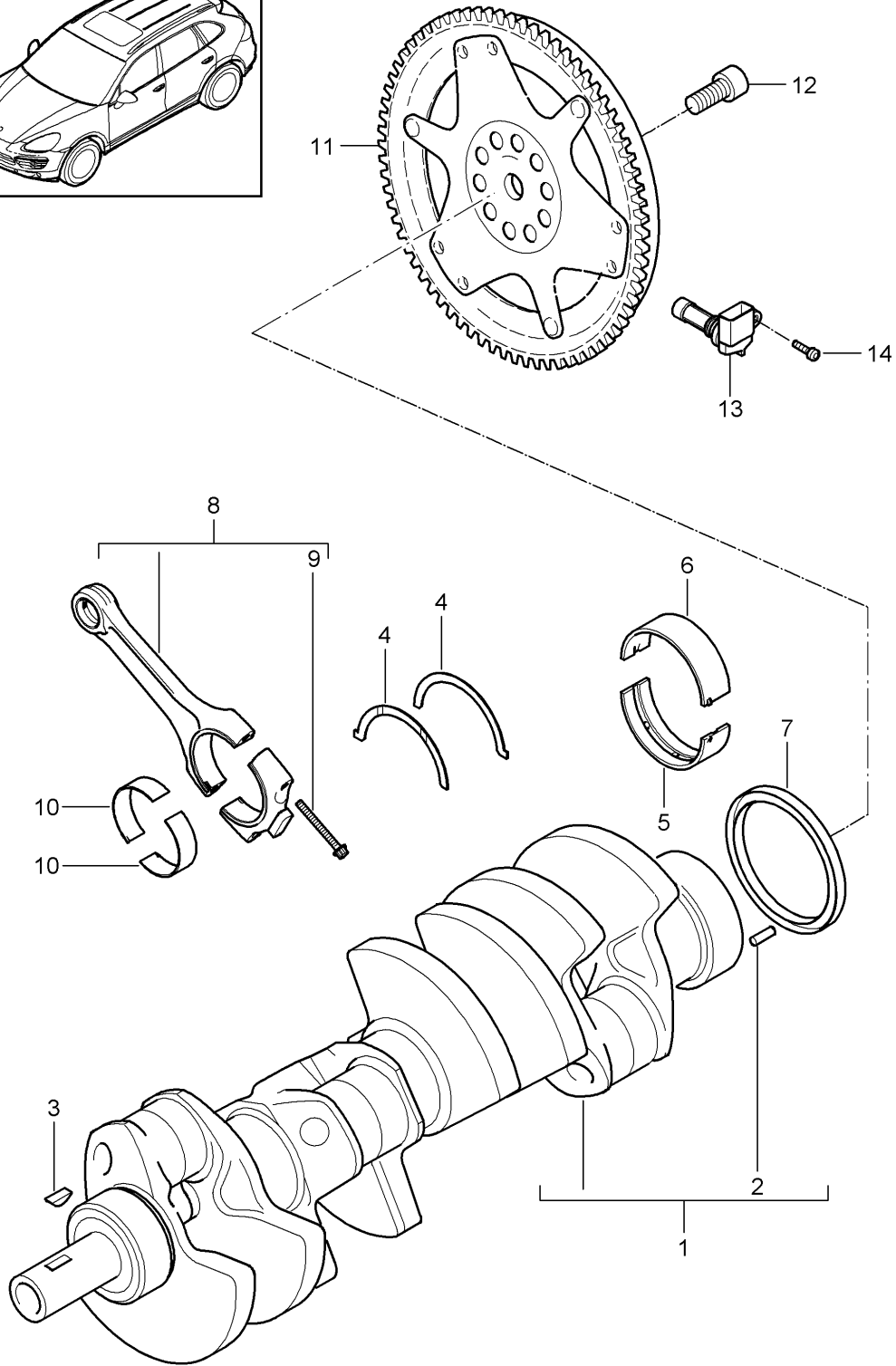
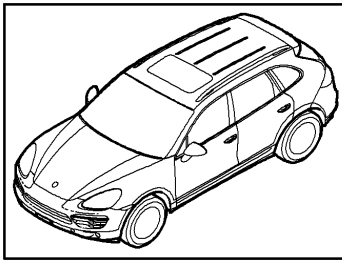
Model: 92A 11

Model life 2011>>2018

| Pos | Part Number    | Description   | Remark | Qty | Model                   |
|-----|----------------|---|--------|-----|-------------------------|
| 1   | 946 101 022 01 | Cover for timing chain<br>Sealing flange<br>cover for timing case<br>Magnesium  |        | 1   | CURA, CUR,<br>CXZA, CXZ |
| (1) | 946 101 022 02 | No longer use the part here<br>cover for timing case<br>Magnesium   |        | 1   |                         |
|     |                | also use:   |        |     |                         |
| 2   | 900 012 204 30 | Gaskets<br>Cylinder pin<br>6 X 16   |        | 8   |                         |
| 3   | 944 104 361 00 | dowel sleeve<br>8,5 X 8,5   |        | 1   |                         |
| 4   | 946 101 130 03 | Seal<br>M >> CUR 003 438  |        | 1   |                         |
| (4) | 946 101 130 04 | Seal<br>M CUR 003 439>><br>M CXZ 000 501>>  |        | 1   |                         |
| 5   | 948 101 125 20 | Seal  |        | 1   |                         |
| 6   | 948 101 127 20 | Seal  |        | 1   |                         |
| 7   | 946 101 129 03 | Seal<br>M >> CUR 003 438  |        | 1   |                         |
| (7) | 946 101 129 04 | Seal<br>M CUR 003 439>><br>M CXZ 000 501>>  |        | 1   |                         |
| 8   | 999 073 913 31 | fillister hd. bolt<br>aluminium<br>M 8 X 55   |        | 2   |                         |
| 9   | 999 073 914 31 | fillister hd. bolt<br>aluminium<br>M 6 X 55   |        | 9   |                         |
| 10  | 999 073 905 31 | fillister hd. bolt<br>aluminium<br>M 6 X 30   |        | 25  |                         |
| 11  | 948 101 910 20 | Sealing flange<br><br>with:   |        | 1   |                         |
| 12  | 999 073 903 31 | Mounting sleeve<br>fillister hd. bolt<br>aluminium<br>M 6 X 20  |        | 2   |                         |
| 13  | 999 504 084 01 | threaded insert<br>M 6 X 12<br>for<br>Thread repair   |        | X   |                         |
| 14  | 000 043 204 35 | Cover for timing chain<br>Magnesium<br>sealant<br>1 tube<br>50 ML.<br>for   |        | X   |                         |
| 15  | 000 043 209 93 | Cover for timing chain<br>Cleaning solution<br>Corrosion protection<br>Loctite<br>7515<br>Atomiser<br>100 ML<br>for<br>Cover for timing chain |        | 1   |                         |

Model: 92A 11

Model life 2011>>2018



Model: 92A 11 Model life 2011>>2018

| Pos | Part Number    | Description   | Remark | Qty | Model                               |
|-----|----------------|---|--------|-----|-------------------------------------|
|     |                | Crankshaft<br>conrod  |        |     | 4802,4852,<br>CFTB,CFT,<br>CYXA,CYX |
| 1   | 948 102 011 21 | Crankshaft  |        | 1   | 4802                                |
| (1) | 948 102 011 71 | Crankshaft  |        | 1   | 4852,CFTB,<br>CFT,CYXA,CYX          |
| 2   | 900 302 049 00 | Cylinder pin<br>6 X 20  |        | 1   |                                     |
| 3   | N 012 713 1    | woodruff key<br>5,0 X 6,5   |        | 1   |                                     |
| 4   | 948 101 215 10 | thrust washer   |        | 2   |                                     |
| 5   | 948 101 241 04 | crankshaft bearing shell<br>Identification: >> >><br>red<br>M >> E 11424<br>M >> G E 11422<br>M >> E 02254    | lower  | 5   | E0A,4802<br>E0W,4802<br>4852        |
| (5) | 948 101 241 08 | crankshaft bearing shell<br>Identification: >> >><br>red<br>M E 11425 >><br>M G E 11423 >><br>M E 02255 >>    | lower  | 5   | E0A,4802<br>E0W,4802<br>4852        |
| (5) | 948 101 241 08 | crankshaft bearing shell<br>Identification: >> >><br>red  | lower  | 5   | CFTB,CFT,<br>CYXA,CYX               |
| (5) | 948 101 241 05 | crankshaft bearing shell<br>Identification: >> >><br>yellow<br>M >> E 11424<br>M >> G E 11422<br>M >> E 02254 | lower  | 5   | E0A,4802<br>E0W,4802<br>4852        |
| (5) | 948 101 241 09 | crankshaft bearing shell<br>Identification: >> >><br>yellow<br>M E 11425 >><br>M G E 11423 >><br>M E 02255 >> | lower  | 5   | E0A,4802<br>E0W,4802<br>4852        |
| (5) | 948 101 241 09 | crankshaft bearing shell<br>Identification: >> >><br>yellow   | lower  | 5   | CFTB,CFT,<br>CYXA,CYX               |
| (5) | 948 101 241 06 | crankshaft bearing shell<br>Identification: >> >><br>blue<br>M >> E 11424<br>M >> G E 11422<br>M >> E 02254   | lower  | 5   | E0A,4802<br>E0W,4802<br>4852        |
| (5) | 948 101 241 10 | crankshaft bearing shell<br>Identification: >> >><br>blue<br>M E 11425 >><br>M G E 11423 >><br>M E 02255 >>   | lower  | 5   | E0A,4802<br>E0W,4802<br>4852        |
| (5) | 948 101 241 10 | crankshaft bearing shell<br>Identification: >> >><br>blue   | lower  | 5   | CFTB,CFT,<br>CYXA,CYX               |
| (5) | 948 101 241 07 | crankshaft bearing shell<br>Identification: >> >><br>green<br>M >> E 11424                                    | lower  | 5   | E0A,4802                            |

Model: 92A 11

Model life 2011>>2018

| Pos  | Part Number    | Description  | Remark | Qty | Model   |
|------|----------------|--|--------|-----|---|
| (5)  | 948 101 241 11 | M >> G E 11422<br>M >> E 02254<br>crankshaft bearing shell<br>Identification: >> >><br>green                 | lower  | 5   | E0W,4802<br>4852                                      |
| (5)  | 948 101 241 11 | M E 11425 >><br>M G E 11423 >><br>M E 02255 >><br>crankshaft bearing shell<br>Identification: >> >><br>green | lower  | 5   | E0A,4802<br>E0W,4802<br>4852<br>CFTB,CFT,<br>CYXA,CYX |
| 6    | 948 101 242 04 | crankshaft bearing shell<br>Identification: >> >><br>red   | upper  | 5   |   |
| (6)  | 948 101 242 08 | No longer use the part here<br>crankshaft bearing shell<br>Identification: >> >><br>red                      | upper  | 5   |   |
| (6)  | 948 101 242 05 | crankshaft bearing shell<br>Identification: >> >><br>yellow  | upper  | 5   |   |
| (6)  | 948 101 242 09 | No longer use the part here<br>crankshaft bearing shell<br>Identification: >> >><br>yellow                   | upper  | 5   |   |
| (6)  | 948 101 242 06 | crankshaft bearing shell<br>Identification: >> >><br>blue  | upper  | 5   |   |
| (6)  | 948 101 242 10 | No longer use the part here<br>crankshaft bearing shell<br>Identification: >> >><br>blue                     | upper  | 5   |   |
| (6)  | 948 101 242 07 | crankshaft bearing shell<br>Identification: >> >><br>green   | upper  | 5   |   |
| (6)  | 948 101 242 11 | No longer use the part here<br>crankshaft bearing shell<br>Identification: >> >><br>green                    | upper  | 5   |   |
| 7    | 997 101 212 01 | Shaft oil seal   |        | 1   |   |
| 8    | 948 103 019 21 | conrod<br>(complete)<br>Discontinued part  |        | 8   | 4802  |
| (8)  | 948 103 019 22 | conrod<br>(complete)   |        | 8   | 4802  |
| (8)  | 948 103 010 70 | conrod<br>(complete)   |        | 8   | 4852  |
| (8)  | 948 103 010 71 | M >> E 01145<br>conrod<br>(complete)   |        | 8   | 4852  |
| (8)  | 948 103 010 71 | M E 01146 >><br>conrod<br>(complete)   |        | 8   | CFTB,CFT,<br>CYXA,CYX                                 |
| 9    | 997 103 115 01 | bolt - connecting rod  |        | 16  |   |
| 10   | 948 103 230 23 | connecting rod bearing shell<br>Identification: >> >><br>red   |        | 16  | 4802  |
| (10) | 948 103 230 26 | Discontinued part<br>connecting rod bearing shell<br>Identification: >> >><br>red                            |        | 16  | 4802  |
| (10) | 948 103 230 24 | connecting rod bearing shell   |        | 16  | 4802  |

Model: 92A 11 Model life 2011>>2018

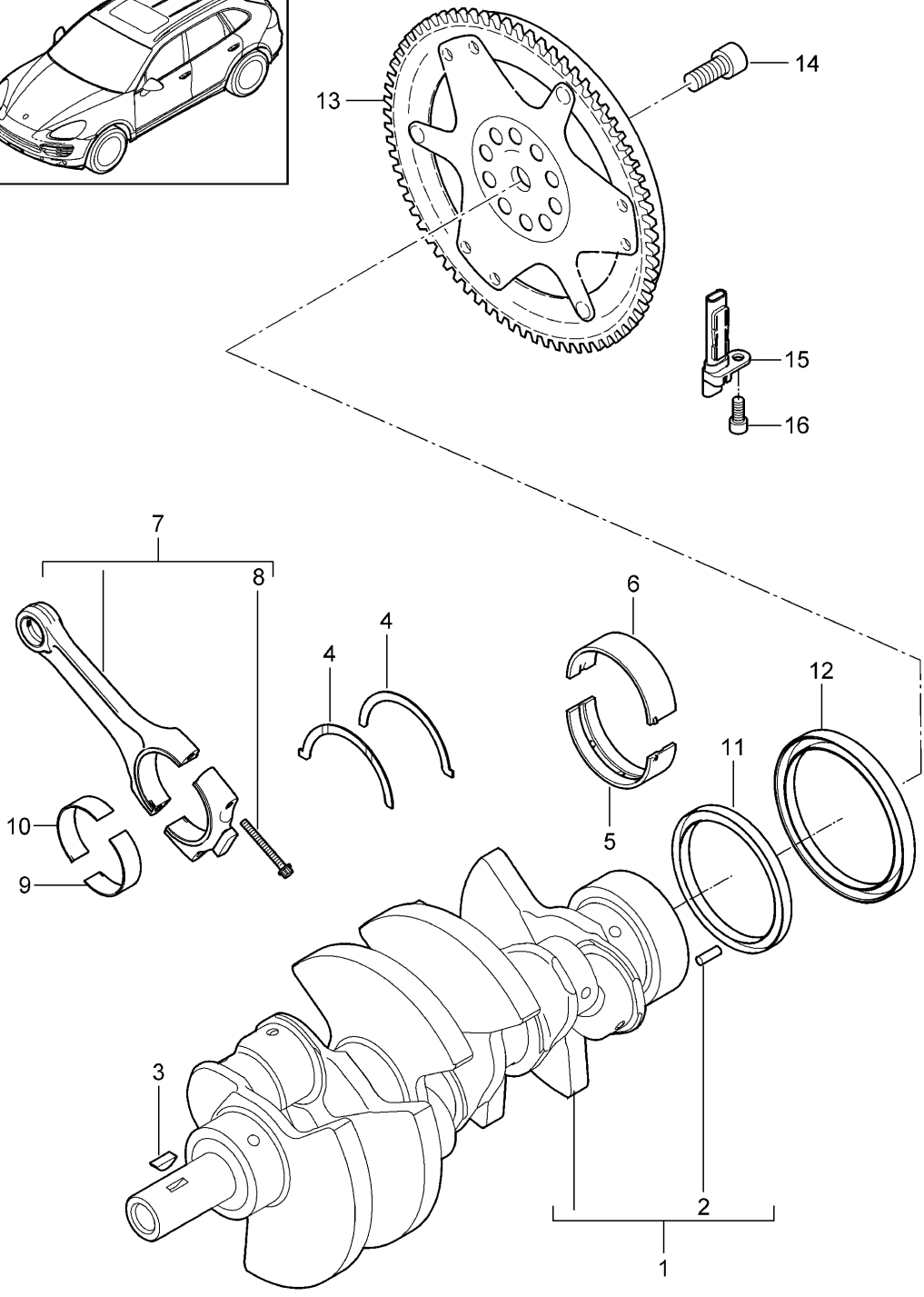
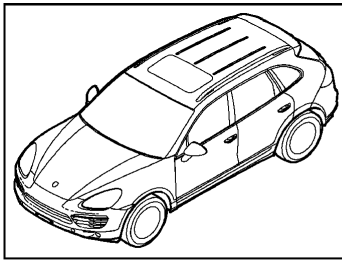
| Pos  | Part Number    | Description  | Remark | Qty | Model                 |
|------|----------------|--|--------|-----|-----------------------|
| (10) | 948 103 230 27 | Identification: >> >><br>yellow<br>Discontinued part<br>connecting rod bearing shell |        | 16  | 4802                  |
| (10) | 948 103 230 25 | Identification: >> >><br>yellow<br>connecting rod bearing shell                      |        | 16  | 4802                  |
| (10) | 948 103 230 28 | Identification: >> >><br>blue<br>Discontinued part<br>connecting rod bearing shell   |        | 16  | 4802                  |
| (10) | 948 103 210 10 | Identification: >> >><br>blue<br>connecting rod bearing shell                        |        | 16  | 4852                  |
| (10) | 948 103 210 13 | Identification: >> >><br>ROT<br>Discontinued part<br>connecting rod bearing shell    |        | 16  | 4852                  |
| (10) | 948 103 210 11 | Identification: >> >><br>ROT<br>M >> E 01145<br>connecting rod bearing shell         |        | 16  | 4852                  |
| (10) | 948 103 210 14 | Identification: >> >><br>yellow<br>Discontinued part<br>connecting rod bearing shell |        | 16  | 4852                  |
| (10) | 948 103 210 12 | Identification: >> >><br>yellow<br>M >> E 01145<br>connecting rod bearing shell      |        | 16  | 4852                  |
| (10) | 948 103 210 15 | Identification: >> >><br>blue<br>Discontinued part<br>connecting rod bearing shell   |        | 16  | 4852                  |
| (10) | 946 103 354 00 | Identification: >> >><br>blue<br>M >> E 01145<br>connecting rod bearing shell        | upper  | 8   | 4852                  |
| (10) | 946 103 354 00 | Identification: >> >><br>red<br>M E 01146 >><br>connecting rod bearing shell         | upper  | 8   | CFTB,CFT,<br>CYXA,CYX |
| (10) | 946 103 354 01 | Identification: >> >><br>red<br>connecting rod bearing shell                         | upper  | 8   | 4852                  |
| (10) | 946 103 354 01 | Identification: >> >><br>yellow<br>M E 01146 >><br>connecting rod bearing shell      | upper  | 8   | CFTB,CFT,<br>CYXA,CYX |
| (10) | 946 103 354 02 | Identification: >> >><br>yellow<br>connecting rod bearing shell                      | upper  | 8   | 4852                  |
| (10) | 946 103 354 02 | Identification: >> >><br>blue<br>M E 01146 >><br>connecting rod bearing shell        | upper  | 8   | CFTB,CFT,<br>CYXA,CYX |
| (10) | 946 103 254 00 | Identification: >> >><br>blue<br>connecting rod bearing shell                        | lower  | 8   | 4852                  |

Model: 92A 11 Model life 2011>>2018

| Pos  | Part Number    | Description   | Remark | Qty | Model                 |
|------|----------------|---|--------|-----|-----------------------|
| (10) | 946 103 254 00 | red<br>only in conj. with:<br>Connecting rod<br>948.103.010.71<br>M E 01146 >><br>connecting rod bearing shell    | lower  | 8   | CFTB,CFT,<br>CYXA,CYX |
| (10) | 946 103 254 01 | red<br>connecting rod bearing shell<br>Identification: >> >>  | lower  | 8   | 4852                  |
| (10) | 946 103 254 01 | yellow<br>only in conj. with:<br>Connecting rod<br>948.103.010.71<br>M E 01146 >><br>connecting rod bearing shell | lower  | 8   | CFTB,CFT,<br>CYXA,CYX |
| (10) | 946 103 254 02 | yellow<br>connecting rod bearing shell<br>Identification: >> >>   | lower  | 8   | 4852                  |
| (10) | 946 103 254 02 | blue<br>only in conj. with:<br>Connecting rod<br>948.103.010.71<br>M E 01146 >><br>connecting rod bearing shell   | lower  | 8   | CFTB,CFT,<br>CYXA,CYX |
| 11   | 958 102 327 00 | blue<br>Clutch plate  |        | 1   |                       |
| 12   | WHT 004 966    | Socket head bolt<br>M 10 X 1 X 25 X 17  |        | 10  |                       |
| 13   | 7PP 905 381 A  | Inductive sensor<br>Discontinued part   |        | 1   |                       |
| 13   | 7PP 905 381 B  | Inductive sensor  |        | 1   |                       |
| 14   | N 014 701 11   | Socket head bolt with<br>hexagon socket head<br>M 6 X 12  |        | 1   |                       |

Model: 92A 11

Model life 2011>>2018





Model: 92A 11 Model life 2011>>2018

| Pos | Part Number    | Description  | Remark | Qty | Model                   |
|-----|----------------|--|--------|-----|-------------------------|
| 1   | 946 102 011 35 | Crankshaft<br>conrod<br>Crankshaft<br>M >> CUR 001 627   |        | 1   | CURA, CUR,<br>CXZA, CXZ |
| (1) | 946 102 011 36 | Crankshaft<br>Discontinued part  |        | 1   |                         |
| (1) | 946 102 011 37 | Crankshaft<br>M CUR 001 628>><br>M CXZ 000 501>>   |        | 1   |                         |
| 2   | 900 302 049 00 | Cylinder pin<br>6 X 20   |        | 1   |                         |
| 3   | 900 118 007 00 | woodruff key<br>5,0 X 6,5  |        | 1   |                         |
| 4   | 948 101 215 10 | thrust washer  |        | 2   |                         |
| 5   | 948 101 241 08 | crankshaft bearing shell<br>Identification: >> >><br>red                                       | lower  | 4   |                         |
| (5) | 948 101 241 09 | crankshaft bearing shell<br>Identification: >> >><br>yellow                                    | lower  | 4   |                         |
| (5) | 948 101 241 10 | crankshaft bearing shell<br>Identification: >> >><br>blue                                      | lower  | 4   |                         |
| (5) | 948 101 241 11 | crankshaft bearing shell<br>Identification: >> >><br>green                                     | lower  | 4   |                         |
| (6) | 948 101 242 08 | crankshaft bearing shell<br>Identification: >> >><br>red                                       | upper  | 4   |                         |
| (6) | 948 101 242 09 | crankshaft bearing shell<br>Identification: >> >><br>yellow                                    | upper  | 4   |                         |
| (6) | 948 101 242 10 | crankshaft bearing shell<br>Identification: >> >><br>blue                                      | upper  | 4   |                         |
| (6) | 948 101 242 11 | crankshaft bearing shell<br>Identification: >> >><br>green                                     | upper  | 4   |                         |
| 7   | 946 103 019 36 | conrod<br>(complete)   |        | 6   |                         |
| (7) | 946 103 019 37 | conrod<br>(complete)<br>M >> CUR 001 627<br>M CUR 001 628>><br>M CXZ 000 501>>                 |        | 6   |                         |
| 8   | 997 103 115 01 | bolt - connecting rod  |        | 12  |                         |
| 9   | 946 103 254 00 | connecting rod bearing shell<br>Identification: >> >><br>red                                   | lower  | 6   |                         |
| (9) | 946 103 254 01 | No longer use the part here<br>connecting rod bearing shell<br>Identification: >> >><br>yellow | lower  | 6   |                         |
| (9) | 946 103 254 04 | Discontinued part<br>connecting rod bearing shell<br>Identification: >> >><br>yellow           | lower  | 6   |                         |
| (9) | 946 103 254 02 | connecting rod bearing shell<br>Identification: >> >><br>blue                                  | lower  | 6   |                         |
| 10  | 946 103 354 00 | No longer use the part here<br>connecting rod bearing shell<br>Identification: >> >>           | upper  | 6   |                         |

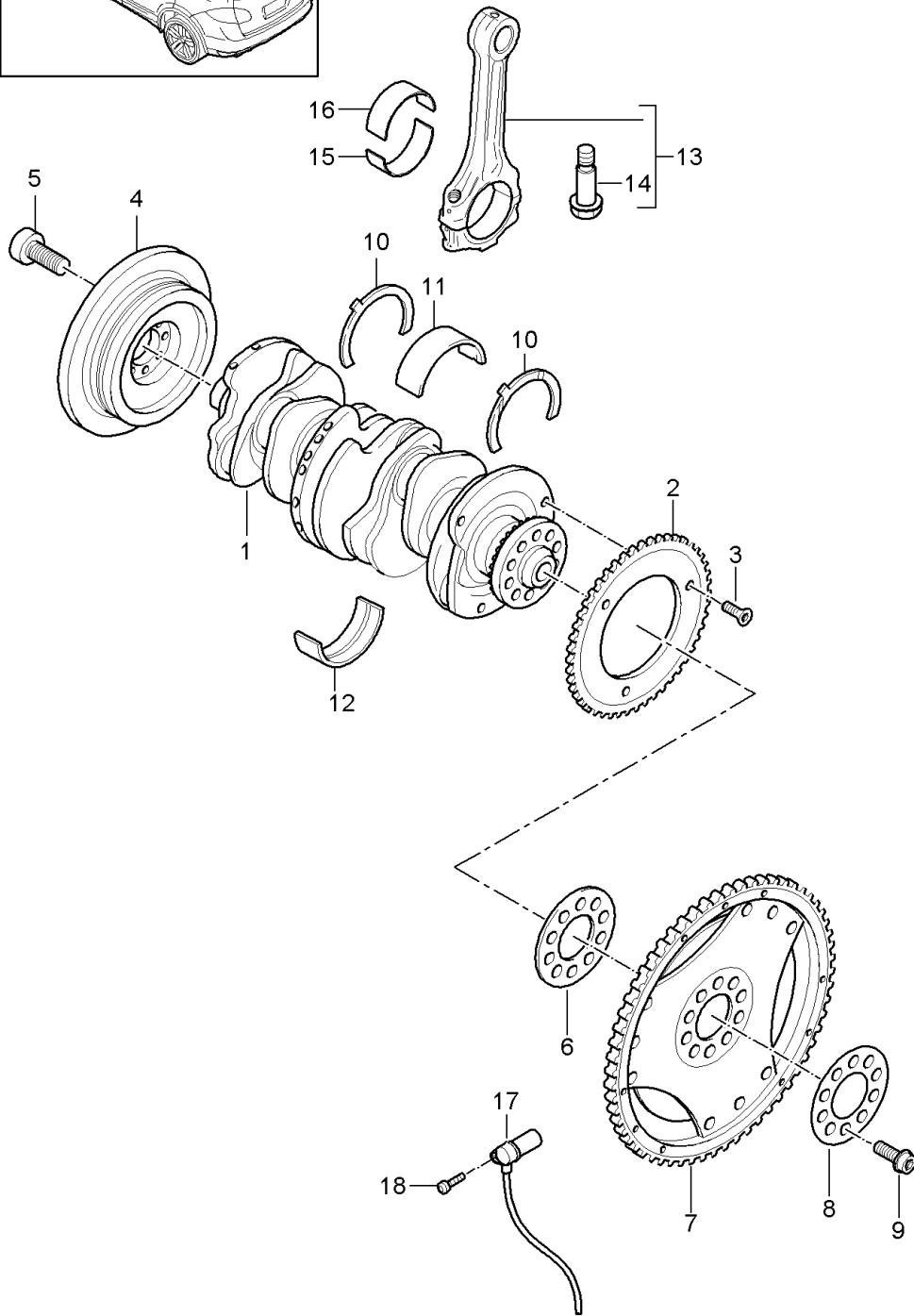
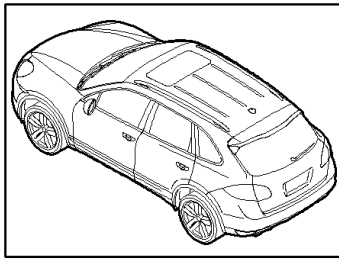
Model: 92A 11

Model life 2011>>2018

| Pos  | Part Number    | Description   | Remark | Qty | Model |
|------|----------------|---|--------|-----|-------|
| (10) | 946 103 354 01 | red<br>No longer use the part here<br>connecting rod bearing shell<br>Identification: >> >><br>yellow | upper  | 6   |       |
| (10) | 946 103 354 04 | Discontinued part<br>connecting rod bearing shell<br>Identification: >> >><br>yellow                  | upper  | 6   |       |
| (10) | 946 103 354 02 | connecting rod bearing shell<br>Identification: >> >><br>blue   | upper  | 6   |       |
| 11   | 997 101 212 01 | No longer use the part here<br>Shaft oil seal   |        | 1   |       |
| 12   | 946 606 135 00 | Clutch plate  |        | 1   |       |
| 13   | 958 102 327 40 | Clutch plate  |        | 1   |       |
| 14   | WHT 004 966    | Socket head bolt<br>M 10 X 1 X 25 X 17  |        | 10  |       |
| 15   | 946 606 131 01 | Speed sensor  |        | 1   |       |
| 16   | 900 385 041 01 | Torx screw<br>BM 6 X 12   |        | 1   |       |

Model: 92A 11

Model life 2011>>2018



Model: 92A 11

Model life 2011>>2018

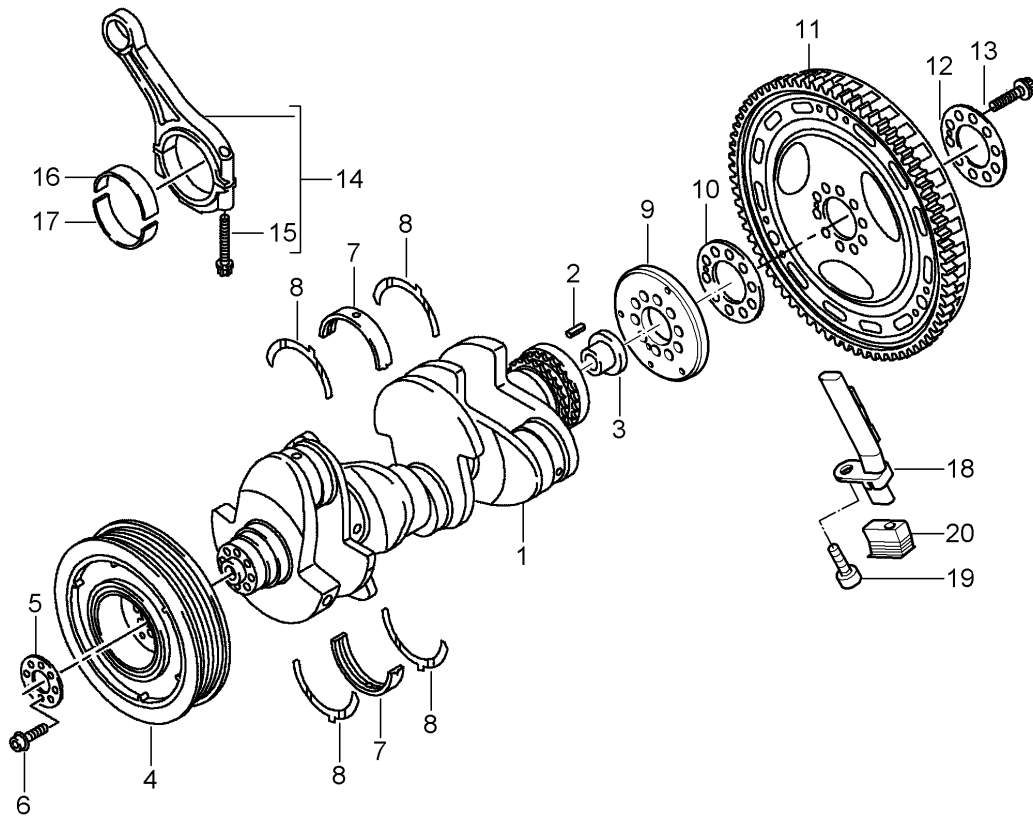
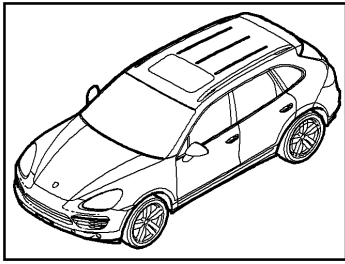
| Pos  | Part Number    | Description  | Remark | Qty | Model                    |
|------|----------------|--|--------|-----|--------------------------|
| 1    | 958 102 011 20 | Crankshaft<br>conrod<br>Crankshaft<br>See workshop manual<br>Group 1<br>KD-NR. 134819  |        | 1   | 5502, CEYA               |
| (1)  | 958 102 011 21 | Discontinued part<br>Crankshaft<br>See workshop manual<br>Group 1<br>KD-NR. 134819   |        | 1   |                          |
| 2    | 955 102 189 00 | Clutch plate   |        | 1   |                          |
| 3    | 955 102 229 00 | Inductive sensor<br>countersunk bolt<br>M 6 X 13   |        | 3   |                          |
| 4    | 958 102 241 20 | vibration damper   |        | 1   |                          |
| 5    | N 911 500 01   | Socket head bolt with inner<br>multipoint head<br>M 10 X 1 X 32  |        | 7   |                          |
| 6    | 955 102 301 00 | Washer<br>0,5 MM   |        | 1   | PR:G1G                   |
| 7    | 955 102 327 00 | Clutch plate   |        | 1   | PR:G1G, 7L7              |
| (7)  | 958 102 327 20 | Clutch plate   |        | 1   | PR:G1G, 7L4,<br>7L6, 7L8 |
| (7)  | 958 114 012 00 | Dual-mass flywheel   |        | 1   | PR:GOL                   |
| 8    | 955 102 303 20 | compensation washer<br>1,2 MM  |        | X   | PR:G1G                   |
| 9    | N 905 398 01   | Socket head bolt<br>M 10 X 1 X 19  |        | 10  | PR:G1G                   |
| (9)  | N 906 651 01   | Socket head bolt with inner<br>multipoint head<br>M 10 X 1 X 29  |        | 10  | PR:GOL                   |
| 10   | 955 102 635 01 | thrust washer  |        | 2   |                          |
| 11   | 955 102 561 00 | bearing shell<br>Crankshaft<br>Identification: >> >><br>yellow<br>See workshop manual<br>Group 1<br>KD-NR. 134819                      | upper  | 7   |                          |
| (11) | 955 102 561 01 | Discontinued part<br>bearing shell<br>Crankshaft<br>Identification: >> >><br>yellow<br>See workshop manual<br>Group 1<br>KD-NR. 134819 | upper  | 7   |                          |
| (11) | 955 102 561 02 | bearing shell<br>Crankshaft<br>Identification: >> >><br>blue<br>See workshop manual<br>Group 1<br>KD-NR. 134819                        | upper  | 7   |                          |
| (11) | 955 102 561 03 | bearing shell<br>Crankshaft<br>Identification: >> >><br>ROT<br>See workshop manual<br>Group 1<br>KD-NR. 134819                         | upper  | 7   |                          |
| (11) | 955 102 561 04 | bearing shell  | upper  | 7   |                          |

Model: 92A 11 Model life 2011>>2018

| Pos  | Part Number    | Description   | Remark | Qty | Model |
|------|----------------|---|--------|-----|-------|
| 12   | 955 102 591 00 | Crankshaft<br>Identification: >> >><br>violet<br>See workshop manual<br>Group 1<br>KD-NR. 134819<br>bearing shell | lower  | 7   |       |
| (12) | 955 102 591 06 | Crankshaft<br>Identification: >> >><br>yellow<br>Discontinued part<br>bearing shell                               | lower  | 7   |       |
| (12) | 955 102 591 01 | Crankshaft<br>Identification: >> >><br>yellow<br>bearing shell  | lower  | 7   |       |
| (12) | 955 102 591 04 | Crankshaft<br>Identification: >> >><br>blue<br>Discontinued part<br>bearing shell                                 | lower  | 7   |       |
| (12) | 955 102 591 02 | Crankshaft<br>Identification: >> >><br>blue<br>bearing shell  | lower  | 7   |       |
| (12) | 955 102 591 05 | Crankshaft<br>Identification: >> >><br>red<br>Discontinued part<br>bearing shell                                  | lower  | 7   |       |
| (12) | 955 102 591 03 | Crankshaft<br>Identification: >> >><br>red<br>bearing shell   | lower  | 7   |       |
| (12) | 955 102 591 07 | Crankshaft<br>Identification: >> >><br>violet<br>Discontinued part<br>bearing shell                               | lower  | 7   |       |
| 13   | 955 103 975 01 | 1 set: connecting rods<br>comprising:<br>conrod   |        | 1   |       |
| 14   | 955 102 425 01 | bolt - connecting rod   |        | 6   |       |
| 15   | 958 103 210 20 | connecting rod bearing shell<br>Identification: >> >><br>yellow   | lower  | 12  |       |
| 16   | 958 103 210 21 | connecting rod bearing shell<br>Identification: >> >><br>yellow   | upper  | 6   |       |
| 17   | 958 606 433 00 | impulse sender  |        | 6   |       |
| 18   | N 103 352 06   | Hexagon socket flat<br>head bolt<br>M 6 X 12  |        | 1   |       |

Model: 92A 11

Model life 2011>>2018



Model: 92A 11 Model life 2011>>2018

| Pos | Part Number    | Description  | Remark         | Qty | Model   |
|-----|----------------|--|----------------|-----|---|
|     |                | Crankshaft<br>conrod   |                |     | 059E, CRCA,<br>CRCB, CNRB,<br>CVVA, CVVB,<br>CVVC<br>059E |
| 1   | 958 102 011 00 | Crankshaft   |                | 1   |   |
|     |                | also use:  | N 013 199 4    | 1   |   |
|     |                |  | 955 102 329 00 | 1   |   |
| (1) | 958 102 011 01 | Discontinued part<br>Crankshaft  |                | 1   | 059E  |
|     |                | also use:  | N 013 199 4    | 1   |   |
|     |                |  | 955 102 329 00 | 1   |   |
| (1) | 958 102 011 30 | Crankshaft   |                | 1   | CRCA, CRCB,<br>CNRB, CVVA,<br>CVVB, CVVC                  |
|     |                | also use:  | N 013 199 4    | 1   |   |
|     |                |  | 955 102 329 00 | 1   |   |
| 2   | N 013 199 4    | Cylinder pin<br>6 X 14   |                | 1   |   |
| 3   | 955 102 329 00 | bush   |                | 1   |   |
| 4   | 958 102 241 00 | vibration damper   |                | 1   |   |
|     |                | Discontinued part  |                |     |   |
| (4) | 958 102 241 01 | vibration damper   |                | 1   |   |
|     |                | No longer use the part here  |                |     |   |
| (4) | 958 102 241 02 | vibration damper   |                | 1   |   |
|     |                | No longer use the part here  |                |     |   |
| (4) | 958 102 241 03 | vibration damper   |                | 1   |   |
| 5   | WHT 003 351    | compensation washer<br>24,5 X 60,5 X 1,5                                   |                | 1   |   |
| 6   | N 910 059 02   | Hexagon socket head<br>bolt<br>M 8 X 25                                    |                | 8   |   |
| 7   | 955 102 901 00 | Bearing set<br>Crankshaft<br>comprising:<br>bearing shell<br>bearing shell | lower<br>upper | 4   |   |
|     |                | No longer use the part here  |                |     |   |
| (7) | 958 101 241 10 | crankshaft bearing shell<br>Identification: >> >><br>blue                  | lower          | 4   |   |
|     |                | Discontinued part  |                |     |   |
| (7) | 958 101 241 13 | crankshaft bearing shell<br>Identification: >> >><br>blue                  | lower          | 4   |   |
|     |                | Discontinued part  |                |     |   |
| (7) | 958 101 241 11 | crankshaft bearing shell<br>Identification: >> >><br>yellow                | lower          | 4   |   |
|     |                | Discontinued part  |                |     |   |
| (7) | 958 101 241 14 | crankshaft bearing shell<br>Identification: >> >><br>yellow                | lower          | 4   |   |
|     |                | Discontinued part  |                |     |   |
| (7) | 958 101 241 12 | crankshaft bearing shell<br>Identification: >> >><br>red                   | lower          | 4   |   |
|     |                | Discontinued part  |                |     |   |
| (7) | 958 101 241 15 | crankshaft bearing shell<br>Identification: >> >><br>red                   | lower          | 4   |   |
|     |                | Discontinued part  |                |     |   |
| (7) | 958 101 242 10 | crankshaft bearing shell<br>Identification: >> >><br>blue                  | upper          | 4   |   |
|     |                | Discontinued part  |                |     |   |
| (7) | 958 101 242 13 | crankshaft bearing shell<br>Identification: >> >><br>blue                  | upper          | 4   |   |

Model: 92A 11 Model life 2011>>2018

| Pos  | Part Number    | Description   | Remark         | Qty             | Model                     |
|------|----------------|---|----------------|-----------------|---------------------------|
| (7)  | 958 101 242 11 | crankshaft bearing shell<br>Identification: >> >><br>yellow<br>Discontinued part  | upper          | 4               |                           |
| (7)  | 958 101 242 14 | crankshaft bearing shell<br>Identification: >> >><br>yellow   | upper          | 4               |                           |
| (7)  | 958 101 242 12 | crankshaft bearing shell<br>Identification: >> >><br>red<br>Discontinued part   | upper          | 4               |                           |
| (7)  | 958 101 242 15 | crankshaft bearing shell<br>Identification: >> >><br>red  | upper          | 4               |                           |
| 8    | 955 102 902 00 | 1 set of thrust washers<br><br>comprising:<br>thrust washer<br>thrust washer  | lower<br>upper | 1<br><br>2<br>2 |                           |
| 9    | 958 102 189 00 | Clutch plate<br>impulse sender  |                | 1               |                           |
| 10   | 955 102 303 60 | compensation washer<br>1,5 MM   |                | 1               |                           |
| 11   | 958 102 327 10 | Clutch plate<br>No longer use the part here   |                | 1               |                           |
| (11) | 958 102 327 11 | Clutch plate  |                | 1               |                           |
| 12   | 955 102 303 60 | compensation washer<br>1,5 MM   |                | 1               |                           |
| 13   | N 905 398 01   | Socket head bolt<br>M 10 X 1 X 19   |                | 10              |                           |
| 14   | 955 103 975 10 | 1 set: connecting rods<br>comprising:<br>conrod<br><br>only in conj. with:<br>connecting rod bearing shell<br>955.103.210.10<br>955.103.210.20<br>D >> - 21.11.2010   |                | 1<br><br>6      | 059E                      |
| (14) | 958 103 975 10 | 1 set: connecting rods<br>comprising:<br>conrod<br><br>only in conj. with:<br>connecting rod bearing shell<br>958.103.210.30<br>958.103.210.40<br>D - 22.11.2010>>    |                | 1<br><br>6      | 059E                      |
| (14) | 958 103 975 20 | 1 set: connecting rods<br>comprising:<br>conrod   |                | 1<br><br>6      | CRCA, CRCB,<br>CVVB, CVVC |
| 15   | 955 102 425 10 | bolt - connecting rod<br>M 8 X 1 X 50<br>Discontinued part  |                | 12              |                           |
| (15) | WHT 006 219    | bolt - connecting rod<br>M 8 X 1 X 50   |                | 12              |                           |
| 16   | 955 103 210 10 | connecting rod bearing shell<br>Identification: >> >><br>yellow<br><br>only in conj. with:<br>Connecting rod<br>955.103.975.10<br>059.105.401.AE<br>D >> - 21.11.2010 | upper          | 6               | 059E                      |
| (16) | 958 103 210 30 | connecting rod bearing shell  | upper          | 6               | 059E                      |



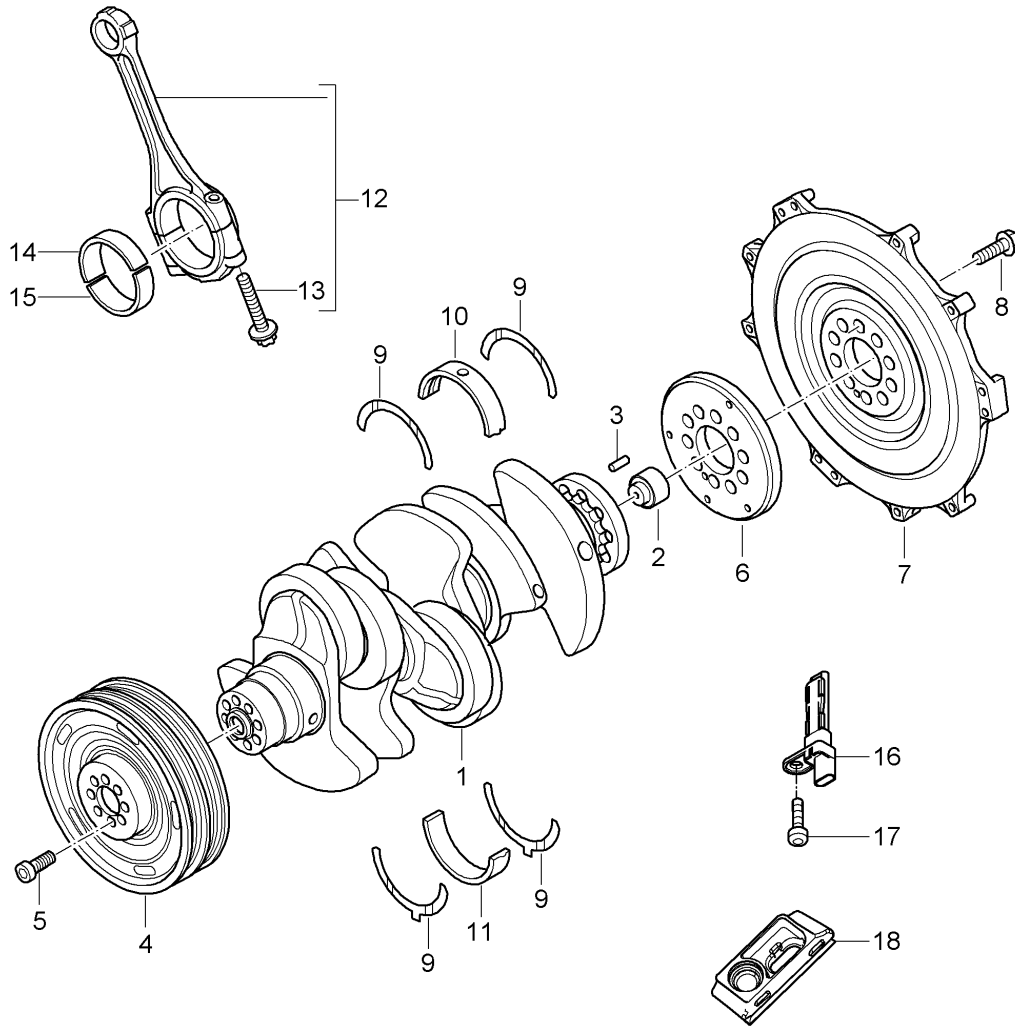
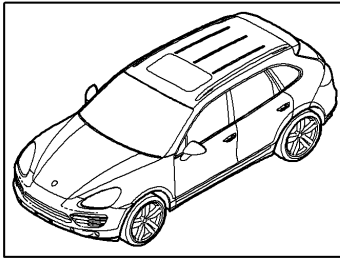
Model: 92A 11

Model life 2011>>2018

| Pos  | Part Number    | Description  | Remark | Qty | Model                                    |
|------|----------------|--|--------|-----|--|
| (16) | 958 103 210 30 | Identification: >> >><br>yellow<br>only in conj. with:<br>Connecting rod<br>958.103.975.10<br>059.105.401.AP<br>D - 22.11.2010>><br>connecting rod bearing shell                   | upper  | 6   | CRCA, CRCB,<br>CNRB, CVVA,<br>CVVB, CVVC |
| 17   | 955 103 210 20 | Identification: >> >><br>yellow<br>connecting rod bearing shell<br>Identification: >> >><br>yellow<br>only in conj. with:<br>Connecting rod<br>955.103.975.10<br>D >> - 21.11.2010 | lower  | 6   | 059E                                     |
| (17) | 958 103 210 40 | connecting rod bearing shell<br>Identification: >> >><br>yellow<br>only in conj. with:<br>Connecting rod<br>958.103.975.10<br>D - 22.11.2010>><br>connecting rod bearing shell     | lower  | 6   | 059E                                     |
| (17) | 958 103 210 40 | connecting rod bearing shell<br>Identification: >> >><br>yellow<br>only in conj. with:<br>Connecting rod<br>958.103.975.10<br>D - 22.11.2010>><br>connecting rod bearing shell     | lower  | 6   | CRCA, CRCB,<br>CNRB, CVVA,<br>CVVB, CVVC |
| 18   | 958 606 433 10 | Identification: >> >><br>yellow<br>impulse sender<br>Discontinued part   |        | 1   |  |
| (18) | 958 606 433 11 | impulse sender   |        | 1   |  |
| 19   | N 104 056 04   | Oval hexagon socket head bolt<br>M 6 X 14  |        | 1   |  |
| 20   | 958 606 576 10 | Grommet<br>impulse sender  |        | 1   |  |

Model: 92A 11

Model life 2011>>2018



Model: 92A 11 Model life 2011>>2018

| Pos  | Part Number    | Description  | Remark         | Qty | Model  |
|------|----------------|--|----------------|-----|--|
| 1    | 958 102 011 10 | Crankshaft<br>conrod<br>Crankshaft<br>Discontinued part                                    |                | 1   | 06EC, CGEA,<br>CGE, CGFA, CJT<br>PR:D11<br>"CN." |
| (1)  | 958 102 011 11 | Crankshaft   |                | 1   | PR:D11   |
| (1)  | 958 102 021 00 | Crankshaft   |                | 1   | PR:D19   |
|      |                | with:  |                |     |  |
| 2    | 958 102 313 00 | Needle bush<br>958.102.313.00  |                | 1   | PR:D19   |
| (2)  | 955 102 329 00 | Needle bush<br>bush  |                | 1   | PR:D11   |
| 3    | N 013 199 4    | Cylinder pin<br>6 X 14   |                | 1   |  |
| 4    | 958 102 241 10 | vibration damper<br>Discontinued part  |                | 1   |  |
| (4)  | 958 102 241 11 | vibration damper   |                | 1   |  |
| 5    | N 910 059 02   | Hexagon socket head<br>bolt<br>M 8 X 25  |                | 8   |  |
| 6    | 958 102 189 00 | Clutch plate<br>impulse sender   |                | 1   |  |
| 7    | 958 102 269 03 | flywheel   |                | 1   | PR:D19   |
| (7)  | 958 102 327 10 | Clutch plate   |                | 1   | PR:D11   |
| 8    | N 904 055 02   | Hexagon bolt<br>M 10 X 1 X 22  |                | 10  | PR:D19   |
| (8)  | N 905 398 01   | Socket head bolt<br>M 10 X 1 X 19  |                | 10  | PR:D11<br>"CN."                                  |
| (8)  | N 911 150 01   | D >> - MJ 2012<br>Socket head collared bolt with<br>inner multipoint head<br>M 10 X 1 X 19 |                | 10  | PR:D11   |
| 9    | 955 102 902 00 | D - MJ 2013>><br>1 set of thrust washers   | lower<br>upper | 1   |  |
|      |                | comprising:<br>thrust washer   |                | 2   |  |
|      |                | thrust washer  |                | 2   |  |
| 10   | 958 101 241 00 | crankshaft bearing shell<br>Identification: >> >><br>Black                                 | upper          | 4   |  |
| (10) | 958 101 241 01 | crankshaft bearing shell<br>Identification: >> >><br>blue                                  | upper          | 4   |  |
| (10) | 958 101 241 02 | crankshaft bearing shell<br>Identification: >> >><br>yellow                                | upper          | 4   |  |
| (10) | 958 101 241 03 | crankshaft bearing shell<br>Identification: >> >><br>red                                   | upper          | 4   |  |
| 11   | 958 101 242 00 | crankshaft bearing shell<br>Identification: >> >><br>Black                                 | lower          | 4   |  |
| (11) | 958 101 242 01 | crankshaft bearing shell<br>Identification: >> >><br>blue                                  | lower          | 4   |  |
| (11) | 958 101 242 02 | crankshaft bearing shell<br>Identification: >> >><br>yellow                                | lower          | 4   |  |
| (11) | 958 101 242 03 | crankshaft bearing shell<br>Identification: >> >><br>red                                   | lower          | 4   |  |
| 12   | 958 103 975 00 | Connecting rod<br>Set  |                | 1   |  |

Model: 92A 11

Model life 2011&gt;&gt;2018

| Pos  | Part Number    | Description  | Remark | Qty | Model |
|------|----------------|--|--------|-----|-------|
|      |                | comprising:<br>conrod  |        | 6   |       |
| (12) | 958 103 975 01 | Discontinued part<br>1 set: connecting rods  |        | 1   |       |
|      |                | comprising:<br>conrod  |        | 6   |       |
| 13   | WHT 002 662    | bolt - connecting rod<br>M 9 X 1 X 49  |        | 12  |       |
|      |                | only in conj. with:<br>conrod<br>06E.105.401.AD  |        |     |       |
| (13) | WHT 003 466    | bolt - connecting rod<br>M 9 X 49  |        | 12  |       |
|      |                | only in conj. with:<br>conrod<br>06E.105.401.AF  |        |     |       |
| 14   | 958 103 210 00 | connecting rod bearing shell<br>Identification: >> >><br>blue<br>1,401 MM                        | upper  | 6   |       |
| (14) | 958 103 210 03 | Discontinued part<br>connecting rod bearing shell<br>Identification: >> >><br>blue<br>1,401 MM   | upper  | 6   |       |
| (14) | 958 103 210 01 | connecting rod bearing shell<br>Identification: >> >><br>yellow<br>1,396 MM                      | upper  | 6   |       |
| (14) | 958 103 210 04 | Discontinued part<br>connecting rod bearing shell<br>Identification: >> >><br>yellow<br>1,396 MM | upper  | 6   |       |
| (14) | 958 103 210 02 | connecting rod bearing shell<br>Identification: >> >><br>red<br>1,391 MM                         | upper  | 6   |       |
| (14) | 958 103 210 05 | Discontinued part<br>connecting rod bearing shell<br>Identification: >> >><br>red<br>1,391 MM    | upper  | 6   |       |
| 15   | 958 103 210 10 | connecting rod bearing shell<br>Identification: >> >><br>blue<br>1,401 MM                        | lower  | 6   |       |
| (15) | 958 103 210 13 | Discontinued part<br>connecting rod bearing shell<br>Identification: >> >><br>blue<br>1,401 MM   | lower  | 6   |       |
| (15) | 958 103 210 11 | connecting rod bearing shell<br>Identification: >> >><br>yellow<br>1,396 MM                      | lower  | 6   |       |
| (15) | 958 103 210 14 | Discontinued part<br>connecting rod bearing shell<br>Identification: >> >><br>yellow<br>1,396 MM | lower  | 6   |       |
| (15) | 958 103 210 12 | connecting rod bearing shell<br>Identification: >> >>  | lower  | 6   |       |

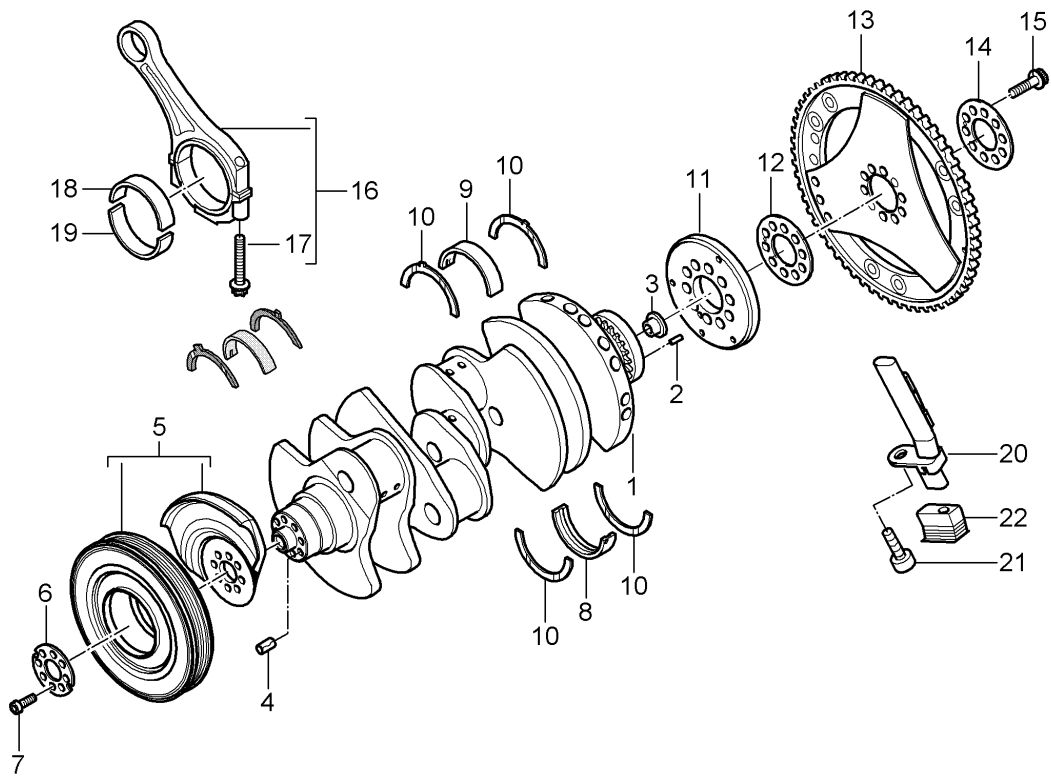
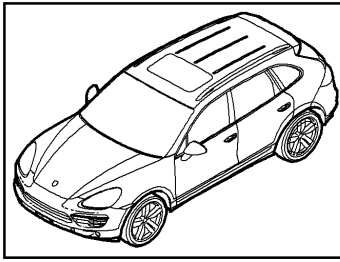
Model: 92A 11

Model life 2011&gt;&gt;2018

| Pos  | Part Number    | Description   | Remark | Qty | Model |
|------|----------------|---|--------|-----|-------|
| (15) | 958 103 210 15 | red<br>1,391 MM<br>Discontinued part<br>connecting rod bearing shell<br>Identification: >> >> | lower  | 6   |       |
| 16   | 958 606 433 10 | red<br>1,391 MM<br>impulse sender<br>Discontinued part  |        | 1   |       |
| (16) | 958 606 433 11 | impulse sender  |        | 1   |       |
| 17   | N 107 512 01   | Hexagon socket flat<br>head bolt<br>M 6 X 14  |        | 1   |       |
| 18   | 958 301 646 00 | Cover cap   |        | 1   |       |

Model: 92A 11

Model life 2011>>2018



Model: 92A 11 Model life 2011>>2018

| Pos  | Part Number    | Description  | Remark         | Qty | Model      |
|------|----------------|--|----------------|-----|------------|
|      |                | Crankshaft<br>conrod<br>Crankshaft                                     |                |     | CUDB, CUDC |
| 1    | 958 102 011 40 |  |                | 1   |            |
|      |                | also use:  | N 013 199 4    | 1   |            |
|      |                |  | 955 102 329 00 | 1   |            |
| (1)  | 958 102 011 41 | No longer use the part here<br>Crankshaft                              |                | 1   |            |
|      |                | also use:  | N 013 199 4    | 1   |            |
|      |                |  | 955 102 329 00 | 1   |            |
| 2    | N 013 199 4    | Cylinder pin<br>6 X 14   |                | 1   |            |
| 3    | 955 102 329 00 | bush   |                | 1   |            |
| 4    | 958 147 501 00 | Centre sleeve<br>11,15 X 6,5   |                | 1   |            |
| 5    | 958 102 241 30 | Vibration damper with<br>balance weight                                |                | 1   |            |
| (5)  | 958 102 241 31 | No longer use the part here<br>Vibration damper with<br>balance weight |                | 1   |            |
| 6    | WHT 000 950 B  | compensation washer<br>24,5 X 58 X 1,5                                 |                | 1   |            |
| 7    | N 105 348 03   | Socket head bolt with inner<br>multipoint head<br>M 8 X 35             |                | 8   |            |
| 8    | 958 101 241 13 | crankshaft bearing shell<br>Identification: >> >><br>blue              | lower          | 5   |            |
| (8)  | 958 101 241 14 | crankshaft bearing shell<br>Identification: >> >><br>yellow            | lower          | 5   |            |
| (8)  | 958 101 241 15 | crankshaft bearing shell<br>Identification: >> >><br>red               | lower          | 5   |            |
| 9    | 958 101 242 13 | crankshaft bearing shell<br>Identification: >> >><br>blue              | upper          | 4   |            |
| (9)  | 958 101 242 14 | crankshaft bearing shell<br>Identification: >> >><br>yellow            | upper          | 4   |            |
| (9)  | 958 101 242 15 | crankshaft bearing shell<br>Identification: >> >><br>red               | upper          | 4   |            |
| 10   | 955 102 902 00 | 1 set of thrust washers  | lower<br>upper | 1   |            |
|      |                | comprising:<br>thrust washer   |                | 2   |            |
|      |                | thrust washer  |                | 2   |            |
| 11   | 958 102 189 00 | Clutch plate<br>impulse sender   |                | 1   |            |
| 12   | 955 102 303 60 | compensation washer<br>1,5 MM  |                | 1   |            |
| 13   | 958 102 327 30 | Clutch plate   |                | 1   |            |
| 14   | 955 102 303 60 | compensation washer<br>1,5 MM  |                | 1   |            |
| 15   | N 905 398 01   | Socket head bolt<br>M 10 X 1 X 19                                      |                | 10  |            |
| 16   | 958 103 975 30 | 1 set: connecting rods<br>comprising:<br>conrod                        |                | 1   |            |
|      |                | bolt - connecting rod  |                | 8   |            |
| 17   | 955 102 425 10 | M 8 X 1 X 50<br>Discontinued part                                      |                | 16  |            |
| (17) | WHT 006 219    | bolt - connecting rod  |                | 16  |            |

Model: 92A 11

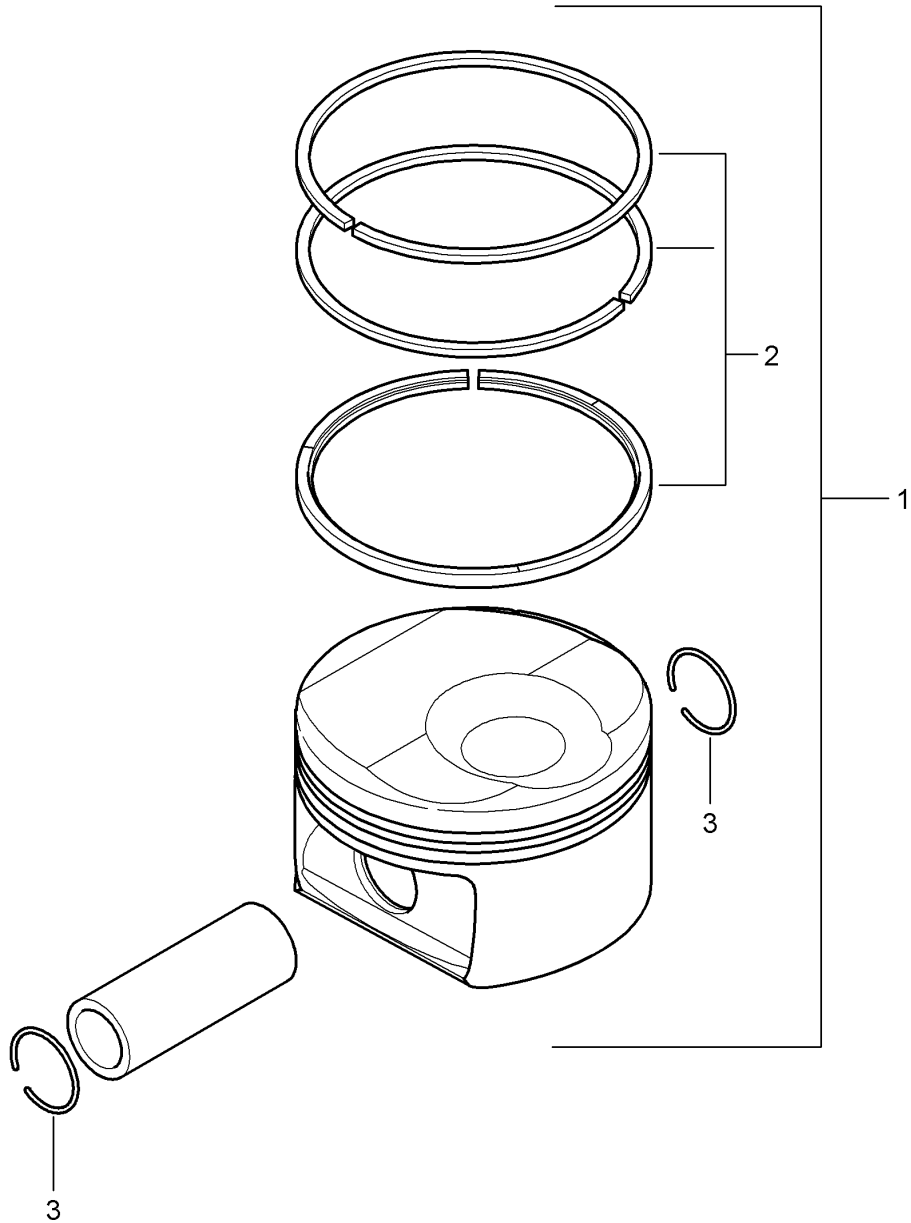
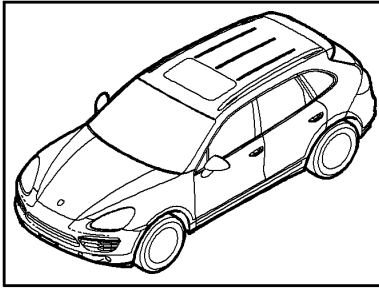
Model life 2011>>2018

| Pos  | Part Number    | Description   | Remark | Qty | Model |
|------|----------------|---|--------|-----|-------|
| 18   | 958 103 210 30 | M 8 X 1 X 50<br>connecting rod bearing shell<br>Identification: >> >><br>yellow | upper  | 8   |       |
| 19   | 958 103 210 40 | connecting rod bearing shell<br>Identification: >> >><br>yellow                 | lower  | 8   |       |
| 20   | 958 606 433 10 | impulse sender<br>Discontinued part   |        | 1   |       |
| (20) | 958 606 433 11 | impulse sender  |        | 1   |       |
| 21   | N 104 514 08   | Oval hexagon socket head bolt<br>M 6 X 16                                       |        | 1   |       |
| 22   | 958 606 576 10 | Grommet<br>impulse sender   |        | 1   |       |



Model: 92A 11

Model life 2011>>2018



Model: 92A 11

Model life 2011>>2018

| Pos | Part Number    | Description  | Remark | Qty | Model                            |
|-----|----------------|--|--------|-----|----------------------------------|
| 1   | 948 103 048 24 | piston<br>Piston rings<br>piston complete<br>Tolerance range<br>X<br>Identification: >> >><br>-<br>554 - 559 G<br>Cylinders 1 - 4<br>Discontinued part   |        | 4   | 4802,4852<br>4802+<br>PR:1A2,E0A |
| (1) | 948 103 048 25 | piston complete<br>Tolerance range<br>X<br>Identification: >> >><br>+<br>560 - 565 G<br>Cylinders 1 - 4<br>Discontinued part   |        | 4   | 4802+<br>PR:1A2,E0A              |
| (1) | 948 103 048 27 | piston complete<br>Tolerance range<br>X<br>Identification: >> >><br>-<br>554 - 559 G<br>Cylinders 1 - 4<br>See technical information<br>Service<br>Group 1<br>Document<br>1010 25/13<br>M >> C 12136 |        | 4   | 4802+<br>PR:1A2,E0A              |
| (1) | 948 103 048 28 | piston complete<br>Tolerance range<br>X<br>Identification: >> >><br>+<br>560 - 565 G<br>Cylinders 1 - 4<br>See technical information<br>Service<br>Group 1<br>Document<br>1010 25/13<br>M >> C 12136 |        | 4   | 4802+<br>PR:1A2,E0A              |
| (1) | 948 103 058 21 | piston complete<br>Tolerance range<br>X<br>Identification: >> >><br>-<br>554 - 559 G<br>Cylinders 1 - 4<br>See technical information<br>Service<br>Group 1<br>Document<br>1010 25/13<br>M C 12137 >> |        | 4   | 4802+<br>PR:1A2,E0A              |
| (1) | 948 103 058 22 | piston complete<br>Tolerance range<br>X<br>Identification: >> >><br>+<br>560 - 565 G   |        | 4   | 4802+<br>PR:1A2,E0A              |

Model: 92A 11

Model life 2011&gt;&gt;2018

| Pos | Part Number    | Description  | Remark | Qty | Model               |
|-----|----------------|--|--------|-----|---------------------|
| (1) | 948 103 058 21 | Cylinders 1 - 4<br>See technical information<br>Service<br>Group 1<br>Document<br>1010 25/13<br>M C 12137 >><br>piston complete<br>Tolerance range<br>X<br>Identification: >> >><br>-<br>554 - 559 G   |        | 4   | 4802+<br>PR:1A2,E0W |
| (1) | 948 103 058 22 | Cylinders 1 - 4<br>piston complete<br>Tolerance range<br>X<br>Identification: >> >><br>+<br>560 - 565 G  |        | 4   | 4802+<br>PR:1A2,E0W |
| (1) | 948 103 048 54 | Cylinders 1 - 4<br>piston complete<br>Tolerance range<br>X<br>Identification: >> >><br>-<br>541 - 546 G  |        | 4   | 4802+<br>PR:1A5,E0A |
| (1) | 948 103 048 55 | Discontinued part<br>piston complete<br>Tolerance range<br>X<br>Identification: >> >><br>+<br>547 - 552 G  |        | 4   | 4802+<br>PR:1A5,E0A |
| (1) | 948 103 048 57 | Discontinued part<br>piston complete<br>Tolerance range<br>X<br>Identification: >> >><br>-<br>541 - 546 G  |        | 4   | 4802+<br>PR:1A5,E0A |
| (1) | 948 103 048 58 | Cylinders 1 - 4<br>See technical information<br>Service<br>Group 1<br>Document<br>1010 25/13<br>M >> V C 12137<br>piston complete<br>Tolerance range<br>X<br>Identification: >> >><br>+<br>547 - 552 G |        | 4   | 4802+<br>PR:1A5,E0A |
|     |                | Cylinders 1 - 4<br>See technical information<br>Service<br>Group 1<br>Document<br>1010 25/13<br>M >> V C 12137   |        |     |                     |

Model: 92A 11

Model life 2011&gt;&gt;2018

| Pos | Part Number    | Description  | Remark | Qty | Model               |
|-----|----------------|--|--------|-----|---------------------|
| (1) | 948 103 058 51 | piston complete<br>Tolerance range<br>X<br>Identification: >> >><br>-<br>541 - 546 G<br>Cylinders 1 - 4<br>See technical information<br>Service<br>Group 1<br>Document<br>1010 25/13<br>M V C 12138 >> |        | 4   | 4802+<br>PR:1A5,E0A |
| (1) | 948 103 058 52 | piston complete<br>Tolerance range<br>X<br>Identification: >> >><br>+<br>547 - 552 G<br>Cylinders 1 - 4<br>See technical information<br>Service<br>Group 1<br>Document<br>1010 25/13<br>M V C 12138 >> |        | 4   | 4802+<br>PR:1A5,E0A |
| (1) | 948 103 058 51 | piston complete<br>Tolerance range<br>X<br>Identification: >> >><br>-<br>541 - 546 G<br>Cylinders 1 - 4  |        | 4   | 4802+<br>PR:1A5,E0W |
| (1) | 948 103 058 52 | piston complete<br>Tolerance range<br>X<br>Identification: >> >><br>+<br>547 - 552 G<br>Cylinders 1 - 4  |        | 4   | 4802+<br>PR:1A5,E0W |
| (1) | 948 103 047 24 | piston complete<br>Tolerance range<br>X<br>Identification: >> >><br>-<br>554 - 559 G<br>Cylinders 5 - 8<br>Discontinued part   |        | 4   | 4802+<br>PR:1A2,E0A |
| (1) | 948 103 047 25 | piston complete<br>Tolerance range<br>X<br>Identification: >> >><br>+<br>560 - 565 G<br>Cylinders 5 - 8<br>Discontinued part   |        | 4   | 4802+<br>PR:1A2,E0A |
| (1) | 948 103 047 27 | piston complete<br>Tolerance range<br>X<br>Identification: >> >><br>-<br>554 - 559 G<br>Cylinders 5 - 8  |        | 4   | 4802+<br>PR:1A2,E0A |

Model: 92A 11 Model life 2011>>2018

| Pos | Part Number    | Description   | Remark | Qty | Model               |
|-----|----------------|---|--------|-----|---------------------|
| (1) | 948 103 047 28 | See technical information<br>Service<br>Group 1<br>Document<br>1010 25/13<br>M >> C 12136<br>piston complete<br>Tolerance range<br>X<br>Identification: >> >><br>+<br>560 - 565 G<br>Cylinders 5 - 8<br>See technical information<br>Service<br>Group 1<br>Document<br>1010 25/13<br>M >> C 12136 |        | 4   | 4802+<br>PR:1A2,E0A |
| (1) | 948 103 057 21 | piston complete<br>Tolerance range<br>X<br>Identification: >> >><br>-<br>554 - 559 G<br>Cylinders 5 - 8<br>See technical information<br>Service<br>Group 1<br>Document<br>1010 25/13<br>M C 12137 >>  |        | 4   | 4802+<br>PR:1A2,E0A |
| (1) | 948 103 057 22 | piston complete<br>Tolerance range<br>X<br>Identification: >> >><br>+<br>560 - 565 G<br>Cylinders 5 - 8<br>See technical information<br>Service<br>Group 1<br>Document<br>1010 25/13<br>M C 12137 >>  |        | 4   | 4802+<br>PR:1A2,E0A |
| (1) | 948 103 057 21 | piston complete<br>Tolerance range<br>X<br>Identification: >> >><br>-<br>554 - 559 G<br>Cylinders 5 - 8   |        | 4   | 4802+<br>PR:1A2,E0W |
| (1) | 948 103 057 22 | piston complete<br>Tolerance range<br>X<br>Identification: >> >><br>+<br>560 - 565 G<br>Cylinders 5 - 8   |        | 4   | 4802+<br>PR:1A2,E0W |
| (1) | 948 103 047 54 | piston complete<br>Tolerance range<br>X<br>Identification: >> >>  |        | 4   | 4802+<br>PR:1A5,E0A |

Model: 92A 11 Model life 2011>>2018

| Pos | Part Number    | Description   | Remark | Qty | Model               |
|-----|----------------|---|--------|-----|---------------------|
| (1) | 948 103 047 55 | -<br>541 - 546 G<br>Cylinders 5 - 8<br>Discontinued part<br>piston complete<br>Tolerance range<br>X<br>Identification: >> >><br>+   |        | 4   | 4802+<br>PR:1A5,E0A |
| (1) | 948 103 047 57 | 547 - 552 G<br>Cylinders 5 - 8<br>Discontinued part<br>piston complete<br>Tolerance range<br>X<br>Identification: >> >>   |        | 4   | 4802+<br>PR:1A5,E0A |
| (1) | 948 103 047 58 | -<br>541 - 546 G<br>Cylinders 5 - 8<br>See technical information<br>Service<br>Group 1<br>Document<br>1010 25/13<br>M >> V C 12137<br>piston complete<br>Tolerance range<br>X<br>Identification: >> >><br>+ |        | 4   | 4802+<br>PR:1A5,E0A |
| (1) | 948 103 057 51 | 547 - 552 G<br>Cylinders 5 - 8<br>See technical information<br>Service<br>Group 1<br>Document<br>1010 25/13<br>M >> V C 12137<br>piston complete<br>Tolerance range<br>X<br>Identification: >> >>           |        | 4   | 4802+<br>PR:1A5,E0A |
| (1) | 948 103 057 52 | -<br>541 - 546 G<br>Cylinders 5 - 8<br>See technical information<br>Service<br>Group 1<br>Document<br>1010 25/13<br>M V C 12138 >><br>piston complete<br>Tolerance range<br>X<br>Identification: >> >><br>+ |        | 4   | 4802+<br>PR:1A5,E0A |
|     |                | 547 - 552 G<br>Cylinders 5 - 8<br>See technical information<br>Service<br>Group 1<br>Document<br>1010 25/13   |        |     |                     |

Model: 92A 11 Model life 2011>>2018

| Pos | Part Number    | Description  | Remark | Qty | Model               |
|-----|----------------|--|--------|-----|---------------------|
| (1) | 948 103 057 51 | M V C 12138 >><br>piston complete<br>Tolerance range<br>X<br>Identification: >> >><br>-<br>541 - 546 G<br>Cylinders 5 - 8  |        | 4   | 4802+<br>PR:1A5,E0W |
| (1) | 948 103 057 52 | piston complete<br>Tolerance range<br>X<br>Identification: >> >><br>+<br>547 - 552 G<br>Cylinders 5 - 8  |        | 4   | 4802+<br>PR:1A5,E0W |
| (1) | 948 103 046 67 | piston complete<br>Tolerance range<br>X<br>Identification: >> >><br>-<br>561 - 566 G<br>Cylinders 1 - 4<br>See technical information<br>Service<br>Group 1<br>Document<br>1010 25/13                 |        | 4   | 4852                |
| (1) | 948 103 046 68 | M >> C 05371<br>piston complete<br>Tolerance range<br>X<br>Identification: >> >><br>+<br>567 - 572 G<br>Cylinders 1 - 4<br>See technical information<br>Service<br>Group 1<br>Document<br>1010 25/13 |        | 4   | 4852                |
| (1) | 948 103 046 71 | M >> C 05371<br>piston complete<br>Tolerance range<br>X<br>Identification: >> >><br>-<br>561 - 566 G<br>Cylinders 1 - 4<br>See technical information<br>Service<br>Group 1<br>Document<br>1010 25/13 |        | 4   | 4852                |
| (1) | 948 103 046 72 | M C 05372 >><br>piston complete<br>Tolerance range<br>X<br>Identification: >> >><br>+<br>567 - 572 G<br>Cylinders 1 - 4<br>See technical information<br>Service                                      |        | 4   | 4852                |

Model: 92A 11 Model life 2011>>2018

| Pos | Part Number    | Description   | Remark | Qty | Model           |
|-----|----------------|---|--------|-----|-----------------|
| (1) | 948 103 045 67 | Group 1<br>Document<br>1010 25/13<br>M C 05372 >><br>piston complete<br>Tolerance range<br>X<br>Identification: >> >><br>-<br>561 - 566 G<br>Cylinders 5 - 8<br>See technical information<br>Service<br>Group 1<br>Document<br>1010 25/13<br>M >> C 05371 |        | 4   | 4852            |
| (1) | 948 103 045 68 | piston complete<br>Tolerance range<br>X<br>Identification: >> >><br>+<br>567- 572 G<br>Cylinders 5 - 8<br>See technical information<br>Service<br>Group 1<br>Document<br>1010 25/13<br>M >> C 05371   |        | 4   | 4852            |
| (1) | 948 103 045 71 | piston complete<br>Tolerance range<br>X<br>Identification: >> >><br>-<br>561 - 566 G<br>Cylinders 5 - 8<br>See technical information<br>Service<br>Group 1<br>Document<br>1010 25/13<br>M C 05372 >>  |        | 4   | 4852            |
| (1) | 948 103 045 72 | piston complete<br>Tolerance range<br>X<br>Identification: >> >><br>+<br>567- 572 G<br>Cylinders 5 - 8<br>See technical information<br>Service<br>Group 1<br>Document<br>1010 25/13<br>M C 05372 >>   |        | 4   | 4852            |
| 2   | 948 103 931 16 | 1 set: piston rings<br>No longer use the part here  |        | 8   | 4802            |
| (2) | 948 103 931 30 | 1 set: piston rings<br>See technical information<br>Service<br>Group 1<br>Document  |        | 8   | 4802+<br>PR:E0A |

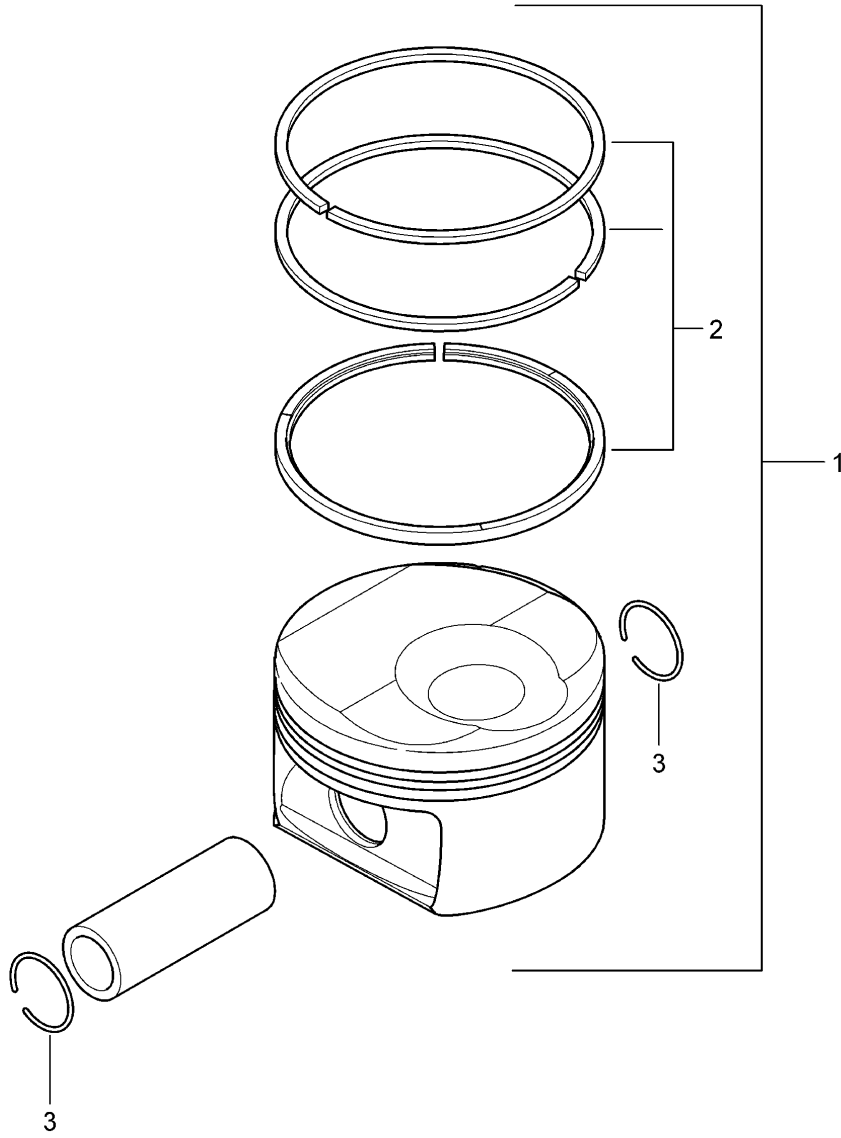
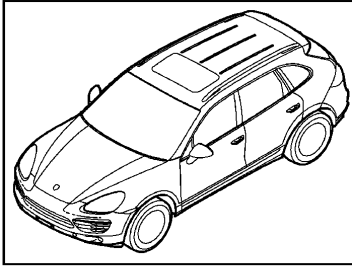


Model: 92A 11 Model life 2011>>2018

| Pos | Part Number    | Description  | Remark | Qty | Model                               |
|-----|----------------|--|--------|-----|-------------------------------------|
| (2) | 948 103 941 20 | 1010 25/13<br>M >> C 12136<br>M >> V C 12137<br>1 set: piston rings<br>See technical information<br>Service<br>Group 1<br>Document |        | 8   | PR:1A2<br>PR:1A5<br>4802+<br>PR:E0A |
| (2) | 948 103 941 20 | 1010 25/13<br>M C 12137 >><br>M V C 12138 >><br>1 set: piston rings  |        | 8   | PR:1A2<br>PR:1A5<br>4802+<br>PR:E0W |
| (2) | 948 103 931 16 | 1 set: piston rings<br>See technical information<br>Service<br>Group 1<br>Document   |        | 8   | 4852                                |
| (2) | 948 103 941 21 | 1010 25/13<br>M >> C 05371<br>1 set: piston rings<br>See technical information<br>Service<br>Group 1<br>Document                   |        | 8   | 4852                                |
| 3   | 948 103 341 00 | 1010 25/13<br>M C 05372 >><br>snap ring  |        | 16  |                                     |

Model: 92A 11

Model life 2011>>2018

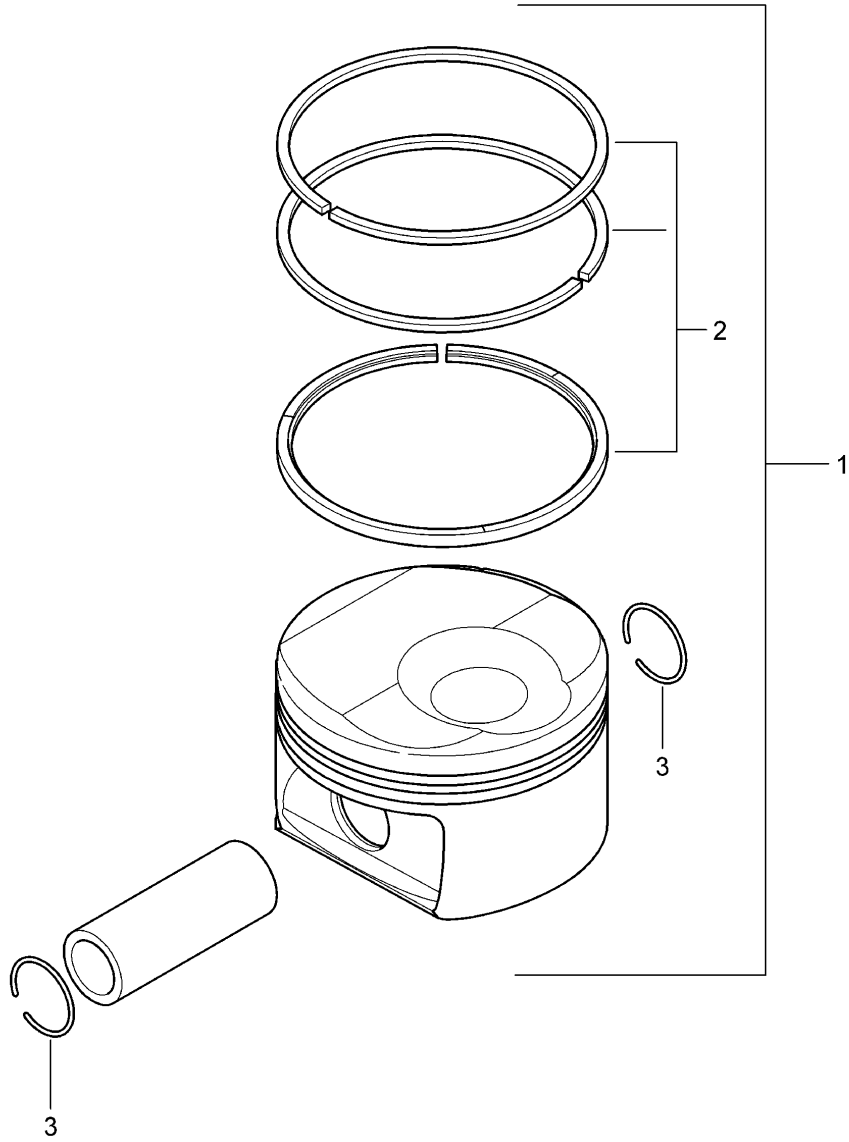
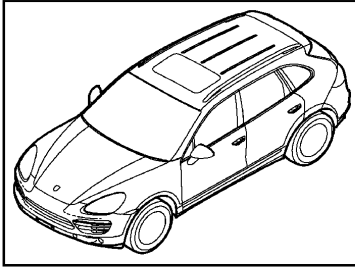


Model: 92A 11 Model life 2011>>2018

| Pos | Part Number    | Description   | Remark | Qty | Model                             |
|-----|----------------|---|--------|-----|-----------------------------------|
| 1   | 948 103 046 71 | piston<br>Piston rings<br>piston complete<br>Tolerance range<br>X<br>Identification: >> >><br>-         |        | 4   | CFTB,CFT,<br>CYXA,CYX<br>CFTB,CFT |
| (1) | 948 103 046 72 | 561 - 566 G<br>Cylinders 1 - 4<br>piston complete<br>Tolerance range<br>X<br>Identification: >> >><br>+ |        | 4   | CFTB,CFT                          |
| (1) | 948 103 045 71 | 567 - 572 G<br>Cylinders 1 - 4<br>piston complete<br>Tolerance range<br>X<br>Identification: >> >><br>- |        | 4   | CFTB,CFT                          |
| (1) | 948 103 045 72 | 561 - 566 G<br>piston complete<br>Tolerance range<br>X<br>Identification: >> >><br>+                    |        | 4   | CFTB,CFT                          |
| (1) | 948 103 046 77 | 567- 572 G<br>Cylinders 5 - 8<br>piston complete<br>Tolerance range<br>X<br>Identification: >> >><br>-  |        | 4   | CYXA,CYX                          |
| (1) | 948 103 046 78 | 561- 566 G<br>Cylinders 1 - 4<br>piston complete<br>Tolerance range<br>X<br>Identification: >> >><br>+  |        | 4   | CYXA,CYX                          |
| (1) | 948 103 045 77 | 567- 572 G<br>Cylinders 1 - 4<br>piston complete<br>Tolerance range<br>X<br>Identification: >> >><br>-  |        | 4   | CYXA,CYX                          |
| (1) | 948 103 045 78 | 561- 566 G<br>Cylinders 5 - 8<br>piston complete<br>Tolerance range<br>X<br>Identification: >> >><br>+  |        | 4   | CYXA,CYX                          |
| 2   | 948 103 941 21 | 1 set: piston rings   |        | 8   |                                   |
| 3   | 948 103 341 00 | snap ring   |        | 16  |                                   |

Model: 92A 11

Model life 2011>>2018



Model: 92A 11 Model life 2011>>2018

| Pos | Part Number    | Description  | Remark | Qty | Model                   |
|-----|----------------|--|--------|-----|-------------------------|
| 1   | 946 103 060 39 | piston<br>Piston rings<br>piston complete<br>Tolerance range<br>X<br>Identification: >> >><br>-<br>556 - 561 G<br>Cyl. 1 - 3<br>M >> CUR 001 627                 |        | 3   | CURA, CUR,<br>CXZA, CXZ |
| (1) | 946 103 060 45 | piston complete<br>Tolerance range<br>X<br>Identification: >> >><br>-<br>556 - 561 G<br>Cyl. 1 - 3<br>M CUR 001 628>> CUR 005 286<br>M CXZ 000 501>> CXZ 001 019 |        | 3   |                         |
| (1) | 946 103 060 51 | piston complete<br>Tolerance range<br>X<br>Identification: >> >><br>-<br>556 - 561 G<br>Cyl. 1 - 3<br>M CUR 005 287>><br>M CXZ 001 020>>                         |        | 3   |                         |
| (1) | 946 103 060 40 | piston complete<br>Tolerance range<br>X<br>Identification: >> >><br>+<br>561 - 566 G<br>Cyl. 1 - 3<br>M >> CUR 001 627   |        | 3   |                         |
| (1) | 946 103 060 46 | piston complete<br>Tolerance range<br>X<br>Identification: >> >><br>+<br>561 - 566 G<br>Cyl. 1 - 3<br>M CUR 001 628>> CUR 005 286<br>M CXZ 000 501>> CXZ 001 019 |        | 3   |                         |
| (1) | 946 103 060 52 | piston complete<br>Tolerance range<br>X<br>Identification: >> >><br>+<br>561 - 566 G<br>Cyl. 1 - 3<br>M CUR 005 287>><br>M CXZ 001 020>>                         |        | 3   |                         |
| (1) | 946 103 061 39 | piston complete<br>Tolerance range<br>X<br>Identification: >> >><br>-<br>556 - 561 G<br>Cyl. 4 - 6<br>M >> CUR 001 627   |        | 3   |                         |
| (1) | 946 103 061 45 | piston complete  |        | 3   |                         |

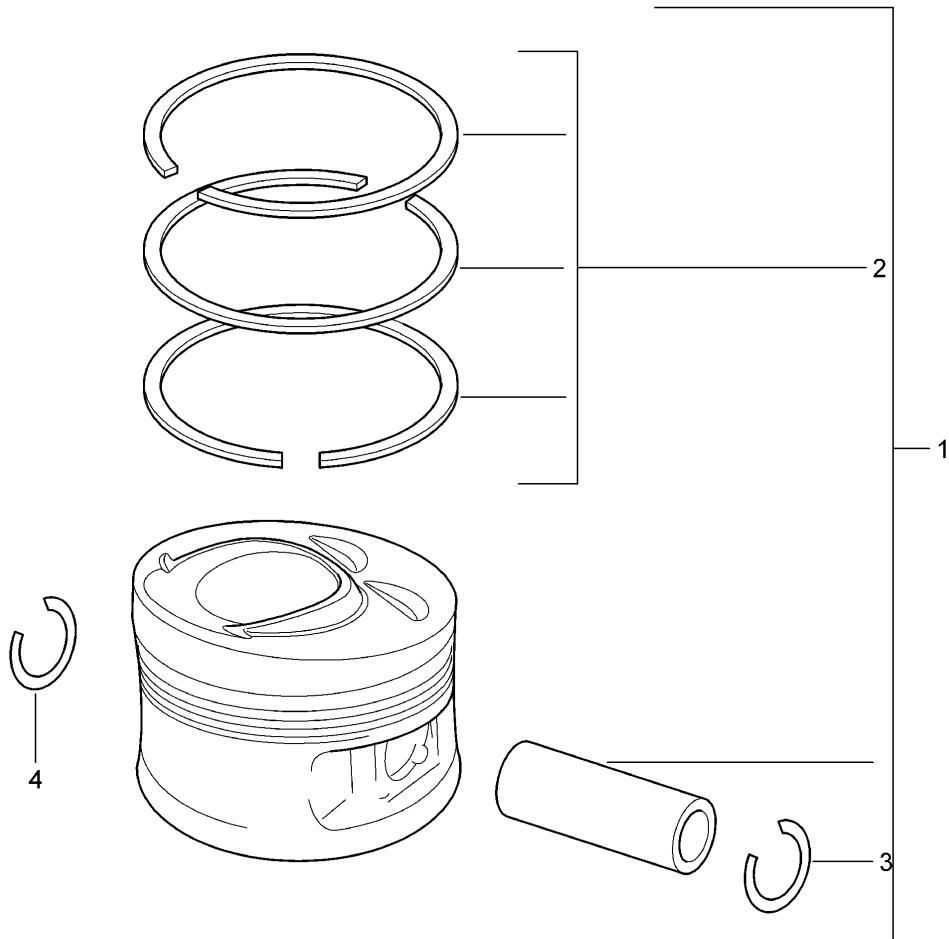
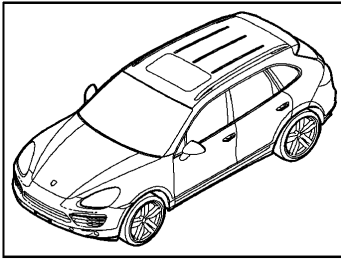
Model: 92A 11

Model life 2011>>2018

| Pos | Part Number    | Description   | Remark | Qty | Model |
|-----|----------------|---|--------|-----|-------|
| (1) | 946 103 061 51 | Tolerance range<br>X<br>Identification: >> >><br>-<br>556 - 561 G<br>Cyl. 4 - 6<br>M CUR 001 628>> CUR 005 286<br>M CXZ 000 501>> CXZ 001 019<br>piston complete<br>Tolerance range<br>X<br>Identification: >> >><br>-<br>556 - 561 G<br>Cyl. 4 - 6<br>M CUR 005 287>><br>M CXZ 001 020>><br>piston complete<br>Tolerance range<br>X<br>Identification: >> >><br>+<br>561 - 566 G<br>Cyl. 4 - 6<br>M >> CUR 001 627<br>piston complete<br>Tolerance range<br>X<br>Identification: >> >><br>+<br>561 - 566 G<br>Cyl. 4 - 6<br>M CUR 001 628>> CUR 005 286<br>M CXZ 000 501>> CXZ 001 019<br>piston complete<br>Tolerance range<br>X<br>Identification: >> >><br>+<br>561 - 566 G<br>Cyl. 4 - 6<br>M CUR 005 287>><br>M CXZ 001 020>> |        | 3   |       |
| (1) | 946 103 061 40 | piston complete<br>Tolerance range<br>X<br>Identification: >> >><br>+<br>561 - 566 G<br>Cyl. 4 - 6<br>M >> CUR 001 627<br>piston complete<br>Tolerance range<br>X<br>Identification: >> >><br>+<br>561 - 566 G<br>Cyl. 4 - 6<br>M CUR 001 628>> CUR 005 286<br>M CXZ 000 501>> CXZ 001 019<br>piston complete<br>Tolerance range<br>X<br>Identification: >> >><br>+<br>561 - 566 G<br>Cyl. 4 - 6<br>M CUR 005 287>><br>M CXZ 001 020>>  |        | 3   |       |
| (1) | 946 103 061 46 | piston complete<br>Tolerance range<br>X<br>Identification: >> >><br>+<br>561 - 566 G<br>Cyl. 4 - 6<br>M CUR 001 628>> CUR 005 286<br>M CXZ 000 501>> CXZ 001 019<br>piston complete<br>Tolerance range<br>X<br>Identification: >> >><br>+<br>561 - 566 G<br>Cyl. 4 - 6<br>M CUR 005 287>><br>M CXZ 001 020>>  |        | 3   |       |
| (1) | 946 103 061 52 | piston complete<br>Tolerance range<br>X<br>Identification: >> >><br>+<br>561 - 566 G<br>Cyl. 4 - 6<br>M CUR 001 628>> CUR 005 286<br>M CXZ 000 501>> CXZ 001 019<br>piston complete<br>Tolerance range<br>X<br>Identification: >> >><br>+<br>561 - 566 G<br>Cyl. 4 - 6<br>M CUR 005 287>><br>M CXZ 001 020>>  |        | 3   |       |
| 2   | 946 103 941 00 | 1 set: piston rings<br>M >> CUR 001 627   |        | 6   |       |
| (2) | 948 103 941 21 | 1 set: piston rings<br>No longer use the part here  |        | 6   |       |
| (2) | 946 103 941 40 | 1 set: piston rings<br>M CUR 001 628>><br>M CXZ 000 501>>   |        | 6   |       |
| 3   | 948 103 341 00 | snap ring   |        | 12  |       |

Model: 92A 11

Model life 2011>>2018



Model: 92A 11

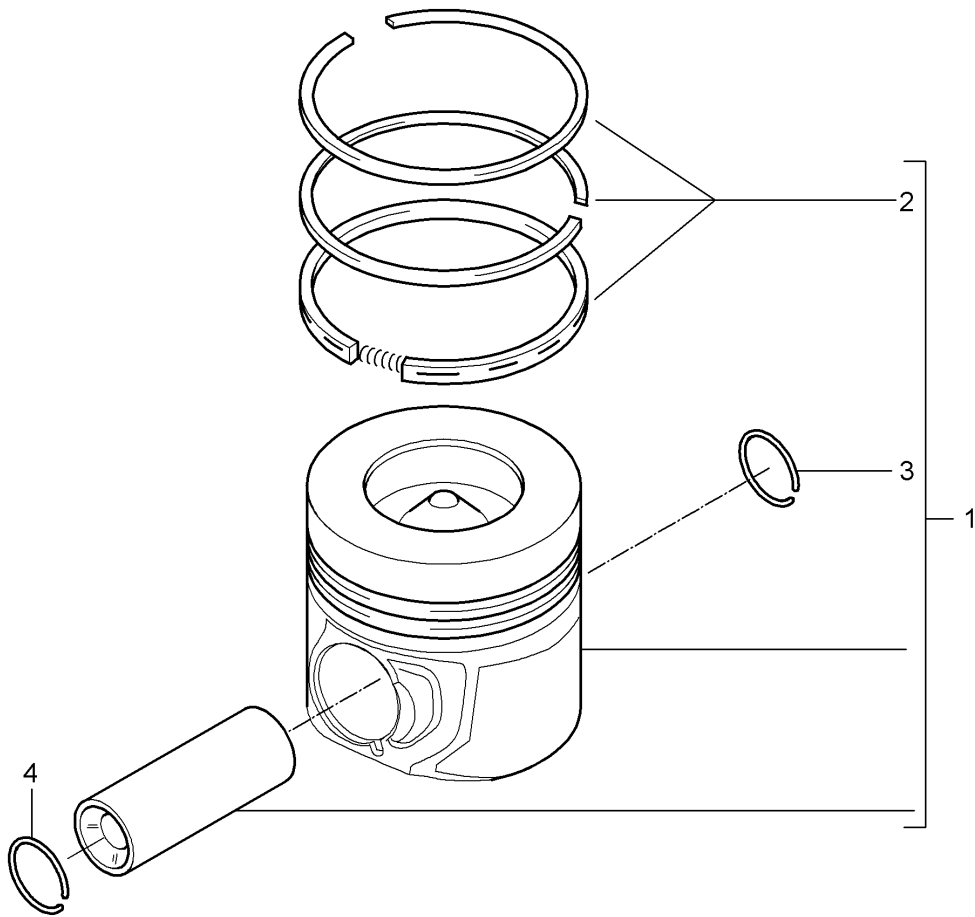
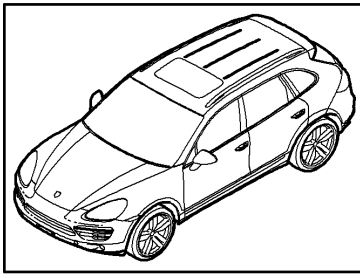
Model life 2011&gt;&gt;2018

| Pos | Part Number    | Description  | Remark | Qty | Model      |
|-----|----------------|--|--------|-----|------------|
| 1   | 958 103 032 00 | piston<br>Piston rings<br>piston complete<br>cylinder<br>1 / 3 / 5 |        | 3   | 5502, CEYA |
| (1) | 958 103 033 00 | piston complete<br>cylinder<br>2 / 4 / 6                           |        | 3   |            |
| 2   | 958 103 926 00 | 1 set: piston rings  |        | 6   |            |
| 3   | N 012 273 1    | Securing ring<br>C 20 X 1,5  |        | 6   |            |
| 4   | N 012 273 1    | Securing ring<br>C 20 X 1,5  |        | 6   |            |



Model: 92A 11

Model life 2011>>2018



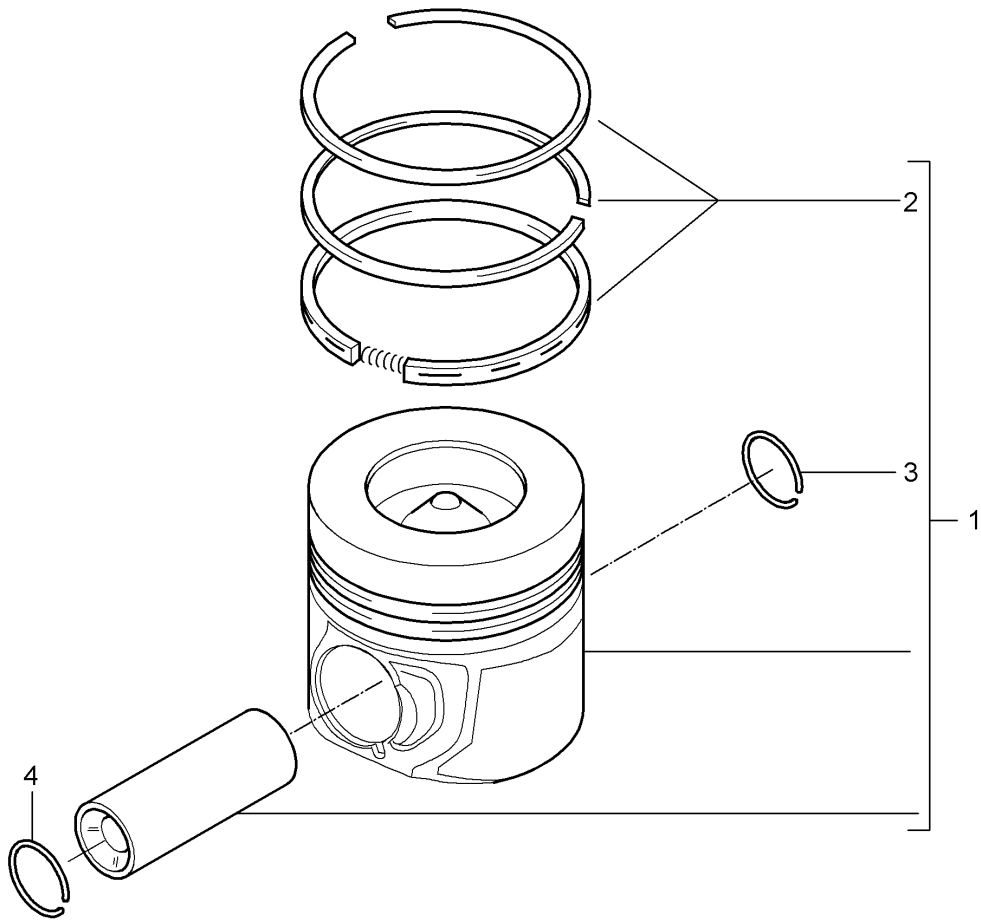
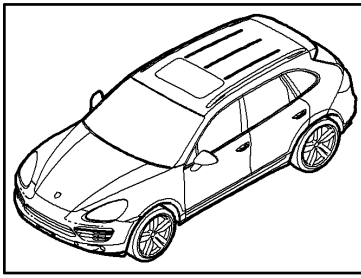
Model: 92A 11

Model life 2011>>2018

| Pos | Part Number    | Description   | Remark | Qty | Model   |
|-----|----------------|---|--------|-----|---|
|     |                | piston<br>Piston rings  |        |     | 059E, CRCA,<br>CRCB, CNRB,<br>CVVA, CVVB,<br>CVVC |
| 1   | 955 103 034 00 | piston complete<br>Discontinued part  |        | 6   | 059E  |
| (1) | 958 103 034 00 | piston complete<br>only in conj. with:<br>Crankcase housing<br>958.101.011.00/01<br>059.103.011.DM/DN |        | 6   | 059E  |
| (1) | 958 103 034 01 | piston complete<br>only in conj. with:<br>Crankcase housing<br>958.101.011.02<br>059.103.011.FS       |        | 6   | 059E  |
| (1) | 958 103 034 10 | piston complete<br>Discontinued part  |        | 6   | CRCA, CRCB  |
| (1) | 958 103 034 20 | piston complete   |        | 6   | CRCA, CRCB,<br>CNRB, CVVA,<br>CVVB, CVVC          |
| (1) | 958 103 034 21 | D >> - 15.09.2016<br>piston complete  |        | 6   | CRCA, CRCB,<br>CNRB, CVVA,<br>CVVB, CVVC          |
| (1) | 958 103 034 22 | D - 16.09.2016>><br>No longer use the part here<br>piston complete                                    |        | 6   | CRCA, CRCB,<br>CNRB, CVVA,<br>CVVB, CVVC          |
| 2   | 955 103 927 00 | 1 set: piston rings   |        | 6   | 059E  |
| (2) | 958 103 927 00 | 1 set: piston rings<br>Discontinued part  |        | 6   | CRCA, CRCB  |
| (2) | 958 103 927 10 | 1 set: piston rings   |        | 6   | CRCA, CRCB,<br>CNRB, CVVA,<br>CVVB, CVVC          |
| (2) | 958 103 927 11 | D >> - 15.09.2016<br>1 set: piston rings  |        | 6   | CRCA, CRCB,<br>CNRB, CVVA,<br>CVVB, CVVC          |
| 3   | 955 103 441 00 | D - 16.09.2016>><br>Securing ring<br>30 X 2   |        | 6   |   |
| 4   | 955 103 441 00 | Securing ring<br>30 X 2   |        | 6   |   |

Model: 92A 11

Model life 2011>>2018



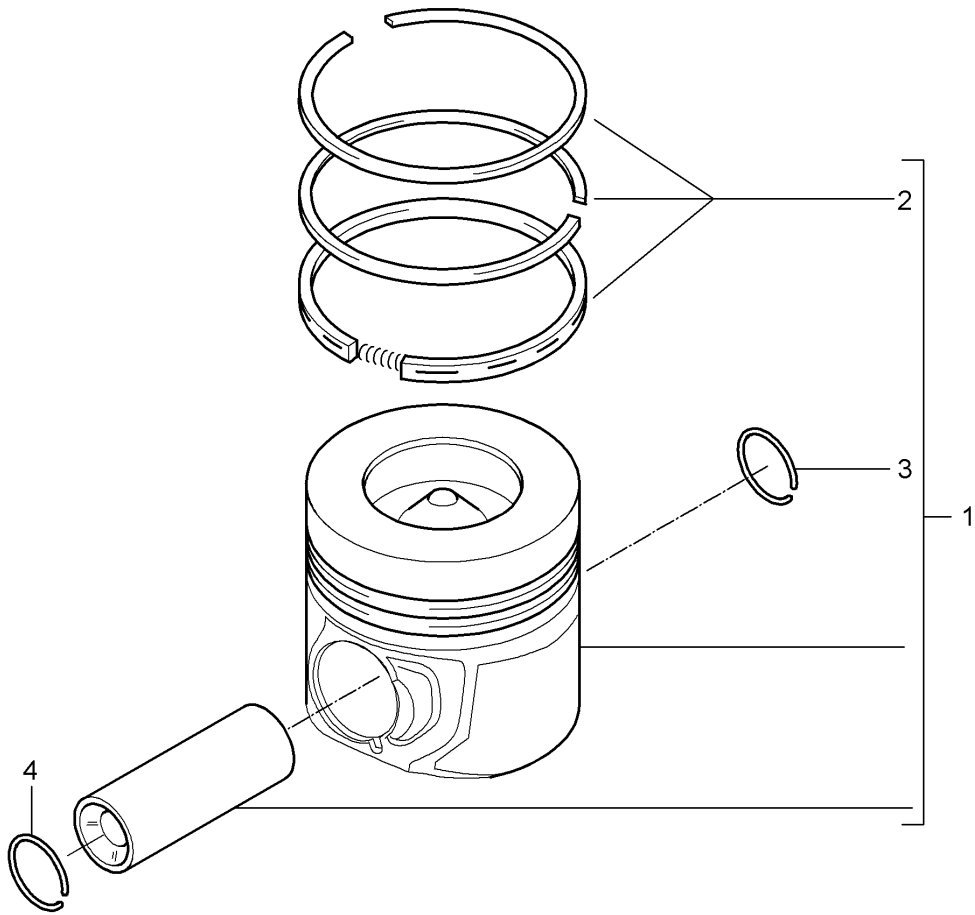
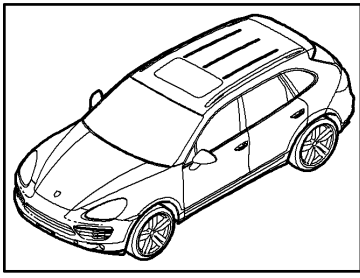
Model: 92A 11

Model life 2011&gt;&gt;2018

| Pos | Part Number    | Description  | Remark | Qty | Model                                   |
|-----|----------------|--|--------|-----|---|
| (1) | 958 103 033 10 | piston<br>Piston rings<br>piston complete<br>Cyl. 1 - 3<br>Discontinued part |        | 3   | 06EC, CGEA,<br>CGE, CGFA, CJT<br>PR:D19 |
| (1) | 958 103 033 20 | piston complete<br>Cyl. 1 - 3<br>Discontinued part                           |        | 3   | PR:D11<br>"CN."                         |
| (1) | 958 103 033 21 | piston complete<br>Cyl. 1 - 3  |        | 3   |   |
| 1   | 958 103 032 10 | piston complete<br>Cyl. 4 - 6<br>Discontinued part                           |        | 3   | PR:D19                                  |
| (1) | 958 103 032 20 | piston complete<br>Cyl. 4 - 6<br>Discontinued part                           |        | 3   | PR:D11<br>"CN."                         |
| (1) | 958 103 032 21 | piston complete<br>Cyl. 4 - 6  |        | 3   |   |
| 2   | 958 103 926 10 | 1 set: piston rings<br>Discontinued part                                     |        | 6   | PR:D19                                  |
| (2) | 958 103 926 20 | 1 set: piston rings<br>Discontinued part                                     |        | 6   | PR:D11<br>"CN."                         |
| (2) | 958 103 926 21 | 1 set: piston rings  |        | 6   |   |
| 3   | N 012 278 1    | snap ring<br>C 22 X 1,5  |        | 6   |   |
| 4   | N 012 278 1    | snap ring<br>C 22 X 1,5  |        | 6   |   |

Model: 92A 11

Model life 2011>>2018



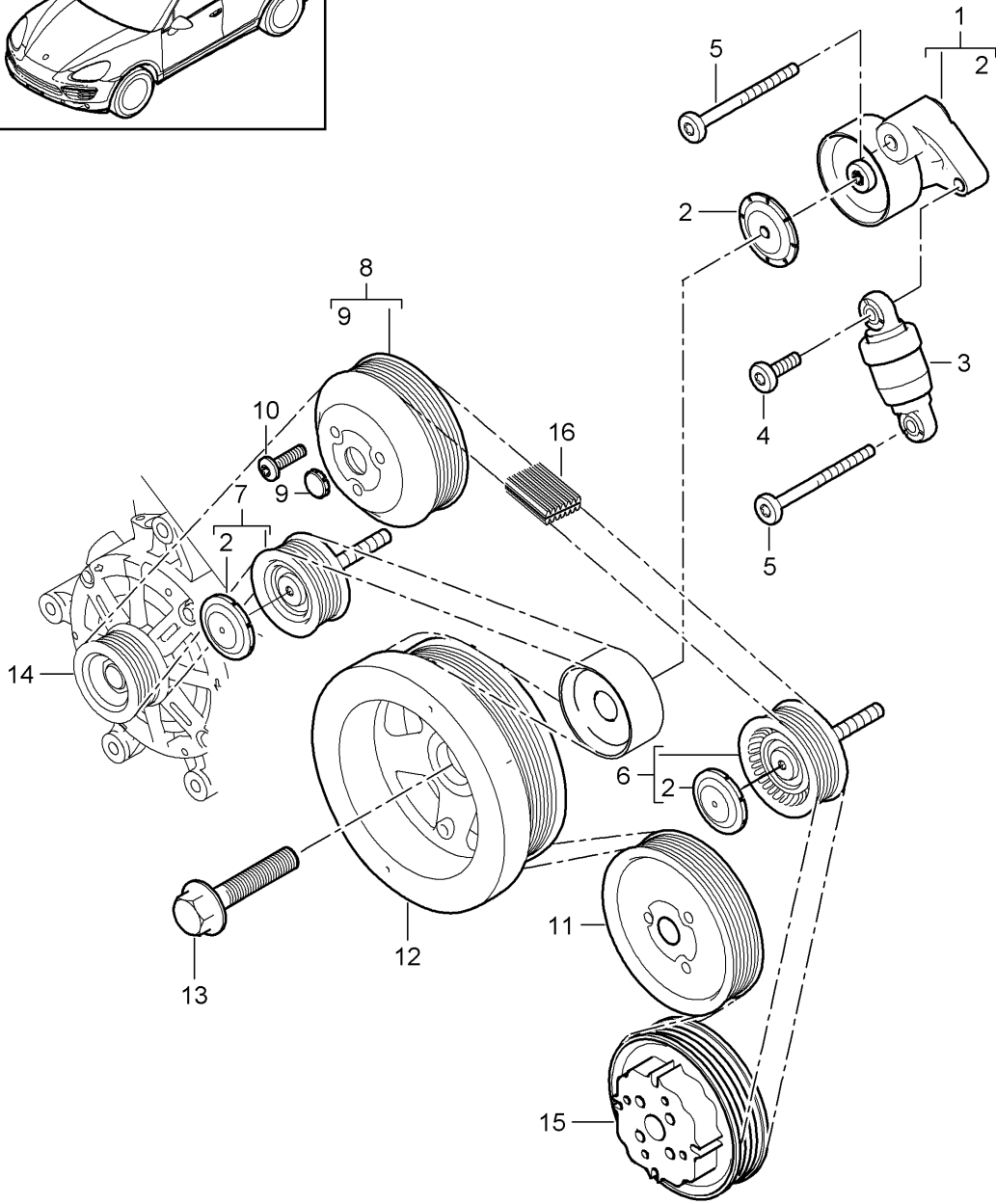
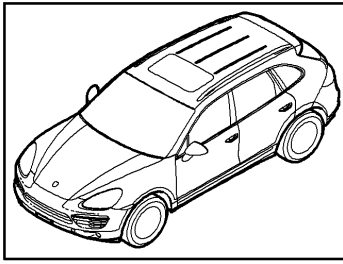
Model: 92A 11

Model life 2011>>2018

| Pos | Part Number    | Description         | Remark | Qty | Model      |
|-----|----------------|---------------------|--------|-----|------------|
|     |                | piston              |        |     | CUDB, CUDC |
|     |                | Piston rings        |        |     |            |
| 1   | 958 103 034 30 | piston complete     |        | 8   |            |
| 2   | 958 103 927 20 | 1 set: piston rings |        | 8   |            |
| 3   | 958 103 441 10 | Securing ring       |        | 8   |            |
|     |                | C 30 X 2            |        |     |            |
| 4   | 958 103 441 10 | Securing ring       |        | 8   |            |
|     |                | C 30 X 2            |        |     |            |

Model: 92A 11

Model life 2011>>2018



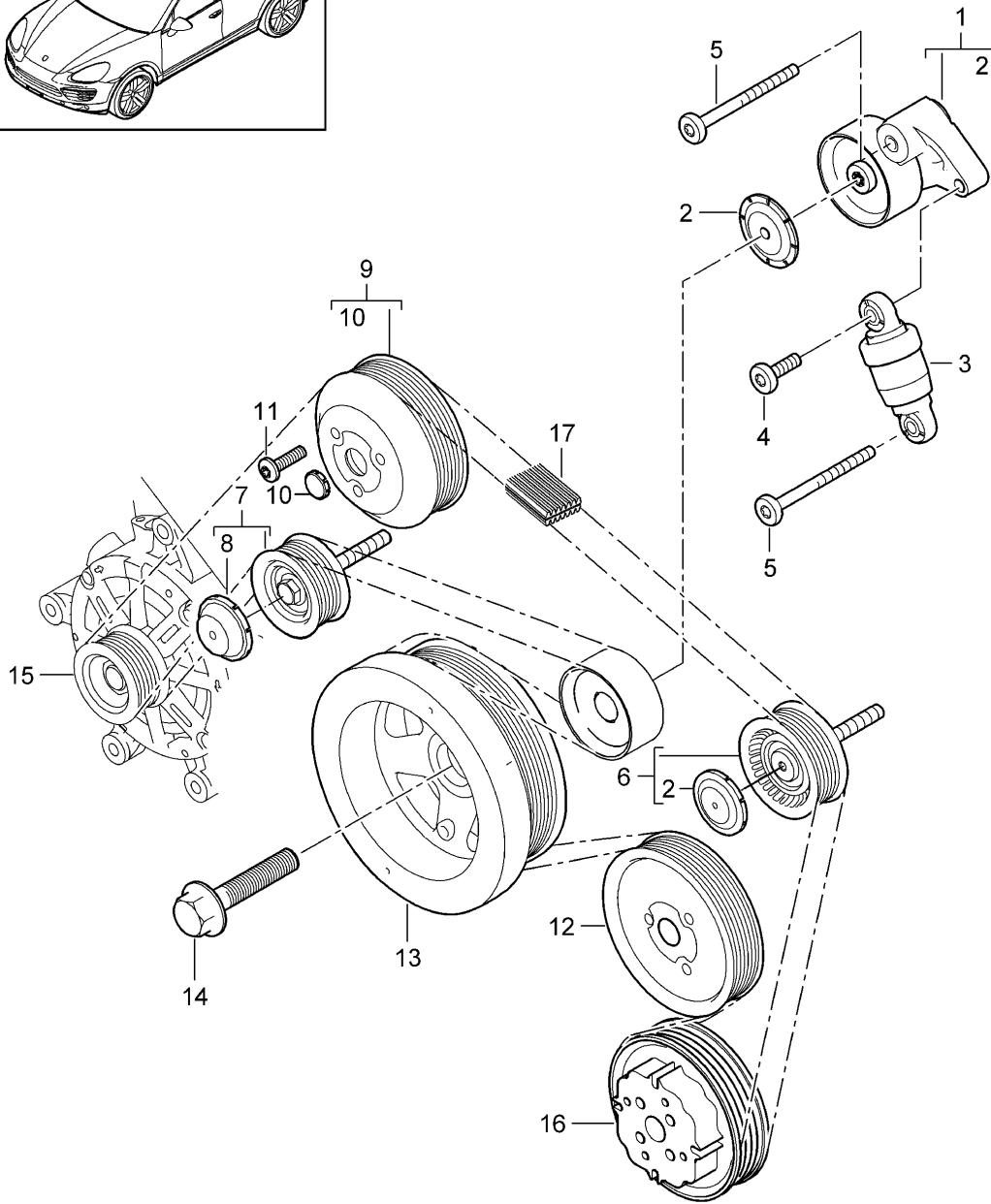
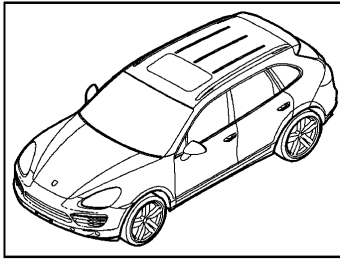
Model: 92A 11 Model life 2011>>2018

| Pos  | Part Number    | Description   | Remark  | Qty | Model                               |
|------|----------------|---|---------|-----|-------------------------------------|
| 1    | 948 102 403 22 | Belt tensioner<br>Belt drive<br>lever                               |         | 1   | 4802,4852,<br>CFTB,CFT,<br>CYXA,CYX |
| (1)  | 948 102 403 23 | with:<br>Tensioning roller<br>Discontinued part<br>lever            |         | 1   |                                     |
| 2    | 948 102 839 00 | with:<br>Tensioning roller<br>Protective cap                        |         | 3   |                                     |
| 3    | 948 102 261 21 | tensioner   |         | 1   |                                     |
| 4    | 999 073 246 09 | Hydraulic<br>Torx screw<br>M 8 X 33                                 |         | 1   |                                     |
| (4)  | 999 073 246 02 | No longer use the part here<br>Hexagon socket head bolt<br>M 8 X 33 |         | 1   |                                     |
| 5    | 999 073 329 09 | Torx screw<br>M 8 X 96  |         | 2   |                                     |
| 6    | 7PP 145 276    | idler pulley  |         | 1   |                                     |
| 7    | 948 102 118 20 | with:<br>Fastening screw<br>and<br>Protective cap<br>idler pulley   |         | 1   |                                     |
| 8    | 948 106 091 00 | with:<br>Fastening screw<br>and<br>Protective cap<br>pulley         |         | 1   |                                     |
| (8)  | 948 106 091 01 | Coolant pump<br>Discontinued part<br>pulley                         |         | 1   |                                     |
| 9    | 948 106 419 00 | Coolant pump<br>End cap   |         | 1   |                                     |
| 10   | 999 073 104 01 | Torx screw<br>M 8 X 16  |         | 3   |                                     |
| 11   |                | pulley<br>Power-steering pump<br>Tandem pump                        |         | 1   |                                     |
| 12   | 948 102 241 62 | see illustration:<br>vibration damper<br>Crankshaft                 | 403-020 | 1   |                                     |
| (12) | 948 102 241 63 | Discontinued part<br>vibration damper<br>Crankshaft                 |         | 1   |                                     |
| (12) | 948 102 241 64 | Discontinued part<br>vibration damper<br>Crankshaft                 |         | 1   |                                     |
| 13   | 948 102 202 10 | Hexagon bolt<br>M 18 X 1,5 X 72,1                                   |         | 1   |                                     |
| 14   |                | pulley<br>Alternator  |         | 1   |                                     |
| 15   |                | see illustration:<br>Compressor<br>Air conditioning                 | 902-005 | 1   |                                     |
| 16   | 955 102 251 00 | see illustration:<br>v-belt<br>7 DPK 2880                           | 813-070 | 1   |                                     |
| (16) | 7PP 903 137    | Discontinued part<br>v-belt<br>7 DPK 2880                           |         | 1   |                                     |



Model: 92A 11

Model life 2011>>2018



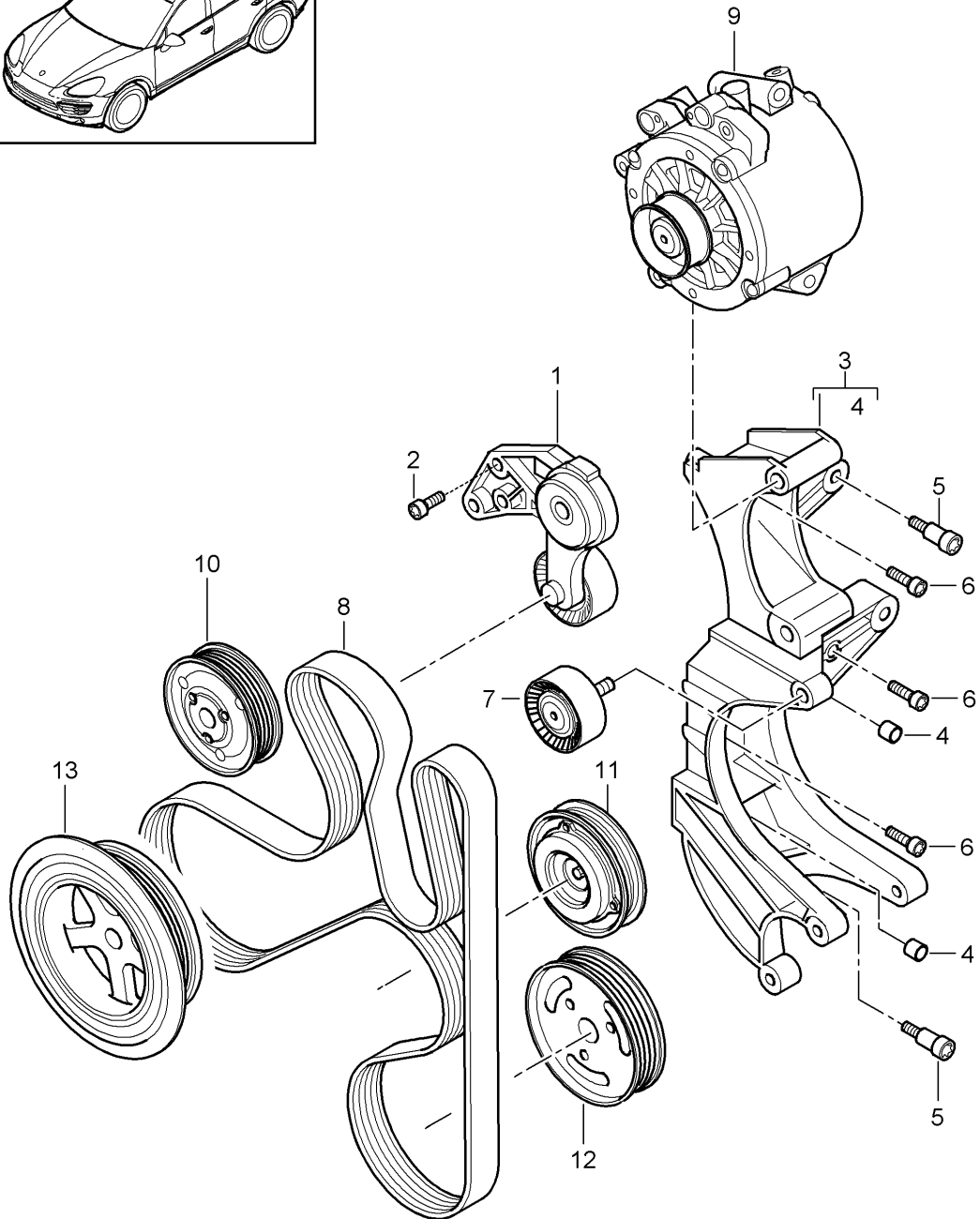
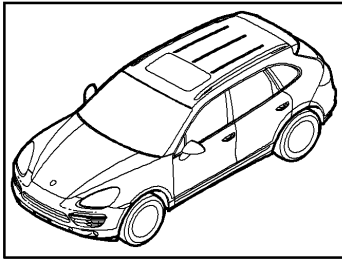
Model: 92A 11

Model life 2011>>2018

| Pos | Part Number    | Description   | Remark        | Qty | Model                   |
|-----|----------------|---|---------------|-----|-------------------------|
| 1   | 948 102 403 75 | Belt tensioner<br>Belt drive<br>lever<br><br>with:  |               | 1   | CURA, CUR,<br>CXZA, CXZ |
| 2   | 948 102 839 00 | Tensioning roller   |               | 2   |                         |
| 3   | 948 102 261 75 | Protective cap<br>tensioner   | hydraulic     | 1   |                         |
| 4   | 999 073 246 09 | See technical information<br>Torx screw<br>M 8 X 33   | DE 1373 06/14 | 1   |                         |
| (4) | 999 073 246 02 | No longer use the part here<br>Hexagon socket head bolt<br>M 8 X 33                                   |               | 1   |                         |
| 5   | 999 073 329 09 | Torx screw<br>M 8 X 96  |               | 2   |                         |
| 6   | 7PP 145 279    | idler pulley with bolt<br><br>with:   |               | 1   |                         |
| 7   | 946 102 118 75 | Fastening screw<br>and<br>Protective cap<br>idler pulley<br><br>with:                                 |               | 1   |                         |
| (7) | 946 102 118 76 | Fastening screw<br>and<br>Protective cap<br>M >> 0 07314<br>M >> 0 04888<br>idler pulley<br><br>with: |               | 1   | CURA, CUR<br>CXZA, CXZ  |
| 8   | 03F 903 310    | Fastening screw<br>and<br>Protective cap  |               | 1   | CURA, CUR<br>CXZA, CXZ  |
| 9   | 946 106 091 75 | M 0 07315 >><br>M 0 04889 >><br>pulley  |               | 1   |                         |
| 10  | 948 106 419 00 | Coolant pump  |               | 1   |                         |
| 11  | 999 073 104 01 | End cap<br>Torx screw<br>M 8 X 16   |               | 3   |                         |
| 12  |                | pulley<br>Power-steering pump<br>Tandem pump  |               | 1   |                         |
| 13  | 946 102 241 75 | see illustration:<br>vibration damper   | 403-020       | 1   |                         |
| 14  | 948 102 202 10 | Crankshaft<br>Hexagon bolt<br>M 18 X 1,5 X 72,1   |               | 1   |                         |
| 15  |                | pulley<br>Alternator  |               | 1   |                         |
| 16  |                | see illustration:<br>Compressor   | 902-005       | 1   |                         |
| 17  | 7PP 903 137 A  | Air conditioning<br>see illustration:<br>v-belt<br>6 DPK 2880   | 813-070       | 1   |                         |

Model: 92A 11

Model life 2011>>2018

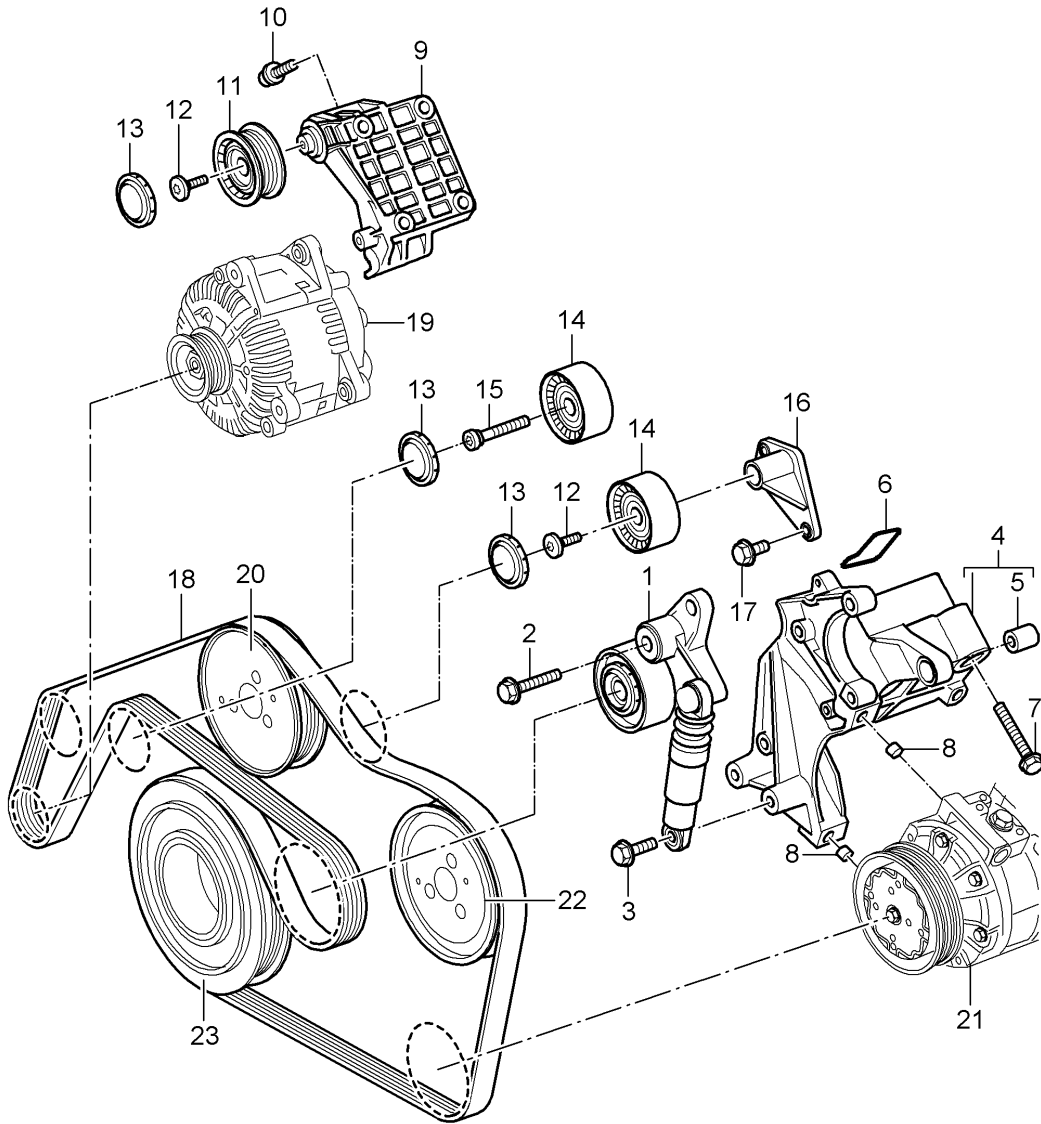
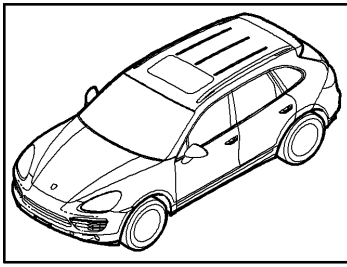


Model: 92A 11 Model life 2011>>2018

| Pos | Part Number    | Description  | Remark | Qty | Model      |
|-----|----------------|--|--------|-----|------------|
|     |                | Belt tensioner<br>Belt drive   |        |     | 5502,CEYA  |
| 1   | 955 102 299 00 | Belt tensioner<br>M >> B 06770<br>M >> B 06811                             |        | 1   |            |
| (1) | 958 102 361 40 | Belt tensioner<br>M B 06771 >><br>M B 06812 >><br>D >> - MJ 2014           |        | 1   |            |
| (1) | 958 102 361 40 | Belt tensioner<br>D - MJ 2015>>  |        | 1   |            |
| 2   | N 910 766 01   | Socket head bolt with inner<br>multipoint head<br>M 8 X 30                 |        | 3   |            |
| 3   | 958 147 151 00 | bracket for alternator   |        | 1   | PR:0AB,0AC |
| (3) | 955 147 151 10 | bracket for alternator   |        | 1   | PR:0AW     |
| 4   | 955 147 501 01 | Centre sleeve<br>11,15 X 6,5<br>Discontinued part                          |        | 2   |            |
| (4) | 958 147 501 00 | Centre sleeve<br>11,15 X 6,5   |        | 2   |            |
| 5   | N 911 519 01   | Cylinder fitting screw with<br>inner multipoint head<br>M 8 X 28           |        | 2   |            |
| 6   | N 106 730 01   | Socket head bolt with inner<br>multipoint head (Kombi)<br>M 8 X 40         |        | 3   |            |
| 7   | 955 102 276 00 | idler pulley   |        | 1   |            |
|     |                | with:<br>Fastening screw<br>M >> B 06770<br>M >> B 06811                   |        |     |            |
| (7) | 955 102 119 00 | idler pulley   |        | 1   |            |
|     |                | with:<br>Fastening screw<br>M B 06771 >><br>M B 06812 >><br>D >> - MJ 2014 |        |     |            |
| (7) | 955 102 119 00 | idler pulley   |        | 1   |            |
|     |                | with:<br>Fastening screw<br>D - MJ 2015>>                                  |        |     |            |
| 8   | 955 102 933 00 | Poly-rib belt<br>7DPK 24,92 X 2074 MM                                      |        | 1   |            |
| 9   |                | Alternator   |        | 1   |            |
| 10  |                | pulley   |        | 1   |            |
| 11  |                | Coolant pump   |        | 1   |            |
| 12  |                | Compressor   |        | 1   |            |
| 13  |                | Air conditioning<br>pulley   |        | 1   |            |
|     |                | Power-steering pump  |        | 1   |            |
|     |                | Tandem pump  |        | 1   |            |
|     |                | vibration damper   |        | 1   |            |
|     |                | Crankshaft   |        | 1   |            |

Model: 92A 11

Model life 2011>>2018

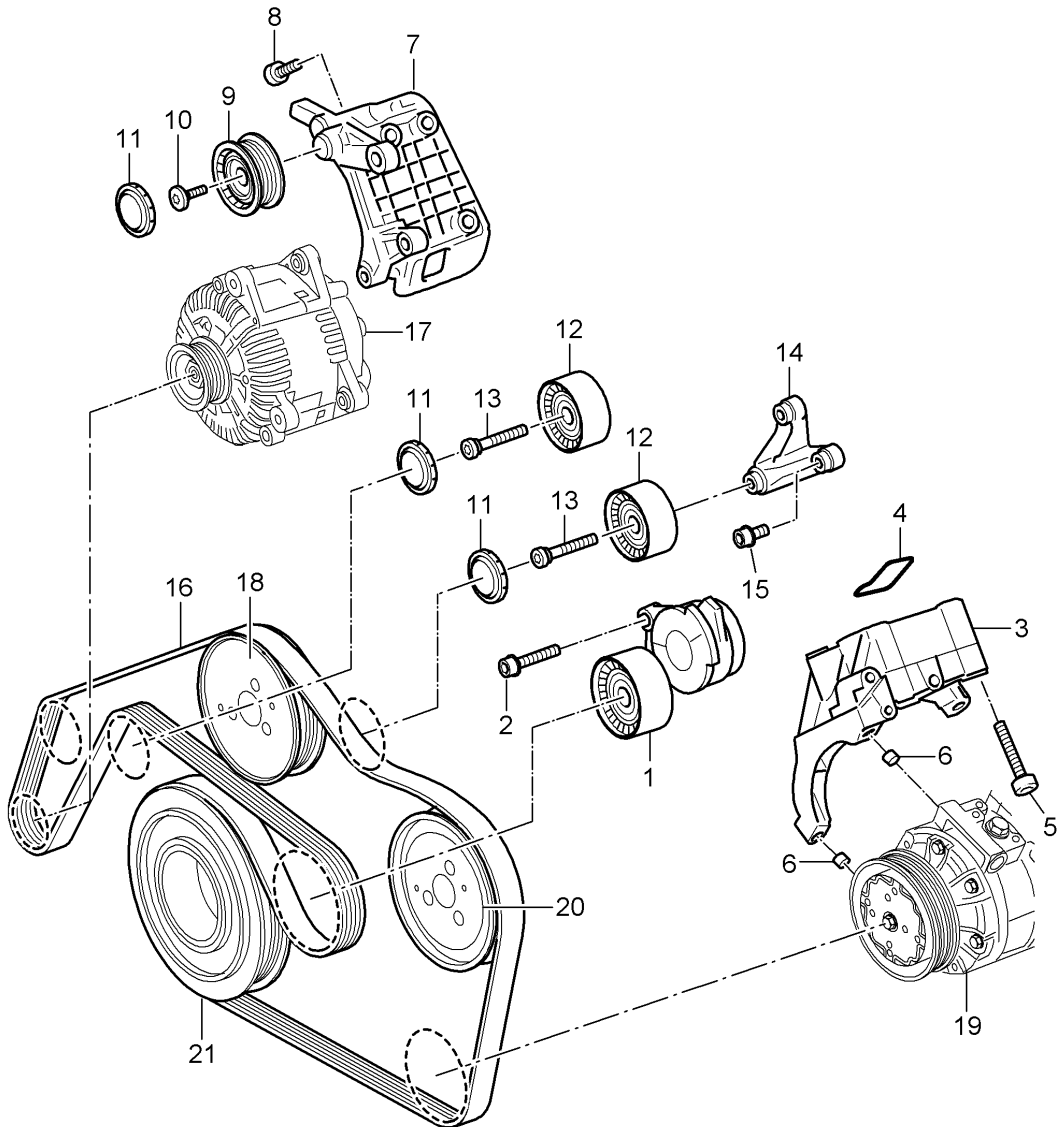
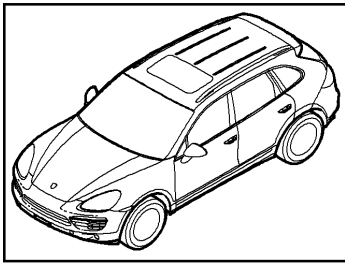


Model: 92A 11 Model life 2011>>2018

| Pos  | Part Number    | Description   | Remark  | Qty | Model |
|------|----------------|---|---------|-----|-------|
|      |                | Belt tensioner<br>Belt drive  |         |     | 059E  |
| 1    | 958 102 361 00 | Belt tensioner  |         | 1   |       |
| 2    | WHT 004 920    | Hex collared bolt<br>M 11 X 72  |         | 1   |       |
| 3    | N 904 400 03   | hexagon head bolt (combi)<br>M 8 X 35                                   |         | 1   |       |
| 4    | 955 147 151 20 | Console<br>Power-steering pump<br>Compressor                            |         | 1   |       |
| 5    | 955 147 410 00 | bush<br>8,4 X 18 X 19,5   |         | 1   |       |
| 6    | 955 147 661 00 | Seal  |         | 1   |       |
| 7    | N 102 862 05   | Hex collared bolt<br>AM 10 X 60   |         | 4   |       |
| 8    | 955 147 501 10 | Centre sleeve<br>11,15 X 6,5  |         | 2   |       |
| 9    | 955 603 252 01 | bracket for alternator  |         | 1   |       |
| 10   | N 910 413 01   | Socket head collared bolt with<br>inner multipoint head<br>M 10 X 30    |         | 4   |       |
| 11   | 955 102 118 00 | idler pulley<br>Discontinued part                                       |         | 1   |       |
| (11) | 955 102 118 01 | idler pulley  |         | 1   |       |
| 12   | N 907 663 02   | Locating bolt<br>M 8 X 10 X 25  |         | 2   |       |
| 13   | 955 102 839 00 | Protective cap<br>Discontinued part                                     |         | 3   |       |
| (13) | 955 102 839 01 | Protective cap  |         | 3   |       |
| 14   | 955 102 119 20 | idler pulley<br>Discontinued part                                       |         | 2   |       |
| (14) | 955 102 119 21 | idler pulley  |         | 2   |       |
| 15   | N 911 241 01   | Cylinder fitting screw with<br>inner multipoint head<br>M 8 X 16,9 X 65 |         | 1   |       |
| 16   | 955 102 423 00 | BRACKET FOR idler pulley  |         | 1   |       |
| 17   | N 105 454 02   | hexagon head bolt (combi)<br>M 8 X 25                                   |         | 3   |       |
| 18   | 958 102 216 00 | Poly-rib belt<br>6 PK 21,18 X 2480                                      |         | 1   |       |
| 19   |                | Alternator  |         | 1   |       |
| 20   |                | see illustration:<br>pulley<br>Coolant pump                             | 902-005 | 1   |       |
| 21   |                | see illustration:<br>Compressor<br>Air conditioning                     | 105-010 | 1   |       |
| 22   |                | see illustration:<br>pulley<br>Power-steering pump                      | 813-070 | 1   |       |
| 23   |                | see illustration:<br>vibration damper<br>Crankshaft                     | 403-020 | 1   |       |
|      |                | see illustration:   | 102-020 |     |       |

Model: 92A 11

Model life 2011>>2018



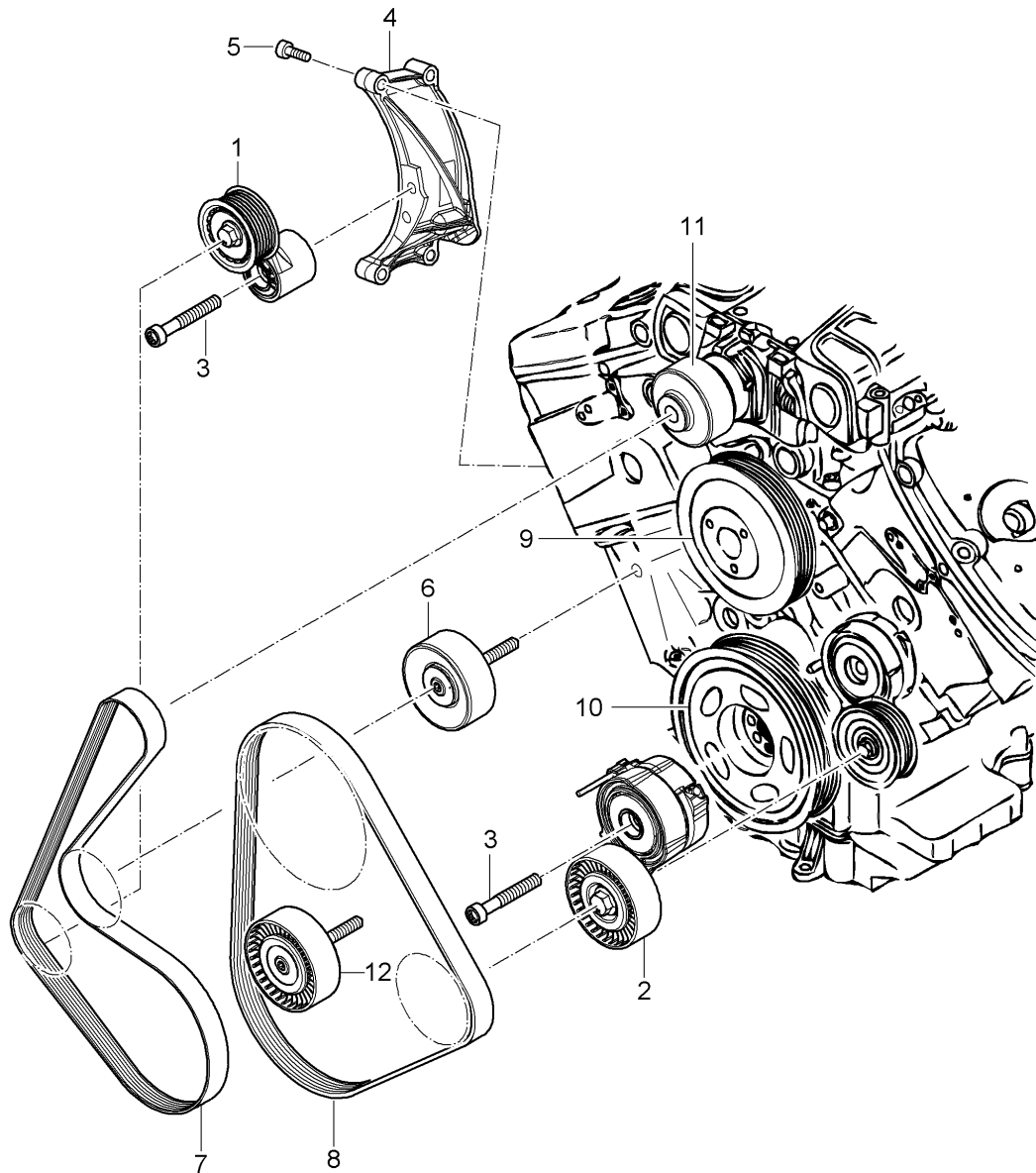
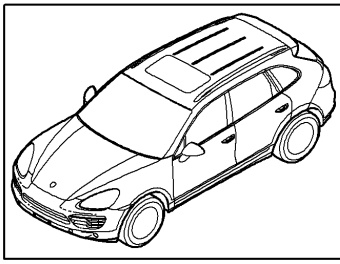
Model: 92A 11 Model life 2011>>2018

| Pos  | Part Number    | Description   | Remark             | Qty | Model                                    |
|------|----------------|---|--------------------|-----|--|
|      |                | Belt tensioner<br>Belt drive  |                    |     | CRCA, CRCB,<br>CNRB, CVVA,<br>CVVB, CVVC |
| 1    | 958 102 361 50 | Belt tensioner<br>Discontinued part   |                    | 1   |  |
| (1)  | 958 102 361 51 | Belt tensioner damper   |                    | 1   |  |
| 2    | N 107 610 01   | Socket head collared bolt with<br>inner multipoint head<br>M 10 X 48                            |                    | 1   |  |
| 3    | 958 147 151 20 | Console<br>Compressor<br>Air conditioning<br>Discontinued part                                  |                    | 1   |  |
| (3)  | 958 147 151 21 | Console<br>Compressor<br>Air conditioning   |                    | 1   |  |
| 4    | 958 147 661 00 | Seal  |                    | 1   |  |
| 5    | N 107 156 01   | Socket head collared bolt with<br>inner multipoint head<br>M 10 X 80                            |                    | 4   |  |
| 6    | 958 147 501 00 | Centre sleeve<br>11,15 X 6,5  |                    | 2   |  |
| 7    | 958 603 252 20 | bracket for alternator  |                    | 1   |  |
| 8    | N 911 831 01   | Socket head collared bolt with<br>inner multipoint head<br>M 10 X 29                            |                    | 4   |  |
| 9    | 955 102 118 01 | idler pulley  |                    | 1   |  |
| 10   | N 911 857 01   | Locating bolt<br>M 8 X 10 X 25  |                    | 1   |  |
| 11   | 955 102 839 00 | Protective cap<br>Discontinued part   |                    | 3   |  |
| (11) | 955 102 839 01 | Protective cap  |                    | 3   |  |
| 12   | 955 102 119 21 | idler pulley  |                    | 2   |  |
| 13   | N 911 793 01   | Cylinder fitting screw with<br>inner multipoint head<br>M 8 X 15 X 82                           |                    | 2   |  |
| 14   | 958 102 423 00 | BRACKET FOR idler pulley  |                    | 1   |  |
| 15   | N 911 046 02   | Socket head collared bolt with<br>inner multipoint head<br>M 8 X 35                             |                    | 2   |  |
| 16   | 958 102 216 10 | Poly-rib belt<br>6 PK 21,36 X 2518  |                    | 1   |  |
| 17   |                | Alternator  |                    | 1   |  |
| 18   |                | see illustration:<br>pulley   | 902-005            | 1   |  |
| 19   |                | Coolant pump<br>see illustration:<br>Compressor<br>Air conditioning                             | 105-010            | 1   |  |
| 20   |                | see illustration:<br>pulley   | 813-070            | 1   |  |
| 21   |                | Power-steering pump<br>see illustration:<br>vibration damper<br>Crankshaft<br>see illustration: | 403-020<br>102-020 | 1   |  |



Model: 92A 11

Model life 2011>>2018



Model: 92A 11 Model life 2011>>2018

| Pos | Part Number    | Description  | Remark | Qty | Model                         |
|-----|----------------|--|--------|-----|-------------------------------|
| 1   | 958 102 361 10 | Belt tensioner<br>Belt drive<br>Belt tensioner<br>Discontinued part  |        | 1   | 06EC, CGEA,<br>CGE, CGFA, CJT |
| (1) | 958 102 361 11 | Belt tensioner   |        | 1   |                               |
| 2   | 958 102 361 20 | Belt tensioner   |        | 1   | PR:D19                        |
| (2) | 958 102 361 30 | Belt tensioner<br>Discontinued part  |        | 1   | PR:D11<br>"CN."               |
| (2) | 958 102 361 31 | Belt tensioner   |        | 1   | PR:D11                        |
| 3   | N 911 894 01   | Flat head multi-point<br>socket bolt<br>M 10 X 60  |        | 2   |                               |
| 4   | 958 603 252 00 | Console  | right  | 1   | PR:D19                        |
| (4) | 958 603 252 10 | bracket for alternator   | right  | 1   | PR:D11                        |
| (4) | 958 147 151 10 | Console  | left   | 1   | PR:D11                        |
| (4) | 958 102 335 00 | Power-steering pump<br>Console<br>Compressor<br>Air conditioning   | left   | 1   | PR:D11                        |
| 5   | N 106 139 01   | Socket head bolt with inner<br>multipoint head (Kombi)<br>M 8 X 45   |        | 4   | PR:D19                        |
| (5) | N 106 651 01   | Socket head bolt with<br>inner multipoint head<br>M 8 X 60   |        | 4   | PR:D11                        |
| (5) | N 106 385 01   | Socket head collared bolt with<br>inner multipoint head<br>M 8 X 45<br>Console<br>Power-steering pump  |        | 3   | PR:D11                        |
| (5) | N 910 264 03   | Socket head collared bolt with<br>inner multipoint head<br>M 10 X 35<br>Console<br>Power-steering pump   |        | 1   | PR:D11                        |
| (5) | N 910 266 02   | Oval head locating bolt with<br>multi-point socket head<br>M 8 X 35<br>Console<br>Compressor<br>Air conditioning                               |        | 3   | PR:D11                        |
| 6   | 958 102 118 00 | idler pulley   |        | 1   |                               |
| (6) | 958 102 118 01 | Fastening screw<br>Discontinued part<br>idler pulley   | with:  | 1   |                               |
| 7   | 958 102 251 00 | Fastening screw<br>Poly-rib belt<br>24,92 X 1270 MM<br>Driving mechanism<br>Compressor   |        | 1   |                               |
| 8   | 958 102 251 10 | Poly-rib belt<br>21,36 X 963 MM<br>Driving mechanism   |        | 1   | PR:D19                        |
| (8) | 958 102 251 20 | Coolant pump<br>Poly-rib belt<br>21,36 X 2475 MM<br>Driving mechanism<br>Coolant pump<br>Power-steering pump<br>Compressor<br>Air conditioning |        | 1   | PR:D11                        |

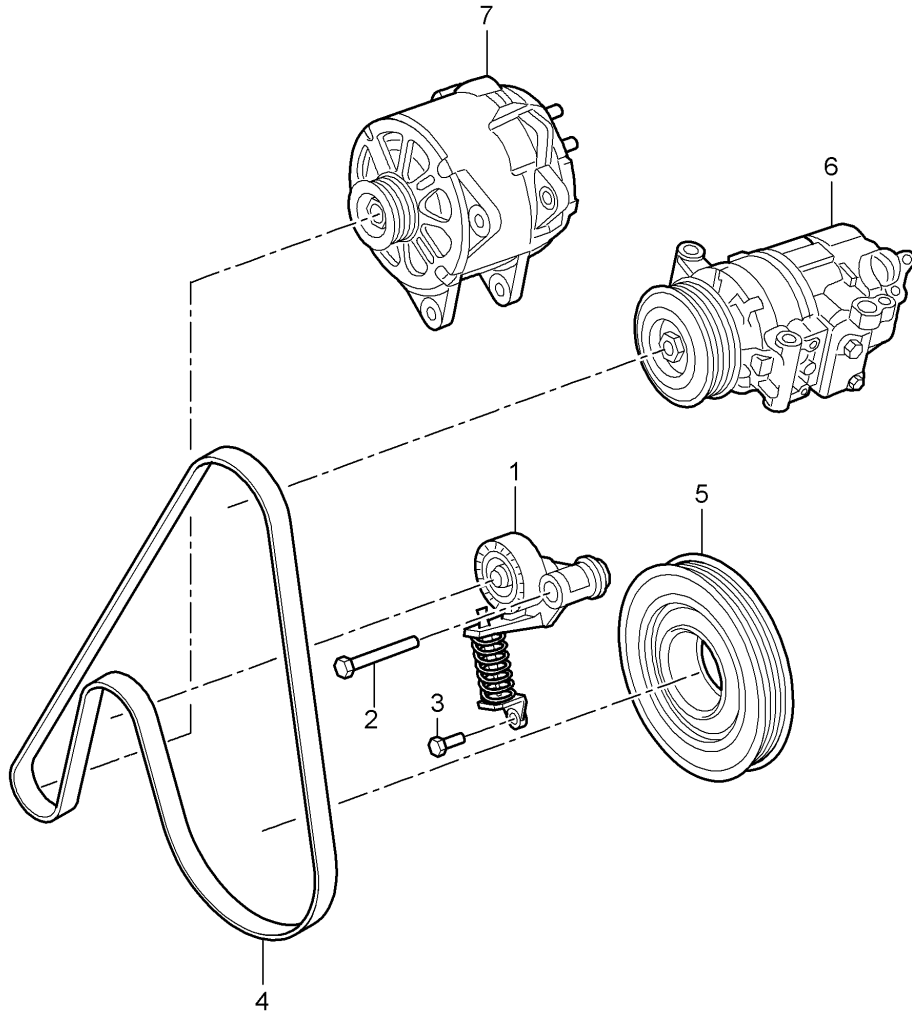
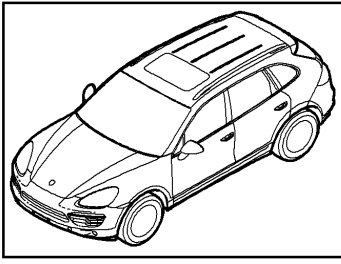
Model: 92A 11

Model life 2011>>2018

| Pos | Part Number    | Description   | Remark    | Qty | Model  |
|-----|----------------|---|-----------|-----|--------|
| 9   |                | pulley<br>Coolant pump<br>see illustration, item:         | 105-015,3 | 1   |        |
| 10  |                | vibration damper<br>Crankshaft<br>see illustration, item: | 102-030,3 | 1   |        |
| 11  |                | pulley<br>Compressor<br>see illustration, item:           | 107-065,3 | 1   |        |
| 12  | 958 102 119 00 | idler pulley<br>with:<br>Fastening screw                  |           | 1   | PR:D11 |

Model: 92A 11

Model life 2011>>2018



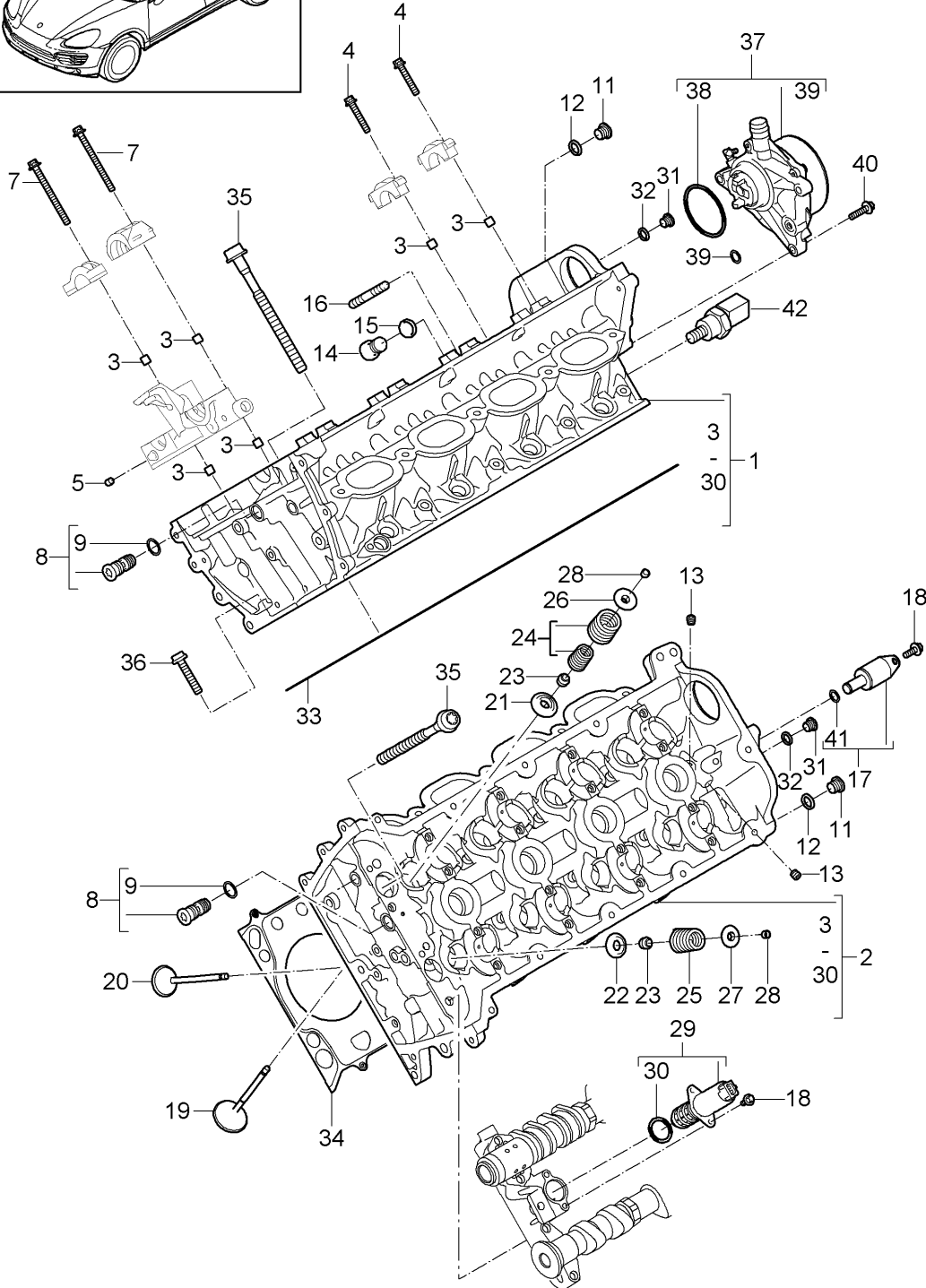
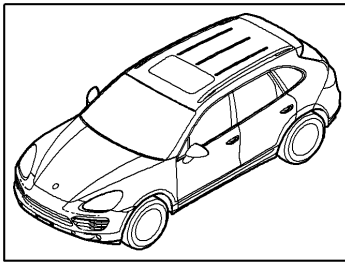
Model: 92A 11

Model life 2011>>2018

| Pos | Part Number    | Description               | Remark  | Qty | Model      |
|-----|----------------|---------------------------|---------|-----|------------|
|     |                | Belt tensioner            |         |     | CUDB, CUDC |
|     |                | Belt drive                |         |     |            |
| 1   | 958 102 361 60 | Belt tensioner            |         | 1   |            |
| 2   | N 106 828 01   | Hexagon bolt              |         | 1   |            |
|     |                | M 10 X 75                 |         |     |            |
| 3   | N 105 454 02   | hexagon head bolt (combi) |         | 1   |            |
|     |                | M 8 X 25                  |         |     |            |
| 4   | 958 102 251 30 | Poly-rib belt             |         | 1   |            |
|     |                | 21,18 X 1613 MM           |         |     |            |
| 5   |                | vibration damper          |         | 1   |            |
|     |                | Crankshaft                |         |     |            |
|     |                | see illustration:         | 102-035 |     |            |
| 6   |                | Compressor                |         | 1   |            |
|     |                | Air conditioning          |         |     |            |
|     |                | see illustration:         | 813-070 |     |            |
| 7   |                | Alternator                |         | 1   |            |
|     |                | see illustration:         | 902-005 |     |            |

Model: 92A 11

Model life 2011>>2018



Model: 92A 11

Model life 2011>>2018

| Pos | Part Number    | Description  | Remark | Qty | Model                                       |
|-----|----------------|--|--------|-----|---|
|     |                | Cylinder head<br>Vacuum pump                       |        |     | 4802,4852,<br>CFTB,CFT,<br>CYXA,CYX<br>4802 |
| 1   | 948 104 015 21 | Cylinder head<br>with:                             |        | 1   |   |
|     |                | Spark plug<br>Cylinders 1 - 4<br>Discontinued part |        |     |   |
| (1) | 948 104 015 25 | Cylinder head<br>with:                             |        | 1   | 4802  |
|     |                | Spark plug<br>Cylinders 1 - 4<br>Discontinued part |        |     |   |
| (1) | 948 104 015 26 | Cylinder head<br>with:                             |        | 1   | 4802+<br>PR:E0A                             |
|     |                | Spark plug<br>Cylinders 1 - 4                      |        |     |   |
| (1) | 948 104 015 30 | Cylinder head<br>with:                             |        | 1   | 4802+<br>PR:E0W                             |
|     |                | Spark plug<br>Cylinders 1 - 4                      |        |     |   |
| (1) | 948 104 015 71 | Cylinder head<br>with:                             |        | 1   | 4852  |
|     |                | Spark plug<br>Cylinders 1 - 4<br>Discontinued part |        |     |   |
| (1) | 948 104 015 75 | Cylinder head<br>with:                             |        | 1   | 4852  |
|     |                | Spark plug<br>Cylinders 1 - 4<br>Discontinued part |        |     |   |
| (1) | 948 104 015 76 | Cylinder head<br>with:                             |        | 1   | 4852,CFTB,<br>CFT,CYXA,CYX                  |
|     |                | Spark plug<br>Cylinders 1 - 4                      |        |     |   |
| 2   | 948 104 016 21 | Cylinder head<br>with:                             |        | 1   | 4802  |
|     |                | Spark plug<br>Cylinders 5 - 8<br>Discontinued part |        |     |   |
| (2) | 948 104 016 25 | Cylinder head<br>with:                             |        | 1   | 4802  |
|     |                | Spark plug<br>Cylinders 5 - 8<br>Discontinued part |        |     |   |
| (2) | 948 104 016 26 | Cylinder head<br>with:                             |        | 1   | 4802+<br>PR:E0A                             |
|     |                | Spark plug<br>Cylinders 5 - 8                      |        |     |   |
| (2) | 948 104 016 30 | Cylinder head<br>with:                             |        | 1   | 4802+<br>PR:E0W                             |
|     |                | Spark plug<br>Cylinders 5 - 8                      |        |     |   |
| (2) | 948 104 016 71 | Cylinder head<br>with:                             |        | 1   | 4852  |
|     |                | Spark plug<br>Cylinders 5 - 8<br>Discontinued part |        |     |   |
| (2) | 948 104 016 75 | Cylinder head<br>with:                             |        | 1   | 4852  |
|     |                | Spark plug<br>Cylinders 5 - 8<br>Discontinued part |        |     |   |

Model: 92A 11

Model life 2011&gt;&gt;2018

| Pos  | Part Number    | Description   | Remark | Qty | Model                         |
|------|----------------|---|--------|-----|-------------------------------|
| (2)  | 948 104 016 76 | Cylinder head<br>with:<br>Spark plug<br>Cylinders 5 - 8 |        | 1   | 4852, CFTB,<br>CFT, CYXA, CYX |
| 3    | 944 104 361 00 | dowel sleeve  |        | 44  |                               |
| 4    | 999 073 363 01 | Torx screw<br>M 6 X 35                                  |        | 32  |                               |
| 5    | 999 501 023 30 | Sealing cap<br>6,7                                      |        | 2   |                               |
| 7    | 900 385 027 01 | Torx screw<br>BM 6 X 70                                 |        | 8   |                               |
| 8    | 948 104 250 01 | choke   |        | 2   |                               |
| 9    | 999 707 577 40 | O-ring<br>10,0 X 2,5                                    |        | 2   |                               |
| 11   | 900 219 006 01 | sealing plug<br>M 12 X 1,5                              |        | 2   |                               |
| 12   | 900 123 005 30 | seal ring<br>A 12 X 16                                  |        | 2   |                               |
| 13   | 900 063 010 00 | sealing plug<br>M 8 X 1                                 |        | 4   |                               |
| 14   | 900 219 024 01 | sealing plug<br>M 14 X 1,5                              |        | 2   | 4802                          |
| 15   | 900 123 007 30 | seal ring<br>A 14 X 18                                  |        | 2   | 4802                          |
| 16   | 999 060 002 01 | Threaded stud<br>MFS 8 X 33                             |        | 24  | 4802                          |
| (16) | 999 060 001 01 | Threaded stud<br>MFS 8 X 42                             |        | 24  | 4852, CFTB,<br>CFT, CYXA, CYX |
| 17   | 948 105 308 02 | throttle control element<br>Valve<br>Discontinued part  |        | 2   |                               |
| (17) | 948 105 308 03 | throttle control element<br>Valve                       |        | 2   |                               |
| 18   | 900 385 112 01 | Torx screw<br>BM 5 X 12                                 |        | 8   |                               |
| 19   | 948 105 321 02 | Inlet valve   |        | 16  |                               |
| 20   | 948 105 322 02 | exhaust valve   |        | 16  | 4802                          |
| (20) | 948 105 322 52 | exhaust valve   |        | 16  | 4852, CFTB,<br>CFT, CYXA, CYX |
| 21   | 948 105 151 01 | spring disc<br>Intake                                   | lower  | 16  |                               |
| 22   | 948 105 153 01 | spring disc<br>Exhaust                                  | lower  | 16  | 4802                          |
| (22) | 948 105 153 51 | spring disc<br>Exhaust                                  | lower  | 16  | 4852, CFTB,<br>CFT, CYXA, CYX |
| 23   | 996 105 115 52 | Valve stem seal   |        | 32  |                               |
| 24   | 948 105 094 02 | 1 set of valve springs<br>Intake                        |        | 16  | PR: -E0W                      |
| (24) | 948 105 094 05 | 1 set of valve springs<br>Intake                        |        | 16  | 4802+<br>PR: E0W              |
| 25   | 948 105 420 02 | Valve spring<br>Exhaust                                 |        | 16  | 4802                          |
| (25) | 948 105 095 52 | 1 set of valve springs<br>Exhaust                       |        | 16  | 4852, CFTB,<br>CFT, CYXA, CYX |
| 26   | 948 105 150 01 | spring disc<br>Intake                                   | upper  | 16  |                               |
| 27   | 996 105 121 54 | spring disc<br>Exhaust                                  | upper  | 16  | 4802                          |
| (27) | 948 105 152 51 | spring disc<br>Exhaust                                  | upper  | 16  | 4852, CFTB,<br>CFT, CYXA, CYX |
| 28   | 996 105 123 52 | cotter, split   |        | 64  |                               |



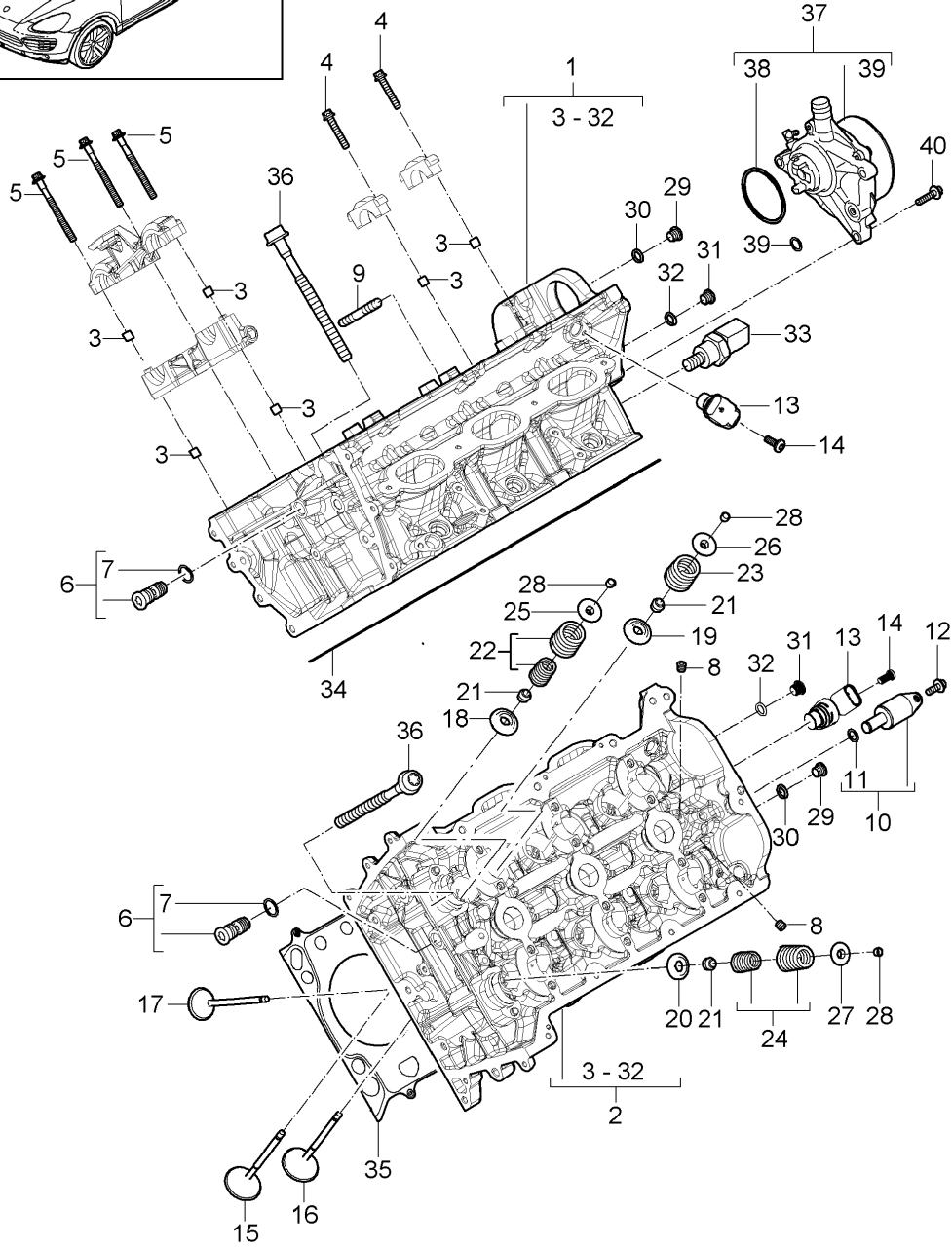
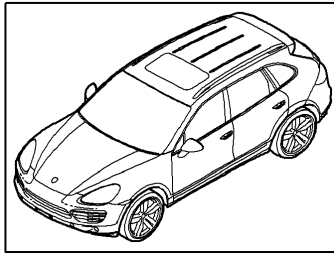
Model: 92A 11

Model life 2011&gt;&gt;2018

| Pos  | Part Number    | Description  | Remark | Qty | Model |
|------|----------------|--|--------|-----|-------|
| 29   | 948 105 304 05 | throttle control element<br>Camshaft                                   |        | 2   |       |
| (29) | 948 105 304 06 | No longer use the part here<br>throttle control element<br>Camshaft    |        | 2   |       |
| (29) | 948 105 304 07 | Discontinued part<br>throttle control element<br>Camshaft              |        | 2   |       |
| 30   | 999 707 446 40 | O-ring<br>18 X 2,5   |        | 2   |       |
| 31   | 900 219 023 01 | sealing plug<br>M 10 X 1   |        | 2   |       |
| 32   | 900 123 144 30 | seal ring<br>A 10 X 13,5   |        | 2   |       |
| 33   | 948 104 173 04 | Cylinder head gasket<br>Cylinders 1 - 4                                |        | 1   |       |
| (33) | 948 104 173 05 | No longer use the part here<br>Cylinder head gasket<br>Cylinders 1 - 4 |        | 1   |       |
| 34   | 948 104 174 04 | Cylinder head gasket<br>Cylinders 5 - 8                                |        | 1   |       |
| (34) | 948 104 174 05 | No longer use the part here<br>Cylinder head gasket<br>Cylinders 5 - 8 |        | 1   |       |
| 35   | 948 104 181 10 | Socket head bolt<br>M 11 X 1,5 X 140                                   |        | 20  |       |
| 36   | 999 219 044 01 | Socket head bolt<br>M 8 X 40   |        | 1   |       |
| 37   | 948 110 050 06 | Vacuum pump  |        | 1   |       |
| 38   | 999 707 581 41 | O-ring<br>54 X 3   |        | 1   |       |
| 39   | 999 707 582 41 | O-ring<br>13 X 3   |        | 1   |       |
| 40   | 900 385 072 01 | Torx screw<br>M 6 X 25   |        | 3   |       |
| 41   | 999 701 582 40 | O-ring<br>11,5 X 1,8   |        | 2   |       |
| 42   | 948 606 420 00 | Temperature sensor<br>Water cooling                                    |        | 1   |       |

Model: 92A 11

Model life 2011>>2018

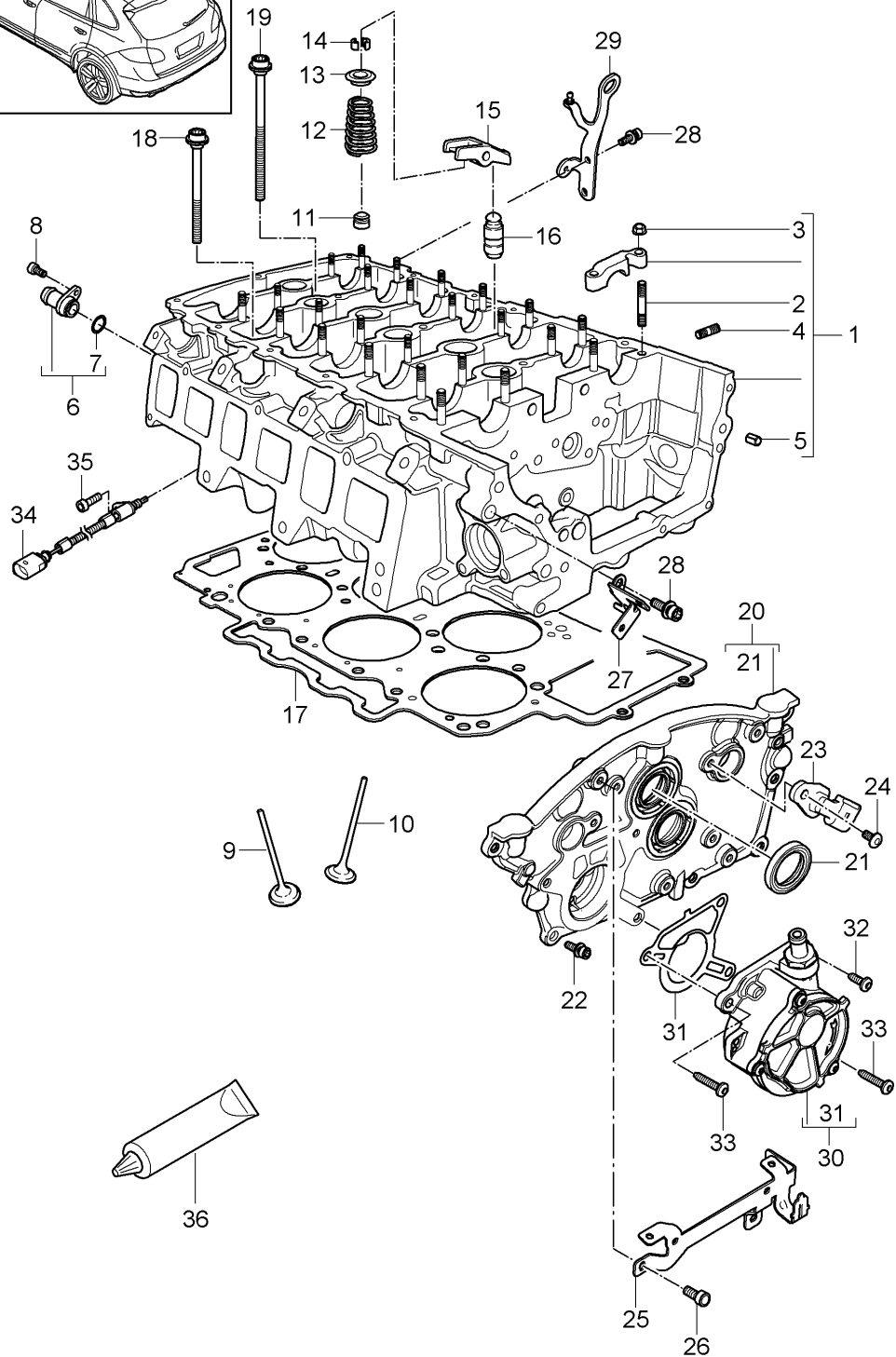
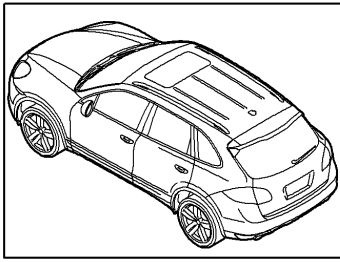


Model: 92A 11 Model life 2011>>2018

| Pos  | Part Number    | Description   | Remark                     | Qty | Model                   |
|------|----------------|---|----------------------------|-----|-------------------------|
| 1    | 946 104 015 79 | Cylinder head<br>Vacuum pump<br>Cylinder head<br>(complete) | cylinders 1-3              | 1   | CURA, CUR,<br>CXZA, CXZ |
| 2    | 946 104 016 79 | but without:<br>Cylinder head<br>(complete)                 | Camshaft<br>cylinders 4-6  | 1   |                         |
| 3    | 944 104 361 00 | but without:<br>dowel sleeve                                | Camshaft<br>8,5X1X8,5      | 30  |                         |
| (3)  | 999 095 071 00 | dowel sleeve  | 12X1X10                    | 2   |                         |
| 4    | 999 073 363 01 | Torx screw  | M6X35                      | 24  |                         |
| 5    | 900 385 027 01 | Torx screw  | BM6X70                     | 6   |                         |
| 6    | 948 104 250 01 | choke   |                            | 2   |                         |
| 7    | 999 707 577 40 | O-ring  | 10X2,5                     | 2   |                         |
| 8    | 900 063 010 00 | sealing plug  | M8X1                       | 4   |                         |
| 9    | 999 060 001 01 | Threaded stud   | MFS8X42                    | 18  |                         |
| 10   | 948 105 308 03 | throttle control element                                    |                            | 2   |                         |
| 11   | 999 701 582 40 | O-ring  | 11,5X1,8                   | 2   |                         |
| 12   | 900 385 112 01 | Torx screw  | BM5X12                     | 4   |                         |
| 13   | 946 606 106 00 | Hall sensor   |                            | 4   |                         |
| 14   | 999 073 902 31 | fillister hd. bolt  | M6X16                      | 4   |                         |
| 15   | 948 105 321 02 | Inlet valve   | aluminium<br>Intake, short | 6   |                         |
| 16   | 948 105 321 15 | Inlet valve   | Intake, long               | 6   |                         |
| 17   | 948 105 322 52 | exhaust valve   | 112,8MM                    | 12  |                         |
| 18   | 948 105 151 01 | spring disc   | lower<br>Inlet             | 6   |                         |
| 19   | 948 105 153 51 | spring disc   | lower<br>Inlet             | 6   |                         |
| 20   | 948 105 153 51 | spring disc   | lower<br>Outlet            | 12  |                         |
| 21   | 996 105 115 52 | Valve stem seal   |                            | 24  |                         |
| 22   | 948 105 094 02 | 1 set of valve springs                                      | Inlet                      | 6   |                         |
| 23   | 946 105 416 00 | Valve spring  | Inlet                      | 6   |                         |
| 24   | 948 105 095 52 | 1 set of valve springs                                      | Outlet                     | 12  |                         |
| 25   | 948 105 150 01 | spring disc   | upper<br>Inlet             | 6   |                         |
| 26   | 948 105 150 01 | spring disc   | upper<br>Inlet             | 6   |                         |
| 27   | 948 105 152 51 | spring disc   | upper<br>Outlet            | 12  |                         |
| 28   | 996 105 123 52 | cotter, split   |                            | 48  |                         |
| 29   | 900 219 023 01 | sealing plug  | M10X1                      | 2   |                         |
| 30   | 900 123 144 30 | seal ring   | A10X13,5                   | 2   |                         |
| 31   | 900 219 006 01 | sealing plug  | M12X1,5                    | 2   |                         |
| 32   | 900 123 005 30 | seal ring   | A12X16                     | 2   |                         |
| 33   | 948 606 420 00 | Temperature sensor  |                            | 1   |                         |
| 34   | 946 104 173 02 | Cylinder head gasket  | cylinders 1-3              | 1   |                         |
| (34) | 946 104 173 03 | Cylinder head gasket  | cylinders 1-3              | 1   |                         |
| 35   | 946 104 174 02 | Cylinder head gasket  | cylinders 4-6              | 1   |                         |
| (35) | 946 104 174 03 | Cylinder head gasket  | cylinders 4-6              | 1   |                         |
| 36   | 948 104 181 10 | Socket head bolt  | M11X1,5X140                | 16  |                         |
| 37   | 948 110 050 06 | Vacuum pump   |                            | 1   |                         |
| (37) | 948 110 050 07 | Vacuum pump   |                            | 1   |                         |
| 38   | 999 707 581 41 | O-ring  | 54X3                       | 1   |                         |
| 39   | 999 707 582 41 | O-ring  | 13X3                       | 1   |                         |
| 40   | 900 385 072 01 | Torx screw  | M6X25                      | 3   |                         |

Model: 92A 11

Model life 2011>>2018



Model: 92A 11

Model life 2011&gt;&gt;2018

| Pos  | Part Number    | Description  | Remark | Qty | Model      |
|------|----------------|--|--------|-----|------------|
|      |                | Cylinder head<br>Vacuum pump<br>Cylinder head                                    |        |     | 5502, CEYA |
| 1    | 958 104 901 00 | without:   |        | 1   |            |
|      |                | Valves   |        |     |            |
| 2    | 955 104 397 00 | Threaded pin<br>M 7 X 45   |        | 28  |            |
| 3    | N 902 790 06   | Hexagon collar nut<br>M 7  |        | 28  |            |
| 4    | N 044 408 7    | Threaded pin<br>M 8 X 25   |        | 12  |            |
| 5    | N 903 327 01   | spring pin<br>9 X 11,8   |        | 4   |            |
| 6    | 958 104 265 01 | Connector union  |        | 1   |            |
| 7    | N 910 697 01   | O-ring<br>26 X 2,5   |        | 1   |            |
| 8    | N 910 488 02   | Screw with int. serrations<br>M 8 X 20   |        | 1   |            |
| 9    | 955 105 601 00 | Inlet valve<br>Short   |        | 6   |            |
| (9)  | 955 105 601 10 | Inlet valve<br>Long  |        | 6   |            |
| 10   | 958 105 322 00 | exhaust valve<br>Short   |        | 6   |            |
| (10) | 958 105 322 10 | exhaust valve<br>Long  |        | 6   |            |
| 11   | 996 105 115 52 | Valve stem seal  |        | 24  |            |
| -    | 000 043 204 46 | Sleeve<br>for<br>Repair  |        | 1   |            |
|      |                | Valve stem seal  |        |     |            |
| 12   | 958 105 119 00 | Valve spring   |        | 24  |            |
| 13   | 955 105 641 00 | spring disc  |        | 24  |            |
| 14   | 955 105 651 00 | Valve collet   |        | 48  |            |
| 15   | 958 105 417 00 | cam lever  |        | 24  |            |
| (15) | 958 105 417 01 | No longer use the part here<br>cam lever   |        | 24  |            |
| 16   | 955 105 423 01 | Differential housing<br>Hydraulic  |        | 24  |            |
| 17   | 955 104 171 01 | Cylinder head gasket   |        | 1   |            |
| 18   | WHT 000 497 A  | Socket head bolt with inner<br>multipoint head<br>M 9 X 111                      |        | 13  |            |
| (18) | WHT 005 465    | Discontinued part<br>Socket head bolt with inner<br>multipoint head<br>M 9 X 111 |        | 13  |            |
| 19   | WHT 000 789 A  | Socket head bolt with inner<br>multipoint head<br>M 9 X 141                      |        | 7   |            |
| (19) | WHT 005 466    | Discontinued part<br>Socket head bolt with inner<br>multipoint head<br>M 9 X 141 |        | 7   |            |
| 20   | 955 104 122 10 | Cover for timing chain<br>No longer use the part here                            |        | 1   |            |
| (20) | 958 104 122 00 | Cover for timing chain   |        | 1   |            |
| 21   | 955 104 091 10 | Seal   |        | 2   |            |
| 22   | N 101 244 08   | Hexagon socket head<br>bolt (combi)<br>M 6 X 20                                  |        | 6   |            |
| 23   | 955 606 106 10 | impulse sender<br>Camshaft   |        | 2   |            |

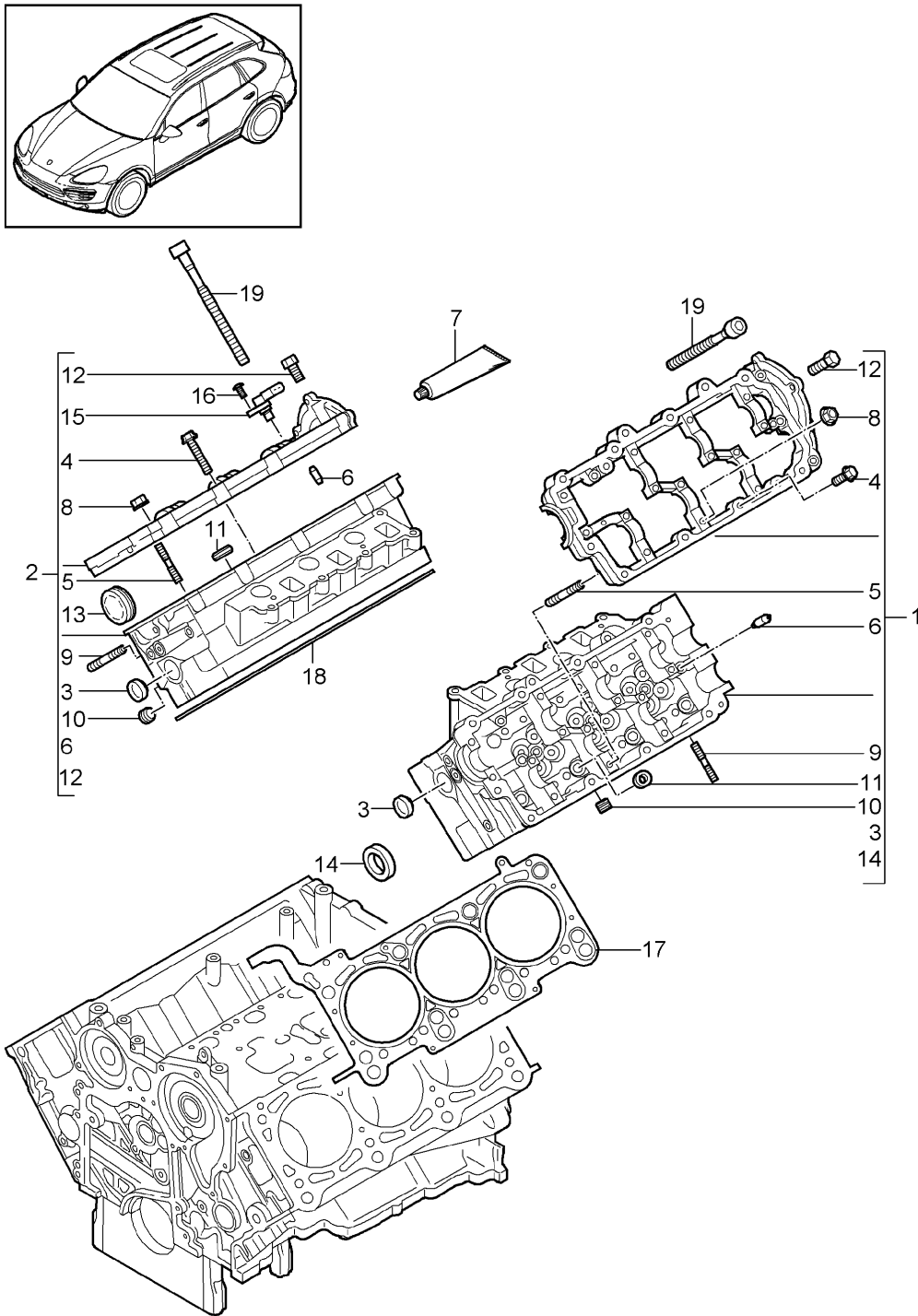
Model: 92A 11

Model life 2011>>2018

| Pos  | Part Number    | Description   | Remark | Qty | Model |
|------|----------------|---|--------|-----|-------|
| 24   | N 911 322 01   | Hex socket oval head collared<br>M 6 X 16   |        | 2   |       |
| (24) | N 104 514 05   | Discontinued part<br>Oval hexagon socket head bolt<br>M 6 X 16                                |        | 2   |       |
| 25   | 958 607 501 00 | Bracket   |        | 1   |       |
| 26   | N 103 352 06   | Hexagon socket flat<br>head bolt<br>M 6 X 12  |        | 2   |       |
| 27   | 958 110 502 00 | Bracket   |        | 1   |       |
| (27) | 958 110 502 01 | No longer use the part here<br>Bracket  |        | 1   |       |
| (27) | 958 110 502 02 | No longer use the part here<br>Bracket  |        | 1   |       |
| 28   | N 910 842 01   | Socket head bolt with inner<br>multipoint head (Kombi)<br>M 8 X 25                            |        | 3   |       |
| 29   | 955 104 305 00 | Transportation shackle  |        | 1   |       |
| 30   | 955 110 050 03 | Vacuum pump   |        | 1   |       |
| 31   | 955 110 581 00 | Seal  |        | 1   |       |
| 32   | N 101 243 06   | Oval hexagon socket head bolt<br>M 6 X 20   |        | 1   |       |
| 33   | N 105 821 03   | oval head countersunk bolt<br>with multi-point socket head<br>M 6 X 40                        |        | 2   |       |
| 34   | 958 606 135 10 | Temperature sensor  | with:  | 1   |       |
| (34) | 958 606 135 11 | Line<br>Discontinued part<br>Temperature sensor   | with:  | 1   |       |
| 35   | N 102 261 03   | Line<br>Socket head bolt<br>M 6 X 16  |        | 1   |       |
| 36   | 000 043 300 39 | sealant<br>1 tube<br>50 ml.<br>for<br>Cover for timing chain                                  |        | X   |       |
| (36) | 000 043 207 54 | Cylinder head<br>sealant<br>1 tube<br>125 GR.<br>for<br>Cover for timing chain<br>Valve cover |        | X   |       |

Model: 92A 11

Model life 2011>>2018



Model: 92A 11

Model life 2011&gt;&gt;2018

| Pos  | Part Number    | Description   | Remark | Qty | Model |
|------|----------------|---|--------|-----|-------|
| 1    | 958 104 016 01 | Cylinder head<br>Complete cylinder head<br>Cyl. 4 - 6             |        | 1   | 059E  |
| (1)  | 958 104 016 02 | Discontinued part<br>Complete cylinder head<br>Cyl. 4 - 6         |        | 1   |       |
| 2    | 958 104 015 01 | Complete cylinder head<br>Cyl. 1 - 3                              |        | 1   |       |
| (2)  | 958 104 015 02 | Discontinued part<br>Complete cylinder head<br>Cyl. 1 - 3         |        | 1   |       |
| 3    | N 011 908 5    | End cap<br>28   |        | 4   |       |
| 4    | N 102 056 04   | hexagon head bolt (combi)<br>M 6 X 32                             |        | 24  |       |
| 5    | 955 104 399 00 | Threaded pin<br>M 6 X 49  |        | 12  |       |
| (5)  | N 911 642 01   | M >> CAS 129 565<br>Threaded stud<br>M 6 X 50                     |        | 12  |       |
| 6    | 955 104 251 00 | M CAS 129 566>><br>dowel sleeve<br>8 M 6 X 32                     |        | 4   |       |
| 7    | 000 043 207 49 | sealant<br>1 tube<br>80 ML  |        | X   |       |
| (7)  | 958 101 902 00 | Discontinued part<br>sealant<br>80 ML                             |        | X   |       |
| 8    | N 904 465 02   | Hexagon collar nut<br>M 6   |        | 12  |       |
| 9    | N 044 441 5    | Threaded pin<br>M 8 X 40  |        | 12  |       |
| 10   | N 102 833 04   | sealing plug<br>M 8 X 1   |        | 2   |       |
| 11   | 955 104 377 00 | Washer<br>12,6 X 22,4 X 4,5                                       |        | 16  |       |
| 12   | N 911 315 01   | sealing plug<br>M 10 X 1 X 8                                      |        | 2   |       |
| 13   | 955 104 113 00 | End cap   |        | 1   |       |
| 14   | 955 104 185 00 | Shaft oil seal  |        | 1   |       |
| 15   | 955 606 106 20 | impulse sender<br>Camshaft  |        | 1   |       |
| (15) | 958 606 106 00 | Discontinued part<br>impulse sender<br>Camshaft                   |        | 1   |       |
| (15) | 958 606 106 01 | Discontinued part<br>impulse sender<br>Camshaft                   |        | 1   |       |
| 16   | N 101 961 03   | fillister head bolt with<br>multi-point socket head<br>M 6 X 18   |        | 1   |       |
| 17   | 955 104 174 00 | Cylinder head gasket<br>1,1 MM<br>1 LOCH                          |        | X   |       |
| (17) | 955 104 174 02 | Discontinued part<br>Cylinder head gasket<br>1,1 MM<br>1 LOCH     |        | X   |       |
| (17) | 955 104 174 10 | Cylinder head gasket<br>1,15 MM<br>2 LOECHER<br>Discontinued part |        | X   |       |



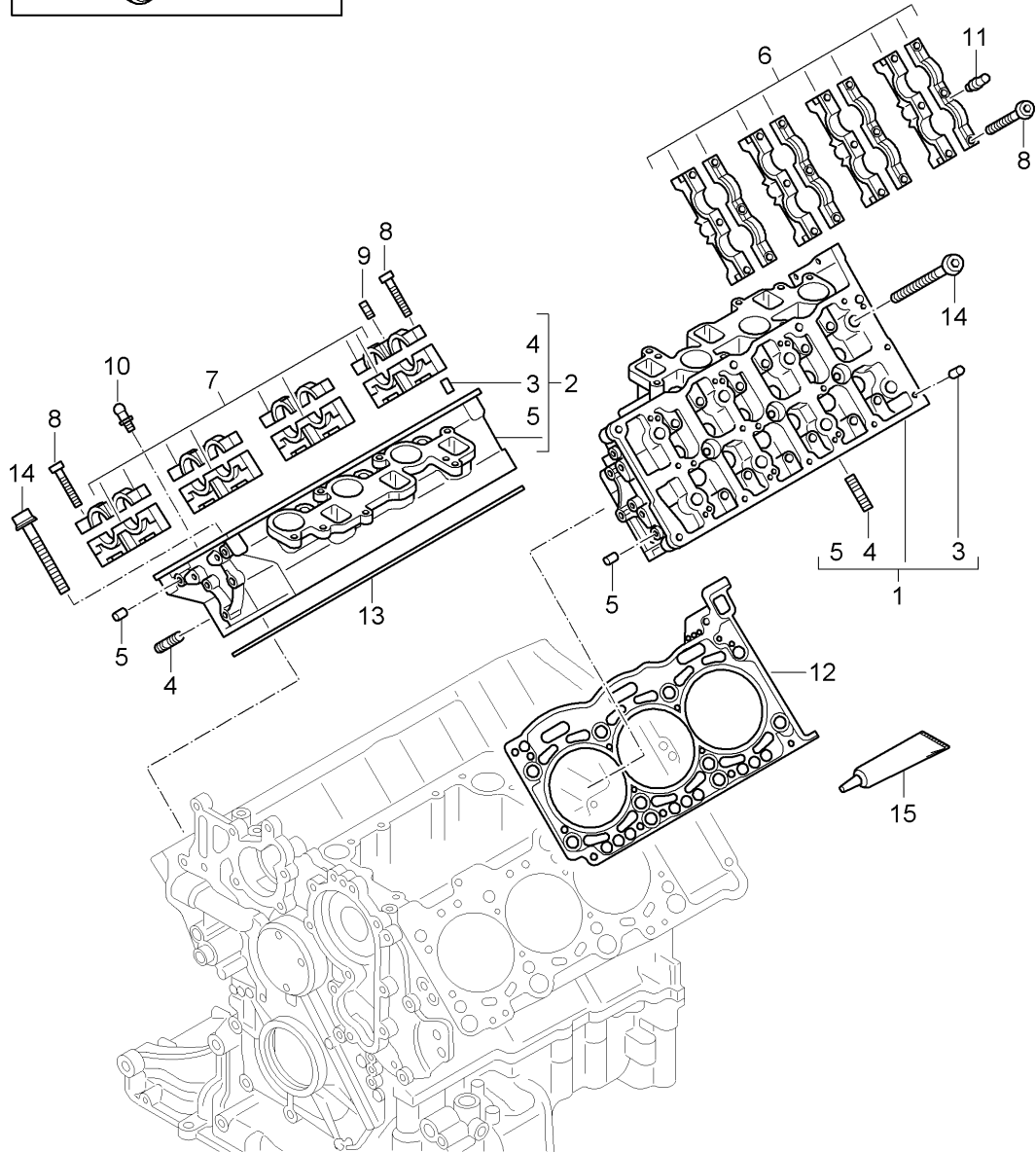
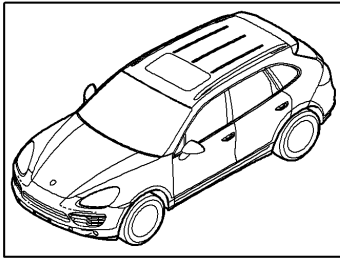
Model: 92A 11

Model life 2011&gt;&gt;2018

| Pos  | Part Number    | Description   | Remark | Qty | Model |
|------|----------------|---|--------|-----|-------|
| (17) | 955 104 174 12 | Cylinder head gasket<br>1,15 MM<br>2 LOECHER                      |        | X   |       |
| (17) | 955 104 174 20 | Cylinder head gasket<br>1,2 MM<br>3 LOECHER<br>Discontinued part  |        | X   |       |
| (17) | 955 104 174 22 | Cylinder head gasket<br>1,2 MM<br>3 LOECHER                       |        | X   |       |
| 18   | 955 104 173 00 | Cylinder head gasket<br>1,1 MM<br>1 LOCH<br>Discontinued part     |        | X   |       |
| (18) | 955 104 173 02 | Cylinder head gasket<br>1,1 MM<br>1 LOCH                          |        | X   |       |
| (18) | 955 104 173 10 | Cylinder head gasket<br>1,15 MM<br>2 LOECHER<br>Discontinued part |        | X   |       |
| (18) | 955 104 173 12 | Cylinder head gasket<br>1,15 MM<br>2 LOECHER                      |        | X   |       |
| (18) | 955 104 173 20 | Cylinder head gasket<br>1,2 MM<br>3 LOECHER<br>Discontinued part  |        | X   |       |
| (18) | 955 104 173 22 | Cylinder head gasket<br>1,2 MM<br>3 LOECHER                       |        | X   |       |
| 19   | 955 104 181 00 | Socket head bolt<br>M 12 X 1,5 X 159,5                            |        | 16  |       |

Model: 92A 11

Model life 2011>>2018



Model: 92A 11 Model life 2011>>2018

| Pos  | Part Number    | Description   | Remark | Qty | Model                                    |
|------|----------------|---|--------|-----|--|
|      |                | Cylinder head   |        |     | CRCA, CRCB,<br>CNRB, CVVA,<br>CVVB, CVVC |
| 1    | 958 104 016 20 | Complete cylinder head<br>Cyl. 4 - 6<br>Discontinued part                   |        | 1   |  |
| (1)  | 958 104 016 21 | Complete cylinder head<br>Cyl. 4 - 6<br>Discontinued part                   |        | 1   |  |
| (1)  | 958 104 016 22 | Complete cylinder head<br>Cyl. 4 - 6  |        | 1   |  |
| 2    | 958 104 015 20 | Complete cylinder head<br>Cyl. 1 - 3<br>Discontinued part                   |        | 1   | CRCA, CRCB                               |
| (2)  | 958 104 015 21 | Complete cylinder head<br>Cyl. 1 - 3<br>Discontinued part                   |        | 1   | CRCA, CRCB                               |
| (2)  | 958 104 015 22 | Complete cylinder head<br>Cyl. 1 - 3  |        | 1   | CRCA, CRCB,<br>CVVA, CVVB,<br>CVVC       |
| 3    | 958 104 429 10 | dowel sleeve<br>8 X 9   |        | 4   |  |
| 4    | N 044 408 7    | Threaded pin<br>M 8 X 25  |        | 16  |  |
| 5    | N 102 833 04   | sealing plug<br>M 8 X 1<br>D >> - 02.11.2016                                |        | 2   |  |
| 6    | 958 104 959 00 | Bearing cover<br>Set<br>Cyl. 4 - 6  |        | 1   |  |
| 7    | 958 104 960 00 | Bearing cover<br>Set<br>Cyl. 1 - 3  |        | 1   |  |
| 8    | N 106 165 01   | Oval hexagon socket head bolt<br>M 6 X 56                                   |        | 24  |  |
| 9    | 958 104 564 00 | ball head<br>M 5 X 6<br>Cyl. 1 - 3  |        | 2   |  |
| 10   | 958 104 564 10 | ball head<br>M 6 X 12<br>Cyl. 1 - 3   |        | 1   |  |
| 11   | 958 104 564 00 | ball head<br>M 6 X 12<br>Cyl. 4 - 6   |        | 3   |  |
| 12   | 958 104 174 10 | Cylinder head gasket<br>1,58 MM<br>1 LOCH                                   |        | X   |  |
| (12) | 958 104 174 11 | No longer use the part here<br>Cylinder head gasket<br>1,58 MM<br>1 LOCH    |        | X   |  |
| (12) | 958 104 174 20 | Cylinder head gasket<br>1,63 MM<br>2 LOECHER                                |        | X   |  |
| (12) | 958 104 174 21 | No longer use the part here<br>Cylinder head gasket<br>1,63 MM<br>2 LOECHER |        | X   |  |
| (12) | 958 104 174 30 | Cylinder head gasket<br>1,68 MM<br>3 LOECHER                                |        | X   |  |
| (12) | 958 104 174 31 | No longer use the part here<br>Cylinder head gasket                         |        | X   |  |

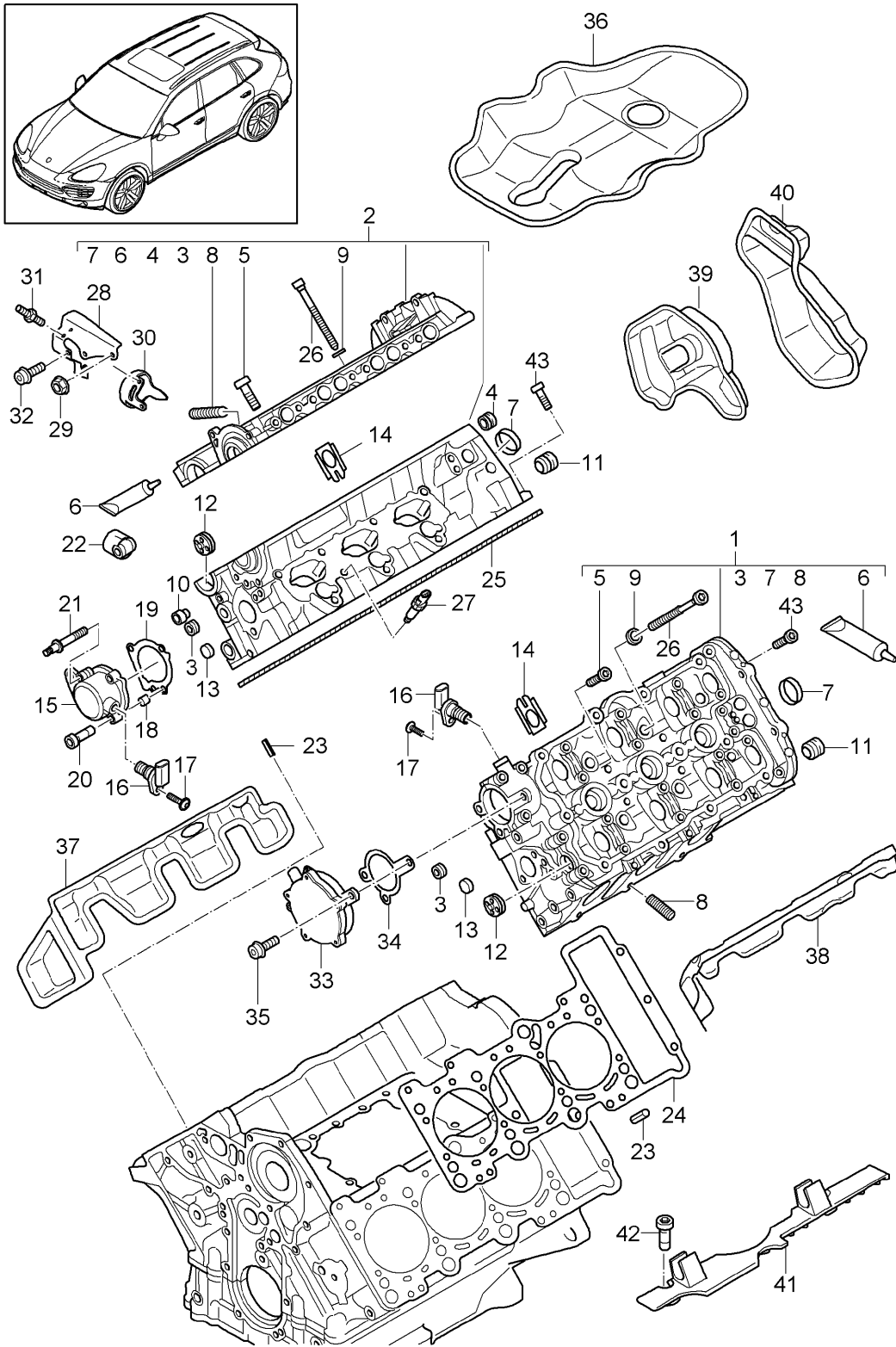
Model: 92A 11

Model life 2011>>2018

| Pos  | Part Number    | Description   | Remark | Qty | Model |
|------|----------------|---|--------|-----|-------|
| 13   | 958 104 173 10 | 1,68 MM<br>3 LOECHER<br>Cylinder head gasket                                |        | X   |       |
| (13) | 958 104 173 11 | 1,58 MM<br>1 LOCH<br>No longer use the part here<br>Cylinder head gasket    |        | X   |       |
| (13) | 958 104 173 20 | 1,58 MM<br>1 LOCH<br>Cylinder head gasket                                   |        | X   |       |
| (13) | 958 104 173 21 | 1,63 MM<br>2 LOECHER<br>No longer use the part here<br>Cylinder head gasket |        | X   |       |
| (13) | 958 104 173 30 | 1,63 MM<br>2 LOECHER<br>Cylinder head gasket                                |        | X   |       |
| (13) | 958 104 173 31 | 1,68 MM<br>3 LOECHER<br>No longer use the part here<br>Cylinder head gasket |        | X   |       |
| 14   | WHT 005 262    | 1,68 MM<br>3 LOECHER<br>Cylinder screw with washer                          |        | 16  |       |
| (14) | WHT 005 262 A  | M 12 X 1,5 X 177<br>Discontinued part<br>Cylinder screw with washer         |        | 16  |       |
| 15   | 000 043 207 49 | M 12 X 1,5 X 177<br>sealant   |        | X   |       |
| (15) | 958 101 902 00 | 1 tube<br>80 ML<br>Discontinued part<br>sealant                             |        | X   |       |
| (15) | 000 043 300 39 | 80 ML<br>D >> - MJ 2013<br>sealant  |        | X   |       |
|      |                | 1 tube<br>50 ML<br>D - MJ 2014>>  |        |     |       |

Model: 92A 11

Model life 2011>>2018



Model: 92A 11 Model life 2011>>2018

| Pos | Part Number    | Description   | Remark | Qty | Model                         |
|-----|----------------|---|--------|-----|-------------------------------|
|     |                | Cylinder head   |        |     | 06EC, CGEA,<br>CGE, CGFA, CJT |
| 1   | 958 104 016 10 | Complete cylinder head<br>with:<br>Camshaft<br>Cyl. 4 - 6<br>Discontinued part    |        | 1   |                               |
| (1) | 958 104 016 11 | Complete cylinder head<br>without:<br>Camshaft<br>Cyl. 4 - 6<br>Discontinued part |        | 1   |                               |
| (1) | 958 104 016 12 | Complete cylinder head<br>without:<br>Camshaft<br>Cyl. 4 - 6<br>Discontinued part |        | 1   |                               |
| (1) | 958 104 016 13 | Complete cylinder head<br>without:<br>Camshaft<br>Cyl. 4 - 6<br>Discontinued part |        | 1   |                               |
| (1) | 958 104 016 14 | Complete cylinder head<br>without:<br>Camshaft<br>Cyl. 4 - 6<br>D >> - MJ 2016    |        | 1   |                               |
| (1) | 958 104 016 15 | Complete cylinder head<br>without:<br>Camshaft<br>Cyl. 4 - 6<br>D - MJ 2017>>     |        | 1   |                               |
| 2   | 958 104 015 10 | Complete cylinder head<br>with:<br>Camshaft<br>Cyl. 1 - 3<br>Discontinued part    |        | 1   |                               |
| (2) | 958 104 015 11 | Complete cylinder head<br>without:<br>Camshaft<br>Cyl. 1 - 3<br>Discontinued part |        | 1   |                               |
| (2) | 958 104 015 12 | Complete cylinder head<br>without:<br>Camshaft<br>Cyl. 1 - 3<br>Discontinued part |        | 1   |                               |
| (2) | 958 104 015 13 | Complete cylinder head<br>without:<br>Camshaft<br>Cyl. 1 - 3<br>Discontinued part |        | 1   |                               |
| (2) | 958 104 015 14 | Complete cylinder head<br>without:<br>Camshaft<br>Cyl. 1 - 3<br>D >> - MJ 2016    |        | 1   |                               |
| (2) | 958 104 015 15 | Complete cylinder head<br>without:<br>Camshaft<br>Cyl. 1 - 3<br>D - MJ 2017>>     |        | 1   |                               |
| 3   | N 029 454 2    | sealing plug  |        | 2   |                               |

Model: 92A 11 Model life 2011>>2018

| Pos  | Part Number    | Description  | Remark    | Qty | Model |
|------|----------------|--|-----------|-----|-------|
| (3)  | N 106 303 02   | M 10 X 1<br>No longer use the part here<br>sealing plug              |           | 2   |       |
| 4    | 958 105 591 00 | M 10 X 1<br>Sealing cap  |           | 1   |       |
| 5    | N 911 276 02   | Hexagon socket flat<br>head bolt<br>BM 6 X 35 X 16                   |           | 40  |       |
| 6    | 000 043 207 49 | sealant<br>1 tube<br>80 ML   |           | X   |       |
| (6)  | 958 101 902 00 | Discontinued part<br>sealant<br>80 ML                                |           | X   |       |
| (6)  | 000 043 300 39 | D >> - MJ 2013<br>sealant<br>1 tube<br>50 ML                         |           | X   |       |
| 7    | 955 101 215 00 | D - MJ 2014>><br>End cap<br>36,6                                     |           | 2   |       |
| 8    | N 014 555 5    | Threaded pin<br>M 8 X 44   |           | 18  |       |
| 9    | 958 104 377 00 | Washer<br><br>only in conj. with:                                    |           | 16  |       |
| 10   | 958 104 354 00 | Socket head bolt<br>958.104.181.00<br>Water jet<br>Discontinued part |           | 1   |       |
| (10) | 958 104 354 01 | Water jet  |           | 1   |       |
| 11   | 958 104 476 00 | Non-return valve   |           | 2   |       |
| 12   | 958 104 513 00 | End cap<br>26<br>Discontinued part                                   |           | 2   |       |
| (12) | 958 104 513 01 | End cap<br>26  |           | 2   |       |
| (12) | 958 104 513 00 | Discontinued part<br>End cap<br>26                                   |           | 2   |       |
| 13   | N 011 907 8    | End cap<br>14  |           | 2   |       |
| 14   | 958 104 411 20 | Intermediate plate   |           | 6   |       |
| 15   | 958 104 535 10 | Housing cover  |           | 1   |       |
| 16   | 958 606 106 00 | impulse sender<br>Discontinued part                                  |           | 2   |       |
| (16) | 958 606 106 01 | impulse sender   |           | 2   |       |
| 17   | N 104 514 05   | Oval hexagon socket head bolt<br>M 6 X 16                            |           | 2   |       |
| 18   | N 910 208 01   | dowel sleeve<br>8 M 7 X 10   |           | 2   |       |
| 19   | 958 104 521 10 | Seal   |           | 1   |       |
| 20   | N 911 276 02   | Hexagon socket flat<br>head bolt<br>M 6 X 35 X 16                    |           | 1   |       |
| 21   | WHT 003 269    | double collared stud<br>M 6 X 35 X 16 / M 6 X 10                     |           | 3   |       |
| 22   |                | Tappets<br>high pressure pump  |           | 1   |       |
| 23   | 955 102 277 00 | see illustration, item:<br>spring pin<br>6,2 X 22                    | 107-040,4 | 2   |       |
| 24   | 958 104 174 00 | Cylinder head gasket<br>Cyl. 4 - 6                                   |           | 1   |       |

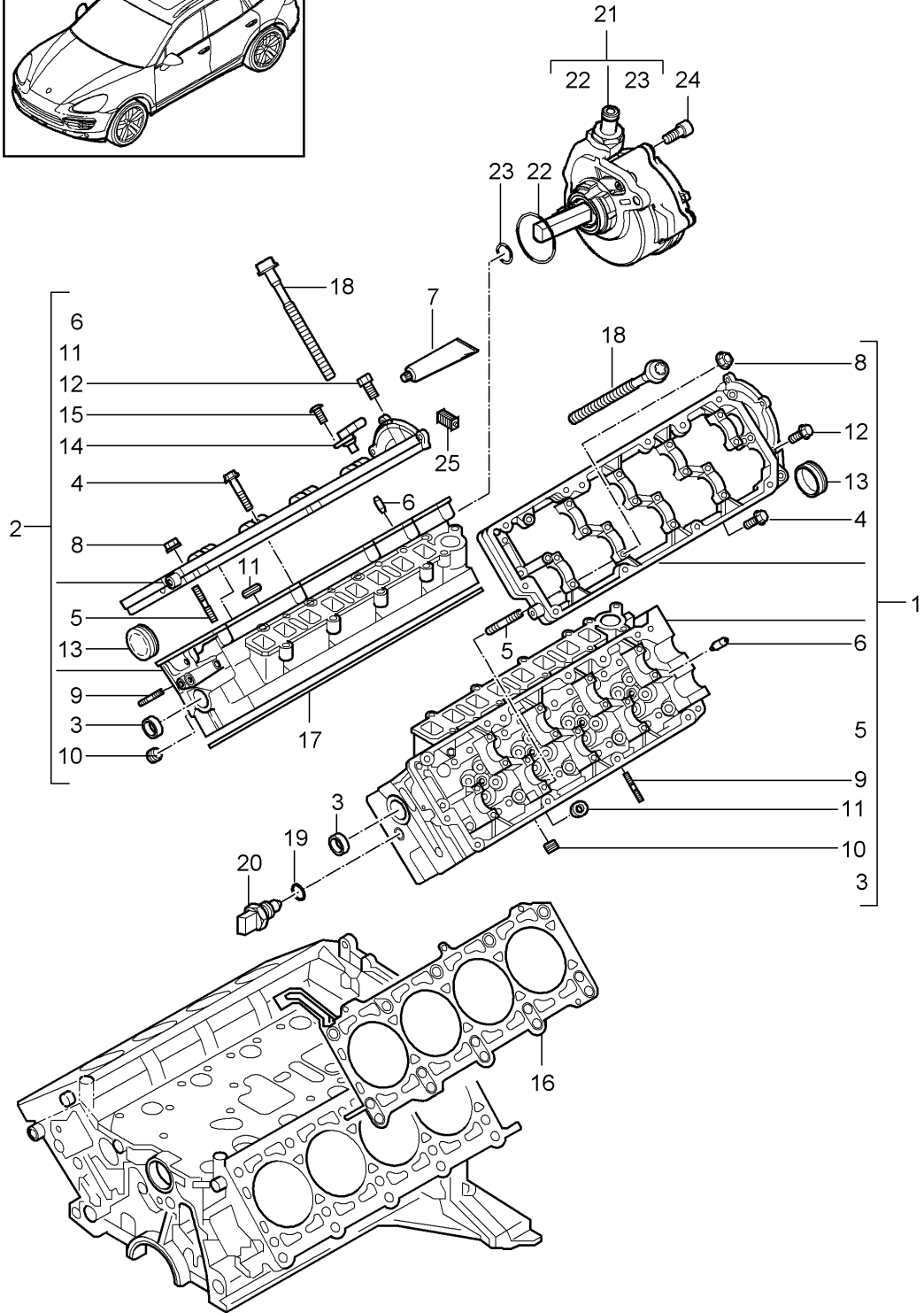
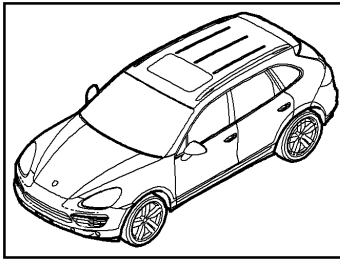
Model: 92A 11 Model life 2011>>2018

| Pos  | Part Number    | Description  | Remark        | Qty | Model |
|------|----------------|--|---------------|-----|-------|
| 25   | 958 104 173 00 | Cylinder head gasket<br>Cyl. 1 - 3   |               | 1   |       |
| 26   | 958 104 181 00 | Socket head bolt<br>M 10 X 1,5 X 169 X 120<br>only in conj. with:  |               | 16  |       |
| (26) | WHT 005 739    | Washer<br>958.104.377.00<br>D >> - 10.07.2011<br>Socket head bolt with inner<br>multipoint head<br>BM 10 X 170 X 120<br>without: |               | 16  |       |
| 27   | 958 606 135 01 | Washer<br>Temperature sensor   |               | 1   |       |
| 28   | 958 104 577 03 | Guard plate<br>high pressure pump  |               | 1   |       |
| 29   | N 015 082 10   | Hexagon collar nut<br>M 6  |               | 3   |       |
| 30   | 958 110 581 03 | Support<br>Discontinued part   |               | 1   |       |
| (30) | 958 110 421 00 | Support  |               | 1   |       |
| 31   | N 910 613 01   | double stud with hexagon drive<br>M 6 X 10 / M 6 X 10  |               | 1   |       |
| 32   | N 902 452 09   | Hex collared bolt<br>M 6 X 10  |               | 1   |       |
| 33   | 958 110 050 00 | Vacuum pump<br>Discontinued part   |               | 1   |       |
| (33) | 958 110 050 01 | Vacuum pump  |               | 1   |       |
| 34   | 958 110 417 00 | Seal   |               | 1   |       |
| 35   | N 101 243 06   | Oval hexagon socket head bolt<br>M 6 X 20<br>No longer use the part here   |               | 3   |       |
| (35) | N 101 243 09   | Oval hexagon socket head bolt<br>M 6 X 20  |               | 3   |       |
| 36   | 958 104 677 02 | Damping  | center        | 1   |       |
| 37   | 958 104 678 02 | Damping  | right         | 1   |       |
| 38   | 958 104 679 02 | Damping  | left          | 1   |       |
| 39   | 958 104 680 02 | Damping  | right<br>rear | 1   |       |
| (39) | 958 104 680 03 | Discontinued part<br>Damping   | right<br>rear | 1   |       |
| 40   | 958 104 681 02 | Damping  | left<br>rear  | 1   |       |
| (40) | 958 104 681 03 | Discontinued part<br>Damping   | left<br>rear  | 1   |       |
| 41   | 958 104 635 03 | Cover  |               | 1   |       |
| 42   | N 106 225 02   | Socket head bolt with<br>hexagon socket head<br>M 5 X 12   |               | 2   |       |
| 43   | N 104 707 05   | round hd. screw<br>M 6 X 50  |               | 7   |       |



Model: 92A 11

Model life 2011>>2018



Model: 92A 11 Model life 2011>>2018

| Pos  | Part Number    | Description   | Remark         | Qty | Model      |
|------|----------------|---|----------------|-----|------------|
|      |                | Cylinder head<br>Vacuum pump  |                |     | CUDB, CUDC |
| 1    | 958 104 016 40 | Complete cylinder head<br>Cylinders 5 - 8                               |                | 1   |            |
| (1)  | 958 104 016 41 | Discontinued part<br>Complete cylinder head<br>Cylinders 5 - 8          |                | 1   |            |
| 2    | 958 104 015 40 | Complete cylinder head<br>Cylinders 1 - 4                               |                | 1   |            |
| (2)  | 958 104 015 41 | Discontinued part<br>Complete cylinder head<br>Cylinders 1 - 4          |                | 1   |            |
| 3    | N 011 908 5    | End cap<br>28   |                | 2   |            |
| 4    | N 102 056 04   | hexagon head bolt (combi)<br>M 6 X 32                                   |                | 28  |            |
| 5    | N 911 642 01   | Threaded stud<br>M 6 X 50   |                | 16  |            |
| 6    | 955 104 251 00 | dowel sleeve<br>8 M 6 X 32  |                | 4   |            |
| 7    | 000 043 207 49 | sealant<br>1 tube<br>80 ML  |                | X   |            |
| (7)  | 000 043 300 39 | No longer use the part here<br>sealant<br>1 tube<br>50 ML               |                | X   |            |
| (7)  | 000 043 305 10 | Discontinued part<br>sealant<br>1 tube<br>50 ML                         |                | X   |            |
| 8    | N 904 465 02   | Hexagon collar nut<br>M 6   |                | 16  |            |
| 9    | N 044 441 5    | Threaded pin<br>M 8 X 40  |                | 20  |            |
| 10   | N 102 833 04   | sealing plug<br>M 8 X 1   |                | 2   |            |
| 11   | 955 104 377 00 | Washer<br>12,6 X 22,4 X 4,5   |                | 20  |            |
| 12   | N 911 315 01   | sealing plug<br>M 10 X 1 X 8  |                | 2   |            |
| 13   | 955 104 113 00 | End cap   |                | 2   |            |
|      |                | also use:   | 000 043 011 00 | 1   |            |
| 14   | 958 606 106 01 | Loctite<br>638<br>impulse sender<br>Camshaft                            |                | 1   |            |
| 15   | N 101 961 03   | fillister head bolt with<br>multi-point socket head<br>M 6 X 18         |                | 1   |            |
| 16   | 958 104 174 40 | Cylinder head gasket<br>1,1 MM<br>1 LOCH                                |                | X   |            |
| (16) | 958 104 174 41 | No longer use the part here<br>Cylinder head gasket<br>1,1 MM<br>1 LOCH |                | X   |            |
| (16) | 958 104 174 50 | Cylinder head gasket<br>1,15 MM<br>2 LOECHER                            |                | X   |            |
| (16) | 958 104 174 51 | No longer use the part here<br>Cylinder head gasket<br>1,15 MM          |                | X   |            |

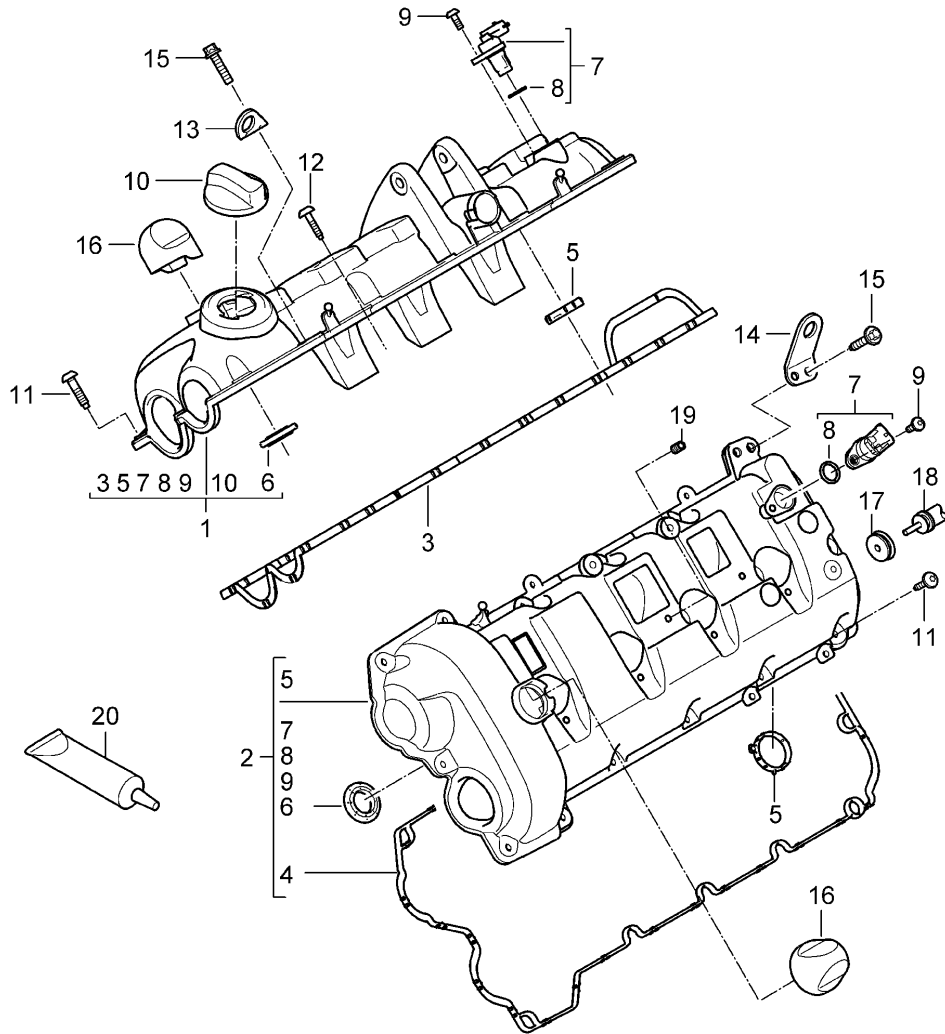
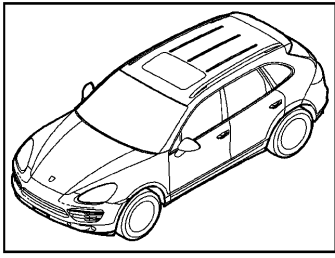
Model: 92A 11

Model life 2011&gt;&gt;2018

| Pos  | Part Number    | Description   | Remark | Qty | Model |
|------|----------------|---|--------|-----|-------|
| (16) | 958 104 174 60 | 2 LOECHER<br>Cylinder head gasket<br>1,2 MM                                 |        | X   |       |
| (16) | 958 104 174 61 | 3 LOECHER<br>No longer use the part here<br>Cylinder head gasket<br>1,2 MM  |        | X   |       |
| 17   | 958 104 173 40 | 3 LOECHER<br>Cylinder head gasket<br>1,1 MM                                 |        | X   |       |
| (17) | 958 104 173 41 | 1 LOCH<br>No longer use the part here<br>Cylinder head gasket<br>1,1 MM     |        | X   |       |
| (17) | 958 104 173 50 | 1 LOCH<br>Cylinder head gasket<br>1,15 MM                                   |        | X   |       |
| (17) | 958 104 173 51 | 2 LOECHER<br>No longer use the part here<br>Cylinder head gasket<br>1,15 MM |        | X   |       |
| (17) | 958 104 173 60 | 2 LOECHER<br>Cylinder head gasket<br>1,2 MM                                 |        | X   |       |
| (17) | 958 104 173 61 | 3 LOECHER<br>No longer use the part here<br>Cylinder head gasket<br>1,2 MM  |        | X   |       |
| 18   | 955 104 181 00 | Socket head bolt<br>M 12 X 1,5 X 159,5                                      |        | 20  |       |
| 19   | WHT 002 287 B  | O-ring<br>5,6 X 2   |        | 1   |       |
| 20   | 955 606 221 00 | Temperature sensor  |        | 1   |       |
| 21   | 955 110 050 11 | Vacuum pump   |        | 1   |       |
| 22   | WHT 001 801    | O-ring<br>63 X 2,5  |        | 1   |       |
| 23   | 955 110 117 00 | O-ring<br>4,7 X 1,5   |        | 1   |       |
| 24   | N 101 243 06   | Oval hexagon socket head bolt<br>M 6 X 20                                   |        | 2   |       |
| 25   | 958 101 147 70 | Seal  |        | 4   |       |

Model: 92A 11

Model life 2011>>2018



Model: 92A 11 Model life 2011>>2018

| Pos  | Part Number    | Description                                  | Remark         | Qty | Model                               |
|------|----------------|--|----------------|-----|-------------------------------------|
|      |                | Valve cover                                  |                |     | 4802,4852,<br>CFTB,CFT,<br>CYXA,CYX |
| 1    | 948 105 135 21 | Valve cover                                  | Cylinders 1-4  | 1   |                                     |
|      |                | also use:                                    | 999 073 905 31 | 10  |                                     |
|      |                |  | 999 073 908 31 | 3   |                                     |
|      |                |  | 000 043 305 33 | X   |                                     |
| (1)  | 948 105 135 22 | Discontinued part<br>Valve cover             | Cylinders 1-4  | 1   |                                     |
|      |                | also use:                                    | 999 073 905 31 | 10  |                                     |
|      |                |  | 999 073 908 31 | 3   |                                     |
|      |                |  | 000 043 305 33 | X   |                                     |
| 2    | 948 105 136 22 | Valve cover                                  | Cylinder 5-8   | 1   |                                     |
|      |                | also use:                                    | 999 073 905 31 | 13  |                                     |
|      |                |  | 000 043 305 33 | X   |                                     |
| (2)  | 948 105 136 23 | Discontinued part<br>Valve cover             | Cylinder 5-8   | 1   |                                     |
|      |                | also use:                                    | 999 073 905 31 | 13  |                                     |
|      |                |  | 000 043 305 33 | X   |                                     |
| 3    | 948 105 935 01 | Seal   | Cylinders 1-4  | 1   |                                     |
|      |                | also use:                                    | 000 043 305 33 | X   |                                     |
| 4    | 948 105 936 01 | Seal   | Cylinder 5-8   | 1   |                                     |
|      |                | also use:                                    | 000 043 305 33 | X   |                                     |
| 5    | 948 105 937 02 | Seal   | inner          | 8   |                                     |
|      |                | also use:                                    | 000 043 305 33 | X   |                                     |
| 6    | 948 105 938 00 | Seal<br>throttle control element<br>Camshaft |                | 2   |                                     |
|      |                | also use:                                    | 000 043 305 33 | X   |                                     |
| 7    | 948 606 106 00 | Hall sensor                                  |                | 2   |                                     |
| 8    | 999 707 404 40 | O-ring<br>17,05 X 1,78                       |                | 2   |                                     |
| 9    | 999 073 903 31 | fillister hd. bolt<br>M 6 X 20               |                | 2   |                                     |
| 10   | 955 104 485 00 | End cap                                      |                | 1   |                                     |
| 11   | 999 073 905 31 | fillister hd. bolt<br>aluminium<br>M 6 X 30  |                | 23  |                                     |
| 12   | 999 073 908 31 | fillister hd. bolt<br>aluminium<br>M 8 X 35  |                | 3   |                                     |
| 13   | 948 104 305 20 | Transportation shackle<br>D >> - MJ 2014     |                | 1   |                                     |
| (13) | 948 104 305 21 | Transportation shackle<br>D - MJ 2015>>      |                | 1   |                                     |
| 14   | 948 104 306 20 | Transportation shackle<br>D >> - MJ 2014     |                | 1   |                                     |
| (14) | 948 104 306 21 | Transportation shackle<br>D - MJ 2015>>      |                | 1   |                                     |
| 15   | 900 385 042 01 | Torx screw<br>M 8 X 35                       |                | 4   |                                     |
| 16   | 948 607 241 00 | Cover cap                                    |                | 2   |                                     |
| 17   | 993 110 530 01 | Grommet                                      |                | 1   |                                     |
| 18   | 997 606 213 00 | Temperature sensor                           |                | 1   |                                     |
| 19   | 999 504 084 01 | Engine bay<br>threaded insert                |                | X   |                                     |

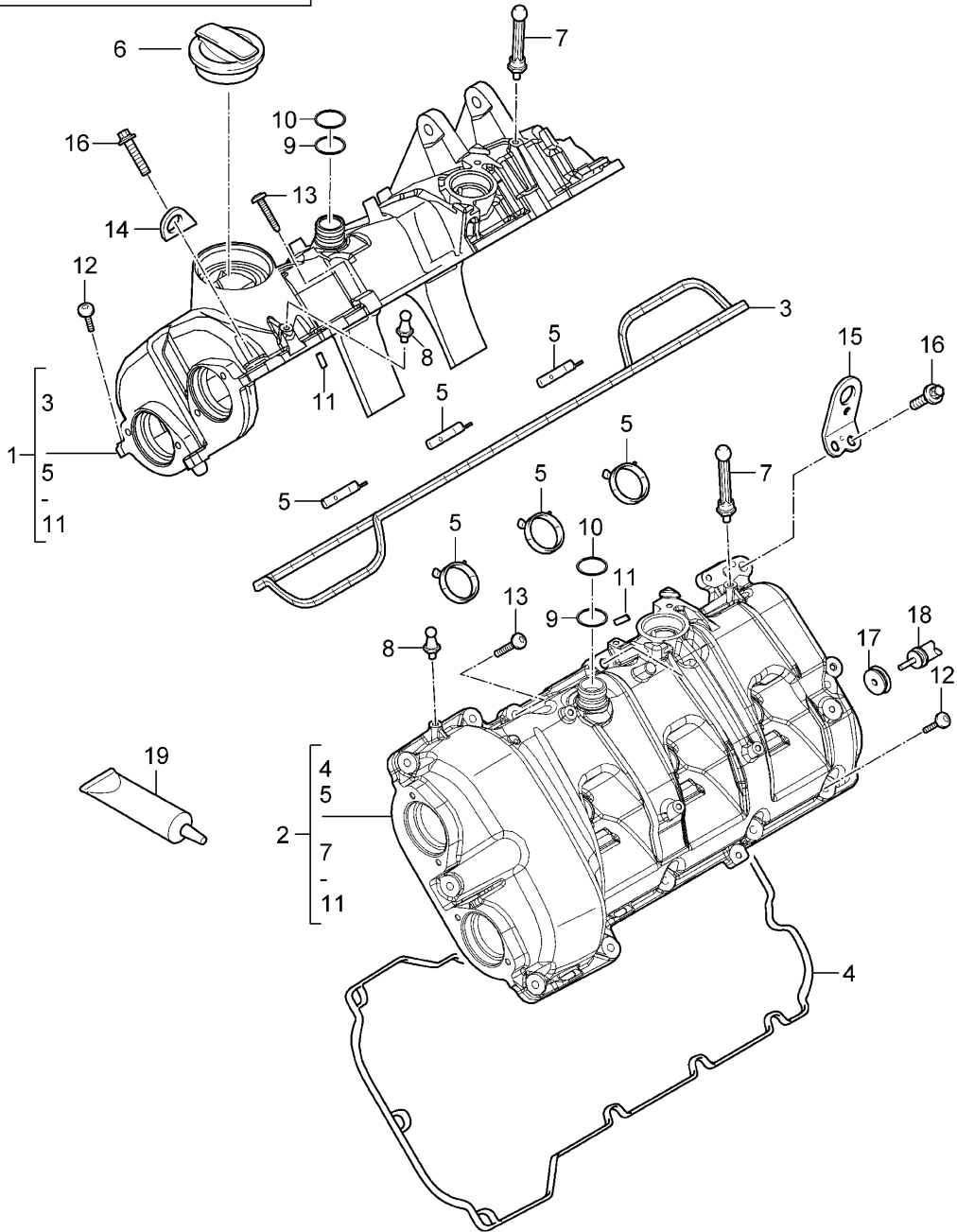
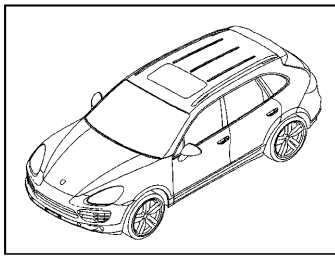
Model: 92A 11

Model life 2011>>2018

| Pos | Part Number    | Description  | Remark | Qty | Model |
|-----|----------------|--|--------|-----|-------|
| 20  | 000 043 305 33 | M 6 X 12<br>for<br>Thread repair<br>Ignition coil<br>Valve cover<br>Magnesium<br>sealant<br>1 tube<br>75 ML<br>for<br>Valve cover<br>Cylinder head<br>Cover for timing chain |        | X   |       |

Model: 92A 11

Model life 2011>>2018



Model: 92A 11 Model life 2011>>2018

| Pos | Part Number    | Description                                 | Remark         | Qty | Model                |
|-----|----------------|---|----------------|-----|----------------------|
| 1   | 946 105 135 45 | Valve cover                                 |                | 1   | CURA, CUR, CXZA, CXZ |
|     |                | Valve cover                                 | cylinders 1-3  |     |                      |
|     |                | also use:                                   | 999 073 905 31 | 8   |                      |
|     |                |   | 999 073 908 31 | 4   |                      |
|     |                |   | 000 043 305 33 | 1   |                      |
| 2   | 946 105 136 65 | Valve cover                                 |                | 1   |                      |
|     |                | Valve cover                                 | cylinders 4-6  |     |                      |
|     |                | also use:                                   | 999 073 905 31 | 9   |                      |
|     |                |   | 999 073 908 31 | 3   |                      |
|     |                |   | 000 043 305 33 | 1   |                      |
| (2) | 946 105 136 66 | D >> - MJ 2016<br>Valve cover               |                | 1   |                      |
|     |                | Valve cover                                 | cylinders 4-6  |     |                      |
|     |                | also use:                                   | 999 073 905 31 | 9   |                      |
|     |                |   | 999 073 908 31 | 3   |                      |
|     |                |   | 000 043 305 33 | 1   |                      |
| 3   | 946 105 935 65 | D - MJ 2017>><br>Seal                       |                | 1   |                      |
|     |                | Seal  | cylinders 1-3  |     |                      |
|     |                | also use:                                   | 999 073 905 31 | 8   |                      |
|     |                |   | 999 073 908 31 | 4   |                      |
|     |                |   | 946 105 937 65 | 3   |                      |
|     |                |   | 000 043 305 33 | 1   |                      |
| 4   | 946 105 936 65 | Seal  |                | 1   |                      |
|     |                | Seal  | cylinders 4-6  |     |                      |
|     |                | also use:                                   | 999 073 905 31 | 9   |                      |
|     |                |   | 999 073 908 31 | 3   |                      |
|     |                |   | 946 105 937 65 | 3   |                      |
|     |                |   | 000 043 305 33 | 1   |                      |
| 5   | 946 105 937 65 | Seal  | inner          | 3   |                      |
|     |                | Seal  | cylinders 1-3  |     |                      |
|     |                | also use:                                   | 999 073 905 31 | 8   |                      |
|     |                |   | 999 073 908 31 | 4   |                      |
|     |                |   | 946 105 935 65 | 1   |                      |
|     |                |   | 000 043 305 33 | 1   |                      |
| (5) | 946 105 937 65 | Seal  | inner          | 3   |                      |
|     |                | Seal  | cylinders 4-6  |     |                      |
|     |                | also use:                                   | 999 073 905 31 | 9   |                      |
|     |                |   | 999 073 908 31 | 3   |                      |
|     |                |   | 946 105 936 65 | 1   |                      |
|     |                |   | 000 043 305 33 | 1   |                      |
| 6   | 958 104 485 10 | End cap                                     |                | 1   |                      |
| 7   | 999 167 056 90 | Ball pin<br>15                              |                | 2   |                      |
| 8   | 999 167 055 90 | Ball pin<br>10                              |                | 2   |                      |
| 9   | 999 707 677 41 | O-ring<br>22,5 X 2,5                        |                | 2   |                      |
| 10  | 999 707 677 40 | O-ring<br>22,5 X 2,5                        |                | 2   |                      |
| 11  | 900 302 056 00 | Cylinder pin<br>4 X 16                      |                | 4   |                      |
| 12  | 999 073 905 31 | fillister hd. bolt<br>aluminium<br>M 6 X 30 |                | 17  |                      |
| 13  | 999 073 908 31 | fillister hd. bolt<br>aluminium<br>M 8 X 35 |                | 7   |                      |
| 14  | 948 104 305 21 | Transportation shackle                      |                | 1   |                      |
| 15  | 946 104 306 00 | Transportation shackle                      |                | 1   |                      |
| 16  | 900 385 042 01 | Torx screw                                  |                | 4   |                      |



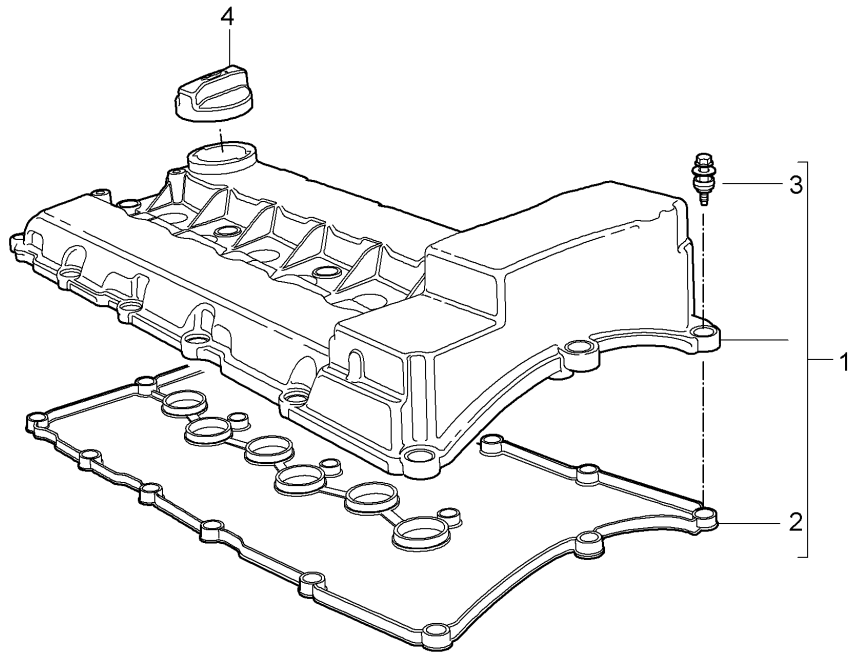
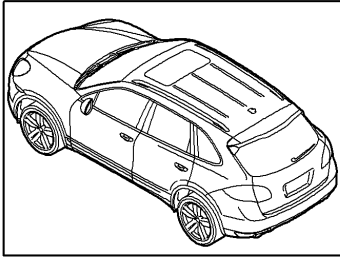
Model: 92A 11

Model life 2011&gt;&gt;2018

| Pos | Part Number    | Description   | Remark | Qty | Model |
|-----|----------------|---|--------|-----|-------|
| 17  | 993 110 530 01 | M 8 X 35<br>Grommet   |        | 1   |       |
| 18  | 997 606 213 00 | Temperature sensor  |        | 1   |       |
| 19  | 000 043 305 33 | Temperature sensor<br>Engine bay<br>sealant<br>1 tube<br>75 ML<br>for<br>Valve cover<br>Cylinder head<br>Cover for timing chain |        | X   |       |

Model: 92A 11

Model life 2011>>2018



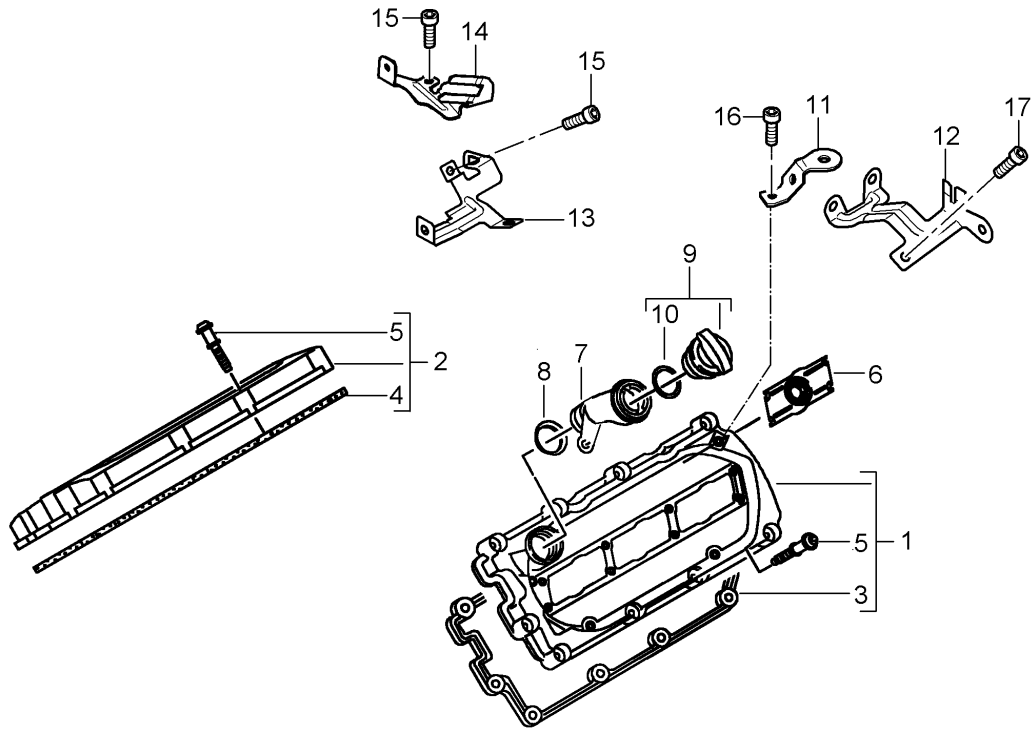
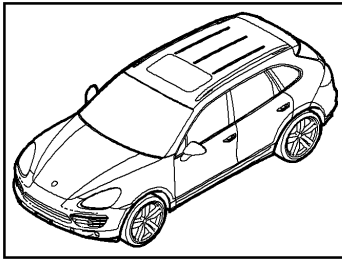
Model: 92A 11

Model life 2011>>2018

| Pos | Part Number    | Description                                     | Remark | Qty | Model     |
|-----|----------------|---|--------|-----|-----------|
| 1   | 955 105 135 01 | Valve cover<br>Valve cover<br>Discontinued part |        | 1   | 5502,CEYA |
| (1) | 958 105 135 30 | Valve cover<br>No longer use the part here      |        | 1   |           |
| (1) | 958 105 135 31 | Valve cover                                     |        | 1   |           |
| 2   | 955 105 231 00 | Seal<br>No longer use the part here             |        | 1   |           |
| (2) | 955 105 231 01 | Seal  |        | 1   |           |
| 3   | 955 105 343 00 | Hexagon bolt                                    |        | 17  |           |
|     |                | with:   |        |     |           |
| 4   | 955 104 485 00 | guide sleeve<br>End cap                         |        | 1   |           |

Model: 92A 11

Model life 2011>>2018



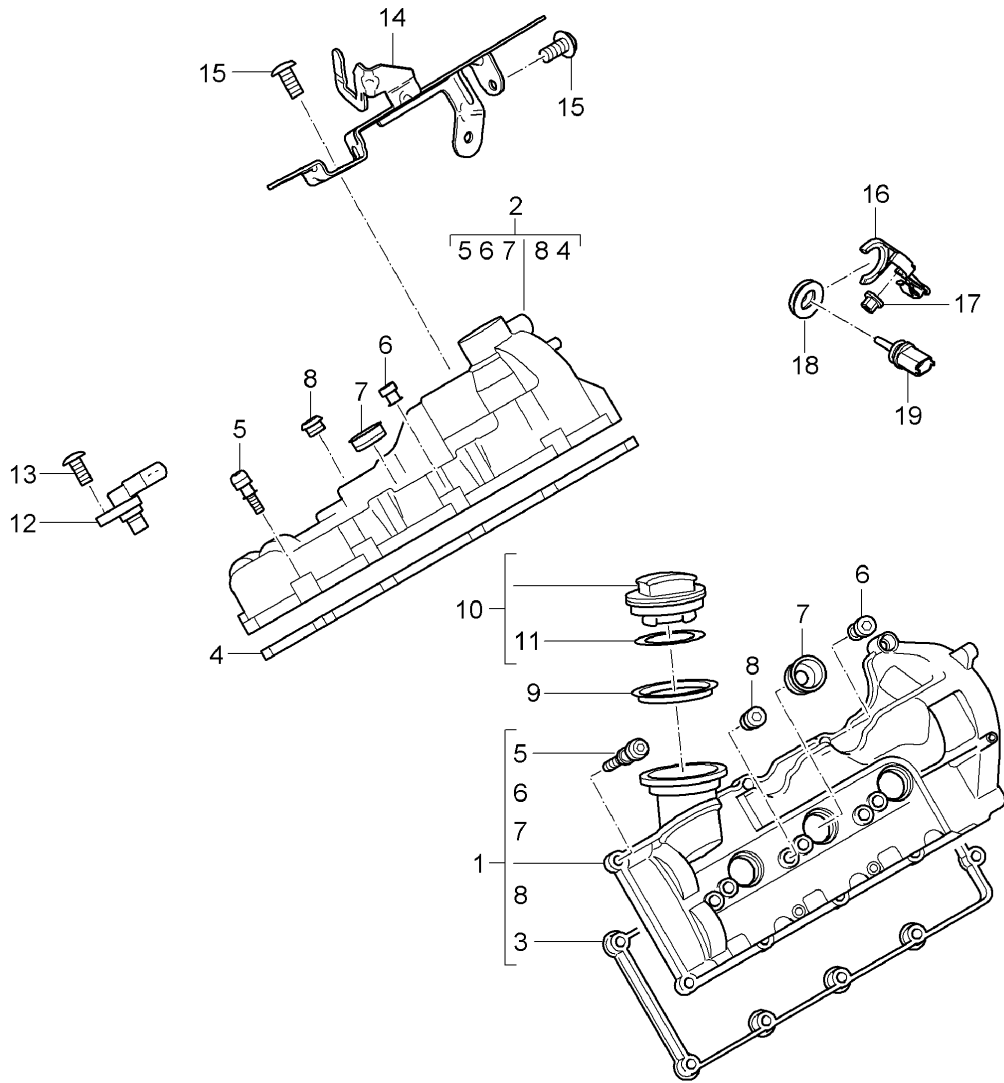
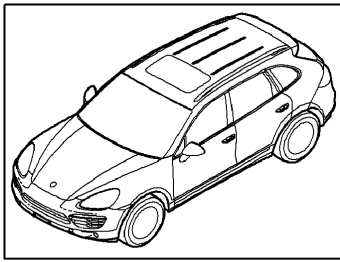
Model: 92A 11

Model life 2011>>2018

| Pos  | Part Number    | Description  | Remark     | Qty | Model |
|------|----------------|--|------------|-----|-------|
| 1    | 955 105 135 11 | Valve cover<br>Valve cover<br>Cyl. 4 - 6                 |            | 1   | 059E  |
| 2    | 955 105 136 11 | Valve cover<br>Cyl. 1 - 3                                |            | 1   |       |
| 3    | 955 105 231 10 | Seal<br>Cyl. 4 - 6                                       |            | 1   |       |
| 4    | 955 105 232 10 | Seal<br>Cyl. 1 - 3                                       |            | 1   |       |
| 5    | 955 105 343 10 | flat round head bolt                                     |            | 18  |       |
|      |                | with:  |            |     |       |
| 6    |                | guide sleeve<br>End cap<br>see illustration, item:       | 107-035,11 | 6   |       |
| 7    | 955 107 115 00 | fuel filler neck<br>engine oil                           |            | 1   |       |
| 8    | 955 107 287 00 | seal ring  |            | 1   |       |
| 9    | 958 104 485 00 | End cap<br>No longer use the part here                   |            | 1   |       |
| (9)  | 958 104 485 10 | End cap  |            | 1   |       |
| 10   | 955 107 336 00 | Seal<br>No longer use the part here                      |            | 1   |       |
| (10) | 958 104 536 00 | Seal   |            | 1   |       |
| 11   | 955 606 845 00 | Bracket  |            | 1   |       |
| 12   | 955 606 846 00 | Bracket  |            | 1   |       |
| 13   | 955 606 502 00 | Bracket  |            | 1   |       |
| 14   | 958 606 545 00 | Bracket  |            | 1   |       |
| 15   | N 103 352 06   | Hexagon socket flat<br>head bolt<br>M 6 X 12             |            | 2   |       |
| 16   | N 101 703 02   | round hd. screw<br>M 6 X 10                              |            | 1   |       |
| 17   | N 103 469 04   | Hexagon socket head<br>collared bolt (combi)<br>M 6 X 12 |            | 1   |       |

Model: 92A 11

Model life 2011>>2018

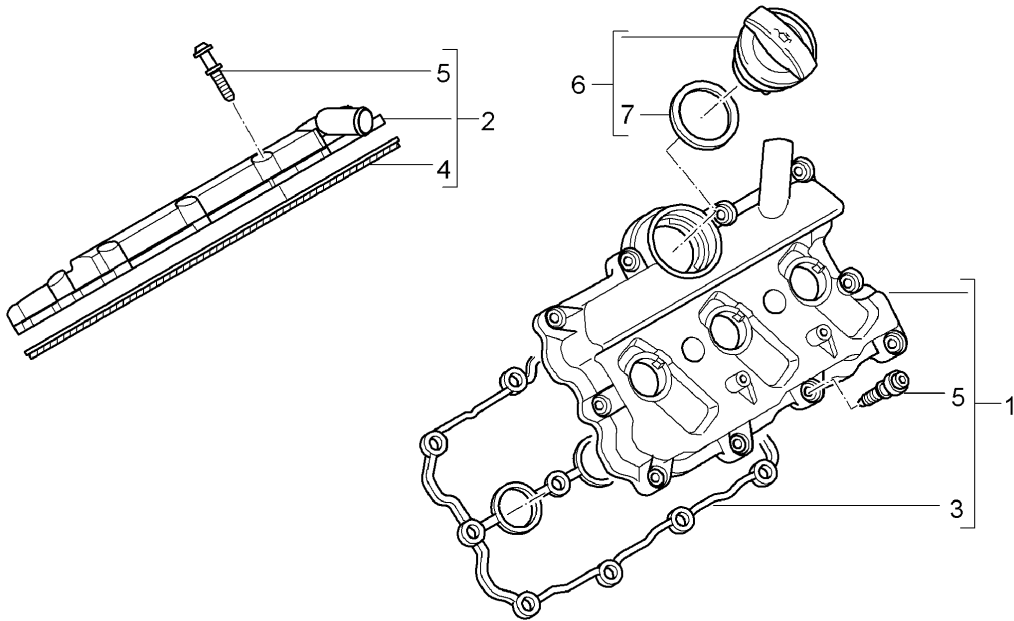
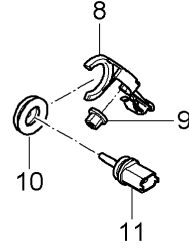
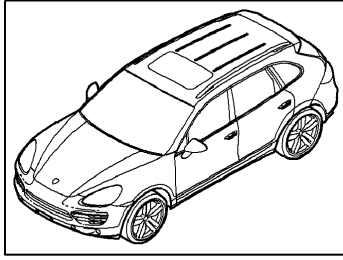


Model: 92A 11 Model life 2011>>2018

| Pos  | Part Number    | Description  | Remark        | Qty | Model                                    |
|------|----------------|--|---------------|-----|--|
|      |                | Valve cover  |               |     | CRCA, CRCB,<br>CNRB, CVVA,<br>CVVB, CVVC |
| 1    | 958 105 135 10 | Valve cover  | cylinders 4-6 | 1   |  |
| (1)  | 958 105 135 11 | Discontinued part<br>Valve cover   | cylinders 4-6 | 1   |  |
| 2    | 958 105 136 10 | Valve cover  | cylinders 1-3 | 1   |  |
| (2)  | 958 105 136 11 | Discontinued part<br>Valve cover   | cylinders 1-3 | 1   |  |
| 3    | 958 105 231 10 | Seal   | cylinders 4-6 | 1   |  |
| 4    | 958 105 232 10 | Seal   | cylinders 1-3 | 1   |  |
| 5    | 958 105 343 00 | Securing element   |               | 14  |  |
| (5)  | 958 105 343 01 | Discontinued part<br>Securing element  |               | 14  |  |
| 6    | 958 105 343 10 | Securing element   |               | 4   |  |
| 7    | 958 105 585 00 | Shaft oil seal   |               | 6   |  |
| 8    | 958 105 631 00 | 37 X 13<br>Grommet   |               | 12  |  |
| 9    | 958 107 287 00 | seal ring  |               | 1   |  |
| 10   | 958 104 485 00 | End cap  |               | 1   |  |
| (10) | 958 104 485 10 | No longer use the part here<br>End cap   |               | 1   |  |
| 11   | 955 107 336 00 | Seal   |               | 1   |  |
| (11) | 958 104 536 00 | No longer use the part here<br>Seal  |               | 1   |  |
| 12   | 958 606 106 00 | impulse sender   |               | 1   |  |
| (12) | 958 606 106 01 | Discontinued part<br>impulse sender  |               | 1   |  |
| 13   | N 104 056 04   | Oval hexagon socket head bolt  |               | 1   |  |
| 14   | 958 606 845 10 | M 6 X 14<br>Bracket  |               | 1   |  |
| 15   | N 103 352 06   | Wire set<br>Hexagon socket flat<br>head bolt                                     |               | 2   |  |
| 16   | 958 606 114 50 | M 6 X 12<br>Bracket  |               | 1   |  |
| 17   | N 904 953 01   | Temperature sensor<br>Engine bay<br>D - MJ 2015>><br>Hexagon nut                 |               | 1   |  |
| 18   | 958 606 530 00 | D5 X 16,5 X 11<br>D - MJ 2015>><br>Grommet                                       |               | 1   |  |
| (18) | 993 110 530 01 | Temperature sensor<br>D - MJ 2015>><br>No longer use the part here<br>Grommet    |               | 1   |  |
| 19   | 958 606 213 00 | Temperature sensor<br>Engine bay<br>D - MJ 2015>>                                |               | 1   |  |
| (19) | 997 606 213 00 | No longer use the part here<br>Temperature sensor<br>Engine bay<br>D - MJ 2015>> |               | 1   |  |

Model: 92A 11

Model life 2011>>2018



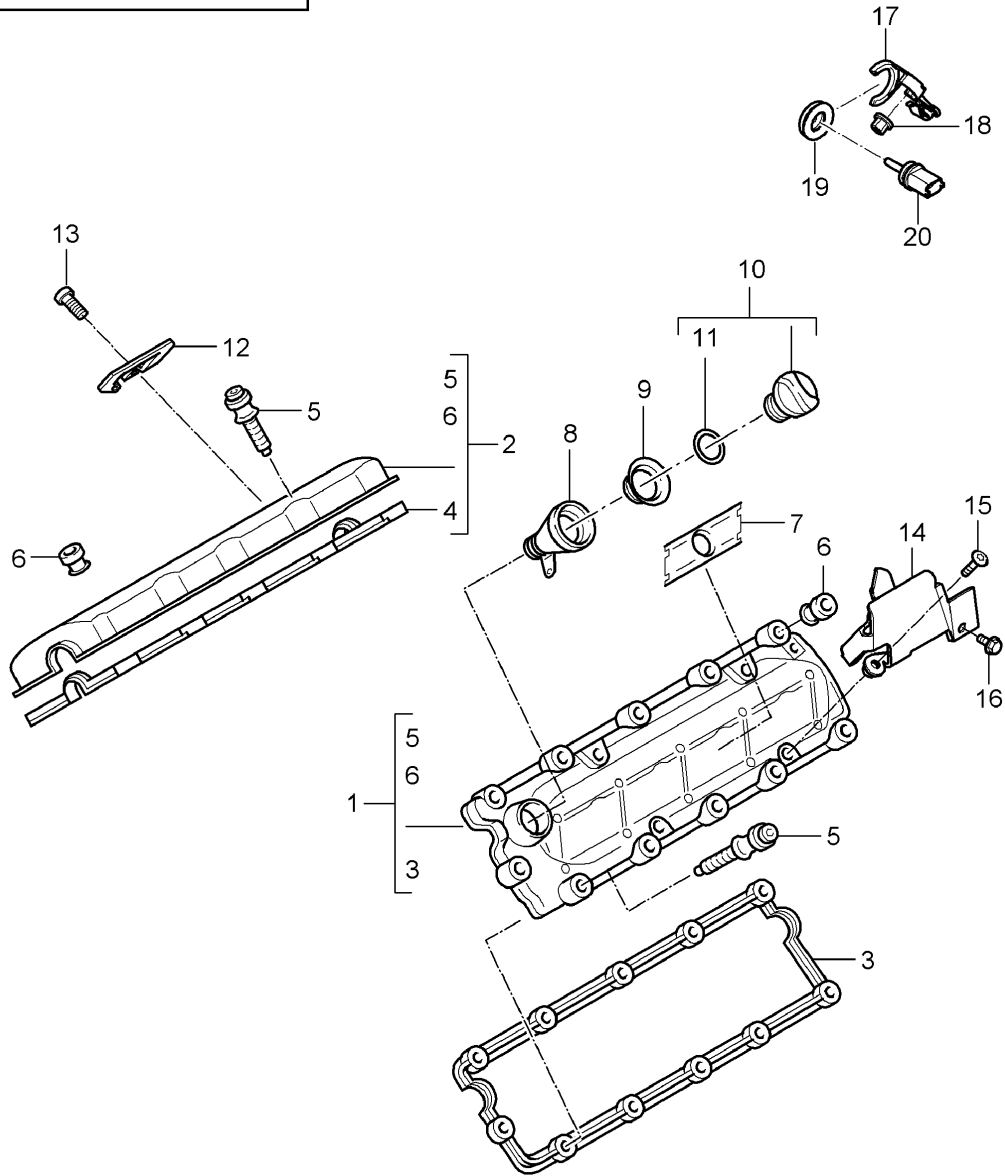
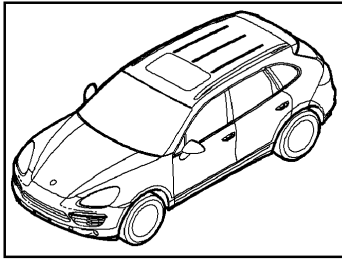


Model: 92A 11 Model life 2011>>2018

| Pos  | Part Number    | Description  | Remark        | Qty | Model                      |
|------|----------------|--|---------------|-----|----------------------------|
|      |                | Valve cover  |               |     | 06EC, CGEA, CGE, CGFA, CJT |
| 1    | 958 105 135 00 | Valve cover<br>Cyl. 4 - 6  | cylinders 4-6 | 1   |                            |
| 2    | 958 105 136 00 | Valve cover<br>Cyl. 1 - 3  | cylinders 1-3 | 1   |                            |
| 3    | 958 105 231 00 | Seal<br>Cyl. 4 - 6   | cylinders 4-6 | 1   |                            |
| (3)  | 958 105 231 01 | Discontinued part<br>Seal<br>Cyl. 4 - 6  | cylinders 4-6 | 1   |                            |
| 4    | 958 105 232 00 | Seal<br>Cyl. 1 - 3   | cylinders 1-3 | 1   |                            |
| (4)  | 958 105 232 01 | Discontinued part<br>Seal<br>Cyl. 1 - 3  | cylinders 1-3 | 1   |                            |
| 5    | 955 105 343 10 | flat round head bolt   |               | 24  |                            |
|      |                | with:<br>guide sleeve  |               |     |                            |
| 6    | 958 104 485 00 | End cap<br>No longer use the part here   |               | 1   |                            |
| (6)  | 958 104 485 10 | End cap  |               | 1   |                            |
| 7    | 955 107 336 00 | Seal<br>No longer use the part here  |               | 1   |                            |
| (7)  | 958 104 536 00 | Seal   |               | 1   |                            |
| 8    | 958 606 114 50 | Bracket<br>Temperature sensor<br>Engine bay<br>D - MJ 2015>>                     |               | 1   | CGEA, CGE, CGFA            |
| 9    | N 904 953 01   | Hexagon nut<br>D5 X 16,5 X 11<br>D - MJ 2015>>                                   |               | 1   | CGEA, CGE, CGFA            |
| 10   | 958 606 530 00 | Grommet<br>Temperature sensor<br>D - MJ 2015>><br>No longer use the part here    |               | 1   | CGEA, CGE, CGFA            |
| (10) | 993 110 530 01 | Grommet<br>Temperature sensor<br>D - MJ 2015>>                                   |               | 1   | CGEA, CGE, CGFA            |
| 11   | 958 606 213 00 | Temperature sensor<br>Engine bay<br>D - MJ 2015>><br>No longer use the part here |               | 1   | CGEA, CGE, CGFA            |
| (11) | 997 606 213 00 | Temperature sensor<br>Engine bay<br>D - MJ 2015>>                                |               | 1   | CGEA, CGE, CGFA            |

Model: 92A 11

Model life 2011>>2018

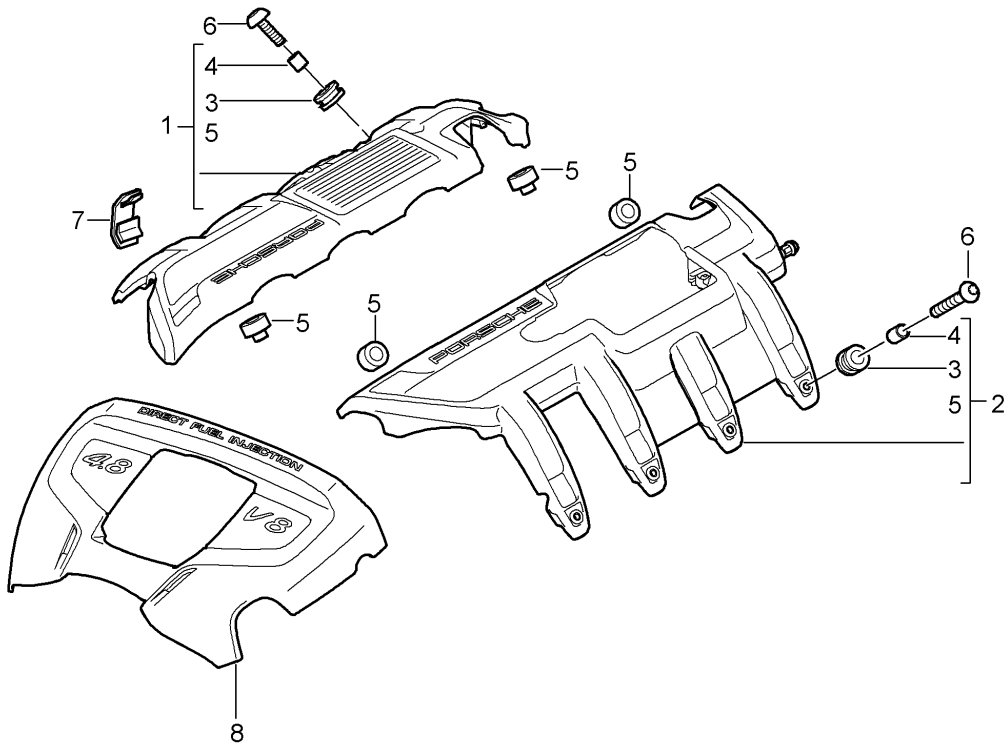
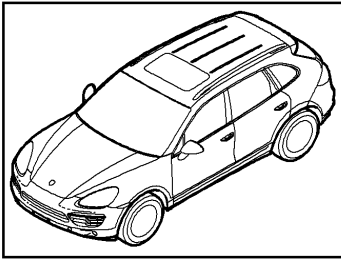


Model: 92A 11 Model life 2011>>2018

| Pos  | Part Number    | Description                   | Remark        | Qty | Model      |
|------|----------------|-------------------------------|---------------|-----|------------|
| 1    | 958 105 135 20 | Valve cover<br>Valve cover    | Cylinder 5-8  | 1   | CUDB, CUDC |
| 2    | 958 105 136 20 | Valve cover                   | Cylinders 1-4 | 1   |            |
| 3    | 958 105 231 20 | Seal                          | Cylinder 5-8  | 1   |            |
| 4    | 958 105 232 20 | Seal                          | Cylinders 1-4 | 1   |            |
| 5    | 955 105 343 10 | flat round head bolt          |               | 22  |            |
|      |                | with:                         |               |     |            |
| 6    | 958 105 343 10 | guide sleeve                  |               | 4   |            |
| 7    |                | Securing element              |               | 8   |            |
|      |                | End cap                       |               |     |            |
|      |                | see illustration, item:       | 107-042,11    |     |            |
| 8    | 958 107 115 00 | fuel filler neck              |               | 1   |            |
| 9    | 958 107 287 00 | engine oil                    |               | 1   |            |
| 10   | 958 104 485 10 | seal ring                     |               | 1   |            |
| 11   | 958 104 536 00 | End cap                       |               | 1   |            |
| 12   | 958 606 845 30 | Seal                          |               | 1   |            |
| 13   | N 103 352 06   | Bracket                       |               | 1   |            |
|      |                | Hexagon socket flat           |               |     |            |
|      |                | head bolt                     |               |     |            |
|      |                | M 6 X 12                      |               |     |            |
| 14   | 958 110 729 00 | Cover                         |               | 1   |            |
|      |                | D >> - MJ 2016                |               |     |            |
| (14) | 958 110 729 01 | Cover                         |               | 1   |            |
|      |                | D - MJ 2017>>                 |               |     |            |
| 15   | N 106 610 02   | Hex socket oval head collared |               | 1   |            |
|      |                | M 6 X 20                      |               |     |            |
| 16   | N 010 287 12   | Hexagon bolt                  |               | 1   |            |
|      |                | M 6 X 16                      |               |     |            |
| 17   | 958 606 114 50 | Bracket                       |               | 1   | CUDC       |
|      |                | Temperature sensor            |               |     |            |
|      |                | Engine bay                    |               |     |            |
| 18   | N 904 953 01   | Hexagon nut                   |               | 1   | CUDC       |
|      |                | D5 X 16,5 X 11                |               |     |            |
| 19   | 958 606 530 00 | Grommet                       |               | 1   | CUDC       |
|      |                | Temperature sensor            |               |     |            |
|      |                | No longer use the part here   |               |     |            |
| (19) | 993 110 530 01 | Grommet                       |               | 1   | CUDC       |
|      |                | Temperature sensor            |               |     |            |
| 20   | 958 606 213 00 | Temperature sensor            |               | 1   | CUDC       |
|      |                | Engine bay                    |               |     |            |
|      |                | No longer use the part here   |               |     |            |
| (20) | 997 606 213 00 | Temperature sensor            |               | 1   | CUDC       |
|      |                | Engine bay                    |               |     |            |

Model: 92A 11

Model life 2011>>2018



Model: 92A 11

Model life 2011>>2018

| Pos | Part Number    | Description  | Remark      | Qty | Model  |
|-----|----------------|--|-------------|-----|--|
| 1   | 7PP 103 908    | Engine cover<br>Cover<br>Ignition coil<br>Cylinders 1 - 4  |             | 1   | 4802,4852,<br>CFTB,CFT,<br>CYXA,CYX<br>PR:-7MG,E0A |
| (1) | 7PP 103 908 B  | without:<br>Secondary pump<br>No longer use the part here<br>Cover<br>Ignition coil<br>Cylinders 1 - 4                   |             | 1   | PR:-7MG,<br>-7MJ,E0A                               |
| (1) | 7PP 103 908 C  | without:<br>Secondary pump<br>also use:<br>Cap closure<br>Discontinued part<br>Cover<br>Ignition coil<br>Cylinders 1 - 4 | 7PP 972 487 | 1   | PR:-7MG,<br>-7MJ,E0A                               |
| (1) | 7PP 103 908 C  | without:<br>Secondary pump<br>also use:<br>Cap closure<br>Cover<br>Ignition coil<br>Cylinders 1 - 4                      | 7PP 972 487 | 1   | CFTB,CFT+<br>PR:-7MG,<br>-7MJ,-7MM                 |
| (1) | 958 110 058 00 | also use:<br>Cap closure<br>Cover<br>Ignition coil<br>Cylinders 1 - 4  | 7PP 972 487 | 1   | PR:7MG,7MJ,<br>E0A                                 |
| (1) | 958 110 058 01 | with:<br>Secondary pump<br>Discontinued part<br>Cover<br>Ignition coil<br>Cylinders 1 - 4                                |             | 1   | CFTB,CFT+<br>PR:7MG,7MJ,<br>7MM                    |
| (1) | 7PP 103 908 A  | with:<br>Secondary pump<br>Cover<br>Ignition coil<br>Cylinders 1 - 4   |             | 1   | 4852+<br>PR:E81,E8A,<br>-7MG,-7MJ                  |
| (1) | 7PP 103 908 D  | without:<br>Secondary pump<br>also use:<br>Cap closure<br>Cover<br>Ignition coil<br>Cylinders 1 - 4                      | 7PP 972 487 | 1   | CYXA,CYX+<br>PR:-7MG,<br>-7MJ,-7MM                 |
| (1) | 958 110 058 10 | without:<br>Secondary pump<br>also use:<br>Cap closure<br>Cover<br>Ignition coil<br>Cylinders 1 - 4                      | 7PP 972 487 | 1   | 4852+<br>PR:E81,E8A,<br>7MG,7MJ                    |
| (1) | 958 110 058 11 | with:<br>Secondary pump<br>Discontinued part<br>Cover  |             | 1   | 4852+  |

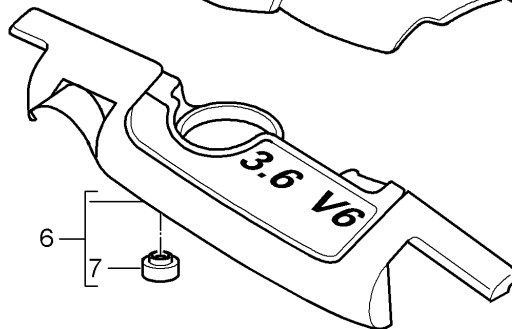
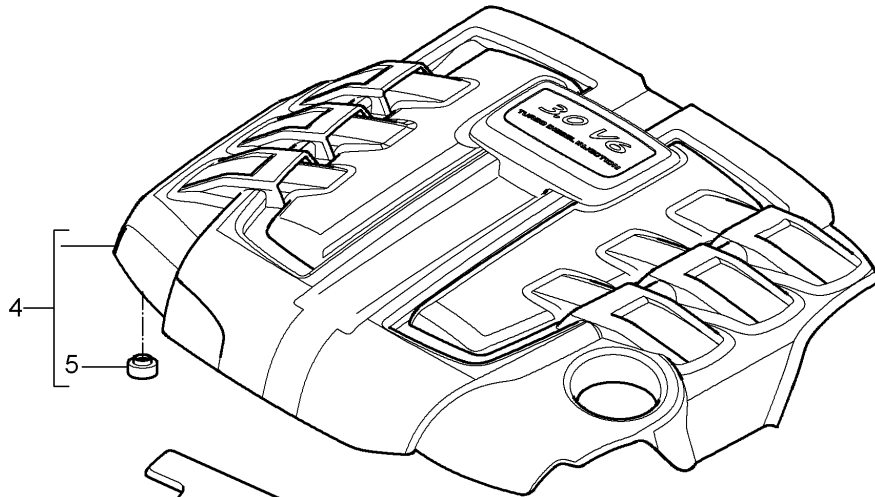
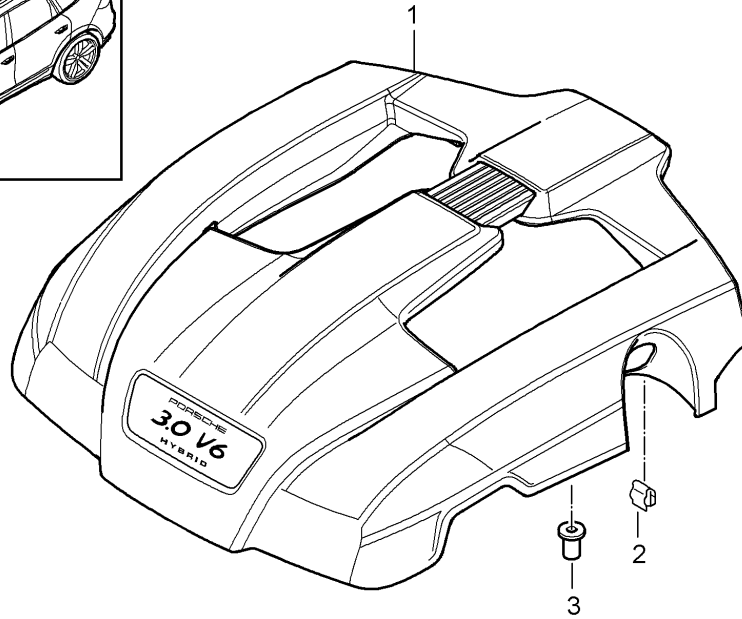
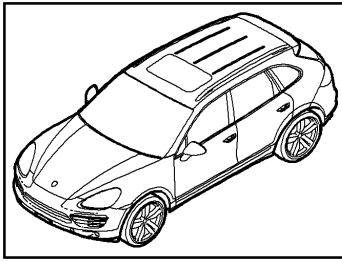
Model: 92A 11

Model life 2011>>2018

| Pos | Part Number    | Description   | Remark   | Qty | Model                           |
|-----|----------------|---|----------|-----|---------------------------------|
|     |                | Ignition coil<br>Cylinders 1 - 4                                |          |     | PR:E81,E8A,<br>7MG,7MJ          |
| (1) | 958 110 058 11 | Secondary pump<br>Cover<br>Ignition coil<br>Cylinders 1 - 4     | with:    | 1   | CYXA,CYX+<br>PR:7MG,7MJ,<br>7MM |
| 2   | 7PP 103 907    | Secondary pump<br>Cover<br>Ignition coil<br>Cylinders 5 - 8     | with:    | 1   | PR:E0A                          |
| (2) | 7PP 103 907 B  | D >> - MJ 2014<br>Cover<br>Ignition coil<br>Cylinders 5 - 8     |          | 1   | PR:E0A                          |
| (2) | 7PP 103 907 A  | D - MJ 2015>><br>Cover<br>Ignition coil<br>Cylinders 5 - 8      |          | 1   | 4852+<br>PR:E81,E8A             |
| (2) | 7PP 103 907 C  | Cover<br>Ignition coil<br>Cylinders 5 - 8                       |          | 1   | CYXA,CYX                        |
| 3   | 955 110 638 00 | Grommet   |          | 8   |                                 |
| 4   | 7L5 103 825 A  | Sleeve  |          | 8   |                                 |
| 5   | 07C 103 226 A  | push-on connector   |          | 4   |                                 |
| 6   | WHT 003 425    | Torx screw<br>M 5 X 16  |          | 8   |                                 |
| 7   | 7PP 972 487    | Cap closure<br>for<br>Cover<br>Ignition coil<br>Cylinders 1 - 4 |          | 1   | PR:-7MG,<br>-7MJ,-7MM           |
|     |                | Secondary pump  | without: |     |                                 |
| 8   | 7PP 130 114    | Engine cover  |          | 1   | PR:E0A                          |
| (8) | 7PP 130 114 A  | Engine cover  |          | 1   | 4852+<br>PR:E81,E8A             |
| (8) | 7PP 130 114 A  | Engine cover  |          | 1   | CYXA,CYX                        |

Model: 92A 11

Model life 2011>>2018



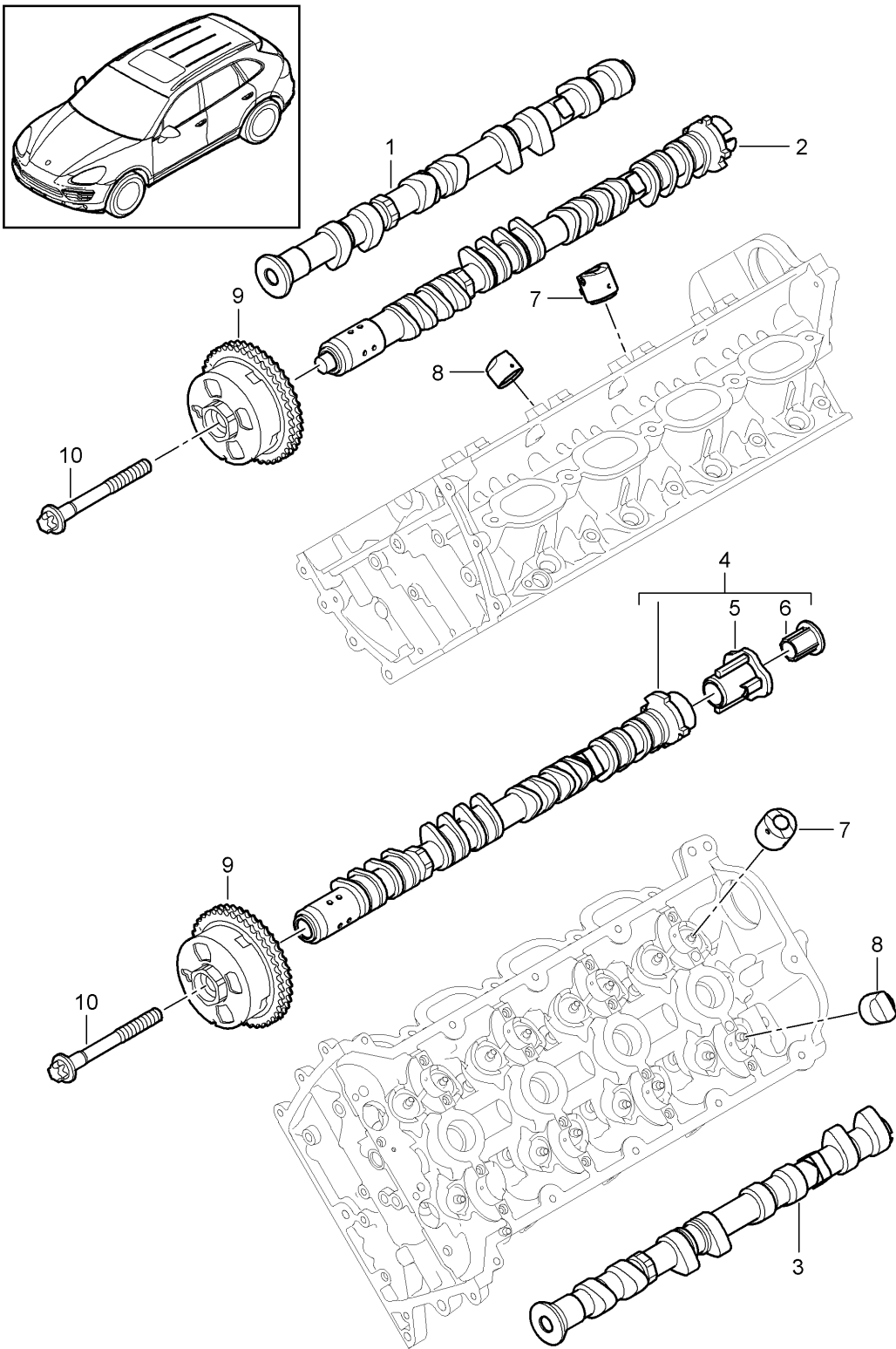
Model: 92A 11 Model life 2011>>2018

| Pos | Part Number    | Description                                 | Remark    | Qty | Model   |
|-----|----------------|---|-----------|-----|---|
|     |                | Engine cover                                |           |     | 06EC, 059E,<br>5502, CGEA,<br>CGE, CGFA,<br>CRCA, CRCB,<br>CJT, CNRB,<br>CUDB, CUDC,<br>CURA, CUR,<br>CVVA, CVVB,<br>CVVC, CXZA,<br>CXZ, CEYA |
| 1   | 958 110 213 20 | Engine cover<br>D >> - MJ 2014              |           | 1   | 06EC, CGEA,<br>CGE, CGFA+<br>PR:D19   |
| (1) | 7PP 103 925 E  | Engine cover<br>D - MJ 2015>>               |           | 1   | CGEA, CGE,<br>CGFA+<br>PR:D19   |
| (1) | 958 110 213 30 | Engine cover                                |           | 1   | 06EC, CJT+<br>PR:D11  |
| 2   | N 912 021 01   | Cable fastener<br>7,5 - 11 X 0,5            |           | 4   | 06EC, CGEA,<br>CGE, CGFA, CJT   |
| 3   |                | Grommet<br>see illustration, item:          | 107-065,8 | 2   | 06EC, CGEA,<br>CGE, CGFA, CJT   |
| 4   | 955 110 213 40 | Engine cover                                |           | 1   | 059E  |
| (4) | 7PP 103 925 D  | Engine cover<br>Discontinued part           |           | 1   | CRCA, CRCB,<br>CNRB   |
| (4) | 7PP 103 925 F  | Engine cover                                |           | 1   | CRCA, CRCB,<br>CNRB, CVVA,<br>CVVB, CVVC  |
| (4) | 958 110 213 40 | Engine cover<br>Discontinued part           |           | 1   | CUDB  |
| (4) | 958 110 213 41 | Engine cover                                |           | 1   | CUDB, CUDC  |
| (4) | 7PP 130 114 E  | Engine cover<br>No longer use the part here |           | 1   | CURA, CUR   |
| (4) | 958 130 114 20 | Engine cover                                |           | 1   | CURA, CUR   |
| (4) | 7PP 130 114 F  | Engine cover<br>No longer use the part here |           | 1   | CXZA, CXZ   |
| (4) | 958 130 114 30 | Engine cover                                |           | 1   | CXZA, CXZ   |
| 5   | 955 110 236 20 | ball socket                                 |           | 4   | 059E, CRCA,<br>CRCB, CNRB,<br>CUDB, CUDC,<br>CVVA, CVVB,<br>CVVC  |
| (5) | 06J 103 226    | ball socket                                 | front     | 2   | CURA, CUR,<br>CXZA, CXZ   |
| (5) | 955 110 236 20 | ball socket                                 | rear      | 2   | CURA, CUR,<br>CXZA, CXZ   |
| 6   | 955 110 213 32 | Engine cover                                |           | 1   | 5502, CEYA  |
| 7   | 955 110 236 10 | ball socket                                 |           | 5   | 5502, CEYA  |



Model: 92A 11

Model life 2011>>2018

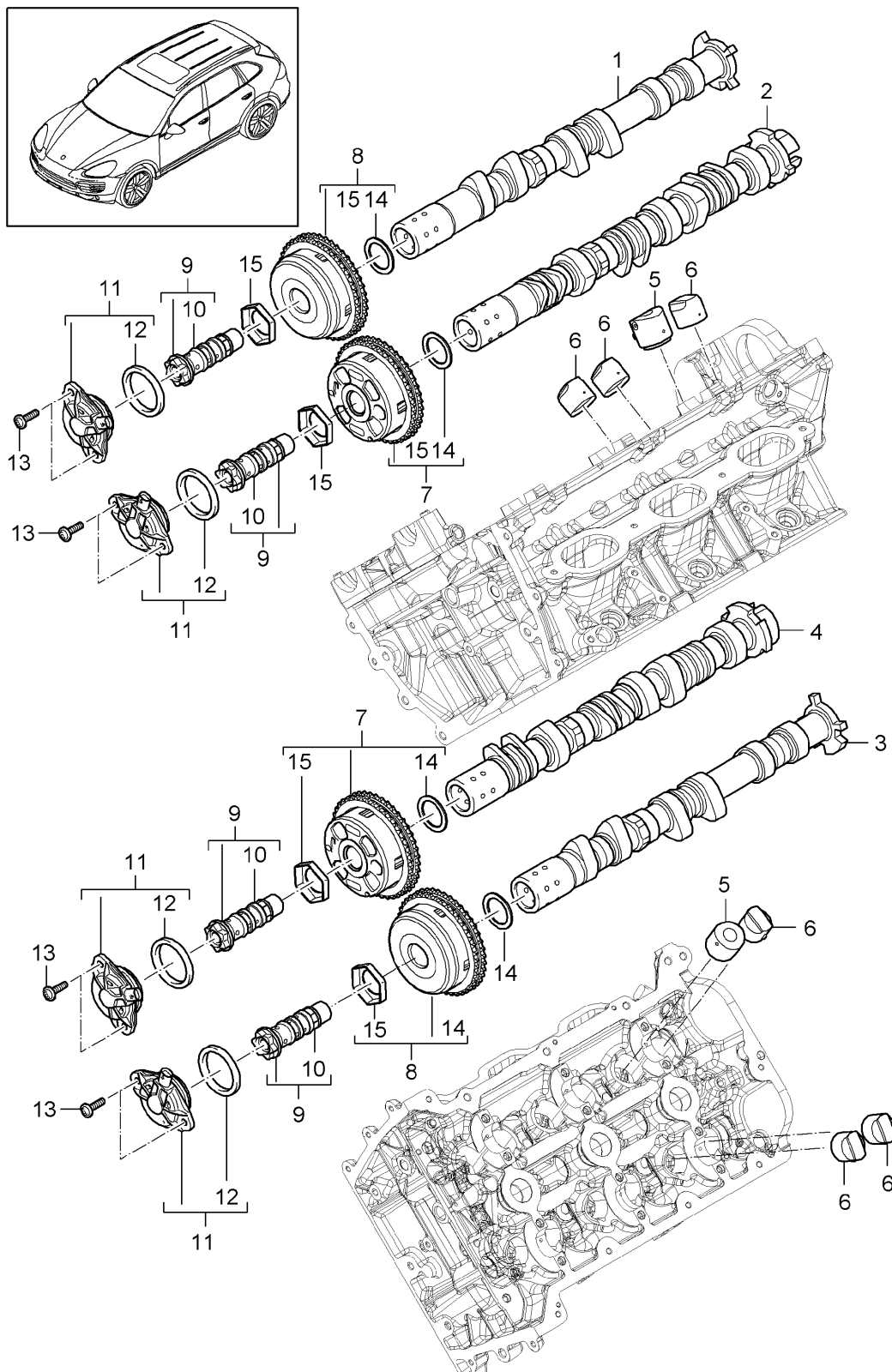


Model: 92A 11 Model life 2011>>2018

| Pos | Part Number    | Description  | Remark                  | Qty | Model                               |
|-----|----------------|--|-------------------------|-----|-------------------------------------|
|     |                | Camshaft   |                         |     | 4802,4852,<br>CFTB,CFT,<br>CYXA,CYX |
| 1   | 948 105 242 20 | Camshaft   | Outlet                  | 1   |                                     |
| (1) | 948 105 242 21 | Discontinued part<br>Camshaft                                      | Cylinders 1-4<br>Outlet | 1   | PR:-E0W                             |
| (1) | 948 105 242 30 | Camshaft   | Cylinders 1-4<br>Outlet | 1   | 4802+<br>PR:E0W                     |
| 2   | 948 105 241 20 | Camshaft   | Inlet                   | 1   | 4802                                |
| (2) | 948 105 241 21 | Discontinued part<br>Camshaft                                      | Cylinders 1-4<br>Inlet  | 1   | 4802+<br>PR:-E0W                    |
| (2) | 948 105 241 30 | Camshaft   | Cylinders 1-4<br>Inlet  | 1   | 4802+<br>PR:E0W                     |
| (2) | 948 105 241 70 | Camshaft   | Inlet                   | 1   | 4852                                |
| (2) | 948 105 241 71 | Discontinued part<br>Camshaft                                      | Cylinders 1-4<br>Inlet  | 1   | 4852,CFTB,<br>CFT,CYXA,CYX          |
| 3   | 948 105 244 20 | Camshaft   | Outlet                  | 1   |                                     |
| (3) | 948 105 244 21 | Discontinued part<br>Camshaft                                      | Cylinder 5-8<br>Outlet  | 1   | PR:-E0W                             |
| (3) | 948 105 244 30 | Camshaft   | Cylinder 5-8<br>Outlet  | 1   | 4802+<br>PR:E0W                     |
| 4   | 948 105 243 20 | Camshaft   | Inlet                   | 1   | 4802                                |
| (4) | 948 105 243 21 | Discontinued part<br>Camshaft                                      | Cylinder 5-8<br>Inlet   | 1   | 4802+<br>PR:-E0W                    |
| (4) | 948 105 243 30 | Camshaft   | Cylinder 5-8<br>Inlet   | 1   | 4802+<br>PR:E0W                     |
| (4) | 948 105 243 70 | Camshaft   | Inlet                   | 1   | 4852                                |
| (4) | 948 105 243 71 | Discontinued part<br>Camshaft                                      | Cylinder 5-8<br>Inlet   | 1   | 4852,CFTB,<br>CFT,CYXA,CYX          |
| 5   | 948 105 113 01 | Coupling<br>high pressure pump                                     |                         | 1   |                                     |
| (5) | 948 105 113 02 | Discontinued part<br>Coupling                                      |                         | 1   |                                     |
| 6   | 948 105 114 00 | high pressure pump<br>Bungs  |                         | 1   |                                     |
| 7   | 9A1 105 070 03 | Coupling<br>high pressure pump<br>Hydraulic tappet                 | Inlet                   | 16  | 4802, 1A2<br>4802, 1A5<br>4852      |
| (7) | 9A1 105 070 04 | Discontinued part<br>Hydraulic tappet                              | Inlet                   | 16  | 4802, 1A2<br>4802, 1A5<br>4852      |
| (7) | 9A1 105 070 04 | M B 08561 >><br>M V B 08562 >><br>M B 05500 >><br>Hydraulic tappet | Inlet                   | 16  | CFTB,CFT,<br>CYXA,CYX               |
| 8   | 9A1 105 071 00 | Hydraulic tappet   | Outlet                  | 16  |                                     |
| 9   | 948 105 051 21 | camshaft adjuster unit   |                         | 2   |                                     |
| (9) | 948 105 051 22 | No longer use the part here<br>camshaft adjuster unit              |                         | 2   |                                     |
| (9) | 948 105 051 23 | Discontinued part<br>camshaft adjuster unit                        |                         | 2   |                                     |
| 10  | 948 105 254 00 | Outer hexagon round screw<br>M 12 X 1,5 X 110                      |                         | 2   |                                     |

Model: 92A 11

Model life 2011>>2018

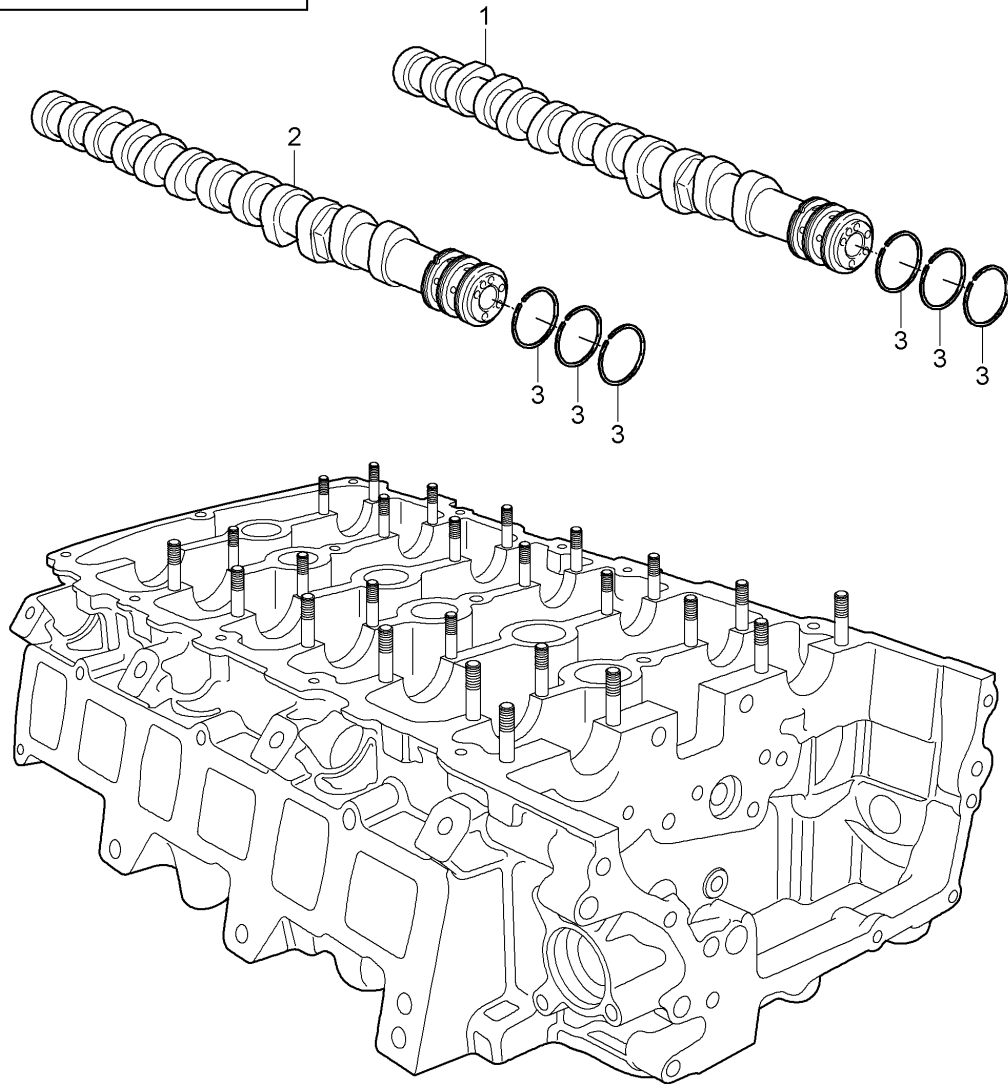
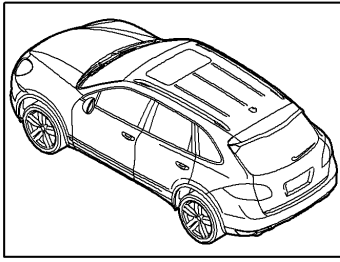


Model: 92A 11 Model life 2011>>2018

| Pos  | Part Number    | Description   | Remark                  | Qty | Model                   |
|------|----------------|---|-------------------------|-----|-------------------------|
|      |                | Camshaft  |                         |     | CURA, CUR,<br>CXZA, CXZ |
| 1    | 946 105 242 60 | Camshaft  | Outlet<br>cylinders 1-3 | 1   |                         |
| 2    | 946 105 241 60 | Camshaft  | Inlet<br>cylinders 1-3  | 1   |                         |
| 3    | 946 105 244 60 | Camshaft  | Outlet<br>cylinders 4-6 | 1   |                         |
| 4    | 946 105 243 60 | Camshaft  | Inlet<br>cylinders 4-6  | 1   |                         |
| 5    | 9A1 105 070 04 | Hydraulic tappet  |                         | 6   |                         |
| 6    | 9A1 105 071 00 | Hydraulic tappet<br>Discontinued part                               |                         | 18  |                         |
| (6)  | 9A1 105 071 01 | Hydraulic tappet  |                         | 18  |                         |
| 7    | 946 105 051 76 | camshaft adjuster unit  | Inlet                   | 2   |                         |
| 8    | 946 105 052 76 | camshaft adjuster unit  | Outlet                  | 2   |                         |
| 9    | 946 105 054 76 | Screw<br>camshaft adjuster unit<br>discontinued part                |                         | 4   |                         |
| (9)  | 946 105 054 77 | Screw<br>camshaft adjuster unit                                     |                         | 4   |                         |
| 10   | 946 105 156 76 | piston ring<br>Screw<br>Not for this model                          |                         | 4   |                         |
|      |                | Use item:   | 9                       |     |                         |
| 11   | 946 105 053 77 | No longer use the part here<br>throttle control element<br>Camshaft |                         | 4   |                         |
| (11) | 946 105 053 79 | Discontinued part<br>throttle control element<br>Camshaft           |                         | 4   |                         |
| 12   | 999 701 506 41 | seal ring   | 42X51,8X4,9             | 4   |                         |
| 13   | 999 073 103 01 | flat round head bolt  | M6X16                   | 8   |                         |
| 14   | 946 105 155 75 | Friction washer   |                         | 4   |                         |
| 15   | 946 105 154 75 | Sleeve  |                         | 4   |                         |

Model: 92A 11

Model life 2011>>2018



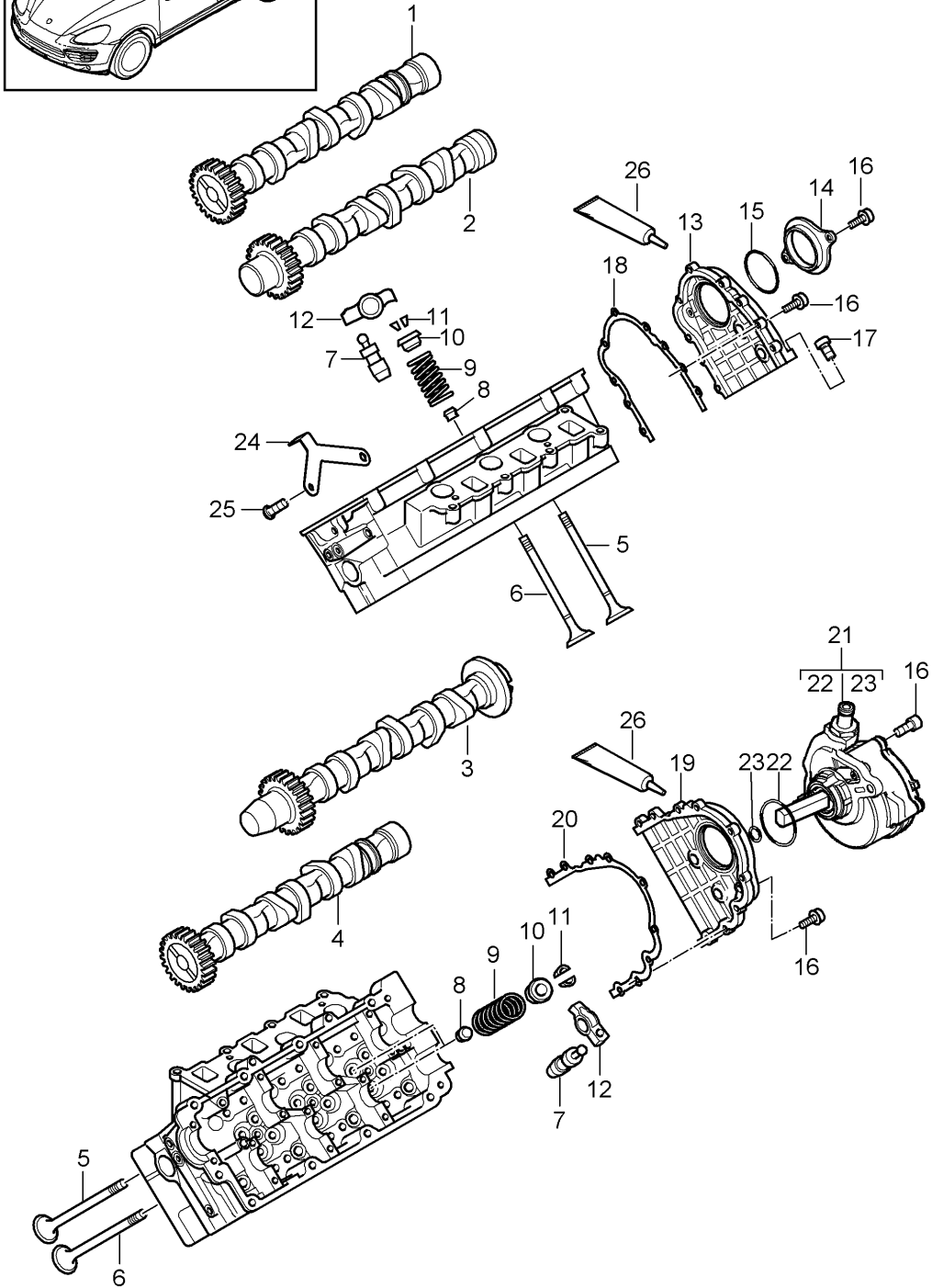
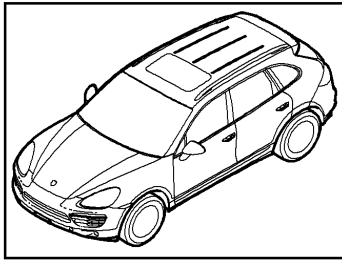
Model: 92A 11

Model life 2011>>2018

| Pos | Part Number    | Description                                | Remark | Qty | Model      |
|-----|----------------|--|--------|-----|------------|
| 1   | 958 105 242 00 | Camshaft<br>Camshaft<br>Exhaust            |        | 1   | 5502, CEYA |
| 2   | 958 105 241 00 | Camshaft<br>Intake                         |        | 1   |            |
| 3   | 955 105 345 01 | seal ring<br>40 X 1,5<br>Discontinued part |        | 6   |            |
| (3) | 955 105 345 00 | seal ring<br>40 X 1,5                      |        | 6   |            |
|     |                |  |        |     |            |

Model: 92A 11

Model life 2011>>2018



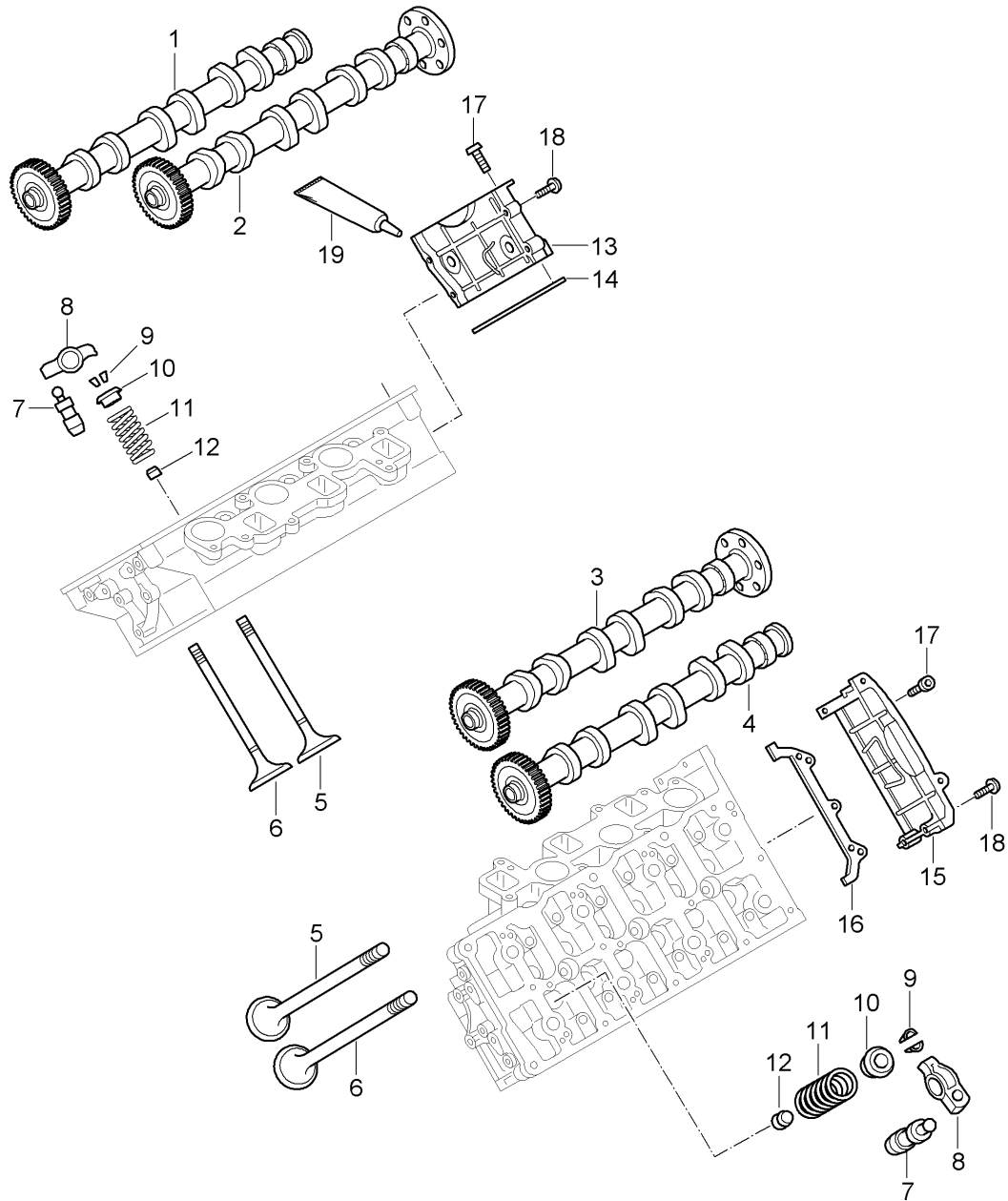
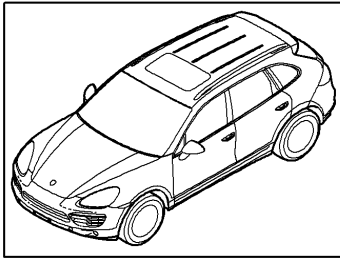
Model: 92A 11 Model life 2011>>2018

| Pos  | Part Number    | Description   | Remark         | Qty    | Model |
|------|----------------|---|----------------|--------|-------|
|      |                | Camshaft<br>Valves<br>Vacuum pump                                 |                |        | 059E  |
| 1    | 955 105 041 00 | Camshaft<br>Intake<br>Cyl. 1 - 3                                  |                | 1      |       |
| 2    | 955 105 242 10 | Camshaft<br>Exhaust<br>Cyl. 1 - 3                                 |                | 1      |       |
| 3    | 955 105 043 00 | Camshaft<br>Intake<br>Cyl. 4 - 6                                  |                | 1      |       |
| 4    | 955 105 244 10 | Camshaft<br>Exhaust<br>Cyl. 4 - 6                                 |                | 1      |       |
| 5    | 955 105 601 20 | Inlet valve   |                | 12     |       |
| 6    | 955 105 312 20 | exhaust valve   |                | 12     |       |
| 7    | 958 105 423 10 | Differential housing<br>Hydraulic                                 |                | 24     |       |
| 8    | 955 105 115 10 | Valve stem seal<br>6 MM   |                | 24     |       |
| -    | 955 105 501 00 | also use:<br>Sleeve<br>for<br>Repair<br>Valve stem seal<br>6 X 20 | 955 105 501 00 | X<br>X |       |
| 9    | 955 105 119 10 | Valve spring  |                | 24     |       |
| 10   | 955 105 641 10 | spring disc   | upper          | 24     |       |
| 11   | 955 105 651 20 | cotter, split   |                | 48     |       |
| 12   | 955 105 417 20 | cam lever   |                | 24     |       |
| 13   | 955 105 130 00 | Cover<br>Cyl. 1 - 3   |                | 1      |       |
| 14   | 955 105 153 00 | End cap<br>Cyl. 1 - 3   |                | 1      |       |
| 15   | WHT 001 801    | O-ring<br>63 X 2,5  |                | 1      |       |
| 16   | N 101 243 06   | Oval hexagon socket head bolt<br>M 6 X 20                         |                | 22     |       |
| 17   | N 101 562 06   | Oval hexagon socket head bolt<br>M 6 X 30                         |                | 4      |       |
| 18   | 955 105 292 00 | Seal<br>Cyl. 1 - 3  |                | 1      |       |
| 19   | 955 105 129 00 | Cover<br>Cyl. 4 - 6   |                | 1      |       |
| 20   | 955 105 291 00 | Seal<br>Cyl. 4 - 6  |                | 1      |       |
| 21   | 955 110 050 11 | Vacuum pump   |                | 1      |       |
| 22   | WHT 001 801    | O-ring<br>63 X 2,5  |                | 1      |       |
| 23   | 955 110 117 00 | O-ring<br>4,7 X 1,5   |                | 1      |       |
| 24   | 955 110 764 00 | Bracket   |                | 1      |       |
| 25   | N 104 056 04   | Oval hexagon socket head bolt<br>M 6 X 14                         |                | 2      |       |
| 26   | 000 043 207 49 | sealant<br>1 tube<br>80 ML  |                | X      |       |
| (26) | 958 101 902 00 | Discontinued part<br>sealant<br>80 ML                             |                | X      |       |



Model: 92A 11

Model life 2011>>2018



Model: 92A 11 Model life 2011>>2018

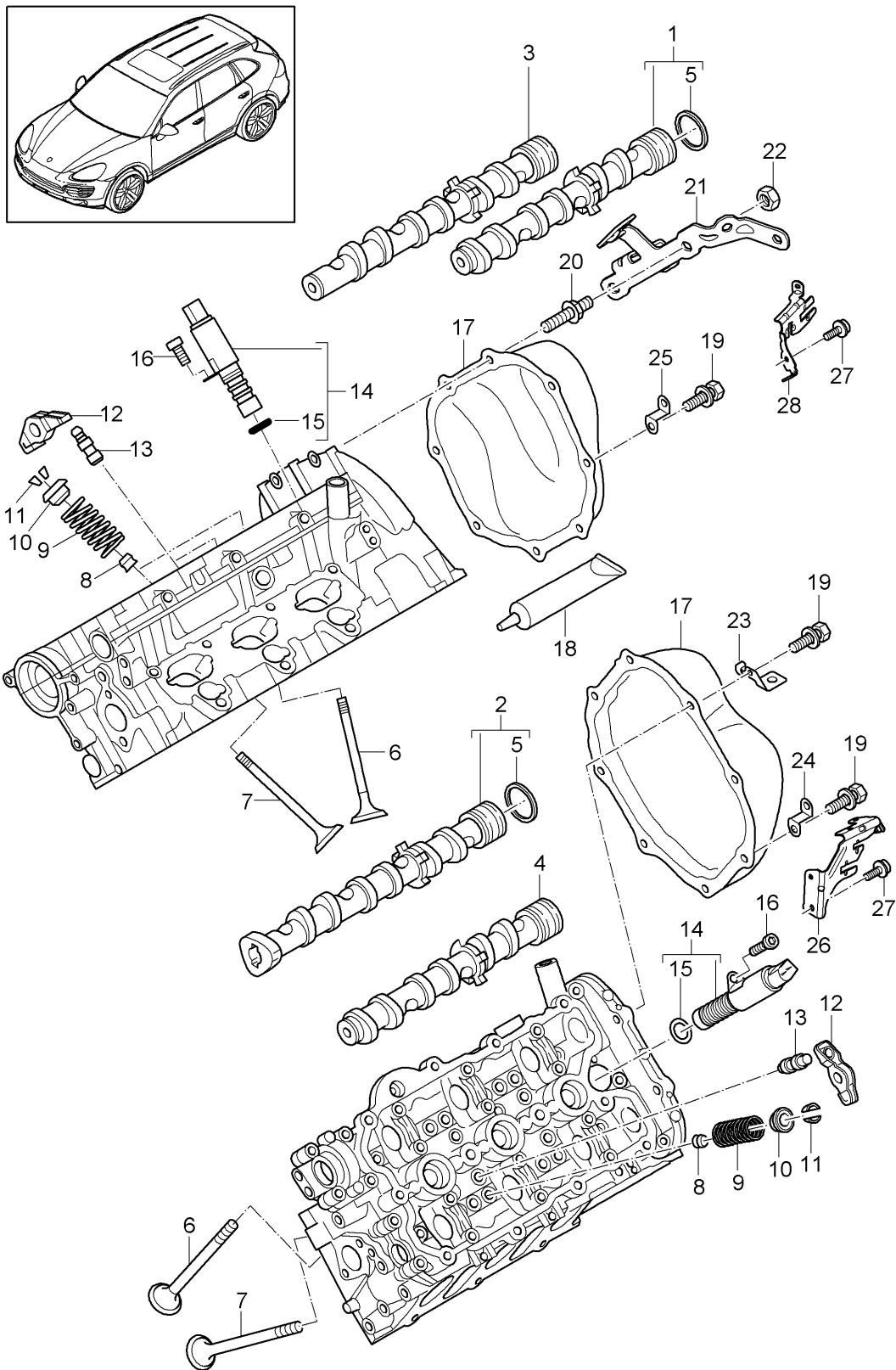
| Pos  | Part Number    | Description   | Remark         | Qty | Model  |
|------|----------------|---|----------------|-----|--|
|      |                | Camshaft<br>Valves  |                |     | CRCA, CRCB,<br>CNRB, CVVA,<br>CVVB, CVVC<br>CRCA, CRCB |
| 1    | 958 105 042 00 | Camshaft<br>Exhaust<br>Cyl. 1 - 3                                 |                | 1   |  |
| (1)  | 958 105 042 10 | Camshaft<br>Exhaust<br>Cyl. 1 - 3                                 |                | 1   | CNRB, CVVA,<br>CVVB, CVVC                              |
| 2    | 958 105 041 10 | Camshaft<br>Intake<br>Cyl. 1 - 3                                  |                | 1   |  |
| (2)  | 958 105 041 11 | Discontinued part<br>Camshaft<br>Intake<br>Cyl. 1 - 3             |                | 1   |  |
| 3    | 958 105 044 00 | Camshaft<br>Intake<br>Cyl. 4 - 6                                  |                | 1   |  |
| (3)  | 958 105 044 01 | Discontinued part<br>Camshaft<br>Intake<br>Cyl. 4 - 6             |                | 1   |  |
| 4    | 958 105 043 10 | Camshaft<br>Exhaust<br>Cyl. 4 - 6                                 |                | 1   | CRCA, CRCB   |
| (4)  | 958 105 043 20 | Camshaft<br>Exhaust<br>Cyl. 4 - 6                                 |                | 1   | CNRB, CVVA,<br>CVVB, CVVC                              |
| 5    | 955 105 601 20 | Inlet valve   |                | 12  |  |
| 6    | 958 105 322 30 | exhaust valve   |                | 12  |  |
| 7    | 958 105 423 10 | Differential housing  |                | 24  |  |
| 8    | 955 105 417 20 | Hydraulic<br>cam lever  |                | 24  |  |
| 9    | 955 105 651 20 | cotter, split   |                | 48  |  |
| 10   | 955 105 641 10 | spring disc   | upper          | 24  |  |
| 11   | 955 105 119 10 | Valve spring  |                | 24  |  |
| 12   | 955 105 115 10 | Valve stem seal<br>6 MM<br>Intake                                 |                | 12  |  |
|      |                | also use:   | 955 105 501 00 | X   |  |
| (12) | 958 105 115 20 | No longer use the part here<br>Valve stem seal<br>6 MM<br>Exhaust |                | 12  |  |
|      |                | also use:   | 955 105 501 00 | X   |  |
| -    | 955 105 501 00 | Sleeve<br>for<br>Repair<br>Valve stem seal<br>6 X 20              |                | X   |  |
| 13   | 958 105 130 00 | Cover<br>Cyl. 1 - 3   |                | 1   |  |
|      |                | also use:   | 000 043 207 49 | X   |  |
| (13) | 958 105 130 01 | M >> 0 43366<br>Cover<br>Cyl. 1 - 3                               |                | 1   |  |
|      |                | also use:   | 000 043 300 39 | X   |  |
| (13) | 958 105 130 01 | M 0 43367 >><br>D >> - MJ 2014<br>Cover<br>Cyl. 1 - 3             |                | 1   |  |
|      |                | also use:   | 000 043 300 39 | X   |  |

Model: 92A 11 Model life 2011>>2018

| Pos  | Part Number    | Description  | Remark         | Qty | Model |
|------|----------------|--|----------------|-----|-------|
| 14   | 958 105 592 00 | D - MJ 2015>><br>Seal  |                | 1   |       |
|      |                | also use:  | 000 043 207 49 | X   |       |
| (14) | 958 105 592 02 | M >> 0 43366<br>Seal   |                | 1   |       |
|      |                | also use:  | 000 043 300 39 | X   |       |
| (14) | 958 105 592 02 | M 0 43367 >><br>D >> - MJ 2014<br>Seal   |                | 1   |       |
|      |                | also use:  | 000 043 300 39 | X   |       |
| 15   | 958 105 129 00 | D - MJ 2015>><br>Cover<br>Cyl. 4 - 6   |                | 1   |       |
|      |                | also use:  | 000 043 207 49 | X   |       |
| (15) | 958 105 129 01 | M >> 0 43366<br>Cover<br>Cyl. 4 - 6  |                | 1   |       |
|      |                | also use:  | 000 043 300 39 | X   |       |
| (15) | 958 105 129 01 | M 0 43367 >><br>D >> - MJ 2014<br>Cover<br>Cyl. 4 - 6  |                | 1   |       |
|      |                | also use:  | 000 043 300 39 | X   |       |
| 16   | 958 105 591 10 | D - MJ 2015>><br>Seal  |                | 1   |       |
|      |                | also use:  | 000 043 207 49 | X   |       |
| (16) | 958 105 591 11 | M >> 0 43366<br>Seal   |                | 1   |       |
|      |                | also use:  | 000 043 300 39 | X   |       |
| (16) | 958 105 591 11 | M 0 43367 >><br>D >> - MJ 2014<br>Seal   |                | 1   |       |
|      |                | also use:  | 000 043 300 39 | X   |       |
| 17   | N 101 562 06   | D - MJ 2015>><br>Oval hexagon socket head bolt<br>M 6 X 30   |                | 6   |       |
| (17) | N 105 821 03   | M >> 0 43366<br>oval head countersunk bolt<br>with multi-point socket head<br>M 6 X 40                   |                | 6   |       |
| (17) | N 105 821 03   | M 0 43367 >><br>D >> - MJ 2014<br>oval head countersunk bolt<br>with multi-point socket head<br>M 6 X 40 |                | 6   |       |
| 18   | N 101 243 06   | D - MJ 2015>><br>Oval hexagon socket head bolt<br>M 6 X 20   |                | 8   |       |
| 19   | 000 043 207 49 | sealant<br>1 tube<br>80 ML   |                | X   |       |
| (19) | 958 101 902 00 | Discontinued part<br>sealant<br>80 ML  |                | X   |       |
| (19) | 000 043 300 39 | D >> - MJ 2013<br>sealant<br>1 tube<br>50 ML<br>D - MJ 2014>>  |                | X   |       |

Model: 92A 11

Model life 2011>>2018



Model: 92A 11 Model life 2011>>2018

| Pos  | Part Number    | Description  | Remark                          | Qty     | Model                      |
|------|----------------|--|---------------------------------|---------|----------------------------|
|      |                | camshaft, valves                                     |                                 |         | 06EC, CGEA, CGE, CGFA, CJT |
| 1    | 958 105 041 00 | Camshaft   | Inlet cylinders 1-3             | 1       |                            |
| 2    | 958 105 043 00 | Camshaft   | Inlet cylinders 4-6             | 1       |                            |
| 3    | 958 105 242 10 | Camshaft   | Outlet cylinders 1-3            | 1       |                            |
| 4    | 958 105 244 10 | Camshaft   | Outlet cylinders 4-6            | 1       |                            |
| 5    | 958 105 345 20 | seal ring  |                                 | 2       |                            |
| 6    | 958 105 321 00 | Inlet valve  |                                 | 12      |                            |
| 7    | 958 105 322 20 | exhaust valve  |                                 | 12      |                            |
| 8    | 955 105 115 10 | Valve stem seal 6 MM                                 | Inlet                           | 12      |                            |
| (8)  | 955 105 675 20 | Valve stem seal 6 MM                                 | also use: 955 105 501 00 Outlet | X<br>12 |                            |
| -    | 955 105 501 00 | Sleeve Valve stem seal                               | also use: 955 105 501 00 6X20   | X<br>X  |                            |
| 9    | 958 105 119 10 | Valve spring   |                                 | 24      |                            |
| 10   | 958 105 641 00 | spring disc  |                                 | 24      |                            |
| 11   | 955 105 651 20 | cotter, split  |                                 | 48      |                            |
| 12   | 958 105 417 10 | cam lever  |                                 | 24      |                            |
| (12) | 958 105 417 11 | Discontinued part cam lever                          |                                 | 24      |                            |
| 13   | 958 105 423 20 | Differential housing                                 | hydraulic                       | 24      |                            |
| 14   | 958 105 304 00 | throttle control element Camshaft                    |                                 | 2       | 06EC                       |
| (14) | 958 105 304 00 | throttle control element Camshaft                    |                                 | 2       |                            |
|      |                | M >> 1 02073   |                                 |         | CGE, CGEA                  |
|      |                | M >> 0 41375   |                                 |         | CJT                        |
| (14) | 958 105 304 01 | throttle control element Camshaft                    |                                 | 2       | CGE, CGEA, CGFA, CJT       |
| (14) | 958 105 304 02 | Discontinued part throttle control element Camshaft  |                                 | 2       | CGEA, CGE, CGFA, CJT       |
| (14) | 958 105 304 03 | discontinued part throttle control element Camshaft  |                                 | 2       |                            |
|      |                | M 1 02074 >>   |                                 |         | CGE, CGEA                  |
|      |                | M 0 41376 >>   |                                 |         | CJT                        |
| 15   | WHT 002 789    | O-ring   | 14,8X1,9                        | 2       |                            |
| 16   | N 106 225 03   | Socket head bolt with hex. socket head, self-locking | M5X12                           | 2       |                            |
| (16) | N 106 225 03   | Socket head bolt with hex. socket head, self-locking | M5X12                           | 2       |                            |
|      |                | M >> 1 02073   |                                 |         | CGE, CGEA                  |
|      |                | M >> 0 41375   |                                 |         | CJT                        |
| (16) | N 912 111 01   | Hex socket head collared bolt                        | M5X12                           | 2       | CGE, CGEA CJT              |
|      |                | M 1 02074 >>   |                                 |         | CGE, CGEA                  |
|      |                | M 0 41376 >>   |                                 |         | CJT                        |
| 17   | 958 105 785 00 | Cover  |                                 | 2       |                            |
| (17) | 958 105 785 01 | Discontinued part Cover                              |                                 | 2       |                            |
| 18   | 000 043 207 49 | sealant 1 tube 80 ML                                 | also use: 000 043 300 39        | 1<br>X  |                            |
| (18) | 000 043 300 39 | No longer use the part here sealant                  | 50ml                            | X       |                            |

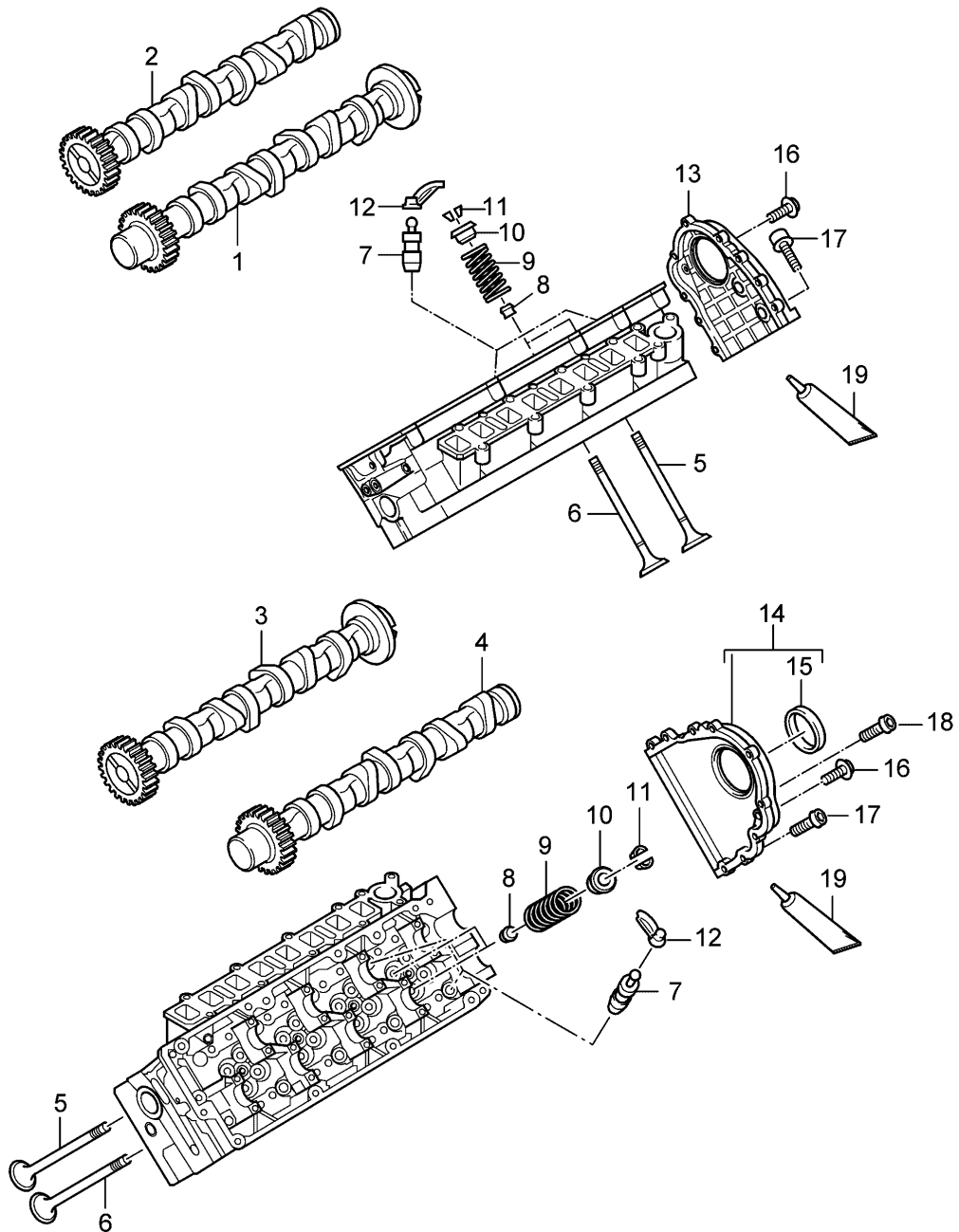
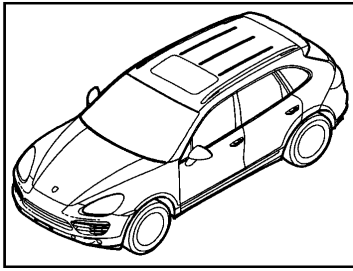
Model: 92A 11

Model life 2011>>2018

| Pos | Part Number    | Description                          | Remark      | Qty | Model |
|-----|----------------|--------------------------------------|-------------|-----|-------|
| 19  | N 100 829 11   | 1 tube<br>hexagon head bolt (combi)  | M6X16       | 14  |       |
| 20  | N 910 573 02   | 12-point socket head bolt<br>(combi) | M6X16/M6X10 | 2   |       |
| 21  | 958 606 501 20 | Bracket                              |             | 1   |       |
| 22  | N 011 006 32   | Hexagon nut                          | M6          | 2   |       |
| 23  | 958 606 845 00 | Bracket                              |             | 1   |       |
| 24  | 958 111 597 00 | bracket for shield                   | left        | 1   |       |
| 25  | 958 111 598 00 | bracket for shield                   | right       | 1   |       |
| 26  | 958 606 301 10 | Bracket<br>Knock sensor              | left        | 1   |       |
| 27  | N 104 514 05   | Oval hexagon socket head bolt        | M6X16       | 3   |       |
| 28  | 958 606 361 10 | Bracket<br>Knock sensor              | right       | 1   |       |

Model: 92A 11

Model life 2011>>2018



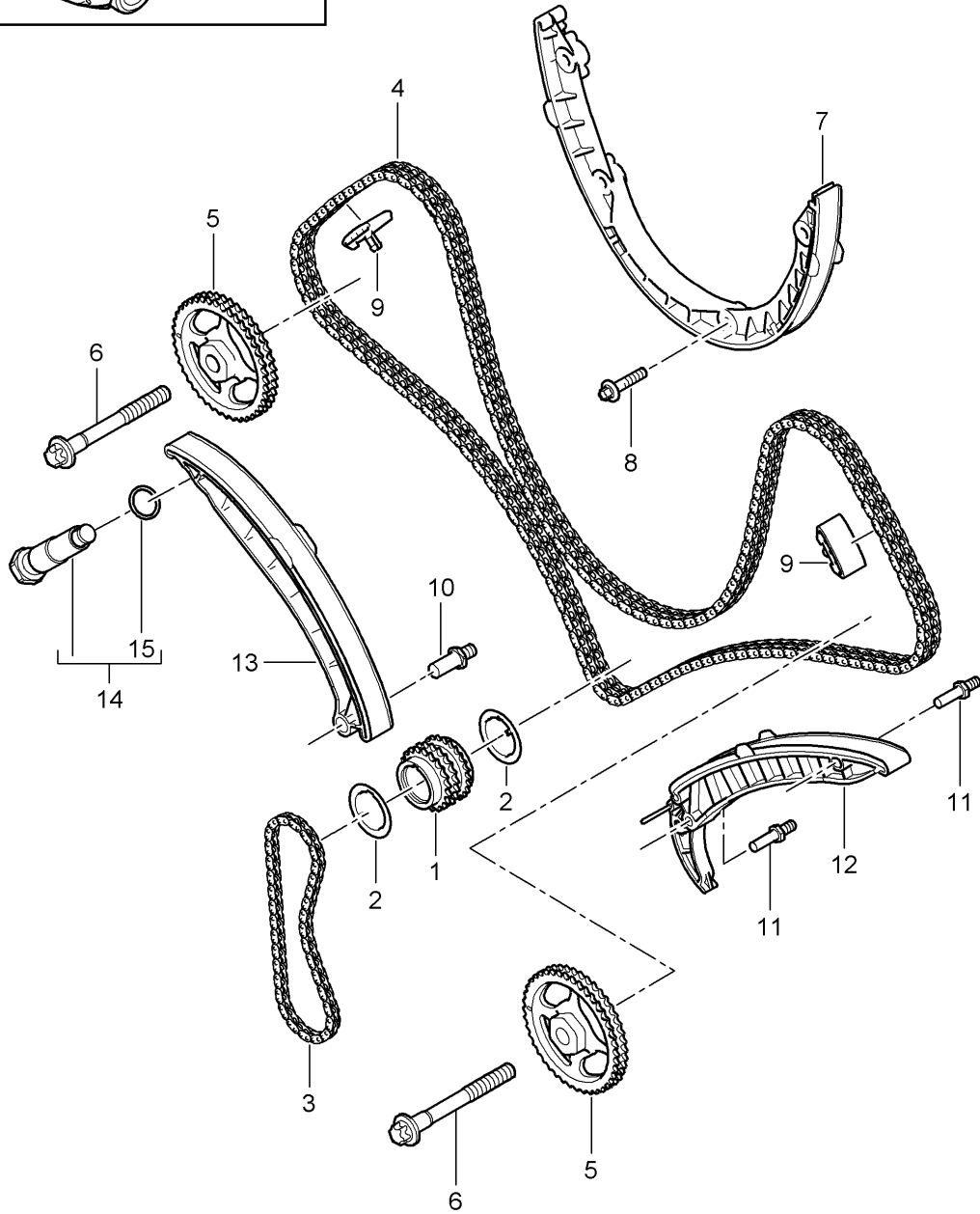
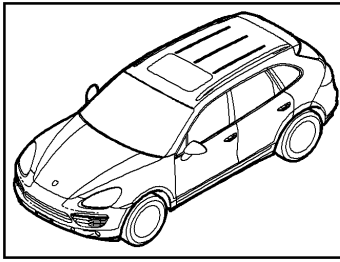
Model: 92A 11 Model life 2011>>2018

| Pos | Part Number    | Description  | Remark                      | Qty    | Model      |
|-----|----------------|--|-----------------------------|--------|------------|
|     |                | Camshaft<br>Valves   |                             |        | CUDB, CUDC |
| 1   | 958 105 041 20 | Camshaft<br>Intake<br>Cylinders 1 - 4                                  |                             | 1      |            |
| 2   | 958 105 042 20 | Camshaft<br>Exhaust<br>Cylinders 1 - 4                                 |                             | 1      |            |
| (2) | 958 105 042 21 | Discontinued part<br>Camshaft<br>Exhaust<br>Cylinders 1 - 4            |                             | 1      |            |
| 3   | 958 105 044 10 | Camshaft<br>Intake<br>Cylinders 5 - 8                                  |                             | 1      |            |
| (3) | 958 105 044 11 | Discontinued part<br>Camshaft<br>Intake<br>Cylinders 5 - 8             |                             | 1      |            |
| 4   | 958 105 043 30 | Camshaft<br>Exhaust<br>Cylinders 5 - 8                                 |                             | 1      |            |
| 5   | 955 105 601 20 | Inlet valve  |                             | 16     |            |
| 6   | 958 105 322 40 | exhaust valve  |                             | 16     |            |
| 7   | 958 105 423 10 | Differential housing<br>Hydraulic                                      |                             | 32     |            |
| 8   | 955 105 115 10 | Valve stem seal<br>6 MM  |                             | 32     |            |
| -   | 955 105 501 00 | Sleeve<br>for<br>Repair<br>Valve stem seal<br>6 X 20                   | also use:<br>955 105 501 00 | X<br>X |            |
| 9   | 955 105 119 10 | Valve spring   |                             | 32     |            |
| 10  | 955 105 641 10 | spring disc  | upper                       | 32     |            |
| 11  | 955 105 651 20 | cotter, split  |                             | 64     |            |
| 12  | 955 105 417 20 | cam lever  |                             | 32     |            |
| 13  | 958 105 130 10 | Cover<br>Cylinders 1 - 4   |                             | 1      |            |
| 14  | 958 105 122 10 | Cover<br>Cylinders 5 - 8   |                             | 1      |            |
| 15  | 958 105 586 30 | Shaft oil seal<br>47 X 10  |                             | 1      |            |
| 16  | N 101 243 06   | Oval hexagon socket head bolt<br>M 6 X 20                              |                             | 18     |            |
| 17  | N 101 174 05   | Socket head bolt with hexagon<br>socket head (combination)<br>M 6 X 30 |                             | 4      |            |
| 18  | N 100 801 05   | Socket head bolt with hexagon<br>socket head (combination)<br>M 6 X 25 |                             | 1      |            |
| 19  | 000 043 300 39 | sealant<br>1 tube<br>50 ML   |                             | X      |            |



Model: 92A 11

Model life 2011>>2018

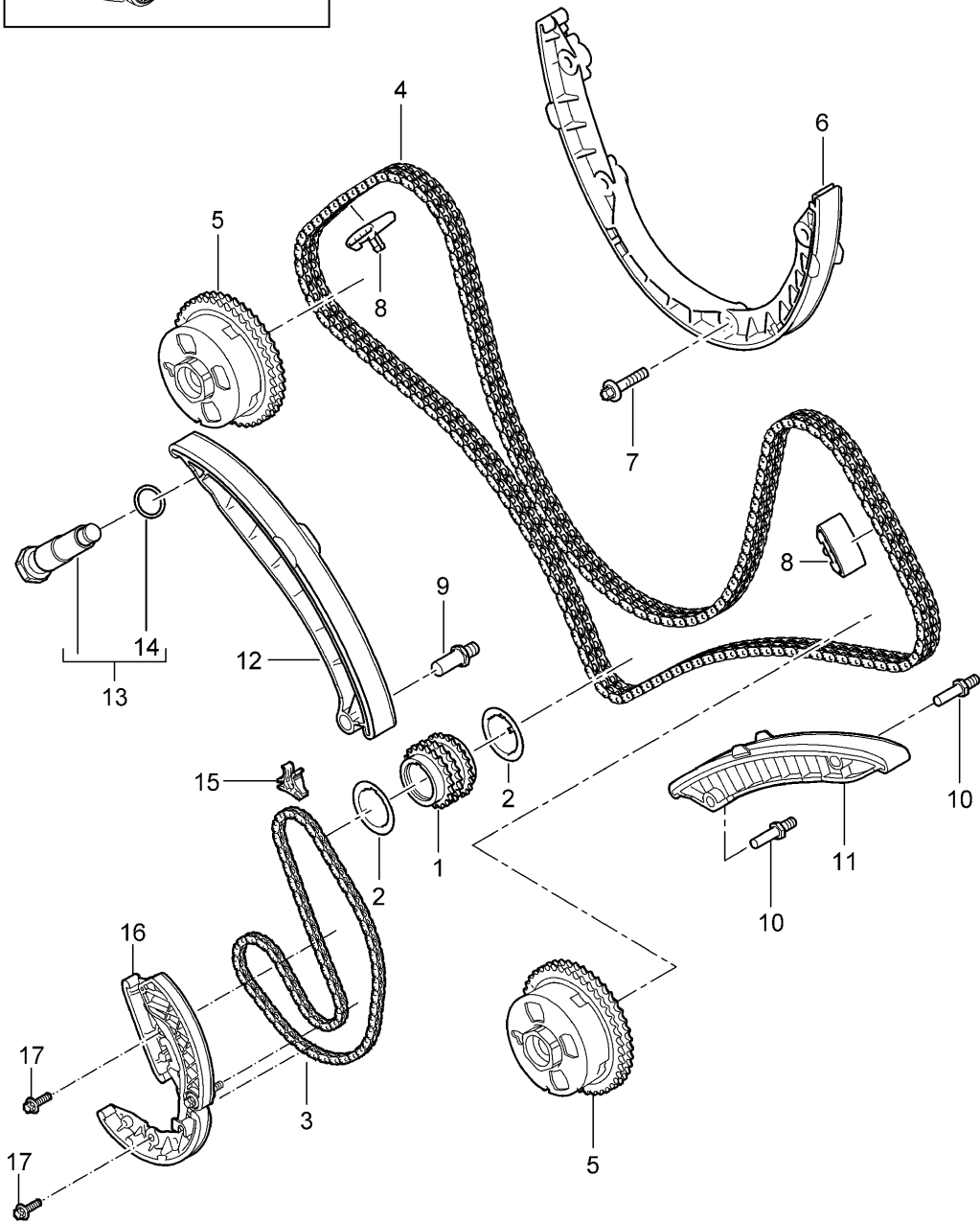
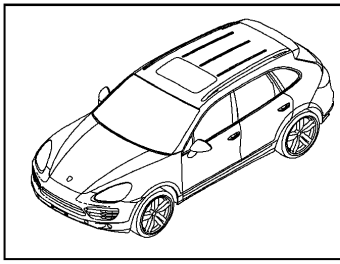


Model: 92A 11 Model life 2011>>2018

| Pos | Part Number    | Description               | Remark  | Qty | Model                               |
|-----|----------------|---------------------------|---------|-----|-------------------------------------|
|     |                | Valve control             |         |     | 4802,4852,<br>CFTB,CFT,<br>CYXA,CYX |
| 1   | 948 102 231 11 | Chain sprocket            |         | 1   |                                     |
|     |                | Crankshaft                |         |     |                                     |
| 2   | 948 102 230 00 | Shim                      |         | 2   |                                     |
| 3   |                | Chain                     |         | 1   |                                     |
|     |                | oil pump                  |         |     |                                     |
|     |                | see illustration:         | 104-000 |     |                                     |
| 4   | 948 105 169 10 | Chain                     |         | 1   |                                     |
| 5   | 948 105 181 11 | Chain sprocket            |         | 2   |                                     |
|     |                | Camshaft                  |         |     |                                     |
|     |                | Exhaust                   |         |     |                                     |
| 6   | 948 105 254 00 | Outer hexagon round screw |         | 2   |                                     |
|     |                | M 12 X 1,5 X 110          |         |     |                                     |
| 7   | 948 105 023 12 | slide rail                |         | 1   |                                     |
| 8   | 900 385 042 01 | Torx screw                |         | 4   |                                     |
|     |                | BM 8 X 35                 |         |     |                                     |
| 9   | 948 105 166 12 | slide rail                |         | 2   |                                     |
| 10  | 999 015 022 01 | Threaded stud             |         | 1   |                                     |
|     |                | M 10 X 25                 |         |     |                                     |
| 11  | 999 015 021 01 | Threaded stud             |         | 2   |                                     |
|     |                | M 8 X 25                  |         |     |                                     |
| 12  | 948 105 068 11 | slide rail                |         | 1   |                                     |
|     |                | Camshaft                  |         |     |                                     |
|     |                | Crankshaft                |         |     |                                     |
| 13  | 948 105 065 10 | Tensioner blade           |         | 1   |                                     |
| 14  | 948 105 180 11 | chain tensioner           |         | 1   |                                     |
| 15  | 900 123 118 30 | seal ring                 |         | 1   |                                     |
|     |                | A 22 X 27                 |         |     |                                     |

Model: 92A 11

Model life 2011>>2018

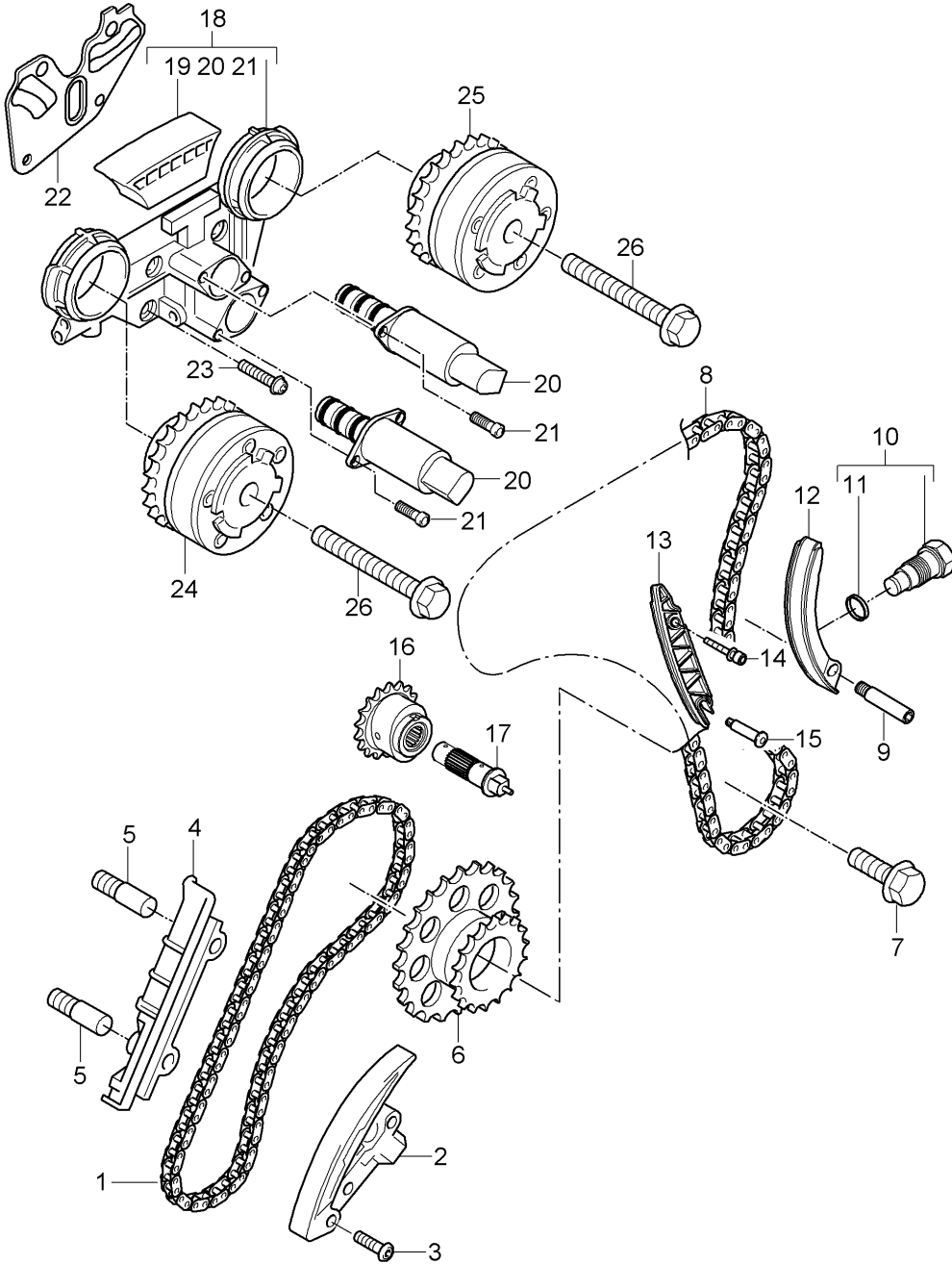
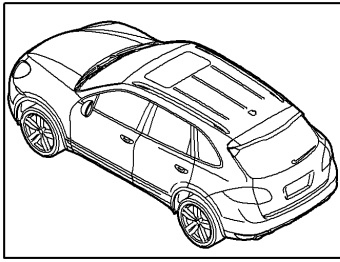


Model: 92A 11 Model life 2011>>2018

| Pos  | Part Number    | Description                 | Remark  | Qty | Model                   |
|------|----------------|-----------------------------|---------|-----|-------------------------|
|      |                | Valve control               |         |     | CURA, CUR,<br>CXZA, CXZ |
| 1    | 946 102 231 75 | Chain sprocket              |         | 1   |                         |
|      |                | Crankshaft                  |         |     |                         |
| 2    | 948 102 230 00 | Shim                        |         | 2   |                         |
| 3    | 946 107 252 75 | Drive chain                 |         | 1   |                         |
|      |                | oil pump                    |         |     |                         |
| 4    | 946 105 169 75 | Chain                       |         | 1   |                         |
| 5    |                | camshaft adjuster unit      |         | X   |                         |
|      |                | see illustration:           | 103-052 |     |                         |
| 6    | 948 105 023 12 | slide rail                  |         | 1   |                         |
| 7    | 900 385 042 01 | Torx screw                  |         | 4   |                         |
|      |                | BM 8 X 35                   |         |     |                         |
| 8    | 948 105 166 12 | slide rail                  |         | 2   |                         |
| 9    | 999 015 022 01 | Threaded stud               |         | 1   |                         |
|      |                | M 10 X 25                   |         |     |                         |
| 10   | 999 015 021 01 | Threaded stud               |         | 2   |                         |
|      |                | M 8 X 25                    |         |     |                         |
| 11   | 946 105 068 00 | slide rail                  |         | 1   |                         |
| 12   | 948 105 065 10 | Tensioner blade             |         | 1   |                         |
| 13   | 946 105 180 75 | chain tensioner             |         | 1   |                         |
|      |                | No longer use the part here |         |     |                         |
| (13) | 946 105 180 76 | chain tensioner             |         | 1   |                         |
| 14   | 900 123 118 30 | seal ring                   |         | 1   |                         |
|      |                | A 22 X 27                   |         |     |                         |
| 15   | 946 107 253 00 | Guide piece                 |         | 1   |                         |
| 16   | 946 107 258 77 | chain tensioner             |         | 1   |                         |
|      |                | oil pump                    |         |     |                         |
|      |                | Driving mechanism           |         |     |                         |
| 17   | 999 073 344 01 | flat round head bolt        |         | 2   |                         |
|      |                | M 6 X 20                    |         |     |                         |

Model: 92A 11

Model life 2011>>2018



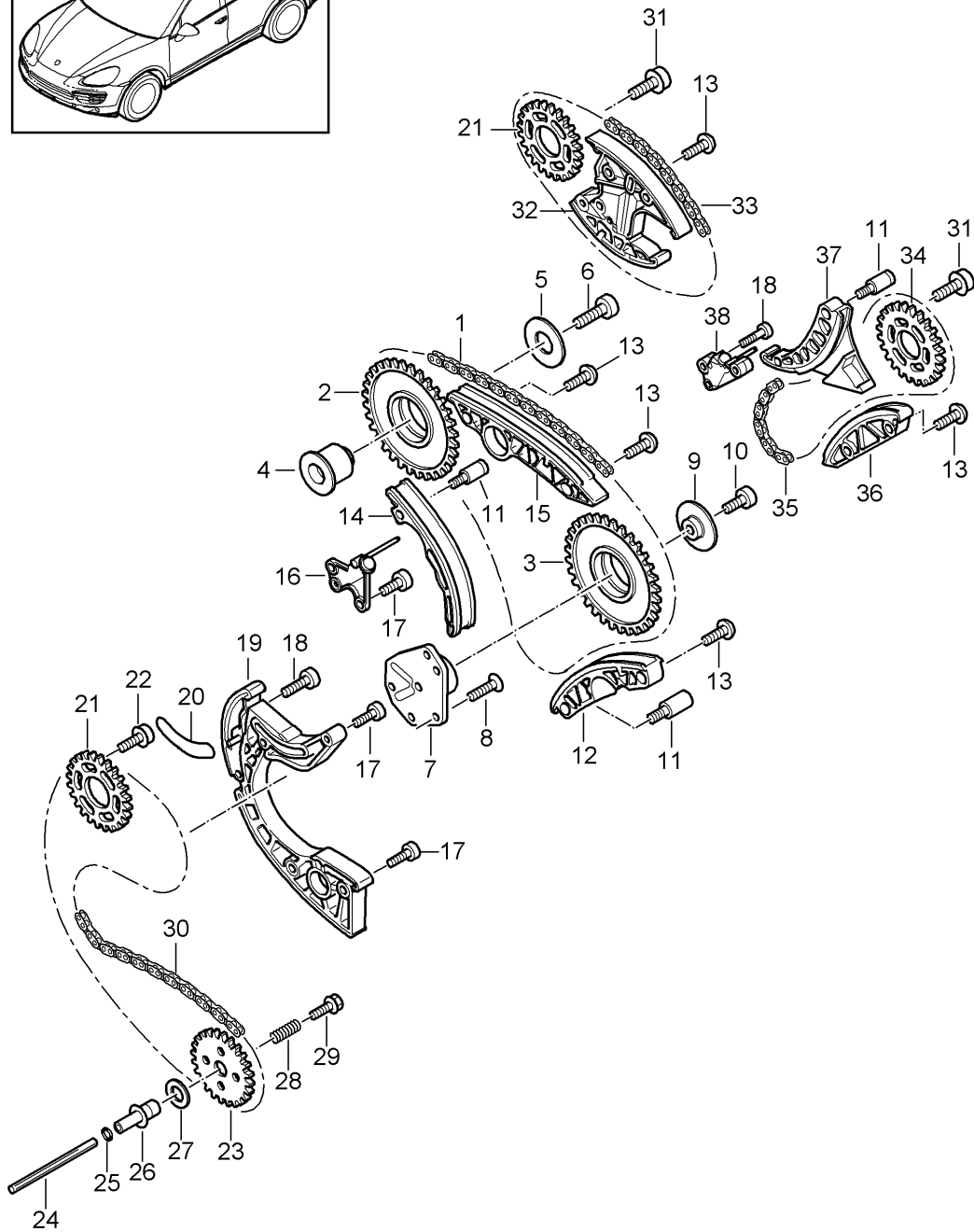
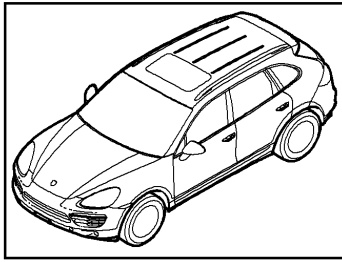
Model: 92A 11

Model life 2011>>2018

| Pos  | Part Number    | Description   | Remark | Qty | Model      |
|------|----------------|---|--------|-----|------------|
|      |                | Valve control   |        |     | 5502, CEYA |
| 1    | 955 105 465 01 | timing chain  |        | 1   |            |
| 2    | 958 105 467 00 | chain tensioner   |        | 1   |            |
| 3    | N 909 238 01   | fillister head bolt with<br>multi-point socket head<br>M 6 X 24         |        | 2   |            |
| 4    | 955 105 469 00 | slide rail  |        | 1   |            |
| 5    | 955 105 471 00 | Pin   |        | 2   |            |
| 6    | 958 105 221 10 | Chain sprocket  |        | 1   |            |
| 7    | N 102 038 03   | Hexagon bolt<br>M 12 X 1,5 X 40   |        | 1   |            |
| 8    | 955 105 169 00 | timing chain  |        | 1   |            |
| 9    | 955 105 511 00 | Pin   |        | 1   |            |
| 10   | 955 105 507 02 | chain tensioner   |        | 1   |            |
| 11   | N 013 827 1    | seal ring<br>A 22 X 27  |        | 1   |            |
| 12   | 955 105 065 01 | Tensioner blade   |        | 1   |            |
| 13   | 955 105 066 00 | slide rail  |        | 1   |            |
| 14   | N 106 139 01   | Socket head bolt with inner<br>multipoint head (Kombi)<br>M 8 X 45      |        | 1   |            |
| 15   | 955 105 515 00 | Pin   |        | 1   |            |
| 16   | 955 105 232 00 | Chain sprocket  |        | 1   |            |
| 17   | 955 105 107 01 | Input shaft   |        | 1   |            |
| 18   | 958 105 215 00 | Timing chain housing  |        | 1   |            |
|      |                | with:   |        |     |            |
| 19   | 955 105 514 00 | control valve<br>slide rail   |        | 1   |            |
| 20   | 955 105 303 01 | control valve   |        | 2   |            |
| 21   | N 904 552 05   | fillister hd. bolt<br>M 4 X 10  |        | 4   |            |
| 22   | 958 105 540 00 | Seal  |        | 1   |            |
| 23   | N 910 970 01   | Hexagon socket flat<br>head bolt<br>M 6 X 30                            |        | 4   |            |
| (23) | N 909 658 02   | No longer use the part here<br>Hex socket head bolt (combi)<br>M 6 X 30 |        | 4   |            |
| 24   | 955 105 051 01 | camshaft adjuster unit<br>Intake  |        | 1   |            |
| 25   | 958 105 052 00 | camshaft adjuster unit<br>Exhaust                                       |        | 1   |            |
| 26   | N 911 180 01   | Hex collared bolt<br>M 12 X 1,5 X 85                                    |        | 2   |            |

Model: 92A 11

Model life 2011>>2018



Model: 92A 11 Model life 2011>>2018

| Pos  | Part Number    | Description   | Remark         | Qty | Model |
|------|----------------|---|----------------|-----|-------|
|      |                | Valve control   |                |     | 059E  |
| 1    | 955 105 169 10 | timing chain  |                | 1   |       |
| 2    | 955 105 077 00 | Chain sprocket  |                | 1   |       |
|      |                | Z = 19  |                |     |       |
| 3    | 955 105 077 10 | Chain sprocket  |                | 1   |       |
|      |                | Z = 28  |                |     |       |
| 4    | 955 105 224 00 | bearing pin   |                | 1   |       |
| 5    | WHT 000 124    | Washer  |                | 1   |       |
|      |                | 18 X 50 X 2,23  |                |     |       |
| 6    | N 106 609 01   | Socket head bolt with inner multipoint head             |                | 1   |       |
|      |                | M 10 X 40   |                |     |       |
| 7    | 955 105 334 00 | bearing pin   |                | 1   |       |
| 8    | N 909 549 05   | Hex socket countersunk bolt                             |                | 3   |       |
|      |                | M 6 X 18  |                |     |       |
| 9    | 955 105 435 00 | thrust washer   |                | 1   |       |
| 10   | N 104 514 09   | Socket head bolt with hexagon socket head (combination) |                | 1   |       |
|      |                | M 6 X 16  |                |     |       |
| 11   | WHT 000 265    | Socket head bolt with hexagon socket head (combination) |                | 3   |       |
|      |                | M 6 X 35  |                |     |       |
| 12   | 955 105 469 10 | Guide rail  |                | 1   |       |
| 13   | N 101 562 05   | Oval hexagon socket head bolt                           |                | 8   |       |
|      |                | M 6 X 30  |                |     |       |
| 14   | 955 105 065 10 | Guide rail  |                | 1   |       |
| 15   | 955 105 514 10 | Guide rail  |                | 1   |       |
| 16   | 955 105 567 00 | chain tensioner   |                | 1   |       |
| 17   | N 101 243 06   | Oval hexagon socket head bolt                           |                | 5   |       |
|      |                | M 6 X 20  |                |     |       |
| 18   | N 105 540 05   | round hd. screw   |                | 3   |       |
|      |                | M 6 X 35  |                |     |       |
| 19   | 955 105 507 10 | chain tensioner   |                | 1   |       |
| 20   | 955 105 139 00 | Seal  |                | 1   |       |
|      |                | Discontinued part                                       |                |     |       |
| (20) | 955 105 139 01 | Seal  |                | 1   |       |
| 21   | 955 105 222 00 | Chain sprocket  |                | 2   |       |
|      |                | Z = 25  |                |     |       |
| 22   | N 910 488 02   | Screw with int. serrations                              |                | 3   |       |
|      |                | M 8 X 20  |                |     |       |
| 23   | 955 107 114 00 | Chain sprocket  |                | 1   |       |
|      |                | Z = 25  |                |     |       |
|      |                | oil pump  |                |     |       |
| 24   | 955 107 320 00 | Input shaft   |                | 1   |       |
|      |                | oil pump  |                |     |       |
| 25   | N 900 154 01   | Securing ring   |                | 1   |       |
|      |                | 8   |                |     |       |
| 26   | 955 105 341 00 | Input shaft   |                | 1   |       |
|      |                | use if required:  | 955 107 320 00 | 1   |       |
|      |                |   | N 900 154 01   | 1   |       |
| 27   | 955 105 537 00 | thrust washer   |                | 1   |       |
| 28   | 955 105 481 00 | Pressure spring   |                | 1   |       |
| 29   | N 908 932 02   | fitted bolt, hexagon head                               |                | 1   |       |
|      |                | M 10 X 20   |                |     |       |
| 30   | 955 105 465 10 | timing chain  |                | 1   |       |
| 31   | N 910 522 01   | Hexagon socket head bolt                                |                | 10  |       |
|      |                | bolt  |                |     |       |
|      |                | M 8 X 12  |                |     |       |
| 32   | 955 105 218 00 | chain tensioner   |                | 1   |       |
| 33   | 955 105 229 00 | timing chain  |                | 1   |       |
| 34   | 955 105 223 00 | Chain sprocket  |                | 1   |       |
|      |                | Z = 35  |                |     |       |
| 35   | 955 105 229 10 | timing chain  |                | 1   |       |



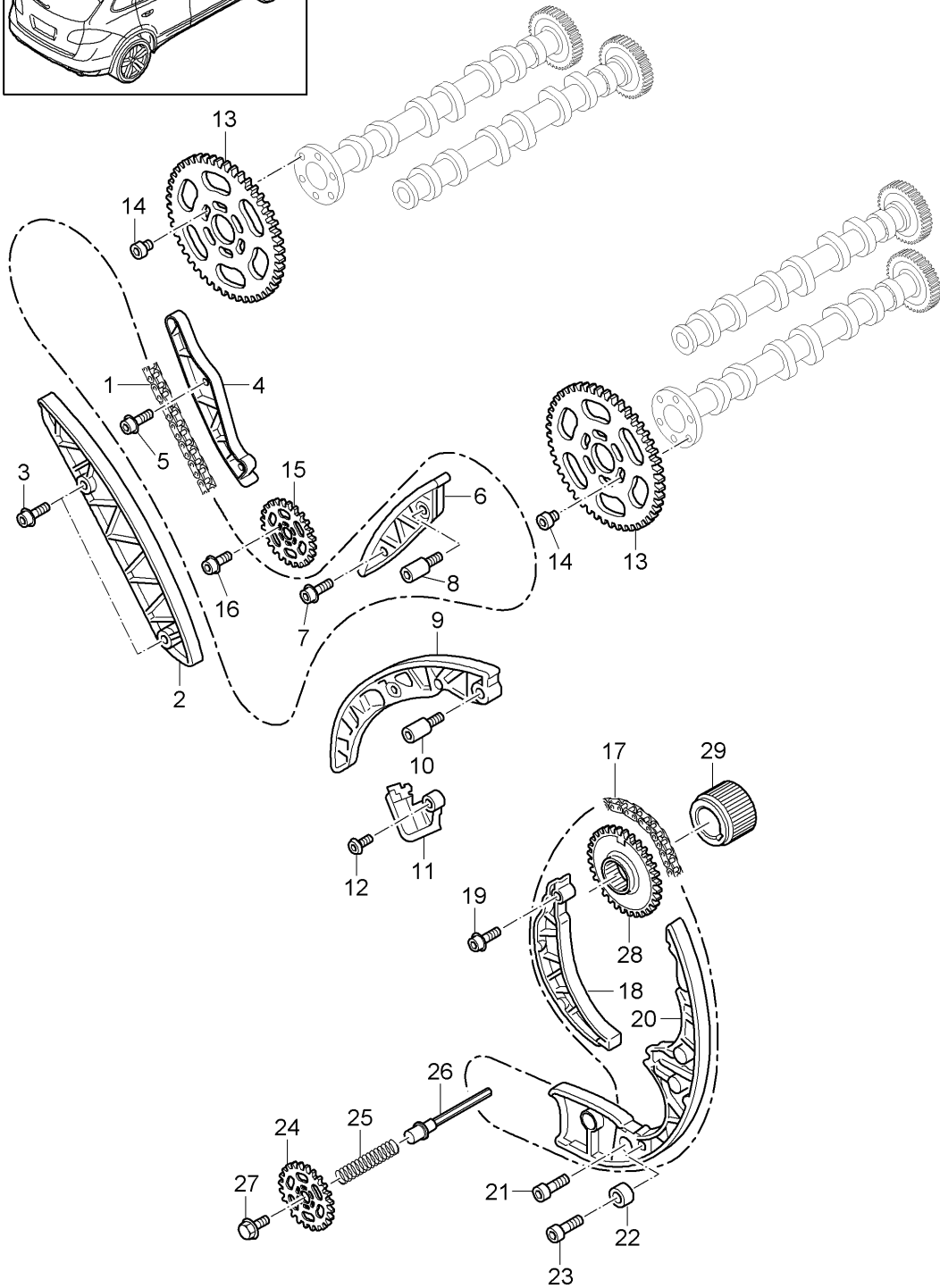
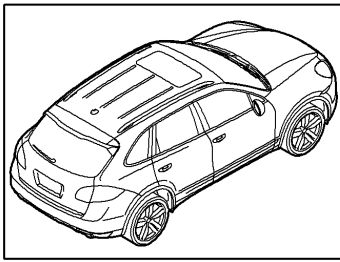
Model: 92A 11

Model life 2011&gt;&gt;2018

| Pos | Part Number    | Description     | Remark | Qty | Model |
|-----|----------------|-----------------|--------|-----|-------|
| 36  | 955 105 513 10 | slide rail      |        | 1   |       |
| 37  | 955 105 510 01 | Tensioner blade |        | 1   |       |
| 38  | 955 105 217 00 | chain tensioner |        | 1   |       |

Model: 92A 11

Model life 2011>>2018



Model: 92A 11 Model life 2011>>2018

| Pos  | Part Number    | Description   | Remark   | Qty | Model                                    |
|------|----------------|---|----------|-----|--|
|      |                | timing chain<br>slide rail<br>chain tensioner<br>Chain sprocket |          |     | CRCA, CRCB,<br>CNRB, CVVA,<br>CVVB, CVVC |
| 1    | 958 105 169 10 | timing chain<br>Discontinued part                               |          | 1   |  |
| (1)  | 958 105 169 11 | timing chain  |          | 1   |  |
| 2    | 958 105 065 00 | slide rail  |          | 1   |  |
| 3    | 958 105 426 00 | guide pin   |          | 2   |  |
| 4    | 958 105 066 00 | slide rail  |          | 1   |  |
| 5    | 958 105 426 00 | guide pin   |          | 2   |  |
| 6    | 958 105 067 00 | slide rail  |          | 1   |  |
| 7    | 958 105 426 00 | guide pin   |          | 1   |  |
| 8    | 958 105 426 10 | guide pin   |          | 1   |  |
| 9    | 958 105 068 00 | slide rail  |          | 1   |  |
| 10   | 958 105 426 10 | guide pin   |          | 1   |  |
| 11   | 958 105 467 10 | chain tensioner<br>No longer use the part here                  |          | 1   |  |
| (11) | 958 105 467 11 | chain tensioner<br>No longer use the part here                  |          | 1   |  |
| (11) | 958 105 467 12 | chain tensioner   |          | 1   |  |
| (11) | 958 105 467 13 | chain tensioner   |          | 1   |  |
| 12   | N 101 243 06   | Oval hexagon socket head bolt                                   | M6X20    | 2   |  |
| 13   | 958 105 181 10 | Chain sprocket<br>Camshaft<br>Z = 48                            |          | 2   |  |
| 14   | N 910 522 01   | Hexagon socket head<br>bolt                                     | M8X12    | 10  |  |
| 15   | 958 101 333 00 | Chain sprocket<br>balancer shaft                                |          | 1   |  |
| 16   | N 910 488 02   | Screw with int. serrations                                      | M8X20    | 3   |  |
| 17   | 958 105 170 00 | timing chain  |          | 1   |  |
| 18   | 958 105 069 00 | slide rail  |          | 1   |  |
| 19   | WHT 005 189    | Hexagon socket flat head<br>bolt with guide sleeve              | M6X29,5  | 1   |  |
|      |                | with:   |          |     |  |
| 20   | 958 105 507 20 | guide sleeve<br>chain tensioner<br>Discontinued part            |          | 1   |  |
| (20) | 958 105 507 21 | chain tensioner<br>Discontinued part                            |          | 1   |  |
| (20) | 958 105 507 23 | chain tensioner   |          | 1   |  |
| 21   | N 101 243 06   | Oval hexagon socket head bolt                                   | M6X20    | 6   |  |
| 22   | 958 105 535 10 | spacer bush   | 6X15,5X8 | 1   |  |
| 23   | N 101 243 06   | Oval hexagon socket head bolt                                   | M6X20    | 1   |  |
| 24   | 958 107 114 10 | Chain sprocket<br>oil pump                                      |          | 1   |  |
| 25   | 955 105 481 00 | Pressure spring   |          | 1   |  |
| 26   | 958 107 320 10 | Input shaft<br>oil pump   |          | 1   |  |
| 27   | N 908 932 02   | fitted bolt, hexagon head                                       | M10X20   | 1   |  |
| 28   | 958 105 222 00 | Chain sprocket<br>high pressure pump<br>only in conj. with:     |          | 1   | CRCA, CRCB                               |
|      |                | flange<br>958.110.541.00<br>059.130.141.F                       |          |     |  |
| (28) | 958 105 222 10 | Chain sprocket<br>high pressure pump<br>only in conj. with:     |          | 1   | CRCA, CRCB                               |
|      |                | flange<br>958.110.541.10<br>059.130.141.H                       |          |     |  |

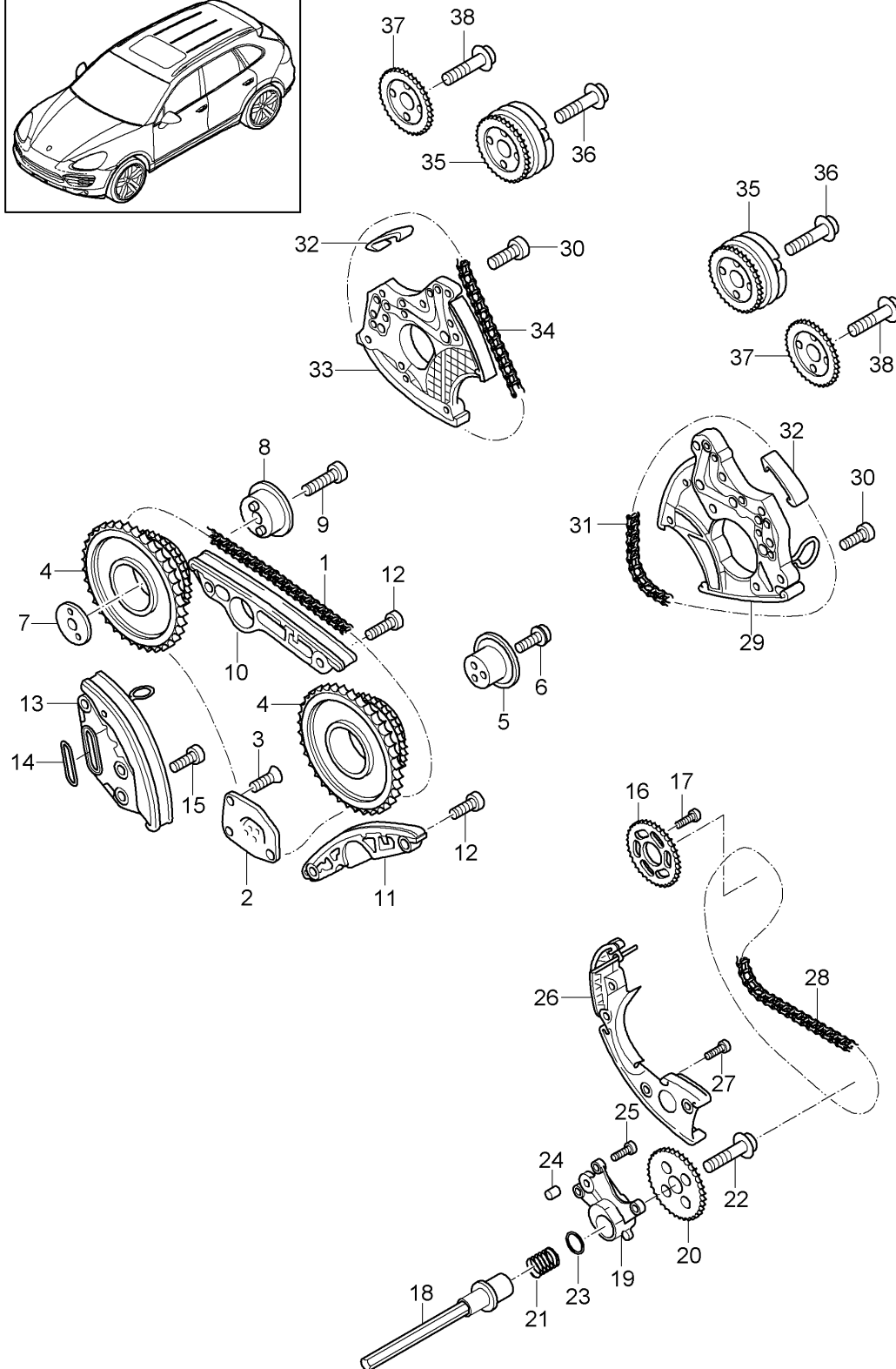
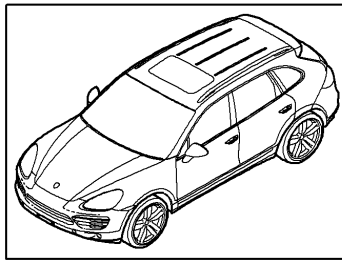
Model: 92A 11

Model life 2011>>2018

| Pos  | Part Number    | Description   | Remark     | Qty | Model                     |
|------|----------------|---|------------|-----|---------------------------|
| (28) | 958 105 222 11 | Discontinued part<br>Chain sprocket<br>high pressure pump<br>only in conj. with:<br>flange<br>958.110.541.10<br>059.130.141.H |            | 1   | CRCA, CRCB                |
| (28) | 958 105 222 11 | Chain sprocket<br>high pressure pump<br>flange  |            | 1   | CNRB, CVVA,<br>CVVB, CVVC |
| 29   |                | Chain sprocket<br>high pressure pump<br>see illustration, item:   | 107-037,18 | 1   |                           |

Model: 92A 11

Model life 2011>>2018



Model: 92A 11

Model life 2011&gt;&gt;2018

| Pos  | Part Number    | Description  | Remark | Qty | Model                         |
|------|----------------|--|--------|-----|-------------------------------|
|      |                | Valve control  |        |     | 06EC, CGEA,<br>CGE, CGFA, CJT |
| 1    | 958 105 169 00 | timing chain   |        | 1   |                               |
| 2    | 958 105 493 00 | plate  |        | 1   |                               |
| 3    | N 909 549 03   | Hex socket countersunk bolt<br>M 6 X 18  |        | 3   |                               |
| 4    | 958 105 077 00 | Chain sprocket   |        | 2   |                               |
| 5    | 958 105 289 00 | bearing pin  |        | 1   |                               |
| 6    | N 102 855 05   | Socket head bolt with<br>inner hex round head<br>M 6 X 12                                  |        | 3   |                               |
| (6)  | N 102 855 01   | No longer use the part here<br>Socket head bolt with<br>inner hex round head<br>M 6 X 12   |        | 3   |                               |
| 7    | 958 105 180 20 | thrust washer  |        | 1   |                               |
| 8    | 958 105 220 10 | bearing pin  |        | 1   |                               |
| 9    | N 106 609 01   | Socket head bolt with inner<br>multipoint head<br>M 10 X 40                                |        | 1   |                               |
| (9)  | N 106 609 02   | No longer use the part here<br>Socket head bolt with inner<br>multipoint head<br>M 10 X 40 |        | 1   |                               |
| 10   | 958 105 514 00 | Guide rail   |        | 1   |                               |
| 11   | 958 105 469 00 | Guide rail   |        | 1   |                               |
| 12   | N 911 290 01   | Socket head collared bolt with<br>inner multipoint head<br>M 7 X 36                        |        | 4   |                               |
| 13   | 958 105 507 00 | chain tensioner<br>Discontinued part   |        | 1   |                               |
| (13) | 958 105 507 01 | chain tensioner  |        | 1   |                               |
| 14   | 958 105 139 00 | Seal   |        | 1   |                               |
| 15   | N 101 243 04   | Oval hexagon socket head bolt<br>M 6 X 20  |        | 3   |                               |
| 16   | 955 105 222 00 | Chain sprocket   |        | 1   |                               |
| 17   | N 910 268 02   | Socket head bolt with inner<br>multipoint head<br>M 8 X 20                                 |        | 3   |                               |
| (17) | N 104 687 03   | No longer use the part here<br>Socket head bolt with inner<br>multipoint head<br>M 8 X 20  |        | 3   |                               |
| 18   | 958 107 320 00 | Input shaft<br>oil pump<br>Discontinued part   |        | 1   |                               |
| (18) | 958 107 320 01 | Input shaft<br>oil pump  |        | 1   |                               |
| 19   | 958 105 360 10 | Carrier plate  |        | 1   |                               |
| 20   | 958 107 114 00 | Chain sprocket<br>oil pump   |        | 1   |                               |
| 21   | 955 105 481 00 | Pressure spring  |        | 1   |                               |
| 22   | N 910 737 01   | Socket head collared bolt with<br>inner multipoint head<br>M 10 X 25                       |        | 1   |                               |
| 23   | N 903 620 01   | O-ring<br>14 X 2   |        | 1   |                               |
| 24   | N 910 208 01   | dowel sleeve<br>8 M 7 X 10   |        | 2   |                               |
| 25   | N 104 134 05   | Hexagon socket flat<br>head bolt<br>M 6 X 25<br>No longer use the part here                |        | 3   |                               |

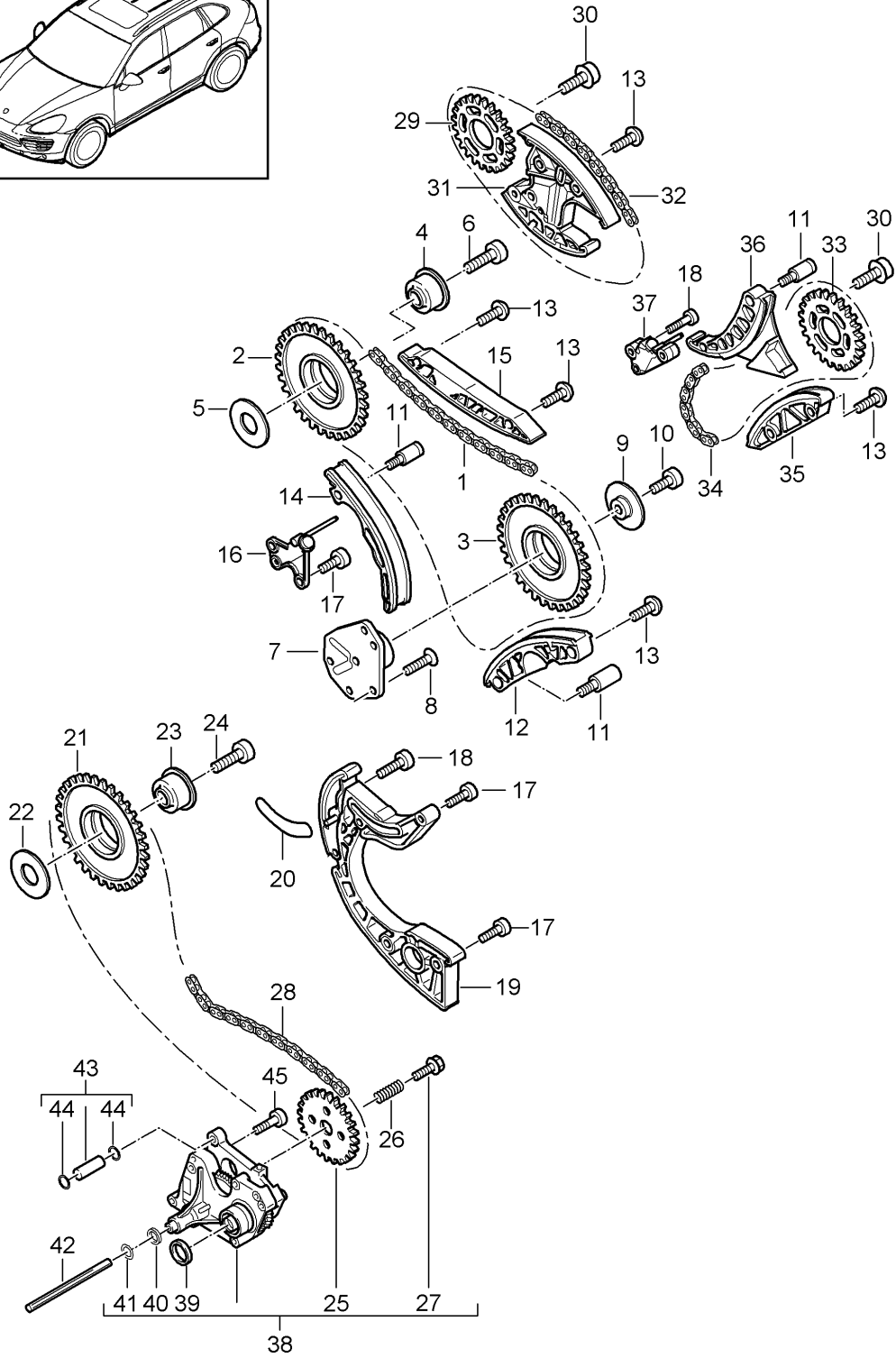
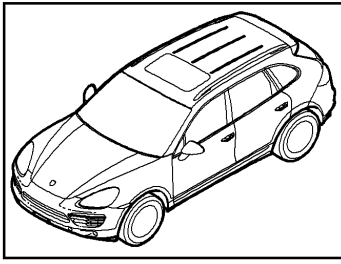
Model: 92A 11

Model life 2011&gt;&gt;2018

| Pos  | Part Number    | Description  | Remark | Qty | Model |
|------|----------------|--|--------|-----|-------|
| (25) | N 910 717 02   | Hexagon socket flat<br>head bolt<br>M 6 X 25                               |        | 3   |       |
| 26   | 958 105 507 10 | chain tensioner  |        | 1   |       |
| 27   | N 104 514 07   | Socket head bolt with multi-<br>point inner drive, self-lock.<br>M 6 X 16  |        | 3   |       |
| 28   | 958 105 465 00 | timing chain   |        | 1   |       |
| 29   | 958 105 217 00 | chain tensioner<br>Discontinued part                                       |        | 1   |       |
| (29) | 958 105 217 01 | chain tensioner  |        | 1   |       |
| 30   | N 101 243 04   | Oval hexagon socket head bolt<br>M 6 X 20                                  |        | 8   |       |
| 31   | 958 105 465 10 | timing chain   |        | 1   |       |
| 32   | 958 105 470 00 | slide rail   |        | 2   |       |
| 33   | 958 105 218 00 | chain tensioner<br>Discontinued part                                       |        | 1   |       |
| (33) | 958 105 218 01 | chain tensioner  |        | 1   |       |
| 34   | 958 105 465 20 | timing chain   |        | 1   |       |
| 35   | 958 105 051 00 | camshaft adjuster unit<br>Intake<br>Discontinued part                      |        | 2   |       |
| (35) | 958 105 051 01 | camshaft adjuster unit<br>Intake   |        | 2   |       |
| 36   | N 910 428 02   | Flat head multi-point<br>socket bolt<br>BM 12 X 1,25 X 60 X 30             |        | 2   |       |
| 37   | 958 105 181 00 | Chain sprocket<br>Camshaft   |        | 2   |       |
| 38   | N 910 502 01   | Socket head bolt with inner<br>multipoint head (Kombi)<br>M 12 X 1,25 X 30 |        | 2   |       |

Model: 92A 11

Model life 2011>>2018





Model: 92A 11

Model life 2011&gt;&gt;2018

| Pos | Part Number    | Description                   | Remark | Qty | Model      |
|-----|----------------|-------------------------------|--------|-----|------------|
|     |                | Valve control                 |        |     | CUDB, CUDC |
| 1   | 955 105 169 10 | timing chain                  |        | 1   |            |
| 2   | 955 105 077 00 | Chain sprocket                |        | 1   |            |
|     |                | Z = 19                        |        |     |            |
| 3   | 955 105 077 10 | Chain sprocket                |        | 1   |            |
|     |                | Z = 28                        |        |     |            |
| 4   | 955 105 224 00 | bearing pin                   |        | 1   |            |
| 5   | WHT 000 124    | Washer                        |        | 1   |            |
|     |                | 18 X 50 X 2,23                |        |     |            |
| 6   | N 106 609 01   | Socket head bolt with inner   |        | 1   |            |
|     |                | multipoint head               |        |     |            |
|     |                | M 10 X 40                     |        |     |            |
| 7   | 955 105 334 00 | bearing pin                   |        | 1   |            |
| 8   | N 909 549 05   | Hex socket countersunk bolt   |        | 3   |            |
|     |                | M 6 X 18                      |        |     |            |
| 9   | 955 105 435 00 | thrust washer                 |        | 1   |            |
| 10  | N 104 514 09   | Socket head bolt with hexagon |        | 1   |            |
|     |                | socket head (combination)     |        |     |            |
|     |                | M 6 X 16                      |        |     |            |
| 11  | WHT 000 265    | Socket head bolt with hexagon |        | 3   |            |
|     |                | socket head (combination)     |        |     |            |
|     |                | M 6 X 35                      |        |     |            |
| 12  | 955 105 469 10 | Guide rail                    |        | 1   |            |
| 13  | N 101 562 05   | Oval hexagon socket head bolt |        | 8   |            |
|     |                | M 6 X 30                      |        |     |            |
| 14  | 955 105 065 10 | Guide rail                    |        | 1   |            |
| 15  | 958 105 514 10 | Guide rail                    |        | 1   |            |
| 16  | 955 105 567 00 | chain tensioner               |        | 1   |            |
| 17  | N 101 243 04   | Oval hexagon socket head bolt |        | 5   |            |
|     |                | M 6 X 20                      |        |     |            |
| 18  | N 105 540 05   | round hd. screw               |        | 3   |            |
|     |                | M 6 X 35                      |        |     |            |
| 19  | 955 105 507 10 | chain tensioner               |        | 1   |            |
| 20  | 955 105 139 01 | Seal                          |        | 1   |            |
| 21  | 958 105 570 00 | Chain sprocket                |        | 1   |            |
| 22  | 958 105 315 00 | plate                         |        | 1   |            |
| 23  | 958 105 512 00 | bearing pin                   |        | 1   |            |
| 24  | N 106 609 01   | Socket head bolt with inner   |        | 1   |            |
|     |                | multipoint head               |        |     |            |
|     |                | M 10 X 40                     |        |     |            |
| 25  | 955 107 114 00 | Chain sprocket                |        | 1   |            |
|     |                | Z = 25                        |        |     |            |
|     |                | oil pump                      |        |     |            |
| 26  | 958 105 481 00 | Pressure spring               |        | 1   |            |
| 27  | N 908 932 02   | fitted bolt, hexagon head     |        | 1   |            |
|     |                | M 10 X 20                     |        |     |            |
| 28  | 958 105 169 20 | timing chain                  |        | 1   |            |
| 29  | 955 105 222 00 | Chain sprocket                |        | 1   |            |
|     |                | Z = 25                        |        |     |            |
| 30  | N 910 522 01   | Hexagon socket head           |        | 10  |            |
|     |                | bolt                          |        |     |            |
|     |                | M 8 X 12                      |        |     |            |
| 31  | 955 105 218 00 | chain tensioner               |        | 1   |            |
| 32  | 955 105 229 00 | timing chain                  |        | 1   |            |
| 33  | 955 105 223 00 | Chain sprocket                |        | 1   |            |
|     |                | Z = 35                        |        |     |            |
| 34  | 955 105 229 10 | timing chain                  |        | 1   |            |
| 35  | 955 105 513 10 | slide rail                    |        | 1   |            |
| 36  | 955 105 510 01 | Tensioner blade               |        | 1   |            |
| 37  | 955 105 217 00 | chain tensioner               |        | 1   |            |
| 38  | 958 105 349 00 | Carrier plate                 |        | 1   |            |
| 39  | 958 101 551 00 | Shaft oil seal                |        | 1   |            |
| 40  | 958 105 535 00 | spacer bush                   |        | 1   |            |

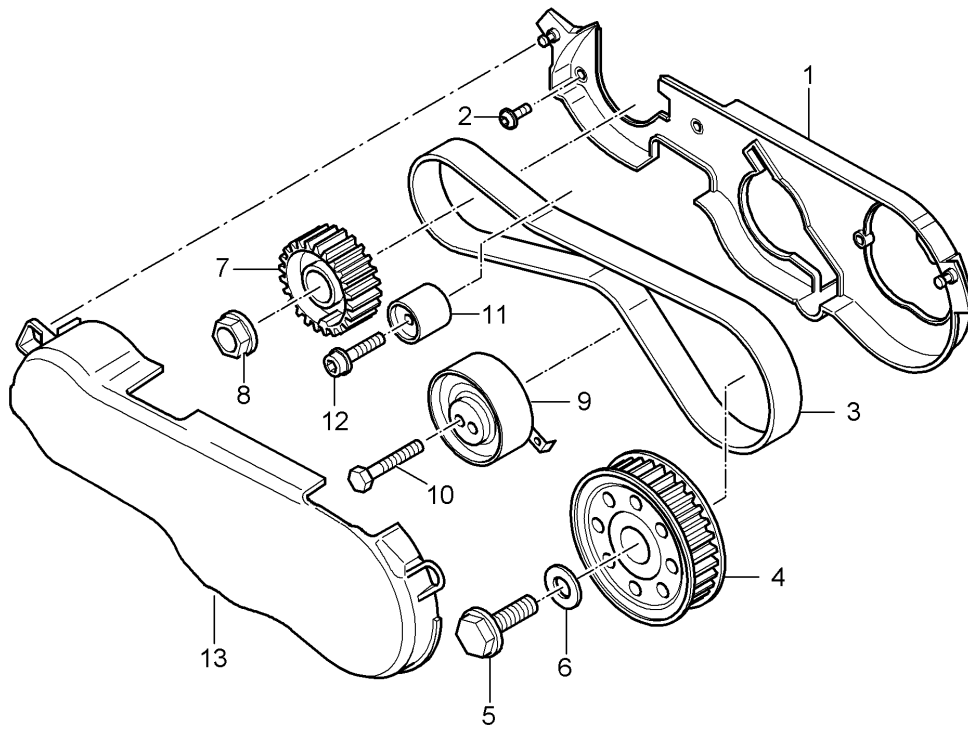
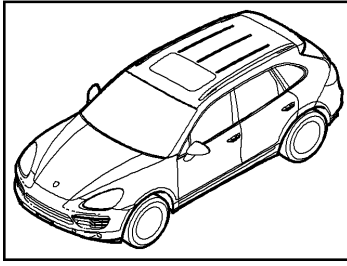
Model: 92A 11

Model life 2011>>2018

| Pos | Part Number    | Description  | Remark | Qty | Model |
|-----|----------------|--|--------|-----|-------|
| 41  | N 012 416 1    | Securing ring<br>16 X 1  |        | 1   |       |
| 42  | 958 107 320 20 | Input shaft<br>oil pump  |        | 1   |       |
| 43  | 958 101 688 10 | oil pipe   |        | 1   |       |
| 44  | N 907 408 01   | O-ring<br>7,65 X 1,78  |        | 2   |       |
| 45  | N 105 821 03   | oval head countersunk bolt<br>with multi-point socket head<br>M 6 X 40 |        | 5   |       |

Model: 92A 11

Model life 2011>>2018



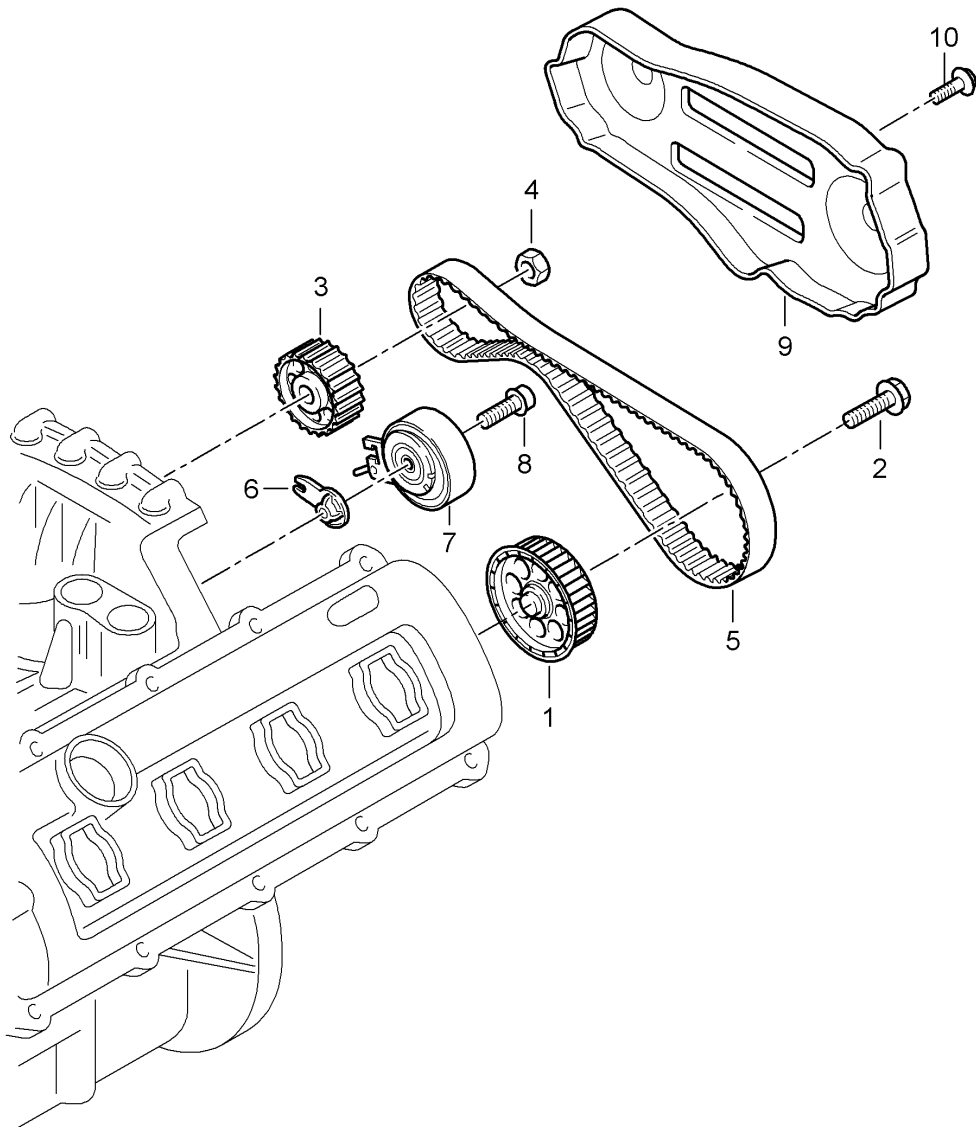
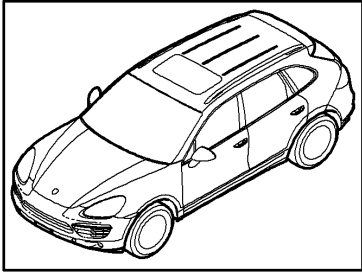
Model: 92A 11

Model life 2011>>2018

| Pos | Part Number    | Description   | Remark  | Qty | Model |
|-----|----------------|---|---------|-----|-------|
|     |                | toothed belt  |         |     | 059E  |
|     |                | Toothed belt guard  |         |     |       |
| 1   | 955 105 033 00 | Toothed belt covering   |         | 1   |       |
| 2   | N 104 514 05   | Oval hexagon socket head bolt<br>M 6 X 16                           |         | 4   |       |
| 3   | 955 102 219 00 | toothed belt  |         | 1   |       |
| 4   | 955 105 151 00 | toothed belt pulley   |         | 1   |       |
| 5   | N 902 562 02   | Hexagon bolt<br>M 10 X 1,25 X 30                                    |         | 1   |       |
| 6   | N 909 717 02   | Washer<br>10,5 X 30 X 4   |         | 1   |       |
| 7   |                | toothed belt pulley   |         | 1   |       |
| 8   |                | see illustration:<br>Hexagon nut                                    | 107-045 | 1   |       |
| 9   | 955 105 243 00 | see illustration:<br>Tensioning roller                              | 107-045 | 1   |       |
| 10  | N 900 637 06   | hexagon head bolt (combi)<br>M 8 X 50                               |         | 1   |       |
| 11  | 955 105 244 01 | idler pulley  |         | 1   |       |
| 12  | N 910 266 02   | Oval head locating bolt with<br>multi-point socket head<br>M 8 X 35 |         | 1   |       |
| 13  | 955 105 035 00 | Toothed belt guard  |         | 1   |       |

Model: 92A 11

Model life 2011>>2018



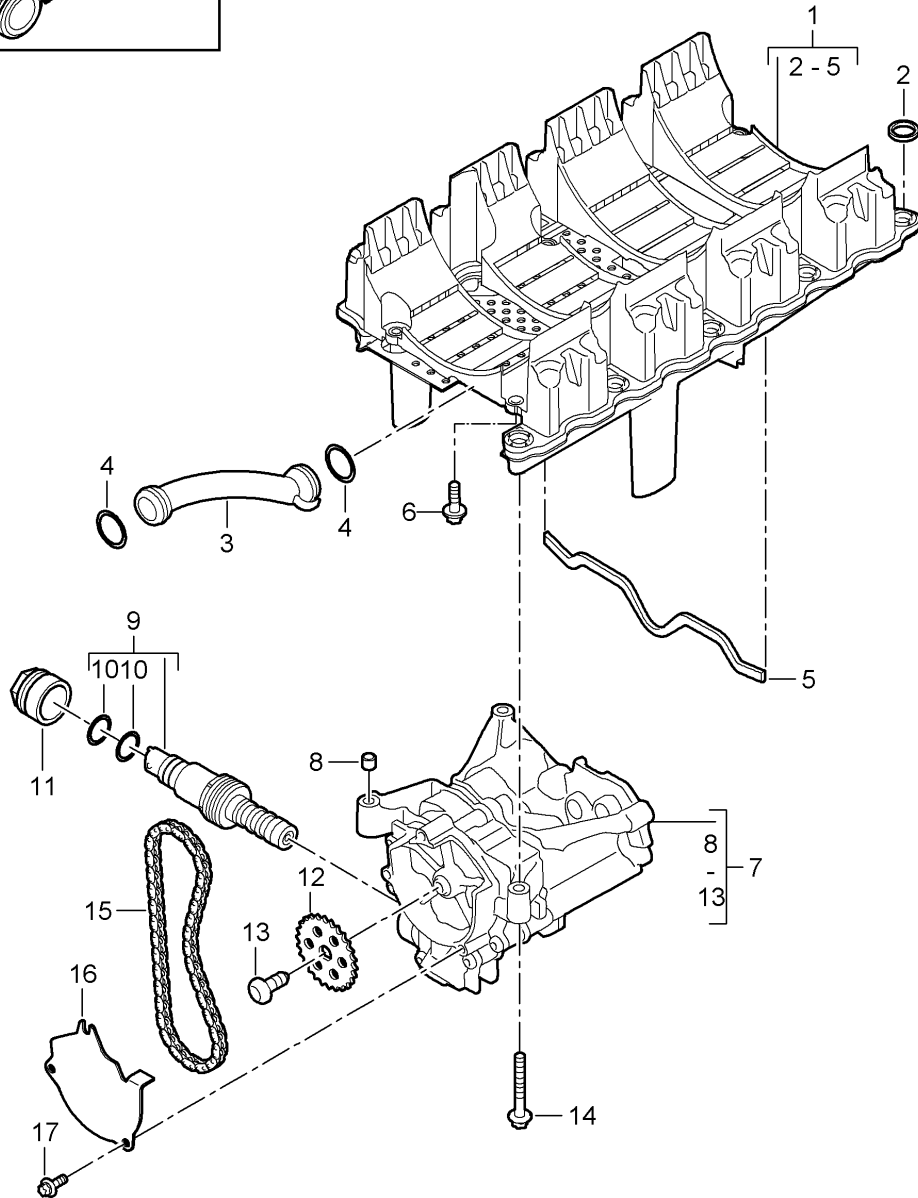
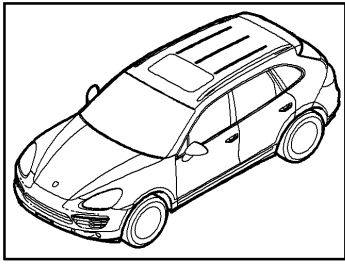
Model: 92A 11

Model life 2011>>2018

| Pos  | Part Number    | Description                   | Remark | Qty | Model      |
|------|----------------|-------------------------------|--------|-----|------------|
|      |                | toothed belt                  |        |     | CUDB, CUDC |
| 1    | 958 105 151 00 | Toothed belt guard            |        | 1   |            |
| 2    | N 106 875 01   | toothed belt pulley           |        | 1   |            |
|      |                | Hex collared bolt             |        |     |            |
|      |                | M 14 X 1,5 X 72               |        |     |            |
| 3    | 958 110 111 00 | toothed belt pulley           |        | 1   |            |
| 4    | WHT 002 244    | Hexagon collar nut            |        | 1   |            |
|      |                | M 18 X 1,5                    |        |     |            |
| 5    | 958 105 219 00 | toothed belt                  |        | 1   |            |
|      |                | No longer use the part here   |        |     |            |
| (5)  | 958 105 219 01 | toothed belt                  |        | 1   |            |
| 6    | 958 105 185 00 | Bracket                       |        | 1   |            |
|      |                | Tensioning roller             |        |     |            |
|      |                | Discontinued part             |        |     |            |
| (6)  | 958 105 185 01 | Bracket                       |        | 1   |            |
|      |                | Tensioning roller             |        |     |            |
| 7    | 958 105 243 00 | Tensioning roller             |        | 1   |            |
| 8    | N 106 664 01   | Socket head bolt with         |        | 1   |            |
|      |                | inner multipoint head         |        |     |            |
|      |                | M 8 X 75                      |        |     |            |
| 9    | 958 105 035 00 | Toothed belt guard            |        | 1   | CUDB       |
|      |                | No longer use the part here   |        |     |            |
| (9)  | 958 105 035 01 | Toothed belt guard            |        | 1   |            |
| 10   | N 104 056 04   | Oval hexagon socket head bolt |        | 2   | CUDB       |
|      |                | M 6 X 14                      |        |     |            |
|      |                | only in conj. with:           |        |     |            |
|      |                | Toothed belt guard            |        |     |            |
|      |                | 958.105.035.00                |        |     |            |
|      |                | 057.109.123.AE                |        |     |            |
| (10) | N 104 056 04   | Oval hexagon socket head bolt |        | 1   |            |
|      |                | M 6 X 14                      |        |     |            |
|      |                | only in conj. with:           |        |     |            |
|      |                | Toothed belt guard            |        |     |            |
|      |                | 958.105.035.01                |        |     |            |
|      |                | 057.109.123.AF                |        |     |            |
| (10) | N 107 002 01   | round hd. screw               |        | 1   |            |
|      |                | M 6 X 22                      |        |     |            |
|      |                | only in conj. with:           |        |     |            |
|      |                | Toothed belt guard            |        |     |            |
|      |                | 958.105.035.01                |        |     |            |
|      |                | 057.109.123.AF                |        |     |            |

Model: 92A 11

Model life 2011>>2018



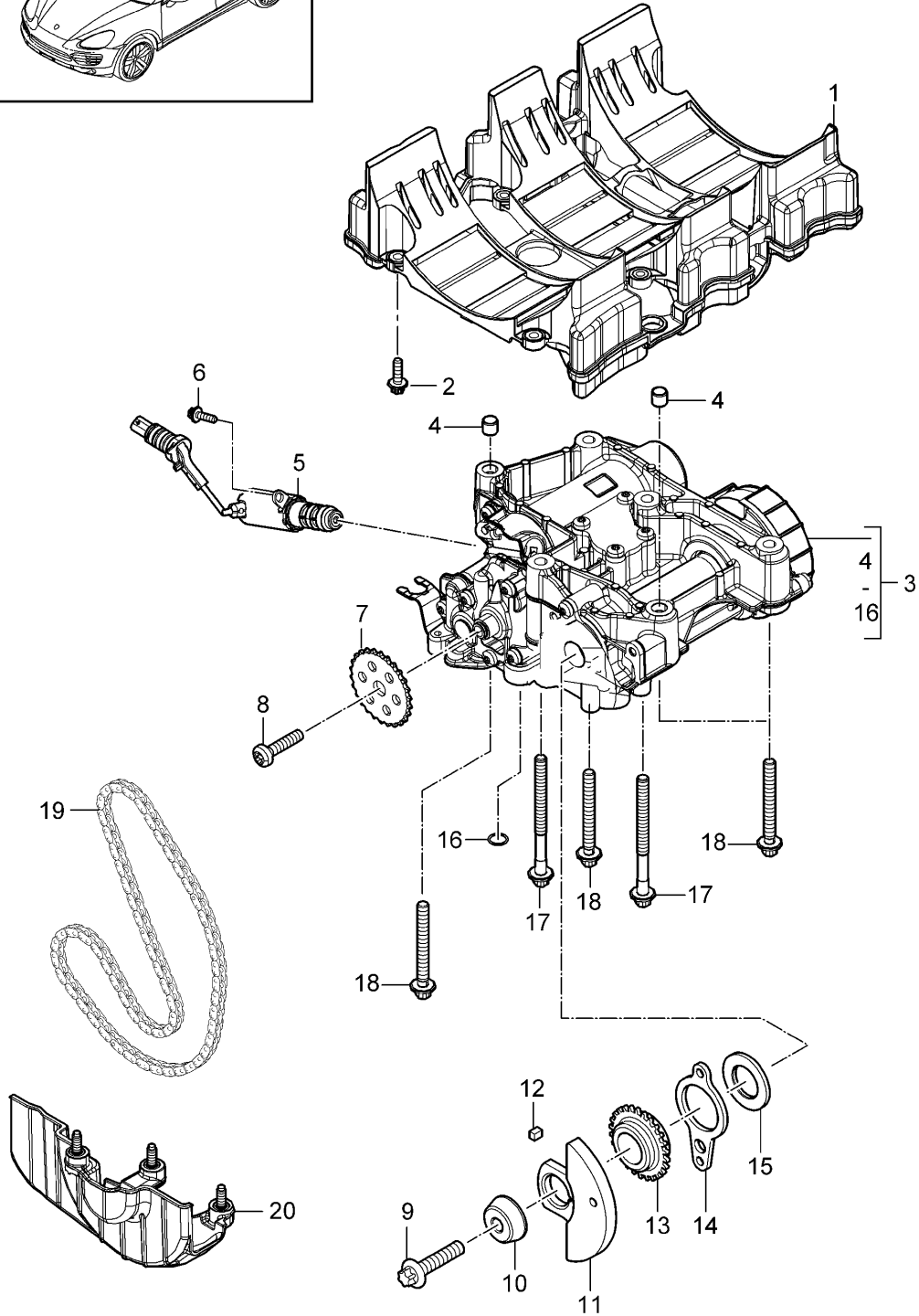
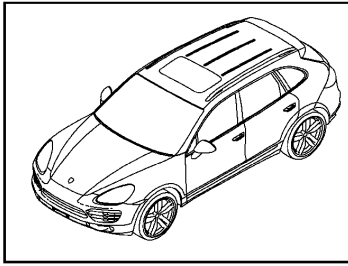
Model: 92A 11 Model life 2011>>2018

| Pos  | Part Number    | Description                             | Remark | Qty | Model                               |
|------|----------------|---|--------|-----|-------------------------------------|
|      |                | Oil return circuit<br>oil pump          |        |     | 4802,4852,<br>CFTB,CFT,<br>CYXA,CYX |
| 1    | 948 107 085 11 | Oil return circuit<br>Discontinued part |        | 1   |                                     |
| (1)  | 948 107 085 12 | Oil return circuit                      |        | 1   |                                     |
| 2    | 948 107 286 11 | Seal                                    |        | 9   |                                     |
|      |                | Oil return circuit                      |        |     |                                     |
| 3    | 948 107 285 11 | Connector union                         |        | 1   |                                     |
|      |                | Intake manifold                         |        |     |                                     |
| 4    | 999 707 496 40 | O-ring                                  |        | 2   |                                     |
|      |                | 23 X 3                                  |        |     |                                     |
| 5    | 948 107 287 11 | Seal                                    |        | 1   |                                     |
|      |                | filler plate                            |        |     |                                     |
| 6    | 900 385 019 01 | Torx screw                              |        | 6   |                                     |
|      |                | BM 6 X 20                               |        |     |                                     |
| 7    | 948 107 013 10 | oil pump                                |        | 1   | 4802                                |
|      |                | Discontinued part                       |        |     |                                     |
| (7)  | 948 107 013 11 | oil pump                                |        | 1   | 4802                                |
|      |                | Discontinued part                       |        |     |                                     |
| (7)  | 948 107 013 12 | oil pump                                |        | 1   | 4802                                |
| (7)  | 948 107 013 60 | oil pump                                |        | 1   | 4852                                |
|      |                | Discontinued part                       |        |     |                                     |
| (7)  | 948 107 013 61 | oil pump                                |        | 1   | 4852                                |
|      |                | Discontinued part                       |        |     |                                     |
| (7)  | 948 107 013 62 | oil pump                                |        | 1   | 4852,CFTB,<br>CFT,CYXA,CYX          |
| 8    | 996 106 103 50 | dowel sleeve                            |        | 2   |                                     |
|      |                | 8,2 X 7                                 |        |     |                                     |
| 9    | 948 107 113 10 | Solenoid valve                          |        | 1   |                                     |
|      |                | Discontinued part                       |        |     |                                     |
| (9)  | 948 107 113 11 | Solenoid valve                          |        | 1   |                                     |
| 10   | 999 707 567 40 | O-ring                                  |        | 2   |                                     |
|      |                | 17 X 3                                  |        |     |                                     |
| 11   | 999 261 024 01 | Union nut                               |        | 1   |                                     |
|      |                | M 36 X 1,0                              |        |     |                                     |
| 12   | 948 107 114 01 | Chain sprocket                          |        | 1   |                                     |
| 13   | 999 073 380 01 | Torx screw                              |        | 1   |                                     |
|      |                | M 8 X 22                                |        |     |                                     |
| 14   | 900 385 125 01 | Torx screw                              |        | 3   |                                     |
|      |                | BM 6 X 45                               |        |     |                                     |
| 15   | 948 107 252 11 | Drive chain                             |        | 1   |                                     |
|      |                | Discontinued part                       |        |     |                                     |
| (15) | 948 107 252 12 | Drive chain                             |        | 1   |                                     |
| 16   | 948 107 254 01 | Cover                                   |        | 1   |                                     |
|      |                | D >> - MJ 2013                          |        |     |                                     |
| (16) | 948 107 254 02 | Cover                                   |        | 1   |                                     |
|      |                | D - MJ 2014>>                           |        |     |                                     |
| 17   | 900 385 009 01 | Torx screw                              |        | 3   |                                     |
|      |                | BM 6 X 16                               |        |     |                                     |



Model: 92A 11

Model life 2011>>2018



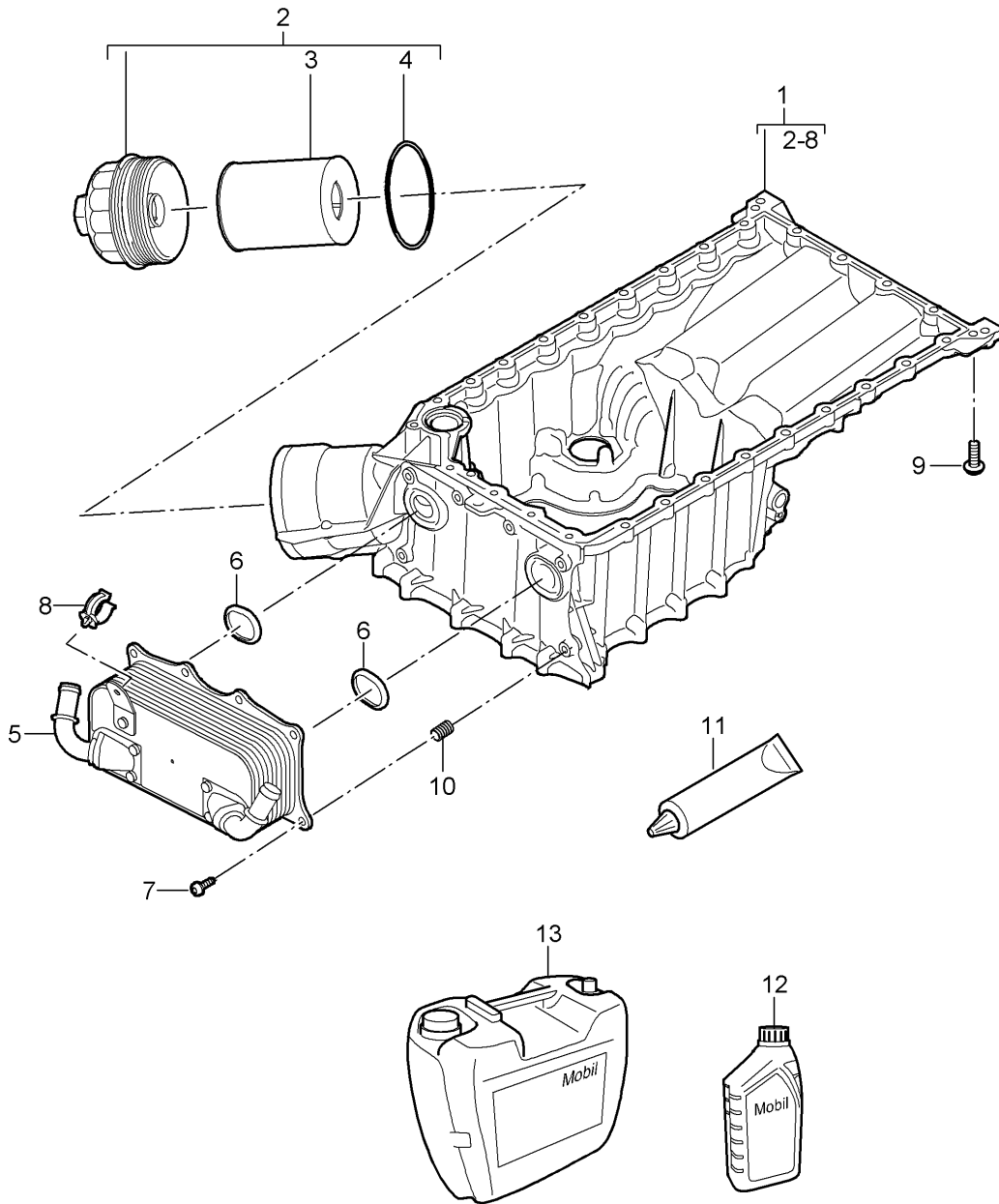
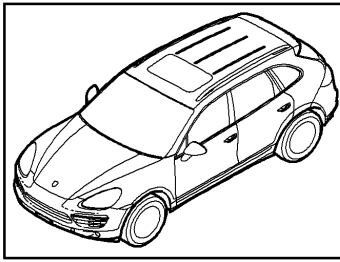
Model: 92A 11

Model life 2011>>2018

| Pos | Part Number    | Description  | Remark    | Qty | Model                   |
|-----|----------------|--|-----------|-----|-------------------------|
|     |                | Oil return circuit<br>oil pump                               |           |     | CURA, CUR,<br>CXZA, CXZ |
| 1   | 946 107 085 75 | Oil baffle plate   |           | 1   |                         |
| 2   | 900 385 019 01 | Torx screw<br>BM 6 X 20                                      |           | 6   |                         |
| 3   | 946 107 013 35 | oil pump   |           | 1   |                         |
| 4   | 999 095 063 01 | dowel sleeve<br>11M6 X 10                                    |           | 2   |                         |
| 5   | 946 107 113 60 | Solenoid valve   |           | 1   |                         |
| 6   | 999 073 344 01 | flat round head bolt<br>M 6 X 20                             |           | 1   |                         |
| 7   | 948 107 114 01 | Chain sprocket   |           | 1   |                         |
| 8   | 946 107 213 20 | Socket head bolt   |           | 1   |                         |
| 9   | 900 385 011 01 | Torx screw<br>BM 10 X 45                                     |           | 1   |                         |
| 10  | 946 107 218 35 | Conical ring   |           | 1   |                         |
| 11  | 946 107 216 35 | Balancer weight  |           | 1   |                         |
| 12  | 946 107 217 20 | feather key  |           | 1   |                         |
| 13  | 946 107 114 20 | Chain sprocket<br>balancer shaft                             |           | 1   |                         |
| 14  | 946 107 215 60 | Oil pump cover   |           | 1   |                         |
| 15  | 946 107 214 60 | Shim   |           | 1   |                         |
| 16  | 999 701 490 40 | O-ring<br>11,3 X 3,0   |           | 1   |                         |
| 17  | 900 385 007 01 | Torx screw<br>BM 8 X 100                                     |           | 2   |                         |
| 18  | 900 385 115 01 | Torx screw<br>BM 8 X 70                                      |           | 4   |                         |
| 19  |                | Chain<br>oil pump  |           | 1   |                         |
| 20  | 946 107 254 60 | Cover<br>see illustration, item:<br>Fastening screw<br>with: | 103-072,3 | 1   |                         |

Model: 92A 11

Model life 2011>>2018



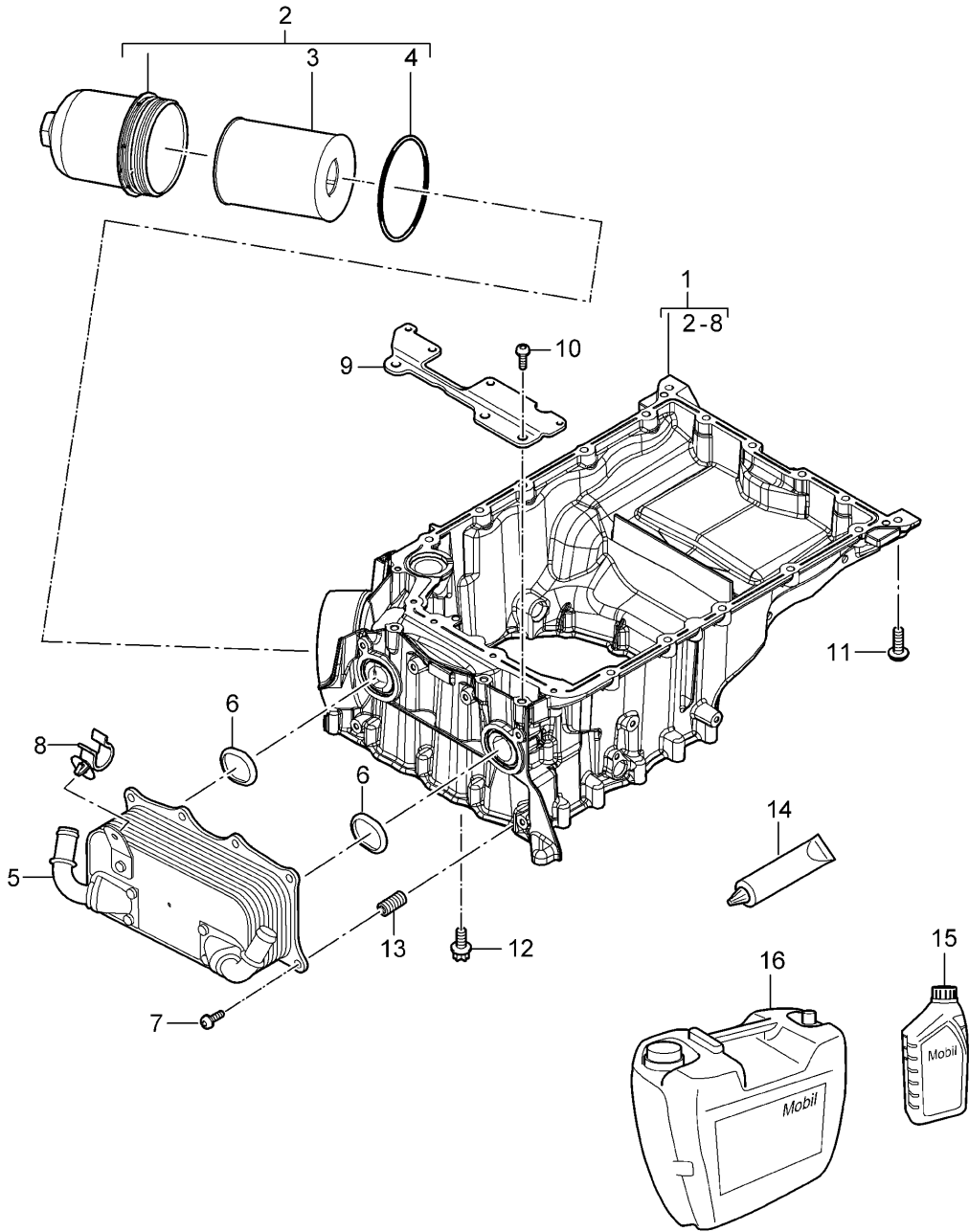
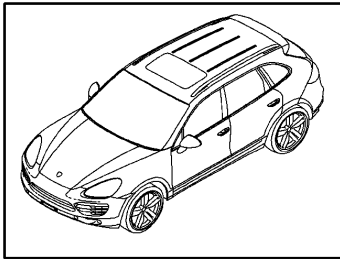
Model: 92A 11

Model life 2011>>2018

| Pos  | Part Number    | Description   | Remark                   | Qty | Model                                       |
|------|----------------|---|--------------------------|-----|---|
| 1    | 948 107 071 11 | Oil-conducting housing<br>oil filter<br>heat exchanger<br>Oil-conducting housing<br>Discontinued part | Magnesium                | 1   | 4802,4852,<br>CFTB,CFT,<br>CYXA,CYX<br>4802 |
| (1)  | 948 107 071 12 | Oil-conducting housing  | Magnesium                | 1   | 4802  |
| (1)  | 948 107 071 61 | Oil-conducting housing<br>Discontinued part   | Magnesium                | 1   | 4852  |
| (1)  | 948 107 071 62 | Oil-conducting housing  | Magnesium                | 1   | 4852,CFTB,                                  |
| 2    | 948 107 022 00 | oil filter  |                          | 1   |   |
| 3    | 948 107 222 00 | Oil filter insert   |                          | 1   |   |
| 4    | 948 107 322 00 | seal ring   | also use: 948 107 322 00 | 1   |   |
| 5    | 948 107 281 21 | heat exchanger<br>Discontinued part   |                          | 1   |   |
| (5)  | 948 107 281 22 | heat exchanger  |                          | 1   |   |
| 6    | 948 107 175 20 | Seal  |                          | 2   |   |
| 7    | 999 073 344 01 | flat round head bolt  | M6X20                    | 6   |   |
| (8)  | N 106 491 01   | Hose bracket  | 17,5                     | 1   |   |
| 8    | 999 507 793 40 | Hose bracket  | 23-C                     | 1   |   |
| 9    | 999 073 905 31 | fillister hd. bolt  | M6X30PA<br>aluminium     | 29  |   |
| 10   | 999 504 084 01 | threaded insert<br>Thread repair set M6   | M6X12                    | X   |   |
| 11   | 999 915 573 43 | Oil-conducting housing<br>sealant<br>1 tube<br>discontinued part                                      | Magnesium<br>75 ml       | X   |   |
| 11   | 000 043 305 33 | sealant<br>1 tube   | 75 ml                    | X   |   |
| 12   | 000 043 301 19 | engine oil<br>EXXON MOBIL 1 0W-40<br>discontinued part  | 1.0 Ltr.                 | X   |   |
| (12) | 000 043 305 21 | engine oil<br>EXXON MOBIL 1 0W-40   | 1.0 Ltr.                 | X   |   |
| 13   | 000 043 301 21 | engine oil<br>EXXON MOBIL 1 0W-40   | 20ltr.                   | X   |   |

Model: 92A 11

Model life 2011>>2018

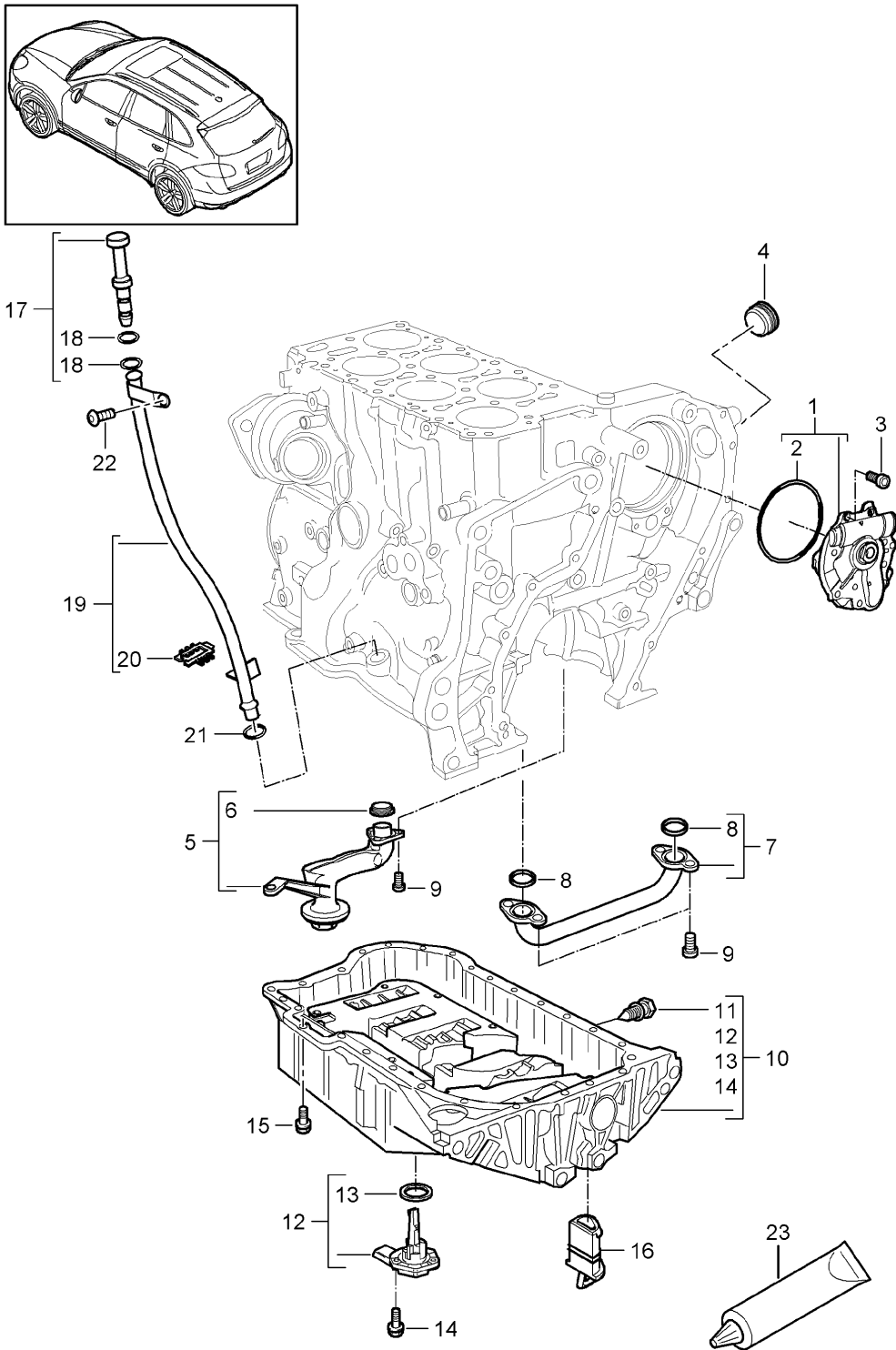


Model: 92A 11 Model life 2011>>2018

| Pos  | Part Number    | Description  | Remark               | Qty | Model                   |
|------|----------------|--|----------------------|-----|-------------------------|
|      |                | Oil-conducting housing<br>oil filter<br>heat exchanger |                      |     | CURA, CUR,<br>CXZA, CXZ |
| 1    | 946 107 051 51 | Oil-conducting housing<br>discontinued part            | Magnesium            | 1   |                         |
| (1)  | 946 107 051 52 | Oil-conducting housing                                 | Magnesium            | 1   |                         |
| 2    | 946 107 022 75 | oil filter   |                      | 1   |                         |
| 3    | 948 107 222 00 | Oil filter insert                                      |                      | 1   |                         |
|      |                | also use:  | 946 107 322 75       | 1   |                         |
| 4    | 946 107 322 75 | seal ring  |                      | 1   |                         |
| 5    | 948 107 281 22 | heat exchanger   |                      | 1   |                         |
| 6    | 948 107 175 20 | Seal   |                      | 2   |                         |
| 7    | 999 073 344 01 | flat round head bolt                                   | M6X20                | 6   |                         |
| 8    | N 106 491 01   | Hose bracket   | 17,5                 | 1   |                         |
| 9    | 946 107 211 75 | Support  |                      | 1   |                         |
| 10   | 999 073 094 01 | Screw  | M8X20                | 3   |                         |
| 11   | 999 073 905 31 | fillister hd. bolt                                     | M6X30PA<br>aluminium | 16  |                         |
| 12   | 900 385 072 01 | Torx screw   | BM6X25               | 1   |                         |
| 13   | 999 504 084 01 | threaded insert  | M6X12                | X   |                         |
|      |                | Thread repair set M6                                   |                      |     |                         |
| 14   | 999 915 573 43 | Oil-conducting housing<br>sealant                      | Magnesium<br>75 ml   | X   |                         |
| (14) | 000 043 305 33 | discontinued part<br>sealant                           | 75 ml                | X   |                         |
|      |                | 1 tube   |                      |     |                         |
| 15   | 000 043 301 19 | engine oil   | 1.0 Ltr.             | X   |                         |
|      |                | EXXON MOBIL 1 0W-40                                    |                      |     |                         |
| (15) | 000 043 305 21 | discontinued part<br>engine oil                        | 1.0 Ltr.             | X   |                         |
|      |                | EXXON MOBIL 1 0W-40                                    |                      |     |                         |
| 16   | 000 043 301 21 | engine oil   | 20ltr.               | X   |                         |
|      |                | EXXON MOBIL 1 0W-40                                    |                      |     |                         |

Model: 92A 11

Model life 2011>>2018



Model: 92A 11

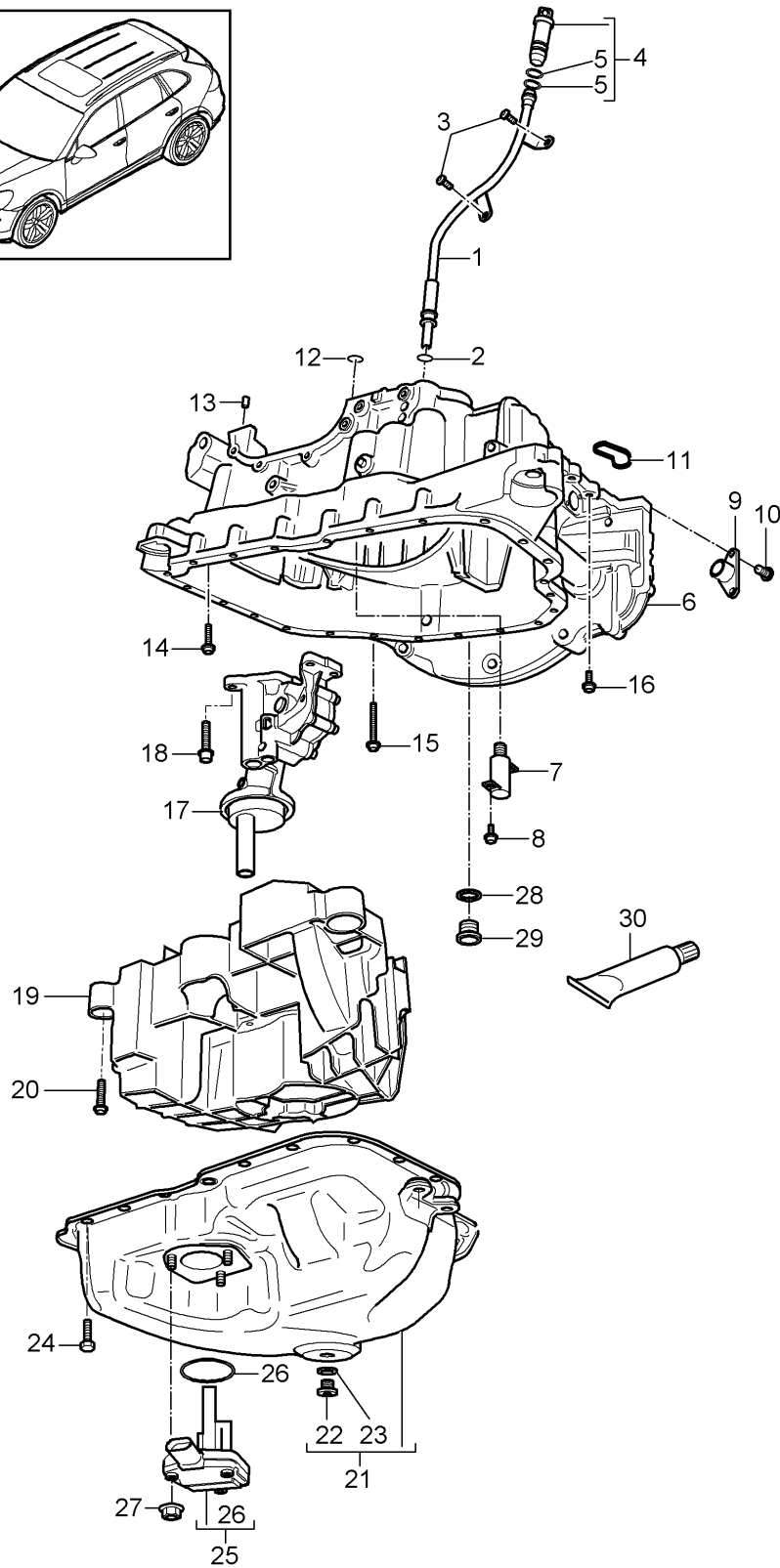
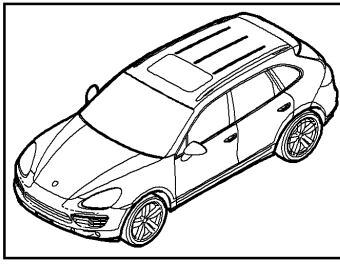
Model life 2011>>2018

| Pos  | Part Number    | Description  | Remark | Qty | Model      |
|------|----------------|--|--------|-----|------------|
|      |                | oil pump<br>Intake manifold<br>oil sump<br>oil pump                    |        | 1   | 5502, CEYA |
| 1    | 958 107 013 10 |  |        | 1   |            |
| 2    | WHT 002 780    | O-ring<br>82,22 X 2,62   |        | 1   |            |
| 3    | N 102 278 01   | Socket head bolt with hexagon<br>socket head (combination)<br>M 6 X 20 |        | 6   |            |
| 4    | WHT 000 914    | sealing plug<br>M 36 X 1,5   |        | 1   |            |
| 5    | 955 107 030 00 | Intake manifold  |        | 1   |            |
| 6    | 955 107 567 00 | seal ring  |        | 1   |            |
| 7    | 955 107 031 00 | oil pipe   |        | 1   |            |
| 8    | 955 107 444 00 | seal ring  |        | 2   |            |
| 9    | N 100 292 05   | Oval hexagon socket head bolt<br>M 6 X 15                              |        | 8   |            |
| 10   | 958 107 055 00 | oil sump   |        | 1   |            |
|      |                | with:  |        |     |            |
| (10) | 958 107 055 01 | oil level sender<br>discontinued part<br>oil sump                      |        | 1   |            |
|      |                | with:  |        |     |            |
| 11   | N 911 014 01   | oil level sender<br>Seal bolt with sealing<br>ring<br>M 14 X 1,5 X 22  |        | 1   |            |
| 12   | 958 606 160 10 | oil level sensor<br>No longer use the part here                        |        | 1   |            |
| (12) | 958 606 160 11 | oil level sensor   |        | 1   |            |
| 13   | 038 103 196 B  | seal ring  |        | 1   |            |
| 14   | N 104 720 03   | Socket head bolt with<br>inner multipoint head<br>M 6 X 28             |        | 3   |            |
| 15   | N 106 211 01   | Socket head bolt with hexagon<br>socket head (combination)<br>M 6 X 20 |        | 25  |            |
| 16   | 955 101 731 00 | Cover cap<br>for sealing engine and<br>gear casings                    |        | 3   |            |
| 17   | 958 107 168 20 | Sealing cap  |        | 1   |            |
| 18   | N 908 138 02   | O-ring<br>5 X 1,9  |        | 2   |            |
| 19   | 955 107 066 00 | guide tube   |        | 1   |            |
| 20   | 955 612 530 00 | bracket for connector housing  |        | 1   |            |
| 21   | N 900 672 02   | O-ring<br>9,5 X 2,5  |        | 1   |            |
| 22   | N 909 899 01   | Oval socket head bolt<br>with hex drive<br>K 6 X 18                    |        | 1   |            |
| 23   | 000 043 300 39 | sealant<br>1 tube<br>for<br>oil sump                                   | 50ml   | X   |            |
| (23) | 000 043 305 10 | discontinued part<br>sealant<br>1 tube<br>for<br>oil sump              | 50ml   | X   |            |



Model: 92A 11

Model life 2011>>2018



Model: 92A 11 Model life 2011>>2018

| Pos  | Part Number    | Description  | Remark                   | Qty | Model |
|------|----------------|--|--------------------------|-----|-------|
|      |                | Oil-conducting housing<br>oil pump<br>oil sump<br>guide tube     |                          |     | 059E  |
| 1    | 955 107 066 10 |  |                          | 1   |       |
|      |                |  | also use: 955 107 427 00 | 1   |       |
| 2    | 955 107 427 00 | O-ring<br>12 X 2   |                          | 1   |       |
| 3    | N 104 056 04   | Oval hexagon socket head bolt<br>M 6 X 14                        |                          | 2   |       |
| 4    | 958 107 168 10 | Sealing cap  |                          | 1   |       |
| 5    | N 908 138 02   | O-ring<br>5 X 1,9  |                          | 2   |       |
| 6    | 958 107 071 00 | Oil-conducting housing   |                          | 1   |       |
| 7    | 958 107 243 20 | control valve  |                          | 1   |       |
| 8    | N 101 243 06   | Oval hexagon socket head bolt<br>M 6 X 20                        |                          | 1   |       |
| 9    | 955 105 361 00 | Carrier plate  |                          | 1   |       |
| 10   | N 907 809 04   | Oval hexagon socket head bolt<br>M 6 X 16                        |                          | 2   |       |
| 11   | 955 107 609 00 | Seal   |                          | 1   |       |
| 12   | 955 107 609 10 | Seal   |                          | 1   |       |
| 13   | 955 102 277 00 | spring pin<br>6,2 X 22   |                          | 2   |       |
| 14   | N 908 539 03   | Socket head bolt with inner<br>multipoint head<br>M 7 X 50       |                          | 8   |       |
| 15   | N 910 094 02   | Socket head bolt with inner<br>multipoint head<br>M 7 X 105 X 39 |                          | 3   |       |
| 16   | N 908 538 02   | Socket head bolt with inner<br>multipoint head<br>M 7 X 20       |                          | 2   |       |
| 17   | 958 107 013 00 | oil pump<br>Discontinued part                                    |                          | 1   |       |
| (17) | 958 107 013 01 | oil pump   |                          | 1   |       |
| 18   | N 106 128 01   | Hexagon socket head<br>bolt<br>M 8 X 30                          |                          | 3   |       |
| 19   | 955 107 138 00 | Insert for oil sump  |                          | 1   |       |
| 20   | N 104 134 05   | Hexagon socket flat<br>head bolt<br>M 6 X 25                     |                          | 4   |       |
| 21   | 955 107 055 10 | oil sump   |                          | 1   |       |
| 22   | N 016 027 6    | sealing plug<br>M 14 X 1,5                                       |                          | 1   |       |
| 23   | N 013 815 7    | seal ring<br>14 X 20   |                          | 1   |       |
| 24   | N 010 217 25   | Hexagon bolt<br>M 6 X 20   |                          | 23  |       |
| 25   | 958 606 160 00 | oil level sensor<br>Discontinued part                            |                          | 1   |       |
| (25) | 958 606 160 01 | oil level sensor   |                          | 1   |       |
| 26   | 038 103 196 B  | seal ring  |                          | 1   |       |
| 27   | N 015 082 13   | Hexagon collar nut<br>M 6  |                          | 3   |       |
| 28   | N 013 832 6    | seal ring<br>18 X 22   |                          | 1   |       |
| 29   | N 911 965 01   | sealing plug<br>M 18 X 1,5                                       |                          | 1   |       |
| 30   | 000 043 207 49 | sealant<br>1 tube<br>80 ML<br>Discontinued part                  |                          | X   |       |

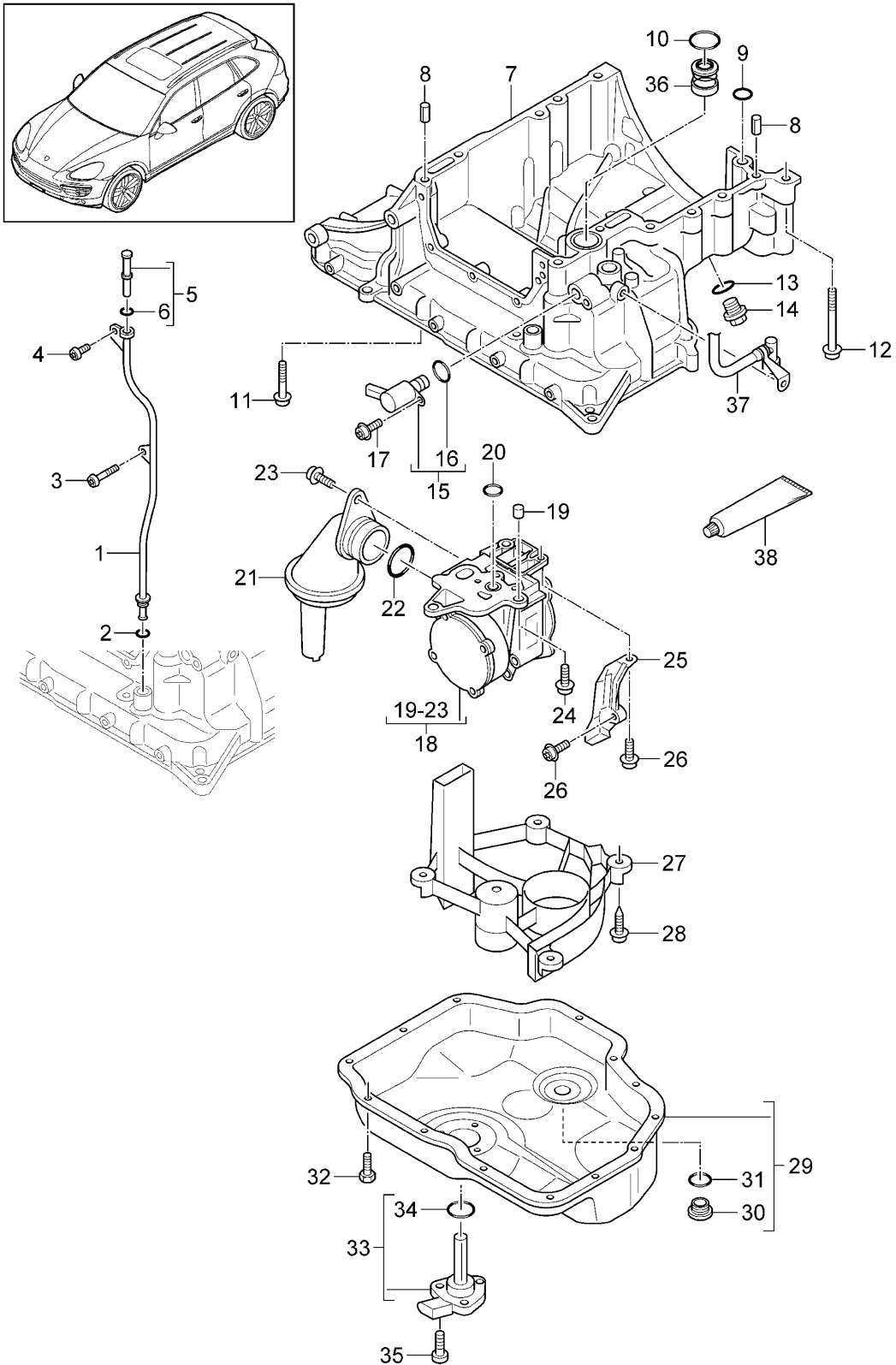
Model: 92A 11

Model life 2011>>2018

| Pos  | Part Number    | Description      | Remark | Qty | Model |
|------|----------------|------------------|--------|-----|-------|
| (30) | 958 101 902 00 | sealant<br>80 ML |        | X   |       |

Model: 92A 11

Model life 2011>>2018



Model: 92A 11 Model life 2011>>2018

| Pos  | Part Number    | Description   | Remark                   | Qty | Model                                    |
|------|----------------|---|--------------------------|-----|--|
| 1    | 958 107 066 10 | Oil-conducting housing<br>oil pump<br>Vacuum pump<br>oil sump<br>guide tube |                          | 1   | CRCA, CRCB,<br>CNRB, CVVA,<br>CVVB, CVVC |
|      |                |   | also use: 955 107 427 00 | 1   |  |
| 2    | 955 107 427 00 | O-ring<br>12 X 2  |                          | 1   |  |
| 3    | N 105 540 05   | round hd. screw<br>M6 X 35  |                          | 1   |  |
| 4    | N 101 243 06   | Oval hexagon socket head bolt<br>M6 X 20                                    |                          | 1   |  |
| 5    | 958 107 168 10 | Sealing cap   |                          | 1   |  |
| 6    | N 908 138 02   | O-ring<br>5 X 1,9   |                          | 1   |  |
| 7    | 958 107 071 20 | Oil-conducting housing<br>Discontinued part                                 |                          | 1   |  |
| (7)  | 958 107 071 22 | Oil-conducting housing  |                          | 1   |  |
| 8    | 955 102 277 00 | spring pin<br>6,2 X 22  |                          | 2   |  |
| 9    | 958 107 609 00 | Seal  |                          | 1   |  |
| 10   | 958 107 610 00 | Seal  |                          | 1   |  |
| 11   | WHT 004 873    | fillister head bolt with<br>multi-point socket head<br>aluminium            |                          | 9   |  |
| 12   | WHT 004 874    | fillister head bolt with<br>multi-point socket head<br>aluminium            |                          | 3   |  |
| 13   | N 013 832 6    | seal ring<br>18 X 22  |                          | 1   |  |
| 14   | N 911 965 01   | sealing plug<br>M 18 X 1,5  |                          | 1   |  |
| 15   | 958 107 243 30 | control valve<br>Discontinued part  |                          | 1   |  |
| (15) | 958 107 243 31 | control valve   |                          | 1   |  |
| 16   | N 910 568 01   | O-ring<br>12 X 2  |                          | 1   |  |
| 17   | N 101 961 03   | fillister head bolt with<br>multi-point socket head<br>M 6 X 18             |                          | 1   |  |
| 18   | 958 107 013 30 | Oil pump with integrated<br>vacuum pump<br>Discontinued part                |                          | 1   |  |
| (18) | 958 107 013 31 | Oil pump with integrated<br>vacuum pump                                     |                          | 1   |  |
| 19   |                | bush<br>Not available   |                          | 2   |  |
| 20   | 958 107 611 10 | Seal for oil pump<br>23,4 X 3,53  |                          | 1   |  |
| 21   |                | suction line<br>Not available<br>Use<br>Pos.18                              |                          | 1   |  |
| 22   |                | seal ring<br>Not available<br>Use<br>Pos.18                                 |                          | 1   |  |
| 23   |                | Screw<br>Not available<br>Use<br>Pos.18                                     |                          | 1   |  |
| 24   | N 107 453 01   | Oval hexagon socket head bolt<br>aluminium                                  |                          | 3   |  |

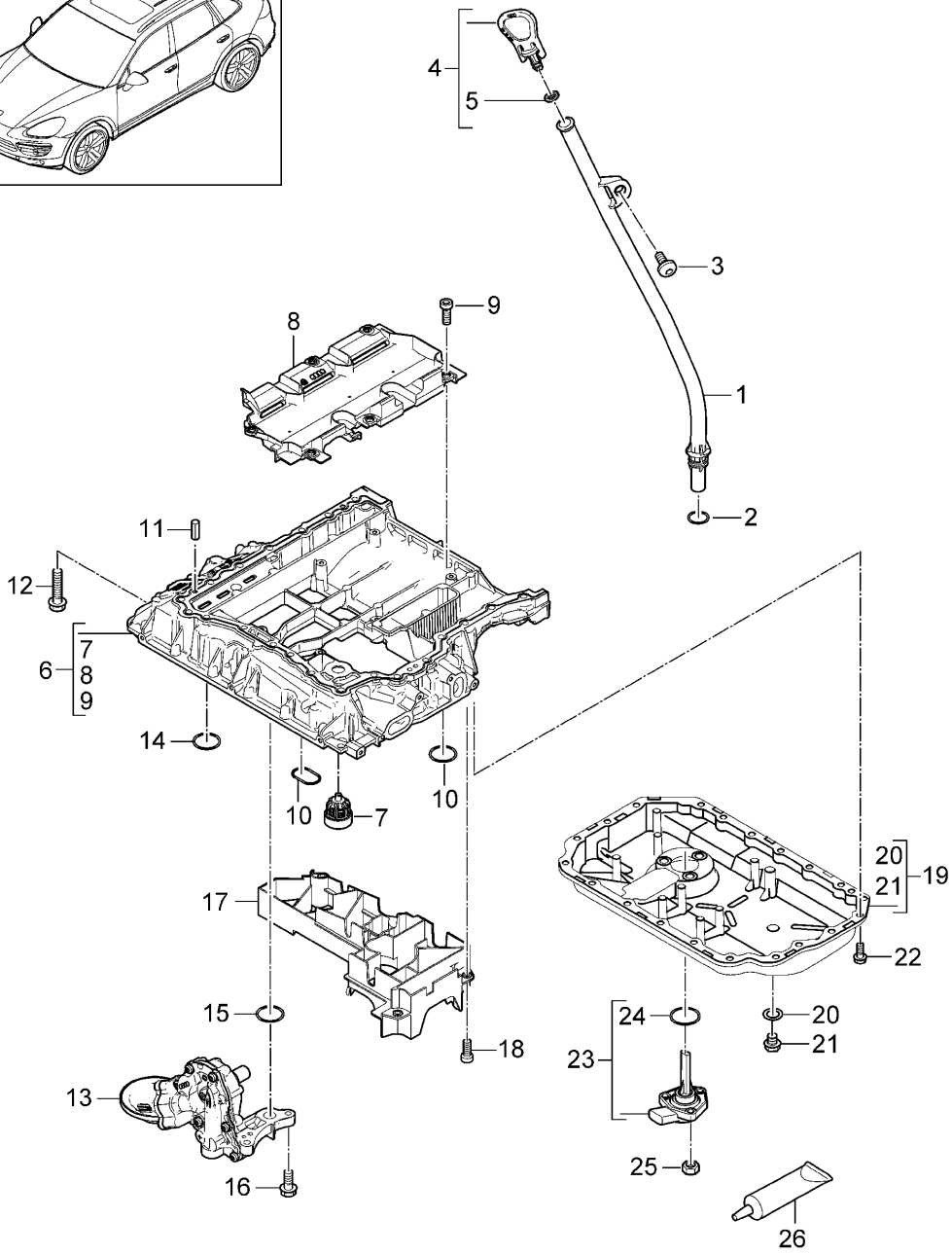
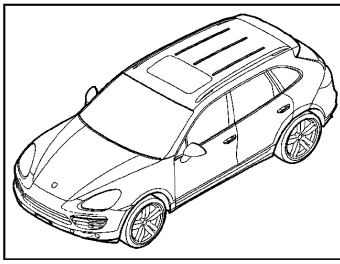
Model: 92A 11

Model life 2011>>2018

| Pos  | Part Number    | Description   | Remark     | Qty | Model |
|------|----------------|---|------------|-----|-------|
| 25   | 958 107 031 10 | M 8 X 30<br>Return pipe                                   |            | 1   |       |
| 26   | N 107 451 01   | Hexagon socket flat<br>head bolt<br>aluminium             |            | 2   |       |
| 27   | 958 107 138 10 | Insert for oil sump                                       |            | 1   |       |
| 28   | N 107 451 01   | Hexagon socket flat<br>head bolt<br>aluminium             |            | 4   |       |
| 29   | 958 107 055 20 | oil sump  |            | 1   |       |
| 30   | N 016 027 6    | sealing plug<br>M 14 X 1,5                                |            | 1   |       |
| (30) | N 911 679 01   | No longer use the part here<br>sealing plug<br>M 14 X 1,5 |            | 1   |       |
| 31   | N 013 815 7    | seal ring<br>14 X 20                                      |            | 1   |       |
| (31) | N 013 849 8    | No longer use the part here<br>seal ring<br>A 14 X 20     |            | 1   |       |
| 32   | N 107 451 01   | Hexagon socket flat<br>head bolt<br>aluminium             |            | 14  |       |
| 33   | 958 606 160 20 | oil level sender<br>Discontinued part                     |            | 1   |       |
| (33) | 958 606 160 21 | oil level sender  |            | 1   |       |
| 34   | 038 103 196 B  | seal ring   |            | 1   |       |
| 35   | N 015 082 13   | Hexagon collar nut<br>M 6                                 |            | 3   |       |
| 36   | 958 107 376 20 | Non-return valve  |            | 1   |       |
| 37   |                | Vacuum line<br>see illustration, item:                    | 108-060,28 | 1   |       |
| 38   | 000 043 207 49 | sealant<br>1 tube<br>80 ML                                |            | X   |       |
| (38) | 000 043 300 39 | No longer use the part here<br>sealant<br>1 tube<br>50 ML |            | X   |       |
| (38) | 000 043 305 10 | Discontinued part<br>sealant<br>1 tube<br>50 ML           |            | X   |       |

Model: 92A 11

Model life 2011>>2018



Model: 92A 11 Model life 2011>>2018

| Pos  | Part Number    | Description   | Remark         | Qty | Model                         |
|------|----------------|---|----------------|-----|-------------------------------|
| 1    | 958 107 066 00 | Oil-conducting housing<br>oil pump<br>oil sump<br>guide tube                                  |                | 1   | 06EC, CGEA,<br>CGE, CGFA, CJT |
|      |                |   | also use:      |     |                               |
| 2    | 955 107 427 00 | O-ring<br>12 X 2  | 955 107 427 00 | 1   |                               |
| 3    | N 101 244 08   | Hexagon socket head<br>bolt (combi)<br>M 6 X 20   |                | 1   |                               |
| 4    | 958 107 168 00 | Sealing cap   |                | 1   |                               |
| 5    | N 908 138 02   | O-ring<br>5 X 1,9   |                | 1   |                               |
| 6    | 958 107 071 10 | Oil-conducting housing<br>Discontinued part   |                | 1   |                               |
| (6)  | 958 107 071 11 | Oil-conducting housing<br>Discontinued part   |                | 1   |                               |
| (6)  | 958 107 071 12 | Oil-conducting housing  |                | 1   |                               |
| 7    | 958 107 275 10 | Non-return valve  |                | 1   |                               |
| 8    | 958 107 142 00 | filler plate  |                | 1   |                               |
| 9    | N 107 500 01   | Hexagon socket flat<br>head bolt<br>M 6 X 16  |                | 6   |                               |
| (9)  | N 104 514 01   | No longer use the part here<br>Oval hexagon socket head bolt<br>M 6 X 16<br>Discontinued part |                | 6   |                               |
| (9)  | N 104 514 05   | Oval hexagon socket head bolt<br>M 6 X 16   |                | 6   |                               |
| 10   | N 909 513 01   | O-ring<br>21 X 2  |                | 2   |                               |
| 11   | 955 102 277 00 | spring pin<br>6,2 X 22  |                | 2   |                               |
| 12   | N 107 504 01   | Hexagon socket flat<br>head bolt<br>aluminium   |                | 21  |                               |
| (12) | N 106 893 02   | No longer use the part here<br>Socket head bolt with inner<br>multipoint head<br>M 8 X 25     |                | 21  |                               |
| 13   | 958 107 013 20 | oil pump<br>Discontinued part   |                | 1   |                               |
| (13) | 958 107 013 21 | oil pump  |                | 1   |                               |
| 14   | N 908 091 02   | O-ring<br>16 X 2  |                | 1   |                               |
| 15   | N 909 513 01   | O-ring<br>21 X 2  |                | 1   |                               |
| 16   | N 106 128 01   | Hexagon socket head<br>bolt<br>M 8 X 30   |                | 3   |                               |
| 17   | 958 107 138 00 | Insert for oil sump   |                | 1   |                               |
| 18   | N 107 500 01   | Hexagon socket flat<br>head bolt<br>M 6 X 16  |                | 5   |                               |
| (18) | N 103 471 03   | No longer use the part here<br>Hexagon socket oval head bolt<br>(combi)<br>M 6 X 20           |                | 5   |                               |
| 19   | 958 107 055 10 | oil sump<br>Discontinued part   |                | 1   |                               |
| (19) | 958 107 055 11 | oil sump  |                | 1   |                               |
| 20   | N 013 815 7    | seal ring<br>14 X 20  |                | 1   |                               |



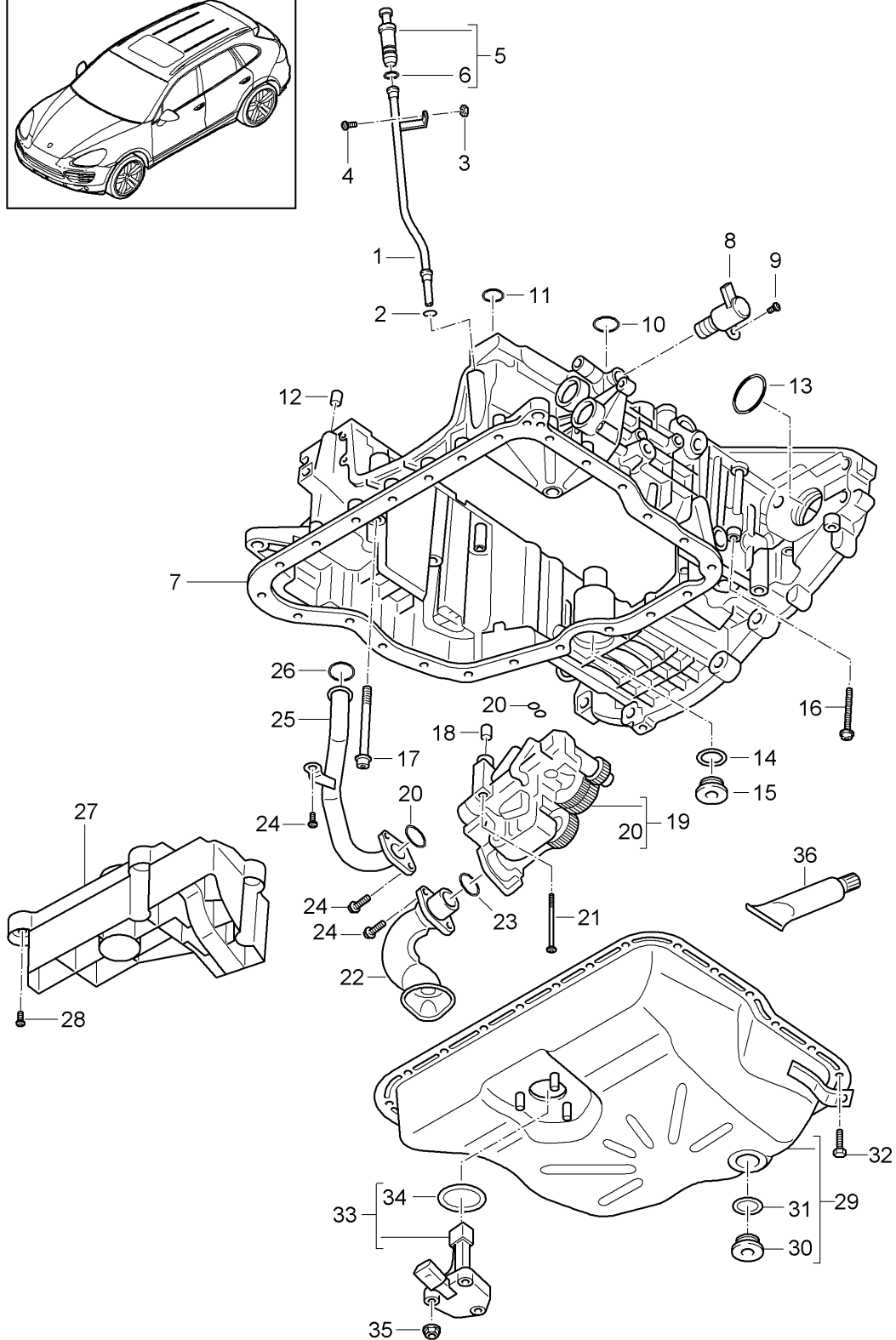
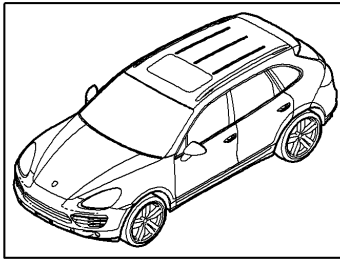
Model: 92A 11

Model life 2011>>2018

| Pos  | Part Number    | Description   | Remark | Qty | Model |
|------|----------------|---|--------|-----|-------|
| 21   | N 016 027 6    | sealing plug<br>M 14 X 1,5  |        | 1   |       |
| 22   | N 107 500 01   | Hexagon socket flat<br>head bolt<br>M 6 X 16  |        | 19  |       |
| (22) | N 900 711 02   | No longer use the part here<br>hexagon head bolt (combi)<br>M 6 X 18                      |        | 19  |       |
| 23   | 958 606 160 00 | oil level sensor<br>Discontinued part   |        | 1   |       |
| (23) | 958 606 160 01 | oil level sensor  |        | 1   |       |
| 24   | 038 103 196 B  | seal ring   |        | 1   |       |
| 25   | N 015 082 13   | Hexagon collar nut<br>M 6   |        | 3   |       |
| 26   | 000 043 207 49 | sealant<br>1 tube<br>80 ML<br>for<br>Oil-conducting housing<br>and<br>oil sump            |        | X   |       |
| (26) | 958 101 902 00 | Discontinued part<br>sealant<br>80 ML<br>for<br>Oil-conducting housing<br>and<br>oil sump |        | X   |       |

Model: 92A 11

Model life 2011>>2018



Model: 92A 11

Model life 2011>>2018

| Pos  | Part Number    | Description  | Remark         | Qty | Model      |
|------|----------------|--|----------------|-----|------------|
|      |                | Oil-conducting housing<br>oil pump<br>oil sump<br>guide tube     |                |     | CUDB, CUDC |
| 1    | 958 107 066 20 |  |                | 1   |            |
|      |                | also use:  | 955 107 427 00 | 1   |            |
| (1)  | 958 107 066 21 | Discontinued part<br>guide tube                                  |                | 1   |            |
|      |                | also use:  | 955 107 427 00 | 1   |            |
| 2    | 955 107 427 00 | O-ring<br>12 X 2   |                | 1   |            |
| 3    | 958 107 283 00 | Sleeve   |                | 1   |            |
| 4    | N 101 243 06   | Oval hexagon socket head bolt<br>M 6 X 20                        |                | 1   |            |
| 5    | 958 107 168 10 | Sealing cap  |                | 1   |            |
| 6    | N 908 138 02   | O-ring<br>5 X 1,9  |                | 2   |            |
| 7    | 958 107 071 30 | Oil-conducting housing   |                | 1   |            |
| 8    | 958 107 243 30 | control valve  |                | 1   |            |
| 9    | N 104 056 04   | Oval hexagon socket head bolt<br>M 6 X 14                        |                | 1   |            |
| 10   | N 910 085 01   | O-ring<br>35 X 3   |                | 1   |            |
| 11   | N 909 566 01   | O-ring<br>20 X 2,5   |                | 1   |            |
| 12   | 955 102 277 00 | spring pin<br>6,2 X 22   |                | 2   |            |
| 13   | N 903 228 04   | O-ring<br>42 X 2,5   |                | 1   |            |
| 14   | N 013 816 5    | seal ring<br>A 18 X 24   |                | 1   |            |
| 15   | N 016 029 3    | sealing plug<br>M 18 X 1,5 X 12                                  |                | 1   |            |
| 16   | N 908 539 03   | Socket head bolt with inner<br>multipoint head<br>M 7 X 50       |                | 7   |            |
| 17   | N 910 094 02   | Socket head bolt with inner<br>multipoint head<br>M 7 X 105 X 39 |                | 9   |            |
| 18   | 958 101 139 00 | dowel sleeve<br>8,2 X 6,5  |                | 2   |            |
| 19   | 958 107 013 40 | oil pump   |                | 1   |            |
| 19   | 958 107 013 41 | oil pump   |                | 1   |            |
| 20   | 958 107 901 00 | Gasket set for oil pump  |                | 1   |            |
| 21   | N 106 980 01   | Socket head bolt with<br>inner hex round head<br>AM 6 X 60       |                | 3   |            |
| 22   | 958 107 030 00 | suction line   |                | 1   |            |
| 23   | N 910 697 01   | O-ring<br>26 X 2,5   |                | 1   |            |
| 24   | N 101 961 03   | fillister head bolt with<br>multi-point socket head<br>M 6 X 18  |                | 5   |            |
| 25   | 958 107 033 00 | Oil pipe<br>Discontinued part                                    |                | 1   |            |
| (25) | 958 107 033 01 | Oil pipe   |                | 1   |            |
| 26   | N 909 566 01   | O-ring<br>20 X 2,5   |                | 1   |            |
| 27   | 958 107 138 20 | Insert for oil sump  |                | 1   |            |
| 28   | N 910 680 01   | Hexagon socket flat<br>head bolt<br>M 6 X 28                     |                | 3   |            |
| 29   | 958 107 055 30 | oil sump   |                | 1   |            |
| 30   | N 016 027 6    | sealing plug   |                | 1   |            |

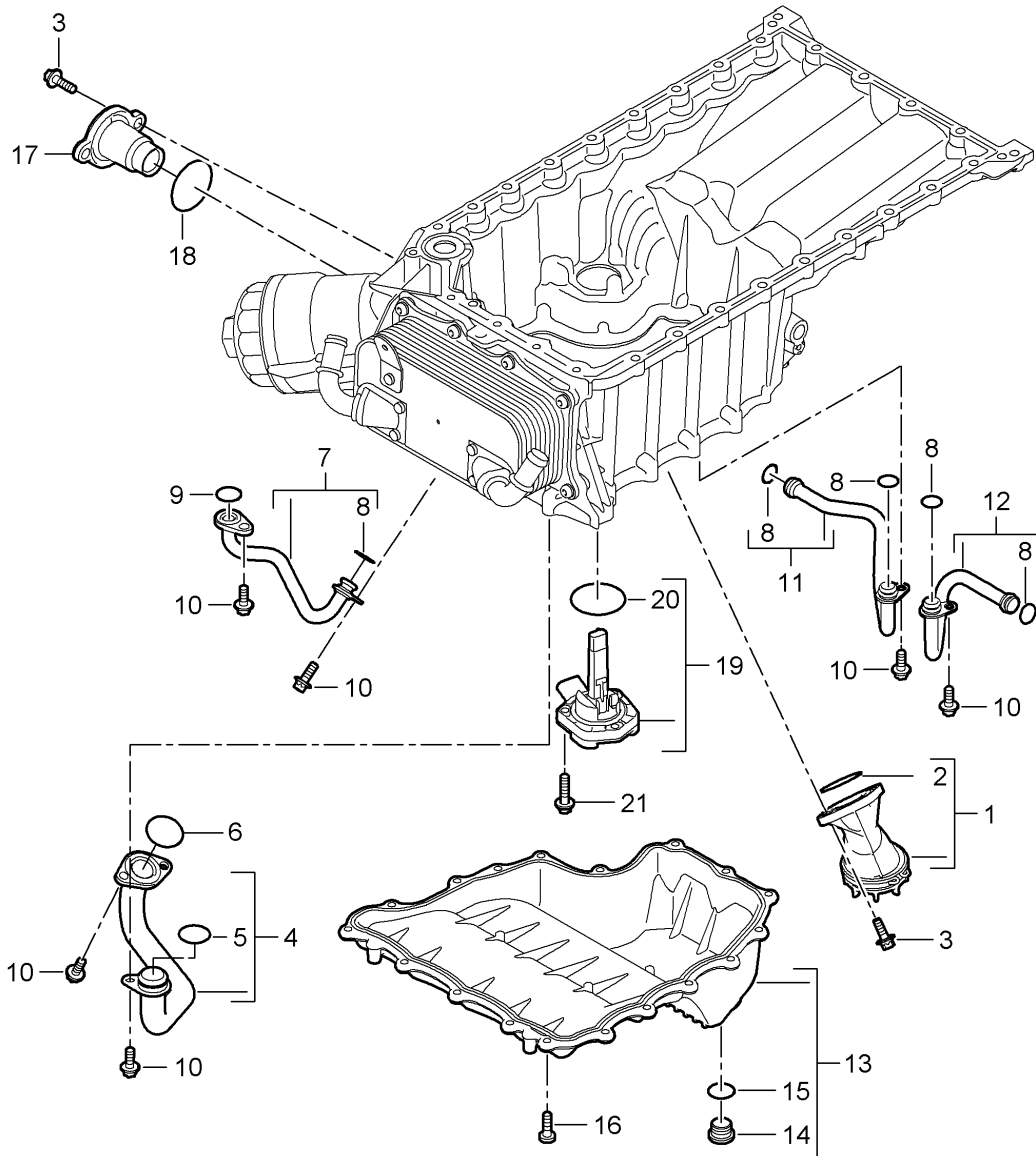
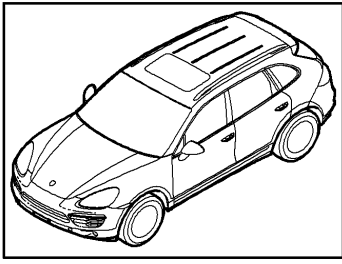
Model: 92A 11

Model life 2011&gt;&gt;2018

| Pos  | Part Number    | Description                                     | Remark | Qty | Model |
|------|----------------|---|--------|-----|-------|
| 31   | N 013 815 7    | M 14 X 1,5<br>seal ring                         |        | 1   |       |
| 32   | N 900 711 02   | 14 X 20<br>hexagon head bolt (combi)            |        | 24  |       |
| 33   | 958 606 160 10 | M 6 X 18<br>oil level sensor                    |        | 1   |       |
| (33) | 958 606 160 11 | No longer use the part here<br>oil level sensor |        | 1   |       |
| 34   | 038 103 196 B  | seal ring                                       |        | 1   |       |
| 35   | N 015 082 13   | Hexagon collar nut<br>M 6                       |        | 3   |       |
| 36   | 000 043 300 39 | sealant<br>1 tube<br>50 ML                      |        | X   |       |

Model: 92A 11

Model life 2011>>2018

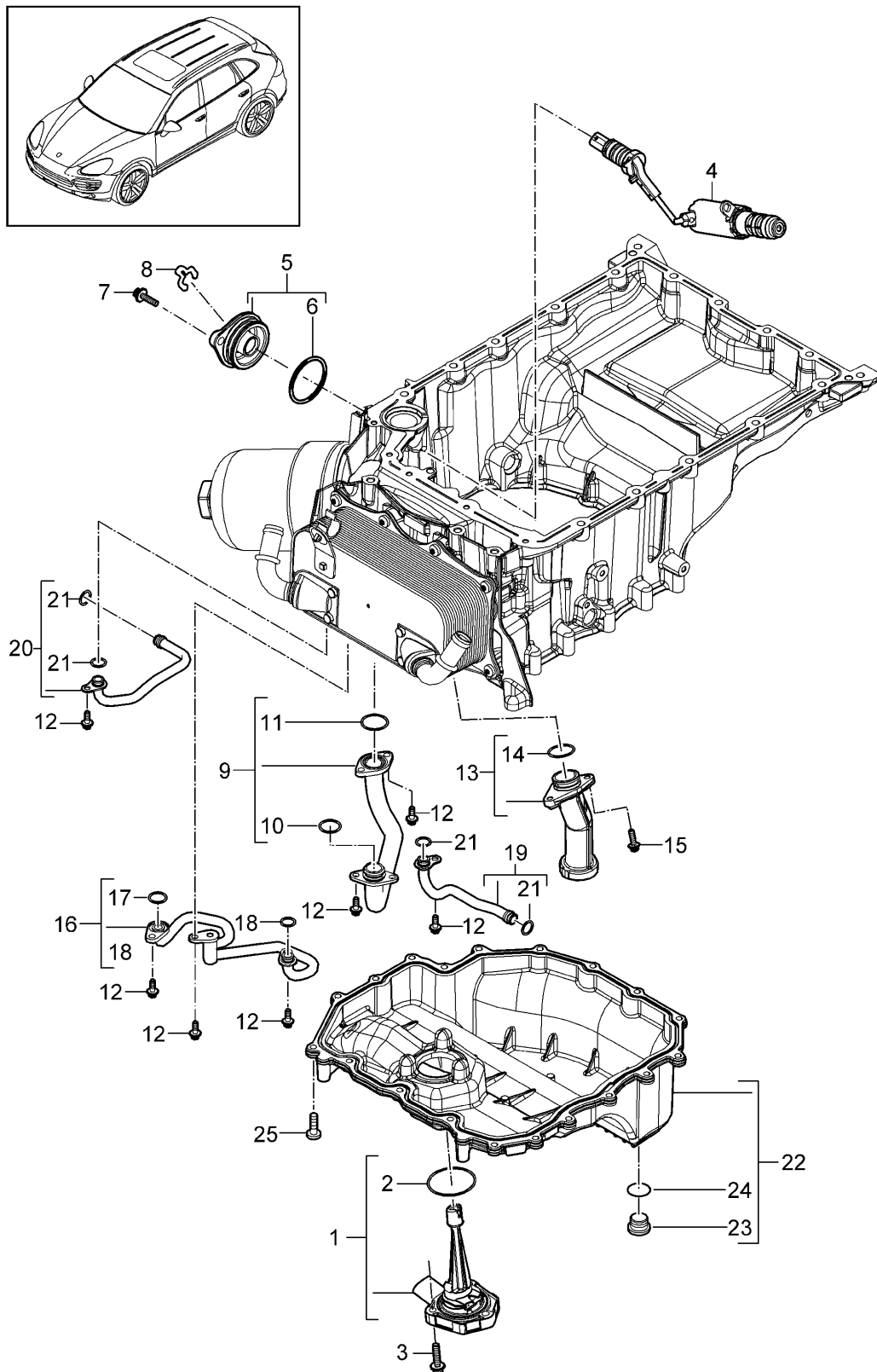


Model: 92A 11 Model life 2011>>2018

| Pos  | Part Number    | Description  | Remark        | Qty | Model                               |
|------|----------------|--|---------------|-----|-------------------------------------|
|      |                | Intake manifold<br>oil sump  |               |     | 4802,4852,<br>CFTB,CFT,<br>CYXA,CYX |
| 1    | 948 107 030 02 | Intake manifold  |               | 1   |                                     |
| 2    | 999 707 530 40 | O-ring   | 35,52X3,53    | 1   |                                     |
| 3    | 900 385 019 01 | Torx screw   | BM6X20        | 4   |                                     |
| 4    | 948 107 031 10 | oil pipe   |               | 1   |                                     |
| 5    | 999 707 585 40 | O-ring   | 22,00X3,00    | 1   |                                     |
| 6    | 999 707 547 40 | O-ring   | 28,00X3,0     | 1   |                                     |
| 7    | 948 107 033 01 | Oil pipe   |               | 1   |                                     |
| 8    | 999 707 603 40 | O-ring   | 10X3          | 1   | 4802                                |
| (8)  | 999 707 603 40 | O-ring   | 10X3          | 5   | 4852,CFTB,<br>CFT,CYXA,CYX          |
| 9    | 999 707 567 40 | O-ring   | 17X3          | 1   |                                     |
| 10   | 900 385 009 01 | Torx screw   | M6X16         | 5   | 4802                                |
| (10) | 900 385 009 01 | Torx screw   | M6X16         | 7   | 4852,CFTB,<br>CFT,CYXA,CYX          |
| 11   | 948 107 037 51 | Oil pipe<br>Exhaust gas turbocharger   | Cylinders 1-4 | 1   | 4852,CFTB,<br>CFT,CYXA,CYX          |
| 12   | 948 107 038 51 | Oil pipe<br>Exhaust gas turbocharger   | Cylinder 5-8  | 1   | 4852,CFTB,<br>CFT,CYXA,CYX          |
| 13   | 948 107 055 10 | oil sump   |               | 1   |                                     |
| 14   | 900 219 020 31 | sealing plug   | M18X1,5       | 1   |                                     |
| 15   | 900 123 106 30 | seal ring  | A18X24        | 1   |                                     |
| 16   | 999 073 344 01 | flat round head bolt   | M6X20         | 18  |                                     |
| 17   | 948 107 313 20 | flange   |               | 1   |                                     |
| 18   | 999 707 570 40 | O-ring   | 44,00X3,00    | 1   |                                     |
| 19   | 948 606 160 02 | oil level sensor<br>M >> B 08343<br>M >> V B 01749<br>M >> B 05356<br>D >> - MJ 2013 |               | 1   | 4802,PR:1A2<br>4802,PR:1A5<br>4852  |
| (19) | 958 606 160 10 | oil level sensor<br>No longer use the part here                                      |               | 1   |                                     |
| (19) | 958 606 160 11 | oil level sensor<br>M B 08344 >><br>M V B 01750 >><br>M B 05357 >><br>D >> - MJ 2013 |               | 1   | 4802,PR:1A2<br>4802,PR:1A5<br>4852  |
| (19) | 946 606 170 00 | oil level sensor<br>D - MJ 2014>>  |               | 1   |                                     |
| 20   | 038 103 196 B  | seal ring  |               | 1   |                                     |
| 21   | 900 385 072 01 | Torx screw   | BM6X25        | 3   |                                     |

Model: 92A 11

Model life 2011>>2018



Model: 92A 11

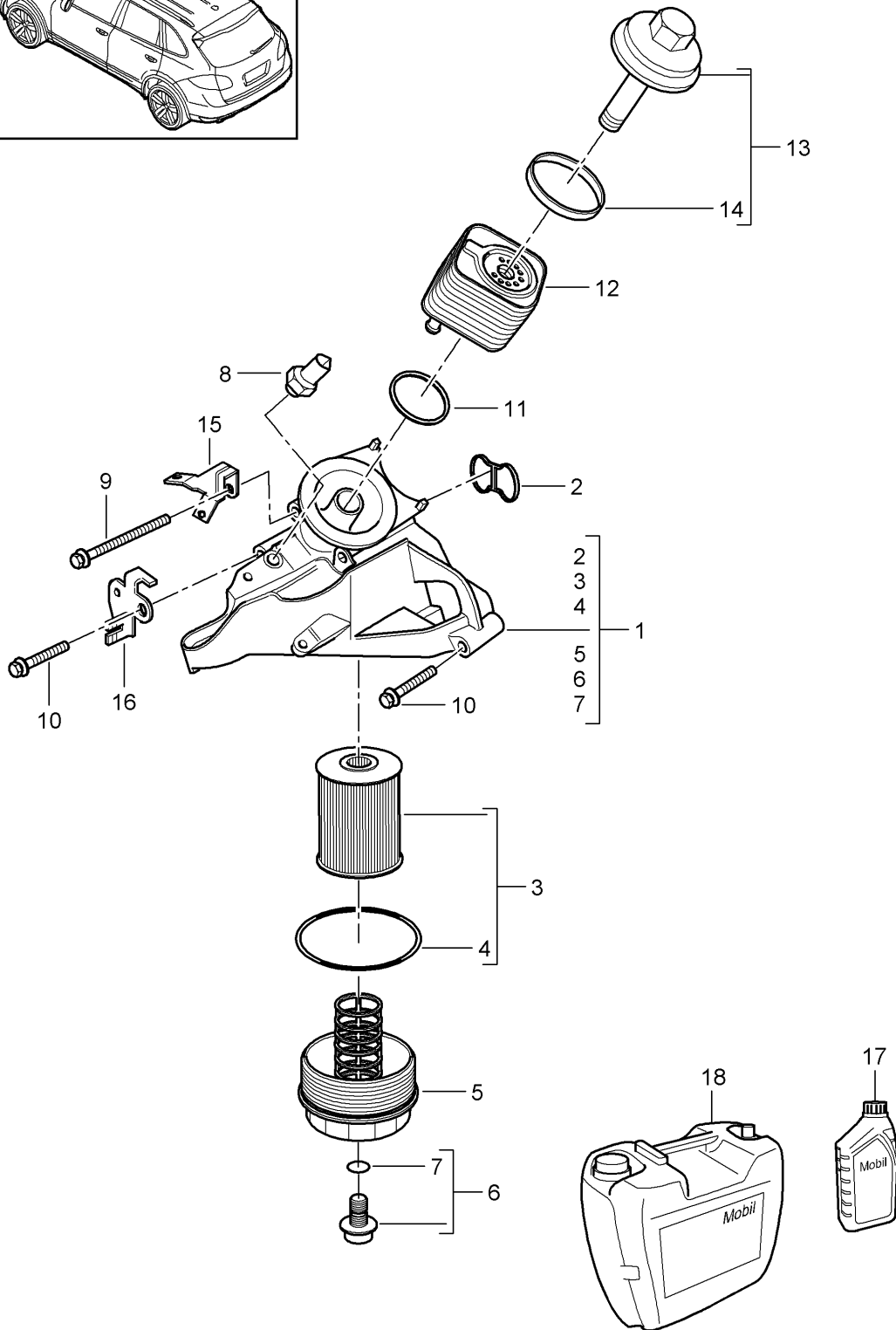
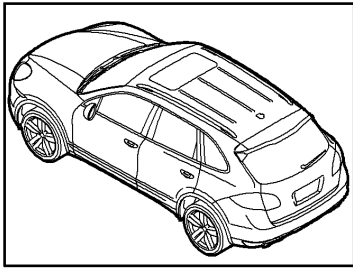
Model life 2011>>2018

| Pos | Part Number    | Description   | Remark        | Qty | Model                   |
|-----|----------------|---|---------------|-----|-------------------------|
| 1   | 946 606 170 00 | Suction tube<br>oil sump<br>oil level sensor          |               | 1   | CURA, CUR,<br>CXZA, CXZ |
| 2   | 038 103 196 B  | seal ring   |               | 1   |                         |
| 3   | 900 385 072 01 | Torx screw  | BM6X25        | 3   |                         |
| 4   |                | Solenoid valve<br>oil pump<br>see illustration, item: | 104-005,5     | 1   |                         |
| 5   | 946 107 313 75 | flange  |               | 1   |                         |
| 6   | 999 707 636 40 | O-ring  | 44,00X3,50NX  | 1   |                         |
| 7   | 900 385 019 01 | Torx screw  | BM6X20        | 2   |                         |
| 8   | 946 107 413 60 | securing clip<br>Solenoid valve                       |               | 1   |                         |
| 9   | 946 107 031 50 | oil pipe  |               | 1   |                         |
| 10  | 999 707 585 40 | O-ring  | 22,00X3,00    | 1   |                         |
| 11  | 999 707 547 40 | O-ring  | 28,00X3,0     | 1   |                         |
| 12  | 900 385 009 01 | Torx screw  | BM6X16        | 9   |                         |
| 13  | 946 107 030 50 | Intake manifold                                       |               | 1   |                         |
| 14  | 999 707 547 40 | O-ring  | 28,00X3,0     | 1   |                         |
| 15  | 900 385 019 01 | Torx screw  | BM6X20        | 2   |                         |
| 16  | 946 107 033 50 | Oil pipe  |               | 1   |                         |
| 17  | 999 707 567 40 | O-ring  | 17X3-N-       | 1   |                         |
| 18  | 999 707 603 40 | O-ring  | 10X3-N-       | 1   |                         |
| 19  | 946 107 037 50 | Oil pipe<br>Exhaust gas turbocharger                  | cylinders 4-6 | 1   |                         |
| 20  | 946 107 038 50 | Oil pipe<br>Exhaust gas turbocharger                  | cylinders 1-3 | 1   |                         |
| 21  | 999 707 603 40 | O-ring  | 10X3-N-       | 4   |                         |
| 22  | 946 107 015 51 | oil sump  |               | 1   |                         |
| 23  | 900 219 020 31 | sealing plug  | M18X1,5       | 1   |                         |
| 24  | 900 123 106 30 | seal ring   | A18X24        | 1   |                         |
| 25  | 999 073 344 01 | flat round head bolt                                  | M6X20         | 19  |                         |



Model: 92A 11

Model life 2011>>2018



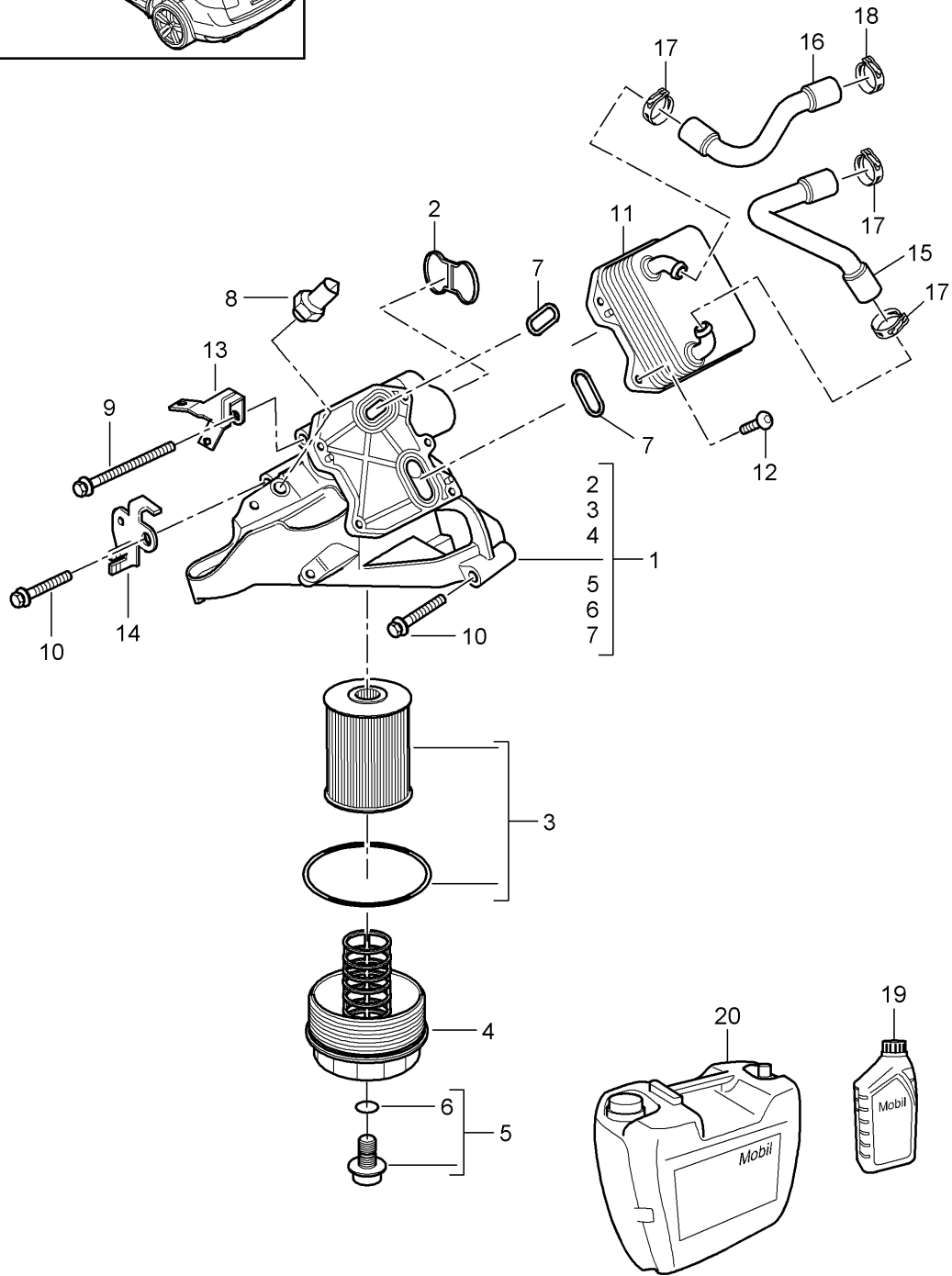
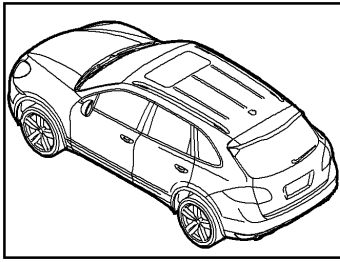
Model: 92A 11

Model life 2011>>2018

| Pos  | Part Number    | Description   | Remark | Qty | Model    |
|------|----------------|---|--------|-----|----------|
|      |                | oil filter<br>Console<br>Oil cooler<br>D >> - MJ 2011<br>Console<br>with: |        | 1   | 5502     |
| 2    | 955 107 111 00 | oil filter  |        | 1   |          |
| 3    | 955 107 561 00 | Seal<br>filter element with gasket  |        | 1   |          |
| 4    | 955 107 313 00 | seal ring   |        | 1   |          |
| 5    | 955 107 433 01 | seal ring<br>housing  |        | 1   |          |
| 6    | WHT 000 897 A  | filter element<br>Seal bolt with sealing<br>ring                          |        | 1   |          |
| 7    | N 904 054 02   | O-ring<br>11 X 2,5  |        | 1   |          |
| 8    | 955 606 091 02 | Oil pressure switch   |        | 1   |          |
| -    | N 013 811 5    | seal ring<br>10 X 13,5<br>for<br>Oil pressure switch                      |        | 1   |          |
| 9    | N 100 362 03   | hexagon head bolt (combi)<br>M 8 X 105                                    |        | 3   |          |
| 10   | N 902 120 04   | hexagon head bolt (combi)<br>M 8 X 65                                     |        | 2   |          |
| 11   | 955 107 070 01 | seal ring   |        | 1   |          |
| 12   | 955 107 021 03 | Oil cooler  |        | 1   |          |
| 13   | 955 107 061 01 | Cover<br>with:  |        | 1   |          |
| 14   | 955 107 172 00 | Seal<br>gasket for oil cooler   |        | 1   |          |
| 15   | 955 607 208 30 | Bracket   |        | 1   |          |
| 16   | 955 607 208 40 | Bracket   |        | 1   |          |
| 17   | 000 043 301 16 | engine oil<br>EXXON MOBIL 1 ESP<br>FORMULA 5W-30<br>1 LITER<br>Container  |        | X   | - "CN. " |
| (17) | 000 043 301 19 | engine oil<br>EXXON MOBIL 1 0W-40<br>1 LITER<br>Container                 |        | X   | "CN. "   |
| 18   | 000 043 301 17 | engine oil<br>EXXON MOBIL 1 ESP<br>FORMULA 5W-30<br>20 LITER<br>Container |        | X   | - "CN. " |
| (18) | 000 043 301 21 | engine oil<br>EXXON MOBIL 1 0W-40<br>20 LITER<br>Container                |        | X   | "CN. "   |

Model: 92A 11

Model life 2011>>2018

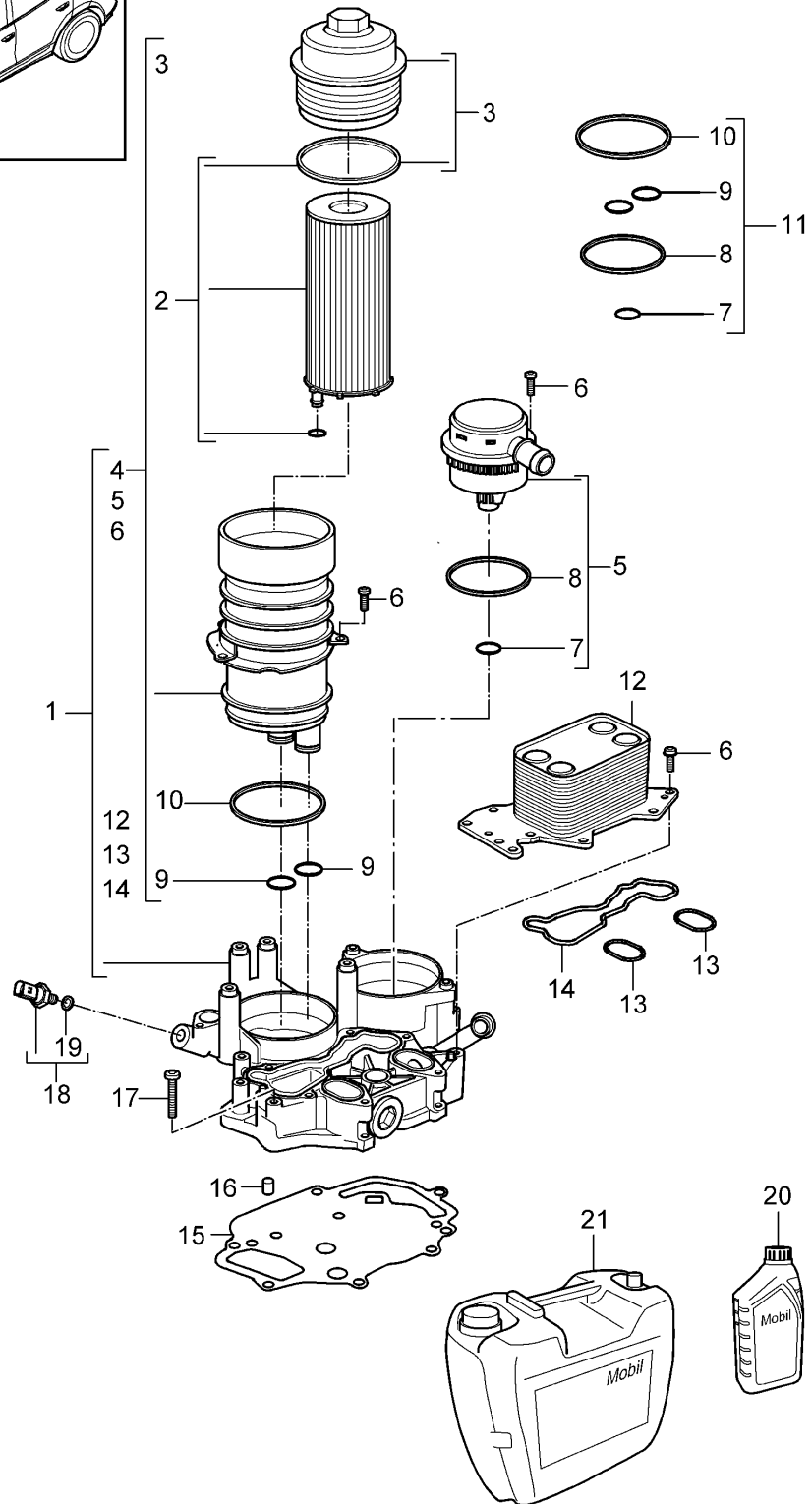
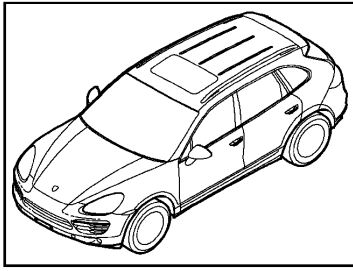


Model: 92A 11 Model life 2011>>2018

| Pos  | Part Number    | Description   | Remark | Qty | Model     |
|------|----------------|---|--------|-----|-----------|
| 1    | 958 107 010 20 | oil filter<br>Console<br>Oil cooler<br>D - MJ 2012>><br>Console |        | 1   | 5502,CEYA |
|      |                | with:   |        |     |           |
| 2    | 958 107 111 10 | oil filter  |        | 1   |           |
| 3    | 958 107 222 10 | Seal<br>Oil filter insert                                       |        | 1   |           |
|      |                | with:   |        |     |           |
| 4    | 958 107 122 10 | O-ring<br>End cap   |        | 1   |           |
| 5    | WHT 005 237    | Seal bolt with sealing<br>ring                                  |        | 1   |           |
| 6    | N 904 054 02   | O-ring<br>O-ring  |        | 1   |           |
|      |                | 11 X 2,5  |        |     |           |
| 7    | 958 107 175 10 | Set of seals for oil cooler                                     |        | 1   |           |
| 8    | 955 606 091 02 | Oil pressure switch   |        | 1   |           |
| -    | N 013 811 5    | seal ring<br>10 X 13,5<br>for<br>Oil pressure switch            |        | 1   |           |
| 9    | N 100 362 03   | hexagon head bolt (combi)<br>M 8 X 105                          |        | 3   |           |
| 10   | N 902 120 04   | hexagon head bolt (combi)<br>M 8 X 65                           |        | 2   |           |
| 11   | 958 107 271 10 | Oil cooler  |        | 1   |           |
| 12   | N 910 969 01   | round hd. screw<br>M 6 X 22                                     |        | 5   |           |
| 13   | 955 607 208 30 | Bracket   |        | 1   |           |
| 14   | 955 607 208 40 | Bracket   |        | 1   |           |
| 15   | 958 106 696 40 | Water hose<br>thermostat housing                                |        | 1   |           |
| 16   | 958 106 696 50 | Water hose<br>Crankcase housing                                 |        | 1   |           |
| 17   | N 906 869 01   | Spring band clamp<br>B 23 X 12                                  |        | 3   |           |
| 18   | N 909 264 01   | Spring band clamp<br>B 19 X 12                                  |        | 1   |           |
| (18) | 999 512 652 09 | Discontinued part<br>Hose clamp<br>B 19 X 12                    |        | 1   |           |
| 19   | 000 043 301 16 | engine oil<br>EXXON MOBIL 1 ESP<br>FORMULA 5W-30<br>1 LITER     |        | X   | - "CN. "  |
| (19) | 000 043 301 19 | engine oil<br>EXXON MOBIL 1 0W-40<br>1 LITER                    |        | X   | "CN. "    |
| 20   | 000 043 301 17 | engine oil<br>EXXON MOBIL 1 ESP<br>FORMULA 5W-30<br>20 LITER    |        | X   | - "CN. "  |
| (20) | 000 043 301 21 | engine oil<br>EXXON MOBIL 1 0W-40<br>20 LITER                   |        | X   | "CN. "    |

Model: 92A 11

Model life 2011>>2018



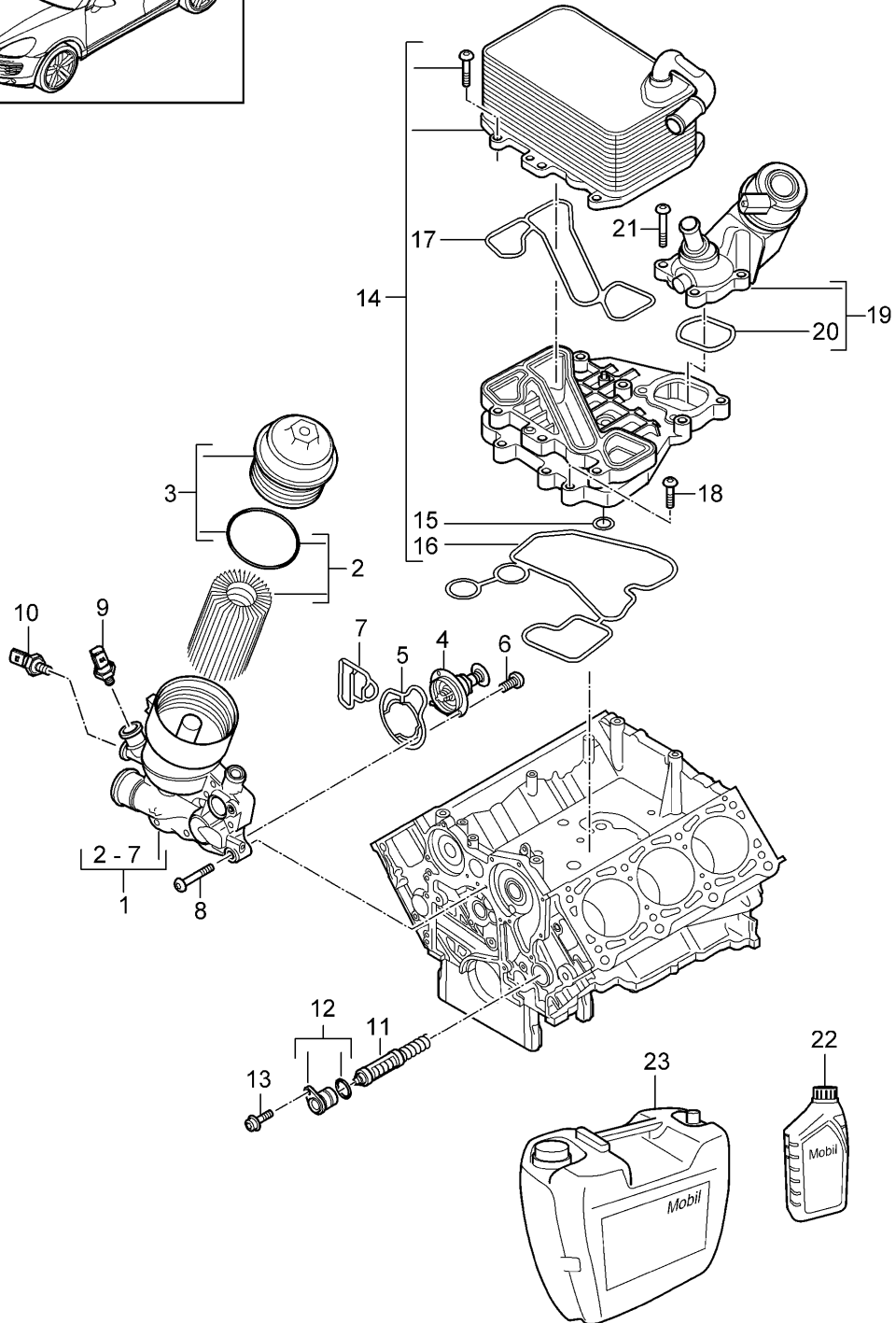
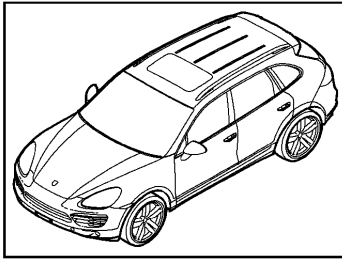
Model: 92A 11

Model life 2011>>2018

| Pos | Part Number    | Description  | Remark | Qty | Model |
|-----|----------------|--|--------|-----|-------|
| 1   | 958 107 010 00 | oil filter<br>Console<br>Oil cooler<br>Console   |        | 1   | 059E  |
| (1) | 958 107 010 01 | oil filter<br>(complete)<br>Discontinued part<br>Console                               |        | 1   |       |
| 2   | 955 107 222 00 | filter element with gasket   |        | 1   |       |
| 3   | 955 107 122 00 | End cap  |        | 1   |       |
| 4   | 955 107 073 00 | oil container<br>(complete)  |        | 1   |       |
| 5   | 955 107 040 00 | oil separator  |        | 1   |       |
|     |                | with:  |        |     |       |
| 6   | N 101 243 06   | Seal<br>Oval hexagon socket head bolt<br>M 6 X 20                                      |        | 10  |       |
| 7   |                | Seal<br>oil separator<br>Use   |        | 1   |       |
| 8   |                | Pos.11<br>Seal<br>oil separator<br>Use   |        | 1   |       |
| 9   |                | Pos.11<br>Seal<br>oil container<br>Use   |        | 2   |       |
| 10  |                | Pos.11<br>Seal<br>oil container<br>Use   |        | 1   |       |
| 11  | 955 107 901 01 | Gasket set for oil<br>tank and oil separator   |        | 1   |       |
| 12  | 955 107 271 00 | Oil cooler   |        | 1   |       |
| 13  | 955 107 175 00 | seal ring  |        | 2   |       |
| 14  | 955 107 176 00 | gasket for oil cooler  |        | 1   |       |
| 15  | 955 107 111 20 | Seal   |        | 1   |       |
| 16  | N 106 678 01   | Cylinder pin<br>6 H 8 X 16   |        | 1   |       |
| 17  | N 106 165 01   | Oval hexagon socket head bolt<br>M 6 X 56  |        | 8   |       |
| 18  | 955 606 091 10 | Oil pressure switch  |        | 1   |       |
| 19  | N 013 811 5    | seal ring<br>10 X 13,5   |        | 1   |       |
| 20  | 000 043 301 16 | engine oil<br>EXXON MOBIL 1 ESP<br>FORMULA 5W-30<br>1 LITER                            |        | X   |       |
| 21  | 000 043 301 17 | Container<br>engine oil<br>EXXON MOBIL 1 ESP<br>FORMULA 5W-30<br>20 LITER<br>Container |        | X   |       |

Model: 92A 11

Model life 2011>>2018



Model: 92A 11

Model life 2011&gt;&gt;2018

| Pos  | Part Number    | Description   | Remark | Qty | Model                                    |
|------|----------------|---|--------|-----|--|
| 1    | 958 107 010 30 | oil filter<br>flange<br>Oil cooler<br>oil filter with flange<br>and<br>Thermostat insert<br>Water cooling |        | 1   | CRCA, CRCB,<br>CNRB, CVVA,<br>CVVB, CVVC |
| (1)  | 958 107 010 31 | Discontinued part<br>oil filter with flange<br>and<br>Thermostat insert<br>Water cooling                  |        | 1   |  |
| (1)  | 958 107 010 32 | Discontinued part<br>oil filter with flange<br>and<br>Thermostat insert<br>Water cooling                  |        | 1   |  |
| 2    | 958 107 222 20 | filter element with gasket  |        | 1   |  |
| 3    | 955 107 122 00 | End cap   |        | 1   |  |
| 4    |                | Thermostat insert<br>Water cooling<br>Not available<br>Use<br>POS.1                                       |        | 1   |  |
| 5    |                | Seal<br>Not available<br>Use<br>POS.1   |        | 1   |  |
| 6    |                | flat round head bolt<br>Not available<br>Use<br>POS.1   |        | 2   |  |
| 7    |                | Seal<br>Not available<br>Use<br>POS.1   |        | 1   |  |
| 8    | N 105 540 05   | round hd. screw<br>M 6 X 35   |        | 7   |  |
| (8)  | N 104 057 02   | Hexagon socket head<br>bolt<br>AM 6 X 45  |        | 1   |  |
| 9    | 958 606 081 60 | Oil pressure switch<br>0,75 - 1,05 BAR  |        | 1   |  |
| 10   | 958 606 081 70 | Oil pressure switch<br>2,0 - 2,5 BAR  |        | 1   |  |
| 11   | 958 107 201 20 | thermostat<br>Engine oil cooling  |        | 1   |  |
| 12   | 958 107 185 30 | cover for thermostat<br>LÄNGE 26 MM   |        | 1   |  |
| (12) | 958 107 185 40 | D >> - MJ 2014<br>cover for thermostat<br>LÄNGE 28 MM   |        | 1   |  |
| (12) | 958 107 185 40 | D >> - MJ 2014<br>cover for thermostat<br>D - MJ 2015>>   |        | 1   |  |
| 13   | N 911 804 01   | Hexalobular flange screw<br>M 6 X 22  |        | 1   |  |
| 14   | 958 107 271 20 | Oil cooler<br>(complete)  |        | 1   |  |
| (14) | 958 107 271 21 | No longer use the part here<br>Oil cooler<br>(complete)   |        | 1   |  |
| 15   | 958 107 175 20 | gasket for oil cooler   |        | 1   |  |



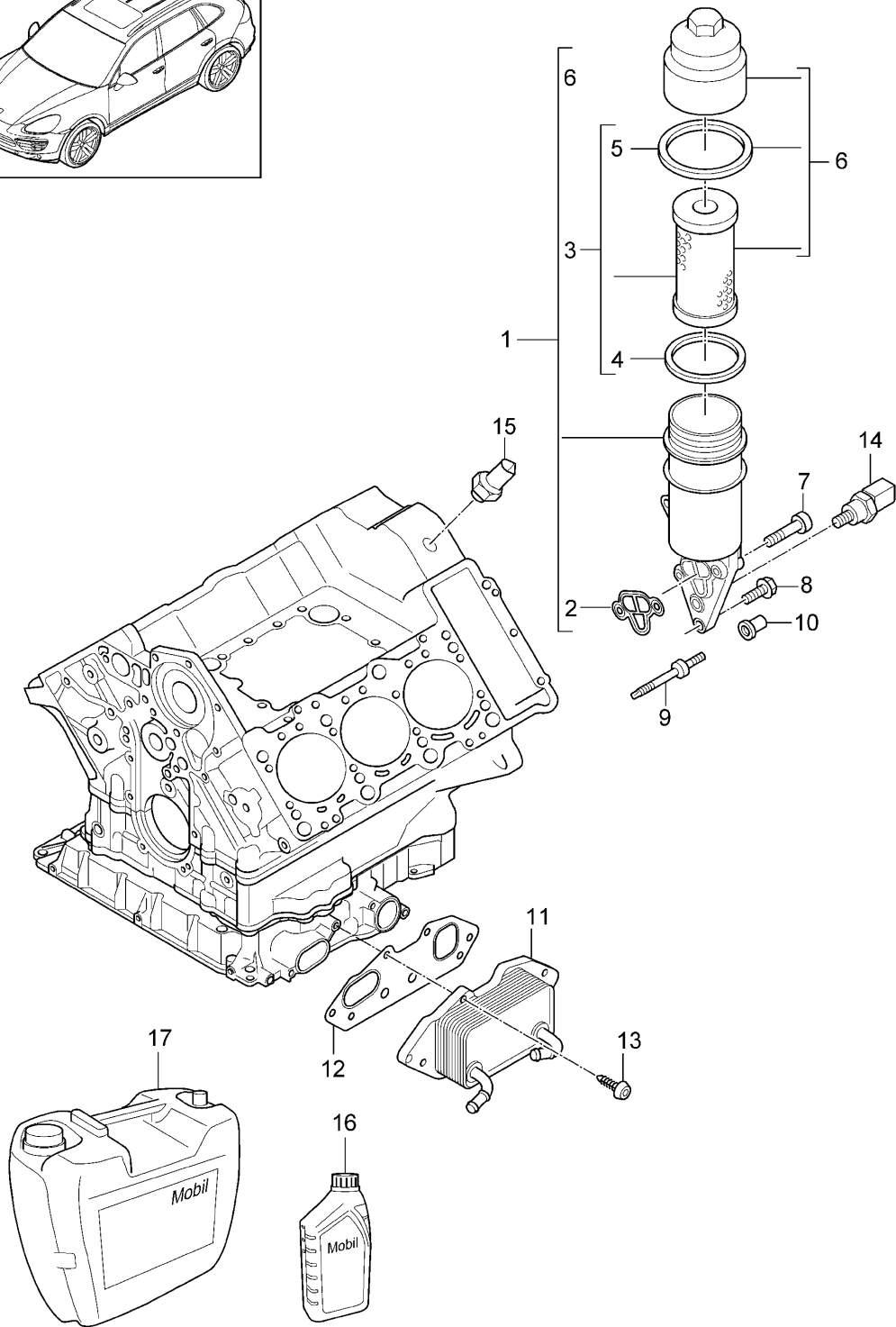
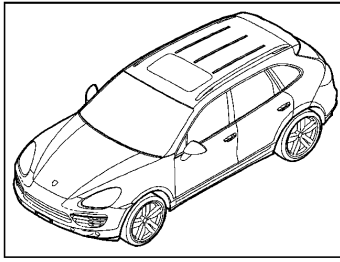
Model: 92A 11

Model life 2011>>2018

| Pos  | Part Number    | Description   | Remark | Qty | Model |
|------|----------------|---|--------|-----|-------|
| 16   | 958 107 176 00 | gasket for oil cooler   |        | 1   |       |
| 17   | 958 107 176 20 | gasket for oil cooler   |        | 1   |       |
| 18   | N 107 002 01   | round hd. screw<br>M 6 X 22   |        | 4   |       |
| 19   | 958 106 737 00 | Governor<br>Discontinued part   |        | 1   |       |
| (19) | 958 106 737 01 | Governor<br>Discontinued part   |        | 1   |       |
| (19) | 958 106 737 02 | Control and regulating unit<br>Discontinued part                          |        | 1   |       |
| (19) | 958 106 737 03 | Control and regulating unit<br>Discontinued part                          |        | 1   |       |
| (19) | 958 106 737 04 | Control and regulating unit   |        | 1   |       |
| 20   | 958 106 749 00 | Seal<br>No longer use the part here                                       |        | 1   |       |
| (20) | 958 106 749 02 | Seal  |        | 1   |       |
| 21   | N 105 540 05   | round hd. screw<br>M 6 X 35   |        | 3   |       |
| 22   | 000 043 301 16 | engine oil<br>EXXON MOBIL 1 ESP<br>FORMULA 5W-30<br>1 LITER<br>Container  |        | X   |       |
| 23   | 000 043 301 17 | engine oil<br>EXXON MOBIL 1 ESP<br>FORMULA 5W-30<br>20 LITER<br>Container |        | X   |       |

Model: 92A 11

Model life 2011>>2018



Model: 92A 11

Model life 2011>>2018

| Pos  | Part Number    | Description   | Remark      | Qty | Model                         |
|------|----------------|---|-------------|-----|-------------------------------|
|      |                | oil filter<br>Console<br>Oil cooler<br>Console<br>No longer use the part here                 |             | 1   | 06EC, CGEA,<br>CGE, CGFA, CJT |
| 1    | 958 107 010 10 |   |             |     |                               |
| (1)  | 958 107 010 11 | Console   |             | 1   |                               |
| 2    | 958 107 111 00 | Seal  |             | 1   |                               |
| 3    | 958 107 222 00 | filter element with gasket<br>No longer use the part here                                     |             | 1   |                               |
| (3)  | 958 107 222 01 | filter element with gasket  |             | 1   |                               |
| 4    | N 910 465 01   | O-ring<br>73,5 X 2  |             | 1   |                               |
| 5    | 958 107 322 00 | seal ring   |             | 1   |                               |
| 6    | 958 107 122 00 | End cap<br>Discontinued part  |             | 1   |                               |
| (6)  | 958 107 122 01 | End cap   |             | 1   |                               |
|      |                | with:   |             |     |                               |
|      |                | filter element<br>and<br>Seal   |             |     |                               |
| 7    | N 910 528 02   | Hexagon socket head<br>bolt<br>M 7 X 75<br>Discontinued part                                  |             | 2   |                               |
| (7)  | N 911 997 01   | Hexagon socket head<br>bolt<br>M 7 X 75   |             | 2   |                               |
| 8    | N 102 856 02   | hexagon head bolt (combi)<br>M 6 X 25   |             | 1   |                               |
| 9    | WHT 000 403 A  | stud with shoulder<br>M 7 X 93  |             | 1   |                               |
|      |                | also use:   | WHT 000 404 |     |                               |
| 10   | WHT 000 404    | Collar nut<br>M 7<br>Discontinued part  |             | 1   |                               |
| (10) | WHT 000 404 A  | Collar nut<br>M 7   |             | 1   |                               |
| 11   | 958 107 271 00 | Oil cooler  |             | 1   |                               |
| 12   | 958 107 175 00 | gasket for oil cooler<br>No longer use the part here  |             | 1   |                               |
| (12) | 958 107 175 01 | gasket for oil cooler   |             | 1   |                               |
| 13   | N 107 451 01   | Hexagon socket flat<br>head bolt<br>M 6 X 20  |             | 4   |                               |
| (13) | N 906 847 07   | fillister head bolt (combi.)<br>M 6 X 20  |             | 1   |                               |
| 14   | 958 606 081 30 | Oil pressure switch<br>Console<br>No longer use the part here                                 |             | 1   |                               |
| (14) | 958 606 081 31 | Oil pressure switch<br>Console  |             | 1   |                               |
| 15   | 958 606 081 40 | Oil pressure switch   |             | 1   |                               |
| 16   | 000 043 301 16 | Crankcase housing<br>engine oil<br>EXXON MOBIL 1 ESP<br>FORMULA 5W-30<br>1 LITER<br>Container |             | X   | - "CN."                       |
| (16) | 000 043 301 19 | engine oil<br>EXXON MOBIL 1 0W-40<br>1 LITER<br>Container                                     |             | X   | "CN."                         |
| 17   | 000 043 301 17 | engine oil  |             | X   | - "CN."                       |

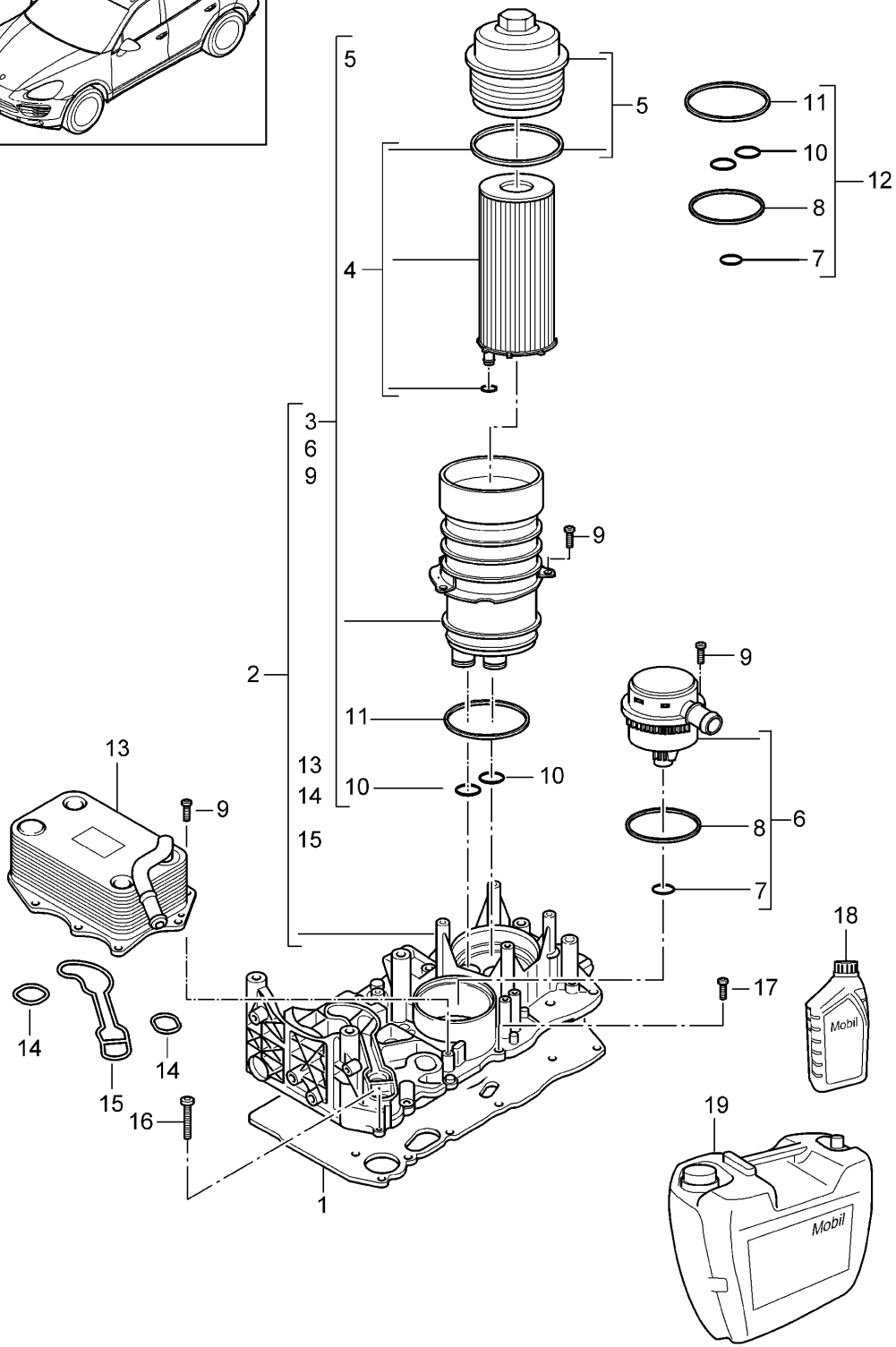
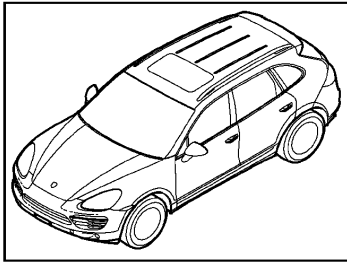
Model: 92A 11

Model life 2011>>2018

| Pos  | Part Number    | Description   | Remark | Qty | Model  |
|------|----------------|---|--------|-----|--------|
| (17) | 000 043 301 21 | EXXON MOBIL 1 ESP<br>FORMULA 5W-30<br>20 LITER<br>Container<br>engine oil<br>EXXON MOBIL 1 0W-40<br>20 LITER<br>Container |        | X   | "CN. " |

Model: 92A 11

Model life 2011>>2018



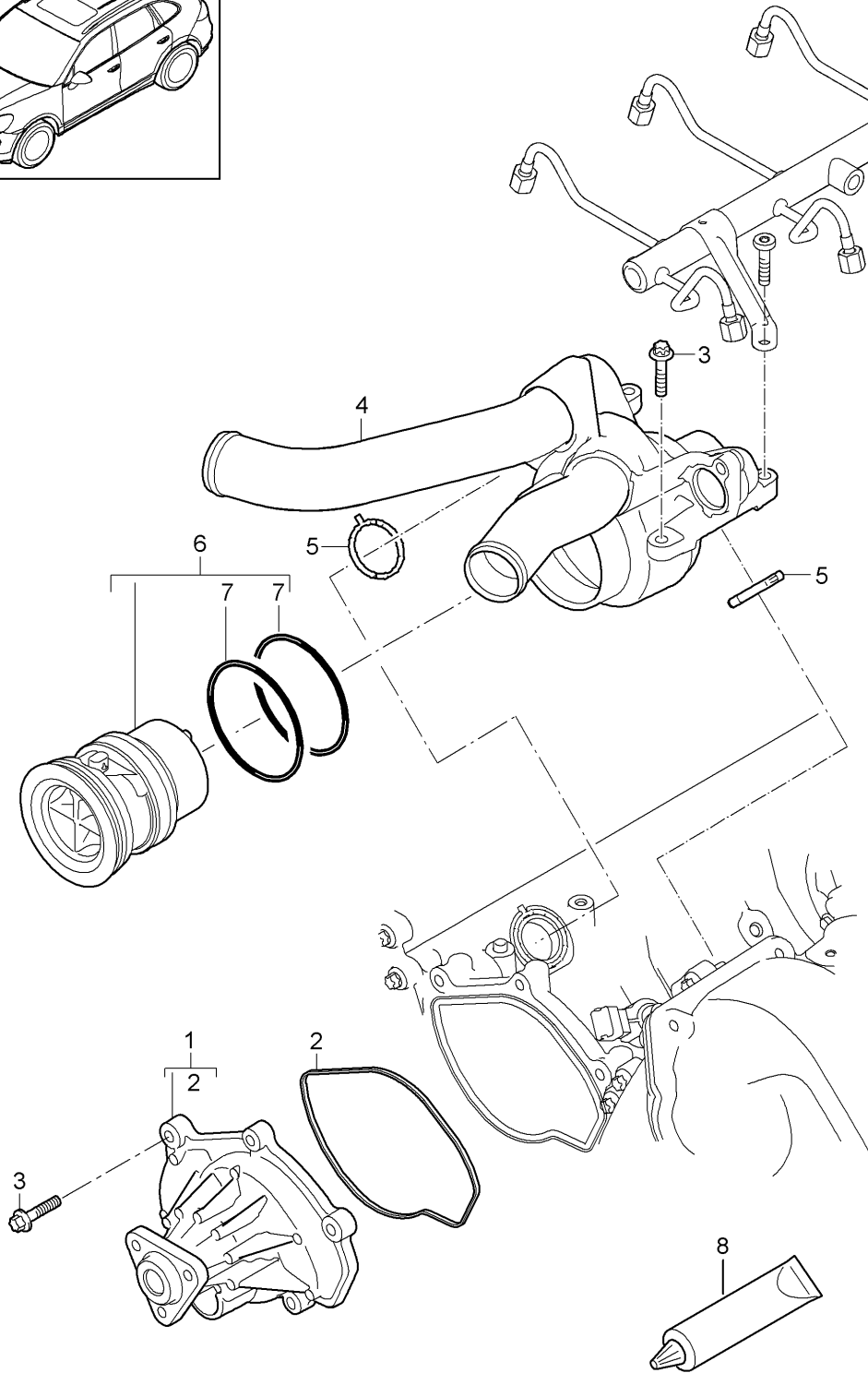
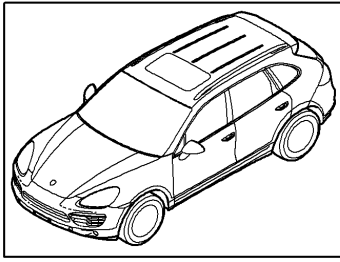
Model: 92A 11

Model life 2011>>2018

| Pos | Part Number    | Description   | Remark | Qty | Model      |
|-----|----------------|---|--------|-----|------------|
|     |                | oil filter<br>Console<br>Oil cooler<br>Seal                               |        | 1   | CUDB, CUDC |
| 1   | 958 107 111 20 |   |        | 1   |            |
| 2   | 958 107 010 40 | Console<br>oil filter<br>(complete)                                       |        | 1   |            |
| 3   | 955 107 073 00 | oil container<br>(complete)   |        | 1   |            |
| 4   | 955 107 222 00 | filter element with gasket  |        | 1   |            |
| 5   | 955 107 122 00 | End cap   |        | 1   |            |
| 6   | 958 107 040 00 | oil separator   |        | 1   |            |
|     |                | with:   |        |     |            |
| 7   |                | Seal<br>Seal<br>oil separator<br>Use<br>POS.12                            |        | 1   |            |
| 8   |                | Seal<br>oil separator<br>Use<br>POS.12                                    |        | 1   |            |
| 9   | N 101 243 06   | Oval hexagon socket head bolt<br>M 6 X 20                                 |        | 9   |            |
| 10  |                | Seal<br>oil container<br>Use<br>POS.12                                    |        | 2   |            |
| 11  |                | Seal<br>oil container<br>Use<br>POS.12                                    |        | 1   |            |
| 12  | 955 107 901 01 | Gasket set for oil<br>tank and oil separator                              |        | 1   |            |
| 13  | 958 107 271 30 | Oil cooler  |        | 1   |            |
| 14  | 955 107 175 00 | seal ring   |        | 2   |            |
| 15  | 958 107 176 30 | gasket for oil cooler   |        | 1   |            |
| 16  | N 104 707 03   | round hd. screw<br>AM 6 X 50  |        | 7   |            |
| 17  | N 101 243 06   | Oval hexagon socket head bolt<br>M 6 X 20                                 |        | 20  |            |
| 18  | 000 043 301 16 | engine oil<br>EXXON MOBIL 1 ESP<br>FORMULA 5W-30<br>1 LITER<br>Container  |        | X   |            |
| 19  | 000 043 301 17 | engine oil<br>EXXON MOBIL 1 ESP<br>FORMULA 5W-30<br>20 LITER<br>Container |        | X   |            |

Model: 92A 11

Model life 2011>>2018



Model: 92A 11

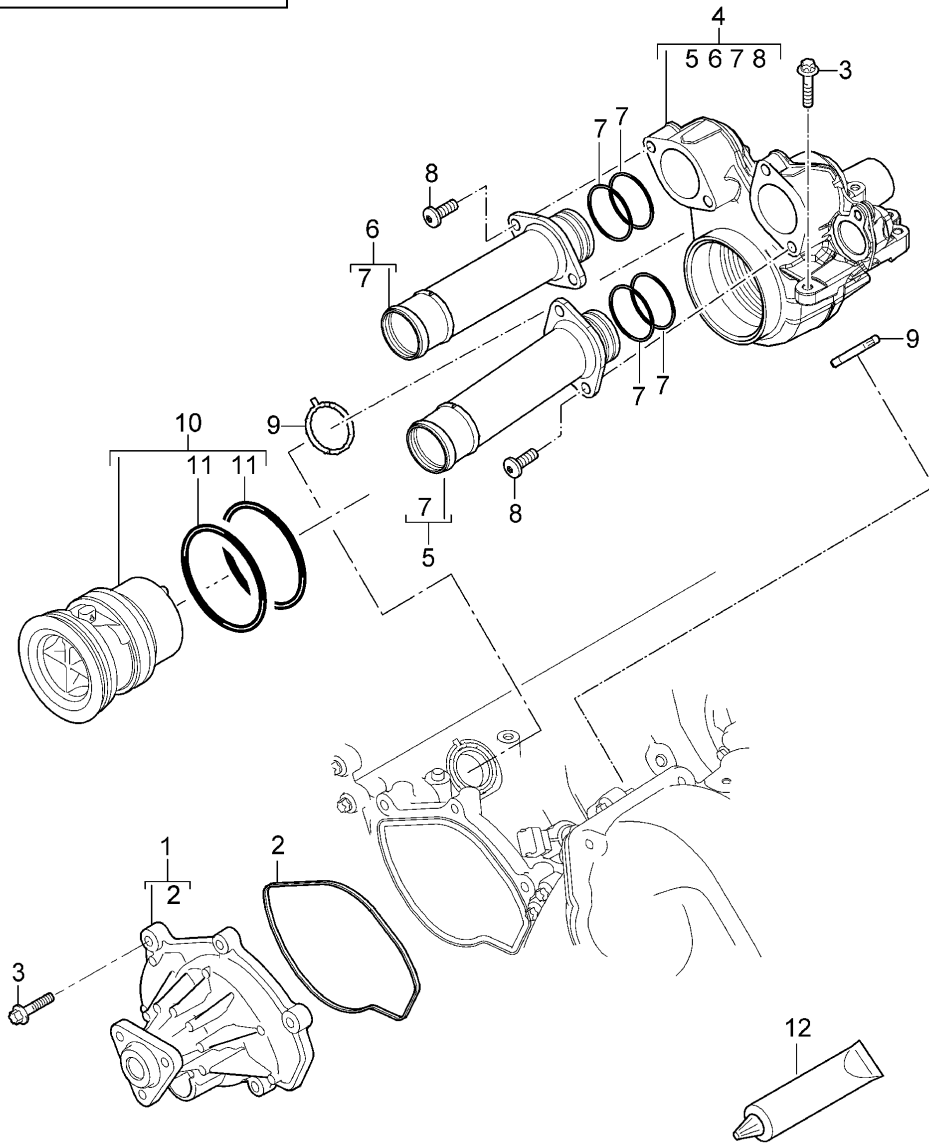
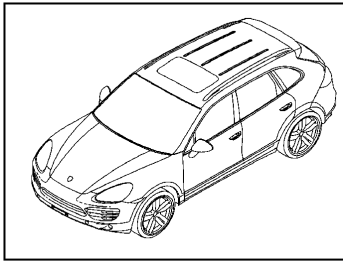
Model life 2011>>2018

| Pos | Part Number    | Description                                       | Remark         | Qty | Model                               |
|-----|----------------|---|----------------|-----|-------------------------------------|
|     |                | Coolant pump<br>thermostat housing                |                |     | 4802,4852,<br>CFTB,CFT,<br>CYXA,CYX |
| 1   | 948 106 033 01 | Coolant pump with sealing ring                    |                | 1   |                                     |
| 2   | 948 106 533 00 | Seal  |                | 1   |                                     |
| 3   | 900 385 072 01 | Torx screw  | BM6X25         | 8   |                                     |
| 4   | 948 106 080 00 | thermostat housing                                |                | 1   |                                     |
| (4) | 948 106 080 02 | No longer use the part here<br>thermostat housing |                | 1   |                                     |
|     |                | also use:   | 948 106 124 02 | 2   |                                     |
|     |                |   | 948 106 707 00 | 2   |                                     |
|     |                |   | 000 043 205 93 | 1   |                                     |
| 5   | 948 106 124 01 | Seal  |                | 2   |                                     |
| (5) | 948 106 124 02 | No longer use the part here<br>Seal               |                | 2   |                                     |
| 6   | 948 106 034 00 | thermostat  |                | 1   |                                     |
| (6) | 948 106 034 01 | No longer use the part here<br>thermostat         |                | 1   |                                     |
|     |                | also use:   | 000 043 205 93 | 1   |                                     |
| 7   | 000 043 301 23 | O-ring  | 62,86X5,33     | 2   |                                     |
| (7) | 948 106 707 00 | Discontinued part<br>O-ring                       | 62,86X5,33     | 2   |                                     |
|     |                | also use:   | 000 043 205 93 | 1   |                                     |
| 8   | 000 043 205 93 | grease<br>for<br>O-ring<br>thermostat             | 100 gram       | X   |                                     |



Model: 92A 11

Model life 2011>>2018



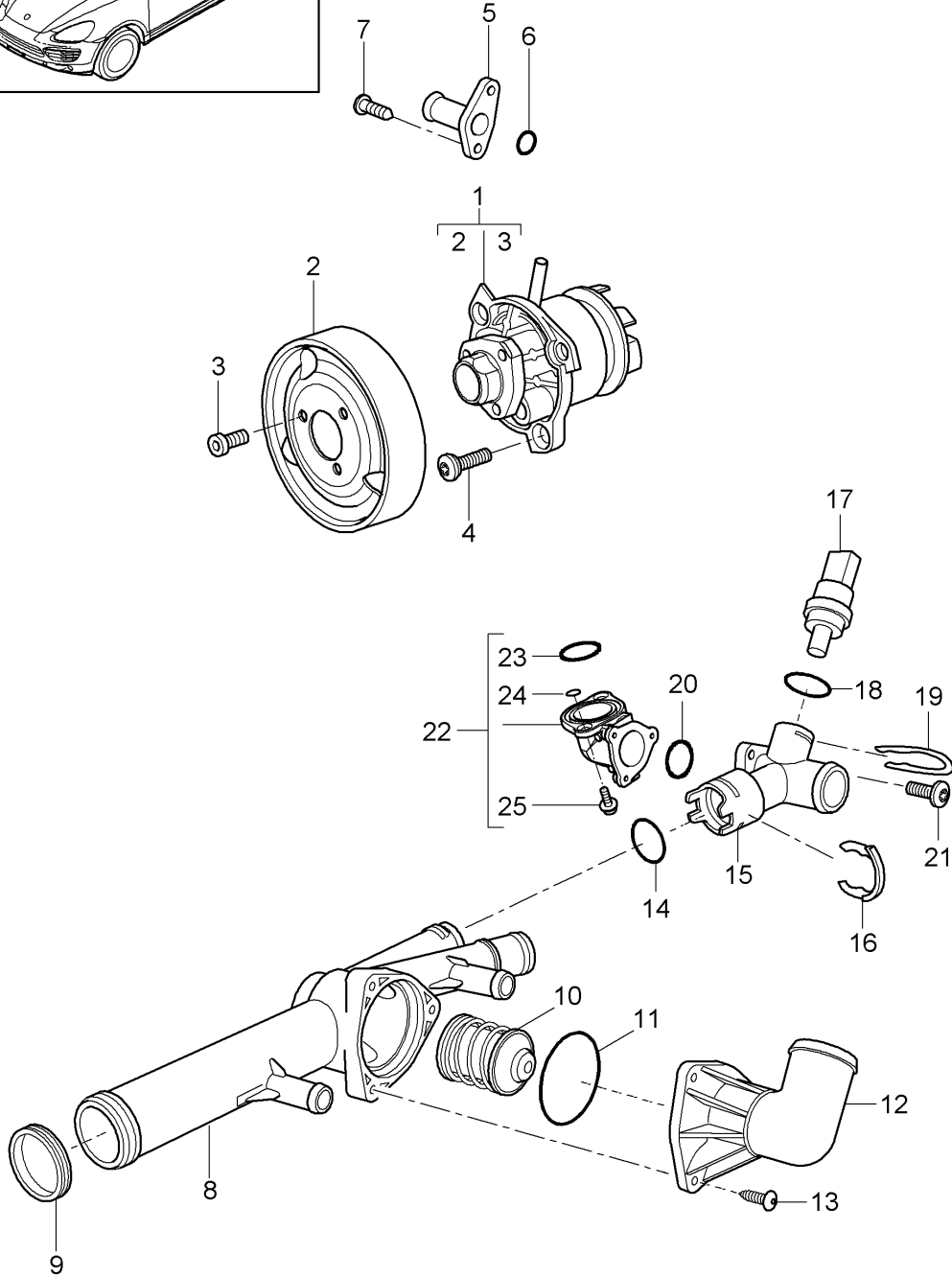
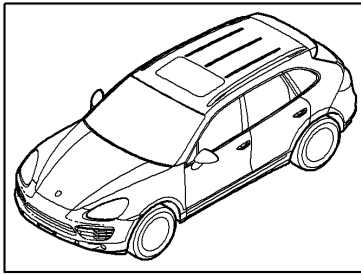
Model: 92A 11

Model life 2011>>2018

| Pos | Part Number    | Description                           | Remark         | Qty | Model                   |
|-----|----------------|---------------------------------------|----------------|-----|-------------------------|
|     |                | Coolant pump<br>thermostat housing    |                |     | CURA, CUR,<br>CXZA, CXZ |
| 1   | 948 106 033 01 | Coolant pump with sealing ring        |                | 1   |                         |
| 2   | 948 106 533 00 | Seal                                  |                | 1   |                         |
| 3   | 900 385 072 01 | Torx screw                            | BM6X25         | 9   |                         |
| 4   | 946 106 080 61 | thermostat housing                    |                | 1   |                         |
| 5   | 946 106 260 61 | Pipe union                            |                | 1   |                         |
| 6   | 946 106 360 61 | Pipe union                            |                | 1   |                         |
| 7   | 999 701 083 40 | O-ring                                | 38X3N          | 4   |                         |
| 8   | 999 073 344 01 | flat round head bolt                  | M6X20          | 4   |                         |
| 9   | 948 106 124 02 | Seal                                  |                | 2   |                         |
| 10  | 948 106 034 01 | thermostat                            |                | 1   |                         |
|     |                | also use:                             | 000 043 205 93 | 1   |                         |
| 11  | 948 106 707 00 | O-ring                                | 62,86X5,33     | 2   |                         |
| 12  | 000 043 205 93 | grease<br>for<br>O-ring<br>thermostat | 100 gram       | X   |                         |

Model: 92A 11

Model life 2011>>2018



Model: 92A 11 Model life 2011>>2018

| Pos  | Part Number    | Description   | Remark   | Qty | Model     |
|------|----------------|---|----------|-----|-----------|
|      |                | Coolant pump<br>thermostat housing  |          |     | 5502,CEYA |
| 1    | 958 106 033 00 | Coolant pump with sealing ring<br>M >> B 06770<br>M >> B 06811  |          | 1   |           |
| (1)  | 958 106 033 01 | Coolant pump with sealing ring<br>discontinued part   |          | 1   |           |
| (1)  | 958 106 033 02 | Coolant pump with sealing ring<br>discontinued part   |          | 1   |           |
| (1)  | 958 106 033 03 | Coolant pump with sealing ring<br>discontinued part   |          | 1   |           |
| (1)  | 958 106 033 04 | Coolant pump with sealing ring<br>M B 06771 >><br>M B 06812 >>  |          | 1   |           |
| 2    | 955 106 031 01 | pulley<br>to use for:<br>Coolant pump<br>958.106.033.00<br>03H.121.008.B<br>M >> B 06770<br>M >> B 06811                        |          | 1   |           |
| (2)  | 955 106 091 00 | pulley<br>to use for:<br>Coolant pump<br>958.106.033.01/02<br>03H.121.008.C/E<br>M B 06771 >><br>M B 06812 >><br>D >> - MJ 2014 |          | 1   |           |
| (2)  | 955 106 091 00 | pulley<br>D - MJ 2015>>   |          | 1   |           |
| 3    | N 905 442 03   | Socket head bolt with<br>inner multipoint head<br>to use for:<br>pulley<br>M >> B 06770<br>M >> B 06811                         | M8X11    | 3   |           |
| (3)  | N 911 361 01   | Socket head bolt with<br>inner multipoint head<br>to use for:<br>pulley<br>M B 06771 >><br>M B 06812 >><br>D >> - MJ 2014       | M8X14    | 3   |           |
| (3)  | N 911 361 01   | Socket head bolt with<br>inner multipoint head<br>D - MJ 2015>>   | M8X14    | 3   |           |
| 4    | N 105 268 02   | oval head countersunk bolt<br>with multi-point socket head  | M6X18    | 3   |           |
| 5    | 955 106 231 00 | water connection  |          | 1   |           |
| 6    | 955 106 431 00 | seal ring   |          | 1   |           |
| 7    | N 910 717 01   | Hexagon socket flat<br>head bolt  | M6X25    | 2   |           |
| 8    | 958 106 060 00 | thermostat housing  |          | 1   |           |
| 9    | WHT 005 190    | O-ring  | 37,5X4X6 | 1   |           |
| 10   | 958 106 126 00 | thermostat<br>No longer use the part here   |          | 1   |           |
| (10) | 958 106 126 01 | thermostat<br>No longer use the part here   |          | 1   |           |
| (10) | 958 106 126 02 | thermostat  |          | 1   |           |
| 11   | WHT 000 863    | seal ring   | 56,2X3   | 1   |           |
| 12   | 958 106 131 00 | Cover<br>thermostat   |          | 1   |           |

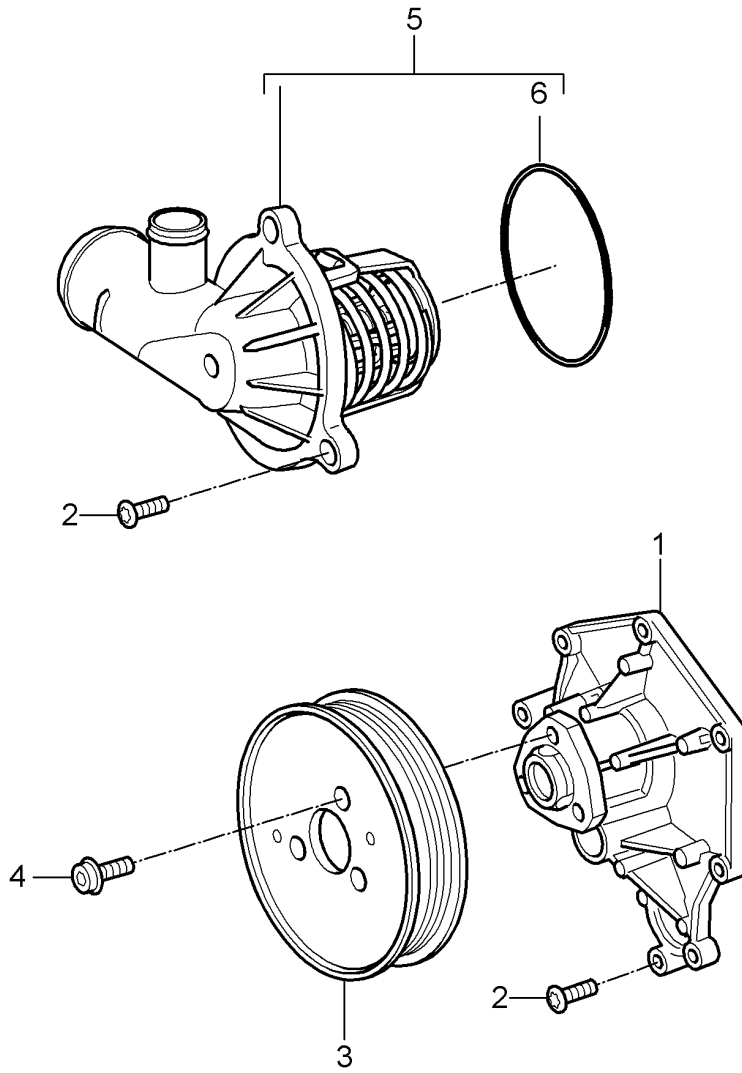
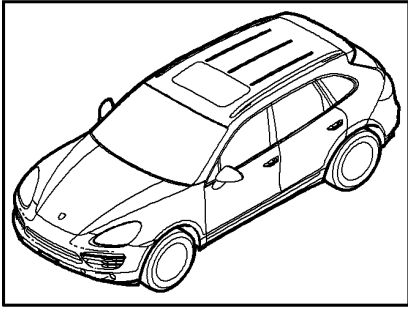
Model: 92A 11

Model life 2011&gt;&gt;2018

| Pos | Part Number    | Description  | Remark    | Qty | Model |
|-----|----------------|--|-----------|-----|-------|
| 13  | N 106 112 01   | oval head panel screw                                      | 6X22      | 3   |       |
| 14  | WHT 000 862    | seal ring  | 29X3,5    | 1   |       |
| 15  | 955 106 132 00 | Coolant connection   |           | 1   |       |
| 16  | 955 106 344 00 | retaining spring   |           | 1   |       |
| 17  | 955 106 125 01 | Temperature sensor   |           | 1   |       |
| 18  | N 903 168 01   | O-ring   | 19,6X3,65 | 1   |       |
| 19  | 955 106 143 00 | retaining spring   |           | 1   |       |
| 20  | 955 106 509 00 | seal ring  |           | 1   |       |
| 21  | N 910 541 01   | Oval hexagon socket head bolt                              | M6X25     | 3   |       |
| 22  | 955 106 134 00 | Cylinder head  |           | 1   |       |
| 23  | 955 106 511 00 | seal ring  |           | 1   |       |
| 24  | 955 106 586 00 | O-ring   | 7X2       | 2   |       |
| 25  | N 902 929 03   | Socket head bolt with hexagon<br>socket head (combination) | M8X25     | 2   |       |

Model: 92A 11

Model life 2011>>2018



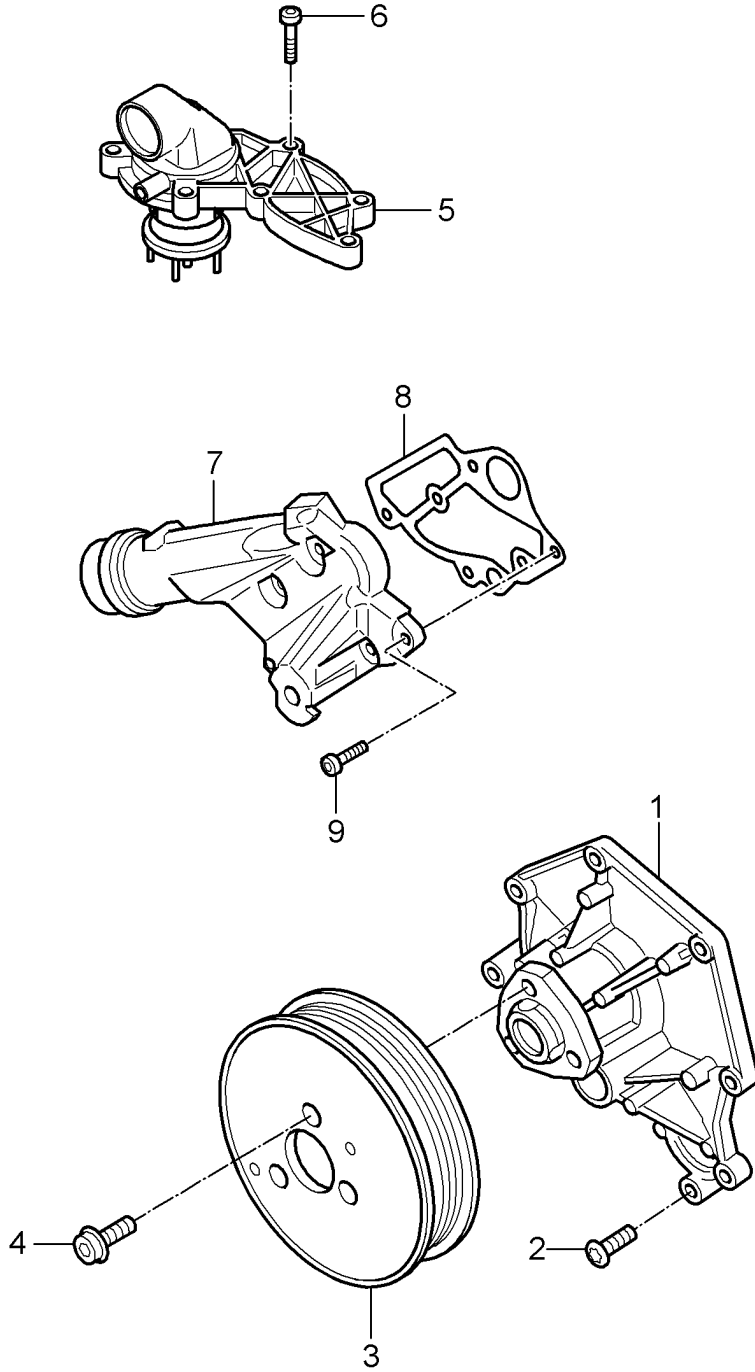
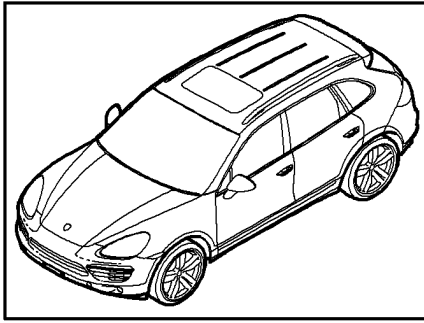
Model: 92A 11

Model life 2011>>2018

| Pos | Part Number    | Description   | Remark | Qty | Model   |
|-----|----------------|---|--------|-----|---|
|     |                | Coolant pump<br>thermostat housing                            |        |     | 059E, CRCA,<br>CRCB, CNRB,<br>CVVA, CVVB,<br>CVVC |
| 1   | 955 106 033 10 | Coolant pump with sealing ring<br>No longer use the part here |        | 1   | 059E  |
| (1) | 958 106 033 20 | Coolant pump with sealing ring                                |        | 1   | 059E  |
| (1) | 958 106 033 30 | Coolant pump with sealing ring<br>Discontinued part           |        | 1   | CRCA, CRCB  |
| (1) | 958 106 033 31 | Coolant pump with sealing ring                                |        | 1   | CRCA, CRCB,<br>CVVA, CVVB,<br>CVVC                |
| 2   | N 101 961 05   | Oval hexagon socket head bolt<br>M 6 X 18                     |        | 10  | 059E  |
| (2) | N 107 002 01   | round hd. screw<br>M 6 X 22                                   |        | 10  | CRCA, CRCB  |
| (2) | N 911 804 01   | Hexalobular flange screw<br>M 6 X 22<br>aluminium             | steel  | 10  | CRCA, CRCB,<br>CVVA, CVVB,<br>CVVC                |
| 3   | 958 106 091 10 | pulley  |        | 1   |   |
| 4   | N 910 522 01   | Hexagon socket head<br>bolt<br>M 8 X 12                       |        | 3   |   |
| 5   | 958 106 032 10 | thermostat housing  |        | 1   | 059E  |
| 6   | 955 106 123 00 | Thermostat insert<br>Seal<br>75,6 X 3,1                       | with:  | 1   | 059E  |

Model: 92A 11

Model life 2011>>2018





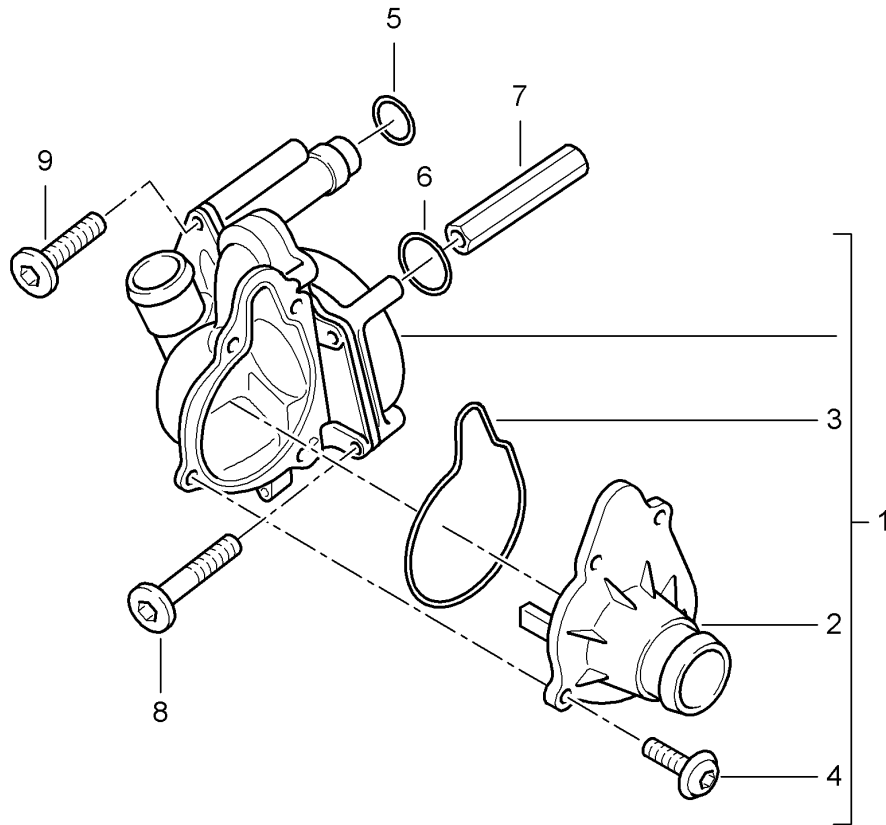
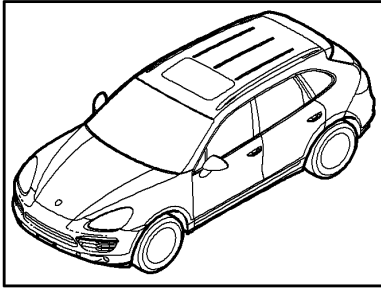
Model: 92A 11

Model life 2011>>2018

| Pos | Part Number    | Description   | Remark         | Qty | Model                                   |
|-----|----------------|---|----------------|-----|---|
| 1   | 958 106 033 11 | Coolant pump<br>thermostat housing<br>Coolant pump with sealing ring<br>Discontinued part |                | 1   | 06EC, CGEA,<br>CGE, CGFA, CJT<br>PR:D19 |
| (1) | 958 106 033 12 | Coolant pump with sealing ring<br>Discontinued part                                       |                | 1   | PR:D19                                  |
| (1) | 958 106 033 13 | Coolant pump with sealing ring  |                | 1   | PR:D19                                  |
| (1) | 958 106 033 20 | Coolant pump with sealing ring  |                | 1   | PR:D11                                  |
| 2   | N 910 717 01   | Hexagon socket flat<br>head bolt<br>M 6 X 25<br>No longer use the part here               |                | 7   |   |
| (2) | N 104 134 05   | Hexagon socket flat<br>head bolt<br>M 6 X 25  |                | 7   |   |
| 3   | 958 106 091 00 | pulley  |                | 1   | PR:D19                                  |
| (3) | 958 106 091 20 | pulley<br>Discontinued part   |                | 1   | PR:D11                                  |
| (3) | 958 106 091 21 | pulley<br>Discontinued part   |                | 1   | "CN."<br>PR:D11                         |
| (3) | 958 106 091 22 | pulley<br>Discontinued part   |                | 1   | "CN."<br>PR:D11                         |
| (3) | 958 106 091 23 | pulley  |                | 1   | PR:D11                                  |
| 4   | N 910 522 01   | Hexagon socket head<br>bolt<br>M 8 X 12   |                | 3   |   |
| 5   | 958 106 032 00 | thermostat housing  |                | 1   |   |
|     |                | with:<br>Thermostat insert  |                |     |   |
| (5) | 958 106 032 01 | No longer use the part here<br>thermostat housing   |                | 1   |   |
|     |                | with:<br>Thermostat insert  |                |     |   |
| (5) | 958 106 032 02 | No longer use the part here<br>thermostat housing   |                | 1   |   |
|     |                | with:<br>Thermostat insert  |                |     |   |
| 6   | N 910 680 01   | Hexagon socket flat<br>head bolt<br>M 6 X 28  |                | 7   |   |
| 7   | 958 106 231 00 | Cover with connector union<br>No longer use the part here                                 |                | 1   |   |
| (7) | 958 106 231 01 | Cover with connector union  |                | 1   |   |
|     |                | also use:   | 958 106 431 00 | 1   |   |
|     |                | D >> - MJ 2014  |                |     |   |
| (7) | 958 106 231 02 | Cover with connector union  |                | 1   |   |
|     |                | also use:   | 958 106 431 00 | 1   |   |
|     |                | D - MJ 2015>>   |                |     |   |
| 8   | 958 106 431 00 | Seal  |                | 1   |   |
| 9   | N 910 717 01   | Hexagon socket flat<br>head bolt<br>M 6 X 25<br>No longer use the part here               |                | 6   |   |
| (9) | N 104 134 05   | Hexagon socket flat<br>head bolt<br>M 6 X 25  |                | 6   |   |

Model: 92A 11

Model life 2011>>2018



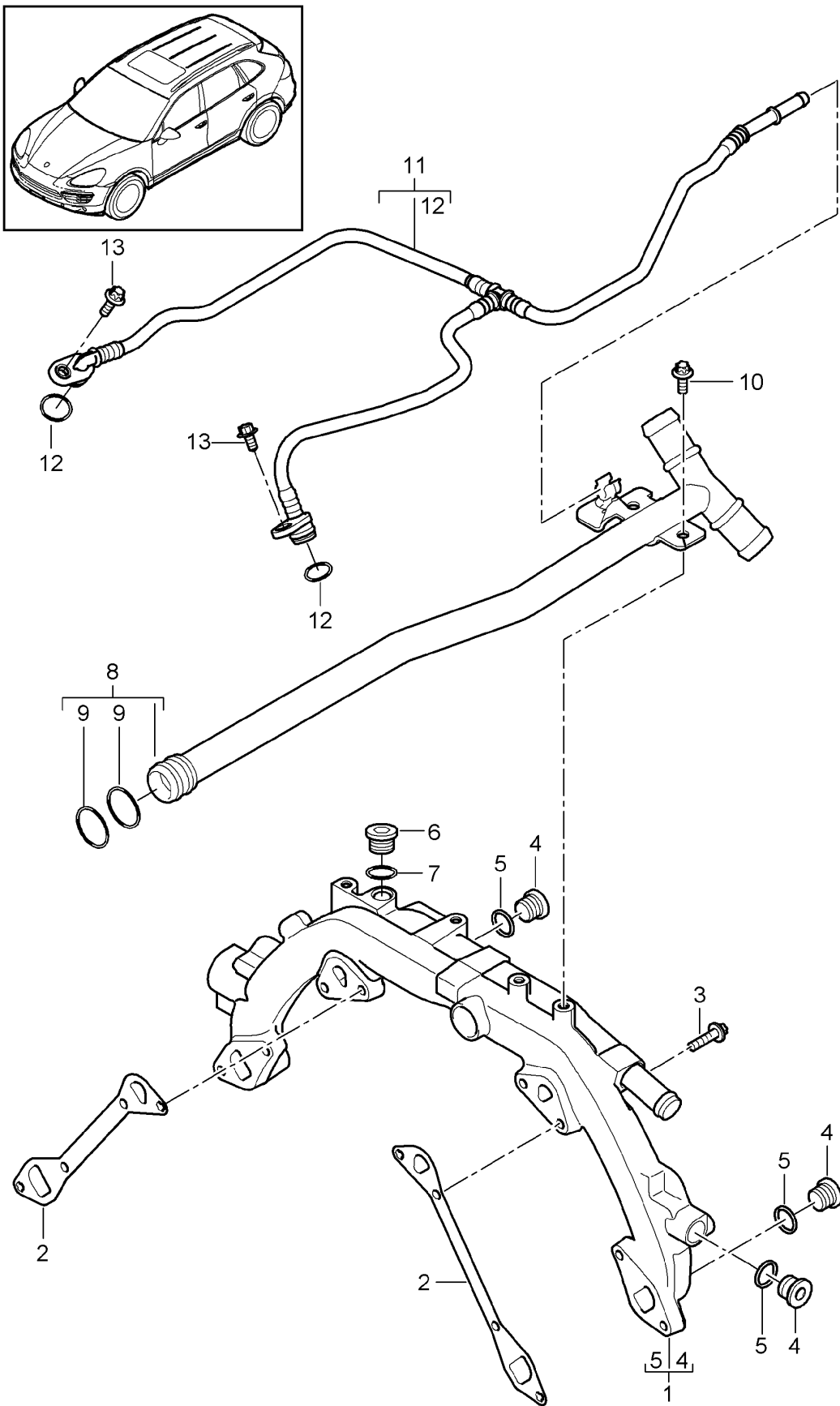
Model: 92A 11

Model life 2011>>2018

| Pos | Part Number    | Description                                       | Remark | Qty | Model      |
|-----|----------------|---|--------|-----|------------|
| 1   | 958 106 033 50 | Coolant pump<br>Coolant pump<br>Discontinued part |        | 1   | CUDB, CUDC |
| (1) | 958 106 033 51 | Coolant pump                                      |        | 1   |            |
| 2   | 958 106 032 20 | thermostat housing                                |        | 1   |            |
|     |                | with:   |        |     |            |
| 3   | 958 106 119 20 | Thermostat insert                                 |        | 1   |            |
| 4   | N 101 243 06   | Seal  |        | 4   |            |
|     |                | Oval hexagon socket head bolt<br>M 6 X 20         |        |     |            |
| 5   | N 910 089 02   | O-ring<br>23 X 5                                  |        | 1   |            |
| 6   | N 908 063 02   | O-ring<br>28 X 3,5                                |        | 1   |            |
| 7   | 958 106 236 40 | Input shaft                                       |        | 1   |            |
| 8   | N 106 465 01   | Hexagon socket head<br>bolt<br>BM 6 X 102 X 70    |        | 2   |            |
| 9   | N 910 975 01   | Hexagon socket flat<br>head bolt<br>M 6 X 85      |        | 2   |            |

Model: 92A 11

Model life 2011>>2018



Model: 92A 11 Model life 2011>>2018

| Pos | Part Number    | Description   | Remark | Qty    | Model                               |
|-----|----------------|---|--------|--------|-------------------------------------|
|     |                | Water cooling 1   |        |        | 4802,4852,<br>CFTB,CFT,<br>CYXA,CYX |
| 1   | 948 106 061 04 | Distributor tube<br>without:<br>sealing plug<br>M >> B 05683<br>M >> B 03455  |        | 1      | 4802<br>4852                        |
| (1) | 948 106 061 20 | Distributor tube<br>with:<br>sealing plug<br>M B 05684 >> E 03741<br>M B 03456 >> E 00996<br>Only<br>Valid for<br>Cayenne turbo<br>Deleted<br>sealing plug<br>only in conj. with:<br>Water hose<br>955.106.322.10<br>7L5.121.096.A<br>No longer use the part here | side   | 1<br>3 | 4802<br>4852                        |
| (1) | 948 106 061 21 | Distributor tube<br>with:<br>sealing plug<br>M E 03742 >><br>M E 00997 >><br>Only<br>Valid for<br>Cayenne turbo<br>Deleted<br>sealing plug<br>for vehicles up to<br>M >> E 03741<br>M >> E 00996<br>use if required:  | side   | 1<br>3 | 4802,4852<br>4802<br>4852           |
| (1) | 948 106 061 21 | Distributor tube<br>with:<br>sealing plug<br>modify in workshop<br>Deleted<br>sealing plug<br>D - MJ 2015>>   | side   | 1<br>3 | CFTB,CFT,<br>CYXA,CYX               |
| 2   | 948 106 154 01 | Seal  |        | 2      |                                     |
| 3   | 900 385 072 01 | Torx screw<br>BM 6 X 25   |        | 8      |                                     |
| 4   | 900 219 004 01 | sealing plug<br>M 16 X 1,5  |        | 3      | 4802                                |
| (4) | 900 219 004 01 | sealing plug<br>M 16 X 1,5  |        | 2      | 4852,CFTB,<br>CFT,CYXA,CYX          |
| 5   | 900 123 131 30 | seal ring<br>A 16 X 20  |        | 3      | 4802                                |
| (5) | 900 123 131 30 | seal ring<br>A 16 X 20  |        | 2      | 4852,CFTB,<br>CFT,CYXA,CYX          |
| 6   | 900 219 002 03 | sealing plug<br>M 14 X 1,5<br>M >> B 05683<br>M >> B 03455  |        | 1      | 4802<br>4852                        |
| 7   | 900 123 007 30 | seal ring<br>A 14 X 18  |        | 1      |                                     |

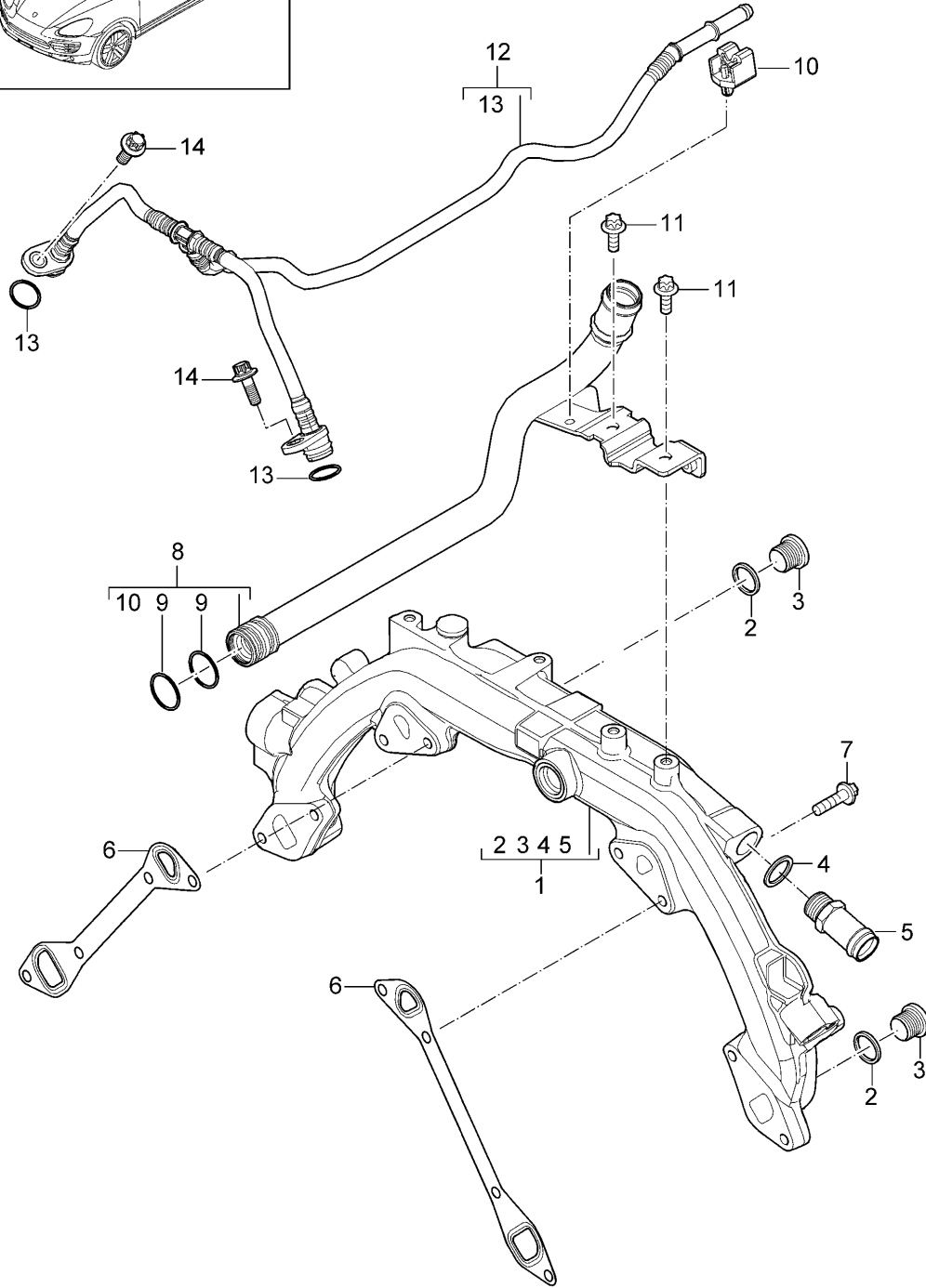
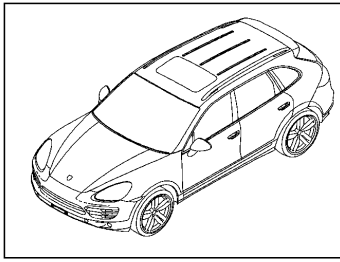
Model: 92A 11

Model life 2011>>2018

| Pos | Part Number    | Description             | Remark | Qty | Model |
|-----|----------------|-------------------------|--------|-----|-------|
|     |                | M >> B 05683            |        |     | 4802  |
|     |                | M >> B 03455            |        |     | 4852  |
| 8   | 948 106 069 21 | Coolant pipe<br>heater  |        | 1   |       |
| 9   | 999 707 477 40 | O-ring<br>19 X 3        |        | 2   |       |
| 10  | 900 385 041 01 | Torx screw<br>BM 6 X 12 |        | 2   |       |
| 11  | 948 106 026 22 | Breather line           |        | 1   |       |
| 12  | 999 707 586 40 | O-ring<br>11 X 2,5      |        | 2   |       |
| 13  | 900 385 009 01 | Torx screw<br>BM 6 X 16 |        | 2   |       |

Model: 92A 11

Model life 2011>>2018



Model: 92A 11

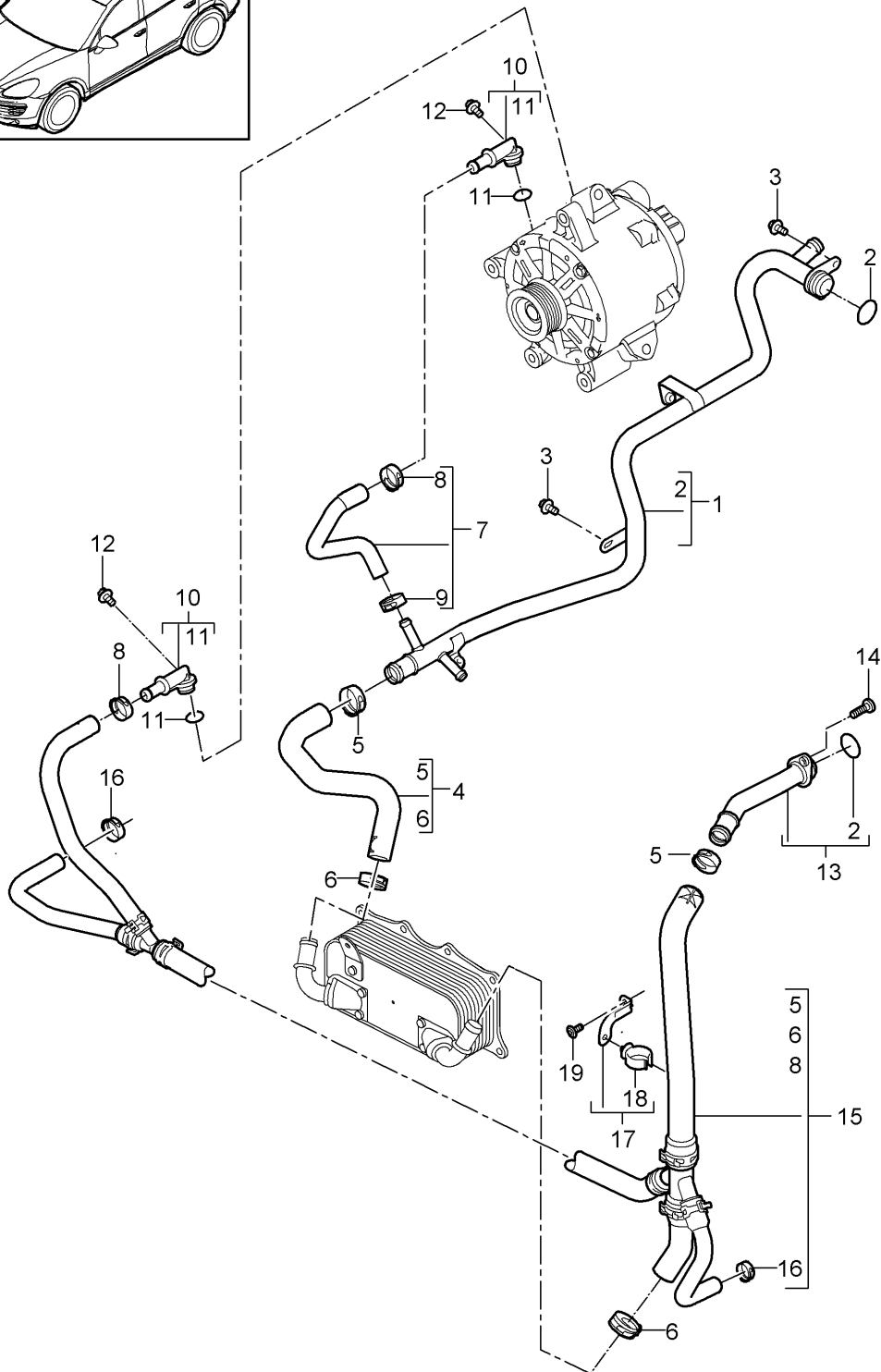
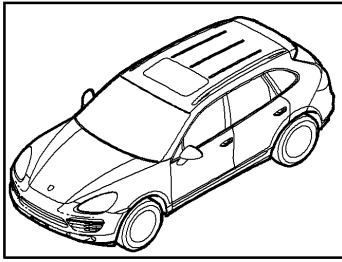
Model life 2011>>2018

| Pos | Part Number    | Description                | Remark | Qty | Model                   |
|-----|----------------|----------------------------|--------|-----|-------------------------|
|     |                | Water cooling 1            |        |     | CURA, CUR,<br>CXZA, CXZ |
| 1   | 948 106 061 76 | Distributor for coolant    |        | 1   |                         |
| 2   | 900 123 131 30 | seal ring<br>A 16 X 20     |        | 2   |                         |
| 3   | 900 219 004 01 | sealing plug<br>M 16 X 1,5 |        | 2   |                         |
| 4   | 900 123 118 30 | seal ring<br>A 22 X 27     |        | 1   |                         |
| 5   | 948 106 261 02 | Pipe union<br>M 22 X1,5    |        | 1   |                         |
| 6   | 948 106 154 01 | Seal                       |        | 2   |                         |
| 7   | 900 385 072 01 | Torx screw<br>BM 6 X 25    |        | 8   |                         |
| 8   | 946 106 069 60 | Coolant pipe<br>heater     |        | 1   |                         |
| 9   | 999 707 477 40 | O-ring<br>19 X 3           |        | 2   |                         |
| 10  | 999 507 886 40 | Hose bracket<br>4,8 - 8    |        | 1   |                         |
| 11  | 900 385 041 01 | Torx screw<br>BM 6 X 12    |        | 2   |                         |
| 12  | 946 106 026 60 | Breather line              |        | 1   |                         |
| 13  | 999 707 586 40 | O-ring<br>11 X 2,5         |        | 2   |                         |
| 14  | 900 385 009 01 | Torx screw<br>BM 6 X 16    |        | 2   |                         |



Model: 92A 11

Model life 2011>>2018



Model: 92A 11 Model life 2011>>2018

| Pos  | Part Number    | Description  | Remark | Qty | Model                               |
|------|----------------|--|--------|-----|-------------------------------------|
|      |                | Water cooling 2  |        |     | 4802,4852,<br>CFTB,CFT,<br>CYXA,CYX |
| 1    | 948 106 022 60 | Coolant pipe   |        | 1   | 4852,CFTB,<br>CFT                   |
| (1)  | 948 106 022 80 | Coolant pipe   |        | 1   | CYXA,CYX                            |
| (1)  | 948 106 022 10 | Coolant pipe   |        | 1   | 4802                                |
| 2    | 999 701 825 40 | O-ring<br>19,6 X 3,53  |        | 2   |                                     |
| 3    | 900 385 041 01 | Torx screw<br>BM 6 X 12  |        | 2   |                                     |
| 4    | 948 106 457 21 | Water hose<br>Discontinued part  |        | 1   |                                     |
| (4)  | 948 106 457 22 | Water hose   |        | 1   |                                     |
| 5    | 999 512 658 09 | Hose clamp<br>27 X 12  |        | 2   |                                     |
| 6    | 999 512 656 09 | Hose clamp<br>25 X 12  |        | 2   |                                     |
| 7    | 948 106 355 05 | Water hose<br>Discontinued part  |        | 1   |                                     |
| (7)  | 948 106 355 06 | Water hose   |        | 1   |                                     |
| 8    | 999 512 652 09 | Hose clamp<br>19 X 12  |        | 2   |                                     |
| 9    | 999 512 686 09 | Hose clamp<br>17 X 12  |        | 1   |                                     |
| 10   | 948 106 462 00 | connection piece<br>Alternator   |        | 2   |                                     |
| 11   | 999 707 514 40 | O-ring<br>12,37 X 2,62   |        | 2   |                                     |
| 12   | 900 385 009 01 | Torx screw<br>BM 6 X 16  |        | 2   |                                     |
| 13   | 948 106 421 10 | Coolant pipe<br>Return line  |        | 1   |                                     |
| 14   | 999 073 344 01 | flat round head bolt<br>M 6 X 20   |        | 1   |                                     |
| 15   | 948 106 051 76 | Water hose<br>(complete)<br>Return line<br>Discontinued part                     |        | 1   | 4852                                |
| (15) | 948 106 051 77 | Water hose<br>(complete)<br>Return line  |        | 1   | 4852,CFTB,<br>CFT,CYXA,CYX          |
| (15) | 948 106 051 23 | Water hose<br>(complete)<br>Return line<br>Discontinued part                     |        | 1   | 4802                                |
| (15) | 948 106 051 24 | Water hose<br>(complete)<br>Return line  |        | 1   | 4802                                |
| 16   | 999 512 686 09 | Hose clamp<br>B 17 X 12  |        | 2   | 4852,CFTB,<br>CFT,CYXA,CYX          |
| 17   | 7PP 121 232    | Retainer for coolant<br>hose   |        | 1   |                                     |
| (17) | 7PP 121 224    | No longer use the part here<br>Retainer for coolant<br>hose<br>Discontinued part |        | 1   |                                     |
| (17) | 7PP 121 224 A  | Retainer for coolant<br>hose   |        | 1   |                                     |
| 18   | 999 511 244 40 | Cable holder<br>No longer use the part here                                      |        | 1   |                                     |
| (18) | N 105 769 01   | Hose bracket   |        | 1   |                                     |
| 19   | 999 073 902 31 | fillister hd. bolt   |        | 1   |                                     |

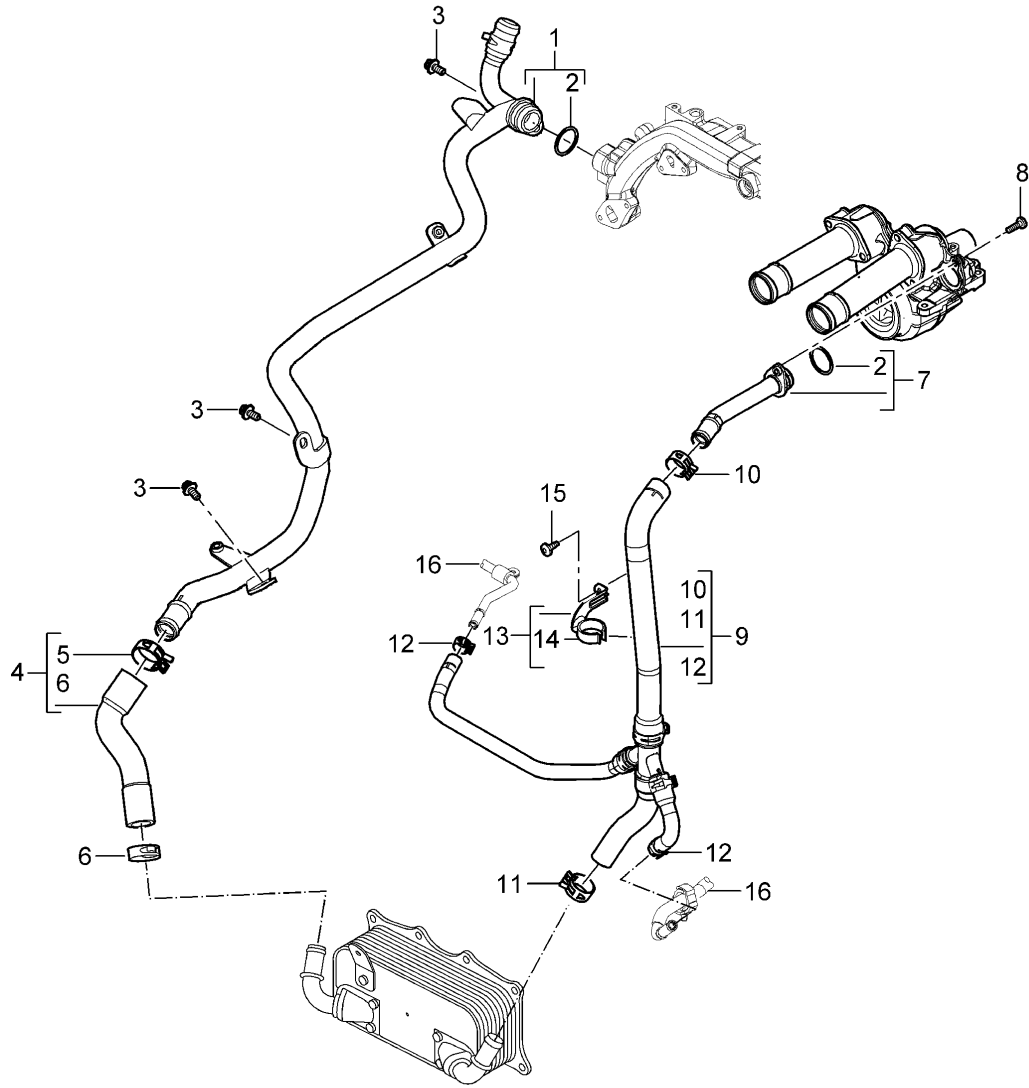
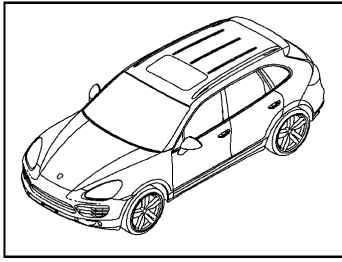
Model: 92A 11

Model life 2011>>2018

| Pos | Part Number | Description | Remark | Qty | Model |
|-----|-------------|-------------|--------|-----|-------|
|     |             | M 6 X 16    |        |     |       |

Model: 92A 11

Model life 2011>>2018



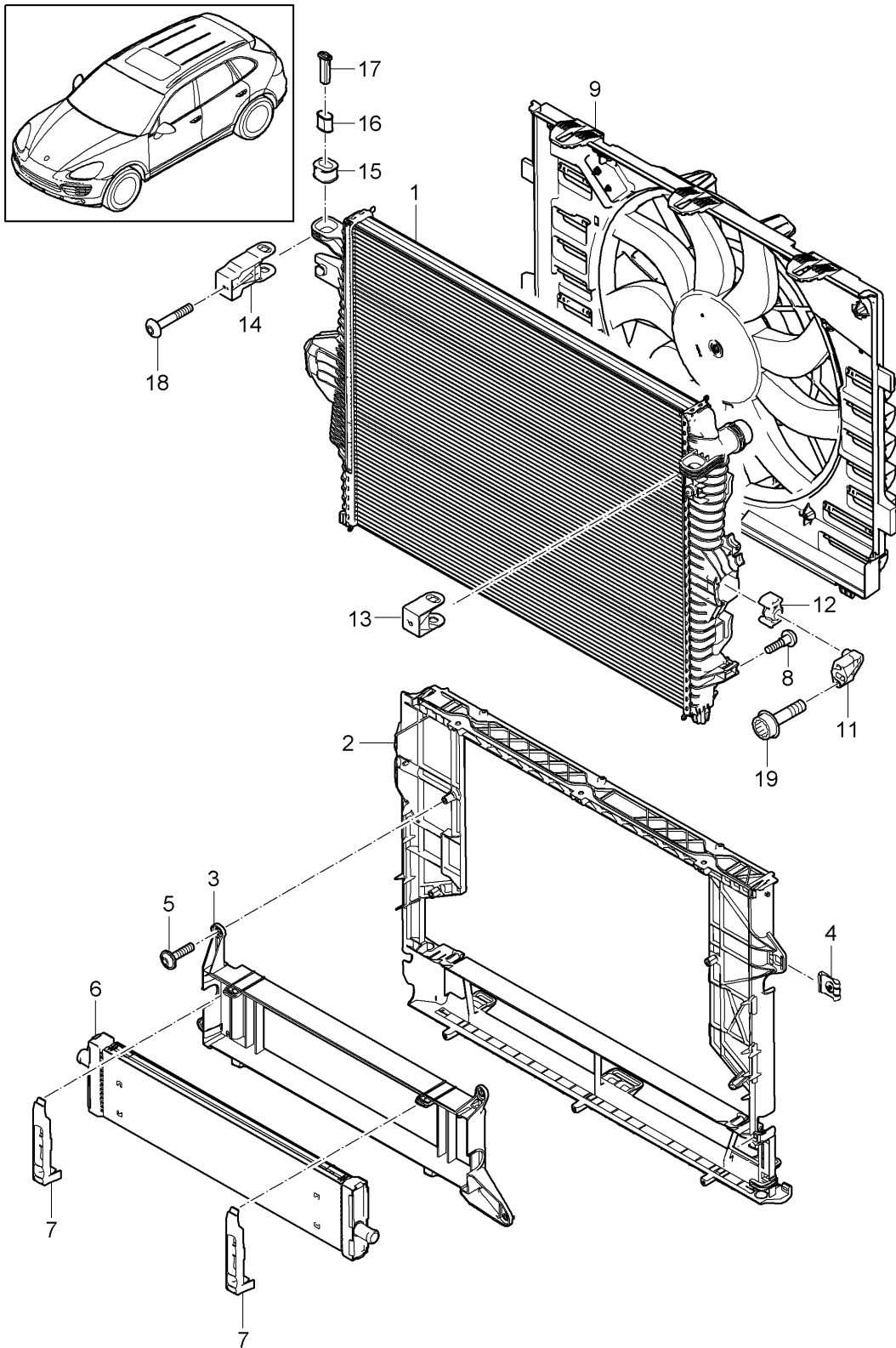
Model: 92A 11

Model life 2011>>2018

| Pos | Part Number    | Description  | Remark  | Qty | Model                   |
|-----|----------------|--|---------|-----|-------------------------|
|     |                | Water cooling 2  |         |     | CURA, CUR,<br>CXZA, CXZ |
| 1   | 946 106 022 50 | Coolant pipe<br>Supply                                       |         | 1   |                         |
| 2   | 999 701 825 40 | O-ring<br>19,6 X 3,53  |         | 2   |                         |
| 3   | 900 385 041 01 | Torx screw<br>BM 6 X 12                                      |         | 3   |                         |
| 4   | 946 106 457 50 | Water hose<br>Supply   |         | 1   |                         |
| 5   | 999 512 658 09 | Hose clamp<br>B 27 X 12                                      |         | 1   |                         |
| 6   | 999 512 656 09 | Hose clamp<br>B 25 X 12                                      |         | 1   |                         |
| 7   | 946 106 421 60 | Coolant pipe<br>Return line                                  |         | 1   |                         |
| 8   | 999 073 344 01 | flat round head bolt<br>M 6 X 20                             |         | 1   |                         |
| 9   | 946 106 051 52 | Water hose<br>(complete)<br>Return line                      |         | 1   |                         |
| 10  | 999 512 658 09 | Hose clamp<br>B 27 X 12                                      |         | 1   |                         |
| 11  | 999 512 656 09 | Hose clamp<br>B 25 X 12                                      |         | 1   |                         |
| 12  | 999 512 686 09 | Hose clamp<br>B 17 X 12                                      |         | 2   |                         |
| 13  | 7PP 121 224 A  | Retainer for coolant<br>hose                                 |         | 1   |                         |
| 14  | N 105 769 01   | Hose bracket   |         | 1   |                         |
| 15  | 999 073 902 31 | fillister hd. bolt<br>aluminium<br>M 6 X 16                  |         | 1   |                         |
| 16  |                | return line<br>Exhaust gas turbocharger<br>see illustration: | 202-067 | 2   |                         |

Model: 92A 11

Model life 2011>>2018



Model: 92A 11 Model life 2011>>2018

| Pos | Part Number    | Description   | Remark | Qty | Model                      |
|-----|----------------|---|--------|-----|----------------------------|
| 1   | 958 106 132 00 | Water cooling 3<br>Radiator<br>Radiator               |        | 1   | PR:D6V,D58,<br>DT1,DT5     |
| (1) | 958 106 132 10 | Radiator  |        | 1   | PR:D19                     |
| (1) | 958 106 132 10 | Radiator  |        | 1   | PR:D50,D43,<br>D1V,D51,DV7 |
| (1) | 958 106 132 10 | Radiator  |        | 1   | PR:D34                     |
| (1) | 958 106 132 10 | Radiator  |        | 1   | PR:D11                     |
| (1) | 958 106 132 20 | Radiator  |        | 1   | PR:DD8                     |
| (1) | 958 106 132 10 | Radiator  |        | 1   | PR:DU2,DU3                 |
| 2   | 958 106 141 00 | Retaining frame<br>Discontinued part                  |        | 1   | PR:-D19                    |
| (2) | 958 106 141 01 | Retaining frame                                       |        | 1   | PR:-D19                    |
| (2) | 958 106 141 10 | Retaining frame<br>Discontinued part                  |        | 1   | PR:D19                     |
| (2) | 958 106 141 11 | Retaining frame                                       |        | 1   | PR:D19                     |
| 3   | 958 106 141 30 | Retaining frame                                       |        | 1   | PR:D19                     |
| (3) | 958 106 141 40 | D >> - MJ 2014<br>Retaining frame<br>D - MJ 2015>>    |        | 1   | PR:D19                     |
| 4   | N 902 362 03   | Retaining washer<br>B 10 X 0,6                        |        | 2   |                            |
| 5   | N 104 734 02   | round hd. screw<br>6 X 20<br>D >> - MJ 2014           |        | 4   | PR:D19                     |
| 6   | 958 106 212 10 | Cooler for coolant<br>D >> - MJ 2014                  |        | 1   | PR:D19                     |
| (6) | 958 106 212 10 | Cooler for coolant<br>D - MJ 2015>>                   |        | 2   | PR:D19                     |
| 7   | 958 106 271 00 | Bracket<br>D >> - MJ 2014                             |        | 2   | PR:D19                     |
| 8   | N 101 243 06   | Oval hexagon socket head bolt<br>M 6 X 20             |        | 2   | PR:G1G                     |
| (8) | N 101 243 06   | Oval hexagon socket head bolt<br>M 6 X 20             |        | 1   | PR:G0L                     |
| 9   | 958 106 061 10 | Cooling air duct<br>with:<br>Fan<br>Discontinued part |        | 1   | PR:D6V,D58                 |
| (9) | 958 106 061 11 | Cooling air duct<br>with:<br>Fan<br>Discontinued part |        | 1   | PR:D6V,D58                 |
| (9) | 958 106 061 12 | Cooling air duct<br>with:<br>Fan<br>D >> - MJ 2014    |        | 1   | PR:D6V,D58                 |
| (9) | 958 106 061 10 | Cooling air duct<br>with:<br>Fan<br>Discontinued part |        | 1   | PR:D50,D1V                 |
| (9) | 958 106 061 11 | Cooling air duct<br>with:<br>Fan<br>Discontinued part |        | 1   | PR:D43,D1V,<br>D50         |
| (9) | 958 106 061 12 | Cooling air duct<br>with:<br>Fan<br>D >> - MJ 2014    |        | 1   | PR:D43,D1V,<br>D50         |
| (9) | 958 106 061 11 | Cooling air duct<br>with:<br>Fan                      |        | 1   | PR:D34,G1G                 |

Model: 92A 11

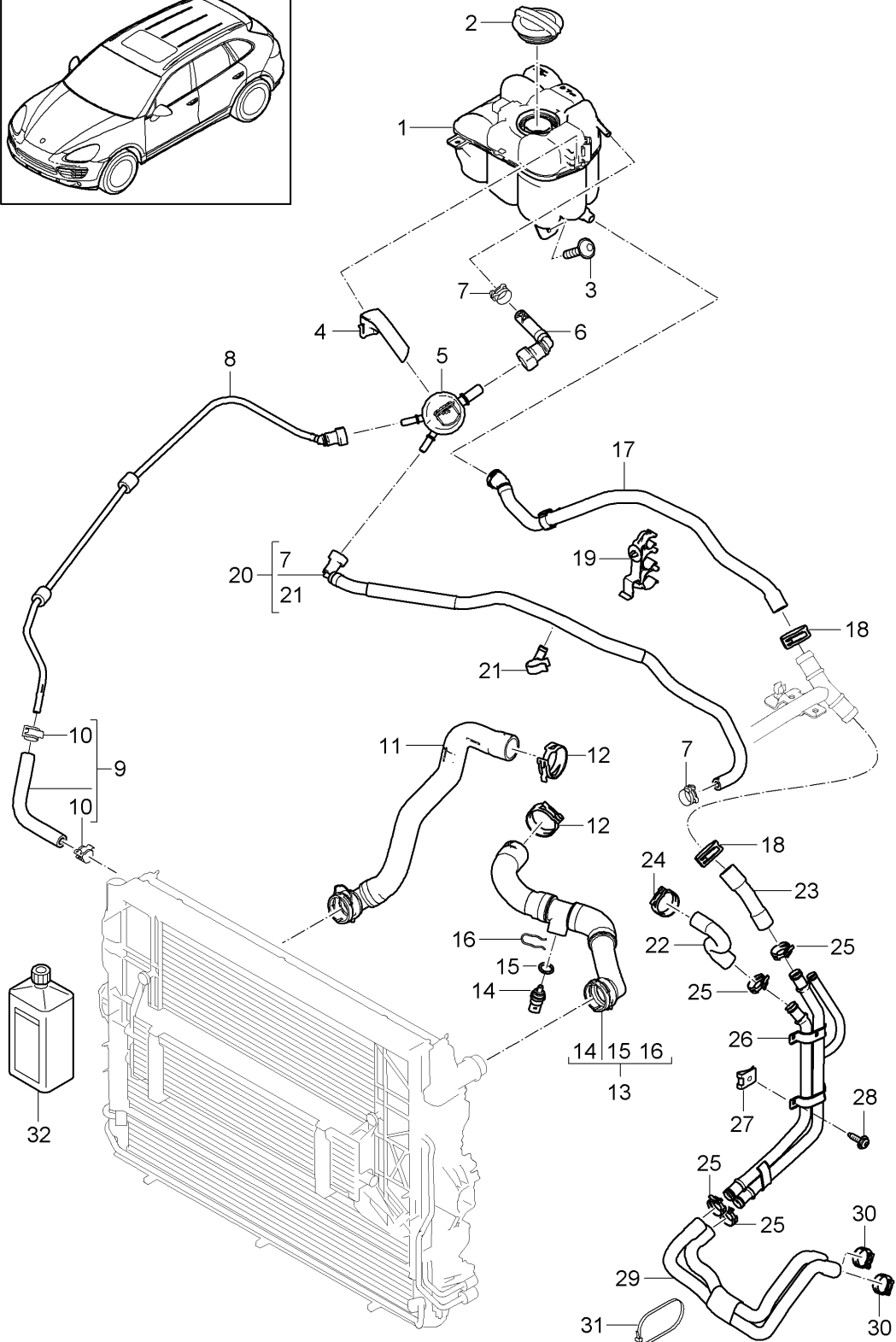
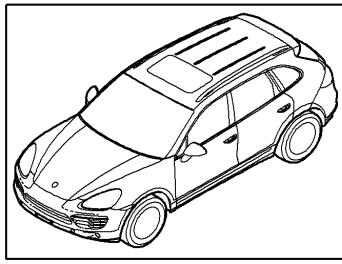
Model life 2011>>2018

| Pos | Part Number    | Description   | Remark                  | Qty | Model           |
|-----|----------------|---|-------------------------|-----|-----------------|
| (9) | 958 106 061 12 | Discontinued part<br>Cooling air duct<br>with:<br>Fan<br>D >> - MJ 2014 |                         | 1   | PR:D34,G1G      |
| (9) | 958 106 061 30 | Cooling air duct<br>with:<br>Fan<br>Discontinued part                   |                         | 1   | PR:D19          |
| (9) | 958 106 061 31 | Cooling air duct<br>with:<br>Fan<br>D >> - MJ 2014                      |                         | 1   | PR:D19          |
| (9) | 958 106 061 31 | Cooling air duct<br>with:<br>Fan  |                         | 1   | PR:D34,G0L      |
| (9) | 958 106 061 31 | Cooling air duct<br>with:<br>Fan<br>D >> - MJ 2014                      |                         | 1   | PR:D11<br>"CN." |
| (9) | 958 106 061 40 | Cooling air duct<br>with:<br>Fan<br>D - MJ 2015>>                       |                         | 1   | PR:D11          |
| (9) | 958 106 061 11 | Cooling air duct<br>with:<br>Fan<br>Discontinued part                   |                         | 1   | PR:DD8          |
| (9) | 958 106 061 12 | Cooling air duct<br>with:<br>Fan<br>D >> - MJ 2014                      |                         | 1   | PR:DD8          |
| (9) | 958 106 061 20 | Cooling air duct<br>with:<br>Fan<br>D - MJ 2015>>                       |                         | 1   | PR:-D11         |
| 11  | 958 106 660 00 | Bracket   | lower                   | 2   |                 |
| 12  | 7P0 121 275    | Rubber bush   | lower                   | 2   |                 |
| 13  | 958 106 661 01 | Bracket   | left                    | 1   |                 |
| 14  | 958 106 662 02 | Bracket   | upper<br>right<br>upper | 1   |                 |
| 15  | 958 106 651 00 | Rubber buffer   |                         | 2   |                 |
| 16  | 958 106 665 00 | Bearing sleeve  |                         | 2   |                 |
| 17  | 958 106 667 00 | Securing clip   |                         | 2   |                 |
| 18  | WHT 003 956    | Flat head multi-point<br>socket bolt<br>TP 6 X 50                       |                         | 2   |                 |
| 19  | N 910 700 01   | Socket head bolt<br>M 8 X 30  |                         | 4   |                 |



Model: 92A 11

Model life 2011>>2018



Model: 92A 11

Model life 2011>>2018

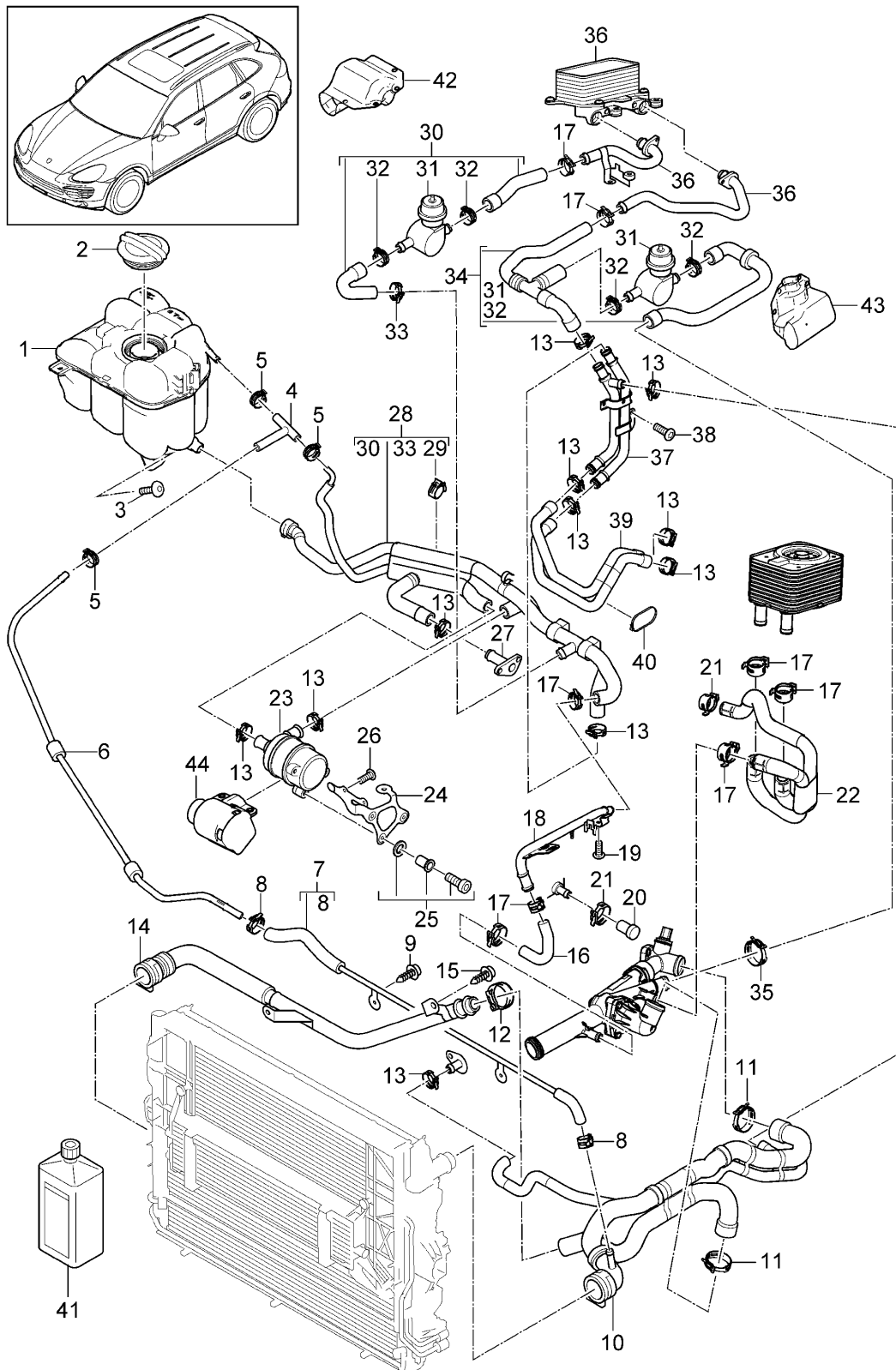
| Pos  | Part Number    | Description   | Remark     | Qty | Model                              |
|------|----------------|---|------------|-----|------------------------------------|
|      |                | Coolant cooling system<br>Coolant expansion tank  |            |     | PR:D6V,D58,<br>DT1,DT5,DU2,<br>DU3 |
| 1    | 958 106 151 00 | Coolant expansion tank<br>No longer use the part here                                   |            | 1   |                                    |
| (1)  | 958 106 151 02 | Coolant expansion tank  |            | 1   |                                    |
| 2    | 958 106 447 00 | Cover   |            | 1   |                                    |
| 3    | N 911 404 01   | Hexagon socket oval head bolt<br>(combi)<br>M 6 X 20                                    |            | 1   |                                    |
| 4    | 958 106 449 00 | Bracket   |            | 1   |                                    |
| 5    | 7P5 121 671    | Bleed valve   |            | 1   |                                    |
| (5)  | 7P5 121 671 A  | Bleed valve<br>No longer use the part here  |            | 1   |                                    |
| 6    | 958 106 312 01 | Vent hose   |            | 1   |                                    |
| 7    | N 906 867 01   | Spring band clamp<br>B 14 X 12  |            | 2   |                                    |
| 8    | 958 106 310 05 | Breather line   |            | 1   | PR:D6V,E0A                         |
| (8)  | 958 106 310 40 | Breather line   |            | 1   | PR:D6V,E0W                         |
| (8)  | 958 106 310 05 | Breather line   |            | 1   | PR:D58                             |
| (8)  | 958 106 310 50 | Breather line   |            | 1   | PR:DT1,DT5,<br>DU2,DU3             |
| 9    | 958 106 311 01 | Vent hose   |            | 1   | PR:D6V,D58                         |
| (9)  | 958 106 311 40 | Vent hose   |            | 1   | PR:DT1,DT5                         |
| (9)  | 958 106 311 10 | Coolant pipe  |            | 1   | PR:DU2,DU3                         |
| -    | N 908 170 03   | Hexagon socket head panel bolt<br>For attachment to:<br>Coolant pipe<br>Radiator grille | TP6X17     | 2   | PR:DU2,DU3                         |
| 10   | N 909 865 01   | Spring band clamp   | B14,5X12   | 2   | PR:D6V,D58,<br>DT1,DT5             |
| (10) | N 906 867 01   | Spring band clamp<br>For attachment to:<br>POS.8<br>and<br>POS.13                       | B14X12     | 2   | PR:DU2,DU3                         |
| 11   | 958 106 402 00 | Water hose  | feed       | 1   | PR:D6V,D58,<br>DT1,DT5             |
| (11) | 958 106 402 70 | Water hose<br>with:   | feed       | 1   | PR:DU2,DU3                         |
| 12   | N 909 265 01   | Temperature sensor<br>Spring band clamp   | B47X12     | 2   | PR:D6V,D58,<br>DT1,DT5             |
| (12) | 999 512 667 09 | Hose clamp  | B44X12     | 2   | PR:DU2,DU3                         |
| 13   | 958 106 401 00 | Water hose  | return     | 1   | PR:D6V,D58,<br>DT1,DT5             |
| (13) | 958 106 401 70 | Water hose<br>without:  | return     | 1   | PR:DU2,DU3                         |
| 14   | 955 106 125 01 | Temperature sensor  |            | 1   |                                    |
| 15   | N 903 168 01   | O-ring  | 19,6X3,65  | 1   |                                    |
| 16   | 955 106 143 00 | retaining spring  |            | 1   |                                    |
| 17   | 958 106 261 00 | Water hose<br>No longer use the part here   |            | 1   |                                    |
| (17) | 958 106 261 01 | Water hose  |            | 1   | PR:D6V,D58,<br>DT1,DT5             |
| (17) | 958 106 550 50 | Water hose<br>see illustration, item:   | 360-060,19 | 1   | PR:DU2,DU3                         |
| 18   | 955 512 405 00 | Clamp   | B29X12     | 2   | PR:D6V,D58,<br>DT1,DT5             |
| 19   | 958 106 510 00 | Line holder<br>D >> - MJ 2014   |            | 1   |                                    |

Model: 92A 11 Model life 2011>>2018

| Pos  | Part Number    | Description  | Remark        | Qty | Model                  |
|------|----------------|--|---------------|-----|------------------------|
| (19) | 958 106 510 10 | Line holder<br>D - MJ 2015>>   |               | 1   |                        |
| 20   | 958 106 422 00 | Vent hose  |               | 1   | PR:D6V,D58,<br>DT1,DT5 |
| (20) | 958 106 422 10 | Vent hose  |               | 1   | PR:DU2,DU3             |
| 21   | N 104 226 01   | Bracket  | A03-14XC01-16 | 1   | PR:D6V,D58,<br>DT1,DT5 |
| 22   | 955 106 322 10 | Water hose<br>only in conj. with:<br>Distributor tube<br>948.106.061.20<br>with:<br>Pipe union<br>M >> E 03741<br>M >> E 00996     |               | 1   | D6V<br>D58             |
| (22) | 958 106 322 10 | Water hose<br>only in conj. with:<br>Distributor tube<br>948.106.061.21<br>with:<br>threaded union<br>M E 03742 >><br>M E 00997 >> |               | 1   | D6V<br>D58,4852        |
| (22) | 958 106 322 10 | Water hose   |               | 1   | PR:DT1,DT5,<br>DU2,DU3 |
| 23   | 958 106 323 00 | Water hose   |               | 1   | PR:D6V,D58,<br>DT1,DT5 |
| 23   |                | Coolant hose<br>only for position:   | 17            | 1   | PR:DU2,DU3             |
| 24   | 955 512 407 00 | Clamp  |               | 1   |                        |
| 25   | N 906 870 01   | Spring band clamp  | B27X12        | 4   | PR:D6V,D58,<br>DT1,DT5 |
| (25) | N 906 870 01   | Spring band clamp  | B27X12        | 3   | PR:DU2,DU3             |
| 26   | 958 106 360 00 | Coolant pipe   |               | 1   | PR:D6V,D58,<br>DT1,DT5 |
| (26) | 958 106 360 40 | Coolant pipe   |               | 1   | PR:DU2,DU3             |
| 27   | 955 971 847 00 | cable terminal   |               | 1   |                        |
| 28   | N 106 320 03   | Oval socket head bolt<br>with hex drive  | M6X16         | 2   |                        |
| 29   | 958 106 073 00 | Water hose   |               | 1   |                        |
| 30   | N 906 870 01   | Spring band clamp  | B27X12X1,7    | 2   |                        |
| 31   | 955 106 409 00 | Cable ties   |               | 1   |                        |
| 32   | 000 043 301 03 | Coolant additive<br>Discontinued part  | 1.0 Ltr.      | X   |                        |
| (32) | 000 043 301 47 | Coolant additive<br>discontinued part  | 1.0 Ltr.      | X   |                        |
| (32) | 000 043 305 15 | Coolant additive   | 1.0 Ltr.      | X   |                        |
| (32) | 000 043 301 04 | Coolant additive<br>Discontinued part  | 20ltr.        | X   |                        |
| (32) | 000 043 301 48 | Coolant additive<br>discontinued part  | 20ltr.        | X   |                        |
| (32) | 000 043 305 16 | Coolant additive   | 20ltr.        | X   |                        |
| (32) | 000 043 204 39 | Cleaning solution<br>discontinued part   | 20ltr.        | X   |                        |

Model: 92A 11

Model life 2011>>2018



Model: 92A 11

Model life 2011>>2018

| Pos  | Part Number    | Description  | Remark | Qty | Model  |
|------|----------------|--|--------|-----|--------|
|      |                | Water cooling 4<br>Water reservoir   |        |     | PR:D34 |
| 1    | 958 106 151 00 | Coolant expansion tank<br>No longer use the part here                      |        | 1   |        |
| (1)  | 958 106 151 02 | Coolant expansion tank   |        | 1   |        |
| 2    | 958 106 447 00 | Cover  |        | 1   |        |
| 3    | N 911 404 01   | Hexagon socket oval head bolt<br>(combi)<br>M 6 X 20                       |        | 1   |        |
| 4    | 958 106 312 10 | T-connecting socket  |        | 1   |        |
| 5    | N 906 867 01   | Spring band clamp<br>B 14 X 12   |        | 3   |        |
| 6    | 958 106 310 10 | Breather line<br>D >> - MJ 2014  |        | 1   |        |
| (6)  | 958 106 310 11 | Breather line<br>D - MJ 2015>>   |        | 1   |        |
| 7    | 958 106 311 10 | Coolant pipe<br>with:  |        | 1   |        |
| 8    | N 906 867 01   | Water hose<br>Spring band clamp<br>B 14 X 12                               |        | 2   |        |
| 9    | N 908 170 03   | Hexagon socket head panel bolt<br>6 X 17                                   |        | 2   |        |
| 10   | 958 106 401 10 | Water hose<br>(complete)<br>Discontinued part                              |        | 1   |        |
| (10) | 958 106 401 11 | Water hose<br>(complete)   |        | 1   |        |
| 11   | N 909 265 01   | Spring band clamp<br>B 47 X 12   |        | 2   |        |
| 12   | N 906 872 01   | Spring band clamp<br>B 40 X 12<br>Discontinued part                        |        | 1   |        |
| (12) | 999 512 665 09 | Hose clamp<br>B 40 X 12  |        | 1   |        |
| 13   | N 906 870 01   | Spring band clamp<br>B 27 X 12   |        | 11  |        |
| 14   | 958 106 402 10 | Coolant pipe<br>with:  |        | 1   |        |
| (14) | 958 106 402 11 | Water hose<br>D >> - 20.11.2016<br>Coolant pipe<br>with:                   |        | 1   |        |
| 15   | N 104 734 01   | Water hose<br>D - 21.11.2016>><br>Hexagon socket head panel bolt<br>6 X 20 |        | 2   |        |
| (15) | N 908 170 03   | No longer use the part here<br>Hexagon socket head panel bolt<br>6 X 17    |        | 2   |        |
| (15) | N 104 734 02   | D >> - 20.11.2016<br>round hd. screw<br>TP 6 X 20<br>D - 21.11.2016>>      |        | 2   |        |
| 16   | 955 106 355 20 | Water hose   |        | 1   |        |
| 17   | N 906 869 01   | Spring band clamp<br>B 23 X 12   |        | 8   |        |
| 18   | 958 106 022 00 | Coolant pipe   |        | 1   |        |
| 19   | N 909 899 01   | Oval socket head bolt<br>with hex drive<br>KA 6 X 18                       |        | 1   |        |
| 20   | 955 106 099 01 | Bungs<br>Crankcase housing   |        | 1   |        |

Model: 92A 11 Model life 2011>>2018

| Pos  | Part Number    | Description   | Remark    | Qty         | Model  |
|------|----------------|---|-----------|-------------|--------|
| 21   | N 909 264 01   | Spring band clamp<br>B 19 X 12  |           | 2           |        |
| 22   | 955 106 052 00 | Water hose<br>D >> - MJ 2011  |           | 1           |        |
| (22) | 958 106 696 40 | Water hose<br>Oil cooler<br>thermostat housing<br>see illustration:   | 104-065   | 1           |        |
| (22) | 958 106 696 50 | D - MJ 2012>><br>Water hose<br>Oil cooler<br>Crankcase housing<br>see illustration:   | 104-065   | 1           |        |
| 23   | 958 106 313 00 | Coolant pump<br>Appendix  |           | 1           |        |
| 24   | 958 106 579 30 | Bracket for additional coolant<br>pump  |           | 1           |        |
| 25   | 958 106 901 00 | Set of fastening parts<br>comprising:<br>Rubber bush<br>Sleeve  |           | 1<br>3<br>3 |        |
| 26   | N 103 352 07   | Outer hexagon round screw<br>Hexagon socket flat head<br>bolt, self-locking<br>M 6 X 12<br>Discontinued part                                    |           | 3<br>2      |        |
| (26) | N 103 352 06   | Hexagon socket flat<br>head bolt<br>M 6 X 12  |           | 2           |        |
| 27   |                | Flange socket<br>see illustration, item:  | 105-005,5 | 1           |        |
| 28   | 958 106 056 00 | Water hose<br>(complete)  |           | 1           | PR:G1G |
| (28) | 958 106 056 10 | Water hose<br>(complete)  |           | 1           | PR:G0L |
| 29   | N 106 600 01   | Bracket<br>A14-22,0 X C13-6,5   |           | 1           |        |
| 30   | 958 106 549 20 | Water hose<br>with:<br>Valve<br>use if required:<br>Heat insulation<br>POS.42<br>See workshop manual<br>Group 8<br>Document<br>803655<br>SY4215 |           | 1           | PR:G1G |
| 31   | 958 572 809 00 | Heater valve<br>use if required:<br>Heat insulation<br>POS.42 UND 43<br>See workshop manual<br>Group 8<br>Document<br>803655<br>SY4215          |           | 2           | PR:G1G |
| (31) | 958 572 809 00 | Heater valve<br>use if required:<br>Heat insulation<br>POS.43<br>See workshop manual  |           | 1           | PR:G0L |

Model: 92A 11

Model life 2011>>2018

| Pos  | Part Number    | Description  | Remark   | Qty | Model               |
|------|----------------|--|----------|-----|---------------------|
|      |                | Group 8<br>Document<br>803655<br>SY4215  |          |     |                     |
| 32   | N 906 870 01   | Spring band clamp<br>B 27 X 12   |          | 4   | PR:G1G              |
| (32) | N 906 870 01   | Spring band clamp<br>B 27 X 12   |          | 2   | PR:G0L              |
| 33   | N 906 870 01   | Spring band clamp<br>B 27 X 12   |          | 1   | PR:G1G              |
| 34   | 958 106 550 20 | Water hose<br><br>with:<br>Valve<br>use if required:<br>Heat insulation<br>POS.43<br>See workshop manual |          | 1   | PR:G1G              |
| (34) | 958 106 550 30 | Water hose<br><br>with:<br>Valve<br>use if required:<br>Heat insulation<br>POS.43<br>See workshop manual |          | 1   | PR:G0L              |
| 35   | N 906 871 01   | Group 8<br>Document<br>803655<br>SY4215<br>Spring band clamp<br>B 32 X 12                                |          | 1   |                     |
| 36   |                | see illustration:<br>POS.4/11/14   | 360-030  |     |                     |
| 37   | 958 106 360 20 | Coolant pipe   |          | 1   |                     |
| 38   | N 106 320 03   | Oval socket head bolt<br>with hex drive<br>M 6 X 16  |          | 2   |                     |
| 39   | 955 106 074 00 | Water hose   |          | 1   |                     |
| 40   | 955 106 409 00 | Cable ties   |          | 1   |                     |
| 41   | 000 043 301 12 | Coolant additive<br>Discontinued part  | 1.0 Ltr. | X   |                     |
| (41) | 000 043 301 47 | Coolant additive<br>Discontinued part  | 1.0 Ltr. | X   |                     |
| (41) | 000 043 305 15 | Coolant additive   | 1.0 Ltr. | X   |                     |
| (41) | 000 043 301 13 | Coolant additive<br>Discontinued part  | 20ltr.   | X   |                     |
| (41) | 000 043 301 48 | Coolant additive<br>Discontinued part  | 20ltr.   | X   |                     |
| (41) | 000 043 305 16 | Coolant additive   | 20ltr.   | X   |                     |
| (41) | 000 043 204 39 | Cleaning solution<br>discontinued part   | 20ltr.   | X   |                     |
| (41) | 000 043 305 64 | Cleaning solution  | 20ltr.   | X   |                     |
| (42) | 958 106 653 10 | Heat insulation<br>Heater valve<br>See workshop manual   |          | 1   | PR:6EA,6EC<br>"RUS" |
| (42) | 958 106 653 10 | Group 8<br>Document<br>803655<br>SY4215<br>Heat insulation   |          | 1   | PR:6EB              |

Model: 92A 11

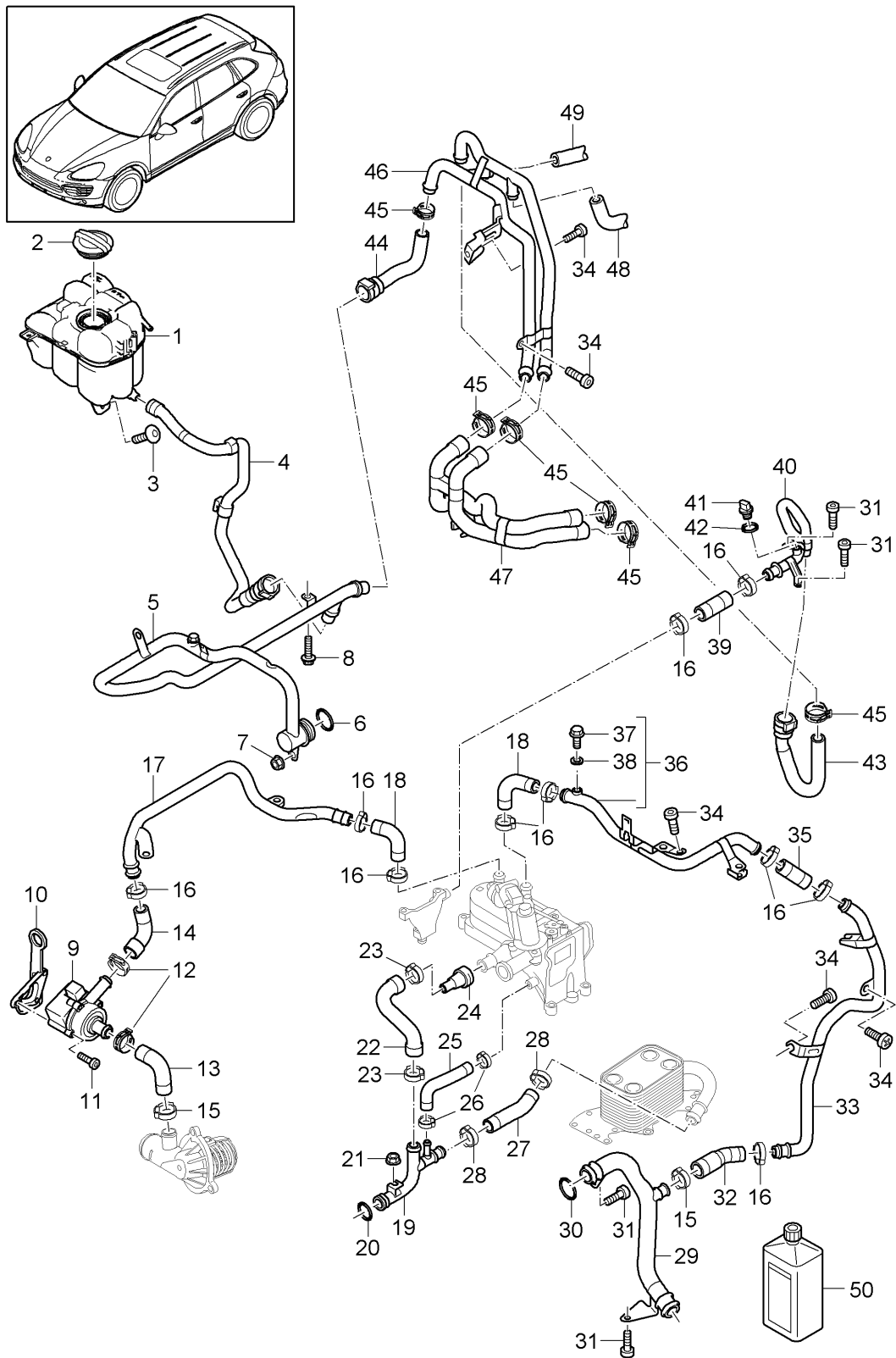
Model life 2011>>2018

| Pos  | Part Number    | Description   | Remark | Qty | Model               |
|------|----------------|---|--------|-----|---------------------|
| (43) | 958 106 653 20 | Heater valve<br>See workshop manual<br>Group 8<br>Document<br>803655<br>SY4215<br>Heat insulation |        | 1   | PR:6EA,6EC<br>"RUS" |
| (43) | 958 106 653 20 | Heater valve<br>See workshop manual<br>Group 8<br>Document<br>803655<br>SY4215<br>Heat insulation |        | 1   | PR:6EB              |
| 44   | 9A7 121 653 00 | Heater valve<br>Heat reflective mat<br>Appendix<br>Coolant pump                                   |        | 1   |                     |



Model: 92A 11

Model life 2011>>2018



Model: 92A 11

Model life 2011&gt;&gt;2018

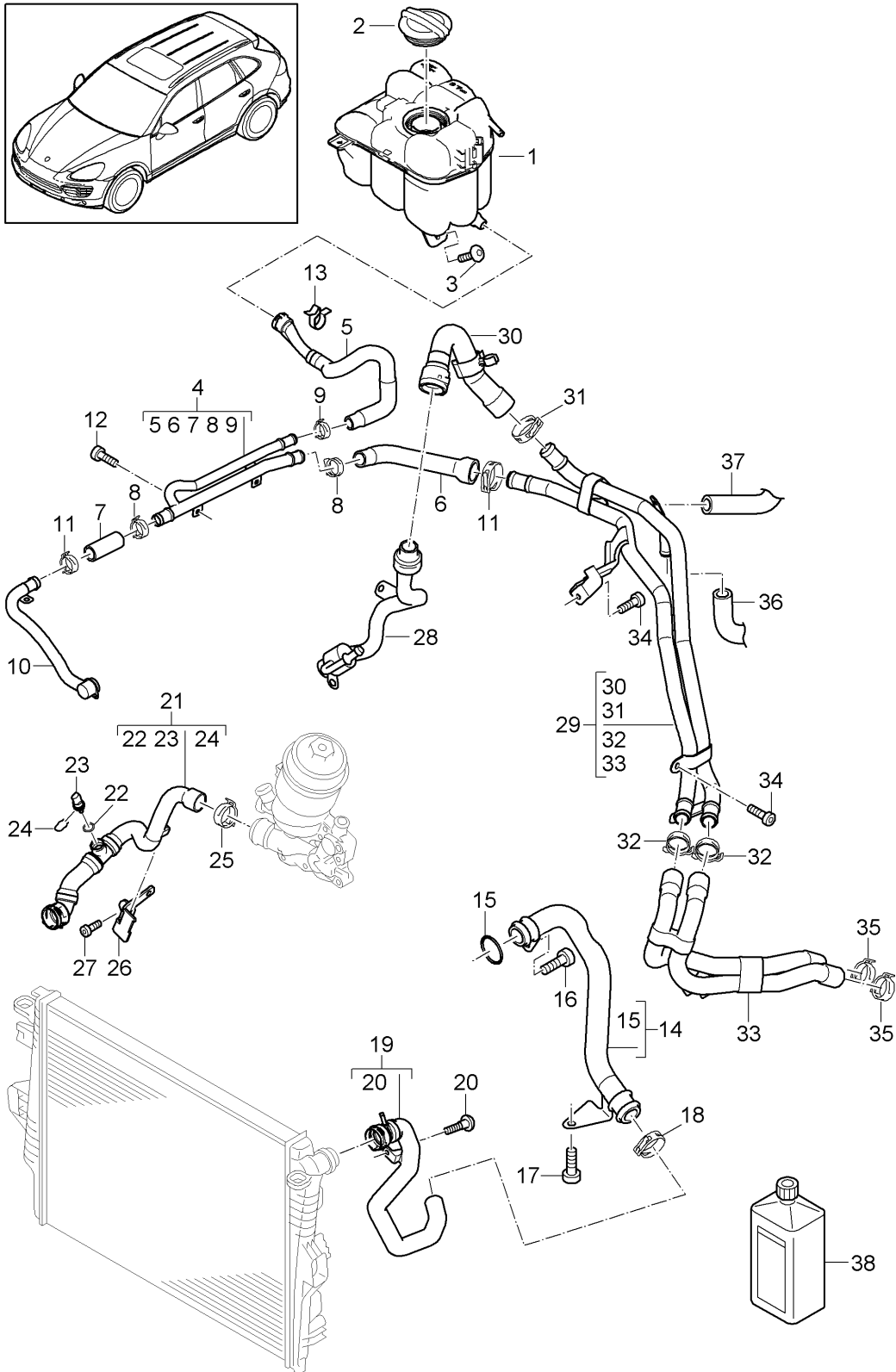
| Pos  | Part Number    | Description   | Remark | Qty | Model      |
|------|----------------|---|--------|-----|------------|
|      |                | Water cooling 4<br>Water reservoir<br>D >> - MJ 2011  |        |     | PR:D50,D1V |
| 1    | 958 106 151 00 | Coolant expansion tank<br>No longer use the part here   |        | 1   |            |
| (1)  | 958 106 151 02 | Coolant expansion tank  |        | 1   |            |
| 2    | 958 106 447 00 | Cover   |        | 1   |            |
| 3    | N 911 404 01   | Hexagon socket oval head bolt<br>(combi)<br>M 6 X 20  |        | 1   |            |
| 4    | 958 106 261 20 | Water hose  |        | 1   |            |
| 5    | 955 106 475 02 | Coolant pipe  |        | 1   |            |
| 6    | N 904 650 03   | O-ring<br>23 X 2,6  |        | 1   |            |
| 7    | N 904 880 05   | hex. nut with washer<br>M 6   |        | 1   |            |
| 8    | N 101 703 02   | round hd. screw<br>M 6 X 10   |        | 1   |            |
| 9    | 955 106 312 00 | Coolant pump<br>Appendix<br>only in conj. with:   |        | 1   |            |
| (9)  | 958 106 313 00 | Transportation shackle<br>955.104.305.20<br>059.103.392.AC<br>Coolant pump<br>Appendix<br>only in conj. with: |        | 1   |            |
| 10   | 955 104 305 20 | Transportation shackle<br>only in conj. with:   |        | 1   |            |
| (10) | 955 104 305 30 | Coolant pump<br>955.106.312.00<br>059.121.012.A<br>Transportation shackle<br>only in conj. with:              |        | 1   |            |
| 11   | WHT 002 306    | Coolant pump<br>958.106.313.00<br>059.121.012.B<br>self-tapping screw<br>3,5 X 12                             |        | 3   |            |
| 12   | N 906 870 01   | Spring band clamp<br>B 27 X 12  |        | 2   |            |
| 13   | 955 106 302 00 | Water hose  |        | 1   |            |
| 14   | 955 106 304 00 | Water hose  |        | 1   |            |
| 15   | N 904 095 01   | Ear crimp hose clamp<br>28,6 X 7 X 0,6  |        | 2   |            |
| 16   | N 102 020 01   | Ear crimp hose clamp<br>24,1 X 7 X 0,6  |        | 10  |            |
| 17   | 958 106 564 00 | Coolant pipe  |        | 1   |            |
| 18   | 958 106 305 00 | Water hose  |        | 2   |            |
| 19   | 955 106 063 00 | Coolant pipe  |        | 1   |            |
| 20   | N 903 653 04   | O-ring<br>20 X 3  |        | 1   |            |
| 21   | N 904 880 05   | hex. nut with washer<br>M 6   |        | 1   |            |
| 22   | 958 106 503 00 | Water hose  |        | 1   |            |
| 23   | N 904 095 01   | Ear crimp hose clamp<br>28,6 X 7 X 0,6  |        | 2   |            |
| 24   | 955 106 313 01 | thermostat  |        | 1   |            |
| 25   | 958 106 504 00 | Water hose  |        | 1   |            |
| 26   | N 102 334 01   | Ear crimp hose clamp  |        | 2   |            |

Model: 92A 11 Model life 2011>>2018

| Pos  | Part Number    | Description  | Remark                 | Qty | Model      |
|------|----------------|--|------------------------|-----|------------|
| 27   | 955 106 373 00 | 16,2 X 7 X 0,6<br>Water hose                                     |                        | 1   |            |
| 28   | N 102 020 01   | Ear crimp hose clamp   |                        | 2   |            |
| 29   | 955 106 071 00 | 24,1 X 7 X 0,6<br>Coolant pipe<br>Console<br>Power-steering pump |                        | 1   |            |
| 30   | N 902 753 02   | O-ring<br>32 X 3   |                        | 1   |            |
| 31   | N 104 514 05   | Oval hexagon socket head bolt<br>M 6 X 16                        |                        | 5   |            |
| 32   | 955 106 307 00 | Coolant hose with<br>non-return hose                             |                        | 1   |            |
| 33   | 958 106 521 00 | Coolant pipe   |                        | 1   |            |
| 34   | N 106 320 02   | Oval socket head bolt<br>with hex drive<br>M 6 X 16              |                        | 5   |            |
| 35   | 958 106 562 00 | Water hose   |                        | 1   |            |
| 36   | 958 106 522 00 | Coolant pipe   |                        | 1   |            |
| 37   | N 904 832 04   | Hexagon bolt<br>M 6 X 8  |                        | 1   |            |
| 38   | N 013 804 2    | seal ring<br>6 X 10  |                        | 1   |            |
| 39   | 958 106 557 00 | Water hose   |                        | 1   |            |
| 40   | 958 106 265 00 | Coolant pipe   |                        | 1   |            |
| 41   | 955 606 221 00 | Temperature sensor   |                        | 1   |            |
| 42   | WHT 002 287 B  | O-ring<br>5,6 X 2  |                        | 1   |            |
| 43   | 955 106 574 00 | Water hose   |                        | 1   |            |
| 44   | 955 106 573 00 | Water hose   |                        | 1   |            |
| 45   | N 906 870 01   | Spring band clamp<br>B 27 X 12                                   |                        | 6   |            |
| 46   | 958 106 360 10 | Coolant pipe   |                        | 1   |            |
| 47   | 958 106 073 20 | Water hose   |                        | 1   | PR:L0L,1N1 |
| (47) | 958 106 073 30 | Water hose<br>Discontinued part                                  |                        | 1   | PR:L0L,1N3 |
| (47) | 958 106 073 31 | Water hose   |                        | 1   | PR:L0L,1N3 |
| (47) | 958 106 073 40 | Water hose   |                        | 1   | PR:LOR     |
| 48   |                | Water hose   |                        | 1   |            |
| 49   |                | see illustration, item:<br>Water hose                            | 360-010,16             | 1   |            |
| 50   |                | see illustration, item:<br>Coolant additive                      | 360-010,17<br>1.0 Ltr. | X   |            |
| (50) | 000 043 301 12 | Discontinued part  |                        |     |            |
| (50) | 000 043 301 47 | Coolant additive<br>discontinued part                            | 1.0 Ltr.               | X   |            |
| (50) | 000 043 305 15 | Coolant additive   | 1.0 Ltr.               | X   |            |
| (50) | 000 043 301 13 | Coolant additive<br>Discontinued part                            | 20ltr.                 | X   |            |
| (50) | 000 043 301 48 | Coolant additive<br>discontinued part                            | 20ltr.                 | X   |            |
| (50) | 000 043 305 16 | Coolant additive   | 20ltr.                 | X   |            |
| (50) | 000 043 204 39 | Cleaning solution  | 20ltr.                 | X   |            |
| (50) | 000 043 305 64 | Cleaning solution  | 20ltr.                 | X   |            |

Model: 92A 11

Model life 2011>>2018



Model: 92A 11 Model life 2011>>2018

| Pos  | Part Number    | Description  | Remark  | Qty | Model                      |
|------|----------------|--|---------|-----|----------------------------|
|      |                | Water cooling 4<br>Water reservoir<br>D - MJ 2012>>                      |         |     | PR:D43,D1V,<br>D50,DV7,D51 |
| 1    | 958 106 151 00 | Coolant expansion tank<br>No longer use the part here                    |         | 1   |                            |
| (1)  | 958 106 151 02 | Coolant expansion tank   |         | 1   |                            |
| 2    | 958 106 447 00 | Cover  |         | 1   |                            |
| 3    | N 911 404 01   | Hexagon socket oval head bolt<br>(combi)<br>M 6 X 20                     |         | 1   |                            |
| 4    | 958 106 044 00 | Coolant pipe<br><br>with:  |         | 1   |                            |
| 5    | 958 106 452 00 | Water hose   |         | 1   |                            |
| 6    | 958 106 573 00 | Water hose   |         | 1   |                            |
| 7    | 958 106 430 00 | Water hose   |         | 1   |                            |
| 8    | N 906 870 01   | Spring band clamp<br>B 27 X 12   |         | 2   |                            |
| 9    | N 906 869 01   | Spring band clamp<br>B 23 X 12   |         | 1   |                            |
| 10   |                | Coolant pipe<br><br>see illustration:                                    | 105-052 | 1   |                            |
| 11   | N 906 870 01   | Spring band clamp<br>B 27 X 12   |         | 2   |                            |
| 12   | N 103 352 06   | Hexagon socket flat<br>head bolt<br>M 6 X 12                             |         | 2   |                            |
| 13   | N 909 263 02   | Cable holder<br>22 X 33,5 X 0,6  |         | 1   |                            |
| 14   | 958 106 071 00 | Coolant pipe   |         | 1   |                            |
| 15   | N 902 753 02   | O-ring<br>32 X 3   |         | 1   |                            |
| 16   | N 104 514 08   | Oval hexagon socket head bolt<br>M 6 X 16<br>No longer use the part here |         | 1   |                            |
| (16) | N 104 514 05   | Oval hexagon socket head bolt<br>M 6 X 16                                |         | 1   |                            |
| 17   | N 107 002 01   | round hd. screw<br>M 6 X 22  |         | 1   |                            |
| 18   | N 906 872 01   | Spring band clamp<br>B 40 X 12   |         | 1   |                            |
| (18) | 999 512 665 09 | Discontinued part<br>Hose clamp<br>B 40 X 12                             |         | 1   |                            |
| 19   | 958 106 401 40 | Water hose<br>D >> - MJ 2014   |         | 1   | PR:D43,D1V,<br>D50         |
| 19   | 958 106 401 40 | Water hose<br>D - MJ 2015>>  |         | 1   | PR:D43,D50                 |
| (19) | 958 106 401 60 | Water hose<br>D - MJ 2015>>  |         | 1   | PR:DV7,D1V,<br>D51         |
| 20   | 958 110 830 10 | spacer bush<br><br>with:   |         | 1   |                            |
| 21   | 958 106 402 50 | Screw<br>Water hose  |         | 1   |                            |
| 22   | N 903 168 01   | O-ring<br>19,6 X 3,6   |         | 1   |                            |
| 23   | 955 106 125 01 | Temperature sensor   |         | 1   |                            |
| 24   | 955 106 143 00 | retaining spring   |         | 1   |                            |
| 25   | N 909 265 01   | Spring band clamp<br>B 47 X 12   |         | 1   |                            |
| 26   | 958 106 569 10 | Retainer for coolant<br>hose   |         | 1   |                            |
| 27   | N 106 320 03   | Oval socket head bolt  |         | 1   |                            |

Model: 92A 11

Model life 2011>>2018

| Pos  | Part Number    | Description   | Remark  | Qty | Model                      |
|------|----------------|---|---------|-----|----------------------------|
| 28   |                | with hex drive<br>M 6 X 16<br>Coolant pipe  |         | 1   |                            |
| 29   | 958 106 040 00 | see illustration:<br>Coolant pipe   | 105-052 | 1   | PR:L0L,1N1,<br>D43,D1V,D50 |
| (29) | 958 106 040 00 | with:<br>Water hose<br>D >> - MJ 2014<br>Coolant pipe   |         | 1   | PR:L0L,1N1,<br>D43,D50     |
| (29) | 958 106 040 01 | with:<br>Water hose<br>D - MJ 2015>><br>Coolant pipe  |         | 1   | PR:L0L,1N1,<br>DV7,D51,D1V |
| (29) | 958 106 040 10 | with:<br>Water hose<br>Discontinued part<br>Coolant pipe  |         | 1   | PR:L0L,1N3,<br>D43,D1V,D50 |
| (29) | 958 106 040 11 | with:<br>Water hose<br>Coolant pipe   |         | 1   | PR:L0L,1N3,<br>D43,D1V,D50 |
| (29) | 958 106 040 12 | with:<br>Water hose<br>Coolant pipe   |         | 1   | PR:L0L,1N3,<br>DV7,D51,D1V |
| (29) | 958 106 040 20 | with:<br>Water hose<br>D - MJ 2015>><br>Coolant pipe  |         | 1   | PR:L0R,D43                 |
| (29) | 958 106 040 21 | with:<br>Water hose<br>Coolant pipe   |         | 1   | PR:L0R,DV7                 |
| -    | N 107 160 01   | Water hose<br>Spring band clamp<br>A 12,5 X 8,4<br>Mount<br>Injection valve<br>Urea solution AdBlue |         | 1   | PR:DV7,D51,<br>D1V         |
| 30   | 958 106 420 00 | Water hose  |         | 1   |                            |
| 31   | N 105 587 01   | Spring band clamp<br>B 27 X 12  |         | 1   |                            |
| 32   | N 906 870 01   | Spring band clamp<br>B 27 X 12  |         | 2   |                            |
| 33   | 958 106 073 20 | Water hose<br>D >> - MJ 2014  |         | 1   | PR:L0L,1N1,<br>D43,D1V,D50 |
| (33) | 958 106 073 20 | Water hose<br>D - MJ 2015>>   |         | 1   | PR:L0L,1N1,<br>D43,D50     |
| (33) | 958 106 073 21 | Water hose<br>D - MJ 2015>>   |         | 1   | PR:L0L,1N1,<br>DV7,D51,D1V |
| (33) | 958 106 073 30 | Water hose<br>Discontinued part   |         | 1   | PR:L0L,1N3,<br>D43,D1V,D50 |
| (33) | 958 106 073 31 | Water hose  |         | 1   | PR:L0L,1N3,<br>D43,D1V,D50 |
| (33) | 958 106 073 32 | Water hose  |         | 1   | PR:L0L,1N3,<br>DV7,D51,D1V |
| (33) | 958 106 073 40 | Water hose  |         | 1   | PR:L0R,D43                 |
| (33) | 958 106 073 41 | Water hose  |         | 1   | PR:L0R,DV7                 |
| 34   | N 106 320 02   | Oval socket head bolt<br>with hex drive<br>M 6 X 16   |         | 2   |                            |
| (34) | N 910 967 01   | Oval hexagon socket head bolt<br>M 6 X 22<br>D - MJ 2015>>  |         | 1   | PR:DV7,D51,<br>D1V         |

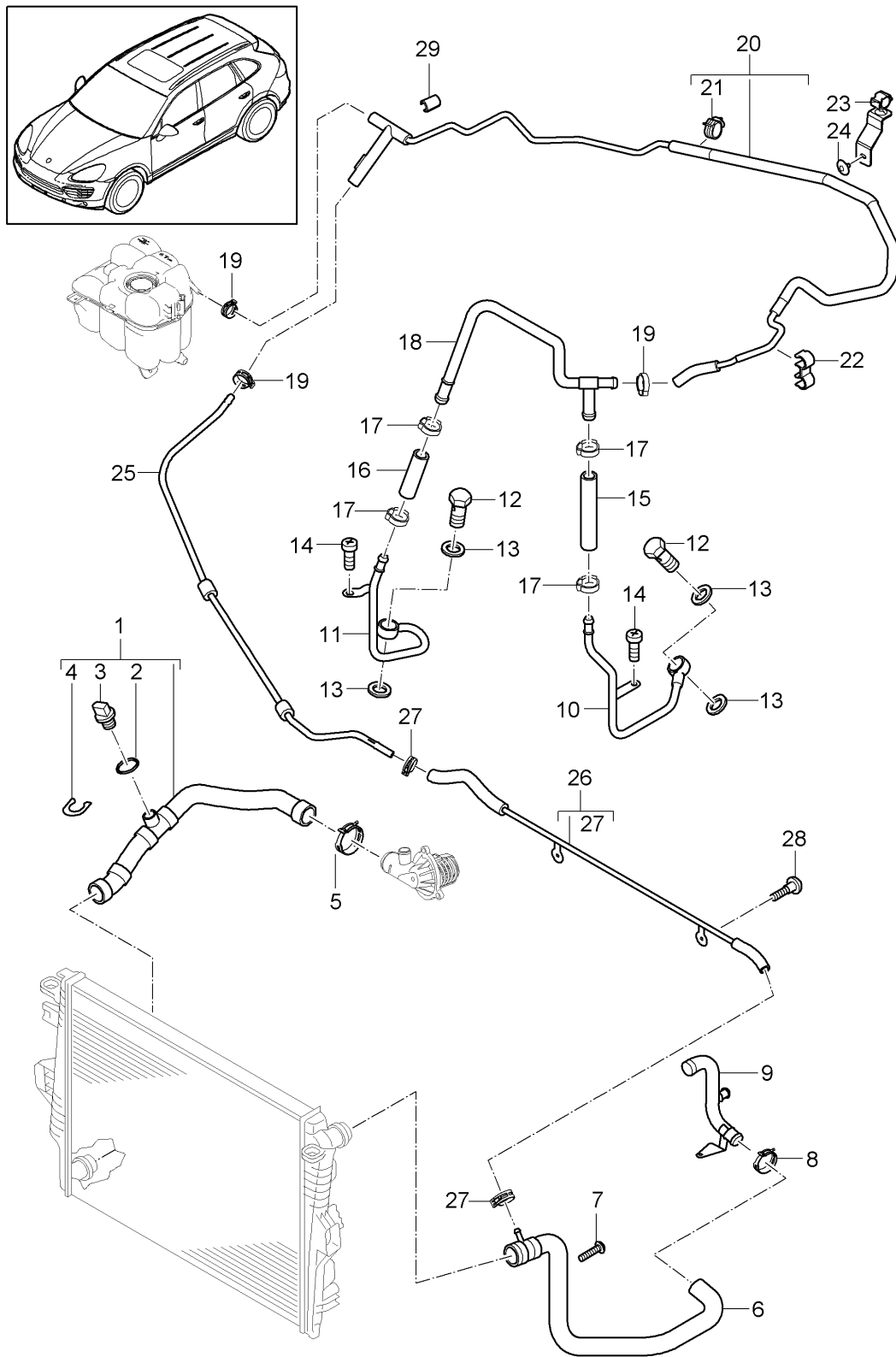
Model: 92A 11

Model life 2011>>2018

| Pos  | Part Number    | Description                            | Remark     | Qty | Model |
|------|----------------|--|------------|-----|-------|
| 35   | N 906 870 01   | Spring band clamp<br>B 27 X 12         |            | 2   |       |
| 36   |                | Water hose<br>see illustration, item:  | 360-010,16 | 1   |       |
| 37   |                | Water hose<br>see illustration, item:  | 360-010,17 | 1   |       |
| 38   | 000 043 301 47 | Coolant additive<br>Discontinued part  | 1.0 Ltr.   | X   |       |
| (38) | 000 043 305 15 | Coolant additive                       | 1.0 Ltr.   | X   |       |
| (38) | 000 043 301 48 | Coolant additive<br>Discontinued part  | 20ltr.     | X   |       |
| (38) | 000 043 305 16 | Coolant additive                       | 20ltr.     | X   |       |
| (38) | 000 043 204 39 | Cleaning solution<br>discontinued part | 20ltr.     | X   |       |
| (38) | 000 043 305 64 | Cleaning solution                      | 20ltr.     | X   |       |

Model: 92A 11

Model life 2011>>2018





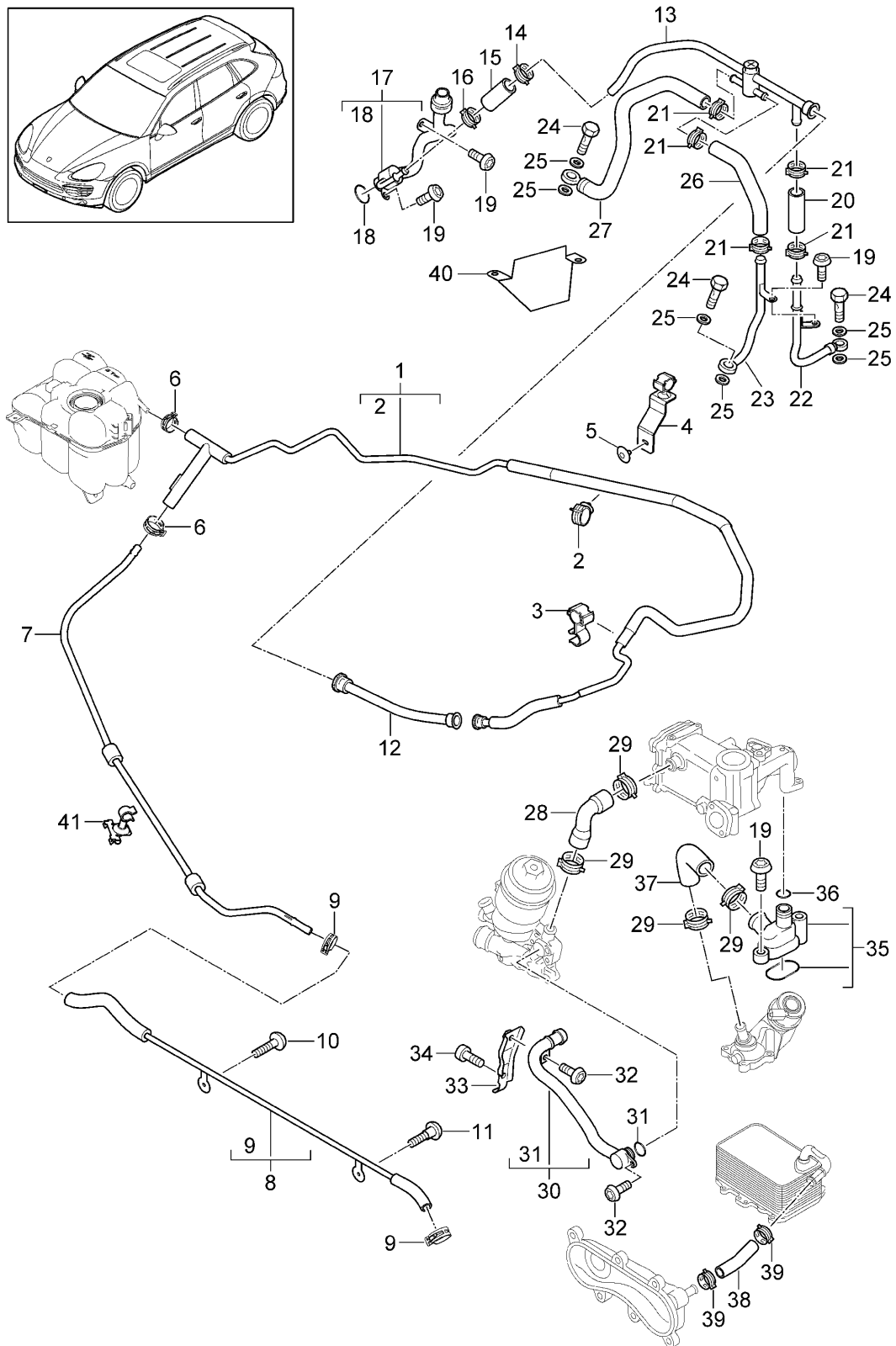
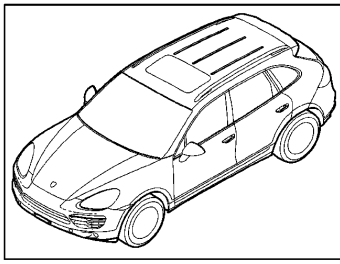
Model: 92A 11

Model life 2011>>2018

| Pos  | Part Number    | Description  | Remark     | Qty | Model      |
|------|----------------|--|------------|-----|------------|
|      |                | Water cooling 4<br>D >> - MJ 2011                          |            |     | PR:D50,D1V |
| 1    | 958 106 402 30 | Water hose   |            | 1   |            |
| 2    | N 903 168 01   | O-ring<br>19,6 X 3,6                                       |            | 1   |            |
| 3    | 955 106 125 01 | Temperature sensor   |            | 1   |            |
| 4    | 955 106 143 00 | retaining spring   |            | 1   |            |
| 5    | N 909 265 01   | Spring band clamp<br>B 47 X 12                             |            | 1   |            |
| 6    | 958 106 401 30 | Water hose   |            | 1   |            |
| 7    | 958 110 830 00 | spacer bush  |            | 1   |            |
|      |                | with:  |            |     |            |
| 8    | N 906 872 01   | Screw<br>Spring band clamp<br>B 40 X 12                    |            | 1   |            |
| 9    |                | Coolant pipe<br>see illustration, item:                    | 105-045,29 | 1   |            |
| 10   | 958 106 399 00 | Coolant pipe   |            | 1   |            |
| 11   | 958 106 398 00 | Coolant pipe   |            | 1   |            |
| 12   | N 910 438 01   | Banjo bolt<br>8  |            | 2   |            |
| 13   | N 013 807 6    | seal ring<br>A 8 X 11,5                                    |            | 4   |            |
| 14   | N 102 480 03   | Socket head bolt with<br>inner multipoint head<br>M 6 X 14 |            | 2   |            |
| 15   | 958 106 255 00 | Water hose   |            | 1   |            |
| 16   | 958 106 256 00 | Water hose   |            | 1   |            |
| 17   | N 102 334 01   | Ear crimp hose clamp<br>16,2 X 7 X 0,6                     |            | 4   |            |
| 18   | 958 106 286 00 | Coolant pipe   |            | 1   |            |
| 19   | N 906 867 01   | Spring band clamp<br>B 14 X 12                             |            | 3   |            |
| 20   | 958 106 310 30 | Breather line<br>No longer use the part here               |            | 1   |            |
| (20) | 958 106 310 31 | Breather line  |            | 1   |            |
| 21   | 955 110 423 00 | Line holder<br>5 X 14                                      |            | 1   |            |
| 22   | N 105 901 01   | Bracket<br>A 01-6 X C28-6                                  |            | 1   |            |
| 23   | 958 106 569 00 | Bracket  |            | 1   |            |
| 24   | N 907 088 02   | speed nut  |            | 1   |            |
| 25   | 958 106 310 10 | Breather line  |            | 1   |            |
| 26   | 958 106 311 10 | Coolant pipe   |            | 1   |            |
|      |                | with:  |            |     |            |
| 27   | N 906 867 01   | Water hose<br>Spring band clamp<br>B 14 X 12               |            | 2   |            |
| 28   | N 908 170 03   | Hexagon socket head panel bolt<br>6 X 17                   |            | 2   |            |
| 29   | N 107 162 01   | Spacer ring<br>B 8 X 18 X 20                               |            | 1   |            |

Model: 92A 11

Model life 2011>>2018



Model: 92A 11 Model life 2011>>2018

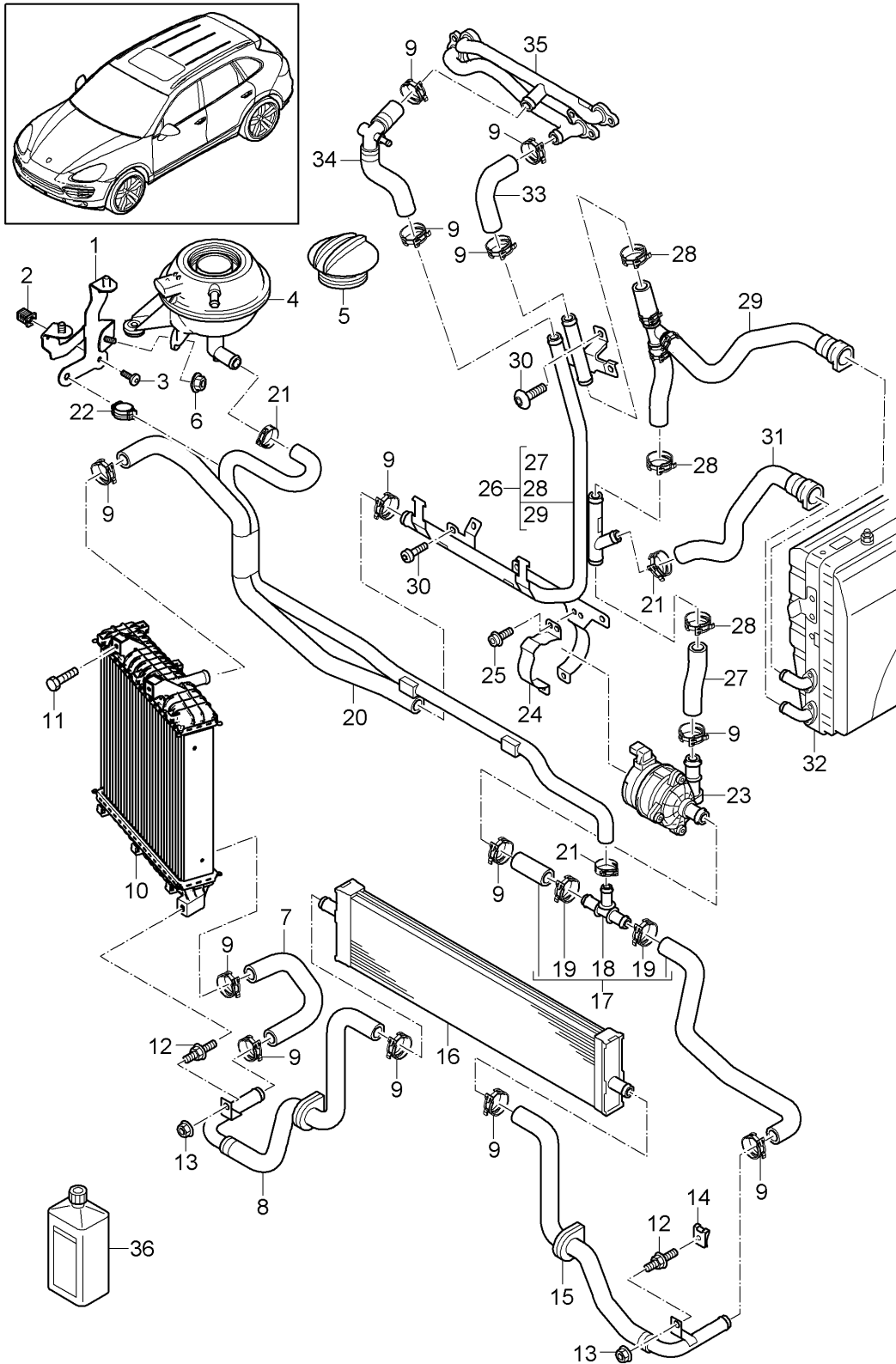
| Pos  | Part Number    | Description  | Remark         | Qty | Model                      |
|------|----------------|--|----------------|-----|----------------------------|
|      |                | Water cooling 4  |                |     | PR:D43,D1V,<br>D50,DV7,D51 |
| 1    | 958 106 320 00 | D - MJ 2012>><br>Breather line   |                | 1   |                            |
| (1)  | 958 106 320 01 | D >> - MJ 2012<br>Breather line  |                | 1   |                            |
|      |                | also use:  | 955 110 722 30 | 1   |                            |
| (1)  | 958 106 320 02 | No longer use the part here<br>Breather line                           |                | 1   |                            |
| (1)  | 958 106 320 03 | Discontinued part<br>Breather line                                     |                | 1   |                            |
| -    | 955 110 722 30 | D - MJ 2013>><br>Spacer ring<br>for<br>Breather line<br>958.106.320.01 |                | 1   |                            |
| 2    | 955 110 423 00 | D - MJ 2013>> - MJ 2013<br>Line holder<br>5 X 14                       |                | 1   |                            |
| 3    | N 107 270 01   | D >> - MJ 2012<br>Clip<br>14 X 14                                      |                | 1   |                            |
| 4    | 958 106 569 00 | Bracket  |                | 1   |                            |
| 5    | N 907 088 02   | D >> - MJ 2012<br>speed nut  |                | 1   |                            |
| (5)  | N 907 088 02   | D >> - MJ 2012<br>speed nut  |                | 2   |                            |
| 6    | N 906 867 01   | D - MJ 2013>><br>Spring band clamp<br>B 14 X 12                        |                | 2   |                            |
| 7    | 958 106 310 10 | Breather line  |                | 1   |                            |
| (7)  | 958 106 310 11 | D >> - MJ 2014<br>Breather line  |                | 1   |                            |
| 8    | 958 106 311 10 | D - MJ 2015>><br>Coolant pipe  |                | 1   |                            |
|      |                | with:  |                |     |                            |
| 9    | N 906 867 01   | Water hose<br>Spring band clamp<br>B 14 X 12                           |                | 2   |                            |
| 10   | N 908 170 03   | Hexagon socket head panel bolt<br>6 X 17                               |                | 1   |                            |
| 11   | 958 110 830 00 | spacer bush  |                | 1   |                            |
|      |                | with:  |                |     |                            |
| 12   | 958 106 314 00 | Screw<br>Breather line   | rear           | 1   |                            |
| (12) | 958 106 314 01 | No longer use the part here<br>Breather line                           | rear           | 1   |                            |
| 13   | 958 106 086 00 | Coolant pipe   |                | 1   |                            |
| 14   | N 906 867 01   | Spring band clamp<br>B 14 X 12   |                | 1   |                            |
| 15   | 958 106 456 00 | Coolant hose   |                | 1   |                            |
| 16   | N 907 702 01   | Spring band clamp<br>B 17 X 12   |                | 1   |                            |
| 17   | 958 106 065 00 | Coolant pipe   |                | 1   |                            |
| 18   | N 908 091 02   | O-ring<br>16 X 2   |                | 1   |                            |
| 19   | N 104 514 08   | Oval hexagon socket head bolt<br>M 6 X 16                              |                | 4   |                            |
| 20   | 958 106 455 00 | Coolant hose   |                | 1   |                            |
| 21   | N 906 867 01   | Spring band clamp<br>B 14 X 12   |                | 5   |                            |
| 22   | 958 106 399 10 | Coolant pipe   |                | 1   |                            |
| 23   | 958 106 466 00 | Breather line<br>Discontinued part                                     |                | 1   |                            |

Model: 92A 11 Model life 2011>>2018

| Pos  | Part Number    | Description  | Remark | Qty | Model                    |
|------|----------------|--|--------|-----|--------------------------|
| (23) | 958 106 466 01 | Breather line  |        | 1   |                          |
| 24   | N 910 438 01   | Banjo bolt<br>8  |        | 3   |                          |
| 25   | N 013 807 6    | seal ring<br>A 8 X 11,5  |        | 6   |                          |
| 26   | 958 106 453 00 | Water hose<br>Discontinued part  |        | 1   |                          |
| (26) | 958 106 453 01 | Coolant hose<br>Discontinued part  |        | 1   |                          |
| (26) | 958 106 453 02 | Coolant hose   |        | 1   |                          |
| 27   | 958 106 454 00 | Water hose<br>Discontinued part  |        | 1   |                          |
| (27) | 958 106 454 01 | Coolant hose<br>Discontinued part  |        | 1   |                          |
| (27) | 958 106 454 02 | Coolant hose   |        | 1   |                          |
| 28   | 958 106 513 00 | Coolant hose   |        | 1   |                          |
| 29   | N 906 870 01   | Spring band clamp<br>B 27 X 12   |        | 4   |                          |
| 30   | 958 106 375 00 | Coolant pipe   |        | 1   |                          |
| 31   | 958 106 537 00 | O-ring<br>19,5 X 3   |        | 1   |                          |
| 32   | N 104 514 08   | Oval hexagon socket head bolt<br>M 6 X 16                                |        | 2   |                          |
| (32) | N 104 514 05   | No longer use the part here<br>Oval hexagon socket head bolt<br>M 6 X 16 |        | 2   |                          |
| 33   | 958 106 593 00 | Bracket  |        | 1   |                          |
| 34   | N 106 449 01   | Socket head bolt with inner<br>multipoint head<br>M 8 X 18               |        | 1   |                          |
| 35   | 958 106 506 00 | Intermediate flange  | with:  | 1   |                          |
| (35) | 958 106 506 01 | Discontinued part<br>Intermediate flange                                 | with:  | 1   |                          |
| (35) | 958 106 506 02 | Discontinued part<br>Intermediate flange                                 | with:  | 1   |                          |
| -    | 958 106 749 05 | gasket - intermediate flange   |        | 1   |                          |
| 36   | N 908 091 02   | O-ring<br>16 X 2   |        | 1   |                          |
| 37   | 958 106 625 00 | Coolant hose<br>Discontinued part  |        | 1   |                          |
| (37) | 958 106 625 01 | Coolant hose   |        | 1   |                          |
| 38   | 958 106 673 00 | Coolant hose   |        | 1   |                          |
| 39   | N 906 869 01   | Spring band clamp<br>B 23 X 12   |        | 2   |                          |
| 40   | 958 106 755 10 | Heat insulation<br>Breather line   |        | 1   | PR:D50                   |
| (40) | 958 106 755 11 | Discontinued part<br>Heat insulation<br>Breather line                    |        | 1   | PR:D50, DV7,<br>D51, D1V |
| 41   | N 108 153 01   | Hose bracket<br>A 25-6,7 X C 01-8  |        | 1   |                          |

Model: 92A 11

Model life 2011>>2018



Model: 92A 11 Model life 2011>>2018

| Pos  | Part Number    | Description  | Remark    | Qty | Model  |
|------|----------------|--|-----------|-----|--------|
|      |                | Coolant cooling system<br>Coolant expansion tank                           |           |     | PR:D19 |
| 1    | 958 106 405 00 | D >> - MJ 2014<br>Bracket  |           | 1   |        |
| (1)  | 958 106 405 10 | D >> - MJ 2012<br>Bracket  |           | 1   |        |
| 2    | 958 106 577 00 | D - MJ 2013>><br>expanding nut   |           | 3   |        |
| 3    | N 911 329 01   | ST 4,8<br>Hexagon socket head panel bolt                                   |           | 3   |        |
| (3)  | N 909 747 01   | TP 5 X 16<br>No longer use the part here<br>Hexagon socket head panel bolt |           | 3   |        |
| 4    | 958 106 407 00 | TP 5 X 16<br>Coolant expansion tank  |           | 1   |        |
| (4)  | 958 106 407 10 | D >> - MJ 2012<br>Coolant expansion tank                                   |           | 1   |        |
| 5    | 958 106 447 00 | D - MJ 2013>><br>Cover   |           | 1   |        |
| 6    | N 102 058 02   | Hexagon collar nut<br>self-locking   |           | 1   |        |
| 7    | 958 106 251 00 | M 6<br>D >> - MJ 2012<br>Water hose  |           | 1   |        |
| 8    | 958 106 270 00 | Coolant pipe   |           | 1   |        |
| 9    | N 906 870 01   | Spring band clamp  |           | 13  |        |
| 10   | 958 106 212 00 | B 27 X 12<br>Radiator  | right     | 1   |        |
| (10) | 958 106 212 50 | D >> - MJ 2012<br>Radiator   | right     | 1   |        |
| 11   | N 910 538 01   | Wheel housing<br>D - MJ 2013>><br>Hexagon bolt                             |           | 2   |        |
| 12   | N 911 012 01   | M 6 X 20<br>double stud with hexagon drive                                 |           | 2   |        |
| 13   | N 023 002 13   | M 6 X 20 / M 6 X 8<br>hexagon nut, self-locking                            |           | 2   |        |
| 14   | N 906 887 03   | M 6<br>Speed nut   |           | 1   |        |
| 15   | 958 106 269 00 | M 6<br>Coolant pipe  |           | 1   |        |
| 16   |                | Radiator   |           | 1   |        |
| 17   | 958 106 351 00 | see illustration, item:  | 105-030,6 | 1   |        |
| 18   | N 907 944 01   | Water hose   |           | 1   |        |
| 19   | N 906 870 01   | t-piece<br>Spring band clamp   |           | 2   |        |
| 20   | 958 106 509 00 | B 27 X 12<br>Water hose  |           | 1   |        |
| (20) | 958 106 509 10 | D >> - MJ 2012<br>Water hose   |           | 1   |        |
| 21   | N 906 869 01   | D - MJ 2013>><br>Spring band clamp   |           | 3   |        |
| (21) | N 906 869 01   | B 23 X 12<br>D >> - MJ 2012<br>Spring band clamp                           |           | 2   |        |
| 22   | N 104 244 01   | D - MJ 2013>><br>Bracket   |           | 1   |        |
| 23   | 958 606 567 00 | C 8 X 23<br>Coolant pump   |           | 1   |        |
| 24   | 958 106 579 00 | Electric<br>Bracket  |           | 1   |        |

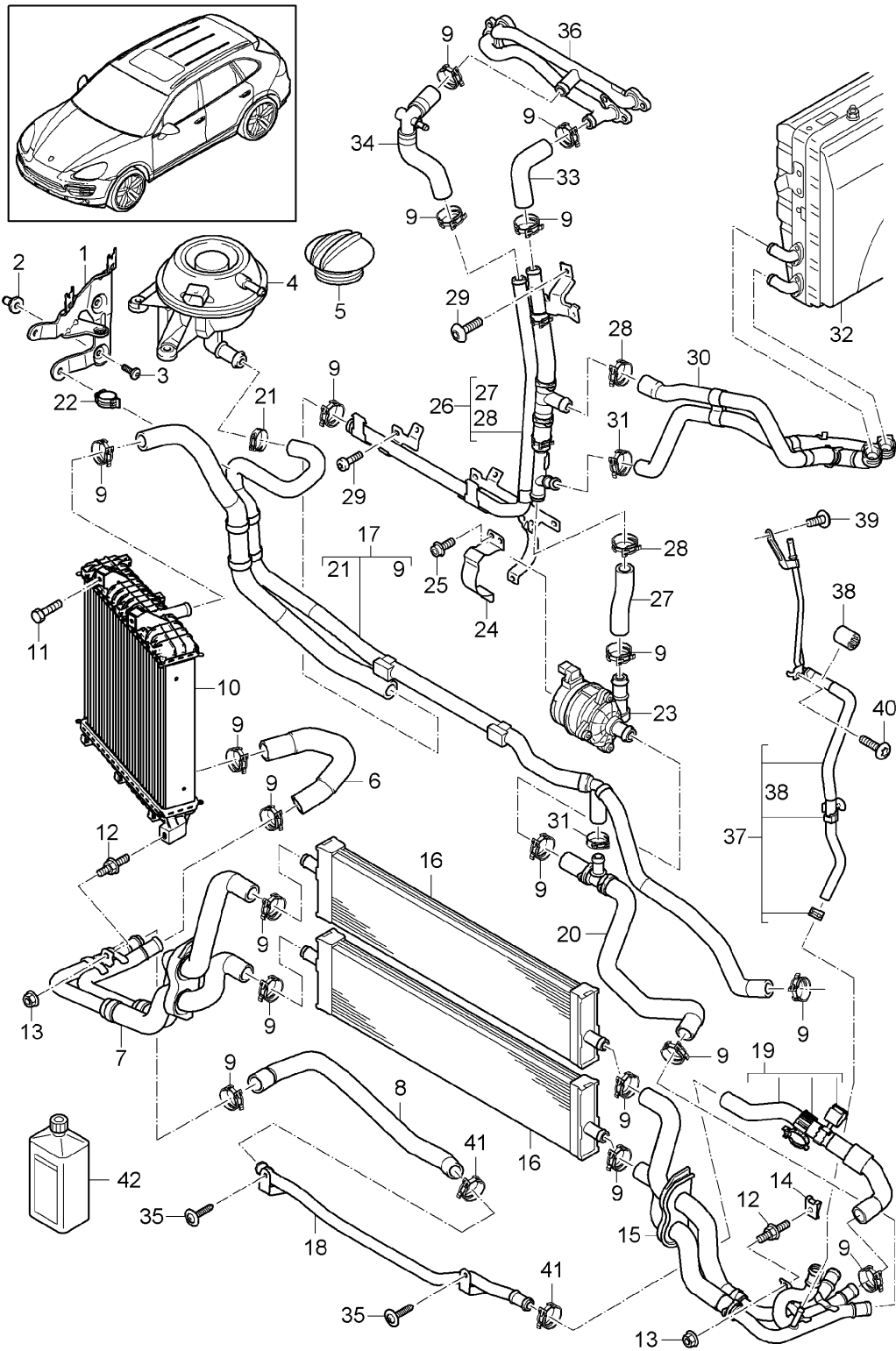
Model: 92A 11

Model life 2011>>2018

| Pos  | Part Number    | Description  | Remark   | Qty | Model |
|------|----------------|--|----------|-----|-------|
| 25   | N 104 514 05   | Oval hexagon socket head bolt<br>M 6 X 16  |          | 3   |       |
| 26   | 958 106 070 00 | Coolant pipe<br><br>with:<br><br>Water hose<br>and<br>thermostat                   |          | 1   |       |
| 27   | 958 106 101 00 | Water hose   |          | 1   |       |
| 28   | N 906 870 01   | Spring band clamp<br>B 27 X 12   |          | 3   |       |
| 29   | 958 106 102 00 | Water hose<br>(complete)<br><br>with:<br><br>thermostat                            |          | 1   |       |
| 30   | N 107 500 01   | Hexagon socket flat<br>head bolt<br>M 6 X 16                                       |          | 4   |       |
| (30) | N 106 320 03   | No longer use the part here<br>Oval socket head bolt<br>with hex drive<br>M 6 X 16 |          | 4   |       |
| 31   | 958 106 103 00 | Water hose   |          | 1   |       |
| 32   |                | Power and control electronics-<br>for electric drive<br><br>see illustration:      | 901-020  | 1   |       |
| 33   | 958 106 104 00 | Water hose   |          | 1   |       |
| 34   | 958 106 105 00 | Water hose   |          | 1   |       |
| 35   |                | Coolant pipe<br><br>see illustration:  | 107-065  | 1   |       |
| 36   | 000 043 301 12 | Coolant additive<br>Discontinued part  | 1.0 Ltr. | X   |       |
| (36) | 000 043 301 47 | Coolant additive<br>discontinued part  | 1.0 Ltr. | X   |       |
| (36) | 000 043 305 15 | Coolant additive   | 1.0 Ltr. | X   |       |
| (36) | 000 043 301 13 | Coolant additive<br>Discontinued part  | 20ltr.   | X   |       |
| (36) | 000 043 301 48 | Coolant additive<br>discontinued part  | 20ltr.   | X   |       |
| (36) | 000 043 305 16 | Coolant additive   | 20ltr.   | X   |       |
| (36) | 000 043 305 64 | Cleaning solution  | 20ltr.   | 1   |       |

Model: 92A 11

Model life 2011>>2018





Model: 92A 11 Model life 2011>>2018

| Pos  | Part Number    | Description   | Remark    | Qty | Model  |
|------|----------------|---|-----------|-----|--------|
|      |                | Coolant cooling system<br>Coolant expansion tank<br>D - MJ 2015>> |           |     | PR:D19 |
| 1    | 958 106 405 20 | Bracket   |           | 1   |        |
| 2    | N 911 613 01   | rivetted cap nut<br>M 6   |           | 3   |        |
| 3    | N 104 514 05   | Oval hexagon socket head bolt<br>M 6 X 16                         |           | 3   |        |
| 4    | 958 106 407 10 | Coolant expansion tank  |           | 1   |        |
| 5    | 958 106 447 00 | Cover   |           | 1   |        |
| 6    | 958 106 251 02 | Water hose  |           | 1   |        |
| 7    | 958 106 270 01 | Coolant pipe  |           | 1   |        |
| 8    | 958 106 251 01 | Water hose  |           | 1   |        |
| 9    | N 906 870 01   | Spring band clamp<br>B 27 X 12                                    |           | 18  |        |
| 10   | 958 106 212 50 | Radiator<br>Wheel housing   | right     | 1   |        |
| 11   | N 910 538 01   | Hexagon bolt<br>M 6 X 20  |           | 2   |        |
| 12   | N 911 012 01   | double stud with hexagon drive<br>M 6 X 20 / M 6 X 8              |           | 2   |        |
| 13   | N 023 002 14   | hexagon nut, self-locking<br>M 6                                  |           | 2   |        |
| 14   | N 906 887 03   | Speed nut<br>M 6  |           | 1   |        |
| 15   | 958 106 269 01 | Coolant pipe  |           | 1   |        |
| 16   |                | Radiator<br>see illustration, item:                               | 105-030,6 | 2   |        |
| 17   | 958 106 269 02 | Coolant pipe  |           | 1   |        |
| 18   | 958 106 269 03 | Coolant pipe  |           | 1   |        |
| 19   | 958 106 251 03 | Water hose  |           | 1   |        |
| (19) | 958 106 251 05 | No longer use the part here<br>Water hose<br>D >> - 13.08.2017    |           | 1   |        |
| (19) | 958 106 251 06 | Water hose<br>D - 14.08.2017>>                                    |           | 1   |        |
| 20   | 958 106 251 04 | Water hose  |           | 1   |        |
| 21   | N 912 008 01   | Spring band clamp<br>B 23 X 12                                    |           | 1   |        |
| 22   | N 104 244 01   | Bracket<br>C 8 X 23   |           | 1   |        |
| 23   | 958 606 567 00 | Coolant pump<br>Electric  |           | 1   |        |
| 24   | 958 106 579 00 | Bracket   |           | 1   |        |
| 25   | N 104 514 05   | Oval hexagon socket head bolt<br>M 6 X 16                         |           | 3   |        |
| 26   | 958 106 070 01 | Coolant pipe<br>with:   |           | 1   |        |
| 27   | 958 106 101 00 | Water hose<br>and<br>thermostat                                   |           | 1   |        |
| 28   | N 906 870 01   | Spring band clamp<br>B 27 X 12                                    |           | 2   |        |
| 29   | N 106 320 03   | Oval socket head bolt<br>with hex drive<br>M 6 X 16               |           | 4   |        |
| 30   | 958 106 103 10 | Water hose  |           | 1   |        |
| 31   | N 906 869 01   | Spring band clamp<br>B 23 X 12                                    |           | 2   |        |
| 32   |                | Power and control electronics-<br>for electric drive              | 901-022   | 1   |        |

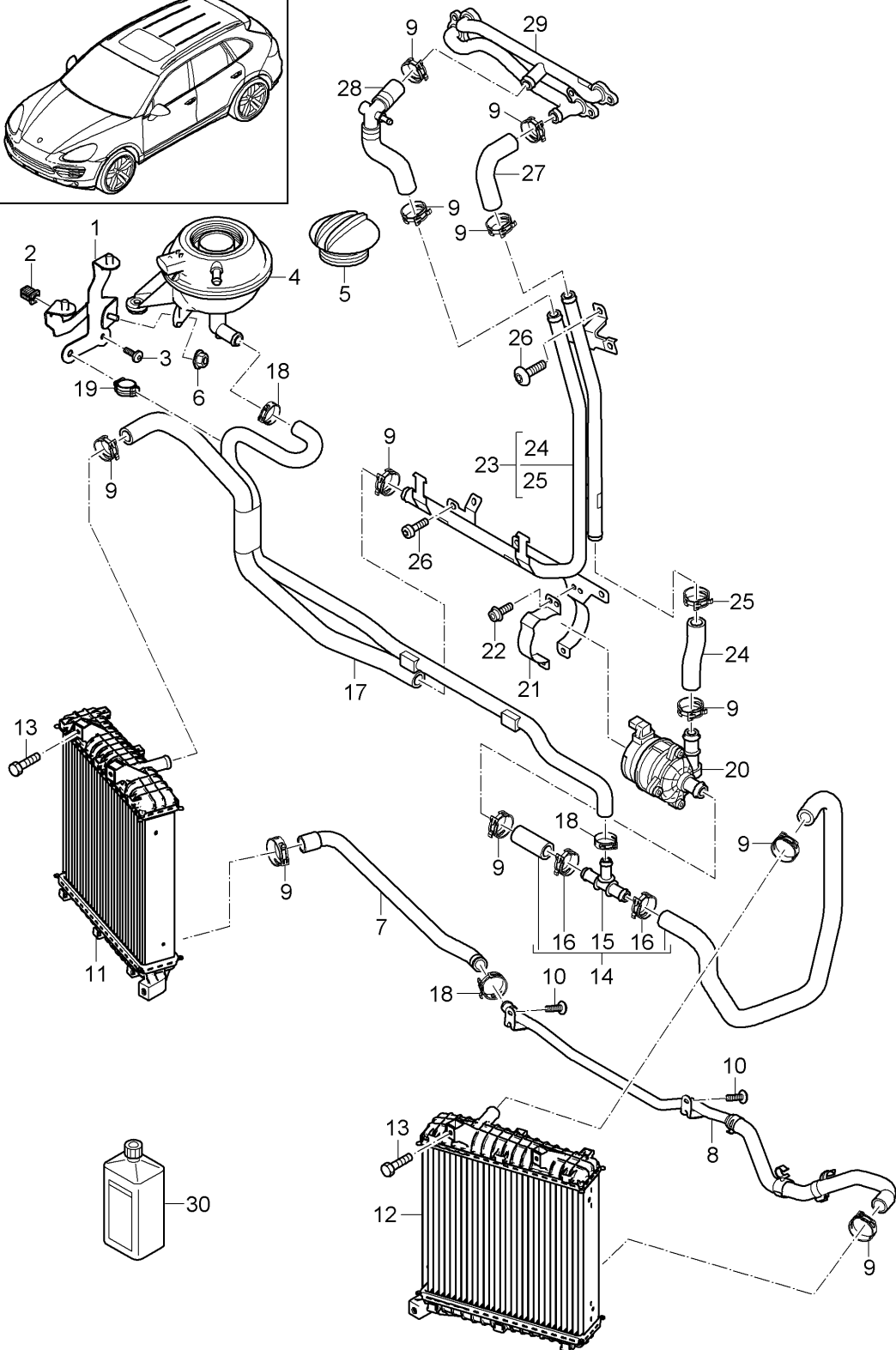
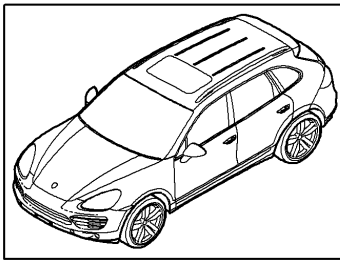
Model: 92A 11

Model life 2011>>2018

| Pos  | Part Number    | Description                                | Remark   | Qty | Model |
|------|----------------|--|----------|-----|-------|
|      |                | see illustration:                          |          |     |       |
| 33   | 958 106 104 00 | Water hose                                 |          | 1   |       |
| 34   | 958 106 105 00 | Water hose                                 |          | 1   |       |
| 35   | N 908 170 03   | Hexagon socket head panel bolt             |          | 2   |       |
| 36   |                | Coolant pipe                               |          | 1   |       |
|      |                | see illustration:                          | 107-065  |     |       |
| 37   | 958 106 310 24 | Water hose                                 |          | 1   |       |
| 38   | N 105 196 01   | Spacer ring<br>15 X 26 X 30                |          | 1   |       |
|      |                | No longer use the part here                |          |     |       |
| 39   | N 908 170 03   | Hexagon socket head panel bolt<br>M 6 X 17 |          | 1   |       |
| 40   | N 104 734 02   | round hd. screw<br>M 6 X 20                |          | 1   |       |
| 41   | 999 512 683 09 | Hose clamp<br>B 23 X 12                    |          | 2   |       |
| 42   | 000 043 301 47 | Coolant additive<br>Discontinued part      | 1.0 Ltr. | X   |       |
| (42) | 000 043 305 15 | Coolant additive                           | 1.0 Ltr. | X   |       |
| (42) | 000 043 301 48 | Coolant additive<br>Discontinued part      | 20ltr.   | X   |       |
| (42) | 000 043 305 16 | Coolant additive                           | 20ltr.   | X   |       |
| (42) | 000 043 305 64 | Cleaning solution                          | 20ltr.   | 1   |       |

Model: 92A 11

Model life 2011>>2018



Model: 92A 11 Model life 2011>>2018

| Pos  | Part Number    | Description                       | Remark | Qty | Model  |
|------|----------------|-----------------------------------|--------|-----|--------|
|      |                | Coolant cooling system            |        |     | PR:D11 |
| 1    | 958 106 405 00 | Coolant expansion tank<br>Bracket |        | 1   |        |
|      |                | D >> - MJ 2012                    |        |     |        |
| (1)  | 958 106 405 10 | Bracket                           |        | 1   |        |
|      |                | D - MJ 2013>>                     |        |     |        |
| 2    | 958 106 577 00 | expanding nut                     |        | 3   |        |
|      |                | ST 4,8                            |        |     |        |
| 3    | N 911 329 01   | Hexagon socket head panel bolt    |        | 3   |        |
|      |                | TP 5 X 16                         |        |     |        |
|      |                | No longer use the part here       |        |     |        |
| (3)  | N 909 747 01   | Hexagon socket head panel bolt    |        | 3   |        |
|      |                | TP 5 X 16                         |        |     |        |
| 4    | 958 106 407 00 | Coolant expansion tank            |        | 1   |        |
|      |                | D >> - MJ 2012                    |        |     |        |
| (4)  | 958 106 407 10 | Coolant expansion tank            |        | 1   |        |
|      |                | D - MJ 2013>>                     |        |     |        |
| 5    | 958 106 447 00 | Cover                             |        | 1   |        |
| 6    | N 102 058 02   | Hexagon collar nut                |        | 1   |        |
|      |                | self-locking                      |        |     |        |
|      |                | M 6                               |        |     |        |
|      |                | D >> - MJ 2012                    |        |     |        |
| 7    | 958 106 251 10 | Water hose                        |        | 1   |        |
| 8    | 958 106 270 10 | Coolant pipe                      |        | 1   |        |
|      |                | Discontinued part                 |        |     |        |
| (8)  | 958 106 270 11 | Coolant pipe                      |        | 1   |        |
| 9    | N 906 870 01   | Spring band clamp                 |        | 11  |        |
|      |                | B 27 X 12                         |        |     |        |
| 10   | N 908 170 03   | Hexagon socket head panel bolt    |        | 2   |        |
|      |                | 6 X 17                            |        |     |        |
| 11   | 958 106 212 00 | Radiator                          | right  | 1   |        |
|      |                | Wheel housing                     |        |     |        |
|      |                | D >> - MJ 2012                    |        |     |        |
| (11) | 958 106 212 50 | Radiator                          | right  | 1   |        |
|      |                | Wheel housing                     |        |     |        |
|      |                | D - MJ 2013>>                     |        |     |        |
| 12   | 958 106 212 40 | Radiator                          | left   | 1   |        |
|      |                | Wheel housing                     |        |     |        |
|      |                | D >> - MJ 2012                    |        |     |        |
| (12) | 958 106 212 60 | Radiator                          | left   | 1   |        |
|      |                | Wheel housing                     |        |     |        |
|      |                | D - MJ 2013>>                     |        |     |        |
| 13   | N 910 538 01   | Hexagon bolt                      |        | 6   |        |
|      |                | M 6 X 20                          |        |     |        |
| 14   | 958 106 351 10 | Water hose                        |        | 1   |        |
|      |                | Discontinued part                 |        |     |        |
| (14) | 958 106 351 11 | Water hose                        |        | 1   |        |
| 15   | N 907 944 01   | t-piece                           |        | 1   |        |
| 16   | N 906 870 01   | Spring band clamp                 |        | 2   |        |
|      |                | B 27 X 12                         |        |     |        |
| 17   | 958 106 509 00 | Water hose                        |        | 1   |        |
|      |                | D >> - MJ 2012                    |        |     |        |
| (17) | 958 106 509 10 | Water hose                        |        | 1   |        |
|      |                | D - MJ 2013>>                     |        |     |        |
| 18   | N 906 869 01   | Spring band clamp                 |        | 3   |        |
|      |                | B 23 X 12                         |        |     |        |
|      |                | D >> - MJ 2012                    |        |     |        |
| (18) | N 906 869 01   | Spring band clamp                 |        | 2   |        |
|      |                | B 23 X 12                         |        |     |        |
|      |                | D - MJ 2013>>                     |        |     |        |
| 19   | N 104 244 01   | Bracket                           |        | 1   |        |
|      |                | C 8 X 23                          |        |     |        |
| 20   | 958 606 567 00 | Coolant pump                      |        | 1   |        |

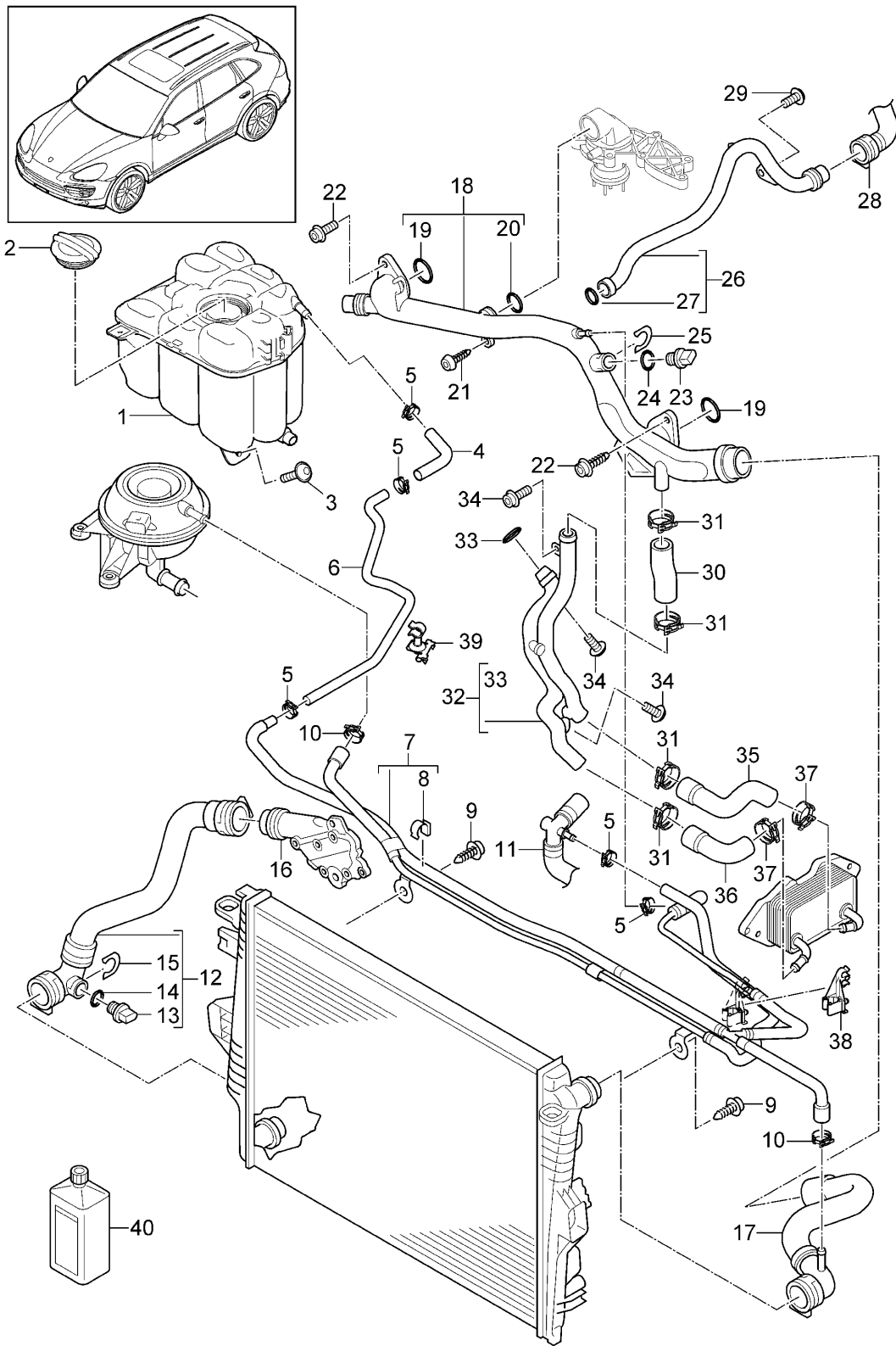
Model: 92A 11

Model life 2011>>2018

| Pos  | Part Number    | Description  | Remark              | Qty | Model |
|------|----------------|--|---------------------|-----|-------|
| 21   | 958 106 579 00 | Electric Bracket   |                     | 1   |       |
| 22   | N 104 514 05   | Oval hexagon socket head bolt M 6 X 16                                       |                     | 3   |       |
| 23   | 958 106 070 10 | Coolant pipe   |                     | 1   |       |
|      |                | with:  |                     |     |       |
| 24   | 958 106 101 10 | Water hose   |                     | 1   |       |
| 25   | N 906 870 01   | Spring band clamp B 27 X 12  |                     | 1   |       |
| 26   | N 107 500 01   | Hexagon socket flat head bolt M 6 X 16                                       |                     | 4   |       |
| (26) | N 106 320 03   | No longer use the part here<br>Oval socket head bolt with hex drive M 6 X 16 |                     | 4   |       |
| 27   | 958 106 104 00 | Water hose   |                     | 1   |       |
| 28   | 958 106 105 00 | Water hose   |                     | 1   |       |
| 29   |                | Coolant pipe   |                     | 1   |       |
| 30   | 000 043 301 12 | see illustration:<br>Coolant additive Discontinued part                      | 107-065<br>1.0 Ltr. | X   |       |
| (30) | 000 043 301 47 | Coolant additive Discontinued part   | 1.0 Ltr.            | X   |       |
| (30) | 000 043 305 15 | Coolant additive   | 1.0 Ltr.            | X   |       |
| (30) | 000 043 301 13 | Coolant additive Discontinued part   | 20ltr.              | X   |       |
| (30) | 000 043 301 48 | Coolant additive discontinued part   | 20ltr.              | X   |       |
| (30) | 000 043 305 16 | Coolant additive   | 20ltr.              | X   |       |
| (30) | 000 043 305 64 | Cleaning solution  | 20ltr.              | 1   |       |

Model: 92A 11

Model life 2011>>2018



Model: 92A 11 Model life 2011>>2018

| Pos  | Part Number    | Description                              | Remark     | Qty | Model      |
|------|----------------|--|------------|-----|------------|
|      |                | Coolant cooling system                   |            |     | PR:D19,D11 |
| 1    | 958 106 151 00 | Coolant expansion tank                   |            | 1   |            |
|      |                | Coolant expansion tank                   |            |     |            |
|      |                | No longer use the part here              |            |     |            |
| (1)  | 958 106 151 02 | Coolant expansion tank                   |            | 1   |            |
| 2    | 958 106 447 00 | Cover                                    |            | 1   |            |
| 3    | N 911 404 01   | Hexagon socket oval head bolt<br>(combi) | M6X20      | 1   |            |
| 4    | 958 106 359 00 | Vent hose                                |            | 1   |            |
| 5    | N 906 867 01   | Spring band clamp                        | B14X12     | 5   |            |
| 6    | 958 106 310 10 | Breather line                            |            | 1   |            |
|      |                | D >> - MJ 2014                           |            |     |            |
| (6)  | 958 106 310 11 | Breather line                            |            | 1   |            |
|      |                | D - MJ 2015>>                            |            |     |            |
| 7    | 958 106 310 20 | Coolant hose<br>(complete)               |            | 1   |            |
|      |                | No longer use the part here              |            |     |            |
| (7)  | 958 106 310 21 | Coolant hose<br>(complete)               |            | 1   |            |
|      |                | D >> - MJ 2012                           |            |     |            |
| (7)  | 958 106 310 22 | Coolant hose<br>(complete)               |            | 1   | PR:D11     |
|      |                | D - MJ 2013>>                            |            |     |            |
| (7)  | 958 106 310 22 | Coolant hose<br>(complete)               |            | 1   | PR:D19     |
|      |                | D - MJ 2013>> - MJ 2014                  |            |     |            |
| (7)  | 958 106 310 23 | Coolant hose<br>(complete)               |            | 1   | PR:D19     |
|      |                | D - MJ 2015>>                            |            |     |            |
| 8    | 955 110 423 00 | Line holder                              |            | 4   |            |
| -    | N 906 867 01   | Spring band clamp                        | B14X12     | 4   | PR:D19     |
|      |                | D - MJ 2015>>                            |            |     |            |
| 9    | N 908 170 03   | Hexagon socket head panel bolt           | 6X17       | 2   |            |
| 10   | N 907 702 01   | Spring band clamp                        | B17X12     | 2   |            |
|      |                | D >> - MJ 2012                           |            |     |            |
| (10) | N 907 702 01   | Spring band clamp                        | B17X12     | 1   |            |
|      |                | Coolant hose                             |            |     |            |
|      |                | to be used for item:                     | 17         |     |            |
|      |                | D - MJ 2013>>                            |            |     |            |
| (10) | N 906 867 01   | Spring band clamp                        | B14X12     | 1   |            |
|      |                | Coolant expansion tank                   |            |     |            |
|      |                | D - MJ 2013>>                            |            |     |            |
| 11   |                | Coolant hose                             |            | 1   | PR:D19     |
|      |                | see illustration, item:                  | 105-055,34 |     |            |
| (11) |                | Coolant hose                             |            | 1   | PR:D11     |
|      |                | see illustration, item:                  | 105-057,28 |     |            |
| 12   | 958 106 402 20 | Coolant hose                             |            | 1   | PR:D19     |
|      |                | Supply                                   |            |     |            |
|      |                | D >> - MJ 2014                           |            |     |            |
| (12) | 958 106 402 21 | Coolant hose                             |            | 1   | PR:D19     |
|      |                | Supply                                   |            |     |            |
|      |                | D - MJ 2015>>                            |            |     |            |
| (12) | 958 106 402 40 | Coolant hose                             |            | 1   | PR:D11     |
|      |                | Supply                                   |            |     |            |
| 13   | 955 106 125 01 | Temperature sensor                       |            | 1   |            |
| 14   | N 903 168 01   | O-ring                                   | 19,6X3,6   | 1   |            |
| 15   | 955 106 143 00 | retaining spring                         |            | 1   |            |
| 16   |                | Connector union                          |            | 1   |            |
|      |                | see illustration, item:                  | 105-015,7  |     |            |
| 17   | 958 106 401 20 | Coolant hose                             |            | 1   | PR:D11     |
|      |                | Return line                              |            |     |            |
| (17) | 958 106 401 20 | Coolant hose                             |            | 1   | PR:D19     |
|      |                | Return line                              |            |     |            |

Model: 92A 11 Model life 2011>>2018

| Pos  | Part Number    | Description  | Remark         | Qty | Model           |
|------|----------------|--|----------------|-----|-----------------|
| (17) | 958 106 401 21 | D >> - MJ 2014<br>Coolant hose<br>Return line                |                | 1   | PR:D19          |
| 18   | 958 106 145 01 | D - MJ 2015>><br>Coolant pipe<br>No longer use the part here |                | 1   | PR:D19          |
| (18) | 958 106 145 02 | Coolant pipe<br>No longer use the part here                  |                | 1   | PR:D19          |
| (18) | 958 106 145 03 | Coolant pipe<br>discontinued part                            |                | 1   | PR:D19          |
| (18) | 958 106 145 04 | Coolant pipe   |                | 1   | PR:D19          |
| (18) | 958 106 145 10 | Coolant pipe<br>Discontinued part                            |                | 1   | PR:D11<br>"CN." |
| (18) | 958 106 145 11 | Coolant pipe<br>discontinued part                            |                | 1   | PR:D11          |
| (18) | 958 106 145 12 | Coolant pipe   |                | 1   | PR:D11          |
| 19   | 958 106 519 00 | seal ring<br>No longer use the part here                     | 40X34,9X5,3    | 2   |                 |
| (19) | 958 106 519 01 | seal ring  | 40X34,9X5,4    | 2   |                 |
| 20   | 958 106 520 00 | seal ring<br>No longer use the part here                     | 23X28,4X4,5    | 1   |                 |
| (20) | 958 106 520 01 | seal ring  | 21,7X28,7X4,27 | 1   |                 |
| 21   | N 104 128 04   | Hexagon socket head panel bolt                               | 5X16           | 1   |                 |
| 22   | N 101 244 08   | Hexagon socket head<br>bolt (combi)                          | M6X20          | 4   |                 |
| 23   | 955 106 125 01 | Temperature sensor   |                | 1   |                 |
| 24   | N 903 168 01   | O-ring   | 19,6X3,6       | 1   |                 |
| 25   | 955 106 143 00 | retaining spring   |                | 1   |                 |
| 26   | 958 106 465 00 | Coolant pipe   |                | 1   |                 |
| 27   | N 903 168 01   | O-ring   | 19,6X3,6       | 1   |                 |
| 28   |                | Coolant hose<br>see illustration, item:                      | 105-065,5      | 1   | PR:D19          |
| (28) |                | Coolant hose<br>see illustration, item:                      | 105-067,11     | 1   | PR:D11          |
| 29   | N 911 407 01   | Hexagon socket oval head bolt<br>(combi)                     | M6X18          | 1   |                 |
| 30   | 958 106 458 00 | Coolant hose   |                | 1   | PR:D19          |
| (30) | 958 106 458 10 | Coolant hose   |                | 1   | PR:D11          |
| 31   | N 906 870 01   | Spring band clamp  | B27X12         | 4   |                 |
| 32   | 958 106 444 00 | Coolant pipe<br>Discontinued part                            |                | 1   | PR:D19          |
| (32) | 958 106 444 01 | Coolant pipe<br>Discontinued part                            |                | 1   | PR:D19          |
| (32) | 958 106 444 02 | Coolant pipe   |                | 1   | PR:D19          |
| (32) | 958 106 444 10 | Coolant pipe<br>Discontinued part                            |                | 1   | PR:D11<br>"CN." |
| (32) | 958 106 444 11 | Coolant pipe<br>Discontinued part                            |                | 1   | PR:D11<br>"CN." |
| (32) | 958 106 444 12 | Coolant pipe   |                | 1   | PR:D11          |
| 33   | N 909 250 01   | O-ring   | 17X3           | 1   |                 |
| 34   | N 107 451 01   | Hexagon socket flat<br>head bolt                             | M6X20          | 3   |                 |
| 35   | 958 106 459 00 | Coolant hose   |                | 1   |                 |
| 36   | 958 106 482 00 | Coolant hose   |                | 1   |                 |
| 37   | N 906 869 01   | Spring band clamp  | B23X12         | 2   |                 |
| 38   | 958 106 449 10 | Retainer for coolant<br>hose                                 |                | 1   |                 |
| 39   | N 108 153 01   | Hose bracket<br>A 25-6,7 X C 01-8                            |                | 1   |                 |
| 40   | 000 043 301 12 | Coolant additive<br>Discontinued part                        | 1.0 Ltr.       | X   |                 |
| (40) | 000 043 301 47 | Coolant additive<br>discontinued part                        | 1.0 Ltr.       | X   |                 |



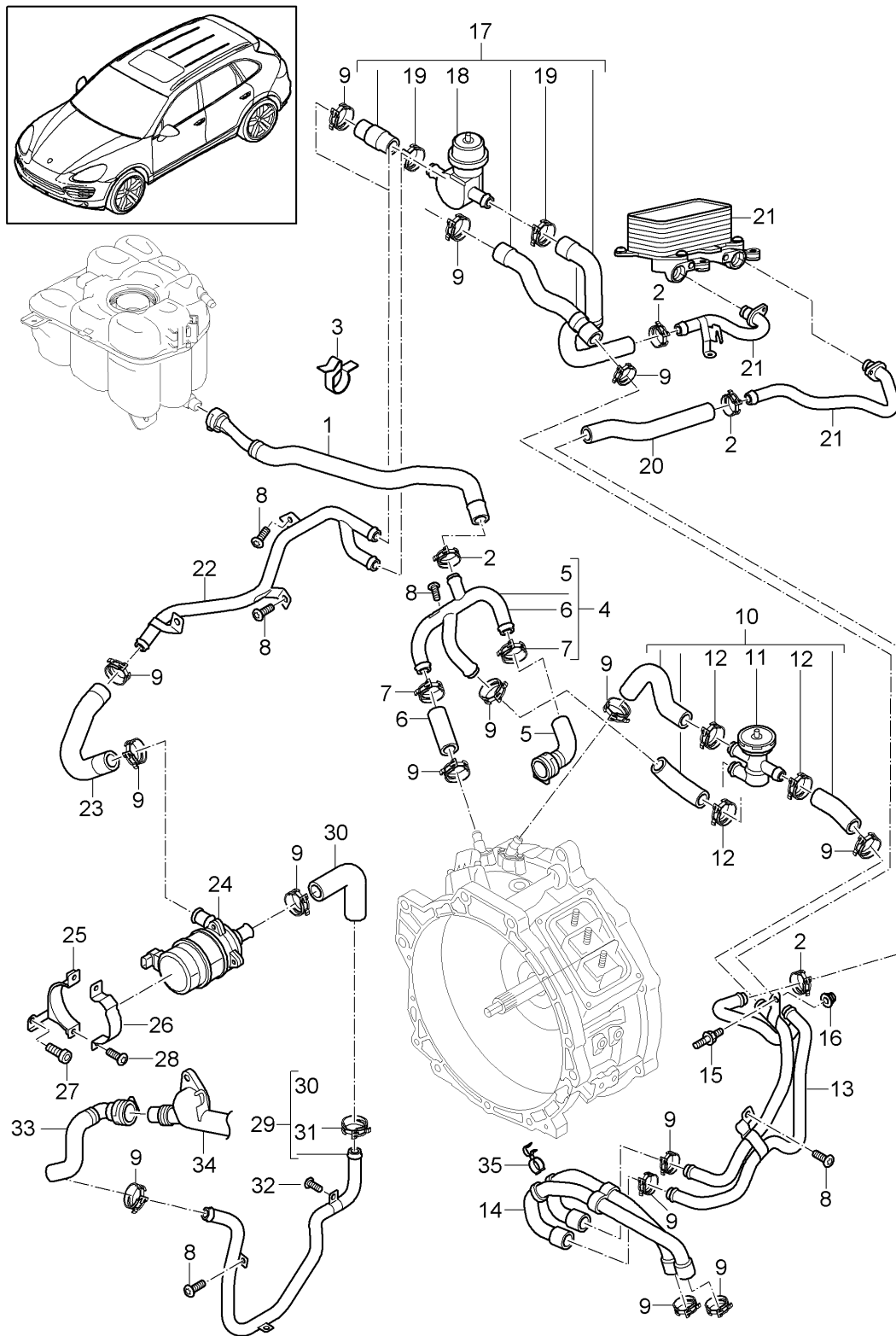
Model: 92A 11

Model life 2011>>2018

| Pos  | Part Number    | Description       | Remark   | Qty | Model |
|------|----------------|-------------------|----------|-----|-------|
| (40) | 000 043 305 15 | Coolant additive  | 1.0 Ltr. | X   |       |
| (40) | 000 043 301 13 | Coolant additive  | 20ltr.   | X   |       |
|      |                | Discontinued part |          |     |       |
| (40) | 000 043 301 48 | Coolant additive  | 20ltr.   | X   |       |
|      |                | Discontinued part |          |     |       |
| (40) | 000 043 305 16 | Coolant additive  | 20ltr.   | X   |       |
| (40) | 000 043 204 39 | Cleaning solution | 20ltr.   | X   |       |
|      |                | discontinued part |          |     |       |
| (40) | 000 043 305 64 | Cleaning solution | 20ltr.   | X   |       |

Model: 92A 11

Model life 2011>>2018



Model: 92A 11 Model life 2011>>2018

| Pos  | Part Number    | Description  | Remark  | Qty | Model  |
|------|----------------|--|---------|-----|--------|
|      |                | Water cooling 4<br>Electric drive<br>D >> - MJ 2014                                |         |     | PR:D19 |
| 1    | 958 106 261 10 | Water hose   |         | 1   |        |
| 2    | N 906 869 01   | Spring band clamp<br>B 23 X 12   |         | 4   |        |
| 3    | N 909 263 02   | Cable holder<br>22 X 33,5 X 0,6  |         | 1   |        |
| 4    | 958 106 370 00 | Coolant pipe<br>with:  |         | 1   |        |
| 5    | 958 106 373 00 | Water hose   |         | 1   |        |
| 6    | 958 106 373 10 | Water hose   |         | 1   |        |
| 7    | N 906 870 01   | Spring band clamp<br>B 27 X 12   |         | 2   |        |
| 8    | N 910 423 01   | Oval hexagon socket head bolt<br>M 6 X 16  |         | 5   |        |
| (8)  | N 106 320 03   | No longer use the part here<br>Oval socket head bolt<br>with hex drive<br>M 6 X 16 |         | 5   |        |
| 9    | N 906 870 01   | Spring band clamp<br>B 27 X 12   |         | 15  |        |
| 10   | 958 106 374 02 | Water hose<br>with:  |         | 1   |        |
| 11   | 958 106 605 00 | Vacuum valve   |         | 1   |        |
| 12   | N 906 870 01   | Spring band clamp<br>B 27 X 12   |         | 3   |        |
| 13   | 958 106 365 00 | Coolant pipe<br>Discontinued part  |         | 1   |        |
| (13) | 958 106 365 01 | Coolant pipe   |         | 1   |        |
| 14   | 958 106 073 10 | Water hose   |         | 1   |        |
| 15   | N 910 824 01   | double stud with hexagon drive<br>M 8 X 25 / M 8 X 12                              |         | 1   |        |
| 16   | N 023 003 16   | Hexagon nut<br>M 8   |         | 1   |        |
| 17   | 958 106 356 20 | Water hose<br>with:  |         | 1   |        |
| 18   | 958 572 809 00 | Heater valve   |         | 1   |        |
| 19   | N 906 870 01   | Spring band clamp<br>B 27 X 12   |         | 2   |        |
| 20   | 958 106 357 10 | Water hose   |         | 1   |        |
| 21   |                | see illustration:  | 360-020 |     |        |
| 22   | 958 106 366 00 | POS.4/11/14<br>Coolant pipe<br>Discontinued part                                   |         | 1   |        |
| (22) | 958 106 366 01 | Coolant pipe   |         | 1   |        |
| 23   | 958 106 358 00 | Water hose   |         | 1   |        |
| 24   | 958 606 567 00 | Coolant pump<br>Electric   |         | 1   |        |
| 25   | 958 106 579 10 | Bracket  |         | 1   |        |
| 26   | 958 106 579 20 | Bracket  |         | 1   |        |
| 27   | N 105 242 02   | Hex socket head locating bolt<br>M 10 X 12   |         | 1   |        |
| 28   | N 104 514 05   | Oval hexagon socket head bolt<br>M 6 X 16  |         | 2   |        |
| 29   | 958 106 371 01 | Coolant pipe<br>with:  |         | 1   |        |
| 30   | 958 106 357 20 | Water hose   |         | 1   |        |
| 31   | N 906 870 01   | Spring band clamp  |         | 1   |        |

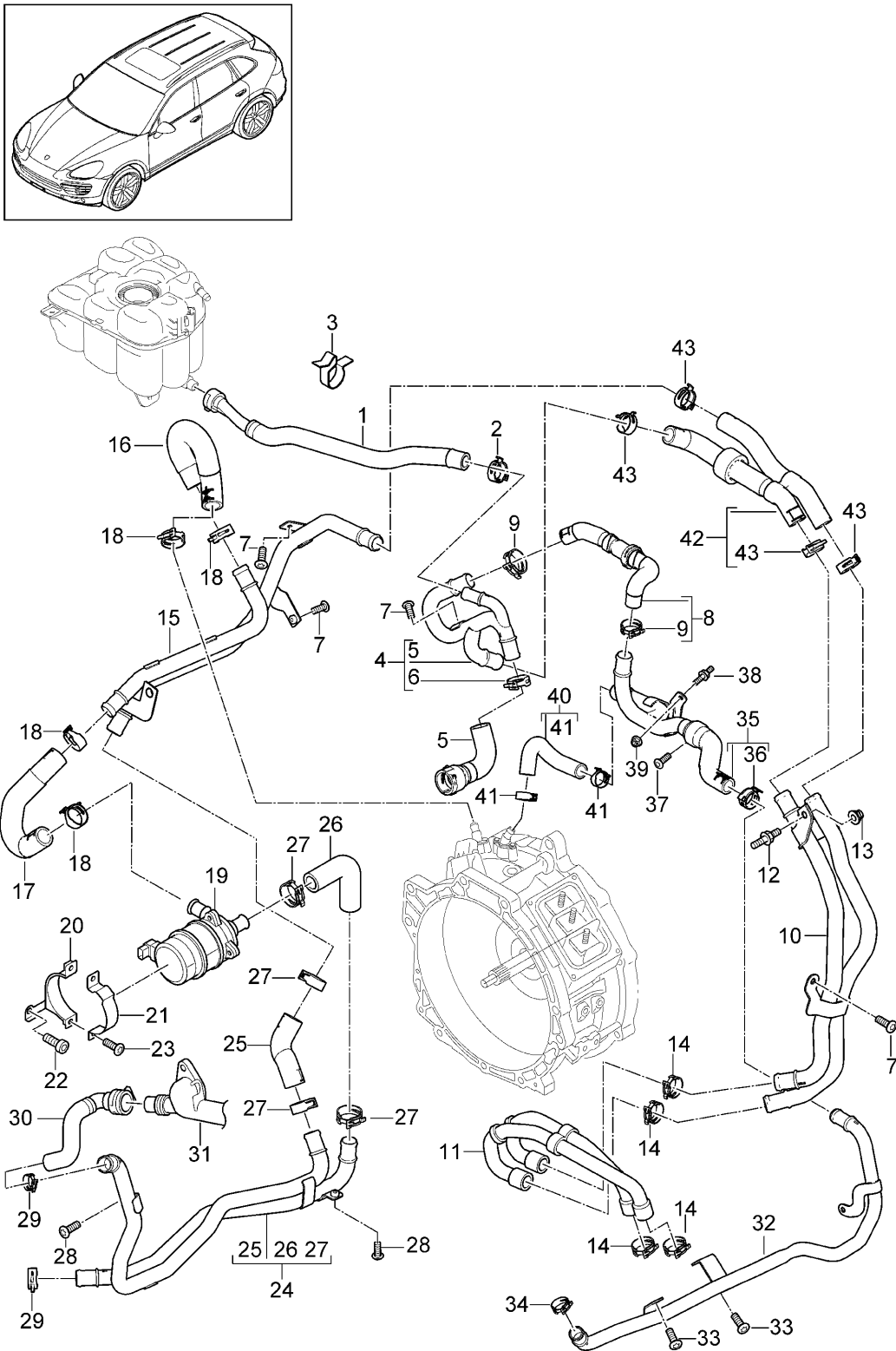
Model: 92A 11

Model life 2011>>2018

| Pos  | Part Number    | Description  | Remark     | Qty | Model |
|------|----------------|--|------------|-----|-------|
| 32   | N 107 500 01   | B 27 X 12<br>Hexagon socket flat<br>head bolt<br>M 6 X 16  |            | 1   |       |
| (32) | N 106 320 03   | No longer use the part here<br>Oval socket head bolt<br>with hex drive<br>M 6 X 16                           |            | 1   |       |
| 33   | 958 106 356 30 | Coolant hose   |            | 1   |       |
| 34   |                | Coolant pipe<br>see illustration, item:  | 105-060,18 | 1   |       |
| 35   | N 107 587 01   | Hose bracket<br>A 01-10 X A 14-22<br>only in conj. with:<br>958.611.235.00<br>Ground cable<br>D >> - MJ 2011 |            | 1   |       |

Model: 92A 11

Model life 2011>>2018



Model: 92A 11 Model life 2011>>2018

| Pos | Part Number    | Description   | Remark     | Qty | Model  |
|-----|----------------|---|------------|-----|--------|
|     |                | Water cooling 4<br>Electric drive<br>D - MJ 2015>>    |            |     | PR:D19 |
| 1   | 958 106 261 10 | Water hose  |            | 1   |        |
| 2   | N 906 869 01   | Spring band clamp<br>B 23 X 12                        |            | 1   |        |
| 3   | N 909 263 02   | Cable holder<br>22 X 33,5 X 0,6                       |            | 1   |        |
| 4   | 958 106 370 20 | Coolant pipe  | with:      | 1   |        |
| 5   | 958 106 373 00 | Water hose  |            | 1   |        |
| 6   | N 906 870 01   | Spring band clamp<br>B 27 X 12                        |            | 1   |        |
| 7   | N 106 320 03   | Oval socket head bolt<br>with hex drive<br>M 6 X 16   |            | 4   |        |
| 8   | 958 106 374 10 | Water hose  | with:      | 1   |        |
| 9   | N 906 870 01   | thermostat<br>Spring band clamp<br>B 27 X 12          |            | 2   |        |
| 10  | 958 106 365 20 | Coolant pipe  |            | 1   |        |
| 11  | 958 106 073 10 | Water hose  |            | 1   |        |
| 12  | N 910 824 01   | double stud with hexagon drive<br>M 8 X 25 / M 8 X 12 |            | 1   |        |
| 13  | N 023 003 16   | Hexagon nut<br>M 8                                    |            | 1   |        |
| 14  | N 906 870 01   | Spring band clamp<br>B 27 X 12                        |            | 4   |        |
| 15  | 958 106 366 10 | Coolant pipe  |            | 1   |        |
| 16  | 958 106 358 20 | Water hose  |            | 1   |        |
| 17  | 958 106 358 10 | Water hose  |            | 1   |        |
| 18  | N 906 870 01   | Spring band clamp<br>B 27 X 12                        |            | 4   |        |
| 19  | 958 606 567 00 | Coolant pump<br>Electric                              |            | 1   |        |
| 20  | 958 106 579 10 | Bracket   |            | 1   |        |
| 21  | 958 106 579 20 | Bracket   |            | 1   |        |
| 22  | N 105 242 02   | Hex socket head locating bolt<br>M 10 X 12            |            | 1   |        |
| 23  | N 104 514 05   | Oval hexagon socket head bolt<br>M 6 X 16             |            | 2   |        |
| 24  | 958 106 371 20 | Coolant pipe  | with:      | 1   |        |
| 25  | 958 106 357 30 | Water hose  |            | 1   |        |
| 26  | 958 106 357 20 | Water hose  |            | 1   |        |
| 27  | N 906 870 01   | Spring band clamp<br>B 27 X 12                        |            | 4   |        |
| 28  | N 106 320 03   | Oval socket head bolt<br>with hex drive<br>M 6 X 16   |            | 2   |        |
| 29  | N 906 870 01   | Spring band clamp<br>B 27 X 12                        |            | 2   |        |
| 30  | 958 106 356 30 | Coolant hose  |            | 1   |        |
| 31  |                | Coolant pipe<br>see illustration, item:               | 105-060,18 | 1   |        |
| 32  | 958 106 365 30 | Coolant pipe  |            | 1   |        |
| 33  | N 102 252 02   | hexagon head bolt (combi)<br>M 8 X 12                 |            | 2   |        |
| 34  | 999 512 683 09 | Hose clamp<br>B 23 X 12                               |            | 1   |        |

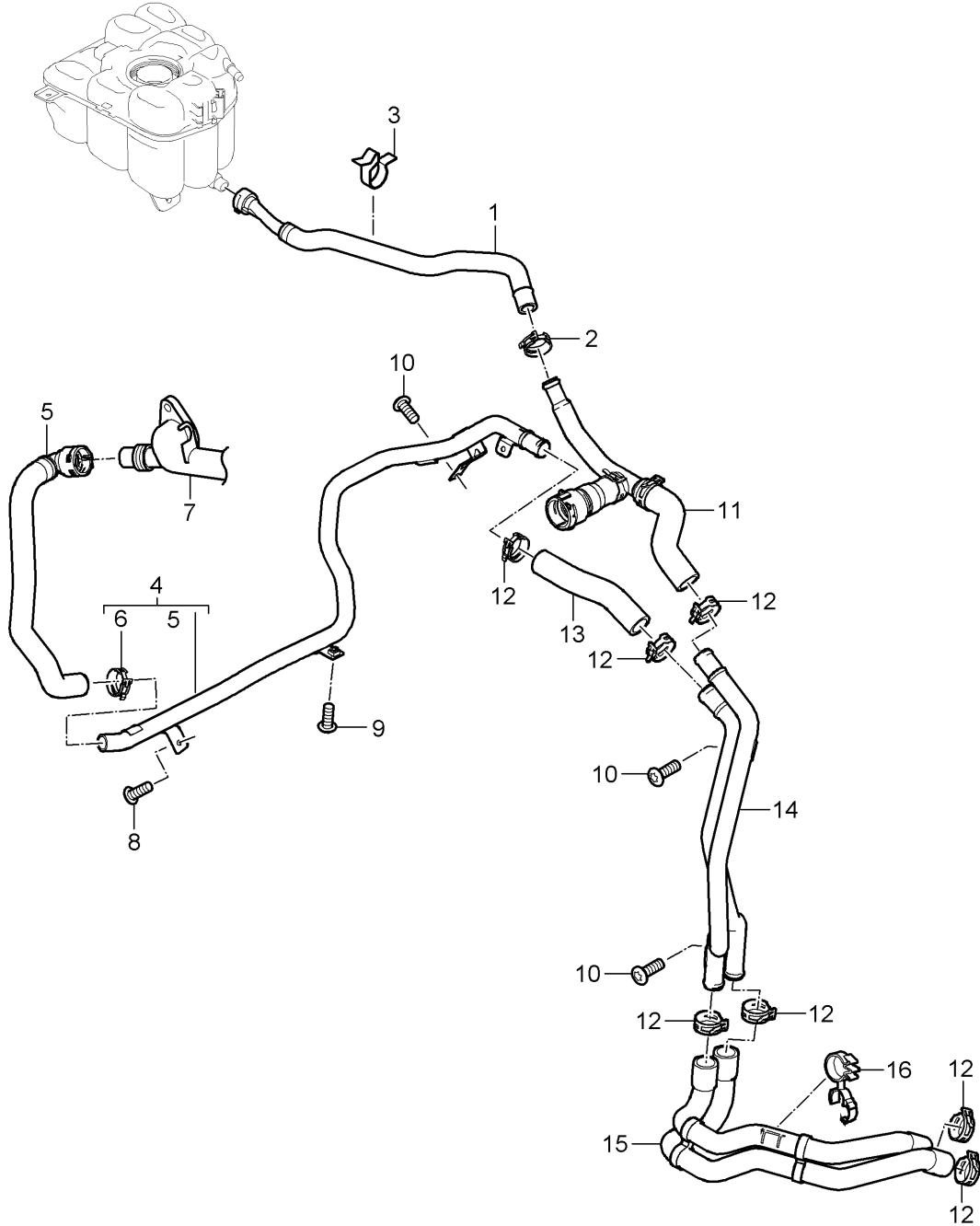
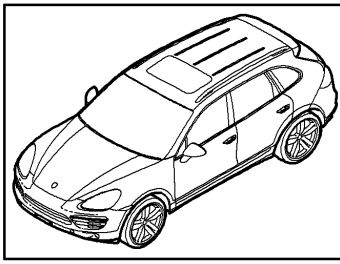
Model: 92A 11

Model life 2011>>2018

| Pos | Part Number    | Description   | Remark | Qty | Model |
|-----|----------------|---|--------|-----|-------|
| 35  | 958 106 370 30 | Coolant pipe<br>with:                                 |        | 1   |       |
| 36  | 999 512 683 09 | Water hose<br>Hose clamp<br>B 23 X 12                 |        | 1   |       |
| 37  | N 023 003 16   | Hexagon nut<br>M 8                                    |        | 1   |       |
| 38  | N 910 613 01   | double stud with hexagon drive<br>M 6 X 10 / M 6 X 10 |        | 1   |       |
| 39  | N 023 002 14   | hexagon nut, self-locking<br>M 6                      |        | 1   |       |
| 40  | 958 106 373 20 | Water hose  |        | 1   |       |
| 41  | N 906 870 01   | Spring band clamp<br>B 27 X 12                        |        | 2   |       |
| 42  | 958 106 373 30 | Water hose  |        | 1   |       |
| 43  | N 906 870 01   | Spring band clamp<br>B 27 X 12                        |        | 4   |       |

Model: 92A 11

Model life 2011>>2018





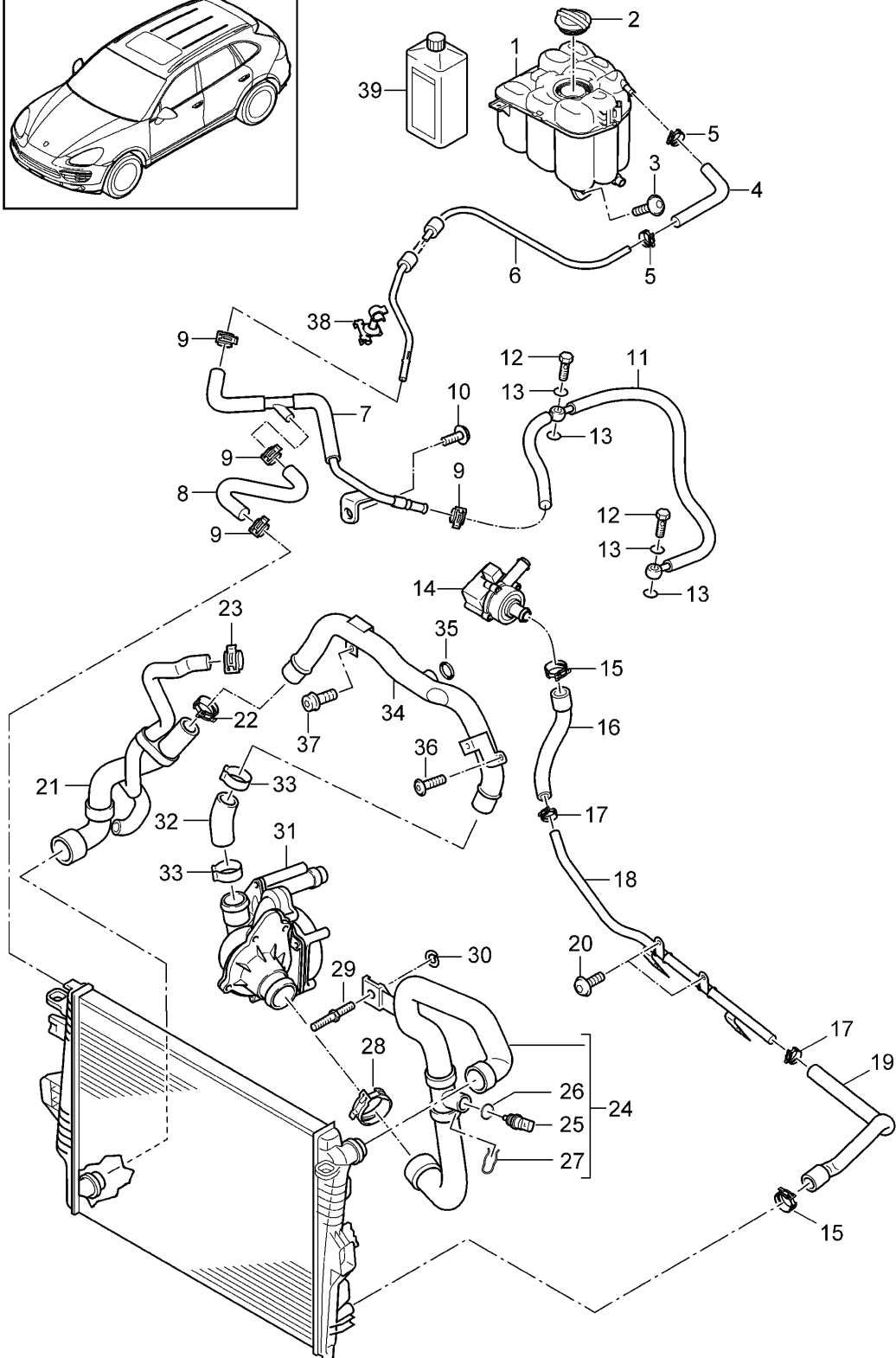
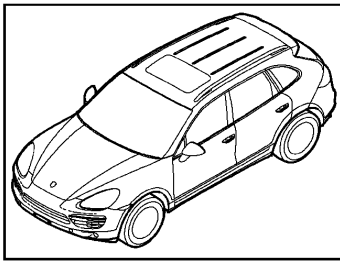
Model: 92A 11

Model life 2011>>2018

| Pos  | Part Number    | Description  | Remark     | Qty | Model  |
|------|----------------|--|------------|-----|--------|
|      |                | Water cooling 4  |            |     | PR:D11 |
| 1    | 958 106 261 10 | Water hose   |            | 1   |        |
| 2    | N 906 869 01   | Spring band clamp<br>B 23 X 12   |            | 1   |        |
| 3    | N 909 263 02   | Cable holder<br>22 X 33,5 X 0,6  |            | 1   |        |
| 4    | 958 106 371 10 | Coolant pipe   |            | 1   |        |
|      |                | with:  |            |     |        |
| 5    | 958 106 356 40 | Water hose   |            | 1   |        |
| 6    | N 906 870 01   | Spring band clamp<br>B 27 X 12   |            | 1   |        |
| 7    |                | Coolant pipe   |            | 1   |        |
|      |                | see illustration, item:  | 105-060,18 |     |        |
| 8    | N 106 320 03   | Oval socket head bolt<br>with hex drive<br>M 6 X 16                                |            | 1   |        |
| 9    | N 107 500 01   | Hexagon socket flat<br>head bolt<br>M 6 X 16                                       |            | 1   |        |
| (9)  | N 106 320 03   | No longer use the part here<br>Oval socket head bolt<br>with hex drive<br>M 6 X 16 |            | 1   |        |
| 10   | N 104 514 05   | Oval hexagon socket head bolt<br>M 6 X 16  |            | 3   |        |
|      |                | No longer use the part here  |            |     |        |
| (10) | N 106 320 03   | Oval socket head bolt<br>with hex drive<br>M 6 X 16                                |            | 3   |        |
| 11   | 958 106 370 10 | Coolant pipe   |            | 1   |        |
|      |                | with:  |            |     |        |
| 12   | N 906 870 01   | Water hose<br>Spring band clamp<br>B 27 X 12                                       |            | 7   |        |
| 13   | 958 106 322 00 | Water hose   |            | 1   |        |
| 14   | 958 106 365 10 | Coolant pipe   |            | 1   |        |
| 15   | 958 106 073 50 | Water hose   |            | 1   |        |
|      |                | No longer use the part here  |            |     |        |
| (15) | 958 106 073 51 | Water hose   |            | 1   |        |
| 16   | N 104 508 01   | Bracket<br>A 12-16 X C 05-22   |            | 1   |        |

Model: 92A 11

Model life 2011>>2018



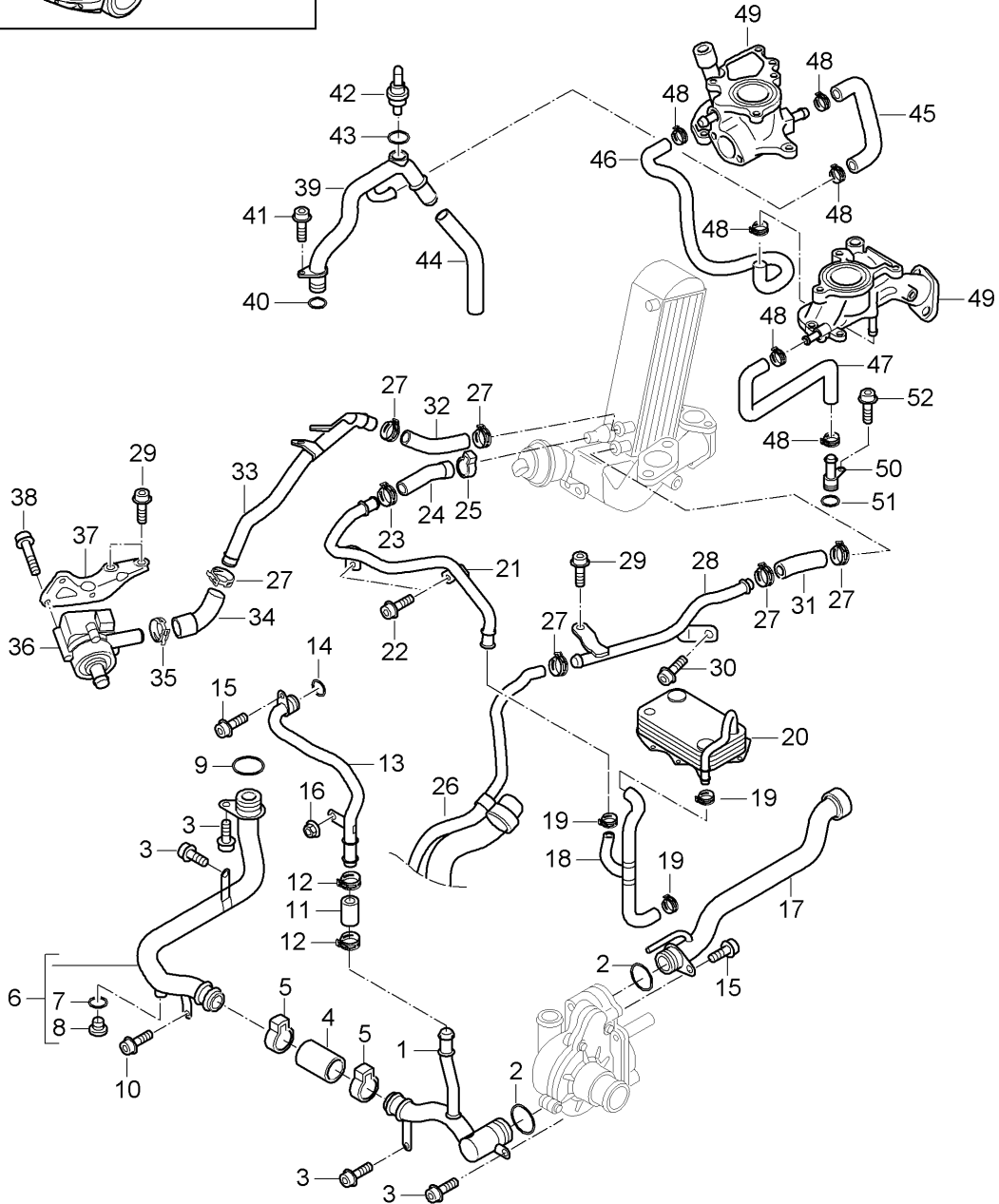
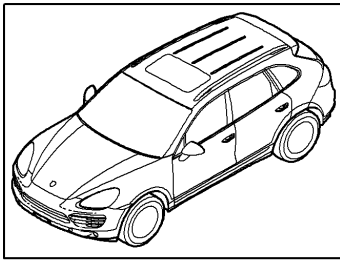
Model: 92A 11

Model life 2011>>2018

| Pos  | Part Number    | Description   | Remark     | Qty | Model  |
|------|----------------|---|------------|-----|--------|
|      |                | Water cooling 4<br>Water reservoir                    |            |     | PR:DD8 |
| 1    | 958 106 151 00 | Coolant expansion tank<br>No longer use the part here |            | 1   |        |
| (1)  | 958 106 151 02 | Coolant expansion tank                                |            | 1   |        |
| 2    | 958 106 447 00 | Cover   |            | 1   |        |
| 3    | N 911 404 01   | Hexagon socket oval head bolt<br>(combi)              | M6X20      | 1   |        |
| 4    | 958 106 359 00 | Vent hose   |            | 1   |        |
| 5    | 999 512 650 09 | Hose clamp  | B14X12     | 2   |        |
| 6    | 958 106 310 10 | Breather line<br>D >> - MJ 2014                       |            | 1   |        |
| (6)  | 958 106 310 11 | Breather line<br>D - MJ 2015>>                        |            | 1   |        |
| 7    | 958 106 311 20 | Breather line   |            | 1   |        |
| 8    | 958 106 311 30 | Vent hose   |            | 1   |        |
| 9    | 999 512 650 09 | Hose clamp  | B14X12     | 4   |        |
| 10   | N 908 170 03   | Hexagon socket head panel bolt                        | TP6X17     | 1   |        |
| 11   | 958 106 386 00 | Vent hose   |            | 1   |        |
| 12   | N 910 438 01   | Banjo bolt  | 8          | 2   |        |
| 13   | N 013 807 6    | seal ring   | A8X11,5    | 4   |        |
| 14   |                | Coolant pump<br>Appendix<br>see illustration:         | 105-075    | 1   |        |
| 15   | 999 512 658 09 | Hose clamp  | B27X12     | 2   |        |
| 16   | 958 106 551 20 | Water hose  |            | 1   |        |
| 17   | N 906 869 01   | Spring band clamp                                     | B23X12     | 2   |        |
| 18   | 958 106 465 10 | Coolant pipe  |            | 1   |        |
| 19   | 958 106 551 40 | Water hose  |            | 1   |        |
| 20   | N 104 514 08   | Oval hexagon socket head bolt                         | M6X16      | 2   |        |
| 21   | 958 106 402 60 | Water hose  |            | 1   |        |
| 22   | 999 512 665 09 | Hose clamp  | B40X12     | 1   |        |
| 23   | N 906 869 01   | Spring band clamp                                     | B23X12     | 1   |        |
| 24   | 958 106 401 50 | Water hose  |            | 1   |        |
| 25   | 955 106 125 01 | Temperature sensor                                    |            | 1   |        |
| 26   | N 903 168 01   | O-ring  | 19,6X3,65  | 1   |        |
| 27   | 955 106 143 00 | retaining spring                                      |            | 1   |        |
| 28   | N 909 265 01   | Spring band clamp                                     | B47X12     | 1   |        |
| 29   | N 911 006 01   | double stud with hexagon drive                        | 6X19/M6X19 | 1   |        |
| 30   | N 909 595 01   | Clamping washer                                       | 5X22       | 1   |        |
| 31   |                | Additional coolant pump<br>see illustration, item:    | 105-017,1  | 1   |        |
| 32   | 958 106 406 00 | Water hose  |            | 1   |        |
| 33   | N 105 573 01   | Ear crimp hose clamp                                  | 41X7X0,6   | 2   |        |
| 34   | 958 106 671 00 | Coolant pipe  |            | 1   |        |
| 35   | N 907 132 03   | O-ring  | 31X3       | 1   |        |
| (35) | N 907 132 02   | No longer use the part here<br>seal ring              | 31X3       | 1   |        |
| 36   | N 104 514 08   | Oval hexagon socket head bolt                         | M6X16      | 1   |        |
| 37   | N 911 361 01   | Socket head bolt with<br>inner multipoint head        | M8X14      | 1   |        |
| 38   | N 108 153 01   | Hose bracket<br>A 25-6,7 X C 01-8                     |            | 1   |        |
| 39   | 000 043 301 47 | Coolant additive<br>discontinued part                 | 1.0 Ltr.   | X   |        |
| (39) | 000 043 305 15 | Coolant additive                                      | 1.0 Ltr.   | X   |        |
| (39) | 000 043 301 48 | Coolant additive<br>Discontinued part                 | 20ltr.     | X   |        |
| (39) | 000 043 305 16 | Coolant additive                                      | 20ltr.     | X   |        |
| (39) | 000 043 204 39 | Cleaning solution<br>Discontinued part                | 20ltr.     | X   |        |
| (39) | 000 043 305 64 | Cleaning solution                                     | 20ltr.     | X   |        |

Model: 92A 11

Model life 2011>>2018



Model: 92A 11

Model life 2011&gt;&gt;2018

| Pos  | Part Number    | Description  | Remark     | Qty | Model  |
|------|----------------|--|------------|-----|--------|
|      |                | Coolant cooling system                               |            |     | PR:DD8 |
| 1    | 958 106 375 10 | Coolant pipe   |            | 1   |        |
|      |                | Discontinued part                                    |            |     |        |
| (1)  | 958 106 375 11 | Coolant pipe   |            | 1   |        |
| 2    | N 908 063 02   | O-ring   | 28X3,5     | 2   |        |
| 3    | N 104 056 04   | Oval hexagon socket head bolt                        | M6X14      | 4   |        |
| 4    | 958 106 302 00 | Water hose   |            | 1   |        |
| 5    | N 105 573 01   | Ear crimp hose clamp                                 | 41X7X0,6   | 2   |        |
| 6    | 958 106 376 10 | Coolant pipe   |            | 1   |        |
| 7    | N 013 811 5    | seal ring  | 10X13,5    | 1   |        |
| 8    | N 911 194 01   | sealing plug   | M10X1X10   | 1   |        |
| 9    | N 910 085 01   | O-ring   | 35X3       | 1   |        |
| 10   | N 104 514 08   | Oval hexagon socket head bolt                        | M6X16      | 1   |        |
| 11   | 958 106 303 00 | Water hose   |            | 1   |        |
| 12   | N 906 869 01   | Spring band clamp                                    | B23X12     | 2   |        |
| 13   | 958 106 377 10 | Coolant pipe   |            | 1   |        |
| 14   | N 910 084 01   | O-ring   | 19,6X3     | 1   |        |
| 15   | N 104 514 08   | Oval hexagon socket head bolt                        | M6X16      | 2   |        |
| 16   | N 015 082 10   | Hexagon collar nut                                   | M6         | 1   |        |
| 17   | 958 106 378 10 | Coolant pipe   |            | 1   |        |
| 18   | 958 106 501 00 | Water hose   |            | 1   |        |
| 19   | N 906 869 01   | Spring band clamp                                    | B23X12     | 3   |        |
| 20   |                | Oil cooler   |            | 1   |        |
|      |                | see illustration, item:                              | 104-085,13 |     |        |
| 21   | 958 106 379 10 | Coolant pipe   |            | 1   |        |
| 22   | N 104 514 08   | Oval hexagon socket head bolt                        | M6X16      | 2   |        |
| 23   | N 906 869 01   | Spring band clamp                                    | B23X12     | 1   |        |
| 24   | 958 106 502 00 | Water hose   |            | 1   |        |
| 25   | N 904 095 01   | Ear crimp hose clamp                                 | 28,6X7X0,6 | 1   |        |
| 26   |                | Water hose   |            | 1   |        |
|      |                | see illustration, item:                              | 105-070,21 |     |        |
| 27   | N 906 869 01   | Spring band clamp                                    | B23X12     | 6   |        |
| 28   | 958 106 380 10 | Coolant pipe   |            | 1   |        |
| 29   | N 911 422 01   | Socket head collared bolt with inner multipoint head | M8X28      | 2   |        |
| 30   | N 104 056 04   | Oval hexagon socket head bolt                        | M6X14      | 1   |        |
| 31   | 958 106 505 00 | Water hose   |            | 1   |        |
| 32   | 958 106 507 00 | Water hose   |            | 1   |        |
| 33   | 958 106 381 10 | Coolant pipe   |            | 1   |        |
| 34   | 958 106 508 00 | Water hose   |            | 1   |        |
| 35   | 999 512 658 09 | Hose clamp   | B27X12     | 1   |        |
| 36   | 955 106 312 00 | Coolant pump   |            | 1   |        |
|      |                | Appendix   |            |     |        |
| 37   | 958 106 579 40 | Bracket for additional coolant pump                  |            | 1   |        |
| 38   | WHT 002 306    | self-tapping screw                                   | TP3,5X12   | 3   |        |
| 39   | 958 106 382 10 | Coolant pipe   |            | 1   |        |
| 40   | N 910 084 01   | O-ring   | 19,6X3     | 1   |        |
| 41   | N 104 514 08   | Oval hexagon socket head bolt                        | M6X16      | 2   |        |
| 42   | 955 606 221 00 | Temperature sensor                                   |            | 1   |        |
| 43   | WHT 002 287 B  | O-ring   | 5,6X2      | 1   |        |
| 44   |                | Water hose   |            | 1   |        |
|      |                | see illustration, item:                              | 105-080,12 |     |        |
| 45   | 958 106 511 00 | Water hose   |            | 1   |        |
| 46   | 958 106 512 00 | Water hose   |            | 1   |        |
| 47   | 958 106 514 00 | Water hose   |            | 1   |        |
| 48   | 999 512 650 09 | Hose clamp   | B14X12     | 6   |        |
| 49   |                | Intermediate flange                                  |            | 2   |        |
|      |                | see illustration, item:                              | 108-070,17 |     |        |
|      |                | see illustration, item:                              | 108-070,18 |     |        |
| 50   | 958 106 383 10 | Pipe union   |            | 1   |        |
|      |                | Discontinued part                                    |            |     |        |
| (50) | 958 106 383 11 | Pipe union   |            | 1   |        |

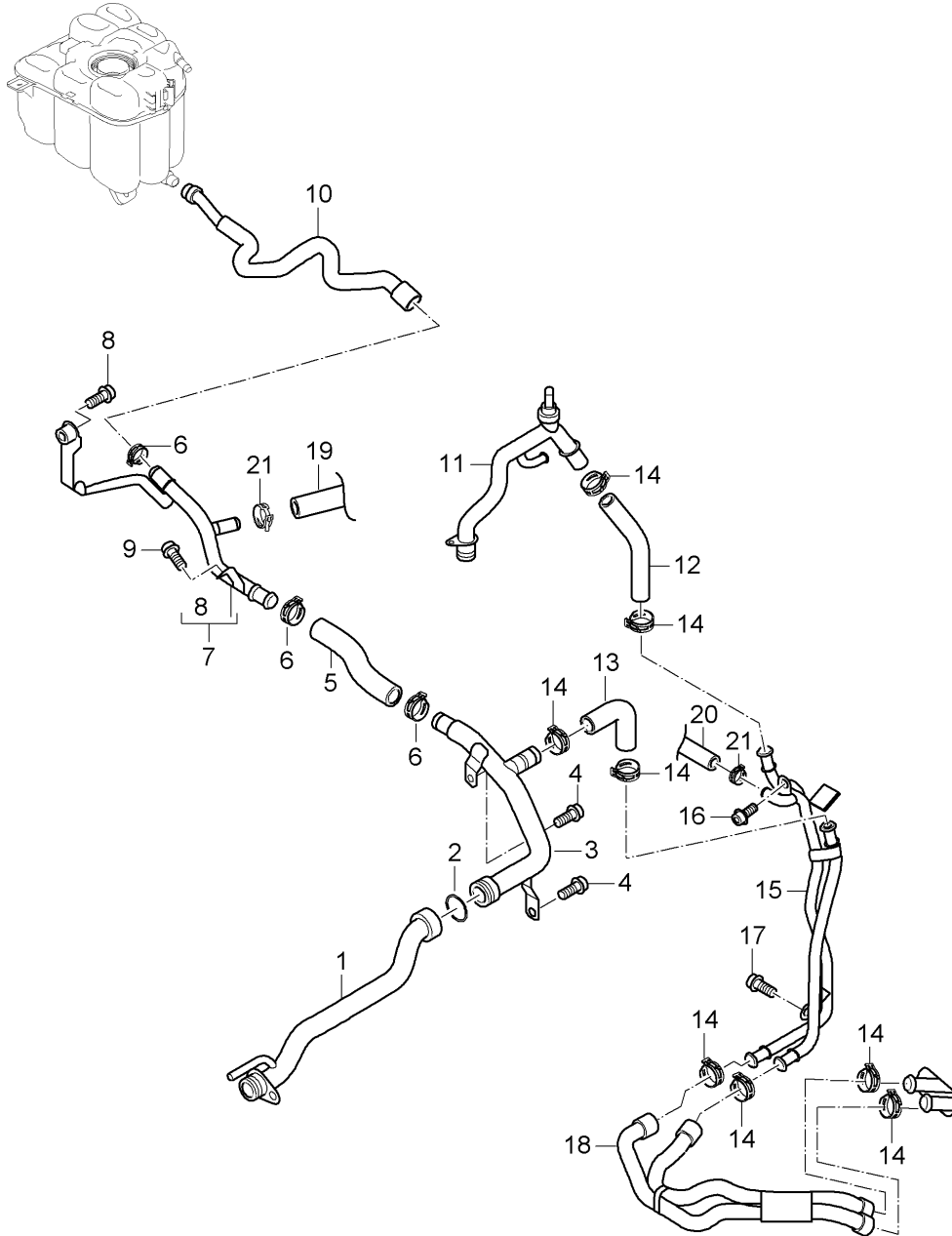
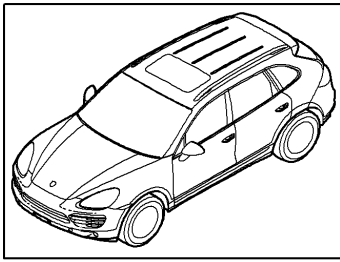
Model: 92A 11

Model life 2011&gt;&gt;2018

| Pos | Part Number  | Description                   | Remark | Qty | Model |
|-----|--------------|-------------------------------|--------|-----|-------|
| 51  | N 904 520 03 | O-ring                        | 11X3   | 1   |       |
| 52  | N 104 056 04 | Oval hexagon socket head bolt | M6X14  | 1   |       |

Model: 92A 11

Model life 2011>>2018



Model: 92A 11

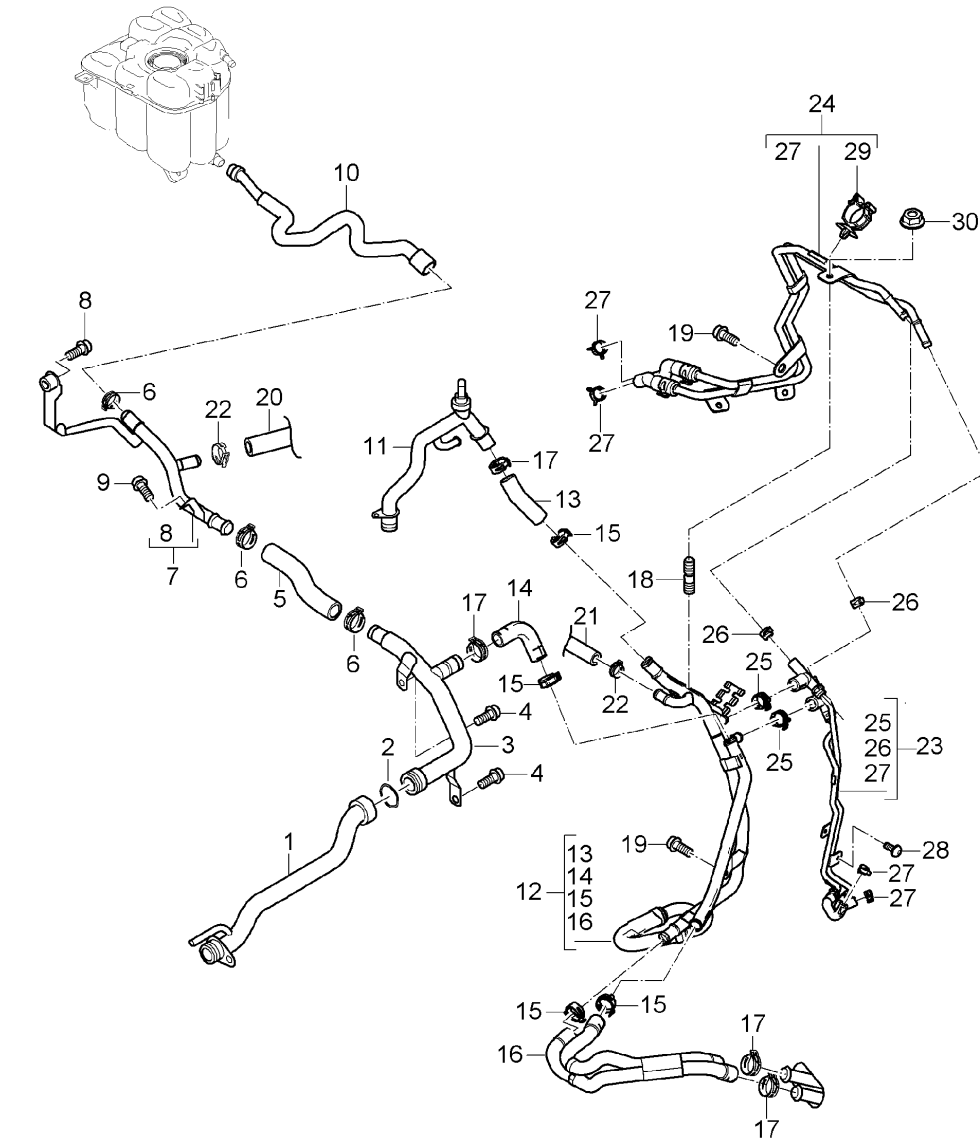
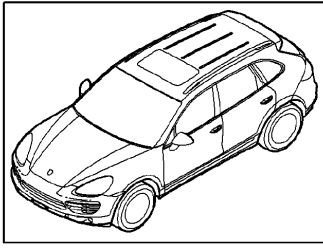
Model life 2011>>2018

| Pos  | Part Number    | Description   | Remark     | Qty | Model              |
|------|----------------|---|------------|-----|--------------------|
|      |                | Coolant cooling system                              | rear       |     | PR:DD8,0GG,<br>7MJ |
| 1    |                | Coolant pipe<br>see illustration, item:             | 105-075,17 | 1   |                    |
| 2    | N 908 063 02   | O-ring<br>28 X 3,5                                  |            | 1   |                    |
| 3    | 958 106 384 10 | Coolant pipe<br>Discontinued part                   |            | 1   |                    |
| (3)  | 958 106 384 11 | Coolant pipe  |            | 1   |                    |
| 4    | N 104 056 04   | Oval hexagon socket head bolt<br>M 6 X 14           |            | 2   |                    |
| 5    | 958 106 609 00 | Water hose  |            | 1   |                    |
| 6    | 999 512 658 09 | Hose clamp<br>B 27 X 12                             |            | 3   |                    |
| 7    | 958 106 385 10 | Coolant pipe  |            | 1   |                    |
| 8    | N 104 032 03   | Hexagon bolt<br>M 8 X 16                            |            | 1   |                    |
| 9    | N 102 261 03   | Socket head bolt<br>M 6 X 16                        |            | 1   |                    |
| 10   | 958 106 261 30 | Water hose  |            | 1   |                    |
| 11   |                | Coolant pipe<br>see illustration, item:             | 105-075,39 | 1   |                    |
| 12   | 958 106 657 30 | Water hose  |            | 1   |                    |
| 13   | 958 106 658 00 | Water hose  |            | 1   |                    |
| 14   | 999 512 658 09 | Hose clamp<br>B 27 X 12                             |            | 8   |                    |
| 15   | 958 106 360 30 | Coolant pipe  |            | 1   |                    |
| 16   | N 106 320 02   | Oval socket head bolt<br>with hex drive<br>M 6 X 16 |            | 1   |                    |
| 17   | N 107 371 01   | Hex collared bolt<br>M 8 X 22                       |            | 1   |                    |
| 18   | 958 106 073 60 | Water hose  |            | 1   | PR:L0L,1N3         |
| (18) | 958 106 073 70 | Water hose  |            | 1   | PR:L0L,1N1         |
| (18) | 958 106 073 70 | Water hose  |            | 1   | PR:L0R             |
| 19   |                | Water hose<br>see illustration, item:               | 360-050,17 | 1   |                    |
| 20   |                | Water hose<br>see illustration, item:               | 360-050,16 | 1   |                    |
| 21   | N 906 869 01   | Spring band clamp<br>B 23 X 12                      |            | 2   |                    |



Model: 92A 11

Model life 2011>>2018



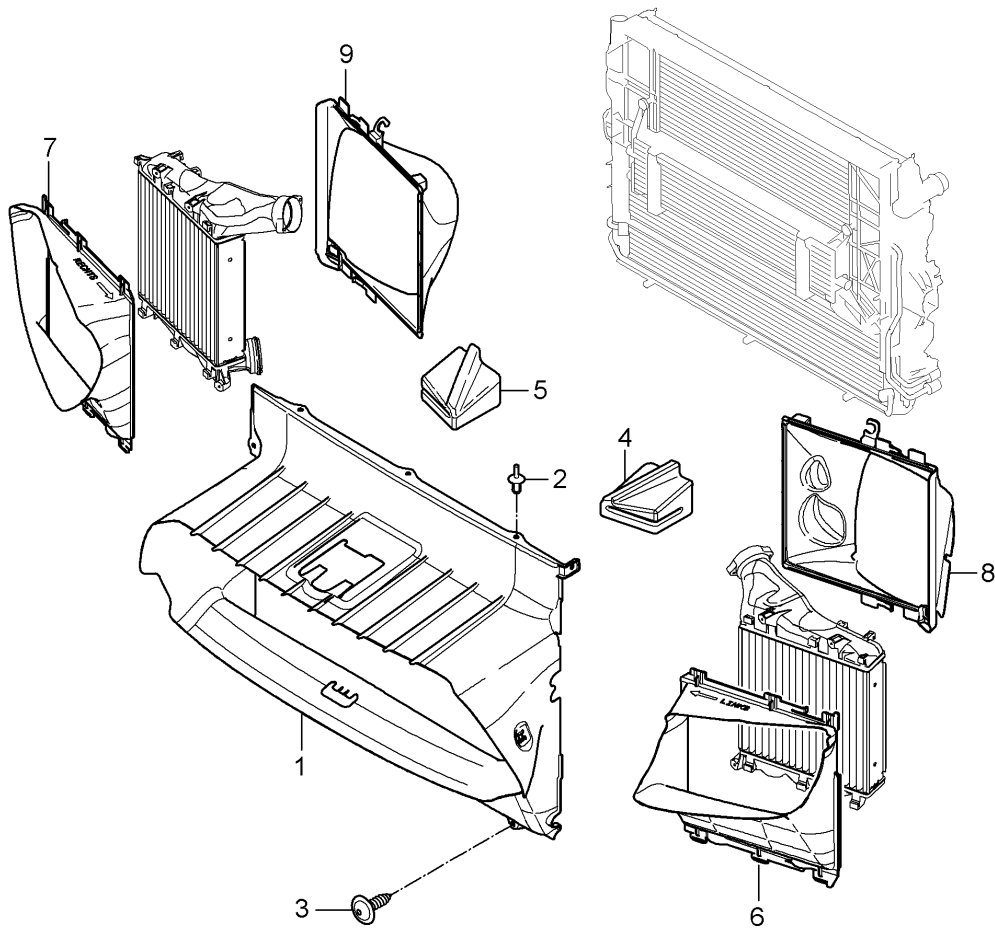
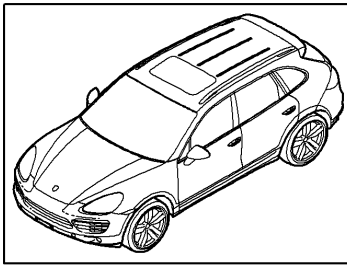
Model: 92A 11

Model life 2011&gt;&gt;2018

| Pos  | Part Number    | Description  | Remark             | Qty | Model      |
|------|----------------|--|--------------------|-----|------------|
| 1    |                | Coolant cooling system<br>Coolant pipe<br>see illustration, item:                  | rear<br>105-075,17 | 1   | PR:DD8,7MM |
| 2    | N 908 063 02   | O-ring<br>28 X 3,5   |                    | 1   |            |
| 3    | 958 106 384 11 | Coolant pipe   |                    | 1   |            |
| 4    | N 104 056 04   | Oval hexagon socket head bolt<br>M 6 X 14  |                    | 2   |            |
| 5    | 958 106 609 00 | Water hose   |                    | 1   |            |
| 6    | 999 512 658 09 | Hose clamp<br>B 27 X 12  |                    | 3   |            |
| 7    | 958 106 385 10 | Coolant pipe   |                    | 1   |            |
| 8    | N 104 032 03   | Hexagon bolt<br>M 8 X 16   |                    | 1   |            |
| 9    | N 102 261 03   | Socket head bolt<br>M 6 X 16   |                    | 1   |            |
| 10   | 958 106 261 30 | Water hose   |                    | 1   |            |
| 11   |                | Coolant pipe<br>see illustration, item:  | 105-075,39         | 1   |            |
| 12   | 958 106 070 20 | Coolant pipe<br>(complete)   |                    | 1   | PR:L0L,1N1 |
| (12) | 958 106 070 30 | Coolant pipe<br>(complete)   |                    | 1   | PR:L0L,1N3 |
| (12) | 958 106 070 20 | Coolant pipe<br>(complete)   |                    | 1   | PR:L0R     |
| 13   | 958 106 657 30 | Water hose   |                    | 1   |            |
| 14   | 958 106 658 00 | Water hose   |                    | 1   |            |
| 15   | 999 512 658 09 | Hose clamp<br>B 27 X 12  |                    | 4   |            |
| 16   | 958 106 073 70 | Water hose   |                    | 1   | PR:L0L,1N1 |
| (16) | 958 106 073 60 | Water hose   |                    | 1   | PR:L0L,1N3 |
| (16) | 958 106 073 70 | Water hose   |                    | 1   | PR:L0R     |
| 17   | 999 512 658 09 | Hose clamp<br>B 27 X 12  |                    | 4   |            |
| 18   | N 106 320 02   | Oval socket head bolt<br>with hex drive<br>M 6 X 16<br>No longer use the part here |                    | 1   |            |
| (18) | N 044 421 5    | Threaded pin<br>M 6 X 12   |                    | 1   |            |
| 19   | N 107 371 01   | Hex collared bolt<br>M 8 X 22  |                    | 2   |            |
| 20   |                | Water hose<br>see illustration, item:  | 360-050,17         | 1   |            |
| 21   |                | Water hose<br>see illustration, item:  | 360-050,16         | 1   |            |
| 22   | N 906 869 01   | Spring band clamp<br>B 23 X 12   |                    | 2   |            |
| 23   | 958 106 070 40 | Coolant pipe<br>(complete)   | left               | 1   |            |
| 24   | 958 106 070 50 | Coolant pipe<br>(complete)   | right              | 1   |            |
| 25   | 958 106 517 10 | Hose clamp<br>B 21 X 12  |                    | 2   |            |
| 26   | 999 512 650 09 | Hose clamp<br>B 14 X 12  |                    | 2   |            |
| 27   | N 107 160 01   | Spring band clamp<br>A 12,5 X 8,4  |                    | 4   |            |
| 28   | N 101 703 02   | round hd. screw<br>M 6 X 10  |                    | 1   |            |
| 29   | 4E0 121 120    | Hose bracket   |                    | 1   |            |
| 30   | N 015 082 10   | Hexagon collar nut<br>M 6  |                    | 1   |            |

Model: 92A 11

Model life 2011>>2018

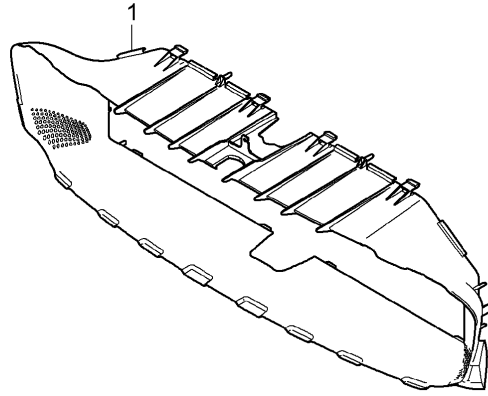
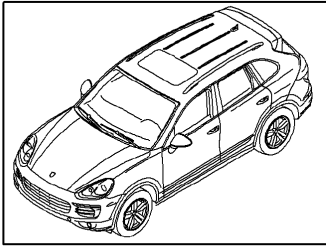


Model: 92A 11 Model life 2011>>2018

| Pos | Part Number    | Description                                | Remark | Qty | Model                 |
|-----|----------------|--|--------|-----|-----------------------|
| 1   | 958 575 323 20 | Air guide<br>D >> - MJ 2014                | center | 1   | PR:-D58,<br>-D19,-E0W |
| (1) | 958 575 323 50 | Air guide                                  | center | 1   | PR:D58                |
| (1) | 958 575 323 50 | Air guide                                  | center | 1   | PR:D6V,E0W            |
| (1) | 958 575 323 30 | Air guide                                  | center | 1   | PR:D19                |
| 2   | WHT 004 750    | Spreader rivet<br>8,1 X 13                 |        | 3   |                       |
| 3   | N 908 082 01   | Hexagon socket head panel bolt<br>6 X 18,5 |        | 3   |                       |
| 4   | 958 110 563 00 | Sealing wedge                              | left   | 1   |                       |
| 5   | 958 110 564 00 | Sealing wedge                              | right  | 1   |                       |
| 6   | 958 575 321 00 | Air guide                                  | left   | 1   | PR:D58                |
| (6) | 958 575 321 10 | Air guide                                  | left   | 1   | PR:D50,D43,<br>D1V    |
| (6) | 958 575 321 10 | Air guide                                  | left   | 1   | PR:D11<br>"CN."       |
| (6) | 958 575 321 20 | Air guide                                  | left   | 1   | PR:DD8                |
| 7   | 958 575 322 00 | Air guide                                  | right  | 1   | PR:D58                |
| (7) | 958 575 322 10 | Air guide                                  | right  | 1   | PR:D50,D43,<br>D1V    |
| (7) | 958 575 322 10 | Air guide                                  | right  | 1   | PR:D19                |
| (7) | 958 575 322 10 | Air guide                                  | right  | 1   | PR:D11<br>"CN."       |
| (7) | 958 575 322 20 | Air guide                                  | right  | 1   | PR:DD8                |
| 8   | 958 575 641 20 | Air guide<br>Discontinued part             | left   | 1   | PR:D58                |
| (8) | 958 575 641 21 | Air guide                                  | left   | 1   | PR:D58,DD8            |
| (8) | 958 575 641 30 | Air guide                                  | left   | 1   | PR:D50,D43,<br>D1V    |
| (8) | 958 575 641 30 | Air guide<br>D >> - MJ 2012                | left   | 1   | PR:D11<br>"CN."       |
| (8) | 958 575 641 40 | Air guide<br>D - MJ 2013>>                 | left   | 1   | PR:D11<br>"CN."       |
| 9   | 958 575 642 20 | Air guide<br>Discontinued part             | right  | 1   | PR:D58                |
| (9) | 958 575 642 21 | Air guide                                  | right  | 1   | PR:D58,DD8            |
| (9) | 958 575 642 30 | Air guide                                  | right  | 1   | PR:D50,D43,<br>D1V    |
| (9) | 958 575 642 30 | Air guide<br>D >> - MJ 2012                | right  | 1   | PR:D19                |
| (9) | 958 575 642 40 | Air guide<br>D - MJ 2013>>                 | right  | 1   | PR:D19                |
| (9) | 958 575 642 30 | Air guide<br>D >> - MJ 2012                | right  | 1   | PR:D11<br>"CN."       |
| (9) | 958 575 642 40 | Air guide<br>D - MJ 2013>>                 | right  | 1   | PR:D11<br>"CN."       |

Model: 92A 11

Model life 2011>>2018



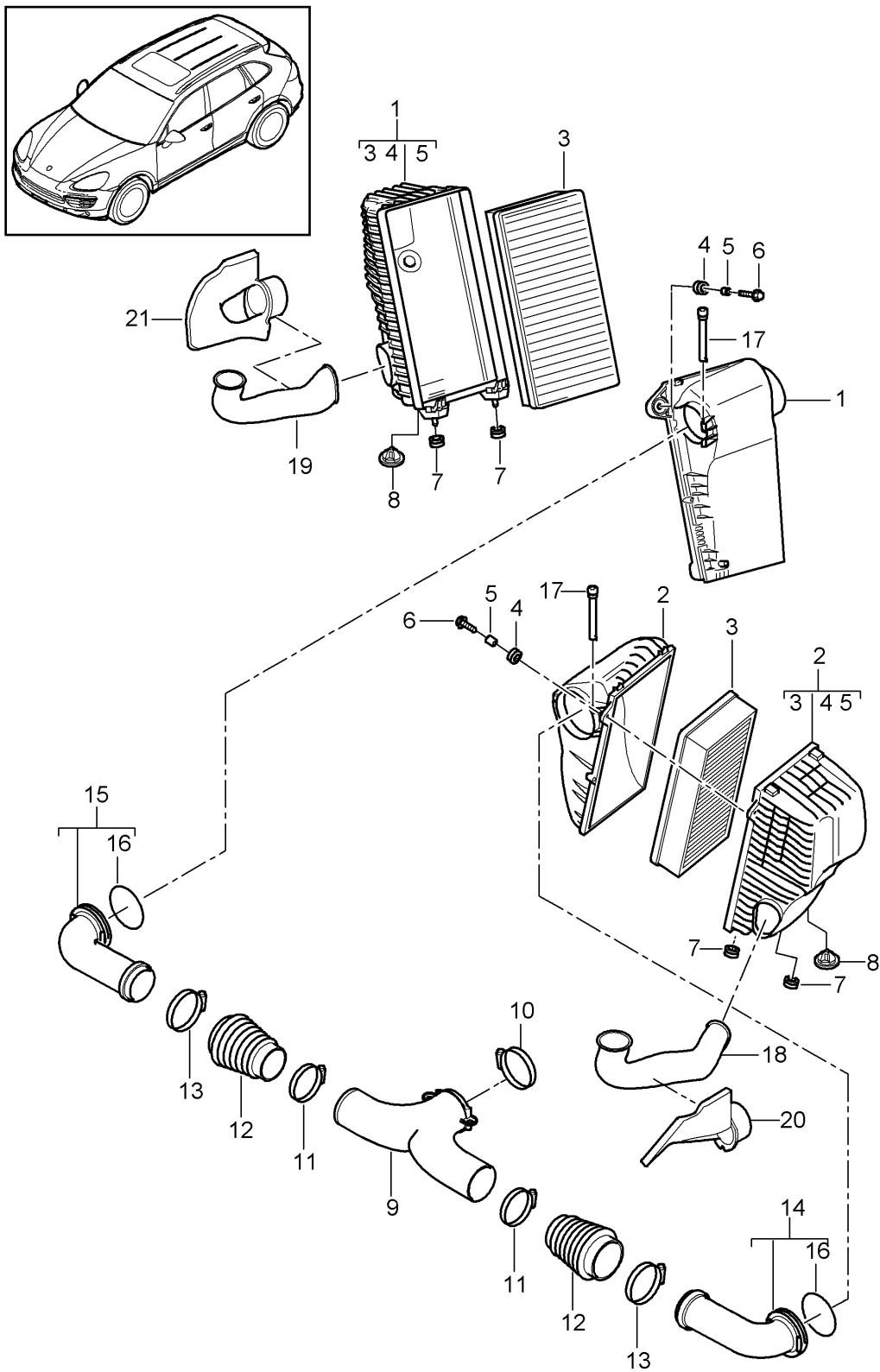
Model: 92A 11

Model life 2011>>2018

| Pos | Part Number | Description  | Remark  | Qty | Model |
|-----|-------------|--|---------|-----|-------|
| 1   |             | Air guide<br>D - MJ 2015>><br>Air guide<br>see illustration: | 802-040 |     |       |

Model: 92A 11

Model life 2011>>2018



Model: 92A 11

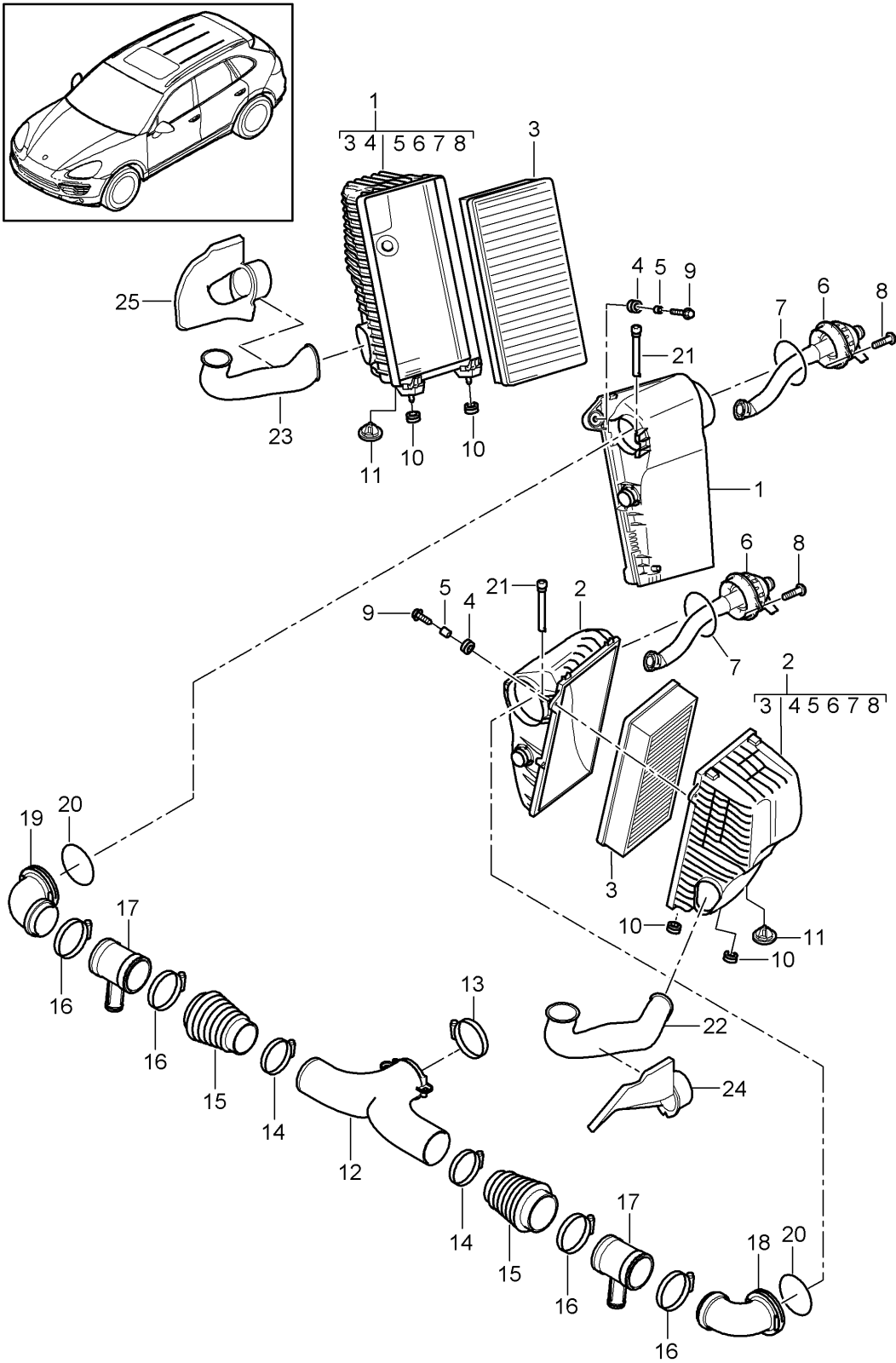
Model life 2011&gt;&gt;2018

| Pos | Part Number    | Description                        | Remark | Qty | Model      |
|-----|----------------|------------------------------------|--------|-----|------------|
|     |                | Air filter with connecting parts   |        |     | PR:D6V,E0A |
| 1   | 958 110 022 00 | Air filter                         | right  | 1   | PR:1L0     |
| (1) | 958 110 022 10 | Air filter                         | right  | 1   | PR:1L1,1L2 |
| 2   | 958 110 021 00 | Air filter                         | left   | 1   | PR:1L0     |
| (2) | 958 110 021 10 | Air filter                         | left   | 1   | PR:1L1,1L2 |
| 3   | 958 110 130 00 | Air filter element                 |        | 2   | PR:1L0     |
| (3) | 958 110 130 10 | Air filter element                 |        | 2   | PR:1L1,1L2 |
| 4   | 955 110 669 00 | Grommet                            |        | 2   |            |
| 5   | 955 110 734 00 | spacer bush                        |        | 2   |            |
| 6   | N 104 827 01   | Hex collared bolt<br>AM 6 X 35     |        | 2   |            |
| 7   | 955 110 669 00 | Grommet                            |        | 4   |            |
| 8   | 958 110 834 00 | drain tube                         |        | 2   |            |
| 9   | 955 110 046 20 | intake air distributor             |        | 1   |            |
| 10  | N 024 508 5    | Hose clamp<br>A 80 - 100 X 9 X 0,5 |        | 1   |            |
| 11  | N 024 523 2    | Hose clamp<br>A 50 - 70 X 13 X 0,5 |        | 2   |            |
| 12  | 955 110 191 11 | Bellows                            |        | 2   |            |
| 13  | N 911 988 01   | Hose clamp<br>A 65 - 85 X 12 X 0,5 |        | 2   |            |
| 14  | 958 110 113 00 | intake manifold                    | left   | 1   |            |
| 15  | 958 110 114 00 | intake manifold                    | right  | 1   |            |
| 16  | N 909 643 01   | O-ring<br>91 X 6                   |        | 2   |            |
| 17  | 955 110 269 00 | Pin<br>Locking mechanism           |        | 4   |            |
| 18  | 958 110 271 00 | intake manifold                    | left   | 1   |            |
| 19  | 958 110 272 00 | intake manifold                    | right  | 1   |            |
| 20  | 958 110 251 00 | Gaiter                             | left   | 1   |            |
| 21  | 958 110 252 00 | Gaiter                             | right  | 1   |            |



Model: 92A 11

Model life 2011>>2018



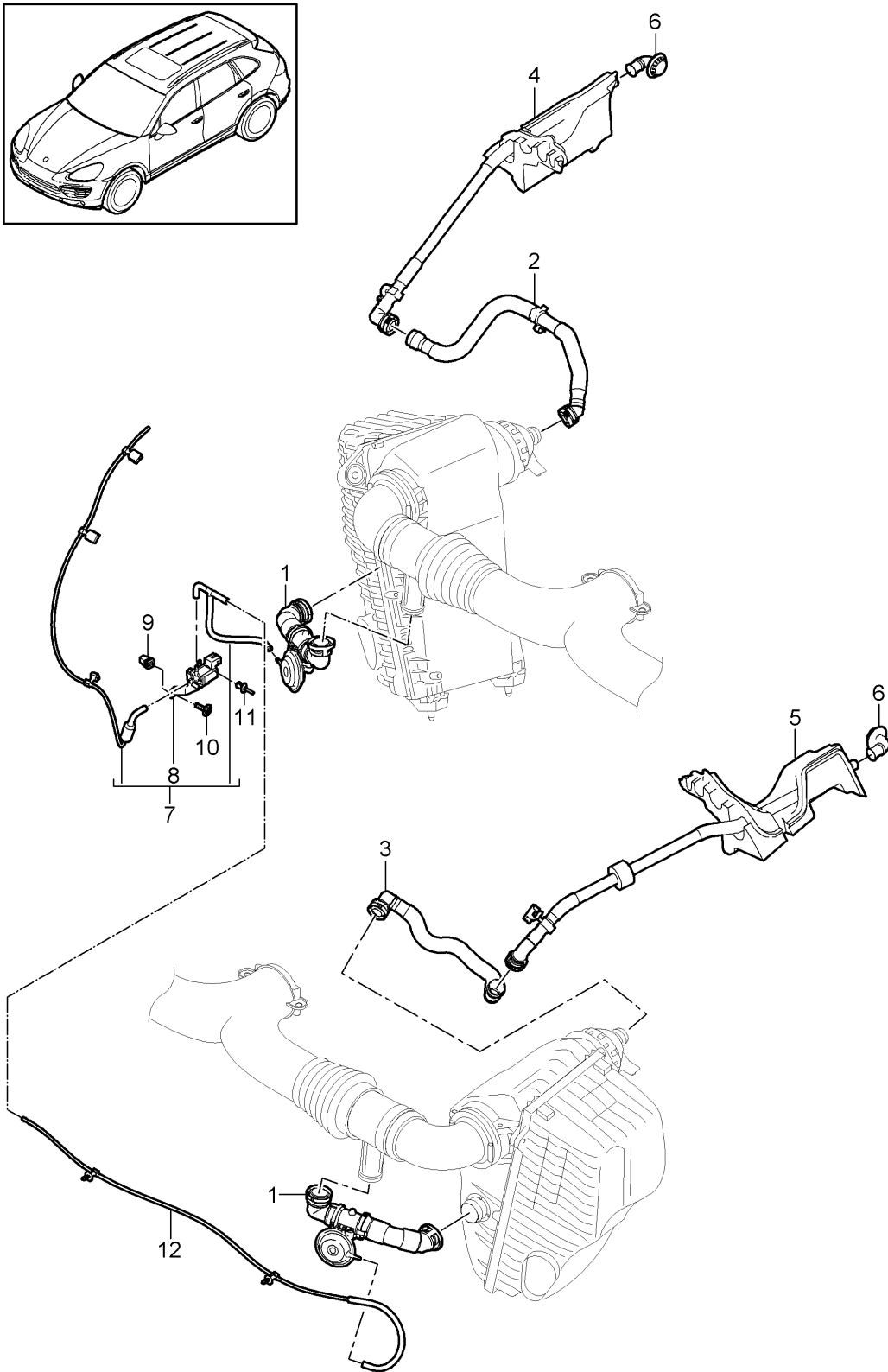
Model: 92A 11

Model life 2011&gt;&gt;2018

| Pos | Part Number    | Description                          | Remark | Qty | Model      |
|-----|----------------|--------------------------------------|--------|-----|------------|
|     |                | Air filter with connecting parts     |        |     | PR:D6V,E0W |
| 1   | 958 110 022 80 | Air filter                           | right  | 1   | PR:1L0     |
| (1) | 958 110 022 85 | Air filter                           | right  | 1   | PR:1L1     |
| 2   | 958 110 021 80 | Air filter                           | left   | 1   | PR:1L0     |
| (2) | 958 110 021 85 | Air filter                           | left   | 1   | PR:1L1     |
| 3   | 958 110 130 00 | Air filter element                   |        | 2   | PR:1L0     |
| (3) | 958 110 130 10 | Air filter element                   |        | 2   | PR:1L1     |
| 4   | 955 110 669 00 | Grommet                              |        | 2   |            |
| 5   | 955 110 734 00 | spacer bush                          |        | 2   |            |
| 6   | 958 110 504 00 | Noise generator                      |        | 2   |            |
| 7   | N 909 643 01   | O-ring<br>91 X 6                     |        | 2   |            |
| 8   | N 104 197 02   | oval head panel screw<br>6 X 22      |        | 2   |            |
| 9   | N 104 827 01   | Hex collared bolt<br>AM 6 X 35       |        | 2   |            |
| 10  | 955 110 669 00 | Grommet                              |        | 4   |            |
| 11  | 958 110 834 00 | drain tube                           |        | 2   |            |
| 12  | 955 110 046 20 | intake air distributor               |        | 1   |            |
| 13  | N 024 508 5    | Hose clamp<br>A 80 - 100 X 9 X 0,5   |        | 1   |            |
| 14  | N 024 523 2    | Hose clamp<br>A 50 - 70 X 13 X 0,5   |        | 2   |            |
| 15  | 955 110 191 10 | Bellows                              |        | 2   |            |
| 16  | N 024 526 4    | Hose clamp<br>A 70 - 90 X 13 X 0,5   |        | 4   |            |
| 17  | 958 110 638 00 | Adapter                              |        | 2   |            |
| 18  | 955 110 533 20 | intake manifold                      | left   | 1   |            |
| 19  | 955 110 534 20 | intake manifold                      | right  | 1   |            |
| 20  | WHT 003 227 C  | O-ring<br>91 X 6                     |        | 2   |            |
| 21  | 955 110 269 00 | Pin                                  |        | 4   |            |
| 22  | 958 110 271 00 | Locking mechanism<br>intake manifold | left   | 1   |            |
| 23  | 958 110 272 00 | intake manifold                      | right  | 1   |            |
| 24  | 958 110 251 50 | Gaiter                               | left   | 1   |            |
| 25  | 958 110 252 50 | Gaiter                               | right  | 1   |            |

Model: 92A 11

Model life 2011>>2018



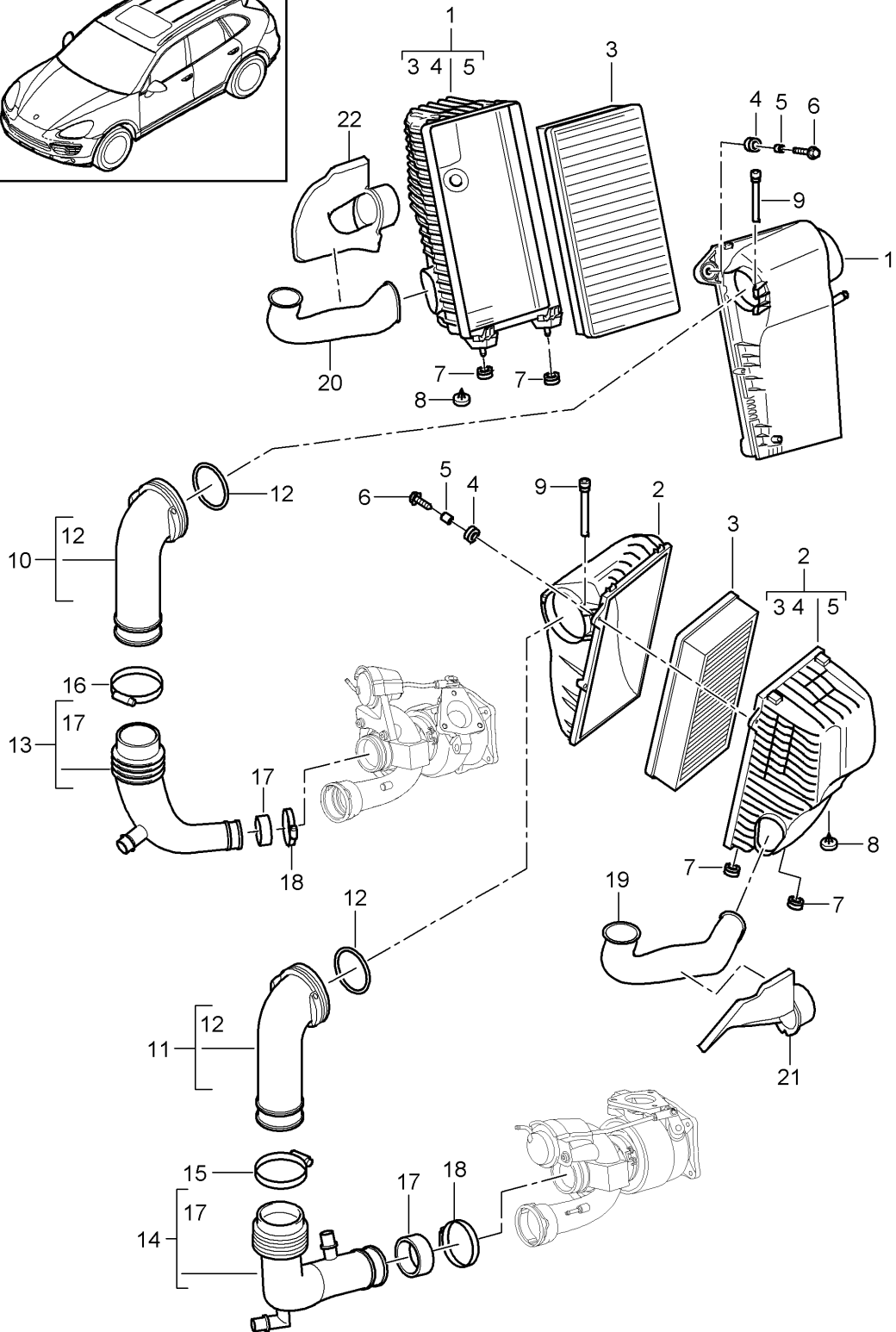
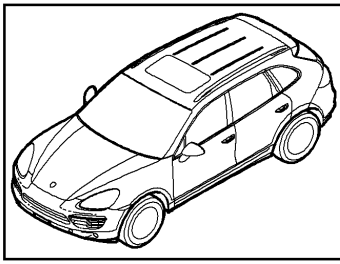
Model: 92A 11

Model life 2011>>2018

| Pos  | Part Number    | Description                      | Remark | Qty | Model      |
|------|----------------|----------------------------------|--------|-----|------------|
|      |                | Air filter with connecting parts |        |     | PR:D6V,E0W |
| 1    | 958 110 628 10 | Vacuum line intake hose<br>with: |        | 2   |            |
|      |                | Vacuum unit                      |        |     |            |
| 2    | 958 110 624 00 | Connecting pipe                  | right  | 1   |            |
| 3    | 958 110 623 00 | Connecting pipe                  | left   | 1   |            |
|      |                | No longer use the part here      |        |     |            |
| (3)  | 958 110 623 10 | Connecting pipe                  | left   | 1   |            |
| -    | N 909 809 01   | Hose bracket                     |        | 1   |            |
|      |                | Connecting pipe                  |        |     |            |
| 4    | 958 572 532 30 | seal for water box<br>with:      | right  | 1   |            |
|      |                | Connecting pipe                  |        |     |            |
| 5    | 958 572 531 30 | seal for water box<br>with:      | left   | 1   |            |
|      |                | Connecting pipe                  |        |     |            |
| 6    | 958 110 609 00 | Grommet                          |        | 2   |            |
| 7    | 958 110 456 00 | Vacuum line (complete)           |        | 1   |            |
| 8    | 7PP 906 270    | Change-over valve Electric       |        | 1   |            |
| -    | 958 110 583 00 | Bracket                          |        | 1   |            |
|      |                | Change-over valve                |        |     |            |
| 9    | 958 106 577 00 | expanding nut                    | ST4,8  | 1   |            |
| 10   | N 911 329 01   | Hexagon socket head panel bolt   | 5X16   | 1   |            |
| 11   | N 038 501 3    | Spreader rivet                   | 6X12   | 1   |            |
| 12   | 958 110 456 10 | Vacuum line                      |        | 1   |            |
|      |                | No longer use the part here      |        |     |            |
| (12) | 958 110 456 20 | Vacuum line                      |        | 1   |            |

Model: 92A 11

Model life 2011>>2018



Model: 92A 11 Model life 2011>>2018

| Pos  | Part Number    | Description   | Remark | Qty | Model                    |
|------|----------------|---|--------|-----|--------------------------|
| 1    | 958 110 022 00 | Air filter with connecting parts<br>Air filter<br>without:        | right  | 1   | PR:D58,DT1,DT5<br>PR:1L0 |
| (1)  | 958 110 022 60 | Guard plate<br>No longer use the part here<br>Air filter<br>with: | right  | 1   | PR:1L0                   |
| (1)  | 958 110 022 10 | Guard plate<br>Air filter<br>without:                             | right  | 1   | PR:1L1,1L2               |
| (1)  | 958 110 022 70 | Guard plate<br>No longer use the part here<br>Air filter<br>with: | right  | 1   | PR:1L1                   |
| 2    | 958 110 021 00 | Guard plate<br>Air filter<br>without:                             | left   | 1   | PR:1L0                   |
| (2)  | 958 110 021 60 | Guard plate<br>No longer use the part here<br>Air filter<br>with: | left   | 1   | PR:1L0                   |
| (2)  | 958 110 021 10 | Guard plate<br>Air filter<br>without:                             | left   | 1   | PR:1L1,1L2               |
| (2)  | 958 110 021 70 | Guard plate<br>No longer use the part here<br>Air filter<br>with: | left   | 1   | PR:1L1                   |
| 3    | 958 110 130 00 | Guard plate<br>Air filter element                                 |        | 2   | PR:1L0                   |
| (3)  | 958 110 130 10 | Air filter element  |        | 2   | PR:1L1,1L2               |
| 4    | 955 110 669 00 | Grommet   |        | 2   |                          |
| 5    | 955 110 734 00 | spacer bush   |        | 2   |                          |
| 6    | N 104 827 01   | Hex collared bolt   | M6X35  | 2   |                          |
| 7    | 955 110 669 00 | Grommet   |        | 4   |                          |
| 8    | 958 110 834 00 | drain tube  |        | 2   |                          |
| 9    | 955 110 269 00 | Pin   |        | 4   |                          |
| 10   | 958 110 114 50 | Locking mechanism<br>intake manifold                              | right  | 1   | PR:D58                   |
| (10) | 958 110 114 70 | intake manifold   | right  | 1   | PR:DT1,DT5               |
| 11   | 958 110 113 50 | intake manifold   | left   | 1   | PR:D58                   |
| (11) | 958 110 271 10 | intake manifold   | left   | 1   | PR:DT1,DT5               |
| 12   | N 909 643 01   | O-ring<br>91 X 6  |        | 2   |                          |
| 13   | 958 110 156 50 | suction line<br>see workshop manual<br>See main group 2<br>212419 | right  | 1   | PR:D58                   |
| (13) | 958 110 156 80 | suction line<br>with:   | right  | 1   | PR:DT1,DT5               |
| 14   | 958 110 155 50 | Hose clamp<br>see workshop manual<br>See main group 2<br>212419   | left   | 1   | PR:D58                   |
| (14) | 958 110 155 80 | suction line<br>with:   | left   | 1   | PR:DT1,DT5               |
|      |                | Hose clamp<br>see workshop manual                                 |        |     |                          |

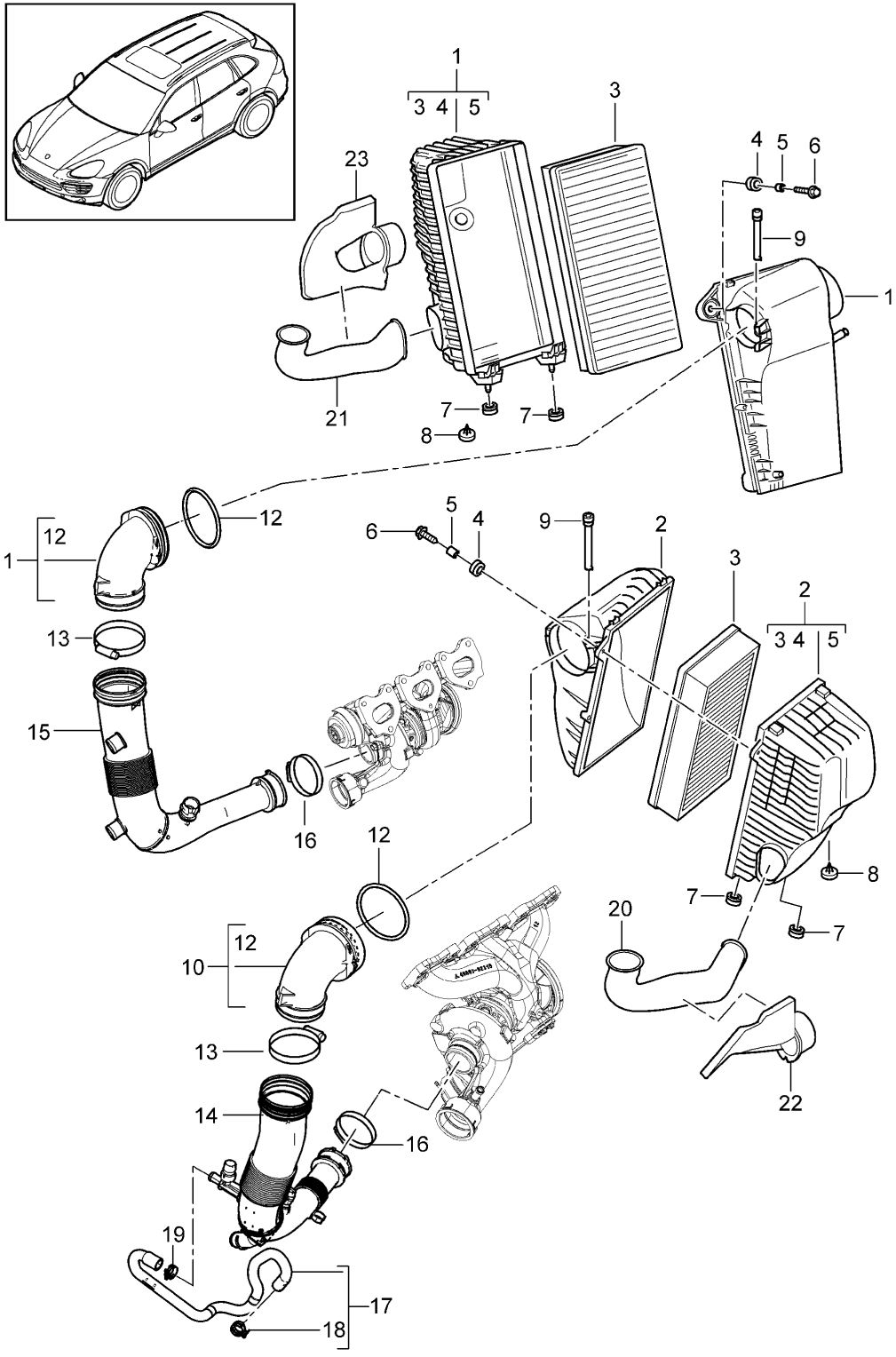
Model: 92A 11

Model life 2011>>2018

| Pos  | Part Number    | Description                       | Remark        | Qty | Model      |
|------|----------------|-----------------------------------|---------------|-----|------------|
|      |                | See main group 2<br>212419        |               |     |            |
| 15   | N 024 526 4    | Hose clamp                        | A70-90X13X0,5 | 1   |            |
| 16   | N 911 988 01   | Hose clamp                        | A65-85X12X0,5 | 1   |            |
| (16) | N 024 526 4    | Hose clamp                        | A70-90X13X0,5 | 1   |            |
| 17   | 958 110 769 00 | Grommet<br>see workshop manual    |               | 2   |            |
|      |                | See main group 2<br>212419        |               |     |            |
| 18   | N 024 523 2    | Hose clamp<br>see workshop manual | A50-70X13X0,5 | 2   |            |
|      |                | See main group 2<br>212419        |               |     |            |
| 19   | 958 110 271 00 | intake manifold                   | left          | 1   | PR:D58     |
| (19) | 958 110 271 20 | intake manifold                   | left          | 1   | PR:DT1,DT5 |
| 20   | 958 110 272 00 | intake manifold                   | right         | 1   | PR:D58     |
| (20) | 958 110 272 10 | intake manifold                   | right         | 1   | PR:DT1,DT5 |
| 21   | 958 110 251 50 | Gaiter                            | left          | 1   | PR:D58     |
| (21) | 958 110 251 60 | Gaiter                            | left          | 1   | PR:DT1,DT5 |
| 22   | 958 110 252 50 | Gaiter                            | right         | 1   | PR:D58     |
| (22) | 958 110 252 60 | Gaiter                            | right         | 1   | PR:DT1,DT5 |

Model: 92A 11

Model life 2011>>2018





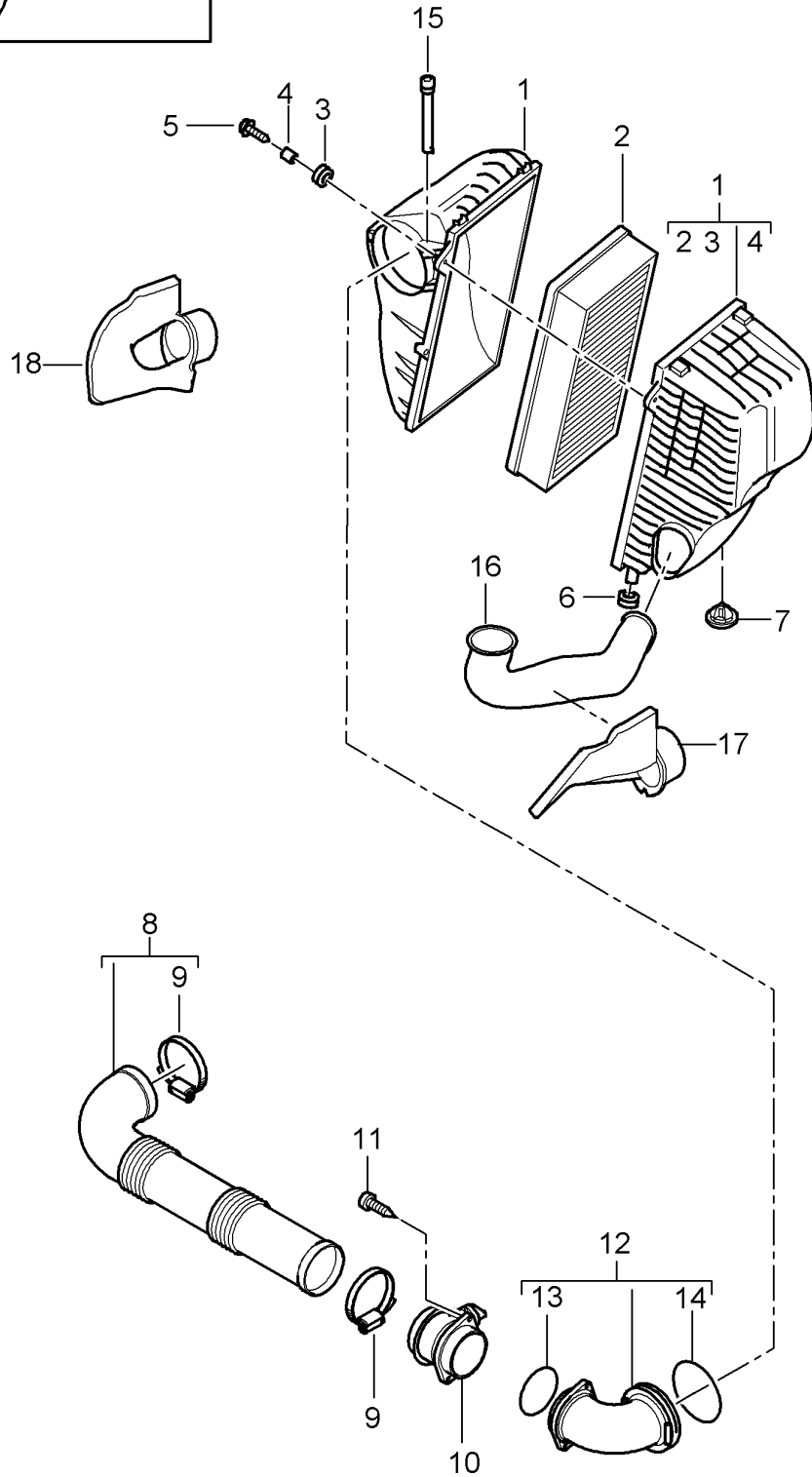
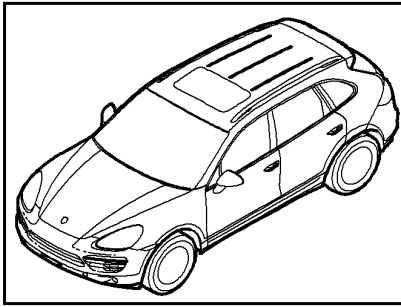
Model: 92A 11

Model life 2011&gt;&gt;2018

| Pos  | Part Number    | Description   | Remark        | Qty | Model      |
|------|----------------|---|---------------|-----|------------|
|      |                | Air filter with connecting parts                                  |               |     | PR:DU2,DU3 |
| 1    | 958 110 022 00 | Air filter  | right         | 1   | PR:1L0     |
|      |                | without:  |               |     |            |
| (1)  | 958 110 022 10 | Guard plate<br>Air filter   | right         | 1   | PR:1L1     |
|      |                | without:  |               |     |            |
| 2    | 958 110 021 00 | Guard plate<br>Air filter   | left          | 1   | PR:1L0     |
|      |                | without:  |               |     |            |
| (2)  | 958 110 021 10 | Guard plate<br>Air filter   | left          | 1   | PR:1L1     |
|      |                | without:  |               |     |            |
| 3    | 958 110 130 00 | Guard plate<br>Air filter element                                 |               | 2   | PR:1L0     |
| (3)  | 958 110 130 10 | Air filter element  |               | 2   | PR:1L1     |
| 4    | 955 110 669 00 | Grommet   |               | 2   |            |
| 5    | 955 110 734 00 | spacer bush   |               | 2   |            |
| 6    | N 104 827 01   | Hex collared bolt   | M6X35         | 2   |            |
| 7    | 955 110 669 00 | Grommet   |               | 4   |            |
| 8    | 958 110 834 00 | drain tube  |               | 2   |            |
| 9    | 955 110 269 00 | Pin   |               | 4   |            |
| 10   | 958 110 113 70 | Locking mechanism<br>intake manifold                              | left          | 1   |            |
| 11   | 958 110 272 20 | intake manifold   | right         | 1   |            |
| 12   | N 909 643 01   | O-ring  | 91X6          | 2   |            |
| 13   | N 107 318 01   | Hose clamp  | A70-90X12X0,8 | 2   |            |
| 14   | 958 110 155 70 | suction line<br>see workshop manual<br>See main group 2<br>212419 | left          | 1   |            |
| 15   | 958 110 156 70 | suction line<br>see workshop manual<br>See main group 2<br>212419 | right         | 1   |            |
| 16   | N 105 188 01   | Hose clamp<br>see workshop manual<br>See main group 2<br>212419   | A40-60X12X0,8 | 2   |            |
| 17   | 958 110 487 00 | Vacuum hose   |               | 1   |            |
| 18   | N 912 023 01   | Spring band clamp   | D19X12        | 1   |            |
| 19   | 999 512 653 09 | Hose clamp  | B20X12        | 1   |            |
| 20   | 958 110 271 20 | intake manifold   | left          | 1   |            |
| 21   | 958 110 272 10 | intake manifold   | right         | 1   |            |
| 22   | 958 110 251 01 | Gaiter  | left          | 1   | PR:DU2     |
| (22) | 958 110 251 60 | Gaiter  | left          | 1   | PR:DU3     |
| 23   | 958 110 252 20 | Gaiter  | right         | 1   | PR:DU2     |
| (23) | 958 110 252 60 | Gaiter  | right         | 1   | PR:DU3     |

Model: 92A 11

Model life 2011>>2018



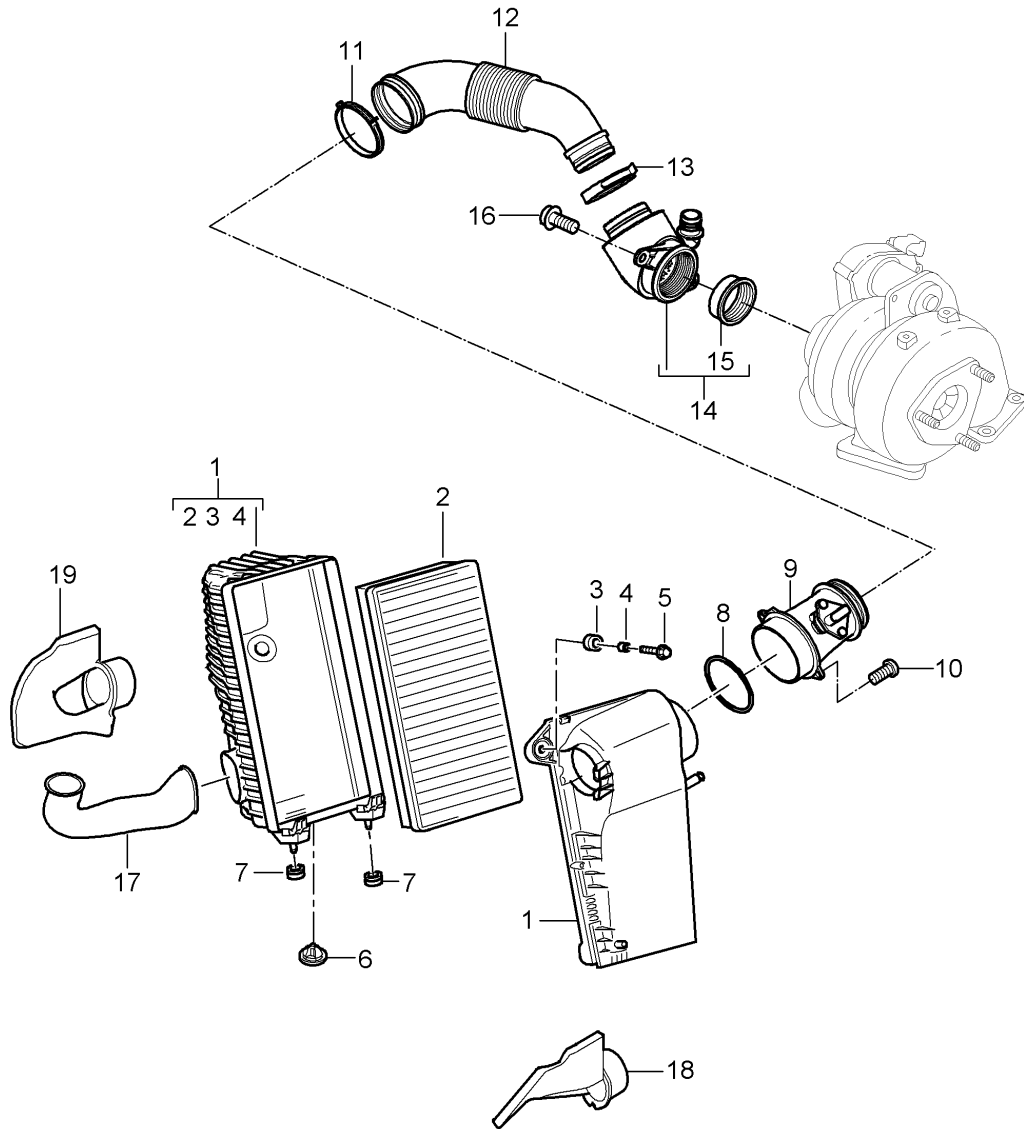
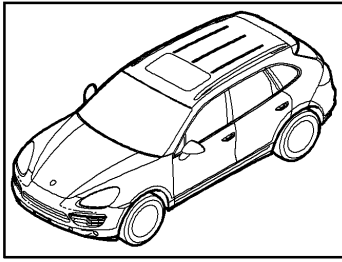
Model: 92A 11

Model life 2011>>2018

| Pos  | Part Number    | Description                      | Remark        | Qty | Model  |
|------|----------------|----------------------------------|---------------|-----|--------|
|      |                | Air filter with connecting parts |               |     | PR:D34 |
| 1    | 958 110 021 00 | Air filter                       | left          | 1   | PR:1L0 |
| (1)  | 958 110 021 10 | Air filter                       | left          | 1   | PR:1L1 |
| 2    | 958 110 130 00 | Air filter element               |               | 1   | PR:1L0 |
| (2)  | 958 110 130 10 | Air filter element               |               | 1   | PR:1L1 |
| 3    | 955 110 669 00 | Grommet                          |               | 1   |        |
| 4    | 955 110 734 00 | spacer bush                      |               | 1   |        |
| 5    | N 104 827 01   | Hex collared bolt                | M6X35         | 1   |        |
| 6    | 955 110 669 00 | Grommet                          |               | 2   |        |
| 7    | 958 110 834 00 | drain tube                       |               | 1   |        |
| 8    | 955 110 223 01 | Connecting pipe                  |               | 1   |        |
| 9    | N 024 526 4    | Hose clamp                       | A70-90X13X0,5 | 2   |        |
| 10   | 958 606 125 00 | Air mass meter                   |               | 1   |        |
| 11   | N 104 197 02   | oval head panel screw            | 6X22          | 2   |        |
| 12   | 958 110 113 10 | intake manifold                  |               | 1   |        |
| 13   | N 909 219 01   | O-ring                           | 85X6          | 1   |        |
| 14   | N 909 643 01   | O-ring                           | 91X6          | 1   |        |
| 15   | 955 110 269 00 | Pin                              |               | 2   |        |
|      |                | Locking mechanism                |               |     |        |
| 16   | 958 110 271 00 | intake manifold                  |               | 1   |        |
|      |                | D >> - MJ 2014                   |               |     |        |
| (16) | 958 110 271 20 | intake manifold                  |               | 1   |        |
|      |                | D - MJ 2015>>                    |               |     |        |
| 17   | 958 110 251 00 | Gaiter                           | left          | 1   |        |
|      |                | D >> - MJ 2014                   |               |     |        |
| (17) | 958 110 251 01 | Gaiter                           | left          | 1   |        |
|      |                | D - MJ 2015>>                    |               |     |        |
| 18   | 958 110 252 10 | Gaiter                           | right         | 1   |        |
|      |                | D >> - MJ 2014                   |               |     |        |
| (18) | 958 110 252 70 | Gaiter                           | right         | 1   |        |
|      |                | D - MJ 2015>>                    |               |     |        |

Model: 92A 11

Model life 2011>>2018

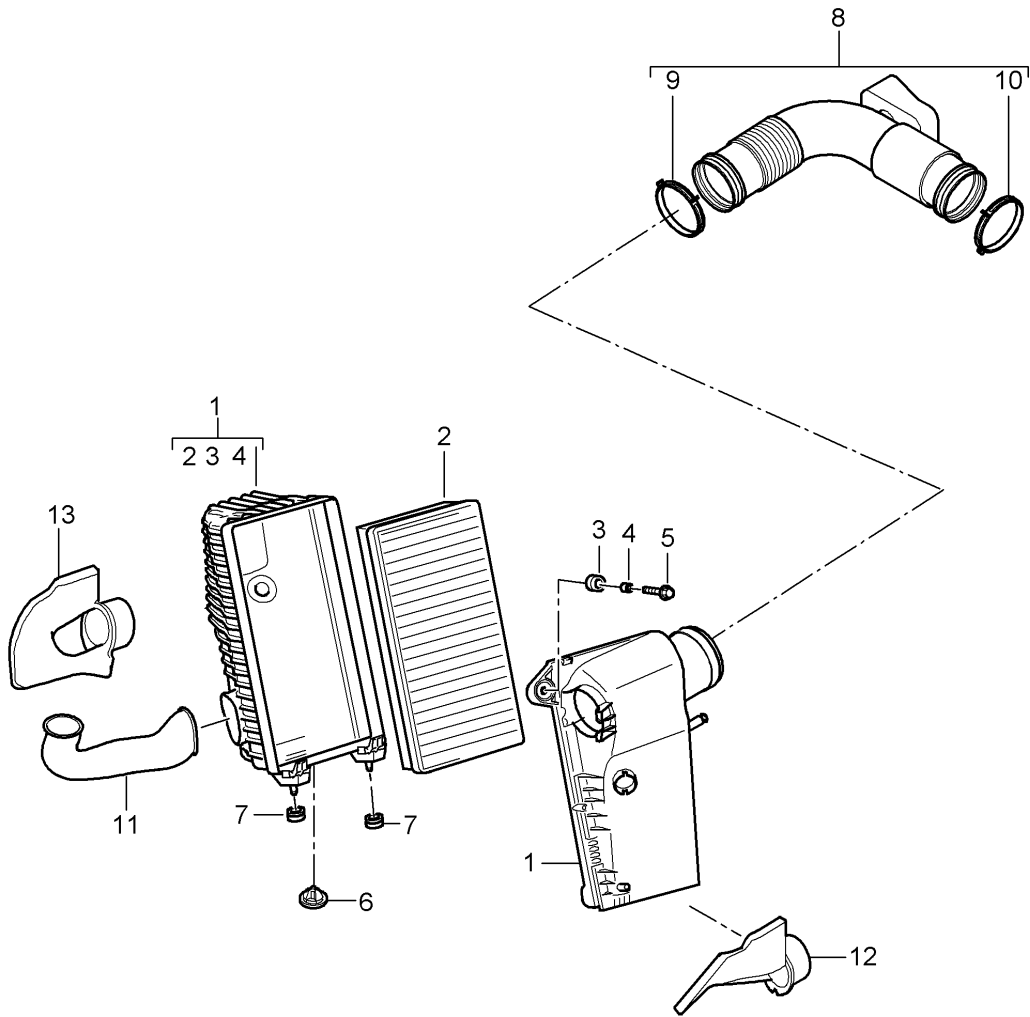
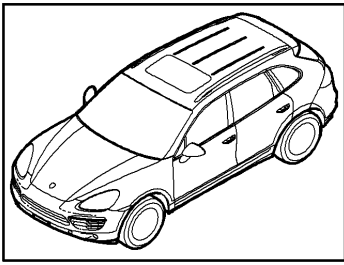


Model: 92A 11 Model life 2011>>2018

| Pos  | Part Number    | Description                                     | Remark | Qty | Model                      |
|------|----------------|---|--------|-----|----------------------------|
|      |                | Air filter with connecting parts                |        |     | PR:D50,D43,<br>D1V,DV7,D51 |
| 1    | 958 110 022 40 | Air filter                                      |        | 1   | PR:1L0                     |
| (1)  | 958 110 022 50 | Air filter                                      |        | 1   | PR:1L1,1L2                 |
| 2    | 958 110 130 00 | Air filter element                              |        | 1   | PR:1L0                     |
| (2)  | 958 110 130 10 | Air filter element                              |        | 1   | PR:1L1,1L2                 |
| 3    | 955 110 669 00 | Grommet   |        | 1   |                            |
| 4    | 955 110 734 00 | spacer bush                                     |        | 1   |                            |
| 5    | N 104 827 01   | Hex collared bolt                               | M6X35  | 1   |                            |
| 6    | 958 110 834 00 | drain tube                                      |        | 1   |                            |
| 7    | 955 110 669 00 | Grommet   |        | 2   |                            |
| 8    | N 909 643 01   | O-ring  | 91X6   | 1   |                            |
| 9    | 955 606 123 50 | Air mass meter                                  |        | 1   |                            |
| 10   | N 104 197 02   | oval head panel screw                           | 6X22   | 2   |                            |
| 11   | N 906 564 01   | Spring band clamp                               | A80X12 | 1   |                            |
| 12   | 958 110 324 00 | suction line                                    |        | 1   |                            |
|      |                | D >> - MJ 2011                                  |        |     |                            |
| (12) | 958 110 324 30 | suction line                                    |        | 1   |                            |
|      |                | D - MJ 2012>>                                   |        |     |                            |
| 13   | N 907 816 01   | Spring band clamp                               | A60X12 | 1   |                            |
| 14   | 955 110 055 10 | pulsation damper                                |        | 1   |                            |
|      |                | D >> - MJ 2011                                  |        |     |                            |
| (14) | 955 110 055 11 | No longer use the part here<br>pulsation damper |        | 1   |                            |
|      |                | D >> - MJ 2011                                  |        |     |                            |
| (14) | 958 110 055 00 | pulsation damper                                |        | 1   |                            |
|      |                | D - MJ 2012>>                                   |        |     |                            |
| (14) | 958 110 055 01 | No longer use the part here<br>pulsation damper |        | 1   |                            |
|      |                | D - MJ 2012>>                                   |        |     |                            |
| 15   | 958 110 493 00 | Seal  |        | 1   |                            |
|      |                | D >> - MJ 2011                                  |        |     |                            |
| (15) | 958 110 493 01 | No longer use the part here<br>Seal             |        | 1   |                            |
|      |                | D >> - MJ 2011                                  |        |     |                            |
| 16   | N 102 480 03   | Socket head bolt with inner multipoint head     | M6X14  | 2   |                            |
|      |                | D >> - MJ 2011                                  |        |     |                            |
| (16) | N 107 188 01   | bolt,hex.hd.with shoul.(combi)                  | M6X16  | 2   |                            |
|      |                | D - MJ 2012>>                                   |        |     |                            |
| 17   | 958 110 272 00 | intake manifold                                 |        | 1   |                            |
|      |                | D >> - MJ 2014                                  |        |     |                            |
| (17) | 958 110 272 10 | intake manifold                                 |        | 1   |                            |
|      |                | D - MJ 2015>>                                   |        |     |                            |
| 18   | 958 110 251 10 | Gaiter  | left   | 1   |                            |
|      |                | D >> - MJ 2014                                  |        |     |                            |
| (18) | 958 110 251 20 | Gaiter  | left   | 1   |                            |
|      |                | D - MJ 2015>>                                   |        |     |                            |
| 19   | 958 110 252 00 | Gaiter  | right  | 1   |                            |
|      |                | D >> - MJ 2014                                  |        |     |                            |
| (19) | 958 110 252 20 | Gaiter  | right  | 1   |                            |
|      |                | D - MJ 2015>>                                   |        |     |                            |

Model: 92A 11

Model life 2011>>2018



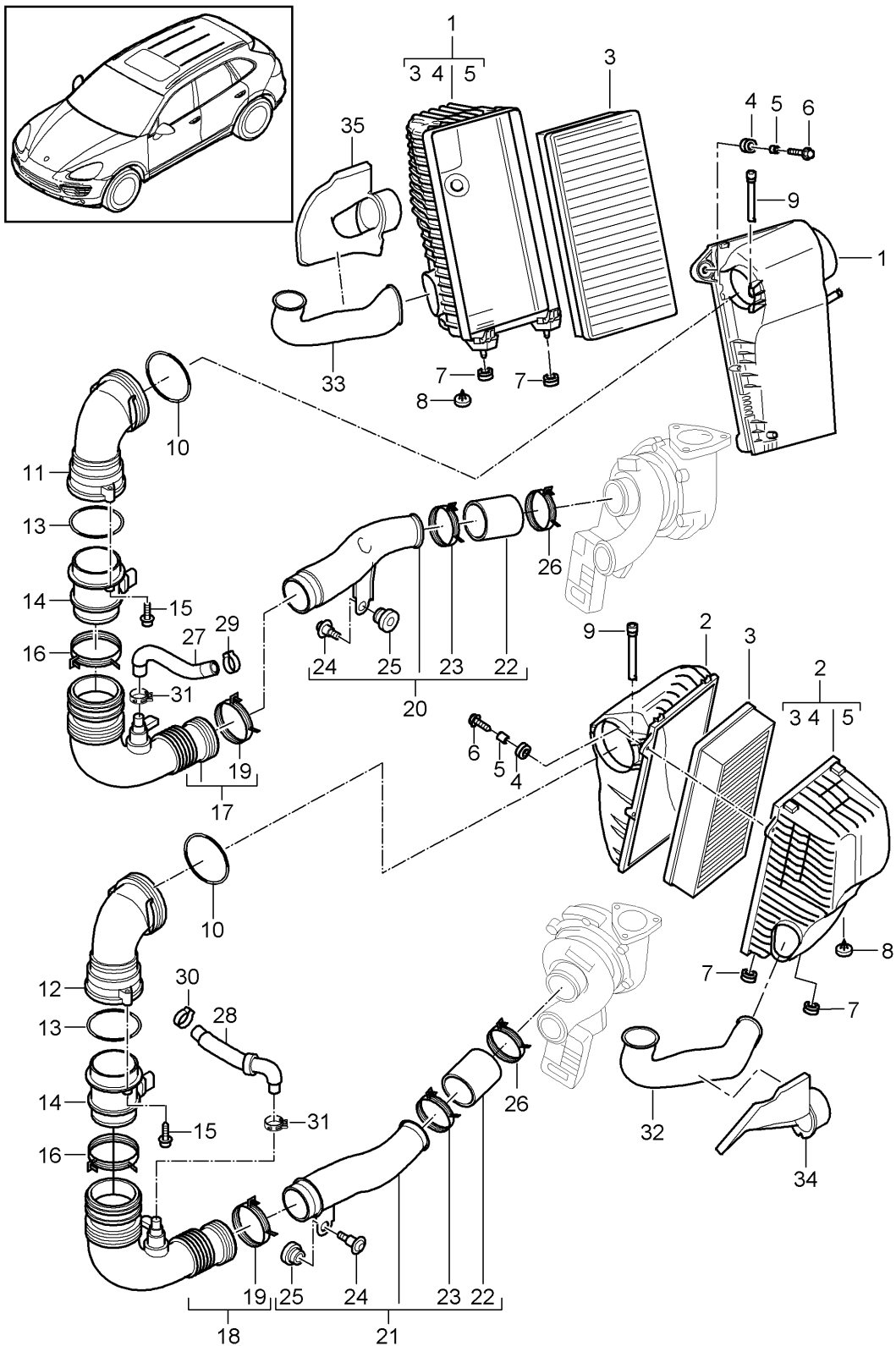
Model: 92A 11

Model life 2011>>2018

| Pos  | Part Number    | Description                      | Remark    | Qty | Model      |
|------|----------------|----------------------------------|-----------|-----|------------|
|      |                | Air filter with connecting parts |           |     | PR:D19,D11 |
| 1    | 958 110 022 20 | Air filter                       |           | 1   | PR:1L0     |
| (1)  | 958 110 022 30 | Air filter                       |           | 1   | PR:1L1,1L2 |
| 2    | 958 110 130 00 | Air filter element               |           | 1   | PR:1L0     |
| (2)  | 958 110 130 10 | Air filter element               |           | 1   | PR:1L1,1L2 |
| 3    | 955 110 669 00 | Grommet                          |           | 1   |            |
| 4    | 955 110 734 00 | spacer bush                      |           | 1   |            |
| 5    | N 104 827 01   | Hex collared bolt                | M6X35     | 1   |            |
| 6    | 958 110 834 00 | drain tube                       |           | 1   |            |
| 7    | 955 110 669 00 | Grommet                          |           | 2   |            |
| 8    | 958 110 223 02 | Connecting pipe                  |           | 1   |            |
| 9    | N 024 513 3    | Hose clamp                       | A90-110X9 | 1   |            |
| 10   | N 024 518 4    | Hose clamp                       | A70-90X9  | 1   |            |
| 11   | 958 110 272 00 | intake manifold                  |           | 1   |            |
|      |                | D >> - MJ 2014                   |           |     |            |
| (11) | 958 110 272 10 | intake manifold                  |           | 1   |            |
|      |                | D - MJ 2015>>                    |           |     |            |
| 12   | 958 110 251 10 | Gaiter                           | left      | 1   |            |
|      |                | D >> - MJ 2014                   |           |     |            |
| (12) | 958 110 251 20 | Gaiter                           | left      | 1   | PR:D19     |
|      |                | D - MJ 2015>>                    |           |     |            |
| (12) | 958 110 251 40 | Gaiter                           | left      | 1   | PR:D11     |
|      |                | D - MJ 2015>>                    |           |     |            |
| 13   | 958 110 252 00 | Gaiter                           | right     | 1   |            |
|      |                | D >> - MJ 2014                   |           |     |            |
| (13) | 958 110 252 20 | Gaiter                           | right     | 1   | PR:D19     |
|      |                | D - MJ 2015>>                    |           |     |            |
| (13) | 958 110 252 30 | Gaiter                           | right     | 1   | PR:D11     |
|      |                | D - MJ 2015>>                    |           |     |            |

Model: 92A 11

Model life 2011>>2018





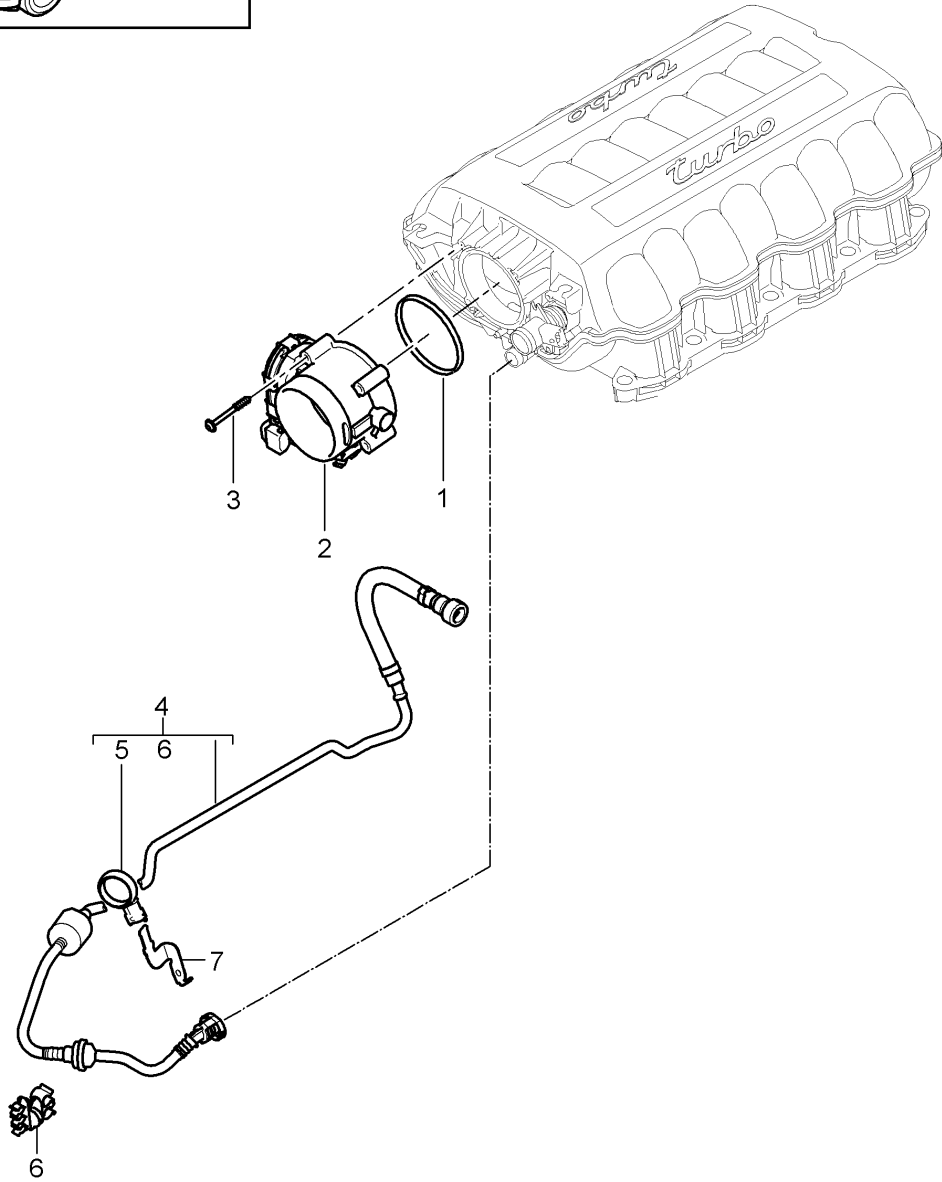
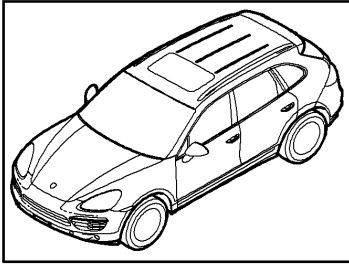
Model: 92A 11

Model life 2011>>2018

| Pos  | Part Number    | Description                      | Remark        | Qty | Model  |
|------|----------------|----------------------------------|---------------|-----|--------|
|      |                | Air filter with connecting parts |               |     | PR:DD8 |
| 1    | 958 110 022 00 | Air filter                       | right         | 1   | PR:1L0 |
| (1)  | 958 110 022 10 | Air filter                       | right         | 1   | PR:1L1 |
| 2    | 958 110 021 00 | Air filter                       | left          | 1   | PR:1L0 |
| (2)  | 958 110 021 10 | Air filter                       | left          | 1   | PR:1L1 |
| 3    | 958 110 130 00 | Air filter element               |               | 2   | PR:1L0 |
| (3)  | 958 110 130 10 | Air filter element               |               | 2   | PR:1L1 |
| 4    | 955 110 669 00 | Grommet                          |               | 2   |        |
| 5    | 955 110 734 00 | spacer bush                      |               | 2   |        |
| 6    | N 104 827 01   | Hex collared bolt                | M6X35         | 2   |        |
| 7    | 955 110 669 00 | Grommet                          |               | 4   |        |
| 8    | 958 110 834 00 | drain tube                       |               | 2   |        |
| 9    | 955 110 269 00 | Pin                              |               | 4   |        |
|      |                | Locking mechanism                |               |     |        |
| 10   | N 909 643 01   | O-ring                           | 91X6          | 2   |        |
| 11   | 958 110 114 60 | intake manifold                  | right         | 1   |        |
| 12   | 958 110 113 60 | intake manifold                  | left          | 1   |        |
| 13   | 955 110 646 10 | O-ring                           | 79X6          | 2   |        |
| 14   | 958 606 125 10 | Air mass meter                   |               | 2   |        |
| 15   | N 106 112 01   | oval head panel screw            | 6X22          | 4   |        |
| 16   | N 906 565 01   | Spring band clamp                | A85X12        | 2   |        |
| 17   | 958 110 156 60 | suction line                     | right         | 1   |        |
| 18   | 958 110 155 60 | suction line                     | left          | 1   |        |
| 19   | N 909 509 01   | Hose clamp                       | A50-70X9X0,65 | 2   |        |
| 20   | 958 110 158 00 | Intake manifold                  | right         | 1   |        |
| 21   | 958 110 157 00 | Intake manifold                  | left          | 1   |        |
| 22   | 958 110 628 30 | intake hose                      |               | 2   |        |
| 23   | N 907 816 01   | Spring band clamp                | A60X12        | 2   |        |
| 24   | 958 110 830 10 | spacer bush                      |               | 2   |        |
|      |                | with:                            |               |     |        |
|      |                | Screw                            |               |     |        |
| 25   | 867 129 669    | Grommet                          |               | 2   |        |
| 26   | N 907 816 01   | Spring band clamp                | A60X12        | 2   |        |
| 27   | 958 107 237 00 | Vent hose                        | right         | 1   |        |
| 28   | 958 110 295 00 | Vent hose                        | left          | 1   |        |
| 29   | N 904 095 01   | Ear crimp hose clamp             | 28,6X7X0,6    | 1   |        |
| 30   | N 906 869 01   | Spring band clamp                | B23X12        | 1   |        |
| 31   | N 911 061 01   | Spring band clamp                | B30X12        | 2   |        |
| 32   | 958 110 271 00 | intake manifold                  | left          | 1   |        |
|      |                | D >> - MJ 2014                   |               |     |        |
| (32) | 958 110 271 20 | intake manifold                  | left          | 1   |        |
|      |                | D - MJ 2015>>                    |               |     |        |
| 33   | 958 110 272 00 | intake manifold                  | right         | 1   |        |
|      |                | D >> - MJ 2014                   |               |     |        |
| (33) | 958 110 272 10 | intake manifold                  | right         | 1   |        |
|      |                | D - MJ 2015>>                    |               |     |        |
| 34   | 958 110 251 00 | Gaiter                           | left          | 1   |        |
|      |                | D >> - MJ 2014                   |               |     |        |
| (34) | 958 110 251 01 | Gaiter                           | left          | 1   |        |
|      |                | D - MJ 2015>>                    |               |     |        |
| 35   | 958 110 252 00 | Gaiter                           | right         | 1   |        |
|      |                | D >> - MJ 2014                   |               |     |        |
| (35) | 958 110 252 20 | Gaiter                           | right         | 1   |        |
|      |                | D - MJ 2015>>                    |               |     |        |

Model: 92A 11

Model life 2011>>2018



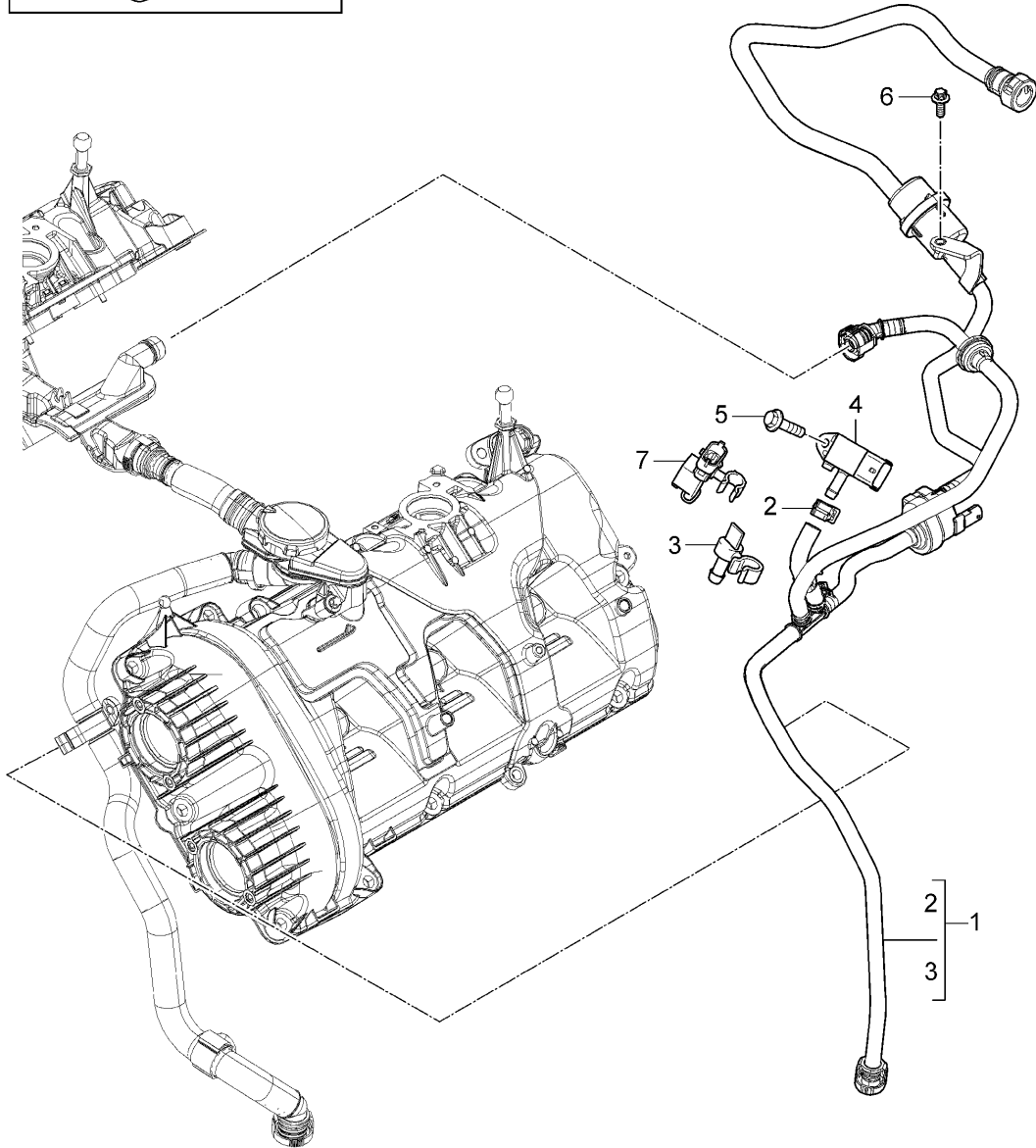
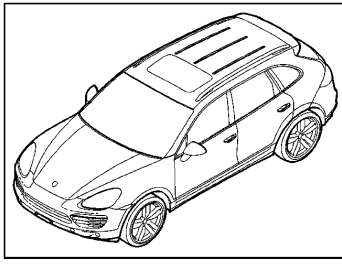
Model: 92A 11

Model life 2011>>2018

| Pos | Part Number    | Description  | Remark   | Qty | Model                               |
|-----|----------------|--|----------|-----|-------------------------------------|
| 1   | 948 110 144 20 | throttle valve adapter<br>ventilation for<br>fuel tank             |          | 1   | 4802,4852,<br>CFTB,CFT,<br>CYXA,CYX |
| (1) | 948 110 144 02 | Seal   |          | 1   | 4802                                |
| 2   | 997 605 116 01 | throttle valve adapter   |          | 1   | 4852,CFTB,<br>CFT,CYXA,CYX          |
| (2) | 948 605 115 03 | throttle valve adapter   |          | 1   | 4802                                |
| (2) | 948 605 115 04 | Discontinued part<br>throttle valve adapter                        |          | 1   | 4852                                |
| 3   | 999 919 005 01 | fillister hd. bolt   | 6,0X50,0 | 4   | 4852,CFTB,<br>CFT,CYXA,CYX          |
| 4   | 948 110 020 62 | Breather line<br>ventilation for<br>fuel tank                      |          | 1   | 4852                                |
| (4) | 948 110 020 63 | Discontinued part<br>Breather line<br>ventilation for<br>fuel tank |          | 1   | 4852,CFTB,<br>CFT,CYXA,CYX          |
| (4) | 948 110 020 12 | Breather line<br>ventilation for<br>fuel tank                      |          | 1   | 4802                                |
| (4) | 948 110 020 13 | Discontinued part<br>Breather line<br>ventilation for<br>fuel tank |          | 1   | 4802                                |
| 5   | 948 110 221 00 | Thrust ring  |          | 1   |                                     |
| 6   | 948 110 030 50 | Line holder<br>ventilation for<br>fuel tank                        |          | 1   | 4852,CFTB,<br>CFT,CYXA,CYX          |
| -   | 999 513 075 40 | Cable ties<br>for<br>ventilation for<br>fuel tank                  | 1,5-50   | 1   |                                     |
| 7   | 948 110 027 20 | Cable guide<br>Bracket<br>Breather line                            |          | 1   |                                     |

Model: 92A 11

Model life 2011>>2018



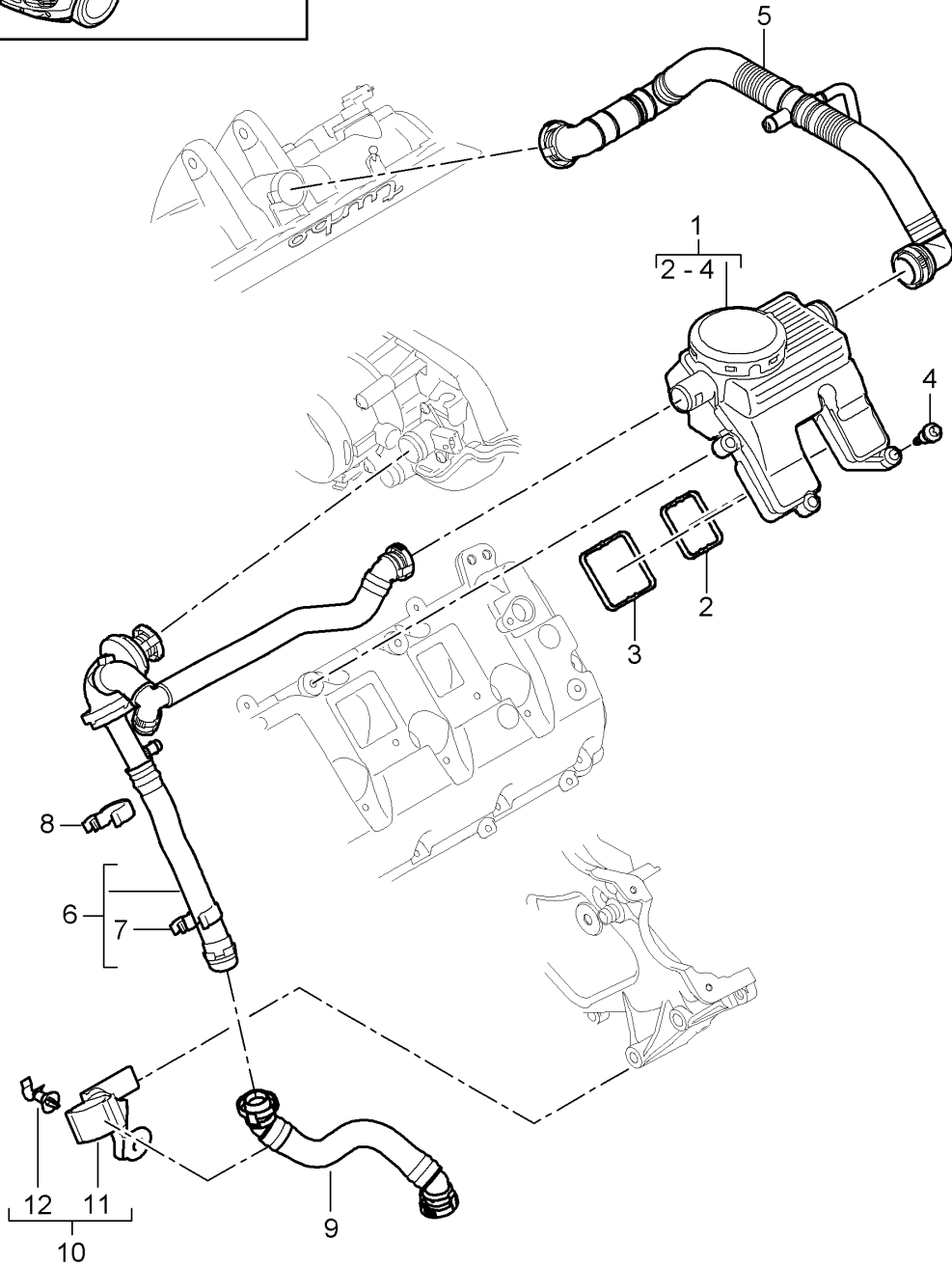
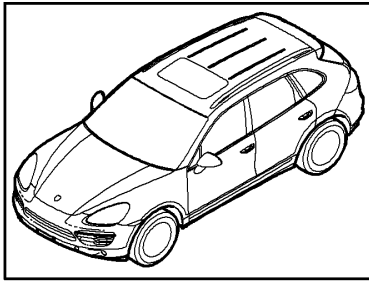
Model: 92A 11

Model life 2011&gt;&gt;2018

| Pos | Part Number    | Description  | Remark     | Qty | Model                     |
|-----|----------------|--|------------|-----|---------------------------|
|     |                | ventilation for<br>fuel tank                         |            |     | CURA, CUR,<br>CXZA, CXZ   |
| 1   | 946 110 020 55 | Breather line  |            | 1   |                           |
| 2   | 999 512 596 09 | Hose clamp   | A13X12X0,8 | 1   |                           |
| 3   | 946 110 220 00 | Bungs  |            | 1   |                           |
| 6   | 900 385 009 01 | Torx screw   | BM6X16     | 1   |                           |
| 7   | 7PP 971 918 A  | Bungs<br>catch<br>flat connector housing<br>Wire set |            | 1   | PR: 0GG, 7GH,<br>7MJ, 7MM |

Model: 92A 11

Model life 2011>>2018



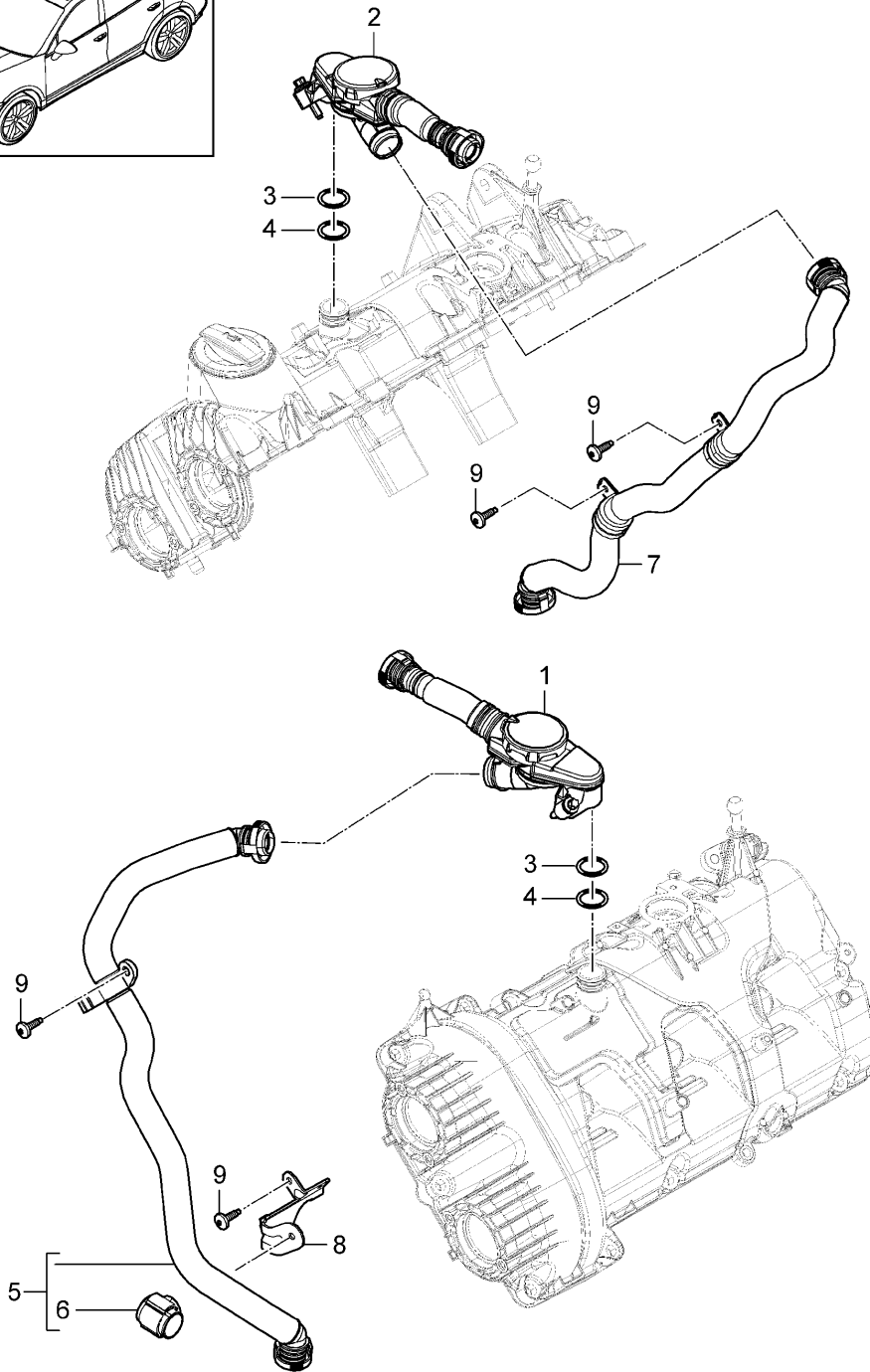
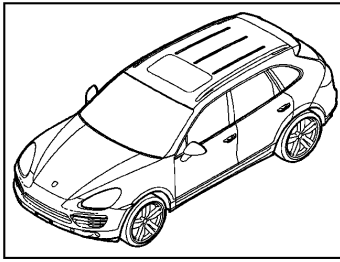
Model: 92A 11

Model life 2011&gt;&gt;2018

| Pos | Part Number    | Description                                  | Remark   | Qty | Model                               |
|-----|----------------|--|----------|-----|-------------------------------------|
|     |                | Crankcase housing ventilation                |          |     | 4802,4852,<br>CFTB,CFT,<br>CYXA,CYX |
| 1   | 948 107 135 20 | oil separator                                |          | 1   |                                     |
| (1) | 948 107 135 21 | No longer use the part here<br>oil separator |          | 1   |                                     |
| (1) | 948 107 135 22 | No longer use the part here<br>oil separator |          | 1   |                                     |
| 2   | 948 107 437 20 | Seal   |          | 1   |                                     |
| 3   | 948 107 438 20 | Seal   |          | 1   |                                     |
| 4   | 948 107 443 01 | Securing element                             | M6X33    | 4   |                                     |
| (4) | 948 107 443 02 | Discontinued part<br>Securing element        | M6X33    | 4   |                                     |
| 5   | 948 107 245 60 | Breather line                                |          | 1   | 4852,CFTB,<br>CFT,CYXA,CYX          |
| (5) | 948 107 245 20 | Breather line                                |          | 1   | 4802                                |
| 6   | 948 107 229 61 | Non-return valve                             |          | 1   | 4852,CFTB,<br>CFT,CYXA,CYX          |
| (6) | 948 107 247 20 | Breather line                                |          | 1   | 4802                                |
| 7   | 999 507 800 40 | Hose bracket                                 | 6,5/24,5 | 1   | 4852,CFT,<br>CFTB,CYX,<br>CYXA      |
| 8   | 999 507 800 40 | Hose bracket                                 | 6,5/24,5 | 1   | 4852                                |
| (8) | 999 507 191 40 | No longer use the part here<br>Hose bracket  | 6,0/22,0 | 1   | 4852,CFT,<br>CFTB,CYX,<br>CYXA      |
| 9   | 955 107 251 50 | Breather line                                |          | 1   | 4852,CFTB,<br>CFT,CYXA,CYX          |
| 10  | 948 107 029 60 | Crankcase housing<br>Bracket                 |          | 1   | 4852,CFTB,<br>CFT,CYXA,CYX          |
| 11  | 999 507 370 40 | Breather line<br>Hose bracket                | 23-A     | 1   | 4852,CFTB,<br>CFT,CYXA,CYX          |
| 12  | 999 507 611 40 | Hose bracket                                 | 6,0-6,5  | 1   | 4852,CFTB,<br>CFT,CYXA,CYX          |

Model: 92A 11

Model life 2011>>2018





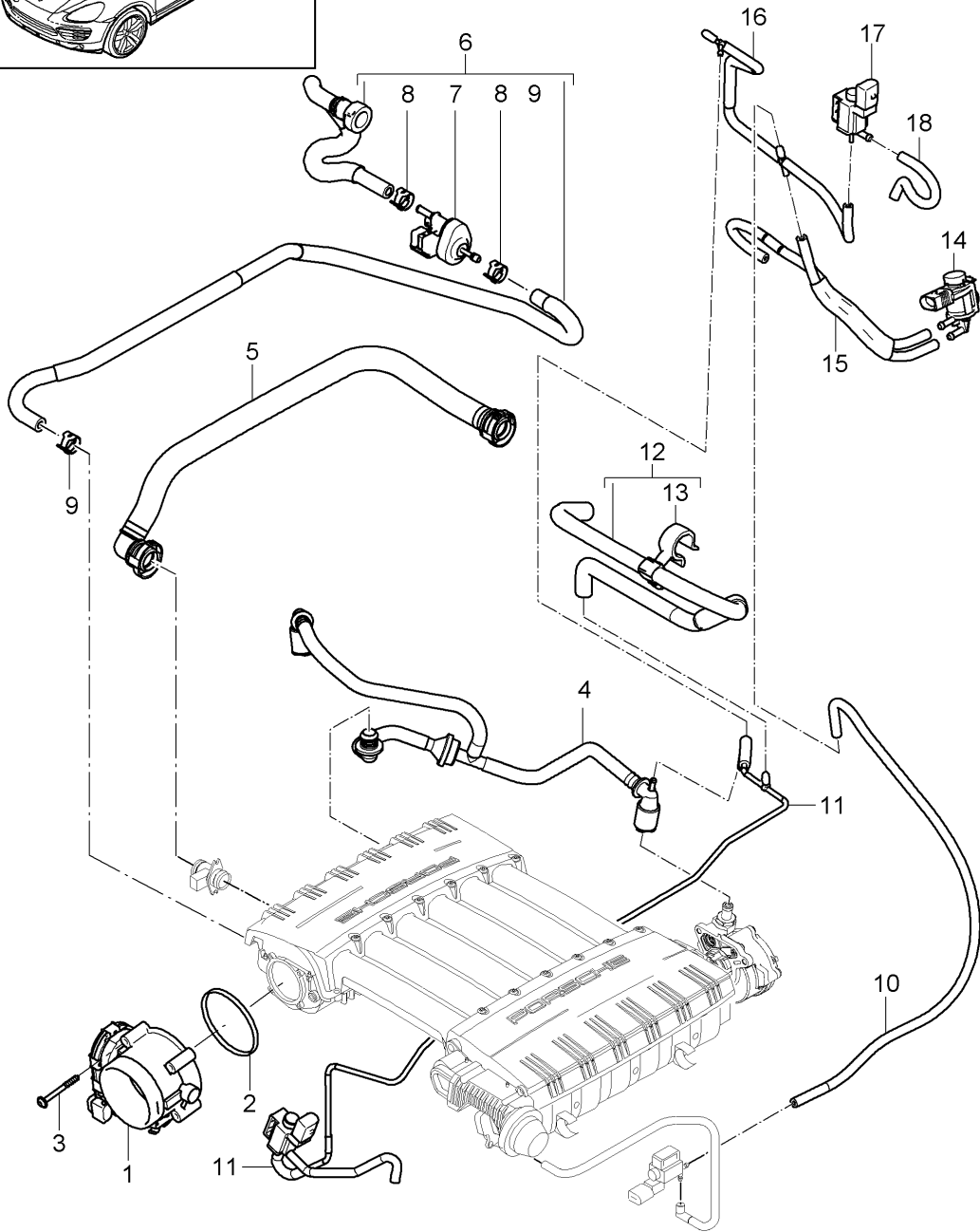
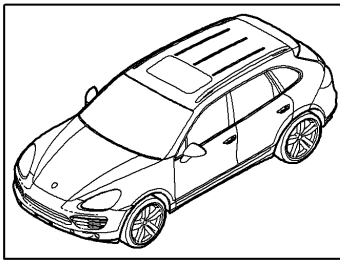
Model: 92A 11

Model life 2011&gt;&gt;2018

| Pos | Part Number    | Description                          | Remark                 | Qty | Model                   |
|-----|----------------|--------------------------------------|------------------------|-----|-------------------------|
|     |                | Crankcase housing ventilation        |                        |     | CURA, CUR,<br>CXZA, CXZ |
| 1   | 946 107 230 77 | Non-return valve                     | left                   | 1   |                         |
|     |                | with:                                |                        |     |                         |
| 2   | 946 107 229 77 | Securing element<br>Non-return valve | right                  | 1   |                         |
|     |                | with:                                |                        |     |                         |
| 3   | 999 707 677 40 | Securing element<br>O-ring           | 22,5X2,5N              | 2   |                         |
| 4   | 999 707 677 41 | O-ring                               | 22,5X2,5N              | 2   |                         |
| 5   | 946 107 240 51 | Breather line                        | left                   | 1   |                         |
| 6   | 999 507 370 40 | Hose bracket                         | 23,0-A                 | 1   |                         |
| 7   | 946 107 239 51 | Breather line                        | right                  | 1   |                         |
| 8   | 946 107 029 76 | Bracket                              |                        | 1   |                         |
| 9   | 999 073 902 31 | fillister hd. bolt                   | M6X16-PA-<br>aluminium | 4   |                         |

Model: 92A 11

Model life 2011>>2018

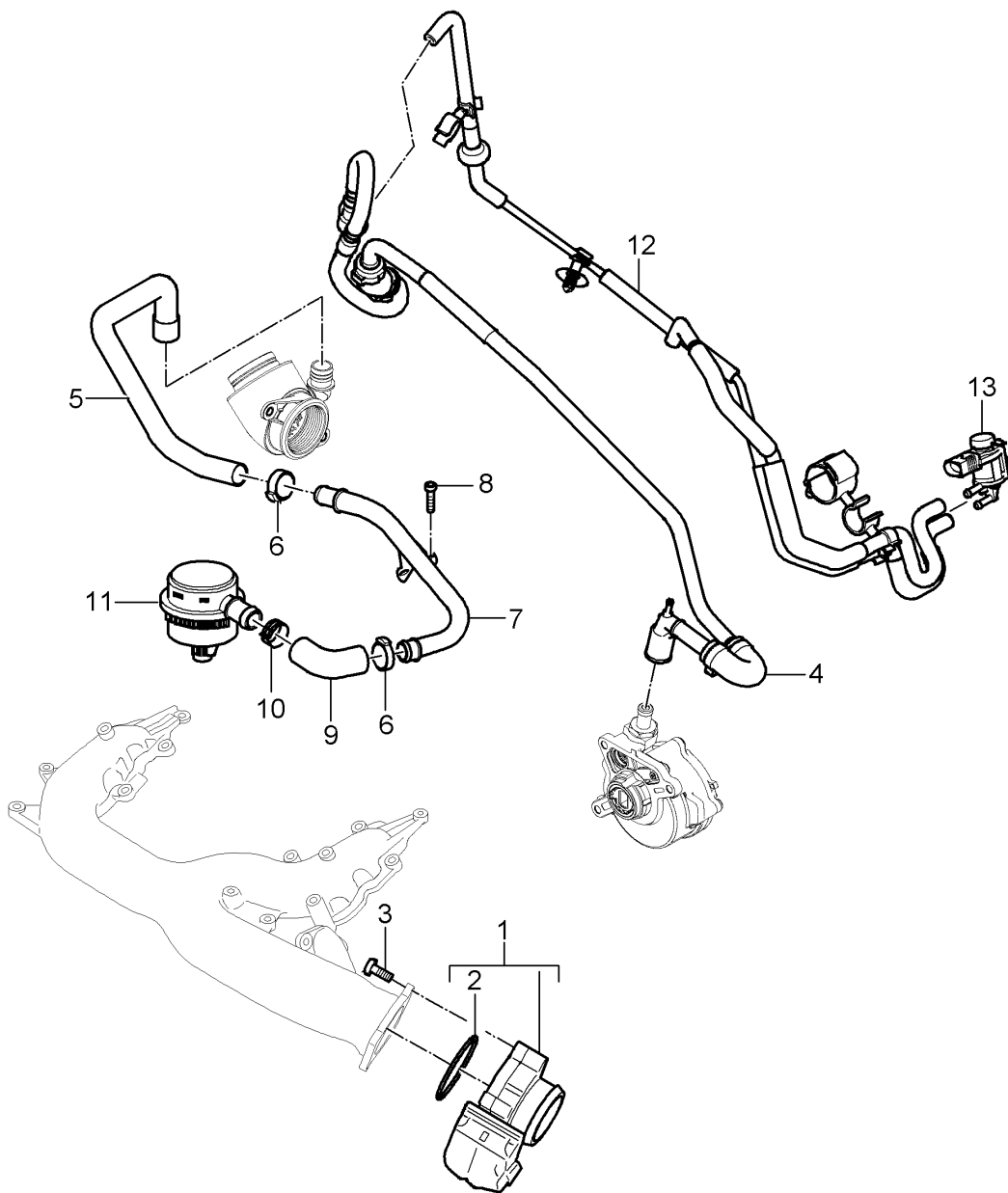
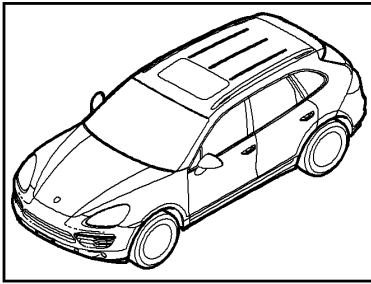


Model: 92A 11 Model life 2011>>2018

| Pos  | Part Number    | Description   | Remark     | Qty | Model     |
|------|----------------|---|------------|-----|-----------|
|      |                | throttle valve adapter<br>ventilation for<br>fuel tank<br>Crankcase housing ventilation |            |     | 5502,CEYA |
| 1    | 997 605 115 01 | throttle valve adapter  |            | 1   |           |
| 2    | 997 110 319 00 | Seal  |            | 1   |           |
| 3    | 999 919 005 01 | fillister hd. bolt  | 6,0X50,0   | 4   |           |
| 4    |                | Vacuum line<br>see illustration, item:<br>D >> - MJ 2014                                | 604-000,16 | 1   |           |
| (4)  |                | Vacuum line<br>see illustration, item:<br>D - MJ 2015>>                                 | 604-002,13 | 1   |           |
| 5    | 955 107 247 00 | Breather line   |            | 1   |           |
| 6    | 958 110 020 21 | Crankcase housing<br>Breather line<br>ventilation for<br>fuel tank                      |            | 1   |           |
| 7    | 958 605 241 00 | Valve   |            | 1   |           |
| 8    | N 906 867 01   | Spring band clamp   | B14X12     | 2   |           |
| 9    | 999 512 651 09 | Hose clamp  | B15X12     | 1   |           |
| 10   | 955 110 358 00 | Vacuum line   |            | 1   |           |
| 11   | 958 110 360 00 | Vacuum line   |            | 1   |           |
| 14   | 955 605 283 10 | Change-over valve<br>Electric   |            | 1   | PR:G1G    |
| 15   | 958 110 350 30 | Vacuum line   |            | 1   | PR:G1G    |
| 16   | 958 110 351 10 | Vacuum line   |            | 1   | PR:G1G    |
| (16) | 958 110 351 30 | Vacuum line   |            | 1   | PR:G0L    |
| 17   | 955 605 123 30 | Change-over valve<br>Electric   |            | 1   |           |
| 18   | 958 110 350 40 | Vacuum line   |            | 1   | PR:G1G    |
| (18) | 958 110 350 50 | Vacuum line<br>Discontinued part  |            | 1   | PR:G0L    |
| (18) | 958 110 350 51 | Vacuum line   |            | 1   | PR:G0L    |

Model: 92A 11

Model life 2011>>2018



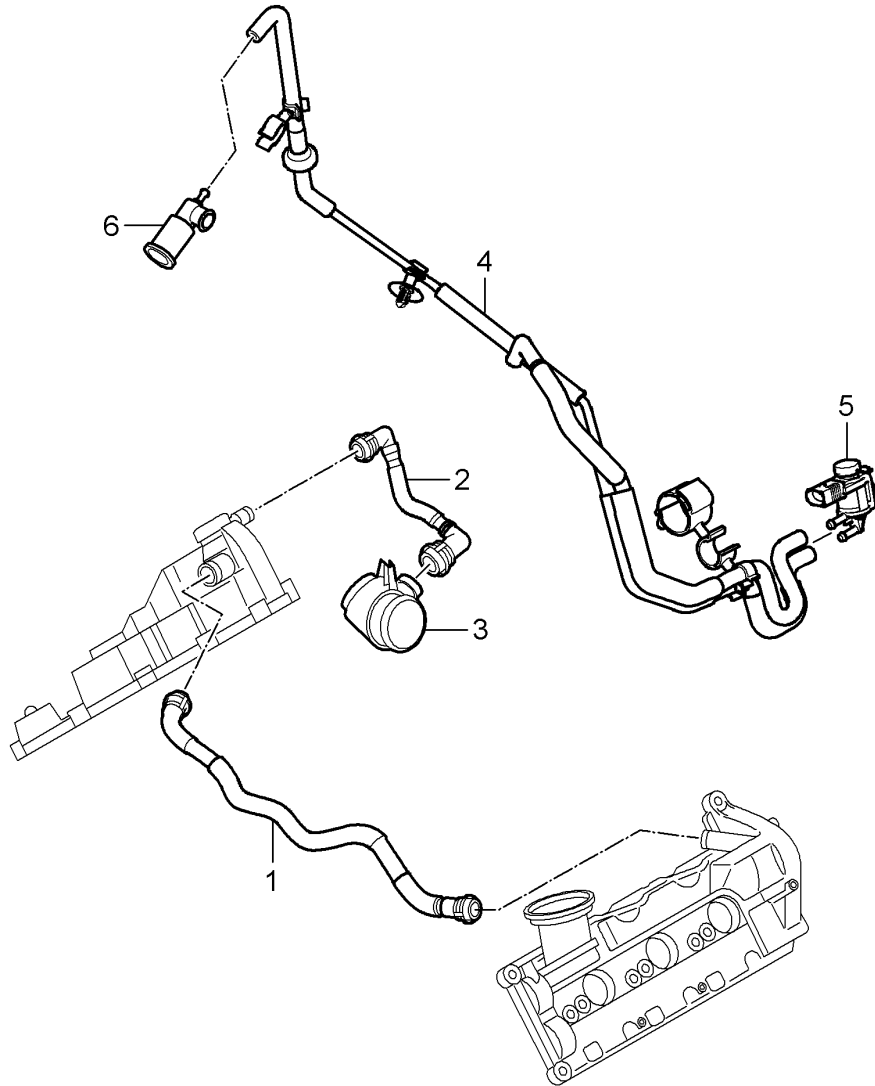
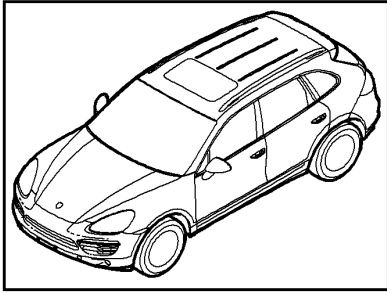
Model: 92A 11

Model life 2011&gt;&gt;2018

| Pos | Part Number    | Description  | Remark        | Qty | Model |
|-----|----------------|--|---------------|-----|-------|
|     |                | throttle valve adapter<br>Crankcase housing ventilation    |               |     | 059E  |
| 1   | 955 605 115 21 | throttle valve adapter<br>Discontinued part                |               | 1   |       |
| (1) | 955 605 115 22 | throttle valve adapter                                     |               | 1   |       |
| 2   | 955 110 144 00 | Seal   |               | 1   |       |
| 3   | N 910 717 01   | Hexagon socket flat<br>head bolt                           | M6X25         | 3   |       |
| 4   |                | Vacuum line<br>see illustration:                           | 604-000       | 1   |       |
| 5   | 955 107 221 01 | Vent hose  |               | 1   |       |
| 6   | 999 512 455 00 | Hose clamp   | 24-27.1X0,6X7 | 2   |       |
| 7   | 958 107 227 00 | Breather line  |               | 1   |       |
| 8   | N 101 148 07   | Socket head bolt with hexagon<br>socket head (combination) | M6X15         | 2   |       |
| 9   | 955 107 493 00 | air hose   |               | 1   |       |
| 10  | N 906 870 01   | Spring band clamp  | B27X12X1,7    | 1   |       |
| 11  |                | oil separator<br>see illustration:                         | 104-070       | 1   |       |
| 12  | 958 110 350 70 | Vacuum line  |               | 1   |       |
| 13  | 955 605 283 10 | Change-over valve<br>Electric                              |               | 1   |       |

Model: 92A 11

Model life 2011>>2018



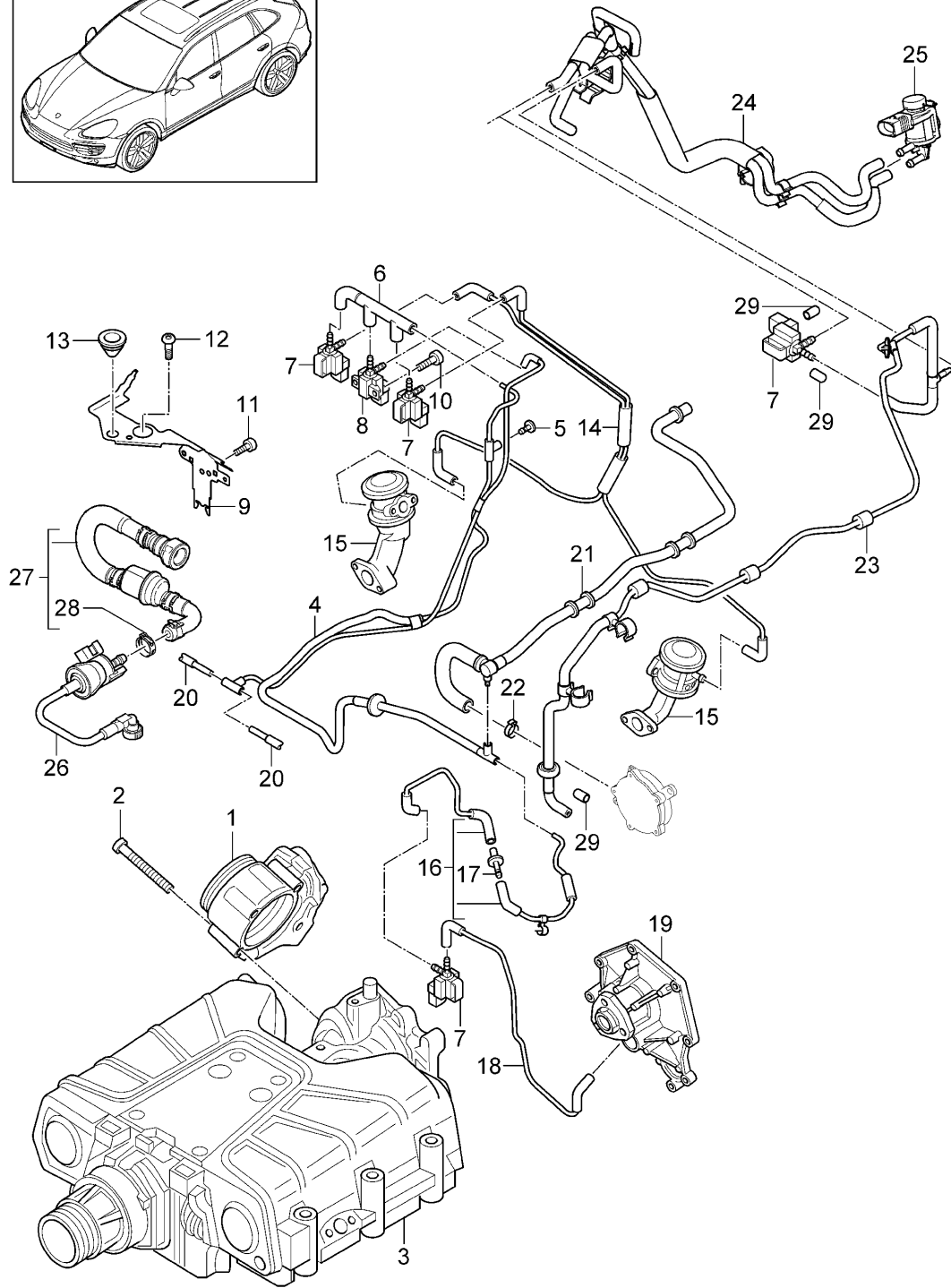
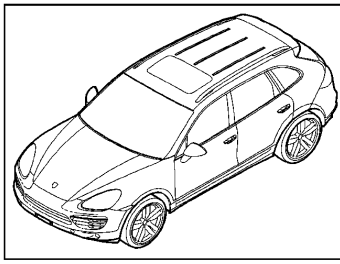
Model: 92A 11

Model life 2011>>2018

| Pos | Part Number    | Description                                 | Remark     | Qty | Model                                    |
|-----|----------------|---|------------|-----|--|
|     |                | Crankcase housing ventilation               |            |     | CRCA, CRCB,<br>CNRB, CVVA,<br>CVVB, CVVC |
| 1   | 958 107 209 00 | Breather line                               |            | 1   | CRCA, CRCB,<br>CVVA, CVVB,<br>CVVC       |
| 2   | 958 107 221 00 | Breather line                               |            | 1   | CRCA, CRCB,<br>CVVA, CVVB,<br>CVVC       |
| 3   |                | pulsation damper<br>see illustration, item: | 106-030,14 | 1   |  |
| 4   | 958 110 350 80 | Vacuum line                                 |            | 1   |  |
| 5   | 955 605 283 10 | Change-over valve<br>Electric               |            | 1   |  |
| 6   |                | Vacuum line<br>see illustration, item:      | 604-000,13 | 1   |  |

Model: 92A 11

Model life 2011>>2018





Model: 92A 11 Model life 2011>>2018

| Pos  | Part Number    | Description   | Remark           | Qty | Model                         |
|------|----------------|---|------------------|-----|-------------------------------|
|      |                | throttle valve adapter<br>ventilation for<br>fuel tank<br>Vacuum line   |                  |     | 06EC, CGEA,<br>CGE, CGFA, CJT |
| 1    | 958 605 115 30 | throttle valve adapter  |                  | 1   |                               |
| (1)  | 958 605 115 31 | Discontinued part<br>throttle valve adapter                             |                  | 1   |                               |
| (1)  | 958 605 115 32 | Discontinued part<br>throttle valve adapter                             |                  | 1   |                               |
| 2    | N 106 221 01   | Oval hexagon socket head bolt   | M6X65            | 4   |                               |
| 3    |                | Compressor<br>see illustration, item:                                   | 107-065,1        | 1   |                               |
| 4    | 958 110 773 00 | Vacuum line<br>(complete)   |                  | 1   |                               |
| 5    | 958 110 777 10 | Bungs   | 4MM              | 1   |                               |
| 6    | 958 110 773 10 | Vacuum line   |                  | 1   |                               |
| 7    | 955 605 123 30 | Change-over valve   |                  | 4   |                               |
| 8    | 958 605 123 20 | Change-over valve<br>Discontinued part                                  |                  | 1   |                               |
| (8)  | 958 605 123 21 | Change-over valve   |                  | 1   |                               |
| 9    | 958 110 520 00 | Bracket   |                  | 1   |                               |
| 10   | N 106 808 01   | Hexagon socket flat<br>head bolt  | M5X10            | 2   |                               |
| 11   | N 106 225 01   | Socket head bolt with<br>hexagon socket head                            | M5X12            | 2   |                               |
| 12   | N 104 514 04   | Hexagon socket flat<br>head bolt  | M6X16            | 3   |                               |
| (12) | N 107 320 01   | No longer use the part here<br>Hexagon socket flat<br>head bolt         | M6X14            | 3   |                               |
| 13   | 958 110 673 00 | Grommet   |                  | 1   |                               |
| 14   | 958 110 773 20 | Vacuum line<br>(complete)   |                  | 1   |                               |
| 15   |                | Valve<br>see illustration:<br>See item:                                 | 108-010<br>12,13 | 2   |                               |
| 16   | 958 110 714 00 | Vacuum line   |                  | 1   | PR:D19                        |
| -    | N 020 902 2    | Cable ties  | 3,6X246MM        | 1   |                               |
| 17   | 955 606 291 00 | Non-return valve  |                  | 1   |                               |
| 18   | 958 110 714 10 | Vacuum line   |                  | 1   | PR:D19                        |
| 19   |                | Coolant pump<br>see illustration, item:                                 | 105-015,1        | 1   | PR:D19                        |
| 20   |                | Vacuum hose<br>see illustration, item:                                  | 107-040,30       | 2   |                               |
| 21   | 958 110 773 30 | Vacuum line<br>Vacuum pump<br>Mechanical<br>No longer use the part here |                  | 1   | PR:D11<br>"CN."               |
| 21   | 958 110 773 40 | Vacuum line<br>Vacuum pump<br>Mechanical<br>No longer use the part here |                  | 1   | PR:D11<br>"CN."               |
| (21) | 958 110 773 41 | Vacuum line<br>Vacuum pump<br>Mechanical<br>No longer use the part here |                  | 1   | PR:D11<br>"CN."               |
| (21) | 958 110 773 42 | Vacuum line<br>Vacuum pump<br>Mechanical<br>No longer use the part here |                  | 1   | PR:D11                        |
| (21) |                | Vacuum line<br>Vacuum pump<br>Mechanical<br>see illustration, item:     | 604-000,20       | 1   | PR:D19                        |

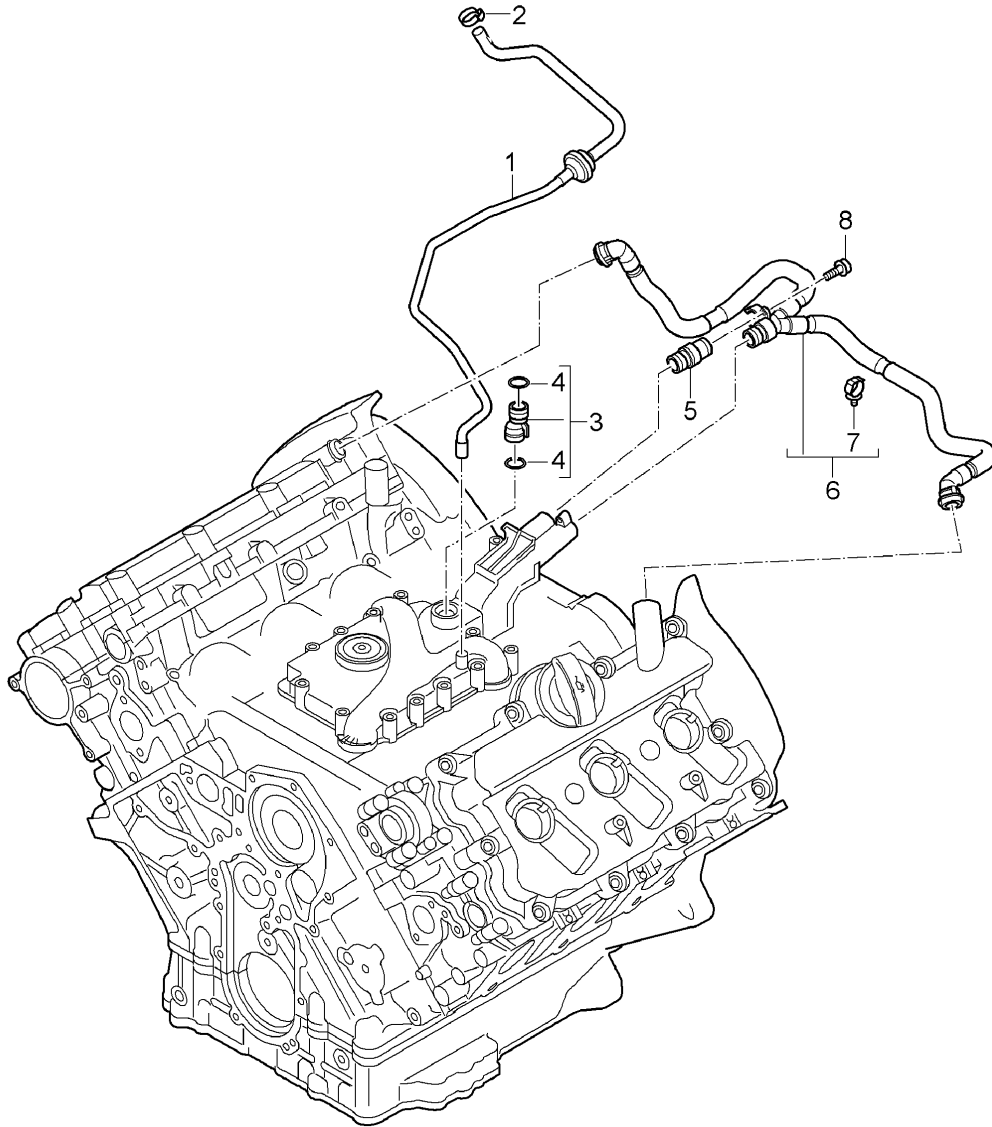
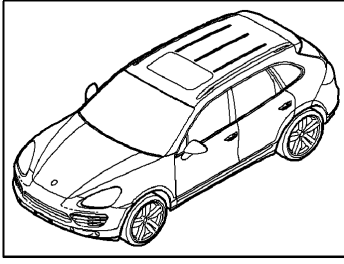
Model: 92A 11

Model life 2011&gt;&gt;2018

| Pos  | Part Number    | Description                 | Remark        | Qty | Model  |
|------|----------------|-----------------------------|---------------|-----|--------|
| 22   | 999 512 457 00 | Ear crimp hose clamp        | 18,2-21X0,6X7 | 1   |        |
| (22) | 955 347 569 00 | Hose clamp                  | 21X12X1,3     | 1   | PR:D19 |
| 23   | 958 110 360 10 | Vacuum line                 |               | 1   | PR:D19 |
|      |                | D >> - MJ 2014              |               |     |        |
| 24   | 958 110 350 60 | Vacuum line                 |               | 1   | PR:D19 |
|      |                | D >> - MJ 2014              |               |     |        |
| 25   | 955 605 283 10 | Change-over valve           |               | 1   | PR:D19 |
|      |                | Electric                    |               |     |        |
|      |                | D >> - MJ 2014              |               |     |        |
| 26   | 958 110 020 10 | Breather line               |               | 1   | PR:D19 |
|      |                | ventilation for             |               |     |        |
|      |                | fuel tank                   |               |     |        |
| (26) | 958 110 020 30 | Breather line               |               | 1   | PR:D11 |
|      |                | ventilation for             |               |     | "CN."  |
|      |                | fuel tank                   |               |     |        |
|      |                | No longer use the part here |               |     |        |
| (26) | 958 110 020 31 | Breather line               |               | 1   | PR:D11 |
|      |                | ventilation for             |               |     |        |
|      |                | fuel tank                   |               |     |        |
| 27   | 958 110 020 40 | Breather line               |               | 1   |        |
|      |                | ventilation for             |               |     |        |
|      |                | fuel tank                   |               |     |        |
| 28   | N 906 867 01   | Spring band clamp           | B14X12        | 1   |        |
|      |                | B 14 X 12                   |               |     |        |
| 29   | 958 110 369 00 | Sealing cap                 |               | 3   | PR:D19 |
|      |                | D - MJ 2015>>               |               |     |        |

Model: 92A 11

Model life 2011>>2018

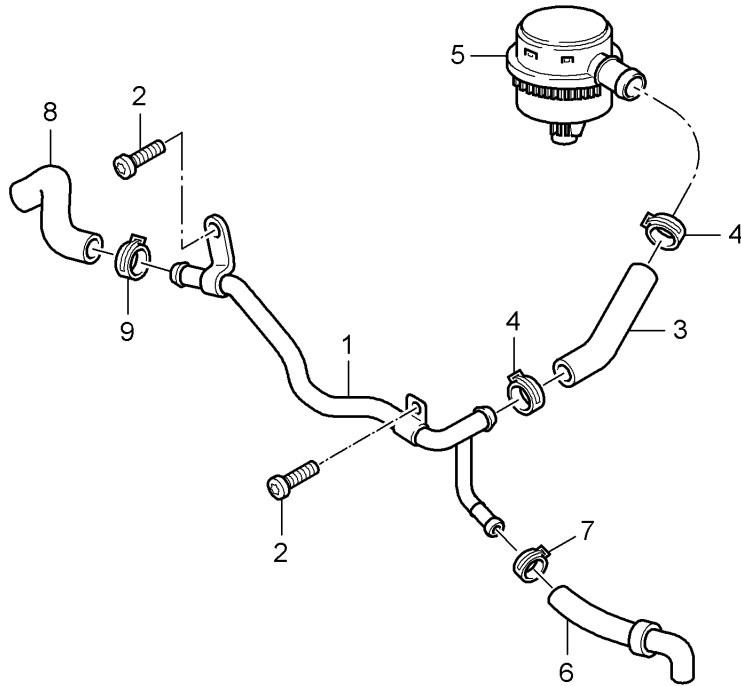
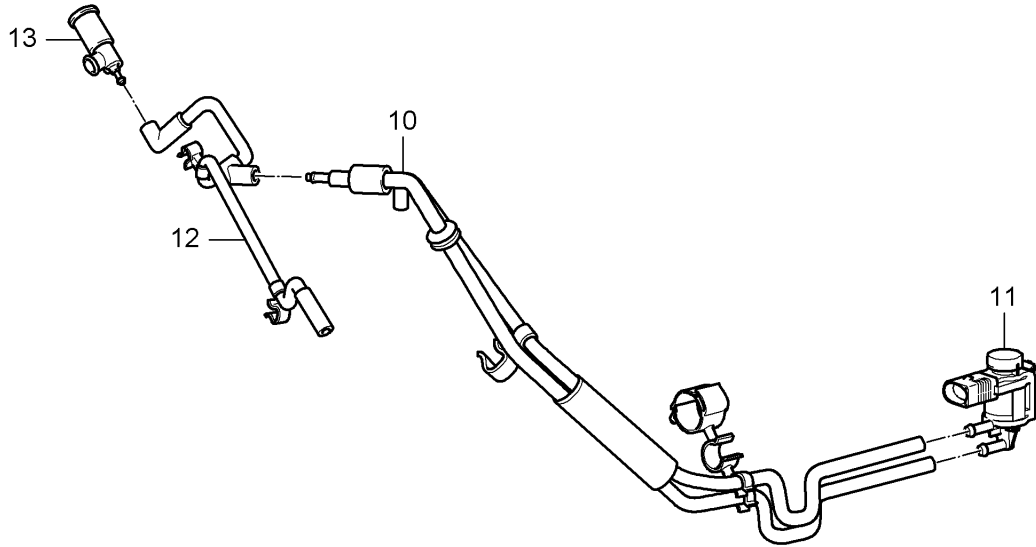
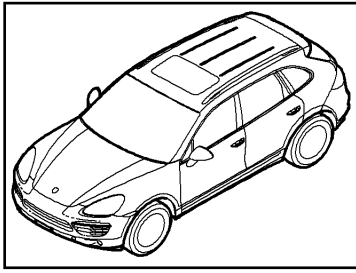


Model: 92A 11 Model life 2011>>2018

| Pos | Part Number    | Description                        | Remark      | Qty | Model                                  |
|-----|----------------|------------------------------------|-------------|-----|--|
|     |                | Crankcase housing ventilation      |             |     | 06EC, CGEA,<br>CGE, CGFA, CJT          |
| 1   | 958 107 207 00 | Breather line<br>Discontinued part |             | 1   |  |
| (1) | 958 107 207 20 | Breather line<br>D >> - MJ 2016    |             | 1   | PR: 0GG, 7GH,<br>7MG, 7MQ, 7MN,<br>7MJ |
| (1) | 958 107 207 40 | Breather line<br>D - MJ 2017>>     |             | 1   | PR: 0GG, 7GH,<br>7MG, 7MQ, 7MN,<br>7MJ |
| (1) | 958 107 207 10 | Breather line<br>D >> - MJ 2016    |             | 1   | PR: 7GB                                |
| (1) | 958 107 207 30 | Breather line<br>D - MJ 2017>>     |             | 1   | PR: 7GB                                |
| 2   | N 102 036 01   | Ear crimp hose clamp               | 12, 3X7X0,6 | 1   |  |
| 3   | 958 107 213 00 | Breather line                      |             | 1   |  |
| 4   | WHT 004 793 A  | O-ring                             | 23X3        | 2   |  |
| 5   | 958 107 213 10 | ventilation union                  |             | 1   | PR: 0GG, 7GH,<br>7MG, 7MQ, 7MN,<br>7MJ |
| (5) | 958 107 213 20 | ventilation union                  |             | 1   | PR: 7GB                                |
| 6   | 958 107 217 00 | Breather line                      |             | 1   | PR: 0GG, 7GH,<br>7MG, 7MQ, 7MN,<br>7MJ |
| (6) | 958 107 217 10 | Breather line<br>Discontinued part |             | 1   | PR: 7GB                                |
| (6) | 958 107 217 11 | Breather line                      |             | 1   | PR: 7GB                                |
| 7   | 955 606 838 00 | Cable ties                         | 4, 5X200    | 1   |  |
| 8   | N 104 420 03   | self-tapping screw                 | 5X16        | 1   |  |

Model: 92A 11

Model life 2011>>2018



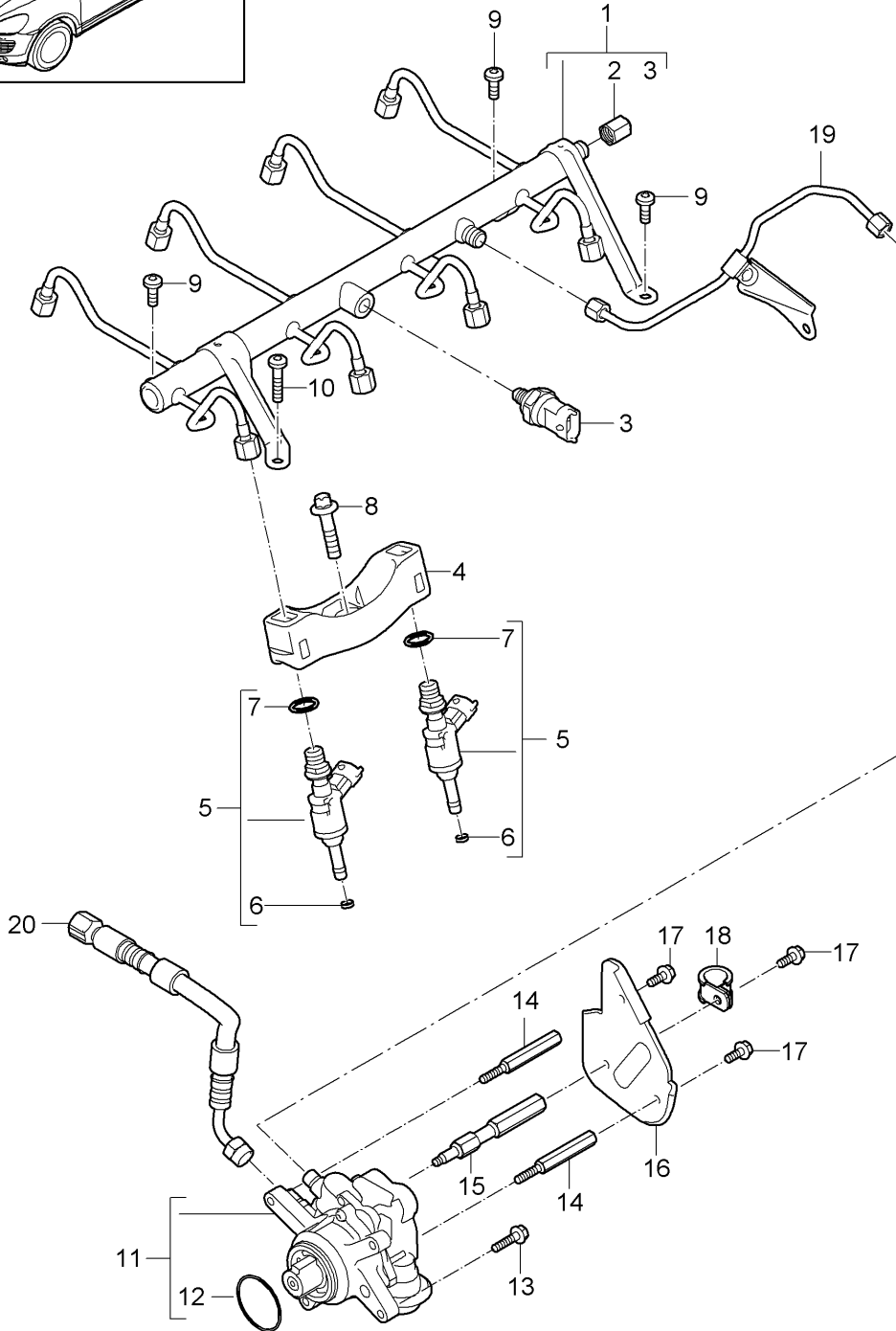
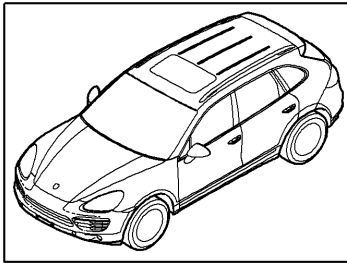
Model: 92A 11

Model life 2011>>2018

| Pos | Part Number    | Description                   | Remark     | Qty | Model      |
|-----|----------------|-------------------------------|------------|-----|------------|
|     |                | Crankcase housing ventilation |            |     | CUDB, CUDC |
|     |                | Vacuum line                   |            |     |            |
| 1   | 958 107 227 10 | Breather line                 |            | 1   |            |
| 2   | N 104 056 04   | Oval hexagon socket head bolt | M6X14      | 2   |            |
| 3   | 958 107 493 00 | air hose                      |            | 1   |            |
| 4   | N 906 870 01   | Spring band clamp             | B27X12X1,7 | 2   |            |
| 5   |                | oil separator                 |            | 1   |            |
|     |                | see illustration, item:       | 104-085,6  |     |            |
| 6   |                | Vent hose                     |            | 1   |            |
|     |                | see illustration, item:       | 106-050,28 |     |            |
| 7   | N 906 869 01   | Spring band clamp             | B23X12     | 1   |            |
| 8   |                | Vent hose                     |            | 1   |            |
|     |                | see illustration, item:       | 106-050,27 |     |            |
| 9   | N 904 095 01   | Ear crimp hose clamp          | 28,6X7X0,6 | 1   |            |
| 10  | 958 110 350 90 | Vacuum line                   |            | 1   |            |
| 11  | 955 605 283 10 | Change-over valve             |            | 1   |            |
|     |                | Electric                      |            |     |            |
| 12  | 958 110 350 95 | Vacuum line                   |            | 1   |            |
| 13  |                | Vacuum line                   |            | 1   |            |
|     |                | see illustration, item:       | 604-000,13 |     |            |

Model: 92A 11

Model life 2011>>2018



Model: 92A 11

Model life 2011>>2018

| Pos | Part Number    | Description  | Remark | Qty | Model     |
|-----|----------------|--|--------|-----|-----------|
|     |                | Fuel collection pipe<br>high-pressure injector<br>high pressure pump |        |     | 4802,4852 |
| 1   | 948 110 115 06 | Fuel collection pipe   |        | 1   | 4802      |
|     |                | Discontinued part  |        |     |           |
| (1) | 948 110 115 07 | Fuel collection pipe   |        | 1   | 4802      |
| (1) | 948 110 115 56 | Fuel collection pipe   |        | 1   | 4852      |
|     |                | Discontinued part  |        |     |           |
| (1) | 948 110 115 57 | Fuel collection pipe   |        | 1   | 4852      |
| 2   | 948 110 225 00 | Sealing cap  |        | 1   |           |
| 3   | 948 606 230 01 | Pressure sensor  |        | 1   |           |
|     |                | Discontinued part  |        |     |           |
| (3) | 948 606 230 02 | Pressure sensor  |        | 1   |           |
|     |                | Discontinued part  |        |     |           |
| (3) | 948 606 230 03 | Pressure sensor  |        | 1   |           |
| -   | 999 653 067 40 | Connector<br>for<br>Pressure sensor                                  |        | 1   |           |
| 4   | 948 110 515 01 | Bracket  |        | 4   |           |
| 5   | 948 110 128 21 | high-pressure injector<br>Identification: >> >><br>blue              |        | 8   | 4802      |
|     |                | Discontinued part  |        |     |           |
| (5) | 948 110 128 DX | high-pressure injector<br>Identification: >> >><br>blue              |        | 8   | 4802      |
|     |                | Discontinued part  |        |     |           |
| (5) | 948 110 128 22 | high-pressure injector<br>Identification: >> >><br>blue              |        | 8   | 4802      |
|     |                | Discontinued part  |        |     |           |
| (5) | 948 110 128 HX | high-pressure injector<br>Identification: >> >><br>blue              |        | 8   | 4802      |
|     |                | Discontinued part  |        |     |           |
| (5) | 948 110 128 23 | high-pressure injector<br>Identification: >> >><br>blue              |        | 8   | 4802      |
|     |                | Discontinued part  |        |     |           |
| (5) | 948 110 128 MX | high-pressure injector<br>Identification: >> >><br>blue              |        | 8   | 4802      |
|     |                | Discontinued part  |        |     |           |
| (5) | 948 110 128 31 | high-pressure injector<br>Identification: >> >><br>blue              |        | 8   | 4802      |
|     |                | Discontinued part  |        |     |           |
| (5) | 948 110 128 EX | high-pressure injector<br>Identification: >> >><br>blue              |        | 8   | 4802      |
|     |                | Discontinued part  |        |     |           |
| (5) | 948 110 128 32 | high-pressure injector<br>Identification: >> >><br>blue              |        | 8   | 4802      |
|     |                | Discontinued part  |        |     |           |
| (5) | 948 110 128 JX | high-pressure injector<br>Identification: >> >><br>blue              |        | 8   | 4802      |
|     |                | Discontinued part  |        |     |           |
| (5) | 948 110 128 33 | high-pressure injector<br>Identification: >> >><br>blue              |        | 8   | 4802      |
|     |                | Discontinued part  |        |     |           |
| (5) | 948 110 128 NX | high-pressure injector<br>Identification: >> >><br>blue              |        | 8   | 4802      |



Model: 92A 11

Model life 2011&gt;&gt;2018

| Pos  | Part Number    | Description  | Remark | Qty | Model |
|------|----------------|--|--------|-----|-------|
| (5)  | 948 110 128 71 | high-pressure injector<br>Identification: >> >><br>yellow<br>Discontinued part |        | 8   | 4852  |
| (5)  | 948 110 128 FX | high-pressure injector<br>Identification: >> >><br>yellow<br>Discontinued part |        | 8   | 4852  |
| (5)  | 948 110 128 72 | high-pressure injector<br>Identification: >> >><br>yellow<br>Discontinued part |        | 8   | 4852  |
| (5)  | 948 110 128 KX | high-pressure injector<br>Identification: >> >><br>yellow<br>Discontinued part |        | 8   | 4852  |
| (5)  | 948 110 128 73 | high-pressure injector<br>Identification: >> >><br>yellow<br>Discontinued part |        | 8   | 4852  |
| (5)  | 948 110 128 PX | high-pressure injector<br>Identification: >> >><br>yellow<br>Discontinued part |        | 8   | 4852  |
| (5)  | 948 110 128 81 | high-pressure injector<br>Identification: >> >><br>yellow<br>Discontinued part |        | 8   | 4852  |
| (5)  | 948 110 128 GX | high-pressure injector<br>Identification: >> >><br>yellow<br>Discontinued part |        | 8   | 4852  |
| (5)  | 948 110 128 82 | high-pressure injector<br>Identification: >> >><br>yellow<br>Discontinued part |        | 8   | 4852  |
| (5)  | 948 110 128 LX | high-pressure injector<br>Identification: >> >><br>yellow<br>Discontinued part |        | 8   | 4852  |
| (5)  | 948 110 128 83 | high-pressure injector<br>Identification: >> >><br>yellow<br>Discontinued part |        | 8   | 4852  |
| (5)  | 948 110 128 QX | high-pressure injector<br>Identification: >> >><br>yellow<br>Discontinued part |        | 8   | 4852  |
| 6    | 999 704 020 90 | seal ring<br>6,3 X 2,8   |        | 8   |       |
| 7    | 999 707 606 40 | O-ring<br>12 X 3   |        | 8   |       |
| 8    | 900 385 116 01 | Torx screw<br>BM 8 X 30  |        | 4   |       |
| 9    | 999 073 103 02 | flat round head bolt<br>M 6 X 16   |        | 4   |       |
| 10   | 999 073 102 02 | flat round head bolt<br>M 6 X 25   |        | 1   |       |
| 11   | 948 110 315 23 | high pressure pump<br>Discontinued part  |        | 1   | 4802  |
| (11) | 948 110 316 EX | high pressure pump<br>Discontinued part  |        | 1   | 4802  |
| (11) | 948 110 315 24 | high pressure pump<br>Discontinued part  |        | 1   | 4802  |
| (11) | 948 110 316 FX | high pressure pump<br>Discontinued part  |        | 1   | 4802  |
| (11) | 948 110 315 25 | high pressure pump   |        | 1   | 4802  |

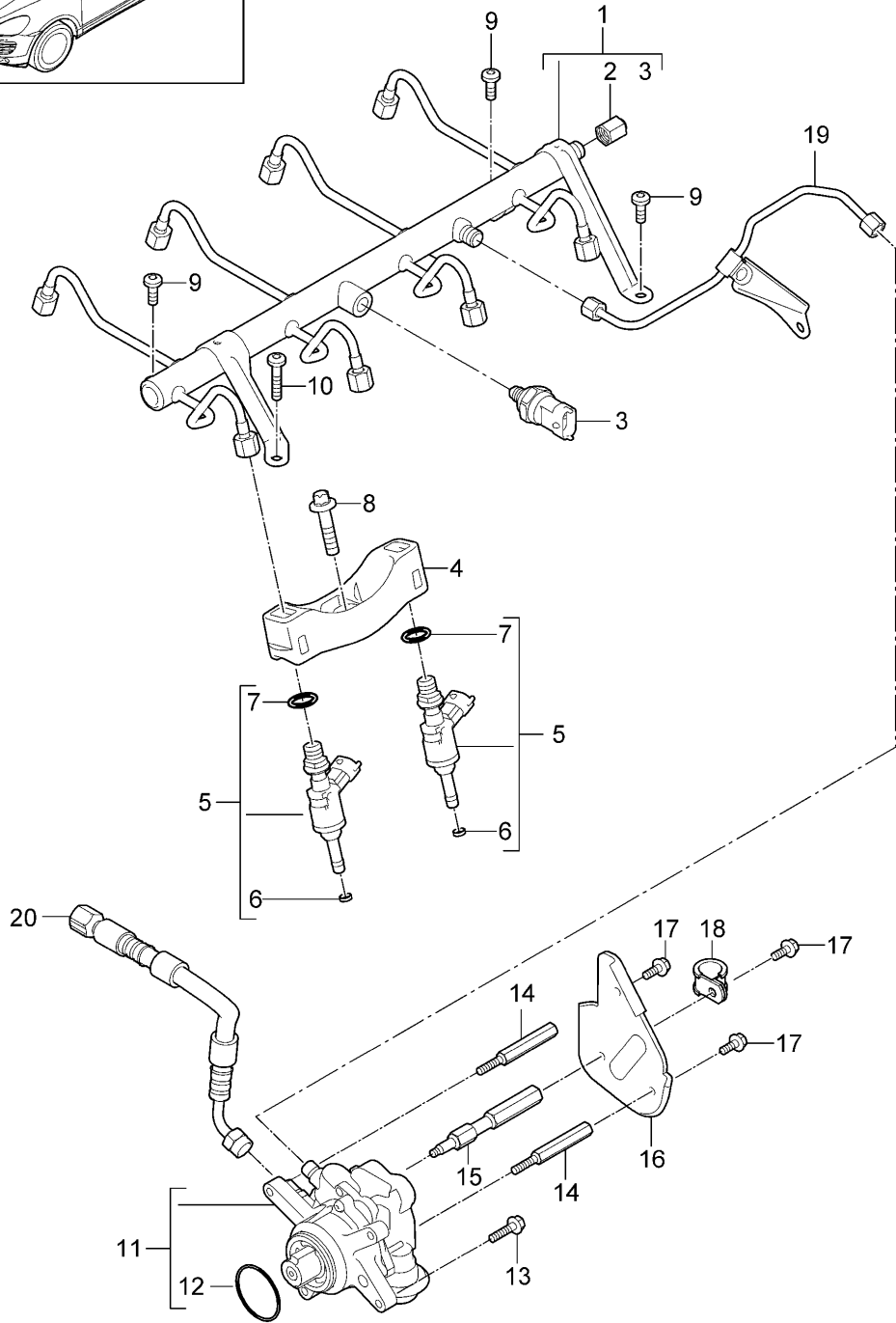
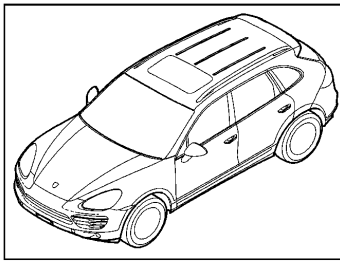
Model: 92A 11

Model life 2011&gt;&gt;2018

| Pos  | Part Number    | Description                             | Remark | Qty | Model |
|------|----------------|---|--------|-----|-------|
| (11) | 948 110 316 HX | high pressure pump                      |        | 1   | 4802  |
| (11) | 948 110 315 71 | high pressure pump<br>Discontinued part |        | 1   | 4852  |
| (11) | 948 110 316 DX | high pressure pump<br>Discontinued part |        | 1   | 4852  |
| (11) | 948 110 315 72 | high pressure pump<br>Discontinued part |        | 1   | 4852  |
| (11) | 948 110 316 GX | high pressure pump<br>Discontinued part |        | 1   | 4852  |
| (11) | 948 110 315 80 | high pressure pump                      |        | 1   | 4852  |
| (11) | 948 110 316 JX | high pressure pump                      |        | 1   | 4852  |
| 12   | 948 110 615 00 | O-ring<br>45,7 X 2,62                   |        | 1   |       |
| 13   | 900 378 013 01 | Hexagon bolt<br>AM 6 X 25               |        | 1   |       |
| 14   | 948 110 417 02 | Screwed socket<br>M 6                   |        | 2   |       |
| 15   | 948 110 419 02 | Screwed socket<br>M 8                   |        | 1   |       |
| 16   | 955 110 415 00 | Protective plate                        |        | 1   | 4802  |
| (16) | 955 110 415 50 | Protective plate                        |        | 1   | 4852  |
| 17   | N 106 533 02   | Hex collared bolt<br>M 6 X 20           |        | 3   |       |
| 18   | N 020 651 7    | Clamp<br>10 X 15                        |        | 1   | 4852  |
| 19   | 948 110 125 10 | Fuel line                               |        | 1   | 4802  |
| (19) | 948 110 125 60 | Fuel line                               |        | 1   | 4852  |
| 20   | 948 110 235 12 | Fuel line                               |        | 1   |       |

Model: 92A 11

Model life 2011>>2018



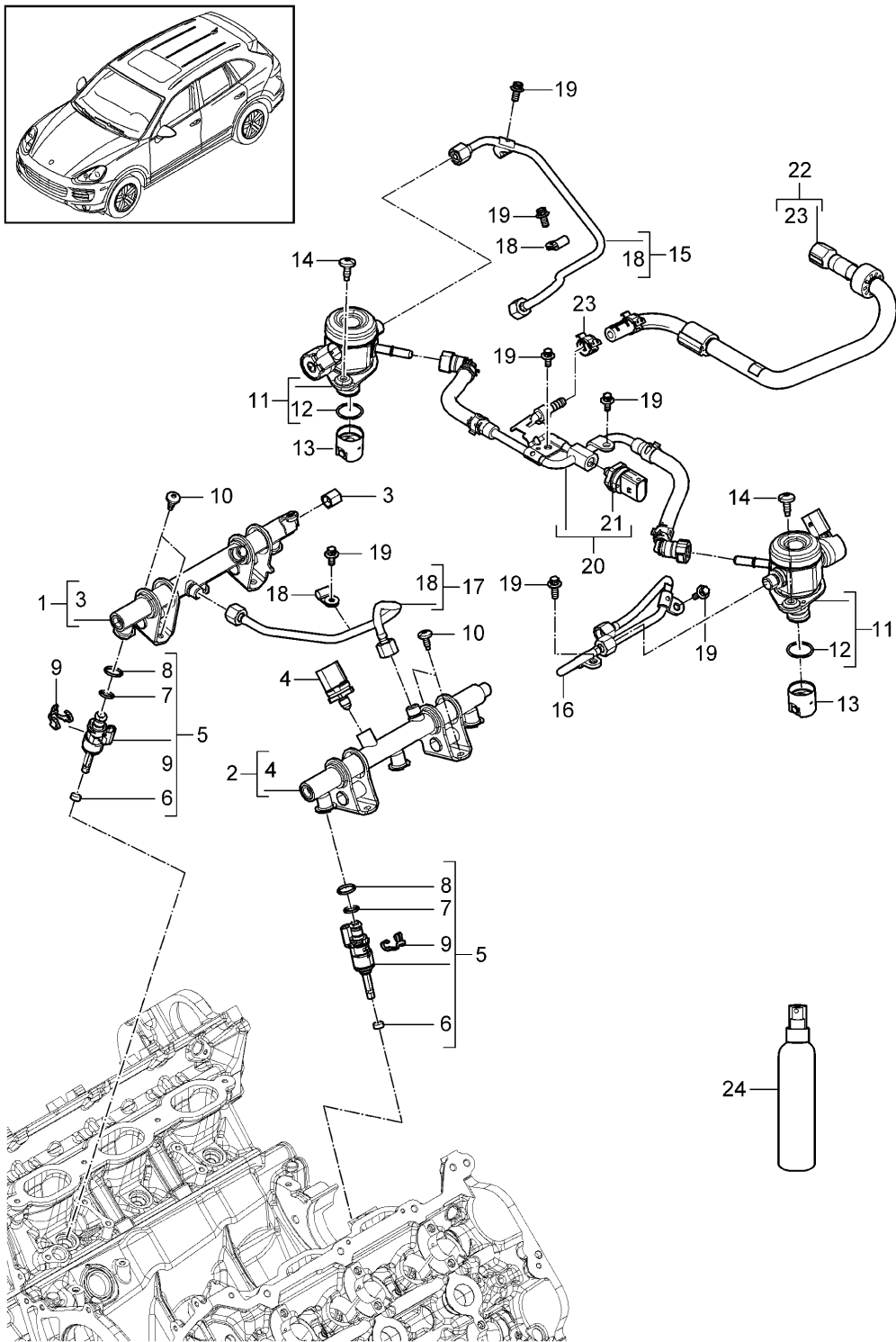
Model: 92A 11

Model life 2011>>2018

| Pos  | Part Number    | Description  | Remark | Qty | Model                 |
|------|----------------|--|--------|-----|-----------------------|
|      |                | Fuel collection pipe<br>high-pressure injector<br>high pressure pump |        |     | CFTB,CFT,<br>CYXA,CYX |
| 1    | 948 110 115 57 | Fuel collection pipe   |        | 1   |                       |
| 2    | 948 110 225 00 | Sealing cap  |        | 1   |                       |
| 3    | 948 606 230 02 | Pressure sensor<br>Discontinued part                                 |        | 1   |                       |
| (3)  | 948 606 230 03 | Pressure sensor  |        | 1   |                       |
| -    | 999 653 067 40 | Connector<br>for<br>Pressure sensor                                  |        | 1   |                       |
| 4    | 948 110 515 01 | Bracket  |        | 4   |                       |
| 5    | 948 110 128 73 | high-pressure injector<br>Identification: >> >><br>yellow            |        | 8   |                       |
| (5)  | 948 110 128 PX | high-pressure injector<br>Identification: >> >><br>yellow            |        | 8   |                       |
| (5)  | 948 110 128 83 | high-pressure injector<br>Identification: >> >><br>yellow            |        | 8   |                       |
| (5)  | 948 110 128 QX | high-pressure injector<br>Identification: >> >><br>yellow            |        | 8   |                       |
| 6    | 999 704 020 90 | seal ring<br>6,3 X 2,8   |        | 8   |                       |
| 7    | 999 707 606 40 | O-ring<br>12 X 3   |        | 8   |                       |
| 8    | 900 385 116 01 | Torx screw<br>BM 8 X 30  |        | 4   |                       |
| 9    | 999 073 103 02 | flat round head bolt<br>M 6 X 16                                     |        | 4   |                       |
| 10   | 999 073 102 02 | flat round head bolt<br>M 6 X 25                                     |        | 1   |                       |
| 11   | 948 110 315 80 | high pressure pump   |        | 1   |                       |
| (11) | 948 110 316 JX | high pressure pump   |        | 1   |                       |
| 12   | 948 110 615 00 | O-ring<br>45,7 X 2,62  |        | 1   |                       |
| 13   | 900 378 013 01 | Hexagon bolt<br>AM 6 X 25  |        | 1   |                       |
| 14   | 948 110 417 02 | Screwed socket<br>M 6  |        | 2   |                       |
| 15   | 948 110 419 02 | Screwed socket<br>M 8  |        | 1   |                       |
| 16   | 955 110 415 50 | Protective plate   |        | 1   |                       |
| 17   | N 106 533 02   | Hex collared bolt<br>M 6 X 20  |        | 3   |                       |
| 18   | N 020 651 7    | Clamp<br>10 X 15   |        | 1   |                       |
| 19   | 948 110 125 60 | Fuel line  |        | 1   |                       |
| 20   | 948 110 235 12 | Fuel line  |        | 1   |                       |

Model: 92A 11

Model life 2011>>2018



Model: 92A 11 Model life 2011>>2018

| Pos  | Part Number    | Description  | Remark | Qty | Model                   |
|------|----------------|--|--------|-----|-------------------------|
|      |                | Fuel collection pipe<br>high-pressure injector<br>high pressure pump |        |     | CURA, CUR,<br>CXZA, CXZ |
| 1    | 946 110 117 00 | Fuel collection pipe<br>Cyl. 1 - 3                                   |        | 1   |                         |
| 2    | 946 110 118 00 | Fuel collection pipe<br>Cyl. 4 - 6                                   |        | 1   |                         |
| 3    | 948 110 225 00 | Sealing cap  |        | 1   |                         |
| 4    | 06J 906 051 F  | Pressure sensor  |        | 1   |                         |
| 5    | 946 110 128 30 | high-pressure injector<br>D >> - MJ 2015                             |        | 6   |                         |
| (5)  | 946 110 128 31 | high-pressure injector<br>D - MJ 2016>> - MJ 2016                    |        | 6   |                         |
| (5)  | 946 110 128 32 | high-pressure injector<br>D - MJ 2017>>                              |        | 6   |                         |
| 6    | 946 110 428 60 | seal ring<br>D >> - MJ 2015  |        | 6   |                         |
| (6)  | 946 110 428 61 | seal ring<br>D - MJ 2016>>   |        | 6   |                         |
| 7    | 946 110 328 30 | clamping ring<br>No longer use the part here                         |        | 6   |                         |
| (7)  | 946 110 328 31 | clamping ring  |        | 6   |                         |
| 8    | 999 701 187 40 | O-ring<br>5,94 X 13 X 3,53<br>D >> - MJ 2015                         |        | 6   |                         |
| (8)  | 999 701 187 42 | O-ring<br>5,94 X 13 X 3,53<br>D - MJ 2016>>                          |        | 6   |                         |
| 9    | 946 110 228 60 | Bracket  |        | 6   |                         |
| 10   | 900 385 009 01 | Torx screw<br>BM 6 X 16  |        | 8   |                         |
| 11   | 946 110 315 61 | high pressure pump   |        | 2   |                         |
| 12   | 999 701 048 40 | O-ring<br>31 X 2   |        | 2   |                         |
| 13   | 06L 109 311    | Tappets  |        | 2   |                         |
| 14   | 900 385 019 01 | Torx screw<br>BM 6 X 20  |        | 4   |                         |
| 15   | 946 110 127 03 | Fuel line<br>Cyl. 1 - 3<br>No longer use the part here               |        | 1   |                         |
| (15) | 946 110 127 04 | Fuel line<br>Cyl. 1 - 3  |        | 1   |                         |
| 16   | 946 110 131 02 | Fuel line<br>Cyl. 4 - 6<br>No longer use the part here               |        | 1   |                         |
| (16) | 946 110 131 03 | Fuel line<br>Cyl. 4 - 6  |        | 1   |                         |
| 17   | 946 110 129 01 | Fuel line<br>No longer use the part here                             |        | 1   |                         |
| (17) | 946 110 129 02 | Fuel line  |        | 1   |                         |
| 18   | 999 511 741 00 | Clamp<br>8 X 15  |        | 2   |                         |
| 19   | 900 385 009 01 | Torx screw<br>BM 6 X 16  |        | 7   |                         |
| 20   | 946 110 235 55 | Fuel line<br>D >> - MJ 2015  |        | 1   |                         |
| (20) | 946 110 235 56 | Fuel line<br>D - MJ 2016>>   |        | 1   |                         |
| 21   | 06H 906 051 G  | Pressure sensor<br>discontinued part                                 |        | 1   |                         |
| (21) | 06H 906 051 J  | Pressure sensor  |        | 1   |                         |
| 22   | 958 110 236 00 | Fuel line  |        | 1   |                         |
| 23   | N 909 865 01   | Spring band clamp  |        | 1   |                         |

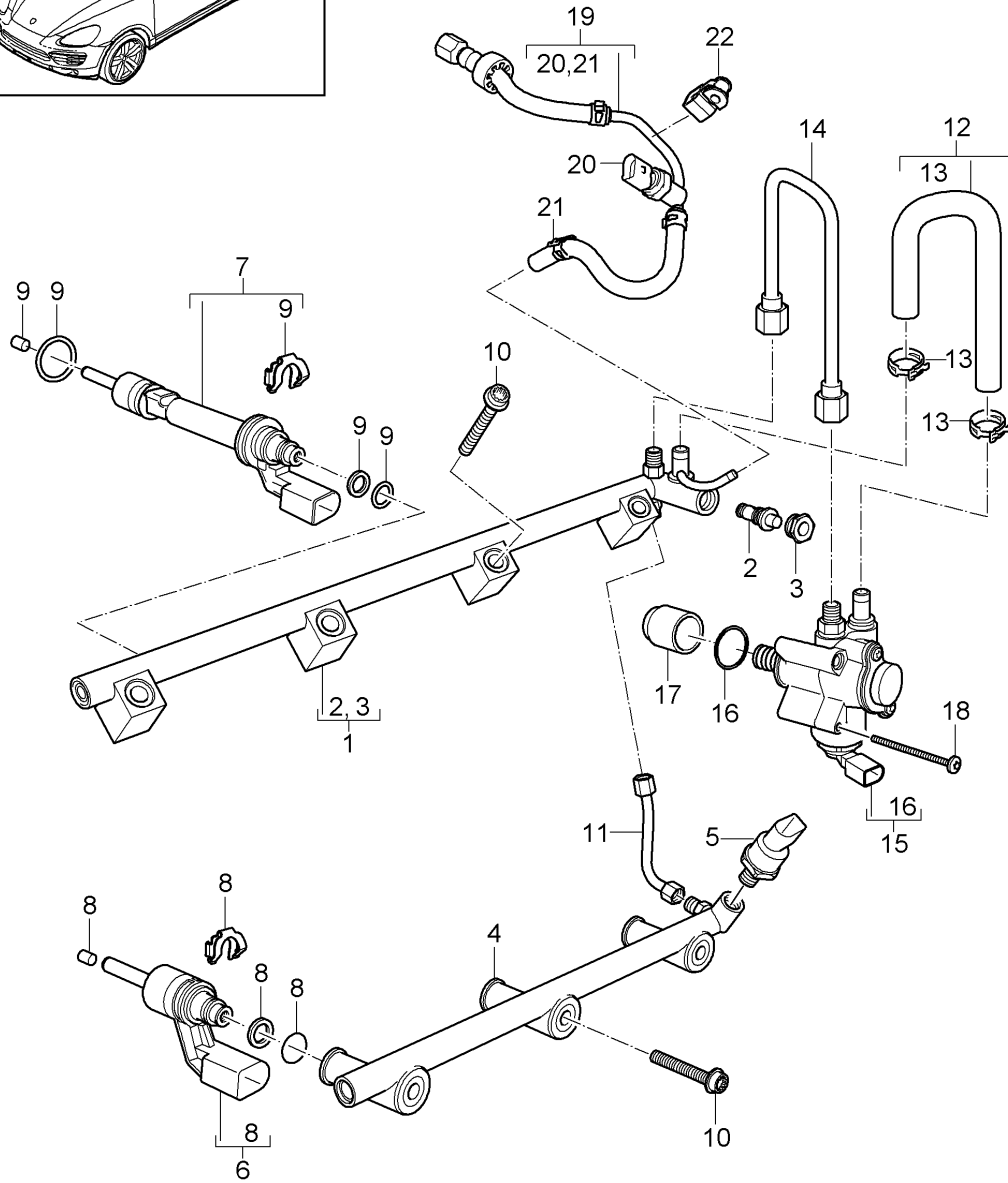
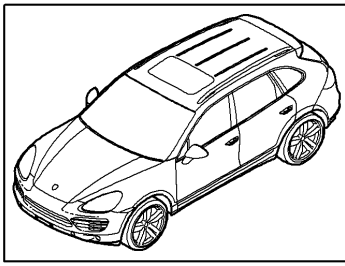
Model: 92A 11

Model life 2011&gt;&gt;2018

| Pos | Part Number    | Description  | Remark | Qty | Model |
|-----|----------------|--|--------|-----|-------|
| 24  | 000 043 209 35 | B 14,5 X 12<br>special lubricant<br>MICROGLEIT DF 977S<br>for<br>Fuel line | 400ml  | X   |       |

Model: 92A 11

Model life 2011>>2018





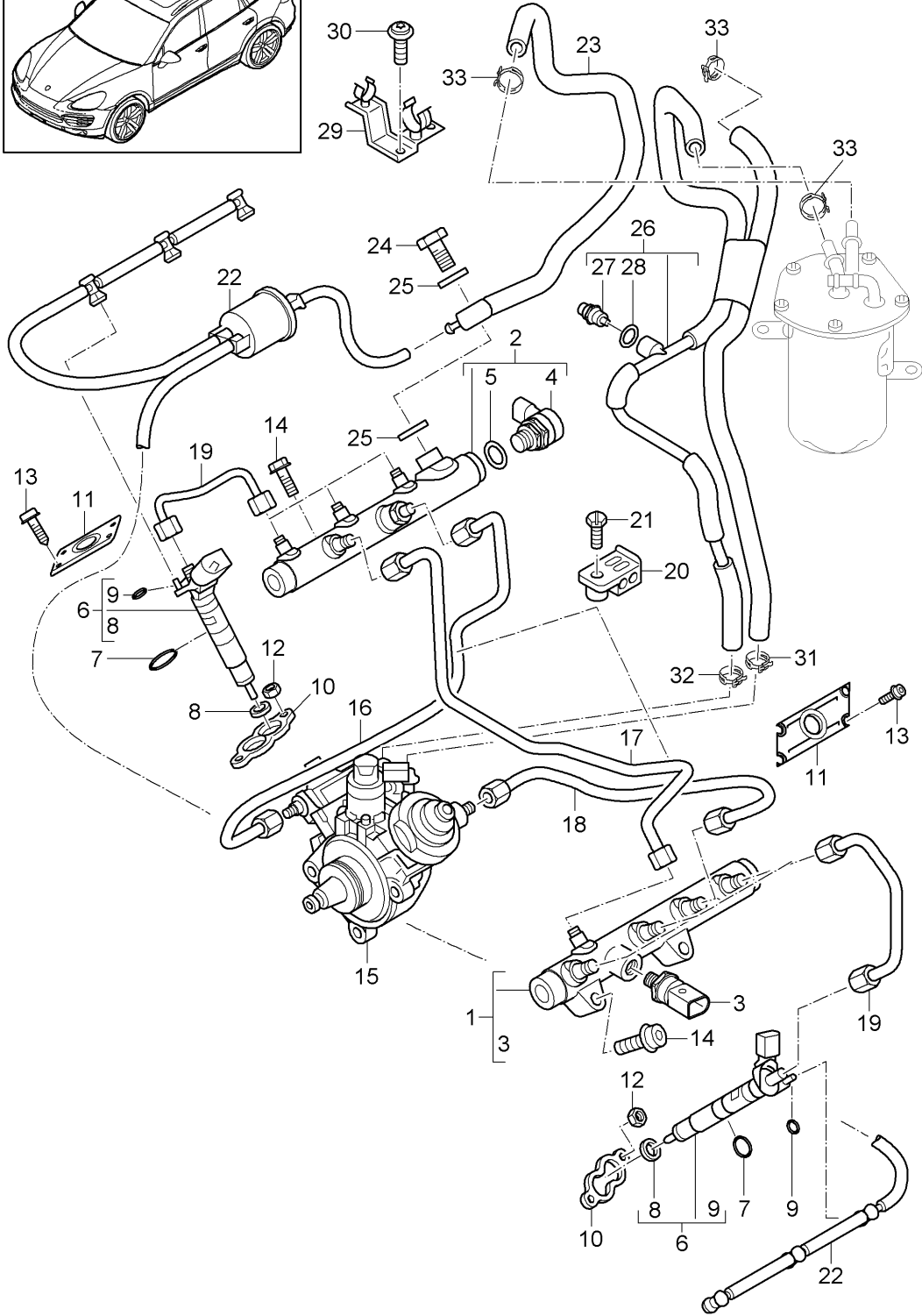
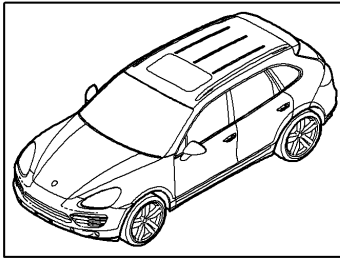
Model: 92A 11

Model life 2011&gt;&gt;2018

| Pos  | Part Number    | Description  | Remark | Qty | Model     |
|------|----------------|--|--------|-----|-----------|
|      |                | Fuel collection pipe<br>high-pressure injector<br>high pressure pump                 |        |     | 5502,CEYA |
| 1    | 958 110 115 20 | Fuel collection pipe   | upper  | 1   |           |
| 2    | 958 110 217 00 | Pressure valve   |        | 1   |           |
| 3    | WHT 000 435 A  | Banjo bolt<br>M 16 X 1   |        | 1   |           |
| 4    | 958 110 116 20 | Fuel collection pipe   | lower  | 1   |           |
| 5    | 958 606 230 20 | Pressure sensor  |        | 1   |           |
| 6    | 955 605 232 00 | high-pressure injector   | lower  | 3   |           |
| 7    | 955 605 233 00 | high-pressure injector   | upper  | 3   |           |
| 8    | 955 110 910 00 | Gasket set   | lower  | 3   |           |
| 9    | 955 110 911 00 | high-pressure injector<br>Gasket set   | upper  | 3   |           |
| 10   | N 105 449 03   | high-pressure injector<br>Socket head bolt with inner<br>multipoint head<br>M 8 X 55 |        | 7   |           |
| 11   | 958 110 314 00 | Fuel line  |        | 1   |           |
| 12   | 958 110 125 00 | Fuel hose  |        | 1   |           |
| 13   | N 909 865 01   | Spring band clamp<br>B 14,5 X 12   |        | 2   |           |
| 14   | 958 110 126 00 | Fuel line  |        | 1   |           |
| 15   | 958 110 316 00 | high pressure pump<br>Discontinued part  |        | 1   |           |
| (15) | 958 110 316 01 | high pressure pump<br>Discontinued part  |        | 1   |           |
| (15) | 958 110 316 02 | high pressure pump   |        | 1   |           |
| 16   | 955 110 615 00 | O-ring<br>31,5 X 2<br>Discontinued part  |        | 1   |           |
| (16) | WHT 005 184    | O-ring<br>31 X 2   |        | 1   |           |
| 17   | 955 110 301 00 | Tappets  |        | 1   |           |
| 18   | N 106 221 01   | Oval hexagon socket head bolt<br>AM 6 X 65   |        | 3   |           |
| 19   | 958 110 235 04 | Fuel line  |        | 1   |           |
| 20   | 958 606 221 00 | Pressure sensor  |        | 1   |           |
| 21   | N 909 865 01   | Spring band clamp<br>B 14,5 X 12   |        | 1   |           |
| 22   | 958 106 736 00 | Line holder  |        | 1   |           |

Model: 92A 11

Model life 2011>>2018



Model: 92A 11 Model life 2011>>2018

| Pos  | Part Number    | Description   | Remark      | Qty | Model |
|------|----------------|---|-------------|-----|-------|
|      |                | Fuel collection pipe<br>Fuel line<br>high-pressure injector   |             |     | 059E  |
| 1    | 958 110 115 00 | Fuel collection pipe  | left        | 1   |       |
| 2    | 958 110 116 00 | Fuel collection pipe  | right       | 1   |       |
| 3    | 958 606 230 00 | Pressure sensor   |             | 1   |       |
| 4    | 958 606 240 00 | pressure regulator  |             | 1   |       |
| 5    | N 904 519 02   | O-ring  | 16X1,5      | 1   |       |
| 6    | 955 110 035 01 | high-pressure injector<br>(complete)  |             | 6   |       |
| 7    | WHT 000 884    | O-ring  | 16,2X1,5    | 6   |       |
| 8    | 955 110 519 00 | seal ring<br>high-pressure injector   |             | 6   |       |
| 9    | 955 110 619 00 | O-ring<br>Discontinued part   | 2,8X1,5     | 6   |       |
| (9)  | WHT 007 480    | O-ring  | 2,8X1,5     | 6   |       |
| 10   | 955 110 216 00 | tensioning plate  |             | 6   |       |
| 11   | 955 105 313 01 | End cap<br>Discontinued part  |             | 6   |       |
| (11) | 955 105 313 02 | End cap   |             | 6   |       |
| 12   | N 904 465 02   | Hexagon collar nut  | M6          | 12  |       |
| 13   | N 904 275 02   | Socket head bolt with hexagon<br>socket head (combination)  | M5X12       | 16  |       |
| 14   | N 107 059 01   | Socket head bolt with inner<br>multipoint head  | M8X60       | 4   |       |
| 15   |                | high pressure pump<br>see illustration:   | 107-045     | 1   |       |
| 16   | 955 110 320 00 | Fuel line   |             | 1   |       |
| 17   | 955 110 330 00 | Fuel line   |             | 1   |       |
| 18   | 955 110 340 00 | Fuel line   |             | 1   |       |
| 19   | 955 110 241 00 | Fuel line   |             | 6   |       |
| 20   | 955 110 411 00 | Retainer for fuel line  |             | 2   |       |
| 21   | N 104 514 05   | Oval hexagon socket head bolt   | M6X16       | 2   |       |
| 22   | 958 110 218 00 | Fuel hose<br>(complete)   |             | 1   |       |
| 23   | 958 110 297 00 | Fuel line   |             | 1   |       |
| 24   | N 021 071 7    | Banjo bolt<br>No longer use the part here<br>for this use:  | 8           | 1   |       |
| (24) | PAF 021 071    | Banjo bolt  | PAF 021 071 | 1   |       |
| 25   | N 013 813 3    | seal ring   | M12X1,5X24  | 1   |       |
| 26   | 958 110 030 03 | 1 set of fuel lines<br>Set<br>To<br>Use<br>for<br>high pressure pump<br>958.110.316.20<br>059.130.755.BB  | 12X17       | 2   |       |
| (26) | 958 110 030 04 | M >> CAS 135 905<br>1 set of fuel lines<br>Set<br>To<br>Use<br>for<br>high pressure pump<br>958.110.316.21<br>059.130.755.BD<br>M CAS 135 906>> |             | 1   |       |
| 27   | 955 606 221 00 | Temperature sensor  |             | 1   |       |
| 28   | WHT 002 287 C  | O-ring  | 5,6X2       | 1   |       |
| 29   | 955 110 531 01 | Retainer for fuel line  |             | 1   |       |
| 30   | N 103 352 06   | Hexagon socket flat   | M6X12       | 2   |       |

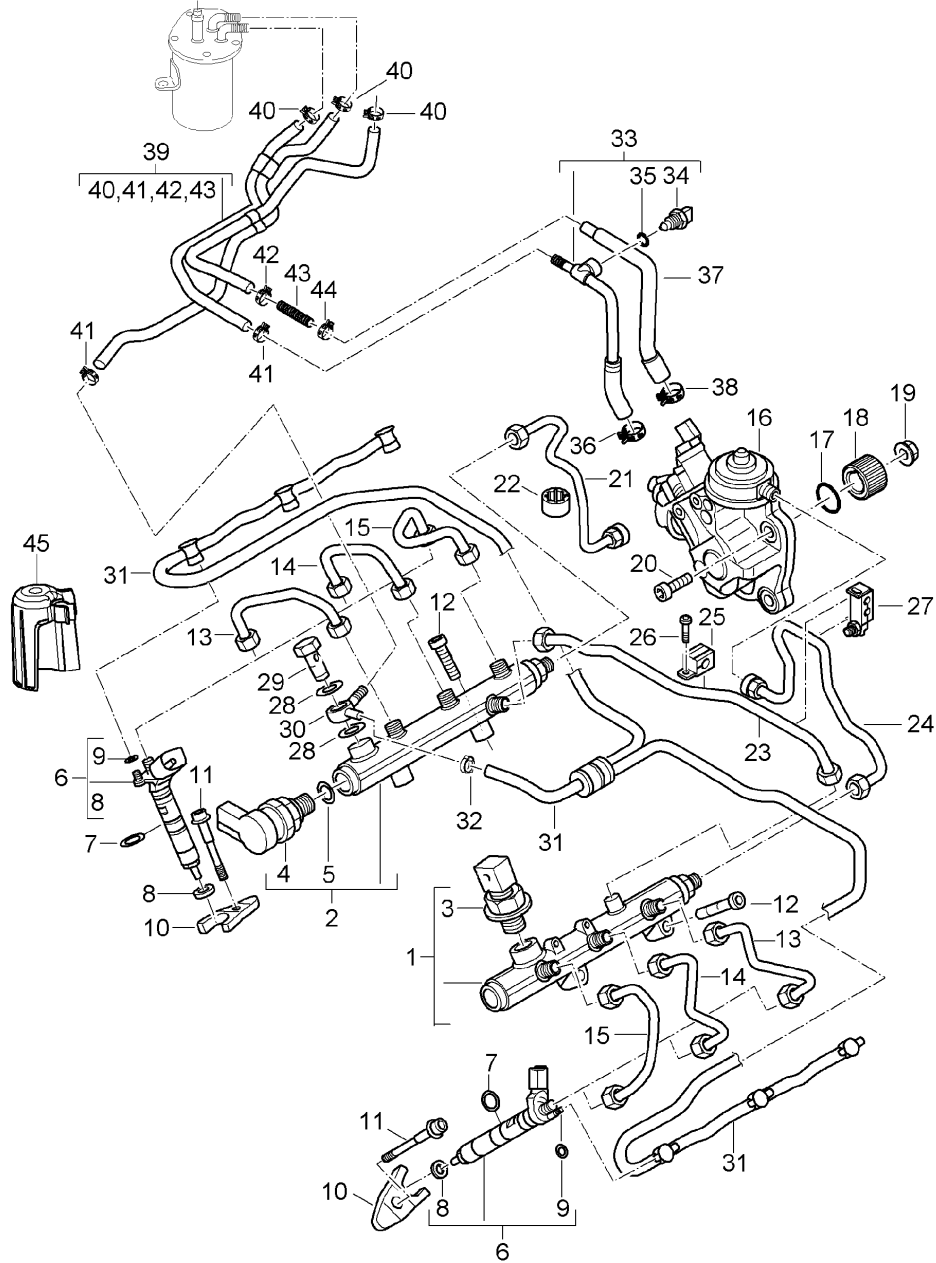
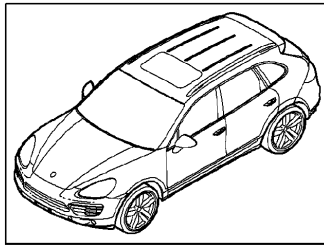
Model: 92A 11

Model life 2011&gt;&gt;2018

| Pos | Part Number    | Description                    | Remark           | Qty | Model |
|-----|----------------|--------------------------------|------------------|-----|-------|
| 31  | N 907 702 01   | head bolt<br>Spring band clamp | B17X12<br>return | 1   |       |
| 32  | N 909 264 01   | Spring band clamp              | 19X12<br>feed    | 1   |       |
| 33  | 955 201 479 00 | Hose clamp                     | B16X12           | 3   |       |

Model: 92A 11

Model life 2011>>2018



Model: 92A 11 Model life 2011>>2018

| Pos  | Part Number    | Description   | Remark | Qty | Model                                    |
|------|----------------|---|--------|-----|--|
|      |                | Fuel collection pipe<br>high-pressure injector<br>high pressure pump<br>Fuel line   |        |     | CRCA, CRCB,<br>CNRB, CVVA,<br>CVVB, CVVC |
| 1    | 958 110 115 30 | Fuel collection pipe  | left   | 1   |  |
| 2    | 958 110 116 30 | Fuel collection pipe  | right  | 1   |  |
|      |                | No longer use the part here   |        |     |  |
| (2)  | 958 110 116 31 | Fuel collection pipe  | right  | 1   |  |
| 3    | 958 606 230 30 | Pressure sensor   |        | 1   |  |
| 4    | 958 606 240 10 | pressure regulator  |        | 1   |  |
| 5    | 955 110 319 00 | O-ring  |        | 1   |  |
| 6    | 958 110 128 10 | high-pressure injector<br>(complete)<br>discontinued part                           |        | 6   | CRCA, CRCB                               |
| (6)  | 958 110 128 11 | high-pressure injector<br>(complete)  |        | 6   | CRCA, CRCB                               |
| (6)  | 958 110 128 40 | high-pressure injector<br>(complete)<br>discontinued part                           |        | 6   | CVVA, CVVB,<br>CVVC                      |
| (6)  | 958 110 128 41 | high-pressure injector<br>(complete)  |        | 6   | CVVA, CVVB,<br>CVVC                      |
| 7    | WHT 000 884    | O-ring<br>16,2 X 1,5  |        | 6   |  |
| 8    | 958 110 519 00 | seal ring   |        | 6   |  |
| 9    | 955 110 619 00 | high-pressure injector<br>O-ring<br>2,8 X 1,5                                       |        | 6   |  |
| (9)  | WHT 007 480    | Discontinued part<br>O-ring<br>2,8 X 1,5  |        | 6   |  |
| 10   | 958 110 216 00 | tensioning plate<br>Discontinued part   |        | 6   |  |
| (10) | 958 110 216 01 | tensioning plate  |        | 6   |  |
| 11   | WHT 004 923    | Hexagon socket head<br>bolt (combi)<br>M 6 X 93 X 25<br>Discontinued part           |        | 6   |  |
| (11) | WHT 004 923 B  | Hexagon socket head<br>bolt (combi)<br>M 6 X 93 X 25                                |        | 6   |  |
| 12   | N 910 455 02   | Socket head bolt with inner<br>multipoint head<br>M 8 X 65                          |        | 4   |  |
| 13   | 958 110 241 00 | Fuel line   |        | 2   |  |
| 14   | 958 110 241 10 | Fuel line   |        | 2   |  |
| 15   | 958 110 241 20 | Fuel line   |        | 2   |  |
| 16   | 958 110 315 00 | high pressure pump<br>Discontinued part   |        | 1   | CRCA, CRCB                               |
| (16) | 958 110 315 01 | high pressure pump  |        | 1   | CRCA, CRCB,<br>CVVA, CVVB,<br>CVVC       |
| 17   | 958 110 615 00 | seal ring   |        | 1   |  |
| 18   | 958 110 541 00 | flange<br>Chain sprocket  |        | 1   | CRCA, CRCB                               |
|      |                | only in conj. with:<br>Chain sprocket<br>958.105.222.00<br>059.109.569.F            |        |     |  |
| (18) | 958 110 541 10 | flange<br>Chain sprocket<br>only in conj. with:<br>Chain sprocket<br>958.105.222.10 |        | 1   | CRCA, CRCB                               |

Model: 92A 11 Model life 2011>>2018

| Pos  | Part Number    | Description   | Remark                    | Qty | Model                     |
|------|----------------|---|---------------------------|-----|---------------------------|
| (18) | 958 109 085 00 | 059.109.569.L<br>discontinued part<br>Chain sprocket<br>high pressure pump<br>with:<br>flange<br>only in conj. with:<br>Chain sprocket<br>958.105.222.10<br>059.109.569.L |                           | 1   | CRCA, CRCB                |
| (18) | 958 110 541 10 | flange<br>Chain sprocket<br>discontinued part   |                           | 1   | CNRB, CVVA,<br>CVVB, CVVC |
| (18) | 958 109 085 00 | Chain sprocket<br>high pressure pump<br>with:<br>flange   |                           | 1   | CNRB, CVVA,<br>CVVB, CVVC |
| 19   | WHT 002 244    | Hexagon collar nut<br>M 18 X 1,5  |                           | 1   |                           |
| 20   | N 911 873 01   | Hexagon socket head<br>bolt<br>M 8 X 30   |                           | 3   |                           |
| 21   | 958 110 125 20 | Fuel line   |                           | 1   |                           |
| 22   | N 107 855 01   | toothed lock washer<br>B 5,2 X 18 X 40  |                           | 1   |                           |
| 23   | 958 110 314 10 | Fuel line   |                           | 1   |                           |
| 24   | 958 110 126 10 | Fuel line   |                           | 1   |                           |
| 25   | 958 110 410 00 | Retainer for fuel line  |                           | 2   |                           |
| 26   | N 107 214 01   | oval hd. self-tapp fitt. screw<br>6 X 16  |                           | 2   |                           |
| 27   | 958 110 411 00 | Retainer for fuel line  |                           | 1   |                           |
| 28   | N 013 813 3    | seal ring<br>A 12 X 17  |                           | 2   |                           |
| 29   | N 021 071 7    | Banjo bolt<br>No longer use the part here<br>for this use:  | 8                         | 1   |                           |
| (29) | PAF 021 071    | Banjo bolt  | PAF 021 071<br>M12X1,5X24 | 1   |                           |
| 30   | 958 110 602 00 | Banjo fitting<br>No longer use the part here  |                           | 1   |                           |
| (30) | 958 110 602 01 | Banjo fitting<br>only in conj. with:  |                           | 1   |                           |
| 31   | 958 110 218 10 | Fuel hose<br>958.110.218.13<br>Fuel hose<br>(complete)<br>Discontinued part   |                           | 1   |                           |
| (31) | 958 110 218 11 | Fuel hose<br>(complete)<br>Discontinued part  |                           | 1   |                           |
| (31) | 958 110 218 12 | Fuel hose<br>(complete)<br>No longer use the part here  |                           | 1   |                           |
| (31) | 958 110 218 13 | Fuel hose<br>(complete)<br>only in conj. with:  |                           | 1   |                           |
| 32   | N 102 313 01   | Banjo fitting<br>958.110.602.01<br>Ear crimp hose clamp<br>10,5 X 5 X 0,5<br>No longer use the part here  |                           | 1   |                           |
| 33   | 958 110 299 00 | Fuel line<br>No longer use the part here  | feed                      | 1   |                           |
| (33) | 958 110 299 01 | Fuel line   | feed                      | 1   | CRCA, CRCB                |

Model: 92A 11

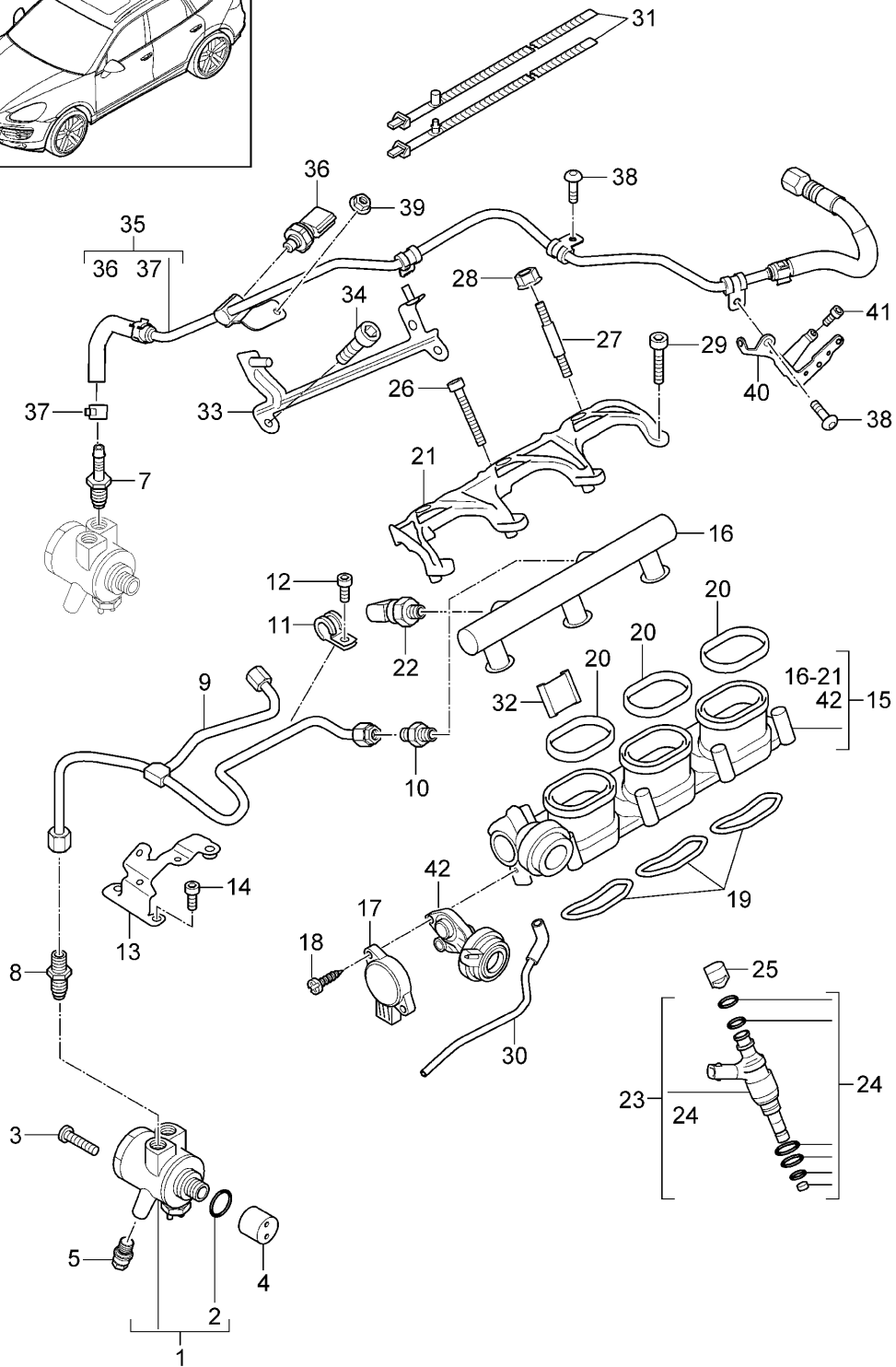
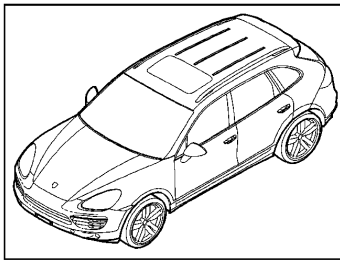
Model life 2011>>2018

| Pos  | Part Number    | Description                    | Remark     | Qty | Model     |
|------|----------------|--------------------------------|------------|-----|-----------|
| (33) | 958 110 299 02 | M >> 0 79468<br>Fuel line      | feed       | 1   | CRCA.CRCB |
|      |                | M 0 79469 >><br>D >> - MJ 2014 |            |     | CRCA.CRCB |
| (33) | 958 110 299 02 | Fuel line                      | feed       | 1   |           |
|      |                | D - MJ 2015>>                  |            |     |           |
| 34   | 955 606 221 00 | Temperature sensor             |            | 1   |           |
| 35   | WHT 002 287 C  | O-ring                         |            | 1   |           |
|      |                | 5,6 X 2                        |            |     |           |
| 36   | N 909 264 01   | Spring band clamp              |            | 1   |           |
|      |                | B 19 X 12                      |            |     |           |
|      |                | Discontinued part              |            |     |           |
| (36) | 999 512 652 09 | Hose clamp                     |            | 1   |           |
|      |                | B 19 X 12                      |            |     |           |
| -    | 958 606 341 05 | Cable guide                    |            | 1   |           |
|      |                | Wire set                       |            |     |           |
|      |                | Discontinued part              |            |     |           |
| -    | 958 606 341 06 | Cable guide                    |            | 1   |           |
|      |                | Wire set                       |            |     |           |
|      |                | No longer use the part here    |            |     |           |
| -    | 958 606 341 07 | Cable guide                    |            | 1   |           |
|      |                | Wire set                       |            |     |           |
|      |                | discontinued part              |            |     |           |
| -    | 958 606 341 08 | Cable guide                    |            | 1   |           |
|      |                | Wire set                       |            |     |           |
| -    | N 107 214 01   | oval hd. self-tapp fitt. screw | TP6X16     | 2   |           |
| 37   | 958 110 297 10 | Fuel line                      | return     | 1   |           |
| 38   | N 907 702 01   | Spring band clamp              | return     | 1   |           |
|      |                | B 17 X 12                      |            |     |           |
| 39   | 958 110 030 10 | 1 set of fuel lines            |            | 1   |           |
| 40   | 955 201 479 00 | Hose clamp                     |            | 3   |           |
|      |                | 16 X 12                        |            |     |           |
| 41   | N 909 865 01   | Spring band clamp              |            | 2   |           |
|      |                | B 14,5 X 12                    |            |     |           |
| 42   | N 907 683 01   | Spring band clamp              |            | 1   |           |
|      |                | C 14 X 12                      |            |     |           |
| 43   | 958 110 539 00 | Double socket                  |            | 1   |           |
| 44   | N 906 867 01   | Spring band clamp              |            | 1   |           |
|      |                | B 14 X 12                      |            |     |           |
| 45   | 958 110 685 10 | Protective cap                 | cylinder 1 | 1   |           |
|      |                | high-pressure injector         |            |     |           |
|      |                | No longer use the part here    |            |     |           |
| (45) | 958 110 685 00 | Protective cap                 | cylinder 1 | 1   |           |
|      |                | high-pressure injector         |            |     |           |
|      |                | D >> - MJ 2013                 |            |     |           |
| (45) | 958 110 685 01 | Protective cap                 | cylinder 1 | 1   |           |
|      |                | high-pressure injector         |            |     |           |
|      |                | D - MJ 2014>>                  |            |     |           |



Model: 92A 11

Model life 2011>>2018



Model: 92A 11 Model life 2011>>2018

| Pos  | Part Number    | Description  | Remark         | Qty | Model                         |
|------|----------------|--|----------------|-----|-------------------------------|
| 1    | 958 110 316 10 | Fuel collection pipe<br>high-pressure injector<br>high pressure pump<br>high pressure pump |                | 1   | 06EC, CGEA,<br>CGE, CGFA, CJT |
|      |                | also use:  | 958 110 535 30 | 1   |                               |
| (1)  | 958 110 316 11 | Discontinued part<br>high pressure pump  |                | 1   |                               |
|      |                | also use:  | 958 110 535 30 | 1   |                               |
| (1)  | 958 110 316 12 | Discontinued part<br>high pressure pump  |                | 1   |                               |
|      |                | also use:  | 958 110 535 30 | 1   |                               |
| 2    | 955 110 615 00 | O-ring<br>Discontinued part  | 31,5X2         | 1   |                               |
| (2)  | WHT 005 184    | O-ring   | 31X2           | 1   |                               |
| 3    | N 910 268 02   | Socket head bolt with inner<br>multipoint head   | M8X20          | 2   |                               |
|      |                | No longer use the part here  |                |     |                               |
| (3)  | N 910 488 02   | Screw with int. serrations   | M8X20          | 2   |                               |
| 4    | 958 105 311 00 | Tappets  |                | 1   |                               |
|      |                | >> - MJ 2013   |                |     |                               |
| (4)  | 06L 109 311    | Tappets  |                | 1   |                               |
|      |                | D - MJ 2014>>  |                |     |                               |
| 5    | 958 110 535 30 | sheer bolt   |                | 1   |                               |
|      |                | M 10 X 1 X 23,9  |                |     |                               |
| 7    | 958 110 365 00 | Connector union  |                | 1   |                               |
|      |                | No longer use the part here  |                |     |                               |
| (7)  | 958 110 365 01 | Connector union  |                | 1   |                               |
| 8    | 958 110 367 00 | Adapter  |                | 1   |                               |
| 9    | 958 110 125 10 | Fuel line  |                | 1   |                               |
| 10   | 958 110 368 00 | Adapter  |                | 2   |                               |
|      |                | Discontinued part  |                |     |                               |
| (10) | 958 110 368 01 | Adapter  |                | 2   |                               |
| 11   | 958 110 433 00 | Retainer for fuel line   |                | 4   |                               |
|      |                | Discontinued part  |                |     |                               |
| (11) | N 020 609 6    | Clamp  | 8X15           | 4   |                               |
| 12   | N 104 056 04   | Oval hexagon socket head bolt  | M6X14          | 4   |                               |
|      |                | M 6 X 14   |                |     |                               |
| 13   | 958 110 438 00 | Retainer for fuel line   |                | 1   |                               |
| 14   | N 104 420 03   | self-tapping screw   | 5X16           | 1   |                               |
| 15   | 958 110 119 00 | intake manifold  | left           | 1   |                               |
|      |                | with:  |                |     |                               |
|      |                | Vacuum unit<br>and<br>Fuel collection pipe<br>Discontinued part                            |                |     |                               |
| (15) | 958 110 119 01 | intake manifold  | left           | 1   |                               |
|      |                | with:  |                |     |                               |
|      |                | Vacuum unit<br>and<br>Fuel collection pipe<br>Discontinued part                            |                |     |                               |
| (15) | 958 110 119 02 | intake manifold  | left           | 1   |                               |
|      |                | with:  |                |     |                               |
|      |                | Vacuum unit<br>and<br>Fuel collection pipe<br>Discontinued part                            |                |     |                               |
| (15) | 958 110 119 03 | intake manifold  | left           | 1   |                               |
|      |                | with:  |                |     |                               |
|      |                | Vacuum unit<br>and<br>Fuel collection pipe<br>Discontinued part                            |                |     |                               |

Model: 92A 11 Model life 2011>>2018

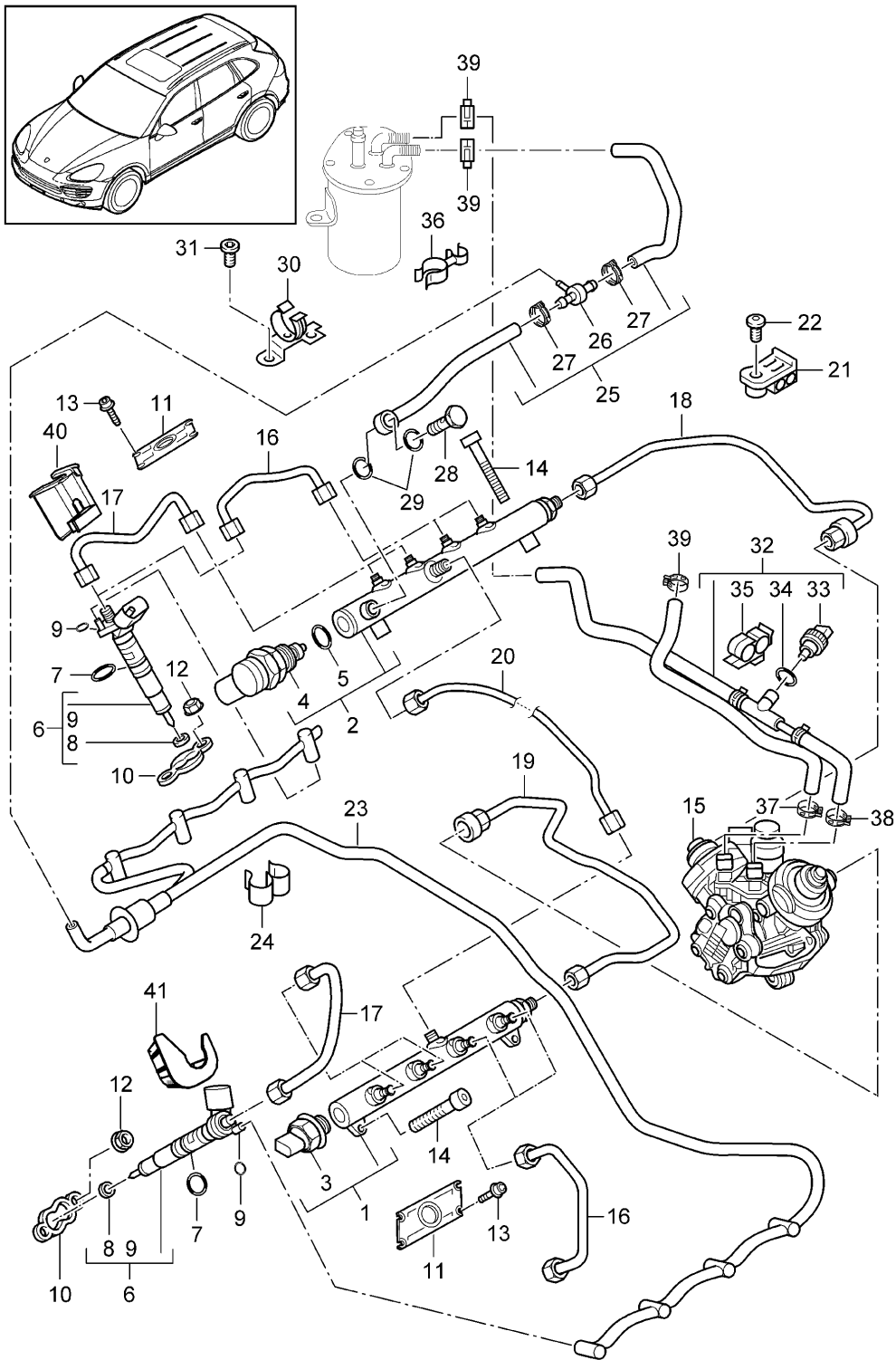
| Pos  | Part Number    | Description   | Remark                           | Qty         | Model |
|------|----------------|---|----------------------------------|-------------|-------|
| (15) | 958 110 119 04 | intake manifold<br>with:<br>Vacuum unit<br>and<br>Fuel collection pipe                      | left                             | 1           |       |
| (15) | 958 110 120 00 | intake manifold<br>with:<br>Vacuum unit<br>and<br>Fuel collection pipe                      | right                            | 1           |       |
| (15) | 958 110 120 01 | Discontinued part<br>intake manifold<br>with:<br>Vacuum unit<br>and<br>Fuel collection pipe | right                            | 1           |       |
| (15) | 958 110 120 02 | Discontinued part<br>intake manifold<br>with:<br>Vacuum unit<br>and<br>Fuel collection pipe | right                            | 1           |       |
| (15) | 958 110 120 03 | Discontinued part<br>intake manifold<br>with:<br>Vacuum unit<br>and<br>Fuel collection pipe | right                            | 1           |       |
| (15) | 958 110 120 04 | Discontinued part<br>intake manifold<br>with:<br>Vacuum unit<br>and<br>Fuel collection pipe | right                            | 1           |       |
| 16   | 958 110 115 10 | Fuel collection pipe<br>Discontinued part   | left                             | 1           |       |
| (16) | 958 110 115 11 | Fuel collection pipe  | left                             | 1           |       |
| (16) | 958 110 116 10 | Fuel collection pipe<br>Discontinued part   | right                            | 1           |       |
| (16) | 958 110 116 11 | Fuel collection pipe  | right                            | 1           |       |
| 17   | 958 606 386 00 | Potentiometer<br>Discontinued part  |                                  | 2           |       |
| (17) | 958 606 386 01 | Potentiometer<br>Discontinued part  |                                  | 2           |       |
| (17) | 958 606 386 02 | Potentiometer   |                                  | 2           |       |
| 18   | N 105 356 03   | self-tapping screw  | 3X16                             | 4           |       |
| 19   | 958 110 247 00 | Seal  | lower                            | 6           |       |
| 20   | 958 110 147 00 | Seal  | upper                            | 6           |       |
| 21   | 958 110 340 03 | Retaining bar<br>Discontinued part  |                                  | 2           |       |
| (21) | 958 110 340 04 | Retaining bar   |                                  | 2           |       |
| 22   | 958 606 230 10 | Pressure sensor   |                                  | 1           |       |
| 23   | 958 110 128 00 | high-pressure injector<br>also use:   | 958 110 536 00<br>958 110 537 00 | 6<br>X<br>X |       |
| (23) | 958 110 128 01 | Discontinued part<br>high-pressure injector<br>also use:                                    | 958 110 536 01<br>958 110 537 00 | 6<br>X<br>X |       |
| (23) | 958 110 128 02 | Discontinued part<br>high-pressure injector<br>also use:                                    | 958 110 536 01<br>958 110 537 00 | 6<br>X<br>X |       |

Model: 92A 11 Model life 2011>>2018

| Pos  | Part Number    | Description   | Remark     | Qty | Model  |
|------|----------------|---|------------|-----|--------|
| 24   | 958 110 901 00 | Gasket set<br>Discontinued part   |            | 6   |        |
| (24) | 958 110 901 01 | Gasket set<br>Discontinued part   |            | 6   |        |
| (24) | 958 110 901 02 | Gasket set  |            | 6   |        |
| 25   | 958 110 536 00 | Support element<br>Discontinued part  | upper      | 6   |        |
| (25) | 958 110 536 01 | Support element   | upper      | 6   |        |
| (25) | 958 110 537 00 | Support element   | lower      | 6   |        |
| 26   | N 106 268 01   | fillister hd. bolt  | M6X70      | 2   |        |
| 27   | N 910 638 01   | Threaded pin  | M6X62      | 4   |        |
| 28   | N 015 082 13   | Hexagon collar nut  | M6         | 4   |        |
| 29   | N 107 314 01   | Socket head bolt with<br>hexagon socket head                                      | M6X50      | 4   |        |
| 30   | 958 110 791 00 | Vacuum hose   | left       | 1   |        |
| (30) | 958 110 792 00 | Vacuum hose   | right      | 1   |        |
| 31   | 955 111 820 00 | Cable ties  |            | X   |        |
| 32   |                | Intermediate plate<br>intake manifold<br>Cylinder head<br>see illustration, item: | 103-004,14 |     |        |
| 33   | 958 110 340 10 | Retainer for fuel line  |            | 1   |        |
| 34   | N 105 864 01   | Oval hexagon socket head bolt   | M5X10      | 2   |        |
| 35   | 958 110 235 12 | Fuel line   |            | 1   |        |
| 36   | 958 606 221 10 | Pressure sensor   |            | 1   |        |
| 37   | N 909 865 01   | Spring band clamp   | B14,5X12   | 1   |        |
| 38   | N 101 703 03   | round hd. screw   | M6X10      | 2   |        |
| 39   | N 015 082 10   | Hexagon collar nut  | M6         | 2   |        |
| 40   | 958 110 438 10 | Retainer for fuel line  |            | 1   | PR:D19 |
| (40) | 958 110 438 20 | Retainer for fuel line  |            | 1   | PR:D11 |
| 41   | N 106 225 01   | Socket head bolt with<br>hexagon socket head                                      | M5X12      | 1   |        |
| 42   | 958 110 959 00 | repair set<br>Vacuum unit<br>Discontinued part                                    | left       | 1   |        |
| (42) | 958 110 959 01 | repair set<br>Vacuum unit   | left       | 1   |        |
| (42) | 958 110 960 00 | repair set<br>Vacuum unit   | right      | 1   |        |
| (42) | 958 110 960 01 | Discontinued part<br>repair set<br>Vacuum unit                                    | right      | 1   |        |

Model: 92A 11

Model life 2011>>2018



Model: 92A 11 Model life 2011>>2018

| Pos  | Part Number    | Description  | Remark      | Qty | Model      |
|------|----------------|--|-------------|-----|------------|
|      |                | Fuel collection pipe                                       |             |     | CUDB, CUDC |
|      |                | Fuel line  |             |     |            |
|      |                | high-pressure injector                                     |             |     |            |
| 1    | 958 110 115 40 | Fuel collection pipe                                       | left        | 1   |            |
| 2    | 958 110 116 40 | Fuel collection pipe                                       | right       | 1   |            |
| 3    | 958 606 230 30 | Pressure sensor  |             | 1   |            |
| 4    | 958 606 240 10 | pressure regulator   |             | 1   |            |
| 5    | N 904 519 02   | O-ring   | 16X1,5      | 1   |            |
| 6    | 958 110 128 30 | high-pressure injector<br>(complete)                       |             | 8   |            |
| 7    | WHT 000 884    | O-ring   | 16,2X1,5    | 8   |            |
| 8    | 958 110 519 00 | seal ring  |             | 8   |            |
| 9    | 955 110 619 00 | high-pressure injector<br>O-ring                           | 2,8X1,5     | 8   |            |
|      |                | Discontinued part  |             |     |            |
| (9)  | WHT 007 480    | O-ring   | 2,8X1,5     | 8   |            |
| 10   | 955 110 216 00 | tensioning plate   |             | 8   |            |
| 11   | 955 105 313 02 | End cap  |             | 8   |            |
| 12   | N 904 465 02   | Hexagon collar nut   | M6          | 16  |            |
| 13   | N 904 275 02   | Socket head bolt with hexagon<br>socket head (combination) | M5X12       | 20  |            |
| 14   | N 911 047 01   | Socket head bolt with inner<br>multipoint head             | M8X80       | 4   |            |
| 15   |                | high pressure pump<br>see illustration, item:              | 107-047,1   | 1   |            |
| 16   | 958 110 241 30 | Fuel line<br>cylinder<br>1-2-7-8                           |             | 4   |            |
| 17   | 958 110 241 40 | Fuel line<br>cylinder<br>3-4-5-6                           |             | 4   |            |
| 18   | 958 110 125 30 | Fuel line  |             | 1   |            |
| 19   | 958 110 126 20 | Fuel line  |             | 1   |            |
| 20   | 958 110 314 20 | Fuel line  |             | 1   |            |
| 21   | 958 110 410 00 | Retainer for fuel line                                     |             | 3   |            |
| 22   | N 104 056 04   | Oval hexagon socket head bolt                              | M6X14       | 3   |            |
| 23   | 958 110 218 20 | Fuel hose<br>(complete)                                    |             | 1   | PR:IY1     |
|      |                | D >> - MJ 2016   |             |     |            |
| (23) | 958 110 218 21 | Fuel hose<br>(complete)                                    |             | 1   | PR:IY2     |
|      |                | D - MJ 2016>>  |             |     |            |
| 24   | 955 111 694 10 | Clip   |             | 3   |            |
| 25   | 958 110 297 20 | Fuel line  |             | 1   |            |
| 26   | 958 110 561 00 | t-piece  |             | 1   |            |
| 27   | N 909 865 01   | Spring band clamp  | B14,5X12    | 2   |            |
| 28   | N 021 071 7    | Banjo bolt   | 8           | 1   |            |
|      |                | No longer use the part here<br>for this use:               |             |     |            |
| (28) | PAF 021 071    | Banjo bolt   | PAF 021 071 | 1   |            |
| 29   | N 013 813 3    | seal ring  | M12X1,5X24  | 1   |            |
| 30   | 958 110 531 30 | Retainer for fuel line                                     | 12X17       | 2   |            |
| 31   | N 103 352 06   | Hexagon socket flat<br>head bolt                           | M6X12       | 2   |            |
| 32   | 958 110 030 20 | 1 set of fuel lines  |             | 1   |            |
| 33   | 955 606 221 00 | Temperature sensor   |             | 1   |            |
| 34   | WHT 002 287 C  | O-ring   | 5,6X2       | 1   |            |
| 35   | 958 110 694 00 | Retainer for fuel line                                     |             | 1   |            |
| 36   | 958 110 694 10 | Retainer for fuel line                                     |             | 1   |            |
| 37   | N 907 702 01   | Spring band clamp  | B17X12      | 1   |            |
|      |                |  | return      |     |            |
| 38   | 999 512 652 09 | Hose clamp   | B19X12      | 1   |            |
|      |                |  | feed        |     |            |

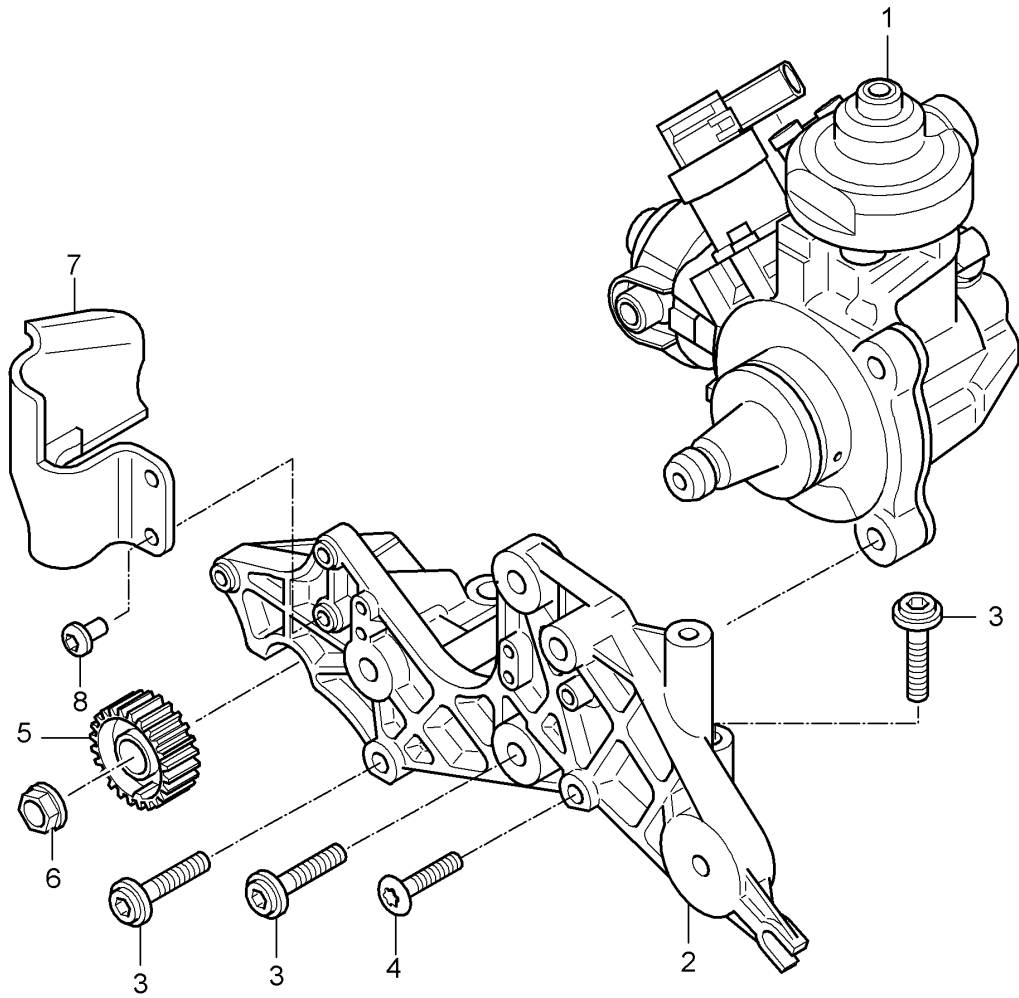
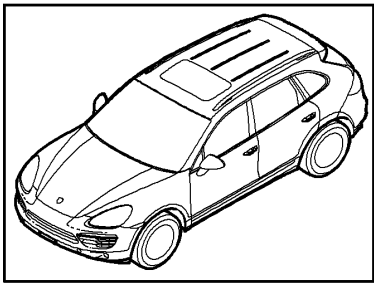
Model: 92A 11

Model life 2011&gt;&gt;2018

| Pos | Part Number    | Description                              | Remark     | Qty | Model |
|-----|----------------|--|------------|-----|-------|
| 39  | 955 201 479 00 | Hose clamp                               | B16X12     | 3   |       |
| 40  | 958 110 685 20 | Protective cap<br>high-pressure injector | cylinder 1 | 1   |       |
| 41  | 958 110 685 30 | Protective cap<br>high-pressure injector | cylinder 5 | 1   |       |

Model: 92A 11

Model life 2011>>2018





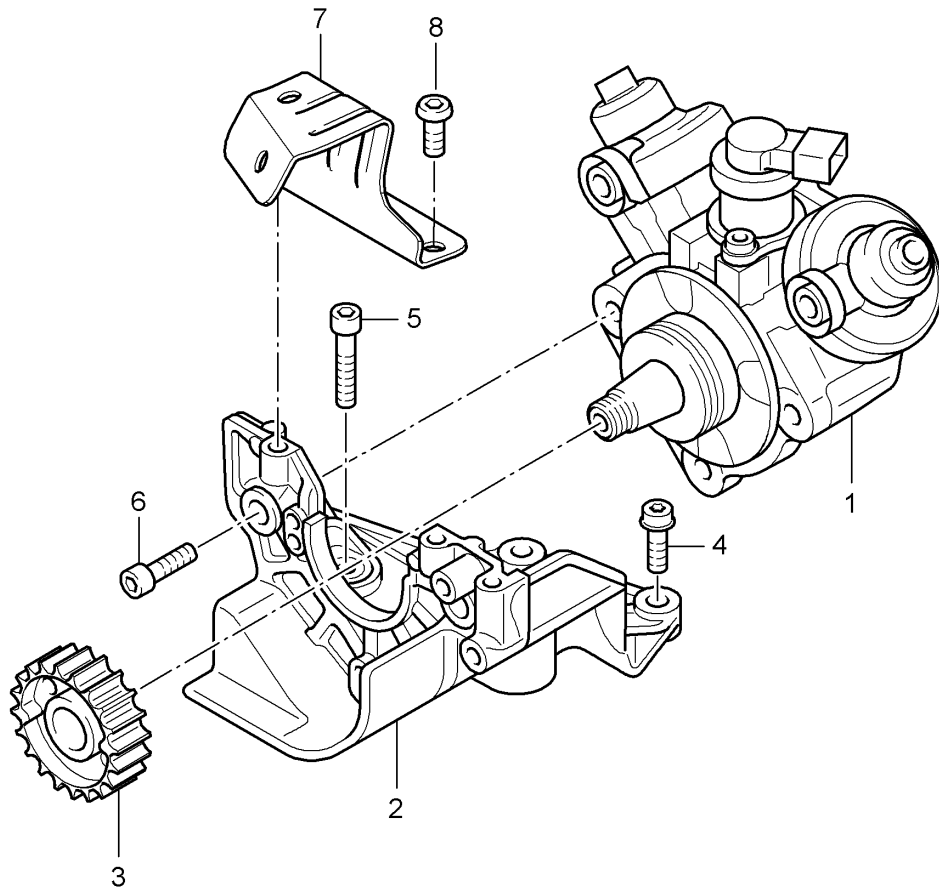
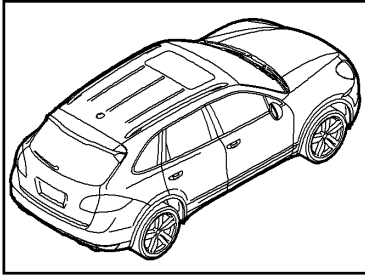
Model: 92A 11

Model life 2011&gt;&gt;2018

| Pos | Part Number    | Description  | Remark  | Qty | Model |
|-----|----------------|--|---------|-----|-------|
| 1   | 958 110 316 20 | high pressure pump<br>high pressure pump<br>only in conj. with:<br>Fuel line<br>(complete)<br>958.110.030.03 |         | 1   | 059E  |
| (1) | 958 110 316 21 | M >> CAS 135 905<br>high pressure pump<br>only in conj. with:<br>Fuel line<br>(complete)<br>958.110.030.04   |         | 1   |       |
| (1) | 958 110 316 22 | Discontinued part<br>high pressure pump<br>only in conj. with:<br>Fuel line<br>(complete)<br>958.110.030.04  |         | 1   |       |
| 2   | 955 110 150 00 | M CAS 135 906>><br>Console   |         | 1   |       |
| 3   | N 910 266 02   | Oval head locating bolt with<br>multi-point socket head  | M8X35   | 6   |       |
| 4   | N 910 680 01   | Hexagon socket flat<br>head bolt   | M6X28   | 1   |       |
| 5   | 955 110 111 00 | toothed belt pulley  |         | 1   |       |
| 6   | WHT 002 244    | Hexagon collar nut   | M18X1,5 | 1   |       |
| 7   | 955 110 380 00 | Protective plate   |         | 1   |       |
| 8   | N 104 514 05   | Oval hexagon socket head bolt  | M6X16   | 3   |       |

Model: 92A 11

Model life 2011>>2018



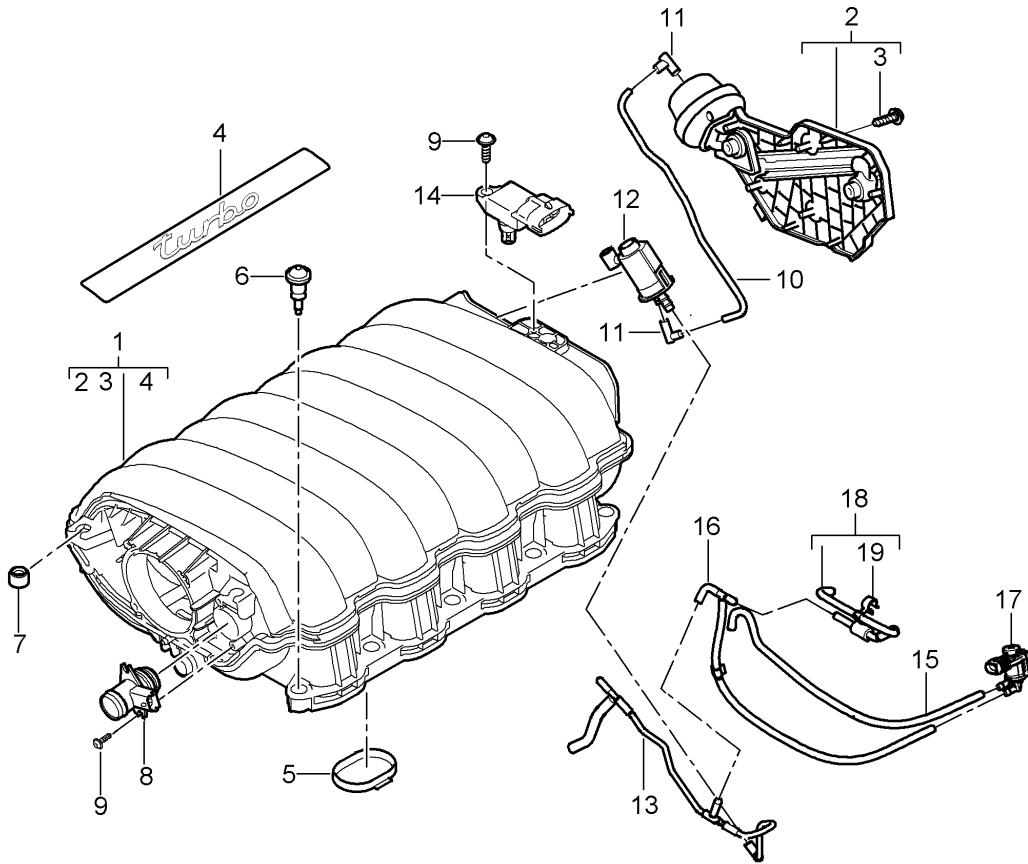
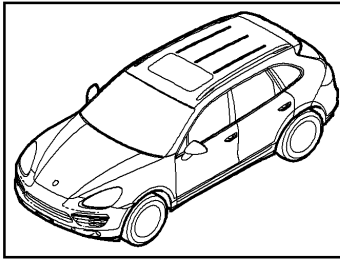
Model: 92A 11

Model life 2011>>2018

| Pos | Part Number    | Description  | Remark    | Qty | Model      |
|-----|----------------|--|-----------|-----|------------|
| 1   | 958 110 316 30 | high pressure pump                                   |           | 1   | CUDB, CUDC |
| 2   | 958 110 150 00 | high pressure pump                                   |           | 1   |            |
| 3   |                | Console  |           | 1   |            |
|     |                | toothed belt pulley                                  |           | 1   |            |
|     |                | see illustration, item:                              | 103-095,3 |     |            |
| 4   | N 106 860 01   | flat round head bolt                                 | M8X20     | 2   |            |
| 5   | N 911 047 01   | Socket head bolt with inner multipoint head          | M8X80     | 2   |            |
| 6   | N 910 266 02   | Oval head locating bolt with multi-point socket head | M8X35     | 3   |            |
| 7   | 958 606 845 20 | Bracket  |           | 1   |            |
| 8   | N 104 056 04   | Oval hexagon socket head bolt                        | M6X14     | 2   |            |

Model: 92A 11

Model life 2011>>2018

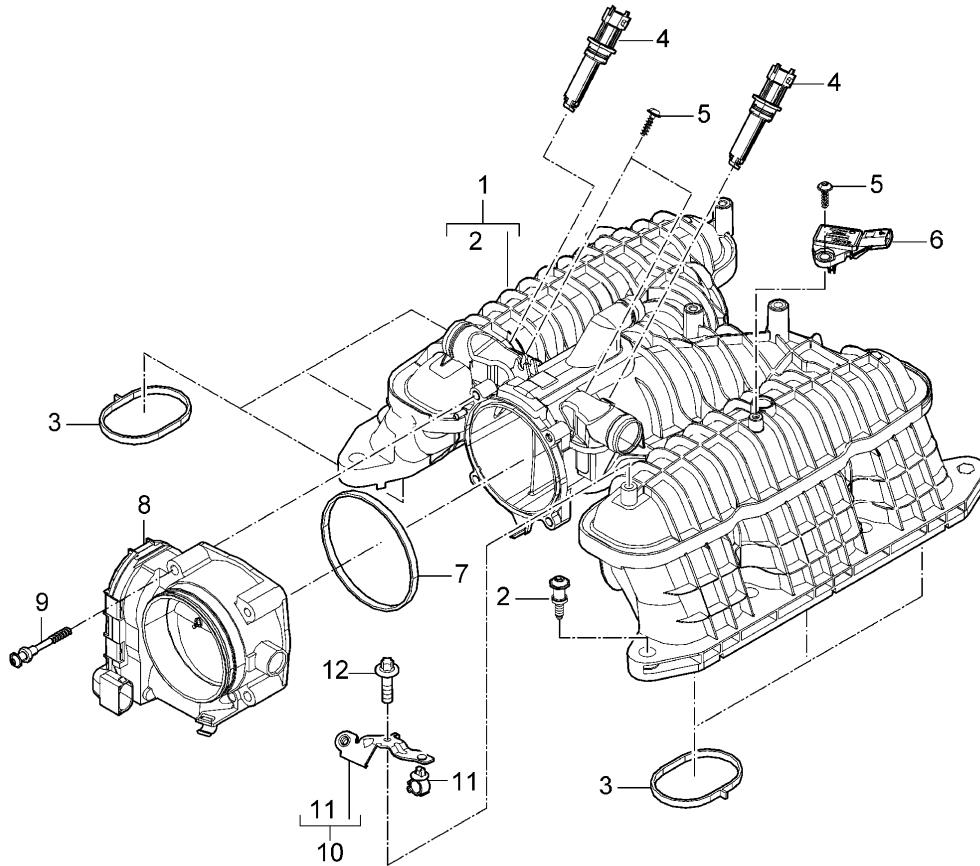
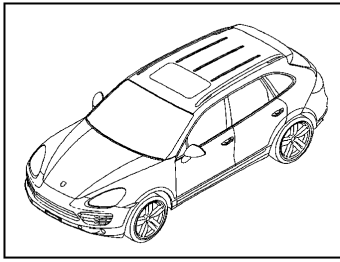


Model: 92A 11 Model life 2011>>2018

| Pos  | Part Number    | Description  | Remark   | Qty | Model                               |
|------|----------------|--|----------|-----|-------------------------------------|
|      |                | intake air distributor                             |          |     | 4802,4852,<br>CFTB,CFT,<br>CYXA,CYX |
| 1    | 948 110 016 41 | intake air distributor                             |          | 1   | 4802                                |
| (1)  | 948 110 016 71 | intake air distributor                             |          | 1   | 4852+<br>PR:E0A                     |
| (1)  | 948 110 016 71 | intake air distributor                             |          | 1   | CFTB,CFT                            |
| (1)  | 948 110 016 75 | intake air distributor                             |          | 1   | 4852+<br>PR:E81                     |
| (1)  | 948 110 016 76 | intake air distributor                             |          | 1   | 4852+<br>PR:E8A                     |
| (1)  | 948 110 016 76 | intake air distributor                             |          | 1   | CYXA,CYX                            |
| 2    | 948 110 116 20 | repair set   |          | 1   | 4802                                |
|      |                | throttle control element                           |          |     |                                     |
| 3    | 999 919 006 01 | fillister hd. bolt                                 | 5,0X16,0 | 5   |                                     |
| 4    | 948 110 216 70 | trim with inscription<br>plastic                   | TURBO    | 1   | 4852+<br>PR:E0A                     |
| (4)  | 948 110 216 70 | trim with inscription<br>plastic                   | TURBO    | 1   | CFTB,CFT                            |
| (4)  | 948 110 216 00 | trim with inscription<br>Carbon                    | TURBO    | 1   | 4852+<br>PR:E81                     |
| (4)  | 948 110 216 76 | trim with inscription<br>Carbon                    | TURBO S  | 1   | 4852+<br>PR:E8A                     |
| (4)  | 948 110 216 76 | trim with inscription<br>Carbon                    | TURBO S  | 1   | CYXA,CYX                            |
| 5    | 948 110 146 01 | Seal   |          | 8   |                                     |
| 6    | 948 110 142 02 | Securing element                                   |          | 10  |                                     |
| 7    | 955 110 236 00 | ball socket  |          | 2   |                                     |
| 8    | 948 605 139 00 | Heater element                                     |          | 1   |                                     |
| 9    | 999 919 006 01 | fillister hd. bolt                                 | 5,0X16,0 | 3   |                                     |
| 10   | 948 110 136 00 | Pipe   |          | 1   | 4802                                |
| 11   | 948 110 126 00 | Connecting piece                                   |          | 2   | 4802                                |
| 12   | 996 605 123 01 | Change-over valve<br>Electric                      |          | 1   | 4802                                |
| (12) | 7PP 906 270    | Discontinued part<br>Change-over valve<br>Electric |          | 1   | 4802                                |
| 13   | 948 110 358 00 | Vacuum line  |          | 1   | 4802                                |
| 14   | 948 606 180 00 | Pressure sensor                                    |          | 1   |                                     |
| 15   | 958 110 350 00 | Vacuum line  |          | 1   |                                     |
| 16   | 958 110 351 00 | Vacuum line  |          | 1   |                                     |
| 17   | 955 605 283 10 | Change-over valve<br>Electric                      |          | 1   |                                     |

Model: 92A 11

Model life 2011>>2018



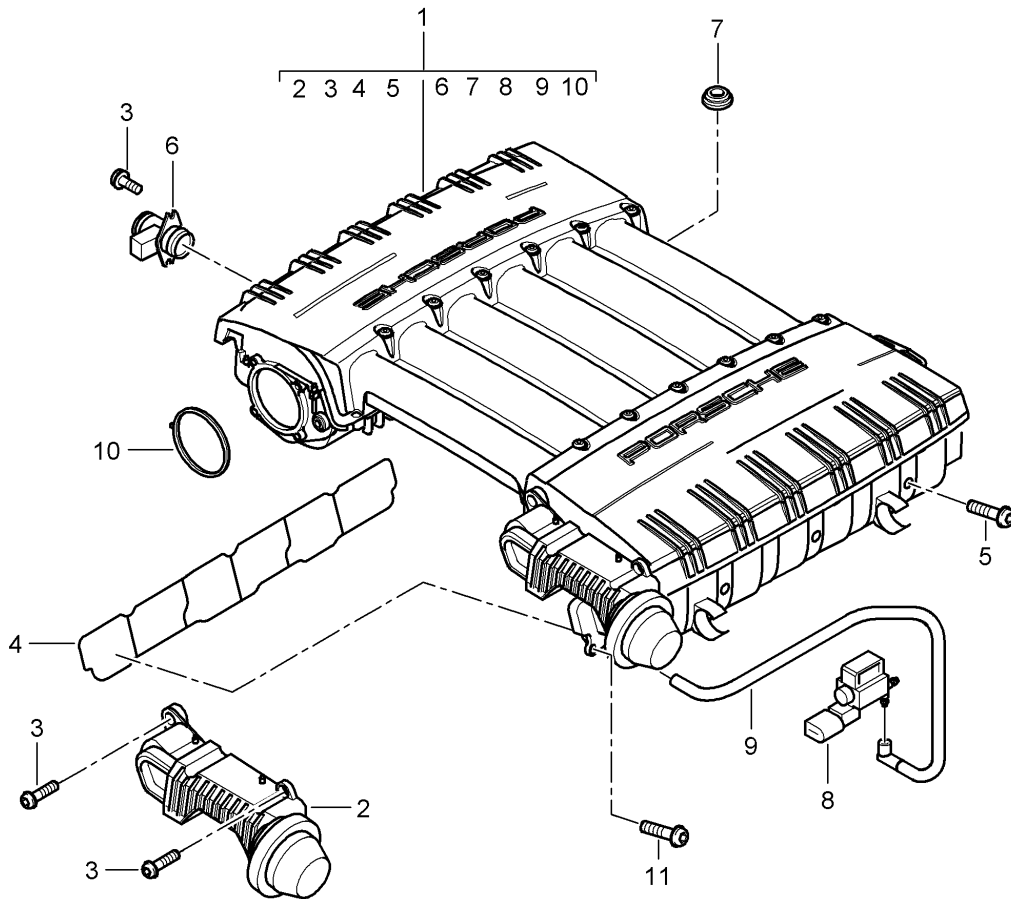
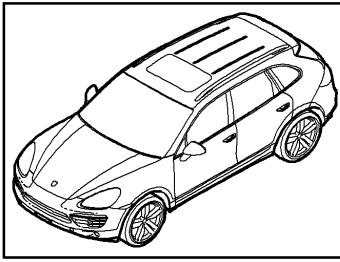
Model: 92A 11

Model life 2011&gt;&gt;2018

| Pos | Part Number    | Description                 | Remark   | Qty | Model      |
|-----|----------------|-----------------------------|----------|-----|------------|
|     |                | intake air distributor      |          |     | CURA, CUR, |
|     |                | throttle valve adapter      |          |     | CXZA, CXZ  |
| 1   | 946 110 016 63 | intake air distributor      |          | 1   |            |
| 2   | 946 110 412 60 | Securing element            |          | 8   |            |
| 3   | 946 110 146 60 | Seal                        |          | 6   |            |
| 4   | 946 605 139 00 | Heater element              |          | 2   |            |
| 5   | 999 919 006 01 | fillister hd. bolt          | 5,0X16,0 | 3   |            |
| 6   | 06E 906 051 AA | Pressure sensor             |          | 1   |            |
| 7   | 948 110 144 02 | Seal                        |          | 1   |            |
| 8   | 946 605 115 00 | throttle valve adapter      |          | 1   |            |
| 9   | 946 110 411 60 | fillister hd. bolt          | 6X55     | 4   |            |
| 10  | 946 110 027 77 | Bracket                     |          | 1   |            |
| 11  | N 103 203 02   | bracket for corrugated pipe | 13X6,5   | 1   |            |
| 12  | 900 385 009 01 | Torx screw                  | BM6X16   | 1   |            |

Model: 92A 11

Model life 2011>>2018





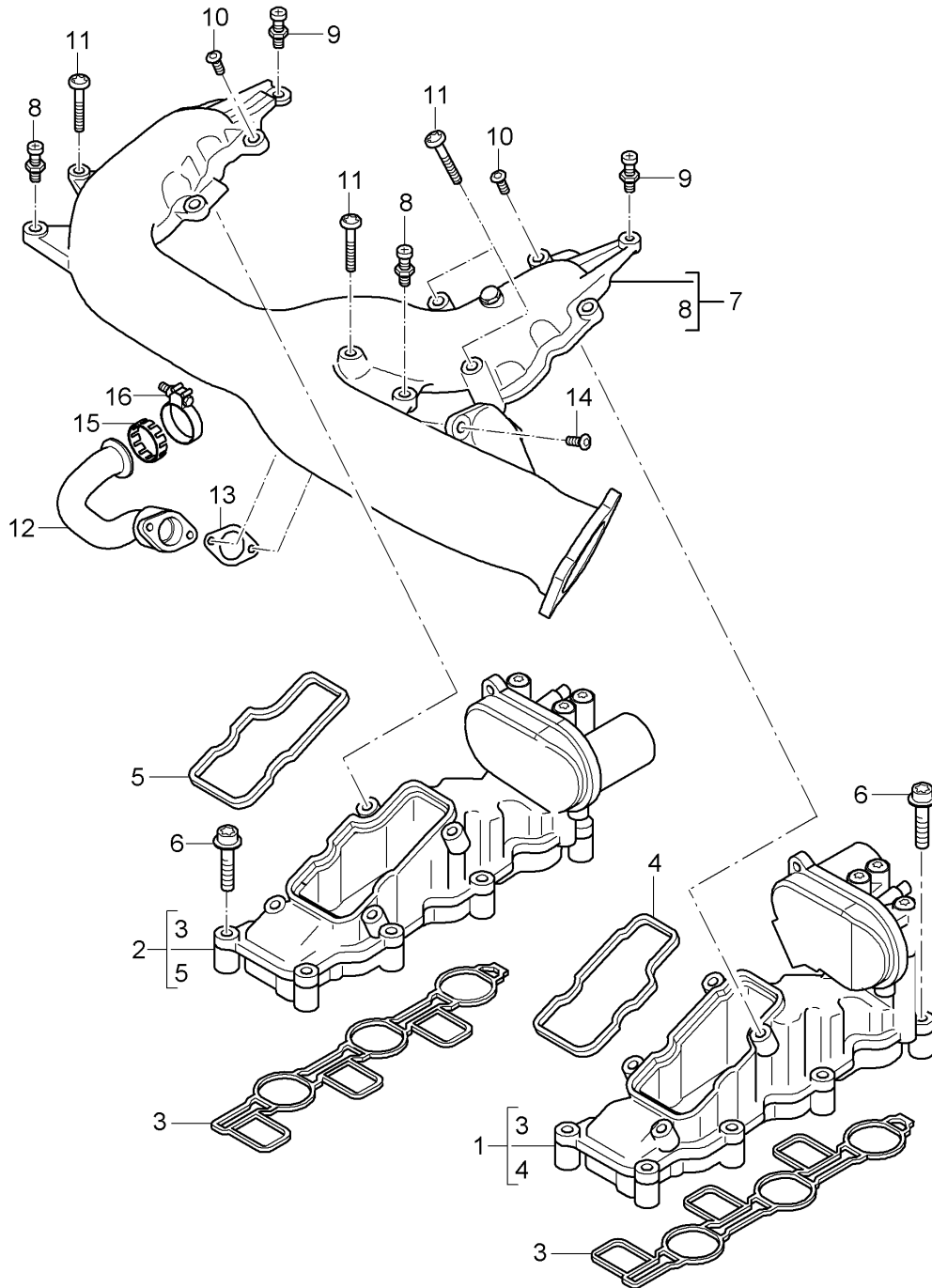
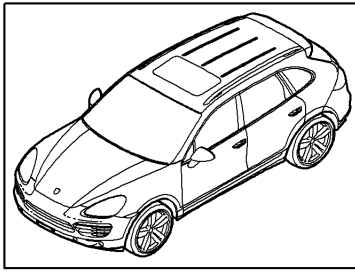
Model: 92A 11

Model life 2011>>2018

| Pos | Part Number    | Description              | Remark   | Qty | Model     |
|-----|----------------|--------------------------|----------|-----|-----------|
|     |                | Intake manifold          |          |     | 5502,CEYA |
| 1   | 955 110 006 01 | Intake manifold          |          | 1   |           |
| 2   | 955 110 116 00 | throttle control element |          | 1   |           |
| 3   | 999 919 006 01 | fillister hd. bolt       | 5,0X16,0 | 5   |           |
| 4   | 955 110 147 00 | Seal                     |          | 1   |           |
| 5   | N 910 972 01   | round hd. screw          | M6X35    | 3   |           |
|     |                | See technical manual     |          |     |           |
|     |                | See main group 2         |          |     |           |
|     |                | 24-46                    |          |     |           |
| 6   | 948 605 139 00 | Heater element           |          | 1   |           |
| 7   | 955 355 448 00 | Sealing plug             |          | 1   |           |
| 8   | 955 605 123 30 | Change-over valve        |          | 1   |           |
| 9   | 955 110 136 00 | Vacuum line              |          | 1   |           |
| 10  |                | Seal                     |          | 1   |           |
|     |                | throttle valve adapter   |          |     |           |
|     |                | see illustration:        | 107-010  |     |           |
| 11  | N 910 972 01   | round hd. screw          | M6X35    | 1   |           |

Model: 92A 11

Model life 2011>>2018



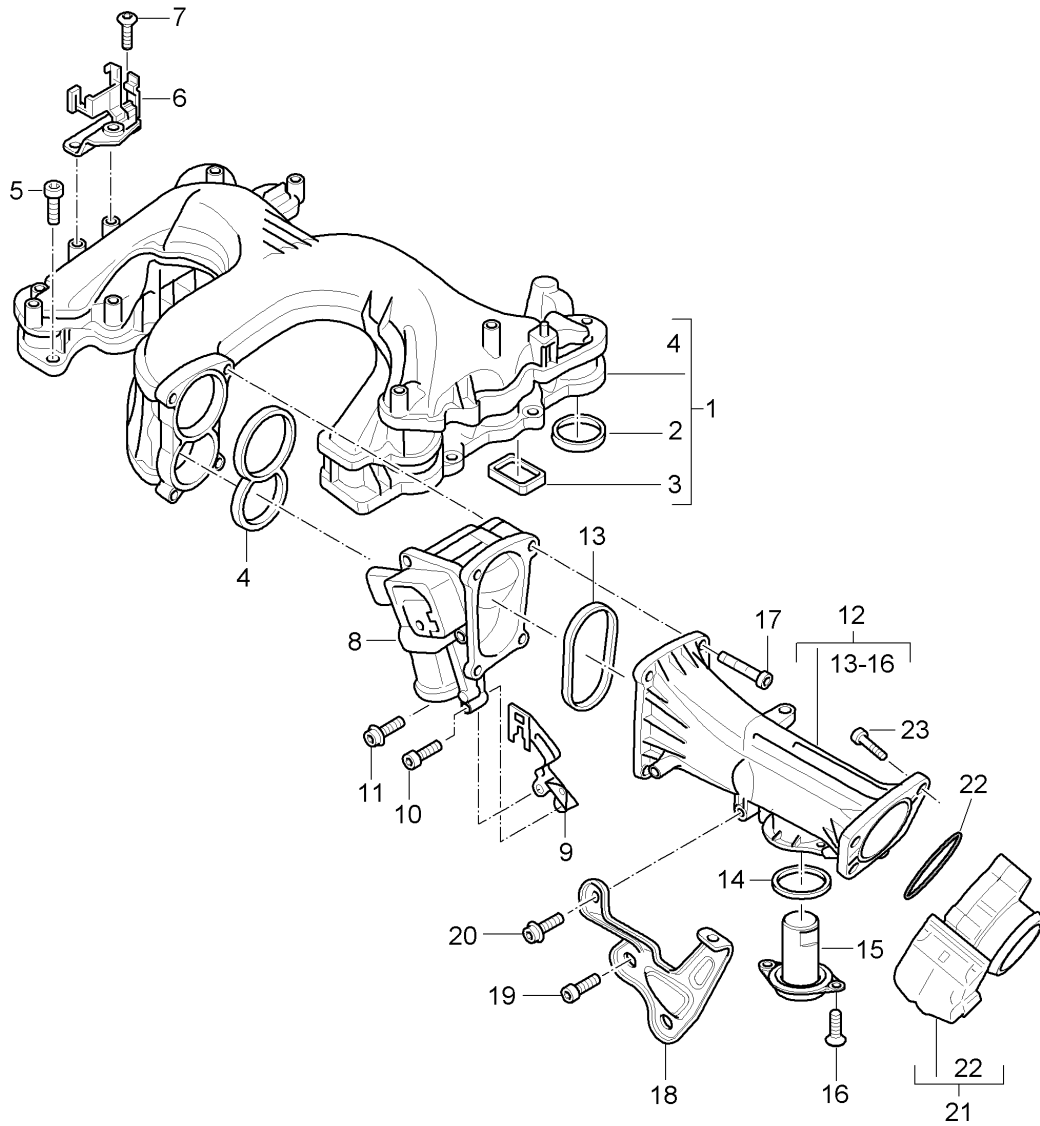
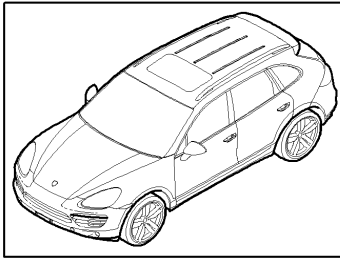
Model: 92A 11

Model life 2011&gt;&gt;2018

| Pos | Part Number    | Description   | Remark | Qty | Model |
|-----|----------------|---|--------|-----|-------|
|     |                | Intake manifold<br>pressure pipe                                |        |     | 059E  |
| 1   | 955 110 011 02 | Intake manifold<br>Discontinued part                            | left   | 1   |       |
| (1) | 955 110 011 03 | Intake manifold<br>Discontinued part                            | left   | 1   |       |
| (1) | 955 110 011 04 | Intake manifold<br>Discontinued part                            | left   | 1   |       |
| (1) | 955 110 011 05 | Intake manifold   | left   | 1   |       |
| 2   | 955 110 012 03 | Intake manifold<br>Discontinued part                            | right  | 1   |       |
| (2) | 955 110 012 04 | Intake manifold<br>Discontinued part                            | right  | 1   |       |
| (2) | 955 110 012 10 | Intake manifold   | right  | 1   |       |
| 3   | 955 110 247 00 | Seal  |        | 2   |       |
| 4   | 955 110 147 10 | Seal  | left   | 1   |       |
| 5   | 955 110 148 10 | Seal  | right  | 1   |       |
| 6   | N 103 008 05   | Socket head bolt with<br>inner multipoint head<br>AM 6 X 45     |        | 16  |       |
| 7   | 955 110 062 00 | pressure pipe   |        | 1   |       |
| 8   | WHT 000 351    | Ball pin  |        | 2   |       |
| 9   | WHT 003 725    | Ball pin  |        | 2   |       |
| 10  | N 910 540 01   | Semi round bolt (combi) with<br>hexagon socket head<br>M 6 X 22 |        | 5   |       |
| 11  | N 106 268 01   | fillister hd. bolt<br>AM 6 X 70                                 |        | 4   |       |
| 12  | 958 111 053 00 | Connecting pipe   |        | 1   |       |
| 13  | 955 111 149 00 | Seal  |        | 1   |       |
| 14  | N 101 243 06   | Oval hexagon socket head bolt<br>M 6 X 20                       |        | 2   |       |
| 15  | 958 111 547 00 | Seal  |        | 1   |       |
| 16  | 958 111 548 03 | Clamp   |        | 1   |       |

Model: 92A 11

Model life 2011>>2018

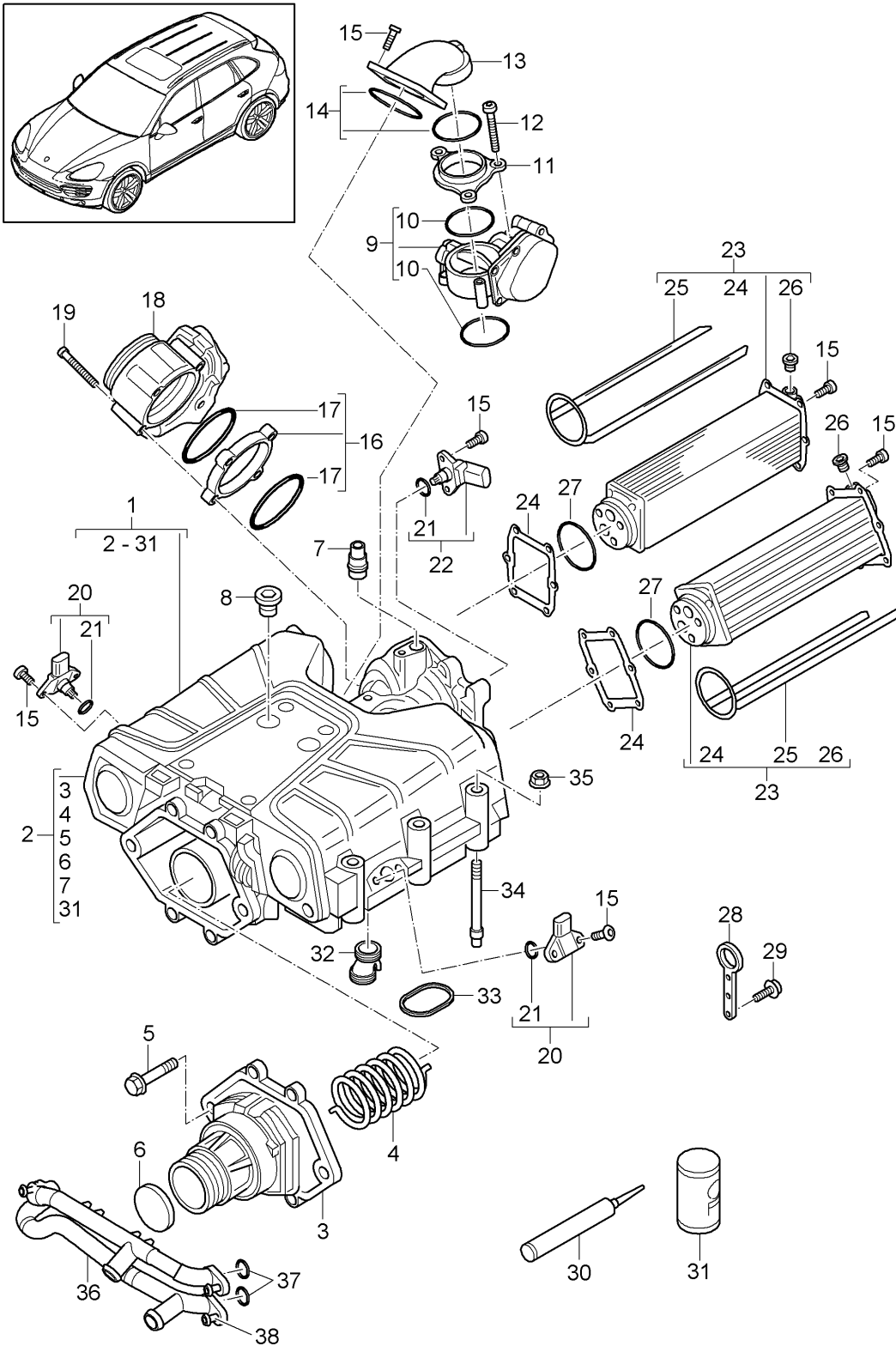


Model: 92A 11 Model life 2011>>2018

| Pos  | Part Number    | Description  | Remark | Qty | Model                                    |
|------|----------------|--|--------|-----|--|
|      |                | Intake manifold<br>throttle valve adapter<br>Air guide housing |        |     | CRCA, CRCB,<br>CNRB, CVVA,<br>CVVB, CVVC |
| 1    | 958 110 016 00 | Intake manifold  |        | 1   |  |
| 2    | 958 110 147 10 | Seal   |        | 6   |  |
| 3    | 958 110 148 00 | Seal   |        | 6   |  |
| 4    | 958 110 144 00 | Seal   |        | 1   |  |
| 5    | WHT 004 917    | Hexagon socket head bolt<br>M 6 X 28                           |        | 12  |  |
| 6    | 958 606 311 10 | Bracket  |        | 1   |  |
| 7    | N 107 214 01   | oval hd. self-tapp fitt. screw<br>6 X 16                       |        | 2   |  |
| 8    | 958 605 115 00 | throttle valve adapter   |        | 1   |  |
| 9    | 958 110 560 00 | Bracket  |        | 1   |  |
| 10   | N 910 541 01   | Oval hexagon socket head bolt<br>M 6 X 25                      |        | 1   |  |
| 11   | N 107 214 01   | oval hd. self-tapp fitt. screw<br>6 X 16                       |        | 2   |  |
| 12   | 958 110 065 00 | Air guide housing  |        | 1   |  |
| 13   | 958 110 215 20 | Seal   |        | 1   |  |
| 14   | 958 111 149 00 | Seal   |        | 1   |  |
| 15   | 958 111 153 30 | Connecting pipe  |        | 1   |  |
| 16   | N 104 056 04   | Oval hexagon socket head bolt<br>M 6 X 14                      |        | 2   |  |
| 17   | N 104 239 03   | Socket head bolt with<br>inner multipoint head<br>AM 6 X 60    |        | 4   |  |
| 18   | 958 110 661 00 | Bracket  |        | 1   |  |
| 19   | N 104 114 02   | Hexagon socket oval head bolt<br>(combi)<br>M 6 X 16           |        | 2   |  |
| 20   | N 104 056 04   | Oval hexagon socket head bolt<br>M 6 X 14                      |        | 2   |  |
| 21   | 958 605 115 10 | throttle valve adapter<br>No longer use the part here          |        | 1   |  |
| (21) | 958 605 115 11 | throttle valve adapter   |        | 1   |  |
| 22   | 955 110 144 00 | Seal   |        | 1   |  |
| 23   | N 911 482 01   | flat round head bolt<br>M 6 X 25                               |        | 3   |  |

Model: 92A 11

Model life 2011>>2018



Model: 92A 11 Model life 2011>>2018

| Pos  | Part Number    | Description  | Remark         | Qty | Model                             |
|------|----------------|--|----------------|-----|-----------------------------------|
|      |                | Compressor   |                |     | 06EC , CGEA ,<br>CGE , CGFA , CJT |
| 1    | 958 110 061 00 | Compressor<br>(complete)<br>Discontinued part                          |                | 1   |                                   |
| (1)  | 958 110 061 01 | Compressor<br>(complete)<br>Discontinued part                          |                | 1   |                                   |
| (1)  | 958 110 061 02 | Compressor<br>(complete)<br>Discontinued part                          |                | 1   |                                   |
| (1)  | 958 110 061 03 | Compressor<br>(complete)<br>Discontinued part                          |                | 1   |                                   |
| (1)  | 958 110 061 04 | Compressor<br>(complete)<br>Discontinued part                          |                | 1   |                                   |
| (1)  | 958 110 061 05 | Compressor<br>(complete)   |                | 1   |                                   |
| 2    | 958 110 163 00 | Compressor<br>housing  |                | 1   |                                   |
|      |                | without:   |                |     |                                   |
| 3    | 958 110 607 10 | Charge air cooler<br>Housing cover                                     |                | 1   |                                   |
|      |                | with:  |                |     |                                   |
| 4    | 958 110 635 10 | pulley<br>Spring   |                | 1   |                                   |
| 5    | N 106 645 03   | Hex collared bolt<br>M 8 X 45  |                | 8   |                                   |
|      |                | also use:  | 958 110 503 00 | X   |                                   |
|      |                | and  |                |     |                                   |
|      |                | Securing liquid<br>Loctite<br>262                                      |                |     |                                   |
| 6    | 958 110 518 00 | Cap  |                | 1   |                                   |
| 7    | 958 110 382 10 | connection piece   |                | 1   |                                   |
| 8    | 958 110 526 00 | Grommet  |                | 2   |                                   |
| 9    | 958 110 363 04 | Flap-Nozzle<br>Discontinued part                                       |                | 1   |                                   |
| (9)  | 958 110 363 05 | Flap-Nozzle  |                | 1   |                                   |
| 10   | N 905 216 04   | O-ring<br>55 X 3<br>Only<br>in pairs<br>Use                            |                | 2   |                                   |
| 11   | 958 110 375 10 | Adapter  |                | 1   |                                   |
| 12   | N 104 707 03   | round hd. screw<br>AM 6 X 50   |                | 3   |                                   |
| 13   | 958 110 641 02 | Pipe union   |                | 1   |                                   |
| 14   | 958 110 912 02 | Gasket set   |                | 1   |                                   |
|      |                | also use:  | N 905 216 04   | 2   |                                   |
| 15   | N 104 514 09   | Socket head bolt with hexagon<br>socket head (combination)<br>M 6 X 16 |                | 22  |                                   |
| 16   | 958 110 375 20 | Adapter<br>Discontinued part   |                | 1   |                                   |
| (16) | 958 110 375 21 | Adapter  |                | 1   |                                   |
| 17   | 958 110 572 03 | O-ring   |                | 2   |                                   |
| 18   |                | throttle valve adapter<br>see illustration, item:                      | 107-020,1      | 1   |                                   |
| 19   |                | fillister hd. bolt<br>see illustration, item:                          | 107-020,2      | 4   |                                   |
| 20   | 958 606 180 00 | Pressure sensor  |                | 2   |                                   |

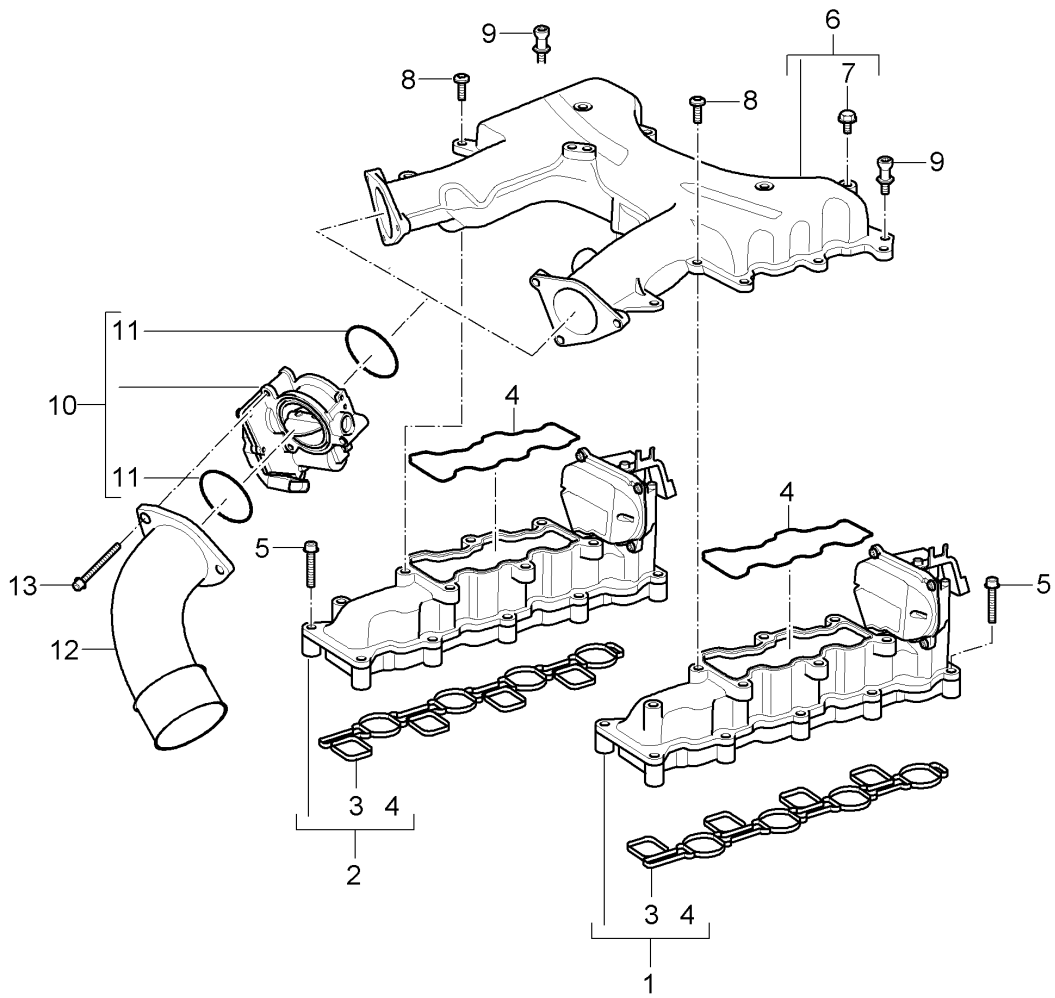
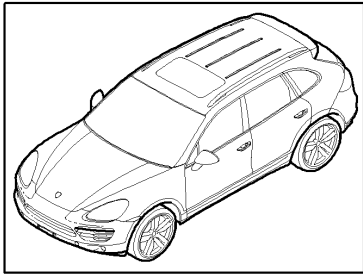
Model: 92A 11 Model life 2011>>2018

| Pos  | Part Number    | Description  | Remark         | Qty | Model |
|------|----------------|--|----------------|-----|-------|
| 21   | 958 606 549 00 | O-ring<br>7,49 X 2,62                                      |                | 3   |       |
| 22   | 958 606 180 10 | Pressure sensor  |                | 1   |       |
| 23   | 958 110 621 00 | Charge air cooler  |                | 2   |       |
|      |                | also use:  | 958 110 723 20 | 2   |       |
|      |                |  | N .1 04. 51    | 12  |       |
|      |                |  | 958 110 061 00 |     |       |
|      |                |  | 06E 145 601 G  |     |       |
| (23) | 958 110 621 10 | Discontinued part<br>Charge air cooler                     |                | 2   |       |
|      |                | also use:  | 958 110 723 20 | 2   |       |
|      |                |  | N .1 04. 51    | 12  |       |
|      |                |  | 958 110 061 01 |     |       |
|      |                |  | 06E 145 601 K  |     |       |
| (23) | 958 110 621 20 | Charge air cooler  |                | 2   |       |
|      |                | also use:  | 958 110 723 20 | 2   |       |
|      |                |  | N .1 04. 51    | 12  |       |
|      |                |  | 958 110 061 01 |     |       |
|      |                |  | 06E 145 601 L  |     |       |
| 24   | 958 110 723 10 | Seal<br>Only<br>in pairs<br>Use                            |                | 2   |       |
| 25   |                | Seal<br>Not available<br>To<br>Use                         |                | 2   |       |
| 26   | 958 110 535 20 | Charge air cooler<br>sealing plug                          |                | 1   |       |
| 27   | 958 110 723 20 | Seal<br>59,92 X 3,53<br>Only<br>in pairs<br>Use            |                | 2   |       |
| 28   | 958 104 305 00 | Transportation shackle                                     |                | 4   |       |
| 29   | N 910 268 02   | Socket head bolt with inner<br>multipoint head<br>M 8 X 20 |                | 4   |       |
| 30   | 958 110 503 00 | sealant<br>1 100-gramme tube                               |                | 1   |       |
| 31   | 958 110 570 00 | Compressor oil<br>150 ML                                   |                | 1   |       |
| 32   |                | Breather line  |                | 1   |       |
|      |                | see illustration, item:                                    | 107-022,3      |     |       |
| 33   |                | Seal   |                | 6   |       |
|      |                | see illustration, item:                                    | 107-040,20     |     |       |
| 34   | 958 104 539 00 | Pin<br>M 8 X 98  |                | 6   |       |
| 35   | N 106 092 03   | Hexagon collar nut<br>M 8                                  |                | 6   |       |
| 36   | 958 106 583 10 | Coolant pipe<br>Discontinued part                          |                | 1   |       |
| (36) | 958 106 583 11 | Coolant pipe   |                | 1   |       |
| 37   | 958 106 619 00 | seal ring  |                | 4   |       |
| 38   | N 106 373 01   | Oval hexagon socket head bolt<br>M 5 X 20                  |                | 6   |       |



Model: 92A 11

Model life 2011>>2018



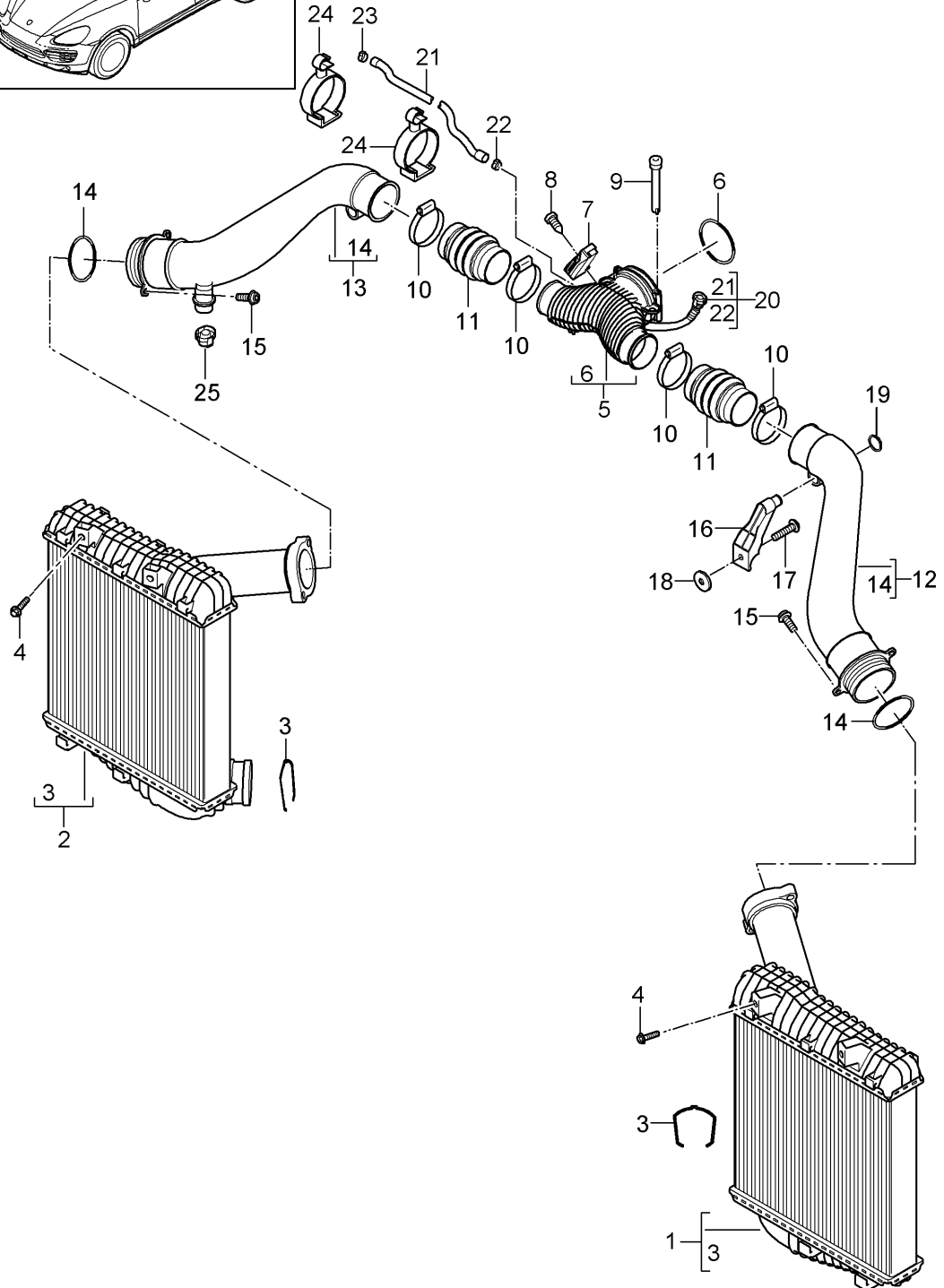
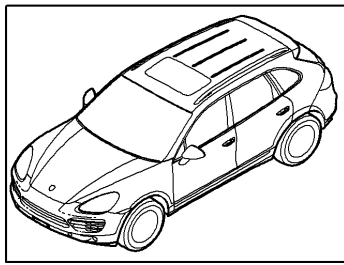
Model: 92A 11

Model life 2011&gt;&gt;2018

| Pos  | Part Number    | Description  | Remark | Qty | Model      |
|------|----------------|--|--------|-----|------------|
|      |                | Intake manifold<br>pressure pipe<br>throttle valve adapter             |        |     | CUDB, CUDC |
| 1    | 958 110 011 00 | Intake manifold  | left   | 1   |            |
| (1)  | 958 110 011 01 | Discontinued part<br>Intake manifold                                   | left   | 1   |            |
| (1)  | 958 110 011 02 | Discontinued part<br>Intake manifold                                   | left   | 1   |            |
| 2    | 958 110 012 00 | Intake manifold  | right  | 1   |            |
| (2)  | 958 110 012 01 | Discontinued part<br>Intake manifold                                   | right  | 1   |            |
| (2)  | 958 110 012 02 | Discontinued part<br>Intake manifold                                   | right  | 1   |            |
| 3    | 958 110 247 10 | Seal   |        | 2   |            |
| 4    | 958 110 147 20 | Seal   |        | 2   |            |
| 5    | N 103 008 05   | Socket head bolt with<br>inner multipoint head<br>AM 6 X 45            |        | 20  |            |
| 6    | 958 110 062 00 | pressure pipe  |        | 1   |            |
| 7    | N 016 158 1    | sealing plug<br>M 8 X 1  |        | 1   |            |
| 8    | N 101 243 06   | Oval hexagon socket head bolt<br>M 6 X 20                              |        | 10  |            |
| (8)  | N 106 221 01   | Oval hexagon socket head bolt<br>M 6 X 65                              |        | 2   |            |
| 9    | WHT 002 377    | Ball screw<br>M 6 X 15 X 12  |        | 4   |            |
| 10   | 958 605 115 20 | throttle valve adapter<br>Discontinued part                            |        | 2   |            |
| (10) | 958 605 115 21 | throttle valve adapter   |        | 2   |            |
| 11   | N 905 216 04   | O-ring<br>55 X 3   |        | 4   |            |
| 12   | 958 110 557 00 | Pipe union   | left   | 1   |            |
| (12) | 958 110 558 00 | Pipe union   | right  | 1   |            |
| 13   | N 101 270 05   | Socket head bolt with hexagon<br>socket head (combination)<br>M 6 X 55 |        | 6   |            |

Model: 92A 11

Model life 2011>>2018

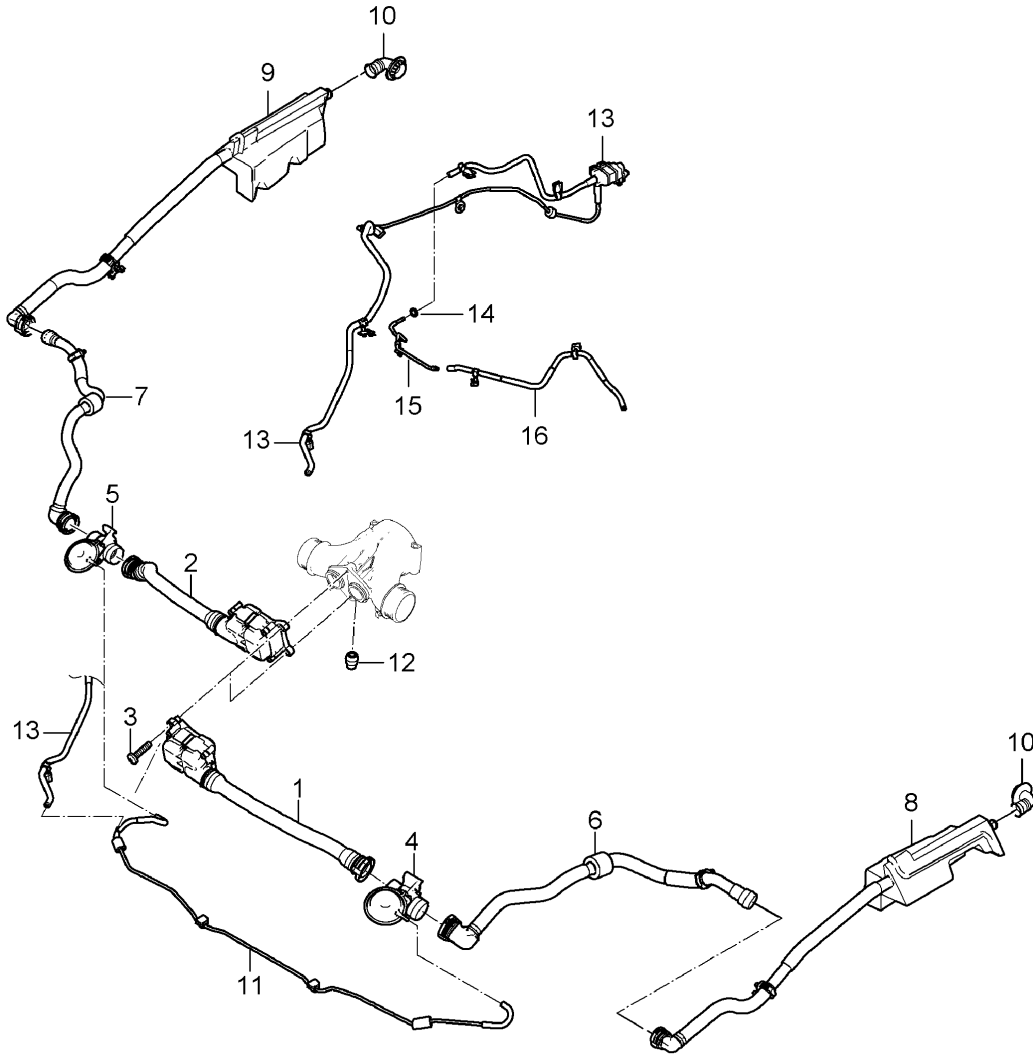
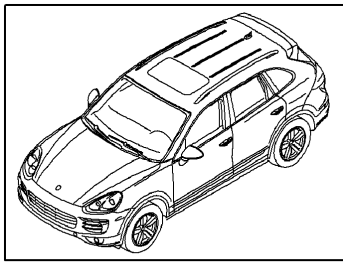


Model: 92A 11 Model life 2011>>2018

| Pos | Part Number    | Description   | Remark | Qty | Model                  |
|-----|----------------|---|--------|-----|------------------------|
|     |                | Charge air cooler pressure pipe                         |        |     | PR:D58,DT1,DT5         |
| 1   | 955 110 639 01 | Charge air cooler                                       | left   | 1   |                        |
| 2   | 955 110 640 01 | Charge air cooler                                       | right  | 1   |                        |
| 3   | 955 110 513 00 | retaining spring  |        | 1   |                        |
| 4   | N 910 538 01   | Hexagon bolt<br>M 6 X 20                                |        | 6   |                        |
| 5   | 955 110 646 50 | pressure pipe   |        | 1   | PR:D58                 |
| (5) | 955 110 646 50 | pressure pipe   |        | 1   | PR:DT1,DT5,OP0,OP3,OP6 |
| (5) | 958 110 646 00 | Y-piece   |        | 1   | PR:DT1,DT5,OP8,OP9     |
| 6   | N 910 171 01   | O-ring<br>87 X 4  |        | 1   | PR:D58                 |
| (6) | N 910 171 01   | O-ring<br>87 X 4  |        | 1   | PR:DT1,DT5,OP0,OP3,OP6 |
| (6) | 999 707 461 40 | O-ring<br>31,42 X 2,62                                  |        | 2   | PR:DT1,DT5,OP8,OP9     |
| 7   | 996 606 180 00 | Sensor<br>Boost pressure                                |        | 1   |                        |
| 8   | N 106 839 01   | Oval socket head bolt with hex drive<br>6 X 12          |        | 1   | PR:D58                 |
| (8) | N 106 839 01   | Oval socket head bolt with hex drive<br>6 X 12          |        | 1   | PR:DT1,DT5,OP0,OP3,OP6 |
| (8) | N 103 352 06   | Hexagon socket flat head bolt<br>M 6 X 12               |        | 1   | PR:DT1,DT5,OP8,OP9     |
| 9   | 955 110 670 00 | Pin<br>Locking mechanism                                |        | 2   | PR:D58                 |
| 9   | 955 110 670 00 | Pin<br>Locking mechanism                                |        | 2   | PR:DT1,DT5,OP0,OP3,OP6 |
| (9) | 999 218 102 01 | Socket head bolt<br>M 8 X 60                            |        | 2   | PR:DT1,DT5,OP8,OP9     |
| 10  | N 106 198 01   | Hose clamp<br>45 - 65 X 12                              |        | 4   |                        |
| 11  | 955 110 107 02 | Bellows   |        | 2   |                        |
| 12  | 955 110 623 01 | pressure pipe   | left   | 1   |                        |
| 13  | 955 110 624 10 | pressure pipe   | right  | 1   |                        |
| 14  | WHT 001 018    | O-ring<br>57 X 4  |        | 2   |                        |
| 15  | N 103 231 03   | Socket head bolt with inner multipoint head<br>M 6 X 20 |        | 4   |                        |
| 16  | 958 110 383 00 | Bracket for pressure pipe                               |        | 2   |                        |
| 17  | 958 110 830 00 | spacer bush   |        | 2   |                        |
|     |                | with:   |        |     |                        |
| 18  | 867 129 669    | Screw<br>Grommet  |        | 2   |                        |
| 19  | 900 041 004 01 | Securing ring<br>10 X 1                                 |        | 2   |                        |

Model: 92A 11

Model life 2011>>2018



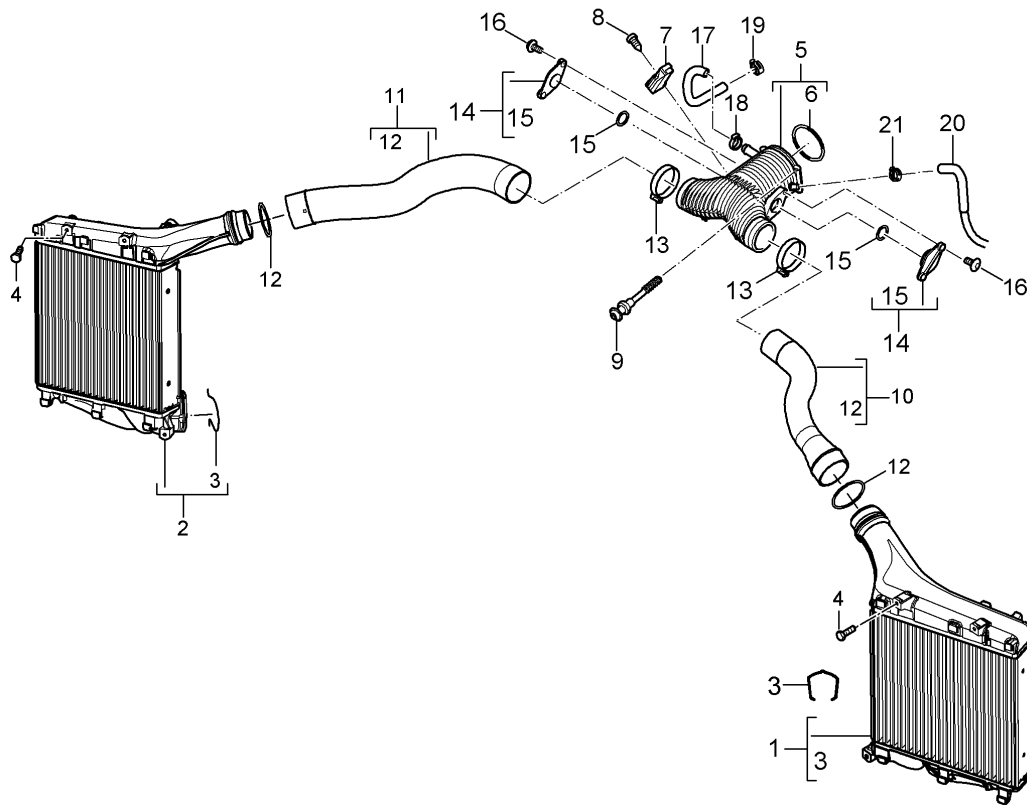
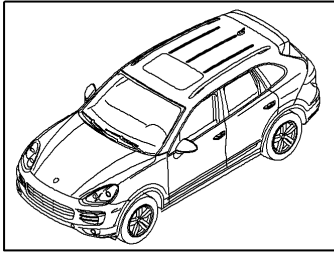
Model: 92A 11

Model life 2011>>2018

| Pos | Part Number    | Description  | Remark | Qty | Model                                |
|-----|----------------|--|--------|-----|--------------------------------------|
| 1   | 958 110 541 20 | Charge air cooler<br>pressure pipe<br>suction line<br>housing<br><br>with: | left   | 1   | CFTB,CFT,<br>CYXA,CYX+<br>PR:0P8,0P9 |
| 2   | 958 110 542 20 | Diaphragm<br>housing<br><br>with:  | right  | 1   |                                      |
| 3   | N 101 562 06   | Diaphragm<br>Oval hexagon socket head bolt<br>M 6 X 30                     |        | 2   |                                      |
| 4   | 958 110 543 00 | Flap<br><br>with:  | left   | 1   |                                      |
| 5   | 958 110 544 10 | Diaphragm<br>Flap<br><br>with:   | right  | 1   |                                      |
| 6   | 958 110 741 30 | Diaphragm<br>Connecting line   | left   | 1   |                                      |
| 7   | 958 110 742 50 | Connecting line  | right  | 1   |                                      |
| 8   | 958 110 823 00 | Connecting pipe<br><br>with:   | left   | 1   |                                      |
| 9   | 958 110 824 00 | Seal<br>Connecting pipe<br><br>with:                                       | right  | 1   |                                      |
| 10  | 958 110 609 00 | Seal<br>Grommet  |        | 2   |                                      |
| 11  | 958 110 458 00 | Vacuum line  |        | 1   |                                      |
| 12  | 958 110 617 10 | Cap closure<br>Connector union<br>Y-piece                                  |        | 1   |                                      |
| 13  | 958 110 545 10 | Vacuum line<br><br>with:   |        | 1   |                                      |
| 14  | WHT 007 767    | Change-over valve<br>Rubber grommet<br>10 X 6                              |        | 1   |                                      |
| 15  | 958 111 160 91 | Vacuum line<br>Wheel housing   |        | 1   |                                      |
| 16  | 958 110 488 00 | Vacuum line<br>Engine bay<br>Vacuum pump                                   |        | 1   |                                      |

Model: 92A 11

Model life 2011>>2018



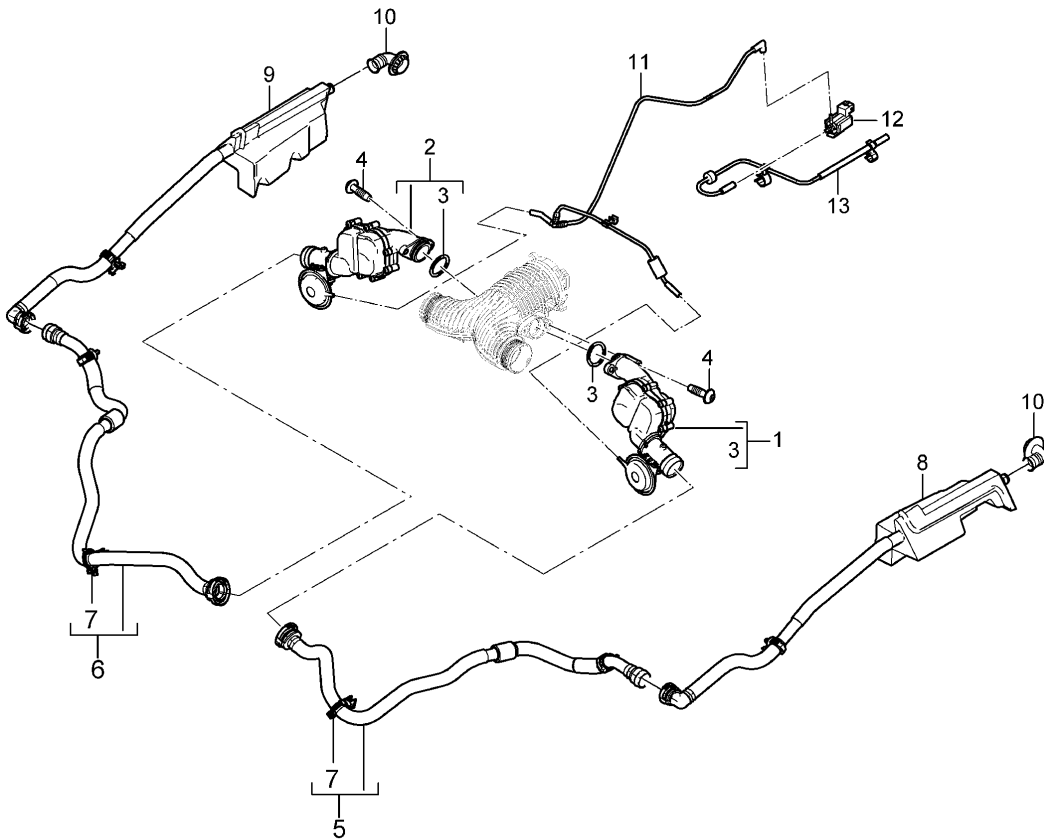
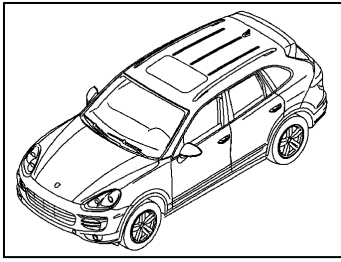
Model: 92A 11 Model life 2011>>2018

| Pos  | Part Number    | Description                                       | Remark            | Qty | Model                   |
|------|----------------|---|-------------------|-----|-------------------------|
|      |                | Charge air cooler<br>pressure pipe                |                   |     | CURA, CUR,<br>CXZA, CXZ |
| 1    | 958 110 639 00 | Charge air cooler                                 | left              | 1   |                         |
| 2    | 958 110 640 20 | Charge air cooler                                 | right             | 1   |                         |
| 3    | 958 110 513 00 | retaining spring                                  |                   | 2   |                         |
| 4    | N 910 538 01   | Hexagon bolt<br>M 6 X 20                          |                   | 6   |                         |
| 5    | 970 110 140 63 | Y-piece<br>throttle valve adapter                 |                   | 1   |                         |
| 6    | 999 701 517 40 | O-ring<br>82 X 4                                  |                   | 1   |                         |
| 7    | 06E 906 051 AA | Pressure sensor                                   |                   | 1   |                         |
| 8    | N 106 839 01   | Oval socket head bolt<br>with hex drive<br>6 X 12 |                   | 1   |                         |
| 9    |                | fillister hd. bolt<br>6 X 55                      |                   | 4   |                         |
| 10   | 958 110 173 10 | see illustration, item:<br>Pressure hose          | 107-052,9<br>left | 1   |                         |
| (10) | 958 110 173 11 | No longer use the part here<br>Pressure hose      | left              | 1   |                         |
| 11   | 958 110 174 10 | Pressure hose                                     | right             | 1   |                         |
| (11) | 958 110 174 11 | No longer use the part here<br>Pressure hose      | right             | 1   |                         |
| 12   |                | seal ring<br>Individual parts<br>Not available    |                   | 2   |                         |
| 13   | N 106 198 01   | Hose clamp<br>A 45 - 65 X 12                      |                   | 2   |                         |
| 14   | 7P5 129 954    | End cap<br>D >> - MJ 2016                         |                   | 2   | PR:0P0,0P3,<br>0P6      |
| (14) | 7P5 129 954    | End cap<br>D - MJ 2017>>                          |                   | 2   |                         |
| 15   | 999 707 461 40 | O-ring<br>31,42 X 2,62                            |                   | 2   | PR:0P0,0P3,<br>0P6      |
| 15   | 999 707 461 40 | O-ring<br>31,42 X 2,62<br>D - MJ 2017>>           |                   | 2   |                         |
| 16   | N 104 734 02   | round hd. screw<br>TP 6 X 20<br>D >> - MJ 2016    |                   | 4   | PR:0P0,0P3,<br>0P6      |
| 16   | N 104 734 02   | round hd. screw<br>TP 6 X 20<br>D - MJ 2017>>     |                   | 4   |                         |
| 17   | 970 110 246 60 | Vent hose   |                   | 1   |                         |
| 18   | N 101 983 01   | Ear crimp hose clamp<br>13,3 X 7                  |                   | 1   |                         |
| 19   | 955 201 479 00 | Hose clamp<br>16 X 12                             |                   | 1   |                         |
| 20   |                | Vent hose<br>see illustration, item:              |                   | 1   |                         |
| 21   | 999 512 489 00 | Hose clip<br>15,3 - 18,5                          | 202-062,18        | 1   |                         |



Model: 92A 11

Model life 2011>>2018

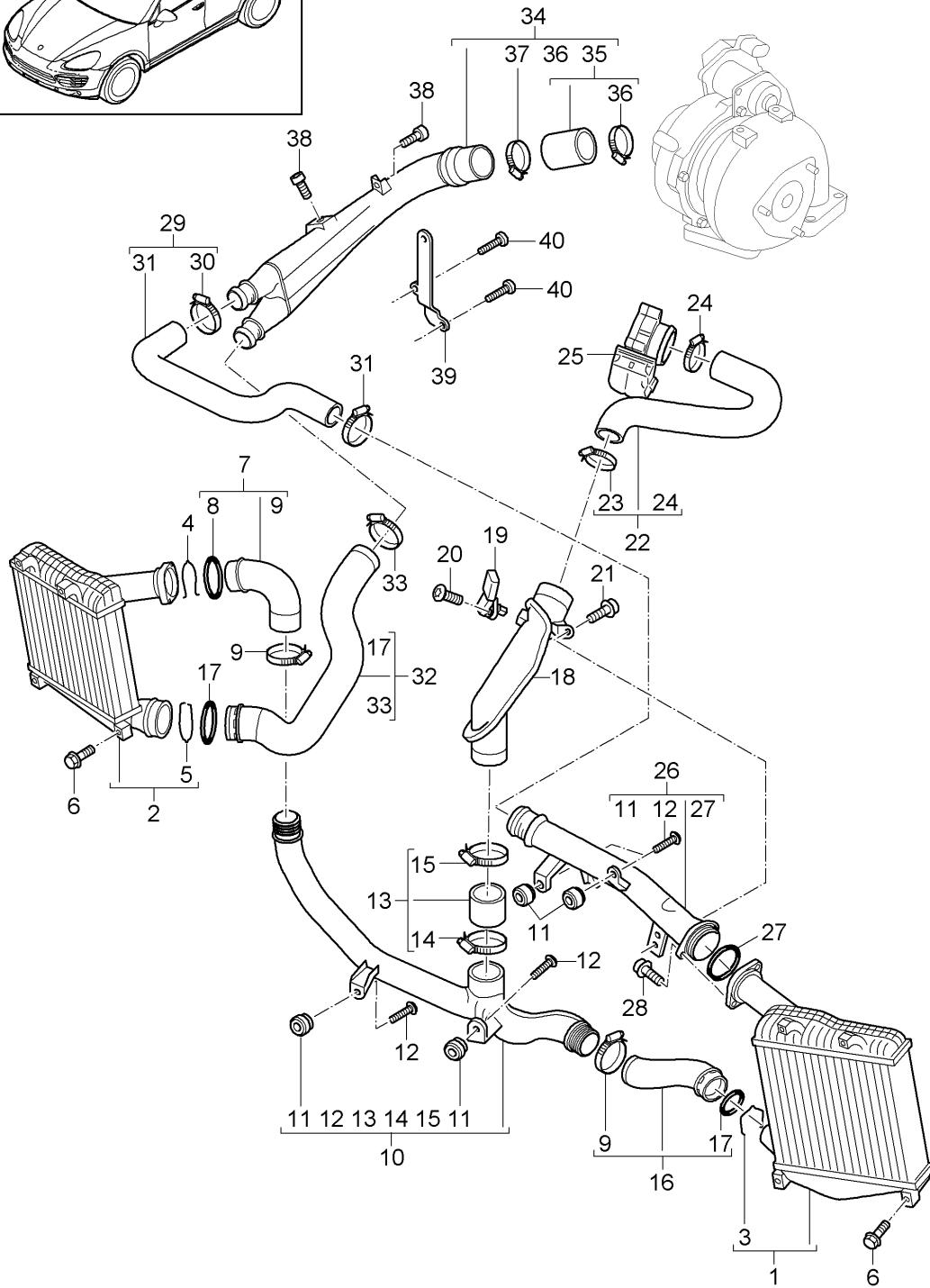
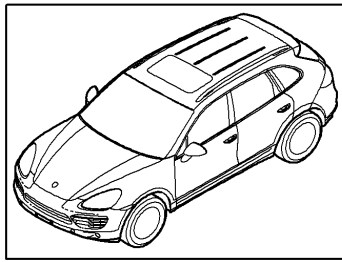


Model: 92A 11 Model life 2011>>2018

| Pos  | Part Number    | Description  | Remark | Qty | Model                 |
|------|----------------|--|--------|-----|-----------------------|
|      |                | Charge air cooler<br>pressure pipe<br>suction line<br>D >> - MJ 2016 |        |     | CURA,CUR,<br>CXZA,CXZ |
| 1    | 958 110 541 02 | housing<br>with:   | left   | 1   | PR:0P8,0P9            |
|      |                | Diaphragm<br>No longer use the part here                             |        |     |                       |
| (1)  | 958 110 541 03 | housing<br>with:   | left   | 1   | PR:0P8,0P9            |
|      |                | Diaphragm  |        |     |                       |
| 2    | 958 110 542 03 | housing<br>with:   | right  | 1   | PR:0P8,0P9            |
|      |                | Diaphragm<br>No longer use the part here                             |        |     |                       |
| (2)  | 958 110 542 04 | housing<br>with:   | right  | 1   | PR:0P8,0P9            |
|      |                | Diaphragm  |        |     |                       |
| 3    | 999 707 461 40 | O-ring<br>31,42 X 2,62   |        | 2   | PR:0P8,0P9            |
| 4    | N 104 734 02   | round hd. screw<br>TP 6 X 20   |        | 4   | PR:0P8,0P9            |
| 5    | 958 110 741 02 | Connecting line  | left   | 1   | PR:0P8,0P9            |
| 6    | 958 110 742 01 | Connecting line  | right  | 1   | PR:0P8,0P9            |
| 7    | N 108 106 01   | Hose bracket<br>A 23-6 X C 16-16                                     |        | 2   | PR:0P8,0P9            |
| 8    | 958 110 823 00 | Connecting pipe<br>with:   | left   | 1   | PR:0P8,0P9            |
|      |                | Seal   |        |     |                       |
| 9    | 958 110 824 00 | Connecting pipe<br>with:   | right  | 1   | PR:0P8,0P9            |
|      |                | Seal   |        |     |                       |
| 10   | 958 110 609 00 | Grommet  |        | 2   | PR:0P8,0P9            |
| 11   | 7P5 129 456 E  | Vacuum line  |        | 1   | PR:0P8,0P9            |
| 12   | 7PP 906 270    | Change-over valve  |        | 1   | PR:0P8,0P9            |
| (12) | 958 971 918 00 | Bungs<br>catch<br>Connector  |        | 1   | PR:0P0,0P3,<br>0P6    |
|      |                | Wire set   |        |     |                       |
| 13   | 958 110 545 02 | Vacuum line  |        | 1   | PR:0P8,0P9            |

Model: 92A 11

Model life 2011>>2018



Model: 92A 11 Model life 2011>>2018

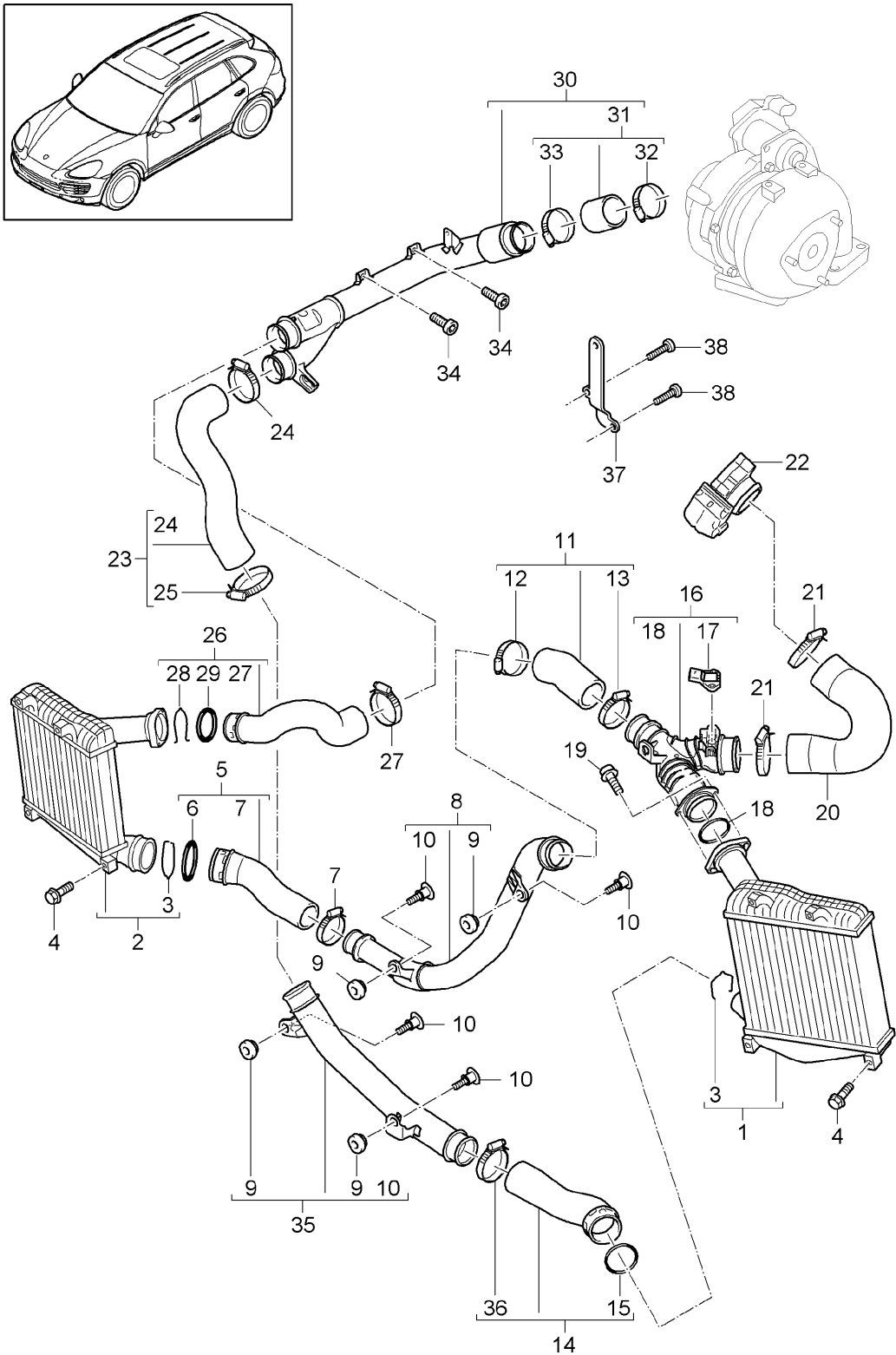
| Pos  | Part Number    | Description  | Remark     | Qty | Model           |
|------|----------------|--|------------|-----|-----------------|
|      |                | Charge air cooler pressure pipe                                      |            |     | PR:D50,D43, D1V |
| 1    | 955 110 639 10 | Charge air cooler  | left       | 1   |                 |
| 2    | 955 110 640 10 | Charge air cooler  | right      | 1   |                 |
| (2)  | 958 110 640 10 | Discontinued part  |            |     |                 |
| 3    | 955 110 513 10 | Charge air cooler retaining spring                                   | right      | 1   |                 |
| 4    | 955 110 513 20 | retaining spring   |            | 1   |                 |
| 5    | 955 106 802 00 | retaining spring   |            | 1   |                 |
|      |                | only in conj. with:  |            |     |                 |
| (5)  | 955 110 513 10 | Charge air cooler 955.110.640.10 7L6.145.804.A retaining spring      |            | 1   |                 |
|      |                | only in conj. with:  |            |     |                 |
| 6    | N 910 538 01   | Charge air cooler 958.110.640.10 7P0.145.804.A Hexagon bolt M 6 X 20 |            | 6   |                 |
| 7    | 958 110 708 10 | Pressure hose  |            | 1   |                 |
| 8    | 955 110 517 00 | seal ring  |            | 1   |                 |
| 9    | N 107 349 01   | Hose clamp 45 - 65 X 12  |            | 2   |                 |
| 10   | 958 110 790 00 | pressure pipe  |            | 1   |                 |
| 11   | 867 129 669    | Grommet  |            | 4   |                 |
| 12   | 958 110 830 00 | spacer bush  |            | 4   |                 |
|      |                | with:  |            |     |                 |
| 13   | 958 110 709 00 | Screw Pressure hose  |            | 1   |                 |
| 14   | N 105 444 01   | Hose clamp 60 - 80 X 12  |            | 1   |                 |
| 15   | N 107 352 01   | Spring band clamp 60 - 80 X 12                                       |            | 1   |                 |
| 16   | 958 110 943 00 | Pressure hose  |            | 1   |                 |
| 17   | 955 110 517 10 | seal ring  |            | 2   |                 |
| 18   | 958 110 770 00 | pressure pipe  |            | 1   |                 |
| 19   | 955 606 180 10 | Pressure sensor  |            | 1   |                 |
| 20   | N 105 072 01   | fillister hd. bolt TP 5 X 20   |            | 2   |                 |
| 21   | N 909 589 03   | Hexagon socket oval head bolt (combi) M 6 X 16                       |            | 1   |                 |
| 22   | 958 110 772 10 | Pressure hose D >> - MJ 2011   |            | 1   |                 |
| (22) | 958 110 772 20 | Pressure hose D - MJ 2012>>  |            | 1   |                 |
|      |                | No longer use the part here  |            |     |                 |
| (22) | 958 110 772 21 | Pressure hose D - MJ 2012>>  |            | 1   |                 |
| 23   | N 105 444 01   | Hose clamp 60 - 80 X 12  |            | 1   |                 |
| 24   | N 107 352 01   | Spring band clamp 60 - 80 X 12                                       |            | 1   |                 |
|      |                | D >> - MJ 2011   |            |     |                 |
| 24   | N 105 444 01   | Hose clamp 60 - 80 X 12  |            | 1   |                 |
|      |                | D - MJ 2012>>  |            |     |                 |
| 25   |                | throttle valve adapter   |            | 1   |                 |
|      |                | see illustration, item:  | 107-015,1  |     |                 |
| 25   |                | D >> - MJ 2011 throttle valve adapter                                |            | 1   |                 |
|      |                | see illustration, item:  | 107-062,21 |     |                 |

Model: 92A 11 Model life 2011>>2018

| Pos  | Part Number    | Description   | Remark | Qty | Model |
|------|----------------|---|--------|-----|-------|
| 26   | 958 110 762 10 | D - MJ 2012>><br>pressure pipe                                  |        | 1   |       |
| 27   | WHT 001 018 A  | O-ring<br>57 X 4  |        | 1   |       |
| 28   | N 101 244 08   | Hexagon socket head<br>bolt (combi)<br>M 6 X 20                 |        | 2   |       |
| 29   | 958 110 737 00 | Pressure hose   |        | 1   |       |
| (29) | 958 110 737 10 | D >> - MJ 2011<br>Pressure hose                                 |        | 1   |       |
| (29) | 958 110 737 11 | D - MJ 2012>><br>No longer use the part here<br>Pressure hose   |        | 1   |       |
| 30   | N 105 188 01   | D - MJ 2012>><br>Hose clamp<br>40 - 60 X 12                     |        | 1   |       |
| (30) | N 105 189 01   | D >> - MJ 2011<br>Hose clamp<br>50 - 70 X 12                    |        | 1   |       |
| 31   | N 105 189 01   | D - MJ 2012>><br>Hose clamp<br>50 - 70 X 12                     |        | 1   |       |
| 32   | 958 110 738 00 | Pressure hose   |        | 1   |       |
| (32) | 958 110 738 20 | D >> - MJ 2011<br>Pressure hose                                 |        | 1   |       |
| 33   | N 107 355 01   | D - MJ 2012>><br>Hose clamp<br>40 - 60 X 12                     |        | 1   |       |
| (33) | N 107 350 01   | D >> - MJ 2011<br>Hose clamp<br>50 - 70 X 12                    |        | 1   |       |
| 34   | 958 110 741 10 | D - MJ 2012>><br>pressure pipe                                  |        | 1   |       |
| (34) | 958 110 741 00 | D >> - MJ 2011<br>pressure pipe                                 |        | 1   |       |
| (34) | 958 110 741 01 | D - MJ 2012>> - MJ 2014<br>pressure pipe                        |        | 1   |       |
| 35   | 958 110 832 10 | D - MJ 2015>><br>Pressure hose                                  |        | 1   |       |
| (35) | 958 110 832 00 | D >> - MJ 2011<br>Pressure hose                                 |        | 1   |       |
| 36   | N 107 357 01   | D - MJ 2012>><br>Hose clamp<br>50 - 70 X 12                     |        | 1   |       |
| (36) | N 107 356 01   | D >> - MJ 2011<br>Hose clamp<br>45 - 65 X 12                    |        | 1   |       |
| 37   | N 106 198 01   | D - MJ 2012>><br>Hose clamp<br>45 - 65 X 12                     |        | 1   |       |
| (37) | N 107 349 01   | D >> - MJ 2011<br>Hose clamp<br>45 - 65 X 12                    |        | 1   |       |
| 38   | N 103 352 02   | D - MJ 2012>><br>Oval hexagon socket head bolt<br>M 6 X 12      |        | 2   |       |
| 39   | 958 110 764 40 | Bracket   |        | 1   |       |
| 40   | N 101 961 03   | fillister head bolt with<br>multi-point socket head<br>M 6 X 18 |        | 2   |       |

Model: 92A 11

Model life 2011>>2018

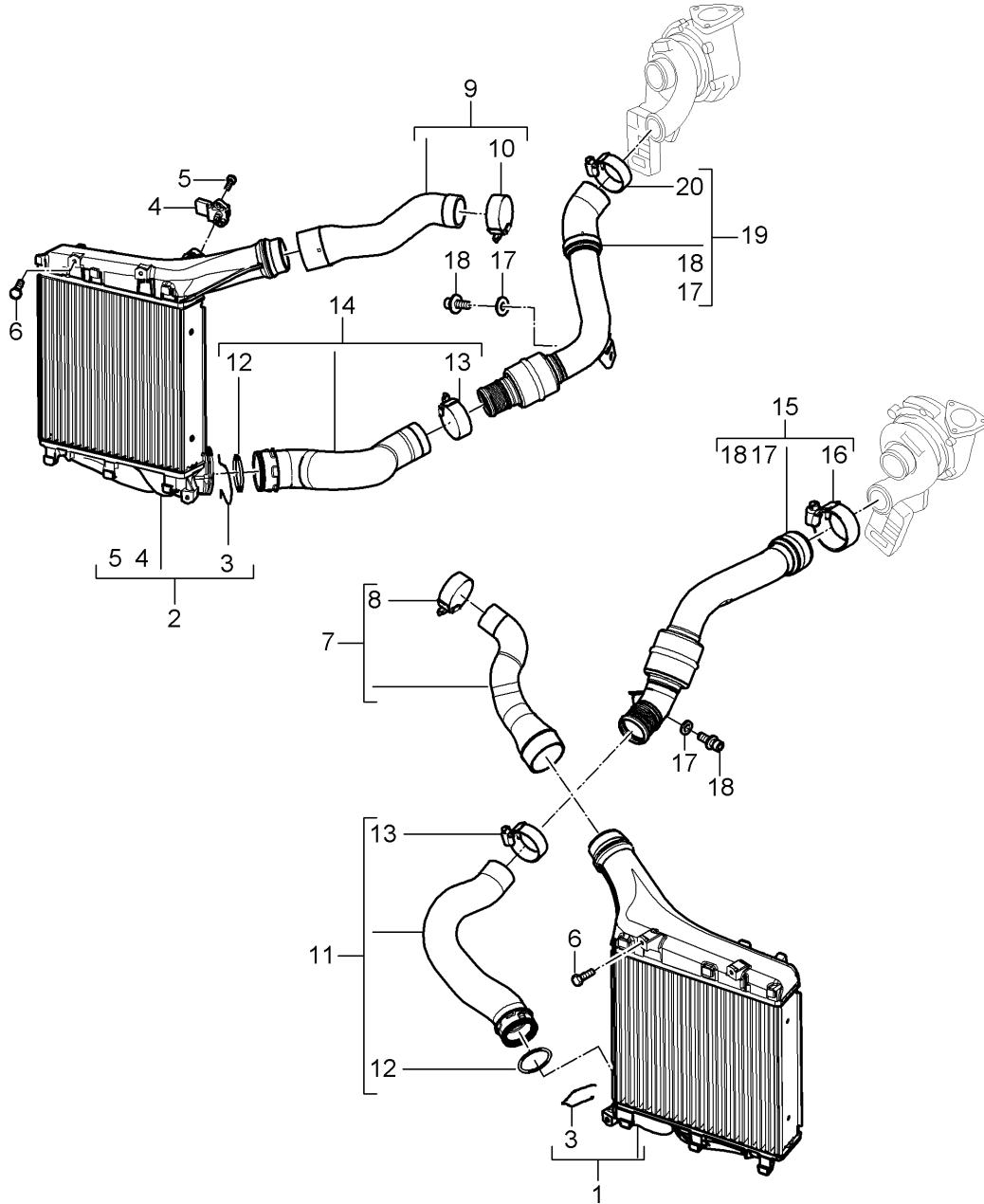
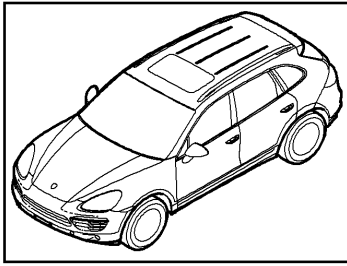


Model: 92A 11 Model life 2011>>2018

| Pos | Part Number    | Description  | Remark     | Qty | Model            |
|-----|----------------|--|------------|-----|------------------|
|     |                | Charge air cooler pressure pipe                              |            |     | CVVA, CVVB, CVVC |
| 1   | 955 110 639 10 | Charge air cooler  | left       | 1   |                  |
| 2   | 958 110 640 10 | Charge air cooler  | right      | 1   |                  |
| 3   | 955 110 513 10 | retaining spring   |            | 2   |                  |
| 4   | N 910 538 01   | Hexagon bolt<br>M 6 X 20                                     |            | 6   |                  |
| 5   | 958 110 708 20 | Pressure hose  |            | 1   |                  |
| 6   | 955 110 517 10 | seal ring  |            | 1   |                  |
| 7   | N 105 188 01   | Hose clamp<br>40 - 60 X 12                                   |            | 1   |                  |
| 8   | 958 110 790 10 | pressure pipe  |            | 1   |                  |
| 9   | 867 129 669    | Grommet  |            | 5   |                  |
| 10  | 958 110 830 00 | spacer bush  |            | 5   |                  |
|     |                | with:  |            |     |                  |
|     |                | Screw  |            |     |                  |
| 11  | 958 110 709 10 | Pressure hose  |            | 1   |                  |
| 12  | N 105 189 01   | Hose clamp<br>50 - 70 X 12                                   |            | 1   |                  |
| 13  | N 105 189 01   | Hose clamp<br>50 - 70 X 12                                   |            | 1   |                  |
| 14  | 958 110 943 10 | Pressure hose  |            | 1   |                  |
| 15  | 955 110 517 10 | seal ring  |            | 1   |                  |
| 16  | 958 110 770 10 | pressure pipe  |            | 1   |                  |
| 17  | 03G 906 051 E  | Pressure sensor  |            | 1   |                  |
| 18  | WHT 001 018 A  | O-ring<br>57 X 4   |            | 1   |                  |
| 19  | N 101 244 08   | Hexagon socket head bolt (combi)                             |            | 2   |                  |
| 20  | 958 110 772 22 | Pressure hose  |            | 1   |                  |
| 21  | N 105 444 01   | Hose clamp<br>60 - 80 X 12                                   |            | 2   |                  |
| 22  |                | throttle valve adapter<br>see illustration, item:            | 107-062,21 | 1   |                  |
| 23  | 958 110 737 12 | Pressure hose  |            | 1   |                  |
| 24  | N 107 350 01   | Hose clamp<br>50 - 70 X 12                                   |            | 1   |                  |
| 25  | N 107 357 01   | Hose clamp<br>50 - 70 X 12                                   |            | 1   |                  |
| 26  | 958 110 738 10 | Pressure hose  |            | 1   |                  |
| 27  | N 107 350 01   | Hose clamp<br>50 - 70 X 12                                   |            | 1   |                  |
| 28  | 955 110 513 20 | retaining spring   |            | 1   |                  |
| 29  | 955 110 517 00 | seal ring  |            | 1   |                  |
| 30  | 958 110 741 01 | pressure pipe  |            | 1   |                  |
| 31  | 958 110 832 00 | Pressure hose  |            | 1   |                  |
| 32  | N 107 356 01   | Hose clamp<br>45 - 65 X 12                                   |            | 1   |                  |
| 33  | N 107 349 01   | Hose clamp<br>45 - 65 X 12                                   |            | 1   |                  |
| 34  | N 103 352 06   | Hexagon socket flat head bolt<br>M 6 X 12                    |            | 2   |                  |
| 35  | 958 110 770 20 | pressure pipe  |            | 1   |                  |
| 36  | N 107 350 01   | Hose clamp<br>50 - 70 X 12                                   |            | 1   |                  |
| 37  | 958 110 764 40 | Bracket  |            | 1   |                  |
| 38  | N 101 961 03   | fillister head bolt with multi-point socket head<br>M 6 X 18 |            | 2   |                  |

Model: 92A 11

Model life 2011>>2018



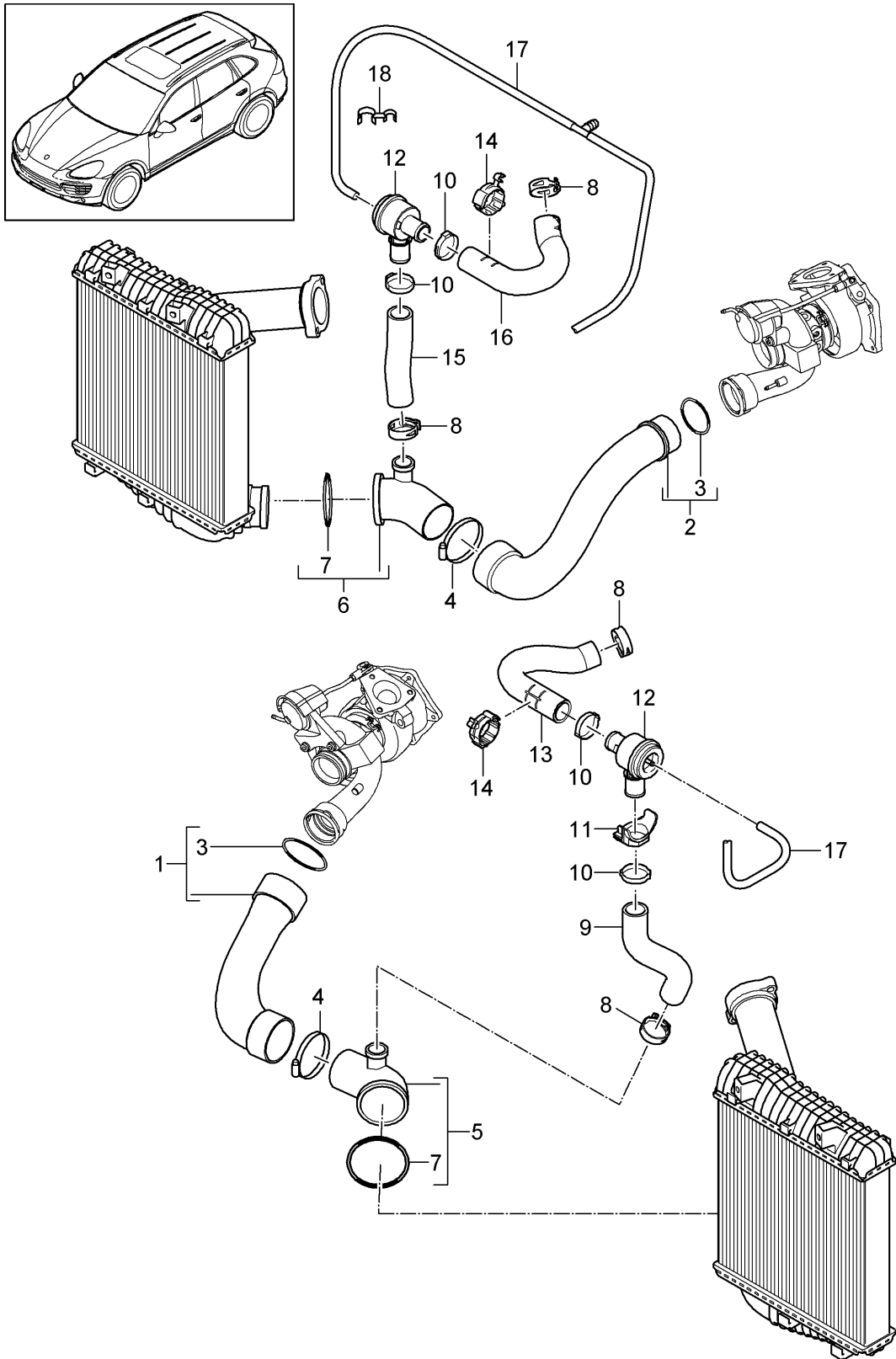


Model: 92A 11 Model life 2011>>2018

| Pos  | Part Number    | Description                        | Remark | Qty | Model  |
|------|----------------|------------------------------------|--------|-----|--------|
|      |                | Charge air cooler<br>pressure pipe |        |     | PR:DD8 |
| 1    | 958 110 639 00 | Charge air cooler                  | left   | 1   |        |
| 2    | 958 110 640 00 | Charge air cooler                  | right  | 1   |        |
| 3    | 958 110 513 00 | retaining spring                   |        | 2   |        |
| 4    | 955 606 180 10 | Pressure sensor                    |        | 1   |        |
| 5    | N 107 877 01   | round hd. screw<br>M 5 X 18        |        | 2   |        |
| 6    | N 910 538 01   | Hexagon bolt<br>M 6 X 20           |        | 6   |        |
| 7    | 958 110 793 00 | Pressure hose                      | left   | 1   |        |
| 8    | N 107 348 01   | Hose clamp<br>B 40 - 60 X 12       |        | 1   |        |
| 9    | 958 110 794 00 | Pressure hose                      | right  | 1   |        |
| 10   | N 107 355 01   | Hose clamp<br>C 40 - 60 X 12       |        | 1   |        |
| 11   | 958 110 767 21 | Pressure hose                      | left   | 1   |        |
| 12   | 955 110 721 00 | O-ring<br>58,05 X 3,55             |        | 2   |        |
| 13   | N 107 348 01   | Hose clamp<br>B 40 - 60 X 12       |        | 2   |        |
| 14   | 958 110 768 21 | Pressure hose                      | right  | 1   |        |
| 15   | 958 110 741 20 | pressure pipe                      | left   | 1   |        |
| (15) | 958 110 741 21 | Discontinued part<br>pressure pipe | left   | 1   |        |
| 16   | N 107 354 01   | Hose clamp<br>C 40 - 55 X 12       |        | 1   |        |
| 17   | 867 129 669    | Grommet                            |        | 2   |        |
| 18   | 958 110 830 10 | spacer bush                        |        | 2   |        |
|      |                | with:                              |        |     |        |
| 19   | 958 110 742 20 | Screw<br>pressure pipe             | right  | 1   |        |
| (19) | 958 110 742 21 | Discontinued part<br>pressure pipe | right  | 1   |        |
| 20   | N 107 347 01   | Hose clamp<br>B 40 - 55 X 12       |        | 1   |        |

Model: 92A 11

Model life 2011>>2018



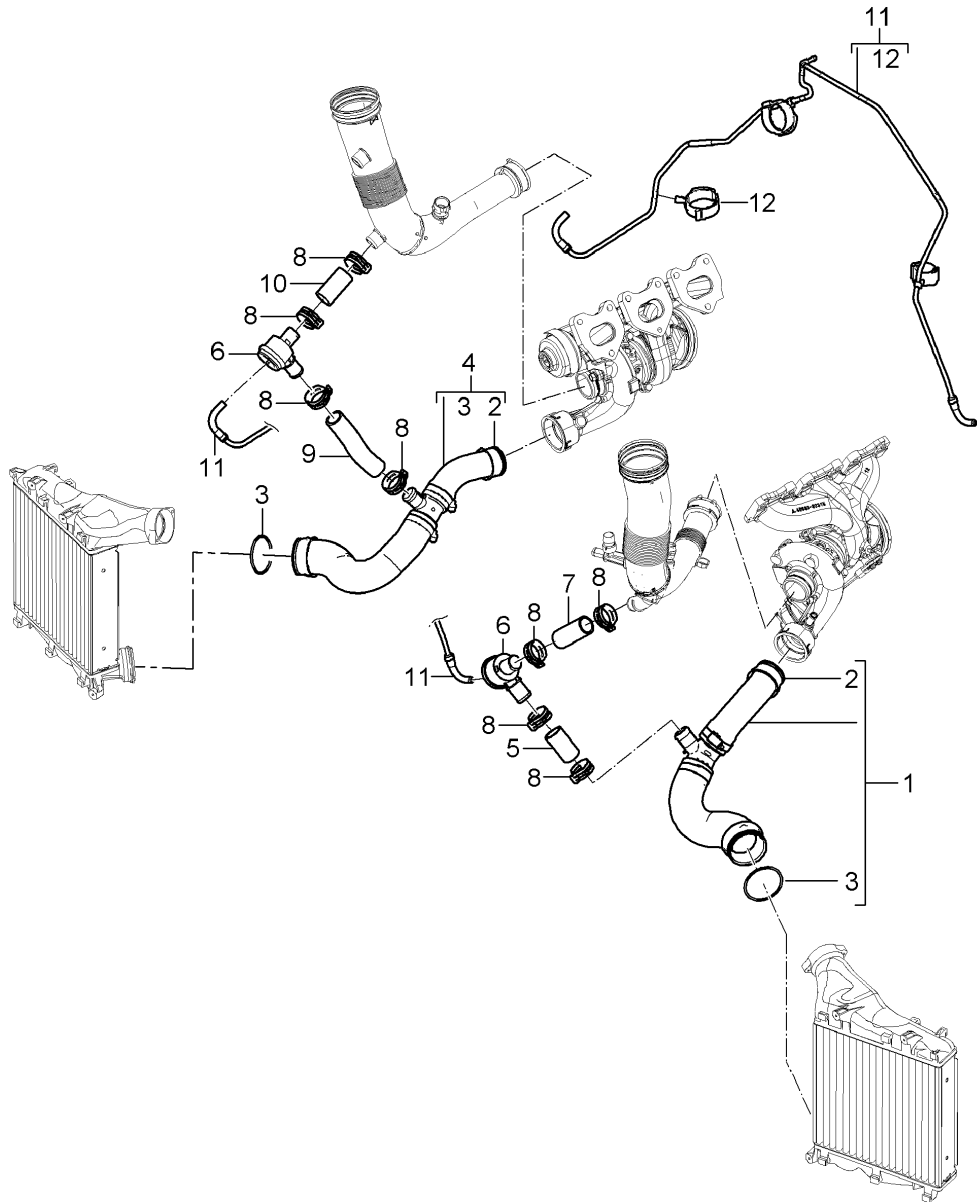
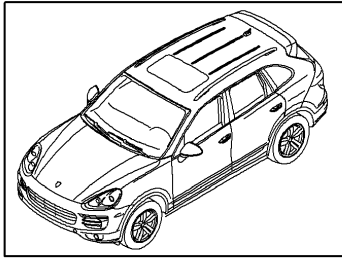
Model: 92A 11

Model life 2011>>2018

| Pos  | Part Number    | Description                        | Remark        | Qty | Model              |
|------|----------------|------------------------------------|---------------|-----|--------------------|
|      |                | Charge air cooler<br>pressure pipe |               |     | PR:D58,DT1,<br>DT5 |
| 1    | 955 110 837 10 | Pressure hose                      | left          | 1   |                    |
| 2    | 955 110 838 10 | Pressure hose                      | right         | 1   |                    |
| 3    | 955 110 720 00 | O-ring                             | 43,95X3,5     | 2   |                    |
| 4    | N 909 509 01   | Hose clamp                         | A50-70X9X0,65 | 2   |                    |
| 5    | 955 110 367 10 | pressure pipe                      | left          | 1   |                    |
| 6    | 955 110 368 10 | pressure pipe                      | right         | 1   |                    |
| 7    | 955 110 722 00 | seal ring                          | 53,95X3,55    | 2   |                    |
| 8    | 955 110 917 00 | Hose clamp                         | B34X12        | 4   |                    |
| 9    | 958 110 743 30 | Hose                               |               | 1   |                    |
| 10   | N 102 077 01   | clamp                              | 34,6X7X0,6    | 4   |                    |
| 11   | 955 110 263 00 | Bracket                            |               | 1   |                    |
| 12   | 955 110 710 01 | cut-off valve                      |               | 2   |                    |
| 13   | 958 110 743 20 | Hose                               |               | 1   |                    |
| 14   | N 107 647 01   | Hose bracket                       | A01-6XC19-33  | 2   |                    |
| 15   | 958 110 742 00 | Hose                               |               | 1   |                    |
| 16   | 958 110 742 10 | Hose                               |               | 1   |                    |
| 17   | 958 110 693 00 | Control line<br>discontinued part  |               | 1   | PR:D58             |
| (17) | 958 110 693 40 | Control line                       |               | 1   | PR:D58,DT1,<br>DT5 |
| 18   | N 104 599 01   | Hose bracket                       | 8-9X13-14     | 1   |                    |

Model: 92A 11

Model life 2011>>2018



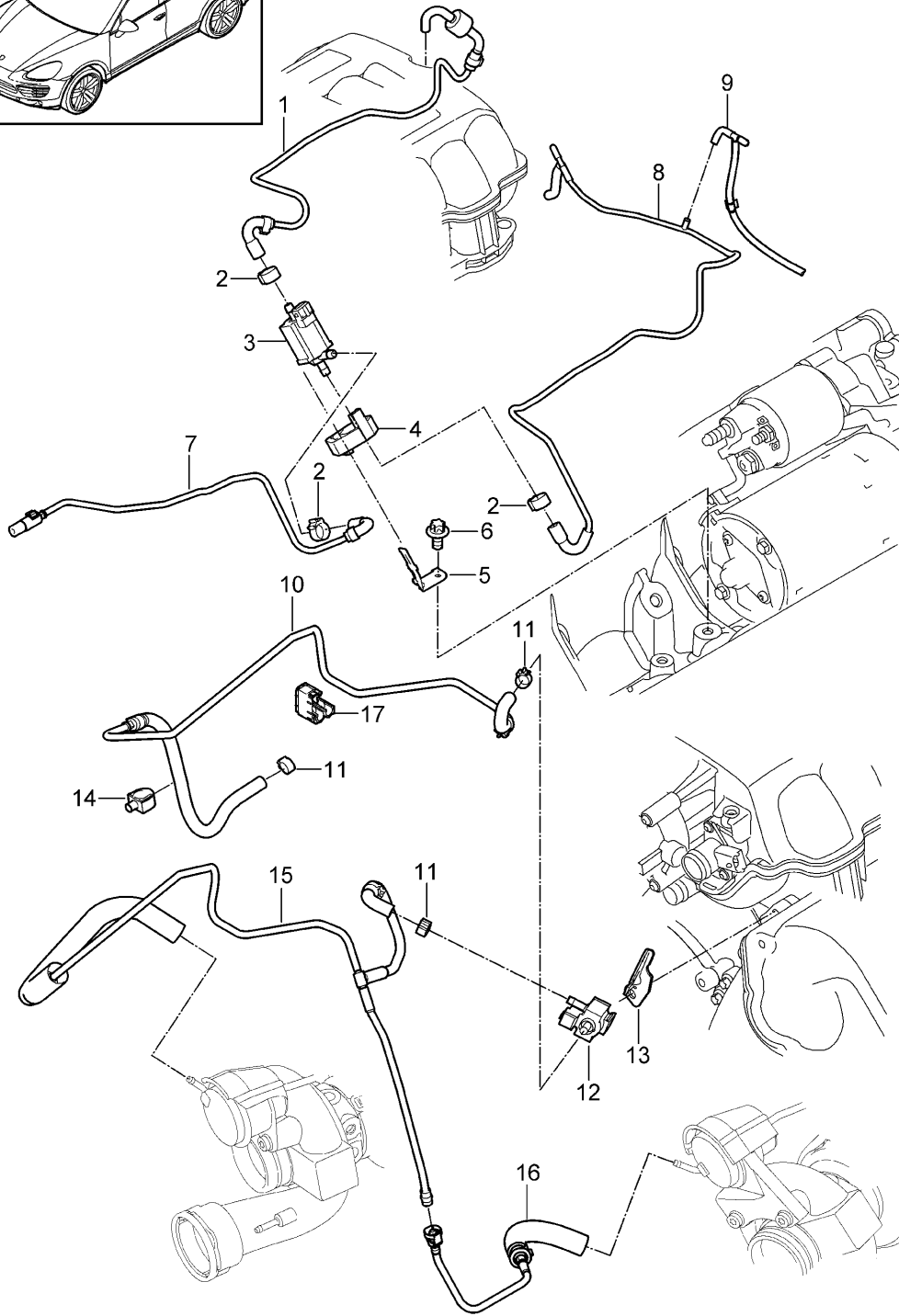
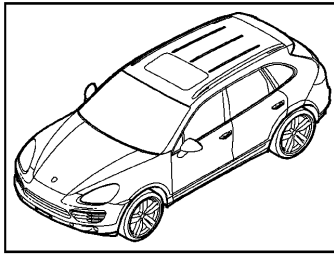
Model: 92A 11

Model life 2011>>2018

| Pos  | Part Number    | Description                        | Remark     | Qty | Model                   |
|------|----------------|------------------------------------|------------|-----|-------------------------|
|      |                | Charge air cooler<br>pressure pipe |            |     | CURA, CUR,<br>CXZA, CXZ |
| 1    | 958 110 837 00 | Pressure hose                      | left       | 1   |                         |
| 2    | 955 110 721 00 | O-ring                             | 58,05X3,55 | 2   |                         |
| 3    | 955 110 720 00 | O-ring                             | 43,95X3,5  | 2   |                         |
| 4    | 958 110 838 00 | Pressure hose                      | right      | 1   |                         |
| 5    | 958 110 743 40 | Hose                               |            | 1   |                         |
| 6    | 955 110 710 01 | cut-off valve                      |            | 2   |                         |
| 7    | 958 110 742 30 | Hose                               |            | 1   |                         |
| 8    | 955 110 917 00 | Hose clamp                         | 34X12      | 8   |                         |
| 9    | 958 110 743 50 | Hose                               |            | 1   |                         |
|      |                | No longer use the part here        |            |     |                         |
| (9)  | 958 110 743 51 | Hose                               |            | 1   |                         |
| 10   | 958 110 742 40 | Hose                               |            | 1   |                         |
| 11   | 958 110 693 30 | Control line                       |            | 1   |                         |
|      |                | No longer use the part here        |            |     |                         |
| (11) | 958 110 693 31 | Control line                       |            | 1   |                         |
| 12   | 999 507 171 40 | Line holder                        | 6/39       | 1   |                         |

Model: 92A 11

Model life 2011>>2018

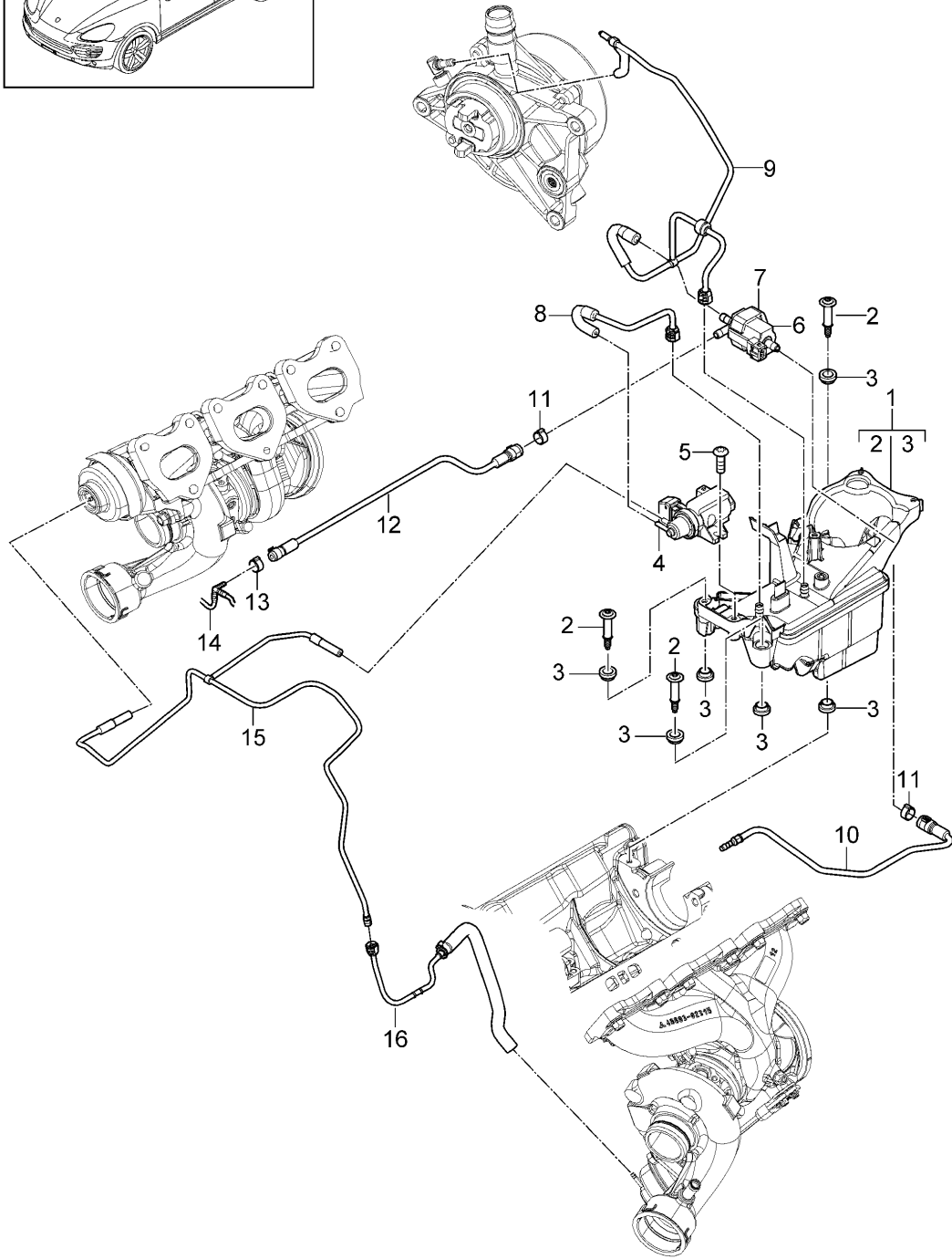
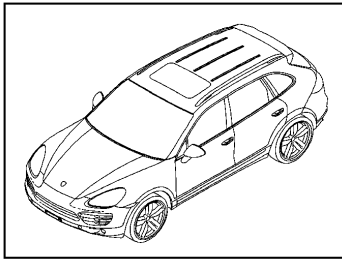


Model: 92A 11 Model life 2011>>2018

| Pos | Part Number    | Description  | Remark     | Qty | Model                         |
|-----|----------------|--|------------|-----|-------------------------------|
|     |                | Supercharging 2<br>Control line<br>Pressure line             |            |     | 4852, CFTB,<br>CFT, CYXA, CYX |
| 1   | 948 110 324 53 | Pressure line  |            | 1   |                               |
| 2   | 999 512 689 00 | Hose clip  | 12,5-14,0  | 3   |                               |
| 3   | 996 605 165 00 | Change-over valve<br>Electric                                |            | 1   |                               |
| (3) | 9A1 605 165 00 | No longer use the part here<br>Change-over valve<br>Electric |            | 1   |                               |
| 4   | 948 605 167 01 | Bracket<br>for<br>Change-over valve                          |            | 1   |                               |
| 5   | 948 110 360 51 | Bracket<br>D >> - MJ 2013                                    |            | 1   |                               |
| (5) | 948 110 360 52 | Bracket<br>D - MJ 2014>>                                     |            | 1   |                               |
| 6   | 900 385 041 01 | Torx screw   | BM6X12     | 1   |                               |
| 7   | 948 110 394 52 | Control line   |            | 1   |                               |
| 8   | 948 110 358 52 | Vacuum line  |            | 1   |                               |
| 9   |                | Vacuum line<br>see illustration, item:                       | 107-050,15 | 1   |                               |
| 10  | 948 110 240 71 | Pressure line  |            | 1   |                               |
| 11  | 999 512 688 00 | Hose clip  | 10,5-11,5  | 3   |                               |
| 12  | 996 605 155 00 | Timing valve   |            | 1   |                               |
| 13  | 948 110 370 71 | Bracket  |            | 1   |                               |
| 14  | 999 507 813 40 | Cable holder   | 11,5-12,7  | 1   |                               |
| 15  | 948 110 666 71 | Control line   |            | 1   |                               |
| 16  | 948 110 668 55 | Control line   |            | 1   |                               |
| 17  | 958 008 471 00 | Line holder  | 2X6,0      | 1   |                               |

Model: 92A 11

Model life 2011>>2018





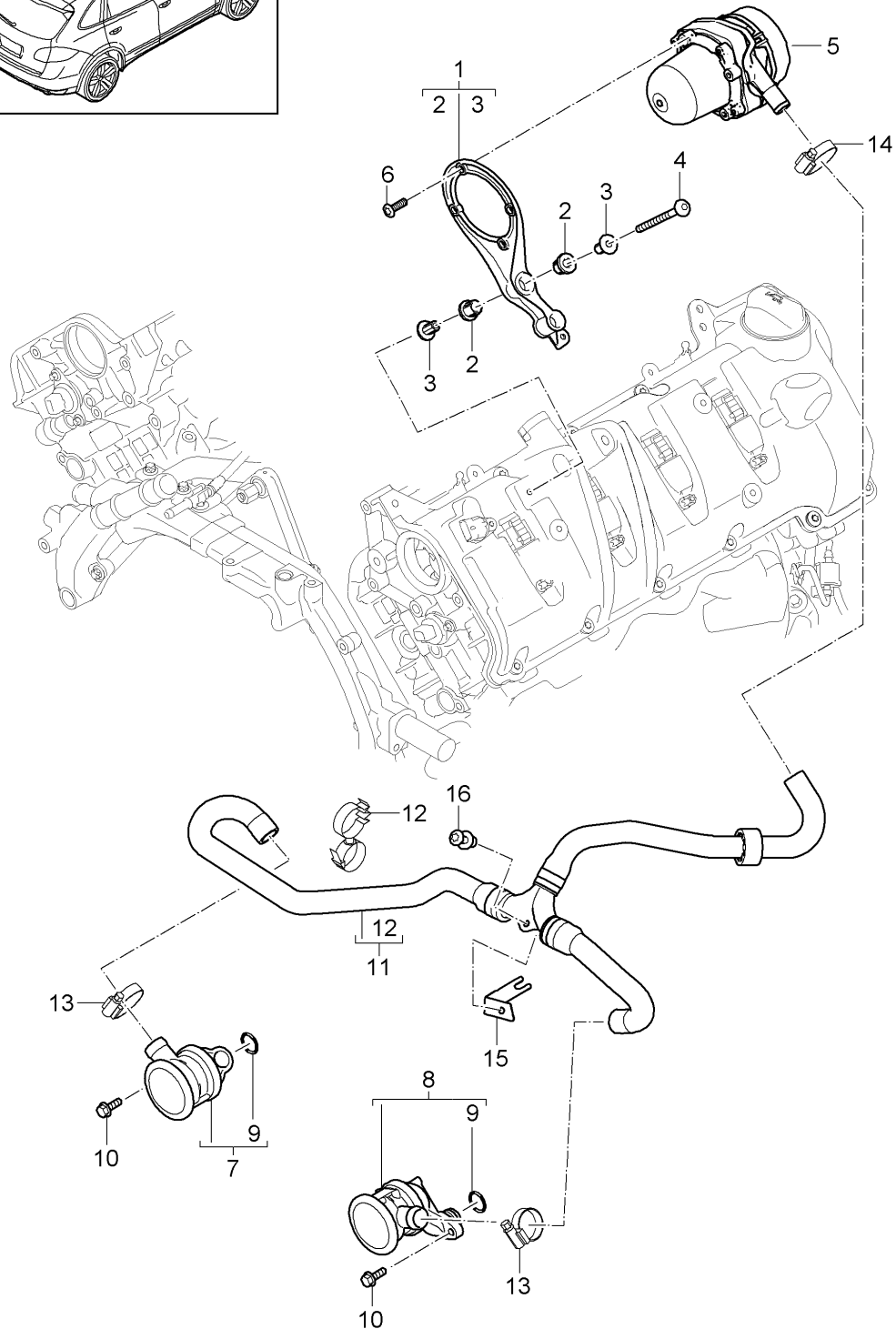
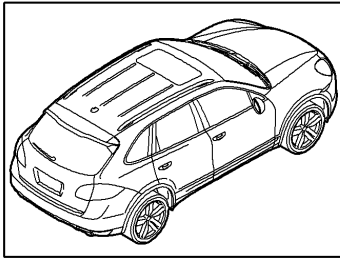
Model: 92A 11

Model life 2011>>2018

| Pos | Part Number    | Description  | Remark     | Qty | Model                   |
|-----|----------------|--|------------|-----|-------------------------|
|     |                | Supercharging 2<br>vacuum reservoir<br>Control line<br>Pressure line |            |     | CURA, CUR,<br>CXZA, CXZ |
| 1   | 946 110 030 77 | vacuum reservoir   |            | 1   |                         |
| 2   | 946 110 135 75 | Securing element   |            | 3   |                         |
|     |                | with:  |            |     |                         |
|     |                | guide sleeve   |            |     |                         |
| 3   | 946 110 134 75 | Rubber bush  |            | 6   |                         |
| 4   | 946 605 155 00 | Pressure converter   |            | 1   |                         |
| 5   | 999 919 283 01 | Oval-head screw<br>6 X 18  |            | 2   |                         |
| 6   | 7PP 906 046    | Change-over valve<br>Electric  |            | 1   |                         |
| 7   | 7PP 906 290    | Bracket<br>for<br>Change-over valve                                  |            | 1   |                         |
| 8   | 946 110 360 76 | Vacuum line  |            | 1   |                         |
| 9   | 946 110 358 77 | Vacuum line  |            | 1   |                         |
| 10  | 946 110 324 76 | Pressure line  |            | 1   |                         |
| 11  | 999 512 689 00 | Hose clip<br>12,5 - 14   |            | 2   |                         |
| 12  | 946 110 394 75 | Control line   |            | 1   |                         |
| 13  | 955 111 483 00 | clamp<br>B 11,5 X 8,4  |            | 1   |                         |
| 14  |                | Control line<br>see illustration, item:                              | 107-082,11 | 1   |                         |
| 15  | 946 110 666 76 | Control line   |            | 1   |                         |
| 16  | 946 110 668 75 | Control line   |            | 1   |                         |

Model: 92A 11

Model life 2011>>2018

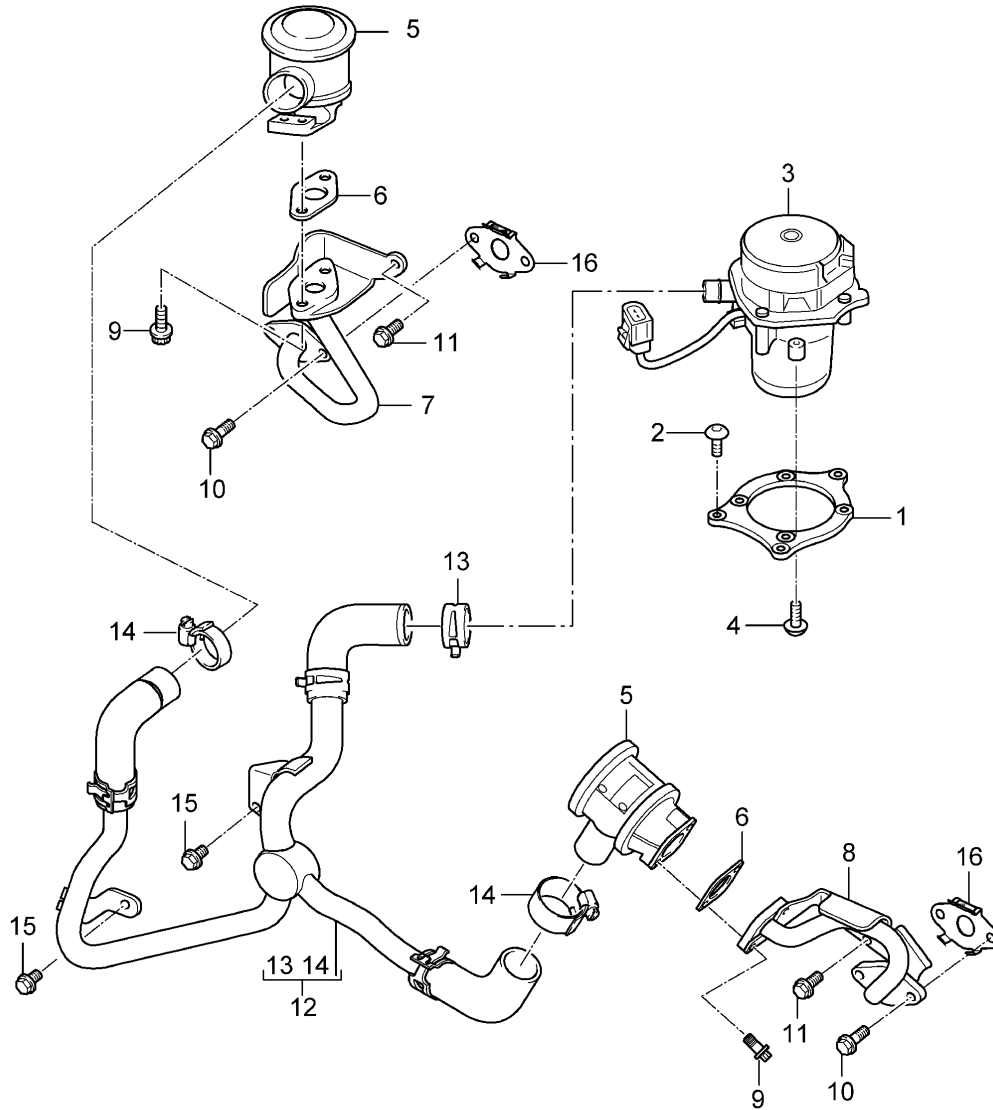
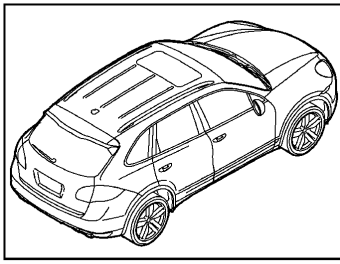


Model: 92A 11 Model life 2011>>2018

| Pos | Part Number    | Description                  | Remark               | Qty | Model  |
|-----|----------------|------------------------------|----------------------|-----|--|
|     |                | Secondary air pump           |                      |     | 4802,4852,<br>CFTB,CFT,<br>CYXA,CYX+<br>PR:7MG,7MJ,<br>7MM |
| 1   | 958 113 101 00 | Console                      |                      | 1   |  |
|     |                | D >> - MJ 2012               |                      |     |  |
| (1) | 958 113 101 01 | Console                      |                      | 1   |  |
|     |                | D - MJ 2013>>                |                      |     |  |
| 2   | 958 113 231 00 | Rubber bush                  |                      | 4   |  |
| 3   | 958 113 241 00 | Sleeve                       |                      | 4   |  |
| 4   | 999 073 914 31 | fillister hd. bolt           | M6X55PA<br>aluminium | 2   |  |
| 5   | 7PP 959 253    | Secondary air pump           |                      | 1   |  |
|     |                | Discontinued part            |                      |     |  |
| (5) | 7PP 959 253 A  | Secondary air pump           |                      | 1   |  |
|     |                | also use:                    | 958 572 830 00       | 1   |  |
|     |                | Clip                         |                      |     |  |
|     |                | Connector housing            |                      |     |  |
|     |                | Discontinued part            |                      |     |  |
| (5) | 7PP 959 253 B  | Secondary air pump           |                      | 1   |  |
|     |                | also use:                    | 958 572 830 00       | 1   |  |
|     |                |                              | N 906 814 01         | 1   |  |
| -   | 999 507 085 40 | Hose bracket                 |                      | 1   |  |
|     |                | Clip                         |                      |     |  |
|     |                | Connector housing            |                      |     |  |
|     |                | Secondary air pump           |                      |     |  |
|     |                | F >> 92-BLA46 627            |                      |     |  |
|     |                | F >> 92-BLA83 686            |                      |     |  |
| -   | 958 572 830 00 | Clip                         |                      | 1   |  |
|     |                | Connector housing            |                      |     |  |
|     |                | Secondary air pump           |                      |     |  |
|     |                | F 92-BLA46 628>>             |                      |     |  |
|     |                | F 92-BLA83 687>>             |                      |     |  |
| -   | N 906 814 01   | Corrugated tube clip         | 7,5                  | 1   |  |
|     |                | D - MJ 2013>>                |                      |     |  |
| 6   | 999 073 903 31 | fillister hd. bolt           | M6X20PA<br>aluminium | 4   |  |
| 7   | 7PP 131 109 A  | Valve                        | left                 | 1   |  |
| 8   | 7PP 131 109    | Valve                        | right                | 1   |  |
| 9   | 999 701 502 41 | O-ring                       | 15X3N                | 2   |  |
| 10  | N 106 533 02   | Hex collared bolt            | M6X20                | 2   |  |
| 11  | 958 113 032 02 | Connecting line              |                      | 1   |  |
| 12  | N 104 782 01   | Cable tie with hose retainer | 7X140/22MM           | 1   |  |
| 13  | N 024 520 3    | Hose clamp                   | 20-32X9X0,5          | 2   |  |
| 14  | 955 512 407 00 | Clamp                        | B25X12               | 1   |  |
| 15  | 958 113 209 00 | Line holder                  |                      | 1   |  |
| 16  | 958 113 307 00 | Spreader rivet               |                      | 1   |  |

Model: 92A 11

Model life 2011>>2018

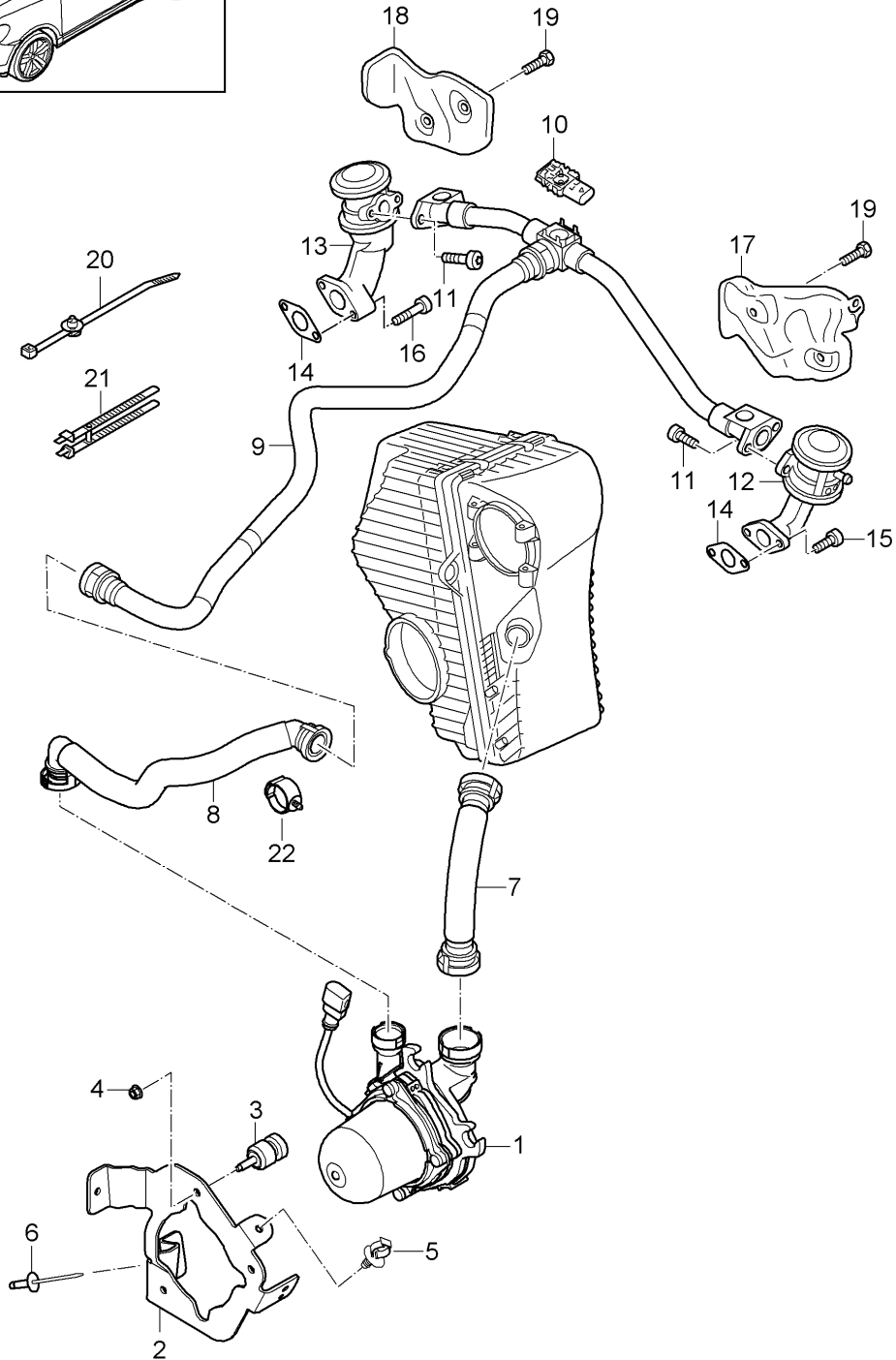
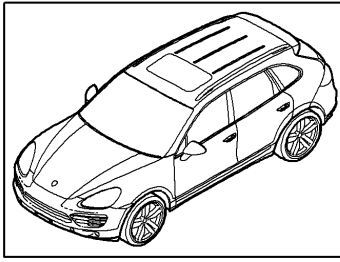


Model: 92A 11 Model life 2011>>2018

| Pos | Part Number    | Description                    | Remark     | Qty | Model                   |
|-----|----------------|--------------------------------|------------|-----|-------------------------|
|     |                | Secondary air pump             |            |     | CURA, CUR,<br>CXZA, CXZ |
| 1   | 95B 131 337    | Bracket                        |            | 1   |                         |
| 2   | N 104 734 02   | round hd. screw                | M6X20      | 3   |                         |
| 3   | 95B 959 253    | Secondary air pump             |            | 1   |                         |
| -   | 999 507 085 40 | Clip                           |            | 1   |                         |
|     |                | Connector housing              |            |     |                         |
|     |                | Secondary air pump             |            |     |                         |
| 4   | N 104 514 05   | Oval hexagon socket head bolt  | M6X16      | 4   |                         |
| 5   | 948 113 203 51 | Valve                          |            | 2   |                         |
| 6   | 993 113 258 51 | Seal                           |            | 2   |                         |
| 7   | 970 113 141 61 | Pipe                           | left       | 1   |                         |
| 8   | 970 113 142 61 | Pipe                           | right      | 1   |                         |
| 9   | 900 385 019 01 | Torx screw                     | BM6X20     | 4   |                         |
| 10  | N 106 533 02   | Hex collared bolt              | M6X20      | 4   |                         |
| 11  | N 107 188 01   | bolt,hex.hd.with shoul.(combi) | M6X16      | 2   |                         |
| 12  | 958 113 032 10 | Pipe assembly<br>(complete)    |            | 1   |                         |
| 13  | 999 512 658 09 | Hose clamp                     | B27X12X1,7 | 1   |                         |
| 14  | 999 512 552 01 | Hose clamp                     | A20-32     | 2   |                         |
| 15  | N 107 591 01   | Hex collared bolt              | M6X12      | 2   |                         |
| 16  | 958 113 258 00 | Seal                           |            | 2   |                         |

Model: 92A 11

Model life 2011>>2018



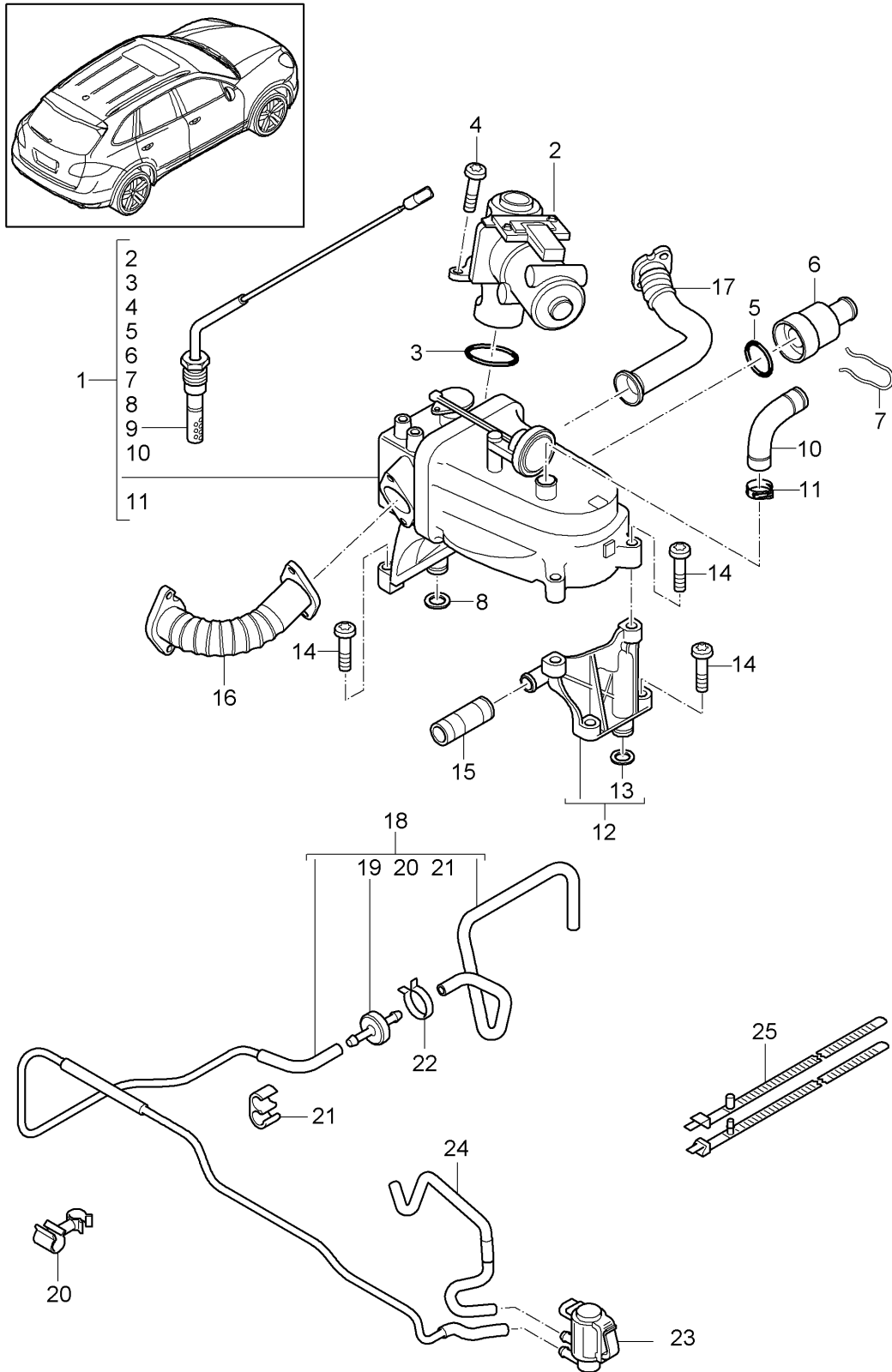
Model: 92A 11

Model life 2011>>2018

| Pos  | Part Number    | Description                                 | Remark      | Qty | Model                         |
|------|----------------|---|-------------|-----|-------------------------------|
|      |                | Secondary air pump                          |             |     | 06EC, CGEA,<br>CGE, CGFA, CJT |
| 1    | 958 605 104 00 | Secondary air pump                          |             | 1   |                               |
| 2    | 958 605 101 00 | Bracket                                     |             | 1   |                               |
| 3    | 958 113 231 10 | Stop buffer                                 |             | 3   |                               |
| 4    | N 015 082 10   | Hexagon collar nut                          | M6          | 3   |                               |
| 5    | N 906 814 01   | Corrugated tube clip                        | 7,5         | 1   |                               |
| 6    | N 905 352 01   | Pop rivet                                   | A6,5X14     | 1   |                               |
| 7    | 958 113 212 10 | Connecting pipe                             |             | 1   |                               |
| 8    | 958 113 204 00 | Pressure line                               |             | 1   |                               |
| 9    | 958 113 232 00 | Connecting line                             |             | 1   | PR:0GG,7MG,<br>7MN,7MQ,7MJ    |
| (9)  | 958 113 232 10 | Connecting line                             |             | 1   | PR:7GB                        |
| 10   | 958 606 352 00 | Pressure sensor                             |             | 1   | PR:7GB                        |
|      |                | No longer use the part here                 |             |     |                               |
| (10) | 958 606 352 01 | Pressure sensor                             |             | 1   | PR:7GB                        |
| 11   | N 101 243 06   | Oval hexagon socket head bolt               | M6X20       | 4   |                               |
|      |                | No longer use the part here                 |             |     |                               |
| (11) | N 910 991 01   | Socket head bolt with inner multipoint head | M6X20       | 4   |                               |
| 12   | 958 113 223 00 | Valve                                       |             | 1   |                               |
|      |                | Discontinued part                           |             |     |                               |
| (12) | 958 113 223 01 | Valve                                       |             | 1   |                               |
|      |                | Discontinued part                           |             |     |                               |
| (12) | 958 113 223 02 | Valve                                       |             | 1   |                               |
| 13   | 958 113 224 00 | Valve                                       |             | 1   |                               |
|      |                | Discontinued part                           |             |     |                               |
| (13) | 958 113 224 01 | Valve                                       |             | 1   |                               |
|      |                | Discontinued part                           |             |     |                               |
| (13) | 958 113 224 02 | Valve                                       |             | 1   |                               |
| 14   | 958 113 320 00 | Seal  |             | 2   |                               |
| 15   | N 104 134 05   | Hexagon socket flat head bolt               | M6X25       | 2   |                               |
| 16   | N 910 553 01   | Hexagon socket flat head bolt               | M6X42       | 2   |                               |
| 17   | 958 111 443 00 | Guard plate                                 |             | 1   |                               |
| 18   | 958 111 444 00 | Guard plate                                 |             | 1   |                               |
| 19   | N 101 319 03   | Hexagon bolt                                | M6X14       | 6   |                               |
| 20   | 955 606 838 00 | Cable ties                                  | 4,5X200     | X   |                               |
| 21   | 955 111 820 00 | Cable ties                                  | 7X213X140   | X   |                               |
| 22   | N 909 809 01   | Hose bracket                                | B19/0,8-2,5 | 1   |                               |

Model: 92A 11

Model life 2011>>2018



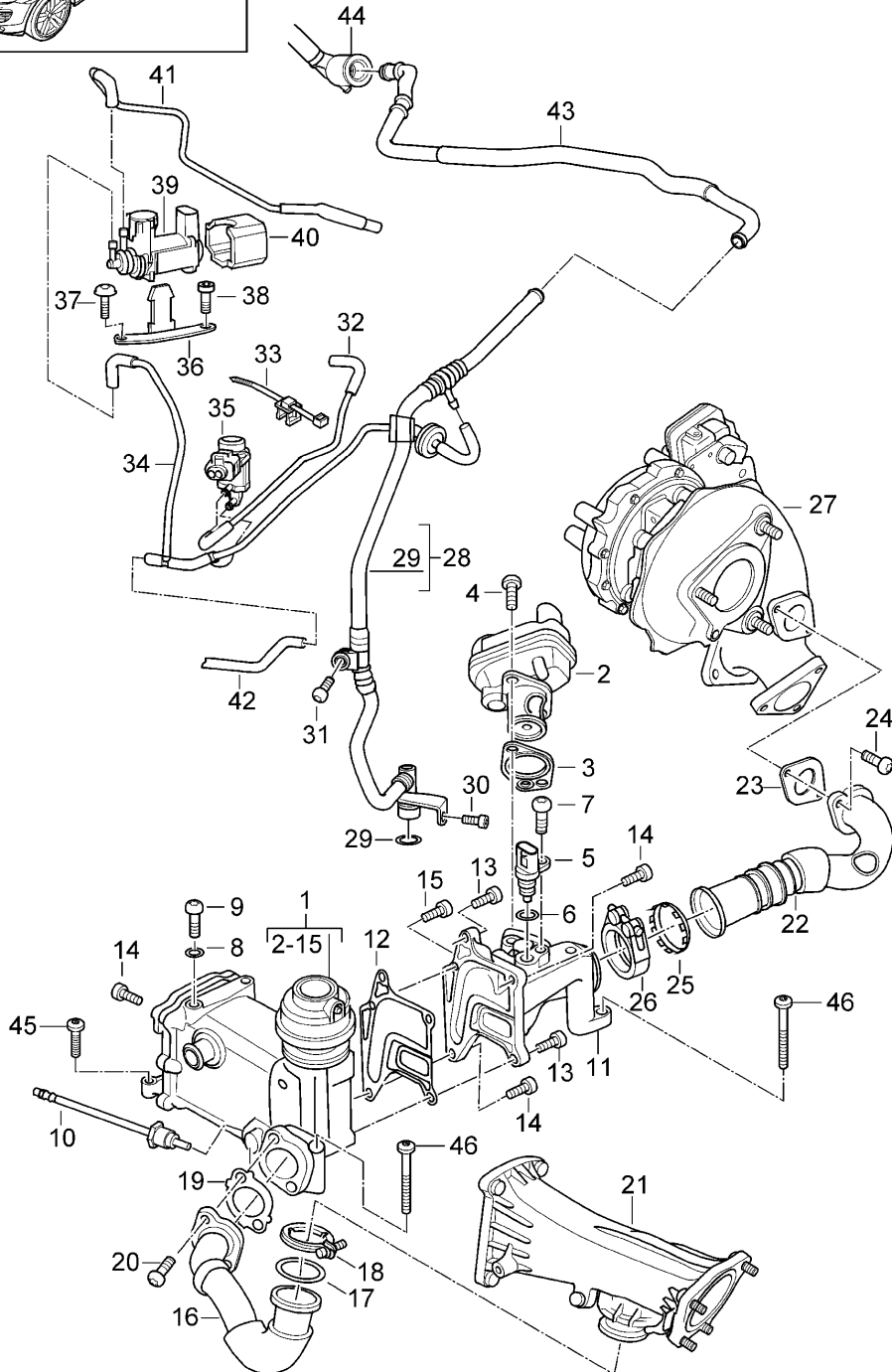
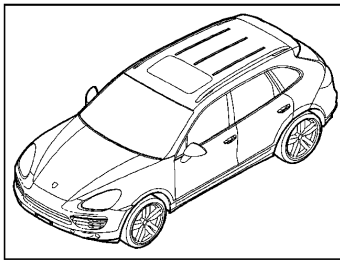


Model: 92A 11 Model life 2011>>2018

| Pos | Part Number    | Description  | Remark     | Qty | Model |
|-----|----------------|--|------------|-----|-------|
|     |                | Exhaust gas recirculation vacuum system                                    |            |     | 059E  |
| 1   | 958 111 011 00 | heat dissipator  |            | 1   |       |
| (1) | 958 111 011 02 | Exhaust gas recirculation Discontinued part<br>heat dissipator             |            | 1   |       |
| (1) | 958 111 011 03 | Exhaust gas recirculation No longer use the part here<br>heat dissipator   |            | 1   |       |
| (1) | 958 111 011 04 | Exhaust gas recirculation Discontinued part<br>heat dissipator             |            | 1   |       |
| 2   | 958 111 051 00 | Exhaust gas recirculation exhaust recirculation valve<br>Discontinued part |            | 1   |       |
| (2) | 958 111 051 01 | exhaust recirculation valve  |            | 1   |       |
| 3   | N 900 627 02   | O-ring<br>44 X 2,5   |            | 1   |       |
| 4   | N 103 346 04   | Hexagon socket oval head bolt (combi)<br>M 6 X 20                          |            | 3   |       |
| 5   | WHT 003 368    | O-ring<br>26 X 2   |            | 1   |       |
| 6   | 955 106 313 01 | thermostat   |            | 1   |       |
| 7   | 955 111 342 00 | retaining spring   |            | 1   |       |
| 8   | N 904 520 03   | O-ring<br>11 X 3   |            | 1   |       |
| 9   | 958 606 688 00 | Temperature sensor   |            | 1   |       |
| 10  |                | Exhaust gas recirculation Coolant hose                                     |            | 2   |       |
| 11  |                | see illustration, item:<br>Ear crimp hose clamp                            | 105-045,18 | 2   |       |
| 12  | 958 111 425 10 | Bracket  |            | 1   |       |
| 13  | N 908 091 02   | O-ring<br>16 X 2   |            | 1   |       |
| 14  | N 101 562 06   | Oval hexagon socket head bolt<br>M 6 X 30                                  |            | 6   |       |
| 15  |                | Coolant hose   |            | 1   |       |
| 16  |                | see illustration, item:<br>Connecting pipe                                 | 105-045,39 | 1   |       |
| 17  |                | see illustration, item:<br>Connecting pipe                                 | 202-070,13 | 1   |       |
| 18  | 958 111 551 00 | see illustration, item:<br>Vacuum line                                     | 107-060,12 | 1   |       |
| 19  | 958 606 291 00 | Non-return valve   |            | 1   |       |
| 20  | 958 111 694 10 | Clip   |            | 2   |       |
| 21  | 955 111 694 00 | Clip   |            | 1   |       |
| 22  | 955 111 531 00 | Bracket  |            | 1   |       |
| 23  | 955 605 283 10 | Change-over valve  |            | 1   |       |
| 24  | 958 111 552 00 | Vacuum line  |            | 1   |       |
| 25  | 955 111 820 00 | Cable ties   |            | X   |       |

Model: 92A 11

Model life 2011>>2018



Model: 92A 11 Model life 2011>>2018

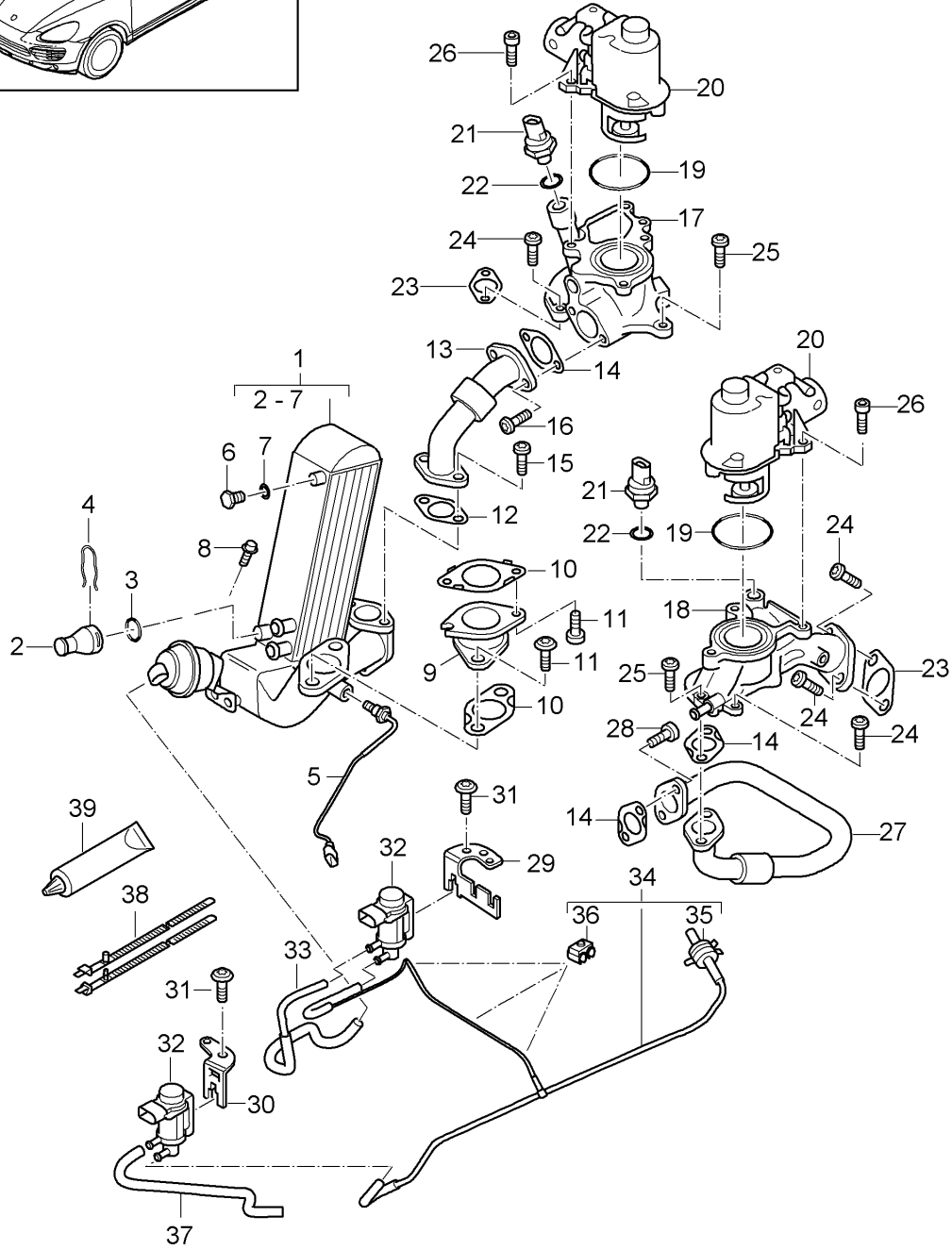
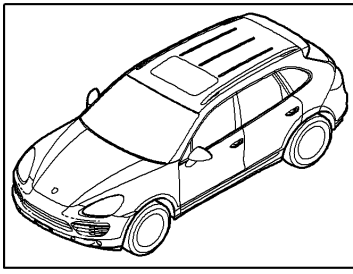
| Pos  | Part Number    | Description   | Remark     | Qty | Model                              |
|------|----------------|---|------------|-----|------------------------------------|
|      |                | Exhaust gas recirculation vacuum system                                     |            |     | CRCA, CRCB, CNRB, CVVA, CVVB, CVVC |
| 1    | 958 111 011 10 | heat dissipator   |            | 1   | CRCA, CRCB                         |
| (1)  | 958 111 011 11 | Exhaust gas recirculation<br>No longer use the part here<br>heat dissipator |            | 1   | CRCA, CRCB                         |
| (1)  | 958 111 011 12 | Exhaust gas recirculation<br>Discontinued part<br>heat dissipator           |            | 1   | CRCA, CRCB                         |
| (1)  | 958 111 011 13 | Exhaust gas recirculation<br>Discontinued part<br>heat dissipator           |            | 1   | CRCA, CRCB                         |
| (1)  | 958 111 011 60 | Exhaust gas recirculation<br>heat dissipator                                |            | 1   | CVVA, CVVB, CVVC                   |
| (1)  | 958 111 011 70 | Exhaust gas recirculation<br>No longer use the part here<br>heat dissipator |            | 1   | CVVA, CVVB, CVVC                   |
| 2    | 958 111 051 10 | Exhaust gas recirculation<br>exhaust recirculation valve                    |            | 1   |                                    |
| (2)  | 958 111 051 11 | No longer use the part here<br>exhaust recirculation valve                  |            | 1   |                                    |
| (2)  | 958 111 051 30 | No longer use the part here<br>exhaust recirculation valve                  |            | 1   | CRCA, CRCB, CVVA, CVVB, CVVC       |
| (2)  | 958 111 051 40 | exhaust recirculation valve   |            | 1   |                                    |
| 3    | 958 111 120 10 | Seal  |            | 1   |                                    |
| (3)  | 958 111 120 11 | discontinued part<br>Seal   |            | 1   |                                    |
| 4    | N 101 243 06   | Oval hexagon socket head bolt   | M6X20      | 2   |                                    |
| 5    | 958 606 623 20 | Temperature sensor  |            | 1   |                                    |
| 6    | WHT 002 287 B  | O-ring  | 5, 6X2     | 1   |                                    |
| 7    | N 106 507 01   | Hexagon socket head bolt  | M6X12      | 1   |                                    |
| 8    | N 013 804 2    | seal ring   | 6X10       | 1   |                                    |
| 9    | N 104 056 04   | Oval hexagon socket head bolt   | M6X14      | 1   |                                    |
| 10   | 958 606 688 20 | Temperature sensor  |            | 1   |                                    |
| (10) | 958 606 688 21 | No longer use the part here<br>Temperature sensor                           |            | 1   |                                    |
| (10) | 958 606 688 22 | Discontinued part<br>Temperature sensor                                     |            | 1   |                                    |
| 11   | 958 111 223 00 | valve housing   |            | 1   | CRCA, CRCB                         |
| 12   | 958 111 599 00 | Seal  |            | 1   | CRCA, CRCB                         |
| 13   | N 910 680 01   | Hexagon socket flat head bolt   | M6X28      | 2   | CRCA, CRCB                         |
| 14   | N 104 134 05   | Hexagon socket flat head bolt   | M6X25      | 7   | CRCA, CRCB                         |
| 15   | N 101 243 06   | Oval hexagon socket head bolt   | M6X20      | 1   | CRCA, CRCB                         |
| 16   | 958 111 530 00 | Connecting pipe   |            | 1   |                                    |
| 17   | 958 111 547 10 | Seal  |            | 1   |                                    |
| 18   | 958 111 725 00 | Clamp   |            | 1   |                                    |
| (18) | 1K0 253 725 F  | Discontinued part<br>Clamp  |            | 1   |                                    |
| 19   | 958 107 358 00 | Seal  |            | 1   |                                    |
| (19) | 958 107 358 10 | D >> - 14.07.2014<br>Seal   |            | 1   |                                    |
| 20   | N 101 243 06   | D - 15.07.2014>><br>Oval hexagon socket head bolt                           | M6X20      | 2   |                                    |
| 21   |                | Air guide housing   |            | 1   |                                    |
| 22   | 958 111 525 00 | see illustration, item:<br>Connecting pipe                                  | 107-062,12 | 1   |                                    |
| (22) | 958 111 525 01 | discontinued part<br>Connecting pipe  |            | 1   |                                    |

Model: 92A 11 Model life 2011>>2018

| Pos  | Part Number    | Description   | Remark     | Qty | Model               |
|------|----------------|---|------------|-----|---------------------|
| 23   | 958 107 358 00 | Seal<br>D >> - 21.08.2013                           |            | 1   |                     |
| (23) | 958 107 358 10 | Seal<br>D - 22.08.2013>>                            |            | 1   |                     |
| 24   | N 911 962 01   | Hexagon socket head<br>bolt                         | M6X16      | 2   |                     |
| 25   | 958 111 547 20 | Seal  |            | 1   |                     |
| 26   | 958 111 548 04 | Clamp<br>No longer use the part here                |            | 1   |                     |
| (26) | 958 111 548 05 | Clamp   |            | 1   |                     |
| 27   |                | Exhaust gas turbocharger<br>see illustration, item: | 202-080,1  | 1   |                     |
| 28   | 958 111 556 00 | Vacuum line<br>Discontinued part                    |            | 1   |                     |
| (28) | 958 111 556 01 | Vacuum line<br>Discontinued part                    |            | 1   |                     |
| (28) | 958 111 556 02 | Vacuum line   |            | 1   |                     |
| 29   | N 908 091 02   | O-ring  | 16X2       | 1   |                     |
| 30   | N 107 500 01   | Hexagon socket flat<br>head bolt                    | M6X16      | 1   |                     |
| 31   | N 105 540 05   | round hd. screw                                     | M6X35      | 1   |                     |
| 32   | 958 111 492 00 | Vacuum line   |            | 1   |                     |
| 33   | 958 606 838 50 | Cable ties  |            | X   |                     |
| 34   | 958 111 551 10 | Vacuum line<br>Discontinued part                    |            | 1   |                     |
| (34) | 958 111 551 11 | Vacuum line   |            | 1   |                     |
| 35   | 955 605 283 10 | Change-over valve                                   |            | 1   |                     |
| 36   | 958 110 245 20 | Retainer for valve                                  |            | 1   | CRCA, CRCB          |
| (36) | 958 110 245 40 | Retainer for valve                                  |            | 1   | CVVA, CVVB,<br>CVVC |
| 37   | N 107 214 01   | oval hd. self-tapp fitt. screw                      | TP6X16     | 1   |                     |
| 38   | N 104 056 04   | Oval hexagon socket head bolt                       | M6X14      | 1   |                     |
| 39   | 958 606 627 00 | Pressure converter                                  |            | 1   |                     |
| 40   | 958 606 629 00 | Support   |            | 1   |                     |
| 41   | 958 111 492 10 | Vacuum line<br>No longer use the part here          |            | 1   |                     |
| (41) | 958 111 492 11 | Vacuum line   |            | 1   |                     |
| 42   |                | Vacuum line<br>see illustration, item:              | 109-050,14 | 1   | PR:7L4,7L8          |
| 43   | 958 110 080 00 | Vacuum line   |            | 1   |                     |
| 45   | N 104 134 05   | Hexagon socket flat<br>head bolt                    | M6X25      | 2   |                     |
| 46   | N 106 703 01   | Oval hexagon socket head bolt                       | M6X55      | 2   |                     |

Model: 92A 11

Model life 2011>>2018



Model: 92A 11

Model life 2011&gt;&gt;2018

| Pos | Part Number    | Description                                 | Remark | Qty | Model      |
|-----|----------------|---|--------|-----|------------|
|     |                | Exhaust gas recirculation vacuum system     |        |     | CUDB, CUDC |
| 1   | 958 111 011 30 | heat dissipator                             |        | 1   |            |
| 2   | 955 106 313 01 | Exhaust gas recirculation thermostat        |        | 1   |            |
| 3   | WHT 003 368    | O-ring                                      |        | 1   |            |
|     |                | 26 X 2                                      |        |     |            |
| 4   | 955 111 342 00 | retaining spring                            |        | 1   |            |
| 5   | 958 606 688 40 | Temperature sensor                          |        | 1   |            |
| 6   | N 904 832 04   | Exhaust gas recirculation Hexagon bolt      |        | 1   |            |
|     |                | M 6 X 8                                     |        |     |            |
| 7   | N 013 804 2    | seal ring                                   |        | 1   |            |
|     |                | A 6 X 10                                    |        |     |            |
| 8   | N 909 506 03   | Socket head bolt with inner multipoint head |        | 2   |            |
|     |                | M 8 X 38                                    |        |     |            |
| 9   | 958 111 053 10 | Connecting pipe                             |        | 1   |            |
| 10  | 958 111 120 20 | Seal  |        | 1   |            |
| 11  | N 101 243 06   | Oval hexagon socket head bolt               |        | 4   |            |
|     |                | M 6 X 20                                    |        |     |            |
| 12  | 958 111 149 10 | Seal  |        | 1   |            |
| 13  | 958 111 534 00 | Connecting pipe                             |        | 1   |            |
| 14  | 955 111 149 00 | Seal  |        | 3   |            |
| 15  | N 104 056 04   | Oval hexagon socket head bolt               |        | 2   |            |
|     |                | M 6 X 14                                    |        |     |            |
| 16  | N 101 243 06   | Oval hexagon socket head bolt               |        | 2   |            |
|     |                | M 6 X 20                                    |        |     |            |
| 17  | 958 111 424 00 | Intermediate flange                         |        | 1   |            |
| 18  | 958 111 423 00 | Intermediate flange                         |        | 1   |            |
| 19  | N 900 627 02   | O-ring                                      |        | 2   |            |
|     |                | 44 X 2,5                                    |        |     |            |
| 20  | 958 111 051 20 | exhaust recirculation valve                 |        | 2   |            |
| 21  | 958 111 526 10 | Pressure sensor                             |        | 2   |            |
|     |                | discontinued part                           |        |     |            |
| 22  | N 013 813 3    | seal ring                                   |        | 2   |            |
|     |                | A 12 X 17                                   |        |     |            |
| 23  | 955 111 149 00 | Seal  |        | 2   |            |
| 24  | N 104 057 02   | Hexagon socket head bolt                    |        | 5   |            |
|     |                | AM 6 X 45                                   |        |     |            |
| 25  | N 104 134 05   | Hexagon socket flat head bolt               |        | 3   |            |
|     |                | M 6 X 25                                    |        |     |            |
| 26  | N 106 536 01   | Socket head bolt with hexagon socket head   |        | 6   |            |
|     |                | M 6 X 20                                    |        |     |            |
| 27  | 958 111 525 10 | Connecting pipe                             |        | 1   |            |
| 28  | N 104 056 04   | Oval hexagon socket head bolt               |        | 2   |            |
|     |                | M 6 X 14                                    |        |     |            |
| 29  | 958 111 786 00 | Bracket                                     |        | 1   |            |
| 30  | 958 111 787 00 | Bracket                                     |        | 1   |            |
| 31  | N 104 056 04   | Oval hexagon socket head bolt               |        | 4   |            |
|     |                | M 6 X 14                                    |        |     |            |
| 32  | 955 605 283 10 | Change-over valve                           |        | 2   |            |
| 33  | 958 111 552 10 | Vacuum line                                 |        | 1   |            |
| 34  | 958 111 551 20 | Vacuum line                                 |        | 1   |            |
| 35  | 955 606 291 00 | Non-return valve                            |        | 1   |            |
| 36  | 955 111 694 00 | Clip  |        | 3   |            |
| 37  | 958 111 552 20 | Vacuum line                                 |        | 1   |            |
| 38  | 955 111 820 00 | Cable ties                                  |        | X   |            |
| 39  | 000 043 207 47 | hot-bolt-paste                              |        | 1   |            |
|     |                | 1 tube                                      |        |     |            |

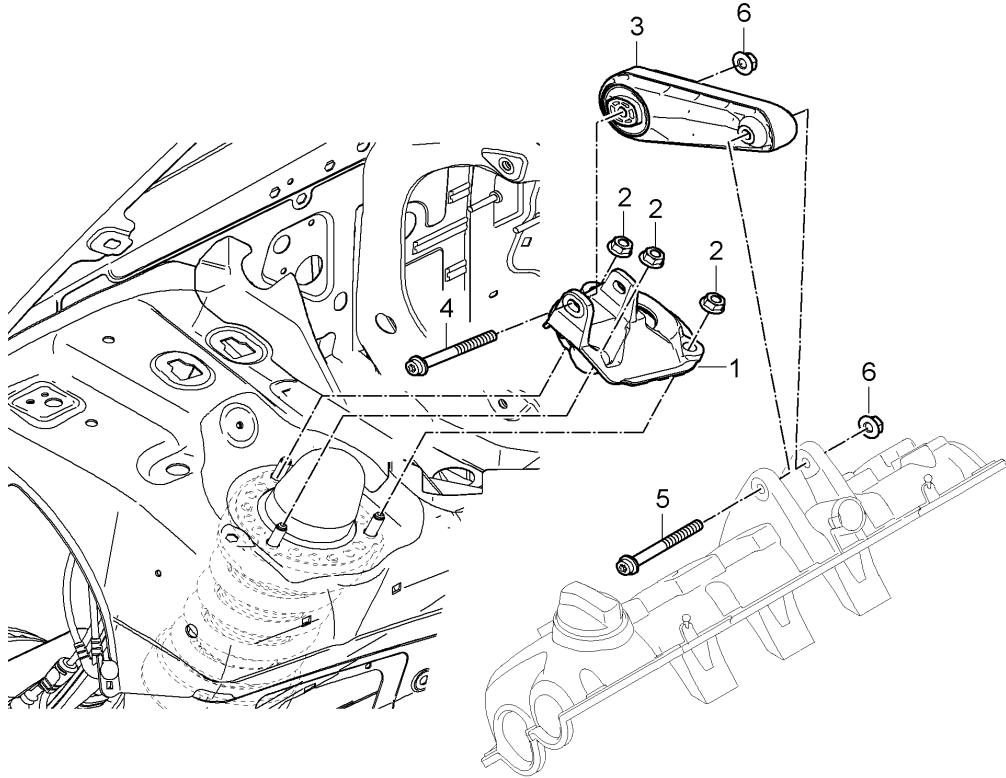
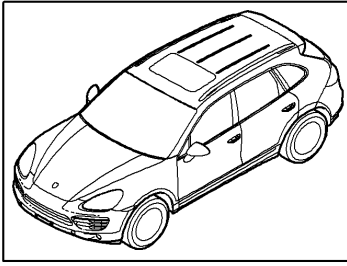
Model: 92A 11

Model life 2011>>2018

| Pos | Part Number | Description | Remark | Qty | Model |
|-----|-------------|-------------|--------|-----|-------|
|     |             | 170 GR.     |        |     |       |

Model: 92A 11

Model life 2011>>2018





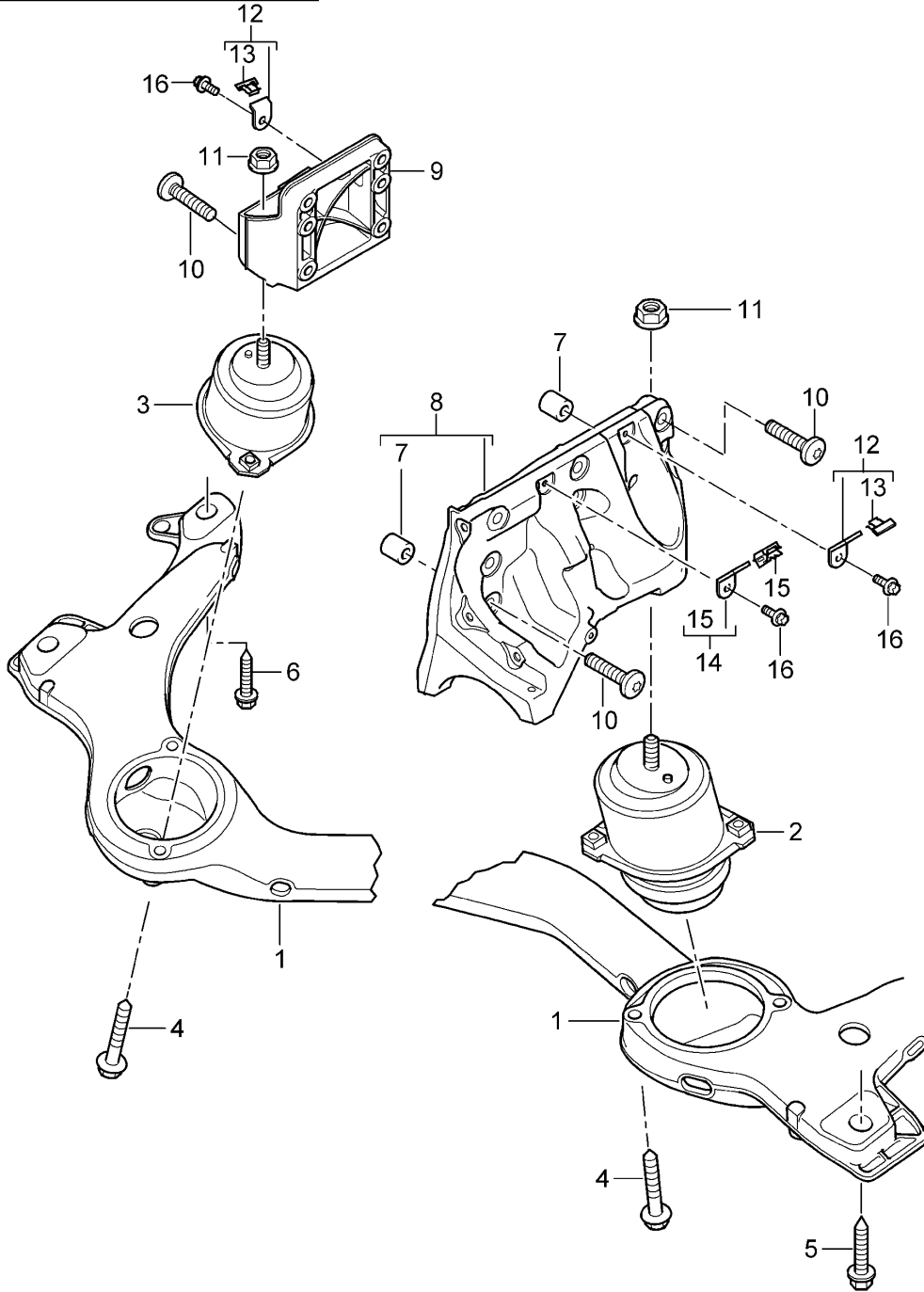
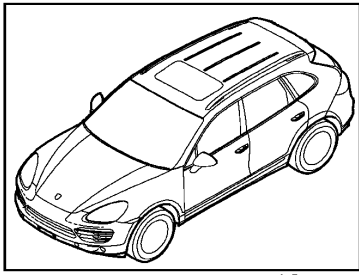
Model: 92A 11

Model life 2011>>2018

| Pos | Part Number    | Description                           | Remark              | Qty | Model                              |
|-----|----------------|---------------------------------------|---------------------|-----|------------------------------------|
|     |                | Engine lifting tackle                 | upper               |     | PR:D6V,D58,<br>DU2,DU3,DT1,<br>DT5 |
| 1   | 958 375 112 00 | Mounting block                        |                     | 1   |                                    |
| (1) | 958 375 112 01 | Discontinued part<br>Mounting block   |                     | 1   | PR:D6V,D58,<br>DT1,DT5             |
| (1) | 958 375 112 10 | Mounting block                        |                     | 1   | PR:DU2,DU3                         |
| 2   |                | Hexagon nut                           | M10                 | 3   |                                    |
|     |                | see illustration:                     | 402-005             |     |                                    |
| 3   | 7PP 199 331 A  | Support                               |                     | 1   |                                    |
|     |                | also use:                             | 999 067 802 30      | 1   |                                    |
|     |                |                                       | 999 067 801 30      | 1   |                                    |
| 4   | 999 067 802 30 | Socket head bolt                      | M10X80<br>aluminium | 1   |                                    |
| (4) | WHT 005 204    | Discontinued part<br>Socket head bolt | M10X80<br>aluminium | 1   |                                    |
| 5   | 999 067 801 30 | Socket head bolt                      | M10X90<br>aluminium | 1   |                                    |
| (5) | WHT 004 595    | Discontinued part<br>Socket head bolt | M10X90<br>aluminium | 1   |                                    |
| 6   | WHT 004 635    | Hexagon nut                           | M10                 | 2   |                                    |

Model: 92A 11

Model life 2011>>2018



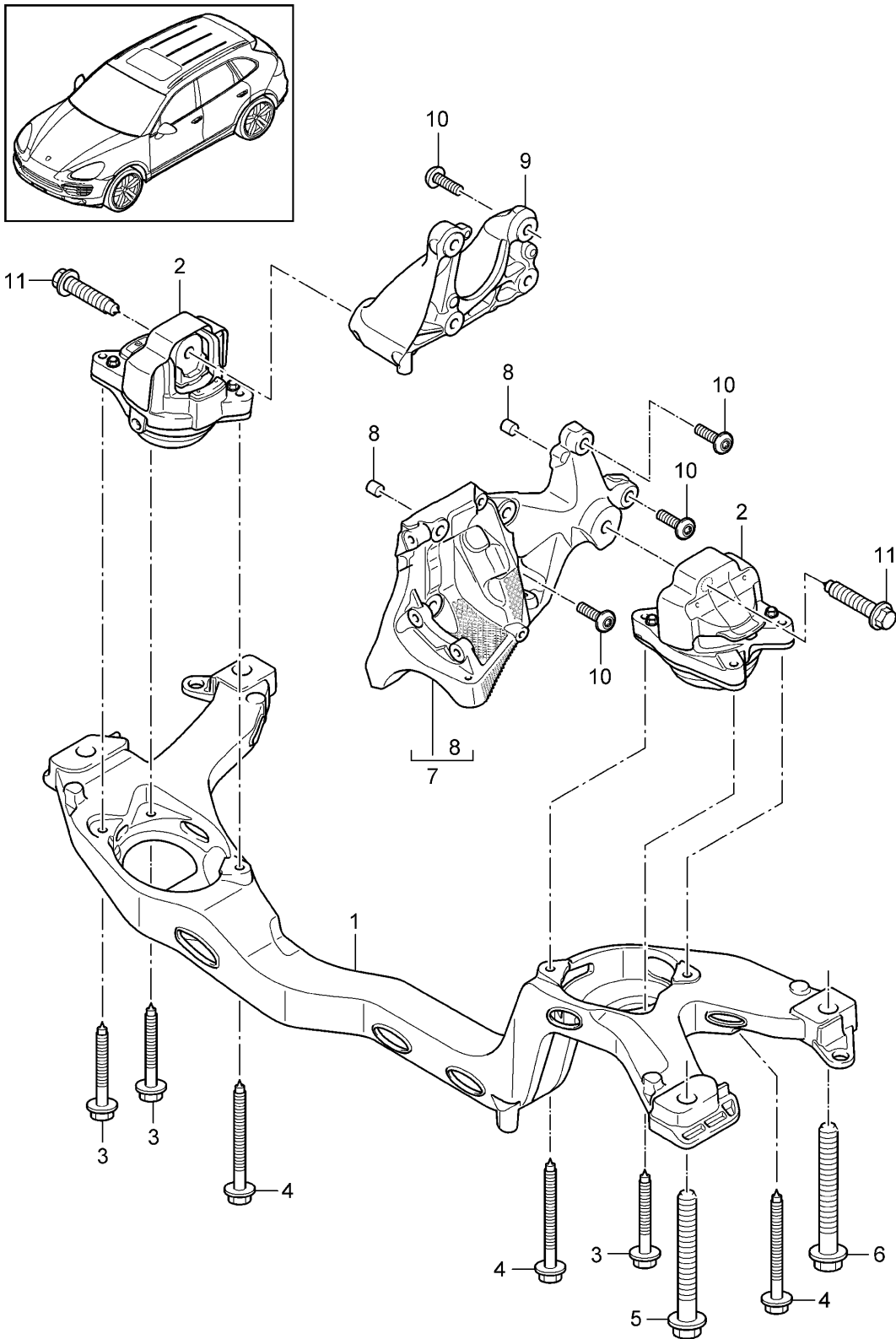
Model: 92A 11

Model life 2011>>2018

| Pos | Part Number    | Description                             | Remark      | Qty | Model                               |
|-----|----------------|---|-------------|-----|-------------------------------------|
|     |                | Engine lifting tackle                   | lower       |     | 4802,4852,<br>CFTB,CFT,<br>CYXA,CYX |
| 1   | 948 375 309 04 | Engine brackets<br>Discontinued part    |             | 1   |                                     |
| (1) | 958 375 309 30 | Engine brackets                         |             | 1   |                                     |
| 2   | 948 375 049 03 | engine mounting                         | left        | 1   |                                     |
| 3   | 948 375 050 03 | engine mounting                         | right       | 1   |                                     |
| 4   | 900 378 004 01 | Hexagon bolt                            | BM10X65-PA  | 4   |                                     |
| 5   |                | Hexagon bolt<br>see illustration, item: | 401-000,3   | 2   |                                     |
| 6   | N 910 144 02   | hexagon head bolt (combi)               | M14X1,5X100 | 2   |                                     |
| 7   | 999 095 066 00 | dowel sleeve                            | 14X15       | 2   |                                     |
| 8   | 948 102 215 01 | Console<br>Discontinued part            |             | 1   |                                     |
| (8) | 948 102 015 00 | Console<br>with:                        |             | 1   |                                     |
| 9   | 948 115 201 03 | dowel sleeve<br>Console                 |             | 1   |                                     |
| 10  | 999 073 460 01 | flat round head bolt                    | M10X45      | 15  |                                     |
| 11  | 999 084 445 01 | Locknut                                 | M12X1,5     | 2   |                                     |
| 12  | 948 606 113 02 | Holder for lambda probe                 |             | 2   | 4802                                |
| 13  | 999 651 392 07 | Cable holder                            | 9,5-10,5    | 2   | 4802                                |
| 14  | 948 606 161 00 | Holder for lambda probe                 |             | 1   | 4802                                |
| 15  | 999 507 808 09 | Cable holder                            | 6,0         | 1   | 4802                                |
| 16  | 900 385 041 01 | Torx screw                              | BM6X12      | 3   | 4802                                |

Model: 92A 11

Model life 2011>>2018



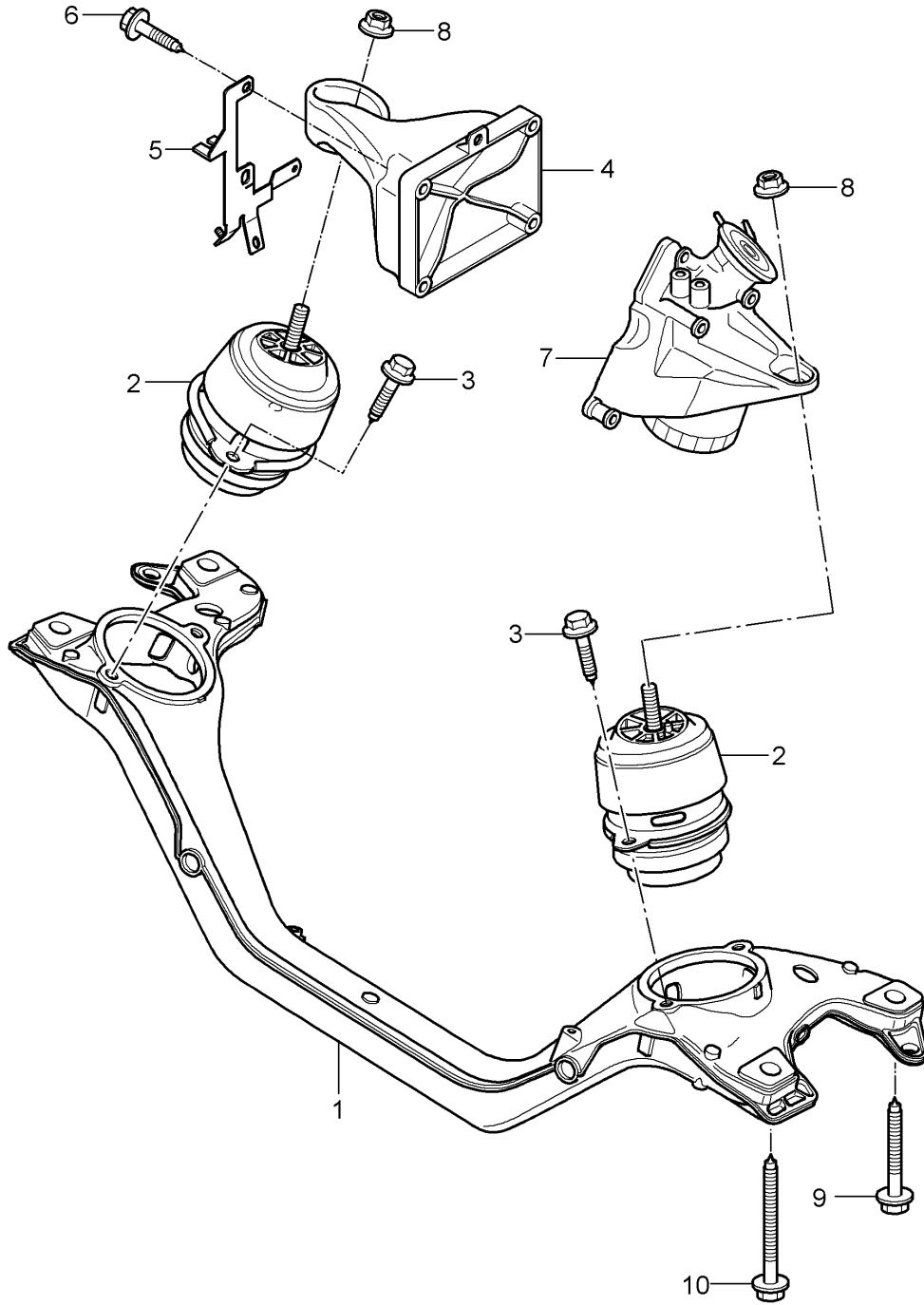
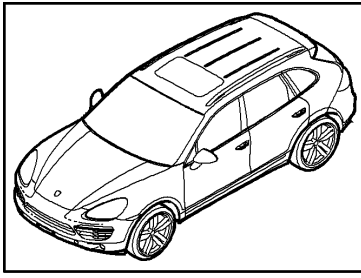
Model: 92A 11

Model life 2011>>2018

| Pos | Part Number    | Description                                 | Remark      | Qty | Model                   |
|-----|----------------|---|-------------|-----|-------------------------|
|     |                | Engine lifting tackle                       | lower       |     | CURA, CUR,<br>CXZA, CXZ |
| 1   | 958 375 309 40 | Engine brackets                             |             | 1   |                         |
| 2   | 946 375 058 33 | engine mounting                             |             | 2   |                         |
| 3   | N 106 957 01   | Hex collared bolt                           | M8X65       | 3   |                         |
| 4   | N 107 765 01   | Hexagon flange screw                        | M8X85       | 3   |                         |
| 5   |                | Hexagon bolt                                |             | 2   |                         |
|     |                | see illustration, item:                     | 401-000,3   |     |                         |
| 6   | N 910 144 02   | hexagon head bolt (combi)                   | M14X1,5X100 | 2   |                         |
| 7   | 946 102 025 51 | Console                                     |             | 1   |                         |
| 8   | 999 095 066 00 | dowel sleeve                                | 14X15       | 2   |                         |
| 9   | 946 115 211 52 | Engine brackets                             |             | 1   |                         |
| 10  | 999 073 460 01 | flat round head bolt                        | M10X45      | 10  |                         |
| 11  | N 911 489 01   | multi-point socket head bolt<br>with collar | M12X1,5X60  | 2   |                         |

Model: 92A 11

Model life 2011>>2018



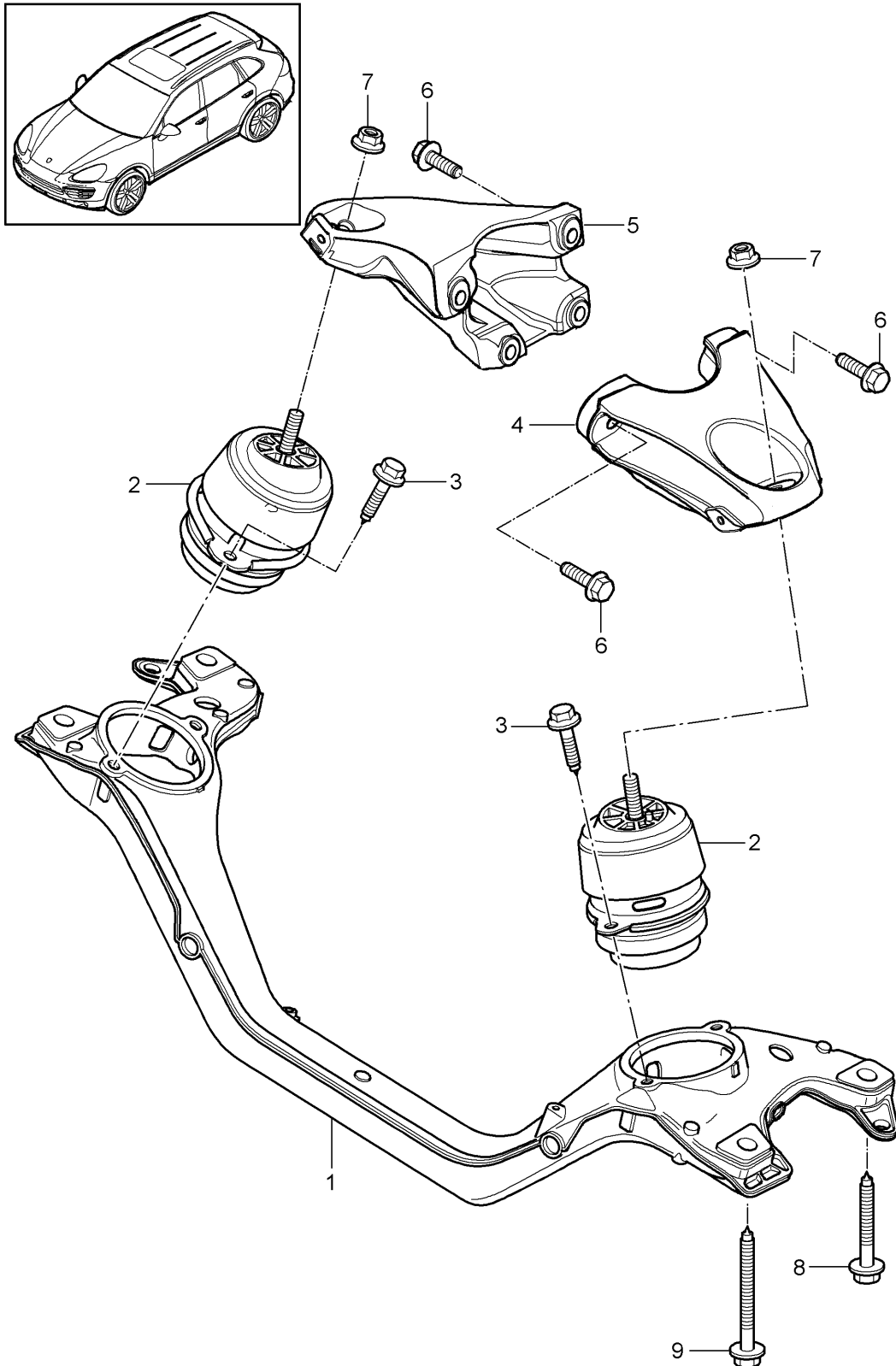
Model: 92A 11

Model life 2011&gt;&gt;2018

| Pos | Part Number    | Description   | Remark      | Qty | Model     |
|-----|----------------|---|-------------|-----|-----------|
| 1   | 958 375 309 10 | Engine lifting tackle                                   | lower       | 1   | 5502,CEYA |
| 2   | 958 375 049 00 | Engine brackets   |             | 2   |           |
| 3   | N 105 167 02   | hydro-mounting  |             | 4   |           |
| 4   | 955 115 201 00 | bolt, hex. hd. with shoulder,<br>self-locking           | M10X55      | 4   |           |
| 5   | 955 607 208 11 | Console for engine mounting                             |             | 1   |           |
| 6   | N 106 296 02   | Bracket   |             | 1   |           |
| (6) | N 107 642 01   | Hex collared bolt                                       | M10X35      | 4   |           |
| 7   |                | No longer use the part here                             |             |     |           |
| 8   | N 104 029 04   | Socket head collared bolt with<br>inner multipoint head | M10X32      | 4   |           |
| 9   | N 910 144 02   | see illustration, item:                                 | 104-060,1   | 1   |           |
| 10  |                | Hexagon nut   | M12X1,5     | 2   |           |
|     |                | hexagon head bolt (combi)                               | M14X1,5X100 | 2   |           |
|     |                | see illustration, item:                                 | 401-000,3   | 2   |           |

Model: 92A 11

Model life 2011>>2018





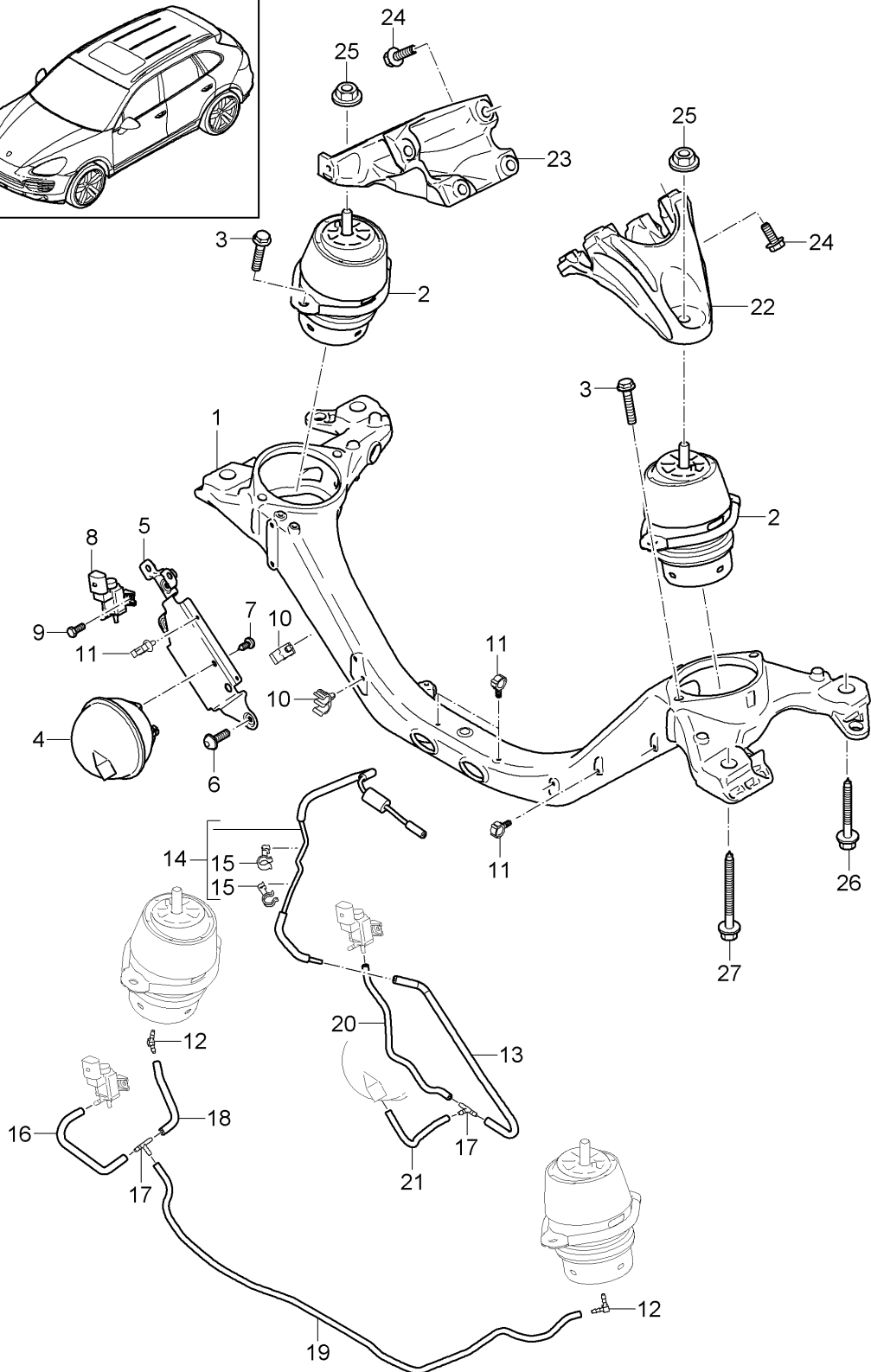
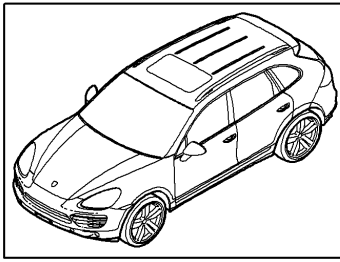
Model: 92A 11

Model life 2011&gt;&gt;2018

| Pos | Part Number    | Description   | Remark      | Qty | Model |
|-----|----------------|---|-------------|-----|-------|
|     |                | Engine lifting tackle                                   | lower       |     | 059E  |
| 1   | 958 375 309 00 | Engine brackets   |             | 1   |       |
| 2   | 958 375 049 40 | hydro-mounting  |             | 2   |       |
| 3   | N 105 167 02   | bolt, hex. hd. with shoulder,<br>self-locking           | M10X55      | 4   |       |
| 4   | 955 102 215 00 | Console for engine mounting                             |             | 1   |       |
| 5   | 955 115 201 11 | Console for engine mounting<br>Discontinued part        |             | 1   |       |
| (5) | 958 115 201 40 | Console for engine mounting                             |             | 1   |       |
| 6   | N 106 296 02   | Hex collared bolt                                       | M10X35      | 8   |       |
|     |                | No longer use the part here                             |             |     |       |
| (6) | N 107 642 01   | Socket head collared bolt with<br>inner multipoint head | M10X32      | 8   |       |
| 7   | N 104 029 04   | Hexagon nut   | M12X1,5     | 2   |       |
| 8   | N 910 144 02   | hexagon head bolt (combi)                               | M14X1,5X100 | 2   |       |
| 9   |                | see illustration, item:                                 | 401-000,3   | 2   |       |

Model: 92A 11

Model life 2011>>2018



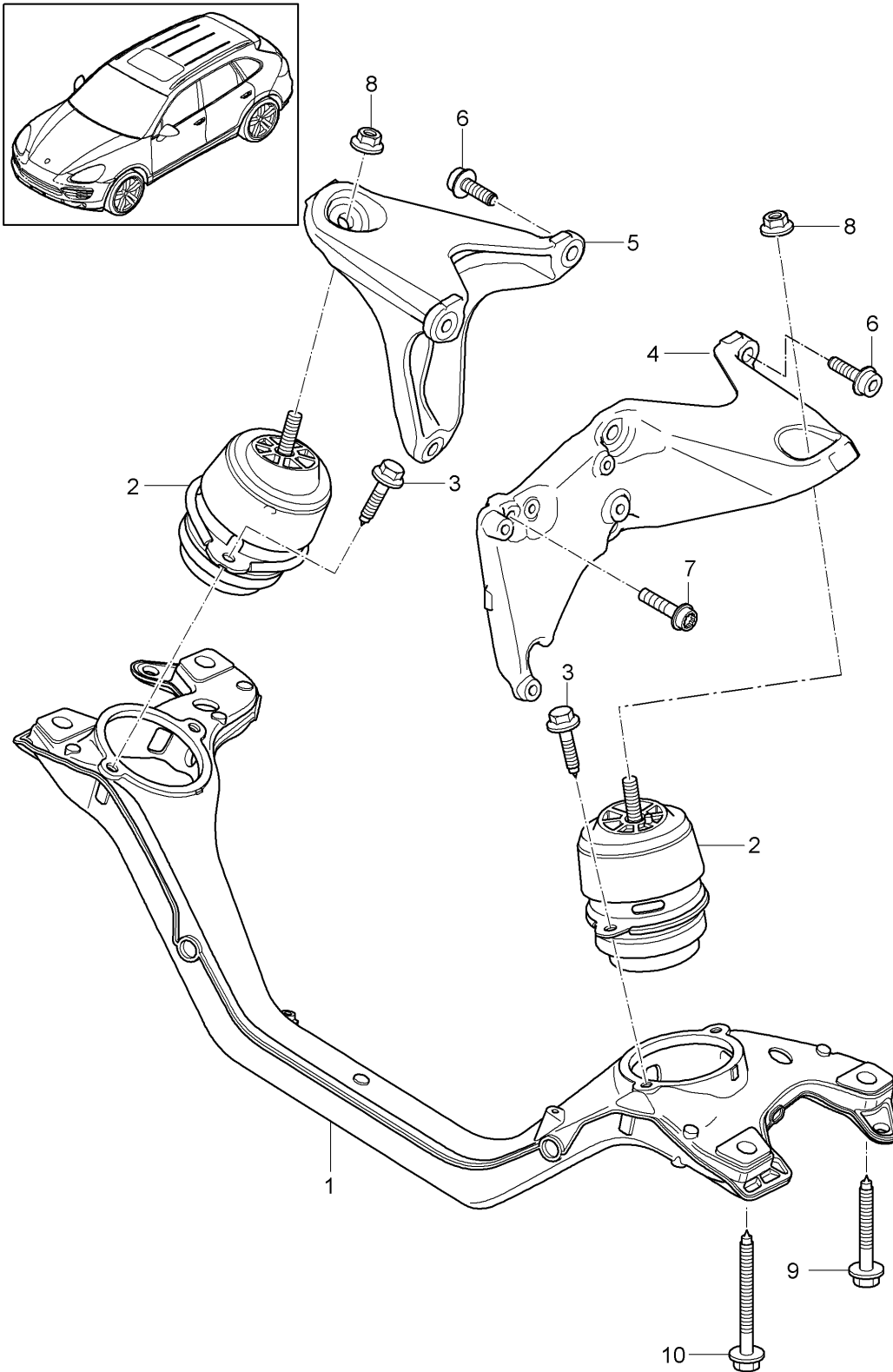
Model: 92A 11

Model life 2011&gt;&gt;2018

| Pos | Part Number    | Description  | Remark        | Qty | Model                              |
|-----|----------------|--|---------------|-----|------------------------------------|
|     |                | Engine lifting tackle  | lower         |     | CRCA, CRCB,<br>CVVA, CVVB,<br>CVVC |
| 1   | 958 375 309 20 | Engine brackets  |               | 1   | PR: 7L4, 7L8                       |
| (1) | 958 375 309 00 | Engine brackets  |               | 1   | CRCA, CRCB+<br>PR: 7L7             |
| 2   | 958 375 049 60 | hydro-mounting   |               | 2   | PR: 7L4, 7L8                       |
| (2) | 958 375 049 40 | hydro-mounting   |               | 2   | CRCA, CRCB+<br>PR: 7L7             |
| 3   | N 105 167 02   | bolt, hex. hd. with shoulder,<br>self-locking<br>AM 10 X 55          |               | 4   |                                    |
| 4   | 958 110 807 00 | Vacuum reservoir   |               | 1   | PR: 7L4, 7L8                       |
| 5   | 958 375 253 00 | Retainer for vacuum<br>container                                     |               | 1   | PR: 7L4, 7L8                       |
| 6   | N 910 327 02   | Round-head screw with inner<br>hexagon socket head<br>M 6 X 20       |               | 3   | PR: 7L4, 7L8                       |
| 7   | N 106 336 03   | Hexagon socket oval head<br>bolt<br>ST 4,8 X 13                      |               | 1   | PR: 7L4, 7L8                       |
| 8   | 958 605 123 40 | Change-over valve<br>Electric  |               | 1   | PR: 7L4, 7L8                       |
| 9   | N 010 207 17   | Hexagon bolt<br>M 5 X 12   |               | 2   | PR: 7L4, 7L8                       |
| 10  | 958 375 442 00 | Line holder<br>Double  |               | 2   | PR: 7L4, 7L8                       |
| 11  | 958 375 443 00 | Line holder<br>Simple  |               | 8   | PR: 7L4, 7L8                       |
| 12  | 958 110 582 00 | Elbow fitting  |               | 2   | PR: 7L4, 7L8                       |
| 13  | 958 375 721 10 | Vacuum hose  |               | 1   | PR: 7L4, 7L8                       |
| 14  | 958 110 573 20 | Vacuum line  |               | 1   | PR: 7L4, 7L8                       |
| 15  | N 107 454 01   | Bracket<br>A01-4,3 X C01-11,5  |               | 2   | PR: 7L4, 7L8                       |
| 16  | 958 375 721 00 | Vacuum hose  |               | 1   | PR: 7L4, 7L8                       |
| 17  | 958 110 637 10 | t-piece<br>4-4-4   |               | 2   | PR: 7L4, 7L8                       |
| -   | N 020 353 33   | Hose<br>3,5 X 2<br>modify in workshop<br>Shorten                     | Running meter | *   | PR: 7L4, 7L8                       |
| 18  |                | shorten to:  | 90 MM         | 1   | PR: 7L4, 7L8                       |
| 19  |                | shorten to:  | 770 MM        | 1   | PR: 7L4, 7L8                       |
| 20  |                | shorten to:  | 240 MM        | 1   | PR: 7L4, 7L8                       |
| 21  |                | shorten to:  | 150 MM        | 1   | PR: 7L4, 7L8                       |
| 22  | 958 102 215 20 | Console for engine mounting  |               | 1   |                                    |
| 23  | 958 115 201 40 | Console for engine mounting  |               | 1   |                                    |
| 24  | N 107 642 01   | Socket head collared bolt with<br>inner multipoint head<br>M 10 X 32 |               | 8   |                                    |
| 25  | N 104 029 04   | Hexagon nut<br>M 12 X 1,5  |               | 2   |                                    |
| 26  | N 910 144 02   | hexagon head bolt (combi)<br>AM 14 X 1,5 X 100                       |               | 2   |                                    |
| 27  |                | see illustration, item:  | 401-000,3     | 2   |                                    |

Model: 92A 11

Model life 2011>>2018



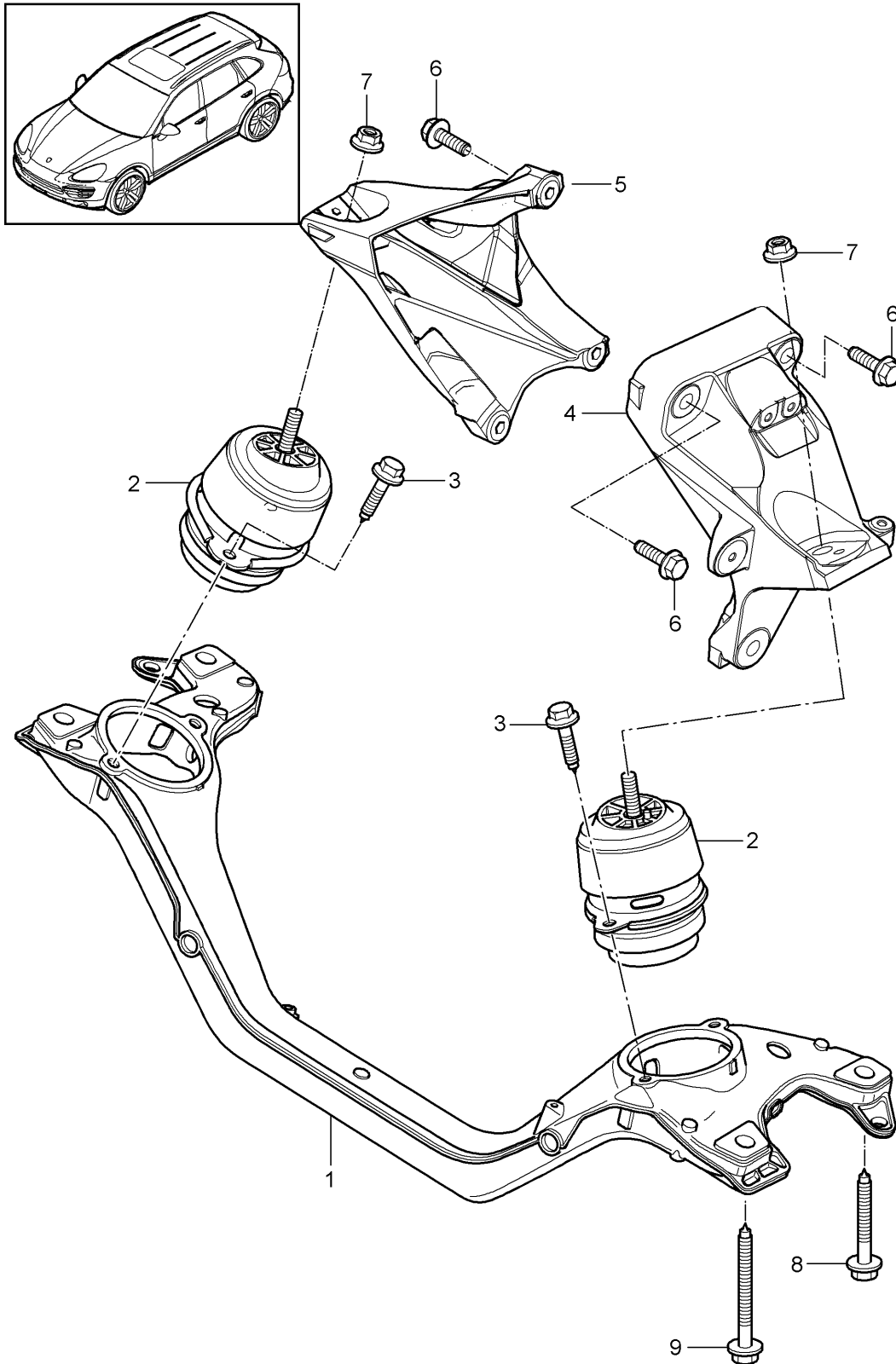
Model: 92A 11

Model life 2011>>2018

| Pos | Part Number    | Description   | Remark      | Qty | Model                         |
|-----|----------------|---|-------------|-----|-------------------------------|
|     |                | Engine lifting tackle   | lower       |     | 06EC, CGEA,<br>CGE, CGFA, CJT |
| 1   | 958 375 309 00 | Engine brackets   |             | 1   |                               |
| 2   | 958 375 049 10 | hydro-mounting  |             | 2   |                               |
| 3   | N 105 167 02   | bolt, hex. hd. with shoulder,<br>self-locking   | M10X55      | 4   |                               |
| 4   | 958 102 215 00 | Console for engine mounting   |             | 1   | PR:D19                        |
| (4) | 958 102 215 10 | Console for engine mounting   |             | 1   | PR:D11                        |
| 5   | 958 115 201 00 | Console for engine mounting<br>F >> 92-BLA92 778<br>F >> 92-BLA92 793<br>F >> 92-BLA92 775<br>F >> 92-BLA92 918                                       |             | 1   | PR:D19                        |
| (5) | 958 115 201 50 | Discontinued part<br>Console for engine mounting<br>F 92-BLA92 779>><br>F 92-BLA92 794>><br>F 92-BLA92 776>><br>F 92-BLA92 919>><br>Discontinued part |             | 1   | PR:D19                        |
| (5) | 958 115 201 50 | Console for engine mounting<br>Discontinued part  |             | 1   | PR:D11                        |
| (5) | 958 115 201 51 | Console for engine mounting   |             | 1   |                               |
| 6   | N 903 202 06   | Socket head bolt with hexagon<br>socket head (combination)<br>F >> 92-BLA92 778<br>F >> 92-BLA92 793<br>F >> 92-BLA92 775<br>F >> 92-BLA92 918        | M10X35      | 7   | PR:D19                        |
| (6) | N 903 202 06   | Socket head bolt with hexagon<br>socket head (combination)<br>to use for:   | M10X35      | 4   | PR:D19                        |
|     |                | Console for engine mounting<br>F 92-BLA92 794>><br>F 92-BLA92 776>><br>F 92-BLA92 919>>   | left        |     |                               |
| (6) | N 106 872 01   | Socket head bolt with inner<br>multipoint head (Kombi)<br>to use for:   | M10X45      | 3   | PR:D19                        |
|     |                | Console for engine mounting<br>F 92-BLA92 794>><br>F 92-BLA92 776>><br>F 92-BLA92 919>>   | right       |     |                               |
| (6) | N 106 872 01   | Socket head bolt with inner<br>multipoint head (Kombi)  | M10X45      | 7   | PR:D11                        |
| 7   | N 910 266 02   | Oval head locating bolt with<br>multi-point socket head   | M8X35       | 2   | PR:D19                        |
| 8   | N 104 029 04   | Hexagon nut   | M12X1,5     | 2   |                               |
| 9   | N 910 144 02   | hexagon head bolt (combi)   | M14X1,5X100 | 2   |                               |
| 10  |                | see illustration, item:   | 401-000,3   | 2   |                               |

Model: 92A 11

Model life 2011>>2018



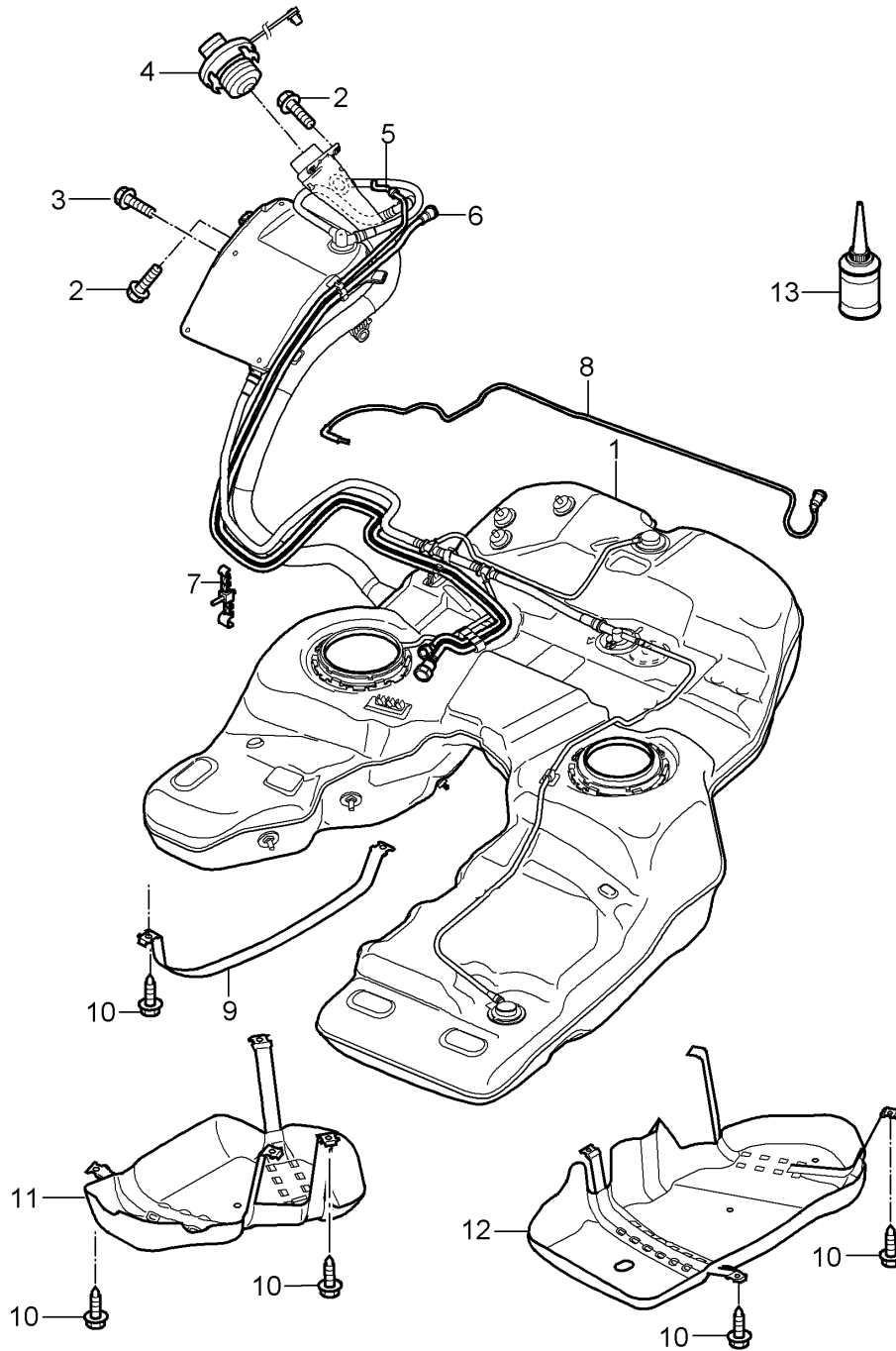
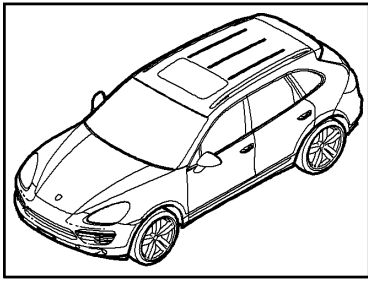
Model: 92A 11

Model life 2011&gt;&gt;2018

| Pos | Part Number    | Description                                   | Remark      | Qty | Model      |
|-----|----------------|---|-------------|-----|------------|
| 1   | 955 375 309 01 | Engine lifting tackle                         | lower       | 1   | CUDB, CUDC |
| 2   | 958 375 049 30 | Engine brackets                               |             | 2   |            |
| 3   | N 105 167 02   | hydro-mounting                                |             | 2   |            |
| 3   | N 105 167 02   | bolt, hex. hd. with shoulder,<br>self-locking | M10X55      | 4   |            |
| 4   | 958 102 215 60 | Console for engine mounting                   | left        | 1   |            |
| 5   | 958 115 201 20 | Console for engine mounting                   | right       | 1   |            |
| 6   | N 103 145 06   | Hex collared bolt                             | M10X50      | 6   |            |
| 7   | N 104 029 04   | Hexagon nut                                   | M12X1,5     | 2   |            |
| 8   | N 910 144 02   | hexagon head bolt (combi)                     | M14X1,5X100 | 2   |            |
| 9   |                | see illustration, item:                       | 401-000,3   | 2   |            |

Model: 92A 11

Model life 2011>>2018





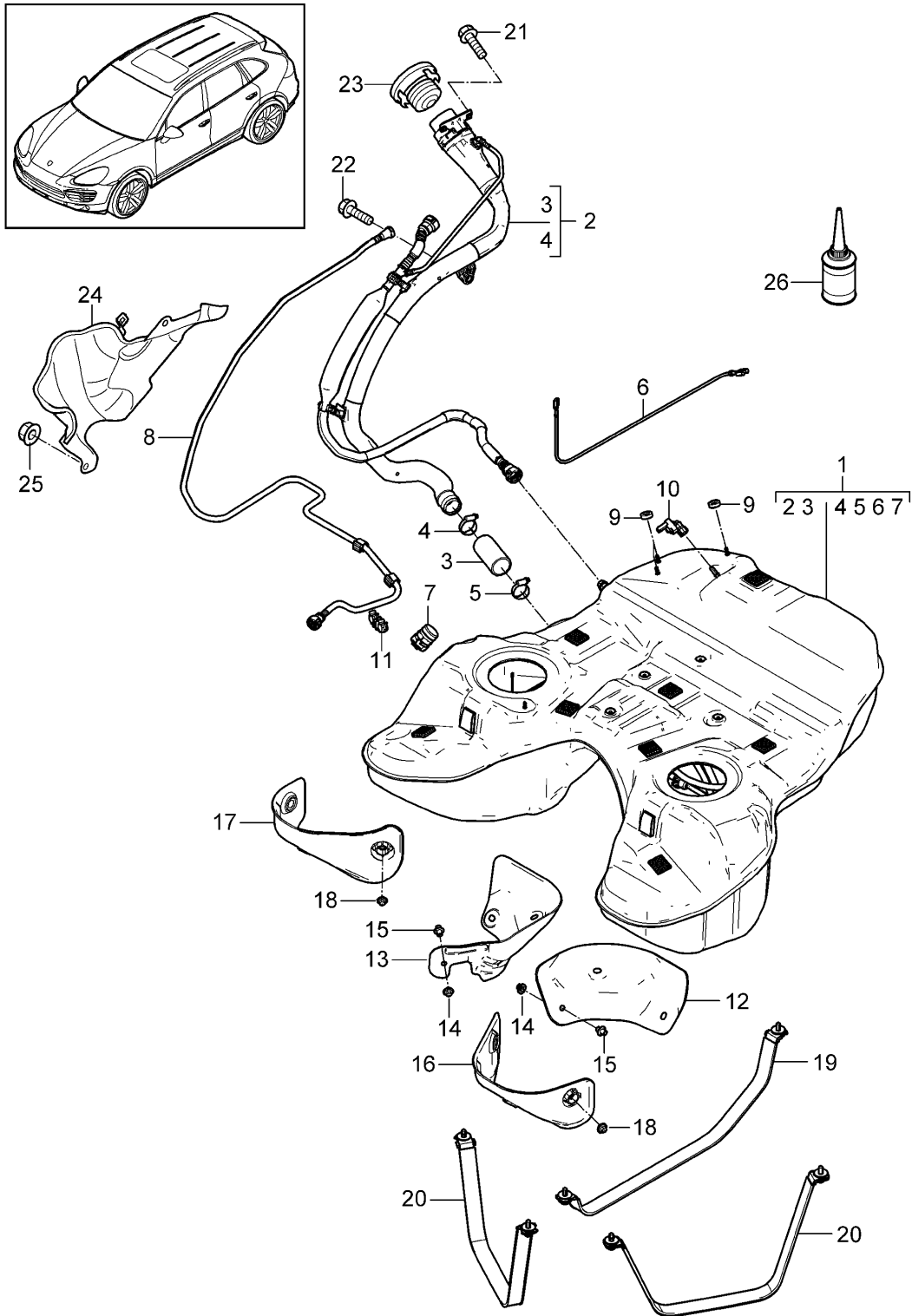
Model: 92A 11

Model life 2011>>2018

| Pos  | Part Number    | Description  | Remark | Qty | Model  |
|------|----------------|--|--------|-----|--|
| 1    | 958 201 021 00 | Fuel tank<br>with:<br>Accessories<br>Fuel tank   |        | 1   | PR:2G1,2G3,<br>2G4,2G7,2G8,<br>0K0,0K1<br>PR:0K0,2G1,<br>0M0 |
| (1)  | 958 201 021 10 | Fuel tank  |        | 1   | PR:0K0,2G1,<br>0M1   |
| (1)  | 958 201 021 40 | Fuel tank  |        | 1   | PR:0K1,2G1,  |
| (1)  | 958 201 021 50 | Fuel tank  |        | 1   | PR:0K1,2G1,  |
| 2    | N 100 092 07   | hexagon head bolt (combi)<br>M 6 X 20  |        | 3   |  |
| 3    | N 910 345 01   | hexagon head bolt (combi)<br>M 6 x 20  |        | 1   |  |
| 4    | 958 201 241 20 | cap with retaining strap for<br>fuel tank  |        | 1   | PR:2G1,2G7,<br>-2W6  |
| (4)  | 958 201 241 21 | Discontinued part<br>cap with retaining strap for<br>fuel tank   |        | 1   | PR:2G1,2G7,<br>2G8,-2W6                                      |
| (4)  | 000 044 001 91 | cap with retaining strap for<br>fuel tank  |        | 1   | PR:2G1,2G7,<br>2G8,2W6                                       |
| 6    | 958 201 255 00 | Aluminium look<br>Holding strap  |        | 1   | PR:0K0   |
| (6)  | 958 201 255 10 | Purge-air line   |        | 1   | PR:0K1   |
| 7    | 958 201 897 00 | Purge-air line   |        | 1   |  |
| 8    | 958 201 355 10 | Retaining clip   |        | 1   | PR:9M1,9M5,<br>9M9   |
| 9    | 955 201 107 00 | Fuel line  |        | 1   |  |
| 10   | N 019 530 8    | Auxiliary heater<br>tensioning strap   | center | 1   |  |
| 11   | 955 201 331 00 | Hex collared bolt<br>M 8 X 25<br>Cover   |        | 10  |  |
| (11) | 955 201 331 10 | Cover<br>with:<br>tensioning strap   |        | 1   | PR:6EA   |
| 12   | 955 201 332 01 | Cover<br>with:<br>tensioning strap   |        | 1   | PR:6EB,6EC   |
| (12) | 955 201 332 10 | Cover<br>with:<br>tensioning strap   |        | 1   | PR:6EA   |
| 13   | 000 043 206 89 | Cover<br>with:<br>tensioning strap   |        | 1   | PR:6EB,6EC   |
| (13) | 000 043 209 02 | Multi-purpose additive<br>for Otto engine fuels<br>100 ML<br>container<br>Discontinued part<br>Multi-purpose additive<br>for Otto engine fuels<br>CHINA/JAMAICA<br>100 ML<br>container |        | X   |  |
|      |                |  |        | X   |  |

Model: 92A 11

Model life 2011>>2018



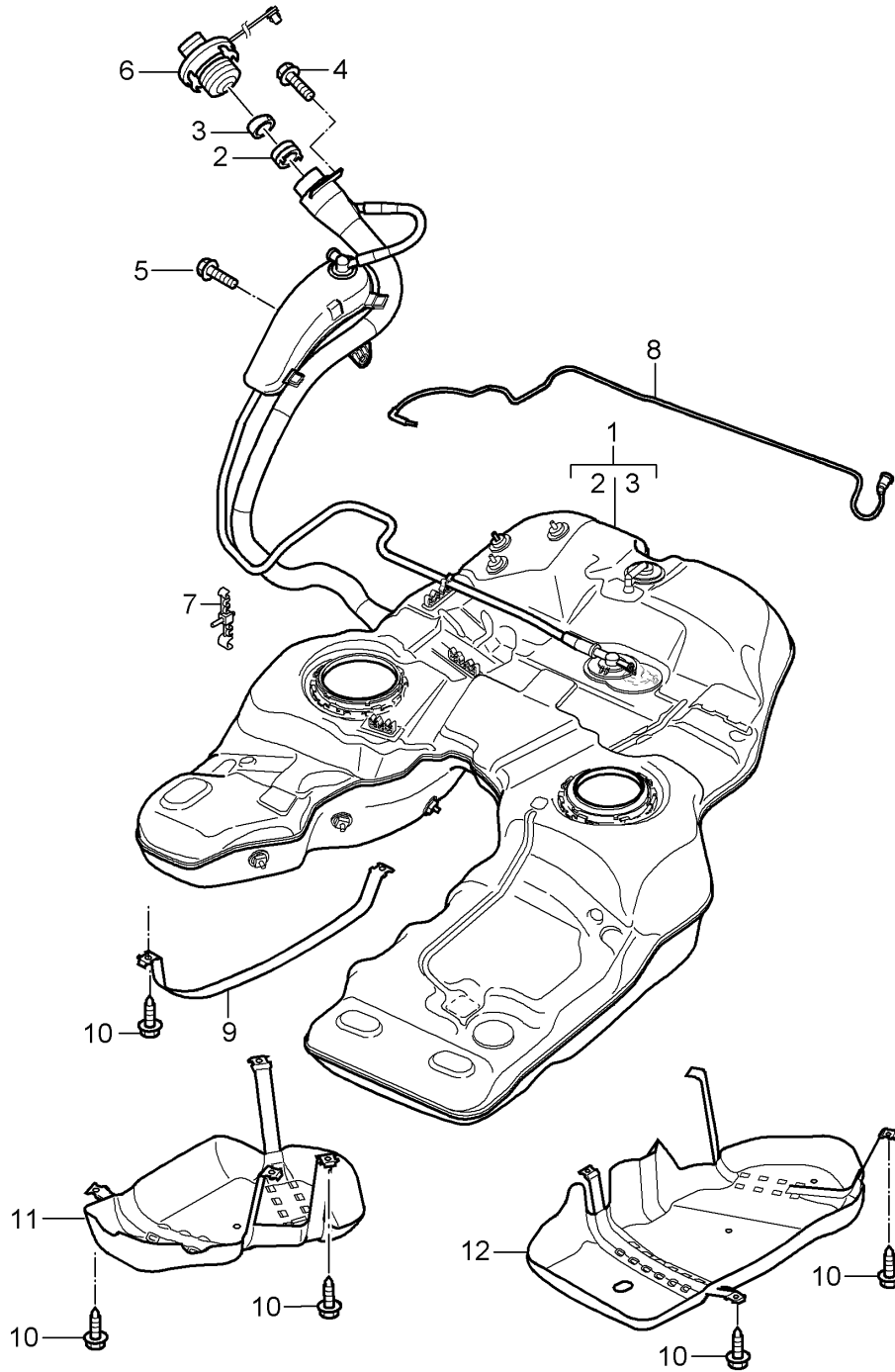
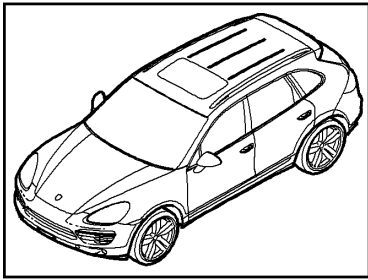
Model: 92A 11

Model life 2011>>2018

| Pos  | Part Number    | Description                                  | Remark | Qty | Model                            |
|------|----------------|--|--------|-----|----------------------------------|
|      |                | Fuel tank                                    |        |     | PR: 2G1, 2G3, 2G4, 2G7, 2G8, 0K3 |
|      |                | with:  |        |     |                                  |
|      |                | Accessories                                  |        |     |                                  |
| 1    | 958 201 023 03 | Fuel tank                                    |        | 1   |                                  |
| 2    | 958 201 044 00 | fuel filler neck                             |        | 1   |                                  |
| 3    | 958 201 812 00 | Connecting hose                              |        | 1   |                                  |
| 4    | N 911 525 01   | Clamp  |        | 1   |                                  |
|      |                | A 35 - 55 X 9                                |        |     |                                  |
| 5    | N 911 525 01   | Clamp  |        | 1   |                                  |
|      |                | A 35 - 55 X 9                                |        |     |                                  |
| 6    | 958 201 511 00 | Earth line                                   |        | 1   |                                  |
| 7    | 958 201 530 00 | Non-return valve                             |        | 1   |                                  |
| 8    | 958 201 255 20 | Purge-air line                               |        | 1   |                                  |
| 9    | 958 201 758 10 | Distance piece                               |        | 3   |                                  |
| 10   | 5C0 201 733    | Pressure sensor                              |        | 1   |                                  |
| 11   | 958 201 549 00 | Securing clip                                |        | 2   |                                  |
| 12   | 958 201 709 10 | Heat insulation                              | left   | 1   |                                  |
| 13   | 958 201 710 10 | Heat insulation                              | right  | 1   |                                  |
| 14   | 958 201 758 00 | Distance piece                               |        | 6   |                                  |
| 15   | 958 201 565 10 | Securing element                             |        | 6   |                                  |
| 16   | 958 201 711 00 | Stone chip guard                             | left   | 1   |                                  |
| (16) | 958 201 711 10 | Stone chip guard                             | left   | 1   |                                  |
| 17   | 958 201 712 00 | Stone chip guard                             | right  | 1   |                                  |
| (17) | 958 201 712 10 | Stone chip guard                             | right  | 1   |                                  |
| 18   | N 904 953 01   | Hexagon nut                                  |        | 6   |                                  |
|      |                | D 5  |        |     |                                  |
| 19   | 958 201 105 02 | tensioning strap                             | center | 1   |                                  |
|      |                | with:  |        |     |                                  |
|      |                | Fastening screw                              |        |     |                                  |
| 20   | 958 201 107 02 | tensioning strap                             | outer  | 2   |                                  |
|      |                | with:  |        |     |                                  |
|      |                | Fastening screw                              |        |     |                                  |
| 21   | N 100 092 07   | hexagon head bolt (combi)                    |        | 2   |                                  |
|      |                | M 6 X 20                                     |        |     |                                  |
| 22   | N 910 345 01   | hexagon head bolt (combi)                    |        | 1   |                                  |
|      |                | M 6 X 20                                     |        |     |                                  |
| 23   | 958 201 241 00 | cap with retaining strap for fuel tank       |        | 1   | PR: -2W6                         |
| (23) | 000 044 001 92 | Fuel tank cap                                |        | 1   | PR: 2W6                          |
|      |                | Aluminium look                               |        |     |                                  |
|      |                | with:  |        |     |                                  |
| 24   | 958 201 399 11 | Holding strap                                |        | 1   |                                  |
| 25   | N 015 082 10   | Protective plate                             |        | 3   |                                  |
|      |                | Hexagon collar nut                           |        |     |                                  |
|      |                | M 6  |        |     |                                  |
| 26   | 000 043 206 89 | Multi-purpose additive for Otto engine fuels |        | X   |                                  |
|      |                | 100 ML container                             |        |     |                                  |
| (26) | 000 043 209 02 | Discontinued part                            |        | X   |                                  |
|      |                | Multi-purpose additive for Otto engine fuels |        |     |                                  |
|      |                | 100 ML container                             |        |     |                                  |

Model: 92A 11

Model life 2011>>2018



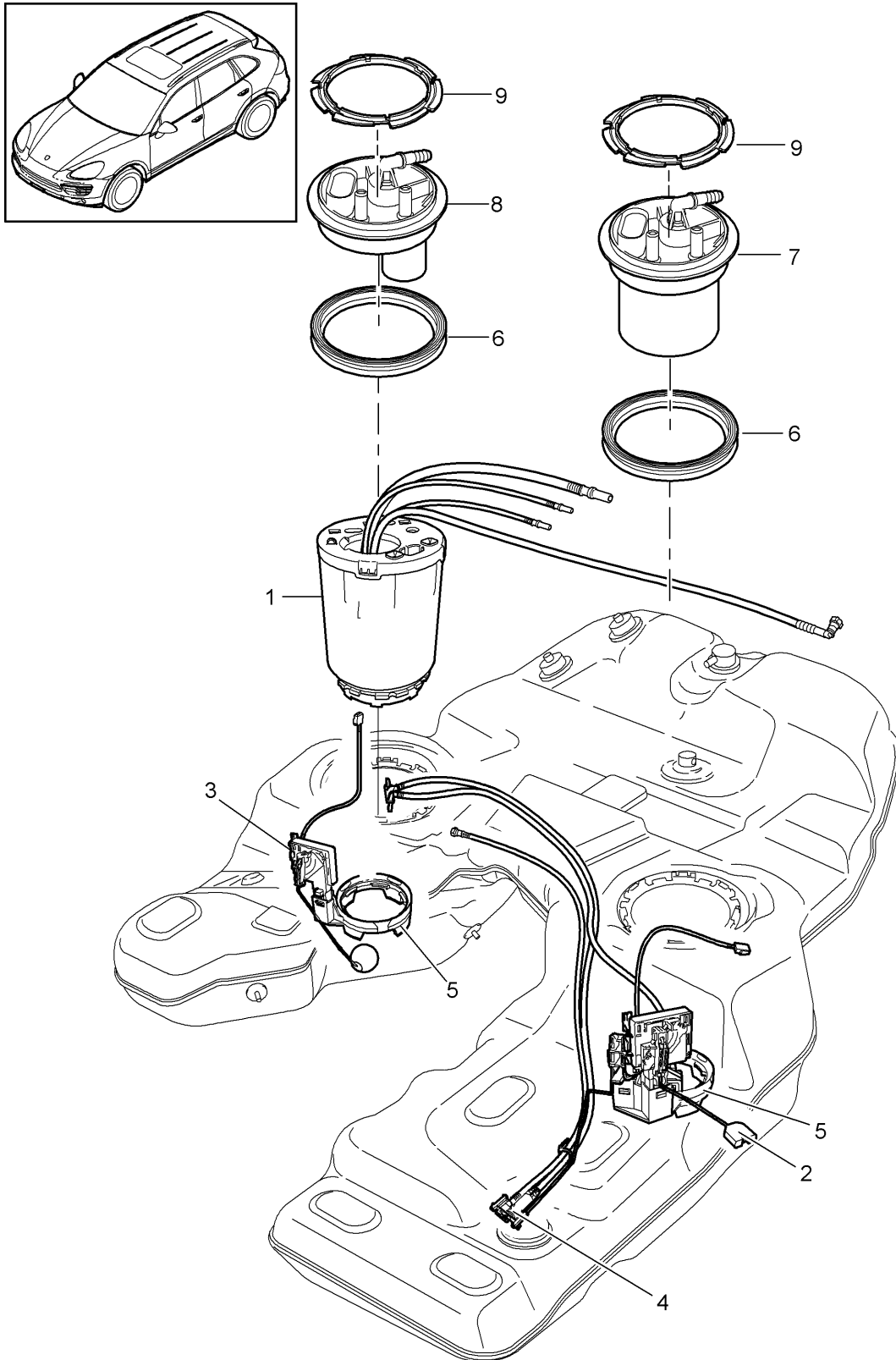
Model: 92A 11

Model life 2011>>2018

| Pos  | Part Number    | Description                            | Remark                  | Qty | Model            |
|------|----------------|--|-------------------------|-----|------------------|
|      |                | Fuel tank                              |                         |     | PR:2G0           |
| 1    | 958 201 021 60 | Accessories<br>Fuel tank               | with:                   | 1   | PR:0M0           |
| (1)  | 958 201 021 65 | Discontinued part                      |                         | 1   | PR:0M0           |
| (1)  | 958 201 021 70 | Fuel tank                              |                         | 1   | PR:0M1           |
| (1)  | 958 201 021 75 | Discontinued part                      |                         | 1   | PR:0M1           |
| 2    | 4H0 201 112 A  | Fuel tank                              |                         | 1   |                  |
|      |                | Insert piece                           |                         | 1   |                  |
| 3    | 4H0 201 115 A  |  | also use: 4H0 201 115 A | 1   |                  |
| 4    | N 100 092 07   | Locking ring                           |                         | 1   |                  |
|      |                | hexagon head bolt (combi)              |                         | 2   |                  |
|      |                | M 6 X 20                               |                         |     |                  |
| 5    | N 910 345 01   | hexagon head bolt (combi)              |                         | 1   |                  |
|      |                | M 6 x 20                               |                         |     |                  |
| 6    | 958 201 241 40 | cap with retaining strap for fuel tank |                         | 1   | PR:-2W6          |
| (6)  | 958 201 241 42 | Discontinued part                      |                         | 1   | PR:-2W6          |
| (6)  | 958 201 241 42 | cap with retaining strap for fuel tank |                         | 1   | PR:2W0           |
|      |                | D >> - MJ 2016                         |                         |     |                  |
| (6)  | 000 044 001 91 | cap with retaining strap for fuel tank |                         | 1   | PR:2W6           |
|      |                | D - MJ 2017>>                          |                         |     |                  |
|      |                | Aluminium look                         |                         |     | - "ROK"          |
| 7    | 958 201 897 00 | Holding strap                          |                         | 1   |                  |
| 8    | 958 201 355 10 | Retaining clip                         |                         | 1   | PR:9M1, 9M5, 9M9 |
| 9    | 955 201 107 00 | Fuel line                              |                         | 1   |                  |
| 10   | N 019 530 8    | Auxiliary heater                       | center                  | 10  |                  |
|      |                | tensioning strap                       |                         |     |                  |
| 11   | 955 201 331 00 | Hex collared bolt                      |                         | 1   | PR:6EA           |
|      |                | M 8 X 25                               |                         |     |                  |
| (11) | 955 201 331 10 | Cover                                  | with:                   | 1   | PR:6EB, 6EC      |
|      |                | tensioning strap                       |                         |     |                  |
| 12   | 955 201 332 01 | Cover                                  | with:                   | 1   | PR:6EA           |
|      |                | tensioning strap                       |                         |     |                  |
| (12) | 955 201 332 10 | Cover                                  | with:                   | 1   | PR:6EB, 6EC      |
|      |                | tensioning strap                       |                         |     |                  |

Model: 92A 11

Model life 2011>>2018



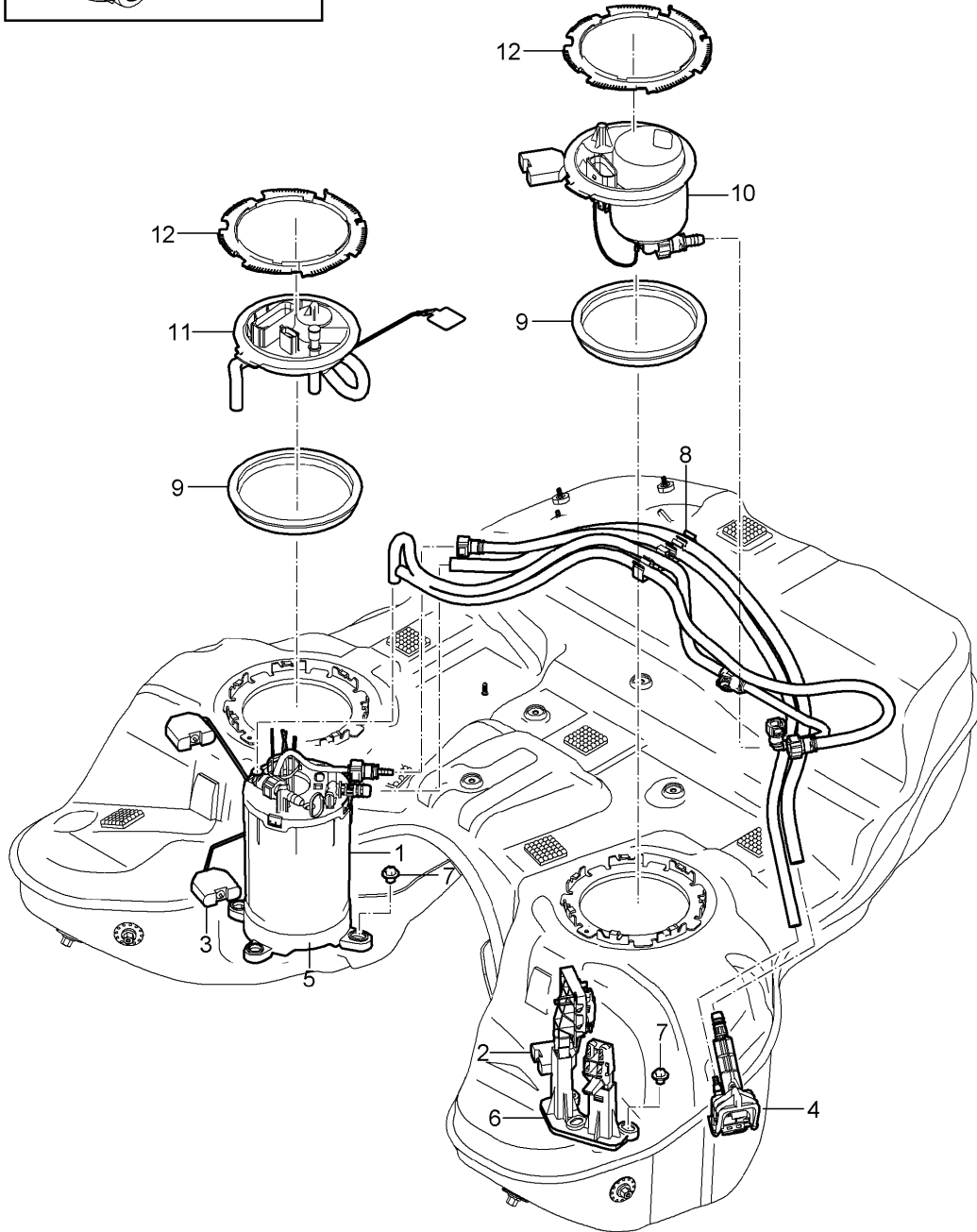
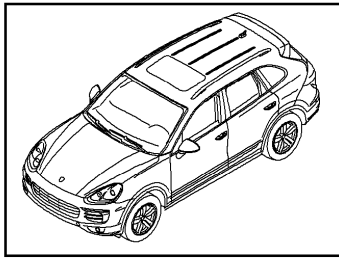
Model: 92A 11

Model life 2011>>2018

| Pos | Part Number    | Description                                    | Remark         | Qty | Model             |
|-----|----------------|--|----------------|-----|-------------------|
|     |                | Fuel tank                                      |                |     | PR: 2G1, 2G3,     |
|     |                | Fuel pump                                      |                |     | 2G4, 2G7, 2G8,    |
|     |                | suction jet pump                               |                |     | 0K0, 0K1          |
| 1   | 958 620 132 00 | Fuel pump                                      | right          | 1   |                   |
| 2   | 958 620 831 00 | Sender for fuel gauge                          | left           | 1   |                   |
|     |                | No longer use the part here                    |                |     |                   |
| (2) | 958 620 831 01 | Sender for fuel gauge                          | left           | 1   | PR: 2G1, 2G4, 2G7 |
| (2) | 958 620 831 10 | Sender for fuel gauge                          | left           | 1   | PR: 2G3, 2G8      |
| 3   | 958 620 832 00 | Sender for fuel gauge                          | right          | 1   |                   |
|     |                | No longer use the part here                    |                |     |                   |
| (3) | 958 620 832 01 | Sender for fuel gauge                          | right          | 1   |                   |
|     |                | No longer use the part here                    |                |     |                   |
| (3) | 958 620 832 02 | Sender for fuel gauge                          | right          | 1   | PR: 2G1, 2G4, 2G7 |
| (3) | 958 620 832 10 | Sender for fuel gauge                          | right          | 1   | PR: 2G3, 2G8      |
| 4   | 958 620 113 00 | suction jet pump                               | left           | 1   |                   |
| 5   |                | catch  |                | 2   |                   |
|     |                | Fuel pump                                      |                |     |                   |
|     |                | * single parts no available *<br>for this use: | Fuel           |     |                   |
| 6   | 955 201 133 01 | seal ring                                      |                | 2   |                   |
| 7   | 958 620 421 00 | flange   | left           | 1   |                   |
|     |                | with:  |                |     |                   |
|     |                | Fuel filter                                    |                |     |                   |
|     |                | also use:                                      | 955 201 133 01 | 1   |                   |
|     |                |  | 955 201 623 01 | 1   |                   |
| 8   | 958 620 422 00 | flange   | right          | 1   | PR: 0M0, 9M0      |
|     |                | with:  |                |     |                   |
|     |                | pressure regulator                             |                |     |                   |
|     |                | also use:                                      | 955 201 133 01 | 1   |                   |
|     |                |  | 955 201 623 01 | 1   |                   |
| (8) | 958 620 422 10 | flange   | right          | 1   | PR: 0M1, 9M0      |
|     |                | with:  |                |     |                   |
|     |                | pressure regulator                             |                |     |                   |
|     |                | also use:                                      | 955 201 133 01 | 1   |                   |
|     |                |  | 955 201 623 01 | 1   |                   |
| (8) | 958 620 422 20 | flange   | right          | 1   | PR: 0M1, 9M1, 9M9 |
|     |                | with:  |                |     |                   |
|     |                | pressure regulator                             |                |     |                   |
|     |                | also use:                                      | 955 201 133 01 | 1   |                   |
|     |                |  | 955 201 623 01 | 1   |                   |
| 9   | 955 201 623 01 | Union nut                                      |                | 2   |                   |

Model: 92A 11

Model life 2011>>2018





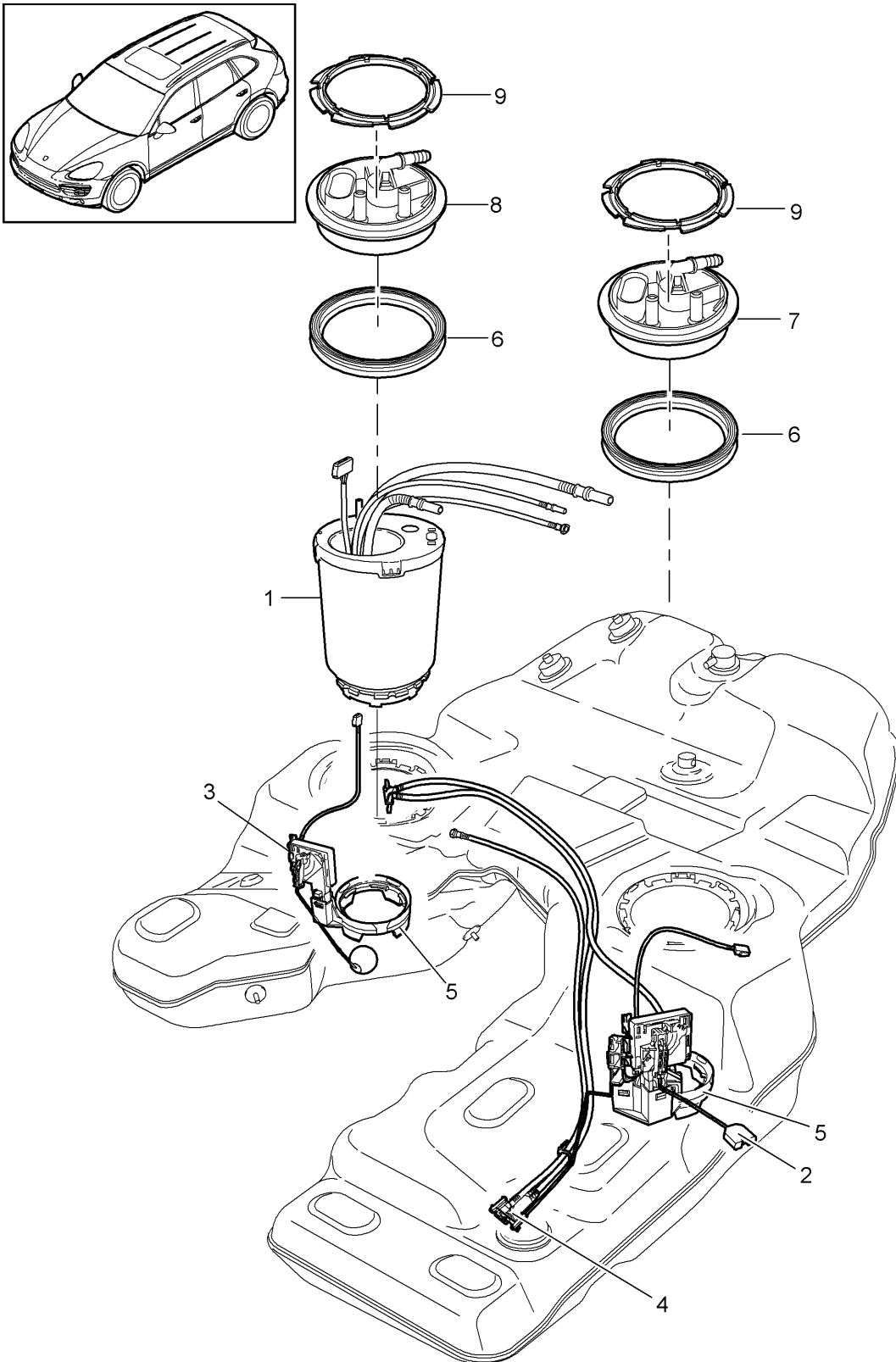
Model: 92A 11

Model life 2011>>2018

| Pos | Part Number    | Description                     | Remark         | Qty | Model             |
|-----|----------------|---------------------------------|----------------|-----|-------------------|
|     |                | Fuel tank                       |                |     | PR: 2G1, 2G3,     |
|     |                | Fuel pump                       |                |     | 2G4, 2G7, 2G8,    |
|     |                | suction jet pump                |                |     | 0K3               |
| 1   | 958 620 132 20 | Fuel pump                       | right          | 1   |                   |
| 2   | 958 620 831 30 | Sender for fuel gauge           | left           | 1   | PR: 2G1, 2G4, 2G7 |
| (2) | 958 620 831 40 | Sender for fuel gauge           | left           | 1   | PR: 2G3, 2G8      |
| 3   | 958 620 832 40 | Sender for fuel gauge           | right          | 1   | PR: 2G1, 2G4, 2G7 |
| (3) | 958 620 832 50 | Sender for fuel gauge           | right          | 1   | PR: 2G3, 2G8      |
| 4   | 958 620 113 20 | suction jet pump                | left           | 1   |                   |
| 5   | 958 201 877 00 | Retaining ring                  |                | 1   |                   |
| 6   | 958 201 898 00 | Fuel pump Bracket               |                | 1   |                   |
|     |                | Transmitter unit for fuel gauge |                |     |                   |
| 7   | 958 201 565 00 | Securing element                |                | 7   |                   |
| 8   | 958 201 549 10 | Securing clip                   |                | 1   |                   |
| 9   | 1J0 919 133 B  | seal ring                       |                | 2   |                   |
|     |                | Discontinued part               |                |     |                   |
| (9) | 9A7 919 133 20 | Seal                            |                | 2   |                   |
| 10  | 958 620 421 00 | flange                          | left           | 1   |                   |
|     |                | with:                           |                |     |                   |
|     |                | Fuel filter                     |                |     |                   |
|     |                | also use:                       | 9A7 919 133 20 | 1   |                   |
|     |                |                                 | 958 201 623 00 | 1   |                   |
| 11  | 958 620 422 50 | flange                          | right          | 1   |                   |
|     |                | with:                           |                |     |                   |
|     |                | pressure regulator              |                |     |                   |
|     |                | also use:                       | 9A7 919 133 20 | 1   |                   |
|     |                |                                 | 958 201 623 00 | 1   |                   |
| 12  | 958 201 623 00 | Union nut                       |                | 2   |                   |

Model: 92A 11

Model life 2011>>2018

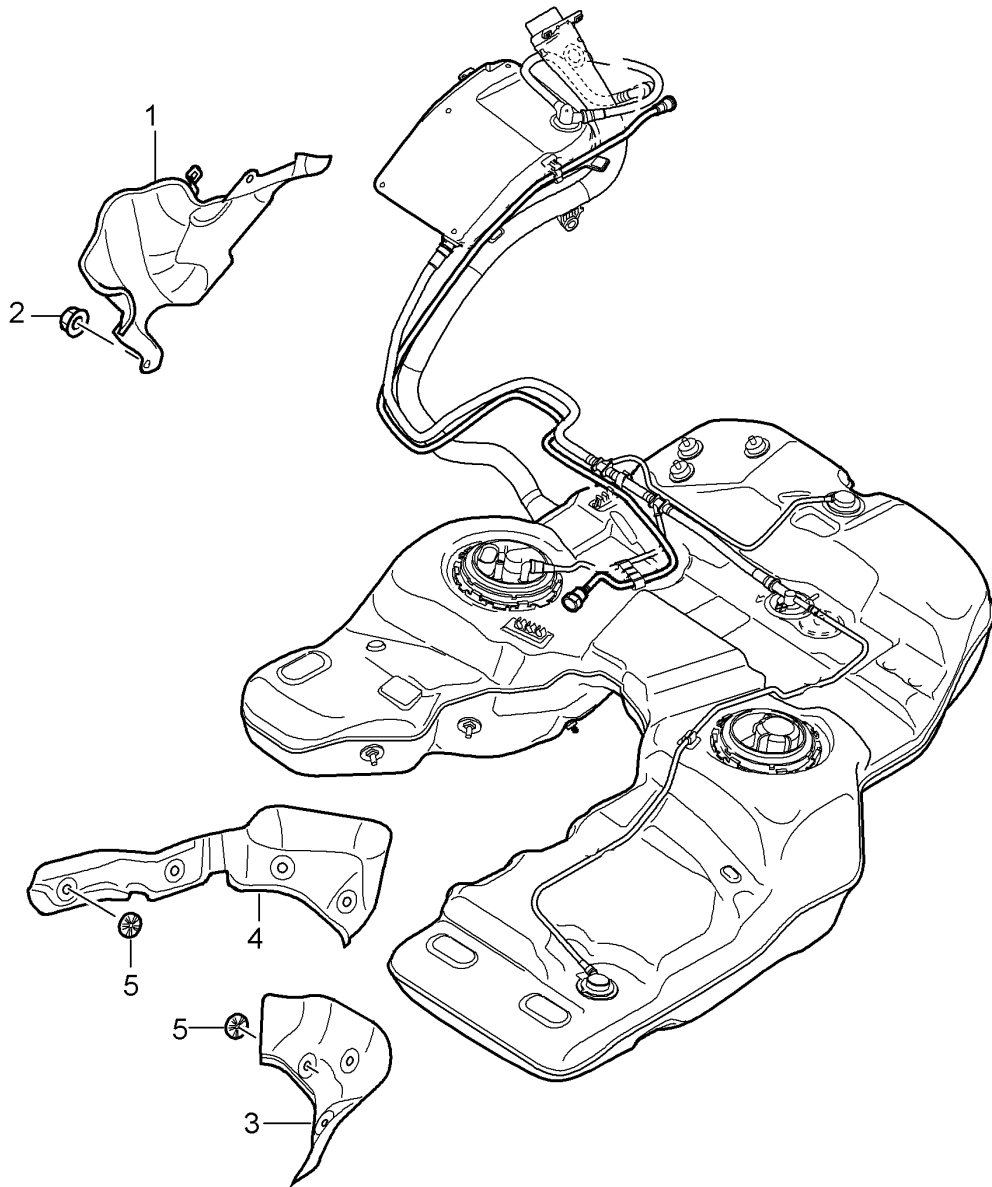
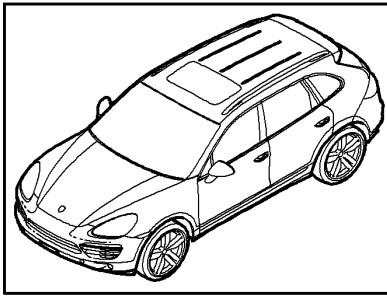


Model: 92A 11 Model life 2011>>2018

| Pos | Part Number    | Description                   | Remark | Qty | Model             |
|-----|----------------|-------------------------------|--------|-----|-------------------|
|     |                | Fuel tank                     |        |     | PR: 2G0           |
|     |                | Fuel pump                     |        |     |                   |
|     |                | suction jet pump              |        |     |                   |
| 1   | 958 620 132 10 | Fuel pump                     | right  | 1   |                   |
|     |                | F >> 92-BLA24 730             |        |     |                   |
| (1) | 958 620 132 15 | Fuel pump                     | right  | 1   |                   |
|     |                | F 92-BLA24 731>>              |        |     |                   |
|     |                | D >> - MJ 2011                |        |     |                   |
| (1) | 958 620 132 16 | Fuel pump                     | right  | 1   |                   |
|     |                | D - MJ 2012>>                 |        |     |                   |
| 2   | 958 620 831 00 | Sender for                    | left   | 1   |                   |
|     |                | fuel gauge                    |        |     |                   |
|     |                | Discontinued part             |        |     |                   |
| (2) | 958 620 831 01 | Sender for                    | left   | 1   |                   |
|     |                | fuel gauge                    |        |     |                   |
| 3   | 958 620 832 00 | Sender for                    | right  | 1   |                   |
|     |                | fuel gauge                    |        |     |                   |
|     |                | No longer use the part here   |        |     |                   |
| (3) | 958 620 832 01 | Sender for                    | right  | 1   |                   |
|     |                | fuel gauge                    |        |     |                   |
|     |                | discontinued part             |        |     |                   |
| (3) | 958 620 832 02 | Sender for                    | right  | 1   |                   |
|     |                | fuel gauge                    |        |     |                   |
| 4   | 958 620 113 10 | suction jet pump              | left   | 1   |                   |
|     |                | F >> 92-BLA24 730             |        |     |                   |
| (4) | 958 620 113 15 | suction jet pump              | left   | 1   |                   |
|     |                | F 92-BLA24 731>>              |        |     |                   |
| 5   |                | catch                         |        | 2   |                   |
|     |                | Fuel pump                     |        |     |                   |
|     |                | * single parts no available * |        |     |                   |
|     |                | for this use:                 | Fuel   |     |                   |
| 6   | 955 201 133 10 | seal ring                     |        | 2   |                   |
| 7   | 955 620 421 40 | flange                        | left   | 1   |                   |
| 8   | 958 620 422 30 | flange                        | right  | 1   | PR: 9M0           |
| (8) | 958 620 422 40 | flange                        | right  | 1   | PR: 9M1, 9M5, 9M9 |
| 9   | 955 201 623 01 | Union nut                     |        | 2   |                   |

Model: 92A 11

Model life 2011>>2018



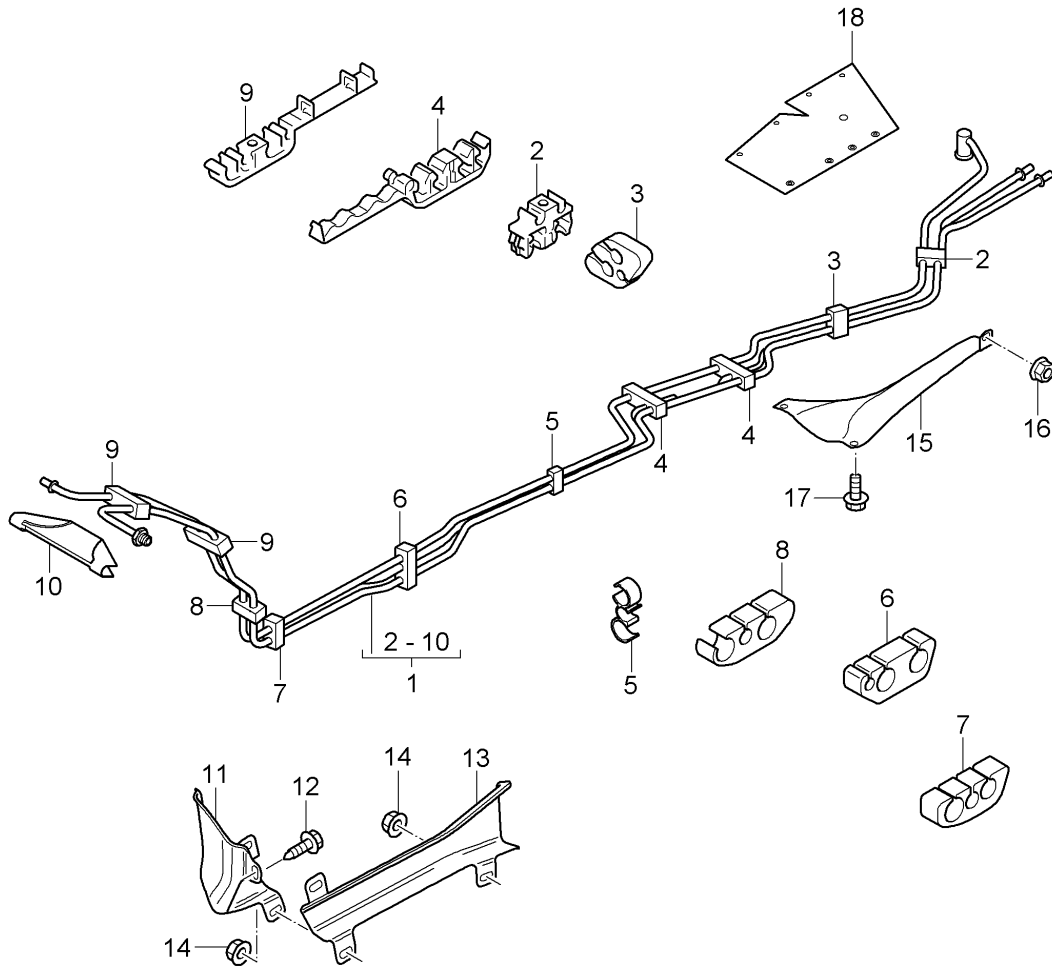
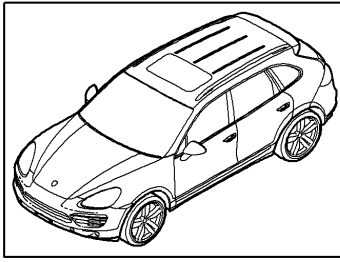
Model: 92A 11

Model life 2011&gt;&gt;2018

| Pos | Part Number    | Description                                     | Remark | Qty | Model                  |
|-----|----------------|---|--------|-----|------------------------|
|     |                | Fuel tank<br>Accessories                        |        |     | PR:0K0,0K1             |
| 1   | 958 201 399 10 | Protective plate<br>No longer use the part here |        | 1   |                        |
| (1) | 958 201 399 11 | Protective plate                                |        | 1   |                        |
| 2   | N 015 082 10   | Hexagon collar nut                              | M6     | 3   |                        |
| 3   | 955 201 209 00 | Guard plate for fuel<br>tank                    | left   | 1   | PR:0K0,0K1             |
| 4   | 955 201 210 10 | Guard plate for fuel<br>tank                    | right  | 1   | PR:2G1,2G4,<br>2G7,0K0 |
| (4) | 955 201 210 00 | Guard plate for fuel<br>tank                    | right  | 1   | PR:2G0                 |
| 5   | N 903 350 05   | Clamping washer                                 | 5X30   | 7   |                        |

Model: 92A 11

Model life 2011>>2018



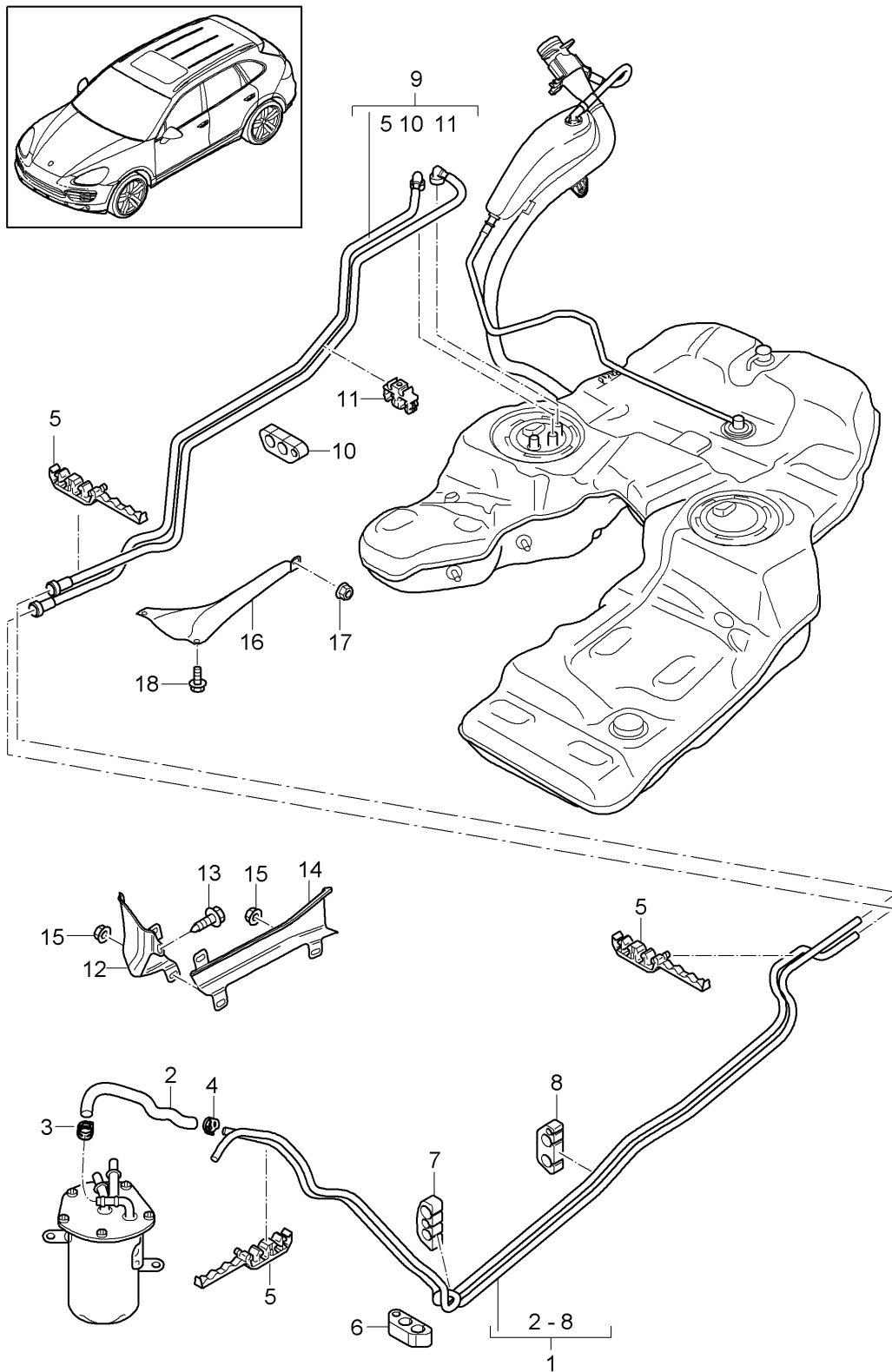
Model: 92A 11

Model life 2011>>2018

| Pos  | Part Number    | Description  | Remark | Qty | Model  |
|------|----------------|--|--------|-----|--|
| 1    | 958 201 080 04 | Fuel system<br>Fuel line<br>Underbody<br>1 set of fuel lines |        | 1   | PR:2G1,2G3,<br>2G4,2G7,2G8<br><br>PR:2G1,2G7,<br>OK0 |
| (1)  | 958 201 080 06 | Discontinued part<br>1 set of fuel lines                     |        | 1   | PR:2G1,2G7,<br>2G8,OK0                               |
| (1)  | 958 201 080 04 | 1 set of fuel lines<br>Discontinued part                     |        | 1   | PR:OK1   |
| (1)  | 958 201 080 06 | 1 set of fuel lines  |        | 1   | PR:OK1,OK3   |
| 2    | 955 201 401 00 | Retaining clip   |        | 1   |  |
| 3    | 958 201 561 00 | Retainer for fuel line                                       |        | 1   |  |
| 4    | 958 201 449 00 | Retainer for fuel line                                       |        | 1   |  |
| 5    | 958 201 562 00 | Retainer for fuel line                                       |        | 1   |  |
| 6    | 958 201 532 10 | Retainer for fuel line                                       |        | 1   |  |
| 7    | 958 201 532 00 | Retainer for fuel line                                       |        | 1   |  |
| 8    | 958 201 531 00 | Retainer for fuel line                                       |        | 1   |  |
| 9    | 955 201 402 01 | Retainer for fuel line                                       |        | 2   |  |
| 10   | 958 201 450 00 | Securing clip  |        | 1   |  |
| 11   | 955 201 205 11 | Protective plate   |        | 1   | PR:D19,D34,<br>DU2,DU3                               |
| (11) | 955 201 205 11 | Protective plate   |        | 1   | PR:D11   |
| (11) | 955 201 205 21 | Protective plate   |        | 1   | PR:D6V,D58,<br>DT1,DT5                               |
| 12   | N 100 092 07   | hexagon head bolt (combi)<br>M 6 X 20                        |        | 1   |  |
| 13   | 958 201 207 00 | Protective plate   |        | 1   |  |
| 14   | N 023 002 13   | hexagon nut, self-locking<br>M 6                             |        | 3   |  |
| 15   | 955 201 208 02 | Protective plate   |        | 1   |  |
| 16   | N 023 003 11   | hexagon nut, self-locking<br>M 8                             |        | 1   |  |
| 17   | N 100 091 10   | hexagon head bolt (combi)<br>M 6 X 12                        |        | 2   |  |
| 18   | 955 201 963 00 | Heat insulation<br>Fuel line                                 |        | 1   | PR:D19,D34   |
| (18) | 955 201 963 00 | Heat insulation<br>Fuel line                                 |        | 1   | PR:D11   |

Model: 92A 11

Model life 2011>>2018



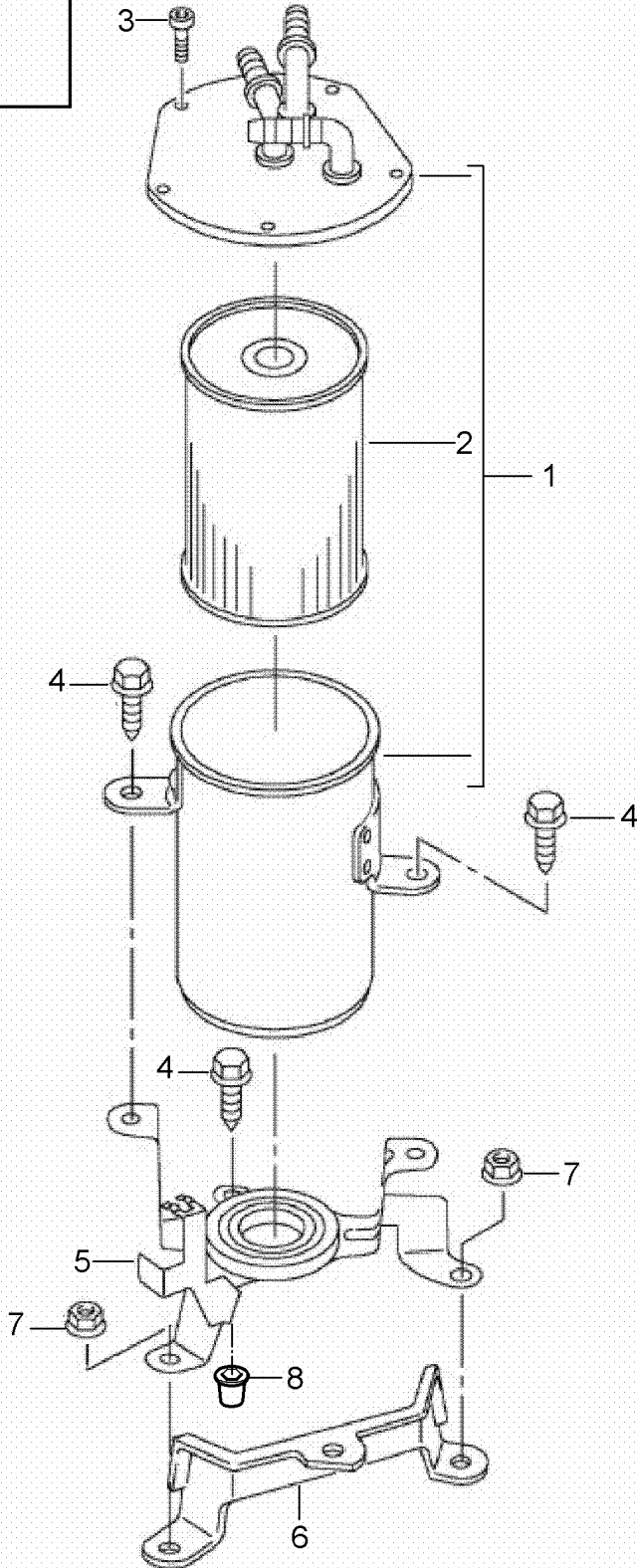
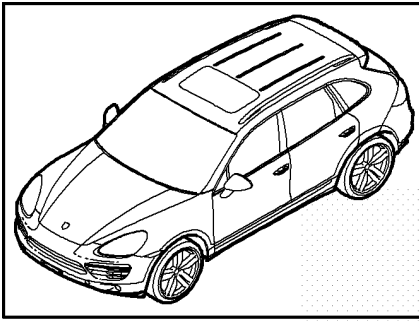


Model: 92A 11 Model life 2011>>2018

| Pos | Part Number    | Description  | Remark | Qty | Model   |
|-----|----------------|--|--------|-----|---------|
|     |                | Fuel system<br>Fuel line<br>Underbody                      |        |     | PR: 2G0 |
| 1   | 958 201 080 20 | 1 set of fuel lines<br>Discontinued part                   |        | 1   |         |
| (1) | 958 201 080 21 | 1 set of fuel lines  |        | 1   |         |
| 2   | 958 201 705 10 | Fuel hose  |        | 1   |         |
| 3   | 955 201 479 00 | Hose clamp<br>16 X 12                                      |        | 1   |         |
| 4   | N 909 264 01   | Spring band clamp<br>B 19 X 12                             |        | 1   |         |
| (4) | 999 512 652 09 | D >> - MJ 2012<br>Hose clamp<br>B 19 X 12<br>D - MJ 2013>> |        | 1   |         |
| 5   | 958 201 449 00 | Retainer for fuel line                                     |        | 3   |         |
| (5) | 958 110 722 40 | Distance piece<br>ZC 10 X 20 X 20                          |        | 1   |         |
| 6   | 955 201 631 00 | Retainer for fuel line                                     |        | 1   |         |
| 7   | 955 201 632 00 | Retainer for fuel line                                     |        | 1   |         |
| 8   | 958 201 632 00 | Retainer for fuel line                                     |        | 1   |         |
| 9   | 958 201 082 20 | 1 set of fuel lines  |        | 1   |         |
| 10  | 955 201 561 10 | Retainer for fuel line                                     |        | 1   |         |
| 11  | 955 201 401 00 | Retaining clip   |        | 1   |         |
| 12  | 955 201 205 00 | Protective plate   |        | 1   |         |
| 13  | N 100 092 07   | hexagon head bolt (combi)<br>M 6 X 20                      |        | 1   |         |
| 14  | 958 201 207 00 | Protective plate   |        | 1   |         |
| 15  | N 023 002 13   | hexagon nut, self-locking<br>M 6                           |        | 3   |         |
| 16  | 955 201 208 02 | Protective plate   |        | 1   |         |
| 17  | N 023 003 11   | hexagon nut, self-locking<br>M 8                           |        | 1   |         |
| 18  | N 100 091 10   | hexagon head bolt (combi)<br>M 6 X 12                      |        | 2   |         |

Model: 92A 11

Model life 2011>>2018



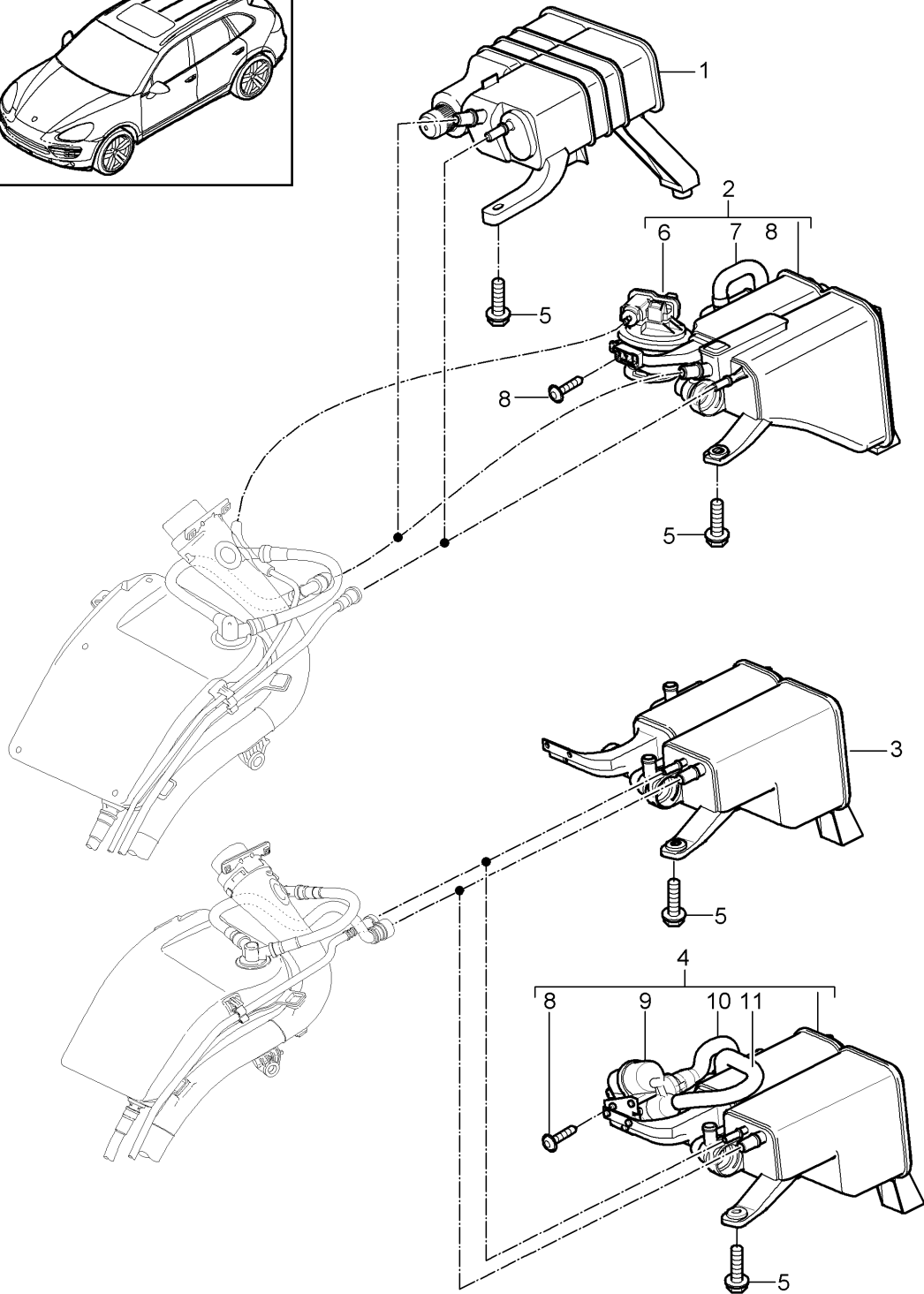
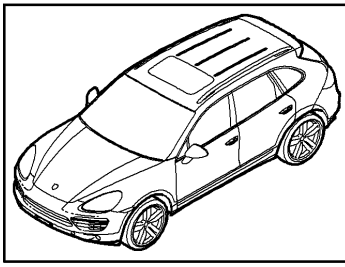
Model: 92A 11

Model life 2011>>2018

| Pos | Part Number    | Description   | Remark      | Qty | Model   |
|-----|----------------|---|-------------|-----|---------|
|     |                | Fuel system<br>Fuel line                                    |             |     | PR: 2G0 |
| 1   | 958 110 041 00 | Fuel filter<br>Fuel filter<br>(complete)                    |             | 1   |         |
| 2   | 958 110 134 00 | filter element with gasket<br>No longer use the part here   |             | 1   |         |
| (2) | 958 110 134 10 | filter element with gasket                                  |             | 1   |         |
| 3   | WHT 001 455    | also use:<br>Hexagon socket head<br>bolt (combi)<br>M 5 X 9 | WHT 001 455 | 5   |         |
| 4   | N 106 532 01   | Hex collared bolt<br>M6 X 16                                |             | 3   |         |
| 5   | 958 110 224 02 | Bracket   |             | 1   |         |
| 6   | 958 110 225 01 | Bracket<br>Spring strut                                     |             | 1   |         |
| 7   | N 015 082 10   | Hexagon collar nut<br>M 6                                   |             | 4   |         |
| 8   | N 908 379 01   | rivetted cap nut<br>M 6                                     |             | 1   |         |

Model: 92A 11

Model life 2011>>2018



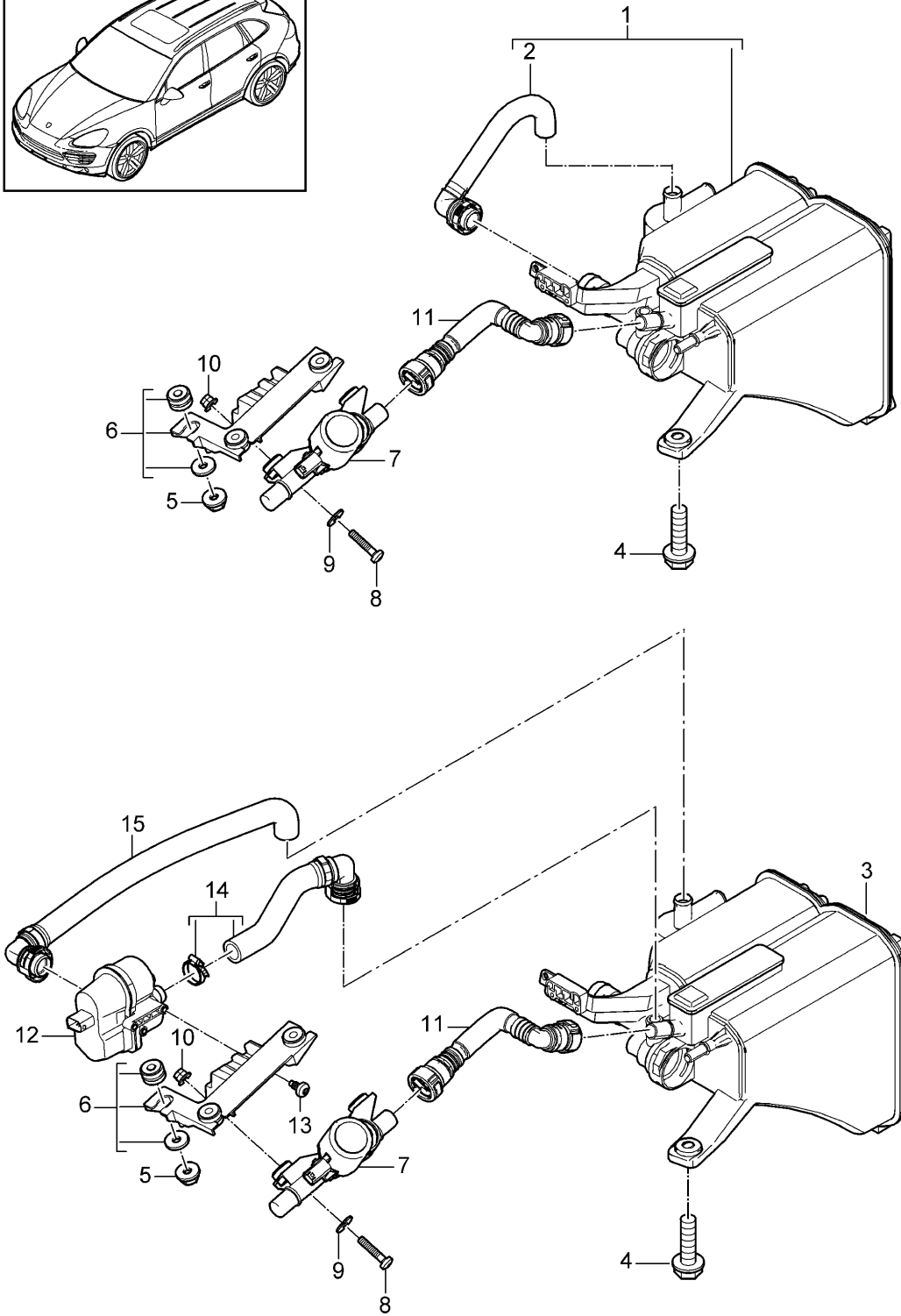
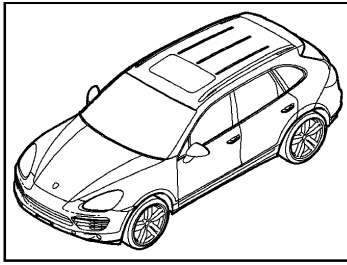
Model: 92A 11

Model life 2011>>2018

| Pos | Part Number    | Description   | Remark | Qty | Model                    |
|-----|----------------|---|--------|-----|--------------------------|
| 1   | 958 201 221 00 | Activated charcoal container<br>Activated charcoal container<br>Ready for installation<br>Discontinued part |        | 1   | PR:0K0,0K1<br>PR:0K0,2G1 |
| (1) | 958 201 221 01 | Activated charcoal container<br>Ready for installation  |        | 1   | PR:0K0,2G1,<br>2G7,2G8   |
| 3   | 958 201 221 30 | Activated charcoal container<br>Ready for installation<br>Discontinued part                                 |        | 1   | PR:0K1,2G1               |
| (3) | 958 201 221 31 | Activated charcoal container<br>Ready for installation  |        | 1   | PR:0K1,2G1,<br>2G7       |
| 5   | N 105 284 02   | Hex collared bolt<br>M 6 X 30   |        | 3   |                          |

Model: 92A 11

Model life 2011>>2018



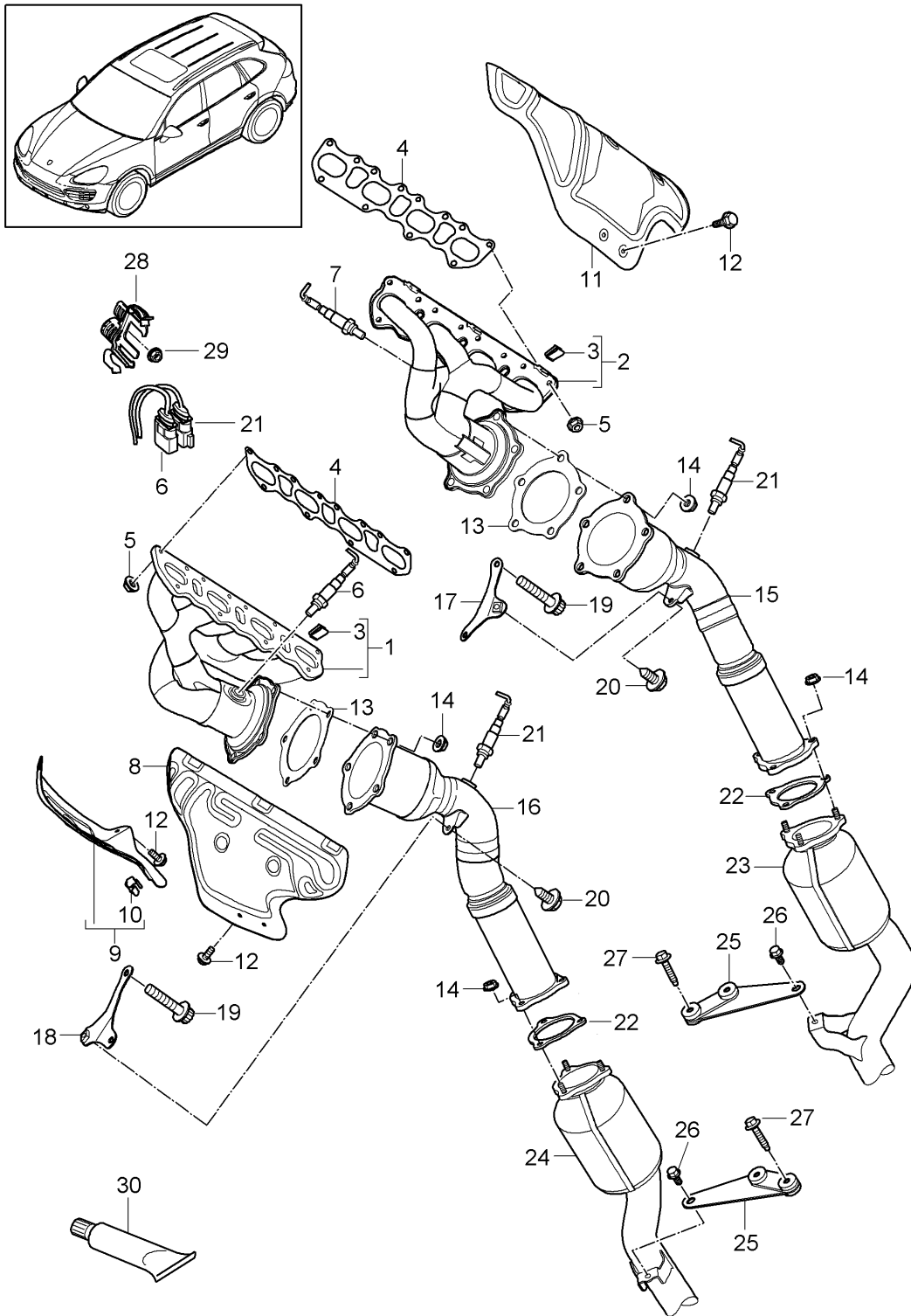
Model: 92A 11

Model life 2011>>2018

| Pos | Part Number    | Description  | Remark | Qty | Model                            |
|-----|----------------|--|--------|-----|----------------------------------|
| 1   | 958 201 221 40 | Activated charcoal container<br>Activated charcoal container<br>Ready for installation |        | 1   | PR:0K3<br>PR:2G1,2G3,<br>2G7,2G8 |
| 2   | 958 201 256 10 | Vent hose  |        | 1   | PR:2G1,2G3,<br>2G7,2G8           |
| 4   | N 105 284 02   | Hex collared bolt<br>M 6 X 30  |        | 3   |                                  |
| 5   | N 015 082 10   | Hexagon collar nut<br>M 6  |        | 3   |                                  |
| 6   | 958 605 468 00 | Retainer for pump<br><br>with:<br>bush<br>and<br>Rubber bush                           |        | 1   |                                  |
| 7   | 958 201 559 00 | pressure regulator   |        | 1   |                                  |
| 8   | N 101 562 06   | Oval hexagon socket head bolt<br>M 6 X 30  |        | 2   |                                  |
| 9   | N 011 666 20   | Washer<br>6,4 X 18 X 1,6   |        | 2   |                                  |
| 10  | N 102 058 02   | Hexagon collar nut<br>self-locking<br>M 6  |        | 2   |                                  |
| 11  | 958 201 597 00 | Breather line  |        | 1   |                                  |

Model: 92A 11

Model life 2011>>2018





Model: 92A 11 Model life 2011>>2018

| Pos  | Part Number    | Description  | Remark  | Qty | Model  |
|------|----------------|--|---------|-----|--------|
|      |                | exhaust system<br>Exhaust manifolds<br>Catalytic converter         |         |     | PR:D6V |
| 1    | 948 111 129 00 | Exhaust manifolds<br>Cylinders 1 - 4                               |         | 1   |        |
| 2    | 948 111 130 00 | Exhaust manifolds<br>Cylinders 5 - 8                               |         | 1   |        |
| 3    | 948 111 213 00 | Clip   |         | 6   |        |
| 4    | 948 111 181 01 | Seal   |         | 2   |        |
| 5    | 999 084 642 02 | Exhaust manifolds<br>Hexagon nut<br>M 8                            |         | 24  |        |
| 6    | 948 606 134 00 | Lambda probe<br>in front of<br>Catalytic converter                 | right   | 1   |        |
| 7    | 948 606 133 00 | Lambda probe<br>in front of<br>Catalytic converter                 | left    | 1   |        |
| 8    | 955 111 212 01 | Guard plate<br>Exhaust manifolds<br>Cylinders 1 - 4                |         | 1   |        |
| 9    | 955 111 242 00 | Guard plate<br>Exhaust manifolds<br>Alternator                     |         | 1   |        |
| 10   | 955 111 513 00 | Clip   |         | 1   |        |
| 11   | 955 111 213 01 | Guard plate<br>Exhaust manifolds<br>Cylinders 5 - 8                |         | 1   |        |
| 12   | N 101 563 07   | Hex collared bolt<br>M 6 X 12                                      |         | 6   |        |
| 13   | 955 111 113 60 | Seal   |         | 2   |        |
| 14   | N 908 946 02   | hexagon nut, self-locking<br>M 8                                   |         | 16  |        |
| 15   | 958 113 021 00 | Exhaust pipe with catalyst<br>Cylinders 5 - 8<br>Discontinued part |         | 1   |        |
| (15) | 958 113 021 01 | Exhaust pipe with catalyst<br>Cylinders 5 - 8                      |         | 1   |        |
| (15) | 958 113 021 AX | Exhaust pipe with catalyst<br>Cylinders 5 - 8                      |         | 1   |        |
| 16   | 958 113 022 00 | Exhaust pipe with catalyst<br>Cylinders 1 - 4<br>Discontinued part |         | 1   |        |
| (16) | 958 113 022 01 | Exhaust pipe with catalyst<br>Cylinders 1 - 4                      |         | 1   |        |
| (16) | 958 113 022 AX | Exhaust pipe with catalyst<br>Cylinders 1 - 4                      |         | 1   |        |
| 17   | 955 111 161 30 | Support  | left    | 1   |        |
| 18   | 955 111 162 30 | Support  | right   | 1   |        |
| 19   |                | Outer hexagon round screw<br>M 12 X 1,5 X 70<br>see illustration:  |         | X   |        |
| 20   | N 106 531 02   | Hexagon bolt<br>M 8 X 20   | 306-000 | 2   |        |
| 21   | 958 606 172 00 | Lambda probe<br>After<br>Catalytic converter                       |         | 2   |        |
| 22   | 958 111 113 00 | Seal   |         | 2   |        |
| 23   | 958 113 023 00 | Catalytic converter<br>Discontinued part                           | left    | 1   |        |
| (23) | 958 113 023 01 | Catalytic converter  | left    | 1   |        |
| (23) | 958 113 023 AX | Catalytic converter  | left    | 1   |        |
| 24   | 958 113 024 00 | Catalytic converter  | right   | 1   |        |

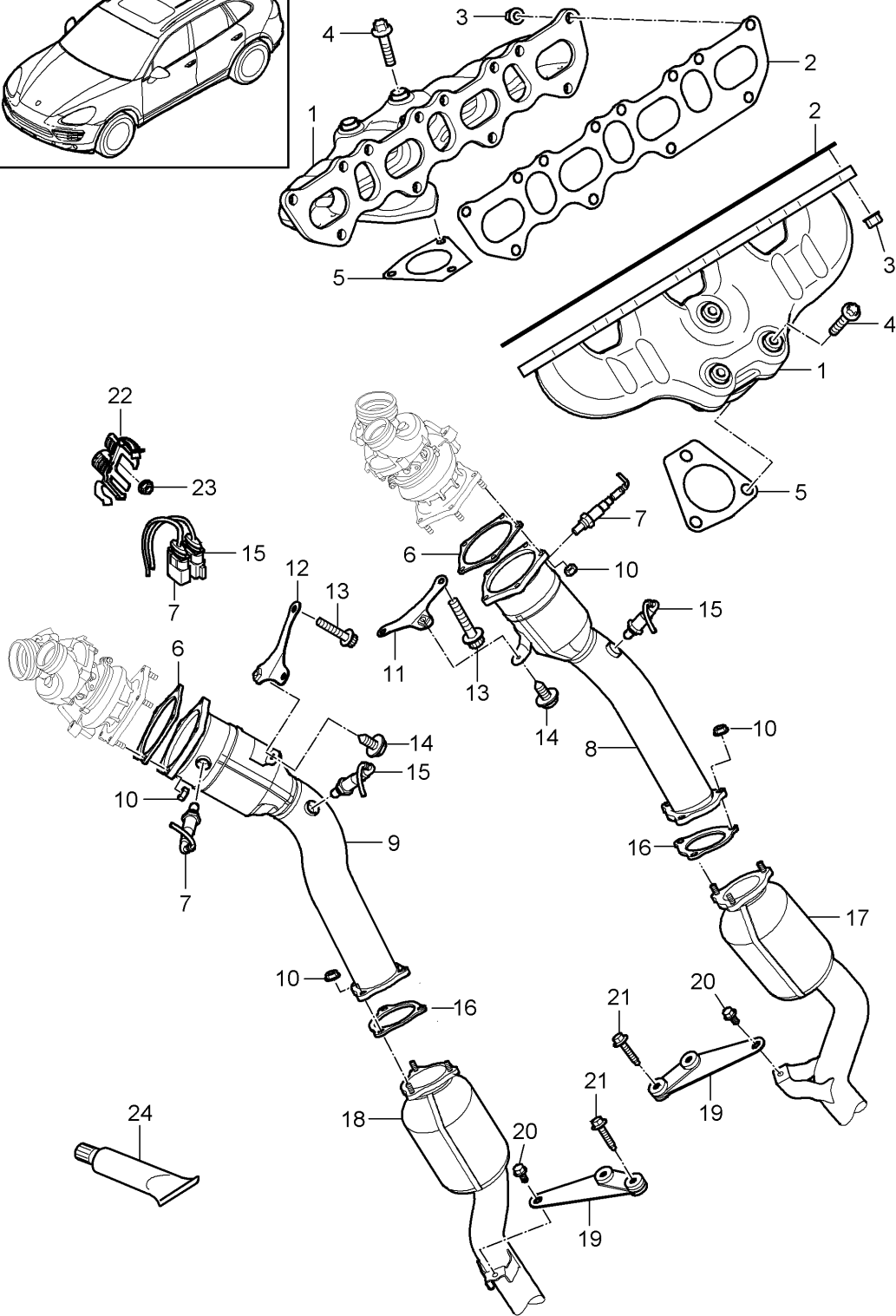
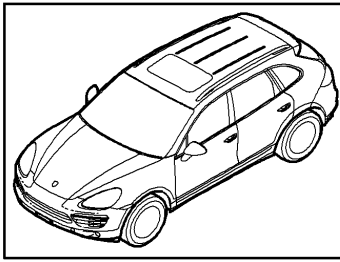
Model: 92A 11

Model life 2011&gt;&gt;2018

| Pos  | Part Number    | Description                                       | Remark | Qty | Model |
|------|----------------|---|--------|-----|-------|
| (24) | 958 113 024 01 | Discontinued part<br>Catalytic converter          | right  | 1   |       |
| (24) | 958 113 024 AX | Catalytic converter                               | right  | 1   |       |
| 25   | 958 111 047 40 | Support   |        | 2   |       |
| 26   | N 106 531 02   | Hexagon bolt<br>M 8 X 20                          |        | 2   |       |
| 27   | N 105 703 02   | Hex collared bolt<br>AM 8 X 40                    |        | 4   |       |
| 28   | 955 606 114 20 | Holder for lambda probe<br>Connector<br>water box |        | 2   |       |
| 29   | N 100 151 01   | Hexagon nut<br>A 5                                |        | 2   |       |
| 30   | 000 043 207 07 | grease<br>for oxygen sensor                       |        | 1   |       |

Model: 92A 11

Model life 2011>>2018



Model: 92A 11 Model life 2011>>2018

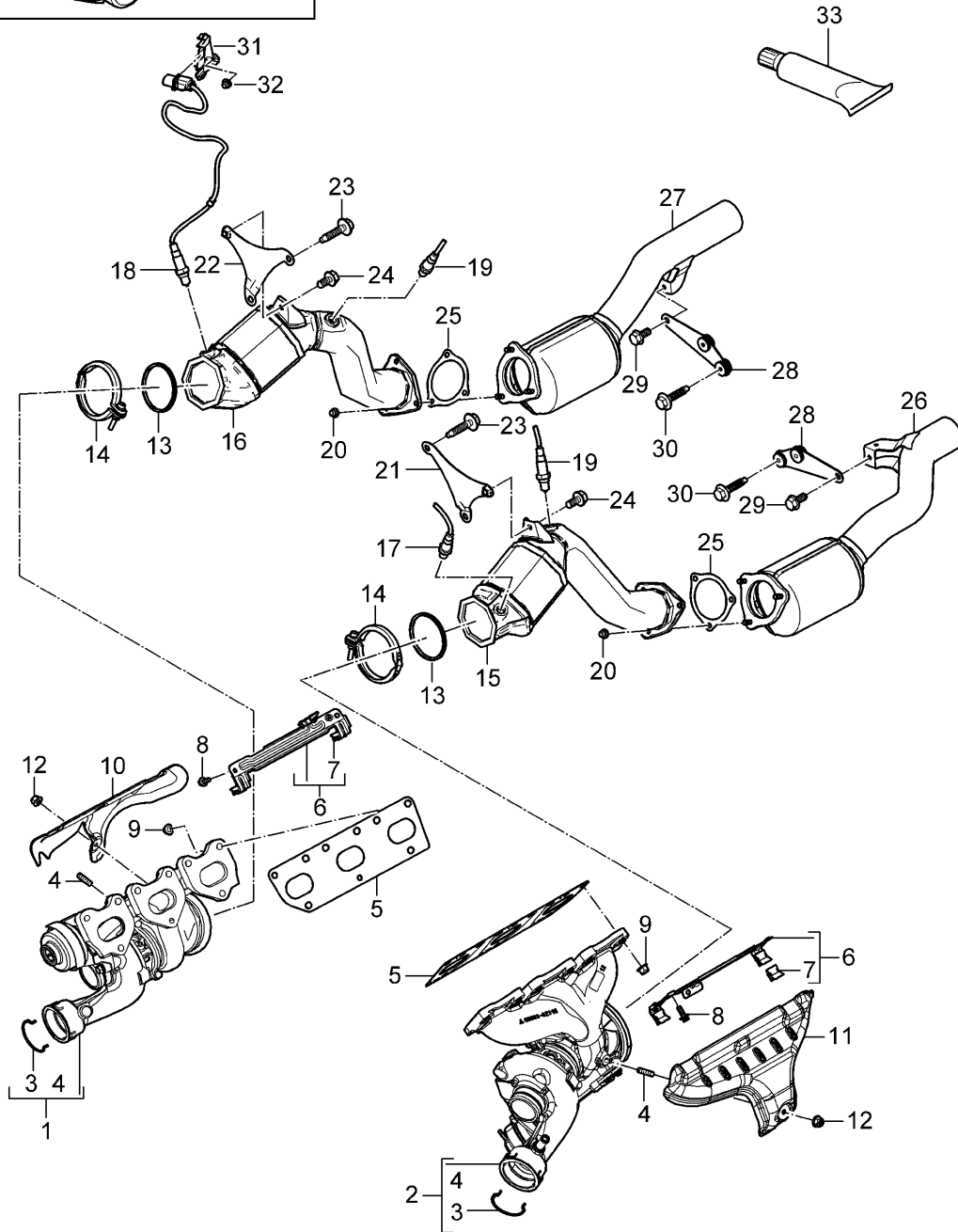
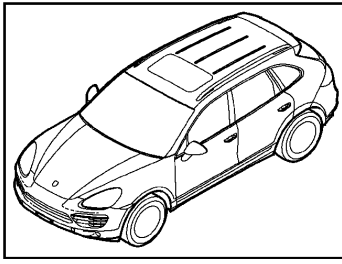
| Pos | Part Number    | Description  | Remark   | Qty | Model              |
|-----|----------------|--|--|-----|--------------------|
|     |                | exhaust system<br>Exhaust manifolds<br>Catalytic converter         |  |     | PR:D58,DT1,<br>DT5 |
| 1   | 948 111 129 51 | Exhaust manifolds  |  | 2   | PR:D58,DT1         |
| (1) |                | also use:<br>Exhaust gas turbocharger                              | 948 111 181 01                                   | X   |                    |
|     |                | see illustration:<br>See item:                                     | 202-061<br>1,2                                   | 2   | PR:DT5             |
| 2   | 948 111 181 01 | Seal   |  | 2   | PR:D58,DT1         |
| (2) | 948 111 181 70 | Exhaust manifolds<br>Seal  |  | 2   | PR:DT5             |
| 3   | 999 084 642 02 | Hexagon nut  | M8   | 24  |                    |
| (3) | 999 084 642 02 | Hexagon nut  | M8   | 26  |                    |
| 4   | 999 073 271 01 | Torx screw   | BM8X75   | 6   |                    |
| 5   | 948 123 203 52 | Seal   |  | 2   | PR:D58,DT1         |
| 6   | 955 111 113 20 | Exhaust gas turbocharger<br>Seal                                   |  | 2   |                    |
| 7   | 958 606 172 10 | Exhaust pipe<br>Lambda probe                                       |  | 2   |                    |
| (7) | 958 606 172 11 | Pre-catalyst<br>Discontinued part<br>Lambda probe<br>Pre-catalyst  |  | 2   |                    |
| 8   | 958 113 021 50 | also use:<br>Exhaust pipe with catalyst                            | 000 043 207 07<br>Cylinder 5-8                   | 1   |                    |
| (8) | 958 113 021 51 | Discontinued part<br>Exhaust pipe with catalyst                    |  | 1   | PR:D58             |
| (8) | 958 113 021 FX | also use:<br>Exhaust pipe with catalyst                            | 955 111 113 20<br>958 111 113 00<br>Cylinder 5-8 | 1   | PR:D58             |
| (8) | 958 113 027 00 | also use:<br>Exhaust pipe with catalyst                            | 955 111 113 20<br>958 111 113 00<br>Cylinder 5-8 | 1   | PR:DT1,DT5         |
| (8) | 958 113 027 X  | also use:<br>Exhaust pipe with catalyst                            | 955 111 113 20<br>958 111 113 00<br>Cylinder 5-8 | 1   | PR:DT1,DT5         |
| 9   | 958 113 022 50 | Exhaust pipe with catalyst<br>Cylinders 1 - 4                      |  | 1   |                    |
| (9) | 958 113 022 51 | Discontinued part<br>Exhaust pipe with catalyst<br>Cylinders 1 - 4 |  | 1   | PR:D58             |
| (9) | 958 113 022 DX | also use:<br>Exhaust pipe with catalyst<br>Cylinders 1 - 4         | 955 111 113 20<br>958 111 113 00                 | 1   | PR:D58             |
| (9) | 958 113 028 00 | also use:<br>Exhaust pipe with catalyst<br>Cylinders 1 - 4         | 955 111 113 20<br>958 111 113 00                 | 1   | PR:DT1,DT5         |
| (9) | 958 113 028 X  | also use:<br>Exhaust pipe with catalyst<br>Cylinders 1 - 4         | 955 111 113 20<br>958 111 113 00                 | 1   | PR:DT1,DT5         |
| 10  | N 908 946 02   | hexagon nut, self-locking<br>M 8                                   |  | 16  |                    |
| 11  | 955 111 161 30 | Support  | left   | 1   |                    |
| 12  | 955 111 162 30 | Support  | right  | 1   |                    |
| 13  |                | Outer hexagon round screw  |  | X   |                    |

Model: 92A 11 Model life 2011>>2018

| Pos  | Part Number    | Description  | Remark                            | Qty | Model      |
|------|----------------|--|-----------------------------------|-----|------------|
| 14   | N 106 531 02   | M 12 X 1,5 X 70<br>see illustration:<br>Hexagon bolt     | 306-000                           | 2   |            |
| 15   | 958 606 172 00 | M 8 X 20<br>Lambda probe<br>After<br>Catalytic converter |                                   | 2   |            |
| 16   | 958 111 113 00 | Seal   | also use: 000 043 207 07          | 1   |            |
| 17   | 958 113 023 50 | Catalytic converter                                      | left                              | 2   |            |
| (17) | 958 113 023 51 | Discontinued part<br>Catalytic converter                 | left                              | 1   | PR:D58     |
| (17) | 958 113 023 CX | Catalytic converter                                      | also use: 958 111 113 00<br>left  | 1   | PR:D58     |
| (17) | 958 113 023 52 | Catalytic converter                                      | also use: 958 111 113 00<br>left  | 1   | PR:DT1     |
| (17) | 958 113 029 X  | D >> - MJ 2015<br>Catalytic converter                    | left                              | 1   | PR:DT1     |
| (17) | 958 113 023 53 | D >> - MJ 2015<br>Catalytic converter                    | also use: 958 111 113 00<br>left  | 1   | PR:DT1,DT5 |
| (17) | 958 113 029 BX | D - MJ 2016>><br>Catalytic converter                     | also use: 958 111 113 00<br>left  | 1   | PR:DT1,DT5 |
| 18   | 958 113 024 50 | D - MJ 2016>><br>Catalytic converter                     | right                             | 1   |            |
| (18) | 958 113 024 51 | Discontinued part<br>Catalytic converter                 | right                             | 1   | PR:D58     |
| (18) | 958 113 024 BX | Catalytic converter                                      | also use: 958 111 113 00<br>right | 1   | PR:D58     |
| (18) | 958 113 024 52 | Catalytic converter                                      | also use: 958 111 113 00<br>right | 1   | PR:DT1     |
| (18) | 958 113 030 X  | D >> - MJ 2015<br>Catalytic converter                    | right                             | 1   | PR:DT1     |
| (18) | 958 113 024 53 | D >> - MJ 2015<br>Catalytic converter                    | also use: 958 111 113 00<br>right | 1   | PR:DT1,DT5 |
| (18) | 958 113 030 BX | D - MJ 2016>><br>Catalytic converter                     | also use: 958 111 113 00<br>right | 1   | PR:DT1,DT5 |
| 19   | 958 111 047 40 | D - MJ 2016>><br>Support                                 |                                   | 2   |            |
| 20   | N 106 531 02   | Hexagon bolt   |                                   | 2   |            |
| 21   | N 105 703 02   | M 8 X 20<br>Hex collared bolt                            |                                   | 4   |            |
| 22   | 955 606 114 20 | AM 8 X 40<br>Holder for lambda probe<br>Connector        |                                   | 2   |            |
| 23   | N 100 151 01   | water box<br>Hexagon nut                                 |                                   | 2   |            |
| (23) | N 904 953 01   | A 5<br>No longer use the part here<br>Hexagon nut        |                                   | 2   |            |
| 24   | 000 043 207 07 | D 5<br>grease<br>for oxygen sensor                       |                                   | 1   |            |

Model: 92A 11

Model life 2011>>2018



Model: 92A 11 Model life 2011>>2018

| Pos  | Part Number    | Description   | Remark                  | Qty | Model      |
|------|----------------|---|-------------------------|-----|------------|
|      |                | exhaust system<br>Exhaust gas turbocharger<br>Catalytic converter<br>Lambda probe |                         |     | PR:DU2,DU3 |
| 1    | 946 123 025 55 | Exhaust gas turbocharger  | cylinders 1-3           | 1   |            |
|      |                | also use:   | 946 111 181 75          | 1   |            |
|      |                |   | 5Q0 253 115 B           | 1   |            |
|      |                |   | 5Q0 253 725 C           | 1   |            |
|      |                |   | 999 084 642 02          | 9   |            |
| 2    | 946 123 026 55 | Exhaust gas turbocharger  | cylinders 4-6           | 1   |            |
|      |                | also use:   | 946 111 181 75          | 1   |            |
|      |                |   | 5Q0 253 115 B           | 1   |            |
|      |                |   | 5Q0 253 725 C           | 1   |            |
|      |                |   | 999 084 642 02          | 9   |            |
| 3    | 948 123 324 50 | retaining spring  |                         | 2   |            |
| 4    | 900 402 018 01 | Threaded stud   | BM6X18,5                | 2   |            |
| 5    | 946 111 181 75 | Seal  |                         | 2   |            |
| 6    | 946 111 420 76 | Exhaust gas turbocharger<br>bracket for shield                                    |                         | 2   |            |
| 7    | 948 111 213 00 | Clip  |                         | 4   |            |
| 8    | 900 385 041 01 | Torx screw  | BM6X12                  | 4   |            |
| 9    | 999 084 642 02 | Hexagon nut   | M8                      | 18  |            |
| 10   | 946 111 337 75 | Guard plate   | cylinders 1-3           | 1   |            |
| 11   | 946 111 338 76 | Guard plate   | cylinders 4-6           | 1   |            |
| 12   | 900 380 015 02 | Hexagon nut   | M6                      | 2   |            |
| 13   | 5Q0 253 115 B  | Seal  |                         | 2   |            |
| 14   | 5Q0 253 725 C  | Clamp   |                         | 2   |            |
| 15   | 958 113 021 52 | Exhaust pipe with catalyst  | left                    | 1   |            |
|      |                | also use:   | 5Q0 253 115 B           | 1   |            |
|      |                |   | 5Q0 253 725 C           | 1   |            |
|      |                |   | 958 111 113 00          | 1   |            |
|      |                |   | N 908 946 02            | 3   |            |
| (15) | 958 113 027 AX | Exhaust pipe with catalyst  | left                    | 1   |            |
|      |                | also use:   | 5Q0 253 115 B           | 1   |            |
|      |                |   | 5Q0 253 725 C           | 1   |            |
|      |                |   | 958 111 113 00          | 1   |            |
|      |                |   | N 908 946 02            | 3   |            |
| 16   | 958 113 022 52 | Exhaust pipe with catalyst  | right                   | 1   |            |
|      |                | also use:   | 5Q0 253 115 B           | 1   |            |
|      |                |   | 5Q0 253 725 C           | 1   |            |
|      |                |   | 958 111 113 00          | 1   |            |
|      |                |   | N 908 946 02            | 3   |            |
| (16) | 958 113 028 AX | Exhaust pipe with catalyst  | right                   | 1   |            |
|      |                | also use:   | 5Q0 253 115 B           | 1   |            |
|      |                |   | 5Q0 253 725 C           | 1   |            |
|      |                |   | 958 111 113 00          | 1   |            |
|      |                |   | N 908 946 02            | 3   |            |
| 17   | 958 606 172 12 | Lambda probe<br>(Before starter catalyst)   | left                    | 1   |            |
|      |                | also use:   | 000 043 207 07          | 1   |            |
| 18   | 958 606 172 13 | Lambda probe<br>(Before starter catalyst)   | right                   | 1   |            |
|      |                | also use:   | 000 043 207 07          | 1   |            |
| 19   | 958 606 172 14 | Lambda probe<br>(behind the pre-catalyst)   |                         | 2   |            |
|      |                | also use:   | 000 043 207 07          | 1   |            |
| 20   | N 908 946 02   | hexagon nut, self-locking   | M8-B-                   | 6   |            |
| 21   | 958 111 161 20 | Support   | left                    | 1   |            |
| 22   | 958 111 162 10 | Support   | right                   | 1   |            |
| 23   |                | Hexagon head bolt<br>see illustration, item:                                      | M12X1,5X70<br>306-000,2 | X   |            |
| 24   | N 106 531 02   | Hexagon bolt  | M8X20                   | 2   |            |
| 25   | 958 111 113 00 | Seal  |                         | 2   |            |

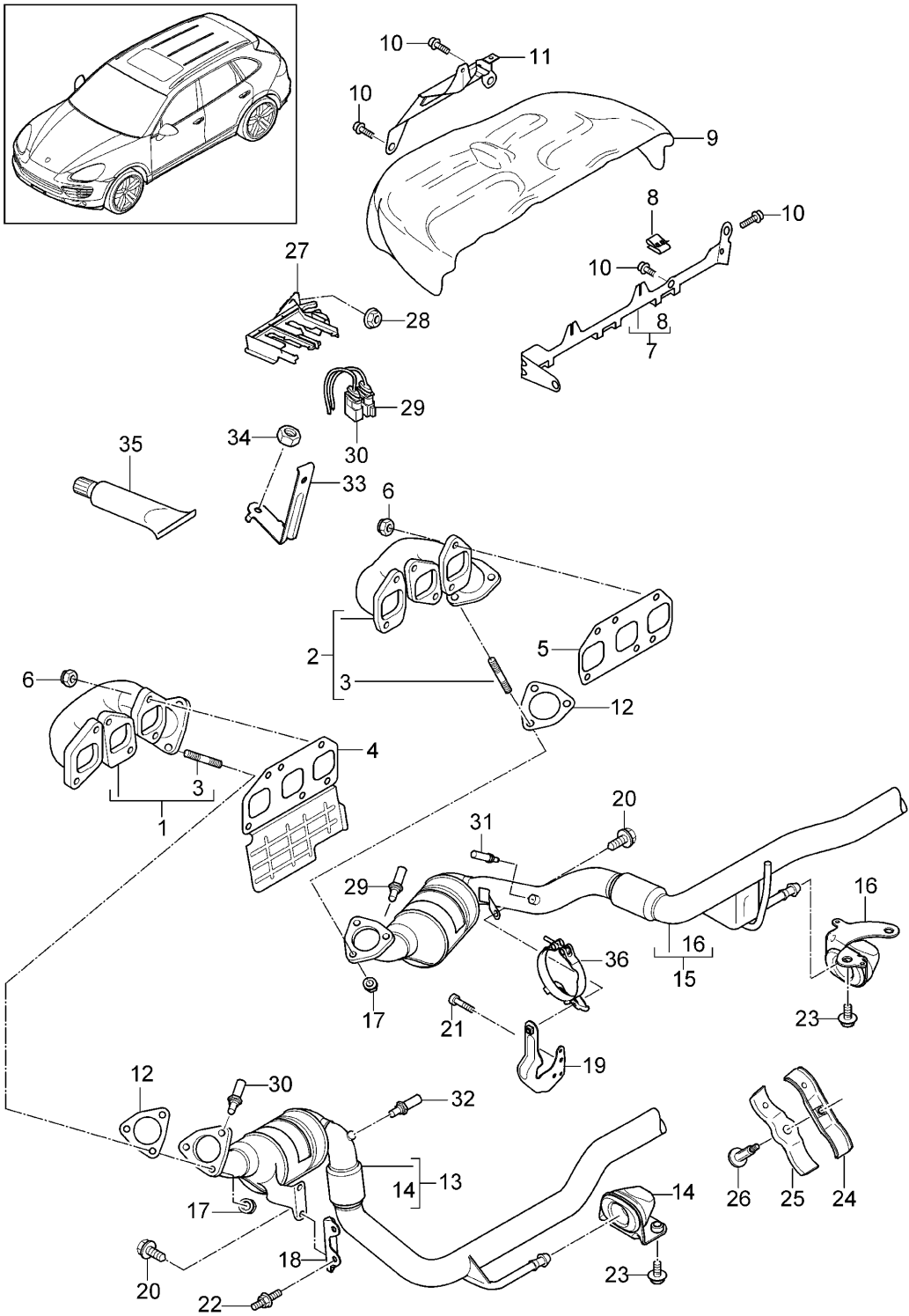
Model: 92A 11 Model life 2011>>2018

| Pos  | Part Number    | Description  | Remark         | Qty | Model |
|------|----------------|--|----------------|-----|-------|
| 26   | 958 113 023 52 | Catalytic converter<br>No longer use the part here | left           | 1   |       |
| (26) | 958 113 029 X  | Catalytic converter<br>No longer use the part here | left           | 1   |       |
| (26) | 958 113 023 53 | Catalytic converter                                | left           | 1   |       |
|      |                | also use:  | 958 111 113 00 | 1   |       |
|      |                |  | N 908 946 02   | 3   |       |
| (26) | 958 113 029 BX | Catalytic converter                                | left           | 1   |       |
|      |                | also use:  | 958 111 113 00 | 1   |       |
|      |                |  | N 908 946 02   | 3   |       |
| 27   | 958 113 024 52 | Catalytic converter<br>No longer use the part here | right          | 1   |       |
| (27) | 958 113 030 X  | Catalytic converter<br>No longer use the part here | right          | 1   |       |
| (27) | 958 113 024 53 | Catalytic converter                                | right          | 1   |       |
|      |                | also use:  | 958 111 113 00 | 1   |       |
|      |                |  | N 908 946 02   | 3   |       |
| (27) | 958 113 030 BX | Catalytic converter                                | right          | 1   |       |
|      |                | also use:  | 958 111 113 00 | 1   |       |
|      |                |  | N 908 946 02   | 3   |       |
| 28   | 958 111 047 40 | Support  |                | 2   |       |
| 29   | N 106 531 02   | Hexagon bolt                                       | M8X20          | 2   |       |
| 30   | N 105 703 02   | Hex collared bolt                                  | M8X40          | 4   |       |
| 31   | 955 606 114 40 | Holder for lambda probe<br>water box               |                | 2   |       |
| 32   | N 904 953 01   | Hexagon nut  | D5             | 2   |       |
| 33   | 000 043 207 07 | grease<br>for lambda probe                         |                | 1   |       |



Model: 92A 11

Model life 2011>>2018



Model: 92A 11

Model life 2011>>2018

| Pos  | Part Number    | Description  | Remark                                      | Qty         | Model                                  |
|------|----------------|--|---|-------------|--|
|      |                | exhaust system<br>Exhaust manifolds<br>Catalytic converter |   |             | PR-0GG,7GB,<br>7GH,7MG,7MJ+<br>G1G+D34 |
| 1    | 958 111 129 00 | Exhaust manifolds  | cylinders 1-3                               | 1           |  |
| 2    | 958 111 130 00 | Exhaust manifolds  | cylinders 4-6                               | 1           |  |
| 3    | N 044 517 7    | Threaded pin   | M10X25                                      | 6           |  |
| 4    | 958 111 181 00 | Seal   | cylinders 1-3                               | 1           |  |
| 5    | 958 111 182 00 | Seal   | cylinders 4-6                               | 1           |  |
| 6    | N 908 946 01   | hexagon nut, self-locking                                  | M8  | 12          |  |
| 7    | 958 110 228 00 | bracket for shield   |   | 1           |  |
| 8    | 955 111 513 10 | Clip   |   | 3           |  |
| 9    | 958 111 215 00 | Guard plate  |   | 1           |  |
| 10   | N 106 649 01   | Socket head collared bolt with inner multipoint head       | M8X16                                       | 7           |  |
| 11   | 958 111 549 00 | bracket for shield   |   | 1           |  |
| 12   | 955 111 113 40 | Seal   |   | 2           |  |
| 13   | 958 113 021 41 | Exhaust pipe with catalyst                                 | cylinders 1-3                               | 1           | PR:7MG,0GG,<br>7GH                     |
| (13) | 958 113 021 42 | Discontinued part<br>Exhaust pipe with catalyst            | cylinders 1-3                               | 1           | PR:7MG,0GG,<br>7GH,7MJ                 |
| (13) | 958 113 021 43 | Discontinued part<br>Exhaust pipe with catalyst            | cylinders 1-3                               | 1           | PR:7MG,0GG,<br>7GH,7MJ                 |
| (13) | 958 113 021 EX | Exhaust pipe with catalyst                                 | cylinders 1-3                               | 1           | PR:7MG,0GG,<br>7GH,7MJ                 |
| (13) | 958 113 021 61 | Exhaust pipe with catalyst<br>Discontinued part            | cylinders 1-3                               | 1           | PR:7GB                                 |
| (13) | 958 113 021 62 | Exhaust pipe with catalyst                                 | cylinders 1-3                               | 1           | PR:7GB                                 |
| (13) | 958 113 021 GX | Exhaust pipe with catalyst                                 | cylinders 1-3                               | 1           | PR:7GB                                 |
| 14   | 955 111 227 20 | Bracket  |   | 1           |  |
| (14) | 955 111 228 20 | No longer use the part here<br>Bracket                     |   | 1           |  |
| 15   | 958 113 022 40 | Exhaust pipe with catalyst                                 | cylinders 4-6                               | 1           | PR:7MG,0GG,<br>7GH                     |
| (15) | 958 113 022 41 | Discontinued part<br>Exhaust pipe with catalyst            | cylinders 4-6                               | 1           | PR:7MG,0GG,<br>7GH,7MJ                 |
| (15) | 958 113 022 42 | Discontinued part<br>Exhaust pipe with catalyst            | cylinders 4-6                               | 1           | PR:7MG,0GG,<br>7GH,7MJ                 |
| (15) | 958 113 022 CX | Exhaust pipe with catalyst                                 | cylinders 4-6                               | 1           | PR:7MG,0GG,<br>7GH,7MJ                 |
| (15) | 958 113 022 60 | Exhaust pipe with catalyst<br>Discontinued part            | cylinders 4-6                               | 1           | PR:7GB                                 |
| (15) | 958 113 022 61 | Exhaust pipe with catalyst                                 | cylinders 4-6                               | 1           | PR:7GB                                 |
| (15) | 958 113 022 EX | Exhaust pipe with catalyst<br>also use:<br>also use:       | 9A7.253.309<br>cylinders 4-6<br>9A7.253.309 | 1<br>1<br>1 | PR:7GB                                 |
| 16   | 955 111 228 00 | Bracket  |   | 1           |  |
| (16) | 958 111 228 00 | No longer use the part here<br>Bracket                     |   | 1           |  |
| 17   | N 102 090 07   | hexagon nut, self-locking                                  | M10   | 6           |  |
| 18   | 958 111 161 00 | Support  | cylinders 1-3                               | 1           |  |
| 19   | 958 111 161 10 | Support  | cylinders 4-6                               | 1           |  |
| -    | N 100 091 10   | hexagon head bolt (combi)<br>Fasteners                     | M6X12                                       | 2           | PR:G1G                                 |
| 20   | N 106 531 02   | Support<br>see illustration, item:                         | cylinders 4-6<br>360-030,16                 |             |  |
| 21   | N 106 648 01   | Hexagon bolt   | M8X20                                       | 3           |  |
| 22   | N 106 649 01   | Socket head collared bolt with inner multipoint head       | M8X20                                       | 2           |  |
| 22   |                | Threaded pin   |   | X           |  |

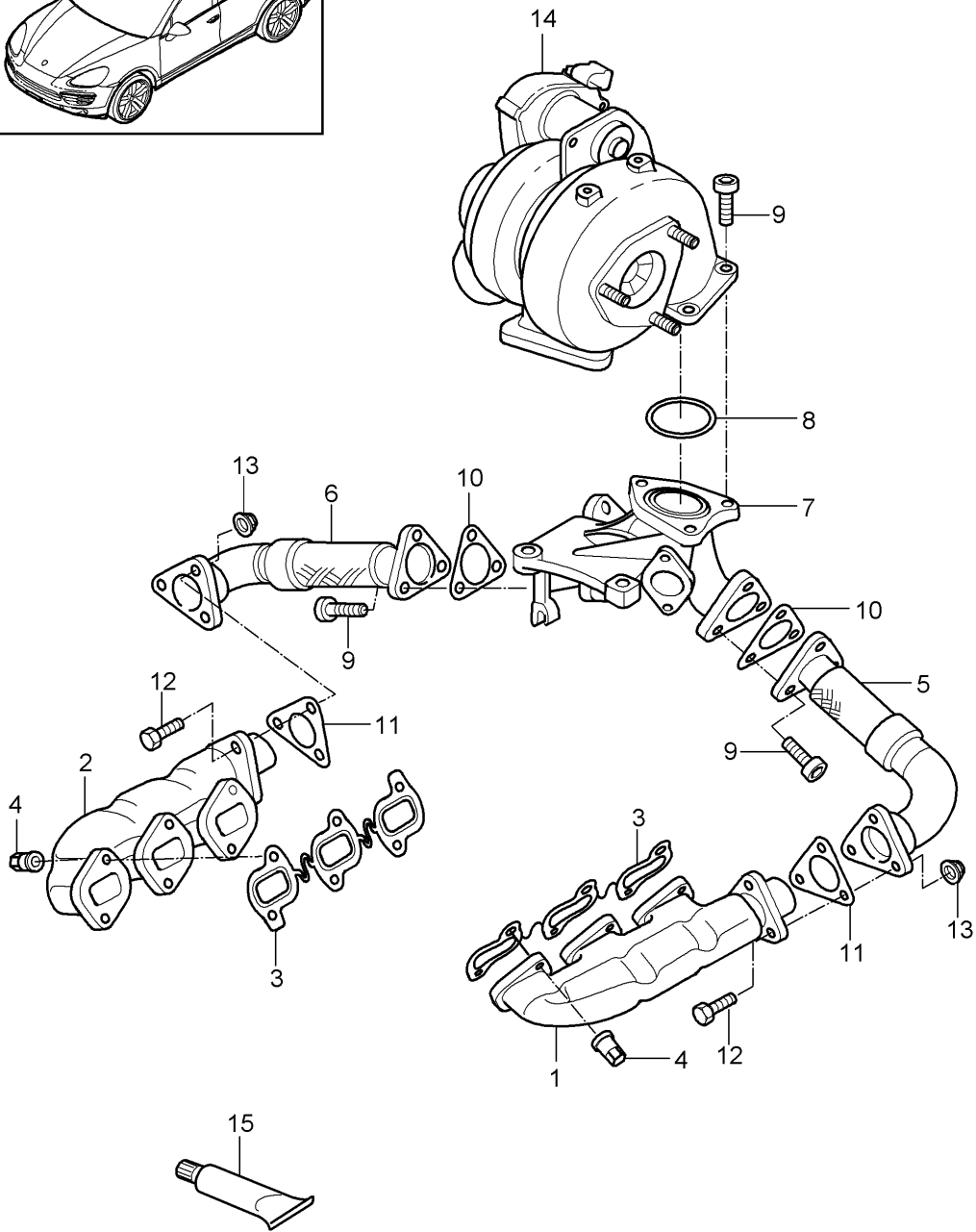
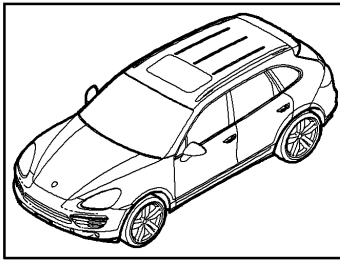
Model: 92A 11

Model life 2011>>2018

| Pos  | Part Number    | Description  | Remark        | Qty | Model                     |
|------|----------------|--|---------------|-----|---------------------------|
|      |                | see illustration:  | 306-030       |     |                           |
| 23   | N 909 210 02   | Hexagon bolt   | M8X22         | 4   |                           |
| 24   | 958 111 309 00 | Retainer for exhaust pipe  | upper         | 1   |                           |
| 25   | 958 111 311 00 | Retainer for exhaust pipe  | lower         | 1   |                           |
| 26   | N 910 949 01   | Cylinder fitting screw with inner multipoint head                            | M8X13X55      | 1   |                           |
| 27   | 958 606 114 10 | Holder for lambda probe<br>Connector mounting                                |               | 1   |                           |
| (27) | 958 606 114 40 | No longer use the part here<br>Holder for lambda probe<br>Connector mounting |               | 1   |                           |
| 28   | N 904 953 01   | Hexagon nut  | D5            | 1   |                           |
| 29   | 958 606 129 01 | Lambda probe<br>(Before starter catalyst)                                    | cylinders 4-6 | 1   |                           |
| 30   | 958 606 128 01 | Lambda probe<br>(Before starter catalyst)                                    | cylinders 1-3 | 1   |                           |
| 31   | 958 606 137 01 | Lambda probe<br>(behind the pre-catalyst)                                    | cylinders 4-6 | 1   | PR: 7MG, 0GG,<br>7GH, 7MJ |
| (31) | 958 606 137 10 | Lambda probe<br>(behind the pre-catalyst)                                    | cylinders 4-6 | 1   | PR: 7GB                   |
| 32   | 958 606 136 01 | Lambda probe<br>(behind the pre-catalyst)                                    | cylinders 1-3 | 1   | PR: 7MG, 0GG,<br>7GH, 7MJ |
| (32) | 958 606 136 10 | Lambda probe<br>(behind the pre-catalyst)                                    | cylinders 1-3 | 1   | PR: 7GB                   |
| 33   | 958 606 458 01 | Holder for lambda probe  |               | 1   |                           |
| 34   | N 015 082 10   | Hexagon collar nut   | M6            | 1   |                           |
| 35   | 000 043 207 07 | grease<br>for lambda probe   |               | 1   |                           |
| 35   | 000 043 305 37 | Discontinued part<br>grease<br>for lambda probe                              |               | 1   |                           |
| 36   | 9A7 253 309    | Retainer for exhaust system  | cylinders 4-6 | 1   | PR: 7GB                   |

Model: 92A 11

Model life 2011>>2018

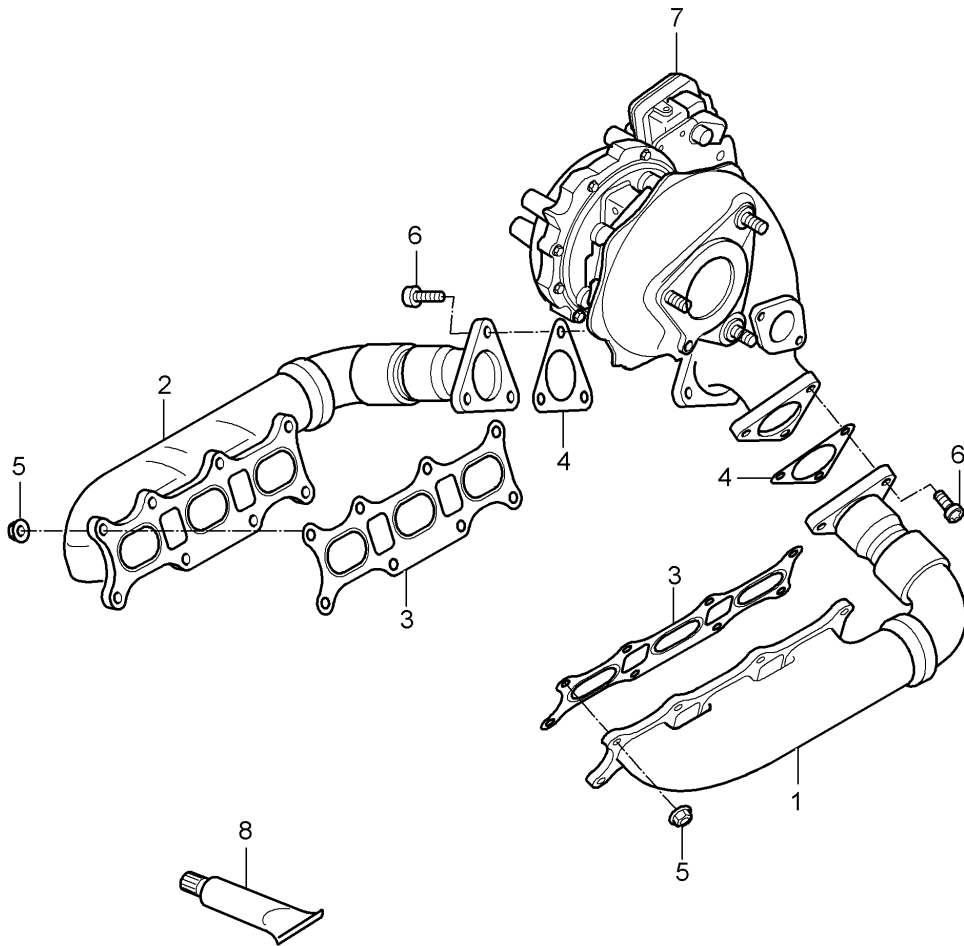
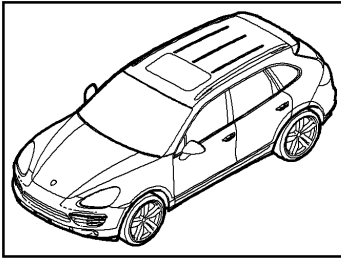


Model: 92A 11 Model life 2011>>2018

| Pos | Part Number    | Description   | Remark  | Qty | Model |
|-----|----------------|---|---------|-----|-------|
|     |                | exhaust system  |         |     | 059E  |
|     |                | Exhaust manifolds   |         |     |       |
| 1   | 958 111 019 00 | Exhaust manifolds   | left    | 1   |       |
| 2   | 958 111 020 00 | Exhaust manifolds   | right   | 1   |       |
| 3   | 955 111 171 10 | Seal  |         | 2   |       |
| 4   | 955 111 529 00 | Hexagon nut<br>M 8  |         | 12  |       |
| 5   | 958 111 089 00 | Exhaust pipe  | left    | 1   |       |
| 6   | 958 111 090 00 | Exhaust pipe  | right   | 1   |       |
| 7   | 958 111 079 00 | Pipe union  |         | 1   |       |
| 8   | 955 111 205 00 | seal ring   |         | 1   |       |
| 9   | N 910 461 01   | Socket head collared bolt with<br>inner multipoint head<br>M 8 X 22 |         | 9   |       |
| 10  | 955 111 113 70 | Seal  |         | 2   |       |
| 11  | 955 111 113 90 | Seal  |         | 2   |       |
| 12  | N 010 244 26   | Hexagon bolt<br>M 8 X 30  |         | 6   |       |
| 13  | N 911 308 01   | Hexagon collar nut<br>self-locking<br>M 8                           |         | 6   |       |
| 14  |                | Exhaust gas turbocharger<br>see illustration:                       | 202-070 | 1   |       |
| 15  | 000 043 207 47 | hot-bolt-paste<br>1 tube<br>170 Gr.                                 |         | 1   |       |

Model: 92A 11

Model life 2011>>2018



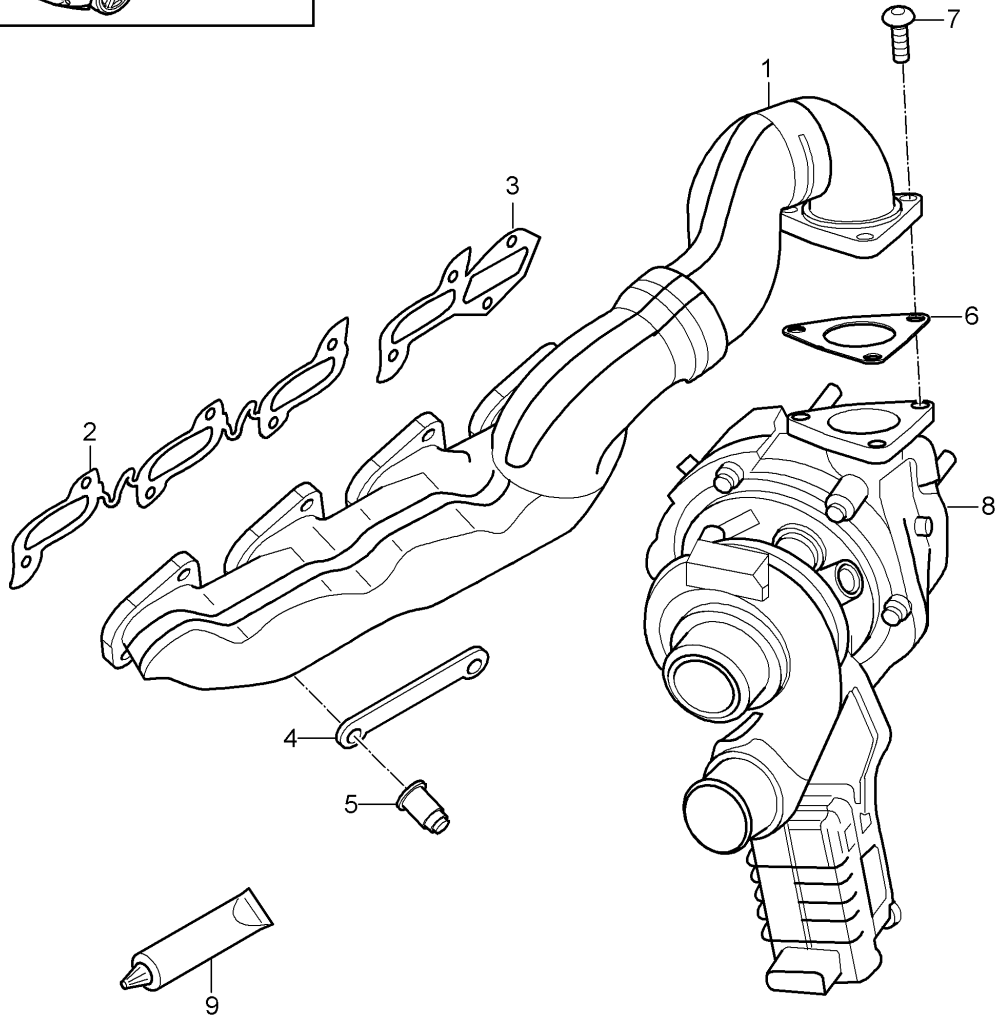
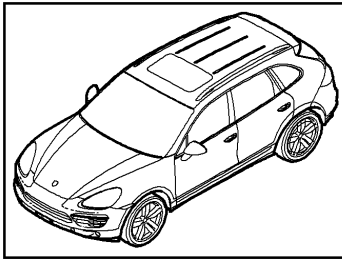
Model: 92A 11

Model life 2011>>2018

| Pos | Part Number    | Description  | Remark    | Qty | Model                                    |
|-----|----------------|--|-----------|-----|--|
|     |                | exhaust system<br>Exhaust manifolds                        |           |     | CRCA, CRCB,<br>CNRB, CVVA,<br>CVVB, CVVC |
| 1   | 958 111 129 20 | Exhaust manifolds<br>Discontinued part                     | left      | 1   |  |
| (1) | 958 111 129 21 | Exhaust manifolds  | left      | 1   |  |
| 2   | 958 111 130 20 | Exhaust manifolds<br>Discontinued part                     | right     | 1   |  |
| (2) | 958 111 130 21 | Exhaust manifolds  | right     | 1   |  |
| 3   | 958 111 181 20 | Seal   |           | 2   |  |
| 4   | 958 111 113 30 | Seal   |           | 2   |  |
| 5   | N 908 946 01   | hexagon nut, self-locking<br>M 8                           |           | 16  |  |
| 6   | N 911 878 01   | Socket head bolt with inner<br>multipoint head<br>M 8 X 20 |           | 6   |  |
| 7   |                | Exhaust gas turbocharger<br>see illustration, item:        | 202-080,1 | 1   |  |
| 8   | 000 043 207 47 | hot-bolt-paste<br>1 tube<br>170 Gr.                        |           | 1   |  |

Model: 92A 11

Model life 2011>>2018





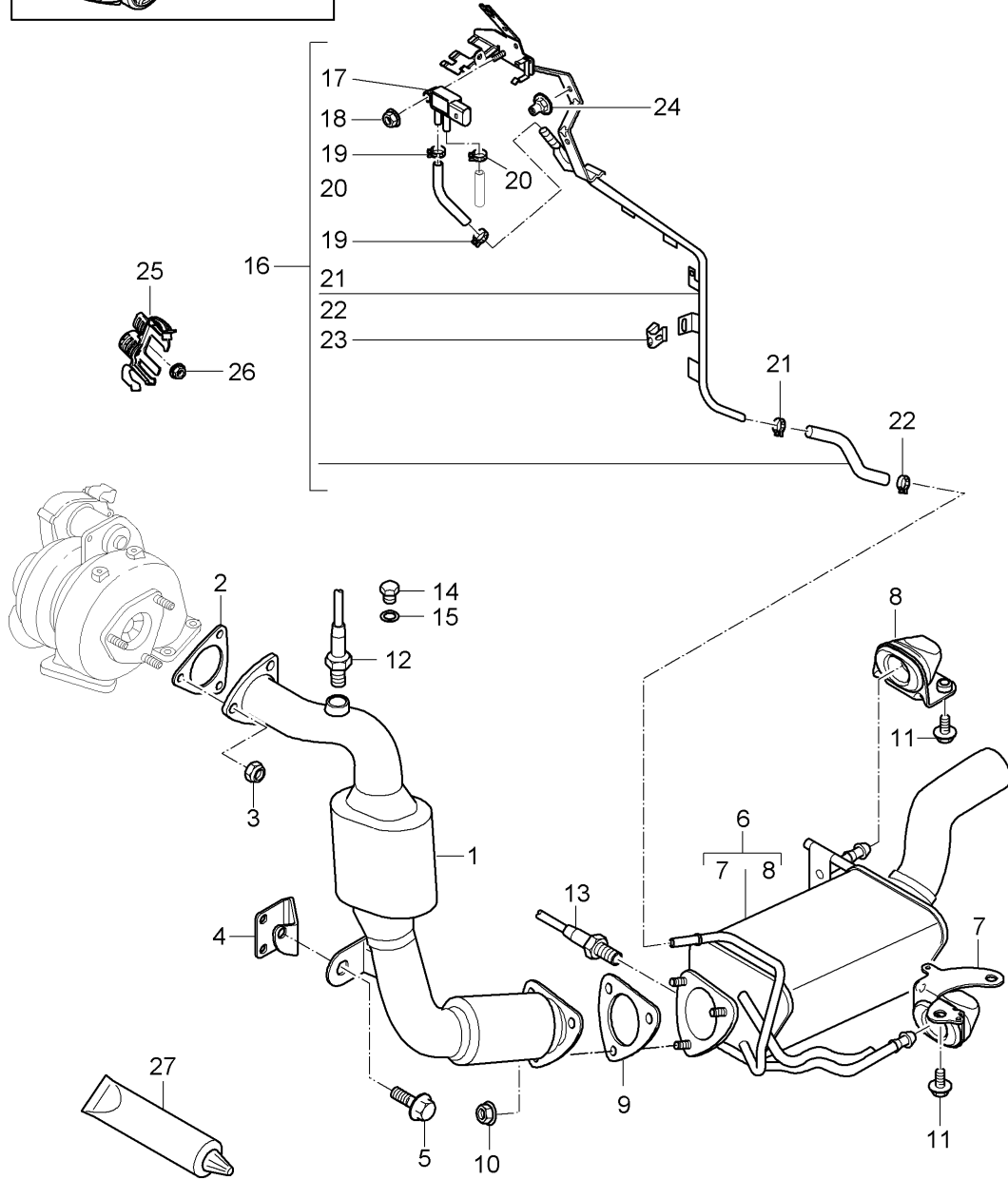
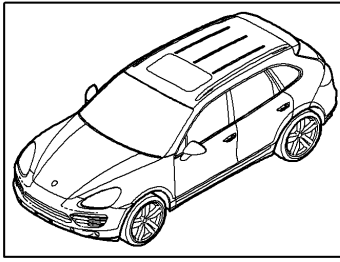
Model: 92A 11

Model life 2011>>2018

| Pos | Part Number    | Description                    | Remark    | Qty | Model      |
|-----|----------------|--------------------------------|-----------|-----|------------|
|     |                | exhaust system                 |           |     | CUDB, CUDC |
|     |                | Exhaust manifolds              |           |     |            |
| 1   | 958 111 129 30 | Exhaust manifolds              | left      | 1   |            |
| (1) | 958 111 130 30 | Exhaust manifolds              | right     | 1   |            |
| 2   | 958 111 181 30 | Seal                           |           | 2   |            |
| 3   | 958 111 181 40 | Seal                           |           | 2   |            |
| 4   | 958 111 115 40 | Retaining plate                | front     | 4   |            |
| (4) | 958 111 115 50 | Retaining plate                | rear      | 2   |            |
|     |                |                                | upper     |     |            |
|     |                |                                | left      | 1   |            |
|     |                |                                | right     | 1   |            |
|     |                |                                | lower     |     |            |
| (4) | 958 111 115 60 | Retaining plate                | rear      | 2   |            |
|     |                |                                | upper     |     |            |
|     |                |                                | right     | 1   |            |
|     |                |                                | left      | 1   |            |
|     |                |                                | lower     |     |            |
| 5   | 955 111 529 00 | Hexagon nut                    |           | 20  |            |
|     |                | M 8                            |           |     |            |
| 6   | 958 111 113 40 | Seal                           |           | 2   |            |
| 7   | N 910 461 01   | Socket head collared bolt with |           | 6   |            |
|     |                | inner multipoint head          |           |     |            |
|     |                | M 8 X 22                       |           |     |            |
| 8   |                | Exhaust gas turbocharger       |           | 2   |            |
|     |                | see illustration, item:        | 202-085,1 |     |            |
| 9   | 000 043 207 47 | hot-bolt-paste                 |           | 1   |            |
|     |                | 1 tube                         |           |     |            |
|     |                | 170 GR.                        |           |     |            |

Model: 92A 11

Model life 2011>>2018



Model: 92A 11 Model life 2011>>2018

| Pos | Part Number    | Description   | Remark                     | Qty    | Model                  |
|-----|----------------|---|----------------------------|--------|------------------------|
|     |                | exhaust system<br>Catalytic converter<br>Diesel particulate<br>filter<br>Control line |                            |        | PR:D50,D43,<br>D1V     |
| 1   | 958 113 021 20 | Exhaust pipe with catalyst<br>D >> - MJ 2011  |                            | 1      | PR:7MG                 |
| 1   | 958 113 021 CX | Exhaust pipe with catalyst<br>D >> - MJ 2011  |                            | 1      | PR:7MG                 |
| (1) | 958 113 025 00 | Exhaust pipe with catalyst<br>D - MJ 2012>>   |                            | 1      | PR:7MQ,7MJ             |
| (1) | 958 113 025 AX | Exhaust pipe with catalyst<br>D - MJ 2012>>   |                            | 1      | PR:7MQ,7MJ             |
| (1) | 958 113 021 30 | Exhaust pipe with catalyst<br>also use:   | N 029 704 2<br>N 013 832 6 | 1<br>1 | PR:0GZ,0GG             |
| (1) | 958 113 021 DX | Exhaust pipe with catalyst<br>D >> - MJ 2011<br>also use:                             | N 029 704 2<br>N 013 832 6 | 1<br>1 | PR:0GZ,0GG             |
| (1) | 958 113 025 10 | Exhaust pipe with catalyst<br>D >> - MJ 2011<br>also use:                             | N 029 704 2<br>N 013 832 6 | 1<br>1 | PR:0GZ                 |
| (1) | 958 113 025 BX | Exhaust pipe with catalyst<br>D - MJ 2012>><br>also use:                              | N 029 704 2<br>N 013 832 6 | 1<br>1 | PR:0GZ                 |
| (1) | 958 113 025 20 | Exhaust pipe with catalyst<br>D - MJ 2012>>   |                            | 1      | PR:0GG                 |
| 2   | 955 111 113 80 | Seal<br>D >> - MJ 2011  |                            | 1      |                        |
| (2) | 958 111 113 20 | Seal<br>D - MJ 2012>>   |                            | 1      |                        |
| 3   | N 908 946 02   | hexagon nut, self-locking<br>M 8  |                            | 3      |                        |
| 4   | 958 111 161 00 | Support   |                            | 1      |                        |
| 5   | N 106 531 02   | Hexagon bolt<br>M 8 X 20  |                            | 3      |                        |
| (5) | N 107 371 01   | No longer use the part here<br>Hex collared bolt<br>M 8 X 22                          |                            | 3      |                        |
| 6   | 958 113 023 20 | Diesel particulate<br>filter  |                            | 1      | PR:7MG,7MQ,<br>7MJ     |
| 6   | 958 113 023 DX | Diesel particulate<br>filter  |                            | 1      | PR:7MG,7MQ,<br>7MJ     |
| (6) | 958 113 023 30 | Catalytic converter<br>Discontinued part  |                            | 1      | PR:0GZ,0GG             |
| (6) | 958 113 023 BX | Catalytic converter<br>No longer use the part here                                    |                            | 1      | PR:0GZ,0GG             |
| (6) | 958 113 023 31 | Catalytic converter   |                            | 1      | PR:0GZ,0GG             |
| 7   | 955 111 228 10 | Bracket   |                            | 1      |                        |
| 8   | 955 111 228 20 | Bracket   |                            | 1      |                        |
| 9   | 955 111 113 10 | Seal  |                            | 1      |                        |
| 10  | N 908 946 02   | hexagon nut, self-locking<br>M 8  |                            | 3      |                        |
| 11  | N 909 210 02   | Hexagon bolt<br>M 8 X 22  |                            | 4      |                        |
| 12  | 958 606 172 20 | Lambda probe<br>in front of<br>Catalytic converter                                    |                            | 1      | PR:7MG,7MQ,<br>7MJ,0GG |
| 13  | 958 606 288 01 | Temperature sensor  |                            | 1      | PR:7MG                 |

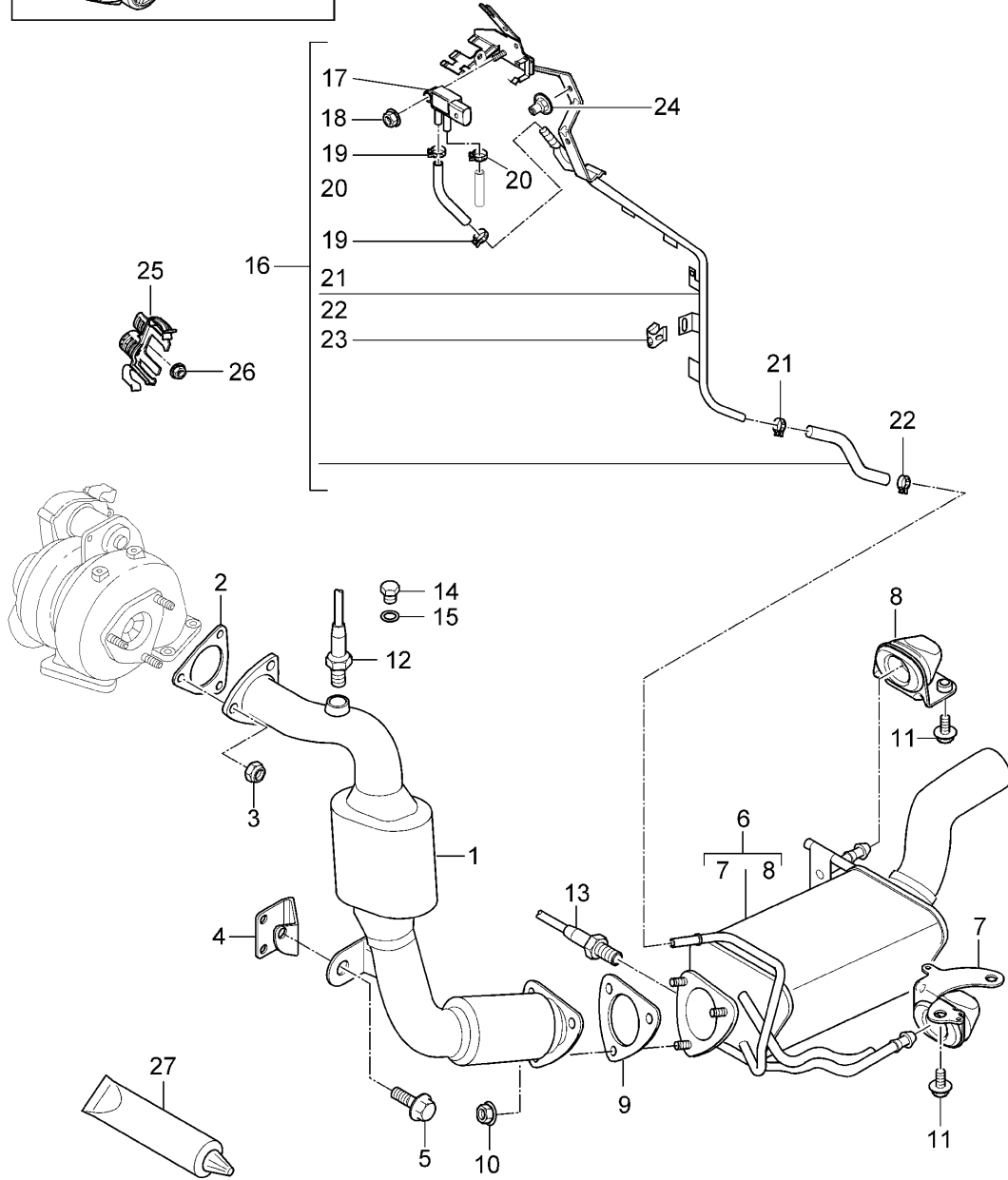
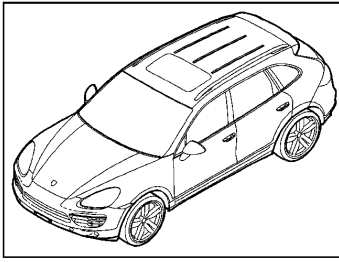
Model: 92A 11

Model life 2011&gt;&gt;2018

| Pos  | Part Number    | Description   | Remark | Qty | Model                     |
|------|----------------|---|--------|-----|---------------------------|
| (13) | 958 606 288 10 | Exhaust gas<br>D >> - MJ 2011<br>Temperature sensor |        | 1   | PR: 7MQ, 7MJ              |
| (13) | 958 606 288 20 | Exhaust gas<br>D - MJ 2012>><br>Temperature sensor  |        | 1   | PR: 0GG                   |
| 14   | N 029 704 2    | sealing plug<br>M 18 X 1,5                          |        | 1   | PR: 0GZ                   |
| 15   | N 013 832 6    | seal ring<br>A 18 X 22                              |        | 1   | PR: 0GZ                   |
| 16   | 958 111 060 04 | Control line  |        | 1   | PR: 7MG, 7MQ,<br>7MJ      |
| 17   | 958 606 151 10 | Pressure sensor                                     |        | 1   | PR: 7MG, 7MQ,<br>7MJ      |
| 18   | N 023 002 13   | hexagon nut, self-locking<br>M 6                    |        | 1   | PR: 7MG, 7MQ,<br>7MJ      |
| 19   | 958 111 483 10 | clamp<br>B 13,5 X 12                                |        | 2   | PR: 7MG, 7MQ,<br>7MJ      |
| 20   | 955 111 483 00 | clamp<br>B 11,5 X 8,4                               |        | 1   | PR: 7MG, 7MQ,<br>7MJ      |
| 21   | N 906 867 01   | Spring band clamp<br>B 14 X 12                      |        | 1   | PR: 7MG, 7MQ,<br>7MJ      |
| 22   | N 907 702 01   | Spring band clamp<br>B 17 X 12                      |        | 1   | PR: 7MG, 7MQ,<br>7MJ      |
| 23   | 955 606 525 00 | cable terminal                                      |        | 3   | PR: 7MG, 7MQ,<br>7MJ      |
| 24   | 955 111 548 03 | panel nut<br>4,2                                    |        | 3   | PR: 7MG, 7MQ,<br>7MJ      |
| 25   | 955 606 114 20 | Holder for lambda probe<br>Connector<br>water box   |        | 1   | PR: 7MG, 7MQ,<br>7MJ, 0GG |
| 26   | N 100 151 01   | Hexagon nut<br>A 5                                  |        | 1   | PR: 7MG, 7MQ,<br>7MJ, 0GG |
| 27   | 000 043 207 47 | hot-bolt-paste<br>1 tube<br>170 Gr.                 |        | 1   |                           |

Model: 92A 11

Model life 2011>>2018



Model: 92A 11 Model life 2011>>2018

| Pos  | Part Number    | Description   | Remark      | Qty | Model              |
|------|----------------|---|-------------|-----|--------------------|
|      |                | exhaust system<br>Catalytic converter<br>Diesel particulate<br>filter<br>Control line |             |     | PR:D43             |
| 1    | 958 113 025 00 | Exhaust pipe with catalyst  |             | 1   | PR:7MJ             |
| (1)  | 958 113 025 AX | Exhaust pipe with catalyst  |             | 1   | PR:7MJ             |
| (1)  | 958 113 025 80 | Exhaust pipe with catalyst  |             | 1   | PR:7HI             |
| (1)  | 958 113 025 JX | Exhaust pipe with catalyst  |             | 1   | PR:7HI             |
| (1)  | 958 113 025 10 | Exhaust pipe with catalyst  |             | 1   | PR:0GZ             |
|      |                | also use:   | N 029 704 2 | 1   |                    |
|      |                |   | N 013 832 6 | 1   |                    |
| (1)  | 958 113 025 BX | Exhaust pipe with catalyst  |             | 1   | PR:0GZ             |
|      |                | also use:   | N 029 704 2 | 1   |                    |
|      |                |   | N 013 832 6 | 1   |                    |
| (1)  | 958 113 025 20 | Exhaust pipe with catalyst  |             | 1   | PR:0GG             |
| (1)  | 958 113 025 HX | Exhaust pipe with catalyst  |             | 1   | PR:0GG             |
| 2    | 958 111 113 20 | Seal  |             | 1   |                    |
| 3    | N 908 946 02   | hexagon nut, self-locking<br>M 8  |             | 3   |                    |
| 4    | 958 111 161 00 | Support   |             | 1   |                    |
| 5    | N 107 371 01   | Hex collared bolt<br>M 8 X 22   |             | 3   |                    |
| 6    | 958 113 023 20 | Diesel particulate<br>filter  |             | 1   | PR:7MJ             |
| (6)  | 958 113 023 DX | Diesel particulate<br>filter  |             | 1   | PR:7MJ             |
| (6)  | 958 113 023 25 | Diesel particulate<br>filter  |             | 1   | PR:7HI             |
| (6)  | 958 113 023 HX | Diesel particulate<br>filter  |             | 1   | PR:7HI             |
| (6)  | 958 113 023 31 | Catalytic converter   |             | 1   | PR:0GZ,0GG         |
| 7    | 955 111 228 10 | Bracket   |             | 1   |                    |
| 8    | 955 111 228 20 | Bracket   |             | 1   |                    |
| 9    | 955 111 113 10 | Seal  |             | 1   |                    |
| 10   | N 908 946 02   | hexagon nut, self-locking<br>M 8  |             | 3   |                    |
| 11   | N 909 210 02   | Hexagon bolt<br>M 8 X 22  |             | 4   |                    |
| 12   | 958 606 172 20 | Lambda probe<br>in front of<br>Catalytic converter                                    |             | 1   | PR:7MJ,0GG,<br>7HI |
| 13   | 958 606 288 10 | Temperature sensor<br>Exhaust gas   |             | 1   | PR:7MJ,7HI         |
| (13) | 958 606 288 20 | Temperature sensor<br>Exhaust gas   |             | 1   | PR:0GG             |
| 14   | N 029 704 2    | sealing plug<br>M 18 X 1,5  |             | 1   | PR:0GZ             |
| 15   | N 013 832 6    | seal ring<br>A 18 X 22  |             | 1   | PR:0GZ             |
| 16   | 958 111 060 04 | Control line  |             | 1   | PR:7MJ,7HI         |
| 17   | 958 606 151 10 | Pressure sensor   |             | 1   | PR:7MJ,7HI         |
| 18   | N 023 002 13   | hexagon nut, self-locking<br>M 6  |             | 1   | PR:7MJ,7HI         |
| 19   | 958 111 483 10 | clamp<br>B 13,5 X 12  |             | 2   | PR:7MJ,7HI         |
| 20   | 955 111 483 00 | clamp<br>B 11,5 X 8,4   |             | 1   | PR:7MJ,7HI         |
| 21   | N 906 867 01   | Spring band clamp<br>B 14 X 12  |             | 1   | PR:7MJ,7HI         |
| 22   | N 907 702 01   | Spring band clamp<br>B 17 X 12  |             | 1   | PR:7MJ,7HI         |
| 23   | 955 606 525 00 | cable terminal  |             | 3   | PR:7MJ             |

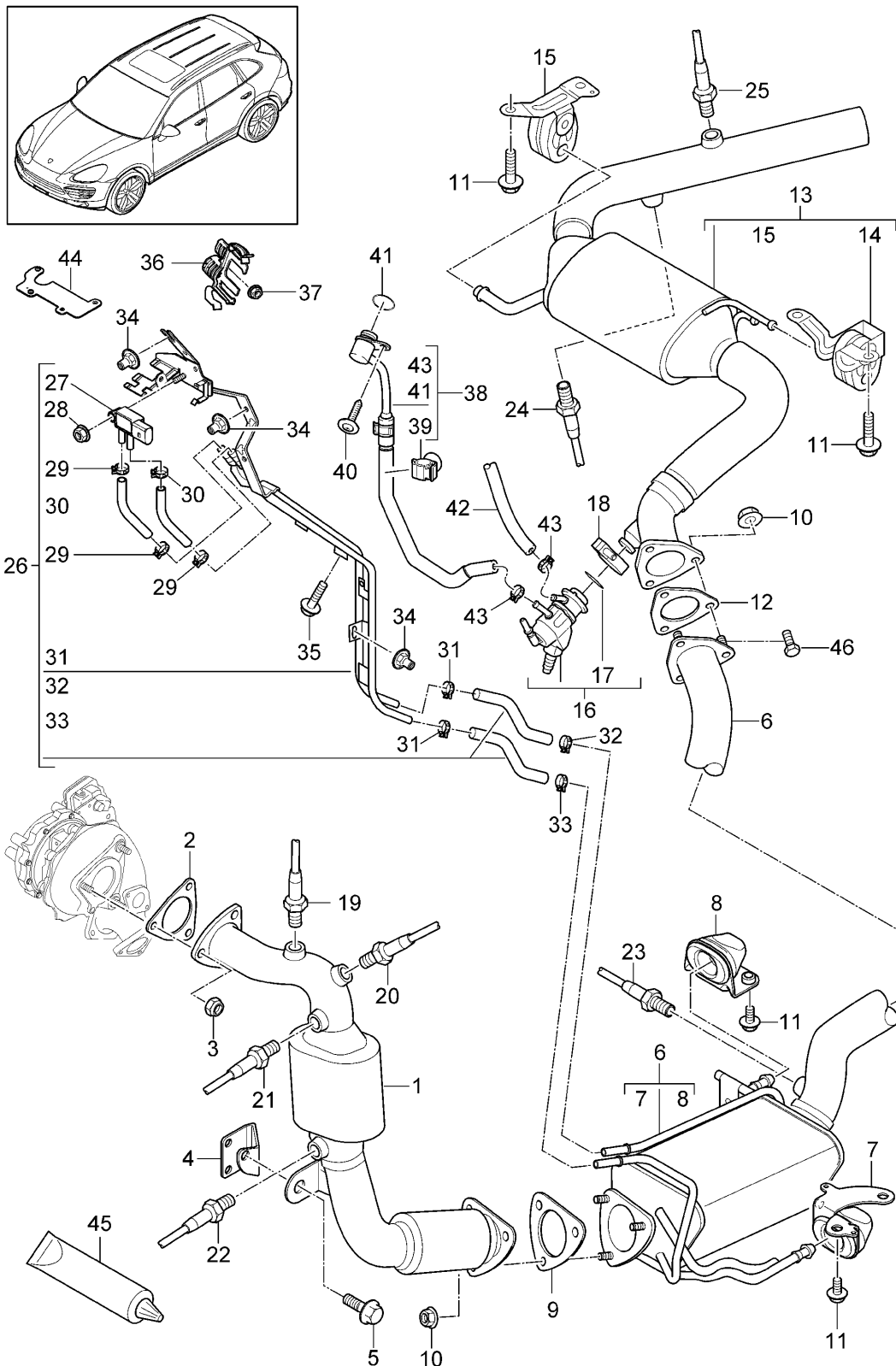
Model: 92A 11

Model life 2011&gt;&gt;2018

| Pos | Part Number    | Description                                       | Remark | Qty | Model        |
|-----|----------------|---|--------|-----|--------------|
| 24  | 955 111 548 03 | No longer use the part here<br>panel nut<br>4,2   |        | 3   | PR: 7MJ, 7HI |
| 25  | 955 606 114 20 | Holder for lambda probe<br>Connector<br>water box |        | 1   |              |
| 26  | N 904 953 01   | Hexagon nut<br>D 5                                |        | 1   |              |
| 27  | 000 043 207 47 | hot-bolt-paste<br>1 tube<br>170 Gr.               |        | 1   |              |

Model: 92A 11

Model life 2011>>2018





Model: 92A 11 Model life 2011>>2018

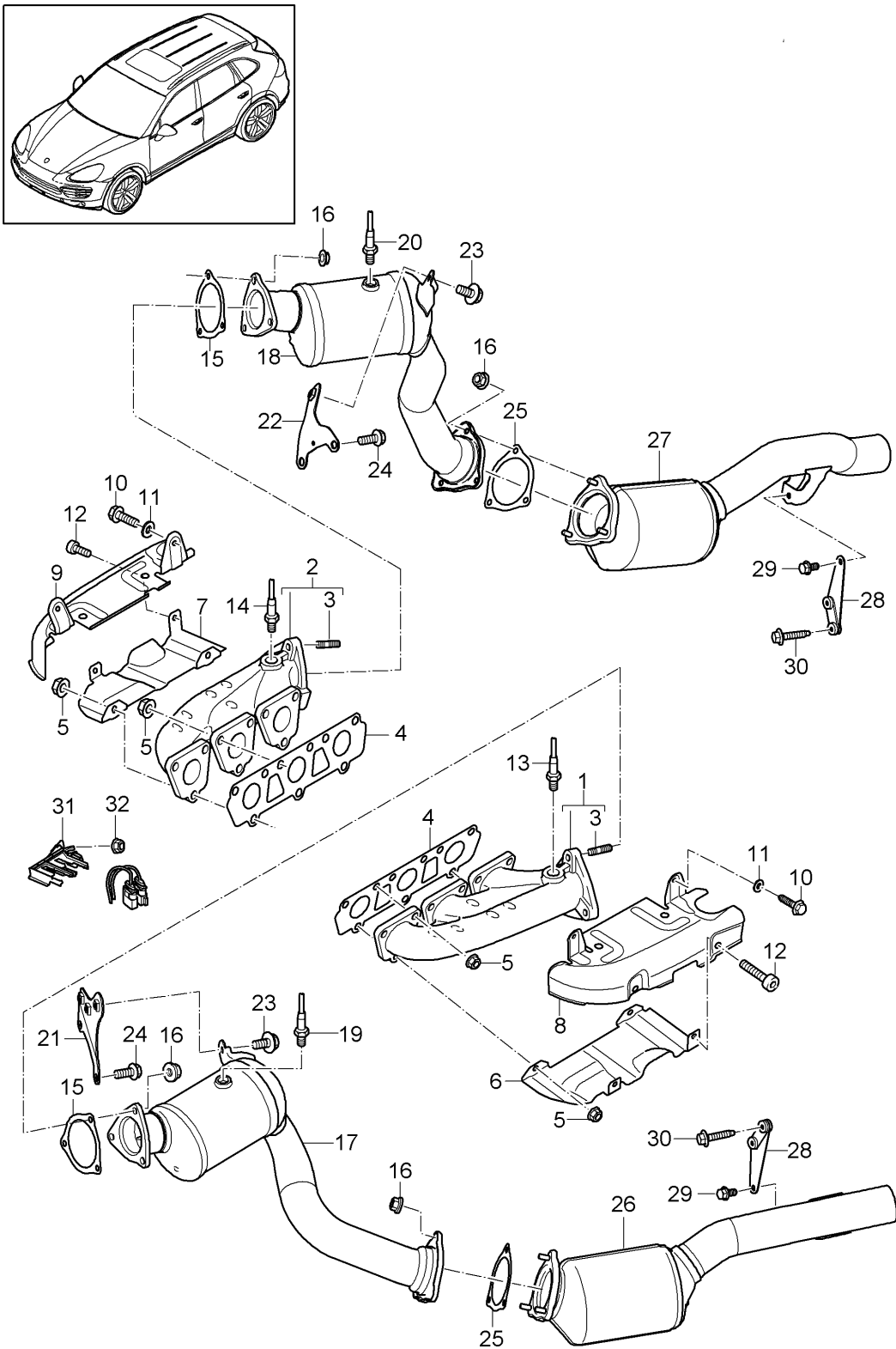
| Pos  | Part Number    | Description   | Remark         | Qty | Model                     |
|------|----------------|---|----------------|-----|---------------------------|
|      |                | exhaust system<br>Catalytic converter<br>Diesel particulate<br>filter<br>Control line |                |     | CNRB, CVVA,<br>CVVB, CVVC |
| (1)  | 958 113 025 70 | Exhaust pipe with catalyst  |                | 1   | CVVA, CVVB,<br>CVVC       |
| (1)  | 958 113 025 FX | Exhaust pipe with catalyst  |                | 1   | CVVA, CVVB,<br>CVVC       |
| 2    | 958 111 113 20 | Seal  |                | 1   |                           |
| 3    | N 908 946 02   | hexagon nut, self-locking<br>M 8  |                | 3   |                           |
| 4    | 958 111 161 00 | Support   |                | 1   |                           |
| 5    | N 106 531 02   | Hexagon bolt<br>M 8 X 20  |                | 3   |                           |
|      |                | No longer use the part here   |                |     |                           |
| (5)  | N 107 371 01   | Hex collared bolt<br>M 8 X 22   |                | 3   |                           |
| (6)  | 958 113 023 65 | Diesel particulate<br>filter  |                | 1   | CVVA, CVVB,<br>CVVC       |
| (6)  | 958 113 023 GX | Diesel particulate<br>filter  |                | 1   | CVVA, CVVB,<br>CVVC       |
| 7    | 955 111 228 10 | Bracket   |                | 1   |                           |
| 8    | 955 111 228 20 | Bracket   |                | 1   |                           |
| 9    | 955 111 113 10 | Seal  |                | 1   |                           |
| 10   | N 908 946 02   | hexagon nut, self-locking<br>M 8  |                | 6   |                           |
| (11) | N 909 210 02   | Hexagon bolt<br>M 8 X 22  |                | 4   | CVVA, CVVB,<br>CVVC       |
| 12   | 955 111 113 30 | Seal  |                | 1   |                           |
| (13) | 958 113 025 75 | Exhaust pipe with catalyst  |                | 1   | CVVA, CVVB,<br>CVVC       |
| (13) | 958 113 025 GX | Exhaust pipe with catalyst  |                | 1   | CVVA, CVVB,<br>CVVC       |
| 14   | 958 111 152 30 | Bracket   |                | 1   |                           |
| (16) | 958 111 413 40 | Injection valve   |                | 1   | CVVA, CVVB,<br>CVVC       |
|      |                | also use:   | 958 111 625 10 | 1   | CVVA, CVVB,<br>CVVC       |
| (17) | 04L 253 115    | Seal  |                | 1   | CVVA, CVVB,<br>CVVC       |
| (18) | 958 111 625 10 | Clamp   |                | 1   | CVVA, CVVB,<br>CVVC       |
| 19   | 958 606 172 20 | Lambda probe<br>in front of<br>Catalytic converter                                    |                | 1   | CVVA, CVVB,<br>CVVC       |
| (20) | 958 606 807 02 | Control unit  |                | 1   | CVVA, CVVB,<br>CVVC       |
|      |                | with:   |                |     |                           |
|      |                | Sensor<br>Discontinued part   |                |     |                           |
| (20) | 958 606 807 03 | Control unit  |                | 1   | CVVA, CVVB,<br>CVVC       |
|      |                | with:   |                |     |                           |
| -    | N 015 082 10   | Sensor<br>Hexagon collar nut<br>M 6<br>Mount  |                | 2   |                           |
| (21) | 958 606 288 31 | Control unit<br>Temperature sensor<br>Exhaust gas                                     |                | 1   | CVVA, CVVB,<br>CVVC       |
| (22) | 958 606 288 21 | Temperature sensor<br>Exhaust gas   |                | 1   | CVVA, CVVB,<br>CVVC       |
| (23) | 958 606 288 41 | Temperature sensor<br>Exhaust gas   |                | 1   | CVVA, CVVB,<br>CVVC       |
| (24) | 958 606 807 12 | Control unit  |                | 1   | CVVA, CVVB,<br>CVVC       |
|      |                | with:   |                |     |                           |

Model: 92A 11 Model life 2011>>2018

| Pos  | Part Number    | Description  | Remark     | Qty | Model               |
|------|----------------|--|------------|-----|---------------------|
| (24) | 958 606 807 13 | Sensor<br>Discontinued part<br>Control unit  |            | 1   | CVVA, CVVB,<br>CVVC |
|      |                | with:  |            |     |                     |
| -    | N 015 082 10   | Sensor<br>Hexagon collar nut<br>M 6<br>Mount                                       |            | 2   |                     |
| -    | 958 606 407 00 | Control unit<br>No longer use the part here<br>Retainer for control units<br>Mount |            | 2   |                     |
| (26) | 958 111 060 11 | Control line   |            | 1   | CVVA, CVVB,<br>CVVC |
| (27) | 958 606 151 11 | Pressure sensor  |            | 1   | CVVA, CVVB,<br>CVVC |
| (28) | N 910 969 01   | round hd. screw<br>M 6 X 22  |            | 1   | CVVA, CVVB,<br>CVVC |
| (29) | N 107 694 01   | Spring band clamp<br>B 12,5 X 8,4  |            | 3   | CVVA, CVVB,<br>CVVC |
| 30   | 955 111 483 00 | clamp<br>B 11,5 X 8,4  |            | 1   |                     |
| 31   | N 906 867 01   | Spring band clamp<br>B 14 X 12   |            | 2   |                     |
| (32) | 955 201 479 00 | Hose clamp<br>B 16 X 12  |            | 1   | CVVA, CVVB,<br>CVVC |
| (33) | 958 111 483 10 | clamp<br>B 13,5 X 12   |            | 1   | CVVA, CVVB,<br>CVVC |
| 34   | 955 111 548 03 | panel nut<br>4,2   |            | 3   |                     |
| (35) | N 100 092 07   | hexagon head bolt (combi)<br>M 6 X 20  |            | 1   | CVVA, CVVB,<br>CVVC |
| 36   | 955 606 114 20 | Holder for lambda probe<br>Connector<br>water box                                  |            | 1   |                     |
| 37   | N 100 151 01   | Hexagon nut<br>A 5   |            | 1   |                     |
| 38   | 958 106 040 13 | Coolant pipe   |            | 1   | CVVA, CVVB,<br>CVVC |
|      |                | with:  |            |     |                     |
| 39   | N 106 811 01   | Water hose<br>Hose bracket   |            | 1   | CVVA, CVVB,<br>CVVC |
| 40   | N 101 703 02   | round hd. screw<br>M 6 X 10  |            | 1   | CVVA, CVVB,<br>CVVC |
| 41   | N 907 834 02   | O-ring<br>13,1 X 1,6   |            | 1   | CVVA, CVVB,<br>CVVC |
| 42   |                | Coolant pipe<br>see illustration, item:  | 105-047,29 | 1   | CVVA, CVVB,<br>CVVC |
| 43   | N 107 160 01   | Spring band clamp<br>B 12,5 X 8,4  |            | 2   | CVVA, CVVB,<br>CVVC |
| (44) | 958 606 461 01 | Heat insulation<br>for<br>Pressure sensor  |            | 1   | CVVA, CVVB,<br>CVVC |
| 45   | 000 043 207 47 | hot-bolt-paste<br>1 tube<br>170 GR.  |            | 1   |                     |
| (45) | 000 043 306 18 | Discontinued part<br>hot-bolt-paste<br>1 tube<br>170 GR.                           |            | 1   |                     |
| 46   | N 010 247 13   | Hexagon flange screw<br>M 8 X 35   |            | 3   |                     |

Model: 92A 11

Model life 2011>>2018



Model: 92A 11

Model life 2011&gt;&gt;2018

| Pos  | Part Number    | Description   | Remark | Qty | Model                                      |
|------|----------------|---|--------|-----|--|
|      |                | exhaust system<br>Exhaust manifolds<br>Catalytic converter                        |        |     | PR:D19,D11                                 |
| 1    | 958 111 129 10 | Exhaust manifolds<br>Cyl. 4 - 6<br>Discontinued part                              |        | 1   |  |
| (1)  | 958 111 129 11 | Exhaust manifolds<br>Cyl. 4 - 6<br>Discontinued part                              |        | 1   |  |
| (1)  | 958 111 129 12 | Exhaust manifolds<br>Cyl. 4 - 6<br>Discontinued part                              |        | 1   |  |
| 2    | 958 111 130 10 | Exhaust manifolds<br>Cyl. 1 - 3<br>Discontinued part                              |        | 1   |  |
| (2)  | 958 111 130 11 | Exhaust manifolds<br>Cyl. 1 - 3<br>Discontinued part                              |        | 1   |  |
| (2)  | 958 111 130 12 | Exhaust manifolds<br>Cyl. 1 - 3<br>Discontinued part                              |        | 1   |  |
| 3    | N 911 870 01   | Threaded pin<br>M 8 X 28  |        | 6   |  |
| 4    | 958 111 181 10 | Seal  |        | 2   |  |
| 5    | N 902 264 04   | Hexagon collar nut<br>self-locking<br>M 8   |        | 18  |  |
| 6    | 958 111 211 00 | Guard plate<br>Discontinued part  | lower  | 1   |  |
| (6)  | 958 111 211 01 | Guard plate   | lower  | 1   |  |
| 7    | 958 111 212 00 | Guard plate<br>Discontinued part  | lower  | 1   |  |
| (7)  | 958 111 212 01 | Guard plate   | lower  | 1   |  |
| 8    | 958 111 213 00 | Guard plate<br>Discontinued part  | upper  | 1   |  |
| (8)  | 958 111 213 01 | Guard plate   | upper  | 1   |  |
| 9    | 958 111 214 00 | Guard plate<br>Discontinued part  | upper  | 1   |  |
| (9)  | 958 111 214 01 | Guard plate   | upper  | 1   |  |
| 10   | N 101 319 03   | Hexagon bolt<br>M 6 X 14  |        | 4   |  |
| 11   | WHT 000 286    | Washer<br>6,4 X 15 X 1,5  |        | 4   |  |
| 12   | N 902 452 09   | Hex collared bolt<br>M 6 X 10   |        | 4   |  |
| 13   | 958 606 133 00 | Lambda probe<br>in front of<br>Catalytic converter                                | left   | 1   | PR:D19,0GG,<br>7MG,7GH,7MN,<br>7MQ,7MJ,7MM |
| (13) | 958 606 133 10 | Lambda probe<br>in front of<br>Catalytic converter                                | left   | 1   | PR:D11                                     |
| (13) | 958 606 133 11 | No longer use the part here<br>Lambda probe<br>in front of<br>Catalytic converter | left   | 1   | PR:D11                                     |
| (13) | 958 606 133 20 | Lambda probe<br>in front of<br>Catalytic converter                                | left   | 1   | PR:D19,7GB                                 |
| 14   | 958 606 134 00 | Lambda probe<br>in front of<br>Catalytic converter                                | right  | 1   | PR:D19,0GG,<br>7MG,7GH,7MN,<br>7MQ,7MJ,7MM |
| (14) | 958 606 134 10 | Lambda probe<br>in front of<br>Catalytic converter<br>No longer use the part here | right  | 1   | PR:D11                                     |

Model: 92A 11

Model life 2011&gt;&gt;2018

| Pos  | Part Number    | Description   | Remark | Qty | Model                                  |
|------|----------------|---|--------|-----|--|
| (14) | 958 606 134 11 | Lambda probe<br>in front of<br>Catalytic converter                | right  | 1   | PR:D11                                 |
| (14) | 958 606 134 20 | Lambda probe<br>in front of<br>Catalytic converter                | right  | 1   | PR:D19,7GB                             |
| 15   | 958 111 113 10 | Seal  |        | 2   |  |
| 16   | N 908 946 02   | hexagon nut, self-locking<br>M 8                                  |        | 12  |  |
| 17   | 958 113 021 10 | Exhaust pipe with catalyst<br><br>Cyl. 4 - 6<br>Discontinued part |        | 1   | PR:D19,0GG,<br>7GB,7MG,7GH,<br>7MQ,7MJ |
| (17) | 958 113 021 11 | Exhaust pipe with catalyst<br><br>Cyl. 4 - 6                      |        | 1   | PR:D19,0GG,<br>7GB,7MG,7GH,<br>7MQ,7MJ |
| (17) | 958 113 021 BX | D >> - MJ 2014<br>Exhaust pipe with catalyst<br><br>Cyl. 4 - 6    |        | 1   | PR:D19,0GG,<br>7GB,7MG,7GH,<br>7MQ,7MJ |
| (17) | 958 113 021 80 | D >> - MJ 2014<br>Exhaust pipe with catalyst<br>Cyl. 4 - 6        |        | 1   | PR:D19,7MN                             |
| (17) | 958 113 027 05 | D >> - MJ 2014<br>Exhaust pipe with catalyst<br>Cyl. 4 - 6        |        | 1   | PR:D19                                 |
| (17) | 958 113 027 EX | D - MJ 2015>><br>Exhaust pipe with catalyst<br>Cyl. 4 - 6         |        | 1   | PR:D19                                 |
| (17) | 958 113 021 70 | D - MJ 2015>><br>Exhaust pipe with catalyst<br>Cyl. 4 - 6         |        | 1   | PR:D11                                 |
| (17) | 958 113 021 71 | Discontinued part<br>Exhaust pipe with catalyst<br>Cyl. 4 - 6     |        | 1   | PR:D11                                 |
| (17) | 958 113 021 HX | Exhaust pipe with catalyst<br>Cyl. 4 - 6                          |        | 1   | PR:D11                                 |
| 18   | 958 113 022 10 | Exhaust pipe with catalyst<br><br>Cyl. 1 - 3<br>Discontinued part |        | 1   | PR:D19,0GG,<br>7GB,7MG,7GH,<br>7MQ,7MJ |
| (18) | 958 113 022 11 | Exhaust pipe with catalyst<br><br>Cyl. 1 - 3                      |        | 1   | PR:D19,0GG,<br>7GB,7MG,7GH,<br>7MQ,7MJ |
| (18) | 958 113 022 BX | D >> - MJ 2014<br>Exhaust pipe with catalyst<br><br>Cyl. 1 - 3    |        | 1   | PR:D19,0GG,<br>7GB,7MG,7GH,<br>7MQ,7MJ |
| (18) | 958 113 022 80 | D >> - MJ 2014<br>Exhaust pipe with catalyst<br>Cyl. 1 - 3        |        | 1   | PR:D19,7MN                             |
| (18) | 958 113 028 05 | D >> - MJ 2014<br>Exhaust pipe with catalyst<br>Cyl. 1 - 3        |        | 1   | PR:D19                                 |
| (18) | 958 113 028 EX | D - MJ 2015>><br>Exhaust pipe with catalyst<br>Cyl. 1 - 3         |        | 1   | PR:D19                                 |

Model: 92A 11

Model life 2011&gt;&gt;2018

| Pos  | Part Number    | Description   | Remark          | Qty | Model  |
|------|----------------|---|-----------------|-----|--------|
| (18) | 958 113 022 70 | D - MJ 2015>><br>Exhaust pipe with catalyst<br>Cyl. 1 - 3<br>Discontinued part  |                 | 1   | PR:D11 |
| (18) | 958 113 022 71 | Exhaust pipe with catalyst<br>Cyl. 1 - 3  |                 | 1   | PR:D11 |
| (18) | 958 113 022 FX | Exhaust pipe with catalyst<br>Cyl. 1 - 3  |                 | 1   | PR:D11 |
| 19   | 958 606 173 00 | Lambda probe<br>After<br>Catalytic converter  | left            | 1   | PR:D19 |
| (19) | 958 606 173 10 | Lambda probe<br>After<br>Catalytic converter  | left            | 1   | PR:D11 |
| 20   | 958 606 174 00 | Lambda probe<br>After<br>Catalytic converter  | right           | 1   | PR:D19 |
| (20) | 958 606 174 10 | Lambda probe<br>After<br>Catalytic converter  | right           | 1   | PR:D11 |
| 21   | 958 111 047 30 | Support   |                 | 1   | PR:D19 |
| (21) | 958 111 047 50 | Support   |                 | 1   | PR:D11 |
| 22   | 958 111 047 20 | Support   |                 | 1   | PR:D19 |
| (22) | 958 111 047 60 | Support   |                 | 1   | PR:D11 |
| 23   | N 106 531 02   | Hexagon bolt<br>M 8 X 20  |                 | 2   |        |
| 24   |                | 12-point head bolt<br>M 12 X 60   |                 | X   | PR:D19 |
| (24) | N 911 087 01   | see illustration:<br>Hexagon collared bolt with<br>multi-point socket head (duo)<br>M 6 X 25<br>Mount<br>Support<br>Gearbox | 306-010<br>left | 3   | PR:D11 |
| (24) | N 106 531 02   | Hexagon bolt<br>M 8 X 20<br>Mount<br>Support<br>Gearbox   | right           | 2   | PR:D11 |
| 25   | 958 111 113 00 | Seal  |                 | 2   |        |
| 26   | 958 113 023 10 | Front silencer<br>Cyl. 4 - 6<br>Discontinued part   |                 | 1   |        |
| (26) | 958 113 023 11 | Front silencer<br>Cyl. 4 - 6  |                 | 1   |        |
| (26) | 958 113 023 11 | D >> - MJ 2014<br>Front silencer<br>Cyl. 4 - 6  |                 | 1   | PR:D11 |
| (26) | 958 113 029 01 | D - MJ 2015>><br>Front silencer<br>Cyl. 4 - 6   |                 | 1   | PR:D19 |
| (26) | 958 113 029 AX | D - MJ 2015>><br>Front silencer<br>Cyl. 4 - 6   |                 | 1   | PR:D19 |
| 27   | 958 113 024 10 | D - MJ 2015>><br>Front silencer<br>Cyl. 1 - 3<br>Discontinued part  |                 | 1   |        |
| (27) | 958 113 024 11 | Front silencer<br>Cyl. 1 - 3  |                 | 1   |        |
| (27) | 958 113 024 11 | D >> - MJ 2014<br>Front silencer  |                 | 1   | PR:D11 |

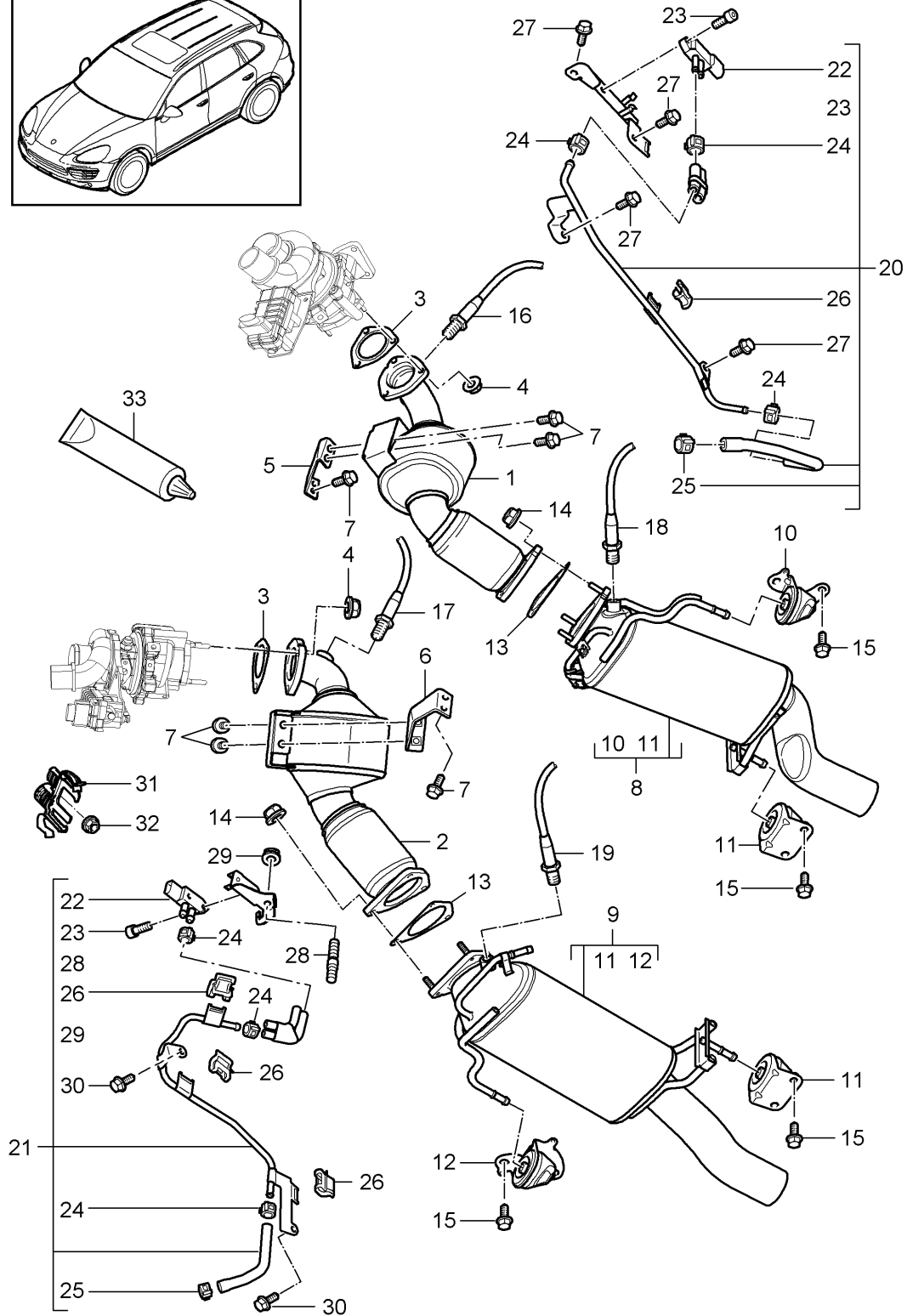
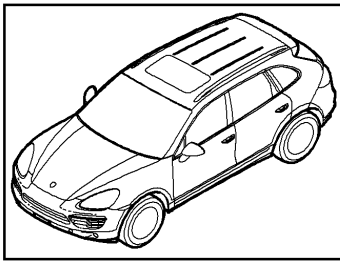
Model: 92A 11

Model life 2011>>2018

| Pos  | Part Number    | Description   | Remark | Qty | Model  |
|------|----------------|---|--------|-----|--------|
| (27) | 958 113 030 01 | Cyl. 1 - 3<br>D - MJ 2015>><br>Front silencer                       |        | 1   | PR:D19 |
| (27) | 958 113 030 AX | Cyl. 1 - 3<br>D - MJ 2015>><br>Front silencer                       |        | 1   | PR:D19 |
| 28   | 958 111 047 40 | Support   |        | 2   |        |
| 29   | N 106 531 02   | Hexagon bolt<br>M 8 X 20  |        | 2   |        |
| 30   | N 105 703 02   | Hex collared bolt<br>AM 8 X 40                                      |        | 4   |        |
| 31   | 958 606 114 10 | Holder for lambda probe<br>Connector                                |        | 1   | PR:D19 |
| (31) | 958 606 114 40 | No longer use the part here<br>Holder for lambda probe<br>Connector |        | 1   | PR:D19 |
| (31) | 958 606 114 20 | Holder for lambda probe<br>Connector                                |        | 1   | PR:D11 |
| 32   | N 904 953 01   | Hexagon nut<br>D 5  |        | 1   |        |

Model: 92A 11

Model life 2011>>2018





Model: 92A 11

Model life 2011&gt;&gt;2018

| Pos  | Part Number    | Description  | Remark | Qty | Model              |
|------|----------------|--|--------|-----|--------------------|
|      |                | exhaust system<br>Exhaust pipe<br><br>with:<br>Catalytic converter<br>Diesel particle filter<br>Control line |        |     | PR:DD8,0GG,<br>7MJ |
| 1    | 958 113 025 50 | Exhaust pipe with catalyst   | left   | 1   | PR:7MJ             |
| (1)  | 958 113 025 KX | Exhaust pipe with catalyst   | left   | 1   | PR:7MJ             |
| (1)  | 958 113 025 60 | Exhaust pipe with catalyst   | left   | 1   | PR:0GG             |
| (1)  | 958 113 025 LX | Exhaust pipe with catalyst   | left   | 1   | PR:0GG             |
| 2    | 958 113 026 50 | Exhaust pipe with catalyst   | right  | 1   | PR:7MJ             |
| (2)  | 958 113 026 AX | Exhaust pipe with catalyst   | right  | 1   | PR:7MJ             |
| (2)  | 958 113 026 60 | Exhaust pipe with catalyst   | right  | 1   | PR:0GG             |
| (2)  | 958 113 026 LX | Exhaust pipe with catalyst   | right  | 1   | PR:0GG             |
| 3    | 958 111 113 50 | Seal   |        | 2   |                    |
| 4    | N 908 946 02   | hexagon nut, self-locking<br>M 8   |        | 6   |                    |
| 5    | 958 111 047 70 | Support  | left   | 1   |                    |
| 6    | 958 111 047 80 | Support  | right  | 1   |                    |
| 7    | N 107 371 01   | Hex collared bolt<br>M 8 X 22  |        | 8   |                    |
| 8    | 958 113 023 70 | Diesel particulate<br>filter   | left   | 1   | PR:7MJ             |
| 8    | 958 113 023 FX | Diesel particulate<br>filter   | left   | 1   | PR:7MJ             |
| (8)  | 958 113 023 80 | Catalytic converter  | left   | 1   | PR:0GG             |
| (8)  | 958 113 023 JX | Catalytic converter  | left   | 1   | PR:0GG             |
| 9    | 958 113 024 70 | Diesel particulate<br>filter   | right  | 1   | PR:7MJ             |
| 9    | 958 113 024 CX | Diesel particulate<br>filter   | right  | 1   | PR:7MJ             |
| (9)  | 958 113 024 80 | Catalytic converter  | right  | 1   | PR:0GG             |
| (9)  | 958 113 024 DX | Catalytic converter  | right  | 1   | PR:0GG             |
| 10   | 955 111 228 10 | Bracket  |        | 1   | PR:7MJ             |
| (10) | 958 111 228 60 | Bracket  |        | 1   | PR:0GG             |
| 11   | 955 111 228 20 | Bracket  |        | 2   | PR:7MJ             |
| 12   | 958 111 228 00 | Bracket  |        | 1   | PR:7MJ             |
| (12) | 958 111 228 60 | Bracket  |        | 1   | PR:0GG             |
| 13   | 955 111 113 10 | Seal   |        | 2   |                    |
| 14   | N 908 946 02   | hexagon nut, self-locking<br>M 8   |        | 6   |                    |
| 15   | N 909 210 02   | Hexagon bolt<br>M 8 X 22   |        | 8   | PR:7MJ             |
| (15) | N 909 210 02   | Hexagon bolt<br>M 8 X 22   |        | 4   | PR:0GG             |
| 16   | 958 606 129 10 | Lambda probe<br>in front of<br>Catalytic converter   | left   | 1   |                    |
| 17   | 958 606 128 10 | Lambda probe<br>in front of<br>Catalytic converter   | right  | 1   |                    |
| 18   | 958 606 288 50 | Temperature sensor<br>Exhaust gas  | left   | 1   | PR:7MJ             |
| 19   | 958 606 288 60 | Temperature sensor<br>Exhaust gas  | right  | 1   | PR:7MJ             |
| 20   | 958 111 060 20 | Control line   | left   | 1   | PR:7MJ             |
| 21   | 958 111 060 30 | Control line   | right  | 1   | PR:7MJ             |
| 22   | 958 606 151 10 | Pressure sensor  |        | 2   | PR:7MJ             |
| 23   | N 910 848 01   | Hexagon socket head<br>bolt<br>M 6 X 18  |        | 2   | PR:7MJ             |
| 24   | 958 111 483 10 | clamp<br>B 13,5 X 12   |        | 6   | PR:7MJ             |

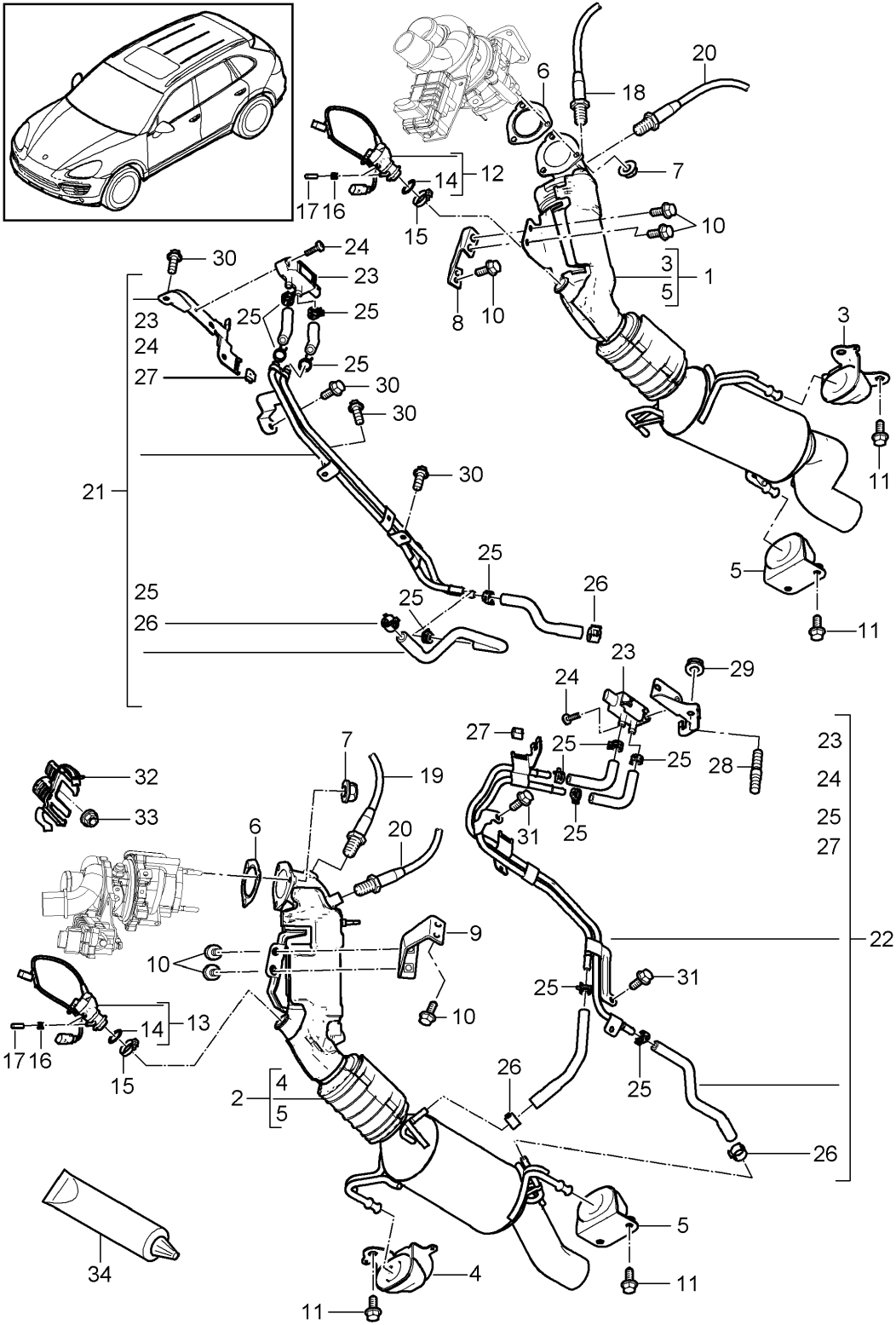
Model: 92A 11

Model life 2011>>2018

| Pos  | Part Number    | Description                                       | Remark | Qty | Model  |
|------|----------------|---|--------|-----|--------|
| 25   | 955 201 479 00 | Hose clamp<br>B 16 X 12                           |        | 2   | PR:7MJ |
| 26   | 955 606 525 00 | cable terminal                                    | left   | 1   | PR:7MJ |
| (26) | WHT 007 299    | No longer use the part here<br>Retaining clip     | left   | 2   | PR:7MJ |
| (26) | 955 606 525 00 | cable terminal                                    | right  | 3   | PR:7MJ |
| (26) | WHT 007 299    | No longer use the part here<br>Retaining clip     | right  | 3   | PR:7MJ |
| 27   | N 103 210 03   | bolt, hexagon head<br>self-locking<br>M 6 X 16    |        | 4   | PR:7MJ |
| 28   | N 911 133 01   | 12-point collared bolt<br>M 8 X 25 / M 8 X 16     |        | 1   | PR:7MJ |
| 29   | N 907 611 03   | Hexagon collar nut<br>self-locking<br>M 8         |        | 1   | PR:7MJ |
| 30   | N 100 829 11   | hexagon head bolt (combi)<br>M 6 X 16             |        | 2   | PR:7MJ |
| 31   | 958 606 114 30 | Holder for lambda probe<br>Connector<br>water box |        | 1   |        |
| 32   | N 100 151 01   | Hexagon nut<br>A 5                                |        | 1   |        |
| 33   | 000 043 207 47 | hot-bolt-paste<br>1 tube<br>170 GR.               |        | 1   |        |

Model: 92A 11

Model life 2011>>2018



Model: 92A 11

Model life 2011&gt;&gt;2018

| Pos  | Part Number    | Description   | Remark                      | Qty    | Model      |
|------|----------------|---|-----------------------------|--------|------------|
|      |                | exhaust system<br>Exhaust pipe<br>Catalytic converter<br>Diesel particulate<br>filter<br>Control line |                             |        | PR:DD8,7MM |
| 1    | 958 113 301 01 | Exhaust pipe with catalyst<br>Diesel particulate<br>filter  | left                        | 1      |            |
| (1)  | 958 113 301 AX | Exhaust pipe with catalyst<br>Diesel particulate<br>filter  | left                        | 1      |            |
|      |                | also use:   | 958 111 113 60              | 1      |            |
|      |                |   | N 908 946 02                | 3      |            |
| 2    | 958 113 302 02 | Exhaust pipe with catalyst<br>Diesel particulate<br>filter  | right                       | 1      |            |
| (2)  | 958 113 302 BX | Exhaust pipe with catalyst<br>Diesel particulate<br>filter  | right                       | 1      |            |
|      |                | also use:   | 958 111 113 60              | 1      |            |
| 3    | 955 111 228 10 | Bracket   |                             | 1      |            |
| 4    | 958 111 228 00 | Bracket   |                             | 1      |            |
| 5    | 955 111 228 20 | Bracket   |                             | 2      |            |
| 6    | 958 111 113 60 | Seal  |                             | 2      |            |
| 7    | N 908 946 02   | hexagon nut, self-locking   | M8                          | 6      |            |
| 8    | 958 111 047 70 | Support   | left                        | 1      |            |
| 9    | 958 111 047 80 | Support   | right                       | 1      |            |
| 10   | N 107 371 01   | Hex collared bolt   | M8X22                       | 8      |            |
| 11   | N 909 210 02   | Hexagon bolt  | M8X22                       | 8      |            |
| 12   | 958 111 413 50 | Injection valve   | left                        | 1      |            |
|      |                | also use:   | 958 111 625 10              | 1      |            |
| (12) | 958 111 413 51 | No longer use the part here<br>Injection valve  | left                        | 1      |            |
| 13   | 958 111 414 20 | Injection valve   | right                       | 1      |            |
|      |                | also use:   | 958 111 625 10              | 1      |            |
| (13) | 958 111 414 21 | No longer use the part here<br>Injection valve  | right                       | 1      |            |
|      |                | also use:   | 958 111 625 10              | 1      |            |
| 14   | 04L 253 115    | Seal  |                             | 2      |            |
| 15   | 958 111 625 10 | Clamp   |                             | 2      |            |
| 16   | N 107 160 01   | Spring band clamp   | A12,5X8,4                   | 4      |            |
| 17   |                | Coolant hose  |                             | 4      |            |
| 18   | 958 606 129 10 | see illustration:<br>Lambda probe<br>(in front of catalyst)   | 105-080<br>left             | 1      |            |
| 19   | 958 606 128 10 | also use:<br>Lambda probe<br>(in front of catalyst)   | 000 043 207 47<br>right     | 1      |            |
| 20   |                | also use:<br>Temperature sensor<br>see illustration, item:  | 000 043 207 47<br>202-095,1 | 1<br>2 |            |
| 21   | 958 131 553 00 | Control line  | left                        | 1      |            |
| 22   | 958 131 552 00 | Control line  | right                       | 1      |            |
| 23   | 958 906 051 10 | Pressure sensor   |                             | 2      |            |
| 24   | N 910 969 01   | round hd. screw   | M6X22                       | 2      |            |
| 25   | N 107 694 01   | Spring band clamp   | A13,5X8,4                   | 12     |            |

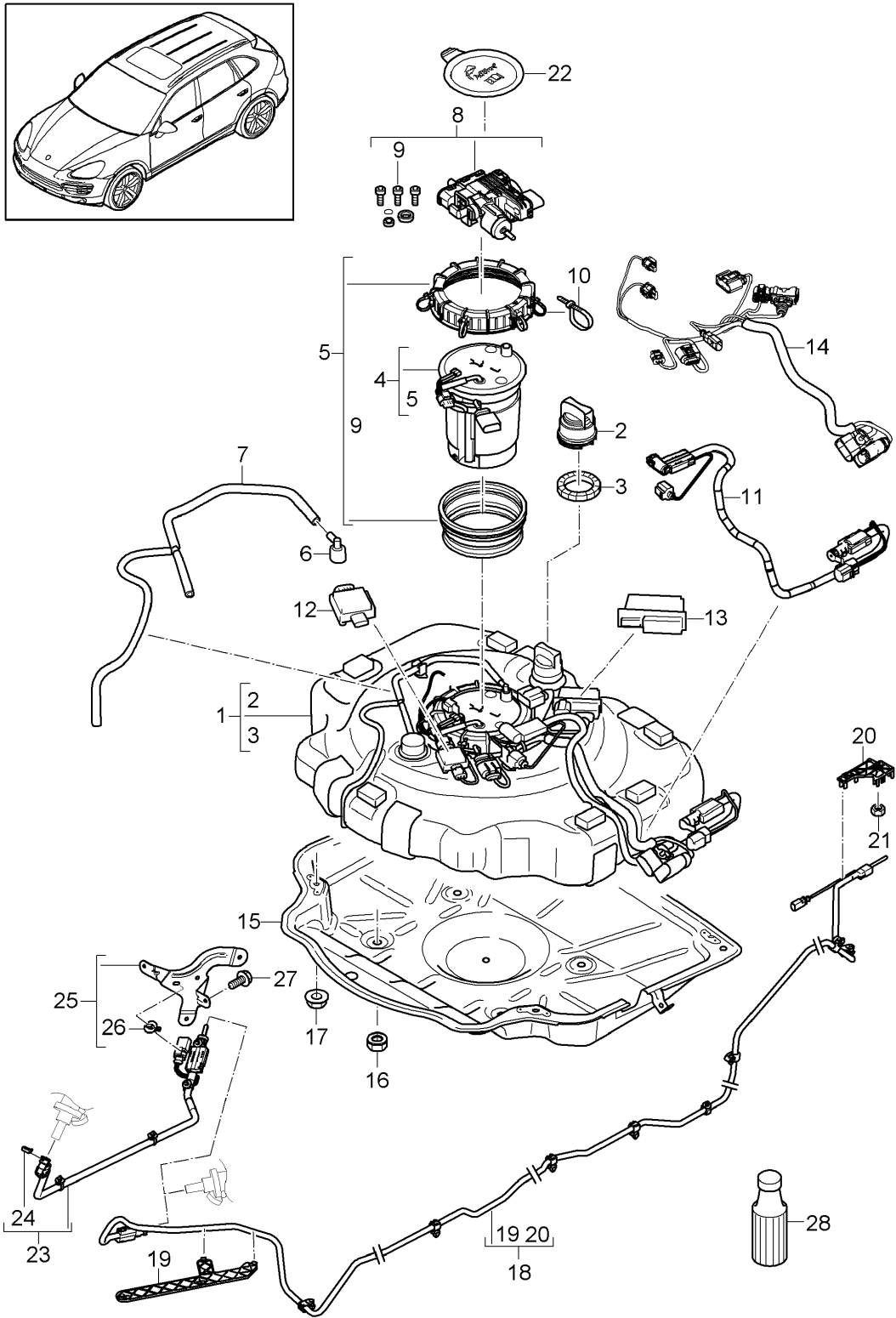
Model: 92A 11

Model life 2011&gt;&gt;2018

| Pos | Part Number    | Description   | Remark      | Qty | Model |
|-----|----------------|---|-------------|-----|-------|
| 26  | 955 201 479 00 | Hose clamp  | B16X12      | 4   |       |
| 27  | WHT 007 299    | Retaining clip  |             | 2   |       |
| 28  | N 911 133 01   | 12-point collared bolt                                    | M8X25/M8X16 | 1   |       |
| 29  | N 907 611 03   | Hexagon collar nut<br>self-locking                        | M8          | 1   |       |
| 30  | N 103 210 03   | bolt, hexagon head<br>self-locking                        | M6X16       | 4   |       |
| 31  | N 100 829 11   | hexagon head bolt (combi)                                 | M6X16       | 2   |       |
| 32  | 958 606 114 30 | Holder for lambda probe<br>Connector housing<br>water box |             | 1   |       |
| 33  | N 904 953 01   | Hexagon nut   | D5          | 1   |       |
| 34  | 000 043 207 47 | hot-bolt-paste<br>1 tube<br>170 GR.                       |             | 1   |       |

Model: 92A 11

Model life 2011>>2018



Model: 92A 11

Model life 2011>>2018

| Pos  | Part Number    | Description   | Remark      | Qty | Model                                |
|------|----------------|---|-------------|-----|--------------------------------------|
| (1)  | 958 113 078 21 | Exhaust gas treatment system<br>For vehicles with selective<br>catalytic reduction (SCR)<br>container<br>Urea solution AdBlue |             | 1   | CNRB, CVVA,<br>CVVB, CVVC+<br>PR:1E9 |
| 2    | 958 113 380 00 | End cap   |             | 1   |                                      |
| 3    | WHT 004 793    | seal ring   |             | 1   |                                      |
| 4    | 958 113 901 00 | repair set<br>heater unit<br>No longer use the part here  |             | 1   |                                      |
| (4)  | 958 113 901 01 | repair set<br>heater unit<br>No longer use the part here  |             | 1   |                                      |
| (4)  | 958 113 901 02 | repair set<br>heater unit   |             | 1   |                                      |
| 5    | 958 113 902 00 | repair set<br>catch<br>heater unit  |             | 1   |                                      |
| 6    | 958 201 485 00 | ventilation union   |             | 1   |                                      |
| 7    |                | Breather line<br>No replacement part  |             | 1   |                                      |
| 8    | 958 113 903 00 | repair set<br>Pump  | Use item: 1 | 1   |                                      |
| 9    | 958 113 904 00 | Gasket set<br>Pump<br>comprising:<br>Seal<br>O-ring<br>Washer   |             | 1   |                                      |
| 10   | 958 612 650 00 | Socket head bolt<br>Cable ties<br>with:   |             | 3   |                                      |
| (11) | 958 113 783 31 | Fixing<br>Supply line for reduction<br>agent  |             | 1   |                                      |
| 12   | 958 606 651 00 | Control unit  |             | 1   |                                      |
| 13   | 958 610 629 00 | Control unit for reduction<br>agent metering system   |             | 1   |                                      |
| 14   | 958 612 819 10 | Wire set<br>container   |             | 1   |                                      |
| 15   | 958 113 778 20 | Retaining plate   |             | 1   |                                      |
| 16   | N 905 708 02   | hex. nut with washer  | M6          | 4   |                                      |
| 17   | N 106 092 01   | Hexagon collar nut  | M8          | 5   |                                      |
| (18) | 958 113 784 31 | Supply line for reduction<br>agent<br>discontinued part   |             | 1   |                                      |
| (18) | 958 113 784 33 | Supply line for reduction<br>agent  |             | 1   |                                      |
| 19   | 958 113 713 30 | Line holder   |             | 1   |                                      |
| 20   | 958 113 713 20 | Line holder   |             | 1   |                                      |
| 21   | N 904 953 01   | Hexagon nut   | D5          | 1   |                                      |
| 22   | 958 612 708 30 | Bungs<br>Luggage compartment liner  |             | 1   |                                      |
| 23   | 958 113 784 00 | Supply line for reduction<br>agent<br>discontinued part   |             | 1   |                                      |
| (23) | 958 113 784 01 | Supply line for reduction<br>agent  |             | 1   |                                      |
| 24   | 958 113 845 20 | Clip<br>Supply line for reduction<br>agent  |             | 1   |                                      |
| 25   | 958 113 561 00 | Line holder   |             | 1   |                                      |

Model: 92A 11

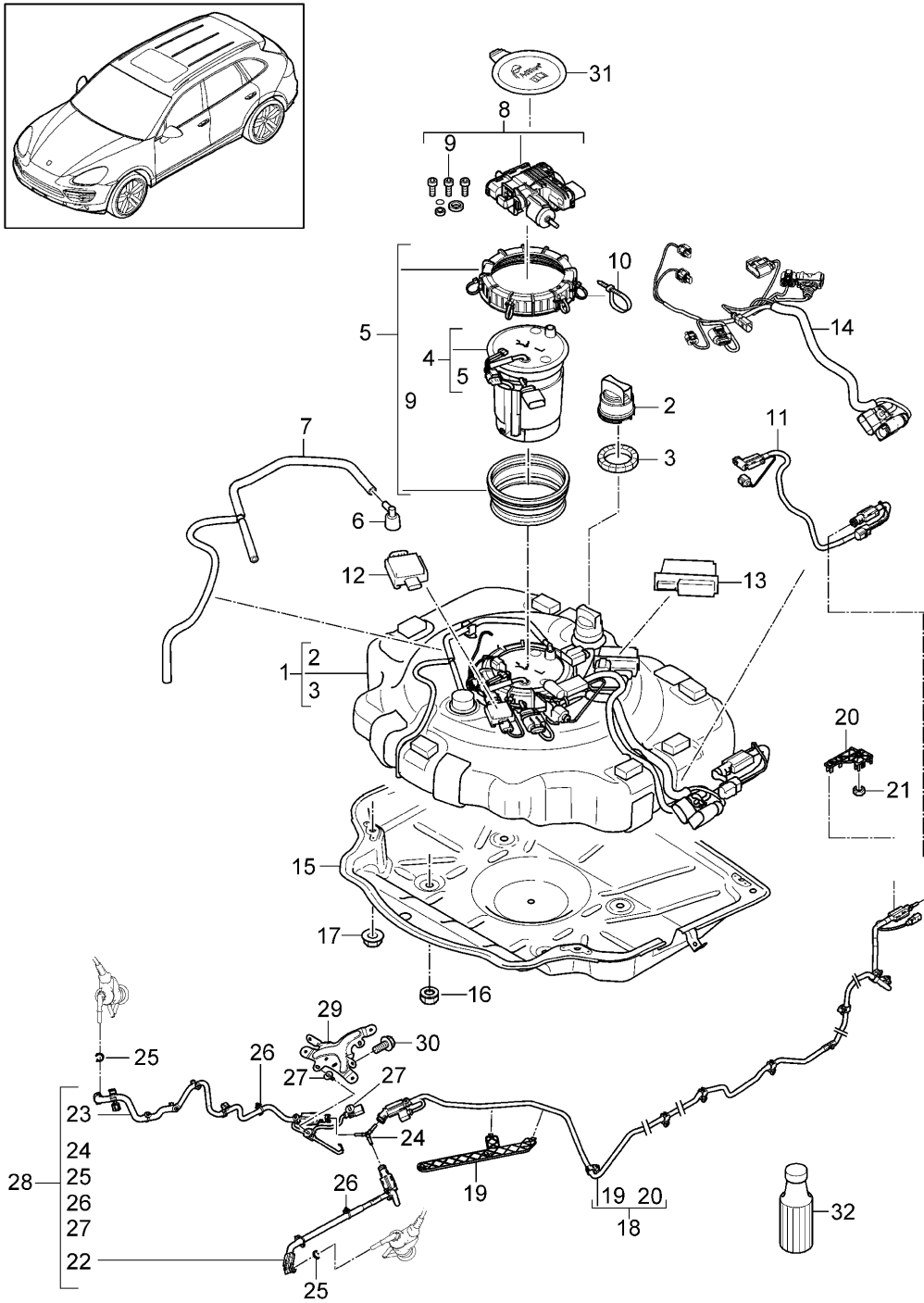
Model life 2011>>2018

| Pos  | Part Number    | Description   | Remark                              | Qty | Model |
|------|----------------|---|-------------------------------------|-----|-------|
| 26   | 958 572 830 00 | Clip  | B12,2X6,2                           | 1   |       |
| 27   | N 103 210 03   | bolt, hexagon head<br>self-locking                    | M6X16                               | 2   |       |
| 28   | 958 113 510 00 | Urea solution AdBlue                                  | 1890 ml                             | 1   |       |
| (28) | 958 113 510 10 | Urea solution AdBlue<br>use only in conjunction with: | 10 Ltr.<br>VAS 6542/1<br>VAG 1383/1 | X   |       |
| (28) | 9A7 052 910 00 | Urea solution AdBlue                                  | 200ltr.                             | X   |       |



Model: 92A 11

Model life 2011>>2018



Model: 92A 11 Model life 2011>>2018

| Pos | Part Number    | Description   | Remark | Qty              | Model      |
|-----|----------------|---|--------|------------------|------------|
| 1   | 958 113 078 21 | Emission control container  |        | 1                | PR:DD8,7MM |
| 2   | 958 113 380 00 | Urea solution AdBlue End cap  |        | 1                |            |
| 3   | WHT 004 793    | seal ring   |        | 1                |            |
| 4   | 958 113 901 01 | repair set heater unit  |        | 1                |            |
| (4) | 958 113 901 02 | No longer use the part here repair set heater unit                              |        | 1                |            |
| 5   | 958 113 902 00 | repair set catch heater unit  |        | 1                |            |
| 6   | 958 201 485 00 | ventilation union   |        | 1                |            |
| 7   |                | Breather line Not available To Use container Urea solution AdBlue               |        | 1                |            |
| 8   | 958 113 903 00 | repair set Pump Urea solution AdBlue  |        | 1                |            |
| 9   | 958 113 904 00 | Gasket set Pump comprising: Seal O-ring Washer Socket head bolt                 |        | 1<br>1<br>1<br>3 |            |
| 10  | 958 612 650 00 | Cable ties with: Fixing   |        | 1                |            |
| 11  | 958 113 783 00 | Line Urea solution AdBlue   |        | 1                |            |
| 12  | 958 606 651 00 | Control unit  |        | 1                |            |
| 13  | 958 610 629 00 | Control unit for reduction agent metering system                                |        | 1                |            |
| 14  | 958 612 819 10 | Wire set container  |        | 1                |            |
| 15  | 958 113 778 20 | Retaining plate   |        | 1                |            |
| 16  | N 905 708 02   | hex. nut with washer M 6  |        | 4                |            |
| 17  | N 106 092 01   | Hexagon collar nut M 8  |        | 5                |            |
| 18  | 958 113 784 40 | Line Urea solution AdBlue   |        | 1                |            |
| 19  | 958 113 713 30 | Line holder   |        | 1                |            |
| 20  | 958 113 713 20 | Line holder   |        | 1                |            |
| 21  | N 904 953 01   | Hexagon nut D 5   |        | 1                |            |
| 22  | 958 113 911 00 | Line Urea solution AdBlue part number Not available To Use POS.28               | left   | 1                |            |
| 23  | 958 113 912 00 | No longer use the part here Line Urea solution AdBlue part number Not available | right  | 1                |            |

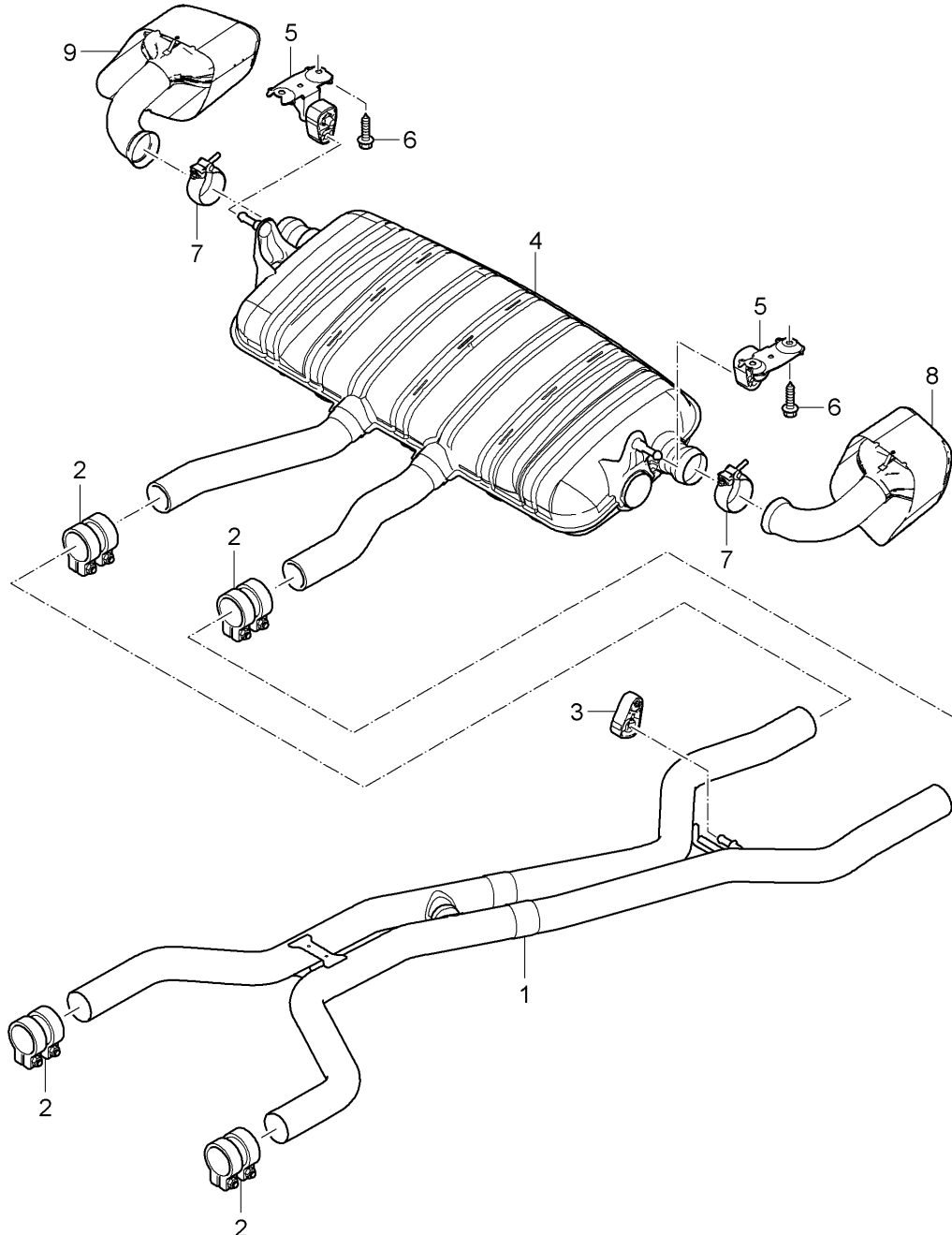
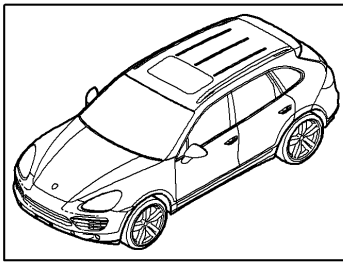
Model: 92A 11

Model life 2011>>2018

| Pos  | Part Number    | Description   | Remark | Qty | Model |
|------|----------------|---|--------|-----|-------|
|      |                | To<br>Use<br>POS.28<br>No longer use the part here  |        |     |       |
| 24   | 958 113 557 00 | Junction  |        | 1   |       |
| 25   | 958 113 845 20 | Clip<br>Line  |        | 2   |       |
| 26   | 955 606 838 00 | Urea solution AdBlue<br>Cable ties<br>4,6 X 200   |        | 9   |       |
| 27   | 958 572 830 00 | Clip<br>B 12,2 X 6,2  |        | 2   |       |
| 28   | 958 113 959 00 | Line<br>(complete)  |        | 1   |       |
| 29   | 958 113 561 10 | Line holder<br>Urea solution AdBlue   |        | 1   |       |
| 30   | N 103 210 03   | bolt, hexagon head<br>self-locking<br>M 6 X 16  |        | 2   |       |
| 31   | 958 612 708 30 | Bungs<br>Luggage compartment liner  |        | 1   |       |
| 32   | 958 113 510 00 | Urea solution AdBlue<br>Container<br>1890 ML  |        | 1   |       |
| (32) | 958 113 510 10 | Urea solution AdBlue<br>Container<br>10 LITER<br>Only<br>To<br>Use                                  |        | X   |       |
|      |                | with:   |        |     |       |
| (32) | 9A7 052 910 00 | Special tools<br>VAS 6542/1<br>and<br>VAG 1383/1<br>Urea solution AdBlue<br>Container<br>200 litres |        | X   |       |

Model: 92A 11

Model life 2011>>2018



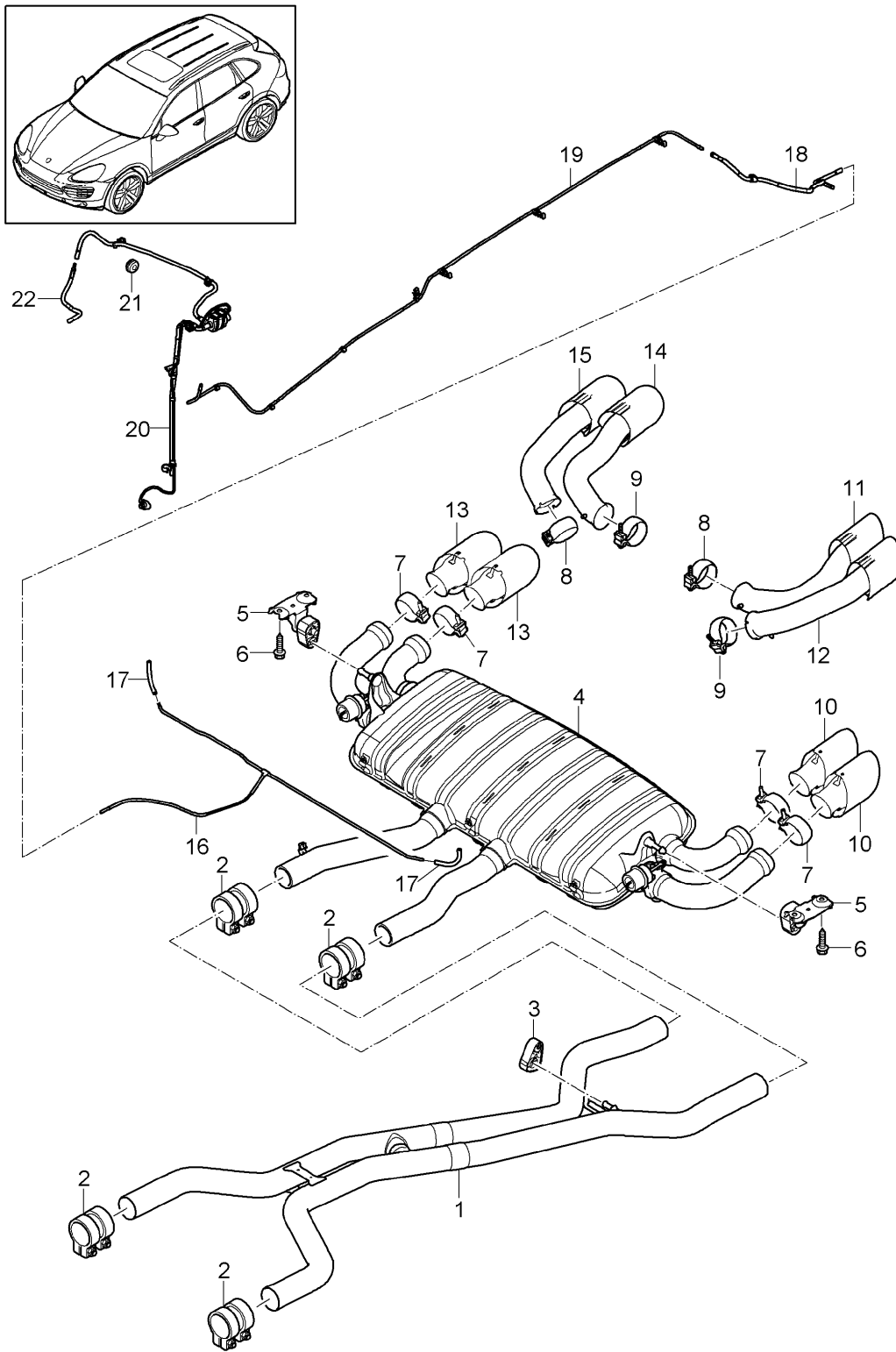
Model: 92A 11

Model life 2011>>2018

| Pos | Part Number    | Description                    | Remark | Qty | Model              |
|-----|----------------|--------------------------------|--------|-----|--------------------|
|     |                | exhaust system                 |        |     | PR:D6V,0P0,<br>0P3 |
|     |                | Front silencer                 |        |     |                    |
|     |                | Rear silencer                  |        |     |                    |
|     |                | Tailpipe                       |        |     |                    |
| 1   | 958 111 913 10 | Front silencer                 |        | 1   |                    |
| 2   | 958 111 220 00 | Clamping sleeve                |        | 4   |                    |
| 3   | 958 111 151 00 | Bracket                        |        | 1   |                    |
| 4   | 958 111 910 10 | Rear silencer                  |        | 1   |                    |
|     |                | Discontinued part              |        |     |                    |
| (4) | 958 111 910 11 | Rear silencer                  |        | 1   |                    |
| 5   | 958 111 150 00 | bracket - rear exhaust muffler |        | 2   |                    |
|     |                | with:                          |        |     |                    |
|     |                | Rubber                         |        |     |                    |
| 6   | N 909 210 02   | Hexagon bolt                   |        | 4   |                    |
|     |                | M 8 X 22                       |        |     |                    |
| 7   | 958 111 240 00 | clamp                          |        | 2   |                    |
| 8   | 958 111 251 00 | Tailpipe                       | left   | 1   | PR:0P0             |
| (8) | 958 111 251 40 | Tailpipe                       | left   | 1   | PR:0P3             |
| 9   | 958 111 252 00 | Tailpipe                       | right  | 1   | PR:0P0             |
| (9) | 958 111 252 40 | Tailpipe                       | right  | 1   | PR:0P3             |

Model: 92A 11

Model life 2011>>2018



Model: 92A 11 Model life 2011>>2018

| Pos  | Part Number    | Description  | Remark         | Qty | Model                  |
|------|----------------|--|----------------|-----|------------------------|
|      |                | exhaust system<br>Sport version<br>Front silencer<br>Rear silencer<br>Tailpipe |                |     | PR:D6V,D34,<br>0P8,0P9 |
| 1    | 958 111 913 10 | Front silencer   |                | 1   | PR:D6V                 |
| (1)  | 958 111 913 00 | Front silencer   |                | 1   | PR:D34                 |
| 2    | 958 111 220 00 | Clamping sleeve  |                | 4   | PR:D6V                 |
| (2)  | 958 111 220 20 | Clamping sleeve  |                | 4   | PR:D34                 |
| 3    | 958 111 151 00 | Bracket  |                | 1   |                        |
| 4    | 958 111 910 30 | Rear silencer<br>Discontinued part   |                | 1   | PR:D6V                 |
| (4)  | 958 111 910 31 | Rear silencer<br>Discontinued part   |                | 1   | PR:D6V                 |
| (4)  | 958 111 910 32 | Rear silencer  |                | 1   | PR:D6V                 |
| (4)  | 958 111 910 60 | Rear silencer<br>D >> - MJ 2013  |                | 1   | PR:D34                 |
| (4)  | 958 111 910 61 | Rear silencer<br>D - MJ 2014>> - MJ 2014                                       |                | 1   | PR:D34                 |
| (4)  | 958 111 912 20 | Rear silencer<br>D - MJ 2015>>   |                | 1   | PR:D34                 |
| 5    | 958 111 150 00 | bracket - rear exhaust muffler<br>with:<br>Rubber<br>D >> - MJ 2014            |                | 2   | PR:D34                 |
| (5)  | 958 111 150 10 | bracket - rear exhaust muffler<br>with:<br>Rubber<br>D - MJ 2015>>             |                | 2   | PR:D34                 |
| (5)  | 958 111 150 10 | bracket - rear exhaust muffler<br>with:<br>Rubber<br>D - MJ 2015>>             |                | 2   | PR:D6V                 |
| 6    | N 909 210 02   | Hexagon bolt<br>M 8 X 22   |                | 4   |                        |
| 7    | 958 111 240 00 | clamp<br>D >> - MJ 2014  |                | 4   |                        |
| 8    | 955 111 108 70 | clamp  | left<br>inner  | 1   | PR:D34                 |
| (8)  | 955 111 108 70 | D - MJ 2015>><br>clamp   | right<br>outer | 1   | PR:D34                 |
| 9    | 955 111 108 50 | D - MJ 2015>><br>clamp   | left<br>outer  | 1   | PR:D34                 |
| (9)  | 955 111 108 50 | D - MJ 2015>><br>clamp   | right<br>inner | 1   | PR:D34                 |
| 10   | 958 111 251 30 | D - MJ 2015>><br>Tailpipe  | left           | 2   | PR:0P8                 |
| (10) | 958 111 251 80 | D >> - MJ 2014<br>Tailpipe   | left           | 2   | PR:0P9                 |
| 11   | 958 111 251 51 | D >> - MJ 2014<br>Tailpipe   | left<br>inner  | 1   | PR:D34,0P8             |
| (11) | 958 111 251 52 | D - MJ 2015>><br>Tailpipe  | left<br>inner  | 1   | PR:D34,0P9             |
| 12   | 958 111 251 61 | D - MJ 2015>><br>Tailpipe  | left<br>outer  | 1   | PR:D34,0P8             |
| (12) | 958 111 251 62 | D - MJ 2015>><br>Tailpipe  | left<br>outer  | 1   | PR:D34,0P9             |

Model: 92A 11 Model life 2011>>2018

| Pos  | Part Number    | Description   | Remark         | Qty | Model      |
|------|----------------|---|----------------|-----|------------|
| 13   | 958 111 252 30 | D - MJ 2015>><br>Tailpipe   | right          | 2   | PR:0P8     |
| (13) | 958 111 252 80 | D >> - MJ 2014<br>Tailpipe  | right          | 2   | PR:0P9     |
| 14   | 958 111 252 51 | D >> - MJ 2014<br>Tailpipe  | right<br>inner | 1   | PR:D34,0P8 |
| (14) | 958 111 252 52 | D - MJ 2015>><br>Tailpipe   | right<br>inner | 1   | PR:D34,0P9 |
| 15   | 958 111 252 61 | D - MJ 2015>><br>Tailpipe   | right<br>outer | 1   | PR:D34,0P8 |
| (15) | 958 111 252 62 | D - MJ 2015>><br>Tailpipe   | right<br>outer | 1   | PR:D34,0P9 |
| 16   | 958 111 160 40 | D - MJ 2015>><br>Control line<br>(complete)   |                | 1   |            |
| 17   | 958 111 709 00 | Vacuum hose   |                | 2   |            |
| 18   | 958 111 160 30 | Vacuum line   |                | 1   |            |
| (18) | 958 111 160 31 | Rear axle<br>Discontinued part<br>Vacuum line   |                | 1   |            |
| 19   | 958 111 160 20 | Rear axle<br>Vacuum line  |                | 1   |            |
| 20   | 958 111 160 10 | Sill<br>Vacuum line   |                | 1   |            |
| (20) | 958 111 160 11 | Wheel housing<br>Discontinued part<br>Vacuum line   |                | 1   | PR:D34     |
| (20) | 958 111 160 11 | Wheel housing<br>D >> - MJ 2014<br>Vacuum line  |                | 1   | PR:D6V,E0A |
| (20) | 958 111 160 60 | Wheel housing<br>Vacuum line  |                | 1   | PR:D6V,E0W |
| (20) | 958 111 162 00 | Wheel housing<br>Vacuum line  |                | 1   | PR:D34     |
| (20) | 958 111 160 90 | D - MJ 2015>><br>Vacuum line  |                | 1   | PR:D34     |
| (20) | 958 111 160 91 | Connecting line<br>Wheel housing<br>Engine bay<br>D - MJ 2015>><br>Discontinued part<br>Vacuum line |                | 1   | PR:D34     |
| 21   | WHT 007 767    | Connecting line<br>Wheel housing<br>Engine bay<br>D - MJ 2015>><br>Rubber grommet<br>10 X 6         |                | 1   | PR:D34     |
| 22   | 958 111 160 02 | Connection point<br>Connecting line<br>Wheel housing<br>Engine bay<br>D - MJ 2015>><br>Vacuum line  |                | 1   | PR:D6V,E0A |
| (22) | 958 111 160 70 | Engine bay<br>Vacuum line   |                | 1   | PR:D6V,E0W |
| (22) | 958 111 160 50 | Engine bay<br>Vacuum line   |                | 1   | PR:D34     |



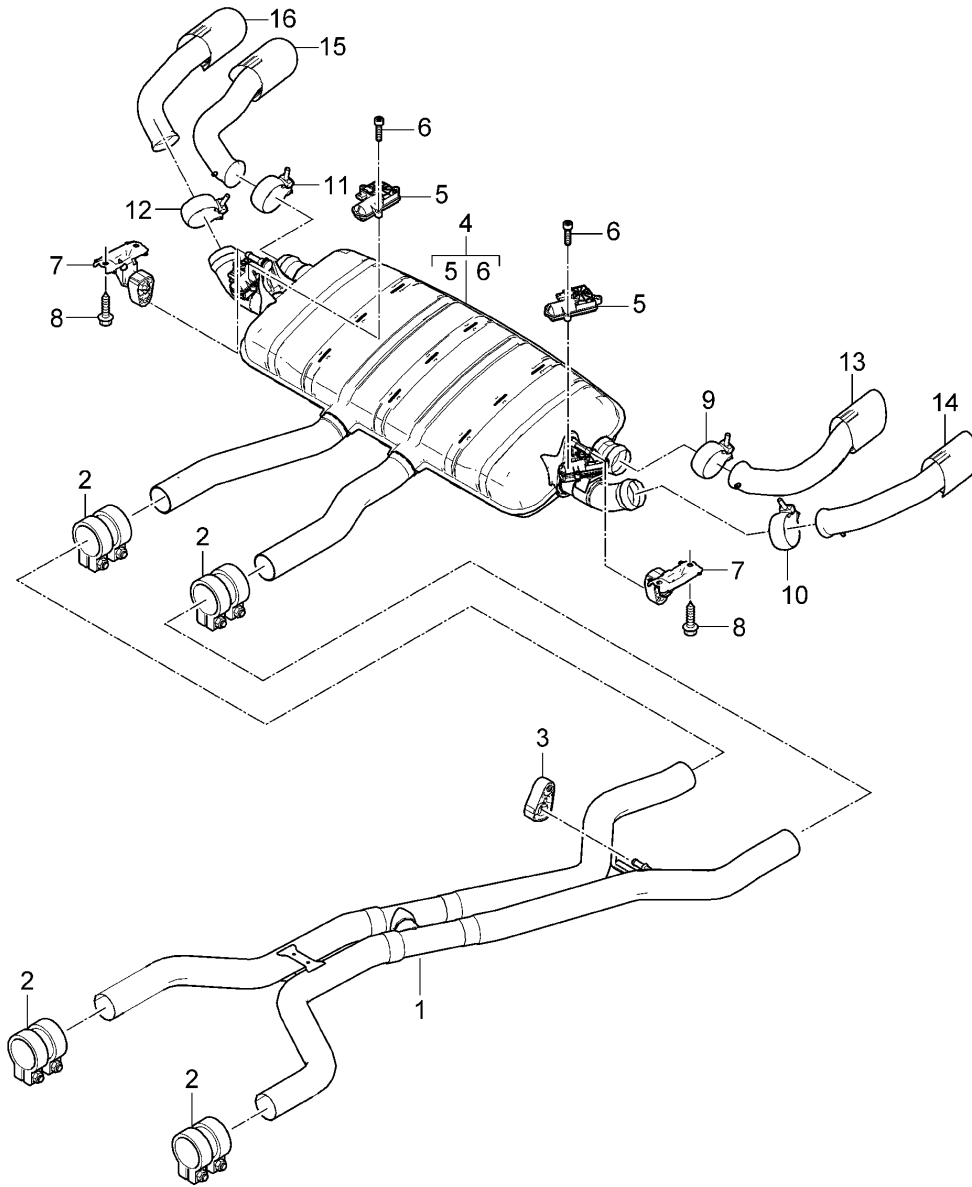
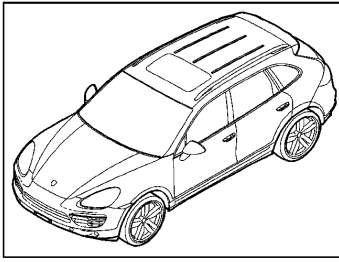
Model: 92A 11

Model life 2011>>2018

| Pos  | Part Number    | Description  | Remark | Qty | Model  |
|------|----------------|--|--------|-----|--------|
| (22) | 958 111 160 80 | Engine bay<br>D >> - MJ 2014<br>Vacuum line<br>Engine bay<br>D - MJ 2015>> |        | 1   | PR:D34 |

Model: 92A 11

Model life 2011>>2018



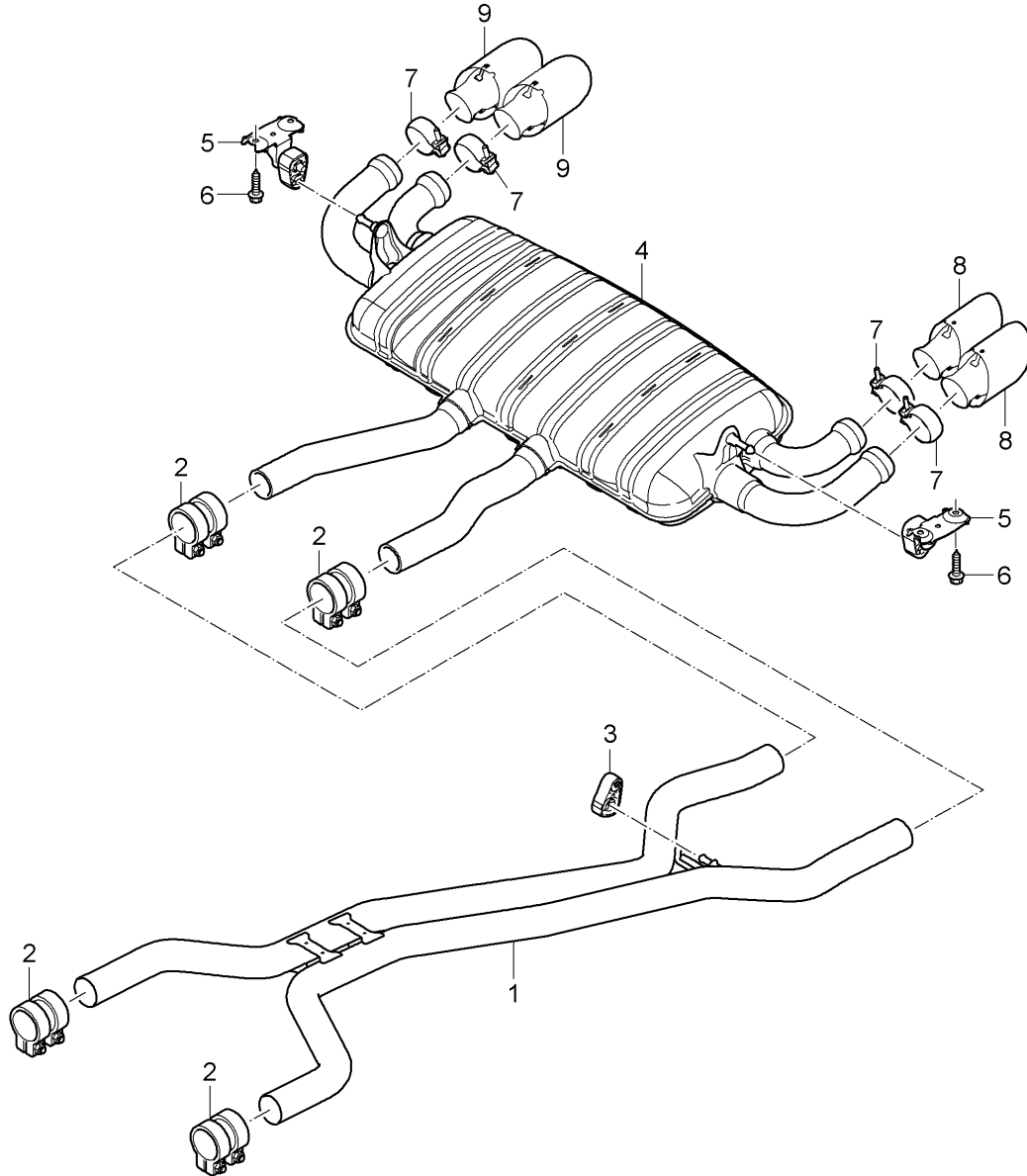
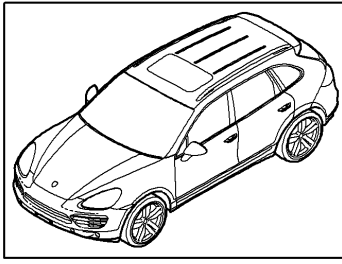
Model: 92A 11

Model life 2011>>2018

| Pos  | Part Number    | Description  | Remark         | Qty | Model                              |
|------|----------------|--|----------------|-----|------------------------------------|
|      |                | exhaust system<br>Sport version<br>Front silencer<br>Rear silencer<br>Tailpipe |                |     | PR:DU2,DU3,<br>DT1,DT5,0P8,<br>0P9 |
| 1    | 958 111 903 21 | Front silencer   |                | 1   | PR:DU2,DU3                         |
| (1)  | 958 111 913 20 | Front silencer   |                | 1   | PR:DT1,DT5                         |
| 2    | 958 111 220 10 | Clamping sleeve  |                | 4   |                                    |
| 3    | 958 111 151 00 | Bracket  |                | 1   |                                    |
| 4    | 958 111 912 00 | Rear silencer  |                | 1   | PR:DU2,DU3                         |
| (4)  | 958 111 912 10 | Rear silencer  |                | 1   | PR:DT1,DT5                         |
| 5    | PAB 133 246 A  | Servomotor for exhaust flap  |                | 2   |                                    |
| 6    | N 106 706 01   | Hexagon socket head<br>bolt  | M5X20          | 6   |                                    |
| 7    | 958 111 150 10 | bracket - rear exhaust muffler   |                | 2   |                                    |
| 8    | N 909 210 02   | Hexagon bolt   | M8X22          | 4   |                                    |
| 9    | 955 111 108 70 | clamp  | left<br>inner  | 1   |                                    |
| 10   | 955 111 108 50 | clamp  | left<br>outer  | 1   |                                    |
| 11   | 955 111 108 50 | clamp  | right<br>inner | 1   |                                    |
| 12   | 955 111 108 70 | clamp  | right<br>outer | 1   |                                    |
| 13   | 958 111 251 51 | Tailpipe   | left<br>inner  | 1   | PR:0P8                             |
| (13) | 958 111 251 52 | Tailpipe   | left<br>inner  | 1   | PR:0P9                             |
| 14   | 958 111 251 61 | Tailpipe   | left<br>outer  | 1   | PR:0P8                             |
| (14) | 958 111 251 62 | Tailpipe   | left<br>outer  | 1   | PR:0P9                             |
| 15   | 958 111 252 51 | Tailpipe   | right<br>inner | 1   | PR:0P8                             |
| (15) | 958 111 252 52 | Tailpipe   | right<br>inner | 1   | PR:0P9                             |
| 16   | 958 111 252 61 | Tailpipe   | right<br>outer | 1   | PR:0P8                             |
| (16) | 958 111 252 62 | Tailpipe   | right<br>outer | 1   | PR:0P9                             |

Model: 92A 11

Model life 2011>>2018



Model: 92A 11 Model life 2011>>2018

| Pos | Part Number    | Description                             | Remark         | Qty | Model                              |
|-----|----------------|---|----------------|-----|------------------------------------|
|     |                | exhaust system                          |                |     | PR:D58,DT1,<br>DT5,0P0,0P3,<br>0P6 |
|     |                | Front silencer                          |                |     |                                    |
|     |                | Rear silencer                           |                |     |                                    |
|     |                | Tailpipe                                |                |     |                                    |
| 1   | 958 111 913 20 | Front silencer                          |                | 1   |                                    |
| 2   | 958 111 220 10 | Clamping sleeve                         |                | 4   |                                    |
| 3   | 958 111 151 00 | Bracket                                 |                | 1   |                                    |
| 4   | 958 111 910 20 | Rear silencer                           |                | 1   |                                    |
|     |                | Discontinued part                       |                |     |                                    |
| (4) | 958 111 910 21 | Rear silencer                           |                | 1   |                                    |
|     |                | Discontinued part                       |                |     |                                    |
| (4) | 958 111 910 22 | Rear silencer                           |                | 1   |                                    |
|     |                | D >> - MJ 2014                          |                |     |                                    |
| (4) | 958 111 910 23 | Rear silencer                           |                | 1   |                                    |
|     |                | D - MJ 2015>>                           |                |     |                                    |
| 5   | 958 111 150 00 | bracket - rear exhaust muffler<br>with: |                | 2   |                                    |
|     |                | Rubber                                  |                |     |                                    |
|     |                | D >> - MJ 2014                          |                |     |                                    |
| (5) | 958 111 150 10 | bracket - rear exhaust muffler<br>with: |                | 2   |                                    |
|     |                | Rubber                                  |                |     |                                    |
|     |                | D - MJ 2015>>                           |                |     |                                    |
| 6   | N 909 210 02   | Hexagon bolt<br>M 8 X 22                |                | 4   |                                    |
| 7   | 958 111 240 00 | clamp                                   |                | 4   |                                    |
|     |                | D >> - MJ 2014                          |                |     |                                    |
| (7) | 955 111 108 70 | clamp                                   | left<br>inner  | 1   |                                    |
|     |                | D - MJ 2015>>                           |                |     |                                    |
| (7) | 955 111 108 50 | clamp                                   | left<br>outer  | 1   |                                    |
|     |                | D - MJ 2015>>                           |                |     |                                    |
| (7) | 955 111 108 50 | clamp                                   | right<br>inner | 1   |                                    |
|     |                | D - MJ 2015>>                           |                |     |                                    |
| (7) | 955 111 108 70 | clamp                                   | right<br>outer | 1   |                                    |
|     |                | D - MJ 2015>>                           |                |     |                                    |
| 8   | 958 111 251 20 | Tailpipe                                | left           | 2   | PR:0P0                             |
|     |                | D >> - MJ 2014                          |                |     |                                    |
| (8) | 958 111 251 22 | Tailpipe                                | left<br>outer  | 1   | PR:0P0                             |
|     |                | D - MJ 2015>>                           |                |     |                                    |
| (8) | 958 111 251 50 | Tailpipe                                | left<br>inner  | 1   | PR:0P3                             |
|     |                | D >> - MJ 2014                          |                |     |                                    |
| (8) | 958 111 251 51 | Tailpipe                                | left<br>inner  | 1   | PR:0P3                             |
|     |                | D - MJ 2015>>                           |                |     |                                    |
| (8) | 958 111 251 52 | Tailpipe                                | left<br>inner  | 1   | PR:0P6                             |
|     |                | D - MJ 2015>>                           |                |     |                                    |
| (8) | 958 111 251 21 | Tailpipe                                | left<br>inner  | 1   | PR:0P0                             |
|     |                | D - MJ 2015>>                           |                |     |                                    |
| (8) | 958 111 251 60 | Tailpipe                                | left<br>outer  | 1   | PR:0P3                             |
|     |                | D >> - MJ 2014                          |                |     |                                    |
| (8) | 958 111 251 61 | Tailpipe                                | left<br>outer  | 1   | PR:0P3                             |
|     |                | D - MJ 2015>>                           |                |     |                                    |
| (8) | 958 111 251 62 | Tailpipe                                | left           | 1   | PR:0P6                             |

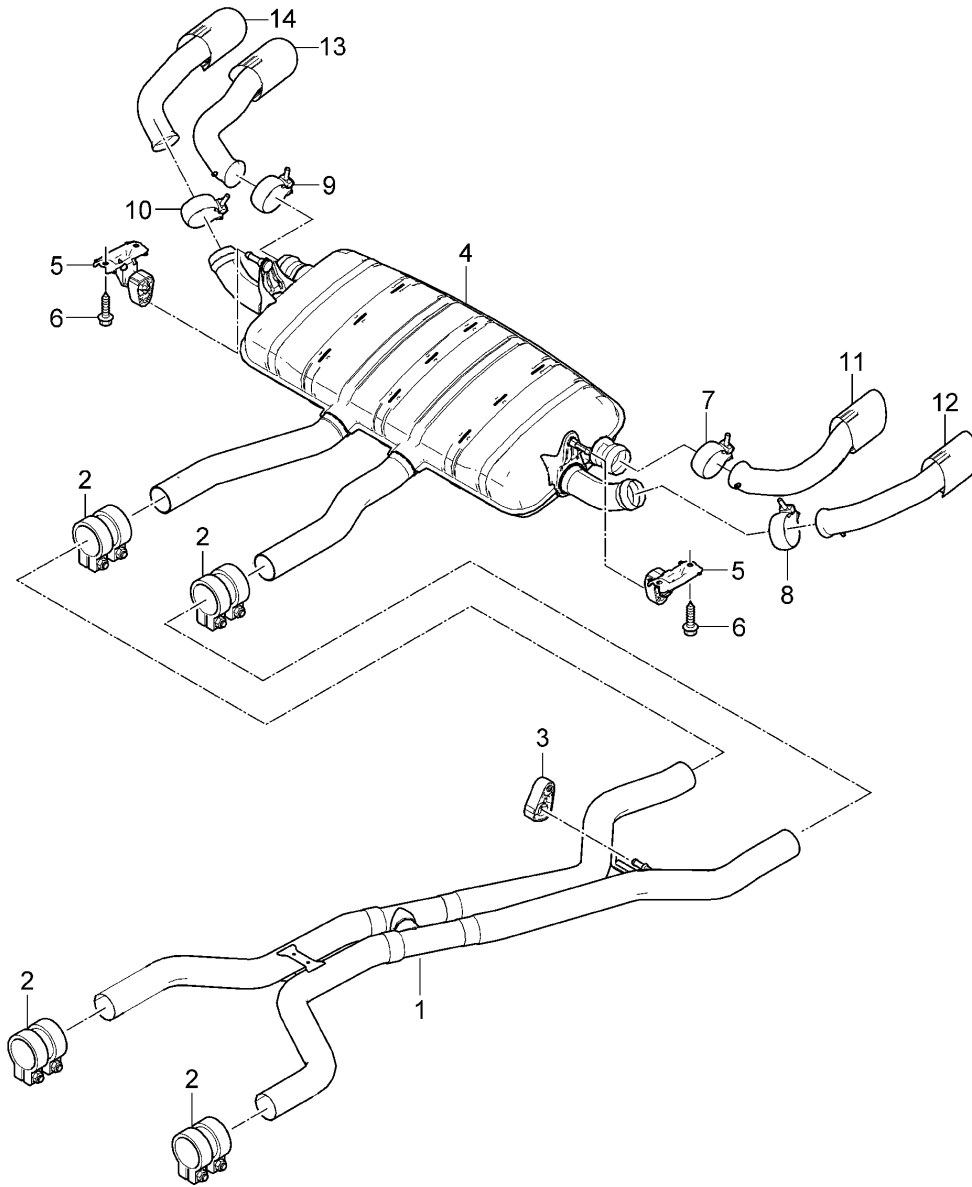
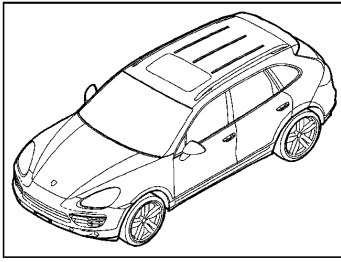
Model: 92A 11

Model life 2011>>2018

| Pos | Part Number    | Description                | Remark         | Qty | Model  |
|-----|----------------|----------------------------|----------------|-----|--------|
| 9   | 958 111 252 20 | D - MJ 2015>><br>Tailpipe  | outer<br>right | 2   | PR:0P0 |
| (9) | 958 111 252 22 | D >> - MJ 2014<br>Tailpipe | right<br>outer | 1   | PR:0P0 |
| (9) | 958 111 252 50 | D - MJ 2015>><br>Tailpipe  | right<br>inner | 1   | PR:0P3 |
| (9) | 958 111 252 51 | D >> - MJ 2014<br>Tailpipe | right<br>inner | 1   | PR:0P3 |
| (9) | 958 111 252 52 | D - MJ 2015>><br>Tailpipe  | right<br>inner | 1   | PR:0P6 |
| (9) | 958 111 252 21 | D - MJ 2015>><br>Tailpipe  | right<br>inner | 1   | PR:0P0 |
| (9) | 958 111 252 60 | D - MJ 2015>><br>Tailpipe  | right<br>outer | 1   | PR:0P3 |
| (9) | 958 111 252 61 | D >> - MJ 2014<br>Tailpipe | right<br>outer | 1   | PR:0P3 |
| (9) | 958 111 252 62 | D - MJ 2015>><br>Tailpipe  | right<br>outer | 1   | PR:0P6 |
|     |                | D - MJ 2015>>              |                |     |        |

Model: 92A 11

Model life 2011>>2018



Model: 92A 11

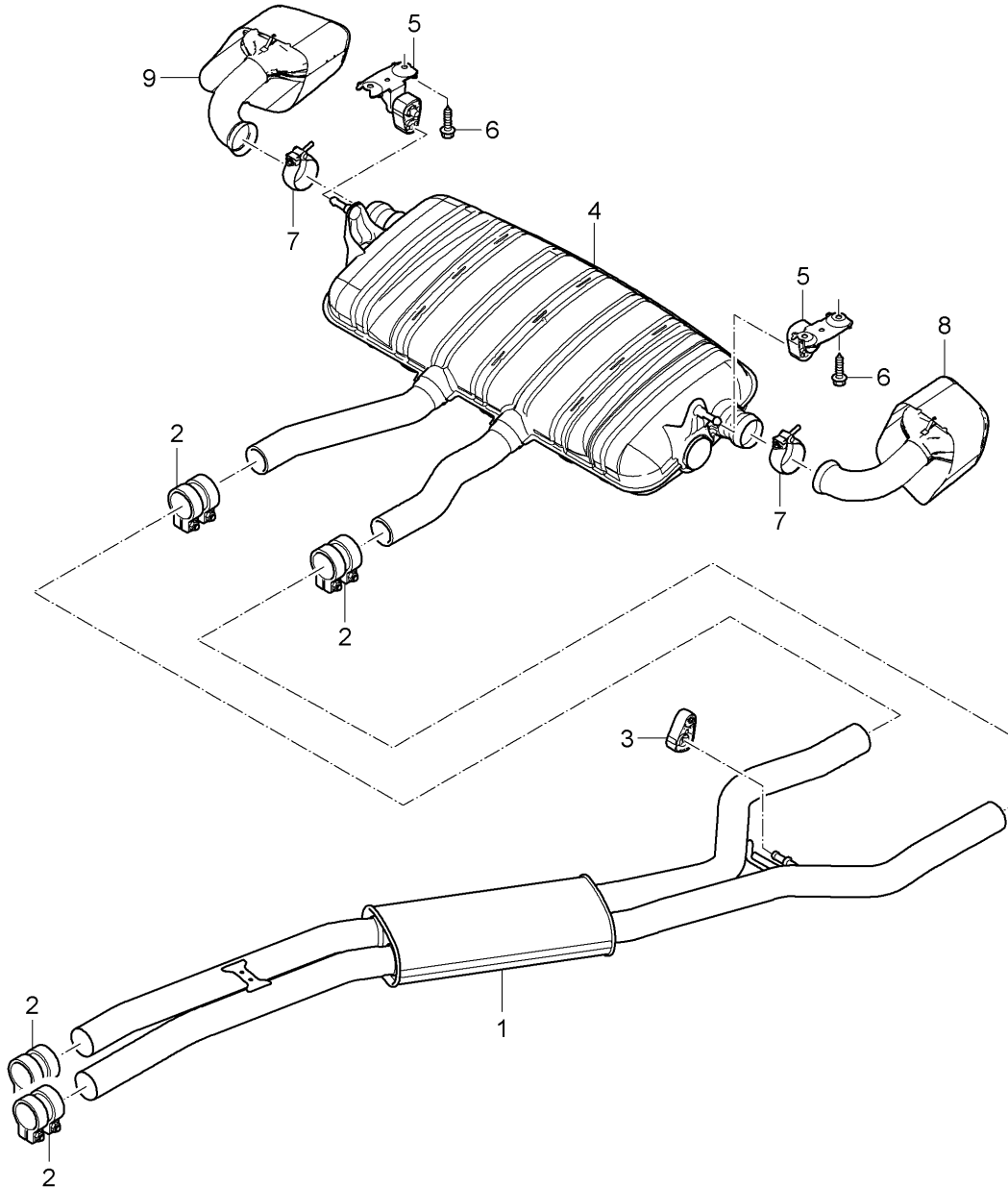
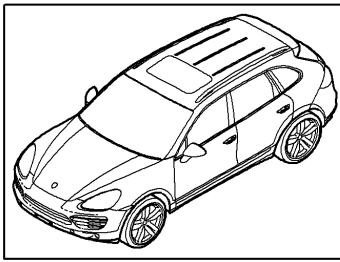
Model life 2011>>2018

| Pos  | Part Number    | Description                             | Remark | Qty | Model                  |
|------|----------------|---|--------|-----|------------------------|
|      |                | exhaust system                          |        |     | PR:DU2,0P0,<br>0P3,0P6 |
|      |                | Front silencer                          |        |     |                        |
|      |                | Rear silencer                           |        |     |                        |
|      |                | Tailpipe                                |        |     |                        |
| 1    | 958 111 903 21 | Front silencer                          |        | 1   |                        |
| 2    | 958 111 220 10 | Clamping sleeve                         |        | 4   |                        |
| 3    | 958 111 151 00 | Bracket                                 |        | 1   |                        |
| 4    | 958 111 910 23 | Rear silencer                           |        | 1   |                        |
| 5    | 958 111 150 10 | bracket - rear exhaust muffler<br>with: |        | 2   |                        |
|      |                | Rubber                                  |        |     |                        |
| 6    | N 909 210 02   | Hexagon bolt<br>M 8 X 22                |        | 4   |                        |
| 7    | 955 111 108 70 | clamp                                   | left   | 1   |                        |
|      |                |   | inner  |     |                        |
| 8    | 955 111 108 50 | clamp                                   | left   | 1   |                        |
|      |                |   | outer  |     |                        |
| 9    | 955 111 108 50 | clamp                                   | right  | 1   |                        |
|      |                |   | inner  |     |                        |
| 10   | 955 111 108 70 | clamp                                   | right  | 1   |                        |
|      |                |   | outer  |     |                        |
| 11   | 958 111 251 14 | Tailpipe                                | left   | 1   | PR:0P0                 |
|      |                |   | inner  |     |                        |
| (11) | 958 111 251 51 | Tailpipe                                | left   | 1   | PR:0P3                 |
|      |                |   | inner  |     |                        |
| (11) | 958 111 251 52 | Tailpipe                                | left   | 1   | PR:0P6                 |
|      |                |   | inner  |     |                        |
| 12   | 958 111 251 15 | Tailpipe                                | left   | 1   | PR:0P0                 |
|      |                |   | outer  |     |                        |
| (12) | 958 111 251 61 | Tailpipe                                | left   | 1   | PR:0P3                 |
|      |                |   | outer  |     |                        |
| (12) | 958 111 251 62 | Tailpipe                                | left   | 1   | PR:0P6                 |
|      |                |   | outer  |     |                        |
| 13   | 958 111 252 14 | Tailpipe                                | right  | 1   | PR:0P0                 |
|      |                |   | inner  |     |                        |
| (13) | 958 111 252 51 | Tailpipe                                | right  | 1   | PR:0P3                 |
|      |                |   | inner  |     |                        |
| (13) | 958 111 252 52 | Tailpipe                                | right  | 1   | PR:0P6                 |
|      |                |   | inner  |     |                        |
| 14   | 958 111 252 15 | Tailpipe                                | right  | 1   | PR:0P0                 |
|      |                |   | outer  |     |                        |
| (14) | 958 111 252 61 | Tailpipe                                | right  | 1   | PR:0P3                 |
|      |                |   | outer  |     |                        |
| (14) | 958 111 252 62 | Tailpipe                                | right  | 1   | PR:0P6                 |
|      |                |   | outer  |     |                        |



Model: 92A 11

Model life 2011>>2018

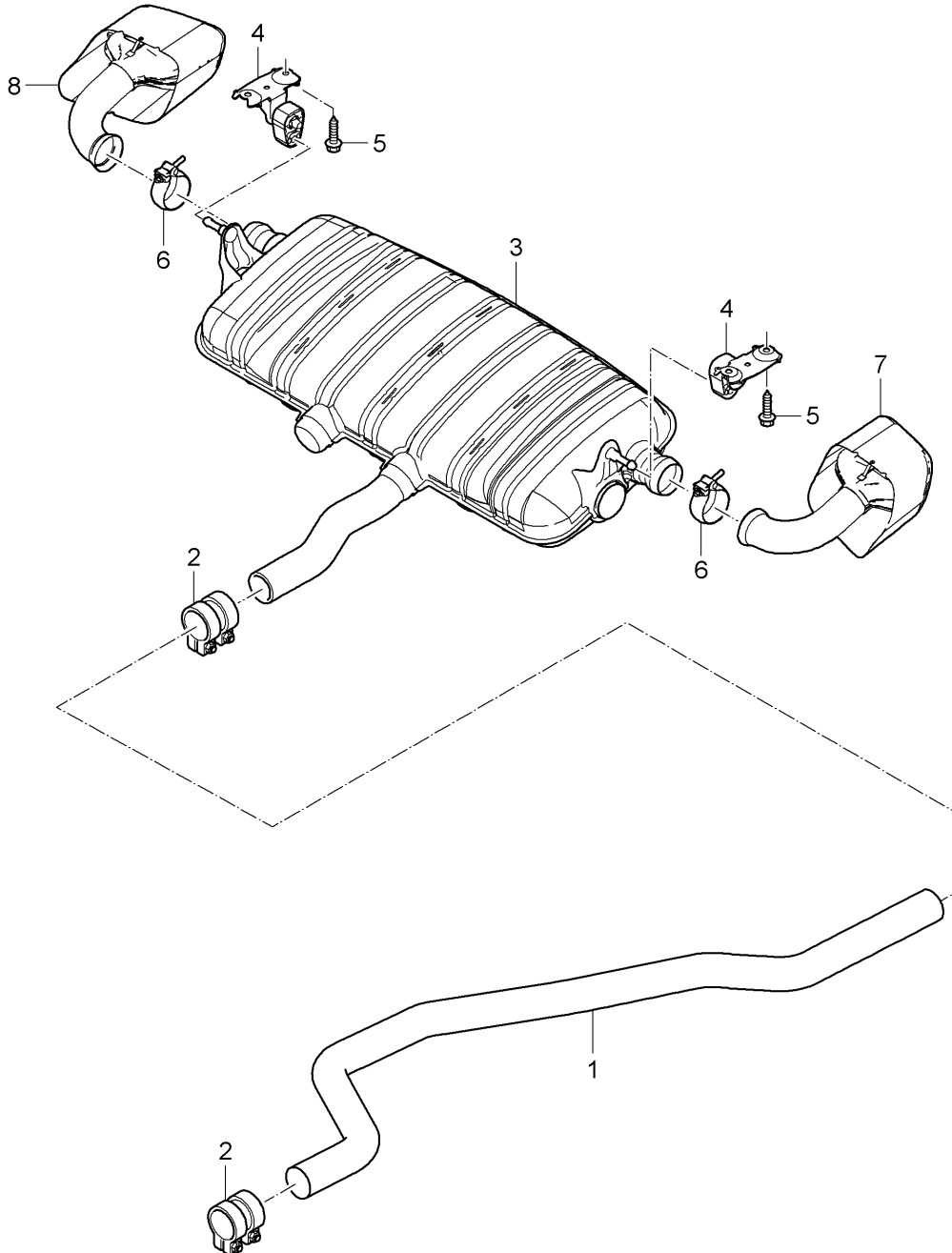
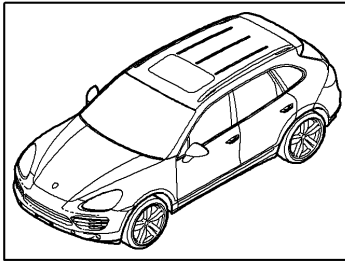


Model: 92A 11 Model life 2011>>2018

| Pos | Part Number    | Description                             | Remark | Qty | Model                  |
|-----|----------------|---|--------|-----|------------------------|
|     |                | exhaust system                          |        |     | PR:D34,0P0,<br>0P3,0P6 |
|     |                | Front silencer                          |        |     |                        |
|     |                | Rear silencer                           |        |     |                        |
|     |                | Tailpipe                                |        |     |                        |
| 1   | 958 111 913 00 | Front silencer                          |        | 1   |                        |
| 2   | 958 111 220 20 | Clamping sleeve                         |        | 4   |                        |
| 3   | 958 111 151 00 | Bracket                                 |        | 1   |                        |
| 4   | 958 111 910 00 | Rear silencer                           |        | 1   |                        |
|     |                | D >> - MJ 2014                          |        |     |                        |
| (4) | 958 111 910 05 | Rear silencer                           |        | 1   |                        |
|     |                | D - MJ 2015>>                           |        |     |                        |
| 5   | 958 111 150 00 | bracket - rear exhaust muffler<br>with: |        | 2   |                        |
|     |                | Rubber                                  |        |     |                        |
|     |                | D >> - MJ 2014                          |        |     |                        |
| (5) | 958 111 150 10 | bracket - rear exhaust muffler<br>with: |        | 2   |                        |
|     |                | Rubber                                  |        |     |                        |
|     |                | D - MJ 2015>>                           |        |     |                        |
| 6   | N 909 210 02   | Hexagon bolt<br>M 8 X 22                |        | 4   |                        |
| 7   | 958 111 240 00 | clamp                                   |        | 2   |                        |
|     |                | D >> - MJ 2014                          |        |     |                        |
| (7) | 955 111 108 50 | clamp                                   | left   | 1   |                        |
|     |                | D - MJ 2015>>                           |        |     |                        |
| (7) | 955 111 108 70 | clamp                                   | right  | 1   |                        |
|     |                | D - MJ 2015>>                           |        |     |                        |
| 8   | 958 111 251 00 | Tailpipe                                | left   | 1   | PR:0P0                 |
|     |                | D >> - MJ 2014                          |        |     |                        |
| (8) | 958 111 251 11 | Tailpipe                                | left   | 1   | PR:0P0                 |
|     |                | D - MJ 2015>>                           |        |     |                        |
| (8) | 958 111 251 40 | Tailpipe                                | left   | 1   | PR:0P3                 |
|     |                | D >> - MJ 2014                          |        |     |                        |
| (8) | 958 111 251 13 | Tailpipe                                | left   | 1   | PR:0P3                 |
|     |                | D - MJ 2015>>                           |        |     |                        |
| (8) | 958 111 251 12 | Tailpipe                                | left   | 1   | PR:0P6                 |
|     |                | D - MJ 2015>>                           |        |     |                        |
| 9   | 958 111 252 00 | Tailpipe                                | right  | 1   | PR:0P0                 |
|     |                | D >> - MJ 2014                          |        |     |                        |
| (9) | 958 111 252 11 | Tailpipe                                | right  | 1   | PR:0P0                 |
|     |                | D - MJ 2015>>                           |        |     |                        |
| (9) | 958 111 252 40 | Tailpipe                                | right  | 1   | PR:0P3                 |
|     |                | D >> - MJ 2014                          |        |     |                        |
| (9) | 958 111 252 13 | Tailpipe                                | right  | 1   | PR:0P3                 |
|     |                | D - MJ 2015>>                           |        |     |                        |
| (9) | 958 111 252 12 | Tailpipe                                | right  | 1   | PR:0P6                 |
|     |                | D - MJ 2015>>                           |        |     |                        |

Model: 92A 11

Model life 2011>>2018



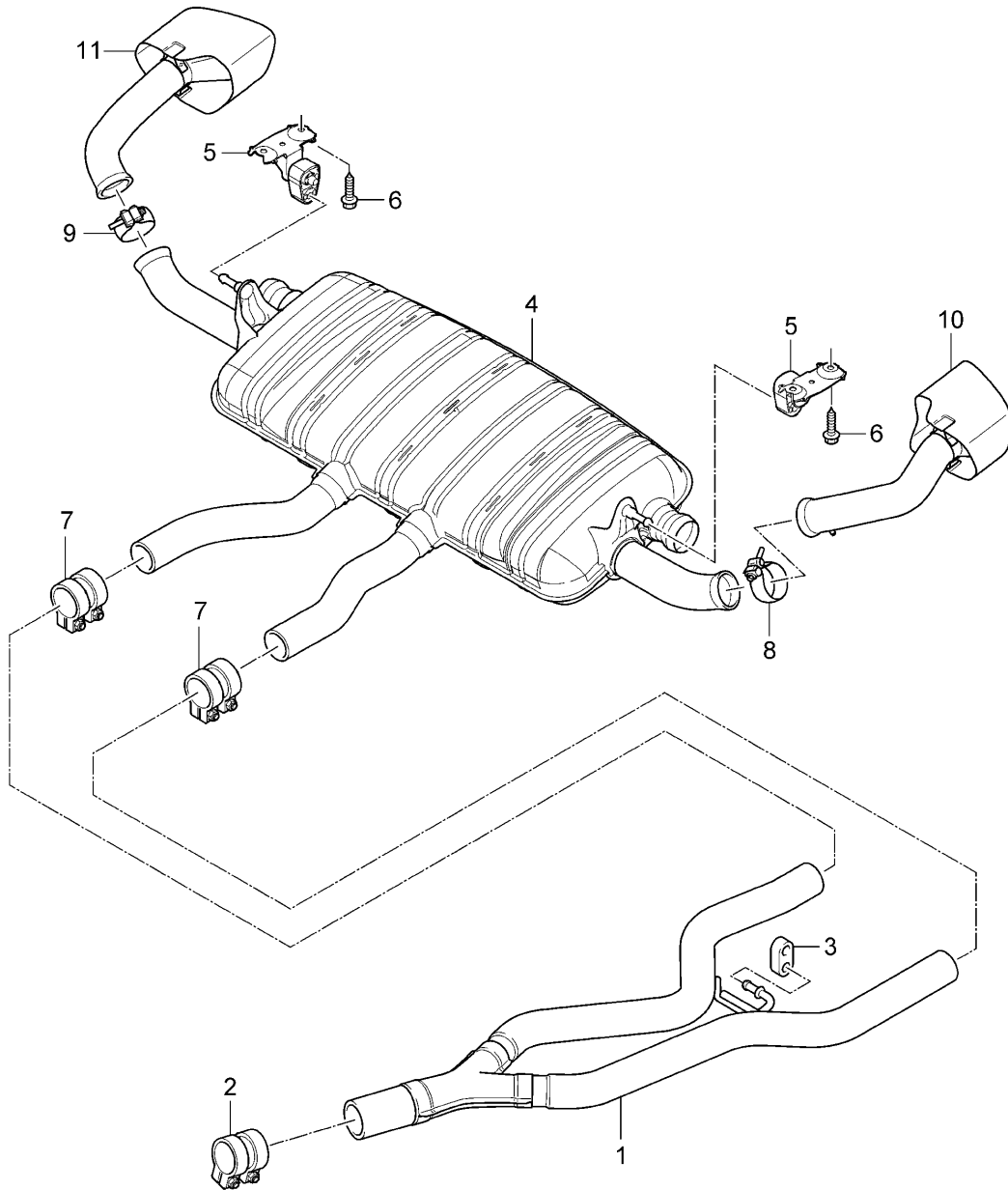
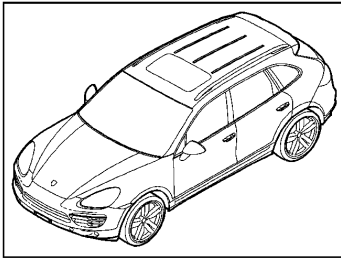
Model: 92A 11

Model life 2011>>2018

| Pos | Part Number    | Description   | Remark | Qty | Model                      |
|-----|----------------|---|--------|-----|----------------------------|
|     |                | exhaust system<br>Exhaust pipe<br>Rear silencer<br>Tailpipe<br>D >> - MJ 2014 |        |     | PR:D50,D43,<br>D1V,0P0,0P3 |
| 1   | 958 111 903 10 | Exhaust pipe  |        | 1   |                            |
| 2   | 958 111 220 10 | Clamping sleeve   |        | 2   |                            |
| 3   | 958 111 910 50 | Rear silencer   |        | 1   |                            |
| 4   | 958 111 150 00 | bracket - rear exhaust muffler<br>with:                                       |        | 2   |                            |
| 5   | N 909 210 02   | Rubber<br>Hexagon bolt<br>M 8 X 22  |        | 4   |                            |
| 6   | 958 111 240 00 | clamp   |        | 2   |                            |
| 7   | 958 111 251 10 | Tailpipe  | left   | 1   | PR:0P0                     |
| (7) | 958 111 251 70 | Tailpipe  | left   | 1   | PR:0P3                     |
| 8   | 958 111 252 10 | Tailpipe  | right  | 1   | PR:0P0                     |
| (8) | 958 111 252 70 | Tailpipe  | right  | 1   | PR:0P3                     |

Model: 92A 11

Model life 2011>>2018



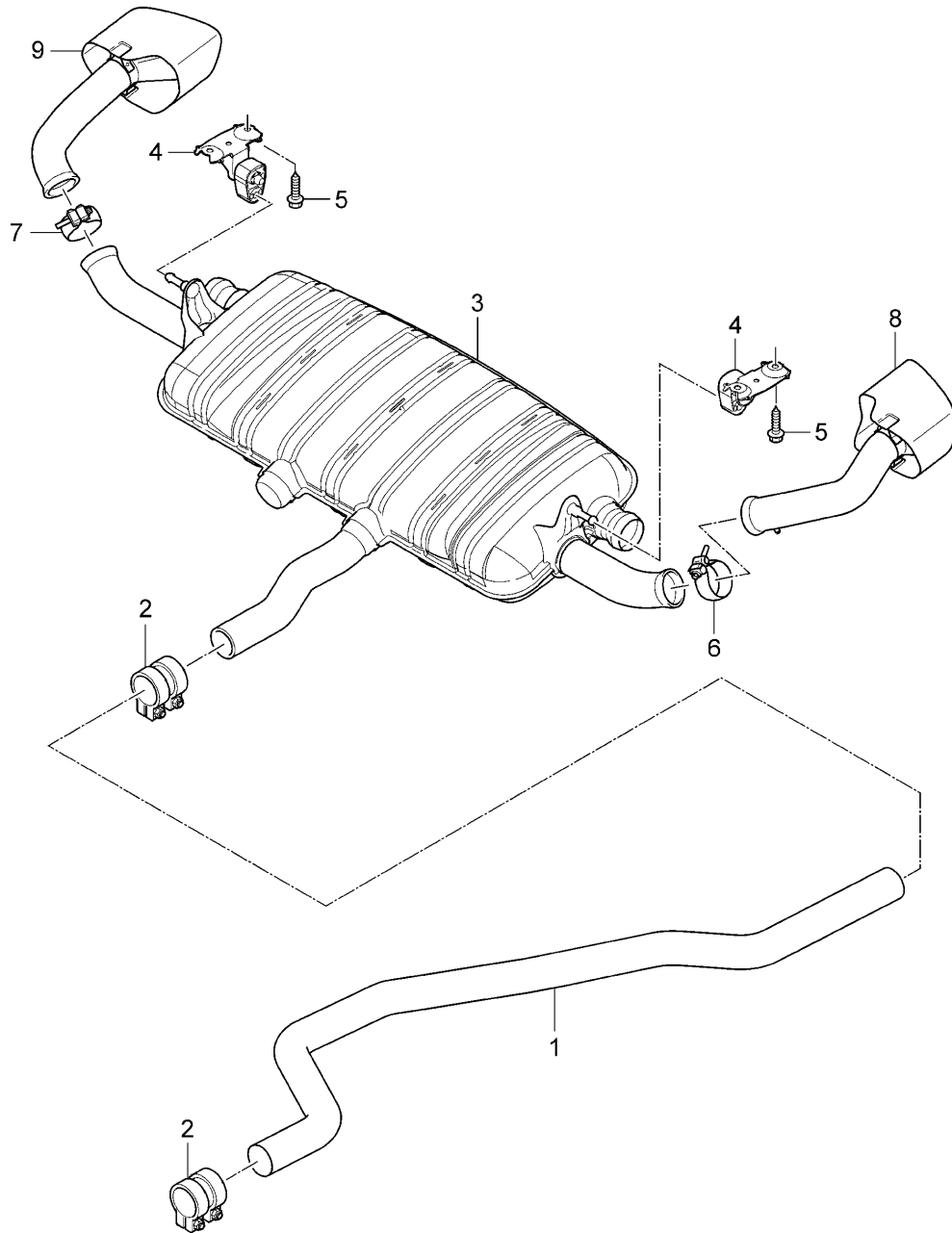
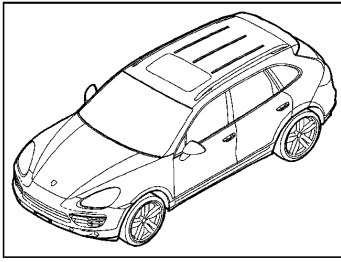
Model: 92A 11

Model life 2011>>2018

| Pos  | Part Number    | Description                    | Remark | Qty | Model        |
|------|----------------|--------------------------------|--------|-----|--------------|
|      |                | exhaust system                 |        |     | PR:DV7,D51,  |
|      |                | Exhaust pipe                   |        |     | D1V,0P0,0P3, |
|      |                | Rear silencer                  |        |     | 0P6          |
|      |                | Tailpipe                       |        |     |              |
|      |                | D - MJ 2015>>                  |        |     |              |
| 1    | 958 111 903 20 | Exhaust pipe                   |        | 1   |              |
| 2    | 958 111 220 10 | Clamping sleeve                |        | 1   |              |
| 3    | 958 111 151 00 | Bracket                        |        | 1   |              |
| 4    | 958 111 910 91 | Rear silencer                  |        | 1   |              |
| 5    | 958 111 150 00 | bracket - rear exhaust muffler |        | 2   |              |
|      |                | with:                          |        |     |              |
|      |                | Rubber                         |        |     |              |
| 6    | N 909 210 02   | Hexagon bolt                   |        | 4   |              |
|      |                | M 8 X 22                       |        |     |              |
| 7    | 958 111 220 20 | Clamping sleeve                |        | 2   |              |
| 8    | 955 111 108 50 | clamp                          | left   | 1   |              |
| 9    | 955 111 108 70 | clamp                          | right  | 1   |              |
| 10   | 958 111 251 11 | Tailpipe                       | left   | 1   | PR:0P0       |
| (10) | 958 111 251 12 | Tailpipe                       | left   | 1   | PR:0P6       |
| (10) | 958 111 251 13 | Tailpipe                       | left   | 1   | PR:0P3       |
| 11   | 958 111 252 11 | Tailpipe                       | right  | 1   | PR:0P0       |
| (11) | 958 111 252 12 | Tailpipe                       | right  | 1   | PR:0P6       |
| (11) | 958 111 252 13 | Tailpipe                       | right  | 1   | PR:0P3       |

Model: 92A 11

Model life 2011>>2018



Model: 92A 11

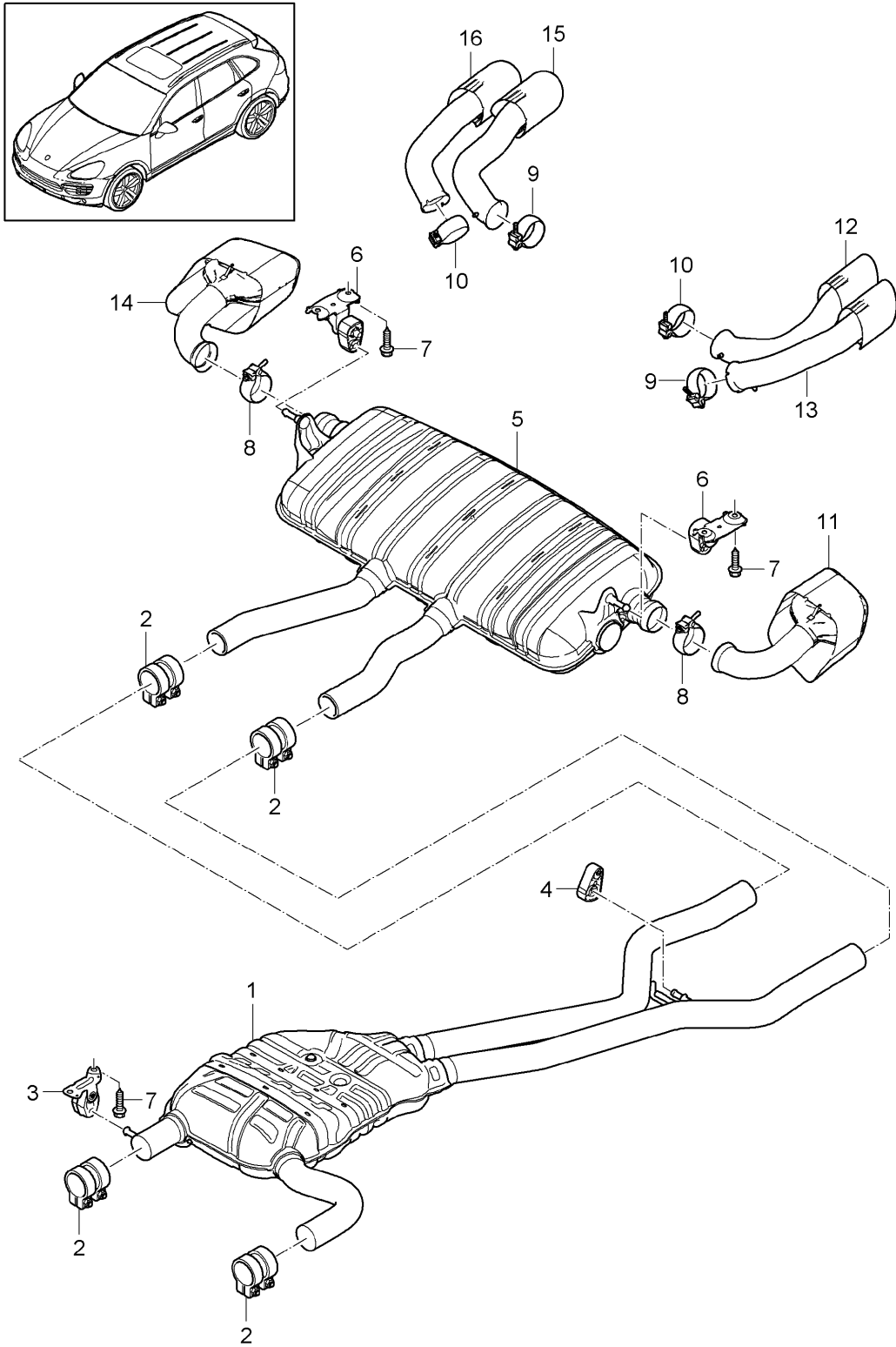
Model life 2011>>2018

| Pos | Part Number    | Description                             | Remark | Qty | Model                  |
|-----|----------------|---|--------|-----|------------------------|
|     |                | exhaust system                          |        |     | PR:D43,0P0,<br>0P3,0P6 |
|     |                | Exhaust pipe                            |        |     |                        |
|     |                | Rear silencer                           |        |     |                        |
|     |                | Tailpipe                                |        |     |                        |
|     |                | D - MJ 2015>>                           |        |     |                        |
| 1   | 958 111 903 10 | Exhaust pipe                            |        | 1   |                        |
| 2   | 958 111 220 10 | Clamping sleeve                         |        | 2   |                        |
| 3   | 958 111 910 51 | Rear silencer                           |        | 1   |                        |
| 4   | 958 111 150 10 | bracket - rear exhaust muffler<br>with: |        | 2   |                        |
|     |                | Rubber                                  |        |     |                        |
| 5   | N 909 210 02   | Hexagon bolt<br>M 8 X 22                |        | 4   |                        |
| 6   | 955 111 108 50 | clamp                                   | left   | 1   |                        |
| 7   | 955 111 108 70 | clamp                                   | right  | 1   |                        |
| 8   | 958 111 251 11 | Tailpipe                                | left   | 1   | PR:0P0                 |
| (8) | 958 111 251 12 | Tailpipe                                | left   | 1   | PR:0P6                 |
| (8) | 958 111 251 13 | Tailpipe                                | left   | 1   | PR:0P3                 |
| 9   | 958 111 252 11 | Tailpipe                                | right  | 1   | PR:0P0                 |
| (9) | 958 111 252 12 | Tailpipe                                | right  | 1   | PR:0P6                 |
| (9) | 958 111 252 13 | Tailpipe                                | right  | 1   | PR:0P3                 |



Model: 92A 11

Model life 2011>>2018



Model: 92A 11 Model life 2011>>2018

| Pos | Part Number    | Description  | Remark | Qty | Model                      |
|-----|----------------|--|--------|-----|----------------------------|
|     |                | exhaust system<br>Front silencer<br>Rear silencer<br>Tailpipe              |        |     | PR:D19,D11,<br>0P0,0P3,0P6 |
| 1   | 958 111 913 50 | Front silencer<br>No longer use the part here                              |        | 1   | PR:D19                     |
| (1) | 958 111 913 51 | Front silencer<br>D >> - MJ 2014   |        | 1   | PR:D19                     |
| (1) | 958 111 913 61 | Front silencer<br>D - MJ 2015>>  |        | 1   | PR:D19                     |
| (1) | 958 111 913 50 | Front silencer<br>D >> - MJ 2011<br>No longer use the part here            |        | 1   | PR:D11<br>"CN."            |
| (1) | 958 111 913 51 | Front silencer<br>D >> - MJ 2011   |        | 1   | PR:D11<br>"CN."            |
| (1) | 958 111 913 60 | Front silencer<br>D - MJ 2012>><br>No longer use the part here             |        | 1   | PR:D11<br>"CN."            |
| (1) | 958 111 913 61 | Front silencer<br>D - MJ 2012>>  |        | 1   | PR:D11                     |
| 2   | 958 111 220 00 | Clamping sleeve<br>60  |        | 4   |                            |
| (2) | 958 111 220 10 | Clamping sleeve<br>Rear silencer<br>No longer use the part here            |        | 2   |                            |
| 3   | 958 111 152 20 | Bracket<br>with:<br>Rubber   |        | 1   | PR:D19                     |
| (3) | 958 111 152 30 | D >> - MJ 2014<br>Bracket<br>with:<br>Rubber                               |        | 1   | PR:D19                     |
| (3) | 958 111 150 20 | D - MJ 2015>><br>No longer use the part here<br>Bracket<br>with:<br>Rubber |        | 1   | PR:D19                     |
| (3) | 958 111 152 20 | D - MJ 2015>><br>Bracket<br>with:<br>Rubber                                |        | 1   | PR:D11<br>"CN."            |
| (3) | 958 111 152 30 | D >> - MJ 2011<br>Bracket<br>with:<br>Rubber                               |        | 1   | PR:D11<br>"CN."            |
| (3) | 958 111 150 20 | D - MJ 2012>> - MJ 2014<br>Bracket<br>with:<br>Rubber                      |        | 1   | PR:D11                     |
| 4   | 958 111 151 00 | D - MJ 2015>><br>Bracket   |        | 1   |                            |
| 5   | 958 111 910 40 | Rear silencer<br>No longer use the part here                               |        | 1   | PR:D19                     |
| (5) | 958 111 910 41 | Rear silencer<br>D >> - MJ 2014  |        | 1   | PR:D19                     |
| (5) | 958 111 910 42 | Rear silencer<br>D - MJ 2015>>   |        | 1   | PR:D19                     |
| (5) | 958 111 910 40 | Rear silencer<br>No longer use the part here                               |        | 1   | PR:D11<br>"CN."            |
| (5) | 958 111 910 41 | Rear silencer<br>D >> - MJ 2011  |        | 1   | PR:D11<br>"CN."            |
| (5) | 958 111 910 70 | Rear silencer<br>D - MJ 2012>>   |        | 1   | PR:D11<br>"CN."            |

Model: 92A 11 Model life 2011>>2018

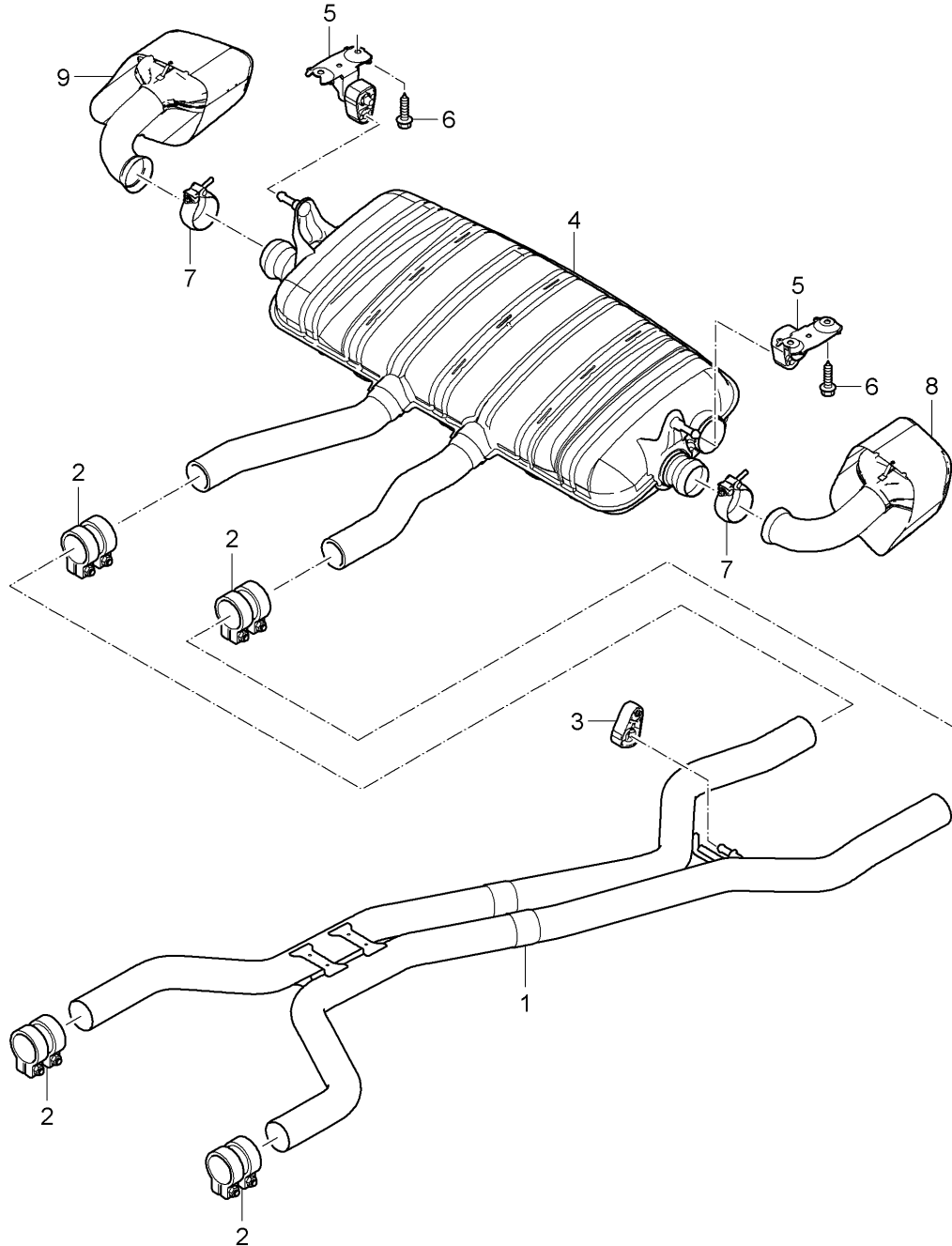
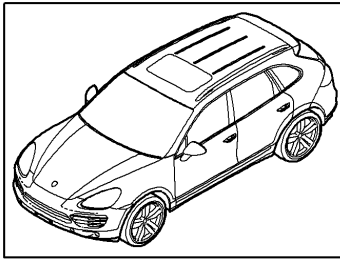
| Pos  | Part Number    | Description   | Remark         | Qty | Model               |
|------|----------------|---|----------------|-----|---------------------|
| (5)  | 958 111 910 71 | No longer use the part here<br>Rear silencer<br>D - MJ 2012>>           |                | 1   | PR:D11<br>"CN."     |
| (5)  | 958 111 910 72 | No longer use the part here<br>Rear silencer<br>D - MJ 2012>> - MJ 2014 |                | 1   | PR:D11<br>"CN."     |
| (5)  | 958 111 910 73 | Rear silencer<br>D - MJ 2015>>  |                | 1   | PR:D11              |
| 6    | 958 111 150 00 | bracket - rear exhaust muffler<br>with:<br>Rubber                       |                | 2   |                     |
| (6)  | 958 111 150 10 | D >> - MJ 2014<br>bracket - rear exhaust muffler<br>with:<br>Rubber     |                | 2   |                     |
| 7    | N 909 210 02   | D - MJ 2015>><br>Hexagon bolt<br>M 8 X 22                               |                | 6   |                     |
| 8    | 958 111 240 00 | clamp<br>D >> - MJ 2014   |                | 2   |                     |
| (8)  | 955 111 108 50 | clamp<br>D - MJ 2015>>  | left           | 1   | PR:D11              |
| (8)  | 955 111 108 70 | clamp<br>D - MJ 2015>>  | right          | 1   | PR:D11              |
| 9    | 955 111 108 50 | clamp<br>D - MJ 2015>>  | left<br>outer  | 1   | PR:D19              |
| (9)  | 955 111 108 50 | clamp<br>D - MJ 2015>>  | right<br>inner | 1   | PR:D19              |
| 10   | 955 111 108 70 | clamp<br>D - MJ 2015>>  | left<br>inner  | 1   | PR:D19              |
| (10) | 955 111 108 70 | clamp<br>D - MJ 2015>>  | right<br>outer | 1   | PR:D19              |
| 11   | 958 111 251 10 | D - MJ 2015>><br>Tailpipe<br>D >> - MJ 2014                             | left           | 1   | PR:D19,0P0          |
| (11) | 958 111 251 70 | Tailpipe<br>D >> - MJ 2014  | left           | 1   | PR:D19,0P3          |
| (11) | 958 111 251 10 | Tailpipe<br>D >> - MJ 2011  | left           | 1   | PR:D11,0P0<br>"CN." |
| (11) | 958 111 251 00 | Tailpipe<br>D - MJ 2012>> - MJ 2014                                     | left           | 1   | PR:D11,0P0<br>"CN." |
| (11) | 958 111 251 11 | Tailpipe<br>D - MJ 2015>>   | left           | 1   | PR:D11,0P0          |
| (11) | 958 111 251 40 | Tailpipe<br>D >> - MJ 2014  | left           | 1   | PR:D11,0P3<br>"CN." |
| (11) | 958 111 251 13 | Tailpipe<br>D - MJ 2015>>   | left           | 1   | PR:D11,0P3          |
| (11) | 958 111 251 12 | Tailpipe<br>D - MJ 2015>>   | left           | 1   | PR:D11,0P6          |
| 12   | 958 111 251 14 | Tailpipe<br>D - MJ 2015>>   | left<br>inner  | 1   | PR:D19,0P0          |
| (12) | 958 111 251 51 | Tailpipe<br>D - MJ 2015>>   | left<br>inner  | 1   | PR:D19,0P3          |
| (12) | 958 111 251 52 | Tailpipe<br>D - MJ 2015>>   | left<br>inner  | 1   | PR:D19,0P6          |
| 13   | 958 111 251 15 | D - MJ 2015>><br>Tailpipe   | left<br>outer  | 1   | PR:D19,0P0          |

Model: 92A 11 Model life 2011>>2018

| Pos  | Part Number    | Description                         | Remark         | Qty | Model               |
|------|----------------|-------------------------------------|----------------|-----|---------------------|
| (13) | 958 111 251 61 | D - MJ 2015>><br>Tailpipe           | left<br>outer  | 1   | PR:D19,0P3          |
| (13) | 958 111 251 62 | D - MJ 2015>><br>Tailpipe           | left<br>outer  | 1   | PR:D19,0P6          |
| 14   | 958 111 252 10 | D - MJ 2015>><br>Tailpipe           | right          | 1   | PR:D19,0P0          |
| (14) | 958 111 252 70 | D >> - MJ 2014<br>Tailpipe          | right          | 1   | PR:D19,0P3          |
| (14) | 958 111 252 10 | D >> - MJ 2014<br>Tailpipe          | right          | 1   | PR:D11,0P0          |
| (14) | 958 111 252 00 | D >> - MJ 2011<br>Tailpipe          | right          | 1   | PR:D11,0P0<br>"CN." |
| (14) | 958 111 252 11 | D - MJ 2012>> - MJ 2014<br>Tailpipe | right          | 1   | PR:D11,0P0<br>"CN." |
| (14) | 958 111 252 40 | D - MJ 2015>><br>Tailpipe           | right          | 1   | PR:D11,0P3<br>"CN." |
| (14) | 958 111 252 13 | D >> - MJ 2014<br>Tailpipe          | right          | 1   | PR:D11,0P3          |
| (14) | 958 111 252 12 | D - MJ 2015>><br>Tailpipe           | right          | 1   | PR:D11,0P6          |
| 15   | 958 111 252 14 | D - MJ 2015>><br>Tailpipe           | right<br>inner | 1   | PR:D19,0P0          |
| (15) | 958 111 252 51 | D - MJ 2015>><br>Tailpipe           | right<br>inner | 1   | PR:D19,0P3          |
| (15) | 958 111 252 52 | D - MJ 2015>><br>Tailpipe           | right<br>inner | 1   | PR:D19,0P6          |
| 16   | 958 111 252 15 | D - MJ 2015>><br>Tailpipe           | right<br>outer | 1   | PR:D19,0P0          |
| (16) | 958 111 252 61 | D - MJ 2015>><br>Tailpipe           | right<br>outer | 1   | PR:D19,0P3          |
| (16) | 958 111 252 62 | D - MJ 2015>><br>Tailpipe           | right<br>outer | 1   | PR:D19,0P6          |
|      |                | D - MJ 2015>>                       |                |     |                     |

Model: 92A 11

Model life 2011>>2018



Model: 92A 11 Model life 2011>>2018

| Pos | Part Number    | Description                             | Remark         | Qty | Model                  |
|-----|----------------|---|----------------|-----|------------------------|
|     |                | exhaust system                          |                |     | PR:DD8,0P0,<br>0P3,0P6 |
|     |                | Front silencer                          |                |     |                        |
|     |                | Rear silencer                           |                |     |                        |
|     |                | Tailpipe                                |                |     |                        |
| 1   | 958 111 913 70 | Front silencer                          |                | 1   |                        |
| 2   | 958 111 220 10 | Clamping sleeve                         |                | 4   |                        |
| 3   | 958 111 151 00 | Bracket                                 |                | 1   |                        |
| 4   | 958 111 910 90 | Rear silencer                           |                | 1   |                        |
|     |                | D >> - MJ 2014                          |                |     |                        |
| (4) | 958 111 910 92 | Rear silencer                           |                | 1   |                        |
|     |                | D - MJ 2015>>                           |                |     |                        |
| 5   | 958 111 150 00 | bracket - rear exhaust muffler<br>with: |                | 2   |                        |
|     |                | Rubber                                  |                |     |                        |
|     |                | D >> - MJ 2014                          |                |     |                        |
| (5) | 958 111 150 10 | bracket - rear exhaust muffler<br>with: |                | 2   |                        |
|     |                | Rubber                                  |                |     |                        |
|     |                | D - MJ 2015>>                           |                |     |                        |
| 6   | N 909 210 02   | Hexagon bolt<br>M 8 X 22                |                | 4   |                        |
| 7   | 958 111 240 00 | clamp                                   |                | 2   |                        |
|     |                | D >> - MJ 2014                          |                |     |                        |
| (7) | 955 111 108 50 | clamp                                   | left<br>outer  | 1   |                        |
|     |                | D - MJ 2015>>                           |                |     |                        |
| (7) | 955 111 108 70 | clamp                                   | left<br>inner  | 1   |                        |
|     |                | D - MJ 2015>>                           |                |     |                        |
| (7) | 955 111 108 50 | clamp                                   | right<br>inner | 1   |                        |
|     |                | D - MJ 2015>>                           |                |     |                        |
| (7) | 955 111 108 70 | clamp                                   | right<br>outer | 1   |                        |
|     |                | D - MJ 2015>>                           |                |     |                        |
| 8   | 958 111 251 10 | Tailpipe                                | left           | 1   | PR:0P0                 |
|     |                | D >> - MJ 2014                          |                |     |                        |
| (8) | 958 111 251 14 | Tailpipe                                | left<br>inner  | 1   | PR:0P0                 |
|     |                | D - MJ 2015>>                           |                |     |                        |
| (8) | 958 111 251 15 | Tailpipe                                | left<br>outer  | 1   | PR:0P0                 |
|     |                | D - MJ 2015>>                           |                |     |                        |
| (8) | 958 111 251 70 | Tailpipe                                | left           | 1   | PR:0P3                 |
|     |                | D >> - MJ 2014                          |                |     |                        |
| (8) | 958 111 251 51 | Tailpipe                                | left<br>inner  | 1   | PR:0P3                 |
|     |                | D - MJ 2015>>                           |                |     |                        |
| (8) | 958 111 251 61 | Tailpipe                                | left<br>outer  | 1   | PR:0P3                 |
|     |                | D - MJ 2015>>                           |                |     |                        |
| (8) | 958 111 251 52 | Tailpipe                                | left<br>inner  | 1   | PR:0P6                 |
|     |                | D - MJ 2015>>                           |                |     |                        |
| (8) | 958 111 251 62 | Tailpipe                                | left<br>outer  | 1   | PR:0P6                 |
|     |                | D - MJ 2015>>                           |                |     |                        |
| 9   | 958 111 252 10 | Tailpipe                                | right          | 1   | PR:0P0                 |
|     |                | D >> - MJ 2014                          |                |     |                        |
| (9) | 958 111 252 14 | Tailpipe                                | right<br>inner | 1   | PR:0P0                 |
|     |                | D - MJ 2015>>                           |                |     |                        |
| (9) | 958 111 252 15 | Tailpipe                                | right          | 1   | PR:0P0                 |

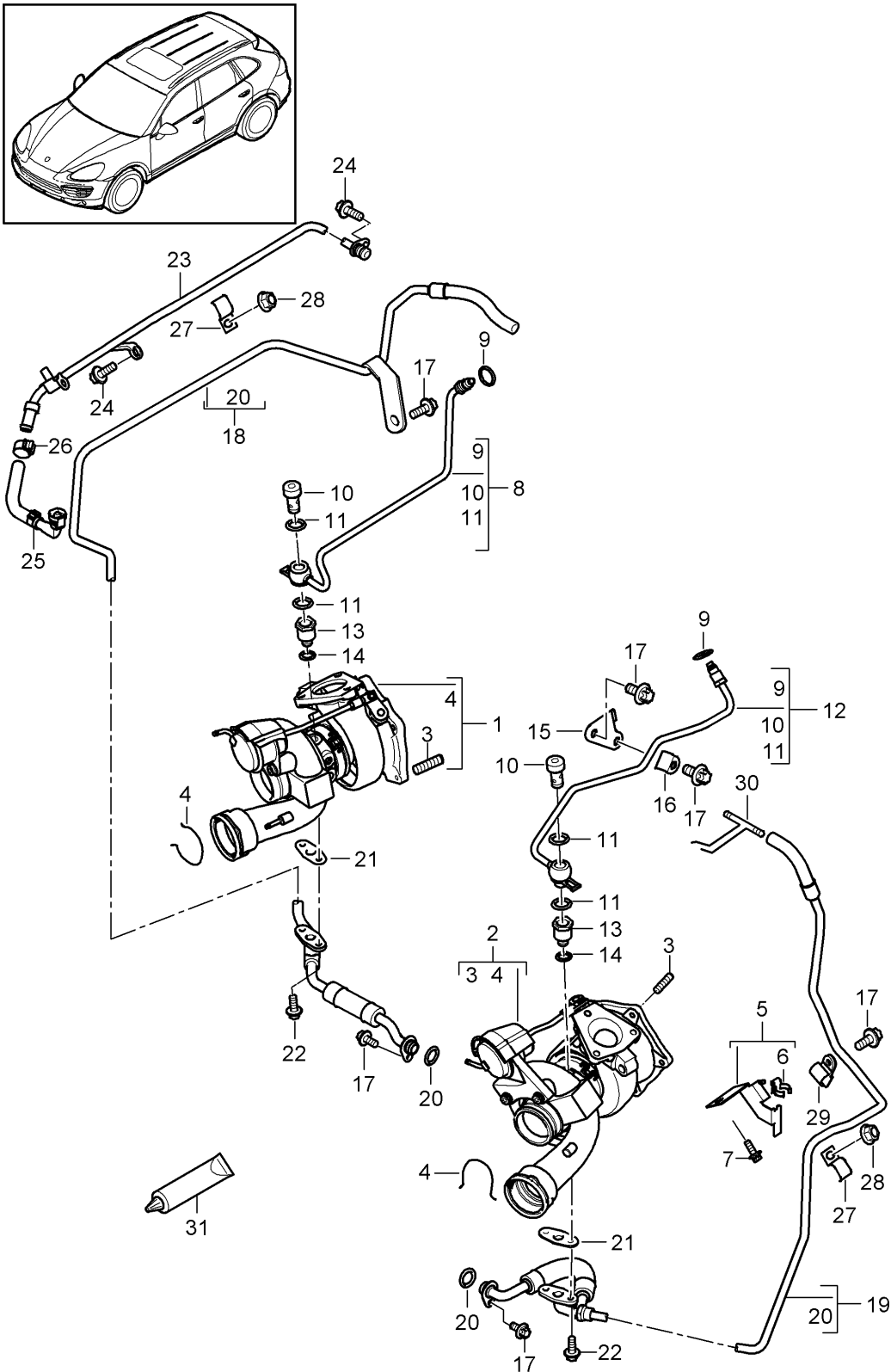
Model: 92A 11

Model life 2011>>2018

| Pos | Part Number    | Description                | Remark         | Qty | Model  |
|-----|----------------|----------------------------|----------------|-----|--------|
| (9) | 958 111 252 70 | D - MJ 2015>><br>Tailpipe  | outer<br>right | 1   | PR:0P3 |
| (9) | 958 111 252 51 | D >> - MJ 2014<br>Tailpipe | right<br>inner | 1   | PR:0P3 |
| (9) | 958 111 252 61 | D - MJ 2015>><br>Tailpipe  | right<br>outer | 1   | PR:0P3 |
| (9) | 958 111 252 52 | D - MJ 2015>><br>Tailpipe  | right<br>inner | 1   | PR:0P6 |
| (9) | 958 111 252 62 | D - MJ 2015>><br>Tailpipe  | right<br>outer | 1   | PR:0P6 |
|     |                | D - MJ 2015>>              |                |     |        |

Model: 92A 11

Model life 2011>>2018





Model: 92A 11

Model life 2011&gt;&gt;2018

| Pos | Part Number    | Description   | Remark | Qty | Model             |
|-----|----------------|---|--------|-----|-------------------|
|     |                | Exhaust gas turbocharger<br>Oil pipe<br>for   |        |     | 4852,CFTB,<br>CFT |
| 1   | 948 123 025 53 | Exhaust gas turbocharger<br>Exhaust gas turbocharger<br>Cylinders 1 - 4<br>Discontinued part  |        | 1   | PR:E0A            |
| (1) | 948 123 025 54 | Exhaust gas turbocharger<br>Cylinders 1 - 4   |        | 1   | PR:E0A            |
| (1) | 948 123 025 60 | Exhaust gas turbocharger<br>Cylinders 1 - 4<br>See technical information<br>Service<br>Group 2<br>55/12<br>AC 04                                |        | 1   | PR:E81            |
| (1) | 948 123 025 61 | No longer use the part here<br>Exhaust gas turbocharger<br>Cylinders 1 - 4<br>See technical information<br>Service<br>Group 2<br>55/12<br>AC 04 |        | 1   | PR:E81            |
| (1) | 948 123 025 54 | No longer use the part here<br>Exhaust gas turbocharger<br>Cylinders 1 - 4  |        | 1   | PR:E81,E8A        |
| 2   | 948 123 026 53 | Exhaust gas turbocharger<br>Cylinders 5 - 8<br>Discontinued part  |        | 1   | PR:E0A            |
| (2) | 948 123 026 54 | Exhaust gas turbocharger<br>Cylinders 5 - 8   |        | 1   | PR:E0A            |
| (2) | 948 123 026 60 | Exhaust gas turbocharger<br>Cylinders 5 - 8<br>See technical information<br>Service<br>Group 2<br>55/12<br>AC 04                                |        | 1   | PR:E81            |
| (2) | 948 123 026 61 | No longer use the part here<br>Exhaust gas turbocharger<br>Cylinders 5 - 8<br>See technical information<br>Service<br>Group 2<br>55/12<br>AC 04 |        | 1   | PR:E81            |
| (2) | 948 123 026 54 | No longer use the part here<br>Exhaust gas turbocharger<br>Cylinders 5 - 8  |        | 1   | PR:E81,E8A        |
| 3   | 948 123 323 50 | Threaded pin  |        | 10  |                   |
| 4   | 948 123 324 50 | retaining spring  |        | 2   |                   |
| 5   | 948 606 117 00 | Holder for lambda probe<br>Line   | left   | 1   |                   |
| (5) | 948 606 118 00 | Holder for lambda probe<br>Line   | right  | 1   |                   |
| 6   | 999 651 392 07 | Cable holder<br>9,5 - 10,5  |        | 2   |                   |
| 7   | 900 385 044 01 | Torx screw<br>BM 8 X 16   |        | 2   |                   |
| 8   | 948 107 086 51 | Pressure line<br>Cylinders 1 - 4<br>No longer use the part here   |        | 1   |                   |

Model: 92A 11

Model life 2011&gt;&gt;2018

| Pos  | Part Number    | Description   | Remark    | Qty | Model                          |
|------|----------------|---|-----------|-----|--------------------------------|
| (8)  | 948 107 086 52 | Pressure line<br>Cylinders 1 - 4                                |           | 1   |                                |
| 9    | 999 707 763 40 | O-ring<br>5,8 X 1,7   |           | 2   |                                |
| 10   | 948 107 011 52 | Non-return valve  |           | 2   |                                |
| 11   | 900 123 131 30 | seal ring<br>A 16 X 20<br>No longer use the part here           |           | 4   |                                |
| (11) | 900 123 018 20 | seal ring<br>A 16 X 20  |           | 4   |                                |
| 12   | 948 107 087 51 | Pressure line<br>Cylinders 5 - 8<br>No longer use the part here |           | 1   |                                |
| (12) | 948 107 087 52 | Pressure line<br>Cylinders 5 - 8                                |           | 1   |                                |
| 13   | 999 136 053 02 | connection piece<br>M 12 X 1,5                                  |           | 2   |                                |
| 14   | 900 123 005 30 | seal ring<br>A 12 X 16<br>No longer use the part here           |           | 2   |                                |
| (14) | 900 123 005 20 | seal ring<br>A 12 X 16  |           | 2   |                                |
| 15   | 948 107 209 51 | Bracket<br>Discontinued part                                    |           | 1   |                                |
| (15) | 948 107 209 52 | Bracket   |           | 1   |                                |
| 16   | 999 511 741 00 | Clamp<br>8 X 15   |           | 1   |                                |
| 17   | 900 385 041 01 | Torx screw<br>BM 6 X 12   |           | 6   |                                |
| 18   | 948 107 092 60 | Oil pipe<br>Cylinders 1 - 4<br>Discontinued part                |           | 1   |                                |
| (18) | 948 107 092 61 | Oil pipe<br>Cylinders 1 - 4                                     |           | 1   |                                |
| 19   | 948 107 093 60 | Oil pipe<br>Cylinders 5 - 8                                     |           | 1   |                                |
| 20   | 999 707 568 40 | O-ring<br>12 X 3  |           | 2   |                                |
| 21   | 948 107 123 50 | Seal  |           | 2   |                                |
| 22   | 900 385 009 01 | Torx screw<br>BM 6 X 16   |           | 4   |                                |
| 23   | 948 107 260 60 | Ventilation pipe  |           | 1   |                                |
| 24   | 900 385 044 01 | Torx screw<br>BM 8 X 16   |           | 2   |                                |
| 25   | 958 107 265 50 | Vent hose   |           | 1   | PR: 7MG, 0GG,<br>7GH, 7MJ, 7MM |
| 26   | N 101 976 01   | Ear crimp hose clamp<br>19 X 7 X 0,6                            |           | 1   | PR: 7MG, 0GG,<br>7GH, 7MJ, 7MM |
| 27   | 999 511 253 00 | Clamp<br>10 - 10 X 15   |           | 2   |                                |
| 28   | 900 377 010 01 | Hexagon nut<br>M 6<br>No longer use the part here               |           | 2   |                                |
| (28) | 900 380 015 02 | Hexagon nut<br>M 6  |           | 2   |                                |
| 29   | 999 511 116 03 | Clamp<br>10 X 15  |           | 1   |                                |
| 30   |                | Breather line<br>see illustration, item:                        | 107-005,5 | 1   |                                |
| 31   | 000 043 206 95 | Grease<br>1 tube<br>10 Gr.<br>Microgleit LP 475                 |           | X   |                                |

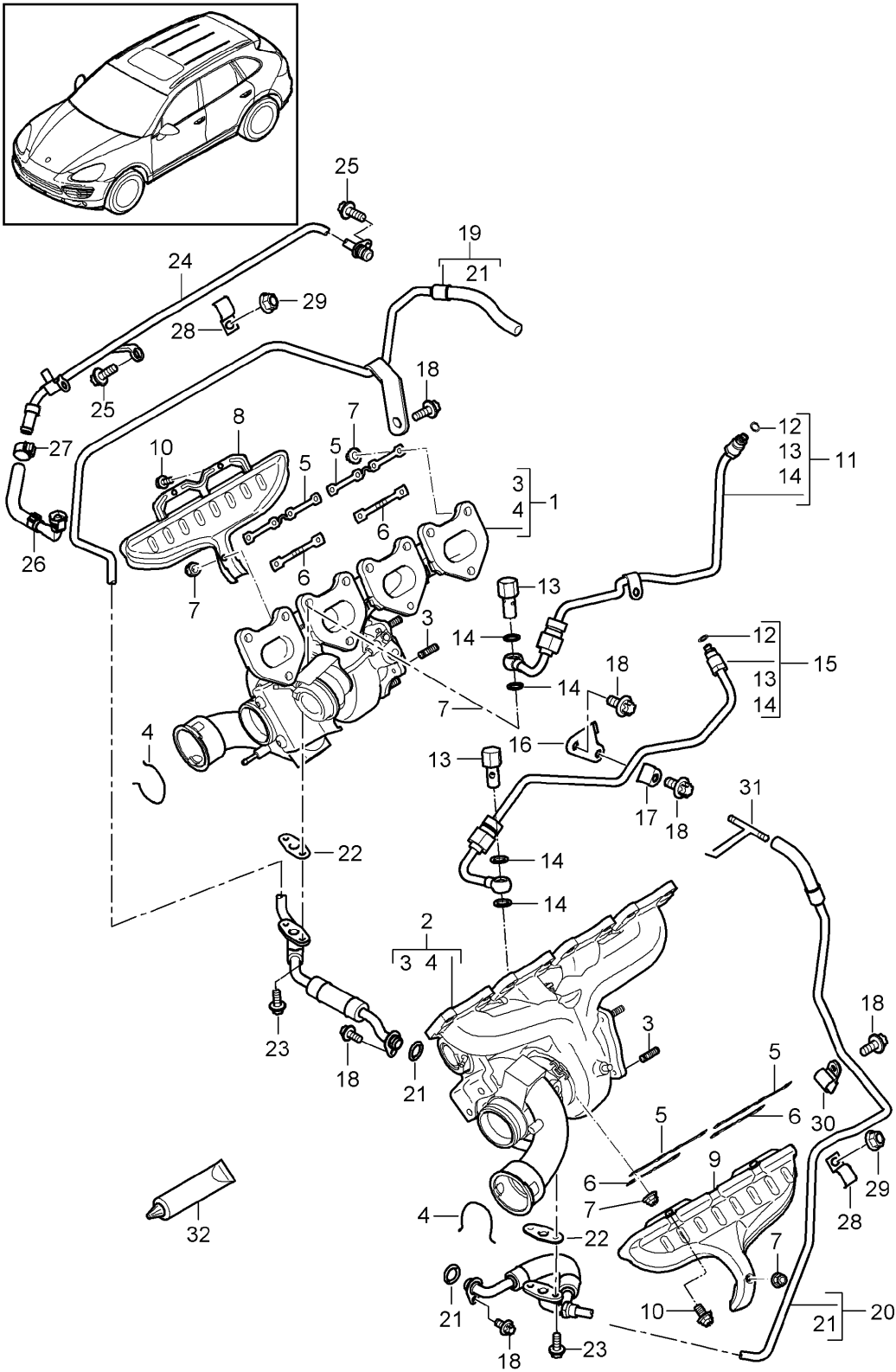
Model: 92A 11

Model life 2011&gt;&gt;2018

| Pos | Part Number | Description                                     | Remark | Qty | Model |
|-----|-------------|---|--------|-----|-------|
|     |             | for<br>Threaded pin<br>Exhaust gas turbocharger |        |     |       |

Model: 92A 11

Model life 2011>>2018



Model: 92A 11

Model life 2011&gt;&gt;2018

| Pos | Part Number    | Description   | Remark    | Qty | Model     |
|-----|----------------|---|-----------|-----|-----------|
|     |                | Exhaust gas turbocharger<br>Oil pipe<br>for<br>Exhaust gas turbocharger |           |     | CYXA, CYX |
| 1   | 948 123 025 62 | Exhaust gas turbocharger<br>Cylinders 1 - 4                             |           | 1   |           |
| 2   | 948 123 026 62 | Exhaust gas turbocharger<br>Cylinders 5 - 8                             |           | 1   |           |
| 3   | 948 123 323 50 | Threaded pin  |           | 10  |           |
| 4   | 948 123 324 50 | retaining spring  |           | 2   |           |
| 5   | 948 111 401 71 | Retaining plate   | upper     | 4   |           |
| 6   | 948 111 402 71 | Retaining plate   | upper     | 4   |           |
| 7   | 999 084 642 02 | Hexagon nut<br>M 8  |           | 26  |           |
| 8   | 948 111 337 60 | Guard plate<br>Cylinders 1 - 4  |           | 1   |           |
| 9   | 948 111 338 60 | Guard plate<br>Cylinders 5 - 8  |           | 1   |           |
| -   | 999 651 392 07 | Cable holder<br>9,5 - 10,5  |           | 2   |           |
| 10  | 900 385 044 01 | Torx screw<br>BM 8 X 16   |           | 4   |           |
| 11  | 948 107 086 60 | Pressure line<br>Cylinders 1 - 4  |           | 1   |           |
| 12  | 999 707 763 40 | O-ring<br>5,8 X 1,7   |           | 2   |           |
| 13  | 999 134 022 01 | Banjo bolt<br>8   |           | 2   |           |
| 14  | 900 123 005 20 | seal ring<br>A 12 X 16  |           | 4   |           |
| 15  | 948 107 087 60 | Pressure line<br>Cylinders 5 - 8  |           | 1   |           |
| 16  | 948 107 209 52 | Bracket   |           | 1   |           |
| 17  | 999 511 741 00 | Clamp<br>8 X 15   |           | 1   |           |
| 18  | 900 385 041 01 | Torx screw<br>BM 6 X 12   |           | 6   |           |
| 19  | 948 107 092 61 | Oil pipe<br>Cylinders 1 - 4   |           | 1   |           |
| 20  | 948 107 093 60 | Oil pipe<br>Cylinders 5 - 8   |           | 1   |           |
| 21  | 999 707 568 40 | O-ring<br>12 X 3  |           | 2   |           |
| 22  | 948 107 123 50 | Seal  |           | 2   |           |
| 23  | 900 385 009 01 | Torx screw<br>BM 6 X 16   |           | 4   |           |
| 24  | 948 107 260 60 | Ventilation pipe  |           | 1   |           |
| 25  | 900 385 044 01 | Torx screw<br>BM 8 X 16   |           | 2   |           |
| 26  | 958 107 265 50 | Vent hose   |           | 1   |           |
| 27  | N 101 976 01   | Ear crimp hose clamp<br>19 X 7 X 0,6                                    |           | 1   |           |
| 28  | 999 511 253 00 | Clamp<br>10 - 10 X 15   |           | 2   |           |
| 29  | 900 380 015 02 | Hexagon nut<br>M 6  |           | 2   |           |
| 30  | 999 511 116 03 | Clamp<br>10 X 15  |           | 1   |           |
| 31  |                | Breather line<br>see illustration, item:                                | 107-005,5 | 1   |           |
| 32  | 000 043 206 95 | Grease<br>1 tube<br>10 GR.  |           | X   |           |

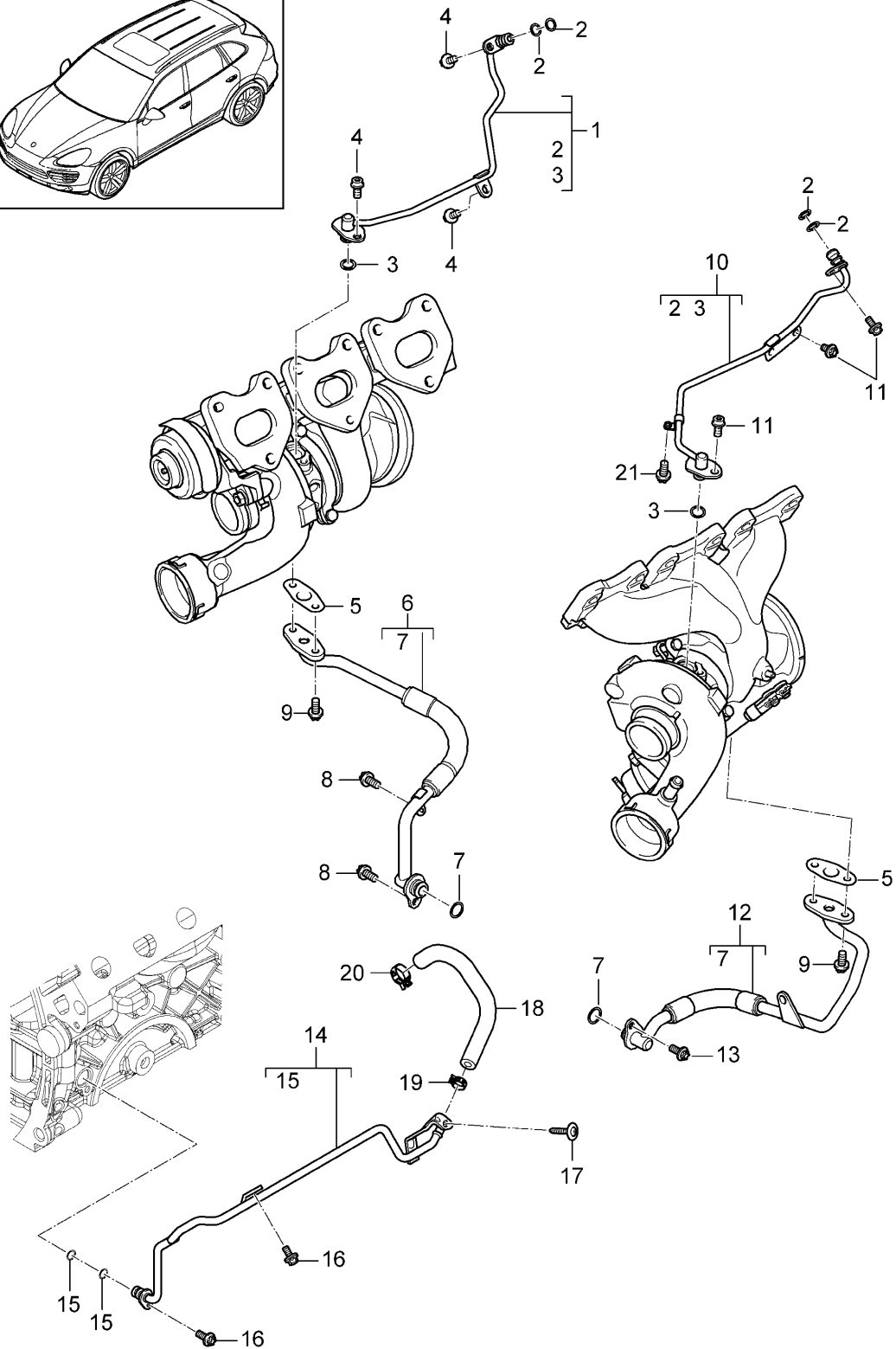
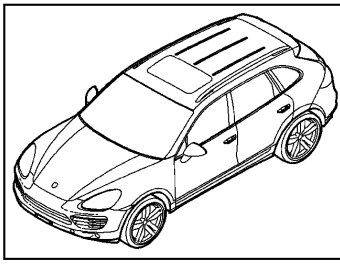
Model: 92A 11

Model life 2011&gt;&gt;2018

| Pos | Part Number | Description  | Remark | Qty | Model |
|-----|-------------|--|--------|-----|-------|
|     |             | MICROGLEIT LP 475<br>for<br>Threaded pin<br>Exhaust gas turbocharger |        |     |       |

Model: 92A 11

Model life 2011>>2018



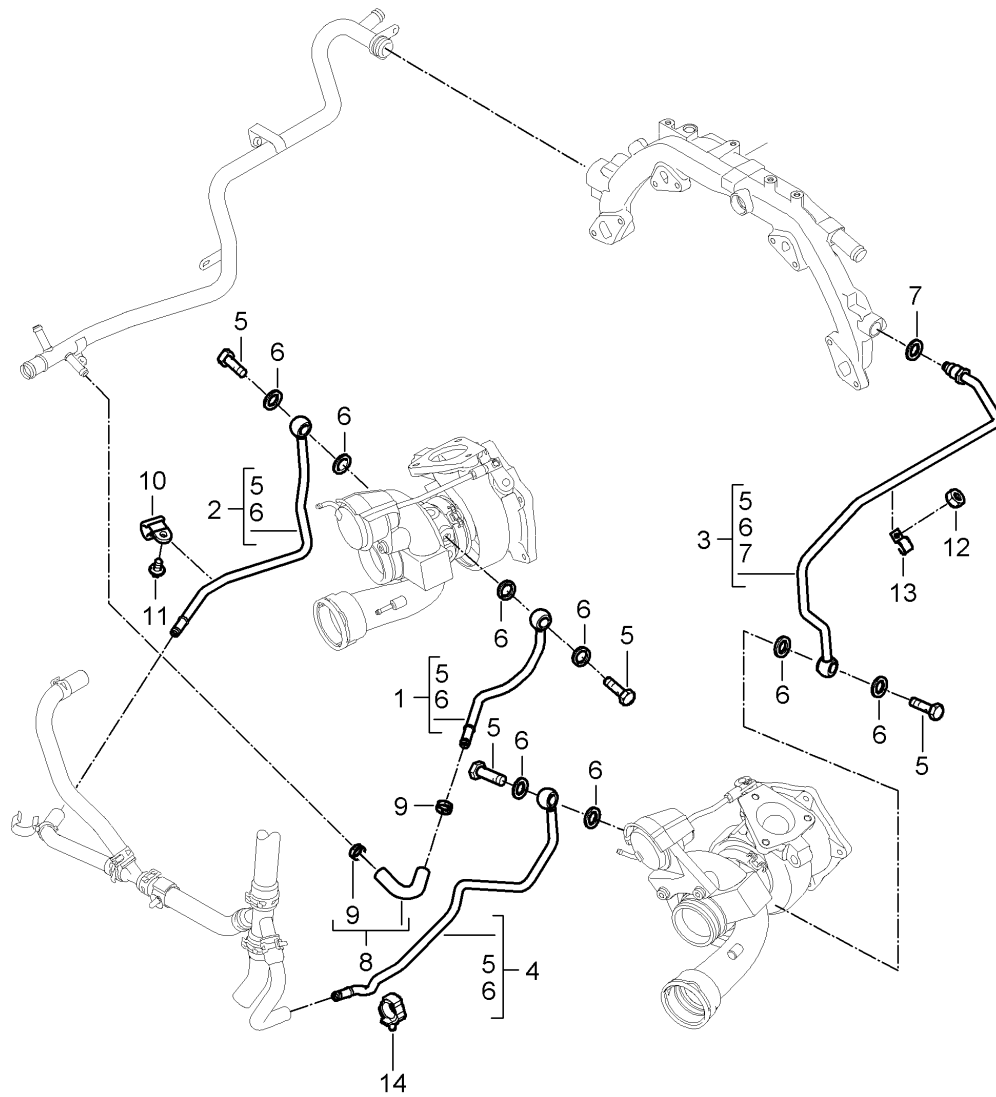
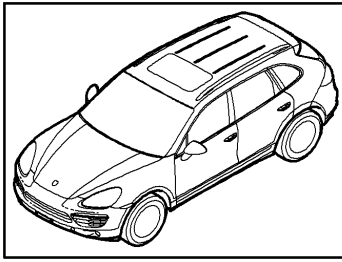
Model: 92A 11 Model life 2011>>2018

| Pos  | Part Number    | Description                                 | Remark               | Qty | Model                   |
|------|----------------|---|----------------------|-----|-------------------------|
|      |                | Oil pipe<br>for<br>Exhaust gas turbocharger |                      |     | CURA, CUR,<br>CXZA, CXZ |
| 1    | 946 107 086 60 | Pressure line                               | cylinders 1-3        | 1   |                         |
| 2    | 999 707 613 40 | O-ring                                      | 8,00X2,5             | 4   |                         |
|      |                | No longer use the part here                 |                      |     |                         |
| (2)  | 999 707 613 41 | O-ring                                      | 8,00X2,5             | 4   |                         |
| 3    | 999 707 603 40 | O-ring                                      | 10X3-N-              | 2   |                         |
|      |                | No longer use the part here                 |                      |     |                         |
| (3)  | 999 707 603 41 | O-ring                                      | 10X3-N-              | 2   |                         |
| 4    | 900 385 041 01 | Torx screw                                  | BM6X12               | 3   |                         |
| 5    | 948 107 123 50 | Seal  |                      | 2   |                         |
| 6    | 946 107 088 51 | Oil pipe                                    | cylinders 1-3        | 1   |                         |
| 7    | 999 707 568 40 | O-ring                                      | 12X3-N-              | 2   |                         |
| 8    | 900 385 041 01 | Torx screw                                  | BM6X12               | 2   |                         |
| 9    | 999 073 601 01 | flat round head bolt                        | M6X14                | 4   |                         |
| 10   | 946 107 087 61 | Pressure line                               | cylinders 4-6        | 1   |                         |
|      |                | M >> CUR 005 868                            |                      |     |                         |
|      |                | M >> CXZ 002 205                            |                      |     |                         |
| (10) | 946 107 087 62 | Pressure line                               | cylinders 4-6        | 1   |                         |
|      |                | M CUR 005 869>> CUR 016 303                 |                      |     |                         |
|      |                | M CXZ 002 206>> CXZ 015 237                 |                      |     |                         |
| (10) | 946 107 087 64 | Pressure line                               | cylinders 4-6        | 1   |                         |
|      |                | M CUR 016 304>>                             |                      |     |                         |
|      |                | M CXZ 015 238>>                             |                      |     |                         |
| 11   | 900 385 041 01 | Torx screw                                  | BM6X12               | 3   |                         |
|      |                | BM 6 X 12                                   |                      |     |                         |
| 12   | 946 107 089 51 | Oil pipe                                    | cylinders 4-6        | 1   |                         |
| 13   | 900 385 041 01 | Torx screw                                  | BM6X12               | 1   |                         |
| 14   | 946 107 260 61 | Ventilation pipe                            |                      | 1   |                         |
| 15   | 999 707 603 40 | O-ring                                      | 10X3-N-              | 2   |                         |
| 16   | 900 385 041 01 | Torx screw                                  | BM6X12               | 2   |                         |
| 17   | 999 073 903 31 | fillister hd. bolt                          | M6X20PA<br>aluminium | 1   |                         |
| 18   | 970 110 259 65 | Vent hose                                   |                      | 1   |                         |
|      |                | No longer use the part here                 |                      |     |                         |
| (18) | 958 110 259 65 | Vent hose                                   |                      | 1   |                         |
| 19   | 955 201 479 00 | Hose clamp                                  | B16X12               | 1   |                         |
| 20   | 999 512 489 00 | Hose clip                                   | 15,3-18,5            | 1   |                         |
| 21   | 999 073 601 01 | flat round head bolt                        | M6X14                | 1   |                         |



Model: 92A 11

Model life 2011>>2018



Model: 92A 11

Model life 2011>>2018

| Pos | Part Number    | Description  | Remark                        | Qty | Model                         |
|-----|----------------|--|-------------------------------|-----|-------------------------------|
| 1   | 948 106 027 52 | Exhaust gas turbocharger<br>Water cooling<br>Coolant pipe<br>Supply<br>Cylinders 1 - 4 |                               | 1   | 4852, CFTB,<br>CFT, CYXA, CYX |
| (1) | 948 106 027 53 | No longer use the part here<br>Coolant pipe<br>Supply<br>Cylinders 1 - 4               |                               | 1   | 4852, CFTB,<br>CFT            |
| (1) | 948 106 027 60 | Coolant pipe<br><br>with:<br>Water hose<br>Supply<br>Cylinders 1 - 4                   |                               | 1   | CYXA, CYX                     |
| 2   | 948 106 235 60 | Coolant pipe<br>Return line<br>Cylinders 1 - 4   |                               | 1   |                               |
| (2) | 948 106 235 61 | No longer use the part here<br>Coolant pipe<br>Return line<br>Cylinders 1 - 4          |                               | 1   |                               |
| 3   | 948 106 237 54 | Coolant pipe<br>Supply<br>Cylinders 5 - 8  |                               | 1   |                               |
| (3) | 948 106 237 55 | No longer use the part here<br>Coolant pipe<br>Supply<br>Cylinders 5 - 8               |                               | 1   |                               |
| 4   | 948 106 239 62 | Coolant pipe<br>Return line<br>Cylinders 5 - 8   |                               | 1   |                               |
| (4) | 948 106 239 63 | No longer use the part here<br>Coolant pipe<br>Return line<br>Cylinders 5 - 8          |                               | 1   |                               |
| 5   | 999 134 047 01 | Banjo bolt<br>M 12 X 1,25 X 24   |                               | 4   |                               |
| 6   | 900 123 005 30 | seal ring<br>A 12 X 16   |                               | 8   |                               |
| (6) | 900 123 005 20 | No longer use the part here<br>seal ring<br>A 12 X 16                                  |                               | 8   |                               |
| 7   | 999 707 503 40 | seal ring<br>7,8 X 1,7   |                               | 1   |                               |
| 8   | 948 106 383 50 | Water hose   |                               | 1   | 4852, CFTB,<br>CFT            |
| (8) |                | Water hose<br>Not available<br>Use<br>POS.1  |                               | 1   | CYXA, CYX                     |
| 9   | 999 512 686 09 | Hose clamp<br>B 17 X 12  |                               | 2   |                               |
| 10  | 999 511 116 03 | Clamp<br>10 X 15   |                               | 1   |                               |
| 11  | 900 385 041 01 | Torx screw<br>BM 6 X 12  |                               | 1   |                               |
| 12  |                | Hexagon nut<br>M 6   |                               | 1   |                               |
| 13  |                | see illustration:<br>or<br>Clamp<br>10 - 10 X 15<br>see illustration:                  | 202-060<br>202-061<br>202-060 | 1   |                               |

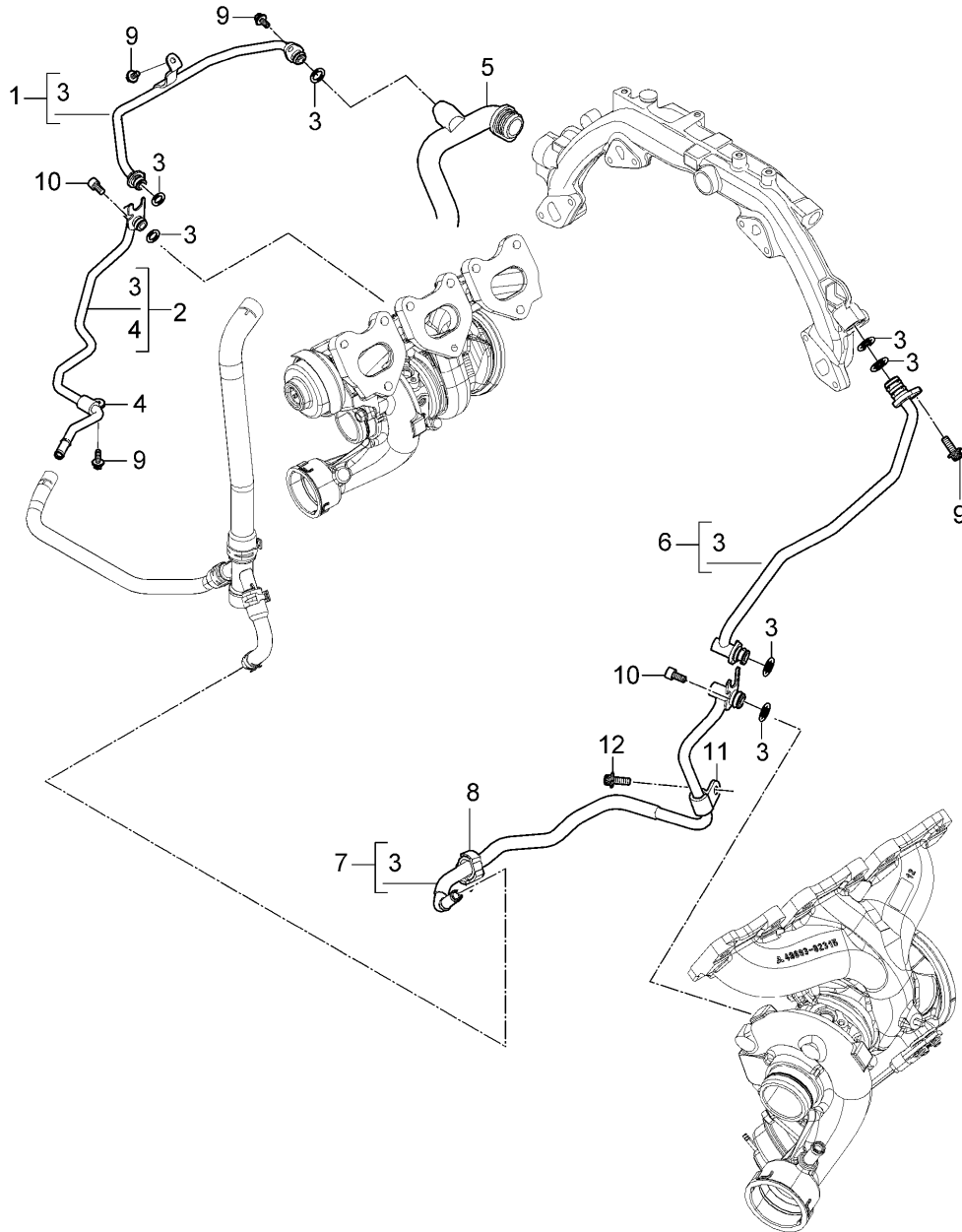
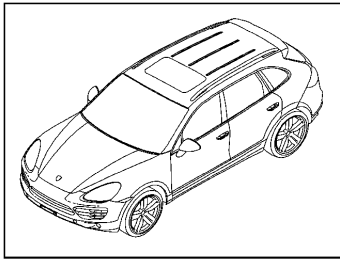
Model: 92A 11

Model life 2011&gt;&gt;2018

| Pos | Part Number    | Description                      | Remark  | Qty | Model |
|-----|----------------|----------------------------------|---------|-----|-------|
| 14  | 999 507 075 40 | or<br>Cable holder<br>4,0 - 12,0 | 202-061 | 1   |       |

Model: 92A 11

Model life 2011>>2018



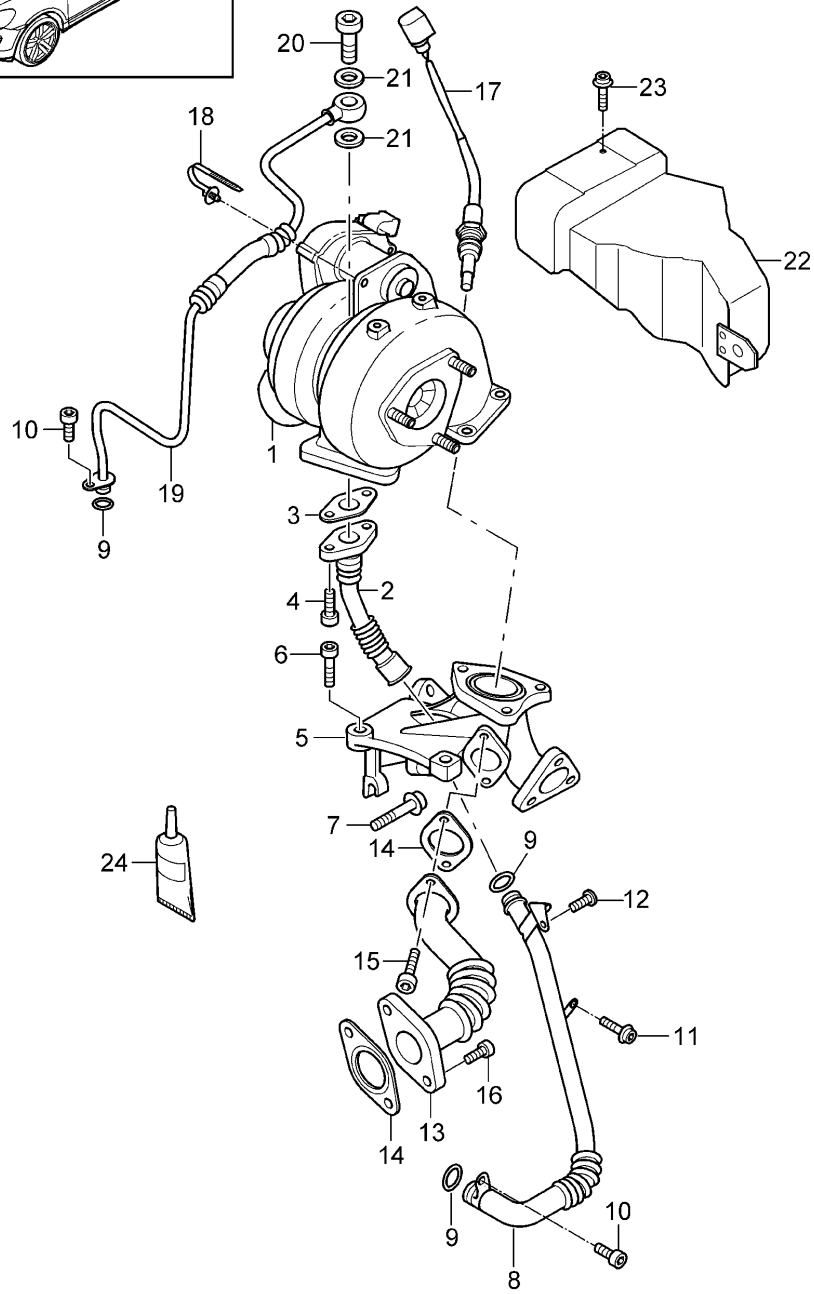
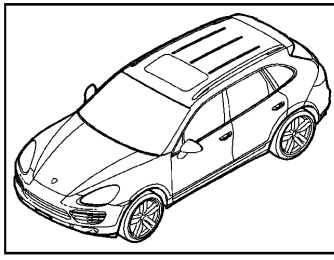
Model: 92A 11

Model life 2011>>2018

| Pos | Part Number    | Description                                     | Remark                  | Qty | Model                   |
|-----|----------------|---|-------------------------|-----|-------------------------|
|     |                | Coolant pipe<br>for<br>Exhaust gas turbocharger |                         |     | CURA, CUR,<br>CXZA, CXZ |
| 1   | 946 106 027 60 | Coolant pipe                                    | feed<br>cylinders 1-3   | 1   |                         |
| 2   | 946 106 235 61 | Coolant pipe                                    | return<br>cylinders 1-3 | 1   |                         |
| 3   | 999 707 670 40 | O-ring  | 10X3N                   | 4   |                         |
|     |                | to be used for item:                            | 6,7                     |     |                         |
| (3) | 999 707 670 41 | O-ring  | 10X3                    | 3   |                         |
|     |                | to be used for item:                            | 1,2                     |     |                         |
| 4   | 999 511 116 03 | Clamp   | D110X15                 | 1   |                         |
| 5   |                | Coolant pipe<br>see illustration, item:         | feed<br>105-027,1       | 1   |                         |
| 6   | 946 106 237 60 | Coolant pipe                                    | feed                    | 1   |                         |
|     |                | No longer use the part here                     | cylinders 4-6           |     |                         |
| (6) | 946 106 237 61 | Coolant pipe                                    | feed                    | 1   |                         |
|     |                | M >> CUR 016 303                                | cylinders 4-6           |     |                         |
|     |                | M >> CXZ 015 237                                |                         |     |                         |
| (6) | 946 106 237 62 | Coolant pipe                                    | feed                    | 1   |                         |
|     |                | M CUR 016 304>>                                 | cylinders 4-6           |     |                         |
|     |                | M CXZ 015 238>>                                 |                         |     |                         |
| 7   | 946 106 239 60 | Coolant pipe                                    | return<br>cylinders 4-6 | 1   |                         |
| 8   | 999 507 075 40 | Cable holder                                    | 3,0-12,0                | 1   |                         |
| 9   | 900 385 041 01 | Torx screw                                      | BM6X12                  | 4   |                         |
| 10  | N 105 447 03   | Socket head bolt with<br>inner hex round head   | M6X10                   | 2   |                         |
| 11  | 999 511 116 03 | Clamp   | D110X15                 | 1   |                         |
| 12  | 999 073 601 01 | flat round head bolt                            | M6X14                   | 1   |                         |

Model: 92A 11

Model life 2011>>2018



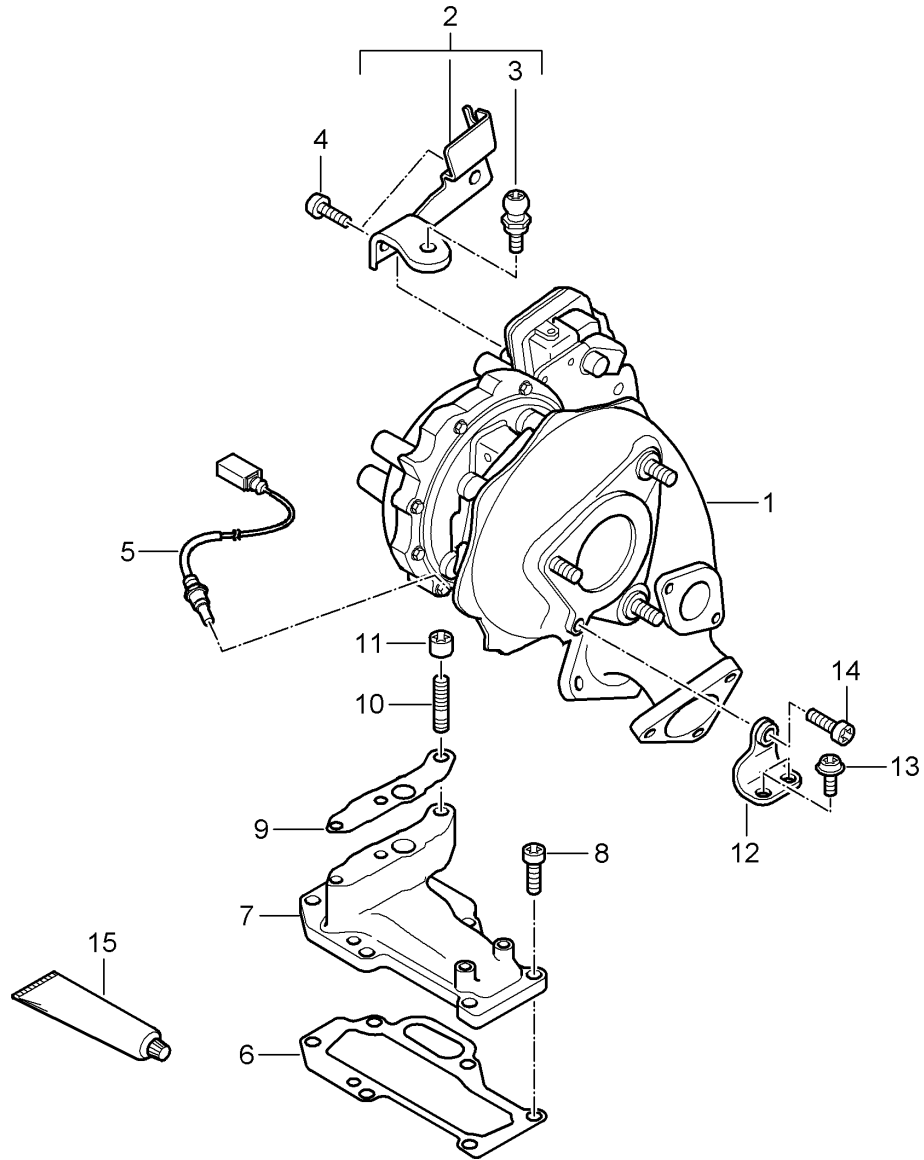
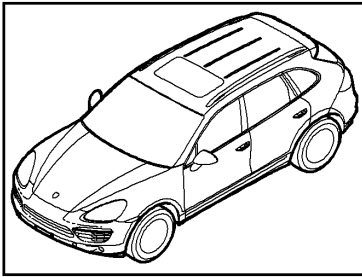
Model: 92A 11

Model life 2011&gt;&gt;2018

| Pos | Part Number    | Description   | Remark  | Qty | Model |
|-----|----------------|---|---------|-----|-------|
|     |                | Exhaust gas turbocharger<br>Oil pipe  |         |     | 059E  |
| 1   | 955 123 025 00 | Exhaust gas turbocharger  |         | 1   |       |
| -   | N 044 509 3    | Threaded pin<br>M 8 X 22  |         | 3   |       |
| 2   | 955 107 088 00 | Oil return line   |         | 1   |       |
| 3   | 955 107 123 00 | Seal  |         | 1   |       |
| 4   | N 104 514 05   | Oval hexagon socket head bolt<br>M 6 X 16   |         | 2   |       |
| 5   |                | Pipe union  |         | 1   |       |
| 6   | N 105 521 02   | see illustration:<br>Socket head bolt with hexagon<br>socket head (combination)<br>M 8 X 28 | 202-015 | 2   |       |
| 7   | N 105 449 03   | Socket head bolt with inner<br>multipoint head<br>M 8 X 55                                  |         | 1   |       |
| 8   | 955 107 089 01 | Oil return line   |         | 1   |       |
| 9   | 955 107 124 00 | O-ring<br>15 X 2,5  |         | 3   |       |
| 10  | N 104 056 04   | Oval hexagon socket head bolt<br>M 6 X 14   |         | 2   |       |
| 11  | N 101 703 02   | round hd. screw<br>M 6 X 10   |         | 1   |       |
| 12  | N 104 514 05   | Oval hexagon socket head bolt<br>M 6 X 16   |         | 1   |       |
| 13  | 958 107 525 00 | Connecting pipe   |         | 1   |       |
| 14  | 958 107 358 00 | Seal  |         | 2   |       |
| 15  | N 911 962 01   | Hexagon socket head<br>bolt<br>M 6 X 16   |         | 2   |       |
| 16  | N 101 243 06   | Oval hexagon socket head bolt<br>M 6 X 20   |         | 2   |       |
| 17  | 955 606 688 10 | Temperature sensor  |         | 1   |       |
| 18  | 955 606 838 00 | Exhaust gas<br>Cable ties<br>4,5 X 200  |         | 1   |       |
| 19  | 958 107 087 00 | Oil pipe<br>Supply  |         | 1   |       |
| 20  | 955 107 148 00 | Banjo bolt<br>M 10 X 1  |         | 1   |       |
| 21  | N 013 811 5    | seal ring<br>A 10 X 13,5  |         | 2   |       |
| 22  | 958 123 325 01 | Guard plate   |         | 1   |       |
| 23  | N 103 352 06   | Exhaust gas turbocharger<br>Hexagon socket flat<br>head bolt<br>M 6 X 12                    |         | 3   |       |
| 24  | 000 043 207 47 | hot-bolt-paste<br>1 tube<br>170 Gr.   |         | X   |       |

Model: 92A 11

Model life 2011>>2018



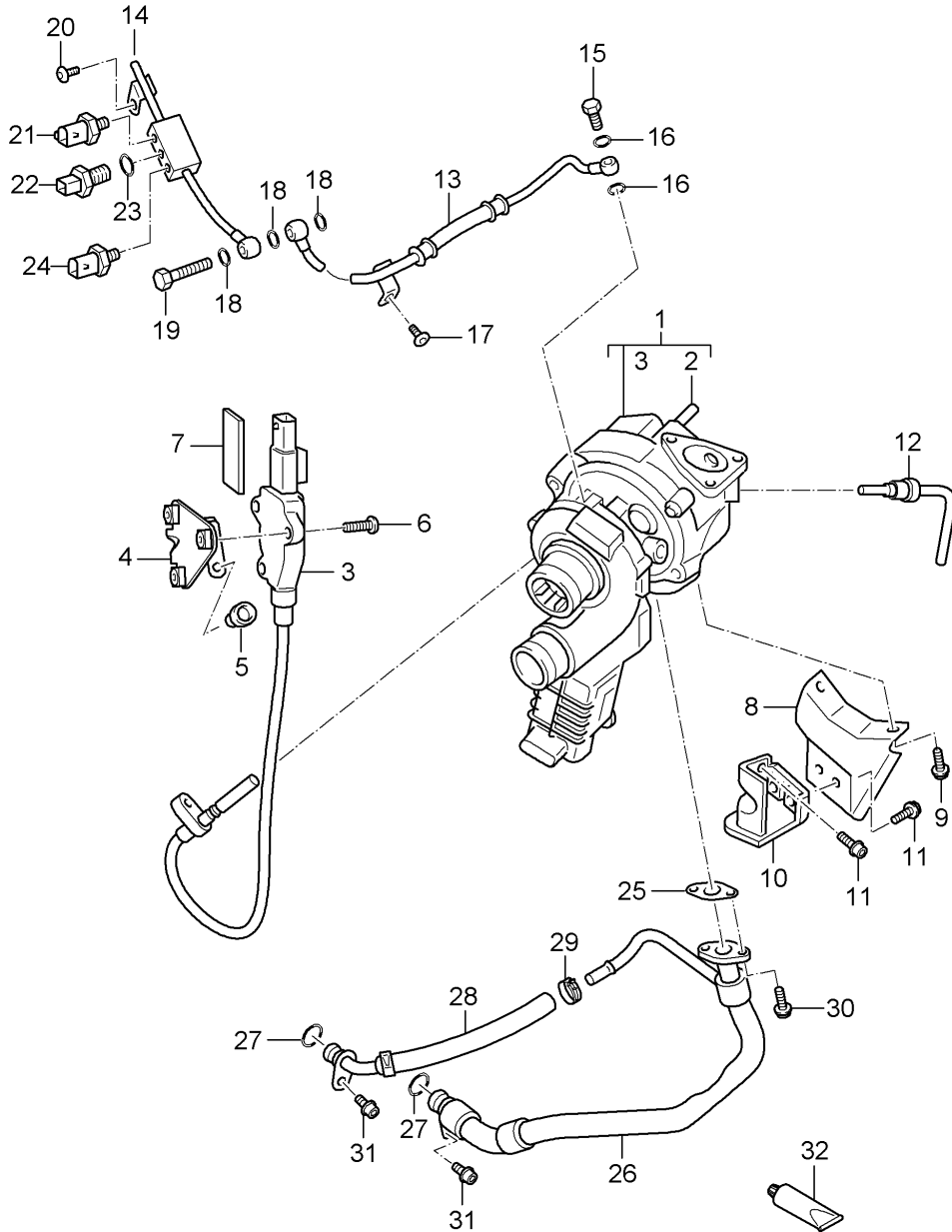
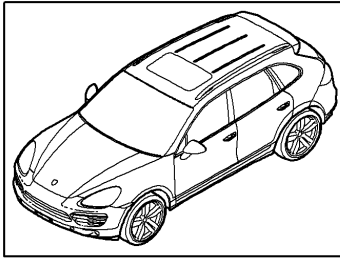


Model: 92A 11 Model life 2011>>2018

| Pos | Part Number    | Description   | Remark | Qty | Model                              |
|-----|----------------|---|--------|-----|------------------------------------|
|     |                | Exhaust gas turbocharger  |        |     | CRCA, CRCB, CNRB, CVVA, CVVB, CVVC |
| 1   | 958 123 025 00 | Exhaust gas turbocharger  |        | 1   | CRCA, CRCB                         |
| (1) | 958 123 025 11 | Discontinued part<br>Exhaust gas turbocharger                       |        | 1   | CRCA, CRCB, CVVA, CVVB, CVVC       |
| (1) | 958 123 025 12 | Discontinued part<br>Exhaust gas turbocharger                       |        | 1   | CRCA, CRCB, CVVA, CVVB, CVVC       |
| -   | N 044 509 3    | Threaded pin  |        | 3   |                                    |
| 2   | 958 110 357 00 | M 8 X 22<br>Bracket   |        | 1   |                                    |
| 3   | WHT 000 351    | Engine cover<br>Ball pin  |        | 1   |                                    |
| 4   | N 104 056 04   | M 6<br>Oval hexagon socket head bolt                                |        | 2   |                                    |
| 5   | 958 606 688 30 | M 6 X 14<br>Temperature sensor                                      |        | 1   |                                    |
| (5) | 958 606 688 31 | Exhaust gas turbocharger<br>Discontinued part<br>Temperature sensor |        | 1   |                                    |
| (5) | 958 606 688 31 | Exhaust gas turbocharger<br>D >> - MJ 2014<br>Temperature sensor    |        | 1   | CRCA                               |
| (5) | 958 606 688 70 | Exhaust gas turbocharger<br>D - MJ 2015>><br>Temperature sensor     |        | 1   | CNRB, CVVA, CVVB, CVVC             |
| 6   | 958 123 547 00 | Exhaust gas turbocharger<br>Discontinued part<br>Seal               |        | 1   |                                    |
| 7   | 958 123 121 00 | Bracket   |        | 1   |                                    |
| (7) | 958 123 121 01 | Discontinued part<br>Bracket  |        | 1   |                                    |
| 8   | N 910 059 02   | Hexagon socket head bolt  |        | 6   |                                    |
| 9   | 958 123 557 00 | M 8 X 25<br>Seal  |        | 1   |                                    |
| (9) | 958 123 557 01 | Discontinued part<br>Seal   |        | 1   |                                    |
| 10  | N 044 511 3    | Threaded pin  |        | 2   |                                    |
| 11  | WHT 005 491    | M 8 X 18<br>shouldered nut with multipoint socket head              |        | 2   |                                    |
| 12  | 958 123 122 00 | M 8<br>Bracket  |        | 1   |                                    |
| 13  | N 104 056 04   | Oval hexagon socket head bolt                                       |        | 2   |                                    |
| 14  | N 910 461 01   | M 6 X 14<br>Socket head collared bolt with inner multipoint head    |        | 1   |                                    |
| 15  | 000 043 207 47 | M 8 X 22<br>hot-bolt-paste<br>1 tube<br>170 Gr.                     |        | X   |                                    |

Model: 92A 11

Model life 2011>>2018



Model: 92A 11 Model life 2011>>2018

| Pos  | Part Number    | Description   | Remark | Qty | Model      |
|------|----------------|---|--------|-----|------------|
|      |                | Exhaust gas turbocharger<br>Oil pipe<br>for                               |        |     | CUDB, CUDC |
| 1    | 958 123 025 30 | Exhaust gas turbocharger  | left   | 1   |            |
| (1)  | 958 123 026 30 | Exhaust gas turbocharger  | right  | 1   |            |
| 2    | N 910 601 01   | stud with shoulder<br>M 8 X 35  |        | 6   |            |
| 3    | 958 606 421 00 | speed sensor  |        | 2   |            |
| 4    | 958 606 845 40 | bracket for speed sensor  | left   | 1   |            |
| 5    | N 105 724 04   | Socket head bolt with multi-<br>point inner drive, self-lock.<br>M 8 X 16 |        | 1   |            |
| 6    | N 104 301 04   | Hexagon socket flat<br>head bolt<br>M 5 X 16                              |        | 6   |            |
| 7    | 958 606 461 10 | Heat insulation   |        | 1   |            |
| 8    | 958 123 123 00 | Bracket   | left   | 1   |            |
| (8)  | 958 123 124 00 | Bracket   | right  | 1   |            |
| 9    | WHT 006 094    | Socket head bolt with<br>hexagon socket head<br>M 8 X 16                  |        | 4   |            |
| 10   | 958 123 125 00 | Bracket   | left   | 1   |            |
| (10) | 958 123 126 00 | Bracket   | right  | 1   |            |
| 11   | N 106 648 01   | Socket head collared bolt with<br>inner multipoint head<br>M 8 X 20       |        | 8   |            |
| 12   | 958 606 688 50 | Temperature sensor<br>Exhaust gas turbocharger<br>D >> - MJ 2014          | left   | 1   |            |
| 12   | 958 606 688 51 | Temperature sensor<br>Exhaust gas turbocharger<br>D - MJ 2015>>           | left   | 1   |            |
| (12) | 958 606 688 60 | Temperature sensor<br>Exhaust gas turbocharger<br>D >> - MJ 2014          | right  | 1   |            |
| (12) | 958 606 688 61 | Temperature sensor<br>Exhaust gas turbocharger<br>D - MJ 2015>>           | right  | 1   |            |
| 13   | 958 107 087 10 | Oil pipe<br>Supply  | left   | 1   |            |
| 14   | 958 107 086 10 | Oil pipe<br>Supply  | right  | 1   |            |
| 15   | N 021 075 6    | Banjo bolt<br>6   |        | 2   |            |
| 16   | N 013 811 5    | seal ring<br>A 10 X 13,5  |        | 4   |            |
| 17   | N 103 352 06   | Hexagon socket flat<br>head bolt<br>M 6 X 12                              |        | 2   |            |
| 18   | N 013 813 3    | seal ring<br>A 12 X1,5 X 17   |        | 3   |            |
| 19   | WHT 005 817    | Banjo bolt<br>8,5 X 8   |        | 1   |            |
| 20   | N 104 056 04   | Oval hexagon socket head bolt<br>M 6 X 14                                 |        | 1   |            |
| 21   | 955 606 091 10 | Oil pressure switch   |        | 1   |            |
| 22   | 955 606 221 00 | Temperature sensor  |        | 1   |            |
| 23   | WHT 002 287 C  | O-ring<br>5,6 X 2   |        | 1   |            |
| 24   | 958 606 081 70 | Oil pressure switch   |        | 1   |            |
| 25   | 958 107 123 30 | Seal  |        | 2   |            |
|      |                | No longer use the part here   |        |     |            |

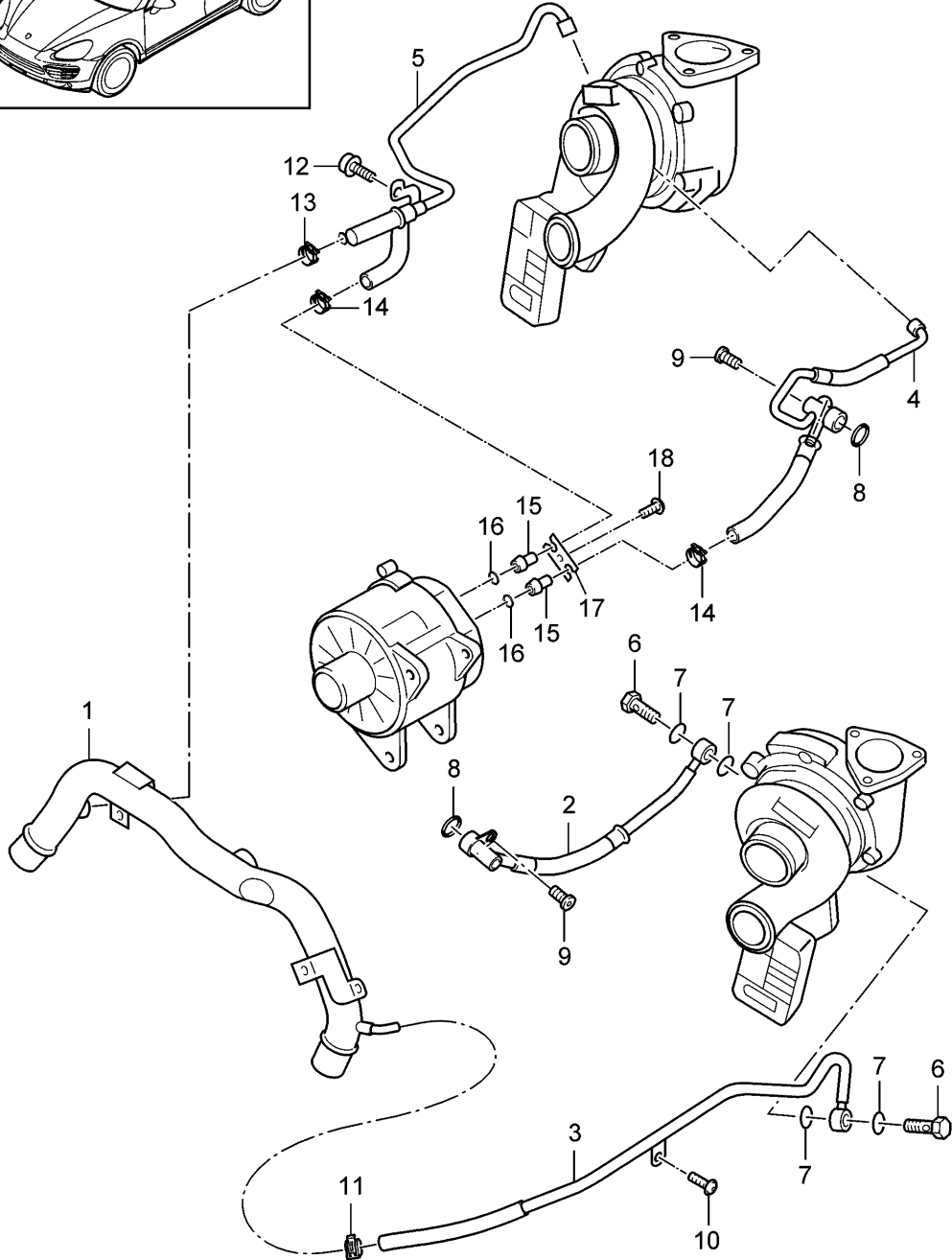
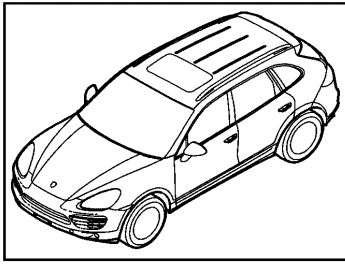
Model: 92A 11

Model life 2011>>2018

| Pos  | Part Number    | Description                   | Remark | Qty | Model |
|------|----------------|-------------------------------|--------|-----|-------|
| 25   | 958 107 123 31 | Seal                          |        | 2   |       |
| 26   | 958 107 093 10 | Oil return line               | left   | 1   |       |
| (26) | 958 107 092 10 | Oil return line               | right  | 1   |       |
|      |                | Discontinued part             |        |     |       |
| (26) | 958 107 092 11 | Oil return line               | right  | 1   |       |
| 27   | 955 107 124 00 | O-ring                        |        | 4   |       |
|      |                | 15 X 2,5                      |        |     |       |
| 28   | 958 107 095 10 | Oil return line               | left   | 1   |       |
| (28) | 958 107 096 10 | Oil return line               | right  | 1   |       |
| 29   | N 102 555 01   | clamp                         |        | 2   |       |
|      |                | 17,5 X 7 X 0,6                |        |     |       |
| 30   | N 102 261 03   | Socket head bolt              |        | 4   |       |
|      |                | M 6 X 16                      |        |     |       |
| 31   | N 104 056 04   | Oval hexagon socket head bolt |        | 4   |       |
|      |                | M 6 X 14                      |        |     |       |
| 32   | 000 043 207 47 | hot-bolt-paste                |        | X   |       |
|      |                | 1 tube                        |        |     |       |
|      |                | 170 GR.                       |        |     |       |

Model: 92A 11

Model life 2011>>2018



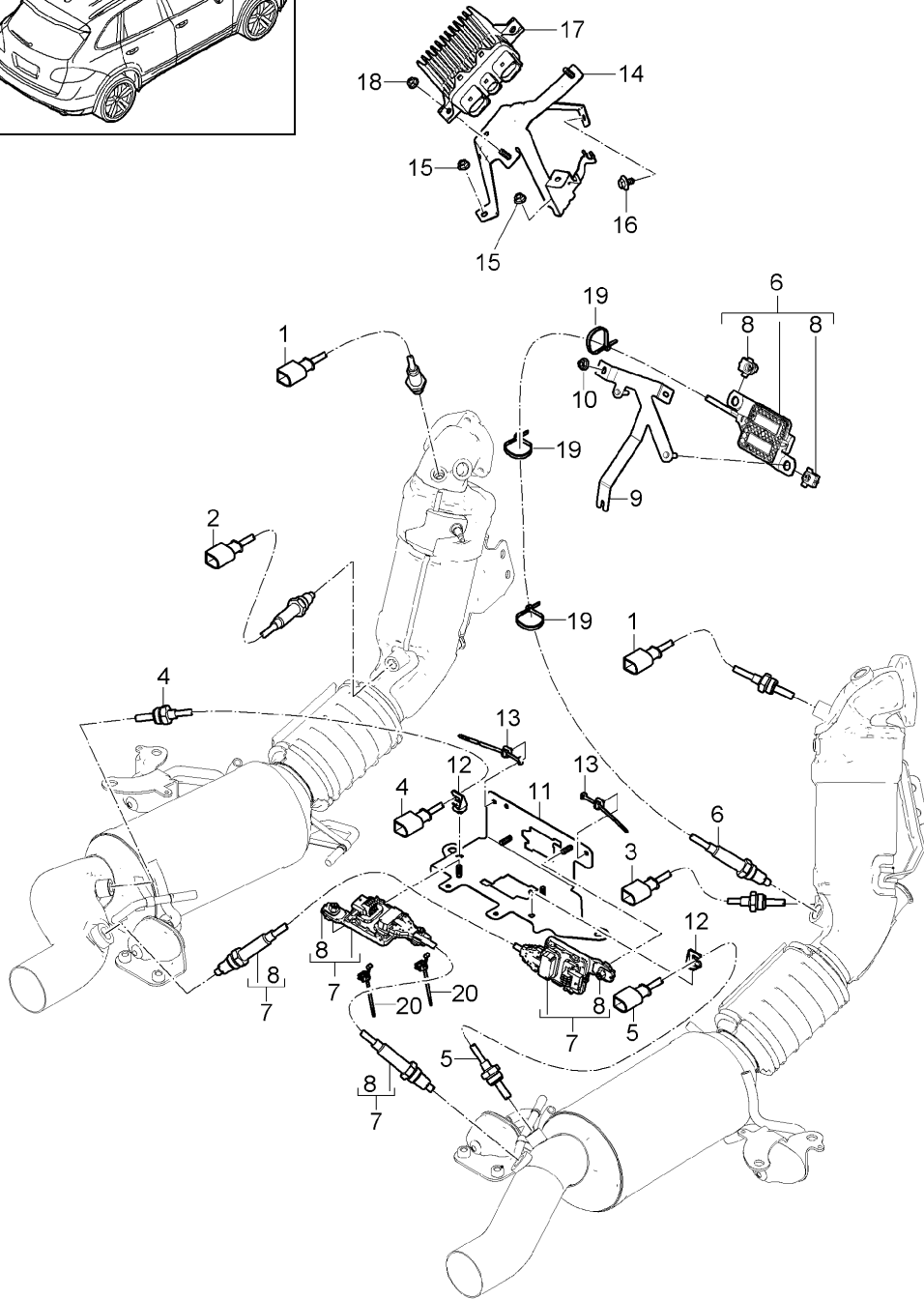
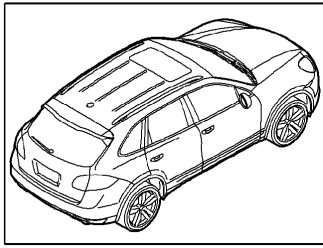
Model: 92A 11

Model life 2011>>2018

| Pos | Part Number    | Description   | Remark     | Qty | Model      |
|-----|----------------|---|------------|-----|------------|
|     |                | Exhaust gas turbocharger<br>Alternator<br>Water cooling   |            |     | CUDB, CUDC |
| 1   |                | Coolant pipe<br>see illustration, item:                   | 105-070,34 | 1   |            |
| 2   | 958 106 237 00 | Coolant pipe<br>Supply<br>Cylinders 5 - 8                 |            | 1   |            |
| 3   | 958 106 239 00 | Coolant pipe<br>Return line<br>Cylinders 5 - 8            |            | 1   |            |
| 4   | 958 106 238 00 | Coolant pipe<br>Supply<br>Cylinders 1 - 4                 |            | 1   |            |
| 5   | 958 106 240 00 | Coolant pipe<br>Return line<br>Cylinders 1 - 4            |            | 1   |            |
| 6   | N 021 074 7    | Banjo bolt<br>M 14 X 1,5 X 26                             |            | 2   |            |
| 7   | N 013 849 5    | seal ring<br>A 14 X 1,5 X 20                              |            | 4   |            |
| 8   | N 910 084 01   | O-ring<br>19,6 X 3  |            | 2   |            |
| 9   | N 103 352 06   | Hexagon socket flat<br>head bolt<br>M 6 X 12              |            | 2   |            |
| 10  | N 104 056 04   | Oval hexagon socket head bolt<br>M 6 X 14                 |            | 1   |            |
| 11  | 999 512 650 09 | Hose clamp<br>B 14 X 12                                   |            | 1   |            |
| 12  | N 044 727 6    | Socket head bolt with<br>hexagon socket head<br>M 10 X 16 |            | 1   |            |
| 13  | 999 512 652 09 | Hose clamp<br>B 19 X 12                                   |            | 1   |            |
| 14  | 999 512 686 09 | Hose clamp<br>B 17 X 12                                   |            | 2   |            |
| 15  | 955 106 362 02 | Connector union   |            | 2   |            |
| 16  | N 907 834 02   | O-ring<br>13,1 X 1,6                                      |            | 2   |            |
| 17  | 955 106 361 10 | Retaining plate   |            | 1   |            |
| 18  | N 101 562 06   | Oval hexagon socket head bolt<br>M 6 X 30                 |            | 2   |            |

Model: 92A 11

Model life 2011>>2018



Model: 92A 11

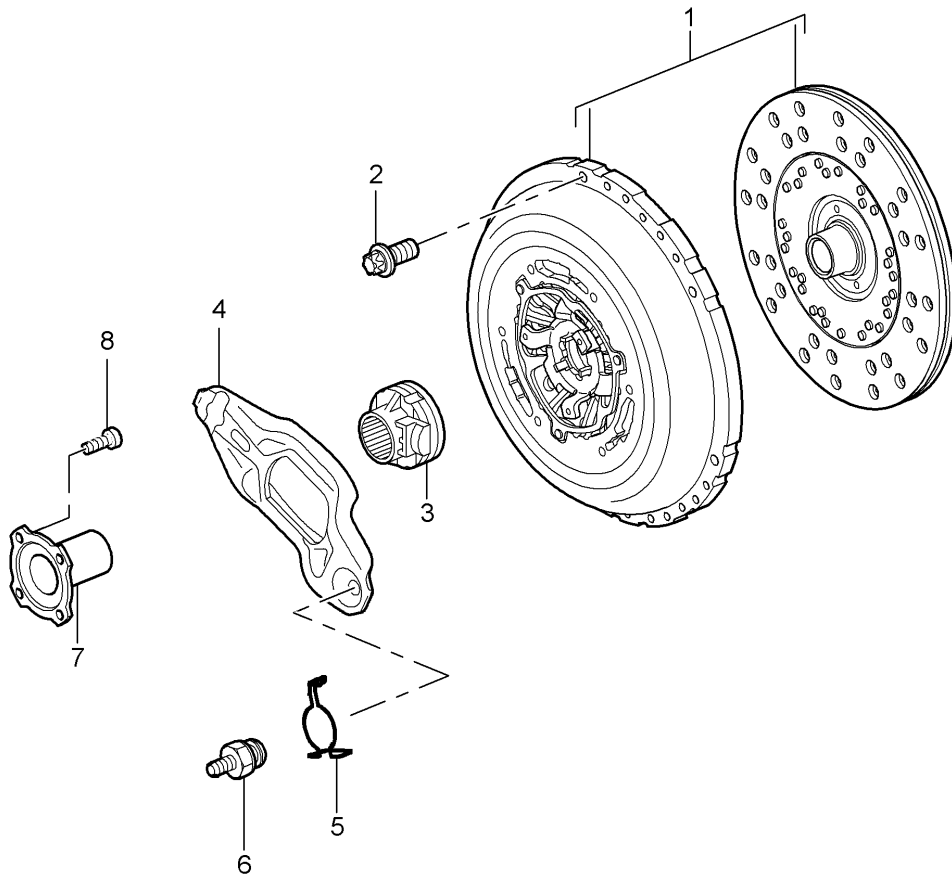
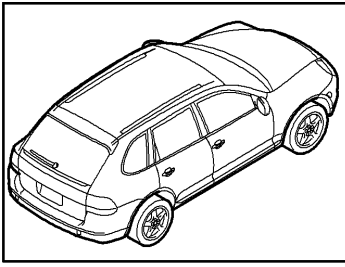
Model life 2011>>2018

| Pos | Part Number    | Description                 | Remark | Qty | Model      |
|-----|----------------|-----------------------------|--------|-----|------------|
|     |                | exhaust system              |        |     | PR:DD8,7MM |
|     |                | Temperature sensor          |        |     |            |
|     |                | Sensor                      |        |     |            |
|     |                | Control unit                |        |     |            |
| 1   | 958 606 088 30 | Temperature sensor          |        | 2   |            |
|     |                | Exhaust gas                 |        |     |            |
| 2   | 958 606 088 60 | Temperature sensor          | left   | 1   |            |
|     |                | Exhaust gas                 |        |     |            |
| 3   | 958 606 088 50 | Temperature sensor          | right  | 1   |            |
|     |                | Exhaust gas                 |        |     |            |
| 4   | 958 606 088 80 | Temperature sensor          | left   | 1   |            |
|     |                | Exhaust gas                 |        |     |            |
| 5   | 958 606 088 70 | Temperature sensor          | right  | 1   |            |
|     |                | Exhaust gas                 |        |     |            |
| 6   | 958 606 807 20 | Control unit                | right  | 1   |            |
|     |                | with:                       |        |     |            |
|     |                | Sensor                      |        |     |            |
| 7   | 958 606 807 30 | Control unit                |        | 2   |            |
|     |                | with:                       |        |     |            |
|     |                | Sensor                      |        |     |            |
| 8   | 958 606 407 00 | Retainer for control units  |        | 6   |            |
| 9   | 958 606 804 20 | Retainer for control units  |        | 1   |            |
| 10  | 955 111 548 03 | panel nut                   |        | 3   |            |
|     |                | 4,2                         |        |     |            |
| 11  | 958 606 804 50 | Retainer for control units  |        | 1   |            |
| 12  | 958 606 845 50 | Retaining bracket           |        | 2   |            |
|     |                | B 6,8                       |        |     |            |
|     |                | Connector housing           |        |     |            |
| 13  | 958 606 838 00 | Cable fastener              |        | 2   |            |
|     |                | 6,5 X 200                   |        |     |            |
| 14  | 958 606 804 40 | Retainer for control units  |        | 1   |            |
| 15  | N 015 082 10   | Hexagon collar nut          |        | 2   |            |
|     |                | M 6                         |        |     |            |
| 16  | N 906 310 03   | hexagon head bolt (combi)   |        | 1   |            |
|     |                | M 6 X 12                    |        |     |            |
| 17  | 958 618 560 05 | Control unit for            |        | 1   |            |
|     |                | catalytic converter heating |        |     |            |
| 18  | N 015 082 10   | Hexagon collar nut          |        | 2   |            |
|     |                | M 6                         |        |     |            |
| 19  | N 909 377 02   | Cable ties                  |        | 3   |            |
|     |                | C 4,6 X 193                 |        |     |            |
| 20  | 958 606 838 10 | Cable ties                  |        | 2   |            |
|     |                | 1,0 - 45,0 X 193            |        |     |            |



Model: 92A 11

Model life 2011>>2018



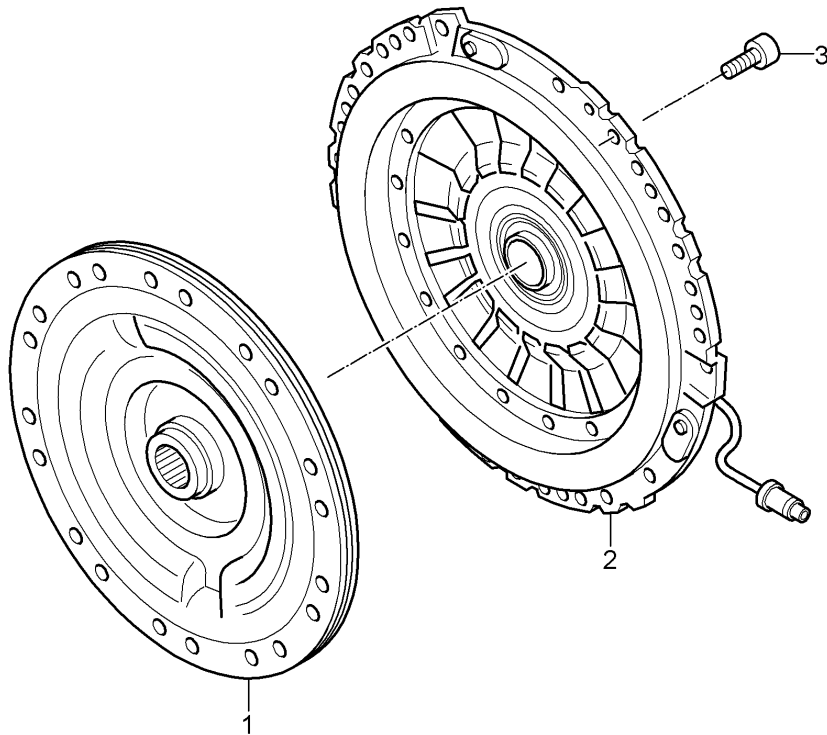
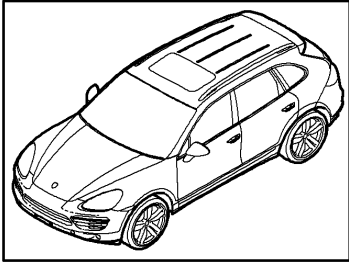
Model: 92A 11

Model life 2011&gt;&gt;2018

| Pos | Part Number    | Description   | Remark | Qty | Model      |
|-----|----------------|---|--------|-----|------------|
| (1) | 7PP 141 015    | Coupling<br>repair set<br>Coupling<br>comprising:<br>Clutch plate<br>Pressure plate |        | 1   | PR:D34,G0L |
| 2   | WHT 005 505    | Outer hexagon round screw<br>BM 8 X 16  |        | 6   |            |
| 3   | 955 116 080 00 | release bearing   |        | 1   |            |
| 4   | 955 116 719 00 | clutch operating lever  |        | 1   |            |
| 5   | 012 141 741    | retaining spring  |        | 1   |            |
| 6   | 955 116 716 00 | Ball stud   |        | 1   |            |
| 7   | 955 301 181 00 | guide tube  |        | 1   |            |
| 8   | N 910 905 01   | Hexagon socket head<br>bolt<br>M 6 X 12   |        | 4   |            |

Model: 92A 11

Model life 2011>>2018



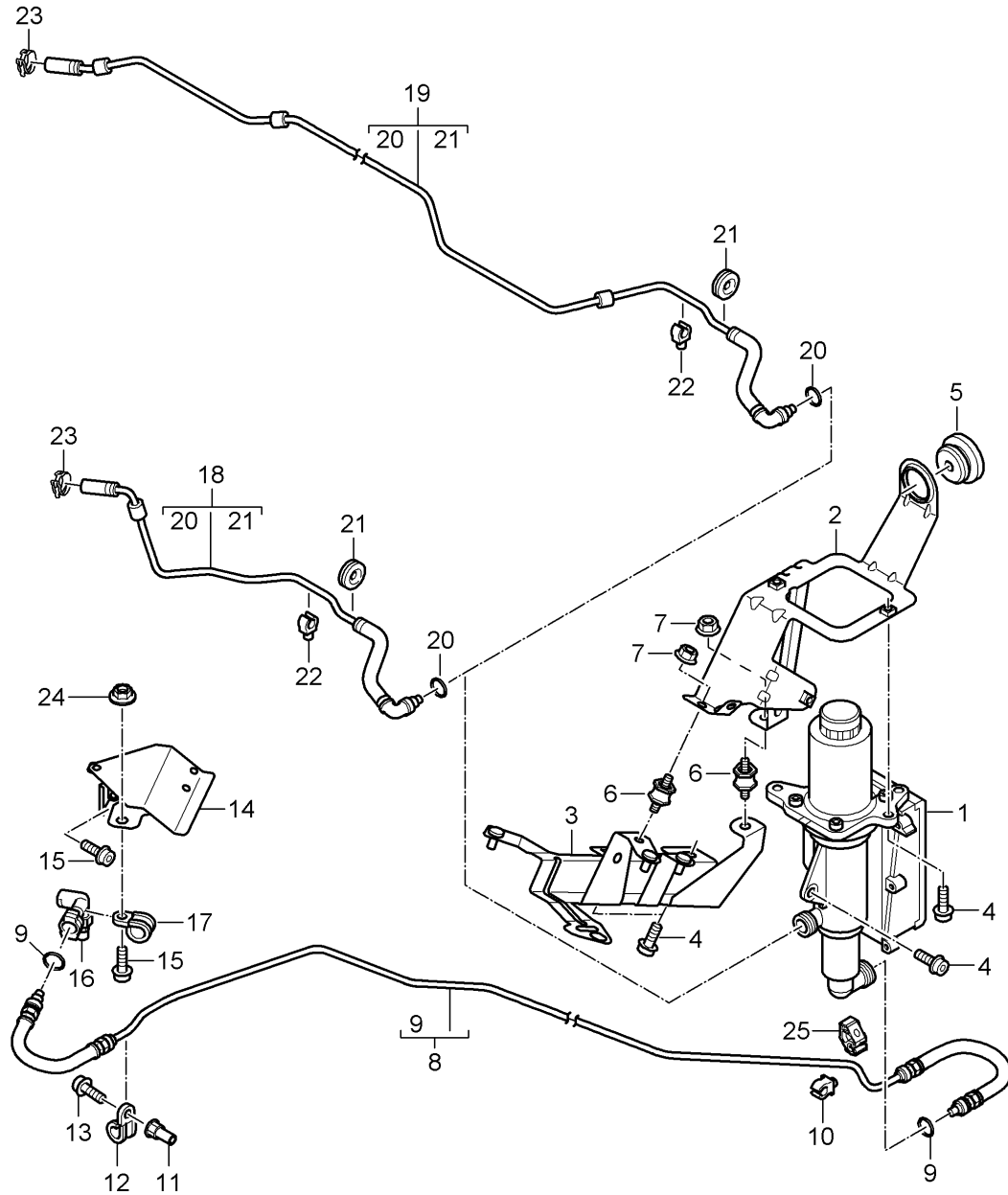
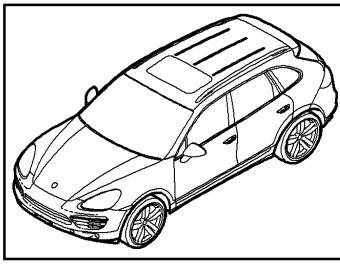
Model: 92A 11

Model life 2011>>2018

| Pos | Part Number    | Description  | Remark | Qty | Model  |
|-----|----------------|--|--------|-----|--------|
|     |                | Coupling<br>Hybrid   |        |     | PR:D19 |
| 1   | 958 116 013 00 | Clutch plate   |        | 1   |        |
| 2   | 958 116 027 00 | clutch pressure plate  |        | 1   |        |
|     |                | with:  |        |     |        |
| 3   | N 911 361 02   | Release module<br>Socket head bolt with inner<br>multipoint head<br>M 8 X 14 |        | 9   |        |

Model: 92A 11

Model life 2011>>2018

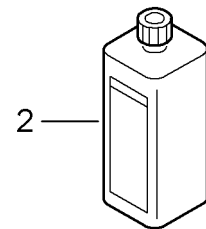
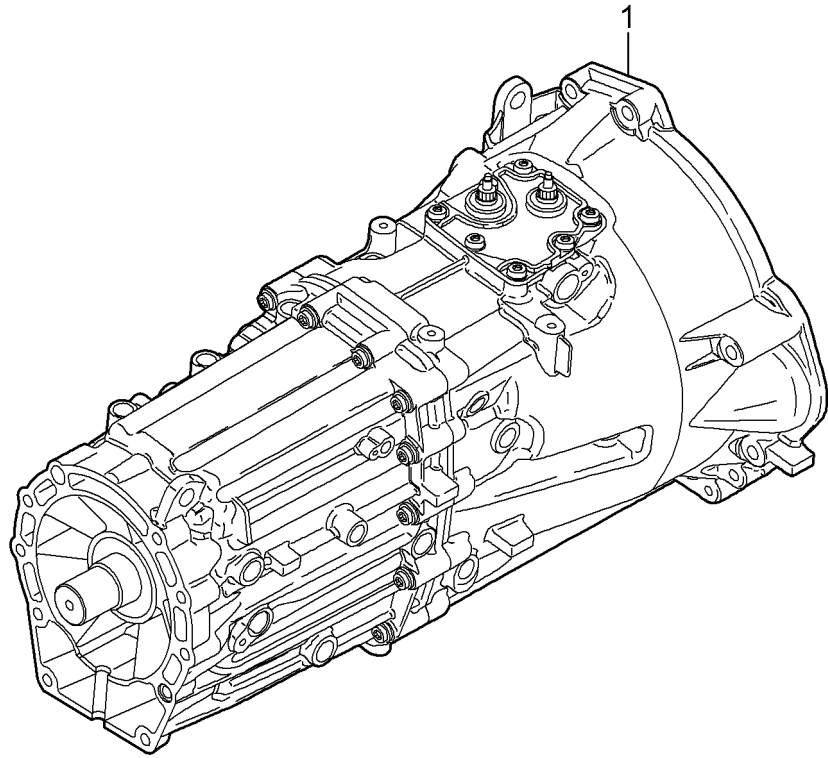
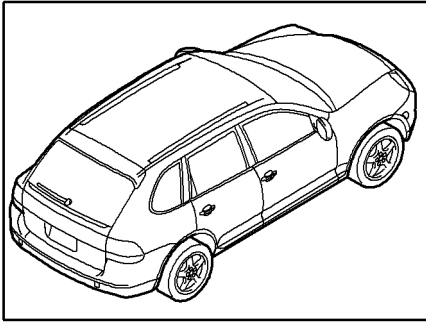


Model: 92A 11 Model life 2011>>2018

| Pos  | Part Number    | Description  | Remark | Qty | Model  |
|------|----------------|--|--------|-----|--------|
|      |                | Control mechanism<br>Hydraulic<br>Electric motor   |        |     | PR:D19 |
| 1    | 958 116 060 AX | Control mechanism<br>Hydraulic   |        | 1   |        |
| (1)  | 958 116 060 BX | Discontinued part<br>Control mechanism<br>Hydraulic  |        | 1   |        |
| 2    | 958 116 231 04 | Bracket<br>D >> - MJ 2014  |        | 1   |        |
| (2)  | 958 116 231 10 | Bracket<br>D - MJ 2015>>   |        | 1   |        |
| 3    | 958 116 232 07 | Bracket<br>D >> - MJ 2014  |        | 1   |        |
| (3)  | 958 116 232 10 | Bracket<br>D - MJ 2015>>   |        | 1   |        |
| 4    | N 911 266 01   | Oval hexagon socket head bolt<br>M 6 X 16  |        | 5   |        |
| (4)  | N 101 961 03   | No longer use the part here<br>fillister head bolt with<br>multi-point socket head<br>M 6 X 18 |        | 5   |        |
| 5    | 955 572 261 00 | Rubber bush  |        | 1   |        |
| 6    | 958 347 579 00 | Bonded rubber buffer   |        | 2   |        |
| 7    | N 015 082 10   | Hexagon collar nut<br>M 6  |        | 2   |        |
| 8    | 958 116 415 01 | Pressure line  |        | 1   |        |
| 9    | 955 423 225 00 | seal ring  |        | 2   |        |
| 10   | N 910 523 01   | Bracket  |        | 1   |        |
| 11   | N 106 185 01   | rivetted cap nut<br>M 6  |        | 1   |        |
| 12   | N 911 711 01   | Clamp<br>6 X 15  |        | 1   |        |
| 13   | N 911 266 01   | Oval hexagon socket head bolt<br>M 6 X 16  |        | 1   |        |
| (13) | N 910 967 01   | No longer use the part here<br>Oval hexagon socket head bolt<br>M 6 X 16                       |        | 1   |        |
| 14   | 958 116 233 02 | Bracket  |        | 1   |        |
| 15   | N 911 266 01   | Oval hexagon socket head bolt<br>M 6 X 16  |        | 3   |        |
| (15) | N 910 967 01   | No longer use the part here<br>Oval hexagon socket head bolt<br>M 6 X 16                       |        | 3   |        |
| 16   | 958 116 468 00 | breather assy.   |        | 1   |        |
| 17   | N 020 626 7    | Clamp<br>16 X 15   |        | 1   |        |
| 18   | 958 116 416 01 | Pipe assembly  | lhd    | 1   | PR:L0L |
| 19   | 958 116 417 01 | Pipe assembly  | rhd    | 1   | PR:L0R |
| 20   | 955 423 225 00 | seal ring  |        | 1   |        |
| 21   | 111 971 911 A  | Grommet  |        | 1   |        |
| 22   | N 909 042 01   | Hose bracket   |        | 1   |        |
| 23   | N 906 867 01   | Spring band clamp<br>B 14 X 12   |        | 1   |        |
| 24   | N 015 082 10   | Hexagon collar nut<br>M 6  |        | 1   |        |
| 25   | 958 423 350 00 | Line holder  |        | 1   |        |

Model: 92A 11

Model life 2011>>2018



Model: 92A 11

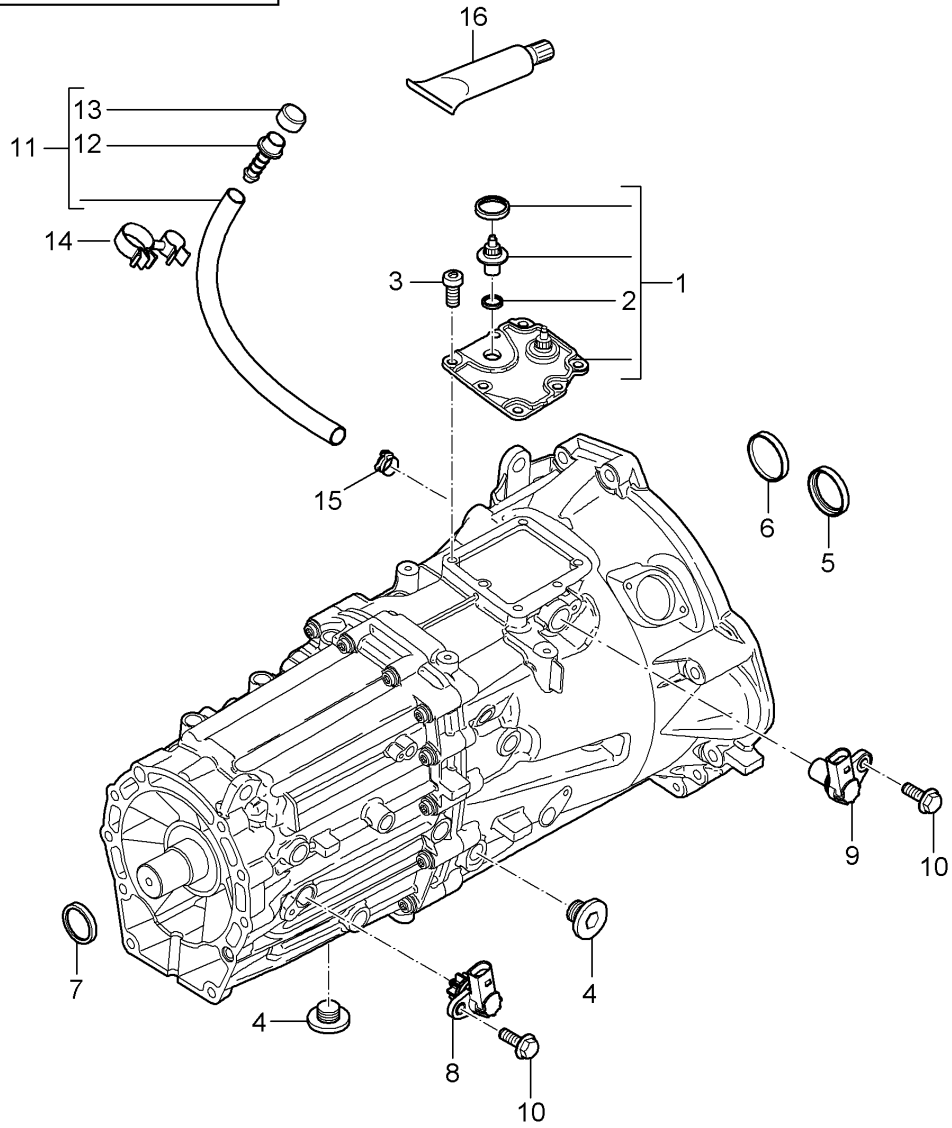
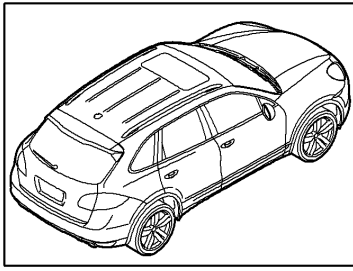
Model life 2011>>2018

| Pos | Part Number    | Description  | Remark | Qty | Model      |
|-----|----------------|--|--------|-----|------------|
| 1   | 958 300 010 00 | Replacement transmission<br>Manual gearbox               |        | 1   | PR:D34,G0L |
| (1) | 958 300 010 X  | Replacement transmission<br>Classification letter<br>MHF |        | 1   |            |
| 2   | 000 043 300 38 | Transmission fluid<br>Container<br>1 LITER               |        | X   |            |



Model: 92A 11

Model life 2011>>2018



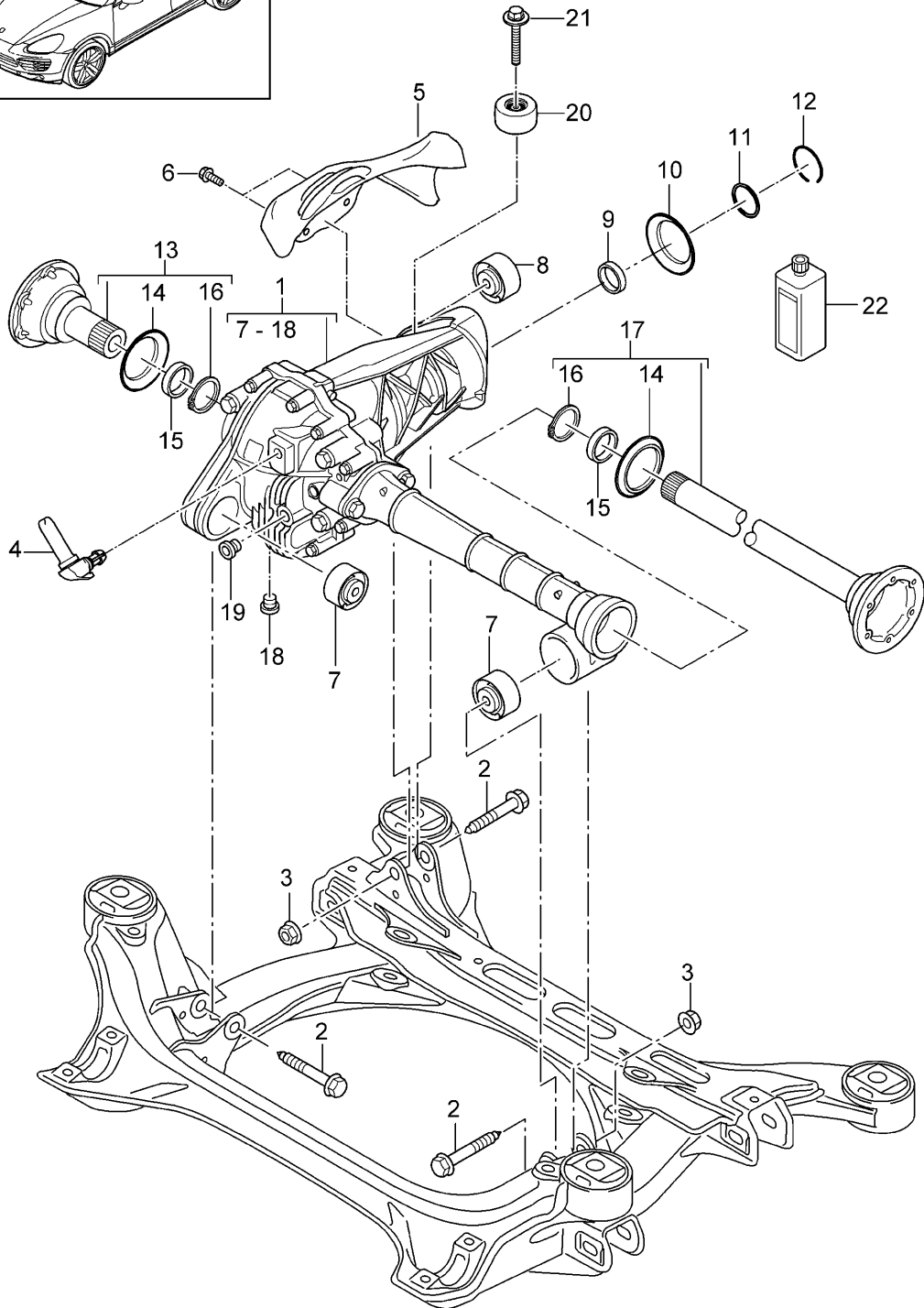
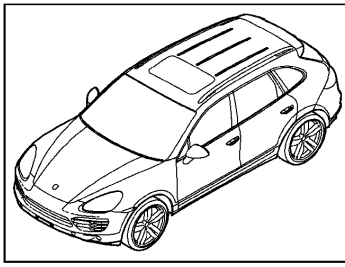
Model: 92A 11

Model life 2011>>2018

| Pos | Part Number    | Description   | Remark                 | Qty | Model      |
|-----|----------------|---|------------------------|-----|------------|
|     |                | Replacement transmission<br>Manual gearbox<br>Individual parts      |                        |     | PR:D34,G0L |
| 1   | 955 301 230 10 | Switching module  |                        | 1   |            |
| 2   | 955 301 227 00 | Shaft oil seal<br>15 X 21 X 7                                       |                        | 1   |            |
| 3   | N 910 903 01   | Socket head collared bolt with<br>inner multipoint head<br>M 8 X 28 |                        | 7   |            |
| 4   | WHT 000 514    | sealing plug<br>M 18 X 1,5  |                        | 2   |            |
| 5   | 955 301 109 00 | radial shaft seal<br>39,9 X 70 X 9<br>for<br>Input shaft            |                        | 1   |            |
| 6   | 955 301 125 00 | End cap   |                        | 1   |            |
| 7   | 955 301 189 00 | radial shaft seal<br>41 X 72 X 9<br>for<br>Output shaft             |                        | 1   |            |
| 8   | 955 606 420 00 | Reverse light switch  |                        | 1   |            |
| 9   | 955 606 827 00 | Switch<br>Idling  |                        | 1   |            |
| 10  | N 901 678 05   | Hexagon bolt<br>M 7 X 1,25 X 19                                     |                        | 2   |            |
| 11  | 955 301 047 00 | breather assy.<br>1360 MM<br>modify in workshop<br>230 MM           |                        | 1   |            |
| 12  | 955 301 090 00 | ventilation union   | also use: N 105 679 01 | 1   |            |
| 13  | 014 301 485    | Cap for venting the gearbox   |                        | 1   |            |
| 14  | N 105 679 01   | Double clip<br>A01-13 X C05-22                                      |                        | 1   |            |
| 15  | N 906 867 01   | Spring band clamp<br>B 14 X 12                                      |                        | 1   |            |
| 16  | 000 043 010 00 | Loctite<br>574<br>50 ML.<br>Surface sealing<br>Switching module     |                        | X   |            |

Model: 92A 11

Model life 2011>>2018



Model: 92A 11 Model life 2011>>2018

| Pos | Part Number    | Description  | Remark         | Qty | Model              |
|-----|----------------|--|----------------|-----|--------------------|
| 1   | 958 349 011 01 | Front axle differential<br>Ready for installation                            |                | 1   | PR:D6V,E0A         |
| (1) | 958 349 011 AX | Front axle differential<br>Classification letter<br>MYJ<br>Discontinued part |                | 1   | PR:D6V,E0A         |
| (1) | 958 349 011 02 | Front axle differential<br>Classification letter<br>QAK                      |                | 1   | PR:D6V,E0A         |
| (1) | 958 349 011 BX | Front axle differential<br>Classification letter<br>QAK<br>use if required:  | 958 349 451 21 | 1   | PR:D6V,E0A         |
| (1) | 958 349 011 40 | Front axle differential<br>Classification letter<br>NKK<br>Discontinued part | 958 349 451 21 | 1   | PR:D6V,E0W         |
| (1) | 958 349 011 4X | Front axle differential<br>Classification letter<br>NKK<br>Discontinued part |                | 1   | PR:D6V,E0W         |
| (1) | 958 349 011 41 | Front axle differential<br>Classification letter<br>QAL                      |                | 1   | PR:D6V,E0W         |
| (1) | 958 349 011 6X | Front axle differential<br>Classification letter<br>QAL<br>use if required:  | 958 349 451 21 | 1   | PR:D6V,E0W         |
| (1) | 958 349 011 11 | Front axle differential<br>Classification letter<br>MXF<br>Discontinued part | 958 349 451 21 | 1   | PR:D58             |
| (1) | 958 349 011 LX | Front axle differential<br>Classification letter<br>MXF<br>Discontinued part |                | 1   | PR:D58             |
| (1) | 958 349 011 12 | Front axle differential<br>Classification letter<br>NMJ<br>Discontinued part |                | 1   | PR:D58             |
| (1) | 958 349 011 MX | Front axle differential<br>Classification letter<br>NMJ<br>Discontinued part |                | 1   | PR:D58             |
| (1) | 958 349 011 13 | Front axle differential<br>Classification letter<br>PXV                      |                | 1   | PR:D58             |
| (1) | 958 349 011 NX | Front axle differential<br>Classification letter<br>PXV<br>use if required:  | 958 349 451 21 | 1   | PR:D58             |
| (1) | 958 349 011 20 | Front axle differential<br>Classification letter<br>MUN<br>Discontinued part | 958 349 451 21 | 1   | PR:D50,D43,<br>D1V |
| (1) | 958 349 011 2X | Front axle differential  |                | 1   | PR:D50,D43,        |

Model: 92A 11 Model life 2011>>2018

| Pos | Part Number    | Description  | Remark | Qty | Model                     |
|-----|----------------|--|--------|-----|---------------------------|
| (1) | 958 349 011 21 | Classification letter<br>MUN<br>Discontinued part<br>Front axle differential<br>Classification letter<br>PTY<br>D >> - MJ 2014       |        | 1   | D1V<br>PR:D50,D43,<br>D1V |
| (1) | 958 349 011 7X | Front axle differential<br>Classification letter<br>PTY<br>D >> - MJ 2014  |        | 1   | PR:D50,D43,<br>D1V        |
| (1) | 958 349 011 20 | Front axle differential<br>Classification letter<br>MUN<br>Discontinued part   |        | 1   | PR:D19                    |
| (1) | 958 349 011 2X | Front axle differential<br>Classification letter<br>MUN<br>Discontinued part   |        | 1   | PR:D19                    |
| (1) | 958 349 011 21 | Front axle differential<br>Classification letter<br>PTY<br>only in conj. with:<br>Heat protection<br>958.349.451.21<br>7P0.521.443.C |        | 1   | PR:D19                    |
| (1) | 958 349 011 7X | Front axle differential<br>Classification letter<br>PTY<br>only in conj. with:<br>Heat protection<br>958.349.451.21<br>7P0.521.443.C |        | 1   | PR:D19                    |
| (1) | 958 349 011 20 | Front axle differential<br>Classification letter<br>MUN<br>Discontinued part   |        | 1   | PR:D11<br>"CN."           |
| (1) | 958 349 011 2X | Front axle differential<br>Classification letter<br>MUN<br>Discontinued part   |        | 1   | PR:D11<br>"CN."           |
| (1) | 958 349 011 21 | Front axle differential<br>Classification letter<br>PTY<br>only in conj. with:<br>Heat protection<br>958.349.451.21<br>7P0.521.443.C |        | 1   | PR:D11                    |
| (1) | 958 349 011 7X | Front axle differential<br>Classification letter<br>PTY<br>only in conj. with:<br>Heat protection<br>958.349.451.21<br>7P0.521.443.C |        | 1   | PR:D11                    |
| (1) | 958 349 011 31 | Front axle differential<br>Classification letter<br>MYK<br>Discontinued part   |        | 1   | PR:D34                    |
| (1) | 958 349 011 3X | Front axle differential<br>Classification letter<br>MYK<br>Discontinued part   |        | 1   | PR:D34                    |

Model: 92A 11 Model life 2011>>2018

| Pos | Part Number    | Description   | Remark         | Qty | Model                      |
|-----|----------------|---|----------------|-----|----------------------------|
| (1) | 958 349 011 32 | Front axle differential<br>Classification letter<br>QAJ |                | 1   | PR:D34                     |
|     |                | use if required:<br>D >> - MJ 2014                      | 958 349 451 21 | 1   |                            |
| (1) | 958 349 011 8X | Front axle differential<br>Classification letter<br>QAJ |                | 1   | PR:D34                     |
|     |                | use if required:<br>D >> - MJ 2014                      | 958 349 451 21 | 1   |                            |
| (1) | 958 349 011 50 | Front axle differential<br>Classification letter<br>FHE |                | 1   | PR:DD8                     |
|     |                | Discontinued part                                       |                |     |                            |
| (1) | 958 349 011 5X | Front axle differential<br>Classification letter<br>FHE |                | 1   | PR:DD8                     |
|     |                | Discontinued part                                       |                |     |                            |
| (1) | 958 349 011 51 | Front axle differential<br>Classification letter<br>QAN |                | 1   | PR:DD8                     |
|     |                | use if required:  | 958 349 451 21 | 1   |                            |
| (1) | 958 349 011 9X | Front axle differential<br>Classification letter<br>QAN |                | 1   | PR:DD8                     |
|     |                | use if required:  | 958 349 451 21 | 1   |                            |
| (1) | 958 349 012 00 | Front axle differential<br>Classification letter<br>QLU |                | 1   | PR:DU2                     |
| (1) | 958 349 012 X  | Front axle differential<br>Classification letter<br>QLU |                | 1   | PR:DU2                     |
| (1) | 958 349 012 05 | Front axle differential<br>Classification letter<br>QPU |                | 1   | PR:DU3                     |
| (1) | 958 349 012 EX | Front axle differential<br>Classification letter<br>QPU |                | 1   | PR:DU3                     |
| (1) | 958 349 011 14 | Front axle differential<br>Classification letter<br>RMD |                | 1   | PR:DT1,DT5                 |
| (1) | 958 349 011 PX | Front axle differential<br>Classification letter<br>RMD |                | 1   | PR:DT1,DT5                 |
| (1) | 958 349 012 10 | Front axle differential<br>Classification letter<br>RCN |                | 1   | PR:D43,DV7,<br>D1V,D50,D51 |
|     |                | D - MJ 2015>>   |                |     |                            |
| (1) | 958 349 012 KX | Front axle differential<br>Classification letter<br>RCN |                | 1   | PR:D43,DV7,<br>D1V,D50,D51 |
|     |                | D - MJ 2015>>   |                |     |                            |
| (1) | 958 349 012 15 | Front axle differential<br>Classification letter<br>QPV |                | 1   | PR:D34                     |
|     |                | D - MJ 2015>> - MJ 2015                                 |                |     |                            |
| (1) | 958 349 012 QX | Front axle differential<br>Classification letter<br>QPV |                | 1   | PR:D34                     |
|     |                | D - MJ 2015>> - MJ 2015                                 |                |     |                            |
| (1) | 958 349 012 16 | Front axle differential<br>Classification letter<br>RME |                | 1   | PR:D34                     |

Model: 92A 11 Model life 2011>>2018

| Pos | Part Number    | Description  | Remark | Qty | Model                               |
|-----|----------------|--|--------|-----|-------------------------------------|
| (1) | 958 349 012 RX | D - MJ 2016>><br>Front axle differential<br>Classification letter<br>RME |        | 1   | PR:D34                              |
| 2   | N 102 112 02   | D - MJ 2016>><br>Hex collared bolt<br>AM 12 X 1,5 X 90                   |        | 3   |                                     |
| 3   | N 104 029 04   | Hexagon nut<br>M 12 X 1,5  |        | 2   |                                     |
| 4   | 0BM 301 047    | Bleed valve  |        | 1   |                                     |
| 5   | 958 349 451 01 | Heat insulation<br>No longer use the part here                           |        | 1   | PR:D6V,D58,<br>D34                  |
| (5) | 958 349 451 01 | Heat insulation<br>No longer use the part here                           |        | 1   | PR:D11<br>"CN."                     |
| (5) | 958 349 451 01 | Heat insulation<br>No longer use the part here                           |        | 1   | PR:D19,L0L                          |
| (5) | 958 349 451 20 | Heat insulation  |        | 1   | PR:-D50,<br>-D43,-D1V               |
| (5) | 958 349 451 21 | D >> - MJ 2014<br>Heat insulation<br>D - MJ 2015>>                       |        | 1   | PR:-D50,<br>-D43,-D1V,<br>-DV7,-D51 |
| -   | N 910 607 01   | Shim<br>6,4 X 13 X 5   |        | 1   | PR:-D50,<br>-D43,-D1V,<br>-DV7,-D51 |
| -   | N 090 242 4    | hexagon head bolt (combi)<br>M 6 X 18                                    |        | 1   | PR:-D50,<br>-D43,-D1V,<br>-DV7,-D51 |
| 6   | N 100 053 06   | hexagon head bolt (combi)<br>M 6 X 12                                    |        | 3   | PR:-D50,<br>-D43,-D1V,<br>-DV7,-D51 |
| 7   | 958 349 337 50 | Rubber bush<br>D >> - MJ 2014  |        | 2   | PR:D6V,D58,<br>D34                  |
| (7) | 958 349 337 70 | Rubber bush<br>D >> - MJ 2014  |        | 2   | PR:D50,D43,<br>D1V                  |
| (7) | 958 349 337 70 | Rubber bush  |        | 2   | PR:D19                              |
| (7) | 958 349 337 70 | Rubber bush  |        | 2   | PR:D11                              |
| (7) | 958 349 337 70 | Rubber bush  |        | 2   | PR:DD8                              |
| (7) | 958 349 337 80 | Rubber bush  |        | 2   | PR:DU2,DU3                          |
| (7) | 958 349 337 80 | Rubber bush  |        | 2   | PR:DT1,DT5                          |
| (7) | 958 349 337 80 | Rubber bush<br>D - MJ 2015>>   |        | 2   | PR:D43,DV7,<br>D1V,D50,D51          |
| (7) | 958 349 337 70 | Rubber bush<br>D - MJ 2015>><br>No longer use the part here              |        | 2   | PR:D34                              |
| (7) | 958 349 337 80 | Rubber bush<br>D - MJ 2015>>   |        | 2   | PR:D34                              |
| 8   | 958 349 337 40 | Rubber bush<br>D >> - MJ 2014  |        | 1   | PR:D6V,D58,<br>D34                  |
| (8) | 958 349 337 60 | Rubber bush<br>D >> - MJ 2014  |        | 1   | PR:D50,D43,<br>D1V                  |
| (8) | 958 349 337 60 | Rubber bush  |        | 1   | PR:D19                              |
| (8) | 958 349 337 60 | Rubber bush  |        | 1   | PR:D11                              |
| (8) | 958 349 337 60 | Rubber bush  |        | 1   | PR:DD8                              |
| (8) | 958 349 337 90 | Rubber bush  |        | 1   | PR:DU2,DU3                          |
| (8) | 958 349 337 90 | Rubber bush  |        | 1   | PR:DT1,DT5                          |
| (8) | 958 349 337 90 | Rubber bush<br>D - MJ 2015>>   |        | 1   | PR:D43,DV7,<br>D1V,D50,D51          |
| (8) | 958 349 337 60 | Rubber bush<br>D - MJ 2015>><br>No longer use the part here              |        | 1   | PR:D34                              |
| (8) | 958 349 337 90 | Rubber bush<br>D - MJ 2015>>   |        | 1   | PR:D34                              |
| 9   | 958 349 189 20 | Shaft oil seal   |        | 1   |                                     |

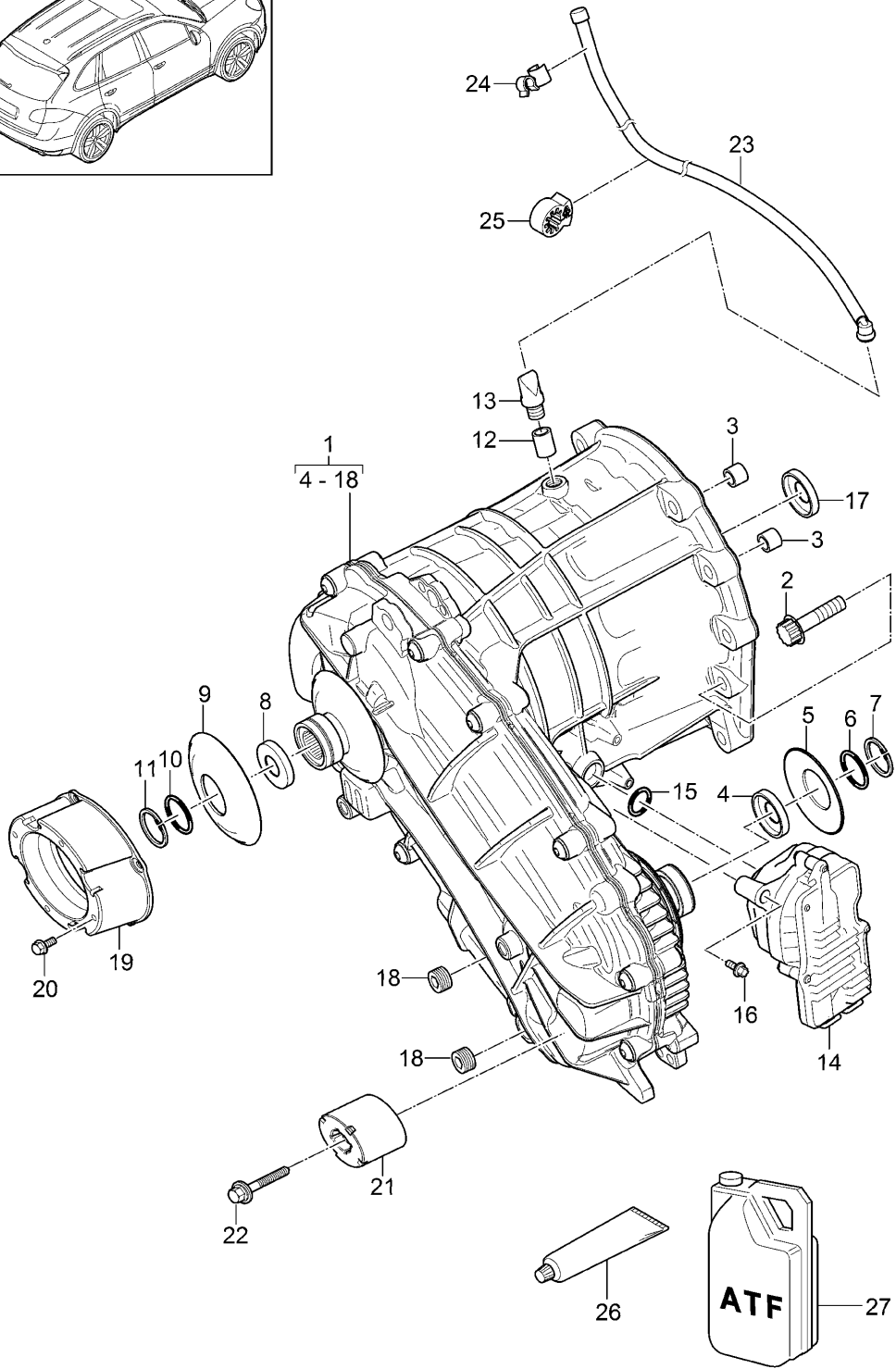
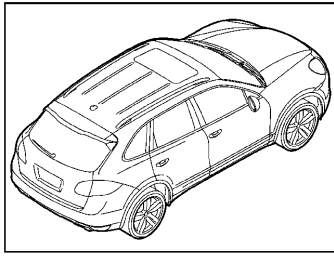
Model: 92A 11 Model life 2011>>2018

| Pos  | Part Number    | Description  | Remark | Qty | Model                                  |
|------|----------------|--|--------|-----|--|
| 10   | 958 332 375 40 | protective ring  |        | 1   |  |
| 11   | WHT 005 157    | O-ring<br>23,52 X 1,78                                       |        | 1   |  |
| 12   | 958 349 490 10 | snap ring  |        | 1   |  |
| 13   | 958 349 272 40 | Output flange  |        | 1   | PR:D6V,D58,<br>D34,DU2,DU3,<br>DT1,DT5 |
| (13) | 958 349 272 50 | Output flange  |        | 1   | PR:D43,DV7,<br>D1V,D50,D51             |
| (13) | 958 349 272 50 | Output flange  |        | 1   | PR:D19                                 |
| (13) | 958 349 272 50 | Output flange  |        | 1   | PR:D11                                 |
| (13) | 958 349 272 40 | Output flange  |        | 1   | PR:DD8                                 |
| 14   | 955 332 375 30 | protective ring  |        | 2   | PR:D6V,D58,<br>D34,DU2,DU3,<br>DT1,DT5 |
| (14) | 955 332 375 00 | protective ring  |        | 2   | PR:D43,DV7,<br>D1V,D50,D51             |
| (14) | 955 332 375 00 | protective ring  |        | 2   | PR:D19                                 |
| (14) | 955 332 375 00 | protective ring  |        | 2   | PR:D11                                 |
| (14) | 955 332 375 30 | protective ring  |        | 2   | PR:DD8                                 |
| 15   | 955 349 189 10 | Shaft oil seal   |        | 2   |  |
| 16   | 958 349 413 10 | snap ring  |        | 2   |  |
| 17   | 958 349 271 40 | Output flange  |        | 1   | PR:D6V,D58,<br>D34,DU2,DU3,<br>DT1,DT5 |
| (17) | 958 349 271 50 | Output flange  |        | 1   | PR:D43,DV7,<br>D1V,D50,D51             |
| (17) | 958 349 271 50 | Output flange  |        | 1   | PR:D19                                 |
| (17) | 958 349 271 50 | Output flange  |        | 1   | PR:D11                                 |
| (17) | 958 349 271 40 | Output flange  |        | 1   | PR:DD8                                 |
| 18   | 958 349 501 00 | needle bearing -   |        | 1   |  |
| 19   | 955 332 057 00 | sealing plug<br>M 16 X 1,5                                   |        | 2   |  |
| 20   | 958 349 307 00 | vibration damper<br>D - MJ 2015>>                            |        | 1   | PR:D43,DV7,<br>D1V,D50,D51             |
| 21   | N 912 137 01   | bolt,hex.hd.with shoul.(combi)<br>M 10 X 75<br>D - MJ 2015>> |        | 1   | PR:D43,DV7,<br>D1V,D50,D51             |
| 22   | 000 043 205 30 | Transmission fluid<br>75 W 90<br>1 LITER<br>Container        |        | X   |  |



Model: 92A 11

Model life 2011>>2018



Model: 92A 11 Model life 2011>>2018

| Pos | Part Number    | Description   | Remark | Qty | Model  |
|-----|----------------|---|--------|-----|--|
|     |                | Transfer box<br>Ready for installation  |        |     | PR:D6V,D58,<br>D34,DD8,DT1,<br>DT5,DU2,DU3<br>PR:D6V,D58 |
| 1   | 958 341 010 01 | Transfer box<br>Gearbox code (GKB)<br>NBM<br>Discontinued part                        |        | 1   |  |
| (1) | 958 341 010 AX | Transfer box<br>Gearbox code (GKB)<br>NBM<br>Discontinued part                        |        | 1   | PR:D6V,D58   |
| (1) | 958 341 010 02 | Transfer box<br>Gearbox code (GKB)<br>NFB<br>Discontinued part                        |        | 1   | PR:D6V,D58   |
| (1) | 958 341 010 BX | Transfer box<br>Gearbox code (GKB)<br>NFB<br>Discontinued part                        |        | 1   | PR:D6V,D58   |
| (1) | 958 341 010 03 | Transfer box<br>Gearbox code (GKB)<br>NUX<br>Discontinued part                        |        | 1   | PR:D6V,D58   |
| (1) | 958 341 010 CX | Transfer box<br>Gearbox code (GKB)<br>NUX<br>Discontinued part                        |        | 1   | PR:D6V,D58   |
| (1) | 958 341 010 04 | Transfer box<br>Gearbox code (GKB)<br>PJJ<br>Discontinued part                        |        | 1   | PR:D6V,D58   |
| (1) | 958 341 010 DX | Transfer box<br>Gearbox code (GKB)<br>PJJ<br>Discontinued part                        |        | 1   | PR:D6V,D58   |
| (1) | 958 341 010 05 | Transfer box<br>Gearbox code (GKB)<br>PSD<br>Discontinued part                        |        | 1   | PR:D6V,D58   |
| (1) | 958 341 010 EX | Transfer box<br>Gearbox code (GKB)<br>PSD<br>Discontinued part                        |        | 1   | PR:D6V,D58   |
| (1) | 958 341 010 06 | Transfer box<br>Gearbox code (GKB)<br>PSJ<br>Discontinued part                        |        | 1   | PR:D6V,D58   |
| (1) | 958 341 010 FX | Transfer box<br>Gearbox code (GKB)<br>PSJ<br>Discontinued part                        |        | 1   | PR:D6V,D58   |
| (1) | 958 341 010 07 | Transfer box<br>Gearbox code (GKB)<br>QND<br>Discontinued part                        |        | 1   | PR:D6V,D58   |
| (1) | 958 341 010 GX | Transfer box<br>Gearbox code (GKB)<br>QND<br>Discontinued part                        |        | 1   | PR:D6V,D58   |
| (1) | 958 341 010 08 | Transfer box<br>See technical information<br>see main group 3 (gearbox)<br>3965 96/16 |        | 1   | PR:D6V,D58   |

Model: 92A 11

Model life 2011&gt;&gt;2018

| Pos | Part Number    | Description   | Remark | Qty | Model      |
|-----|----------------|---|--------|-----|------------|
| (1) | 958 341 010 HX | Transfer box<br>See technical information<br>see main group 3 (gearbox)<br>3965 96/16 |        | 1   | PR:D6V,D58 |
| (1) | 958 341 010 12 | Transfer box<br>Gearbox code (GKB)<br>NFC<br>D >> - MJ 2014<br>Discontinued part      |        | 1   | PR:D34,G0L |
| (1) | 958 341 010 MX | Transfer box<br>Gearbox code (GKB)<br>NFC<br>D >> - MJ 2014<br>Discontinued part      |        | 1   | PR:D34,G0L |
| (1) | 958 341 010 13 | Transfer box<br>Gearbox code (GKB)<br>NLJ<br>D >> - MJ 2014<br>Discontinued part      |        | 1   | PR:D34,G0L |
| (1) | 958 341 010 NX | Transfer box<br>Gearbox code (GKB)<br>NLJ<br>D >> - MJ 2014<br>Discontinued part      |        | 1   | PR:D34,G0L |
| (1) | 958 341 010 14 | Transfer box<br>Gearbox code (GKB)<br>PJK<br>D >> - MJ 2014<br>Discontinued part      |        | 1   | PR:D34,G0L |
| (1) | 958 341 010 PX | Transfer box<br>Gearbox code (GKB)<br>PJK<br>D >> - MJ 2014<br>Discontinued part      |        | 1   | PR:D34,G0L |
| (1) | 958 341 010 15 | Transfer box<br>Gearbox code (GKB)<br>PSC<br>D >> - MJ 2014<br>Discontinued part      |        | 1   | PR:D34,G0L |
| (1) | 958 341 010 QX | Transfer box<br>Gearbox code (GKB)<br>PSC<br>D >> - MJ 2014<br>Discontinued part      |        | 1   | PR:D34,G0L |
| (1) | 958 341 010 16 | Transfer box<br>Gearbox code (GKB)<br>PSK<br>D >> - MJ 2014<br>Discontinued part      |        | 1   | PR:D34,G0L |
| (1) | 958 341 010 RX | Transfer box<br>Gearbox code (GKB)<br>PSK<br>D >> - MJ 2014<br>Discontinued part      |        | 1   | PR:D34,G0L |
| (1) | 958 341 010 17 | Transfer box<br>Gearbox code (GKB)<br>QNE<br>D >> - MJ 2014<br>Discontinued part      |        | 1   | PR:D34,G0L |
| (1) | 958 341 010 SX | Transfer box<br>Gearbox code (GKB)<br>QNE<br>D >> - MJ 2014                           |        | 1   | PR:D34,G0L |

Model: 92A 11

Model life 2011&gt;&gt;2018

| Pos | Part Number    | Description  | Remark | Qty | Model      |
|-----|----------------|--|--------|-----|------------|
| (1) | 958 341 010 18 | Discontinued part<br>Transfer box<br>See technical information<br>see main group 3 (gearbox)<br>3965 96/16<br>D >> - MJ 2014 |        | 1   | PR:D34,G0L |
| (1) | 958 341 011 BX | Transfer box<br>See technical information<br>see main group 3 (gearbox)<br>3965 96/16<br>D >> - MJ 2014                      |        | 1   | PR:D34,G0L |
| (1) | 958 341 010 21 | Transfer box<br>Gearbox code (GKB)<br>NFD<br>D >> - MJ 2014  |        | 1   | PR:D34,G1G |
| (1) | 958 341 010 3X | Discontinued part<br>Transfer box<br>Gearbox code (GKB)<br>NFD<br>D >> - MJ 2014   |        | 1   | PR:D34,G1G |
| (1) | 958 341 010 22 | Discontinued part<br>Transfer box<br>Gearbox code (GKB)<br>NLK<br>D >> - MJ 2014   |        | 1   | PR:D34,G1G |
| (1) | 958 341 010 4X | Discontinued part<br>Transfer box<br>Gearbox code (GKB)<br>NLK<br>D >> - MJ 2014   |        | 1   | PR:D34,G1G |
| (1) | 958 341 010 23 | Discontinued part<br>Transfer box<br>Gearbox code (GKB)<br>PJJ<br>D >> - MJ 2014   |        | 1   | PR:D34,G1G |
| (1) | 958 341 010 5X | Discontinued part<br>Transfer box<br>Gearbox code (GKB)<br>PJJ<br>D >> - MJ 2014   |        | 1   | PR:D34,G1G |
| (1) | 958 341 010 24 | Discontinued part<br>Transfer box<br>Gearbox code (GKB)<br>PSB<br>D >> - MJ 2014   |        | 1   | PR:D34,G1G |
| (1) | 958 341 010 7X | Discontinued part<br>Transfer box<br>Gearbox code (GKB)<br>PSB<br>D >> - MJ 2014   |        | 1   | PR:D34,G1G |
| (1) | 958 341 010 25 | Discontinued part<br>Transfer box<br>Gearbox code (GKB)<br>PSL<br>D >> - MJ 2014   |        | 1   | PR:D34,G1G |
| (1) | 958 341 010 8X | Discontinued part<br>Transfer box<br>Gearbox code (GKB)<br>PSL<br>D >> - MJ 2014   |        | 1   | PR:D34,G1G |
| (1) | 958 341 010 26 | Discontinued part<br>Transfer box<br>Gearbox code (GKB)  |        | 1   | PR:D34,G1G |

Model: 92A 11

Model life 2011&gt;&gt;2018

| Pos | Part Number    | Description   | Remark | Qty | Model      |
|-----|----------------|---|--------|-----|------------|
| (1) | 958 341 011 X  | QNF<br>D >> - MJ 2014<br>Discontinued part<br>Transfer box<br>Gearbox code (GKB)  |        | 1   | PR:D34,G1G |
| (1) | 958 341 010 27 | QNF<br>D >> - MJ 2014<br>Discontinued part<br>Transfer box<br>See technical information<br>see main group 3 (gearbox)<br>3965 96/16 |        | 1   | PR:D34,G1G |
| (1) | 958 341 011 CX | D >> - MJ 2014<br>Transfer box<br>See technical information<br>see main group 3 (gearbox)<br>3965 96/16                             |        | 1   | PR:D34,G1G |
| (1) | 958 341 010 30 | D >> - MJ 2014<br>Transfer box<br>Gearbox code (GKB)<br>PSH   |        | 1   | PR:DD8     |
| (1) | 958 341 010 6X | D >> - MJ 2014<br>Discontinued part<br>Transfer box<br>Gearbox code (GKB)<br>PSH  |        | 1   | PR:DD8     |
| (1) | 958 341 010 31 | D >> - MJ 2014<br>Discontinued part<br>Transfer box<br>Gearbox code (GKB)<br>PSM  |        | 1   | PR:DD8     |
| (1) | 958 341 010 9X | D >> - MJ 2014<br>Discontinued part<br>Transfer box<br>Gearbox code (GKB)<br>PSM  |        | 1   | PR:DD8     |
| (1) | 958 341 010 32 | D >> - MJ 2014<br>Discontinued part<br>Transfer box<br>Gearbox code (GKB)<br>QNG  |        | 1   | PR:DD8     |
| (1) | 958 341 011 AX | D >> - MJ 2014<br>Discontinued part<br>Transfer box<br>Gearbox code (GKB)<br>QNG  |        | 1   | PR:DD8     |
| (1) | 958 341 010 33 | D >> - MJ 2014<br>Discontinued part<br>Transfer box<br>See technical information<br>see main group 3 (gearbox)<br>3965 96/16        |        | 1   | PR:DD8     |
| (1) | 958 341 011 DX | D >> - MJ 2014<br>Transfer box<br>See technical information<br>see main group 3 (gearbox)<br>3965 96/16                             |        | 1   | PR:DD8     |
| (1) | 958 341 012 00 | D >> - MJ 2014<br>Transfer box<br>Gearbox code (GKB)<br>QQE   |        | 1   | PR:DT1     |
| (1) | 958 341 012 X  | Discontinued part<br>Transfer box   |        | 1   | PR:DT1     |

Model: 92A 11

Model life 2011&gt;&gt;2018

| Pos | Part Number    | Description   | Remark | Qty | Model      |
|-----|----------------|---|--------|-----|------------|
| (1) | 958 341 012 01 | Gearbox code (GKB)<br>QQE<br>Discontinued part<br>Transfer box<br>Gearbox code (GKB)<br>RGV   |        | 1   | PR:DT1,DT5 |
| (1) | 958 341 012 AX | Discontinued part<br>Transfer box<br>Gearbox code (GKB)<br>RGV  |        | 1   | PR:DT1,DT5 |
| (1) | 958 341 012 02 | Discontinued part<br>Transfer box<br>Gearbox code (GKB)<br>RZK  |        | 1   | PR:DT1,DT5 |
| (1) | 958 341 012 BX | See technical information<br>see main group 3 (gearbox)<br>3965 96/16<br>D >> - 24.07.2016<br>Transfer box<br>Gearbox code (GKB)<br>RZK |        | 1   | PR:DT1,DT5 |
| (1) | 958 341 012 04 | See technical information<br>see main group 3 (gearbox)<br>3965 96/16<br>D >> - 24.07.2016<br>Transfer box<br>Gearbox code (GKB)<br>SNN |        | 1   | PR:DT1,DT5 |
| (1) | 958 341 012 DX | See technical information<br>see main group 3 (gearbox)<br>3965 25/16<br>D - 25.07.2016>><br>Transfer box<br>Gearbox code (GKB)<br>SNN  |        | 1   | PR:DT1,DT5 |
| (1) | 958 341 012 10 | See technical information<br>see main group 3 (gearbox)<br>3965 25/16<br>D - 25.07.2016>><br>Transfer box<br>Gearbox code (GKB)<br>QQF  |        | 1   | PR:DD8     |
| (1) | 958 341 012 KX | D - MJ 2015>><br>Discontinued part<br>Transfer box<br>Gearbox code (GKB)<br>QQF   |        | 1   | PR:DD8     |
| (1) | 958 341 012 11 | D - MJ 2015>><br>Discontinued part<br>Transfer box<br>Gearbox code (GKB)<br>RGX   |        | 1   | PR:DD8     |
| (1) | 958 341 012 LX | D - MJ 2015>><br>Discontinued part<br>Transfer box<br>Gearbox code (GKB)<br>RGX   |        | 1   | PR:DD8     |
| (1) | 958 341 012 12 | D - MJ 2015>><br>Discontinued part<br>Transfer box<br>Gearbox code (GKB)<br>RZM<br>See technical information                            |        | 1   | PR:DD8     |

Model: 92A 11

Model life 2011&gt;&gt;2018

| Pos | Part Number    | Description  | Remark | Qty | Model      |
|-----|----------------|--|--------|-----|------------|
| (1) | 958 341 012 MX | see main group 3 (gearbox)<br>3965 96/16<br>D >> - 24.07.2016<br>D - MJ 2015>><br>Transfer box<br>Gearbox code (GKB)<br>RZM<br>See technical information<br>see main group 3 (gearbox) |        | 1   | PR:DD8     |
| (1) | 958 341 012 14 | 3965 96/16<br>D >> - 24.07.2016<br>D - MJ 2015>><br>Transfer box<br>Gearbox code (GKB)<br>SNQ<br>See technical information<br>see main group 3 (gearbox)                               |        | 1   | PR:DD8     |
| (1) | 958 341 012 PX | 3965 25/16<br>D - 25.07.2016>><br>D - MJ 2015>><br>Transfer box<br>Gearbox code (GKB)<br>SNQ<br>See technical information<br>see main group 3 (gearbox)                                |        | 1   | PR:DD8     |
| (1) | 958 341 012 20 | 3965 25/16<br>D - 25.07.2016>><br>D - MJ 2015>><br>Transfer box<br>Gearbox code (GKB)<br>QVU<br>Discontinued part  |        | 1   | PR:DU2     |
| (1) | 958 341 012 2X | Transfer box<br>Gearbox code (GKB)<br>QVU<br>Discontinued part   |        | 1   | PR:DU2     |
| (1) | 958 341 013 00 | Transfer box<br>Gearbox code (GKB)<br>RGU<br>Discontinued part   |        | 1   | PR:DU2,DU3 |
| (1) | 958 341 013 X  | Transfer box<br>Gearbox code (GKB)<br>RGU<br>Discontinued part   |        | 1   | PR:DU2,DU3 |
| (1) | 958 341 013 01 | Transfer box<br>Gearbox code (GKB)<br>RZJ<br>See technical information<br>see main group 3 (gearbox)   |        | 1   | PR:DU2,DU3 |
| (1) | 958 341 013 AX | 3965 96/16<br>D >> - 24.07.2016<br>Transfer box<br>Gearbox code (GKB)<br>RZJ<br>See technical information<br>see main group 3 (gearbox)  |        | 1   | PR:DU2,DU3 |
| (1) | 958 341 013 03 | 3965 96/16<br>D >> - 24.07.2016<br>Transfer box<br>Gearbox code (GKB)<br>SNM<br>See technical information<br>see main group 3 (gearbox)  |        | 1   | PR:DU2,DU3 |

Model: 92A 11

Model life 2011&gt;&gt;2018

| Pos | Part Number    | Description  | Remark | Qty | Model      |
|-----|----------------|--|--------|-----|------------|
| (1) | 958 341 013 CX | 3965 25/16<br>D - 25.07.2016>><br>Transfer box<br>Gearbox code (GKB)<br>SNM<br>See technical information<br>see main group 3 (gearbox)                   |        | 1   | PR:DU2,DU3 |
| (1) | 958 341 013 05 | 3965 25/16<br>D - 25.07.2016>><br>Transfer box<br>Gearbox code (GKB)<br>RGW<br>D - MJ 2015>><br>Discontinued part  |        | 1   | PR:D34     |
| (1) | 958 341 013 EX | Transfer box<br>Gearbox code (GKB)<br>RGW<br>D - MJ 2015>><br>Discontinued part  |        | 1   | PR:D34     |
| (1) | 958 341 013 06 | Transfer box<br>Gearbox code (GKB)<br>RZL<br>See technical information<br>see main group 3 (gearbox)   |        | 1   | PR:D34     |
| (1) | 958 341 013 FX | 3965 96/16<br>D >> - 24.07.2016<br>D - MJ 2015>><br>Transfer box<br>Gearbox code (GKB)<br>RZL<br>See technical information<br>see main group 3 (gearbox) |        | 1   | PR:D34     |
| (1) | 958 341 013 08 | 3965 96/16<br>D >> - 24.07.2016<br>D - MJ 2015>><br>Transfer box<br>Gearbox code (GKB)<br>SNP<br>See technical information<br>see main group 3 (gearbox) |        | 1   | PR:D34     |
| (1) | 958 341 013 HX | 3965 25/16<br>D - 25.07.2016>><br>D - MJ 2015>><br>Transfer box<br>Gearbox code (GKB)<br>SNP<br>See technical information<br>see main group 3 (gearbox)  |        | 1   | PR:D34     |
| 2   | WHT 003 211    | 3965 25/16<br>D - 25.07.2016>><br>D - MJ 2015>><br>12-point head bolt<br>M 10 X 50   |        | 10  |            |
| 3   | 955 341 139 01 | Centre sleeve<br>14,57 X 10,5  |        | 2   |            |
| 4   | 958 341 199 10 | radial shaft seal<br>35 X 62 X 8   |        | 1   |            |
| 5   | 958 341 375 00 | protective ring<br>33,5 X 92   |        | 1   |            |
| (5) | 958 341 375 01 | No longer use the part here<br>protective ring<br>33,5 X 68,5  |        | 1   |            |
| 6   | WHT 005 158    | O-ring   |        | 1   |            |



Model: 92A 11

Model life 2011&gt;&gt;2018

| Pos  | Part Number    | Description  | Remark | Qty | Model        |
|------|----------------|--|--------|-----|--------------|
| 7    | 958 349 491 10 | 25 X 2<br>snap ring  |        | 1   |              |
| 8    | 958 341 199 00 | 21,9 X 1,8<br>radial shaft seal  |        | 1   |              |
| 9    | 958 341 375 00 | 35 X 72 X 8<br>protective ring   |        | 1   |              |
| 10   | WHT 005 156    | 33,5 X 92<br>O-ring  |        | 1   |              |
| 11   | 958 349 493 00 | 28 X 2<br>snap ring  |        | 1   |              |
| 12   | 958 341 395 00 | 24,3 X 1,8<br>ventilation union  |        | 1   | PR:D34,G0L   |
| (12) | 02H 409 275 A  | Sleeve   |        | 1   | PR:-D34,-G0L |
| 13   | 958 341 393 00 | Bleed valve  |        | 1   | PR:D34,G0L   |
| 14   | 958 618 755 03 | Control unit for transfer<br>box                                       |        | 1   |              |
| (14) | 958 618 755 05 | Discontinued part<br>Control unit for transfer<br>box                  |        | 1   |              |
| (14) | 958 618 755 06 | Discontinued part<br>Control unit for transfer<br>box                  |        | 1   |              |
| (14) | 958 618 755 07 | Discontinued part<br>Control unit for transfer<br>box                  |        | 1   |              |
| (14) | 958 618 755 08 | Discontinued part<br>Control unit for transfer<br>box                  |        | 1   |              |
| (14) | 958 618 755 09 | Discontinued part<br>Control unit for transfer<br>box                  |        | 1   |              |
| (14) | 958 618 755 10 | D >> - MJ 2014<br>Control unit for transfer<br>box                     |        | 1   |              |
| (14) | 958 618 755 11 | D - MJ 2015>><br>Discontinued part<br>Control unit for transfer<br>box |        | 1   |              |
| (14) | 958 618 755 12 | D - MJ 2015>><br>Discontinued part<br>Control unit for transfer<br>box |        | 1   |              |
| 15   | 958 341 501 00 | D - MJ 2015>><br>O-ring  |        | 1   |              |
| 16   | 958 341 502 00 | 34 X 3<br>Hexagon head bolt  |        | 2   |              |
| 17   | 958 341 199 20 | M 8 X 50<br>radial shaft seal  |        | 1   |              |
| 18   | 955 301 115 01 | 55 X 80 X 8<br>sealing plug  |        | 2   |              |
| 19   | 958 301 317 03 | 17,5 X 12<br>vibration damper  |        | 1   | PR:DD8       |
| (19) | 958 301 317 03 | vibration damper   |        | 1   | PR:DU2,DU3   |
| 20   | N 900 639 05   | Hex collared bolt  |        | 4   | PR:DD8       |
| (20) | N 900 639 05   | M 8 X 18<br>Hex collared bolt  |        | 4   | PR:DU2,DU3   |
| 21   | 958 301 318 20 | M 8 X 18<br>vibration damper   |        | 1   | PR:DD8       |
| 22   | N 910 236 03   | bolt,hex.hd.with shoul.(combi)   |        | 1   | PR:DD8       |
| 23   | 958 301 047 00 | AM 10 X 65<br>Breather line  |        | 1   | PR:DU2,DU3   |
|      |                | See technical information<br>see main group 3 (gearbox)                |        |     |              |

Model: 92A 11

Model life 2011&gt;&gt;2018

| Pos  | Part Number    | Description  | Remark | Qty | Model                              |
|------|----------------|--|--------|-----|------------------------------------|
| (23) | 958 301 047 01 | 3965 25/16<br>D >> - 10.09.2017<br>Breather line<br>See technical information<br>see main group 3 (gearbox)                              |        | 1   | PR:DU2,DU3                         |
| (23) | 958 301 047 10 | 3965 25/16<br>D - 11.09.2017>><br>Breather line<br>See technical information<br>see main group 3 (gearbox)                               |        | 1   | PR:D6V,D58,<br>DT1,DT5             |
| (23) | 958 301 047 11 | 3965 25/16<br>D >> - 10.09.2017<br>Breather line<br>See technical information<br>see main group 3 (gearbox)                              |        | 1   | PR:D6V,D58,<br>DT1,DT5             |
| (23) | 958 301 047 20 | 3965 25/16<br>D - 11.09.2017>><br>Breather line<br>See technical information<br>see main group 3 (gearbox)                               |        | 1   | PR:D34,G1G                         |
| (23) | 958 301 047 21 | 3965 25/16<br>D >> - 06.09.2017<br>Breather line<br>See technical information<br>see main group 3 (gearbox)                              |        | 1   | PR:D34,G1G                         |
| (23) | 958 301 047 30 | 3965 25/16<br>D - 07.09.2017>><br>Breather line<br>See technical information<br>see main group 3 (gearbox)                               |        | 1   | PR:DD8                             |
| (23) | 958 301 047 31 | 3965 25/16<br>D >> - 10.09.2017<br>Breather line<br>See technical information<br>see main group 3 (gearbox)                              |        | 1   | PR:DD8                             |
| 24   | N 104 312 02   | 3965 25/16<br>D - 11.09.2017>><br>Double hose holder<br>A 01 - 13 X C 01 - 14<br>See technical information<br>see main group 3 (gearbox) |        | 1   | PR:DU2,DU3                         |
| (24) | N 103 284 01   | 3965 25/16<br>Bracket<br>A 01 - 13 X C 01 - 11<br>See technical information<br>see main group 3 (gearbox)                                |        | 1   | PR:D6V,D58,<br>DT1,DT5             |
| (24) | N 108 377 01   | 3965 25/16<br>Line holder<br>A 02 - 13 X C 06 - 7,8<br>See technical information<br>see main group 3 (gearbox)                           |        | 1   | PR:DD8                             |
| 25   | N 107 873 01   | 3965 25/16<br>Spacer ring<br>B 10 X 20 X 10<br>See technical information<br>see main group 3 (gearbox)                                   |        | 2   | PR:DU2,DU3                         |
| (25) | N 107 873 01   | 3965 25/16<br>D >> - 13.08.2017<br>Spacer ring<br>B 10 X 20 X 10<br>See technical information<br>see main group 3 (gearbox)              |        | 1   | PR:D6V,D58,<br>DT1,DT5,DD8,<br>D34 |

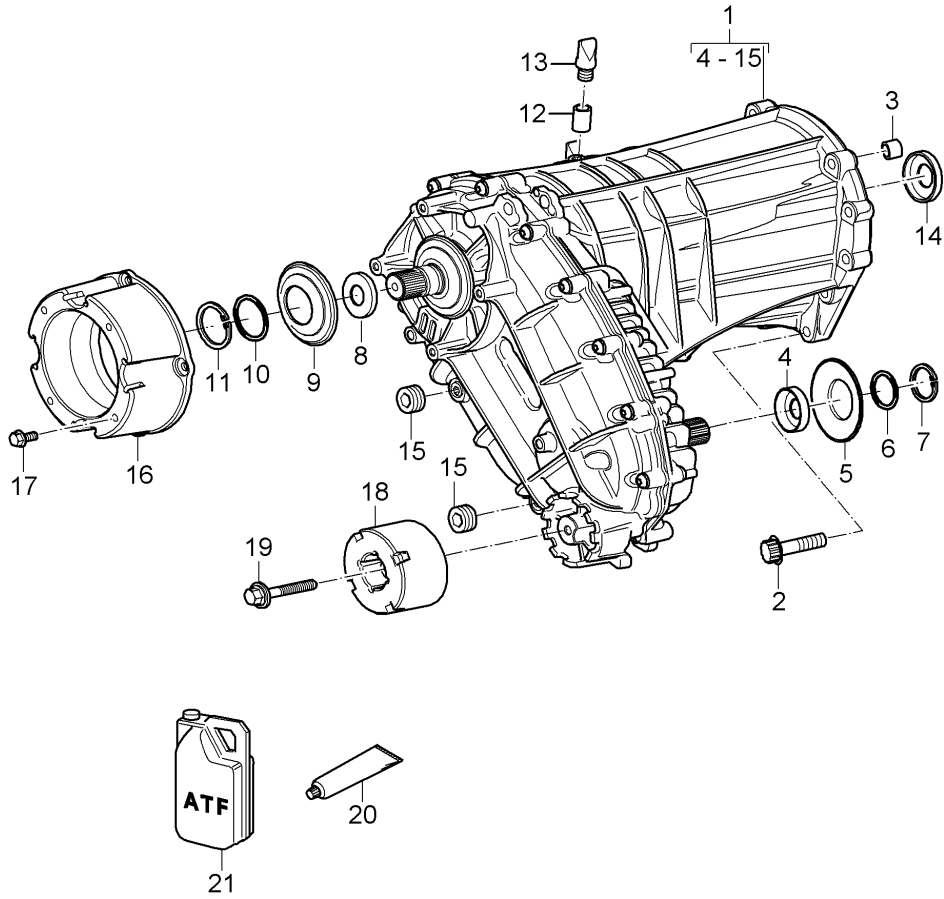
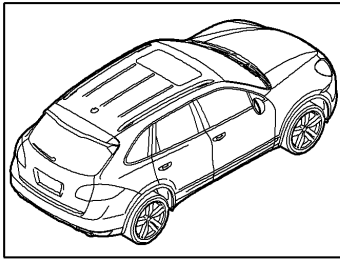
Model: 92A 11

Model life 2011>>2018

| Pos  | Part Number    | Description   | Remark   | Qty | Model |
|------|----------------|---|----------|-----|-------|
| 26   | 000 043 024 00 | D >> - 13.08.2017<br>Extreme-pressure grease<br>1 tube<br>80 GR.<br>Discontinued part |          | 1   |       |
| (26) | 000 043 305 73 | Extreme-pressure grease<br>1 tube<br>80 GR.   |          | 1   |       |
| 27   | 000 043 301 36 | Transfer box gear oil<br>ATF<br>Discontinued part                                     | 1.0 Ltr. | X   |       |
| (27) | 000 043 305 63 | Transfer box gear oil<br>ATF  | 850ml    | X   |       |

Model: 92A 11

Model life 2011>>2018



Model: 92A 11

Model life 2011&gt;&gt;2018

| Pos | Part Number    | Description   | Remark | Qty | Model  |
|-----|----------------|---|--------|-----|--|
|     |                | Transfer box<br>Ready for installation                            |        |     | PR:D50,D43,<br>D1V,DV7,D51,<br>D19,D11<br>PR:D50,D1V |
| 1   | 958 341 020 02 | Transfer box<br>Classification letter<br>NCA<br>Discontinued part |        | 1   |  |
| (1) | 958 341 020 BX | Transfer box<br>Classification letter<br>NCA<br>Discontinued part |        | 1   | PR:D50,D1V   |
| (1) | 958 341 020 03 | Transfer box<br>Classification letter<br>NMU                      |        | 1   | PR:D43,D1V,<br>D50,DV7,D51                           |
| (1) | 958 341 020 CX | Transfer box<br>Classification letter<br>NMU                      |        | 1   | PR:D43,D1V,<br>D50,DV7,D51                           |
| (1) | 958 341 020 12 | Transfer box<br>Classification letter<br>NDZ                      |        | 1   | PR:D19   |
| (1) | 958 341 020 MX | Transfer box<br>Classification letter<br>NDZ                      |        | 1   | PR:D19   |
| (1) | 958 341 020 20 | Transfer box<br>Classification letter<br>NCC<br>Discontinued part |        | 1   | PR:D11<br>"CN."                                      |
| (1) | 958 341 020 2X | Transfer box<br>Classification letter<br>NCC<br>Discontinued part |        | 1   | PR:D11<br>"CN."                                      |
| (1) | 958 341 020 21 | Transfer box<br>Classification letter<br>NMX                      |        | 1   | PR:D11   |
| (1) | 958 341 020 3X | Transfer box<br>Classification letter<br>NMX                      |        | 1   | PR:D11   |
| 2   | WHT 003 211    | 12-point head bolt<br>M 10 X 50                                   |        | 10  |  |
| 3   | 955 341 139 01 | Centre sleeve<br>14,57 X 10,5                                     |        | 2   |  |
| 4   | 958 341 199 10 | radial shaft seal<br>35 X 62 X 8                                  |        | 1   |  |
| 5   | 958 341 375 00 | protective ring   |        | 1   |  |
| 6   | WHT 005 158    | O-ring<br>25 X 2  |        | 1   |  |
| 7   | 958 349 491 10 | snap ring<br>21,9 X 1,8   |        | 1   |  |
| 8   | 958 341 199 00 | radial shaft seal<br>35 X 72 X 8                                  |        | 1   |  |
| 9   | 958 341 375 00 | protective ring   |        | 1   |  |
| 10  | WHT 005 156    | O-ring<br>28 X 2  |        | 1   |  |
| 11  | 958 349 493 00 | snap ring<br>24,3 X 1,8   |        | 1   |  |
| 12  | 958 341 395 00 | ventilation union   |        | 1   |  |
| 13  | 958 341 393 00 | Bleed valve   |        | 1   |  |
| 14  | 958 341 199 20 | radial shaft seal<br>55 X 80 X 8                                  |        | 1   |  |
| 15  | 955 301 115 01 | sealing plug<br>17,5 X 12   |        | 2   |  |
| 16  | 958 301 317 03 | vibration damper  |        | 1   |  |
| 17  | N 900 639 05   | Hex collared bolt   |        | 4   |  |

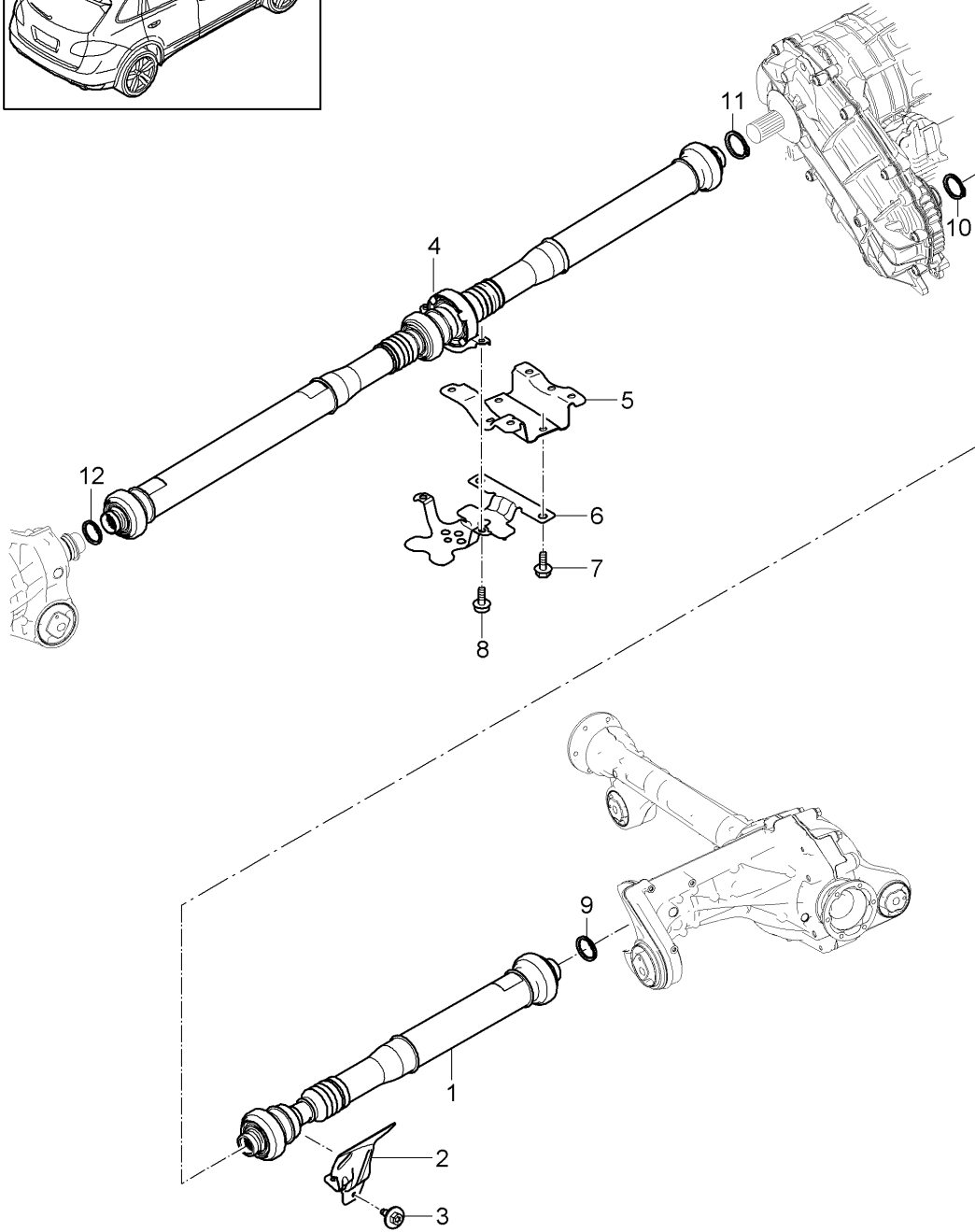
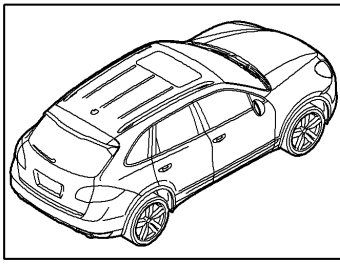
Model: 92A 11

Model life 2011>>2018

| Pos | Part Number    | Description                                   | Remark | Qty | Model |
|-----|----------------|---|--------|-----|-------|
| 18  | 958 301 318 01 | M 8 X 18<br>vibration damper                  |        | 1   |       |
| 19  | N 910 236 03   | bolt,hex.hd.with shoul.(combi)<br>AM 10 X 65  |        | 1   |       |
| 20  | 000 043 024 00 | Extreme-pressure grease<br>1 tube<br>80 GR.   |        | 1   |       |
| 21  | 958 341 536 00 | Transfer box gear oil<br>1 LITER<br>Container |        | X   |       |

Model: 92A 11

Model life 2011>>2018



Model: 92A 11 Model life 2011>>2018

| Pos | Part Number    | Description  | Remark                           | Qty         | Model                                      |
|-----|----------------|--|----------------------------------|-------------|--|
| 1   | 958 421 010 00 | Cardan shaft<br>Cardan shaft<br>also use:                | 958 349 490 10<br>958 349 491 10 | 1<br>1<br>1 | PR:D6V,D58,<br>D19,D34                     |
| (1) | 958 421 010 01 | No longer use the part here<br>Cardan shaft<br>also use: | 958 349 490 10<br>958 349 491 10 | 1<br>1<br>1 | PR:D6V,D58,<br>D19,D34                     |
| (1) | 958 421 010 02 | Discontinued part<br>Cardan shaft<br>also use:           | 958 349 490 10<br>958 349 491 10 | 1<br>1<br>1 | PR:D6V,D58,<br>D19,D34                     |
| (1) | 958 421 010 03 | Discontinued part<br>Cardan shaft<br>also use:           | 958 349 490 10<br>958 349 491 10 | 1<br>1<br>1 | PR:D6V,D58,<br>D19,D34,DU2,<br>DU3,DT1,DT5 |
| (1) | 958 421 010 04 | No longer use the part here<br>Cardan shaft<br>also use: | 958 349 490 10<br>958 349 491 10 | 1<br>1<br>1 | PR:D6V,D58,<br>D19,D34,DU2,<br>DU3,DT1,DT5 |
| (1) | 958 421 010 00 | Cardan shaft<br>also use:                                | 958 349 490 10<br>958 349 491 10 | 1<br>1<br>1 | PR:D11<br>"CN."                            |
| (1) | 958 421 010 01 | No longer use the part here<br>Cardan shaft<br>also use: | 958 349 490 10<br>958 349 491 10 | 1<br>1<br>1 | PR:D11<br>"CN."                            |
| (1) | 958 421 010 02 | Discontinued part<br>Cardan shaft<br>also use:           | 958 349 490 10<br>958 349 491 10 | 1<br>1<br>1 | PR:D11<br>"CN."                            |
| (1) | 958 421 010 03 | Discontinued part<br>Cardan shaft<br>also use:           | 958 349 490 10<br>958 349 491 10 | 1<br>1<br>1 | PR:D11<br>"CN."                            |
| (1) | 958 421 010 04 | No longer use the part here<br>Cardan shaft<br>also use: | 958 349 490 10<br>958 349 491 10 | 1<br>1<br>1 | PR:D11                                     |
| (1) | 958 421 010 10 | Cardan shaft<br>also use:                                | 958 349 490 10<br>958 349 491 10 | 1<br>1<br>1 | PR:D50,D1V                                 |
| (1) | 958 421 010 11 | No longer use the part here<br>Cardan shaft<br>also use: | 958 349 490 10<br>958 349 491 10 | 1<br>1<br>1 | PR:D50,D43,<br>D1V                         |
| (1) | 958 421 010 03 | Discontinued part<br>Cardan shaft<br>also use:           | 958 349 490 10<br>958 349 491 10 | 1<br>1<br>1 | PR:D50,D43,<br>D1V,DV7,D51                 |
| (1) | 958 421 010 04 | No longer use the part here<br>Cardan shaft<br>also use: | 958 349 490 10<br>958 349 491 10 | 1<br>1<br>1 | PR:D50,D43,<br>D1V,DV7,D51                 |
| (1) | 958 421 010 20 | Cardan shaft<br>also use:                                | 958 349 490 10                   | 1<br>1      | PR:DD8                                     |



Model: 92A 11

Model life 2011>>2018

| Pos | Part Number    | Description                                 | Remark         | Qty | Model                                  |
|-----|----------------|---|----------------|-----|--|
|     |                |   | 958 349 491 10 | 1   |  |
| (1) | 958 421 010 21 | No longer use the part here<br>Cardan shaft |                | 1   | PR:DD8                                 |
|     |                | also use:                                   |                |     |  |
|     |                |   | 958 349 490 10 | 1   |  |
| 2   | 958 421 433 10 | Guard plate                                 | 958 349 491 10 | 1   | PR:D34,1SA                             |
|     |                | No longer use the part here                 |                |     |  |
| (2) | 958 421 334 00 | Guard plate                                 |                | 1   | PR:D34                                 |
| (2) | 958 421 334 00 | Guard plate                                 |                | 1   | PR:D6V,D58,<br>DU2,DU3,DT1,<br>DT5,1SB |
| 3   | N 910 345 01   | hexagon head bolt (combi)<br>M 6 X 20       |                | 2   | PR:D6V,D58,<br>D34,DU2,DU3,<br>DT1,DT5 |
| 4   | 958 421 011 00 | Cardan shaft                                |                | 1   | PR:D6V,D58                             |
|     |                | also use:                                   |                |     |  |
|     |                | No longer use the part here                 | 958 349 493 00 | 2   |  |
| (4) | 958 421 011 01 | Cardan shaft                                |                | 1   | PR:D6V,D58                             |
|     |                | also use:                                   |                |     |  |
|     |                | Discontinued part                           | 958 349 493 00 | 2   |  |
| (4) | 958 421 011 02 | Cardan shaft                                |                | 1   | PR:D6V,D58                             |
|     |                | also use:                                   |                |     |  |
|     |                | Discontinued part                           | 958 349 493 00 | 2   |  |
| (4) | 958 421 011 03 | Cardan shaft                                |                | 1   | PR:D6V,D58,<br>DU2,DU3,DT1,<br>DT5     |
|     |                | also use:                                   |                |     |  |
|     |                | Discontinued part                           | 958 349 493 00 | 2   |  |
| (4) | 958 421 011 10 | Cardan shaft                                |                | 1   | PR:D50,D1V                             |
|     |                | also use:                                   |                |     |  |
|     |                | No longer use the part here                 | 958 349 493 00 | 1   |  |
| (4) | 958 421 011 11 | Cardan shaft                                | 958 349 491 10 | 1   | PR:D50,D1V                             |
|     |                | also use:                                   |                |     |  |
|     |                | Discontinued part                           | 958 349 493 00 | 1   |  |
| (4) | 958 421 011 12 | Cardan shaft                                | 958 349 491 10 | 1   | PR:D43,D1V,<br>D50                     |
|     |                | also use:                                   |                |     |  |
|     |                | Discontinued part                           | 958 349 493 00 | 1   |  |
| (4) | 958 421 011 13 | Cardan shaft                                | 958 349 491 10 | 1   | PR:D43,D1V,<br>D50,DV7,D51             |
|     |                | also use:                                   |                |     |  |
|     |                | Discontinued part                           | 958 349 493 00 | 1   |  |
| (4) | 958 421 011 20 | Cardan shaft                                | 958 349 491 10 | 1   | PR:D19                                 |
|     |                | also use:                                   |                |     |  |
|     |                | No longer use the part here                 | 958 349 493 00 | 1   |  |
| (4) | 958 421 011 21 | Cardan shaft                                | 958 349 491 10 | 1   | PR:D19                                 |
|     |                | also use:                                   |                |     |  |
|     |                | Discontinued part                           | 958 349 493 00 | 1   |  |
| (4) | 958 421 011 22 | Cardan shaft                                | 958 349 491 10 | 1   | PR:D19                                 |
|     |                | also use:                                   |                |     |  |
|     |                | Discontinued part                           | 958 349 493 00 | 1   |  |
| (4) | 958 421 011 23 | Cardan shaft                                | 958 349 491 10 | 1   | PR:D19                                 |
|     |                | also use:                                   |                |     |  |
|     |                | Discontinued part                           | 958 349 493 00 | 1   |  |
| (4) | 958 421 011 20 | Cardan shaft                                | 958 349 491 10 | 1   | PR:D11                                 |
|     |                | also use:                                   |                |     | "CN."                                  |
|     |                | No longer use the part here                 | 958 349 493 00 | 1   |  |
| (4) | 958 421 011 21 | Cardan shaft                                | 958 349 491 10 | 1   | PR:D11                                 |
|     |                | also use:                                   |                |     | "CN."                                  |

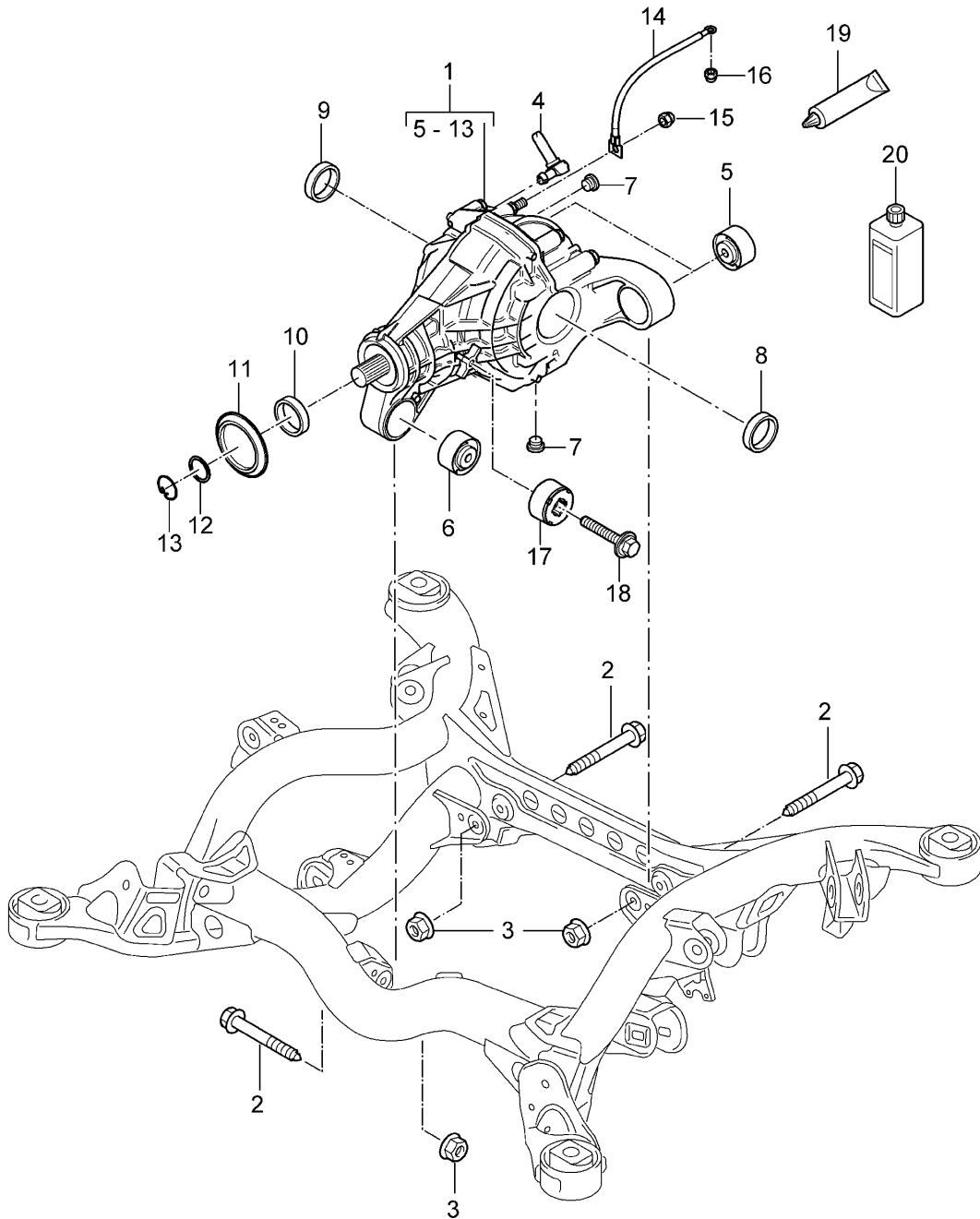
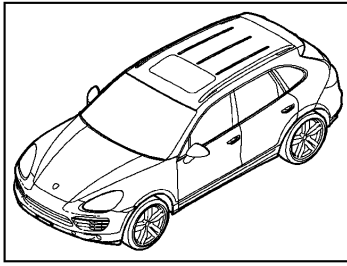
Model: 92A 11

Model life 2011>>2018

| Pos  | Part Number    | Description   | Remark         | Qty | Model  |
|------|----------------|---|----------------|-----|--|
|      |                |   | 958 349 491 10 | 1   |  |
| (4)  | 958 421 011 22 | Discontinued part<br>Cardan shaft                                   |                | 1   | PR:D11   |
|      |                | also use:   | 958 349 493 00 | 1   | "CN."  |
|      |                |   | 958 349 491 10 | 1   |  |
| (4)  | 958 421 011 23 | Discontinued part<br>Cardan shaft                                   |                | 1   | PR:D11   |
|      |                | also use:   | 958 349 493 00 | 1   |  |
|      |                |   | 958 349 491 10 | 1   |  |
| (4)  | 958 421 011 30 | Cardan shaft  |                | 1   | PR:D34   |
|      |                | also use:   | 958 349 493 00 | 2   |  |
| (4)  | 958 421 011 31 | No longer use the part here<br>Cardan shaft                         |                | 1   | PR:D34   |
|      |                | also use:   | 958 349 493 00 | 2   |  |
| (4)  | 958 421 011 32 | Discontinued part<br>Cardan shaft                                   |                | 1   | PR:D34   |
|      |                | also use:   | 958 349 493 00 | 2   |  |
| (4)  | 958 421 011 03 | Discontinued part<br>Cardan shaft                                   |                | 1   | PR:D34   |
|      |                | also use:   | 958 349 493 00 | 2   |  |
| (4)  | 958 421 011 40 | Cardan shaft  |                | 1   | PR:DD8   |
|      |                | also use:   | 958 349 493 00 | 2   |  |
| 5    | 958 421 340 01 | Bracket   |                | 1   |  |
| 6    | 958 421 350 01 | bracket for shield  |                | 1   | PR:-D50,<br>-D43,-D1V,<br>-DV7,-D51                |
| 7    | N 909 767 02   | hexagon head bolt (combi)<br>M 10 X 30                              |                | 6   |  |
| 8    | N 107 419 01   | Socket head collared bolt with<br>inner multipoint head<br>M 8 x 25 |                | 2   |  |
| 9    | 958 349 490 10 | snap ring   |                | 1   |  |
| 10   | 958 349 491 10 | snap ring   |                | 1   |  |
| 11   | 958 349 493 00 | snap ring   |                | 1   |  |
| 12   | 958 349 493 00 | snap ring   |                | 1   | PR:D6V,D58,<br>D34,DD8,DU2,<br>DU3,DT1,DT5,<br>1Y0 |
| (12) | 958 349 491 10 | snap ring   |                | 1   | PR:D50,D43,<br>D1V,DV7,D51,<br>1Y0                 |
| (12) | 958 349 491 10 | snap ring   |                | 1   | PR:D19,1Y0   |
| (12) | 958 349 491 10 | snap ring   |                | 1   | PR:D11,1Y0   |
| (12) | 958 349 493 00 | snap ring   |                | 1   | PR:1Y1   |

Model: 92A 11

Model life 2011>>2018



Model: 92A 11 Model life 2011>>2018

| Pos | Part Number    | Description  | Remark | Qty | Model              |
|-----|----------------|--|--------|-----|--------------------|
|     |                | rear axle differential<br>Ready for installation   |        |     | PR:1Y0             |
| 1   | 958 350 010 01 | without:<br>limited slip differential<br>rear axle differential  |        | 1   | PR:D6V,E0A         |
| (1) | 958 350 010 AX | Classification letter<br>MFA   |        | 1   | PR:D6V,E0A         |
| (1) | 958 350 010 50 | rear axle differential<br>Classification letter<br>NHU   |        | 1   | PR:D6V,E0W         |
| (1) | 958 350 010 5X | Discontinued part<br>rear axle differential<br>Classification letter<br>NHU                                      |        | 1   | PR:D6V,E0W         |
| (1) | 958 350 012 00 | Discontinued part<br>rear axle differential<br>Classification letter<br>RLS                                      |        | 1   | PR:D6V,E0W         |
| (1) | 958 350 012 X  | rear axle differential<br>Classification letter<br>RLS   |        | 1   | PR:D6V,E0W         |
| (1) | 958 350 010 11 | rear axle differential<br>Classification letter<br>MFC   |        | 1   | PR:D58             |
| (1) | 958 350 010 LX | rear axle differential<br>Classification letter<br>MFC   |        | 1   | PR:D58             |
| (1) | 958 350 010 20 | rear axle differential<br>Classification letter<br>MEX   |        | 1   | PR:D50,D43,<br>D1V |
| (1) | 958 350 010 2X | D >> - MJ 2014<br>rear axle differential<br>Classification letter<br>MEX   |        | 1   | PR:D50,D43,<br>D1V |
| (1) | 958 350 010 20 | D >> - MJ 2014<br>rear axle differential<br>Classification letter<br>MEX   |        | 1   |                    |
| (1) | 958 350 010 2X | F >> 92-BLA93 183<br>F >> 92-BLA93 177<br>rear axle differential<br>Classification letter<br>MEX                 |        | 1   | PR:D19<br>"CN."    |
| (1) | 958 350 010 40 | rear axle differential<br>Classification letter<br>NKX<br>F 92-BLA93 184>><br>F 92-BLA93 178>><br>D >> - MJ 2014 |        | 1   | PR:D19<br>"CN."    |
| (1) | 958 350 010 4X | rear axle differential<br>Classification letter<br>NKX   |        | 1   | PR:D19<br>"CN."    |

Model: 92A 11

Model life 2011>>2018

| Pos | Part Number    | Description  | Remark | Qty | Model                              |
|-----|----------------|--|--------|-----|------------------------------------|
|     |                | F 92-BLA93 184>><br>F 92-BLA93 178>><br>D >> - MJ 2014                   |        |     | PR:D19<br>"CN."<br>PR:D11<br>"CN." |
| (1) | 958 350 010 20 | rear axle differential<br>Classification letter<br>MEX<br>D >> - MJ 2014 |        | 1   | PR:D11<br>"CN."                    |
| (1) | 958 350 010 2X | rear axle differential<br>Classification letter<br>MEX<br>D >> - MJ 2014 |        | 1   | PR:D34                             |
| (1) | 958 350 010 30 | rear axle differential<br>Classification letter<br>MFB                   |        | 1   | PR:D34                             |
| (1) | 958 350 010 3X | rear axle differential<br>Classification letter<br>MFB                   |        | 1   | PR:DD8                             |
| (1) | 958 350 010 11 | rear axle differential<br>Classification letter<br>MFC                   |        | 1   | PR:DD8                             |
| (1) | 958 350 010 LX | rear axle differential<br>Classification letter<br>MFC                   |        | 1   | PR:DU2                             |
| (1) | 958 350 011 00 | rear axle differential<br>Classification letter<br>PHC                   |        | 1   | PR:DU2                             |
| (1) | 958 350 011 X  | rear axle differential<br>Classification letter<br>PHC                   |        | 1   | PR:DU3                             |
| (1) | 958 350 012 00 | rear axle differential<br>Classification letter<br>RLS                   |        | 1   | PR:DU3                             |
| (1) | 958 350 012 X  | rear axle differential<br>Classification letter<br>RLS                   |        | 1   | PR:DT1,DT5                         |
| (1) | 958 350 010 11 | rear axle differential<br>Classification letter<br>MFC                   |        | 1   | PR:DT1,DT5                         |
| (1) | 958 350 010 LX | rear axle differential<br>Classification letter<br>MFC                   |        | 1   | PR:D43,D50                         |
| (1) | 958 350 011 05 | rear axle differential<br>Classification letter<br>RCH<br>D - MJ 2015>>  |        | 1   | PR:D43,D50                         |
| (1) | 958 350 011 EX | rear axle differential<br>Classification letter<br>RCH<br>D - MJ 2015>>  |        | 1   | PR:DV7,D51,<br>D1V                 |
| (1) | 958 350 011 10 | rear axle differential<br>Classification letter<br>RCK<br>D - MJ 2015>>  |        | 1   | PR:DV7,D51,<br>D1V                 |
| (1) | 958 350 011 KX | rear axle differential<br>Classification letter<br>RCK<br>D - MJ 2015>>  |        | 1   | PR:D19                             |
| (1) | 958 350 011 15 | rear axle differential<br>Classification letter<br>RCL<br>D - MJ 2015>>  |        | 1   |                                    |

Model: 92A 11 Model life 2011>>2018

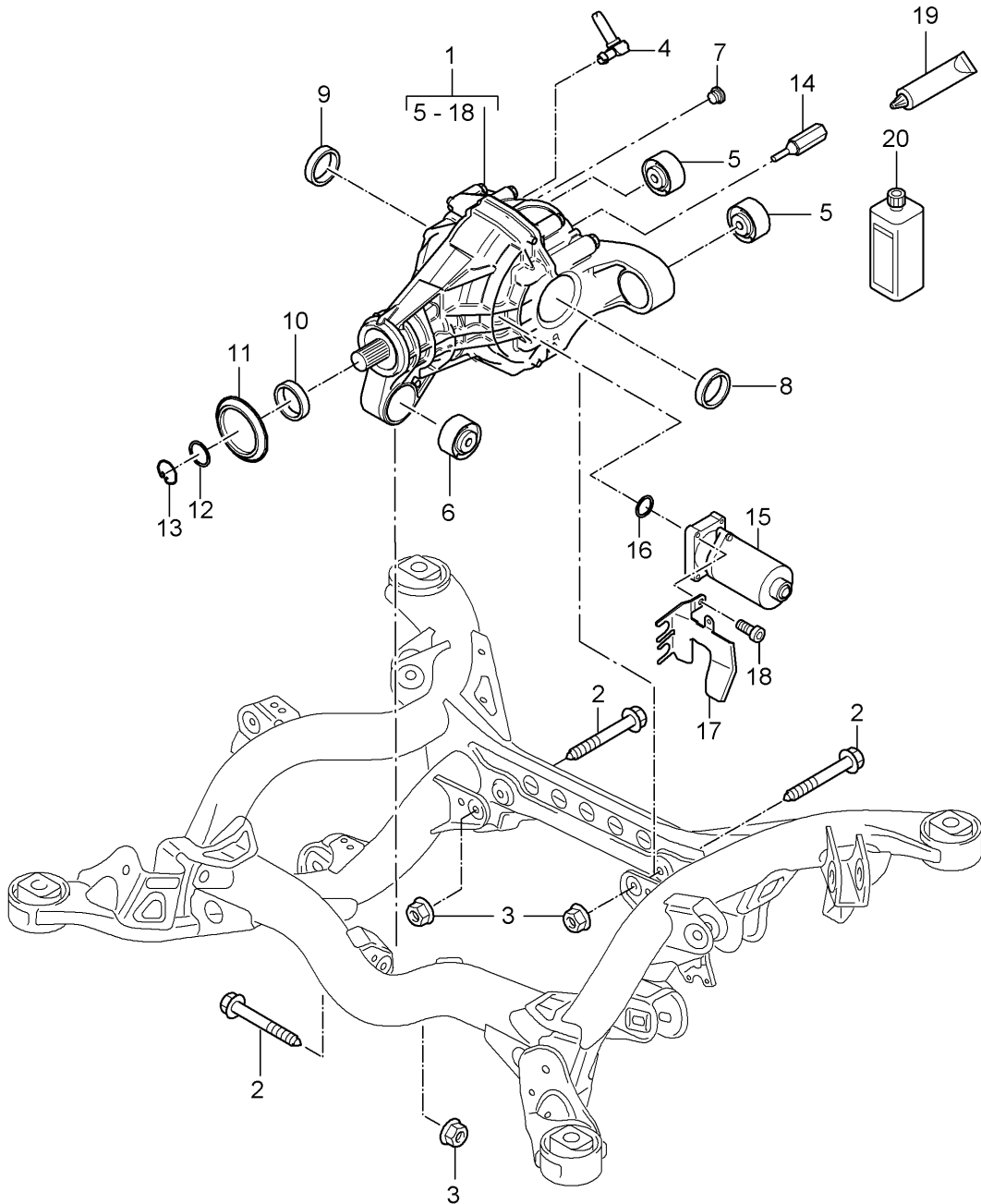
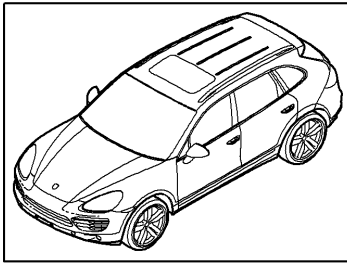
| Pos  | Part Number    | Description   | Remark | Qty | Model                                  |
|------|----------------|---|--------|-----|--|
| (1)  | 958 350 011 QX | rear axle differential<br>Classification letter<br>RCL<br>D - MJ 2015>> |        | 1   | PR:D19                                 |
| (1)  | 958 350 011 05 | rear axle differential<br>Classification letter<br>RCH<br>D - MJ 2015>> |        | 1   | PR:D11                                 |
| (1)  | 958 350 011 EX | rear axle differential<br>Classification letter<br>RCH<br>D - MJ 2015>> |        | 1   | PR:D11                                 |
| 2    | N 102 112 02   | Hex collared bolt<br>AM 12 X 1,5 X 90                                   |        | 3   |  |
| 3    | N 104 029 04   | Hexagon nut<br>M 12 X 1,5   |        | 3   |  |
| 4    | 0BM 301 047    | Bleed valve   |        | 1   |  |
| 5    | 958 349 337 50 | Rubber bush   |        | 2   |  |
| 6    | 958 349 337 40 | Rubber bush   |        | 1   |  |
| 7    | 955 332 057 00 | sealing plug<br>M 16 X 1,5  |        | 2   |  |
| 8    | 958 349 189 60 | Shaft oil seal<br>No longer use the part here                           |        | 1   | PR:D6V,D58,<br>D34                     |
| (8)  | 955 332 596 10 | Shaft oil seal  |        | 1   | PR:D6V,D58,<br>D34,DU2,DU3,<br>DT1,DT5 |
| (8)  | 955 349 189 10 | Shaft oil seal  |        | 1   | PR:D50,D43,<br>D1V,DV7,D51             |
| (8)  | 955 349 189 10 | Shaft oil seal  |        | 1   | PR:D19                                 |
| (8)  | 955 332 596 10 | Shaft oil seal  |        | 1   | PR:D11                                 |
| 9    | 958 349 189 50 | Shaft oil seal<br>No longer use the part here                           |        | 1   | PR:DD8                                 |
| (9)  | 955 332 596 00 | Shaft oil seal  |        | 1   | PR:D6V,D58,<br>D34                     |
| (9)  | 958 349 189 80 | Shaft oil seal  |        | 1   | PR:D6V,D58,<br>D34,DU2,DU3,<br>DT1,DT5 |
| (9)  | 958 349 189 80 | Shaft oil seal  |        | 1   | PR:D50,D43,<br>D1V,DV7,D51             |
| (9)  | 958 349 189 80 | Shaft oil seal  |        | 1   | PR:D19                                 |
| (9)  | 955 332 596 00 | Shaft oil seal  |        | 1   | PR:D11                                 |
| 10   | 958 349 189 40 | Shaft oil seal  |        | 1   | PR:DD8                                 |
| (10) | 958 349 189 30 | Shaft oil seal  |        | 1   | PR:D6V,D58,<br>D34,DU2,DU3,<br>DT1,DT5 |
| (10) | 958 349 189 30 | Shaft oil seal  |        | 1   | PR:D50,D43,<br>D1V,DV7,D51             |
| (10) | 958 349 189 30 | Shaft oil seal  |        | 1   | PR:D19                                 |
| (10) | 958 349 189 40 | Shaft oil seal  |        | 1   | PR:D11                                 |
| 11   | 958 332 375 60 | protective ring   |        | 1   | PR:DD8                                 |
| (11) | 958 332 375 50 | protective ring   |        | 1   | PR:D6V,D58,<br>D34,DU2,DU3,<br>DT1,DT5 |
| (11) | 958 332 375 50 | protective ring   |        | 1   | PR:D50,D43,<br>D1V,DV7,D51             |
| (11) | 958 332 375 50 | protective ring   |        | 1   | PR:D19                                 |
| (11) | 958 332 375 50 | protective ring   |        | 1   | PR:D11                                 |
| (11) | 958 332 375 60 | protective ring   |        | 1   | PR:DD8                                 |
| 12   | WHT 005 156    | O-ring<br>28 X 2  |        | 1   | PR:D6V,D58,<br>D34,DU2,DU3,<br>DT1,DT5 |
| (12) | WHT 005 158    | O-ring<br>25 X 2  |        | 1   | PR:D50,D43,<br>D1V,DV7,D51             |
| (12) | WHT 005 158    | O-ring  |        | 1   | PR:D19                                 |

Model: 92A 11 Model life 2011>>2018

| Pos  | Part Number    | Description   | Remark | Qty | Model                                  |
|------|----------------|---|--------|-----|--|
| (12) | WHT 005 158    | 25 X 2<br>O-ring  |        | 1   | PR:D11                                 |
| (12) | WHT 005 156    | 25 X 2<br>O-ring  |        | 1   | PR:DD8                                 |
| 13   | 958 349 493 00 | 28 X 2<br>snap ring   |        | 1   | PR:D6V,D58,<br>D34,DU2,DU3,<br>DT1,DT5 |
| (13) | 958 349 491 10 | 24,3 X 1,8<br>snap ring   |        | 1   | PR:D50,D43,<br>D1V,DV7,D51             |
| (13) | 958 349 491 10 | 21,9 X 1,8<br>snap ring   |        | 1   | PR:D19                                 |
| (13) | 958 349 491 10 | 21,9 X 1,8<br>snap ring   |        | 1   | PR:D11                                 |
| (13) | 958 349 493 00 | 21,9 X 1,8<br>snap ring   |        | 1   | PR:DD8                                 |
| 14   | 958 611 199 20 | 24,3 X 1,8<br>Earth line<br>Underbody<br>F 92-BLA93 184>><br>F 92-BLA93 178>><br>D >> - MJ 2014 |        | 1   | PR:D19<br>"CN."                        |
| (14) | 958 611 199 20 | Earth line<br>Underbody<br>D - MJ 2015>>  |        | 1   | PR:D19                                 |
| 15   | 958 611 182 00 | domed cap nut<br>M 8<br>F 92-BLA93 184>><br>F 92-BLA93 178>><br>D >> - MJ 2014                  |        | 1   | PR:D19<br>"CN."                        |
| (15) | 958 611 182 00 | domed cap nut<br>M 8<br>D - MJ 2015>>   |        | 1   | PR:D19                                 |
| 16   | 955 618 419 21 | domed cap nut<br>M 6<br>F 92-BLA93 184>><br>F 92-BLA93 178>><br>D >> - MJ 2014                  |        | 1   | PR:D19<br>"CN."                        |
| (16) | 955 618 419 21 | domed cap nut<br>M 6<br>D - MJ 2015>>   |        | 1   | PR:D19                                 |
| 17   | 958 301 318 30 | vibration damper<br>D - MJ 2015>>   |        | 1   | PR:D43,D50,<br>DV7,D51,D1V             |
| 18   | N 910 236 03   | bolt,hex.hd.with shoul.(combi)<br>AM 10 X 65<br>D - MJ 2015>>                                   |        | 1   | PR:D43,D50,<br>DV7,D51,D1V             |
| 19   | 000 043 024 00 | Extreme-pressure grease<br>1 tube<br>80 GR.   |        | 1   |  |
| 20   | 000 043 205 30 | Transmission fluid<br>75 W 90<br>1 LITER<br>Container   |        | X   |  |

Model: 92A 11

Model life 2011>>2018





Model: 92A 11 Model life 2011>>2018

| Pos | Part Number    | Description  | Remark | Qty | Model      |
|-----|----------------|--|--------|-----|------------|
|     |                | rear axle differential<br>Ready for installation   |        |     | PR:1Y1     |
| 1   | 958 350 020 01 | with:<br>limited slip differential<br>Electric<br>rear axle differential<br>Classification letter<br>MRE |        | 1   | PR:D6V,E0A |
| (1) | 958 350 020 AX | Discontinued part<br>rear axle differential<br>Classification letter<br>MRE                              |        | 1   | PR:D6V,E0A |
| (1) | 958 350 020 02 | Discontinued part<br>rear axle differential<br>Classification letter<br>NEP                              |        | 1   | PR:D6V,E0A |
| (1) | 958 350 020 BX | Discontinued part<br>rear axle differential<br>Classification letter<br>NEP                              |        | 1   | PR:D6V,E0A |
| (1) | 958 350 020 03 | Discontinued part<br>rear axle differential<br>Classification letter<br>PGF                              |        | 1   | PR:D6V,E0A |
| (1) | 958 350 020 CX | rear axle differential<br>Classification letter<br>PGF   |        | 1   | PR:D6V,E0A |
| (1) | 958 350 020 30 | rear axle differential<br>Classification letter<br>NHV   |        | 1   | PR:D6V,E0W |
| (1) | 958 350 020 4X | Discontinued part<br>rear axle differential<br>Classification letter<br>NHV                              |        | 1   | PR:D6V,E0W |
| (1) | 958 350 020 31 | Discontinued part<br>rear axle differential<br>Classification letter<br>PGL                              |        | 1   | PR:D6V,E0W |
| (1) | 958 350 020 5X | Discontinued part<br>rear axle differential<br>Classification letter<br>PGL                              |        | 1   | PR:D6V,E0W |
| (1) | 958 350 021 05 | Discontinued part<br>rear axle differential<br>Classification letter<br>RLR                              |        | 1   | PR:D6V,E0W |
| (1) | 958 350 021 EX | rear axle differential<br>Classification letter<br>RLR   |        | 1   | PR:D6V,E0W |
| (1) | 958 350 020 11 | rear axle differential<br>Classification letter<br>MRD   |        | 1   | PR:D58     |
| (1) | 958 350 020 LX | Discontinued part<br>rear axle differential<br>Classification letter<br>MRD                              |        | 1   | PR:D58     |
| (1) | 958 350 020 12 | Discontinued part<br>rear axle differential<br>Classification letter<br>NER                              |        | 1   | PR:D58     |
| (1) | 958 350 020 MX | Discontinued part<br>rear axle differential<br>Classification letter                                     |        | 1   | PR:D58     |

Model: 92A 11

Model life 2011&gt;&gt;2018

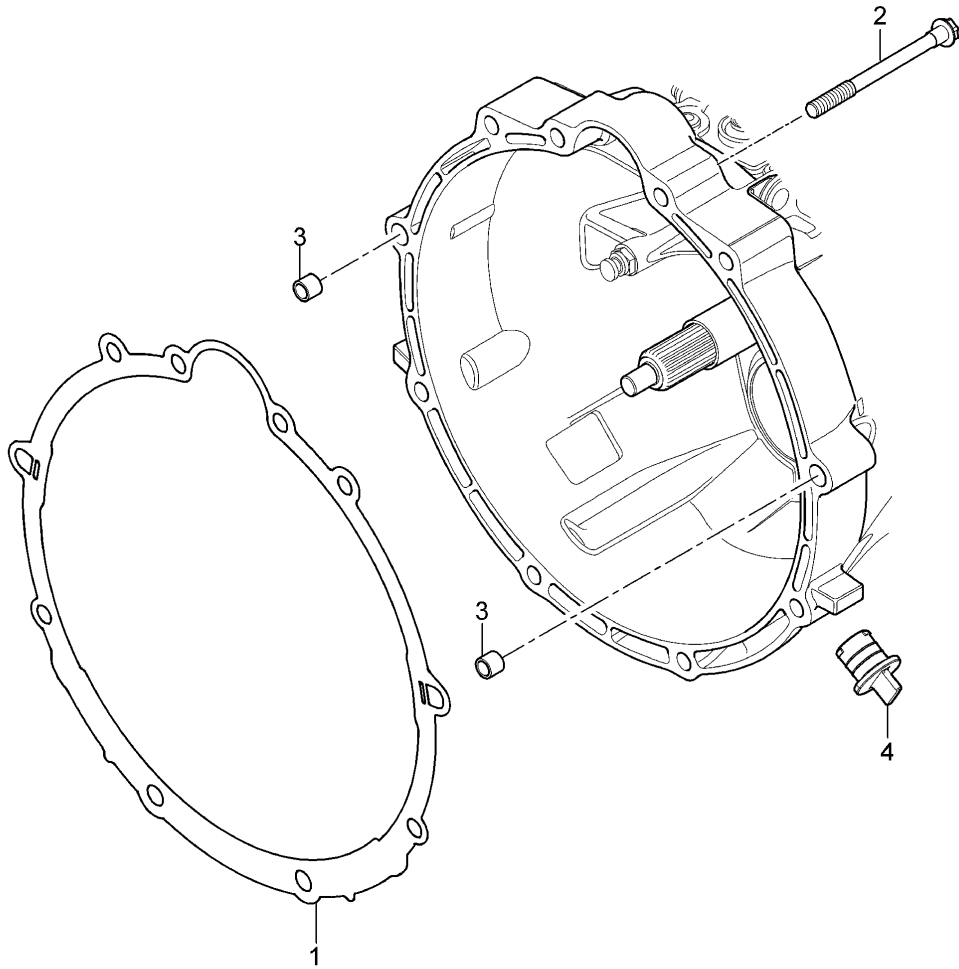
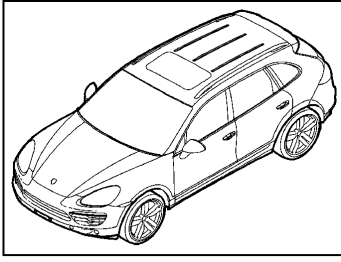
| Pos | Part Number    | Description  | Remark | Qty | Model      |
|-----|----------------|--|--------|-----|------------|
| (1) | 958 350 020 13 | NER<br>Discontinued part<br>rear axle differential<br>Classification letter<br>PGK |        | 1   | PR:D58     |
| (1) | 958 350 020 NX | rear axle differential<br>Classification letter<br>PGK                             |        | 1   | PR:D58     |
| (1) | 958 350 020 20 | rear axle differential<br>Classification letter<br>MRF                             |        | 1   | PR:D34     |
| (1) | 958 350 020 2X | Discontinued part<br>rear axle differential<br>Classification letter<br>MRF        |        | 1   | PR:D34     |
| (1) | 958 350 020 21 | Discontinued part<br>rear axle differential<br>Classification letter<br>NEQ        |        | 1   | PR:D34     |
| (1) | 958 350 020 3X | Discontinued part<br>rear axle differential<br>Classification letter<br>NEQ        |        | 1   | PR:D34     |
| (1) | 958 350 020 22 | Discontinued part<br>rear axle differential<br>Classification letter<br>PGJ        |        | 1   | PR:D34     |
| (1) | 958 350 020 6X | rear axle differential<br>Classification letter<br>PGJ                             |        | 1   | PR:D34     |
| (1) | 958 350 020 13 | rear axle differential<br>Classification letter<br>PGK                             |        | 1   | PR:DD8     |
| (1) | 958 350 020 NX | rear axle differential<br>Classification letter<br>PGK                             |        | 1   | PR:DD8     |
| (1) | 958 350 021 00 | rear axle differential<br>Classification letter<br>QTA                             |        | 1   | PR:DU2     |
| (1) | 958 350 021 X  | rear axle differential<br>Classification letter<br>QTA                             |        | 1   | PR:DU2     |
| (1) | 958 350 021 05 | rear axle differential<br>Classification letter<br>RLR                             |        | 1   | PR:DU3     |
| (1) | 958 350 021 EX | rear axle differential<br>Classification letter<br>RLR                             |        | 1   | PR:DU3     |
| (1) | 958 350 020 13 | rear axle differential<br>Classification letter<br>PGK                             |        | 1   | PR:DT1,DT5 |
| (1) | 958 350 020 NX | rear axle differential<br>Classification letter<br>PGK                             |        | 1   | PR:DT1,DT5 |
| 2   | N 102 112 02   | Hex collared bolt<br>AM 12 X 1,5 X 90  |        | 3   |            |
| 3   | N 104 029 04   | Hexagon nut<br>M 12 X 1,5  |        | 3   |            |
| 4   | 0BM 301 047    | Bleed valve  |        | 1   |            |
| 5   | 958 349 337 50 | Rubber bush  |        | 2   |            |
| 6   | 958 349 337 40 | Rubber bush  |        | 1   |            |
| 7   | 955 332 057 00 | sealing plug<br>M 16 X 1,5   |        | 2   |            |

Model: 92A 11 Model life 2011>>2018

| Pos  | Part Number    | Description   | Remark         | Qty | Model |
|------|----------------|---|----------------|-----|-------|
| 8    | 958 349 189 70 | Shaft oil seal<br>No longer use the part here                       |                | 1   |       |
| (8)  | 955 332 596 30 | Shaft oil seal  |                | 1   |       |
| 9    | 958 349 189 50 | Shaft oil seal<br>No longer use the part here                       |                | 1   |       |
| (9)  | 955 332 596 00 | Shaft oil seal  |                | 1   |       |
| 10   | 958 349 189 40 | Shaft oil seal  |                | 1   |       |
| 11   | 958 332 375 60 | protective ring   |                | 1   |       |
| 12   | WHT 005 156    | O-ring<br>28 X 2  |                | 1   |       |
| 13   | 958 349 493 00 | snap ring<br>24,3 X 1,8   |                | 1   |       |
| 14   | 955 332 169 00 | Damper<br><br>with:   |                | 1   |       |
| 15   | 958 624 350 00 | O-ring<br>Servomotor<br>for<br>limited slip differential            |                | 1   |       |
|      |                | also use:   | 955 332 649 00 | 1   |       |
| (15) | 970 624 350 00 | Discontinued part<br>Servomotor<br>for<br>limited slip differential |                | 1   |       |
|      |                | also use:   | 955 332 649 00 | 1   |       |
| 16   | 955 332 649 00 | O-ring<br>25 X 2  |                | 1   |       |
| 17   | 958 350 456 00 | Servomotor holder   |                | 1   |       |
| 18   | 955 332 147 00 | Socket head bolt<br>M 6 X 30  |                | 4   |       |
| 19   | 000 043 024 00 | Extreme-pressure grease<br>1 tube<br>80 GR.                         |                | 1   |       |
| 20   | 000 043 300 37 | Transmission fluid<br>75 W 90<br>1 LITER<br>Container               |                | X   |       |

Model: 92A 11

Model life 2011>>2018



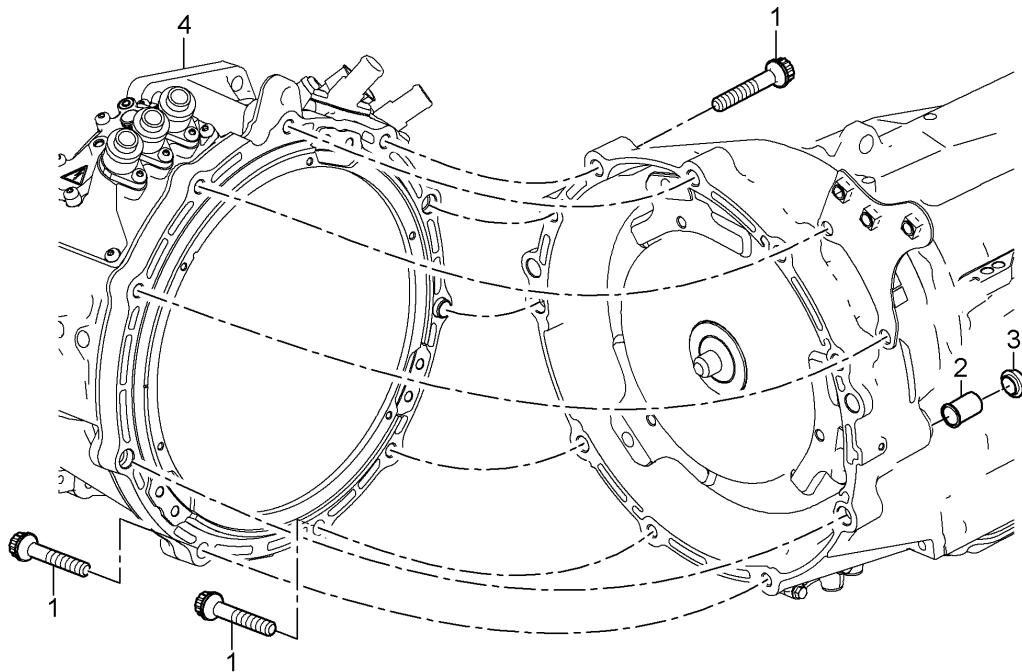
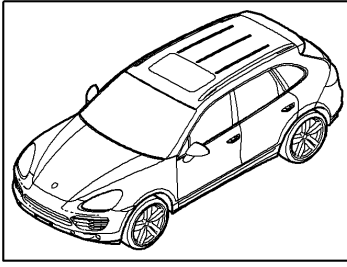
Model: 92A 11

Model life 2011&gt;&gt;2018

| Pos | Part Number    | Description   | Remark                 | Qty | Model                              |
|-----|----------------|---|------------------------|-----|------------------------------------|
|     |                | Threaded joint<br>Engine and transmission                 |                        |     | PR:D6V,D58,<br>DU2,DU3,DT1,<br>DT5 |
| 1   | 7PP 399 307    | Spacer plate  |                        | 1   |                                    |
| 2   | WHT 005 297    | Outer hexagon round screw<br>aluminium<br>M 12 X 1,5 X 70 |                        | 10  |                                    |
| 3   |                | dowel sleeve<br>see illustration, item:                   | 101-040,8<br>101-045,9 | 2   |                                    |
| 4   | 958 301 212 30 | or<br>Cover cap   |                        | 1   | PR:DU2,DU3                         |

Model: 92A 11

Model life 2011>>2018



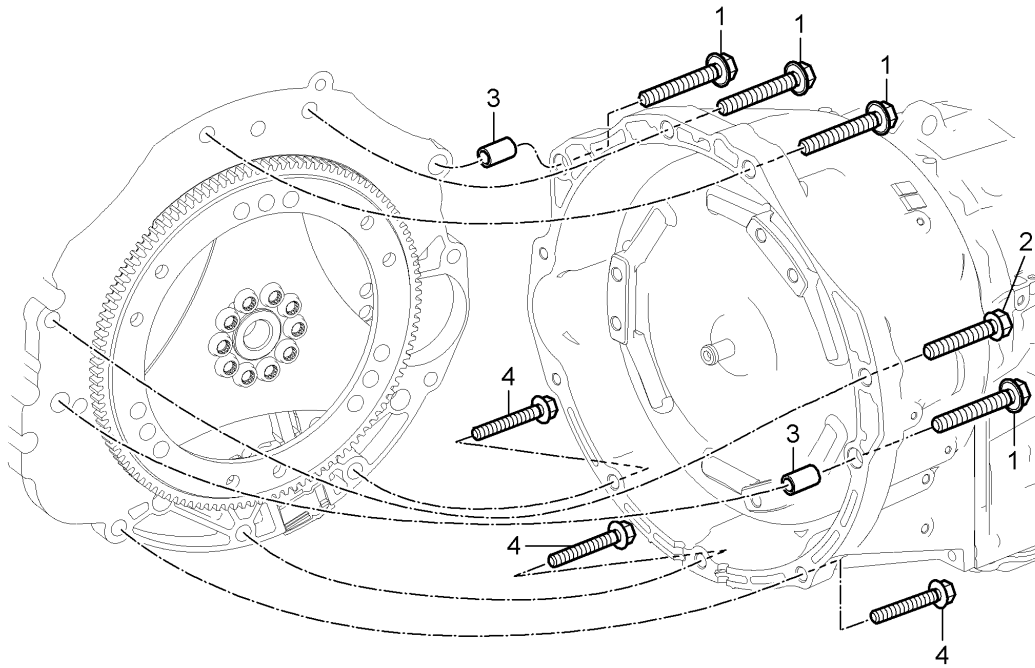
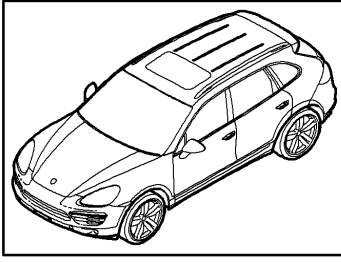
Model: 92A 11

Model life 2011>>2018

| Pos | Part Number    | Description                               | Remark  | Qty | Model  |
|-----|----------------|---|---------|-----|--------|
|     |                | Threaded joint<br>Engine and transmission |         |     | PR:D19 |
| 1   | N 911 748 01   | dodecagonal head bolt<br>M 12 X 60        |         | 10  |        |
| 2   | WHT 003 271    | domed cap nut<br>M 10 X 1                 |         | 3   |        |
| 3   | 958 301 495 10 | Sealing cap                               |         | 1   |        |
| 4   |                | Electric motor<br>see illustration:       | 901-010 | 1   |        |

Model: 92A 11

Model life 2011>>2018





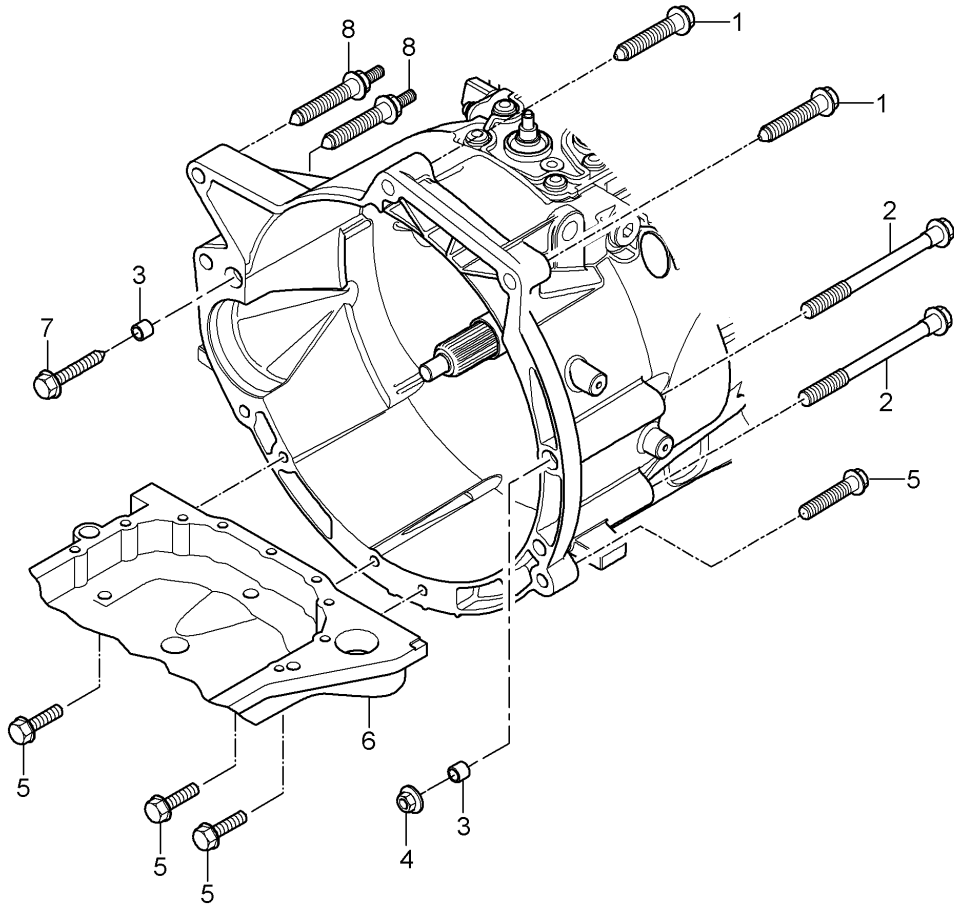
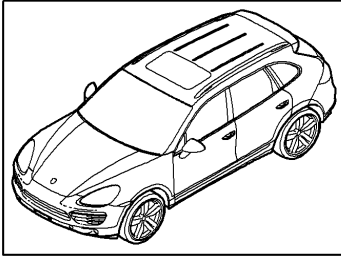
Model: 92A 11

Model life 2011&gt;&gt;2018

| Pos | Part Number  | Description   | Remark  | Qty | Model                      |
|-----|--------------|---|---------|-----|----------------------------|
| 1   | N 911 063 01 | Threaded joint<br>Engine and transmission<br>Hexagon collared bolt with<br>hexagon socket head (duo)<br>M 12 X 80 |         | 4   | PR:D50,D43,<br>D1V,DV7,D51 |
| 2   | N 910 301 02 | multi-point socket head bolt<br>with collar<br>AM 12 X 70   |         | 1   |                            |
| 3   |              | dowel sleeve  |         | 2   |                            |
| 4   | N 102 902 06 | see illustration:<br>Hex collared bolt<br>AM 10 X 70  | 101-060 | 3   |                            |

Model: 92A 11

Model life 2011>>2018



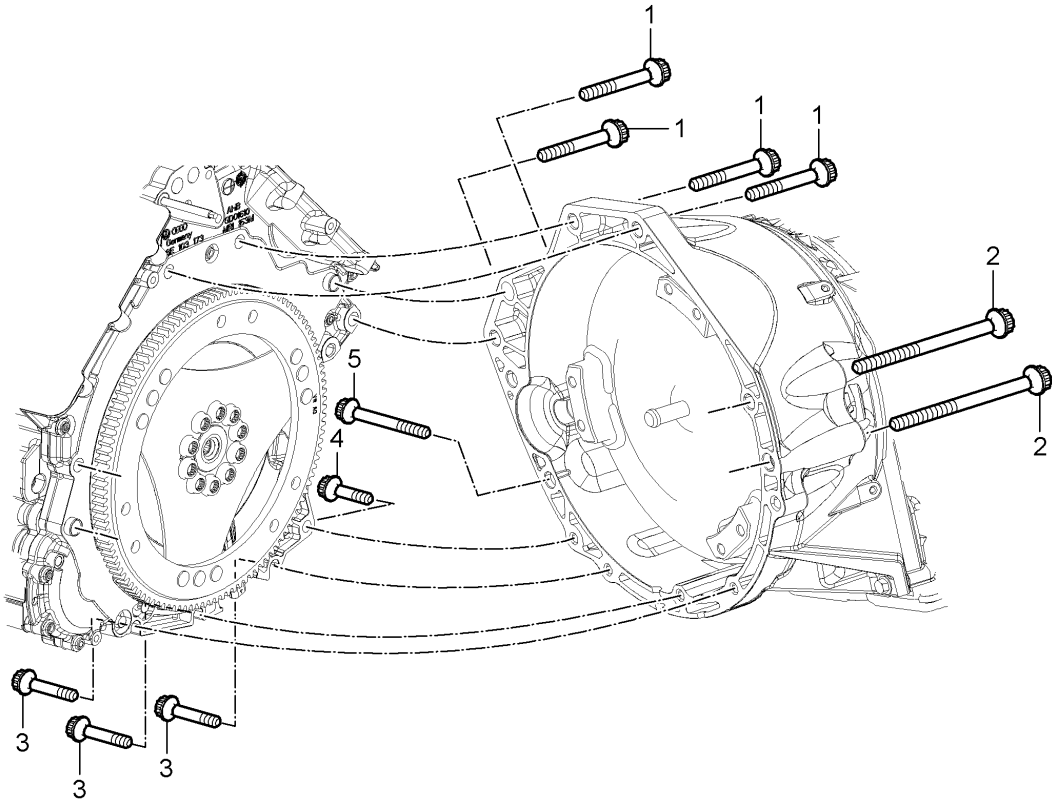
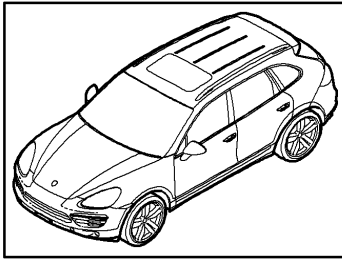
Model: 92A 11

Model life 2011>>2018

| Pos | Part Number  | Description   | Remark  | Qty | Model  |
|-----|--------------|---|---------|-----|--------|
|     |              | Threaded joint<br>Engine<br>Gearbox                       |         |     | PR:D34 |
| 1   | N 105 934 01 | Hex collared bolt<br>AM 12 X 50                           |         | 2   | PR:G1G |
| (1) | N 102 171 03 | Hex collared bolt<br>BM 12 X 60                           |         | 2   | PR:G0L |
| 2   | N 105 923 02 | Hex collared bolt<br>BM 12 X 140 X 49                     |         | 2   |        |
| 3   |              | dowel sleeve  |         | 2   |        |
| 4   | N 104 748 03 | see illustration:<br>Hexagon collar nut<br>M 12 X 1,5     | 101-050 | 1   |        |
| 5   | N 103 145 05 | Hex collared bolt<br>AM 10 X 50                           |         | 4   |        |
| 6   |              | oil sump  |         | 1   |        |
| 7   | N 102 171 03 | see illustration:<br>Hex collared bolt<br>BM 12 X 60 X 48 | 104-020 | 1   |        |
| 8   | N 907 682 02 | double stud with hexagon drive<br>AM 12 X 60 - M 8 X 16   |         | 2   |        |

Model: 92A 11

Model life 2011>>2018



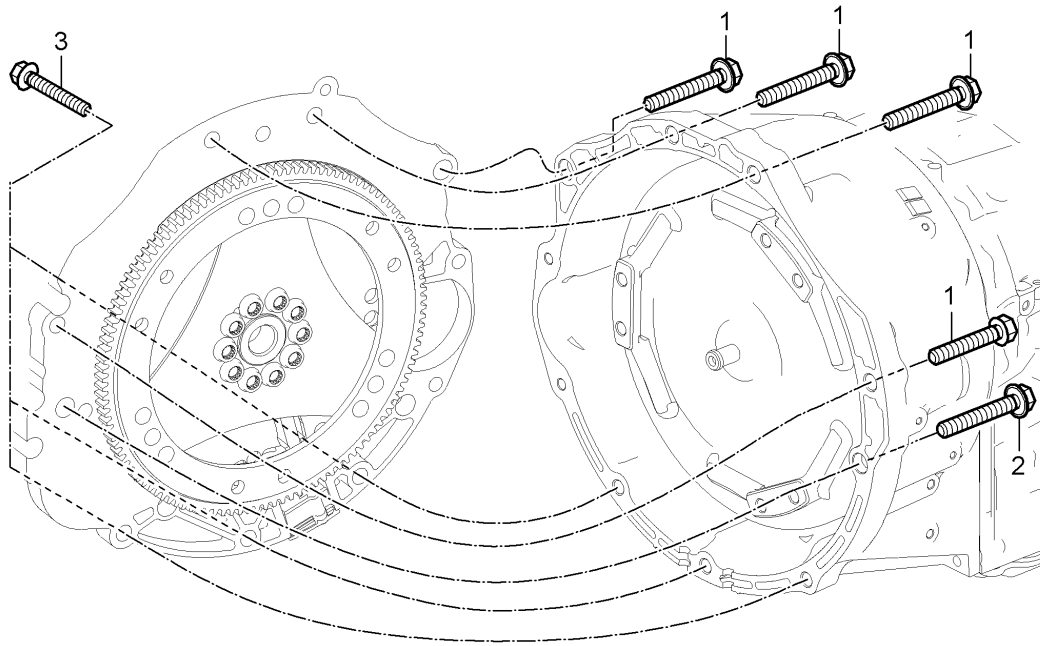
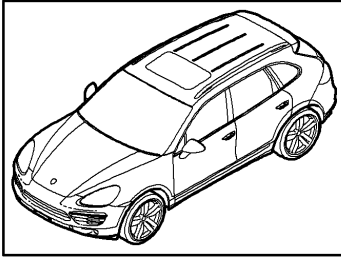
Model: 92A 11

Model life 2011&gt;&gt;2018

| Pos | Part Number  | Description  | Remark | Qty | Model  |
|-----|--------------|--|--------|-----|--------|
| 1   | N 911 295 01 | Threaded joint<br>Engine and transmission<br>Cylinder fitting screw with<br>inner multipoint head<br>M 12 X 75 |        | 4   | PR:D11 |
| 2   | N 911 595 01 | 12-point head bolt<br>BM 12 X 140 X 90   |        | 2   |        |
| 3   | N 911 507 01 | 12-edge flange screw<br>M 10 X 60  |        | 3   |        |
| 4   | N 911 723 01 | dodecagonal head bolt<br>M 10 X 45   |        | 2   |        |
| 5   | N 911 532 01 | 12-edge flange screw<br>AM 10 X 95   |        | 1   |        |

Model: 92A 11

Model life 2011>>2018



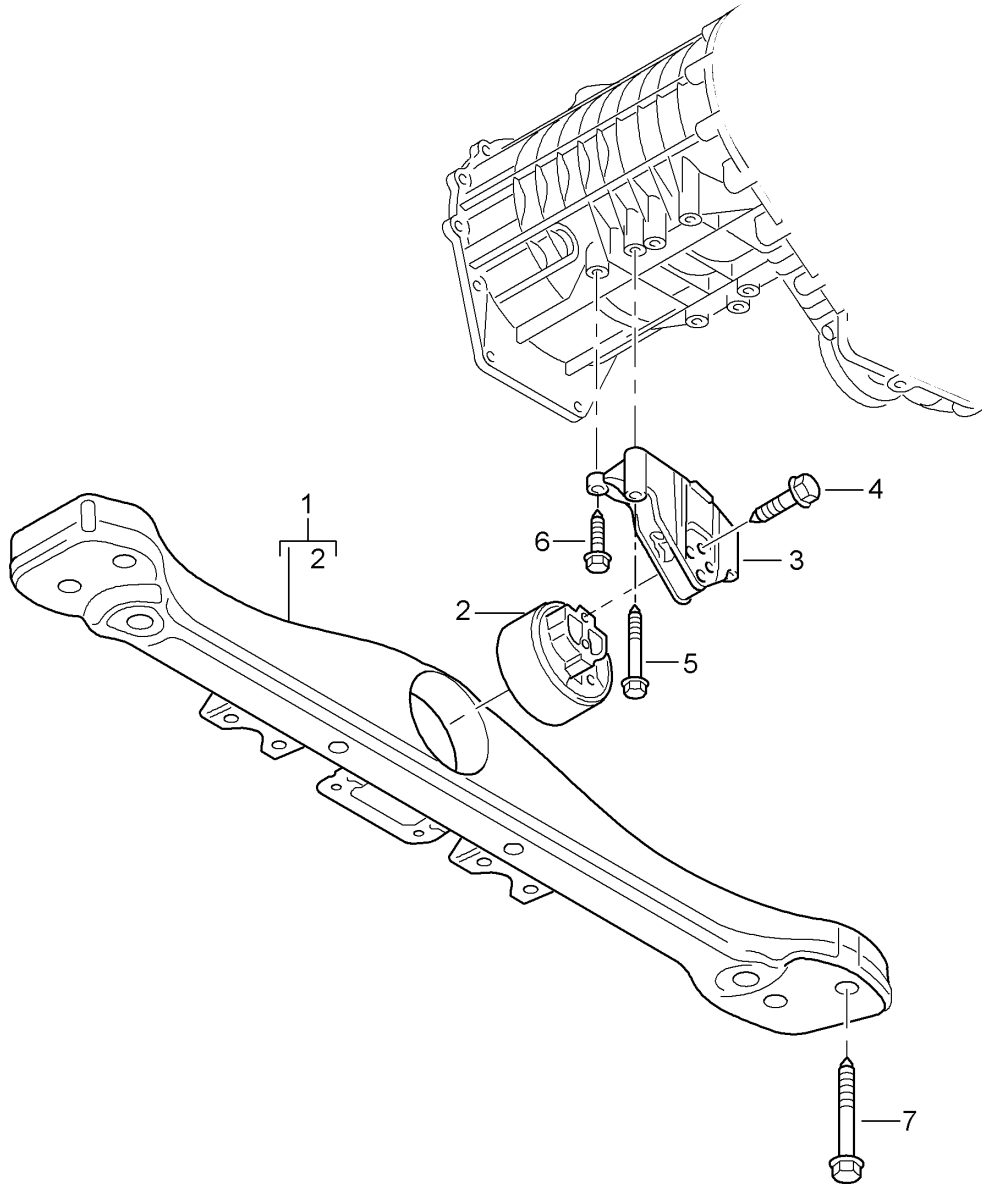
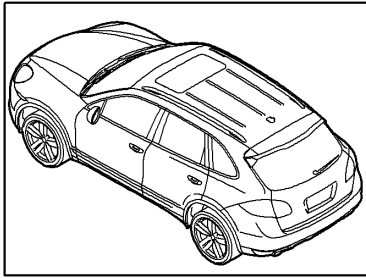
Model: 92A 11

Model life 2011&gt;&gt;2018

| Pos | Part Number  | Description   | Remark | Qty | Model  |
|-----|--------------|---|--------|-----|--------|
| 1   | N 911 063 01 | Threaded joint<br>Engine and transmission<br>Hexagon collared bolt with<br>hexagon socket head (duo)<br>M 12 X 80 |        | 4   | PR:DD8 |
| 2   | N 105 923 02 | Hex collared bolt<br>BM 12 X 140  |        | 1   |        |
| 3   | N 104 091 04 | Hexagon bolt<br>AM 12 X 70  |        | 4   |        |

Model: 92A 11

Model life 2011>>2018





Model: 92A 11 Model life 2011>>2018

| Pos | Part Number    | Description   | Remark | Qty | Model                  |
|-----|----------------|---|--------|-----|------------------------|
| 1   | 958 341 225 00 | Transfer box<br>Transmission suspension<br>transmission carrier |        | 1   | PR:D6V,E0A,<br>1SA     |
| (1) | 958 341 225 10 | transmission carrier  |        | 1   | PR:D6V,E0A,<br>1SB     |
| (1) | 958 341 225 60 | transmission carrier  |        | 1   | PR:D6V,E0W             |
| (1) | 958 341 225 00 | transmission carrier  |        | 1   | PR:D58,1SA             |
| (1) | 958 341 225 10 | transmission carrier  |        | 1   | PR:D58,1SB             |
| (1) | 958 341 225 60 | transmission carrier  |        | 1   | PR:D58,E8A             |
| (1) | 958 341 225 20 | transmission carrier  |        | 1   | PR:D19                 |
| (1) | 958 375 033 00 | D >> - MJ 2014<br>transmission carrier                          |        | 1   | PR:D19                 |
| (1) | 958 341 225 30 | D - MJ 2015>><br>transmission carrier                           |        | 1   | PR:D50,D43,<br>D1V     |
| (1) | 958 375 033 10 | D >> - MJ 2014<br>transmission carrier                          |        | 1   | PR:D43,D51,<br>D1V,DV7 |
| (1) | 958 375 033 11 | Discontinued part<br>transmission carrier                       |        | 1   | PR:D43,D51,<br>D1V,DV7 |
| (1) | 958 341 225 20 | D - MJ 2015>><br>transmission carrier                           |        | 1   | PR:D11<br>"CN."        |
| (1) | 958 375 033 00 | D >> - MJ 2014<br>transmission carrier                          |        | 1   | PR:D11                 |
| (1) | 958 341 225 40 | D - MJ 2015>><br>transmission carrier                           |        | 1   | PR:D34                 |
| (1) | 958 341 225 60 | D >> - MJ 2014<br>transmission carrier                          |        | 1   | PR:D34                 |
| (1) | 958 341 225 70 | D - MJ 2015>><br>transmission carrier                           |        | 1   | PR:DD8                 |
| (1) | 958 375 033 20 | D >> - MJ 2014<br>transmission carrier                          |        | 1   | PR:DD8                 |
| (1) | 958 341 225 60 | D - MJ 2015>><br>transmission carrier                           |        | 1   | PR:DU2,DU3,<br>DT1,DT5 |
| 2   | 955 375 057 30 | gearbox mounting  |        | 1   | PR:D6V,E0A             |
| (2) | 958 375 057 10 | gearbox mounting  |        | 1   | PR:D6V,E0W             |
| (2) | 955 375 057 30 | gearbox mounting  |        | 1   | PR:D58                 |
| (2) | 958 375 057 10 | gearbox mounting  |        | 1   | PR:D58,E8A             |
| (2) | 955 375 057 30 | gearbox mounting  |        | 1   | PR:D19                 |
| (2) | 955 375 057 20 | D >> - MJ 2014<br>gearbox mounting                              |        | 1   | PR:D50,D43,<br>D1V     |
| (2) | 955 375 057 30 | D >> - MJ 2014<br>gearbox mounting                              |        | 1   | PR:D11<br>"CN."        |
| (2) | 955 375 057 20 | D >> - MJ 2014<br>gearbox mounting                              |        | 1   | PR:D34                 |
| (2) | 955 375 057 30 | D >> - MJ 2014<br>gearbox mounting                              |        | 1   | PR:DD8                 |
| (2) | 958 375 057 10 | D - MJ 2015>><br>gearbox mounting                               |        | 1   |                        |
| 3   | 955 341 649 03 | Transmission bracket  |        | 1   | PR:D6V,E0A             |
| (3) | 958 341 649 10 | Transmission bracket  |        | 1   | PR:D6V,E0W             |
| (3) | 955 341 649 03 | Transmission bracket  |        | 1   | PR:D58                 |
| (3) | 958 341 649 10 | Transmission bracket  |        | 1   | PR:D58,E8A             |
| (3) | 955 341 649 03 | Transmission bracket  |        | 1   | PR:D19                 |
| (3) | 955 341 649 10 | D >> - MJ 2014<br>Transmission bracket                          |        | 1   | PR:D50,D43,<br>D1V     |
| (3) | 955 341 649 03 | D >> - MJ 2014<br>Transmission bracket                          |        | 1   | PR:D11<br>"CN."        |
| (3) | 958 341 649 00 | D >> - MJ 2014<br>Transmission bracket                          |        | 1   | PR:D34                 |

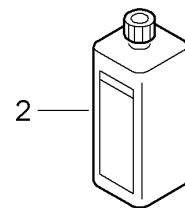
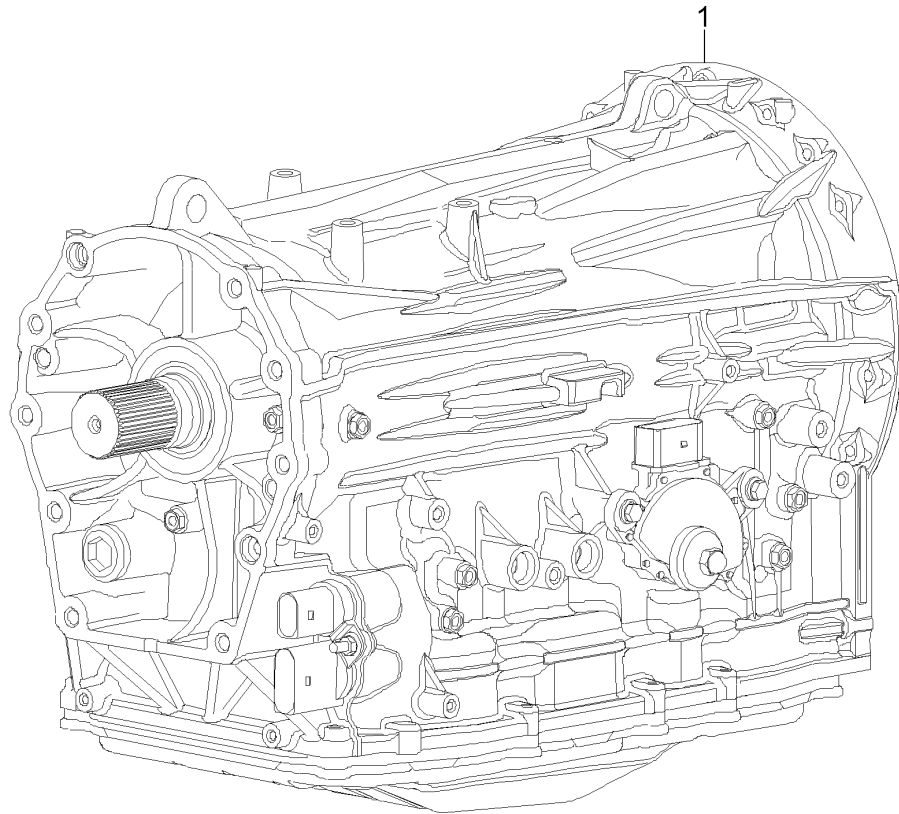
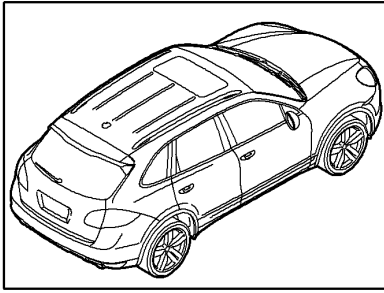
Model: 92A 11

Model life 2011>>2018

| Pos | Part Number    | Description   | Remark | Qty | Model                  |
|-----|----------------|---|--------|-----|------------------------|
| (3) | 958 341 649 20 | Transmission bracket<br>D >> - MJ 2014                      |        | 1   | PR:DD8                 |
| (3) | 958 341 649 10 | Transmission bracket  |        | 1   | PR:DU2,DU3,<br>DT1,DT5 |
| (3) | 958 341 649 10 | Transmission bracket<br>D - MJ 2015>>                       |        | 1   | PR:D19                 |
| (3) | 958 341 649 10 | Transmission bracket<br>D - MJ 2015>>                       |        | 1   | PR:D11                 |
| (3) | 958 375 118 00 | Transmission bracket<br>D - MJ 2015>>                       |        | 1   | PR:D43,D51,<br>D1V,DV7 |
| (3) | 958 375 118 10 | Transmission bracket<br>D - MJ 2015>>                       |        | 1   | PR:DD8                 |
| (3) | 958 375 118 20 | Transmission bracket<br>D - MJ 2015>>                       |        | 1   | PR:D34                 |
| 4   | N 105 167 02   | bolt, hex. hd. with shoulder,<br>self-locking<br>AM 10 X 55 |        | 2   |                        |
| 5   | N 100 155 07   | Hex collared bolt<br>BM 8 X 70                              |        | 2   |                        |
| 6   | N 019 503 8    | Hexagon bolt<br>M 8 X 35                                    |        | 2   |                        |
| 7   | N 909 913 02   | hexagon head bolt (combi)<br>AM 10 X 80                     |        | 4   |                        |

Model: 92A 11

Model life 2011>>2018



Model: 92A 11 Model life 2011>>2018

| Pos | Part Number    | Description  | Remark | Qty | Model                      |
|-----|----------------|--|--------|-----|----------------------------|
|     |                | Replacement transmission<br>Tiptronic  |        |     | PR:G1G                     |
| (1) | 958 300 011 01 | D >> - MJ 2014<br>Replacement transmission<br>Classification letter<br>MXJ                     |        | 1   | PR:D6V                     |
| (1) | 958 300 011 EX | Replacement transmission<br>Classification letter<br>MXJ                                       |        | 1   | PR:D6V                     |
| (1) | 958 300 011 51 | Replacement transmission<br>Classification letter<br>MXK                                       |        | 1   | PR:D58                     |
| (1) | 958 300 011 FX | D >> - MJ 2011<br>Replacement transmission<br>Classification letter<br>MXK                     |        | 1   | PR:D58                     |
| (1) | 958 300 011 52 | D >> - MJ 2011<br>Replacement transmission<br>Classification letter<br>NLD                     |        | 1   | PR:D58                     |
| (1) | 958 300 011 MX | D - MJ 2012>><br>Replacement transmission<br>Classification letter<br>NLD                      |        | 1   | PR:D58                     |
| (1) | 958 300 011 10 | D - MJ 2012>><br>Replacement transmission<br>Classification letter<br>NBT                      |        | 1   | PR:D50,D1V,<br>7L7         |
| (1) | 958 300 011 BX | F >> 92-BLA28 340<br>Replacement transmission<br>Classification letter<br>NBT                  |        | 1   | PR:D50,D1V,<br>7L7         |
| (1) | 958 300 011 12 | F >> 92-BLA28 340<br>Replacement transmission<br>Classification letter<br>NCM                  |        | 1   | PR:D50,D1V,<br>7L7         |
| (1) | 958 300 011 KX | D >> - MJ 2011<br>Replacement transmission<br>Classification letter<br>NCM                     |        | 1   | PR:D50,D1V,<br>7L7         |
| (1) | 958 300 011 12 | F 92-BLA28 341>><br>D >> - MJ 2011<br>Replacement transmission<br>Classification letter<br>NCM |        | 1   | PR:D43,D1V,<br>D50,7L7     |
| (1) | 958 300 011 KX | D - MJ 2012>><br>Replacement transmission<br>Classification letter<br>NCM                      |        | 1   | PR:D43,D1V,<br>D50,7L7     |
| (1) | 958 300 011 11 | D - MJ 2012>><br>Replacement transmission<br>Classification letter<br>MXN                      |        | 1   | PR:D50,D1V,<br>7L4,7L6,7L8 |
| (1) | 958 300 011 GX | Discontinued part<br>Replacement transmission<br>Classification letter<br>MXN                  |        | 1   | PR:D50,D1V,<br>7L4,7L6,7L8 |
| (1) | 958 300 011 13 | Discontinued part<br>Replacement transmission<br>Classification letter<br>NAD                  |        | 1   | PR:D50,D1V,<br>7L4,7L6,7L8 |
|     |                | D >> - MJ 2011   |        |     |                            |

Model: 92A 11 Model life 2011>>2018

| Pos | Part Number    | Description  | Remark | Qty | Model                      |
|-----|----------------|--|--------|-----|----------------------------|
| (1) | 958 300 011 LX | Replacement transmission<br>Classification letter<br>NAD<br>D >> - MJ 2011   |        | 1   | PR:D50,D1V,<br>7L4,7L6,7L8 |
| (1) | 958 300 011 13 | Replacement transmission<br>Classification letter<br>NAD<br>D - MJ 2012>>  |        | 1   | PR:D43,D1V,<br>7L4,7L6,7L8 |
| (1) | 958 300 011 LX | Replacement transmission<br>Classification letter<br>NAD<br>D - MJ 2012>>  |        | 1   | PR:D43,D1V,<br>7L4,7L6,7L8 |
| (1) | 958 300 011 20 | Replacement transmission<br>Classification letter<br>MXP<br>only in conj. with:<br>Control unit<br>958.618.123.03<br>958.618.123.12<br>F >> 92-CLA92 110<br>F >> 92-CLA92 138  |        | 1   | PR:D19,7MG,<br>0GG,7GH,7GB |
| (1) | 958 300 011 CX | Replacement transmission<br>Classification letter<br>MXP<br>only in conj. with:<br>Control unit<br>958.618.123.03<br>958.618.123.12<br>F >> 92-CLA92 110<br>F >> 92-CLA92 138  |        | 1   | PR:D19,7MG,<br>0GG,7GH,7GB |
| (1) | 958 300 011 21 | Replacement transmission<br>Classification letter<br>NNQ<br>only in conj. with:<br>Control unit<br>958.618.123.04<br>958.618.123.13<br>F 92-CLA92 111>><br>F 92-CLA92 139>><br>for vehicles up to<br>F >> 92-CLA92 110<br>F >> 92-CLA92 138<br>also use:<br>958 618 123 04<br>958 618 123 13<br>D >> - MJ 2013 |        | 1   | PR:D19,7MG,<br>0GG,7GH,7GB |
| (1) | 958 300 011 NX | Replacement transmission<br>Classification letter<br>NNQ<br>only in conj. with:<br>Control unit<br>958.618.123.04<br>958.618.123.13<br>F 92-CLA92 111>><br>F 92-CLA92 139>><br>for vehicles up to<br>F >> 92-CLA92 110<br>F >> 92-CLA92 138  |        | 1   | PR:D19,7MG,<br>0GG,7GH,7GB |

Model: 92A 11 Model life 2011>>2018

| Pos | Part Number    | Description   | Remark         | Qty | Model                                |
|-----|----------------|---|----------------|-----|--------------------------------------|
|     |                | also use:   | 958 618 123 04 |     |                                      |
|     |                |   | 958 618 123 13 |     |                                      |
|     |                | D >> - MJ 2013  |                |     |                                      |
| (1) | 958 300 011 22 | Replacement transmission<br>Classification letter<br>PXR<br>only in conj. with:<br>Control unit<br>958.618.123.04<br>958.618.123.13<br>for vehicles up to<br>F >> 92-CLA92 110<br>F >> 92-CLA92 138 |                | 1   | PR:D19,7MG,<br>OGG,7GH,7GB           |
|     |                | also use:   | 958 618 123 04 |     |                                      |
|     |                |   | 958 618 123 13 |     |                                      |
|     |                | D - MJ 2014>>   |                |     |                                      |
| (1) | 958 300 011 PX | Replacement transmission<br>Classification letter<br>PXR<br>only in conj. with:<br>Control unit<br>958.618.123.04<br>958.618.123.13<br>for vehicles up to<br>F >> 92-CLA92 110<br>F >> 92-CLA92 138 |                | 1   | PR:D19,7MG,<br>OGG,7GH,7GB           |
|     |                | also use:   | 958 618 123 04 |     |                                      |
|     |                |   | 958 618 123 13 |     |                                      |
|     |                | D - MJ 2014>>   |                |     |                                      |
| (1) | 958 300 011 31 | Replacement transmission<br>Classification letter<br>MXM  |                | 1   | PR:D19,7MG,<br>OGG,7GH,7GB<br>PR:D34 |
| (1) | 958 300 011 HX | Replacement transmission<br>Classification letter<br>MXM  |                | 1   | PR:D34                               |
| (1) | 958 300 011 40 | Replacement transmission<br>Classification letter<br>MXL  |                | 1   | PR:D11<br>"CN."                      |
| (1) | 958 300 011 JX | Replacement transmission<br>Classification letter<br>MXL  |                | 1   | PR:D11<br>"CN."                      |
| (1) | 958 300 011 60 | Replacement transmission<br>Classification letter<br>PCJ  |                | 1   | PR:DD8,7L7                           |
| (1) | 958 300 011 6X | Replacement transmission<br>Classification letter<br>PCJ  |                | 1   | PR:DD8,7L7                           |
| (1) | 958 300 011 70 | Replacement transmission<br>Classification letter<br>PCK  |                | 1   | PR:DD8,7L4,<br>7L8                   |
| (1) | 958 300 011 7X | Replacement transmission<br>Classification letter<br>PCK  |                | 1   | PR:DD8,7L4,<br>7L8                   |
| 2   | 958 300 540 00 | Transmission fluid<br>ATF<br>1 LITER<br>Container   |                | X   |                                      |

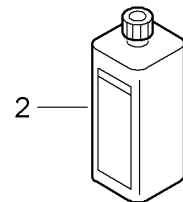
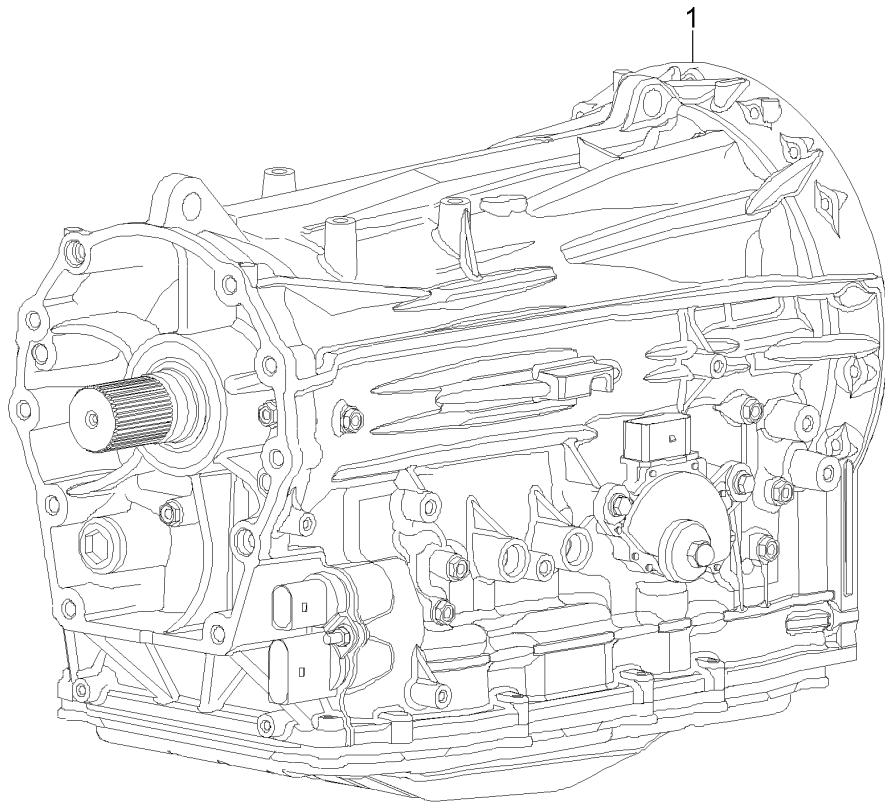
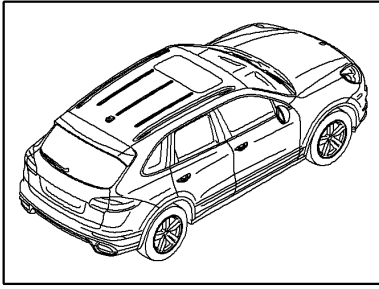
Model: 92A 11

Model life 2011&gt;&gt;2018

| Pos | Part Number    | Description  | Remark | Qty | Model |
|-----|----------------|--|--------|-----|-------|
| (2) | 000 043 306 24 | Discontinued part<br>Transmission fluid<br>ATF<br>1 LITER<br>Container |        | X   |       |

Model: 92A 11

Model life 2011>>2018





Model: 92A 11

Model life 2011&gt;&gt;2018

| Pos | Part Number    | Description  | Remark | Qty | Model                      |
|-----|----------------|--|--------|-----|----------------------------|
|     |                | Replacement transmission<br>Tiptronic                                      |        |     | PR:G1G                     |
| (1) | 958 300 012 00 | D - MJ 2015>><br>Replacement transmission<br>Classification letter<br>PXT  |        | 1   | PR:DU2,7L4,<br>7L8         |
| (1) | 958 300 012 X  | Replacement transmission<br>Classification letter<br>PXT                   |        | 1   | PR:DU2,7L4,<br>7L8         |
| (1) | 958 300 012 10 | Replacement transmission<br>Classification letter<br>PXU                   |        | 1   | PR:DU3,7L4,<br>7L8         |
| (1) | 958 300 012 KX | Replacement transmission<br>Classification letter<br>PXU                   |        | 1   | PR:DU3,7L4,<br>7L8         |
| (1) | 958 300 011 52 | Replacement transmission<br>Classification letter<br>NLD                   |        | 1   | PR:DT1,DT5,<br>7L4,7L8     |
| (1) | 958 300 011 MX | Replacement transmission<br>Classification letter<br>NLD                   |        | 1   | PR:DT1,DT5,<br>7L4,7L8     |
| (1) | 958 300 011 12 | Replacement transmission<br>Classification letter<br>NCM                   |        | 1   | PR:D43,D50,<br>7L7         |
| (1) | 958 300 011 KX | Replacement transmission<br>Classification letter<br>NCM                   |        | 1   | PR:D43,D50,<br>7L7         |
| (1) | 958 300 011 13 | Replacement transmission<br>Classification letter<br>NAD                   |        | 1   | PR:D43,7L4,<br>7L8         |
| (1) | 958 300 011 LX | Replacement transmission<br>Classification letter<br>NAD                   |        | 1   | PR:D43,7L4,<br>7L8         |
| (1) | 958 300 012 15 | Replacement transmission<br>Classification letter<br>QLW                   |        | 1   | PR:DV7,D1V,<br>D51,7L4,7L8 |
| (1) | 958 300 012 QX | Replacement transmission<br>Classification letter<br>QLW                   |        | 1   | PR:DV7,D1V,<br>D51,7L4,7L8 |
| (1) | 958 300 013 00 | Replacement transmission<br>Classification letter<br>RFQ                   |        | 1   | PR:D19                     |
| (1) | 958 300 013 X  | D >> - MJ 2015<br>Replacement transmission<br>Classification letter<br>RFQ |        | 1   | PR:D19                     |
| (1) | 958 300 013 01 | D >> - MJ 2015<br>Replacement transmission<br>Classification letter<br>RML |        | 1   | PR:D19                     |
| (1) | 958 300 013 AX | D - MJ 2016>><br>Replacement transmission<br>Classification letter<br>RML  |        | 1   | PR:D19                     |
| (1) | 958 300 013 05 | D - MJ 2016>><br>Replacement transmission<br>Classification letter<br>QVY  |        | 1   | PR:D11                     |
| (1) | 958 300 013 EX | Replacement transmission<br>Classification letter<br>QVY                   |        | 1   | PR:D11                     |
| (1) | 958 300 011 31 | Replacement transmission<br>Classification letter                          |        | 1   | PR:D34,7L4,<br>7L8         |

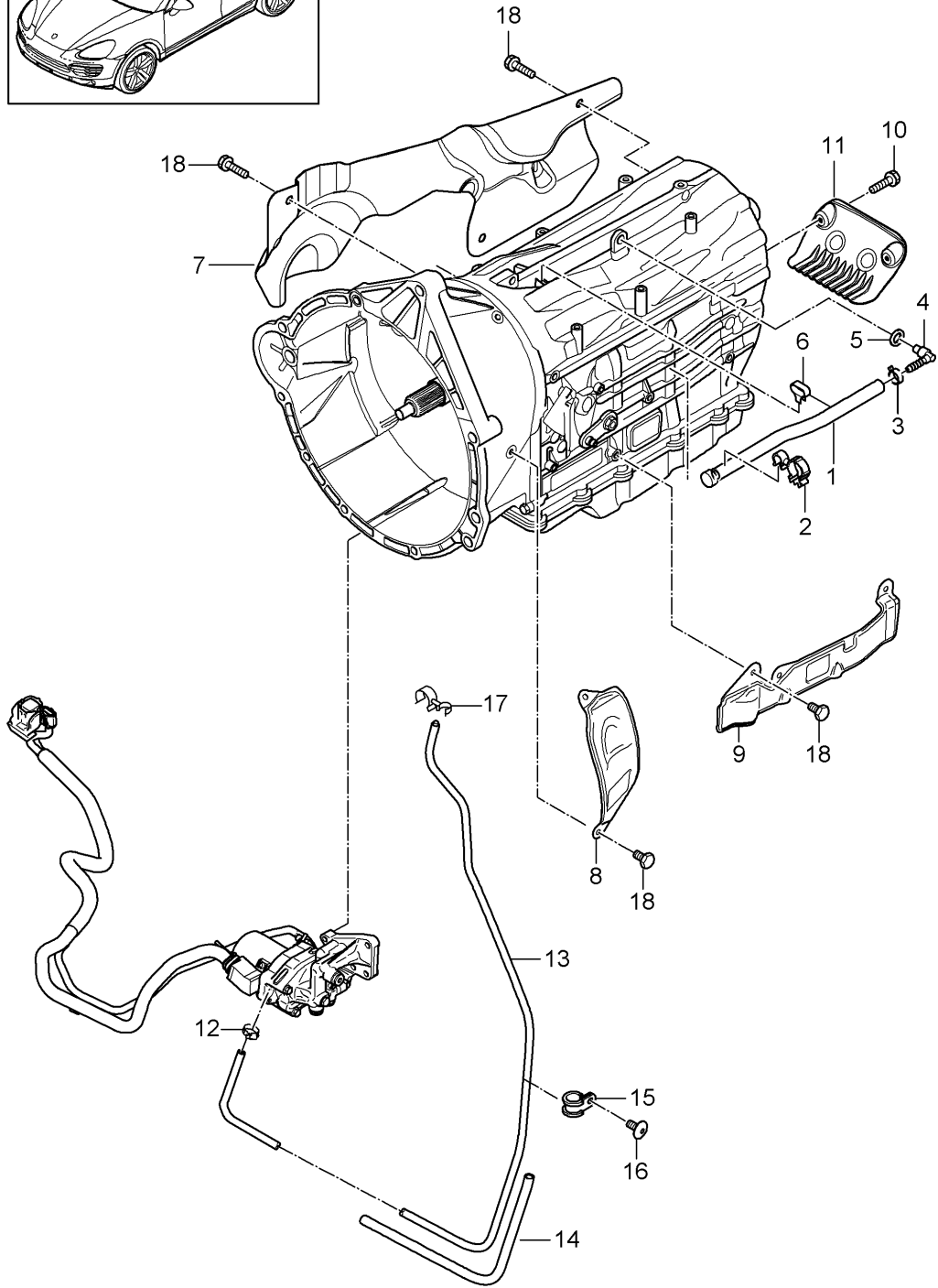
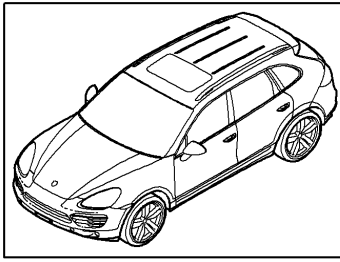
Model: 92A 11

Model life 2011>>2018

| Pos | Part Number    | Description  | Remark | Qty | Model              |
|-----|----------------|--|--------|-----|--------------------|
| (1) | 958 300 011 HX | MXM<br>Replacement transmission<br>Classification letter               |        | 1   | PR:D34,7L4,<br>7L8 |
| (1) | 958 300 011 60 | MXM<br>Replacement transmission<br>Classification letter               |        | 1   | PR:DD8,7L7         |
| (1) | 958 300 011 6X | PCJ<br>Replacement transmission<br>Classification letter               |        | 1   | PR:DD8,7L7         |
| (1) | 958 300 011 70 | PCJ<br>Replacement transmission<br>Classification letter               |        | 1   | PR:DD8,7L4,<br>7L8 |
| (1) | 958 300 011 7X | PCK<br>Replacement transmission<br>Classification letter               |        | 1   | PR:DD8,7L4,<br>7L8 |
| 2   | 958 300 540 00 | PCK<br>Transmission fluid<br>ATF<br>1 LITER<br>Container               |        | X   |                    |
| (2) | 000 043 306 24 | Discontinued part<br>Transmission fluid<br>ATF<br>1 LITER<br>Container |        | X   |                    |

Model: 92A 11

Model life 2011>>2018



Model: 92A 11 Model life 2011>>2018

| Pos | Part Number    | Description  | Remark | Qty | Model                                  |
|-----|----------------|--|--------|-----|--|
|     |                | Tiptronic<br>Replacement transmission<br>Accessories               |        |     | PR:G1G                                 |
| 1   | 958 301 547 30 | Breather line<br>425 MM  |        | 1   | PR:D6V,D58,<br>D34,DU2,DU3,<br>DT1,DT5 |
| (1) | 958 301 547 50 | Breather line<br>425 MM  |        | 1   | PR:D19                                 |
|     |                | with:  |        |     |  |
| (1) | 958 301 547 10 | Hose bracket<br>Breather line<br>350 MM                            |        | 2   | PR:D50,D43,<br>D1V                     |
| (1) | 958 301 547 00 | No longer use the part here<br>Breather line<br>350 MM             |        | 1   | PR:D50,D43,<br>D1V,DV7,D51             |
| (1) | 958 301 547 20 | Breather line<br>350 MM  |        | 1   | PR:D11                                 |
|     |                | with:  |        |     |  |
| (1) | 958 301 547 40 | Hose bracket<br>Breather line<br>425 MM                            |        | 1   | PR:DD8                                 |
| 2   | N 106 963 01   | bracket for corrugated pipe<br>A 14-25,5 X C 01-14                 |        | 1   | PR:D19                                 |
| (2) | N 103 203 02   | bracket for corrugated pipe<br>A 01-13 X C 12-6,5                  |        | 1   | PR:D34                                 |
| (2) | N 103 203 02   | bracket for corrugated pipe<br>A 01-13 X C 12-6,5                  |        | 1   | PR:DD8                                 |
| 3   | 958 317 563 00 | Clamp  |        | 1   |  |
| 4   | 958 301 381 00 | connection piece   |        | 1   |  |
| 5   | 955 301 577 00 | O-ring<br>8,2 X 1,9  |        | 1   |  |
| 6   | 955 301 565 01 | Clip   |        | 1   | PR:D6V,D58,<br>DU2,DU3,DT1,<br>DT5     |
| (6) | 955 301 565 01 | Clip<br>D - MJ 2015>>  |        | 1   | PR:D19                                 |
| (6) | 955 301 565 01 | Clip   |        | 1   | PR:D11                                 |
| 7   | 958 301 328 00 | Guard plate<br>D >> - MJ 2011                                      | right  | 1   | PR:-D50,-D1V                           |
| (7) | 958 301 328 01 | Guard plate<br>D - MJ 2012>>                                       | right  | 1   | PR:-D43,<br>-D1V,-D50,<br>-DV7,-D51    |
| 8   | 958 301 327 10 | Guard plate  | left   | 1   | PR:D50,D43,<br>D1V,DV7,D51             |
| 9   | 958 301 327 20 | Gear housing<br>Guard plate  | left   | 1   | PR:D50,D43,<br>D1V                     |
| (9) | 958 301 327 20 | oil sump<br>D >> - MJ 2014<br>Guard plate                          | left   | 1   | PR:D50,D43                             |
| (9) | 958 301 327 30 | oil sump<br>D - MJ 2015>><br>Guard plate                           | left   | 1   | PR:DV7,D1V,<br>D51                     |
| 10  | N 100 829 11   | oil sump<br>D - MJ 2015>><br>hexagon head bolt (combi)<br>M 6 X 16 |        | 2   | PR:D6V,D58,<br>D19,DU2,DU3,<br>DT1,DT5 |
| 11  | 958 301 307 00 | Guard plate  |        | 1   | PR:D6V,D58,<br>D19,DU2,DU3,<br>DT1,DT5 |
| 12  | 958 317 563 10 | Clamp  |        | 1   | PR:D19                                 |

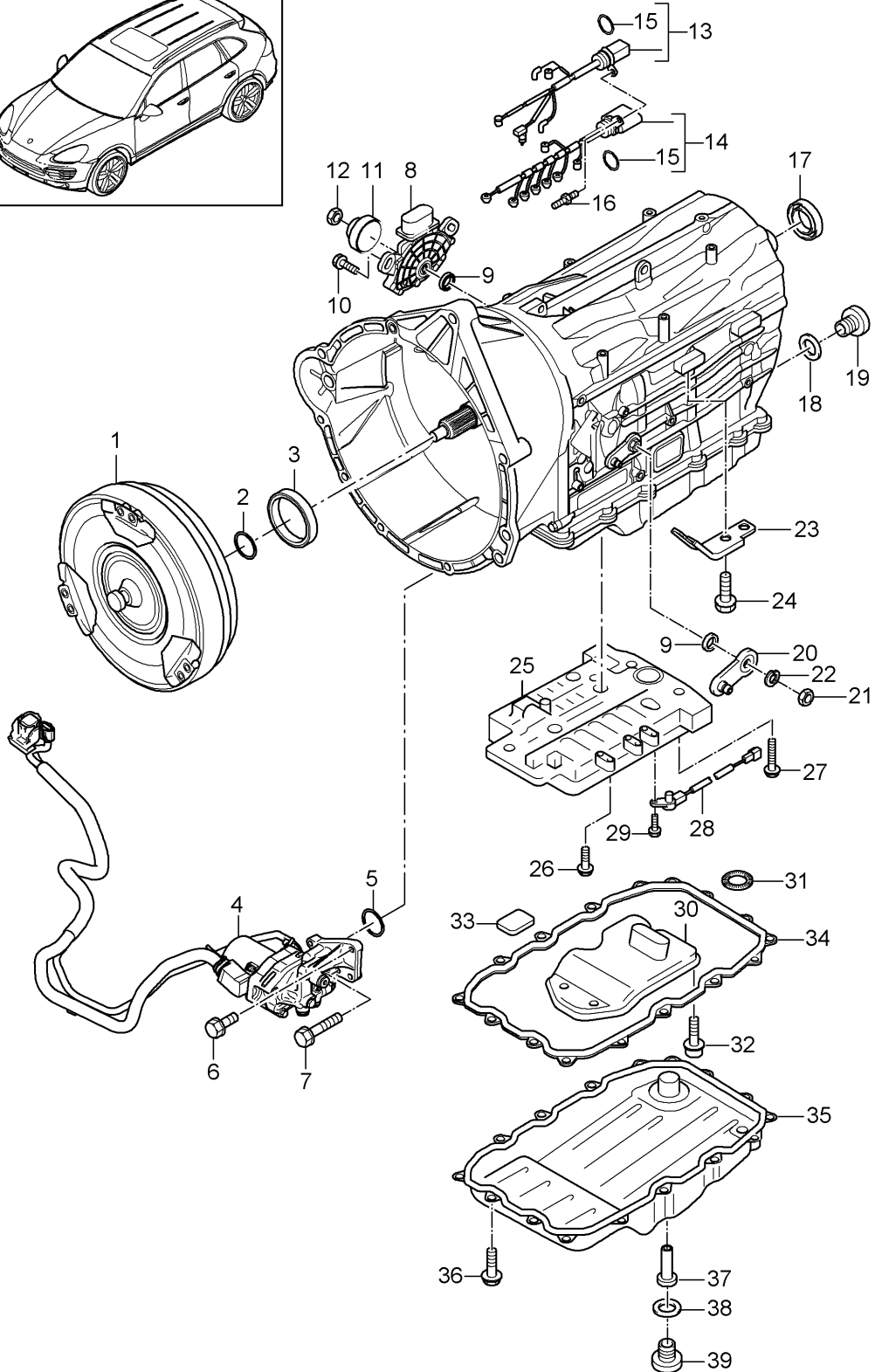
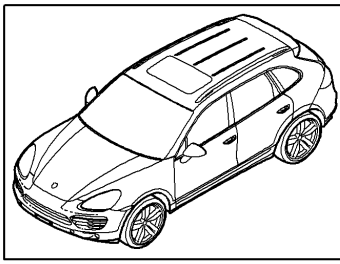
Model: 92A 11

Model life 2011>>2018

| Pos  | Part Number    | Description   | Remark | Qty | Model  |
|------|----------------|---|--------|-----|--------|
| 13   | 958 301 547 60 | Breather line<br>870 MM<br>D >> - MJ 2014                       |        | 1   | PR:D19 |
| (13) | 958 301 547 70 | Breather line<br>1220 MM<br>D - MJ 2015>>                       |        | 1   | PR:D19 |
| 14   | 958 301 821 00 | Heat insulation<br>Breather line                                |        | 1   | PR:D19 |
| 15   | N 020 620 7    | Clamp<br>13 X 15  |        | 1   | PR:D19 |
| 16   | N 106 320 03   | Oval socket head bolt<br>with hex drive<br>M 6 X 16             |        | 1   | PR:D19 |
| 17   | N 104 278 01   | Double clip<br>A 01-10 X C01-16<br>D >> - MJ 2014               |        | 1   | PR:D19 |
| (17) | N 104 278 01   | Double clip<br>A 01-10 X C01-16<br>D - MJ 2015>>                |        | 2   | PR:D19 |
| 18   | N 100 829 11   | hexagon head bolt (combi)<br>M 6 X 16<br>D >> - MJ 2011         |        | 8   |        |
| (18) | N 103 210 03   | bolt, hexagon head<br>self-locking<br>M 6 X 16<br>D - MJ 2012>> |        | 8   |        |

Model: 92A 11

Model life 2011>>2018



Model: 92A 11 Model life 2011>>2018

| Pos | Part Number    | Description   | Remark    | Qty | Model                                      |
|-----|----------------|---|-----------|-----|--|
|     |                | Replacement transmission<br>Tiptronic<br>Individual parts<br>Torque converter |           | 1   | PR:G1G                                     |
| 1   |                | see illustration, item:   | 330-000,1 |     |  |
| 2   | 958 321 181 30 | seal ring   |           | 1   | PR:D58,D19,<br>DU3,DT1,DT5                 |
| (2) | 958 321 181 30 | seal ring   |           | 1   | PR:DD8                                     |
| 3   | 958 321 243 00 | radial shaft seal<br>42 X 66 X 8  |           | 1   |  |
| 4   | 958 606 201 00 | oil pump<br>Electric  |           | 1   | PR:D19                                     |
| (4) | 958 606 201 01 | D >> - MJ 2014<br>oil pump<br>Electric  |           | 1   | PR:D19                                     |
| (4) | 958 606 201 10 | D - MJ 2015>><br>oil pump<br>Electric   |           | 1   | PR:D34,D6V,<br>D58,DU2,DU3,<br>DT1,DT5     |
| (4) | 958 606 201 10 | oil pump<br>Electric  |           | 1   | PR:D50,D43,<br>D1V,7L4,7L6,<br>7L8         |
| (4) | 958 606 201 10 | D >> - MJ 2014<br>oil pump<br>Electric  |           | 1   | PR:D43,D1V,<br>DV7,D51,7L4,<br>7L8         |
| (4) | 958 606 201 10 | D - MJ 2015>><br>oil pump<br>Electric   |           | 1   | PR:DD8,7L4,<br>7L8                         |
| 5   | 958 321 581 10 | Seal for oil pump   |           | 1   | PR:D19,D34,<br>D6V,D58,DU2,<br>DU3,DT1,DT5 |
| (5) | 958 321 581 10 | Seal for oil pump<br>D >> - MJ 2014   |           | 1   | PR:D50,D43,<br>D1V,7L4,7L6,<br>7L8         |
| (5) | 958 321 581 10 | Seal for oil pump<br>D - MJ 2015>>  |           | 1   | PR:D43,D1V,<br>DV7,D51,7L4,<br>7L8         |
| (5) | 958 321 581 10 | Seal for oil pump   |           | 1   | PR:DD8,7L4,<br>7L8                         |
| 6   | WHT 005 513    | Hex collared bolt<br>M 8 X 1,25 X 28  |           | 4   | PR:D19                                     |
| (6) | WHT 005 513    | Hex collared bolt<br>M 8 X 1,25 X 28  |           | 3   | PR:D34,D6V,<br>D58,DU2,DU3,<br>DT1,DT5     |
| (6) | WHT 005 513    | Hex collared bolt<br>M 8 X 1,25 X 28<br>D >> - MJ 2014                        |           | 3   | PR:D50,D43,<br>D1V,7L4,7L6,<br>7L8         |
| (6) | WHT 005 513    | Hex collared bolt<br>M 8 X 1,25 X 28<br>D - MJ 2015>>                         |           | 3   | PR:D43,D1V,<br>DV7,D51,7L4,<br>7L8         |
| (6) | WHT 005 513    | Hex collared bolt<br>M 8 X 1,25 X 28  |           | 3   | PR:DD8,7L4,<br>7L8                         |
| 7   | WHT 005 512    | Hex collared bolt<br>M 8 X 1,25 X 45  |           | 1   | PR:D34,D6V,<br>D58,DU2,DU3,<br>DT1,DT5     |
| (7) | WHT 005 512    | Hex collared bolt<br>M 8 X 1,25 X 45<br>D >> - MJ 2014                        |           | 1   | PR:D50,D43,<br>D1V,7L4,7L6,<br>7L8         |
| (7) | WHT 005 512    | Hex collared bolt<br>M 8 X 1,25 X 45<br>D >> - MJ 2014                        |           | 1   | PR:D43,D1V,<br>DV7,D51,7L4,<br>7L8         |
| (7) | WHT 005 512    | Hex collared bolt<br>M 8 X 1,25 X 45  |           | 1   | PR:DD8,7L4,<br>7L8                         |
| 8   | 958 606 823 00 | Selector switch   |           | 1   |  |

Model: 92A 11 Model life 2011>>2018

| Pos  | Part Number    | Description   | Remark         | Qty | Model   |
|------|----------------|---|----------------|-----|---|
| 9    | 955 321 199 30 | radial shaft seal<br>11 X 22 X 7  |                | 2   |   |
| 10   | WHT 000 325 A  | Hexagon bolt<br>M 6 X 1 X 20  |                | 2   |   |
| 11   | 958 606 401 00 | Cover cap   |                | 1   |   |
| 12   | WHT 005 507    | domed cap nut<br>M 8 X 1,25   |                | 1   |   |
| 13   | 958 612 363 10 | Wire set<br>8-pole  |                | 1   |   |
| 14   | 958 612 363 00 | Wire set<br>14-pole   |                | 1   |   |
| 15   | 955 325 364 00 | seal ring<br>21,8 X 2,4   |                | 2   |   |
| 16   | N 910 573 02   | 12-point socket head bolt<br>(combi)<br>M 6 X 16 / M 6 X 10                     |                | 1   |   |
| 17   | 955 321 189 00 | radial shaft seal<br>41 X 72 X 11   |                | 1   |   |
| 18   | 955 321 379 00 | seal ring   |                | 1   |   |
| 19   | WHT 000 323 A  | sealing plug<br>M 24 X 1,5 X 14   |                | 1   |   |
| 20   | 958 301 266 00 | selector lever  |                | 1   |   |
| 21   | N 011 008 40   | Hexagon nut<br>M 8  |                | 1   |   |
| 22   | WHT 005 508    | Securing ring<br>8 X 16 X 2   |                | 1   |   |
| 23   | 958 301 165 20 | abutment  |                | 1   | PR:-D19   |
| (23) | 958 713 281 00 | abutment<br>for<br>Vehicle<br>Until<br>Model year<br>2015<br>modify in workshop |                | 1   | PR:D19  |
|      |                | also use:   | N 101 586 05   | 2   |   |
|      |                |   | 958 426 033 50 | 1   |   |
| 24   | WHT 005 509    | Cable<br>Hex collared bolt<br>M 6 X 1 X 20                                      |                | 2   |   |
| (24) | WHT 005 509    | D >> - MJ 2015<br>Hex collared bolt<br>M 6 X 1 X 20                             |                | 2   | PR:-D19   |
| (24) | N 101 586 05   | D - MJ 2016>><br>bolt,hex.hd.with shoul.(combi)<br>M 6 X 20                     |                | 2   | PR:D19  |
| 25   | 958 325 039 00 | D - MJ 2016>><br>valve body   |                | 1   | PR:-D58,<br>-D19,-DD8,<br>-DT1,-DT5,<br>-DU2,-DU3 |
| (25) | 958 325 039 10 | valve body  |                | 1   | PR:D58,D19,<br>DT1,DT5,DU2,<br>DU3                |
| (25) | 958 325 039 10 | valve body  |                | 1   | PR:DD8  |
| 26   | WHT 000 324    | hexagon head bolt (combi)<br>M 6 X 1 X 28                                       |                | 11  |   |
| 27   | WHT 000 321    | hexagon head bolt (combi)<br>M 6 X 1 X 40                                       |                | 3   |   |
| 28   | 958 606 321 00 | Inductive sensor<br>Output speed  |                | 1   |   |
| 29   | WHT 000 322    | hexagon head bolt (combi)<br>M 6 X 1 X 12                                       |                | 2   |   |
| 30   | 958 325 435 00 | oil strainer  |                | 1   |   |



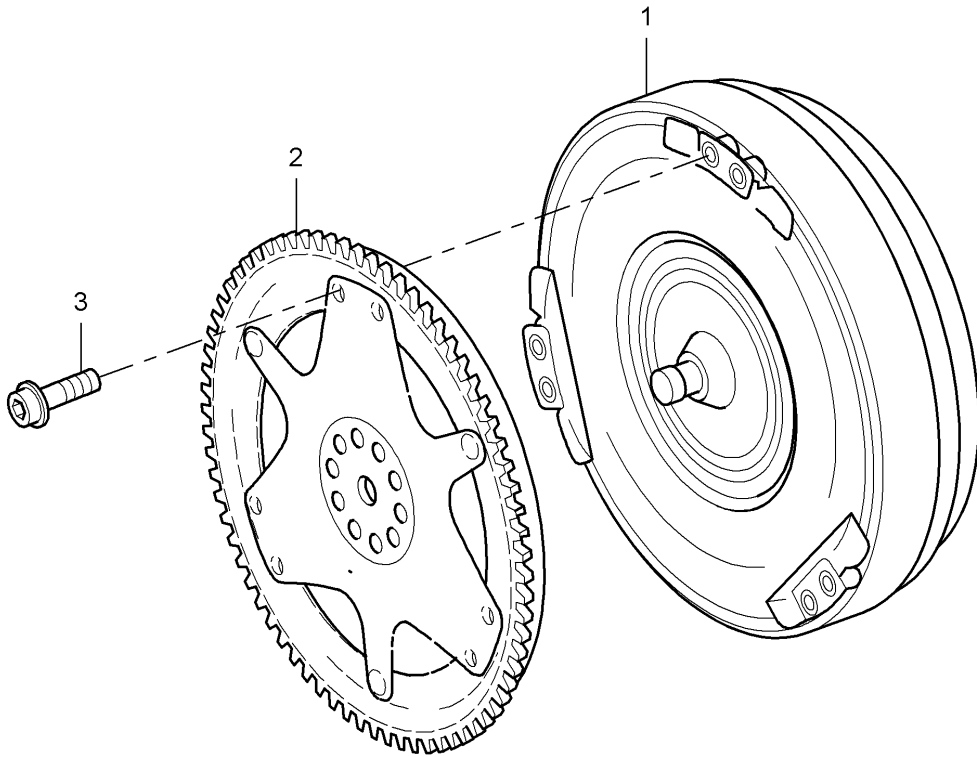
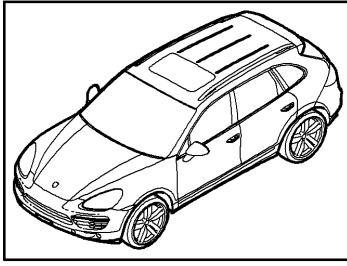
Model: 92A 11

Model life 2011&gt;&gt;2018

| Pos  | Part Number    | Description  | Remark | Qty | Model   |
|------|----------------|--|--------|-----|---------|
| 31   | 958 325 443 00 | Seal   |        | 1   |         |
| 32   | WHT 000 313    | Hex collared bolt<br>M 6 X 1 X 16                          |        | 4   |         |
| 33   | 955 321 368 00 | Magnet<br>for<br>oil sump                                  |        | 4   |         |
| 34   | 958 321 371 00 | Oil sump gasket  |        | 1   |         |
| 35   | 958 321 361 00 | oil sump   |        | 1   |         |
| 36   | WHT 005 511    | hexagon head bolt (combi)<br>M 6 X 1 X 25                  |        | 11  |         |
| 37   | 958 301 437 00 | oil pipe<br>18,3 MM<br>Long                                |        | 1   | PR:D19  |
| (37) | 958 301 437 10 | oil pipe<br>35,6 MM<br>Long                                |        | 1   | PR:-D19 |
| 38   | 958 321 581 00 | seal ring  |        | 1   |         |
| 39   | WHT 005 510    | drain plug<br>M 10 X 1 X 9                                 |        | 1   |         |
| 40   | N 906 972 01   | Clip<br>22<br>Mount<br>Wire set<br>oil pump                |        | 2   | PR:D19  |
| 41   | N 909 377 02   | Cable ties<br>C 4,6 X 193<br>Mount<br>Wire set<br>oil pump |        | 1   | PR:D19  |

Model: 92A 11

Model life 2011>>2018

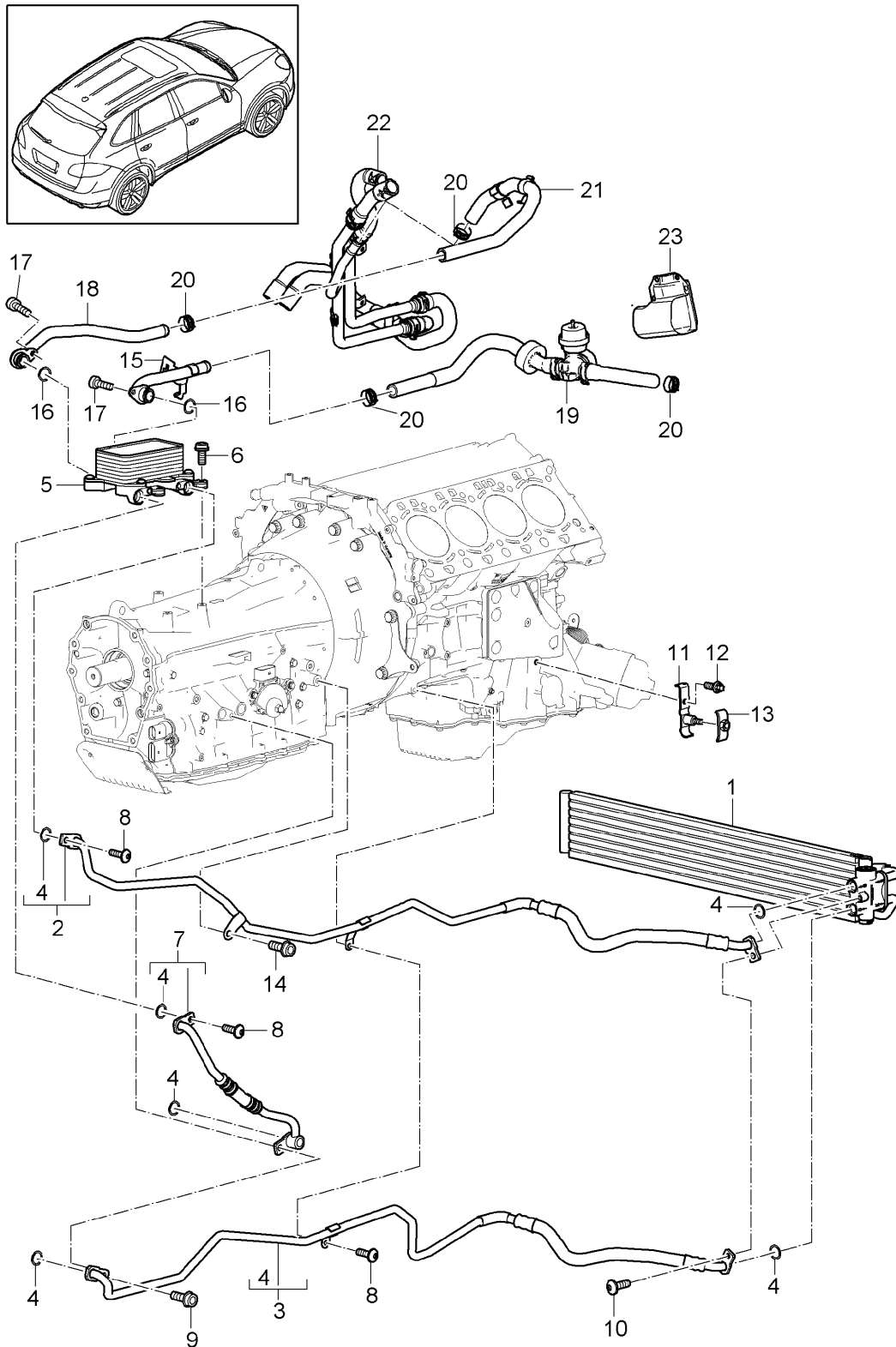


Model: 92A 11 Model life 2011>>2018

| Pos | Part Number    | Description   | Remark  | Qty | Model                      |
|-----|----------------|---|---------|-----|----------------------------|
|     |                | Tiptronic   |         |     | PR:G1G                     |
|     |                | Torque converter  |         |     |                            |
| 1   | 958 316 001 00 | Clutch plate  |         | 1   | PR:D6V                     |
| (1) | 958 316 001 50 | Torque converter  |         | 1   | PR:D58,DT1,DT5             |
| (1) | 958 316 001 70 | Torque converter  |         | 1   | PR:DU2                     |
| (1) | 958 316 001 90 | Torque converter  |         | 1   | PR:DU3                     |
| (1) | 958 316 001 10 | Torque converter  |         | 1   | PR:D50,D43,D1V             |
| (1) | 958 316 001 10 | D >> - MJ 2014  |         | 1   | PR:D50,D43                 |
| (1) | 958 316 001 80 | Torque converter  |         | 1   | PR:DV7,D1V,D51             |
| (1) | 958 316 001 20 | D - MJ 2015>>   |         | 1   | PR:D19                     |
| (1) | 958 316 001 30 | Torque converter  |         | 1   | PR:D34                     |
| (1) | 958 316 001 40 | Torque converter  |         | 1   | PR:D11                     |
| (1) | 958 316 001 60 | Torque converter  |         | 1   | PR:DD8                     |
| 2   |                | Clutch plate  |         | 1   | PR:D6V,D58,DT1,DT5         |
| 2   |                | see illustration:                                       | 102-000 | 1   | PR:DU2,DU3                 |
| (2) |                | Clutch plate  |         | 1   |                            |
| (2) |                | see illustration:                                       | 102-005 | 1   |                            |
| (2) |                | Clutch plate  |         | 1   | PR:D50,D43,D1V,DV7,D51     |
| (2) |                | see illustration:                                       | 102-020 | 1   | PR:D19                     |
| (2) |                | Electric motor  |         | 1   |                            |
| (2) |                | see illustration:                                       | 901-010 | 1   |                            |
| (2) |                | D >> - MJ 2014  |         | 1   | PR:D19                     |
| (2) |                | Electric motor  |         | 1   |                            |
| (2) |                | see illustration:                                       | 901-012 | 1   |                            |
| (2) |                | D - MJ 2015>>   |         | 1   | PR:D34                     |
| (2) |                | Clutch plate  |         | 1   |                            |
| (2) |                | see illustration:                                       | 102-010 | 1   | PR:D11                     |
| (2) |                | Clutch plate  |         | 1   |                            |
| (2) |                | see illustration:                                       | 102-030 | 1   | PR:DD8                     |
| (2) |                | Clutch plate  |         | 1   |                            |
| (2) |                | see illustration:                                       | 102-035 | 1   |                            |
| 3   | N 910 425 01   | Socket head bolt  |         | 6   | PR:D6V,D58,DU2,DU3,DT1,DT5 |
| (3) | N 906 916 01   | M 10 X 1 X 23   |         | 6   | PR:D50,D43,D1V,DV7,D51     |
| (3) | N 906 916 01   | Socket head bolt with hexagon socket head (combination) |         | 3   | PR:D19                     |
| (3) | N 906 916 01   | M 10 X 1 X 17   |         | 3   |                            |
| (3) | N 906 916 01   | domed cap nut   |         | 3   |                            |
| (3) | N 906 916 01   | M 10 X 1  | 306-010 | 3   | PR:D34                     |
| (3) | N 906 916 01   | see illustration:                                       |         | 3   |                            |
| (3) | N 906 916 01   | Socket head bolt with hexagon socket head (combination) |         | 6   | PR:D11                     |
| (3) | N 906 916 01   | M 10 X 1 X 17   |         | 6   |                            |
| (3) | N 906 916 01   | Socket head bolt with hexagon socket head (combination) |         | 6   | PR:DD8                     |
| (3) | N 906 916 01   | M 10 X 1 X 17   |         | 6   |                            |
| (3) | N 906 916 01   | Socket head bolt with hexagon socket head (combination) |         | 6   |                            |
| (3) | N 906 916 01   | M 10 X 1 X 17   |         | 6   |                            |

Model: 92A 11

Model life 2011>>2018



Model: 92A 11 Model life 2011>>2018

| Pos  | Part Number    | Description  | Remark | Qty | Model                      |
|------|----------------|--|--------|-----|----------------------------|
|      |                | Tiptronic<br>Gear oil cooler<br>Coolant cooling system<br>Oil pipe                                       |        |     | PR:D6V,D58,<br>DT1,DT5,G1G |
| 1    | 958 307 015 00 | Gear oil cooler<br>No longer use the part here   |        | 1   |                            |
| (1)  | 958 307 015 01 | Gear oil cooler  |        | 1   |                            |
| 2    | 958 307 181 00 | Oil pipe<br>Supply   |        | 1   |                            |
| 3    | 958 307 182 00 | Oil return line<br>Discontinued part   |        | 1   |                            |
| (3)  | 958 307 182 01 | Oil return line  |        | 1   |                            |
| 4    | N 906 660 01   | O-ring<br>11,5 X 3   |        | 6   |                            |
| 5    | 958 307 037 00 | Radiator   |        | 1   |                            |
| 6    | N 106 893 02   | Socket head bolt with inner<br>multipoint head<br>M 8 X 25   |        | 3   |                            |
| 7    | 958 307 085 00 | Oil pipe<br>Supply   |        | 1   |                            |
| 8    | N 106 320 03   | Oval socket head bolt<br>with hex drive<br>M 6 X 16  |        | 3   |                            |
| 9    | N 106 893 02   | Socket head bolt with inner<br>multipoint head<br>M 8 X 25   |        | 1   |                            |
| 10   | N 106 444 01   | Oval hexagon socket head bolt<br>M 6 X 22<br>Discontinued part   |        | 1   |                            |
| 10   | N 908 424 02   | hexagon head bolt (combi)<br>M 6 X 22  |        | 1   |                            |
| 11   | 948 307 147 11 | Bracket  |        | 1   |                            |
| 12   | 900 385 041 01 | Torx screw<br>BM 6 X 12<br>No longer use the part here   |        | 1   |                            |
| (12) | 900 385 009 01 | Torx screw<br>BM 6 X 16  |        | 1   |                            |
| 13   | 955 307 211 01 | Bracket  |        | 1   |                            |
| 14   | N 106 648 01   | Socket head collared bolt with<br>inner multipoint head<br>M 8 X 20                                      |        | 1   |                            |
| 15   | 958 106 565 00 | Coolant pipe<br>Supply   |        | 1   |                            |
| 16   | WHT 002 543    | O-ring<br>17,1 X 1,6   |        | 2   |                            |
| 17   | N 103 352 07   | Hexagon socket flat head<br>bolt, self-locking<br>M 6 X 12<br>Discontinued part                          |        | 2   |                            |
| (17) | N 103 352 06   | Hexagon socket flat<br>head bolt<br>M 6 X 12   |        | 2   |                            |
| 18   | 958 106 566 00 | Coolant pipe<br>Return line  |        | 1   |                            |
| 19   | 958 106 549 02 | Water hose<br>Supply   |        | 1   |                            |
|      |                | with:<br>Heater valve<br>use if required:<br>Heat insulation<br>POS.23<br>See workshop manual<br>Group 8 |        |     |                            |

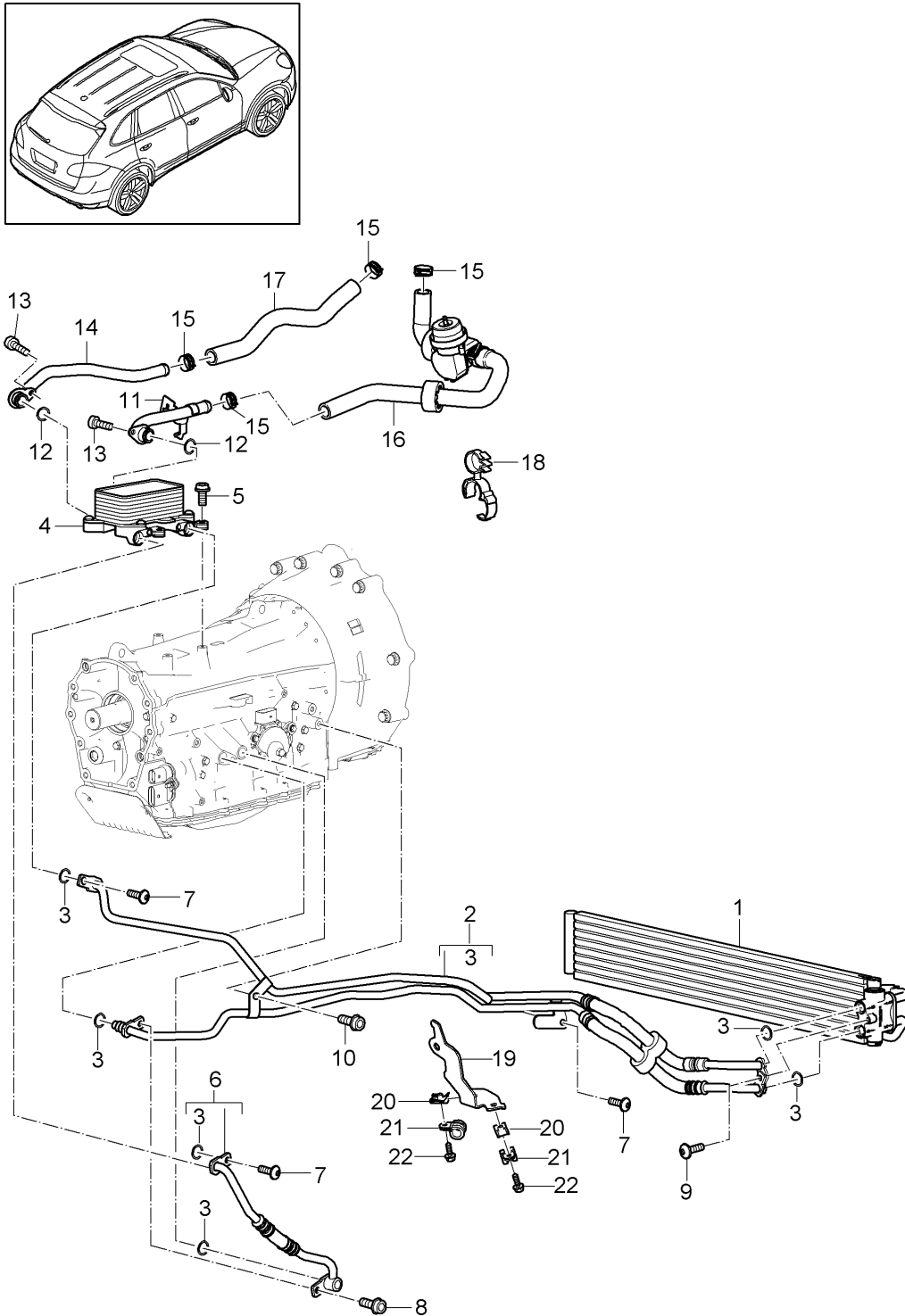
Model: 92A 11

Model life 2011>>2018

| Pos  | Part Number    | Description   | Remark     | Qty | Model                           |
|------|----------------|---|------------|-----|---------------------------------|
| 20   | N 906 869 01   | Document<br>803655<br>SY4215<br>Spring band clamp<br>B 23 X 12                                    |            | 4   |                                 |
| 21   | 958 106 550 03 | Water hose<br>Return line   |            | 1   |                                 |
| 22   |                | Coolant pipe  |            | 1   |                                 |
| (23) | 958 106 653 20 | see illustration, item:<br>Heat insulation<br>Heater valve<br>See workshop manual<br>Group 8      | 105-035,26 | 1   | PR:DT1,DT5,<br>6EA,6EC<br>"RUS" |
| (23) | 958 106 653 20 | Document<br>803655<br>SY4215<br>Heat insulation<br>Heater valve<br>See workshop manual<br>Group 8 |            | 1   | PR:DT1,DT5,<br>6EB              |
|      |                | Document<br>803655<br>SY4215  |            |     |                                 |

Model: 92A 11

Model life 2011>>2018



Model: 92A 11 Model life 2011>>2018

| Pos | Part Number    | Description  | Remark | Qty | Model                      |
|-----|----------------|--|--------|-----|----------------------------|
| 1   | 958 307 015 00 | Tiptronic<br>Gear oil cooler<br>Radiator<br>Oil pipe<br>Gear oil cooler<br>No longer use the part here |        | 1   | PR:D50,D43,<br>D1V,DV7,D51 |
| (1) | 958 307 015 01 | Gear oil cooler  |        | 1   |                            |
| 2   | 958 307 082 00 | Oil pipe<br>Supply<br>Return line<br>D >> - MJ 2014<br>No longer use the part here                     |        | 1   | PR:D50,D43,<br>D1V         |
| (2) | 958 307 082 01 | Oil pipe<br>Supply<br>Return line<br>D >> - MJ 2014  |        | 1   | PR:D50,D43,<br>D1V         |
| (2) | 958 307 082 00 | Oil pipe<br>Supply<br>Return line<br>D - MJ 2015>><br>No longer use the part here                      |        | 1   | PR:D43,D50                 |
| (2) | 958 307 082 01 | Oil pipe<br>Supply<br>Return line<br>D - MJ 2015>>   |        | 1   | PR:D43,D50                 |
| (2) | 958 307 082 05 | Oil pipe<br>Supply<br>Return line<br>D - MJ 2015>><br>No longer use the part here                      |        | 1   | PR:DV7,D1V,<br>D51         |
| (2) | 958 307 082 06 | Oil pipe<br>Supply<br>Return line<br>D - MJ 2015>>   |        | 1   | PR:DV7,D1V,<br>D51         |
| 3   | N 906 660 01   | O-ring<br>11,5 X 3   |        | 6   |                            |
| 4   | 958 307 037 00 | Radiator   |        | 1   |                            |
| 5   | N 106 893 02   | Socket head bolt with inner<br>multipoint head<br>M 8 X 25   |        | 3   |                            |
| 6   | 958 307 085 00 | Oil pipe<br>Supply   |        | 1   |                            |
| 7   | N 106 320 03   | Oval socket head bolt<br>with hex drive<br>M 6 X 16  |        | 3   |                            |
| 8   | N 106 893 02   | Socket head bolt with inner<br>multipoint head<br>M 8 X 25   |        | 1   |                            |
| 9   | N 106 444 01   | Oval hexagon socket head bolt<br>M 6 X 22<br>Discontinued part   |        | 1   |                            |
| (9) | N 908 424 02   | hexagon head bolt (combi)<br>M 6 X 22  |        | 1   |                            |
| 10  | N 106 648 01   | Socket head collared bolt with<br>inner multipoint head<br>M 8 X 20                                    |        | 1   |                            |
| 11  | 958 106 565 00 | Coolant pipe<br>Supply   |        | 1   |                            |
| 12  | WHT 002 543    | O-ring<br>17,1 X 1,6   |        | 2   |                            |
| 13  | N 103 352 07   | Hexagon socket flat head<br>bolt, self-locking<br>M 6 X 12   |        | 2   |                            |



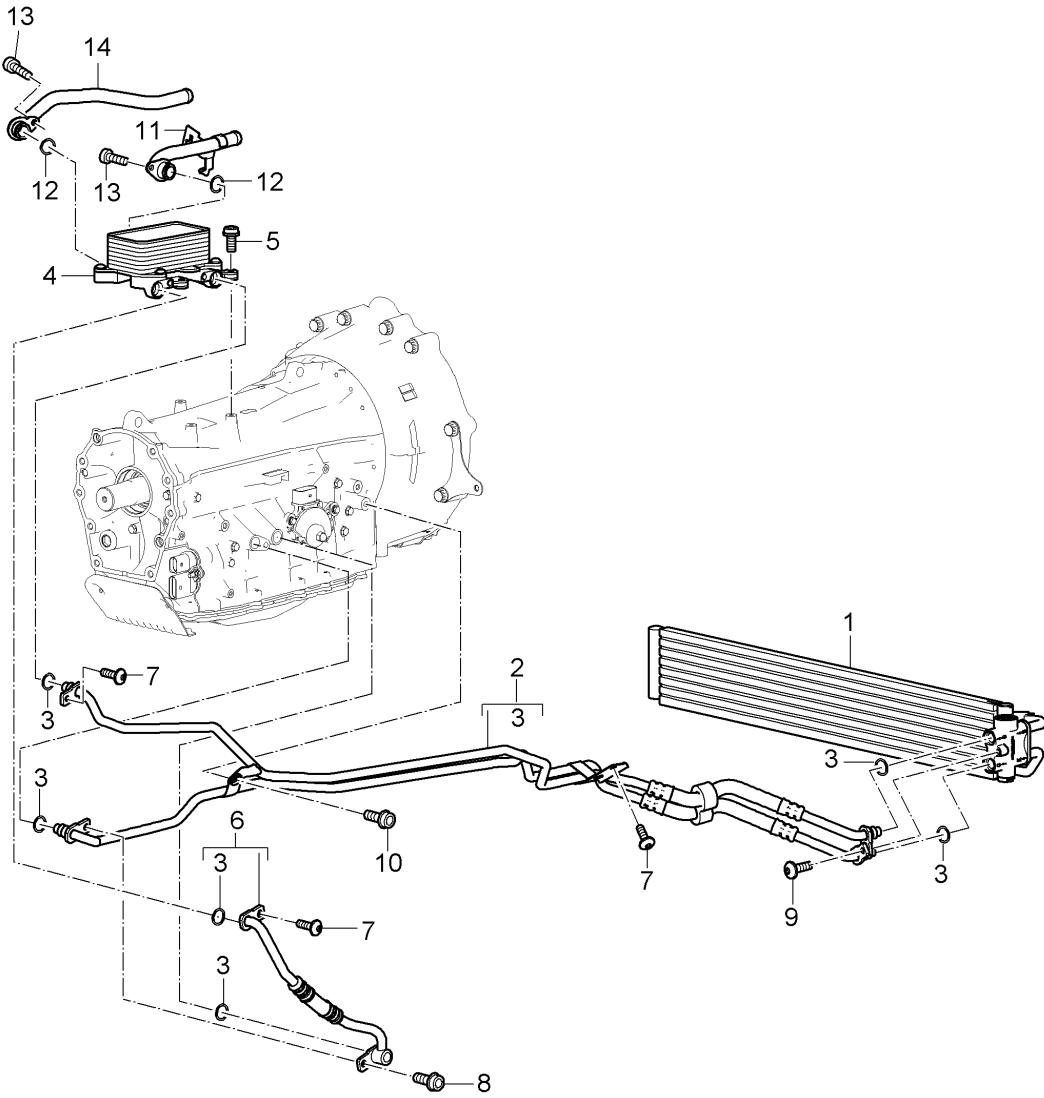
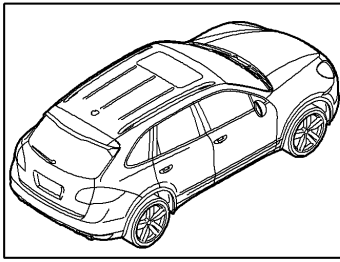
Model: 92A 11

Model life 2011&gt;&gt;2018

| Pos  | Part Number    | Description   | Remark | Qty | Model |
|------|----------------|---|--------|-----|-------|
| (13) | N 103 352 06   | Discontinued part<br>Hexagon socket flat<br>head bolt<br>M 6 X 12 |        | 2   |       |
| 14   | 958 106 566 00 | Coolant pipe<br>Return line                                       |        | 1   |       |
| 15   | N 906 869 01   | Spring band clamp<br>B 23 X 12                                    |        | 4   |       |
| 16   | 958 106 549 10 | Water hose  |        | 1   |       |
| 17   | 958 106 550 10 | Water hose  |        | 1   |       |
| 18   | N 107 678 01   | Bracket<br>A 14-22 X C 05-22                                      |        | 1   |       |
| 19   | 958 307 829 00 | Bracket   |        | 1   |       |
| 20   | N 901 686 04   | Speed nut<br>M 6 X 23.4 X 16                                      |        | 2   |       |
| 21   | N 020 601 5    | Clamp<br>D1-12 X 0,6 X 15   |        | 2   |       |
| 22   | N 106 533 01   | Hex collared bolt<br>M 6 X 20                                     |        | 2   |       |

Model: 92A 11

Model life 2011>>2018



Model: 92A 11 Model life 2011>>2018

| Pos  | Part Number    | Description   | Remark | Qty | Model      |
|------|----------------|---|--------|-----|------------|
|      |                | Tiptronic<br>Gear oil cooler<br>Radiator<br>Oil pipe                            |        |     | PR:D19,G1G |
| 1    | 958 307 015 00 | Gear oil cooler<br>No longer use the part here                                  |        | 1   |            |
| (1)  | 958 307 015 01 | Gear oil cooler   |        | 1   |            |
| 2    | 958 307 082 10 | Oil pipe<br>Supply<br>Return line   |        | 1   |            |
| (2)  | 958 307 082 15 | D >> - MJ 2014<br>Oil pipe<br>Supply<br>Return line<br>D - MJ 2015>>            |        | 1   |            |
| 3    | N 906 660 01   | O-ring<br>11,5 X 3<br>D >> - MJ 2014  |        | 6   |            |
| (3)  | N 906 660 01   | O-ring<br>11,5 X 3<br>D - MJ 2015>>   |        | 4   |            |
| 4    | 958 307 037 00 | Radiator<br>D >> - MJ 2014  |        | 1   |            |
| 5    | N 106 893 02   | Socket head bolt with inner<br>multipoint head<br>M 8 X 25<br>D >> - MJ 2014    |        | 3   |            |
| 6    | 958 307 085 00 | Oil pipe<br>Supply<br>D >> - MJ 2014  |        | 1   |            |
| 7    | N 106 320 03   | Oval socket head bolt<br>with hex drive<br>M 6 X 16<br>D >> - MJ 2014           |        | 3   |            |
| (7)  | N 106 320 03   | Oval socket head bolt<br>with hex drive<br>M 6 X 16<br>D - MJ 2015>>            |        | 1   |            |
| 8    | N 106 893 02   | Socket head bolt with inner<br>multipoint head<br>M 8 X 25                      |        | 1   |            |
| 9    | N 106 444 01   | Oval hexagon socket head bolt<br>M 6 X 22<br>Discontinued part                  |        | 1   |            |
| (9)  | N 908 424 02   | hexagon head bolt (combi)<br>M 6 X 22   |        | 1   |            |
| 10   | N 106 648 01   | Socket head collared bolt with<br>inner multipoint head<br>M 8 X 20             |        | 1   |            |
| 11   | 958 106 565 00 | Coolant pipe<br>Supply<br>D >> - MJ 2014  |        | 1   |            |
| 12   | WHT 002 543    | O-ring<br>17,1 X 1,6<br>D >> - MJ 2014  |        | 2   |            |
| 13   | N 103 352 07   | Hexagon socket flat head<br>bolt, self-locking<br>M 6 X 12<br>Discontinued part |        | 2   |            |
| (13) | N 103 352 06   | Hexagon socket flat<br>head bolt<br>M 6 X 12<br>D >> - MJ 2014                  |        | 2   |            |

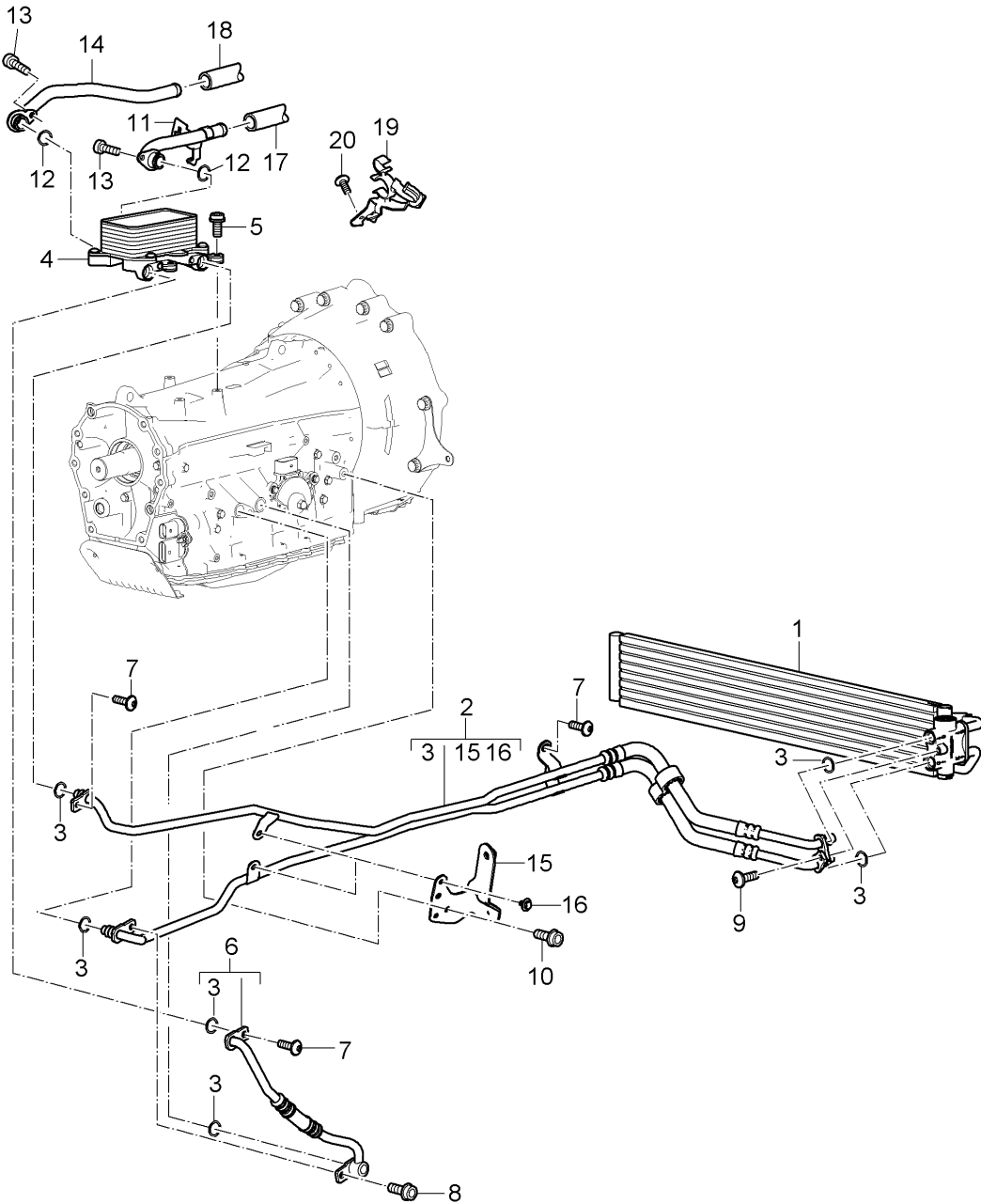
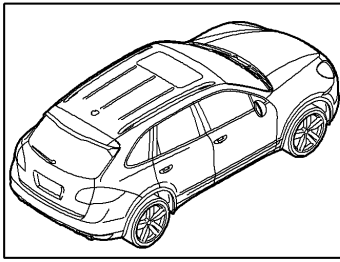
Model: 92A 11

Model life 2011>>2018

| Pos | Part Number    | Description                                   | Remark | Qty | Model |
|-----|----------------|---|--------|-----|-------|
| 14  | 958 106 566 00 | Coolant pipe<br>Return line<br>D >> - MJ 2014 |        | 1   |       |

Model: 92A 11

Model life 2011>>2018



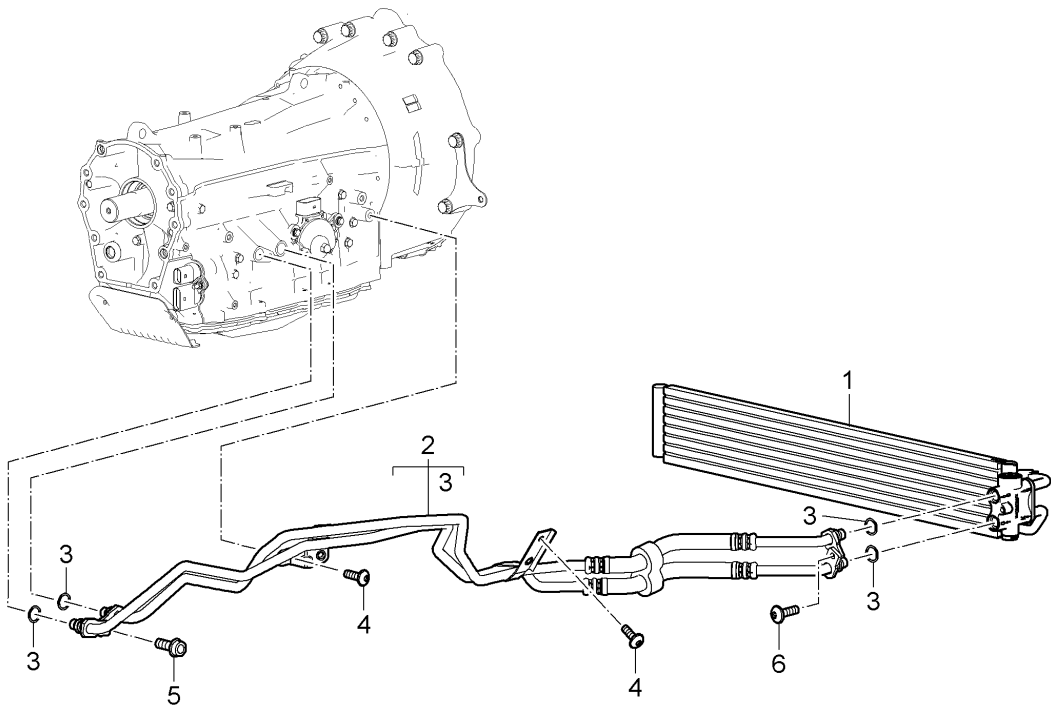
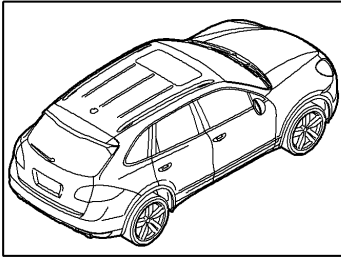
Model: 92A 11

Model life 2011>>2018

| Pos  | Part Number    | Description   | Remark     | Qty | Model      |
|------|----------------|---|------------|-----|------------|
|      |                | Tiptronic<br>Gear oil cooler<br>Radiator<br>Oil pipe                |            |     | PR:D34,G1G |
| 1    | 958 307 015 00 | Gear oil cooler   |            | 1   |            |
|      |                | No longer use the part here   |            |     |            |
| (1)  | 958 307 015 01 | Gear oil cooler   |            | 1   |            |
| 2    | 958 307 082 20 | Oil pipe<br>Supply<br>Return line                                   |            | 1   |            |
| 3    | N 906 660 01   | O-ring<br>11,5 X 3  |            | 6   |            |
| 4    | 958 307 037 00 | Radiator  |            | 1   |            |
| 5    | N 106 893 02   | Socket head bolt with inner<br>multipoint head<br>M 8 X 25          |            | 3   |            |
| 6    | 958 307 085 00 | Oil pipe<br>Supply  |            | 1   |            |
| 7    | N 106 320 03   | Oval socket head bolt<br>with hex drive<br>M 6 X 16                 |            | 3   |            |
| 8    | N 106 893 02   | Socket head bolt with inner<br>multipoint head<br>M 8 X 25          |            | 1   |            |
| 9    | N 106 444 01   | Oval hexagon socket head bolt<br>M 6 X 22                           |            | 1   |            |
| (9)  | N 908 424 02   | Discontinued part<br>hexagon head bolt (combi)<br>M 6 X 22          |            | 1   |            |
| 10   | N 106 648 01   | Socket head collared bolt with<br>inner multipoint head<br>M 8 X 20 |            | 2   |            |
| 11   | 958 106 565 00 | Coolant pipe<br>Supply  |            | 1   |            |
| 12   | WHT 002 543    | O-ring<br>17,1 X 1,6  |            | 2   |            |
| 13   | N 103 352 07   | Hexagon socket flat head<br>bolt, self-locking<br>M 6 X 12          |            | 2   |            |
| (13) | N 103 352 06   | Discontinued part<br>Hexagon socket flat<br>head bolt<br>M 6 X 12   |            | 2   |            |
| 14   | 958 106 566 00 | Coolant pipe<br>Return line   |            | 1   |            |
| 15   | 958 111 161 10 | Support   |            | 1   |            |
| 16   | N 100 091 10   | hexagon head bolt (combi)<br>M 6 X 12                               |            | 2   |            |
| 17   |                | Water hose  |            |     |            |
| 18   |                | see illustration, item:   | 105-040,30 |     |            |
| 18   |                | Water hose  |            |     |            |
| 19   | 958 106 595 10 | see illustration, item:   | 105-040,34 |     |            |
| 19   |                | Retainer for coolant<br>hose  |            | 1   |            |
| 20   | N 106 320 03   | Oval socket head bolt<br>with hex drive<br>M 6 X 16                 |            | 1   |            |

Model: 92A 11

Model life 2011>>2018



Model: 92A 11

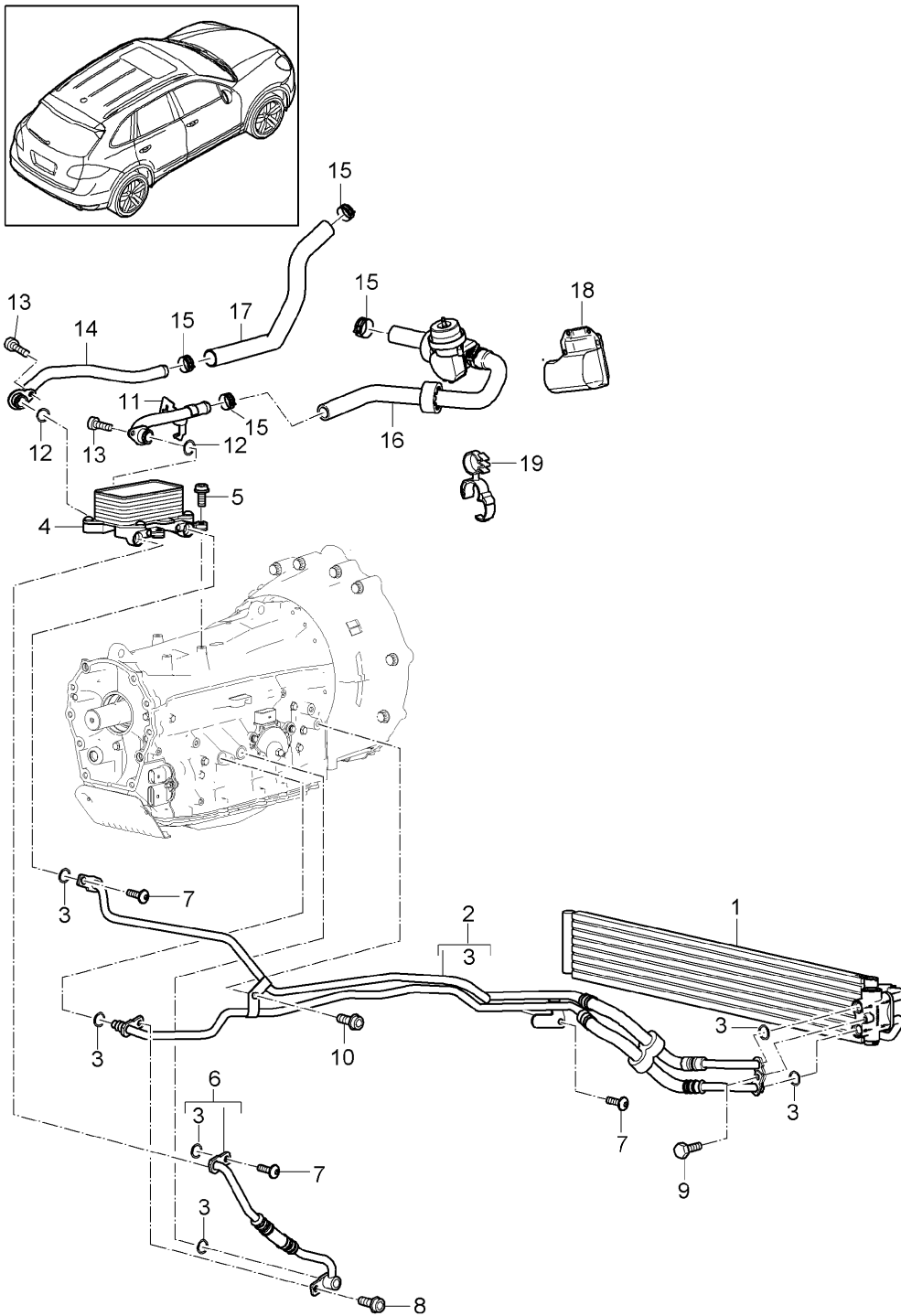
Model life 2011>>2018

| Pos | Part Number    | Description                                    | Remark | Qty | Model      |
|-----|----------------|--|--------|-----|------------|
|     |                | Tiptronic                                      |        |     | PR:D11,G1G |
| 1   | 958 307 015 00 | Gear oil cooler<br>Oil pipe                    |        | 1   |            |
|     |                | Gear oil cooler                                |        |     |            |
|     |                | No longer use the part here                    |        |     |            |
| (1) | 958 307 015 01 | Gear oil cooler                                |        | 1   |            |
| 2   | 958 307 082 30 | Oil pipe                                       |        | 1   |            |
|     |                | Supply   |        |     |            |
|     |                | Return line                                    |        |     |            |
| 3   | N 906 660 01   | O-ring   |        | 4   |            |
|     |                | 11,5 X 3                                       |        |     |            |
| 4   | N 106 320 03   | Oval socket head bolt<br>with hex drive        |        | 2   |            |
|     |                | M 6 X 16                                       |        |     |            |
| 5   | N 106 893 02   | Socket head bolt with inner<br>multipoint head |        | 1   |            |
|     |                | M 8 X 25                                       |        |     |            |
| 6   | N 106 444 01   | Oval hexagon socket head bolt                  |        | 1   |            |
|     |                | M 6 X 22                                       |        |     |            |
| (6) | N 908 424 02   | Discontinued part<br>hexagon head bolt (combi) |        | 1   |            |
|     |                | M 6 X 22                                       |        |     |            |



Model: 92A 11

Model life 2011>>2018



Model: 92A 11 Model life 2011>>2018

| Pos  | Part Number    | Description  | Remark | Qty | Model               |
|------|----------------|--|--------|-----|---------------------|
|      |                | Tiptronic<br>Gear oil cooler<br>Radiator<br>Oil pipe   |        |     | PR:DD8,G1G          |
| 1    | 958 307 015 00 | Gear oil cooler<br>No longer use the part here   |        | 1   |                     |
| (1)  | 958 307 015 01 | Gear oil cooler  |        | 1   |                     |
| 2    | 958 307 082 40 | Oil pipe<br>Supply<br>Return line  |        | 1   |                     |
| 3    | N 906 660 01   | O-ring<br>11,5 X 3   |        | 6   |                     |
| 4    | 958 307 037 00 | Radiator   |        | 1   |                     |
| 5    | N 106 893 02   | Socket head bolt with inner<br>multipoint head<br>M 8 X 25   |        | 2   |                     |
| (5)  | N 911 133 01   | 12-point collared bolt<br>M 8 X 25 - M 8 X 16  |        | 1   |                     |
| 6    | 958 307 085 00 | Oil pipe<br>Supply   |        | 1   |                     |
| 7    | N 106 320 03   | Oval socket head bolt<br>with hex drive<br>M 6 X 16  |        | 3   |                     |
| 8    | N 106 893 02   | Socket head bolt with inner<br>multipoint head<br>M 8 X 25   |        | 1   |                     |
| 9    | N 908 424 02   | hexagon head bolt (combi)<br>M 6 X 22  |        | 1   |                     |
| 10   | N 106 648 01   | Socket head collared bolt with<br>inner multipoint head<br>M 8 X 20  |        | 1   |                     |
| 11   | 958 106 565 00 | Coolant pipe<br>Supply   |        | 1   |                     |
| 12   | WHT 002 543    | O-ring<br>17,1 X 1,6   |        | 2   |                     |
| 13   | N 103 352 06   | Hexagon socket flat<br>head bolt<br>M 6 X 12   |        | 2   |                     |
| 14   | 958 106 566 00 | Coolant pipe<br>Return line  |        | 1   |                     |
| 15   | N 906 869 01   | Spring band clamp<br>B 23 X 12   |        | 4   |                     |
| 16   | 958 106 549 30 | Water hose<br><br>with:<br>Heater valve<br><br>use if required:<br>Heat insulation<br>POS.18<br>See workshop manual<br>Group 8<br>Document<br>803655<br>SY4215 |        | 1   |                     |
| 17   | 958 106 550 40 | Water hose   |        | 1   |                     |
| 18   | 958 106 653 20 | Heat insulation<br>Heater valve<br>See workshop manual<br>Group 8<br>Document<br>803655<br>SY4215  |        | 1   | PR:6EA,6EC<br>"RUS" |
| (18) | 958 106 653 20 | Heat insulation<br>Heater valve  |        | 1   | PR:6EB              |

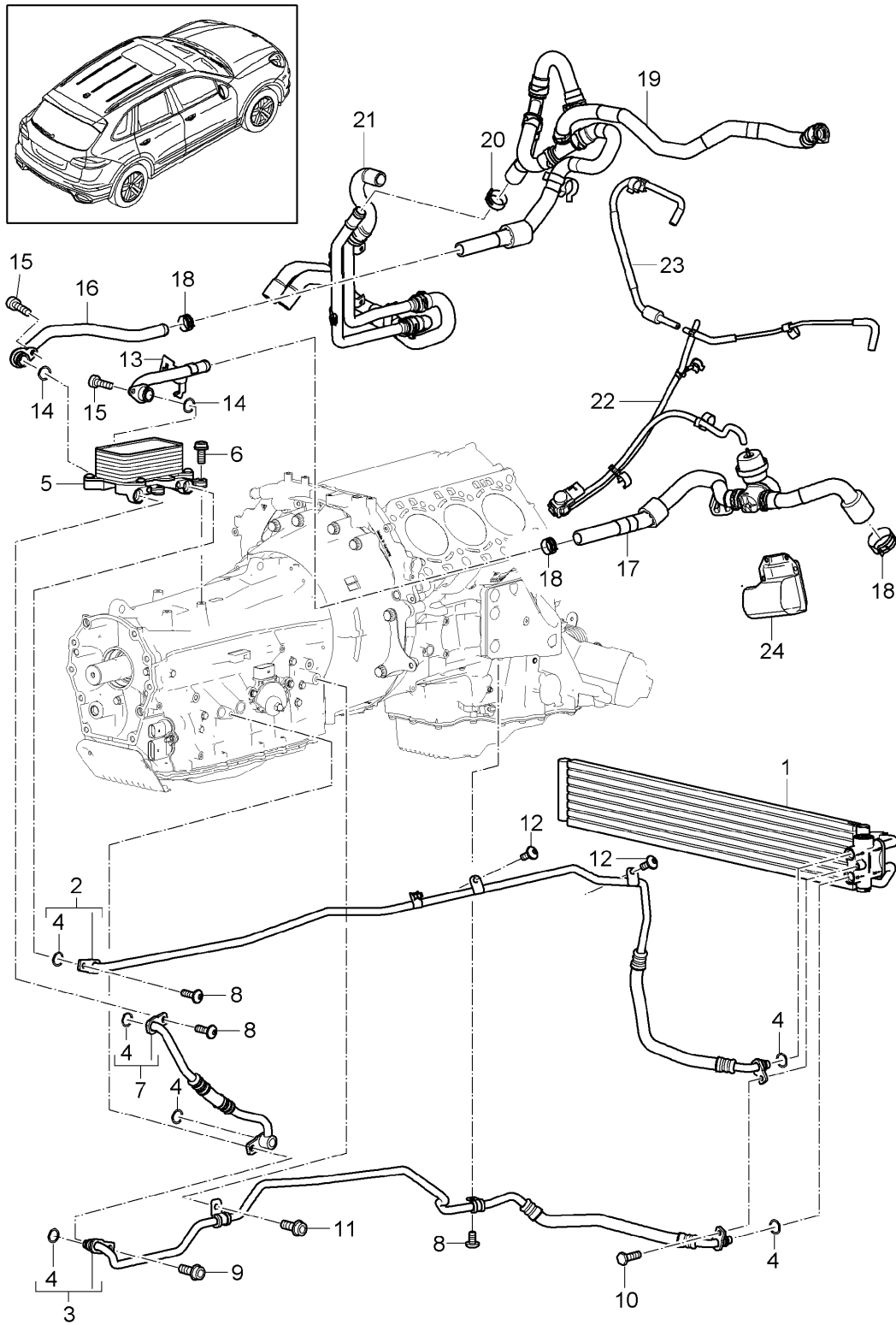
Model: 92A 11

Model life 2011&gt;&gt;2018

| Pos | Part Number  | Description  | Remark | Qty | Model   |
|-----|--------------|--|--------|-----|---------|
| 19  | N 107 678 01 | See workshop manual<br>Group 8<br>Document<br>803655<br>SY4215<br>Bracket<br>A 14-22 X C 05-22 |        | 1   | PR: 7MM |

Model: 92A 11

Model life 2011>>2018



Model: 92A 11 Model life 2011>>2018

| Pos  | Part Number    | Description  | Remark     | Qty | Model              |
|------|----------------|--|------------|-----|--------------------|
|      |                | Tiptronic<br>Gear oil cooler<br>Radiator<br>Oil pipe   |            |     | PR:DU2,DU3,<br>G1G |
| 1    | 958 307 015 01 | Gear oil cooler  |            | 1   |                    |
| 2    | 958 307 181 10 | Oil pipe<br>Supply   |            | 1   |                    |
| 3    | 958 307 182 10 | Oil return line  |            | 1   |                    |
| 4    | N 906 660 01   | O-ring<br>11,5 X 3   |            | 6   |                    |
| 5    | 958 307 037 00 | Radiator   |            | 1   |                    |
| 6    | N 106 893 02   | Socket head bolt with inner<br>multipoint head<br>M 8 X 25   |            | 3   |                    |
| 7    | 958 307 085 00 | Oil pipe<br>Supply   |            | 1   |                    |
| 8    | N 106 320 03   | Oval socket head bolt<br>with hex drive<br>M 6 X 16  |            | 3   |                    |
| 9    | N 106 893 02   | Socket head bolt with inner<br>multipoint head<br>M 8 X 25   |            | 1   |                    |
| 10   | N 908 424 02   | hexagon head bolt (combi)<br>M 6 X 22  |            | 1   |                    |
| 11   | N 106 648 01   | Socket head collared bolt with<br>inner multipoint head<br>M 8 X 20  |            | 1   |                    |
| 12   | N 103 352 06   | Hexagon socket flat<br>head bolt<br>M 6 X 12   |            | 2   |                    |
| 13   | 958 106 565 00 | Coolant pipe<br>Supply   |            | 1   |                    |
| 14   | WHT 002 543    | O-ring<br>17,1 X 1,6   |            | 2   |                    |
| 15   | N 103 352 06   | Hexagon socket flat<br>head bolt<br>M 6 X 12   |            | 2   |                    |
| 16   | 958 106 566 00 | Coolant pipe<br>Return line  |            | 1   |                    |
| 17   | 958 106 549 40 | Water hose<br>Supply   |            | 1   |                    |
|      |                | with:<br>Heater valve<br>use if required:<br>Heat insulation<br>POS.24<br>See workshop manual<br>Group 8<br>Document<br>803655<br>SY4215 |            |     |                    |
| 18   | N 906 869 01   | Spring band clamp<br>B 23 X 12   |            | 3   |                    |
| 19   | 958 106 550 50 | Water hose<br>Return line  |            | 1   |                    |
| 20   | 999 512 658 09 | Hose clamp<br>B 27 X 12  |            | 1   |                    |
| 21   |                | Coolant pipe<br>see illustration, item:  | 105-035,26 | 1   |                    |
| 22   | 958 110 351 40 | Vacuum line<br>with:   |            | 1   |                    |
| (24) | 958 106 653 20 | Change-over valve<br>Heat insulation   |            | 1   | PR:6EA,6EC         |

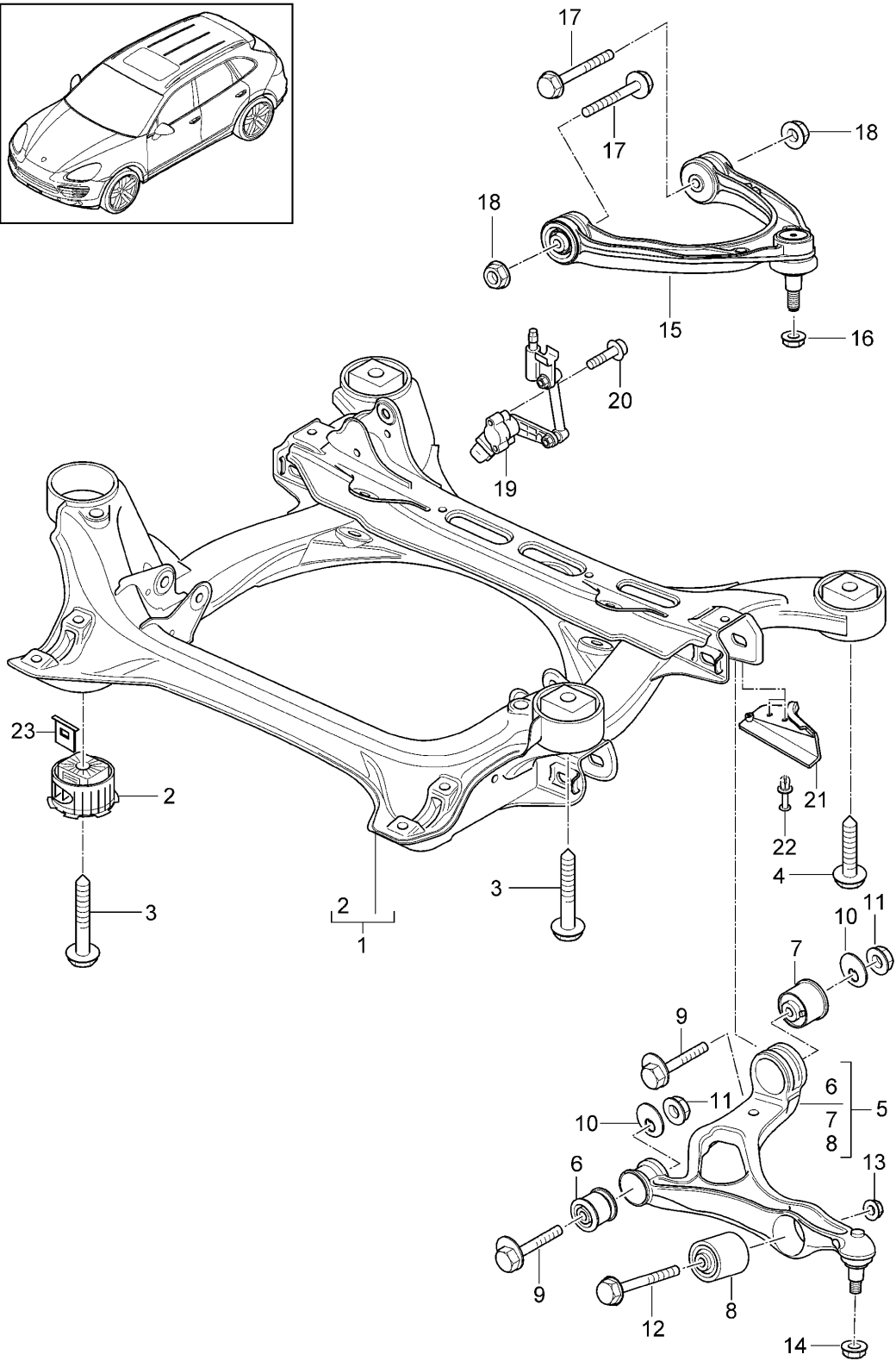
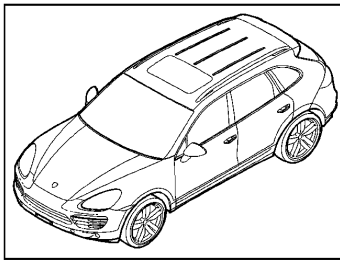
Model: 92A 11

Model life 2011>>2018

| Pos  | Part Number    | Description   | Remark | Qty | Model               |
|------|----------------|---|--------|-----|---------------------|
| (24) | 958 106 653 20 | Heater valve<br>See workshop manual<br>Group 8<br>Document<br>803655<br>SY4215<br>Heat insulation<br>Heater valve<br>See workshop manual<br>Group 8<br>Document<br>803655<br>SY4215 |        | 1   | "RUS"<br><br>PR:6EB |

Model: 92A 11

Model life 2011>>2018



Model: 92A 11

Model life 2011>>2018

| Pos | Part Number    | Description   | Remark                      | Qty | Model      |
|-----|----------------|---|-----------------------------|-----|------------|
|     |                | Suspension sub-frame<br>Wishbone<br>Headlight range control<br>Level sensor<br>D >> - MJ 2014 |                             |     |            |
| 1   | 958 341 030 00 | Suspension sub-frame  |                             | 1   |            |
| 2   | 955 341 133 01 | Bonded rubber bush  |                             | 4   |            |
| 3   | N 909 987 02   | bolt,hex.hd.with shoul.(combi)<br>M 14 X 1,5 X 150  |                             | 2   |            |
| 4   | N 910 093 02   | bolt,hex.hd.with shoul.(combi)<br>M 14 X 1,5 X 120  |                             | 2   |            |
| 5   | 958 341 053 00 | Wishbone  | left<br>lower               | 1   |            |
| (5) | 958 341 053 01 | Discontinued part<br>Wishbone   | left<br>lower               | 1   |            |
| (5) | 958 341 053 02 | Discontinued part<br>Wishbone   | left<br>lower               | 1   |            |
| (5) | 958 341 053 03 | Discontinued part<br>Wishbone   | left<br>lower               | 1   | PR:E0A     |
| (5) | 958 341 053 03 | Wishbone  | left<br>lower               | 1   | PR:E81     |
| (5) | 958 341 053 10 | Wishbone  | left<br>lower               | 1   | PR:E8A,E0W |
| (5) | 958 341 053 11 | Discontinued part<br>Wishbone   | left<br>lower               | 1   | PR:E8A,E0W |
| (5) | 958 341 054 00 | Wishbone  | right<br>lower              | 1   |            |
| (5) | 958 341 054 01 | Discontinued part<br>Wishbone   | right<br>lower              | 1   |            |
| (5) | 958 341 054 02 | Discontinued part<br>Wishbone   | right<br>lower              | 1   |            |
| (5) | 958 341 054 03 | Discontinued part<br>Wishbone   | right<br>lower              | 1   | PR:E0A     |
| (5) | 958 341 054 03 | Wishbone  | right<br>lower              | 1   | PR:E81     |
| (5) | 958 341 054 10 | Wishbone  | right<br>lower              | 1   | PR:E8A,E0W |
| (5) | 958 341 054 11 | Discontinued part<br>Wishbone   | right<br>lower              | 1   | PR:E8A,E0W |
| 6   | 955 341 588 10 | Link bearing  |                             | 2   | PR:E0A     |
| (6) | 955 341 588 10 | Link bearing  |                             | 2   | PR:E81     |
| (6) | 958 341 588 00 | Link bearing  |                             | 2   | PR:E8A,E0W |
| -   | 958 343 243 00 | Stop<br>Link bearing  | also use:<br>958 343 243 00 | 2   | PR:E0W,E8A |
| 7   | 955 341 242 62 | hydro-mounting  |                             | 2   |            |
| 8   | 955 343 243 01 | suspension strut bearing  |                             | 2   |            |
| 9   | WHT 001 833    | Eccentric bolt<br>M 14 X 1,5 X 102  |                             | 4   |            |
| 10  | WHT 001 796 A  | eccentric washer  |                             | 4   |            |
| 11  | WHT 001 938    | hexagon nut, self-locking<br>M 14 X 1,5   |                             | 4   |            |
| 12  | N 105 326 02   | Hex collared bolt<br>M 14 X 1,5 X 102   |                             | 2   |            |
| 13  | N 103 353 04   | Hexagon nut   |                             | 2   |            |

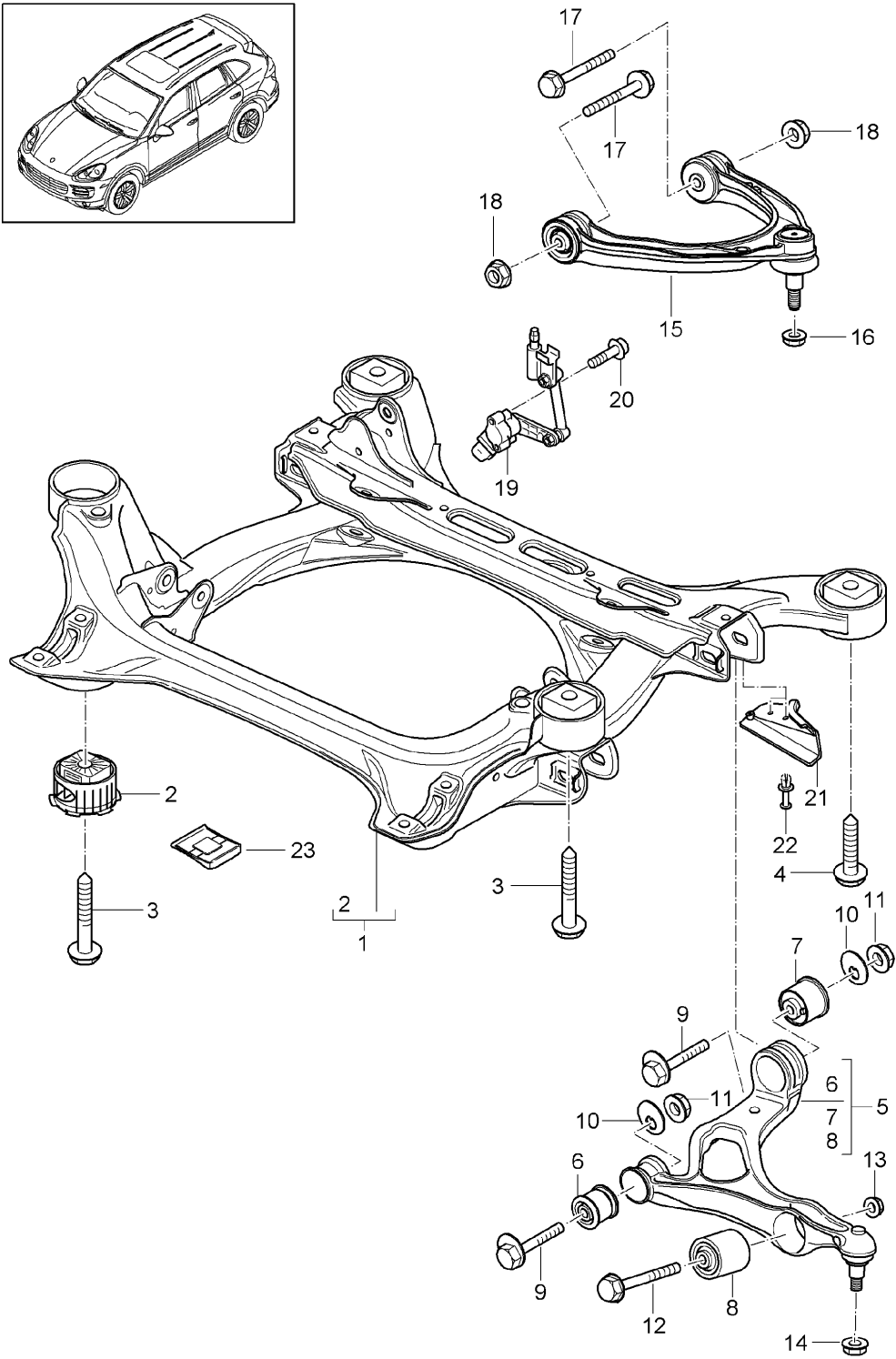
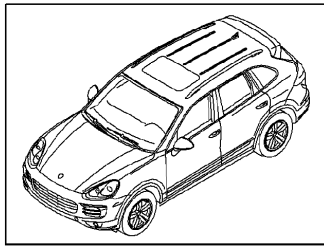


Model: 92A 11 Model life 2011>>2018

| Pos  | Part Number    | Description  | Remark | Qty | Model              |
|------|----------------|--|--------|-----|--------------------|
| 14   | WHT 003 949    | M 14 X 1,5<br>12 point socket shouldered nut<br>self-locking<br>M14X1.5<br>Discontinued part   |        | 2   |                    |
| 14   | WHT 005 633    | 12 point socket shouldered nut<br>self-locking<br>M14X1.5                                      |        | 2   |                    |
| 15   | 958 341 051 00 | Wishbone   | upper  | 2   |                    |
| 16   | WHT 003 950    | Hexagon collar nut<br>self-locking<br>M 12 X 1,5   |        | 2   |                    |
| 17   | N 102 902 06   | Hex collared bolt<br>M 10 X 70   |        | 4   |                    |
| 18   | N 102 861 10   | Hexagon collar nut<br>self-locking<br>M 10   |        | 4   |                    |
| 19   | 958 341 075 00 | Level sensor with poles  | left   | 1   | PR:1BA,1BW,<br>8Q3 |
| 19   | 958 341 075 00 | Level sensor with poles  | left   | 1   | PR:1BH,1BK,<br>1BZ |
| (19) | 958 341 076 00 | Level sensor with poles  | right  | 1   | PR:1BH,1BK,<br>1BZ |
| 20   | N 104 514 09   | Socket head bolt with hexagon<br>socket head (combination)<br>M6X16.0<br>Mount<br>Level sensor |        | 2   |                    |
| 21   | 955 341 483 00 | Spoiler  | left   | 1   |                    |
| (21) | 955 341 484 00 | Spoiler  | right  | 1   |                    |
| 22   | N 107 009 01   | Spreader rivet<br>BD 4,5 X 11,5  |        | 4   |                    |
| 23   | 958 341 329 00 | Insert   |        | 4   |                    |

Model: 92A 11

Model life 2011>>2018



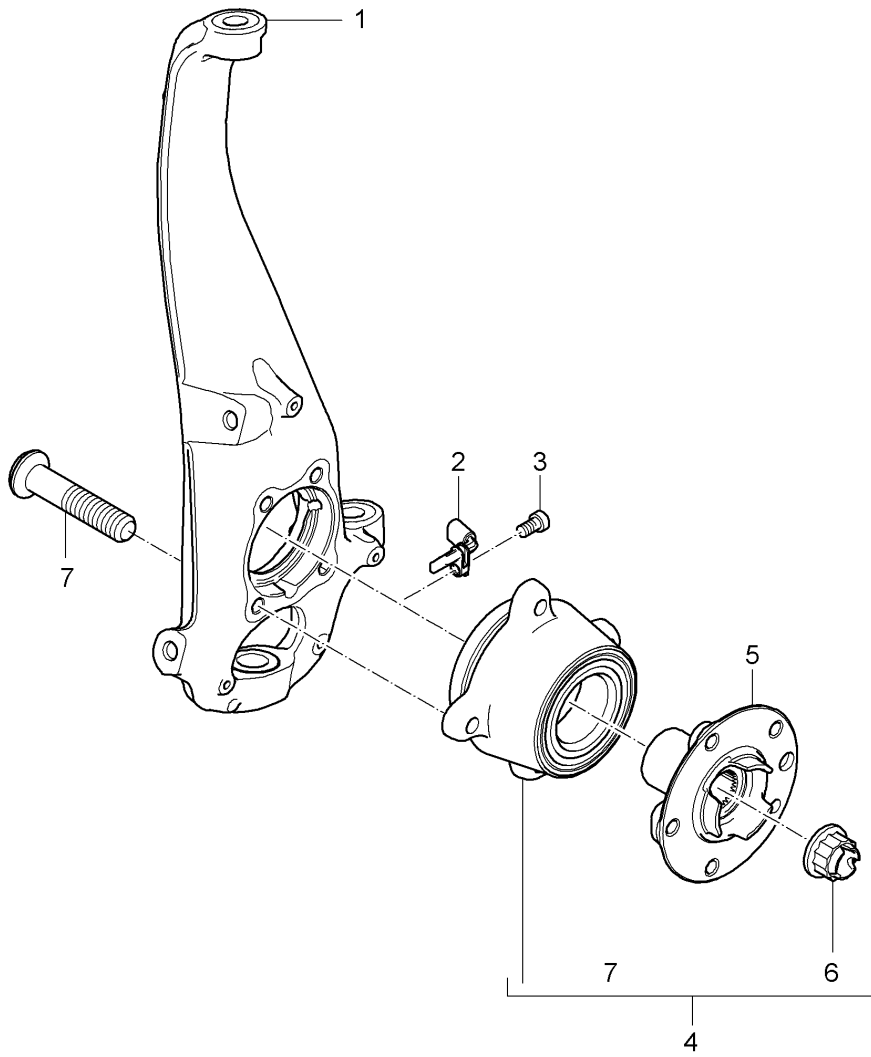
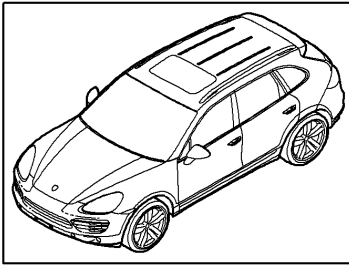
Model: 92A 11

Model life 2011&gt;&gt;2018

| Pos  | Part Number    | Description  | Remark                   | Qty | Model              |
|------|----------------|--|--------------------------|-----|--------------------|
|      |                | Suspension sub-frame<br>Wishbone<br>Headlight range control<br>Level sensor<br>D - MJ 2015>> |                          |     |                    |
| 1    | 958 341 030 00 | Suspension sub-frame   |                          | 1   |                    |
| 2    | 955 341 133 01 | Bonded rubber bush   |                          | 4   |                    |
| 3    | N 909 987 02   | bolt,hex.hd.with shoul.(combi)<br>M 14 X 1,5 X 150   |                          | 2   |                    |
| 4    | N 910 093 02   | bolt,hex.hd.with shoul.(combi)<br>M 14 X 1,5 X 120   |                          | 2   |                    |
| 5    | 958 341 053 11 | Wishbone   | left                     | 1   |                    |
| (5)  | 958 341 054 11 | Wishbone   | lower<br>right<br>lower  | 1   |                    |
| -    | 958 343 243 00 | Stop<br>Link bearing   |                          | 2   |                    |
| 6    | 958 341 588 00 | Link bearing   |                          | 2   |                    |
| 7    | 955 341 242 62 | hydro-mounting   | also use: 958 343 243 00 | 2   |                    |
| 8    | 955 343 243 01 | suspension strut bearing   |                          | 2   |                    |
| 9    | WHT 001 833    | Eccentric bolt<br>M 14 X 1,5 X 102   |                          | 4   |                    |
| 10   | WHT 001 796 A  | eccentric washer   |                          | 4   |                    |
| 11   | WHT 001 938    | hexagon nut, self-locking<br>M 14 X 1,5  |                          | 4   |                    |
| 12   | N 105 326 02   | Hex collared bolt<br>M 14 X 1,5 X 102  |                          | 2   |                    |
| 13   | N 103 353 04   | Hexagon nut<br>M 14 X 1,5  |                          | 2   |                    |
| 14   | WHT 005 633    | 12 point socket shouldered nut<br>self-locking<br>M14X1.5                                    |                          | 2   |                    |
| 15   | 958 341 051 00 | Wishbone   | upper                    | 2   |                    |
| 16   | WHT 005 819    | Hexagon collar nut<br>self-locking<br>M 12 X 1,5   |                          | 2   |                    |
| 17   | N 105 607 02   | Hex collared bolt<br>M 10 X 70   |                          | 4   |                    |
| 18   | N 102 861 10   | Hexagon collar nut<br>self-locking<br>M 10   |                          | 4   |                    |
| 19   | 958 341 075 00 | Level sensor with poles  | left                     | 1   | PR:1BA,1BW,<br>8Q3 |
| (19) | 958 341 075 00 | Level sensor with poles  | left                     | 1   | PR:1BH,1BK,<br>1BZ |
| (19) | 958 341 076 00 | Level sensor with poles  | right                    | 1   | PR:1BH,1BK,<br>1BZ |
| 20   | N 104 514 09   | Socket head bolt with hexagon<br>socket head (combination)<br>M6X16.0<br>Mount               |                          | 2   |                    |
| 21   | 955 341 483 00 | Level sensor<br>Spoiler  | left                     | 1   | PR:DT1,DU2         |
| (21) | 955 341 484 00 | Spoiler  | right                    | 1   | PR:DT1,DU2         |
| 22   | N 107 009 01   | Spreader rivet<br>BD 4,5 X 11,5  |                          | 4   |                    |
| 23   | 958 341 329 00 | Insert<br>Bonded rubber bush   |                          | 4   |                    |

Model: 92A 11

Model life 2011>>2018

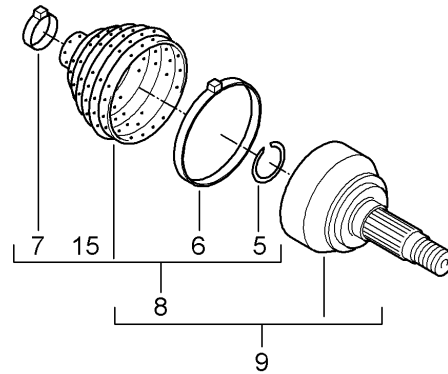
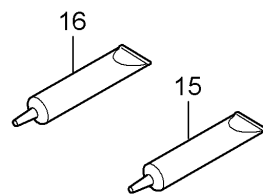
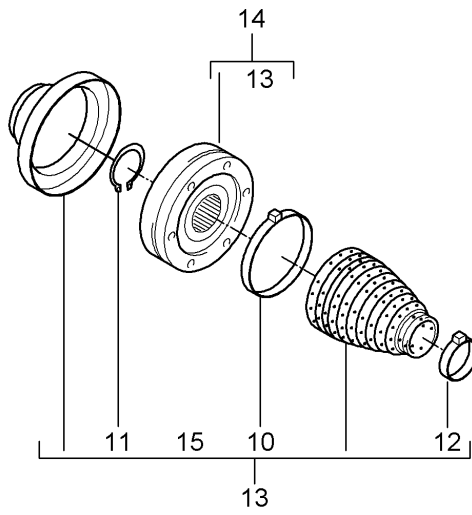
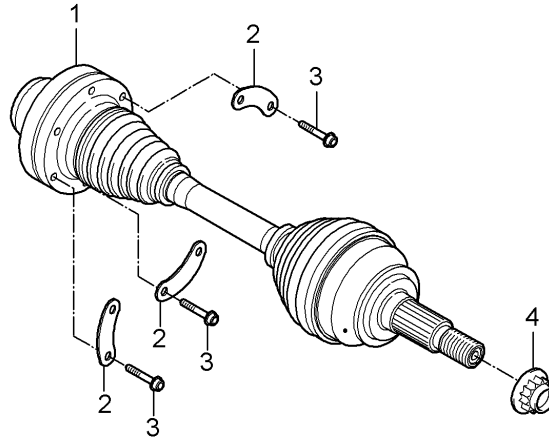
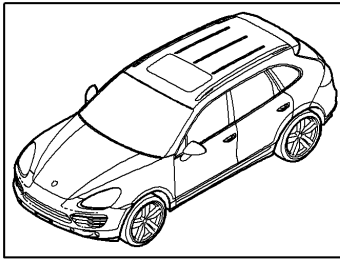


Model: 92A 11 Model life 2011>>2018

| Pos | Part Number    | Description  | Remark         | Qty | Model |
|-----|----------------|--|----------------|-----|-------|
| 1   | 958 341 155 00 | Swivel mounting<br>Wheel hub   |                |     |       |
| (1) | 958 341 156 00 | Swivel mounting  | left           | 1   |       |
| 2   | 958 606 405 00 | Swivel mounting<br>speed sensor  | right          | 1   |       |
| 2   | 958 606 405 10 | speed sensor<br>No longer use the part here                              | front and rear | 2   |       |
| 3   | N 014 740 11   | repair set<br>Socket head bolt with<br>hexagon socket head               |                | 1   |       |
| 4   | 958 341 901 00 | M 6 X 16<br>repair set<br>angular ball bearing                           |                | 2   |       |
|     |                | also use:  |                |     |       |
|     |                | Screw<br>for<br>Mount  |                | 4   |       |
| 5   | 958 341 605 00 | Fixed calliper<br>Wheel hub  |                | 2   |       |
| (5) | 958 341 605 01 | D >> - MJ 2014<br>Wheel hub<br>D - MJ 2015>>                             |                | 2   |       |
| 6   | 955 341 640 00 | Locknut<br>M 24  |                | 2   |       |
| 7   | WHT 004 835    | Ball screw<br>M 12 X 1.25 X 45   |                | 8   |       |
| -   | 000 043 204 21 | Grease<br>Spraying can<br>25 ML  |                | 1   |       |
| -   | G 052 778 A2   | Discontinued part<br>Lock cylinder grease spray<br>Spraying can<br>25 ML |                | 1   |       |

Model: 92A 11

Model life 2011>>2018



Model: 92A 11

Model life 2011&gt;&gt;2018

| Pos  | Part Number    | Description  | Remark | Qty | Model                  |
|------|----------------|--|--------|-----|------------------------|
|      |                | Drive shaft<br>D >> - MJ 2014                                |        |     |                        |
| 1    | 958 349 038 00 | Drive shaft<br>Discontinued part                             |        | 2   | PR:D34,D58,            |
| 1    | 958 349 038 01 | Drive shaft<br>Discontinued part                             |        | 2   | PR:D34,D58,            |
| 1    | 958 349 038 02 | Drive shaft  |        | 2   | PR:D34,D58,<br>D6V     |
| (1)  | 958 349 038 02 | Drive shaft  |        | 2   | PR:DD8                 |
| 1    | 958 349 038 10 | Drive shaft<br>Discontinued part                             |        | 2   | PR:-D34,               |
| 1    | 958 349 038 11 | Drive shaft<br>Discontinued part                             |        | 2   | PR:-D34,               |
| 1    | 958 349 038 12 | Drive shaft  |        | 2   | PR:-D34,               |
| 2    | 958 349 191 00 | Spacer   |        | 6   | PR:D34,D58,<br>D6V,DD8 |
| (2)  | 955 349 191 11 | Spacer   |        | 6   | PR:-D34,<br>-D58,-D6V  |
| 3    | N 911 082 01   | Socket head bolt with inner<br>multipoint head<br>M8X48      |        | 12  | PR:D34,D58,<br>D6V,DD8 |
| (3)  | N 105 234 02   | Socket head bolt with inner<br>multipoint head<br>AM 10 X 52 |        | 12  | PR:-D34,<br>-D58,-D6V  |
| 4    | 955 341 640 00 | Locknut<br>M 24 X 1,5  |        | 2   |                        |
| 5    | N 911 811 01   | Securing ring<br>A 27,3                                      |        | 2   | PR:D34,D58,<br>D6V,DD8 |
| (5)  | N 911 705 01   | Securing ring<br>A 30,5                                      |        | 2   | PR:-D34,<br>-D58,-D6V  |
| 6    | N 107 502 01   | clamp<br>89,5 X 10   |        | 2   | PR:D34,D6V,<br>D58,DD8 |
| (6)  | N 107 401 01   | clamp<br>98,5 X 10   |        | 2   | PR:-D34,<br>-D58,-D6V  |
| 7    | N 107 286 01   | Clamp<br>33 X 10   |        | 2   | PR:D34,D58,<br>D6V,DD8 |
| (7)  | N 107 402 01   | clamp<br>35,5 X 10   |        | 2   | PR:-D34,<br>-D58,-D6V  |
| 8    | 958 349 904 00 | repair set<br>Bellows  |        | 2   | PR:-D34,<br>-D6V,-D58  |
| (8)  | 958 349 904 10 | repair set<br>Bellows  |        | 2   | PR:D34,D58,<br>D6V,DD8 |
| 9    | 958 349 901 01 | repair kit for<br>joint flange                               |        | 2   | PR:-D34,<br>-D58,-D6V  |
| (9)  | 958 349 901 10 | repair kit for<br>joint flange                               |        | 2   | PR:D34,D58,<br>D6V,DD8 |
| 10   | N 107 536 01   | clamp<br>69,5 X 7  |        | 2   | PR:D34,D58,<br>D6V,DD8 |
| (10) | N 106 015 01   | clamp<br>74,5 X 10 X 1                                       |        | 2   | PR:-D34,<br>-D58,-D6V  |
| 11   | N 107 532 01   | Securing ring<br>26 X 1,2                                    |        | 2   | PR:D34,D58,<br>D6V,DD8 |
| (11) | N 012 374 1    | Securing ring<br>28 X 1,5                                    |        | 2   | PR:-D34,<br>-D58,-D6V  |
| 12   | N 107 533 01   | clamp<br>33,5 X 7  |        | 2   | PR:D34,D58,<br>D6V,DD8 |
| (12) | N 908 240 01   | clamp<br>34,5 X 10 X 0,8                                     |        | 2   | PR:-D34,<br>-D58,-D6V  |
| 13   | 958 349 903 00 | Repair set for front axle<br>Bellows                         |        | 2   | PR:D34,D58,<br>D6V,DD8 |
| (13) | 955 349 903 01 | Repair set for front axle<br>Bellows                         |        | 2   | PR:-D34,<br>-D58,-D6V  |
| 14   | 958 349 902 00 | Repair set for front axle                                    |        | 2   | PR:D34,D58,            |

Model: 92A 11

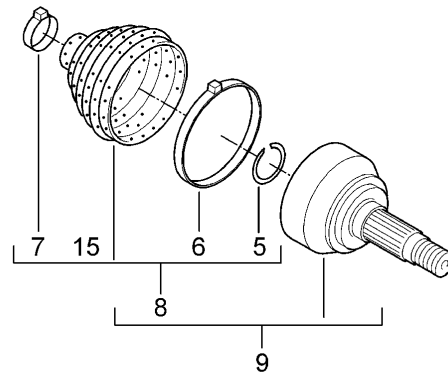
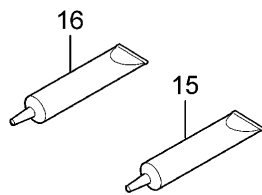
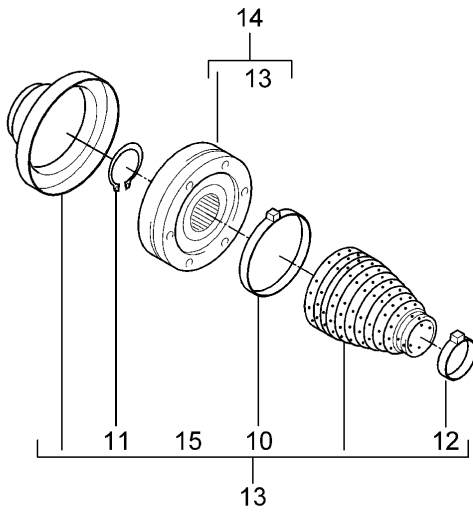
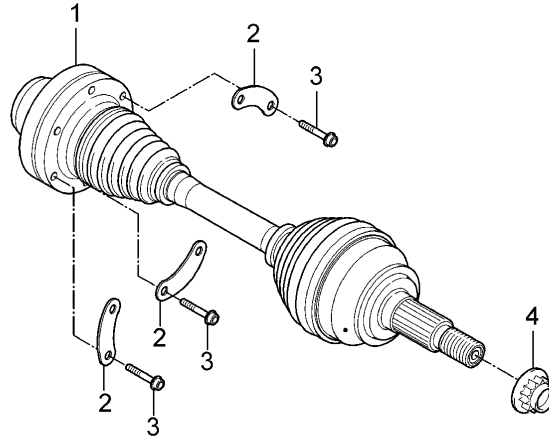
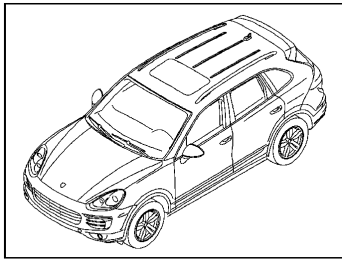
Model life 2011>>2018

| Pos  | Part Number    | Description   | Remark | Qty | Model                   |
|------|----------------|---|--------|-----|-------------------------|
| (14) | 955 349 902 01 | Joint<br>Repair set for front axle                  |        | 2   | D6V, DD8                |
| 15   | 000 043 110 02 | Joint<br>grease<br>Drive shaft<br>1 tube<br>100 GR. |        | X   | PR: -D34,<br>-D58, -D6V |
| 16   | 000 043 020 00 | Assembly paste<br>1 100-gramme tube                 |        | X   |                         |
| (16) | 000 043 205 36 | sealant<br>Drive shaft<br>1 100-gramme tube         |        | X   |                         |



Model: 92A 11

Model life 2011>>2018



Model: 92A 11 Model life 2011>>2018

| Pos | Part Number    | Description  | Remark | Qty | Model  |
|-----|----------------|--|--------|-----|--|
| 1   | 958 349 038 02 | Drive shaft<br>D - MJ 2015>><br>Drive shaft                  |        | 2   | CURA, CUR,<br>CUDC, CFTB,<br>CFT, CYXA,<br>CYX, CXZA,<br>CXZ, CEYA     |
| (1) | 958 349 038 12 | Drive shaft  |        | 2   | CGEA, CGE,<br>CGFA, CRCA,<br>CVVC, CVVA,<br>CVVB, CJTB,<br>CJT, CNRB   |
| 2   | 958 349 191 00 | Spacer   |        | 6   | CURA, CUR,<br>CUDC, CFTB,<br>CFT, CYXA,<br>CYX, CXZA,<br>CXZ, CEYA     |
| (2) | 955 349 191 11 | Spacer   |        | 6   | CGEA, CGE,<br>CGFA, CRCA,<br>CVVC, CVVA,<br>CVVB, CNRB,<br>CJTB, CJT   |
| 3   | N 911 082 01   | Socket head bolt with inner<br>multipoint head<br>M8X48      |        | 12  | CURA, CUR,<br><br>CUDC, CFTB,<br>CFT, CYXA,<br>CYX, CXZA,<br>CXZ, CEYA |
| (3) | N 105 234 02   | Socket head bolt with inner<br>multipoint head<br>AM 10 X 52 |        | 12  | CGEA, CGE,<br><br>CGFA, CRCA,<br>CVVB, CNRB,<br>CJTB, CJT              |
| 4   | 955 341 640 00 | Locknut<br>M 24 X 1,5  |        | 2   |  |
| 5   | N 911 811 01   | Securing ring<br>A 27,3                                      |        | 2   | CURA, CUR,<br>CUDC, CFTB,<br>CFT, CYXA,<br>CYX, CXZA,<br>CXZ, CEYA     |
| (5) | N 911 705 01   | Securing ring<br>A 30,5                                      |        | 2   | CGEA, CGE,<br>CGFA, CRCA,<br>CVVC, CVVA,<br>CVVB, CJTB,<br>CJT, CNRB   |
| 6   | N 107 502 01   | clamp<br>89,5 X 10   |        | 2   | CURA, CUR,<br>CUDC, CFTB,<br>CFT, CYXA,<br>CYX, CXZA,<br>CXZ, CEYA     |
| (6) | N 107 401 01   | clamp<br>98,5 X 10   |        | 2   | CGEA, CGE,<br>CGFA, CRCA,<br>CVVC, CVVA,<br>CVVB, CJTB,<br>CJT, CNRB   |
| 7   | N 107 286 01   | Clamp<br>33 X 10   |        | 2   | CURA, CUR,<br>CUDC, CFTB,<br>CFT, CYXA,<br>CYX, CEYA,<br>CXZA, CXZ     |
| (7) | N 107 402 01   | clamp<br>35,5 X 10   |        | 2   | CGEA, CGE,<br>CGFA, CRCA,<br>CVVC, CVVA,                               |

Model: 92A 11 Model life 2011>>2018

| Pos  | Part Number    | Description                          | Remark | Qty | Model  |
|------|----------------|--------------------------------------|--------|-----|--|
| 8    | 958 349 904 10 | repair set<br>Bellows                |        | 2   | CVVB, CNRB,<br>CJTB, CJT<br>CURA, CUR,<br>CUDC, CFTB,<br>CFT, CYXA,<br>CYX, CXZA,<br>CXZ, CEYA |
| (8)  | 958 349 904 00 | repair set<br>Bellows                |        | 2   | CGEA, CGE,<br>CGFA, CRCA,<br>CVVC, CVVA,<br>CVVB, CJTB,<br>CJT, CNRB                           |
| 9    | 958 349 901 10 | repair kit for<br>joint flange       |        | 2   | CURA, CUR,<br>CUDC, CFTB,<br>CFT, CYXA,<br>CYX, CXZA,<br>CXZ, CEYA                             |
| (9)  | 958 349 901 01 | repair kit for<br>joint flange       |        | 2   | CGEA, CGE,<br>CGFA, CRCA,<br>CVVC, CVVA,<br>CVVB, CJTB,<br>CJT, CNRB                           |
| 10   | N 107 536 01   | clamp<br>69,5 X 7                    |        | 2   | CURA, CUR,<br>CUDC, CFTB,<br>CFT, CYXA,<br>CYX, CXZA,<br>CXZ, CEYA                             |
| (10) | N 106 015 01   | clamp<br>74,5 X 10 X 1               |        | 2   | CGEA, CGE,<br>CGFA, CRCA,<br>CVVC, CVVA,<br>CVVB, CNRB,<br>CJTB, CJT                           |
| 11   | N 107 532 01   | Securing ring<br>26 X 1,2            |        | 2   | CURA, CUR,<br>CUDC, CFTB,<br>CFT, CYXA,<br>CYX, CXZA,<br>CXZ, CEYA                             |
| (11) | N 012 374 1    | Securing ring<br>28 X 1,5            |        | 2   | CGEA, CGE,<br>CGFA, CRCA,<br>CVVC, CVVA,<br>CVVB, CNRB,<br>CJTB, CJT                           |
| 12   | N 107 533 01   | clamp<br>33,5 X 7                    |        | 2   | CURA, CUR,<br>CUDC, CFTB,<br>CFT, CYXA,<br>CYX, CXZA,<br>CXZ, CEYA                             |
| (12) | N 908 240 01   | clamp<br>34,5 X 10 X 0,8             |        | 2   | CGEA, CGE,<br>CGFA, CRCA,<br>CVVC, CVVA,<br>CVVB, CNRB,<br>CJTB, CJT                           |
| 13   | 958 349 903 00 | Repair set for front axle<br>Bellows |        | 2   | CURA, CUR,<br>CUDC, CFTB,<br>CFT, CYXA,<br>CYX, CXZA,<br>CXZ, CEYA                             |
| (13) | 955 349 903 01 | Repair set for front axle<br>Bellows |        | 2   | CGEA, CGE,<br>CGFA, CRCA,<br>CVVC, CVVA,<br>CVVB, CNRB,<br>CJTB, CJT                           |
| 14   | 958 349 902 00 | Repair set for front axle            |        | 2   | CURA, CUR,   |

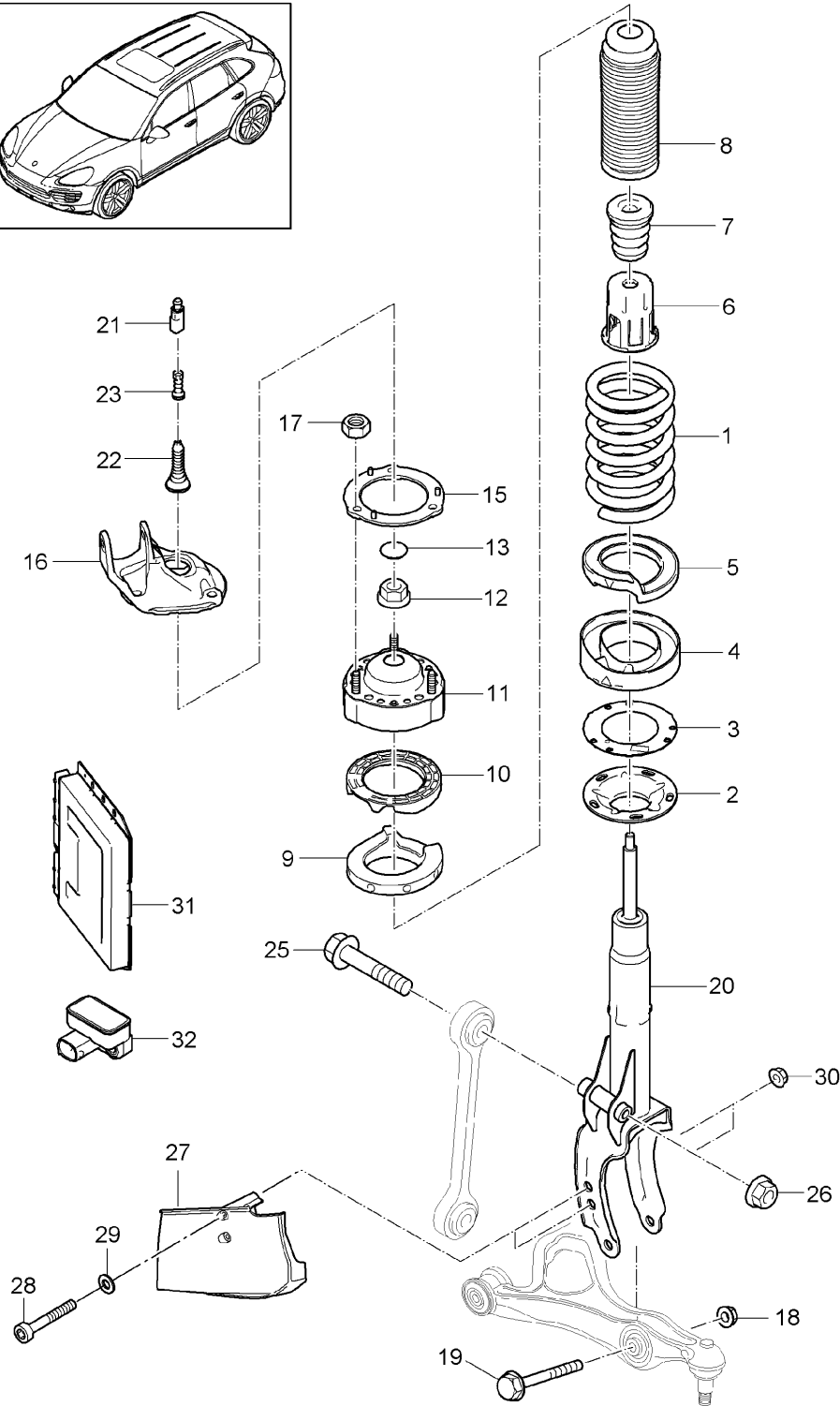
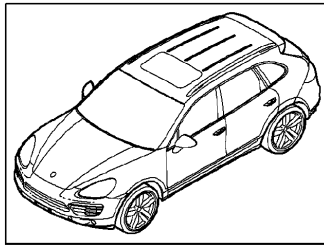
Model: 92A 11

Model life 2011>>2018

| Pos  | Part Number    | Description                                 | Remark | Qty | Model  |
|------|----------------|---|--------|-----|--|
|      |                | Joint                                       |        |     | CUDC, CFTB,<br>CFT, CYXA,<br>CYX, CXZA,<br>CXZ, CEYA                 |
| (14) | 955 349 902 01 | Repair set for front axle<br>Joint          |        | 2   | CGEA, CGE,<br>CGFA, CRCA,<br>CVVC, CVVA,<br>CVVB, CNRB,<br>CJTB, CJT |
| 15   | 000 043 110 02 | grease<br>Drive shaft<br>1 tube<br>100 GR.  |        | X   |  |
| 16   | 000 043 020 00 | Assembly paste<br>1 100-gramme tube         |        | X   |  |
| (16) | 000 043 205 36 | sealant<br>Drive shaft<br>1 100-gramme tube |        | X   |  |

Model: 92A 11

Model life 2011>>2018



Model: 92A 11 Model life 2011>>2018

| Pos | Part Number        | Description  | Remark | Qty | Model  |
|-----|--------------------|--|--------|-----|--|
| 1   | 958 343 533 00     | suspension<br>Steel<br>D >> - MJ 2014<br>Coil spring<br>Set<br>No longer use the part here |        | 1   | PR:1BA,1BH,<br>1BW,1BZ<br>PR:0JA,0JB,<br>1BA |
|     | 958 343 533 00 504 | 1 pair of springs<br>Grey  |        |     |  |
| 1   | 958 343 533 30     | Coil spring<br>Set   |        | 1   | PR:0JA,0JB,<br>1BA,D6V,D34,<br>D50,D43,D1V   |
|     | 958 343 533 30 504 | 1 pair of springs<br>Grey<br>Grey<br>Grey<br>Grey  |        |     |  |
| 1   | 958 343 533 31     | Coil spring<br>Set   |        | 1   | PR:0JA,0JB,<br>1BW,D6V,D34,<br>D50,D43       |
|     | 958 343 533 31 504 | 1 pair of springs<br>lilac<br>red<br>red   |        |     |  |
| (1) | 958 343 533 10     | Coil spring<br>Set<br>No longer use the part here  |        | 1   | PR:0JC,0JD,<br>1BA                           |
|     | 958 343 533 10 504 | 1 pair of springs<br>Grey<br>Grey  |        |     |  |
| (1) | 958 343 533 40     | Coil spring<br>Set   |        | 1   | PR:0JC,0JD,<br>1BA,D6V,D34,<br>D50,D43,D1V   |
|     | 958 343 533 40 504 | 1 pair of springs<br>blue<br>green   |        |     |  |
| (1) | 958 343 533 41     | Coil spring<br>Set   |        | 1   | PR:0JC,0JD,<br>0JE,1BW,D6V,<br>D34,D50,D43   |
|     | 958 343 533 41 504 | 1 pair of springs<br>lilac<br>red  |        |     |  |
| (1) | 958 343 533 20     | Coil spring<br>Set   |        | 1   | PR:0JC,0JD,<br>0JE,1BA,D19                   |
|     | 958 343 533 20 504 | 1 pair of springs<br>Grey<br>Grey<br>Grey  |        |     |  |
| (1) | 958 343 534 00     | Coil spring<br>Set   |        | 1   | PR:0JA,1BH,<br>D6V,D34,D50,<br>D19,D43       |
|     | 958 343 534 00 504 | 1 pair of springs<br>lilac<br>lilac<br>white   |        |     |  |
| (1) | 958 343 534 10     | Coil spring<br>Set   |        | 1   | PR:0JB,0JC,<br>1BH,D6V,D34,<br>D50,D19,D43   |
|     | 958 343 534 10 504 | 1 pair of springs<br>lilac<br>lilac<br>white<br>white                                      |        |     |  |
| (1) | 958 343 534 20     | Coil spring  |        | 1   | PR:0JD,1BH,                                  |

Model: 92A 11 Model life 2011>>2018

| Pos  | Part Number        | Description   | Remark | Qty | Model  |
|------|--------------------|---|--------|-----|--|
|      |                    | Set   |        |     | D6V,D34,D50,<br>D19,D43                                |
|      | 958 343 534 20 504 | 1 pair of springs<br>lilac<br>blue                            |        |     |  |
| (1)  | 958 343 534 60     | Coil spring<br>Set  |        | 1   | GTS<br>PR:0JA,0JB,<br>0JC,0JD,0JE,<br>1BH,E0W,D6V      |
|      | 958 343 534 60 504 | 1 pair of springs<br>white<br>yellow                          |        |     |  |
| (1)  | 958 343 533 60     | Coil spring<br>Set  |        | 1   | PR:0JE,1BH,<br>D34,DU2,D43,<br>D50,D1V,D6V,<br>DD8,D19 |
|      | 958 343 533 60 504 | 1 pair of springs<br>green<br>green                           |        |     |  |
| 2    | 958 343 525 00     | spring disc<br>spring disc                                    |        | 2   | PR:1BA,1BW   |
| (2)  |                    | Is a component of<br>Shock absorber strut                     |        | 2   | PR:1BH,1BZ   |
| 3    | WHT 005 267        | Shim<br>74.0 X 124.5 X 1.7<br>Use<br>for<br>Dimension group 0 |        | 0   | PR:1BA,1BH,<br>1BW,1BZ                                 |
| 3    | WHT 005 267        | Shim<br>74.0 X 124.5 X 1.7<br>Use<br>for<br>Dimension group 1 |        | 2   | PR:1BA,1BH,<br>1BW,1BZ                                 |
| 3    | WHT 005 267        | Shim<br>74.0 X 124.5 X 1.7<br>Use<br>for<br>Dimension group 2 |        | 4   | PR:1BA,1BH,<br>1BW,1BZ                                 |
| 4    | 958 343 523 00     | Spring<br>Insert  |        | 2   | PR:1BA,1BH,<br>1BW,1BZ                                 |
| 5    | 958 343 521 00     | Spring<br>Underlay  |        | 2   | PR:1BA,1BH,<br>1BW,1BZ                                 |
| 6    | 958 343 503 00     | Cap<br>Discontinued part                                      |        | 2   | PR:1BA,1BW   |
| 6    | 958 333 375 02     | Cap   |        | 2   | PR:1BA,1BW   |
| (6)  | 958 343 503 50     | Cap   |        | 2   | PR:1BH,1BZ   |
| 7    | 958 343 301 00     | Stop buffer   |        | 2   | PR:1BA,1BW   |
| (7)  | 958 343 301 50     | Stop buffer   |        | 2   | PR:1BH,1BZ   |
| 8    | 958 343 505 00     | Protective sleeve   |        | 2   | PR:1BA,1BH,<br>1BW,1BZ                                 |
| 9    | 958 333 149 00     | Spring<br>Underlay  | upper  | 2   | PR:1BA,1BH,<br>1BW,1BZ                                 |
| 10   | 958 343 524 00     | Spring<br>Insert  | upper  | 2   | PR:1BA,1BH,<br>1BW,1BZ                                 |
| 11   | 958 343 017 00     | Bearing plate   |        | 2   | PR:1BA,1BW   |
| (11) | 958 343 017 50     | Bearing plate   |        | 2   | PR:1BH,1BZ   |
| 12   | N 909 664 02       | Hexagon collar nut<br>self-locking<br>M 12 X 1,5              |        | 2   | PR:1BA,1BW   |
| (12) | WHT 004 985        | hex. nut<br>M 14 X 1,5  |        | 2   | PR:1BH,1BZ   |
| 13   | 958 343 501 00     | Bungs   |        | 2   | PR:1BA,1BW   |
| 15   | 958 343 901 00     | ring  |        | 2   | PR:1BA,1BH,  |

Model: 92A 11

Model life 2011&gt;&gt;2018

| Pos  | Part Number    | Description  | Remark                       | Qty | Model                             |
|------|----------------|--|------------------------------|-----|-----------------------------------|
| (15) | 958 343 901 00 | ring   | left                         | 1   | 1BW,1BZ<br>PR:1BA,1BH,<br>1BW,1BZ |
| 16   | 958 375 112 00 | Mounting block   | right                        | 1   | PR:1BA,1BH,<br>1BW,1BZ            |
| -    |                | Bracket<br>Connection point  | left                         | 1   | PR:D11,D19                        |
| -    | 958 343 503 02 | Bracket<br>Connection point  | left                         | 1   | PR:D34,D58,<br>D6V,0AB            |
| -    | 958 343 235 02 | Bracket<br>Connection point  | left                         | 1   | PR:D34,D58,<br>D6V,0AW            |
| -    | 958 343 335 01 | Bracket<br>Connection point  | left                         | 1   | PR:D50                            |
| -    | N 015 082 10   | Hexagon collar nut<br>M 6<br>for<br>Bracket<br>Connection point              |                              | X   |                                   |
| -    | 958 343 262 01 | Bracket<br>Connection point  | right                        | 1   | PR:D11,D19,<br>D34                |
| -    | 958 343 457 01 | Bracket<br>Connection point  | right                        | 1   | PR:D58,D6V                        |
| -    |                | Bracket<br>Connection point  | right                        | 1   | PR:D50                            |
| -    | N 107 030 01   | round hd. screw<br>M 6<br>for<br>Bracket<br>Connection point                 | see illustration:<br>201-035 | 1   |                                   |
| 17   | N 102 613 11   | Hexagon nut<br>M10   |                              | 6   |                                   |
| 18   | N 103 353 04   | Hexagon nut<br>M 14 X 1.5  |                              | 2   |                                   |
| 19   | N 105 326 02   | Hex collared bolt<br>M 14 X 1,5 X 102  |                              | 2   |                                   |
| 20   | 958 343 043 00 | vibration damper<br>Discontinued part  | left                         | 1   | PR:1BA,1BW                        |
| 20   | 958 343 043 01 | vibration damper<br>Only by sets   | left                         | 1   | PR:1BA,1BW                        |
| (20) | 958 343 044 00 | vibration damper<br>Discontinued part  | right                        | 1   | PR:1BA,1BW                        |
| (20) | 958 343 044 01 | vibration damper<br>Only by sets   | right                        | 1   | PR:1BA,1BW                        |
| 20   | 958 343 043 10 | vibration damper   | left                         | 1   | PR:1BA,1BW                        |
| (20) | 958 343 044 10 | vibration damper   | right                        | 1   | PR:1BA,1BW                        |
| 20   | 958 343 043 20 | vibration damper   | left                         | 1   | PR:1BH,1BZ                        |
| (20) | 958 343 044 20 | vibration damper   | right                        | 1   | PR:1BH,1BZ                        |
| 21   | 1J0 973 802    | Flat connector housing with<br>contact locking mechanism<br>vibration damper |                              | 2   | PR:1BH,1BZ                        |
| 22   | 958 343 878 00 | Grommet<br>Connector   |                              | 2   | PR:1BH,1BZ                        |
| 23   | 958 343 783 02 | Cable support sleeve   |                              | 2   | PR:1BH,1BZ                        |
| 25   | N 105 668 03   | Hex collared bolt<br>M 12 X 1,5 X 60   |                              | 2   |                                   |
| 26   | N 104 029 04   | Hexagon nut<br>M 12 X 1,5  |                              | 4   |                                   |
| 27   | 955 351 117 00 | Air guide  | left                         | 1   | PR:1LH,1LX,<br>1LV                |
| (27) | 955 351 118 00 | Air guide  | right                        | 1   | PR:1LH,1LX,<br>1LV                |



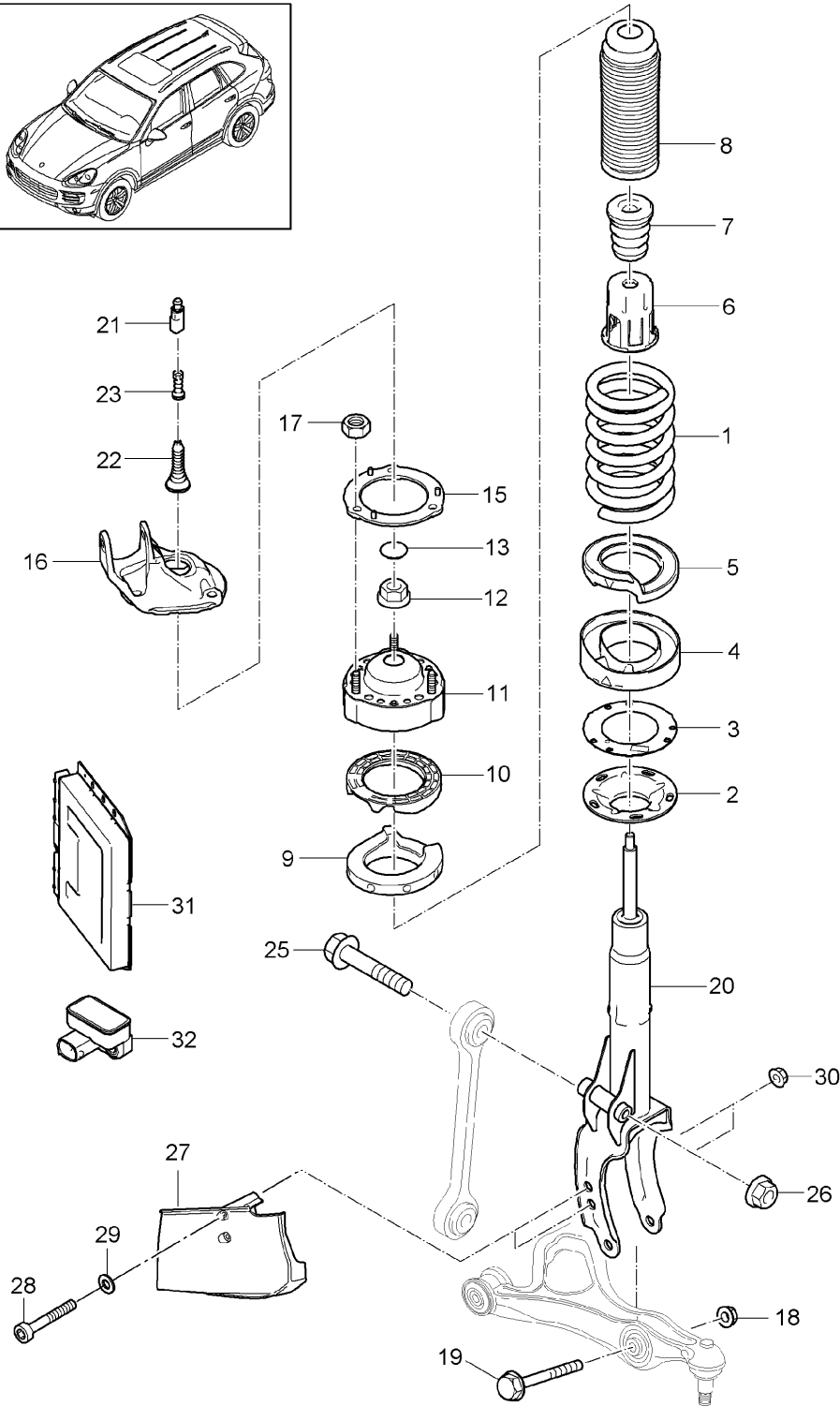
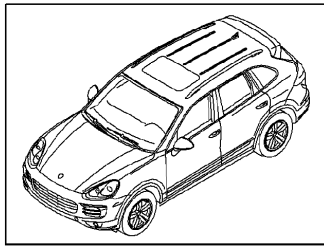
Model: 92A 11

Model life 2011>>2018

| Pos | Part Number  | Description   | Remark  | Qty | Model              |
|-----|--------------|---|---------|-----|--------------------|
| 28  | N 105 475 02 | Socket head bolt with<br>inner hex round head<br>BM 6 X 80 X 37   |         | 4   | PR:1LH,1LX         |
| 29  | N 104 048 06 | Washer<br>6,4 X 12 X 1,6  |         | 4   | PR:1LH,1LX         |
| 30  | N 102 058 02 | Hexagon collar nut<br>self-locking<br>M 6                         |         | 4   | PR:1LH,1LX,<br>1LV |
| 31  |              | Control unit<br>- PASM -<br><br>see illustration:<br>>> - MJ 2014 | 901-002 |     |                    |
| 32  |              | Accelerator sensor<br><br>see illustration:                       | 606-000 |     |                    |

Model: 92A 11

Model life 2011>>2018



Model: 92A 11 Model life 2011>>2018

| Pos | Part Number        | Description  | Remark | Qty | Model  |
|-----|--------------------|--|--------|-----|--|
| 1   | 958 343 533 30     | suspension<br>Steel<br>D - MJ 2015>><br>Coil spring<br>Set |        | 1   | PR:1BA,1BH,<br>1BW,1BZ<br><br>CURA,CUR,<br>CRCA,CVVC,<br>CVVA,CNRB,<br>CJTБ,CJT+<br>PR:0JA,0JB,<br>1BA<br>CEYA |
|     | 958 343 533 30 504 | 1 pair of springs<br>Grey<br>Grey<br>Grey<br>Grey          |        |     |  |
| (1) | 958 343 533 40     | Coil spring<br>Set   |        | 1   | CRCA,CVVC,<br>CUDC,CVVA,<br>CVVB,CNRB+<br>PR:0JC,0JD,<br>1BA<br>CEYA   |
|     | 958 343 533 40 504 | 1 pair of springs<br>blue<br>green                         |        |     |  |
| (1) | 958 343 533 41     | Coil spring<br>Set   |        | 1   | CRCA,CURA,<br>CUR,CVVC,<br>CNRB+<br>PR:0JC,0JD,<br>0JE,1BW<br>CEYA   |
|     | 958 343 533 41 504 | 1 pair of springs<br>lilac<br>red                          |        |     |  |
| (1) | 958 343 533 45     | Coil spring<br>Set   |        | 1   | CURA,CUR,<br>CVVA,CVVB,<br>CRCA,CVVC,<br>CUDC,CJTБ,<br>CJT,CNRB+<br>PR:0JE,1BA<br>CEYA                         |
|     | 958 343 533 45 504 | 1 pair of springs<br>green                                 |        |     |  |
| (1) | 958 343 534 00     | Coil spring<br>Set   |        | 1   | CRCA,CVVC,<br>CUDC,CGEA,<br>CGE,CNRB+<br>PR:0JA,1BH<br>CEYA  |
|     | 958 343 534 00 504 | 1 pair of springs<br>lilac<br>lilac<br>white               |        |     |  |
| (1) | 958 343 534 10     | Coil spring<br>Set   |        | 1   | CRCA,CVVC,<br>CUDC,CJTБ,<br>CJT,CGEA,<br>CGE,CURA,<br>CUR,CVVA,<br>CVVB,CNRB+<br>PR:0JB,0JC,<br>1BH<br>CEYA    |
|     | 958 343 534 10 504 | 1 pair of springs<br>lilac<br>lilac<br>white<br>white      |        |     |  |
| (1) | 958 343 534 20     | Coil spring<br>Set   |        | 1   | CRCA,CVVC,<br>CUDC,CJTБ,<br>CJT,CNRB,<br>CGEA,CGE,   |

Model: 92A 11

Model life 2011>>2018

| Pos | Part Number        | Description   | Remark | Qty | Model   |
|-----|--------------------|---|--------|-----|---|
|     | 958 343 534 20 504 | 1 pair of springs<br>lilac<br>blue                            |        |     | CURA, CUR,<br>CVVA, CVVB+<br>PR:0JD, 1BH<br>CEYA  |
| (1) | 958 343 534 45     | Coil spring   |        | 1   | PR:0JE, 1BZ,<br>D19   |
|     | 958 343 534 45 504 | 1 pair of springs<br>lilac<br>blue<br>blue<br>blue            |        |     |   |
| (1) | 958 343 534 60     | Coil spring<br>Set  |        | 1   | GTS<br>CXZA, CXZ+<br>PR:0JA, 0JB,<br>0JC, 0JD, 0JE,<br>1BH  |
|     | 958 343 534 60 504 | 1 pair of springs<br>white<br>yellow                          |        |     |   |
| (1) | 958 343 533 60     | Coil spring<br>Set  |        | 1   | CURA, CUR,<br>CGEA, CGE,<br>CGFA, CUDC,<br>CVVC, CVVB,<br>CVVA, CRCA,<br>CNRB+<br>PR:0JE, 1BH<br>CEYA |
|     | 958 343 533 60 504 | 1 pair of springs<br>green<br>green                           |        |     |   |
| 2   | 958 343 525 00     | spring disc   |        | 2   | PR:1BA, 1BW   |
| (2) |                    | spring disc<br>Is a component of<br>Shock absorber strut      |        | 2   | PR:1BH, 1BZ   |
| 3   | WHT 005 267        | Shim<br>74.0 X 124.5 X 1.7<br>Use<br>for<br>Dimension group 0 |        | X   | PR:1BA, 1BH,<br>1BW, 1BZ  |
| 3   | WHT 005 267        | Shim<br>74.0 X 124.5 X 1.7<br>Use<br>for<br>Dimension group 1 |        | 2   | PR:1BA, 1BH,<br>1BW, 1BZ  |
| 3   | WHT 005 267        | Shim<br>74.0 X 124.5 X 1.7<br>Use<br>for<br>Dimension group 2 |        | 4   | PR:1BA, 1BH,<br>1BW, 1BZ  |
| 4   | 958 343 523 00     | Spring<br>Insert  |        | 2   | PR:1BA, 1BH,<br>1BW, 1BZ  |
| 5   | 958 343 521 00     | Spring<br>Underlay  |        | 2   | PR:1BA, 1BH,<br>1BW, 1BZ  |
| 6   | 958 333 375 02     | Cap   |        | 2   | PR:1BA, 1BW   |
| (6) | 958 343 503 50     | Cap   |        | 2   | PR:1BH, 1BZ   |
| 7   | 958 343 301 00     | Stop buffer   |        | 2   | PR:1BA, 1BW   |
| (7) | 958 343 301 50     | Stop buffer   |        | 2   | PR:1BH, 1BZ   |
| 8   | 958 343 505 00     | Protective sleeve   |        | 2   | PR:1BA, 1BH,<br>1BW, 1BZ  |
| 9   | 958 333 149 00     | Spring<br>Underlay  | upper  | 2   | PR:1BA, 1BH,<br>1BW, 1BZ  |
| 10  | 958 343 524 00     | Spring  | upper  | 2   | PR:1BA, 1BH,  |

Model: 92A 11

Model life 2011&gt;&gt;2018

| Pos  | Part Number    | Description  | Remark | Qty | Model                  |
|------|----------------|--|--------|-----|------------------------|
| 11   | 958 343 017 00 | Insert   |        | 2   | 1BW,1BZ                |
| (11) | 958 343 017 51 | Bearing plate  |        | 2   | PR:1BA,1BW             |
| 12   | N 909 664 02   | Hexagon collar nut<br>self-locking<br>M 12 X 1,5                             |        | 2   | PR:1BH,1BZ             |
| (12) | WHT 004 985    | hex. nut<br>M 14 X 1,5   |        | 2   | PR:1BA,1BW             |
| 13   | 958 343 501 00 | Bungs  |        | 2   | PR:1BA,1BH,            |
| 15   | 958 343 901 00 | ring   |        | 2   | 1BW,1BZ                |
| (15) | 958 343 901 00 | ring   | left   | 1   | CUDC,CURA,<br>CXZ+     |
| (16) | 958 375 112 10 | Mounting block   | right  | 1   | PR:1BA,1BH,<br>1BW,1BZ |
| 17   | N 102 613 11   | Hexagon nut<br>M10   |        | 6   | CUDC,CURA,<br>CUR+     |
| 18   | N 103 353 04   | Hexagon nut<br>M 14 X 1.5  |        | 2   | PR:1BA,1BH,<br>1BW,1BZ |
| 19   | N 105 326 02   | Hex collared bolt<br>M 14 X 1,5 X 102  |        | 2   |                        |
| 20   | 958 343 043 11 | vibration damper   | left   | 1   | PR:1BA,1BW             |
| (20) | 958 343 044 11 | vibration damper   | right  | 1   | PR:1BA,1BW             |
| 20   | 958 343 043 30 | vibration damper   | left   | 1   | PR:1BH,1BZ             |
| (20) | 958 343 044 30 | vibration damper   | right  | 1   | PR:1BH,1BZ             |
| 21   | 1J0 973 802    | Flat connector housing with<br>contact locking mechanism<br>vibration damper |        | 2   | PR:1BH,1BZ             |
| 22   | 958 343 878 00 | Grommet<br>Connector   |        | 2   | PR:1BH,1BZ             |
| 23   | 958 343 783 02 | Cable support sleeve   |        | 2   | PR:1BH,1BZ             |
| 25   | N 105 668 03   | Hex collared bolt<br>M 12 X 1,5 X 60   |        | 2   |                        |
| 26   | N 104 029 04   | Hexagon nut<br>M 12 X 1,5  |        | 4   |                        |
| 27   | 955 351 117 00 | Air guide  | left   | 1   | PR:1LH,1LX             |
| (27) | 955 351 117 00 | Air guide  | left   | 1   | PR:1LV,-1BA,<br>-1BW   |
| (27) | 955 351 118 00 | Air guide  | right  | 1   | PR:1LH,1LX,<br>1LV     |
| (27) | 955 351 118 00 | Air guide  | right  | 1   | PR:1LV,-1BA,<br>-1BW   |
| 28   | N 105 475 02   | Socket head bolt with<br>inner hex round head<br>BM 6 X 80 X 37              |        | 4   | PR:1LH,1LX             |
| (28) | N 105 475 02   | Socket head bolt with<br>inner hex round head<br>BM 6 X 80 X 37              |        | 4   | PR:1LV,-1BA,<br>-1BW   |
| 29   | N 104 048 06   | Washer<br>6,4 X 12 X 1,6   |        | 4   | PR:1LH,1LX             |
| (29) | N 104 048 06   | Washer<br>6,4 X 12 X 1,6   |        | 4   | PR:1LV,-1BA,<br>-1BW   |
| 30   | N 102 058 02   | Hexagon collar nut<br>self-locking<br>M 6                                    |        | 4   | PR:1LH,1LX             |
| (30) | N 102 058 02   | Hexagon collar nut<br>self-locking<br>M 6                                    |        | 4   | PR:1LV,-1BA,<br>-1BW   |
| 31   |                | Control unit   |        |     |                        |

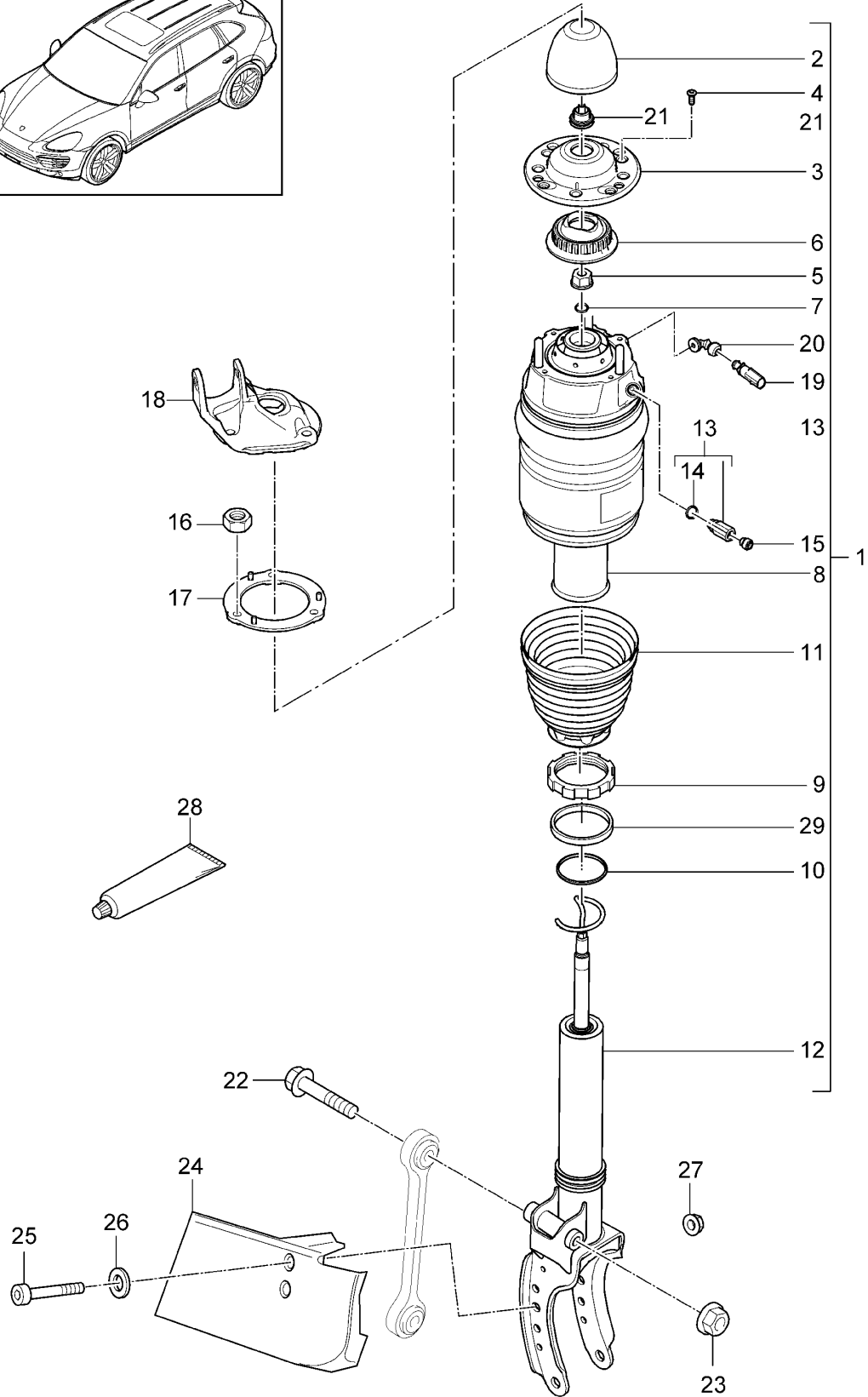
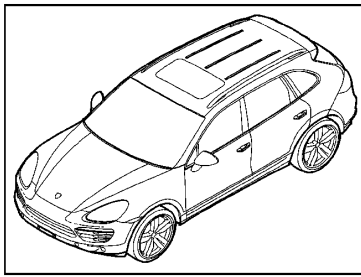
Model: 92A 11

Model life 2011&gt;&gt;2018

| Pos | Part Number | Description  | Remark             | Qty | Model |
|-----|-------------|--|--------------------|-----|-------|
| 32  |             | - PASM -<br>see illustration:<br>Accelerator sensor<br>see illustration: | 901-003<br>606-000 |     |       |

Model: 92A 11

Model life 2011>>2018



Model: 92A 11 Model life 2011>>2018

| Pos  | Part Number    | Description                                      | Remark | Qty | Model                      |
|------|----------------|--|--------|-----|----------------------------|
|      |                | air spring                                       |        |     | PR:1BK                     |
|      |                | Shock absorber strut                             |        |     |                            |
|      |                | D >> - MJ 2014                                   |        |     |                            |
| 1    | 958 358 039 00 | suspension strut complete                        | left   | 1   | PR:D19,D58,<br>D6V         |
| 1    | 958 358 039 03 | suspension strut complete                        | left   | 1   | GTS<br>PR:E0W              |
| 1    | 958 358 039 20 | suspension strut complete                        | left   | 1   | PR:E8A                     |
| (1)  | 958 358 040 00 | suspension strut complete                        | right  | 1   | PR:D19,D58,<br>D6V         |
| (1)  | 958 358 040 03 | suspension strut complete                        | right  | 1   | GTS<br>PR:E0W              |
| (1)  | 958 358 040 20 | suspension strut complete                        | right  | 1   | PR:E8A                     |
| 1    | 958 358 039 10 | suspension strut complete                        | left   | 1   | PR:D34,D50,<br>D1V,D11,D43 |
| 1    | 958 358 039 14 | suspension strut complete                        | left   | 1   | PR:DD8                     |
| 1    | 958 358 040 10 | suspension strut complete                        | right  | 1   | PR:D34,D50,<br>D1V,D11,D43 |
| 1    | 958 358 040 14 | suspension strut complete                        | right  | 1   | PR:DD8                     |
| 2    | 958 343 501 10 | Cap  |        | 2   |                            |
| 3    | 958 343 018 00 | End cap  |        | 2   |                            |
| 4    | N 102 897 02   | oval head countersunk bolt<br>M 6 X 16           |        | 8   |                            |
| 5    | WHT 004 925    | Hexagon collar nut<br>self-locking<br>M 14 X 1.5 |        | 2   |                            |
| 6    | 958 343 018 20 | Shock absorber bearing                           |        | 2   |                            |
| 7    | N 903 677 01   | O-ring   |        | 2   |                            |
| 8    | 958 343 051 00 | air spring                                       | left   | 1   |                            |
|      |                | Discontinued part                                |        |     |                            |
| 8    | 958 343 051 02 | air spring                                       | left   | 1   |                            |
| 8    | 958 343 051 10 | air spring                                       | left   | 1   |                            |
|      |                | Discontinued part                                |        |     |                            |
| 8    | 958 343 051 13 | air spring                                       | left   | 1   |                            |
| 8    | 958 343 051 13 | air spring                                       | left   | 1   |                            |
| 8    | 958 343 051 20 | air spring                                       | left   | 1   | PR:E0W                     |
| 8    | 958 343 051 30 | air spring                                       | left   | 1   | PR:E8A                     |
| (8)  | 958 343 052 00 | air spring                                       | right  | 1   |                            |
|      |                | Discontinued part                                |        |     |                            |
| (8)  | 958 343 052 02 | air spring                                       | right  | 1   |                            |
| (8)  | 958 343 052 10 | air spring                                       | right  | 1   |                            |
|      |                | Discontinued part                                |        |     |                            |
| (8)  | 958 343 052 13 | air spring                                       | right  | 1   |                            |
| (8)  | 958 343 052 13 | air spring                                       | right  | 1   | PR:DD8                     |
| (8)  | 958 343 052 20 | air spring                                       | right  | 1   | PR:E0W                     |
| (8)  | 958 343 052 30 | air spring                                       | right  | 1   | PR:E8A                     |
| 9    | 958 343 060 00 | Securing ring                                    |        | 2   |                            |
| 10   | 958 343 045 00 | seal ring  |        | 2   |                            |
| 11   | 958 343 505 10 | Bellows  |        | 2   |                            |
| 12   | 958 343 043 50 | Shock absorbers                                  | left   | 1   | PR:-E0W,-E8A               |
| (12) | 958 343 044 50 | Shock absorbers                                  | right  | 1   | PR:-E0W,-E8A               |
| (12) | 958 343 045 50 | Shock absorbers                                  | left   | 1   | PR:E0W                     |
| (12) | 958 343 046 50 | Shock absorbers                                  | right  | 1   | PR:E0W                     |
| (12) | 958 343 047 50 | Shock absorbers                                  | left   | 1   | PR:E8A                     |
| (12) | 958 343 048 50 | Shock absorbers                                  | right  | 1   | PR:E8A                     |
| 13   | 958 358 720 00 | Valve  |        | 2   |                            |
|      |                | with:  |        |     |                            |
| 14   | 955 358 722 00 | seal ring  |        | 2   |                            |
| 15   | 955 358 541 00 | push-on connector                                |        | 2   |                            |
|      |                | Air line   |        |     |                            |
| 16   | N 102 613 11   | Hexagon nut<br>M 10                              |        | 6   |                            |



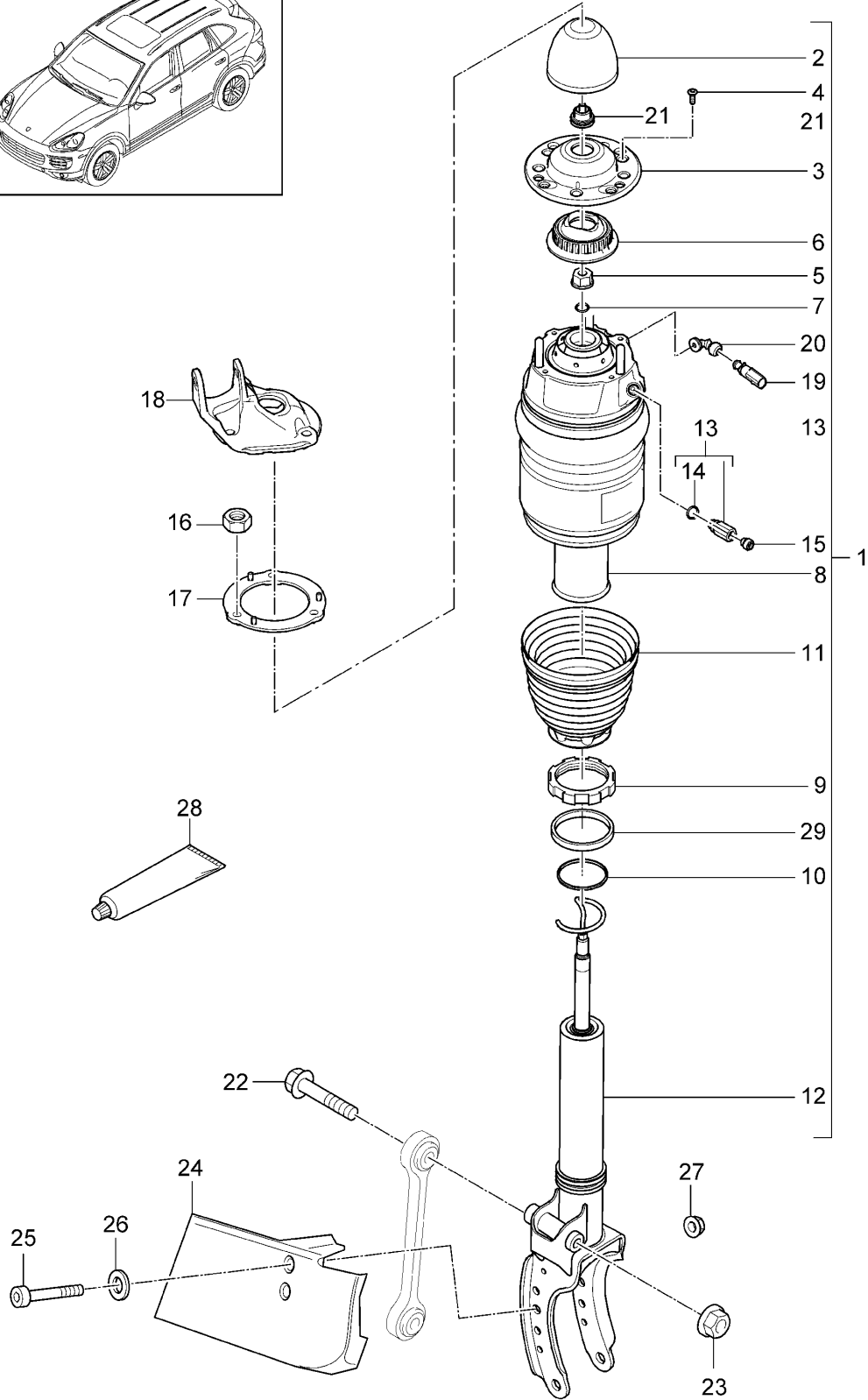
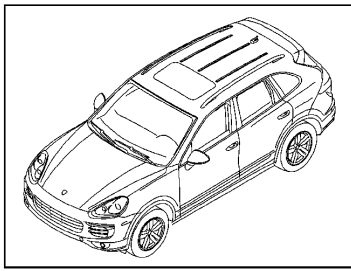
Model: 92A 11

Model life 2011>>2018

| Pos  | Part Number    | Description  | Remark | Qty | Model           |
|------|----------------|--|--------|-----|-----------------|
| 17   | 958 343 901 00 | ring   |        | 2   | PR:-D6V,-D58    |
| (17) | 958 343 901 00 | ring   | left   | 1   | PR:D6V,D58      |
| 18   | 958 375 112 00 | Mounting block   | right  | 1   | PR:D6V,D58      |
| 19   | 1J0 973 802    | Flat connector housing with contact locking mechanism vibration damper |        | 2   |                 |
| 20   | 958 343 878 00 | Grommet Connector  |        | 2   |                 |
| 21   | 958 343 913 00 | Cable support sleeve   |        | 2   |                 |
| 22   | N 105 326 02   | Hex collared bolt M 14 X 1,5 X 102                                     |        | 2   |                 |
| 23   | N 103 353 04   | Hexagon nut M 14 X 1,5   |        | 2   |                 |
| 24   | 955 351 117 00 | Air guide  | left   | 1   | PR:1LH,1LX, 1LV |
| (24) | 955 351 118 00 | Air guide  | right  | 1   | PR:1LH,1LX, 1LV |
| 25   | N 105 475 02   | Socket head bolt with inner hex round head BM 6 X 80 X 37              |        | 4   | PR:1LH,1LX      |
| 26   | N 104 048 06   | Washer 6,4 X 12 X 1,6  |        | 4   | PR:1LH,1LX      |
| 27   | N 102 058 02   | Hexagon collar nut self-locking M 6                                    |        | 4   | PR:1LH,1LX, 1LV |
| 28   | 000 043 204 68 | Grease   |        | 1   |                 |
| 29   | 958 343 253 00 | Thrust ring  |        | 2   |                 |

Model: 92A 11

Model life 2011>>2018



Model: 92A 11 Model life 2011>>2018

| Pos  | Part Number    | Description   | Remark | Qty | Model  |
|------|----------------|---|--------|-----|--|
|      |                | air spring<br>Shock absorber strut<br>D - MJ 2015>> |        |     | PR:1BK   |
| 1    | 958 358 039 16 | suspension strut complete                           | left   | 1   | CRCA, CVVC,<br>CURA, CUR,<br>CVVA, CVVB,<br>CNRB, CJTB,<br>CJT, CEYA |
| (1)  | 958 358 039 05 | suspension strut complete                           | left   | 1   | CXZA, CXZ  |
| (1)  | 958 358 039 21 | suspension strut complete                           | left   | 1   | CGEA, CGE,<br>CGFA, CUDC,<br>CFTB, CFT,<br>CYXA, CYX                 |
| (1)  | 958 358 039 21 | suspension strut complete                           | left   | 1   | PR:DT5   |
| (1)  | 958 358 040 16 | suspension strut complete                           | right  | 1   | CRCA, CVVC,<br>CURA, CUR,<br>CVVA, CVVB,<br>CNRB, CJTB,<br>CJT, CEYA |
| (1)  | 958 358 040 05 | suspension strut complete                           | right  | 1   | CXZA, CXZ  |
| (1)  | 958 358 040 21 | suspension strut complete                           | right  | 1   | CGEA, CGE,<br>CGFA, CUDC,<br>CFTB, CFT,<br>CYXA, CYX                 |
| (1)  | 958 358 040 21 | suspension strut complete                           | right  | 1   | PR:DT5   |
| 2    | 958 343 501 10 | Cap   |        | 2   |  |
| 3    | 958 343 018 00 | End cap   |        | 2   |  |
| 4    | N 102 897 02   | oval head countersunk bolt<br>M 6 X 16              |        | 8   |  |
| 5    | WHT 004 925    | Hexagon collar nut<br>self-locking<br>M 14 X 1.5    |        | 2   |  |
| 6    | 958 343 018 20 | Shock absorber bearing                              |        | 2   |  |
| 7    | N 903 677 01   | O-ring  |        | 2   |  |
| 8    | 958 343 051 13 | air spring  | left   | 1   | CRCA, CVVC,<br>CURA, CUR,<br>CVVA, CVVB,<br>CJT, CJT,<br>CNRB, CEYA  |
| (8)  | 958 343 051 20 | air spring  | left   | 1   | CXZA, CXZ  |
| (8)  | 958 343 051 30 | air spring  | left   | 1   | CGEA, CGE,<br>CGFA, CUDC,<br>CFTB, CFT                               |
| (8)  | 958 343 052 13 | air spring  | right  | 1   | CRCA, CVVC,<br>CURA, CUR,<br>CVVA, CVVB,<br>CNRB, CJTB,<br>CJT, CEYA |
| (8)  | 958 343 052 20 | air spring  | right  | 1   | CXZA, CXZ  |
| (8)  | 958 343 052 30 | air spring  | right  | 1   | CGEA, CGE,<br>CGFA, CUDC,<br>CFTB, CFT                               |
| 9    | 958 343 060 00 | Securing ring                                       |        | 2   |  |
| 10   | 958 343 045 00 | seal ring   |        | 2   |  |
| (11) | 958 343 505 11 | Bellows   |        | 2   |  |
| 12   | 958 343 047 50 | Shock absorbers                                     | left   | 1   | PR:-DU3  |
| (12) | 958 343 048 50 | Shock absorbers                                     | right  | 1   | PR:-DU3  |
| (12) | 958 343 045 50 | Shock absorbers                                     | left   | 1   | CXZA, CXZ  |
| (12) | 958 343 046 50 | Shock absorbers                                     | right  | 1   | CXZA, CXZ  |
| 13   | 958 358 720 00 | Valve   |        | 2   |  |
|      |                | with:   |        |     |  |
| 14   | 955 358 722 00 | seal ring<br>seal ring                              |        | 2   |  |

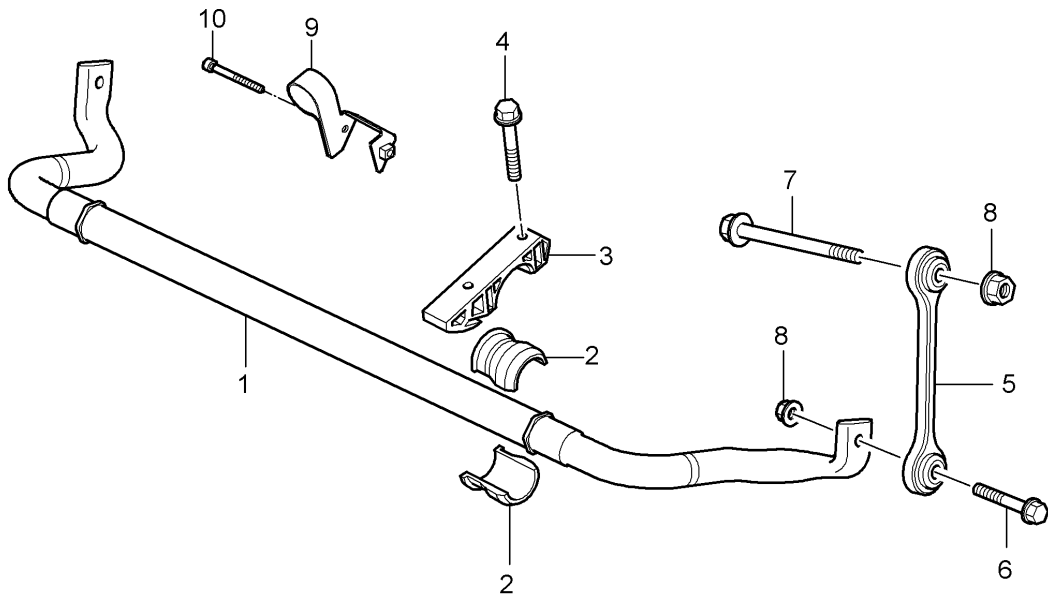
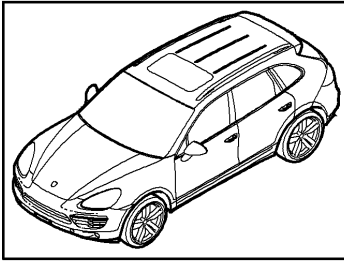
Model: 92A 11

Model life 2011&gt;&gt;2018

| Pos  | Part Number    | Description  | Remark | Qty | Model              |
|------|----------------|--|--------|-----|--------------------|
| 15   | 955 358 541 00 | push-on connector<br>Air line  |        | 2   |                    |
| 16   | N 102 613 11   | Hexagon nut<br>M 10  |        | 6   |                    |
| 17   | 958 343 901 00 | ring   |        | 1   |                    |
| 18   | 958 375 112 01 | Mounting block   | right  | 1   | PR:DT1,DT5         |
| (18) | 958 375 112 10 | Mounting block   | right  | 1   | PR:DU2,DU3         |
| 19   | 1J0 973 802    | Flat connector housing with<br>contact locking mechanism<br>vibration damper |        | 2   |                    |
| 20   | 958 343 878 00 | Grommet<br>Connector   |        | 2   |                    |
| 21   | 958 343 913 00 | Cable support sleeve   |        | 2   |                    |
| 22   | N 105 326 02   | Hex collared bolt<br>M 14 X 1,5 X 102  |        | 2   |                    |
| 23   | N 103 353 04   | Hexagon nut<br>M 14 X 1,5  |        | 2   |                    |
| 24   | 955 351 117 00 | Air guide  | left   | 1   | PR:1LH,1LX,<br>1LV |
| (24) | 955 351 118 00 | Air guide  | right  | 1   | PR:1LH,1LX,<br>1LV |
| 25   | N 105 475 02   | Socket head bolt with<br>inner hex round head<br>BM 6 X 80 X 37              |        | 4   | PR:1LH,1LX,<br>1LV |
| 26   | N 104 048 06   | Washer<br>6,4 X 12 X 1,6   |        | 4   | PR:1LH,1LX,<br>1LV |
| 27   | N 102 058 02   | Hexagon collar nut<br>self-locking<br>M 6                                    |        | 4   | PR:1LH,1LX,<br>1LV |
| 28   | 000 043 204 68 | Grease   |        | 1   |                    |
| 29   | 958 343 253 00 | Thrust ring  |        | 2   |                    |

Model: 92A 11

Model life 2011>>2018



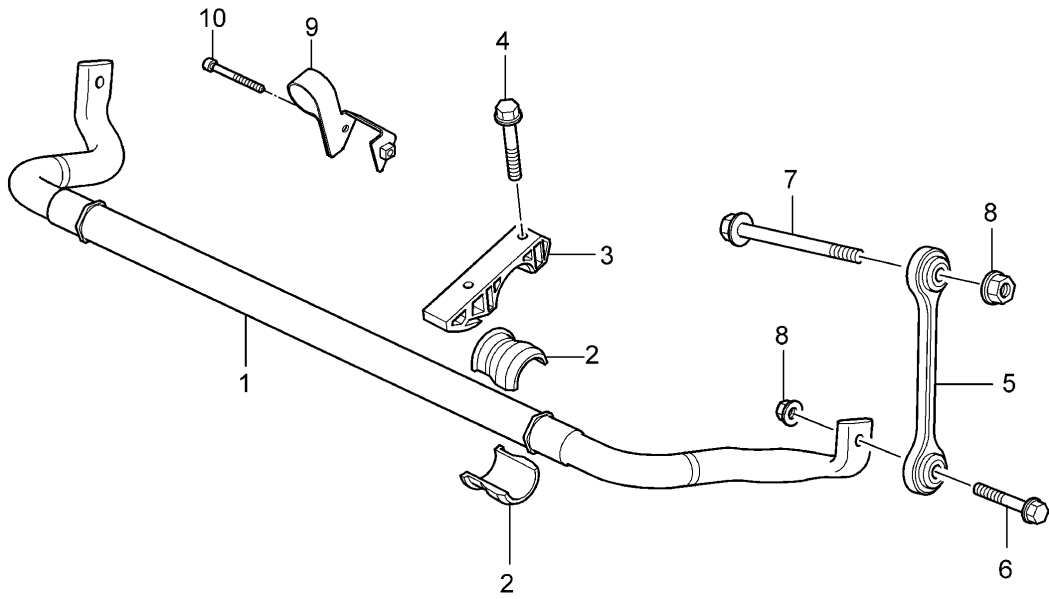
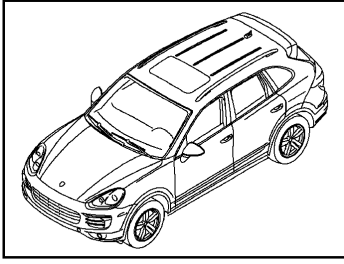
Model: 92A 11

Model life 2011>>2018

| Pos | Part Number    | Description   | Remark | Qty | Model                                       |
|-----|----------------|---|--------|-----|---|
|     |                | Anti-roll bar<br>D >> - MJ 2014   |        |     | PR:0AB,0AC                                  |
| 1   | 955 343 701 70 | Anti-roll bar<br>38,00 MM<br>Identification: >> >><br>green   |        | 1   | PR:1BA,1BH,<br>1BW,1BZ<br>-"CN.",<br>-"RUS" |
| (1) | 955 343 701 71 | Anti-roll bar<br>38,00 MM<br>Identification: >> >><br>green   |        | 1   | PR:1BA,1BH,<br>1BW,1BZ<br>"CN.", "RUS"      |
|     |                | with:   |        |     |   |
| (1) | 955 343 701 70 | Stabiliser mounting<br>Anti-roll bar<br>38,00 MM<br>Identification: >> >><br>green                                    |        | 1   | PR:1BK<br>-"CN.",<br>-"RUS"                 |
| (1) | 955 343 701 71 | Anti-roll bar<br>38,00 MM<br>Identification: >> >><br>green   |        | 1   | PR:1BK<br>"CN.", "RUS"                      |
|     |                | with:   |        |     |   |
| (1) | 955 343 701 80 | Stabiliser mounting<br>Anti-roll bar<br>38,00 MM<br>Identification: >> >><br>nut brown                                |        | 1   | PR:1BA,1BH,<br>1BW,1BZ<br>-"CN.",<br>-"RUS" |
| (1) | 955 343 701 81 | Anti-roll bar<br>38,00 MM<br>Identification: >> >><br>nut brown   |        | 1   | PR:1BA,1BH,<br>1BW,1BZ<br>"CN.", "RUS"      |
|     |                | with:   |        |     |   |
| (1) | 955 343 701 80 | Stabiliser mounting<br>Anti-roll bar<br>38,00 MM<br>Identification: >> >><br>brown                                    |        | 1   | PR:1BK<br>-"CN.",<br>-"RUS"                 |
| (1) | 955 343 701 81 | Anti-roll bar<br>38,00 MM<br>Identification: >> >><br>brown   |        | 1   | PR:1BK<br>"CN.", "RUS"                      |
|     |                | with:   |        |     |   |
| 2   | 955 343 792 61 | Stabiliser mounting<br>anti-roll bar bearing bracket<br>36,80 MM<br>Identification: >> >><br>orange<br>green<br>brown |        | 4   | -"CN.",<br>-"RUS"                           |
| 3   | 955 343 777 11 | Clamp   |        | 2   |   |
| 4   | N 104 253 02   | Hex collared bolt<br>M 10 X 62 X 45   |        | 4   |   |
| 5   | 955 343 069 00 | Coupling rod  |        | 2   |   |
| 6   | N 105 668 03   | Hex collared bolt<br>M 12 X 1,5 X 60  |        | 2   |   |
| 7   | N 105 760 02   | Hex collared bolt<br>M 12 X 1,5 X 125   |        | 2   |   |
| 8   | N 104 029 04   | Hexagon nut<br>M 12 X 1,5   |        | 4   |   |
| 9   | 958 343 778 00 | Line holder   |        | 1   |   |
| 10  | N 106 980 01   | Socket head bolt with<br>inner hex round head   |        | 1   |   |

Model: 92A 11

Model life 2011>>2018



Model: 92A 11 Model life 2011>>2018

| Pos | Part Number    | Description   | Remark | Qty | Model   |
|-----|----------------|---|--------|-----|---|
| 1   | 955 343 701 70 | Anti-roll bar<br>D - MJ 2015>><br>Anti-roll bar<br>38,00 MM<br>Identification: >> >><br>green |        | 1   | PR:0AB,0AC<br>CRCA,CVVC,<br>CVVA,CVVB,<br>CJT,CNRB,<br>CEYA+<br>PR:1BA,1BH,<br>1BW,1BZ,0AB<br>-"CN.",<br>-"RUS"   |
| (1) | 955 343 701 71 | Anti-roll bar<br>38,00 MM<br>Identification: >> >><br>green                                   | with:  | 1   | CRCA,CVVC,<br>CVVA,CVVB,<br>CNRB,CJT,<br>CEYA+<br>PR:1BA,1BH,<br>1BW,1BZ,0AC<br>"CN.", "RUS"                      |
| (1) | 955 343 701 70 | Anti-roll bar<br>38,00 MM<br>Identification: >> >><br>green                                   |        | 1   | CRCA,CVVC,<br>CVVA,CVVB,<br>CJT,CNRB,<br>CEYA+<br>PR:1BK,0AB<br>-"CN.",<br>-"RUS"                                 |
| (1) | 955 343 701 71 | Anti-roll bar<br>38,00 MM<br>Identification: >> >><br>green                                   | with:  | 1   | CRCA,CVVC,<br>CVVA,CVVB,<br>CNRB,CJT,<br>CEYA+<br>PR:1BK,0AC<br>"CN.", "RUS"                                      |
| (1) | 955 343 701 80 | Stabiliser mounting<br>Anti-roll bar<br>38,00 MM<br>Identification: >> >><br>nut brown        |        | 1   | CGEA,CGE,<br>CGFA,CURA,<br>CUR,CFTB,<br>CFT,CUDC,<br>CXZA,CXZ+<br>PR:1BA,1BH,<br>1BW,1BZ,0AB<br>-"CN.",<br>-"RUS" |
| (1) | 955 343 701 81 | Anti-roll bar<br>38,00 MM<br>Identification: >> >><br>nut brown                               | with:  | 1   | CGEA,CGE,<br>CGFA,CURA,<br>CUR,CFTB,<br>CFT,CUDC,<br>CXZA,CXZ+<br>PR:1BA,1BH,<br>1BW,1BZ,0AC<br>"CN.", "RUS"      |
| (1) | 955 343 701 80 | Anti-roll bar<br>38,00 MM<br>Identification: >> >><br>brown                                   |        | 1   | CGEA,CGE,<br>CGFA,CURA,<br>CUR,CFTB,<br>CFT,CUDC,<br>CXZA,CXZ+<br>PR:1BK,0AB<br>-"CN.",<br>-"RUS"                 |
| (1) | 955 343 701 81 | Anti-roll bar<br>38,00 MM<br>Identification: >> >><br>brown                                   | with:  | 1   | CGEA,CGE,<br>CGFA,CURA,<br>CUR,CFTB,<br>CFT,CUDC,<br>CXZA,CXZ+<br>PR:1BK,0AC<br>"CN.", "RUS"                      |
| 2   | 955 343 792 61 | anti-roll bar bearing bracket   |        | 4   | -"CN.",   |



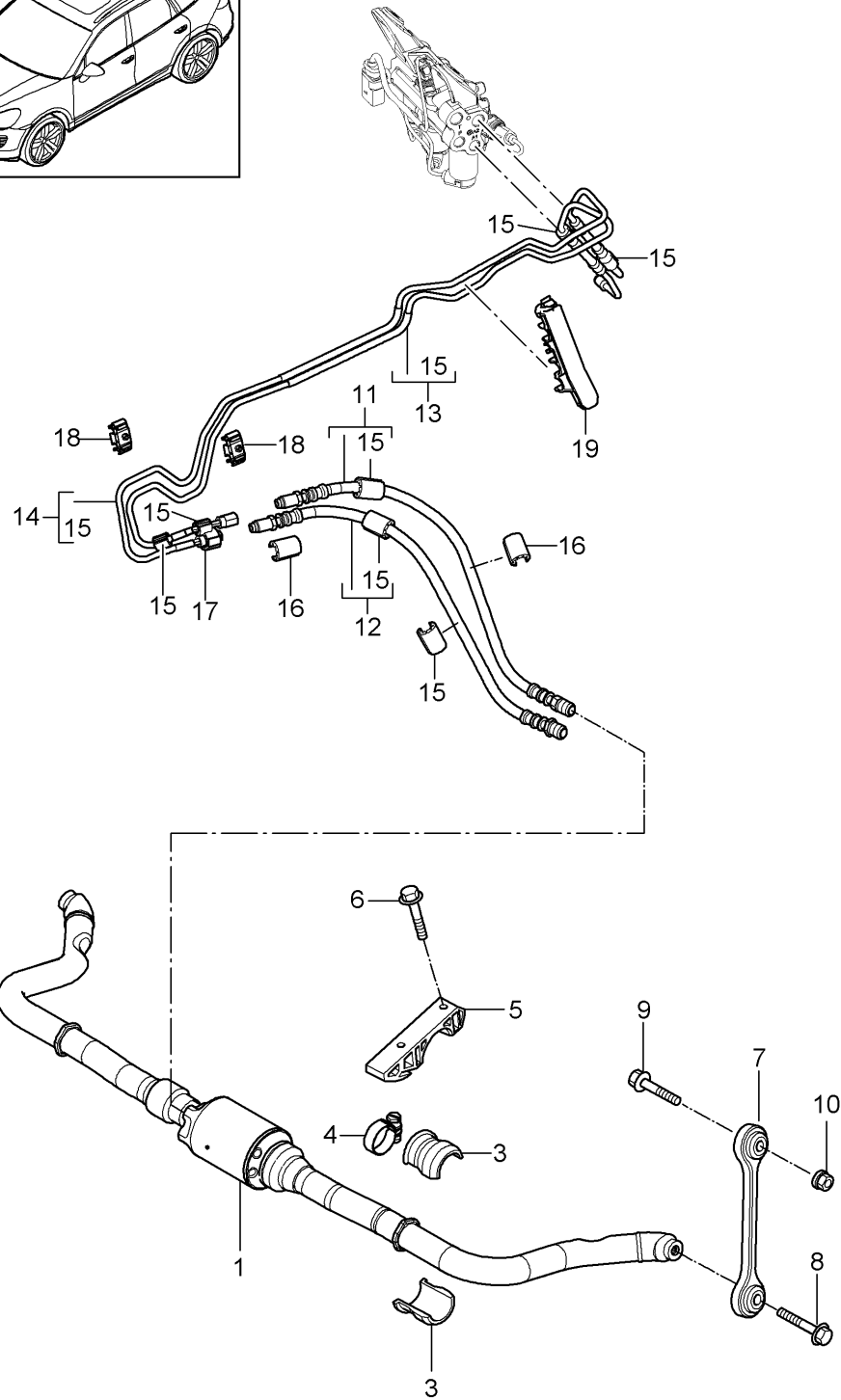
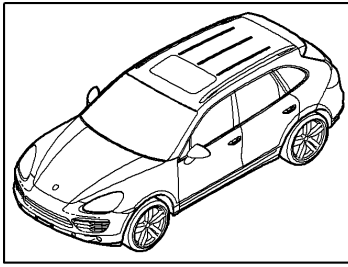
Model: 92A 11

Model life 2011>>2018

| Pos | Part Number    | Description   | Remark | Qty | Model   |
|-----|----------------|---|--------|-----|---------|
|     |                | 36,80 MM<br>Identification: >> >><br>orange<br>green<br>brown |        |     | - "RUS" |
| 3   | 955 343 777 11 | Clamp   |        | 2   |         |
| 4   | N 104 253 02   | Hex collared bolt<br>M 10 X 62 X 45                           |        | 4   |         |
| 5   | 955 343 069 00 | Coupling rod  |        | 2   |         |
| 6   | N 105 668 03   | Hex collared bolt<br>M 12 X 1,5 X 60                          |        | 2   |         |
| 7   | N 105 760 02   | Hex collared bolt<br>M 12 X 1,5 X 125                         |        | 2   |         |
| 8   | N 104 029 04   | Hexagon nut<br>M 12 X 1,5                                     |        | 4   |         |
| 9   | 958 343 778 00 | Line holder   |        | 1   |         |
| 10  | N 106 980 01   | Socket head bolt with<br>inner hex round head                 |        | 1   |         |

Model: 92A 11

Model life 2011>>2018



Model: 92A 11 Model life 2011>>2018

| Pos  | Part Number    | Description   | Remark | Qty | Model  |
|------|----------------|---|--------|-----|--------|
|      |                | Anti-roll bar<br>Lines  |        |     | PR:OAW |
| 1    | 955 343 703 01 | Anti-roll bar   |        | 1   |        |
| (1)  | 958 343 703 00 | Discontinued part<br>Anti-roll bar  |        | 1   |        |
| (1)  | 958 343 703 01 | D >> - MJ 2014<br>Anti-roll bar   |        | 1   |        |
| 3    | 955 343 793 00 | D - MJ 2015>><br>anti-roll bar bearing bracket                            |        | 4   |        |
| 4    | N 107 168 01   | Hose clamp<br>B1 55 X 20  |        | 2   |        |
| 5    | 955 343 777 11 | Clamp   |        | 2   |        |
| 6    | N 104 253 02   | Hex collared bolt<br>M 10 X 62 X 45                                       |        | 4   |        |
| 7    | 955 343 069 10 | Coupling rod  |        | 2   |        |
| 8    | N 106 121 02   | Hexagon bolt<br>M 12 X 1,5 X 50   |        | 2   |        |
| 9    | N 105 760 02   | Hex collared bolt<br>M 12 X 1,5 X 125                                     |        | 2   |        |
| 10   | N 104 029 04   | Hexagon nut<br>M 12 X 1,5   |        | 2   |        |
| 11   | 958 359 111 00 | Hose<br><br>without:  |        | 1   |        |
|      |                | Shrink-fit hose<br>Identification: >> >><br>yellow                        |        |     |        |
|      |                | also use: N 107 225 01  |        |     |        |
| (11) | 958 359 111 01 | Discontinued part<br>Hose<br><br>with:                                    |        | 1   |        |
|      |                | Shrink-fit hose<br>Identification: >> >><br>yellow                        |        |     |        |
|      |                | also use: N 107 623 01  |        |     |        |
| 12   | 955 359 112 02 | Hose<br><br>with:   |        | 1   |        |
|      |                | Shrink-fit hose<br>Identification: >> >><br>green                         |        |     |        |
|      |                | also use: N 107 225 01  |        |     |        |
| (12) | 955 359 112 03 | Discontinued part<br>Hose<br><br>with:                                    |        | 1   |        |
|      |                | Shrink-fit hose<br>Identification: >> >><br>green                         |        |     |        |
|      |                | also use: N 107 623 01  |        |     |        |
| 13   | 958 359 113 00 | Hose<br>Identification: >> >><br>yellow                                   |        | 1   |        |
| 13   | 958 359 113 01 | D >> - MJ 2014<br>Hose<br>Identification: >> >><br>yellow                 |        | 1   |        |
| 14   | 958 359 114 00 | D - MJ 2015>><br>Hose<br>Identification: >> >><br>green                   |        | 1   |        |
| (14) | 958 359 114 01 | D >> - MJ 2014<br>Hose<br>Identification: >> >><br>green<br>D - MJ 2015>> |        | 1   |        |

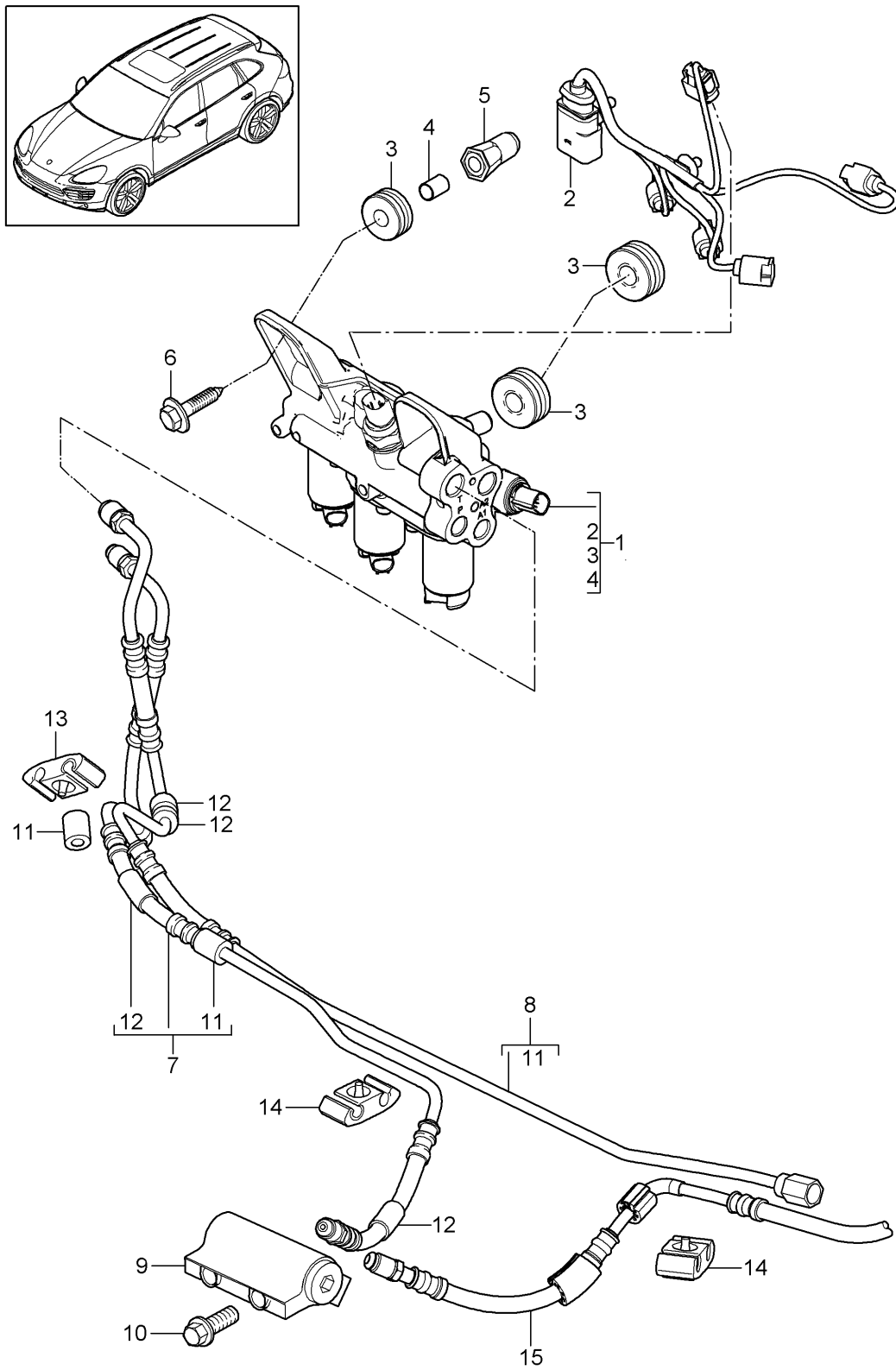
Model: 92A 11

Model life 2011>>2018

| Pos  | Part Number    | Description  | Remark   | Qty | Model |
|------|----------------|--|----------|-----|-------|
| 15   | N 107 225 01   | Distance piece<br>10,5 MM<br>for<br>Hose                         |          | 6   |       |
| (15) | N 107 623 01   | Shrink-fit hose<br>toothed lock washer<br>11,5 MM<br>for<br>Hose | without: | 6   |       |
| 16   | 955 110 722 30 | Shrink-fit hose<br>Spacer ring                                   | with:    | 2   |       |
| 17   | N 107 278 01   | Distance piece   |          | 1   |       |
| 18   | 955 359 510 00 | Line holder  |          | 2   |       |
| 19   | 958 359 510 00 | Hose bracket<br>Fourfold   |          | 1   |       |
| 19   | 958 359 510 01 | D >> - MJ 2014<br>Hose bracket<br>Fourfold<br>D - MJ 2015>>      |          | 1   |       |

Model: 92A 11

Model life 2011>>2018

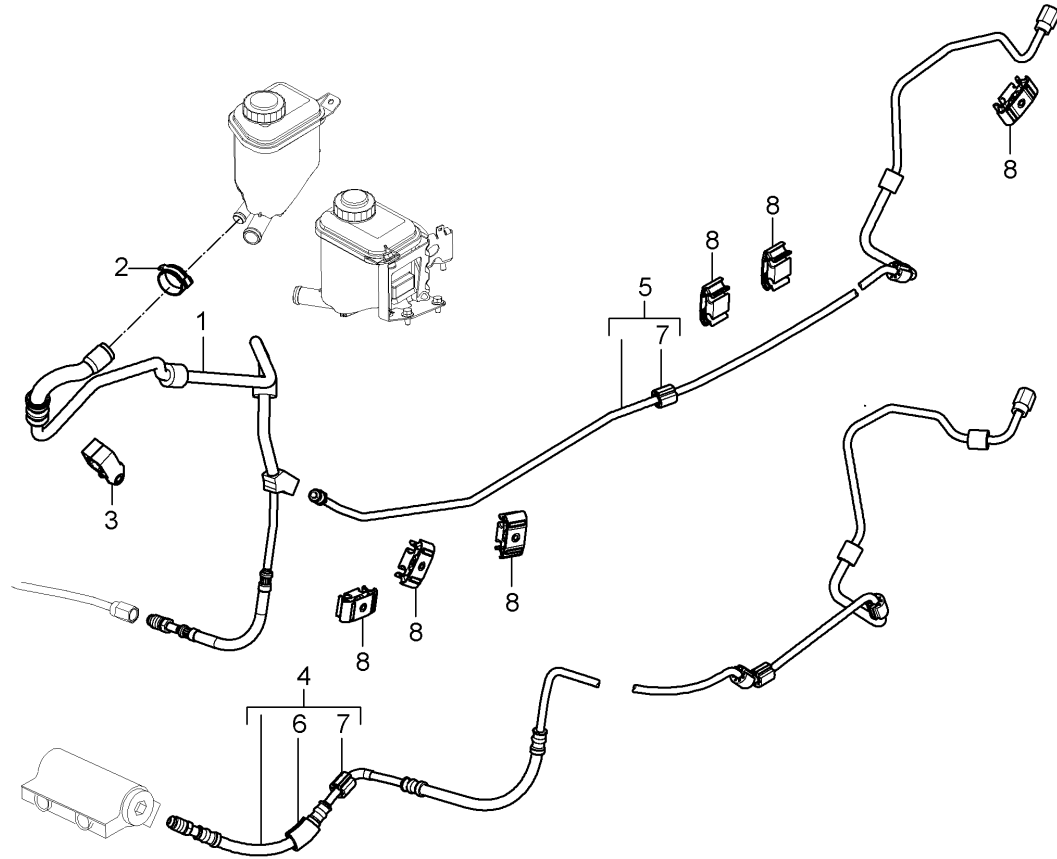
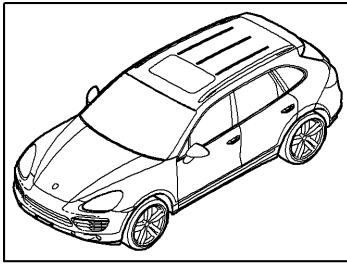


Model: 92A 11 Model life 2011>>2018

| Pos  | Part Number    | Description  | Remark       | Qty | Model  |
|------|----------------|--|--------------|-----|--------|
|      |                | Anti-roll bar<br>Valve block<br>Junction<br>Pressure line                          |              |     | PR:OAW |
| 1    | 958 359 030 00 | Valve block<br>No longer use the part here   |              | 1   |        |
| (1)  | 958 359 030 01 | Valve block  |              | 1   |        |
| 2    | 955 612 214 00 | Wire set   |              | 1   |        |
| 3    | 964 356 635 00 | Rubber bush  |              | 4   |        |
| 4    | 955 343 633 00 | Bearing bush   |              | 2   |        |
| 5    | N 902 631 04   | riveted cap nut<br>M 6   |              | 2   |        |
| 6    | N 106 998 01   | hexagon head bolt (combi)<br>M 6 X 35  |              | 2   |        |
| 7    | 955 359 115 01 | Pressure line<br>without:  |              | 1   |        |
|      |                | Shrink-fit hose  |              |     |        |
|      |                | also use:  | N 107 225 01 |     |        |
| (7)  | 955 359 115 02 | Discontinued part<br>Pressure line<br>with:  |              | 1   |        |
|      |                | Shrink-fit hose  |              |     |        |
|      |                | also use:  | N 107 623 01 |     |        |
| 8    | 955 359 116 01 | return line  |              | 1   |        |
| 9    | 958 359 231 01 | Junction   |              | 1   |        |
| 10   | N 106 532 01   | Hex collared bolt<br>M 6 X 16  |              | 2   |        |
| 11   | N 107 224 01   | Distance piece   |              | 4   |        |
| 12   | N 107 225 01   | Distance piece<br>10,5 MM<br>for<br>Pressure line<br>without:                      |              | 2   |        |
| (12) | N 107 623 01   | Shrink-fit hose<br>toothed lock washer<br>11,5 MM<br>for<br>Pressure line<br>with: |              | 2   |        |
|      |                | Shrink-fit hose  |              |     |        |
| 13   | 955 359 510 00 | Line holder  |              | 1   |        |
| 14   | 955 359 513 00 | Line holder  |              | 2   |        |
| 15   |                | Pressure line<br>see illustration:   | 402-025      | 1   |        |

Model: 92A 11

Model life 2011>>2018



Model: 92A 11

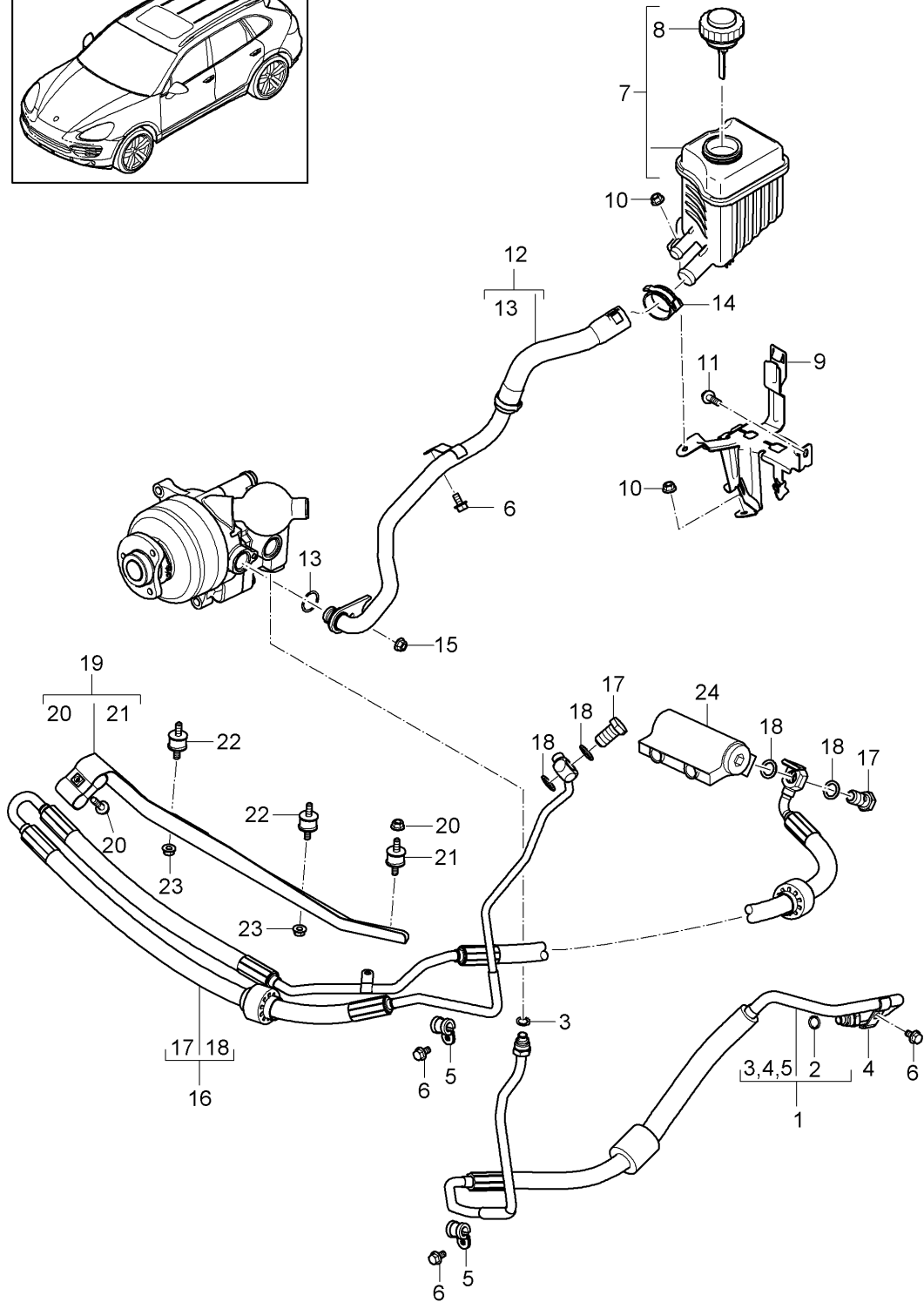
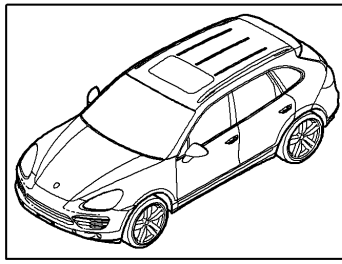
Model life 2011>>2018

| Pos | Part Number    | Description   | Remark       | Qty | Model  |
|-----|----------------|---|--------------|-----|--------|
|     |                | Anti-roll bar<br>Pressure line<br>return line<br>Underbody<br>return line |              | 1   | PR:OAW |
| 1   | 958 359 117 00 | Discontinued part<br>return line  |              | 1   |        |
| 1   | 958 359 117 01 | Discontinued part<br>return line  |              | 1   |        |
| (1) | 958 359 117 02 | return line   |              | 1   |        |
| 2   | 955 347 569 00 | Hose clamp<br>21 X 12   |              | 1   |        |
| 3   | 955 359 509 00 | Line holder   |              | 1   |        |
| (4) | 958 359 119 00 | Pressure line<br><br>without:<br>Shrink-fit hose                          |              | 1   |        |
|     |                | also use:   | N 107 225 01 |     |        |
| (4) | 958 359 119 01 | Discontinued part<br>Pressure line<br><br>without:<br>Shrink-fit hose     |              | 1   |        |
|     |                | also use:   | N 107 225 01 |     |        |
| (4) | 958 359 119 02 | Discontinued part<br>Pressure line<br><br>with:<br>Shrink-fit hose        |              | 1   |        |
|     |                | also use:   | N 107 623 01 |     |        |
| 5   | 958 359 120 00 | return line   |              | 1   |        |
| 6   | N 107 225 01   | Distance piece<br>10,5 MM<br>for<br>Pressure line                         |              | 3   |        |
|     |                | without:<br>Shrink-fit hose   |              |     |        |
| (6) | N 107 623 01   | toothed lock washer<br>11,5 MM<br>for<br>Pressure line                    |              | 3   |        |
|     |                | with:<br>Shrink-fit hose  |              |     |        |
| 7   | N 107 224 01   | Distance piece  |              | 5   |        |
| 8   | 955 359 510 00 | Line holder   |              | 6   |        |
| -   |                | oil container   |              |     |        |
|     |                | see illustration:   | 402-030      |     |        |
|     |                | and   | 402-035      |     |        |
| -   |                | Junction  |              |     |        |
|     |                | see illustration:   | 402-020      |     |        |
| -   |                | return line<br>Valve block<br>Front axle                                  |              |     |        |
|     |                | see illustration:   | 402-015      |     |        |



Model: 92A 11

Model life 2011>>2018



Model: 92A 11 Model life 2011>>2018

| Pos | Part Number    | Description  | Remark | Qty | Model  |
|-----|----------------|--|--------|-----|--------|
|     |                | Anti-roll bar<br>Lines   |        |     | PR:OAW |
| 1   | 958 347 451 30 | Engine compartment<br>oil container<br>D >> - MJ 2014<br>Pressure line | lhd    | 1   | PR:LOL |
| 1   | 958 347 451 31 | Steering gear<br>Tandem pump<br>Discontinued part                      | lhd    | 1   | PR:LOL |
| 1   | 958 347 451 32 | Pressure line<br>Steering gear<br>Tandem pump<br>D >> - MJ 2012        | lhd    | 1   | PR:LOL |
| (1) | 958 347 452 40 | D - MJ 2013>><br>Pressure line<br>Steering gear<br>Tandem pump         | rhd    | 1   | PR:LOR |
| -   | N 107 197 01   | Line holder<br>for   | rhd    | 1   | PR:LOR |
| 2   | 955 347 542 00 | Pressure line<br>O-ring<br>9,25 X 1,78                                 |        | 1   |        |
| 3   | 955 347 543 00 | O-ring<br>7,65 X 1,63  |        | 1   |        |
| 4   | N 107 635 01   | Clamp<br>10 X 15   |        | 1   |        |
| 4   | N 020 651 7    | Discontinued part<br>Clamp<br>10 X 15                                  |        | 1   |        |
| 5   | N 107 637 01   | Clamp<br>12 X 15   |        | 2   |        |
| 5   | N 020 651 7    | Discontinued part<br>Clamp<br>10 X 15                                  |        | 1   |        |
| 5   | N 020 601 5    | Clamp<br>12 X 15   |        | 2   |        |
| 6   | N 106 532 01   | To<br>Pos 16<br>Hex collared bolt<br>M 6 X 16                          |        | 2   |        |
| 6   | N 904 407 06   | Hexagon bolt<br>M 6 X 15   |        | 2   |        |
| 7   | 955 314 015 30 | To<br>Pos 16<br>oil container  |        | 1   |        |
| 8   | 958 314 145 00 | Threaded cover   |        | 1   |        |
| 9   | 958 314 235 02 | Bracket for fluid reservoir<br>-PDCC-                                  |        | 1   |        |
| 10  | N 015 082 10   | Hexagon collar nut   |        | 3   |        |
| 11  | N 906 310 03   | hexagon head bolt (combi)  |        | 1   |        |
| 12  | 958 359 118 50 | suction line<br>(complete)<br>oil container<br>Tandem pump             |        | 1   |        |
| 13  | WHT 003 695    | O-ring<br>16 X 2   |        | 2   |        |
| 14  | 955 347 569 00 | Hose clamp   |        | 1   |        |
| 15  | N 022 148 12   | hexagon nut, self-locking<br>M6  |        | 1   |        |
| 16  | 958 359 125 00 | Pressure line  |        | 1   | PR:OAW |

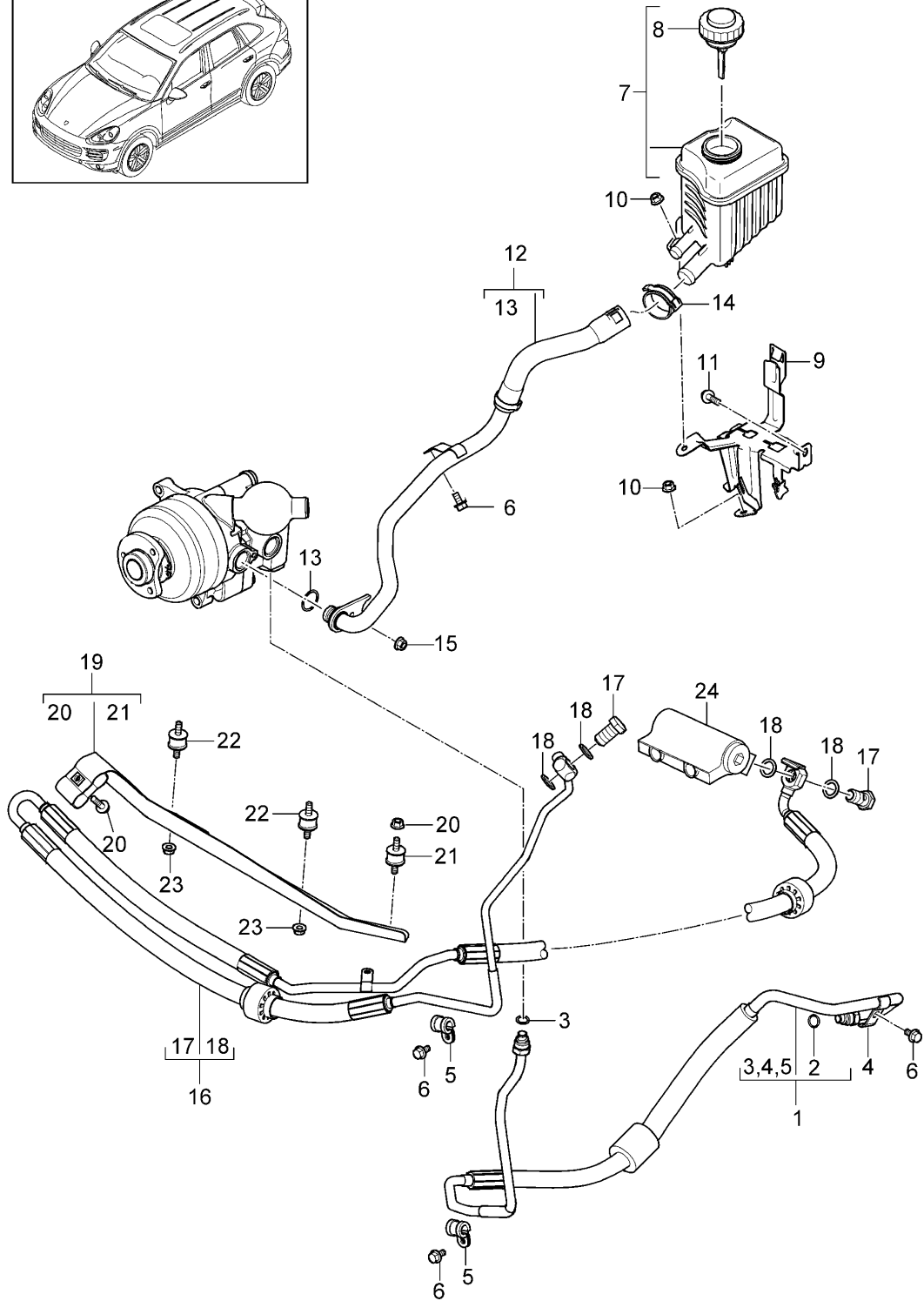
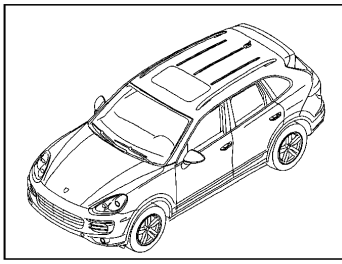
Model: 92A 11

Model life 2011&gt;&gt;2018

| Pos | Part Number    | Description   | Remark  | Qty | Model |
|-----|----------------|---|---------|-----|-------|
| 17  | N 021 074 7    | Tandem pump<br>Junction<br>Banjo bolt<br>M 14 X 1,5 |         | 2   |       |
| 18  | N 013 849 5    | seal ring<br>A 14 X 20                              |         | 4   |       |
| 19  | 958 359 310 00 | Bracket   |         | 1   |       |
| 20  | N 102 856 02   | hexagon head bolt (combi)<br>M 6 X 25               |         | 1   |       |
| 21  | 955 343 638 10 | Bonded rubber buffer                                |         | 1   |       |
| 22  | 955 343 638 10 | Bonded rubber buffer                                |         | 2   |       |
| 23  | N 015 082 13   | Hexagon collar nut<br>M 6                           |         | 3   |       |
| 24  |                | Junction<br>see illustration:                       | 402-020 | 1   |       |

Model: 92A 11

Model life 2011>>2018



Model: 92A 11 Model life 2011>>2018

| Pos  | Part Number    | Description   | Remark | Qty | Model   |
|------|----------------|---|--------|-----|---|
|      |                | Anti-roll bar<br>Lines  |        |     | CFTB,CFT,<br>CURA,CUR,<br>CXZA,CXZ+<br>PR:0AW |
| 1    | 958 347 451 32 | Engine compartment<br>oil container<br>D - MJ 2015>><br>Pressure line | lhd    | 1   | CFTB,CFT+<br>PR:L0L                           |
| (1)  | 958 347 451 70 | Steering gear<br>Tandem pump<br>Pressure line                         | lhd    | 1   | CURA,CUR,<br>CXZA,CXZ+<br>PR:L0L              |
| (1)  | 958 347 452 42 | Steering gear<br>Tandem pump<br>Pressure line                         | rhd    | 1   | CFTB,CFT+<br>PR:L0R                           |
| (1)  | 958 347 452 70 | Steering gear<br>Tandem pump<br>Pressure line                         | rhd    | 1   | CURA,CUR,<br>CXZA,CXZ+<br>PR:L0R              |
| -    | N 107 197 01   | Line holder<br>for<br>Pressure line                                   | rhd    | 1   | PR:L0R  |
| 2    | 955 347 542 00 | O-ring<br>9,25 X 1,78   |        | 1   |   |
| 3    | 955 347 543 00 | O-ring<br>7,65 X 1,63   |        | 1   |   |
| 4    | N 020 651 7    | Clamp<br>10 X 15  |        | 1   |   |
| 5    | N 020 651 7    | Clamp<br>10 X 15  |        | 1   |   |
| 5    | N 020 601 5    | Clamp<br>12 X 15  |        | 2   |   |
| 6    | N 106 532 01   | To<br>POS 16<br>Hex collared bolt<br>M 6 X 16                         |        | 2   |   |
| (6)  | N 107 591 01   | Hex collared bolt<br>M6 X 12<br>D - MJ 2017>>                         |        | 1   |   |
| 6    | N 904 407 06   | Hexagon bolt<br>M 6 X 15  |        | 2   |   |
| 7    | 955 314 015 30 | To<br>POS 16<br>oil container   |        | 1   |   |
| 8    | 958 314 145 00 | Threaded cover  |        | 1   |   |
| 9    | 958 343 235 02 | Bracket<br>oil container<br>-PDCC-                                    | left   | 1   |   |
| 10   | N 015 082 10   | Hexagon collar nut  |        | 3   |   |
| 11   | N 906 310 03   | hexagon head bolt (combi)   |        | 1   |   |
| 12   | 958 359 118 52 | suction line<br>(complete)<br>oil container                           |        | 1   | CFTB,CFT                                      |
| (12) | 958 359 118 70 | Tandem pump<br>suction line<br>(complete)<br>oil container            |        | 1   | CURA,CUR,<br>CXZA,CXZ                         |
| 13   | WHT 003 695    | Tandem pump<br>O-ring<br>16 X 2                                       |        | 2   |   |
| 14   | 955 347 569 00 | Hose clamp  |        | 1   |   |
| 15   | N 022 148 12   | hexagon nut, self-locking<br>M6                                       |        | 1   |   |
| 16   | 958 359 125 02 | Pressure line<br>Tandem pump  |        | 1   | CFTB,CFT                                      |

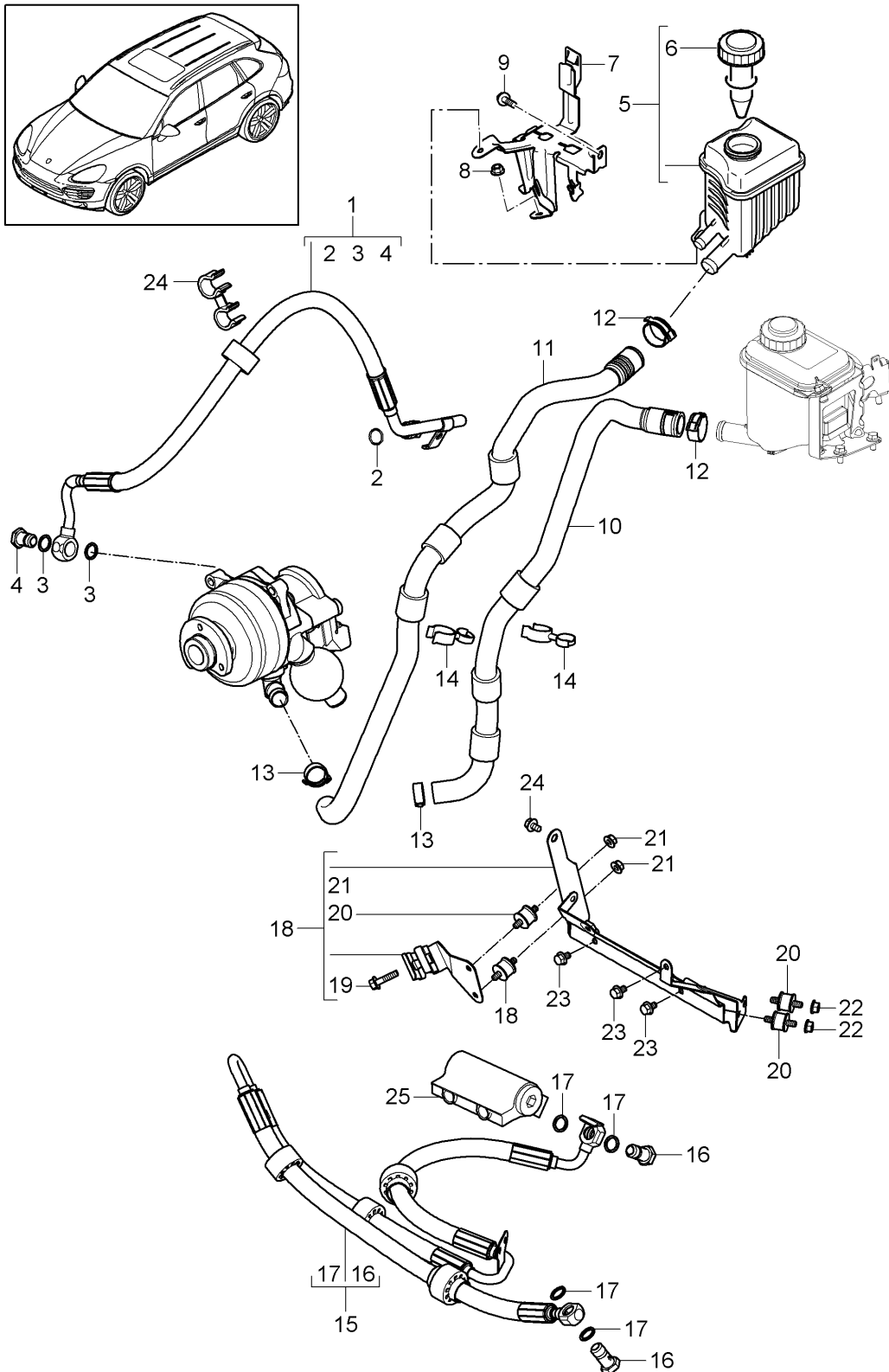
Model: 92A 11

Model life 2011>>2018

| Pos  | Part Number    | Description                              | Remark  | Qty | Model                   |
|------|----------------|--|---------|-----|-------------------------|
| (16) | 958 359 125 70 | Junction<br>Pressure line<br>Tandem pump |         | 1   | CURA, CUR,<br>CXZA, CXZ |
| 17   | N 021 074 7    | Junction<br>Banjo bolt<br>M 14 X 1,5     |         | 2   |                         |
| 18   | N 013 849 5    | seal ring<br>A 14 X 20                   |         | 4   |                         |
| 19   | 958 359 310 00 | Bracket                                  |         | 1   | CFTB, CFT               |
| 20   | N 102 856 02   | hexagon head bolt (combi)<br>M 6 X 25    |         | 1   |                         |
| 21   | 955 343 638 10 | Bonded rubber buffer                     |         | 1   |                         |
| 22   | 955 343 638 10 | Bonded rubber buffer                     |         | 2   |                         |
| 23   | N 015 082 13   | Hexagon collar nut<br>M 6                |         | 3   |                         |
| 24   |                | Junction<br><br>see illustration:        | 402-020 | 1   |                         |

Model: 92A 11

Model life 2011>>2018



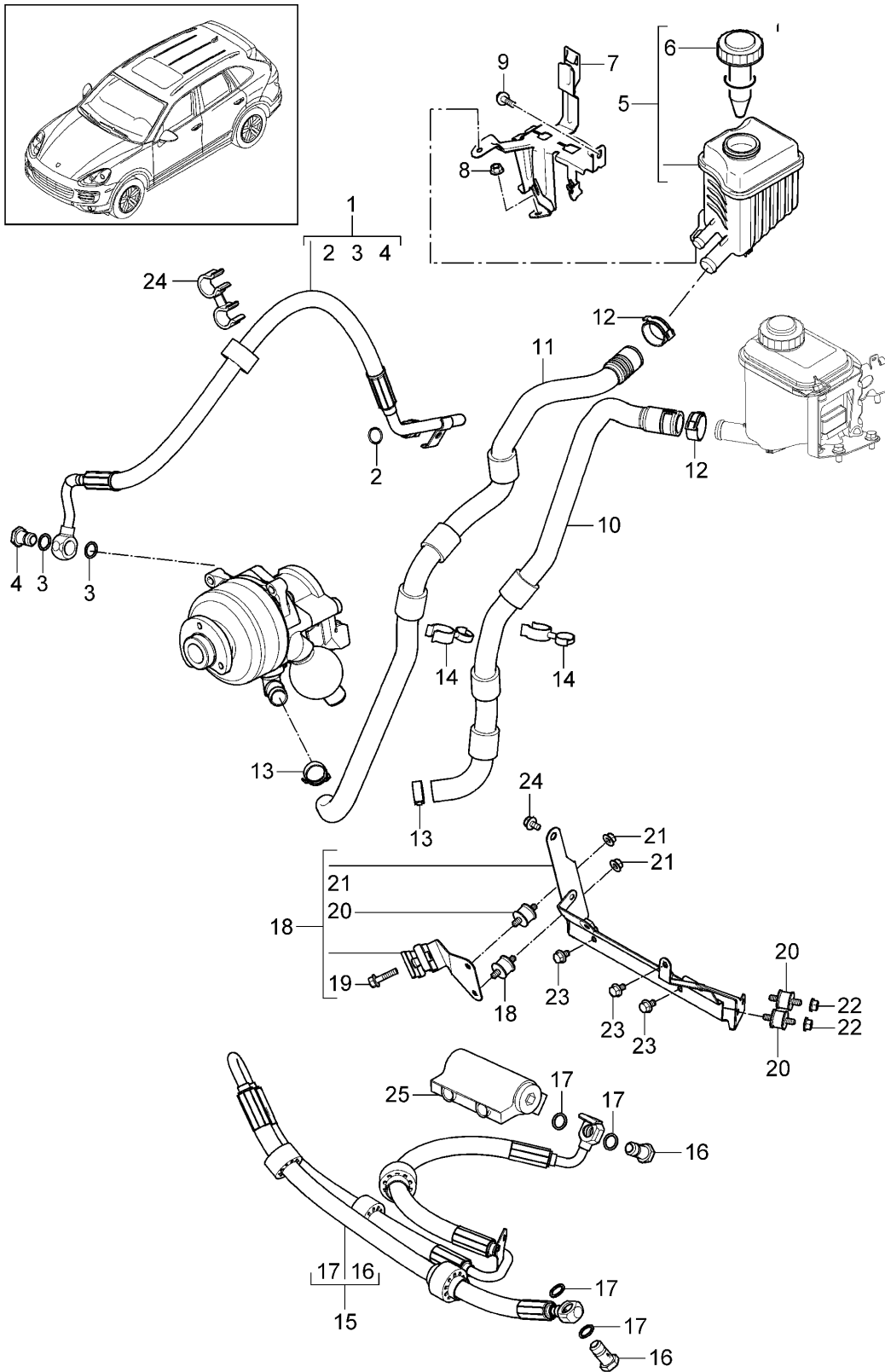
Model: 92A 11 Model life 2011>>2018

| Pos | Part Number    | Description                                     | Remark  | Qty | Model  |
|-----|----------------|---|---------|-----|--------|
|     |                | Anti-roll bar<br>Lines                          |         |     | PR:OAW |
|     |                | Engine compartment<br>oil container             |         |     |        |
|     |                | D >> - MJ 2014                                  |         |     |        |
| 1   | 958 347 451 40 | Pressure line                                   | lhd     | 1   | PR:LOL |
| (1) | 958 347 452 50 | Steering gear<br>Tandem pump                    |         |     |        |
|     |                | Pressure line                                   | rhd     | 1   | PR:LOR |
|     |                | Steering gear<br>Tandem pump                    |         |     |        |
| 2   | 955 347 542 00 | O-ring  |         | 1   |        |
|     |                | 9,25 X 1,78                                     |         |     |        |
| 3   | WHT 001 878    | Banjo bolt                                      |         | 1   |        |
|     |                | M 16 X 1,5                                      |         |     |        |
| 4   | N 013 848 6    | seal ring                                       |         | 2   |        |
|     |                | A 16 X 22                                       |         |     |        |
| 5   | 955 314 015 30 | oil container                                   |         | 1   |        |
| 6   | 958 314 145 00 | Threaded cover                                  |         | 1   |        |
| 7   | 958 314 235 02 | Bracket for fluid reservoir<br>- PDCC -         |         | 1   |        |
| 8   | N 015 082 10   | Hexagon collar nut                              |         | 3   |        |
|     |                | M 6   |         |     |        |
| 9   | N 906 310 03   | hexagon head bolt (combi)                       |         | 1   |        |
|     |                | M 6   |         |     |        |
| 10  |                | Intake hose                                     |         | 1   |        |
|     |                | oil container                                   |         |     |        |
|     |                | Power steering<br>Tandem pump                   |         |     |        |
| 11  | 958 359 118 00 | see illustration:<br>suction line<br>(complete) | 403-010 | 1   |        |
|     |                | oil container<br>-PDCC-                         |         |     |        |
|     |                | Tandem pump                                     |         |     |        |
| 12  | N 906 870 01   | Spring band clamp                               |         | 2   |        |
|     |                | B 27 X 12                                       |         |     |        |
| 13  | 999 512 656 09 | Hose clamp                                      |         | 2   |        |
|     |                | B 25 X 12                                       |         |     |        |
| 14  | N 104 005 01   | Double hose holder                              |         | 2   |        |
|     |                | Intake hose<br>Refrigerant line                 |         |     |        |
| 15  | 955 359 125 03 | Pressure line                                   |         | 1   |        |
|     |                | Tandem pump<br>Junction                         |         |     |        |
| 16  | N 021 074 7    | Banjo bolt                                      |         | 2   |        |
|     |                | M 14 X 1,5                                      |         |     |        |
| 17  | N 013 849 5    | seal ring                                       |         | 4   |        |
|     |                | A 14 X 20                                       |         |     |        |
| 18  | 955 359 310 00 | bracket for pressure line                       |         | 1   |        |
| 19  | N 102 856 02   | hexagon head bolt (combi)                       |         | 1   |        |
|     |                | M 6 X 25  |         |     |        |
| 20  | 955 343 638 10 | Bonded rubber buffer                            |         | 4   |        |
| 21  | N 015 082 13   | Hexagon collar nut                              |         | 2   |        |
|     |                | M 6   |         |     |        |
| 22  | N 015 082 13   | Hexagon collar nut                              |         | 2   |        |
|     |                | M 6   |         |     |        |
| 23  | N 906 310 03   | hexagon head bolt (combi)                       |         | 3   |        |
|     |                | M 6 X 12.0                                      |         |     |        |
| 24  | N 906 310 03   | hexagon head bolt (combi)                       |         | 1   | PR:GOL |
|     |                | M 6 X 12.0                                      |         |     |        |
| 25  |                | Junction  |         | 1   |        |
|     |                | see illustration:                               | 402-020 |     |        |



Model: 92A 11

Model life 2011>>2018



Model: 92A 11 Model life 2011>>2018

| Pos  | Part Number    | Description   | Remark  | Qty | Model           |
|------|----------------|---|---------|-----|-----------------|
|      |                | Anti-roll bar<br>Lines  |         |     | CEYA+<br>PR:OAW |
| 1    | 958 347 451 42 | Engine compartment<br>oil container<br>D - MJ 2015>><br>Pressure line   | lhd     | 1   | PR:LOL          |
| (1)  | 958 347 452 51 | Steering gear<br>Tandem pump<br>Pressure line   | rhd     | 1   | PR:LOR          |
| 2    | 955 347 542 00 | Steering gear<br>Tandem pump<br>O-ring  |         | 1   |                 |
| 3    | WHT 001 878    | 9,25 X 1,78<br>Banjo bolt   |         | 1   |                 |
| 4    | N 013 848 6    | M 16 X 1,5<br>seal ring   |         | 2   |                 |
| 5    | 955 314 015 30 | A 16 X 22<br>oil container  |         | 1   |                 |
| 6    | 958 314 145 00 | Threaded cover  |         | 1   |                 |
| 7    | 958 343 235 02 | Bracket   | left    | 1   |                 |
| 8    | N 015 082 10   | oil container<br>-PDCC-<br>Hexagon collar nut   |         | 3   |                 |
| 9    | N 906 310 03   | M 6<br>hexagon head bolt (combi)  |         | 1   |                 |
| 10   |                | M 6<br>Intake hose  |         | 1   |                 |
| 11   | 958 359 118 02 | oil container<br>Power steering<br>Tandem pump<br>see illustration:   | 403-012 | 1   |                 |
| (11) | 958 359 118 03 | suction line<br>(complete)<br>oil container<br>-PDCC-<br>Tandem pump<br>D >> - 29.05.2016                     |         | 1   |                 |
| 12   | N 906 870 01   | suction line<br>(complete)<br>oil container<br>-PDCC-<br>Tandem pump<br>D - 30.05.2016>><br>Spring band clamp |         | 2   |                 |
| 13   | 999 512 656 09 | B 27 X 12<br>Hose clamp   |         | 2   |                 |
| 14   | N 104 421 01   | B 25 X 12<br>Bracket  |         | 2   |                 |
| 15   | 955 359 125 03 | Intake hose<br>Refrigerant line<br>Pressure line  |         | 1   |                 |
| 16   | N 021 074 7    | Tandem pump<br>Junction<br>Banjo bolt   |         | 2   |                 |
| 17   | N 013 849 5    | M 14 X 1,5<br>seal ring   |         | 4   |                 |
| 18   | 955 359 310 00 | A 14 X 20<br>bracket for pressure line  |         | 1   |                 |
| 19   | N 102 856 02   | hexagon head bolt (combi)<br>M 6 X 25   |         | 1   |                 |
| 20   | 955 343 638 10 | Bonded rubber buffer  |         | 4   |                 |
| 21   | N 015 082 13   | Hexagon collar nut<br>M 6   |         | 2   |                 |

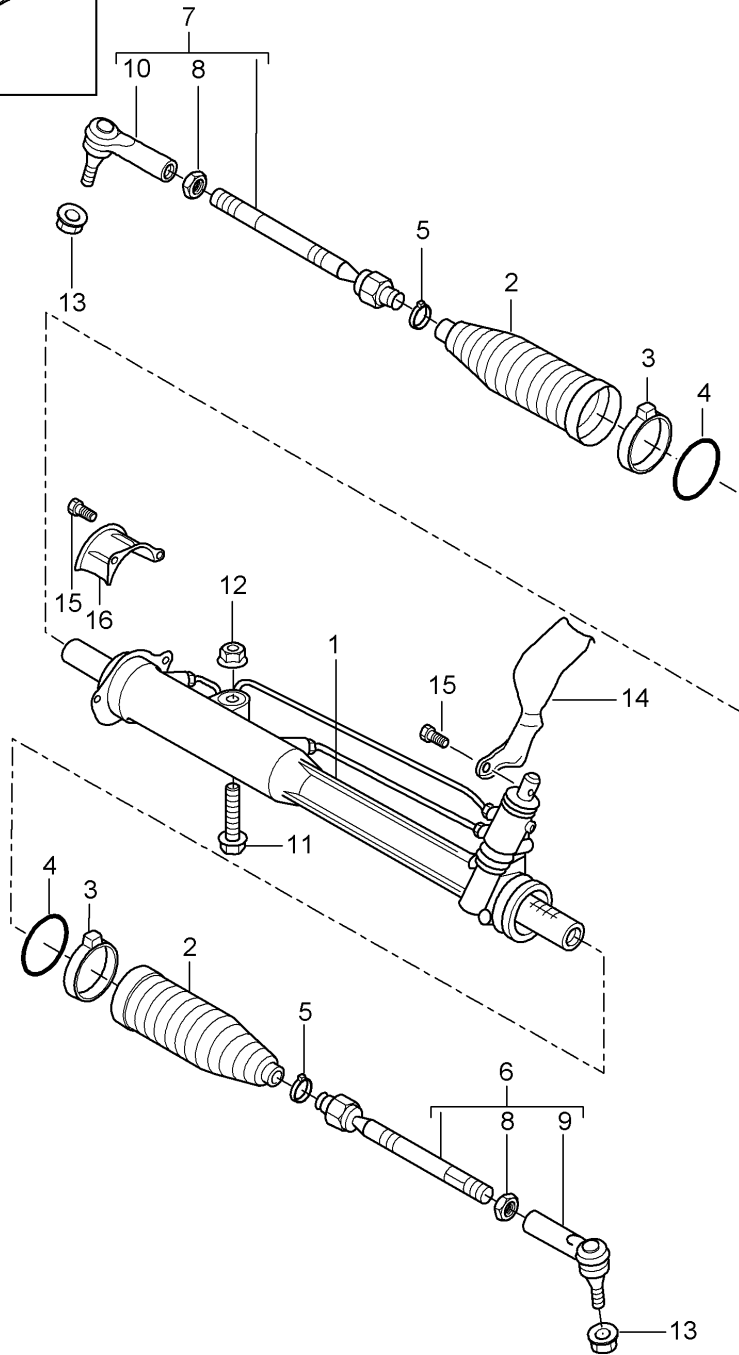
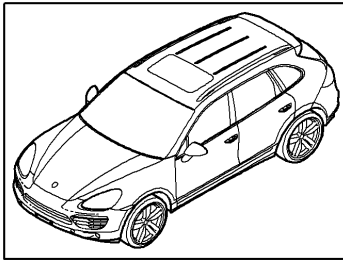
Model: 92A 11

Model life 2011>>2018

| Pos | Part Number  | Description                             | Remark  | Qty | Model  |
|-----|--------------|---|---------|-----|--------|
| 22  | N 015 082 13 | Hexagon collar nut<br>M 6               |         | 2   |        |
| 23  | N 906 310 03 | hexagon head bolt (combi)<br>M 6 X 12.0 |         | 3   |        |
| 24  | N 906 310 03 | hexagon head bolt (combi)<br>M 6 X 12.0 |         | 1   | PR:GOL |
| 25  |              | Junction<br>see illustration:           | 402-020 | 1   |        |

Model: 92A 11

Model life 2011>>2018

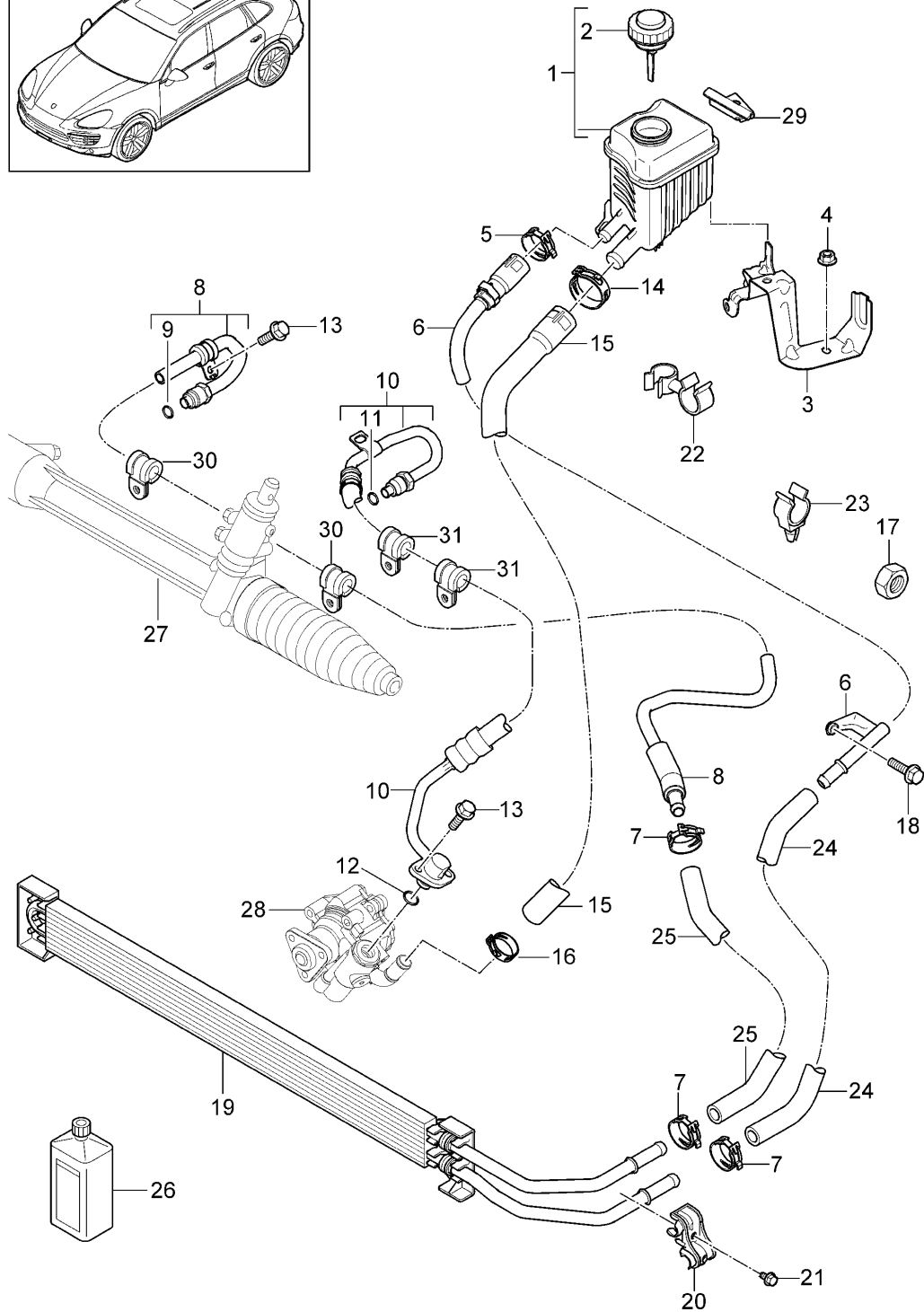
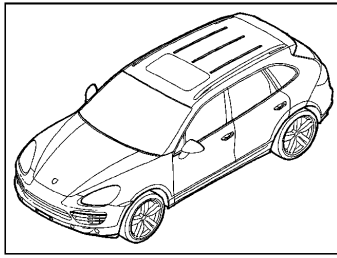


Model: 92A 11 Model life 2011>>2018

| Pos  | Part Number    | Description  | Remark | Qty | Model              |
|------|----------------|--|--------|-----|--------------------|
| 1    | 958 347 011 00 | Power steering<br>Steering gear                      | lhd    | 1   | PR:L0L,0K0,<br>1N1 |
| (1)  | 958 347 011 20 | Steering parts<br>Steering gear<br>Power steering    | lhd    | 1   | PR:L0L,0K0,<br>1N3 |
| (1)  | 958 347 011 21 | Discontinued part<br>Steering gear<br>Power steering | lhd    | 1   | PR:L0L,0K0,<br>1N3 |
| (1)  | 958 347 011 BX | Steering gear<br>Power steering                      | lhd    | 1   | PR:L0L,0K0,<br>1N3 |
| (1)  | 958 347 011 30 | Steering gear<br>Power steering                      | lhd    | 1   | PR:L0L,0K1,<br>0K3 |
| (1)  | 958 347 011 CX | Steering gear<br>Power steering                      | lhd    | 1   | PR:L0L,0K1,<br>0K3 |
| (1)  | 958 347 012 00 | Steering gear<br>Power steering                      | rhd    | 1   | PR:L0R,0K0,<br>1N1 |
| (1)  | 958 347 012 20 | Steering gear<br>Power steering<br>Discontinued part | rhd    | 1   | PR:L0R,0K0,<br>1N3 |
| (1)  | 958 347 012 21 | Steering gear<br>Power steering                      | rhd    | 1   | PR:L0R,0K0,<br>1N3 |
| (1)  | 958 347 012 BX | Steering gear<br>Power steering                      | rhd    | 1   | PR:L0R,0K0,<br>1N3 |
| (1)  | 958 347 012 30 | Steering gear<br>Power steering                      | rhd    | 1   | PR:L0R,0K1,<br>0K3 |
| (1)  | 958 347 012 CX | Steering gear<br>Power steering                      | rhd    | 1   | PR:L0R,0K1,<br>0K3 |
| 2    | 955 347 191 10 | Bellows  |        | 2   |                    |
| 3    | N 105 517 01   | Ear crimp hose clamp                                 |        | 2   |                    |
| 4    | N 901 809 02   | O-ring   |        | 2   |                    |
| 5    | 955 347 645 00 | Clamp  |        | 2   |                    |
| 6    | 955 347 031 22 | Steering track rod                                   | left   | 1   |                    |
|      |                | with:  |        |     |                    |
| 7    | 955 347 032 22 | ball joint<br>Steering track rod                     | right  | 1   |                    |
|      |                | with:  |        |     |                    |
| 8    | N 011 164 18   | ball joint<br>Hexagon nut<br>M 16 X 1,5              |        | 2   |                    |
| 9    | 955 347 131 22 | ball joint   | left   | 1   |                    |
| 10   | 955 347 132 22 | ball joint   | right  | 1   |                    |
| 11   | N 104 280 02   | Hex collared bolt<br>M 12 X 1,5 X 80                 |        | 2   |                    |
| 12   | N 104 029 04   | Hexagon nut<br>M 12 X 1,5                            |        | 2   |                    |
| 13   | WHT 003 948    | Hexagon collar nut<br>self-locking<br>M 14X1.5       |        | 2   |                    |
| 14   | 955 347 201 01 | Heat insulation                                      | lhd    | 1   | PR:L0L             |
| (14) | 955 347 202 10 | Heat insulation                                      | rhd    | 1   | PR:L0R             |
| 15   | N 106 532 01   | Hex collared bolt<br>M 6 X 16                        |        | 4   |                    |
| 16   | 955 347 203 00 | Heat insulation<br>Bellows                           |        | 1   |                    |

Model: 92A 11

Model life 2011>>2018



Model: 92A 11 Model life 2011>>2018

| Pos  | Part Number    | Description   | Remark         | Qty | Model         |
|------|----------------|---|----------------|-----|---------------|
|      |                | Power steering<br>Lines<br>Oil cooler<br>D >> - MJ 2014                                 |                |     | PR:OK0        |
| 1    | 955 314 015 30 | oil container   |                | 1   |               |
| 2    | 958 314 145 00 | Power steering<br>Threaded cover<br>oil container                                       |                | 1   |               |
| 3    | 958 314 210 00 | Bracket for fluid reservoir   |                | 1   | PR:-E0W       |
| (3)  | 958 314 210 10 | Bracket for fluid reservoir   |                | 1   | GTS<br>PR:E0W |
| 4    | N 015 082 10   | Hexagon collar nut<br>M6  |                | 3   |               |
| 5    | 955 347 569 00 | Hose clamp  |                | 1   |               |
| 6    | 958 347 439 00 | return line<br>Oil cooler<br>oil container  |                | 1   |               |
| 7    | N 909 264 01   | Spring band clamp<br>B19 X 12   |                | X   |               |
| 8    | 958 347 449 00 | return line<br>Steering gear  | lhd            | 1   | PR:L0L        |
| 8    | 958 347 450 00 | Oil cooler<br>return line<br>Steering gear<br>Oil cooler                                | rhd            | 1   | PR:L0R        |
| (8)  | 958 347 450 01 | Discontinued part<br>return line<br>Steering gear<br>Oil cooler                         | rhd            | 1   | PR:L0R        |
| 8    | 958 347 450 10 | return line<br>Steering gear<br>Oil cooler  | rhd            | 1   | PR:L0R        |
| 9    | 955 347 543 00 | O-ring  |                | 1   |               |
| 10   | 958 347 451 00 | Pressure line<br>Power-steering pump<br>Steering gear<br>Discontinued part              | lhd            | 1   | PR:0AB,L0L    |
| (10) | 958 347 451 03 | Pressure line<br>Power-steering pump<br>Steering gear                                   | lhd            | 1   | PR:0AB,L0L    |
| (10) | 958 347 452 00 | Pressure line<br>Power-steering pump<br>Steering gear<br>Discontinued part              | rhd            | 1   | PR:0AB,L0R    |
| (10) | 958 347 452 01 | Pressure line<br>Power-steering pump<br>Steering gear                                   | rhd            | 1   | PR:0AB,L0R    |
| 10   | 958 347 451 40 | Pressure line<br>Tandem pump<br>Steering gear   | lhd            | 1   | PR:0AW,L0L    |
| 10   | 958 347 451 42 | see illustration:<br>Discontinued part<br>Pressure line<br>Tandem pump<br>Steering gear | 402-035<br>lhd | 1   | PR:0AW,L0L    |
| (10) | 958 347 452 50 | see illustration:<br>Pressure line<br>Tandem pump<br>Steering gear<br>Discontinued part | 402-035<br>rhd | 1   | PR:0AW,L0R    |
| (10) | 958 347 452 51 | Pressure line<br>Tandem pump  | rhd            | 1   | PR:0AW,L0R    |

Model: 92A 11 Model life 2011>>2018

| Pos  | Part Number    | Description  | Remark | Qty | Model               |
|------|----------------|--|--------|-----|---------------------|
| (10) | 958 347 451 10 | Steering gear<br>Pressure line<br>Power-steering pump<br>Steering gear<br>Discontinued part  | lhd    | 1   | PR:0AB,L0L          |
| (10) | 958 347 452 10 | Pressure line<br>Power-steering pump<br>Steering gear<br>Discontinued part                   | rhd    | 1   | PR:0AB,L0R          |
| (10) | 958 347 452 13 | Pressure line<br>Power-steering pump<br>Steering gear  | rhd    | 1   | PR:0AB,L0R          |
| (10) | 958 347 451 30 | Pressure line<br>Tandem pump<br>Steering gear<br>see illustration:                           | lhd    | 1   | PR:0AW,L0L          |
| (10) | 958 347 451 32 | Discontinued part<br>Pressure line<br>Tandem pump<br>Steering gear<br>see illustration:      | lhd    | 1   | PR:0AW,L0L          |
| (10) | 958 347 452 40 | Pressure line<br>Tandem pump<br>Steering gear<br>see illustration:                           | rhd    | 1   | PR:0AW,L0R          |
| (10) | 958 347 452 42 | Discontinued part<br>Pressure line<br>Tandem pump<br>Steering gear<br>see illustration:      | rhd    | 1   | PR:0AW,L0R          |
| (10) | 958 347 451 20 | Pressure line<br>Power-steering pump<br>Steering gear<br>Discontinued part                   | lhd    | 1   | PR:L0L              |
| (10) | 958 347 451 21 | Pressure line<br>Power-steering pump<br>Steering gear<br>Discontinued part                   | lhd    | 1   | PR:D43,D50,L0L      |
| (10) | 958 347 451 22 | Pressure line<br>Power-steering pump<br>Steering gear<br>EINS. 28.05.12<br>Discontinued part | lhd    | 1   | PR:L0L              |
| (10) | 958 347 451 23 | Pressure line<br>Power-steering pump<br>Steering gear  | lhd    | 1   | PR:L0L              |
| (10) | 958 347 451 23 | Pressure line<br>Power-steering pump<br>Steering gear  | lhd    | 1   | PR:L0L,D43          |
| (10) | 955 347 452 70 | Pressure line<br>Power-steering pump<br>Steering gear  | rhd    | 1   | PR:L0R              |
| (10) | 958 347 451 50 | Pressure line<br>Power-steering pump<br>Steering gear<br>Discontinued part<br>also use:      | lhd    | 1   | PR:D11,L0L<br>"CN." |
| (10) | 958 347 451 54 | Pressure line<br>Power-steering pump<br>Steering gear  | lhd    | 1   | PR:D11,L0L<br>"CN." |
| (10) | 958 347 451 60 | Pressure line<br>Power-steering pump<br>Steering gear  | lhd    | 1   | PR:DD8,L0L          |



Model: 92A 11 Model life 2011>>2018

| Pos  | Part Number    | Description   | Remark | Qty | Model                     |
|------|----------------|---|--------|-----|---------------------------|
| (10) | 958 347 452 60 | Pressure line<br>Power-steering pump                                      | rhd    | 1   | PR:DD8 ,L0R               |
| 11   | 955 347 542 00 | Steering gear<br>O-ring   |        | 1   |                           |
| 12   | WHT 005 161    | 9,25 X 1,78<br>O-ring   |        | 1   | PR:0AB                    |
| (12) | WHT 002 666    | 11 X 1,8<br>seal ring   | rhd    | 1   | PR:0AB ,L0R               |
| (12) | WHT 002 666    | 9.8 X 2.50<br>seal ring   |        | 1   | PR:0AB                    |
| (12) | 955 347 543 00 | 9.8 X 2.50<br>O-ring  |        | 1   | PR:0AW                    |
| (12) | N 013 848 6    | 7,65 X 1,63<br>seal ring  |        | 1   | PR:0AW                    |
| 13   | N 106 532 01   | 16 X 22<br>Hex collared bolt  |        | 2   |                           |
| 13   | N 106 532 01   | M6 X 16<br>Hex collared bolt  | rhd    | 4   | PR:L0R                    |
| 13   | N 106 532 01   | M6 X 16<br>Hex collared bolt  | rhd    | 5   | PR:L0R                    |
| 14   | N 906 870 01   | M6 X 16<br>Spring band clamp  |        | 1   |                           |
| 15   | 958 347 422 00 | B27 X 12<br>suction line<br>oil container<br>Power-steering pump          |        | 1   | PR:0AB                    |
| (15) | 958 347 422 01 | Discontinued part<br>suction line<br>oil container<br>Power-steering pump |        | 1   | PR:0AB ,0AC               |
| (15) | 958 347 422 10 | suction line<br>oil container<br>Tandem pump                              |        | 1   | PR:0AW                    |
| 15   | 958 347 422 11 | Discontinued part<br>suction line<br>oil container<br>Tandem pump         |        | 1   | PR:0AW                    |
| (15) | 958 347 422 20 | suction line<br>oil container<br>Power-steering pump                      |        | 1   | PR:0AB ,0AC ,<br>D6V ,D58 |
| 15   | 958 347 422 30 | suction line<br>oil container<br>Pump                                     |        | 1   | PR:0AW                    |
| 15   | 958 347 422 32 | Discontinued part<br>suction line<br>oil container<br>Pump                |        | 1   | PR:0AW                    |
| 15   | 958 347 422 40 | suction line<br>oil container<br>Pump                                     |        | 1   |                           |
| 15   | 958 347 422 41 | Discontinued part<br>suction line<br>oil container<br>Pump                |        | 1   |                           |
| (15) | 958 347 422 41 | suction line<br>oil container<br>Pump                                     |        | 1   | PR:D43                    |
| 15   | 958 347 422 50 | suction line<br>oil container<br>Pump                                     |        | 1   | PR:D11<br>"CN. "          |
| 15   | 958 347 422 70 | suction line<br>oil container<br>Pump                                     |        | 1   | PR:DD8                    |

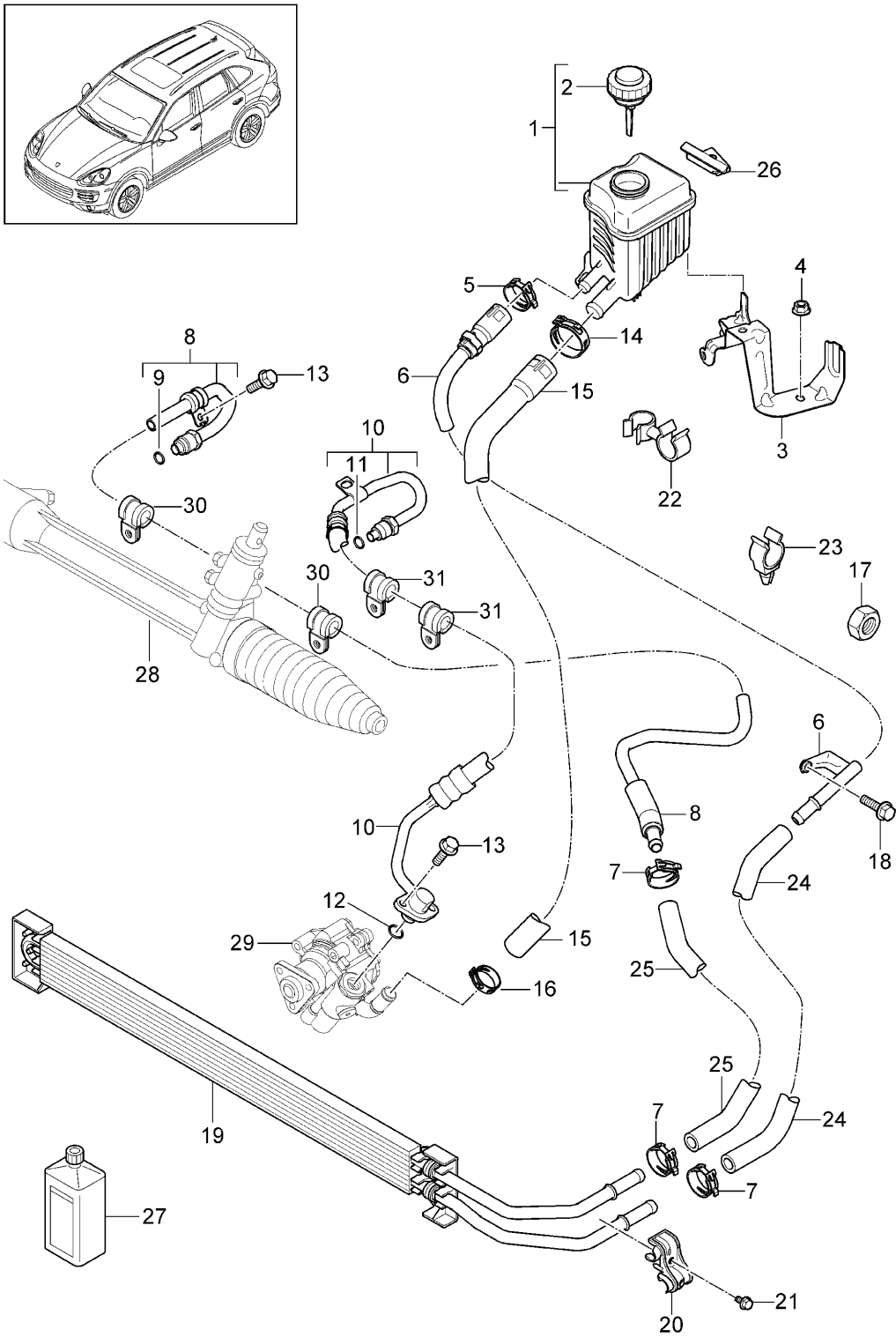
Model: 92A 11

Model life 2011>>2018

| Pos  | Part Number    | Description  | Remark  | Qty | Model  |
|------|----------------|--|---------|-----|--|
| 16   | N 906 869 01   | Spring band clamp<br>B 23 X 12   |         | 1   |  |
| 17   | N 907 143 03   | hex. nut with washer<br>M6   |         | 1   |  |
| 18   | N 100 095 06   | hexagon head bolt (combi)<br>M6 X 18   |         | 1   |  |
| 19   | 958 347 069 00 | Oil cooler<br>Power steering   |         | 1   | PR:-0AW,G1G,<br>D34,D50,D11,<br>DD8,D43,D6V,<br>-E0W |
| (19) | 958 347 069 10 | Oil cooler<br>Power steering   |         | 1   | PR:0AW,D6V,<br>D58                                   |
| (19) | 958 347 069 10 | Oil cooler<br>Power steering   |         | 1   | PR:D58   |
| (19) | 958 347 069 20 | Oil cooler<br>Power steering   |         | 1   | PR:-0AW,E0W  |
| (19) | 958 347 069 30 | Oil cooler<br>Power steering   |         | 1   | PR:0AW,G1G,<br>D34                                   |
| (19) | 958 347 069 30 | Oil cooler<br>Power steering   |         | 1   | PR:G0L,D34   |
| 20   | 958 347 577 00 | Retainer for oil cooler  |         | 1   |  |
| 21   | N 104 734 02   | round hd. screw<br>M6 X 20   |         | 1   |  |
| 22   | N 104 421 01   | Bracket  |         | X   |  |
| 23   | N 909 435 01   | Hose bracket   |         | 3   |  |
| 24   | 958 347 963 01 | return line<br>Oil cooler  |         | 1   |  |
| 25   | 958 347 895 01 | return line<br>Oil cooler  |         | 1   |  |
| (25) | 958 347 895 01 | return line<br>Oil cooler  |         | 1   | PR:D50,L0L   |
| (25) | 958 347 895 01 | return line<br>Oil cooler  |         | 1   | PR:D43   |
| (25) | 958 347 895 03 | return line<br>Oil cooler  |         | 1   | PR:D50,L0R   |
| 26   |                | Oil  |         | 1   |  |
| 27   |                | see illustration:<br>Steering gear   | 403-020 |     |  |
| 28   |                | see illustration:<br>Pump  | 403-000 |     |  |
| 29   | 958 314 210 50 | see illustration:<br>Bracket for fluid reservoir<br>and<br>Connection point<br>Cable<br>Engine bay | 403-020 | 1   |  |
| 30   | N 020 651 7    | Clamp  |         | 2   |  |
| 31   | N 020 601 5    | Clamp  | rhd     | 2   | PR:L0R   |

Model: 92A 11

Model life 2011>>2018



Model: 92A 11 Model life 2011>>2018

| Pos  | Part Number    | Description  | Remark         | Qty | Model   |
|------|----------------|--|----------------|-----|---|
|      |                | Power steering<br>Lines<br>Oil cooler<br>D - MJ 2015>>             |                |     | PR:OK0  |
| 1    | 955 314 015 30 | oil container  |                | 1   |   |
| 2    | 958 314 145 00 | Power steering<br>Threaded cover<br>oil container                  |                | 1   |   |
| (3)  | 958 314 210 01 | Bracket for fluid reservoir  |                | 1   |   |
| (3)  | 958 314 210 12 | Bracket for fluid reservoir  |                | 1   | GTS<br>CXZA, CXZ  |
| 4    | N 015 082 10   | Hexagon collar nut<br>M6   |                | 3   |   |
| 5    | 955 347 569 00 | Hose clamp   |                | 1   |   |
| 6    | 958 347 439 00 | return line<br>Oil cooler<br>oil container<br>D >> - 29.05.2016    |                | 1   |   |
| 6    | 958 347 439 00 | return line<br>Oil cooler<br>oil container<br>D - 30.05.2016>>     |                | 1   | PR:-D50,<br>-D43,-D1V,<br>-D51,-DV7,<br>-DU2,-DU3<br>PR:DU2,DU3               |
| (6)  | 958 347 439 03 | return line<br>Oil cooler<br>oil container                         |                | 1   |   |
| (6)  | 958 347 439 03 | return line<br>Oil cooler<br>oil container<br>D - 30.05.2016>>     |                | 1   | PR:D50,D43,<br>D1V,D51,DV7  |
| 7    | N 909 264 01   | Spring band clamp<br>B19 X 12                                      |                | X   |   |
| 8    | 958 347 449 00 | return line<br>Steering gear                                       | lhd            | 1   | PR:L0L  |
| (8)  | 958 347 450 00 | Oil cooler<br>return line<br>Steering gear<br>Oil cooler           | rhd            | 1   | CFTB,CFT,<br>CRCA, CVVB,<br>CVVA, CURA,<br>CUR, CXZA,<br>CXZ, CEYA+<br>PR:L0R |
| (8)  | 958 347 450 01 | Discontinued part<br>return line<br>Steering gear<br>Oil cooler    | rhd            | 1   | CFTB,CFT,<br>CRCA, CVVB,<br>CVVA, CURA,<br>CUR, CXZA,<br>CXZ, CEYA+<br>PR:L0R |
| 9    | 955 347 543 00 | O-ring   |                | 1   |   |
| 10   | 958 347 451 03 | Pressure line<br>Power-steering pump<br>Steering gear              | lhd            | 1   | CEYA+<br>PR:0AB,0AC,<br>L0L   |
| (10) | 958 347 452 02 | Pressure line<br>Power-steering pump<br>Steering gear              | rhd            | 1   | CEYA+<br>PR:0AB,0AC,<br>L0R   |
| 10   | 958 347 451 42 | Pressure line<br>Tandem pump<br>Steering gear                      | lhd            | 1   | CEYA+<br>PR:0AW,L0L   |
| (10) | 958 347 452 51 | see illustration:<br>Pressure line<br>Tandem pump<br>Steering gear | 402-037<br>rhd | 1   | CEYA+<br>PR:0AW,L0R   |
| 10   | 958 347 451 12 | Pressure line<br>Power-steering pump<br>Steering gear              | lhd            | 1   | CFTB,CFT+<br>PR:0AB,0AC,<br>L0L   |

Model: 92A 11 Model life 2011>>2018

| Pos  | Part Number    | Description  | Remark | Qty | Model   |
|------|----------------|--|--------|-----|---|
| (10) | 958 347 452 13 | Pressure line<br>Power-steering pump<br>Steering gear                      | rhd    | 1   | CFTB,CFT+<br>PR:0AB,0AC,<br>L0R                                 |
| (10) | 958 347 451 32 | Pressure line<br>Tandem pump<br>Steering gear                              | lhd    | 1   | CFTB,CFT+<br>PR:0AW,L0L   |
| (10) | 958 347 452 42 | Pressure line<br>Tandem pump<br>Steering gear<br>see illustration:         | rhd    | 1   | CFTB,CFT+<br>PR:0AW,L0R   |
| (10) | 958 347 451 23 | Pressure line<br>Power-steering pump<br>Steering gear<br>see illustration: | lhd    | 1   | CVVB,CVVA,<br>CVVC,CRCA,<br>CNRB+<br>PR:L0L                     |
| (10) | 955 347 452 70 | Pressure line<br>Power-steering pump<br>Steering gear                      | rhd    | 1   | CVVB,CVVA,<br>CVVC,CRCA,<br>CNRB+<br>PR:L0R                     |
| (10) | 958 347 451 60 | Pressure line<br>Power-steering pump<br>Steering gear                      | lhd    | 1   | CUDC+<br>PR:L0L   |
| (10) | 958 347 452 60 | Pressure line<br>Power-steering pump<br>Steering gear                      | rhd    | 1   | CUDC+<br>PR:L0R   |
| (10) | 958 347 451 80 | Pressure line<br>Power-steering pump<br>Steering gear                      | lhd    | 1   | CURA,CUR,<br>CXZA,CXZ+<br>PR:0AB,0AC,<br>L0L                    |
| (10) | 958 347 452 80 | Pressure line<br>Power-steering pump<br>Steering gear                      | rhd    | 1   | CURA,CUR,<br>CXZA,CXZ+<br>PR:0AB,0AC,<br>L0R                    |
| 11   | 955 347 542 00 | O-ring<br>9,25 X 1,78  |        | 1   |   |
| 12   | WHT 005 161    | O-ring<br>11 X 1,8   |        | 1   | CVVB,CRCA,<br>CVVC,CVVA,<br>CNRB,CJT,<br>CJT                    |
| (12) | WHT 005 161    | O-ring<br>11 X 1,8   |        | 1   | CFTB,CFT,<br>CURA,CUR,<br>CUDC,CXZA,<br>CXZ,CEYA+<br>PR:0AB,0AC |
| (12) | WHT 002 666    | seal ring<br>9.8 X 2.50  | rhd    | 1   | CVVB,CRCA,<br>CVVC,CVVA,<br>CJT+<br>PR:L0R                      |
| (12) | 955 347 543 00 | O-ring<br>7,65 X 1,63  |        | 1   | CFTB,CFT,<br>CURA,CUR,<br>CUDC,CXZA,<br>CXZ+<br>PR:0AW          |
| (12) | N 013 848 6    | seal ring<br>16 X 22   |        | 1   | CEYA+<br>PR:0AW   |
| 13   | N 106 532 01   | Hex collared bolt<br>M6 X 16   |        | 2   |   |
| 13   | N 106 532 01   | Hex collared bolt<br>M6 X 16   | rhd    | 4   | PR:L0R  |
| 13   | N 106 532 01   | Hex collared bolt<br>M6 X 16   | rhd    | 5   | CVVA+<br>PR:L0R   |
| 14   | N 906 870 01   | Spring band clamp<br>B27 X 12  |        | 1   |   |

Model: 92A 11 Model life 2011>>2018

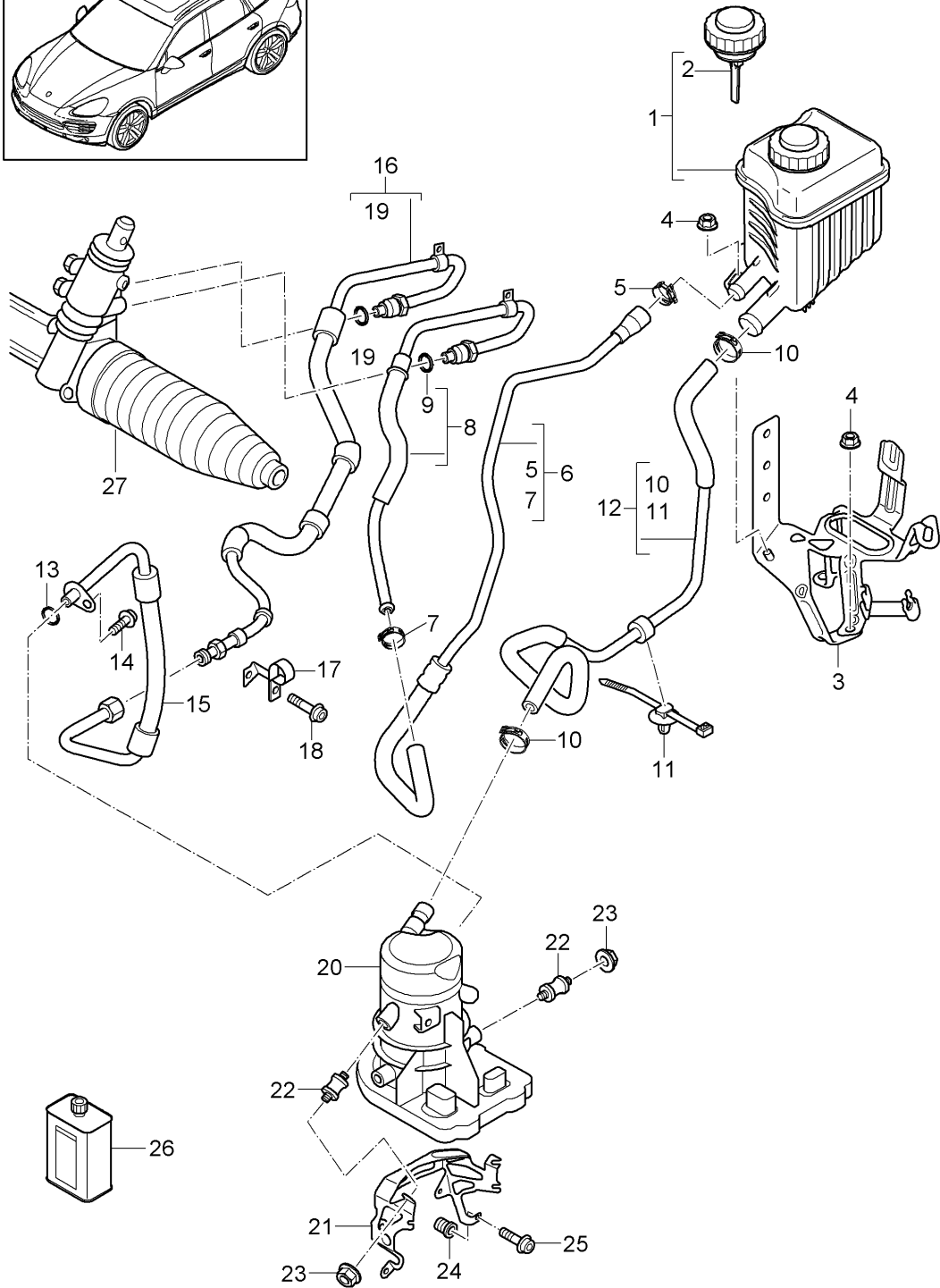
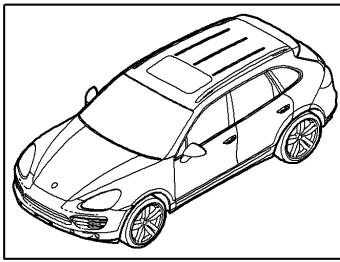
| Pos  | Part Number    | Description   | Remark | Qty | Model  |
|------|----------------|---|--------|-----|--|
| 15   | 958 347 422 80 | suction line<br>oil container<br>Power-steering pump                      |        | 1   | CGEA, CGE,<br>CGFA                                 |
| (15) | 958 347 422 01 | suction line<br>oil container<br>Power-steering pump<br>D >> - 29.05.2016 |        | 1   | CEYA+<br>PR:0AB,0AC                                |
| (15) | 958 347 422 02 | suction line<br>oil container<br>Power-steering pump<br>D - 30.05.2016>>  |        | 1   | CEYA+<br>PR:0AB,0AC                                |
| (15) | 958 347 422 11 | suction line<br>oil container<br>Tandem pump<br>D >> - 29.05.2016         |        | 1   | CEYA+<br>PR:0AW                                    |
| (15) | 958 347 422 12 | suction line<br>oil container<br>Tandem pump<br>D - 30.05.2016>>          |        | 1   | CEYA+<br>PR:0AW                                    |
| (15) | 958 347 422 20 | suction line<br>oil container<br>Power-steering pump                      |        | 1   | CFTB, CFT+<br>PR:0AB,0AC                           |
| (15) | 958 347 422 32 | suction line<br>oil container<br>Pump                                     |        | 1   | CFTB, CFT+<br>PR:0AW                               |
| (15) | 958 347 422 32 | suction line<br>oil container<br>Pump                                     |        | 1   | PR:0AW,DT5   |
| (15) | 958 347 422 80 | suction line<br>oil container<br>Power-steering pump                      |        | 1   | CURA, CUR,<br>CXZA, CXZ+<br>PR:0AB,0AC             |
| (15) | 958 347 422 90 | suction line<br>oil container<br>Pump                                     |        | 1   | CURA, CUR,<br>CXZA, CXZ+<br>PR:0AW                 |
| (15) | 958 347 422 41 | suction line<br>oil container<br>Pump                                     |        | 1   | CVVA, CRCA   |
| (15) | 958 347 422 50 | suction line<br>oil container<br>Pump                                     |        | 1   | CJT<br>"CN. "                                      |
| 15   | 958 347 422 70 | suction line<br>oil container<br>Pump                                     |        | 1   | CUDC   |
| 16   | N 906 869 01   | Spring band clamp<br>B 23 X 12  |        | 1   |  |
| 17   | N 907 143 03   | hex. nut with washer<br>M6  |        | 1   |  |
| 18   | N 100 095 06   | hexagon head bolt (combi)<br>M6 X 18                                      |        | 1   |  |
| 19   | 958 347 069 00 | Oil cooler<br>Power steering  |        | 1   | CUDC, CVVA,<br>CVVB, CRCA,<br>CJT, CJT+<br>PR:-0AW |
| (19) | 958 347 069 00 | Oil cooler<br>Power steering  |        | 1   | PR:-0AW  |
| (19) | 958 347 069 00 | Oil cooler<br>Power steering  |        | 1   | CURA, CUR+<br>PR:0AB,0AC                           |
| (19) | 958 347 069 10 | Oil cooler<br>Power steering  |        | 1   | CFTB, CFT,<br>CXZA, CXZ+<br>PR:0AW                 |
| (19) | 958 347 069 20 | Oil cooler<br>Power steering  |        | 1   | PR:0AB,0AC,<br>E0W                                 |
| (19) | 958 347 069 20 | Oil cooler  |        | 1   | CFTB, CFT+   |

Model: 92A 11 Model life 2011>>2018

| Pos  | Part Number    | Description   | Remark                       | Qty | Model   |
|------|----------------|---|------------------------------|-----|---|
| (19) | 958 347 069 30 | Power steering<br>Oil cooler  |                              | 1   | PR:0AB,0AC<br>CURA,CUR+<br>PR:0AW   |
| 20   | 958 347 577 00 | Power steering<br>Retainer for oil cooler                                     |                              | 1   |   |
| 21   | N 104 734 02   | round hd. screw<br>M6 X 20  |                              | 1   |   |
| 22   | N 104 421 01   | Bracket   |                              | X   |   |
| 23   | N 909 435 01   | Hose bracket  |                              | 3   |   |
| 24   | 958 347 963 01 | return line<br>Oil cooler   |                              | 1   |   |
| 25   | 958 347 895 01 | return line<br>Oil cooler   |                              | 1   | CFTB,CFT,<br>CRCA,CVVC,<br>CJT,CVVA,<br>CVVB,CURA,<br>CUR,CEYA,<br>CXZA,CXZ |
| (25) | 958 347 895 04 | return line<br>Oil cooler   | rhd                          | 1   | CUDC+<br>PR:LOR   |
| 26   | 958 314 210 50 | Bracket for fluid reservoir<br>and<br>Connection point<br>Cable<br>Engine bay |                              | 1   |   |
| 27   |                | Oil   |                              | 1   |   |
| 28   |                | see illustration:<br>Steering gear  | 403-020                      |     |   |
| 29   |                | see illustration:<br>Pump   | 403-000                      |     |   |
| 30   | N 020 651 7    | Clamp   | see illustration:<br>403-020 | 2   |   |
| 31   | N 020 601 5    | Clamp   | rhd                          | 2   | CVVB,CVVA,<br>CVVC,CRCA,<br>CNRB+<br>PR:LOR                                 |

Model: 92A 11

Model life 2011>>2018





Model: 92A 11 Model life 2011>>2018

| Pos  | Part Number    | Description  | Remark           | Qty | Model  |
|------|----------------|--|------------------|-----|--------|
|      |                | Power steering<br>Lines<br>Power-steering pump<br>Electric<br>D >> - MJ 2014 |                  |     | PR:D19 |
| 1    | 955 314 015 30 | oil container  |                  | 1   |        |
| 2    | 958 314 145 00 | Power steering<br>Threaded cover<br>oil container                            |                  | 1   |        |
| 3    | 958 314 717 01 | Bracket for fluid reservoir  |                  | 1   |        |
| 4    | N 015 082 10   | Hexagon collar nut<br>M 6  |                  | 3   |        |
| 5    | 955 347 569 00 | Hose clamp   |                  | 1   |        |
| 6    | 958 314 891 07 | return line<br>Connection point<br>oil container                             |                  | 1   |        |
| -    | WHT 006 244    | Clip   |                  | 1   |        |
| 7    | N 102 018 01   | clamp  |                  | 1   |        |
| 8    | 958 314 891 04 | return line<br>Steering gear<br>Connection point                             | lhd              | 1   | PR:L0L |
| (8)  | 958 347 450 10 | return line<br>Steering gear<br>Connection point                             | rhd              | 1   | PR:L0R |
| 9    | 955 347 543 00 | O-ring   |                  | 1   |        |
| 10   | N 906 870 01   | Spring band clamp  |                  | 2   |        |
| 11   | N 909 266 01   | Cable ties   |                  | 1   |        |
| 12   | 958 314 967 01 | Intake hose  |                  | 1   |        |
| 13   | WHT 005 488    | O-ring<br>8,2 X 1,78   |                  | 1   |        |
| 14   | N 106 775 01   | Socket head bolt with inner<br>multipoint head<br>M 8 X 22                   |                  | 1   |        |
| 15   | 958 314 138 02 | Pressure line<br>Power-steering pump<br>Connection point                     |                  | 1   |        |
| 16   | 958 314 138 00 | Pressure line<br>Connection point<br>Steering gear                           | lhd              | 1   | PR:L0L |
| (16) | 958 314 138 01 | Pressure line<br>Connection point<br>Steering gear                           | rhd              | 1   | PR:L0R |
| -    | N 020 651 7    | Clamp  | also use:<br>rhd | 1   | PR:L0R |
| 17   | 958 343 778 00 | Line holder  |                  | 1   |        |
| 18   | N 106 980 01   | Socket head bolt with<br>inner hex round head<br>M 6 X 90                    |                  | 1   |        |
| 19   | 955 347 542 00 | O-ring<br>9,25 X 1,78  |                  | 1   |        |
| 20   | 958 314 155 02 | Power-steering pump<br>Electric  |                  | 1   |        |
| 21   | 958 314 380 00 | Bracket  |                  | 1   |        |
| 22   | 958 347 579 00 | Bonded rubber buffer   |                  | 4   |        |
| 23   | N 015 082 10   | Hexagon collar nut<br>M 6  |                  | 4   |        |
| 24   | N 105 806 01   | rivetted cap nut<br>M 8  |                  | 3   |        |
| 25   | N 911 280 01   | Socket head bolt with inner<br>multipoint head<br>M 8 X 25                   |                  | 3   |        |
| 26   |                | Oil<br>see illustration:   | 403-010          | 1   |        |

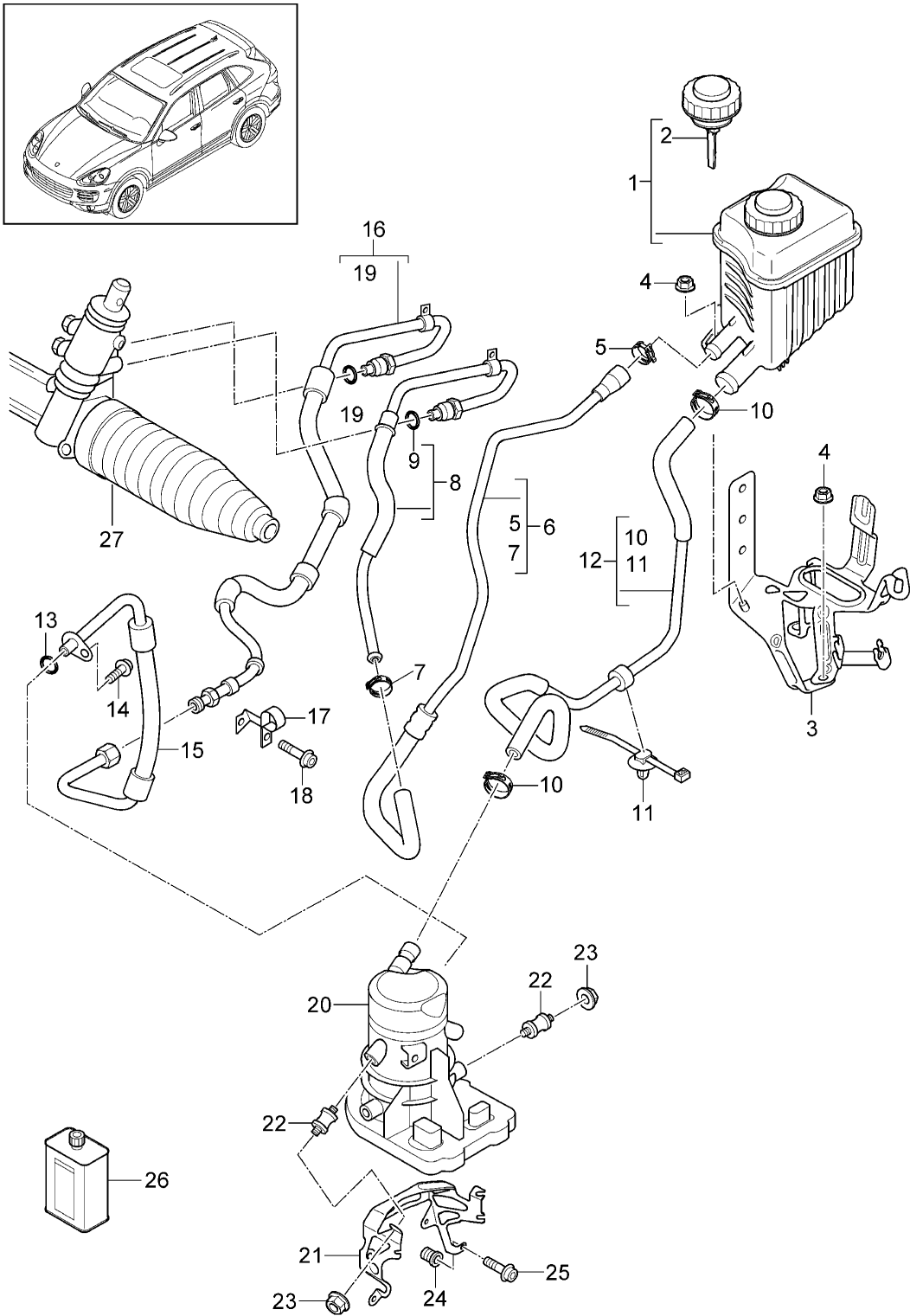
Model: 92A 11

Model life 2011&gt;&gt;2018

| Pos | Part Number | Description                        | Remark  | Qty | Model |
|-----|-------------|------------------------------------|---------|-----|-------|
| 27  |             | Steering gear<br>see illustration: | 403-000 | 1   |       |

Model: 92A 11

Model life 2011>>2018



Model: 92A 11 Model life 2011>>2018

| Pos  | Part Number    | Description   | Remark | Qty | Model                         |
|------|----------------|---|--------|-----|-------------------------------|
|      |                | Power steering<br>Lines<br>Power-steering pump<br>Electric<br>D - MJ 2015>> |        |     | CGEA, CGE,<br>CGFA+<br>PR:OK3 |
| 1    | 955 314 015 30 | oil container   |        | 1   |                               |
| 2    | 958 314 145 00 | Power steering<br>Threaded cover<br>oil container                           |        | 1   |                               |
| 3    | 958 314 717 01 | Bracket for fluid reservoir   |        | 1   |                               |
| 4    | N 015 082 10   | Hexagon collar nut<br>M 6   |        | 3   |                               |
| 5    | 955 347 569 00 | Hose clamp  |        | 1   |                               |
| 6    | 958 314 891 10 | return line<br>Connection point<br>oil container                            |        | 1   |                               |
| -    | WHT 006 244    | Clip  |        | 1   |                               |
| 7    | N 102 018 01   | clamp   |        | 1   |                               |
| 8    | 958 314 891 05 | return line   | lhd    | 1   | PR:L0L                        |
|      |                | Steering gear   |        |     |                               |
| (8)  | 958 347 450 11 | Connection point<br>return line   | rhd    | 1   | PR:L0R                        |
|      |                | Steering gear   |        |     |                               |
| 9    | 955 347 543 00 | Connection point<br>O-ring  |        | 1   |                               |
| 10   | N 906 870 01   | Spring band clamp   |        | 2   |                               |
| 11   | N 909 266 01   | Cable ties  |        | 1   |                               |
| 12   | 958 347 422 62 | suction line<br>oil container<br>Pump                                       |        | 1   |                               |
| 13   | WHT 005 488    | O-ring  |        | 1   |                               |
| 14   | N 106 775 01   | 8,2 X 1,78<br>Socket head bolt with inner<br>multipoint head<br>M 8 X 22    |        | 1   |                               |
| 15   | 958 314 138 03 | Pressure line<br>Power-steering pump<br>Connection point                    |        | 1   |                               |
| 16   | 958 314 138 08 | Pressure line<br>Connection point   | lhd    | 1   | PR:L0L                        |
| (16) | 958 314 138 05 | Steering gear<br>Pressure line<br>Connection point<br>Steering gear         | rhd    | 1   | PR:L0R                        |
|      |                | also use:   |        |     |                               |
| -    | N 020 651 7    | Clamp   | rhd    | 1   | PR:L0R                        |
| 17   | 958 343 778 00 | Line holder   |        | 1   |                               |
| 18   | N 106 980 01   | Socket head bolt with<br>inner hex round head<br>M 6 X 90                   |        | 1   |                               |
| 19   | 955 347 542 00 | O-ring  |        | 1   |                               |
| (20) | 958 314 155 03 | 9,25 X 1,78<br>Power-steering pump<br>Electric                              |        | 1   |                               |
| 21   | 958 314 380 00 | Bracket   |        | 1   |                               |
| 22   | 958 347 579 00 | Bonded rubber buffer  |        | 4   |                               |
| 23   | N 015 082 10   | Hexagon collar nut<br>M 6   |        | 4   |                               |
| 24   | N 105 806 01   | rivetted cap nut<br>M 8   |        | 3   |                               |
| 25   | N 911 280 01   | Socket head bolt with inner<br>multipoint head<br>M 8 X 25                  |        | 3   |                               |

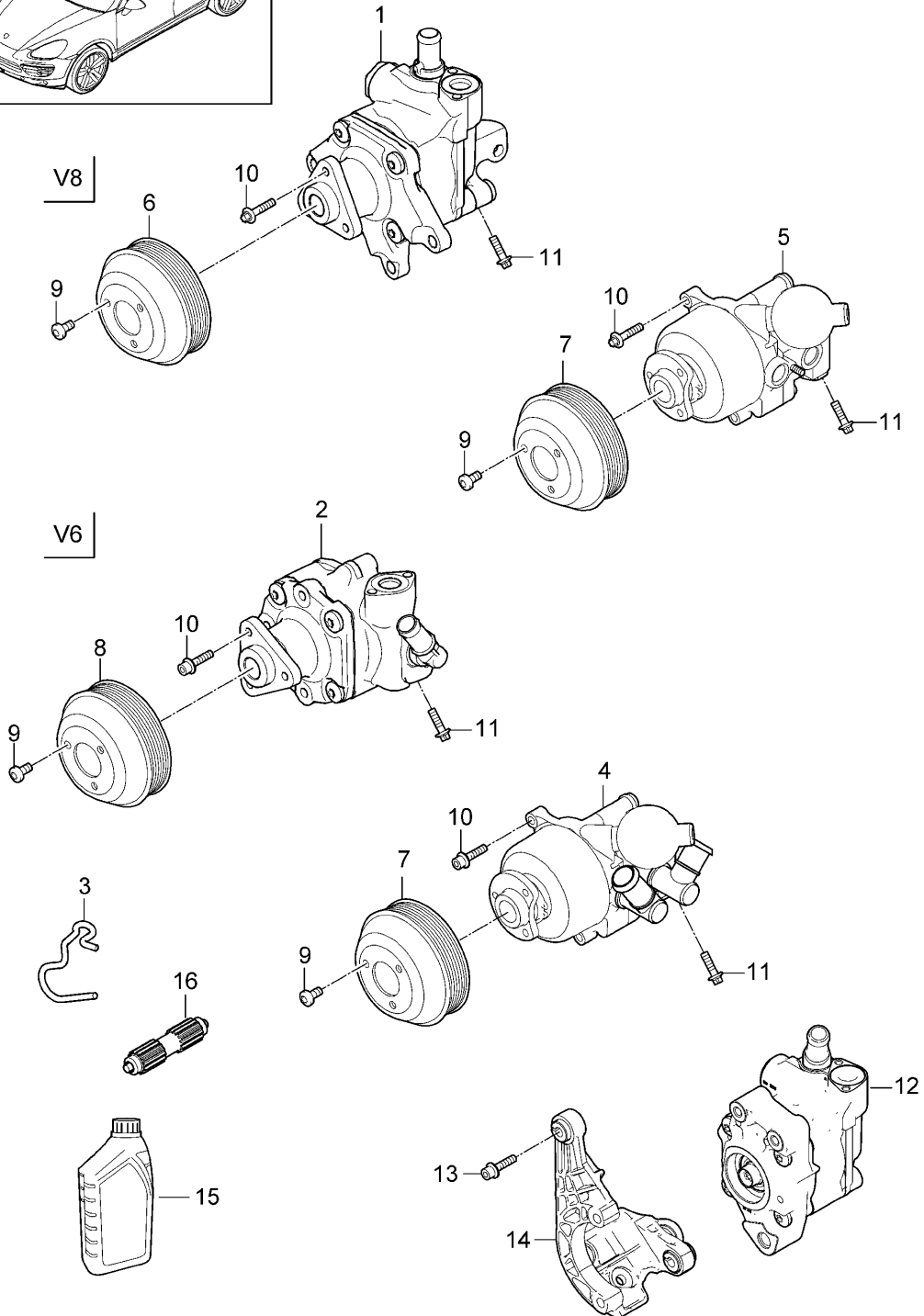
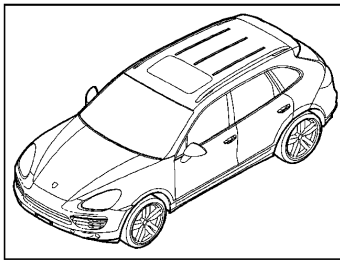
Model: 92A 11

Model life 2011>>2018

| Pos | Part Number | Description                        | Remark  | Qty | Model |
|-----|-------------|------------------------------------|---------|-----|-------|
| 26  |             | Oil<br>see illustration:           | 403-010 | 1   |       |
| 27  |             | Steering gear<br>see illustration: | 403-000 | 1   |       |

Model: 92A 11

Model life 2011>>2018



Model: 92A 11 Model life 2011>>2018

| Pos  | Part Number    | Description   | Remark  | Qty | Model                        |
|------|----------------|---|---------|-----|------------------------------|
|      |                | Power steering<br>Power-steering pump<br>Tandem pump<br>D >> - MJ 2014                            |         |     | PR:0AB,0AC,<br>0AW,-D19      |
| 1    | 958 314 050 00 | Power-steering pump   |         | 1   | PR:0AB,D58,                  |
| 2    | 958 314 050 10 | Power-steering pump   |         | 1   | PR:0AB,D34,                  |
| 2    | 958 314 050 11 | Power-steering pump   |         | 1   | PR:0AC,D11                   |
| 2    | 958 314 050 20 | Power-steering pump   |         | 1   | PR:0AB,D1V,                  |
| -    |                | Power-steering pump<br>Electric<br>see illustration:  | 403-017 |     |                              |
| 3    | 958 314 926 00 | Bracket   |         | 1   |                              |
| 4    | 955 314 022 01 | Tandem pump   |         | 1   | PR:0AW,-D58,<br>D34,<br>-D6V |
| 5    | 955 314 022 12 | Tandem pump   |         | 1   | PR:0AW,D58,<br>D6V           |
| 6    | 955 147 019 00 | pulley  |         | 1   | PR:0AB,-7MG                  |
| 7    | 955 147 219 20 | pulley  |         | 1   | PR:0AW                       |
| 8    | 955 147 219 00 | pulley  |         | 1   | PR:0AB,D34                   |
| 8    | 955 147 219 10 | pulley<br>for models with<br>diesel engine<br>D >> - MJ 2010                                      |         | 1   | DIESEL                       |
| 8    | 958 147 255 07 | pulley<br>D - MJ 2011>>   |         | 1   | DIESEL                       |
| 8    | 958 147 255 02 | pulley  |         | 1   | PR:D11                       |
| 9    | WHT 001 702    | Screw<br>M8 X 16  |         | 3   |                              |
| (9)  | N 910 522 01   | Hexagon socket head<br>bolt<br>M 8 X 12   |         | 3   |                              |
| (9)  | N 911 361 01   | Socket head bolt with<br>inner multipoint head<br>M 8 x 14  |         | 3   |                              |
| 10   | WHT 001 703    | Hexagon head bolt<br>M8 X 35<br>Discontinued part   |         | 1   | PR:0AW                       |
| 10   | 900 385 042 01 | Torx screw<br>M8 X 35   |         | 1   | PR:0AW                       |
| 10   | 900 385 116 01 | Torx screw<br>M8 X 30   |         | 1   | PR:0AB                       |
| (10) | N 911 287 01   | Socket head bolt with<br>inner multipoint head<br>M 8 x 32  |         | 3   |                              |
| (10) | N 910 766 01   | Socket head bolt with inner<br>multipoint head<br>M 8 X 30  |         | 3   |                              |
| (10) | N 106 730 01   | No longer use the part here<br>Socket head bolt with inner<br>multipoint head (Kombi)<br>M 8 X 40 | 4       | 3   |                              |
| (10) | N 910 522 01   | to be used for item:<br>Hexagon socket head<br>bolt<br>M 8 X 12                                   |         | 3   |                              |
| 11   | WHT 001 704    | Screw<br>BM 8X20<br>Discontinued part   |         | 1   |                              |
| 11   | 900 385 001 01 | Torx screw<br>BM 8X20   |         | 1   |                              |
| 12   | 958 314 050 30 | Vane pump   |         | 1   |                              |

Model: 92A 11

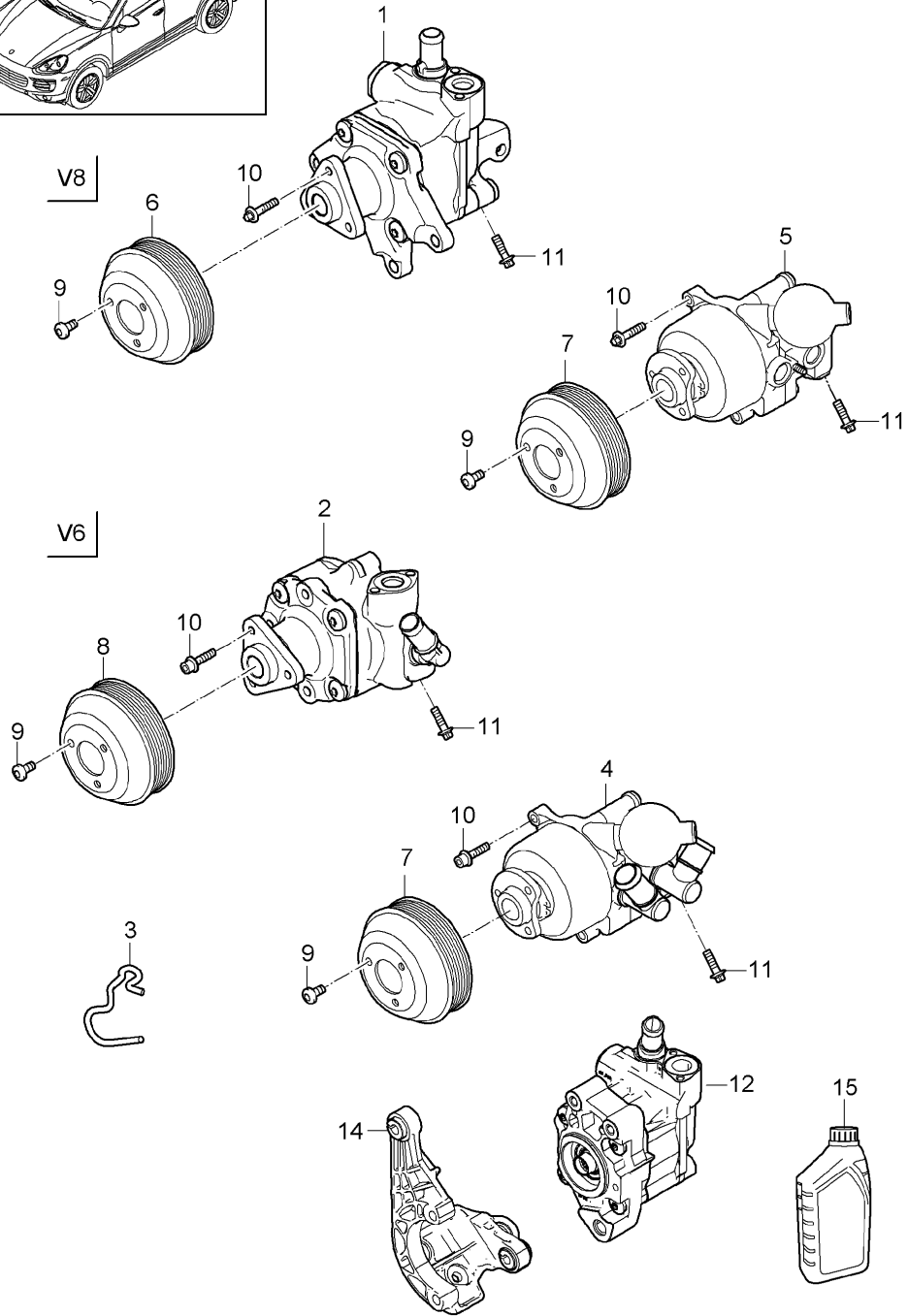
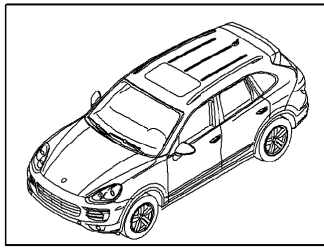
Model life 2011>>2018

| Pos | Part Number    | Description   | Remark | Qty | Model              |
|-----|----------------|---|--------|-----|--------------------|
| 13  | N 910 842 01   | for<br>Power steering<br>Socket head bolt with inner<br>multipoint head (Kombi)<br>M 8X25 |        | 2   |                    |
| 14  | 059 145 167 AM | Retainer for vane pump  |        | 1   | PR:D43,D50,<br>D1V |
| 15  | 000 043 206 56 | Pentosin<br>CHF 202<br>1 LITER  |        | X   |                    |
| 16  | 958 145 223    | shaft<br>Power-steering pump  |        | 1   |                    |



Model: 92A 11

Model life 2011>>2018



Model: 92A 11 Model life 2011>>2018

| Pos | Part Number    | Description   | Remark  | Qty | Model  |
|-----|----------------|---|---------|-----|--|
|     |                | Power steering<br>Power-steering pump<br>Tandem pump<br>D - MJ 2015>> |         |     | PR:0AB,0AC,<br>0AW   |
| 1   | 958 314 050 01 | Power-steering pump   |         | 1   | CFTB,CFT,<br>CURA,CUR+<br>PR:0AB,0AC                       |
| 1   | 958 314 050 AX | Power-steering pump   |         | 1   | CFTB,CFT,<br>CURA,CUR+<br>PR:0AB,0AC                       |
| 2   | 958 314 050 11 | Power-steering pump   |         | 1   | CJT,CEYA+<br>PR:0AB,0AC                                    |
| 2   | 958 314 050 BX | Power-steering pump   |         | 1   | CJT,CEYA+<br>PR:0AB,0AC                                    |
| (2) | 958 314 050 21 | Power-steering pump   |         | 1   | CVVB,CRCA,<br>CVVC,CVVA+<br>PR:0AB,0AC                     |
| (2) | 958 314 050 CX | Power-steering pump   |         | 1   | CVVB,CRCA,<br>CVVC,CVVA+<br>PR:0AB,0AC                     |
| (2) | 958 314 050 40 | Power-steering pump   |         | 1   | CXZA,CXZ+<br>PR:0AB,0AC                                    |
| (2) | 958 314 050 DX | Power-steering pump   |         | 1   | CXZA,CXZ+<br>PR:0AB,0AC                                    |
| -   |                | Power-steering pump<br>Electric<br>see illustration:                  | 403-019 |     | PR:0K3   |
| 3   | 958 314 926 00 | Bracket   |         | 1   |  |
| 4   | 958 314 022 00 | Tandem pump   |         | 1   | 5502,CEYA+<br>PR:0AW                                       |
| 5   | 958 314 022 10 | Tandem pump   |         | 1   | CFTB,CFT,<br>CYXA,CYX,<br>CURA,CUR,<br>CXZA,CXZ+<br>PR:0AW |
| 6   | 948 147 019 01 | pulley  |         | 1   | CFTB,CFT,<br>CYXA,CYX+<br>PR:0AB,0AC                       |
| (6) | 7PP 145 235    | pulley  |         | 1   | CURA,CUR,<br>CXZA,CXZ+<br>PR:0AB,0AC                       |
| 7   | 955 147 219 20 | pulley  |         | 1   | CEYA,CFTB,<br>CFT,CYXA,<br>CYX+<br>PR:0AW                  |
| (7) | 7PP 145 285    | pulley  |         | 1   | CURA,CUR,<br>CXZA,CXZ+<br>PR:0AW                           |
| 8   | 955 147 219 00 | pulley  |         | 1   | CEYA+<br>PR:0AB,0AC  |
| (8) | 958 147 255 07 | pulley  |         | 1   | CRCA,CRCB,<br>CNRB,CVVA,<br>CVVB,CVVC                      |
| (8) | 958 147 255 02 | pulley  |         | 1   | CJT  |
| 9   | WHT 001 702    | Screw<br>M8 X 16  |         | 3   | CFTB,CFT,<br>CYXA,CYX,<br>CURA,CUR,<br>CXZA,CXZ            |
| (9) | N 910 522 01   | Hexagon socket head<br>bolt<br>M 8 X 12                               |         | 3   | CVVA,CVVB,<br><br>CRCA,CJTB,<br>CJT                        |
| (9) | N 911 361 01   | Socket head bolt with   |         | 3   |  |

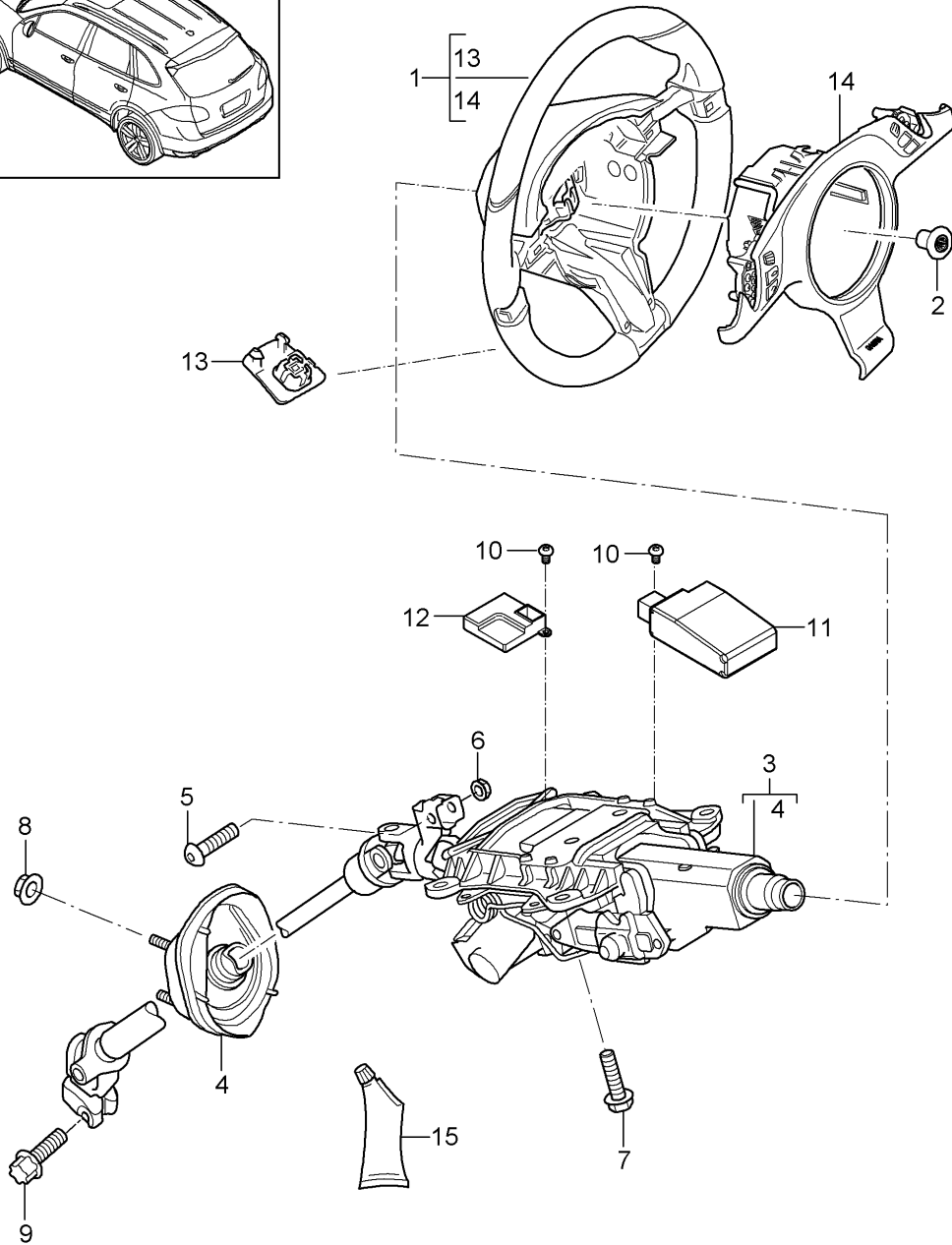
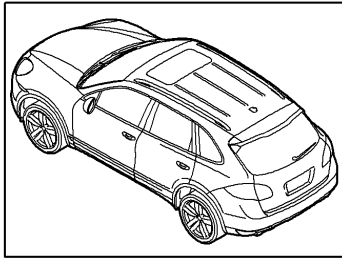
Model: 92A 11

Model life 2011&gt;&gt;2018

| Pos  | Part Number    | Description   | Remark | Qty | Model                                    |
|------|----------------|---|--------|-----|--|
| 10   | 900 385 042 01 | inner multipoint head<br>M 8 X 14<br>Torx screw<br>M8 X 35                  |        | 1   | CFTB, CFT,<br>CURA, CUR,<br>PR: 0AW      |
| (10) | 900 385 116 01 | Torx screw<br>M8 X 30   |        | 1   | CFTB, CFT,<br>CURA, CUR,<br>PR: 0AB, 0AC |
| (10) | N 911 287 01   | Socket head bolt with<br>inner multipoint head<br>M 8 X 32                  |        | 3   | CVVA, CVVB,<br><br>CRCA, CJTB,<br>CJT    |
| (10) | N 106 730 01   | Socket head bolt with inner<br>multipoint head (Kombi)<br>M 8 X 40<br>Mount |        | 3   |  |
| (10) | N 910 522 01   | Hexagon socket head<br>bolt<br>M 8 X 12                                     |        | 3   | CVVA, CVVB,<br><br>CRCA, CJTB,<br>CJT    |
| 11   | 900 385 001 01 | Torx screw<br>BM 8X20   |        | 1   |  |
| 12   | 958 314 050 30 | Vane pump<br>for<br>Power steering  |        | 1   | CUDB, CUDC                               |
| 14   | 059 145 167 AM | Retainer for vane pump<br>Power-steering pump                               |        | 1   | CRCA, CVVC,<br>CNRB                      |
| 15   | 000 043 206 56 | Pentosin<br>CHF 202<br>1 LITER  |        | X   |  |

Model: 92A 11

Model life 2011>>2018



Model: 92A 11

Model life 2011>>2018

| Pos | Part Number        | Description  | Remark                  | Qty | Model        |
|-----|--------------------|--|-------------------------|-----|--------------|
| 1   | 7PP 419 091 AB     | Steering wheels<br>Steering column<br>Intermediate steering shaft<br>D >> - MJ 2014<br>steering wheel<br>Leather |                         | 1   | PR: 2PM, 2X2 |
|     | 7PP 419 091 AB A34 | Black  | -LC, MA, TW, YA, YB, YC |     |              |
|     | 7PP 419 091 AB 8T3 | Platinum Grey  | -LD, MD, YD             |     |              |
|     | 7PP 419 091 AB 9J9 | Luxor beige  | -LE, MC, YE             |     |              |
|     | 7PP 419 091 AB DE1 | Umber  | -LF, TX, TY, YF         |     |              |
|     | 7PP 419 091 AB 6H6 | Espresso   | -VA, VB                 |     |              |
| 1   | 7PP 419 091 AC     | steering wheel<br>Leather<br>(heated)  |                         | 1   | PR: 2PH, 2X2 |
|     | 7PP 419 091 AC A34 | Black  | -LC, MA, TW, YA, YB, YC |     |              |
|     | 7PP 419 091 AC 8T3 | Platinum Grey  | -LD, MD, YD             |     |              |
|     | 7PP 419 091 AC 9J9 | Luxor beige  | -LE, MC, YE             |     |              |
|     | 7PP 419 091 AC DE1 | Umber  | -LF, TX, TY, YF         |     |              |
|     | 7PP 419 091 AC 6H6 | Espresso   | -VA, VB                 |     |              |
| 1   | 7PP 419 091 AD     | steering wheel<br>Leather<br>Multi-function  |                         | 1   | PR: 2X2, 2ZM |
|     | 7PP 419 091 AD A34 | Black  | -LC, MA, TW, YA, YB, YC |     |              |
|     | 7PP 419 091 AD 8T3 | Platinum Grey  | -LD, MD, YD             |     |              |
|     | 7PP 419 091 AD 9J9 | Luxor beige  | -LE, MC, YE             |     |              |
|     | 7PP 419 091 AD DE1 | Umber  | -LF, TX, TY, YF         |     |              |
|     | 7PP 419 091 AD 6H6 | Espresso   | -VA, VB                 |     |              |
| 1   | 7PP 419 091 AE     | steering wheel<br>Leather<br>Multi-function<br>(heated)  |                         | 1   | PR: 2X2, 2ZH |
|     | 7PP 419 091 AE A34 | Black  | -LC, MA, TW, YA, YB, YC |     |              |
|     | 7PP 419 091 AE 8T3 | Platinum Grey  | -LD, MD, YD             |     |              |
|     | 7PP 419 091 AE 9J9 | Luxor beige  | -LE, MC, YE             |     |              |
|     | 7PP 419 091 AE DE1 | Umber  | -LF, TX, TY, YF         |     |              |
|     | 7PP 419 091 AE 6H6 | Espresso   | -VA, VB                 |     |              |
| 1   | 7PP 419 091 AF     | steering wheel<br>Wood<br>Multi-function<br>(heated)   |                         | 1   | PR: 1XJ, 2X2 |
|     | 7PP 419 091 AF A34 | Highly polished walnut root/<br>black  | -LC, MA, TW, YA, YB, YC |     |              |
|     | 7PP 419 091 AF 8T3 | Highly polished walnut root/<br>platinum grey  | -LD, MD, YD             |     |              |
|     | 7PP 419 091 AF 9J9 | Highly polished walnut root/<br>luxor beige  | -LE, MC, YE             |     |              |
|     | 7PP 419 091 AF DE1 | Highly polished walnut root/<br>umbra  | -LF, TX, TY, YF         |     |              |
|     | 7PP 419 091 AF 6H6 | Highly polished walnut root/<br>espresso   | -VA, VB                 |     |              |
| 1   | 7PP 419 091 AG     | steering wheel<br>Carbon<br>Multi-function<br>(heated)   |                         | 1   | PR: 2FX, 2X2 |
|     | 7PP 419 091 AG A34 | Black  | -LC, MA, TW, YA, YB, YC |     |              |
|     | 7PP 419 091 AG 8T3 | Platinum Grey  | -LD, MD, YD             |     |              |
|     | 7PP 419 091 AG 9J9 | Luxor beige  | -LE, MC, YE             |     |              |
|     | 7PP 419 091 AG DE1 | Umber  | -LF, TX, TY, YF         |     |              |

Model: 92A 11 Model life 2011>>2018

| Pos | Part Number                          | Description  | Remark              | Qty | Model      |
|-----|--------------------------------------|--|---------------------|-----|------------|
| 1   | 7PP 419 091 AG 6H6<br>7PP 419 091 AR | Espresso steering wheel Anthracite Birch Multi-function (heated)   | -VA,VB              | 1   | PR:1XE,2X2 |
|     | 7PP 419 091 AR A34                   | Birch anthracite/black   | -LC,MA,TW,YA, YB,YC |     |            |
|     | 7PP 419 091 AR 8T3                   | Birch anthracite/platinum grey                                     | -LD,MD,YD           |     |            |
|     | 7PP 419 091 AR 9J9                   | Birch anthracite/luxor beige                                       | -LE,MC,YE           |     |            |
|     | 7PP 419 091 AR DE1                   | Birch anthracite/umbra   | -LF,TX,TY,YF        |     |            |
| 1   | 7PP 419 091 AR 6H6<br>7PP 419 091 BB | Birch anthracite/espresso steering wheel (leather) Shifting paddle | -VA,VB              | 1   | PR:1ML,2X2 |
|     | 7PP 419 091 BB A34                   | Black  | -LC,MA,TW,YA, YB,YC |     |            |
|     | 7PP 419 091 BB 8T3                   | Platinum Grey  | -LD,MD,YD           |     |            |
|     | 7PP 419 091 BB 9J9                   | Luxor beige  | -LE,MC,YE           |     |            |
|     | 7PP 419 091 BB DE1                   | Umber  | -LF,TX,TY,YF        |     |            |
|     | 7PP 419 091 BB 6H6                   | Espresso   | -VA,VB              |     |            |
| (1) | 7PP 419 091 CC                       | steering wheel (leather) Shifting paddle<br>D - MJ 2012>>          |                     | 1   | PR:1ML,2X2 |
| 1   | 7PP 419 091 CC OK6<br>7PP 419 091 AH | saddle brown steering wheel Leather                                |                     | 1   | PR:2PM,2X0 |
|     | 7PP 419 091 AH A34                   | Black  | -LC,MA,TW,YA, YB,YC |     |            |
|     | 7PP 419 091 AH 8T3                   | Platinum Grey  | -LD,MD,YD           |     |            |
|     | 7PP 419 091 AH 9J9                   | Luxor beige  | -LE,MC,YE           |     |            |
|     | 7PP 419 091 AH DE1                   | Umber  | -LF,TX,TY,YF        |     |            |
|     | 7PP 419 091 AH 6H6                   | Espresso   | -VA,VB              |     |            |
| 1   | 7PP 419 091 AJ                       | steering wheel Leather (heated)                                    |                     | 1   | PR:2PH,2X0 |
|     | 7PP 419 091 AJ A34                   | Black  | -LC,MA,TW,YA, YB,YC |     |            |
|     | 7PP 419 091 AJ 8T3                   | Platinum Grey  | -LD,MD,YD           |     |            |
|     | 7PP 419 091 AJ 9J9                   | Luxor beige  | -LE,MC,YE           |     |            |
|     | 7PP 419 091 AJ DE1                   | Umber  | -LF,TX,TY,YF        |     |            |
|     | 7PP 419 091 AJ 6H6                   | Espresso   | -VA,VB              |     |            |
| 1   | 7PP 419 091 AK                       | steering wheel Leather Multi-function                              |                     | 1   | PR:2X0,2ZM |
|     | 7PP 419 091 AK A34                   | Black  | -LC,MA,TW,YA, YB,YC |     |            |
|     | 7PP 419 091 AK 8T3                   | Platinum Grey  | -LD,MD,YD           |     |            |
|     | 7PP 419 091 AK 9J9                   | Luxor beige  | -LE,MC,YE           |     |            |
|     | 7PP 419 091 AK DE1                   | Umber  | -LF,TX,TY,YF        |     |            |
|     | 7PP 419 091 AK 6H6                   | Espresso   | -VA,VB              |     |            |
| 1   | 7PP 419 091 AL                       | steering wheel Leather Multi-function (heated)                     |                     | 1   | PR:2X0,2ZH |
|     | 7PP 419 091 AL A34                   | Black  | -LC,MA,TW,YA, YB,YC |     |            |
|     | 7PP 419 091 AL 8T3                   | Platinum Grey  | -LD,MD,YD           |     |            |
|     | 7PP 419 091 AL 9J9                   | Luxor beige  | -LE,MC,YE           |     |            |
|     | 7PP 419 091 AL DE1                   | Umber  | -LF,TX,TY,YF        |     |            |
|     | 7PP 419 091 AL 6H6                   | Espresso   | -VA,VB              |     |            |
| 1   | 7PP 419 091 AM                       | steering wheel Wood Multi-function (heated)                        |                     | 1   | PR:1XJ,2X0 |

Model: 92A 11 Model life 2011>>2018

| Pos | Part Number        | Description   | Remark                     | Qty | Model        |
|-----|--------------------|---|----------------------------|-----|--------------|
| 1   | 7PP 419 091 AM A34 | Black   | -LC, MA, TW, YA,<br>YB, YC | 1   | PR: 2FX, 2X0 |
|     | 7PP 419 091 AM 8T3 | Platinum Grey   | -LD, MD, YD                |     |              |
|     | 7PP 419 091 AM 9J9 | Luxor beige   | -LE, MC, YE                |     |              |
|     | 7PP 419 091 AM DE1 | Umber   | -LF, TX, TY, YF            |     |              |
|     | 7PP 419 091 AM 6H6 | Espresso  | -VA, VB                    |     |              |
|     | 7PP 419 091 AN     | steering wheel<br>Carbon<br>Multi-function<br>(heated)                                |                            |     |              |
|     | 7PP 419 091 AN A34 | Black   | -LC, MA, TW, YA,<br>YB, YC |     |              |
| 1   | 7PP 419 091 AN 8T3 | Platinum Grey   | -LD, MD, YD                | 1   | PR: 1XE, 2X0 |
|     | 7PP 419 091 AN 9J9 | Luxor beige   | -LE, MC, YE                |     |              |
|     | 7PP 419 091 AN DE1 | Umber   | -LF, TX, TY, YF            |     |              |
|     | 7PP 419 091 AN 6H6 | Espresso  | -VA, VB                    |     |              |
|     | 7PP 419 091 AS     | steering wheel<br>Anthracite Birch<br>Multi-function<br>(heated)                      |                            |     |              |
|     | 7PP 419 091 AS A34 | Black   | -LC, MA, TW, YA,<br>YB, YC |     |              |
|     | 7PP 419 091 AS 8T3 | Platinum Grey   | -LD, MD, YD                |     |              |
| 1   | 7PP 419 091 AS 9J9 | Luxor beige   | -LE, MC, YE                | 1   | PR: 2ZU, 2X0 |
|     | 7PP 419 091 AS DE1 | Umber   | -LF, TX, TY, YF            |     |              |
|     | 7PP 419 091 AS 6H6 | Espresso  | -VA, VB                    |     |              |
|     | 7PP 419 091 BC     | steering wheel<br>YACHTING<br>Multi-function<br>(heated)                              |                            |     |              |
|     | 7PP 419 091 BC A34 | Black   | -LC, MA, TW, YA,<br>YB, YC |     |              |
|     | 7PP 419 091 BC 8T3 | Platinum Grey   | -LD, MD, YD                |     |              |
|     | 7PP 419 091 BC 9J9 | Luxor beige   | -LE, MC, YE                |     |              |
| 1   | 7PP 419 091 BC DE1 | Umber   | -LF, TX, TY, YF            | 1   | PR: 2ZU, 2X2 |
|     | 7PP 419 091 BC 6H6 | Espresso  | -VA, VB                    |     |              |
|     | 7PP 419 091 BD     | steering wheel<br>YACHTING<br>Multi-function<br>(heated)                              |                            |     |              |
|     | 7PP 419 091 BD A34 | Black   | -LC, MA, TW, YA,<br>YB, YC |     |              |
|     | 7PP 419 091 BD 8T3 | Platinum Grey   | -LD, MD, YD                |     |              |
|     | 7PP 419 091 BD 9J9 | Luxor beige   | -LE, MC, YE                |     |              |
|     | 7PP 419 091 BD DE1 | Umber   | -LF, TX, TY, YF            |     |              |
| 1   | 7PP 419 091 BD 6H6 | Espresso  | -VA, VB                    | 1   | PR: 2PX, 2X2 |
|     | 7PP 419 091 CD     | steering wheel<br>Alcantara<br>Multi-function<br>(heated)                             |                            |     |              |
|     | 7PP 419 091 CD 2W0 | Black   |                            |     |              |
| 2   | N 910 207 01       | Screw with int. serrations<br>M 18 X 1,5 X 26   |                            | 1   |              |
| 3   | 958 347 007 00     | Complete steering column<br>with:<br>Intermediate steering shaft<br>Discontinued part | lhd                        | 1   | PR: 2C5, L0L |
| (3) | 958 347 007 01     | Complete steering column<br>with:<br>Intermediate steering shaft<br>Discontinued part | lhd                        | 1   | PR: 2C5, L0L |
| 3   | 958 347 007 02     | Complete steering column<br>with:   | lhd                        | 1   | PR: 2C5, L0L |

Model: 92A 11

Model life 2011>>2018

| Pos | Part Number    | Description   | Remark | Qty | Model      |
|-----|----------------|---|--------|-----|------------|
| (3) | 958 347 007 03 | Intermediate steering shaft<br>Discontinued part<br>Complete steering column<br>with: | lhd    | 1   | PR:2C5,L0L |
| (3) | 958 347 007 04 | Intermediate steering shaft<br>Discontinued part<br>Complete steering column<br>with: | lhd    | 1   | PR:2C5,L0L |
| (3) | 958 347 007 20 | Intermediate steering shaft<br>Discontinued part<br>Complete steering column<br>with: | lhd    | 1   | PR:2C4,L0L |
| (3) | 958 347 007 21 | Intermediate steering shaft<br>Discontinued part<br>Complete steering column<br>with: | lhd    | 1   | PR:2C4,L0L |
| (3) | 958 347 007 22 | Intermediate steering shaft<br>Discontinued part<br>Complete steering column<br>with: | lhd    | 1   | PR:2C4,L0L |
| (3) | 958 347 007 23 | Intermediate steering shaft<br>Discontinued part<br>Complete steering column<br>with: | lhd    | 1   | PR:2C4,L0L |
| (3) | 958 347 007 24 | Intermediate steering shaft<br>Discontinued part<br>Complete steering column<br>with: | lhd    | 1   | PR:2C4,L0L |
| (3) | 958 347 008 00 | Intermediate steering shaft<br>Discontinued part<br>Complete steering column<br>with: | rhd    | 1   | PR:2C5,L0R |
| (3) | 958 347 008 01 | Intermediate steering shaft<br>Discontinued part<br>Complete steering column<br>with: | rhd    | 1   | PR:2C5,L0R |
| (3) | 958 347 008 02 | Intermediate steering shaft<br>Discontinued part<br>Complete steering column<br>with: | rhd    | 1   | PR:2C5,L0R |
| (3) | 958 347 008 20 | Intermediate steering shaft<br>Discontinued part<br>Complete steering column<br>with: | rhd    | 1   | PR:2C4,L0R |
| (3) | 958 347 008 21 | Intermediate steering shaft<br>Discontinued part<br>Complete steering column<br>with: | rhd    | 1   | PR:2C4,L0R |
| (3) | 958 347 008 22 | Intermediate steering shaft<br>Discontinued part<br>Complete steering column<br>with: | rhd    | 1   | PR:2C4,L0R |
| (3) | 958 347 008 23 | Intermediate steering shaft<br>Discontinued part<br>Complete steering column<br>with: | rhd    | 1   | PR:2C4,L0R |
| (3) | 958 347 008 24 | Intermediate steering shaft<br>Discontinued part<br>Complete steering column<br>with: | rhd    | 1   | PR:2C4,L0R |
| 4   | 958 347 037 00 | Intermediate steering shaft<br>Sealing sleeve   |        | 1   |            |
| 5   | N 107 581 01   | Socket head collared bolt with<br>inner multipoint head<br>BM 8 X 115 X 80            |        | 1   |            |
| 6   | N 901 838 03   | Hexagon collar nut  |        | 1   |            |



Model: 92A 11 Model life 2011>>2018

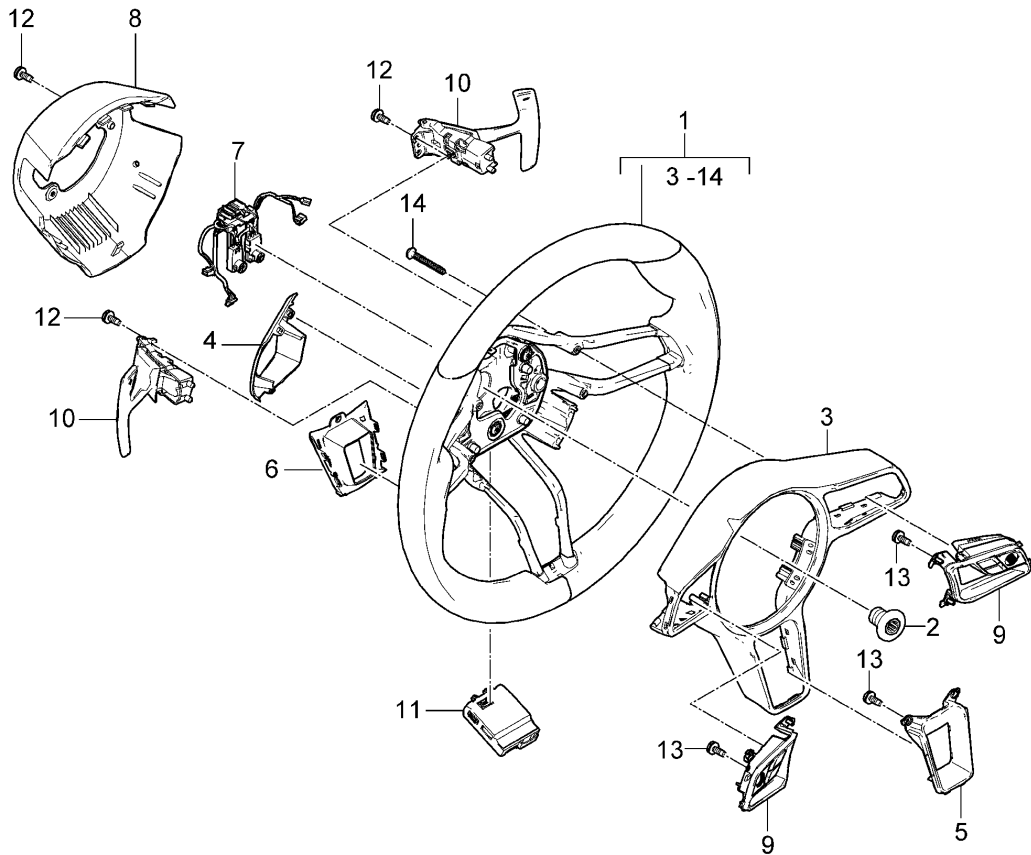
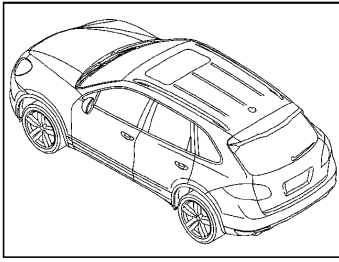
| Pos  | Part Number       | Description  | Remark                     | Qty | Model                              |
|------|-------------------|--|----------------------------|-----|------------------------------------|
| 7    | N 102 400 03      | self-locking<br>M 8<br>Hex collared bolt<br>M 8 X 32                             |                            | 4   |                                    |
| 8    | N 908 877 03      | Hexagon flange nut,<br>self-locking<br>M 6                                       |                            | 3   |                                    |
| 9    | WHT 004 955       | Torx screw<br>M 8 X 30   |                            | 1   |                                    |
| (9)  | WHT 004 955 A     | Discontinued part<br>Torx<br>socket head bolt<br>M 8 X 30                        |                            | 1   |                                    |
| 10   | 8E0 035 413       | Hexagon socket head<br>bolt<br>M5 X10  |                            | 2   |                                    |
| 11   | 7PP 905 852 B     | Control unit<br>Steering column<br>Locking mechanism                             |                            | 1   |                                    |
| (11) | 7PP 905 852 C     | Discontinued part<br>Control unit<br>Steering column<br>Locking mechanism        |                            | 1   |                                    |
| 12   | 4H0 907 705 G     | Control unit for electrically<br>adjustable steering column<br>Discontinued part |                            | 1   | PR:2C4                             |
| (12) | 4H0 907 705 H     | Control unit for electrically<br>adjustable steering column<br>Discontinued part |                            | 1   | PR:2C4                             |
| (12) | 4H0 907 705 J     | Control unit for electrically<br>adjustable steering column<br>Discontinued part |                            | 1   | PR:2C4                             |
| (12) | 4H0 907 705 K     | Control unit for electrically<br>adjustable steering column<br>Discontinued part |                            | 1   | PR:2C4                             |
| 13   | 7PP 951 527       | Switch<br>heater<br>steering wheel   |                            | 1   |                                    |
| 14   | 7PP 951 527 A05   | Black  |                            | 1   |                                    |
|      | 7PP 959 537 D     | Module<br>steering wheel   |                            | 1   | PR:2PH,2PM,<br>2X0                 |
|      | 7PP 959 537 D DE1 | Umber  | -LF, TX, TY, YF            |     |                                    |
|      | 7PP 959 537 D 3T0 | Espresso   | -VA, VB                    |     |                                    |
|      | 7PP 959 537 D 4U0 | Platinum Grey  | -LD, MD, YD                |     |                                    |
|      | 7PP 959 537 D 5Q0 | Black  | -LC, MA, TW, YA,<br>YB, YC |     |                                    |
|      | 7PP 959 537 D 6W0 | Luxor beige  | -LE, MC, YE                |     |                                    |
| (14) | 7PP 959 537 E     | Module<br>steering wheel   |                            | 1   | PR:2PH,2PM,<br>2X2                 |
|      | 7PP 959 537 E DE1 | Umber  | -LF, TX, TY, YF            |     |                                    |
|      | 7PP 959 537 E 3T0 | Espresso   | -VA, VB                    |     |                                    |
|      | 7PP 959 537 E 4U0 | Platinum Grey  | -LD, MD, YD                |     |                                    |
|      | 7PP 959 537 E 5Q0 | Black  | -LC, MA, TW, YA,<br>YB, YC |     |                                    |
|      | 7PP 959 537 E 6W0 | Luxor beige  | -LE, MC, YE                |     |                                    |
| (14) | 7PP 959 537 K     | Module<br>steering wheel   |                            | 1   | PR:1XE,1XJ,<br>2FX,2ZH,2ZM,<br>2X0 |
|      | 7PP 959 537 K DE1 | Umber  | -LF, TX, TY, YF            |     |                                    |
|      | 7PP 959 537 K 3T0 | Espresso   | -VA, VB                    |     |                                    |
|      | 7PP 959 537 K 4U0 | Platinum Grey  | -LD, MD, YD                |     |                                    |
|      | 7PP 959 537 K 5Q0 | Black  | -LC, MA, TW, YA,<br>YB, YC |     |                                    |
|      | 7PP 959 537 K 6W0 | Luxor beige  | -LE, MC, YE                |     |                                    |

Model: 92A 11 Model life 2011>>2018

| Pos  | Part Number       | Description   | Remark                  | Qty | Model                      |
|------|-------------------|---|-------------------------|-----|----------------------------|
| (14) | 7PP 959 537 L     | Module steering wheel   |                         | 1   | PR:1XE,1XJ,2FX,2ZH,2ZM,2X2 |
|      | 7PP 959 537 L DE1 | Umber   | -LF, TX, TY, YF         |     |                            |
|      | 7PP 959 537 L 3T0 | Espresso  | -VA, VB                 |     |                            |
|      | 7PP 959 537 L 4U0 | Platinum Grey   | -LD, MD, YD             |     |                            |
|      | 7PP 959 537 L 5Q0 | Black   | -LC, MA, TW, YA, YB, YC |     |                            |
|      | 7PP 959 537 L 6W0 | Luxor beige   | -LE, MC, YE             |     |                            |
| -    | 000 043 207 48    | Adhesive set steering wheel<br>See technical manual suspension  |                         | 1   |                            |
|      |                   | Group:  |                         |     |                            |
|      |                   | 48 12 19  |                         |     |                            |
| -    | 000 043 209 01    | Discontinued part emulsion tube<br>only in conj. with:<br>000.043.209.00                                |                         | X   |                            |
| -    | 000 043 209 00    | Adhesive set steering wheel<br>only in conj. with:<br>000.043.209.01<br>See technical manual suspension |                         | 1   |                            |
|      |                   | Group:  |                         |     |                            |
|      |                   | 48 12 19  |                         |     |                            |
| 15   | 000 043 205 44    | Grease<br>1 tube<br>10 GR.  |                         | X   |                            |

Model: 92A 11

Model life 2011>>2018



Model: 92A 11 Model life 2011>>2018

| Pos | Part Number        | Description  | Remark  | Qty | Model            |
|-----|--------------------|--|---|-----|------------------|
| 1   | 958 347 804 00     | Steering wheels<br>D - MJ 2015>><br>mult.steering wheel (leather)<br>D >> - MJ 2016<br>Discontinued part |   | 1   | PR:2X2<br>PR:2ZM |
|     | 958 347 804 00 A34 | Black  | -LC, LG, MA, MF,<br>MI, TA, YA, YC,<br>77, LH |     |                  |
|     | 958 347 804 00 OE5 | agate grey   | -MB, MG, ML                                   |     |                  |
|     | 958 347 804 00 6H6 | Espresso   | -VA, VB                                       |     |                  |
|     | 958 347 804 00 OK6 | saddle brown   | -ME, MH, MJ, MK                               |     |                  |
|     | 958 347 804 00 9J9 | Luxor beige  | -LE, MC, YE                                   |     |                  |
| 1   | 958 347 804 01     | mult.steering wheel (leather)<br>D >> - MJ 2016<br>Discontinued part                                     |   | 1   | PR:2ZM           |
|     | 958 347 804 01 A34 | Black  | -LC, LG, MA, MF,<br>MI, TA, YA, YC,<br>77, LH |     |                  |
|     | 958 347 804 01 OE5 | agate grey   | -MB, MG, ML                                   |     |                  |
|     | 958 347 804 01 6H6 | Espresso   | -VA, VB                                       |     |                  |
|     | 958 347 804 01 OK6 | saddle brown   | -ME, MH, MJ, MK                               |     |                  |
|     | 958 347 804 01 9J9 | Luxor beige  | -LE, MC, YE                                   |     |                  |
| 1   | 958 347 804 05     | mult.steering wheel (leather)<br>D - MJ 2017>><br>Discontinued part                                      |   | 1   | PR:2ZM           |
|     | 958 347 804 05 A34 | Black  | -LC, LG, MA, MF,<br>MI, TA, YA, YC,<br>77, LH |     |                  |
|     | 958 347 804 05 OE5 | agate grey   | -MB, MG, ML                                   |     |                  |
|     | 958 347 804 05 6H6 | Espresso   | -VA, VB                                       |     |                  |
|     | 958 347 804 05 OK6 | saddle brown   | -ME, MH, MJ, MK                               |     |                  |
|     | 958 347 804 05 9J9 | Luxor beige  | -LE, MC, YE                                   |     |                  |
| (1) | 958 347 804 10     | mult.steering wheel (leather)<br>D >> - MJ 2016<br>Discontinued part                                     |   | 1   | PR:2ZH           |
|     | 958 347 804 10 A34 | Black  | -LC, LG, MA, MF,<br>MI, TA, YA, YC,<br>77, LH |     |                  |
|     | 958 347 804 10 OE5 | agate grey   | -MB, MG, ML                                   |     |                  |
|     | 958 347 804 10 6H6 | Espresso   | -VA, VB                                       |     |                  |
|     | 958 347 804 10 OK6 | saddle brown   | -ME, MH, MJ, MK                               |     |                  |
|     | 958 347 804 10 9J9 | Luxor beige  | -LE, MC, YE                                   |     |                  |
| (1) | 958 347 804 11     | mult.steering wheel (leather)<br>D >> - MJ 2016<br>Discontinued part                                     |   | 1   | PR:2ZH           |
|     | 958 347 804 11 A34 | Black  | -LC, LG, MA, MF,<br>MI, TA, YA, YC,<br>77, LH |     |                  |
|     | 958 347 804 11 OE5 | agate grey   | -MB, MG, ML                                   |     |                  |
|     | 958 347 804 11 6H6 | Espresso   | -VA, VB                                       |     |                  |
|     | 958 347 804 11 OK6 | saddle brown   | -ME, MH, MJ, MK                               |     |                  |
|     | 958 347 804 11 9J9 | Luxor beige  | -LE, MC, YE                                   |     |                  |
| (1) | 958 347 804 15     | mult.steering wheel (leather)<br>D - MJ 2017>><br>Discontinued part                                      |   | 1   | PR:2ZH           |
|     | 958 347 804 15 A34 | Black  | -LC, LG, MA, MF,<br>MI, TA, YA, YC,<br>77, LH |     |                  |
|     | 958 347 804 15 OE5 | agate grey   | -MB, MG, ML                                   |     |                  |
|     | 958 347 804 15 6H6 | Espresso   | -VA, VB                                       |     |                  |
|     | 958 347 804 15 OK6 | saddle brown   | -ME, MH, MJ, MK                               |     |                  |
|     | 958 347 804 15 9J9 | Luxor beige  | -LE, MC, YE                                   |     |                  |
| (1) | 958 347 804 20     | multifunction steering wheel<br>D >> - MJ 2016<br>Discontinued part                                      |   | 1   | PR:2FX           |
|     | 958 347 804 20 A34 | Black  | -LC, LG, MA, MF,<br>MI, TA, YA, YC,           |     |                  |

Model: 92A 11 Model life 2011>>2018

| Pos | Part Number        | Description                  | Remark                                  | Qty | Model  |
|-----|--------------------|------------------------------|---|-----|--------|
|     | 958 347 804 20 OE5 | agate grey                   | 77, LH                                  |     |        |
|     | 958 347 804 20 6H6 | Espresso                     | -MB, MG, ML                             |     |        |
|     | 958 347 804 20 OK6 | saddle brown                 | -VA, VB                                 |     |        |
|     | 958 347 804 20 9J9 | Luxor beige                  | -ME, MH, MJ, MK                         |     |        |
| (1) | 958 347 804 21     | multifunction steering wheel | -LE, MC, YE                             | 1   | PR:2FX |
|     |                    | D >> - MJ 2016               |   |     |        |
|     | 958 347 804 21 A34 | Black                        | -LC, LG, MA, MF, MI, TA, YA, YC, 77, LH |     |        |
|     | 958 347 804 21 OE5 | agate grey                   | -MB, MG, ML                             |     |        |
|     | 958 347 804 21 6H6 | Espresso                     | -VA, VB                                 |     |        |
|     | 958 347 804 21 OK6 | saddle brown                 | -ME, MH, MJ, MK                         |     |        |
|     | 958 347 804 21 9J9 | Luxor beige                  | -LE, MC, YE                             |     |        |
| (1) | 958 347 804 25     | multifunction steering wheel |   | 1   | PR:2FX |
|     |                    | D - MJ 2017>>                |   |     |        |
|     | 958 347 804 25 A34 | Black                        | -LC, LG, MA, MF, MI, TA, YA, YC, 77, LH |     |        |
|     | 958 347 804 25 OE5 | agate grey                   | -MB, MG, ML                             |     |        |
|     | 958 347 804 25 6H6 | Espresso                     | -VA, VB                                 |     |        |
|     | 958 347 804 25 OK6 | saddle brown                 | -ME, MH, MJ, MK                         |     |        |
|     | 958 347 804 25 9J9 | Luxor beige                  | -LE, MC, YE                             |     |        |
| (1) | 958 347 804 30     | multifunction steering wheel |   | 1   | PR:1XG |
|     |                    | D >> - MJ 2016               |   |     |        |
|     |                    | Discontinued part            |   |     |        |
|     | 958 347 804 30 A34 | Black                        | -LC, LG, MA, MF, MI, TA, YA, YC, 77, LH |     |        |
|     | 958 347 804 30 OE5 | agate grey                   | -MB, MG, ML                             |     |        |
|     | 958 347 804 30 6H6 | Espresso                     | -VA, VB                                 |     |        |
|     | 958 347 804 30 OK6 | saddle brown                 | -ME, MH, MJ, MK                         |     |        |
|     | 958 347 804 30 9J9 | Luxor beige                  | -LE, MC, YE                             |     |        |
| (1) | 958 347 804 31     | multifunction steering wheel |   | 1   | PR:1XG |
|     |                    | D >> - MJ 2016               |   |     |        |
|     | 958 347 804 31 A34 | Black                        | -LC, LG, MA, MF, MI, TA, YA, YC, 77, LH |     |        |
|     | 958 347 804 31 OE5 | agate grey                   | -MB, MG, ML                             |     |        |
|     | 958 347 804 31 6H6 | Espresso                     | -VA, VB                                 |     |        |
|     | 958 347 804 31 OK6 | saddle brown                 | -ME, MH, MJ, MK                         |     |        |
|     | 958 347 804 31 9J9 | Luxor beige                  | -LE, MC, YE                             |     |        |
| (1) | 958 347 804 35     | multifunction steering wheel |   | 1   | PR:1XG |
|     |                    | D - MJ 2017>>                |   |     |        |
|     | 958 347 804 35 A34 | Black                        | -LC, LG, MA, MF, MI, TA, YA, YC, 77, LH |     |        |
|     | 958 347 804 35 OE5 | agate grey                   | -MB, MG, ML                             |     |        |
|     | 958 347 804 35 6H6 | Espresso                     | -VA, VB                                 |     |        |
|     | 958 347 804 35 OK6 | saddle brown                 | -ME, MH, MJ, MK                         |     |        |
|     | 958 347 804 35 9J9 | Luxor beige                  | -LE, MC, YE                             |     |        |
| (1) | 958 347 804 40     | multifunction steering wheel |   | 1   | PR:2ZU |
|     |                    | D >> - MJ 2016               |   |     |        |
|     |                    | Discontinued part            |   |     |        |
|     | 958 347 804 40 A34 | Black                        | -LC, LG, MA, MF, MI, TA, YA, YC, 77, LH |     |        |
|     | 958 347 804 40 OE5 | agate grey                   | -MB, MG, ML                             |     |        |
|     | 958 347 804 40 6H6 | Espresso                     | -VA, VB                                 |     |        |
|     | 958 347 804 40 OK6 | saddle brown                 | -ME, MH, MJ, MK                         |     |        |
|     | 958 347 804 40 9J9 | Luxor beige                  | -LE, MC, YE                             |     |        |
| (1) | 958 347 804 41     | multifunction steering wheel |   | 1   | PR:2ZU |
|     |                    | D >> - MJ 2016               |   |     |        |

Model: 92A 11 Model life 2011>>2018

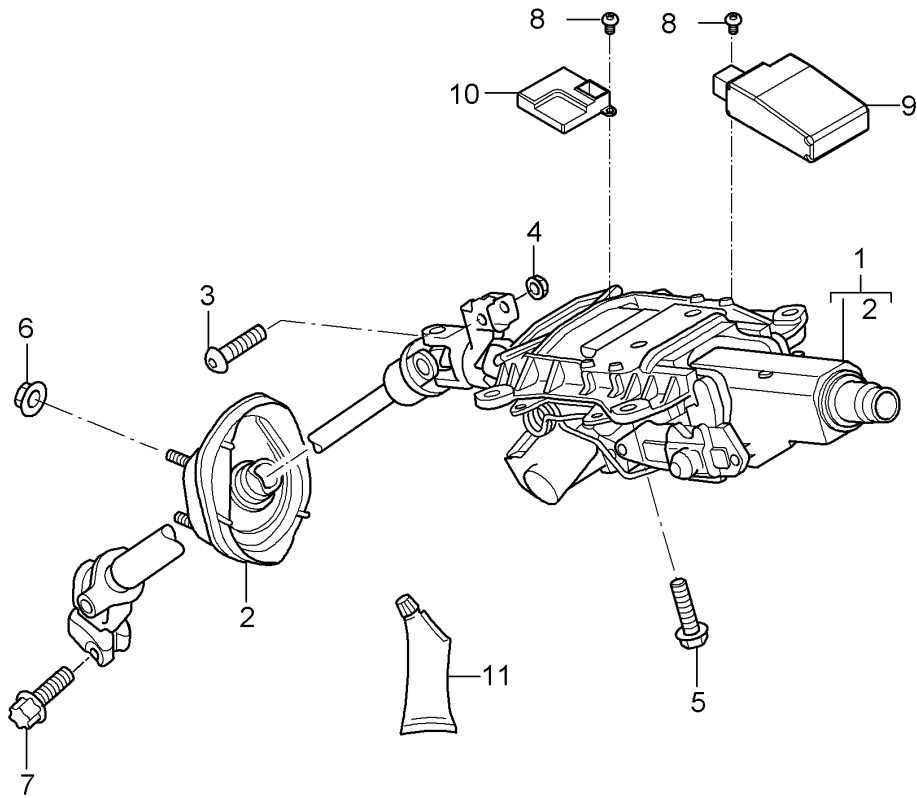
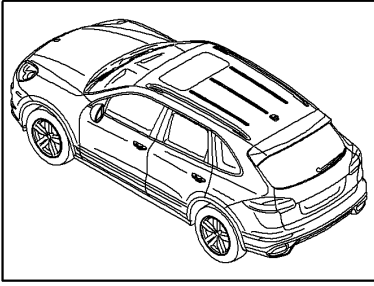
| Pos | Part Number        | Description   | Remark                                  | Qty | Model  |
|-----|--------------------|---|---|-----|--------|
|     | 958 347 804 41 A34 | Black   | -LC, LG, MA, MF, MI, TA, YA, YC, 77, LH |     |        |
|     | 958 347 804 41 OE5 | agate grey  | -MB, MG, ML                             |     |        |
|     | 958 347 804 41 6H6 | Espresso  | -VA, VB                                 |     |        |
|     | 958 347 804 41 OK6 | saddle brown  | -ME, MH, MJ, MK                         |     |        |
|     | 958 347 804 41 9J9 | Luxor beige   | -LE, MC, YE                             |     |        |
| (1) | 958 347 804 45     | multifunction steering wheel<br>D - MJ 2017>>                       |   | 1   | PR:2ZU |
|     | 958 347 804 45 A34 | Black   | -LC, LG, MA, MF, MI, TA, YA, YC, 77, LH |     |        |
|     | 958 347 804 45 OE5 | agate grey  | -MB, MG, ML                             |     |        |
|     | 958 347 804 45 6H6 | Espresso  | -VA, VB                                 |     |        |
|     | 958 347 804 45 OK6 | saddle brown  | -ME, MH, MJ, MK                         |     |        |
|     | 958 347 804 45 9J9 | Luxor beige   | -LE, MC, YE                             |     |        |
| (1) | 958 347 804 50     | multifunction steering wheel<br>D >> - MJ 2016<br>Discontinued part |   | 1   | PR:1XE |
|     | 958 347 804 50 A34 | Black   | -LC, LG, MA, MF, MI, TA, YA, YC, 77, LH |     |        |
|     | 958 347 804 50 OE5 | agate grey  | -MB, MG, ML                             |     |        |
|     | 958 347 804 50 6H6 | Espresso  | -VA, VB                                 |     |        |
|     | 958 347 804 50 OK6 | saddle brown  | -ME, MH, MJ, MK                         |     |        |
|     | 958 347 804 50 9J9 | Luxor beige   | -LE, MC, YE                             |     |        |
| (1) | 958 347 804 51     | multifunction steering wheel<br>D >> - MJ 2016                      |   | 1   | PR:1XE |
|     | 958 347 804 51 A34 | Black   | -LC, LG, MA, MF, MI, TA, YA, YC, 77, LH |     |        |
|     | 958 347 804 51 OE5 | agate grey  | -MB, MG, ML                             |     |        |
|     | 958 347 804 51 6H6 | Espresso  | -VA, VB                                 |     |        |
|     | 958 347 804 51 OK6 | saddle brown  | -ME, MH, MJ, MK                         |     |        |
|     | 958 347 804 51 9J9 | Luxor beige   | -LE, MC, YE                             |     |        |
| (1) | 958 347 804 55     | multifunction steering wheel<br>D - MJ 2017>>                       |   | 1   | PR:1XE |
|     | 958 347 804 55 A34 | Black   | -LC, LG, MA, MF, MI, TA, YA, YC, 77, LH |     |        |
|     | 958 347 804 55 OE5 | agate grey  | -MB, MG, ML                             |     |        |
|     | 958 347 804 55 6H6 | Espresso  | -VA, VB                                 |     |        |
|     | 958 347 804 55 OK6 | saddle brown  | -ME, MH, MJ, MK                         |     |        |
|     | 958 347 804 55 9J9 | Luxor beige   | -LE, MC, YE                             |     |        |
| (1) | 958 347 804 60     | steering wheel<br>Alcantara<br>D >> - MJ 2016<br>Discontinued part  |   | 1   | PR:2PX |
|     | 958 347 804 60 2W0 | Black   |   |     |        |
| (1) | 958 347 804 61     | steering wheel<br>Alcantara<br>D >> - MJ 2016                       |   | 1   | PR:2PX |
|     | 958 347 804 61 2W0 | Black   |   |     |        |
| (1) | 958 347 804 70     | steering wheel<br>Alcantara<br>D - MJ 2017>>                        |   | 1   | PR:2ZF |
|     | 958 347 804 70 2W0 | Black   |   |     |        |
| 2   | N 910 207 01       | Screw with int. serrations<br>M 18 X 1,5 X 26                       |   | 1   |        |
| 3   | 95B 419 732        | Cover   |   | 1   |        |
|     | 95B 419 732 GT8    | Galvano silver  |   |     |        |
| 4   | 95B 419 937        | Trim  | left<br>rear                            | 1   |        |

Model: 92A 11 Model life 2011>>2018

| Pos  | Part Number                        | Description  | Remark         | Qty | Model                     |
|------|------------------------------------|--|----------------|-----|---------------------------|
| (4)  | 95B 419 937 6N3<br>95B 419 936     | Black<br>Trim  | right<br>rear  | 1   |                           |
| 5    | 95B 419 936 6N3<br>95B 419 938 D   | Black<br>Trim  | front<br>lower | 1   |                           |
| 6    | 95B 419 938 D 6N3<br>95B 419 938 B | Black<br>Trim  | rear<br>lower  | 1   | PR: 2ZM, 2PX              |
| (6)  | 95B 419 938 B 6N3<br>95B 951 527   | without heating<br>Black<br>Trim   | rear<br>lower  | 1   |                           |
| 7    | 95B 951 527 6N3<br>95B 971 388 B   | with heating<br>Black<br>Wire set  |                | 1   |                           |
| 8    | 95B 419 798 D                      | Cover  | rear           | 1   | PR: 2ZM, 2ZH,<br>2PX      |
| (8)  | 95B 419 798 D 5Q0<br>95B 419 798 E | plastic<br>Black<br>Cover  | rear           | 1   | PR: 2FX, 2ZU,<br>1XE, 1XG |
| 9    | 95B 419 798 E A34<br>95B 998 537   | Leather<br>Leather<br>Switch   |                | 1   |                           |
| 10   | 95B 998 540 A                      | for vehicles with multifunc-<br>tion steering wheel<br>Matt black<br>1 set of actuating levers |                | 1   |                           |
| 11   | 95B 959 256                        | Shifting paddle<br>Galvano silver<br>Control unit  |                | 1   |                           |
| (11) | 95B 959 256 E                      | Control unit   |                | 1   |                           |
| 12   | N 107 524 01                       | Oval socket head bolt<br>with hex drive<br>M4X10   |                | 5   |                           |
| 13   | 999 919 304 01                     | Screw<br>M3X8  |                | 6   |                           |
| 14   | 999 919 305 01                     | Screw<br>M4X30   |                | 4   |                           |

Model: 92A 11

Model life 2011>>2018





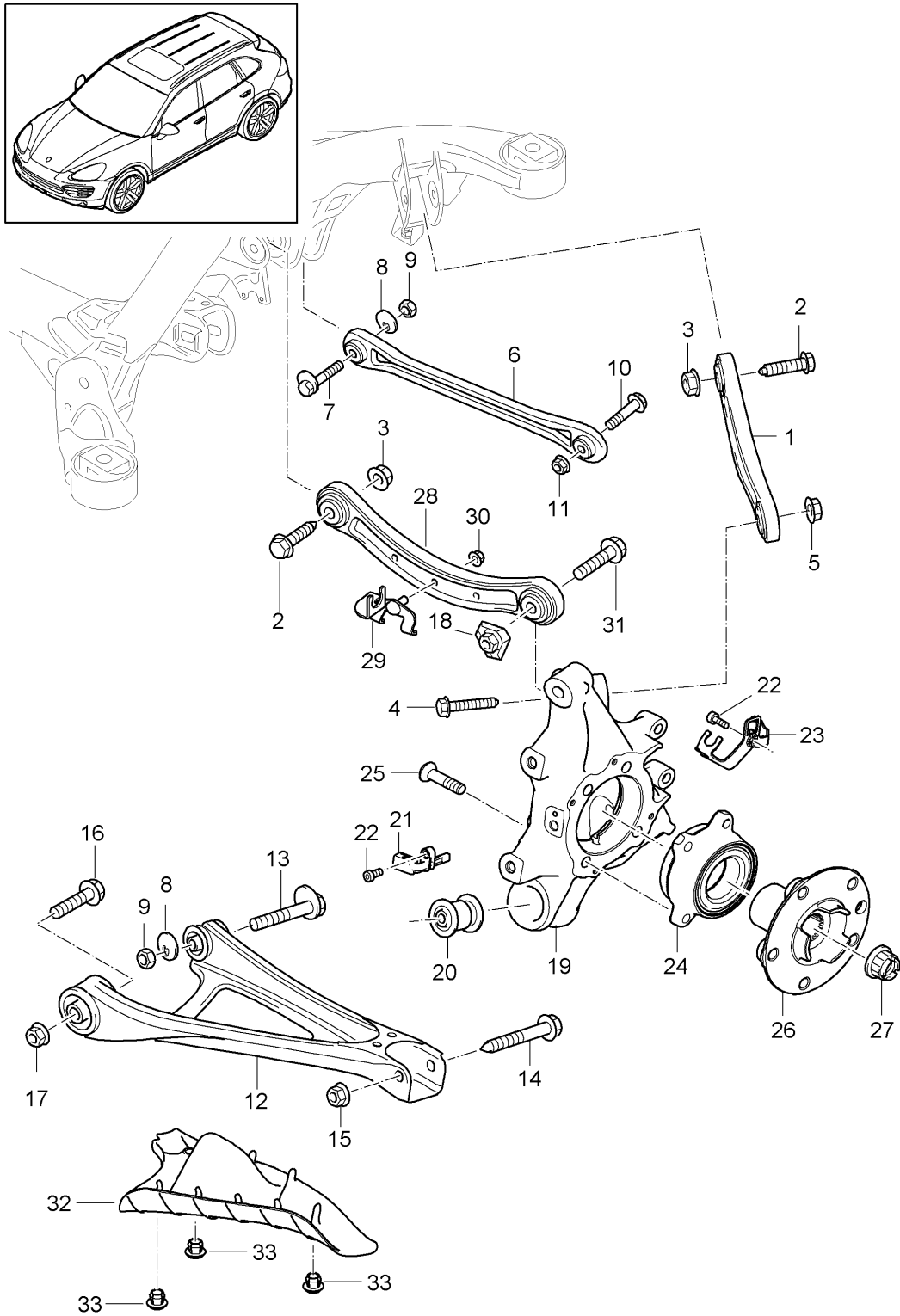
Model: 92A 11

Model life 2011>>2018

| Pos | Part Number    | Description   | Remark | Qty | Model      |
|-----|----------------|---|--------|-----|------------|
| 1   | 958 347 007 04 | Steering column<br>Intermediate steering shaft<br>D - MJ 2015>><br>Complete steering column | lhd    | 1   | PR:2C5,L0L |
| (1) | 958 347 007 24 | with:<br>Intermediate steering shaft<br>Complete steering column                            | lhd    | 1   | PR:2C4,L0L |
| (1) | 958 347 008 04 | with:<br>Intermediate steering shaft<br>Complete steering column                            | rhd    | 1   | PR:2C5,L0R |
| (1) | 958 347 008 24 | with:<br>Intermediate steering shaft<br>Complete steering column                            | rhd    | 1   | PR:2C4,L0R |
| 2   | 958 347 037 00 | Intermediate steering shaft<br>Sealing sleeve   |        | 1   |            |
| 3   | N 107 581 01   | Socket head collared bolt with<br>inner multipoint head<br>BM 8 X 115 X 80                  |        | 1   |            |
| 4   | N 901 838 03   | Hexagon collar nut<br>self-locking<br>M 8   |        | 1   |            |
| 5   | N 102 400 03   | Hex collared bolt<br>M 8 X 32   |        | 4   |            |
| 6   | N 908 877 03   | Hexagon flange nut,<br>self-locking<br>M 6  |        | 3   |            |
| 7   | WHT 004 955 A  | Torx<br>socket head bolt<br>M 8 X 30  |        | 1   |            |
| 8   | 8E0 035 413    | Hexagon socket head<br>bolt<br>M5 X10   |        | 2   |            |
| 9   | 7PP 905 852 C  | Control unit<br>Steering column<br>Locking mechanism  |        | 1   |            |
| 10  | 4H0 907 705 K  | Control unit for electrically<br>adjustable steering column                                 |        | 1   | PR:2C4     |
| 11  | 000 043 205 44 | Grease<br>1 tube<br>10 GR.  |        | X   |            |

Model: 92A 11

Model life 2011>>2018



Model: 92A 11 Model life 2011>>2018

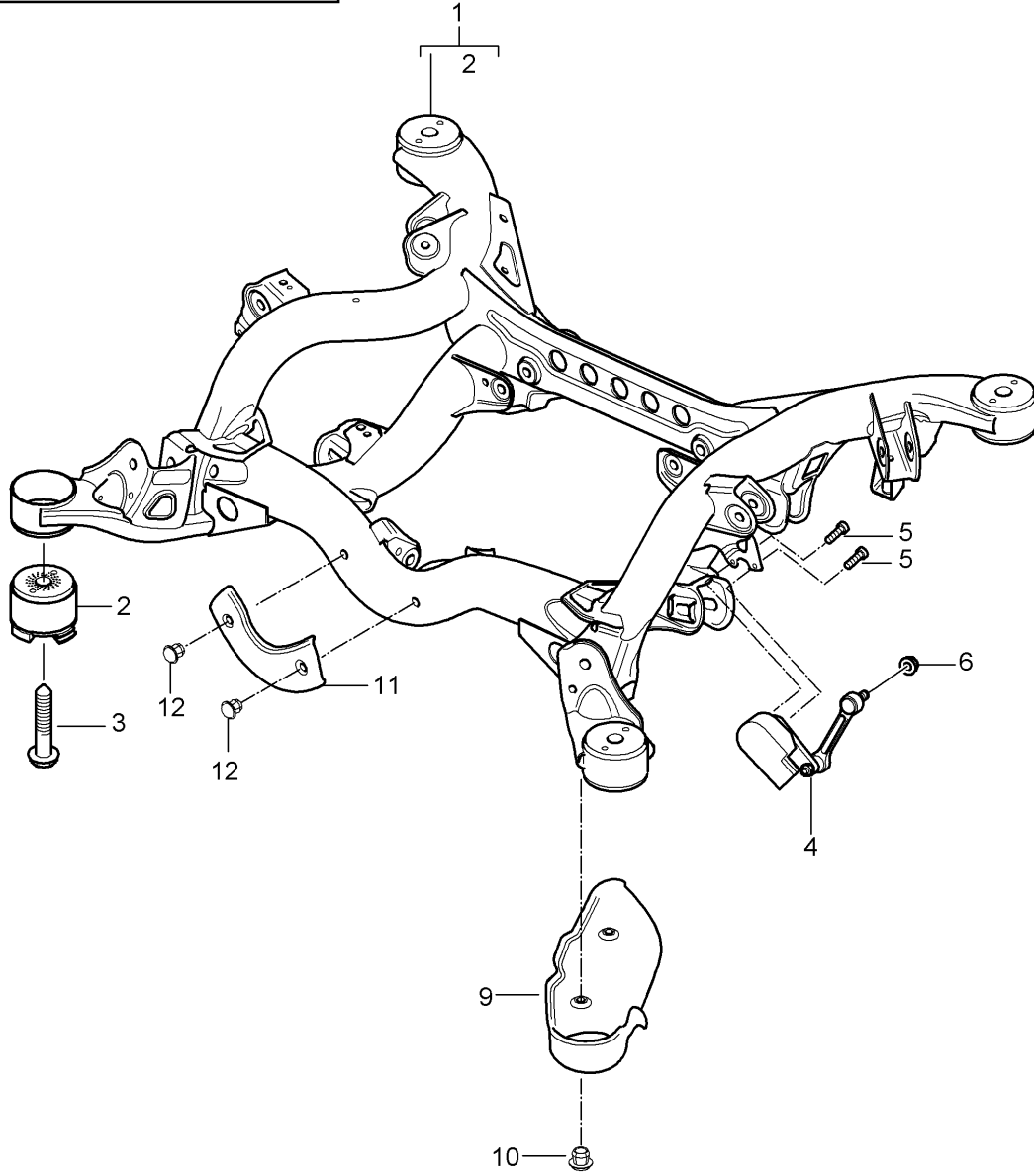
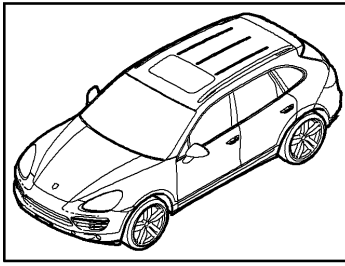
| Pos  | Part Number    | Description  | Remark                 | Qty | Model |
|------|----------------|--|------------------------|-----|-------|
|      |                | Rear axle<br>Wheel carrier<br>Wishbone<br>Track rod<br>Wheel hub<br>Stone chip guard<br>D >> - MJ 2014 |                        |     |       |
| 1    | 955 331 049 00 | Wishbone   | left<br>upper<br>rear  | 1   |       |
| (1)  | 955 331 050 00 | Wishbone   | right<br>upper<br>rear | 1   |       |
| 2    | N 105 524 02   | Hex collared bolt<br>M 12 X 1,5 X 70   |                        | 4   |       |
| 3    | N 104 029 04   | Hexagon nut<br>M 12 X 1,5  |                        | 4   |       |
| 4    | N 105 869 02   | Hex collared bolt<br>M 16 X 1,5 X 110  |                        | 2   |       |
| (4)  | WHT 005 459    | No longer use the part here<br>Hexagon bolt<br>AM16 X 1.5 X 110  |                        | 2   |       |
| 5    | N 910 204 02   | hex. nut, self-locking with<br>washer<br>M 16 X 1,5  |                        | 2   |       |
| 6    | 958 331 045 00 | Track rod  | left                   | 1   |       |
| (6)  | 958 331 046 00 | Track rod  | right                  | 1   |       |
| 7    | WHT 001 834    | Eccentric bolt<br>M 14 X 1,5 X 82  |                        | 2   |       |
| 8    | WHT 001 796 A  | eccentric washer   |                        | 4   |       |
| 9    | WHT 001 938    | hexagon nut, self-locking<br>M 14 X 1,5  |                        | 4   |       |
| 10   | N 911 833 01   | hexagon head bolt (combi)<br>M16X1.50X120.00   |                        | 2   |       |
| 11   | N 105 868 02   | Hexagon collar nut<br>self-locking<br>M 16 X 1,5   |                        | 2   |       |
| 12   | 958 311 041 00 | Wishbone   | left<br>lower          | 1   |       |
| (12) | 958 311 041 10 | Wishbone   | left<br>lower          | 1   | GTS   |
| (12) | 958 311 041 11 | No longer use the part here<br>Wishbone  | left<br>lower          | 1   | GTS   |
| (12) | 958 311 042 00 | Wishbone   | right<br>lower         | 1   |       |
| (12) | 958 311 042 10 | Wishbone   | right<br>lower         | 1   | GTS   |
| (12) | 958 311 042 11 | No longer use the part here<br>Wishbone  | right<br>lower         | 1   | GTS   |
| 13   | WHT 001 833    | Eccentric bolt<br>M 14 X 1,5 X 102   |                        | 2   |       |
| 14   | WHT 004 887    | bolt,hex.hd.with shoul.(combi)<br>M 14 X 1.5 X 95  |                        | 2   |       |
| 15   | WHT 004 886    | Hexagon collar nut (combi)<br>M 14 X 1,5   |                        | 2   |       |
| 16   | N 105 326 02   | Hex collared bolt<br>BM 14 X 1,5 X 102   |                        | 2   |       |
| 17   | N 103 353 04   | Hexagon nut<br>M14X1.50  |                        | 2   |       |
| 18   | WHT 001 872    | hex. nut with washer<br>M 14 X 1,5   |                        | 2   |       |

Model: 92A 11 Model life 2011>>2018

| Pos  | Part Number    | Description  | Remark         | Qty | Model        |
|------|----------------|--|----------------|-----|--------------|
| 19   | 958 331 611 00 | Wheel carrier<br>Discontinued part                                       | left           | 1   | PR:-E0W,-E8A |
| 19   | 958 331 611 01 | Wheel carrier  | left           | 1   | PR:-E0W,-E8A |
| 19   | 958 331 611 10 | Wheel carrier  | left           | 1   | PR:E0W,E8A   |
| (19) | 958 331 612 00 | Wheel carrier<br>Discontinued part                                       | right          | 1   | PR:-E0W,-E8A |
| (19) | 958 331 612 01 | Wheel carrier<br>EINSATZ 07.11.11  | right          | 1   | PR:-E0W,-E8A |
| (19) | 958 331 612 10 | Wheel carrier  | right          | 1   | PR:E0W,E8A   |
| 20   | 955 341 588 10 | Link bearing   |                | 2   |              |
| (20) | 958 341 588 00 | Link bearing   |                | 2   | PR:E0W,E8A   |
| 21   | 958 606 405 00 | speed sensor<br>also use:<br>No longer use the part here                 | 958 343 243 00 | 2   |              |
| 21   |                | speed sensor<br>repair set   | front and rear | 1   |              |
| 22   | N 911 454 01   | see illustration:<br>bolt, hex. hd. (combi.)<br>self-locking<br>M 6 X 16 | 401-005        | 4   |              |
| 23   | 958 331 321 00 | Line holder<br>Discontinued part   | left           | 1   |              |
| (23) | 958 331 321 01 | Line holder  | left           | 1   |              |
| (23) | 958 331 322 00 | Line holder<br>Discontinued part   | right          | 1   |              |
| (23) | 958 331 322 01 | Line holder  | right          | 1   |              |
| 24   | 958 331 583 00 | angular ball bearing<br>also use:  |                | 2   |              |
| 25   | WHT 004 835    | Position<br>25 + 27<br>Ball screw<br>M 12 X 1.25 X 45                    |                | 8   |              |
| 26   | 958 341 605 00 | Wheel hub  |                | 2   |              |
| 27   | 955 341 640 00 | Locknut<br>M 24  |                | 2   |              |
| 28   | 955 331 047 10 | Wishbone   | upper<br>front | 2   |              |
| 29   | 958 331 322 10 | Line holder<br>for<br>speed sensor                                       |                | 2   |              |
| 30   | N 023 002 12   | hexagon nut, self-locking<br>M 6   |                | 2   |              |
| 31   | N 105 326 02   | Hex collared bolt<br>BM 14 X 1,5 X 102<br>No longer use the part here    |                | 2   |              |
| 31   | WHT 005 460    | Hexagon bolt<br>BM 14 X 1,5 X 102  |                | 2   |              |
| 32   | 958 331 315 00 | Stone chip guard   | left           | 1   | PR:6EB,6EC   |
| (32) | 958 331 316 00 | Stone chip guard   | right          | 1   | PR:6EB,6EC   |
| 33   | N 106 085 01   | Spreader rivet   |                | 6   | PR:6EB,6EC   |
| -    | 000 043 204 21 | Grease<br>Spraying can<br>25 ML<br>Discontinued part                     |                | 1   |              |
| -    | G 052 778 A2   | Lock cylinder grease spray<br>Spraying can<br>50 ML                      |                | 1   |              |

Model: 92A 11

Model life 2011>>2018

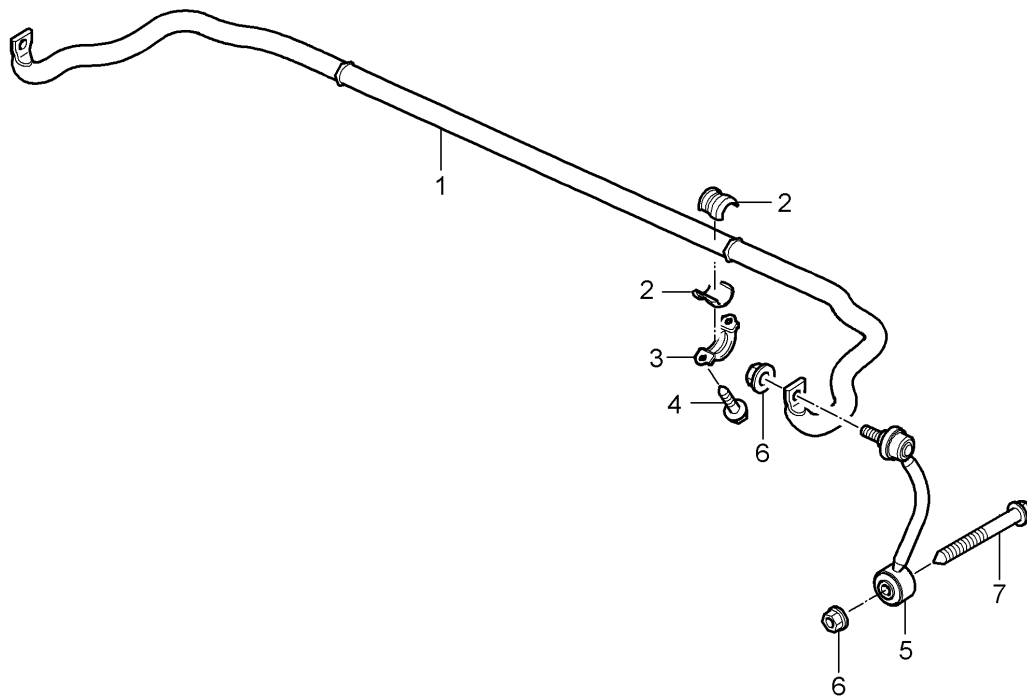
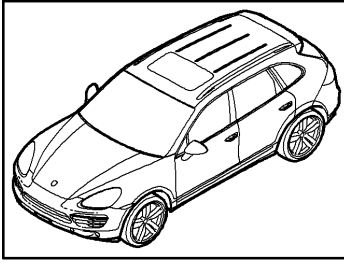


Model: 92A 11 Model life 2011>>2018

| Pos | Part Number    | Description   | Remark | Qty | Model                      |
|-----|----------------|---|--------|-----|----------------------------|
|     |                | Rear axle<br>Suspension sub-frame<br>Headlight range control<br>Level sensor<br>Stone chip guard<br>D >> - MJ 2014  |        |     | PR:1BA,1BW,<br>1BK,1BH,1BZ |
| 1   | 958 331 031 00 | Suspension sub-frame<br>Discontinued part   |        | 1   |                            |
| 1   | 958 331 031 01 | Suspension sub-frame  |        | 1   |                            |
| 2   | 955 331 135 00 | hydro-mounting<br>Discontinued part   |        | 4   |                            |
| (2) | 955 331 135 01 | hydro-mounting  |        | 4   |                            |
| 3   | N 909 987 02   | bolt,hex.hd.with shoul.(combi)<br>M 14 X 1,5 X 150  |        | 4   |                            |
| (3) | N 909 763 02   | bolt,hex.hd.with shoul.(combi)<br>M 14 X 1,5 X 135<br>Only<br>for<br>Repair<br>Threaded bush<br>Use<br>See workshop manual<br>Group 5<br>Document<br>518941 |        | 4   |                            |
| 4   | 958 331 077 00 | Level sensor with poles   | left   | 1   | PR:1BA                     |
| (4) | 958 331 077 00 | Level sensor with poles   |        | 2   | PR:1BH,1BK,<br>1BZ         |
| 5   | N 104 343 01   | Socket head bolt<br>M 5 X 10  |        | 2   | PR:-1BH,<br>-1BK,-1BZ      |
| (5) | N 104 343 01   | Socket head bolt<br>M 5 X 10  |        | 4   | PR:1BH,1BK,<br>1BZ         |
| 6   | N 023 002 12   | hexagon nut, self-locking<br>M 6  |        | 1   | PR:-1BH,<br>-1BK,-1BZ      |
| (6) | N 023 002 12   | hexagon nut, self-locking<br>M 6  |        | 2   | PR:1BH,1BK,<br>1BZ         |
| 9   | 955 331 313 01 | Stone chip guard<br>hydro-mounting  | left   | 1   | PR:6EB,6EC                 |
| (9) | 955 331 314 01 | Stone chip guard<br>hydro-mounting  | right  | 1   | PR:6EB,6EC                 |
| 10  | N 106 084 01   | Spreader rivet  |        | 4   | PR:6EB,6EC                 |
| 11  | 958 331 317 00 | Stone chip guard  |        | 1   | PR:6EB,6EC                 |
| 12  | N 106 085 01   | Spreader rivet  |        | 2   | PR:6EB,6EC                 |

Model: 92A 11

Model life 2011>>2018



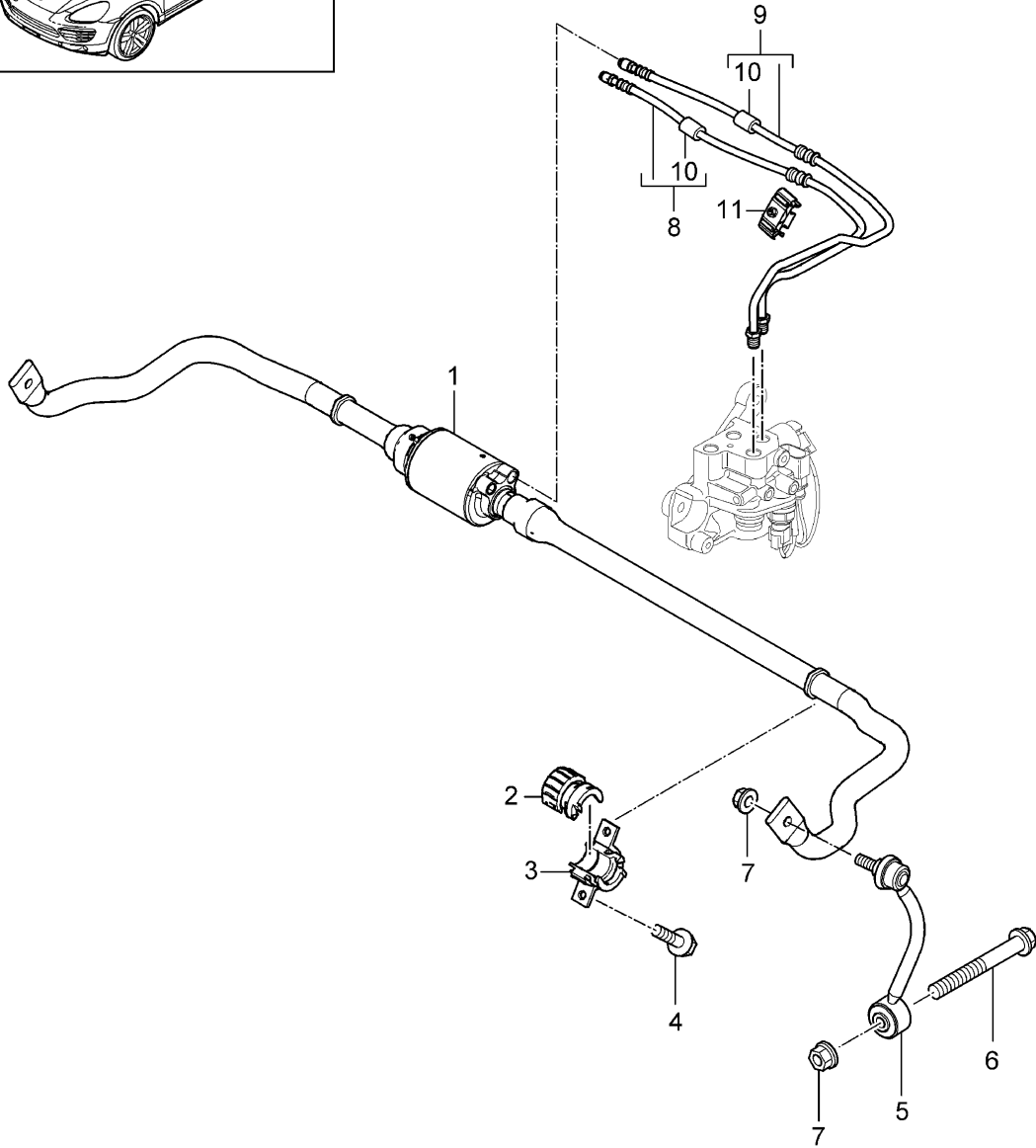
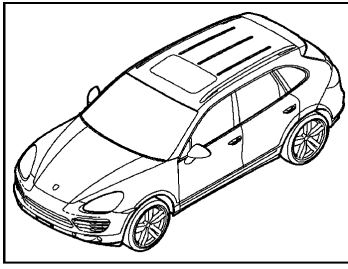
Model: 92A 11 Model life 2011>>2018

| Pos | Part Number    | Description   | Remark | Qty | Model      |
|-----|----------------|---|--------|-----|------------|
| (1) | 955 333 701 00 | Anti-roll bar<br>D >> - MJ 2014<br>Anti-roll bar<br>25,00 MM<br>Identification: >> >><br>green<br>Discontinued part |        | 1   | PR:0AB,0AC |
| (1) | 958 333 701 00 | Anti-roll bar<br>25,00 MM<br>Identification: >> >><br>green   |        | 1   |            |
| (1) | 958 333 701 01 | D >> - 08.07.2012<br>Anti-roll bar<br>25,00 MM<br>Identification: >> >><br>green                                    |        | 1   | CXZA, CXZ  |
| 1   | 955 333 701 20 | D - 09.07.2012>><br>Anti-roll bar<br>24,60 MM<br>Identification: >> >><br>lilac                                     |        | 1   |            |
| 1   | 958 333 701 20 | Anti-roll bar<br>24,60 MM<br>Identification: >> >><br>lilac   |        | 1   |            |
| 2   | 955 333 792 40 | anti-roll bar bearing bracket<br>24,10 MM<br>Identification: >> >><br>green   |        | 4   |            |
| (2) | 955 333 792 50 | anti-roll bar bearing bracket<br>23,70 MM<br>Identification: >> >><br>lilac   |        | 4   |            |
| 3   | 955 333 777 01 | Clamp   |        | 2   |            |
| 4   | N 106 978 01   | Hex collared bolt<br>M 10 X 30  |        | 4   |            |
| 5   | 955 333 069 21 | Coupling rod  | left   | 1   |            |
| (5) | 955 333 070 21 | Coupling rod  | right  | 1   |            |
| 6   | N 104 029 04   | Hexagon nut<br>M 12 X 1,5   |        | 4   |            |
| 7   | N 105 924 02   | Hex collared bolt<br>M 12 X 1,5 X 120   |        | 2   |            |
| 7   | WHT 005 461    | No longer use the part here<br>Hexagon bolt<br>M 12 X 1,5 X 120   |        | 2   |            |



Model: 92A 11

Model life 2011>>2018

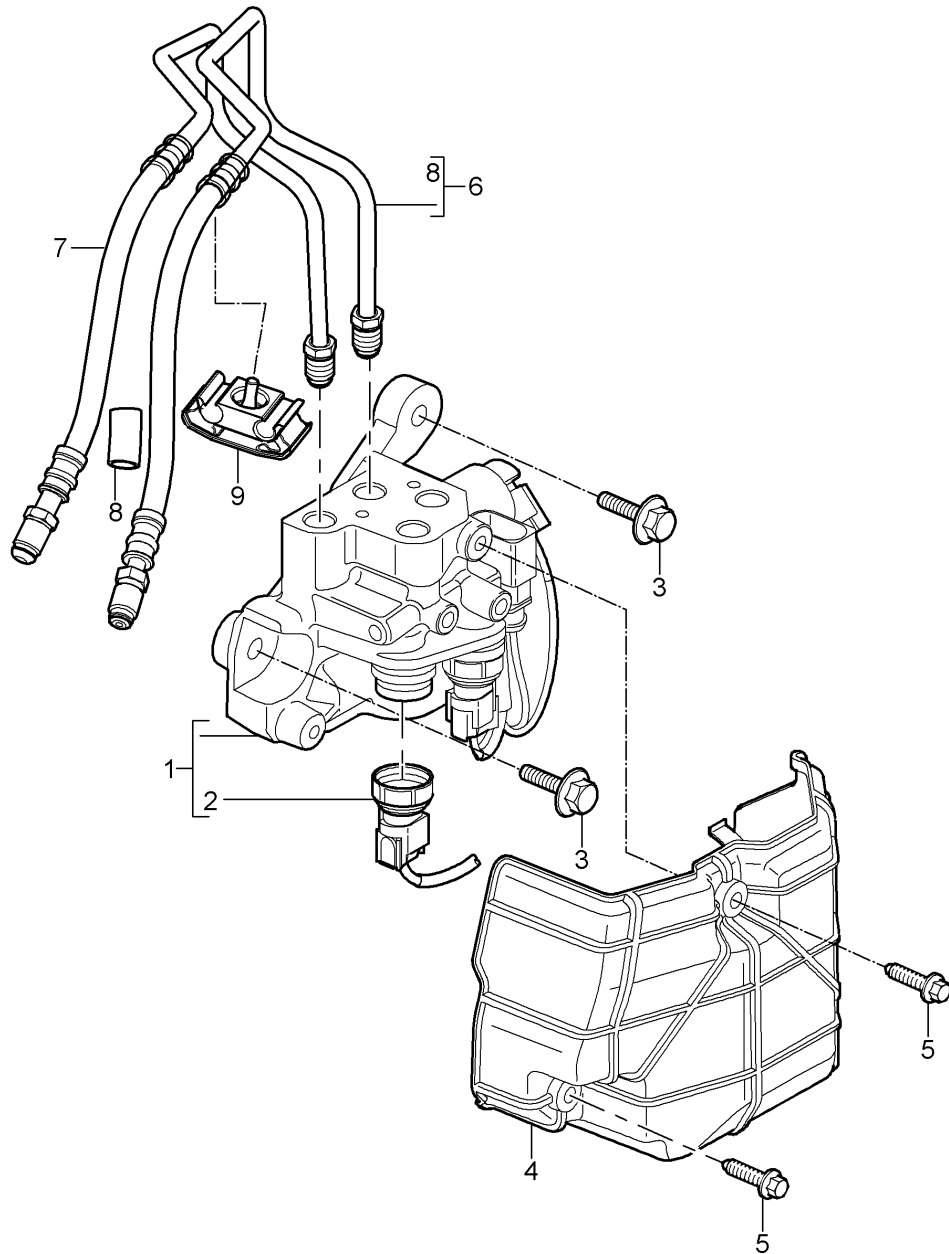
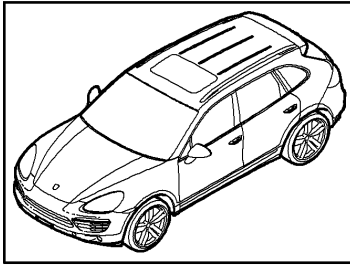


Model: 92A 11 Model life 2011>>2018

| Pos  | Part Number    | Description   | Remark       | Qty | Model  |
|------|----------------|---|--------------|-----|--------|
|      |                | Anti-roll bar<br>Hose   |              |     | PR:OAW |
| 1    | 955 333 703 01 | Anti-roll bar<br>Discontinued part  |              | 1   |        |
| (1)  | 958 333 703 00 | Anti-roll bar   |              | 1   |        |
| 2    | 955 333 793 00 | anti-roll bar bearing bracket<br>Upper part                               |              | 2   |        |
| 3    | 955 333 794 00 | anti-roll bar bearing bracket<br>Lower part                               |              | 2   |        |
| 4    | N 106 978 01   | Hex collared bolt<br>M 10 X 30  |              | 4   |        |
| 5    | 955 333 069 21 | Coupling rod  | left         | 1   |        |
| (5)  | 955 333 070 21 | Coupling rod  | right        | 1   |        |
| 6    | N 105 924 02   | Hex collared bolt<br>M 12 X 1,5 X 120<br>No longer use the part here      |              | 2   |        |
| 6    | WHT 005 461    | Hexagon bolt<br>M 12 X 1,5 X 120  |              | 2   |        |
| 7    | N 104 029 04   | Hexagon nut<br>M 12 X 1,5   |              | 4   |        |
| 8    | 955 359 121 01 | Hose<br>without:<br>Shrink-fit hose                                       |              | 1   |        |
|      |                | also use:   | N 107 225 01 |     |        |
| (8)  | 955 359 121 02 | Discontinued part<br>Hose<br>with:<br>Shrink-fit hose                     |              | 1   |        |
| 9    | 955 359 122 01 | Hose<br>without:<br>Shrink-fit hose                                       |              | 1   |        |
|      |                | also use:   | N 107 623 01 |     |        |
| (9)  | 955 359 122 02 | Discontinued part<br>Hose<br>with:<br>Shrink-fit hose                     |              | 1   |        |
| 10   | N 107 225 01   | Distance piece<br>10,5 MM<br>for<br>Hose<br>without:<br>Shrink-fit hose   |              | 2   |        |
| (10) | N 107 623 01   | toothed lock washer<br>11,5 MM<br>for<br>Hose<br>with:<br>Shrink-fit hose |              | 2   |        |
| 11   | 955 359 513 00 | Line holder   |              | 1   |        |

Model: 92A 11

Model life 2011>>2018



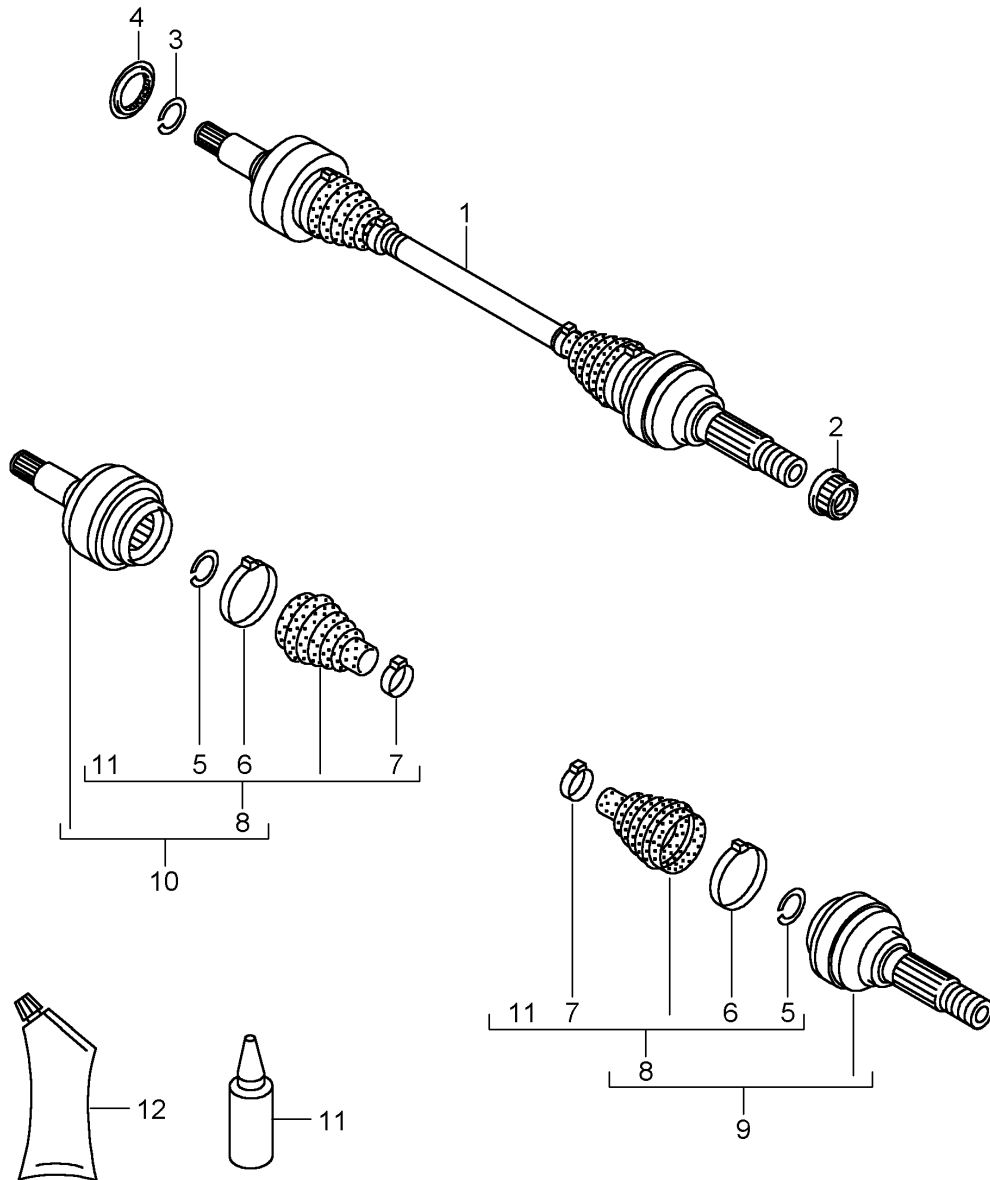
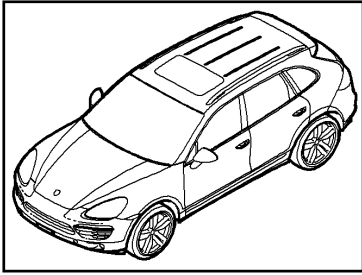
Model: 92A 11

Model life 2011>>2018

| Pos | Part Number    | Description   | Remark                 | Qty | Model  |
|-----|----------------|---|------------------------|-----|--------|
|     |                | Anti-roll bar<br>Valve block<br>Pressure line<br>return line              |                        |     | PR:OAW |
| 1   | 958 359 040 00 | Valve block<br>No longer use the part here                                |                        | 1   |        |
| (1) | 958 359 040 01 | Valve block   |                        | 1   |        |
| 2   | 955 612 215 00 | Wire set  |                        | 1   |        |
| 3   | N 106 421 03   | Hex collared bolt<br>M 8 X 25   |                        | 2   |        |
| 4   | 955 359 325 00 | Cover   |                        | 1   |        |
| 5   | N 911 087 01   | Hexagon collared bolt with<br>multi-point socket head (duo)<br>M 6 X 25   |                        | 2   |        |
| 6   | 955 359 123 01 | Pressure line<br>without:<br>Shrink-fit hose                              |                        | 1   |        |
|     |                |   | also use: N 107 225 01 |     |        |
| (6) | 955 359 123 02 | Discontinued part<br>Pressure line<br>with:<br>Shrink-fit hose            |                        | 1   |        |
|     |                |   | also use: N 107 623 01 |     |        |
| 7   | 958 359 124 00 | return line   |                        | 1   |        |
| 8   | N 107 225 01   | Distance piece<br>10,5 MM<br>for<br>Pressure line                         |                        | 2   |        |
|     |                |   | without:               |     |        |
| (8) | N 107 623 01   | Shrink-fit hose<br>toothed lock washer<br>11,5 MM<br>for<br>Pressure line |                        | 2   |        |
|     |                |   | with:                  |     |        |
| 9   | 955 359 513 00 | Shrink-fit hose<br>Line holder  |                        | 1   |        |

Model: 92A 11

Model life 2011>>2018



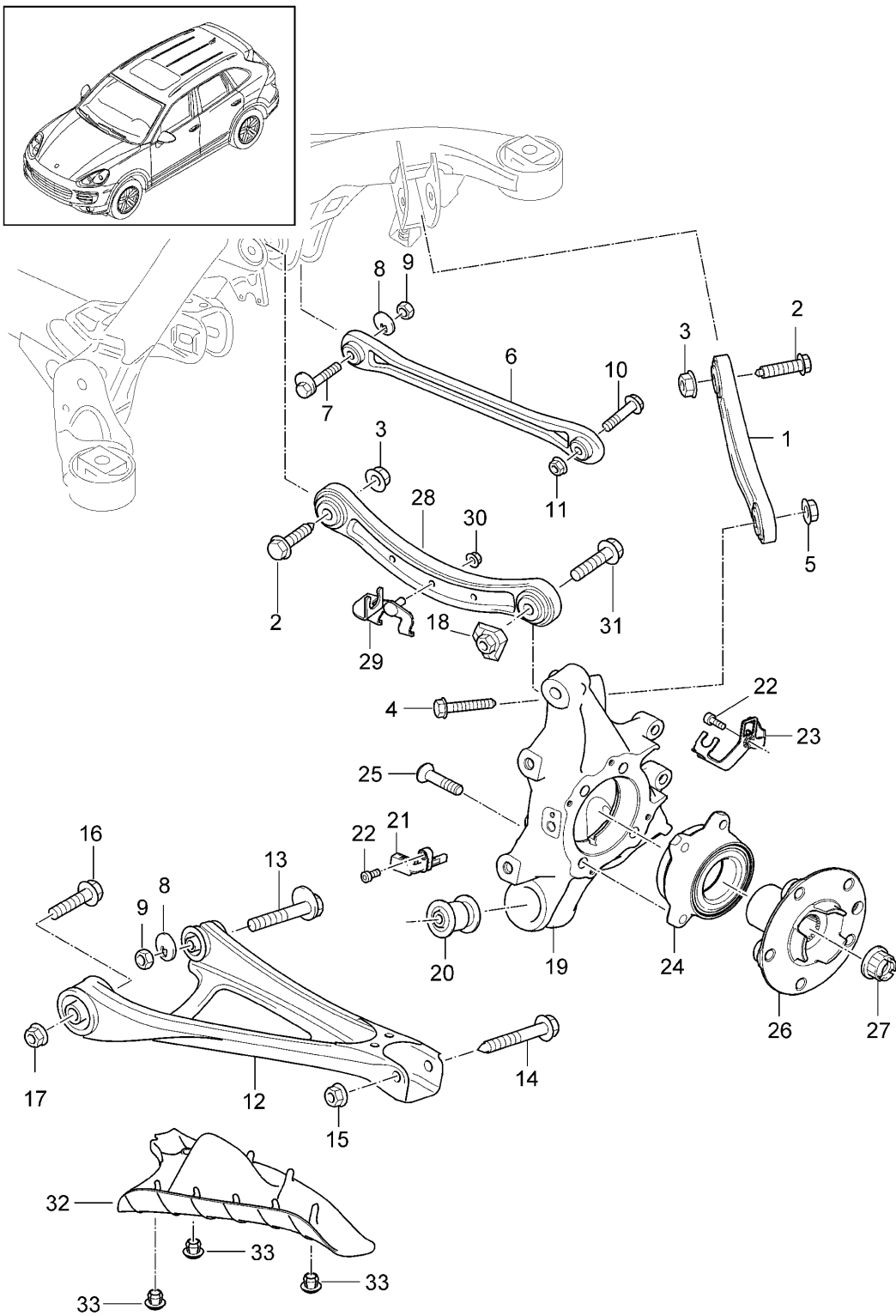
Model: 92A 11

Model life 2011>>2018

| Pos  | Part Number    | Description                                 | Remark | Qty | Model  |
|------|----------------|---|--------|-----|--------|
|      |                | Drive shaft<br>D >> - MJ 2014               |        |     |        |
| 1    | 958 332 024 00 | Drive shaft                                 |        | 2   | PR:1Y0 |
| 1    | 958 332 024 20 | Drive shaft                                 |        | 2   | PR:1Y0 |
| (1)  | 958 332 024 30 | Drive shaft                                 |        | 2   | PR:1Y0 |
| (1)  | 958 332 024 50 | Drive shaft                                 | left   | 1   | PR:1Y1 |
| (1)  | 958 332 024 70 | Drive shaft                                 | right  | 1   | PR:1Y1 |
| 2    | 955 341 640 00 | Locknut<br>M 24 X 1,5                       |        | 2   |        |
| 3    | 955 332 125 00 | Securing ring                               |        | 2   |        |
| (3)  | 955 349 413 00 | snap ring                                   |        | 2   |        |
| 4    | 7PP 501 811    | protective ring                             |        | 2   | PR:1Y0 |
| 4    | 958 332 811 00 | protective ring                             |        | 2   | PR:1Y0 |
| (4)  | 7PP 501 811 A  | protective ring                             | left   | 1   | PR:1Y1 |
| (4)  | 7PP 501 811    | protective ring                             | right  | 1   | PR:1Y1 |
| 5    | N 910 924 01   | Securing ring<br>A 31,5                     |        | 2   | PR:1Y0 |
| (5)  | N 911 812 01   | Securing ring<br>A 32,6                     |        | 2   | PR:1Y1 |
| (5)  | N 911 812 01   | Securing ring<br>A 32,6                     |        | 2   | PR:1Y0 |
| 6    | N 911 884 01   | clamp<br>66.5 X 7 X 0.8                     |        | 2   | PR:1Y0 |
| (6)  | N 911 885 01   | clamp<br>72.5 X 7 X 0.8                     |        | 2   | PR:1Y1 |
| (6)  | N 911 885 01   | clamp<br>72.5 X 7 X 0.8                     |        | 2   | PR:1Y0 |
| 7    | N 107 534 01   | clamp<br>40.5 X 7 X 0.6                     |        | 2   |        |
| 8    | 958 332 901 00 | repair set<br>Dust bellows                  | inner  | 2   | PR:1Y0 |
| (8)  | 958 332 901 10 | repair set<br>Dust bellows                  | outer  | 2   | PR:1Y1 |
| (8)  | 958 332 901 10 | repair set<br>Dust bellows                  | inner  | 2   | PR:1Y0 |
| 9    | 958 332 902 00 | repair set<br>Joint                         | outer  | 2   | PR:1Y0 |
| (9)  | 958 332 902 10 | repair set<br>Joint                         | outer  | 2   | PR:1Y1 |
| (9)  | 958 332 902 10 | repair set<br>Joint                         | outer  | 2   | PR:1Y0 |
| 10   | 958 332 903 00 | repair set<br>Joint                         | inner  | 2   | PR:1Y0 |
| (10) | 958 332 903 10 | repair set<br>Joint                         | inner  | 2   | PR:1Y0 |
| (10) | 958 332 903 20 | repair set<br>Joint                         | left   | 2   | PR:1Y1 |
| (10) | 958 332 903 30 | repair set<br>Joint                         | right  | 2   | PR:1Y1 |
| (10) | 958 332 903 40 | repair set<br>Joint                         | inner  | 2   | PR:1Y0 |
| 11   | 000 043 110 02 | grease<br>Drive shaft<br>1 tube<br>100 GR.  |        | X   |        |
| 12   | 000 043 020 00 | Assembly paste<br>1 100-gramme tube         |        | X   |        |
| (12) | 000 043 205 36 | sealant<br>Drive shaft<br>1 100-gramme tube |        | X   |        |

Model: 92A 11

Model life 2011>>2018



Model: 92A 11 Model life 2011>>2018

| Pos  | Part Number    | Description   | Remark                           | Qty | Model |
|------|----------------|---|----------------------------------|-----|-------|
| 1    | 955 331 049 00 | Rear axle<br>Wheel carrier<br>Wishbone<br>Track rod<br>Wheel hub<br>Stone chip guard<br>D - MJ 2015>><br>Wishbone | left<br>upper<br>rear            | 1   |       |
| (1)  | 955 331 050 00 | Wishbone  | right<br>upper<br>rear           | 1   |       |
| 2    | N 105 524 02   | Hex collared bolt<br>M 12 X 1,5 X 70  |                                  | 4   |       |
| 3    | N 104 029 04   | Hexagon nut<br>M 12 X 1,5   |                                  | 4   |       |
| 4    | WHT 005 459    | Hexagon bolt<br>AM16 X 1.5 X 110  |                                  | 2   |       |
| 5    | N 910 204 02   | hex. nut, self-locking with<br>washer<br>M 16 X 1,5   |                                  | 2   |       |
| 6    | 958 331 045 00 | Track rod   | left                             | 1   |       |
| (6)  | 958 331 046 00 | Track rod   | right                            | 1   |       |
| 7    | WHT 001 834    | Eccentric bolt<br>M 14 X 1,5 X 82   |                                  | 2   |       |
| 8    | WHT 001 796 A  | eccentric washer  |                                  | 4   |       |
| 9    | WHT 001 938    | hexagon nut, self-locking<br>M 14 X 1,5   |                                  | 4   |       |
| 10   | N 911 833 01   | hexagon head bolt (combi)<br>M16X1.50X120.00  |                                  | 2   |       |
| 11   | N 105 868 02   | Hexagon collar nut<br>self-locking<br>M 16 X 1,5  |                                  | 2   |       |
| (12) | 958 311 041 11 | Wishbone  | left<br>lower                    | 1   |       |
| (12) | 958 311 042 11 | Wishbone  | right<br>lower                   | 1   |       |
| 13   | WHT 001 833    | Eccentric bolt<br>M 14 X 1,5 X 102  |                                  | 2   |       |
| 14   | WHT 004 887    | bolt,hex.hd.with shoul.(combi)<br>M 14 X 1.5 X 95   |                                  | 2   |       |
| 15   | WHT 006 410    | Hexagon collar nut (combi)<br>M 14 X 1,5  |                                  | 2   |       |
| 16   | N 105 326 02   | Hex collared bolt<br>BM 14 X 1,5 X 102  |                                  | 2   |       |
| 17   | N 103 353 04   | Hexagon nut<br>M14X1.50   |                                  | 2   |       |
| 18   | WHT 001 872    | hex. nut with washer<br>M 14 X 1,5  |                                  | 2   |       |
| 19   | 958 331 611 10 | Wheel carrier   | left                             | 1   |       |
| (19) | 958 331 612 10 | Wheel carrier   | right                            | 1   |       |
| -    | 958 343 243 00 | Stop  |                                  | 2   |       |
| 20   | 958 341 588 00 | Link bearing  |                                  | 2   |       |
| 21   |                | also use:<br>speed sensor<br>repair set   | 958 343 243 00<br>front and rear | 1   |       |
| 22   | N 911 454 01   | see illustration:<br>bolt, hex. hd. (combi.)<br>self-locking<br>M 6 X 16  | 401-005                          | 4   |       |
| 23   | 958 331 321 01 | Line holder   | left                             | 1   |       |



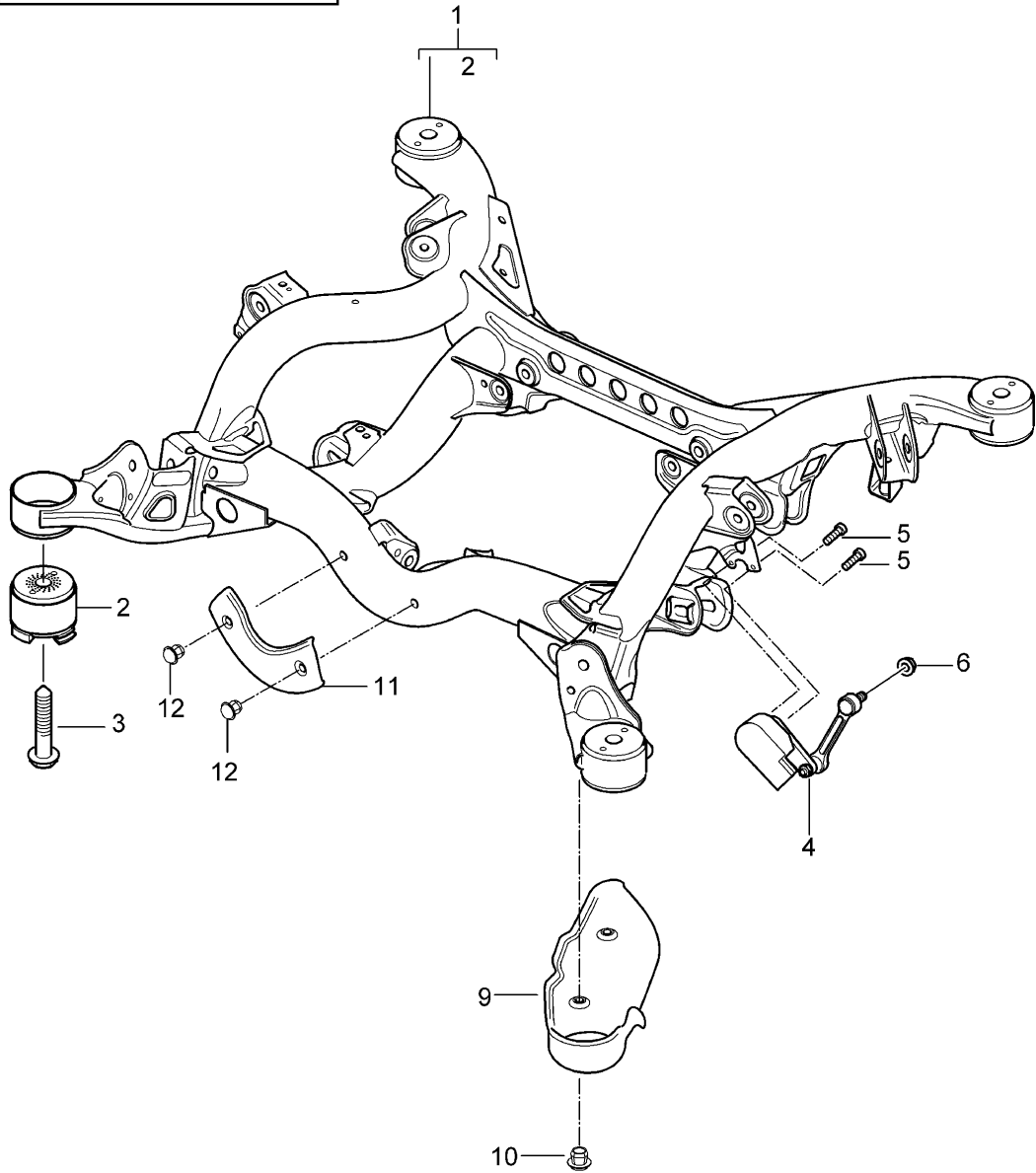
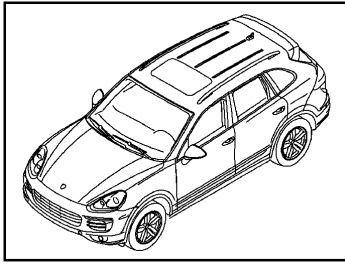
Model: 92A 11

Model life 2011>>2018

| Pos  | Part Number    | Description                                 | Remark      | Qty | Model      |
|------|----------------|---|-------------|-----|------------|
| (23) | 958 331 322 01 | Line holder                                 | right       | 1   |            |
| 24   | 958 331 583 00 | angular ball bearing                        |             | 2   |            |
|      |                | also use:                                   |             |     |            |
|      |                | Position                                    |             |     |            |
|      |                | 25 + 27                                     |             |     |            |
| 25   | WHT 004 835    | Ball screw                                  |             | 8   |            |
|      |                | M 12 X 1.25 X 45                            |             |     |            |
| 26   | 958 341 605 01 | Wheel hub                                   |             | 2   |            |
| 27   | WHT 006 779    | 12 point socket shouldered nut self-locking |             | 2   |            |
|      |                | M 24  |             |     |            |
| 28   | 955 331 047 10 | Wishbone                                    | upper front | 2   |            |
| 29   | 958 331 322 10 | Line holder for speed sensor                |             | 2   |            |
| 30   | N 023 002 12   | hexagon nut, self-locking                   |             | 2   |            |
|      |                | M 6   |             |     |            |
| 31   | WHT 005 460    | Hexagon bolt                                |             | 2   |            |
|      |                | BM 14 X 1,5 X 102                           |             |     |            |
| 32   | 958 331 315 00 | Stone chip guard                            | left        | 1   | PR:6EB,6EC |
| (32) | 958 331 316 00 | Stone chip guard                            | right       | 1   | PR:6EB,6EC |
| 33   | N 106 085 01   | Spreader rivet                              |             | 6   | PR:6EB,6EC |
| -    | G 052 778 A2   | Lock cylinder grease spray                  |             | 1   |            |
|      |                | Spraying can                                |             |     |            |
|      |                | 50 ML                                       |             |     |            |

Model: 92A 11

Model life 2011>>2018



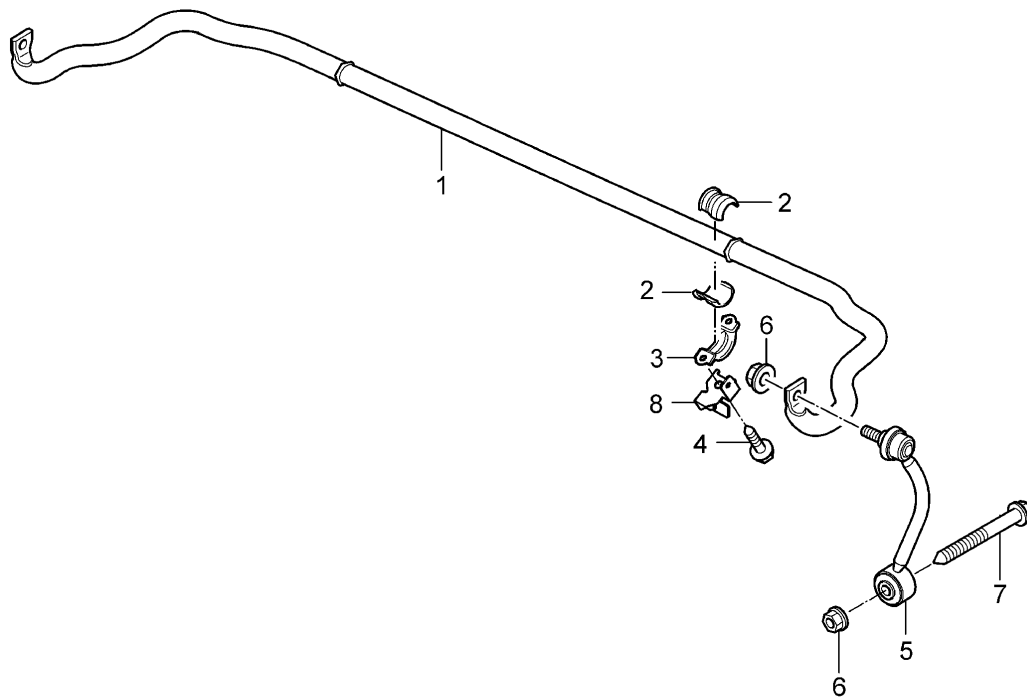
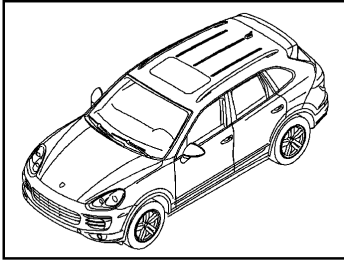
Model: 92A 11

Model life 2011&gt;&gt;2018

| Pos | Part Number    | Description  | Remark | Qty | Model                  |
|-----|----------------|--|--------|-----|------------------------|
|     |                | Rear axle<br>Suspension sub-frame<br>Headlight range control<br>Adaptive suspension<br>Stone chip guard<br>D - MJ 2015>> |        |     |                        |
| (1) | 958 331 031 03 | Suspension sub-frame   |        | 1   |                        |
| 2   | 955 331 135 01 | hydro-mounting   |        | 4   |                        |
| 3   | N 909 987 02   | bolt,hex.hd.with shoul.(combi)<br>M 14 X 1,5 X 150   |        | 4   |                        |
| 4   | 958 331 077 00 | Level sensor with poles  | left   | 1   | PR:1BA,-8Q3            |
| (4) | 958 331 077 00 | Level sensor with poles  |        | 2   | PR:1BA,8Q3             |
| (4) | 958 331 077 00 | Level sensor with poles  |        | 2   | PR:1BH,1BK,<br>1BZ     |
| 5   | N 104 343 01   | Socket head bolt<br>M 5 X 10   |        | 2   | PR:1BW                 |
| (5) | N 104 343 01   | Socket head bolt<br>M 5 X 10   |        | 4   | PR:1BH,1BK,<br>1BZ,1BA |
| 6   | N 023 002 12   | hexagon nut, self-locking<br>M 6   |        | 1   | PR:1BW                 |
| (6) | N 023 002 12   | hexagon nut, self-locking<br>M 6   |        | 2   | PR:1BH,1BK,<br>1BZ,1BA |
| 9   | 955 331 313 01 | Stone chip guard<br>hydro-mounting   | left   | 1   | PR:6EB,6EC             |
| (9) | 955 331 314 01 | Stone chip guard<br>hydro-mounting   | right  | 1   | PR:6EB,6EC             |
| 10  | N 106 084 01   | Spreader rivet   |        | 4   | PR:6EB,6EC             |
| 11  | 958 331 317 00 | Stone chip guard   |        | 1   | PR:6EB,6EC             |
| 12  | N 106 085 01   | Spreader rivet   |        | 2   | PR:6EB,6EC             |

Model: 92A 11

Model life 2011>>2018

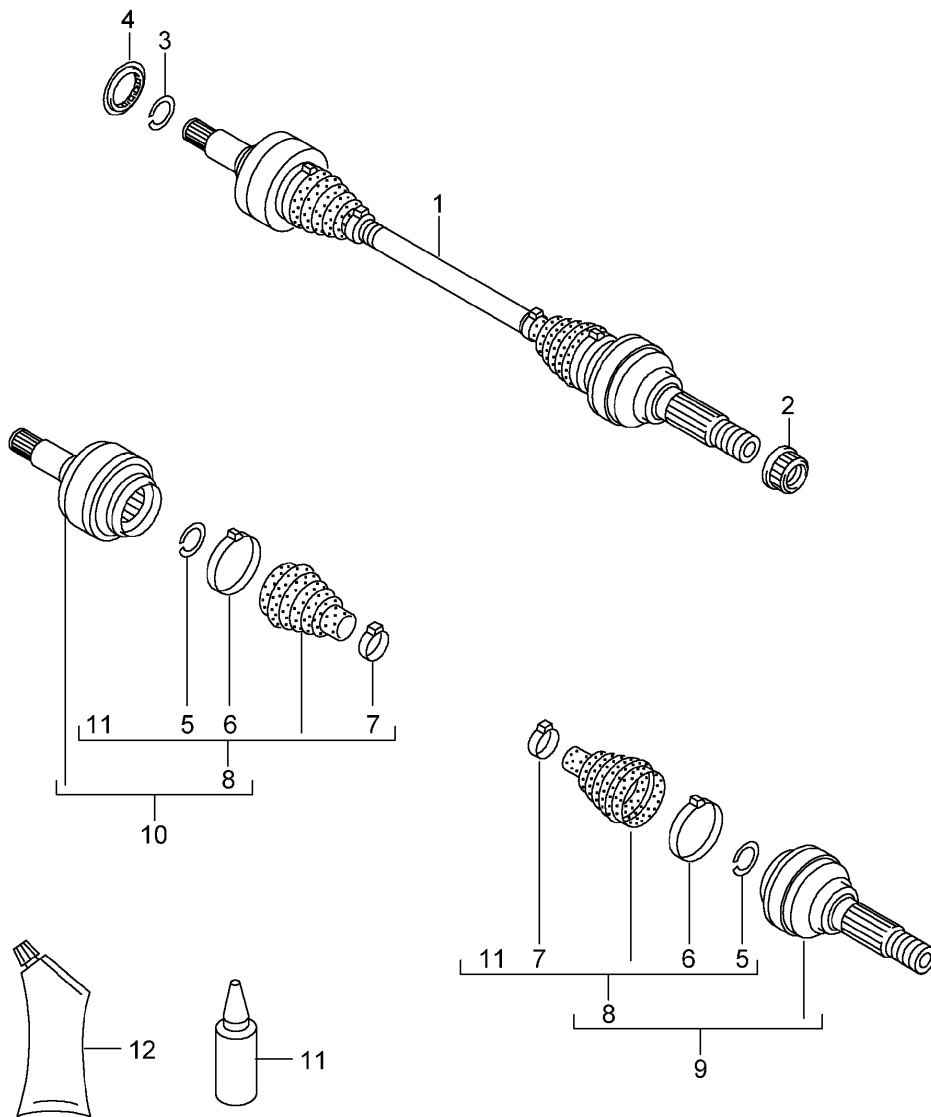
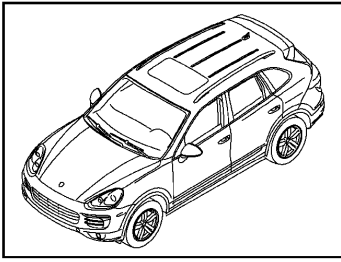


Model: 92A 11 Model life 2011>>2018

| Pos | Part Number    | Description   | Remark | Qty | Model   |
|-----|----------------|---|--------|-----|---|
| 1   | 958 333 701 01 | Anti-roll bar<br>D - MJ 2015>><br>Anti-roll bar<br>25,00 MM<br>Identification: >> >><br>green |        | 1   | PR:0AB,0AC<br>CURA,CUR,<br>CFTB,CFT,<br>CUDC,CXZA,<br>CXZ   |
| (1) | 958 333 701 20 | Anti-roll bar<br>24,60 MM<br>Identification: >> >><br>lilac                                   |        | 1   | CVVC,CRCA,<br>CVVA,CVVB,<br>CNRB,CGEA,<br>CGE,CGFA,<br>CJTБ,CJT,<br>CRC,CEYA<br>CURA,CUR,<br>CFTB,CFT,<br>CUDC,CXZA,<br>CXZ |
| 2   | 955 333 792 40 | anti-roll bar bearing bracket<br>24,10 MM<br>Identification: >> >><br>green                   |        | 4   | CVVC, CVVA,<br>CVVB, CRCA,<br>CGEA, CGE,<br>CGFA, CJTB,<br>CEYA   |
| (2) | 955 333 792 50 | anti-roll bar bearing bracket<br>23,70 MM<br>Identification: >> >><br>lilac                   |        | 4   |   |
| 3   | 955 333 777 01 | Clamp   |        | 2   |   |
| 4   | N 106 978 01   | Hex collared bolt<br>M 10 X 30  |        | 4   |   |
| 5   | 955 333 069 21 | Coupling rod  | left   | 1   |   |
| (5) | 955 333 070 21 | Coupling rod  | right  | 1   |   |
| 6   | N 104 029 04   | Hexagon nut<br>M 12 X 1,5   |        | 4   |   |
| 7   | WHT 005 461    | Hexagon bolt<br>M 12 X 1,5 X 120  |        | 2   |   |
| 8   | 958 907 390 00 | Bracket<br>for<br>tyre pressure control system  |        | 1   | PR:7K4  |
| (8) | 958 907 390 10 | Bracket<br>for<br>tyre pressure control system  |        | 1   | PR:7K3  |

Model: 92A 11

Model life 2011>>2018



Model: 92A 11 Model life 2011>>2018

| Pos | Part Number    | Description  | Remark | Qty | Model  |
|-----|----------------|--|--------|-----|--|
| 1   | 958 332 024 00 | Drive shaft<br>D - MJ 2015>><br>Drive shaft                  |        | 2   | CURA, CUR,<br>CXZ+<br>PR:1Y0   |
| 1   | 958 332 024 20 | Drive shaft  |        | 2   | CUDC, CFTB,<br>PR:1Y0  |
| (1) | 958 332 024 30 | Drive shaft  |        | 2   | CVVC, CRCA,<br>CGFA, CGEA,<br>CGE, CVVA,<br>CVVB, CJTB,<br>CJT, CNRB+<br>PR:1Y0                  |
| (1) | 958 332 024 50 | Drive shaft  | left   | 1   | CURA, CUR,<br>CUDC, CEYA,<br>CXZA, CXZ+<br>PR:1Y1  |
| (1) | 958 332 024 70 | Drive shaft  | right  | 1   | CURA, CUR,<br>CUDC, CEYA,<br>CXZA, CXZ+<br>PR:1Y1  |
| 2   | WHT 006 779    | 12 point socket shouldered nut<br>self-locking<br>M 24 X 1,5 |        | 2   |  |
| 3   | 955 332 125 00 | Securing ring  |        | 2   | CURA, CUR,<br>CUDC, CFTB,<br>CFT, CXZA,<br>CXZ, CEYA   |
| (3) | 955 349 413 00 | snap ring  |        | 2   | CVVC, CRCA,<br>CGFA, CGEA,<br>CGE, CVVA,<br>CVVB, CNRB,<br>CJTB, CJT                             |
| 4   | 7PP 501 811    | protective ring  |        | 2   | CURA, CUR,<br>CFTB, CFT,<br>CUDC, CXZA,<br>CXZ, CEYA+<br>PR:1Y0                                  |
| (4) | 958 332 811 00 | protective ring  |        | 2   | CGEA, CGE,<br>CGFA, CRCA,<br>CVVA, CVVB,<br>CVVC, CJTB,<br>CJT, CNRB+<br>PR:1Y0                  |
| (4) | 7PP 501 811 A  | protective ring  | left   | 1   | CURA, CUR,<br>CUDC, CFTB,<br>CFT, CXZA,<br>CXZ, CEYA+<br>PR:1Y1                                  |
| (4) | 7PP 501 811    | protective ring  | right  | 1   | CURA, CUR,<br>CFTB, CFT,<br>CUDC, CXZA,<br>CXZ, CEYA+<br>PR:1Y1                                  |
| 5   | N 910 924 01   | Securing ring<br>A 31,5                                      |        | 2   | CGEA, CGE,<br>CGFA, CVVC,<br>CRCA, CVVA,<br>CVVB, CURA,<br>CUR, CNRB,<br>CJT, CEYA,<br>CXZA, CXZ |
| 5   | N 910 924 01   | Securing ring<br>A 31,5                                      |        | 2   | CGEA, CGE,<br>CGFA, CVVC,  |

Model: 92A 11 Model life 2011>>2018

| Pos  | Part Number    | Description                | Remark         | Qty | Model   |
|------|----------------|----------------------------|----------------|-----|---|
| (5)  | N 911 812 01   | Securing ring<br>A 32,6    |                | 2   | CRCA, CVVA,<br>CVVB, CURA,<br>CUR, CNRB,<br>CJT, CEYA,<br>CXZA, CXZ<br>CFTB, CFT,<br>CUDC                   |
| 6    | N 911 884 01   | clamp<br>66.5 X 7 X 0.8    |                | 2   | CGEA, CGE,<br>CGFA, CVVC,<br>CRCA, CVVA,<br>CVVB, CURA,<br>CUR, CJT,<br>CNRB, CEYA,<br>CXZA, CXZ+<br>PR:1Y0 |
| (6)  | N 911 885 01   | clamp<br>72.5 X 7 X 0.8    |                | 2   | CFTB, CFT,<br>CUDC+<br>PR:1Y0   |
| (6)  | N 911 885 01   | clamp<br>72.5 X 7 X 0.8    |                | 2   | CFTB, CFT,<br>CUDC, CURA,<br>CUR, CEYA,<br>CXZA, CXZ+<br>PR:1Y1   |
| 7    | N 107 534 01   | clamp<br>40.5 X 7 X 0.6    |                | 2   |   |
| 8    | 958 332 901 00 | repair set<br>Dust bellows | inner<br>outer | 2   | CGEA, CGE,<br>CGFA, CVVC,<br>CVVA, CVVB,<br>CRCA, CURA,<br>CUR, CJT,<br>CNRB, CXZA,<br>CXZ, CEYA+<br>PR:1Y0 |
| (8)  | 958 332 901 10 | repair set<br>Dust bellows | inner<br>outer | 2   | CFTB, CFT,<br>CUDC+<br>PR:1Y0   |
| (8)  | 958 332 901 10 | repair set<br>Dust bellows | inner<br>outer | 2   | CFTB, CFT,<br>CUDC, CURA,<br>CUR, CEYA,<br>CXZA, CXZ+<br>PR:1Y1   |
| 9    | 958 332 902 00 | repair set<br>Joint        | outer          | 2   | CGEA, CGE,<br>CGFA, CVVC,<br>CVVA, CVVB,<br>CRCA, CURA,<br>CUR, CJT,<br>CNRB, CXZA,<br>CXZ, CEYA+<br>PR:1Y0 |
| (9)  | 958 332 902 10 | repair set<br>Joint        | outer          | 2   | CFTB, CFT,<br>CUDC+<br>PR:1Y0   |
| (9)  | 958 332 902 10 | repair set<br>Joint        | outer          | 2   | CFTB, CFT,<br>CUDC, CURA,<br>CUR, CXZA,<br>CXZ, CEYA+<br>PR:1Y1   |
| 10   | 958 332 903 00 | repair set<br>Joint        | inner          | 2   | CURA, CUR,<br>CEYA, CXZA,<br>CXZ+<br>PR:1Y0   |
| (10) | 958 332 903 10 | repair set<br>Joint        | inner          | 2   | CGEA, CGE,<br>CGFA, CVVC,   |



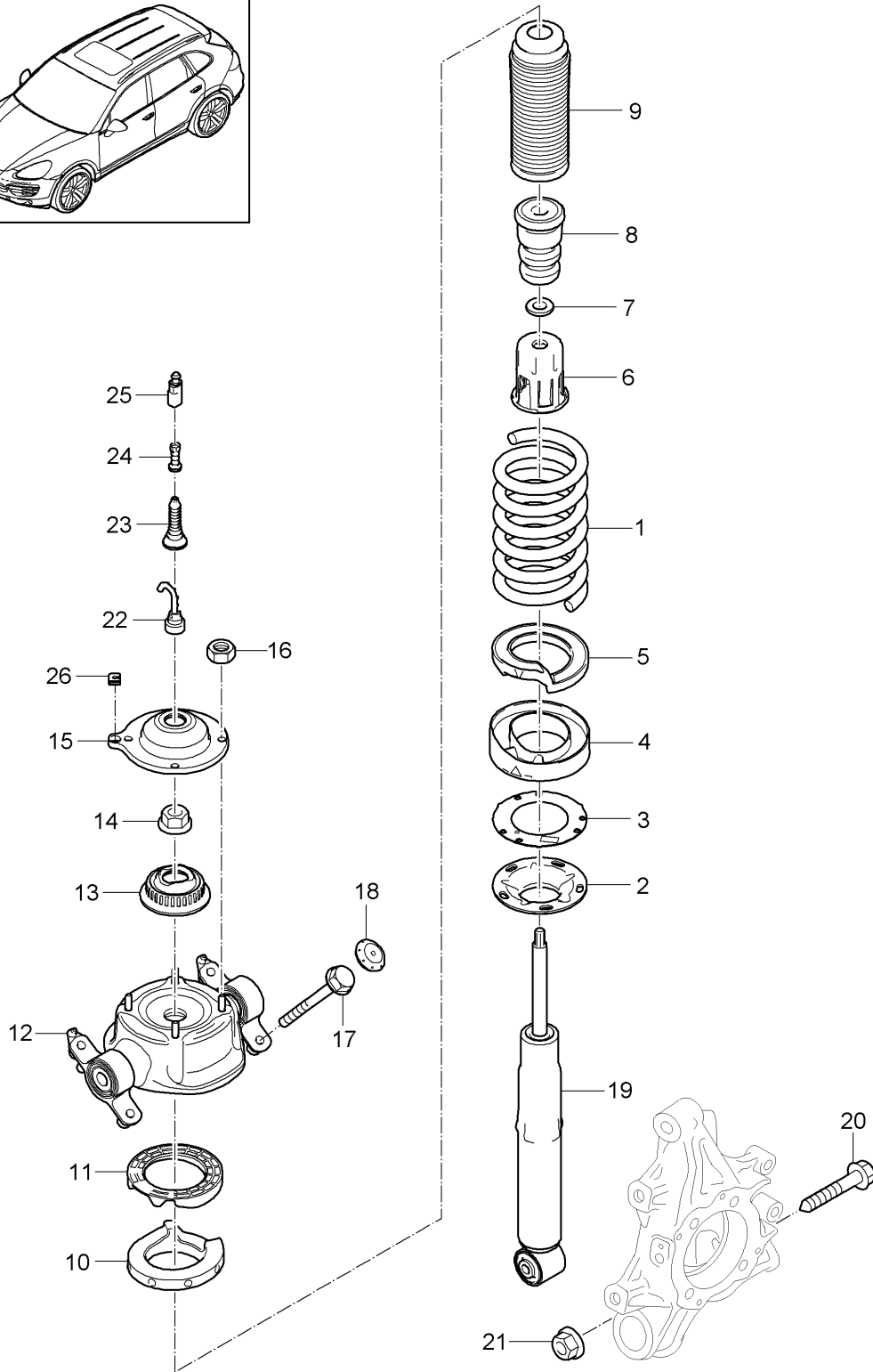
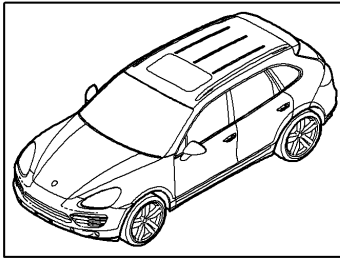
Model: 92A 11

Model life 2011>>2018

| Pos  | Part Number    | Description                                 | Remark         | Qty | Model   |
|------|----------------|---|----------------|-----|---|
| (10) | 958 332 903 20 | repair set<br>Joint                         | left<br>inner  | 2   | CRCA, CVVA,<br>CNRB, CJTB,<br>CJT+<br>PR:1Y0<br>CURA, CUR,<br>CFTB, CFT,<br>CUDC, CXZA,<br>CXZ, CEYA+<br>PR:1Y1 |
| (10) | 958 332 903 30 | repair set<br>Joint                         | right          | 2   | CURA, CUR,<br>CFTB, CFT,<br>CUDC, CXZA,   |
| (10) | 958 332 903 40 | repair set<br>Joint                         | inner<br>inner | 2   | CFTB, CFT,<br>CUDC+<br>PR:1Y0   |
| 11   | 000 043 110 02 | grease<br>Drive shaft<br>1 tube<br>100 GR.  |                | X   |   |
| 12   | 000 043 020 00 | Assembly paste<br>1 100-gramme tube         |                | X   |   |
| (12) | 000 043 205 36 | sealant<br>Drive shaft<br>1 100-gramme tube |                | X   |   |

Model: 92A 11

Model life 2011>>2018



Model: 92A 11 Model life 2011>>2018

| Pos | Part Number        | Description   | Remark | Qty | Model  |
|-----|--------------------|---|--------|-----|--|
| 1   | 958 333 531 00     | suspension<br>Steel<br>D >> - MJ 2014<br>Coil spring<br>1 set |        | 1   | PR:1BA,1BH,<br>1BW,1BZ<br>PR:1BA,0YA,<br>0YB |
|     | 958 333 531 00 504 | D >> - MJ 2011<br>1 pair of springs<br>green<br>blue<br>blue  |        |     |  |
| 1   | 958 333 531 01     | Coil spring<br>1 set<br>EINS. 30.05.11<br>D - MJ 2012>>       |        | 1   | PR:1BA,0YA,<br>0YB                           |
|     | 958 333 531 01 504 | 1 pair of springs<br>Grey<br>Grey<br>green                    |        |     |  |
| (1) | 958 333 531 05     | Coil spring<br>1 set<br>D >> - MJ 2011                        |        | 1   | PR:1BA,0YC,<br>0YD                           |
|     | 958 333 531 05 504 | 1 pair of springs<br>green<br>green<br>blue                   |        |     |  |
| (1) | 958 333 531 06     | Coil spring<br>1 set<br>D - MJ 2012>>                         |        | 1   | PR:1BA,0YC,<br>0YD                           |
|     | 958 333 531 06 504 | 1 pair of springs<br>Grey<br>Grey<br>green<br>green           |        |     |  |
| (1) | 958 333 531 10     | Coil spring<br>1 set<br>D >> - MJ 2011                        |        | 1   | PR:1BA,0YE,<br>0YF,0YG                       |
|     | 958 333 531 10 504 | 1 pair of springs<br>green<br>green<br>blue<br>blue           |        |     |  |
| (1) | 958 333 531 11     | Coil spring<br>1 set<br>D - MJ 2012>>                         |        | 1   | PR:1BA,0YE,<br>0YF,0YG                       |
|     | 958 333 531 11 504 | 1 pair of springs<br>Grey<br>green<br>green                   |        |     |  |
| (1) | 958 333 531 15     | Coil spring<br>1 set<br>D >> - MJ 2011                        |        | 1   | PR:1BA,0YC,<br>0YD,0YE                       |
|     | 958 333 531 15 504 | 1 pair of springs<br>orange<br>white                          |        |     |  |
| (1) | 958 333 531 16     | Coil spring<br>1 set<br>D - MJ 2012>>                         |        | 1   | PR:1BA,0YC,<br>0YD,0YE                       |
|     | 958 333 531 16 504 | 1 pair of springs<br>red                                      |        |     |  |
| (1) | 958 333 531 20     | Coil spring<br>1 set<br>D >> - MJ 2011                        |        | 1   | PR:1BA,0YF,<br>0YG                           |
|     | 958 333 531 20 504 | 1 pair of springs   |        |     |  |

Model: 92A 11 Model life 2011>>2018

| Pos | Part Number        | Description  | Remark | Qty | Model                  |
|-----|--------------------|--|--------|-----|------------------------|
| (1) | 958 333 531 21     | orange<br>white<br>white<br>Coil spring<br>1 set             |        | 1   | PR:1BA,0YF,<br>0YG     |
|     | 958 333 531 21 504 | D - MJ 2012>><br>1 pair of springs                           |        |     |                        |
| 1   | 958 333 531 25     | green<br>blue<br>Coil spring<br>1 set                        |        | 1   | PR:1BW,0YA,<br>0YB     |
|     | 958 333 531 25 504 | 1 pair of springs  |        |     |                        |
| (1) | 958 333 531 30     | red<br>red<br>red<br>Coil spring<br>1 set                    |        | 1   | PR:1BW,0YC,<br>0YD     |
|     | 958 333 531 30 504 | 1 pair of springs  |        |     |                        |
| (1) | 958 333 531 35     | red<br>red<br>red<br>Coil spring<br>1 set                    |        | 1   | PR:1BW,0YE,<br>0YF,0YG |
|     | 958 333 531 35 504 | 1 pair of springs  |        |     |                        |
| (1) | 958 333 531 40     | white<br>Coil spring<br>1 set                                |        | 1   | PR:1BW,0YC,<br>0YD,0YE |
|     | 958 333 531 40 504 | 1 pair of springs  |        |     |                        |
| (1) | 958 333 531 45     | lilac<br>white<br>Coil spring<br>1 set                       |        | 1   | PR:1BW,0YF,<br>0YG     |
|     | 958 333 531 45 504 | 1 pair of springs  |        |     |                        |
| (1) | 958 333 531 50     | lilac<br>white<br>white<br>Coil spring<br>1 set              |        | 1   | PR:1BH,0YA             |
|     | 958 333 531 50 504 | D >> - MJ 2011<br>1 pair of springs                          |        |     |                        |
| (1) | 958 333 531 51     | orange<br>orange<br>violet<br>Coil spring<br>1 set           |        | 1   | PR:1BH,0YA             |
|     | 958 333 531 51 504 | D - MJ 2012>><br>1 pair of springs                           |        |     |                        |
| (1) | 958 333 531 55     | orange<br>orange<br>white<br>ab FIN<br>Coil spring<br>1 set  |        | 1   | PR:1BH,0YB,<br>0YC     |
|     | 958 333 531 55 504 | D >> - MJ 2011<br>1 pair of springs                          |        |     |                        |
| (1) | 958 333 531 56     | orange<br>orange<br>violet<br>violet<br>Coil spring<br>1 set |        | 1   | PR:1BH,0YB,<br>0YC     |

Model: 92A 11 Model life 2011>>2018

| Pos | Part Number        | Description   | Remark | Qty | Model                             |
|-----|--------------------|---|--------|-----|-----------------------------------|
|     | 958 333 531 56 504 | 1 pair of springs<br>orange<br>orange<br>white<br>white<br>ab FIN |        |     |                                   |
| (1) | 958 333 531 60     | Coil spring<br>1 set  |        | 1   | PR:1BH,0YD,<br>0YE,0YF            |
|     |                    | D >> - MJ 2011  |        |     |                                   |
|     | 958 333 531 60 504 | 1 pair of springs<br>green<br>white                               |        |     |                                   |
| (1) | 958 333 531 61     | Coil spring<br>1 set  |        | 1   | PR:1BH,0YD,<br>0YE,0YF            |
|     |                    | D - MJ 2012>>   |        |     |                                   |
|     | 958 333 531 61 504 | 1 pair of springs<br>orange<br>violet                             |        |     |                                   |
| (1) | 958 333 531 65     | Coil spring<br>1 set  |        | 1   | PR:1BH,0YG                        |
|     |                    | D >> - MJ 2011  |        |     |                                   |
|     | 958 333 531 65 504 | 1 pair of springs<br>green<br>white<br>weiss                      |        |     |                                   |
| (1) | 958 333 531 66     | Coil spring<br>1 set  |        | 1   | PR:1BH,0YG                        |
|     |                    | D - MJ 2012>>   |        |     |                                   |
|     | 958 333 531 66 504 | 1 pair of springs<br>orange<br>violet<br>violet                   |        |     |                                   |
| (1) | 958 333 531 70     | Coil spring<br>1 set  |        | 1   | PR:1BZ,0YA                        |
|     | 958 333 531 70 504 | 1 pair of springs<br>lilac  |        |     |                                   |
| (1) | 958 333 531 75     | Coil spring<br>1 set  |        | 1   | PR:1BZ,0YB,<br>0YC                |
|     | 958 333 531 75 504 | 1 pair of springs<br>lilac<br>lilac                               |        |     |                                   |
| (1) | 958 333 531 80     | Coil spring<br>1 set  |        | 1   | PR:1BZ,0YD,<br>0YE,0YF            |
|     | 958 333 531 80 504 | 1 pair of springs<br>lilac<br>lilac<br>lilac                      |        |     |                                   |
| (1) | 958 333 531 85     | Coil spring<br>1 set  |        | 1   | PR:1BZ,0YG                        |
|     | 958 333 531 85 504 | 1 pair of springs<br>lilac<br>lilac<br>lilac<br>lilac             |        |     |                                   |
| (1) | 958 333 531 90     | Coil spring<br>1 set  |        | 1   | GTS<br>PR:1BH,0YA,<br>E0W         |
|     | 958 333 531 90 504 | 1 pair of springs<br>white<br>Grey                                |        |     |                                   |
| (1) | 958 333 531 95     | Coil spring<br>1 set  |        | 1   | GTS<br>PR:1BH,0YB,<br>0YC,0YD,E0W |

Model: 92A 11 Model life 2011>>2018

| Pos  | Part Number        | Description   | Remark | Qty | Model                             |
|------|--------------------|---|--------|-----|-----------------------------------|
|      | 958 333 531 95 504 | 1 pair of springs<br>white                          |        |     |                                   |
| (1)  | 958 333 532 00     | Coil spring<br>1 set                                |        | 1   | GTS<br>PR:1BH,0YE,<br>0YF,0YG,E0W |
|      | 958 333 532 00 504 | 1 pair of springs<br>white                          |        |     |                                   |
| 2    | 958 343 525 00     | spring disc   |        | 2   | PR:1BA,1BW                        |
| 2    |                    | spring disc<br>Is a component of<br>Shock absorbers |        |     | PR:1BH,1BZ                        |
| 3    | WHT 005 267        | Shim<br>Use<br>for<br>Dimension group 0             |        | 0   |                                   |
| 3    | WHT 005 267        | Shim<br>Use<br>for<br>Dimension group 1             |        | 2   |                                   |
| 3    | WHT 005 267        | Shim<br>Use<br>for<br>Dimension group 2             |        | 4   |                                   |
| 4    | 958 343 523 00     | Spring<br>Insert                                    |        | 2   |                                   |
| 5    | 958 343 521 00     | Spring<br>Underlay                                  |        | 2   |                                   |
| 6    | 958 333 375 01     | Cap<br>No longer use the part here                  |        | 2   | PR:1BH,1BZ                        |
| 6    | 958 343 503 50     | Cap   |        | 2   | PR:1BH,1BZ                        |
| 6    | 958 333 375 02     | Cap   |        | 2   | PR:1BA,1BW                        |
| 7    | 958 333 375 00     | Washer  |        | 2   | PR:1BH,1BZ                        |
| 7    | 958 333 375 03     | Washer  |        | 2   | PR:1BW                            |
| 8    | 958 333 131 03     | Stop buffer   |        | 2   | PR:1BA,1BW                        |
| (8)  | 958 333 131 05     | Stop buffer   |        | 2   | PR:1BH,1BZ                        |
| (8)  | 958 333 131 10     | Stop buffer   |        | 2   | GTS                               |
| 9    | 958 343 505 00     | Protective sleeve                                   |        | 2   |                                   |
| 10   | 958 333 149 00     | Spring<br>Underlay                                  |        | 2   |                                   |
| 11   | 958 343 524 00     | Spring<br>Insert                                    |        | 2   |                                   |
| 12   | 958 333 301 00     | Support<br>Damper                                   | left   | 1   |                                   |
| (12) | 958 333 302 00     | Support<br>Damper                                   | right  | 1   |                                   |
| 13   | 958 333 327 01     | Shock absorber bearing                              |        | 2   | PR:1BA,1BW                        |
| (13) | 958 333 327 05     | Shock absorber bearing                              |        | 2   | PR:1BH,1BZ                        |
| 14   | N 909 664 02       | Hexagon collar nut<br>self-locking<br>M 12          |        | 2   | PR:1BA,1BW                        |
| (14) | WHT 004 985        | hex. nut<br>M 12                                    |        | 2   | PR:1BH,1BZ                        |
| 15   | 958 333 087 00     | Cover<br>Engine support bearing                     |        | 2   | PR:1BA,1BW                        |
| (15) | 958 333 087 01     | Cover<br>Engine support bearing                     |        | 2   | PR:1BH,1BZ                        |
| 16   | N 909 586 03       | Hexagon nut<br>M 8<br>Discontinued part             |        | 8   |                                   |

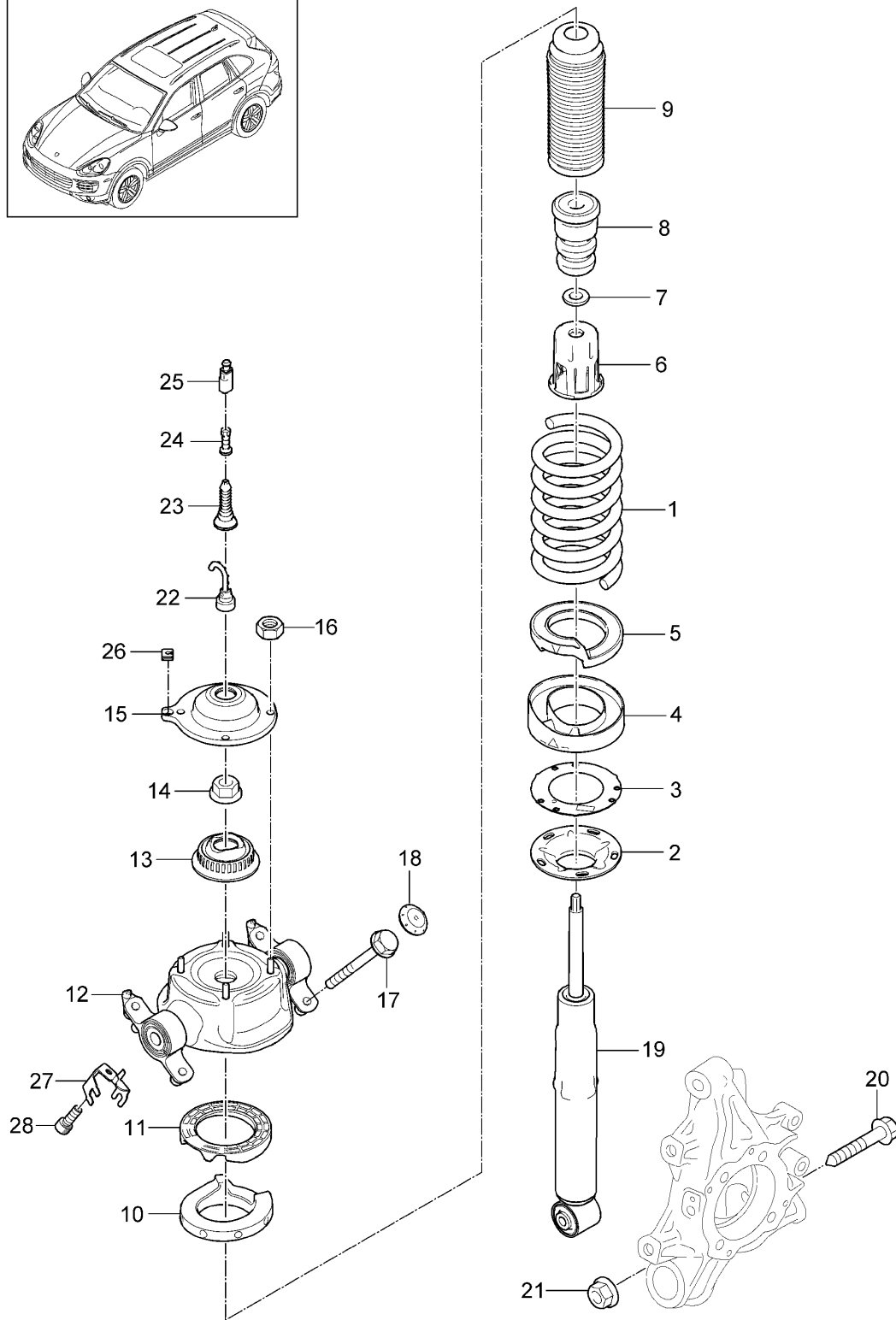
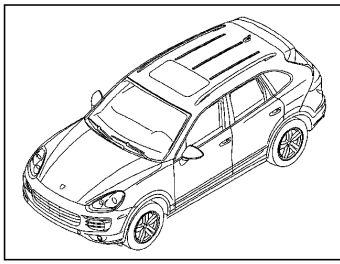
Model: 92A 11

Model life 2011&gt;&gt;2018

| Pos  | Part Number    | Description  | Remark | Qty | Model             |
|------|----------------|--|--------|-----|-------------------|
| 16   | N 909 586 02   | hexagon nut, self-locking<br>M 8   |        | 8   |                   |
| 17   | WHT 003 791    | Hex collared bolt<br>M10 X 1.5 X 115                                     | front  | 4   |                   |
| (17) | WHT 003 792    | Hex collared bolt<br>M10 X 1.5 X 160                                     | rear   | 4   |                   |
| 18   | 958 333 183 00 | Bungs  | front  | 4   |                   |
| 19   | 958 333 051 00 | Shock absorbers  |        | 2   | PR:1BA,1BW        |
| (19) | 958 333 051 10 | Shock absorbers  |        | 2   | PR:1BA,1BW        |
| (19) | 958 333 051 50 | Shock absorbers  |        | 2   | PR:1BH,1BZ        |
|      |                | with:  |        |     |                   |
| (19) | 958 333 051 60 | spring disc<br>Shock absorbers   | with:  | 2   | GTS<br>PR:E0W,1BH |
|      |                | spring disc  |        |     |                   |
| 20   | N 105 924 02   | Hex collared bolt<br>M12 X 1,5 X 120 X 49<br>No longer use the part here |        | 2   |                   |
| 20   | WHT 005 461    | Hexagon bolt<br>M 12 X 1,5 X 120   |        | 2   |                   |
| 21   | N 104 029 04   | Hexagon nut<br>M12 X 1,5   |        | 2   |                   |
| 22   | 958 333 869 01 | Cable guide  |        | 2   | PR:1BH,1BZ        |
| 23   | 958 343 783 02 | Cable support sleeve   |        | 2   | PR:1BH,1BZ        |
| 24   | 958 343 878 00 | Grommet<br>Connector   |        | 2   | PR:1BH,1BZ        |
| 25   | 1J0 973 802    | Flat connector housing with<br>contact locking mechanism<br>- PASM -     |        | 2   | PR:1BH,1BZ        |
| 26   | 958 333 800 01 | Cable holder   |        | 2   | PR:1BH,1BZ        |

Model: 92A 11

Model life 2011>>2018





Model: 92A 11 Model life 2011>>2018

| Pos | Part Number        | Description  | Remark | Qty | Model  |
|-----|--------------------|--|--------|-----|--|
| (1) | 958 333 531 01     | suspension<br>Steel<br>D - MJ 2015>><br>Coil spring<br>1 set |        | 1   | PR:1BA,1BH,<br>1BW,1BZ<br><br>CURA,CUR,<br>CUDC,CVVC,<br>CVVA,CVVB,<br>CRCA,CNRB,<br>CJTB,CJT+<br>PR:1BA,0YA,<br>0YB |
|     | 958 333 531 01 504 | 1 pair of springs<br>Grey                                    |        |     | CEYA   |
| 1   | 958 333 531 00     | Coil spring<br>1 set   |        | 1   | CURA,CUR,<br>CVVA,CRCA,<br>CVVC,CNRB+<br>PR:1BW,0YA,<br>0YB  |
|     | 958 333 531 00 504 | 1 pair of springs<br>green                                   |        |     | CEYA   |
| (1) | 958 333 531 51     | Coil spring<br>1 set   |        | 1   | CGEA,CGE,<br>CGFA,CRCA,<br>CVVC,CUDC,<br>CURA,CUR,<br>CVVA,CVVB,<br>CNRB+  |
|     | 958 333 531 51 504 | 1 pair of springs<br>orange<br>orange<br>white               |        |     | PR:1BH,0YA<br>CJTB,CJT,<br>CEYA  |
| (1) | 958 333 531 90     | Coil spring<br>1 set   |        | 1   | CXZA,CXZ+<br>PR:1BH,0YA  |
|     | 958 333 531 90 504 | 1 pair of springs<br>white                                   |        |     |  |
| (1) | 958 333 531 56     | Coil spring<br>1 set   |        | 1   | CGEA,CGE,<br>CGFA,CVVC,<br>CUDC,CURA,<br>CUR,CVVA,<br>CVVB,CRCA,<br>CNRB,CJTB,<br>CJT+                               |
|     | 958 333 531 56 504 | 1 pair of springs<br>orange<br>orange<br>white<br>white      |        |     | PR:1BH,0YB,<br>0YC<br>CEYA   |
| (1) | 958 333 531 05     | Coil spring<br>1 set   |        | 1   | CURA,CUR,<br>CVVA,CRCA,<br>CVVC,CNRB+<br>PR:1BW,0YC,<br>0YD  |
|     | 958 333 531 05 504 | 1 pair of springs<br>green<br>green<br>blue                  |        |     | CEYA   |
| (1) | 958 333 531 95     | Coil spring  |        | 1   | CXZA,CXZ+  |

Model: 92A 11 Model life 2011>>2018

| Pos | Part Number        | Description   | Remark | Qty | Model  |
|-----|--------------------|---|--------|-----|--|
|     |                    | 1 set   |        |     | PR:1BH,0YB,<br>0YC   |
|     | 958 333 531 95 504 | 1 pair of springs<br>white                          |        |     |  |
| (1) | 958 333 531 06     | Coil spring<br>Grey<br>Grey<br>1 set                |        | 1   | CURA,CUR,<br>CVVA,CVVB,<br>CRCA,CVVC,<br>CUDC,CJTB,<br>CJT,CNRB+<br>PR:1BA,0YC,<br>0YD<br>CEYA                           |
|     | 958 333 531 06 504 | 1 pair of springs<br>Grey<br>Grey<br>green<br>green |        |     |  |
| (1) | 958 333 531 61     | Coil spring<br>1 set                                |        | 1   | CGEA,CGE,<br>CGFA,CRCA,<br>CUDC,CVVC,<br>CURA,CUR,<br>CVVA,CVVB,<br>CJTB,CJT,<br>CNRB+<br>PR:1BH,0YD,<br>0YE,0YF<br>CEYA |
|     | 958 333 531 61 504 | 1 pair of springs<br>orange<br>violet               |        |     |  |
| (1) | 958 333 532 00     | Coil spring<br>1 set                                |        | 1   | CXZA,CXZ+<br>PR:1BH,0YD,<br>0YE,0YF,0YG  |
|     | 958 333 532 00 504 | 1 pair of springs<br>white<br>white                 |        |     |  |
| (1) | 958 333 531 11     | Coil spring<br>Grey<br>1 set                        |        | 1   | CURA,CUR,<br>CVVA,CVVB,<br>CRCA,CUDC,<br>CVVC,CJTB,<br>CJT,CNRB+<br>PR:1BA,0YE,<br>0YF,0YG<br>CEYA                       |
|     | 958 333 531 11 504 | 1 pair of springs<br>Grey<br>green<br>green         |        |     |  |
| (1) | 958 333 531 10     | Coil spring<br>1 set                                |        | 1   | CURA,CUR,<br>CVVA,CRCA,<br>CVVC,CNRB+<br>PR:1BW,0YE,<br>0YF,0YG<br>CEYA  |
|     | 958 333 531 10 504 | 1 pair of springs<br>green<br>green<br>blue<br>blue |        |     |  |
| (1) | 958 333 531 66     | Coil spring<br>1 set                                |        | 1   | CGEA,CGE,<br>CGFA,CVVC,<br>CUDC,CURA,<br>CUR,CVVA,<br>CVVB,CRCA,   |

Model: 92A 11 Model life 2011>>2018

| Pos      | Part Number        | Description   | Remark | Qty | Model  |
|----------|--------------------|---|--------|-----|--|
|          | 958 333 531 66 504 | 1 pair of springs<br>orange<br>violet<br>violet           |        |     | CNRB,CJTb,<br>CJT+<br>PR:1BH,0YG<br>CEYA   |
| (1)      | 958 333 531 98     | Coil spring<br>1 set                                      |        | 1   | CGEA,CGE,<br>CGFA+<br>PR:1BH,0YH   |
|          | 958 333 531 98 504 | 1 pair of springs<br>orange<br>violet<br>violet<br>violet |        |     |  |
| (1)      | 958 333 531 50     | Coil spring<br>1 set                                      |        | 1   | CGEA,CGE,<br>CGFA,CURA,<br>CUR,CRCA,<br>CVVC,CNRB+<br>PR:1BZ,0YA<br>CEYA             |
|          | 958 333 531 50 504 | 1 pair of springs<br>orange<br>orange<br>violet<br>violet |        |     |  |
| (1)      | 958 333 531 55     | Coil spring<br>1 set                                      |        | 1   | CGEA,CGE,<br>CGFA,CURA,<br>CUR,CRCA,<br>CVVC,CNRB+<br>PR:1BZ,0YB,<br>0YC<br>CEYA     |
|          | 958 333 531 55 504 | 1 pair of springs<br>orange<br>orange<br>violet<br>violet |        |     |  |
| (1)      | 958 333 531 60     | Coil spring<br>1 set                                      |        | 1   | CGEA,CGE,<br>CGFA,CURA,<br>CUR,CRCA,<br>CVVC,CNRB+<br>PR:1BZ,0YD,<br>0YE,0YF<br>CEYA |
|          | 958 333 531 60 504 | 1 pair of springs<br>green<br>white                       |        |     |  |
| (1)      | 958 333 531 65     | Coil spring<br>1 set                                      |        | 1   | CGEA,CGE,<br>CGFA,CURA,<br>CUR,CRCA,<br>CVVC,CNRB+<br>PR:1BZ,0YG<br>CEYA             |
|          | 958 333 531 65 504 | 1 pair of springs<br>green<br>white<br>white              |        |     |  |
| (1)      | 958 333 531 88     | Coil spring<br>1 set                                      |        | 1   | CGEA,CGE,<br>CGFA+<br>PR:1BZ,0YH   |
|          | 958 333 531 88 504 | 1 pair of springs<br>green<br>white<br>white<br>white     |        |     |  |
| 2<br>(2) | 958 343 525 00     | spring disc<br>spring disc                                |        | 2   | PR:1BA,1BW<br>PR:1BH,1BZ   |

Model: 92A 11

Model life 2011>>2018

| Pos  | Part Number    | Description   | Remark | Qty | Model                    |
|------|----------------|---|--------|-----|--------------------------|
| 3    | WHT 005 267    | Is a component of<br>Shock absorbers<br>Shim<br>Use<br>for<br>Dimension group 1 |        | 2   |                          |
| (3)  | WHT 005 267    | Shim<br>Use<br>for<br>Dimension group 2   |        | 4   |                          |
| 4    | 958 343 523 00 | Spring<br>Insert  |        | 2   |                          |
| 5    | 958 343 521 00 | Spring<br>Underlay  |        | 2   |                          |
| 6    | 958 343 503 50 | Cap   |        | 2   | PR:1BH,1BZ               |
| (6)  | 958 333 375 02 | Cap   |        | 2   | PR:1BA,1BW               |
| 7    | 958 333 375 10 | Washer  |        | 2   | PR:1BH,1BZ               |
| (7)  | 958 333 375 20 | Washer  |        | 2   | PR:1BW                   |
| 8    | 958 333 131 03 | Stop buffer   |        | 2   | PR:1BA,1BW               |
| (8)  | 958 333 131 05 | Stop buffer   |        | 2   | PR:1BH,1BZ,<br>-DU3,-D19 |
| (8)  | 958 333 131 10 | Stop buffer   |        | 2   | PR:1BH,DU3               |
| (8)  | 958 333 131 20 | Stop buffer   |        | 2   | PR:1BH,1BZ,<br>D19       |
| 9    | 958 343 505 00 | Protective sleeve   |        | 2   |                          |
| 10   | 958 333 149 00 | Spring<br>Underlay  |        | 2   |                          |
| 11   | 958 343 524 00 | Spring<br>Insert  |        | 2   |                          |
| 12   | 958 333 301 00 | Support<br>Damper   | left   | 1   |                          |
| (12) | 958 333 302 00 | Support<br>Damper   | right  | 1   |                          |
| 13   | 958 333 327 01 | Shock absorber bearing  |        | 2   | PR:1BA,1BW               |
| (13) | 958 333 327 05 | Shock absorber bearing  |        | 2   | PR:1BH,1BZ               |
| 14   | N 909 664 02   | Hexagon collar nut<br>self-locking<br>M 12                                      |        | 2   | PR:1BA,1BW               |
| (14) | WHT 004 985    | hex. nut<br>M 12  |        | 2   | PR:1BH,1BZ               |
| 15   | 958 333 087 00 | Cover   |        | 2   | PR:1BA,1BW               |
| (15) | 958 333 087 01 | Engine support bearing<br>Cover   |        | 2   | PR:1BH,1BZ               |
| 16   | N 909 586 02   | Engine support bearing<br>hexagon nut, self-locking<br>M 8                      |        | 8   |                          |
| 17   | WHT 003 791    | Hex collared bolt<br>M10 X 1.5 X 115  | front  | 4   |                          |
| (17) | WHT 003 792    | Hex collared bolt<br>M10 X 1.5 X 160  | rear   | 4   |                          |
| 18   | 958 333 183 00 | Bungs   | front  | 4   |                          |
| 19   | 958 333 051 00 | Shock absorbers   |        | 2   | PR:1BA,1BW               |
| (19) | 958 333 051 70 | Shock absorbers   |        | 2   | PR:1BH,1BZ               |
| (19) | 958 333 051 60 | with:<br>spring disc<br>Shock absorbers   |        | 2   | PR:1BH,DU3               |
| 20   | WHT 005 461    | with:<br>spring disc<br>Hexagon bolt<br>M 12 X 1,5 X 120                        |        | 2   |                          |
| 21   | N 104 029 04   | Hexagon nut<br>M12 X 1,5  |        | 2   |                          |
| 22   | 958 333 869 01 | Cable guide   |        | 2   | PR:1BH,1BZ               |

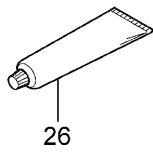
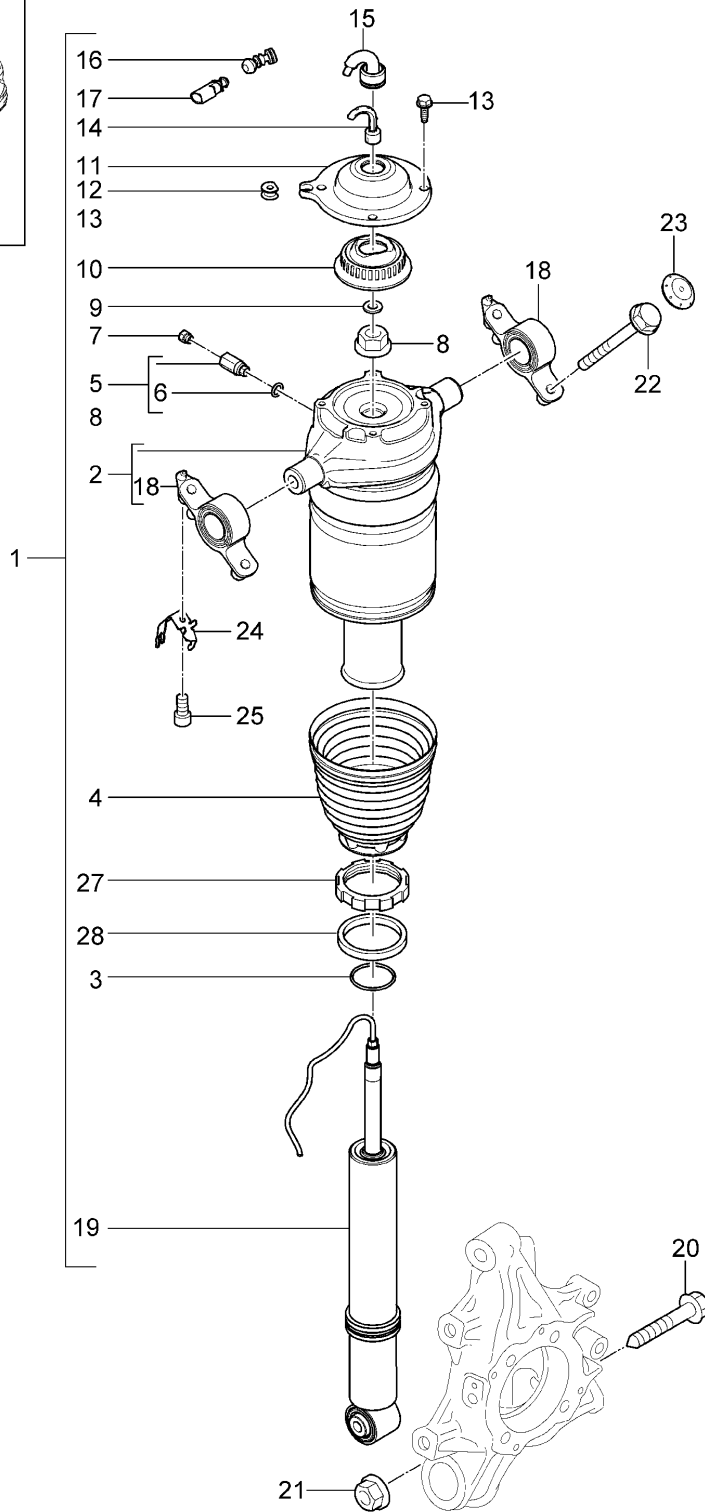
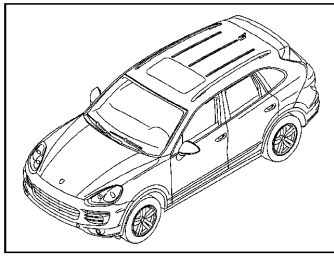
Model: 92A 11

Model life 2011>>2018

| Pos  | Part Number    | Description  | Remark | Qty | Model      |
|------|----------------|--|--------|-----|------------|
| 23   | 958 343 783 02 | Cable support sleeve   |        | 2   | PR:1BH,1BZ |
| 24   | 958 343 878 00 | Grommet<br>Connector   |        | 2   | PR:1BH,1BZ |
| 25   | 1J0 973 802    | Flat connector housing with<br>contact locking mechanism<br>- PASM - |        | 2   | PR:1BH,1BZ |
| 26   | 958 333 800 01 | Cable holder   |        | 2   | PR:1BH,1BZ |
| 27   | 958 333 247 01 | Bracket<br>Connector   | left   | 1   |            |
| (27) | 958 333 248 01 | Bracket<br>Connector   | right  | 1   |            |
| 28   | N 014 740 11   | Socket head bolt with<br>hexagon socket head<br>M6 X 16              |        | 2   |            |

Model: 92A 11

Model life 2011>>2018



Model: 92A 11 Model life 2011>>2018

| Pos | Part Number    | Description  | Remark | Qty | Model                      |
|-----|----------------|--|--------|-----|----------------------------|
|     |                | suspension<br>air spring   |        |     | PR:1BK                     |
| 1   | 958 358 019 00 | D >> - MJ 2014<br>suspension strut complete                      | left   | 1   | PR:D19,D58,<br>D6V         |
|     |                | See workshop manual<br>Group 4<br>43-01IN00                      |        |     |                            |
| 1   | 958 358 019 05 | suspension strut complete  | left   | 1   | PR:D19,D58,<br>D6V         |
| (1) | 958 358 019 10 | D - MJ 2012>><br>suspension strut complete                       | left   | 1   | PR:D34,D50,<br>D1V,D11     |
|     |                | See workshop manual<br>Group 4<br>43-01IN00                      |        |     |                            |
| (1) | 958 358 019 15 | D >> - MJ 2011<br>suspension strut complete                      | left   | 1   | PR:D34,D50,<br>D1V,D11,D43 |
|     |                | See workshop manual<br>Group 4<br>43-01IN00                      |        |     |                            |
| (1) | 958 358 019 25 | D >> - MJ 2012<br>Discontinued part<br>suspension strut complete | left   | 1   | PR:D34,D50,<br>D1V,D11,D43 |
|     |                | See workshop manual<br>Group 4<br>43-01IN00                      |        |     |                            |
| (1) | 958 358 019 18 | D >> - MJ 2012<br>suspension strut complete                      | left   | 1   | PR:D34,D50,<br>D1V,D11,D43 |
|     |                | See workshop manual<br>Group 4<br>43-01IN00                      |        |     |                            |
| (1) | 958 358 019 18 | D - MJ 2013>><br>suspension strut complete                       | left   | 1   | PR:DD8                     |
| (1) | 958 358 019 30 | suspension strut complete  | left   | 1   | GTS<br>PR:E0W              |
| (1) | 958 358 019 40 | D - MJ 2013>><br>suspension strut complete                       | left   | 1   | PR:E8A                     |
|     |                | See workshop manual<br>Group 4<br>43-01IN00                      |        |     |                            |
| (1) | 958 358 020 00 | suspension strut complete  | right  | 1   | PR:D19,D58,<br>D6V         |
|     |                | See workshop manual<br>Group 4<br>43-01IN00                      |        |     |                            |
| (1) | 958 358 020 05 | D >> - MJ 2011<br>suspension strut complete                      | right  | 1   | PR:D19,D58,<br>D6V         |
| (1) | 958 358 020 10 | D - MJ 2012>><br>suspension strut complete                       | right  | 1   | PR:D34,D50,<br>D1V,D11,D43 |
|     |                | See workshop manual<br>Group 4<br>43-01IN00                      |        |     |                            |
| (1) | 958 358 020 15 | D >> - MJ 2011<br>suspension strut complete                      | right  | 1   | PR:D34,D50,<br>D1V,D11,D43 |
|     |                | D >> - MJ 2012<br>Discontinued part                              |        |     |                            |

Model: 92A 11 Model life 2011>>2018

| Pos | Part Number    | Description                                 | Remark | Qty | Model                      |
|-----|----------------|---|--------|-----|----------------------------|
| (1) | 958 358 020 25 | suspension strut complete                   | right  | 1   | PR:D34,D50,<br>D1V,D11,D43 |
| (1) | 958 358 020 18 | D >> - MJ 2012<br>suspension strut complete | right  | 1   | PR:D34,D50,<br>D1V,D11,D43 |
| (1) | 958 358 020 18 | D - MJ 2013>><br>suspension strut complete  | right  | 1   | PR:DD8                     |
| (1) | 958 358 020 30 | suspension strut complete                   | right  | 1   | GTS<br>PR:E0W              |
| (1) | 958 358 020 40 | D - MJ 2013>><br>suspension strut complete  | right  | 1   | PR:E8A                     |
| 2   | 958 358 503 00 | air spring                                  | left   | 1   | PR:D19,D58,                |
|     |                | D >> - MJ 2011<br>Discontinued part         |        |     |                            |
| 2   | 958 358 503 07 | air spring                                  | left   | 1   | PR:D19,D58,                |
|     |                | D >> - MJ 2011<br>Discontinued part         |        |     |                            |
| 2   | 958 358 503 08 | air spring                                  | left   | 1   | PR:D19,D58,                |
|     |                | D >> - MJ 2011                              |        |     |                            |
| 2   | 958 358 503 05 | air spring                                  | left   | 1   | PR:D19,D58,                |
|     |                | D - MJ 2012>>                               |        |     |                            |
| 2   | 958 358 503 10 | air spring                                  | left   | 1   | PR:D34,D50,                |
|     |                | D >> - MJ 2011                              |        |     |                            |
| 2   | 958 358 503 15 | air spring                                  | left   | 1   | PR:D34,D50,                |
|     |                | D - MJ 2012>>                               |        |     |                            |
| (2) | 958 358 503 18 | air spring                                  | left   | 1   | PR:DD8                     |
| 2   | 958 358 503 30 | air spring                                  | left   | 1   | GTS                        |
|     |                | D - MJ 2013>>                               |        |     |                            |
| (2) | 958 358 504 00 | air spring                                  | right  | 1   | PR:D19,D58,                |
|     |                | D >> - MJ 2011<br>Discontinued part         |        |     |                            |
| (2) | 958 358 504 07 | air spring                                  | right  | 1   | PR:D19,D58,                |
|     |                | D >> - MJ 2011<br>Discontinued part         |        |     |                            |
| (2) | 958 358 504 08 | air spring                                  | right  | 1   | PR:D19,D58,                |
|     |                | D >> - MJ 2011                              |        |     |                            |
| (2) | 958 358 504 05 | air spring                                  | right  | 1   | PR:D19,D58,                |
|     |                | D - MJ 2012>>                               |        |     |                            |
| (2) | 958 358 504 10 | air spring                                  | right  | 1   | PR:D34,D50,                |
|     |                | D >> - MJ 2011                              |        |     |                            |
| (2) | 958 358 504 15 | air spring                                  | right  | 1   | PR:D34,D50,                |
|     |                | D - MJ 2012>>                               |        |     |                            |
| (2) | 958 358 504 18 | air spring                                  | right  | 1   | PR:DD8                     |
| (2) | 958 358 504 30 | air spring                                  | right  | 1   | GTS                        |
|     |                | D - MJ 2013>>                               |        |     |                            |
| 3   | 958 343 045 00 | seal ring                                   |        | 2   |                            |
| 4   | 958 343 505 10 | Bellows                                     |        | 2   |                            |
| 5   | 958 358 720 00 | Valve                                       |        | 2   |                            |
| 6   | 955 358 722 00 | seal ring                                   |        | 2   |                            |
| 7   | 955 358 541 00 | push-on connector                           |        | 2   |                            |
| 8   | WHT 004 925    | Hexagon collar nut<br>self-locking          |        | 2   |                            |
| 9   | N 903 677 01   | O-ring                                      |        | 2   |                            |
| 10  | 958 343 018 20 | Shock absorber bearing                      |        | 2   |                            |
| 11  | 958 358 087 10 | Cap   |        | 2   |                            |
| 12  | 958 333 800 02 | Cable clip                                  |        | 2   |                            |
| 13  | N 101 277 07   | Hex collared bolt<br>M8 X 26                |        | 8   |                            |
| 14  | 958 333 869 00 | Cable guide                                 |        | 2   |                            |
| 15  | 958 333 873 04 | Cable support sleeve                        |        | 2   |                            |
| 16  | 958 343 878 00 | Grommet                                     |        | 2   |                            |
|     |                | Connector                                   |        |     |                            |
| 17  | 1J0 973 802    | Flat connector housing with                 |        | 2   |                            |



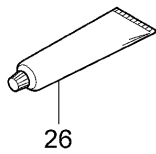
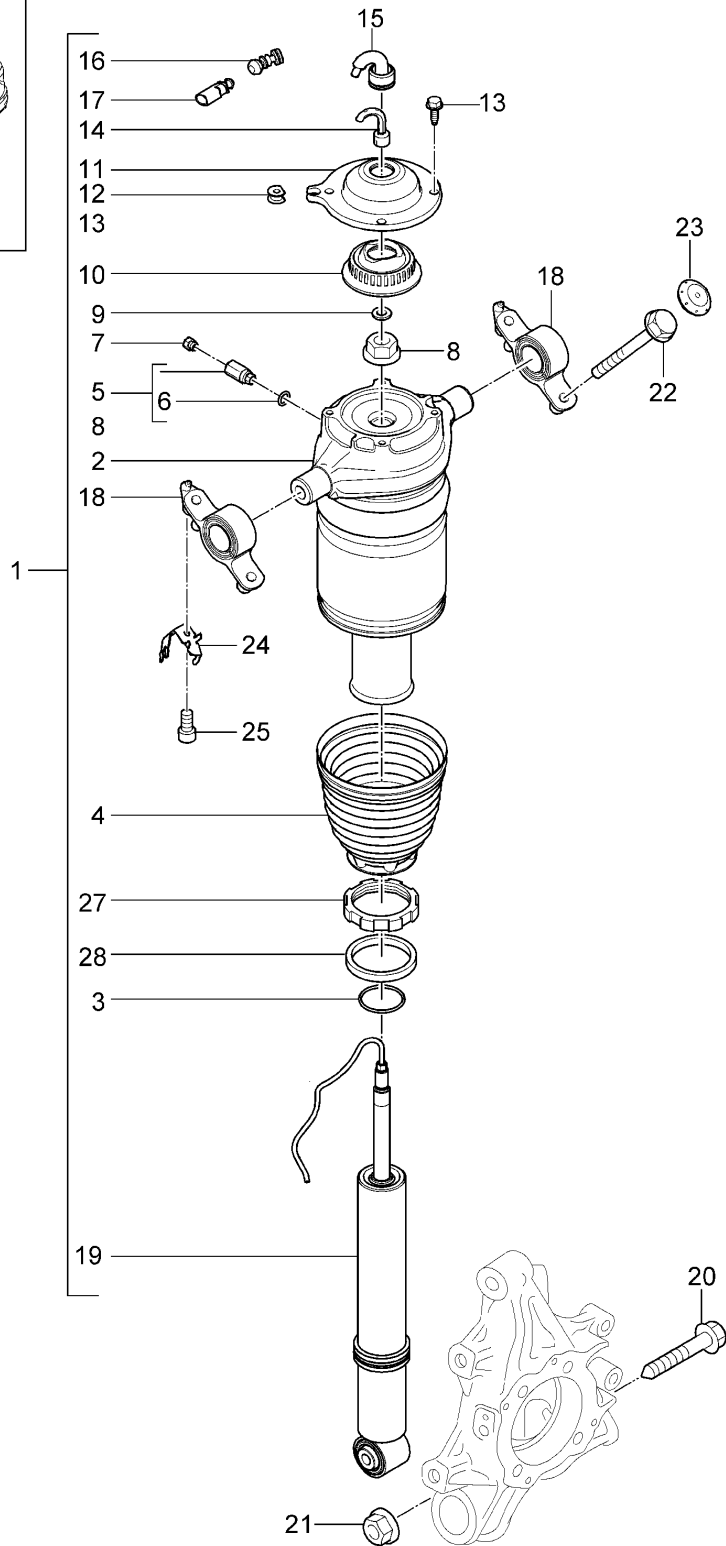
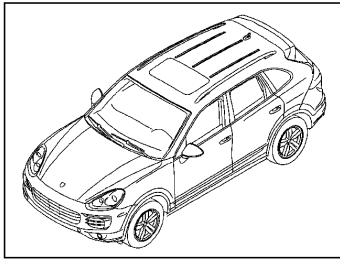
Model: 92A 11

Model life 2011>>2018

| Pos  | Part Number    | Description  | Remark | Qty | Model        |
|------|----------------|--|--------|-----|--------------|
| 18   | 958 333 331 00 | contact locking mechanism<br>Support<br>Damper                           | left   | 2   |              |
| (18) | 958 333 332 00 | Support<br>Damper  | right  | 2   |              |
| 19   | 958 333 051 20 | Shock absorbers  |        | 2   | PR:-E0W,-E8A |
| 19   | 958 333 051 30 | Shock absorbers  |        | 2   | GTS          |
| 19   | 958 333 051 40 | Shock absorbers  |        | 2   | PR:E8A       |
| 20   | N 105 924 02   | Hex collared bolt<br>M12 X 1,5 X 120 X 49<br>No longer use the part here |        | 2   |              |
| 20   | WHT 005 461    | Hexagon bolt<br>M 12 X 1,5 X 120   |        | 2   |              |
| 21   | N 104 029 04   | Hexagon nut<br>M12 X 1,5   |        | 2   |              |
| 22   | WHT 003 791    | Hex collared bolt  | front  | 4   |              |
| (22) | WHT 003 792    | Hex collared bolt  | rear   | 4   |              |
| 23   | 958 333 183 00 | Bungs  |        | 4   |              |
| 24   | 958 333 247 01 | Bracket<br>Connector   | left   | 1   |              |
| (24) | 958 333 248 01 | Bracket<br>Connector   | right  | 1   |              |
| 25   | N 014 740 11   | Socket head bolt with<br>hexagon socket head<br>M6 X 16                  |        | 2   |              |
| 26   | 000 043 204 68 | Grease<br>Syntheso Glep 1<br>1 50-g tube                                 |        | 1   |              |
| 27   | 958 343 060 00 | Securing ring  |        | 2   |              |
| 28   | 958 343 253 00 | Thrust ring  |        | 2   |              |

Model: 92A 11

Model life 2011>>2018



Model: 92A 11 Model life 2011>>2018

| Pos | Part Number    | Description                               | Remark | Qty | Model   |
|-----|----------------|---|--------|-----|---|
|     |                | suspension<br>air spring<br>D - MJ 2015>> |        |     | PR:1BK  |
| 1   | 958 358 019 50 | suspension strut complete                 | left   | 1   | CGEA, CGE,<br>CGFA, CURA,<br>CUR, CVVB,<br>CVVA, CVVC,<br>CRCA, CJT,<br>CNRB, CEYA                        |
| (1) | 958 358 020 50 | suspension strut complete                 | right  | 1   | CGEA, CGE,<br>CGFA, CURA,<br>CUR, CVVB,<br>CVVA, CVVC,<br>CRCA, CJT,<br>CNRB, CEYA                        |
| (1) | 958 358 019 31 | suspension strut complete                 | left   | 1   | GTS<br>CXZA, CXZ  |
| (1) | 958 358 020 31 | suspension strut complete                 | right  | 1   | GTS<br>CXZA, CXZ  |
| (1) | 958 358 019 41 | suspension strut complete                 | left   | 1   | CFTB, CFT,<br>CUDC, CYXA,<br>CYX  |
| (1) | 958 358 020 41 | suspension strut complete                 | right  | 1   | CFTB, CFT,<br>CUDC, CYXA,<br>CYX  |
| 2   | 958 358 503 18 | air spring                                | left   | 1   | CRCA, CVVC,<br>CURA, CUR,<br>CGEA, CGE,<br>CGFA, CVVA,<br>CVVB, CFTB,<br>CFT, CUDC,<br>CNRB, CJT,<br>CEYA |
| (2) | 958 358 504 18 | air spring                                | right  | 1   | CRCA, CVVC,<br>CURA, CUR,<br>CGEA, CGE,<br>CGFA, CVVA,<br>CVVB, CFTB,<br>CFT, CUDC,<br>CNRB, CJT,<br>CEYA |
| (2) | 958 358 503 30 | air spring                                | left   | 1   | GTS   |
| (2) | 958 358 504 30 | air spring                                | right  | 1   | GTS   |
| (2) | 958 358 503 40 | air spring                                | left   | 1   | CFTB, CFT,<br>CYX   |
| (2) | 958 358 504 40 | air spring                                | right  | 1   | CFTB, CFT,<br>CYX   |
| 3   | 958 343 045 00 | seal ring                                 |        | 2   |   |
| 4   | 958 343 505 11 | Bellows                                   |        | 2   |   |
| 5   | 958 358 720 00 | Valve                                     |        | 2   |   |
| 6   | 955 358 722 00 | seal ring                                 |        | 2   |   |
| 7   | 955 358 541 00 | push-on connector                         |        | 2   |   |
| 8   | WHT 004 925    | Hexagon collar nut<br>self-locking        |        | 2   |   |
| 9   | N 903 677 01   | O-ring                                    |        | 2   |   |
| 10  | 958 343 018 20 | Shock absorber bearing                    |        | 2   |   |
| 11  | 958 358 087 10 | Cap                                       |        | 2   |   |
| 12  | 958 333 800 02 | Cable clip                                |        | 2   |   |
| 13  | N 101 277 07   | Hex collared bolt<br>M8 X 26              |        | 8   |   |
| 14  | 958 333 869 01 | Cable guide                               |        | 2   |   |
| 15  | 958 333 873 04 | Cable support sleeve                      |        | 2   |   |
| 16  | 958 343 878 00 | Grommet                                   |        | 2   |   |

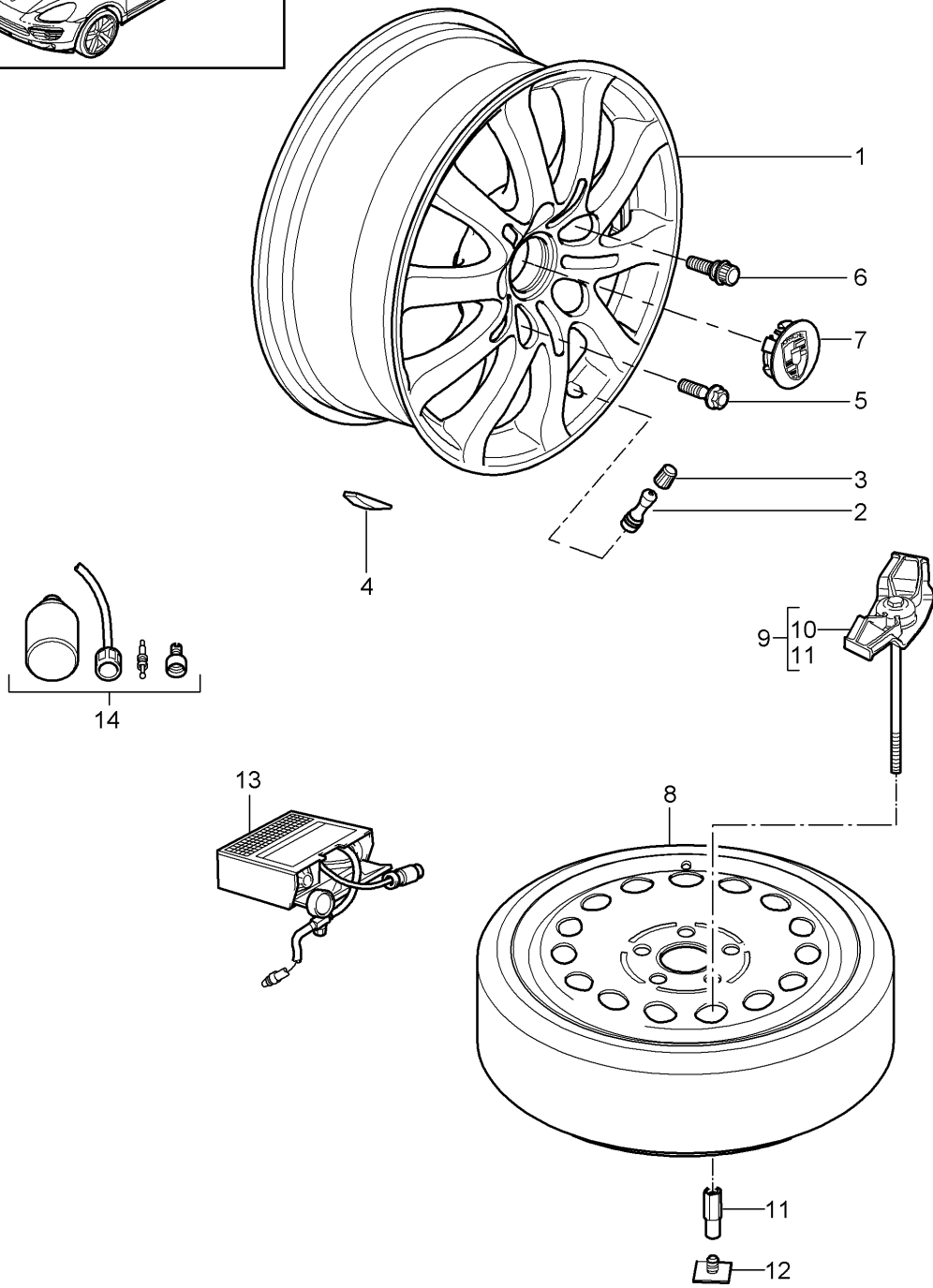
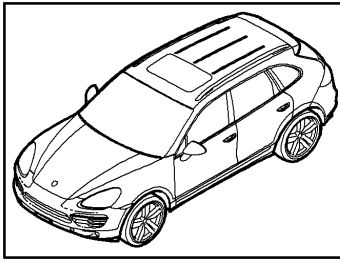
Model: 92A 11

Model life 2011&gt;&gt;2018

| Pos  | Part Number    | Description   | Remark | Qty | Model   |
|------|----------------|---|--------|-----|---|
| 17   | 1J0 973 802    | Connector<br>Flat connector housing with<br>contact locking mechanism |        | 2   |   |
| 18   | 958 333 331 00 | Support<br>Damper   | left   | 2   |   |
| (18) | 958 333 332 00 | Support<br>Damper   | right  | 2   |   |
| 19   | 958 333 051 40 | Shock absorbers   |        | 2   | CVVB, CVVA,<br>CUDC, CFTB,<br>CFT, CURA,<br>CUR, CVVC,<br>CGEA, CGE,<br>CGFA, CRCA,<br>CJT, CNRB,<br>CYXA, CYX,<br>CEYA |
| (19) | 958 333 051 30 | Shock absorbers   |        | 2   | GTS<br>CXZA, CXZ  |
| 20   | WHT 005 461    | Hexagon bolt<br>M 12 X 1,5 X 120                                      |        | 2   |   |
| 21   | N 104 029 04   | Hexagon nut<br>M12 X 1,5  |        | 2   |   |
| 22   | WHT 003 791    | Hex collared bolt<br>M10 X 1.5 X 115                                  | front  | 4   |   |
| (22) | WHT 003 792    | Hex collared bolt<br>M10 X 1.5 X 160                                  | rear   | 4   |   |
| 23   | 958 333 183 00 | Bungs   |        | 4   |   |
| 24   | 958 333 247 01 | Bracket<br>Connector  | left   | 1   |   |
| (24) | 958 333 248 01 | Bracket<br>Connector  | right  | 1   |   |
| 25   | N 014 740 11   | Socket head bolt with<br>hexagon socket head<br>M6 X 16               |        | 2   |   |
| 26   | 000 043 204 68 | Grease<br>SYNTHESO GLEP 1<br>1 50-g tube                              |        | 1   |   |
| 27   | 958 343 060 00 | Securing ring   |        | 2   |   |
| 28   | 958 343 253 00 | Thrust ring   |        | 2   |   |

Model: 92A 11

Model life 2011>>2018



Model: 92A 11 Model life 2011>>2018

| Pos | Part Number                          | Description   | Remark | Qty | Model      |
|-----|--------------------------------------|---|--------|-----|------------|
| 1   | 958 362 136 00                       | Wheels<br>D >> - MJ 2014<br>Alloy wheel<br>8,0 J X 18<br>ET 53<br>Discontinued part                 |        | 4   | PR:C1J     |
| 1   | 958 362 136 00 9A1<br>958 362 136 01 | silver<br>Alloy wheel<br>8,0 J X 18<br>ET 53  |        | 4   | PR:C1J     |
| 1   | 958 362 136 01 8Z8<br>958 362 136 00 | Brilliant Silver<br>Alloy wheel<br>8,0 J X 18<br>ET 53<br>Discontinued part                         |        | 5   | PR:C1J,3F4 |
| 1   | 958 362 136 00 9A1<br>958 362 136 01 | silver<br>Alloy wheel<br>8,0 J X 18<br>ET 53  |        | 5   | PR:C1J,3F4 |
| (1) | 958 362 136 01 8Z8<br>958 362 138 00 | Brilliant Silver<br>Alloy wheel<br>8,5 J X 19<br>ET 59<br>D >> - MJ 2011                            |        | 4   | PR:C8K     |
| (1) | 958 362 138 00 9A1<br>958 362 138 10 | silver<br>Alloy wheel<br>8,5 J X 19<br>ET 59<br>D - MJ 2012>>                                       |        | 4   | PR:C8K     |
| (1) | 958 362 138 10 88Z<br>958 362 138 00 | Brilliant chrome finish<br>Alloy wheel<br>8,5 J X 19<br>ET 59<br>D >> - MJ 2011                     |        | 5   | PR:C8K,3F4 |
| (1) | 958 362 138 00 9A1<br>958 362 138 10 | silver<br>Alloy wheel<br>8,5 J X 19<br>ET 59<br>D - MJ 2012>>                                       |        | 5   | PR:C8K,3F4 |
| (1) | 958 362 138 10 88Z<br>958 362 140 00 | Brilliant chrome finish<br>Alloy wheel<br>9,0 J X 20<br>ET 57<br>D >> - MJ 2011                     |        | 4   | PR:CN7     |
| (1) | 958 362 140 00 9A1<br>958 362 140 10 | silver<br>Alloy wheel<br>9,0 J X 20<br>ET 57<br>D - MJ 2012>>                                       |        | 4   | PR:CN7     |
| (1) | 958 362 140 10 88Z<br>958 362 140 20 | Discontinued part<br>Brilliant chrome finish<br>Alloy wheel<br>9,0 J X 20<br>ET 57<br>D - MJ 2012>> |        | 4   | PR:CN7     |
| (1) | 958 362 140 20 88Z<br>958 362 140 21 | Discontinued part<br>Brilliant chrome finish<br>Alloy wheel<br>9,0 J X 20<br>ET 57<br>D - MJ 2012>> |        | 4   | PR:CN7     |
| (1) | 958 362 140 21 88Z<br>958 362 140 00 | Discontinued part<br>Brilliant chrome finish<br>Alloy wheel   |        | 5   | PR:CN7,3F4 |

Model: 92A 11 Model life 2011>>2018

| Pos | Part Number  | Description   | Remark | Qty | Model                          |
|-----|--|---|--------|-----|--------------------------------|
| (1) | 958 362 140 00 9A1<br>958 362 140 10                       | 9,0 J X 20<br>ET 57<br>D >> - MJ 2011<br>silver<br>Alloy wheel                                      |        | 5   | PR:CN7,3F4                     |
| (1) | 958 362 140 10 88Z<br>958 362 140 20                       | 9,0 J X 20<br>ET 57<br>D - MJ 2012>><br>Discontinued part<br>Brilliant chrome finish<br>Alloy wheel |        | 5   | PR:CN7,3F4                     |
| (1) | 958 362 140 20 88Z<br>958 362 140 21                       | 9,0 J X 20<br>ET 57<br>D - MJ 2012>><br>Discontinued part<br>Brilliant chrome finish<br>Alloy wheel |        | 4   | PR:CN7,3F4                     |
| (1) | 958 362 140 21 88Z<br>958 362 142 00                       | 9,0 J X 20<br>ET 57<br>D - MJ 2012>><br>Discontinued part<br>Brilliant chrome finish<br>Alloy wheel |        | 4   | PR:CZ4                         |
| (1) | 958 362 142 00 9A1<br>958 362 142 01                       | 10 J X 21<br>ET 50<br>Discontinued part<br>silver<br>Alloy wheel                                    |        | 4   | PR:CZ4,C7F                     |
| (1) | 958 362 142 01 9A1<br>958 362 142 01 041<br>958 362 142 00 | 10 J X 21<br>ET 50<br>Discontinued part<br>silver<br>Black<br>Alloy wheel                           |        | 5   | PR:CZ4<br>PR:C7F<br>PR:CZ4,3F4 |
| (1) | 958 362 142 01 9A1<br>958 362 142 01 041<br>958 362 144 00 | 10 J X 21<br>ET 50<br>Discontinued part<br>silver<br>Alloy wheel                                    |        | 5   | PR:CZ4,3F4,<br>C7F             |
| (1) | 958 362 142 01 9A1<br>958 362 142 01 041<br>958 362 144 00 | 10 J X 21<br>ET 50<br>Discontinued part<br>silver<br>Black<br>Alloy wheel                           |        | 4   | PR:CZ4<br>PR:C7F<br>PR:C1Q     |
| (1) | 958 362 144 00 9A1<br>958 362 144 01                       | 8,0 J X 18<br>ET 53<br>Discontinued part<br>silver<br>Alloy wheel                                   |        | 4   | PR:C1Q                         |
| (1) | 958 362 144 01 8Z8<br>958 362 144 00                       | 8,0 J X 18<br>ET 53<br>Discontinued part<br>Brilliant Silver<br>Alloy wheel                         |        | 5   | PR:C1Q,3F4                     |
| (1) | 958 362 144 00 9A1<br>958 362 144 01                       | 8,0 J X 18<br>ET 53<br>Discontinued part<br>silver<br>Alloy wheel                                   |        | 5   | PR:C1Q,3F4                     |
| (1) | 958 362 144 01 8Z8<br>958 362 146 00                       | 8,0 J X 18<br>ET 53<br>Discontinued part<br>Brilliant Silver<br>Alloy wheel                         |        | 4   | PR:F09                         |
|     |  | 8,5 J X 19<br>ET 59<br>D >> - MJ 2011   |        |     |                                |

Model: 92A 11 Model life 2011>>2018

| Pos | Part Number                          | Description   | Remark | Qty | Model                |
|-----|--------------------------------------|---|--------|-----|----------------------|
| (1) | 958 362 146 00 9A1<br>958 362 146 10 | silver<br>Alloy wheel<br>8,5 J X 19<br>ET 59<br>D - MJ 2012>><br>Discontinued part                  |        | 4   | PR:F09               |
| (1) | 958 362 146 10 88Z<br>958 362 146 20 | Brilliant chrome finish<br>Alloy wheel<br>8,5 J X 19<br>ET 59<br>D - MJ 2012>><br>Discontinued part |        | 4   | PR:F09               |
| (1) | 958 362 146 20 88Z<br>958 362 146 21 | Brilliant chrome finish<br>Alloy wheel<br>8,5 J X 19<br>ET 59<br>D - MJ 2012>>                      |        | 4   | PR:F09               |
| (1) | 958 362 146 21 88Z<br>958 362 146 00 | Brilliant chrome finish<br>Alloy wheel<br>8,5 J X 19<br>ET 59<br>D >> - MJ 2011                     |        | 5   | PR:F09,3F4           |
| (1) | 958 362 146 00 9A1<br>958 362 146 10 | silver<br>Alloy wheel<br>8,5 J X 19<br>ET 59<br>D - MJ 2012>><br>Discontinued part                  |        | 5   | PR:F09,3F4           |
| (1) | 958 362 146 10 88Z<br>958 362 146 20 | Brilliant chrome finish<br>Alloy wheel<br>8,5 J X 19<br>ET 59<br>D - MJ 2012>><br>Discontinued part |        | 5   | PR:F09,3F4           |
| (1) | 958 362 146 20 88Z<br>958 362 146 21 | Brilliant chrome finish<br>Alloy wheel<br>8,5 J X 19<br>ET 59<br>D - MJ 2012>>                      |        | 4   | PR:F09,3F4           |
| (1) | 958 362 146 21 88Z<br>958 362 148 00 | Brilliant chrome finish<br>Alloy wheel<br>9,0 J X 20<br>ET 57                                       |        | 4   | PR:CP5               |
| (1) | 958 362 148 00 EP8<br>958 362 148 00 | Decorative Silver/Titanium<br>Alloy wheel<br>9,0 J X 20<br>ET 57                                    |        | 5   | PR:CP5,3F4           |
| (1) | 958 362 148 00 EP8<br>958 362 150 00 | Decorative Silver/Titanium<br>Alloy wheel<br>10,0 J X 21<br>ET 50<br>Discontinued part              |        | 4   | PR:CK0<br>-"J.."     |
| (1) | 958 362 150 00 M7Z<br>958 362 150 01 | GT Silver Metallic<br>Alloy wheel<br>10,0 J X 21<br>ET 50   |        | 4   | PR:CK0<br>-"J.."     |
| (1) | 958 362 150 01 M7Z<br>958 362 150 00 | GT Silver Metallic<br>Alloy wheel<br>10,0 J X 21<br>ET 50<br>Discontinued part                      |        | 5   | PR:CK0,3F4<br>-"J.." |
| (1) | 958 362 150 00 M7Z<br>958 362 150 01 | GT Silver Metallic<br>Alloy wheel   |        | 4   | PR:CK0               |



Model: 92A 11 Model life 2011>>2018

| Pos | Part Number                          | Description  | Remark  | Qty | Model                  |
|-----|--------------------------------------|--|---------|-----|------------------------|
|     |                                      | 10,0 J X 21<br>ET 50   |         |     | - "J.."                |
| (1) | 958 362 150 01 M7Z<br>958 362 152 00 | GT Silver Metallic<br>Alloy wheel<br>10,0 J X 21<br>ET 50              |         | 4   | PR:CQ1<br>- "J.."      |
| (1) | 958 362 152 00 041<br>958 362 152 00 | Black<br>Alloy wheel<br>10,0 J X 21<br>ET 50                           |         | 5   | PR:CQ1, 3F4<br>- "J.." |
| (1) | 958 362 152 00 041<br>958 362 150 00 | Black<br>Alloy wheel<br>10,0 J X 21<br>ET 50                           |         | 4   | PR:CN5<br>- "J.."      |
| (1) | 958 362 150 00 M7Z                   | Discontinued part<br>GT Silver Metallic<br>modify in workshop<br>Paint |         |     |                        |
| (1) | 958 362 150 01                       | Alloy wheel<br>10,0 J X 21<br>ET 50                                    |         | 4   | PR:CK0<br>- "J.."      |
| (1) | 958 362 150 01 M7Z<br>958 362 150 00 | GT Silver Metallic<br>Alloy wheel<br>10,0 J X 21<br>ET 50              |         | 5   | PR:CN5, 3F4<br>- "J.." |
| (1) | 958 362 150 00 M7Z                   | Discontinued part<br>GT Silver Metallic<br>modify in workshop<br>Paint |         |     |                        |
| (1) | 958 362 150 01                       | Alloy wheel<br>10,0 J X 21<br>ET 50                                    |         | 5   | PR:CK0<br>- "J.."      |
| (1) | 958 362 150 01 M7Z                   | GT Silver Metallic<br>modify in workshop<br>Paint                      |         |     |                        |
| (1) | 958 362 151 00                       | Alloy wheel<br>9,5 J X 20<br>ET 47                                     |         | 4   | PR:C5B                 |
| (1) | 958 362 151 00 EP8                   | Decorative Silver/Titanium<br>modify in workshop<br>Paint              |         |     |                        |
| (1) | 958 362 151 00                       | Alloy wheel<br>9,5 J X 20<br>ET 47                                     |         | 5   | PR:C5B, 3F4            |
| (1) | 958 362 151 00 EP8                   | Decorative Silver/Titanium<br>modify in workshop<br>Paint              |         |     |                        |
| (1) | 958 362 153 00                       | Alloy wheel<br>9 J X 20<br>ET 57                                       |         | 4   | PR:CP5, 3F4            |
| (1) | 958 362 153 00 EP8                   | Decorative Silver/Titanium<br>modify in workshop<br>Paint              |         |     |                        |
| 2   | 900 265 001 50                       | Rubber valve   |         | 4   | PR:-3F4                |
| (2) | 900 265 001 50                       | Rubber valve   |         | 5   | PR:3F4                 |
| (2) |                                      | Valve<br>tyre pressure control system<br>see illustration:             | 601-005 | 4   | PR:7K3, 7K4            |
| 3   | 955 361 163 00                       | Cap  |         | 4   | PR:-3F4                |
| (3) | 955 361 163 00                       | Cap  |         | 5   | PR:3F4                 |
| 4   | 997 361 405 00                       | Balancer weight<br>(self-adhesive)<br>silver                           |         | X   |                        |

Model: 92A 11

Model life 2011>>2018

| Pos | Part Number    | Description                                  | Remark | Qty | Model |
|-----|----------------|--|--------|-----|-------|
| (4) | 9P1 601 179    | Balancer weight<br>(self-adhesive)<br>Black  |        | X   |       |
| (4) | 997 361 410 00 | Balancer weight<br>(self-adhesive)<br>silver |        | X   |       |
| (4) | 9P1 601 181    | Balancer weight<br>(self-adhesive)<br>Black  |        | X   |       |
| (4) | 997 361 415 00 | Balancer weight<br>(self-adhesive)<br>silver |        | X   |       |
| (4) | 9P1 601 182    | Balancer weight<br>(self-adhesive)<br>Black  |        | X   |       |
| (4) | 997 361 420 00 | Balancer weight<br>(self-adhesive)<br>silver |        | X   |       |
| (4) | 9P1 601 183    | Balancer weight<br>(self-adhesive)<br>Black  |        | X   |       |
| (4) | 997 361 425 00 | Balancer weight<br>(self-adhesive)<br>silver |        | X   |       |
| (4) | 9P1 601 184    | Balancer weight<br>(self-adhesive)<br>Black  |        | X   |       |
| (4) | 997 361 430 00 | Balancer weight<br>(self-adhesive)<br>silver |        | X   |       |
| (4) | 9P1 601 185    | Balancer weight<br>(self-adhesive)<br>Black  |        | X   |       |
| (4) | 997 361 435 00 | Balancer weight<br>(self-adhesive)<br>silver |        | X   |       |
| (4) | 9P1 601 186    | Balancer weight<br>(self-adhesive)<br>Black  |        | X   |       |
| (4) | 997 361 440 00 | Balancer weight<br>(self-adhesive)<br>silver |        | X   |       |
| (4) | 9P1 601 187    | Balancer weight<br>(self-adhesive)<br>Black  |        | X   |       |
| (4) | 997 361 445 00 | Balancer weight<br>(self-adhesive)<br>silver |        | X   |       |
| (4) | 9P1 601 188    | Balancer weight<br>(self-adhesive)<br>Black  |        | X   |       |
| (4) | 997 361 450 00 | Balancer weight<br>(self-adhesive)<br>silver |        | X   |       |
| (4) | 9P1 601 189    | Balancer weight<br>(self-adhesive)<br>Black  |        | X   |       |
| (4) | 997 361 455 00 | Balancer weight<br>(self-adhesive)<br>silver |        | X   |       |
| (4) | 9P1 601 190    | Balancer weight<br>(self-adhesive)<br>Black  |        | X   |       |

Model: 92A 11 Model life 2011>>2018

| Pos | Part Number    | Description   | Remark | Qty             | Model           |
|-----|----------------|---|--------|-----------------|-----------------|
| (4) | 997 361 460 00 | Balancer weight<br>(self-adhesive)<br>silver  |        | X               |                 |
| (4) | 9P1 601 191    | Balancer weight<br>(self-adhesive)<br>Black   |        | X               |                 |
| (4) | 997 361 465 00 | Balancer weight<br>(self-adhesive)<br>silver  |        | X               |                 |
| (4) | 9P1 601 192    | Balancer weight<br>(self-adhesive)<br>Black   |        | X               |                 |
| (4) | 997 361 470 00 | Balancer weight<br>(self-adhesive)<br>silver  |        | X               |                 |
| (4) | 9P1 601 193    | Balancer weight<br>(self-adhesive)<br>Black   |        | X               |                 |
| (4) | 997 361 475 00 | Balancer weight<br>(self-adhesive)<br>silver  |        | X               |                 |
| (4) | 9P1 601 194    | Balancer weight<br>(self-adhesive)<br>Black   |        | X               |                 |
| (4) | 997 361 480 00 | Balancer weight<br>(self-adhesive)<br>silver  |        | X               |                 |
| (4) | 9P1 601 195    | Balancer weight<br>(self-adhesive)<br>Black   |        | X               |                 |
| (4) | 997 361 485 00 | Balancer weight<br>(self-adhesive)<br>silver  |        | X               |                 |
| (4) | 9P1 601 196    | Balancer weight<br>(self-adhesive)<br>Black   |        | X               |                 |
| (4) | 997 361 490 00 | Balancer weight<br>(self-adhesive)<br>silver  |        | X               |                 |
| (4) | 9P1 601 197    | Balancer weight<br>(self-adhesive)<br>Black   |        | X               |                 |
| 5   | WHT 004 676    | Wheel bolt<br>silver  |        | 16              |                 |
| 5   | WHT 004 676 A  | Wheel bolt<br>Black   |        | 16              |                 |
| 6   | 958 361 057 00 | Set<br>Anti-theft protection<br>silver<br>comprising:<br>Wheel bolt<br>Adapter                |        | 1<br><br>4<br>1 |                 |
| 6   | 958 361 057 10 | Wheel bolt<br>Anti-theft protection<br>1 set<br>Black<br>comprising:<br>Wheel bolt<br>Adapter |        | 1<br><br>4<br>1 |                 |
| (6) | 958 361 057 20 | 1 set wheel studs,<br>anti-theft<br>silver<br>comprising:                                     |        | 1<br><br>4      | PR:BON<br>"GB." |

Model: 92A 11 Model life 2011>>2018

| Pos | Part Number  | Description  | Remark | Qty         | Model                              |
|-----|--|--|--------|-------------|------------------------------------|
| (6) | 958 361 057 30   | Wheel bolt<br>Adapter<br>Wheel bolt<br>Anti-theft protection<br>1 set<br>Black<br>comprising:<br>Wheel bolt<br>Adapter   |        | 1<br>1      | PR:B0N<br>"GB."                    |
| (6) | 991 361 980 03   | 1 set wheel studs,<br>anti-theft<br>Black<br>comprising:<br>Wheel bolt<br>Adapter  |        | 1<br>4<br>1 | PR:B0N<br>"GB."                    |
| 7   | 955 361 303 00   | Note coding<br>Hub cap<br>Round<br>Concave<br>Porsche crest<br>Black   |        | 4           | PR:CN7,C1J,<br>C1Q,C8K,F09,<br>1NE |
| 7   | 955 361 303 00 9A1<br>7PP 601 150                        | silver<br>Hub cap<br>Round<br>Concave<br>Porsche crest<br>Black  |        | 4           | PR:CN7,C1J,<br>C1Q,C8K,F09,<br>1NE |
| 7   | 7PP 601 150 8Z8<br>7PP 601 150 88Z<br>9P1 601 147        | D - MJ 2012>><br>Brilliant Silver<br>Brilliant chrome finish<br>Hub cap<br>Round<br>Concave<br>Porsche crest<br>Black    |        | 4           | PR:CN7,F09,<br>1NE                 |
| (7) | 9P1 601 147 8Z8<br>9P1 601 147 88Z<br>955 361 303 20     | D - MJ 2014>><br>Brilliant Silver<br>Brilliant chrome finish<br>Hub cap<br>Round<br>Concave<br>Porsche crest<br>Coloured |        | 4           | PR:CN7,C1J,<br>C1Q,C8K,F09,<br>1NP |
| (7) | 955 361 303 20 9A1<br>7PP 601 150 A                      | silver<br>Hub cap<br>Round<br>Concave<br>Porsche crest<br>Coloured   |        | 4           | PR:CN7,C1J,<br>C1Q,C8K,F09,<br>1NP |
| (7) | 7PP 601 150 A 8Z8<br>7PP 601 150 A 88Z<br>9P1 601 147 A  | D - MJ 2012>><br>Brilliant Silver<br>Brilliant chrome finish<br>Hub cap<br>Round<br>Concave<br>Porsche crest<br>Coloured |        | 4           | PR:CN7,F09,<br>1NP                 |
| (7) | 9P1 601 147 A 8Z8<br>9P1 601 147 A 88Z<br>958 361 303 00 | D - MJ 2014>><br>Brilliant Silver<br>Brilliant chrome finish<br>Hub cap<br>Round<br>Concave                              |        | 4           | PR:CP5,C5B,<br>1NE                 |

Model: 92A 11

Model life 2011&gt;&gt;2018

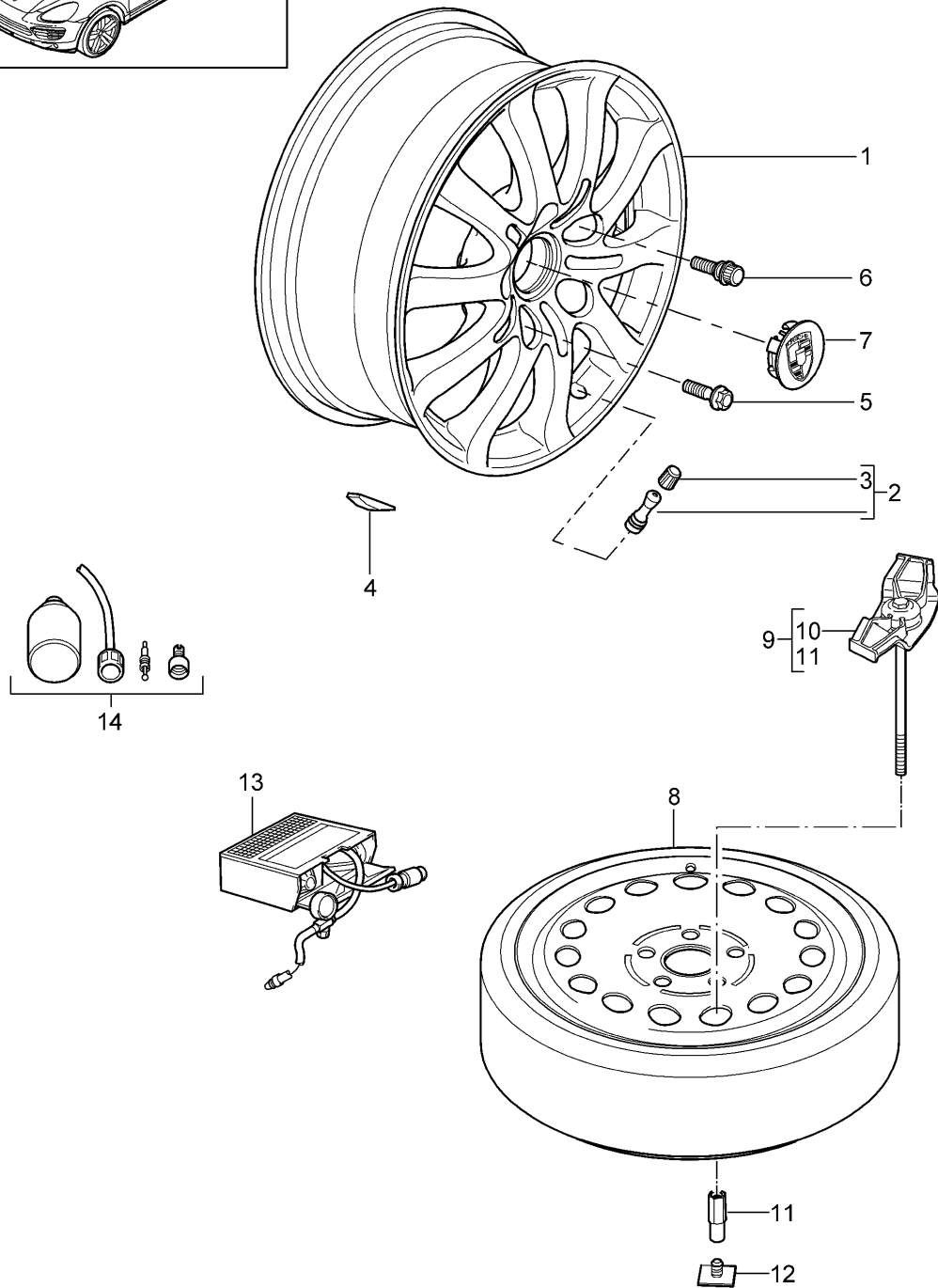
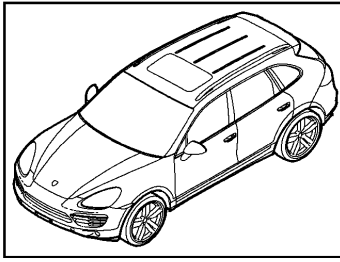
| Pos | Part Number    | Description  | Remark | Qty | Model              |
|-----|----------------|--|--------|-----|--------------------|
| (7) | 958 361 303 20 | Porsche crest<br>Black<br>silver<br>Hub cap<br>Round<br>Concave                                  |        | 4   | PR:CP5,C5B,<br>1NP |
| (7) | 7PP 601 149 D  | Porsche crest<br>Black<br>silver<br>Hub cap<br>Round<br>Concave                                  |        | 4   | PR:CK0,1NP         |
| (7) | 958 361 303 02 | Porsche crest<br>Coloured<br>silver<br>No longer use the part here<br>Hub cap<br>Round<br>Convex |        | 4   | PR:CK0,1NP         |
| (7) | 958 361 303 03 | Porsche crest<br>Coloured<br>silver<br>Hub cap<br>Round<br>Convex                                |        | 4   | PR:CQ1,1NP         |
| (7) | 7PP 601 149 D  | Porsche crest<br>Coloured<br>modify in workshop<br>Paint<br>No longer use the part here          |        | 4   | PR:CN5,1NP         |
| (7) | 958 361 303 02 | Hub cap<br>Round<br>Convex<br>Porsche crest<br>Coloured<br>modify in workshop<br>Paint           |        | 4   | PR:CN5,1NP         |
| 7   | 7PP 601 149    | Hub cap<br>Round<br>Concave<br>Porsche crest<br>Black<br>silver                                  |        | 4   | PR:CZ4,1NE         |
| 7   | 7PP 601 149 A  | Hub cap<br>Round<br>Concave<br>Porsche crest<br>Coloured<br>silver                               |        | 4   | PR:CZ4,1NP         |
| (7) | 7PP 601 149 E  | Hub cap<br>Round<br>Concave  |        | 4   | PR:C7F             |
| 8   | 958 362 050 00 | Spare wheel<br>with collapsible tire<br>6,5 B X 18<br>ET 28                                      |        | 1   | PR:1G1             |
| (8) | 958 362 050 20 | Spare wheel  |        | 1   | PR:1G4             |

Model: 92A 11 Model life 2011>>2018

| Pos | Part Number    | Description   | Remark  | Qty | Model              |
|-----|----------------|---|---------|-----|--------------------|
| (8) | 958 362 050 30 | with collapsible tire<br>6,5 B X 19<br>ET 43,5<br>Spare wheel<br>with collapsible tire<br>6,5 B X 20<br>ET 28 |         | 1   | PR:1G6             |
| 9   | 958 362 533 00 | Securing element  |         | 1   | PR:1G1,1G4         |
| 10  | 955 362 645 10 | handle  |         | 1   | PR:1G1,1G4         |
| 11  | 958 362 533 10 | Threaded sleeve   |         | 1   | PR:1G1,1G4         |
| 12  | 958 362 534 00 | Bracket<br>Spare wheel  |         | 1   | PR:1G1,1G4         |
| 13  | 955 652 053 02 | Compressor  |         | 1   | PR:1G1,1G4,<br>1G8 |
| 14  | 955 722 631 00 | Compressed air bottle   |         | 1   | PR:1G8             |
|     |                | with:<br>Sealing compound   |         |     |                    |
| 14  | 4L0 012 619 A  | Discontinued part<br>Tyre sealant   |         | 1   | PR:1G8             |
|     |                | with:<br>Sealing compound   |         |     |                    |
| -   |                | Mount   |         |     | PR:3F4             |
|     |                | see illustration:   | 807-040 |     |                    |

Model: 92A 11

Model life 2011>>2018



Model: 92A 11 Model life 2011>>2018

| Pos | Part Number                          | Description  | Remark | Qty | Model                                |
|-----|--------------------------------------|--|--------|-----|--------------------------------------|
| -   |                                      | Wheels<br>D - MJ 2015>><br>see<br>manufacturer's certificate<br>Group 4<br>Document<br>01/14 |        |     |                                      |
| 1   | 958 362 136 20                       | Alloy wheel<br>8,0 J X 18<br>ET 53   |        | 4   | PR:V98                               |
| (1) | 958 362 136 20 8Z8<br>958 362 144 20 | Brilliant Silver<br>Alloy wheel<br>8,0 J X 18<br>ET 53                                       |        | 4   | PR:V99                               |
| (1) | 958 362 144 20 8Z8<br>958 362 138 20 | Brilliant Silver<br>Alloy wheel<br>8,5 J X 19<br>ET 59                                       |        | 4   | PR:U00                               |
| (1) | 958 362 138 20 88Z<br>958 362 152 01 | Brilliant chrome finish<br>Alloy wheel<br>10,0 J X 21<br>ET 50                               |        | 4   | PR:CQ1                               |
| (1) | 958 362 152 01 041<br>958 362 150 02 | Black<br>Alloy wheel<br>10,0 J X 21<br>ET 50   |        | 4   | PR:CK0                               |
| (1) | 958 362 150 02 M7Z<br>958 362 150 02 | GT Silver Metallic<br>Alloy wheel<br>10,0 J X 21<br>ET 50                                    |        | 4   | PR:CN5,U97                           |
|     | 958 362 150 02 M7Z                   | GT Silver Metallic<br>modify in workshop<br>Paint  |        |     | PR:CN5,U97                           |
| (1) | 958 362 146 20                       | Alloy wheel<br>8,5 J X 19<br>ET 59   |        | 4   | PR:F09                               |
| (1) | 958 362 146 20 88Z<br>958 362 140 20 | Brilliant chrome finish<br>Alloy wheel<br>9,0 J X 20<br>ET 57                                |        | 4   | PR:CN7                               |
| (1) | 958 362 140 20 88Z<br>958 362 148 10 | Brilliant chrome finish<br>Alloy wheel<br>9,0 J X 20<br>ET 57                                |        | 4   | PR:CP5                               |
| (1) | 958 362 148 10 EP8<br>958 362 142 20 | Decorative Silver/Titanium<br>Alloy wheel<br>10,0 J X 21<br>ET 50                            |        | 4   | PR:C2Y,U01                           |
|     | 958 362 142 20 041                   | Black  |        |     | PR:C2Y                               |
| (1) | 958 362 142 20 OC6<br>958 362 151 00 | Titanium<br>Alloy wheel<br>9,5 J X 20<br>ET 47   |        | 4   | PR:U01<br>PR:C5B,CY6,<br>C5D         |
|     | 958 362 151 00 EP8                   | Decorative Silver/Titanium   |        |     | PR:C5B                               |
|     | 958 362 151 00 JE1                   | Matt black   |        |     | PR:CY6                               |
| (1) | 958 362 151 00 OB5<br>958 362 154 00 | Platinum satin-matt<br>Alloy wheel<br>10,0 J X 21 H2<br>ET 50                                |        | 4   | PR:C5D<br>PR:U02,C4P,<br>C4I,C9N,C9S |
|     | 958 362 154 00 M7Z                   | GT Silver Metallic   |        |     | PR:U02,C9S                           |
|     | 958 362 154 00 041                   | Black  |        |     | PR:C4P                               |
|     | 958 362 154 00 OB5                   | Platinum satin-matt  |        |     | PR:C4I                               |
|     | 958 362 154 00 C9X                   | Jet Black Metallic   |        |     | PR:C9N                               |



Model: 92A 11 Model life 2011>>2018

| Pos | Part Number    | Description  | Remark  | Qty | Model                   |
|-----|----------------|--|---------|-----|-------------------------|
| 2   | 900 265 001 50 | Rubber valve   |         | 4   | PR: -3F4,<br>-7K3, -7K4 |
| (2) | 900 265 001 50 | Rubber valve   |         | 5   | PR: 3F4                 |
| (2) |                | Valve<br>tyre pressure control system<br>see illustration: | 601-006 | 4   | PR: 7K3, 7K4            |
| 3   | 955 361 163 00 | Cap  |         | 4   | PR: -3F4                |
| (3) | 955 361 163 00 | Cap  |         | 5   | PR: 3F4                 |
| 4   | 997 361 405 00 | Balancer weight<br>(self-adhesive)<br>silver               |         | X   |                         |
| (4) | 9P1 601 179    | Balancer weight<br>(self-adhesive)<br>Black                |         | X   |                         |
| (4) | 997 361 410 00 | Balancer weight<br>(self-adhesive)<br>silver               |         | X   |                         |
| (4) | 9P1 601 181    | Balancer weight<br>(self-adhesive)<br>Black                |         | X   |                         |
| (4) | 997 361 415 00 | Balancer weight<br>(self-adhesive)<br>silver               |         | X   |                         |
| (4) | 9P1 601 182    | Balancer weight<br>(self-adhesive)<br>Black                |         | X   |                         |
| (4) | 997 361 420 00 | Balancer weight<br>(self-adhesive)<br>silver               |         | X   |                         |
| (4) | 9P1 601 183    | Balancer weight<br>(self-adhesive)<br>Black                |         | X   |                         |
| (4) | 997 361 425 00 | Balancer weight<br>(self-adhesive)<br>silver               |         | X   |                         |
| (4) | 9P1 601 184    | Balancer weight<br>(self-adhesive)<br>Black                |         | X   |                         |
| (4) | 997 361 430 00 | Balancer weight<br>(self-adhesive)<br>silver               |         | X   |                         |
| (4) | 9P1 601 185    | Balancer weight<br>(self-adhesive)<br>Black                |         | X   |                         |
| (4) | 997 361 435 00 | Balancer weight<br>(self-adhesive)<br>silver               |         | X   |                         |
| (4) | 9P1 601 186    | Balancer weight<br>(self-adhesive)<br>Black                |         | X   |                         |
| (4) | 997 361 440 00 | Balancer weight<br>(self-adhesive)<br>silver               |         | X   |                         |
| (4) | 9P1 601 187    | Balancer weight<br>(self-adhesive)<br>Black                |         | X   |                         |
| (4) | 997 361 445 00 | Balancer weight<br>(self-adhesive)<br>silver               |         | X   |                         |
| (4) | 9P1 601 188    | Balancer weight<br>(self-adhesive)<br>Black                |         | X   |                         |
| (4) | 997 361 450 00 | Balancer weight  |         | X   |                         |

Model: 92A 11

Model life 2011>>2018

| Pos | Part Number    | Description                                  | Remark | Qty | Model |
|-----|----------------|--|--------|-----|-------|
| (4) | 9P1 601 189    | (self-adhesive)<br>silver<br>Balancer weight |        | X   |       |
| (4) | 997 361 455 00 | (self-adhesive)<br>Black<br>Balancer weight  |        | X   |       |
| (4) | 9P1 601 190    | (self-adhesive)<br>silver<br>Balancer weight |        | X   |       |
| (4) | 997 361 460 00 | (self-adhesive)<br>Black<br>Balancer weight  |        | X   |       |
| (4) | 9P1 601 191    | (self-adhesive)<br>silver<br>Balancer weight |        | X   |       |
| (4) | 997 361 465 00 | (self-adhesive)<br>Black<br>Balancer weight  |        | X   |       |
| (4) | 9P1 601 192    | (self-adhesive)<br>silver<br>Balancer weight |        | X   |       |
| (4) | 997 361 470 00 | (self-adhesive)<br>Black<br>Balancer weight  |        | X   |       |
| (4) | 9P1 601 193    | (self-adhesive)<br>silver<br>Balancer weight |        | X   |       |
| (4) | 997 361 475 00 | (self-adhesive)<br>Black<br>Balancer weight  |        | X   |       |
| (4) | 9P1 601 194    | (self-adhesive)<br>silver<br>Balancer weight |        | X   |       |
| (4) | 997 361 480 00 | (self-adhesive)<br>Black<br>Balancer weight  |        | X   |       |
| (4) | 9P1 601 195    | (self-adhesive)<br>silver<br>Balancer weight |        | X   |       |
| (4) | 997 361 485 00 | (self-adhesive)<br>Black<br>Balancer weight  |        | X   |       |
| (4) | 9P1 601 196    | (self-adhesive)<br>silver<br>Balancer weight |        | X   |       |
| (4) | 997 361 490 00 | (self-adhesive)<br>Black<br>Balancer weight  |        | X   |       |
| (4) | 9P1 601 197    | (self-adhesive)<br>silver<br>Balancer weight |        | X   |       |
| 5   | WHT 004 676    | Black<br>Wheel bolt                          |        | 16  |       |
| (5) | WHT 004 676 A  | silver<br>Wheel bolt                         |        | 16  |       |
| 6   | 991 361 980 01 | Black<br>1 set wheel studs,<br>anti-theft    |        | 1   |       |
|     |                | Black<br>comprising:<br>Wheel bolt           |        | 4   |       |
|     |                | Adapter                                      |        | 1   |       |

Model: 92A 11 Model life 2011>>2018

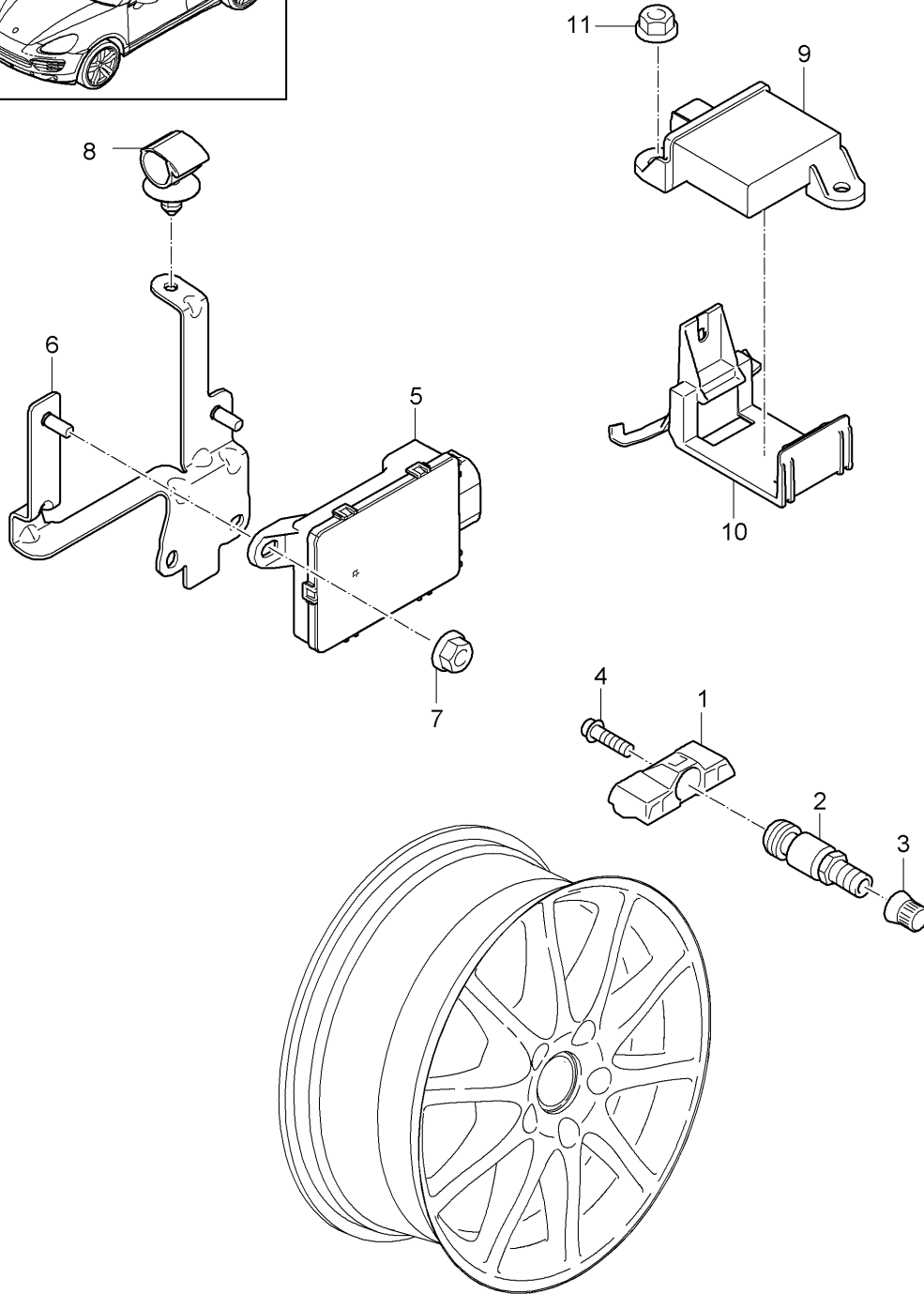
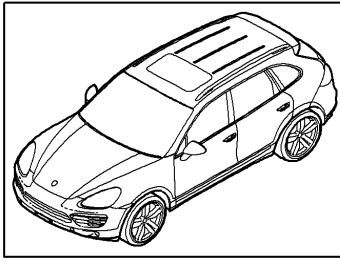
| Pos | Part Number        | Description   | Remark | Qty         | Model  |
|-----|--------------------|---|--------|-------------|--|
| (6) | 991 361 980 02     | 1 set wheel studs,<br>anti-theft<br>Black<br>comprising:<br>Wheel bolt<br>Adapter<br>Note coding<br>Discontinued part |        | 1<br>4<br>1 | PR:B0N<br>"GB."                                    |
| (6) | 991 361 980 03     | 1 set wheel studs,<br>anti-theft<br>Black<br>comprising:<br>Wheel bolt<br>Adapter<br>Note coding                      |        | 1<br>4<br>1 | PR:B0N<br>"GB."                                    |
| (7) | 9P1 601 147        | Hub cap<br>Round<br>Concave<br>Porsche crest<br>Black   |        | 4           | PR:1NE,V99,<br>U00,CN7,F09,<br>CP5,C5B             |
|     | 9P1 601 147 8Z8    | Brilliant Silver  |        |             | PR:V99   |
|     | 9P1 601 147 88Z    | Brilliant chrome finish   |        |             | PR:U00,CN7,<br>F09                                 |
| (7) | 9P1 601 147 EP8    | Titanium metallic   |        | 4           | PR:CP5,C5B   |
|     | 9P1 601 147 A      | Hub cap<br>Round<br>Concave<br>Porsche crest<br>Coloured  |        | 4           | PR:1NP,V99,<br>U00,CN7,F09,<br>CP5,C5B,U02,<br>C9S |
|     | 9P1 601 147 A 8Z8  | Brilliant Silver  |        |             | PR:V99   |
|     | 9P1 601 147 A M7Z  | GT Silver Metallic  |        |             | PR:U02,C9S   |
|     | 9P1 601 147 A 88Z  | Brilliant chrome finish   |        |             | PR:U00,CN7,<br>F09                                 |
| (7) | 9P1 601 147 A EP8  | Titanium metallic   |        | 4           | PR:CP5,C5B   |
|     | 7PP 601 149 H      | Hub cap<br>Polished<br>Round<br>Concave<br>Porsche crest<br>Black   |        | 4           | PR:1NE,U01,<br>C2Y                                 |
| (7) | 7PP 601 149 J      | Hub cap<br>Polished<br>Round<br>Concave<br>Porsche crest<br>Coloured  |        | 4           | PR:1NP,U01,<br>C2Y                                 |
| (7) | 7L5 601 151        | Hub cap<br>Concave<br>Porsche crest<br>Coloured   |        | 4           | PR:1NP,CY6,<br>C5D                                 |
|     | 7L5 601 151 JE1    | Matt black  |        |             | PR:CY6   |
|     | 7L5 601 151 OB5    | Platinum satin-matt   |        |             | PR:C5D   |
| (7) | 9A7 601 151 00     | Hub cap<br>Concave<br>Porsche crest<br>Coloured   |        | 4           | PR:C9N   |
|     | 9A7 601 151 00 C9X | Jet Black Metallic  |        |             |  |
| (7) | 9P1 601 149 A      | Hub cap<br>Round<br>Convex<br>Porsche crest<br>Coloured   |        | 4           | PR:1NP,CK0,<br>V98                                 |
|     | 9P1 601 149 A M7Z  | Silver metallic   |        |             | PR:CK0   |

Model: 92A 11 Model life 2011>>2018

| Pos  | Part Number                         | Description  | Remark | Qty | Model                                  |
|------|-------------------------------------|--|--------|-----|--|
| (7)  | 9P1 601 149 A 8Z8<br>958 361 303 03 | Brilliant Silver<br>Hub cap<br>Round<br>Convex<br>Porsche crest<br>Coloured<br>Black |        | 4   | PR:V98<br>PR:CQ1,1NP                   |
| (7)  | 7P5 601 151                         | Hub cap<br>Round<br>Convex<br>Porsche crest<br>Coloured                              |        | 4   | PR:1NP,U97,<br>CN5                     |
| (7)  | 7P5 601 151 OB5<br>9P1 601 149      | Platinum satin-matt<br>Hub cap<br>Round<br>Convex<br>Porsche crest<br>Black          |        | 4   | PR:U97,CN5<br>PR:1NE,V98               |
| 8    | 9P1 601 149 8Z8<br>958 362 050 01   | Brilliant Silver<br>Spare wheel<br>with collapsible tire<br>6,5 B X 18<br>ET 28      |        | 1   | PR:V98<br>PR:1G1                       |
| (8)  | 958 362 050 21                      | Spare wheel<br>with collapsible tire<br>6,5 B X 19<br>ET 28                          |        | 1   | PR:1G4                                 |
| (8)  | 958 362 050 31                      | Spare wheel<br>with collapsible tire<br>6,5 B X 20<br>ET 28                          |        | 1   | PR:1G6                                 |
| 9    | 958 362 533 00                      | Securing element   |        | 1   | PR:1G1,1G4,<br>1G6                     |
| (9)  | 958 362 543 00                      | Securing element   |        | 1   | PR:1G1,1G4,<br>D43,D50                 |
| 10   | 955 362 645 10                      | handle   |        | 1   | PR:1G1,1G4,<br>1G6                     |
| (10) | N 011 175 7                         | wing nut   |        | 1   | PR:1G1,1G4,<br>1G6,DD7,D51,<br>D43,D50 |
| 11   | 958 362 533 10                      | Threaded sleeve  |        | 1   | PR:1G1,1G4,<br>1G6                     |
| 12   | 958 362 534 00                      | Bracket<br>Spare wheel   |        | 1   | PR:1G1,1G4,<br>1G6                     |
| 13   | 955 652 053 02                      | Compressor<br>D >> - 31.01.2016  |        | 1   | PR:1G1,1G4,<br>1G6,B0M                 |
| (13) | 955 652 053 05                      | Compressor<br>D - 01.02.2016>>   |        | 1   | PR:1G1,1G4,<br>1G6,B0M                 |
| (13) | 5N0 012 615 C                       | Air compressor<br>D - 25.05.2015>>   |        | 1   | PR:1G1,1G4,<br>1G6,-B0M                |
| (13) | 955 652 053 03                      | Compressor   |        | 1   | PR:1G8,0K3                             |
| 14   | 4L0 012 619 A                       | Tyre sealant<br>with:<br>Sealing compound  |        | 1   | PR:1G8                                 |

Model: 92A 11

Model life 2011>>2018



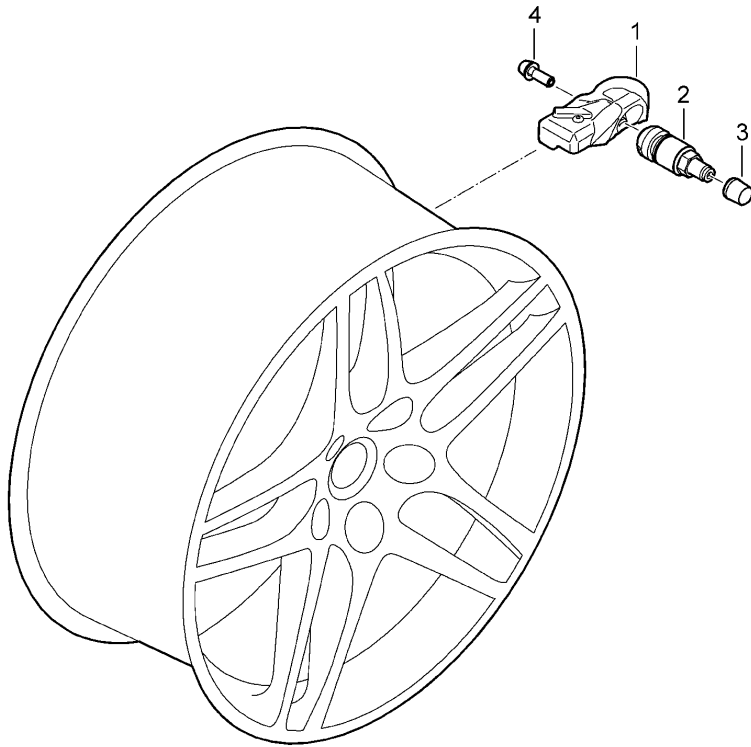
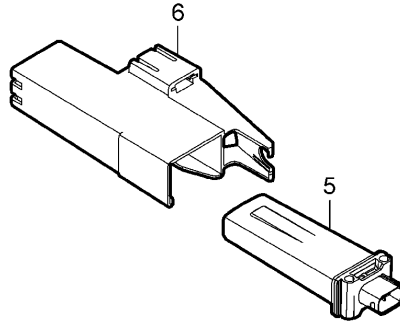
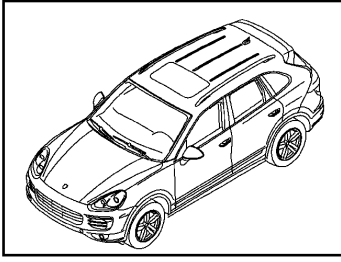
Model: 92A 11

Model life 2011>>2018

| Pos | Part Number    | Description  | Remark         | Qty | Model      |
|-----|----------------|--|----------------|-----|------------|
|     |                | tyre pressure control system<br>D >> - MJ 2014                       |                |     | PR:7K3,7K4 |
| 1   | 958 361 661 00 | Sensor   |                | 4   | PR:7K3     |
| (1) | 958 361 661 50 | tyre pressure control system<br>also use:                            | 955 361 053 00 | 4   | PR:7K4     |
| 2   | 955 361 053 00 | Sensor   |                | 4   | PR:7K4     |
| (2) | 9P1 601 361 A  | tyre pressure control system<br>also use:                            | 955 361 053 00 | 4   | PR:UX6     |
| 2   | 9P1 601 361    | Valve<br>tyre pressure control system<br>silver<br>Discontinued part |                | 4   | PR:UX6     |
| 3   | N 908 729 01   | Valve<br>tyre pressure control system<br>silver                      |                | 4   | PR:UX7     |
| (3) | WHT 006 913    | Valve cap for<br>valve unit<br>Valve<br>silver                       |                | 4   | PR:UX6     |
| 4   | 4D0 601 365    | Valve cap for<br>valve unit<br>Black                                 |                | 4   | PR:UX7     |
| 5   | 958 618 105 00 | Hexagon socket head bolt,<br>self-locking                            |                | 4   |            |
| 5   | 958 618 105 50 | Control unit   |                | 1   | PR:7K3     |
| 6   | 958 647 143 00 | Control unit   |                | 1   | PR:7K4     |
| 7   | N 015 082 10   | Retainer for control units   |                | 1   |            |
| 8   | N 906 815 01   | Hexagon collar nut<br>M 6  |                | 4   |            |
| 9   | 7PP 907 283    | Corrugated tube clip<br>for<br>Wire set                              |                | 1   |            |
| 10  | 958 606 153 00 | Sender unit  |                | 4   |            |
| 11  | N 904 953 01   | Bracket  |                | 2   |            |
| 11  | N 904 953 01   | Hexagon nut<br>D5 x 16,5 x 11  | front          | 2   |            |
| 11  | N 904 953 01   | Hexagon nut<br>D5 x 16,5 x 11  | rear           | 4   |            |

Model: 92A 11

Model life 2011>>2018



Model: 92A 11

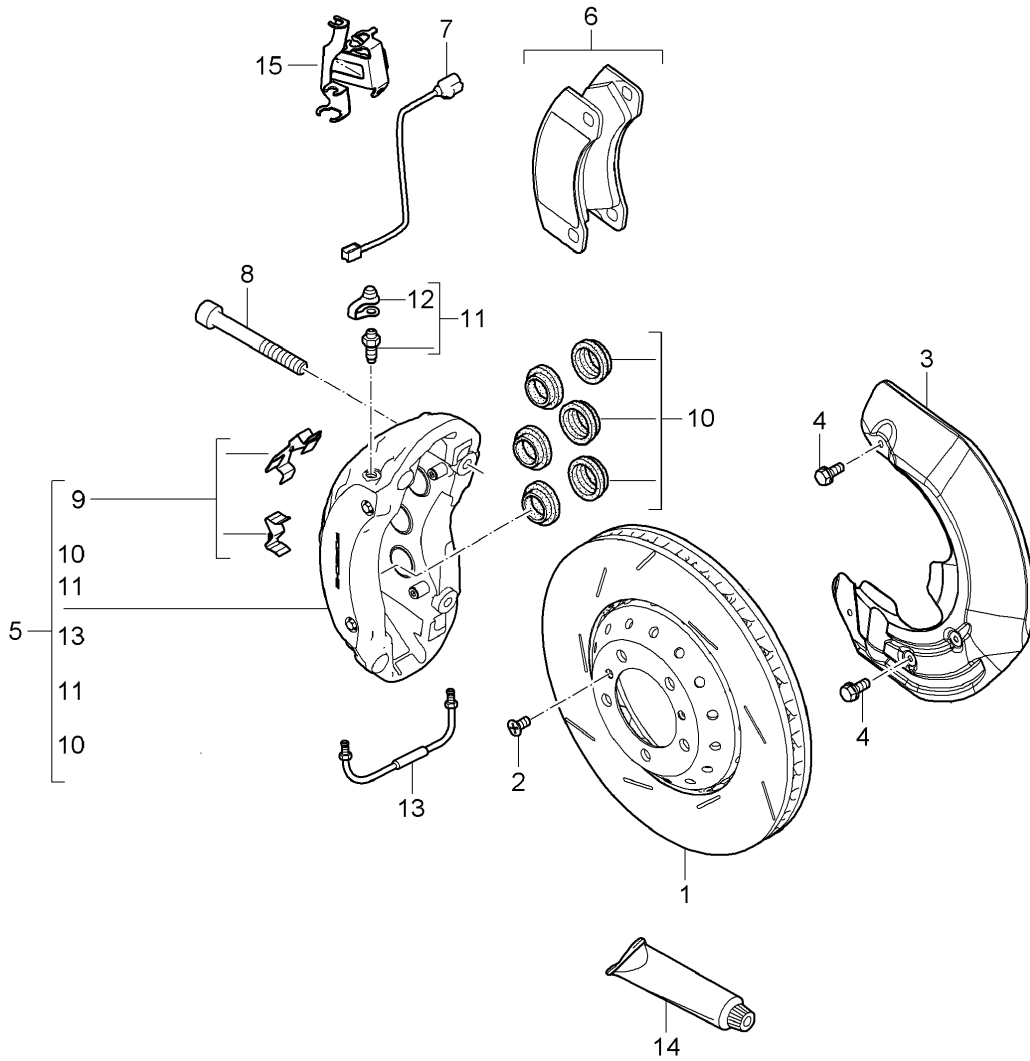
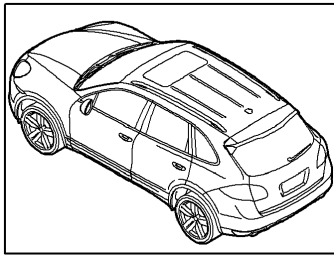
Model life 2011>>2018

| Pos | Part Number    | Description   | Remark         | Qty | Model  |
|-----|----------------|---|----------------|-----|--------|
| 1   | 5Q0 907 275    | tyre pressure control system<br>D - MJ 2015>><br>Tyre pressure sensor<br>tyre pressure control system |                | 4   | PR:7K3 |
| (1) | 5Q0 907 275 A  | also use:<br>Tyre pressure sensor<br>tyre pressure control system                                     | 955 361 053 00 | 4   | PR:7K4 |
| 2   | 9P1 601 361 A  | also use:<br>Valve<br>tyre pressure control system<br>silver  | 955 361 053 00 | 4   | PR:UX6 |
| (2) | 9P1 601 361    | Valve<br>tyre pressure control system<br>Black  |                | 4   | PR:UX7 |
| 3   | N 908 729 01   | Valve cap for<br>valve unit<br>Valve<br>silver  |                | 4   | PR:UX6 |
| (3) | WHT 006 913    | Valve cap for<br>valve unit<br>Black  |                | 4   | PR:UX7 |
| 4   | 4D0 601 365    | Hexagon socket head bolt,<br>self-locking   |                | 4   |        |
| 5   | 7PP 907 273 D  | Control unit for tyre pressure<br>control<br>Discontinued part  |                | 1   | PR:7K3 |
| 5   | 7PP 907 273 H  | Control unit for tyre pressure<br>control   |                | 1   | PR:7K3 |
| (5) | 7PP 907 273 E  | Control unit for tyre pressure<br>control   |                | 1   | PR:7K4 |
| (5) | 9A7 907 273 00 | No longer use the part here<br>Control unit for tyre pressure<br>control                              |                | 1   | PR:7K4 |
| 6   | 95B 907 324    | Retainer for control unit<br>Discontinued part  |                | 1   |        |
| 6   | 95B 907 324 B  | Retainer for control unit   |                | 1   |        |



Model: 92A 11

Model life 2011>>2018



Model: 92A 11 Model life 2011>>2018

| Pos | Part Number    | Description  | Remark         | Qty | Model              |
|-----|----------------|--|----------------|-----|--------------------|
| 1   | 955 351 401 51 | Disc brake<br>Front axle<br>D >> - MJ 2014<br>Brake disc | left front     | 1   | PR:1LN             |
|     |                | also use:  | 955 351 402 51 | 1   |                    |
|     |                |  | 958 351 939 30 | 1   |                    |
|     |                |  | WHT 004 571    | 4   |                    |
| (1) | 955 351 402 51 | Brake disc   | right front    | 1   | PR:1LN             |
|     |                | also use:  | 955 351 401 51 | 1   |                    |
|     |                |  | 958 351 939 30 | 1   |                    |
|     |                |  | WHT 004 571    | 4   |                    |
| (1) | 958 351 403 00 | Brake disc   | left front     | 1   | PR:1LL,1LU         |
|     |                | also use:  | WHT 004 571    | 2   |                    |
|     |                | Discontinued part  |                |     |                    |
| (1) | 958 351 403 01 | Brake disc   | left front     | 1   | PR:1LL,1LU,<br>1LM |
|     |                | also use:  | 958 351 404 01 | 1   |                    |
|     |                |  | 958 351 939 10 | 1   |                    |
|     |                |  | WHT 004 571    | 4   |                    |
| (1) | 958 351 403 01 | Brake disc   | left front     | 1   | PR:1LP,1ZT,<br>1LD |
|     |                | also use:  | 958 351 404 01 | 1   |                    |
|     |                |  | 970 351 949 04 | 1   |                    |
|     |                |  | WHT 004 571    | 4   |                    |
| (1) | 958 351 404 00 | Brake disc   | right front    | 1   | PR:1LL,1LU         |
|     |                | also use:  | WHT 004 571    | 2   |                    |
|     |                | Discontinued part  |                |     |                    |
| (1) | 958 351 404 01 | Brake disc   | right front    | 1   | PR:1LL,1LU,<br>1LM |
|     |                | also use:  | 958 351 403 01 | 1   |                    |
|     |                |  | 958 351 939 10 | 1   |                    |
|     |                |  | WHT 004 571    | 4   |                    |
| (1) | 958 351 404 01 | Brake disc   | right front    | 1   | PR:1LP,1ZT,<br>1LD |
|     |                | also use:  | 958 351 403 01 | 1   |                    |
|     |                |  | 970 351 949 04 | 1   |                    |
|     |                |  | WHT 004 571    | 4   |                    |
| (1) | 958 351 403 50 | Brake disc   | left front     | 1   | PR:1LH             |
|     |                | also use:  | 958 351 404 50 | 1   |                    |
|     |                |  | 958 351 939 10 | 1   |                    |
|     |                |  | WHT 004 572    | 4   |                    |
| (1) | 958 351 403 50 | Brake disc   | left front     | 1   | PR:1ZL             |
|     |                | also use:  | 958 351 404 50 | 1   |                    |
|     |                |  | 970 351 949 04 | 1   |                    |
|     |                |  | WHT 004 572    | 4   |                    |
| (1) | 958 351 404 50 | Brake disc   | right front    | 1   | PR:1LH             |
|     |                | also use:  | 958 351 403 50 | 1   |                    |
|     |                |  | 958 351 939 10 | 1   |                    |
|     |                |  | WHT 004 572    | 4   |                    |
| (1) | 958 351 404 50 | Brake disc   | right front    | 1   | PR:1ZL             |
|     |                | also use:  | 958 351 403 50 | 1   |                    |
|     |                |  | 970 351 949 04 | 1   |                    |
|     |                |  | WHT 004 572    | 4   |                    |
| (1) | 958 351 031 00 | Brake disc   | left front     | 1   | PR:1LY             |
|     |                | also use:  | 999 073 461 01 | 2   |                    |
|     |                | Discontinued part  |                |     |                    |
| (1) | 958 351 031 01 | Brake disc   | left front     | 1   | PR:1LY             |
|     |                | also use:  | 999 073 461 01 | 2   |                    |
|     |                | Discontinued part  |                |     |                    |
| (1) | 958 351 031 10 | Brake disc   | left front     | 1   | PR:1LY             |
|     |                | also use:  | 958 351 032 10 | 1   |                    |
|     |                |  | 958 351 939 21 | 1   |                    |
|     |                |  | WHT 004 572    | 4   |                    |
| (1) | 958 351 032 00 | Brake disc   | right front    | 1   | PR:1LY             |
|     |                | also use:  | 999 073 461 01 | 2   |                    |
|     |                | Discontinued part  |                |     |                    |
| (1) | 958 351 032 01 | Brake disc   | right front    | 1   | PR:1LY             |

Model: 92A 11 Model life 2011>>2018

| Pos | Part Number    | Description  | Remark                   | Qty | Model                                  |
|-----|----------------|--|--------------------------|-----|--|
|     |                |  | also use: 999 073 461 01 | 2   |  |
| (1) | 958 351 032 10 | Discontinued part<br>Brake disc  | right front              | 1   | PR:1LY                                 |
|     |                |  | also use: 958 351 031 10 | 1   |  |
|     |                |  | 958 351 939 21           | 1   |  |
|     |                |  | WHT 004 572              | 4   |  |
| (1) | 958 351 031 50 | Brake disc   | left front               | 1   | PR:1LX                                 |
|     |                |  | also use: 999 073 461 01 | 2   |  |
| (1) | 958 351 031 51 | Discontinued part<br>Brake disc  | left front               | 1   | PR:1LX                                 |
|     |                |  | also use: 999 073 461 01 | 2   |  |
| (1) | 958 351 031 52 | Discontinued part<br>Brake disc  | left front               | 1   | PR:1LX                                 |
|     |                |  | also use: 958 351 032 52 | 1   |  |
|     |                |  | 958 351 939 21           | 1   |  |
|     |                |  | WHT 004 572              | 4   |  |
| (1) | 958 351 032 50 | Brake disc   | right front              | 1   | PR:1LX                                 |
|     |                |  | also use: 999 073 461 01 | 2   |  |
| (1) | 958 351 032 51 | Discontinued part<br>Brake disc  | right front              | 1   | PR:1LX                                 |
|     |                |  | also use: 999 073 461 01 | 2   |  |
| (1) | 958 351 032 52 | Discontinued part<br>Brake disc  | right front              | 1   | PR:1LX                                 |
|     |                |  | also use: 958 351 031 52 | 1   |  |
|     |                |  | 958 351 939 21           | 1   |  |
|     |                |  | WHT 004 572              | 4   |  |
| (1) | 958 351 031 60 | Brake disc   | left front               | 1   | PR:1LV                                 |
|     |                |  | also use: 999 073 461 01 | 2   |  |
| (1) | 958 351 031 61 | D - MJ 2012>><br>Discontinued part<br>Brake disc                                   | left front               | 1   | PR:1LV                                 |
|     |                |  | also use: 958 351 032 61 | 1   |  |
|     |                |  | 958 351 939 21           | 1   |  |
|     |                |  | WHT 004 572              | 4   |  |
| (1) | 958 351 032 60 | D - MJ 2012>><br>Brake disc  | right front              | 1   | PR:1LV                                 |
|     |                |  | also use: 999 073 461 01 | 2   |  |
| (1) | 958 351 032 61 | D - MJ 2012>><br>Discontinued part<br>Brake disc                                   | right front              | 1   | PR:1LV                                 |
|     |                |  | also use: 958 351 031 61 | 1   |  |
|     |                |  | 958 351 939 21           | 1   |  |
|     |                |  | WHT 004 572              | 4   |  |
| 2   | N 910 282 02   | D - MJ 2012>><br>Socket head bolt with<br>hexagon socket head<br>M 12 X 1,5 X 19,3 |                          | 2   |  |
| 3   | 958 351 801 00 | Cover plate  | left                     | 1   | PR:1LH,1LL,                            |
| 3   | 958 351 801 01 | Discontinued part<br>Cover plate<br>A. GTS   | left                     | 1   | PR:1LH,1LL,<br>1LN,1LU,1LM,<br>1LP,1LD |
| (3) | 958 351 801 50 | Cover plate  | left                     | 1   | PR:1LX,1LY,<br>1LV                     |
| (3) | 958 351 802 00 | Cover plate  | right                    | 1   | PR:1LH,1LL,<br>1LN,1LU                 |
| (3) | 958 351 802 50 | Cover plate  | right                    | 1   | PR:1LX,1LY,<br>1LV                     |
| 4   | N 103 352 06   | Hexagon socket flat<br>head bolt<br>M 6 X 12.0                                     |                          | 8   |  |
| 4   | N 907 371 05   | No longer use the part here<br>Oval hexagon socket head bolt                       |                          | 8   |  |

Model: 92A 11

Model life 2011>>2018

| Pos | Part Number    | Description   | Remark           | Qty | Model      |
|-----|----------------|---|------------------|-----|------------|
| 5   | 7PP 615 123 N  | M 6 X 12.0<br>caliper without brake pads<br>Black         | left<br>painted  | 1   | PR:1LN     |
|     |                | also use:   | WHT 004 571      | 2   |            |
| (5) | 7PP 615 124 N  | Discontinued part<br>caliper without brake pads<br>Black  | right<br>painted | 1   | PR:1LN     |
|     |                | also use:   | WHT 004 571      | 2   |            |
| 5   | 7PP 615 149 D  | Discontinued part<br>caliper without brake pads<br>Black  | left<br>painted  | 1   | PR:1LN     |
|     |                | also use:   | WHT 004 571      | 2   |            |
| (5) | 7PP 615 150 D  | caliper without brake pads<br>Black                       | right<br>painted | 1   | PR:1LN     |
|     |                | also use:   | WHT 004 571      | 2   |            |
| 5   | 7PP 615 149 F  | caliper without brake pads<br>Black                       | left<br>painted  | 1   | PR:1ZT     |
|     |                | also use:   | WHT 004 571      | 2   |            |
| (5) | 7PP 615 149 AA | Discontinued part<br>caliper without brake pads<br>Black  | left<br>painted  | 1   | PR:1ZT     |
|     |                | also use:   | WHT 004 571      | 2   |            |
| (5) | 7PP 615 149 AC | Discontinued part<br>caliper without brake pads<br>Black  | left<br>painted  | 1   | PR:1ZT     |
|     |                | also use:   | WHT 004 571      | 2   |            |
| 5   | 7PP 615 150 F  | caliper without brake pads<br>Black                       | right<br>painted | 1   | PR:1ZT     |
|     |                | also use:   | WHT 004 571      | 2   |            |
| 5   | 7PP 615 150 AA | Discontinued part<br>caliper without brake pads<br>Black  | right<br>painted | 1   | PR:1ZT     |
|     |                | also use:   | WHT 004 571      | 2   |            |
| 5   | 7PP 615 150 AC | Discontinued part<br>caliper without brake pads<br>Black  | right<br>painted | 1   | PR:1ZT     |
|     |                | also use:   | WHT 004 571      | 2   |            |
| (5) | 7PP 615 123 P  | caliper without brake pads<br>silver                      | left<br>painted  | 1   | PR:1LL     |
|     |                | also use:   | WHT 004 571      | 2   |            |
| (5) | 7PP 615 124 P  | caliper without brake pads<br>silver                      | right<br>painted | 1   | PR:1LL     |
|     |                | also use:   | WHT 004 571      | 2   |            |
| (5) | 7PP 615 149 J  | caliper without brake pads<br>red                         | left<br>painted  | 1   | PR:1LM,1LP |
|     |                | also use:   | WHT 004 571      | 2   |            |
| (5) | 7PP 615 150 J  | caliper without brake pads<br>red                         | right<br>painted | 1   | PR:1LM,1LP |
|     |                | also use:   | WHT 004 571      | 2   |            |
| (5) | 7PP 615 123 Q  | caliper without brake pads<br>silver                      | left<br>painted  | 1   | PR:1LU     |
|     |                | also use:   | WHT 004 571      | 2   |            |
| (5) | 7PP 615 149 G  | Discontinued part<br>caliper without brake pads<br>silver | left<br>painted  | 1   | PR:1LU,1LD |
|     |                | also use:   | WHT 004 571      | 2   |            |
| (5) | 7PP 615 149 R  | Discontinued part<br>caliper without brake pads<br>silver | left<br>painted  | 1   | PR:1LU,1LD |
|     |                | also use:   | WHT 004 571      | 2   |            |
| (5) | 7PP 615 149 AD | Discontinued part<br>caliper without brake pads<br>silver | left<br>painted  | 1   | PR:1LU,1LD |

Model: 92A 11 Model life 2011>>2018

| Pos | Part Number    | Description   | Remark                          | Qty    | Model                  |
|-----|----------------|---|---------------------------------|--------|------------------------|
| (5) | 7PP 615 124 Q  | also use:<br>caliper without brake pads<br>silver   | WHT 004 571<br>right<br>painted | 2<br>1 | PR:1LU                 |
| (5) | 7PP 615 150 G  | also use:<br>Discontinued part<br>caliper without brake pads<br>silver  | WHT 004 571<br>right<br>painted | 2<br>1 | PR:1LU,1LD             |
| (5) | 7PP 615 150 R  | also use:<br>Discontinued part<br>caliper without brake pads<br>silver  | WHT 004 571<br>right<br>painted | 2<br>1 | PR:1LU,1LD             |
| (5) | 7PP 615 150 AD | also use:<br>Discontinued part<br>caliper without brake pads<br>silver  | WHT 004 571<br>right<br>painted | 2<br>1 | PR:1LU,1LD             |
| (5) | 7PP 615 123 R  | also use:<br>caliper without brake pads<br>red  | WHT 004 571<br>left<br>painted  | 2<br>1 | PR:1LH                 |
| (5) | 7PP 615 149 E  | also use:<br>Discontinued part<br>caliper without brake pads<br>red   | WHT 004 572<br>left<br>painted  | 2<br>1 | PR:1LH,1ZL             |
| (5) | 7PP 615 124 R  | also use:<br>caliper without brake pads<br>red  | WHT 004 572<br>right<br>painted | 2<br>1 | PR:1LH                 |
| (5) | 7PP 615 150 E  | also use:<br>Discontinued part<br>caliper without brake pads<br>red   | WHT 004 572<br>right<br>painted | 2<br>1 | PR:1LH,1ZL             |
| (5) | 7PP 615 123 S  | also use:<br>caliper without brake pads<br>yellow   | WHT 004 572<br>left<br>painted  | 2<br>1 | PR:1LY                 |
| (5) | 7PP 615 124 S  | also use:<br>caliper without brake pads<br>yellow   | WHT 004 572<br>right<br>painted | 2<br>1 | PR:1LY                 |
| (5) | 7PP 615 123 T  | also use:<br>caliper without brake pads<br>yellow   | WHT 004 572<br>left<br>painted  | 2<br>1 | PR:1LX                 |
| (5) | 7PP 615 124 T  | also use:<br>caliper without brake pads<br>yellow   | WHT 004 572<br>right<br>painted | 2<br>1 | PR:1LX                 |
| (5) | 958 351 123 00 | also use:<br>caliper without brake pads<br>yellow   | WHT 004 572<br>left<br>painted  | 2<br>1 | PR:1LV                 |
| (5) | 958 351 124 00 | also use:<br>D - MJ 2012>><br>caliper without brake pads<br>yellow  | WHT 004 572<br>right<br>painted | 2<br>1 | PR:1LV                 |
| 6   | 958 351 939 00 | also use:<br>D - MJ 2012>><br>1 set of brake pads for<br>disk brake<br>comprising:<br>Brake lining                | front                           | 1<br>4 | PR:1LH,1LL,<br>1LU     |
| 6   | 958 351 939 01 | also use:<br>Fasteners<br>Discontinued part<br>1 set of brake pads for<br>disk brake<br>Brake lining<br>Fasteners | front                           | 1<br>4 | PR:1LH,1LM,<br>1LU,1LL |

Model: 92A 11

Model life 2011&gt;&gt;2018

| Pos | Part Number    | Description   | Remark | Qty         | Model                                  |
|-----|----------------|---|--------|-------------|--|
| 6   | 958 351 939 10 | 1 set of brake pads for<br>disk brake<br>comprising:<br>Brake lining<br><br>also use:<br>Fasteners                                | front  | 1<br>4      | PR:1LH,1LU,<br>1LM,1LL                 |
| 6   | 958 351 939 20 | 1 set of brake pads for<br>disk brake<br>comprising:<br>Brake lining<br><br>also use:<br>Fasteners                                | front  | 1<br>4      | PR:1LV                                 |
| (6) | 958 351 939 21 | Discontinued part<br>1 set of brake pads for<br>disk brake<br>comprising:<br>Brake lining<br><br>also use:<br>Fasteners           | front  | 1<br>4      | PR:1LV                                 |
| (6) | 958 351 939 30 | 1 set of brake pads for<br>disk brake<br>comprising:<br>Brake lining<br><br>also use:<br>Fasteners                                | front  | 1<br>4      | PR:1LN                                 |
| (6) | 958 351 939 70 | 1 set of brake pads for<br>disk brake<br>comprising:<br>Brake lining<br><br>also use:<br>Fasteners                                | front  | 1<br>4      | PR:1LX,1LY                             |
| (6) | 958 351 939 21 | No longer use the part here<br>1 set of brake pads for<br>disk brake<br>comprising:<br>Brake lining<br><br>also use:<br>Fasteners | front  | 1<br>4      | PR:1LX,1LY                             |
| 7   | 958 612 365 00 | sender wire<br>(pad wear indicator)   |        | 2           | PR:1LH,1LL,<br><br>1LP,1ZL,1ZT,<br>1LD |
| (7) | 970 609 143 00 | sender wire<br>(pad wear indicator)   |        | 2           | PR:1LX,1LY,<br>1LV                     |
| 8   | WHT 004 571    | Socket head collared bolt with<br>inner multipoint head<br>M 14 X 1.5 X 115 X 40  |        | 4           | PR:1LL,1LN,<br><br>1LU,1LM,1LP,<br>1ZT |
| (8) | 999 073 461 01 | Socket head bolt<br>M 14 X 1,5 X 135<br>Discontinued part   |        | 4           | PR:1LH,1LX,<br>1LY,1LV                 |
| (8) | WHT 004 572    | Socket head bolt with<br>inner multipoint head<br>M 14 X 1,5 X 135  |        | 4           | PR:1LH,1LX,<br><br>1LY,1LV             |
| 9   | 970 351 959 00 | repair set<br>Fasteners<br>comprising:<br>Spring<br>for   |        | 1<br>2      |  |
| 10  | 955 351 915 20 | Fixed calliper<br>repair set<br>comprising:<br>Protection caps  |        | 1<br>2<br>6 |  |

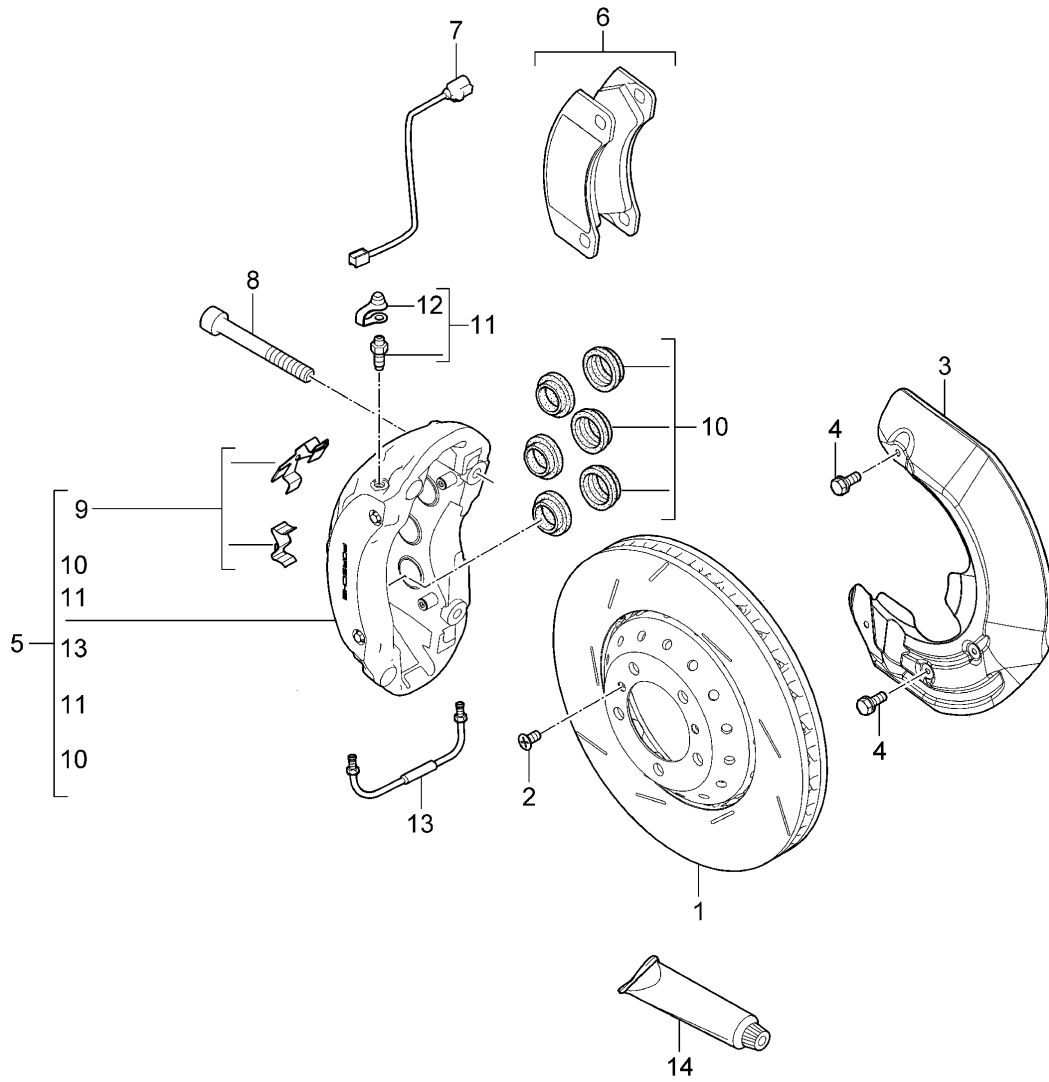
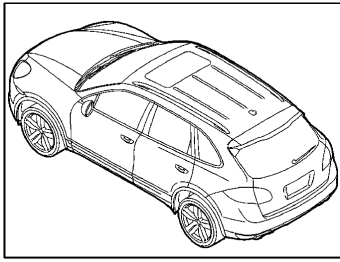
Model: 92A 11

Model life 2011>>2018

| Pos  | Part Number    | Description                               | Remark   | Qty    | Model              |
|------|----------------|---|----------|--------|--------------------|
| 11   | 930 351 919 00 | for<br>Fixed calliper<br>Breather valve   |          | 1<br>4 |                    |
|      |                | with:                                     |          |        |                    |
| 12   | 930 351 927 00 | dust cap<br>dust cap<br>Discontinued part |          | 4      |                    |
| 12   | 930 351 927 01 | dust cap                                  |          | 4      |                    |
| 13   | 970 351 961 00 | Connecting line                           | left     | 1      | PR:1LL,1LN,<br>1LU |
| (13) | 970 351 962 00 | Connecting line                           | right    | 1      | PR:1LL,1LN,<br>1LU |
| (13) | 970 351 961 10 | Connecting line                           | left     | 1      | PR:1LH,1LX,<br>1LY |
| (13) | 970 351 962 10 | Connecting line                           | right    | 1      | PR:1LH,1LX,<br>1LY |
| (13) | 958 351 961 20 | Connecting line                           | left     | 1      | PR:1LM,1LP         |
| (13) | 958 351 962 20 | Connecting line                           | right    | 1      | PR:1LM,1LP         |
| 14   | 000 043 117 00 | brake cylinder paste<br>1 tube            | 50 gram  | X      |                    |
| (14) | 000 043 020 00 | Assembly paste<br>1 tube                  | 100 gram | X      |                    |
| 15   |                | Cable holder<br>see illustration:         | 604-010  | 2      |                    |

Model: 92A 11

Model life 2011>>2018





Model: 92A 11 Model life 2011>>2018

| Pos | Part Number    | Description   | Remark         | Qty | Model              |
|-----|----------------|---|----------------|-----|--------------------|
| 1   | 955 351 401 51 | Disc brake<br>Front axle<br>D - MJ 2015>><br>Brake disc | left front     | 1   | PR:1LN             |
|     |                | also use:   | 955 351 402 51 | 1   |                    |
|     |                |   | 958 351 939 30 | 1   |                    |
|     |                |   | WHT 004 571    | 4   |                    |
| (1) | 955 351 402 51 | Brake disc  | right front    | 1   | PR:1LN             |
|     |                | also use:   | 955 351 401 51 | 1   |                    |
|     |                |   | 958 351 939 30 | 1   |                    |
|     |                |   | WHT 004 571    | 4   |                    |
| (1) | 958 351 403 01 | Brake disc  | left front     | 1   | PR:1LU,1ZA         |
|     |                | also use:   | 958 351 404 01 | 1   |                    |
|     |                |   | 958 351 939 10 | 1   |                    |
|     |                |   | WHT 004 571    | 4   |                    |
| (1) | 958 351 404 01 | Brake disc  | right front    | 1   | PR:1LU,1ZA         |
|     |                | also use:   | 958 351 403 01 | 1   |                    |
|     |                |   | 958 351 939 10 | 1   |                    |
|     |                |   | WHT 004 571    | 4   |                    |
| (1) | 958 351 403 01 | Brake disc  | left front     | 1   | PR:1LD,1ZT,<br>1ZB |
|     |                | also use:   | 958 351 404 01 | 1   |                    |
|     |                |   | 970 351 949 04 | 1   |                    |
|     |                |   | WHT 004 571    | 4   |                    |
| (1) | 958 351 404 01 | Brake disc  | right front    | 1   | PR:1LD,1ZT,<br>1ZB |
|     |                | also use:   | 958 351 403 01 | 1   |                    |
|     |                |   | 970 351 949 04 | 1   |                    |
|     |                |   | WHT 004 571    | 4   |                    |
| (1) | 958 351 403 50 | Brake disc  | left front     | 1   | PR:1LH             |
|     |                | also use:   | 958 351 404 50 | 1   |                    |
|     |                |   | 958 351 939 10 | 1   |                    |
|     |                |   | WHT 004 572    | 4   |                    |
| (1) | 958 351 404 50 | Brake disc  | right front    | 1   | PR:1LH             |
|     |                | also use:   | 958 351 403 50 | 1   |                    |
|     |                |   | 958 351 939 10 | 1   |                    |
|     |                |   | WHT 004 572    | 4   |                    |
| (1) | 958 351 403 50 | Brake disc  | left front     | 1   | PR:1ZL             |
|     |                | also use:   | 958 351 404 50 | 1   |                    |
|     |                |   | 970 351 949 04 | 1   |                    |
|     |                |   | WHT 004 572    | 4   |                    |
| (1) | 958 351 404 50 | Brake disc  | right front    | 1   | PR:1ZL             |
|     |                | also use:   | 958 351 403 50 | 1   |                    |
|     |                |   | 970 351 949 04 | 1   |                    |
|     |                |   | WHT 004 572    | 4   |                    |
| (1) | 958 351 031 20 | Brake disc  | left front     | 1   | PR:1LT             |
|     |                | also use:   | WHT 004 572    | 2   |                    |
| (1) | 958 351 031 21 | Discontinued part<br>Brake disc                         | left front     | 1   | PR:1LT             |
|     |                | also use:   | 958 351 032 21 | 1   |                    |
|     |                |   | 958 351 151 00 | 1   |                    |
|     |                |   | WHT 004 572    | 4   |                    |
| (1) | 958 351 032 20 | Brake disc  | right front    | 1   | PR:1LT             |
|     |                | also use:   | WHT 004 572    | 2   |                    |
| (1) | 958 351 032 21 | Discontinued part<br>Brake disc                         | right front    | 1   | PR:1LT             |
|     |                | also use:   | 958 351 031 21 | 1   |                    |
|     |                |   | 958 351 151 00 | 1   |                    |
|     |                |   | WHT 004 572    | 4   |                    |
| (1) | 958 351 031 10 | Brake disc  | left front     | 1   | PR:1LY             |
|     |                | also use:   | 958 351 032 10 | 1   |                    |
|     |                |   | 958 351 939 21 | 1   |                    |

Model: 92A 11 Model life 2011>>2018

| Pos | Part Number    | Description   | Remark                     | Qty    | Model                                      |
|-----|----------------|---|----------------------------|--------|--|
| (1) | 958 351 032 10 | Brake disc<br>also use:   | WHT 004 572<br>right front | 4<br>1 | PR:1LY                                     |
|     |                |   | 958 351 031 10             | 1      |  |
|     |                |   | 958 351 939 21             | 1      |  |
| (1) | 958 351 031 61 | Brake disc<br>20'' PLUS PCCB                                      | WHT 004 572<br>left front  | 4<br>1 | PR:1LV                                     |
|     |                |   | 958 351 032 61             | 1      |  |
|     |                |   | 958 351 939 21             | 1      |  |
| (1) | 958 351 032 61 | Brake disc<br>20'' PLUS PCCB                                      | WHT 004 572<br>right front | 4<br>1 | PR:1LV                                     |
|     |                |   | 958 351 031 61             | 1      |  |
|     |                |   | 958 351 939 21             | 1      |  |
|     |                |   | WHT 004 572                | 4      |  |
| 2   | N 910 282 02   | Socket head bolt with<br>hexagon socket head<br>M 12 X 1,5 X 19,3 |                            | 2      |  |
| 3   | 958 351 801 01 | Cover plate   | left                       | 1      | PR:1LN,1LH,<br>1ZL,1LU,1LD,<br>1ZT,1ZA,1ZB |
| (3) | 958 351 801 50 | Cover plate   | left                       | 1      | PR:1LY,1LV                                 |
| (3) | 958 351 802 01 | Cover plate   | right                      | 1      | PR:1LN,1LH,<br>1ZL,1LU,1LD,<br>1ZT,1ZA,1ZB |
| (3) | 958 351 802 50 | Cover plate   | right                      | 1      | PR:1LY,1LV                                 |
| (3) | 958 351 311 00 | Cover plate   | left                       | 1      | PR:1LT                                     |
| (3) | 958 351 312 00 | Cover plate   | right                      | 1      | PR:1LT                                     |
| 4   | N 907 371 05   | Oval hexagon socket head bolt<br>M 6 X 12.0                       |                            | 8      |  |
| 5   | 7PP 615 149 AH | caliper without brake pads<br>green                               | left<br>painted            | 1      | PR:1ZA,1ZB                                 |
|     |                | also use:   | WHT 004 571                | 2      |  |
| (5) | 958 351 123 10 | D >> - 09.11.2015<br>caliper without brake pads<br>green          | left<br>painted            | 1      | PR:1ZA,1ZB                                 |
|     |                | also use:   | WHT 004 571                | 2      |  |
| (5) | 7PP 615 150 AH | D - 10.11.2015>><br>caliper without brake pads<br>green           | right<br>painted           | 1      | PR:1ZA,1ZB                                 |
|     |                | also use:   | WHT 004 571                | 2      |  |
| (5) | 958 351 124 10 | D >> - 09.11.2015<br>caliper without brake pads<br>green          | right<br>painted           | 1      | PR:1ZA,1ZB                                 |
|     |                | also use:   | WHT 004 571                | 2      |  |
| (5) | 7PP 615 149 AC | D - 10.11.2015>><br>caliper without brake pads<br>Black           | left<br>painted            | 1      | PR:1ZT                                     |
|     |                | also use:   | WHT 004 571                | 2      |  |
| (5) | 958 351 123 20 | D >> - 09.11.2015<br>caliper without brake pads<br>Black          | left<br>painted            | 1      | PR:1ZT                                     |
|     |                | also use:   | WHT 004 571                | 2      |  |
| (5) | 7PP 615 150 AC | D - 10.11.2015>><br>caliper without brake pads<br>Black           | right<br>painted           | 1      | PR:1ZT                                     |
|     |                | also use:   | WHT 004 571                | 2      |  |
| (5) | 958 351 124 20 | D >> - 09.11.2015<br>caliper without brake pads<br>Black          | right<br>painted           | 1      | PR:1ZT                                     |
|     |                | also use:   | WHT 004 571                | 2      |  |
|     |                | D - 10.11.2015>>  |                            |        |  |

Model: 92A 11

Model life 2011&gt;&gt;2018

| Pos | Part Number    | Description                                       | Remark           | Qty | Model      |
|-----|----------------|---|------------------|-----|------------|
| (5) | 7PP 615 149 AD | caliper without brake pads<br>silver              | left<br>painted  | 1   | PR:1LD,1LU |
|     |                | also use:<br>D >> - 09.11.2015                    | WHT 004 571      | 2   |            |
| (5) | 958 351 123 30 | caliper without brake pads<br>silver              | left<br>painted  | 1   | PR:1LD,1LU |
|     |                | also use:<br>D - 10.11.2015>>                     | WHT 004 571      | 2   |            |
| (5) | 7PP 615 150 AD | caliper without brake pads<br>silver              | right<br>painted | 1   | PR:1LD,1LU |
|     |                | also use:<br>D >> - 09.11.2015                    | WHT 004 571      | 2   |            |
| (5) | 958 351 124 30 | caliper without brake pads<br>silver              | right<br>painted | 1   | PR:1LD,1LU |
|     |                | also use:<br>D - 10.11.2015>>                     | WHT 004 571      | 2   |            |
| (5) | 7PP 615 149 T  | caliper without brake pads<br>Black               | left<br>painted  | 1   | PR:1LN     |
|     |                | also use:<br>D >> - 20.11.2015                    | WHT 004 571      | 2   |            |
| (5) | 9A7 615 149 00 | Fixed calliper<br>Black                           | left<br>painted  | 1   | PR:1LN     |
|     |                | also use:<br>D - 23.11.2015>>                     | WHT 004 571      | 2   |            |
| (5) | 7PP 615 150 T  | caliper without brake pads<br>Black               | right<br>painted | 1   | PR:1LN     |
|     |                | also use:<br>D >> - 20.11.2015                    | WHT 004 571      | 2   |            |
| (5) | 9A7 615 150 00 | Fixed calliper<br>Black                           | right<br>painted | 1   | PR:1LN     |
|     |                | also use:<br>D - 23.11.2015>>                     | WHT 004 571      | 2   |            |
| (5) | 7PP 615 149 AK | caliper without brake pads<br>red<br>Lacquered    | left             | 1   | PR:1ZL,1LH |
|     |                | also use:<br>D >> - 22.01.2016                    | WHT 004 572      | 2   |            |
| (5) | 958 351 123 40 | caliper without brake pads<br>red<br>Lacquered    | left             | 1   | PR:1ZL,1LH |
|     |                | also use:<br>D - 25.01.2016>>                     | WHT 004 572      | 2   |            |
| (5) | 7PP 615 150 AK | caliper without brake pads<br>red<br>Lacquered    | right            | 1   | PR:1ZL,1LH |
|     |                | also use:<br>D >> - 22.01.2016                    | WHT 004 572      | 2   |            |
| (5) | 958 351 124 40 | caliper without brake pads<br>red<br>Lacquered    | right            | 1   | PR:1ZL,1LH |
|     |                | also use:<br>D - 25.01.2016>>                     | WHT 004 572      | 2   |            |
| (5) | 7PP 615 149 K  | caliper without brake pads<br>yellow<br>Lacquered | left             | 1   | PR:1LY     |
|     |                | also use:<br>D >> - 22.01.2016                    | WHT 004 572      | 2   |            |
| (5) | 7PP 615 150 K  | caliper without brake pads<br>yellow<br>Lacquered | right            | 1   | PR:1LY     |
|     |                | also use:<br>D >> - 22.01.2016                    | WHT 004 572      | 2   |            |
| (5) | 958 351 123 01 | caliper without brake pads<br>yellow<br>Lacquered | left             | 1   | PR:1LV     |

Model: 92A 11 Model life 2011>>2018

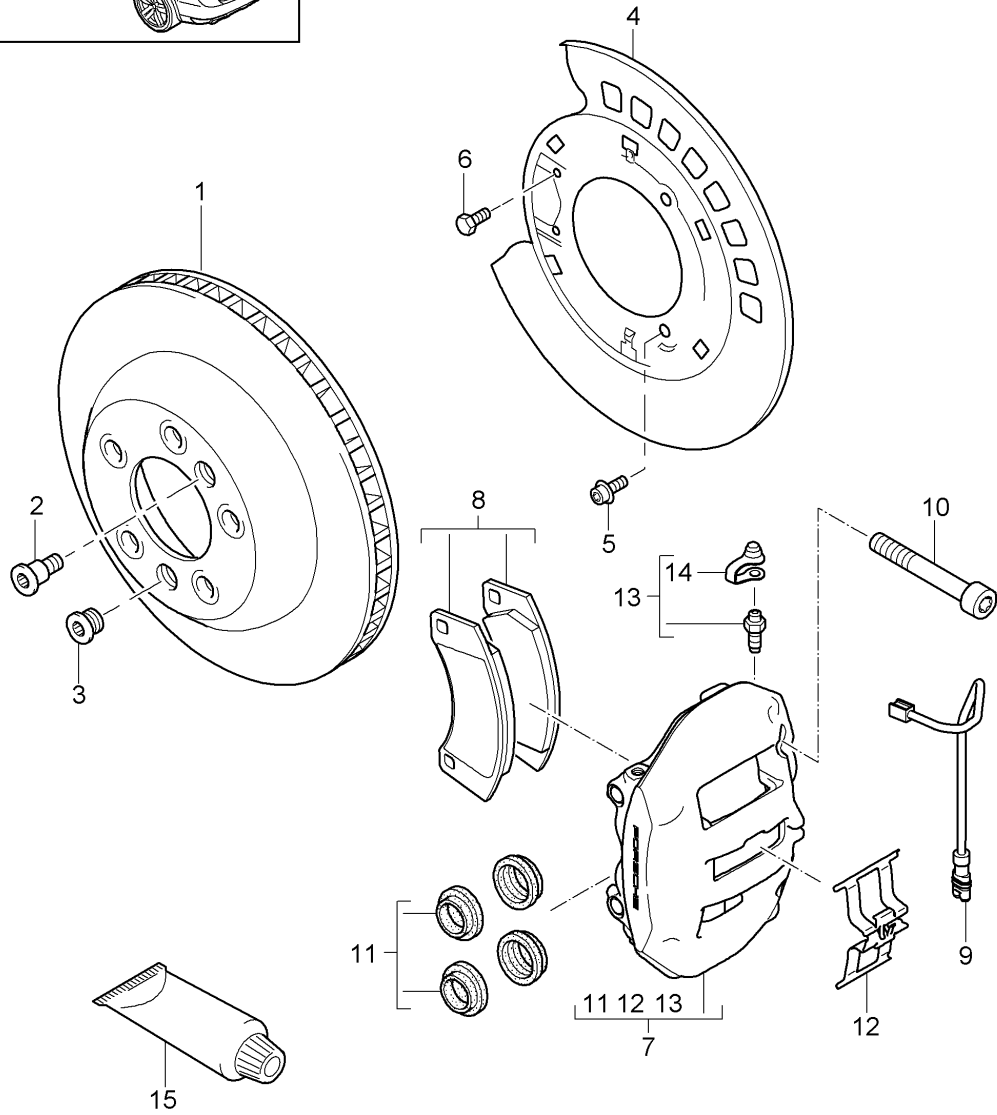
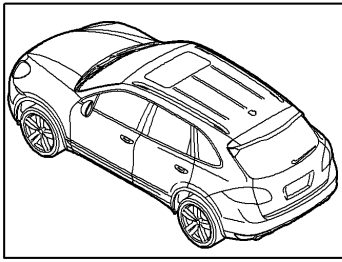
| Pos | Part Number    | Description   | Remark               | Qty         | Model                                      |
|-----|----------------|---|----------------------|-------------|--|
| (5) | 958 351 124 01 | also use:<br>caliper without brake pads<br>yellow<br>Lacquered  | WHT 004 572<br>right | 2<br>1      | PR:1LV                                     |
| (5) | 958 351 123 50 | also use:<br>caliper without brake pads<br>yellow<br>Lacquered  | WHT 004 572<br>left  | 2<br>1      | PR:1LT                                     |
| (5) | 958 351 124 50 | also use:<br>caliper without brake pads<br>yellow<br>Lacquered  | WHT 004 572<br>right | 2<br>1      | PR:1LT                                     |
| 6   | 958 351 939 10 | also use:<br>1 set of brake pads for<br>disk brake<br>comprising:<br>Brake lining                                     | WHT 004 572<br>front | 2<br>1<br>4 | PR:1ZA,1LH,<br>1LU                         |
| (6) | 958 351 939 30 | also use:<br>Fasteners<br>1 set of brake pads for<br>disk brake<br>comprising:<br>Brake lining                        | front                | 1<br>4      | PR:1LN                                     |
| (6) | 958 351 939 21 | also use:<br>Fasteners<br>1 set of brake pads for<br>disk brake<br>comprising:<br>Brake lining                        | front                | 1<br>4      | PR:1LY,1LV                                 |
| (6) | 958 351 151 00 | also use:<br>Fasteners<br>1 set of brake pads for<br>disk brake<br>2X 7P5.615.115.J<br>2X 7P5.615.116<br>Brake lining | front                | 1<br>4      | PR:1LT                                     |
| 7   | 958 612 365 00 | Fasteners<br>sender wire<br>(pad wear indicator)  |                      | 2           | PR:1ZA,1ZB,<br>1LH,1LN,1LU,<br>1ZT,1LD,1ZL |
| (7) | 970 609 143 00 | sender wire<br>(pad wear indicator)   |                      | 2           | PR:1LY,1LV,<br>1LT                         |
| 8   | WHT 004 571    | Socket head collared bolt with<br>inner multipoint head<br>M 14 X 1.5 X 115 X 40                                      |                      | 4           | PR:1LN,1LU,<br>1ZA,1ZT,1LD,<br>1ZB         |
| (8) | WHT 004 572    | Socket head bolt with<br>inner multipoint head<br>M 14 X 1,5 X 135  |                      | 4           | PR:1LH,1LY,<br>1ZL,1LV,1LT                 |
| 9   | 970 351 959 01 | Spring<br>repair set<br>comprising:<br>Spring<br>for  |                      | 1<br>2      | PR:-1LT                                    |
| (9) | 958 351 231 00 | Fixed calliper<br>Spring<br>repair set<br>comprising:<br>Spring<br>for  |                      | 1<br>2<br>4 | PR:1LT                                     |
| 10  | 955 351 915 20 | Fixed calliper<br>repair set  |                      | 1<br>2      | PR:-1LT                                    |

Model: 92A 11 Model life 2011>>2018

| Pos  | Part Number    | Description                      | Remark | Qty | Model                      |
|------|----------------|----------------------------------|--------|-----|----------------------------|
|      |                | comprising:<br>Protection caps   |        | 6   |                            |
|      |                | for                              |        | 1   |                            |
| (10) | 958 351 313 00 | Fixed calliper<br>repair set     |        | 2   | PR:1LT                     |
|      |                | comprising:<br>Protection caps   |        | 10  |                            |
|      |                | for                              |        | 1   |                            |
| 11   | 930 351 919 00 | Fixed calliper<br>Breather valve |        | 4   | PR:-1LT                    |
|      |                | with:                            |        |     |                            |
|      |                | dust cap                         |        |     |                            |
| (11) | 958 351 121 00 | Breather valve                   |        | 4   | PR:1LT                     |
|      |                | with:                            |        |     |                            |
|      |                | dust cap                         |        |     |                            |
| 12   | 930 351 927 01 | dust cap                         |        | 4   | PR:-1LT                    |
| (12) | 958 351 207 00 | dust cap                         |        | 4   | PR:1LT                     |
| 13   | 970 351 961 00 | Connecting line                  | left   | 1   | PR:1ZA,1ZB,<br>1ZT,1LD,1LU |
| (13) | 970 351 961 00 | Connecting line                  | left   | 1   | PR:1LN                     |
|      |                | D >> - 20.11.2015                |        |     |                            |
| (13) | 9A7 615 701 00 | Connecting line                  | left   | 1   | PR:1LN                     |
|      |                | D - 23.11.2015>>                 |        |     |                            |
| (13) | 970 351 962 00 | Connecting line                  | right  | 1   | PR:1ZA,1ZB,<br>1ZT,1LD,1LU |
| (13) | 970 351 962 00 | Connecting line                  | right  | 1   | PR:1LN                     |
|      |                | D >> - 20.11.2015                |        |     |                            |
| (13) | 9A7 615 701 00 | Connecting line                  | right  | 1   | PR:1LN                     |
|      |                | D - 23.11.2015>>                 |        |     |                            |
| (13) | 970 351 961 10 | Connecting line                  | left   | 1   | PR:1LY,1LV                 |
| (13) | 970 351 961 10 | Connecting line                  | left   | 1   | PR:1LH,1ZL                 |
|      |                | D >> - 22.01.2016                |        |     |                            |
| (13) | 9A7 615 701 20 | Connecting line                  | left   | 1   | PR:1LH,1ZL                 |
|      |                | D - 25.01.2016>>                 |        |     |                            |
| (13) | 970 351 962 10 | Connecting line                  | right  | 1   | PR:1LY,1LV                 |
| (13) | 970 351 962 10 | Connecting line                  | right  | 1   | PR:1LH,1ZL                 |
|      |                | D >> - 22.01.2016                |        |     |                            |
| (13) | 9A7 615 702 20 | Connecting line                  | right  | 1   | PR:1LH,1ZL                 |
|      |                | D - 25.01.2016>>                 |        |     |                            |
| (13) | 958 351 327 00 | Connecting line                  | left   | 1   | PR:1LT                     |
| (13) | 958 351 328 00 | Connecting line                  | right  | 1   | PR:1LT                     |
| 14   | 000 043 117 00 | brake cylinder paste             |        | X   |                            |
|      |                | 1 50-g tube                      |        |     |                            |
| (14) | 000 043 020 00 | Assembly paste                   |        | X   |                            |
|      |                | 1 100-gramme tube                |        |     |                            |

Model: 92A 11

Model life 2011>>2018



Model: 92A 11 Model life 2011>>2018

| Pos | Part Number    | Description   | Remark  | Qty              | Model                  |
|-----|----------------|---|---|------------------|------------------------|
| 1   | 955 352 401 31 | Disc brake<br>Rear axle<br>D >> - MJ 2014<br>Brake disc                   | rear<br>also use:<br>958 352 939 00<br>N 911 837 01                         | 2<br>1<br>4      | PR:1KY,1KZ,<br>1KU,2EE |
| (1) | 955 352 401 31 | Brake disc  | rear<br>also use:<br>958 352 939 80<br>N 911 837 01                         | 2<br>1<br>4      | PR:1KF,2ED,<br>2EJ     |
| (1) | 958 352 401 50 | Brake disc  | rear<br>also use:<br>958 352 939 50<br>N 911 837 01                         | 2<br>1<br>4      | PR:1KP                 |
| (1) | 958 352 401 50 | Brake disc  | rear<br>also use:<br>958 352 939 80<br>N 911 837 01                         | 2<br>1<br>4      | PR:2EL                 |
| (1) | 955 352 031 00 | Brake disc  | left rear<br>also use:<br>N 911 837 01                                      | 1<br>2           | PR:2EH                 |
| (1) | 958 352 031 00 | Discontinued part<br>Brake disc   | left rear<br>also use:<br>N 911 837 01                                      | 1<br>2           | PR:2EH                 |
| (1) | 958 352 031 01 | Discontinued part<br>Brake disc   | left rear<br>also use:<br>958 352 032 01<br>958 352 939 71<br>N 911 837 01  | 1<br>1<br>1<br>4 | PR:2EH                 |
| (1) | 955 352 032 00 | Brake disc  | right rear<br>also use:<br>N 911 837 01                                     | 1<br>2           | PR:2EH                 |
| (1) | 958 352 032 00 | Discontinued part<br>Brake disc   | right rear<br>also use:<br>N 911 837 01                                     | 1<br>2           | PR:2EH                 |
| (1) | 958 352 032 01 | Discontinued part<br>Brake disc   | right rear<br>also use:<br>958 352 031 01<br>958 352 939 71<br>N 911 837 01 | 1<br>1<br>1<br>4 | PR:2EH                 |
| 2   | N 910 282 02   | Socket head bolt with<br>hexagon socket head<br>M 12 X 1,5 X 19,3         |   | 2                |                        |
| 3   | N 910 380 02   | sealing plug<br>M 12 X 1,5 X 5,0  |   | 2                |                        |
| 4   | 958 352 801 01 | Cover plate<br>Discontinued part  | left  | 1                | PR:-2EH                |
| 4   | 958 352 801 02 | Cover plate   | left  | 1                | PR:-2EH                |
| 4   | 958 352 801 10 | Cover plate   | left  | 1                | PR:2EH                 |
| (4) | 958 352 802 01 | Cover plate   | right   | 1                | PR:-2EH                |
| (4) | 958 352 802 10 | Cover plate   | right   | 1                | PR:2EH                 |
| 5   | N 103 352 06   | Hexagon socket flat<br>head bolt<br>M 6 X 12                              |   | 8                |                        |
| 5   | N 907 371 05   | No longer use the part here<br>Oval hexagon socket head bolt<br>M 6 X 12  |   | 8                |                        |
| 6   | WHT 005 378    | Cylinder fitting screw with<br>inner multipoint head<br>M10 X 10.976 X 40 |   | 4                |                        |
| 7   | 958 352 423 00 | caliper without brake pads<br>Black<br>Lacquered                          | left<br>also use:<br>N 911 837 01   | 1<br>2           | PR:1KZ                 |
| 7   | 958 352 423 01 | Discontinued part<br>caliper without brake pads<br>Black<br>Lacquered     | left  | 1                | PR:1KZ,1KF             |

Model: 92A 11 Model life 2011>>2018

| Pos | Part Number    | Description  | Remark                | Qty    | Model             |
|-----|----------------|--|-----------------------|--------|-------------------|
| (7) | 958 352 424 00 | also use:<br>caliper without brake pads<br>Black<br>Lacquered                      | N 911 837 01<br>right | 2<br>1 | PR:1KZ            |
| (7) | 958 352 424 01 | also use:<br>Discontinued part<br>caliper without brake pads<br>Black<br>Lacquered | N 911 837 01<br>right | 2<br>1 | PR:1KZ,1KF        |
| (7) | 958 352 423 20 | also use:<br>caliper without brake pads<br>silver<br>Lacquered                     | N 911 837 01<br>left  | 2<br>1 | PR:1KY            |
| (7) | 958 352 423 25 | also use:<br>caliper without brake pads<br>red<br>Lacquered                        | N 911 837 01<br>left  | 2<br>1 | GTS<br>PR:1KU,2ED |
| (7) | 958 352 424 20 | also use:<br>caliper without brake pads<br>silver<br>Lacquered                     | N 911 837 01<br>right | 2<br>1 | PR:1KY            |
| (7) | 958 352 424 25 | also use:<br>caliper without brake pads<br>red<br>Lacquered                        | N 911 837 01<br>right | 2<br>1 | GTS<br>PR:1KU,2ED |
| (7) | 958 352 423 40 | also use:<br>caliper without brake pads<br>silver<br>Lacquered                     | N 911 837 01<br>left  | 2<br>1 | PR:2EE,2EJ        |
| (7) | 958 352 424 40 | also use:<br>caliper without brake pads<br>silver<br>Lacquered                     | N 911 837 01<br>right | 2<br>1 | PR:2EE,2EJ        |
| (7) | 958 352 423 60 | also use:<br>caliper without brake pads<br>red<br>Lacquered                        | N 911 837 01<br>left  | 2<br>1 | PR:1KP            |
| (7) | 958 352 423 61 | also use:<br>Discontinued part<br>caliper without brake pads<br>red<br>Lacquered   | N 911 837 01<br>left  | 2<br>1 | PR:1KP,2EL        |
| (7) | 958 352 424 60 | also use:<br>caliper without brake pads<br>red<br>Lacquered                        | N 911 837 01<br>right | 2<br>1 | PR:1KP            |
| (7) | 958 352 424 61 | also use:<br>Discontinued part<br>caliper without brake pads<br>red<br>Lacquered   | N 911 837 01<br>right | 2<br>1 | PR:1KP,2EL        |
| (7) | 958 352 425 00 | also use:<br>caliper without brake pads<br>yellow<br>Lacquered                     | N 911 837 01<br>left  | 2<br>1 | PR:2EH            |
| (7) | 958 352 426 00 | also use:<br>caliper without brake pads<br>yellow<br>Lacquered                     | N 911 837 01<br>right | 2<br>1 | PR:2EH            |
| 8   | 958 352 939 00 | also use:<br>1 set of brake pads for   | N 911 837 01<br>rear  | 2<br>1 | PR:1KY,1KZ,       |



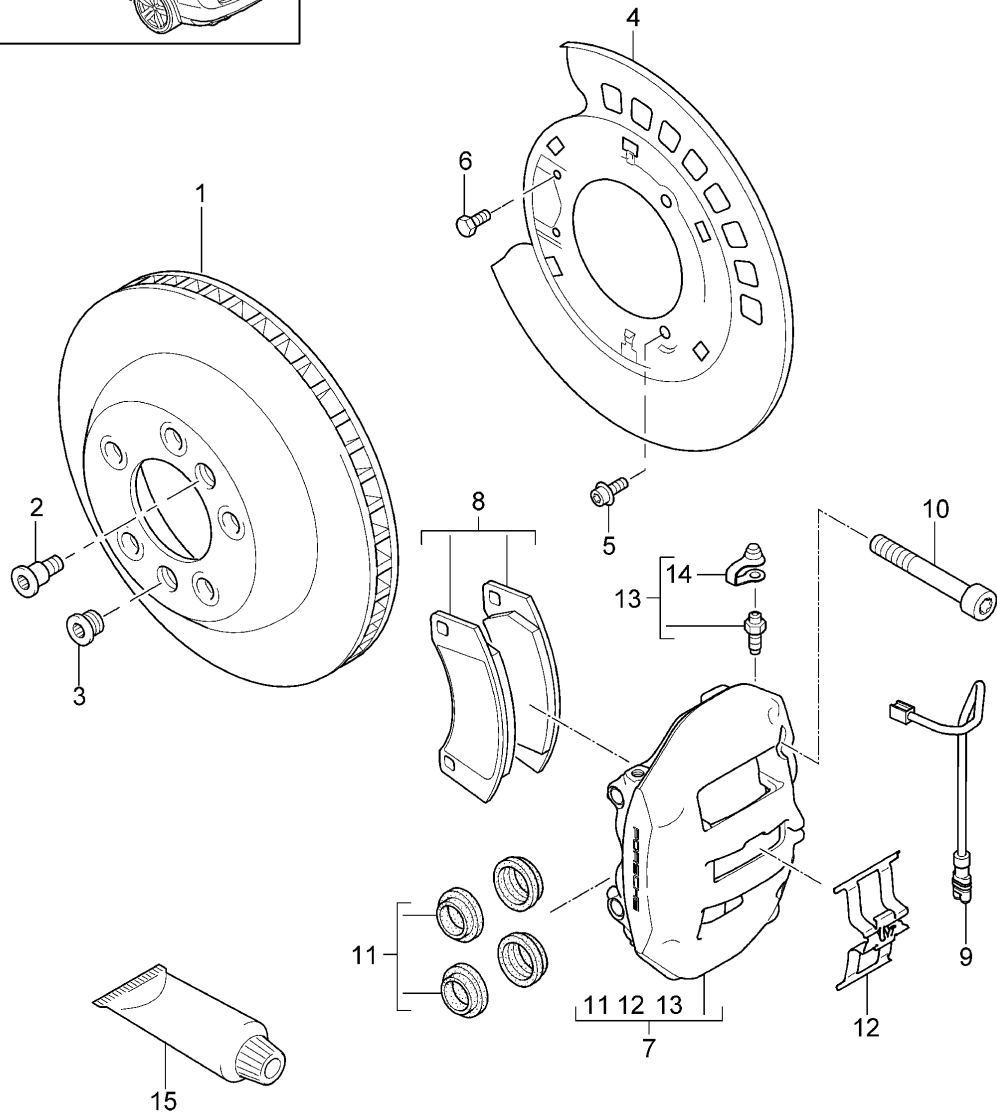
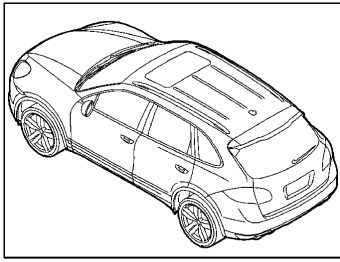
Model: 92A 11

Model life 2011>>2018

| Pos  | Part Number    | Description   | Remark | Qty | Model  |
|------|----------------|---|--------|-----|--|
|      |                | disk brake<br>comprising:<br>Brake lining                               |        | 4   | 1KU, 2EE   |
|      |                | also use:   |        |     |  |
| (8)  | 958 352 939 50 | Fasteners<br>1 set of brake pads for<br>disk brake                      | rear   | 1   | PR:1KP   |
|      |                | comprising:<br>Brake lining   |        | 4   |  |
|      |                | also use:   |        |     |  |
| (8)  | 958 352 939 70 | Fasteners<br>1 set of brake pads for<br>disk brake                      | rear   | 1   | PR:2EH   |
|      |                | comprising:<br>Brake lining   |        | 4   |  |
|      |                | also use:   |        |     |  |
| (8)  | 958 352 939 71 | Fasteners<br>Discontinued part<br>1 set of brake pads for<br>disk brake | rear   | 1   | PR:2EH   |
|      |                | comprising:<br>Brake lining   |        | 4   |  |
|      |                | also use:   |        |     |  |
| 9    | 958 612 365 50 | Fasteners<br>sender wire<br>(pad wear indicator)                        |        | 2   | PR:1KP,1KY,<br>1KZ,2EE,1KU,<br>2ED,1KF,2EJ,<br>2EL |
| (9)  | 970 609 145 00 | sender wire<br>(pad wear indicator)                                     |        | 2   | PR:2EH   |
| 10   | N 911 837 01   | Socket head bolt with inner<br>multipoint head                          |        | 4   |  |
|      |                | AM 12 X 1.50 X 115.00   |        |     |  |
| 11   | 996 351 915 00 | repair set<br>comprising:<br>Protection caps<br>for                     |        | 2   |  |
|      |                | Fixed calliper  |        | 4   |  |
| 12   | 7PP 615 269    | Cup expander spring   |        | 1   |  |
|      |                |   |        | 2   | PR:1KP,1KY,<br>1KZ,2EE,2EL,<br>1KF,2EJ             |
| (12) | 970 352 959 00 | Spring  |        | 2   | PR:2EH   |
| (12) | 958 352 959 00 | Spring  |        | 2   | PR:1KU,2ED   |
| 13   | 930 351 919 00 | Breather valve  |        | 4   |  |
|      |                | with:   |        |     |  |
| 14   | 930 351 927 00 | dust cap<br>dust cap  |        | 4   |  |
|      |                | Discontinued part   |        |     |  |
| 14   | 930 351 927 01 | dust cap  |        | 4   |  |
| 15   | 000 043 117 00 | brake cylinder paste  |        | X   |  |
|      |                | 1 50-g tube   |        |     |  |
| (15) | 000 043 020 00 | Assembly paste  |        | X   |  |
|      |                | 1 100-gramme tube   |        |     |  |

Model: 92A 11

Model life 2011>>2018



Model: 92A 11 Model life 2011>>2018

| Pos | Part Number    | Description   | Remark         | Qty | Model              |
|-----|----------------|---|----------------|-----|--------------------|
| 1   | 955 352 401 31 | Disc brake<br>Rear axle<br>D - MJ 2015>><br>Brake disc                    | rear           | 2   | PR:1KZ,2EE,<br>1KS |
|     |                | also use:   | 958 352 939 00 | 1   |                    |
|     |                |   | N 911 837 01   | 4   |                    |
| (1) | 955 352 401 31 | Brake disc  | rear           | 2   | PR:1KF,2EJ,<br>1KT |
|     |                | also use:   | 958 352 939 80 | 1   |                    |
|     |                |   | N 911 837 01   | 4   |                    |
| (1) | 958 352 401 50 | Brake disc  | rear           | 2   | PR:1KP             |
|     |                | also use:   | 958 352 939 50 | 1   |                    |
|     |                |   | N 911 837 01   | 4   |                    |
| (1) | 958 352 401 50 | Brake disc  | rear           | 2   | PR:2EL             |
|     |                | also use:   | 958 352 939 80 | 1   |                    |
|     |                |   | N 911 837 01   | 4   |                    |
| (1) | 958 352 031 01 | Brake disc  | left rear      | 1   | PR:2EH             |
|     |                | also use:   | 958 352 032 01 | 1   |                    |
|     |                |   | 958 352 939 71 | 1   |                    |
|     |                |   | N 911 837 01   | 4   |                    |
| (1) | 958 352 032 01 | Brake disc  | right rear     | 1   | PR:2EH             |
|     |                | also use:   | 958 352 031 01 | 1   |                    |
|     |                |   | 958 352 939 71 | 1   |                    |
|     |                |   | N 911 837 01   | 4   |                    |
| 2   | N 910 282 02   | Socket head bolt with<br>hexagon socket head<br>M 12 X 1,5 X 19,3         |                | 2   |                    |
| 3   | N 910 380 02   | sealing plug<br>M 12 X 1,5 X 5,0  |                | 2   |                    |
| 4   | 958 352 801 02 | Cover plate   | left           | 1   | PR:-2EH            |
| (4) | 958 352 801 10 | Cover plate   | left           | 1   | PR:2EH             |
| (4) | 958 352 802 02 | Cover plate   | right          | 1   | PR:-2EH            |
| (4) | 958 352 802 10 | Cover plate   | right          | 1   | PR:2EH             |
| 5   | N 907 371 05   | Oval hexagon socket head bolt<br>M 6 X 12                                 |                | 8   |                    |
| 6   | WHT 005 378    | Cylinder fitting screw with<br>inner multipoint head<br>M10 X 10.976 X 40 |                | 4   |                    |
| 7   | 958 352 423 01 | caliper without brake pads<br>Black<br>Lacquered                          | left           | 1   | PR:1KZ,1KF         |
|     |                | also use:   | N 911 837 01   | 2   |                    |
| (7) | 958 352 424 01 | caliper without brake pads<br>Black<br>Lacquered                          | right          | 1   | PR:1KZ,1KF         |
|     |                | also use:   | N 911 837 01   | 2   |                    |
| (7) | 958 352 423 40 | caliper without brake pads<br>silver<br>Lacquered                         | left           | 1   | PR:2EE,2EJ         |
|     |                | also use:   | N 911 837 01   | 2   |                    |
| (7) | 958 352 424 40 | caliper without brake pads<br>silver<br>Lacquered                         | right          | 1   | PR:2EE,2EJ         |
|     |                | also use:   | N 911 837 01   | 2   |                    |
| (7) | 958 352 423 61 | caliper without brake pads<br>red<br>Lacquered                            | left           | 1   | PR:1KP,2EL         |
|     |                | also use:   | N 911 837 01   | 2   |                    |
| (7) | 958 352 424 61 | caliper without brake pads<br>red<br>Lacquered                            | right          | 1   | PR:1KP,2EL         |
|     |                | also use:   | N 911 837 01   | 2   |                    |
| (7) | 958 352 423 80 | caliper without brake pads<br>green                                       | left           | 1   | PR:1KS,1KT         |

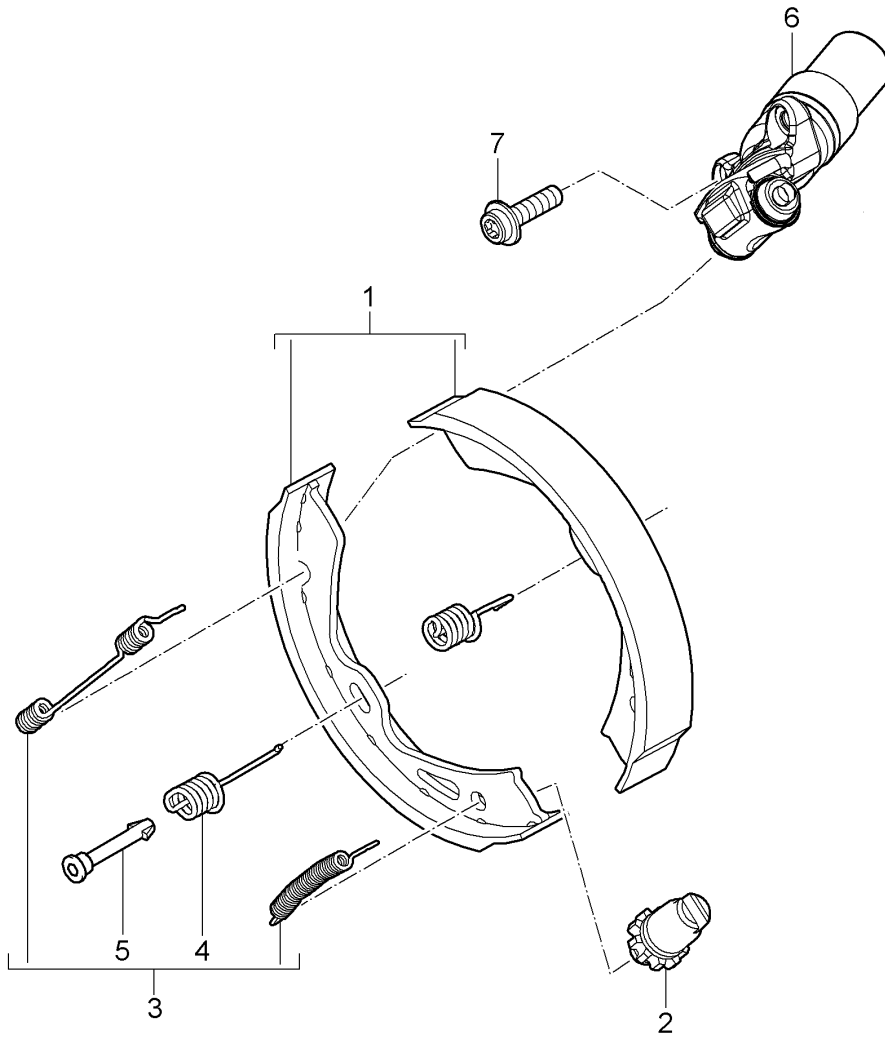
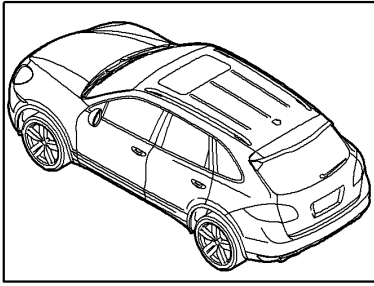
Model: 92A 11

Model life 2011>>2018

| Pos  | Part Number    | Description  | Remark                | Qty         | Model  |
|------|----------------|--|-----------------------|-------------|--|
| (7)  | 958 352 424 80 | Lacquered<br>also use:<br>caliper without brake pads<br>green<br>Lacquered                     | N 911 837 01<br>right | 2<br>1      | PR:1KS,1KT   |
| (7)  | 958 352 425 01 | Lacquered<br>also use:<br>caliper without brake pads<br>yellow<br>Lacquered                    | N 911 837 01<br>left  | 2<br>1      | PR:2EH   |
| (7)  | 958 352 426 01 | Lacquered<br>also use:<br>caliper without brake pads<br>yellow<br>Lacquered                    | N 911 837 01<br>right | 2<br>1      | PR:2EH   |
| 8    | 958 352 939 00 | also use:<br>1 set of brake pads for<br>disk brake<br>comprising:<br>Brake lining              | N 911 837 01<br>rear  | 2<br>1<br>4 | PR:1KZ,2EE,<br>1KS                                   |
| (8)  | 958 352 939 50 | Fasteners<br>also use:<br>1 set of brake pads for<br>disk brake<br>comprising:<br>Brake lining | rear                  | 1<br>4      | PR:1KP   |
| (8)  | 958 352 939 71 | Fasteners<br>also use:<br>1 set of brake pads for<br>disk brake<br>comprising:<br>Brake lining | rear                  | 1<br>4      | PR:2EH   |
| 9    | 958 612 365 50 | Fasteners<br>sender wire<br>(pad wear indicator)   |                       | 2           | PR:1KZ,1KF,<br>1KP,2EE,1KS,<br>2EJ,1KT,2EL<br>PR:2EH |
| (9)  | 970 609 145 00 | sender wire<br>(pad wear indicator)  |                       | 2           |  |
| 10   | N 911 837 01   | Socket head bolt with inner<br>multipoint head   |                       | 4           |  |
| 11   | 996 351 915 00 | AM 12 X 1.50 X 115.00<br>repair set<br>comprising:<br>Protection caps<br>for                   |                       | 2<br>4      |  |
| 12   | 7PP 615 269    | Fixed calliper<br>Cup expander spring  |                       | 1<br>2      | PR:1KZ,1KF,<br>2EE,2EJ,1KP,<br>2EL,1KS,1KT<br>PR:2EH |
| (12) | 970 352 959 00 | Spring   |                       | 2           |  |
| 13   | 930 351 919 00 | Breather valve<br>with:  |                       | 4           |  |
| 14   | 930 351 927 01 | dust cap   |                       | 4           |  |
| 15   | 000 043 117 00 | dust cap   |                       | X           |  |
| (15) | 000 043 020 00 | brake cylinder paste<br>1 50-g tube<br>Assembly paste<br>1 100-gramme tube                     |                       | X           |  |

Model: 92A 11

Model life 2011>>2018



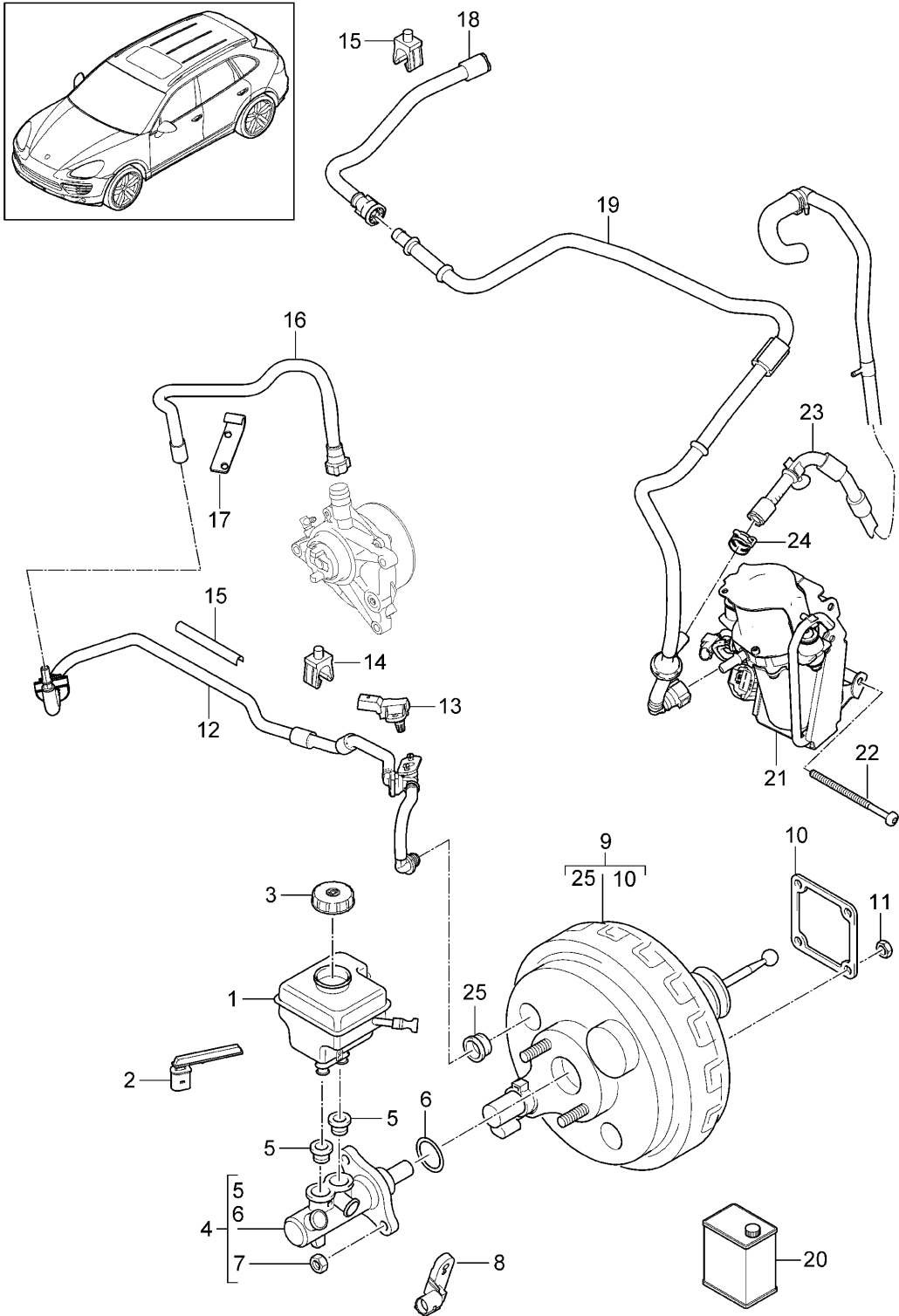
Model: 92A 11

Model life 2011>>2018

| Pos | Part Number    | Description   | Remark | Qty                   | Model |
|-----|----------------|---|--------|-----------------------|-------|
| 1   | 958 352 925 00 | Parking brake<br>Brake shoe<br>repair set<br>comprising:<br>Brake shoe  |        | 1<br>4                |       |
|     |                | also use:   |        |                       |       |
| 2   | 955 352 098 00 | Fasteners<br>Adjusting nut  |        | 2                     |       |
| 3   | 958 352 945 00 | repair set<br>Mount<br>Brake shoe<br>comprising:<br>tension spring<br>tension spring<br>spring pin<br>Pressure spring |        | 1<br>2<br>2<br>4<br>4 |       |
| 4   | 955 352 957 00 | Pressure spring   |        | 4                     |       |
| 5   | 955 352 959 01 | spring pin  |        | 4                     |       |
| 6   | 958 352 091 01 | Servomotor  | left   | 1                     |       |
| (6) | 958 352 092 01 | Servomotor  | right  | 1                     |       |
| 7   | WHT 005 378    | Cylinder fitting screw with<br>inner multipoint head<br>M10X10.976X40   |        | 4                     |       |

Model: 92A 11

Model life 2011>>2018



Model: 92A 11

Model life 2011>>2018

| Pos  | Part Number    | Description   | Remark | Qty | Model  |
|------|----------------|---|--------|-----|--|
| 1    | 958 355 113 00 | Brake master cylinder<br>Brake servo<br>Vacuum line<br>D >> - MJ 2014<br>Reservoir for<br>brake fluid |        | 1   |  |
| 2    | 958 355 377 00 | Sensor<br>Reservoir for<br>brake fluid  |        | 1   |  |
| 3    | 958 355 351 00 | End cap   |        | 1   |  |
| 4    | 958 355 015 00 | Brake master cylinder<br>Discontinued part  |        | 1   |  |
| 4    | 958 355 015 01 | Brake master cylinder   |        | 1   |  |
| 5    | 958 355 922 00 | Rubber seal   |        | 2   |  |
| 6    | 958 355 161 00 | seal ring   |        | 1   |  |
| 7    | N 022 146 20   | hexagon nut, self-locking<br>M 8  |        | 2   |  |
| 8    | 958 355 459 01 | Sensor<br>switch - brake light  |        | 1   |  |
| 9    | 958 355 923 00 | Brake servo<br>Discontinued part  |        | 1   | PR:-D19  |
| 9    | 958 355 923 01 | Brake servo   |        | 1   | PR:-D19  |
| (9)  | 958 355 923 10 | Brake servo<br>No longer use the part here  |        | 1   |  |
| (9)  | 958 355 923 50 | Brake servo<br>Discontinued part  |        | 1   | PR:D19   |
| (9)  | 958 355 923 51 | Brake servo   |        | 1   | PR:D19   |
| 11   | N 022 146 20   | hexagon nut, self-locking<br>M 8  |        | 4   |  |
| 12   | 958 355 577 00 | Vacuum line<br>Discontinued part  | lhd    | 1   | PR:D19,D34,  |
| 12   | 958 355 577 01 | Vacuum line   | lhd    | 1   | PR:D19,D34,  |
| 12   | 958 355 577 02 | Vacuum line   | lhd    | 1   | PR:D19,D34,  |
| 12   | 958 355 577 02 | Vacuum line   | lhd    | 1   | PR:DD8,D43,  |
| 12   | 958 355 577 20 | Vacuum line   | lhd    | 1   | PR:D58,D6V,<br>L0L   |
|      |                | with:   |        |     |  |
| 12   | 958 355 577 21 | Pressure sensor<br>Discontinued part<br>Vacuum line   | lhd    | 1   | PR:D58,D6V,<br>L0L   |
|      |                | with:   |        |     |  |
| 12   | 958 355 577 30 | Pressure sensor<br>Vacuum line  | lhd    | 1   | PR:D58,D6V,<br>L0L   |
|      |                | without:  |        |     |  |
| 12   | 958 355 577 31 | Pressure sensor<br>See technical information<br>GR. 4 NR. 93/10<br>Vacuum line                        | lhd    | 1   | PR:D58,D6V,<br>DT1,DT5,L0L<br>"CN."                        |
|      |                | without:  |        |     |  |
| 12   | 958 355 577 40 | Pressure sensor<br>See technical information<br>GR. 4 NR. 93/10<br>Vacuum line                        | lhd    | 1   | PR:D11,L0L   |
|      |                | without:  |        |     |  |
| 12   | 958 355 577 41 | Pressure sensor<br>No longer use the part here<br>Vacuum line   | lhd    | 1   | PR:D11,L0L   |
|      |                | without:  |        |     |  |
| (12) | 958 355 578 00 | Pressure sensor<br>Vacuum line  | rhd    | 1   | PR:D19,D34,<br>D50,D1V,DV7,<br>DU2,DU3,DD7,<br>D51,D43,L0R |
|      |                | with:   |        |     |  |
| (12) | 958 355 578 00 | Pressure sensor<br>Vacuum line  | rhd    | 1   | PR:DD8,D43,  |



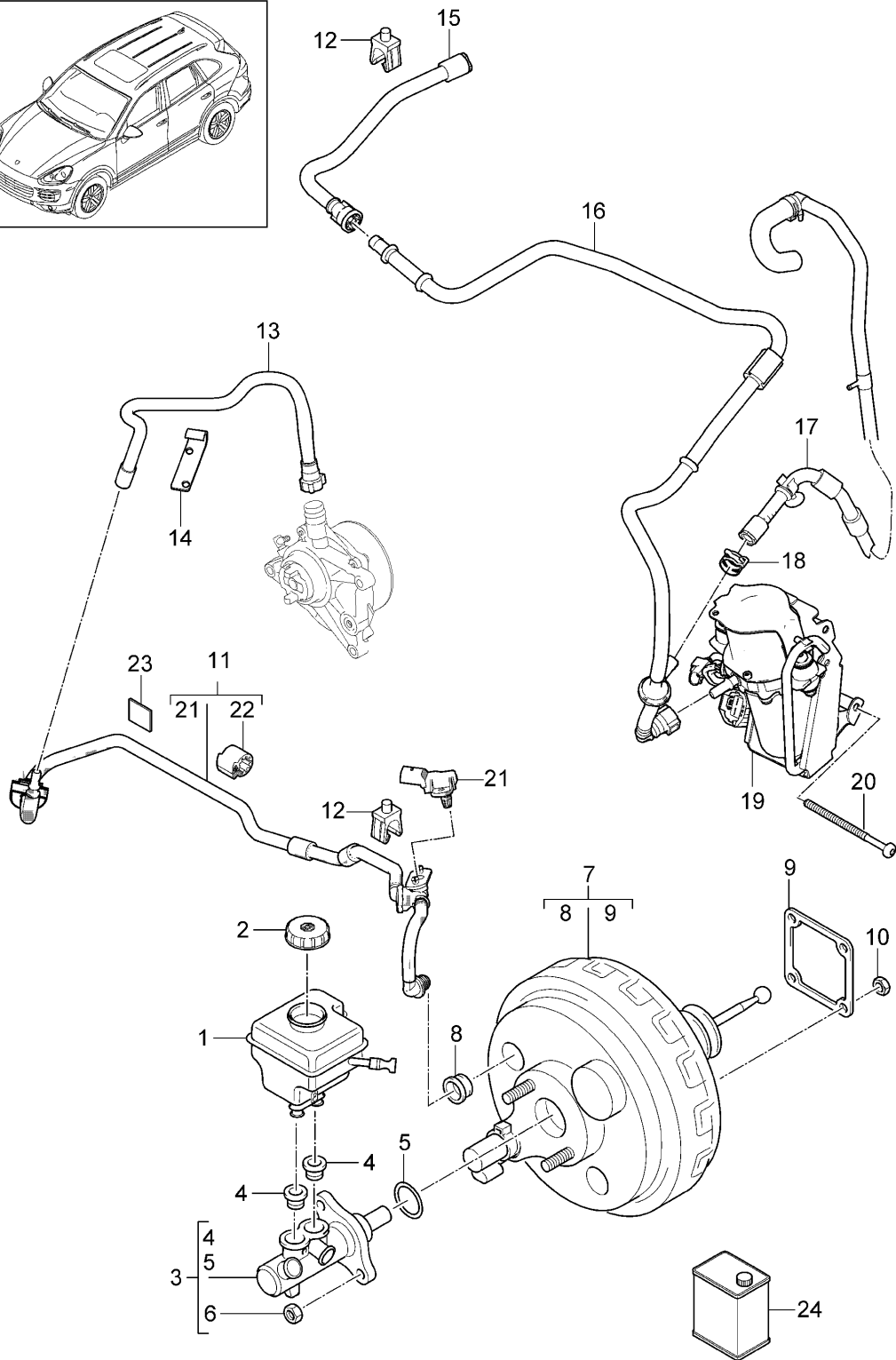
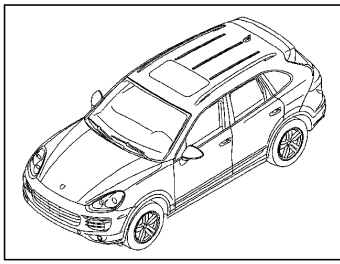
Model: 92A 11

Model life 2011>>2018

| Pos  | Part Number    | Description   | Remark   | Qty | Model                      |
|------|----------------|---|----------|-----|----------------------------|
|      |                | with:<br>Pressure sensor  |          |     | L0R                        |
| (12) | 958 355 578 20 | Vacuum line   | rhd      | 1   | PR:D58,D6V,<br>L0R         |
|      |                | with:<br>Pressure sensor  |          |     |                            |
| (12) | 958 355 578 21 | Discontinued part<br>Vacuum line                                | rhd      | 1   | PR:D58,D6V,<br>L0R         |
|      |                | with:<br>Pressure sensor  |          |     |                            |
| (12) | 958 355 578 30 | Vacuum line   | rhd      | 1   | PR:D58,D6V,<br>DT1,DT5,L0R |
|      |                | without:<br>Pressure sensor                                     |          |     |                            |
| 13   | 958 355 051 07 | See technical information<br>GR. 4 NR. 93/10<br>Pressure sensor |          | 1   |                            |
| 14   | N 909 435 01   | Hose bracket  |          | 4   |                            |
|      |                | Vacuum line   |          |     |                            |
| 15   | 958 355 882 05 | Edge protection   | rhd      | 1   | PR:L0R                     |
| 16   | 958 355 579 00 | Vacuum line   |          | 1   | PR:D34                     |
|      |                | Discontinued part   |          |     |                            |
| (16) | 958 355 579 01 | Vacuum line   |          | 1   | PR:D34                     |
|      |                | Discontinued part   |          |     |                            |
| (16) | 958 355 579 02 | Vacuum line   |          | 1   | PR:D34                     |
| 16   | 958 355 579 20 | Vacuum line   |          | 1   | PR:D50                     |
|      |                | Discontinued part   |          |     |                            |
| (16) | 958 355 579 21 | Vacuum line   |          | 1   | PR:D50,D1V,<br>D43         |
|      |                |   |          |     | PR:D11                     |
| (16) | 958 355 579 40 | Vacuum line   |          | 1   |                            |
|      |                | Discontinued part   |          |     |                            |
| (16) | 958 355 579 41 | Vacuum line   |          | 1   | PR:D11                     |
| (16) | 958 355 579 50 | Vacuum line   |          | 1   | PR:DD8                     |
| 17   | 958 355 797 00 | Bracket   |          | 1   |                            |
| 18   | 958 355 579 30 | Vacuum line   |          | 1   |                            |
|      |                | Discontinued part   |          |     |                            |
| 18   | 958 355 579 31 | Vacuum line   |          | 1   |                            |
| 19   | 958 355 580 00 | Vacuum line   |          | 1   |                            |
|      |                | Discontinued part   |          |     |                            |
| (19) | 958 355 580 01 | Vacuum line   |          | 1   |                            |
|      |                | Discontinued part   |          |     |                            |
| (19) | 958 355 580 02 | Vacuum line   |          | 1   |                            |
| 20   | 000 043 210 82 | brake fluid   | 1.0 Ltr. | X   |                            |
| 20   | 000 043 210 86 | brake fluid   | 30ltr.   | X   |                            |
| 21   | 958 355 215 01 | Electric vacuum pump<br>for brake<br>(complete)                 |          | 1   |                            |
| 22   | N 107 481 01   | Hexagon socket flat<br>head bolt<br>BM6 X 95 X 70               |          | 2   |                            |
| 23   | 958 355 578 50 | Vacuum line   |          | 1   |                            |
|      |                | Vacuum pump   |          |     |                            |
|      |                | Electric  |          |     |                            |
|      |                | Vacuum pump   |          |     |                            |
|      |                | Mechanical  |          |     |                            |
|      |                | Discontinued part   |          |     |                            |
| (23) | 958 355 578 51 | Vacuum line   |          | 1   |                            |
|      |                | Vacuum pump   |          |     |                            |
|      |                | Electric  |          |     |                            |
|      |                | Vacuum pump   |          |     |                            |
|      |                | Mechanical  |          |     |                            |
| 24   | 955 347 569 00 | Hose clamp<br>for<br>Vacuum line                                |          | 1   |                            |
| 25   | 958 355 175 00 | Seal  |          | 1   |                            |

Model: 92A 11

Model life 2011>>2018



Model: 92A 11 Model life 2011>>2018

| Pos  | Part Number    | Description  | Remark | Qty | Model   |
|------|----------------|--|--------|-----|---|
| 1    | 958 355 113 00 | Brake master cylinder<br>Brake servo<br>Vacuum line<br>D - MJ 2015>><br>Reservoir for<br>brake fluid |        | 1   |   |
| -    | 958 355 377 00 | Sensor<br>Reservoir for<br>brake fluid   |        | 1   |   |
| (2)  | 5Q0 611 349 B  | cap for<br>expansion tank  |        | 1   |   |
| 3    | 958 355 015 02 | Brake master cylinder  |        | 1   |   |
| 4    | 958 355 922 00 | Rubber seal  |        | 2   |   |
| 5    | 958 355 161 00 | seal ring  |        | 1   |   |
| 6    | N 022 146 20   | hexagon nut, self-locking<br>M 8   |        | 2   |   |
| -    | 958 355 459 01 | Sensor<br>switch - brake light   |        | 1   |   |
| 7    | 958 355 923 02 | Brake servo  |        | 1   | PR:-DT5   |
| (7)  | 958 355 923 20 | Brake servo  |        | 1   | PR:DT5  |
| 8    | 958 355 175 00 | Seal   |        | 1   |   |
| 10   | N 022 146 20   | hexagon nut, self-locking<br>M 8   |        | 4   |   |
| 11   | 958 355 577 02 | Vacuum line<br>with:<br>Pressure sensor  | lhd    | 1   | CUDC, CGEA,<br>CGE, CGFA,<br>CVVA, CJTB,<br>CNRB, CEYA+<br>PR:L0L |
| (11) | 958 355 577 41 | Vacuum line<br>without:<br>Pressure sensor   | lhd    | 1   | CURA, CUR,<br>CXZA, CXZ+<br>PR:L0L                                |
| (11) | 958 355 577 31 | Vacuum line<br>without:<br>Pressure sensor   | lhd    | 1   | CFTB, CFT+<br>PR:L0L  |
| (11) | 958 355 578 00 | Vacuum line<br>with:<br>Pressure sensor  | rhd    | 1   | CGEA, CGE,<br>CGFA, CVVA,<br>CVVC, CVVB,<br>CNRB, CEYA+<br>PR:L0R |
| (11) | 958 355 578 40 | Vacuum line<br>without:<br>Pressure sensor   | rhd    | 1   | CURA, CUR,<br>CXZA, CXZ+<br>PR:L0R                                |
| (11) | 958 355 578 30 | Vacuum line<br>without:<br>Pressure sensor   | rhd    | 1   | CFTB, CFT+<br>PR:L0R  |
| 12   | N 909 435 01   | Hose bracket<br>Vacuum line  |        | 4   |   |
| 13   | 958 355 579 21 | Vacuum line  |        | 1   | CVVC, CNRB,<br>CRCA, CVVA,<br>CVVB<br>CEYA                        |
| (13) | 958 355 579 02 | Vacuum line  |        | 1   | CJT   |
| (13) | 958 355 579 41 | Vacuum line  |        | 1   | CURA, CUR,<br>CXZA, CXZ   |
| (13) | 958 355 579 60 | Vacuum line  |        | 1   | CUDC  |
| (13) | 958 355 579 50 | Vacuum line  |        | 1   |   |
| 14   | 958 355 797 00 | Bracket  |        | 1   |   |
| (14) | 958 355 797 10 | Hose bracket   |        | 1   | CURA, CUR,<br>CFTB, CFT   |
| 15   | 958 355 579 31 | Vacuum line  |        | 1   | CGEA, CGE,<br>CGFA  |
| 16   | 958 355 580 02 | Vacuum line  |        | 1   | CGEA, CGE,<br>CGFA  |
| 17   | 958 355 578 51 | Vacuum line  |        | 1   | CGEA, CGE,  |

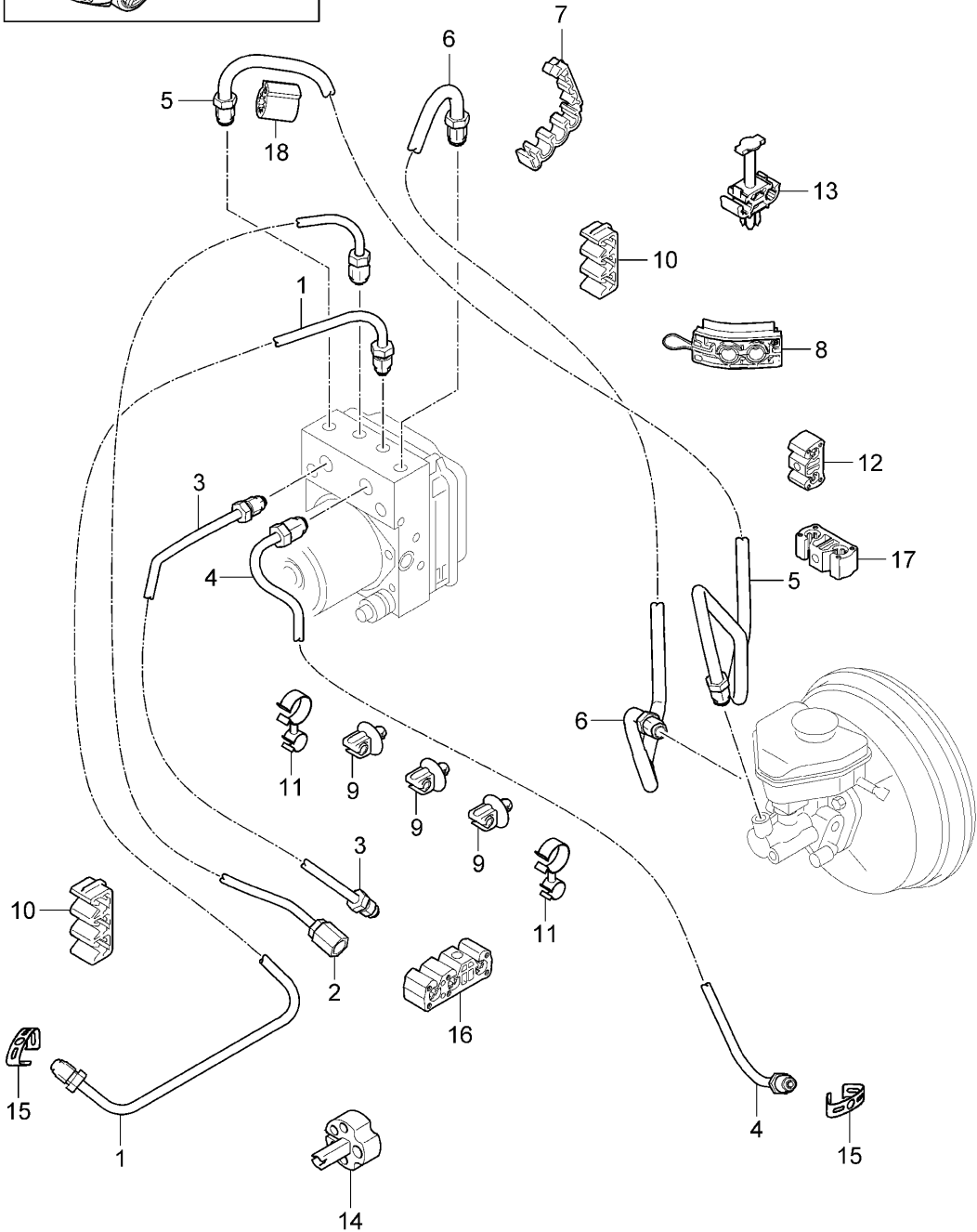
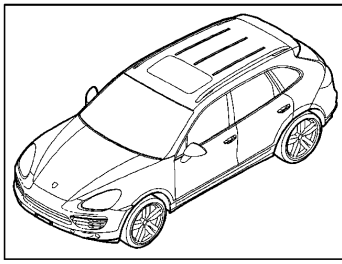
Model: 92A 11

Model life 2011>>2018

| Pos | Part Number    | Description   | Remark   | Qty | Model              |
|-----|----------------|---|----------|-----|--------------------|
|     |                | Vacuum pump<br>Electric                                       |          |     | CGFA               |
| 18  | 955 347 569 00 | Vacuum pump<br>Mechanical<br>Hose clamp<br>for<br>Vacuum line |          | 1   | CGEA, CGE,<br>CGFA |
| 19  | 7P0 614 215 B  | Electric vacuum pump<br>for brake<br>(complete)               |          | 1   | CGEA, CGE,<br>CGFA |
| 20  | N 107 481 01   | Hexagon socket flat<br>head bolt<br>BM6 X 95 X 70             |          | 2   | CGEA, CGE,<br>CGFA |
| 21  | 958 355 051 07 | Pressure sensor   |          | 1   |                    |
| 22  | N 107 784 01   | toothed lock washer   |          | 1   |                    |
| 23  | 958 355 882 05 | Edge protection   | rhd      | 1   | PR:L0R             |
| 24  | 000 043 210 82 | brake fluid   | 1.0 Ltr. | X   |                    |
| 24  | 000 043 210 86 | brake fluid   | 30ltr.   | X   |                    |

Model: 92A 11

Model life 2011>>2018

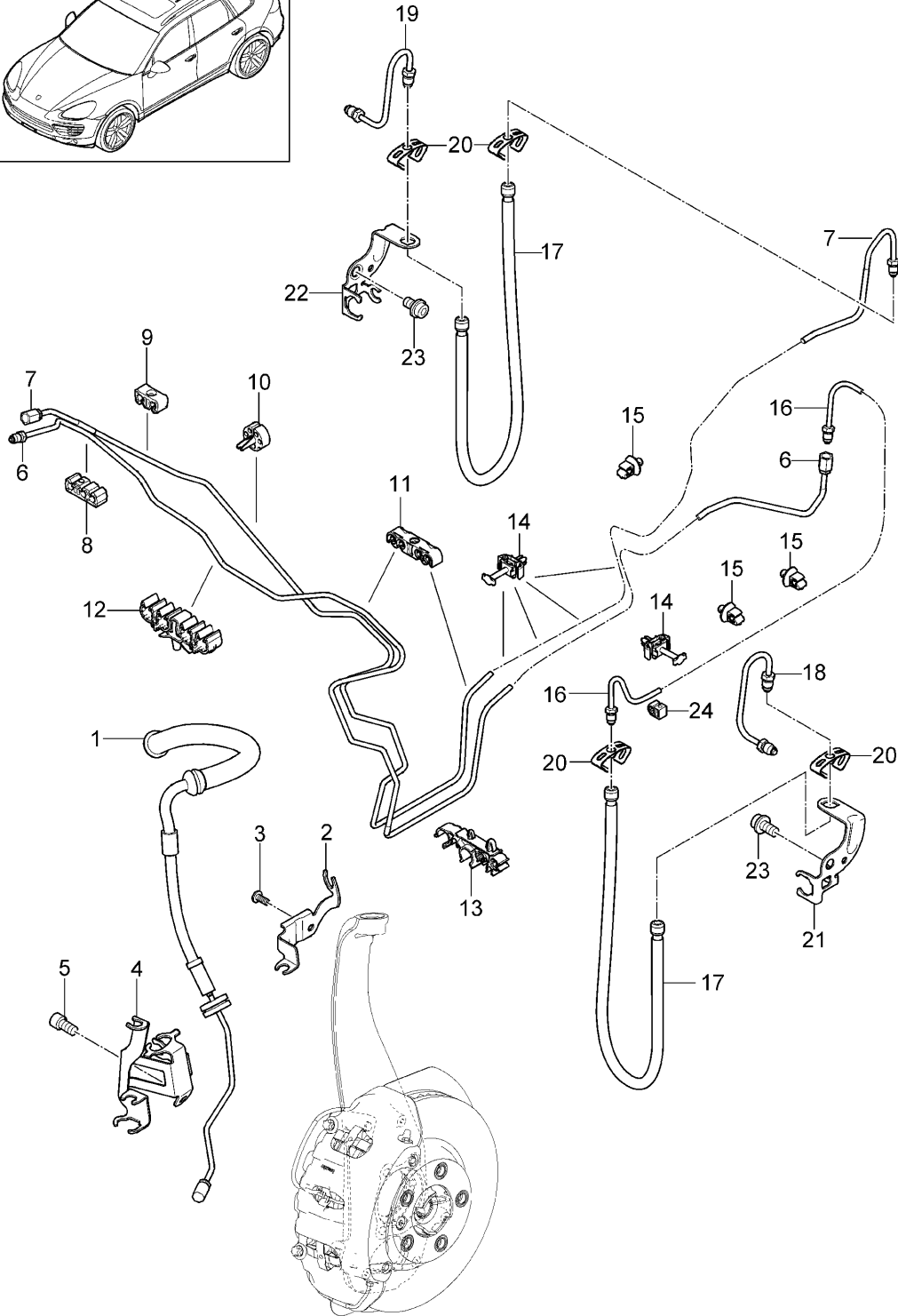
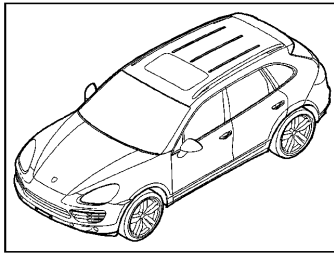


Model: 92A 11 Model life 2011>>2018

| Pos | Part Number    | Description  | Remark | Qty | Model                      |
|-----|----------------|--|--------|-----|----------------------------|
| 1   | 958 355 316 00 | Brake lines<br>Front end<br>Pressure line<br>Discontinued part |        | 1   |                            |
| (1) | 958 355 316 01 | Pressure line  |        | 1   |                            |
| 2   | 958 355 327 00 | Pressure line  |        | 1   |                            |
| 3   | 958 355 326 00 | Pressure line  |        | 1   |                            |
| (4) | 958 355 317 01 | Pressure line<br>Discontinued part                             |        | 1   |                            |
| (4) | 958 355 317 02 | Pressure line  |        | 1   |                            |
| (4) | 958 355 317 10 | Pressure line  |        | 1   | PR:DD8                     |
| -   | N 102 810 02   | Bracket  |        | 1   | HYBRID<br>PR:D19<br>PR:L0L |
| 5   | 958 355 309 00 | Pressure line<br>Discontinued part                             | lhd    | 1   |                            |
| (5) | 958 355 309 01 | Pressure line  | lhd    | 1   | PR:L0L                     |
| (5) | 958 355 309 20 | Pressure line<br>Discontinued part                             | rhd    | 1   | PR:L0R                     |
| (5) | 958 355 309 21 | Pressure line  | rhd    | 1   | PR:L0R                     |
| 6   | 958 355 313 00 | Pressure line  | lhd    | 1   | PR:L0L                     |
| (6) | 958 355 313 20 | Pressure line  | rhd    | 1   | PR:L0R                     |
| 7   | 958 355 797 05 | Bracket<br>Triple  |        | 2   |                            |
| 8   | 958 355 769 02 | Grommet  |        | 1   |                            |
| 9   | WHT 005 408    | Retainer for brake pipe<br>Discontinued part                   |        | 3   |                            |
| (9) | 955 355 547 20 | Line holder  |        | 3   |                            |
| 10  | 955 355 542 10 | Line holder  |        | 1   |                            |
| 11  | N 102 810 02   | Bracket  |        | 2   |                            |
| 12  | 8K0 611 797 D  | Clip<br>Double   |        | 1   |                            |
| 13  | 955 355 546 01 | Line holder<br>Double  |        | 1   |                            |
| 14  | 955 355 550 00 | Distance piece   |        | 1   |                            |
| 15  | 955 355 325 00 | retaining spring   |        | 2   |                            |
| 16  | 8K0 611 797 E  | Brake line bracket   |        | 2   |                            |
| 17  | 8K0 611 797 B  | Bracket  | lhd    | 1   | PR:L0L                     |
| 18  | N 107 162 01   | Spacer ring  |        | 2   |                            |

Model: 92A 11

Model life 2011>>2018



Model: 92A 11 Model life 2011>>2018

| Pos | Part Number    | Description                                 | Remark     | Qty | Model       |
|-----|----------------|---|------------|-----|-------------|
| -   |                | Brake lines                                 |            |     |             |
|     |                | Front axle                                  |            |     |             |
|     |                | Underbody                                   |            |     |             |
|     |                | Rear axle                                   |            |     |             |
|     |                | Front axle                                  |            |     |             |
| 1   | 958 355 581 00 | Brake hose                                  | left       | 1   | PR:1LH,1LN, |
|     |                | D >> - MJ 2012                              |            |     |             |
|     |                | Discontinued part                           |            |     |             |
| (1) | 958 355 581 01 | Brake hose                                  | left       | 1   | PR:1LH,1LN, |
|     |                | D >> - MJ 2012                              |            |     | 1LY         |
| (1) | 958 355 581 01 | Brake hose                                  | left       | 1   | PR:1LH,1LN, |
|     |                | D - MJ 2013>>                               |            |     |             |
| (1) | 958 355 581 01 | Brake hose                                  | left       | 1   | PR:1ZA,1ZB  |
|     |                | D - MJ 2015>>                               |            |     |             |
| (1) | 958 355 581 50 | Brake hose                                  | left       | 1   | PR:1LX      |
|     |                | D >> - MJ 2014                              |            |     |             |
| (1) | 958 355 581 55 | Brake hose                                  | left       | 1   | PR:1LV      |
|     |                | Discontinued part                           |            |     |             |
| (1) | 958 355 581 56 | Brake hose                                  | left       | 1   | PR:1LV      |
| (1) | 958 355 581 57 | Brake hose                                  | left       | 1   | PR:1LT      |
| (1) | 958 355 582 00 | Brake hose                                  | right      | 1   | PR:1LH,1LN, |
|     |                | D >> - MJ 2012                              |            |     |             |
| (1) | 958 355 582 01 | Brake hose                                  | right      | 1   | PR:1LH,1LN, |
|     |                | D - MJ 2013>>                               |            |     |             |
| (1) | 958 355 582 01 | Brake hose                                  | right      | 1   | PR:1ZA,1ZB  |
|     |                | D - MJ 2015>>                               |            |     |             |
| (1) | 958 355 582 50 | Brake hose                                  | right      | 1   | PR:1LX      |
|     |                | D >> - MJ 2014                              |            |     |             |
| (1) | 958 355 582 55 | Brake hose                                  | right      | 1   | PR:1LV      |
|     |                | Discontinued part                           |            |     |             |
| (1) | 958 355 582 56 | Brake hose                                  | right      | 1   | PR:1LV      |
| (1) | 958 355 582 57 | Brake hose                                  | right      | 1   | PR:1LT      |
| 2   | 958 355 513 01 | Retainer for brake hose                     | left       | 1   |             |
|     |                | Discontinued part                           |            |     |             |
| (2) | 958 355 513 02 | Retainer for brake hose                     | left       | 1   |             |
| (2) | 958 355 514 01 | Retainer for brake hose                     | right      | 1   |             |
|     |                | Discontinued part                           |            |     |             |
| (2) | 958 355 514 02 | Retainer for brake hose                     | right      | 1   |             |
| 3   | N 103 352 06   | Hexagon socket flat head bolt               |            | 2   |             |
|     |                | M6 X 12                                     |            |     |             |
| 4   | 958 612 627 00 | Cable holder                                | left       | 1   |             |
|     |                | Discontinued part                           |            |     |             |
| (4) | 958 612 627 01 | Cable holder                                | left       | 1   |             |
| (4) | 958 612 628 00 | Line holder                                 | right      | 1   |             |
|     |                | Discontinued part                           |            |     |             |
| (4) | 958 612 628 01 | Cable holder                                | right      | 1   |             |
| 5   | N 903 086 07   | Socket head bolt with inner multipoint head |            | 2   |             |
|     |                | M8 X 14                                     |            |     |             |
| -   |                | Underbody                                   |            |     |             |
| 6   | 958 355 177 00 | Brake line                                  | left rear  | 1   |             |
|     |                | Discontinued part                           |            |     |             |
| (6) | 958 355 177 01 | Brake line                                  | left rear  | 1   |             |
| 7   | 958 355 178 00 | Brake line                                  | right rear | 1   |             |
|     |                | Discontinued part                           |            |     |             |
| (7) | 958 355 178 01 | Brake line                                  | right rear | 1   |             |
| -   | 958 355 180 00 | Spacer tube                                 |            | 1   | PR:1BK      |
|     |                | Brake line                                  |            |     |             |



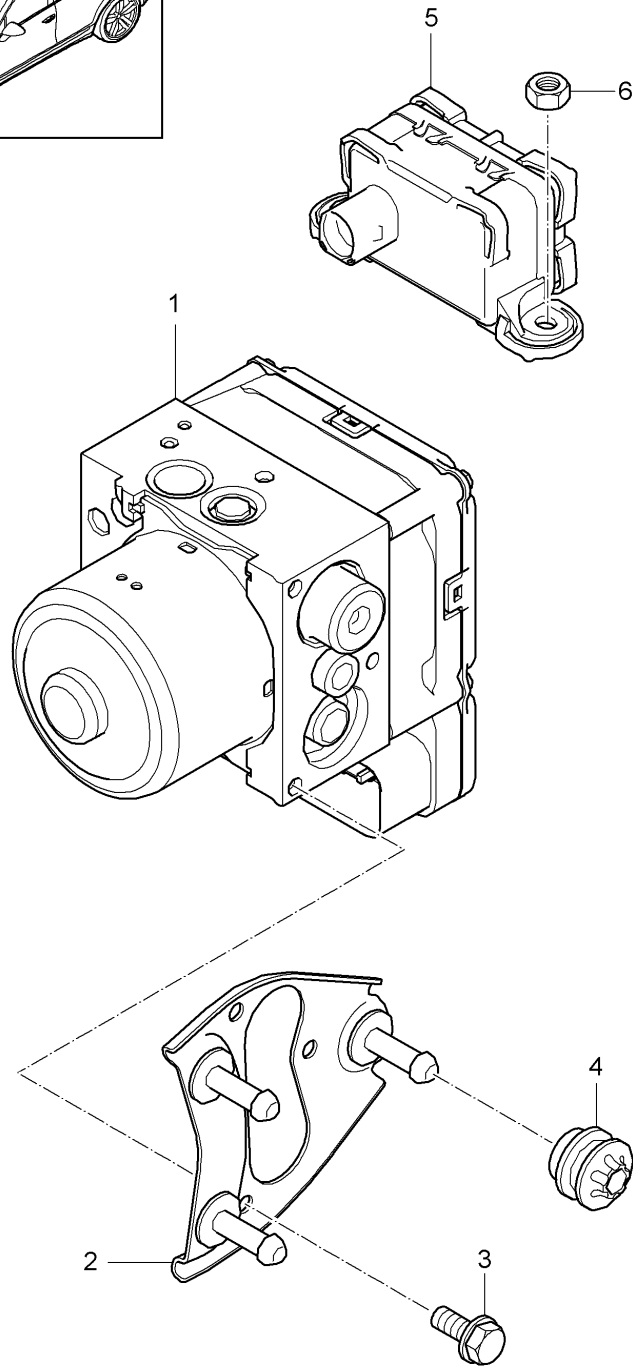
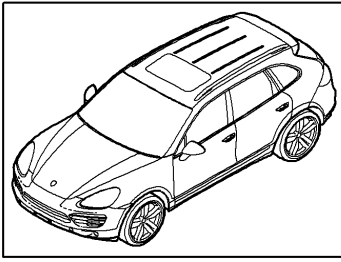
Model: 92A 11

Model life 2011>>2018

| Pos  | Part Number    | Description   | Remark       | Qty | Model |
|------|----------------|---|--------------|-----|-------|
| 8    | 8K0 611 797 E  | Brake line bracket<br>Triple                            |              | 1   |       |
| 9    | 8K0 611 797 D  | Clip<br>Double  |              | 1   |       |
| 10   | 955 355 550 00 | Distance piece  |              | 1   |       |
| 11   | 955 355 543 20 | Line holder   |              | 2   |       |
| 12   | 955 355 540 40 | Line holder   |              | 1   |       |
| 13   | 955 355 545 10 | Line holder   |              | 1   |       |
| 14   | 955 355 546 01 | Line holder   |              | 5   |       |
| 15   | WHT 005 408    | Retainer for brake pipe                                 |              | 3   |       |
| 16   | 958 355 189 00 | Brake line  | left<br>rear | 1   |       |
| (16) | 958 355 189 01 | Discontinued part<br>Brake line                         | left<br>rear | 1   |       |
| -    |                | Rear axle   |              |     |       |
| 17   | 958 355 060 00 | Brake hose  |              | 2   |       |
| 18   | 958 355 583 00 | Brake line  | left         | 1   |       |
| 19   | 958 355 584 00 | Brake line  | right        | 1   |       |
| 20   | 955 355 325 00 | retaining spring  |              | 4   |       |
| 21   | 958 355 505 00 | Retainer for brake hose                                 | left         | 1   |       |
| 22   | 958 355 506 00 | Retainer for brake hose                                 | right        | 1   |       |
| 23   | N 014 740 11   | Socket head bolt with<br>hexagon socket head<br>M6 X 16 |              | 2   |       |
| 24   | 95B 611 797    | Clip  |              | 1   |       |

Model: 92A 11

Model life 2011>>2018



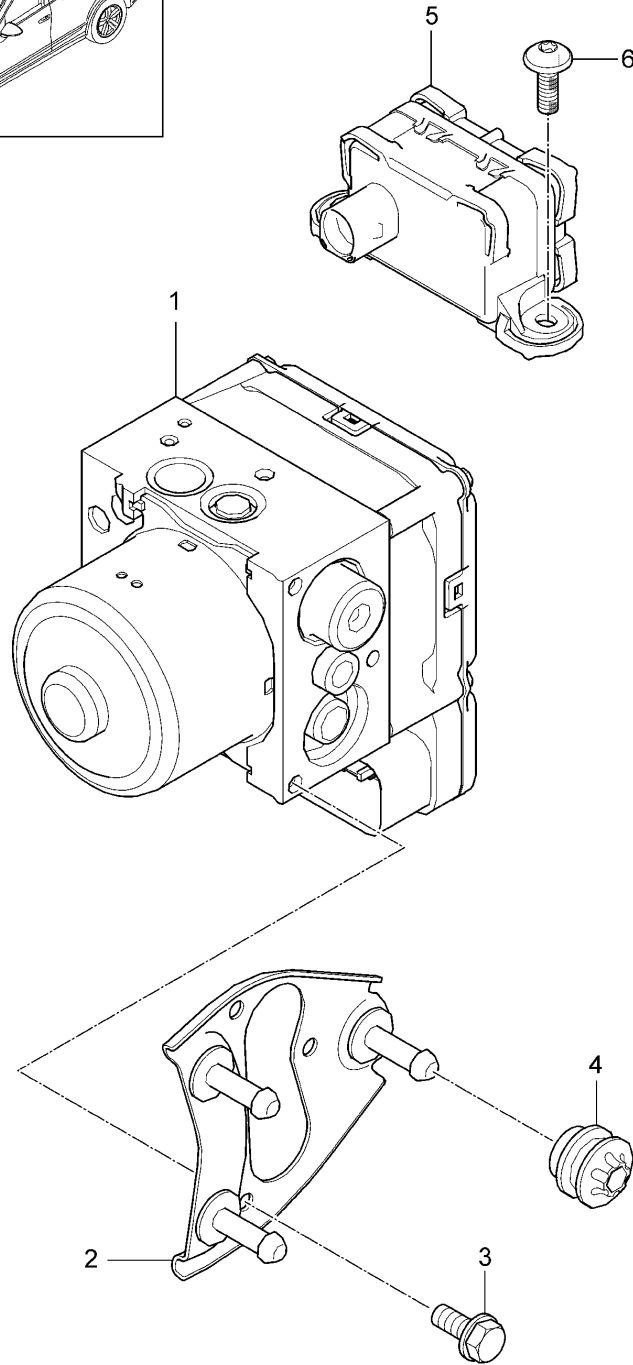
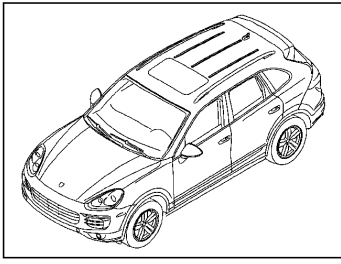
Model: 92A 11

Model life 2011>>2018

| Pos | Part Number    | Description  | Remark | Qty | Model  |
|-----|----------------|--|--------|-----|--------|
| 1   | 958 355 955 00 | Hydraulic unit<br>anti-locking brake syst. -abs-<br>Control<br>D >> - MJ 2014  |        | 1   |        |
| 1   | 958 355 955 03 | Hydraulic unit<br>F >> A2-CLA05 314<br>F >> 92-CLA64 561<br>F >> 92-CLA45 215<br>F >> 92-CLA82 229<br>F >> 92-CLA92 110<br>F >> 92-CLA28 225<br>D >> - MJ 2013 |        | 1   | PR:IY1 |
| 1   | 958 355 955 10 | Hydraulic unit<br>D - 05.11.2012>>   |        | 1   |        |
| 2   | 958 355 233 00 | Bracket  |        | 1   |        |
| 3   | N 107 591 01   | Hex collared bolt<br>M 6 X 12  |        | 3   |        |
| 4   | 958 355 177 10 | Stop buffer  |        | 3   |        |
| 5   | 958 606 145 00 | Sensor   |        | 1   |        |
| 6   | N 015 082 10   | Hexagon collar nut<br>M 6  |        | 2   |        |

Model: 92A 11

Model life 2011>>2018



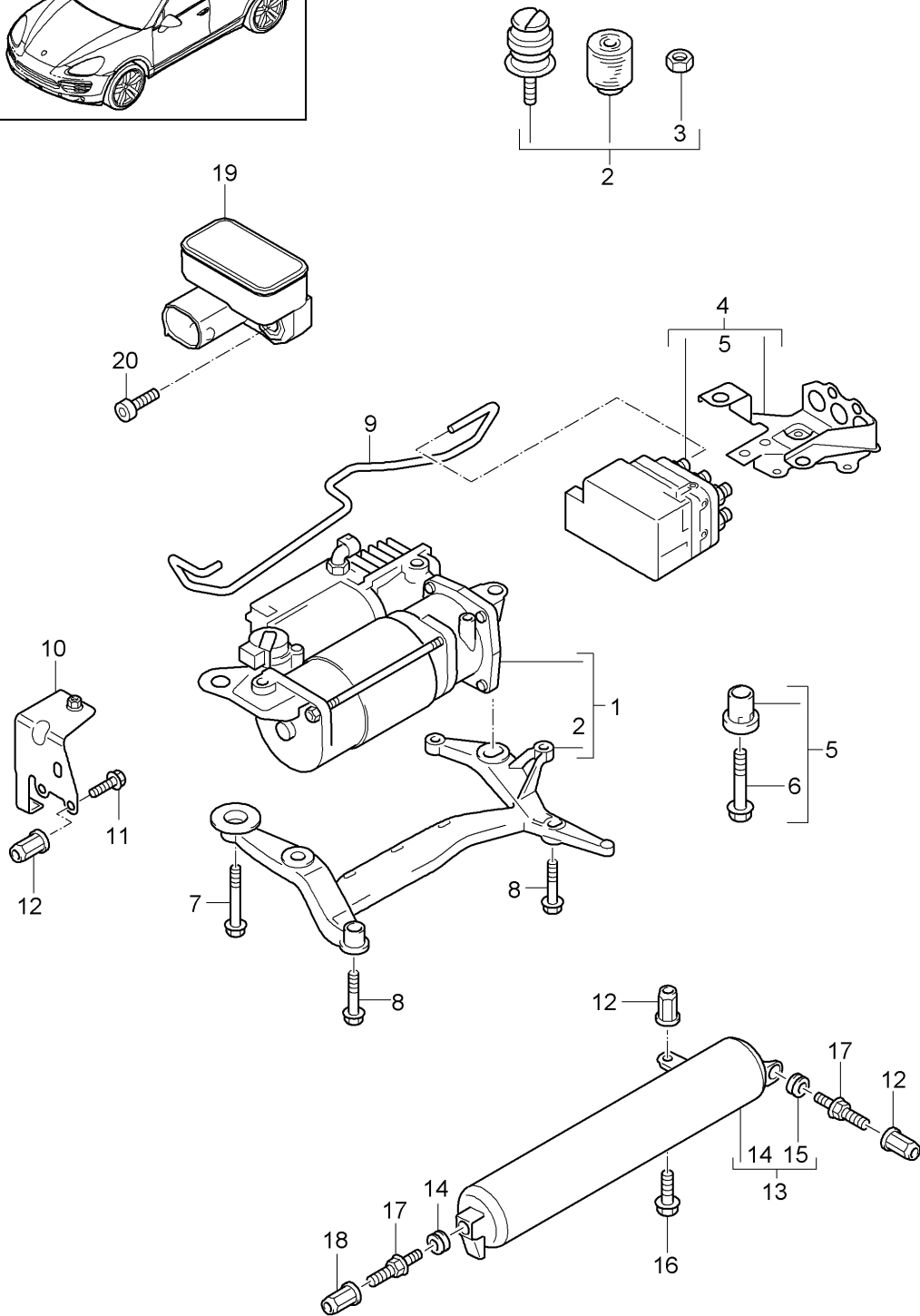
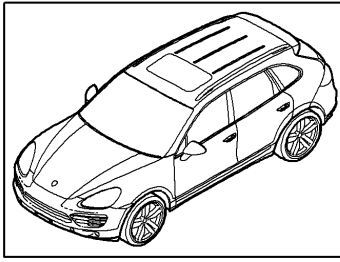
Model: 92A 11

Model life 2011&gt;&gt;2018

| Pos | Part Number    | Description  | Remark | Qty | Model  |
|-----|----------------|--|--------|-----|--------|
|     |                | Hydraulic unit<br>anti-locking brake syst. -abs-<br>Control<br>D - MJ 2015>> |        |     |        |
| 1   | 958 355 955 20 | Hydraulic unit<br>Discontinued part  |        | 1   | PR:8T1 |
| 1   | 958 355 955 22 | Hydraulic unit   |        | 1   | PR:8T1 |
| (1) | 958 355 955 30 | Hydraulic unit<br>Discontinued part  |        | 1   | PR:8T3 |
| (1) | 958 355 955 31 | Hydraulic unit<br>Discontinued part  |        | 1   | PR:8T3 |
| (1) | 958 355 955 32 | Hydraulic unit   |        | 1   | PR:8T3 |
| 2   | 958 355 233 00 | Bracket  |        | 1   |        |
| 3   | N 107 591 01   | Hex collared bolt<br>M 6 X 12  |        | 3   |        |
| 4   | 958 355 177 10 | Stop buffer  |        | 3   |        |
| 5   | 958 606 145 10 | Sensor   |        | 1   |        |
| 6   | N 107 148 01   | fillister head bolt with<br>multi-point socket head<br>M 6X18                |        | 2   |        |

Model: 92A 11

Model life 2011>>2018

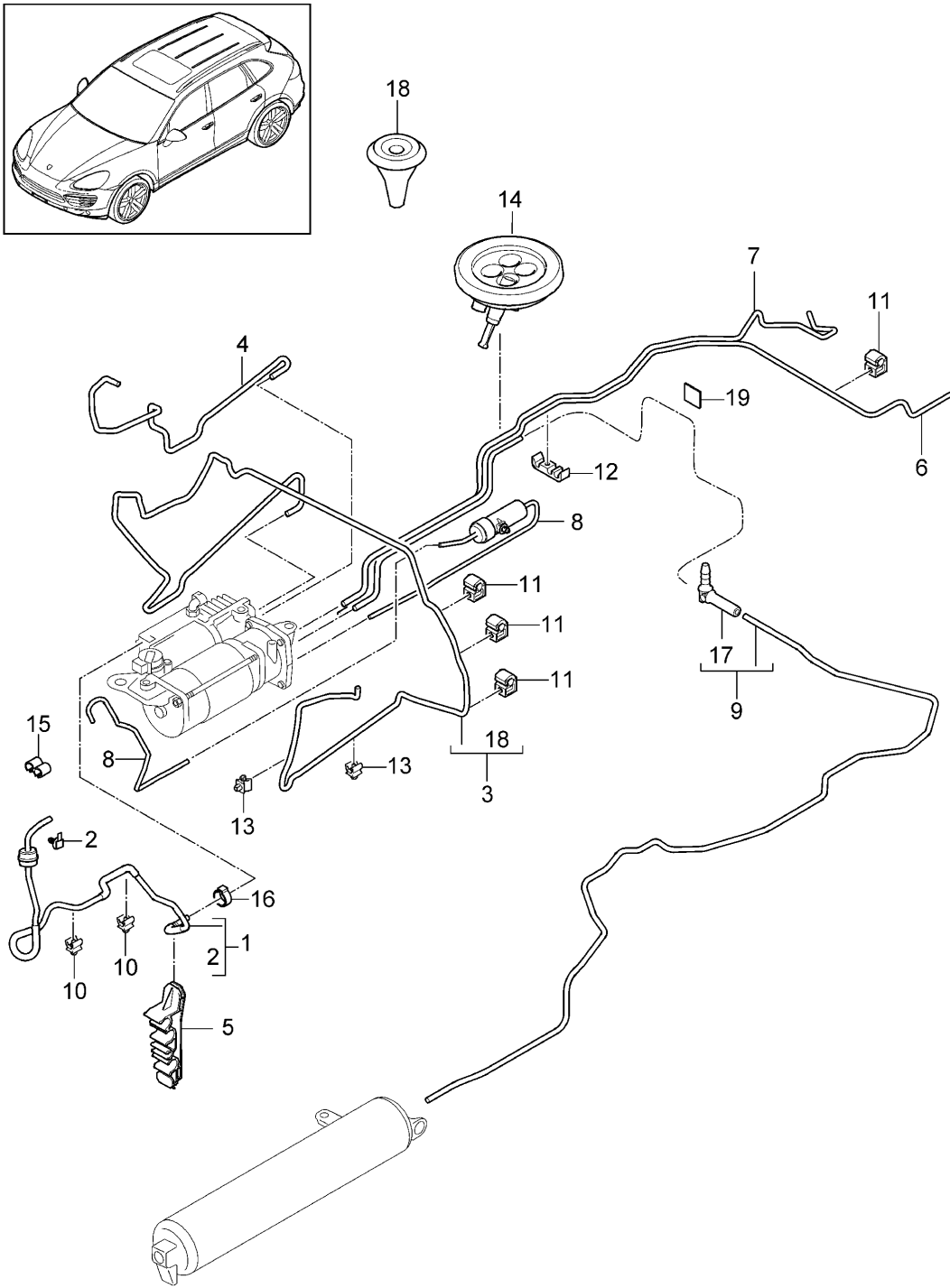


Model: 92A 11 Model life 2011>>2018

| Pos  | Part Number    | Description   | Remark  | Qty | Model  |
|------|----------------|---|---------|-----|--------|
|      |                | Adaptive suspension<br>Compressor<br>Pressure accumulator<br>Accelerator sensor<br>Compressor |         |     | PR:1BK |
| 1    | 958 358 901 00 | Compressor<br>with:   |         | 1   |        |
| 2    | 958 358 902 00 | Bracket<br>Set of fastening parts<br>for<br>Compressor  |         | 1   |        |
| 3    | N 023 002 12   | hexagon nut, self-locking<br>M 6  |         | 2   |        |
| 4    | 958 358 903 00 | Control mechanism<br>with:  |         | 1   |        |
| 5    | 955 358 904 00 | Bracket<br>Set of fastening parts<br>for<br>Control mechanism                                 |         | 1   |        |
| 6    | N 106 554 01   | Hex collared bolt<br>M 6 X 40   |         | 3   |        |
| 7    | N 106 902 01   | round hd. screw<br>M 8 X 70   |         | 1   |        |
| 8    | N 910 678 01   | bolt,hex.hd.with shoul.(combi)<br>M 8 X 45  |         | 2   |        |
| 9    | 958 358 050 00 | Pressure line<br>Compressor<br>Control mechanism  |         | 1   |        |
| 10   | 958 358 210 00 | Bracket   |         | 1   |        |
| 11   | N 909 210 02   | Hexagon bolt<br>M 8 X 22  |         | 3   |        |
| 12   | N 907 779 02   | rivetted cap nut<br>M 8   |         | 4   |        |
| 13   | 958 358 043 00 | Pressure accumulator  |         | 1   |        |
| -    | 958 358 127 00 | Cap closure   |         | 1   |        |
| -    | 955 358 540 00 | push-on connector<br>Pressure accumulator<br>Line   |         | 1   |        |
| 14   | 958 358 320 00 | Rubber bush   |         | 1   |        |
| 15   | 955 358 320 00 | Rubber mounting   |         | 1   |        |
| 16   | N 104 032 03   | Hexagon bolt<br>M 8 X 16  |         | 1   |        |
| 17   | WHT 001 832    | Hexagon bolt<br>M 8   |         | 2   |        |
| 18   | N 906 411 02   | rivetted cap nut with<br>sealing washer<br>M 8  |         | 1   |        |
| (18) | 999 500 121 02 | Discontinued part<br>rivetted cap nut<br>M 8  |         | 1   |        |
| 19   | 958 606 077 00 | Accelerator sensor<br>Body  | front   | 2   |        |
| 20   | N 101 961 03   | fillister head bolt with<br>multi-point socket head<br>M 6 X 18                               |         | 2   |        |
| -    |                | Hose clip   |         | 1   |        |
| -    |                | see illustration:<br>push-on connector  | 606-005 | 1   |        |
| -    |                | see illustration:   | 606-005 | 1   |        |

Model: 92A 11

Model life 2011>>2018





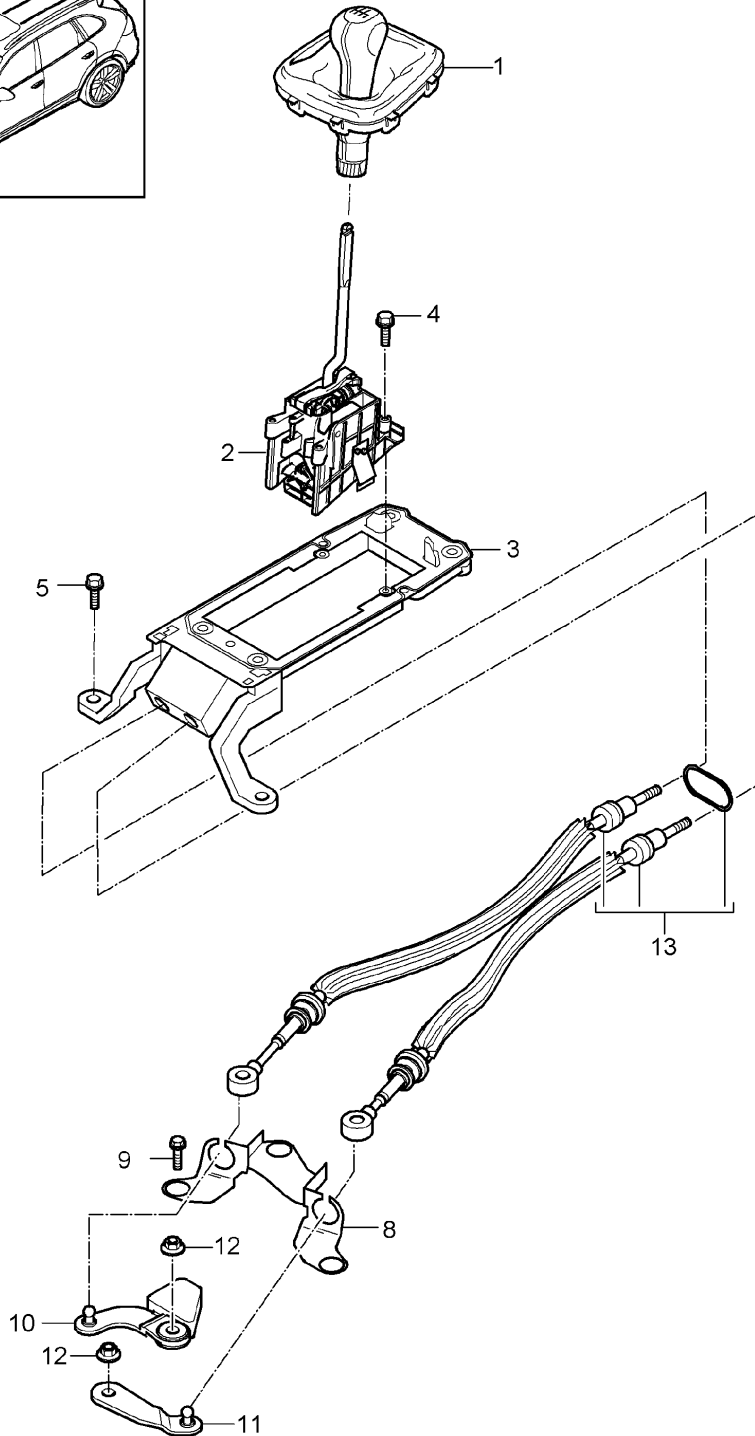
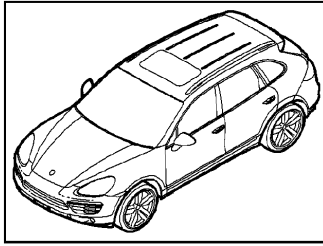
Model: 92A 11

Model life 2011&gt;&gt;2018

| Pos  | Part Number    | Description                  | Remark | Qty | Model  |
|------|----------------|------------------------------|--------|-----|--------|
|      |                | Adaptive suspension<br>Lines |        |     | PR:1BK |
| 1    | 958 358 045 01 | suction line                 |        | 1   |        |
|      |                | Air filter                   |        |     |        |
|      |                | Compressor                   |        |     |        |
| 2    | 955 358 521 00 | Retaining clip               |        | 1   |        |
|      |                | Air filter                   |        |     |        |
| 3    | 958 358 051 00 | Air line                     | left   | 1   |        |
|      |                | violet                       | front  |     |        |
|      |                | Discontinued part            |        |     |        |
| (3)  | 958 358 051 01 | Air line                     | left   | 1   |        |
|      |                | violet                       | front  |     |        |
|      |                | Discontinued part            |        |     |        |
| (3)  | 958 358 051 02 | Air line                     | left   | 1   |        |
|      |                | violet                       | front  |     |        |
| 4    | 958 358 054 00 | Air line                     | right  | 1   |        |
|      |                | green                        | front  |     |        |
| 5    | 958 359 510 00 | Hose bracket                 |        | 1   |        |
| 6    | 958 358 061 00 | Air line                     | left   | 1   |        |
|      |                | red                          | rear   |     |        |
| 7    | 958 358 062 00 | Air line                     | right  | 1   |        |
|      |                | yellow                       | rear   |     |        |
| 8    | 958 358 171 00 | Air line                     |        | 1   |        |
|      |                | Black                        |        |     |        |
|      |                | Exhaust                      |        |     |        |
| 9    | 958 358 067 00 | Air line                     |        | 1   |        |
|      |                | Black                        |        |     |        |
|      |                | Pressure accumulator         |        |     |        |
| 10   | N 909 435 01   | Hose bracket                 |        | 2   |        |
|      |                | 12 MM                        |        |     |        |
| 11   | 7PP 611 797    | Clip                         |        | 4   |        |
| 12   | 955 355 543 00 | Line holder                  |        | 1   |        |
| 13   | 955 511 645 00 | Clip                         |        | 1   |        |
| 14   | 958 358 047 00 | Grommet                      |        | 1   |        |
| 15   | 955 358 547 00 | Bracket                      |        | 7   |        |
| 16   | 999 512 457 00 | Ear crimp hose clamp         |        | 1   |        |
|      |                | 21 X 7 X 0,6                 |        |     |        |
| 17   | 955 358 541 00 | push-on connector            |        | 10  |        |
|      |                | M 10 X 1                     |        |     |        |
| (17) | 958 358 541 00 | Elbow fitting                |        | 1   |        |
|      |                | Air line                     |        |     |        |
|      |                | Compressor                   |        |     |        |
| 17   | 955 358 910 00 | push-on connector            |        | X   |        |
|      |                | repair set                   |        |     |        |
|      |                | Air line                     |        |     |        |
| 18   | 958 358 860 00 | Grommet                      |        | 4   |        |
| 19   | 7L5 827 925    | Velcro                       |        | 1   |        |

Model: 92A 11

Model life 2011>>2018



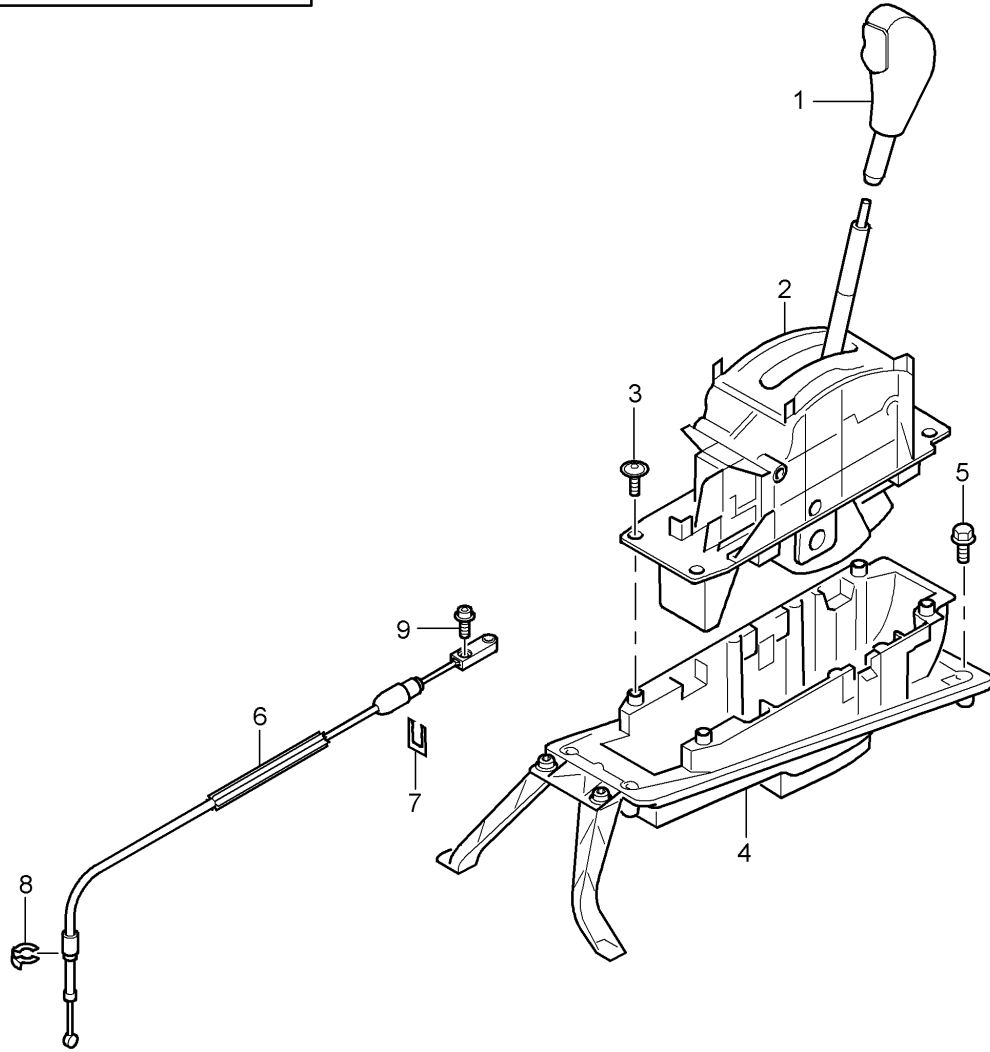
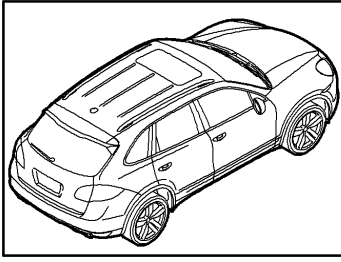
Model: 92A 11

Model life 2011>>2018

| Pos | Part Number        | Description  | Remark                                    | Qty | Model  |
|-----|--------------------|--|---|-----|--------|
|     |                    | Transmission control<br>Manual gearbox<br>D >> - MJ 2014 |   |     | PR:GOL |
| 1   | 958 424 075 00     | gearstick knob (leather)<br>No longer use the part here  |   | 1   |        |
|     | 958 424 075 00 PCN | Black  |   |     |        |
|     | 958 424 075 00 PCP | Silver mat chrome<br>Stone grey                          |   |     |        |
|     | 958 424 075 00 PCQ | Silver mat chrome<br>Havanna                             |   |     |        |
|     | 958 424 075 00 RLU | Silver mat chrome<br>Sand beige                          |   |     |        |
|     | 958 424 075 00 WPJ | Silver mat chrome<br>chestnut brown                      |   |     |        |
| 1   | 958 424 075 00     | Silver mat chrome<br>gearstick knob (leather)            |   | 1   |        |
|     | 958 424 075 00 DE1 | Umber  | -LF, TX, TY, YF                           |     |        |
|     | 958 424 075 00 7A0 | Platinum Grey  | -LD, MD, YD                               |     |        |
|     | 958 424 075 00 8C0 | Espresso   | -VA, VB                                   |     |        |
|     | 958 424 075 00 8YR | Black  | -LC, MA, TA, TB,<br>TW, YA, YB, YC,<br>77 |     |        |
|     | 958 424 075 00 9H6 | Luxor beige  | -LE, MC, YE                               |     |        |
| 2   | 958 424 010 00     | ball housing - gearshift lever                           |   | 1   |        |
| 3   | 958 424 031 00     | Support section  |   | 1   |        |
|     |                    | ball housing - gearshift lever                           |   |     |        |
| 4   | N 101 586 05       | bolt, hex.hd.with shoul.(combi)<br>M 6 X 20              |   | 4   |        |
| 5   | N 019 530 7        | Hex collared bolt<br>M 8 X 25                            |   | 4   |        |
| 8   | 7PP 711 789        | abutment   |   | 1   |        |
| 9   | N 101 069 05       | hexagon head bolt (combi)<br>M 8 X 32                    |   | 3   |        |
| 10  | 7PP 711 051        | gearshift lever  |   | 1   |        |
| 11  | 7PP 711 202        | relay lever  |   | 1   |        |
| 12  | N 907 611 03       | Hexagon collar nut<br>self-locking<br>M 6 X 20           |   | 2   |        |
| 13  | 958 424 041 00     | Cable<br>Set   |   | 1   |        |
|     |                    | Seal   | with:                                     |     |        |

Model: 92A 11

Model life 2011>>2018



Model: 92A 11 Model life 2011>>2018

| Pos | Part Number        | Description                                   | Remark                                    | Qty | Model  |
|-----|--------------------|---|---|-----|--------|
|     |                    | selector lever<br>Tiptronic<br>D >> - MJ 2014 |   |     | PR:G1G |
| 1   | 958 426 069 00     | gearstick knob (leather)                      |   | 1   | PR:6Q2 |
|     | 958 426 069 00 DE1 | Umber   | -LF, TX, TY, YF                           |     |        |
|     | 958 426 069 00 7A0 | Platinum Grey                                 | -LD, MD, YD                               |     |        |
|     | 958 426 069 00 8C0 | Espresso                                      | -VA, VB                                   |     |        |
|     | 958 426 069 00 8YR | Black   | -LC, MA, TA, TB,<br>TW, YA, YB, YC,<br>77 |     |        |
| (1) | 958 426 069 00 9H6 | Luxor beige                                   | -LE, MC, YE                               |     |        |
|     | 958 426 069 10     | gearstick knob<br>Walnut, high-gloss          |   | 1   | PR:6Q8 |
|     | 958 426 069 10 DE1 | Highly polished walnut root/<br>umbra         | -LF, TX, TY, YF                           |     |        |
|     | 958 426 069 10 7A0 | Highly polished walnut root/<br>platinum grey | -LD, MD, YD                               |     |        |
|     | 958 426 069 10 8C0 | Highly polished walnut root/<br>espresso      | -VA, VB                                   |     |        |
|     | 958 426 069 10 8YR | Highly polished walnut root/<br>black         | -LC, MA, TA, TB,<br>TW, YA, YB, YC,<br>77 |     |        |
|     | 958 426 069 10 9H6 | Highly polished walnut root/<br>luxor beige   | -LE, MC, YE                               |     |        |
| (1) | 958 426 069 20     | gearstick knob<br>Swedish Birch               |   | 1   | PR:6Q3 |
|     | 958 426 069 20 DE1 | Swedish birch/umbra                           | -LF, TX, TY, YF                           |     |        |
|     | 958 426 069 20 7A0 | Swedish birch/platinum grey                   | -LD, MD, YD                               |     |        |
|     | 958 426 069 20 8C0 | Swedish birch/espresso                        | -VA, VB                                   |     |        |
|     | 958 426 069 20 8YR | Swedish birch/black                           | -LC, MA, TA, TB,<br>TW, YA, YB, YC,<br>77 |     |        |
| (1) | 958 426 069 20 9H6 | Swedish birch/luxor beige                     | -LE, MC, YE                               |     |        |
|     | 958 426 069 30     | gearstick knob<br>Super-matt olive ash burl   |   | 1   | PR:7F7 |
|     | 958 426 069 30 DE1 | Light matt olive wood/umbra                   | -LF, TX, TY, YF                           |     |        |
|     | 958 426 069 30 7A0 | Light matt olive wood/<br>platinum grey       | -LD, MD, YD                               |     |        |
|     | 958 426 069 30 8C0 | Light matt olive wood/espresso                | -VA, VB                                   |     |        |
|     | 958 426 069 30 8YR | Light matt olive wood/black                   | -LC, MA, TA, TB,<br>TW, YA, YB, YC,<br>77 |     |        |
|     | 958 426 069 30 9H6 | Light matt olive wood/<br>luxor beige         | -LE, MC, YE                               |     |        |
| (1) | 958 426 069 40     | gearstick knob<br>Carbon                      |   | 1   | PR:6Q4 |
|     | 958 426 069 40 DE1 | Umber   | -LF, TX, TY, YF                           |     |        |
|     | 958 426 069 40 7A0 | Platinum Grey                                 | -LD, MD, YD                               |     |        |
|     | 958 426 069 40 8C0 | Espresso                                      | -VA, VB                                   |     |        |
|     | 958 426 069 40 8YR | Black   | -LC, MA, TA, TB,<br>TW, YA, YB, YC,<br>77 |     |        |
| (1) | 958 426 069 40 9H6 | Luxor beige                                   | -LE, MC, YE                               |     |        |
|     | 958 044 700 00     | selector lever<br>aluminium                   |   | 1   | PR:6Q7 |
|     | 958 044 700 00 DE1 | Umber   | -LF, TX, TY, YF                           |     |        |
|     | 958 044 700 00 7A0 | Platinum Grey                                 | -LD, MD, YD                               |     |        |
|     | 958 044 700 00 8C0 | Espresso                                      | -VA, VB                                   |     |        |
|     | 958 044 700 00 8YR | Black   | -LC, MA, TA, TB,<br>TW, YA, YB, YC,<br>77 |     |        |
| (1) | 958 044 700 00 9H6 | Luxor beige                                   | -LE, MC, YE                               |     |        |
|     | 958 426 069 50     | gearstick knob                                |   | 1   | PR:7F2 |

Model: 92A 11 Model life 2011>>2018

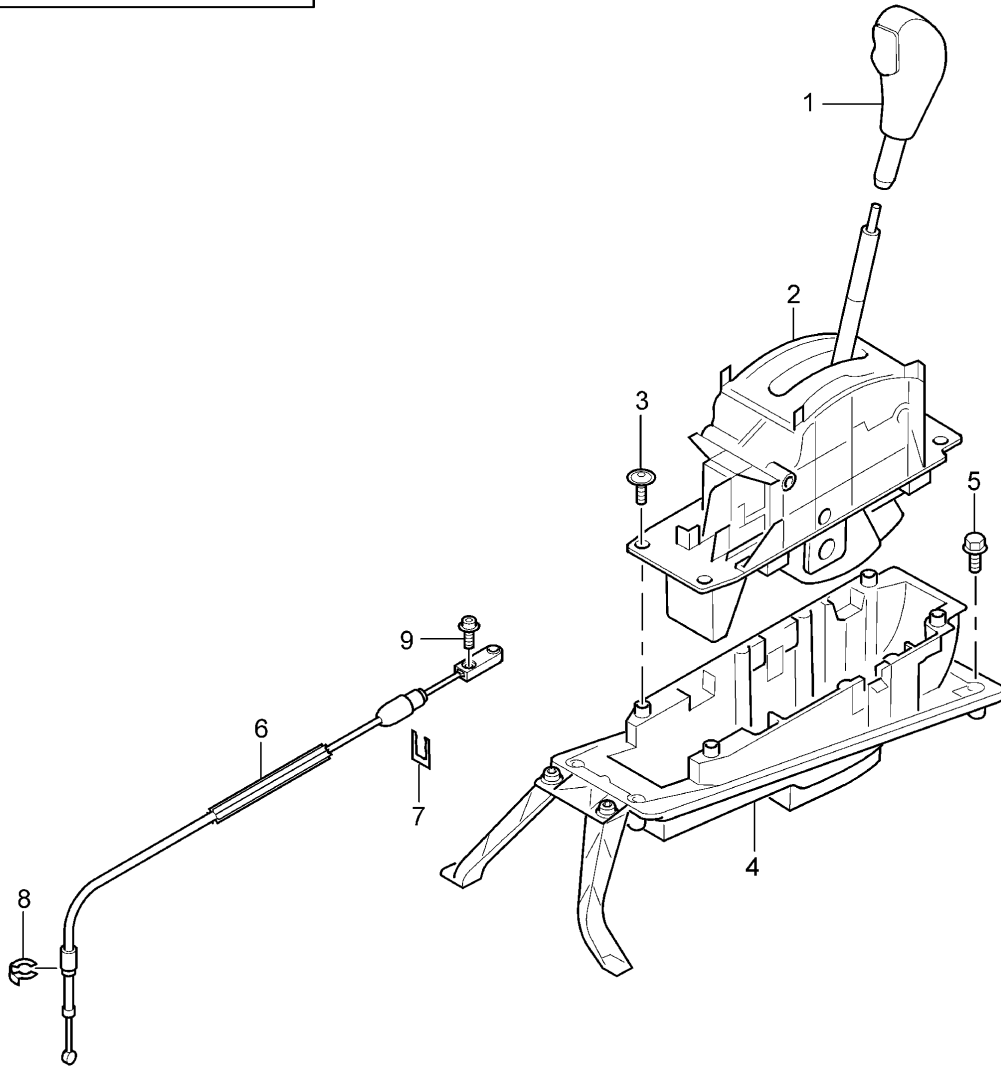
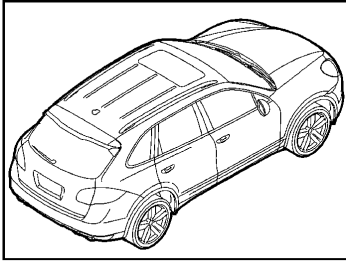
| Pos | Part Number        | Description  | Remark                                    | Qty | Model                                      |
|-----|--------------------|--|---|-----|--|
|     |                    | mahagoni<br>D - MJ 2012>>  |   |     |  |
|     | 958 426 069 50 DE1 | Mahogany/umbra   | -LF, TX, TY, YF                           |     |  |
|     | 958 426 069 50 7A0 | Mahogany/platinum grey   | -LD, MD, YD                               |     |  |
|     | 958 426 069 50 8C0 | Mahogany/espresso  | -VA, VB                                   |     |  |
|     | 958 426 069 50 8YR | Black  | -LC, MA, TA, TB,<br>TW, YA, YB, YC,<br>77 |     |  |
| 2   | 958 426 069 50 9H6 | Mahogany/luxor beige   | -LE, MC, YE                               | 1   | PR:D34                                     |
|     | 958 426 093 00     | Support<br>F >> 92-BLA05 973<br>Discontinued part  |   |     |  |
| 2   | 958 426 093 10     | Support<br>F 92-BLA05 974>><br>for vehicles up to<br>F >> 92-BLA05 973   |   | 1   | PR:D34                                     |
| 2   | 958 426 093 00     | Support<br>F >> 92-BLA51 434<br>F >> 92-BLA86 078<br>F >> 92-BLA93 237<br>Discontinued part  | 958 426 033 11<br>also use:               | 1   | PR:D6V, D58,<br>D19                        |
| 2   | 958 426 093 10     | Support<br>F 92-BLA51 435>><br>F 92-BLA86 079>><br>F 92-BLA93 238>><br>for vehicles up to<br>F >> 92-BLA51 434<br>F >> 92-BLA86 078<br>F >> 92-BLA93 237 |   | 1   |  |
| 2   | 958 426 093 00     | Support<br>F >> 92-BLA51 434<br>F >> 92-BLA86 078<br>F >> 92-BLA93 237<br>Discontinued part  | 958 426 033 01<br>also use:               | 1   | PR:D6V, D58,<br>D19<br>PR:D50, D1V,<br>D43 |
| 2   | 958 426 093 10     | Support<br>F 92-BLA30 746>><br>F 92-BLA30 914>><br>for vehicles up to<br>F >> 92-BLA30 745<br>F >> 92-BLA30 913  |   | 1   | PR:D50, D1V,<br>D43                        |
| 2   | 958 426 093 00     | Support<br>F >> 92-BLA30 745<br>F >> 92-BLA30 913<br>Discontinued part   | 958 426 033 21<br>also use:               | 1   | PR:D11                                     |
| 2   | 958 426 093 10     | Support<br>F 92-BLA63 371>><br>for vehicles up to<br>F >> 92-BLA63 370   |   | 1   | PR:D11                                     |
| 2   | 958 426 093 10     | Support  | 958 426 033 30<br>also use:               | 1   | PR:DD8                                     |
| 3   | N 101 586 05       | bolt, hex. hd. with shoul. (combi)<br>M 6 X 20   |   | 4   |  |
| -   | WHT 000 140 A      | Socket head bolt<br>Cable<br>M 6 X 12  |   | 1   |  |
| 4   | 958 426 095 00     | Support section  |   | 1   |  |
| 5   | N 019 530 7        | Hex collared bolt<br>M 8 X 25  |   | 4   |  |

Model: 92A 11 Model life 2011>>2018

| Pos | Part Number    | Description  | Remark  | Qty | Model              |
|-----|----------------|--|---------|-----|--------------------|
| 6   | 958 426 033 00 | Cable<br>F >> 92-BLA51 434<br>F >> 92-BLA86 078<br>F >> 92-BLA93 237 |         | 1   | PR:D6V,D58,<br>D19 |
| 6   | 958 426 033 01 | Cable<br>F 92-BLA51 435>><br>F 92-BLA86 079>><br>F 92-BLA93 238>>    |         | 1   | PR:D6V,D58,<br>D19 |
| (6) | 958 426 033 10 | Cable<br>F >> 92-BLA05 973   |         | 1   | PR:D34             |
| (6) | 958 426 033 11 | Cable<br>F 92-BLA05 974>>  |         | 1   | PR:D34             |
| (6) | 958 426 033 20 | Cable<br>F >> 92-BLA30 745<br>F >> 92-BLA30 913                      |         | 1   | PR:D50,D1V,<br>D43 |
| (6) | 958 426 033 21 | Cable<br>F 92-BLA30 746>><br>F 92-BLA30 914>>                        |         | 1   | PR:D50,D1V,<br>D43 |
| (6) | 958 426 033 21 | Cable  |         | 1   | PR:D50,D1V,<br>D43 |
| (6) | 958 426 033 31 | Cable<br>F >> 92-BLA63 370   |         | 1   | PR:D11             |
| (6) | 958 426 033 30 | Cable<br>F 92-BLA63 371>>  |         | 1   | PR:D11             |
| (6) | 958 426 033 40 | Cable  |         | 1   | PR:DD8             |
| 7   | 958 426 093 50 | securing clip<br>for   |         | 1   |                    |
| -   | 958 426 093 00 | Support  |         | 1   |                    |
| (7) | 958 426 093 55 | securing clip<br>for   |         | 1   |                    |
| -   | 958 426 093 10 | Support  |         | 1   |                    |
| 8   | 955 424 411 01 | Securing bars  |         | 1   |                    |
| 9   | WHT 000 140 A  | Socket head bolt<br>M 6 X 12   |         | 1   |                    |
| -   |                | abutment<br>and<br>selector lever<br>see illustration:               | 320-010 |     |                    |

Model: 92A 11

Model life 2011>>2018





Model: 92A 11 Model life 2011>>2018

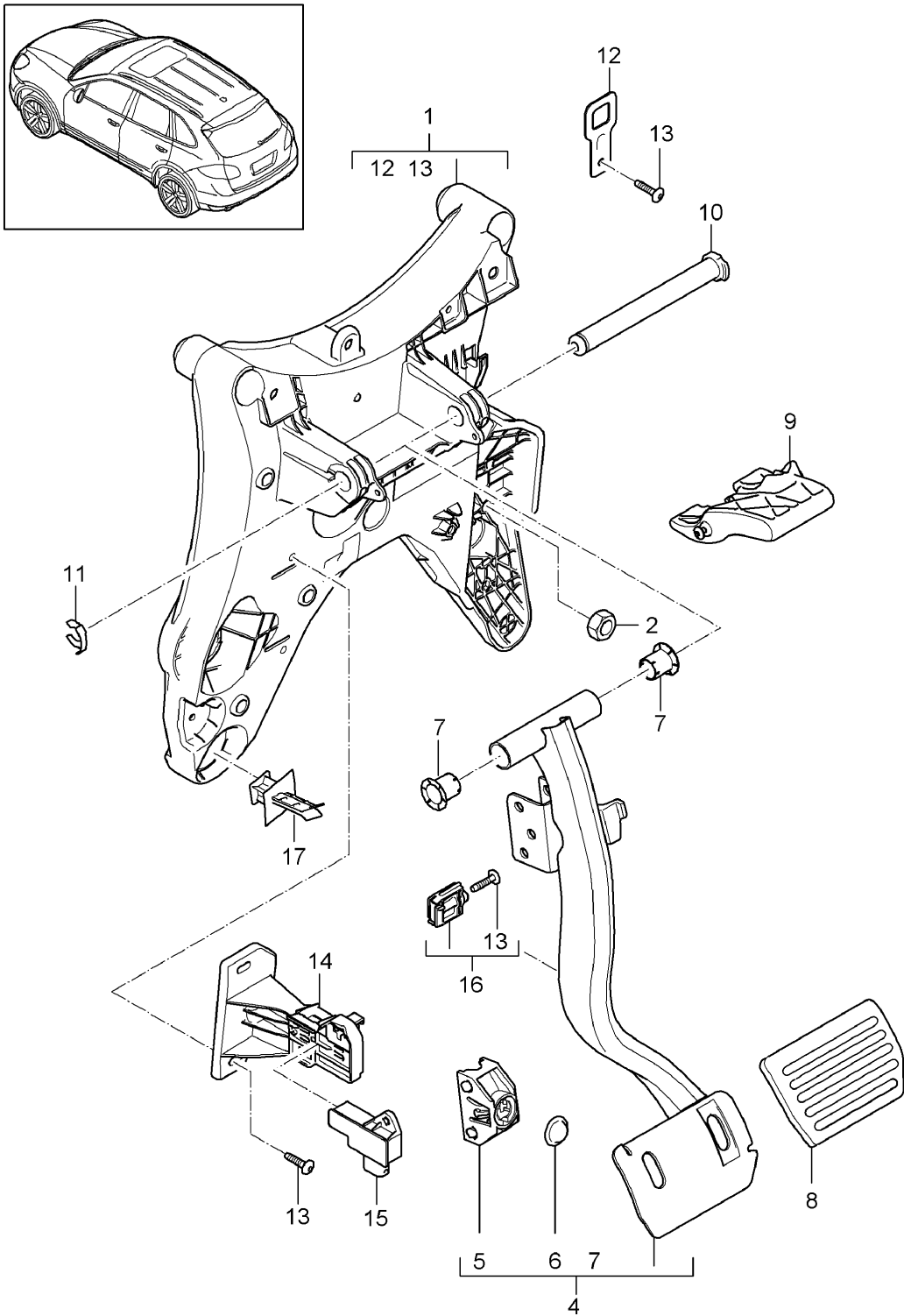
| Pos | Part Number        | Description                                  | Remark  | Qty | Model  |
|-----|--------------------|--|---|-----|--------|
|     |                    | selector lever<br>Tiptronic<br>D - MJ 2015>> |   |     | PR:G1G |
| 1   | 958 426 069 00     | gearstick knob (leather)                     |   | 1   | PR:6Q2 |
|     | 958 426 069 00 OK6 | saddle brown                                 | -ME, MH, MJ, MK                               |     |        |
|     | 958 426 069 00 PL1 | agate grey                                   | -MB, MG, ML                                   |     |        |
|     | 958 426 069 00 8C0 | Espresso                                     | -VA, VB                                       |     |        |
|     | 958 426 069 00 8YR | Black  | -LC, LG, LH, MA,<br>MF, MI, TA, YA,<br>YC, 77 |     |        |
| (1) | 958 426 069 00 9H6 | Luxor beige                                  | -LE, MC, YE                                   |     |        |
|     | 958 426 069 20     | gearstick knob<br>Swedish Birch              |   | 1   | PR:6Q3 |
|     | 958 426 069 20 OK6 | Swedish birch/saddle brown                   | -ME, MH, MJ, MK                               |     |        |
|     | 958 426 069 20 PL1 | Swedish birch/agate grey                     | -MB, MG, ML                                   |     |        |
|     | 958 426 069 20 8C0 | Swedish birch/espresso                       | -VA, VB                                       |     |        |
|     | 958 426 069 20 8YR | Swedish birch/black                          | -LC, LG, 77, MA,<br>MF, MI, TA, YA,<br>YC     |     |        |
| (1) | 958 426 069 20 9H6 | Swedish birch/luxor beige                    | -LE, MC, YE                                   |     |        |
|     | 958 426 069 30     | gearstick knob<br>Super-matt olive ash burl  |   | 1   | PR:7F7 |
|     | 958 426 069 30 OK6 | Light matt olive wood/<br>saddle brown       | -ME, MH, MJ, MK                               |     |        |
|     | 958 426 069 30 PL1 | Light matt olive wood/<br>agate grey         | -MB, MG, ML                                   |     |        |
|     | 958 426 069 30 8C0 | Light matt olive wood/espresso               | -VA, VB                                       |     |        |
|     | 958 426 069 30 8YR | Light matt olive wood/black                  | -LC, LG, LH, MA,<br>MF, MI, TA, YA,<br>YC, 77 |     |        |
| (1) | 958 426 069 30 9H6 | Light matt olive wood/<br>luxor beige        | -LE, MC, YE                                   |     |        |
|     | 958 426 069 40     | gearstick knob<br>Carbon                     |   | 1   | PR:6Q4 |
|     | 958 426 069 40 OK6 | saddle brown                                 | -ME, MH, MJ, MK                               |     |        |
|     | 958 426 069 40 PL1 | agate grey                                   | -MB, MG, ML                                   |     |        |
|     | 958 426 069 40 8C0 | Espresso                                     | -VA, VB                                       |     |        |
|     | 958 426 069 40 8YR | Black  | -LC, LG, LH, MA,<br>MF, MI, TA, YA,<br>YC, 77 |     |        |
| (1) | 958 426 069 40 9H6 | Luxor beige                                  | -LE, MC, YE                                   |     |        |
|     | 958 426 069 50     | gearstick knob<br>mahagoni                   |   | 1   | PR:7F2 |
|     | 958 426 069 50 OK6 | Mahogany/saddle brown                        | -ME, MH, MJ, MK                               |     |        |
|     | 958 426 069 50 PL1 | Mahogany/agate grey                          | -MB, MG, ML                                   |     |        |
|     | 958 426 069 50 8C0 | Mahogany/espresso                            | -VA, VB                                       |     |        |
|     | 958 426 069 50 8YR | Black  | -LC, LG, LH, MA,<br>MF, MI, TA, YA,<br>YC, 77 |     |        |
| (1) | 958 426 069 50 9H6 | Mahogany/luxor beige                         | -LE, MC, YE                                   |     |        |
|     | 958 426 069 60     | gearstick knob<br>American Walnut            |   | 1   | PR:7F3 |
|     | 958 426 069 60 OK6 | American walnut root/<br>saddle brown        | -ME, MH, MJ, MK                               |     |        |
|     | 958 426 069 60 PL1 | American walnut root/<br>agate grey          | -MB, MG, ML                                   |     |        |
|     | 958 426 069 60 8C0 | American walnut root/<br>espresso            | -VA, VB                                       |     |        |
|     | 958 426 069 60 8YR | American walnut root/<br>black               | -LC, LG, LH, MA,<br>MF, MI, TA, YA,<br>YC, 77 |     |        |
|     | 958 426 069 60 9H6 | American walnut root/<br>luxor beige         | -LE, MC, YE                                   |     |        |

Model: 92A 11 Model life 2011>>2018

| Pos | Part Number        | Description  | Remark  | Qty | Model                         |
|-----|--------------------|--|---|-----|-------------------------------|
| (1) | 958 044 700 00     | selector lever<br>aluminium                            |   | 1   | PR:6Q7                        |
|     | 958 044 700 00 OK6 | saddle brown   | -ME, MH, MJ, MK                               |     |                               |
|     | 958 044 700 00 PL1 | agate grey   | -MB, MG, ML                                   |     |                               |
|     | 958 044 700 00 8C0 | Espresso   | -VA, VB                                       |     |                               |
|     | 958 044 700 00 8YR | Black  | -LC, LG, LH, MA,<br>MF, MI, TA, YA,<br>YC, 77 |     |                               |
|     | 958 044 700 00 9H6 | Luxor beige  | -LE, MC, YE                                   |     |                               |
| 2   | 958 426 093 10     | Support  |   | 1   | PR:DT1                        |
|     |                    | also use:  | 958 426 033 01                                |     |                               |
| (2) | 958 426 093 10     | Support  |   | 1   | PR:D19                        |
| (2) | 958 426 093 10     | Support  |   | 1   | PR:D34                        |
|     |                    | also use:  | 958 426 033 11                                |     |                               |
| (2) | 958 426 093 10     | Support  |   | 1   | PR:DD7, D1V,<br>D43, D51, DV7 |
|     |                    | also use:  | 958 426 033 21                                |     |                               |
| (2) | 958 426 093 10     | Support  |   | 1   | PR:D11                        |
|     |                    | also use:  | 958 426 033 30                                |     |                               |
| (2) | 958 426 093 10     | Support  |   | 1   | PR:DU2, DU3                   |
|     |                    | also use:  | 958 426 033 35                                |     |                               |
| (2) | 958 426 093 10     | Support  |   | 1   | PR:DD8                        |
|     |                    | also use:  | 958 426 033 40                                |     |                               |
| 3   | N 101 586 05       | bolt, hex. hd. with shoul. (combi)<br>M 6 X 20         |   | 4   |                               |
| -   | WHT 000 140 A      | Socket head bolt<br>Cable<br>M 6 X 12                  |   | 1   |                               |
| 4   | 958 426 095 00     | Support section  |   | 1   |                               |
| 5   | N 019 530 7        | Hex collared bolt<br>M 8 X 25                          |   | 4   |                               |
| 6   | 958 426 033 01     | Cable<br>No longer use the part here                   |   | 1   | PR:D19                        |
| (6) | 958 426 033 50     | Cable  |   | 1   | PR:D19                        |
|     |                    | also use:  | 958 713 281 00                                | 1   |                               |
|     |                    | D >> - 10.05.2015                                      |   |     |                               |
| (6) | 958 426 033 51     | Cable<br>D - 11.05.2015>>                              |   | 1   | PR:D19                        |
| (6) | 958 426 033 01     | Cable  |   | 1   | PR:DT1, DT5                   |
| (6) | 958 426 033 11     | Cable  |   | 1   | PR:D34                        |
| (6) | 958 426 033 21     | Cable  |   | 1   | PR:DD7, D1V,<br>D43, D51      |
| (6) | 958 426 033 30     | Cable  |   | 1   | PR:D11                        |
| (6) | 958 426 033 35     | Cable  |   | 1   | PR:DU2, DU3                   |
| (6) | 958 426 033 40     | Cable  |   | 1   | PR:DD8                        |
| 7   | 958 426 093 55     | securing clip  |   | 1   |                               |
| 8   | 955 424 411 01     | Securing bars<br>D >> - MJ 2015                        |   | 1   |                               |
| (8) | 955 424 411 01     | Securing bars<br>D - MJ 2016>>                         |   | 1   | PR:-D19                       |
| 9   | WHT 000 140 A      | Socket head bolt<br>M 6 X 12                           |   | 1   |                               |
| -   |                    | abutment<br>and<br>selector lever<br>see illustration: | 320-010                                       |     |                               |

Model: 92A 11

Model life 2011>>2018

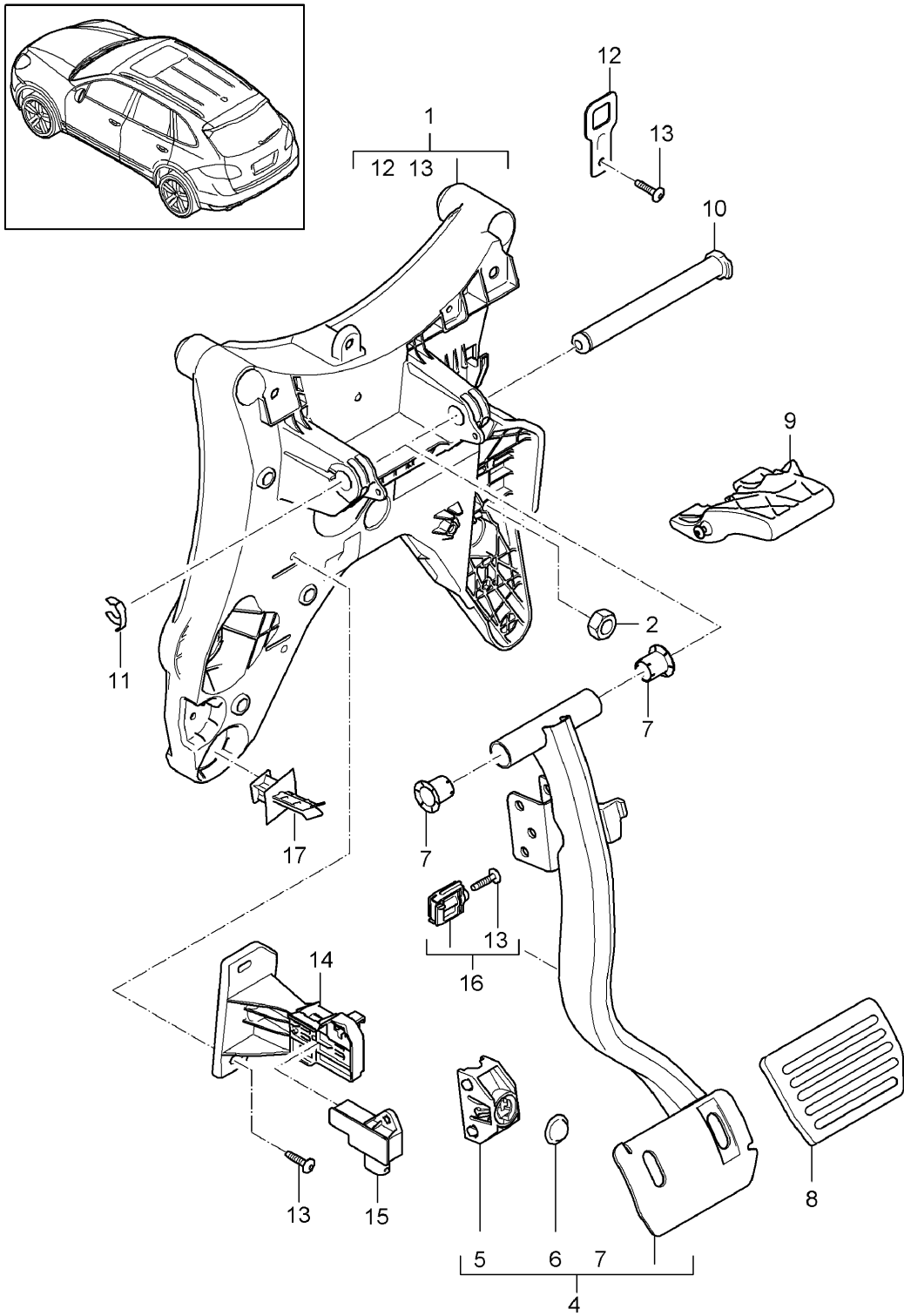


Model: 92A 11 Model life 2011>>2018

| Pos  | Part Number    | Description                                   | Remark     | Qty | Model  |
|------|----------------|---|------------|-----|--------|
|      |                | Pedals<br>Tiptronic<br>D >> - MJ 2014         |            |     | PR:G1G |
| 1    | 958 423 065 00 | Bracket                                       | lhd        | 1   | PR:LOL |
| (1)  | 958 423 066 00 | Bracket                                       | rhd        | 1   | PR:LOR |
| 2    |                | see illustration, item:                       | 604-000,10 | 4   |        |
| 4    | 958 423 093 00 | Foot brake<br>Discontinued part               | lhd        | 1   | PR:LOL |
| 4    | 958 423 093 01 | Foot brake                                    | lhd        | 1   | PR:LOL |
| 4    | 958 423 093 10 | Foot brake                                    | lhd        | 1   | PR:LOL |
| (4)  | 958 423 094 00 | Foot brake                                    | rhd        | 1   | PR:LOR |
| (4)  | 958 423 094 10 | Foot brake                                    | rhd        | 1   | PR:LOR |
| 5    | 958 423 169 01 | Support<br>push rod<br>Discontinued part      |            | 1   |        |
| 5    | 1J0 721 165    | Support<br>push rod                           |            | 1   |        |
|      |                | with:   |            |     |        |
| 6    | 955 423 341 00 | bearing shell                                 |            | 1   |        |
| 7    | 7PP 721 113    | bush  |            | 2   |        |
| (7)  | 7PP 721 113 A  | bush  |            | 2   |        |
| 8    | 955 423 212 00 | Pedal cap                                     |            | 1   |        |
| (8)  | 955 423 212 10 | Pedal cap                                     |            | 1   |        |
| 9    | 958 423 165 00 | Support                                       | lhd        | 1   | PR:LOL |
|      |                | with:   | upper      |     |        |
| 9    | 958 423 166 00 | Fastening screw<br>Support                    | rhd        | 1   | PR:LOR |
|      |                | with:   | upper      |     |        |
| 10   | 958 423 311 00 | Fastening screw<br>bearing pin                |            | 1   |        |
| 11   | 999 166 092 01 | K1-lock                                       |            | 1   |        |
| 12   | 958 423 175 00 | Support                                       | lhd        | 1   | PR:LOL |
| (12) | 958 423 176 00 | Support<br>Discontinued part                  | rhd        | 1   | PR:LOR |
| (12) | 958 423 175 00 | Support                                       | rhd        | 1   | PR:LOR |
| 13   | N 911 796 01   | Hexagon socket oval head<br>bolt<br>TP 5 X 22 |            | 1   |        |
| 13   | N 911 796 01   | Hexagon socket oval head<br>bolt<br>TP 5 X 22 |            | 3   |        |
| 14   | 958 423 315 00 | Bracket                                       | lhd        | 1   | PR:LOL |
| (14) | 958 423 315 01 | Distance sensor<br>Bracket                    | rhd        | 1   | PR:LOR |
| 15   | 958 423 810 00 | Distance sensor                               |            | 1   |        |
| 16   | 958 423 568 00 | Magnet  |            | 1   |        |
| 17   | 955 573 318 00 | Securing bracket                              |            | 1   |        |

Model: 92A 11

Model life 2011>>2018

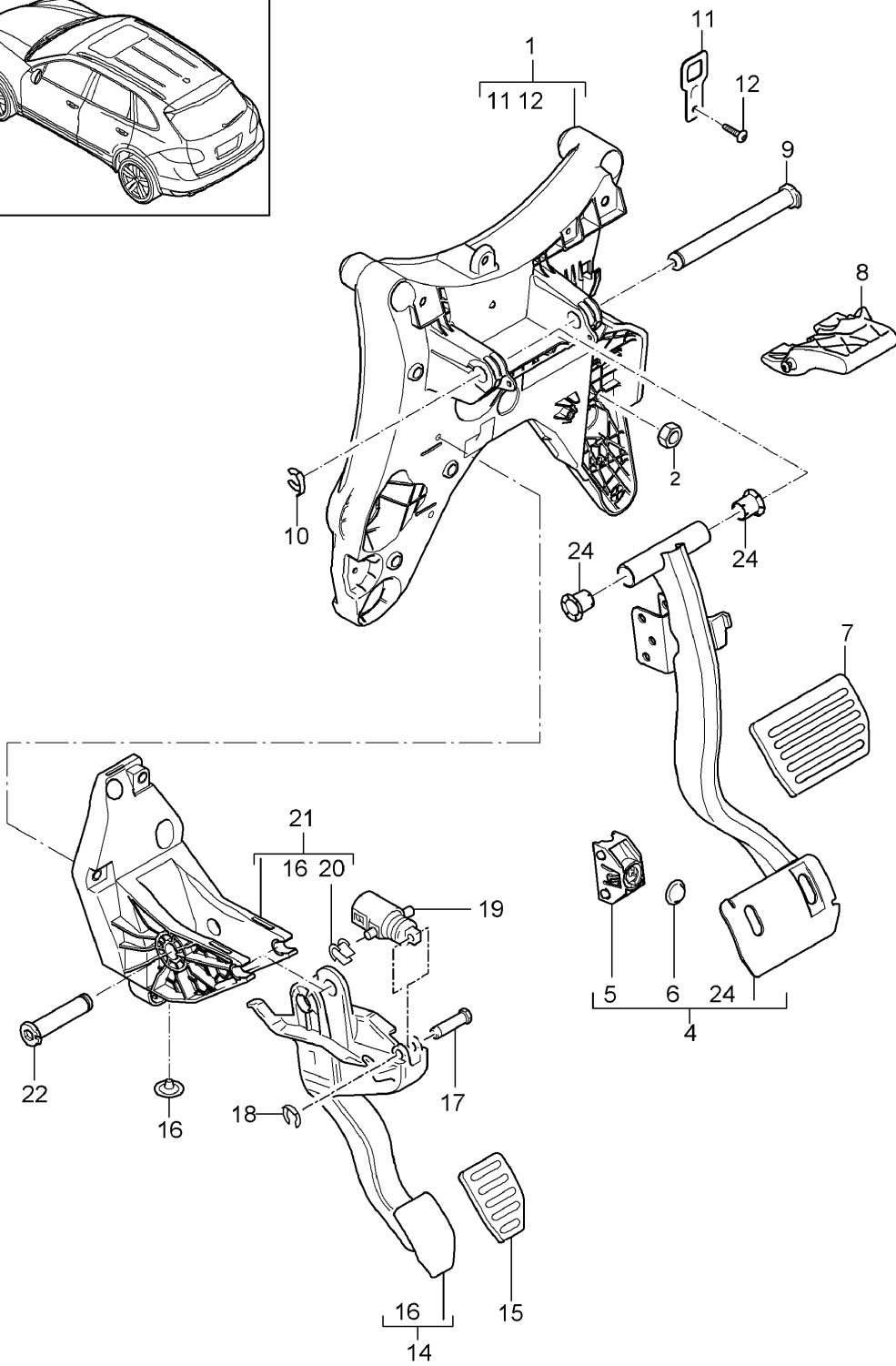
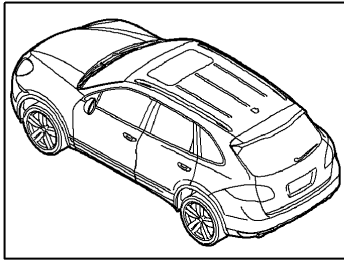


Model: 92A 11 Model life 2011>>2018

| Pos  | Part Number    | Description                                 | Remark     | Qty | Model                  |
|------|----------------|---|------------|-----|------------------------|
|      |                | Pedals<br>Tiptronic                         |            |     | PR:G1G                 |
| 1    | 958 423 065 00 | D - MJ 2015>><br>Bracket lhd                |            | 1   | PR:L0L                 |
| 1    | 958 423 065 01 | D >> - 01.05.2016<br>Bracket lhd            |            | 1   | PR:L0L                 |
| (1)  | 958 423 066 00 | D - 02.05.2016>><br>Bracket rhd             |            | 1   | PR:L0R                 |
| (1)  | 958 423 066 01 | D >> - 12.06.2016<br>Bracket rhd            |            | 1   | PR:L0R                 |
| 2    |                | D - 13.06.2016>><br>see illustration, item: | 604-000,10 | 4   |                        |
| 4    | 958 423 093 01 | Foot brake lhd                              |            | 1   | PR:0K0,L0L             |
| (4)  | 958 423 093 10 | Foot brake lhd                              |            | 1   | PR:0K3,L0L             |
| (4)  | 958 423 094 00 | Foot brake rhd                              |            | 1   | PR:0K0,L0R             |
|      |                | Discontinued part                           |            |     |                        |
| (4)  | 958 423 094 01 | Foot brake rhd                              |            | 1   | PR:0K0,L0R             |
| (4)  | 958 423 094 10 | Foot brake rhd                              |            | 1   | PR:0K3,L0R             |
| 5    | 958 423 169 01 | Support<br>push rod                         |            | 1   |                        |
|      |                | Discontinued part                           |            |     |                        |
| 5    | 1J0 721 165    | Support<br>push rod                         |            | 1   |                        |
|      |                | with:                                       |            |     |                        |
| 6    | 955 423 341 00 | bearing shell                               |            | 1   |                        |
| 7    | 7PP 721 113    | bush  |            | 2   |                        |
| (7)  | 7PP 721 113 A  | bush  |            | 2   |                        |
| 8    | 955 423 212 00 | Pedal cap                                   |            | 1   | PR:D34,D1V,<br>D51,DV7 |
| (8)  | 955 423 212 10 | Pedal cap                                   |            | 1   | PR:D19,D11,            |
| 9    | 958 423 165 00 | Support lhd                                 | upper      | 1   | PR:L0L                 |
|      |                | with:                                       |            |     |                        |
| (9)  | 958 423 166 00 | Fastening screw<br>Support rhd              | upper      | 1   | PR:L0R                 |
|      |                | with:                                       |            |     |                        |
| 10   | 958 423 311 01 | Fastening screw<br>bearing pin              |            | 1   |                        |
|      |                | EINS. 19.03.12                              |            |     |                        |
| 11   | 999 166 092 01 | K1-lock                                     |            | 1   |                        |
|      |                | D >> - 01.05.2016                           |            |     |                        |
| (11) | N 108 428 01   | Retaining washer                            |            | 1   |                        |
|      |                | D - 02.05.2016>>                            |            |     |                        |
| 12   | 958 423 175 00 | Support                                     |            | 1   |                        |
| 13   | N 911 796 01   | Hexagon socket oval head<br>bolt            |            | 1   |                        |
|      |                | TP 5 X 22                                   |            |     |                        |
| (13) | N 911 796 01   | Hexagon socket oval head<br>bolt            |            | 3   | PR:0K3                 |
|      |                | TP 5 X 22                                   |            |     |                        |
| 14   | 958 423 315 02 | Bracket lhd                                 |            | 1   | PR:0K3,L0L             |
|      |                | Distance sensor                             |            |     |                        |
| (14) | 958 423 315 03 | Bracket rhd                                 |            | 1   | PR:0K3,L0R             |
|      |                | Distance sensor                             |            |     |                        |
| 15   | 958 423 810 00 | Distance sensor                             |            | 1   | PR:0K3                 |
| 16   | 958 423 568 00 | Magnet                                      |            | 1   | PR:0K3                 |
| -    | N 023 003 13   | Hexagon collar nut<br>self-locking          |            | 1   |                        |
|      |                | M 8   |            |     |                        |
| 17   | 955 573 318 00 | Securing bracket                            |            | 1   |                        |

Model: 92A 11

Model life 2011>>2018



Model: 92A 11

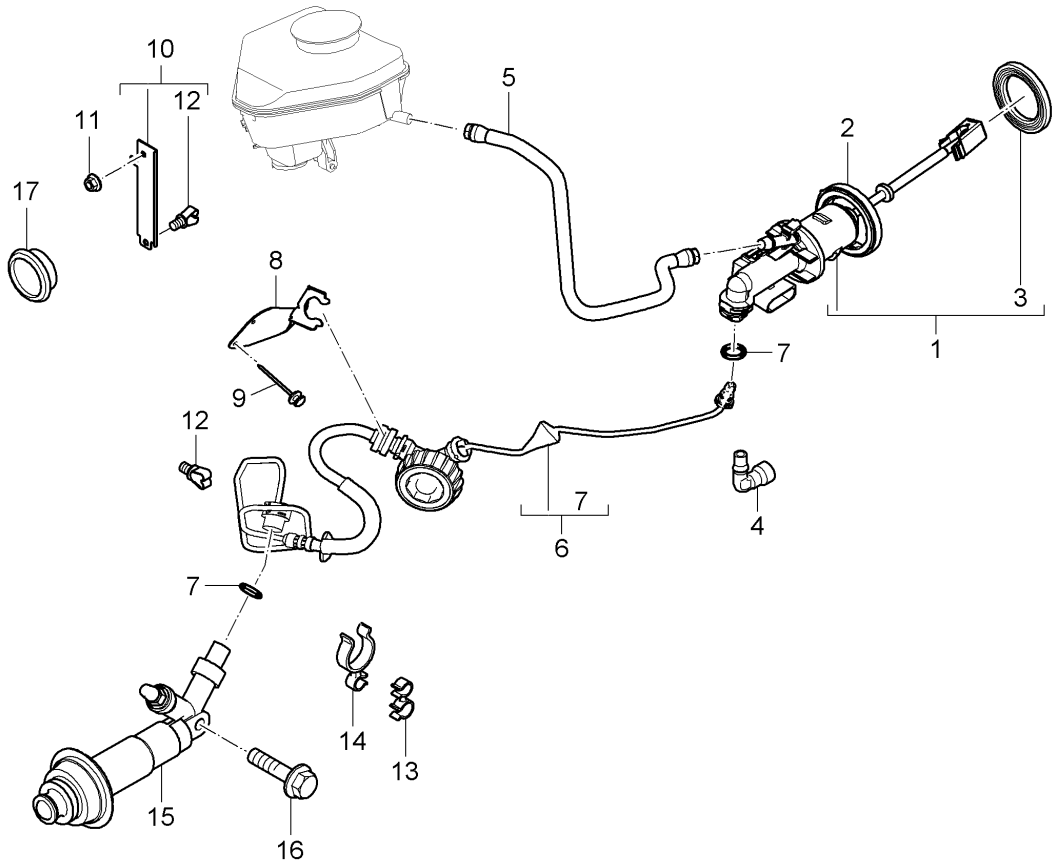
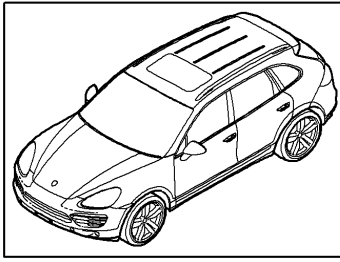
Model life 2011>>2018

| Pos  | Part Number    | Description                              | Remark     | Qty | Model  |
|------|----------------|--|------------|-----|--------|
|      |                | Pedals                                   |            |     | PR:GOL |
|      |                | Manual gearbox                           |            |     |        |
|      |                | D >> - MJ 2014                           |            |     |        |
| 1    | 958 423 065 10 | Bracket                                  | lhd        | 1   | PR:L0L |
| (1)  | 958 423 066 10 | Bracket                                  | rhd        | 1   | PR:L0R |
| 2    |                | see illustration, item:                  | 604-000,10 | 4   |        |
| 4    | 958 423 093 10 | Foot brake                               | lhd        | 1   | PR:L0L |
| (4)  | 958 423 094 10 | Foot brake                               | rhd        | 1   | PR:L0R |
| 5    | 958 423 169 01 | Support<br>push rod                      |            | 1   |        |
| 5    | 1J0 721 165    | Discontinued part<br>Support<br>push rod |            | 1   |        |
|      |                | with:                                    |            |     |        |
| 6    | 955 423 341 00 | bearing shell                            |            | 1   |        |
| 7    | 955 423 212 00 | bearing shell                            |            | 1   |        |
| (7)  | 955 423 212 10 | Pedal cap                                |            | 1   |        |
| 8    | 958 423 165 00 | Pedal cap                                |            | 1   |        |
|      |                | Support                                  | lhd        | 1   | PR:L0L |
|      |                | with:                                    | upper      |     |        |
|      |                | Fastening screw                          |            |     |        |
|      |                | Deleted                                  |            |     |        |
|      |                | Will be replaced by                      |            |     |        |
|      |                | bearing pin                              |            |     |        |
|      |                | Reinforced                               |            |     |        |
| (8)  | 958 423 166 00 | Support                                  | rhd        | 1   | PR:L0R |
|      |                | with:                                    | upper      |     |        |
|      |                | Fastening screw                          |            |     |        |
|      |                | Deleted                                  |            |     |        |
|      |                | Will be replaced by                      |            |     |        |
|      |                | bearing pin                              |            |     |        |
|      |                | Reinforced                               |            |     |        |
| 9    | 958 423 311 00 | bearing pin                              |            | 1   |        |
| 10   | 999 166 092 01 | K1-lock                                  |            | 2   |        |
| 11   | 958 423 175 00 | Support                                  |            | 1   |        |
| 12   | N 911 796 01   | Hexagon socket oval head<br>bolt         |            | 1   |        |
|      |                | TP 5 X 22                                |            |     |        |
| 14   | 958 423 139 00 | Clutch pedal                             | lhd        | 1   | PR:L0L |
| (14) | 958 423 140 00 | Clutch pedal                             | rhd        | 1   | PR:L0R |
| 15   | 955 423 213 00 | clutch pedal pad                         |            | 1   |        |
| 16   | 955 423 720 00 | Stop buffer                              |            | 2   |        |
| 17   | 958 423 517 00 | bearing pin                              |            | 1   |        |
| 18   | 958 423 581 00 | Retaining washer                         |            | 1   |        |
| 19   | 955 423 081 20 | Servo spring                             |            | 1   |        |
| 20   | 955 423 581 00 | bearing shell                            |            | 2   |        |
| 21   | 958 423 030 00 | Bracket                                  |            | 1   |        |
| 22   | 958 423 325 00 | bearing pin                              |            | 1   |        |
| 24   | 7PP 721 113    | bush                                     |            | 2   |        |
| 24   | 7PP 721 113 A  | bush                                     |            | 2   |        |



Model: 92A 11

Model life 2011>>2018



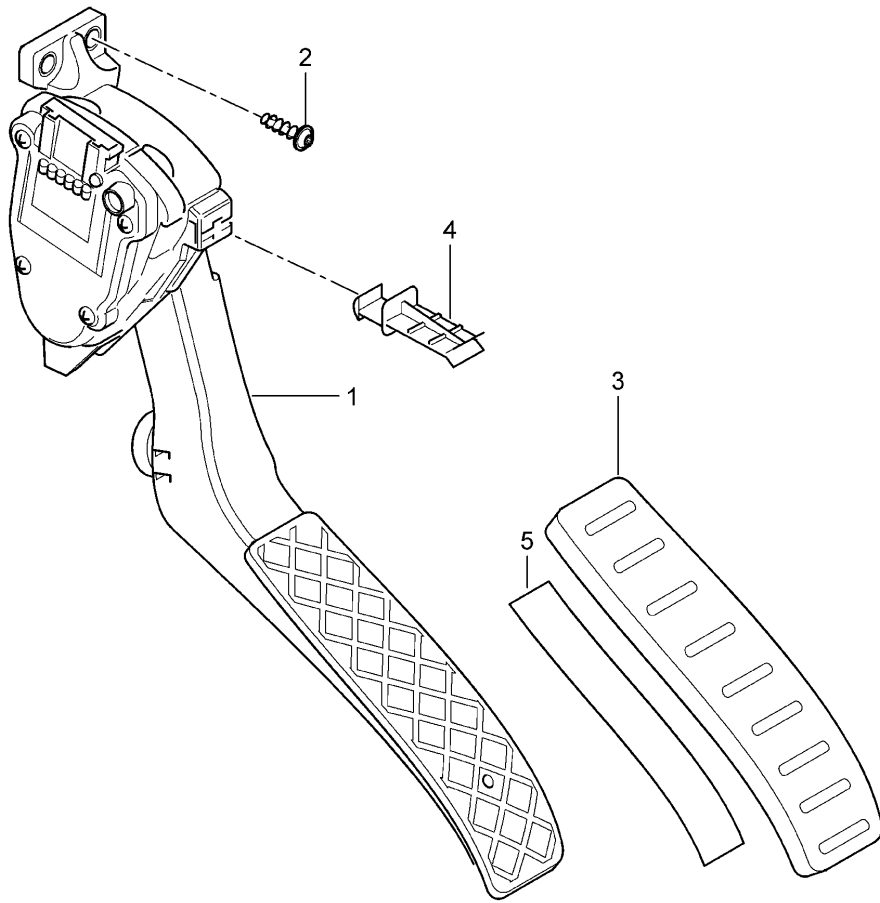
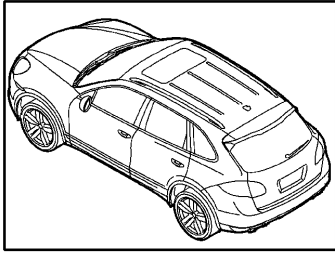
Model: 92A 11

Model life 2011>>2018

| Pos | Part Number    | Description   | Remark    | Qty | Model  |
|-----|----------------|---|-----------|-----|--------|
|     |                | clutch actuation<br>Clutch master cylinder<br>Clutch tube<br>D >> - MJ 2014 |           |     | PR:GOL |
| 1   | 7PP 721 401    | Clutch master cylinder  | lhd       | 1   | PR:LOL |
| 1   | 958 423 171 00 | Clutch master cylinder  | rhd       | 1   | PR:LOR |
| 2   | 958 423 648 00 | Spacer ring   |           | 2   |        |
| 3   | 955 423 312 01 | Seal  |           | 1   |        |
| 4   | 958 423 661 00 | Elbow fitting   | rhd       | 1   | PR:LOR |
| 5   | 955 423 137 00 | Line  | lhd       | 1   | PR:LOL |
| (5) | 955 423 138 00 | Line  | rhd       | 1   | PR:LOR |
| 6   | 958 423 107 00 | Clutch tube   | lhd       | 1   | PR:LOL |
| (6) | 958 423 108 00 | Clutch tube   | rhd       | 1   | PR:LOR |
| 7   | 955 423 224 00 | seal ring<br>Clutch tube  |           | X   |        |
| 8   | 958 423 351 00 | Bracket<br>Clutch tube  | lhd       | 1   | PR:LOL |
| 9   | N 906 948 02   | Pop rivet   | lhd       | 2   | PR:LOL |
| 10  | 955 423 361 00 | Bracket<br>Clutch tube  | rhd       | 1   | PR:LOR |
| 11  |                | see illustration, item:   | 813-090,8 | X   |        |
| 12  | N 910 523 01   | Bracket   |           | 1   |        |
| 13  | N 102 627 01   | Double clip   | rhd       | 1   | PR:LOR |
| 14  | 955 423 775 00 | Line holder   | rhd       | 1   | PR:LOR |
| 15  | 955 116 237 01 | Clutch slave cylinder<br>No longer use the part here                        |           | 1   |        |
| 15  | 958 116 237 00 | Clutch slave cylinder   |           | 1   |        |
| 16  | N 101 560 09   | Hex collared bolt<br>M 8 X 25   |           | 1   |        |
| 17  | N 101 245 01   | Bungs   |           | 1   |        |

Model: 92A 11

Model life 2011>>2018



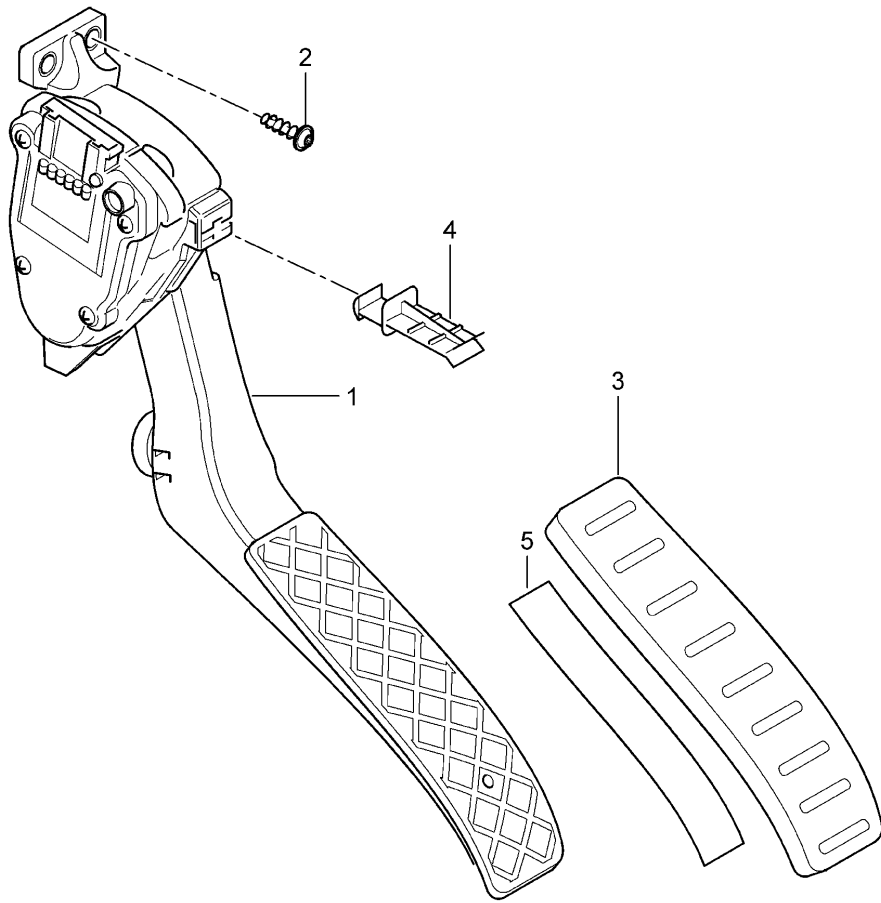
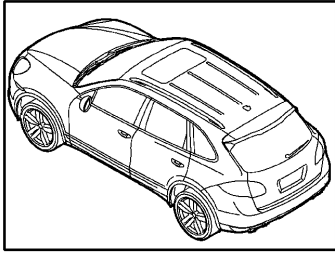
Model: 92A 11

Model life 2011>>2018

| Pos | Part Number    | Description                   | Remark | Qty | Model      |
|-----|----------------|-------------------------------|--------|-----|------------|
|     |                | Pedals                        |        |     |            |
|     |                | throttle control              |        |     |            |
|     |                | D >> - MJ 2014                |        |     |            |
| 1   | 955 423 021 40 | throttle control              | lhd    | 1   | PR:G0L,L0L |
| (1) | 955 423 022 50 | throttle control              | rhd    | 1   | PR:G0L,L0R |
| 1   | 955 423 023 40 | throttle control              | lhd    | 1   | PR:G1G,L0L |
| (1) | 955 423 024 50 | throttle control              | rhd    | 1   | PR:G1G,L0R |
| 2   | 958 423 199 00 | Oval hexagon socket head bolt |        | 1   |            |
| 3   | 955 423 210 00 | Pedal cap                     |        | 1   |            |
| (3) | 955 423 210 10 | Pedal cap                     |        | 1   |            |
| 4   | 955 573 317 00 | Securing bracket              |        | 1   |            |
| 5   | 9A7 723 880 00 | Adhesive tape                 |        | 1   |            |
|     |                | Pedal cap                     |        |     |            |
|     |                | throttle control              |        |     |            |

Model: 92A 11

Model life 2011>>2018



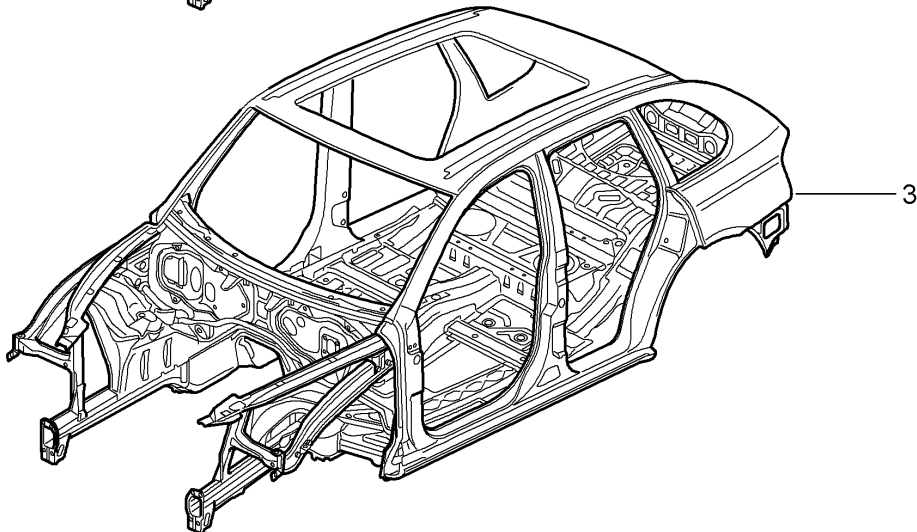
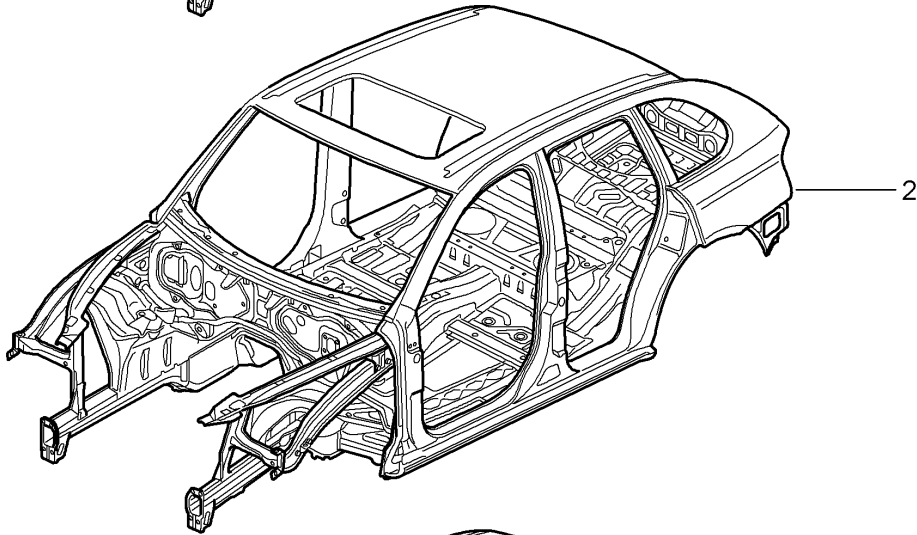
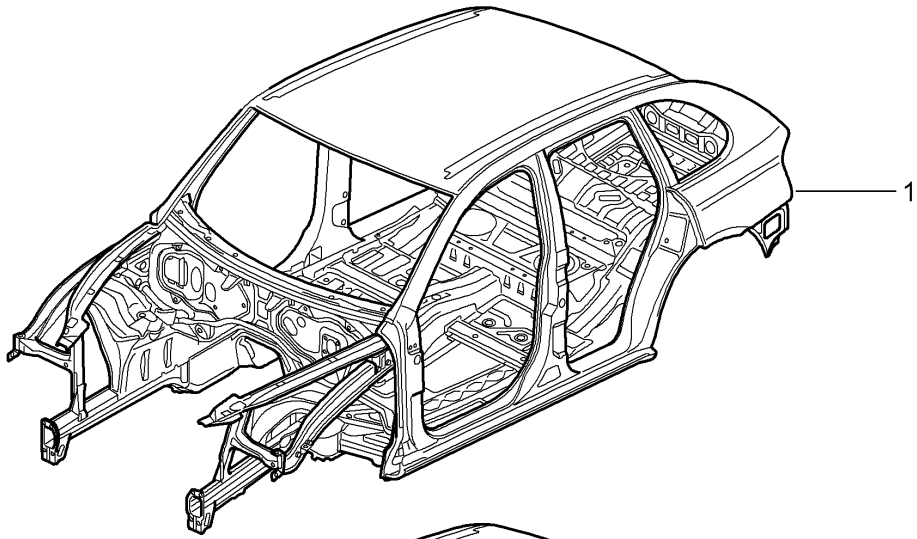
Model: 92A 11

Model life 2011>>2018

| Pos | Part Number    | Description                   | Remark | Qty | Model              |
|-----|----------------|-------------------------------|--------|-----|--------------------|
|     |                | Pedals                        |        |     |                    |
|     |                | throttle control              |        |     |                    |
|     |                | D - MJ 2015>>                 |        |     |                    |
| 1   | 955 423 023 40 | throttle control              | lhd    | 1   | PR:G1G,L0L         |
| 1   | 958 423 023 60 | throttle control              | lhd    | 1   | PR:G1G,0K3,        |
| (1) | 955 423 024 50 | throttle control              | rhd    | 1   | PR:G1G,L0R         |
| (1) | 958 423 024 60 | throttle control              | rhd    | 1   | PR:G1G,0K3,        |
| 2   | 958 423 199 00 | Oval hexagon socket head bolt |        | 1   |                    |
|     |                | throttle control              |        |     |                    |
| 3   | 955 423 210 00 | Pedal cap                     |        | 1   | PR:D34,D1V,<br>D51 |
| (3) | 955 423 210 10 | Pedal cap                     |        | 1   | PR:D19,D11,        |
| 4   | 955 573 317 00 | Securing bracket              |        | 1   |                    |
| 5   | 9A7 723 880 00 | Adhesive tape                 |        | 2   |                    |
|     |                | Pedal cap                     |        |     |                    |
|     |                | throttle control              |        |     |                    |

Model: 92A 11

Model life 2011>>2018



Model: 92A 11

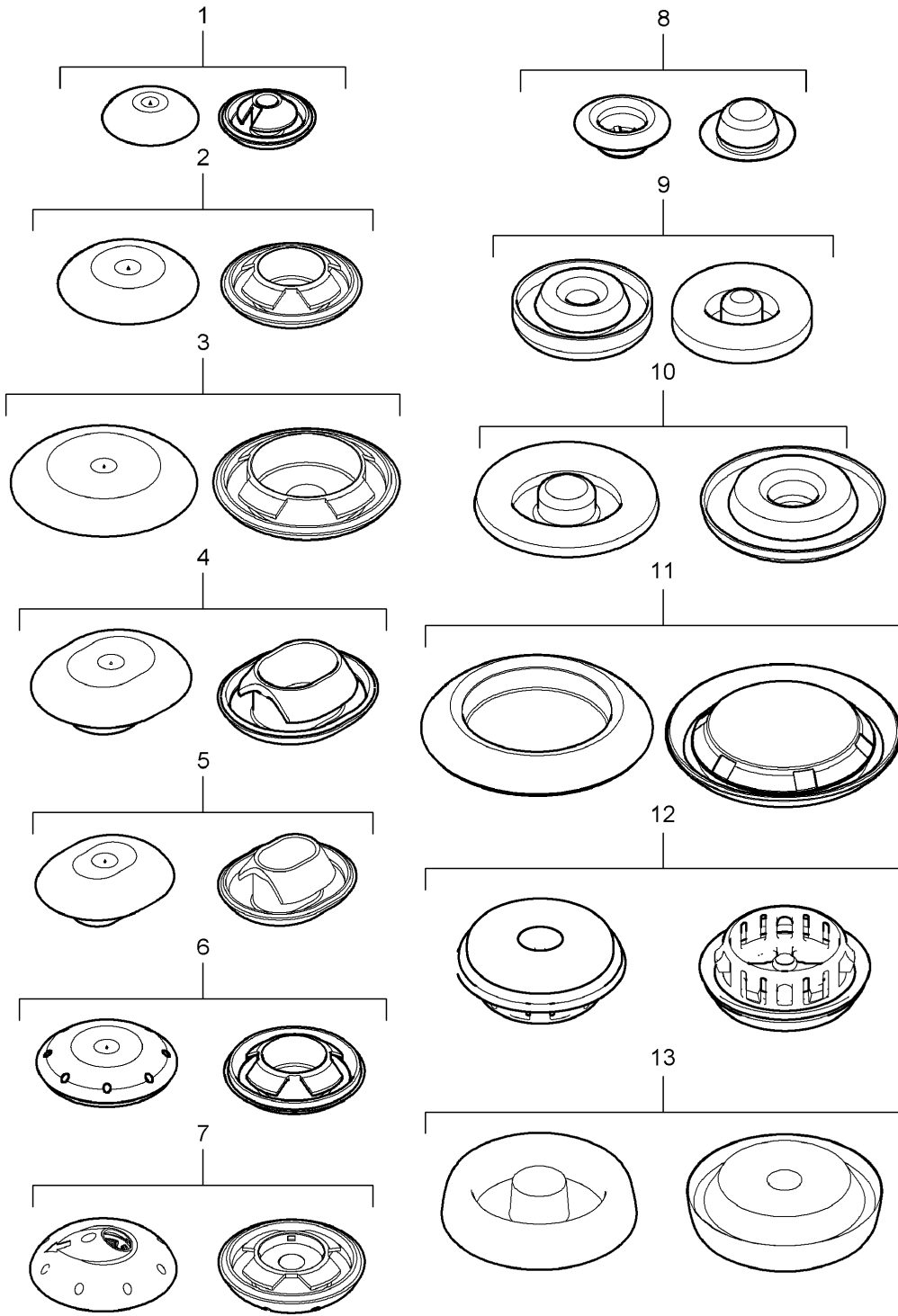
Model life 2011>>2018

| Pos | Part Number        | Description  | Remark | Qty | Model       |
|-----|--------------------|--|--------|-----|-------------|
| -   |                    | Car body<br>primed<br>Sealed   |        |     |             |
|     |                    | with:  |        |     |             |
|     |                    | Underbody protection   |        |     |             |
|     |                    | without:   |        |     |             |
| -   |                    | Doors/lids/wings<br>Bodyshells can only<br>only available from current<br>Model year available                                   |        |     |             |
| -   |                    | The data required<br>for your order<br>Can be found on the<br>Vehicle data carrier<br>Please indicate this data<br>in your order |        |     |             |
| A   |                    | Vehicle data carrier   |        |     |             |
| B   |                    | Vehicle Ident. No.   |        |     |             |
| C   |                    | Order type   |        |     |             |
| D   |                    | Country equipment  |        |     |             |
| E   |                    | Optional extras  |        |     |             |
| F   |                    | Additional applications  |        |     |             |
| 1   | 958 500 900 00     | Car body   |        | 1   | PR:0K0,3FA  |
|     | 958 500 900 00 GRV | primed   |        |     |             |
| (1) | 958 500 910 00     | Car body   |        | 1   | PR:-0K0,3FA |
|     | 958 500 910 00 GRV | primed   |        |     |             |
| 2   | 958 500 900 01     | Car body   |        | 1   | PR:0K0,3FE  |
|     | 958 500 900 01 GRV | primed   |        |     |             |
| (2) | 958 500 910 01     | Car body   |        | 1   | PR:-0K0,3FE |
|     | 958 500 910 01 GRV | primed   |        |     |             |
| 3   | 958 500 900 02     | Car body   |        | 1   | PR:0K0,3FU  |
|     | 958 500 900 02 GRV | primed   |        |     |             |
| (3) | 958 500 910 02     | Car body   |        | 1   | PR:-0K0,3FU |
|     | 958 500 910 02 GRV | primed   |        |     |             |



Model: 92A 11

Model life 2011>>2018



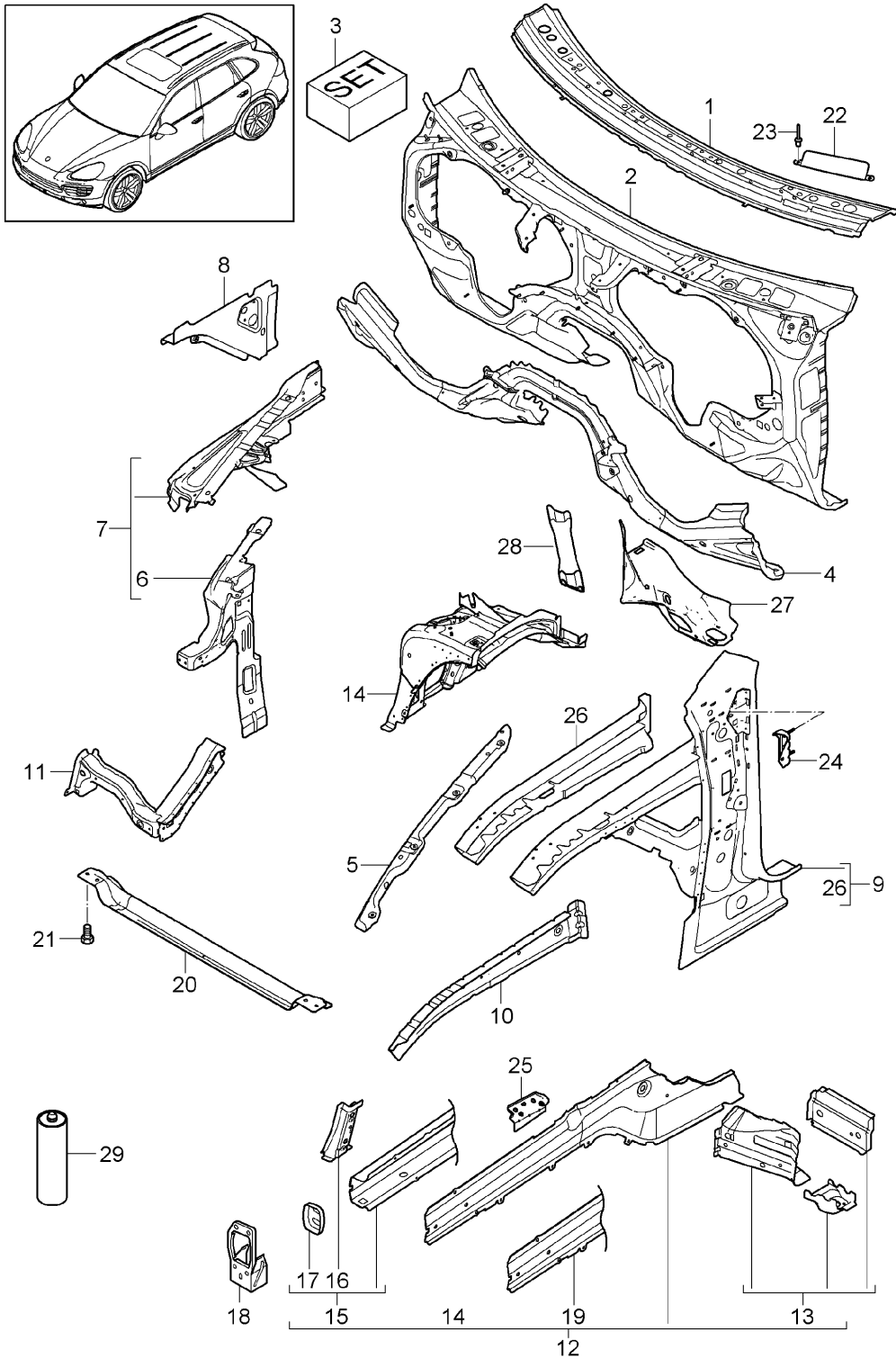
Model: 92A 11

Model life 2011>>2018

| Pos  | Part Number    | Description                | Remark | Qty | Model  |
|------|----------------|----------------------------|--------|-----|--------|
| 1    | 955 504 281 00 | Bungs<br>Bungs<br>10 mm    |        | 1   |        |
| 2    | 955 504 182 00 | Bungs<br>20 mm             |        | 1   |        |
| 3    | 955 504 183 00 | Bungs<br>30 mm             |        | 1   |        |
| 4    | 955 504 184 00 | Bungs<br>20 x 25           |        | 1   |        |
| 5    | 955 504 185 00 | Bungs<br>15 x 20           |        | 1   |        |
| 6    | 955 504 187 00 | Bungs<br>20 mm             |        | 1   |        |
| 7    | 955 512 188 00 | Water drain valve<br>20 mm |        | 1   |        |
| 8    | 999 703 462 40 | End cap<br>10 mm           |        | 1   |        |
| 9    | N 102 267 01   | Bungs<br>20 mm             |        | 1   |        |
| (9)  | 958 504 183 00 | Bungs<br>20 mm             |        | 1   |        |
| 10   | N 102 265 01   | Bungs<br>30 mm             |        | 1   |        |
| (10) | 958 504 185 00 | Bungs<br>40 mm             |        | 1   |        |
| 11   | 955 511 196 00 | Bungs<br>15 mm             |        | 1   |        |
| 12   | 958 502 899 00 | Drain nozzle               |        | 1   | PR:0K3 |
| 13   | N 102 460 01   | Bungs                      |        | 1   | PR:0K0 |

Model: 92A 11

Model life 2011>>2018



Model: 92A 11 Model life 2011>>2018

| Pos  | Part Number        | Description   | Remark         | Qty | Model |
|------|--------------------|---|----------------|-----|-------|
| 1    | 958 502 713 01     | Front end<br>Individual parts<br>D >> - MJ 2014<br>Scuttle<br>Discontinued part |                | 1   |       |
| 1    | 958 502 713 01 GRV | primed  |                |     |       |
| 1    | 958 502 713 02     | Scuttle   |                | 1   |       |
|      | 958 502 713 02 GRV | primed  |                |     |       |
| 2    | 958 502 147 00     | Firewall  |                | 1   |       |
|      |                    | also use:   | 000 043 305 51 | 1   |       |
|      |                    |   | 000 043 305 32 | 1   |       |
| 3    | 958 502 147 00 GRV | primed  |                |     |       |
|      | 000 043 206 82     | sealant   |                | X   |       |
|      |                    | See technical manual  |                |     |       |
| 4    | 958 502 469 00     | Cross member  |                | 1   |       |
|      | 958 502 469 00 GRV | primed  |                |     |       |
| 5    | 958 501 551 00     | deformation element   | left           | 1   |       |
|      |                    | D >> - MJ 2014  |                |     |       |
|      | 958 501 551 00 GRV | primed  |                |     |       |
| (5)  | 958 501 552 00     | deformation element   | right          | 1   |       |
|      |                    | D >> - MJ 2014  |                |     |       |
|      | 958 501 552 00 GRV | primed  |                |     |       |
| 6    | 958 502 991 00     | Carrier   | left           | 1   |       |
|      |                    | D >> - MJ 2014  |                |     |       |
|      | 958 502 991 00 GRV | primed  |                |     |       |
| (6)  | 958 502 992 00     | Carrier   | right          | 1   |       |
|      |                    | D >> - MJ 2014  |                |     |       |
|      | 958 502 992 00 GRV | primed  |                |     |       |
| 7    | 958 502 091 00     | Carrier   | left           | 1   |       |
|      |                    | Wing  |                |     |       |
|      |                    | D >> - MJ 2014  |                |     |       |
|      | 958 502 091 00 GRV | primed  |                |     |       |
| (7)  | 958 502 092 00     | Carrier   | right          | 1   |       |
|      |                    | Wing  |                |     |       |
|      |                    | D >> - MJ 2014  |                |     |       |
|      | 958 502 092 00 GRV | primed  |                |     |       |
| 8    | 958 501 029 00     | Closing element   | left           | 1   |       |
|      | 958 501 029 00 GRV | primed  |                |     |       |
| (8)  | 958 501 030 00     | Closing element   | right          | 1   |       |
|      | 958 501 030 00 GRV | primed  |                |     |       |
| 9    | 958 501 191 00     | A-pillar  | left           | 1   |       |
|      |                    | also use:   | 000 043 305 51 | 1   |       |
|      |                    |   | 000 043 305 32 | 1   |       |
|      |                    | Discontinued part   |                |     |       |
|      | 958 501 191 00 GRV | primed  |                |     |       |
| (9)  | 958 501 192 00     | A-pillar  | right          | 1   |       |
|      |                    | also use:   | 000 043 305 51 | 1   |       |
|      |                    |   | 000 043 305 32 | 1   |       |
|      | 958 501 192 00 GRV | primed  |                |     |       |
| 10   | 958 501 161 00     | Side member   | left           | 1   |       |
|      |                    | also use:   | 000 043 305 51 | 1   |       |
|      | 958 501 161 00 GRV | primed  |                |     |       |
| (10) | 958 501 162 00     | Side member   | right          | 1   |       |
|      |                    | also use:   | 000 043 305 51 | 1   |       |
|      | 958 501 162 00 GRV | primed  |                |     |       |
| 11   | 958 501 457 00     | Support   | left           | 1   |       |
|      |                    | also use:   | 000 043 305 51 | 1   |       |
|      |                    | D >> - MJ 2014  |                |     |       |
|      | 958 501 457 00 GRV | primed  |                |     |       |
| (11) | 958 501 458 00     | Support   | right          | 1   |       |
|      |                    | also use:   | 000 043 305 51 | 1   |       |
|      |                    | D >> - MJ 2014  |                |     |       |
|      | 958 501 458 00 GRV | primed  |                |     |       |

Model: 92A 11 Model life 2011>>2018

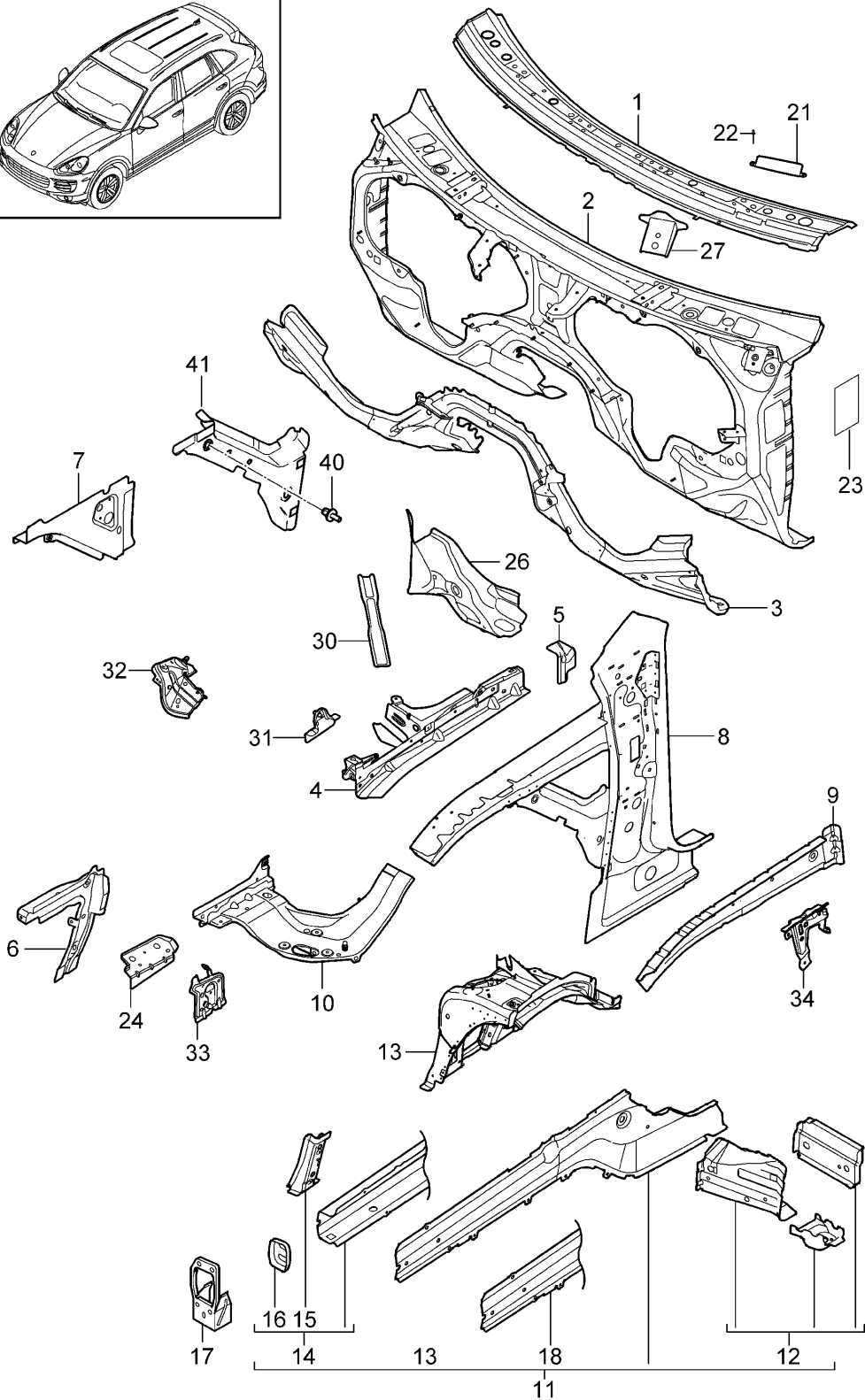
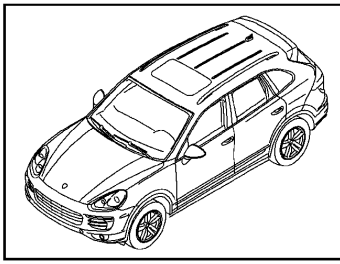
| Pos  | Part Number               | Description              | Remark                   | Qty | Model  |
|------|---------------------------|--------------------------|--------------------------|-----|--------|
| 12   | 958 501 991 00            | Side member              | left                     | 1   |        |
|      |                           |                          | also use: 000 043 305 51 | 1   |        |
| (12) | 958 501 991 00 GRV primed |                          |                          |     |        |
|      | 958 501 992 00            | Side member              | right                    | 1   |        |
|      |                           |                          | also use: 000 043 305 51 | 1   |        |
|      | 958 501 992 00 GRV primed |                          |                          |     |        |
| 13   | 958 501 973 00            | Junction plate           | left                     | 1   |        |
|      |                           |                          | also use: 000 043 305 51 | 1   |        |
|      | 958 501 973 00 GRV primed |                          |                          |     |        |
| (13) | 958 501 974 00            | Junction plate           | right                    | 1   |        |
|      |                           |                          | also use: 000 043 305 51 | 1   |        |
|      | 958 501 974 00 GRV primed |                          |                          |     |        |
| 14   | 958 501 941 00            | Support                  | left                     | 1   |        |
|      |                           |                          | also use: 000 043 305 51 | 1   |        |
|      |                           |                          | 000 043 305 32           | 1   |        |
|      | 958 501 941 00 GRV primed |                          |                          |     |        |
| (14) | 958 501 942 00            | Support                  | right                    | 1   |        |
|      |                           |                          | also use: 000 043 305 51 | 1   |        |
|      |                           |                          | 000 043 305 32           | 1   |        |
|      | 958 501 942 00 GRV primed |                          |                          |     |        |
| 15   | 958 501 901 00            | Side member              | left                     | 1   |        |
|      |                           |                          | inner                    |     |        |
|      |                           |                          | also use: 000 043 305 51 | 1   |        |
|      |                           |                          | 000 043 305 32           | 1   |        |
|      | 958 501 901 00 GRV primed |                          |                          |     |        |
| (15) | 958 501 902 00            | Side member              | right                    | 1   |        |
|      |                           |                          | inner                    |     |        |
|      |                           |                          | also use: 000 043 305 51 | 1   |        |
|      |                           |                          | 000 043 305 32           | 1   |        |
|      | 958 501 902 00 GRV primed | Discontinued part        |                          |     |        |
| 16   | 958 501 669 00            | Console                  | left                     | 1   |        |
|      | 958 501 669 00 GRV primed |                          |                          |     |        |
| (16) | 958 501 670 00            | Console                  | right                    | 1   |        |
|      | 958 501 670 00 GRV primed |                          |                          |     |        |
| 17   | 955 501 409 00            | Web plate                | left                     | 1   |        |
|      | 955 501 409 00 GRV primed |                          |                          |     |        |
| (17) | 955 501 410 00            | Web plate                | right                    | 1   |        |
|      | 955 501 410 00 GRV primed |                          |                          |     |        |
| 18   | 958 501 677 00            | Support                  | left                     | 1   |        |
|      |                           |                          | also use: 000 043 305 51 | 1   |        |
|      |                           | Discontinued part        |                          |     |        |
|      | 958 501 677 00 GRV primed |                          |                          |     |        |
| 18   | 955 501 377 01            | Shock absorber mounting  | left                     | 1   |        |
|      |                           |                          | also use: 000 043 305 51 | 1   |        |
|      | 955 501 377 01 GRV primed |                          |                          |     |        |
| (18) | 958 501 678 00            | Support                  | right                    | 1   |        |
|      |                           |                          | also use: 000 043 305 51 | 1   |        |
|      |                           | Discontinued part        |                          |     |        |
|      | 958 501 678 00 GRV primed |                          |                          |     |        |
| (18) | 955 501 378 01            | Shock absorber mounting  | right                    | 1   |        |
|      |                           |                          | also use: 000 043 305 51 | 1   |        |
|      | 955 501 378 01 GRV primed |                          |                          |     |        |
| 19   | 958 501 935 00            | Side member              | left                     | 1   |        |
|      |                           |                          | also use: 000 043 305 51 | 1   |        |
|      | 958 501 935 00 GRV primed |                          |                          |     |        |
| (19) | 958 501 936 00            | Side member              | right                    | 1   |        |
|      |                           |                          | also use: 000 043 305 51 | 1   |        |
|      | 958 501 936 00 GRV primed |                          |                          |     |        |
| 20   | 958 505 549 00            | Cross member             |                          | 1   | PR:1SB |
|      | 958 505 549 00 GRV primed |                          |                          |     |        |
| 21   | N 106 531 02              | Hexagon bolt<br>M 8 X 20 |                          | 4   | PR:1SB |

Model: 92A 11 Model life 2011>>2018

| Pos  | Part Number        | Description   | Remark                  | Qty | Model |
|------|--------------------|---|-------------------------|-----|-------|
| 22   | 958 805 137 00     | Holder for vehicle chassis<br>number plate                    |                         | 1   |       |
| 23   | N 101 823 01       | Pop rivet<br>Holder for vehicle chassis<br>number plate       |                         | 2   |       |
| 24   | 958 501 447 00     | Mounting  | left                    | 1   |       |
|      | 958 501 447 00 GRV | primed<br>dashboard   |                         |     |       |
| (24) | 958 501 448 00     | Mounting  | right                   | 1   |       |
|      | 958 501 448 00 GRV | primed<br>dashboard   |                         |     |       |
| 25   | 958 501 769 00     | Support   |                         | 1   |       |
|      | 958 501 769 00 GRV | primed  |                         |     |       |
| 26   | 958 501 133 00     | Side member   | left<br>upper<br>inner  | 1   |       |
|      |                    | also use:   | 000 043 305 51          | 1   |       |
|      |                    |   | 000 043 305 32          | 1   |       |
|      | 958 501 133 00 GRV | primed  |                         |     |       |
| (26) | 958 501 134 00     | Side member   | right<br>upper<br>inner | 1   |       |
|      |                    | also use:   | 000 043 305 51          | 1   |       |
|      |                    |   | 000 043 305 32          | 1   |       |
|      | 958 501 134 00 GRV | primed  |                         |     |       |
| 27   | 958 501 621 00     | Closing element<br>water box                                  | left                    | 1   |       |
|      | 958 501 621 00 GRV | primed  |                         |     |       |
| (27) | 958 501 622 00     | Closing element<br>water box                                  | right                   | 1   |       |
|      | 958 501 622 00 GRV | primed  |                         |     |       |
| 28   | 958 501 451 00     | Support<br>Firewall<br>Suspension strut mounting              | left                    | 1   |       |
|      | 958 501 451 00 GRV | primed  |                         |     |       |
| (28) | 958 501 452 00     | Support<br>Firewall<br>Suspension strut mounting              | right                   | 1   |       |
|      | 958 501 452 00 GRV | primed  |                         |     |       |
| 29   | 000 043 204 85     | cavity preservative agent<br>400 ML                           |                         | X   |       |
| -    | 000 043 207 60     | Discontinued part<br>Torx screw<br>M6X20<br>Discontinued part |                         | X   |       |

Model: 92A 11

Model life 2011>>2018



Model: 92A 11 Model life 2011>>2018

| Pos | Part Number        | Description                                    | Remark         | Qty | Model |
|-----|--------------------|--|----------------|-----|-------|
|     |                    | Front end<br>Individual parts<br>D - MJ 2015>> | 2nd generation |     |       |
| 1   | 958 502 713 02     | Scuttle  |                | 1   |       |
|     | 958 502 713 02 GRV | primed   |                |     |       |
| 2   | 958 502 147 00     | Firewall                                       |                | 1   |       |
|     |                    | also use:                                      | 000 043 305 51 | 1   |       |
|     |                    |  | 000 043 305 32 | 1   |       |
|     | 958 502 147 00 GRV | primed   |                |     |       |
| -   | 000 043 206 82     | sealant  |                | X   |       |
|     |                    | See technical manual                           |                |     |       |
| 3   | 958 502 469 00     | Cross member                                   |                | 1   |       |
|     |                    | also use:                                      | 000 043 305 51 | 1   |       |
|     |                    |  | 000 043 305 32 | 1   |       |
|     | 958 502 469 00 GRV | primed   |                |     |       |
| 4   | 958 501 571 00     | Connecting piece                               | left           | 1   |       |
|     |                    | also use:                                      | 000 043 305 51 | 1   |       |
|     |                    |  | 000 043 305 32 | 1   |       |
|     | 958 501 571 00 GRV | primed   |                |     |       |
| (4) | 958 501 572 00     | Connecting piece                               | right          | 1   |       |
|     |                    | also use:                                      | 000 043 305 51 | 1   |       |
|     |                    |  | 000 043 305 32 | 1   |       |
|     | 958 501 572 00 GRV | primed   |                |     |       |
| 5   | 958 502 347 00     | Connecting piece                               | left           | 1   |       |
|     |                    | A-pillar                                       |                |     |       |
|     | 958 502 347 00 GRV | primed   |                |     |       |
| (5) | 958 502 348 00     | Connecting piece                               | right          | 1   |       |
|     |                    | A-pillar                                       |                |     |       |
|     | 958 502 348 00 GRV | primed   |                |     |       |
| 6   | 958 502 693 00     | Reinforcement                                  | left           | 1   |       |
|     |                    | Carrier  |                |     |       |
|     |                    | Wing   |                |     |       |
|     | 958 502 693 00 GRV | primed   |                |     |       |
| (6) | 958 502 694 00     | Reinforcement                                  | right          | 1   |       |
|     |                    | Carrier  |                |     |       |
|     |                    | Wing   |                |     |       |
|     | 958 502 694 00 GRV | primed   |                |     |       |
| 7   | 958 501 029 00     | Closing element                                | left           | 1   |       |
|     |                    | also use:                                      | 000 043 305 51 | 1   |       |
|     |                    |  | 000 043 305 32 | 1   |       |
|     | 958 501 029 00 GRV | primed   |                |     |       |
| (7) | 958 501 030 00     | Closing element                                | right          | 1   |       |
|     |                    | also use:                                      | 000 043 305 51 | 1   |       |
|     |                    |  | 000 043 305 32 | 1   |       |
|     | 958 501 030 00 GRV | primed   |                |     |       |
| 8   | 958 501 191 01     | A-pillar                                       | left           | 1   |       |
|     |                    | also use:                                      | 000 043 305 51 | 1   |       |
|     |                    |  | 000 043 305 32 | 1   |       |
|     | 958 501 191 01 GRV | primed   |                |     |       |
| (8) | 958 501 192 00     | A-pillar                                       | right          | 1   |       |
|     |                    | also use:                                      | 000 043 305 51 | 1   |       |
|     |                    |  | 000 043 305 32 | 1   |       |
|     | 958 501 192 00 GRV | primed   |                |     |       |
| 9   | 958 501 161 00     | Side member                                    | left           | 1   |       |
|     |                    | also use:                                      | 000 043 305 51 | 1   |       |
|     |                    |  | 000 043 305 32 | 1   |       |
|     | 958 501 161 00 GRV | primed   |                |     |       |
| (9) | 958 501 162 00     | Side member                                    | right          | 1   |       |
|     |                    | also use:                                      | 000 043 305 51 | 1   |       |
|     |                    |  | 000 043 305 32 | 1   |       |
|     | 958 501 162 00 GRV | primed   |                |     |       |
| 10  | 958 501 071 00     | Carrier  | left           | 1   |       |
|     |                    | Headlights                                     |                |     |       |



Model: 92A 11 Model life 2011>>2018

| Pos  | Part Number        | Description             | Remark    | Qty            | Model |
|------|--------------------|-------------------------|-----------|----------------|-------|
|      |                    |                         | also use: | 000 043 305 51 | 1     |
|      |                    |                         |           | 000 043 305 32 | 1     |
| (10) | 958 501 071 00 GRV | primed                  |           |                |       |
|      | 958 501 072 00     | Carrier                 | right     | 1              |       |
|      |                    | Headlights              |           |                |       |
|      |                    |                         | also use: | 000 043 305 51 | 1     |
|      |                    |                         |           | 000 043 305 32 | 1     |
| 11   | 958 501 072 00 GRV | primed                  |           |                |       |
|      | 958 501 991 00     | Side member             | left      | 1              |       |
|      |                    |                         | also use: | 000 043 305 51 | 1     |
|      |                    |                         |           | 000 043 305 32 | 1     |
| (11) | 958 501 991 00 GRV | primed                  |           |                |       |
|      | 958 501 992 00     | Side member             | right     | 1              |       |
|      |                    |                         | also use: | 000 043 305 51 | 1     |
|      |                    |                         |           | 000 043 305 32 | 1     |
| 12   | 958 501 992 00 GRV | primed                  |           |                |       |
|      | 958 501 973 00     | Junction plate          | left      | 1              |       |
|      |                    |                         | also use: | 000 043 305 51 | 1     |
|      |                    |                         |           | 000 043 305 32 | 1     |
| (12) | 958 501 973 00 GRV | primed                  |           |                |       |
|      | 958 501 974 00     | Junction plate          | right     | 1              |       |
|      |                    |                         | also use: | 000 043 305 51 | 1     |
|      |                    |                         |           | 000 043 305 32 | 1     |
| 13   | 958 501 974 00 GRV | primed                  |           |                |       |
|      | 958 501 941 00     | Support                 | left      | 1              |       |
|      |                    |                         | also use: | 000 043 305 51 | 1     |
|      |                    |                         |           | 000 043 305 32 | 1     |
| (13) | 958 501 941 00 GRV | primed                  |           |                |       |
|      | 958 501 942 00     | Support                 | right     | 1              |       |
|      |                    |                         | also use: | 000 043 305 51 | 1     |
|      |                    |                         |           | 000 043 305 32 | 1     |
| 14   | 958 501 942 00 GRV | primed                  |           |                |       |
|      | 958 501 901 00     | Side member             | left      | 1              |       |
|      |                    |                         | also use: | 000 043 305 51 | 1     |
|      |                    |                         |           | 000 043 305 32 | 1     |
| (14) | 958 501 901 00 GRV | primed                  |           |                |       |
|      | 958 501 902 01     | Side member             | inner     | 1              |       |
|      |                    |                         | right     | 1              |       |
|      |                    |                         | also use: | 000 043 305 51 | 1     |
|      |                    |                         |           | 000 043 305 32 | 1     |
| 15   | 958 501 902 01 GRV | primed                  |           |                |       |
|      | 958 501 669 00     | Console                 | inner     | 1              |       |
|      |                    |                         | left      | 1              |       |
| (15) | 958 501 669 00 GRV | primed                  |           |                |       |
|      | 958 501 670 00     | Console                 | right     | 1              |       |
| 16   | 958 501 670 00 GRV | primed                  |           |                |       |
|      | 955 501 409 00     | Web plate               | left      | 1              |       |
|      |                    |                         | also use: | 000 043 305 51 | 1     |
| (16) | 955 501 409 00 GRV | primed                  |           |                |       |
|      | 955 501 410 00     | Web plate               | right     | 1              |       |
|      |                    |                         | also use: | 000 043 305 51 | 1     |
| 17   | 955 501 410 00 GRV | primed                  |           |                |       |
|      | 955 501 377 01     | Shock absorber mounting | left      | 1              |       |
|      |                    |                         | also use: | 000 043 305 51 | 1     |
| (17) | 955 501 377 01 GRV | primed                  |           |                |       |
|      | 955 501 378 01     | Shock absorber mounting | right     | 1              |       |
|      |                    |                         | also use: | 000 043 305 51 | 1     |
| 18   | 955 501 378 01 GRV | primed                  |           |                |       |
|      | 958 501 935 00     | Side member             | left      | 1              |       |
|      |                    |                         | also use: | 000 043 305 51 | 1     |
|      |                    |                         |           | 000 043 305 32 | 1     |
| (18) | 958 501 935 00 GRV | primed                  |           |                |       |
|      | 958 501 936 00     | Side member             | right     | 1              |       |
|      |                    |                         | also use: | 000 043 305 51 | 1     |
|      |                    |                         |           | 000 043 305 32 | 1     |

Model: 92A 11 Model life 2011>>2018

| Pos  | Part Number                          | Description   | Remark                  | Qty | Model  |
|------|--------------------------------------|---|-------------------------|-----|--------|
| -    | 958 501 936 00 GRV<br>000 043 207 60 | primed<br>Torx screw<br>M6X20<br>Discontinued part                        |                         | X   |        |
| 21   | 958 805 137 00                       | Holder for vehicle chassis<br>number plate                                |                         | 1   |        |
| 22   | N 101 823 01                         | Pop rivet<br>Holder for vehicle chassis<br>number plate                   |                         | 2   |        |
| -    | 000 043 204 85                       | cavity preservative agent<br>400 ML<br>Discontinued part                  |                         | X   |        |
| 23   | 958 501 447 00<br>958 501 447 00 GRV | Mounting<br>primed<br>dashboard   | left                    | 1   |        |
| (23) | 958 501 448 00<br>958 501 448 00 GRV | Mounting<br>primed<br>dashboard   | right                   | 1   |        |
| 25   | 958 501 133 00                       | Side member   | left<br>upper<br>inner  | 1   |        |
|      |                                      | also use:   | 000 043 305 51          | 1   |        |
| (25) | 958 501 133 00 GRV<br>958 501 134 00 | primed<br>Side member   | right<br>upper<br>inner | 1   |        |
|      |                                      | also use:   | 000 043 305 51          | 1   |        |
| 26   | 958 501 134 00 GRV<br>958 501 621 00 | primed<br>Closing element<br>water box                                    | left                    | 1   |        |
|      |                                      | also use:   | 000 043 305 51          | 1   |        |
| (26) | 958 501 621 00 GRV<br>958 501 622 00 | primed<br>Closing element<br>water box                                    | right                   | 1   |        |
|      |                                      | also use:   | 000 043 305 51          | 1   |        |
| 27   | 958 501 622 00 GRV<br>958 501 323 00 | primed<br>Bracket<br>base, windshield wiper                               |                         | 1   |        |
| 30   | 958 501 323 00 GRV<br>958 501 451 00 | primed<br>Support<br>Firewall   | left                    | 1   |        |
| (30) | 958 501 451 00 GRV<br>958 501 452 00 | primed<br>Support<br>Firewall<br>Suspension strut mounting                | right                   | 1   |        |
| 31   | 958 501 452 00 GRV<br>958 501 081 00 | primed<br>Mounting block  |                         | 1   |        |
| 32   | 958 501 081 00 GRV<br>958 501 692 00 | primed<br>Bracket<br>Power and control electronics-<br>for electric drive | upper                   | 1   | PR:0K3 |
| 33   | 958 501 692 00 GRV<br>958 501 691 00 | primed<br>Bracket<br>Power and control electronics-<br>for electric drive | lower                   | 1   | PR:0K3 |
| 34   | 958 501 691 00 GRV<br>958 501 327 00 | primed<br>Bracket<br>Power and control electronics-<br>for electric drive |                         | 1   | PR:0K3 |
| 40   | 958 501 327 00 GRV<br>N 911 998 01   | primed<br>Blind rivet stud<br>M8  |                         | 3   | PR:0K3 |

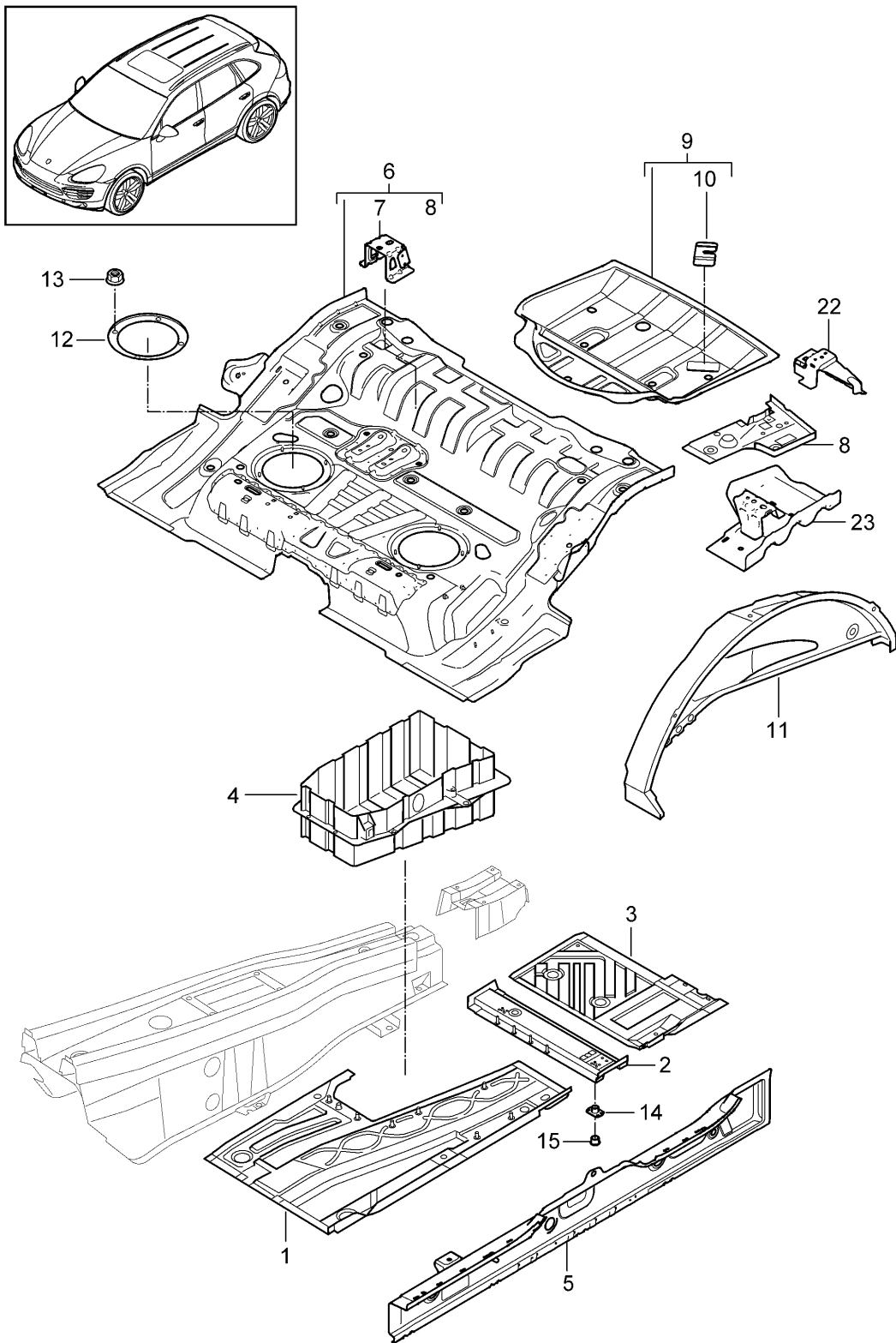
Model: 92A 11

Model life 2011>>2018

| Pos | Part Number | Description           | Remark | Qty | Model |
|-----|-------------|-----------------------|--------|-----|-------|
| 41  |             | Included in position: | 8      |     |       |

Model: 92A 11

Model life 2011>>2018



Model: 92A 11 Model life 2011>>2018

| Pos  | Part Number        | Description                            | Remark         | Qty | Model      |
|------|--------------------|--|----------------|-----|------------|
| 1    | 958 502 015 00     | floor plates<br>Bottom plate           | left front     | 1   |            |
|      |                    |  | also use:      |     |            |
|      | 958 502 015 00 GRV | primed                                 | 000 043 305 32 | 1   |            |
| (1)  | 958 502 016 00     | Bottom plate                           | right front    | 1   |            |
|      |                    |  | also use:      |     |            |
|      | 958 502 016 00 GRV | primed                                 | 000 043 305 32 | 1   |            |
| 2    | 958 502 301 00     | seat support                           | left           | 1   |            |
|      |                    |  | also use:      |     |            |
|      | 958 502 301 00 GRV | primed                                 | 000 043 305 51 | 1   |            |
| (2)  | 958 502 302 00     | seat support                           | right          | 1   |            |
|      |                    |  | also use:      |     |            |
|      | 958 502 302 00 GRV | primed                                 | 000 043 305 51 | 1   |            |
| 3    | 958 502 205 00     | Bottom plate                           | left rear      | 1   |            |
|      |                    |  | also use:      |     |            |
|      | 958 502 205 00 GRV | primed                                 | 000 043 305 32 | 1   |            |
| (3)  | 958 502 206 00     | Bottom plate                           | right rear     | 1   |            |
|      |                    |  | also use:      |     |            |
|      | 958 502 206 00 GRV | primed                                 | 000 043 305 32 | 1   |            |
| 4    |                    | battery box                            |                | 1   |            |
|      |                    | see illustration:                      | 902-005        |     |            |
| 5    | 958 502 751 00     | Sill                                   | left           | 1   |            |
|      |                    |  | also use:      |     |            |
|      | 958 502 751 00 GRV | primed                                 | 000 043 305 32 | 1   |            |
| (5)  | 958 502 752 00     | Sill                                   | right          | 1   |            |
|      |                    |  | also use:      |     |            |
|      | 958 502 752 00 GRV | primed                                 | 000 043 305 32 | 1   |            |
| -    | 955 504 187 00     | Bungs<br>20 MM                         |                | X   |            |
| 6    | 958 501 011 00     | Bottom plate                           |                | 1   |            |
|      |                    |  | also use:      |     |            |
|      |                    |  | 000 043 305 51 | 1   |            |
|      |                    |  | 000 043 305 32 | 1   |            |
|      | 958 501 011 00 GRV | primed                                 |                |     |            |
| 7    | 958 502 755 00     | Bracket                                |                | 1   |            |
|      | 958 502 755 00 GRV | primed                                 |                |     |            |
| 8    | 958 501 569 00     | Floor section                          | left           | 1   |            |
|      |                    |  | also use:      |     |            |
|      | 958 501 569 00 GRV | primed                                 | 000 043 305 32 | 1   |            |
| (8)  | 958 501 570 00     | Floor section                          | right          | 1   |            |
|      |                    |  | also use:      |     |            |
|      | 958 501 570 00 GRV | primed                                 | 000 043 305 32 | 1   |            |
| 9    | 958 501 261 00     | Spare wheel well                       |                | 1   | PR:1E0,1E1 |
|      | 958 501 261 00 GRV | primed                                 |                |     |            |
| (9)  | 958 501 261 01     | Spare wheel well                       |                | 1   | PR:1E9     |
|      | 958 501 261 01 GRV | primed                                 |                |     |            |
| 10   | 958 502 717 00     | Bracket                                |                | 1   |            |
|      | 958 502 717 00 GRV | primed                                 |                |     |            |
| 11   | 958 502 425 00     | Wheel housing                          | left           | 1   |            |
|      | 958 502 425 00 GRV | primed                                 |                |     |            |
| (11) | 958 502 426 00     | Wheel housing                          | right          | 1   |            |
|      | 958 502 426 00 GRV | primed                                 |                |     |            |
| -    | 000 043 204 85     | cavity preservative agent<br>400 ML    |                | X   |            |
| 12   | 955 501 959 01     | Cover<br>Sensor                        |                | 2   |            |
| 13   | N 015 082 10       | Fuel tank<br>Hexagon collar nut<br>M 6 |                | 8   |            |
| 14   | N 011 413 4        | panel nut<br>M 10                      |                | X   |            |
| 15   | 955 504 183 00     | Bungs<br>30                            |                | X   |            |
| 22   | 958 502 232 00     | Bracket                                | right          | 1   |            |

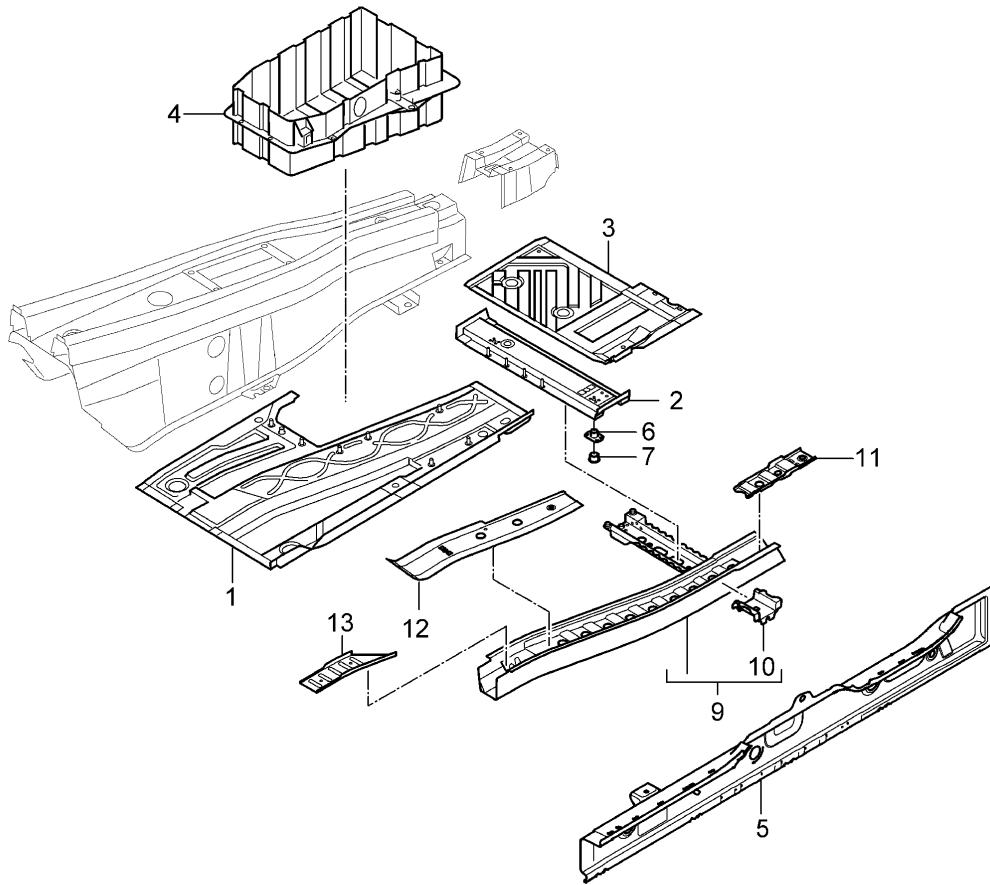
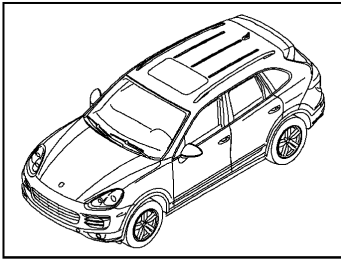
Model: 92A 11

Model life 2011>>2018

| Pos  | Part Number        | Description         | Remark | Qty | Model |
|------|--------------------|---------------------|--------|-----|-------|
| (22) | 958 502 232 00 GRV | primed              |        |     |       |
|      | 958 502 231 00     | Bracket             | left   | 1   |       |
|      | 958 502 231 00 GRV | primed              |        |     |       |
| 23   | 958 502 170 00     | Reinforcement plate | right  | 1   |       |
|      |                    | Wheel housing       | left   |     |       |
|      | 958 502 170 00 GRV | primed              |        |     |       |
| (23) | 958 502 169 00     | Reinforcement plate | left   | 1   |       |
|      |                    | Wheel housing       | right  |     |       |
|      | 958 502 169 00 GRV | primed              |        |     |       |

Model: 92A 11

Model life 2011>>2018



Model: 92A 11 Model life 2011>>2018

| Pos  | Part Number        | Description                         | Remark               | Qty | Model |
|------|--------------------|-------------------------------------|----------------------|-----|-------|
| 1    | 958 502 015 01     | Floor<br>Bottom plate               | center<br>left front | 1   |       |
|      | 958 502 015 01 GRV | primed                              |                      |     |       |
| (1)  | 958 502 016 01     | Bottom plate                        | right front          | 1   |       |
|      | 958 502 016 01 GRV | primed                              |                      |     |       |
| 2    | 958 502 301 00     | seat support                        | left                 | 1   |       |
|      | 958 502 301 00 GRV | primed                              |                      |     |       |
| (2)  | 958 502 302 01     | seat support                        | right                | 1   |       |
|      | 958 502 302 01 GRV | primed                              |                      |     |       |
| 3    | 958 502 205 00     | Bottom plate                        | left rear            | 1   |       |
|      | 958 502 205 00 GRV | primed                              |                      |     |       |
| (3)  | 958 502 206 00     | Bottom plate                        | right rear           | 1   |       |
|      | 958 502 206 00 GRV | primed                              |                      |     |       |
| 4    |                    | battery box<br>See group<br>9/02/05 |                      | 1   |       |
| 5    | 958 502 751 00     | Sill                                | left                 | 1   |       |
|      |                    | also use:                           | 000 043 305 51       | 1   |       |
|      |                    |                                     | 000 043 305 32       | 1   |       |
|      | 958 502 751 00 GRV | primed                              |                      |     |       |
| (5)  | 958 502 752 00     | Sill                                | right                | 1   |       |
|      |                    | also use:                           | 000 043 305 51       | 1   |       |
|      |                    |                                     | 000 043 305 32       | 1   |       |
|      | 958 502 752 00 GRV | primed                              |                      |     |       |
| -    | 955 504 187 00     | Bungs<br>20 MM                      |                      | X   |       |
| 6    | N 011 413 4        | panel nut<br>M 10                   |                      | X   |       |
| 7    | 955 504 183 00     | Bungs<br>30                         |                      | X   |       |
| -    | 000 043 204 85     | cavity preservative agent<br>400 ML |                      | X   |       |
| 9    | 958 501 019 00     | Side member                         | left<br>center       | 1   |       |
|      |                    | also use:                           | 000 043 305 51       | 1   |       |
|      |                    |                                     | 000 043 305 32       | 1   |       |
|      | 958 501 019 00 GRV | primed                              |                      |     |       |
| (9)  | 958 501 020 00     | Side member                         | right<br>center      | 1   |       |
|      |                    | also use:                           | 000 043 305 51       | 1   |       |
|      |                    |                                     | 000 043 305 32       | 1   |       |
|      | 958 501 020 00 GRV | primed                              |                      |     |       |
| 10   | 958 501 757 00     | Extension<br>Cross member<br>Seat   | left                 | 1   |       |
|      |                    | also use:                           | 000 043 305 51       | 1   |       |
|      |                    |                                     | 000 043 305 32       | 1   |       |
|      | 958 501 757 00 GRV | primed                              |                      |     |       |
| (10) | 958 501 758 00     | Extension<br>Cross member<br>Seat   | right                | 1   |       |
|      |                    | also use:                           | 000 043 305 51       | 1   |       |
|      |                    |                                     | 000 043 305 32       | 1   |       |
|      | 958 501 758 00 GRV | primed                              |                      |     |       |
| 11   | 958 502 699 01     | Reinforcement for<br>side member    | left                 | 1   |       |
|      |                    | also use:                           | 000 043 305 51       | 1   |       |
|      |                    |                                     | 000 043 305 32       | 1   |       |
|      | 958 502 699 01 GRV | primed                              |                      |     |       |
| (11) | 958 502 700 00     | Reinforcement for<br>side member    | right                | 1   |       |
|      |                    | also use:                           | 000 043 305 51       | 1   |       |
|      |                    |                                     | 000 043 305 32       | 1   |       |

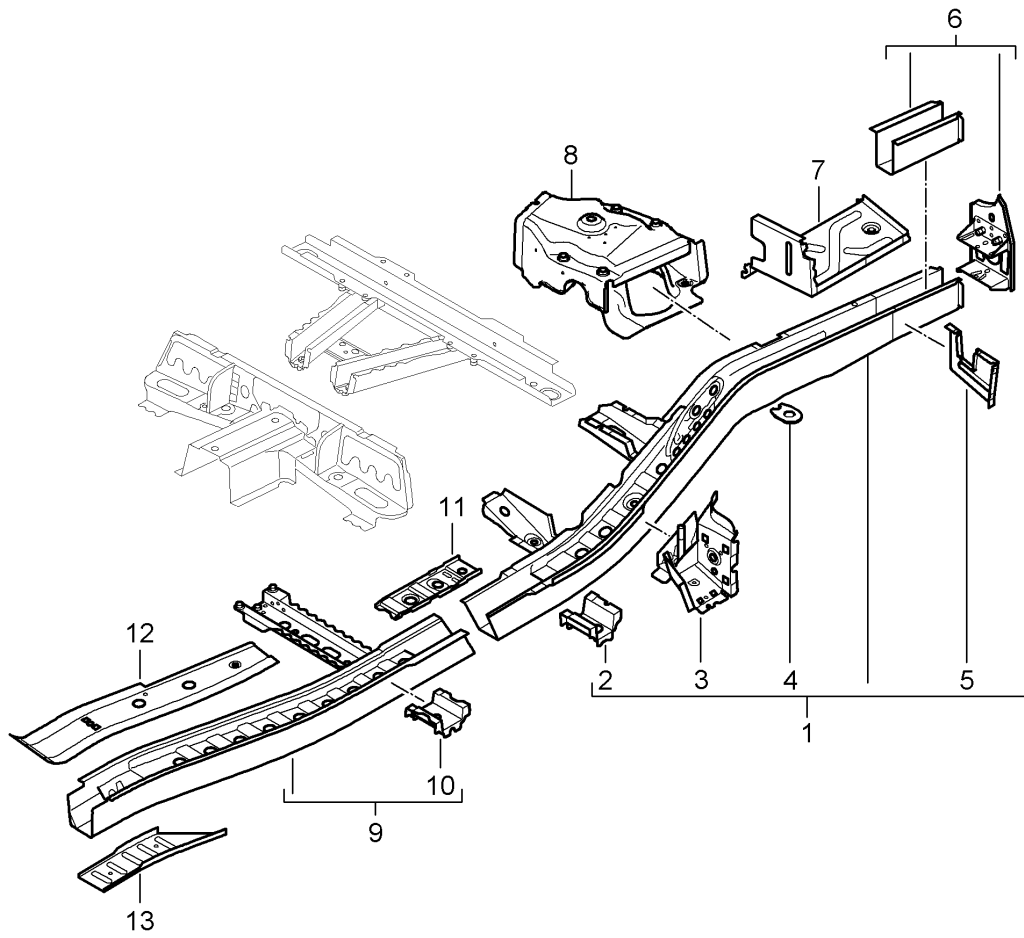
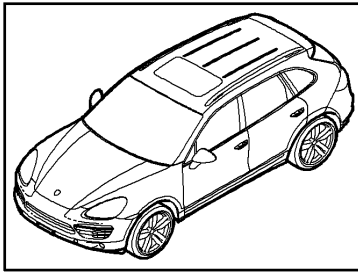


Model: 92A 11 Model life 2011>>2018

| Pos  | Part Number        | Description                   | Remark         | Qty | Model |
|------|--------------------|-------------------------------|----------------|-----|-------|
| 12   | 958 502 700 00 GRV | primed                        |                |     |       |
|      | 958 502 075 00     | Reinforcement Floor           | left           | 1   |       |
|      |                    |                               | also use:      |     |       |
|      |                    |                               | 000 043 305 51 | 1   |       |
|      |                    |                               | 000 043 305 32 | 1   |       |
| (12) | 958 502 075 00 GRV | primed                        |                |     |       |
|      | 958 502 076 00     | Reinforcement Floor           | right          | 1   |       |
|      |                    |                               | also use:      |     |       |
|      |                    |                               | 000 043 305 51 | 1   |       |
|      |                    |                               | 000 043 305 32 | 1   |       |
| 13   | 958 502 076 00 GRV | primed                        |                |     |       |
|      | 958 502 871 00     | Reinforcement for side member | left           | 1   |       |
|      |                    |                               | also use:      |     |       |
|      |                    |                               | 000 043 305 51 | 1   |       |
|      |                    |                               | 000 043 305 32 | 1   |       |
| (13) | 958 502 871 00 GRV | primed                        |                |     |       |
|      | 958 502 872 00     | Reinforcement for side member | right          | 1   |       |
|      |                    |                               | also use:      |     |       |
|      |                    |                               | 000 043 305 51 | 1   |       |
|      |                    |                               | 000 043 305 32 | 1   |       |
|      | 958 502 872 00 GRV | primed                        |                |     |       |

Model: 92A 11

Model life 2011>>2018



Model: 92A 11 Model life 2011>>2018

| Pos  | Part Number        | Description                      | Remark         | Qty | Model |
|------|--------------------|----------------------------------|----------------|-----|-------|
| 1    | 958 501 401 00     | Frame<br>Side member             | left           | 1   |       |
|      |                    | also use:                        | 000 043 305 51 | 1   |       |
|      |                    |                                  | 000 043 305 32 | 1   |       |
|      |                    | Discontinued part                |                |     |       |
|      | 958 501 401 00 GRV | primed                           |                |     |       |
| (1)  | 958 501 402 00     | Side member                      | right          | 1   |       |
|      |                    | also use:                        | 000 043 305 51 | 1   |       |
|      |                    |                                  | 000 043 305 32 | 1   |       |
|      | 958 501 402 00 GRV | primed                           |                |     |       |
| 2    | 958 501 227 00     | Support                          | left           | 1   |       |
|      | 958 501 227 00 GRV | primed                           |                |     |       |
| (2)  | 958 501 228 00     | Support                          | right          | 1   |       |
|      | 958 501 228 00 GRV | primed                           |                |     |       |
| 3    | 958 501 717 00     | Closing element                  | left           | 1   |       |
|      | 958 501 717 00 GRV | primed                           |                |     |       |
| (3)  | 958 501 718 00     | Closing element                  | right          | 1   |       |
|      | 958 501 718 00 GRV | primed                           |                |     |       |
| 4    | 958 501 851 00     | Brake line bracket               |                | 2   |       |
|      | 958 501 851 00 GRV | primed                           |                |     |       |
|      |                    | Brake line                       |                |     |       |
| 5    | 958 501 537 00     | Closing element                  | left           | 1   |       |
|      | 958 501 537 00 GRV | primed                           |                |     |       |
| (5)  | 958 501 538 00     | Closing element                  | right          | 1   |       |
|      | 958 501 538 00 GRV | primed                           |                |     |       |
| 6    | 958 501 933 00     | Side member                      | left           | 1   |       |
|      | 958 501 933 00 GRV | primed                           |                |     |       |
| (6)  | 958 501 934 00     | Side member                      | right          | 1   |       |
|      | 958 501 934 00 GRV | primed                           |                |     |       |
| 7    | 958 501 091 00     | Floor section                    | left           | 1   |       |
|      | 958 501 091 00 GRV | primed                           |                |     |       |
| (7)  | 958 501 092 00     | Floor section                    | right          | 1   |       |
|      | 958 501 092 00 GRV | primed                           |                |     |       |
| 8    | 958 501 623 00     | Cross member                     | left           | 1   |       |
|      | 958 501 623 00 GRV | primed                           | outer          |     |       |
|      |                    | Rear axle                        |                |     |       |
| (8)  | 958 501 624 00     | Cross member                     | right          | 1   |       |
|      | 958 501 624 00 GRV | primed                           | outer          |     |       |
|      |                    | Rear axle                        |                |     |       |
| 9    | 958 501 019 01     | Side member                      | left           | 1   |       |
|      |                    | also use:                        | 000 043 305 51 | 1   |       |
|      |                    |                                  | 000 043 305 32 | 1   |       |
|      | 958 501 019 01 GRV | primed                           |                |     |       |
| (9)  | 958 501 020 00     | Side member                      | right          | 1   |       |
|      |                    | also use:                        | 000 043 305 51 | 1   |       |
|      |                    |                                  | 000 043 305 32 | 1   |       |
|      | 958 501 020 00 GRV | primed                           |                |     |       |
| 10   | 955 501 757 00     | Extension                        |                | 2   |       |
|      | 955 501 757 00 GRV | primed                           |                |     |       |
| 11   | 958 502 699 01     | Reinforcement for<br>side member |                | 2   |       |
|      | 958 502 699 01 GRV | primed                           |                |     |       |
| 12   | 958 502 075 00     | Reinforcement                    | left           | 1   |       |
|      | 958 502 075 00 GRV | primed                           |                |     |       |
| (12) | 958 502 076 00     | Reinforcement                    | right          | 1   |       |
|      | 958 502 076 00 GRV | primed                           |                |     |       |
| 13   | 958 502 871 00     | Reinforcement for<br>side member | left           | 1   |       |
|      | 958 502 871 00 GRV | primed                           |                |     |       |
| (13) | 958 502 872 00     | Reinforcement for<br>side member | right          | 1   |       |
|      | 958 502 872 00 GRV | primed                           |                |     |       |
| -    | 000 043 204 85     | cavity preservative agent        |                | X   |       |

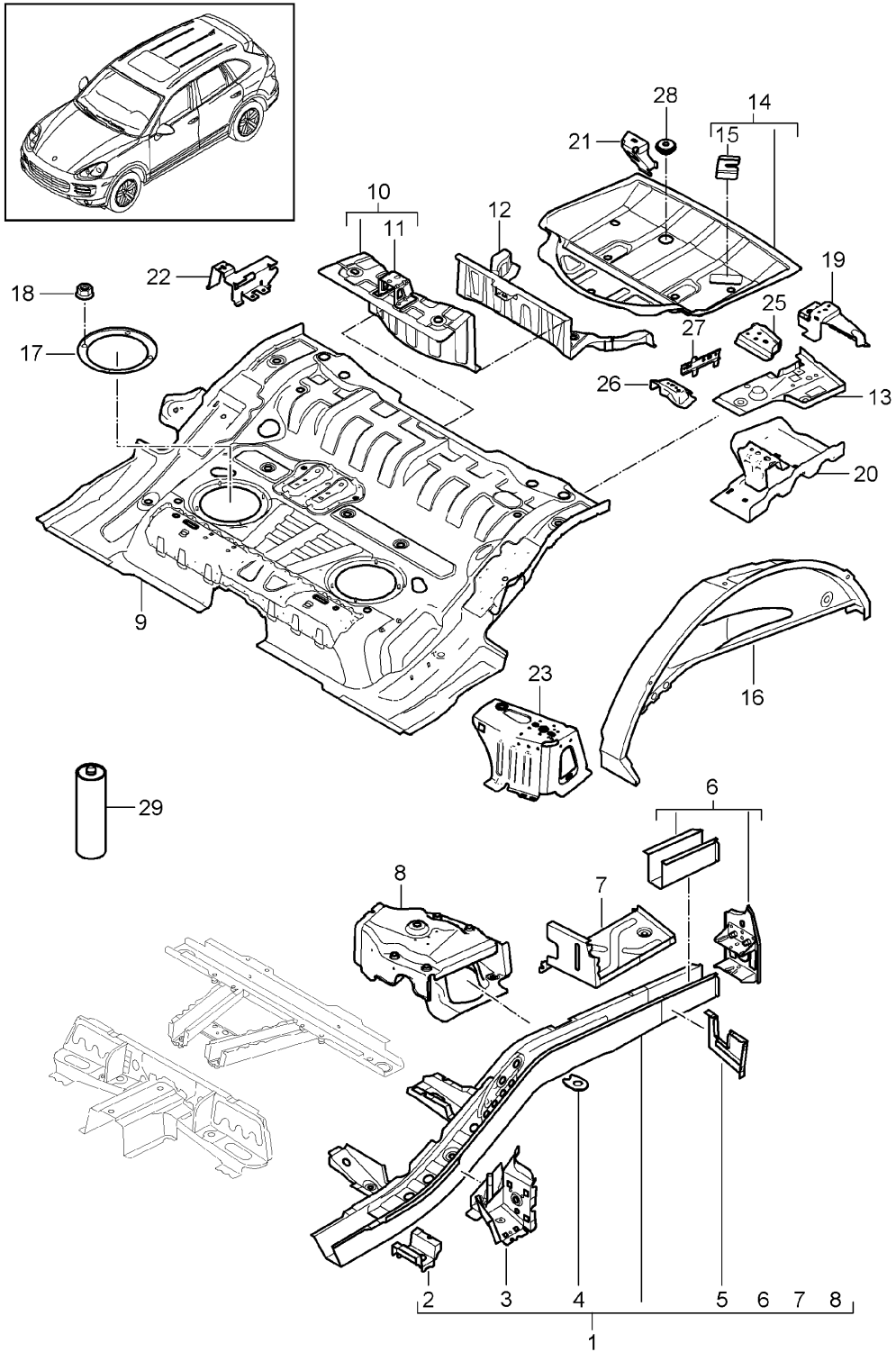
Model: 92A 11

Model life 2011>>2018

| Pos | Part Number | Description | Remark | Qty | Model |
|-----|-------------|-------------|--------|-----|-------|
|     |             | 400 ML      |        |     |       |

Model: 92A 11

Model life 2011>>2018



Model: 92A 11 Model life 2011>>2018

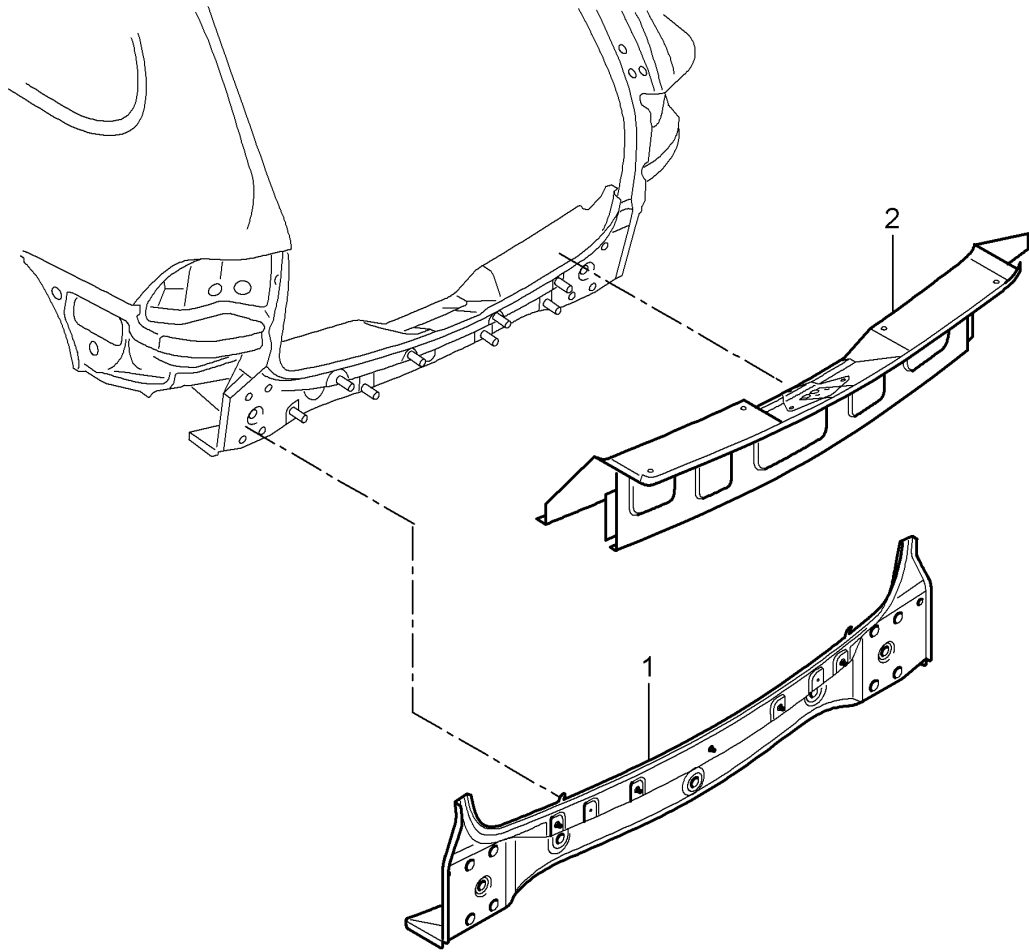
| Pos  | Part Number        | Description                              | Remark         | Qty | Model      |
|------|--------------------|--|----------------|-----|------------|
| 1    | 958 501 401 01     | Rear end<br>D - MJ 2015>><br>Side member | left           | 1   |            |
|      |                    | also use:                                | 000 043 305 51 | 1   |            |
|      |                    |  | 000 043 305 32 | 1   |            |
| (1)  | 958 501 401 01 GRV | primed                                   |                |     |            |
|      | 958 501 402 00     | Side member                              | right          | 1   |            |
|      |                    | also use:                                | 000 043 305 51 | 1   |            |
|      |                    |  | 000 043 305 32 | 1   |            |
|      | 958 501 402 00 GRV | primed                                   |                |     |            |
| 2    | 958 501 227 00     | Support                                  | left           | 1   |            |
|      | 958 501 227 00 GRV | primed                                   |                |     |            |
| (2)  | 958 501 228 00     | Support                                  | right          | 1   |            |
|      | 958 501 228 00 GRV | primed                                   |                |     |            |
| 3    | 958 501 717 00     | Closing element                          | left           | 1   |            |
|      | 958 501 717 00 GRV | primed                                   |                |     |            |
| (3)  | 958 501 718 00     | Closing element                          | right          | 1   |            |
|      | 958 501 718 00 GRV | primed                                   |                |     |            |
| 4    | 958 501 851 00     | Brake line bracket                       |                | 2   |            |
|      | 958 501 851 00 GRV | primed                                   |                |     |            |
| (5)  | 955 501 537 01     | Closing element                          | left           | 1   |            |
|      |                    | Side member                              |                |     |            |
|      | 955 501 537 01 GRV | primed                                   |                |     |            |
| (5)  | 955 501 538 01     | Closing element                          | right          | 1   |            |
|      |                    | Side member                              |                |     |            |
|      | 955 501 538 01 GRV | primed                                   |                |     |            |
| 6    | 958 501 933 00     | Side member                              | left           | 1   |            |
|      |                    | Sub-part                                 |                |     |            |
|      | 958 501 933 00 GRV | primed                                   |                |     |            |
| (6)  | 958 501 934 00     | Side member                              | right          | 1   |            |
|      |                    | Sub-part                                 |                |     |            |
|      | 958 501 934 00 GRV | primed                                   |                |     |            |
| 7    | 958 501 091 01     | Floor section                            | left<br>side   | 1   |            |
|      | 958 501 091 01 GRV | primed                                   |                |     |            |
| (7)  | 958 501 092 00     | Floor section                            | right<br>side  | 1   |            |
|      | 958 501 092 00 GRV | primed                                   |                |     |            |
| 8    | 958 501 623 00     | Cross member                             | left           | 1   |            |
|      |                    | Rear axle                                | outer          |     |            |
|      | 958 501 623 00 GRV | primed                                   |                |     |            |
| (8)  | 958 501 624 00     | Cross member                             | right          | 1   |            |
|      |                    | Rear axle                                | outer          |     |            |
|      | 958 501 624 00 GRV | primed                                   |                |     |            |
| 9    | 958 501 011 00     | Bottom plate                             | rear           | 1   |            |
|      |                    | also use:                                | 000 043 305 51 | 1   |            |
|      |                    |  | 000 043 305 32 | 1   |            |
|      | 958 501 011 00 GRV | primed                                   |                |     |            |
| 10   | 958 502 525 00     | Cross member                             | upper          | 1   |            |
|      |                    | Rear axle                                |                |     |            |
|      | 958 502 525 00 GRV | primed                                   |                |     |            |
| 11   | 958 502 755 00     | Bracket                                  |                | 1   |            |
|      | 958 502 755 00 GRV | primed                                   |                |     |            |
| 12   | 958 502 518 00     | Cross member                             | lower          | 1   |            |
|      |                    | Rear axle                                |                |     |            |
|      | 958 502 518 00 GRV | primed                                   |                |     |            |
| 13   | 958 501 569 00     | Floor section                            | left           | 1   |            |
|      | 958 501 569 00 GRV | primed                                   |                |     |            |
| (13) | 958 501 570 00     | Floor section                            | right          | 1   |            |
|      | 958 501 570 00 GRV | primed                                   |                |     |            |
| 14   | 958 501 261 00     | Spare wheel well                         |                | 1   | PR:1E0,1E1 |
|      | 958 501 261 00 GRV | primed                                   |                |     |            |
| 14   | 958 501 261 05     | Spare wheel well                         |                | 1   | PR:1E0,1E1 |

Model: 92A 11 Model life 2011>>2018

| Pos  | Part Number        | Description               | Remark | Qty | Model      |
|------|--------------------|---------------------------|--------|-----|------------|
| (14) | 958 501 261 05 GRV | primed                    |        |     |            |
|      | 958 501 261 01     | Spare wheel well          |        | 1   | PR:1E9     |
|      | 958 501 261 01 GRV | primed                    |        |     |            |
| 15   | 958 502 717 00     | Bracket                   |        | 1   | PR:1E0,1E1 |
|      | 958 502 717 00 GRV | primed                    |        |     |            |
| 16   | 958 502 425 01     | Wheel housing             | left   | 1   |            |
|      | 958 502 425 01 GRV | primed                    |        |     |            |
| (16) | 958 502 426 00     | Wheel housing             | right  | 1   |            |
|      | 958 502 426 00 GRV | primed                    |        |     |            |
| 17   | 955 501 959 01     | Cover                     |        | 2   |            |
|      |                    | Sensor                    |        |     |            |
|      |                    | Fuel tank                 |        |     |            |
| 18   | N 015 082 10       | Hexagon collar nut        |        | 8   |            |
|      |                    | M 6                       |        |     |            |
| 19   | 958 502 231 00     | Bracket                   | left   | 1   |            |
|      | 958 502 231 00 GRV | primed                    |        |     |            |
| (19) | 958 502 232 00     | Bracket                   | right  | 1   |            |
|      | 958 502 232 00 GRV | primed                    |        |     |            |
| 20   | 958 502 169 00     | Reinforcement plate       | left   | 1   |            |
|      |                    | Wheel housing             | right  |     |            |
|      | 958 502 169 00 GRV | primed                    |        |     |            |
| (20) | 958 502 170 00     | Reinforcement plate       | right  | 1   |            |
|      |                    | Wheel housing             | left   |     |            |
|      | 958 502 170 00 GRV | primed                    |        |     |            |
| 21   | 958 502 385 00     | spare wheel bracket       | front  | 1   | PR:3F4     |
|      | 958 502 385 00 GRV | primed                    |        |     |            |
| 22   | 958 502 386 00     | spare wheel bracket       | rear   | 1   |            |
|      | 958 502 386 00 GRV | primed                    |        |     |            |
| 23   | 958 502 381 00     | Console                   | left   | 1   |            |
|      |                    | Seat                      | rear   |     |            |
|      | 958 502 381 00 GRV | primed                    |        |     |            |
| (23) | 958 502 382 00     | Console                   | right  | 1   |            |
|      |                    | Seat                      | rear   |     |            |
|      | 958 502 382 00 GRV | primed                    |        |     |            |
| 25   | 958 502 331 10     | Console                   | left   | 1   | PR:0K3     |
|      |                    |                           | rear   |     |            |
|      |                    | D - MJ 2015>>             |        |     |            |
|      | 958 502 331 10 GRV | primed                    |        |     |            |
| (25) | 958 502 332 10     | Console                   | right  | 1   | PR:0K3     |
|      |                    |                           | rear   |     |            |
|      |                    | D - MJ 2015>>             |        |     |            |
|      | 958 502 332 10 GRV | primed                    |        |     |            |
| 26   | 958 502 231 10     | Console                   | left   | 1   | PR:0K3     |
|      |                    |                           | rear   |     |            |
|      |                    | D - MJ 2015>>             |        |     |            |
|      | 958 502 231 10 GRV | primed                    |        |     |            |
| (26) | 958 502 232 10     | Console                   | right  | 1   | PR:0K3     |
|      |                    |                           | rear   |     |            |
|      |                    | D - MJ 2015>>             |        |     |            |
|      | 958 502 232 10 GRV | primed                    |        |     |            |
| 27   | 958 502 799 00     | Bracket                   |        | 1   | PR:0K3     |
|      |                    | High voltage              |        |     |            |
|      |                    | D - MJ 2015>>             |        |     |            |
|      | 958 502 799 00 GRV | primed                    |        |     |            |
| 28   | 958 502 899 00     | Drain nozzle              |        | 1   | PR:0K3     |
|      |                    | Spare wheel well          |        |     |            |
| (28) | N 102 460 01       | Bungs                     |        | 1   | PR:0K0     |
|      |                    | Spare wheel well          |        |     |            |
| 29   | 000 043 204 85     | cavity preservative agent |        | X   |            |
|      |                    | 400 ML                    |        |     |            |

Model: 92A 11

Model life 2011>>2018





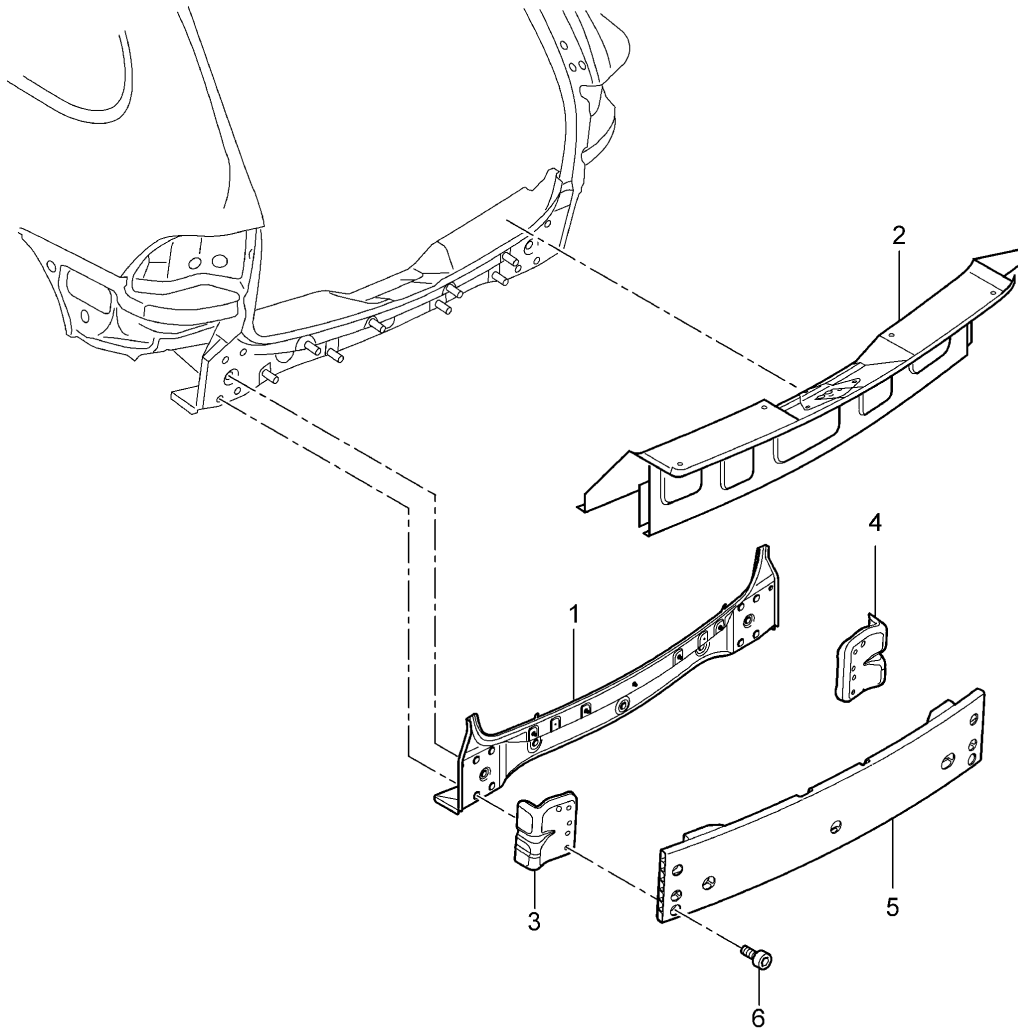
Model: 92A 11

Model life 2011>>2018

| Pos | Part Number        | Description               | Remark | Qty | Model |
|-----|--------------------|---------------------------|--------|-----|-------|
| 1   | 958 501 303 00     | Rear end                  |        | 1   |       |
|     | 958 501 303 00 GRV | Cross panel               |        |     |       |
|     |                    | primed                    |        |     |       |
| -   | N 909 760 02       | Weld screw                |        | X   |       |
|     |                    | M 6 X 16                  |        |     |       |
| -   | N 900 684 01       | welded pin                |        | X   |       |
|     |                    | T5 X 14,2                 |        |     |       |
| 2   | 958 501 311 00     | lock carrier              |        | 1   |       |
|     | 958 501 311 00 GRV | primed                    |        |     |       |
| -   | 000 043 204 85     | cavity preservative agent |        | X   |       |
|     |                    | 400 ML                    |        |     |       |

Model: 92A 11

Model life 2011>>2018

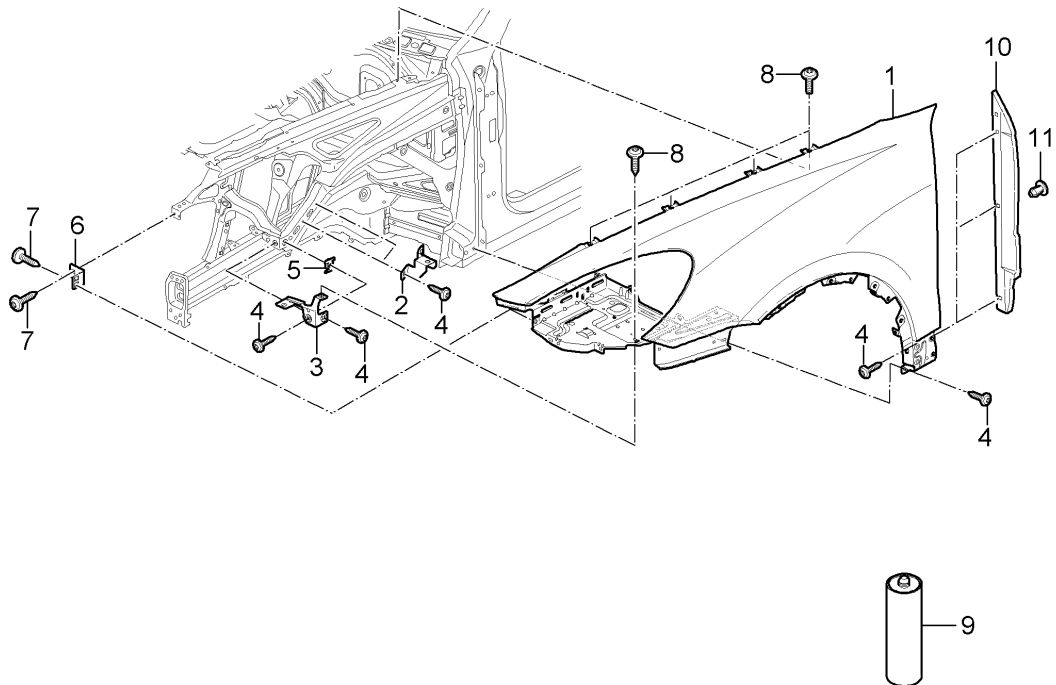
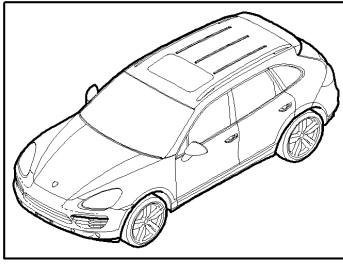


Model: 92A 11 Model life 2011>>2018

| Pos | Part Number        | Description   | Remark | Qty | Model  |
|-----|--------------------|---|--------|-----|--------|
| 1   | 958 501 303 00     | Rear end<br>Reinforcement<br>D - MJ 2015>><br>Cross panel |        | 1   |        |
| -   | 958 501 303 00 GRV | primed  |        |     |        |
| -   | N 909 760 02       | Weld screw<br>M 6 X 16                                    |        | X   |        |
| -   | N 900 684 01       | welded pin<br>T5 X 14,2                                   |        | X   |        |
| 2   | 958 501 311 01     | lock carrier  |        | 1   |        |
| -   | 958 501 311 01 GRV | primed  |        |     |        |
| -   | 000 043 204 85     | cavity preservative agent<br>400 ML                       |        | X   |        |
| 3   | 958 501 577 00     | Console<br>Reinforcement<br>Discontinued part             | left   | 1   | PR:0K3 |
| -   | 958 501 577 00 GRV | primed  |        |     |        |
| 3   | 958 501 573 00     | Console<br>Reinforcement                                  | left   | 1   | PR:0K3 |
| -   | 958 501 573 00 GRV | primed  |        |     |        |
| 4   | 958 501 578 00     | Console<br>Reinforcement<br>Discontinued part             | right  | 1   | PR:0K3 |
| -   | 958 501 578 00 GRV | primed  |        |     |        |
| 4   | 958 501 574 00     | Console<br>Reinforcement                                  | right  | 1   | PR:0K3 |
| -   | 958 501 574 00 GRV | primed  |        |     |        |
| 5   | 958 501 253 00     | reinforcement plate                                       | right  | 1   | PR:0K3 |
| 6   | N 911 946 01       | Flat head multi-point<br>socket bolt<br>M8X20             |        | 6   |        |

Model: 92A 11

Model life 2011>>2018



Model: 92A 11 Model life 2011>>2018

| Pos  | Part Number                          | Description                                   | Remark               | Qty | Model         |
|------|--------------------------------------|---|----------------------|-----|---------------|
| 1    | 958 503 031 00                       | Wing<br>Wing                                  | Generation 1<br>left | 1   |               |
|      |                                      | also use:                                     | 000 043 207 67       | 1   |               |
|      |                                      |   | 000 043 305 32       | 1   |               |
|      |                                      | D >> - MJ 2014<br>No longer use the part here |                      |     |               |
| 1    | 958 503 031 00 GRV<br>958 503 031 01 | primed<br>Wing                                | left                 | 1   |               |
|      |                                      | also use:                                     | 000 043 207 67       | 1   |               |
|      |                                      |   | 000 043 305 32       | 1   |               |
|      |                                      | D >> - MJ 2014<br>Discontinued part           |                      |     |               |
| 1    | 958 503 031 01 GRV<br>958 503 031 02 | primed<br>Wing                                | left                 | 1   |               |
|      |                                      | also use:                                     | 000 043 207 67       | 1   |               |
|      |                                      |   | 000 043 305 32       | 1   |               |
|      |                                      | D >> - MJ 2014<br>Discontinued part           |                      |     |               |
| (1)  | 958 503 031 02 GRV<br>958 503 032 00 | primed<br>Wing                                | right                | 1   |               |
|      |                                      | also use:                                     | 000 043 207 67       | 1   |               |
|      |                                      |   | 000 043 305 32       | 1   |               |
|      |                                      | D >> - MJ 2014<br>No longer use the part here |                      |     |               |
| (1)  | 958 503 032 00 GRV<br>958 503 032 01 | primed<br>Wing                                | right                | 1   |               |
|      |                                      | also use:                                     | 000 043 207 67       | 1   |               |
|      |                                      |   | 000 043 305 32       | 1   |               |
|      |                                      | D >> - MJ 2014<br>Discontinued part           |                      |     |               |
| (1)  | 958 503 032 01 GRV<br>958 503 032 02 | primed<br>Wing                                | right                | 1   |               |
|      |                                      | also use:                                     | 000 043 207 67       | 1   |               |
|      |                                      |   | 000 043 305 32       | 1   |               |
|      |                                      | D >> - MJ 2014<br>Discontinued part           |                      |     |               |
| 2    | 958 503 032 02 GRV<br>958 503 161 00 | primed<br>bracket - fender                    | left                 | 1   |               |
| (2)  | 958 503 161 00 GRV<br>958 503 162 00 | primed<br>bracket - fender                    | right                | 1   |               |
|      | 958 503 162 00 GRV                   | primed  |                      |     |               |
| 3    | 958 503 609 00                       | bracket - fender                              | left                 | 1   |               |
| (3)  | 958 503 609 00 GRV<br>958 503 610 00 | primed<br>bracket - fender                    | right                | 1   |               |
|      | 958 503 610 00 GRV                   | primed  |                      |     |               |
| 4    | N 910 423 02                         | Oval hexagon socket head bolt<br>M 6 X 16     |                      | 26  |               |
| 5    | N 908 173 02                         | rivetted cap nut<br>M 6                       |                      | 4   |               |
| 6    | 958 503 459 00<br>958 503 459 00 GRV | angle<br>primed                               |                      | 2   |               |
| 7    | N 907 809 04                         | Oval hexagon socket head bolt<br>M 6 X 16     |                      | 6   |               |
| 8    | N 910 432 01                         | Oval hexagon socket head bolt<br>M 6 X 14     |                      | 8   |               |
| 9    | 000 043 207 67                       | sealant<br>Discontinued part                  |                      | 1   |               |
| 10   | 958 559 777 00<br>958 559 777 00 9B9 | Trim<br>Satin black                           | left                 | 1   | PR:-EOW       |
| (10) | 958 559 777 01                       | Trim  | left                 | 1   | GTS<br>PR:EOW |
| (10) | 958 559 777 01 9B9<br>958 559 778 00 | Satin black<br>Trim                           | right                | 1   | PR:-EOW       |
| (10) | 958 559 778 00 9B9<br>958 559 778 01 | Satin black<br>Trim                           | right                | 1   | GTS           |

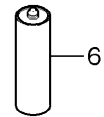
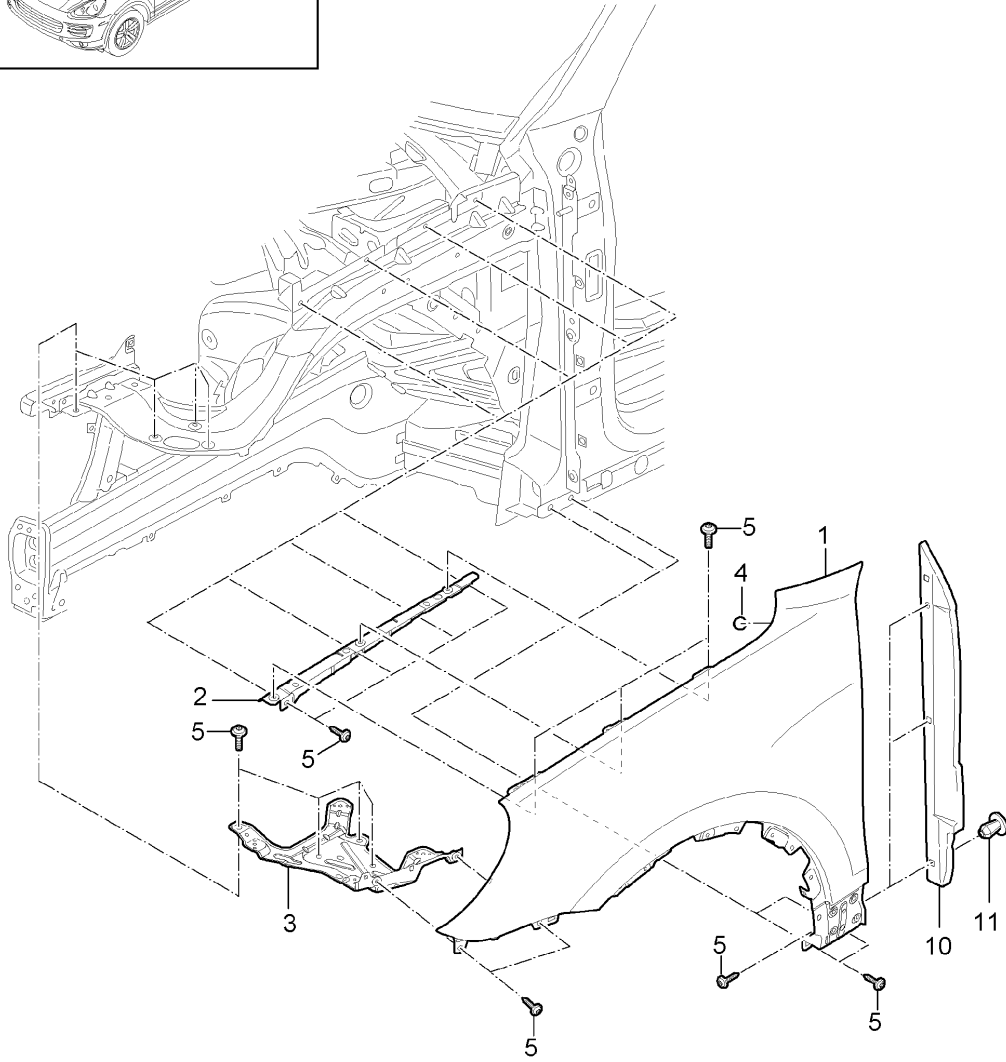
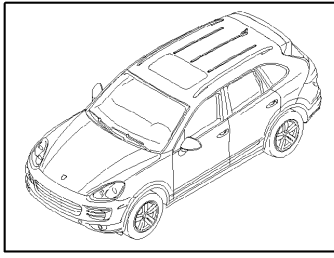
Model: 92A 11

Model life 2011>>2018

| Pos | Part Number                       | Description                                 | Remark | Qty | Model  |
|-----|-----------------------------------|---|--------|-----|--------|
| 11  | 958 559 778 01 9B9<br>WHT 004 750 | Satin black<br>Spreader rivet<br>8,1 X 13,0 |        | 8   | PR:EOW |
| -   | 958 503 719 00                    | Clip<br>Trim<br>Wing                        |        | 8   |        |

Model: 92A 11

Model life 2011>>2018



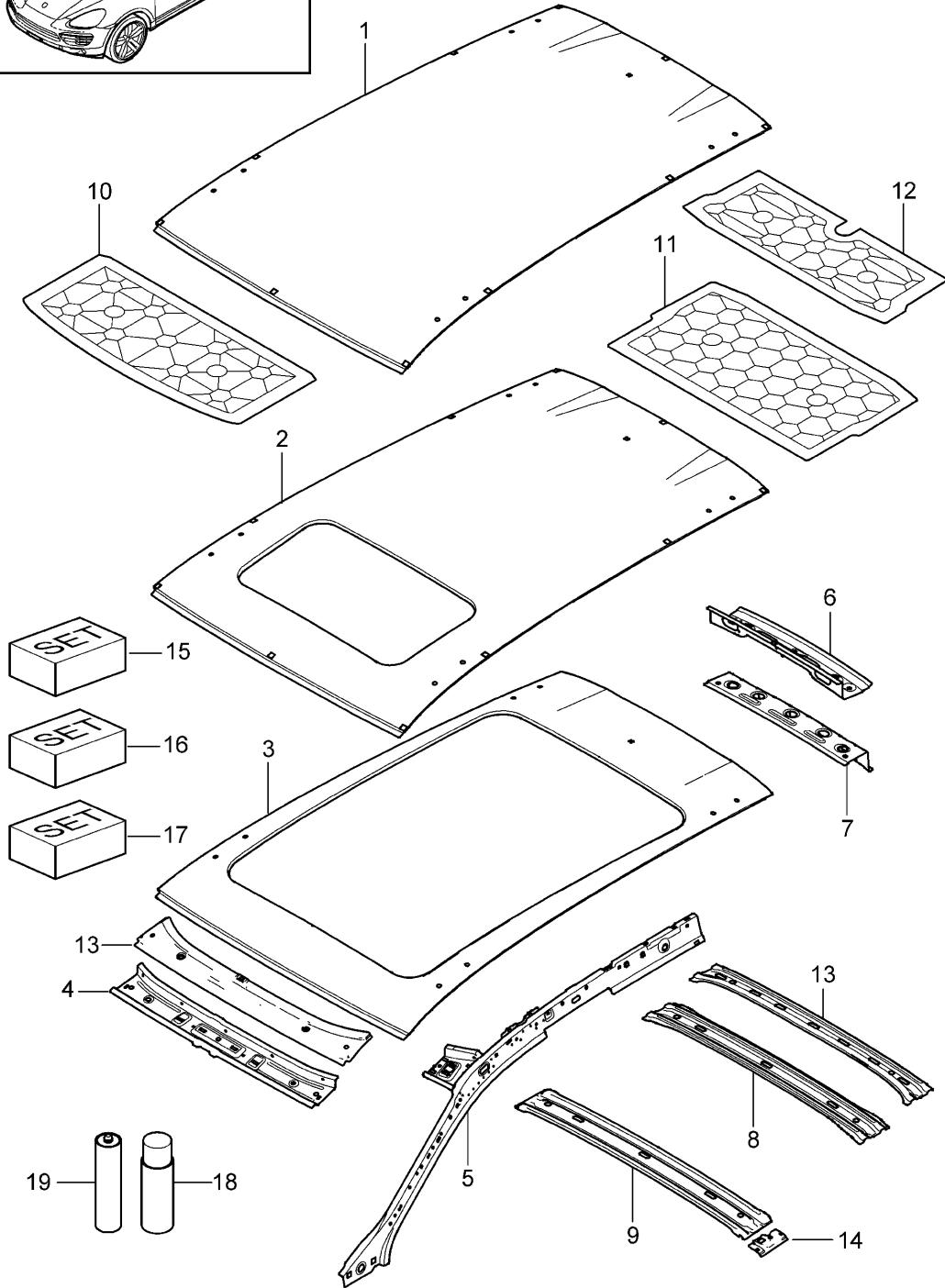
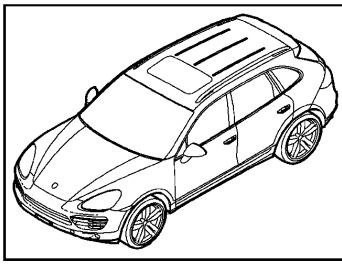
Model: 92A 11 Model life 2011>>2018

| Pos  | Part Number                          | Description                                     | Remark                 | Qty | Model  |
|------|--------------------------------------|---|------------------------|-----|--|
| 1    | 958 503 031 10                       | Wing<br>D - MJ 2015>><br>Wing                   | 2nd generation<br>left | 1   |  |
|      |                                      | also use:                                       | 000 043 207 67         | 1   |  |
|      |                                      |   | 000 043 305 32         | 1   |  |
| (1)  | 958 503 031 10 GRV<br>958 503 032 10 | primed<br>Wing                                  | right                  | 1   |  |
|      |                                      | also use:                                       | 000 043 207 67         | 1   |  |
|      |                                      |   | 000 043 305 32         | 1   |  |
| 2    | 958 503 032 10 GRV<br>958 503 519 00 | primed<br>deformation element                   | left                   | 1   |  |
| (2)  | 958 503 519 00 GRV<br>958 503 520 00 | primed<br>deformation element                   | right                  | 1   |  |
|      | 958 503 520 00 GRV                   | primed  |                        |     |  |
| 3    | 958 503 259 00                       | Mounting for main beam headl.<br>Wing           | left                   | 1   |  |
| (3)  | 958 503 259 00 GRV<br>958 503 260 00 | primed<br>Mounting for main beam headl.<br>Wing | right                  | 1   |  |
|      | 958 503 260 00 GRV                   | primed  |                        |     |  |
| 4    | 958 503 123 00                       | Foam part                                       |                        | 2   |  |
| 5    | N 910 423 02                         | Oval hexagon socket head bolt<br>M6X16          |                        | X   |  |
| 6    | 000 043 207 67                       | sealant   |                        | X   |  |
| 10   | 958 559 777 00                       | Trim  | left                   | 1   | PR:DD7,DD8,<br>DT1,DT5,DU2,<br>D1V,D11,D19,<br>D34,D43 |
|      | 958 559 777 00 9B9                   | Satin black                                     |                        |     | PR:D50,DV7,<br>D51                                     |
| 10   | 958 559 777 01                       | Trim  | left                   | 1   | GTS<br>PR:DU3  |
|      | 958 559 777 01 9B9                   | Satin black                                     |                        |     |  |
| (10) | 958 559 778 00                       | Trim  | right                  | 1   | PR:DD7,DD8,<br>DT1,DT5,DU2,<br>D1V,D11,D19,<br>D34,D43 |
|      | 958 559 778 00 9B9                   | Satin black                                     |                        |     | PR:D50,DV7,<br>D51                                     |
| (10) | 958 559 778 01                       | Trim  | right                  | 1   | GTS<br>PR:DU3  |
|      | 958 559 778 01 9B9                   | Satin black                                     |                        |     |  |
| 11   | WHT 004 750                          | Spreader rivet<br>8,1 X 13,0                    |                        | X   |  |



Model: 92A 11

Model life 2011>>2018



Model: 92A 11 Model life 2011>>2018

| Pos | Part Number        | Description                         | Remark         | Qty | Model      |
|-----|--------------------|-------------------------------------|----------------|-----|------------|
| (1) | 958 503 111 00     | Roof<br>Scuttle<br>Roof             |                | 1   | PR:3FA     |
|     |                    | also use:                           | 000 043 305 65 | 2   |            |
|     |                    |                                     | 000 043 305 35 | 1   |            |
|     |                    | D >> - MJ 2014<br>Discontinued part |                |     |            |
| (1) | 958 503 111 00 GRV | primed                              |                | 1   | PR:3FA     |
|     | 958 503 111 01     | Roof                                |                | 1   |            |
|     |                    | also use:                           | 000 043 305 65 | 2   |            |
|     |                    |                                     | 000 043 305 35 | 1   |            |
|     |                    | D - MJ 2015>>                       |                |     |            |
|     | 958 503 111 01 GRV | primed                              |                | 1   | PR:3FE     |
| 2   | 958 503 101 01     | Roof                                |                | 1   |            |
|     |                    | also use:                           | 000 043 305 65 | 2   |            |
|     |                    |                                     | 000 043 305 35 | 1   |            |
|     |                    | D >> - MJ 2014                      |                |     |            |
|     | 958 503 101 01 GRV | primed                              |                | 1   | PR:3FE     |
|     |                    | for sliding roof                    |                |     |            |
| 2   | 958 503 101 10     | Roof                                |                | 1   | PR:3FE     |
|     |                    | also use:                           | 000 043 305 65 | 2   |            |
|     |                    |                                     | 000 043 305 35 | 1   |            |
|     |                    | D - MJ 2015>>                       |                |     |            |
|     | 958 503 101 10 GRV | primed                              |                | 1   | PR:3FU     |
|     |                    | for sliding roof                    |                |     |            |
| 3   | 958 503 101 05     | Roof                                |                | 1   | PR:3FU     |
|     |                    | also use:                           | 000 043 305 65 | 2   |            |
|     |                    |                                     | 000 043 305 35 | 1   |            |
|     |                    | D >> - MJ 2014                      |                |     |            |
|     | 958 503 101 05 GRV | primed                              |                | 1   | PR:3FU     |
| (3) | 958 503 101 05     | Roof                                |                | 1   | PR:3FU     |
|     |                    | also use:                           | 000 043 305 65 | 2   |            |
|     |                    |                                     | 000 043 305 35 | 1   |            |
|     |                    | D - MJ 2015>>                       |                |     |            |
|     | 958 503 101 05 GRV | primed                              |                | 1   |            |
| 4   | 958 502 122 00     | Roof cross member                   | front          | 1   |            |
|     |                    |                                     | inner          |     |            |
|     |                    | also use:                           | 000 043 305 51 | 1   |            |
|     | 958 502 122 00 GRV | primed                              |                | 1   |            |
| 5   | 958 502 287 00     | Cross member                        | left           | 1   |            |
|     |                    | also use:                           | 000 043 305 51 | 1   |            |
|     | 958 502 287 00 GRV | primed                              |                | 1   |            |
| (5) | 958 502 288 00     | Cross member                        | right          | 1   |            |
|     |                    | also use:                           | 000 043 305 51 | 1   |            |
|     | 958 502 288 00 GRV | primed                              |                | 1   |            |
| 6   | 958 502 161 00     | Roof cross member                   | rear           | 1   |            |
|     |                    |                                     | inner          |     |            |
|     |                    | also use:                           | 000 043 305 51 | 1   |            |
|     | 958 502 161 00 GRV | Discontinued part                   |                |     |            |
|     |                    | primed                              |                |     |            |
| 7   | 958 502 164 00     | Roof cross member                   | rear           | 1   |            |
|     |                    |                                     | outer          |     |            |
|     |                    | also use:                           | 000 043 305 51 | 1   |            |
|     | 958 502 164 00 GRV | primed                              |                | 1   | PR:3FA,3FE |
| 8   | 958 502 119 00     | Roof cross member                   |                | 1   |            |
|     |                    | c-pillar                            |                |     |            |
|     |                    | also use:                           | 000 043 305 51 | 1   |            |
|     | 958 502 119 00 GRV | primed                              |                | 1   |            |
| 9   | 958 502 465 00     | Roof cross member                   |                | 1   | PR:3FA     |
|     |                    | B-pillar                            |                |     |            |
|     |                    | also use:                           | 000 043 305 51 | 1   |            |
|     | 958 502 465 00 GRV | primed                              |                | 1   |            |
| 10  | 958 502 285 00     | Roof reinforcement                  | front          | 1   | PR:3FA     |

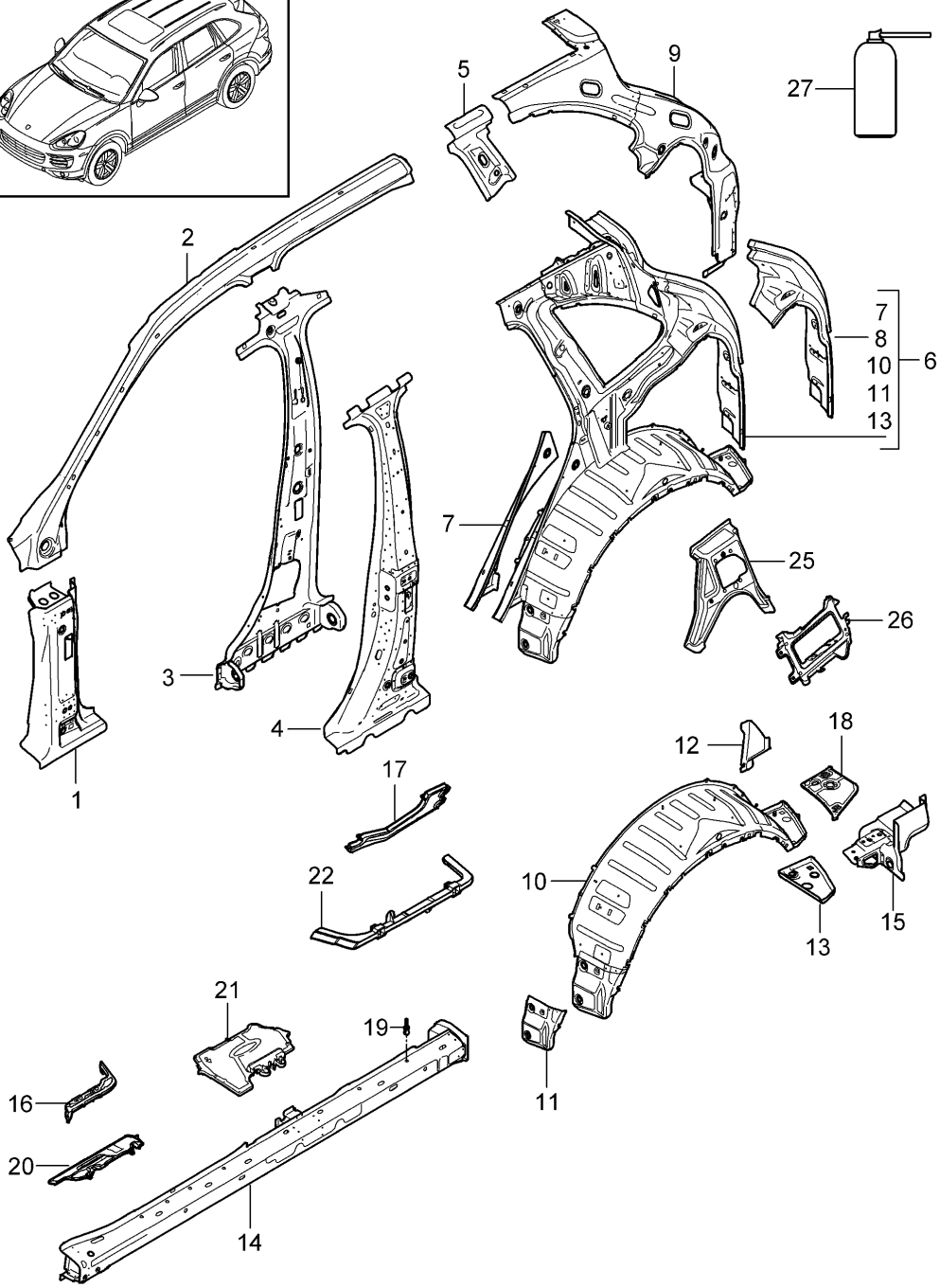
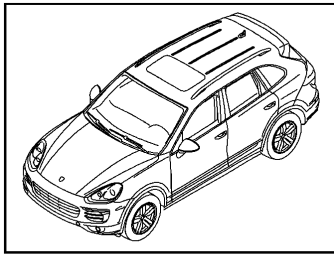
Model: 92A 11

Model life 2011>>2018

| Pos  | Part Number        | Description               | Remark | Qty | Model        |
|------|--------------------|---------------------------|--------|-----|--------------|
| 11   | 958 502 157 00     | Roof reinforcement        | center | 1   | PR: 3FA      |
| (11) | 958 502 157 10     | Roof reinforcement        | center | 1   | PR: 3FE      |
| 12   | 958 502 120 00     | Roof reinforcement        | rear   | 1   | PR: 3FA, 3FE |
| 13   | 958 502 124 00     | Roof cross member         |        | 1   |              |
|      | 958 502 124 00 GRV | primed                    |        |     |              |
|      |                    | also use:                 |        |     |              |
| 14   | 958 502 713 10     | Connection piece          | left   | 1   |              |
|      | 958 502 713 10 GRV | primed                    |        |     |              |
| (14) | 958 502 714 10     | Connection piece          | right  | 1   |              |
|      | 958 502 714 10 GRV | primed                    |        |     |              |
| 15   | 000 043 305 65     | Adhesive set              |        | X   |              |
|      |                    | Roof                      |        |     |              |
|      |                    | See workshop manual       |        |     |              |
|      |                    | Group:                    |        |     |              |
|      |                    | 51                        |        |     |              |
| 16   | 000 043 305 35     | 2K pane adhesive set      |        | 1   |              |
|      |                    | window glazing            |        |     |              |
|      |                    | See workshop manual       |        |     |              |
|      |                    | Group:                    |        |     |              |
|      |                    | 51                        |        |     |              |
| 17   | 000 043 205 37     | emulsion tube             |        | X   |              |
|      |                    | Set                       |        |     |              |
|      |                    | Supplement set            |        |     |              |
| 18   | 000 043 204 85     | cavity preservative agent |        | X   |              |
|      |                    | 400 ML                    |        |     |              |
| 19   | 000 043 305 32     | sealant                   |        | X   |              |
|      |                    | 310 ML                    |        |     |              |

Model: 92A 11

Model life 2011>>2018



Model: 92A 11 Model life 2011>>2018

| Pos | Part Number                          | Description  | Remark  | Qty | Model |
|-----|--------------------------------------|--|---|-----|-------|
| 1   | 958 502 203 00<br>958 502 203 00 GRV | Side part<br>Reinforcement for A-pillar<br>primed                                  | inner<br>left                                 | 1   |       |
| (1) | 958 502 204 00<br>958 502 204 00 GRV | Reinforcement for A-pillar<br>primed   | also use:<br>000 043 305 51<br>right          | 1   |       |
| 2   | 958 502 199 00<br>958 502 199 00 GRV | Reinforcement for A-pillar<br>primed   | also use:<br>000 043 305 51<br>left<br>upper  | 1   |       |
| (2) | 958 502 200 00<br>958 502 200 00 GRV | Reinforcement for A-pillar<br>primed   | also use:<br>000 043 305 51<br>right<br>upper | 1   |       |
| 3   | 958 502 443 00<br>958 502 443 00 GRV | B-pillar<br>primed   | also use:<br>000 043 305 51<br>left<br>inner  | 1   |       |
| (3) | 958 502 444 00<br>958 502 444 00 GRV | B-pillar<br>primed   | also use:<br>000 043 305 51<br>right<br>inner | 1   |       |
| 4   | 958 502 607 00<br>958 502 607 00 GRV | Reinforcement for B-pillar<br>Discontinued part<br>primed                          | also use:<br>000 043 305 51<br>left<br>outer  | 1   |       |
| 4   | 958 502 607 01<br>958 502 607 01 GRV | Reinforcement for B-pillar<br>primed   | also use:<br>000 043 305 51<br>left<br>outer  | 1   |       |
| (4) | 958 502 608 00<br>958 502 608 00 GRV | Reinforcement for B-pillar<br>Discontinued part<br>primed                          | also use:<br>000 043 305 51<br>right<br>outer | 1   |       |
| (4) | 958 502 608 01<br>958 502 608 01 GRV | Reinforcement for B-pillar<br>primed   | also use:<br>000 043 305 51<br>right<br>outer | 1   |       |
| 5   | 958 502 719 00<br>958 502 719 00 GRV | Reinforcement<br>Belt<br>Height adjustment<br>c-pillar<br>D >> - MJ 2014<br>primed | also use:<br>000 043 305 51<br>left           | 1   |       |
| 5   | 958 502 719 01<br>958 502 719 01 GRV | Reinforcement<br>Belt<br>Height adjustment<br>c-pillar<br>D - MJ 2015>><br>primed  | also use:<br>000 043 305 51<br>left           | 1   |       |
| (5) | 958 502 718 00<br>958 502 718 00 GRV | Reinforcement<br>Belt<br>Height adjustment<br>c-pillar<br>D >> - MJ 2014<br>primed | also use:<br>000 043 305 51<br>right          | 1   |       |
| (5) | 958 502 718 01                       | Reinforcement  | also use:<br>000 043 305 51<br>right          | 1   |       |

Model: 92A 11 Model life 2011>>2018

| Pos | Part Number        | Description  | Remark                           | Qty | Model |
|-----|--------------------|--|----------------------------------|-----|-------|
|     |                    | Belt<br>Height adjustment<br>c-pillar<br>D - MJ 2015>><br>primed |                                  |     |       |
|     | 958 502 718 01 GRV |  |                                  |     |       |
| 6   | 958 502 401 00     | Side part  | also use: 000 043 305 51<br>left | 1   |       |
|     |                    |  | inner                            |     |       |
|     |                    |  | also use: 000 043 207 67         | 1   |       |
|     |                    |  | 000 043 305 51                   | 1   |       |
|     |                    | D >> - MJ 2014   |                                  |     |       |
| 6   | 958 502 401 00 GRV | primed   |                                  |     |       |
|     | 958 502 401 01     | Side part  | left                             | 1   |       |
|     |                    |  | inner                            |     |       |
|     |                    |  | also use: 000 043 207 67         | 1   |       |
|     |                    |  | 000 043 305 51                   | 1   |       |
|     |                    | D - MJ 2015>>  |                                  |     |       |
|     | 958 502 401 01 GRV | primed   |                                  |     |       |
| (6) | 958 502 402 00     | Side part  | right                            | 1   |       |
|     |                    |  | inner                            |     |       |
|     |                    |  | also use: 000 043 207 67         | 1   |       |
|     |                    |  | 000 043 305 51                   | 1   |       |
|     |                    | D >> - MJ 2014   |                                  |     |       |
|     | 958 502 402 00 GRV | primed   |                                  |     |       |
| (6) | 958 502 402 01     | Side part  | right                            | 1   |       |
|     |                    |  | inner                            |     |       |
|     |                    |  | also use: 000 043 207 67         | 1   |       |
|     |                    |  | 000 043 305 51                   | 1   |       |
|     |                    | D >> - MJ 2015   |                                  |     |       |
|     | 958 502 402 01 GRV | primed   |                                  |     |       |
| 7   | 958 502 581 00     | Extension for side part  | left                             | 1   |       |
|     |                    |  | rear, inner                      |     |       |
|     |                    |  | also use: 000 043 207 67         | 1   |       |
|     |                    |  |                                  |     |       |
|     | 958 502 581 00 GRV | primed   |                                  |     |       |
| (7) | 958 502 582 00     | Extension for side part  | right                            | 1   |       |
|     |                    |  | rear, inner                      |     |       |
|     |                    |  | also use: 000 043 207 67         | 1   |       |
|     |                    |  |                                  |     |       |
|     | 958 502 582 00 GRV | primed   |                                  |     |       |
| 8   | 958 502 329 00     | d-pillar   | left                             | 1   |       |
|     |                    |  | inner                            |     |       |
|     |                    |  | also use: 000 043 207 67         | 1   |       |
|     |                    |  |                                  |     |       |
|     | 958 502 329 00 GRV | primed   |                                  |     |       |
| (8) | 958 502 330 00     | d-pillar   | right                            | 1   |       |
|     |                    |  | inner                            |     |       |
|     |                    |  | also use: 000 043 207 67         | 1   |       |
|     |                    | D >> - MJ 2014   |                                  |     |       |
|     | 958 502 330 00 GRV | primed   |                                  |     |       |
| (8) | 958 502 330 01     | d-pillar   | right                            | 1   |       |
|     |                    |  | inner                            |     |       |
|     |                    |  | also use: 000 043 207 67         | 1   |       |
|     |                    | D - MJ 2015>>  |                                  |     |       |
|     | 958 502 330 01 GRV | primed   |                                  |     |       |
| 9   | 958 502 299 01     | Reinforcement for D-pillar                                       | left                             | 1   |       |
|     |                    |  | outer                            |     |       |
|     |                    |  | also use: 000 043 207 67         | 1   |       |
|     |                    |  | 000 043 305 51                   | 1   |       |
|     |                    |  |                                  |     |       |
|     | 958 502 299 01 GRV | primed   |                                  |     |       |
| (9) | 958 502 300 01     | Reinforcement for D-pillar                                       | right                            | 1   |       |
|     |                    |  | outer                            |     |       |
|     |                    |  | also use: 000 043 207 67         | 1   |       |
|     |                    |  | 000 043 305 51                   | 1   |       |
|     |                    |  |                                  |     |       |
|     | 958 502 300 01 GRV | primed   |                                  |     |       |
| 10  | 958 502 409 00     | Wheel housing  | left                             | 1   |       |

Model: 92A 11 Model life 2011>>2018

| Pos  | Part Number        | Description                    | Remark                   | Qty | Model |
|------|--------------------|--------------------------------|--------------------------|-----|-------|
|      |                    |                                | also use: 000 043 207 67 | 1   |       |
| (10) | 958 502 409 00 GRV | primed                         |                          |     |       |
|      | 958 502 410 00     | Wheel housing                  | right                    | 1   |       |
|      |                    |                                | also use: 000 043 207 67 | 1   |       |
| 11   | 958 502 410 00 GRV | primed                         |                          |     |       |
|      | 958 502 677 00     | wheel housing length extension | left                     | 1   |       |
|      |                    |                                | outer                    |     |       |
| (11) | 958 502 677 00 GRV | primed                         |                          |     |       |
|      | 958 502 678 00     | wheel housing length extension | right                    | 1   |       |
|      |                    |                                | outer                    |     |       |
| 12   | 958 502 678 00 GRV | primed                         |                          |     |       |
|      | 958 502 259 00     | Corner piece                   | left                     | 1   |       |
|      |                    | d-pillar                       |                          |     |       |
| (12) | 958 502 259 00 GRV | primed                         |                          |     |       |
|      | 958 502 260 00     | Corner piece                   | right                    | 1   |       |
|      |                    | d-pillar                       |                          |     |       |
| 13   | 958 502 260 00 GRV | primed                         |                          |     |       |
|      | 958 502 307 00     | Corner piece                   | left                     | 1   |       |
| (13) | 958 502 307 00 GRV | primed                         |                          |     |       |
|      | 958 502 308 00     | Corner piece                   | right                    | 1   |       |
| 14   | 958 502 308 00 GRV | primed                         |                          |     |       |
|      | 958 502 621 00     | Reinforcement                  | left                     | 1   |       |
|      |                    | Sill                           |                          |     |       |
| (14) | 958 502 621 00 GRV | primed                         |                          |     |       |
|      | 958 502 622 00     | Reinforcement                  | right                    | 1   |       |
|      |                    | Sill                           |                          |     |       |
| 15   | 958 502 622 00 GRV | primed                         |                          |     |       |
|      | 958 502 503 00     | Junction plate                 | left                     | 1   |       |
|      |                    | d-pillar                       | lower                    |     |       |
| (15) | 958 502 503 00 GRV | primed                         |                          |     |       |
|      | 958 502 504 00     | Junction plate                 | right                    | 1   |       |
|      |                    | d-pillar                       | lower                    |     |       |
| 16   | 958 502 504 00 GRV | primed                         |                          |     |       |
|      | 958 502 649 00     | Sound absorber                 | left                     | 1   |       |
|      |                    | A-pillar                       | lower                    |     |       |
| (16) | 958 502 650 00     | Sound absorber                 | right                    | 1   |       |
|      |                    | A-pillar                       | lower                    |     |       |
| 17   | 958 502 653 00     | Sound absorber                 | left                     | 1   |       |
|      |                    | c-pillar                       | lower                    |     |       |
| (17) | 958 502 654 00     | Sound absorber                 | right                    | 1   |       |
|      |                    | c-pillar                       | lower                    |     |       |
| 18   | 958 502 655 00     | Sound absorber                 | left                     | 1   |       |
|      |                    | d-pillar                       | lower                    |     |       |
| (18) | 958 502 656 00     | Sound absorber                 | right                    | 1   |       |
|      |                    | d-pillar                       | lower                    |     |       |
| 19   | N 906 481 02       | rivetted cap nut               |                          | 4   |       |
| 20   | 958 502 623 00     | Seal                           | left                     | 1   |       |
|      |                    | A-pillar                       | lower                    |     |       |
| (20) | 958 502 624 00     | Seal                           | right                    | 1   |       |
|      |                    | A-pillar                       | lower                    |     |       |
| (21) | 958 502 633 00     | Seal                           | left                     | 1   |       |
|      |                    | B-pillar                       | lower                    |     |       |
| (21) | 958 502 634 00     | Seal                           | right                    | 1   |       |
|      |                    | B-pillar                       | lower                    |     |       |
|      |                    |                                | inner                    |     |       |

Model: 92A 11

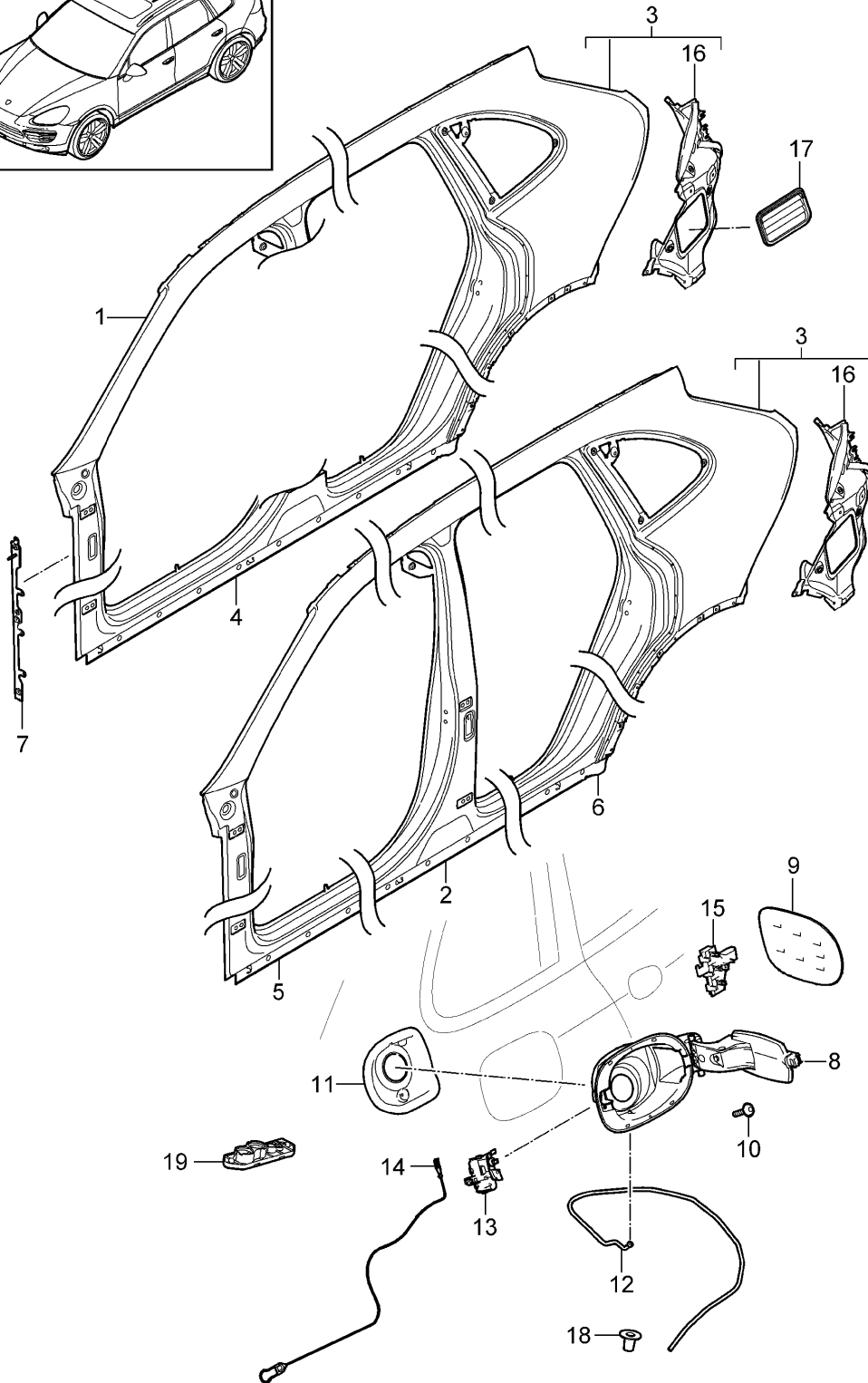
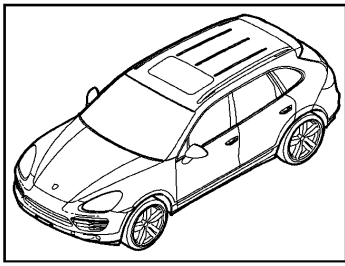
Model life 2011>>2018

| Pos  | Part Number        | Description                                       | Remark                  | Qty | Model  |
|------|--------------------|---|-------------------------|-----|--------|
| 22   | 958 502 629 00     | Seal<br>A-pillar                                  | left<br>lower<br>inner  | 1   |        |
| (22) | 958 502 630 00     | Seal<br>A-pillar                                  | right<br>lower<br>inner | 1   |        |
| 25   | 958 502 521 00     | Reinforcement<br>Charging socket<br>D - MJ 2015>> | left                    | 1   | PR:0K3 |
|      | 958 502 521 00 GRV | primed  |                         |     |        |
| 26   | 958 502 501 00     | Retainer for charger<br>D - MJ 2015>>             | left                    | 1   | PR:0K3 |
|      | 958 502 501 00 GRV | primed  |                         |     |        |
| 27   | 000 043 204 85     | cavity preservative agent<br>400 ML               |                         | X   |        |



Model: 92A 11

Model life 2011>>2018



Model: 92A 11 Model life 2011>>2018

| Pos | Part Number        | Description      | Remark                     | Qty | Model  |
|-----|--------------------|------------------|----------------------------|-----|--------|
| 1   | 958 503 901 00     | Side part        | outer                      | 1   |        |
|     | 958 503 901 00 GRV | Side part primed | left                       |     |        |
| (1) | 958 503 902 00     | Side part        | 000 043 305 51 right       | 1   |        |
|     | 958 503 902 00 GRV | A-pillar primed  |                            |     |        |
|     |                    | also use:        |                            |     |        |
| 2   | 958 503 925 00     | Side part        | 000 043 305 51 left        | 1   |        |
|     | 958 503 925 00 GRV | B-pillar primed  |                            |     |        |
|     |                    | also use:        |                            |     |        |
| (2) | 958 503 926 00     | Side part        | 000 043 305 51 right       | 1   |        |
|     | 958 503 926 00 GRV | B-pillar primed  |                            |     |        |
|     |                    | also use:        |                            |     |        |
| 3   | 958 503 985 00     | Side part        | 000 043 305 51 left        | 1   |        |
|     | 958 503 985 00 GRV | c-pillar primed  |                            |     |        |
|     |                    | >> - MJ 2014     |                            |     |        |
| (3) | 958 503 985 01     | Side part        | 000 043 305 51 left        | 1   | PR:0K0 |
|     | 958 503 985 01 GRV | c-pillar primed  |                            |     |        |
|     |                    | D - MJ 2015>>    |                            |     |        |
| (3) | 958 503 985 02     | Side part        | 000 043 305 51 left        | 1   | PR:0K3 |
|     | 958 503 985 02 GRV | c-pillar primed  |                            |     |        |
|     |                    | D - MJ 2015>>    |                            |     |        |
| (3) | 958 503 986 00     | Side part        | 000 043 305 51 right       | 1   |        |
|     | 958 503 986 00 GRV | c-pillar primed  |                            |     |        |
|     |                    | D >> - MJ 2014   |                            |     |        |
| (3) | 958 503 986 01     | Side part        | 000 043 305 51 right       | 1   |        |
|     | 958 503 986 01 GRV | c-pillar primed  |                            |     |        |
|     |                    | D - MJ 2015>>    |                            |     |        |
|     |                    | also use:        |                            |     |        |
| 4   | 958 503 951 00     | Sill             | 000 043 305 51 left        | 1   |        |
|     | 958 503 951 00 GRV | primed           |                            |     |        |
|     |                    | also use:        |                            |     |        |
| (4) | 958 503 952 00     | Sill             | 000 043 305 51 right       | 1   |        |
|     | 958 503 952 00 GRV | primed           |                            |     |        |
|     |                    | also use:        |                            |     |        |
| -   | WHT 004 708        | Threaded stud    |                            | X   |        |
|     |                    | M 6 X 13,7       |                            |     |        |
| 5   | 958 503 953 00     | Sill             | left front                 | 1   |        |
|     | 958 503 953 00 GRV | primed           |                            |     |        |
|     |                    | also use:        |                            |     |        |
| (5) | 958 503 954 00     | Sill             | 000 043 305 51 right front | 1   |        |
|     | 958 503 954 00 GRV | primed           |                            |     |        |
|     |                    | also use:        |                            |     |        |
| 6   | 958 503 955 00     | Sill             | 000 043 305 51 left rear   | 1   |        |
|     | 958 503 955 00 GRV | primed           |                            |     |        |
|     |                    | also use:        |                            |     |        |
| (6) | 958 503 956 00     | Sill             | 000 043 305 51 right rear  | 1   |        |
|     | 958 503 956 00 GRV | primed           |                            |     |        |
|     |                    | also use:        |                            |     |        |

Model: 92A 11 Model life 2011>>2018

| Pos  | Part Number        | Description                                     | Remark         | Qty | Model   |
|------|--------------------|---|----------------|-----|---------|
| 7    | 958 502 573 00     | Rail  | left           | 1   |         |
|      |                    | Wing  |                |     |         |
|      | 958 502 573 00 GRV | primed  |                |     |         |
| (7)  | 958 502 574 00     | Rail  | right          | 1   |         |
|      |                    | Wing  |                |     |         |
|      | 958 502 574 00 GRV | primed  |                |     |         |
| 8    | 958 504 857 00     | Fuel filler flap                                |                | 1   |         |
|      |                    | D >> - MJ 2014                                  |                |     |         |
|      |                    | Discontinued part                               |                |     |         |
| 8    | 958 504 857 02     | Fuel filler flap                                | right          | 1   |         |
|      |                    | D - MJ 2015>>                                   |                |     |         |
| 8    | 958 504 858 00     | Fuel filler flap                                | left           | 1   | PR:0K3  |
|      |                    | D - MJ 2015>>                                   |                |     |         |
| 9    | 958 504 909 00     | Trim  | right          | 1   |         |
|      |                    | Fuel filler flap                                |                |     |         |
|      | 958 504 909 00 G2X | primed  |                |     |         |
| 9    | 958 504 920 00     | Trim  | left           | 1   | PR:0K3  |
|      |                    | Fuel filler flap                                |                |     |         |
|      |                    | D - MJ 2015>>                                   |                |     |         |
|      | 958 504 920 00 G2X | primed  |                |     |         |
| 10   | N 104 159 03       | Oval hexagon socket head bolt                   |                | 1   |         |
|      |                    | 4,0 X 12,0                                      |                |     |         |
| 11   | 958 504 933 00     | Sleeve  |                | 1   |         |
|      |                    | Fuel filler flap                                |                |     |         |
| 12   | 958 504 937 00     | Hose  |                | 1   |         |
| 13   | 958 504 153 03     | throttle control element                        | right          | 1   | PR:-0K3 |
|      |                    | Fuel filler flap                                |                |     |         |
|      |                    | with:   |                |     |         |
| (13) | 958 504 153 10     | Emergency operation<br>throttle control element | right          | 1   | PR:0K3  |
|      |                    | Fuel filler flap                                |                |     |         |
|      |                    | with:   |                |     |         |
| (13) | 958 504 153 03     | Emergency operation<br>throttle control element | left           | 1   | PR:0K3  |
|      |                    | Charging socket                                 |                |     |         |
|      |                    | with:   |                |     |         |
| 14   | 958 504 165 00     | Emergency operation                             |                | 1   |         |
|      |                    | Emergency operation                             |                |     |         |
|      |                    | Fuel filler flap                                |                |     |         |
| 15   | 958 504 336 00     | Bracket   |                | 1   |         |
|      |                    | D >> - MJ 2014                                  |                |     |         |
|      |                    | Discontinued part                               |                |     |         |
| 15   | 958 504 336 01     | Bracket   |                | 1   |         |
|      |                    | D - MJ 2015>>                                   |                |     |         |
| 16   | 958 503 319 00     | Support section                                 | left           | 1   |         |
|      |                    | Light   |                |     |         |
|      |                    | also use:                                       | 000 043 305 51 |     |         |
|      |                    |   | 000 043 207 67 | 1   |         |
|      |                    | D >> - MJ 2014                                  |                |     |         |
|      | 958 503 319 00 GRV | primed  |                |     |         |
| (16) | 958 503 319 01     | Support section                                 | left           | 1   |         |
|      |                    | Light   |                |     |         |
|      |                    | also use:                                       | 000 043 305 51 |     |         |
|      |                    |   | 000 043 207 67 | 1   |         |
|      |                    | D - MJ 2015>>                                   |                |     |         |
|      | 958 503 319 01 GRV | primed  |                |     |         |
| (16) | 958 503 320 00     | Support section                                 | right          | 1   |         |
|      |                    | Light   |                |     |         |
|      |                    | also use:                                       | 000 043 305 51 |     |         |
|      |                    |   | 000 043 207 67 | 1   |         |
|      |                    | D >> - MJ 2014                                  |                |     |         |
|      | 958 503 320 00 GRV | primed  |                |     |         |
| (16) | 958 503 320 01     | Support section                                 | right          | 1   |         |

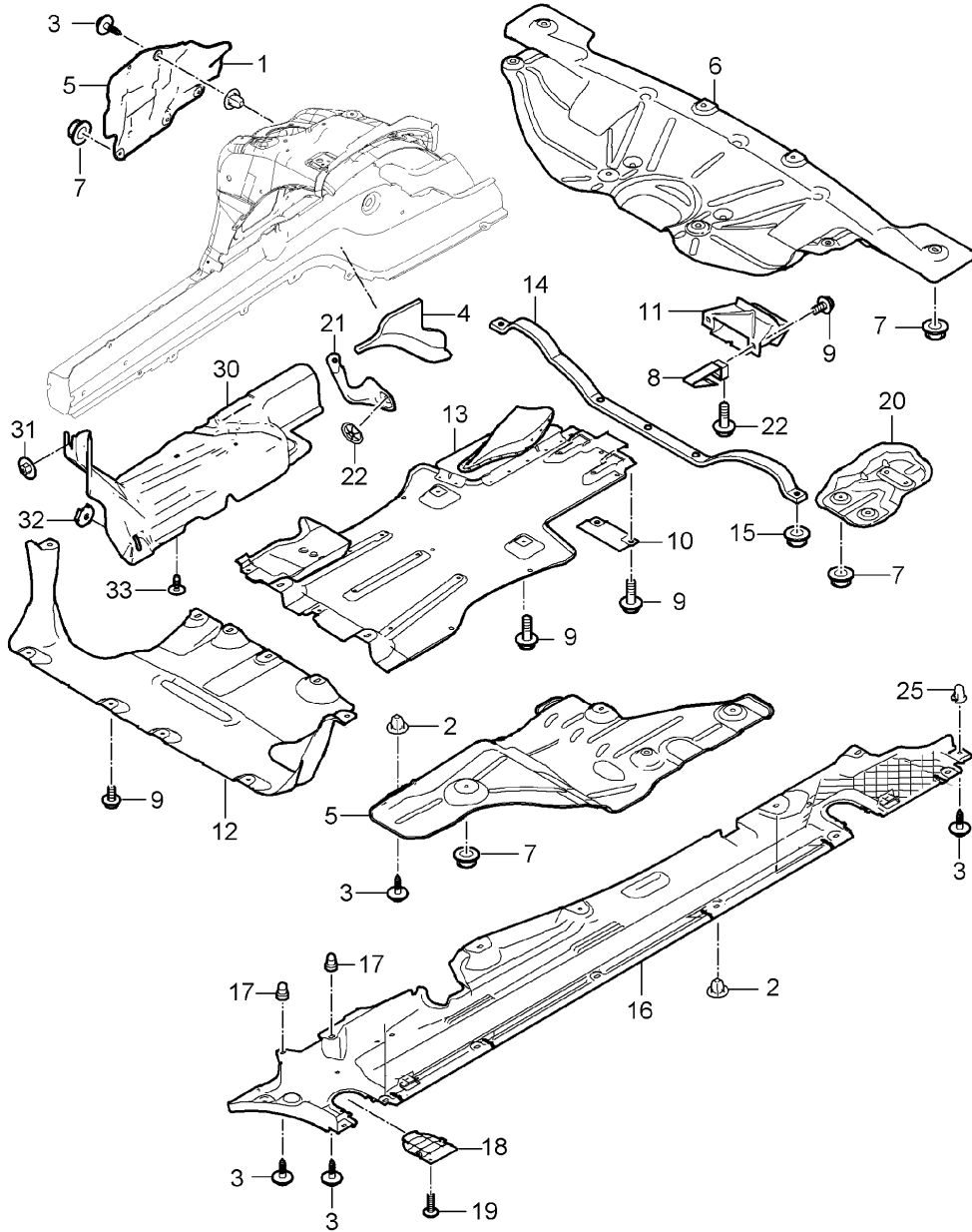
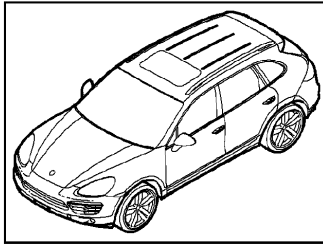
Model: 92A 11

Model life 2011>>2018

| Pos | Part Number                       | Description   | Remark         | Qty | Model  |
|-----|-----------------------------------|---|----------------|-----|--------|
|     |                                   | Light   |                |     |        |
|     |                                   | also use:   | 000 043 305 51 |     |        |
|     |                                   |   | 000 043 207 67 | 1   |        |
| 17  | 958 503 320 01 GRV<br>7PP 819 181 | D - MJ 2015>><br>primed<br>Vent trim                      |                | 2   |        |
| 17  | 7PP 819 181 A                     | Bleeding<br>Discontinued part<br>Vent trim                |                | 2   |        |
| 18  | 958 504 940 00                    | Bleeding<br>Discontinued part<br>Grommet                  |                | 1   | PR:0K3 |
| 19  | 958 504 339 00                    | Hose<br>D - MJ 2015>><br>Retaining plate                  |                | 1   | PR:0K3 |
| -   | 000 043 204 85                    | Hose<br>D - MJ 2015>><br>cavity preservative agent        |                | X   |        |
| -   | N 909 876 02                      | 400 ML<br>threaded pin                                    |                | X   |        |
| -   | N 906 547 01                      | M6X23<br>Bracket<br>Lane Change Assistant<br>threaded pin |                | X   |        |
|     |                                   | M6X18<br>Support section<br>Light                         |                |     |        |

Model: 92A 11

Model life 2011>>2018



Model: 92A 11 Model life 2011>>2018

| Pos  | Part Number    | Description   | Remark          | Qty | Model      |
|------|----------------|---|-----------------|-----|------------|
| 1    | 958 504 615 00 | Trim<br>Underbody<br>Heat insulation<br>D >> - MJ 2014<br>Heat insulation | left            | 1   | PR:-D19    |
| (1)  | 958 504 615 01 | Engine bay<br>Heat insulation   | left            | 1   | PR:D19     |
| (1)  | 958 504 616 00 | Engine bay<br>Heat insulation   | Hybrid<br>right | 1   | PR:-D19    |
| (1)  | 958 504 616 01 | Engine bay<br>Heat insulation   | right<br>Hybrid | 1   | PR:D19     |
| 2    | N 910 190 01   | expanding nut<br>D7 X 20  |                 | X   |            |
| 3    | N 908 082 01   | Hexagon socket head panel bolt<br>M 6 X 18                                |                 | X   |            |
| 4    | 958 504 644 00 | Heat insulation<br>Side member  | right           | 1   | PR:D19,D34 |
| 4    | 958 504 644 00 | Heat insulation<br>Side member  | right           | 1   | PR:D11     |
| 5    | 958 504 681 00 | Heat shield for tunnel  | center          | 1   |            |
| 6    | 958 504 711 00 | Heat shield for rear<br>silencer  |                 | 1   |            |
| 7    | N 907 088 02   | speed nut   |                 | X   |            |
| 8    | 955 504 263 00 | arm<br>Guard plate  | rear            | 2   | PR:1SB     |
| 9    | N 910 345 01   | hexagon head bolt (combi)<br>M6 X 20                                      |                 | X   |            |
| 10   | 955 504 199 00 | Bracket<br>Guard plate  | rear            | 1   | PR:1SA     |
| 11   | 958 504 370 00 | Air guide   |                 | 1   |            |
| 12   | 958 504 235 00 | Guard plate   | front<br>steel  | 1   | PR:1SB     |
| (12) | 958 504 285 00 | Guard plate<br>plastic  | front           | 1   | PR:1SA     |
| 13   | 958 504 231 00 | Guard plate<br>plastic  | rear            | 1   | PR:1SA     |
| (13) | 958 504 231 01 | Guard plate<br>plastic  | rear            | 1   | PR:1SB     |
| (13) | 958 504 231 02 | Guard plate<br>plastic  | rear            | 1   | PR:DD8     |
| 14   | 958 504 949 00 | Carrier<br>Guard plate  |                 | 1   | PR:-D19    |
| 14   | 958 504 949 00 | Carrier<br>Guard plate  |                 | 1   | PR:D19,L0L |
| (14) | 958 504 949 01 | D >> - MJ 2013<br>Carrier<br>Guard plate                                  |                 | 1   | PR:D19,L0R |
| (14) | 958 504 949 02 | D >> - MJ 2013<br>Carrier<br>Guard plate                                  |                 | 1   | PR:D19     |
| 15   | N 908 877 02   | D - MJ 2014>><br>Hexagon flange nut,<br>self-locking<br>M 6               |                 | 2   |            |
| 16   | 958 504 211 00 | Underbody trim  | left            | 1   |            |
| (16) | 958 504 202 00 | Underbody trim<br>(complete)  | right           | 1   |            |
| 17   | WHT 001 805    | expanding nut<br>TP 6   |                 | 4   |            |
| 18   | 958 504 271 00 | Cover<br>socket - jack  |                 | 4   |            |
| 19   | N 106 331 03   | Hexagon socket head panel bolt  |                 | 4   |            |

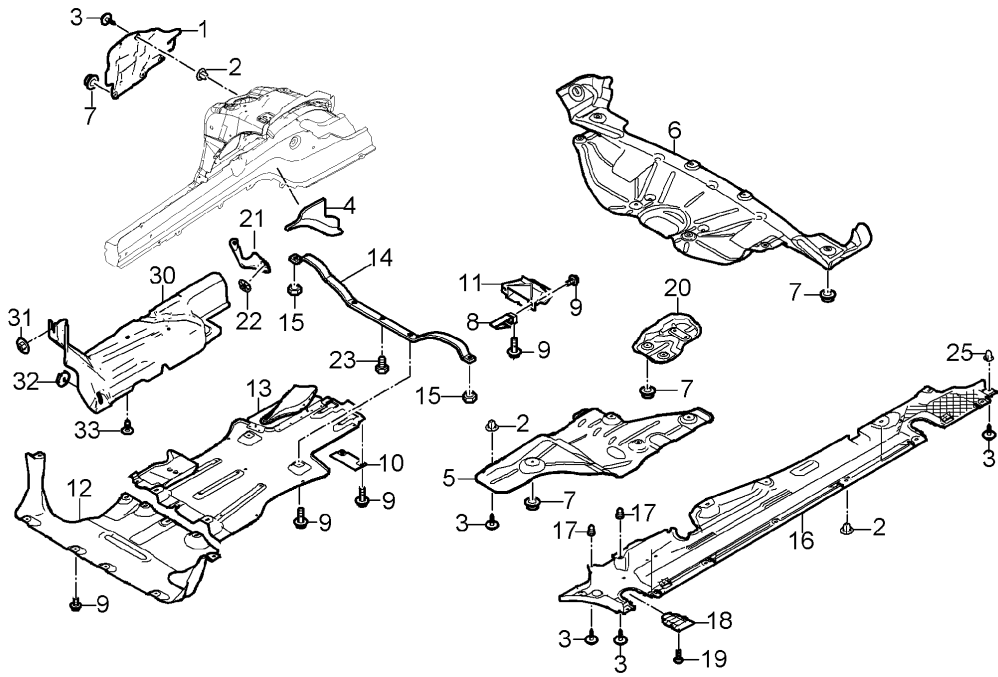
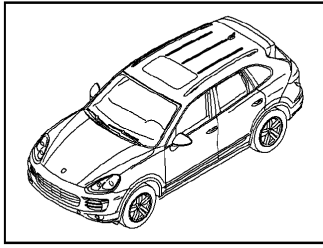
Model: 92A 11

Model life 2011&gt;&gt;2018

| Pos | Part Number    | Description                                 | Remark | Qty | Model  |
|-----|----------------|---|--------|-----|--------|
| 20  | 958 504 753 00 | 4,8 X 13<br>Heat insulation<br>Cardan shaft |        | 1   |        |
| 21  | 958 504 627 00 | Heat insulation<br>Firewall                 |        | 1   |        |
| 22  | N 903 350 05   | Clamping washer<br>S-5 X 30                 |        | 1   |        |
| 25  | WHT 002 110    | expanding nut<br>6,0                        |        | 10  |        |
| 30  | 958 504 661 00 | Guard plate<br>tunnel                       | front  | 1   | PR:1E9 |
| 31  | N 907 088 02   | speed nut<br>POS30                          |        | X   | PR:1E9 |
| 32  | N 906 431 01   | speed nut<br>POS30                          |        | X   | PR:1E9 |
| 33  | N 908 082 01   | Hexagon socket head panel bolt<br>POS30     |        | X   | PR:1E9 |

Model: 92A 11

Model life 2011>>2018





Model: 92A 11 Model life 2011>>2018

| Pos  | Part Number    | Description  | Remark         | Qty | Model  |
|------|----------------|--|----------------|-----|--|
| 1    | 958 504 615 00 | Trim<br>Underbody<br>Heat insulation<br>D - MJ 2015>><br>Heat insulation<br>Engine bay | left           | 1   | PR:DT1,DU2,<br>DU3,D34,DT5,<br>D11                                     |
| (1)  | 958 504 615 00 | Heat insulation<br>Engine bay  | left           | 1   | PR:L0R,D43,<br>D50,DD7,DD8,<br>DV7,D51,D1V                             |
| (1)  | 958 504 615 04 | Heat insulation<br>Engine bay  | left           | 1   | PR:D19   |
| (1)  | 958 504 615 02 | Hybrid<br>Heat insulation<br>Engine bay  | left           | 1   | PR:D43,D50,<br>DD7,DD8,DV7,<br>D51,D1V                                 |
| (1)  | 958 504 616 00 | Heat insulation<br>Engine bay  | right          | 1   | PR:DT1,DU2,<br>DU3,D11,D19,<br>D34,DT5                                 |
| (1)  | 958 504 616 00 | Heat insulation<br>Engine bay  | right          | 1   | PR:L0L,D1V,<br>D43,D50,DD7,<br>DD8,DV7,D51                             |
| (1)  | 958 504 616 02 | Heat insulation<br>Engine bay  | right          | 1   | PR:L0R,D1V,<br>D43,D50,DD7,<br>DD8,DV7,D51                             |
| 2    | WHT 002 110    | expanding nut<br>6,0   |                | X   |  |
| 3    | N 908 082 01   | Hexagon socket head panel bolt<br>M 6 X 18   |                | X   |  |
| 4    | 958 504 644 00 | Heat insulation<br>Side member   | right          | 1   | PR:D19,D34   |
| (4)  | 958 504 644 00 | Heat insulation<br>Side member   | right          | 1   | PR:D11   |
| 5    | 958 504 681 00 | Heat shield for tunnel   | center         | 1   | PR:DT1,DU2,<br>DU3,D11,D19,<br>D34,DT5,DD8                             |
| (5)  | 958 504 681 01 | Heat shield for tunnel   | center         | 1   | PR:D50   |
| 6    | 958 504 711 01 | Heat shield for rear<br>silencer   |                | 1   |  |
| 7    | N 907 088 02   | speed nut  |                | X   |  |
| 8    | 955 504 263 00 | arm  | rear           | 2   | PR:1SB   |
| 9    | N 910 345 01   | Guard plate<br>hexagon head bolt (combi)<br>M6 X 20                                    |                | X   |  |
| 10   | 955 504 199 00 | Bracket  | rear           | 1   | PR:1SA   |
| 11   | 958 504 370 00 | Guard plate<br>Air guide   |                | 1   | PR:DT1,DT5,<br>DU2,DU3,D34   |
| 12   | 958 504 235 00 | Guard plate  | front<br>steel | 1   | PR:1SB   |
| (12) | 958 504 285 00 | Guard plate  | front          | 1   | PR:1SA   |
| 13   | 958 504 231 00 | Guard plate  | rear           | 1   | PR:1SA,DT1,<br>DU2,DU3,D11,<br>D19,D34,DT5                             |
| (13) | 958 504 231 01 | Guard plate  | rear           | 1   | PR:1SB   |
| (13) | 958 504 231 02 | Guard plate  | rear           | 1   | PR:DD8   |
| (13) | 958 504 231 03 | Guard plate  | rear           | 1   | PR:DD7,D1V,<br>D43,DV7,D51   |
| 14   | 958 504 949 00 | Carrier<br>Guard plate   |                | 1   | PR:DD7,DD8,<br>DT1,DU2,DU3,<br>D11,D34,DV7,<br>D1V,D43,DT5,<br>D50,D51 |

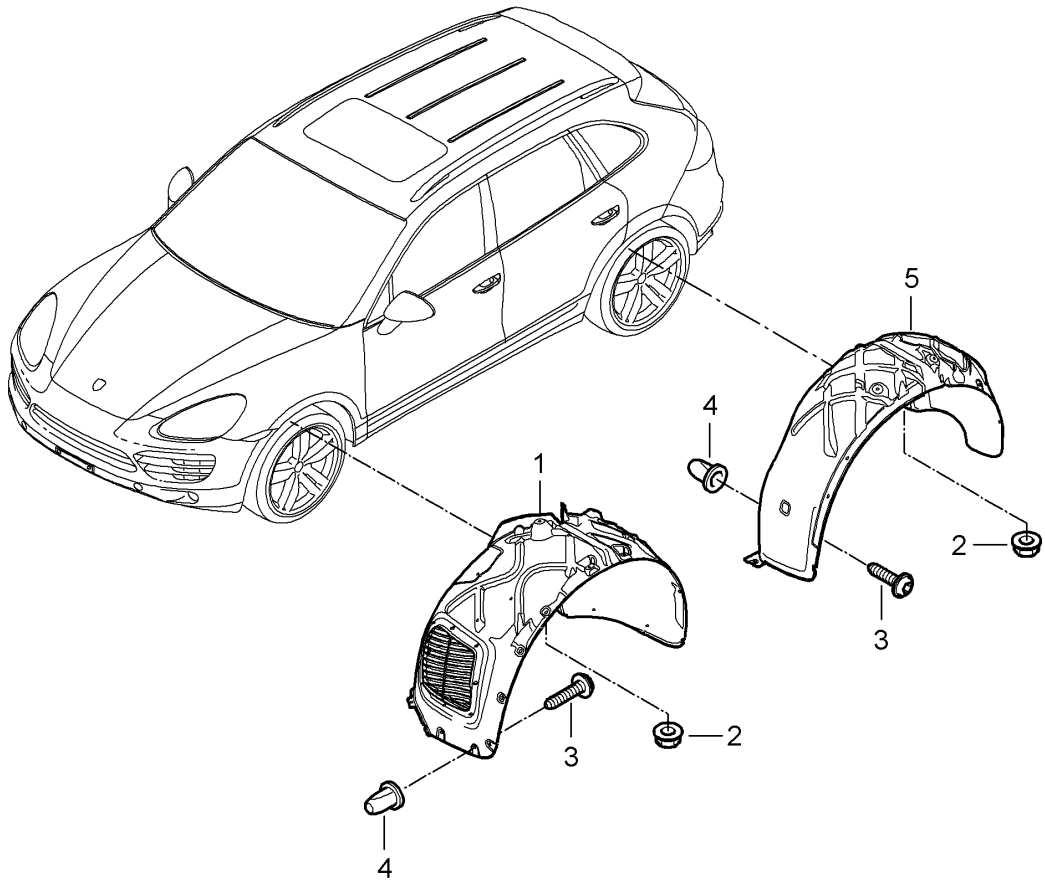
Model: 92A 11

Model life 2011&gt;&gt;2018

| Pos  | Part Number    | Description                                | Remark | Qty | Model           |
|------|----------------|--|--------|-----|-----------------|
| (14) | 958 504 949 02 | Carrier<br>Guard plate                     |        | 1   | PR:D19          |
| 15   | N 908 877 02   | Hexagon flange nut,<br>self-locking<br>M 6 |        | 2   |                 |
| 16   | 958 504 211 00 | Underbody trim<br>Underbody                | left   | 1   |                 |
| (16) | 958 504 202 00 | Underbody trim<br>(complete)<br>Underbody  | right  | 1   |                 |
| 17   | WHT 001 805    | expanding nut<br>TP 6                      |        | 4   |                 |
| 18   | 958 504 271 00 | Cover<br>socket - jack                     |        | 4   |                 |
| 19   | N 106 331 03   | Hexagon socket head panel bolt<br>4,8 X 13 |        | 4   |                 |
| 20   | 958 504 753 00 | Heat insulation<br>Cardan shaft            |        | 1   |                 |
| 21   | 958 504 627 00 | Heat insulation<br>Firewall                |        | 1   |                 |
| 22   | N 903 350 05   | Clamping washer<br>S-5 X 30                |        | 1   |                 |
| 23   | N 904 446 02   | hexagon head bolt (combi)<br>M6X12         |        | 1   |                 |
| 25   | WHT 002 110    | expanding nut<br>6,0                       |        | 10  |                 |
| 30   | 958 504 661 00 | Guard plate<br>tunnel                      | front  | 1   | PR:1E9          |
| (30) | 958 504 661 01 | Guard plate<br>tunnel                      | front  | 1   | CUDC+<br>PR:1E9 |
| 31   | N 907 088 02   | speed nut<br>POS30                         |        | X   | PR:1E9          |
| 32   | N 906 431 01   | speed nut<br>POS30                         |        | X   | PR:1E9          |
| 33   | N 908 082 01   | Hexagon socket head panel bolt<br>POS30    |        | X   | PR:1E9          |

Model: 92A 11

Model life 2011>>2018



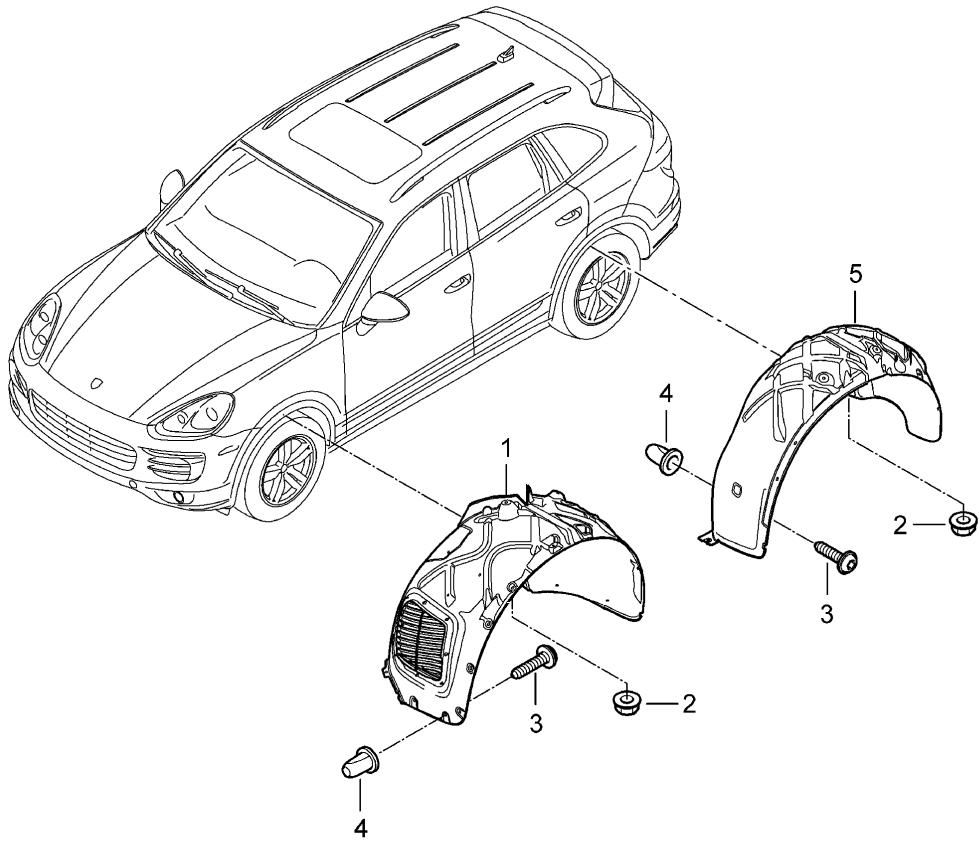
Model: 92A 11

Model life 2011>>2018

| Pos | Part Number    | Description  | Remark         | Qty | Model                                  |
|-----|----------------|--|----------------|-----|--|
| 1   | 958 504 961 00 | Trim<br>Wheel housing<br>D >> - MJ 2014<br>Wheel housing liner | left<br>front  | 1   | PR:D19,D34,<br>D6V                     |
| (1) | 958 504 962 00 | Wheel housing liner  | right<br>front | 1   | PR:D34,D6V                             |
| (1) | 958 504 961 01 | Wheel housing liner  | left<br>front  | 1   | PR:D58,D50,<br>D1V,D11,D43,<br>DD8     |
| (1) | 958 504 962 01 | Wheel housing liner  | right<br>front | 1   | PR:D19,D58,<br>D50,D1V,D11,<br>D43,DD8 |
| 2   | N 907 579 01   | Hexagon collar nut<br>E 5                                      |                | X   |  |
| 3   | N 909 747 01   | Hexagon socket head panel bolt<br>TP5 X 16                     |                | X   |  |
| 4   | WHT 004 935    | expanding nut<br>TP5 X 15,5                                    |                | X   |  |
| 5   | 958 504 971 00 | Wheel housing liner  | left<br>rear   | 1   |  |
| (5) | 958 504 972 00 | Wheel housing liner  | right<br>rear  | 1   |  |

Model: 92A 11

Model life 2011>>2018



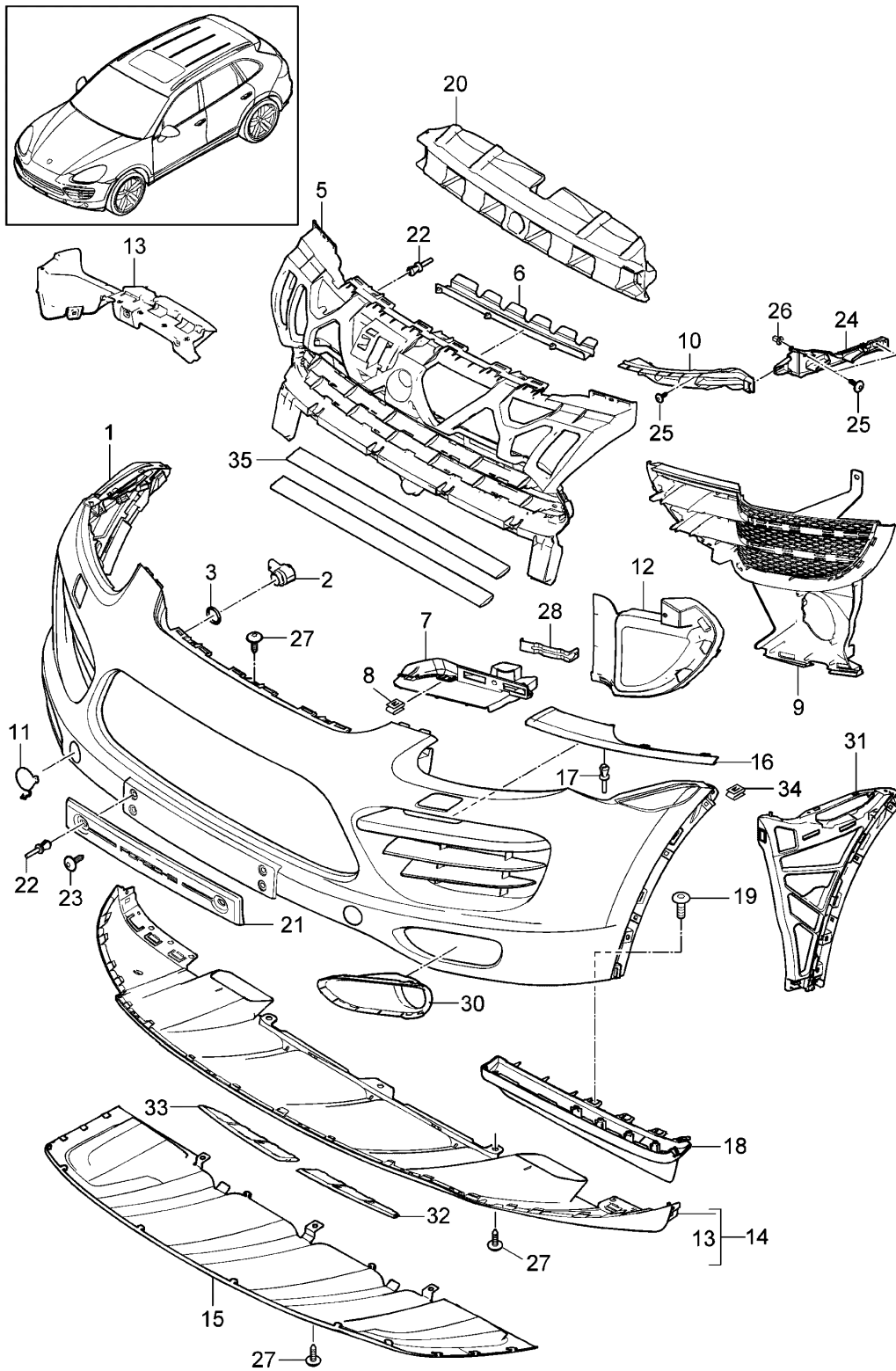
Model: 92A 11

Model life 2011>>2018

| Pos | Part Number    | Description  | Remark         | Qty | Model  |
|-----|----------------|--|----------------|-----|--|
|     |                | Trim<br>Wheel housing<br>2nd GENERATION<br>D - MJ 2015>> |                |     |  |
| (1) | 958 504 961 04 | Wheel housing liner                                      | left<br>front  | 1   | PR:D19,D34   |
| (1) | 958 504 962 00 | Wheel housing liner                                      | right<br>front | 1   | PR:D34,D6V   |
| (1) | 958 504 961 05 | Wheel housing liner                                      | left<br>front  | 1   | PR:DD7,DD8,<br>DT1,DT5,DU2,<br>DU3,D1V,D11,<br>D43,D50,D51,<br>GP1,DV7     |
| (1) | 958 504 962 01 | Wheel housing liner                                      | right<br>front | 1   | PR:DD7,DD8,<br>DT1,DT5,DU2,<br>DU3,D1V,D11,<br>D19,D43,D50,<br>D51,GP1,DV7 |
| 2   | N 907 579 01   | Hexagon collar nut<br>E 5                                |                | X   |  |
| 3   | N 909 747 01   | Hexagon socket head panel bolt<br>TP5 X 16               |                | X   |  |
| 4   | WHT 004 935    | expanding nut<br>TP5 X 15,5                              |                | X   |  |
| 5   | 958 504 971 01 | Wheel housing liner                                      | left<br>rear   | 1   |  |
| (5) | 958 504 972 01 | Wheel housing liner                                      | right<br>rear  | 1   |  |

Model: 92A 11

Model life 2011>>2018



Model: 92A 11

Model life 2011>>2018

| Pos | Part Number                          | Description  | Remark | Qty | Model  |
|-----|--------------------------------------|--|--------|-----|--|
|     |                                      | Trim   | front  |     | PR:D19,D34,<br>D50,D6V,DD8,<br>D43,D1V,D11,<br>D58 |
| 1   | 958 505 221 01                       | D >> - MJ 2014<br>Trim<br>without:<br>headlight washer system<br>Parking aid |        | 1   | PR:7X0,7X9,<br>8X0                                 |
| 1   | 958 505 221 01 G2L<br>958 505 221 12 | primed<br>Trim<br>without:<br>Parking aid                                    |        | 1   | PR:7X2,7X8,<br>8X0                                 |
| 1   | 958 505 221 12 G2L<br>958 505 221 21 | primed<br>Trim<br>with:<br>headlight washer system                           |        | 1   | PR:7X0,7X9,<br>8X1                                 |
| 1   | 958 505 221 21 G2L<br>958 505 221 31 | primed<br>Trim<br>with:<br>Parking aid<br>headlight washer system            |        | 1   | PR:7X2,7X8,<br>8X1                                 |
| 1   | 958 505 221 31 G2L<br>958 505 221 41 | primed<br>Trim<br>Turbo<br>GTS   |        | 1   | PR:D58   |
| 1   | 958 505 221 41 G2L<br>958 505 221 41 | primed<br>Trim<br>Turbo<br>GTS   |        | 1   | PR:E0W,D6V,<br>7X2,7X7,7X8,<br>8X1                 |
| 1   | 958 505 221 41 G2L<br>958 505 221 60 | primed<br>Trim   |        | 1   | PR:D6V,E0W,<br>7X0,7X9,8X1                         |
| 2   | 958 505 221 60 G2L<br>1S0 919 275 C  | primed<br>GTS<br>Sensor<br>Parking aid                                       |        | 8   | PR:7X2,7X7,<br>7X8                                 |
| 3   | 1S0 919 275 C G2L<br>7PP 919 133     | primed<br>Seal<br>Parking aid  |        | 4   | PR:7X2,7X8   |
| 5   | 958 505 683 01                       | Grille<br>without:   | center | 1   | PR:D19,D34,<br>D6V,8T1                             |
| 5   | 958 505 683 01                       | Sensor<br>Grille<br>without:   | center | 1   | Diesel BIN 5<br>PR:D50,8T1                         |
| 5   | 958 505 683 01                       | Sensor<br>Grille<br>without:   | center | 1   | Diesel<br>PR:D43,8T1                               |
| 5   | 958 505 683 01                       | Sensor<br>Grille<br>without:   | center | 1   | Diesel<br>PR:DD8,8T1                               |
| 5   | 958 505 683 01                       | Sensor<br>Grille<br>without:   | center | 1   | Diesel<br>PR:D1V,8T1                               |
| 5   | 958 505 683 01                       | Sensor<br>Grille<br>without:   | center | 1   | V6 TFSI<br>PR:D11,8T1<br>"CN."                     |



Model: 92A 11 Model life 2011>>2018

| Pos | Part Number        | Description                  | Remark | Qty | Model                               |
|-----|--------------------|------------------------------|--------|-----|-------------------------------------|
| (5) | 958 505 683 11     | Grille                       | center | 1   | Turbo<br>PR:D58,8T1                 |
|     |                    | without:                     |        |     |                                     |
| (5) | 958 505 683 11     | Sensor<br>Grille             | center | 1   | GTS<br>PR:D6V,E0W,<br>8T1           |
|     |                    | without:                     |        |     |                                     |
| (5) | 958 505 683 21     | Sensor<br>Grille             | center | 1   | PR:D19,D34,<br>D6V,8T3              |
|     |                    | with:                        |        |     |                                     |
| (5) | 958 505 683 21     | Sensor<br>Grille             | center | 1   | Diesel BIN 5<br>PR:D50,8T3          |
|     |                    | with:                        |        |     |                                     |
| (5) | 958 505 683 21     | Sensor<br>Grille             | center | 1   | V8 Basis<br>PR:D6V,E0W,<br>8T3      |
|     |                    | with:                        |        |     |                                     |
| (5) | 958 505 683 21     | Sensor<br>Grille             | center | 1   | Diesel<br>PR:D43,8T3                |
|     |                    | with:                        |        |     |                                     |
| (5) | 958 505 683 21     | Sensor<br>Grille             | center | 1   | Diesel<br>PR:DD8,8T3                |
|     |                    | with:                        |        |     |                                     |
| (5) | 958 505 683 21     | Sensor<br>Grille             | center | 1   | Diesel<br>PR:D11,8T3<br>"CN."       |
|     |                    | with:                        |        |     |                                     |
| (5) | 958 505 683 21     | Sensor<br>Grille             | center | 1   | Diesel<br>PR:D1V,8T3<br>"N..","B.." |
|     |                    | with:                        |        |     |                                     |
| (5) | 958 505 683 31     | Sensor<br>Grille             | center | 1   | Turbo<br>PR:D58,8T3                 |
|     |                    | with:                        |        |     |                                     |
| (5) | 958 505 683 31     | Sensor<br>Grille             | center | 1   | GTS<br>PR:D6V,E0W,<br>8T3           |
|     |                    | with:                        |        |     |                                     |
| (5) | 958 505 683 32     | Sensor<br>Grille             | center | 1   | Turbo S<br>PR:D58,E8A,<br>8T3       |
|     |                    | with:                        |        |     |                                     |
|     |                    | Sensor<br>Lacquered          |        |     |                                     |
| (5) | 958 505 683 32 041 | Grille                       | center | 1   | Turbo S<br>PR:D58,E8A,<br>8T1       |
|     | 958 505 683 33     | Grille                       |        |     |                                     |
|     |                    | without:                     |        |     |                                     |
|     |                    | Sensor<br>Lacquered          |        |     |                                     |
|     | 958 505 683 33 041 | Grille                       |        |     |                                     |
| 6   | 958 505 551 00     | Sealing strip<br>Grille      | center | 1   | PR:D1V,D50                          |
| 7   | 958 505 245 00     | Water deflector<br>Air inlet | left   | 1   |                                     |
| (7) | 958 505 246 00     | Water deflector<br>Air inlet | right  | 1   |                                     |
| 8   | N 903 235 01       | Double U-clip                |        | 1   |                                     |

Model: 92A 11 Model life 2011>>2018

| Pos  | Part Number        | Description                            | Remark     | Qty | Model                              |
|------|--------------------|--|------------|-----|------------------------------------|
| 9    | 958 505 681 00     | Grille                                 | left side  | 1   | Basis<br>PR:D34,D6V                |
| (9)  | 958 505 682 00     | Grille                                 | right side | 1   | Basis<br>PR:D34,D6V                |
| (9)  | 958 505 681 11     | Grille                                 | left side  | 1   | PR:D58                             |
| (9)  | 958 505 681 11     | Grille                                 | left side  | 1   | V8 Cayenne S<br>GTS<br>PR:D6V,E0W  |
| (9)  | 958 505 681 11     | Grille                                 | left side  | 1   | PR:D58,E8A                         |
| (9)  | 958 505 682 11     | Black<br>Grille                        | right side | 1   | PR:D58                             |
| (9)  | 958 505 682 11     | Grille                                 | right side | 1   | V8 Cayenne S<br>GTS<br>PR:D6V,E0W  |
| (9)  | 958 505 682 11     | Grille                                 | right side | 1   | PR:D58,E8A                         |
| (9)  | 958 505 681 30     | Black<br>Grille                        | left side  | 1   | PR:D58,E8A                         |
| (9)  | 958 505 681 30 041 | Lacquered<br>Black<br>Grille           | right side | 1   | PR:D58,E8A                         |
| (9)  | 958 505 682 30 041 | Lacquered<br>Black<br>Grille           | left side  | 1   | PR:D19,D50,<br>D11,D43,D1V,<br>DD8 |
| (9)  | 958 505 681 20     | Grille                                 | left side  | 1   | PR:D19,D50,<br>D11,D43,D1V,<br>DD8 |
| (9)  | 958 505 682 20     | Grille                                 | right side | 1   | PR:D19,D50,<br>D11,D43,D1V,<br>DD8 |
| 10   | 958 505 889 00     | retaining strip<br>Under<br>Headlights | left       | 1   |                                    |
| (10) | 958 505 890 00     | retaining strip<br>Under<br>Headlights | right      | 1   |                                    |
| (11) | 958 505 155 00     | cover for towing eye                   | left       | 1   |                                    |
| 11   | 958 505 156 00     | cover for towing eye                   | right      | 1   |                                    |
| 12   | 958 505 333 00     | Air guide                              | left       | 1   | PR:D34,D6V                         |
| (12) | 958 505 334 00     | Air guide                              | right      | 1   | PR:D34,D6V                         |
| (12) | 958 505 333 10     | Air guide                              | left       | 1   | PR:D58                             |
| (12) | 958 505 334 10     | Air guide                              | right      | 1   | PR:D58                             |
| (12) | 958 505 333 20     | Air guide                              | left       | 1   | PR:D19                             |
| (12) | 958 505 333 30     | Air guide                              | left       | 1   | PR:D50,D11,<br>D1V,D43,DD8         |
| (12) | 958 505 334 20     | Air guide                              | right      | 1   | PR:D19,D50,<br>D11,D1V,D43,<br>DD8 |
| (12) | 958 505 333 40     | Air guide                              | left       | 1   | PR:E0W                             |

Model: 92A 11 Model life 2011>>2018

| Pos  | Part Number        | Description     | Remark      | Qty | Model                  |
|------|--------------------|-----------------|-------------|-----|------------------------|
| (12) | 958 505 334 40     | Air guide       | right       | 1   | PR:E0W                 |
|      | 958 505 334 40 9B9 | Satin black     |             |     |                        |
| 13   | 958 505 795 00     | Air guide       | left        | 1   |                        |
|      |                    | Brake           |             |     |                        |
| (13) | 958 505 796 00     | Air guide       | right       | 1   |                        |
|      |                    | Brake           |             |     |                        |
| 14   | 958 505 061 00     | Front spoiler   |             | 1   | PR:2JB,6GA,6GF,2D0     |
|      |                    | Upper part      |             |     |                        |
| 14   | 958 505 061 00     | Front spoiler   |             | 1   | PR:2JB,6GH,2D0         |
|      |                    | Upper part      |             |     |                        |
| (14) | 958 505 061 10     | Front spoiler   |             | 1   | PR:2JC,2JX,6GA,6GF,2D0 |
|      |                    | Upper part      |             |     |                        |
|      |                    | stainless steel |             |     |                        |
| (14) | 958 505 061 10     | Front spoiler   |             | 1   | PR:2JC,2JX,6GH,2D0     |
|      |                    | Upper part      |             |     |                        |
|      |                    | stainless steel |             |     |                        |
| (14) | 958 505 061 20     | Front spoiler   |             | 1   | PR:2JB,6GB,2D0         |
|      |                    | Upper part      |             |     |                        |
|      |                    | Road use        |             |     |                        |
| (14) | 958 505 061 30     | Front spoiler   |             | 1   | PR:2JC,2JX,6GB,2D0     |
|      |                    | Upper part      |             |     |                        |
|      |                    | stainless steel |             |     |                        |
|      |                    | Off-road use    |             |     |                        |
| (14) | 958 505 100 00     | Front spoiler   |             | 1   | PR:2D1,2D2             |
|      |                    | Upper part      |             |     |                        |
|      |                    | Included        |             |     |                        |
|      |                    | Pos.13          |             |     |                        |
|      | 958 505 100 00 G2X | primed          |             |     |                        |
| 15   | 958 505 833 00     | Trim            |             | 1   | PR:2JC,2JX             |
|      |                    | Front spoiler   |             |     |                        |
|      |                    | Version         |             |     |                        |
|      |                    | stainless steel |             |     |                        |
| 16   | 958 505 685 00     | Disc            | left upper  | 1   | PR:D19,D6V,D34,D50,2JB |
|      | 958 505 685 00 9B9 | Satin black     |             |     |                        |
| 16   | 958 505 685 00     | Disc            | left upper  | 1   | PR:DD8                 |
|      | 958 505 685 00 9B9 | Satin black     |             |     |                        |
| 16   | 958 505 877 00     | Disc            | left lower  | 1   | PR:D19,D34,D50,2JB,D6V |
|      | 958 505 877 00 9B9 | Satin black     |             |     |                        |
| 16   | 958 505 877 00     | Disc            | left lower  | 1   | PR:DD8                 |
|      | 958 505 877 00 9B9 | Satin black     |             |     |                        |
| 16   | 958 505 686 00     | Disc            | right upper | 1   | PR:D19,D34,D50,D6V,2JB |
|      | 958 505 686 00 9B9 | Satin black     |             |     |                        |
| 16   | 958 505 686 00     | Disc            | right upper | 1   | PR:DD8                 |
|      | 958 505 686 00 9B9 | Satin black     |             |     |                        |
| 16   | 958 505 878 00     | Disc            | right lower | 1   | PR:D19,D34,D50,2JB,D6V |
|      | 958 505 878 00 9B9 | Satin black     |             |     |                        |
| 16   | 958 505 878 00     | Disc            | right lower | 1   | PR:DD8                 |
|      | 958 505 878 00 9B9 | Satin black     |             |     |                        |
| 16   | 958 505 685 10     | Disc            | left upper  | 1   | PR:D58                 |
|      | 958 505 685 10 9B9 | Satin black     |             |     |                        |
| 16   | 958 505 685 10     | Disc            | left upper  | 1   | PR:D6V,E0W             |
|      | 958 505 685 10 9B9 | Satin black     |             |     |                        |
| 16   | 958 505 685 11     | Disc            | left        | 1   | PR:DT5                 |

Model: 92A 11 Model life 2011>>2018

| Pos  | Part Number                          | Description                      | Remark                 | Qty | Model                                      |
|------|--------------------------------------|----------------------------------|------------------------|-----|--|
| 16   | 958 505 685 11 9B9<br>958 505 685 30 | Satin black<br>Disc              | upper<br>left<br>upper | 1   | PR:D58,E8A                                 |
| 16   | 958 505 685 30 041<br>958 505 877 10 | Lacquered<br>Black<br>Disc       | left<br>lower          | 1   | PR:D58                                     |
| 16   | 958 505 877 10 9B9<br>958 505 877 10 | Satin black<br>Disc              | left<br>lower          | 1   | PR:D6V,E0W                                 |
| 16   | 958 505 877 10 9B9<br>958 505 877 11 | Satin black<br>Disc              | left<br>lower          | 1   | PR:DT5,DT1,<br>DU3                         |
| 16   | 958 505 877 11 9B9<br>958 505 877 30 | Satin black<br>Disc              | left<br>lower          | 1   | PR:D58,E8A                                 |
| 16   | 958 505 877 30 041<br>958 505 686 10 | Lacquered<br>Black<br>Disc       | right<br>upper         | 1   | PR:D58                                     |
| 16   | 958 505 686 10 9B9<br>958 505 686 10 | Satin black<br>Disc              | right<br>upper         | 1   | PR:D6V,E0W                                 |
| 16   | 958 505 686 10 9B9<br>958 505 686 11 | Satin black<br>Disc              | right<br>upper         | 1   | PR:DT5                                     |
| 16   | 958 505 686 11 9B9<br>958 505 686 30 | Satin black<br>Disc              | right<br>upper         | 1   | PR:D58,E8A                                 |
| 16   | 958 505 686 30 041<br>958 505 878 10 | Lacquered<br>Black<br>Disc       | right<br>lower         | 1   | PR:D58                                     |
| 16   | 958 505 878 10 9B9<br>958 505 878 11 | Satin black<br>Disc              | right<br>lower         | 1   | PR:DT5,DT1,<br>DU3                         |
| 16   | 958 505 878 11 9B9<br>958 505 878 30 | Satin black<br>Disc              | right<br>lower         | 1   | PR:D58,E8A                                 |
| 16   | 958 505 878 30 041<br>958 505 685 20 | Lacquered<br>Black<br>Disc       | left<br>upper          | 1   | PR:D34,D50,<br>D19,D6V,2JC,<br>2JL,2JX     |
| 16   | 958 505 685 20 G2L<br>958 505 685 20 | primed<br>Disc                   | left<br>upper          | 1   | PR:D50,D34,<br>D43,DD8,D11<br>D1V          |
| 16   | 958 505 685 20 G2L<br>958 505 685 20 | primed<br>Disc                   | left<br>upper          | 1   | PR:D50,D34,<br>D43,D1V,D11<br>E0L          |
| (16) | 958 505 685 20 G2L<br>958 505 685 21 | primed<br>Disc                   | left<br>upper          | 1   | PR:D34,D50,<br>D11,D43,D1V,<br>E0L         |
| 16   | 958 505 685 21 M7T<br>958 505 877 20 | Platinum Silver Metallic<br>Disc | left<br>lower          | 1   | PR:D34,D50,<br>D19,D6V,2JC,<br>2JL,2JX,D11 |
| 16   | 958 505 877 20 G2L<br>958 505 877 20 | primed<br>Disc                   | left                   | 1   | PR:D50,D34,                                |

Model: 92A 11 Model life 2011>>2018

| Pos  | Part Number                          | Description                                | Remark         | Qty | Model                                      |
|------|--------------------------------------|--|----------------|-----|--|
|      |                                      |  | lower          |     | D43,DD8,D1V,<br>D11                        |
| 16   | 958 505 877 20 G2L<br>958 505 877 20 | primed<br>Disc                             | left<br>lower  | 1   | PR:D50,D34,<br>D43,D11,D1V,<br>E0L         |
| (16) | 958 505 877 20 G2L<br>958 505 877 21 | primed<br>Disc                             | left<br>lower  | 1   | PR:D34,D50,<br>D11,D43,D1V,<br>E0L         |
| 16   | 958 505 877 21 M7T<br>958 505 686 20 | Platinum Silver Metallic<br>Disc           | right<br>upper | 1   | PR:D34,D50,<br>D19,D6V,2JC,<br>2JL,2JX     |
| 16   | 958 505 686 20 G2L<br>958 505 686 20 | primed<br>Disc                             | right<br>upper | 1   | PR:D34,D50,<br>D43,DD8,D11<br>D1V          |
| 16   | 958 505 686 20 G2L<br>958 505 686 20 | primed<br>Disc                             | right<br>upper | 1   | PR:D34,D50,<br>D43,D1V,D11<br>E0L          |
| (16) | 958 505 686 20 G2L<br>958 505 686 21 | primed<br>Disc                             | right<br>upper | 1   | PR:D34,D50,<br>D11,D43,D1V,<br>E0L         |
| 16   | 958 505 686 21 M7T<br>958 505 878 20 | Platinum Silver Metallic<br>Disc           | right<br>lower | 1   | PR:D34,D50,<br>D19,D6V,2JC,<br>2JL,2JX,D11 |
| 16   | 958 505 878 20 G2L<br>958 505 878 20 | primed<br>Disc                             | right<br>lower | 1   | PR:D50,D34,<br>D43,DD8,D1V,<br>D11         |
| 16   | 958 505 878 20 G2L<br>958 505 878 20 | primed<br>Disc                             | right<br>lower | 1   | PR:D50,D34,<br>D43,D11,D1V,<br>E0L         |
| (16) | 958 505 878 20 G2L<br>958 505 878 21 | primed<br>Disc                             | right<br>lower | 1   | PR:D34,D50,<br>D11,D43,D1V,<br>E0L         |
| 17   | 958 505 878 21 M7T<br>N 038 501 3    | Platinum Silver Metallic<br>Spreader rivet |                | 4   | PR:D34,D50,<br>D11,D19,8T3                 |
| (18) | 958 505 888 01                       | Spoiler                                    | right<br>lower | 1   | PR:6GA,6GF                                 |
| (18) | 958 505 888 01 9B9<br>958 505 888 01 | Satin black<br>Spoiler                     | right<br>lower | 1   | PR:6GH                                     |
| (18) | 958 505 888 01 9B9<br>958 505 888 11 | Satin black<br>Spoiler                     | right<br>lower | 1   | PR:6GB                                     |
| (18) | 958 505 888 11 9B9<br>958 559 732 00 | Satin black<br>Spoiler                     | right<br>lower | 1   | PR:6GJ                                     |
| 18   | 958 559 732 00 G2X<br>958 505 887 01 | D - MJ 2014>><br>primed<br>Spoiler         | left<br>lower  | 1   | PR:6GH                                     |
| 18   | 958 505 887 01 9B9<br>958 505 887 01 | Satin black<br>Spoiler                     | left<br>lower  | 1   | PR:6GA,6GF                                 |

Model: 92A 11 Model life 2011>>2018

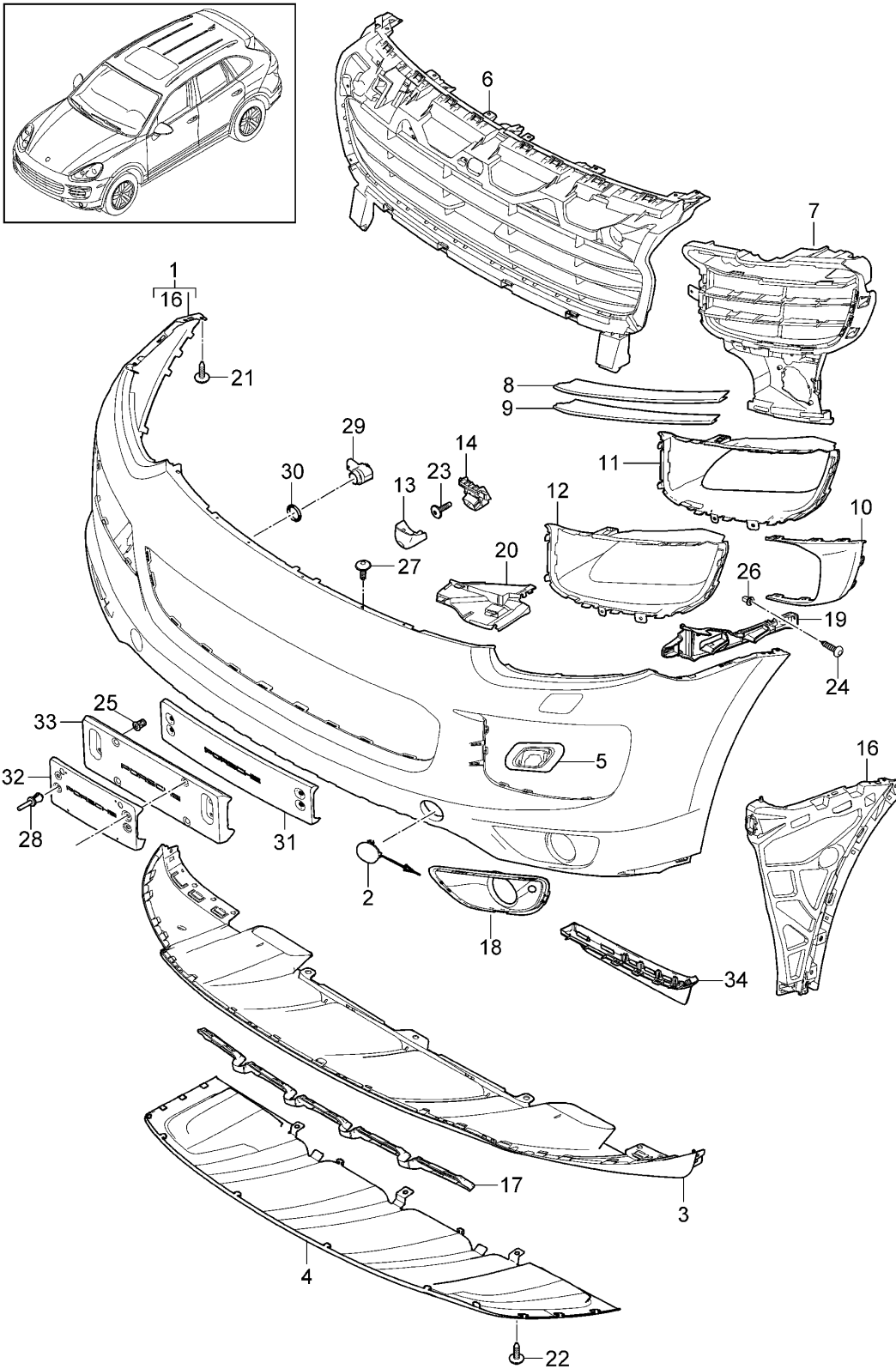
| Pos  | Part Number                          | Description                              | Remark        | Qty | Model  |
|------|--------------------------------------|--|---------------|-----|--|
| (18) | 958 505 887 01 9B9<br>958 505 887 10 | Satin black<br>Spoiler                   | left          | 1   | PR:6GB   |
| (18) | 958 559 731 00                       | Spoiler                                  | lower<br>left | 1   | PR:6GJ   |
|      |                                      | D >> - MJ 2014                           | lower         |     |  |
| 19   | 958 559 731 00 G2X<br>N 911 604 01   | primed<br>Hexagon socket head panel bolt |               | X   |  |
| 20   | 958 505 550 00                       | Foam part                                |               | 1   | PR:D11,D19,<br>D34,D6V,2D1,<br>2D2                 |
| 20   | 958 505 550 00                       | Foam part                                |               | 1   | PR:D50,2D1,<br>2D2                                 |
| 20   | 958 505 550 00                       | Foam part                                |               | 1   | PR:D6V,2D1,<br>2D2,E0W                             |
| 20   | 958 505 550 00                       | Foam part                                |               | 1   | PR:D43,2D1,<br>2D2                                 |
| 20   | 958 505 550 00                       | Foam part                                |               | 1   | PR:DD8,2D1,<br>2D2                                 |
| 20   | 958 505 550 00                       | Foam part                                |               | 1   | PR:D1V,2D1,<br>2D2                                 |
| 20   | 958 505 550 01                       | Foam part                                |               | 1   | PR:D11,D19,<br>D34,D6V,2D0                         |
| 20   | 958 505 550 01                       | Foam part                                |               | 1   | PR:D50,2D0   |
| 20   | 958 505 550 01                       | Foam part                                |               | 1   | PR:D43,2D0   |
| 20   | 958 505 550 01                       | Foam part                                |               | 1   | PR:DD8,2D0   |
| 20   | 958 505 550 01                       | Foam part                                |               | 1   | PR:D1V,2D0   |
| 20   | 958 505 550 10                       | Foam part                                |               | 1   | PR:D58,2D1,<br>2D2                                 |
| 20   | 958 505 550 11                       | Foam part                                |               | 1   | PR:D58,2D0   |
| 21   | 958 701 105 00                       | Carrier                                  |               | 1   | PR:6W1   |
|      |                                      | Number plate                             |               |     |  |
| (21) | 958 701 105 00 9B9<br>958 701 105 20 | Satin black<br>Carrier                   |               | 1   | PR:6W7   |
|      |                                      | Number plate                             |               |     |  |
| (21) | 958 701 105 20 9B9<br>958 701 105 10 | Satin black<br>Carrier                   |               | 1   | PR:6W2   |
|      |                                      | Number plate                             |               |     |  |
| (21) | 958 701 105 10 9B9<br>958 701 105 15 | Satin black<br>Carrier                   |               | 1   | PR:B0L,2D0,<br>6W3                                 |
|      |                                      | Number plate                             |               |     |  |
| (21) | 958 701 105 15 9B9<br>958 701 105 16 | Satin black<br>Carrier                   |               | 1   | PR:B0A,B0D,<br>B0E,B1C,B2A,<br>B2H,2D1,2D2,<br>6W3 |
|      |                                      | Number plate                             |               |     |  |
| (21) | 958 701 105 16 9B9<br>958 701 105 17 | Satin black<br>Carrier                   |               | 1   | PR:B0L,2D1,<br>2D2,6W3                             |
|      |                                      | Number plate                             |               |     |  |
| 22   | 958 701 105 17 9B9<br>N 038 549 4    | Satin black<br>Spreader rivet            |               | X   |  |
| 23   | N 106 568 02                         | A-8 X 12<br>oval head panel screw        |               | X   |  |
| 24   | 958 505 049 00                       | ST 4.8 X 9.5<br>Guide                    | left          | 1   |  |
| 24   | 958 505 050 00                       | Guide                                    | side<br>right | 1   |  |
| 25   | WHT 003 954                          | Hexagon socket flat<br>head bolt         | side          | X   |  |
| 26   | WHT 004 935                          | TP 5 X 16<br>expanding nut               |               | X   |  |
|      |                                      | TP 5 X 15,5                              |               |     |  |

Model: 92A 11 Model life 2011>>2018

| Pos  | Part Number        | Description                         | Remark                   | Qty | Model                                |
|------|--------------------|-------------------------------------|--------------------------|-----|--------------------------------------|
| 27   | N 911 883 01       | Hexagon socket head bolt<br>M6 X 20 |                          | 6   |                                      |
| 28   | 958 505 829 00     | Securing clip bumper                |                          | 2   |                                      |
| 30   | 958 505 093 00     | Trim for fog lights Bracket         | left                     | 1   | PR:D58                               |
| (30) | 958 505 094 00     | Trim for fog lights Bracket         | right                    | 1   | PR:D58                               |
| 31   | 958 505 177 00     | Guide                               | left                     | 1   |                                      |
| 31   | 958 505 178 00     | Guide                               | right                    | 1   |                                      |
| 32   | 958 505 819 00     | Trim Spoiler                        | left                     | 1   | PR:2D1,2D2                           |
| 33   | 958 505 820 00     | Trim Spoiler                        | right                    | 1   | PR:2D1,2D2                           |
| 34   | 999 507 836 09     | Clamp side marker light             |                          | 2   |                                      |
| 35   | 958 505 973 00     | Disc                                | center upper             | 1   | PR:D34,D50, D11,D19,D6V, D43,DD8,8T1 |
|      |                    | without:                            |                          |     |                                      |
|      | ACC                |                                     |                          |     |                                      |
|      | 958 505 973 00 9B9 | Satin black                         |                          |     |                                      |
| 35   | 958 505 973 01     | Disc                                | center upper             | 1   | PR:D34,D50, D43,D1V,D11, E0L,8T1     |
|      |                    | without:                            |                          |     |                                      |
|      | ACC                |                                     |                          |     |                                      |
|      | 958 505 973 01 M7T | Platinum Silver Metallic            |                          |     |                                      |
| (35) | 958 505 973 10     | Disc                                | left center left upper   | 1   | PR:D34,D50, D11,D19,D6V, D43,8T3     |
|      |                    | with:                               |                          |     |                                      |
|      | ACC                |                                     |                          |     |                                      |
|      | 958 505 973 10 9B9 | Satin black                         |                          |     |                                      |
| (35) | 958 505 973 11     | Disc                                | left center left upper   | 1   | PR:D11,D34, D50,D43,D1V, E0L,8T3     |
|      |                    | with:                               |                          |     |                                      |
|      | ACC                |                                     |                          |     |                                      |
|      | 958 505 973 11 M7T | Platinum Silver Metallic            |                          |     |                                      |
| (35) | 958 505 974 10     | Disc                                | right center right upper | 1   | PR:D34,D50, D11,D19,D6V, D43,8T3     |
|      |                    | with:                               |                          |     |                                      |
|      | ACC                |                                     |                          |     |                                      |
|      | 958 505 974 10 9B9 | Satin black                         |                          |     |                                      |
| (35) | 958 505 974 11     | Disc                                | right center right upper | 1   | PR:D34,D50, D11,D6V,D43, E0L,8T3     |
|      |                    | with:                               |                          |     |                                      |
|      | ACC                |                                     |                          |     |                                      |
|      | 958 505 974 11 M7T | Platinum Silver Metallic            |                          |     |                                      |
| (35) | 958 505 974 00     | Disc                                | center lower             | 1   | PR:D34,D50, D11,D19,D6V, D43,DD8     |
|      |                    | with:                               |                          |     |                                      |
|      | ACC                |                                     |                          |     |                                      |
|      | 958 505 974 00 9B9 | Satin black                         |                          |     |                                      |
| (35) | 958 505 974 01     | Disc                                | center lower             | 1   | PR:D34,D50, D11,D6V,D43, E0L         |
|      |                    | with:                               |                          |     |                                      |
|      | ACC                |                                     |                          |     |                                      |
|      | 958 505 974 01 M7T | Platinum Silver Metallic            |                          |     |                                      |

Model: 92A 11

Model life 2011>>2018





Model: 92A 11 Model life 2011>>2018

| Pos | Part Number        | Description                                   | Remark                           | Qty | Model  |
|-----|--------------------|---|----------------------------------|-----|--|
|     |                    | Trim<br>D - MJ 2015>>                         | front<br>2nd generation<br>basic |     | PR:DV7,D1V,<br>D43,D50,D11,<br>D19,D34,DU2,<br>DD8,D51<br>PR:7X0,7X9,<br>8F2,8X0 |
| 1   | 958 505 217 00     | Bumper cover<br>with:                         |                                  | 1   |  |
|     | 958 505 217 00 G2X | Cruise-control system<br>primed               |                                  |     |  |
| 1   | 958 505 217 06     | Bumper cover<br>without:                      | basic                            | 1   | PR:7X2,7X8,<br>8A4,8F2,8X0   |
|     |                    | headlight washer system<br>with:              |                                  |     |  |
|     | 958 505 217 06 G2X | Parking aid<br>primed                         |                                  |     |  |
| 1   | 958 505 217 10     | Bumper cover<br>with:                         |                                  | 1   | PR:7X0,7X9,<br>8F2,8X1   |
|     |                    | headlight washer system<br>without:           |                                  |     |  |
|     |                    | Parking aid<br>Discontinued part              |                                  |     |  |
|     | 958 505 217 10 G2X | primed<br>See technical information<br>113/14 |                                  |     |  |
| 1   | 958 505 217 17     | Bumper cover<br>with:                         |                                  | 1   | PR:7X2,7X8,<br>8A4,8F2,8X1   |
|     |                    | headlight washer system<br>Parking aid        |                                  |     |  |
|     | 958 505 217 17 G2X | primed  |                                  |     |  |
| 2   | 958 505 155 40     | cover for towing eye                          | left                             | 1   |  |
|     | 958 505 155 40 G2X | primed  |                                  |     |  |
| (2) | 958 505 156 40     | cover for towing eye                          | right                            | 1   |  |
|     | 958 505 156 40 G2X | primed  |                                  |     |  |
| 3   | 958 505 100 00     | Front spoiler                                 |                                  | 1   | PR:2D0,2JB,<br>6GA,6GF,6GH   |
|     | 958 505 100 00 9B9 | Satin black                                   |                                  |     |  |
| (3) | 958 505 100 05     | Front spoiler<br>plastic<br>for<br>Trim       |                                  | 1   | PR:2D0,2JC,<br>2JX,6GA,6GF,<br>6GH   |
|     | 958 505 100 05 6M7 | stainless steel                               |                                  |     |  |
| (3) | 958 505 100 10     | Front spoiler                                 |                                  | 1   | Offroad<br>PR:2D0,2JB,<br>6GB  |
|     | 958 505 100 10 9B9 | Satin black                                   |                                  |     |  |
| (3) | 958 505 100 15     | Front spoiler                                 |                                  | 1   | Offroad<br>PR:2D0,2JC,<br>2JX,6GB  |
|     | 958 505 100 15 6M7 | stainless steel                               |                                  |     |  |
| (3) | 958 505 100 20     | Front spoiler<br>Sport Design package         |                                  | 1   | PR:2D1,2D2,<br>2JB,6GK   |
|     | 958 505 100 20 G2X | primed  |                                  |     |  |
| 4   | 958 505 833 01     | Trim<br>Front                                 |                                  | 1   | PR:2JC,2JX   |
|     | 958 505 833 01 6M7 | stainless steel                               |                                  |     |  |
| 5   | 958 505 333 00     | Air guide<br>headlight washer system          | left                             | 1   | PR:8X1   |
|     | 958 505 333 00 G2X | primed  |                                  |     |  |
| (5) | 958 505 334 00     | Air guide<br>headlight washer system          | right                            | 1   | PR:8X1   |
|     | 958 505 334 00 G2X | primed  |                                  |     |  |
| 6   | 958 505 683 02     | Grille<br>without:                            | center                           | 1   | PR:8T1   |
|     |                    | ACC   |                                  |     |  |

Model: 92A 11 Model life 2011>>2018

| Pos  | Part Number        | Description           | Remark          | Qty | Model      |
|------|--------------------|-----------------------|-----------------|-----|------------|
| (6)  | 958 505 683 40     | Satin black<br>Grille | center          | 1   | PR:8T3     |
|      |                    | with:                 |                 |     |            |
|      | 958 505 683 40 9B9 | ACC                   |                 |     |            |
| 7    | 958 505 681 40     | Black<br>Grille       | left<br>side    | 1   |            |
|      | 958 505 681 40 9B9 | Satin black           |                 |     |            |
| (7)  | 958 505 682 40     | Grille                | right<br>side   | 1   |            |
|      | 958 505 682 40 9B9 | Satin black           |                 |     |            |
| 8    | 958 505 685 40     | Disc                  | left upper      | 1   |            |
|      | 958 505 685 40 9B9 | Satin black           |                 |     |            |
| (8)  | 958 505 686 40     | Disc                  | right upper     | 1   |            |
|      | 958 505 686 40 9B9 | Satin black           |                 |     |            |
| (8)  | 958 505 685 11     | Disc                  | left<br>upper   | 1   |            |
|      | 958 505 685 11 9B9 | Satin black           |                 |     |            |
| (8)  | 958 505 686 11     | Disc                  | right<br>upper  | 1   |            |
|      | 958 505 686 11 9B9 | Satin black           |                 |     |            |
| (8)  | 958 505 685 12     | Disc                  | left<br>upper   | 1   |            |
|      | 958 505 685 12 G2X | primed                |                 |     |            |
| (8)  | 958 505 686 12     | Disc                  | right<br>upper  | 1   |            |
|      | 958 505 686 12 G2X | primed                |                 |     |            |
| 9    | 958 505 685 45     | Disc                  | left<br>lower   | 1   |            |
|      | 958 505 685 45 9B9 | Satin black           |                 |     |            |
| (9)  | 958 505 686 45     | Disc                  | right<br>lower  | 1   |            |
|      | 958 505 686 45 9B9 | Satin black           |                 |     |            |
| (9)  | 958 505 877 11     | Disc                  | left<br>lower   | 1   |            |
|      | 958 505 877 11 9B9 | Satin black           |                 |     |            |
| (9)  | 958 505 878 11     | Disc                  | right<br>lower  | 1   |            |
|      | 958 505 878 11 9B9 | Satin black           |                 |     |            |
| (9)  | 958 505 877 12     | Disc                  | left<br>lower   | 1   |            |
|      | 958 505 877 12 G2X | primed                |                 |     |            |
| (9)  | 958 505 878 12     | Disc                  | right<br>lower  | 1   |            |
|      | 958 505 878 12 G2X | primed                |                 |     |            |
| 10   | 958 505 945 00     | Air guide             | left            | 1   |            |
| (10) | 958 505 946 00     | Air guide             | right           | 1   |            |
| 11   | 958 505 333 00     | Air guide             | left            | 1   | PR:D34,D6V |
|      | 958 505 333 00 9B9 | Satin black           |                 |     |            |
| (11) | 958 505 334 00     | Air guide             | right           | 1   | PR:D34,D6V |
|      | 958 505 334 00 9B9 | Satin black           |                 |     |            |
| (11) | 958 505 333 45     | Air guide             | left<br>Open    | 1   |            |
|      | 958 505 333 45 9B9 | Satin black           |                 |     |            |
| (11) | 958 505 334 45     | Air guide             | right<br>Open   | 1   |            |
|      | 958 505 334 45 9B9 | Satin black           |                 |     |            |
| 12   | 958 505 483 50     | Air guide             | left<br>Closed  | 1   | PR:D19     |
| (12) | 958 505 484 50     | Air guide             | right<br>Closed | 1   | PR:D19     |
| 13   | 958 505 644 00     | Trim<br>Real Top View |                 | 1   |            |

Model: 92A 11 Model life 2011>>2018

| Pos  | Part Number                          | Description                                   | Remark                | Qty | Model              |
|------|--------------------------------------|---|-----------------------|-----|--------------------|
| 14   | 958 505 644 00 9B9<br>958 505 997 00 | Black<br>Bracket                              |                       | 1   |                    |
| 16   | 958 505 177 50                       | Real Top View<br>Guide                        | left                  | 1   |                    |
| (16) | 958 505 178 50                       | Trim<br>Guide                                 | right                 | 1   |                    |
| 17   | 958 505 819 50                       | Trim<br>Front spoiler                         |                       | 1   | PR:2D1,2D2         |
| 18   | 958 505 823 00                       | Sport Design package<br>Trim for fog lights   | left                  | 1   | PR:7X2,7X8,<br>8A4 |
| (18) | 958 505 823 00 9B9<br>958 505 824 00 | Black<br>Trim for fog lights                  | right                 | 1   | PR:7X2,7X8,<br>8A4 |
| (18) | 958 505 824 00 9B9<br>958 505 823 10 | Black<br>Trim for fog lights                  | left                  | 1   | PR:7X0,7X9         |
| (18) | 958 505 823 10 9B9<br>958 505 824 10 | Black<br>Trim for fog lights                  | right                 | 1   | PR:7X0,7X9         |
| (18) | 958 505 824 10 9B9                   | Black   |                       |     |                    |
| 19   | 958 505 049 01                       | Guide   | left                  | 1   |                    |
| (19) | 958 505 050 01                       | Guide   | side<br>right<br>side | 1   |                    |
| 20   | 958 505 245 10                       | Water deflector<br>Air inlet                  | left                  | 1   | PR:D34             |
| (20) | 958 505 246 10                       | Water deflector<br>Air inlet                  | right                 | 1   | PR:D34             |
| 21   | WHT 003 954                          | Hexagon socket flat<br>head bolt              |                       | X   |                    |
| 22   | N 911 883 01                         | TP 5 X 16-Q-SZ<br>Hexagon socket head<br>bolt |                       | 8   |                    |
| 23   | N 909 365 03                         | M6X20<br>Hexagon socket head panel bolt       |                       | 2   | PR:8A4             |
| 24   | WHT 004 935                          | TP3X12-Q<br>expanding nut                     |                       | X   |                    |
| 25   | N 902 184 03                         | TP5X15.5<br>rivetted cap nut                  |                       | 6   |                    |
| 26   | 999 507 836 09                       | M6<br>Clamp                                   |                       | 4   |                    |
| 27   | N 908 550 01                         | 9,0 X 13,0/4,0<br>Pop rivet                   |                       | 6   |                    |
| 28   | N 038 549 4                          | Spreader rivet                                |                       | X   |                    |
| 29   | 5Q0 919 275                          | Sensor  |                       | 4   | PR:7X2,7X8         |
| 30   | 5Q0 919 275 G2X<br>5Q0 919 133       | Parking aid<br>primed<br>seal ring            |                       | 4   | PR:7X2,7X8         |
| 31   | 958 505 287 25                       | Sensor<br>Carrier                             |                       | 1   | ECE<br>PR:6W1      |
| (31) | 958 505 287 25 9B9<br>958 505 287 30 | Number plate<br>Satin black<br>Carrier        |                       | 1   | RDW<br>PR:6W2      |
| (32) | 958 505 287 30 9B9<br>958 505 287 40 | Number plate<br>Satin black<br>Carrier        |                       | 1   | Japan<br>PR:6W4    |
| 33   | 958 505 287 40 9B9<br>958 505 287 45 | Number plate<br>Satin black<br>Carrier        |                       | 1   | China<br>PR:6W7    |
| (33) | 958 505 287 45 9B9<br>958 505 287 48 | Number plate<br>Satin black<br>Carrier        |                       | 1   | PHEV<br>PR:6W7,D19 |
|      |                                      | Number plate                                  |                       |     |                    |

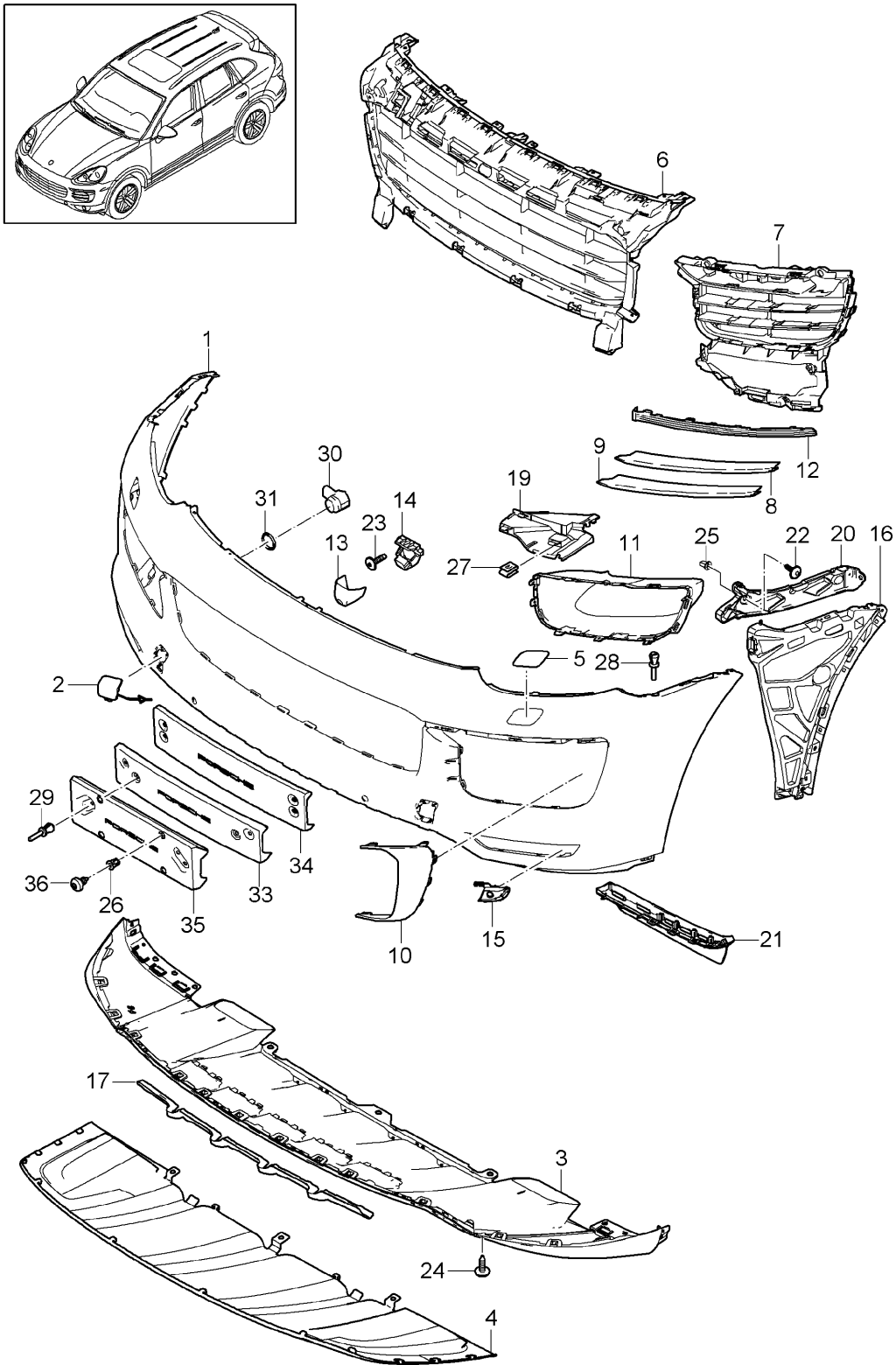
Model: 92A 11

Model life 2011&gt;&gt;2018

| Pos  | Part Number                          | Description                       | Remark         | Qty | Model                      |
|------|--------------------------------------|-----------------------------------|----------------|-----|----------------------------|
| 34   | 958 505 287 48 9B9<br>958 505 887 01 | Satin black<br>Spoiler            | left<br>lower  | 1   | PR:6GH                     |
| (34) | 958 505 887 01 9B9<br>958 505 887 01 | Satin black<br>Spoiler            | left<br>lower  | 1   | PR:6GA,6GF                 |
| (34) | 958 505 887 01 9B9<br>958 505 888 01 | Satin black<br>Spoiler            | right<br>lower | 1   | PR:6GH                     |
| (34) | 958 505 888 01 9B9<br>958 505 888 01 | Satin black<br>Spoiler            | right<br>lower | 1   | PR:6GA,6GF                 |
| (34) | 958 505 888 01 9B9<br>958 505 887 11 | Satin black<br>Spoiler            | left<br>lower  | 1   | PR:6GB                     |
| (34) | 958 505 887 11 9B9<br>958 505 888 11 | Satin black<br>Spoiler            | right<br>lower | 1   | PR:6GB                     |
| (34) | 958 505 888 11 9B9<br>958 505 731 20 | Satin black<br>Spoiler            | left<br>lower  | 1   | PR:6GK                     |
| (34) | 958 505 731 20 G2X<br>958 505 732 20 | primed<br>Spoiler                 | right<br>lower | 1   | PR:6GK                     |
| 35   | 958 505 732 20 G2X<br>958 505 551 01 | primed<br>Sealing strip<br>Grille | center         | 1   | PR:D1V,D43,<br>D50,D51,DV7 |

Model: 92A 11

Model life 2011>>2018



Model: 92A 11

Model life 2011>>2018

| Pos | Part Number                          | Description   | Remark | Qty | Model                              |
|-----|--------------------------------------|---|--------|-----|------------------------------------|
| 1   | 958 505 217 52                       | Trim<br>Turbo<br>GTS<br>2nd GENERATION<br>D - MJ 2015>><br>Trim | front  | 1   | PR:DT1,DU3,DT5                     |
|     |                                      | with:   |        |     |                                    |
|     |                                      | Headlight washer system   |        |     | PR:DT1,DT5,DU3,7X2,7X8,8A4,8F2,8X1 |
|     |                                      | Parking aid primed  |        |     |                                    |
| 1   | 958 505 217 52 G2X<br>958 505 217 55 | Trim  |        | 1   | PR:DU3,7X0,7X9,8F2,8X1             |
|     |                                      | with:   |        |     |                                    |
|     |                                      | Headlight washer system   |        |     |                                    |
|     |                                      | without:  |        |     |                                    |
|     |                                      | Parking aid   |        |     |                                    |
|     |                                      | Discontinued part   |        |     |                                    |
|     |                                      | primed  |        |     |                                    |
|     |                                      | see   |        |     |                                    |
|     |                                      | Technical information   |        |     |                                    |
|     |                                      | 113/14  |        |     |                                    |
| 2   | 958 505 155 10                       | Cover cap   | left   | 1   |                                    |
|     |                                      | Tow hitch   |        |     |                                    |
|     |                                      | primed  |        |     |                                    |
| (2) | 958 505 155 10 G2X<br>958 505 156 10 | Cover cap   | right  | 1   |                                    |
|     |                                      | Tow hitch   |        |     |                                    |
|     |                                      | primed  |        |     |                                    |
| 3   | 958 505 156 10 G2X<br>958 505 100 00 | Front spoiler   |        | 1   | PR:2D0,2JB,6GA,6GF,6GH             |
|     |                                      |   |        |     |                                    |
|     |                                      | Satin black   |        |     |                                    |
| (3) | 958 505 100 00 9B9<br>958 505 100 05 | Front spoiler   |        | 1   | PR:2D0,2JC,2JX,6GA,6GF,6GH         |
|     |                                      |   |        |     |                                    |
|     |                                      | stainless steel   |        |     |                                    |
| (3) | 958 505 100 05 6M7<br>958 505 100 10 | Front spoiler   |        | 1   | PR:2D0,2JB,6GB                     |
|     |                                      | OFFROAD   |        |     |                                    |
|     |                                      | Satin black   |        |     |                                    |
| (3) | 958 505 100 10 9B9<br>958 505 100 15 | Front spoiler   |        | 1   | PR:2D0,2JC,2JX,6GB                 |
|     |                                      | OFFROAD   |        |     |                                    |
|     |                                      | stainless steel   |        |     |                                    |
| (3) | 958 505 100 15 6M7<br>958 505 100 20 | Front spoiler   |        | 1   | PR:2D1,2D2,2JB,6GK                 |
|     |                                      | Sport Design package  |        |     |                                    |
|     |                                      | primed  |        |     |                                    |
| 4   | 958 505 100 20 G2X<br>958 505 833 01 | Trim  |        | 1   | PR:2JC,2JX                         |
|     |                                      | Front   |        |     |                                    |
|     |                                      | stainless steel   |        |     |                                    |
| 5   | 958 505 833 01 6M7<br>958 505 333 00 | Air guide   | left   | 1   | PR:8X1                             |
|     |                                      | Headlight washer system   |        |     |                                    |
|     |                                      | primed  |        |     |                                    |
| (5) | 958 505 333 00 G2X<br>958 505 334 00 | Air guide   | right  | 1   | PR:8X1                             |
|     |                                      | Headlight washer system   |        |     |                                    |
|     |                                      | primed  |        |     |                                    |
| 6   | 958 505 334 00 G2X<br>958 505 683 50 | Grille  | center | 1   | PR:8T1                             |
|     |                                      | without:  |        |     |                                    |
|     |                                      | ACC   |        |     |                                    |
|     |                                      | Satin black   |        |     |                                    |
| (6) | 958 505 683 50 9B9<br>958 505 683 65 | Grille  | center | 1   | PR:8T1,DT5                         |
|     |                                      | without:  |        |     |                                    |
|     |                                      | ACC   |        |     |                                    |
|     |                                      | primed  |        |     |                                    |
| (6) | 958 505 683 65 G2X<br>958 505 683 55 | Grille  | center | 1   | PR:8T3                             |
|     |                                      | with:   |        |     |                                    |
|     |                                      | ACC   |        |     |                                    |

Model: 92A 11 Model life 2011>>2018

| Pos  | Part Number                          | Description                             | Remark              | Qty | Model      |
|------|--------------------------------------|---|---------------------|-----|------------|
| (6)  | 958 505 683 55 9B9<br>958 505 683 60 | Satin black<br>Grille                   | center              | 1   | PR:8T3     |
|      |                                      | with:                                   |                     |     |            |
|      | 958 505 683 60 041                   | ACC                                     |                     |     |            |
| 7    | 958 505 681 50                       | Black<br>Grille                         | left<br>side        | 1   | PR:DT1,DU3 |
| (7)  | 958 505 681 50 9B9<br>958 505 681 51 | Satin black<br>Grille                   | left<br>side        | 1   | PR:DT5     |
| (7)  | 958 505 681 51 G2X<br>958 505 682 50 | primed<br>Grille                        | right<br>side       | 1   | PR:DT1,DU3 |
| (7)  | 958 505 682 50 9B9<br>958 505 682 51 | Satin black<br>Grille                   | right<br>side       | 1   | PR:DT5     |
| 8    | 958 505 682 51 G2X<br>958 505 685 11 | primed<br>Disc                          | left<br>left upper  | 1   | PR:DT1,DU3 |
| 8    | 958 505 685 11 9B9<br>958 505 685 12 | Satin black<br>Disc                     | left<br>left upper  | 1   | PR:DT5     |
| (8)  | 958 505 685 12 G2X<br>958 505 686 11 | primed<br>Disc                          | right<br>left upper | 1   | PR:DT1,DU3 |
| (8)  | 958 505 686 11 9B9<br>958 505 686 12 | Satin black<br>Disc                     | right<br>left upper | 1   | PR:DT5     |
| 9    | 958 505 686 12 G2X<br>958 505 877 11 | primed<br>Disc                          | left<br>lower       | 1   | PR:DT1,DU3 |
| (9)  | 958 505 877 11 9B9<br>958 505 877 12 | Satin black<br>Disc                     | left<br>lower       | 1   | PR:DT5     |
| (9)  | 958 505 877 12 G2X<br>958 505 878 11 | primed<br>Disc                          | right<br>lower      | 1   | PR:DT1,DU3 |
| (9)  | 958 505 878 11 9B9<br>958 505 878 12 | Satin black<br>Disc                     | right<br>lower      | 1   | PR:DT5     |
| 10   | 958 505 878 12 G2X<br>958 505 945 50 | primed<br>Air guide                     | left                | 1   | PR:DT1,DU3 |
| (10) | 958 505 945 51                       | Air guide                               | left                | 1   | PR:DT5     |
| (10) | 958 505 945 51 G2X                   | primed                                  |                     |     |            |
| (10) | 958 505 946 50                       | Air guide                               | right               | 1   | PR:DT1,DU3 |
| (10) | 958 505 946 51                       | Air guide                               | right               | 1   | PR:DT5     |
| 11   | 958 505 946 51 G2X<br>958 505 333 50 | primed<br>Air guide                     | left                | 1   |            |
| (11) | 958 505 333 50 9B9<br>958 505 334 50 | open<br>Air guide                       | right               | 1   |            |
| 12   | 958 505 334 50 9B9<br>958 505 951 50 | Satin black<br>Front end cover          | left                | 1   | PR:DT1,DU3 |
| (12) | 958 505 951 50 9B9<br>958 505 951 51 | Light<br>Front end cover                | left                | 1   | PR:DT5     |
| (12) | 958 505 951 51 G2X<br>958 505 952 50 | Light<br>primed<br>Front end cover      | right               | 1   | PR:DT1,DU3 |
| (12) | 958 505 952 50 9B9<br>958 505 952 51 | Light<br>Satin black<br>Front end cover | right               | 1   | PR:DT5     |

Model: 92A 11 Model life 2011>>2018

| Pos  | Part Number                          | Description                               | Remark      | Qty | Model          |
|------|--------------------------------------|---|-------------|-----|----------------|
| 13   | 958 505 952 51 G2X<br>958 505 644 50 | Light primed<br>Trim<br>Real Top View     |             | 1   | PR:8A4         |
| 14   | 958 505 644 50 9B9<br>958 505 997 50 | Satin black<br>Bracket<br>Real Top View   |             | 1   | PR:8A4         |
| (15) | 95B 807 795 A                        | cover for fog lamp                        | left        | 1   | PR:7X0,7X9     |
|      |                                      | without:                                  |             |     |                |
| (15) | 95B 807 795 A 1E0<br>95B 807 796 A   | Parking aid Black<br>cover for fog lamp   | right       | 1   | PR:7X0,7X9     |
|      |                                      | without:                                  |             |     |                |
| (15) | 95B 807 796 A 1E0<br>95B 807 795 C   | Parking aid Black<br>cover for fog lamp   | left        | 1   | PR:7X2,7X8,8A4 |
|      |                                      | with:                                     |             |     |                |
| (15) | 95B 807 795 C 1E0<br>95B 807 796 C   | Parking aid Black<br>cover for fog lamp   | right       | 1   | PR:7X2,7X8,8A4 |
|      |                                      | with:                                     |             |     |                |
| 16   | 95B 807 796 C 1E0<br>958 505 177 50  | Parking aid Black<br>Guide<br>Trim        | left        | 1   |                |
| (16) | 958 505 178 50                       | Guide<br>Trim                             | right       | 1   |                |
| 17   | 958 505 819 50                       | Trim<br>Front spoiler                     |             | 1   | PR:2D1,2D2     |
| 19   | 958 505 245 10                       | Sport Design package<br>Water deflector   | left        | 1   |                |
| (19) | 958 505 246 10                       | Air inlet<br>Water deflector<br>Air inlet | right       | 1   |                |
| 20   | 958 505 049 01                       | Guide                                     | left side   | 1   |                |
| (20) | 958 505 050 01                       | Guide                                     | right side  | 1   |                |
| 21   | 958 505 887 01                       | Spoiler                                   | left lower  | 1   | PR:6GH         |
| (21) | 958 505 887 01 9B9<br>958 505 887 01 | Satin black<br>Spoiler                    | left lower  | 1   | PR:6GA,6GF     |
| (21) | 958 505 887 01 9B9<br>958 505 888 01 | Satin black<br>Spoiler                    | right lower | 1   | PR:6GH         |
| (21) | 958 505 888 01 9B9<br>958 505 888 01 | Satin black<br>Spoiler                    | right lower | 1   | PR:6GA,6GF     |
| (21) | 958 505 888 01 9B9<br>958 505 887 11 | Satin black<br>Spoiler                    | left lower  | 1   | PR:6GB         |
| (21) | 958 505 887 11 9B9<br>958 505 888 11 | Satin black<br>Spoiler                    | right lower | 1   | PR:6GB         |
| (21) | 958 505 888 11 9B9<br>958 505 731 20 | Satin black<br>Spoiler                    | left lower  | 1   | PR:6GK         |
|      | 958 505 731 20 G2X                   | primed                                    |             |     |                |

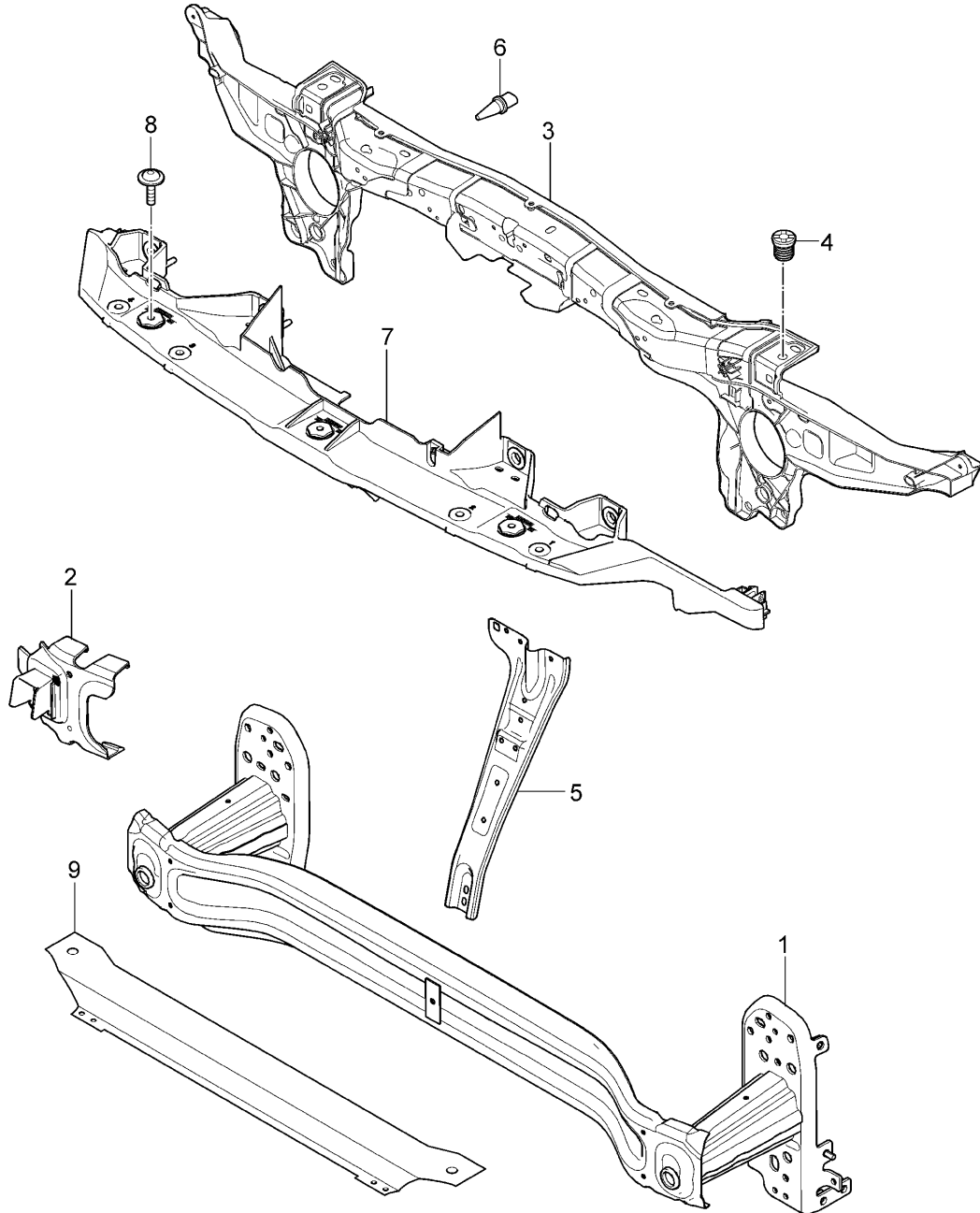
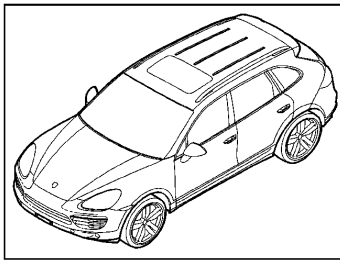


Model: 92A 11 Model life 2011>>2018

| Pos  | Part Number                        | Description  | Remark         | Qty | Model  |
|------|------------------------------------|--|----------------|-----|--------|
| (21) | 958 505 732 20                     | Spoiler  | right<br>lower | 1   | PR:6GK |
| 22   | 958 505 732 20 G2X<br>WHT 003 954  | primed<br>Hexagon socket flat<br>head bolt<br>TP 5 X 16-Q-SZ |                | X   |        |
| 23   | N 909 365 03                       | Hexagon socket head panel bolt<br>TP3X12-Q                   |                | 2   | PR:8A4 |
| 24   | N 911 883 01                       | Hexagon socket head<br>bolt<br>M6X20                         |                | 8   |        |
| 25   | WHT 004 935                        | expanding nut<br>TP5X15.5                                    |                | X   |        |
| 26   | N 902 184 03                       | rivetted cap nut   |                | 6   |        |
| 27   | 999 507 836 09                     | Clamp<br>9,0 X 13,0/4,0                                      |                | 4   |        |
| 28   | N 908 550 01                       | Pop rivet  |                | 6   |        |
| 29   | N 038 549 4                        | Spreader rivet   |                | X   |        |
| (30) | 5Q0 919 275 B                      | Sensor<br>Parking aid  |                | 2   |        |
| (30) | 5Q0 919 275 B G2X<br>5Q0 919 275 C | primed<br>Sensor<br>Parking aid                              | outer          | 2   |        |
| 31   | 5Q0 919 275 C G2X<br>5Q0 919 133   | primed<br>seal ring<br>Sensor                                |                | 4   |        |
| 33   | 5Q0 919 133 9B9<br>958 505 287 50  | Satin black<br>Carrier<br>Number plate                       |                | 1   | ECE    |
| (33) | 958 505 287 55                     | Carrier<br>Number plate                                      |                | 1   | RDW    |
| 34   | 958 505 287 65                     | Carrier<br>Number plate                                      |                | 1   | Japan  |
| (35) | 958 505 287 70                     | Carrier<br>Number plate                                      |                | 1   | China  |
| 36   | N 106 568 02                       | oval head panel screw<br>ST 4,8 X 9,5                        |                | 4   |        |

Model: 92A 11

Model life 2011>>2018

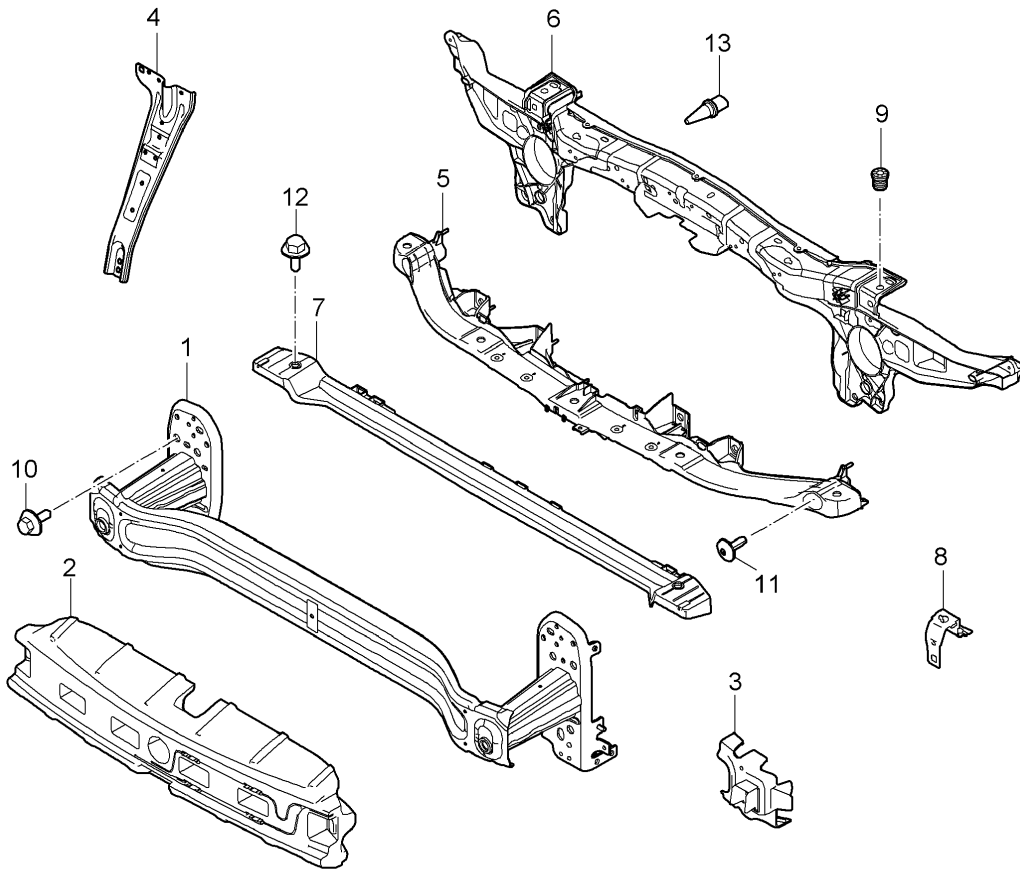
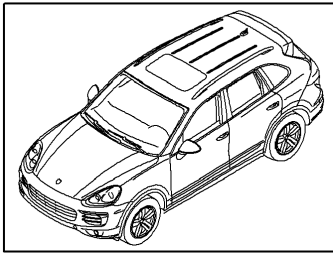


Model: 92A 11 Model life 2011>>2018

| Pos | Part Number    | Description                   | Remark | Qty | Model                                |
|-----|----------------|-------------------------------|--------|-----|--------------------------------------|
|     |                | Carrier                       | front  |     |                                      |
|     |                | D >> - MJ 2014                |        |     |                                      |
| 1   | 958 505 109 00 | Bumper carrier                |        | 1   | PR:D11,D19,<br>D34,D6V,-E0W          |
|     |                | Discontinued part             |        |     |                                      |
| 1   | 958 505 109 01 | Bumper carrier                |        | 1   | Basis<br>PR:D11,D19,<br>D34,D6V,-E0W |
|     |                |                               |        |     |                                      |
| 1   | 958 505 109 01 | Bumper carrier                |        | 1   | Basis<br>PR:D50                      |
|     |                |                               |        |     |                                      |
| 1   | 958 505 109 01 | Bumper carrier                |        | 1   | Basis<br>PR:D43                      |
|     |                |                               |        |     |                                      |
| 1   | 958 505 109 01 | Bumper carrier                |        | 1   | Basis<br>PR:DD8                      |
|     |                |                               |        |     |                                      |
| 1   | 958 505 109 01 | Bumper carrier                |        | 1   | Basis<br>PR:D1V                      |
|     |                |                               |        |     |                                      |
| (1) | 958 505 109 10 | Bumper carrier                |        | 1   | PR:D58                               |
|     |                | Discontinued part             |        |     |                                      |
| (1) | 958 505 109 11 | Bumper carrier                |        | 1   | Turbo + GTS<br>PR:D6V,E0W            |
|     |                |                               |        |     |                                      |
| (1) | 958 505 109 11 | Bumper carrier                |        | 1   | Turbo<br>PR:D58                      |
|     |                |                               |        |     |                                      |
| -   | N 906 589 02   | Hexagon bolt                  |        | 8   |                                      |
|     |                | M 10 X 22                     |        |     |                                      |
| 2   | 958 505 879 00 | Adjusting mechanism           | left   | 1   |                                      |
|     |                | Front apron                   |        |     |                                      |
| (2) | 958 505 880 00 | Adjusting mechanism           | right  | 1   |                                      |
|     |                | Front apron                   |        |     |                                      |
| 3   | 958 505 594 00 | Assembly frame                | upper  | 1   |                                      |
| 4   | 958 505 481 00 | Stop buffer                   |        | 2   |                                      |
|     |                | Bonnet                        |        |     |                                      |
| 5   | 958 505 799 01 | lock carrier                  |        | 1   | PR:8T1                               |
| (5) | 958 505 799 11 | lock carrier                  |        | 1   | PR:8T3                               |
| 6   | 958 505 535 00 | Sensor                        |        | 1   |                                      |
|     |                | Outer sensor                  |        |     |                                      |
| 7   | 958 504 731 00 | Bracket                       |        | 1   |                                      |
| 8   | N 910 423 02   | Oval hexagon socket head bolt |        | 5   |                                      |
|     |                | M6x12                         |        |     |                                      |
| 9   | 958 505 552 00 | Cross member                  | lower  | 1   |                                      |

Model: 92A 11

Model life 2011>>2018

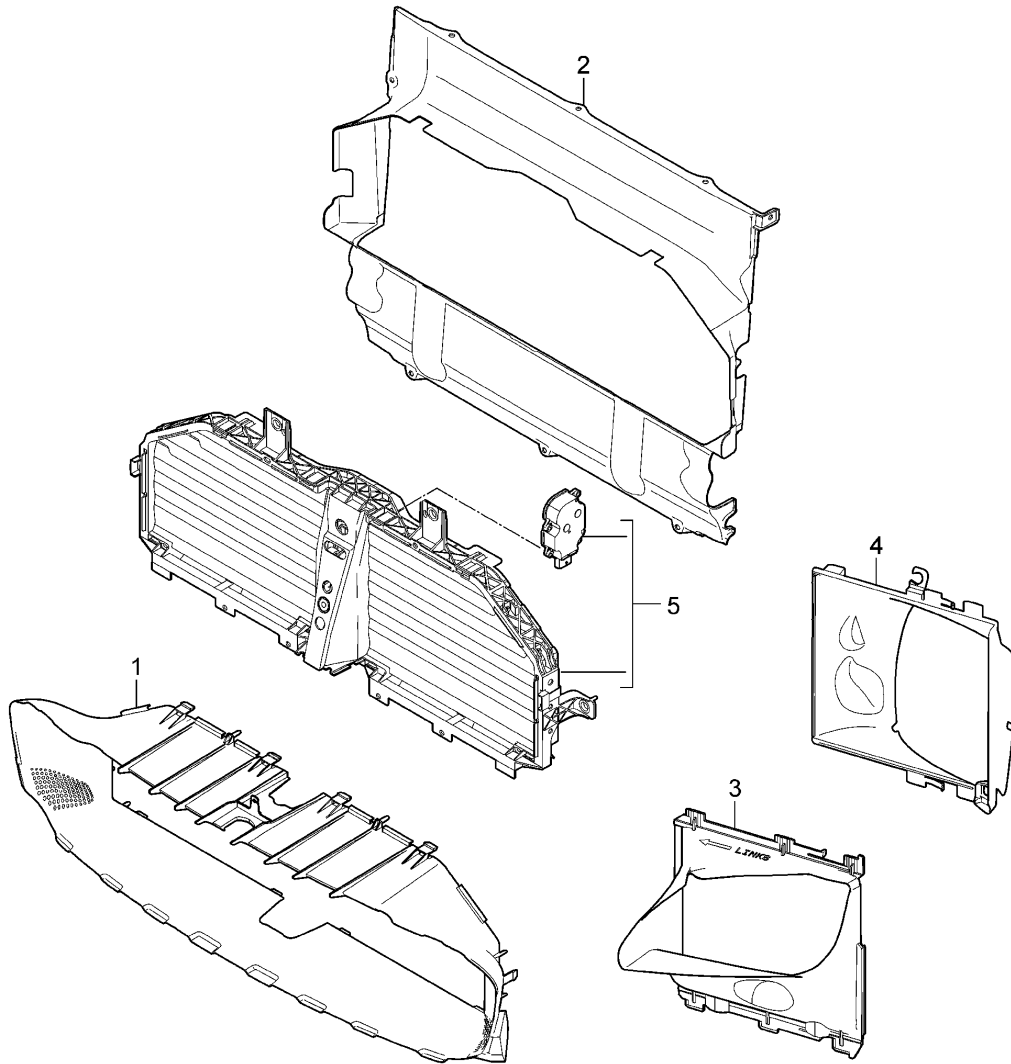
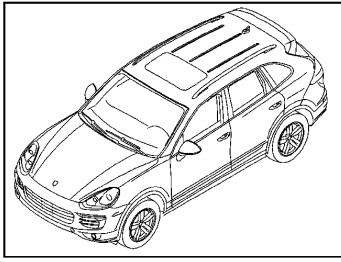


Model: 92A 11 Model life 2011>>2018

| Pos | Part Number        | Description   | Remark | Qty | Model  |
|-----|--------------------|---|--------|-----|--|
| 1   | 958 505 109 01     | Carrier<br>2nd GENERATION<br>D - MJ 2015>><br>Bumper carrier<br>Basic | front  | 1   | PR:DV7,DD8,<br>DU2,D1V,D11,<br>D19,D43,D50,<br>D51,D34     |
| 1   | 958 505 109 11     | Bumper carrier<br>Turbo   |        | 1   | PR:DT1,DU3,<br>DT5   |
| 2   | 958 505 550 20     | Foam part<br>Basic  |        | 1   | PR:DV7,DD8,<br>DU2,D1V,D11,<br>D19,D43,D50,<br>D51,D34,2D0 |
| 2   | 958 505 550 40     | Foam part<br>Turbo  |        | 1   | PR:DT1,DT5,<br>DU3,2D0                                     |
| 2   | 958 505 550 50     | Foam part<br>Turbo  |        | 1   | PR:DT1,DT5,<br>DU3,2D1,2D2                                 |
| 3   | 958 505 879 00     | Sport Design package<br>Adjusting mechanism<br>Front apron            | left   | 1   |  |
| (3) | 958 505 880 00     | Adjusting mechanism<br>Front apron                                    | right  | 1   |  |
| 4   | 958 505 799 01     | lock carrier  |        | 1   | PR:8T1   |
| (4) | 958 505 799 11     | lock carrier<br>ACC   |        | 1   | PR:8T3   |
| 5   | 958 505 931 40     | Bracket   |        | 1   |  |
| 6   | 958 505 594 02     | Assembly frame  | upper  | 1   |  |
| 7   | 958 505 552 00     | Cross member  | lower  | 1   | PR:-1SB  |
| (7) | 958 505 549 00     | Cross member  |        | 1   | PR:1SB   |
|     | 958 505 549 00 GRV | primed  |        |     |  |
| 8   | 958 505 125 00     | Bracket   | left   | 1   |  |
|     |                    | Buffer  |        |     |  |
| (8) | 958 505 126 00     | Bracket   | right  | 1   |  |
|     |                    | Buffer  |        |     |  |
| 9   | 958 505 481 00     | Stop buffer<br>Bonnet   |        | 4   |  |
| 10  | N 906 589 02       | Hexagon bolt<br>M 10 X 22   |        | 8   |  |
| 11  | N 910 145 01       | Hexagon socket flat<br>head bolt<br>M6X16                             |        | 2   |  |
| 12  | N 106 531 02       | Hexagon bolt<br>M8X20   |        | 4   |  |
| 13  | 958 505 535 00     | Sensor  |        | 1   |  |
|     |                    | Outer sensor  |        |     |  |
| 14  | 958 505 617 00     | spacer bush   |        | 1   | PR:D11   |

Model: 92A 11

Model life 2011>>2018

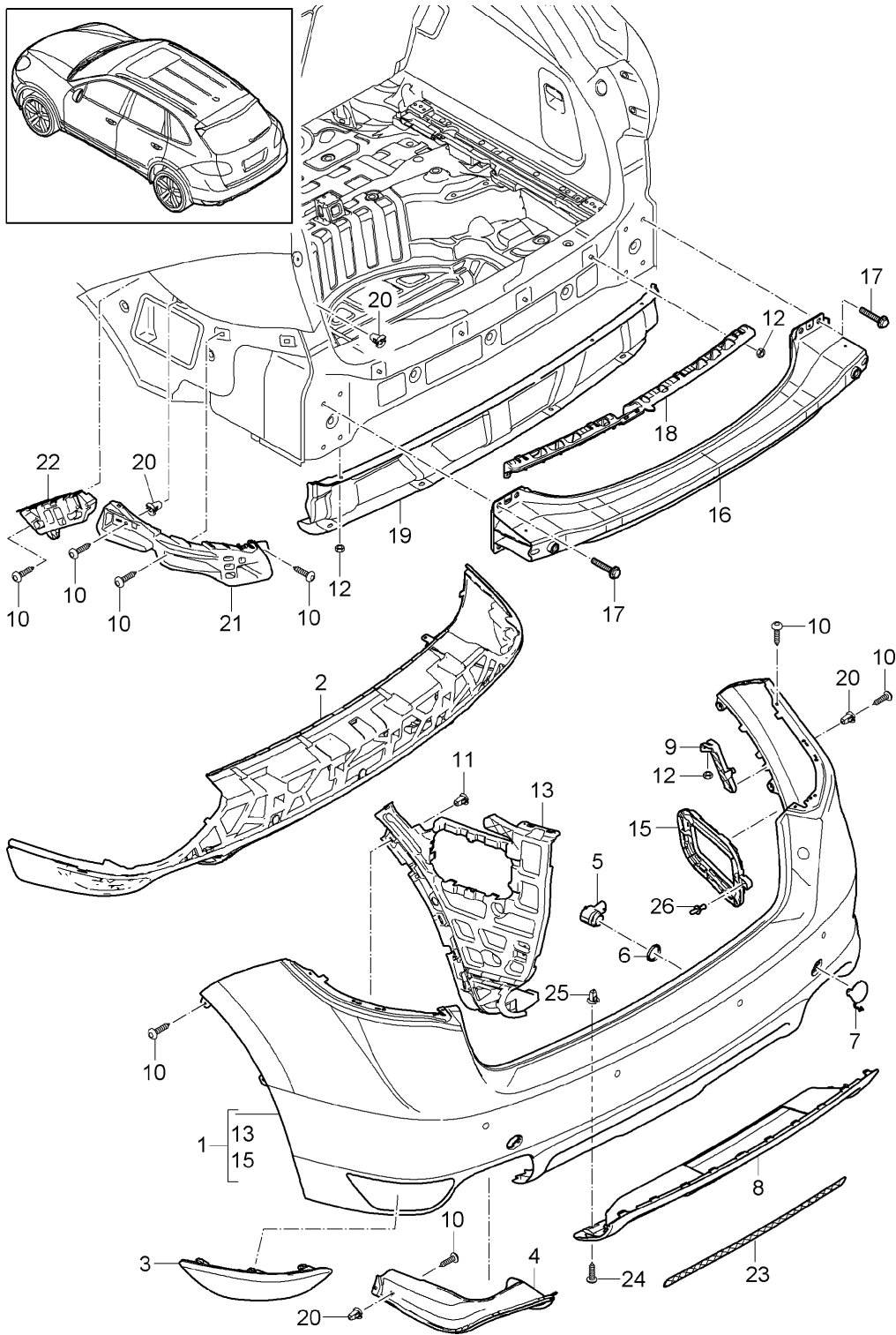


Model: 92A 11 Model life 2011>>2018

| Pos | Part Number    | Description  | Remark                     | Qty | Model  |
|-----|----------------|--|----------------------------|-----|--|
| -   |                | Air guide<br>D - MJ 2015>><br>Air guide<br>Until<br>Model year<br>2014 | front                      |     |  |
| 1   | 958 575 323 31 | see illustration:<br>Air guide<br>Basic                                | 105-095<br>center<br>front | 1   | PR:DD8,DU2,<br>D1V,D19,D43,<br>D50,D51,DV7,<br>D34     |
| 1   | 958 575 323 32 | Air guide<br>Basic   | center<br>front            | 1   | PR:D11   |
| 1   | 958 575 323 51 | Air guide  | center<br>front            | 1   | Turbo<br>PR:DT1,DT5,<br>DU3                            |
| 2   | 958 575 291 00 | Air guide<br>Basic   | center<br>rear             | 1   | PR:DD8,DU2,<br>D1V,D43,D50,<br>D51,DV7,D34             |
| 2   | 958 575 291 10 | Air guide<br>Basic   | center<br>rear             | 1   | Hybrid<br>PR:D19                                       |
| 2   | 958 505 329 00 | Air guide  | center<br>rear             | 1   | Turbo<br>PR:DT1,DT5,<br>DU3                            |
| 3   | 958 505 335 30 | Air guide<br>Charge air cooler   | left                       | 1   | PR:DD8,DU2   |
| (3) | 958 505 336 30 | Air guide<br>Charge air cooler   | right                      | 1   | PR:DD8,DU2   |
| (3) | 958 505 335 35 | Air guide<br>Charge air cooler   | left                       | 1   | PR:DV7,D1V,<br>D11,D50,D51,<br>D43                     |
| (3) | 958 505 336 35 | Air guide<br>Charge air cooler   | right                      | 1   | PR:DV7,D1V,<br>D11,D50,D51,<br>D19,D43                 |
| (3) | 958 505 335 40 | Air guide<br>Charge air cooler   | left                       | 1   | Turbo<br>PR:DT1,DT5,<br>DU3                            |
| (3) | 958 505 336 40 | Air guide<br>Charge air cooler   | right                      | 1   | PR:DT1,DT5,<br>DU3                                     |
| 4   | 958 575 641 21 | Air guide  | left                       | 1   | PR:DD8,DT1,<br>DU2,DU3,DT5                             |
| (4) | 958 575 642 21 | Air guide  | right                      | 1   | PR:DD8,DT1,<br>DU2,DU3,DT5                             |
| (4) | 958 575 641 30 | Air guide  | left                       | 1   | PR:DV7,D43,<br>D50,D51                                 |
| (4) | 958 575 642 30 | Air guide  | right                      | 1   | PR:DV7,D43,<br>D50,D51                                 |
| (4) | 958 575 642 40 | Air guide  | right                      | 1   | PR:D19   |
| 5   | 958 505 321 01 | fresh air flap<br><br>with:<br>Engine<br>Basic<br>Discontinued part    |                            | 1   | PR:DD8,DU2,<br>D1V,D43,D50,<br>D51,DV7,DD7,<br>D19,D34 |
| (5) | 958 505 321 11 | fresh air flap<br><br>with:<br>Engine<br>Turbo<br>Discontinued part    |                            | 1   | PR:DT1,DT5,<br>DU3                                     |

Model: 92A 11

Model life 2011>>2018





Model: 92A 11

Model life 2011>>2018

| Pos | Part Number        | Description                  | Remark  | Qty | Model                                  |
|-----|--------------------|------------------------------|---------|-----|--|
|     |                    | Trim<br>D >> - MJ 2014       | rear    |     |  |
| 1   | 958 505 411 00     | Trim                         |         | 1   | PR:7X0,7X9                             |
|     | 958 505 411 00 G2X | primed                       |         |     |  |
| (1) | 958 505 411 10     | Trim                         |         | 1   | PR:7X2,7X8                             |
|     | 958 505 411 10 G2X | primed                       |         |     |  |
| 2   | 958 505 521 00     | Spoiler                      |         | 1   | PR:2D0                                 |
|     | 958 505 521 00 9B9 | Satin black                  |         |     |  |
| (2) | 958 505 521 10     | Spoiler                      |         | 1   | PR:2D1,2D2                             |
|     | 958 505 521 10 G2X | primed                       |         |     |  |
| 3   |                    | rear light reflector         |         | 1   |  |
|     |                    | see illustration:            | 905-005 |     |  |
| 4   | 958 505 837 00     | Trim                         | left    | 1   |  |
|     | 958 505 837 00 9B9 | Satin black                  |         |     |  |
| (4) | 958 505 838 00     | Trim                         | right   | 1   |  |
|     | 958 505 838 00 9B9 | Satin black                  |         |     |  |
| 5   | 4H0 919 275        | Sensor                       |         | 4   | PR:7X2,7X8                             |
|     |                    | Parking aid                  |         |     |  |
|     | 4H0 919 275 G2L    | primed                       |         |     |  |
| 6   | 7PP 919 133        | Seal                         |         | 4   | PR:7X2,7X8                             |
|     |                    | Sensor                       |         |     |  |
| (7) | 958 505 449 00     | Cover cap                    | left    | 1   |  |
|     |                    | Tow hitch                    |         |     |  |
|     | 958 505 449 00 G2X | primed                       |         |     |  |
| 7   | 958 505 450 00     | Cover cap                    | right   | 1   |  |
|     |                    | Tow hitch                    |         |     |  |
|     | 958 505 450 00 G2X | primed                       |         |     |  |
| 8   | 958 505 834 00     | Trim                         | lower   | 1   | PR:1D2,1D7,<br>1D9,2D0,2JB,<br>2JC     |
|     |                    | Trim                         |         |     |  |
|     |                    | Discontinued part            |         |     |  |
|     | 958 505 834 00 9B9 | Satin black                  |         |     |  |
| 8   | 958 505 834 01     | Trim                         | lower   | 1   | PR:1D2,1D7,<br>1D9,2D0,2JB,<br>2JC     |
|     |                    | Trim                         |         |     |  |
|     | 958 505 834 01 9B9 | Satin black                  |         |     |  |
| 8   | 958 505 834 01     | Trim                         | lower   | 1   | PR:1D1,1D3,<br>2D0,2JB,2JC             |
|     |                    | Trim                         |         |     |  |
|     | 958 505 834 01 9B9 | Satin black                  |         |     |  |
| 8   | 958 505 834 01     | Trim                         | lower   | 1   | PR:1D0,2D0,<br>2JB,2JC                 |
|     |                    | Trim                         |         |     |  |
|     | 958 505 834 01 9B9 | Satin black                  |         |     |  |
| 8   | 958 505 834 45     | Trim                         | lower   | 1   | PR:1D2,1D7,<br>1D9,2D1,2D2,<br>2JB,2JC |
|     |                    | Trim                         |         |     |  |
|     | 958 505 834 45 G2X | primed                       |         |     |  |
| 8   | 958 505 834 45     | Trim                         | lower   | 1   | PR:1D1,1D3,<br>2D1,2D2,2JB,<br>2JC     |
|     |                    | Trim                         |         |     |  |
|     | 958 505 834 45 G2X | primed                       |         |     |  |
| 8   | 958 505 834 45     | Trim                         | lower   | 1   | PR:1D0,2D1,<br>2D2,2JB,2JC             |
|     |                    | Trim                         |         |     |  |
|     | 958 505 834 45 G2X | primed                       |         |     |  |
| 8   | 958 505 834 10     | Trim                         | lower   | 1   | PR:1D6,1D8,<br>2D0,2JB,2JC             |
|     |                    | Rear end                     |         |     |  |
|     |                    | with:                        |         |     |  |
|     | 958 505 834 10 6M7 | Tow hitch<br>stainless steel |         |     |  |
| 8   | 958 505 834 20     | Trim                         | lower   | 1   | PR:1D2,1D7,<br>1D9,2D0,2JX,<br>1D1,1D3 |
|     |                    | Trim                         |         |     |  |
|     |                    | for<br>stainless steel       |         |     |  |

Model: 92A 11 Model life 2011>>2018

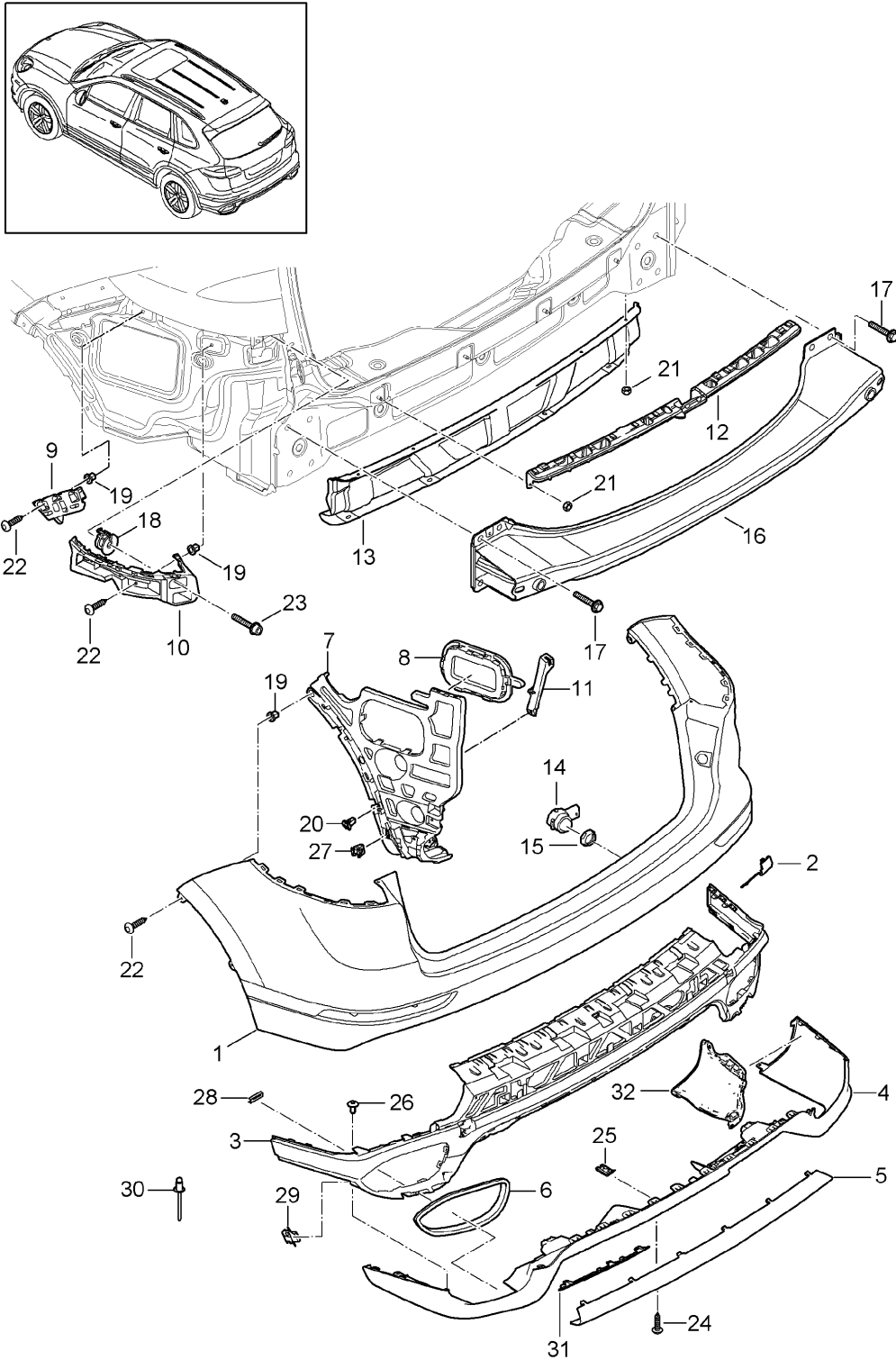
| Pos  | Part Number                          | Description  | Remark                 | Qty | Model                                     |
|------|--------------------------------------|--|------------------------|-----|---|
| 8    | 958 505 834 20 6M7<br>958 505 834 21 | Discontinued part<br>stainless steel<br>Trim<br>Trim<br>for<br>stainless steel | lower                  | 1   | PR:1D2,1D7,<br>1D9,2D0,2JX                |
| -    | 958 505 834 21 6M7                   | stainless steel  |                        |     |   |
| -    | 958 505 834 60                       | Trim<br>stainless steel  | lower                  | 1   | PR:1D2,1D7,<br>1D9,2D0,2JX                |
| 8    | 958 505 834 60 6M7<br>958 505 834 21 | stainless steel<br>Trim<br>Trim<br>for<br>stainless steel                      | lower                  | 1   | PR:1D1,1D3,<br>2D0,2JX                    |
| -    | 958 505 834 21 6M7                   | stainless steel  |                        |     |   |
| -    | 958 505 834 60                       | Trim<br>stainless steel  | lower                  | 1   | PR:1D1,1D3,<br>2D0,2JX                    |
| 8    | 958 505 834 60 6M7<br>958 505 834 21 | stainless steel<br>Trim<br>Trim<br>for<br>stainless steel                      | lower                  | 1   | PR:1D0,2D0,<br>2JX                        |
| -    | 958 505 834 21 6M7                   | stainless steel  |                        |     |   |
| -    | 958 505 834 60                       | Trim<br>stainless steel  | lower                  | 1   | PR:1D0,2D0,<br>2JX                        |
| 8    | 958 505 834 60 6M7<br>958 505 834 50 | stainless steel<br>Trim<br>Trim  | lower                  | 1   | GTS<br>PR:1D6,1D8,<br>2D1,2D2,2JB,<br>2JC |
| 9    | 958 505 834 50 G2X<br>958 505 045 00 | primed<br>Retainer for bumper  | left                   | 1   |   |
| (9)  | 958 505 046 00                       | Retainer for bumper  | right                  | 1   |   |
| 10   | WHT 003 954                          | Hexagon socket flat<br>head bolt<br>TP5X16.00                                  | right                  | X   |   |
| 11   | WHT 004 935                          | expanding nut<br>TP5X15.5  | right                  | X   |   |
| 12   | N 015 082 10                         | Hexagon collar nut   |                        | 2   |   |
| 13   | 958 505 377 00                       | Guide  | left                   | 1   |   |
| (13) | 958 505 378 00                       | Guide  | right<br>side          | 1   |   |
| (15) | 958 505 771 00                       | Retainer for bumper  | left                   | 1   |   |
| 15   | 958 505 772 00                       | Retainer for bumper  | right                  | 1   |   |
| 16   | 958 505 309 00                       | Bumper carrier   | rear                   | 1   |   |
| 17   | N 911 038 02                         | Hex collared bolt<br>M12 X 50  |                        | 1   |   |
| 18   | 958 505 863 00                       | Securing strip<br>bumper   | upper                  | 1   |   |
| 19   | 958 505 587 00                       | Cover  | lower                  | 1   |   |
| 20   | WHT 001 829                          | insert nut<br>4,2 X 15,7   |                        | 1   |   |
| 21   | 958 505 393 00                       | Guide  | left<br>side<br>front  | 1   |   |
| (21) | 958 505 394 00                       | Guide  | right<br>side<br>front | 1   |   |
| 22   | 958 505 483 00                       | Guide  | left                   | 1   |   |

Model: 92A 11 Model life 2011>>2018

| Pos  | Part Number                        | Description   | Remark                               | Qty | Model                     |
|------|------------------------------------|---|--------------------------------------|-----|---------------------------|
| 22   | 958 505 483 01                     | Discontinued part<br>Guide                              | side<br>rear<br>left<br>side<br>rear | 1   |                           |
| (22) | 958 505 484 00                     | Guide   | right<br>side<br>rear                | 1   |                           |
| (22) | 958 505 484 01                     | Discontinued part<br>Guide                              | right<br>side<br>rear                | 1   |                           |
| 23   | 958 505 697 00                     | Grille  |                                      | 1   | PR: 2D1, 2D2,<br>2JB, 2JC |
| 24   | 958 505 697 00 9B9<br>N 106 847 01 | Satin black<br>Oval hexagon socket head bolt<br>M5X20 W |                                      | X   |                           |
| 25   | N 904 559 02                       | Speed nut<br>M 5  |                                      | 4   |                           |
| 26   | N 908 550 01                       | Pop rivet<br>A3,2 X 6,5                                 |                                      | 6   |                           |

Model: 92A 11

Model life 2011>>2018



Model: 92A 11 Model life 2011>>2018

| Pos | Part Number        | Description  | Remark | Qty | Model                              |
|-----|--------------------|--|--------|-----|------------------------------------|
|     |                    | Trim<br>2nd GENERATION<br>D - MJ 2015>>                | rear   |     |                                    |
| 1   | 958 505 417 50     | Trim   |        | 1   | PR:7X0                             |
|     | 958 505 417 50 G2X | primed   |        |     |                                    |
| 1   | 958 505 417 50     | Trim   |        | 1   | PR:7X9                             |
|     | 958 505 417 50 G2X | primed   |        |     |                                    |
| (1) | 958 505 417 60     | Trim   |        | 1   | PR:7X2                             |
|     | 958 505 417 60 G2X | primed   |        |     |                                    |
| (1) | 958 505 417 60     | Trim   |        | 1   | PR:7X8                             |
|     | 958 505 417 60 G2X | primed   |        |     |                                    |
| (1) | 958 505 417 60     | Trim   |        | 1   | PR:8A4                             |
|     | 958 505 417 60 G2X | primed   |        |     |                                    |
| 2   | 958 505 499 50     | Cover cap<br>Tow hitch                                 | left   | 1   | PR:2D0                             |
|     | 958 505 499 50 9B9 | primed   |        |     |                                    |
| 2   | 958 505 499 60     | Cover cap<br>Tow hitch<br>Sport Design package         | left   | 1   | PR:2D1,2D2                         |
|     | 958 505 499 60 G2X | primed   |        |     |                                    |
| (2) | 958 505 500 50     | Cover cap<br>Tow hitch                                 | right  | 1   | PR:2D0                             |
|     | 958 505 500 50 9B9 | primed   |        |     |                                    |
| (2) | 958 505 500 60     | Cover cap<br>Tow hitch<br>Sport Design package         | right  | 1   | PR:2D1,2D2                         |
|     | 958 505 500 60 G2X | primed   |        |     |                                    |
| 3   | 958 505 521 50     | Spoiler<br>Upper part                                  |        | 1   | PR:2D0                             |
|     | 958 505 521 50 9B9 | Black  |        |     |                                    |
| 3   | 958 505 521 60     | Spoiler<br>Upper part<br>Sport Design package          |        | 1   | PR:2D1,2D2                         |
|     | 958 505 521 60 G2X | primed   |        |     |                                    |
| 4   | 958 505 834 55     | Trim<br>Rear end<br>Lower part                         |        | 1   | PR:1D0,1D1,1D3,1D7,2D0,2JB,2JC     |
|     | 958 505 834 55 9B9 | Satin black  |        |     |                                    |
| (4) | 958 505 834 60     | Trim<br>Rear end<br>Lower part                         |        | 1   | PR:1D6,1D8,2D0,2JB,2JC             |
|     | 958 505 834 60 9B9 | Satin black  |        |     |                                    |
| (4) | 958 505 834 65     | Trim<br>Rear end<br>Lower part<br>stainless steel      |        | 1   | PR:1D0,1D1,1D3,1D7,2D0,2JX         |
|     | 958 505 834 65 9B9 | Satin black  |        |     |                                    |
| (4) | 958 505 834 70     | Trim<br>Rear end<br>Lower part<br>stainless steel      |        | 1   | PR:1D6,1D8,2D0,2JX                 |
|     | 958 505 834 70 9B9 | Satin black  |        |     |                                    |
| (4) | 958 505 834 90     | Trim<br>Rear end<br>Lower part<br>Sport Design package |        | 1   | PR:1D0,1D1,1D3,1D7,2D1,2D2,2JB,2JC |
|     | 958 505 834 90 G2X | primed   |        |     |                                    |
| (4) | 958 505 834 95     | Trim<br>Rear end<br>Lower part<br>Sport Design package |        | 1   | PR:1D6,1D8,2D1,2D2,2JB,2JC         |
|     | 958 505 834 95 G2X | primed   |        |     |                                    |
| 5   | 958 505 834 80     | Trim   |        | 1   | PR:1D0,1D1,                        |

Model: 92A 11 Model life 2011>>2018

| Pos | Part Number                          | Description   | Remark        | Qty | Model                                      |
|-----|--------------------------------------|---|---------------|-----|--|
|     |                                      |   |               |     | 1D3,1D7,2D0,<br>2JX                        |
| (5) | 958 505 834 80 6M7<br>958 505 725 00 | Brushed stainless steel<br>Trim                                 | lower         | 1   | PR:1D0,1D1,<br>1D3,1D7,2D1,<br>2D2,2JB,2JC |
| 6   | 958 505 725 00 G2X<br>958 505 837 10 | Sport Design package<br>primed<br>Cover panel<br>exhaust system | left          | 1   |  |
| 6   | 958 505 837 10 9B9<br>958 505 838 10 | Satin black<br>Cover panel<br>exhaust system                    | right         | 1   |  |
| 7   | 958 505 838 10 9B9<br>958 505 377 50 | Satin black<br>Guide piece                                      | left<br>side  | 1   |  |
| (7) | 958 505 378 50                       | Guide piece   | right<br>side | 1   |  |
| 8   | 958 505 771 10                       | Retainer for bumper<br>Guide<br>Cover                           | left          | 1   |  |
| (8) | 958 505 772 10                       | Plastic foam strip<br>Retainer for bumper<br>Guide<br>Cover     | right         | 1   |  |
| 9   | 958 505 483 10                       | Plastic foam strip<br>Guide                                     | left<br>rear  | 1   |  |
| (9) | 958 505 484 10                       | Discontinued part<br>Guide                                      | right<br>rear | 1   |  |
| 10  | 958 505 393 10                       | Discontinued part<br>Guide profile                              | left          | 1   |  |
| 10  | 958 505 394 10                       | Guide profile   | right         | 1   |  |
| 11  | 958 505 045 00                       | Retainer for bumper<br>Support                                  | left          | 1   |  |
| 11  | 958 505 046 00                       | Retainer for bumper<br>Support                                  | right         | 1   |  |
| 12  | 958 505 863 00                       | Securing strip  | center        | 1   |  |
| 13  | 958 505 587 00                       | Cover   | lower         | 1   |  |
| 14  | 5Q0 919 275                          | Sensor<br>Parking aid   |               | 4   |  |
| 15  | 5Q0 919 275 G2X<br>5Q0 919 133       | primed<br>seal ring<br>Sensor<br>Parking aid                    |               | 4   |  |
| 16  | 958 505 309 01                       | Bumper carrier  | rear          | 1   | PR:1D0,1D7,<br>1D8                         |
| 17  | N 911 038 02                         | Hex collared bolt<br>M12X1,5X50                                 |               | 8   |  |
| 18  | WHT 006 897                          | speed nut   |               | 2   |  |
| 19  | WHT 001 829                          | insert nut<br>4,2X15.,7   |               | 14  |  |
| 20  | WHT 004 935                          | expanding nut<br>TP5X15.5                                       |               | X   |  |
| 21  | N 015 082 10                         | Hexagon collar nut<br>M6  |               | 10  |  |
| 22  | WHT 003 954                          | Hexagon socket flat<br>head bolt                                |               | X   |  |
| 23  | N 105 355 02                         | TP 5 X 16-Q-SZ<br>Hexagon socket head<br>bolt (combi)           |               | 2   |  |

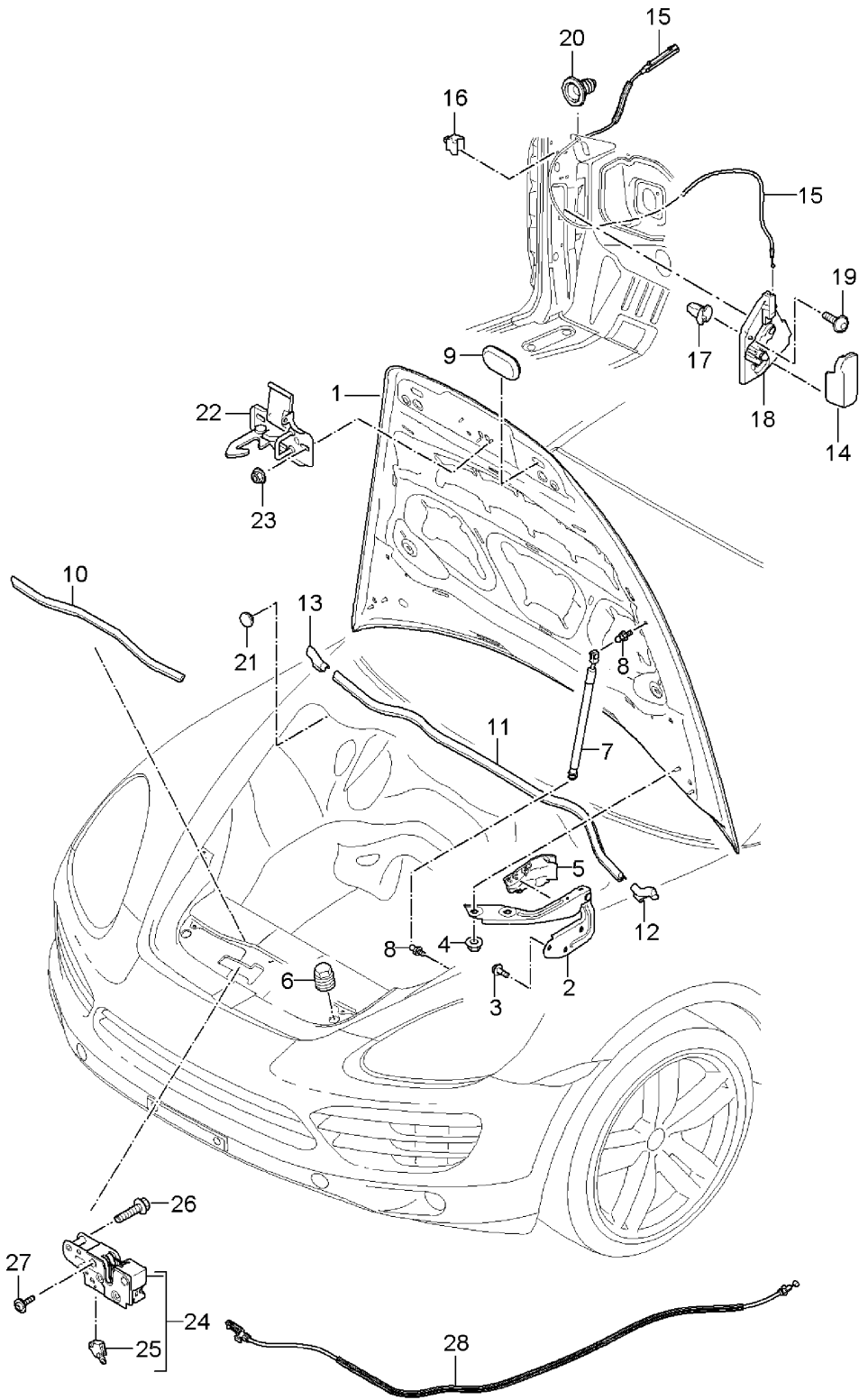
Model: 92A 11

Model life 2011>>2018

| Pos  | Part Number        | Description  | Remark | Qty | Model   |
|------|--------------------|--|--------|-----|---|
| 24   | N 106 847 01       | M6X30<br>Oval hexagon socket head bolt             |        | 6   |   |
| 25   | N 904 559 02       | M5X20<br>Speed nut                                 |        | 10  |   |
| 26   | N 038 501 3        | M5X17X15<br>Spreader rivet                         |        | 2   |   |
| 27   | 999 507 836 09     | A-6X12<br>Clamp                                    |        | 6   |   |
| 28   | 955 505 897 00     | 9,0X13,0/4,0<br>U-clip                             |        | 4   |   |
| 29   | N 909 894 01       | Clip   |        | 2   |   |
| 30   | N 908 550 01       | C12.7X8.1X0.8/2.7<br>Pop rivet                     |        | 6   |   |
| 31   | 958 505 697 50     | A3.2X6.5<br>Grille<br>Trim<br>Sport Design package |        | 1   | RDW<br>PR: 1D0, 1D1,<br>1D3, 1D7, 2D1,<br>2D2, 2JB, 2JC |
|      | 958 505 697 50 9B9 | Satin black  |        |     |   |
| 32   | 958 505 715 00     | Heat insulation<br>Trim                            | left   | 1   |   |
| (32) | 958 505 716 00     | Heat insulation<br>Trim                            | right  | 1   |   |

Model: 92A 11

Model life 2011>>2018





Model: 92A 11 Model life 2011>>2018

| Pos | Part Number        | Description        | Remark         | Qty | Model   |
|-----|--------------------|--------------------|----------------|-----|---------|
| (1) | 958 511 011 02     | Cover<br>Cover     | front          | 1   | PR:-D58 |
|     |                    | also use:          | 000 043 305 51 | 1   |         |
|     |                    |                    | WHT 004 974    | 2   |         |
|     |                    | D >> - MJ 2014     |                |     |         |
|     |                    | Discontinued part  |                |     |         |
|     | 958 511 011 02 GRV | primed             |                | 1   |         |
| (1) | 958 511 011 06     | Cover              |                | 1   | PR:-D58 |
|     |                    | also use:          | 000 043 305 51 | 1   |         |
|     |                    |                    | WHT 004 974    | 2   |         |
|     |                    | D >> - MJ 2014     |                |     |         |
|     | 958 511 011 06 GRV | primed             |                | 1   |         |
| (1) | 958 511 011 03     | Cover              |                | 1   | PR:D58  |
|     |                    | also use:          | 000 043 305 51 | 1   |         |
|     |                    |                    | WHT 004 974    | 2   |         |
|     |                    | D >> - MJ 2014     |                |     |         |
|     |                    | Discontinued part  |                |     |         |
|     | 958 511 011 03 GRV | primed             |                | 1   |         |
| (1) | 958 511 011 04     | Cover              |                | 1   | PR:D58  |
|     |                    | also use:          | 000 043 305 51 | 1   |         |
|     |                    |                    | WHT 004 974    | 2   |         |
|     |                    | D >> - MJ 2014     |                |     |         |
|     | 958 511 011 04 GRV | primed             |                | 1   |         |
| (1) | 958 511 011 10     | Cover              |                | 1   | PR:GP1  |
|     |                    | also use:          | 000 043 305 51 | 1   |         |
|     |                    |                    | WHT 004 974    | 2   |         |
|     |                    | D - MJ 2015>>      |                |     |         |
|     | 958 511 011 10 GRV | primed             |                | 1   |         |
| 2   | 958 511 301 01     | Hinge              | left           | 1   |         |
|     |                    | D >> - MJ 2014     |                |     |         |
|     |                    | Discontinued part  |                |     |         |
| 2   | 958 511 301 02     | Hinge              | left           | 1   |         |
|     |                    | D >> - MJ 2014     |                |     |         |
| 2   | 958 511 301 10     | Hinge              | left           | 1   | PR:GP1  |
|     |                    | D - MJ 2015>>      |                |     |         |
| (2) | 958 511 302 01     | Hinge              | right          | 1   |         |
|     |                    | D >> - MJ 2014     |                |     |         |
|     |                    | Discontinued part  |                |     |         |
| (2) | 958 511 302 02     | Hinge              | right          | 1   |         |
|     |                    | D >> - MJ 2014     |                |     |         |
| (2) | 958 511 302 10     | Hinge              | right          | 1   | PR:GP1  |
|     |                    | D - MJ 2015>>      |                |     |         |
| 3   | N 910 793 01       | Hex collared bolt  |                | 6   |         |
|     |                    | M8 X 16            |                |     |         |
| 4   | N 907 611 03       | Hexagon collar nut |                | 4   |         |
|     |                    | self-locking       |                |     |         |
|     |                    | M 8                |                |     |         |
| 5   | 958 511 652 00     | Cover              | left           | 1   |         |
|     |                    | D >> - MJ 2014     |                |     |         |
|     | 958 511 652 00 9B9 | Satin black        |                | 1   |         |
| 5   | 958 511 652 10     | Cover              | left           | 1   | PR:GP1  |
|     |                    | D - MJ 2015>>      |                |     |         |
|     | 958 511 652 10 9B9 | Satin black        |                | 1   |         |
| (5) | 958 511 651 00     | Cover              | right          | 1   |         |
|     |                    | D >> - MJ 2014     |                |     |         |
|     | 958 511 651 00 9B9 | Satin black        |                | 1   |         |
| (5) | 958 511 651 10     | Cover              | right          | 1   | PR:GP1  |
|     |                    | D - MJ 2015>>      |                |     |         |
|     | 958 511 651 10 9B9 | Satin black        |                | 1   |         |
| 6   | 958 505 481 00     | Stop buffer        |                | 2   |         |
|     |                    | Discontinued part  |                |     |         |
| 6   | 958 505 481 01     | Stop buffer        |                | 2   |         |
| 7   | 958 511 359 00     | Damper             |                | 1   |         |

Model: 92A 11 Model life 2011>>2018

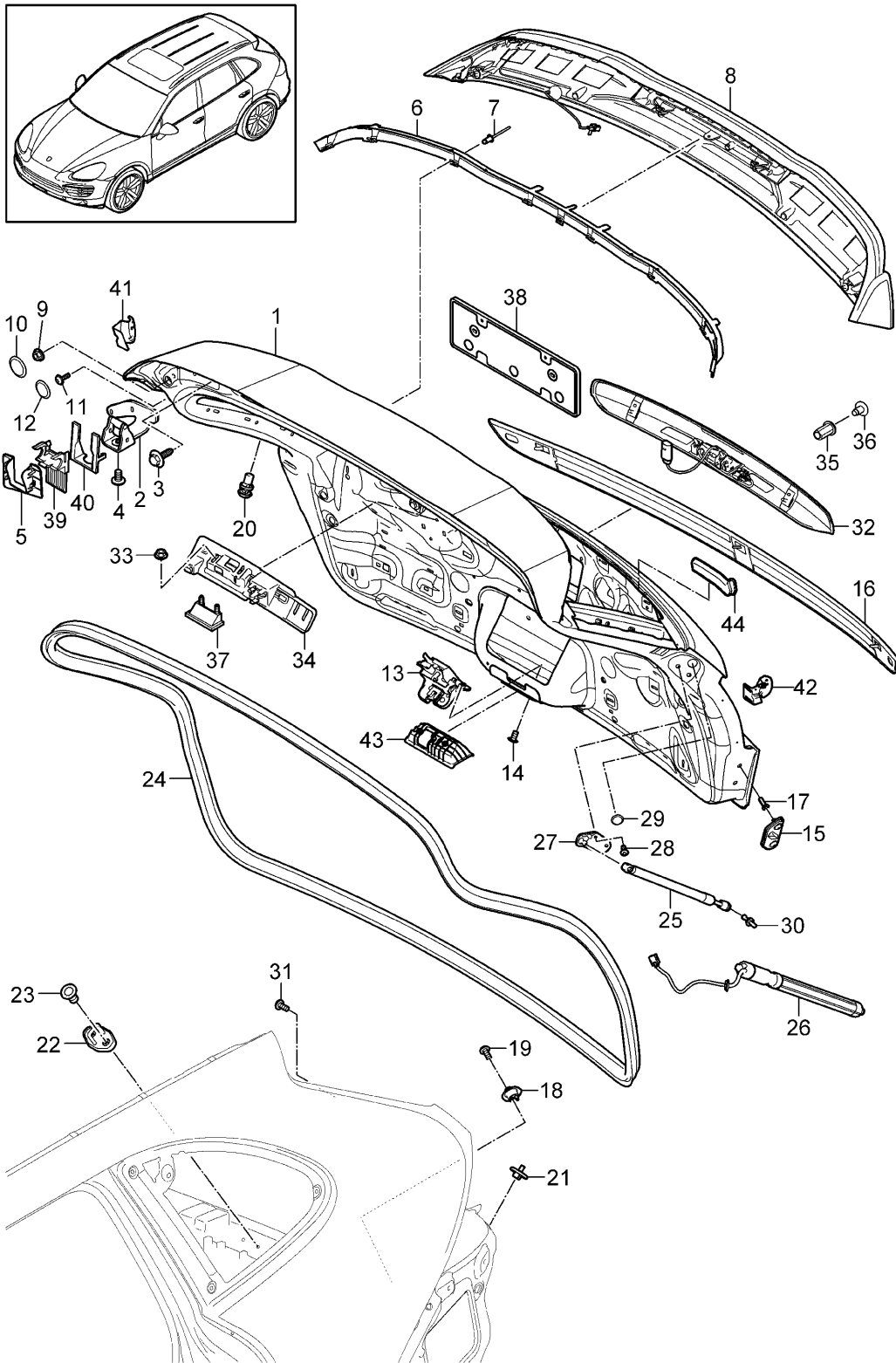
| Pos  | Part Number        | Description  | Remark | Qty | Model  |
|------|--------------------|--|--------|-----|--------|
| (7)  | 958 511 359 05     | D >> - MJ 2014<br>Damper   |        | 1   |        |
| 8    | 955 511 439 00     | D - MJ 2015>><br>Ball stud<br>M8                                   |        | 1   |        |
| 9    | 958 511 440 00     | Cover  |        | 2   |        |
| 10   | 958 511 611 00     | Seal<br>Engine   |        | 1   | PR:GP0 |
| (10) | 958 511 611 01     | D >> - MJ 2014<br>Seal<br>Engine                                   |        | 1   | PR:GP1 |
| 11   | 958 511 612 00     | D - MJ 2015>><br>seal for water box                                |        | 1   |        |
| 11   | 958 511 612 01     | D >> - MJ 2014<br>seal for water box                               |        | 1   | PR:GP1 |
| 12   | 958 511 613 00     | D - MJ 2015>><br>Filler piece                                      | left   | 1   |        |
| 12   | 958 511 613 01     | D >> - MJ 2014<br>Filler piece                                     | left   | 1   | PR:GP1 |
| 13   | 958 511 614 00     | D - MJ 2015>><br>Filler piece                                      | right  | 1   |        |
| 13   | 958 511 614 01     | D >> - MJ 2014<br>Filler piece                                     | right  | 1   | PR:GP1 |
| 14   | 958 511 533 00     | D - MJ 2015>><br>Actuating lever                                   | lhd    | 1   | PR:L0L |
|      | 958 511 533 00 OB8 | Cohiba Brown   |        |     | LH     |
|      | 958 511 533 00 DE1 | Umber  |        |     |        |
|      | 958 511 533 00 OP1 | agate grey   |        |     |        |
|      | 958 511 533 00 DF2 | Light Tartufo  |        |     |        |
|      | 958 511 533 00 DJ3 | Titanium Blue  |        |     |        |
|      | 958 511 533 00 4H0 | Luxor beige  |        |     |        |
|      | 958 511 533 00 5J0 | Cream  |        |     |        |
|      | 958 511 533 00 6L0 | Platinum Grey  |        |     |        |
|      | 958 511 533 00 7N0 | Espresso   |        |     |        |
|      | 958 511 533 00 8P0 | Cognac   |        |     |        |
|      | 958 511 533 00 82V | Titan black  |        |     |        |
| (14) | 958 511 533 01     | Actuating lever  | rhd    | 1   | PR:L0R |
|      | 958 511 533 01 OP1 | agate grey   |        |     |        |
|      | 958 511 533 01 OB8 | Cohiba Brown   |        |     | LH     |
|      | 958 511 533 01 DE1 | Umber  |        |     |        |
|      | 958 511 533 01 DF2 | Light Tartufo  |        |     |        |
|      | 958 511 533 01 DJ3 | Titanium Blue  |        |     |        |
|      | 958 511 533 01 4H0 | Luxor beige  |        |     |        |
|      | 958 511 533 01 5J0 | Cream  |        |     |        |
|      | 958 511 533 01 6L0 | Platinum Grey  |        |     |        |
|      | 958 511 533 01 7N0 | Espresso   |        |     |        |
|      | 958 511 533 01 8P0 | Cognac   |        |     |        |
|      | 958 511 533 01 82V | Titan black  |        |     |        |
| 15   | 958 511 535 00     | Bowden cable   | rear   | 1   |        |
|      |                    | D >> - MJ 2014   |        |     |        |
| 15   | 958 511 535 01     | Bowden cable   | rear   | 1   | PR:GP1 |
|      |                    | D - MJ 2015>>  |        |     |        |
| 16   | 955 511 645 00     | Clip   |        | 2   |        |
| 17   | WHT 004 935        | Bowden cable<br>expanding nut<br>TP 5 X 15,5<br>Bracket            |        | 1   |        |
| 18   | 958 511 633 00     | Bracket  | lhd    | 1   | PR:L0L |
| (18) | 958 511 633 01     | Bracket  | rhd    | 1   | PR:L0R |
| 19   | N 911 604 01       | Hexagon socket head panel bolt<br>TP 5,0 X 16<br>Discontinued part |        | 1   |        |
| 19   | N 909 747 01       | Hexagon socket head panel bolt                                     |        | X   |        |

Model: 92A 11 Model life 2011>>2018

| Pos  | Part Number    | Description  | Remark    | Qty | Model      |
|------|----------------|--|-----------|-----|------------|
| 20   | N 102 460 01   | Bungs  |           | 1   |            |
| 21   | N 020 024 1    | Bungs  |           | 1   |            |
| 22   | 958 511 480 00 | Catch hook<br>D >> - MJ 2014                               |           | 1   |            |
| 22   | 958 511 480 01 | Catch hook<br>D - MJ 2015>>                                |           | 1   |            |
| 23   | N 908 877 03   | Hexagon flange nut,<br>self-locking<br>M6                  |           | 3   |            |
| 24   | 958 511 509 00 | lock<br>Discontinued part                                  |           | 1   |            |
| 24   | 958 511 509 01 | lock<br>D >> - MJ 2014                                     |           | 1   |            |
| 24   | 958 511 509 02 | lock<br>D - MJ 2015>>                                      |           | 1   | PR:GP1     |
| 25   | 958 624 236 00 | Micro switch<br>D >> - MJ 2014                             |           | 1   |            |
| 25   | 958 624 236 01 | Micro switch<br>D - MJ 2015>>                              |           | 1   | PR:GP1     |
| 26   | WHT 000 425    | Hexagon socket oval head<br>bolt, self-locking<br>M 6 X 62 |           | 2   |            |
| 27   | N 908 073 01   | Hexagon socket oval head<br>bolt, self-locking<br>M 6 X 25 |           | 1   |            |
| 28   | 958 511 531 00 | Bowden cable<br>Discontinued part                          | front lhd | 1   | PR:L0L     |
| 28   | 958 511 531 01 | Bowden cable<br>D >> - MJ 2014                             | front lhd | 1   | PR:L0L     |
| (28) | 958 511 531 02 | Bowden cable<br>D - MJ 2015>>                              | front lhd | 1   | PR:GP1,L0L |
| 28   | 958 511 531 10 | Bowden cable<br>D >> - MJ 2014                             | front rhd | 1   | PR:L0R     |
| (28) | 958 511 531 11 | Bowden cable<br>D - MJ 2015>>                              | front rhd | 1   | PR:GP1,L0R |
| 30   | N 105 151 01   | Bungs<br>D 25  |           | 2   |            |
| 31   | N 107 464 01   | Bungs<br>D 20  |           | 4   |            |
| 32   | 958 823 573    | Retainer for cable pull                                    |           | 1   |            |

Model: 92A 11

Model life 2011>>2018



Model: 92A 11 Model life 2011>>2018

| Pos | Part Number                          | Description                          | Remark  | Qty                              | Model               |
|-----|--------------------------------------|--------------------------------------|---|----------------------------------|---------------------|
| 1   | 958 512 011 04                       | Rear lid<br>Rear lid                 |   | 1                                | PR:-GP0,6P1,<br>6P5 |
|     |                                      | also use:                            | N 016 206 1<br>958 545 359 00<br>000 043 305 51<br>N 906 481 02<br>958 731 633 00<br>958 612 852 00<br>958 612 890 00 | 8<br>2<br>1<br>8<br>2<br>1<br>2  |                     |
| 1   | 958 512 011 04 GRV<br>958 512 011 06 | D >> - MJ 2014<br>primed<br>Rear lid |   | 1                                | PR:6P1,6P5          |
|     |                                      | also use:                            | N 016 206 1<br>958 545 359 00<br>000 043 305 51<br>N 906 481 02<br>958 731 633 00<br>958 612 852 00<br>958 612 890 00 | 8<br>2<br>1<br>8<br>2<br>1<br>2  |                     |
| (1) | 958 512 011 06 GRV<br>958 512 011 05 | D >> - MJ 2014<br>primed<br>Rear lid |   | 1                                | PR:6P4              |
|     |                                      | also use:                            | N 016 206 1<br>958 545 359 00<br>000 043 305 51<br>N 906 481 02<br>958 731 633 00<br>958 612 852 00<br>958 612 890 00 | 8<br>2<br>1<br>10<br>2<br>1<br>2 |                     |
| (1) | 958 512 011 05 GRV<br>958 512 011 07 | D >> - MJ 2014<br>primed<br>Rear lid |   | 1                                | PR:6P4,6P2          |
|     |                                      | also use:                            | N 016 206 1<br>958 545 359 00<br>000 043 305 51<br>N 906 481 02<br>958 731 633 00<br>958 612 852 00<br>958 612 890 00 | 8<br>2<br>1<br>10<br>2<br>1<br>2 |                     |
| (1) | 958 512 011 07 GRV<br>958 512 011 10 | D >> - MJ 2014<br>primed<br>Rear lid |   | 1                                | PR:6P1,GP1          |
|     |                                      | also use:                            | N 016 206 1<br>958 545 359 00<br>000 043 305 51<br>N 906 481 02<br>958 731 633 00<br>958 612 852 00<br>958 612 890 00 | 8<br>2<br>1<br>6<br>2<br>1<br>2  |                     |
| (1) | 958 512 011 10 GRV<br>958 512 011 11 | D - MJ 2015>><br>primed<br>Rear lid  |   | 1                                | PR:6P2,GP1<br>"MEX" |
|     |                                      | also use:                            | N 016 206 1<br>958 545 359 00<br>000 043 305 51<br>N 906 481 02<br>958 731 633 00<br>958 612 852 00<br>958 612 890 00 | 8<br>2<br>1<br>8<br>2<br>1<br>2  |                     |
| (1) | 958 512 011 11 GRV<br>958 512 011 11 | D - MJ 2015>><br>primed<br>Rear lid  |   | 1                                | PR:6P4,GP1          |
|     |                                      | also use:                            | N 016 206 1   | 8                                |                     |

Model: 92A 11 Model life 2011>>2018

| Pos | Part Number        | Description  | Remark          | Qty | Model      |
|-----|--------------------|--|-----------------|-----|------------|
|     |                    |  | 958 545 359 00  | 2   |            |
|     |                    |  | 000 043 305 51  | 1   |            |
|     |                    |  | N 906 481 02    | 8   |            |
|     |                    |  | 958 731 633 00  | 2   |            |
|     |                    |  | 958 612 852 00  | 1   |            |
|     |                    |  | 958 612 890 00  | 2   |            |
|     |                    | D - MJ 2015>><br>primed                                |                 |     |            |
| (1) | 958 512 011 11 GRV | Rear lid   |                 | 1   | PR:6P5,GP1 |
|     | 958 512 011 12     |  |                 |     |            |
|     |                    | also use:  |                 |     |            |
|     |                    |  | N 016 206 1     | 8   |            |
|     |                    |  | 958 545 359 00  | 2   |            |
|     |                    |  | 000 043 305 51  | 1   |            |
|     |                    |  | N 906 481 02    | 10  |            |
|     |                    |  | 958 731 633 00  | 2   |            |
|     |                    |  | 958 612 852 00  | 1   |            |
|     |                    |  | 958 612 890 00  | 2   |            |
|     |                    | D - MJ 2015>><br>primed                                |                 |     |            |
| 2   | 958 512 011 12 GRV | Rear lid hinge   | left            | 1   |            |
|     | 958 512 301 00     | Discontinued part                                      |                 |     |            |
| 2   | 958 512 301 01     | Rear lid hinge   | left            | 1   |            |
|     |                    | Discontinued part                                      |                 |     |            |
| 2   | 958 512 301 02     | Rear lid hinge   | left            | 1   |            |
| (2) | 958 512 302 00     | Rear lid hinge   | right           | 1   |            |
|     |                    | Discontinued part                                      |                 |     |            |
| (2) | 958 512 302 01     | Rear lid hinge   | right           | 1   |            |
|     |                    | Discontinued part                                      |                 |     |            |
| (2) | 958 512 302 02     | Rear lid hinge   | right           | 1   |            |
| 3   | N 909 995 02       | Hex collared bolt                                      |                 | 6   |            |
|     |                    | M 6 X 25   |                 |     |            |
| 4   | N 907 559 02       | Socket head bolt with inner<br>multipoint head (Kombi) |                 | 2   |            |
|     |                    | M 8 X 25   |                 |     |            |
| 5   | 958 512 651 00     | Cover  | left            | 1   |            |
|     | 958 512 651 00 9B9 | Satin black  |                 |     |            |
| (5) | 958 512 652 00     | Cover  | right           | 1   |            |
|     | 958 512 652 00 9B9 | Satin black  |                 |     |            |
| 6   | 958 512 933 00     | retaining strip  |                 | 1   | PR:2D0     |
|     |                    | Rear spoiler   |                 |     |            |
|     |                    | Discontinued part                                      |                 |     |            |
| 6   | 958 512 933 01     | retaining strip  |                 | 1   | PR:2D0     |
|     |                    | Rear spoiler   |                 |     |            |
| 6   | 958 512 933 02     | D >> - MJ 2011   | retaining strip | 1   | PR:2D0     |
|     |                    |  | Rear spoiler    |     |            |
| 6   | 958 512 933 03     | D - MJ 2012>> - MJ 2014                                | retaining strip | 1   | PR:2D0,GP1 |
|     |                    |  | Rear spoiler    |     |            |
| 6   | 958 512 067 00     | D - MJ 2015>>  | retaining strip | 1   | PR:2D1,2D2 |
|     |                    |  | Rear spoiler    |     |            |
|     |                    |  | Aerokit         |     |            |
| 6   | 958 512 068 00     | D >> - MJ 2014   | retaining strip | 1   | PR:2D1,2D2 |
|     |                    |  | Rear spoiler    |     |            |
|     |                    |  | Aerokit         |     |            |
| 7   | N 016 206 1        | D >> - MJ 2014   | cup rivet       | 8   |            |
|     |                    |  | 4,0 X 9,5       |     |            |
| 8   | 958 512 939 01     | Rear spoiler   |                 | 1   | PR:2D0     |
|     |                    | D >> - MJ 2011   |                 |     |            |
|     | 958 512 939 01 041 | Matt black   |                 |     |            |
|     |                    | with:  |                 |     |            |

Model: 92A 11 Model life 2011>>2018

| Pos  | Part Number        | Description   | Remark  | Qty | Model                  |
|------|--------------------|---|---------|-----|------------------------|
| (8)  | 958 512 939 10     | Brake light<br>Rear spoiler<br>Aerokit<br>D - MJ 2011>> - MJ 2014 |         | 1   | PR:2D1,2D2,5J2         |
|      | 958 512 939 10 G2X | primed<br>with:   |         |     |                        |
| 8    | 958 512 939 02     | Brake light<br>Rear spoiler<br>D - MJ 2012>> - MJ 2014            |         | 1   | PR:2D0,5J1,-E8A        |
|      | 958 512 939 02 041 | Matt black<br>with:   |         |     |                        |
| 8    | 958 512 939 03     | Brake light<br>Rear spoiler<br>D - MJ 2012>> - MJ 2014            |         | 1   | PR:2D0,5J2,E8A         |
|      | 958 512 939 03 G2X | primed<br>with:   |         |     |                        |
| 8    | 958 512 939 03     | Brake light<br>Rear spoiler<br>D >> - MJ 2014                     |         | 1   | Platinum<br>PR:2D0,5J8 |
|      | 958 512 939 03 G2X | primed<br>with:   |         |     |                        |
| 8    | 958 512 939 05     | Brake light<br>Rear spoiler<br>D - MJ 2015>>                      |         | 1   | PR:5J2                 |
|      | 958 512 939 05 G2X | primed<br>with:   |         |     |                        |
| (8)  | 958 512 939 20     | Brake light<br>Rear spoiler<br>D - MJ 2015>>                      |         | 1   | PR:5J1                 |
|      | 958 512 939 20 041 | Matt black<br>with:   |         |     |                        |
| 9    | N 015 082 10       | Brake light<br>Hexagon collar nut<br>M6                           |         | 2   |                        |
| 10   | 958 512 975 00     | Cover cap<br>D 20   |         | 2   |                        |
| 11   | N 105 263 02       | self-tapping screw<br>4,0 X 14                                    |         | 2   |                        |
| 12   | 958 512 976 00     | Cover cap<br>D 15   |         | 2   |                        |
| 13   | 958 512 505 00     | Lock upper part<br>Rear lid<br>D >> - MJ 2014                     |         | 1   | PR:GY0                 |
| (13) | 958 512 505 01     | Lock upper part<br>Rear lid<br>D >> - MJ 2014                     |         | 1   | PR:GY1                 |
|      |                    | Discontinued part   |         |     |                        |
| (13) | 958 512 505 03     | Lock upper part<br>Rear lid<br>D >> - MJ 2014                     |         | 1   | PR:GY1                 |
|      |                    | No longer use the part here                                       |         |     |                        |
| (13) | 958 512 505 04     | Lock upper part<br>Rear lid<br>D >> - MJ 2014                     |         | 1   | PR:GY1                 |
| (13) | 958 512 505 05     | Lock upper part<br>Rear lid<br>D - MJ 2015>>                      |         | 1   | PR:GY1                 |
| 14   | N 907 809 01       | Oval hexagon socket head bolt<br>M 6 X 16                         |         | 2   |                        |
| 15   | 958 512 679 00     | Guide wedge   | left    | 1   |                        |
| (15) | 958 512 680 00     | Guide wedge   | right   | 1   |                        |
| 16   |                    | Trim<br>see illustration:   | 810-005 |     |                        |

Model: 92A 11 Model life 2011>>2018

| Pos  | Part Number        | Description  | Remark | Qty | Model                |
|------|--------------------|--|--------|-----|----------------------|
| 17   | N 906 481 02       | rivetted cap nut<br>M 6  |        | 4   |                      |
| 18   | 958 512 683 00     | Guide  | left   | 1   |                      |
| (18) | 958 512 684 00     | Guide  | right  | 1   |                      |
| 19   | N 101 961 03       | fillister head bolt with<br>multi-point socket head<br>M 6 X 18  |        | 2   |                      |
| 20   | 958 512 471 00     | Stop buffer  |        | 2   |                      |
|      | 958 512 471 00 9B9 | Satin black  |        |     |                      |
| 21   | 958 512 475 00     | Bungs<br>stop plate  |        | 2   |                      |
| 22   | 958 512 051 00     | Striker  |        | 1   |                      |
|      |                    | D >> - MJ 2014   |        |     |                      |
| 22   | 7P0 827 517 F      | Striker  |        | 1   |                      |
|      |                    | D - MJ 2015>>  |        |     |                      |
| 23   | N 907 448 05       | countersunk multi-point<br>socket head bolt<br>M 8 X 20  |        | 2   |                      |
| 24   | 958 512 705 00     | Seal<br>Rear lid<br>Discontinued part  |        | 1   |                      |
| 24   | 958 512 705 01     | Seal<br>Rear lid   |        | 1   |                      |
| 25   | 958 512 550 00     | throttle control element<br>Rear lid   |        | 2   | PR: 4E0, 4KC,<br>4KF |
| (25) | 958 512 550 01     | throttle control element<br>Rear lid   |        | 2   | PR: 4E0, VW5         |
| 26   | 958 512 851 04     | Powerlift<br>throttle control element<br>Electric<br>Rear lid<br>Discontinued part   |        | 2   | PR: 4E7              |
| (26) | 958 512 851 05     | Powerlift<br>throttle control element<br>Electric<br>Rear lid<br>Until<br>Chassis number<br>in pairs<br>Use<br>F >> 92-BLA05 678<br>F >> 92-BLA30 105<br>F >> 92-BLA51 201<br>F >> 92-BLA85 836<br>F >> 92-BLA93 196<br>F >> A2-BLA05 384<br>F >> A2-BLA50 978<br>F >> A2-BLA85 841<br>F >> A2-BLA93 194<br>F >> 92-BLA63 176<br>F >> 92-BLA50 996<br>D >> - MJ 2014 |        | 2   | PR: 4E7<br>"CN."     |
| (26) | 958 512 851 07     | Powerlift<br>throttle control element<br>Electric<br>D - MJ 2015>>   |        | 2   | PR: 4E7              |
| 27   | 958 512 601 00     | Bracket<br>throttle control element  | left   | 1   |                      |
| (27) | 958 512 602 00     | Bracket<br>throttle control element  | right  | 1   |                      |
| (27) | 958 512 602 00     | Bracket<br>throttle control element  | right  | 1   |                      |
| 28   | 958 512 951 00     | Sealing cap  |        | 2   |                      |

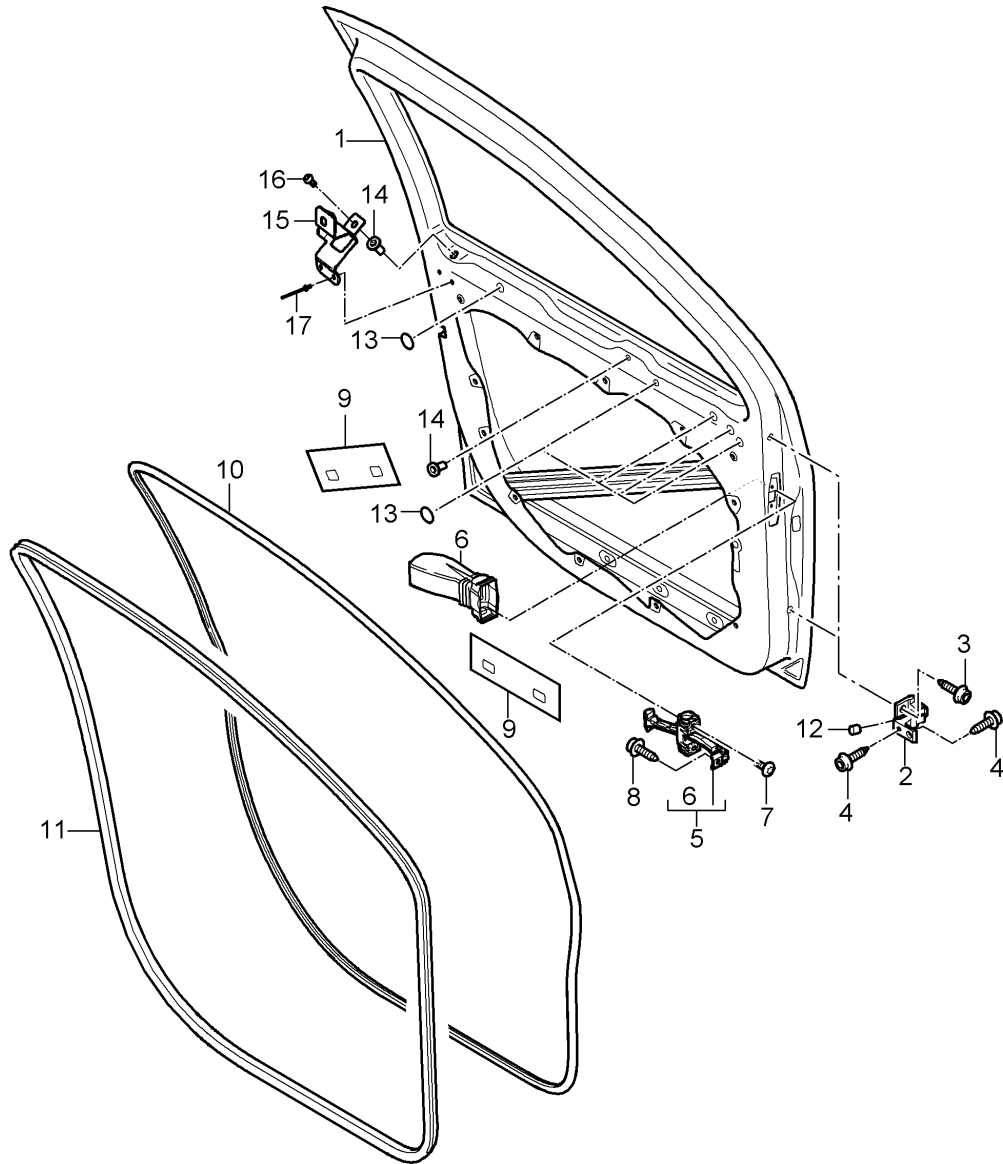
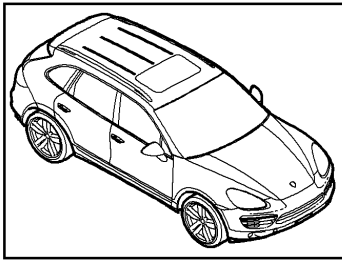


Model: 92A 11 Model life 2011>>2018

| Pos  | Part Number                          | Description   | Remark  | Qty | Model      |
|------|--------------------------------------|---|---------|-----|------------|
| 29   | 958 512 511 00                       | D 20<br>Ball stud<br>M 8  |         | 2   | PR:4E0     |
| 30   | 958 512 345 00                       | D >> - MJ 2014<br>Ball stud<br>M 10                                 |         | 2   | PR:4E7     |
| (30) | 958 512 345 01                       | D >> - MJ 2014<br>Ball stud<br>M 10                                 |         | 2   | PR:4E7     |
| 31   | 958 512 417 00                       | D - MJ 2015>><br>Sealing cap<br>M 10                                |         | 2   |            |
| 32   | 958 512 576 01                       | Handle housing<br>Rear lid<br>D >> - MJ 2014                        |         | 1   | PR:6P5,6P1 |
| (32) | 958 512 576 01 G2X<br>958 512 576 02 | primed<br>Handle housing<br>Rear lid<br>D >> - MJ 2014              |         | 1   | PR:6P4     |
| 33   | 958 512 576 02 G2X<br>958 512 417 01 | primed<br>Sealing cap<br>M 8  |         | 2   | PR:4E7     |
| 34   | 958 512 129 00                       | Cover panel<br>Anti-theft protection                                |         | 1   |            |
| 35   | N 906 481 02                         | rivetted cap nut<br>M 6<br>Number plate                             |         | X   |            |
| 36   | 958 512 137 00                       | sealing plug<br>M 6   |         | 2   | PR:6P4     |
| 37   | 958 613 566 00                       | Tip switch<br>Handle housing<br>Rear lid<br>D >> - MJ 2013          |         | 1   | PR:7X0,7X2 |
| (37) | 958 613 566 01                       | Tip switch<br>Handle housing<br>Rear lid<br>D - MJ 2014>> - MJ 2014 |         | 1   | PR:7X0,7X2 |
| (37) | 9A7 827 566 00                       | Tip switch<br>Handle housing<br>Rear lid<br>D - MJ 2015>>           |         | 1   | PR:7X0,7X2 |
| (37) |                                      | Reversing camera<br>see illustration:                               | 911-000 |     | PR:7X8,7X9 |
| 38   | 958 702 105 00                       | Carrier<br>Number plate   |         | 1   | PR:6P5     |
| 39   | 958 702 105 00 9B9<br>958 512 699 00 | Satin black<br>Trim   |         | 2   |            |
| 40   | 958 512 699 00 9B9<br>958 512 700 00 | Satin black<br>Trim   |         | 2   |            |
| 41   | 958 512 700 00 9B9<br>958 502 322 00 | Satin black<br>Bracket  | right   | 1   |            |
| 42   | 958 502 322 00 GRV<br>958 502 321 00 | primed<br>wedge<br>Rear lid<br>Bracket                              | left    | 1   |            |
| 43   | 958 502 321 00 GRV<br>958 512 229 00 | primed<br>wedge<br>Rear lid<br>Cover                                |         | 1   |            |
| 44   | 955 512 869 00                       | Reversing camera<br>beading   |         | 2   |            |

Model: 92A 11

Model life 2011>>2018



Model: 92A 11

Model life 2011>>2018

| Pos | Part Number        | Description   | Remark            | Qty | Model |
|-----|--------------------|---|-------------------|-----|-------|
| 1   | 958 531 011 00     | Door shell<br>Gaskets<br>Door shell                 | front<br><br>left | 1   |       |
|     |                    | also use:   | N 016 185 6       | 1   |       |
|     |                    |   | N 910 167 02      | 1   |       |
|     |                    |   | N 106 185 01      | 2   |       |
|     |                    |   | N 106 213 01      | 1   |       |
|     |                    |   | 955 556 821 01    | 2   |       |
|     |                    |   | 958 537 437 40    | 1   |       |
|     |                    |   | 955 803 115 00    | 3   |       |
|     |                    |   | 958 537 911 00    | 1   |       |
|     |                    |   | 000 043 305 51    | 1   |       |
|     |                    |   | 955 559 586 00    | 9   |       |
| (1) | 958 531 011 00 GRV | primed  |                   |     |       |
|     | 958 531 012 00     | Door shell  | right             | 1   |       |
|     |                    | also use:   | N 016 185 6       | 1   |       |
|     |                    |   | N 910 167 02      | 1   |       |
|     |                    |   | N 106 185 01      | 2   |       |
|     |                    |   | N 106 213 01      | 1   |       |
|     |                    |   | 955 556 821 01    | 2   |       |
|     |                    |   | 958 537 437 40    | 1   |       |
|     |                    |   | 955 803 115 00    | 3   |       |
|     |                    |   | 958 537 911 00    | 1   |       |
|     |                    |   | 000 043 305 51    | 1   |       |
|     |                    |   | 955 559 586 00    | 9   |       |
| -   | 958 531 012 00 GRV | primed  |                   |     |       |
|     |                    | use if required:                                    |                   |     |       |
|     |                    | see   |                   |     |       |
|     |                    | SY 0414   |                   |     |       |
| -   | 7P0 899 211 A      | Plastic foam strip                                  |                   | 4   |       |
|     |                    | Discontinued part                                   |                   |     |       |
| -   | 7P0 899 211 B      | Plastic foam strip                                  |                   | 2   |       |
|     |                    | Discontinued part                                   |                   |     |       |
| 2   | 958 531 401 00     | Door hinge  | left              | 2   |       |
| (2) | 958 531 402 00     | Door hinge  | right             | 2   |       |
| 3   | N 911 428 01       | Socket head bolt with inner<br>multipoint head      |                   | 4   |       |
|     |                    | M 10 x 25   |                   |     |       |
| 4   | N 909 305 03       | multi-point socket head bolt<br>with collar         |                   | 8   |       |
|     |                    | M 8 X 24  |                   |     |       |
| 5   | 958 531 179 00     | Door catch  |                   | 2   |       |
|     |                    | Discontinued part                                   |                   |     |       |
| 5   | 958 531 179 01     | Door catch  |                   | 2   |       |
| 6   | 958 531 267 00     | Cover   |                   | 2   |       |
|     |                    | Hinge   |                   |     |       |
| 7   | WHT 002 109        | Oval hexagon socket head bolt                       |                   | 4   |       |
|     |                    | M 6 X 10  |                   |     |       |
| 8   | N 908 961 01       | fillister head bolt with<br>multi-point socket head |                   | 2   |       |
|     |                    | M 8 X 22  |                   |     |       |
| 9   | 955 556 821 01     | sound absorber for door                             |                   | 4   |       |
| 10  | 958 537 911 00     | Door seal   | outer             | 2   |       |
| 11  | 958 537 365 00     | Door seal   | inner             | 2   |       |
|     |                    | Discontinued part                                   |                   |     |       |
| 11  | 958 537 365 01     | Door seal   | inner             | 2   |       |
| 12  | 958 537 947 00     | Cover cap   |                   | 2   |       |
|     |                    | Hinge   |                   |     |       |
| 13  | 958 537 437 40     | Adhesive tape                                       |                   | 1   |       |
|     |                    | 40 x 4000 mm  |                   |     |       |
|     |                    | Black   |                   |     |       |
| 14  | N 106 185 01       | rivettted cap nut                                   |                   | 4   |       |
|     |                    | M 6   |                   |     |       |

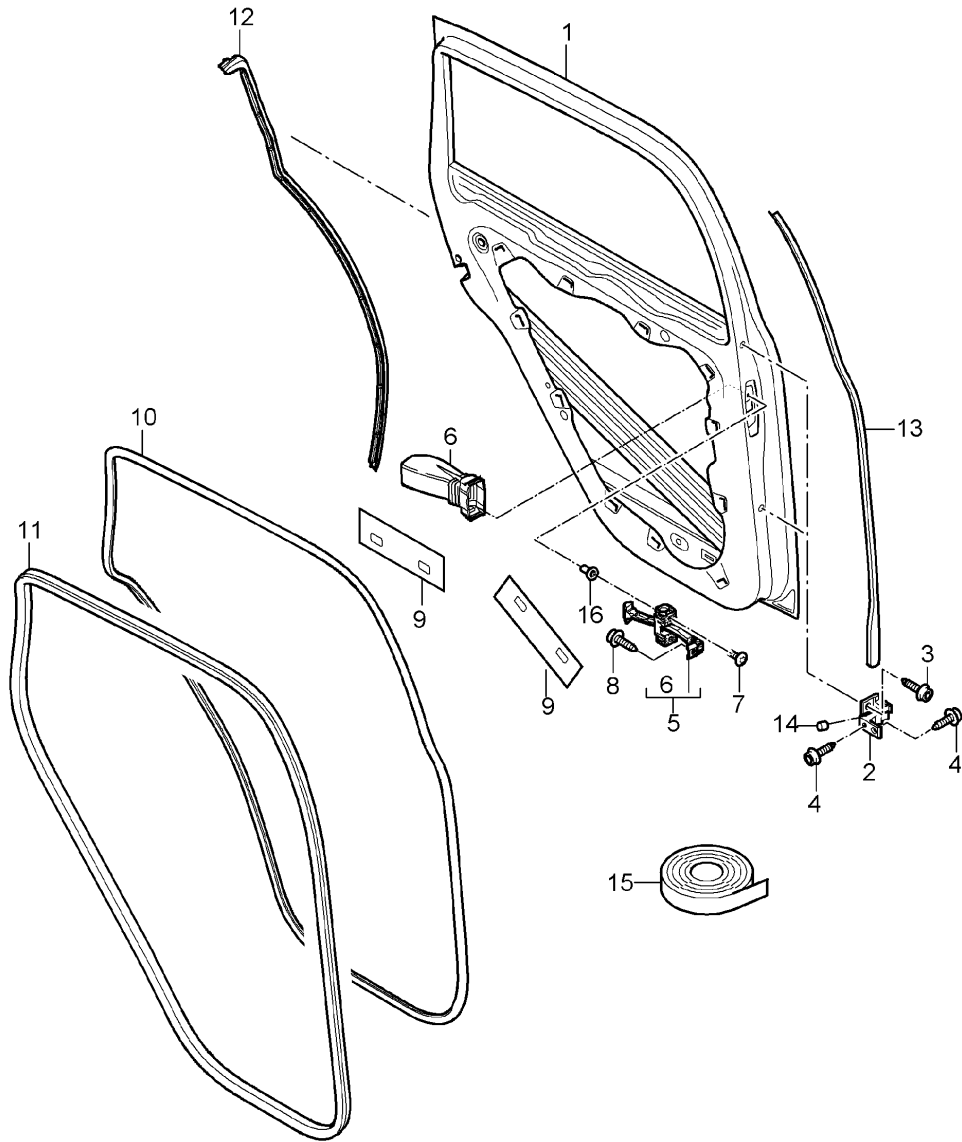
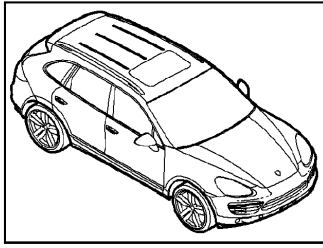
Model: 92A 11

Model life 2011&gt;&gt;2018

| Pos | Part Number    | Description  | Remark | Qty | Model |
|-----|----------------|--|--------|-----|-------|
| 15  | 958 537 587 00 | Reinforcement<br>Door  |        | 2   |       |
| 16  | N 107 254 02   | Hexagon socket head collared<br>bolt, thread forming<br>M6 X20 |        | X   |       |
| 17  | N 016 185 6    | Pop rivet<br>3,2 X 6   |        | 2   |       |

Model: 92A 11

Model life 2011>>2018



Model: 92A 11

Model life 2011>>2018

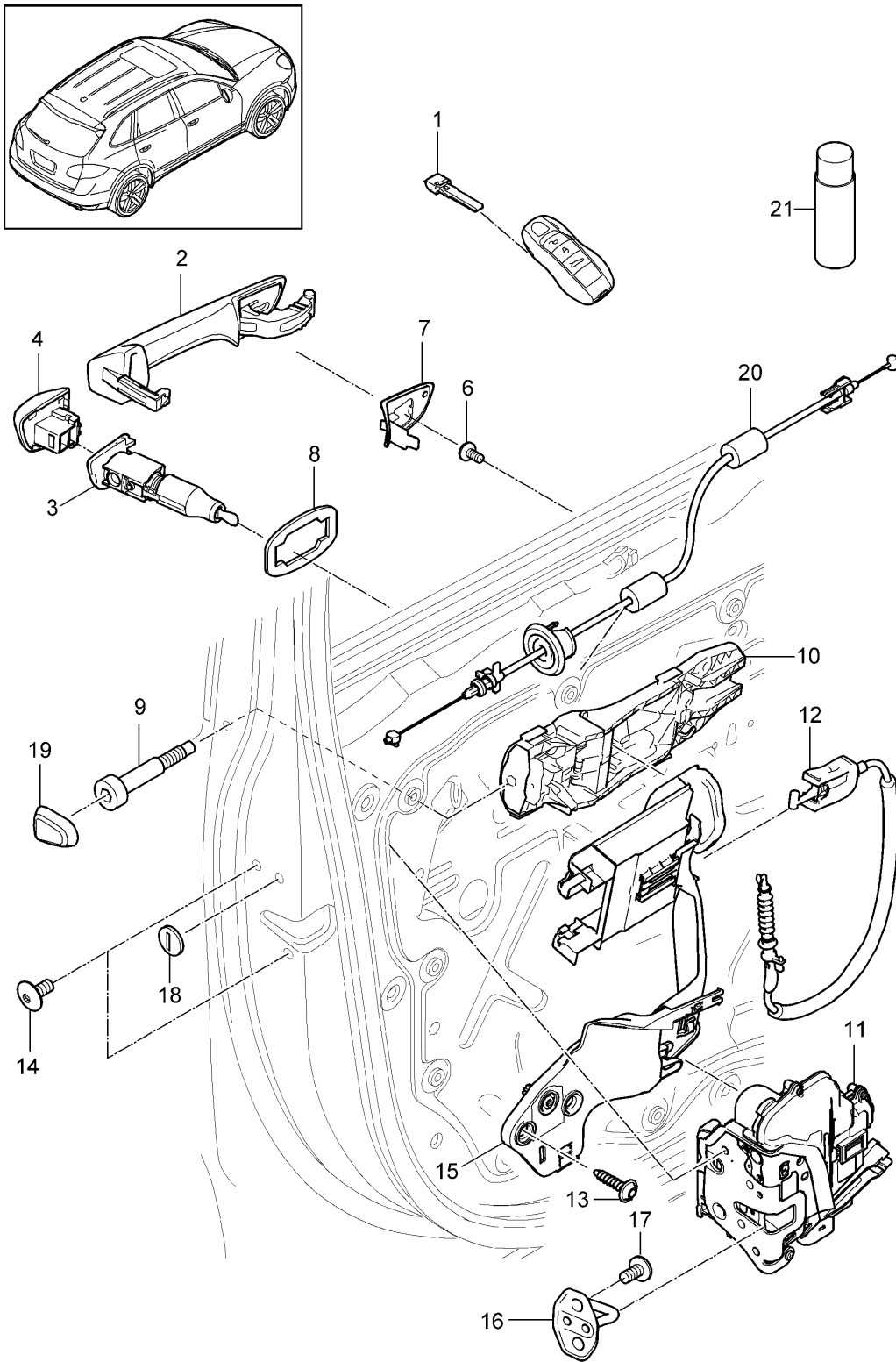
| Pos  | Part Number                          | Description   | Remark         | Qty | Model  |
|------|--------------------------------------|---|----------------|-----|--------|
| 1    | 958 533 011 00                       | Door shell<br>Gaskets<br>Door shell                 | rear<br>left   | 1   |        |
|      |                                      | also use:   | N 016 185 6    | 1   |        |
|      |                                      |   | N 106 185 01   | 2   |        |
|      |                                      |   | N 106 213 01   | 1   |        |
|      |                                      |   | 955 803 115 00 | 3   |        |
|      |                                      |   | 955 556 821 01 | 2   |        |
|      |                                      |   | 958 537 437 40 | 1   |        |
|      |                                      |   | 958 539 911 00 | 1   |        |
|      |                                      |   | 000 043 305 51 | 1   |        |
|      |                                      |   | 955 559 586 00 | 5   |        |
| (1)  | 958 533 011 00 GRV<br>958 533 012 00 | primed<br>Door shell                                | right          | 1   |        |
|      |                                      | also use:   | N 016 185 6    | 1   |        |
|      |                                      |   | N 106 185 01   | 2   |        |
|      |                                      |   | N 106 213 01   | 1   |        |
|      |                                      |   | 955 803 115 00 | 3   |        |
|      |                                      |   | 955 556 821 01 | 2   |        |
|      |                                      |   | 958 537 437 40 | 1   |        |
|      |                                      |   | 958 539 911 00 | 1   |        |
|      |                                      |   | 000 043 305 51 | 1   |        |
|      |                                      |   | 955 559 586 00 | 9   |        |
| -    | 958 533 012 00 GRV                   | primed  |                |     |        |
|      |                                      | use if required:                                    |                |     |        |
|      |                                      | see   |                |     |        |
|      |                                      | SY 0414   |                |     |        |
| -    | 7P0 899 211                          | Plastic foam strip                                  |                | 4   |        |
| 2    | 958 531 401 00                       | Door hinge  | left           | 2   |        |
| (2)  | 958 531 402 00                       | Door hinge  | right          | 2   |        |
| 3    | N 911 428 01                         | Socket head bolt with inner<br>multipoint head      |                | 4   |        |
|      |                                      | M 10 X 25   |                |     |        |
| 4    | N 909 305 03                         | multi-point socket head bolt<br>with collar         |                | 8   |        |
|      |                                      | M 8 X 24  |                |     |        |
| 5    | 958 533 179 00                       | Door catch  |                | 2   |        |
| 5    | 958 533 179 01                       | Door catch  |                | 2   |        |
| 6    | 958 531 267 00                       | Cover   |                | 2   |        |
|      |                                      | Hinge   |                |     |        |
| 7    | WHT 002 109                          | Oval hexagon socket head bolt                       |                | 4   |        |
|      |                                      | M 6 X 10  |                |     |        |
| 8    | N 908 961 01                         | fillister head bolt with<br>multi-point socket head |                | 2   |        |
|      |                                      | M 8 X 22  |                |     |        |
| 9    | 955 556 821 01                       | sound absorber for door                             |                | 4   |        |
| 10   | 958 539 911 00                       | Door seal   | outer          | 2   |        |
| 11   | 958 539 367 00                       | Door seal   | inner          | 2   |        |
|      |                                      | Discontinued part                                   |                |     |        |
| 11   | 958 539 367 01                       | Door seal   | inner          | 2   |        |
|      |                                      | Discontinued part                                   |                |     |        |
| 11   | 958 539 367 02                       | Door seal   | inner          | 2   | PR:GZ0 |
| (11) | 958 539 367 10                       | Door seal   | inner          | 2   | PR:GZ2 |
| 12   | 958 533 761 00                       | Door seal   | left           | 1   |        |
|      |                                      |   | outer          |     |        |
|      |                                      |   | rear           |     |        |
|      |                                      | Discontinued part                                   |                |     |        |
| 12   | 958 533 761 01                       | Door seal   | left           | 1   |        |
|      |                                      |   | outer          |     |        |
|      |                                      |   | rear           |     |        |
|      |                                      | Discontinued part                                   |                |     |        |
| 12   | 958 533 761 02                       | Door seal   | left           | 1   |        |
|      |                                      |   | outer          |     |        |

Model: 92A 11 Model life 2011>>2018

| Pos  | Part Number    | Description                            | Remark                         | Qty | Model                          |
|------|----------------|--|--------------------------------|-----|--------------------------------|
| (12) | 958 533 762 00 | Door seal                              | rear<br>right<br>outer<br>rear | 1   |                                |
| (12) | 958 533 762 01 | Discontinued part<br>Door seal         | right<br>outer<br>rear         | 1   |                                |
| (12) | 958 533 762 02 | Discontinued part<br>Door seal         | right<br>outer<br>rear         | 1   |                                |
| 13   | 958 533 717 00 | Door seal                              | left<br>front                  | 1   | PR: 6GA, 6GF,<br>6GH, 6GJ      |
| 13   | 958 533 717 03 | Discontinued part<br>Door seal         | left<br>front                  | 1   | PR: 6GA, 6GF,<br>6GH, 6GJ      |
| 13   | 958 533 717 05 | Discontinued part<br>Door seal         | left<br>front                  | 1   | PR: 6GA, 6GF,<br>6GH, 6GJ, 6GK |
| (13) | 958 533 717 01 | Door seal                              | left<br>front                  | 1   | PR: 6GB                        |
| (13) | 958 533 717 02 | Discontinued part<br>Door seal         | left<br>front                  | 1   | PR: 6GB                        |
| (13) | 958 533 717 04 | Discontinued part<br>Door seal         | left<br>front                  | 1   | PR: 6GB                        |
| (13) | 958 533 718 00 | Door seal                              | right<br>front                 | 1   | PR: 6GA, 6GF,<br>6GH, 6GJ      |
| (13) | 958 533 718 03 | Discontinued part<br>Door seal         | right<br>front                 | 1   | PR: 6GA, 6GF,<br>6GH, 6GJ      |
| (13) | 958 533 718 05 | Discontinued part<br>Door seal         | right<br>front                 | 1   | PR: 6GA, 6GF,<br>6GH, 6GJ, 6GK |
| (13) | 958 533 718 01 | Door seal                              | right<br>front                 | 1   | PR: 6GB                        |
| (13) | 958 533 718 02 | Discontinued part<br>Door seal         | right<br>front                 | 1   | PR: 6GB                        |
| (13) | 958 533 718 04 | Discontinued part<br>Door seal         | right<br>front                 | 1   | PR: 6GB                        |
| 14   | 958 537 947 00 | Cover cap<br>Hinge                     |                                | 2   |                                |
| 15   | 958 537 437 40 | Adhesive tape<br>40 x 4000 mm<br>Black |                                | 1   |                                |
| 16   | N 106 185 01   | rivetted cap nut<br>M 6                |                                | 1   |                                |

Model: 92A 11

Model life 2011>>2018





Model: 92A 11

Model life 2011>>2018

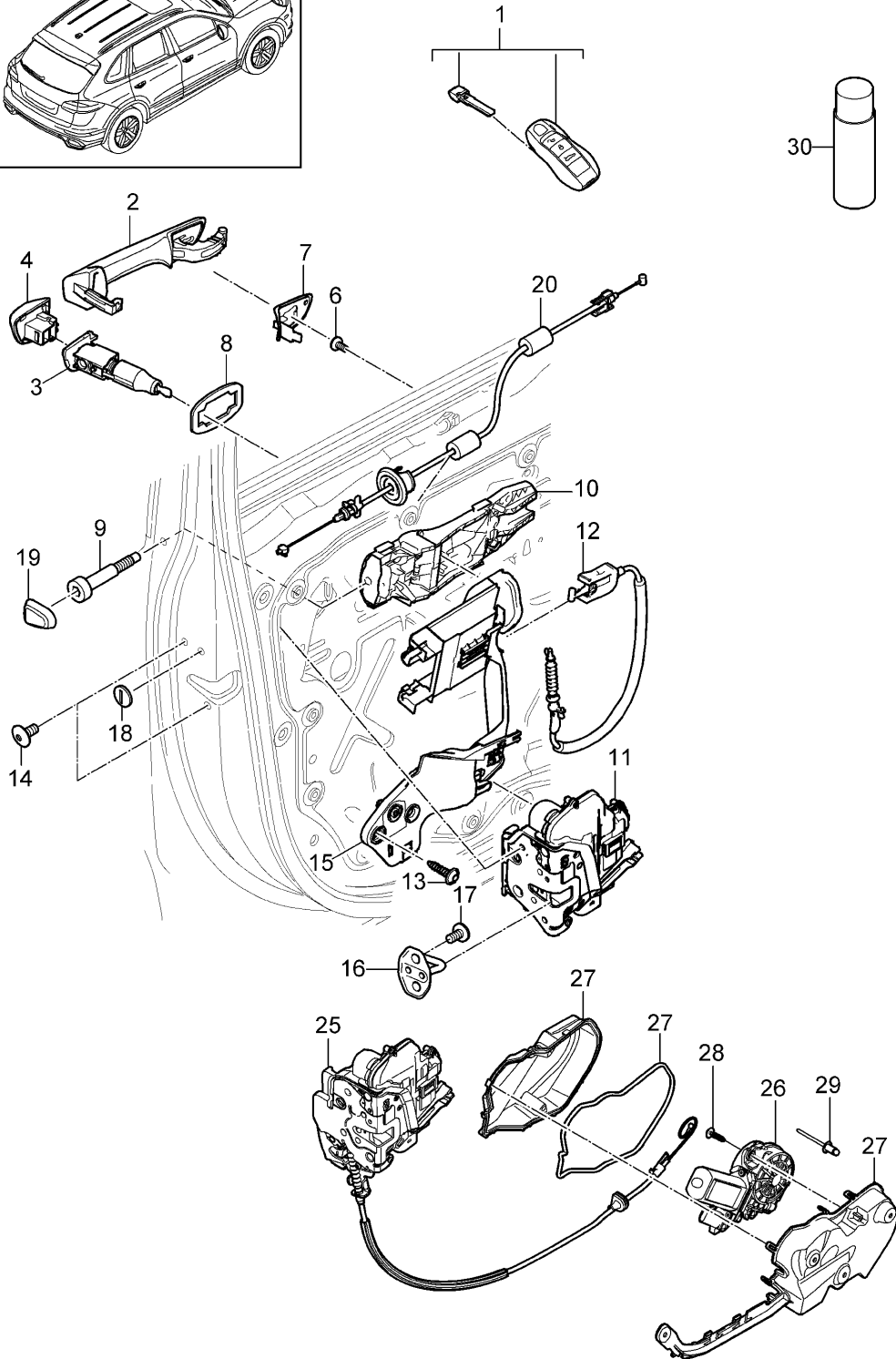
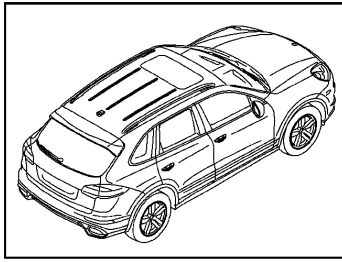
| Pos | Part Number        | Description   | Remark           | Qty         | Model      |
|-----|--------------------|---|------------------|-------------|------------|
| 1   |                    | Door handle<br>Door lock<br>D >> - MJ 2014<br>Handheld transmitter<br>see illustration:   | front<br>901-004 | 1           |            |
| 2   | 958 531 205 00     | Door handle   | left             | 1           | PR:4K0,4K3 |
|     | 958 531 205 00 G2X | primed  |                  |             |            |
| (2) | 958 531 206 00     | Door handle   | right            | 1           | PR:4K0,4K3 |
|     | 958 531 206 00 G2X | primed  |                  |             |            |
| (2) | 958 531 205 01     | Door handle   | left             | 1           | PR:4F2,4F6 |
|     | 958 531 205 01 G2X | primed  |                  |             |            |
| (2) | 958 531 206 01     | Door handle   | right            | 1           | PR:4F2,4F6 |
|     | 958 531 206 01 G2X | primed  |                  |             |            |
| -   | 000 043 206 17     | universal low temperat. grease<br>10 GRAMM<br>1 tube  |                  | X           |            |
| 3   | 958 531 167 00     | Door handle<br>Lock cylinders<br>Lock cylinders<br>Driver's door<br>Chassis number<br>and<br>State lock number                  | lhd              | 1           | PR:L0L     |
| (3) | 958 531 375 20     | Lock cylinders<br>Driver's door<br>Chassis number<br>and<br>State lock number   | lhd              | 1           | PR:L0L     |
| (3) | 958 531 168 00     | Lock cylinders<br>Driver's door<br>Chassis number<br>and<br>State lock number<br>comprising:<br>Lock cylinders<br>emergency key | rhd              | 1<br>1<br>1 | PR:L0R     |
| (3) | 958 531 375 30     | Lock cylinders<br>Driver's door<br>Chassis number<br>and<br>State lock number<br>comprising:<br>Lock cylinders<br>emergency key | rhd              | 1<br>1<br>1 | PR:L0R     |
| 4   | 958 531 067 00     | housing<br>Passenger's door   | left             | 1           |            |
|     | 958 531 067 00 G2X | primed  |                  |             |            |
| (4) | 958 531 068 00     | housing<br>Passenger's door   | right            | 1           |            |
|     | 958 531 068 00 G2X | primed  |                  |             |            |
| (4) | 958 531 879 00     | Cover cap<br>Driver's door  | left lhd         | 1           | PR:L0L     |
|     | 958 531 879 00 G2X | primed  |                  |             |            |
| (4) | 958 531 880 00     | Cover cap<br>Driver's door  | right rhd        | 1           | PR:L0R     |
|     | 958 531 880 00 G2X | primed  |                  |             |            |
| 6   | N 911 768 01       | Hexagon socket flat<br>head bolt<br>M5 X 10   |                  | 2           |            |
| 7   | 958 531 209 00     | Underlay  | left<br>front    | 1           |            |
| (7) | 958 531 210 00     | Underlay  | right<br>front   | 1           |            |

Model: 92A 11 Model life 2011>>2018

| Pos  | Part Number        | Description   | Remark                | Qty | Model                  |
|------|--------------------|---|-----------------------|-----|------------------------|
| 8    | 958 531 087 01     | Underlay  | left                  | 1   |                        |
| (8)  | 958 531 088 01     | Underlay  | rear<br>right<br>rear | 1   |                        |
| 9    | WHT 004 714        | Hex socket head locating bolt<br>M4 X 5 x 32                          |                       | 2   |                        |
| 10   | 958 531 885 00     | Mounting bar  | left lhd              | 1   | PR:4K0,4K3,<br>L0L     |
| 10   | 958 531 885 00     | Mounting bar  | right rhd             | 1   | PR:4K0,4K3,<br>L0R     |
| (10) | 958 532 885 00     | Mounting bar  | right lhd             | 1   | PR:4K0,4K3,<br>L0L     |
| (10) | 958 532 885 00     | Mounting bar  | left rhd              | 1   | PR:4K0,4K3,<br>L0R     |
| (10) | 958 531 885 02     | Mounting bar  | left lhd              | 1   | PR:4F2,4F6,<br>L0L     |
|      |                    | with:   |                       |     |                        |
| (10) | 958 531 885 02     | Micro switch<br>Mounting bar  | right rhd             | 1   | PR:4F2,4F6,<br>L0R     |
|      |                    | with:   |                       |     |                        |
| (10) | 958 532 885 02     | Micro switch<br>Mounting bar  | right lhd             | 1   | PR:4F2,4F6,<br>L0L     |
|      |                    | with:   |                       |     |                        |
| (10) | 958 532 885 02     | Micro switch<br>Mounting bar  | left rhd              | 1   | PR:4F2,4F6,<br>L0R     |
|      |                    | with:   |                       |     |                        |
| 11   | 8J1 837 015 A      | Micro switch<br>Door lock   | left lhd              | 1   | PR:4F2,4K3,<br>L0L,0K0 |
| (11) | 4G1 837 015        | Door lock   | left lhd              | 1   | PR:4F2,4K3,<br>L0L,0K1 |
| (11) | 8J2 837 015 A      | Door lock   | left rhd              | 1   | PR:4F2,4K3,<br>L0R,0K0 |
| (11) | 8J1 837 016 A      | Door lock   | right lhd             | 1   | PR:4F2,4K3,<br>L0L     |
| (11) | 8J2 837 016 A      | Door lock   | right rhd             | 1   | PR:4F2,4K3,<br>L0R,0K0 |
| (11) | 4G2 837 016        | Door lock   | right rhd             | 1   | PR:L0R,0K1,<br>4F2,4K3 |
| 12   | 958 531 017 02     | Bowden cable  |                       | 2   |                        |
| 13   | 955 533 691 00     | oval head panel screw   |                       | 2   |                        |
| 14   | WHT 003 688        | fillister head bolt (combi.)<br>M8 X 16                               |                       | 4   |                        |
| 15   | 958 531 867 00     | Retaining bracket   | left                  | 1   |                        |
| (15) | 958 531 868 00     | Retaining bracket   | right                 | 1   |                        |
| 16   | 3C0 837 767 A      | Striker   |                       | 2   |                        |
| 17   | N 910 174 02       | countersunk multi-point<br>socket head bolt<br>M8 X 22                |                       | 4   |                        |
| 18   | 958 531 111 00     | Cover cap   |                       | 2   |                        |
| 19   | 958 531 211 00     | Cover cap   |                       | 2   |                        |
|      | 958 531 211 00 9B9 | Black   |                       |     |                        |
| 20   | 958 531 085 00     | Bowden cable  |                       | 2   |                        |
| 21   | 000 043 204 40     | Silicon lubricant spray<br>for<br>Door lock<br>Spraying can<br>200 ML |                       | 1   |                        |

Model: 92A 11

Model life 2011>>2018



Model: 92A 11 Model life 2011>>2018

| Pos | Part Number        | Description  | Remark           | Qty | Model      |
|-----|--------------------|--|------------------|-----|------------|
| 1   |                    | Door handle<br>Door lock<br>D - MJ 2015>><br>Handheld transmitter<br>see illustration:                           | front<br>901-004 | 1   |            |
| 2   | 958 531 205 00     | Door handle  | left             | 1   | PR:4K0,4K3 |
|     | 958 531 205 00 G2X | primed   |                  |     |            |
| (2) | 958 531 206 00     | Door handle  | right            | 1   | PR:4K0,4K3 |
|     | 958 531 206 00 G2X | primed   |                  |     |            |
| (2) | 958 531 205 01     | Door handle  | left             | 1   | PR:4F2,4F6 |
|     | 958 531 205 01 G2X | primed   |                  |     |            |
| (2) | 958 531 206 01     | Door handle  | right            | 1   | PR:4F2,4F6 |
|     | 958 531 206 01 G2X | primed   |                  |     |            |
| -   | 000 043 206 17     | universal low temperat. grease<br>10 GRAMM<br>1 tube   |                  | X   |            |
| 3   | 958 531 167 00     | Door handle<br>Lock cylinders<br>Lock cylinders<br>Driver's door<br>Chassis number<br>and<br>State lock number   | lhd              | 1   | PR:L0L     |
| (3) | 958 531 375 20     | Lock cylinders<br>Driver's door<br>Chassis number<br>and<br>State lock number                                    | lhd              | 1   | PR:L0L     |
| (3) | 958 531 168 00     | Lock cylinders<br>emergency key<br>Lock cylinders<br>Driver's door<br>Chassis number<br>and<br>State lock number | rhd              | 1   | PR:L0R     |
| (3) | 958 531 375 30     | Lock cylinders<br>Driver's door<br>Chassis number<br>and<br>State lock number                                    | rhd              | 1   | PR:L0R     |
| 4   | 958 531 067 00     | Lock cylinders<br>emergency key<br>housing<br>Passenger's door   | left             | 1   | PR:L0R     |
|     | 958 531 067 00 G2X | primed   |                  |     |            |
| (4) | 958 531 068 00     | housing<br>Passenger's door  | right            | 1   | PR:L0L     |
|     | 958 531 068 00 G2X | primed   |                  |     |            |
| (4) | 958 531 879 00     | Cover cap<br>Driver's door   | left lhd         | 1   | PR:L0L     |
|     | 958 531 879 00 G2X | primed   |                  |     |            |
| (4) | 958 531 880 00     | Cover cap<br>Driver's door   | right rhd        | 1   | PR:L0R     |
|     | 958 531 880 00 G2X | primed   |                  |     |            |
| 6   | N 911 768 01       | Hexagon socket flat<br>head bolt<br>M5 X 10  |                  | 2   |            |
| 7   | 958 531 209 00     | Underlay   | left<br>front    | 1   |            |
| (7) | 958 531 210 00     | Underlay   | right<br>front   | 1   |            |

Model: 92A 11 Model life 2011>>2018

| Pos  | Part Number    | Description                                  | Remark                | Qty | Model  |
|------|----------------|--|-----------------------|-----|--|
| 8    | 958 531 087 01 | Underlay                                     | left                  | 1   |  |
| (8)  | 958 531 088 01 | Underlay                                     | rear<br>right<br>rear | 1   |  |
| 9    | WHT 004 714    | Hex socket head locating bolt<br>M4 X 5 x 32 |                       | 2   |  |
| 10   | 958 531 885 00 | Mounting bar                                 | left lhd              | 1   | PR: 4K0, 4K3,<br>L0L   |
| 10   | 958 531 885 00 | Mounting bar                                 | right rhd             | 1   | PR: 4K0, 4K3,<br>L0R   |
| (10) | 958 532 885 00 | Mounting bar                                 | right lhd             | 1   | PR: 4K0, 4K3,<br>L0L   |
| (10) | 958 532 885 00 | Mounting bar                                 | left rhd              | 1   | PR: 4K0, 4K3,<br>L0R   |
| (10) | 958 531 885 02 | Mounting bar                                 | left lhd              | 1   | PR: 4F2, 4F6,<br>L0L   |
| (10) | 958 531 885 02 | Micro switch<br>Mounting bar                 | right rhd             | 1   | PR: 4F2, 4F6,<br>L0R   |
| (10) | 958 532 885 02 | Micro switch<br>Mounting bar                 | right lhd             | 1   | PR: 4F2, 4F6,<br>L0L   |
| (10) | 958 532 885 02 | Micro switch<br>Mounting bar                 | left rhd              | 1   | PR: 4F2, 4F6,<br>L0R   |
| 11   | 8J1 837 015 A  | Micro switch<br>Door lock                    | left lhd<br>front     | 1   | PR: L0L, GZ0,<br>4F2, 4K3, DD7,<br>DD8, D1V, D11,<br>D34, D43, D50,<br>D51, DV7                                |
| (11) | 4G1 837 015    | Door lock                                    | left lhd<br>front     | 1   | PR: L0L, GZ0,<br>4F2, 4K3, DT1,<br>DT5, DU2, DU3,<br>D19   |
| (11) | 8J2 837 015 A  | Door lock                                    | left rhd<br>front     | 1   | PR: L0R, GZ0,<br>4F2, 4K3  |
| (11) | 8J1 837 016 A  | Door lock                                    | right lhd<br>front    | 1   | PR: L0L, GZ0,<br>4F2, 4K3, DD7,<br>DD8, DT1, DT5,<br>DU2, DU3, D1V,<br>D11, D19, D34,<br>D43, D50, D51,<br>DV7 |
| (11) | 8J2 837 016 A  | Door lock                                    | right rhd<br>front    | 1   | PR: L0R, GZ0,<br>4F2, 4K3, DD7,<br>DD8, D1V, D11,<br>D34, D43, D50,<br>D51, DV7                                |
| (11) | 4G2 837 016    | Door lock                                    | right rhd<br>front    | 1   | PR: L0R, GZ0,<br>4F2, 4K3, DT1,<br>DT5, DU2, DU3,<br>D19   |
| 12   | 958 531 017 02 | Bowden cable                                 |                       | 2   |  |
| 13   | 955 533 691 00 | oval head panel screw                        |                       | 2   |  |
| 14   | WHT 003 688    | fillister head bolt (combi.)<br>M8 X 16      |                       | 4   |  |
| 15   | 958 531 867 00 | Retaining bracket                            | left                  | 1   |  |
| (15) | 958 531 868 00 | Retaining bracket                            | right                 | 1   |  |
| 16   | 3C0 837 767 A  | Striker                                      |                       | 2   |  |
| 17   | N 910 174 02   | countersunk multi-point<br>socket head bolt  |                       | 4   |  |

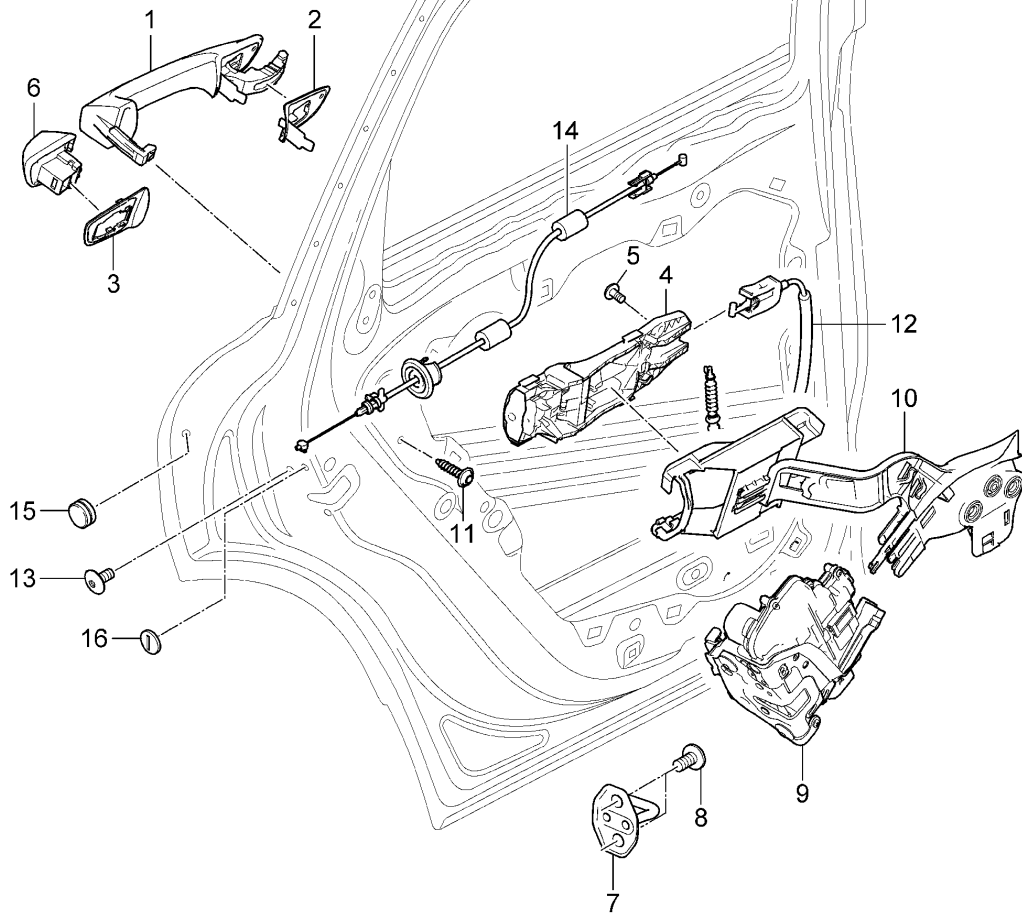
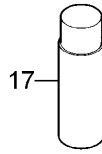
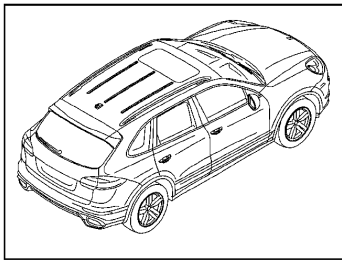
Model: 92A 11

Model life 2011>>2018

| Pos  | Part Number        | Description   | Remark          | Qty | Model                  |
|------|--------------------|---|-----------------|-----|------------------------|
| 18   | 958 531 111 00     | M8 X 22<br>Cover cap  |                 | 2   |                        |
| 19   | 958 531 211 00     | Cover cap   |                 | 2   |                        |
|      | 958 531 211 00 9B9 | Black   |                 |     |                        |
| 20   | 958 531 085 01     | Bowden cable  |                 | 2   |                        |
| 25   | 958 531 015 00     | Door lock   | left lhd        | 1   | PR:L0L,GZ2,<br>4F2,4K3 |
| (25) | 958 531 015 02     | Door lock   | front left rhd  | 1   | PR:L0R,GZ2,<br>4F2,4K3 |
| (25) | 958 531 016 00     | Door lock   | front right lhd | 1   | PR:L0L,GZ2,<br>4F2,4K3 |
| (25) | 958 531 016 02     | Door lock   | front right rhd | 1   | PR:L0R,GZ2,<br>4F2,4K3 |
| 26   | 4F0 837 059        | Drive unit  | left front      | 1   | PR:GZ2                 |
| 26   | 4F0 837 060        | Drive unit  | right front     | 1   | PR:GZ2                 |
| 27   | 958 531 163 00     | housing<br>Set  | left            | 1   | PR:GZ2                 |
| (27) | 958 531 164 00     | housing<br>Set  | right           | 1   | PR:GZ2                 |
| 28   | 999 919 209 09     | fillister hd. bolt<br>POS26   |                 | 3   | PR:GZ2                 |
| 29   | WHT 005 353        | Pop rivet<br>4,8X14<br>POS26  |                 | X   | PR:GZ2                 |
| 30   | 000 043 204 40     | Silicon lubricant spray<br>for<br>Door lock<br>Spraying can<br>200 ML |                 | 1   |                        |

Model: 92A 11

Model life 2011>>2018



Model: 92A 11 Model life 2011>>2018

| Pos  | Part Number        | Description  | Remark | Qty | Model      |
|------|--------------------|--|--------|-----|------------|
|      |                    | Door handle<br>Door lock<br>D >> - MJ 2014             | rear   |     |            |
| 1    | 958 531 205 00     | Door handle  | left   | 1   | PR:4K0,4K3 |
|      | 958 531 205 00 G2X | primed   |        |     |            |
| (1)  | 958 531 206 00     | Door handle  | right  | 1   | PR:4K0,4K3 |
|      | 958 531 206 00 G2X | primed   |        |     |            |
| (1)  | 958 531 205 01     | Door handle  | left   | 1   | PR:4F2,4F6 |
|      | 958 531 205 01 G2X | primed   |        |     |            |
| (1)  | 958 531 206 01     | Door handle  | right  | 1   | PR:4F2,4F6 |
|      | 958 531 206 01 G2X | primed   |        |     |            |
| -    | 000 043 206 17     | universal low temperat. grease<br>10 GRAMM<br>1 tube   |        | X   |            |
|      |                    | Door handle<br>Lock cylinders                          |        |     |            |
| 2    | 958 531 209 00     | Underlay   | left   | 1   |            |
|      |                    |  | front  |     |            |
| (2)  | 958 531 210 00     | Underlay   | right  | 1   |            |
|      |                    |  | front  |     |            |
| 3    | 958 531 087 00     | Underlay   | left   | 1   |            |
|      |                    |  | rear   |     |            |
|      |                    | Discontinued part                                      |        |     |            |
| 3    | 958 531 087 01     | Underlay   | left   | 1   |            |
|      |                    |  | rear   |     |            |
| (3)  | 958 531 088 00     | Underlay   | right  | 1   |            |
|      |                    |  | rear   |     |            |
|      |                    | Discontinued part                                      |        |     |            |
| (3)  | 958 531 088 01     | Underlay   | right  | 1   |            |
|      |                    |  | rear   |     |            |
| 4    | 958 532 885 00     | Mounting bar   |        | 2   | PR:4K0,4K3 |
| (4)  | 958 532 885 01     | Mounting bar   |        | 2   | PR:4F2,4F6 |
|      |                    | Door handle<br>Discontinued part                       |        |     |            |
| (4)  | 958 532 885 02     | Mounting bar   |        | 2   | PR:4F2,4F6 |
|      |                    | Door handle  |        |     |            |
| 5    | N 911 768 01       | Hexagon socket flat<br>head bolt<br>M5 X 10            |        | 1   |            |
|      |                    | Mounting bar   |        |     |            |
| 6    | 958 531 067 00     | housing  | left   | 1   |            |
|      | 958 531 067 00 G2X | primed   |        |     |            |
| (6)  | 958 531 068 00     | housing  | right  | 1   |            |
|      | 958 531 068 00 G2X | primed   |        |     |            |
| 7    | 3C0 837 767 A      | Striker  |        | 2   |            |
| 8    | N 910 174 02       | countersunk multi-point<br>socket head bolt<br>M8 X 22 |        | 2   |            |
|      |                    | Door lock  | left   | 1   |            |
| (9)  | 8K0 839 016        | Door lock  | right  | 1   |            |
| 10   | 958 533 767 00     | Retaining bracket                                      | left   | 1   |            |
| (10) | 958 533 768 00     | Retaining bracket                                      | right  | 1   |            |
| 11   | 955 533 691 00     | oval head panel screw<br>D5                            |        | 2   |            |
| 12   | 958 531 017 00     | Bowden cable<br>Discontinued part                      |        | 2   |            |
| 12   | 958 531 017 01     | Bowden cable   |        | 2   |            |
| 13   | WHT 003 688        | fillister head bolt (combi.)<br>M8 x 16                |        | 4   |            |
| 14   | 958 533 085 00     | Bowden cable   |        | 2   |            |
| 15   | 958 533 399 00     | Grommet  |        | 2   |            |
| 16   | 958 531 111 00     | Cover cap  |        | 2   |            |
| 17   | 000 043 204 40     | Silicon lubricant spray                                |        | 1   |            |



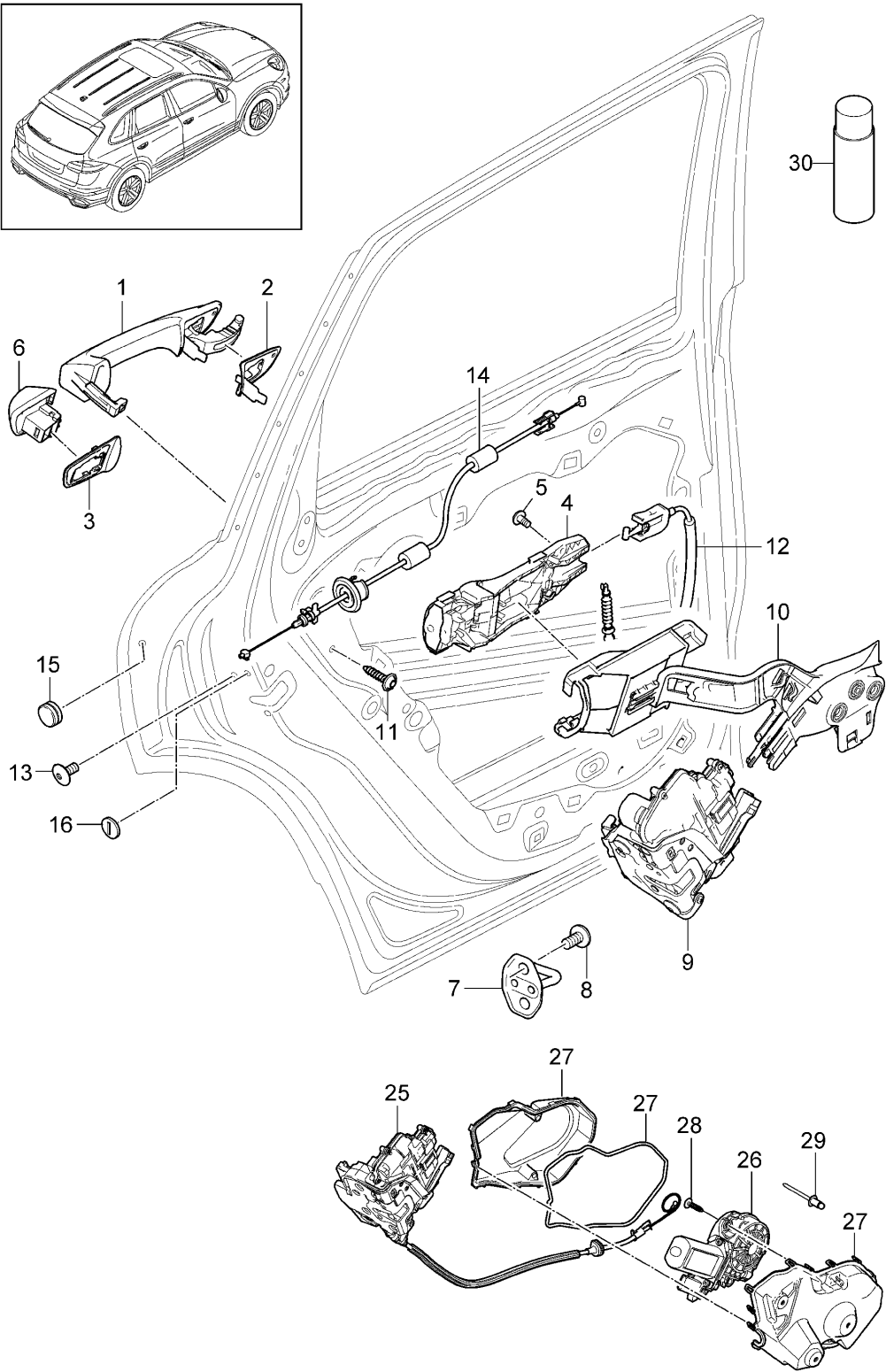
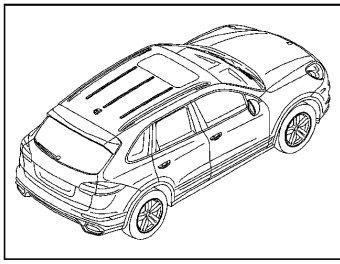
Model: 92A 11

Model life 2011&gt;&gt;2018

| Pos | Part Number | Description                                | Remark | Qty | Model |
|-----|-------------|--|--------|-----|-------|
|     |             | for<br>Door lock<br>Spraying can<br>200 ML |        |     |       |

Model: 92A 11

Model life 2011>>2018



Model: 92A 11 Model life 2011>>2018

| Pos  | Part Number        | Description                    | Remark | Qty | Model          |
|------|--------------------|--------------------------------|--------|-----|----------------|
|      |                    | Door handle                    | rear   |     |                |
|      |                    | Door lock                      |        |     |                |
|      |                    | D - MJ 2015>>                  |        |     |                |
| 1    | 958 531 205 00     | Door handle                    | left   | 1   | PR:4K0,4K3     |
|      | 958 531 205 00 G2X | primed                         |        |     |                |
| (1)  | 958 531 206 00     | Door handle                    | right  | 1   | PR:4K0,4K3     |
|      | 958 531 206 00 G2X | primed                         |        |     |                |
| (1)  | 958 531 205 01     | Door handle                    | left   | 1   | PR:4F2,4F6     |
|      | 958 531 205 01 G2X | primed                         |        |     |                |
| (1)  | 958 531 206 01     | Door handle                    | right  | 1   | PR:4F2,4F6     |
|      | 958 531 206 01 G2X | primed                         |        |     |                |
| -    | 000 043 206 17     | universal low temperat. grease |        | X   |                |
|      |                    | 10 GRAMM                       |        |     |                |
|      |                    | 1 tube                         |        |     |                |
|      |                    | Door handle                    |        |     |                |
|      |                    | Lock cylinders                 |        |     |                |
| 2    | 958 531 209 00     | Underlay                       | left   | 1   |                |
|      |                    |                                | front  |     |                |
| (2)  | 958 531 210 00     | Underlay                       | right  | 1   |                |
|      |                    |                                | front  |     |                |
| 3    | 958 531 087 01     | Underlay                       | left   | 1   |                |
|      |                    |                                | rear   |     |                |
| (3)  | 958 531 088 01     | Underlay                       | right  | 1   |                |
|      |                    |                                | rear   |     |                |
| 4    | 958 532 885 00     | Mounting bar                   |        | 2   | PR:4K0,4K3     |
| (4)  | 958 532 885 02     | Mounting bar                   |        | 2   | PR:4F2,4F6     |
|      |                    | Door handle                    |        |     |                |
| 5    | N 911 768 01       | Hexagon socket flat            |        | 1   |                |
|      |                    | head bolt                      |        |     |                |
|      |                    | M5 X 10                        |        |     |                |
|      |                    | Mounting bar                   |        |     |                |
| 6    | 958 531 067 00     | housing                        | left   | 1   |                |
|      | 958 531 067 00 G2X | primed                         |        |     |                |
| (6)  | 958 531 068 00     | housing                        | right  | 1   |                |
|      | 958 531 068 00 G2X | primed                         |        |     |                |
| 7    | 3C0 837 767 A      | Striker                        |        | 2   |                |
| 8    | N 910 174 02       | countersunk multi-point        |        | 2   |                |
|      |                    | socket head bolt               |        |     |                |
|      |                    | M8 X 22                        |        |     |                |
| 9    | 8K0 839 015        | Door lock                      | left   | 1   | PR:GZ0,4F2,4K3 |
| (9)  | 8K0 839 016        | Door lock                      | right  | 1   | PR:GZ0,4F2,4K3 |
| 10   | 958 533 767 00     | Retaining bracket              | left   | 1   |                |
| (10) | 958 533 768 00     | Retaining bracket              | right  | 1   |                |
| 11   | 955 533 691 00     | oval head panel screw          |        | 2   |                |
|      |                    | D5                             |        |     |                |
| 12   | 958 531 017 02     | Bowden cable                   |        | 2   |                |
| 13   | WHT 003 688        | fillister head bolt (combi.)   |        | 4   |                |
|      |                    | M8 x 16                        |        |     |                |
| 14   | 958 533 085 01     | Bowden cable                   |        | 2   |                |
| 15   | 958 533 399 00     | Grommet                        |        | 2   |                |
| 16   | 958 531 111 00     | Cover cap                      |        | 2   |                |
| 25   | 958 533 015 00     | Door lock                      | left   | 1   | PR:GZ2,4F2,4K3 |
|      |                    |                                | rear   |     |                |
| (25) | 958 533 016 00     | Door lock                      | right  | 1   | PR:GZ2,4F2,4K3 |
|      |                    |                                | rear   |     |                |
| 26   | 4F0 837 060        | Drive unit                     | right  | 1   | PR:GZ2         |
|      |                    |                                | rear   |     |                |
| (26) | 4F0 837 059        | Drive unit                     | LINKS  | 1   | PR:GZ2         |
|      |                    |                                | rear   |     |                |
| 27   | 958 533 163 00     | housing                        | left   | 1   | PR:GZ2         |
|      |                    | Set                            |        |     |                |

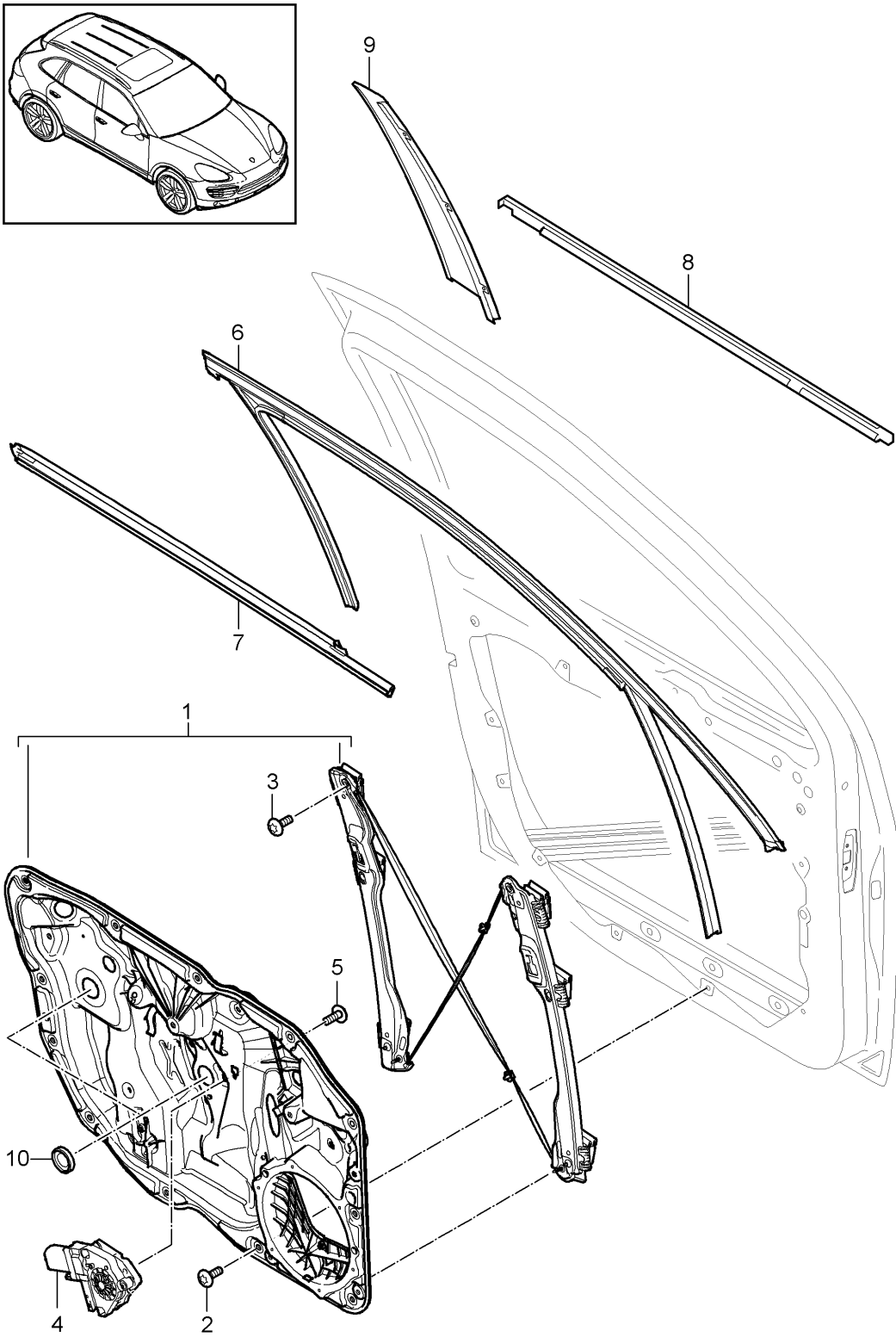
Model: 92A 11

Model life 2011&gt;&gt;2018

| Pos  | Part Number    | Description   | Remark | Qty | Model  |
|------|----------------|---|--------|-----|--------|
| (27) | 958 533 164 00 | housing<br>Set  | right  | 1   | PR:GZ2 |
| 28   | 999 919 209 09 | fillister hd. bolt<br>POS26   |        | 3   | PR:GZ2 |
| 29   | WHT 005 353    | Pop rivet<br>4,8X14<br>POS26  |        | X   | PR:GZ2 |
| 30   | 000 043 204 40 | Silicon lubricant spray<br>for<br>Door lock<br>Spraying can<br>200 ML |        | 1   |        |

Model: 92A 11

Model life 2011>>2018



Model: 92A 11 Model life 2011>>2018

| Pos | Part Number        | Description   | Remark        | Qty | Model              |
|-----|--------------------|---|---------------|-----|--------------------|
| 1   | 958 542 461 00     | Window regulator<br>Assembly carrier<br>Window regulator      | front<br>left | 1   | PR:8RV             |
|     |                    | with:   |               |     |                    |
| 1   | 958 542 461 03     | Assembly carrier<br>Discontinued part<br>Window regulator     | left          | 1   | PR:8RV             |
|     |                    | with:   |               |     |                    |
| (1) | 958 542 462 00     | Assembly carrier<br>Window regulator                          | right         | 1   | PR:8RV             |
|     |                    | with:   |               |     |                    |
| (1) | 958 542 462 03     | Assembly carrier<br>Discontinued part<br>Window regulator     | right         | 1   | PR:8RV             |
|     |                    | with:   |               |     |                    |
| (1) | 958 542 461 01     | Assembly carrier<br>Window regulator                          | left          | 1   | PR:9VJ,9VK,<br>9VL |
|     |                    | with:   |               |     |                    |
| (1) | 958 542 461 02     | Assembly carrier<br>Discontinued part<br>Window regulator     | left          | 1   | PR:9VJ,9VK,<br>9VL |
|     |                    | with:   |               |     |                    |
| (1) | 958 542 462 01     | Assembly carrier<br>Window regulator                          | right         | 1   | PR:9VJ,9VK,<br>9VL |
|     |                    | with:   |               |     |                    |
| (1) | 958 542 462 02     | Assembly carrier<br>Discontinued part<br>Window regulator     | right         | 1   | PR:9VJ,9VK,<br>9VL |
|     |                    | with:   |               |     |                    |
| 2   | WHT 002 109        | Assembly carrier<br>Oval hexagon socket head bolt<br>M 6 X 10 |               | 24  |                    |
| 3   | N 103 352 06       | Hexagon socket flat<br>head bolt<br>M 6 X 12                  | upper         | 4   |                    |
| (3) | N 911 079 11       | flat round head bolt<br>M 6 X 30                              | lower         | 4   |                    |
| 4   | 958 624 801 00     | Electric motor<br>Window regulator                            | left          | 1   |                    |
| (4) | 958 624 802 00     | Electric motor<br>Window regulator                            | right         | 1   |                    |
| 5   | 955 533 691 00     | oval head panel screw<br>PT 5 X 20                            |               | 3   |                    |
| 6   | 958 531 431 00     | Window guide<br>Discontinued part                             | left          | 1   |                    |
|     | 958 531 431 00 5AP | Black   |               |     |                    |
| 6   | 958 531 431 01     | Window guide<br>Discontinued part                             | left          | 1   |                    |
|     | 958 531 431 01 5AP | Black   |               |     |                    |
| 6   | 958 531 431 02     | Window guide  | left          | 1   |                    |
|     | 958 531 431 02 5AP | Black   |               |     |                    |
| (6) | 958 531 432 00     | Window guide<br>Discontinued part                             | right         | 1   |                    |
|     | 958 531 432 00 5AP | Black   |               |     |                    |
| (6) | 958 531 432 01     | Window guide<br>Discontinued part                             | right         | 1   |                    |
|     | 958 531 432 01 5AP | Black   |               |     |                    |
| (6) | 958 531 432 02     | Window guide  | right         | 1   |                    |
|     | 958 531 432 02 5AP | Black   |               |     |                    |
| 7   | 958 531 471 00     | Sealing for door slot   | left<br>inner | 1   |                    |
|     |                    | Discontinued part   |               |     |                    |
| 7   | 958 531 471 01     | Sealing for door slot   | left          | 1   |                    |

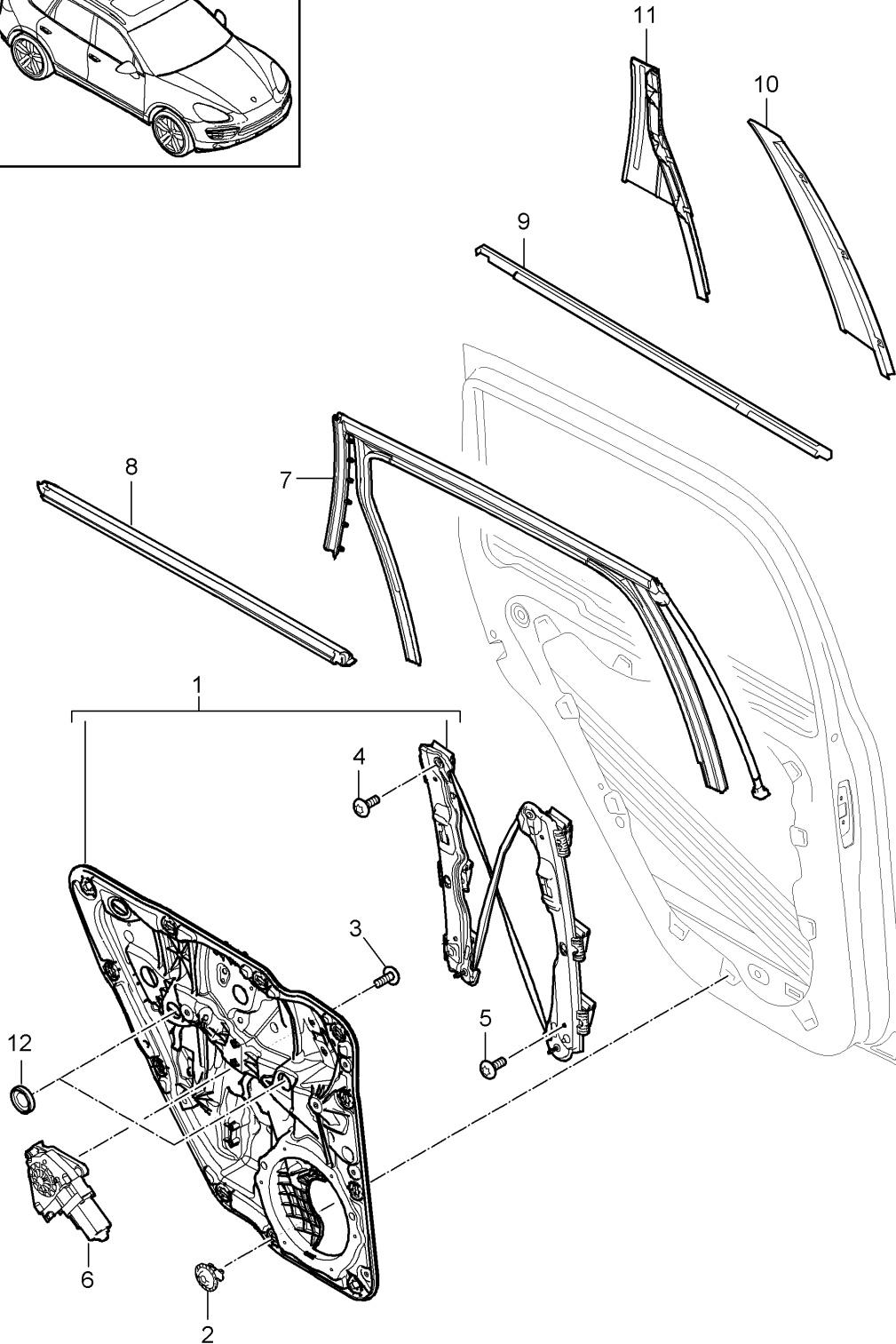
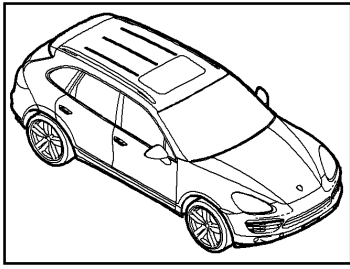
Model: 92A 11

Model life 2011>>2018

| Pos | Part Number    | Description                                | Remark           | Qty | Model |
|-----|----------------|--|------------------|-----|-------|
|     |                |  | inner            |     |       |
| 7   | 958 531 471 02 | Discontinued part<br>Sealing for door slot | left             | 1   |       |
| (7) | 958 531 472 00 | Sealing for door slot                      | inner<br>right   | 1   |       |
| (7) | 958 531 472 01 | Discontinued part<br>Sealing for door slot | inner<br>right   | 1   |       |
| (7) | 958 531 472 02 | Discontinued part<br>Sealing for door slot | inner<br>right   | 1   |       |
| 8   |                | Sealing for door slot<br>see illustration: | outer<br>810-005 |     |       |
| 9   |                | Trim<br>B-pillar<br>see illustration:      | 810-000          |     |       |
| 10  | 958 542 491 00 | Bungs                                      |                  | 2   |       |

Model: 92A 11

Model life 2011>>2018





Model: 92A 11

Model life 2011&gt;&gt;2018

| Pos | Part Number    | Description                                  | Remark           | Qty | Model      |
|-----|----------------|--|------------------|-----|------------|
|     |                | Window regulator<br>Assembly carrier         | rear             |     |            |
| 1   | 958 533 461 00 | Window regulator                             | left             | 1   | PR:8RV,9VK |
| (1) | 958 533 461 01 | Window regulator                             | left             | 1   | PR:9VJ,9VL |
| (1) | 958 533 462 00 | Window regulator                             | right            | 1   | PR:8RV,9VK |
| (1) | 958 533 462 01 | Window regulator                             | right            | 1   | PR:9VJ,9VL |
| 2   | 958 531 485 00 | Clip<br>Assembly carrier                     |                  | 22  |            |
| 3   | 955 533 691 00 | oval head panel screw<br>PT 5 X 20           |                  | 1   |            |
| 4   | N 103 352 06   | Hexagon socket flat<br>head bolt<br>M 6 X 12 |                  | 4   |            |
| 5   | N 910 252 01   | panel screw<br>M 6 X 30                      |                  | 4   |            |
| 6   | 958 624 811 00 | Electric motor                               | right            | 1   |            |
| (6) | 958 624 812 00 | Window regulator<br>Electric motor           | left             | 1   |            |
| 7   | 958 533 431 00 | Window guide<br>Discontinued part            | left             | 1   |            |
| 7   | 958 533 431 01 | Window guide<br>Discontinued part            | left             | 1   |            |
| 7   | 958 533 431 02 | Window guide<br>Discontinued part            | left             | 1   |            |
| 7   | 958 533 431 03 | Window guide                                 | left             | 1   |            |
| (7) | 958 533 432 00 | Window guide<br>Discontinued part            | right            | 1   |            |
| (7) | 958 533 432 01 | Window guide<br>Discontinued part            | right            | 1   |            |
| (7) | 958 533 432 02 | Window guide<br>Discontinued part            | right            | 1   |            |
| (7) | 958 533 432 03 | Window guide                                 | right            | 1   |            |
| 8   | 958 533 471 00 | Sealing for door slot                        | left<br>inner    | 1   | PR:3Y0     |
| 8   | 958 533 471 10 | Discontinued part<br>Sealing for door slot   | left<br>inner    | 1   | PR:3Y0     |
| 8   | 958 533 471 11 | Discontinued part<br>Sealing for door slot   | left<br>inner    | 1   | PR:3Y0     |
| (8) | 958 533 472 00 | Sealing for door slot                        | right<br>inner   | 1   | PR:3Y0     |
| (8) | 958 533 472 10 | Discontinued part<br>Sealing for door slot   | right<br>inner   | 1   | PR:3Y0     |
| (8) | 958 533 472 11 | Discontinued part<br>Sealing for door slot   | right<br>inner   | 1   | PR:3Y0     |
| (8) | 958 533 471 01 | Sealing for door slot                        | left<br>inner    | 1   | PR:3Y8     |
| (8) | 958 533 471 02 | Discontinued part<br>Sealing for door slot   | left<br>inner    | 1   | PR:3Y8     |
| (8) | 958 533 472 01 | Sealing for door slot                        | right<br>inner   | 1   | PR:3Y8     |
| (8) | 958 533 472 02 | Discontinued part<br>Sealing for door slot   | right<br>inner   | 1   | PR:3Y8     |
| 9   |                | Sealing for door slot<br>see illustration:   | outer<br>810-005 |     |            |
| 10  |                | Trim<br>B-pillar                             |                  |     |            |

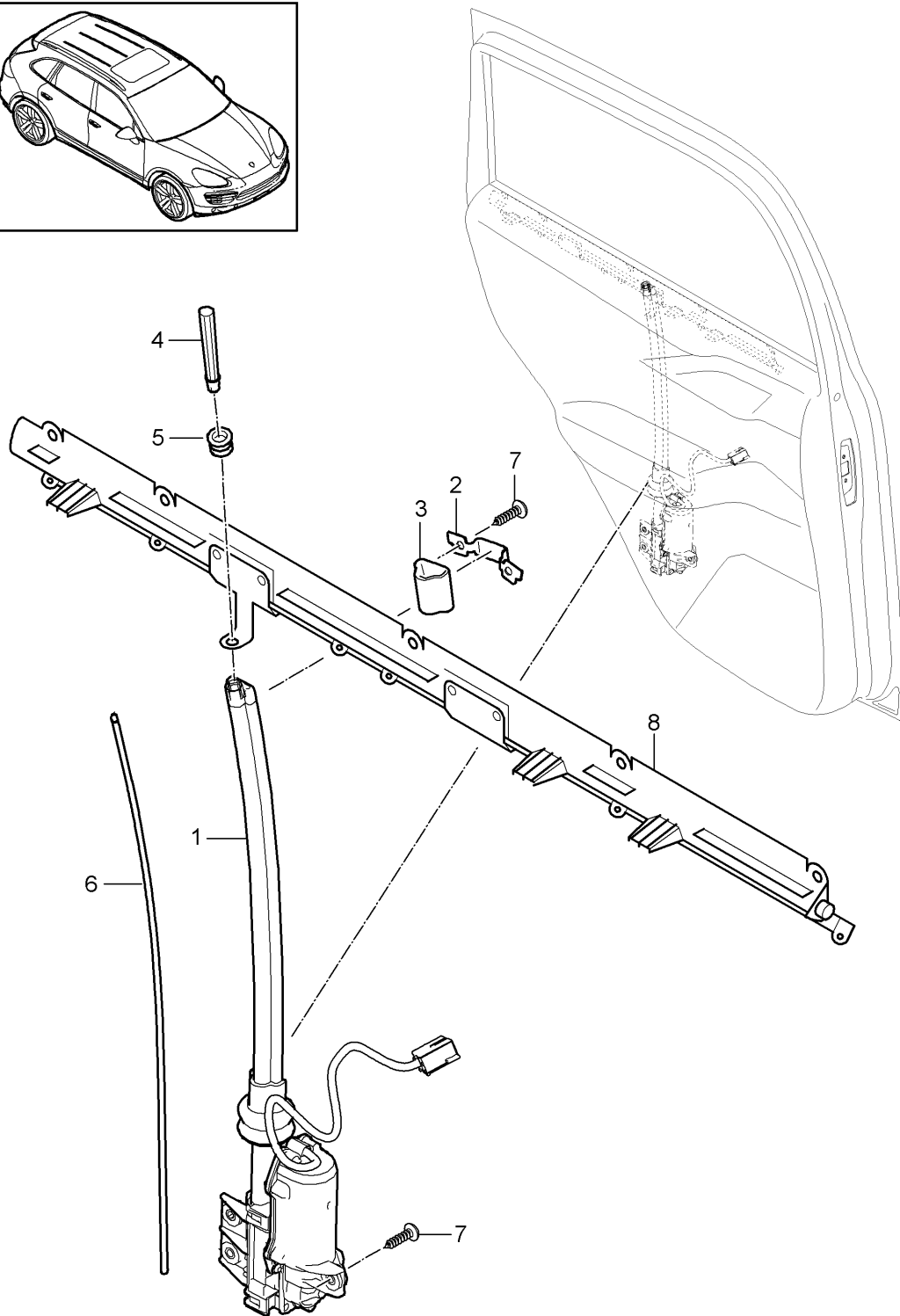
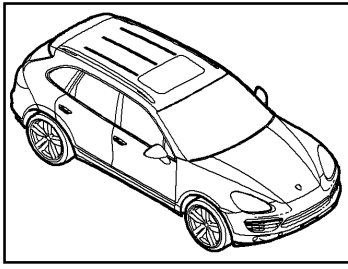
Model: 92A 11

Model life 2011>>2018

| Pos | Part Number    | Description      | Remark                       | Qty | Model |
|-----|----------------|------------------|------------------------------|-----|-------|
| 11  |                | Trim<br>c-pillar | see illustration:<br>810-000 |     |       |
| 12  | 958 542 491 00 | Bungs            | see illustration:<br>810-000 | 2   |       |

Model: 92A 11

Model life 2011>>2018

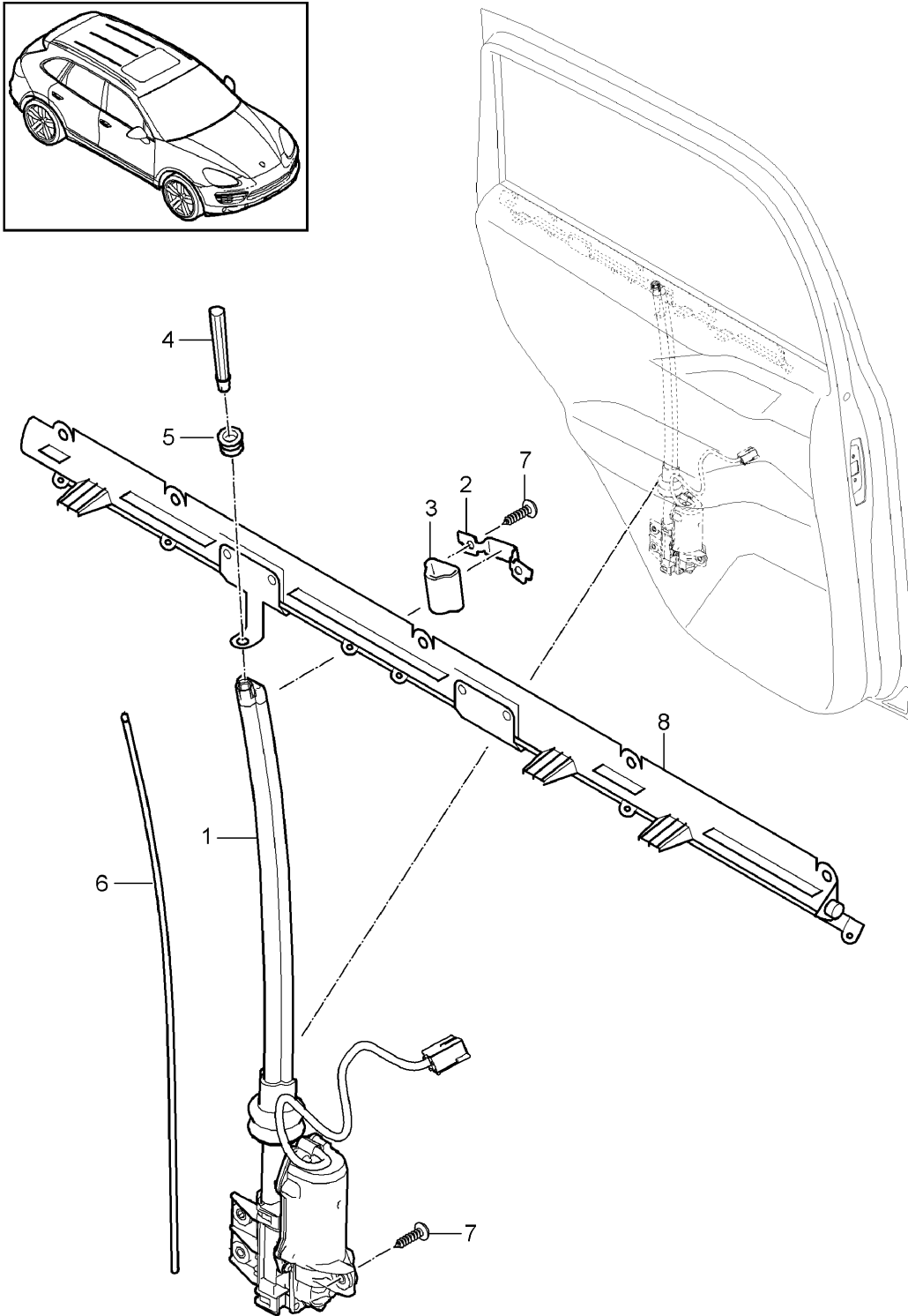


Model: 92A 11 Model life 2011>>2018

| Pos | Part Number        | Description                    | Remark                       | Qty | Model  |
|-----|--------------------|--------------------------------|------------------------------|-----|--------|
|     |                    | roller blind                   | rear                         |     | PR:3Y8 |
|     |                    | Door                           |                              |     |        |
|     |                    | D >> - MJ 2014                 |                              |     |        |
| 1   | 958 536 317 00     | Drive f. sunlight roller blind | left                         | 1   | PR:3Y8 |
|     |                    | Door window                    |                              |     |        |
|     |                    | Discontinued part              |                              |     |        |
|     | 958 536 317 00 3W4 | Black                          |                              |     |        |
| 1   | 958 536 317 01     | Drive f. sunlight roller blind | left                         | 1   | PR:3Y8 |
|     |                    | Door window                    |                              |     |        |
|     |                    | Black                          |                              |     |        |
| (1) | 958 536 318 00     | Drive f. sunlight roller blind | right                        | 1   | PR:3Y8 |
|     |                    | Door window                    |                              |     |        |
|     |                    | Discontinued part              |                              |     |        |
|     | 958 536 318 00 3W4 | Black                          |                              |     |        |
| (1) | 958 536 318 01     | Drive f. sunlight roller blind | right                        | 1   | PR:3Y8 |
|     |                    | Door window                    |                              |     |        |
|     |                    | Black                          |                              |     |        |
| 2   | 958 536 375 00     | Bracket                        |                              | 1   | PR:3Y8 |
|     |                    | roller blind                   |                              |     |        |
| 3   | 958 536 874 00     | sound absorber piece           |                              | 1   | PR:3Y8 |
|     |                    | roller blind                   |                              |     |        |
| 4   | 958 536 775 00     | Sleeve                         |                              | 1   | PR:3Y8 |
| 5   | 958 536 587 00     | Rosette                        |                              | 1   | PR:3Y8 |
| 6   | 958 536 989 00     | slide rod                      |                              | 1   | PR:3Y8 |
| 7   | 955 533 691 00     | oval head panel screw          |                              | 5   |        |
| 8   | 958 536 313 00     | roller blind                   | left                         | 1   | PR:3Y8 |
|     |                    | Door window                    | rear                         |     |        |
|     | 958 536 313 00 5Q0 | Black                          | -LC,MA,TA,TB,<br>YA,YB,YC,77 |     |        |
|     | 958 536 313 00 DE1 | Umber                          | -LF, TX, TY, VF              |     |        |
|     | 958 536 313 00 3T0 | Espresso                       | -VA, VB                      |     |        |
|     | 958 536 313 00 4U0 | Platinum Grey                  | -LD, MD, YD                  |     |        |
|     | 958 536 313 00 6W0 | Luxor beige                    | -LE, MC, YE                  |     |        |
| (8) | 958 536 314 00     | roller blind                   | right                        | 1   | PR:3Y8 |
|     |                    | Door window                    | rear                         |     |        |
|     | 958 536 314 00 5Q0 | Black                          | -LC,MA,TA,TB,<br>YA,YB,YC,77 |     |        |
|     | 958 536 314 00 DE1 | Umber                          | -LF, TX, TY, VF              |     |        |
|     | 958 536 314 00 3T0 | Espresso                       | -VA, VB                      |     |        |
|     | 958 536 314 00 4U0 | Platinum Grey                  | -LD, MD, YD                  |     |        |
|     | 958 536 314 00 6W0 | Luxor beige                    | -LE, MC, YE                  |     |        |

Model: 92A 11

Model life 2011>>2018



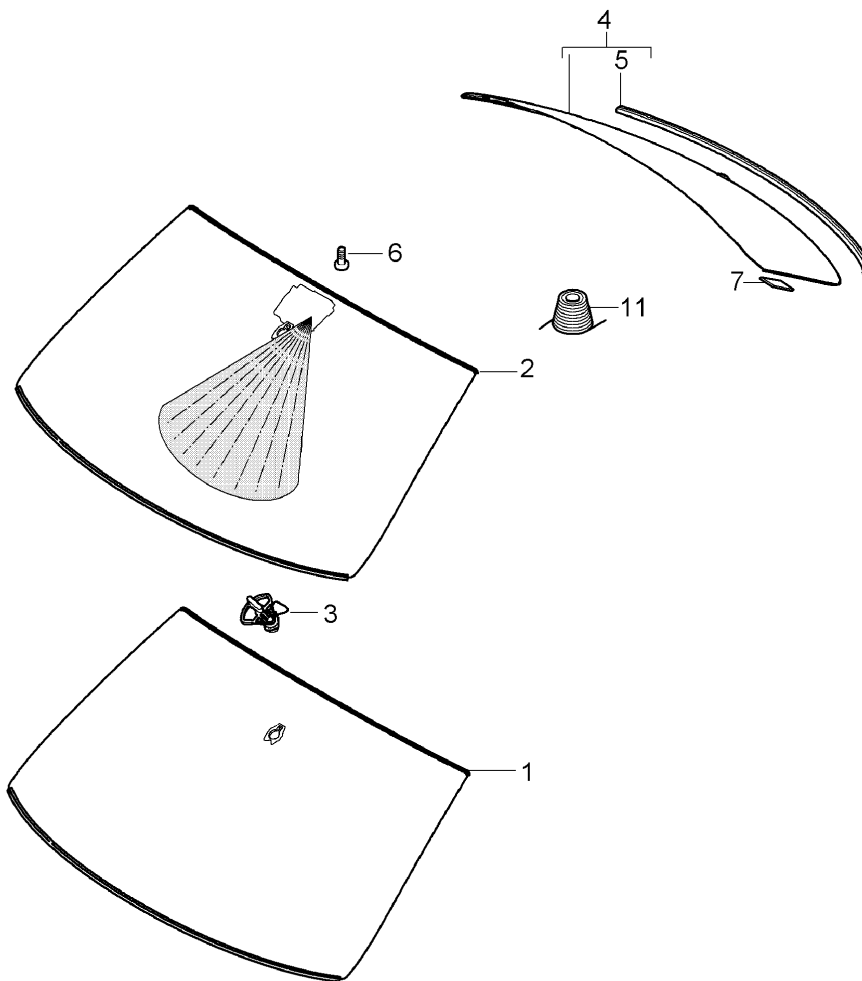
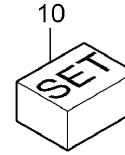
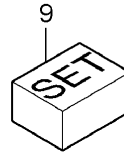
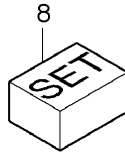
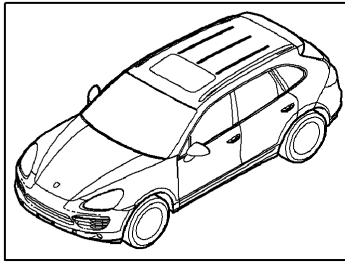
Model: 92A 11

Model life 2011>>2018

| Pos | Part Number        | Description  | Remark                                    | Qty | Model  |
|-----|--------------------|--|---|-----|--------|
|     |                    | roller blind<br>Door   | rear                                      |     | PR:3Y7 |
| 1   | 958 536 317 01     | D - MJ 2015>><br>Drive f. sunlight roller blind<br>Door window | left                                      | 1   | PR:3Y7 |
|     | 958 536 317 01 3W4 | Black  |   |     |        |
| (1) | 958 536 318 01     | Drive f. sunlight roller blind<br>Door window                  | right                                     | 1   | PR:3Y7 |
|     | 958 536 318 01 3W4 | Black  |   |     |        |
| 2   | 958 536 375 00     | Bracket  |   | 1   | PR:3Y7 |
| 3   | 958 536 874 00     | roller blind<br>sound absorber piece                           |   | 1   | PR:3Y7 |
| 4   | 958 536 775 00     | Sleeve   |   | 1   | PR:3Y7 |
| 5   | 958 536 587 00     | Rosette  |   | 1   | PR:3Y7 |
| 6   | 958 536 989 00     | slide rod  |   | 1   | PR:3Y7 |
| 7   | 955 533 691 00     | oval head panel screw  |   | 5   |        |
| 8   | 958 536 313 00     | roller blind<br>Door window                                    | left<br>rear                              | 1   | PR:3Y7 |
|     | 958 536 313 00 5Q0 | Black  | -LC, LG, LH, MA,<br>MF, MI, TA, YA,<br>YC |     |        |
|     | 958 536 313 00 3T0 | Espresso   | -VA, VB                                   |     |        |
|     | 958 536 313 00 6W0 | Luxor beige  | -LE, MC, YE                               |     |        |
|     | 958 536 313 00 OA6 | agate grey   | -MB, MG, ML                               |     |        |
|     | 958 536 313 00 OL7 | saddle brown   | -ME, MH, MJ, MK                           |     |        |
| (8) | 958 536 314 00     | roller blind<br>Door window                                    | right<br>rear                             | 1   | PR:3Y7 |
|     | 958 536 314 00 5Q0 | Black  | -LC, LG, LH, MA,<br>MF, MI, TA, YA,<br>YC |     |        |
|     | 958 536 314 00 3T0 | Espresso   | -VA, VB                                   |     |        |
|     | 958 536 314 00 6W0 | Luxor beige  | -LE, MC, YE                               |     |        |
|     | 958 536 314 00 OA6 | agate grey   | -MB, MG, ML                               |     |        |
|     | 958 536 314 00 OL7 | saddle brown   | -ME, MH, MJ, MK                           |     |        |

Model: 92A 11

Model life 2011>>2018



Model: 92A 11 Model life 2011>>2018

| Pos | Part Number    | Description   | Remark                   | Qty | Model  |
|-----|----------------|---|--------------------------|-----|--|
| 1   | 958 541 111 41 | Window glasses<br>Windscreen<br>without:<br>Camera    |                          | 1   | PR: 4GC, -7Y2,<br>-7Y3, -7Y6,<br>-7Y7, -8G1,                   |
| (1) | 958 541 111 12 | Windscreen<br>without:<br>Camera                      | also use: 000 043 305 35 | 1   | -8G2, -9Q6<br>PR: 4GH, -7Y2,<br>-7Y3, -7Y6,<br>-7Y7, -8G1,     |
| (1) | 958 541 111 13 | Discontinued part<br>Windscreen<br>without:<br>Camera | also use: 000 043 305 35 | 1   | -8G2, -9Q6<br>PR: 4GH, -7Y2,<br>-7Y3, -7Y6,<br>-7Y7, -8G1,     |
| (1) | 958 541 111 23 | Windscreen<br>without:<br>Camera                      | also use: 000 043 305 35 | 1   | -8G2, -9Q6<br>PR: 4GG, -7Y2,<br>-7Y3, -7Y6,<br>-7Y7, -8G1,     |
| (1) | 958 541 111 24 | Discontinued part<br>Windscreen<br>without:<br>Camera | also use: 000 043 305 35 | 1   | -8G2, -9Q6<br>PR: 4GG, -7Y2,<br>-7Y3, -7Y6,<br>-7Y7, -8G1,     |
| (1) | 958 541 111 25 | D >> - MJ 2014<br>Windscreen<br>without:<br>Camera    | also use: 000 043 305 35 | 1   | -8G2, -9Q6<br>PR: 4GG, -7Y2,<br>-7Y3, -7Y6,<br>-7Y7, -8G1,     |
| (1) | 958 541 111 31 | D - MJ 2015>><br>Windscreen<br>without:<br>Camera     | also use: 000 043 305 35 | 1   | -8G2, -9Q6<br>PR: 4GK, -7Y2,<br>-7Y3, -7Y6,<br>-7Y7, -8G1,     |
| (1) | 958 541 111 32 | Discontinued part<br>Windscreen<br>without:<br>Camera | also use: 000 043 305 35 | 1   | -8G2, -9Q6<br>PR: 4GK, -7Y2,<br>-7Y3, -7Y6,<br>-7Y7, -8G1,     |
| 2   | 958 541 111 45 | Windscreen<br>with:<br>Camera                         | also use: 000 043 305 35 | 1   | -8G2, -9Q6<br>PR: 4GC, 7Y2,<br>7Y3, 7Y6, 7Y7,<br>8G1, 8G2, 9Q6 |
| 2   | 958 541 111 45 | Discontinued part<br>Windscreen<br>with:<br>Camera    | also use: 000 043 305 35 | 1   | -9Q6<br>PR: 4GC, 7Y2,<br>7Y3, 7Y6, 7Y7,<br>-8G1, -8G2,         |
| 2   | 958 541 111 45 | Discontinued part<br>Windscreen<br>with:<br>Camera    | also use: 000 043 305 35 | 1   | -9Q6<br>PR: 4GC, -7Y2,<br>-7Y3, -7Y6,<br>-7Y7, 8G1,            |
| 2   | 958 541 111 45 | Discontinued part<br>Windscreen<br>with:<br>Camera    | also use: 000 043 305 35 | 1   | -8G2, 9Q6<br>PR: 4GC, -7Y2,<br>-7Y3, -7Y6,<br>-7Y7, -8G1,      |
| 2   | 958 541 111 45 | Discontinued part<br>Windscreen<br>with:<br>Camera    | also use: 000 043 305 35 | 1   | -8G2, 9Q6<br>PR: 4GC, 7Y2,<br>7Y3, 7Y6, 7Y7,<br>8G1, 8G2, -9Q6 |
|     |                | Discontinued part                                     |                          |     |  |



Model: 92A 11 Model life 2011>>2018

| Pos | Part Number    | Description  | Remark                   | Qty | Model  |
|-----|----------------|--|--------------------------|-----|--|
| 2   | 958 541 111 45 | Windscreen<br>with:<br>Camera                      |                          | 1   | PR: 4GC, 7Y2, 7Y3, 7Y6, 7Y7, -8G1, -8G2, 9Q6     |
|     |                |  | also use: 000 043 305 35 | 1   |  |
| 2   | 958 541 111 45 | Discontinued part<br>Windscreen<br>with:<br>Camera |                          | 1   | PR: 4GC, -7Y2, -7Y3, -7Y6, -7Y7, 8G1, 8G2, 9Q6   |
|     |                |  | also use: 000 043 305 35 | 1   |  |
| (2) | 958 541 111 46 | Discontinued part<br>Windscreen<br>with:<br>Camera |                          | 1   | PR: 4GC, 7Y2, 7Y3, 7Y6, 7Y7, 8G1, 8G2, 9Q6       |
|     |                |  | also use: 000 043 305 35 | 1   |  |
| (2) | 958 541 111 46 | Windscreen<br>with:<br>Camera                      |                          | 1   | PR: 4GC, 7Y2, 7Y3, 7Y6, 7Y7, -8G1, -8G2, -9Q6    |
|     |                |  | also use: 000 043 305 35 | 1   |  |
| (2) | 958 541 111 46 | Windscreen<br>with:<br>Camera                      |                          | 1   | PR: 4GC, -7Y2, -7Y3, -7Y6, -7Y7, 8G1, 8G2, -9Q6  |
|     |                |  | also use: 000 043 305 35 | 1   |  |
| (2) | 958 541 111 46 | Windscreen<br>with:<br>Camera                      |                          | 1   | PR: 4GC, -7Y2, -7Y3, -7Y6, -7Y7, -8G1, -8G2, 9Q6 |
|     |                |  | also use: 000 043 305 35 | 1   |  |
| (2) | 958 541 111 46 | Windscreen<br>with:<br>Camera                      |                          | 1   | PR: 4GC, 7Y2, 7Y3, 7Y6, 7Y7, 8G1, 8G2, -9Q6      |
|     |                |  | also use: 000 043 305 35 | 1   |  |
| (2) | 958 541 111 46 | Windscreen<br>with:<br>Camera                      |                          | 1   | PR: 4GC, 7Y2, 7Y3, 7Y6, 7Y7, -8G1, -8G2, 9Q6     |
|     |                |  | also use: 000 043 305 35 | 1   |  |
| (2) | 958 541 111 46 | Windscreen<br>with:<br>Camera                      |                          | 1   | PR: 4GC, -7Y2, -7Y3, -7Y6, -7Y7, 8G1, 8G2, 9Q6   |
|     |                |  | also use: 000 043 305 35 | 1   |  |
| (2) | 958 541 111 50 | Windscreen<br>with:<br>Camera                      |                          | 1   | PR: 4GK, 7Y2, 7Y3, 7Y6, 7Y7, 8G1, 8G2, 9Q6       |
|     |                |  | also use: 000 043 305 35 | 1   |  |
| (2) | 958 541 111 50 | Discontinued part<br>Windscreen<br>with:<br>Camera |                          | 1   | PR: 4GK, 7Y2, 7Y3, 7Y6, 7Y7, -8G1, -8G2, -9Q6    |
|     |                |  | also use: 000 043 305 35 | 1   |  |
| (2) | 958 541 111 50 | Discontinued part<br>Windscreen<br>with:<br>Camera |                          | 1   | PR: 4GK, -7Y2, -7Y3, -7Y6, -7Y7, 8G1, 8G2, -9Q6  |
|     |                |  | also use: 000 043 305 35 | 1   |  |
| (2) | 958 541 111 50 | Discontinued part<br>Windscreen<br>with:<br>Camera |                          | 1   | PR: 4GK, 7Y2, 7Y3, 7Y6, 7Y7, 8G1, 8G2, -9Q6      |
|     |                |  | also use: 000 043 305 35 | 1   |  |
| (2) | 958 541 111 50 | Discontinued part<br>Windscreen<br>with:<br>Camera |                          | 1   | PR: 4GK, 7Y2, 7Y3, 7Y6, 7Y7, 8G1, 8G2, -9Q6      |
|     |                |  | also use: 000 043 305 35 | 1   |  |
| (2) | 958 541 111 50 | Discontinued part<br>Windscreen<br>with:<br>Camera |                          | 1   | PR: 4GK, 7Y2, 7Y3, 7Y6, 7Y7, 8G1, 8G2, -9Q6      |
|     |                |  | also use: 000 043 305 35 | 1   |  |
| (2) | 958 541 111 50 | Discontinued part<br>Windscreen<br>with:<br>Camera |                          | 1   | PR: 4GK, 7Y2, 7Y3, 7Y6, 7Y7, 8G1, 8G2, -9Q6      |
|     |                |  | also use: 000 043 305 35 | 1   |  |
| (2) | 958 541 111 50 | Discontinued part<br>Windscreen<br>with:<br>Camera |                          | 1   | PR: 4GK, 7Y2, 7Y3, 7Y6, 7Y7, 8G1, 8G2, -9Q6      |
|     |                |  | also use: 000 043 305 35 | 1   |  |
| (2) | 958 541 111 50 | Discontinued part<br>Windscreen<br>with:<br>Camera |                          | 1   | PR: 4GK, 7Y2, 7Y3, 7Y6, 7Y7, 8G1, 8G2, -9Q6      |
|     |                |  | also use: 000 043 305 35 | 1   |  |

Model: 92A 11

Model life 2011>>2018

| Pos | Part Number    | Description  | Remark                   | Qty | Model   |
|-----|----------------|--|--------------------------|-----|---|
| (2) | 958 541 111 50 | Windscreen<br>with:<br>Camera                      |                          | 1   | PR: 4GK, 7Y2,<br>7Y3, 7Y6, 7Y7,<br>-8G1, -8G2,<br>9Q6     |
|     |                |  | also use: 000 043 305 35 | 1   |   |
| (2) | 958 541 111 50 | Discontinued part<br>Windscreen<br>with:<br>Camera |                          | 1   | PR: 4GK, -7Y2,<br>-7Y3, -7Y6,<br>-7Y7, 8G1,<br>8G2, 9Q6   |
|     |                |  | also use: 000 043 305 35 | 1   |   |
| (2) | 958 541 111 51 | Discontinued part<br>Windscreen<br>with:<br>Camera |                          | 1   | PR: 4GK, 7Y2,<br>7Y3, 7Y6, 7Y7,<br>8G1, 8G2, 9Q6          |
|     |                |  | also use: 000 043 305 35 | 1   |   |
| (2) | 958 541 111 51 | Windscreen<br>with:<br>Camera                      |                          | 1   | PR: 4GK, 7Y2,<br>7Y3, 7Y6, 7Y7,<br>-8G1, -8G2,<br>-9Q6    |
|     |                |  | also use: 000 043 305 35 | 1   |   |
| (2) | 958 541 111 51 | Windscreen<br>with:<br>Camera                      |                          | 1   | PR: 4GK, -7Y2,<br>-7Y3, -7Y6,<br>-7Y7, 8G1,<br>8G2, -9Q6  |
|     |                |  | also use: 000 043 305 35 | 1   |   |
| (2) | 958 541 111 51 | Windscreen<br>with:<br>Camera                      |                          | 1   | PR: 4GK, -7Y2,<br>-7Y3, -7Y6,<br>-7Y7, -8G1,<br>-8G2, 9Q6 |
|     |                |  | also use: 000 043 305 35 | 1   |   |
| (2) | 958 541 111 51 | Windscreen<br>with:<br>Camera                      |                          | 1   | PR: 4GK, 7Y2,<br>7Y3, 7Y6, 7Y7,<br>8G1, 8G2, -9Q6         |
|     |                |  | also use: 000 043 305 35 | 1   |   |
| (2) | 958 541 111 51 | Windscreen<br>with:<br>Camera                      |                          | 1   | PR: 4GK, 7Y2,<br>7Y3, 7Y6, 7Y7,<br>-8G1, -8G2,<br>9Q6     |
|     |                |  | also use: 000 043 305 35 | 1   |   |
| (2) | 958 541 111 51 | Windscreen<br>with:<br>Camera                      |                          | 1   | PR: 4GK, -7Y2,<br>-7Y3, -7Y6,<br>-7Y7, 8G1,<br>8G2, 9Q6   |
|     |                |  | also use: 000 043 305 35 | 1   |   |
| (2) | 958 541 111 65 | Windscreen<br>with:<br>Camera                      |                          | 1   | PR: 4GG, 7Y2,<br>7Y3, 7Y6, 7Y7,<br>8G1, 8G2, 9Q6          |
|     |                |  | also use: 000 043 305 35 | 1   |   |
| (2) | 958 541 111 65 | Windscreen<br>with:<br>Camera                      |                          | 1   | PR: 4GG, 7Y2,<br>7Y3, 7Y6, 7Y7,<br>-8G1, -8G2,<br>-9Q6    |
|     |                |  | also use: 000 043 305 35 | 1   |   |
| (2) | 958 541 111 65 | Windscreen<br>with:<br>Camera                      |                          | 1   | PR: 4GG, -7Y2,<br>-7Y3, -7Y6,<br>-7Y7, 8G1,<br>8G2, -9Q6  |
|     |                |  | also use: 000 043 305 35 | 1   |   |
| (2) | 958 541 111 65 | Windscreen<br>with:<br>Camera                      |                          | 1   | PR: 4GG, 7Y2,<br>7Y3, 7Y6, 7Y7,<br>8G1, 8G2, -9Q6         |
|     |                |  | also use: 000 043 305 35 | 1   |   |
| (2) | 958 541 111 65 | Windscreen<br>with:<br>Camera                      |                          | 1   | PR: 4GG, 7Y2,<br>7Y3, 7Y6, 7Y7,<br>-8G1, -8G2,<br>9Q6     |
|     |                |  | also use: 000 043 305 35 | 1   |   |
| (2) | 958 541 111 65 | Windscreen   |                          | 1   | PR: 4GG, 7Y2,<br>7Y3, 7Y6, 7Y7,<br>-8G1, -8G2,<br>9Q6     |
|     |                |  | also use: 000 043 305 35 | 1   |   |
| (2) | 958 541 111 65 | Windscreen   |                          | 1   | PR: 4GG, 7Y2,<br>7Y3, 7Y6, 7Y7,<br>-8G1, -8G2,<br>9Q6     |
|     |                |  | also use: 000 043 305 35 | 1   |   |
| (2) | 958 541 111 65 | Windscreen   |                          | 1   | PR: 4GG, 7Y2,<br>7Y3, 7Y6, 7Y7,<br>-8G1, -8G2,<br>9Q6     |
|     |                |  | also use: 000 043 305 35 | 1   |   |
| (2) | 958 541 111 65 | Windscreen   |                          | 1   | PR: 4GG, 7Y2,<br>7Y3, 7Y6, 7Y7,<br>-8G1, -8G2,<br>9Q6     |
|     |                |  | also use: 000 043 305 35 | 1   |   |
| (2) | 958 541 111 65 | Windscreen   |                          | 1   | PR: 4GG, 7Y2,<br>7Y3, 7Y6, 7Y7,<br>-8G1, -8G2,<br>9Q6     |
|     |                |  | also use: 000 043 305 35 | 1   |   |
| (2) | 958 541 111 65 | Windscreen   |                          | 1   | PR: 4GG, 7Y2,<br>7Y3, 7Y6, 7Y7,<br>-8G1, -8G2,<br>9Q6     |
|     |                |  | also use: 000 043 305 35 | 1   |   |
| (2) | 958 541 111 65 | Windscreen   |                          | 1   | PR: 4GG, 7Y2,<br>7Y3, 7Y6, 7Y7,<br>-8G1, -8G2,<br>9Q6     |
|     |                |  | also use: 000 043 305 35 | 1   |   |
| (2) | 958 541 111 65 | Windscreen   |                          | 1   | PR: 4GG, 7Y2,<br>7Y3, 7Y6, 7Y7,<br>-8G1, -8G2,<br>9Q6     |
|     |                |  | also use: 000 043 305 35 | 1   |   |

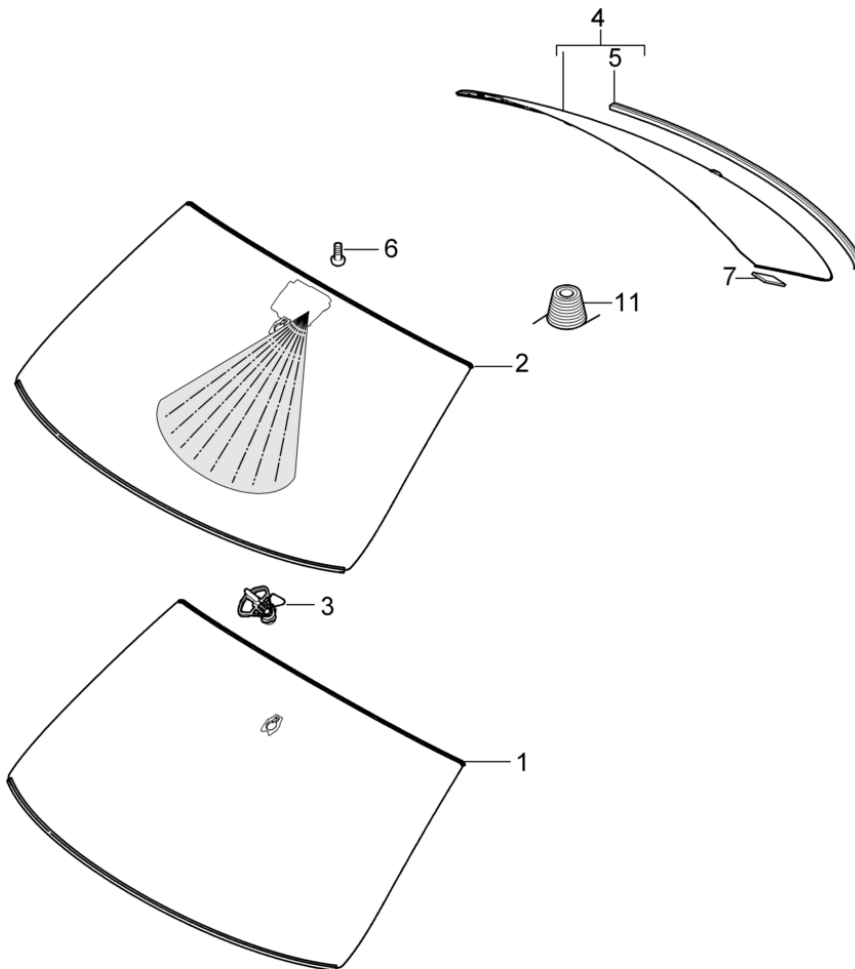
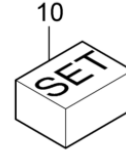
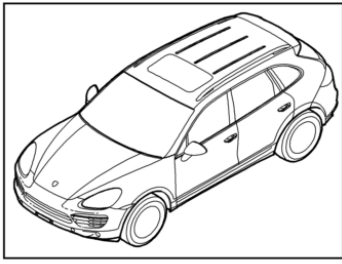
Model: 92A 11

Model life 2011>>2018

| Pos | Part Number    | Description          | Remark                            | Qty | Model                             |
|-----|----------------|----------------------|-----------------------------------|-----|-----------------------------------|
|     |                | Camera               | with:                             |     | 7Y3,7Y6,7Y7,<br>-8G1,-8G2,<br>9Q6 |
| 3   | 958 541 530 00 | Distance piece       | also use: 000 043 305 35          | 1   |                                   |
|     |                | Windscreen           |                                   | 2   |                                   |
| 4   |                | Rear window          |                                   |     |                                   |
| 4   | 958 545 011 00 | Rear window          |                                   | 1   | PR:4KC,8AJ,<br>8YZ                |
|     |                | Discontinued part    | also use: 000 043 305 35          | 1   |                                   |
| (4) | 958 545 011 01 | Rear window          |                                   | 1   | PR:4KC,8AJ,<br>8YZ                |
| (4) | 958 545 011 05 | Rear window          | also use: 000 043 305 35          | 1   | PR:4KC,8DQ,<br>8DV                |
|     |                | Discontinued part    | also use: 000 043 305 35          | 1   |                                   |
| (4) | 958 545 011 06 | Rear window          |                                   | 1   | PR:4KC,8DQ,<br>8DV                |
| (4) | 958 545 011 10 | Rear window          | also use: 000 043 305 35          | 1   | PR:4KF,8AJ,<br>8YZ                |
|     |                | Discontinued part    | also use: 000 043 305 35          | 1   |                                   |
| (4) | 958 545 011 11 | Rear window          |                                   | 1   | PR:4KF,8AJ,<br>8YZ                |
| (4) | 958 545 011 15 | Rear window          | also use: 000 043 305 35          | 1   | PR:4KF,8DQ,<br>8DV                |
|     |                | Discontinued part    | also use: 000 043 305 35          | 1   |                                   |
| (4) | 958 545 011 16 | Rear window          |                                   | 1   | PR:4KF,8DQ,<br>8DV                |
| (4) | 958 545 011 20 | Rear window          | also use: 000 043 305 35          | 1   | PR:VW5,8AJ,<br>8YZ                |
|     |                | Discontinued part    | also use: 000 043 305 35          | 1   |                                   |
| (4) | 958 545 011 22 | Rear window          |                                   | 1   | PR:VW5,8AJ,<br>8YZ                |
| (4) | 958 545 011 25 | Rear window          | also use: 000 043 305 35          | 1   | PR:VW5,8DQ,<br>8DV                |
|     |                | Discontinued part    | also use: 000 043 305 35          | 1   |                                   |
| (4) | 958 545 011 27 | Rear window          |                                   | 1   | PR:VW5,8DQ,<br>8DV                |
| 5   | 958 545 260 00 | Seal for rear window | also use: 000 043 305 35<br>lower | 1   | PR:-VW5                           |
| (5) | 958 545 260 05 | Seal for rear window | lower                             | 1   | PR:VW5                            |
| 6   | WHT 001 248    | Hexagon nut<br>M 6   |                                   | 2   |                                   |
|     |                | Pin                  | with:                             |     |                                   |
| 7   | 958 545 359 00 | Sealing rubber       |                                   | 2   |                                   |
| (8) | 000 043 305 35 | 2K pane adhesive set |                                   | 1   |                                   |
| 9   | 000 043 205 37 | emulsion tube        |                                   | X   |                                   |
|     |                | Supplement set       |                                   |     |                                   |
| 10  | 000 043 206 47 | Car care set         |                                   | X   |                                   |
|     |                | Side window          |                                   |     |                                   |
|     |                | See technical manual |                                   |     |                                   |
| 11  | 000 043 300 96 | Wire                 |                                   | 1   |                                   |

Model: 92A 11

Model life 2011>>2018



Model: 92A 11 Model life 2011>>2018

| Pos | Part Number    | Description   | Remark                   | Qty | Model  |
|-----|----------------|---|--------------------------|-----|--|
| 1   | 958 541 111 42 | Window glasses<br>D - MJ 2017>><br>Windscreen<br>Camera<br>without: |                          | 1   | PR: 4GC, -B0L,<br>-7Y2, -7Y3,<br>-7Y6, -7Y7,<br>-8G1, -8G2         |
| (1) | 958 845 099 00 | Windscreen<br>Camera<br>without:                                    | also use: 000 043 305 35 | 1   | PR: 4GC, B0L,<br>-7Y2, -7Y3,<br>-7Y6, -7Y7,<br>-8G1, -8G2          |
| (1) | 958 541 111 32 | Windscreen<br>Camera<br>without:                                    | also use: 000 043 305 35 | 1   | PR: 4GK, -7Y2,<br>-7Y3, -7Y6,<br>-7Y7, -8G1,<br>-8G2               |
| (1) | 958 845 099 01 | Windscreen<br>Camera<br>without:                                    | also use: 000 043 305 35 | 1   | PR: 4GH, B0L,<br>-7Y2, -7Y3,<br>-7Y6, -7Y7,<br>-8G1, -8G2          |
| (1) | 958 541 111 25 | Windscreen<br>Camera<br>without:                                    | also use: 000 043 305 35 | 1   | PR: 4GG, -7Y2,<br>-7Y3, -7Y6,<br>-7Y7, -8G1,<br>-8G2               |
| 2   | 958 541 111 47 | Windscreen<br>Camera<br>with:                                       | also use: 000 043 305 35 | 1   | PR: 4GC, -B0L,<br>7Y2, 7Y3, 7Y6,<br>7Y7, 8G1, 8G2,<br>9Q6          |
| 2   | 958 541 111 47 | Windscreen<br>Camera<br>with:                                       | also use: 000 043 305 35 | 1   | PR: 4GC, -B0L,<br>7Y2, 7Y3, 7Y6,<br>7Y7, -8G1,<br>-8G2, -9Q6       |
| 2   | 958 541 111 47 | Windscreen<br>Camera<br>with:                                       | also use: 000 043 305 35 | 1   | PR: 4GC, -B0L,<br>-7Y2, -7Y3,<br>-7Y6, -7Y7,<br>8G1, 8G2, -9Q6     |
| 2   | 958 541 111 47 | Windscreen<br>Camera<br>with:                                       | also use: 000 043 305 35 | 1   | PR: 4GC, -B0L,<br>-7Y2, -7Y3,<br>-7Y6, -7Y7,<br>-8G1, -8G2,<br>9Q6 |
| 2   | 958 541 111 47 | Windscreen<br>Camera<br>with:                                       | also use: 000 043 305 35 | 1   | PR: 4GC, -B0L,<br>7Y2, 7Y3, 7Y6,<br>7Y7, 8G1, 8G2,<br>-9Q6         |
| 2   | 958 541 111 47 | Windscreen<br>Camera<br>with:                                       | also use: 000 043 305 35 | 1   | PR: 4GC, -B0L,<br>7Y2, 7Y3, 7Y6,<br>7Y7, -8G1,<br>-8G2, 9Q6        |
| 2   | 958 541 111 47 | Windscreen<br>Camera<br>with:                                       | also use: 000 043 305 35 | 1   | PR: 4GC, -B0L,<br>-7Y2, -7Y3,<br>-7Y6, -7Y7,<br>8G1, 8G2, 9Q6      |
| (2) | 958 845 099 02 | Windscreen<br>Camera<br>with:                                       | also use: 000 043 305 35 | 1   | PR: 4GC, B0L,<br>7Y2, 7Y3, 7Y6,<br>7Y7, 8G1, 8G2,<br>9Q6           |
| (2) | 958 845 099 02 | Windscreen<br>Camera<br>with:                                       | also use: 000 043 305 35 | 1   | PR: 4GC, B0L,<br>7Y2, 7Y3, 7Y6,<br>7Y7, -8G1,<br>-8G2, -9Q6        |
| (2) | 958 845 099 02 | Windscreen<br>Camera<br>with:                                       | also use: 000 043 305 35 | 1   | PR: 4GC, B0L,<br>-7Y2, -7Y3,<br>-7Y6, -7Y7,<br>8G1, 8G2, -9Q6      |

Model: 92A 11 Model life 2011>>2018

| Pos | Part Number    | Description                   | Remark         | Qty | Model   |
|-----|----------------|-------------------------------|----------------|-----|---|
| (2) | 958 845 099 02 | Windscreen<br>with:<br>Camera |                | 1   | PR: 4GC, B0L,<br>-7Y2, -7Y3,<br>-7Y6, -7Y7,<br>-8G1, -8G2,<br>9Q6 |
|     |                | also use:                     | 000 043 305 35 | 1   |   |
| (2) | 958 845 099 02 | Windscreen<br>with:<br>Camera |                | 1   | PR: 4GC, B0L,<br>7Y2, 7Y3, 7Y6,<br>7Y7, 8G1, 8G2,<br>-9Q6         |
|     |                | also use:                     | 000 043 305 35 | 1   |   |
| (2) | 958 845 099 02 | Windscreen<br>with:<br>Camera |                | 1   | PR: 4GC, B0L,<br>7Y2, 7Y3, 7Y6,<br>7Y7, -8G1,<br>-8G2, 9Q6        |
|     |                | also use:                     | 000 043 305 35 | 1   |   |
| (2) | 958 845 099 02 | Windscreen<br>with:<br>Camera |                | 1   | PR: 4GC, B0L,<br>-7Y2, -7Y3,<br>-7Y6, -7Y7,<br>8G1, 8G2, 9Q6      |
|     |                | also use:                     | 000 043 305 35 | 1   |   |
| (2) | 958 541 111 51 | Windscreen<br>with:<br>Camera |                | 1   | PR: 4GK, 7Y2,<br>7Y3, 7Y6, 7Y7,<br>8G1, 8G2, 9Q6                  |
|     |                | also use:                     | 000 043 305 35 | 1   |   |
| (2) | 958 541 111 51 | Windscreen<br>with:<br>Camera |                | 1   | PR: 4GK, 7Y2,<br>7Y3, 7Y6, 7Y7,<br>-8G1, -8G2,<br>-9Q6            |
|     |                | also use:                     | 000 043 305 35 | 1   |   |
| (2) | 958 541 111 51 | Windscreen<br>with:<br>Camera |                | 1   | PR: 4GK, -7Y2,<br>-7Y3, -7Y6,<br>-7Y7, 8G1,<br>8G2, -9Q6          |
|     |                | also use:                     | 000 043 305 35 | 1   |   |
| (2) | 958 541 111 51 | Windscreen<br>with:<br>Camera |                | 1   | PR: 4GK, -7Y2,<br>-7Y3, -7Y6,<br>-7Y7, -8G1,<br>-8G2, 9Q6         |
|     |                | also use:                     | 000 043 305 35 | 1   |   |
| (2) | 958 541 111 51 | Windscreen<br>with:<br>Camera |                | 1   | PR: 4GK, 7Y2,<br>7Y3, 7Y6, 7Y7,<br>8G1, 8G2, -9Q6                 |
|     |                | also use:                     | 000 043 305 35 | 1   |   |
| (2) | 958 541 111 51 | Windscreen<br>with:<br>Camera |                | 1   | PR: 4GK, 7Y2,<br>7Y3, 7Y6, 7Y7,<br>-8G1, -8G2,<br>9Q6             |
|     |                | also use:                     | 000 043 305 35 | 1   |   |
| (2) | 958 541 111 51 | Windscreen<br>with:<br>Camera |                | 1   | PR: 4GK, -7Y2,<br>-7Y3, -7Y6,<br>-7Y7, 8G1,<br>8G2, 9Q6           |
|     |                | also use:                     | 000 043 305 35 | 1   |   |
| (2) | 958 541 111 65 | Windscreen<br>with:<br>Camera |                | 1   | PR: 4GG, 7Y2,<br>7Y3, 7Y6, 7Y7,<br>-8G1, -8G2,<br>-9Q6            |
|     |                | also use:                     | 000 043 305 35 | 1   |   |
| (2) | 958 541 111 65 | Windscreen<br>with:<br>Camera |                | 1   | PR: 4GG, -7Y2,<br>-7Y3, -7Y6,<br>-7Y7, 8G1,<br>8G2, -9Q6          |
|     |                | also use:                     | 000 043 305 35 | 1   |   |
| (2) | 958 541 111 65 | Windscreen<br>with:<br>Camera |                | 1   | PR: 4GG, -7Y2,<br>-7Y3, -7Y6,<br>-7Y7, -8G1,<br>-8G2, 9Q6         |
|     |                | also use:                     | 000 043 305 35 | 1   |   |
| (2) | 958 541 111 65 | Windscreen<br>with:<br>Camera |                | 1   | PR: 4GG, 7Y2,<br>7Y3, 7Y6, 7Y7,                                   |

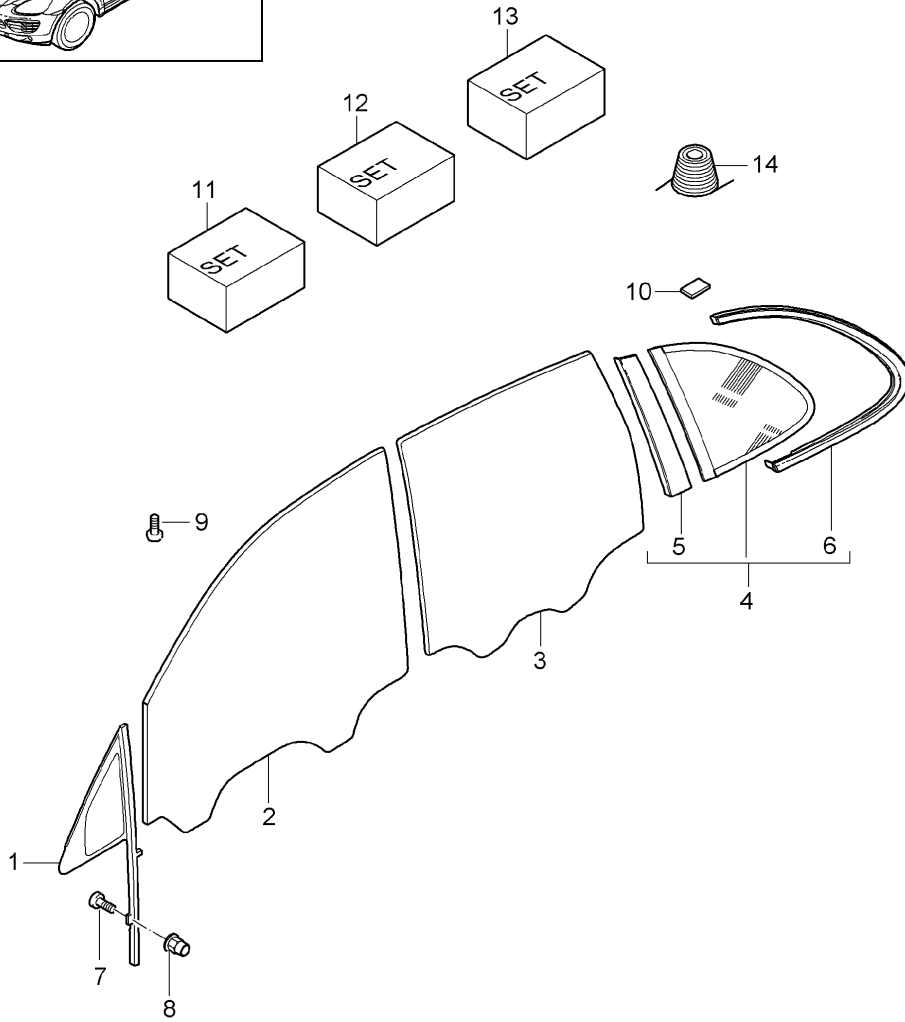
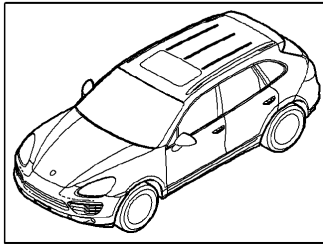
Model: 92A 11

Model life 2011>>2018

| Pos | Part Number    | Description                       | Remark                   | Qty | Model  |
|-----|----------------|-----------------------------------|--------------------------|-----|--|
|     |                | Camera                            |                          |     | 8G1, 8G2, -9Q6                                 |
| (2) | 958 541 111 65 | Windscreen                        | also use: 000 043 305 35 | 1   |  |
|     |                | Camera                            | with:                    | 1   | PR: 4GG, 7Y2, 7Y3, 7Y6, 7Y7, -8G1, -8G2, 9Q6   |
| (2) | 958 541 111 65 | Windscreen                        | also use: 000 043 305 35 | 1   | PR: 4GG, -7Y2, -7Y3, -7Y6, -7Y7, 8G1, 8G2, 9Q6 |
|     |                | Camera                            | with:                    | 1   |  |
| 3   | 958 541 530 00 | Distance piece                    | also use: 000 043 305 35 | 2   |  |
| -   |                | Windscreen                        |                          |     |  |
| 4   | 958 845 051 00 | Rear window                       |                          | 1   | PR: 4KC  |
|     |                | Rear window                       | also use: 000 043 305 35 | 1   |  |
| (4) | 958 845 051 01 | Rear window                       |                          | 1   | PR: 4KF  |
|     |                | Rear window                       | also use: 000 043 305 35 | 1   |  |
| (4) | 958 845 051 02 | Rear window                       |                          | 1   | PR: VW5  |
|     |                | Rear window                       | also use: 000 043 305 35 | 1   |  |
| 5   | 958 545 260 00 | Seal for rear window              | lower                    | 1   | PR: -VW5                                       |
| (5) | 958 545 260 05 | Seal for rear window              | lower                    | 1   | PR: VW5  |
| 6   | WHT 001 248    | Hexagon nut M 6                   |                          | 2   |  |
|     |                | Pin                               | with:                    |     |  |
| 7   | 958 545 359 00 | Sealing rubber                    |                          | 2   |  |
| 8   | 000 043 305 35 | 2K pane adhesive set              |                          | 1   |  |
| 9   | 000 043 205 37 | emulsion tube                     |                          | X   |  |
|     |                | Supplement set                    |                          |     |  |
| 10  | 000 043 206 47 | Car care set                      |                          | X   |  |
|     |                | Side window                       |                          |     |  |
|     |                | See technical manual              |                          |     |  |
| 11  | 000 043 303 32 | cutting wire for removing windows |                          | 1   |  |

Model: 92A 11

Model life 2011>>2018





Model: 92A 11 Model life 2011>>2018

| Pos | Part Number    | Description  | Remark                 | Qty | Model                 |
|-----|----------------|--|------------------------|-----|-----------------------|
| -   |                | Window glasses<br>D >> - MJ 2016<br>Triangular plate<br>(drivers side)<br>(passenger side) | side                   |     |                       |
| 1   | 958 542 311 00 | Side window<br>Discontinued part   | left                   | 1   | PR: 4KC, 4KF          |
| (1) | 958 542 311 01 | Side window  | left                   | 1   | PR: 4KC, 4KF          |
| (1) | 958 542 312 00 | Side window<br>Discontinued part   | right                  | 1   | PR: 4KC, 4KF          |
| (1) | 958 542 312 01 | Side window  | right                  | 1   | PR: 4KC, 4KF          |
| (1) | 958 542 311 05 | Side window<br>Discontinued part   | left                   | 1   | PR: VW5               |
| (1) | 958 542 311 06 | Side window<br>Discontinued part   | left                   | 1   | PR: VW5               |
| (1) | 958 542 311 07 | Side window  | left                   | 1   | PR: VW5               |
| (1) | 958 542 312 05 | Side window<br>Discontinued part   | right                  | 1   | PR: VW5               |
| (1) | 958 542 312 06 | Side window<br>Discontinued part   | right                  | 1   | PR: VW5               |
| (1) | 958 542 312 07 | Side window  | right                  | 1   | PR: VW5               |
| -   |                | Side window<br>doors   | front                  |     |                       |
| 2   | 958 542 511 00 | Door window<br>Discontinued part   | left                   | 1   | PR: 4KC, 4KF          |
| (2) | 958 542 511 01 | Door window  | left                   | 1   | PR: 4KC, 4KF          |
| (2) | 958 542 512 00 | Door window<br>Discontinued part   | right                  | 1   | PR: 4KC, 4KF          |
| (2) | 958 542 512 01 | Door window  | right                  | 1   | PR: 4KC, 4KF          |
| (2) | 958 542 511 05 | Door window<br>Discontinued part   | left                   | 1   | PR: VW5               |
| (2) | 958 542 511 06 | Door window  | left                   | 1   | PR: VW5               |
| (2) | 958 542 512 05 | Door window<br>Discontinued part   | right                  | 1   | PR: VW5               |
| (2) | 958 542 512 06 | Door window  | right                  | 1   | PR: VW5               |
| -   |                | Side window<br>doors   | rear                   |     |                       |
| 3   | 958 542 611 00 | Door window<br>Discontinued part   | left                   | 1   | PR: 4KC               |
| (3) | 958 542 611 01 | Door window  | left                   | 1   | PR: 4KC               |
| (3) | 958 542 612 00 | Door window<br>Discontinued part   | right                  | 1   | PR: 4KC               |
| (3) | 958 542 612 01 | Door window  | right                  | 1   | PR: 4KC               |
| (3) | 958 542 611 05 | Door window<br>Discontinued part   | left                   | 1   | PR: 4KF               |
| (3) | 958 542 611 06 | Door window  | left                   | 1   | PR: 4KF               |
| (3) | 958 542 612 05 | Door window<br>Discontinued part   | right                  | 1   | PR: 4KF               |
| (3) | 958 542 612 06 | Door window  | right                  | 1   | PR: 4KF               |
| (3) | 958 542 611 10 | Door window<br>Discontinued part   | left                   | 1   | PR: VW5               |
| (3) | 958 542 611 11 | Door window  | left                   | 1   | PR: VW5               |
| (3) | 958 542 612 10 | Door window<br>Discontinued part   | right                  | 1   | PR: VW5               |
| (3) | 958 542 612 11 | Door window  | right                  | 1   | PR: VW5               |
| -   |                | Side window  | left<br>right          |     |                       |
| (4) | 958 544 111 02 | Side window<br>Trim  | left                   | 1   | PR: QJ2, 4KC,<br>-9M9 |
|     |                | with:<br>also use:   |                        |     |                       |
| (4) | 958 544 111 07 | D - MJ 2012>> - MJ 2012<br>Side window   | 000 043 305 35<br>left | 1   | PR: QJ2, 4KF,         |

Model: 92A 11 Model life 2011>>2018

| Pos | Part Number    | Description                   | Remark                    | Qty | Model   |
|-----|----------------|-------------------------------|---------------------------|-----|---|
|     |                | Trim with:                    |                           |     | QV0, QV3, QV4, QV8                              |
| (4) | 958 544 111 12 | D - MJ 2012>> - Side window   | also use: MJ 2012<br>left | 1   | PR: QJ2, VW5, QV0, QV3, QV4, QV8                |
| (4) | 958 544 111 18 | Discontinued part Side window | also use: MJ 2012<br>left | 1   | PR: QJ4, 4KC, QV0, QV3, QV8                     |
| (4) | 958 544 111 23 | D - MJ 2012>> Side window     | also use: MJ 2012<br>left | 1   | PR: QJ4, 4KF, QV0, QV3, QV4,                    |
| (4) | 958 544 111 28 | D - MJ 2013>> Side window     | also use: MJ 2012<br>left | 1   | PR: QJ4, VW5,                                   |
| (4) | 958 544 111 32 | Side window                   | also use: MJ 2012<br>left | 1   | PR: QJ2, 4KC, 9M9                               |
| (4) | 958 544 111 38 | Discontinued part Side window | also use: MJ 2012<br>left | 1   | PR: QJ2, 4KF, QU0, QV1, QV5                     |
| (4) | 958 544 111 37 | D - MJ 2013>> Side window     | also use: MJ 2012<br>left | 1   | PR: QJ2, QV1, 4KF, 7Q0, 7Q7, 7T1, 7T4           |
| (4) | 958 544 111 42 | D - MJ 2012>> - Side window   | also use: MJ 2012<br>left | 1   | PR: QJ2, QV1, VW5                               |
| (4) | 958 544 111 47 | D >> - Side window            | also use: MJ 2012<br>left | 1   | PR: QJ4, QV1, 4KC, 7Q0, 7Q7, 7T1, 7T4           |
| (4) | 958 544 111 48 | D >> - Side window            | also use: MJ 2012<br>left | 1   | PR: QJ4, QV1, 4KC, 7Q0, 7Q7, 7T1, 7T4, QU0, QV5 |
| (4) | 958 544 111 53 | D - MJ 2013>> Side window     | also use: MJ 2012<br>left | 1   | PR: QJ4, 4KF, QU0, QV1, QV5                     |
| (4) | 958 544 111 57 | Side window                   | also use: MJ 2012<br>left | 1   | PR: QJ4, QV1, VW5, 7Q0, 7Q7, 7T1, 7T4           |
| (4) | 958 544 111 58 | D >> - Side window            | also use: MJ 2012<br>left | 1   | PR: QJ4, VW5, QU0, QV1, QV5                     |
| (4) | 958 544 111 60 | D - MJ 2013>> Side window     | also use: MJ 2012<br>left | 1   | PR: QJ2, QV0, 4KC, 7Q4, 9M0, 9M1, 9M5           |
| (4) | 958 544 111 61 | Discontinued part Side window | also use: MJ 2011<br>left | 1   | "J. . ."<br>PR: QJ2, QV0, 4KC, 7Q4, 9M0,        |

Model: 92A 11 Model life 2011>>2018

| Pos | Part Number    | Description   | Remark                              | Qty    | Model   |
|-----|----------------|---|-------------------------------------|--------|---|
| (4) | 958 544 111 62 | D >> - MJ 2011<br>Discontinued part<br>Side window          | left<br>000 043 305 35              | 1<br>1 | 9M1,9M5<br>"J.."<br>PR:QJ2,QV0,<br>4KC,7Q4<br>"J.." |
| (4) | 958 544 111 65 | D - MJ 2012>> - MJ 2012<br>Discontinued part<br>Side window | left<br>000 043 305 35              | 1<br>1 | PR:QJ2,QV0,<br>4KF,7Q4,9M0,<br>9M1,9M5<br>"J.."     |
| (4) | 958 544 111 66 | D >> - MJ 2011<br>Discontinued part<br>Side window          | left<br>000 043 305 35              | 1<br>1 | PR:QJ2,QV0,<br>4KF,7Q4,9M0,<br>9M1,9M5<br>"J.."     |
| (4) | 958 544 111 67 | D >> - MJ 2011<br>Discontinued part<br>Side window          | left<br>000 043 305 35              | 1<br>1 | PR:QJ2,QV0,<br>4KF,7Q4<br>"J.."                     |
| (4) | 958 544 111 70 | D - MJ 2012>> - MJ 2012<br>Discontinued part<br>Side window | left<br>000 043 305 35              | 1<br>1 | PR:QJ2,QV0,<br>VW5,7Q4,9M0,<br>9M1,9M5<br>"J.."     |
| (4) | 958 544 111 71 | D >> - MJ 2011<br>Discontinued part<br>Side window          | left<br>000 043 305 35              | 1<br>1 | PR:QJ2,QV0,<br>VW5,7Q4,9M0,<br>9M1,9M5<br>"J.."     |
| (4) | 958 544 111 72 | D >> - MJ 2011<br>Discontinued part<br>Side window          | left rear<br>left<br>000 043 305 35 | 1<br>1 | PR:QJ2,QV0,<br>VW5,7Q4<br>"J.."                     |
| (4) | 958 544 111 75 | D - MJ 2012>> - MJ 2012<br>Discontinued part<br>Side window | left rear<br>left<br>000 043 305 35 | 1<br>1 | PR:QJ4,QV0,<br>4KC,7Q4,9M0,<br>9M1,9M5<br>"J.."     |
| (4) | 958 544 111 76 | D >> - MJ 2011<br>Discontinued part<br>Side window          | left rear<br>left<br>000 043 305 35 | 1<br>1 | PR:QJ4,QV0,<br>4KC,7Q4,9M0,<br>9M1,9M5<br>"J.."     |
| (4) | 958 544 111 77 | D >> - MJ 2011<br>Discontinued part<br>Side window          | left rear<br>left<br>000 043 305 35 | 1<br>1 | PR:QJ4,QV0,<br>4KC,7Q4<br>"J.."                     |
| (4) | 958 544 111 78 | D - MJ 2012>> - MJ 2012<br>Discontinued part<br>Side window | left rear<br>left<br>000 043 305 35 | 1<br>1 | PR:QJ4,QV0,<br>4KC,7Q4<br>"J.."                     |
| (4) | 958 544 111 80 | Side window   | left rear<br>left<br>000 043 305 35 | 1<br>1 | PR:QJ4,QV0,<br>4KF,7Q4,9M0,<br>9M1,9M5<br>"J.."     |
| (4) | 958 544 111 81 | D >> - MJ 2011<br>Discontinued part<br>Side window          | left rear<br>left<br>000 043 305 35 | 1<br>1 | PR:QJ4,QV0,<br>4KF,7Q4,9M0,<br>9M1,9M5<br>"J.."     |
| (4) | 958 544 111 82 | D >> - MJ 2011<br>Discontinued part<br>Side window          | left rear<br>left<br>000 043 305 35 | 1<br>1 | PR:QJ4,QV0,<br>4KF,7Q4<br>"J.."                     |
|     |                | D - MJ 2012>> - MJ 2012                                     |                                     |        |   |

Model: 92A 11 Model life 2011>>2018

| Pos | Part Number    | Description   | Remark   | Qty | Model  |
|-----|----------------|---|--|-----|--|
| (4) | 958 544 111 83 | Discontinued part<br>Side window                            | left rear<br>left  | 1   | PR:QJ4,QV0,<br>4KF,7Q4                                     |
| (4) | 958 544 111 85 | Side window<br>also use:                                    | 000 043 305 35<br>left rear<br>left                                  | 1   | "J.."<br>PR:QJ4,QV0,<br>VW5,7Q4,9M0,<br>9M1,9M5            |
| (4) | 958 544 111 86 | Discontinued part<br>Side window<br>D >> - MJ 2011          | left rear<br>left<br>also use:<br>000 043 305 35                     | 1   | PR:QJ4,QV0,<br>VW5,7Q4,9M0,<br>9M1,9M5<br>"J.."            |
| (4) | 958 544 111 87 | Discontinued part<br>Side window<br>D - MJ 2012>> - MJ 2012 | left rear<br>left<br>also use:<br>000 043 305 35                     | 1   | PR:QJ4,QV0,<br>VW5,7Q4<br>"J.."                            |
| (4) | 958 544 111 88 | Discontinued part<br>Side window                            | left rear<br>left  | 1   | PR:QJ4,QV0,<br>VW5,7Q4                                     |
| (4) | 958 544 112 00 | Side window<br>also use:                                    | 000 043 305 35<br>right rear<br>right<br>also use:<br>000 043 305 35 | 1   | "J.."<br>PR:QJ2,QV0,<br>QV4,4KC                            |
| (4) | 958 544 112 01 | Discontinued part<br>Side window<br>D >> - MJ 2011          | right rear<br>right<br>also use:<br>000 043 305 35                   | 1   | PR:QJ2,QV0,<br>QV4,4KC,7Q0,<br>7Q7,7T1,7T4,<br>9M0,9M1,9M5 |
| (4) | 958 544 112 02 | Discontinued part<br>Side window                            | right rear<br>right  | 1   | PR:QJ2,QV0,<br>QV3,QV4,QV8,<br>4KC                         |
| (4) | 958 544 112 05 | Discontinued part<br>Side window<br>D >> - MJ 2011          | right rear<br>right<br>also use:<br>000 043 305 35                   | 1   | PR:QJ2,4KF,<br>QV0,QV4,-9M9                                |
| (4) | 958 544 112 06 | Discontinued part<br>Side window<br>D >> - MJ 2011          | right rear<br>right<br>also use:<br>000 043 305 35                   | 1   | PR:QJ2,4KF,<br>QV0,QV4,-9M9                                |
| (4) | 958 544 112 07 | Discontinued part<br>Side window<br>D - MJ 2012>> - MJ 2012 | right rear<br>right<br>also use:<br>000 043 305 35                   | 1   | PR:QJ2,4KF,<br>QV0,QV3,QV4,<br>QV8                         |
| (4) | 958 544 112 10 | Discontinued part<br>Side window<br>D >> - MJ 2011          | right rear<br>right<br>also use:<br>000 043 305 35                   | 1   | PR:QJ2,VW5,<br>QV0,QV4,-9M9                                |
| (4) | 958 544 112 11 | Discontinued part<br>Side window<br>D >> - MJ 2011          | right rear<br>right<br>also use:<br>000 043 305 35                   | 1   | PR:QJ2,VW5,<br>QV0,QV3,QV4,<br>QV8                         |
| (4) | 958 544 112 12 | Discontinued part<br>Side window                            | right rear<br>right  | 1   | PR:QJ2,VW5,<br>QV0,QV3,QV4,                                |

Model: 92A 11 Model life 2011>>2018

| Pos | Part Number    | Description   | Remark                      | Qty | Model  |
|-----|----------------|---|-----------------------------|-----|--|
|     |                |   | also use:<br>000 043 305 35 | 1   | QV8  |
| (4) | 958 544 112 15 | D - MJ 2012>> -<br>Discontinued part<br>Side window | right rear<br>right         | 1   | PR:QJ4,QV0,<br>QV4,4KC,-9M9  |
|     |                |   | also use:<br>000 043 305 35 | 1   |  |
| (4) | 958 544 112 16 | D >> -<br>Discontinued part<br>Side window          | right rear<br>right         | 1   | PR:QJ4,QV0,<br>QV4,4KC,7Q0,<br>7Q7,7T1,7T4,<br>9M0,9M1,9M5                 |
|     |                |   | also use:<br>000 043 305 35 | 1   |  |
| (4) | 958 544 112 17 | D >> -<br>Discontinued part<br>Side window          | right rear<br>right         | 1   | PR:QJ4,QV0,<br>QV3,QV4,QV8,<br>4KC,7Q0,7Q7,<br>7T1,7T4,9M0,<br>9M1,9M5     |
|     |                |   | also use:<br>000 043 305 35 | 1   |  |
| (4) | 958 544 112 18 | D - MJ 2012>> -<br>Discontinued part<br>Side window | right rear<br>right         | 1   | PR:QJ4,4KC,<br>QU0,QV0,QV3,<br>QV4,QV8,-9M9                                |
|     |                |   | also use:<br>000 043 305 35 | 1   |  |
| (4) | 958 544 112 20 | Side window   | right rear<br>right         | 1   | PR:QJ4,QV0,<br>QV4,4KF,-9M9  |
|     |                |   | also use:<br>000 043 305 35 | 1   |  |
| (4) | 958 544 112 21 | D >> -<br>Discontinued part<br>Side window          | right rear<br>right         | 1   | PR:QJ4,QV0,<br>QV4,4KF,7Q0,<br>7Q7,7T1,7T4,<br>9M0,9M1,9M5                 |
|     |                |   | also use:<br>000 043 305 35 | 1   |  |
| (4) | 958 544 112 22 | D >> -<br>Discontinued part<br>Side window          | right rear<br>right         | 1   | PR:QJ4,QV0,<br>QV3,QV4,QV8,<br>4KF,7Q0,7Q7,<br>7T1,7T4,9M0,<br>9M1,9M5     |
|     |                |   | also use:<br>000 043 305 35 | 1   |  |
| (4) | 958 544 112 23 | D - MJ 2012>> -<br>Discontinued part<br>Side window | right                       | 1   | PR:QJ4,4KF,<br>QU0,QV0,QV3,<br>QV4,QV8,-9M9                                |
|     |                |   | also use:<br>000 043 305 35 | 1   |  |
| (4) | 958 544 112 25 | Side window   | right                       | 1   | PR:QJ4,QV0,<br>QV4,VW5,-9M9  |
|     |                |   | also use:<br>000 043 305 35 | 1   |  |
| (4) | 958 544 112 26 | D >> -<br>Discontinued part<br>Side window          | right                       | 1   | PR:QJ4,QV0,<br>QV4,VW5,7Q0,<br>7Q7,7T1,7T4,<br>9M0,9M1,9M5                 |
|     |                |   | also use:<br>000 043 305 35 | 1   |  |
| (4) | 958 544 112 27 | D >> -<br>Discontinued part<br>Side window          | right                       | 1   | PR:QJ4,QV0,<br>QV3,QV4,QV8,<br>VW5,7Q0,7Q7,<br>7T1,7T4,9M0,<br>9M1,9M5     |
|     |                |   | also use:<br>000 043 305 35 | 1   |  |
| (4) | 958 544 112 28 | D - MJ 2012>> -<br>Discontinued part<br>Side window | right                       | 1   | PR:QJ4,QV0,<br>QV3,QV4,QV8,<br>VW5,7Q0,7Q7,<br>7T1,7T4,9M0,<br>9M1,9M5,QU0 |
|     |                |   | also use:<br>000 043 305 35 | 1   |  |
| (4) | 958 544 112 30 | Side window   | right                       | 1   | PR:QJ2,4KC,<br>QV1,QV4,9M9   |
|     |                |   | also use:<br>000 043 301 14 | 1   |  |
|     |                | D >> -<br>Discontinued part                         |                             |     |  |

Model: 92A 11 Model life 2011>>2018

| Pos | Part Number    | Description   | Remark         | Qty | Model  |
|-----|----------------|---|----------------|-----|--|
| (4) | 958 544 112 31 | Side window   | right          | 1   | PR:QJ2,QV1,<br>4KC,7Q7,7T1,<br>7T4,9M0,9M1,<br>9M5,9M9,QV0,<br>QV4                         |
|     |                | also use:<br>D >> - MJ 2011<br>Discontinued part          | 000 043 301 14 | 1   |  |
| (4) | 958 544 112 32 | Side window   | right          | 1   | PR:QJ2,QV1,<br>QV3,QV4,QV8,<br>4KC,7Q0,7Q7,<br>7T1,7T4,9M0,<br>9M1,9M5,9M9                 |
|     |                | also use:<br>D - MJ 2012>> - MJ 2012<br>Discontinued part | 000 043 301 14 | 1   |  |
| (4) | 958 544 112 37 | Side window   | right          | 1   | PR:QJ2,4KF,<br>QV1,9M9   |
|     |                | also use:<br>Discontinued part                            | 000 043 301 14 | 1   |  |
| (4) | 958 544 112 40 | Side window   | right          | 1   | PR:QJ2,VW5,<br>QV1   |
|     |                | also use:<br>D >> - MJ 2011<br>Discontinued part          | 000 043 301 14 | 1   |  |
| (4) | 958 544 112 41 | Side window   | right          | 1   | PR:QJ2,VW5,<br>9M9   |
|     |                | also use:<br>D >> - MJ 2011<br>Discontinued part          | 000 043 301 14 | 1   |  |
| (4) | 958 544 112 42 | Side window   | right          | 1   | PR:QJ2,VW5,<br>QV3,QV8   |
|     |                | also use:<br>D - MJ 2012>> - MJ 2012<br>Discontinued part | 000 043 301 14 | 1   |  |
| (4) | 958 544 112 45 | Side window   | right          | 1   | PR:QJ4,QV1,<br>4KC,7Q7,7T1,<br>7T4,9M0,9M1,<br>9M5,9M9,QV0,<br>QV4,7Q0                     |
|     |                | also use:<br>D >> - MJ 2011<br>Discontinued part          | 000 043 301 14 | 1   |  |
| (4) | 958 544 112 46 | Side window   | right          | 1   | PR:QJ4,QV1,<br>4KC,7Q7,7T1,<br>7T4,9M0,9M1,<br>9M5,9M9,QV0,<br>QV4,7Q0                     |
|     |                | also use:<br>D >> - MJ 2011<br>Discontinued part          | 000 043 301 14 | 1   |  |
| (4) | 958 544 112 47 | Side window   | right          | 1   | PR:QJ4,QV0,<br>QV1,QV3,QV4,<br>QV8,4KC,7Q0,<br>7Q7,7T1,7T4,<br>9M0,9M1,9M5,<br>9M9         |
|     |                | also use:<br>D - MJ 2012>> - MJ 2012<br>Discontinued part | 000 043 301 14 | 1   |  |
| (4) | 958 544 112 48 | Side window   | right          | 1   | PR:QJ4,QV0,<br>QV1,QV3,QV4,<br>QV8,4KC,7Q0,<br>7Q7,7T1,7T4,<br>9M0,9M1,9M5,<br>9M9,QU0,QV5 |
|     |                | also use:<br>Discontinued part                            | 000 043 305 35 | 1   |  |
| (4) | 958 544 112 50 | Side window   | right          | 1   | PR:QJ4,4KF,<br>QV1,QV4   |
|     |                | also use:<br>D >> - MJ 2011<br>Discontinued part          | 000 043 301 14 | 1   |  |
| (4) | 958 544 112 51 | Side window   | right          | 1   | PR:QJ4,4KF,<br>9M9   |
|     |                | also use:<br>D >> - MJ 2011<br>Discontinued part          | 000 043 301 14 | 1   |  |
| (4) | 958 544 112 52 | Side window   | right          | 1   | PR:QJ4,4KF,<br>QV1,QV3,QV4,  |

Model: 92A 11 Model life 2011>>2018

| Pos | Part Number    | Description   | Remark                      | Qty | Model  |
|-----|----------------|---|-----------------------------|-----|--|
|     |                |   | also use:<br>000 043 301 14 | 1   | QV8  |
| (4) | 958 544 112 53 | D - MJ 2012>> -<br>Discontinued part<br>Side window | right                       | 1   | PR:QJ4,4KF,<br>QV1,QV5   |
| (4) | 958 544 112 53 | Side window   | also use:<br>000 043 305 35 | 1   | PR:QJ4,4KF,<br>9M9   |
| (4) | 958 544 112 55 | Side window   | also use:<br>000 043 305 35 | 1   | PR:QJ4,QV1,<br>VW5,7Q7,7T1,<br>7T4,9M0,9M1,<br>9M5,9M9,QV0,<br>QV4,7Q0             |
| (4) | 958 544 112 56 | D >> -<br>Discontinued part<br>Side window          | also use:<br>000 043 301 14 | 1   | PR:QJ4,QV1,<br>VW5,7Q7,7T1,<br>7T4,9M0,9M1,<br>9M5,9M9,QV0,<br>QV4,7Q0             |
| (4) | 958 544 112 57 | D >> -<br>Discontinued part<br>Side window          | also use:<br>000 043 301 14 | 1   | PR:QJ4,QV0,<br>QV1,QV3,QV8,<br>VW5,7Q0,7Q7,<br>7T1,7T4,9M0,<br>9M1,9M5,9M9,<br>QV4 |
| (4) | 958 544 112 58 | D - MJ 2012>> -<br>Discontinued part<br>Side window | right                       | 1   | PR:QJ4,VW5,<br>9M9   |
| (4) | 958 544 112 60 | D - MJ 2013>><br>Side window                        | also use:<br>000 043 305 35 | 1   | PR:QJ2,QV0,<br>4KC,7Q4,9M0,<br>9M1,9M5,9M9   |
| (4) | 958 544 112 61 | D >> -<br>Discontinued part<br>Side window          | also use:<br>000 043 301 14 | 1   | "J.."  |
| (4) | 958 544 112 62 | D >> -<br>Side window                               | also use:<br>000 043 305 35 | 1   | PR:QJ2,QV0,<br>4KC,7Q4,9M0,<br>9M1,9M5,9M9   |
| (4) | 958 544 112 65 | D - MJ 2012>> -<br>Side window                      | also use:<br>000 043 305 35 | 1   | "J.."  |
| (4) | 958 544 112 66 | D >> -<br>Discontinued part<br>Side window          | also use:<br>000 043 301 14 | 1   | PR:QJ2,QV0,<br>4KF,7Q4,9M0,<br>9M1,9M5,9M9   |
| (4) | 958 544 112 67 | D >> -<br>Discontinued part<br>Side window          | also use:<br>000 043 305 35 | 1   | "J.."  |
| (4) | 958 544 112 70 | D - MJ 2012>> -<br>Discontinued part<br>Side window | right rear                  | 1   | PR:QJ2,QV0,<br>VW5,7Q4,9M0,<br>9M1,9M5,9M9   |
| (4) | 958 544 112 71 | D >> -<br>Discontinued part<br>Side window          | also use:<br>000 043 301 14 | 1   | "J.."  |
|     |                |   | right rear                  | 1   | PR:QJ2,QV0,  |

Model: 92A 11 Model life 2011>>2018

| Pos | Part Number    | Description   | Remark                                | Qty | Model   |
|-----|----------------|---|---------------------------------------|-----|---|
|     |                |   | right<br>000 043 301 14               | 1   | VW5,7Q4,9M0,<br>9M1,9M5,9M9<br>"J.."                |
| (4) | 958 544 112 72 | also use:<br>D >> - MJ 2011<br>Discontinued part<br>Side window | right rear<br>right<br>000 043 305 35 | 1   | PR:QJ2,QV0,<br>VW5,7Q4,9M0,<br>9M1,9M5,9M9<br>"J.." |
| (4) | 958 544 112 75 | also use:<br>D >> - MJ 2012<br>Side window                      | right rear<br>right<br>000 043 301 14 | 1   | PR:QJ4,QV0,<br>4KC,7Q4,9M0,<br>9M1,9M5,9M9<br>"J.." |
| (4) | 958 544 112 76 | also use:<br>D >> - MJ 2011<br>Discontinued part<br>Side window | right rear<br>right<br>000 043 301 14 | 1   | PR:QJ4,QV0,<br>4KC,7Q4,9M0,<br>9M1,9M5,9M9<br>"J.." |
| (4) | 958 544 112 77 | also use:<br>D >> - MJ 2011<br>Discontinued part<br>Side window | right rear<br>right<br>000 043 305 35 | 1   | PR:QJ4,QV0,<br>4KC,7Q4,9M0,<br>9M1,9M5,9M9<br>"J.." |
| (4) | 958 544 112 78 | also use:<br>D >> - MJ 2012<br>Side window                      | right rear<br>right<br>000 043 305 35 | 1   | PR:QJ4,QV0,<br>4KC,7Q4,9M0,<br>9M1,9M5,9M9<br>"J.." |
| (4) | 958 544 112 80 | also use:<br>D - MJ 2013>><br>Side window                       | right rear<br>right<br>000 043 301 14 | 1   | PR:QJ4,QV0,<br>4KF,7Q4,9M0,<br>9M1,9M5,9M9<br>"J.." |
| (4) | 958 544 112 81 | also use:<br>D >> - MJ 2011<br>Discontinued part<br>Side window | right rear<br>right<br>000 043 301 14 | 1   | PR:QJ4,QV0,<br>4KF,7Q4,9M0,<br>9M1,9M5,9M9<br>"J.." |
| (4) | 958 544 112 82 | also use:<br>D >> - MJ 2011<br>Discontinued part<br>Side window | right rear<br>right<br>000 043 305 35 | 1   | PR:QJ4,QV0,<br>4KF,7Q4,9M0,<br>9M1,9M5,9M9<br>"J.." |
| (4) | 958 544 112 83 | also use:<br>D >> - MJ 2012<br>Side window                      | right rear<br>right<br>000 043 305 35 | 1   | PR:QJ4,QV0,<br>4KF,7Q4,9M0,<br>9M1,9M5<br>"J.."     |
| (4) | 958 544 112 85 | also use:<br>D - MJ 2013>><br>Side window                       | right rear<br>right<br>000 043 301 14 | 1   | PR:QJ4,QV0,<br>VW5,7Q4,9M0,<br>9M1,9M5,9M9<br>"J.." |
| (4) | 958 544 112 86 | also use:<br>D >> - MJ 2011<br>Discontinued part<br>Side window | right rear<br>right<br>000 043 301 14 | 1   | PR:QJ4,QV0,<br>VW5,7Q4,9M0,<br>9M1,9M5,9M9<br>"J.." |
| (4) | 958 544 112 87 | also use:<br>D >> - MJ 2011<br>Discontinued part<br>Side window | right rear<br>right<br>000 043 305 35 | 1   | PR:QJ4,QV0,<br>VW5,7Q4,9M0,<br>9M1,9M5,9M9<br>"J.." |
| (4) | 958 544 112 88 | also use:<br>D >> - MJ 2012<br>Side window                      | right rear<br>right<br>000 043 305 35 | 1   | PR:QJ4,QV0,<br>VW5,7Q4,9M0,<br>9M1,9M5,9M9<br>"J.." |
| (4) | 958 544 111 03 | also use:<br>D - MJ 2013>><br>Side window                       | right rear<br>right<br>000 043 305 35 | 1   | PR:QJ4,QV0,<br>VW5,7Q4,9M0,<br>9M1,9M5,9M9<br>"J.." |
|     |                |   | left                                  | 1   | PR:QJ2,4KC,   |



Model: 92A 11

Model life 2011>>2018

| Pos | Part Number    | Description                               | Remark         | Qty | Model                                      |
|-----|----------------|---|----------------|-----|--|
|     |                | Trim<br>Chrome look<br>with:              |                |     | QV0, QV3, QV4, QV8                         |
| (4) | 958 544 112 03 | D - MJ 2013>><br>Side window<br>also use: | 000 043 305 35 | 1   |  |
|     |                | Trim<br>Chrome look<br>with:              |                |     | PR:QJ2, 4KC, QU0, QV0, QV3, QV4, QV8, -9M9 |
| (4) | 958 544 111 08 | D - MJ 2013>><br>Side window<br>also use: | 000 043 305 35 | 1   |  |
|     |                | Trim<br>Chrome look<br>with:              |                |     | PR:QJ2, 4KF, QV0, QV3, QV4, QV8            |
| (4) | 958 544 112 08 | D - MJ 2013>><br>Side window<br>also use: | 000 043 305 35 | 1   |  |
|     |                | Trim<br>Chrome look<br>with:              |                |     | PR:QJ2, 4KF, QU0, QV0, QV3, QV4, QV8, -9M9 |
| (4) | 958 544 111 13 | D - MJ 2013>><br>Side window<br>also use: | 000 043 305 35 | 1   |  |
|     |                | Trim<br>Chrome look<br>with:              |                |     | PR:QJ2, VW5, QV0, QV3, QV4, QV8            |
| (4) | 958 544 112 13 | Side window<br>also use:                  | 000 043 305 35 | 1   |  |
|     |                | Trim<br>Chrome look<br>with:              |                |     | PR:QJ2, VW5, QU0, QV0, QV3, QV4, QV8, -9M9 |
| -   |                | Side window<br>also use:                  | 000 043 305 35 | 1   |  |
| (4) | 958 544 111 33 | Aerial<br>Side window<br>with:            |                | 1   | PR:QJ2, 4KC, QU0, QV1, QV5                 |
|     |                | Trim<br>Chrome look<br>also use:          | 000 043 301 14 | 1   |  |
| (4) | 958 544 112 33 | D - MJ 2013>><br>Side window<br>with:     |                | 1   | PR:QJ2, 4KC, QV1, QV5, 9M9                 |
|     |                | Trim<br>Chrome look<br>also use:          | 000 043 301 14 | 1   |  |
| (4) | 958 544 111 38 | D - MJ 2013>><br>Side window<br>with:     |                | 1   | PR:QJ2, 4KF, QU0, QV1, QV5                 |
|     |                | Trim<br>Chrome look<br>also use:          | 000 043 301 14 | 1   |  |
| (4) | 958 544 112 38 | D - MJ 2013>><br>Side window<br>with:     |                | 1   | PR:QJ2, 4KF, QV1, QV5                      |
|     |                | Trim<br>Chrome look<br>also use:          | 000 043 301 14 | 1   |  |
| (4) | 958 544 111 43 | D - MJ 2013>><br>Side window<br>with:     |                | 1   | PR:QJ2, VW5, QU0, QV1, QV5                 |
|     |                | Trim                                      |                |     |  |

Model: 92A 11

Model life 2011>>2018

| Pos | Part Number    | Description                               | Remark                  | Qty    | Model                                       |
|-----|----------------|---|-------------------------|--------|---|
|     |                | Chrome look                               |                         |        |   |
| (4) | 958 544 112 43 | also use:<br>D - MJ 2013>><br>Side window | 000 043 301 14<br>right | 1<br>1 | PR:QJ2,VW5,<br>QV1,QV5                      |
|     |                | with:<br>Trim<br>Chrome look              |                         |        |   |
| (4) | 958 544 111 63 | also use:<br>D - MJ 2013>><br>Side window | 000 043 301 14<br>left  | 1<br>1 | PR:QJ2,4KC,<br>7Q4,9M9                      |
|     |                | with:<br>Trim<br>Chrome look              |                         |        |   |
| (4) | 958 544 112 63 | also use:<br>D - MJ 2013>><br>Side window | 000 043 301 14<br>right | 1<br>1 | PR:QJ2,4KC,<br>7Q4,9M9                      |
|     |                | with:<br>Trim<br>Chrome look              |                         |        |   |
| (4) | 958 544 111 68 | also use:<br>D - MJ 2013>><br>Side window | 000 043 301 14<br>left  | 1<br>1 | PR:QJ2,4KF,<br>7Q4                          |
|     |                | with:<br>Trim<br>Chrome look              |                         |        |   |
| (4) | 958 544 112 68 | also use:<br>Side window                  | 000 043 301 14<br>right | 1<br>1 | PR:QJ2,4KF,<br>7Q4                          |
|     |                | with:<br>Trim<br>Chrome look              |                         |        |   |
| (4) | 958 544 111 73 | also use:<br>Side window                  | 000 043 301 14<br>left  | 1<br>1 | PR:QJ2,VW5,<br>7Q4,9M9                      |
|     |                | with:<br>Trim<br>Chrome look              |                         |        |   |
| (4) | 958 544 112 73 | also use:<br>D - MJ 2013>><br>Side window | 000 043 301 14<br>right | 1<br>1 | PR:QJ2,VW5,<br>7Q4,9M9                      |
|     |                | with:<br>Trim<br>Chrome look              |                         |        |   |
| (4) | 958 544 113 00 | also use:<br>D - MJ 2013>><br>Side window | 000 043 301 14<br>left  | 1<br>1 | PR:QJ3,4KC,<br>QV0,QV3,QV4,<br>QV8          |
|     |                | with:<br>Trim                             |                         |        |   |
| (4) | 958 544 114 00 | also use:<br>D - MJ 2014>><br>Side window | 000 043 301 14<br>right | 1<br>1 | PR:QJ3,4KC,<br>QU0,QV0,QV3,<br>QV4,QV8,-9M9 |
|     |                | with:<br>Trim                             |                         |        |   |
| (4) | 958 544 113 05 | also use:<br>D - MJ 2014>><br>Side window | 000 043 301 14<br>left  | 1<br>1 | PR:QJ3,4KF,<br>QV0,QV3,QV4,<br>QV8          |
|     |                | with:<br>Trim                             |                         |        |   |
| (4) | 958 544 114 05 | also use:<br>D - MJ 2014>><br>Side window | 000 043 301 14<br>right | 1<br>1 | PR:QJ3,4KF,<br>QU0,QV0,QV3,<br>QV4,QV8,-9M9 |
|     |                | with:<br>Trim                             |                         |        |   |
|     |                | also use:<br>D - MJ 2014>>                | 000 043 301 14          | 1      |   |

Model: 92A 11 Model life 2011>>2018

| Pos | Part Number    | Description                                   | Remark         | Qty | Model                                       |
|-----|----------------|---|----------------|-----|---|
| (4) | 958 544 113 10 | Side window<br>with:<br>Trim                  | left           | 1   | PR:QJ3,VW5,<br>QV0,QV3,QV4,<br>QV8          |
|     |                | also use:                                     | 000 043 301 14 | 1   |   |
| (4) | 958 544 114 10 | D - MJ 2014>><br>Side window<br>with:<br>Trim | right          | 1   | PR:QJ3,VW5,<br>QU0,QV0,QV3,<br>QV4,QV8,-9M9 |
|     |                | also use:                                     | 000 043 301 14 | 1   |   |
| (4) | 958 544 113 15 | D - MJ 2014>><br>Side window<br>with:<br>Trim | left           | 1   | PR:QJ3,4KC,<br>QU0,QV1,QV5                  |
|     |                | also use:                                     | 000 043 301 14 | 1   |   |
| (4) | 958 544 114 15 | D - MJ 2014>><br>Side window<br>with:<br>Trim | right          | 1   | PR:QJ3,4KC,<br>QV1,QV5                      |
|     |                | also use:                                     | 000 043 301 14 | 1   |   |
| (4) | 958 544 113 20 | D - MJ 2014>><br>Side window<br>with:<br>Trim | left           | 1   | PR:QJ3,4KF,<br>QU0,QV1,QV5                  |
|     |                | also use:                                     | 000 043 301 14 | 1   |   |
| (4) | 958 544 114 20 | D - MJ 2014>><br>Side window<br>with:<br>Trim | right          | 1   | PR:QJ3,4KF,<br>QV1,QV5                      |
|     |                | also use:                                     | 000 043 301 14 | 1   |   |
| (4) | 958 544 113 25 | D - MJ 2014>><br>Side window<br>with:<br>Trim | left           | 1   | PR:QJ3,VW5,<br>QU0,QV1,QV5                  |
|     |                | also use:                                     | 000 043 301 14 | 1   |   |
| (4) | 958 544 114 25 | D - MJ 2014>><br>Side window<br>with:<br>Trim | right          | 1   | PR:QJ3,VW5,<br>QV1,QV5                      |
|     |                | also use:                                     | 000 043 301 14 | 1   |   |
| (4) | 958 544 113 30 | D - MJ 2014>><br>Side window<br>with:<br>Trim | left           | 1   | PR:QJ3,4KC,<br>QV0,7Q4                      |
|     |                | also use:                                     | 000 043 301 14 | 1   |   |
| (4) | 958 544 114 30 | D - MJ 2014>><br>Side window<br>with:<br>Trim | right          | 1   | PR:QJ3,4KC,<br>7Q4,9M9                      |
|     |                | also use:                                     | 000 043 301 14 | 1   |   |
| (4) | 958 544 113 35 | D - MJ 2014>><br>Side window<br>with:<br>Trim | left           | 1   | PR:QJ3,4KF,<br>7Q4,QV0                      |
|     |                | also use:                                     | 000 043 301 14 | 1   |   |
| (4) | 958 544 114 35 | D - MJ 2014>><br>Side window<br>with:<br>Trim | right          | 1   | PR:QJ3,4KF,<br>7Q4,9M9                      |
|     |                | also use:                                     | 000 043 301 14 | 1   |   |
| (4) | 958 544 113 40 | D - MJ 2014>><br>Side window<br>with:<br>Trim | left           | 1   | PR:QJ3,VW5,<br>7Q4,QV0                      |

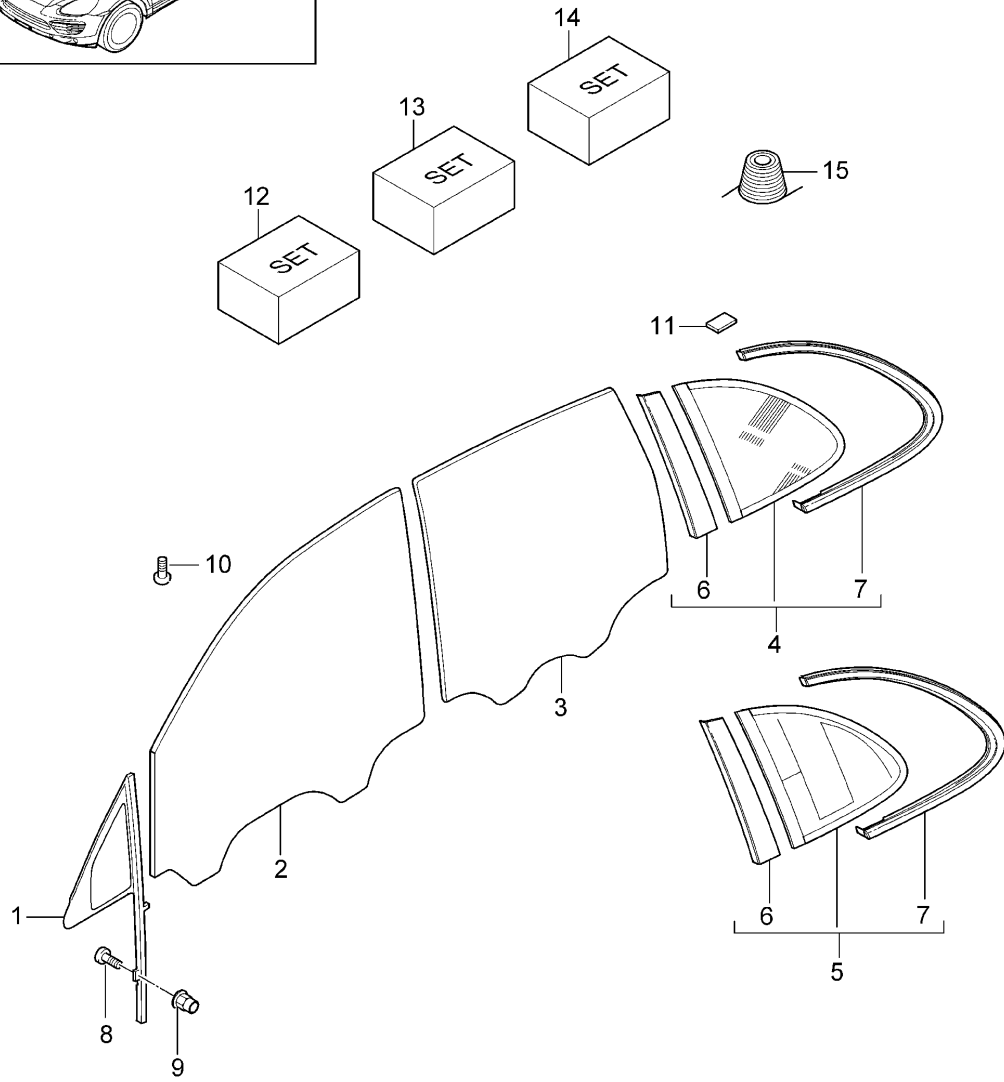
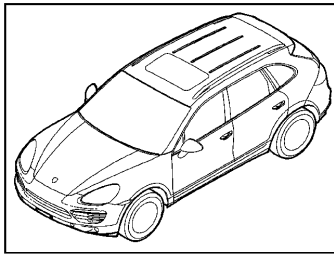
Model: 92A 11

Model life 2011>>2018

| Pos | Part Number    | Description   | Remark         | Qty | Model                  |
|-----|----------------|---|----------------|-----|------------------------|
| (4) | 958 544 114 40 | D - MJ 2014>><br>Side window<br>also use:<br>000 043 301 14<br>with:<br>Trim<br>also use:<br>000 043 301 14 | 000 043 301 14 | 1   | PR:QJ3,VW5,<br>7Q4,9M9 |
|     |                | Side window   | right          | 1   |                        |
|     |                | Trim  |                | 1   |                        |
| 5   |                | D - MJ 2014>><br>Trim   |                | 1   |                        |
| 6   |                | Trim see illustration:  | 810-000        | 1   |                        |
| 7   | N 106 538 01   | Hexagon socket head bolt  | 810-000        | 3   |                        |
| 8   | N 910 167 02   | Side window rivetted cap nut  | front          | 3   |                        |
| 9   | WHT 001 248    | Mount Side window Hexagon nut M 6   |                | 2   |                        |
| 10  | 958 545 359 00 | Pin   |                | 2   |                        |
| 11  | 000 043 305 35 | Sealing rubber  |                | 1   |                        |
| 12  | 000 043 205 37 | 2K pane adhesive set emulsion tube  |                | X   |                        |
| 13  | 000 043 206 47 | Supplement set Car care set   |                | X   |                        |
| 14  | 000 043 300 96 | Side window See technical manual Wire   |                | 1   |                        |

Model: 92A 11

Model life 2011>>2018



Model: 92A 11

Model life 2011>>2018

| Pos | Part Number    | Description   | Remark                            | Qty    | Model                |
|-----|----------------|---|-----------------------------------|--------|----------------------|
| -   |                | Window glasses<br>D - MJ 2017>><br>Triangular plate<br>(drivers side)<br>(passenger side) | side                              |        |                      |
| 1   | 958 542 311 01 | Side window   | left                              | 1      | PR:4KC,4KF           |
| (1) | 958 542 312 01 | Side window   | right                             | 1      | PR:4KC,4KF           |
| (1) | 958 542 311 07 | Side window   | left                              | 1      | PR:VW5               |
| (1) | 958 542 312 07 | Side window   | right                             | 1      | PR:VW5               |
| -   |                | Side window<br>doors  | front                             |        |                      |
| 2   | 958 542 511 01 | Door window   | left                              | 1      | PR:4KC,4KF           |
| (2) | 958 542 512 01 | Door window   | right                             | 1      | PR:4KC,4KF           |
| (2) | 958 542 511 06 | Door window   | left                              | 1      | PR:VW5               |
| (2) | 958 542 512 06 | Door window   | right                             | 1      | PR:VW5               |
| -   |                | Side window<br>doors  | rear                              |        |                      |
| 3   | 958 542 611 01 | Door window   | left                              | 1      | PR:4KC               |
| (3) | 958 542 612 01 | Door window   | right                             | 1      | PR:4KC               |
| (3) | 958 542 611 06 | Door window   | left                              | 1      | PR:4KF               |
| (3) | 958 542 612 06 | Door window   | right                             | 1      | PR:4KF               |
| (3) | 958 542 611 11 | Door window   | left                              | 1      | PR:VW5               |
| (3) | 958 542 612 11 | Door window   | right                             | 1      | PR:VW5               |
| -   |                | Side window<br>without:   |                                   |        |                      |
| 4   | 958 845 297 00 | Aerial<br>Side window   | left                              | 1      | PR:QJ2,-4KF          |
|     |                | Trim<br>Chrome look   | with:                             |        |                      |
| (4) | 958 845 298 00 | Side window   | also use: 000 043 305 35<br>right | 1<br>1 | PR:QJ2,-4KF,<br>-9M9 |
|     |                | Trim<br>Chrome look   | with:                             |        |                      |
| (4) | 958 845 297 01 | Side window   | also use: 000 043 305 35<br>left  | 1<br>1 | PR:QJ2,-4KC          |
|     |                | Trim<br>Chrome look   | with:                             |        |                      |
| (4) | 958 845 298 01 | Side window   | also use: 000 043 305 35<br>right | 1<br>1 | PR:QJ2,-4KC,<br>-9M9 |
|     |                | Trim<br>Chrome look   | with:                             |        |                      |
| (4) | 958 845 297 02 | Side window   | also use: 000 043 305 35<br>left  | 1<br>1 | PR:QJ2,VW5           |
|     |                | Trim<br>Chrome look   | with:                             |        |                      |
| (4) | 958 845 298 02 | Side window   | also use: 000 043 305 35<br>right | 1<br>1 | PR:QJ2,VW5,<br>-9M9  |
|     |                | Trim<br>Chrome look   | with:                             |        |                      |
| (4) | 958 845 297 03 | Side window   | also use: 000 043 305 35<br>left  | 1<br>1 | PR:QJ4,-4KF          |
|     |                | Trim<br>Black   | with:                             |        |                      |
| (4) | 958 845 298 03 | Side window   | also use: 000 043 305 35<br>right | 1<br>1 | PR:QJ4,-4KF,<br>-9M9 |
|     |                |   | with:                             |        |                      |

Model: 92A 11 Model life 2011>>2018

| Pos | Part Number    | Description  | Remark                  | Qty    | Model                    |
|-----|----------------|--|-------------------------|--------|--------------------------|
| (4) | 958 845 297 04 | Trim<br>Black<br>Side window<br>also use:<br>with:                 | 000 043 305 35<br>left  | 1<br>1 | PR:QJ4,-4KC              |
| (4) | 958 845 298 04 | Trim<br>Black<br>Side window<br>also use:<br>with:                 | 000 043 305 35<br>right | 1<br>1 | PR:QJ4,-4KC,<br>-9M9     |
| (4) | 958 845 297 05 | Trim<br>Black<br>Side window<br>also use:<br>with:                 | 000 043 305 35<br>left  | 1<br>1 | PR:QJ4,VW5               |
| (4) | 958 845 298 05 | Trim<br>Black<br>Side window<br>also use:<br>with:                 | 000 043 305 35<br>right | 1<br>1 | PR:QJ4,VW5,<br>-9M9      |
| -   |                | Side window<br>also use:<br>with:                                  | 000 043 305 35          | 1      |                          |
| 5   | 958 845 297 06 | Aerial<br>Side window<br>Trim<br>Chrome look<br>also use:<br>with: | left                    | 1      | PR:QJ2,-4KF,<br>-ER7     |
| (5) | 958 845 298 06 | Side window<br>Trim<br>Chrome look<br>also use:<br>with:           | 000 043 305 35<br>right | 1<br>1 | PR:QJ2,-4KF,<br>-ER7     |
| (5) | 958 845 298 06 | Side window<br>Trim<br>Chrome look<br>also use:<br>with:           | 000 043 305 35<br>right | 1<br>1 | PR:QJ2,-4KF,<br>9M9,-ER7 |
| (5) | 958 845 297 07 | Side window<br>Trim<br>Chrome look<br>also use:<br>with:           | 000 043 305 35<br>left  | 1<br>1 | PR:QJ2,-4KC              |
| (5) | 958 845 298 07 | Side window<br>Trim<br>Chrome look<br>also use:<br>with:           | 000 043 305 35<br>right | 1<br>1 | PR:QJ2,-4KC              |
| (5) | 958 845 298 07 | Side window<br>Trim<br>Chrome look<br>also use:<br>with:           | 000 043 305 35<br>right | 1<br>1 | PR:QJ2,-4KC,<br>9M9,-ER7 |
| (5) | 958 845 297 08 | Side window<br>Trim<br>Chrome look<br>also use:<br>with:           | 000 043 305 35<br>left  | 1<br>1 | PR:QJ2,VW5               |
| (5) | 958 845 298 08 | Side window<br>Trim<br>Chrome look<br>also use:<br>with:           | 000 043 305 35<br>right | 1<br>1 | PR:QJ2,VW5,<br>-ER7      |

Model: 92A 11 Model life 2011>>2018

| Pos | Part Number    | Description  | Remark                    | Qty    | Model                   |
|-----|----------------|--|---------------------------|--------|-------------------------|
| (5) | 958 845 298 08 | Trim<br>Chrome look<br>Side window<br>also use:<br>with: | 000 043 305 35<br>right   | 1<br>1 | PR:QJ2,VW5,<br>9M9,-ER7 |
| (5) | 958 845 297 09 | Trim<br>Chrome look<br>Side window<br>also use:<br>with: | 000 043 305 35<br>left    | 1<br>1 | PR:QJ4,-4KF             |
| (5) | 958 845 298 09 | Trim<br>Black<br>Side window<br>also use:<br>with:       | 000 043 305 35<br>right   | 1<br>1 | PR:QJ4,-4KF             |
| (5) | 958 845 298 09 | Trim<br>Black<br>Side window<br>also use:<br>with:       | 000 043 305 35<br>right   | 1<br>1 | PR:QJ4,4KC,<br>9M9,-ER7 |
| (5) | 958 845 297 20 | Trim<br>Black<br>Side window<br>also use:<br>with:       | 000 043 305 35<br>left    | 1<br>1 | PR:QJ4,-4KC             |
| (5) | 958 845 298 20 | Trim<br>Black<br>Side window<br>also use:<br>with:       | 000 043 305 35<br>right   | 1<br>1 | PR:QJ4,-4KC             |
| (5) | 958 845 298 20 | Trim<br>Black<br>Side window<br>also use:<br>with:       | 000 043 305 35<br>right   | 1<br>1 | PR:QJ4,4KF,<br>9M9,-ER7 |
| (5) | 958 845 297 21 | Trim<br>Black<br>Side window<br>also use:<br>with:       | 000 043 305 35<br>left    | 1<br>1 | PR:QJ4,VW5              |
| (5) | 958 845 298 21 | Trim<br>Black<br>Side window<br>also use:<br>with:       | 000 043 305 35<br>right   | 1<br>1 | PR:QJ4,VW5              |
| (5) | 958 845 298 21 | Trim<br>Black<br>Side window<br>also use:<br>with:       | 000 043 305 35<br>right   | 1<br>1 | PR:QJ4,VW5,<br>9M9,-ER7 |
| 6   |                | Trim<br>see illustration:                                | 000 043 305 35<br>810-000 | 1<br>1 |                         |
| 7   |                | Trim<br>see illustration:                                | 810-000                   | 1      |                         |
| 8   | N 106 538 01   | Hexagon socket head<br>bolt                              | front                     | 3      |                         |
| 9   | N 910 167 02   | Side window<br>rivetted cap nut<br>Mount<br>Side window  | front                     | 3      |                         |



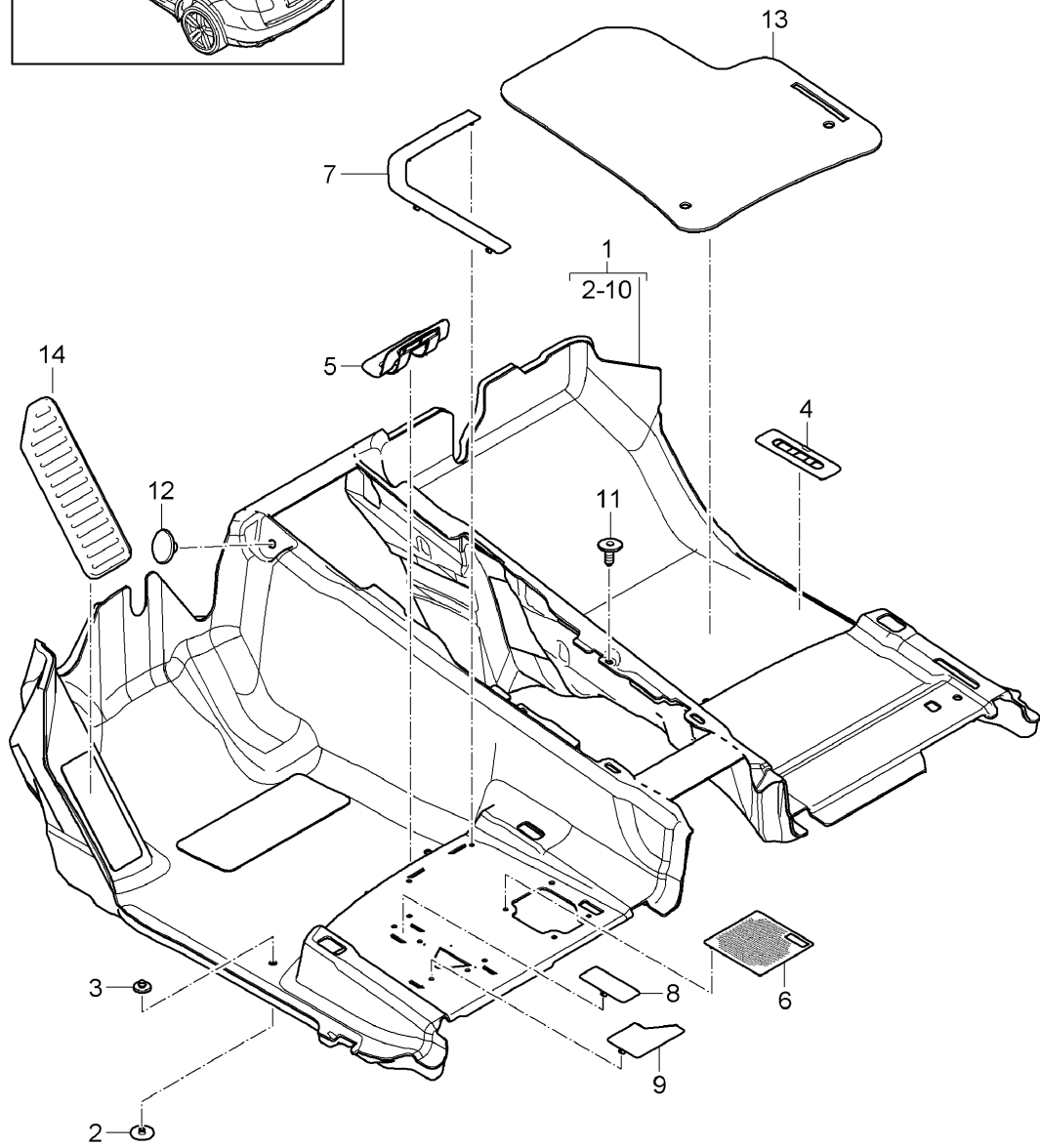
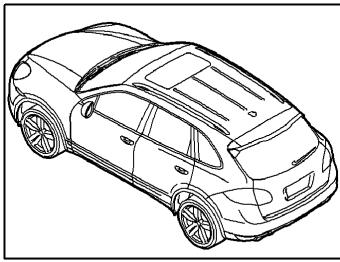
Model: 92A 11

Model life 2011>>2018

| Pos | Part Number    | Description                          | Remark | Qty | Model |
|-----|----------------|--------------------------------------|--------|-----|-------|
| 10  | WHT 001 248    | Hexagon nut<br>M 6                   |        | 2   |       |
|     |                | with:                                |        |     |       |
|     |                | Pin                                  |        |     |       |
| 11  | 958 545 359 00 | Sealing rubber                       |        | 2   |       |
| 12  | 000 043 305 35 | 2K pane adhesive set                 |        | 1   |       |
| 13  | 000 043 205 37 | emulsion tube                        |        | X   |       |
|     |                | Supplement set                       |        |     |       |
| 14  | 000 043 206 47 | Car care set                         |        | X   |       |
|     |                | Side window                          |        |     |       |
|     |                | See technical manual                 |        |     |       |
| 15  | 000 043 303 32 | cutting wire for removing<br>windows |        | 1   |       |

Model: 92A 11

Model life 2011>>2018



Model: 92A 11 Model life 2011>>2018

| Pos | Part Number        | Description                        | Remark                              | Qty | Model      |
|-----|--------------------|------------------------------------|-------------------------------------|-----|------------|
| 1   | 958 551 103 00     | Flooring<br>Flooring               | front<br>lhd                        | 1   | PR:L0L,9AD |
|     |                    | Tufting velour                     | front                               |     |            |
|     | 958 551 103 00 DC5 | Black                              | -LC,MA,77                           |     |            |
|     | 958 551 103 00 GC4 | Luxor beige                        | -LE,MC                              |     |            |
|     | 958 551 103 00 GH3 | Platinum Grey                      | -LD,MD                              |     |            |
|     | 958 551 103 00 GJ2 | Cream                              | -TX                                 |     |            |
|     | 958 551 103 00 GK1 | Espresso                           | -VA                                 |     |            |
|     | 958 551 103 00 GM9 | Cognac                             | -VB                                 |     |            |
|     | 958 551 103 00 GP8 | Umber                              | -LF                                 |     |            |
|     | 958 551 103 00 GR7 | Light Tartufo                      | -TY                                 |     |            |
|     | 958 551 103 00 GS6 | Titanium Blue                      | -TW                                 |     |            |
| (1) | 958 551 103 01     | Flooring                           | lhd                                 | 1   | PR:L0L,9AH |
|     |                    | Tufting velour                     | front                               |     |            |
|     | 958 551 103 01 DC5 | Black                              | -LC,MA                              |     |            |
|     | 958 551 103 01 GC4 | Luxor beige                        | -LE,MC                              |     |            |
|     | 958 551 103 01 GH3 | Platinum Grey                      | -LD,MD                              |     |            |
|     | 958 551 103 01 GJ2 | Cream                              | -TX                                 |     |            |
|     | 958 551 103 01 GK1 | Espresso                           | -VA                                 |     |            |
|     | 958 551 103 01 GM9 | Cognac                             | -VB                                 |     |            |
|     | 958 551 103 01 GP8 | Umber                              | -LF                                 |     |            |
|     | 958 551 103 01 GR7 | Light Tartufo                      | -TY                                 |     |            |
|     | 958 551 103 01 GS6 | Titanium Blue                      | -TW                                 |     |            |
| (1) | 958 551 103 04     | Flooring                           | rhd                                 | 1   | PR:L0R,9AD |
|     |                    | Tufting velour                     | front                               |     |            |
|     | 958 551 103 04 DC5 | Black                              | -LC,MA,YA,YB,<br>YC                 |     |            |
|     | 958 551 103 04 GC4 | Luxor beige                        | -LE,MC,YE                           |     |            |
|     | 958 551 103 04 GH3 | Platinum Grey                      | -LD,MD,YD                           |     |            |
|     | 958 551 103 04 GJ2 | Cream                              | -TX                                 |     |            |
|     | 958 551 103 04 GK1 | Espresso                           | -VA                                 |     |            |
|     | 958 551 103 04 GM9 | Cognac                             | -VB                                 |     |            |
|     | 958 551 103 04 GP8 | Umber                              | -LF,YF                              |     |            |
|     | 958 551 103 04 GR7 | Light Tartufo                      | -TY                                 |     |            |
|     | 958 551 103 04 GS6 | Titanium Blue                      | -TW                                 |     |            |
| (1) | 958 551 103 03     | Flooring                           | rhd                                 | 1   | PR:L0R,9AH |
|     |                    | Tufting velour                     | front                               |     |            |
|     | 958 551 103 03 DC5 | Black                              | -LC,MA                              |     |            |
|     | 958 551 103 03 GC4 | Luxor beige                        | -LE,MC                              |     |            |
|     | 958 551 103 03 GH3 | Platinum Grey                      | -LD,MD                              |     |            |
|     | 958 551 103 03 GJ2 | Cream                              | -TX                                 |     |            |
|     | 958 551 103 03 GK1 | Espresso                           | -VA                                 |     |            |
|     | 958 551 103 03 GM9 | Cognac                             | -VB                                 |     |            |
|     | 958 551 103 03 GP8 | Umber                              | -LF                                 |     |            |
|     | 958 551 103 03 GR7 | Light Tartufo                      | -TY                                 |     |            |
|     | 958 551 103 03 GS6 | Titanium Blue                      | -TW                                 |     |            |
| 1   | 958 551 103 10     | Flooring                           | lhd                                 | 1   | PR:L0L,9AD |
|     |                    | Tufting velour                     | front                               |     |            |
|     |                    | D - MJ 2015>><br>Discontinued part |                                     |     |            |
|     | 958 551 103 10 DC5 | Black                              | -LC,LG,LH,MA,<br>MF,TA,YA,YC,<br>77 |     |            |
|     | 958 551 103 10 GC4 | Luxor beige                        | -LE,MC,YE                           |     |            |
|     | 958 551 103 10 GK1 | Espresso                           | -VA                                 |     |            |
|     | 958 551 103 10 GM9 | Cognac                             | -VB                                 |     |            |
|     | 958 551 103 10 ON9 | saddle brown                       | -ME,MH                              |     |            |
|     | 958 551 103 10 OW7 | agate grey                         | -MB,MG,ML                           |     |            |

Model: 92A 11 Model life 2011>>2018

| Pos | Part Number        | Description                     | Remark                                    | Qty | Model      |
|-----|--------------------|---------------------------------|---|-----|------------|
| 1   | 958 551 103 11     | Flooring                        | lhd<br>front                              | 1   | PR:L0L,9AD |
|     |                    | Tufting velour<br>D - MJ 2015>> |   |     |            |
|     | 958 551 103 11 DC5 | Black                           | -LC, LG, LH, MA,<br>MF, TA, YA, YC,<br>77 |     |            |
|     | 958 551 103 11 GC4 | Luxor beige                     | -LE, MC, YE                               |     |            |
|     | 958 551 103 11 GK1 | Espresso                        | -VA                                       |     |            |
|     | 958 551 103 11 GM9 | Cognac                          | -VB                                       |     |            |
|     | 958 551 103 11 ON9 | saddle brown                    | -ME, MH                                   |     |            |
|     | 958 551 103 11 OW7 | agate grey                      | -MB, MG, ML                               |     |            |
| 1   | 958 551 103 12     | Flooring                        | lhd<br>front                              | 1   | PR:L0L,9AD |
|     |                    | Tufting velour<br>D - MJ 2015>> |   |     |            |
|     | 958 551 103 12 HED | Saddle Tan/Titanium Black       | -MI                                       |     |            |
|     | 958 551 103 12 HEO | Cream/Saddle Tan                | -MJ                                       |     |            |
|     | 958 551 103 12 HJO | Luxor Beige/Saddle Tan          | -MK                                       |     |            |
| 1   | 958 551 103 15     | Flooring                        | lhd<br>front                              | 1   | PR:L0L,9AH |
|     |                    | Tufting velour<br>D - MJ 2015>> |   |     |            |
|     | 958 551 103 15 DC5 | Black                           | -LC, LG, LH, MA,<br>MF, TA, YA, YC,<br>77 |     |            |
|     | 958 551 103 15 GC4 | Luxor beige                     | -LE, MC, YE                               |     |            |
|     | 958 551 103 15 GK1 | Espresso                        | -VA                                       |     |            |
|     | 958 551 103 15 GM9 | Cognac                          | -VB                                       |     |            |
|     | 958 551 103 15 ON9 | saddle brown                    | -ME, MH                                   |     |            |
|     | 958 551 103 15 OW7 | agate grey                      | -MB, MG, ML                               |     |            |
| 1   | 958 551 103 16     | Flooring                        | lhd<br>front                              | 1   | PR:L0L,9AH |
|     |                    | Tufting velour<br>D - MJ 2016>> |   |     |            |
|     | 958 551 103 16 HED | Saddle Tan/Titanium Black       | -MI                                       |     |            |
|     | 958 551 103 16 HEO | Cream/Saddle Tan                | -MJ                                       |     |            |
|     | 958 551 103 16 HJO | Luxor Beige/Saddle Tan          | -MK                                       |     |            |
| 1   | 958 551 103 20     | Flooring                        | rhd<br>front                              | 1   | PR:L0R,9AD |
|     |                    | Tufting velour<br>D - MJ 2015>> |   |     |            |
|     | 958 551 103 20 DC5 | Black                           | -LC, LG, LH, MA,<br>MF, TA, YA, YC,<br>77 |     |            |
|     | 958 551 103 20 GC4 | Luxor beige                     | -LE, MC, YE                               |     |            |
|     | 958 551 103 20 GK1 | Espresso                        | -VA                                       |     |            |
|     | 958 551 103 20 GM9 | Cognac                          | -VB                                       |     |            |
|     | 958 551 103 20 ON9 | saddle brown                    | -ME, MH                                   |     |            |
|     | 958 551 103 20 OW7 | agate grey                      | -MB, MG, ML                               |     |            |
| 1   | 958 551 103 21     | Flooring                        | rhd<br>front                              | 1   | PR:L0R,9AD |
|     |                    | Tufting velour<br>D - MJ 2016>> |   |     |            |
|     | 958 551 103 21 HED | Saddle Tan/Titanium Black       | -MI                                       |     |            |
|     | 958 551 103 21 HEO | Cream/Saddle Tan                | -MJ                                       |     |            |
|     | 958 551 103 21 HJO | Luxor Beige/Saddle Tan          | -MK                                       |     |            |
| 1   | 958 551 103 25     | Flooring                        | rhd<br>front                              | 1   | PR:L0R,9AH |
|     |                    | Tufting velour<br>D - MJ 2015>> |   |     |            |

Model: 92A 11 Model life 2011>>2018

| Pos | Part Number        | Description               | Remark   | Qty | Model      |
|-----|--------------------|---------------------------|--|-----|------------|
|     | 958 551 103 25 DC5 | Black                     | -LC, LG, LH, MA,<br>MF, TA, YA, YC,<br>77                    |     |            |
|     | 958 551 103 25 GC4 | Luxor beige               | -LE, MC, YE  |     |            |
|     | 958 551 103 25 GK1 | Espresso                  | -VA  |     |            |
|     | 958 551 103 25 GM9 | Cognac                    | -VB  |     |            |
|     | 958 551 103 25 ON9 | saddle brown              | -ME, MH  |     |            |
|     | 958 551 103 25 OW7 | agate grey                | -MB, MG, ML  |     |            |
| 1   | 958 551 103 26     | Flooring                  | rhhd   | 1   | PR:LOR,9AH |
|     |                    | Tufting velour            | front  |     |            |
|     |                    | D - MJ 2016>>             |  |     |            |
|     | 958 551 103 26 HED | Saddle Tan/Titanium Black | -MI  |     |            |
|     | 958 551 103 26 HEO | Cream/Saddle Tan          | -MJ  |     |            |
|     | 958 551 103 26 HJO | Luxor Beige/Saddle Tan    | -MK  |     |            |
|     |                    | HJO                       |  |     |            |
| 2   | 955 551 227 02     | Bracket                   |  | 4   |            |
|     |                    | Flooring                  |  |     |            |
| 3   | 8E0 864 229        | Cover cap                 |  | 4   |            |
|     | 8E0 864 229 DE1    | Umber                     | -LF, TX, TY, YF  |     |            |
|     | 8E0 864 229 4H0    | Luxor beige               | -LE, MC, YE  |     |            |
|     | 8E0 864 229 6L0    | Platinum Grey             | -LD, MD, YD  |     |            |
|     | 8E0 864 229 7N0    | Espresso                  | -VA, VB  |     |            |
|     | 8E0 864 229 9B9    | Satin black               | -LC, MA, TA, TB,<br>TW, YA, YB, YC,<br>77, LG, LH, MF,<br>MI |     |            |
|     | 8E0 864 229 OP1    | agate grey                | -MB, MG, ML  |     |            |
| (3) | 955 551 229 02     | Cover cap                 |  | 4   |            |
|     | 955 551 229 02 OM8 | saddle brown              | -ME, MH, MJ, MK  |     |            |
| 4   | 958 551 387 00     | Cover                     |  | 1   |            |
|     |                    | Vehicle Ident. No.        |  |     |            |
|     | 958 551 387 00 DE1 | Umber                     | -LF, YF  |     |            |
|     | 958 551 387 00 DF2 | Light Tartufo             | -TY  |     |            |
|     | 958 551 387 00 DJ3 | Titanium Blue             | -TW  |     |            |
|     | 958 551 387 00 4H0 | Luxor beige               | -LE, MC, YE, MK  |     |            |
|     | 958 551 387 00 5J0 | Cream                     | -TX  |     |            |
|     | 958 551 387 00 6L0 | Platinum Grey             | -LD, MD, YD  |     |            |
|     | 958 551 387 00 7N0 | Espresso                  | -VA  |     |            |
|     | 958 551 387 00 8P0 | Cognac                    | -VB  |     |            |
|     | 958 551 387 00 82V | Titan black               | -LC, MA, TA, TB,<br>YA, YB, YC, LG,<br>LH, MF                |     |            |
| 4   | 958 551 387 01     | Cover                     |  | 1   |            |
|     | 958 551 387 01 OP1 | agate grey                | -MB, MG, ML  |     |            |
|     | 958 551 387 01 OM8 | saddle brown              | -ME, MH, MJ  |     |            |
| 5   | 958 551 388 00     | Cover                     |  | 1   |            |
|     |                    | ground connector          |  |     |            |
|     | 958 551 388 00 3G4 | Natural brown             | -KJ, KK  |     |            |
|     | 958 551 388 00 82V | Titan black               | -IF, IG, JJ, JU,<br>KL, OK, LC, MA                           |     |            |
|     | 958 551 388 00 DE1 | Umber                     | -LF  |     |            |
|     | 958 551 388 00 DF2 | Light Tartufo             | -TY  |     |            |
|     | 958 551 388 00 DJ3 | Titanium Blue             | -TW  |     |            |
|     | 958 551 388 00 4H0 | Luxor beige               | -LE, MC  |     |            |
|     | 958 551 388 00 5J0 | Cream                     | -TX  |     |            |
|     | 958 551 388 00 6L0 | Platinum Grey             | -LD, MD  |     |            |
|     | 958 551 388 00 7N0 | Espresso                  | -VA  |     |            |
|     | 958 551 388 00 8P0 | Cognac                    | -VB  |     |            |
| (5) | 958 551 388 01     | Cover                     |  | 1   |            |
|     |                    | ground connector          |  |     |            |
|     | 958 551 388 01 HX5 | Palladium Metallic        | -TP, JZ  |     |            |
|     | 958 551 388 01 OM8 | saddle brown              | -ME, MH, MI  |     |            |

Model: 92A 11 Model life 2011>>2018

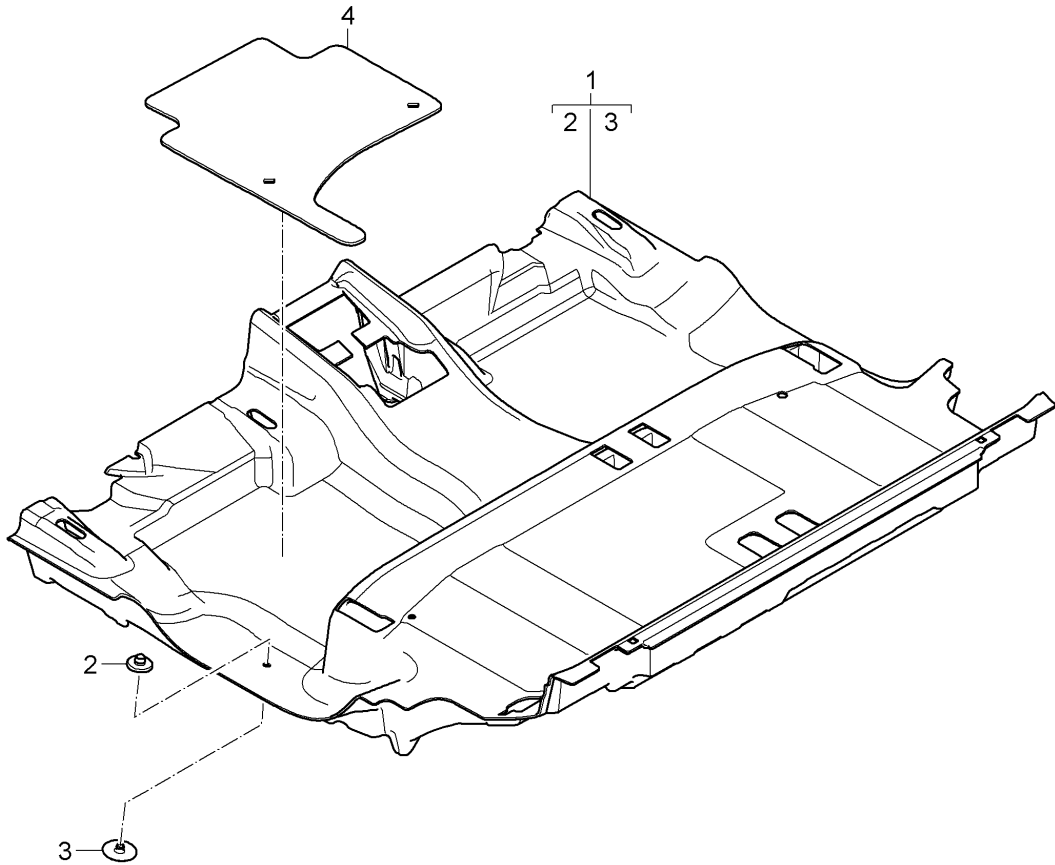
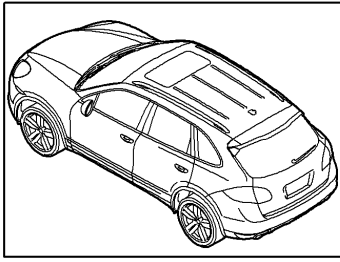
| Pos                | Part Number        | Description          | Remark  | Qty | Model |     |   |  |
|--------------------|--------------------|----------------------|---|-----|-------|-----|---|--|
| 6                  | 958 551 388 01 OP1 | agate grey           | -MB, MG, ML   | 1   |       |     |   |  |
|                    | 958 551 147 00     | trim for ventilation |   |     |       |     |   |  |
|                    |                    | Battery              |   |     |       |     |   |  |
|                    | 958 551 147 00 DE1 | Umber                | -LF, YF   |     |       |     |   |  |
|                    | 958 551 147 00 DF2 | Light Tartufo        | -TY   |     |       |     |   |  |
|                    | 958 551 147 00 DJ3 | Titanium Blue        | -TW   |     |       |     |   |  |
|                    | 958 551 147 00 1E0 | Black                | -LC, MA, TA, TB, YA, YB, YC, LG, LH, MF, YC, 77     |     |       |     |   |  |
|                    | 958 551 147 00 4H0 | Luxor beige          | -LE, MC, YE, MK                                     |     |       |     |   |  |
|                    | 958 551 147 00 5J0 | Cream                | -TX   |     |       |     |   |  |
|                    | 958 551 147 00 6L0 | Platinum Grey        | -LD, MD, YD   |     |       |     |   |  |
|                    | 7                  | 958 551 147 00 7N0   | Espresso  |     |       | -VA | 1 |  |
| 958 551 147 00 8P0 |                    | Cognac               | -VB   |     |       |     |   |  |
| 958 551 147 00 OP1 |                    | agate grey           | -MB, MG, ML   |     |       |     |   |  |
| 958 551 147 00 OM8 |                    | saddle brown         | -ME, MH, MI   |     |       |     |   |  |
| 958 551 148 00     |                    | Trim                 |   |     |       |     |   |  |
|                    |                    | Battery              |   |     |       |     |   |  |
| 958 551 148 00 DE1 |                    | Umber                | -LF, YF   |     |       |     |   |  |
| 958 551 148 00 DF2 |                    | Light Tartufo        | -TY   |     |       |     |   |  |
| 958 551 148 00 DJ3 |                    | Titanium Blue        | -TW   |     |       |     |   |  |
| 958 551 148 00 1E0 |                    | Black                | -LC, LG, LH, MA, MF, TA, TB, YA, YB, YC, 77         |     |       |     |   |  |
| 958 551 148 00 4H0 |                    | Luxor beige          | -LE, MC, MK, YE                                     |     |       |     |   |  |
| (7)                | 958 551 148 00 5J0 | Cream                | -TX   | 1   |       |     |   |  |
|                    | 958 551 148 00 6L0 | Platinum Grey        | -LD, MD, YD   |     |       |     |   |  |
|                    | 958 551 148 00 7N0 | Espresso             | -VA   |     |       |     |   |  |
|                    | 958 551 148 00 8P0 | Cognac               | -VB   |     |       |     |   |  |
|                    | 958 551 148 01     | Trim                 |   |     |       |     |   |  |
|                    |                    | Battery              |   |     |       |     |   |  |
|                    | 958 551 148 01 OM8 | saddle brown         | -ME, MH, MI   |     |       |     |   |  |
|                    | 958 551 148 01 OP1 | agate grey           | -MB, MG, ML   |     |       |     |   |  |
|                    | 8                  | 958 551 537 00       | Trim  |     |       |     | 1 |  |
|                    |                    |                      | Battery   |     |       |     |   |  |
|                    |                    |                      | Connection point                                    |     |       |     |   |  |
| 958 551 537 00 DE1 |                    | Umber                | -LF, YF   |     |       |     |   |  |
| 958 551 537 00 DF2 |                    | Light Tartufo        | -TY   |     |       |     |   |  |
| 958 551 537 00 DJ3 |                    | Titanium Blue        | -TW   |     |       |     |   |  |
| 958 551 537 00 1E0 |                    | Black                | -LC, MA, TA, TB, YA, YB, YA, YB, YC, 77, LG, LH, MF |     |       |     |   |  |
| 958 551 537 00 4H0 |                    | Luxor beige          | -LE, MA, TA, TB, YA, YB, YC, MC, MK, YE             |     |       |     |   |  |
| 958 551 537 00 5J0 |                    | Cream                | -TX   |     |       |     |   |  |
| 958 551 537 00 6L0 |                    | Platinum Grey        | -LD, MD, YD   |     |       |     |   |  |
| 9                  |                    | 958 551 537 00 7N0   | Espresso  | -VA | 1     |     |   |  |
|                    | 958 551 537 00 8P0 | Cognac               | -VB   |     |       |     |   |  |
|                    | 958 551 537 00 OP1 | agate grey           | -MB, MG, ML   |     |       |     |   |  |
|                    | 958 551 537 00 OM8 | saddle brown         | -ME, MH, MI   |     |       |     |   |  |
|                    | 958 551 378 00     | Trim                 |   |     |       |     |   |  |
|                    | 958 551 378 00 DE1 | Umber                | -LF, YF   |     |       |     |   |  |
|                    | 958 551 378 00 DF2 | Light Tartufo        | -TY   |     |       |     |   |  |
|                    | 958 551 378 00 DJ3 | Titanium Blue        | -TW   |     |       |     |   |  |
|                    | 958 551 378 00 1E0 | Black                | -LC, MA, TA, TB, YA, YB, YA, YB, YC, 77, LG, LH, MF |     |       |     |   |  |
|                    | 958 551 378 00 4H0 | Luxor beige          | -LE, MA, TA, TB, YA, YB, YC, MC, MK, YE             |     |       |     |   |  |

Model: 92A 11 Model life 2011>>2018

| Pos  | Part Number        | Description          | Remark    | Qty | Model  |
|------|--------------------|----------------------|-----------|-----|--------|
|      | 958 551 378 00 5J0 | Cream                | -TX       |     |        |
|      | 958 551 378 00 6L0 | Platinum Grey        | -LD,MD,YD |     |        |
|      | 958 551 378 00 7N0 | Espresso             | -VA       |     |        |
|      | 958 551 378 00 8P0 | Cognac               | -VB       |     |        |
| 10   | N 012 855 1        | Clamping washer      |           | X   |        |
| 11   | N 909 113 01       | Clip                 |           | 2   |        |
|      |                    | 50 X 18. 19 X 20.1   |           |     |        |
| 12   | N 908 713 01       | press stud           |           | 2   |        |
|      |                    | 9,5 X 12 X25         |           |     |        |
| 13   |                    | Floor mats           |           | 1   |        |
|      |                    | 4-part               |           |     |        |
|      |                    | see illustration:    | 807-000   |     |        |
|      |                    | Tequipment catalogue |           |     |        |
| 14   | 958 551 777 00     | Cover for footrest   | lhd       | 1   | PR:L0L |
|      | 958 551 777 00 1E0 | Black                |           |     |        |
| (14) | 958 551 777 10     | Cover for footrest   | rhd       | 1   | PR:L0R |
|      | 958 551 777 10 1E0 | Black                |           |     |        |

Model: 92A 11

Model life 2011>>2018





Model: 92A 11 Model life 2011>>2018

| Pos | Part Number        | Description                | Remark                              | Qty | Model      |
|-----|--------------------|----------------------------|-------------------------------------|-----|------------|
| 1   | 958 551 367 00     | Flooring<br>Flooring       | rear<br>rear                        | 1   | PR:0K0,9AD |
|     | 958 551 367 00 DC5 | Tufting velour<br>Black    | -LC,MA,YA,YB,<br>YC                 |     |            |
|     | 958 551 367 00 GC4 | Luxor beige                | -LE,MC,YE                           |     |            |
|     | 958 551 367 00 GH3 | Platinum Grey              | -LD,MD,YD                           |     |            |
|     | 958 551 367 00 GJ2 | Cream                      | -TX                                 |     |            |
|     | 958 551 367 00 GK1 | Espresso                   | -VA                                 |     |            |
|     | 958 551 367 00 GM9 | Cognac                     | -VB                                 |     |            |
|     | 958 551 367 00 GP8 | Umber                      | -LF,YF                              |     |            |
|     | 958 551 367 00 GR7 | Light Tartufo              | -TY                                 |     |            |
|     | 958 551 367 00 GS6 | Titanium Blue              | -TW                                 |     |            |
| (1) | 958 551 367 10     | Flooring<br>Tufting velour | rear                                | 1   | PR:0K0,9AD |
|     | 958 551 367 10 DC5 | Black                      | -LC,LG,LH,MA,<br>MF,TA,YA,YC,<br>77 |     |            |
|     | 958 551 367 10 GC4 | Luxor beige                | -LE,MC,YE,MK                        |     |            |
|     | 958 551 367 10 GH3 | Platinum Grey              | -LD,MD,YD                           |     |            |
|     | 958 551 367 10 GJ2 | Cream                      | -MJ                                 |     |            |
|     | 958 551 367 10 GK1 | Espresso                   | -VA                                 |     |            |
|     | 958 551 367 10 GM9 | Cognac                     | -VB                                 |     |            |
|     | 958 551 367 10 GP8 | Umber                      | -LF,YF                              |     |            |
|     | 958 551 367 10 GR7 | Light Tartufo              | -TY                                 |     |            |
|     | 958 551 367 10 GS6 | Titanium Blue              | -TW                                 |     |            |
|     | 958 551 367 10 ON9 | saddle brown               | -ME,MH,MI                           |     |            |
|     | 958 551 367 10 OW7 | agate grey                 | -MB,MG,ML                           |     |            |
| (1) | 958 551 367 10     | Flooring                   | rear                                | 1   | PR:GP1,9AD |
|     | 958 551 367 10 HED | Saddle Tan/Titanium Black  | -MI                                 |     |            |
|     | 958 551 367 10 HEO | Cream/Saddle Tan           | -MJ                                 |     |            |
|     | 958 551 367 10 HJO | Luxor Beige/Saddle Tan     | -MK                                 |     |            |
| (1) | 958 551 367 01     | Flooring<br>Tufting velour | rear                                | 1   | PR:0K0,9AH |
|     | 958 551 367 01 DC5 | Black                      | -LC,MA,YA,YB,<br>YC                 |     |            |
|     | 958 551 367 01 GC4 | Luxor beige                | -LE,MC,YE                           |     |            |
|     | 958 551 367 01 GH3 | Platinum Grey              | -LD,MD,YD                           |     |            |
|     | 958 551 367 01 GJ2 | Cream                      | -TX                                 |     |            |
|     | 958 551 367 01 GK1 | Espresso                   | -VA                                 |     |            |
|     | 958 551 367 01 GM9 | Cognac                     | -VB                                 |     |            |
|     | 958 551 367 01 GP8 | Umber                      | -LF,YF                              |     |            |
|     | 958 551 367 01 GR7 | Light Tartufo              | -TY                                 |     |            |
|     | 958 551 367 01 GS6 | Titanium Blue              | -TW                                 |     |            |
| (1) | 958 551 367 20     | Flooring<br>Tufting velour | rear                                | 1   | PR:0K0,9AH |
|     | 958 551 367 20 ON9 | saddle brown               | -ME,MH                              |     |            |
|     | 958 551 367 20 OW7 | agate grey                 | -MB,MG,ML                           |     |            |
| (1) | 958 551 367 20     | Flooring                   | rear                                | 1   | PR:0K0,9AH |
|     | 958 551 367 20 HED | saddle brown               | -MI                                 |     |            |
|     | 958 551 367 20 HEO | Cream                      | -MJ                                 |     |            |
|     | 958 551 367 20 HJO | Luxor beige                | -MK                                 |     |            |
| (1) | 958 551 367 02     | Flooring<br>Tufting velour | rear                                | 1   | PR:0K1,9AD |
|     | 958 551 367 02 DC5 | Black                      | -LC,MA,YA,YB,<br>YC                 |     |            |
|     | 958 551 367 02 GC4 | Luxor beige                | -LE,MC,YE                           |     |            |
|     | 958 551 367 02 GH3 | Platinum Grey              | -LD,MD,YD                           |     |            |
|     | 958 551 367 02 GJ2 | Cream                      | -TX                                 |     |            |
|     | 958 551 367 02 GK1 | Espresso                   | -VA                                 |     |            |
|     | 958 551 367 02 GM9 | Cognac                     | -VB                                 |     |            |
|     | 958 551 367 02 GP8 | Umber                      | -LF,YF                              |     |            |
|     | 958 551 367 02 GR7 | Light Tartufo              | -TY                                 |     |            |

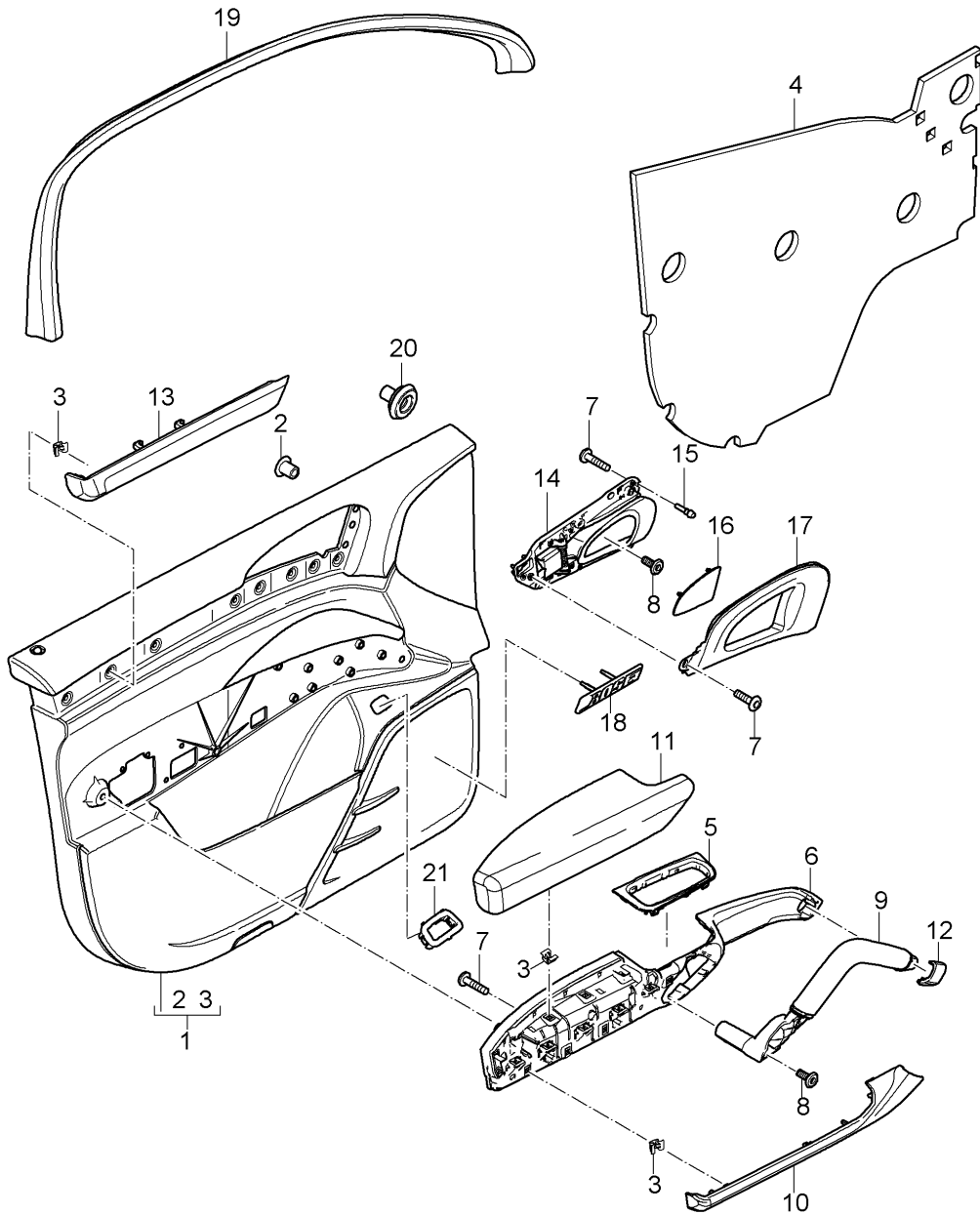
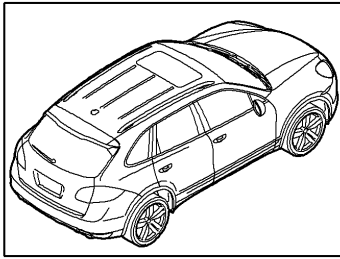
Model: 92A 11

Model life 2011>>2018

| Pos                | Part Number        | Description                               | Remark  | Qty | Model      |
|--------------------|--------------------|---|---|-----|------------|
| (1)                | 958 551 367 02 GS6 | Titanium Blue                             | -TW   | 1   | PR:OK1,9AD |
|                    | 958 551 367 30     | Flooring                                  | rear  |     |            |
|                    |                    | Tufting velour                            |   |     |            |
|                    | 958 551 367 30 DC5 | Black                                     | -LC,MA,YA,YB,<br>YC,TA,TB,77                        |     |            |
|                    | 958 551 367 30 GC4 | Luxor beige                               | -LE,MC,YE   |     |            |
|                    | 958 551 367 30 GH3 | Platinum Grey                             | -LD,MD,YD   |     |            |
|                    | 958 551 367 30 GJ2 | Cream                                     | -TX   |     |            |
|                    | 958 551 367 30 GK1 | Espresso                                  | -VA   |     |            |
|                    | 958 551 367 30 GM9 | Cognac                                    | -VB   |     |            |
|                    | 958 551 367 30 GP8 | Umber                                     | -LF,YF  |     |            |
| 958 551 367 30 GR7 | Light Tartufo      | -TY                                       |   |     |            |
| 958 551 367 30 GS6 | Titanium Blue      | -TW                                       |   |     |            |
| 2                  | 955 551 227 02     | Bracket<br>Flooring                       |   | 4   |            |
| 3                  | 8E0 864 229        | Cover cap                                 |   | 4   |            |
|                    | 8E0 864 229 DE1    | Umber                                     | -LF,TX,TY,YF  |     |            |
|                    | 8E0 864 229 4H0    | Luxor beige                               | -LE,MC,YE   |     |            |
|                    | 8E0 864 229 6L0    | Platinum Grey                             | -LD,MD,YD   |     |            |
|                    | 8E0 864 229 7N0    | Espresso                                  | -VA,VB  |     |            |
|                    | 8E0 864 229 9B9    | Satin black                               | -LC,MA,TA,TB,<br>TW,YA,YB,YC,<br>77,LG,LH,MF,<br>MI |     |            |
| (3)                | 8E0 864 229 OP1    | agate grey                                | -MB,MG,ML   | 4   |            |
|                    | 955 551 229 02     | Cover cap                                 |   |     |            |
| 4                  | 955 551 229 02 OM8 | saddle brown                              | -ME,MH,MJ,MK  | 1   |            |
|                    |                    | Floor mats<br>4-part                      |   |     |            |
|                    |                    | see illustration:<br>Tequipment catalogue | 807-000   |     |            |

Model: 92A 11

Model life 2011>>2018



Model: 92A 11 Model life 2011>>2018

| Pos | Part Number        | Description                        | Remark    | Qty | Model                                    |
|-----|--------------------|------------------------------------|-----------|-----|--|
|     |                    | door panel                         | front     |     |  |
|     |                    | with:                              |           |     |  |
| 1   | 958 555 201 00     | Damping<br>Door trim (leatherette) | left      | 1   | PR: 3LD, 8RV,<br>9VK                     |
|     | 958 555 201 00 DJ6 | Platinum Grey                      | -MD       |     |  |
|     | 958 555 201 00 DK4 | Black                              | -MA       |     |  |
|     | 958 555 201 00 DM5 | Luxor beige                        | -MC       |     |  |
|     | 958 555 201 00 OU4 | agate grey                         | -MB       |     |  |
| 1   | 958 555 201 00     | Door trim (leatherette)            | left      | 1   | PR: 4AP, 8RV,<br>9VK                     |
|     | 958 555 201 00 HAB | Black/Luxor Beige                  | -77       |     |  |
| (1) | 958 555 202 00     | Door trim (leatherette)            | right     | 1   | PR: 3LD, 8RV,<br>9VK                     |
|     | 958 555 202 00 DJ6 | Platinum Grey                      | -MD       |     |  |
|     | 958 555 202 00 DK4 | Black                              | -MA       |     |  |
|     | 958 555 202 00 DM5 | Luxor beige                        | -MC       |     |  |
|     | 958 555 202 00 OU4 | agate grey                         | -MB       |     |  |
| (1) | 958 555 202 00     | Door trim (leatherette)            | right     | 1   | PR: 4AP, 8RV,<br>9VK                     |
|     | 958 555 202 00 HAB | Black/Luxor Beige                  | -77       |     |  |
| (1) | 958 555 201 21     | Door trim (leatherette)            | left lhd  | 1   | Hybrid<br>PR: 3LD, 8RV,<br>9VK, 0K3, L0L |
|     | 958 555 201 21 DK4 | Black                              | -MA       |     |  |
|     | 958 555 201 21 DM5 | Luxor beige                        | -MC       |     |  |
|     | 958 555 201 21 OU4 | agate grey                         | -MB       |     |  |
| (1) | 958 555 202 21     | Door trim (leatherette)            | right rhd | 1   | Hybrid<br>PR: 3LD, 8RV,<br>9VK, 0K3, L0R |
|     | 958 555 202 21 DK4 | Black                              | -MA       |     |  |
|     | 958 555 202 21 DM5 | Luxor beige                        | -MC       |     |  |
|     | 958 555 202 21 OU4 | agate grey                         | -MB       |     |  |
| (1) | 958 555 201 01     | Door trim (leatherette)            | left      | 1   | PR: 3LD, 9VL                             |
|     |                    | Bose                               |           |     |  |
|     | 958 555 201 01 DJ6 | Platinum Grey                      | -MD       |     |  |
|     | 958 555 201 01 DK4 | Black                              | -MA       |     |  |
|     | 958 555 201 01 DM5 | Luxor beige                        | -MC       |     |  |
|     | 958 555 201 01 OU4 | agate grey                         | -MB       |     |  |
| (1) | 958 555 201 01     | Door trim (leatherette)            | left      | 1   | PR: 4AP, 9VL                             |
|     |                    | Bose                               |           |     |  |
|     | 958 555 201 01 HAB | Black/Luxor Beige                  | -77       |     |  |
| (1) | 958 555 202 01     | Door trim (leatherette)            | right     | 1   | PR: 3LD, 9VL                             |
|     |                    | Bose                               |           |     |  |
|     | 958 555 202 01 DJ6 | Platinum Grey                      | -MD       |     |  |
|     | 958 555 202 01 DK4 | Black                              | -MA       |     |  |
|     | 958 555 202 01 DM5 | Luxor beige                        | -MC       |     |  |
|     | 958 555 202 01 OU4 | agate grey                         | -MB       |     |  |
| (1) | 958 555 202 01     | Door trim (leatherette)            | right     | 1   | PR: 4AP, 9VL                             |
|     |                    | Bose                               |           |     |  |
|     | 958 555 202 01 HAB | Black/Luxor Beige                  | -77       |     |  |
| (1) | 958 555 201 22     | Door trim (leatherette)            | left lhd  | 1   | Hybrid<br>PR: 3LD, 9VL,<br>0K3, L0L      |
|     | 958 555 201 22 DK4 | Black                              | -MA       |     |  |
|     | 958 555 201 22 DM5 | Luxor beige                        | -MC       |     |  |
|     | 958 555 201 22 OU4 | agate grey                         | -MB       |     |  |
| (1) | 958 555 202 22     | Door trim (leatherette)            | right rhd | 1   | Hybrid<br>PR: 3LD, 9VL,<br>0K3, L0R      |
|     | 958 555 202 22 DK4 | Black                              | -MA       |     |  |
|     | 958 555 202 22 DM5 | Luxor beige                        | -MC       |     |  |
|     | 958 555 202 22 OU4 | agate grey                         | -MB       |     |  |

Model: 92A 11 Model life 2011>>2018

| Pos | Part Number        | Description  | Remark    | Qty | Model                               |
|-----|--------------------|--|-----------|-----|-------------------------------------|
| (1) | 958 555 201 02     | Door trim (leatherette)<br>Burmester                     | left      | 1   | PR: 3LD, 9VJ                        |
|     | 958 555 201 02 DJ6 | Platinum Grey  | -MD       |     |                                     |
|     | 958 555 201 02 DK4 | Black  | -MA       |     |                                     |
|     | 958 555 201 02 DM5 | Luxor beige  | -MC       |     |                                     |
|     | 958 555 201 02 OU4 | agate grey   | -MB       |     |                                     |
| (1) | 958 555 201 02     | Door trim (leatherette)<br>Burmester                     | left      | 1   | PR: 4AP, 9VJ                        |
|     | 958 555 201 02 HAB | Black/Luxor Beige  | -77       |     |                                     |
| (1) | 958 555 202 02     | Door trim (leatherette)<br>Burmester                     | right     | 1   | PR: 3LD, 9VJ                        |
|     | 958 555 202 02 DJ6 | Platinum Grey  | -MD       |     |                                     |
|     | 958 555 202 02 DK4 | Black  | -MA       |     |                                     |
|     | 958 555 202 02 DM5 | Luxor beige  | -MC       |     |                                     |
|     | 958 555 202 02 OU4 | agate grey   | -MB       |     |                                     |
| (1) | 958 555 202 02     | Door trim (leatherette)<br>Burmester                     | right     | 1   | PR: 4AP, 9VJ                        |
|     | 958 555 202 02 HAB | Black/Luxor Beige  | -77       |     |                                     |
| (1) | 958 555 201 23     | Door trim (leatherette)                                  | left lhd  | 1   | Hybrid<br>PR: 3LD, 9VJ,<br>OK3, L0L |
|     | 958 555 201 23 DK4 | Black  | -MA       |     |                                     |
|     | 958 555 201 23 DM5 | Luxor beige  | -MC       |     |                                     |
|     | 958 555 201 23 OU4 | agate grey   | -MB       |     |                                     |
| (1) | 958 555 202 23     | Door trim (leatherette)                                  | right rhd | 1   | Hybrid<br>PR: 3LD, 9VJ,<br>OK3, L0R |
|     | 958 555 202 23 DK4 | Black  | -MA       |     |                                     |
|     | 958 555 202 23 DM5 | Luxor beige  | -MC       |     |                                     |
|     | 958 555 202 23 OU4 | agate grey   | -MB       |     |                                     |
| (1) | 958 555 201 03     | Door panel trim (leather)<br>Plain leather               | left      | 1   | PR: 3LH, 3LT,<br>8RV, 9VK           |
|     | 958 555 201 03 A11 | Black  | -LC       |     |                                     |
|     | 958 555 201 03 DE1 | Umber  | -LF       |     |                                     |
|     | 958 555 201 03 7J0 | Luxor beige  | -LE       |     |                                     |
|     | 958 555 201 03 9B0 | Platinum Grey  | -LD       |     |                                     |
|     | 958 555 201 03 OA1 | agate grey   | -MG       |     |                                     |
|     | 958 555 201 03 OK6 | saddle brown   | -MH       |     |                                     |
| (1) | 958 555 201 03     | Door panel trim (leather)<br>Plain leather<br>two-colour | left      | 1   | PR: 3LH, 3LT,<br>8RV, 9VK           |
|     | 958 555 201 03 F0C | Black/Titanium Blue                                      | -TW       |     |                                     |
|     | 958 555 201 03 F0D | Umber/Cream  | -TX       |     |                                     |
|     | 958 555 201 03 F0E | Umber/Light Tartufo                                      | -TY       |     |                                     |
|     | 958 555 201 03 AAD | Black/Carrera Red  | -TA       |     |                                     |
|     | 958 555 201 03 AAE | Black/Luxor Beige  | -TB       |     |                                     |
|     | 958 555 201 03 HAD | Black/Saddle Tan   | -MI       |     |                                     |
|     | 958 555 201 03 HAE | Saddle Tan/Cream   | -MJ       |     |                                     |
|     | 958 555 201 03 HAF | Saddle Tan/Luxor Beige                                   | -MK       |     |                                     |
|     | 958 555 201 03 HHY | Black/Cohiba Brown                                       | -LH       |     |                                     |
|     | 958 555 201 03 HHP | Black/Cream  | -LG       |     |                                     |
| (1) | 958 555 202 03     | Door panel trim (leather)<br>Plain leather               | right     | 1   | PR: 3LH, 3LT,<br>8RV, 9VK           |
|     | 958 555 202 03 A11 | Black  | -LC       |     |                                     |
|     | 958 555 202 03 DE1 | Umber  | -LF       |     |                                     |
|     | 958 555 202 03 7J0 | Luxor beige  | -LE       |     |                                     |
|     | 958 555 202 03 9B0 | Platinum Grey  | -LD       |     |                                     |
|     | 958 555 202 03 OA1 | agate grey   | -MG       |     |                                     |
|     | 958 555 202 03 OK6 | saddle brown   | -MH       |     |                                     |
| (1) | 958 555 202 03     | Door panel trim (leather)<br>Plain leather<br>two-colour | right     | 1   | PR: 3LH, 3LT,<br>8RV, 9VK           |
|     | 958 555 202 03 F0C | Black/Titanium Blue                                      | -TW       |     |                                     |

Model: 92A 11 Model life 2011>>2018

| Pos | Part Number        | Description  | Remark    | Qty | Model  |
|-----|--------------------|--|-----------|-----|--|
|     | 958 555 202 03 F0D | Umber/Cream  | -TX       |     |  |
|     | 958 555 202 03 F0E | Umber/Light Tartufo  | -TY       |     |  |
|     | 958 555 202 03 AAD | Black/Carrera Red  | -TA       |     |  |
|     | 958 555 202 03 AAE | Black/Luxor Beige  | -TB       |     |  |
|     | 958 555 202 03 HAD | Black/Saddle Tan   | -MI       |     |  |
|     | 958 555 202 03 HAE | Saddle Tan/Cream   | -MJ       |     |  |
|     | 958 555 202 03 HAF | Saddle Tan/Luxor Beige   | -MK       |     |  |
|     | 958 555 202 03 HHY | Black/Cohiba Brown   | -LH       |     |  |
|     | 958 555 202 03 HHP | Black/Cream  | -LG       |     |  |
| (1) | 958 555 201 13     | Door panel trim (leather)<br>Plain leather                       | left lhd  | 1   | Hybrid<br>PR: 3LH, 3LT,<br>8RV, 9VK, OK3,<br>L0L |
|     | 958 555 201 13 A11 | Black  | -LC       |     |  |
|     | 958 555 201 13 OA1 | agate grey   | -MG       |     |  |
|     | 958 555 201 13 OK6 | saddle brown   | -MH       |     |  |
|     | 958 555 201 13 7J0 | Luxor beige  | -LE       |     |  |
|     | 958 555 201 13 AAD | Black/Carrera Red  | -TA       |     |  |
|     | 958 555 201 13 HAD | Black/Saddle Tan   | -MI       |     |  |
|     | 958 555 201 13 HAE | Saddle Tan/Cream   | -MJ       |     |  |
|     | 958 555 201 13 HAF | Saddle Tan/Luxor Beige   | -MK       |     |  |
|     | 958 555 201 13 HHY | Black/Cohiba Brown   | -LH       |     |  |
|     | 958 555 201 13 HHP | Black/Cream  | -LG       |     |  |
| (1) | 958 555 202 13     | Door panel trim (leather)<br>Plain leather                       | right rhd | 1   | Hybrid<br>PR: 3LH, 3LT,<br>8RV, 9VK, OK3,<br>L0R |
|     | 958 555 202 13 A11 | Black  | -LC       |     |  |
|     | 958 555 202 13 OA1 | agate grey   | -MG       |     |  |
|     | 958 555 202 13 OK6 | saddle brown   | -MH       |     |  |
|     | 958 555 202 13 7J0 | Luxor beige  | -LE       |     |  |
|     | 958 555 202 13 AAD | Black/Carrera Red  | -TA       |     |  |
|     | 958 555 202 13 HAD | Black/Saddle Tan   | -MI       |     |  |
|     | 958 555 202 13 HAE | Saddle Tan/Cream   | -MJ       |     |  |
|     | 958 555 202 13 HAF | Saddle Tan/Luxor Beige   | -MK       |     |  |
|     | 958 555 202 13 HHY | Black/Cohiba Brown   | -LH       |     |  |
|     | 958 555 202 13 HHP | Black/Cream  | -LG       |     |  |
| (1) | 958 555 201 04     | Door panel trim (leather)<br>Plain leather<br>Bose               | left      | 1   | PR: 3LH, 3LT,<br>9VL, OK0                        |
|     | 958 555 201 04 A11 | Black  | -LC       |     |  |
|     | 958 555 201 04 DE1 | Umber  | -LF       |     |  |
|     | 958 555 201 04 7J0 | Luxor beige  | -LE       |     |  |
|     | 958 555 201 04 9B0 | Platinum Grey  | -LD       |     |  |
|     | 958 555 201 04 OA1 | agate grey   | -MG       |     |  |
|     | 958 555 201 04 OK6 | saddle brown   | -MH       |     |  |
| (1) | 958 555 201 04     | Door panel trim (leather)<br>Plain leather<br>Bose<br>two-colour | left      | 1   | PR: 3LH, 3LT,<br>9VL, OK0                        |
|     | 958 555 201 04 F0C | Black/Titanium Blue  | -TW       |     |  |
|     | 958 555 201 04 F0D | Umber/Cream  | -TX       |     |  |
|     | 958 555 201 04 F0E | Umber/Light Tartufo  | -TY       |     |  |
|     | 958 555 201 04 AAD | Black/Carrera Red  | -TA       |     |  |
|     | 958 555 201 04 AAE | Black/Luxor Beige  | -TB       |     |  |
|     | 958 555 201 04 HAD | Black/Saddle Tan   | -MI       |     |  |
|     | 958 555 201 04 HAE | Saddle Tan/Cream   | -MJ       |     |  |
|     | 958 555 201 04 HAF | Saddle Tan/Luxor Beige   | -MK       |     |  |
|     | 958 555 201 04 HHY | Black/Cohiba Brown   | -LH       |     |  |
|     | 958 555 201 04 HHP | Black/Cream  | -LG       |     |  |
| (1) | 958 555 202 04     | Door panel trim (leather)<br>Plain leather<br>Bose               | right     | 1   | PR: 3LH, 3LT,<br>9VL                             |

Model: 92A 11 Model life 2011>>2018

| Pos | Part Number        | Description   | Remark    | Qty | Model                                    |
|-----|--------------------|---|-----------|-----|--|
|     | 958 555 202 04 A11 | Black   | -LC       |     |  |
|     | 958 555 202 04 DE1 | Umber   | -LF       |     |  |
|     | 958 555 202 04 7J0 | Luxor beige   | -LE       |     |  |
|     | 958 555 202 04 9B0 | Platinum Grey   | -LD       |     |  |
|     | 958 555 202 04 OA1 | agate grey  | -MG       |     |  |
|     | 958 555 202 04 OK6 | saddle brown  | -MH       |     |  |
| (1) | 958 555 202 04     | Door panel trim (leather)<br>Plain leather<br>Bose<br>two-colour      | right     | 1   | PR: 3LH, 3LT,<br>9VL                     |
|     | 958 555 202 04 F0C | Black/Titanium Blue   | -TW       |     |  |
|     | 958 555 202 04 F0D | Umber/Cream   | -TX       |     |  |
|     | 958 555 202 04 F0E | Umber/Light Tartufo   | -TY       |     |  |
|     | 958 555 202 04 AAD | Black/Carrera Red   | -TA       |     |  |
|     | 958 555 202 04 AAE | Black/Luxor Beige   | -TB       |     |  |
|     | 958 555 202 04 HAD | Black/Saddle Tan  | -MI       |     |  |
|     | 958 555 202 04 HAE | Saddle Tan/Cream  | -MJ       |     |  |
|     | 958 555 202 04 HAF | Saddle Tan/Luxor Beige  | -MK       |     |  |
|     | 958 555 202 04 HHY | Black/Cohiba Brown  | -LH       |     |  |
|     | 958 555 202 04 HHP | Black/Cream   | -LG       |     |  |
| (1) | 958 555 201 14     | Door panel trim (leather)<br>Plain leather                            | left lhd  | 1   | Hybrid<br>PR: 3LH, 3LT,<br>9VL, 0K3, L0L |
|     | 958 555 201 14 A11 | Black   | -LC       |     |  |
|     | 958 555 201 14 OA1 | agate grey  | -MG       |     |  |
|     | 958 555 201 14 OK6 | saddle brown  | -MH       |     |  |
|     | 958 555 201 14 7J0 | Luxor beige   | -LE       |     |  |
|     | 958 555 201 14 AAD | Black/Carrera Red   | -TA       |     |  |
|     | 958 555 201 14 HAD | Black/Saddle Tan  | -MI       |     |  |
|     | 958 555 201 14 HAE | Saddle Tan/Cream  | -MJ       |     |  |
|     | 958 555 201 14 HAF | Saddle Tan/Luxor Beige  | -MK       |     |  |
|     | 958 555 201 14 HHY | Black/Cohiba Brown  | -LH       |     |  |
|     | 958 555 201 14 HHP | Black/Cream   | -LG       |     |  |
| (1) | 958 555 202 14     | Door panel trim (leather)<br>Plain leather                            | right rhd | 1   | Hybrid<br>PR: 3LH, 3LT,<br>9VL, 0K3, L0R |
|     | 958 555 202 14 A11 | Black   | -LC       |     |  |
|     | 958 555 202 14 OA1 | agate grey  | -MG       |     |  |
|     | 958 555 202 14 OK6 | saddle brown  | -MH       |     |  |
|     | 958 555 202 14 7J0 | Luxor beige   | -LE       |     |  |
|     | 958 555 202 14 AAD | Black/Carrera Red   | -TA       |     |  |
|     | 958 555 202 14 HAD | Black/Saddle Tan  | -MI       |     |  |
|     | 958 555 202 14 HAE | Saddle Tan/Cream  | -MJ       |     |  |
|     | 958 555 202 14 HAF | Saddle Tan/Luxor Beige  | -MK       |     |  |
|     | 958 555 202 14 HHY | Black/Cohiba Brown  | -LH       |     |  |
|     | 958 555 202 14 HHP | Black/Cream   | -LG       |     |  |
| (1) | 958 555 201 05     | Door panel trim (leather)<br>Plain leather<br>Burmester               | left      | 1   | PR: 3LH, 3LT,<br>9VJ                     |
|     | 958 555 201 05 A11 | Black   | -LC       |     |  |
|     | 958 555 201 05 DE1 | Umber   | -LF       |     |  |
|     | 958 555 201 05 7J0 | Luxor beige   | -LE       |     |  |
|     | 958 555 201 05 9B0 | Platinum Grey   | -LD       |     |  |
|     | 958 555 201 05 OA1 | agate grey  | -MG       |     |  |
|     | 958 555 201 05 OK6 | saddle brown  | -MH       |     |  |
| (1) | 958 555 201 05     | Door panel trim (leather)<br>Plain leather<br>Burmester<br>two-colour | left      | 1   | PR: 3LH, 3LT,<br>9VJ                     |
|     | 958 555 201 05 F0C | Black/Titanium Blue   | -TW       |     |  |
|     | 958 555 201 05 F0D | Umber/Cream   | -TX       |     |  |
|     | 958 555 201 05 F0E | Umber/Light Tartufo   | -TY       |     |  |
|     | 958 555 201 05 AAD | Black/Carrera Red   | -TA       |     |  |

Model: 92A 11 Model life 2011>>2018

| Pos | Part Number        | Description   | Remark    | Qty | Model                                    |
|-----|--------------------|---|-----------|-----|--|
|     | 958 555 201 05 AAE | Black/Luxor Beige                                       | -TB       |     |  |
|     | 958 555 201 05 HAD | Black/Saddle Tan  | -MI       |     |  |
|     | 958 555 201 05 HAE | Saddle Tan/Cream  | -MJ       |     |  |
|     | 958 555 201 05 HAF | Saddle Tan/Luxor Beige                                  | -MK       |     |  |
|     | 958 555 201 05 HHY | Black/Cohiba Brown                                      | -LH       |     |  |
|     | 958 555 201 05 HHP | Black/Cream   | -LG       |     |  |
| (1) | 958 555 202 05     | Door panel trim (leather)<br>Plain leather<br>Burmester | right     | 1   | PR: 3LH, 3LT,<br>9VJ                     |
|     | 958 555 202 05 A11 | Black   | -LC       |     |  |
|     | 958 555 202 05 DE1 | Umber   | -LF       |     |  |
|     | 958 555 202 05 7J0 | Luxor beige   | -LE       |     |  |
|     | 958 555 202 05 9B0 | Platinum Grey   | -LD       |     |  |
|     | 958 555 202 05 OA1 | agate grey  | -MG       |     |  |
|     | 958 555 202 05 OK6 | saddle brown  | -MH       |     |  |
| (1) | 958 555 202 05     | Door panel trim (leather)<br>Plain leather<br>Burmester | right     | 1   | PR: 3LH, 3LT,<br>9VJ                     |
|     | 958 555 202 05 F0C | Black/Titanium Blue                                     | -TW       |     |  |
|     | 958 555 202 05 F0D | Umber/Cream   | -TX       |     |  |
|     | 958 555 202 05 F0E | Umber/Light Tartufo                                     | -TY       |     |  |
|     | 958 555 202 05 AAD | Black/Carrera Red                                       | -TA       |     |  |
|     | 958 555 202 05 AAE | Black/Luxor Beige                                       | -TB       |     |  |
|     | 958 555 202 05 HAD | Black/Saddle Tan  | -MI       |     |  |
|     | 958 555 202 05 HAE | Saddle Tan/Cream  | -MJ       |     |  |
|     | 958 555 202 05 HAF | Saddle Tan/Luxor Beige                                  | -MK       |     |  |
|     | 958 555 202 05 HHY | Black/Cohiba Brown                                      | -LH       |     |  |
|     | 958 555 202 05 HHP | Black/Cream   | -LG       |     |  |
| (1) | 958 555 201 15     | Door panel trim (leather)<br>Plain leather<br>Burmester | left lhd  | 1   | Hybrid<br>PR: 3LH, 3LT,<br>9VJ, OK3, L0L |
|     | 958 555 201 15 A11 | Black   | -LC       |     |  |
|     | 958 555 201 15 OA1 | agate grey  | -MG       |     |  |
|     | 958 555 201 15 OK6 | saddle brown  | -MH       |     |  |
|     | 958 555 201 15 7J0 | Luxor beige   | -LE       |     |  |
|     | 958 555 201 15 AAD | Black/Carrera Red                                       | -TA       |     |  |
|     | 958 555 201 15 HAD | Black/Saddle Tan  | -MI       |     |  |
|     | 958 555 201 15 HAE | Saddle Tan/Cream  | -MJ       |     |  |
|     | 958 555 201 15 HAF | Saddle Tan/Luxor Beige                                  | -MK       |     |  |
|     | 958 555 201 15 HHY | Black/Cohiba Brown                                      | -LH       |     |  |
|     | 958 555 201 15 HHP | Black/Cream   | -LG       |     |  |
| (1) | 958 555 201 15     | Door panel trim (leather)<br>Plain leather<br>Burmester | right rhd | 1   | Hybrid<br>PR: 3LH, 3LT,<br>9VJ, OK3, L0R |
|     | 958 555 201 15 A11 | Black   | -LC       |     |  |
|     | 958 555 201 15 OA1 | agate grey  | -MG       |     |  |
|     | 958 555 201 15 OK6 | saddle brown  | -MH       |     |  |
|     | 958 555 201 15 7J0 | Luxor beige   | -LE       |     |  |
|     | 958 555 201 15 AAD | Black/Carrera Red                                       | -TA       |     |  |
|     | 958 555 201 15 HAD | Black/Saddle Tan  | -MI       |     |  |
|     | 958 555 201 15 HAE | Saddle Tan/Cream  | -MJ       |     |  |
|     | 958 555 201 15 HAF | Saddle Tan/Luxor Beige                                  | -MK       |     |  |
|     | 958 555 201 15 HHY | Black/Cohiba Brown                                      | -LH       |     |  |
|     | 958 555 201 15 HHP | Black/Cream   | -LG       |     |  |
| (1) | 958 555 201 06     | door panel<br>Leather<br>Nature                         | left      | 1   | PR: 3LM, 3LX,<br>8RV, 9VK                |
|     | 958 555 201 06 F0F | Espresso/Cognac   | -VB       |     |  |
|     | 958 555 201 06 6J0 | Espresso  | -VA       |     |  |
| (1) | 958 555 202 15     | Door panel trim (leather)<br>Plain leather<br>Burmester | right rhd | 1   | Hybrid<br>PR: 3LH, 3LT,<br>9VJ, OK3, L0R |



Model: 92A 11 Model life 2011>>2018

| Pos | Part Number        | Description                                  | Remark    | Qty | Model  |
|-----|--------------------|--|-----------|-----|--|
|     | 958 555 202 15 A11 | Black  | -LC       |     |  |
|     | 958 555 202 15 OA1 | agate grey                                   | -MG       |     |  |
|     | 958 555 202 15 OK6 | saddle brown                                 | -MH       |     |  |
|     | 958 555 202 15 7J0 | Luxor beige                                  | -LE       |     |  |
|     | 958 555 202 15 AAD | Black/Carrera Red                            | -TA       |     |  |
|     | 958 555 202 15 HAD | Black/Saddle Tan                             | -MI       |     |  |
|     | 958 555 202 15 HAE | Saddle Tan/Cream                             | -MJ       |     |  |
|     | 958 555 202 15 HAF | Saddle Tan/Luxor Beige                       | -MK       |     |  |
|     | 958 555 202 15 HHY | Black/Cohiba Brown                           | -LH       |     |  |
|     | 958 555 202 15 HHP | Black/Cream                                  | -LG       |     |  |
| (1) | 958 555 202 06     | door panel<br>Leather<br>Nature              | right     | 1   | PR: 3LM, 3LX,<br>8RV, 9VK                        |
|     | 958 555 202 06 F0F | Espresso/Cognac                              | -VB       |     |  |
|     | 958 555 202 06 6J0 | Espresso                                     | -VA       |     |  |
| (1) | 958 555 201 16     | door panel<br>Leather<br>Nature              | left lhd  | 1   | Hybrid<br>PR: 3LM, 3LX,<br>8RV, 9VK, OK3,<br>L0L |
|     | 958 555 201 16 F0F | Espresso/Cognac                              | -VB       |     |  |
|     | 958 555 201 16 6J0 | Espresso                                     | -VA       |     |  |
| (1) | 958 555 202 16     | door panel<br>Leather<br>Nature              | right rhd | 1   | Hybrid<br>PR: 3LM, 3LX,<br>8RV, 9VK, OK3,<br>L0R |
|     | 958 555 202 16 F0F | Espresso/Cognac                              | -VB       |     |  |
|     | 958 555 202 16 6J0 | Espresso                                     | -VA       |     |  |
| (1) | 958 555 201 07     | door panel<br>Leather<br>Nature<br>Bose      | left      | 1   | PR: 3LM, 3LX,<br>9VL                             |
|     | 958 555 201 07 F0F | Espresso/Cognac                              | -VB       |     |  |
|     | 958 555 201 07 6J0 | Espresso                                     | -VA       |     |  |
| (1) | 958 555 202 07     | door panel<br>Leather<br>Nature<br>Bose      | right     | 1   | PR: 3LM, 3LX,<br>9VL                             |
|     | 958 555 202 07 F0F | Espresso/Cognac                              | -VB       |     |  |
|     | 958 555 202 07 6J0 | Espresso                                     | -VA       |     |  |
| (1) | 958 555 201 17     | door panel<br>Leather<br>Nature<br>Bose      | left lhd  | 1   | Hybrid<br>PR: 3LM, 3LX,<br>9VL, OK3, L0L         |
|     | 958 555 201 17 F0F | Espresso/Cognac                              | -VB       |     |  |
|     | 958 555 201 17 6J0 | Espresso                                     | -VA       |     |  |
| (1) | 958 555 202 17     | door panel<br>Leather<br>Nature<br>Bose      | right rhd | 1   | Hybrid<br>PR: 3LM, 3LX,<br>9VL, OK3, L0R         |
|     | 958 555 202 17 F0F | Espresso/Cognac                              | -VB       |     |  |
|     | 958 555 202 17 6J0 | Espresso                                     | -VA       |     |  |
| (1) | 958 555 201 08     | door panel<br>Leather<br>Nature<br>Burmester | left      | 1   | PR: 3LM, 3LX,<br>9VJ                             |
|     | 958 555 201 08 F0F | Espresso/Cognac                              | -VB       |     |  |
|     | 958 555 201 08 6J0 | Espresso                                     | -VA       |     |  |
| (1) | 958 555 202 08     | door panel<br>Leather<br>Nature<br>Burmester | right     | 1   | PR: 3LM, 3LX,<br>9VJ                             |
|     | 958 555 202 08 F0F | Espresso/Cognac                              | -VB       |     |  |
|     | 958 555 202 08 6J0 | Espresso                                     | -VA       |     |  |

Model: 92A 11 Model life 2011>>2018

| Pos | Part Number        | Description                                  | Remark    | Qty | Model                                    |
|-----|--------------------|--|-----------|-----|--|
| (1) | 958 555 201 18     | door panel<br>Leather<br>Nature<br>Burmester | left lhd  | 1   | Hybrid<br>PR: 3LM, 3LX,<br>9VJ, OK3, L0L |
|     | 958 555 201 18 F0F | Espresso/Cognac                              | -VB       |     |  |
|     | 958 555 201 18 6J0 | Espresso                                     | -VA       |     |  |
| (1) | 958 555 202 18     | door panel<br>Leather<br>Nature<br>Burmester | right rhd | 1   | Hybrid<br>PR: 3LM, 3LX,<br>9VJ, OK3, L0R |
|     | 958 555 202 18 F0F | Espresso/Cognac                              | -VB       |     |  |
|     | 958 555 202 18 6J0 | Espresso                                     | -VA       |     |  |
| (1) | 958 555 201 10     | Door trim (Alcantara)                        | left      | 1   | GTS<br>PR: 3LS, 8RV,<br>9VK              |
|     | 958 555 201 10 IVA | D - MJ 2012>><br>Black                       | -YC       |     |  |
|     | 958 555 201 10 IVB | Platinum Grey                                | -YD       |     |  |
|     | 958 555 201 10 IVC | Luxor beige                                  | -YE       |     |  |
|     | 958 555 201 10 IVD | Umber  | -YF       |     |  |
|     | 958 555 201 10 DJQ | agate grey                                   | -ML       |     |  |
|     | 958 555 201 10 DJN | saddle brown                                 | -ME       |     |  |
|     | 958 555 201 10 IVE | Black/Carmine Red                            | -YA       |     |  |
|     | 958 555 201 10 IVF | Black/Peridot                                | -YB       |     |  |
|     | 958 555 201 10 DJS | Black/Rhodium Silver                         | -MF       |     |  |
| (1) | 958 555 202 10     | Door trim (Alcantara)                        | right     | 1   | GTS<br>PR: 3LS, 8RV,<br>9VK              |
|     | 958 555 202 10 IVA | D - MJ 2012>><br>Black                       | -YC       |     |  |
|     | 958 555 202 10 IVB | Platinum Grey                                | -YD       |     |  |
|     | 958 555 202 10 IVC | Luxor beige                                  | -YE       |     |  |
|     | 958 555 202 10 IVD | Umber  | -YF       |     |  |
|     | 958 555 202 10 DJQ | agate grey                                   | -ML       |     |  |
|     | 958 555 202 10 DJN | saddle brown                                 | -ME       |     |  |
|     | 958 555 202 10 IVE | Black/Carmine Red                            | -YA       |     |  |
|     | 958 555 202 10 IVF | Black/Peridot                                | -YB       |     |  |
|     | 958 555 202 10 DJS | Black/Rhodium Silver                         | -MF       |     |  |
| (1) | 958 555 201 11     | Door trim (Alcantara)                        | left      | 1   | GTS<br>PR: 3LS, 9VL                      |
|     | 958 555 201 11 IVA | Bose<br>D - MJ 2012>><br>Black               | -YC       |     |  |
|     | 958 555 201 11 IVB | Platinum Grey                                | -YD       |     |  |
|     | 958 555 201 11 IVC | Luxor beige                                  | -YE       |     |  |
|     | 958 555 201 11 IVD | Umber  | -YF       |     |  |
|     | 958 555 201 11 DJQ | agate grey                                   | -ML       |     |  |
|     | 958 555 201 11 DJN | saddle brown                                 | -ME       |     |  |
|     | 958 555 201 11 IVE | Black/Carmine Red                            | -YA       |     |  |
|     | 958 555 201 11 IVF | Black/Peridot                                | -YB       |     |  |
|     | 958 555 201 11 DJS | Black/Rhodium Silver                         | -MF       |     |  |
| (1) | 958 555 202 11     | Door trim (Alcantara)                        | right     | 1   | GTS<br>PR: 3LS, 9VL                      |
|     | 958 555 202 11 IVA | Bose<br>D - MJ 2012>><br>Black               | -YC       |     |  |
|     | 958 555 202 11 IVB | Platinum Grey                                | -YD       |     |  |
|     | 958 555 202 11 IVC | Luxor beige                                  | -YE       |     |  |
|     | 958 555 202 11 IVD | Umber  | -YF       |     |  |
|     | 958 555 202 11 DJQ | agate grey                                   | -ML       |     |  |
|     | 958 555 202 11 DJN | saddle brown                                 | -ME       |     |  |
|     | 958 555 202 11 IVE | Black/Carmine Red                            | -YA       |     |  |
|     | 958 555 202 11 IVF | Black/Peridot                                | -YB       |     |  |
|     | 958 555 202 11 DJS | Black/Rhodium Silver                         | -MF       |     |  |
| (1) | 958 555 201 12     | Door trim (Alcantara)                        | left      | 1   | GTS                                      |

Model: 92A 11 Model life 2011>>2018

| Pos | Part Number        | Description                    | Remark   | Qty | Model             |
|-----|--------------------|--------------------------------|--|-----|-------------------|
|     |                    | Burmester<br>D - MJ 2012>>     |  |     | PR:3LS,9VJ        |
|     | 958 555 201 12 IVA | Black                          | -YC  |     |                   |
|     | 958 555 201 12 IVB | Platinum Grey                  | -YD  |     |                   |
|     | 958 555 201 12 IVC | Luxor beige                    | -YE  |     |                   |
|     | 958 555 201 12 IVD | Umber                          | -YF  |     |                   |
|     | 958 555 201 12 DJQ | agate grey                     | -ML  |     |                   |
|     | 958 555 201 12 DJN | saddle brown                   | -ME  |     |                   |
|     | 958 555 201 12 IVE | Black/Carmine Red              | -YA  |     |                   |
|     | 958 555 201 12 IVF | Black/Peridot                  | -YB  |     |                   |
|     | 958 555 201 12 DJS | Black/Rhodium Silver           | -MF  |     |                   |
| (1) | 958 555 202 12     | Door trim (Alcantara)          | right  | 1   | GTS<br>PR:3LS,9VJ |
|     |                    | Burmester<br>D - MJ 2012>>     |  |     |                   |
|     | 958 555 202 12 IVA | Black                          | -YC  |     |                   |
|     | 958 555 202 12 IVB | Platinum Grey                  | -YD  |     |                   |
|     | 958 555 202 12 IVC | Luxor beige                    | -YE  |     |                   |
|     | 958 555 202 12 IVD | Umber                          | -YF  |     |                   |
|     | 958 555 202 12 DJQ | agate grey                     | -ML  |     |                   |
|     | 958 555 202 12 DJN | saddle brown                   | -ME  |     |                   |
|     | 958 555 202 12 IVE | Black/Carmine Red              | -YA  |     |                   |
|     | 958 555 202 12 IVF | Black/Peridot                  | -YB  |     |                   |
|     | 958 555 202 12 DJS | Black/Rhodium Silver           | -MF  |     |                   |
| 2   | 955 555 243 00     | Retaining clip<br>door panel   |  | X   |                   |
| 3   | 958 555 190 00     | Clip                           |  | X   |                   |
| 4   | 958 555 571 00     | sound abs. for door trim panel |  | 2   |                   |
| 5   | 958 555 857 00     | Trim for switch                | left lhd<br>lhd  | 1   | PR:L0L            |
|     | 958 555 857 00 DE1 | Umber                          | left<br>-LF, TX, TY, YF                                      |     |                   |
|     | 958 555 857 00 3T0 | Espresso                       | -VA, VB  |     |                   |
|     | 958 555 857 00 4U0 | Platinum Grey                  | -LD, MD, YD  |     |                   |
|     | 958 555 857 00 5Q0 | Black                          | -LC, MA, TA, TB,<br>TW, YA, YB, YC,<br>77, LG, LH, MF,<br>MI |     |                   |
|     | 958 555 857 00 6W0 | Luxor beige                    | -LE, MC, YE  |     |                   |
|     | 958 555 857 00 OA6 | agate grey                     | -MB, MG, ML  |     |                   |
|     | 958 555 857 00 OL7 | saddle brown                   | -ME, MH, MJ, MK  |     |                   |
| (5) | 958 555 857 01     | Trim for switch                | left rhd<br>lhd  | 1   | PR:L0R            |
|     | 958 555 857 01 DE1 | Umber                          | left<br>-LF, TX, TY, YF                                      |     |                   |
|     | 958 555 857 01 3T0 | Espresso                       | -VA, VB  |     |                   |
|     | 958 555 857 01 4U0 | Platinum Grey                  | -LD, MD, YD  |     |                   |
|     | 958 555 857 01 5Q0 | Black                          | -LC, MA, TA, TB,<br>TW, YA, YB, YC,<br>77, LG, LH, MF,<br>MI |     |                   |
|     | 958 555 857 01 6W0 | Luxor beige                    | -LE, MC, YE  |     |                   |
|     | 958 555 857 01 OA6 | agate grey                     | -MB, MG, ML  |     |                   |
|     | 958 555 857 01 OL7 | saddle brown                   | -ME, MH, MJ, MK  |     |                   |
| (5) | 958 555 858 00     | Trim for switch                | right lhd<br>lhd   | 1   | PR:L0L            |
|     |                    |                                | right  |     |                   |
|     |                    | with:                          |  |     |                   |
|     |                    | Rubber ply                     |  |     |                   |
|     | 958 555 858 00 DE1 | Umber                          | -LF, TX, TY, YF  |     |                   |
|     | 958 555 858 00 3T0 | Espresso                       | -VA, VB  |     |                   |
|     | 958 555 858 00 4U0 | Platinum Grey                  | -LD, MD, YD  |     |                   |

Model: 92A 11 Model life 2011>>2018

| Pos | Part Number        | Description        | Remark   | Qty | Model  |
|-----|--------------------|--------------------|--|-----|--------|
|     | 958 555 858 00 5Q0 | Black              | -LC, MA, TA, TB,<br>TW, YA, YB, YC,<br>77, LG, LH, MF,<br>MI |     |        |
|     | 958 555 858 00 6W0 | Luxor beige        | -LE, MC, YE  |     |        |
|     | 958 555 858 00 OA6 | agate grey         | -MB, MG, ML  |     |        |
|     | 958 555 858 00 OL7 | saddle brown       | -ME, MH, MJ, MK  |     |        |
| (5) | 958 555 858 01     | Trim for switch    | right rhd<br>rhd   | 1   | PR:L0R |
|     |                    | with:              |  |     |        |
|     |                    | Rubber ply         |  |     |        |
|     | 958 555 858 01 DE1 | Umber              | -LF, TX, TY, YF  |     |        |
|     | 958 555 858 01 3T0 | Espresso           | -VA, VB  |     |        |
|     | 958 555 858 01 4U0 | Platinum Grey      | -LD, MD, YD  |     |        |
|     | 958 555 858 01 5Q0 | Black              | -LC, MA, TA, TB,<br>TW, YA, YB, YC,<br>77, LG, LH, MF,<br>MI |     |        |
|     | 958 555 858 01 6W0 | Luxor beige        | -LE, MC, YE  |     |        |
|     | 958 555 858 01 OA6 | agate grey         | -MB, MG, ML  |     |        |
|     | 958 555 858 01 OL7 | saddle brown       | -ME, MH, MJ, MK  |     |        |
| 6   | 958 555 099 00     | Carrier<br>Armrest | left   | 1   | PR:9MA |
|     | 958 555 099 00 DE1 | Umber              | -LF, TX, TY, YF  |     |        |
|     | 958 555 099 00 3T0 | Espresso           | -VA, VB  |     |        |
|     | 958 555 099 00 4U0 | Platinum Grey      | -LD, MD, YD  |     |        |
|     | 958 555 099 00 5Q0 | Black              | -LC, MA, TA, TB,<br>TW, YA, YB, YC,<br>77, LG, LH, MF,<br>MI |     |        |
|     | 958 555 099 00 6W0 | Luxor beige        | -LE, MC, YE  |     |        |
|     | 958 555 099 00 OA6 | agate grey         | -MB, MG, ML  |     |        |
|     | 958 555 099 00 OL7 | saddle brown       | -ME, MH, MJ, MK  |     |        |
| (6) | 958 555 100 00     | Carrier<br>Armrest | right  | 1   | PR:9MA |
|     | 958 555 100 00 DE1 | Umber              | -LF, TX, TY, YF  |     |        |
|     | 958 555 100 00 3T0 | Espresso           | -VA, VB  |     |        |
|     | 958 555 100 00 4U0 | Platinum Grey      | -LD, MD, YD  |     |        |
|     | 958 555 100 00 5Q0 | Black              | -LC, MA, TA, TB,<br>TW, YA, YB, YC,<br>77, LG, LH, MF,<br>MI |     |        |
|     | 958 555 100 00 6W0 | Luxor beige        | -LE, MC, YE  |     |        |
|     | 958 555 100 00 OA6 | agate grey         | -MB, MG, ML  |     |        |
|     | 958 555 100 00 OL7 | saddle brown       | -ME, MH, MJ, MK  |     |        |
| (6) | 958 555 099 01     | Carrier<br>Armrest | left   | 1   | PR:9MB |
|     | 958 555 099 01 DE1 | Umber              | -LF, TX, TY, YF  |     |        |
|     | 958 555 099 01 3T0 | Espresso           | -VA, VB  |     |        |
|     | 958 555 099 01 4U0 | Platinum Grey      | -LD, MD, YD  |     |        |
|     | 958 555 099 01 5Q0 | Black              | -LC, MA, TA, TB,<br>TW, YA, YB, YC,<br>77, LG, LH, MF,<br>MI |     |        |
|     | 958 555 099 01 6W0 | Luxor beige        | -LE, MC, YE  |     |        |
|     | 958 555 099 01 OA6 | agate grey         | -MB, MG, ML  |     |        |
|     | 958 555 099 01 OL7 | saddle brown       | -ME, MH, MJ, MK  |     |        |
| (6) | 958 555 100 01     | Carrier<br>Armrest | right  | 1   | PR:9MB |
|     | 958 555 100 01 DE1 | Umber              | -LF, TX, TY, YF  |     |        |
|     | 958 555 100 01 3T0 | Espresso           | -VA, VB  |     |        |
|     | 958 555 100 01 4U0 | Platinum Grey      | -LD, MD, YD  |     |        |

Model: 92A 11 Model life 2011>>2018

| Pos | Part Number        | Description  | Remark  | Qty | Model        |
|-----|--------------------|--|---|-----|--------------|
|     | 958 555 100 01 5Q0 | Black  | -LC, MA, TA, TB, TW, YA, YB, YC, 77, LG, LH, MF, MI |     |              |
|     | 958 555 100 01 6W0 | Luxor beige  | -LE, MC, YE   |     |              |
|     | 958 555 100 01 OA6 | agate grey   | -MB, MG, ML   |     |              |
|     | 958 555 100 01 OL7 | saddle brown   | -ME, MH, MJ, MK                                     |     |              |
| 7   | N 908 401 03       | Hex socket oval head collared 4,0 X 14                   |   | X   |              |
| 8   | N 107 254 02       | Hexagon socket head collared bolt, thread forming M6 X20 |   | X   |              |
| 9   | 958 555 161 00     | Pull handle door panel Leatherette                       | left  | 1   | PR: 3LD      |
|     | 958 555 161 00 21U | Black  | -MA   |     |              |
|     | 958 555 161 00 32X | Luxor beige  | -MC, 77   |     |              |
|     | 958 555 161 00 7EG | Platinum Grey  | -MD   |     |              |
|     | 958 555 161 00 OF6 | agate grey   | -MB   |     |              |
| 9   | 958 555 162 00     | Pull handle door panel Leatherette                       | right   | 1   | PR: 3LD      |
|     | 958 555 162 00 21U | Black  | -MA   |     |              |
|     | 958 555 162 00 32X | Luxor beige  | -MC, 77   |     |              |
|     | 958 555 162 00 7EG | Platinum Grey  | -MD   |     |              |
|     | 958 555 162 00 OF6 | agate grey   | -MB   |     |              |
| (9) | 958 555 161 01     | Pull handle door panel Leather                           | left  | 1   | PR: 3LH, 3LT |
|     | 958 555 161 01 A11 | Black  | -LC, MI, TW, MF, YA, YB, YC, LC                     |     |              |
|     | 958 555 161 01 DE1 | Umber  | -LF, TX, TY, YF                                     |     |              |
|     | 958 555 161 01 7J0 | Luxor beige  | -LE, TB, YE   |     |              |
|     | 958 555 161 01 9B0 | Platinum Grey  | -LD, YD   |     |              |
|     | 958 555 161 01 OG3 | Carrera Red  | -TA   |     |              |
|     | 958 555 161 01 OA1 | agate grey   | -MG, ML   |     |              |
|     | 958 555 161 01 OK6 | saddle brown   | -MH, MJ, MK, ME                                     |     |              |
|     | 958 555 161 01 OB8 | Cohiba Brown   | -LH   |     |              |
| (9) | 958 555 161 01 8D0 | Cream  | -LG, MJ   |     |              |
| (9) | 958 555 161 01     | Pull handle door panel Leather                           | left  | 1   | PR: 3LS      |
|     | 958 555 161 01 A11 | Black  | -LC, MI, TW, MF, YA, YB, YC, LC                     |     |              |
|     | 958 555 161 01 DE1 | Umber  | -LF, TX, TY, YF                                     |     |              |
|     | 958 555 161 01 7J0 | Luxor beige  | -LE, TB, YE   |     |              |
|     | 958 555 161 01 9B0 | Platinum Grey  | -LD, YD   |     |              |
|     | 958 555 161 01 OG3 | Carrera Red  | -TA   |     |              |
|     | 958 555 161 01 OA1 | agate grey   | -MG, ML   |     |              |
|     | 958 555 161 01 OK6 | saddle brown   | -MH, MJ, MK, ME                                     |     |              |
|     | 958 555 161 01 OB8 | Cohiba Brown   | -LH   |     |              |
| (9) | 958 555 162 01     | Pull handle door panel Leather                           | right   | 1   | PR: 3LH, 3LT |
|     | 958 555 162 01 OB8 | Cohiba Brown   | -LH   |     |              |
|     | 958 555 162 01 A11 | Black  | -LC, MI, TW, MF, YA, YB, YC, LC                     |     |              |
|     | 958 555 162 01 DE1 | Umber  | -LF, TX, TY, YF                                     |     |              |
|     | 958 555 162 01 7J0 | Luxor beige  | -LE, TB, YE   |     |              |
|     | 958 555 162 01 9B0 | Platinum Grey  | -LD, YD   |     |              |
|     | 958 555 162 01 OG3 | Carrera Red  | -TA   |     |              |
|     | 958 555 162 01 OA1 | agate grey   | -MG, ML   |     |              |
|     | 958 555 162 01 OK6 | saddle brown   | -MH, MJ, MK, ME                                     |     |              |

Model: 92A 11 Model life 2011>>2018

| Pos  | Part Number        | Description                                    | Remark   | Qty | Model        |
|------|--------------------|--|--|-----|--------------|
| (9)  | 958 555 162 01 OB8 | Cohiba Brown                                   | -LH  | 1   | PR: 3LS      |
|      | 958 555 162 01 8D0 | Cream  | -LG, MJ  |     |              |
|      | 958 555 162 01     | Pull handle<br>door panel<br>Leather           | right  |     |              |
|      | 958 555 162 01 A11 | Black  | -LC, MI, TW, MF,<br>YA, YB, YC, LC                           |     |              |
|      | 958 555 162 01 DE1 | Umber  | -LF, TX, TY, YF  |     |              |
|      | 958 555 162 01 7J0 | Luxor beige                                    | -LE, TB, YE  |     |              |
|      | 958 555 162 01 9B0 | Platinum Grey                                  | -LD, YD  |     |              |
|      | 958 555 162 01 OG3 | Carrera Red                                    | -TA  |     |              |
|      | 958 555 162 01 OA1 | agate grey                                     | -MG, ML  |     |              |
|      | 958 555 162 01 OK6 | saddle brown                                   | -MH, MJ, MK, ME  |     |              |
| (9)  | 958 555 162 01 OB8 | Cohiba Brown                                   | -LH  | 1   | PR: 3LM, 3LX |
|      | 958 555 161 02     | Pull handle<br>door panel<br>Leather<br>Nature | left   |     |              |
| (9)  | 958 555 161 02 6J0 | Espresso                                       | -VA, VB  | 1   | PR: 3LM, 3LX |
|      | 958 555 162 02     | Pull handle<br>door panel<br>Leather<br>Nature | right  |     |              |
| 10   | 958 555 162 02 6J0 | Espresso                                       | -VA, VB  | 1   |              |
|      | 958 555 227 00     | Cover panel<br>door panel                      | left   |     |              |
| (10) | 958 555 227 00 DE1 | Umber  | -LF, TX, TY, YF  | 1   |              |
|      | 958 555 227 00 3T0 | Espresso                                       | -VA, VB  |     |              |
|      | 958 555 227 00 4U0 | Platinum Grey                                  | -LD, MD, YD  |     |              |
|      | 958 555 227 00 5Q0 | Black  | -LC, LG, LH, MA,<br>MF, MI, TA, TB,<br>TW, YA, YB, YC,<br>77 |     |              |
|      | 958 555 227 00 6W0 | Luxor beige                                    | -LE, MC, YE  |     |              |
|      | 958 555 227 00 OA6 | agate grey                                     | -MB, MG, ML  |     |              |
|      | 958 555 227 00 OL7 | saddle brown                                   | -ME, MH, MJ, MK  |     |              |
|      | 958 555 228 00     | Cover panel<br>door panel                      | right  |     |              |
|      | 958 555 228 00 DE1 | Umber  | -LF, TX, TY, YF  |     |              |
|      | 958 555 228 00 3T0 | Espresso                                       | -VA, VB  |     |              |
| 11   | 958 555 228 00 4U0 | Platinum Grey                                  | -LD, MD, YD  | 1   | PR: 3LD, 4AP |
|      | 958 555 228 00 5Q0 | Black  | -LC, LG, LH, MA,<br>MF, MI, TA, TB,<br>TW, YA, YB, YC,<br>77 |     |              |
|      | 958 555 228 00 6W0 | Luxor beige                                    | -LE, MC, YE  |     |              |
|      | 958 555 228 00 OA6 | agate grey                                     | -MB, MG, ML  |     |              |
|      | 958 555 228 00 OL7 | saddle brown                                   | -ME, MH, MJ, MK  |     |              |
|      | 958 555 173 00     | Armrest<br>door panel<br>Leatherette           | left   |     |              |
|      | 958 555 173 00 21U | Black  | -MA  |     |              |
|      | 958 555 173 00 32X | Luxor beige                                    | -MC, 77  |     |              |
|      | 958 555 173 00 7EG | Platinum Grey                                  | -MD  |     |              |
|      | 958 555 173 00 OF6 | agate grey                                     | -MB  |     |              |
| 11   | 958 555 174 00     | Armrest<br>door panel<br>Leatherette           | right  | 1   | PR: 3LD, 4AP |
|      | 958 555 174 00 21U | Black  | -MA  |     |              |
| (11) | 958 555 174 00 32X | Luxor beige                                    | -MC, 77  | 1   | PR: 3LH, 3LT |
|      | 958 555 174 00 7EG | Platinum Grey                                  | -MD  |     |              |
|      | 958 555 174 00 OF6 | agate grey                                     | -MB  |     |              |
|      | 958 555 173 01     | Armrest  | left   |     |              |

Model: 92A 11 Model life 2011>>2018

| Pos  | Part Number        | Description                        | Remark  | Qty | Model          |
|------|--------------------|------------------------------------|---------|-----|----------------|
|      |                    | door panel<br>Leather              |         |     |                |
|      | 958 555 173 01 A11 | Black                              | -LC     |     |                |
|      | 958 555 173 01 DE1 | Umber                              | -LF     |     |                |
|      | 958 555 173 01 7J0 | Luxor beige                        | -LE, TB |     |                |
|      | 958 555 173 01 9B0 | Platinum Grey                      | -LD     |     |                |
|      | 958 555 173 01 OG3 | Carrera Red                        | -TA     |     |                |
|      | 958 555 173 01 OA1 | agate grey                         | -MG     |     |                |
|      | 958 555 173 01 OK6 | saddle brown                       | -MH     |     |                |
|      | 958 555 173 01 OB8 | Cohiba Brown                       | -LH     |     |                |
|      | 958 555 173 01 8D0 | Cream                              | -LG     |     |                |
|      | 958 555 173 01 F0C | Black/Titanium Blue                | -TW     |     |                |
|      | 958 555 173 01 F0D | Umber/Cream                        | -TX     |     |                |
|      | 958 555 173 01 F0E | Umber/Light Tartufo                | -TY     |     |                |
|      | 958 555 173 01 HAD | Black/Saddle Tan                   | -MI     |     |                |
|      | 958 555 173 01 HAE | Saddle Tan/Cream                   | -MJ     |     |                |
|      | 958 555 173 01 HAF | Saddle Tan/Luxor Beige             | -MK     |     |                |
| (11) | 958 555 174 01     | Armrest<br>door panel<br>Leather   | right   | 1   | PR: 3LH, 3LT   |
|      | 958 555 174 01 A11 | Black                              | -LC     |     |                |
|      | 958 555 174 01 DE1 | Umber                              | -LF     |     |                |
|      | 958 555 174 01 7J0 | Luxor beige                        | -LE, TB |     |                |
|      | 958 555 174 01 9B0 | Platinum Grey                      | -LD     |     |                |
|      | 958 555 174 01 OG3 | Carrera Red                        | -TA     |     |                |
|      | 958 555 174 01 OA1 | agate grey                         | -MG     |     |                |
|      | 958 555 174 01 OK6 | saddle brown                       | -MH     |     |                |
|      | 958 555 174 01 OB8 | Cohiba Brown                       | -LH     |     |                |
|      | 958 555 174 01 8D0 | Cream                              | -LG     |     |                |
|      | 958 555 174 01 F0C | Black/Titanium Blue                | -TW     |     |                |
|      | 958 555 174 01 F0D | Umber/Cream                        | -TX     |     |                |
|      | 958 555 174 01 F0E | Umber/Light Tartufo                | -TY     |     |                |
|      | 958 555 174 01 HAD | Black/Saddle Tan                   | -MI     |     |                |
|      | 958 555 174 01 HAE | Saddle Tan/Cream                   | -MJ     |     |                |
|      | 958 555 174 01 HAF | Saddle Tan/Luxor Beige             | -MK     |     |                |
| (11) | 958 555 173 02     | Armrest for door panel<br>Leather  | left    | 1   | PR: 3LM, 3LX   |
|      | 958 555 173 02 F0F | Nature<br>Espresso/Cognac          | -VB     |     |                |
|      | 958 555 173 02 6J0 | Espresso                           | -VA     |     |                |
| (11) | 958 555 174 02     | Armrest for door panel<br>Leather  | right   | 1   | PR: 3LM, 3LX   |
|      | 958 555 174 02 F0F | Nature<br>Espresso/Cognac          | -VB     |     |                |
|      | 958 555 174 02 6J0 | Espresso                           | -VA     |     |                |
| (11) | 958 555 173 03     | Armrest<br>door panel<br>Alcantara | left    | 1   | GTS<br>PR: 3LS |
|      | 958 555 173 03 IVA | Black                              | -YC     |     |                |
|      | 958 555 173 03 IVB | Platinum Grey                      | -YD     |     |                |
|      | 958 555 173 03 IVC | Luxor beige                        | -YE     |     |                |
|      | 958 555 173 03 IVD | Umber                              | -YF     |     |                |
|      | 958 555 173 03 DJQ | agate grey                         | -ML     |     |                |
|      | 958 555 173 03 DJN | saddle brown                       | -ME     |     |                |
|      | 958 555 173 03 IVE | Black/Carmine Red                  | -YA     |     |                |
|      | 958 555 173 03 IVF | Black/Peridot                      | -YB     |     |                |
|      | 958 555 173 03 DJS | Black/Rhodium Silver               | -MF     |     |                |
| (11) | 958 555 174 03     | Armrest<br>door panel<br>Alcantara | right   | 1   | GTS<br>PR: 3LS |
|      | 958 555 174 03 IVA | Black                              | -YC     |     |                |
|      | 958 555 174 03 IVB | Platinum Grey                      | -YD     |     |                |
|      | 958 555 174 03 IVC | Luxor beige                        | -YE     |     |                |

Model: 92A 11 Model life 2011>>2018

| Pos  | Part Number        | Description  | Remark   | Qty | Model  |
|------|--------------------|--|--|-----|--------|
|      | 958 555 174 03 IVD | Umber  | -YF  |     |        |
|      | 958 555 174 03 DJQ | agate grey   | -ML  |     |        |
|      | 958 555 174 03 DJN | saddle brown   | -ME  |     |        |
|      | 958 555 174 03 IVE | Black/Carmine Red  | -YA  |     |        |
|      | 958 555 174 03 IVF | Black/Peridot  | -YB  |     |        |
|      | 958 555 174 03 DJS | Black/Rhodium Silver                                       | -MF  |     |        |
| 12   | 958 555 393 00     | cover for door trim panel<br>Pull handle<br>D >> - MJ 2011 | left   | 1   |        |
|      | 958 555 393 00 DE1 | Umber  | -LF, TX, TY  |     |        |
|      | 958 555 393 00 3T0 | Espresso   | -VA, VB  |     |        |
|      | 958 555 393 00 4U0 | Platinum Grey  | -LD, MD  |     |        |
|      | 958 555 393 00 5Q0 | Black  | -LC, MA, TW  |     |        |
| (12) | 958 555 393 00 6W0 | Luxor beige  | -LE, MC  |     |        |
|      | 958 555 393 01     | cover for door trim panel<br>Pull handle<br>D - MJ 2012>>  | left   | 1   |        |
|      | 958 555 393 01 DE1 | Umber  | -LF, TX, TY, YF  |     |        |
|      | 958 555 393 01 3T0 | Espresso   | -VA, VB  |     |        |
|      | 958 555 393 01 4U0 | Platinum Grey  | -LD, MD, YD  |     |        |
|      | 958 555 393 01 5Q0 | Black  | -LC, LG, LH, MA,<br>MF, MI, TA, TB,<br>TW, YA, YB, YC,<br>77 |     |        |
| (12) | 958 555 393 01 6W0 | Luxor beige  | -LE, MC, YE  |     |        |
|      | 958 555 393 01     | cover for door trim panel<br>Pull handle<br>D - MJ 2015>>  | left   | 1   |        |
|      | 958 555 393 01 OA6 | agate grey   | -MB, MG, ML  |     |        |
|      | 958 555 393 01 OL7 | saddle brown   | -ME, MH, MJ, MK  |     |        |
| (12) | 958 555 394 00     | cover for door trim panel<br>Pull handle<br>D >> - MJ 2011 | right  | 1   |        |
|      | 958 555 394 00 DE1 | Umber  | -LF, TX, TY  |     |        |
|      | 958 555 394 00 3T0 | Espresso   | -VA, VB  |     |        |
|      | 958 555 394 00 4U0 | Platinum Grey  | -LD, MD  |     |        |
|      | 958 555 394 00 5Q0 | Black  | -LC, MA, TW  |     |        |
|      | 958 555 394 00 6W0 | Luxor beige  | -LE, MC  |     |        |
| (12) | 958 555 394 01     | cover for door trim panel<br>Pull handle<br>D - MJ 2012>>  | right  | 1   |        |
|      | 958 555 394 01 DE1 | Umber  | -LF, TX, TY, YF  |     |        |
|      | 958 555 394 01 3T0 | Espresso   | -VA, VB  |     |        |
|      | 958 555 394 01 4U0 | Platinum Grey  | -LD, MD, YD  |     |        |
|      | 958 555 394 01 5Q0 | Black  | -LC, LG, LH, MA,<br>MF, MI, TA, TB,<br>TW, YA, YB, YC,<br>77 |     |        |
| (12) | 958 555 394 01 6W0 | Luxor beige  | -LE, MC, YE  |     |        |
|      | 958 555 394 01     | cover for door trim panel<br>Pull handle<br>D - MJ 2015>>  | right  | 1   |        |
|      | 958 555 394 01 OA6 | agate grey   | -MB, MG, ML  |     |        |
|      | 958 555 394 01 OL7 | saddle brown   | -ME, MH, MJ, MK  |     |        |
| 13   | 958 555 409 00     | molding for door trim<br>panel                             | left   | 1   | PR:5TL |
| (13) | 958 555 409 00 6BB | Piano Black, high-gloss                                    |  |     |        |
|      | 958 555 410 00     | molding for door trim<br>panel                             | right  | 1   | PR:5TL |



Model: 92A 11 Model life 2011>>2018

| Pos  | Part Number                          | Description   | Remark         | Qty | Model  |
|------|--------------------------------------|---|----------------|-----|--------|
| (13) | 958 555 410 00 6BB<br>958 555 409 01 | Piano Black, high-gloss<br>molding for door trim<br>panel   | left           | 1   | PR:5TE |
| (13) | 958 555 409 01 GR4<br>958 555 410 01 | Aluminium, brushed<br>molding for door trim<br>panel        | right          | 1   | PR:5TE |
| (13) | 958 555 410 01 GR4<br>958 555 409 02 | Aluminium, brushed<br>molding for door trim<br>panel        | left           | 1   | PR:5MG |
| (13) | 958 555 409 02 BG1<br>958 555 410 02 | Walnut, high-gloss<br>molding for door trim<br>panel        | right          | 1   | PR:5MG |
| (13) | 958 555 410 02 BG1<br>958 555 409 03 | Walnut, high-gloss<br>molding for door trim<br>panel        | left           | 1   | PR:5MB |
| (13) | 958 555 409 03 CK6<br>958 555 410 03 | Swedish Birch<br>molding for door trim<br>panel             | right          | 1   | PR:5MB |
| (13) | 958 555 410 03 CK6<br>958 555 409 04 | Swedish Birch<br>molding for door trim<br>panel             | left           | 1   | PR:5TF |
| (13) | 958 555 409 04 BT2<br>958 555 410 04 | Olive Ash matt open-pored<br>molding for door trim<br>panel | right          | 1   | PR:5TF |
| (13) | 958 555 410 04 BT2<br>958 555 409 05 | Olive Ash matt open-pored<br>molding for door trim<br>panel | left           | 1   | PR:5MH |
| (13) | 958 555 409 05 BX3<br>958 555 410 05 | Carbon, fine high-gloss<br>molding for door trim<br>panel   | right          | 1   | PR:5MH |
| (13) | 958 555 410 05 BX3<br>958 555 409 06 | Carbon, fine high-gloss<br>molding for door trim<br>panel   | left           | 1   | PR:5ML |
| (13) | 958 555 409 06 OG1<br>958 555 410 06 | Mahogany Yachting<br>molding for door trim<br>panel         | right          | 1   | PR:5ML |
| (13) | 958 555 410 06 OG1<br>958 555 409 07 | Mahogany Yachting<br>molding for door trim<br>panel         | left           | 1   | PR:5MP |
| (13) | 958 555 409 07 OE9<br>958 555 410 07 | American Walnut<br>molding for door trim<br>panel           | right          | 1   | PR:5MP |
| (14) | 958 555 410 07 OE9<br>958 555 019 01 | American Walnut<br>Inner actuator                           | left<br>front  | 1   |        |
| (14) | 958 555 019 01 G0B<br>958 555 020 01 | Matt Black/Galvano Silver<br>Inner actuator                 | right<br>front | 1   |        |
| 15   | 958 555 020 01 G0B<br>999 703 271 40 | Matt Black/Galvano Silver<br>Stop buffer                    |                | X   |        |
| (16) | 958 555 247 02                       | Inner actuator<br>Cover panel                               | left           | 1   |        |
| (16) | 958 555 247 02 5Q0<br>958 555 248 02 | Discontinued part<br>Black<br>Cover panel                   | right          | 1   |        |
| 17   | 958 555 248 02 5Q0<br>958 555 247 00 | Discontinued part<br>Black<br>Trim                          | left           | 1   | PR:3L5 |
|      |                                      | Inner actuator<br>Seal                                      |                |     |        |
|      |                                      | with:   |                |     |        |

Model: 92A 11 Model life 2011>>2018

| Pos            | Part Number        | Description    | Remark  | Qty | Model       |
|----------------|--------------------|----------------|---|-----|-------------|
| 17             | 958 555 247 00 DE1 | Umber          | -LF, TX, TY, YF                                     | 1   | PR:L0R, 3L4 |
|                | 958 555 247 00 3T0 | Espresso       | -VA, VB   |     |             |
|                | 958 555 247 00 4U0 | Platinum Grey  | -LD, MD, YD   |     |             |
|                | 958 555 247 00 5Q0 | Black          | -LC, LG, LH, MA, MF, MI, TA, TB, TW, YA, YB, YC, 77 |     |             |
|                | 958 555 247 00 6W0 | Luxor beige    | -LE, MC, YE   |     |             |
|                | 958 555 247 00 OA6 | agate grey     | -MB, MG, ML   |     |             |
|                | 958 555 247 00 OL7 | saddle brown   | -ME, MH, MJ, MK                                     |     |             |
|                | 958 555 247 00     | Trim           | left  |     |             |
|                |                    | Inner actuator |   |     |             |
|                |                    | Seal           | with:   |     |             |
| (17)           | 958 555 247 00 DE1 | Umber          | -LF, TX, TY, YF                                     | 1   | PR:L0L, 3L4 |
|                | 958 555 247 00 3T0 | Espresso       | -VA, VB   |     |             |
|                | 958 555 247 00 4U0 | Platinum Grey  | -LD, MD, YD   |     |             |
|                | 958 555 247 00 5Q0 | Black          | -LC, LG, LH, MA, MF, MI, TA, TB, TW, YA, YB, YC, 77 |     |             |
|                | 958 555 247 00 6W0 | Luxor beige    | -LE, MC, YE   |     |             |
|                | 958 555 247 00 OA6 | agate grey     | -MB, MG, ML   |     |             |
|                | 958 555 247 00 OL7 | saddle brown   | -ME, MH, MJ, MK                                     |     |             |
|                | 958 555 247 01     | Trim           | left  |     |             |
|                |                    | Inner actuator |   |     |             |
|                |                    | Seal           | with:   |     |             |
| (17)           | 958 555 247 01 DE1 | Umber          | -LF, TX, TY, YF                                     | 1   | PR:3PN      |
|                | 958 555 247 01 3T0 | Espresso       | -VA, VB   |     |             |
|                | 958 555 247 01 4U0 | Platinum Grey  | -LD, MD, YD   |     |             |
|                | 958 555 247 01 5Q0 | Black          | -LC, LG, LH, MA, MF, MI, TA, TB, TW, YA, YB, YC, 77 |     |             |
|                | 958 555 247 01 6W0 | Luxor beige    | -LE, MC, YE   |     |             |
|                | 958 555 247 01 OA6 | agate grey     | -MB, MG, ML   |     |             |
|                | 958 555 247 01 OL7 | saddle brown   | -ME, MH, MJ, MK                                     |     |             |
|                | 958 555 247 01     | Trim           | left  |     |             |
|                |                    | Inner actuator |   |     |             |
|                |                    | Seal           | with:   |     |             |
| (17)           | 958 555 247 01 DE1 | Umber          | -LF, TX, TY, YF                                     | 1   | PR:L0L, 3L4 |
|                | 958 555 247 01 3T0 | Espresso       | -VA, VB   |     |             |
|                | 958 555 247 01 4U0 | Platinum Grey  | -LD, MD, YD   |     |             |
|                | 958 555 247 01 5Q0 | Black          | -LC, LG, LH, MA, MF, MI, TA, TB, TW, YA, YB, YC, 77 |     |             |
|                | 958 555 247 01 6W0 | Luxor beige    | -LE, MC, YE   |     |             |
|                | 958 555 247 01 OA6 | agate grey     | -MB, MG, ML   |     |             |
|                | 958 555 247 01 OL7 | saddle brown   | -ME, MH, MJ, MK                                     |     |             |
|                | 958 555 248 00     | Trim           | right   |     |             |
|                |                    | Inner actuator |   |     |             |
|                |                    | Seal           | with:   |     |             |
| 958 555 248 00 | 958 555 248 00 DE1 | Umber          | -LF, TX, TY, YF                                     | 1   | PR:L0L, 3L4 |
|                | 958 555 248 00 3T0 | Espresso       | -VA, VB   |     |             |
|                | 958 555 248 00 4U0 | Platinum Grey  | -LD, MD, YD   |     |             |
|                | 958 555 248 00 5Q0 | Black          | -LC, LG, LH, MA, MF, MI, TA, TB, TW, YA, YB, YC, 77 |     |             |
|                |                    |                |   |     |             |

Model: 92A 11 Model life 2011>>2018

| Pos                | Part Number        | Description   | Remark           | Qty | Model      |
|--------------------|--------------------|---|------------------|-----|------------|
| (17)               | 958 555 248 00 6W0 | Luxor beige   | -LE,MC,YE        | 1   | PR:3L5     |
|                    | 958 555 248 00 OA6 | agate grey  | -MB,MG,ML        |     |            |
|                    | 958 555 248 00 OL7 | saddle brown  | -ME,MH,MJ,MK     |     |            |
|                    | 958 555 248 00     | Trim  | right            |     |            |
|                    |                    | Inner actuator                                      |                  |     |            |
|                    |                    | with:   |                  |     |            |
|                    |                    | Seal  |                  |     |            |
|                    | 958 555 248 00 DE1 | Umber   | -LF, TX, TY, YF  |     |            |
| 958 555 248 00 3T0 | Espresso           | -VA, VB   |                  |     |            |
| 958 555 248 00 4U0 | Platinum Grey      | -LD, MD, YD   |                  |     |            |
| 958 555 248 00 5Q0 | Black              | -LC, LG, LH, MA, MF, MI, TA, TB, TW, YA, YB, YC, 77 |                  |     |            |
| (17)               | 958 555 248 00 6W0 | Luxor beige   | -LE,MC,YE        | 1   | PR:3PN     |
|                    | 958 555 248 00 OA6 | agate grey  | -MB,MG,ML        |     |            |
|                    | 958 555 248 00 OL7 | saddle brown  | -ME,MH,MJ,MK     |     |            |
|                    | 958 555 248 01     | Trim  | right            |     |            |
|                    |                    | Inner actuator                                      |                  |     |            |
|                    |                    | with:   |                  |     |            |
|                    |                    | Seal  |                  |     |            |
|                    | 958 555 248 01 DE1 | Umber   | -LF, TX, TY, YF  |     |            |
| 958 555 248 01 3T0 | Espresso           | -VA, VB   |                  |     |            |
| 958 555 248 01 4U0 | Platinum Grey      | -LD, MD, YD   |                  |     |            |
| 958 555 248 01 5Q0 | Black              | -LC, LG, LH, MA, MF, MI, TA, TB, TW, YA, YB, YC, 77 |                  |     |            |
| (17)               | 958 555 248 01 6W0 | Luxor beige   | -LE,MC,YE        | 1   | PR:L0R,3L4 |
|                    | 958 555 248 01 OA6 | agate grey  | -MB,MG,ML        |     |            |
|                    | 958 555 248 01 OL7 | saddle brown  | -ME,MH,MJ,MK     |     |            |
|                    | 958 555 248 01     | Trim  | right            |     |            |
|                    |                    | Inner actuator                                      |                  |     |            |
|                    |                    | with:   |                  |     |            |
|                    |                    | Seal  |                  |     |            |
|                    | 958 555 248 01 DE1 | Umber   | -LF, TX, TY, YF  |     |            |
| 958 555 248 01 3T0 | Espresso           | -VA, VB   |                  |     |            |
| 958 555 248 01 4U0 | Platinum Grey      | -LD, MD, YD   |                  |     |            |
| 958 555 248 01 5Q0 | Black              | -LC, LG, LH, MA, MF, MI, TA, TB, TW, YA, YB, YC, 77 |                  |     |            |
| 18                 | 958 555 248 01 6W0 | Luxor beige   | -LE,MC,YE        | 2   | PR:9VL     |
|                    | 958 555 248 01 OA6 | agate grey  | -MB,MG,ML        |     |            |
|                    | 958 555 248 01 OL7 | saddle brown  | -ME,MH,MJ,MK     |     |            |
|                    | 7PP 945 699        | inscription   |                  |     |            |
| 19                 | 958 555 671 50     | Bose  |                  | 1   |            |
|                    |                    | Trim for door window frame                          | left             |     |            |
|                    |                    | window frame  |                  |     |            |
| 19                 | 958 555 671 50 82V | Titan black   |                  | 1   |            |
|                    | 958 555 672 50     | Trim for door window frame                          | right            |     |            |
|                    |                    | window frame  |                  |     |            |
| 20                 | 958 555 672 50 82V | Titan black   |                  | X   |            |
|                    | N 106 213 01       | expanding nut                                       |                  |     |            |
|                    |                    | door panel  |                  |     |            |
| 21                 | 958 555 385 50     | Frame   | left lhd         | 1   | PR:0K3,L0L |
|                    |                    | Switch  |                  |     |            |
|                    |                    | Fuel filler flap                                    |                  |     |            |
|                    | 958 555 385 50 1E0 | Black   | -LC,MA,MF,YA, YC |     |            |
|                    | 958 555 385 50 4H0 | Luxor beige   | -LE,MC,MK,YE,    |     |            |

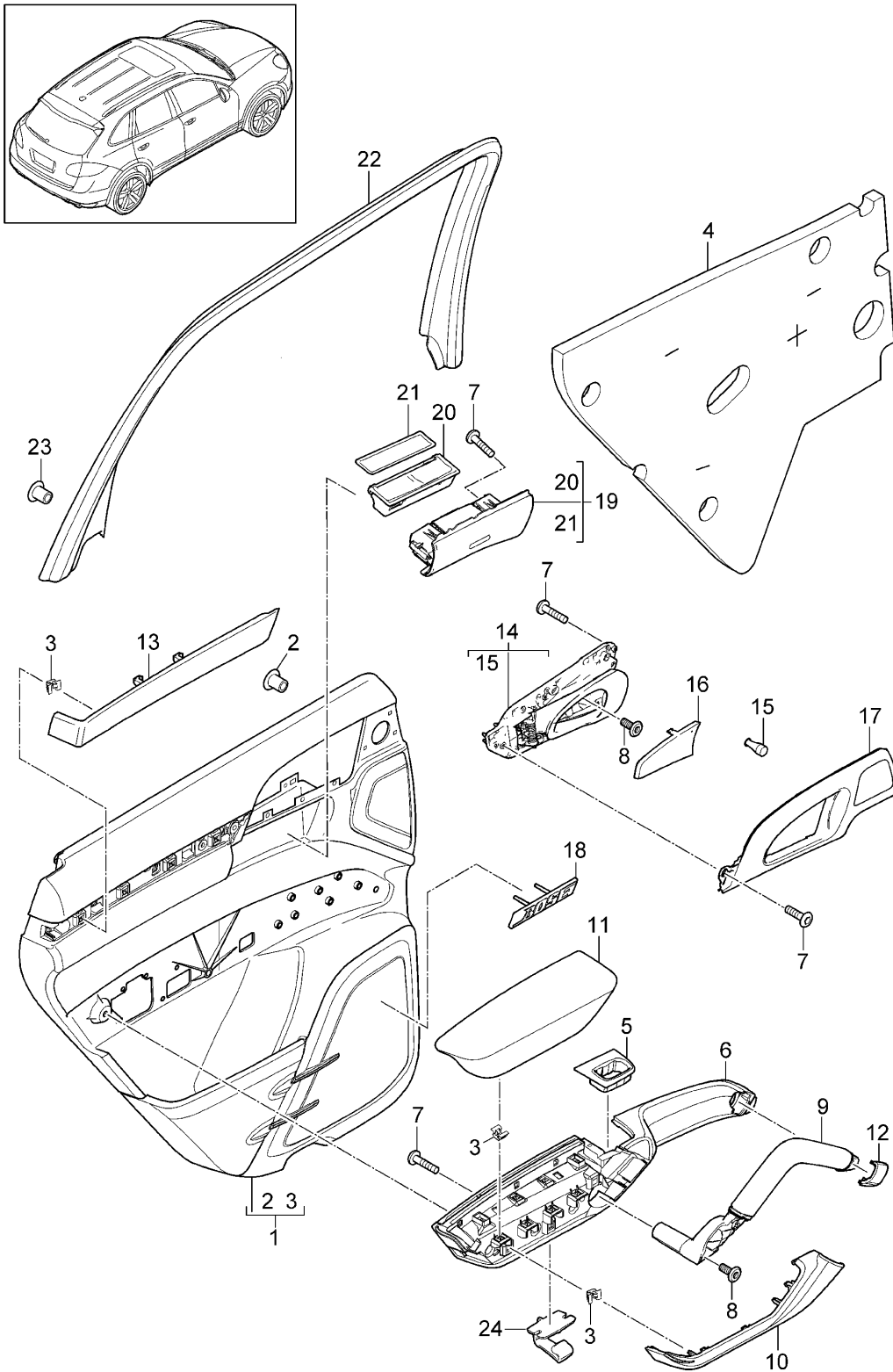
Model: 92A 11

Model life 2011>>2018

| Pos  | Part Number        | Description                         | Remark              | Qty | Model      |
|------|--------------------|-------------------------------------|---------------------|-----|------------|
|      | 958 555 385 50 5J0 | Cream                               | 77<br>-LG,MJ        |     |            |
|      | 958 555 385 50 7N0 | Espresso                            | -VA                 |     |            |
|      | 958 555 385 50 8P0 | Cognac                              | -VB                 |     |            |
|      | 958 555 385 50 OM8 | saddle brown                        | -ME,MH,MI           |     |            |
|      | 958 555 385 50 OP1 | agate grey                          | -MB,MG,ML           |     |            |
|      | 958 555 385 50 OW5 | Carrera Red                         | -TA                 |     |            |
| (21) | 958 555 386 50     | Frame<br>Switch<br>Fuel filler flap | left rhd            | 1   | PR:0K3,L0R |
|      | 958 555 386 50 1E0 | Black                               | -LC,MA,MF,YA,<br>YC |     |            |
|      | 958 555 386 50 4H0 | Luxor beige                         | -LE,MC,MK,YE,<br>77 |     |            |
|      | 958 555 386 50 5J0 | Cream                               | -LG,MJ              |     |            |
|      | 958 555 386 50 7N0 | Espresso                            | -VA                 |     |            |
|      | 958 555 386 50 8P0 | Cognac                              | -VB                 |     |            |
|      | 958 555 386 50 OM8 | saddle brown                        | -ME,MH,MI           |     |            |
|      | 958 555 386 50 OP1 | agate grey                          | -MB,MG,ML           |     |            |
|      | 958 555 386 50 OW5 | Carrera Red                         | -TA                 |     |            |

Model: 92A 11

Model life 2011>>2018



Model: 92A 11 Model life 2011>>2018

| Pos | Part Number        | Description                        | Remark | Qty | Model                     |
|-----|--------------------|------------------------------------|--------|-----|---------------------------|
|     |                    | door panel                         | rear   |     |                           |
|     |                    | with:                              |        |     |                           |
| 1   | 958 555 301 00     | Damping<br>Door trim (leatherette) | left   | 1   | PR: 3LD, 3Y0,<br>8RV, 9VK |
|     | 958 555 301 00 DJ6 | Platinum Grey                      | -MD    |     |                           |
|     | 958 555 301 00 DK4 | Black                              | -MA    |     |                           |
|     | 958 555 301 00 DM5 | Luxor beige                        | -MC    |     |                           |
|     | 958 555 301 00 OU4 | agate grey                         | -MB    |     |                           |
| (1) | 958 555 301 00     | Door trim (leatherette)            | left   | 1   | PR: 4AP, 3Y0,<br>8RV, 9VK |
|     |                    | two-colour                         |        |     |                           |
|     | 958 555 301 00 HAB | Black/Luxor Beige                  | -77    |     |                           |
| (1) | 958 555 302 00     | Door trim (leatherette)            | right  | 1   | PR: 3LD, 3Y0,<br>8RV, 9VK |
|     |                    | Discontinued part                  |        |     |                           |
|     | 958 555 302 00 DJ6 | Platinum Grey                      | -MD    |     |                           |
|     | 958 555 302 00 DK4 | Black                              | -MA    |     |                           |
|     | 958 555 302 00 DM5 | Luxor beige                        | -MC    |     |                           |
| (1) | 958 555 302 20     | Door trim (leatherette)            | right  | 1   | PR: 3LD, 3Y0,<br>8RV, 9VK |
|     |                    | two-colour                         |        |     |                           |
|     | 958 555 302 20 DJ6 | Platinum Grey                      | -MD    |     |                           |
|     | 958 555 302 20 DK4 | Black                              | -MA    |     |                           |
|     | 958 555 302 20 DM5 | Luxor beige                        | -MC    |     |                           |
|     | 958 555 302 20 OU4 | agate grey                         | -MB    |     |                           |
| (1) | 958 555 302 20     | Door trim (leatherette)            | right  | 1   | PR: 4AP, 3Y0,<br>8RV, 9VK |
|     |                    | two-colour                         |        |     |                           |
|     | 958 555 302 20 HAB | Black/Luxor Beige                  | -77    |     |                           |
| (1) | 958 555 301 20     | Door trim (leatherette)            | left   | 1   | PR: 3LD, 3Y0,<br>9VL      |
|     |                    | Bose                               |        |     |                           |
|     | 958 555 301 20 DJ6 | Platinum Grey                      | -MD    |     |                           |
|     | 958 555 301 20 DK4 | Black                              | -MA    |     |                           |
|     | 958 555 301 20 DM5 | Luxor beige                        | -MC    |     |                           |
|     | 958 555 301 20 OU4 | agate grey                         | -MB    |     |                           |
| (1) | 958 555 301 20     | Door trim (leatherette)            | left   | 1   | PR: 4AP, 3Y0,<br>9VL      |
|     |                    | two-colour                         |        |     |                           |
|     | 958 555 301 20 HAB | Black/Luxor Beige                  | -77    |     |                           |
| (1) | 958 555 302 21     | Door trim (leatherette)            | right  | 1   | PR: 3LD, 3Y0,<br>9VL      |
|     |                    | Bose                               |        |     |                           |
|     | 958 555 302 21 DJ6 | Platinum Grey                      | -MD    |     |                           |
|     | 958 555 302 21 DK4 | Black                              | -MA    |     |                           |
|     | 958 555 302 21 DM5 | Luxor beige                        | -MC    |     |                           |
|     | 958 555 302 21 OU4 | agate grey                         | -MB    |     |                           |
| (1) | 958 555 302 21     | Door trim (leatherette)            | right  | 1   | PR: 4AP, 3Y0,<br>9VL      |
|     |                    | two-colour                         |        |     |                           |
|     | 958 555 302 21 HAB | Black/Luxor Beige                  | -77    |     |                           |
| (1) | 958 555 301 21     | Door trim (leatherette)            | left   | 1   | PR: 3LD, 3Y0,<br>9VJ      |
|     |                    | Burmester                          |        |     |                           |
|     | 958 555 301 21 DJ6 | Platinum Grey                      | -MD    |     |                           |
|     | 958 555 301 21 DK4 | Black                              | -MA    |     |                           |
|     | 958 555 301 21 DM5 | Luxor beige                        | -MC    |     |                           |
|     | 958 555 301 21 OU4 | agate grey                         | -MB    |     |                           |
| 1   | 958 555 301 21     | Door trim (leatherette)            | left   | 1   | PR: 4AP, 3Y0,<br>9VJ      |
|     |                    | two-colour                         |        |     |                           |

Model: 92A 11 Model life 2011>>2018

| Pos | Part Number        | Description  | Remark | Qty | Model                          |
|-----|--------------------|--|--------|-----|--------------------------------|
| (1) | 958 555 301 21 HAB | Burmester<br>Black/Luxor Beige                           | -77    | 1   | PR: 3LD, 3Y0,<br>9VJ           |
|     | 958 555 302 22     | Door trim (leatherette)                                  | right  |     |                                |
| 1   | 958 555 302 22 DJ6 | Burmester<br>Platinum Grey                               | -MD    | 1   | PR: 4AP, 3Y0,<br>9VJ           |
|     | 958 555 302 22 DK4 | Black  | -MA    |     |                                |
|     | 958 555 302 22 DM5 | Luxor beige  | -MC    |     |                                |
|     | 958 555 302 22 OU4 | agate grey   | -MB    |     |                                |
|     | 958 555 302 22     | Door trim (leatherette)                                  | right  |     |                                |
| (1) | 958 555 302 22 HAB | two-colour<br>Burmester<br>Black/Luxor Beige             | -77    | 1   | PR: 3LH, 3LT,<br>3Y0, 8RV, 9VK |
|     | 958 555 301 03     | Door panel trim (leather)                                | left   |     |                                |
| (1) | 958 555 301 03 A11 | Discontinued part<br>Black                               | -LC    | 1   | PR: 3LH, 3LT,<br>3Y0, 8RV, 9VK |
|     | 958 555 301 03 DE1 | Umber  | -LF    |     |                                |
|     | 958 555 301 03 F0C | Black/Titanium Blue                                      | -TW    |     |                                |
|     | 958 555 301 03 F0D | Umber/Cream  | -TX    |     |                                |
|     | 958 555 301 03 F0E | Umber/Light Tartufo                                      | -TY    |     |                                |
|     | 958 555 301 03 7J0 | Luxor beige  | -LE    |     |                                |
|     | 958 555 301 03 9B0 | Platinum Grey  | -LD    |     |                                |
|     | 958 555 301 23     | Door panel trim (leather)<br>Plain leather               | left   |     |                                |
|     | 958 555 301 23 A11 | Black  | -LC    |     |                                |
|     | 958 555 301 23 DE1 | Umber  | -LF    |     |                                |
| (1) | 958 555 301 23 7J0 | Luxor beige  | -LE    | 1   | PR: 3LH, 3LT,<br>3Y0, 8RV, 9VK |
|     | 958 555 301 23 9B0 | Platinum Grey  | -LD    |     |                                |
|     | 958 555 301 23 OA1 | agate grey   | -MG    |     |                                |
|     | 958 555 301 23 OK6 | saddle brown   | -MH    |     |                                |
|     | 958 555 301 23     | Door panel trim (leather)<br>Plain leather<br>two-colour | left   |     |                                |
|     | 958 555 301 23 F0C | Black/Titanium Blue                                      | -TW    |     |                                |
|     | 958 555 301 23 F0D | Umber/Cream  | -TX    |     |                                |
|     | 958 555 301 23 F0E | Umber/Light Tartufo                                      | -TY    |     |                                |
|     | 958 555 301 23 AAD | Black/Carrera Red  | -TA    |     |                                |
|     | 958 555 301 23 AAE | Black/Luxor Beige  | -TB    |     |                                |
| (1) | 958 555 301 23 HAD | Black/Saddle Tan   | -MI    | 1   | PR: 3LH, 3LT,<br>3Y0, 8RV, 9VK |
|     | 958 555 301 23 HAE | Saddle Tan/Cream   | -MJ    |     |                                |
|     | 958 555 301 23 HAF | Saddle Tan/Luxor Beige                                   | -MK    |     |                                |
|     | 958 555 301 23 HHY | Black/Cohiba Brown                                       | -LH    |     |                                |
|     | 958 555 301 23 HHP | Black/Cream  | -LG    |     |                                |
|     | 958 555 302 03     | Door panel trim (leather)                                | right  |     |                                |
|     | 958 555 302 03 A11 | Discontinued part<br>Black                               | -LC    |     |                                |
|     | 958 555 302 03 DE1 | Umber  | -LF    |     |                                |
|     | 958 555 302 03 7J0 | Luxor beige  | -LE    |     |                                |
|     | 958 555 302 03 9B0 | Platinum Grey  | -LD    |     |                                |
| (1) | 958 555 302 03 F0C | two-colour<br>Black/Titanium Blue                        | -TW    | 1   | PR: 3LH, 3LT,<br>3Y0, 8RV, 9VK |
|     | 958 555 302 03 F0D | Umber/Cream  | -TX    |     |                                |
|     | 958 555 302 03 F0E | Umber/Light Tartufo                                      | -TY    |     |                                |
|     | 958 555 302 23     | Door panel trim (leather)<br>Plain leather               | right  |     |                                |
|     | 958 555 302 23 A11 | Black  | -LC    |     |                                |
|     | 958 555 302 23 DE1 | Umber  | -LF    |     |                                |
|     | 958 555 302 23 7J0 | Luxor beige  | -LE    |     |                                |
|     | 958 555 302 23 9B0 | Platinum Grey  | -LD    |     |                                |
|     | 958 555 302 23 OA1 | agate grey   | -MG    |     |                                |

Model: 92A 11 Model life 2011>>2018

| Pos | Part Number        | Description               | Remark | Qty | Model                       |
|-----|--------------------|---------------------------|--------|-----|-----------------------------|
| (1) | 958 555 302 23 OK6 | saddle brown              | -MH    |     |                             |
|     | 958 555 302 23     | Door panel trim (leather) | right  | 1   | PR: 3LH, 3LT, 3Y0, 8RV, 9VK |
|     |                    | Plain leather             |        |     |                             |
|     |                    | two-colour                |        |     |                             |
|     | 958 555 302 23 F0C | Black/Titanium Blue       | -TW    |     |                             |
|     | 958 555 302 23 F0D | Umber/Cream               | -TX    |     |                             |
|     | 958 555 302 23 F0E | Umber/Light Tartufo       | -TY    |     |                             |
|     | 958 555 302 23 AAD | Black/Carrera Red         | -TA    |     |                             |
|     | 958 555 302 23 AAE | Black/Luxor Beige         | -TB    |     |                             |
|     | 958 555 302 23 HAD | Black/Saddle Tan          | -MI    |     |                             |
|     | 958 555 302 23 HAE | Saddle Tan/Cream          | -MJ    |     |                             |
|     | 958 555 302 23 HAF | Saddle Tan/Luxor Beige    | -MK    |     |                             |
|     | 958 555 302 23 HHY | Black/Cohiba Brown        | -LH    |     |                             |
|     | 958 555 302 23 HHP | Black/Cream               | -LG    |     |                             |
| (1) | 958 555 301 04     | Door panel trim (leather) | left   | 1   | PR: 3LH, 3LT, 3Y0, 9VL      |
|     |                    | Discontinued part         |        |     |                             |
|     | 958 555 301 04 A11 | Black                     | -LC    |     |                             |
|     | 958 555 301 04 DE1 | Umber                     | -LF    |     |                             |
|     | 958 555 301 04 F0C | Black/Titanium Blue       | -TW    |     |                             |
|     | 958 555 301 04 F0D | Umber/Cream               | -TX    |     |                             |
|     | 958 555 301 04 F0E | Umber/Light Tartufo       | -TY    |     |                             |
|     | 958 555 301 04 7J0 | Luxor beige               | -LE    |     |                             |
|     | 958 555 301 04 9B0 | Platinum Grey             | -LD    |     |                             |
| (1) | 958 555 301 24     | Door panel trim (leather) | left   | 1   | PR: 3LH, 3LT, 3Y0, 9VL      |
|     |                    | Plain leather             |        |     |                             |
|     |                    | Bose                      |        |     |                             |
|     | 958 555 301 24 A11 | Black                     | -LC    |     |                             |
|     | 958 555 301 24 DE1 | Umber                     | -LF    |     |                             |
|     | 958 555 301 24 7J0 | Luxor beige               | -LE    |     |                             |
|     | 958 555 301 24 9B0 | Platinum Grey             | -LD    |     |                             |
|     | 958 555 301 24 OA1 | agate grey                | -MG    |     |                             |
|     | 958 555 301 24 OK6 | saddle brown              | -MH    |     |                             |
| (1) | 958 555 301 24     | Door panel trim (leather) | left   | 1   | PR: 3LH, 3LT, 3Y0, 9VL      |
|     |                    | Plain leather             |        |     |                             |
|     |                    | Bose                      |        |     |                             |
|     |                    | two-colour                |        |     |                             |
|     | 958 555 301 24 F0C | Black/Titanium Blue       | -TW    |     |                             |
|     | 958 555 301 24 F0D | Umber/Cream               | -TX    |     |                             |
|     | 958 555 301 24 F0E | Umber/Light Tartufo       | -TY    |     |                             |
|     | 958 555 301 24 AAD | Black/Carrera Red         | -TA    |     |                             |
|     | 958 555 301 24 AAE | Black/Luxor Beige         | -TB    |     |                             |
|     | 958 555 301 24 HAD | Black/Saddle Tan          | -MI    |     |                             |
|     | 958 555 301 24 HAE | Saddle Tan/Cream          | -MJ    |     |                             |
|     | 958 555 301 24 HAF | Saddle Tan/Luxor Beige    | -MK    |     |                             |
|     | 958 555 301 24 HHY | Black/Cohiba Brown        | -LH    |     |                             |
|     | 958 555 301 24 HHP | Black/Cream               | -LG    |     |                             |
| (1) | 958 555 302 04     | Door panel trim (leather) | right  | 1   | PR: 3LH, 3LT, 3Y0, 9VL      |
|     |                    | Discontinued part         |        |     |                             |
|     | 958 555 302 04 A11 | Black                     | -LC    |     |                             |
|     | 958 555 302 04 DE1 | Umber                     | -LF    |     |                             |
|     | 958 555 302 04 F0C | Black/Titanium Blue       | -TW    |     |                             |
|     | 958 555 302 04 F0D | Umber/Cream               | -TX    |     |                             |
|     | 958 555 302 04 F0E | Umber/Light Tartufo       | -TY    |     |                             |
|     | 958 555 302 04 7J0 | Luxor beige               | -LE    |     |                             |
|     | 958 555 302 04 9B0 | Platinum Grey             | -LD    |     |                             |
| (1) | 958 555 302 24     | Door panel trim (leather) | right  | 1   | PR: 3LH, 3LT, 3Y0, 9VL      |
|     |                    | Plain leather             |        |     |                             |
|     |                    | Bose                      |        |     |                             |
|     | 958 555 302 24 A11 | Black                     | -LC    |     |                             |
|     | 958 555 302 24 DE1 | Umber                     | -LF    |     |                             |
|     | 958 555 302 24 7J0 | Luxor beige               | -LE    |     |                             |



Model: 92A 11 Model life 2011>>2018

| Pos                | Part Number            | Description               | Remark | Qty | Model                     |
|--------------------|------------------------|---------------------------|--------|-----|---------------------------|
| (1)                | 958 555 302 24 9B0     | Platinum Grey             | -LD    | 1   | PR: 3LH, 3LT,<br>3Y0, 9VL |
|                    | 958 555 302 24 OA1     | agate grey                | -MG    |     |                           |
|                    | 958 555 302 24 OK6     | saddle brown              | -MH    |     |                           |
|                    | 958 555 302 24         | Door panel trim (leather) | right  |     |                           |
|                    |                        | Plain leather             |        |     |                           |
|                    |                        | Burmester                 |        |     |                           |
|                    |                        | two-colour                |        |     |                           |
|                    | 958 555 302 24 F0C     | Black/Titanium Blue       | -TW    |     |                           |
|                    | 958 555 302 24 F0D     | Umber/Cream               | -TX    |     |                           |
|                    | 958 555 302 24 F0E     | Umber/Light Tartufo       | -TY    |     |                           |
| 958 555 302 24 AAD | Black/Carrera Red      | -TA                       |        |     |                           |
| 958 555 302 24 AAE | Black/Luxor Beige      | -TB                       |        |     |                           |
| 958 555 302 24 HAD | Black/Saddle Tan       | -MI                       |        |     |                           |
| 958 555 302 24 HAE | Saddle Tan/Cream       | -MJ                       |        |     |                           |
| 958 555 302 24 HAF | Saddle Tan/Luxor Beige | -MK                       |        |     |                           |
| 958 555 302 24 HHY | Black/Cohiba Brown     | -LH                       |        |     |                           |
| 958 555 302 24 HHP | Black/Cream            | -LG                       |        |     |                           |
| (1)                | 958 555 301 25         | Door panel trim (leather) | left   | 1   | PR: 3LH, 3LT,<br>3Y0, 9VJ |
|                    |                        | Plain leather             |        |     |                           |
|                    |                        | Burmester                 |        |     |                           |
|                    | 958 555 301 25 A11     | Black                     | -LC    |     |                           |
|                    | 958 555 301 25 DE1     | Umber                     | -LF    |     |                           |
|                    | 958 555 301 25 7J0     | Luxor beige               | -LE    |     |                           |
|                    | 958 555 301 25 9B0     | Platinum Grey             | -LD    |     |                           |
|                    | 958 555 301 25 OA1     | agate grey                | -MG    |     |                           |
|                    | 958 555 301 25 OK6     | saddle brown              | -MH    |     |                           |
|                    | 958 555 301 25         | Door panel trim (leather) | left   |     |                           |
|                    | Plain leather          |                           |        |     |                           |
|                    | Burmester              |                           |        |     |                           |
|                    | two-colour             |                           |        |     |                           |
| 958 555 301 25 F0C | Black/Titanium Blue    | -TW                       |        |     |                           |
| 958 555 301 25 F0D | Umber/Cream            | -TX                       |        |     |                           |
| 958 555 301 25 F0E | Umber/Light Tartufo    | -TY                       |        |     |                           |
| 958 555 301 25 AAD | Black/Carrera Red      | -TA                       |        |     |                           |
| 958 555 301 25 AAE | Black/Luxor Beige      | -TB                       |        |     |                           |
| 958 555 301 25 HAD | Black/Saddle Tan       | -MI                       |        |     |                           |
| 958 555 301 25 HAE | Saddle Tan/Cream       | -MJ                       |        |     |                           |
| 958 555 301 25 HAF | Saddle Tan/Luxor Beige | -MK                       |        |     |                           |
| 958 555 301 25 HHY | Black/Cohiba Brown     | -LH                       |        |     |                           |
| 958 555 301 25 HHP | Black/Cream            | -LG                       |        |     |                           |
| (1)                | 958 555 302 25         | Door panel trim (leather) | right  | 1   | PR: 3LH, 3LT,<br>3Y0, 9VJ |
|                    |                        | Plain leather             |        |     |                           |
|                    |                        | Burmester                 |        |     |                           |
|                    | 958 555 302 25 A11     | Black                     | -LC    |     |                           |
|                    | 958 555 302 25 DE1     | Umber                     | -LF    |     |                           |
|                    | 958 555 302 25 7J0     | Luxor beige               | -LE    |     |                           |
|                    | 958 555 302 25 9B0     | Platinum Grey             | -LD    |     |                           |
|                    | 958 555 302 25 OA1     | agate grey                | -MG    |     |                           |
|                    | 958 555 302 25 OK6     | saddle brown              | -MH    |     |                           |
|                    | 958 555 302 25         | Door panel trim (leather) | right  |     |                           |
|                    | Plain leather          |                           |        |     |                           |
|                    | Burmester              |                           |        |     |                           |
|                    | two-colour             |                           |        |     |                           |
| 958 555 302 25 F0C | Black/Titanium Blue    | -TW                       |        |     |                           |
| 958 555 302 25 F0D | Umber/Cream            | -TX                       |        |     |                           |
| 958 555 302 25 F0E | Umber/Light Tartufo    | -TY                       |        |     |                           |
| 958 555 302 25 AAD | Black/Carrera Red      | -TA                       |        |     |                           |
| 958 555 302 25 AAE | Black/Luxor Beige      | -TB                       |        |     |                           |
| 958 555 302 25 HAD | Black/Saddle Tan       | -MI                       |        |     |                           |
| 958 555 302 25 HAE | Saddle Tan/Cream       | -MJ                       |        |     |                           |
| 958 555 302 25 HAF | Saddle Tan/Luxor Beige | -MK                       |        |     |                           |
| 958 555 302 25 HHY | Black/Cohiba Brown     | -LH                       |        |     |                           |
| 958 555 302 25 HHP | Black/Cream            | -LG                       |        |     |                           |

Model: 92A 11

Model life 2011&gt;&gt;2018

| Pos | Part Number        | Description                             | Remark | Qty | Model                          |
|-----|--------------------|---|--------|-----|--------------------------------|
| (1) | 958 555 301 26     | door panel<br>Leather<br>Nature         | left   | 1   | PR: 3LM, 3LX,<br>3Y0, 8RV, 9VK |
|     | 958 555 301 26 F0F | Espresso/Cognac                         | -VB    |     |                                |
|     | 958 555 301 26 6J0 | Espresso                                | -VA    |     |                                |
| (1) | 958 555 302 26     | door panel<br>Leather<br>Nature         | right  | 1   | PR: 3LM, 3LX,<br>3Y0, 8RV, 9VK |
|     | 958 555 302 26 F0F | Espresso/Cognac                         | -VB    |     |                                |
|     | 958 555 302 26 6J0 | Espresso                                | -VA    |     |                                |
| (1) | 958 555 301 27     | door panel<br>Leather<br>Nature<br>Bose | left   | 1   | PR: 3LM, 3LX,<br>3Y0, 9VL      |
|     | 958 555 301 27 F0F | Espresso/Cognac                         | -VB    |     |                                |
|     | 958 555 301 27 6J0 | Espresso                                | -VA    |     |                                |
| (1) | 958 555 302 27     | door panel<br>Leather<br>Nature<br>Bose | right  | 1   | PR: 3LM, 3LX,<br>3Y0, 9VL      |
|     | 958 555 302 27 F0F | Espresso/Cognac                         | -VB    |     |                                |
|     | 958 555 302 27 6J0 | Espresso                                | -VA    |     |                                |
| (1) | 958 555 301 28     | door panel<br>Leather<br>Nature         | left   | 1   | PR: 3LM, 3LX,<br>3Y0, 9VJ      |
|     | 958 555 301 28 F0F | Espresso/Cognac                         | -VB    |     |                                |
|     | 958 555 301 28 6J0 | Espresso                                | -VA    |     |                                |
| (1) | 958 555 302 28     | door panel<br>Leather<br>Nature         | right  | 1   | PR: 3LM, 3LX,<br>3Y0, 9VJ      |
|     | 958 555 302 28 F0F | Espresso/Cognac                         | -VB    |     |                                |
|     | 958 555 302 28 6J0 | Espresso                                | -VA    |     |                                |
| (1) | 958 555 301 29     | Door trim (leatherette)                 | left   | 1   | PR: 3LD, 3Y7,<br>3Y8, 8RV, 9VK |
|     | 958 555 301 29 DJ6 | Platinum Grey                           | -MD    |     |                                |
|     | 958 555 301 29 DK4 | Black                                   | -MA    |     |                                |
|     | 958 555 301 29 DM5 | Luxor beige                             | -MC    |     |                                |
|     | 958 555 301 29 OU4 | agate grey                              | -MB    |     |                                |
| (1) | 958 555 301 29     | Door trim (leatherette)                 | left   | 1   | PR: 4AP, 3Y7,<br>3Y8, 8RV, 9VK |
|     | 958 555 301 29 HAB | Black/Luxor Beige                       | -77    |     |                                |
| (1) | 958 555 302 09     | Door trim (leatherette)                 | right  | 1   | PR: 3LD, 3Y8,<br>8RV, 9VK      |
|     |                    | Discontinued part                       |        |     |                                |
|     | 958 555 302 09 DJ6 | Platinum Grey                           | -MD    |     |                                |
|     | 958 555 302 09 DK4 | Black                                   | -MA    |     |                                |
|     | 958 555 302 09 DM5 | Luxor beige                             | -MC    |     |                                |
| (1) | 958 555 302 29     | Door trim (leatherette)                 | right  | 1   | PR: 3LD, 3Y7,<br>3Y8, 8RV, 9VK |
|     | 958 555 302 29 DJ6 | Platinum Grey                           | -MD    |     |                                |
|     | 958 555 302 29 DK4 | Black                                   | -MA    |     |                                |
|     | 958 555 302 29 DM5 | Luxor beige                             | -MC    |     |                                |
|     | 958 555 302 29 OU4 | agate grey                              | -MB    |     |                                |
| (1) | 958 555 302 29     | Door trim (leatherette)                 | right  | 1   | PR: 4AP, 3Y7,<br>3Y8, 8RV, 9VK |
|     | 958 555 302 29 HAB | Black/Luxor Beige                       | -77    |     |                                |
| (1) | 958 555 301 30     | Door trim (leatherette)                 | left   | 1   | PR: 3LD, 3Y7,<br>3Y8, 9VL      |
|     |                    | Bose                                    |        |     |                                |
|     | 958 555 301 30 DJ6 | Platinum Grey                           | -MD    |     |                                |
|     | 958 555 301 30 DK4 | Black                                   | -MA    |     |                                |
|     | 958 555 301 30 DM5 | Luxor beige                             | -MC    |     |                                |
|     | 958 555 301 30 OU4 | agate grey                              | -MB    |     |                                |

Model: 92A 11 Model life 2011>>2018

| Pos | Part Number        | Description               | Remark | Qty | Model                            |
|-----|--------------------|---------------------------|--------|-----|----------------------------------|
| (1) | 958 555 301 30     | Door trim (leatherette)   | left   | 1   | PR: 4AP, 3Y7, 3Y8, 9VL           |
|     |                    | Bose                      |        |     |                                  |
|     | 958 555 301 30 HAB | Black/Luxor Beige         | -77    |     |                                  |
| (1) | 958 555 302 30     | Door trim (leatherette)   | right  | 1   | PR: 3LD, 3Y8, 9VL, 3Y7           |
|     |                    | Bose                      |        |     |                                  |
|     | 958 555 302 30 DJ6 | Platinum Grey             | -MD    |     |                                  |
|     | 958 555 302 30 DK4 | Black                     | -MA    |     |                                  |
|     | 958 555 302 30 DM5 | Luxor beige               | -MC    |     |                                  |
|     | 958 555 302 30 OU4 | agate grey                | -MB    |     |                                  |
| (1) | 958 555 302 30     | Door trim (leatherette)   | right  | 1   | PR: 3LD, 3Y8, 9VL, 3Y7           |
|     |                    | Bose                      |        |     |                                  |
|     | 958 555 302 30 HAB | Black/Luxor Beige         | -77    |     |                                  |
| (1) | 958 555 301 31     | Door trim (leatherette)   | left   | 1   | PR: 3LD, 3Y7, 3Y8, 9VJ           |
|     |                    | Burmester                 |        |     |                                  |
|     | 958 555 301 31 DJ6 | Platinum Grey             | -MD    |     |                                  |
|     | 958 555 301 31 DK4 | Black                     | -MA    |     |                                  |
|     | 958 555 301 31 DM5 | Luxor beige               | -MC    |     |                                  |
|     | 958 555 301 31 OU4 | agate grey                | -MB    |     |                                  |
| (1) | 958 555 301 31     | Door trim (leatherette)   | left   | 1   | PR: 4AP, 3Y7, 3Y8, 9VJ           |
|     |                    | Burmester                 |        |     |                                  |
|     | 958 555 301 31 HAB | Black/Luxor Beige         | -77    |     |                                  |
| (1) | 958 555 302 31     | Door trim (leatherette)   | right  | 1   | PR: 3LD, 3Y8, 9VJ                |
|     |                    | Burmester                 |        |     |                                  |
|     | 958 555 302 31 DJ6 | Platinum Grey             | -MD    |     |                                  |
|     | 958 555 302 31 DK4 | Black                     | -MA    |     |                                  |
|     | 958 555 302 31 DM5 | Luxor beige               | -MC    |     |                                  |
|     | 958 555 302 31 OU4 | agate grey                | -MB    |     |                                  |
| (1) | 958 555 302 31     | Door trim (leatherette)   | right  | 1   | PR: 3LD, 3Y8, 9VJ                |
|     |                    | Burmester                 |        |     |                                  |
|     | 958 555 302 31 HAB | Black/Luxor Beige         | -77    |     |                                  |
| (1) | 958 555 301 32     | Door panel trim (leather) | left   | 1   | PR: 3LH, 3LT, 3Y8, 3Y7, 8RV, 9VK |
|     |                    |                           |        |     |                                  |
|     | 958 555 301 32 A11 | Black                     | -LC    |     |                                  |
|     | 958 555 301 32 DE1 | Umber                     | -LF    |     |                                  |
|     | 958 555 301 32 7J0 | Luxor beige               | -LE    |     |                                  |
|     | 958 555 301 32 9B0 | Platinum Grey             | -LD    |     |                                  |
|     | 958 555 301 32 OA1 | agate grey                | -MG    |     |                                  |
|     | 958 555 301 32 OK6 | saddle brown              | -MH    |     |                                  |
| (1) | 958 555 301 32     | Door panel trim (leather) | left   | 1   | PR: 3LH, 3LT, 3Y8, 3Y7, 8RV, 9VK |
|     |                    | two-colour                |        |     |                                  |
|     | 958 555 301 32 F0C | Black/Titanium Blue       | -TW    |     |                                  |
|     | 958 555 301 32 F0D | Umber/Cream               | -TX    |     |                                  |
|     | 958 555 301 32 F0E | Umber/Light Tartufo       | -TY    |     |                                  |
|     | 958 555 301 32 AAD | Black/Carrera Red         | -TA    |     |                                  |
|     | 958 555 301 32 AAE | Black/Luxor Beige         | -TB    |     |                                  |
|     | 958 555 301 32 HAD | Black/Saddle Tan          | -MI    |     |                                  |
|     | 958 555 301 32 HAE | Saddle Tan/Cream          | -MJ    |     |                                  |
|     | 958 555 301 32 HAF | Saddle Tan/Luxor Beige    | -MK    |     |                                  |
|     | 958 555 301 32 HHY | Black/Cohiba Brown        | -LH    |     |                                  |
|     | 958 555 301 32 HHP | Black/Cream               | -LG    |     |                                  |
| (1) | 958 555 302 32     | Door panel trim (leather) | right  | 1   | PR: 3LH, 3LT, 3Y8, 3Y7, 8RV, 9VK |
|     |                    | Plain leather             |        |     |                                  |
|     |                    | roller blind              |        |     |                                  |
|     | 958 555 302 32 A11 | Black                     | -LC    |     |                                  |

Model: 92A 11 Model life 2011>>2018

| Pos | Part Number        | Description  | Remark | Qty | Model                                  |
|-----|--------------------|--|--------|-----|--|
|     | 958 555 302 32 DE1 | Umber  | -LF    |     |  |
|     | 958 555 302 32 7J0 | Luxor beige  | -LE    |     |  |
|     | 958 555 302 32 9B0 | Platinum Grey  | -LD    |     |  |
|     | 958 555 302 32 OA1 | agate grey   | -MG    |     |  |
|     | 958 555 302 32 OK6 | saddle brown   | -MH    |     |  |
| (1) | 958 555 302 32     | Door panel trim (leather)<br>Plain leather<br>roller blind<br>two-colour         | right  | 1   | PR: 3LH, 3LT,<br>3Y8, 3Y7, 8RV,<br>9VK |
|     | 958 555 302 32 F0C | Black/Titanium Blue  | -TW    |     |  |
|     | 958 555 302 32 F0D | Umber/Cream  | -TX    |     |  |
|     | 958 555 302 32 F0E | Umber/Light Tartufo  | -TY    |     |  |
|     | 958 555 302 32 AAD | Black/Carrera Red  | -TA    |     |  |
|     | 958 555 302 32 AAE | Black/Luxor Beige  | -TB    |     |  |
|     | 958 555 302 32 HAD | Black/Saddle Tan   | -MI    |     |  |
|     | 958 555 302 32 HAE | Saddle Tan/Cream   | -MJ    |     |  |
|     | 958 555 302 32 HAF | Saddle Tan/Luxor Beige   | -MK    |     |  |
|     | 958 555 302 32 HHY | Black/Cohiba Brown   | -LH    |     |  |
|     | 958 555 302 32 HHP | Black/Cream  | -LG    |     |  |
| (1) | 958 555 301 33     | Door panel trim (leather)<br>Plain leather<br>roller blind<br>Bose               | left   | 1   | PR: 3LH, 3LT,<br>3Y8, 3Y7, 9VL         |
|     | 958 555 301 33 A11 | Black  | -LC    |     |  |
|     | 958 555 301 33 DE1 | Umber  | -LF    |     |  |
|     | 958 555 301 33 7J0 | Luxor beige  | -LE    |     |  |
|     | 958 555 301 33 9B0 | Platinum Grey  | -LD    |     |  |
|     | 958 555 301 33 OA1 | agate grey   | -MG    |     |  |
|     | 958 555 301 33 OK6 | saddle brown   | -MH    |     |  |
| (1) | 958 555 301 33     | Door panel trim (leather)<br>Plain leather<br>roller blind<br>Bose<br>two-colour | left   | 1   | PR: 3LH, 3LT,<br>3Y8, 3Y7, 9VL         |
|     | 958 555 301 33 F0C | Black/Titanium Blue  | -TW    |     |  |
|     | 958 555 301 33 F0D | Umber/Cream  | -TX    |     |  |
|     | 958 555 301 33 F0E | Umber/Light Tartufo  | -TY    |     |  |
|     | 958 555 301 33 AAD | Black/Carrera Red  | -TA    |     |  |
|     | 958 555 301 33 AAE | Black/Luxor Beige  | -TB    |     |  |
|     | 958 555 301 33 HAD | Black/Saddle Tan   | -MI    |     |  |
|     | 958 555 301 33 HAE | Saddle Tan/Cream   | -MJ    |     |  |
|     | 958 555 301 33 HAF | Saddle Tan/Luxor Beige   | -MK    |     |  |
|     | 958 555 301 33 HHY | Black/Cohiba Brown   | -LH    |     |  |
|     | 958 555 301 33 HHP | Black/Cream  | -LG    |     |  |
| (1) | 958 555 302 33     | Door panel trim (leather)<br>Plain leather<br>roller blind<br>Bose               | right  | 1   | PR: 3LH, 3LT,<br>3Y8, 3Y7, 9VL         |
|     | 958 555 302 33 A11 | Black  | -LC    |     |  |
|     | 958 555 302 33 DE1 | Umber  | -LF    |     |  |
|     | 958 555 302 33 7J0 | Luxor beige  | -LE    |     |  |
|     | 958 555 302 33 9B0 | Platinum Grey  | -LD    |     |  |
|     | 958 555 302 33 OA1 | agate grey   | -MG    |     |  |
|     | 958 555 302 33 OK6 | saddle brown   | -MH    |     |  |
| (1) | 958 555 302 33     | Door panel trim (leather)<br>Plain leather<br>roller blind<br>Bose<br>two-colour | right  | 1   | PR: 3LH, 3LT,<br>3Y8, 3Y7, 9VL         |
|     | 958 555 302 33 F0C | Black/Titanium Blue  | -TW    |     |  |
|     | 958 555 302 33 F0D | Umber/Cream  | -TX    |     |  |
|     | 958 555 302 33 F0E | Umber/Light Tartufo  | -TY    |     |  |
|     | 958 555 302 33 AAD | Black/Carrera Red  | -TA    |     |  |

Model: 92A 11 Model life 2011>>2018

| Pos | Part Number        | Description   | Remark | Qty | Model                                  |
|-----|--------------------|---|--------|-----|--|
|     | 958 555 302 33 AAE | Black/Luxor Beige   | -TB    |     |  |
|     | 958 555 302 33 HAD | Black/Saddle Tan  | -MI    |     |  |
|     | 958 555 302 33 HAE | Saddle Tan/Cream  | -MJ    |     |  |
|     | 958 555 302 33 HAF | Saddle Tan/Luxor Beige  | -MK    |     |  |
|     | 958 555 302 33 HHY | Black/Cohiba Brown  | -LH    |     |  |
|     | 958 555 302 33 HHP | Black/Cream   | -LG    |     |  |
| (1) | 958 555 301 34     | Door panel trim (leather)<br>Plain leather<br>roller blind<br>Burmester | left   | 1   | PR: 3LH, 3LT,<br>3Y8, 3Y7, 9VJ         |
|     | 958 555 301 34 A11 | Black   | -LC    |     |  |
|     | 958 555 301 34 DE1 | Umber   | -LF    |     |  |
|     | 958 555 301 34 7J0 | Luxor beige   | -LE    |     |  |
|     | 958 555 301 34 9B0 | Platinum Grey<br>two-colour   | -LD    |     |  |
|     | 958 555 301 34 F0C | Black/Titanium Blue   | -TW    |     |  |
|     | 958 555 301 34 F0D | Umber/Cream   | -TX    |     |  |
|     | 958 555 301 34 F0E | Umber/Light Tartufo   | -TY    |     |  |
|     | 958 555 301 34 AAD | Black/Carrera Red   | -TA    |     |  |
|     | 958 555 301 34 HAE | Saddle Tan/Cream  | -MJ    |     |  |
|     | 958 555 301 34 HHY | Black/Cohiba Brown  | -LH    |     |  |
|     | 958 555 301 34 HAF | Saddle Tan/Luxor Beige  | -MK    |     |  |
|     | 958 555 301 34 HHP | Black/Cream   | -LG    |     |  |
| (1) | 958 555 302 34     | Door panel trim (leather)   | right  | 1   | PR: 3LH, 3LT,<br>3Y8, 3Y7, 9VJ         |
|     | 958 555 302 34 A11 | Black   | -LC    |     |  |
|     | 958 555 302 34 DE1 | Umber   | -LF    |     |  |
|     | 958 555 302 34 7J0 | Luxor beige   | -LE    |     |  |
|     | 958 555 302 34 9B0 | Platinum Grey   | -LD    |     |  |
|     | 958 555 302 34 OA1 | agate grey  | -MG    |     |  |
|     | 958 555 302 34 OK6 | saddle brown  | -MH    |     |  |
| (1) | 958 555 302 34     | Door panel trim (leather)<br>roller blind<br>Burmester<br>two-colour    | right  | 1   | PR: 3LH, 3LT,<br>3Y8, 3Y7, 9VJ         |
|     | 958 555 302 34 F0C | Black/Titanium Blue   | -TW    |     |  |
|     | 958 555 302 34 F0D | Umber/Cream   | -TX    |     |  |
|     | 958 555 302 34 F0E | Umber/Light Tartufo   | -TY    |     |  |
|     | 958 555 302 34 AAD | Black/Carrera Red   | -TA    |     |  |
|     | 958 555 302 34 AAE | Black/Luxor Beige   | -TB    |     |  |
|     | 958 555 302 34 HAD | Black/Saddle Tan  | -MI    |     |  |
|     | 958 555 302 34 HAE | Saddle Tan/Cream  | -MJ    |     |  |
|     | 958 555 302 34 HAF | Saddle Tan/Luxor Beige  | -MK    |     |  |
|     | 958 555 302 34 HHY | Black/Cohiba Brown  | -LH    |     |  |
|     | 958 555 302 34 HHP | Black/Cream   | -LG    |     |  |
| (1) | 958 555 301 35     | door panel<br>Leather<br>Nature   | left   | 1   | PR: 3LM, 3LX,<br>3Y7, 3Y8, 8RV,<br>9VK |
|     | 958 555 301 35 F0F | Espresso/Cognac   | -VB    |     |  |
|     | 958 555 301 35 6J0 | Espresso  | -VA    |     |  |
| (1) | 958 555 302 35     | door panel<br>Leather<br>Nature   | right  | 1   | PR: 3LM, 3LX,<br>3Y7, 3Y8, 8RV,<br>9VK |
|     | 958 555 302 35 F0F | Espresso/Cognac   | -VB    |     |  |
|     | 958 555 302 35 6J0 | Espresso  | -VA    |     |  |
| (1) | 958 555 301 36     | door panel<br>Leather<br>Nature   | left   | 1   | PR: 3LM, 3LX,<br>3Y7, 3Y8, 9VL         |
|     | 958 555 301 36 F0F | Espresso/Cognac   | -VB    |     |  |
|     | 958 555 301 36 6J0 | Espresso  | -VA    |     |  |
| (1) | 958 555 302 36     | door panel<br>Leather   | right  | 1   | PR: 3LM, 3LX,<br>3Y7, 3Y8, 9VL         |

Model: 92A 11

Model life 2011&gt;&gt;2018

| Pos | Part Number        | Description           | Remark | Qty | Model                            |
|-----|--------------------|-----------------------|--------|-----|----------------------------------|
|     |                    | Nature                |        |     |                                  |
|     | 958 555 302 36 F0F | Espresso/Cognac       | -VB    |     |                                  |
|     | 958 555 302 36 6J0 | Espresso              | -VA    |     |                                  |
| (1) | 958 555 301 37     | door panel            | left   | 1   | PR: 3LM, 3LX,<br>3Y7, 3Y8, 9VJ   |
|     |                    | Leather               |        |     |                                  |
|     |                    | Nature                |        |     |                                  |
|     | 958 555 301 37 F0F | Espresso/Cognac       | -VB    |     |                                  |
|     | 958 555 301 37 6J0 | Espresso              | -VA    |     |                                  |
| (1) | 958 555 302 37     | door panel            | right  | 1   | PR: 3LM, 3LX,<br>3Y7, 3Y8, 9VJ   |
|     |                    | Leather               |        |     |                                  |
|     |                    | Nature                |        |     |                                  |
|     | 958 555 302 37 F0F | Espresso/Cognac       | -VB    |     |                                  |
|     | 958 555 302 37 6J0 | Espresso              | -VA    |     |                                  |
| (1) | 958 555 301 38     | Door trim (Alcantara) | left   | 1   | GTS<br>PR: 3LS, 3Y0,<br>8RV, 9VK |
|     | 958 555 301 38 IVA | Black                 | -YC    |     |                                  |
|     | 958 555 301 38 IVB | Platinum Grey         | -YD    |     |                                  |
|     | 958 555 301 38 IVC | Luxor beige           | -YE    |     |                                  |
|     | 958 555 301 38 IVD | Umber                 | -YF    |     |                                  |
|     | 958 555 301 38 IVE | Black/Carmine Red     | -YA    |     |                                  |
|     | 958 555 301 38 IVF | Black/Peridot         | -YB    |     |                                  |
|     | 958 555 301 38 DJN | saddle brown          | -ME    |     |                                  |
|     | 958 555 301 38 DJQ | agate grey            | -ML    |     |                                  |
|     | 958 555 301 38 DJS | Black/Rhodium Silver  | -MF    |     |                                  |
| (1) | 958 555 302 38     | Door trim (Alcantara) | right  | 1   | GTS<br>PR: 3LS, 3Y0,<br>8RV, 9VK |
|     | 958 555 302 38 IVA | Black                 | -YC    |     |                                  |
|     | 958 555 302 38 IVB | Platinum Grey         | -YD    |     |                                  |
|     | 958 555 302 38 IVC | Luxor beige           | -YE    |     |                                  |
|     | 958 555 302 38 IVD | Umber                 | -YF    |     |                                  |
|     | 958 555 302 38 IVE | Black/Carmine Red     | -YA    |     |                                  |
|     | 958 555 302 38 IVF | Black/Peridot         | -YB    |     |                                  |
|     | 958 555 302 38 DJN | saddle brown          | -ME    |     |                                  |
|     | 958 555 302 38 DJQ | agate grey            | -ML    |     |                                  |
|     | 958 555 302 38 DJS | Black/Rhodium Silver  | -MF    |     |                                  |
| (1) | 958 555 301 39     | Door trim (Alcantara) | left   | 1   | GTS<br>PR: 3LS, 3Y0,<br>9VL      |
|     |                    | Bose                  |        |     |                                  |
|     | 958 555 301 39 IVA | Black                 | -YC    |     |                                  |
|     | 958 555 301 39 IVB | Platinum Grey         | -YD    |     |                                  |
|     | 958 555 301 39 IVC | Luxor beige           | -YE    |     |                                  |
|     | 958 555 301 39 IVD | Umber                 | -YF    |     |                                  |
|     | 958 555 301 39 IVE | Black/Carmine Red     | -YA    |     |                                  |
|     | 958 555 301 39 IVF | Black/Peridot         | -YB    |     |                                  |
|     | 958 555 301 39 DJN | saddle brown          | -ME    |     |                                  |
|     | 958 555 301 39 DJQ | agate grey            | -ML    |     |                                  |
|     | 958 555 301 39 DJS | Black/Rhodium Silver  | -MF    |     |                                  |
| (1) | 958 555 302 39     | Door trim (Alcantara) | right  | 1   | GTS<br>PR: 3LS, 3Y0,<br>9VL      |
|     |                    | Bose                  |        |     |                                  |
|     | 958 555 302 39 IVA | Black                 | -YC    |     |                                  |
|     | 958 555 302 39 IVB | Platinum Grey         | -YD    |     |                                  |
|     | 958 555 302 39 IVC | Luxor beige           | -YE    |     |                                  |
|     | 958 555 302 39 IVD | Black/umbra           | -YF    |     |                                  |
|     | 958 555 302 39 IVE | Black/Carmine Red     | -YA    |     |                                  |
|     | 958 555 302 39 IVF | Black/Peridot         | -YB    |     |                                  |
|     | 958 555 302 39 DJN | saddle brown          | -ME    |     |                                  |
|     | 958 555 302 39 DJQ | Black/agate grey      | -ML    |     |                                  |
|     | 958 555 302 39 DJS | Black/Rhodium Silver  | -MF    |     |                                  |
| (1) | 958 555 301 40     | Door trim (Alcantara) | left   | 1   | GTS<br>PR: 3LS, 3Y0,             |

Model: 92A 11 Model life 2011>>2018

| Pos | Part Number        | Description           | Remark | Qty | Model                                 |
|-----|--------------------|-----------------------|--------|-----|---------------------------------------|
|     |                    | Burmester             |        |     | 9VJ                                   |
|     | 958 555 301 40 IVA | Black                 | -YC    |     |                                       |
|     | 958 555 301 40 IVB | Platinum Grey         | -YD    |     |                                       |
|     | 958 555 301 40 IVC | Luxor beige           | -YE    |     |                                       |
|     | 958 555 301 40 IVD | Black/umbra           | -YF    |     |                                       |
|     | 958 555 301 40 IVE | Black/Carmine Red     | -YA    |     |                                       |
|     | 958 555 301 40 IVF | Black/Peridot         | -YB    |     |                                       |
|     | 958 555 301 40 DJN | saddle brown          | -ME    |     |                                       |
|     | 958 555 301 40 DJQ | Black/agate grey      | -ML    |     |                                       |
|     | 958 555 301 40 DJS | Black/Rhodium Silver  | -MF    |     |                                       |
| (1) | 958 555 302 40     | Door trim (Alcantara) | right  | 1   | GTS<br>PR: 3LS, 3Y0,<br>9VJ           |
|     |                    | Burmester             |        |     |                                       |
|     | 958 555 302 40 IVA | Black                 | -YC    |     |                                       |
|     | 958 555 302 40 IVB | Platinum Grey         | -YD    |     |                                       |
|     | 958 555 302 40 IVC | Luxor beige           | -YE    |     |                                       |
|     | 958 555 302 40 IVD | Black/umbra           | -YF    |     |                                       |
|     | 958 555 302 40 IVE | Black/Carmine Red     | -YA    |     |                                       |
|     | 958 555 302 40 IVF | Black/Peridot         | -YB    |     |                                       |
|     | 958 555 302 40 DJN | saddle brown          | -ME    |     |                                       |
|     | 958 555 302 40 DJQ | Black/agate grey      | -ML    |     |                                       |
|     | 958 555 302 40 DJS | Black/Rhodium Silver  | -MF    |     |                                       |
| (1) | 958 555 301 41     | Door trim (Alcantara) | left   | 1   | GTS<br>PR: 3LS, 3Y7,<br>3Y8, 8RV, 9VK |
|     |                    | Burmester             |        |     |                                       |
|     | 958 555 301 41 IVA | Black                 | -YC    |     |                                       |
|     | 958 555 301 41 IVB | Platinum Grey         | -YD    |     |                                       |
|     | 958 555 301 41 IVC | Luxor beige           | -YE    |     |                                       |
|     | 958 555 301 41 IVD | Black/umbra           | -YF    |     |                                       |
|     | 958 555 301 41 IVE | Black/Carmine Red     | -YA    |     |                                       |
|     | 958 555 301 41 IVF | Black/Peridot         | -YB    |     |                                       |
|     | 958 555 301 41 DJN | saddle brown          | -ME    |     |                                       |
|     | 958 555 301 41 DJQ | Black/agate grey      | -ML    |     |                                       |
|     | 958 555 301 41 DJS | Black/Rhodium Silver  | -MF    |     |                                       |
| (1) | 958 555 302 41     | Door trim (Alcantara) | right  | 1   | GTS<br>PR: 3LS, 3Y7,<br>3Y8, 8RV, 9VK |
|     |                    | Burmester             |        |     |                                       |
|     | 958 555 302 41 IVA | Black                 | -YC    |     |                                       |
|     | 958 555 302 41 IVB | Platinum Grey         | -YD    |     |                                       |
|     | 958 555 302 41 IVC | Luxor beige           | -YE    |     |                                       |
|     | 958 555 302 41 IVD | Black/umbra           | -YF    |     |                                       |
|     | 958 555 302 41 IVE | Black/Carmine Red     | -YA    |     |                                       |
|     | 958 555 302 41 IVF | Black/Peridot         | -YB    |     |                                       |
|     | 958 555 302 41 DJN | saddle brown          | -ME    |     |                                       |
|     | 958 555 302 41 DJQ | Black/agate grey      | -ML    |     |                                       |
|     | 958 555 302 41 DJS | Black/Rhodium Silver  | -MF    |     |                                       |
| (1) | 958 555 301 42     | Door trim (Alcantara) | left   | 1   | GTS<br>PR: 3LS, 3Y7,<br>3Y8, 9VL      |
|     |                    | Bose                  |        |     |                                       |
|     | 958 555 301 42 IVA | Black                 | -YC    |     |                                       |
|     | 958 555 301 42 IVB | Platinum Grey         | -YD    |     |                                       |
|     | 958 555 301 42 IVC | Luxor beige           | -YE    |     |                                       |
|     | 958 555 301 42 IVD | Black/umbra           | -YF    |     |                                       |
|     | 958 555 301 42 IVE | Black/Carmine Red     | -YA    |     |                                       |
|     | 958 555 301 42 IVF | Black/Peridot         | -YB    |     |                                       |
|     | 958 555 301 42 DJN | saddle brown          | -ME    |     |                                       |
|     | 958 555 301 42 DJQ | Black/agate grey      | -ML    |     |                                       |
|     | 958 555 301 42 DJS | Black/Rhodium Silver  | -MF    |     |                                       |
| (1) | 958 555 302 42     | Door trim (Alcantara) | right  | 1   | GTS<br>PR: 3LS, 3Y7,<br>3Y8, 9VL      |
|     |                    | Bose                  |        |     |                                       |
|     | 958 555 302 42 IVA | Black                 | -YC    |     |                                       |
|     | 958 555 302 42 IVB | Platinum Grey         | -YD    |     |                                       |

Model: 92A 11 Model life 2011>>2018

| Pos | Part Number        | Description                    | Remark   | Qty | Model                            |
|-----|--------------------|--------------------------------|--|-----|----------------------------------|
|     | 958 555 302 42 IVC | Luxor beige                    | -YE  |     |                                  |
|     | 958 555 302 42 IVD | Black/umbra                    | -YF  |     |                                  |
|     | 958 555 302 42 IVE | Black/Carmine Red              | -YA  |     |                                  |
|     | 958 555 302 42 IVF | Black/Peridot                  | -YB  |     |                                  |
|     | 958 555 302 42 DJN | saddle brown                   | -ME  |     |                                  |
|     | 958 555 302 42 DJQ | Black/agate grey               | -ML  |     |                                  |
|     | 958 555 302 42 DJS | Black/Rhodium Silver           | -MF  |     |                                  |
| (1) | 958 555 301 43     | Door trim (Alcantara)          | left   | 1   | GTS<br>PR: 3LS, 3Y7,<br>3Y8, 9VJ |
|     |                    | Burmester                      |  |     |                                  |
|     | 958 555 301 43 IVA | Black                          | -YC  |     |                                  |
|     | 958 555 301 43 IVB | Platinum Grey                  | -YD  |     |                                  |
|     | 958 555 301 43 IVC | Luxor beige                    | -YE  |     |                                  |
|     | 958 555 301 43 IVD | Black/umbra                    | -YF  |     |                                  |
|     | 958 555 301 43 IVE | Black/Carmine Red              | -YA  |     |                                  |
|     | 958 555 301 43 IVF | Black/Peridot                  | -YB  |     |                                  |
|     | 958 555 301 43 DJN | saddle brown                   | -ME  |     |                                  |
|     | 958 555 301 43 DJQ | Black/agate grey               | -ML  |     |                                  |
|     | 958 555 301 43 DJS | Black/Rhodium Silver           | -MF  |     |                                  |
| (1) | 958 555 302 43     | Door trim (Alcantara)          | left   | 1   | GTS<br>PR: 3LS, 3Y7,<br>3Y8, 9VJ |
|     |                    | Burmester                      |  |     |                                  |
|     | 958 555 302 43 IVA | Black                          | -YC  |     |                                  |
|     | 958 555 302 43 IVB | Platinum Grey                  | -YD  |     |                                  |
|     | 958 555 302 43 IVC | Luxor beige                    | -YE  |     |                                  |
|     | 958 555 302 43 IVD | Black/umbra                    | -YF  |     |                                  |
|     | 958 555 302 43 IVE | Black/Carmine Red              | -YA  |     |                                  |
|     | 958 555 302 43 IVF | Black/Peridot                  | -YB  |     |                                  |
|     | 958 555 302 43 DJN | saddle brown                   | -ME  |     |                                  |
|     | 958 555 302 43 DJQ | Black/agate grey               | -ML  |     |                                  |
|     | 958 555 302 43 DJS | Black/Rhodium Silver           | -MF  |     |                                  |
| 2   | 955 555 243 00     | Retaining clip<br>door panel   |  | X   |                                  |
| 3   | 958 555 190 00     | Clip                           |  | X   |                                  |
| 4   | 958 555 581 00     | sound abs. for door trim panel |  | 2   |                                  |
| 5   | 958 555 375 00     | Trim for switch                | left   | 1   |                                  |
|     | 958 555 375 00 DE1 | Umber                          | -LF, TX, TY, YF  |     |                                  |
|     | 958 555 375 00 3T0 | Espresso                       | -VA, VB  |     |                                  |
|     | 958 555 375 00 4U0 | Platinum Grey                  | -LD, MD, YD  |     |                                  |
|     | 958 555 375 00 5Q0 | Black                          | -LC, LG, LH, MA,<br>MF, MI, TA, TB,<br>TW, YA, YB, YC,<br>77 |     |                                  |
|     | 958 555 375 00 6W0 | Luxor beige                    | -LE, MC, YE  |     |                                  |
|     | 958 555 375 00 OA6 | agate grey                     | -MB, MG, ML  |     |                                  |
|     | 958 555 375 00 OL7 | saddle brown                   | -ME, MH, MJ, MK  |     |                                  |
| 5   | 958 555 376 00     | Trim for switch                | right  | 1   |                                  |
|     | 958 555 376 00 DE1 | Umber                          | -LF, TX, TY, YF  |     |                                  |
|     | 958 555 376 00 3T0 | Espresso                       | -VA, VB  |     |                                  |
|     | 958 555 376 00 4U0 | Platinum Grey                  | -LD, MD, YD  |     |                                  |
|     | 958 555 376 00 5Q0 | Black                          | -LC, LG, LH, MA,<br>MF, MI, TA, TB,<br>TW, YA, YB, YC,<br>77 |     |                                  |
|     | 958 555 376 00 6W0 | Luxor beige                    | -LE, MC, YE  |     |                                  |
|     | 958 555 376 00 OA6 | agate grey                     | -MB, MG, ML  |     |                                  |
|     | 958 555 376 00 OL7 | saddle brown                   | -ME, MH, MJ, MK  |     |                                  |
| 6   | 958 555 377 05     | Carrier<br>Armrest             | left   | 1   | PR: 9MA, 9WC                     |
|     | 958 555 377 05 DE1 | Umber                          | -LF, TX, TY, YF  |     |                                  |
|     | 958 555 377 05 3T0 | Espresso                       | -VA, VB  |     |                                  |
|     | 958 555 377 05 4U0 | Platinum Grey                  | -LD, MD, YD  |     |                                  |
|     | 958 555 377 05 5Q0 | Black                          | -LC, LG, LH, MA,   |     |                                  |



Model: 92A 11 Model life 2011>>2018

| Pos | Part Number        | Description   | Remark  | Qty | Model      |
|-----|--------------------|---------------|---|-----|------------|
| (6) | 958 555 377 05 6W0 | Luxor beige   | MF,MI,TA,TB,<br>TW,YA,YB,YC,<br>77<br>-LE,MC,YE     | 1   | PR:9MA,9WC |
|     | 958 555 377 05 OA6 | agate grey    | -MB,MG,ML   |     |            |
|     | 958 555 377 05 OL7 | saddle brown  | -ME,MH,MJ,MK  |     |            |
|     | 958 555 378 05     | Carrier       | right   |     |            |
|     |                    | Armrest       |   |     |            |
|     | 958 555 378 05 DE1 | Umber         | -LF,TX,TY,YF  |     |            |
|     | 958 555 378 05 3T0 | Espresso      | -VA,VB  |     |            |
| (6) | 958 555 378 05 4U0 | Platinum Grey | -LD,MD,YD   | 1   | PR:9MA,9WM |
|     | 958 555 378 05 5Q0 | Black         | -LC,LG,LH,MA,<br>MF,MI,TA,TB,<br>TW,YA,YB,YC,<br>77 |     |            |
|     | 958 555 378 05 6W0 | Luxor beige   | -LE,MC,YE   |     |            |
|     | 958 555 378 05 OA6 | agate grey    | -MB,MG,ML   |     |            |
|     | 958 555 378 05 OL7 | saddle brown  | -ME,MH,MJ,MK  |     |            |
|     | 958 555 377 07     | Carrier       | left  |     |            |
|     |                    | Armrest       |   |     |            |
| (6) | 958 555 377 07 DE1 | Umber         | -LF,TX,TY,YF  | 1   | PR:9MA,9WM |
|     | 958 555 377 07 3T0 | Espresso      | -VA,VB  |     |            |
|     | 958 555 377 07 4U0 | Platinum Grey | -LD,MD,YD   |     |            |
|     | 958 555 377 07 5Q0 | Black         | -LC,LG,LH,MA,<br>MF,MI,TA,TB,<br>TW,YA,YB,YC,<br>77 |     |            |
|     | 958 555 377 07 6W0 | Luxor beige   | -LE,MC,YE   |     |            |
|     | 958 555 377 07 OA6 | agate grey    | -MB,MG,ML   |     |            |
|     | 958 555 377 07 OL7 | saddle brown  | -ME,MH,MJ,MK  |     |            |
| (6) | 958 555 378 07     | Carrier       | right   | 1   | PR:9MA,9WM |
|     |                    | Armrest       |   |     |            |
|     | 958 555 378 07 DE1 | Umber         | -LF,TX,TY,YF  |     |            |
|     | 958 555 378 07 3T0 | Espresso      | -VA,VB  |     |            |
|     | 958 555 378 07 4U0 | Platinum Grey | -LD,MD,YD   |     |            |
|     | 958 555 378 07 5Q0 | Black         | -LC,LG,LH,MA,<br>MF,MI,TA,TB,<br>TW,YA,YB,YC,<br>77 |     |            |
|     | 958 555 378 07 6W0 | Luxor beige   | -LE,MC,YE   |     |            |
| (6) | 958 555 378 07 OA6 | agate grey    | -MB,MG,ML   | 1   | PR:9MB,9WC |
|     | 958 555 378 07 OL7 | saddle brown  | -ME,MH,MJ,MK  |     |            |
|     | 958 555 377 06     | Carrier       | left  |     |            |
|     |                    | Armrest       |   |     |            |
|     | 958 555 377 06 DE1 | Umber         | -LF,TX,TY,YF  |     |            |
|     | 958 555 377 06 3T0 | Espresso      | -VA,VB  |     |            |
|     | 958 555 377 06 4U0 | Platinum Grey | -LD,MD,YD   |     |            |
| (6) | 958 555 377 06 5Q0 | Black         | -LC,LG,LH,MA,<br>MF,MI,TA,TB,<br>TW,YA,YB,YC,<br>77 | 1   | PR:9MB,9WC |
|     | 958 555 377 06 6W0 | Luxor beige   | -LE,MC,YE   |     |            |
|     | 958 555 377 06 OA6 | agate grey    | -MB,MG,ML   |     |            |
|     | 958 555 377 06 OL7 | saddle brown  | -ME,MH,MJ,MK  |     |            |
|     | 958 555 378 06     | Carrier       | right   |     |            |
|     |                    | Armrest       |   |     |            |
|     | 958 555 378 06 DE1 | Umber         | -LF,TX,TY,YF  |     |            |
| (6) | 958 555 378 06 3T0 | Espresso      | -VA,VB  | 1   | PR:9MB,9WC |
|     | 958 555 378 06 4U0 | Platinum Grey | -LD,MD,YD   |     |            |
|     | 958 555 378 06 5Q0 | Black         | -LC,LG,LH,MA,<br>MF,MI,TA,TB,<br>TW,YA,YB,YC,<br>77 |     |            |
|     | 958 555 377 06 6W0 | Luxor beige   | -LE,MC,YE   |     |            |
|     | 958 555 377 06 OA6 | agate grey    | -MB,MG,ML   |     |            |

Model: 92A 11 Model life 2011>>2018

| Pos                | Part Number        | Description   | Remark  | Qty | Model        |
|--------------------|--------------------|---|---|-----|--------------|
| (6)                | 958 555 378 06 6W0 | Luxor beige   | -LE, MC, YE   | 1   | PR: 9MB, 9WM |
|                    | 958 555 378 06 OA6 | agate grey  | -MB, MG, ML   |     |              |
|                    | 958 555 378 06 OL7 | saddle brown  | -ME, MH, MJ, MK                                     |     |              |
|                    | 958 555 377 08     | Carrier   | left  |     |              |
|                    | 958 555 377 08 DE1 | Umber   | -LF, TX, TY, YF                                     |     |              |
|                    | 958 555 377 08 3T0 | Espresso  | -VA, VB   |     |              |
|                    | 958 555 377 08 4U0 | Platinum Grey   | -LD, MD, YD   |     |              |
|                    | 958 555 377 08 5Q0 | Black   | -LC, LG, LH, MA, MF, MI, TA, TB, TW, YA, YB, YC, 77 |     |              |
| (6)                | 958 555 377 08 6W0 | Luxor beige   | -LE, MC, YE   | 1   | PR: 9MB, 9WM |
|                    | 958 555 377 08 OA6 | agate grey  | -MB, MG, ML   |     |              |
|                    | 958 555 377 08 OL7 | saddle brown  | -ME, MH, MJ, MK                                     |     |              |
|                    | 958 555 378 08     | Carrier   | right   |     |              |
|                    | 958 555 378 08 DE1 | Umber   | -LF, TX, TY, YF                                     |     |              |
|                    | 958 555 378 08 3T0 | Espresso  | -VA, VB   |     |              |
|                    | 958 555 378 08 4U0 | Platinum Grey   | -LD, MD, YD   |     |              |
|                    | 958 555 378 08 5Q0 | Black   | -LC, LG, LH, MA, MF, MI, TA, TB, TW, YA, YB, YC, 77 |     |              |
| -                  | 958 555 378 08 6W0 | Luxor beige   | -LE, MC, YE   | 4   |              |
|                    | 958 555 378 08 OA6 | agate grey  | -MB, MG, ML   |     |              |
|                    | 958 555 378 08 OL7 | saddle brown  | -ME, MH, MJ, MK                                     |     |              |
|                    | 999 190 240 30     | Pop rivet<br>3,2X11,0<br>Hooks                                  |   |     |              |
| 7                  | N 908 401 03       | Hex socket oval head collared<br>4,0 X 14                       |   | X   |              |
| 8                  | N 107 254 02       | Hexagon socket head collared<br>bolt, thread forming<br>M6 X 20 |   | X   |              |
| (9)                | 958 555 161 00     | Pull handle<br>door panel<br>Leatherette                        | left  | 1   | PR: 3LD      |
|                    | 958 555 161 00 21U | Black   | -MA   | 1   | PR: 3LD      |
|                    | 958 555 161 00 32X | Luxor beige   | -MC, 77   |     |              |
|                    | 958 555 161 00 7EG | Platinum Grey   | -MD   |     |              |
|                    | 958 555 161 00 OF6 | agate grey  | -MB   |     |              |
|                    | 958 555 162 00     | Pull handle<br>door panel<br>Leatherette                        | right   |     |              |
|                    | 958 555 162 00 21U | Black   | -MA   |     |              |
|                    | 958 555 162 00 32X | Luxor beige   | -MC, 77   |     |              |
| 958 555 162 00 7EG | Platinum Grey      | -MD   |   |     |              |
| (9)                | 958 555 161 01     | Pull handle<br>door panel<br>Leather                            | left  | 1   | PR: 3LH, 3LT |
|                    | 958 555 161 01 A11 | Black   | -LC, MI, TW, MF, YA, YB, YC                         | 1   | PR: 3LH, 3LT |
|                    | 958 555 161 01 DE1 | Umber   | -LF, TX, TY, YF                                     |     |              |
|                    | 958 555 161 01 7J0 | Luxor beige   | -LE, TB, YE   |     |              |
|                    | 958 555 161 01 9B0 | Platinum Grey   | -LD, YD   |     |              |
|                    | 958 555 161 01 OG3 | Carrera Red   | -TA   |     |              |
|                    | 958 555 161 01 OA1 | agate grey  | -MG, ML   |     |              |
|                    | 958 555 161 01 OK6 | saddle brown  | -MH, MJ, MK, ME                                     |     |              |
| 958 555 161 01 OB8 | Cohiba Brown       | -LH   |   |     |              |
| (9)                | 958 555 162 01     | Pull handle<br>door panel                                       | right   | 1   | PR: 3LH, 3LT |

Model: 92A 11 Model life 2011>>2018

| Pos  | Part Number        | Description                                    | Remark   | Qty | Model        |
|------|--------------------|--|--|-----|--------------|
|      | 958 555 162 01 A11 | Leather<br>Black                               | -LC, MI, TW, MF,<br>YA, YB, YC                               |     |              |
|      | 958 555 162 01 DE1 | Umber  | -LF, TX, TY, YF  |     |              |
|      | 958 555 162 01 7J0 | Luxor beige                                    | -LE, TB, YE  |     |              |
|      | 958 555 162 01 9B0 | Platinum Grey                                  | -LD, YD  |     |              |
|      | 958 555 162 01 OG3 | Carrera Red                                    | -TA  |     |              |
|      | 958 555 162 01 OA1 | agate grey                                     | -MG, ML  |     |              |
|      | 958 555 162 01 OK6 | saddle brown                                   | -MH, MJ, MK, ME  |     |              |
|      | 958 555 162 01 OB8 | Cohiba Brown                                   | -LH  |     |              |
| (9)  | 958 555 161 02     | Pull handle<br>door panel<br>Leather<br>Nature | left   | 1   | PR: 3LM, 3LX |
|      | 958 555 161 02 6J0 | Espresso                                       | -VA, VB  |     |              |
| (9)  | 958 555 162 02     | Pull handle<br>door panel<br>Leather<br>Nature | right  | 1   | PR: 3LM, 3LX |
|      | 958 555 162 02 6J0 | Espresso                                       | -VA, VB  |     |              |
| 10   | 958 555 437 00     | Cover panel<br>door panel                      | left   | 1   |              |
|      | 958 555 437 00 DE1 | Umber  | -LF, TX, TY, YF  |     |              |
|      | 958 555 437 00 3T0 | Espresso                                       | -VA, VB  |     |              |
|      | 958 555 437 00 4U0 | Platinum Grey                                  | -LD, MD, YD  |     |              |
|      | 958 555 437 00 5Q0 | Black  | -LC, LG, LH, MA,<br>MF, MI, TA, TB,<br>TW, YA, YB, YC,<br>77 |     |              |
|      | 958 555 437 00 6W0 | Luxor beige                                    | -LE, MC, YE  |     |              |
|      | 958 555 437 00 OA6 | agate grey                                     | -MB, MG, ML  |     |              |
|      | 958 555 437 00 OL7 | saddle brown                                   | -ME, MH, MJ, MK  |     |              |
| 10   | 958 555 438 00     | Cover panel<br>door panel                      | right  | 1   |              |
|      | 958 555 438 00 DE1 | Umber  | -LF, TX, TY, YF  |     |              |
|      | 958 555 438 00 3T0 | Espresso                                       | -VA, VB  |     |              |
|      | 958 555 438 00 4U0 | Platinum Grey                                  | -LD, MD, YD  |     |              |
|      | 958 555 438 00 5Q0 | Black  | -LC, LG, LH, MA,<br>MF, MI, TA, TB,<br>TW, YA, YB, YC,<br>77 |     |              |
|      | 958 555 438 00 6W0 | Luxor beige                                    | -LE, MC, YE  |     |              |
|      | 958 555 438 00 OA6 | agate grey                                     | -MB, MG, ML  |     |              |
|      | 958 555 438 00 OL7 | saddle brown                                   | -ME, MH, MJ, MK  |     |              |
| 11   | 958 555 373 00     | Armrest<br>door panel<br>Leather               | left   | 1   | PR: 3LD      |
|      | 958 555 373 00 21U | Black  | -MA  |     |              |
|      | 958 555 373 00 32X | Luxor beige                                    | -MC, 77  |     |              |
|      | 958 555 373 00 7EG | Platinum Grey                                  | -MD  |     |              |
|      | 958 555 373 00 OF6 | agate grey                                     | -MB  |     |              |
| 11   | 958 555 373 00     | Armrest<br>door panel<br>Leather               | left   | 1   | PR: 4AP      |
|      | 958 555 373 00 21U | Black  | -MA  |     |              |
|      | 958 555 373 00 32X | Luxor beige                                    | -MC, 77  |     |              |
|      | 958 555 373 00 7EG | Platinum Grey                                  | -MD  |     |              |
|      | 958 555 373 00 OF6 | agate grey                                     | -MB  |     |              |
| (11) | 958 555 374 00     | Armrest<br>door panel<br>Leather               | right  | 1   | PR: 3LD      |
|      | 958 555 374 00 21U | Black  | -MA  |     |              |
|      | 958 555 374 00 32X | Luxor beige                                    | -MC, 77  |     |              |

Model: 92A 11 Model life 2011>>2018

| Pos                | Part Number            | Description                                    | Remark                            | Qty | Model        |
|--------------------|------------------------|--|-----------------------------------|-----|--------------|
| (11)               | 958 555 374 00 7EG     | Platinum Grey                                  | -MD                               | 1   | PR: 4AP      |
|                    | 958 555 374 00 OF6     | agate grey                                     | -MB                               |     |              |
|                    | 958 555 374 00         | Armrest<br>door panel<br>Leather               | right                             |     |              |
| (11)               | 958 555 374 00 21U     | Black  | -MA                               | 1   | PR: 3LH, 3LT |
|                    | 958 555 374 00 32X     | Luxor beige                                    | -MC, 77                           |     |              |
|                    | 958 555 374 00 7EG     | Platinum Grey                                  | -MD                               |     |              |
|                    | 958 555 374 00 OF6     | agate grey                                     | -MB                               |     |              |
|                    | 958 555 373 01         | Armrest<br>door panel<br>Leather               | left                              |     |              |
|                    | 958 555 373 01 A11     | Black  | -LC                               |     |              |
|                    | 958 555 373 01 DE1     | Umber  | -LF                               |     |              |
|                    | 958 555 373 01 F0C     | Black/Titanium Blue                            | -TW                               |     |              |
|                    | 958 555 373 01 F0D     | Umber/Cream                                    | -TX                               |     |              |
|                    | 958 555 373 01 F0E     | Umber/Light Tartufo                            | -TY                               |     |              |
|                    | 958 555 373 01 7J0     | Luxor beige                                    | -LE, TB                           |     |              |
|                    | 958 555 373 01 8D0     | Cream  |                                   |     |              |
|                    | 958 555 373 01 9B0     | Platinum Grey                                  | -LD                               |     |              |
|                    | 958 555 373 01 OG3     | Carrera Red                                    | -TA                               |     |              |
|                    | 958 555 373 01 OA1     | agate grey                                     | -MG                               |     |              |
|                    | 958 555 373 01 OK6     | saddle brown                                   | -MH                               |     |              |
|                    | 958 555 373 01 OB8     | Cohiba Brown                                   | -LH                               |     |              |
| 958 555 373 01 HAD | Black/Saddle Tan       | -MI  |                                   |     |              |
| 958 555 373 01 HAE | Saddle Tan/Cream       | -MJ  |                                   |     |              |
| 958 555 373 01 HAF | Saddle Tan/Luxor Beige | -MK  |                                   |     |              |
| (11)               | 958 555 374 01         | Armrest<br>door panel<br>Leather               | right                             | 1   | PR: 3LH, 3LT |
|                    | 958 555 374 01 A11     | Black  | -LC                               |     |              |
|                    | 958 555 374 01 DE1     | Umber  | -LF                               |     |              |
|                    | 958 555 374 01 F0C     | Black/Titanium Blue                            | -TW                               |     |              |
|                    | 958 555 374 01 F0D     | Umber/Cream                                    | -TX                               |     |              |
|                    | 958 555 374 01 F0E     | Umber/Light Tartufo                            | -TY                               |     |              |
|                    | 958 555 374 01 7J0     | Luxor beige                                    | -LE, TB                           |     |              |
|                    | 958 555 374 01 8D0     | Cream  | -LG                               |     |              |
|                    | 958 555 374 01 9B0     | Platinum Grey                                  | -LD                               |     |              |
|                    | 958 555 374 01 OG3     | Carrera Red                                    | -TA                               |     |              |
|                    | 958 555 374 01 OA1     | agate grey                                     | -MG                               |     |              |
|                    | 958 555 374 01 OK6     | saddle brown                                   | -MH                               |     |              |
|                    | 958 555 374 01 OB8     | Cohiba Brown                                   | -LH                               |     |              |
|                    | 958 555 374 01 HAD     | Black/Saddle Tan                               | -MI                               |     |              |
|                    | 958 555 374 01 HAE     | Saddle Tan/Cream                               | -MJ                               |     |              |
|                    | 958 555 374 01 HAF     | Saddle Tan/Luxor Beige                         | -MK                               |     |              |
|                    | (11)                   | 958 555 373 02                                 | Armrest for door panel<br>Leather |     |              |
| 958 555 373 02 F0F |                        | Nature<br>Espresso/Cognac                      | -VB                               |     |              |
| 958 555 373 02 6J0 |                        | Espresso                                       | -VA                               |     |              |
| (11)               | 958 555 374 02         | Armrest for door panel<br>Leather              | right                             | 1   | PR: 3LM, 3LX |
|                    | 958 555 374 02 F0F     | Nature<br>Espresso/Cognac                      | -VB                               |     |              |
|                    | 958 555 374 02 6J0     | Espresso                                       | -VA                               |     |              |
| (11)               | 958 555 374 02         | Armrest for door panel<br>Leather              | right                             | 1   | PR: 3LM, 3LX |
|                    | 958 555 374 02 F0F     | Nature<br>Espresso/Cognac                      | -VB                               |     |              |
|                    | 958 555 374 02 6J0     | Espresso                                       | -VA                               |     |              |
| (11)               | 958 555 374 02         | Armrest for door panel<br>Leather              | right                             | 1   | PR: 3LM, 3LX |
|                    | 958 555 374 02 F0F     | Nature<br>Espresso/Cognac                      | -VB                               |     |              |
|                    | 958 555 374 02 6J0     | Espresso                                       | -VA                               |     |              |
| (11)               | 958 555 373 03         | Armrest for door panel<br>Alcantara<br>Leather | left                              | 1   | PR: 3LS      |
|                    | 958 555 373 03         | Alcantara                                      |                                   |     |              |
|                    | 958 555 373 03         | Leather  |                                   |     |              |

Model: 92A 11 Model life 2011>>2018

| Pos  | Part Number        | Description  | Remark   | Qty | Model  |
|------|--------------------|--|--|-----|--------|
|      | 958 555 373 03 IVA | Black  | -YC  |     |        |
|      | 958 555 373 03 IVB | Platinum Grey  | -YD  |     |        |
|      | 958 555 373 03 IVC | Luxor beige  | -YE  |     |        |
|      | 958 555 373 03 IVD | Umber  | -YF  |     |        |
|      | 958 555 373 03 IVE | Black/Carmine Red  | -YA  |     |        |
|      | 958 555 373 03 IVF | Black/Peridot  | -YB  |     |        |
|      | 958 555 373 03 DJN | saddle brown   | -ME  |     |        |
|      | 958 555 373 03 DJQ | agate grey   | -ML  |     |        |
|      | 958 555 373 03 DJS | Black/Rhodium Silver                                       | -MF  |     |        |
| (11) | 958 555 374 03     | Armrest for door panel<br>Alcantara<br>Leather             | right  | 1   | PR:3LS |
|      | 958 555 374 03 IVA | Black  | -YC  |     |        |
|      | 958 555 374 03 IVB | Platinum Grey  | -YD  |     |        |
|      | 958 555 374 03 IVC | Luxor beige  | -YE  |     |        |
|      | 958 555 374 03 IVD | Umber  | -YF  |     |        |
|      | 958 555 374 03 IVE | Black/Carmine Red  | -YA  |     |        |
|      | 958 555 374 03 IVF | Black/Peridot  | -YB  |     |        |
|      | 958 555 374 03 DJN | saddle brown   | -ME  |     |        |
|      | 958 555 374 03 DJQ | agate grey   | -ML  |     |        |
|      | 958 555 374 03 DJS | Black/Rhodium Silver                                       | -MF  |     |        |
| 12   | 958 555 427 00     | cover for door trim panel<br>Pull handle<br>D >> - MJ 2011 | left   | 1   |        |
|      | 958 555 427 00 DE1 | Umber  | -LF, TX, TY  |     |        |
|      | 958 555 427 00 3T0 | Espresso   | -VA, VB  |     |        |
|      | 958 555 427 00 4U0 | Platinum Grey  | -LD, MD  |     |        |
|      | 958 555 427 00 5Q0 | Black  | -LC, MA, TW  |     |        |
|      | 958 555 427 00 6W0 | Luxor beige  | -LE, MC  |     |        |
| (12) | 958 555 427 01     | cover for door trim panel<br>Pull handle<br>D - MJ 2012>>  | left   | 1   |        |
|      | 958 555 427 01 DE1 | Umber  | -LF, TX, TY, YF  |     |        |
|      | 958 555 427 01 3T0 | Espresso   | -VA, VB  |     |        |
|      | 958 555 427 01 4U0 | Platinum Grey  | -LD, MD, YD  |     |        |
|      | 958 555 427 01 5Q0 | Black  | -LC, LG, LH, MA,<br>MF, MI, TA, TB,<br>TW, YA, YB, YC,<br>77 |     |        |
|      | 958 555 427 01 6W0 | Luxor beige  | -LE, MC, YE  |     |        |
| (12) | 958 555 427 02     | cover for door trim panel<br>Pull handle<br>D - MJ 2015>>  | left   | 1   |        |
|      | 958 555 427 02 OA6 | agate grey   | -MB, MG, ML  |     |        |
|      | 958 555 427 02 OL7 | saddle brown   | -ME, MH, MJ, MK  |     |        |
| (12) | 958 555 428 00     | cover for door trim panel<br>Pull handle<br>D >> - MJ 2011 | right  | 1   |        |
|      | 958 555 428 00 DE1 | Umber  | -LF, TX, TY  |     |        |
|      | 958 555 428 00 3T0 | Espresso   | -VA, VB  |     |        |
|      | 958 555 428 00 4U0 | Platinum Grey  | -LD, MD  |     |        |
|      | 958 555 428 00 5Q0 | Black  | -LC, MA, TW  |     |        |
|      | 958 555 428 00 6W0 | Luxor beige  | -LE, MC  |     |        |
| (12) | 958 555 428 01     | cover for door trim panel<br>Pull handle<br>D - MJ 2012>>  | right  | 1   |        |
|      | 958 555 428 01 DE1 | Umber  | -LF, TX, TY, YF  |     |        |
|      | 958 555 428 01 3T0 | Espresso   | -VA, VB  |     |        |
|      | 958 555 428 01 4U0 | Platinum Grey  | -LD, MD, YD  |     |        |
|      | 958 555 428 01 5Q0 | Black  | -LC, LG, LH, MA,<br>MF, MI, TA, TB,<br>TW, YA, YB, YC,<br>77 |     |        |
|      | 958 555 428 01 6W0 | Luxor beige  | -LE, MC, YE  |     |        |

Model: 92A 11 Model life 2011>>2018

| Pos  | Part Number        | Description   | Remark   | Qty | Model  |
|------|--------------------|---|--|-----|--------|
|      | 958 555 428 01 5Q0 | Black   | -LC, LG, LH, MA,<br>MF, MI, TA, TB,<br>TW, YA, YB, YC,<br>77 |     |        |
|      | 958 555 428 01 6W0 | Luxor beige   | -LE, MC, YE  |     |        |
| (12) | 958 555 428 02     | cover for door trim panel<br>Pull handle<br>D - MJ 2015>> | right  | 1   |        |
|      | 958 555 428 02 OA6 | agate grey  | -MB, MG, ML  |     |        |
|      | 958 555 428 02 OL7 | saddle brown  | -ME, MH, MJ, MK  |     |        |
| 13   | 958 555 419 00     | molding for door trim<br>panel                            | left   | 1   | PR:5TL |
|      | 958 555 419 00 6BB | Piano Black, high-gloss                                   |  |     |        |
| (13) | 958 555 420 00     | molding for door trim<br>panel                            | right  | 1   | PR:5TL |
|      | 958 555 420 00 6BB | Piano Black, high-gloss                                   |  |     |        |
| (13) | 958 555 419 01     | molding for door trim<br>panel                            | left   | 1   | PR:5TE |
|      | 958 555 419 01 GR4 | Aluminium, brushed  |  |     |        |
| (13) | 958 555 420 01     | molding for door trim<br>panel                            | right  | 1   | PR:5TE |
|      | 958 555 420 01 GR4 | Aluminium, brushed  |  |     |        |
| (13) | 958 555 419 02     | molding for door trim<br>panel                            | left   | 1   | PR:5MG |
|      | 958 555 419 02 BG1 | Walnut, high-gloss  |  |     |        |
| (13) | 958 555 420 02     | molding for door trim<br>panel                            | right  | 1   | PR:5MG |
|      | 958 555 420 02 BG1 | Walnut, high-gloss  |  |     |        |
| (13) | 958 555 419 03     | molding for door trim<br>panel                            | left   | 1   | PR:5MB |
|      | 958 555 419 03 CK6 | Swedish Birch   |  |     |        |
| (13) | 958 555 420 03     | molding for door trim<br>panel                            | right  | 1   | PR:5MB |
|      | 958 555 420 03 CK6 | Swedish Birch   |  |     |        |
| (13) | 958 555 419 04     | molding for door trim<br>panel                            | left   | 1   | PR:5TF |
|      | 958 555 419 04 BT2 | Olive Ash matt open-pored                                 |  |     |        |
| (13) | 958 555 420 04     | molding for door trim<br>panel                            | right  | 1   | PR:5TF |
|      | 958 555 420 04 BT2 | Olive Ash matt open-pored                                 |  |     |        |
| (13) | 958 555 419 05     | molding for door trim<br>panel                            | left   | 1   | PR:5MH |
|      | 958 555 419 05 BX3 | Carbon, fine high-gloss                                   |  |     |        |
| (13) | 958 555 420 05     | molding for door trim<br>panel                            | right  | 1   | PR:5MH |
|      | 958 555 420 05 BX3 | Carbon, fine high-gloss                                   |  |     |        |
| (13) | 958 555 419 06     | molding for door trim<br>panel                            | left   | 1   | PR:5ML |
|      | 958 555 419 06 OG1 | Mahogany Yachting   |  |     |        |
| (13) | 958 555 420 06     | molding for door trim<br>panel                            | right  | 1   | PR:5ML |
|      | 958 555 420 06 OG1 | Mahogany Yachting   |  |     |        |
| (13) | 958 555 419 07     | molding for door trim<br>panel                            | left   | 1   | PR:5MP |
|      | 958 555 419 07 OE9 | American Walnut   |  |     |        |
| (13) | 958 555 420 07     | molding for door trim<br>panel                            | right  | 1   | PR:5MP |
|      | 958 555 420 07 OE9 | American Walnut   |  |     |        |
| (14) | 958 555 019 03     | Inner actuator  | left   | 1   |        |
|      | 958 555 019 03 G0B | Matt Black/Galvano Silver                                 |  |     |        |
| (14) | 958 555 020 03     | Inner actuator<br>use if required:                        | 970555523011E0<br>right                                      | 1   |        |
|      | 958 555 020 03 G0B | Matt Black/Galvano Silver                                 |  |     |        |

Model: 92A 11 Model life 2011>>2018

| Pos  | Part Number        | Description                   | Remark   | Qty | Model  |
|------|--------------------|-------------------------------|--|-----|--------|
|      |                    | use if required:              | 970555524001E0   |     |        |
| 15   | 999 703 271 40     | Stop buffer                   |  | X   |        |
| 16   | 970 555 523 01     | Inner actuator<br>Cover panel | left   | 1   |        |
|      | 970 555 523 01 1E0 | Inner actuator<br>Black       |  |     |        |
| (16) | 970 555 524 00     | Cover panel                   | right  | 1   |        |
|      | 970 555 524 00 1E0 | Inner actuator<br>Black       |  |     |        |
| 17   | 958 555 347 00     | Trim                          | left   | 1   |        |
|      |                    | Inner actuator                |  |     |        |
|      |                    | with:                         |  |     |        |
|      |                    | Seal<br>and<br>High-pitched   |  |     |        |
|      | 958 555 347 00 DE1 | Umber                         | -LF, TX, TY, YF  |     |        |
|      | 958 555 347 00 3T0 | Espresso                      | -VA, VB  |     |        |
|      | 958 555 347 00 4U0 | Platinum Grey                 | -LD, MD, YD  |     |        |
|      | 958 555 347 00 5Q0 | Black                         | -LC, LG, LH, MA,<br>MF, MI, TA, TB,<br>TW, YA, YB, YC,<br>77 |     |        |
|      | 958 555 347 00 6W0 | Luxor beige                   | -LE, MC, YE  |     |        |
|      | 958 555 347 00 OA6 | agate grey                    | -MB, MG, ML  |     |        |
|      | 958 555 347 00 OL7 | saddle brown                  | -ME, MH, MJ, MK  |     |        |
| (17) | 958 555 348 00     | Trim                          | right  | 1   |        |
|      |                    | Inner actuator                |  |     |        |
|      |                    | with:                         |  |     |        |
|      |                    | Seal<br>and<br>High-pitched   |  |     |        |
|      | 958 555 348 00 DE1 | Umber                         | -LF, TX, TY, YF  |     |        |
|      | 958 555 348 00 3T0 | Espresso                      | -VA, VB  |     |        |
|      | 958 555 348 00 4U0 | Platinum Grey                 | -LD, MD, YD  |     |        |
|      | 958 555 348 00 5Q0 | Black                         | -LC, LG, LH, MA,<br>MF, MI, TA, TB,<br>TW, YA, YB, YC,<br>77 |     |        |
|      | 958 555 348 00 6W0 | Luxor beige                   | -LE, MC, YE  |     |        |
|      | 958 555 348 00 OA6 | agate grey                    | -MB, MG, ML  |     |        |
|      | 958 555 348 00 OL7 | saddle brown                  | -ME, MH, MJ, MK  |     |        |
| 18   | 7PP 945 699        | inscription                   |  | 2   | PR:9VL |
|      |                    | Bose                          |  |     |        |
| 19   | 958 555 551 00     | Ashtray w. waste container    | left   | 1   | PR:9JB |
|      | 958 555 551 00 DE1 | Umber                         | -LF, YF  |     |        |
|      | 958 555 551 00 DF2 | Light Tartufo                 | -TY  |     |        |
|      | 958 555 551 00 DJ3 | Titanium Blue                 | -TW  |     |        |
|      | 958 555 551 00 2S0 | Cognac                        | -VB  |     |        |
|      | 958 555 551 00 3T0 | Espresso                      | -VA  |     |        |
|      | 958 555 551 00 4U0 | Platinum Grey                 | -LD, MD, YD  |     |        |
|      | 958 555 551 00 5Q0 | Black                         | -LC, MA, MF, YA,<br>YB, YC                                   |     |        |
|      | 958 555 551 00 5V0 | Cream                         | -LG, MJ, TX  |     |        |
|      | 958 555 551 00 6W0 | Luxor beige                   | -LE, MC, MK, TB,<br>YE, 77                                   |     |        |
|      | 958 555 551 00 OE1 | Carrera Red                   | -TA  |     |        |
|      | 958 555 551 00 OA6 | agate grey                    | -MB, MG, ML  |     |        |
|      | 958 555 551 00 OL7 | saddle brown                  | -ME, MH, MI  |     |        |
|      | 958 555 551 00 OB8 | Cohiba Brown                  | -LH  |     |        |
| (19) | 958 555 552 00     | Ashtray w. waste container    | right  | 1   | PR:9JB |
|      | 958 555 552 00 DE1 | Umber                         | -LF, YF  |     |        |
|      | 958 555 552 00 DF2 | Light Tartufo                 | -TY  |     |        |
|      | 958 555 552 00 DJ3 | Titanium Blue                 | -TW  |     |        |

Model: 92A 11 Model life 2011>>2018

| Pos  | Part Number        | Description                          | Remark                 | Qty | Model      |
|------|--------------------|--------------------------------------|------------------------|-----|------------|
|      | 958 555 552 00 2S0 | Cognac                               | -VB                    |     |            |
|      | 958 555 552 00 3T0 | Espresso                             | -VA                    |     |            |
|      | 958 555 552 00 4U0 | Platinum Grey                        | -LD,MD,YD              |     |            |
|      | 958 555 552 00 5Q0 | Black                                | -LC,MA,MF,YA,<br>YB,YC |     |            |
|      | 958 555 552 00 5V0 | Cream                                | -LG,MJ,TX              |     |            |
|      | 958 555 552 00 6W0 | Luxor beige                          | -LE,MC,MK,TB,<br>YE,77 |     |            |
|      | 958 555 552 00 OE1 | Carrera Red                          | -TA                    |     |            |
|      | 958 555 552 00 OA6 | agate grey                           | -MB,MG,ML              |     |            |
|      | 958 555 552 00 OL7 | saddle brown                         | -ME,MH,MI              |     |            |
|      | 958 555 552 00 OB8 | Cohiba Brown                         | -LH                    |     |            |
| (19) | 958 555 317 00     | Stowage compartment                  | left                   | 1   | PR:9JA     |
|      | 958 555 317 00 DE1 | Umber                                | -LF,YF                 |     |            |
|      | 958 555 317 00 DF2 | Light Tartufo                        | -TY                    |     |            |
|      | 958 555 317 00 DJ3 | Titanium Blue                        | -TW                    |     |            |
|      | 958 555 317 00 2S0 | Cognac                               | -VB                    |     |            |
|      | 958 555 317 00 3T0 | Espresso                             | -VA                    |     |            |
|      | 958 555 317 00 4U0 | Platinum Grey                        | -LD,MD,YD              |     |            |
|      | 958 555 317 00 5Q0 | Black                                | -LC,MA,MF,YA,<br>YB,YC |     |            |
|      | 958 555 317 00 5V0 | Cream                                | -LG,MJ,TX              |     |            |
|      | 958 555 317 00 6W0 | Luxor beige                          | -LE,MC,MK,TB,<br>YE,77 |     |            |
|      | 958 555 317 00 OE1 | Carrera Red                          | -TA                    |     |            |
|      | 958 555 317 00 OA6 | agate grey                           | -MB,MG,ML              |     |            |
|      | 958 555 317 00 OL7 | saddle brown                         | -ME,MH,MI              |     |            |
|      | 958 555 317 00 OB8 | Cohiba Brown                         | -LH                    |     |            |
| (19) | 958 555 318 00     | D - MJ 2015>><br>Stowage compartment | right                  | 1   | PR:9JA     |
|      | 958 555 318 00 DE1 | Umber                                | -LF,YF                 |     |            |
|      | 958 555 318 00 DF2 | Light Tartufo                        | -TY                    |     |            |
|      | 958 555 318 00 DJ3 | Titanium Blue                        | -TW                    |     |            |
|      | 958 555 318 00 2S0 | Cognac                               | -VB                    |     |            |
|      | 958 555 318 00 3T0 | Espresso                             | -VA                    |     |            |
|      | 958 555 318 00 4U0 | Platinum Grey                        | -LD,MD,YD              |     |            |
|      | 958 555 318 00 5Q0 | Black                                | -LC,MA,MF,YA,<br>YB,YC |     |            |
|      | 958 555 318 00 5V0 | Cream                                | -LG,MJ,TX              |     |            |
|      | 958 555 318 00 6W0 | Luxor beige                          | -LE,MC,MK,TB,<br>YE,77 |     |            |
|      | 958 555 318 00 OE1 | Carrera Red                          | -TA                    |     |            |
|      | 958 555 318 00 OA6 | agate grey                           | -MB,MG,ML              |     |            |
|      | 958 555 318 00 OL7 | saddle brown                         | -ME,MH,MI              |     |            |
|      | 958 555 318 00 OB8 | Cohiba Brown                         | -LH                    |     |            |
|      | 958 555 318 00     | D - MJ 2015>>                        |                        |     |            |
| 20   | 958 555 413 00     | Ashtray insert                       | left                   | 1   | PR:9JB     |
| (20) | 958 555 414 00     | Ashtray insert                       | right                  | 1   | PR:9JB     |
| 21   | 958 555 349 00     | Insert                               |                        | 2   | PR:9JA     |
|      | 958 555 685 00     | Stowage compartment                  |                        |     |            |
| 22   | 958 555 685 00     | Trim for door window<br>frame        | left                   | 1   | PR:3Y0,3Y8 |
|      | 958 555 685 00 1E0 | Black                                |                        |     |            |
|      | 958 555 685 00 82V | Titan black                          |                        |     |            |
| 22   | 958 555 686 00     | Trim for door window<br>frame        | right                  | 1   | PR:3Y0,3Y8 |
|      | 958 555 686 00 1E0 | Black                                |                        |     |            |
|      | 958 555 686 00 82V | Titan black                          |                        |     |            |
| 23   | N 106 213 01       | expanding nut                        |                        | X   |            |
|      | 955 645 982 07     | door panel                           |                        |     |            |
| 24   | 955 645 982 07     | Hooks                                |                        | 1   | PR:9WM,9WU |



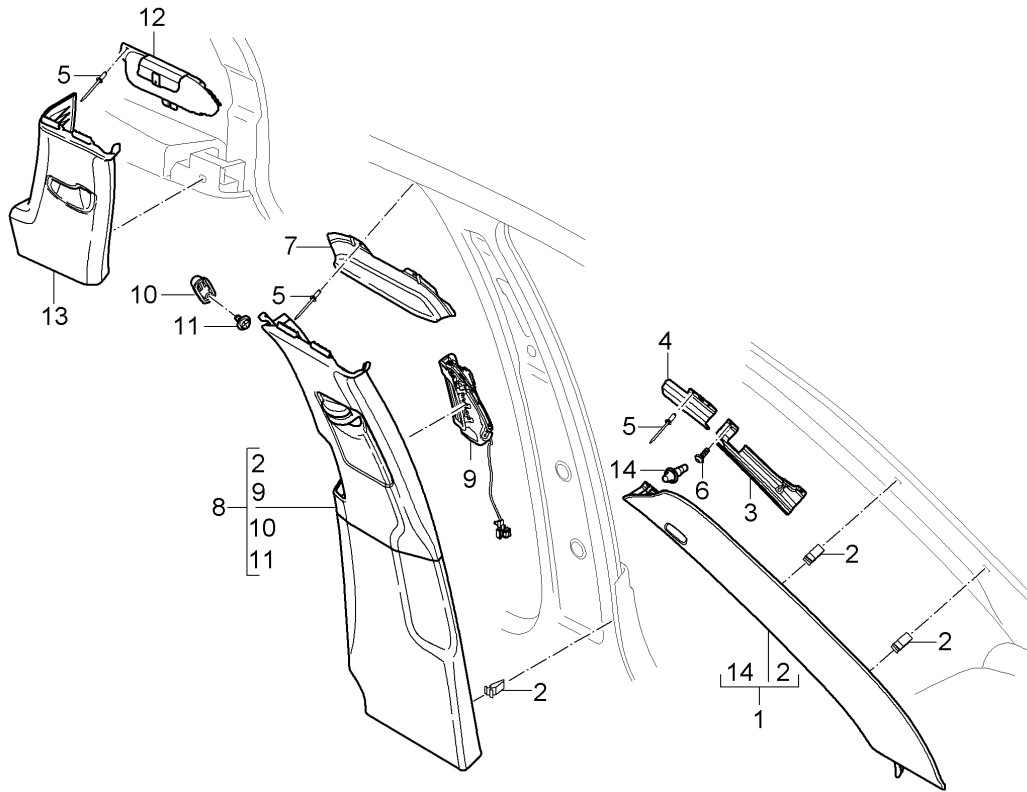
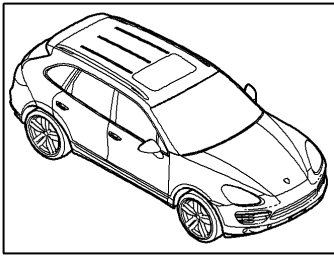
Model: 92A 11

Model life 2011>>2018

| Pos | Part Number        | Description   | Remark | Qty | Model |
|-----|--------------------|---|--------|-----|-------|
|     | 955 645 982 07 1E0 | Rear seat entertainment system<br>Receiver<br>Door<br>Black |        |     |       |

Model: 92A 11

Model life 2011>>2018



Model: 92A 11 Model life 2011>>2018

| Pos | Part Number        | Description  | Remark  | Qty | Model                     |
|-----|--------------------|--|---|-----|---------------------------|
|     |                    | Trim<br>A-pillar<br>B-pillar<br>c-pillar<br>and<br>deformation element | upper   |     |                           |
| 1   | 958 555 233 07     | A-pillar trim  | left<br>left upper                                | 1   | PR: 6NG, 6NJ,<br>6NL, 6NQ |
|     | 958 555 233 07 6F2 | Cloth<br>Black   | -LC, LG, LH, MA,<br>MI, TA, 77                    |     |                           |
|     | 958 555 233 07 DE1 | Umber  | -LF, TX, TY, YF                                   |     |                           |
|     | 958 555 233 07 4F7 | Espresso   | -VA, VB   |     |                           |
|     | 958 555 233 07 7F3 | Luxor beige  | -LE, MC, YE                                       |     |                           |
|     | 958 555 233 07 9F1 | Platinum Grey  | -LD, MD, YD                                       |     |                           |
|     | 958 555 233 07 CH6 | saddle brown<br>D - MJ 2015>>  | -MH, MJ, MK                                       |     |                           |
|     | 958 555 233 07 DR7 | agate grey<br>D - MJ 2015>>  | -MB, MG   |     |                           |
| 1   | 958 555 234 07     | A-pillar trim  | right<br>left upper                               | 1   | PR: 6NG, 6NJ,<br>6NL, 6NQ |
|     | 958 555 234 07 6F2 | Cloth<br>Black   | -LC, LG, LH, MA,<br>MI, TA, 77                    |     |                           |
|     | 958 555 234 07 DE1 | Umber  | -LF, TX, TY, YF                                   |     |                           |
|     | 958 555 234 07 4F7 | Espresso   | -VA, VB   |     |                           |
|     | 958 555 234 07 7F3 | Luxor beige  | -LE, MC, YE                                       |     |                           |
|     | 958 555 234 07 9F1 | Platinum Grey  | -LD, MD, YD                                       |     |                           |
|     | 958 555 234 07 CH6 | saddle brown<br>D - MJ 2015>>  | -MH, MJ, MK                                       |     |                           |
|     | 958 555 234 07 DR7 | agate grey<br>D - MJ 2015>>  | -MB, MG   |     |                           |
| (1) | 958 555 233 01     | A-pillar trim<br>(Alcantara)   | left<br>left upper                                | 1   | PR: 6NA, 6NF,<br>6NH, 6NN |
|     | 958 555 233 01 2W0 | Black  | -LC, MA, TW, YA,<br>YB, YC                        |     |                           |
|     | 958 555 233 01 GN2 | Umber  | -LF, TX, TY, YF                                   |     |                           |
|     | 958 555 233 01 8U3 | Platinum Grey  | -LD, MD, YD                                       |     |                           |
|     | 958 555 233 01 9U1 | Luxor beige  | -LE, MC, YE                                       |     |                           |
|     | 958 555 233 01 9U7 | Espresso   | -VA, VB   |     |                           |
| (1) | 958 555 233 08     | A-pillar trim<br>(Alcantara)   | left<br>left upper                                | 1   | PR: 6NA, 6NF,<br>6NH, 6NN |
|     | 958 555 233 08 2W0 | Black  | -LC, MA, MF, MI,<br>TA, TB, TW, YA,<br>YB, YC, 77 |     |                           |
|     | 958 555 233 08 GN2 | Umber  | -LF, TX, TY, YF                                   |     |                           |
|     | 958 555 233 08 8U3 | Platinum Grey  | -LD, MD, YD                                       |     |                           |
|     | 958 555 233 08 9U1 | Luxor beige  | -LE, MC, YE                                       |     |                           |
|     | 958 555 233 08 9U7 | Espresso   | -VA, VB   |     |                           |
|     | 958 555 233 08 OP2 | saddle brown<br>D - MJ 2015>>  | -ME, MH, MJ, MK                                   |     |                           |
|     | 958 555 233 08 OU5 | agate grey<br>D - MJ 2015>>  | -MB, MG, ML                                       |     |                           |
| (1) | 958 555 234 08     | A-pillar trim<br>(Alcantara)   | right<br>right upper                              | 1   | PR: 6NA, 6NF,<br>6NH, 6NN |
|     | 958 555 234 08 2W0 | Black  | -LC, MA, MF, MI,<br>TA, TB, TW, YA,<br>YB, YC, 77 |     |                           |
|     | 958 555 234 08 GN2 | Umber  | -LF, TX, TY, YF                                   |     |                           |
|     | 958 555 234 08 8U3 | Platinum Grey  | -LD, MD, YD                                       |     |                           |
|     | 958 555 234 08 9U1 | Luxor beige  | -LE, MC, YE                                       |     |                           |
|     | 958 555 234 08 9U7 | Espresso   | -VA, VB   |     |                           |
|     | 958 555 234 08 OP2 | saddle brown   | -ME, MH, MJ, MK                                   |     |                           |

Model: 92A 11 Model life 2011>>2018

| Pos | Part Number        | Description                             | Remark                          | Qty | Model                       |
|-----|--------------------|---|---------------------------------|-----|-----------------------------|
|     | 958 555 234 08 OU5 | D - MJ 2015>><br>agate grey             | -MB, MG, ML                     |     |                             |
| 2   | 955 555 276 00     | D - MJ 2015>><br>Retaining clip         |                                 | X   |                             |
| 3   | 958 555 671 00     | deformation element                     | left                            | 1   |                             |
| (3) | 958 555 672 00     | A-pillar<br>deformation element         | right                           | 1   |                             |
| 4   | 958 555 673 00     | A-pillar<br>deformation element         | left                            | 1   |                             |
| (4) | 958 555 674 00     | Junction plate<br>deformation element   | right                           | 1   |                             |
| 5   | N 016 197 3        | A-pillar<br>Junction plate<br>Pop rivet |                                 | X   |                             |
| 6   | N 909 530 04       | 4x6<br>Oval hexagon socket head bolt    |                                 | 4   |                             |
| 7   | 958 555 917 00     | M5x14<br>guiding plate                  | left                            | 1   | PR: 3FA, 3FU                |
| (7) | 958 555 917 01     | B-pillar<br>guiding plate               | left                            | 1   | PR: 3FE                     |
| (7) | 958 555 918 00     | B-pillar<br>guiding plate               | right                           | 1   | PR: 3FA, 3FU                |
| (7) | 958 555 918 01     | B-pillar<br>guiding plate               | right                           | 1   | PR: 3FE                     |
| 8   | 958 555 239 00     | B-pillar trim                           | left                            | 1   | PR: 6NG, 6NJ, 6NL, 6NQ, 9AH |
|     |                    | Cloth<br>Discontinued part              |                                 |     |                             |
|     | 958 555 239 00 6F2 | Black                                   | -LC, MA                         |     |                             |
|     | 958 555 239 00 9F1 | Platinum Grey                           | -LD, MD                         |     |                             |
|     | 958 555 239 00 7F3 | Luxor beige                             | -LE, MC                         |     |                             |
|     | 958 555 239 00 4F7 | Espresso                                | -VA                             |     |                             |
|     | 958 555 239 00 DE1 | Umber                                   | -LF                             |     |                             |
|     | 958 555 239 00 0ZE | Black/Titanium Blue                     | -TW                             |     |                             |
|     | 958 555 239 00 0ZG | Umber/Cream                             | -TX                             |     |                             |
|     | 958 555 239 00 0ZJ | Umber/Light Tartufo                     | -TY                             |     |                             |
|     | 958 555 239 00 0ZL | Espresso/Cognac                         | -VB                             |     |                             |
| (8) | 958 555 239 02     | B-pillar trim                           | left                            | 1   | PR: 6NG, 6NJ, 6NL, 6NQ, 9AH |
|     |                    | Cloth                                   |                                 |     |                             |
|     | 958 555 239 02 6F2 | Black                                   | -LC, MA, TA, TB, YA, YB, YC, 77 |     |                             |
|     | 958 555 239 02 9F1 | Platinum Grey                           | -LD, MD, YD                     |     |                             |
|     | 958 555 239 02 7F3 | Luxor beige                             | -LE, MC, YE                     |     |                             |
|     | 958 555 239 02 4F7 | Espresso                                | -VA                             |     |                             |
|     | 958 555 239 02 DE1 | Umber                                   | -LF, YF                         |     |                             |
|     | 958 555 239 02 0ZE | Black/Titanium Blue                     | -TW                             |     |                             |
|     | 958 555 239 02 0ZG | Umber/Cream                             | -TX                             |     |                             |
|     | 958 555 239 02 0ZJ | Umber/Light Tartufo                     | -TY                             |     |                             |
|     | 958 555 239 02 0ZL | Espresso/Cognac                         | -VB                             |     |                             |
|     | 958 555 239 02 HAL | Saddle Tan/Cream                        | -MJ                             |     |                             |
|     | 958 555 239 02 HAQ | Saddle Tan/Luxor Beige                  | -MK                             |     |                             |
|     | 958 555 239 02 CH6 | saddle brown                            | -MH                             |     |                             |
|     | 958 555 239 02 DR7 | agate grey                              | -MB, MG                         |     |                             |
|     | 958 555 239 02 HAJ | Black/Saddle Tan                        | -MI                             |     |                             |
|     | 958 555 239 02 HIC | Black/Cohiba Brown                      | -LH                             |     |                             |
| (8) | 958 555 240 00     | B-pillar trim                           | right                           | 1   | PR: 6NG, 6NJ, 6NL, 6NQ, 9AH |
|     |                    | Cloth<br>Discontinued part              |                                 |     |                             |
|     | 958 555 240 00 6F2 | Black                                   | -LC, MA                         |     |                             |

Model: 92A 11 Model life 2011>>2018

| Pos | Part Number        | Description            | Remark                    | Qty | Model                       |
|-----|--------------------|------------------------|---------------------------|-----|-----------------------------|
|     | 958 555 240 00 9F1 | Platinum Grey          | -LD,MD                    |     |                             |
|     | 958 555 240 00 7F3 | Luxor beige            | -LE,MC                    |     |                             |
|     | 958 555 240 00 4F7 | Espresso               | -VA                       |     |                             |
|     | 958 555 240 00 DE1 | Umber                  | -LF                       |     |                             |
|     | 958 555 240 00 0ZE | Black/Titanium Blue    | -TW                       |     |                             |
|     | 958 555 240 00 0ZG | Umber/Cream            | -TX                       |     |                             |
|     | 958 555 240 00 0ZJ | Umber/Light Tartufo    | -TY                       |     |                             |
|     | 958 555 240 00 0ZL | Espresso/Cognac        | -VB                       |     |                             |
| (8) | 958 555 240 02     | B-pillar trim          | right                     | 1   | PR: 6NG, 6NJ, 6NL, 6NQ, 9AH |
|     |                    | Cloth                  |                           |     |                             |
|     | 958 555 240 02 6F2 | Black                  | -LC,MA,TA,TB, YA,YB,YC,77 |     |                             |
|     | 958 555 240 02 9F1 | Platinum Grey          | -LD,MD,YD                 |     |                             |
|     | 958 555 240 02 7F3 | Luxor beige            | -LE,MC,YE                 |     |                             |
|     | 958 555 240 02 4F7 | Espresso               | -VA                       |     |                             |
|     | 958 555 240 02 DE1 | Umber                  | -LF,YF                    |     |                             |
|     | 958 555 240 02 0ZE | Black/Titanium Blue    | -TW                       |     |                             |
|     | 958 555 240 02 0ZG | Umber/Cream            | -TX                       |     |                             |
|     | 958 555 240 02 0ZJ | Umber/Light Tartufo    | -TY                       |     |                             |
|     | 958 555 240 02 0ZL | Espresso/Cognac        | -VB                       |     |                             |
|     | 958 555 240 02 HAL | Saddle Tan/Cream       | -MJ                       |     |                             |
|     | 958 555 240 02 HAQ | Saddle Tan/Luxor Beige | -MK                       |     |                             |
|     | 958 555 240 02 CH6 | saddle brown           | -MH                       |     |                             |
|     | 958 555 240 02 DR7 | agate grey             | -MB,MG                    |     |                             |
|     | 958 555 240 02 HAJ | Black/Saddle Tan       | -MI                       |     |                             |
| (8) | 958 555 240 02 HIC | Black/Cohiba Brown     | -LH                       |     |                             |
|     | 958 555 239 04     | B-pillar trim          | left                      | 1   | PR: 6NG, 6NJ, 6NL, 6NQ, 9AD |
|     |                    | Cloth                  |                           |     |                             |
|     |                    | Discontinued part      |                           |     |                             |
|     | 958 555 239 04 6F2 | Black                  | -LC,MA                    |     |                             |
|     | 958 555 239 04 9F1 | Platinum Grey          | -LD,MD                    |     |                             |
|     | 958 555 239 04 7F3 | Luxor beige            | -LE,MC                    |     |                             |
|     | 958 555 239 04 4F7 | Espresso               | -VA                       |     |                             |
|     | 958 555 239 04 DE1 | Umber                  | -LF                       |     |                             |
|     | 958 555 239 04 0ZE | Black/Titanium Blue    | -TW                       |     |                             |
|     | 958 555 239 04 0ZG | Umber/Cream            | -TX                       |     |                             |
|     | 958 555 239 04 0ZJ | Umber/Light Tartufo    | -TY                       |     |                             |
|     | 958 555 239 04 0ZL | Espresso/Cognac        | -VB                       |     |                             |
| (8) | 958 555 239 08     | B-pillar trim          | left                      | 1   | PR: 6NG, 6NJ, 6NL, 6NQ, 9AD |
|     |                    | Cloth                  |                           |     |                             |
|     | 958 555 239 08 6F2 | Black                  | -LC,MA,TA,TB, YA,YB,YC,77 |     |                             |
|     | 958 555 239 08 9F1 | Platinum Grey          | -LD,MD,YD                 |     |                             |
|     | 958 555 239 08 7F3 | Luxor beige            | -LE,MC,YE                 |     |                             |
|     | 958 555 239 08 4F7 | Espresso               | -VA                       |     |                             |
|     | 958 555 239 08 DE1 | Umber                  | -LF,YF                    |     |                             |
|     | 958 555 239 08 0ZE | Black/Titanium Blue    | -TW                       |     |                             |
|     | 958 555 239 08 0ZG | Umber/Cream            | -TX                       |     |                             |
|     | 958 555 239 08 0ZJ | Umber/Light Tartufo    | -TY                       |     |                             |
|     | 958 555 239 08 0ZL | Espresso/Cognac        | -VB                       |     |                             |
|     | 958 555 239 08 HAL | Saddle Tan/Cream       | -MJ                       |     |                             |
|     | 958 555 239 08 HAQ | Saddle Tan/Luxor Beige | -MK                       |     |                             |
|     | 958 555 239 08 CH6 | saddle brown           | -MH                       |     |                             |
|     | 958 555 239 08 DR7 | agate grey             | -MB,MG                    |     |                             |
|     | 958 555 239 08 HAJ | Black/Saddle Tan       | -MI                       |     |                             |
|     | 958 555 239 08 HIC | Black/Cohiba Brown     | -LH                       |     |                             |
| (8) | 958 555 240 04     | B-pillar trim          | right                     | 1   | PR: 6NG, 6NJ, 6NL, 6NQ, 9AD |
|     |                    | Cloth                  |                           |     |                             |
|     |                    | Discontinued part      |                           |     |                             |

Model: 92A 11 Model life 2011>>2018

| Pos                | Part Number            | Description               | Remark                              | Qty | Model                       |
|--------------------|------------------------|---------------------------|-------------------------------------|-----|-----------------------------|
| (8)                | 958 555 240 04 6F2     | Black                     | -LC, MA                             | 1   | PR: 6NG, 6NJ, 6NL, 6NQ, 9AD |
|                    | 958 555 240 04 9F1     | Platinum Grey             | -LD, MD                             |     |                             |
|                    | 958 555 240 04 7F3     | Luxor beige               | -LE, MC                             |     |                             |
|                    | 958 555 240 04 4F7     | Espresso                  | -VA                                 |     |                             |
|                    | 958 555 240 04 DE1     | Umber                     | -LF                                 |     |                             |
|                    | 958 555 240 04 0ZE     | Black/Titanium Blue       | -TW                                 |     |                             |
|                    | 958 555 240 04 0ZG     | Umber/Cream               | -TX                                 |     |                             |
|                    | 958 555 240 04 0ZJ     | Umber/Light Tartufo       | -TY                                 |     |                             |
|                    | 958 555 240 04 0ZL     | Espresso/Cognac           | -VB                                 |     |                             |
|                    | 958 555 240 08         | B-pillar trim             | right                               |     |                             |
|                    |                        | Cloth                     |                                     |     |                             |
|                    | 958 555 240 08 6F2     | Black                     | -LC, MA, TA, TB, YA, YB, YC, 77     |     |                             |
|                    | 958 555 240 08 9F1     | Platinum Grey             | -LD, MD, YD                         |     |                             |
|                    | 958 555 240 08 7F3     | Luxor beige               | -LE, MC, YE                         |     |                             |
|                    | 958 555 240 08 4F7     | Espresso                  | -VA                                 |     |                             |
|                    | (8)                    | 958 555 240 08 DE1        | Umber                               |     |                             |
| 958 555 240 08 0ZE |                        | Black/Titanium Blue       | -TW                                 |     |                             |
| 958 555 240 08 0ZG |                        | Umber/Cream               | -TX                                 |     |                             |
| 958 555 240 08 0ZJ |                        | Umber/Light Tartufo       | -TY                                 |     |                             |
| 958 555 240 08 0ZL |                        | Espresso/Cognac           | -VB                                 |     |                             |
| 958 555 240 08 HAL |                        | Saddle Tan/Cream          | -MJ                                 |     |                             |
| 958 555 240 08 HAQ |                        | Saddle Tan/Luxor Beige    | -MK                                 |     |                             |
| 958 555 240 08 CH6 |                        | saddle brown              | -MH                                 |     |                             |
| 958 555 240 08 DR7 |                        | agate grey                | -MB, MG                             |     |                             |
| 958 555 240 08 HAJ |                        | Black/Saddle Tan          | -MI                                 |     |                             |
| 958 555 240 08 HIC |                        | Black/Cohiba Brown        | -LH                                 |     |                             |
| 958 555 239 07     |                        | B-pillar trim (Alcantara) | left                                |     |                             |
| 958 555 239 07 2W0 |                        | Black                     | -LC, MA, MF, TA, TB, YA, YB, YC, 77 |     |                             |
| 958 555 239 07 8U3 |                        | Platinum Grey             | -LD, MD, YD                         |     |                             |
| 958 555 239 07 9U1 |                        | Luxor beige               | -LE, MC, YE                         |     |                             |
| 958 555 239 07 9U7 |                        | Espresso                  | -VA                                 |     |                             |
| 958 555 239 07 GN2 | Umber                  | -LF, YF                   |                                     |     |                             |
| 958 555 239 07 0ZF | Black/Titanium Blue    | -TW                       |                                     |     |                             |
| 958 555 239 07 0ZH | Umber/Cream            | -TX                       |                                     |     |                             |
| 958 555 239 07 0ZK | Umber/Light Tartufo    | -TY                       |                                     |     |                             |
| 958 555 239 07 0ZM | Espresso/Cognac        | -VB                       |                                     |     |                             |
| 958 555 239 07 HAK | Black/Saddle Tan       | -MI                       |                                     |     |                             |
| 958 555 239 07 HAM | Saddle Tan/Cream       | -MJ                       |                                     |     |                             |
| 958 555 239 07 HAR | Saddle Tan/Luxor Beige | -MK                       |                                     |     |                             |
| 958 555 239 07 OP2 | saddle brown           | -ME, MH                   |                                     |     |                             |
| 958 555 239 07 OU5 | agate grey             | -MB, MG, ML               |                                     |     |                             |
| 958 555 239 07 HID | Black/Cohiba Brown     | -LH                       |                                     |     |                             |
| (8)                | 958 555 240 07         | B-pillar trim (Alcantara) | right                               | 1   | PR: 6NA, 6NF, 6NH, 6NN, 9AH |
|                    | 958 555 240 07 2W0     | Black                     | left                                |     |                             |
|                    |                        | Black                     | -LC, MA, MF, TA, TB, YA, YB, YC, 77 |     |                             |
|                    | 958 555 240 07 8U3     | Platinum Grey             | -LD, MD, YD                         |     |                             |
|                    | 958 555 240 07 9U1     | Luxor beige               | -LE, MC, YE                         |     |                             |
|                    | 958 555 240 07 9U7     | Espresso                  | -VA                                 |     |                             |
|                    | 958 555 240 07 GN2     | Umber                     | -LF, YF                             |     |                             |
|                    | 958 555 240 07 0ZF     | Black/Titanium Blue       | -TW                                 |     |                             |
|                    | 958 555 240 07 0ZH     | Umber/Cream               | -TX                                 |     |                             |
|                    | 958 555 240 07 0ZK     | Umber/Light Tartufo       | -TY                                 |     |                             |
|                    | 958 555 240 07 0ZM     | Espresso/Cognac           | -VB                                 |     |                             |
|                    | 958 555 240 07 HAK     | Black/Saddle Tan          | -MI                                 |     |                             |
|                    | 958 555 240 07 HAM     | Saddle Tan/Cream          | -MJ                                 |     |                             |
|                    | 958 555 240 07 HAR     | Saddle Tan/Luxor Beige    | -MK                                 |     |                             |

Model: 92A 11 Model life 2011>>2018

| Pos                | Part Number            | Description                                       | Remark                              | Qty | Model                       |
|--------------------|------------------------|---|-------------------------------------|-----|-----------------------------|
| (8)                | 958 555 240 07 OP2     | saddle brown                                      | -ME, MH                             | 1   | PR: 6NA, 6NF, 6NH, 6NN, 9AD |
|                    | 958 555 240 07 OU5     | agate grey  | -MB, MG, ML                         |     |                             |
|                    | 958 555 240 07 HID     | Black/Cohiba Brown                                | -LH                                 |     |                             |
|                    | 958 555 239 06         | B-pillar trim<br>(Alcantara)<br>Discontinued part | left                                |     |                             |
|                    | 958 555 239 06 2W0     | Black   | -LC, MA                             |     |                             |
|                    | 958 555 239 06 8U3     | Platinum Grey                                     | -LD, MD                             |     |                             |
|                    | 958 555 239 06 9U1     | Luxor beige                                       | -LE, MC                             |     |                             |
|                    | 958 555 239 06 9U7     | Espresso  | -VA                                 |     |                             |
|                    | 958 555 239 06 GN2     | Umber   | -LF                                 |     |                             |
|                    | 958 555 239 06 0ZF     | Black/Titanium Blue                               | -TW                                 |     |                             |
| 958 555 239 06 0ZH | Umber/Cream            | -TX   |                                     |     |                             |
| 958 555 239 06 0ZK | Umber/Light Tartufo    | -TY   |                                     |     |                             |
| 958 555 239 06 0ZM | Espresso/Cognac        | -VB   |                                     |     |                             |
| (8)                | 958 555 239 09         | B-pillar trim<br>(Alcantara)                      | left                                | 1   | PR: 6NA, 6NF, 6NH, 6NN, 9AD |
|                    | 958 555 239 09 2W0     | Black   | -LC, MA, MF, TA, TB, YA, YB, YC, 77 |     |                             |
|                    | 958 555 239 09 8U3     | Platinum Grey                                     | -LD, MD, YD                         |     |                             |
|                    | 958 555 239 09 9U1     | Luxor beige                                       | -LE, MC, YE                         |     |                             |
|                    | 958 555 239 09 9U7     | Espresso  | -VA                                 |     |                             |
|                    | 958 555 239 09 GN2     | Umber   | -LF, YF                             |     |                             |
|                    | 958 555 239 09 0ZF     | Black/Titanium Blue                               | -TW                                 |     |                             |
|                    | 958 555 239 09 0ZH     | Umber/Cream                                       | -TX                                 |     |                             |
|                    | 958 555 239 09 0ZK     | Umber/Light Tartufo                               | -TY                                 |     |                             |
|                    | 958 555 239 09 0ZM     | Espresso/Cognac                                   | -VB                                 |     |                             |
| (8)                | 958 555 239 09 HAK     | Black/Saddle Tan                                  | -MI                                 | 1   | PR: 6NA, 6NF, 6NH, 6NN, 9AD |
|                    | 958 555 239 09 HAM     | Saddle Tan/Cream                                  | -MJ                                 |     |                             |
|                    | 958 555 239 09 HAR     | Saddle Tan/Luxor Beige                            | -MK                                 |     |                             |
|                    | 958 555 239 09 OP2     | saddle brown                                      | -ME, MH                             |     |                             |
|                    | 958 555 239 09 OU5     | agate grey  | -MB, MG, ML                         |     |                             |
|                    | 958 555 240 06         | B-pillar trim<br>(Alcantara)<br>Discontinued part | right                               |     |                             |
|                    | 958 555 240 06 2W0     | Black   | -LC, MA                             |     |                             |
|                    | 958 555 240 06 8U3     | Platinum Grey                                     | -LD, MD                             |     |                             |
|                    | 958 555 240 06 9U1     | Luxor beige                                       | -LE, MC                             |     |                             |
|                    | 958 555 240 06 9U7     | Espresso  | -VA                                 |     |                             |
| 958 555 240 06 GN2 | Umber                  | -LF   |                                     |     |                             |
| 958 555 240 06 0ZF | Black/Titanium Blue    | -TW   |                                     |     |                             |
| 958 555 240 06 0ZH | Umber/Cream            | -TX   |                                     |     |                             |
| 958 555 240 06 0ZK | Umber/Light Tartufo    | -TY   |                                     |     |                             |
| 958 555 240 06 0ZM | Espresso/Cognac        | -VB   |                                     |     |                             |
| (8)                | 958 555 240 09         | B-pillar trim<br>(Alcantara)                      | right                               | 1   | PR: 6NA, 6NF, 6NH, 6NN, 9AD |
|                    | 958 555 240 09 2W0     | Black   | -LC, MA, MF, TA, TB, YA, YB, YC, 77 |     |                             |
|                    | 958 555 240 09 8U3     | Platinum Grey                                     | -LD, MD, YD                         |     |                             |
|                    | 958 555 240 09 9U1     | Luxor beige                                       | -LE, MC, YE                         |     |                             |
|                    | 958 555 240 09 9U7     | Espresso  | -VA                                 |     |                             |
|                    | 958 555 240 09 GN2     | Umber   | -LF, YF                             |     |                             |
|                    | 958 555 240 09 0ZF     | Black/Titanium Blue                               | -TW                                 |     |                             |
|                    | 958 555 240 09 0ZH     | Umber/Cream                                       | -TX                                 |     |                             |
|                    | 958 555 240 09 0ZK     | Umber/Light Tartufo                               | -TY                                 |     |                             |
|                    | 958 555 240 09 0ZM     | Espresso/Cognac                                   | -VB                                 |     |                             |
| 958 555 240 09 HAK | Black/Saddle Tan       | -MI   |                                     |     |                             |
| 958 555 240 09 HAM | Saddle Tan/Cream       | -MJ   |                                     |     |                             |
| 958 555 240 09 HAR | Saddle Tan/Luxor Beige | -MK   |                                     |     |                             |
| 958 555 240 09 OP2 | saddle brown           | -ME, MH   |                                     |     |                             |
| 958 555 240 09 OU5 | agate grey             | -MB, MG, ML                                       |                                     |     |                             |

Model: 92A 11 Model life 2011>>2018

| Pos | Part Number        | Description   | Remark   | Qty | Model  |
|-----|--------------------|---|--|-----|--------|
| 9   | 958 555 903 00     | Vent<br>Trim<br>B-pillar<br>Discontinued part         | left<br>left upper   | 1   | PR:9AH |
|     | 958 555 903 00 5Q0 | Black   | -LC,MA,TW  |     |        |
|     | 958 555 903 00 4U0 | Platinum Grey   | -LD,MD   |     |        |
|     | 958 555 903 00 6W0 | Luxor beige   | -LE,MC   |     |        |
|     | 958 555 903 00 3T0 | Espresso  | -VA,VB   |     |        |
|     | 958 555 903 00 DE1 | Umber   | -LF, TX, TY  |     |        |
| (9) | 958 555 903 01     | Vent<br>Trim<br>B-pillar                              | left<br>left upper   | 1   | PR:9AH |
|     | 958 555 903 01 5Q0 | Black   | -LC, LG, LH, MA,<br>MF, MI, TA, TB,<br>YA, YB, YC, 77        |     |        |
|     | 958 555 903 01 4U0 | Platinum Grey   | -LD, MD, YD  |     |        |
|     | 958 555 903 01 6W0 | Luxor beige   | -LE, MC, YE  |     |        |
|     | 958 555 903 01 3T0 | Espresso  | -VA, VB  |     |        |
|     | 958 555 903 01 OA6 | agate grey  | -MB, MG, ML  |     |        |
|     | 958 555 903 01 OL7 | saddle brown  | -ME, MH, MJ, MK  |     |        |
| (9) | 958 555 904 00     | Vent<br>Trim<br>B-pillar<br>Discontinued part         | right<br>right upper   | 1   | PR:9AH |
|     | 958 555 904 00 5Q0 | Black   | -LC, MA, TW  |     |        |
|     | 958 555 904 00 4U0 | Platinum Grey   | -LD, MD  |     |        |
|     | 958 555 904 00 6W0 | Luxor beige   | -LE, MC  |     |        |
|     | 958 555 904 00 3T0 | Espresso  | -VA, VB  |     |        |
|     | 958 555 904 00 DE1 | Umber   | -LF, TX, TY  |     |        |
| (9) | 958 555 904 01     | Vent<br>Trim<br>B-pillar                              | left<br>right upper  | 1   | PR:9AH |
|     | 958 555 904 01 5Q0 | Black   | -LC, LG, LH, MA,<br>MF, MI, TA, TB,<br>YA, YB, YC, 77        |     |        |
|     | 958 555 904 01 4U0 | Platinum Grey   | -LD, MD, YD  |     |        |
|     | 958 555 904 01 6W0 | Luxor beige   | -LE, MC, YE  |     |        |
|     | 958 555 904 01 3T0 | Espresso  | -VA, VB  |     |        |
|     | 958 555 904 01 OA6 | agate grey  | -MB, MG, ML  |     |        |
|     | 958 555 904 01 OL7 | saddle brown  | -ME, MH, MJ, MK  |     |        |
| 10  | 958 555 635 00     | Coat hook<br>Discontinued part                        |  | 1   |        |
|     | 958 555 635 00 9B9 | Black   | -LC, MA, TW  |     |        |
|     | 958 555 635 00 82V | Titan black   | -LC, LG, LH, MA,<br>MF, MI, TA, TB,<br>TW, YA, YB, YC,<br>77 |     |        |
|     | 958 555 635 00 6L0 | Platinum Grey   | -LD, MD, YD  |     |        |
|     | 958 555 635 00 4H0 | Luxor beige   | -LE, MC, YE  |     |        |
|     | 958 555 635 00 7N0 | Espresso  | -VA, VB  |     |        |
|     | 958 555 635 00 DE1 | Umber   | -LF, TX, TY, YF  |     |        |
| 10  | 958 555 635 01     | Coat hook   |  | 1   |        |
|     | 958 555 635 01 9B9 | Black   |  |     |        |
|     | 958 555 635 01 82V | Titan black   |  |     |        |
|     | 958 555 635 01 6L0 | Platinum Grey   |  |     |        |
|     | 958 555 635 01 4H0 | Luxor beige   |  |     |        |
|     | 958 555 635 01 7N0 | Espresso  |  |     |        |
|     | 958 555 635 01 DE1 | Umber   |  |     |        |
|     | 958 555 635 01 5J0 | Cream   |  |     |        |
|     | 958 555 635 01 9Q0 | Cedar   |  |     |        |
| 11  | N 911 580 01       | Hexagon socket oval head bolt<br>(combi)<br>ST 4.2X12 |  | 1   |        |

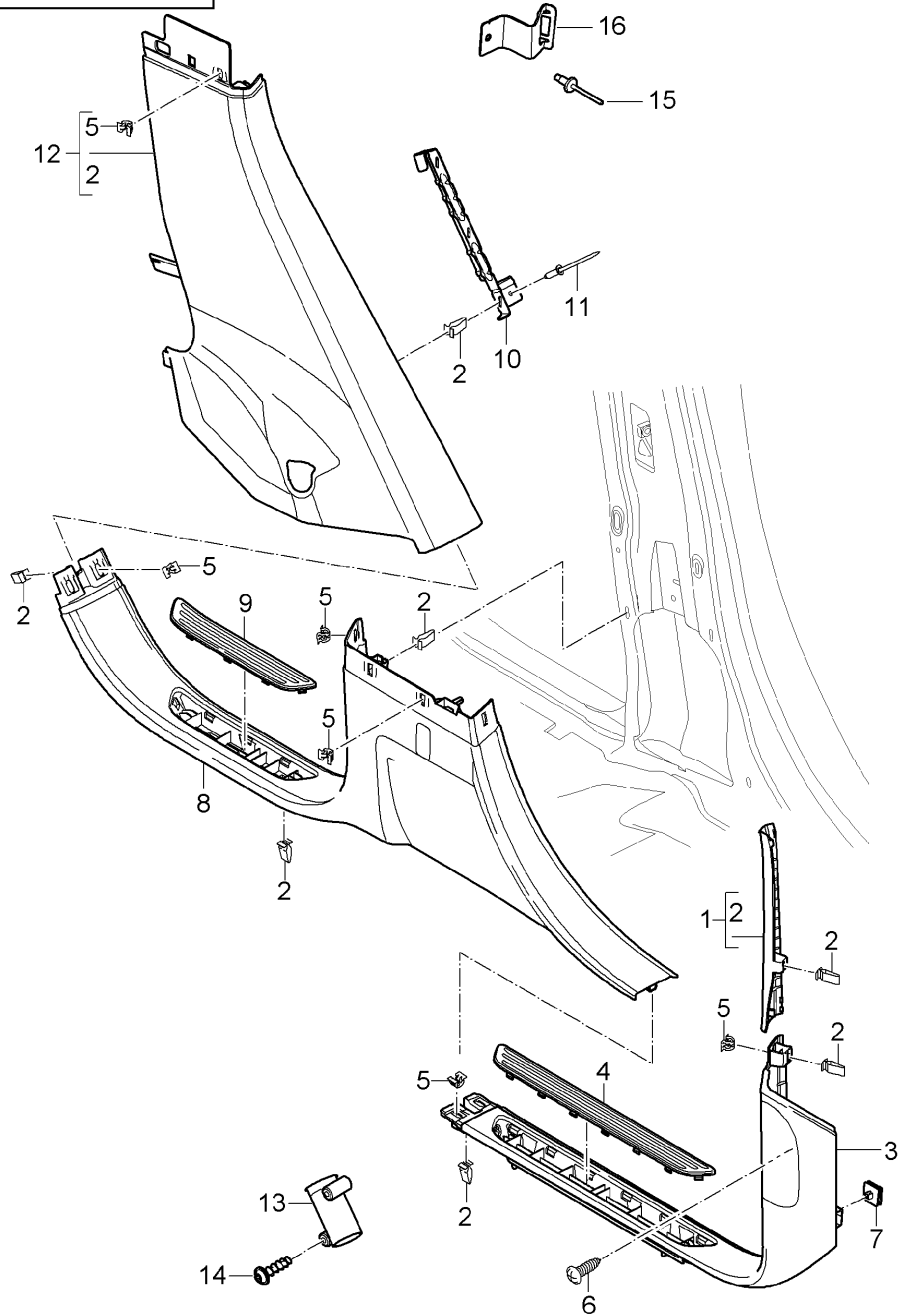
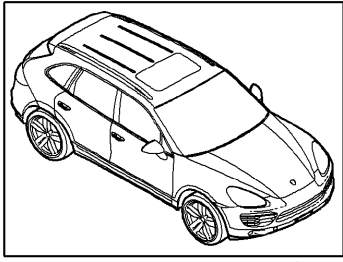


Model: 92A 11 Model life 2011>>2018

| Pos  | Part Number        | Description                         | Remark  | Qty | Model                     |
|------|--------------------|-------------------------------------|---|-----|---------------------------|
| 12   | 958 555 743 00     | guiding plate<br>c-pillar           | left  | 1   |                           |
| (12) | 958 555 744 00     | guiding plate<br>c-pillar           | right   | 1   |                           |
| 13   | 958 555 241 00     | C-pillar trim                       | left  | 1   | PR: 6NG, 6NJ,<br>6NL, 6NQ |
|      | 958 555 241 00 6F2 | Cloth<br>Black                      | -LC, MA, MI, TA,<br>TB, TW                        |     |                           |
|      | 958 555 241 00 9F1 | Platinum Grey                       | -LD, MD, YD                                       |     |                           |
|      | 958 555 241 00 7F3 | Luxor beige                         | -LE, MC, YE                                       |     |                           |
|      | 958 555 241 00 4F7 | Espresso                            | -VA, VB   |     |                           |
|      | 958 555 241 00 DE1 | Umber                               | -LF, TX, TY, YF                                   |     |                           |
|      | 958 555 241 00 CH6 | saddle brown                        | -MH, MJ, MK                                       |     |                           |
|      | 958 555 241 00 DR7 | agate grey                          | -MB   |     |                           |
| (13) | 958 555 242 00     | C-pillar trim                       | right   | 1   | PR: 6NG, 6NJ,<br>6NL, 6NQ |
|      | 958 555 242 00 6F2 | Cloth<br>Black                      | -LC, MA, MI, TA,<br>TB, TW                        |     |                           |
|      | 958 555 242 00 9F1 | Platinum Grey                       | -LD, MD, YD                                       |     |                           |
|      | 958 555 242 00 7F3 | Luxor beige                         | -LE, MC, YE                                       |     |                           |
|      | 958 555 242 00 4F7 | Espresso                            | -VA, VB   |     |                           |
|      | 958 555 242 00 DE1 | Umber                               | -LF, TX, TY, YF                                   |     |                           |
|      | 958 555 242 00 CH6 | saddle brown                        | -MH, MJ, MK                                       |     |                           |
|      | 958 555 242 00 DR7 | agate grey                          | -MB   |     |                           |
| (13) | 958 555 241 01     | C-pillar trim<br>(Alcantara)        | left  | 1   | PR: 6NA, 6NF,<br>6NH, 6NN |
|      | 958 555 241 01 2W0 | Black                               | -LC, MA, MF, MI,<br>TA, TB, TW, YA,<br>YB, YC, 77 |     |                           |
|      | 958 555 241 01 8U3 | Platinum Grey                       | -LD, MD, YD                                       |     |                           |
|      | 958 555 241 01 9U1 | Luxor beige                         | -LE, MC, YE                                       |     |                           |
|      | 958 555 241 01 9U7 | Espresso                            | -VA, VB   |     |                           |
|      | 958 555 241 01 GN2 | Umber                               | -LF, TX, TY, YF,<br>LF                            |     |                           |
|      | 958 555 241 01 OP2 | saddle brown                        | -ME, MH, MJ, MK                                   |     |                           |
|      | 958 555 241 01 OU5 | agate grey                          | -MB, MG, ML                                       |     |                           |
| (13) | 958 555 242 01     | C-pillar trim<br>(Alcantara)        | right   | 1   | PR: 6NA, 6NF,<br>6NH, 6NN |
|      | 958 555 242 01 2W0 | Black                               | -LC, MA, MF, MI,<br>TA, TB, TW, YA,<br>YB, YC, 77 |     |                           |
|      | 958 555 242 01 8U3 | Platinum Grey                       | -LD, MD, YD                                       |     |                           |
|      | 958 555 242 01 9U1 | Luxor beige                         | -LE, MC, YE                                       |     |                           |
|      | 958 555 242 01 9U7 | Espresso                            | -VA, VB   |     |                           |
|      | 958 555 242 01 GN2 | Umber                               | -LF, TX, TY, YF,<br>LF                            |     |                           |
|      | 958 555 242 01 OP2 | saddle brown                        | -ME, MH, MJ, MK                                   |     |                           |
|      | 958 555 242 01 OU5 | agate grey                          | -MB, MG, ML                                       |     |                           |
| 14   | 958 555 385 00     | Clip<br>Airbag                      |   | 1   |                           |
| 15   | N 106 213 01       | A-pillar<br>expanding nut<br>5x13.2 |   | 1   |                           |
| 16   | N 907 397 04       | panel screw<br>TP5x22               |   | 1   |                           |

Model: 92A 11

Model life 2011>>2018



Model: 92A 11 Model life 2011>>2018

| Pos | Part Number        | Description  | Remark  | Qty | Model  |
|-----|--------------------|--|---|-----|--------|
| 1   | 958 555 237 00     | Trim<br>A-pillar<br>B-pillar<br>c-pillar<br>Sill trim strip<br>inscriptions/lettering<br>A-pillar trim | lower<br><br>left<br>center                           | 1   |        |
|     | 958 555 237 00 82V | Titan black  | -LC, LG, MA, MF,<br>MI, TA, TB, TW,<br>YA, YB, YC, 77 |     |        |
|     | 958 555 237 00 DE1 | Umber  | -LF, TX, TY, YF                                       |     |        |
|     | 958 555 237 00 4H0 | Luxor beige  | -LE, MC, YE   |     |        |
|     | 958 555 237 00 6L0 | Platinum Grey  | -LD, MD, YD   |     |        |
|     | 958 555 237 00 7N0 | Espresso   | -VA, VB   |     |        |
|     | 958 555 237 00 OM8 | saddle brown<br>D - MJ 2015>>  | -ME, MH, MJ, MK                                       |     |        |
|     | 958 555 237 00 OP1 | agate grey<br>D - MJ 2015>>  | -MB, MG, ML   |     |        |
| (1) | 958 555 238 00     | A-pillar trim  | right<br>center<br>left                               | 1   |        |
|     | 958 555 238 00 82V | Titan black  | -LC, LG, MA, MF,<br>MI, TA, TB, TW,<br>YA, YB, YC, 77 |     |        |
|     | 958 555 238 00 DE1 | Umber  | -LF, TX, TY, YF                                       |     |        |
|     | 958 555 238 00 4H0 | Luxor beige  | -LE, MC, YE   |     |        |
|     | 958 555 238 00 6L0 | Platinum Grey  | -LD, MD, YD   |     |        |
|     | 958 555 238 00 7N0 | Espresso   | -VA, VB   |     |        |
|     | 958 555 238 00 OM8 | saddle brown<br>D - MJ 2015>>  | -ME, MH, MJ, MK                                       |     |        |
|     | 958 555 238 00 OP1 | agate grey<br>D - MJ 2015>>  | -MB, MG, ML   |     |        |
| 2   | 955 555 276 00     | Retaining clip   |   | X   |        |
| 3   | 958 555 713 00     | A-pillar trim  | left lhd<br>lower<br>left                             | 1   | PR:LOL |
|     | 958 555 713 00 82V | plastic<br>D >> - MJ 2013<br>Titan black   | -LC, MA, TA, TB,<br>YA, YB, YC                        |     |        |
|     | 958 555 713 00 DE1 | Umber  | -LF, YF   |     |        |
|     | 958 555 713 00 DF2 | Light Tartufo  | -TY   |     |        |
|     | 958 555 713 00 DJ3 | Titanium Blue  | -TW   |     |        |
|     | 958 555 713 00 4H0 | Luxor beige  | -LE, MC, YE   |     |        |
|     | 958 555 713 00 5J0 | Cream  | -MJ, TX   |     |        |
|     | 958 555 713 00 6L0 | Platinum Grey  | -LD, MD, YD   |     |        |
|     | 958 555 713 00 7N0 | Espresso   | -VA   |     |        |
|     | 958 555 713 00 8P0 | Cognac   | -VB   |     |        |
| 3   | 958 555 713 21     | A-pillar trim  | left lhd<br>lower<br>left                             | 1   | PR:LOL |
|     | 958 555 713 21 OB8 | plastic<br>D - MJ 2014>><br>Cohiba Brown   | -LH   |     |        |
|     | 958 555 713 21 82V | Titan black  | -LC, LG, MA, MF,<br>TA, TB, YA, YB,<br>YC             |     |        |
|     | 958 555 713 21 DE1 | Umber  | -LF, YF   |     |        |
|     | 958 555 713 21 DF2 | Light Tartufo  | -TY   |     |        |
|     | 958 555 713 21 4H0 | Luxor beige  | -LE, MC, MK, YE                                       |     |        |
|     | 958 555 713 21 5J0 | Cream  | -MJ, TX   |     |        |
|     | 958 555 713 21 6L0 | Platinum Grey  | -LD, MD, YD   |     |        |

Model: 92A 11 Model life 2011>>2018

| Pos                | Part Number        | Description                            | Remark                    | Qty    | Model  |
|--------------------|--------------------|--|---------------------------|--------|--------|
| (3)                | 958 555 713 21 7N0 | Espresso                               | -VA                       | 1      | PR:L0L |
|                    | 958 555 713 21 8P0 | Cognac                                 | -VB                       |        |        |
|                    | 958 555 713 21 OM8 | saddle brown                           | -ME,MH,MI                 |        |        |
|                    | 958 555 713 21 OP1 | agate grey                             | -MB,MG,ML                 |        |        |
|                    | 958 555 714 00     | A-pillar trim                          | right lhd                 |        |        |
|                    |                    |  | lower                     |        |        |
|                    |                    |  | right                     |        |        |
|                    |                    | plastic                                |                           |        |        |
|                    |                    | D                                      | >> - MJ 2013              |        |        |
|                    | 958 555 714 00 82V | Titan black                            | -LC,MA,TA,TB,<br>YA,YB,YC |        |        |
|                    | 958 555 714 00 DE1 | Umber                                  | -LF,YF                    |        |        |
|                    | 958 555 714 00 DF2 | Light Tartufo                          | -TY                       |        |        |
|                    | 958 555 714 00 DJ3 | Titanium Blue                          | -TW                       |        |        |
|                    | 958 555 714 00 4H0 | Luxor beige                            | -LE,MC,YE                 |        |        |
| 958 555 714 00 5J0 | Cream              | -MJ,TX                                 |                           |        |        |
| 958 555 714 00 6L0 | Platinum Grey      | -LD,MD,YD                              |                           |        |        |
| 958 555 714 00 7N0 | Espresso           | -VA                                    | 1                         | PR:L0L |        |
| 958 555 714 00 8P0 | Cognac             | -VB                                    |                           |        |        |
| 958 555 714 21     | A-pillar trim      | right lhd                              |                           |        |        |
|                    |                    | lower                                  |                           |        |        |
|                    |                    | right                                  |                           |        |        |
|                    | plastic            |  |                           |        |        |
|                    | D - MJ 2014>>      |  |                           |        |        |
| 958 555 714 21 OB8 | Cohiba Brown       | -LH                                    |                           |        |        |
| 958 555 714 21 82V | Titan black        | -LC,LG,MA,MF,<br>TA,TB,YA,YB,<br>YC    |                           |        |        |
| 958 555 714 21 DE1 | Umber              | -LF,YF                                 |                           |        |        |
| 958 555 714 21 DF2 | Light Tartufo      | -TY                                    |                           |        |        |
| 958 555 714 21 4H0 | Luxor beige        | -LE,MC,MK,YE                           |                           |        |        |
| 958 555 714 21 5J0 | Cream              | -MJ,TX                                 |                           |        |        |
| 958 555 714 21 6L0 | Platinum Grey      | -LD,MD,YD                              |                           |        |        |
| 958 555 714 21 7N0 | Espresso           | -VA                                    |                           |        |        |
| 958 555 714 21 8P0 | Cognac             | -VB                                    |                           |        |        |
| 958 555 714 21 OM8 | saddle brown       | -ME,MH,MI                              |                           |        |        |
| 958 555 714 21 OP1 | agate grey         | -MB,MG,ML                              |                           |        |        |
| (3)                | 958 555 714 01     | A-pillar trim                          | right rhd                 | 1      | PR:L0R |
|                    |                    | lower                                  |                           |        |        |
|                    |                    | right                                  |                           |        |        |
|                    | plastic            |  |                           |        |        |
|                    | D - MJ 2014>>      |  |                           |        |        |
| 958 555 714 01 82V | Titan black        | -LC,LG,MA,MF,<br>TA,TB,YA,YB,<br>YC    |                           |        |        |
| 958 555 714 01 DE1 | Umber              | -LF,YF                                 |                           |        |        |
| 958 555 714 01 DF2 | Light Tartufo      | -TY                                    |                           |        |        |
| 958 555 714 01 4H0 | Luxor beige        | -LE,MC,MK,YE                           |                           |        |        |
| 958 555 714 01 5J0 | Cream              | -MJ,TX                                 |                           |        |        |
| 958 555 714 01 6L0 | Platinum Grey      | -LD,MD,YD                              |                           |        |        |
| 958 555 714 01 7N0 | Espresso           | -VA                                    |                           |        |        |
| 958 555 714 01 8P0 | Cognac             | -VB                                    |                           |        |        |
| 958 555 714 01 OM8 | saddle brown       | -ME,MH,MI                              |                           |        |        |
| 958 555 714 01 OP1 | agate grey         | -MB,MG,ML                              |                           |        |        |
| (3)                | 958 555 713 01     | A-pillar trim                          | left rhd                  | 1      | PR:L0R |
|                    |                    | lower                                  |                           |        |        |
|                    |                    | left                                   |                           |        |        |
|                    | plastic            |  |                           |        |        |
| 958 555 713 01 82V | Titan black        | -LC,LG,MA,MF,<br>TA,TB,YA,YB,<br>YC,77 |                           |        |        |
| 958 555 713 01 DE1 | Umber              | -LF,YF                                 |                           |        |        |
| 958 555 713 01 DF2 | Light Tartufo      | -TY                                    |                           |        |        |

Model: 92A 11 Model life 2011>>2018

| Pos | Part Number        | Description                      | Remark  | Qty | Model                           |
|-----|--------------------|----------------------------------|---|-----|---------------------------------|
|     | 958 555 713 01 DJ3 | Titanium Blue                    | -TW   |     |                                 |
|     | 958 555 713 01 4H0 | Luxor beige                      | -LE,MC,MK,YE                                  |     |                                 |
|     | 958 555 713 01 5J0 | Cream                            | -MJ, TX                                       |     |                                 |
|     | 958 555 713 01 6L0 | Platinum Grey                    | -LD,MD, YD                                    |     |                                 |
|     | 958 555 713 01 7N0 | Espresso                         | -VA   |     |                                 |
|     | 958 555 713 01 8P0 | Cognac                           | -VB   |     |                                 |
|     | 958 555 713 01 OM8 | saddle brown                     | -ME, MH, MI                                   |     |                                 |
|     | 958 555 713 01 OP1 | agate grey                       | -MB, MG, ML                                   |     |                                 |
| (3) | 958 555 713 02     | A-pillar trim                    | left<br>lower                                 | 1   | GTS<br>PR:D6V, E0W,<br>L0L, 7M1 |
|     |                    | stainless steel<br>D - MJ 2012>> |   |     |                                 |
|     | 958 555 713 02 82V | Titan black                      | -LC, LG, MA, MF,<br>TA, TB, YA, YB,<br>YC, 77 |     |                                 |
|     | 958 555 713 02 DE1 | Umber                            | -LF, YF                                       |     |                                 |
|     | 958 555 713 02 DF2 | Light Tartufo                    | -TY   |     |                                 |
|     | 958 555 713 02 DJ3 | Titanium Blue                    | -TW   |     |                                 |
|     | 958 555 713 02 4H0 | Luxor beige                      | -LE, MC, MK, YE                               |     |                                 |
|     | 958 555 713 02 5J0 | Cream                            | -MJ, TX                                       |     |                                 |
|     | 958 555 713 02 6L0 | Platinum Grey                    | -LD, MD, YD                                   |     |                                 |
|     | 958 555 713 02 7N0 | Espresso                         | -VA   |     |                                 |
|     | 958 555 713 02 8P0 | Cognac                           | -VB   |     |                                 |
|     | 958 555 713 02 OM8 | saddle brown                     | -ME, MH, MI                                   |     |                                 |
|     | 958 555 713 02 OP1 | agate grey                       | -MB, MG, ML                                   |     |                                 |
| (3) | 958 555 713 22     | A-pillar trim                    | left<br>lower                                 | 1   | GTS<br>PR:D6V, E0W,<br>L0L, 7M1 |
|     |                    | stainless steel                  |   |     |                                 |
|     | 958 555 713 22 OB8 | Cohiba Brown                     | -LH   |     |                                 |
| (3) | 958 555 713 03     | A-pillar trim                    | lower<br>left                                 | 1   | GTS<br>PR:L0R, D6V,<br>E0W, 7M1 |
|     |                    | stainless steel<br>D - MJ 2012>> |   |     |                                 |
|     | 958 555 713 03 82V | Titan black                      | -LC, LG, MA, MF,<br>TA, TB, YA, YB,<br>YC, 77 |     |                                 |
|     | 958 555 713 03 DE1 | Umber                            | -LF, YF                                       |     |                                 |
|     | 958 555 713 03 DF2 | Light Tartufo                    | -TY   |     |                                 |
|     | 958 555 713 03 DJ3 | Titanium Blue                    | -TW   |     |                                 |
|     | 958 555 713 03 4H0 | Luxor beige                      | -LE, MC, MK, YE                               |     |                                 |
|     | 958 555 713 03 5J0 | Cream                            | -MJ, TX                                       |     |                                 |
|     | 958 555 713 03 6L0 | Platinum Grey                    | -LD, MD, YD                                   |     |                                 |
|     | 958 555 713 03 7N0 | Espresso                         | -VA   |     |                                 |
|     | 958 555 713 03 8P0 | Cognac                           | -VB   |     |                                 |
|     | 958 555 713 03 OM8 | saddle brown                     | -ME, MH, MI                                   |     |                                 |
|     | 958 555 713 03 OP1 | agate grey                       | -MB, MG, ML                                   |     |                                 |
|     | 958 555 713 03 OB8 | Cohiba Brown                     | -LH   |     |                                 |
| (3) | 958 555 713 04     | A-pillar trim                    | left<br>lower                                 | 1   | GTS<br>PR:D6V, E0W,<br>L0L, 7M7 |
|     |                    | stainless steel                  |   |     |                                 |
|     |                    | Lighting with:<br>D >> - MJ 2013 |   |     |                                 |
|     | 958 555 713 04 82V | Titan black                      | -LC, MA, YA, YB,<br>YC                        |     |                                 |
|     | 958 555 713 04 DE1 | Umber                            | -LF, YF                                       |     |                                 |
|     | 958 555 713 04 DF2 | Light Tartufo                    | -TY   |     |                                 |
|     | 958 555 713 04 DJ3 | Titanium Blue                    | -TW   |     |                                 |
|     | 958 555 713 04 4H0 | Luxor beige                      | -LE, MC, YE                                   |     |                                 |

Model: 92A 11 Model life 2011>>2018

| Pos                | Part Number        | Description     | Remark                                 | Qty | Model                         |
|--------------------|--------------------|-----------------|--|-----|-------------------------------|
| (3)                | 958 555 713 04 5J0 | Cream           | -TX                                    | 1   | GTS<br>PR:D6V,E0W,<br>L0L,7M7 |
|                    | 958 555 713 04 6L0 | Platinum Grey   | -LD,MD,YD                              |     |                               |
|                    | 958 555 713 04 7N0 | Espresso        | -VA                                    |     |                               |
|                    | 958 555 713 04 8P0 | Cognac          | -VB                                    |     |                               |
|                    | 958 555 713 24     | A-pillar trim   | left<br>lower                          |     |                               |
|                    |                    | stainless steel |  |     |                               |
|                    |                    | with:           |  |     |                               |
|                    |                    | Lighting        |  |     |                               |
|                    |                    | D - MJ 2014>>   |  |     |                               |
|                    | 958 555 713 24 82V | Titan black     | -LC,LG,MA,MF,<br>TA,TB,YA,YB,<br>YC,77 |     |                               |
|                    | 958 555 713 24 DE1 | Umber           | -LF,YF                                 |     |                               |
|                    | 958 555 713 24 DF2 | Light Tartufo   | -TY                                    |     |                               |
|                    | 958 555 713 24 4H0 | Luxor beige     | -LE,MC,MK,YE                           |     |                               |
|                    | 958 555 713 24 5J0 | Cream           | -MJ,TX                                 |     |                               |
| (3)                | 958 555 713 24 6L0 | Platinum Grey   | -LD,MD,YD                              | 1   | GTS<br>PR:D6V,E0W,<br>L0R,7M7 |
|                    | 958 555 713 24 7N0 | Espresso        | -VA                                    |     |                               |
|                    | 958 555 713 24 8P0 | Cognac          | -VB                                    |     |                               |
|                    | 958 555 713 24 OM8 | saddle brown    | -ME,MH,MI                              |     |                               |
|                    | 958 555 713 24 OP1 | agate grey      | -MB,MG,ML                              |     |                               |
|                    | 958 555 713 24 OB8 | Cohiba Brown    | -LH                                    |     |                               |
|                    | 958 555 713 05     | A-pillar trim   | left rhd<br>lower<br>left              |     |                               |
|                    |                    | stainless steel |  |     |                               |
|                    |                    | with:           |  |     |                               |
|                    |                    | Lighting        |  |     |                               |
|                    |                    | D - MJ 2012>>   |  |     |                               |
|                    | 958 555 713 05 82V | Titan black     | -LC,LG,MA,MF,<br>TA,TB,YA,YB,<br>YC,77 |     |                               |
|                    | 958 555 713 05 DE1 | Umber           | -LF,YF                                 |     |                               |
|                    | 958 555 713 05 DF2 | Light Tartufo   | -TY                                    |     |                               |
| 958 555 713 05 DJ3 | Titanium Blue      | -TW             |  |     |                               |
| 958 555 713 05 4H0 | Luxor beige        | -LE,MC,MK,YE    |  |     |                               |
| 958 555 713 05 5J0 | Cream              | -MJ,TX          |  |     |                               |
| 958 555 713 05 6L0 | Platinum Grey      | -LD,MD,YD       |  |     |                               |
| 958 555 713 05 7N0 | Espresso           | -VA             |  |     |                               |
| 958 555 713 05 8P0 | Cognac             | -VB             |  |     |                               |
| 958 555 713 05 OM8 | saddle brown       | -ME,MH,MI       |  |     |                               |
| 958 555 713 05 OP1 | agate grey         | -MB,MG,ML       |  |     |                               |
| 958 555 713 05 OB8 | Cohiba Brown       | -LH             |  |     |                               |
| (3)                | 958 555 713 06     | A-pillar trim   | left<br>lower                          | 1   | GTS<br>PR:D6V,E0W,<br>L0L,7M3 |
|                    |                    | Carbon          |  |     |                               |
|                    |                    | D >> - MJ 2013  |  |     |                               |
|                    | 958 555 713 06 82V | Titan black     | -LC,MA,YA,YB,<br>YC                    |     |                               |
|                    | 958 555 713 06 DE1 | Umber           | -LF,YF                                 |     |                               |
|                    | 958 555 713 06 DF2 | Light Tartufo   | -TY                                    |     |                               |
|                    | 958 555 713 06 DJ3 | Titanium Blue   | -TW                                    |     |                               |
|                    | 958 555 713 06 4H0 | Luxor beige     | -LE,MC,YE                              |     |                               |
|                    | 958 555 713 06 5J0 | Cream           | -TX                                    |     |                               |
|                    | 958 555 713 06 6L0 | Platinum Grey   | -LD,MD,YD                              |     |                               |
|                    | 958 555 713 06 7N0 | Espresso        | -VA                                    |     |                               |
|                    | 958 555 713 06 8P0 | Cognac          | -VB                                    |     |                               |
|                    | 958 555 713 26     | A-pillar trim   | left<br>lower                          |     |                               |

Model: 92A 11 Model life 2011>>2018

| Pos | Part Number        | Description   | Remark  | Qty | Model                           |
|-----|--------------------|---|---|-----|---------------------------------|
|     | 958 555 713 26 82V | Carbon<br>D - MJ 2014>><br>Titan black                    | -LC, LG, MA, MF,<br>TA, TB, YA, YB,<br>YC, 77 |     |                                 |
|     | 958 555 713 26 DE1 | Umber   | -LF, YF                                       |     |                                 |
|     | 958 555 713 26 DF2 | Light Tartufo   | -TY   |     |                                 |
|     | 958 555 713 26 4H0 | Luxor beige   | -LE, MC, MK, YE                               |     |                                 |
|     | 958 555 713 26 5J0 | Cream   | -MJ, TX                                       |     |                                 |
|     | 958 555 713 26 6L0 | Platinum Grey   | -LD, MD, YD                                   |     |                                 |
|     | 958 555 713 26 7N0 | Espresso  | -VA   |     |                                 |
|     | 958 555 713 26 8P0 | Cognac  | -VB   |     |                                 |
|     | 958 555 713 26 OM8 | saddle brown  | -ME, MH, MI                                   |     |                                 |
|     | 958 555 713 26 OP1 | agate grey  | -MB, MG, ML                                   |     |                                 |
|     | 958 555 713 26 OB8 | Cohiba Brown  | -LH   |     |                                 |
| (3) | 958 555 713 07     | A-pillar trim   | left rhd<br>lower<br>left                     | 1   | GTS<br>PR:D6V, E0W,<br>L0R, 7M3 |
|     | 958 555 713 07 82V | Carbon<br>D - MJ 2012>><br>Titan black                    | -LC, LG, MA, MF,<br>TA, TB, YA, YB,<br>YC, 77 |     |                                 |
|     | 958 555 713 07 DE1 | Titanium black/umbra                                      | -LF, YF                                       |     |                                 |
|     | 958 555 713 07 DF2 | Titanium black/tartufo, light                             | -TY   |     |                                 |
|     | 958 555 713 07 DJ3 | Titanium black/titanium blue                              | -TW   |     |                                 |
|     | 958 555 713 07 4H0 | Titanium black/luxor beige                                | -LE, MC, MK, YE                               |     |                                 |
|     | 958 555 713 07 5J0 | Titanium black/crema                                      | -MJ, TX                                       |     |                                 |
|     | 958 555 713 07 6L0 | Titanium black/platinum grey                              | -LD, MD, YD                                   |     |                                 |
|     | 958 555 713 07 7N0 | Titanium black/espresso                                   | -VA   |     |                                 |
|     | 958 555 713 07 8P0 | Titanium black/cognac                                     | -VB   |     |                                 |
|     | 958 555 713 07 OM8 | saddle brown  | -ME, MH, MI                                   |     |                                 |
|     | 958 555 713 07 OP1 | agate grey  | -MB, MG, ML                                   |     |                                 |
|     | 958 555 713 07 OB8 | Cohiba Brown  | -LH   |     |                                 |
| (3) | 958 555 713 08     | A-pillar trim   | left<br>lower                                 | 1   | GTS<br>PR:D6V, E0W,<br>L0L, 7M8 |
|     | 958 555 713 08 82V | Carbon<br>Lighting with:<br>D >> - MJ 2013<br>Titan black | -LC, MA, YA, YB,<br>YC                        |     |                                 |
|     | 958 555 713 08 DE1 | Umber   | -LF, YF                                       |     |                                 |
|     | 958 555 713 08 DF2 | Light Tartufo   | -TY   |     |                                 |
|     | 958 555 713 08 DJ3 | Titanium Blue   | -TW   |     |                                 |
|     | 958 555 713 08 4H0 | Luxor beige   | -LE, MC, YE                                   |     |                                 |
|     | 958 555 713 08 5J0 | Cream   | -TX   |     |                                 |
|     | 958 555 713 08 6L0 | Platinum Grey   | -LD, MD, YD                                   |     |                                 |
|     | 958 555 713 08 7N0 | Espresso  | -VA   |     |                                 |
|     | 958 555 713 08 8P0 | Cognac  | -VB   |     |                                 |
| (3) | 958 555 713 28     | A-pillar trim   | left<br>lower                                 | 1   | GTS<br>PR:D6V, E0W,<br>L0L, 7M8 |
|     | 958 555 713 28 82V | Carbon<br>Lighting with:<br>D - MJ 2014>><br>Titan black  | -LC, LG, MA, MF,<br>TA, TB, YA, YB,<br>YC, 77 |     |                                 |
|     | 958 555 713 28 DE1 | Umber   | -LF, YF                                       |     |                                 |
|     | 958 555 713 28 DF2 | Light Tartufo   | -TY   |     |                                 |

Model: 92A 11 Model life 2011>>2018

| Pos                | Part Number        | Description                   | Remark                                 | Qty                         | Model                         |                               |   |                               |
|--------------------|--------------------|-------------------------------|--|-----------------------------|-------------------------------|-------------------------------|---|-------------------------------|
| (3)                | 958 555 713 28 4H0 | Luxor beige                   | -LE,MC,MK,YE                           | 1                           | GTS<br>PR:D6V,E0W,<br>L0R,7M8 |                               |   |                               |
|                    | 958 555 713 28 5J0 | Cream                         | -MJ,TX                                 |                             |                               |                               |   |                               |
|                    | 958 555 713 28 6L0 | Platinum Grey                 | -LD,MD,YD                              |                             |                               |                               |   |                               |
|                    | 958 555 713 28 7N0 | Espresso                      | -VA                                    |                             |                               |                               |   |                               |
|                    | 958 555 713 28 8P0 | Cognac                        | -VB                                    |                             |                               |                               |   |                               |
|                    | 958 555 713 28 OM8 | saddle brown                  | -ME,MH,MI                              |                             |                               |                               |   |                               |
|                    | 958 555 713 28 OP1 | agate grey                    | -MB,MG,ML                              |                             |                               |                               |   |                               |
|                    | 958 555 713 28 OB8 | Cohiba Brown                  | -LH                                    |                             |                               |                               |   |                               |
|                    | 958 555 713 09     | A-pillar trim                 | left rhd<br>lower<br>left              |                             |                               |                               |   |                               |
|                    |                    | Carbon                        |  |                             |                               |                               |   |                               |
|                    |                    | Lighting                      | with:                                  |                             |                               |                               |   |                               |
|                    |                    | D - MJ 2012>>                 |  |                             |                               |                               |   |                               |
|                    | 958 555 713 09 82V | Titan black                   | -LC,LG,MA,MF,<br>TA,TB,YA,YB,<br>YC,77 |                             |                               |                               |   |                               |
|                    | 958 555 713 09 DE1 | Titanium black/umbra          | -LF,YF                                 |                             |                               |                               |   |                               |
|                    | 958 555 713 09 DF2 | Titanium black/tartufo, light | -TY                                    |                             |                               |                               |   |                               |
|                    | 958 555 713 09 DJ3 | Titanium black/titanium blue  | -TW                                    |                             |                               |                               |   |                               |
|                    | (3)                | 958 555 713 09 4H0            | Titanium black/luxor beige             |                             |                               | -LE,MC,MK,YE                  | 1 | GTS<br>PR:D6V,E0W,<br>L0L,7M1 |
| 958 555 713 09 5J0 |                    | Titanium black/crema          | -MJ,TX                                 |                             |                               |                               |   |                               |
| 958 555 713 09 6L0 |                    | Titanium black/platinum grey  | -LD,MD,YD                              |                             |                               |                               |   |                               |
| 958 555 713 09 7N0 |                    | Titanium black/espresso       | -VA                                    |                             |                               |                               |   |                               |
| 958 555 713 09 8P0 |                    | Titanium black/cognac         | -VB                                    |                             |                               |                               |   |                               |
| 958 555 713 09 OM8 |                    | saddle brown                  | -ME,MH,MI                              |                             |                               |                               |   |                               |
| 958 555 713 09 OP1 |                    | agate grey                    | -MB,MG,ML                              |                             |                               |                               |   |                               |
| 958 555 713 09 OB8 |                    | Cohiba Brown                  | -LH                                    |                             |                               |                               |   |                               |
| 958 555 714 02     |                    | A-pillar trim                 | right lhd<br>lower<br>right            |                             |                               |                               |   |                               |
|                    |                    | stainless steel               |  |                             |                               |                               |   |                               |
|                    |                    | D - MJ 2012>>                 |  |                             |                               |                               |   |                               |
| 958 555 714 02 82V |                    | Titan black                   | -LC,LG,MA,MF,<br>TA,TB,YA,YB,<br>YC,77 |                             |                               |                               |   |                               |
| 958 555 714 02 DE1 |                    | Titanium black/umbra          | -LF,YF                                 |                             |                               |                               |   |                               |
| 958 555 714 02 DF2 |                    | Titanium black/tartufo, light | -TY                                    |                             |                               |                               |   |                               |
| 958 555 714 02 DJ3 |                    | Titanium black/titanium blue  | -TW                                    |                             |                               |                               |   |                               |
| (3)                |                    | 958 555 714 02 4H0            | Titanium black/luxor beige             | -LE,MC,MK,YE                | 1                             | GTS<br>PR:D6V,E0W,<br>L0L,7M1 |   |                               |
|                    |                    | 958 555 714 02 5J0            | Titanium black/crema                   | -MJ,TX                      |                               |                               |   |                               |
|                    | 958 555 714 02 6L0 | Titanium black/platinum grey  | -LD,MD,YD                              |                             |                               |                               |   |                               |
|                    | 958 555 714 02 7N0 | Titanium black/espresso       | -VA                                    |                             |                               |                               |   |                               |
|                    | 958 555 714 02 8P0 | Titanium black/cognac         | -VB                                    |                             |                               |                               |   |                               |
|                    | 958 555 714 02 OM8 | saddle brown                  | -ME,MH,MI                              |                             |                               |                               |   |                               |
|                    | 958 555 714 02 OP1 | agate grey                    | -MB,MG,ML                              |                             |                               |                               |   |                               |
|                    | 958 555 714 22     | A-pillar trim                 | right lhd<br>lower<br>right            |                             |                               |                               |   |                               |
|                    |                    | stainless steel               |  |                             |                               |                               |   |                               |
|                    | (3)                | 958 555 714 22 OB8            | Cohiba Brown                           | -LH                         |                               |                               | 1 | GTS<br>PR:D6V,E0W,<br>L0R,7M1 |
|                    |                    | 958 555 714 03                | A-pillar trim                          | right rhd<br>lower<br>right |                               |                               |   |                               |
|                    |                    | stainless steel               |  |                             |                               |                               |   |                               |
|                    |                    | D - MJ 2012>>                 |  |                             |                               |                               |   |                               |
|                    | 958 555 714 03 82V | Titan black                   | -LC,LG,MA,MF,<br>TA,TB,YA,YB,<br>YC,77 |                             |                               |                               |   |                               |
|                    | 958 555 714 03 DE1 | Titanium black/umbra          | -LF,YF                                 |                             |                               |                               |   |                               |
|                    | 958 555 714 03 DF2 | Titanium black/tartufo, light | -TY                                    |                             |                               |                               |   |                               |
|                    | 958 555 714 03 DJ3 | Titanium black/titanium blue  | -TW                                    |                             |                               |                               |   |                               |



Model: 92A 11 Model life 2011>>2018

| Pos                | Part Number        | Description                        | Remark  | Qty | Model                         |
|--------------------|--------------------|------------------------------------|---|-----|-------------------------------|
| (3)                | 958 555 714 03 4H0 | Titanium black/luxor beige         | -LE,MC,MK,YE                                  | 1   | GTS<br>PR:D6V,E0W,<br>L0L,7M7 |
|                    | 958 555 714 03 5J0 | Titanium black/crema               | -MJ, TX                                       |     |                               |
|                    | 958 555 714 03 6L0 | Titanium black/platinum grey       | -LD,MD, YD                                    |     |                               |
|                    | 958 555 714 03 7N0 | Titanium black/espresso            | -VA   |     |                               |
|                    | 958 555 714 03 8P0 | Titanium black/cognac              | -VB   |     |                               |
|                    | 958 555 714 03 OM8 | Titanium black/saddle brown        | -ME, MH, MI                                   |     |                               |
|                    | 958 555 714 03 OP1 | Titanium black/agate grey          | -MB, MG, ML                                   |     |                               |
|                    | 958 555 714 03 OB8 | Cohiba Brown                       | -LH   |     |                               |
|                    | 958 555 714 04     | A-pillar trim                      | right lhd<br>lower<br>right                   |     |                               |
|                    |                    | stainless steel                    | with:<br>Lighting<br>D >> - MJ 2013           |     |                               |
| (3)                | 958 555 714 04 82V | Titan black                        | -LC,MA, YA, YB,<br>YC                         | 1   | GTS<br>PR:D6V,E0W,<br>L0L,7M7 |
|                    | 958 555 714 04 DE1 | Titanium black/umbra               | -LF, YF                                       |     |                               |
|                    | 958 555 714 04 DF2 | Titanium black/tartufo, light      | -TY   |     |                               |
|                    | 958 555 714 04 DJ3 | Titanium black/titanium blue       | -TW   |     |                               |
|                    | 958 555 714 04 4H0 | Titanium black/luxor beige         | -LE,MC, YE                                    |     |                               |
|                    | 958 555 714 04 5J0 | Titanium black/crema               | -TX   |     |                               |
|                    | 958 555 714 04 6L0 | Titanium black/platinum grey       | -LD,MD, YD                                    |     |                               |
|                    | 958 555 714 04 7N0 | Titanium black/espresso            | -VA   |     |                               |
|                    | 958 555 714 04 8P0 | Titanium black/cognac              | -VB   |     |                               |
|                    | 958 555 714 24     | A-pillar trim                      | right lhd<br>lower<br>right                   |     |                               |
|                    | stainless steel    | with:<br>Lighting<br>D - MJ 2014>> |   |     |                               |
| (3)                | 958 555 714 24 82V | Titan black                        | -LC, LG, MA, MF,<br>TA, TB, YA, YB,<br>YC, 77 | 1   | GTS<br>PR:D6V,E0W,<br>L0R,7M7 |
|                    | 958 555 714 24 DE1 | Umber                              | -LF, YF                                       |     |                               |
|                    | 958 555 714 24 DF2 | Light Tartufo                      | -TY   |     |                               |
|                    | 958 555 714 24 DJ3 | Titanium Blue                      | -TW   |     |                               |
|                    | 958 555 714 24 4H0 | Luxor beige                        | -LE,MC,MK, YE                                 |     |                               |
|                    | 958 555 714 24 5J0 | Cream                              | -MJ, TX                                       |     |                               |
|                    | 958 555 714 24 6L0 | Platinum Grey                      | -LD,MD, YD                                    |     |                               |
|                    | 958 555 714 24 7N0 | Espresso                           | -VA   |     |                               |
|                    | 958 555 714 24 8P0 | Cognac                             | -VB   |     |                               |
|                    | 958 555 714 24 OM8 | saddle brown                       | -ME, MH, MI                                   |     |                               |
| 958 555 714 24 OP1 | agate grey         | -MB, MG, ML                        |   |     |                               |
| 958 555 714 24 OB8 | Cohiba Brown       | -LH                                |   |     |                               |
| 958 555 714 05     | A-pillar trim      | right rhd<br>lower<br>right        |   |     |                               |
|                    | stainless steel    | with:<br>Lighting<br>D - MJ 2012>> |   |     |                               |
| (3)                | 958 555 714 05 82V | Titan black                        | -LC, LG, MA, MF,<br>TA, TB, YA, YB,<br>YC, 77 | 1   | GTS<br>PR:D6V,E0W,<br>L0R,7M7 |
|                    | 958 555 714 05 DE1 | Titanium black/umbra               | -LF, YF                                       |     |                               |
|                    | 958 555 714 05 DF2 | Titanium black/tartufo, light      | -TY   |     |                               |
|                    | 958 555 714 05 DJ3 | Titanium black/titanium blue       | -TW   |     |                               |
|                    | 958 555 714 05 4H0 | Titanium black/luxor beige         | -LE,MC,MK, YE                                 |     |                               |
|                    | 958 555 714 05 5J0 | Titanium black/crema               | -MJ, TX                                       |     |                               |
|                    | 958 555 714 05 6L0 | Titanium black/platinum grey       | -LD,MD, YD                                    |     |                               |
|                    | 958 555 714 05 7N0 | Titanium black/espresso            | -VA   |     |                               |

Model: 92A 11 Model life 2011>>2018

| Pos                | Part Number                   | Description                            | Remark                      | Qty                           | Model                         |
|--------------------|-------------------------------|--|-----------------------------|-------------------------------|-------------------------------|
| (3)                | 958 555 714 05 8P0            | Titanium black/cognac                  | -VB                         | 1                             | GTS<br>PR:D6V,E0W,<br>L0L,7M3 |
|                    | 958 555 714 05 OM8            | saddle brown                           | -ME,MH,MI                   |                               |                               |
|                    | 958 555 714 05 OP1            | Agate brown                            | -MB,MG,ML                   |                               |                               |
|                    | 958 555 714 05 OB8            | Cohiba Brown                           | -LH                         |                               |                               |
|                    | 958 555 714 06                | A-pillar trim                          | right lhd<br>lower<br>right |                               |                               |
|                    |                               | D >> - MJ 2013                         |                             |                               |                               |
|                    | 958 555 714 06 82V            | Titan black                            | -LC,MA,YA,YB,<br>YC         |                               |                               |
|                    | 958 555 714 06 DE1            | Umber                                  | -LF,YF                      |                               |                               |
|                    | 958 555 714 06 DF2            | Light Tartufo                          | -TY                         |                               |                               |
|                    | 958 555 714 06 DJ3            | Titanium Blue                          | -TW                         |                               |                               |
| 958 555 714 06 4H0 | Luxor beige                   | -LE,MC,YE                              |                             |                               |                               |
| 958 555 714 06 5J0 | Cream                         | -TX                                    |                             |                               |                               |
| 958 555 714 06 6L0 | Platinum Grey                 | -LD,MD,YD                              |                             |                               |                               |
| 958 555 714 06 7N0 | Espresso                      | -VA                                    |                             |                               |                               |
| 958 555 714 06 8P0 | Cognac                        | -VB                                    | 1                           | GTS<br>PR:D6V,E0W,<br>L0L,7M3 |                               |
| 958 555 714 26     | A-pillar trim                 | right lhd<br>lower<br>right            |                             |                               |                               |
|                    | D - MJ 2014>>                 |  |                             |                               |                               |
| 958 555 714 26 82V | Titan black                   | -LC,LG,MA,MF,<br>TA,TB,YA,YB,<br>YC,77 |                             |                               |                               |
| 958 555 714 26 DE1 | Umber                         | -LF,YF                                 |                             |                               |                               |
| 958 555 714 26 DF2 | Light Tartufo                 | -TY                                    |                             |                               |                               |
| 958 555 714 26 DJ3 | Titanium Blue                 | -TW                                    |                             |                               |                               |
| 958 555 714 26 4H0 | Luxor beige                   | -LE,MC,MK,YE                           |                             |                               |                               |
| 958 555 714 26 5J0 | Cream                         | -MJ,TX                                 |                             |                               |                               |
| 958 555 714 26 6L0 | Platinum Grey                 | -LD,MD,YD                              |                             |                               |                               |
| 958 555 714 26 7N0 | Espresso                      | -VA                                    |                             |                               |                               |
| 958 555 714 26 8P0 | Cognac                        | -VB                                    |                             |                               |                               |
| 958 555 714 26 OM8 | saddle brown                  | -ME,MH,MI                              |                             |                               |                               |
| 958 555 714 26 OP1 | agate grey                    | -MB,MG,ML                              |                             |                               |                               |
| 958 555 714 26 OB8 | Cohiba Brown                  | -LH                                    | 1                           | GTS<br>PR:D6V,E0W,<br>L0R,7M3 |                               |
| 958 555 714 07     | A-pillar trim                 | right rhd<br>lower<br>right            |                             |                               |                               |
|                    | Carbon                        |  |                             |                               |                               |
|                    | D - MJ 2012>>                 |  |                             |                               |                               |
| 958 555 714 07 82V | Titan black                   | -LC,LG,MA,MF,<br>TA,TB,YA,YB,<br>YC,77 |                             |                               |                               |
| 958 555 714 07 DE1 | Titanium black/umbra          | -LF,YF                                 |                             |                               |                               |
| 958 555 714 07 DF2 | Titanium black/tartufo, light | -TY                                    |                             |                               |                               |
| 958 555 714 07 DJ3 | Titanium black/titanium blue  | -TW                                    |                             |                               |                               |
| 958 555 714 07 4H0 | Titanium black/luxor beige    | -LE,MC,MK,YE                           |                             |                               |                               |
| 958 555 714 07 5J0 | Titanium black/crema          | -MJ,TX                                 |                             |                               |                               |
| 958 555 714 07 6L0 | Titanium black/platinum grey  | -LD,MD,YD                              |                             |                               |                               |
| 958 555 714 07 7N0 | Titanium black/espresso       | -VA                                    |                             |                               |                               |
| 958 555 714 07 8P0 | Titanium black/cognac         | -VB                                    |                             |                               |                               |
| 958 555 714 07 OM8 | saddle brown                  | -ME,MH,MI                              |                             |                               |                               |
| 958 555 714 07 OP1 | agate grey                    | -MB,MG,ML                              |                             |                               |                               |
| 958 555 714 07 OB8 | Cohiba Brown                  | -LH                                    | 1                           | GTS<br>PR:D6V,E0W,<br>L0L,7M8 |                               |
| 958 555 714 08     | A-pillar trim                 | right lhd<br>lower<br>right            |                             |                               |                               |
|                    | Carbon                        |  |                             |                               |                               |
|                    | with:                         |  |                             |                               |                               |
|                    | Lighting                      |  |                             |                               |                               |
|                    | D >> - MJ 2013                |  |                             |                               |                               |
| 958 555 714 08 82V | Titan black                   | -LC,MA,YA,YB,                          |                             |                               |                               |

Model: 92A 11 Model life 2011>>2018

| Pos | Part Number        | Description                   | Remark  | Qty | Model                             |
|-----|--------------------|-------------------------------|---|-----|-----------------------------------|
| (3) | 958 555 714 08 DE1 | Titanium black/umbra          | YC  | 1   | GTS<br>PR:D6V,E0W,<br>L0L,7M8     |
|     | 958 555 714 08 DF2 | Titanium black/tartufo, light | -LF, YF                                       |     |                                   |
|     | 958 555 714 08 DJ3 | Titanium black/titanium blue  | -TY   |     |                                   |
|     | 958 555 714 08 4H0 | Titanium black/luxor beige    | -TW   |     |                                   |
|     | 958 555 714 08 5J0 | Titanium black/crema          | -LE, MC, YE                                   |     |                                   |
|     | 958 555 714 08 6L0 | Titanium black/platinum grey  | -TX   |     |                                   |
|     | 958 555 714 08 7N0 | Titanium black/espresso       | -LD, MD, YD                                   |     |                                   |
|     | 958 555 714 08 8P0 | Titanium black/cognac         | -VA   |     |                                   |
|     | 958 555 714 28     | A-pillar trim                 | -VB   |     |                                   |
|     |                    |                               | right lhd                                     |     |                                   |
|     |                    |                               | lower   |     |                                   |
|     |                    |                               | right   |     |                                   |
|     |                    | Carbon                        | with:   |     |                                   |
|     | Lighting           |                               |   |     |                                   |
|     | D - MJ 2014>>      |                               |   |     |                                   |
|     | 958 555 714 28 82V | Titan black                   | -LC, LG, MA, MF,<br>TA, TB, YA, YB,<br>YC, 77 |     |                                   |
|     | 958 555 714 28 DE1 | Umber                         | -LF, YF                                       |     |                                   |
|     | 958 555 714 28 DF2 | Light Tartufo                 | -TY   |     |                                   |
|     | 958 555 714 28 DJ3 | Titanium Blue                 | -TW   |     |                                   |
|     | 958 555 714 28 4H0 | Luxor beige                   | -LE, MC, MK, YE                               |     |                                   |
|     | 958 555 714 28 5J0 | Cream                         | -MJ, TX                                       |     |                                   |
|     | 958 555 714 28 6L0 | Platinum Grey                 | -LD, MD, YD                                   |     |                                   |
|     | 958 555 714 28 7N0 | Espresso                      | -VA   |     |                                   |
|     | 958 555 714 28 8P0 | Cognac                        | -VB   |     |                                   |
|     | 958 555 714 28 OM8 | saddle brown                  | -ME, MH, MI                                   |     |                                   |
|     | 958 555 714 28 OP1 | agate grey                    | -MB, MG, ML                                   |     |                                   |
|     | 958 555 714 28 OB8 | Cohiba Brown                  | -LH   |     |                                   |
| (3) | 958 555 714 09     | A-pillar trim                 | right rhd                                     | 1   | GTS<br>PR:D6V,E0W,<br>L0R,7M8     |
|     |                    |                               | lower   |     |                                   |
|     |                    |                               | right   |     |                                   |
|     | Carbon             | with:                         |   |     |                                   |
|     | Lighting           |                               |   |     |                                   |
|     | D - MJ 2012>>      |                               |   |     |                                   |
|     | 958 555 714 09 82V | Titan black                   | -LC, LG, MA, MF,<br>TA, TB, YA, YB,<br>YC, 77 |     |                                   |
|     | 958 555 714 09 DE1 | Titanium black/umbra          | -LF, YF                                       |     |                                   |
|     | 958 555 714 09 DF2 | Titanium black/tartufo, light | -TY   |     |                                   |
|     | 958 555 714 09 DJ3 | Titanium black/titanium blue  | -TW   |     |                                   |
|     | 958 555 714 09 4H0 | Titanium black/luxor beige    | -LE, MC, MK, YE                               |     |                                   |
|     | 958 555 714 09 5J0 | Titanium black/crema          | -MJ, TX                                       |     |                                   |
|     | 958 555 714 09 6L0 | Titanium black/platinum grey  | -LD, MD, YD                                   |     |                                   |
|     | 958 555 714 09 7N0 | Titanium black/espresso       | -VA   |     |                                   |
|     | 958 555 714 09 8P0 | Titanium black/cognac         | -VB   |     |                                   |
|     | 958 555 714 09 OM8 | saddle brown                  | -ME, MH, MI                                   |     |                                   |
|     | 958 555 714 09 OP1 | agate grey                    | -MB, MG, ML                                   |     |                                   |
|     | 958 555 714 09 OB8 | Cohiba Brown                  | -LH   |     |                                   |
| (3) | 958 555 714 10     | A-pillar trim                 | right lhd                                     | 1   | Turbo S<br>PR:D58,E8A,<br>L0L,7M1 |
|     |                    |                               | lower   |     |                                   |
|     |                    |                               | right   |     |                                   |
|     | stainless steel    |                               |   |     |                                   |
|     | D - MJ 2012>>      |                               |   |     |                                   |
|     | 958 555 714 10 82V | Titan black                   | -LC, LG, MA, MF,<br>TA, TB, YA, YB,<br>YC, 77 |     |                                   |
|     | 958 555 714 10 DE1 | Umber                         | -LF, YF                                       |     |                                   |
|     | 958 555 714 10 DF2 | Light Tartufo                 | -TY   |     |                                   |
|     | 958 555 714 10 DJ3 | Titanium Blue                 | -TW   |     |                                   |
|     | 958 555 714 10 4H0 | Luxor beige                   | -LE, MC, MK, YE                               |     |                                   |

Model: 92A 11 Model life 2011>>2018

| Pos | Part Number        | Description     | Remark  | Qty | Model                               |
|-----|--------------------|-----------------|---|-----|-------------------------------------|
|     | 958 555 714 10 5J0 | Cream           | -MJ, TX                                       |     |                                     |
|     | 958 555 714 10 6L0 | Platinum Grey   | -LD, MD, YD                                   |     |                                     |
|     | 958 555 714 10 7N0 | Espresso        | -VA   |     |                                     |
|     | 958 555 714 10 8P0 | Cognac          | -VB   |     |                                     |
|     | 958 555 714 10 OM8 | saddle brown    | -ME, MH, MI                                   |     |                                     |
|     | 958 555 714 10 OP1 | Agate brown     | -MB, MG, ML                                   |     |                                     |
|     | 958 555 714 10 OB8 | Cohiba Brown    | -LH   |     |                                     |
| (3) | 958 555 714 11     | A-pillar trim   | right rhd                                     | 1   | Turbo S<br>PR:D58, E8A,<br>L0R, 7M1 |
|     |                    | lower           |   |     |                                     |
|     |                    | right           |   |     |                                     |
|     |                    | stainless steel |   |     |                                     |
|     |                    | D - MJ 2012>>   |   |     |                                     |
|     | 958 555 714 11 82V | Titan black     | -LC, LG, MA, MF,<br>TA, TB, YA, YB,<br>YC, 77 |     |                                     |
|     | 958 555 714 11 DE1 | Umber           | -LF, YF                                       |     |                                     |
|     | 958 555 714 11 DF2 | Light Tartufo   | -TY   |     |                                     |
|     | 958 555 714 11 DJ3 | Titanium Blue   | -TW   |     |                                     |
|     | 958 555 714 11 4H0 | Luxor beige     | -LE, MC, MK, YE                               |     |                                     |
|     | 958 555 714 11 5J0 | Cream           | -MJ, TX                                       |     |                                     |
|     | 958 555 714 11 6L0 | Platinum Grey   | -LD, MD, YD                                   |     |                                     |
|     | 958 555 714 11 7N0 | Espresso        | -VA   |     |                                     |
|     | 958 555 714 11 8P0 | Cognac          | -VB   |     |                                     |
|     | 958 555 714 11 OM8 | saddle brown    | -ME, MH, MI                                   |     |                                     |
|     | 958 555 714 11 OP1 | agate grey      | -MB, MG, ML                                   |     |                                     |
|     | 958 555 714 11 OB8 | Cohiba Brown    | -LH   |     |                                     |
| (3) | 958 555 713 10     | A-pillar trim   | left lhd                                      | 1   | Turbo S<br>PR:D58, E8A,<br>L0L, 7M1 |
|     |                    | lower           |   |     |                                     |
|     |                    | right           |   |     |                                     |
|     |                    | stainless steel |   |     |                                     |
|     |                    | D - MJ 2012>>   |   |     |                                     |
|     | 958 555 713 10 82V | Titan black     | -LC, LG, MA, MF,<br>TA, TB, YA, YB,<br>YC, 77 |     |                                     |
|     | 958 555 713 10 DE1 | Umber           | -LF, YF                                       |     |                                     |
|     | 958 555 713 10 DF2 | Light Tartufo   | -TY   |     |                                     |
|     | 958 555 713 10 DJ3 | Titanium Blue   | -TW   |     |                                     |
|     | 958 555 713 10 4H0 | Luxor beige     | -LE, MC, MK, YE                               |     |                                     |
|     | 958 555 713 10 5J0 | Cream           | -MJ, TX                                       |     |                                     |
|     | 958 555 713 10 6L0 | Platinum Grey   | -LD, MD, YD                                   |     |                                     |
|     | 958 555 713 10 7N0 | Espresso        | -VA   |     |                                     |
|     | 958 555 713 10 8P0 | Cognac          | -VB   |     |                                     |
|     | 958 555 713 10 OM8 | saddle brown    | -ME, MH, MI                                   |     |                                     |
|     | 958 555 713 10 OP1 | agate grey      | -MB, MG, ML                                   |     |                                     |
|     | 958 555 713 10 OB8 | Cohiba Brown    | -LH   |     |                                     |
| (3) | 958 555 713 11     | A-pillar trim   | left rhd                                      | 1   | Turbo S<br>PR:D58, E8A,<br>L0R, 7M1 |
|     |                    | lower           |   |     |                                     |
|     |                    | right           |   |     |                                     |
|     |                    | stainless steel |   |     |                                     |
|     |                    | D - MJ 2012>>   |   |     |                                     |
|     | 958 555 713 11 82V | Titan black     | -LC, LG, MA, MF,<br>TA, TB, YA, YB,<br>YC, 77 |     |                                     |
|     | 958 555 713 11 DE1 | Umber           | -LF, YF                                       |     |                                     |
|     | 958 555 713 11 DF2 | Light Tartufo   | -TY   |     |                                     |
|     | 958 555 713 11 DJ3 | Titanium Blue   | -TW   |     |                                     |
|     | 958 555 713 11 4H0 | Luxor beige     | -LE, MC, MK, YE                               |     |                                     |
|     | 958 555 713 11 5J0 | Cream           | -MJ, TX                                       |     |                                     |
|     | 958 555 713 11 6L0 | Platinum Grey   | -LD, MD, YD                                   |     |                                     |
|     | 958 555 713 11 7N0 | Espresso        | -VA   |     |                                     |
|     | 958 555 713 11 8P0 | Cognac          | -VB   |     |                                     |
|     | 958 555 713 11 OM8 | saddle brown    | -ME, MH, MI                                   |     |                                     |
|     | 958 555 713 11 OP1 | agate grey      | -MB, MG, ML                                   |     |                                     |

Model: 92A 11 Model life 2011>>2018

| Pos                | Part Number                  | Description                   | Remark  | Qty | Model                             |
|--------------------|------------------------------|-------------------------------|---|-----|-----------------------------------|
| (3)                | 958 555 713 11 OB8           | Cohiba Brown                  | -LH   | 1   | Turbo S<br>PR:D58,E8A,<br>L0L,7M7 |
|                    | 958 555 714 12               | A-pillar trim                 | right lhd                                     |     |                                   |
|                    |                              |                               | lower   |     |                                   |
|                    |                              |                               | right   |     |                                   |
|                    |                              | stainless steel               |   |     |                                   |
|                    |                              | Lighting                      |   |     |                                   |
|                    |                              | D - MJ 2012>>                 |   |     |                                   |
|                    | 958 555 714 12 82V           | Titan black                   | -LC, LG, MA, MF,<br>TA, TB, YA, YB,<br>YC, 77 |     |                                   |
|                    | 958 555 714 12 DE1           | Titanium black/umbra          | -LF, YF                                       |     |                                   |
|                    | 958 555 714 12 DF2           | Titanium black/tartufo, light | -TY   |     |                                   |
|                    | 958 555 714 12 DJ3           | Titanium black/titanium blue  | -TW   |     |                                   |
|                    | 958 555 714 12 4H0           | Titanium black/luxor beige    | -LE, MC, MK, YE                               |     |                                   |
|                    | 958 555 714 12 5J0           | Titanium black/crema          | -MJ, TX                                       |     |                                   |
|                    | 958 555 714 12 6L0           | Titanium black/platinum grey  | -LD, MD, YD                                   |     |                                   |
| (3)                | 958 555 714 12 7N0           | Titanium black/espresso       | -VA   |     |                                   |
|                    | 958 555 714 12 8P0           | Titanium black/cognac         | -VB   |     |                                   |
|                    | 958 555 714 12 OM8           | saddle brown                  | -ME, MH, MI                                   |     |                                   |
|                    | 958 555 714 12 OP1           | agate grey                    | -MB, MG, ML                                   |     |                                   |
|                    | 958 555 714 12 OB8           | Cohiba Brown                  | -LH   |     |                                   |
|                    | 958 555 713 12               | A-pillar trim                 | left lhd                                      |     |                                   |
|                    |                              |                               | lower   |     |                                   |
|                    |                              |                               | left  |     |                                   |
|                    |                              | stainless steel               |   |     |                                   |
|                    |                              | Lighting                      |   |     |                                   |
|                    |                              | D - MJ 2012>>                 |   |     |                                   |
|                    | 958 555 713 12 82V           | Titan black                   | -LC, LG, MA, MF,<br>TA, TB, YA, YB,<br>YC, 77 |     |                                   |
|                    | 958 555 713 12 DE1           | Titanium black/umbra          | -LF, YF                                       |     |                                   |
|                    | 958 555 713 12 DF2           | Titanium black/tartufo, light | -TY   |     |                                   |
| 958 555 713 12 DJ3 | Titanium black/titanium blue | -TW                           |   |     |                                   |
| 958 555 713 12 4H0 | Titanium black/luxor beige   | -LE, MC, MK, YE               |   |     |                                   |
| 958 555 713 12 5J0 | Titanium black/crema         | -MJ, TX                       |   |     |                                   |
| 958 555 713 12 6L0 | Titanium black/platinum grey | -LD, MD, YD                   |   |     |                                   |
| 958 555 713 12 7N0 | Titanium black/espresso      | -VA                           |   |     |                                   |
| 958 555 713 12 8P0 | Titanium black/cognac        | -VB                           |   |     |                                   |
| 958 555 713 12 OM8 | saddle brown                 | -ME, MH, MI                   |   |     |                                   |
| 958 555 713 12 OP1 | agate grey                   | -MB, MG, ML                   |   |     |                                   |
| 958 555 713 12 OB8 | Cohiba Brown                 | -LH                           |   |     |                                   |
| (3)                | 958 555 714 13               | A-pillar trim                 | right rhd                                     |     |                                   |
|                    |                              |                               | lower   |     |                                   |
|                    |                              |                               | right   |     |                                   |
|                    |                              | stainless steel               |   |     |                                   |
|                    |                              | Lighting                      |   |     |                                   |
|                    |                              | D - MJ 2012>>                 |   |     |                                   |
|                    | 958 555 714 13 82V           | Titan black                   | -LC, LG, MA, MF,<br>TA, TB, YA, YB,<br>YC, 77 |     |                                   |
|                    | 958 555 714 13 DE1           | Titanium black/umbra          | -LF, YF                                       |     |                                   |
|                    | 958 555 714 13 DF2           | Titanium black/tartufo, light | -TY   |     |                                   |
|                    | 958 555 714 13 DJ3           | Titanium black/titanium blue  | -TW   |     |                                   |
|                    | 958 555 714 13 4H0           | Titanium black/luxor beige    | -LE, MC, MK, YE                               |     |                                   |
|                    | 958 555 714 13 5J0           | Titanium black/crema          | -MJ, TX                                       |     |                                   |
|                    | 958 555 714 13 6L0           | Titanium black/platinum grey  | -LD, MD, YD                                   |     |                                   |
|                    | 958 555 714 13 7N0           | Titanium black/espresso       | -VA   |     |                                   |
| 958 555 714 13 8P0 | Titanium black/cognac        | -VB                           |   |     |                                   |
| 958 555 714 13 OM8 | saddle brown                 | -ME, MH, MI                   |   |     |                                   |
| 958 555 714 13 OP1 | agate grey                   | -MB, MG, ML                   |   |     |                                   |
| 958 555 714 13 OB8 | Cohiba Brown                 | -LH                           |   |     |                                   |
| (3)                | 958 555 713 13               | A-pillar trim                 | left rhd                                      |     |                                   |
|                    |                              |                               | lower   |     |                                   |

Model: 92A 11 Model life 2011>>2018

| Pos | Part Number        | Description                                  | Remark  | Qty | Model                               |
|-----|--------------------|--|---|-----|-------------------------------------|
|     |                    | stainless steel<br>Lighting<br>D - MJ 2012>> | left  |     | L0R, 7M7                            |
|     | 958 555 713 13 82V | Titan black                                  | -LC, LG, MA, MF,<br>TA, TB, YA, YB,<br>YC, 77 |     |                                     |
|     | 958 555 713 13 DE1 | Titanium black/umbra                         | -LF, YF                                       |     |                                     |
|     | 958 555 713 13 DF2 | Titanium black/tartufo, light                | -TY   |     |                                     |
|     | 958 555 713 13 DJ3 | Titanium black/titanium blue                 | -TW   |     |                                     |
|     | 958 555 713 13 4H0 | Titanium black/luxor beige                   | -LE, MC, MK, YE                               |     |                                     |
|     | 958 555 713 13 5J0 | Titanium black/crema                         | -MJ, TX                                       |     |                                     |
|     | 958 555 713 13 6L0 | Titanium black/platinum grey                 | -LD, MD, YD                                   |     |                                     |
|     | 958 555 713 13 7N0 | Titanium black/espresso                      | -VA   |     |                                     |
|     | 958 555 713 13 8P0 | Titanium black/cognac                        | -VB   |     |                                     |
|     | 958 555 713 13 OM8 | saddle brown                                 | -ME, MH, MI                                   |     |                                     |
|     | 958 555 713 13 OP1 | agate grey                                   | -MB, MG, ML                                   |     |                                     |
|     | 958 555 713 13 OB8 | Cohiba Brown                                 | -LH   |     |                                     |
| (3) | 958 555 714 14     | A-pillar trim                                | right lhd<br>lower<br>right                   | 1   | Turbo S<br>PR:D58, E8A,<br>L0L, 7M3 |
|     |                    | Carbon<br>D - MJ 2012>>                      |   |     |                                     |
|     | 958 555 714 14 82V | Titan black                                  | -LC, LG, MA, MF,<br>TA, TB, YA, YB,<br>YC, 77 |     |                                     |
|     | 958 555 714 14 DE1 | Titanium black/umbra                         | -LF, YF                                       |     |                                     |
|     | 958 555 714 14 DF2 | Titanium black/tartufo, light                | -TY   |     |                                     |
|     | 958 555 714 14 DJ3 | Titanium black/titanium blue                 | -TW   |     |                                     |
|     | 958 555 714 14 4H0 | Titanium black/luxor beige                   | -LE, MC, MK, YE                               |     |                                     |
|     | 958 555 714 14 5J0 | Titanium black/crema                         | -MJ, TX                                       |     |                                     |
|     | 958 555 714 14 6L0 | Titanium black/platinum grey                 | -LD, MD, YD                                   |     |                                     |
|     | 958 555 714 14 7N0 | Titanium black/espresso                      | -VA   |     |                                     |
|     | 958 555 714 14 8P0 | Titanium black/cognac                        | -VB   |     |                                     |
|     | 958 555 714 14 OM8 | saddle brown                                 | -ME, MH, MI                                   |     |                                     |
|     | 958 555 714 14 OP1 | agate grey                                   | -MB, MG, ML                                   |     |                                     |
|     | 958 555 714 14 OB8 | Cohiba Brown                                 | -LH   |     |                                     |
| (3) | 958 555 713 14     | A-pillar trim                                | left lhd<br>lower<br>left                     | 1   | Turbo S<br>PR:D58, E8A,<br>L0L, 7M3 |
|     |                    | Carbon<br>D - MJ 2012>>                      |   |     |                                     |
|     | 958 555 713 14 82V | Titan black                                  | -LC, LG, MA, MF,<br>TA, TB, YA, YB,<br>YC, 77 |     |                                     |
|     | 958 555 713 14 DE1 | Titanium black/umbra                         | -LF, YF                                       |     |                                     |
|     | 958 555 713 14 DF2 | Titanium black/tartufo, light                | -TY   |     |                                     |
|     | 958 555 713 14 DJ3 | Titanium black/titanium blue                 | -TW   |     |                                     |
|     | 958 555 713 14 4H0 | Titanium black/luxor beige                   | -LE, MC, MK, YE                               |     |                                     |
|     | 958 555 713 14 5J0 | Titanium black/crema                         | -MJ, TX                                       |     |                                     |
|     | 958 555 713 14 6L0 | Titanium black/platinum grey                 | -LD, MD, YD                                   |     |                                     |
|     | 958 555 713 14 7N0 | Titanium black/espresso                      | -VA   |     |                                     |
|     | 958 555 713 14 8P0 | Titanium black/cognac                        | -VB   |     |                                     |
|     | 958 555 713 14 OM8 | saddle brown                                 | -ME, MH, MI                                   |     |                                     |
|     | 958 555 713 14 OP1 | agate grey                                   | -MB, MG, ML                                   |     |                                     |
|     | 958 555 713 14 OB8 | Cohiba Brown                                 | -LH   |     |                                     |
| (3) | 958 555 714 15     | A-pillar trim                                | right rhd<br>lower<br>right                   | 1   | Turbo S<br>PR:D58, E8A,<br>L0R, 7M3 |
|     |                    | Carbon<br>D - MJ 2012>>                      |   |     |                                     |
|     | 958 555 714 15 82V | Titan black                                  | -LC, LG, MA, MF,<br>TA, TB, YA, YB,           |     |                                     |

Model: 92A 11 Model life 2011>>2018

| Pos | Part Number        | Description                   | Remark  | Qty | Model                               |
|-----|--------------------|-------------------------------|---|-----|-------------------------------------|
| (3) | 958 555 714 15 DE1 | Titanium black/umbra          | YC, 77  | 1   | Turbo S<br>PR:D58, E8A,<br>L0R, 7M3 |
|     | 958 555 714 15 DF2 | Titanium black/tartufo, light | -LF, YF                                       |     |                                     |
|     | 958 555 714 15 DJ3 | Titanium black/titanium blue  | -TY   |     |                                     |
|     | 958 555 714 15 4H0 | Titanium black/luxor beige    | -TW   |     |                                     |
|     | 958 555 714 15 5J0 | Titanium black/crema          | -LE, MC, MK, YE                               |     |                                     |
|     | 958 555 714 15 6L0 | Titanium black/platinum grey  | -MJ, TX                                       |     |                                     |
|     | 958 555 714 15 7N0 | Titanium black/espresso       | -LD, MD, YD                                   |     |                                     |
|     | 958 555 714 15 8P0 | Titanium black/cognac         | -VA   |     |                                     |
|     | 958 555 714 15 OM8 | saddle brown                  | -VB   |     |                                     |
|     | 958 555 714 15 OP1 | agate grey                    | -ME, MH, MI                                   |     |                                     |
|     | 958 555 714 15 OB8 | Cohiba Brown                  | -MB, MG, ML                                   |     |                                     |
|     | 958 555 713 15     | A-pillar trim                 | -LH   |     |                                     |
|     |                    | Carbon                        | left rhd                                      |     |                                     |
|     |                    | D - MJ 2012>>                 | lower left                                    |     |                                     |
| (3) | 958 555 713 15 82V | Titan black                   | -LC, LG, MA, MF,<br>TA, TB, YA, YB,<br>YC, 77 | 1   | Turbo S<br>PR:D58, E8A,<br>L0L, 7M8 |
|     | 958 555 713 15 DE1 | Titanium black/umbra          | -LF, YF                                       |     |                                     |
|     | 958 555 713 15 DF2 | Titanium black/tartufo, light | -TY   |     |                                     |
|     | 958 555 713 15 DJ3 | Titanium black/titanium blue  | -TW   |     |                                     |
|     | 958 555 713 15 4H0 | Titanium black/luxor beige    | -LE, MC, MK, YE                               |     |                                     |
|     | 958 555 713 15 5J0 | Titanium black/crema          | -MJ, TX                                       |     |                                     |
|     | 958 555 713 15 6L0 | Titanium black/platinum grey  | -LD, MD, YD                                   |     |                                     |
|     | 958 555 713 15 7N0 | Titanium black/espresso       | -VA   |     |                                     |
|     | 958 555 713 15 8P0 | Titanium black/cognac         | -VB   |     |                                     |
|     | 958 555 713 15 OM8 | saddle brown                  | -ME, MH, MI                                   |     |                                     |
|     | 958 555 713 15 OP1 | agate grey                    | -MB, MG, ML                                   |     |                                     |
|     | 958 555 713 15 OB8 | Cohiba Brown                  | -LH   |     |                                     |
|     | 958 555 714 16     | A-pillar trim                 | right lhd                                     |     |                                     |
|     |                    | Carbon                        | lower right                                   |     |                                     |
|     | Lighting           |                               |   |     |                                     |
|     | D - MJ 2012>>      |                               |   |     |                                     |
| (3) | 958 555 714 16 82V | Titan black                   | -LC, LG, MA, MF,<br>TA, TB, YA, YB,<br>YC, 77 | 1   | Turbo S<br>PR:D58, E8A,<br>L0L, 7M8 |
|     | 958 555 714 16 DE1 | Titanium black/umbra          | -LF, YF                                       |     |                                     |
|     | 958 555 714 16 DF2 | Titanium black/tartufo, light | -TY   |     |                                     |
|     | 958 555 714 16 DJ3 | Titanium black/titanium blue  | -TW   |     |                                     |
|     | 958 555 714 16 4H0 | Titanium black/luxor beige    | -LE, MC, MK, YE                               |     |                                     |
|     | 958 555 714 16 5J0 | Titanium black/crema          | -MJ, TX                                       |     |                                     |
|     | 958 555 714 16 6L0 | Titanium black/platinum grey  | -LD, MD, YD                                   |     |                                     |
|     | 958 555 714 16 7N0 | Titanium black/espresso       | -VA   |     |                                     |
|     | 958 555 714 16 8P0 | Titanium black/cognac         | -VB   |     |                                     |
|     | 958 555 714 16 OM8 | saddle brown                  | -ME, MH, MI                                   |     |                                     |
|     | 958 555 714 16 OP1 | agate grey                    | -MB, MG, ML                                   |     |                                     |
|     | 958 555 714 16 OB8 | Cohiba Brown                  | -LH   |     |                                     |
|     | 958 555 713 16     | A-pillar trim                 | left lhd                                      |     |                                     |
|     |                    | Carbon                        | lower left                                    |     |                                     |
|     | Lighting           |                               |   |     |                                     |
|     | D - MJ 2012>>      |                               |   |     |                                     |
| (3) | 958 555 713 16 82V | Titan black                   | -LC, LG, MA, MF,<br>TA, TB, YA, YB,<br>YC, 77 | 1   | Turbo S<br>PR:D58, E8A,<br>L0L, 7M8 |
|     | 958 555 713 16 DE1 | Titanium black/umbra          | -LF, YF                                       |     |                                     |
|     | 958 555 713 16 DF2 | Titanium black/tartufo, light | -TY   |     |                                     |
|     | 958 555 713 16 DJ3 | Titanium black/titanium blue  | -TW   |     |                                     |

Model: 92A 11 Model life 2011>>2018

| Pos                | Part Number                         | Description                                   | Remark  | Qty | Model                             |
|--------------------|-------------------------------------|---|---|-----|-----------------------------------|
| (3)                | 958 555 713 16 4H0                  | Titanium black/luxor beige                    | -LE,MC,MK,YE                                  | 1   | Turbo S<br>PR:D58,E8A,<br>L0R,7M8 |
|                    | 958 555 713 16 5J0                  | Titanium black/crema                          | -MJ, TX                                       |     |                                   |
|                    | 958 555 713 16 6L0                  | Titanium black/platinum grey                  | -LD,MD, YD                                    |     |                                   |
|                    | 958 555 713 16 7N0                  | Titanium black/espresso                       | -VA   |     |                                   |
|                    | 958 555 713 16 8P0                  | Titanium black/cognac                         | -VB   |     |                                   |
|                    | 958 555 713 16 OM8                  | saddle brown                                  | -ME, MH, MI                                   |     |                                   |
|                    | 958 555 713 16 OP1                  | agate grey                                    | -MB, MG, ML                                   |     |                                   |
|                    | 958 555 713 16 OB8                  | Cohiba Brown                                  | -LH   |     |                                   |
|                    | 958 555 714 17                      | A-pillar trim                                 | right rhd<br>lower<br>right                   |     |                                   |
|                    |                                     | Carbon<br>Lighting<br>D - MJ 2012>>           |   |     |                                   |
|                    | 958 555 714 17 82V                  | Titan black                                   | -LC, LG, MA, MF,<br>TA, TB, YA, YB,<br>YC, 77 |     |                                   |
|                    | 958 555 714 17 DE1                  | Titanium black/umbra                          | -LF, YF                                       |     |                                   |
|                    | 958 555 714 17 DF2                  | Titanium black/tartufo, light                 | -TY   |     |                                   |
|                    | 958 555 714 17 DJ3                  | Titanium black/titanium blue                  | -TW   |     |                                   |
|                    | 958 555 714 17 4H0                  | Titanium black/luxor beige                    | -LE,MC,MK,YE                                  |     |                                   |
|                    | 958 555 714 17 5J0                  | Titanium black/crema                          | -MJ, TX                                       |     |                                   |
|                    | 958 555 714 17 6L0                  | Titanium black/platinum grey                  | -LD,MD, YD                                    |     |                                   |
| 958 555 714 17 7N0 | Titanium black/espresso             | -VA   |   |     |                                   |
| 958 555 714 17 8P0 | Titanium black/cognac               | -VB   |   |     |                                   |
| 958 555 714 17 OM8 | saddle brown                        | -ME, MH, MI                                   |   |     |                                   |
| 958 555 714 17 OP1 | agate grey                          | -MB, MG, ML                                   |   |     |                                   |
| 958 555 714 17 OB8 | Cohiba Brown                        | -LH   |   |     |                                   |
| (3)                | 958 555 713 17                      | A-pillar trim                                 | left rhd<br>lower<br>left                     | 1   | Turbo S<br>PR:D58,E8A,<br>L0R,7M8 |
|                    | Carbon<br>Lighting<br>D - MJ 2012>> |   |   |     |                                   |
| 958 555 713 17 82V | Titan black                         | -LC, LG, MA, MF,<br>TA, TB, YA, YB,<br>YC, 77 |   |     |                                   |
| 958 555 713 17 DE1 | Titanium black/umbra                | -LF, YF                                       |   |     |                                   |
| 958 555 713 17 DF2 | Titanium black/tartufo, light       | -TY   |   |     |                                   |
| 958 555 713 17 DJ3 | Titanium black/titanium blue        | -TW   |   |     |                                   |
| 958 555 713 17 4H0 | Titanium black/luxor beige          | -LE,MC,MK,YE                                  |   |     |                                   |
| 958 555 713 17 5J0 | Titanium black/crema                | -MJ, TX                                       |   |     |                                   |
| 958 555 713 17 6L0 | Titanium black/platinum grey        | -LD,MD, YD                                    |   |     |                                   |
| 958 555 713 17 7N0 | Titanium black/espresso             | -VA   |   |     |                                   |
| 958 555 713 17 8P0 | Titanium black/cognac               | -VB   |   |     |                                   |
| 958 555 713 17 OM8 | saddle brown                        | -ME, MH, MI                                   |   |     |                                   |
| 958 555 713 17 OP1 | agate grey                          | -MB, MG, ML                                   |   |     |                                   |
| 958 555 713 17 OB8 | Cohiba Brown                        | -LH   |   |     |                                   |
| 4                  | 958 555 656 00                      | Trim<br>plastic                               |   | 2   | PR:7M0                            |
| 958 555 656 00 82V | Titan black                         | -LC, LG, MA, MF,<br>TA, TB, YA, YB,<br>YC, 77 |   |     |                                   |
| 958 555 656 00 DE1 | Umber                               | -LF, YF                                       |   |     |                                   |
| 958 555 656 00 DF2 | Light Tartufo                       | -TY   |   |     |                                   |
| 958 555 656 00 DJ3 | Titanium Blue                       | -TW   |   |     |                                   |
| 958 555 656 00 4H0 | Luxor beige                         | -LE,MC,MK,YE                                  |   |     |                                   |
| 958 555 656 00 5J0 | Cream                               | -MJ, TX                                       |   |     |                                   |
| 958 555 656 00 6L0 | Platinum Grey                       | -LD,MD, YD                                    |   |     |                                   |
| 958 555 656 00 7N0 | Espresso                            | -VA   |   |     |                                   |
| 958 555 656 00 8P0 | Cognac                              | -VB   |   |     |                                   |
| 958 555 656 00 OM8 | saddle brown                        | -ME, MH, MI                                   |   |     |                                   |
| 958 555 656 00 OP1 | agate grey                          | -MB, MG, ML                                   |   |     |                                   |



Model: 92A 11 Model life 2011>>2018

| Pos | Part Number                          | Description  | Remark | Qty | Model  |
|-----|--------------------------------------|--|--------|-----|--|
| (4) | 958 555 656 00 OB8<br>958 555 467 00 | Cohiba Brown<br>trim with inscription<br><br>Porsche Cayenne                             | -LH    | 2   | PR:D34,D43,<br>D50,D1V,D11,<br>D51,DD7,DV7,<br>7M1 |
| (4) | 958 555 467 00 6M7<br>958 555 467 01 | stainless steel<br>trim with inscription<br><br>Cayenne S                                |        | 2   | PR:D19,D6V,<br>DU2,DD8,7M1                         |
| (4) | 958 555 467 01 6M7<br>958 555 467 02 | stainless steel<br>trim with inscription<br><br>Cayenne turbo                            |        | 2   | PR:D58,DT1,<br>7M1                                 |
| (4) | 958 555 467 02 6M7<br>958 555 467 03 | stainless steel<br>trim with inscription<br><br>Cayenne GTS                              |        | 2   | PR:D6V,E0W,<br>7M1                                 |
| (4) | 958 555 467 03 6M7<br>958 555 467 30 | stainless steel<br>trim with inscription<br><br>Cayenne GTS                              |        | 2   | PR:DU3,E0W,<br>7M1                                 |
| (4) | 958 555 467 30 6M7<br>958 555 467 04 | stainless steel<br>trim with inscription<br><br>Cayenne Turbo S                          |        | 2   | PR:D58,DT1,<br>E8A,7M1                             |
| (4) | 958 555 467 04 6M7<br>958 555 467 06 | stainless steel<br>trim with inscription<br>PLATINUM EDITION                             |        | 2   | PR:E0L,7M1   |
| (4) | 958 555 467 06 6M7<br>958 555 467 07 | stainless steel<br>trim with inscription<br><br>Porsche Cayenne                          | with:  | 2   | PR:D11,D34,<br>D43,D50,D51,<br>D1V,DD7,DV7,<br>7M7 |
| (4) | 958 555 467 07 6M7<br>958 555 467 08 | Lighting<br>stainless steel<br>trim with inscription<br><br>Cayenne S                    | with:  | 2   | PR:D19,D6V,<br>DU2,DD8,7M7                         |
| (4) | 958 555 467 08 6M7<br>958 555 467 09 | Lighting<br>stainless steel<br>trim with inscription<br>Cayenne S                        | with:  | 2   | PR:D19,7M7   |
| (4) | 958 555 467 09 6M7<br>958 555 467 10 | Lighting<br>in<br>green<br>stainless steel<br>trim with inscription<br><br>Cayenne turbo | with:  | 2   | PR:D58,DT1,<br>7M7                                 |
| (4) | 958 555 467 10 6M7<br>958 555 467 05 | Lighting<br>stainless steel<br>trim with inscription<br><br>Cayenne GTS                  | with:  | 2   | PR:D6V,DU3,<br>E0W,7M7                             |
| (4) | 958 555 467 05 6M7<br>958 555 467 11 | Lighting<br>stainless steel<br>trim with inscription<br><br>Cayenne Turbo S              |        | 2   | PR:D58,DT1,<br>E8A,7M7                             |

Model: 92A 11

Model life 2011>>2018

| Pos | Part Number                          | Description   | Remark | Qty | Model  |
|-----|--------------------------------------|---|--------|-----|--|
|     |                                      | Lighting with:                                      |        |     |  |
| (4) | 958 555 467 11 6M7<br>958 555 467 12 | stainless steel<br>trim with inscription            |        | 2   | PR:D11,D34,<br>D43,D50,D1V,<br>7M3                 |
|     |                                      | Porsche Cayenne                                     |        |     |  |
| (4) | 958 555 467 12 BX3<br>958 555 467 13 | Carbon<br>trim with inscription                     |        | 2   | PR:D19,D6V,<br>DU2,DD8,7M3                         |
|     |                                      | Cayenne S   |        |     |  |
| (4) | 958 555 467 13 BX3<br>958 555 467 14 | Carbon<br>trim with inscription                     |        | 2   | PR:D58,DT1,<br>E81,7M3                             |
|     |                                      | Cayenne turbo                                       |        |     |  |
| (4) | 958 555 467 14 BX3<br>958 555 467 15 | Carbon<br>trim with inscription                     |        | 2   | PR:D6V,DU3,<br>E0W,7M3                             |
|     |                                      | Cayenne GTS   |        |     |  |
| (4) | 958 555 467 15 BX3<br>958 555 467 16 | Carbon<br>trim with inscription                     |        | 2   | PR:D58,DT5,<br>E8A,7M3                             |
|     |                                      | Cayenne Turbo S                                     |        |     |  |
| (4) | 958 555 467 16 BX3<br>958 555 467 17 | Carbon<br>trim with inscription                     |        | 2   | PR:D11,D34,<br>D43,D50,D51,<br>D1V,DD7,DV7,<br>7M8 |
|     |                                      | Porsche Cayenne                                     |        |     |  |
|     |                                      | Lighting with:                                      |        |     |  |
| (4) | 958 555 467 17 BX3<br>958 555 467 18 | Carbon<br>trim with inscription                     |        | 2   | PR:D19,D6V,<br>DU2,DD8,7M8                         |
|     |                                      | Cayenne S   |        |     |  |
|     |                                      | Lighting with:                                      |        |     |  |
| (4) | 958 555 467 18 BX3<br>958 555 467 19 | Carbon<br>trim with inscription                     |        | 2   | PR:D19,7M8   |
|     |                                      | Cayenne S   |        |     |  |
|     |                                      | Lighting with:                                      |        |     |  |
| (4) | 958 555 467 19 BX3<br>958 555 467 20 | Carbon<br>trim with inscription                     |        | 2   | PR:D58,DT1,<br>E81,7M8                             |
|     |                                      | Cayenne turbo                                       |        |     |  |
|     |                                      | Lighting with:                                      |        |     |  |
| (4) | 958 555 467 20 BX3<br>958 555 467 21 | Carbon<br>trim with inscription                     |        | 2   | PR:D6V,DU3,<br>E0W,7M8                             |
|     |                                      | Cayenne GTS   |        |     |  |
|     |                                      | Lighting with:                                      |        |     |  |
| (4) | 958 555 467 21 BX3<br>958 555 467 22 | Carbon<br>trim with inscription                     |        | 2   | PR:D58,DT5,<br>E8A,7M8                             |
|     |                                      | Cayenne Turbo S                                     |        |     |  |
|     |                                      | Lighting with:                                      |        |     |  |
| 5   | 958 555 467 22 BX3<br>955 555 208 00 | Carbon<br>Clamp                                     |        | X   |  |
| 6   | N 911 604 01                         | Hexagon socket head panel bolt<br>Discontinued part |        | X   |  |

Model: 92A 11 Model life 2011>>2018

| Pos | Part Number        | Description                    | Remark                                  | Qty | Model                                   |
|-----|--------------------|--------------------------------|---|-----|---|
| 6   | N 909 747 01       | Hexagon socket head panel bolt |   | X   |   |
| 7   | 7PP 867 300        | Clip                           |   | X   |   |
| 8   | 958 555 845 00     | Sill trim strip                | left                                    | 1   | PR: 7AC, 7AK, 7AL                       |
|     | 958 555 845 00 82V | B-pillar<br>Titan black        | -LC, LG, MA, MF, TA, TB, YA, YB, YC, 77 |     |   |
|     | 958 555 845 00 DE1 | Umber                          | -LF, YF                                 |     |   |
|     | 958 555 845 00 DF2 | Light Tartufo                  | -TY                                     |     |   |
|     | 958 555 845 00 DJ3 | Titanium Blue                  | -TW                                     |     |   |
|     | 958 555 845 00 4H0 | Luxor beige                    | -LE, MC, MK, YE                         |     |   |
|     | 958 555 845 00 5J0 | Cream                          | -MJ, TX                                 |     |   |
|     | 958 555 845 00 6L0 | Platinum Grey                  | -LD, MD, YD                             |     |   |
|     | 958 555 845 00 7N0 | Espresso                       | -VA                                     |     |   |
|     | 958 555 845 00 8P0 | Cognac                         | -VB                                     |     |   |
|     | 958 555 845 00 OM8 | saddle brown                   | -ME, MH, MI                             |     |   |
|     | 958 555 845 00 OP1 | agate grey                     | -MB, MG, ML                             |     |   |
| (8) | 958 555 845 11     | Sill trim strip                | left                                    | 1   | PR: 7AC, 7AK, 7AL                       |
|     | 958 555 845 11 OB8 | B-pillar<br>Cohiba Brown       | -LH                                     |     |   |
| (8) | 958 555 845 01     | Sill trim strip                | left                                    | 1   | PR: 7AH                                 |
|     | 958 555 845 01 82V | B-pillar<br>Titan black        | -LC, LG, MA, MF, TA, TB, YA, YB, YC, 77 |     |   |
|     | 958 555 845 01 DE1 | Umber                          | -LF, YF                                 |     |   |
|     | 958 555 845 01 DF2 | Light Tartufo                  | -TY                                     |     |   |
|     | 958 555 845 01 DJ3 | Titanium Blue                  | -TW                                     |     |   |
|     | 958 555 845 01 4H0 | Luxor beige                    | -LE, MC, YE, MK                         |     |   |
|     | 958 555 845 01 5J0 | Cream                          | -MJ, TX                                 |     |   |
|     | 958 555 845 01 6L0 | Platinum Grey                  | -LD, MD, YD                             |     |   |
|     | 958 555 845 01 7N0 | Espresso                       | -VA                                     |     |   |
|     | 958 555 845 01 8P0 | Cognac                         | -VB                                     |     |   |
|     | 958 555 845 01 OM8 | saddle brown                   | -ME, MH, MI                             |     |   |
|     | 958 555 845 01 OP1 | agate grey                     | -MB, MG, ML                             |     |   |
| (8) | 958 555 846 00     | Sill trim strip                | right                                   | 1   |   |
|     | 958 555 846 00 82V | B-pillar<br>Titan black        | -LC, LG, MA, MF, TA, TB, YA, YB, YC, 77 |     |   |
|     | 958 555 846 00 DE1 | Umber                          | -LF, YF                                 |     |   |
|     | 958 555 846 00 DF2 | Light Tartufo                  | -TY                                     |     |   |
|     | 958 555 846 00 DJ3 | Titanium Blue                  | -TW                                     |     |   |
|     | 958 555 846 00 4H0 | Luxor beige                    | -LE, MC, YE, MK                         |     |   |
|     | 958 555 846 00 5J0 | Cream                          | -MJ, TX                                 |     |   |
|     | 958 555 846 00 6L0 | Platinum Grey                  | -LD, MD, YD                             |     |   |
|     | 958 555 846 00 7N0 | Espresso                       | -VA                                     |     |   |
|     | 958 555 846 00 8P0 | Cognac                         | -VB                                     |     |   |
|     | 958 555 846 00 OM8 | saddle brown                   | -ME, MH, MI                             |     |   |
|     | 958 555 846 00 OP1 | agate grey                     | -MB, MG, ML                             |     |   |
| (8) | 958 555 846 11     | Sill trim strip                | right                                   | 1   |   |
|     | 958 555 846 11 OB8 | B-pillar<br>Cohiba Brown       | -LH                                     |     |   |
| (8) | 958 555 847 00     | Sill trim strip                | left                                    | 1   | GTS<br>PR: D6V, E0W, 7AC, 7AK, 7AL, 7M7 |
|     |                    | stainless steel                |   |     |   |
|     |                    | Lighting                       |   |     |   |
|     |                    | D - MJ 2012>> - MJ 2013        |   |     |   |
|     |                    | Discontinued part              |   |     |   |
|     | 958 555 847 00 82V | Titan black                    | -LC, MA, YA, YB, YC                     |     |   |
|     | 958 555 847 00 DE1 | Umber                          | -LF, YF                                 |     |   |
|     | 958 555 847 00 DF2 | Light Tartufo                  | -TY                                     |     |   |

Model: 92A 11 Model life 2011>>2018

| Pos | Part Number        | Description                        | Remark                                 | Qty | Model   |
|-----|--------------------|------------------------------------|--|-----|---|
| (8) | 958 555 847 00 DJ3 | Titanium Blue                      | -TW                                    | 1   | GTS<br>PR:D6V,DU3,<br>E0W,7AC,7AK,<br>7AL,7M7 |
|     | 958 555 847 00 4H0 | Luxor beige                        | -LE,MC,YE                              |     |   |
|     | 958 555 847 00 5J0 | Cream                              | -TX                                    |     |   |
|     | 958 555 847 00 6L0 | Platinum Grey                      | -LD,MD,YD                              |     |   |
|     | 958 555 847 00 7N0 | Espresso                           | -VA                                    |     |   |
|     | 958 555 847 00 8P0 | Cognac                             | -VB                                    |     |   |
|     | 958 555 847 01     | Sill trim strip<br>stainless steel | left                                   |     |   |
|     |                    |                                    | with:                                  |     |   |
|     |                    | Lighting                           |  |     |   |
|     |                    | D - MJ 2014>>                      |  |     |   |
|     | 958 555 847 01 82V | Titan black                        | -LC,LG,MA,MF,<br>TA,TB,YA,YB,<br>YC,77 |     |   |
|     | 958 555 847 01 DE1 | Umber                              | -LF,YF                                 |     |   |
|     | 958 555 847 01 DF2 | Light Tartufo                      | -TY                                    |     |   |
|     | 958 555 847 01 DJ3 | Titanium Blue                      | -TW                                    |     |   |
|     | 958 555 847 01 4H0 | Luxor beige                        | -LE,MC,YE,MK                           |     |   |
|     | 958 555 847 01 5J0 | Cream                              | -MJ,TX                                 |     |   |
|     | 958 555 847 01 6L0 | Platinum Grey                      | -LD,MD,YD                              |     |   |
|     | 958 555 847 01 7N0 | Espresso                           | -VA                                    |     |   |
|     | 958 555 847 01 8P0 | Cognac                             | -VB                                    |     |   |
|     | 958 555 847 01 OM8 | saddle brown                       | -ME,MH,MI                              |     |   |
|     | 958 555 847 01 OP1 | agate grey                         | -MB,MG,ML                              |     |   |
| (8) | 958 555 848 00     | Sill trim strip<br>stainless steel | left                                   | 1   | GTS<br>PR:D6V,E0W,<br>7AH,7M7                 |
|     |                    | with:                              |  |     |   |
|     |                    | Lighting                           |  |     |   |
|     |                    | D - MJ 2012>> - MJ 2013            |  |     |   |
|     |                    | Discontinued part                  |  |     |   |
|     | 958 555 848 00 82V | Titan black                        | -LC,MA,YA,YB,<br>YC                    |     |   |
|     | 958 555 848 00 DE1 | Umber                              | -LF,YF                                 |     |   |
|     | 958 555 848 00 DF2 | Light Tartufo                      | -TY                                    |     |   |
|     | 958 555 848 00 DJ3 | Titanium Blue                      | -TW                                    |     |   |
|     | 958 555 848 00 4H0 | Luxor beige                        | -LE,MC,YE                              |     |   |
|     | 958 555 848 00 5J0 | Cream                              | -TX                                    |     |   |
|     | 958 555 848 00 6L0 | Platinum Grey                      | -LD,MD,YD                              |     |   |
|     | 958 555 848 00 7N0 | Espresso                           | -VA                                    |     |   |
|     | 958 555 848 00 8P0 | Cognac                             | -VB                                    |     |   |
| (8) | 958 555 848 01     | Sill trim strip<br>stainless steel | left                                   | 1   | GTS<br>PR:D6V,DU3,<br>E0W,7AH,7M7             |
|     |                    | with:                              |  |     |   |
|     |                    | Lighting                           |  |     |   |
|     |                    | D - MJ 2014>>                      |  |     |   |
|     | 958 555 848 01 82V | Titan black                        | -LC,LG,MA,MF,<br>TA,TB,YA,YB,<br>YC,77 |     |   |
|     | 958 555 848 01 DE1 | Umber                              | -LF,YF                                 |     |   |
|     | 958 555 848 01 DF2 | Light Tartufo                      | -TY                                    |     |   |
|     | 958 555 848 01 DJ3 | Titanium Blue                      | -TW                                    |     |   |
|     | 958 555 848 01 4H0 | Luxor beige                        | -LE,MC,YE,MK                           |     |   |
|     | 958 555 848 01 5J0 | Cream                              | -MJ,TX                                 |     |   |
|     | 958 555 848 01 6L0 | Platinum Grey                      | -LD,MD,YD                              |     |   |
|     | 958 555 848 01 7N0 | Espresso                           | -VA                                    |     |   |
|     | 958 555 848 01 8P0 | Cognac                             | -VB                                    |     |   |
|     | 958 555 848 01 OM8 | saddle brown                       | -ME,MH,MI                              |     |   |
|     | 958 555 848 01 OP1 | agate grey                         | -MB,MG,ML                              |     |   |
| (8) | 958 555 849 00     | Sill trim strip<br>Carbon          | left                                   | 1   | GTS<br>PR:D6V,E0W,<br>7AC,7AK,7AL,<br>7M3     |
|     |                    | with:                              |  |     |   |
|     |                    | D - MJ 2012>> - MJ 2013            |  |     |   |
|     |                    | Discontinued part                  |  |     |   |
|     | 958 555 849 00 82V | Titan black                        | -LC,MA,YA,YB,                          |     |   |

Model: 92A 11 Model life 2011>>2018

| Pos | Part Number        | Description  | Remark  | Qty | Model  |
|-----|--------------------|--|---|-----|--|
|     | 958 555 849 00 DE1 | Umber  | YC<br>-LF, YF                                 |     |  |
|     | 958 555 849 00 DF2 | Light Tartufo  | -TY   |     |  |
|     | 958 555 849 00 DJ3 | Titanium Blue  | -TW   |     |  |
|     | 958 555 849 00 4H0 | Luxor beige  | -LE, MC, YE                                   |     |  |
|     | 958 555 849 00 5J0 | Cream  | -TX   |     |  |
|     | 958 555 849 00 6L0 | Platinum Grey  | -LD, MD, YD                                   |     |  |
|     | 958 555 849 00 7N0 | Espresso   | -VA   |     |  |
|     | 958 555 849 00 8P0 | Cognac   | -VB   |     |  |
| (8) | 958 555 849 01     | Sill trim strip<br>Carbon<br>D - MJ 2014>>   | left  | 1   | GTS<br>PR: D6V, DU3,<br>E0W, 7AC, 7AK,<br>7AL, 7M3 |
|     | 958 555 849 01 82V | Titan black  | -LC, LG, MA, MF,<br>TA, TB, YA, YB,<br>YC, 77 |     |  |
|     | 958 555 849 01 DE1 | Umber  | -LF, YF                                       |     |  |
|     | 958 555 849 01 DF2 | Light Tartufo  | -TY   |     |  |
|     | 958 555 849 01 DJ3 | Titanium Blue  | -TW   |     |  |
|     | 958 555 849 01 4H0 | Luxor beige  | -LE, MC, YE, MK                               |     |  |
|     | 958 555 849 01 5J0 | Cream  | -MJ, TX                                       |     |  |
|     | 958 555 849 01 6L0 | Platinum Grey  | -LD, MD, YD                                   |     |  |
|     | 958 555 849 01 7N0 | Espresso   | -VA   |     |  |
|     | 958 555 849 01 8P0 | Cognac   | -VB   |     |  |
|     | 958 555 849 01 OM8 | saddle brown   | -ME, MH, MI                                   |     |  |
|     | 958 555 849 01 OP1 | agate grey   | -MB, MG, ML                                   |     |  |
| (8) | 958 555 850 00     | Sill trim strip<br>Carbon<br>D - MJ 2012>> - MJ 2013<br>Discontinued part                          | left  | 1   | GTS<br>PR: D6V, E0W,<br>7AH, 7M3                   |
|     | 958 555 850 00 82V | Titan black  | -LC, MA, YA, YB,<br>YC                        |     |  |
|     | 958 555 850 00 DE1 | Umber  | -LF, YF                                       |     |  |
|     | 958 555 850 00 DF2 | Light Tartufo  | -TY   |     |  |
|     | 958 555 850 00 DJ3 | Titanium Blue  | -TW   |     |  |
|     | 958 555 850 00 4H0 | Luxor beige  | -LE, MC, YE                                   |     |  |
|     | 958 555 850 00 5J0 | Cream  | -TX   |     |  |
|     | 958 555 850 00 6L0 | Platinum Grey  | -LD, MD, YD                                   |     |  |
|     | 958 555 850 00 7N0 | Espresso   | -VA   |     |  |
|     | 958 555 850 00 8P0 | Cognac   | -VB   |     |  |
| (8) | 958 555 850 01     | Sill trim strip<br>Carbon<br>D - MJ 2014>>   | left  | 1   | GTS<br>PR: D6V, DU3,<br>E0W, 7AH, 7M3              |
|     | 958 555 850 01 82V | Titan black  | -LC, LG, MA, MF,<br>TA, TB, YA, YB,<br>YC, 77 |     |  |
|     | 958 555 850 01 DE1 | Umber  | -LF, YF                                       |     |  |
|     | 958 555 850 01 DF2 | Light Tartufo  | -TY   |     |  |
|     | 958 555 850 01 DJ3 | Titanium Blue  | -TW   |     |  |
|     | 958 555 850 01 4H0 | Luxor beige  | -LE, MC, YE, MK                               |     |  |
|     | 958 555 850 01 5J0 | Cream  | -MJ, TX                                       |     |  |
|     | 958 555 850 01 6L0 | Platinum Grey  | -LD, MD, YD                                   |     |  |
|     | 958 555 850 01 7N0 | Espresso   | -VA   |     |  |
|     | 958 555 850 01 8P0 | Cognac   | -VB   |     |  |
|     | 958 555 850 01 OM8 | saddle brown   | -ME, MH, MI                                   |     |  |
|     | 958 555 850 01 OP1 | agate grey   | -MB, MG, ML                                   |     |  |
| (8) | 958 555 851 00     | Sill trim strip<br>Carbon<br><br>with:<br>Lighting<br>D - MJ 2012>> - MJ 2013<br>Discontinued part | left  | 1   | GTS<br>PR: D6V, E0W,<br>7AC, 7AK, 7AL,<br>7M8      |
|     | 958 555 851 00 82V | Titan black  | -LC, MA, YA, YB,                              |     |  |

Model: 92A 11 Model life 2011>>2018

| Pos | Part Number        | Description   | Remark  | Qty | Model                                      |
|-----|--------------------|---|---|-----|--|
|     | 958 555 851 00 DE1 | Umber   | YC  |     |  |
|     | 958 555 851 00 DF2 | Light Tartufo   | -LF, YF                                       |     |  |
|     | 958 555 851 00 DJ3 | Titanium Blue   | -TY   |     |  |
|     | 958 555 851 00 4H0 | Luxor beige   | -TW   |     |  |
|     | 958 555 851 00 5J0 | Cream   | -LE, MC, YE                                   |     |  |
|     | 958 555 851 00 6L0 | Platinum Grey   | -TX   |     |  |
|     | 958 555 851 00 7N0 | Espresso  | -LD, MD, YD                                   |     |  |
|     | 958 555 851 00 8P0 | Cognac  | -VA   |     |  |
| (8) | 958 555 851 01     | Sill trim strip<br>Carbon   | -VB   | 1   | GTS  |
|     |                    | with:<br>Lighting<br>D - MJ 2014>>                                | left  |     | PR:D6V, DU3,<br>E0W, 7AC, 7AK,<br>7AL, 7M8 |
|     | 958 555 851 01 82V | Titan black   | -LC, LG, MA, MF,<br>TA, TB, YA, YB,<br>YC, 77 |     |  |
|     | 958 555 851 01 DE1 | Umber   | -LF, YF                                       |     |  |
|     | 958 555 851 01 DF2 | Light Tartufo   | -TY   |     |  |
|     | 958 555 851 01 DJ3 | Titanium Blue   | -TW   |     |  |
|     | 958 555 851 01 4H0 | Luxor beige   | -LE, MC, YE, MK                               |     |  |
|     | 958 555 851 01 5J0 | Cream   | -MJ, TX                                       |     |  |
|     | 958 555 851 01 6L0 | Platinum Grey   | -LD, MD, YD                                   |     |  |
|     | 958 555 851 01 7N0 | Espresso  | -VA   |     |  |
|     | 958 555 851 01 8P0 | Cognac  | -VB   |     |  |
|     | 958 555 851 01 OM8 | saddle brown  | -ME, MH, MI                                   |     |  |
| (8) | 958 555 851 01 OP1 | agate grey  | -MB, MG, ML                                   | 1   | GTS  |
|     | 958 555 852 00     | Sill trim strip<br>Carbon   | left  |     | PR:D6V, E0W,<br>7AH, 7M8                   |
|     |                    | with:<br>Lighting<br>D - MJ 2012>> - MJ 2013<br>Discontinued part |   |     |  |
|     | 958 555 852 00 82V | Titan black   | -LC, MA, YA, YB,<br>YC                        |     |  |
|     | 958 555 852 00 DE1 | Umber   | -LF, YF                                       |     |  |
|     | 958 555 852 00 DF2 | Light Tartufo   | -TY   |     |  |
|     | 958 555 852 00 DJ3 | Titanium Blue   | -TW   |     |  |
|     | 958 555 852 00 4H0 | Luxor beige   | -LE, MC, YE                                   |     |  |
|     | 958 555 852 00 5J0 | Cream   | -TX   |     |  |
|     | 958 555 852 00 6L0 | Platinum Grey   | -LD, MD, YD                                   |     |  |
|     | 958 555 852 00 7N0 | Espresso  | -VA   |     |  |
|     | 958 555 852 00 8P0 | Cognac  | -VB   |     |  |
| (8) | 958 555 852 01     | Sill trim strip<br>Carbon   | left  | 1   | GTS  |
|     |                    | with:<br>Lighting<br>D - MJ 2014>>                                |   |     | PR:D6V, DU3,<br>E0W, 7AH, 7M8              |
|     | 958 555 852 01 82V | Titan black   | -LC, LG, MA, MF,<br>TA, TB, YA, YB,<br>YC, 77 |     |  |
|     | 958 555 852 01 DE1 | Umber   | -LF, YF                                       |     |  |
|     | 958 555 852 01 DF2 | Light Tartufo   | -TY   |     |  |
|     | 958 555 852 01 DJ3 | Titanium Blue   | -TW   |     |  |
|     | 958 555 852 01 4H0 | Luxor beige   | -LE, MC, YE, MK                               |     |  |
|     | 958 555 852 01 5J0 | Cream   | -MJ, TX                                       |     |  |
|     | 958 555 852 01 6L0 | Platinum Grey   | -LD, MD, YD                                   |     |  |
|     | 958 555 852 01 7N0 | Espresso  | -VA   |     |  |
|     | 958 555 852 01 8P0 | Cognac  | -VB   |     |  |
|     | 958 555 852 01 OM8 | saddle brown  | -ME, MH, MI                                   |     |  |
|     | 958 555 852 01 OP1 | agate grey  | -MB, MG, ML                                   |     |  |
| (8) | 958 555 853 00     | Sill trim strip<br>stainless steel                                | right   | 1   | GTS  |
|     |                    |   |   |     | PR:D6V, E0W,                               |

Model: 92A 11 Model life 2011>>2018

| Pos | Part Number        | Description   | Remark  | Qty | Model                           |
|-----|--------------------|---|---|-----|---------------------------------|
|     |                    | with:<br>Lighting<br>D - MJ 2012>> - MJ 2013<br>Discontinued part |   |     | 7M7                             |
|     | 958 555 853 00 82V | Titan black   | -LC,MA, YA, YB,<br>YC                         |     |                                 |
|     | 958 555 853 00 DE1 | Umber   | -LF, YF                                       |     |                                 |
|     | 958 555 853 00 DF2 | Light Tartufo   | -TY   |     |                                 |
|     | 958 555 853 00 DJ3 | Titanium Blue   | -TW   |     |                                 |
|     | 958 555 853 00 4H0 | Luxor beige   | -LE, MC, YE                                   |     |                                 |
|     | 958 555 853 00 5J0 | Cream   | -TX   |     |                                 |
|     | 958 555 853 00 6L0 | Platinum Grey   | -LD, MD, YD                                   |     |                                 |
|     | 958 555 853 00 7N0 | Espresso  | -VA   |     |                                 |
|     | 958 555 853 00 8P0 | Cognac  | -VB   |     |                                 |
| (8) | 958 555 853 01     | Sill trim strip<br>stainless steel                                | right   | 1   | GTS<br>PR:D6V, DU3,<br>E0W, 7M7 |
|     |                    | with:<br>Lighting<br>D >> - MJ 2014                               |   |     |                                 |
|     | 958 555 853 01 82V | Titan black   | -LC, LG, MA, MF,<br>TA, TB, YA, YB,<br>YC, 77 |     |                                 |
|     | 958 555 853 01 DE1 | Umber   | -LF, YF                                       |     |                                 |
|     | 958 555 853 01 DF2 | Light Tartufo   | -TY   |     |                                 |
|     | 958 555 853 01 DJ3 | Titanium Blue   | -TW   |     |                                 |
|     | 958 555 853 01 4H0 | Luxor beige   | -LE, MC, YE, MK                               |     |                                 |
|     | 958 555 853 01 5J0 | Cream   | -MJ, TX                                       |     |                                 |
|     | 958 555 853 01 6L0 | Platinum Grey   | -LD, MD, YD                                   |     |                                 |
|     | 958 555 853 01 7N0 | Espresso  | -VA   |     |                                 |
|     | 958 555 853 01 8P0 | Cognac  | -VB   |     |                                 |
|     | 958 555 853 01 OM8 | saddle brown  | -ME, MH, MI                                   |     |                                 |
|     | 958 555 853 01 OP1 | agate grey  | -MB, MG, ML                                   |     |                                 |
| (8) | 958 555 853 02     | Sill trim strip<br>stainless steel                                | right   | 1   | GTS<br>PR:DU3, E0W,<br>7M7      |
|     |                    | with:<br>Lighting<br>D - MJ 2015>>                                |   |     |                                 |
|     | 958 555 853 02 OB8 | Cohiba Brown  | -LH   |     |                                 |
|     | 958 555 853 02 5J0 | Cream   | -MJ   |     |                                 |
|     | 958 555 853 02 7N0 | Espresso  | -VA   |     |                                 |
|     | 958 555 853 02 8P0 | Cognac  | -VB   |     |                                 |
|     | 958 555 853 02 4H0 | Luxor beige   | -LE, MC, MK, YE                               |     |                                 |
|     | 958 555 853 02 82V | Titan black   | -LC, LG, MA, MF,<br>TA, YA, YC, 77            |     |                                 |
|     | 958 555 853 02 OM8 | saddle brown  | -ME, MH, MI                                   |     |                                 |
|     | 958 555 853 02 OP1 | agate grey  | -MB, MG, ML                                   |     |                                 |
| (8) | 958 555 854 00     | Sill trim strip<br>Carbon   | right   | 1   | GTS<br>PR:D6V, E0W,<br>7M3      |
|     |                    | with:<br>D - MJ 2012>> - MJ 2013<br>Discontinued part             |   |     |                                 |
|     | 958 555 854 00 82V | Titan black   | -LC, MA, YA, YB,<br>YC                        |     |                                 |
|     | 958 555 854 00 DE1 | Umber   | -LF, YF                                       |     |                                 |
|     | 958 555 854 00 DF2 | Light Tartufo   | -TY   |     |                                 |
|     | 958 555 854 00 DJ3 | Titanium Blue   | -TW   |     |                                 |
|     | 958 555 854 00 4H0 | Luxor beige   | -LE, MC, YE                                   |     |                                 |
|     | 958 555 854 00 5J0 | Cream   | -TX   |     |                                 |
|     | 958 555 854 00 6L0 | Platinum Grey   | -LD, MD, YD                                   |     |                                 |
|     | 958 555 854 00 7N0 | Espresso  | -VA   |     |                                 |
|     | 958 555 854 00 8P0 | Cognac  | -VB   |     |                                 |
| (8) | 958 555 854 01     | Sill trim strip<br>Carbon   | right   | 1   | GTS<br>PR:D6V, DU3,<br>E0W, 7M3 |
|     |                    | with:<br>D - MJ 2014>>  |   |     |                                 |

Model: 92A 11 Model life 2011>>2018

| Pos                | Part Number        | Description                             | Remark  | Qty     | Model                         |
|--------------------|--------------------|---|---|---------|-------------------------------|
| (8)                | 958 555 854 01 82V | Titan black                             | -LC, LG, MA, MF, TA, TB, YA, YB, YC, 77                           | 1       | GTS<br>PR: D6V, E0W, 7M8      |
|                    | 958 555 854 01 DE1 | Umber                                   | -LF, YF   |         |                               |
|                    | 958 555 854 01 DF2 | Light Tartufo                           | -TY   |         |                               |
|                    | 958 555 854 01 DJ3 | Titanium Blue                           | -TW   |         |                               |
|                    | 958 555 854 01 4H0 | Luxor beige                             | -LE, MC, YE, MK   |         |                               |
|                    | 958 555 854 01 5J0 | Cream                                   | -MJ, TX   |         |                               |
|                    | 958 555 854 01 6L0 | Platinum Grey                           | -LD, MD, YD   |         |                               |
|                    | 958 555 854 01 7N0 | Espresso                                | -VA   |         |                               |
|                    | 958 555 854 01 8P0 | Cognac                                  | -VB   |         |                               |
|                    | 958 555 854 01 OM8 | saddle brown                            | -ME, MH, MI   |         |                               |
|                    | 958 555 854 01 OP1 | agate grey                              | -MB, MG, ML   |         |                               |
|                    | 958 555 855 00     | Sill trim strip<br>Carbon               | right   |         |                               |
|                    |                    |   | with:<br>Lighting<br>D - MJ 2012>> - MJ 2013<br>Discontinued part |         |                               |
|                    | 958 555 855 00 82V | Titan black                             | -LC, MA, YA, YB, YC   |         |                               |
|                    | 958 555 855 00 DE1 | Umber                                   | -LF, YF   |         |                               |
|                    | 958 555 855 00 DF2 | Light Tartufo                           | -TY   |         |                               |
| 958 555 855 00 DJ3 | Titanium Blue      | -TW                                     |   |         |                               |
| 958 555 855 00 4H0 | Luxor beige        | -LE, MC, YE                             |   |         |                               |
| 958 555 855 00 5J0 | Cream              | -TX                                     |   |         |                               |
| 958 555 855 00 6L0 | Platinum Grey      | -LD, MD, YD                             |   |         |                               |
| 958 555 855 00 7N0 | Espresso           | -VA                                     |   |         |                               |
| 958 555 855 00 8P0 | Cognac             | -VB                                     |   |         |                               |
| (8)                | 958 555 855 01     | Sill trim strip<br>Carbon               | right   | 1       | GTS<br>PR: D6V, DU3, E0W, 7M8 |
|                    |                    | with:<br>Lighting<br>D - MJ 2014>>      |   |         |                               |
| 958 555 855 01 82V | Titan black        | -LC, LG, MA, MF, TA, TB, YA, YB, YC, 77 | 1   | PR: 7M0 |                               |
| 958 555 855 01 DE1 | Umber              | -LF, YF                                 |   |         |                               |
| 958 555 855 01 DF2 | Light Tartufo      | -TY                                     |   |         |                               |
| 958 555 855 01 DJ3 | Titanium Blue      | -TW                                     |   |         |                               |
| 958 555 855 01 4H0 | Luxor beige        | -LE, MC, YE, MK                         |   |         |                               |
| 958 555 855 01 5J0 | Cream              | -MJ, TX                                 |   |         |                               |
| 958 555 855 01 6L0 | Platinum Grey      | -LD, MD, YD                             |   |         |                               |
| 958 555 855 01 7N0 | Espresso           | -VA                                     |   |         |                               |
| 958 555 855 01 8P0 | Cognac             | -VB                                     |   |         |                               |
| 958 555 855 01 OM8 | saddle brown       | -ME, MH, MI                             |   |         |                               |
| 958 555 855 01 OP1 | agate grey         | -MB, MG, ML                             |   |         |                               |
| 9                  | 958 555 793 00     | Trim<br>plastic                         |   |         | left                          |
| 958 555 793 00 82V | Titan black        |   |   |         |                               |
| 958 555 793 00 6L0 | Platinum Grey      |   |   |         |                               |
| 958 555 793 00 4H0 | Luxor beige        |   |   |         |                               |
| 958 555 793 00 DE1 | Umber              |   |   |         |                               |
| 958 555 793 00 DF2 | Light Tartufo      |   |   |         |                               |
| 958 555 793 00 DJ3 | Titanium Blue      |   |   |         |                               |
| 958 555 793 00 5J0 | Cream              |   |   |         |                               |
| 958 555 793 00 7N0 | Espresso           |   |   |         |                               |
| 958 555 793 00 8P0 | Cognac             |   |   |         |                               |
| 958 555 793 00 OP1 | agate grey         |   |   |         |                               |
| 958 555 793 00 OB8 | agate grey         |   |   |         |                               |
| (9)                | 958 555 794 00     | Trim<br>plastic                         | right   | 1       | PR: 7M0                       |
| 958 555 794 00 82V | Titan black        |   |   |         |                               |



Model: 92A 11 Model life 2011>>2018

| Pos | Part Number        | Description                    | Remark | Qty | Model  |
|-----|--------------------|--------------------------------|--------|-----|--|
|     | 958 555 794 00 6L0 | Platinum Grey                  |        |     |  |
|     | 958 555 794 00 4H0 | Luxor beige                    |        |     |  |
|     | 958 555 794 00 DE1 | Umber                          |        |     |  |
|     | 958 555 794 00 DF2 | Light Tartufo                  |        |     |  |
|     | 958 555 794 00 DJ3 | Titanium Blue                  |        |     |  |
|     | 958 555 794 00 5J0 | Cream                          |        |     |  |
|     | 958 555 794 00 7N0 | Espresso                       |        |     |  |
|     | 958 555 794 00 8P0 | Cognac                         |        |     |  |
|     | 958 555 794 00 OP1 | agate grey                     |        |     |  |
|     | 958 555 794 00 OB8 | agate grey                     |        |     |  |
| (9) | 958 555 793 01     | Trim                           | left   | 1   | PR:7M1   |
| (9) | 958 555 793 01 6M7 | stainless steel                |        |     |  |
| (9) | 958 555 793 06     | Trim                           | left   | 1   | PR:D11,D34,<br>D43,D50,D51,<br>D1V,DD7,7M7,<br>DV7 |
|     |                    | inscription<br>Porsche Cayenne |        |     |  |
|     |                    | with:                          |        |     |  |
|     |                    | Lighting                       |        |     |  |
| (9) | 958 555 793 06 6M7 | stainless steel                |        |     |  |
| (9) | 958 555 793 07     | Trim                           | left   | 1   | PR:D19,D6V,<br>DU2,DD8,7M7                         |
|     |                    | inscription<br>Cayenne S       |        |     |  |
|     |                    | with:                          |        |     |  |
|     |                    | Lighting                       |        |     |  |
| (9) | 958 555 793 07 6M7 | stainless steel                |        |     |  |
| (9) | 958 555 793 08     | Trim                           | left   | 1   | PR:D58,DT1,<br>7M7                                 |
|     |                    | inscription<br>Cayenne turbo   |        |     |  |
|     |                    | with:                          |        |     |  |
|     |                    | Lighting                       |        |     |  |
| (9) | 958 555 793 08 6M7 | stainless steel                |        |     |  |
| (9) | 958 555 793 18     | Trim                           | left   | 1   | PR:7M7   |
|     |                    | inscription<br>Cayenne Turbo S |        |     |  |
|     |                    | with:                          |        |     |  |
|     |                    | Lighting                       |        |     |  |
| (9) | 958 555 793 18 6M7 | stainless steel                |        |     |  |
| (9) | 958 555 793 05     | Trim                           | left   | 1   | PR:D6V,DU3,<br>E0W,7M7                             |
|     |                    | inscription<br>Cayenne GTS     |        |     |  |
|     |                    | with:                          |        |     |  |
|     |                    | Lighting                       |        |     |  |
| (9) | 958 555 793 05 6M7 | stainless steel                |        |     |  |
| (9) | 958 555 793 09     | Trim                           | left   | 1   | PR:D11,D34,<br>D43,D50,D51,<br>D1V,DD7,7M3,<br>DV7 |
|     |                    | inscription<br>Porsche Cayenne |        |     |  |
| (9) | 958 555 793 09 BX3 | Carbon                         |        |     |  |
| (9) | 958 555 793 10     | Trim                           | left   | 1   | PR:D19,D6V,<br>DU2,DD8,7M3                         |
|     |                    | inscription<br>Cayenne S       |        |     |  |
| (9) | 958 555 793 10 BX3 | Carbon                         |        |     |  |
| (9) | 958 555 793 11     | Trim                           | left   | 1   | PR:D58,DT1,<br>7M3                                 |
|     |                    | inscription<br>Cayenne turbo   |        |     |  |
| (9) | 958 555 793 11 BX3 | Carbon                         |        |     |  |
| (9) | 958 555 793 19     | Trim                           | left   | 1   | PR:7M3   |
|     |                    | inscription                    |        |     |  |

Model: 92A 11 Model life 2011>>2018

| Pos | Part Number                          | Description   | Remark        | Qty | Model  |
|-----|--------------------------------------|---|---------------|-----|--|
| (9) | 958 555 793 19 BX3<br>958 555 793 12 | Cayenne Turbo S<br>Carbon<br>Trim<br><br>inscription<br>Cayenne GTS | left          | 1   | PR:D19,DU3,<br>E0W,7M3                             |
| (9) | 958 555 793 12 BX3<br>958 555 793 13 | Carbon<br>Trim<br><br>inscription<br>Porsche Cayenne                | left          | 1   | PR:D11,D34,<br>D43,D50,D51,<br>D1V,DD7,7M8,<br>DV7 |
| (9) | 958 555 793 13 BX3<br>958 555 793 14 | Carbon<br>Trim<br><br>inscription<br>Cayenne S                      | left          | 1   | PR:D19,D6V,<br>DU2,DD8,7M8                         |
| (9) | 958 555 793 14 BX3<br>958 555 793 15 | Carbon<br>Trim<br><br>inscription<br>Cayenne turbo                  | left          | 1   | PR:D58,DT1,<br>7M8                                 |
| (9) | 958 555 793 15 BX3<br>958 555 793 18 | Carbon<br>Trim<br><br>inscription<br>Cayenne Turbo S                | left          | 1   | PR:7M8   |
| (9) | 958 555 793 18 BX3<br>958 555 793 16 | Carbon<br>Trim<br><br>inscription<br>Cayenne GTS                    | left          | 1   | PR:D19,DU3,<br>E0W,7M8                             |
| (9) | 958 555 793 16 BX3<br>958 555 793 17 | Carbon<br>Trim<br><br>inscription<br>Cayenne S                      | left          | 1   | PR:D19,7M7   |
| (9) | 958 555 793 17 6M7<br>958 555 794 17 | Brushed stainless steel<br>Trim<br><br>inscription<br>Cayenne S     | right<br>left | 1   | PR:D19,7M7   |
| (9) | 958 555 794 17 6M7<br>958 555 794 01 | Brushed stainless steel<br>Trim                                     | right         | 1   | PR:7M1   |
| (9) | 958 555 794 01 6M7<br>958 555 794 06 | stainless steel<br>Trim<br><br>inscription                          | right         | 1   | PR:D11,D34,<br>D43,D50,D51,<br>D1V,DD7,7M7,        |

Model: 92A 11 Model life 2011>>2018

| Pos | Part Number        | Description                 | Remark | Qty | Model                                     |
|-----|--------------------|-----------------------------|--------|-----|---|
|     |                    | Porsche Cayenne             |        |     | DV7                                       |
|     |                    | with:                       |        |     |   |
| (9) | 958 555 794 06 6M7 | Lighting stainless steel    |        |     |   |
|     | 958 555 794 07     | Trim                        | right  | 1   | PR:D19,D6V, DU2,DD8,7M7                   |
|     |                    | inscription Cayenne S       |        |     |   |
|     |                    | with:                       |        |     |   |
| (9) | 958 555 794 07 6M7 | Lighting stainless steel    |        |     |   |
|     | 958 555 794 08     | Trim                        | right  | 1   | PR:D58,DT1, 7M7                           |
|     |                    | inscription Cayenne turbo   |        |     |   |
|     |                    | with:                       |        |     |   |
| (9) | 958 555 794 08 6M7 | Lighting stainless steel    |        |     |   |
|     | 958 555 794 18     | Trim                        | right  | 1   | PR:7M7                                    |
|     |                    | inscription Cayenne Turbo S |        |     |   |
|     |                    | with:                       |        |     |   |
| (9) | 958 555 794 18 6M7 | Lighting stainless steel    |        |     |   |
|     | 958 555 794 05     | Trim                        | right  | 1   | PR:D6V,DU3, E0W,7M7                       |
|     |                    | inscription Cayenne GTS     |        |     |   |
|     |                    | with:                       |        |     |   |
| (9) | 958 555 794 05 6M7 | Lighting stainless steel    |        |     |   |
|     | 958 555 794 09     | Trim                        | right  | 1   | PR:D11,D34, D43,D50,D51, D1V,DD7,7M3, DV7 |
|     |                    | inscription Porsche Cayenne |        |     |   |
| (9) | 958 555 794 09 BX3 | Carbon                      |        |     |   |
|     | 958 555 794 10     | Trim                        | right  | 1   | PR:D19,D6V, DU2,DD8,7M3                   |
|     |                    | inscription Cayenne S       |        |     |   |
| (9) | 958 555 794 10 BX3 | Carbon                      |        |     |   |
|     | 958 555 794 11     | Trim                        | right  | 1   | PR:D58,DT1, 7M3                           |
|     |                    | inscription Cayenne turbo   |        |     |   |
| (9) | 958 555 794 11 BX3 | Carbon                      |        |     |   |
|     | 958 555 794 19     | Trim                        | right  | 1   | PR:7M3                                    |
|     |                    | inscription Cayenne Turbo S |        |     |   |
| (9) | 958 555 794 19 BX3 | Carbon                      |        |     |   |
|     | 958 555 794 12     | Trim                        | right  | 1   | PR:D6V,DU3, E0W,7M3                       |
|     |                    | inscription Cayenne GTS     |        |     |   |
| (9) | 958 555 794 12 BX3 | Carbon                      |        |     |   |
|     | 958 555 794 13     | Trim                        | right  | 1   | PR:D11,D34, D43,D50,D51, D1V,DD7,7M8, DV7 |
|     |                    | inscription Porsche Cayenne |        |     |   |
|     |                    | with:                       |        |     |   |
| (9) | 958 555 794 13 BX3 | Lighting Carbon             |        |     |   |
|     | 958 555 794 14     | Trim                        | right  | 1   | PR:D19,D6V,                               |

Model: 92A 11 Model life 2011>>2018

| Pos  | Part Number        | Description                    | Remark  | Qty | Model                  |
|------|--------------------|--------------------------------|---|-----|------------------------|
|      |                    | inscription<br>Cayenne S       |   |     | DU2, DD8, 7M8          |
|      |                    | with:                          |   |     |                        |
|      |                    | Lighting                       |   |     |                        |
|      | 958 555 794 14 BX3 | Carbon                         |   |     |                        |
| (9)  | 958 555 794 15     | Trim                           | left<br>right                                 | 1   | PR:D58,DT1,<br>7M8     |
|      |                    | inscription<br>Cayenne turbo   |   |     |                        |
|      |                    | with:                          |   |     |                        |
|      |                    | Lighting                       |   |     |                        |
|      | 958 555 794 15 BX3 | Carbon                         |   |     |                        |
| (9)  | 958 555 794 18     | Trim                           | right   | 1   | PR:7M8                 |
|      |                    | inscription<br>Cayenne Turbo S |   |     |                        |
|      |                    | with:                          |   |     |                        |
|      |                    | Lighting                       |   |     |                        |
|      | 958 555 794 18 BX3 | Carbon                         |   |     |                        |
| (9)  | 958 555 794 16     | Trim                           | right   | 1   | PR:D6V,DU3,<br>E0W,7M8 |
|      |                    | inscription<br>Cayenne GTS     |   |     |                        |
|      |                    | with:                          |   |     |                        |
|      |                    | Lighting                       |   |     |                        |
|      | 958 555 794 16 BX3 | Carbon                         |   |     |                        |
| (9)  | 958 555 793 17     | Trim                           | left<br>right                                 | 1   | PR:D19,7M8             |
|      |                    | inscription<br>Cayenne S       |   |     |                        |
|      |                    | with:                          |   |     |                        |
|      |                    | Lighting<br>in<br>green        |   |     |                        |
|      | 958 555 793 17 BX3 | Carbon, fine high-gloss        |   |     |                        |
| (9)  | 958 555 794 17     | Trim                           | right   | 1   | PR:D19,7M8             |
|      |                    | inscription<br>Cayenne S       |   |     |                        |
|      |                    | with:                          |   |     |                        |
|      |                    | Lighting<br>in<br>green        |   |     |                        |
|      | 958 555 794 17 BX3 | Carbon, fine high-gloss        |   |     |                        |
| 10   | 958 555 191 00     | Bracket                        | left  | 1   |                        |
|      |                    | Trim                           |   |     |                        |
|      |                    | Wheel housing                  |   |     |                        |
| (10) | 958 555 192 00     | Bracket                        | right   | 1   |                        |
|      |                    | Trim                           |   |     |                        |
|      |                    | Wheel housing                  |   |     |                        |
| 11   | N 016 197 3        | Pop rivet<br>4x6               |   | 3   |                        |
| 12   | 958 555 765 00     | C-pillar trim                  | left<br>rear                                  | 1   |                        |
|      |                    | Wheel housing                  |   |     |                        |
|      | 958 555 765 00 82V | Titan black                    | -LC, LG, MA, MF,<br>TA, TB, YA, YB,<br>YC, 77 |     |                        |
|      | 958 555 765 00 DE1 | Umber                          | -LF, YF                                       |     |                        |
|      | 958 555 765 00 DF2 | Light Tartufo                  | -TY   |     |                        |
|      | 958 555 765 00 DJ3 | Titanium Blue                  | -TW   |     |                        |
|      | 958 555 765 00 4H0 | Luxor beige                    | -LE, MC, YE, MK                               |     |                        |
|      | 958 555 765 00 5J0 | Cream                          | -MJ, TX                                       |     |                        |
|      | 958 555 765 00 6L0 | Platinum Grey                  | -LD, MD, YD                                   |     |                        |

Model: 92A 11 Model life 2011>>2018

| Pos  | Part Number        | Description   | Remark  | Qty | Model  |
|------|--------------------|---|---|-----|--------|
|      | 958 555 765 00 7N0 | Espresso  | -VA   |     |        |
|      | 958 555 765 00 8P0 | Cognac  | -VB   |     |        |
|      | 958 555 765 00 OM8 | saddle brown  | -ME, MH, MI                                     |     |        |
|      | 958 555 765 00 OP1 | agate grey  | -MB, MG, ML                                     |     |        |
|      | 958 555 765 00 OB8 | Cohiba Brown  | -LH   |     |        |
|      | 958 555 765 00 NX1 | Black/light grey  | -TP   |     |        |
|      | 958 555 765 00 3G4 | Natural brown   | -TQ   |     |        |
| (12) | 958 555 766 00     | C-pillar trim   | right<br>rear                                   | 1   |        |
|      |                    | Wheel housing   |   |     |        |
|      | 958 555 766 00 82V | Titan black   | -LC, LG, MA, MF,<br>TA, TB, YA, YB,<br>YC, 77   |     |        |
|      | 958 555 766 00 DE1 | Umber   | -LF, YF   |     |        |
|      | 958 555 766 00 DF2 | Light Tartufo   | -TY   |     |        |
|      | 958 555 766 00 DJ3 | Titanium Blue   | -TW   |     |        |
|      | 958 555 766 00 4H0 | Luxor beige   | -LE, MC, YE, MK                                 |     |        |
|      | 958 555 766 00 5J0 | Cream   | -MJ, TX   |     |        |
|      | 958 555 766 00 6L0 | Platinum Grey   | -LD, MD, YD                                     |     |        |
|      | 958 555 766 00 7N0 | Espresso  | -VA   |     |        |
|      | 958 555 766 00 8P0 | Cognac  | -VB   |     |        |
|      | 958 555 766 00 OM8 | saddle brown  | -ME, MH, MI                                     |     |        |
|      | 958 555 766 00 OP1 | agate grey  | -MB, MG, ML                                     |     |        |
|      | 958 555 766 00 OB8 | Cohiba Brown  | -LH   |     |        |
| (12) | 958 555 766 01     | C-pillar trim   | right<br>rear                                   | 1   |        |
|      |                    | Wheel housing   |   |     |        |
|      |                    | Spare wheel<br>in   |   |     |        |
|      |                    | Luggage compartment   |   |     |        |
|      | 958 555 766 01 82V | Titan black   | -LC, MA   |     |        |
|      | 958 555 766 01 DE1 | Umber   | -LF   |     |        |
|      | 958 555 766 01 DF2 | Light Tartufo   | -TY   |     |        |
|      | 958 555 766 01 DJ3 | Titanium Blue   | -TW   |     |        |
|      | 958 555 766 01 4H0 | Luxor beige   | -LE, MC   |     |        |
|      | 958 555 766 01 5J0 | Cream   | -TX   |     |        |
|      | 958 555 766 01 6L0 | Platinum Grey   | -LD, MD   |     |        |
|      | 958 555 766 01 7N0 | Espresso  | -VA   |     |        |
|      | 958 555 766 01 8P0 | Cognac  | -VB   |     |        |
| 13   | 955 551 852 00     | Bracket   |   | 1   | PR:BOL |
|      |                    | Warning light   |   |     | "J.."  |
| 14   | WHT 004 083        | fillister hd. bolt<br>4,0 X 36,5                            |   | 2   | PR:BOL |
|      |                    |   |   |     | "J.."  |
| 15   | N 912 421 01       | Pop rivet<br>Mount<br>B-pillar<br>Trim                      |   | 1   |        |
|      |                    | use if required:  | 958 867 159 00<br>958 867 160 00<br>WHT 007 531 |     |        |
| 15   | WHT 007 743        | Discontinued part<br>Pop rivet<br>Mount<br>B-pillar<br>Trim |   | 1   |        |
|      |                    | use if required:  | 958 867 159 00<br>958 867 160 00<br>WHT 007 531 |     |        |
| 16   | 958 867 159 00     | Retaining plate<br>Mount<br>B-pillar<br>Trim                | left  | 1   |        |
| (16) | 958 867 160 00     | Retaining plate   | right   | 1   |        |

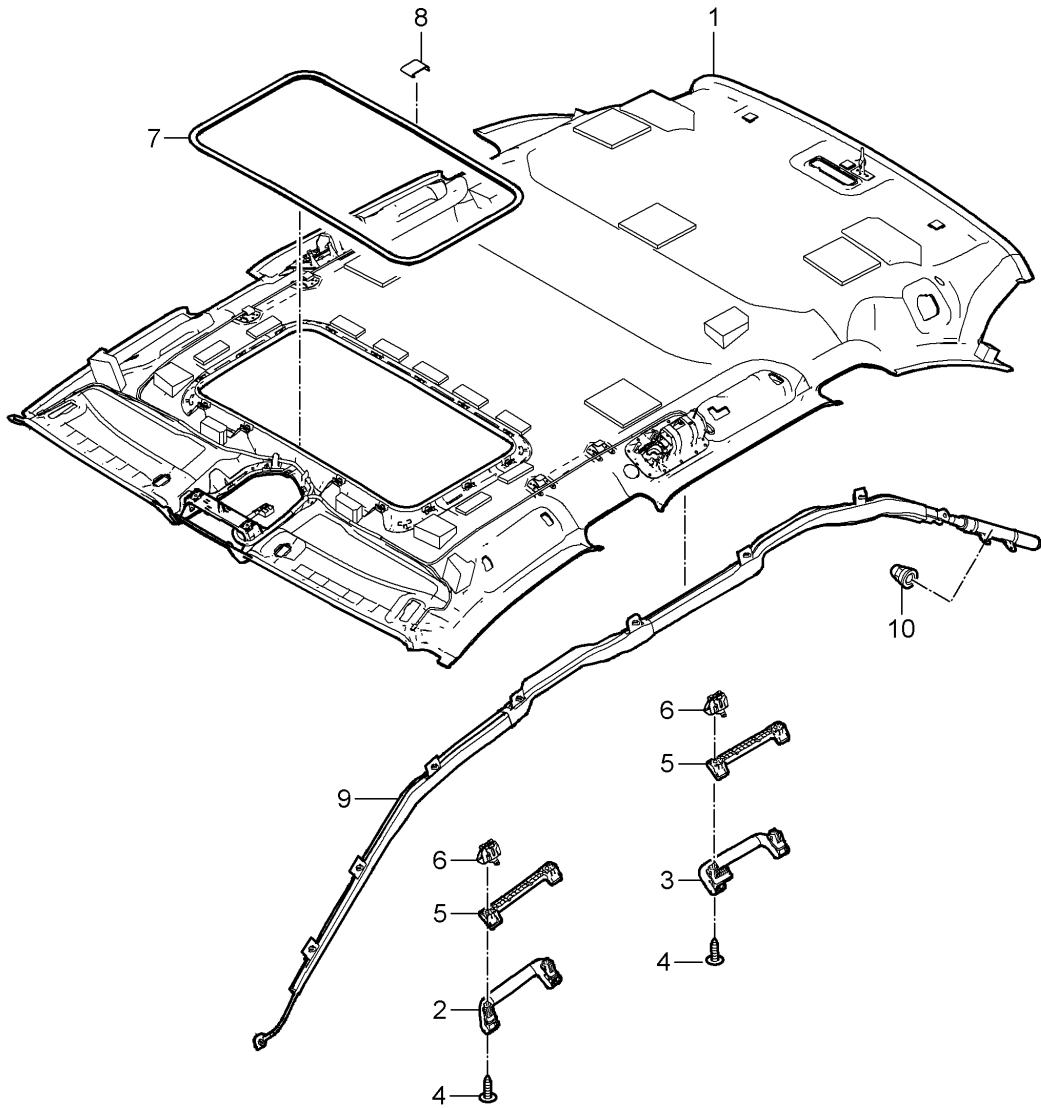
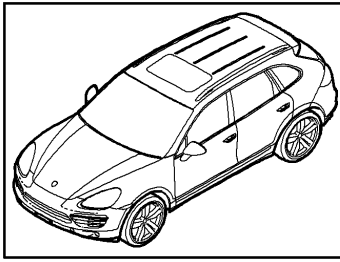
Model: 92A 11

Model life 2011&gt;&gt;2018

| Pos | Part Number | Description               | Remark | Qty | Model |
|-----|-------------|---------------------------|--------|-----|-------|
|     |             | Mount<br>B-pillar<br>Trim |        |     |       |

Model: 92A 11

Model life 2011>>2018



Model: 92A 11 Model life 2011>>2018

| Pos | Part Number        | Description  | Remark   | Qty | Model                           |
|-----|--------------------|--|--|-----|---------------------------------|
| 1   | 958 555 502 02     | roof trim<br>Head airbag unit<br>and<br>Accessories              |  | 1   | PR: 3FA, 6NG,<br>6NJ            |
|     | 958 555 502 02 6F2 | Black  | -LC, LG, LH, MA,<br>MF, MI, TA, TB,<br>TW, YA, YB, YC,<br>77 |     |                                 |
|     | 958 555 502 02 DE1 | Umber  | -LF, TX, TY, YF  |     |                                 |
|     | 958 555 502 02 4F7 | Espresso   | -VA, VB  |     |                                 |
|     | 958 555 502 02 7F3 | Luxor beige  | -LE, MC, YE  |     |                                 |
|     | 958 555 502 02 9F1 | Platinum Grey  | -LD, MD, YD  |     |                                 |
|     | 958 555 502 02 CH6 | saddle brown   | -ME, MH, MJ, MK  |     |                                 |
|     | 958 555 502 02 DR7 | agate grey   | -MB, MG, ML  |     |                                 |
| (1) | 958 555 504 02     | Reading light<br>and<br>Retainer plate<br>order at the same time |  | 1   | PR: 3FE, 6NG,<br>6NJ            |
|     | 958 555 504 02 6F2 | Black  | -LC, LG, LH, MA,<br>MF, MI, TA, TB,<br>TW, YA, YB, YC,<br>77 |     |                                 |
|     | 958 555 504 02 DE1 | Umber  | -LF, TX, TY, YF  |     |                                 |
|     | 958 555 504 02 4F7 | Espresso   | -VA, VB  |     |                                 |
|     | 958 555 504 02 7F3 | Luxor beige  | -LE, MC, YE  |     |                                 |
|     | 958 555 504 02 9F1 | Platinum Grey  | -LD, MD, YD  |     |                                 |
|     | 958 555 504 02 CH6 | saddle brown   | -ME, MH, MJ, MK  |     |                                 |
|     | 958 555 504 02 DR7 | Black/agate grey   | -MB, MG, ML  |     |                                 |
| (1) | 958 555 505 02     | Reading light<br>and<br>Retainer plate<br>order at the same time |  | 1   | PR: 3FU, 6NG,<br>6NJ            |
|     | 958 555 505 02 6F2 | Black  | -LC, LG, LH, MA,<br>MF, MI, TA, TB,<br>TW, YA, YB, YC,<br>77 |     |                                 |
|     | 958 555 505 02 DE1 | Umber  | -LF, TX, TY, YF  |     |                                 |
|     | 958 555 505 02 4F7 | Espresso   | -VA, VB  |     |                                 |
|     | 958 555 505 02 7F3 | Luxor beige  | -LE, MC, YE  |     |                                 |
|     | 958 555 505 02 9F1 | Platinum Grey  | -LD, MD, YD  |     |                                 |
|     | 958 555 505 02 CH6 | saddle brown   | -ME, MH, MJ, MK  |     |                                 |
|     | 958 555 505 02 DR7 | agate grey   | -MB, MG, ML  |     |                                 |
| (1) | 958 555 512 03     | Reading light<br>and<br>Retainer plate<br>order at the same time |  | 1   | PR: 3FU, 6NL,<br>6NQ<br>- "USA" |
|     | 958 555 512 03 6F2 | Black  | -LC, LG, LH, MA,<br>MF, MI, TA, TB,<br>TW, YA, YB, YC,<br>77 |     |                                 |
|     | 958 555 512 03 DE1 | Umber  | -LF, TX, TY, YF  |     |                                 |
|     | 958 555 512 03 4F7 | Espresso   | -VA, VB  |     |                                 |
|     | 958 555 512 03 7F3 | Luxor beige  | -LE, MC, YE  |     |                                 |
|     | 958 555 512 03 9F1 | Platinum Grey  | -LD, MD, YD  |     |                                 |



Model: 92A 11

Model life 2011&gt;&gt;2018

| Pos | Part Number        | Description  | Remark   | Qty | Model                |
|-----|--------------------|--|--|-----|----------------------|
|     | 958 555 512 03 CH6 | saddle brown   | -ME, MH, MJ, MK  |     |                      |
|     | 958 555 512 03 DR7 | agate grey   | -MB, MG, ML  |     |                      |
|     |                    | Reading light<br>and<br>Retainer plate<br>order at the same time |  |     |                      |
| (1) | 958 555 514 02     | roof trim  |  | 1   | PR: 3FA, 6NH,<br>6NN |
|     |                    | Alcantara  |  |     |                      |
|     | 958 555 514 02 2W0 | Black  | -LC, LG, LH, MA,<br>MF, MI, TA, TB,<br>TW, YA, YB, YC,<br>77 |     |                      |
|     | 958 555 514 02 GN2 | Umber  | -LF, TX, TY, YF  |     |                      |
|     | 958 555 514 02 9U7 | Espresso   | -VA, VB  |     |                      |
|     | 958 555 514 02 9U1 | Luxor beige  | -LE, MC, YE  |     |                      |
|     | 958 555 514 02 8U3 | Platinum Grey  | -LD, MD, YD  |     |                      |
|     | 958 555 514 02 OP2 | saddle brown   | -ME, MH, MJ, MK  |     |                      |
|     | 958 555 514 02 OU5 | agate grey   | -MB, MG, ML  |     |                      |
|     |                    | Reading light<br>and<br>Retainer plate<br>order at the same time |  |     |                      |
| (1) | 958 555 515 02     | roof trim  |  | 1   | PR: 3FE, 6NH,<br>6NN |
|     |                    | Alcantara  |  |     |                      |
|     |                    | D - MJ 2011>>  |  |     |                      |
|     | 958 555 515 02 2W0 | Black  | -LC, LG, LH, MA,<br>MF, MI, TA, TB,<br>TW, YA, YB, YC,<br>77 |     |                      |
|     | 958 555 515 02 GN2 | Umber  | -LF, TX, TY, YF  |     |                      |
|     | 958 555 515 02 9U7 | Espresso   | -VA, VB  |     |                      |
|     | 958 555 515 02 9U1 | Luxor beige  | -LE, MC, YE  |     |                      |
|     | 958 555 515 02 8U3 | Platinum Grey  | -LD, MD, YD  |     |                      |
|     | 958 555 515 02 OP2 | saddle brown   | -ME, MH, MJ, MK  |     |                      |
|     | 958 555 515 02 OU5 | agate grey   | -MB, MG, ML  |     |                      |
|     |                    | Reading light<br>and<br>Retainer plate<br>order at the same time |  |     |                      |
| (1) | 958 555 518 02     | roof trim  |  | 1   | PR: 3FU, 6NH,<br>6NN |
|     |                    | Alcantara  |  |     |                      |
|     | 958 555 518 02 2W0 | Black  | -LC, LG, LH, MA,<br>MF, MI, TA, TB,<br>TW, YA, YB, YC,<br>77 |     |                      |
|     | 958 555 518 02 GN2 | Umber  | -LF, TX, TY, YF  |     |                      |
|     | 958 555 518 02 9U7 | Espresso   | -VA, VB  |     |                      |
|     | 958 555 518 02 9U1 | Luxor beige  | -LE, MC, YE  |     |                      |
|     | 958 555 518 02 8U3 | Platinum Grey  | -LD, MD, YD  |     |                      |
|     | 958 555 518 02 OP2 | saddle brown   | -ME, MH, MJ, MK  |     |                      |
|     | 958 555 518 02 OU5 | agate grey   | -MB, MG, ML  |     |                      |
|     |                    | Reading light<br>and<br>Retainer plate<br>order at the same time |  |     |                      |
| 2   | 958 555 607 01     | Grab handle  | left<br>front  | 1   |                      |
|     |                    |  |  |     |                      |
|     | 958 555 607 01 82V | Titan black  | -LC, LG, LH, MA,<br>MF, MI, TA, TB,<br>TW, YA, YB, YC,<br>77 |     |                      |
|     | 958 555 607 01 DE1 | Umber  | -LF, TX, TY, YF  |     |                      |
|     | 958 555 607 01 7N0 | Espresso   | -VA, VB  |     |                      |

Model: 92A 11 Model life 2011>>2018

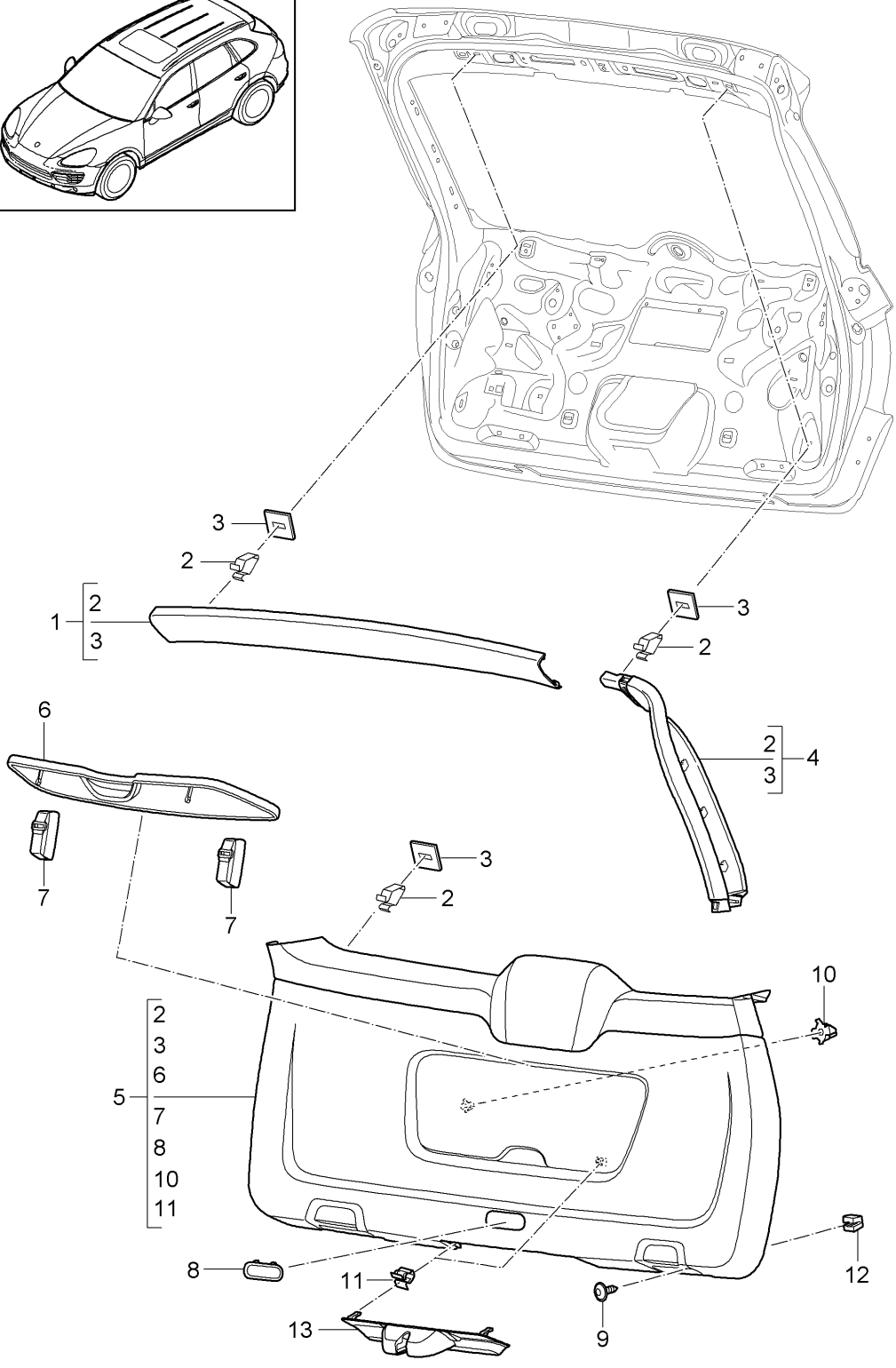
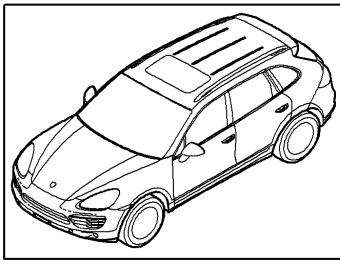
| Pos | Part Number        | Description   | Remark  | Qty | Model  |
|-----|--------------------|---|---|-----|--------|
| (2) | 958 555 607 01 4H0 | Luxor beige   | -LE,MC,YE   | 1   |        |
|     | 958 555 607 01 6L0 | Platinum Grey   | -LD,MD,YD   |     |        |
|     | 958 555 607 01 OM8 | saddle brown  | -ME,MH,MJ,MK  |     |        |
|     | 958 555 607 01 OP1 | agate grey  | -MB,MG,ML   |     |        |
|     | 958 555 608 01     | Grab handle   | right   |     |        |
|     |                    |   | front   |     |        |
|     | 958 555 608 01 82V | Titan black   | -LC,LG,LH,MA,<br>MF,MI,TA,TB,<br>TW,YA,YB,YC,<br>77 |     |        |
|     | 958 555 608 01 DE1 | Umber   | -LF,TX,TY,YF  |     |        |
|     | 958 555 608 01 7N0 | Espresso  | -VA,VB  |     |        |
|     | 958 555 608 01 4H0 | Luxor beige   | -LE,MC,YE   |     |        |
| 3   | 958 555 608 01 6L0 | Platinum Grey   | -LD,MD,YD   | 1   |        |
|     | 958 555 608 01 OM8 | saddle brown  | -ME,MH,MJ,MK  |     |        |
|     | 958 555 608 01 OP1 | agate grey  | -MB,MG,ML   |     |        |
|     | 958 555 643 01     | Grab handle   | left  |     |        |
|     |                    |   | rear  |     |        |
|     | 958 555 643 01 82V | Titan black   | -LC,LG,LH,MA,<br>MF,MI,TA,TB,<br>TW,YA,YB,YC,<br>77 |     |        |
|     | 958 555 643 01 DE1 | Umber   | -LF,TX,TY,YF  |     |        |
|     | 958 555 643 01 7N0 | Espresso  | -VA,VB  |     |        |
|     | 958 555 643 01 4H0 | Luxor beige   | -LE,MC,YE   |     |        |
|     | 958 555 643 01 6L0 | Platinum Grey   | -LD,MD,YD   |     |        |
| (3) | 958 555 643 01 OM8 | saddle brown  | -ME,MH,MJ,MK  | 1   |        |
|     | 958 555 643 01 OP1 | agate grey  | -MB,MG,ML   |     |        |
|     | 958 555 644 01     | Grab handle   | right   |     |        |
|     |                    |   | rear  |     |        |
|     | 958 555 644 01 82V | Titan black   | -LC,LG,LH,MA,<br>MF,MI,TA,TB,<br>TW,YA,YB,YC,<br>77 |     |        |
|     | 958 555 644 01 DE1 | Umber   | -LF,TX,TY,YF  |     |        |
|     | 958 555 644 01 7N0 | Espresso  | -VA,VB  |     |        |
|     | 958 555 644 01 4H0 | Luxor beige   | -LE,MC,YE   |     |        |
|     | 958 555 644 01 6L0 | Platinum Grey   | -LD,MD,YD   |     |        |
|     | 958 555 644 01 OM8 | saddle brown  | -ME,MH,MJ,MK  |     |        |
| 4   | 958 555 644 01 OP1 | agate grey  | -MB,MG,ML   | X   |        |
|     | N 106 663 02       | oval head panel screw<br>ST 4.2x19                      |   |     |        |
| 5   | 958 555 361 00     | Adapter   |   | X   |        |
| 6   | 958 731 633 00     | Grab handle   |   | X   |        |
| 7   | 958 555 561 00     | Clamp   |   | X   |        |
| (7) | 958 555 561 00     | Cover frame   |   | 1   | PR:3FE |
|     | 958 555 562 00     | Cover frame   | left  | 1   | PR:3FU |
| (7) | 958 555 563 00     | Cover frame   | right   | 1   | PR:3FU |
|     | 958 555 615 00     | Cover frame   |   | 1   | PR:3FU |
| 8   | 958 555 615 00     | Clip  |   | X   | PR:3FE |
| (8) | 955 555 525 01     | Clip  |   | X   | PR:3FE |
|     | 958 555 289 00     | Retaining clip<br>for                                   |   | X   | PR:3FU |
| (8) | 958 555 633 00     | Cover frame   |   | X   | PR:3FE |
|     | 958 555 633 00     | Retaining clip<br>for                                   |   |     |        |
| 9   | 958 803 069 01     | Cover frame   |   | 1   |        |
| (9) | 958 803 069 01     | Airbag unit   | left  | 1   |        |
|     | 958 803 070 01     | Airbag unit   | right   | 1   |        |
| 10  | 955 618 419 21     | domed cap nut<br>M6<br>for<br>Mount<br>Head airbag unit |   | X   |        |

Model: 92A 11 Model life 2011>>2018

| Pos | Part Number        | Description                       | Remark   | Qty | Model |
|-----|--------------------|-----------------------------------|--|-----|-------|
| -   | 958 555 645 00     | Cover<br>Grab handle<br>roof trim |  | 1   |       |
|     | 958 555 645 00 DE1 | Umber                             | -LF, TX, TY, YF  |     |       |
|     | 958 555 645 00 4H0 | Luxor beige                       | -LE, MC, YE  |     |       |
|     | 958 555 645 00 6L0 | Platinum Grey                     | -LD, MD, YD  |     |       |
|     | 958 555 645 00 7N0 | Espresso                          | -VA, VB  |     |       |
|     | 958 555 645 00 82V | Titan black                       | -LC, LG, LH, MA,<br>MF, MI, TA, TB,<br>TW, YA, YB, YC,<br>77 |     |       |
|     | 958 555 645 00 OM8 | saddle brown                      | -ME, MH, MJ, MK  |     |       |
|     | 958 555 645 00 OP1 | agate grey                        | -MB, MG, ML  |     |       |
| -   | 958 555 647 00     | bracket for grab handle           |  | 1   |       |
| 12  | 958 858 679 00     | Adapter<br>plate                  | rear   | 1   |       |

Model: 92A 11

Model life 2011>>2018



Model: 92A 11 Model life 2011>>2018

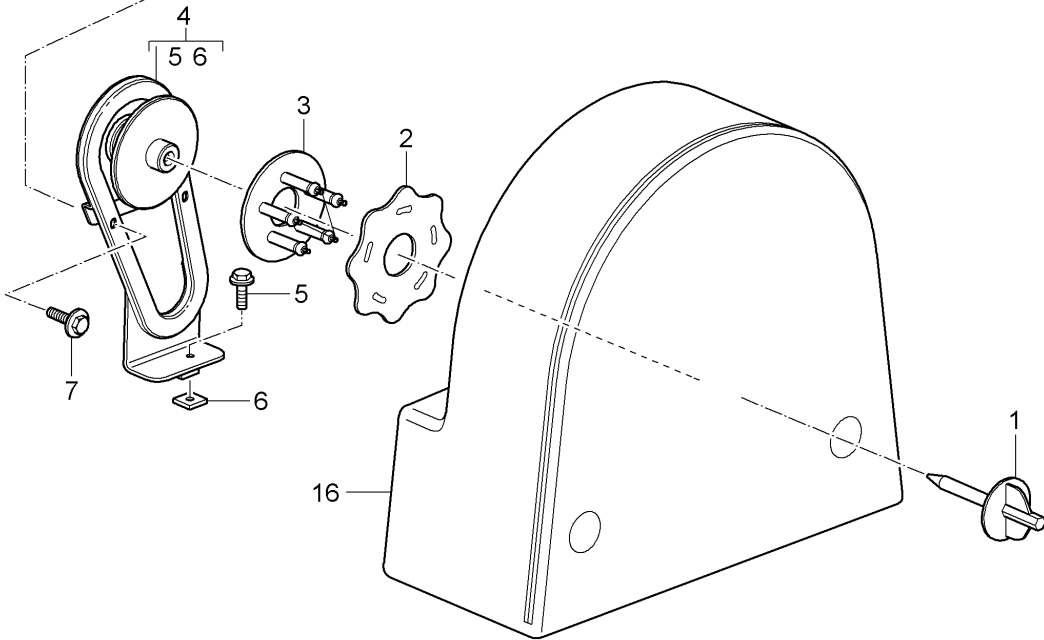
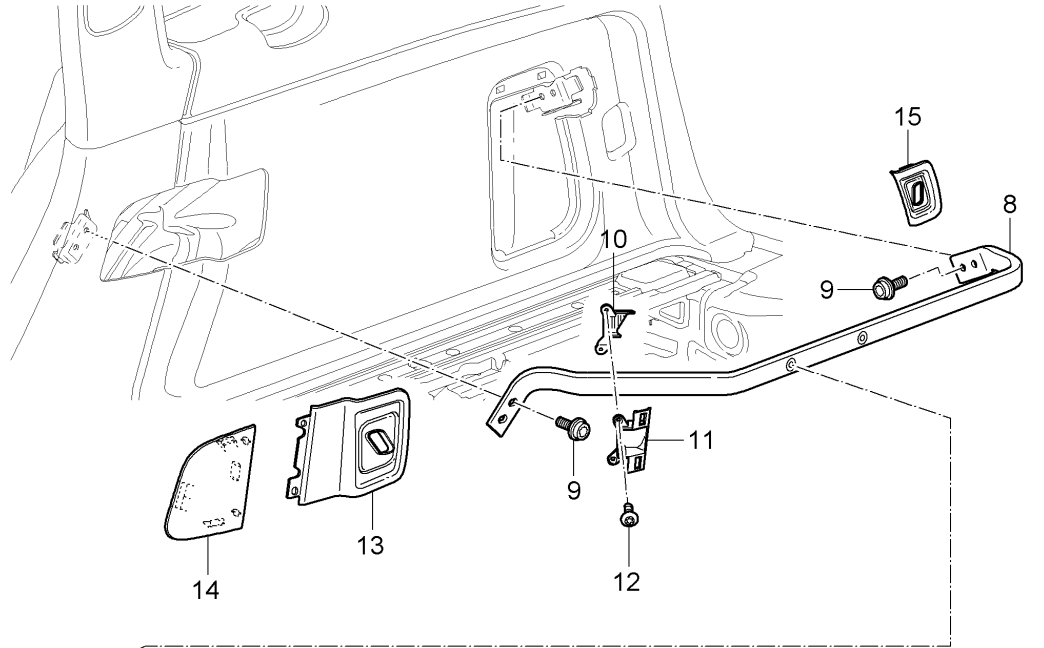
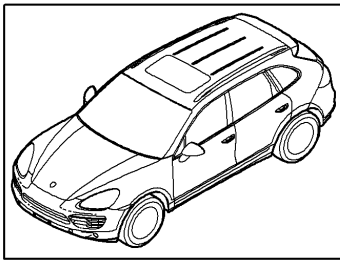
| Pos | Part Number        | Description         | Remark  | Qty | Model  |
|-----|--------------------|---------------------|---|-----|--------|
| 1   | 958 555 603 00     | Linings             |   | 1   |        |
|     |                    | Rear lid            |   |     |        |
|     |                    | Rear lid trim panel | upper   |     |        |
|     | 958 555 603 00 DE1 | Umber               | -LF, TX, TY, YF                                     |     |        |
|     | 958 555 603 00 4H0 | Luxor beige         | -LE, MC, YE   |     |        |
|     | 958 555 603 00 6L0 | Platinum Grey       | -LD, MD, YD   |     |        |
|     | 958 555 603 00 7N0 | Espresso            | -VA, VB   |     |        |
|     | 958 555 603 00 82V | Titan black         | -LC, LG, LH, MA, MF, MI, TA, TB, TW, YA, YB, YC, 77 |     |        |
|     | 958 555 603 00 OM8 | saddle brown        | -ME, MH, MJ, MK                                     |     |        |
|     | 958 555 603 00 OP1 | agate grey          | -MB, MG, ML   |     |        |
| 2   | 955 555 276 00     | Retaining clip      |   | X   |        |
| 3   | 999 209 084 40     | Distance piece      |   | X   |        |
| 4   | 958 555 587 00     | Rear lid trim panel | left  | 1   |        |
|     | 958 555 587 00 DE1 | Umber               | -LF, TX, TY, YF                                     |     |        |
|     | 958 555 587 00 4H0 | Luxor beige         | -LE, MC, YE   |     |        |
|     | 958 555 587 00 6L0 | Platinum Grey       | -LD, MD, YD   |     |        |
|     | 958 555 587 00 7N0 | Espresso            | -VA, VB   |     |        |
|     | 958 555 587 00 82V | Titan black         | -LC, LG, LH, MA, MF, MI, TA, TB, TW, YA, YB, YC, 77 |     |        |
|     |                    | 958 555 587 00 OM8  | saddle brown  |     |        |
|     | 958 555 587 00 OP1 | Umber               | -MG, MB, ML   |     |        |
| (4) | 958 555 588 00     | Rear lid trim panel | right   | 1   |        |
|     |                    | left                |   |     |        |
|     | 958 555 588 00 DE1 | Umber               | -LF, TX, TY, YF                                     |     |        |
|     | 958 555 588 00 4H0 | Luxor beige         | -LE, MC, YE   |     |        |
|     | 958 555 588 00 6L0 | Platinum Grey       | -LD, MD, YD   |     |        |
|     | 958 555 588 00 7N0 | Espresso            | -VA, VB   |     |        |
|     | 958 555 588 00 82V | Titan black         | -LC, LG, LH, MA, MF, MI, TA, TB, TW, YA, YB, YC, 77 |     |        |
|     | 958 555 588 00 OM8 | saddle brown        | -ME, MH, MJ, MK                                     |     |        |
|     | 958 555 588 00 OP1 | agate grey          | -MG, MB, ML   |     |        |
| 5   | 958 555 601 00     | Rear lid trim panel | lower   | 1   | PR:4E0 |
|     |                    |                     | with:   |     |        |
|     |                    | Sound absorber      |   |     |        |
|     | 958 555 601 00 DE1 | Umber               | -LF, TX, TY, YF                                     |     |        |
|     | 958 555 601 00 L0L | Platinum Grey       | -LD, MD, YD   |     |        |
|     | 958 555 601 00 L0M | Luxor beige         | -LE, MC, YE   |     |        |
|     | 958 555 601 00 L0Q | Espresso            | -VA, VB   |     |        |
|     | 958 555 601 00 M0C | Titan black         | -LC, MA, MF, TA, TB, TW, YA, YB, YC, 77             |     |        |
|     | 958 555 601 00 HG0 | saddle brown        | -ME, MH, MI, MJ, MK                                 |     |        |
|     | 958 555 601 00 HGQ | agate grey          | -MB, MG, ML   |     |        |
| (5) | 958 555 601 10     | Rear lid trim panel | lower   | 1   | PR:4E7 |
|     |                    | with:               |   |     |        |
|     | Sound absorber     |                     |   |     |        |
|     | 958 555 601 10 DE1 | Umber               | -LF, TX, TY, YF                                     |     |        |
|     | 958 555 601 10 L0L | Platinum Grey       | -LD, MD, YD   |     |        |
|     | 958 555 601 10 L0M | Luxor beige         | -LE, MC, YE   |     |        |
|     | 958 555 601 10 L0Q | Espresso            | -VA, VB   |     |        |
|     | 958 555 601 10 M0C | Titan black         | -LC, LG, LH, MA, MF, MI, TA, TB, TW, YA, YB, YC, 77 |     |        |
|     | 958 555 601 10 HG0 | saddle brown        | -ME, MH, MJ, MK                                     |     |        |

Model: 92A 11 Model life 2011>>2018

| Pos                | Part Number        | Description        | Remark   | Qty             | Model  |  |   |              |
|--------------------|--------------------|--------------------|--|-----------------|--------|--|---|--------------|
| 6                  | 958 555 601 10 HGQ | agate grey         | -MB, MG, ML  | 1               |        |  |   |              |
|                    | 958 555 886 00     | Cover              |  |                 |        |  |   |              |
|                    |                    | warning triangle   |  |                 |        |  |   |              |
|                    | 958 555 886 00 DE1 | Umber              | -LF, TX, TY, YF  |                 |        |  |   |              |
|                    | 958 555 886 00 DJ6 | Platinum Grey      | -LD, MD, YD  |                 |        |  |   |              |
| 7                  | 958 555 886 00 DK4 | Black              | -LC, LG, LH, MA,<br>MF, MI, TA, TB,<br>TW, YA, YB, YC,<br>77 | 2               |        |  |   |              |
|                    | 958 555 886 00 DM5 | Luxor beige        | -LE, MC, YE  |                 |        |  |   |              |
|                    | 958 555 886 00 DP8 | Espresso           | -VA, VB  |                 |        |  |   |              |
|                    | 958 555 886 00 OP2 | saddle brown       | -ME, MH, MJ, MK  |                 |        |  |   |              |
|                    | 958 555 886 00 OK2 | agate grey         | -MB, MG, ML  |                 |        |  |   |              |
|                    | 958 555 521 00     | Velcro             |  |                 |        |  |   |              |
|                    | 8                  | 958 555 747 00     | Cover  |                 |        |  | 1 |              |
|                    |                    |                    | Emergency operation  |                 |        |  |   |              |
|                    |                    | 958 555 747 00 DE1 | Umber  |                 |        | -LF, TX, TY, YF  |   |              |
|                    |                    | 958 555 747 00 1E0 | Black  |                 |        | -LC, LG, LH, MA,<br>MF, MI, TA, TB,<br>TW, YA, YB, YC,<br>77 |   |              |
| 958 555 747 00 4H0 |                    | Luxor beige        | -LE, MC, YE  |                 |        |  |   |              |
| 958 555 747 00 6L0 |                    | Platinum Grey      | -LD, MD, YD  |                 |        |  |   |              |
| 958 555 747 00 7N0 |                    | Espresso           | -VA, VB  |                 |        |  |   |              |
| 958 555 747 00 OM8 |                    | saddle brown       | -ME, MH, MJ, MK  |                 |        |  |   |              |
| 958 555 747 00 OP1 |                    | agate grey         | -MB, MG, ML  |                 |        |  |   |              |
| 9                  |                    | N 909 868 03       | Hexagon socket head panel bolt<br>ST 4.2x13                  |                 | X      |  |   |              |
| 10                 |                    | 958 731 633 00     | Clamp  |                 | 2      |  |   |              |
| 11                 |                    | 955 555 388 00     | Clip   |                 | 4      |  |   |              |
| 12                 |                    | N 905 410 01       | expanding nut  |                 | 4      |  |   |              |
| 13                 |                    | 958 555 520 00     | cover - lock   |                 | 1      | PR:GY0   |   |              |
|                    |                    | 958 555 520 00 DE1 | Umber  | -LF, TX, TY, YF |        |  |   |              |
|                    | 958 555 520 00 1E0 | Black              | -LC, MA, TW, YA,<br>YB, YC                                   |                 |        |  |   |              |
|                    | 958 555 520 00 4H0 | Luxor beige        | -LE, MC, YE  |                 |        |  |   |              |
|                    | 958 555 520 00 6L0 | Platinum Grey      | -LD, MD, YD  |                 |        |  |   |              |
|                    | 958 555 520 00 7N0 | Espresso           | -VA, VB  |                 |        |  |   |              |
|                    | 958 555 520 03     | cover - lock       |  |                 |        |  |   |              |
|                    | 958 555 520 03 OM8 | saddle brown       | -ME, MH, MJ, MK  |                 |        |  |   |              |
|                    | 958 555 520 03 OP1 | agate grey         | -MB, MG, ML  |                 |        |  |   |              |
|                    | (13)               | 958 555 520 01     | cover - lock   |                 |        |  | 1 | +,<br>PR:GY1 |
| (13)               | 958 555 520 01 DE1 | Umber              | -LF, TX, TY, YF  | 1               | PR:GY1 |  |   |              |
|                    | 958 555 520 01 1E0 | Black              | -LC, MA, TW, YA,<br>YB, YC                                   |                 |        |  |   |              |
|                    | 958 555 520 01 4H0 | Luxor beige        | -LE, MC, YE  |                 |        |  |   |              |
|                    | 958 555 520 01 6L0 | Platinum Grey      | -LD, MD, YD  |                 |        |  |   |              |
|                    | 958 555 520 01 7N0 | Espresso           | -VA, VB  |                 |        |  |   |              |
|                    | 958 555 520 02     | cover - lock       |  |                 |        |  |   |              |
|                    | 958 555 520 02 OM8 | saddle brown       | -ME, MH, MJ, MK  |                 |        |  |   |              |
|                    | 958 555 520 02 OP1 | agate grey         | -MB, MG, ML  |                 |        |  |   |              |

Model: 92A 11

Model life 2011>>2018



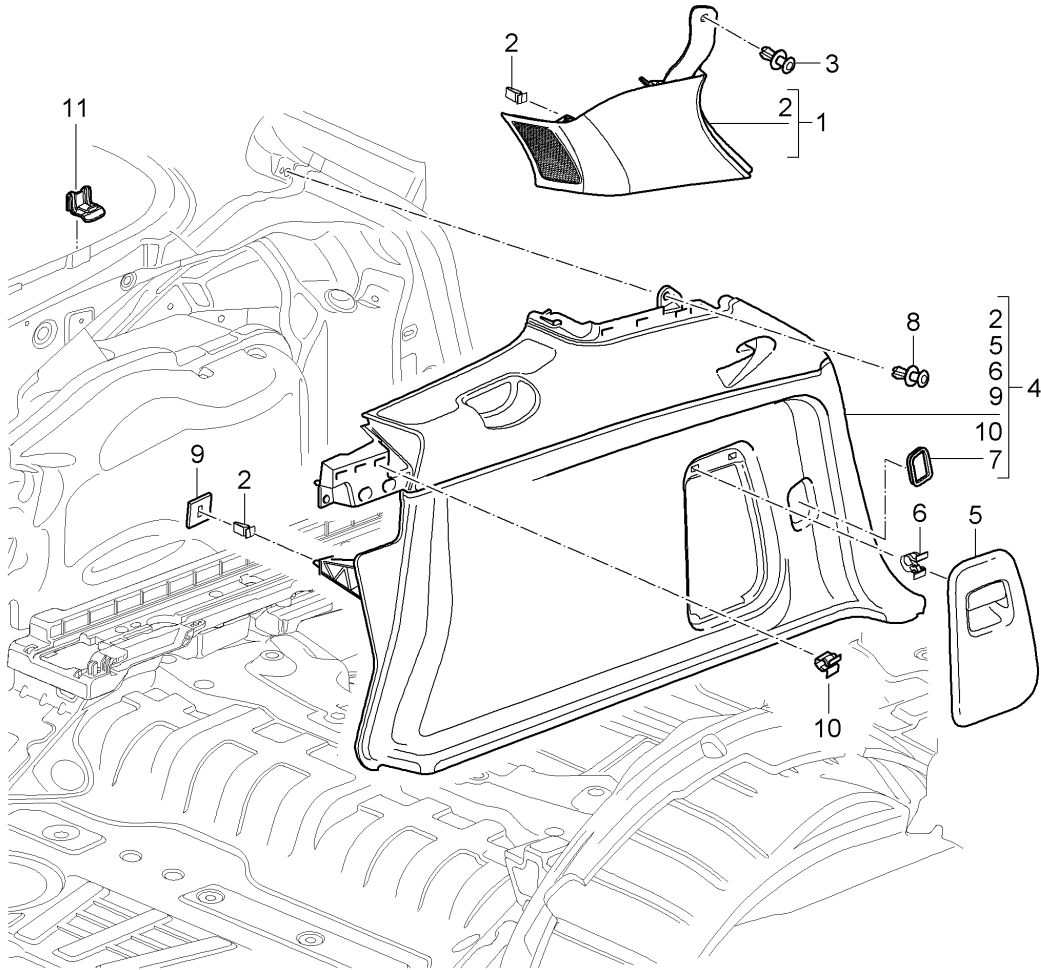
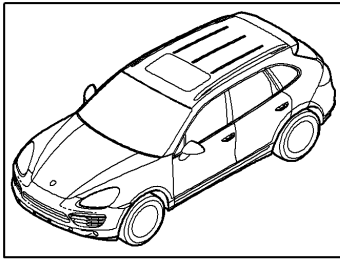
Model: 92A 11 Model life 2011>>2018

| Pos  | Part Number        | Description   | Remark | Qty | Model             |
|------|--------------------|---|--------|-----|-------------------|
| 1    | 958 551 453 00     | Accessories<br>Bracket<br>Spare wheel<br>Covering<br>Fastening screw<br>Wheel |        | 1   |                   |
| 2    | 958 551 274 00     | Retaining plate   |        | 1   |                   |
| 3    | 958 551 097 00     | Adapter   |        | 1   |                   |
| 4    | 958 551 160 00     | spare wheel bracket   |        | 1   |                   |
| 5    | N 906 439 05       | hexagon head bolt (combi)<br>M8x25  |        | 1   |                   |
| 6    | 958 551 780 00     | Glide piece   |        | 1   |                   |
| 7    | N 101 069 04       | hexagon head bolt (combi)<br>M8x32  |        | 2   |                   |
| 8    | 958 551 114 00     | Bracket   |        | 1   | PR: 3F4, 0K1      |
| (8)  | 958 551 114 01     | Bracket   |        | 1   | PR: 1G1, 1G4, 0K1 |
| 9    | N 106 648 01       | Socket head collared bolt with<br>inner multipoint head<br>TP4x10             |        | 4   |                   |
| 10   | 958 551 850 00     | Retaining clip  | outer  | 1   |                   |
| 11   | 958 551 727 00     | Retaining clip  | inner  | 1   |                   |
| 12   | N 106 021 01       | Hexagon socket flat<br>head bolt<br>TP4x10                                    |        | 2   |                   |
| 13   | 958 551 585 00     | Trim<br>Bracket   | front  | 1   |                   |
| 14   | 958 551 585 00 1E0 | Black   |        | 1   |                   |
| 14   | 958 551 522 00     | Trim<br>Trim<br>Wheel housing   |        | 1   |                   |
| 15   | 958 551 522 00 1E0 | Black   |        | 1   |                   |
| 15   | 958 551 586 00     | Trim<br>Bracket   | rear   | 1   |                   |
| 16   | 958 551 586 00 1E0 | Black   |        | 1   | PR: 1G4, 0K1      |
| (16) | 958 551 311 00     | Covering<br>Spare wheel   |        | 1   | PR: 1G1, 0K1      |
| (16) | 958 551 311 01     | Covering<br>Spare wheel   |        | 1   | PR: 3F4, HA8      |
| (16) | 958 551 594 00     | Spare wheel trim  |        | 1   | PR: 3F4, HQ4, HT0 |
| (16) | 958 551 594 01     | Spare wheel trim  |        | 1   | PR: 3F4, HQ3, HS9 |
| (16) | 958 551 594 02     | Spare wheel trim  |        | 1   | PR: 3F4, H9L      |
| (16) | 958 551 594 03     | Spare wheel trim  |        | 1   | PR: 3F4, H9K, H9M |
| (16) | 958 551 594 04     | Spare wheel trim  |        | 1   |                   |



Model: 92A 11

Model life 2011>>2018



Model: 92A 11 Model life 2011>>2018

| Pos | Part Number        | Description   | Remark                                    | Qty | Model                                      |
|-----|--------------------|---|---|-----|--|
|     |                    | Trim<br>For luggage compartment<br>d-pillar<br>D >> - MJ 2014 | side                                      |     |  |
| 1   | 958 555 246 00     | D-pillar trim   | right                                     | 1   |  |
|     | 958 555 246 00 DE1 | Umber   | -LF, TX, TY                               |     |  |
|     | 958 555 246 00 4H0 | Luxor beige   | -LE, MC                                   |     |  |
|     | 958 555 246 00 6L0 | Platinum Grey   | -LD, MD                                   |     |  |
|     | 958 555 246 00 7N0 | Espresso  | -VA, VB                                   |     |  |
|     | 958 555 246 00 82V | Titan black   | -LC, MA, TW                               |     |  |
| (1) | 958 555 245 00     | D-pillar trim   | left                                      | 1   |  |
|     | 958 555 245 00 DE1 | Umber   | -LF, TX, TY                               |     |  |
|     | 958 555 245 00 4H0 | Luxor beige   | -LE, MC                                   |     |  |
|     | 958 555 245 00 6L0 | Platinum Grey   | -LD, MD                                   |     |  |
|     | 958 555 245 00 7N0 | Espresso  | -VA, VB                                   |     |  |
|     | 958 555 245 00 82V | Titan black   | -LC, MA, TW                               |     |  |
| 2   | 955 555 276 00     | Retaining clip  |   | X   |  |
| 3   | N 107 009 01       | Spreader rivet  |   | 1   |  |
| 4   | 958 555 038 06     | Side panel trim   | right                                     | 1   | PR:1D9,1G1,<br>1G4,1G8,0K0                 |
|     | 958 555 038 06 DE1 | Umber   | -LF, TX, TY, YF                           |     |  |
|     | 958 555 038 06 DJ6 | Platinum Grey   | -LD, MD, YD                               |     |  |
|     | 958 555 038 06 DK4 | Black   | -LC, MA, TA, TB,<br>TW, YA, YC, YB,<br>77 |     |  |
|     | 958 555 038 06 DM5 | Luxor beige   | -LE, MC, YE                               |     |  |
|     | 958 555 038 06 DP8 | Espresso  | -VA, VB                                   |     |  |
| 4   | 958 555 038 06     | Side panel trim   | right                                     | 1   | PR:0K1,1D9,<br>1G8                         |
|     | 958 555 038 06 DE1 | Umber   | -LF, TX, TY, YF                           |     |  |
|     | 958 555 038 06 DJ6 | Platinum Grey   | -LD, MD, YD                               |     |  |
|     | 958 555 038 06 DK4 | Black   | -LC, MA, TA, TB,<br>TW, YA, YC, YB,<br>77 |     |  |
|     | 958 555 038 06 DM5 | Luxor beige   | -LE, MC, YE                               |     |  |
|     | 958 555 038 06 DP8 | Espresso  | -VA, VB                                   |     |  |
| (4) | 958 555 038 07     | Side panel trim   | right                                     | 1   | PR:1D2,1D6,<br>1D7,1D8,1G1,<br>1G4,1G8,0K0 |
|     | 958 555 038 07 DE1 | Umber   | -LF, TX, TY, YF                           |     |  |
|     | 958 555 038 07 DJ6 | Platinum Grey   | -LD, MD, YD                               |     |  |
|     | 958 555 038 07 DK4 | Black   | -LC, MA, TA, TB,<br>TW, YA, YC, YB,<br>77 |     |  |
|     | 958 555 038 07 DM5 | Luxor beige   | -LE, MC, YE                               |     |  |
|     | 958 555 038 07 DP8 | Espresso  | -VA, VB                                   |     |  |
| (4) | 958 555 038 07     | Side panel trim   | right                                     | 1   | PR:0K0,1D0,<br>1G1,1G4,1G6,<br>1G8,8RV,9VK |
|     | 958 555 038 07 DE1 | Umber   | -LF, TX, TY, YF                           |     |  |
|     | 958 555 038 07 DJ6 | Platinum Grey   | -LD, MD, YD                               |     |  |
|     | 958 555 038 07 DK4 | Black   | -LC, MA, TA, TB,<br>TW, YA, YC, YB,<br>77 |     |  |
|     | 958 555 038 07 DM5 | Luxor beige   | -LE, MC, YE                               |     |  |
|     | 958 555 038 07 DP8 | Espresso  | -VA, VB                                   |     |  |
| (4) | 958 555 038 07     | Side panel trim   | right                                     | 1   | PR:0K1,1D2,<br>1D6,1D7,1D8,<br>1G8         |
|     | 958 555 038 07 DE1 | Umber   | -LF, TX, TY, YF                           |     |  |
|     | 958 555 038 07 DJ6 | Platinum Grey   | -LD, MD, YD                               |     |  |
|     | 958 555 038 07 DK4 | Black   | -LC, MA, TA, TB,<br>TW, YA, YC, YB,       |     |  |

Model: 92A 11 Model life 2011>>2018

| Pos                | Part Number        | Description     | Remark                                    | Qty | Model                                  |
|--------------------|--------------------|-----------------|---|-----|--|
| (4)                | 958 555 038 07 DM5 | Luxor beige     | 77<br>-LE,MC, YE                          | 1   | PR:1D2,1D6,<br>1D7,1D8,3F4,<br>OK0     |
|                    | 958 555 038 07 DP8 | Espresso        | -VA,VB                                    |     |  |
|                    | 958 555 038 02     | Side panel trim | right                                     |     |  |
| (4)                | 958 555 038 02 DE1 | Umber           | -LF, TX, TY                               | 1   | PR:OK1,1D2,<br>1D6,1D7,1D8,<br>1G1,1G4 |
|                    | 958 555 038 02 DJ6 | Platinum Grey   | -LD,MD                                    |     |  |
|                    | 958 555 038 02 DK4 | Black           | -LC, MA, TW                               |     |  |
|                    | 958 555 038 02 DM5 | Luxor beige     | -LE,MC                                    |     |  |
|                    | 958 555 038 02 DP8 | Espresso        | -VA,VB                                    |     |  |
|                    | 958 555 038 02     | Side panel trim | right                                     |     |  |
| (4)                | 958 555 038 02 DE1 | Umber           | -LF, TX, TY                               | 1   | PR:1D9,3F4,<br>OK0                     |
|                    | 958 555 038 02 DJ6 | Platinum Grey   | -LD,MD                                    |     |  |
|                    | 958 555 038 02 DK4 | Black           | -LC, MA, TW                               |     |  |
|                    | 958 555 038 02 DM5 | Luxor beige     | -LE,MC                                    |     |  |
|                    | 958 555 038 02 DP8 | Espresso        | -VA,VB                                    |     |  |
|                    | 958 555 038 03     | Side panel trim | right                                     |     |  |
| (4)                | 958 555 038 03 DE1 | Umber           | -LF, TX, TY                               | 1   | PR:OK1,1D9,<br>1G1,1G4                 |
|                    | 958 555 038 03 DJ6 | Platinum Grey   | -LD,MD                                    |     |  |
|                    | 958 555 038 03 DK4 | Black           | -LC, MA, TW                               |     |  |
|                    | 958 555 038 03 DM5 | Luxor beige     | -LE,MC                                    |     |  |
|                    | 958 555 038 03 DP8 | Espresso        | -VA,VB                                    |     |  |
|                    | 958 555 038 03     | Side panel trim | right                                     |     |  |
| (4)                | 958 555 038 03 DE1 | Umber           | -LF, TX, TY                               | 1   | PR:OK0,1D0,<br>1G1,1G4,1G6,<br>1G8,9VL |
|                    | 958 555 038 03 DJ6 | Platinum Grey   | -LD,MD                                    |     |  |
|                    | 958 555 038 03 DK4 | Black           | -LC, MA, TW                               |     |  |
|                    | 958 555 038 03 DM5 | Luxor beige     | -LE,MC                                    |     |  |
|                    | 958 555 038 03 DP8 | Espresso        | -VA,VB                                    |     |  |
|                    | 958 555 038 10     | Side panel trim | right                                     |     |  |
| (4)                | 958 555 038 10 DE1 | Umber           | -LF, TX, TY, YF                           | 1   | PR:9AD                                 |
|                    | 958 555 038 10 DJ6 | Platinum Grey   | -LD,MD, YD                                |     |  |
|                    | 958 555 038 10 DK4 | Black           | -LC, MA, TA, TB,<br>TW, YA, YC, YB,<br>77 |     |  |
| (4)                | 958 555 038 10 DM5 | Luxor beige     | -LE,MC, YE                                | 1   | PR:9AH                                 |
|                    | 958 555 038 10 DP8 | Espresso        | -VA,VB                                    |     |  |
|                    | 958 555 037 00     | Side panel trim | left                                      |     |  |
|                    |                    | Luggage net     | with:                                     |     |  |
|                    | 958 555 037 00 DE1 | Umber           | -LF, TX, TY                               |     |  |
|                    | 958 555 037 00 DJ6 | Platinum Grey   | -LD,MD                                    |     |  |
| (4)                | 958 555 037 00 DK4 | Black           | -LC, MA, TW                               | 1   | PR:9AH                                 |
|                    | 958 555 037 00 DM5 | Luxor beige     | -LE,MC                                    |     |  |
|                    | 958 555 037 00 DP8 | Espresso        | -VA,VB                                    |     |  |
|                    | 958 555 037 01     | Side panel trim | left                                      |     |  |
|                    |                    | Grille frame    | with:                                     |     |  |
|                    | 958 555 037 01 DE1 | Umber           | -LF, TX, TY                               |     |  |
| (4)                | 958 555 037 01 DJ6 | Platinum Grey   | -LD,MD                                    | 1   | PR:OK1                                 |
|                    | 958 555 037 01 DK4 | Black           | -LC, MA, TW                               |     |  |
|                    | 958 555 037 01 DM5 | Luxor beige     | -LE,MC                                    |     |  |
|                    | 958 555 037 01 DP8 | Espresso        | -VA,VB                                    |     |  |
|                    | 958 555 037 03     | Side panel trim | left                                      |     |  |
|                    |                    | Grille frame    | with:                                     |     |  |
| 958 555 037 03 DE1 | Umber              | -LF, TX, TY, YF |   |     |  |

Model: 92A 11 Model life 2011>>2018

| Pos                | Part Number        | Description                       | Remark                                  | Qty  | Model          |        |   |        |
|--------------------|--------------------|-----------------------------------|---|------|----------------|--------|---|--------|
| (4)                | 958 555 037 03 DJ6 | Platinum Grey                     | -LD,MD,YD                               | 1    | PR:9AH         |        |   |        |
|                    | 958 555 037 03 DK4 | Black                             | -LC,MA,MF,MI,TA,TB,TW,YA,YB,YC,77       |      |                |        |   |        |
|                    | 958 555 037 03 DM5 | Luxor beige                       | -LE,MC,YE                               |      |                |        |   |        |
|                    | 958 555 037 03 DP8 | Espresso                          | -VA,VB                                  |      |                |        |   |        |
|                    | 958 555 037 03     | Side panel trim                   | left                                    |      |                |        |   |        |
|                    |                    |                                   | also use:                               |      |                |        |   |        |
|                    |                    |                                   | Position                                |      |                |        |   |        |
|                    |                    |                                   | 5                                       |      |                |        |   |        |
|                    | 958 555 037 03 DE1 | Umber                             | -LF,TX,TY,YF                            |      |                |        |   |        |
|                    | 958 555 037 03 DJ6 | Platinum Grey                     | -LD,MD,YD                               |      |                |        |   |        |
| 958 555 037 03 DK4 | Black              | -LC,MA,MF,MI,TA,TB,TW,YA,YB,YC,77 |   |      |                |        |   |        |
| (4)                | 958 555 037 03 DM5 | Luxor beige                       | -LE,MC,YE                               | 1    | PR:9AD,1E9,OK0 |        |   |        |
|                    | 958 555 037 03 DP8 | Espresso                          | -VA,VB                                  |      |                |        |   |        |
|                    | 958 555 037 06     | Side panel trim                   | left                                    |      |                |        |   |        |
|                    |                    |                                   | also use:                               |      |                |        |   |        |
|                    |                    |                                   | Position                                |      |                |        |   |        |
|                    |                    |                                   | 5                                       |      |                |        |   |        |
|                    | 958 555 037 06 DK4 | Black                             | -LC,LG,LH,MA,MF,MI,TA,YA,YC,77          |      |                |        |   |        |
|                    | 958 555 037 06 DM5 | Luxor beige                       | -LE,MC,YE                               |      |                |        |   |        |
|                    | 958 555 037 06 DP8 | Espresso                          | -VA,VB                                  |      |                |        |   |        |
|                    | 958 555 037 06 OK2 | agate grey                        | -MB,MG,ML                               |      |                |        |   |        |
| 5                  | 958 555 037 06 OP2 | saddle brown                      | -ME,MH,MJ,MK                            | 1    |                |        |   |        |
|                    | 958 555 462 00     | Cover                             | right                                   |      |                |        |   |        |
|                    |                    |                                   | for                                     |      |                |        |   |        |
|                    |                    |                                   | Side panel trim                         |      |                |        |   |        |
|                    | 958 555 462 00 DE1 | Umber                             | -LF,TX,TY,YF                            |      |                |        |   |        |
|                    | 958 555 462 00 DJ6 | Platinum Grey                     | -LD,MD,YD                               |      |                |        |   |        |
|                    | 958 555 462 00 DK4 | Black                             | -LC,LG,LH,MA,MF,MI,TA,TB,TW,YA,YB,YC,77 |      |                |        |   |        |
|                    | 958 555 462 00 DM5 | Luxor beige                       | -LE,MC,YE                               |      |                |        |   |        |
|                    | 958 555 462 00 DP8 | Espresso                          | -VA,VB                                  |      |                |        |   |        |
|                    | (5)                | 958 555 035 00                    | Grille frame                            |      |                | left   | 1 | PR:OK0 |
|                    |                    |                                   | for                                     |      |                |        |   |        |
|                    |                    |                                   | Side panel trim                         |      |                |        |   |        |
| 958 555 035 00 DE1 |                    | Umber                             | -LF,TX,TY,YF                            |      |                |        |   |        |
| 958 555 035 00 1E0 |                    | Black                             | -LC,LG,LH,MA,MF,MI,TA,TB,TW,YA,YB,YC,77 |      |                |        |   |        |
| 958 555 035 00 4H0 |                    | Luxor beige                       | -LE,MC,YE                               |      |                |        |   |        |
| 958 555 035 00 6L0 |                    | Platinum Grey                     | -LD,MD,YD                               |      |                |        |   |        |
| 958 555 035 00 7N0 |                    | Espresso                          | -VA,VB                                  |      |                |        |   |        |
| (5)                |                    | 958 555 035 00                    | Grille frame                            | left | 1              | PR:9AH |   |        |
|                    |                    |                                   |   | for  |                |        |   |        |
|                    |                    |                                   | Side panel trim                         |      |                |        |   |        |
|                    | 958 555 035 00 DE1 | Umber                             | -LF,TX,TY,YF                            |      |                |        |   |        |
|                    | 958 555 035 00 1E0 | Black                             | -LC,LG,LH,MA,MF,MI,TA,TB,TW,YA,YB,YC,77 |      |                |        |   |        |
|                    | 958 555 035 00 4H0 | Luxor beige                       | -LE,MC,YE                               |      |                |        |   |        |
|                    | 958 555 035 00 6L0 | Platinum Grey                     | -LD,MD,YD                               |      |                |        |   |        |
|                    | 958 555 035 00 7N0 | Espresso                          | -VA,VB                                  |      |                |        |   |        |
|                    | (5)                | 958 555 035 01                    | Grille frame                            | left |                |        | 1 | PR:OK1 |

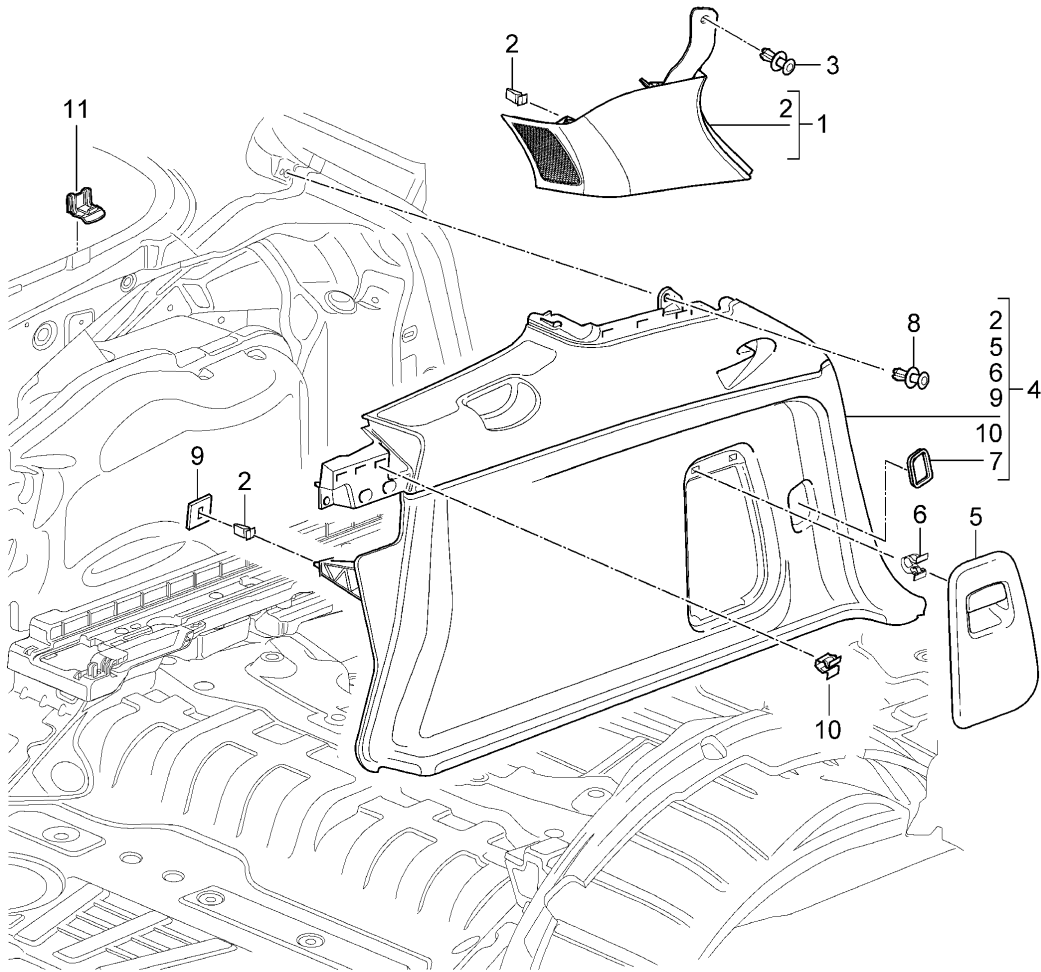
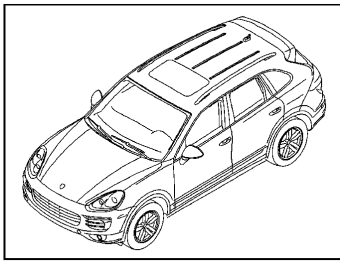
Model: 92A 11

Model life 2011>>2018

| Pos | Part Number        | Description     | Remark                                  | Qty | Model  |
|-----|--------------------|-----------------|---|-----|--------|
|     |                    | for             |   |     |        |
|     | 958 555 035 01 DE1 | Side panel trim |   |     |        |
|     | 958 555 035 01 1E0 | Umber           | -LF, TX, TY, YF                         |     |        |
|     |                    | Black           | -LC, MA, MF, MI, TA, TB, YA, YB, YC, 77 |     |        |
|     | 958 555 035 01 4H0 | Luxor beige     | -LE, MC, YE                             |     |        |
|     | 958 555 035 01 6L0 | Platinum Grey   | -LD, MD, YD                             |     |        |
|     | 958 555 035 01 7N0 | Espresso        | -VA, VB                                 |     |        |
| 6   | 955 555 388 00     | Clip            |   | 2   |        |
|     |                    | Side panel trim |   |     |        |
|     |                    | Mount           |   |     |        |
|     |                    | Cover           | right                                   |     |        |
|     |                    | or              |   |     |        |
|     |                    | Grille frame    | left                                    |     |        |
| 7   | 958 555 288 00     | Trim for switch |   | 1   | PR:1D9 |
|     | 958 555 288 00 1E0 | Black           |   |     |        |
| 8   | 701 867 299        | Clip            |   | 2   |        |
|     | 701 867 299 9B9    | Satin black     |   |     |        |
| 9   | 999 209 084 40     | Distance piece  |   | X   |        |
|     |                    | Rubber          |   |     |        |
| 10  | 955 555 208 00     | Clamp           |   | 6   |        |
| 11  | 955 555 387 00     | Clip            |   | 1   |        |
|     |                    | for             |   |     |        |
|     |                    | Mount           |   |     |        |
|     |                    | Side panel trim |   |     |        |

Model: 92A 11

Model life 2011>>2018



Model: 92A 11 Model life 2011>>2018

| Pos | Part Number        | Description         | Remark  | Qty | Model       |
|-----|--------------------|---------------------|---|-----|-------------|
|     |                    | Trim                | side  |     |             |
|     |                    | Luggage compartment |   |     |             |
|     |                    | d-pillar            |   |     |             |
|     |                    | D - MJ 2015>>       |   |     |             |
| 1   | 958 555 246 01     | D-pillar trim       | right   | 1   |             |
|     | 958 555 246 01 OM8 | saddle brown        | -ME, MH, MJ, MK                                 |     |             |
|     | 958 555 246 01 OP1 | agate grey          | -MB, MG, ML                                     |     |             |
|     | 958 555 246 01 4H0 | Luxor beige         | -LE, MC, YE, LD, MD, YD                         |     |             |
|     | 958 555 246 01 7N0 | Espresso            | -VA, VB   |     |             |
|     | 958 555 246 01 82V | Titan black         | -LC, LH, MA, MF, MI, TA, TB, TW, YA, YB, YC, 77 |     |             |
| (1) | 958 555 245 01     | D-pillar trim       | left  | 1   |             |
|     | 958 555 245 01 OM8 | saddle brown        | -ME, MH, MJ, MK                                 |     |             |
|     | 958 555 245 01 OP1 | agate grey          | -MB, MG, ML                                     |     |             |
|     | 958 555 245 01 4H0 | Luxor beige         | -LE, MC, YE, LD, MD, YD                         |     |             |
|     | 958 555 245 01 7N0 | Espresso            | -VA, VB   |     |             |
|     | 958 555 245 01 82V | Titan black         | -LC, LH, MA, MF, MI, TA, TB, TW, YA, YB, YC, 77 |     |             |
| 2   | 955 555 276 00     | Retaining clip      |   | X   |             |
| 3   | N 107 009 01       | Spreader rivet      |   | 1   |             |
| 4   | 958 555 038 20     | Side panel trim     | right   | 1   | PR:-1D9     |
|     |                    | without:            |   |     |             |
|     |                    | Cut-outs            |   |     |             |
|     |                    | Trim for switch     |   |     |             |
|     | 958 555 038 20 DK4 | Black               | -LC, LG, LH, MA, MF, MI, TA, YA, YB, YC, 77     |     |             |
|     | 958 555 038 20 DM5 | Luxor beige         | -LE, MC, YE                                     |     |             |
|     | 958 555 038 20 DP8 | Espresso            | -VA, VB   |     |             |
|     | 958 555 038 20 OK2 | agate grey          | -MB, MG, ML                                     |     |             |
|     | 958 555 038 20 OP2 | saddle brown        | -ME, MH, MJ, MK                                 |     |             |
| (4) | 958 555 038 21     | Side panel trim     | right   | 1   | PR:1D9      |
|     |                    | with:               |   |     |             |
|     |                    | Cut-outs            |   |     |             |
|     |                    | for                 |   |     |             |
|     |                    | Position            |   |     |             |
|     |                    | 7                   |   |     |             |
|     |                    | Trim for switch     |   |     |             |
|     | 958 555 038 21 DK4 | Black               | -LC, LG, LH, MA, MF, MI, TA, YA, YB, YC, 77     |     |             |
|     | 958 555 038 21 DM5 | Luxor beige         | -LE, MC, YE                                     |     |             |
|     | 958 555 038 21 DP8 | Espresso            | -VA, VB   |     |             |
|     | 958 555 038 21 OK2 | agate grey          | -MB, MG, ML                                     |     |             |
|     | 958 555 038 21 OP2 | saddle brown        | -ME, MH, MJ, MK                                 |     |             |
| (4) | 958 555 038 22     | Side panel trim     | right   | 1   | PR:3F4,-1D9 |
|     |                    | without:            |   |     |             |
|     |                    | Cut-outs            |   |     |             |
|     |                    | Trim for switch     |   |     |             |
|     | 958 555 038 22 DK4 | Black               | -LC, LG, LH, MA, MF, MI, TA, YA, YB, YC, 77     |     |             |
|     | 958 555 038 22 DM5 | Luxor beige         | -LE, MC, YE                                     |     |             |
|     | 958 555 038 22 DP8 | Espresso            | -VA, VB   |     |             |
|     | 958 555 038 22 OK2 | agate grey          | -MB, MG, ML                                     |     |             |
|     | 958 555 038 22 OP2 | saddle brown        | -ME, MH, MJ, MK                                 |     |             |
| (4) | 958 555 038 23     | Side panel trim     | right   | 1   | PR:3F4,1D9  |
|     |                    | with:               |   |     |             |
|     |                    | Cut-outs            |   |     |             |

Model: 92A 11 Model life 2011>>2018

| Pos | Part Number        | Description                             | Remark   | Qty | Model                  |
|-----|--------------------|---|--|-----|------------------------|
|     |                    | for<br>Position<br>7<br>Trim for switch |  |     |                        |
|     | 958 555 038 23 DK4 | Black                                   | -LC, LG, LH, MA,<br>MF, MI, TA, YA,<br>YB, YC, 77            |     |                        |
|     | 958 555 038 23 DM5 | Luxor beige                             | -LE, MC, YE  |     |                        |
|     | 958 555 038 23 DP8 | Espresso                                | -VA, VB  |     |                        |
|     | 958 555 038 23 OK2 | agate grey                              | -MB, MG, ML  |     |                        |
|     | 958 555 038 23 OP2 | saddle brown                            | -ME, MH, MJ, MK  |     |                        |
| (4) | 958 555 037 02     | Side panel trim                         | left   | 1   | PR:OK0,9AD,<br>9VK     |
|     |                    | with:                                   |  |     |                        |
|     |                    | Luggage net                             |  |     |                        |
|     | 958 555 037 02 DE1 | Umber                                   | -LF, TX, TY, YF  |     |                        |
|     | 958 555 037 02 DJ6 | Platinum Grey                           | -LD, MD, VD  |     |                        |
|     | 958 555 037 02 DK4 | Black                                   | -LC, LG, LH, MA,<br>MF, MI, TA, TB,<br>TW, YA, YB, YC,<br>77 |     |                        |
|     | 958 555 037 02 DM5 | Luxor beige                             | -LE, MC, YE  |     |                        |
|     | 958 555 037 02 DP8 | Espresso                                | -VA, VB  |     |                        |
|     | 958 555 037 02 OK2 | agate grey                              | -MB, MG, ML  |     |                        |
|     | 958 555 037 02 OP2 | saddle brown                            | -ME, MH, MJ, MK  |     |                        |
| (4) | 958 555 037 04     | Side panel trim                         | left   | 1   | PR:9AH                 |
|     |                    | with:                                   |  |     |                        |
|     |                    | Grille frame                            |  |     |                        |
|     | 958 555 037 04 DE1 | Umber                                   | -LF, TX, TY, YF  |     |                        |
|     | 958 555 037 04 DK4 | Black                                   | -LC, LG, LH, MA,<br>MF, MI, TA, TB,<br>YA, YB, YC, 77        |     |                        |
|     | 958 555 037 04 DM5 | Luxor beige                             | -LE, MC, YE  |     |                        |
|     | 958 555 037 04 DP8 | Espresso                                | -VA, VB  |     |                        |
|     | 958 555 037 04 OK2 | agate grey                              | -MB, MG, ML  |     |                        |
|     | 958 555 037 04 OP2 | saddle brown                            | -ME, MH, MJ, MK  |     |                        |
| (4) | 958 555 037 05     | Side panel trim                         | left   | 1   | PR:OK3                 |
|     |                    | with:                                   |  |     |                        |
|     |                    | Grille frame                            |  |     |                        |
|     | 958 555 037 05 DE1 | Umber                                   |  |     |                        |
|     | 958 555 037 05 DK4 | Black                                   | -LC, LG, LH, MA,<br>MF, MI, TA, YA,<br>YC, 77                |     |                        |
|     | 958 555 037 05 DM5 | Luxor beige                             | -LE, MC, YE  |     |                        |
|     | 958 555 037 05 DP8 | Espresso                                | -VA, VB  |     |                        |
|     | 958 555 037 05 OK2 | agate grey                              | -MB, MG, ML  |     |                        |
|     | 958 555 037 05 OP2 | saddle brown                            | -ME, MH, MJ, MK  |     |                        |
| (4) | 958 555 037 10     | Side panel trim                         | left   | 1   | PR:OK0,9AD,<br>9VL,1E9 |
|     |                    | without:                                |  |     |                        |
|     |                    | Luggage net                             |  |     |                        |
|     | 958 555 037 10 DK4 | Black                                   | -LC, LG, LH, MA,<br>MF, MI, TA, YA,<br>YC, 77                |     |                        |
|     | 958 555 037 10 DM5 | Luxor beige                             | -LE, MC, YE  |     |                        |
|     | 958 555 037 10 DP8 | Espresso                                | -VA, VB  |     |                        |
|     | 958 555 037 10 OK2 | agate grey                              | -MB, MG, ML  |     |                        |
|     | 958 555 037 10 OP2 | saddle brown                            | -ME, MH, MJ, MK  |     |                        |
| 5   | 958 555 462 00     | Cover                                   | right  | 1   |                        |
|     |                    | for                                     |  |     |                        |
|     |                    | Side panel trim                         |  |     |                        |
|     | 958 555 462 00 DE1 | Umber                                   | -LF, TX, TY, YF  |     |                        |
|     | 958 555 462 00 DJ6 | Platinum Grey                           | -LD, MD, YD  |     |                        |

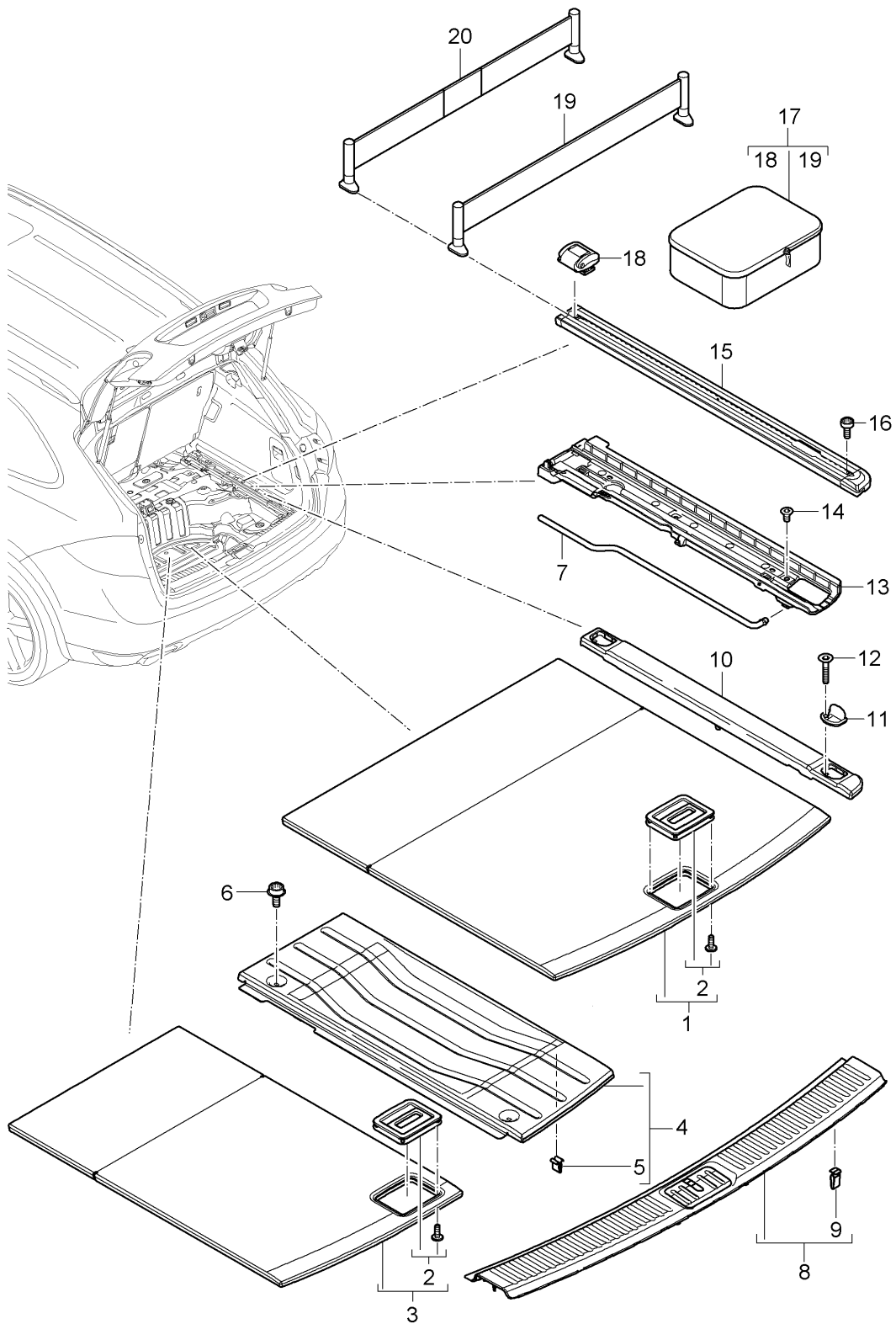


Model: 92A 11 Model life 2011>>2018

| Pos | Part Number        | Description                                      | Remark  | Qty | Model             |
|-----|--------------------|--|---|-----|-------------------|
|     | 958 555 462 00 DK4 | Black  | -LC, MA, TW, TA, TB, YA, YB, YC, 77, LG, LH, MF, MI |     |                   |
|     | 958 555 462 00 DM5 | Luxor beige                                      | -LE, MC, YE   |     |                   |
|     | 958 555 462 00 DP8 | Espresso   | -VA, VB   |     |                   |
|     | 958 555 462 00 OK2 | agate grey                                       | -MB, MG, ML   |     |                   |
|     | 958 555 462 00 OP2 | saddle brown                                     | -ME, MH, MJ   |     |                   |
| (5) | 958 555 035 00     | Grille frame for Side panel trim                 | left  | 1   | PR: 9AH, 0K3, 1E9 |
|     | 958 555 035 00 DE1 | Umber  |   |     |                   |
|     | 958 555 035 00 1E0 | Black  | -LC, LG, LH, MA, MF, MI, TA, TB, TW, YA, YB, YC     |     |                   |
|     | 958 555 035 00 4H0 | Luxor beige                                      | -LE, MC, YE   |     |                   |
|     | 958 555 035 00 7N0 | Espresso   | -VA, VB   |     |                   |
|     | 958 555 035 00 OP1 | agate grey                                       | -MB, MG, ML   |     |                   |
|     | 958 555 035 00 OM8 | saddle brown                                     | -ME, MH, MJ, MK                                     |     |                   |
| 6   | 955 555 388 00     | Clip Side panel trim Mount Cover or Grille frame | right left  | 2   |                   |
| 7   | 7P5 868 288 A      | Trim for switch                                  |   | 1   | PR: 1D3, 1BK      |
|     | 7P5 868 288 A 1E0  | Black  |   |     |                   |
| 8   | 701 867 299        | Clip   |   | 2   |                   |
|     | 701 867 299 9B9    | Satin black                                      |   |     |                   |
| 9   | 999 209 084 40     | Distance piece Rubber                            |   | X   |                   |
| 10  | 955 555 208 00     | Clamp  |   | 6   |                   |
| 11  | 955 555 387 00     | Clip for Mount Side panel trim                   |   | 1   |                   |

Model: 92A 11

Model life 2011>>2018



Model: 92A 11 Model life 2011>>2018

| Pos | Part Number        | Description  | Remark   | Qty | Model                  |
|-----|--------------------|--|--|-----|------------------------|
| 1   | 958 551 546 00     | Trim<br>Luggage compartment<br>Accessories<br>Loadspace system<br>Cover<br>Spare wheel |  | 1   | PR:OK0,1G1,<br>1G4,1G8 |
|     | 958 551 546 00 DE1 | Umber  | -LF, TX, TY, YF  |     |                        |
|     | 958 551 546 00 DJ6 | Platinum Grey  | -LD, MD, YD  |     |                        |
|     | 958 551 546 00 DK4 | Black  | -LC, LG, LH, MA,<br>MF, MI, TA, TB,<br>TW, YA, YB, YC,<br>77 |     |                        |
|     | 958 551 546 00 DM5 | Luxor beige  | -LE, MC, YE  |     |                        |
|     | 958 551 546 00 DP8 | Espresso   | -VA, VB  |     |                        |
|     | 958 551 546 00 OK2 | agate grey   | -MB, MG, ML  |     |                        |
|     | 958 551 546 00 OP2 | saddle brown   | -ME, MH, MJ, MK  |     |                        |
| (1) | 958 551 546 01     | Cover<br>Spare wheel<br>D >> - MJ 2014   |  | 1   | PR:OK1,1G8             |
|     | 958 551 546 01 DE1 | Umber  | -LF, TX, TY, YF  |     |                        |
|     | 958 551 546 01 DJ6 | Platinum Grey  | -LD, MD, YD  |     |                        |
|     | 958 551 546 01 DK4 | Black  | -LC, MA, TA, TB,<br>YA, YB, YC                               |     |                        |
|     | 958 551 546 01 DM5 | Luxor beige  | -LE, MC, YE  |     |                        |
|     | 958 551 546 01 DP8 | Espresso   | -VA, VB  |     |                        |
| (1) | 958 551 546 02     | Spare wheel covering<br>Spare wheel<br>D - MJ 2015>>                                   |  | 1   | PR:OK3                 |
|     | 958 551 546 02 OP2 | saddle brown   | -ME, MH, MJ, MK  |     |                        |
|     | 958 551 546 02 OK2 | agate grey   | -MB, MG, ML  |     |                        |
|     | 958 551 546 02 DK4 | Black  | -LC, LG, LH, MA,<br>MF, MI, TA, YA,<br>YC, 77                |     |                        |
|     | 958 551 546 02 DM5 | Luxor beige  | -LE, MC, YE  |     |                        |
|     | 958 551 546 02 DP8 | Espresso   | -VA, VB  |     |                        |
| 2   | 958 551 115 00     | handle<br>Spare wheel covering<br>(complete)<br>D >> - MJ 2015                         |  | 1   |                        |
|     | 958 551 115 00 DE1 | Umber  | -LF, TX, TY, YF  |     |                        |
|     | 958 551 115 00 1E0 | Black  | -LC, LG, LH, MA,<br>MF, MI, TA, TB,<br>TW, YA, YB, YC,<br>77 |     |                        |
|     | 958 551 115 00 4H0 | Luxor beige  | -LE, MC, YE  |     |                        |
|     | 958 551 115 00 6L0 | Platinum Grey  | -LD, MD, YD  |     |                        |
|     | 958 551 115 00 7N0 | Espresso   | -VA, VB  |     |                        |
|     | 958 551 115 00 OM8 | saddle brown   | -ME, MH, MJ, MK  |     |                        |
|     | 958 551 115 00 OP1 | agate grey   | -MB, MG, ML  |     |                        |
| (2) | 958 551 115 01     | handle<br>Spare wheel covering<br>(complete)   |  | 1   |                        |
|     | 958 551 115 01 OM8 | saddle brown   |  |     |                        |
|     | 958 551 115 01 OP1 | agate grey   |  |     |                        |
|     | 958 551 115 01 1E0 | Black  |  |     |                        |
|     | 958 551 115 01 4H0 | Luxor beige  |  |     |                        |
|     | 958 551 115 01 7N0 | Espresso   |  |     |                        |
| 3   | 958 551 764 00     | Cover<br>Luggage compartment<br>Floor<br>Discontinued part                             | left   | 1   | PR:3F4                 |
|     | 958 551 764 00 DE1 | Umber  | -LF, TX, TY  |     |                        |
|     | 958 551 764 00 DJ6 | Platinum Grey  | -LD, MD  |     |                        |

Model: 92A 11 Model life 2011>>2018

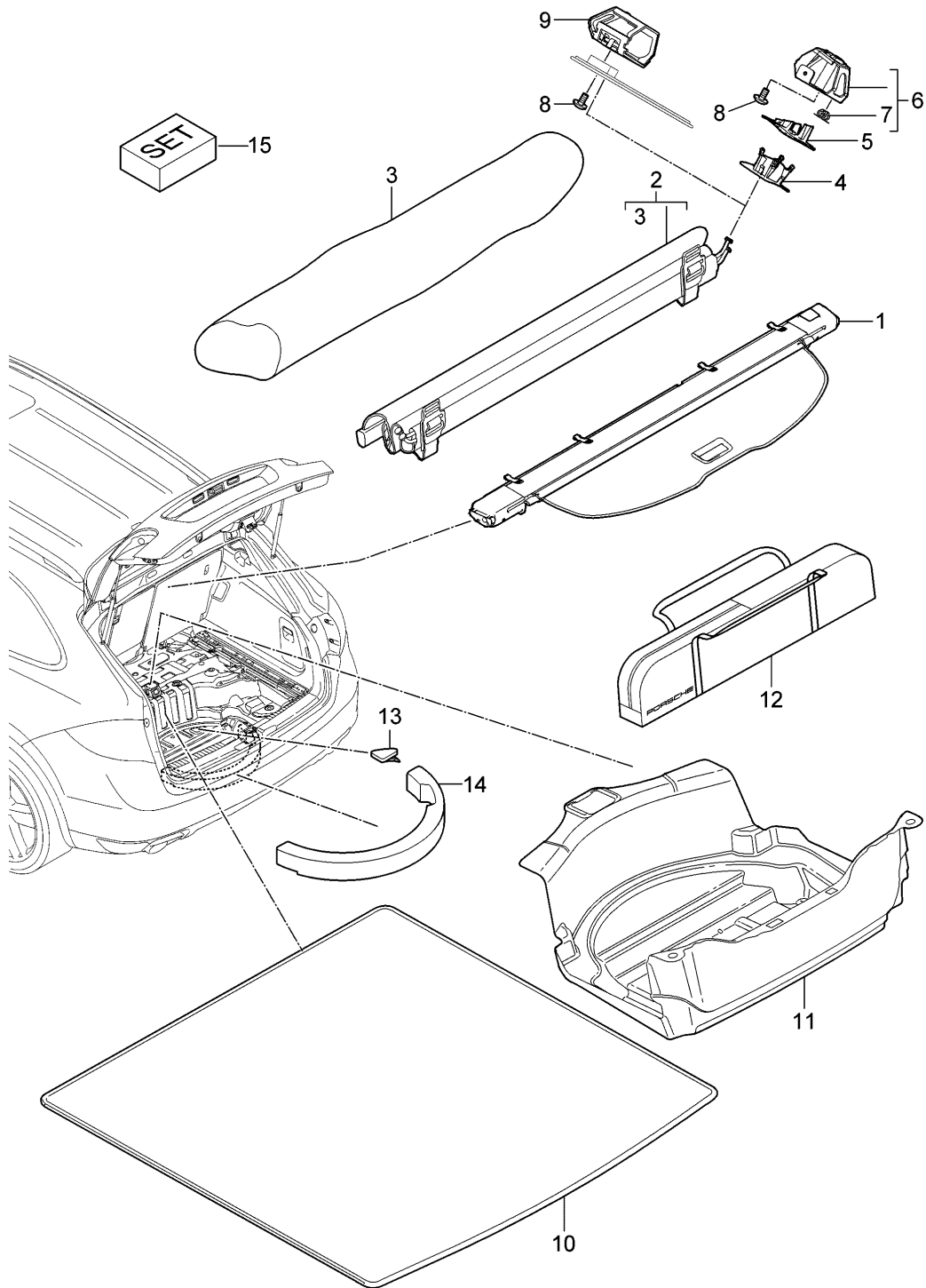
| Pos  | Part Number        | Description   | Remark   | Qty | Model                    |
|------|--------------------|---|--|-----|--------------------------|
| (3)  | 958 551 764 00 DK4 | Black   | -LC, MA, TW  | 1   | PR:3F4                   |
|      | 958 551 764 00 DM5 | Luxor beige   | -LE, MC  |     |                          |
|      | 958 551 764 00 DP8 | Espresso  | -VA, VB  |     |                          |
|      | 958 551 764 01     | Cover<br>Luggage compartment<br>Floor                           | left   |     |                          |
|      | 958 551 764 01 DE1 | Umber   | -LF, TX, TY, YF  |     |                          |
|      | 958 551 764 01 DJ6 | Platinum Grey   | -LD, MD, YD  |     |                          |
|      | 958 551 764 01 DK4 | Black   | -LC, LG, LH, MA,<br>MF, MI, TA, TB,<br>TW, YA, YB, YC,<br>77 |     |                          |
| 4    | 958 551 764 01 DM5 | Luxor beige   | -LE, MC, YE  | 1   | PR:3F4                   |
|      | 958 551 764 01 DP8 | Espresso  | -VA, VB  |     |                          |
|      | 958 551 764 01 OK2 | agate grey  | -MB, MG, ML  |     |                          |
|      | 958 551 764 01 OP2 | saddle brown  | -ME, MH, MJ, MK  |     |                          |
|      | 958 551 681 00     | Cover<br>Luggage compartment<br>Floor                           | right  |     |                          |
|      | 958 551 389 00     | Spring strap  |  |     |                          |
|      | N 911 288 01       | Socket head bolt with inner<br>multipoint head (Kombi)<br>M8x20 |  |     |                          |
| 7    | 958 551 195 00     | Flap support<br>for<br>Cover                                    |  | 1   |                          |
| 8    | 958 551 459 00     | Cover for lock carrier  |  | 1   |                          |
|      | 958 551 459 00 5R5 | chrome  |  |     |                          |
| 9    | 955 555 276 00     | Retaining clip<br>for<br>Cover<br>lock carrier                  |  | 6   |                          |
| 10   | 958 551 528 00     | shelf<br>Luggage compartment cover<br>Discontinued part         | right  | 1   | PR:1G1, 1G4,<br>1G8, 3GA |
|      | 958 551 528 00 DE1 | Umber   | -LF, TX, TY, YF  |     |                          |
|      | 958 551 528 00 DJ6 | Platinum Grey   | -LD, MD, YD  |     |                          |
|      | 958 551 528 00 DK4 | Black   | -LC, LG, LH, MA,<br>MF, MI, TA, TB,<br>TW, YA, YB, YC        |     |                          |
|      | 958 551 528 00 DM5 | Luxor beige   | -LE, MC, YE  |     |                          |
| 10   | 958 551 528 00 DP8 | Espresso  | -VA, VB  | 1   | PR:1G1, 1G4,<br>1G8, 3GA |
|      | 958 551 528 01     | shelf<br>Luggage compartment cover                              | right  |     |                          |
|      | 958 551 528 01 DE1 | Umber   |  |     |                          |
|      | 958 551 528 01 DJ6 | Platinum Grey   |  |     |                          |
|      | 958 551 528 01 DK4 | Black   |  |     |                          |
| 10   | 958 551 528 01 DM5 | Luxor beige   |  | 1   | PR:1G1, 1G4,<br>1G8, 3GA |
|      | 958 551 528 01 DP8 | Espresso  |  |     |                          |
|      | 958 551 528 01 OK2 | agate grey  | -MB, MG, ML  |     |                          |
|      | 958 551 528 01 OP2 | saddle brown  | -ME, MH, MJ, MK  |     |                          |
|      | 958 551 527 00     | shelf<br>Luggage compartment cover<br>Discontinued part         | left   |     |                          |
| (10) | 958 551 527 00 DE1 | Umber   | -LF, TX, TY, YF  | 1   | PR:1G1, 1G4,<br>1G8, 3GA |
|      | 958 551 527 00 DJ6 | Platinum Grey   | -LD, MD, YD  |     |                          |
|      | 958 551 527 00 DK4 | Black   | -LC, LG, LH, MA,<br>MF, MI, TA, TB,<br>TW, YA, YB, YC        |     |                          |
|      | 958 551 527 00 DM5 | Luxor beige   | -LE, MC, YE  |     |                          |
|      | 958 551 527 00 DP8 | Espresso  | -VA, VB  |     |                          |
|      | 958 551 527 01     | shelf<br>Luggage compartment cover                              | left   |     |                          |

Model: 92A 11 Model life 2011>>2018

| Pos  | Part Number        | Description                   | Remark          | Qty | Model                  |
|------|--------------------|-------------------------------|-----------------|-----|------------------------|
|      | 958 551 527 01 DE1 | Umber                         |                 |     |                        |
|      | 958 551 527 01 DJ6 | Platinum Grey                 |                 |     |                        |
|      | 958 551 527 01 DK4 | Black                         |                 |     |                        |
|      | 958 551 527 01 DM5 | Luxor beige                   |                 |     |                        |
|      | 958 551 527 01 DP8 | Espresso                      |                 |     |                        |
|      | 958 551 527 01 OK2 | agate grey                    | -MB, MG, ML     |     |                        |
|      | 958 551 527 01 OP2 | saddle brown                  | -ME, MH, MJ, MK |     |                        |
| 11   | 955 551 203 00     | Eye                           |                 | 4   |                        |
|      |                    | Luggage compartment           |                 |     |                        |
|      | 955 551 203 00 2ZZ | chrome                        |                 |     |                        |
| 12   | N 105 560 01       | Hex socket countersunk bolt   |                 | 8   |                        |
|      |                    | M6x30                         |                 |     |                        |
|      |                    | Mount                         |                 |     |                        |
|      |                    | Eye                           |                 |     |                        |
|      |                    | Luggage compartment           |                 |     |                        |
| 13   | 958 551 600 00     | Underlay                      | right           | 1   | PR:1G1,1G4,1G8         |
| (13) | 958 551 600 01     | Underlay                      | right           | 1   | PR:3F4                 |
| (13) | 958 551 599 00     | Underlay                      | left            | 1   |                        |
| 14   | N 910 423 01       | Oval hexagon socket head bolt |                 | 2   |                        |
|      |                    | M16x16                        |                 |     |                        |
|      |                    | Mount                         |                 |     |                        |
|      |                    | Underlay                      |                 |     |                        |
| 15   | 958 551 556 00     | retaining rail                | right           | 1   | PR:3GN                 |
|      |                    | Discontinued part             |                 |     |                        |
|      | 958 551 556 00 9Q8 | aluminium                     |                 |     |                        |
| 15   | 958 551 556 00     | retaining rail                | right           | 1   | PR:1G1,1G4,3F4,3GA     |
|      |                    | for                           |                 |     |                        |
|      |                    | Bracket                       |                 |     |                        |
|      |                    | Spare wheel                   |                 |     |                        |
|      |                    | Discontinued part             |                 |     |                        |
|      | 958 551 556 00 9Q8 | aluminium                     |                 |     |                        |
| 15   | 958 551 556 01     | retaining rail                | right           | 1   | PR:1G1,1G4,3F4,3GA,3GN |
|      |                    | for                           |                 |     |                        |
|      |                    | Bracket                       |                 |     |                        |
|      |                    | Spare wheel                   |                 |     |                        |
| (15) | 958 551 556 01 9Q8 | aluminium                     |                 |     |                        |
| (15) | 958 551 555 00     | retaining rail                | left            | 1   | PR:3GN                 |
|      |                    | Discontinued part             |                 |     |                        |
| (15) | 958 551 555 00 9Q8 | aluminium                     |                 |     |                        |
| (15) | 958 551 555 00     | retaining rail                | left            | 1   | PR:1G1,1G4,3F4,3GA     |
|      |                    | Discontinued part             |                 |     |                        |
|      | 958 551 555 00 9Q8 | aluminium                     |                 |     |                        |
| (15) | 958 551 555 01     | retaining rail                | left            | 1   | PR:1G1,1G4,3F4,3GA,3GN |
|      |                    | Discontinued part             |                 |     |                        |
|      | 958 551 555 01 9Q8 | aluminium                     |                 |     |                        |
| 16   | N 908 502 02       | Multiple-tooth screw          |                 | 4   |                        |
|      |                    | M8x20                         |                 |     |                        |
|      |                    | Mount                         |                 |     |                        |
|      |                    | retaining rail                |                 |     |                        |
| 17   | 955 551 504 00     | Pocket                        |                 | 1   | PR:3GN                 |
|      |                    | Loadspace system              |                 |     |                        |
| 18   | 955 551 539 00     | Eye                           |                 | 4   | PR:3GN                 |
|      |                    | Luggage compartment           |                 |     |                        |
| 19   | 955 551 378 01     | roller blind                  |                 | 1   | PR:3GN                 |
|      |                    | Discontinued part             |                 |     |                        |
| 19   | 958 551 378 10     | roller blind                  |                 | 1   | PR:3GN                 |
| 20   | 955 551 377 01     | Telescopic rod                |                 | 1   | PR:3GN                 |

Model: 92A 11

Model life 2011>>2018



Model: 92A 11 Model life 2011>>2018

| Pos | Part Number        | Description   | Remark   | Qty | Model        |
|-----|--------------------|---|--|-----|--------------|
| 1   | 958 551 773 00     | Luggage compartment cover<br>Net partition<br>Accessories<br>Insert<br>Ski bag<br>cover for luggage boot<br>Discontinued part |  | 1   |              |
|     | 958 551 773 00 AY1 | Black   | -LC, MA, TW                                      |     |              |
|     | 958 551 773 00 DE1 | Umber   | -LF, TX, TY                                      |     |              |
|     | 958 551 773 00 F0K | Luxor beige   | -LE, MC  |     |              |
|     | 958 551 773 00 F0L | Platinum Grey   | -LD, MD  |     |              |
|     | 958 551 773 00 F0M | Espresso  | -VA, VB  |     |              |
| 1   | 958 551 773 03     | cover for luggage boot<br>Discontinued part   |  | 1   |              |
|     | 958 551 773 03 AY1 | Black   | -LC, MA, MF, MI, TA, TB, YA, YB, YC, 77          |     |              |
|     | 958 551 773 03 DE1 | Umber   | -LF, TX, TY, YF                                  |     |              |
|     | 958 551 773 03 F0K | Luxor beige   | -LE, MC, YE                                      |     |              |
|     | 958 551 773 03 F0L | Platinum Grey   | -LD, MD, YD                                      |     |              |
|     | 958 551 773 03 F0M | Espresso  | -VA, VB  |     |              |
| 1   | 958 551 773 04     | cover for luggage boot  |  | 1   |              |
|     | 958 551 773 04 AY1 | Black   | -LC, LG, LH, MA, MF, MI, TA, YA, YC, 77          |     |              |
|     | 958 551 773 04 F0K | Luxor beige   | -LE, MC, YE                                      |     |              |
|     | 958 551 773 04 F0M | Espresso  | -VA, VB  |     |              |
|     | 958 551 773 04 HGN | agate grey  | -MB, MG, ML                                      |     |              |
|     | 958 551 773 04 HGR | saddle brown  | -ME, MH, MJ, MK                                  |     |              |
| 2   | 958 551 691 00     | Net partition   |  | 1   | PR: 3CX      |
|     |                    | with:   |  |     |              |
|     | 958 551 691 00 45W | Pocket  |  |     |              |
| 3   | 958 551 252 00     | Pocket  |  | 1   |              |
| 4   | 958 551 970 00     | Trim  | rear   | 1   | PR: 3FA, 3FE |
|     | 958 551 970 00 82V | Titan black   | right<br>-LC, LG, LH, MA, MF, MI, TA, YA, YC, 77 |     |              |
|     | 958 551 970 00 DE1 | Umber   | -LF, TX, TY, YF                                  |     |              |
|     | 958 551 970 00 1E0 | Black   | -LC, MA, TW                                      |     |              |
|     | 958 551 970 00 4H0 | Luxor beige   | -LE, MC, YE                                      |     |              |
|     | 958 551 970 00 6L0 | Platinum Grey   | -LD, MD, YD                                      |     |              |
|     | 958 551 970 00 7N0 | Espresso  | -VA, VB  |     |              |
|     | 958 551 970 00 OP1 | agate grey  | -MB, MG, ML                                      |     |              |
|     | 958 551 970 00 OM8 | saddle brown  | -ME, MH, MJ, MK                                  |     |              |
| (4) | 958 551 970 10     | Trim  | rear   | 1   | PR: 3FU      |
|     | 958 551 970 10 82V | Titan black   | right<br>-LC, LG, LH, MA, MF, MI, TA, YA, YC, 77 |     |              |
|     | 958 551 970 10 DE1 | Umber   | -LF, TX, TY, YF                                  |     |              |
|     | 958 551 970 10 1E0 | Black   | -LC, MA, TW                                      |     |              |
|     | 958 551 970 10 4H0 | Luxor beige   | -LE, MC, YE                                      |     |              |
|     | 958 551 970 10 6L0 | Platinum Grey   | -LD, MD, YD                                      |     |              |
|     | 958 551 970 10 7N0 | Espresso  | -VA, VB  |     |              |
|     | 958 551 970 10 OP1 | agate grey  | -MB, MG, ML                                      |     |              |
|     | 958 551 970 10 OM8 | saddle brown  | -ME, MH, MJ, MK                                  |     |              |
| (4) | 958 551 969 00     | Trim  | rear   | 1   | PR: 3FA, 3FE |
|     | 958 551 969 00 82V | Titan black   | left<br>-LC, LG, LH, MA, MF, MI, TA, YA, YC, 77  |     |              |

Model: 92A 11 Model life 2011>>2018

| Pos | Part Number        | Description                               | Remark  | Qty | Model        |
|-----|--------------------|---|---|-----|--------------|
|     | 958 551 969 00 DE1 | Umber                                     | -LF, TX, TY, YF                               |     |              |
|     | 958 551 969 00 1E0 | Black                                     | -LC, MA, TW                                   |     |              |
|     | 958 551 969 00 4H0 | Luxor beige                               | -LE, MC, YE                                   |     |              |
|     | 958 551 969 00 6L0 | Platinum Grey                             | -LD, MD, YD                                   |     |              |
|     | 958 551 969 00 7N0 | Espresso                                  | -VA, VB                                       |     |              |
|     | 958 551 969 00 OP1 | agate grey                                | -MB, MG, ML                                   |     |              |
|     | 958 551 969 00 OM8 | saddle brown                              | -ME, MH, MJ, MK                               |     |              |
| (4) | 958 551 969 10     | Trim                                      | rear  | 1   | PR: 3FU      |
|     |                    |   | left  |     |              |
|     | 958 551 969 10 82V | Titan black                               | -LC, LG, LH, MA,<br>MF, MI, TA, YA,<br>YC, 77 |     |              |
|     | 958 551 969 10 DE1 | Umber                                     | -LF, TX, TY, YF                               |     |              |
|     | 958 551 969 10 1E0 | Black                                     | -LC, MA, TW                                   |     |              |
|     | 958 551 969 10 4H0 | Luxor beige                               | -LE, MC, YE                                   |     |              |
|     | 958 551 969 10 6L0 | Platinum Grey                             | -LD, MD, YD                                   |     |              |
|     | 958 551 969 10 7N0 | Espresso                                  | -VA, VB                                       |     |              |
|     | 958 551 969 10 OP1 | Agate brown                               | -MB, MG, ML                                   |     |              |
|     | 958 551 969 10 OM8 | saddle brown                              | -ME, MH, MJ, MK                               |     |              |
| 5   | 958 551 498 00     | Frame                                     | rear  | 1   | PR: 3FA, 3FE |
|     |                    |   | right   |     |              |
| (5) | 958 551 498 10     | Frame                                     | rear  | 1   | PR: 3FU      |
|     |                    |   | right   |     |              |
| (5) | 958 551 497 00     | Frame                                     | rear  | 1   | PR: 3FA, 3FE |
|     |                    |   | left  |     |              |
| (5) | 958 551 497 10     | Frame                                     | rear  | 1   | PR: 3FU      |
|     |                    |   | left  |     |              |
| 6   | 958 551 782 00     | Eye                                       | rear  | 1   | PR: 3FA, 3FE |
|     |                    |   | right   |     |              |
| (6) | 958 551 782 10     | Eye                                       | rear  | 1   | PR: 3FU      |
|     |                    |   | right   |     |              |
| (6) | 958 551 781 00     | Eye                                       | rear  | 1   | PR: 3FA, 3FE |
|     |                    |   | left  |     |              |
| (6) | 958 551 781 10     | Eye                                       | rear  | 1   | PR: 3FU      |
|     |                    |   | left  |     |              |
| 7   | 958 555 190 01     | Clip                                      |   | 4   |              |
| 8   | N 907 378 03       | Hexagon socket flat<br>head bolt<br>M6x14 |   | X   |              |
| 9   | 958 551 688 00     | Eye                                       | front   | 1   |              |
|     |                    |   | right   |     |              |
|     |                    | with:                                     |   |     |              |
|     |                    | Flap                                      |   |     |              |
|     | 958 551 688 00 DE1 | Umber                                     | -LF, TX, TY, YF                               |     |              |
|     | 958 551 688 00 4H0 | Luxor beige                               | -LE, MC, YE                                   |     |              |
|     | 958 551 688 00 6L0 | Platinum Grey                             | -LD, MD, YD                                   |     |              |
|     | 958 551 688 00 7N0 | Espresso                                  | -VA, VB                                       |     |              |
|     | 958 551 688 00 1E0 | Black                                     |   |     |              |
| 9   | 958 551 688 10     | Eye                                       | front   | 1   |              |
|     |                    |   | right   |     |              |
|     |                    | with:                                     |   |     |              |
|     |                    | Flap                                      |   |     |              |
|     | 958 551 688 10 82V | Satin black                               | -LC, LG, LH, MA,<br>MF, MI, TA, YA,<br>YC, 77 |     |              |
|     | 958 551 688 10 OP1 | agate grey                                | -MB, MG, ML                                   |     |              |
|     | 958 551 688 10 OM8 | saddle brown                              | -ME, MH, MJ, MK                               |     |              |
| 9   | 958 551 687 00     | Eye                                       | front   | 1   |              |
|     |                    |   | left  |     |              |
|     |                    | with:                                     |   |     |              |
|     |                    | Flap                                      |   |     |              |
|     | 958 551 687 00 DE1 | Umber                                     | -LF, TX, TY, YF                               |     |              |
|     | 958 551 687 00 4H0 | Luxor beige                               | -LE, MC, YE                                   |     |              |

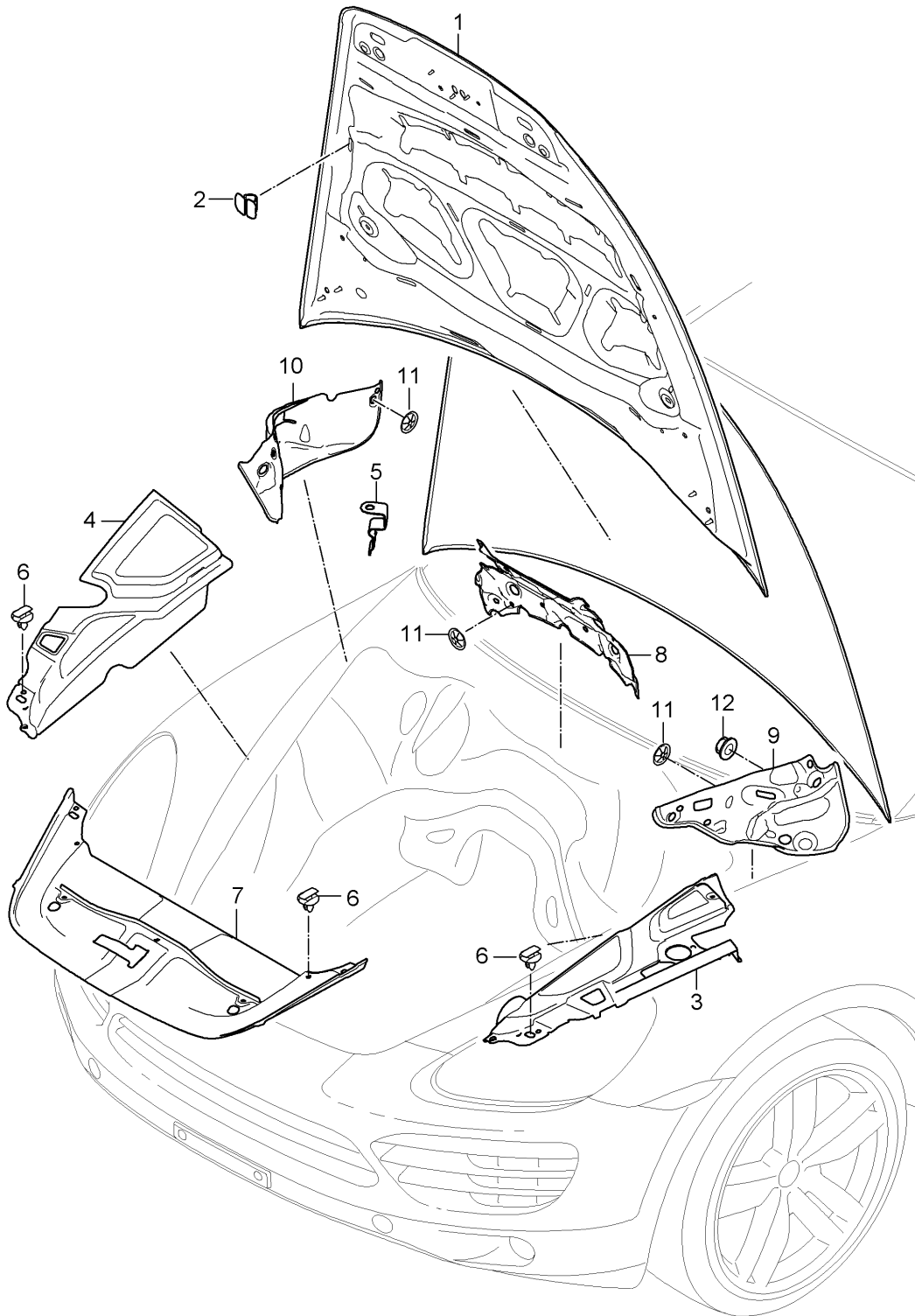


Model: 92A 11 Model life 2011>>2018

| Pos  | Part Number        | Description                        | Remark   | Qty | Model                                  |
|------|--------------------|------------------------------------|--|-----|--|
| 9    | 958 551 687 00 6L0 | Platinum Grey                      | -LD, MD, YD  | 1   |  |
|      | 958 551 687 00 7N0 | Espresso                           | -VA, VB  |     |  |
|      | 958 551 687 00 1E0 | Black                              |  |     |  |
|      | 958 551 687 10     | Eye                                | front<br>right   |     |  |
|      |                    | with:                              |  |     |  |
|      | 958 551 687 10 82V | Flap<br>Satin black                | -LC, LG, LH, MA,<br>MF, MI, TA, YA,<br>YC, 77                |     |  |
| 10   | 958 551 687 10 OP1 | agate grey                         | -MB, MG, ML  | 1   | PR: 3GN                                |
|      | 958 551 687 10 OM8 | saddle brown                       | -ME, MH, MJ, MK  |     |  |
|      | 958 551 769 00     | Insert<br>Mat                      |  |     |  |
|      | 958 551 769 00 DC5 | Black                              | -LC, LG, LH, MA,<br>MF, MI, TA, TB,<br>TW, YA, YB, YC,<br>77 |     |  |
| 10   | 958 551 769 00 GC4 | Luxor beige                        | -LE, MC, YE  | 1   | PR: 3GN                                |
|      | 958 551 769 00 GH3 | Platinum Grey                      | -LD, MD, YD  |     |  |
|      | 958 551 769 00 GK1 | Espresso                           | -VA, VB  |     |  |
|      | 958 551 769 00 GP8 | Umber                              | -LF, TX, TY, YF  |     |  |
| 10   | 958 551 769 02     | Insert<br>Mat                      |  | 1   | PR: 3GN                                |
|      | 958 551 769 02 OW7 | agate grey                         | -MB, MG, ML  |     |  |
| 11   | 958 551 769 02 ON9 | saddle brown                       | -ME, MH, MJ, MK  | 1   | PR: 1G8, 8RV,<br>9VK                   |
|      | 958 551 697 00     | Trim for spare<br>wheel well       |  |     |  |
| (11) | 958 551 697 10     | Trim for spare<br>wheel well       |  | 1   | PR: 1G1, 1G4,<br>3F4, 8RV, 9VK,<br>OK0 |
| (11) | 958 551 697 20     | Trim for spare<br>wheel well       |  | 1   | PR: 1G1, 1G4,<br>3F4, 9VJ, 9VL,<br>OK0 |
| (11) | 958 551 697 30     | Trim for spare<br>wheel well       |  | 1   | PR: 1G8, 9VJ,<br>9VL, OK0              |
| (11) | 958 551 697 40     | Trim for spare<br>wheel well       |  | 1   | PR: 1E9                                |
| 12   | 958 551 811 01     | Ski bag                            |  | 1   | PR: 3NW, 3X1                           |
|      |                    | with:                              |  |     |  |
| 13   |                    | Carrier bag<br>Discontinued part   |  |     |  |
|      | 958 551 124 00     | Underlay<br>Spare wheel            | right  | 1   | PR: 1G1, 1G4                           |
| (13) | 958 551 123 00     | Underlay<br>Spare wheel            | left   | 1   | PR: 1G1, 1G4                           |
|      | 958 551 125 00     | Underlay<br>Spare wheel            | center   | 1   | PR: 1G1, 1G4                           |
| 15   | 958 898 773 00     | repair set<br>Clip                 |  | 1   |  |
|      | 958 898 773 00 1E0 | Luggage compartment cover<br>Black | -LC, LG, LH, MA,<br>MF, MI, TA, YA,<br>YC, 77                |     |  |
|      | 958 898 773 00 OP1 | agate grey                         | -MB, MG, ML  |     |  |
|      | 958 898 773 00 4H0 | Luxor beige                        | -LE, MC, YE  |     |  |
|      | 958 898 773 00 OM8 | Espresso                           | -ME, MH, MJ, MK  |     |  |
|      | 958 898 773 00 7N0 | Espresso                           | -VA, VB  |     |  |

Model: 92A 11

Model life 2011>>2018

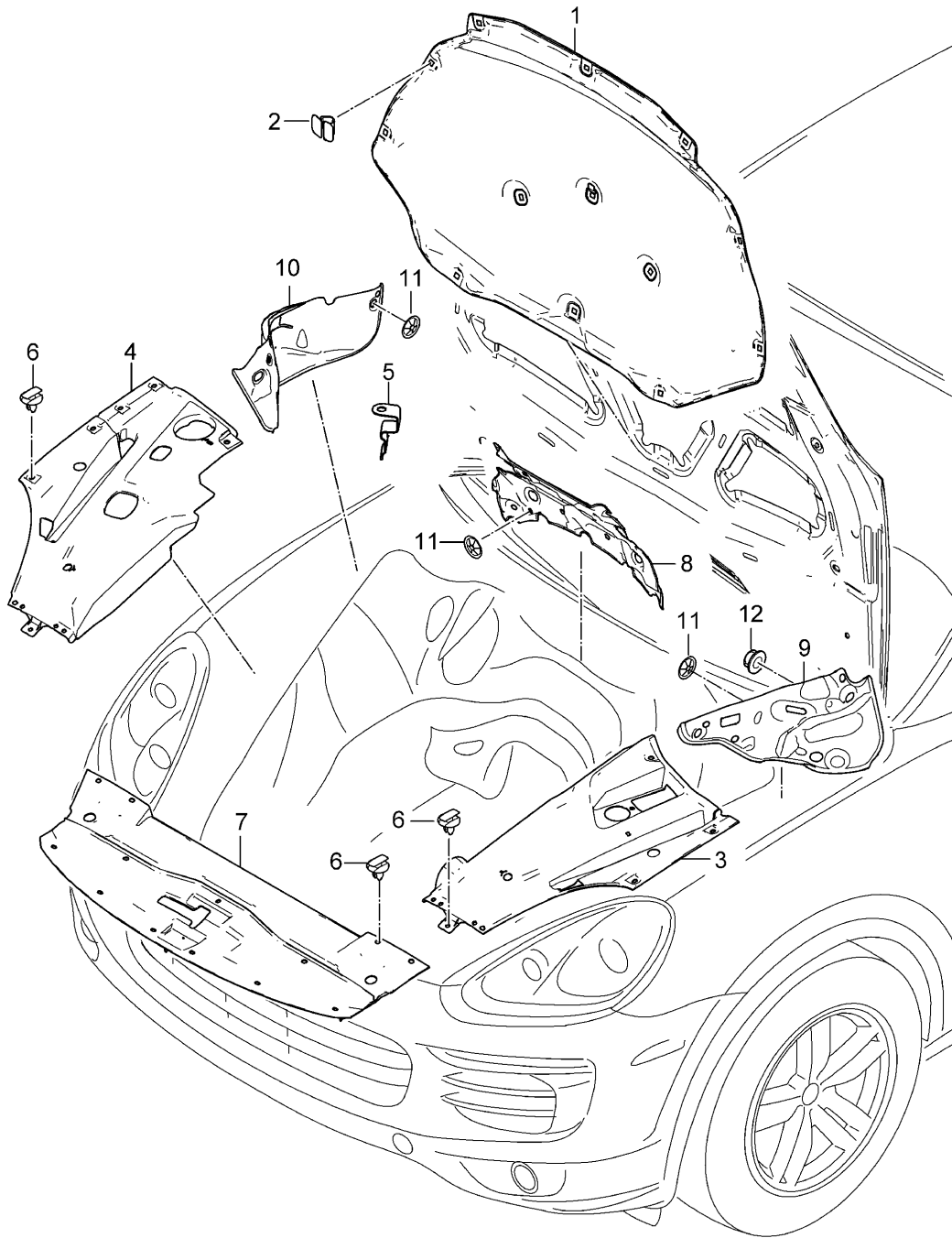


Model: 92A 11 Model life 2011>>2018

| Pos | Part Number        | Description  | Remark | Qty | Model                              |
|-----|--------------------|--|--------|-----|------------------------------------|
|     |                    | Sound absorber<br>Trim<br>Engine compartment<br>D >> - MJ 2014 |        |     |                                    |
| 1   | 958 556 831 00     | sound abs. for engine bonnet                                   |        | 1   |                                    |
| 2   | 955 556 761 00     | Bracket  |        | 13  |                                    |
|     | 955 556 761 00 01C | Sound absorber<br>Satin black                                  |        |     |                                    |
| 3   | 958 556 583 00     | Cover  | left   | 1   | PR:D34,D6V                         |
|     | 958 556 583 00 01C | Satin black  |        |     |                                    |
| (3) | 958 556 583 01     | Cover  | left   | 1   | PR:D58,D50,<br>D1V,D11             |
|     |                    | D >> - MJ 2012   |        |     |                                    |
|     | 958 556 583 01 01C | Satin black  |        |     |                                    |
| (3) | 958 556 583 03     | Cover  | left   | 1   | PR:D58,D50,<br>D1V,D11,D43,<br>DD8 |
|     |                    | D - MJ 2013>>  |        |     |                                    |
|     | 958 556 583 03 01C | Satin black  |        |     |                                    |
| (3) | 958 556 583 02     | Cover  | left   | 1   | PR:D19                             |
|     | 958 556 583 02 01C | Satin black  |        |     |                                    |
| 4   | 958 556 442 00     | Cover  | right  | 1   | PR:D58,D34,<br>D50                 |
|     | 958 556 442 00 01C | Satin black  |        |     |                                    |
| (4) | 958 556 442 01     | Cover  | right  | 1   | PR:D6V                             |
|     | 958 556 442 01 01C | Satin black  |        |     |                                    |
| (4) | 958 556 442 02     | Cover  | right  | 1   | PR:D19,D11                         |
|     | 958 556 442 02 01C | Satin black  |        |     |                                    |
| (4) | 958 556 442 03     | Cover  | right  | 1   | PR:D50,D1V,<br>D43,DD8             |
|     | 958 556 442 03 01C | Satin black  |        |     |                                    |
| 5   | 958 556 805 00     | Bracket  | right  | 1   |                                    |
|     |                    | Cover  |        |     |                                    |
| (5) | 958 556 804 00     | Bracket  | left   | 1   |                                    |
|     |                    | Cover  |        |     |                                    |
| 6   | WHT 004 750        | Spreader rivet<br>8.1X13.0                                     |        | X   |                                    |
| 7   | 958 556 806 00     | cover - lock<br>cover - lock                                   |        | 1   |                                    |
|     | 958 556 806 00 01C | Satin black  |        |     |                                    |
| 8   | 958 556 983 00     | sound absorber for water box                                   | center | 1   |                                    |
| 9   | 958 556 993 00     | sound absorber for water box                                   | left   | 1   |                                    |
| 10  | 958 556 994 00     | sound absorber for water box                                   | right  | 1   |                                    |
| 11  | N 903 350 05       | Clamping washer<br>S-5X30                                      |        | X   |                                    |
| 12  | 958 556 089 00     | Plenum chamber cover<br>Screw<br>Mount<br>Damping              | left   | 1   | PR:OK1                             |

Model: 92A 11

Model life 2011>>2018



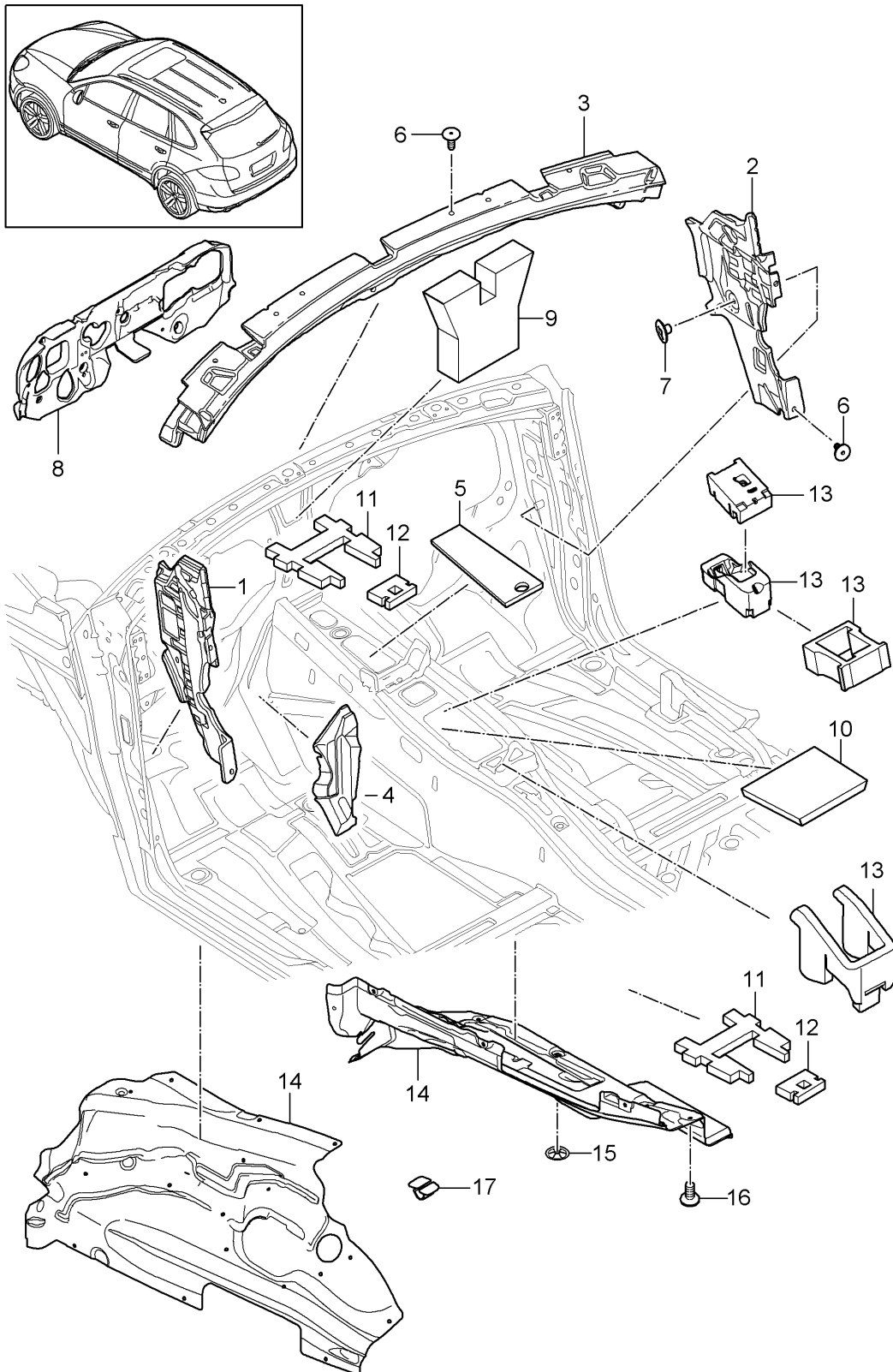
Model: 92A 11

Model life 2011>>2018

| Pos | Part Number        | Description   | Remark | Qty | Model  |
|-----|--------------------|---|--------|-----|--|
|     |                    | Sound absorber<br>Trim<br>Engine compartment<br>D - MJ 2015>> |        |     |  |
| 1   | 958 556 831 20     | sound abs. for engine bonnet                                  |        | 1   |  |
| 2   | 1T0 863 727        | Retaining clip  |        | 12  |  |
|     |                    | Sound absorber<br>Bonnet                                      |        |     |  |
| 3   | 958 556 583 20     | Cover   | left   | 1   | PR:D34   |
|     | 958 556 583 20 9B9 | Satin black   |        |     |  |
| (3) | 958 556 583 21     | Cover   | left   | 1   | PR:DD7,DD8,<br>DT1,DT5,DU2,<br>DU3,D1V,D11,<br>D43,D50,D51,<br>DV7 |
|     | 958 556 583 21 9B9 | Satin black   |        |     |  |
| (3) | 958 556 583 22     | Cover   | left   | 1   | PR:D19   |
|     | 958 556 583 22 9B9 | Satin black   |        |     |  |
| 4   | 958 556 584 20     | Cover   | right  | 1   | PR:DD7,DD8,<br>D1V,D43,D50,<br>DV7,D51                             |
|     | 958 556 584 20 9B9 | Satin black   |        |     |  |
| (4) | 958 556 584 21     | Cover   | right  | 1   | PR:D11,D19   |
|     | 958 556 584 21 9B9 | Satin black   |        |     |  |
| (4) | 958 556 584 22     | Cover   | right  | 1   | PR:DT1,DT5,<br>DU2,DU3,D34   |
|     | 958 556 584 22 9B9 | Satin black   |        |     |  |
| 5   | 958 556 805 00     | Bracket<br>Mount<br>Cover                                     | right  | 1   |  |
| (5) | 958 556 804 00     | Bracket<br>Mount<br>Cover                                     | left   | 1   |  |
| 6   | WHT 004 750        | Spreader rivet<br>8.1X13.0                                    |        | X   |  |
| 7   | 958 556 806 20     | cover - lock<br>cover - lock                                  |        | 1   |  |
|     | 958 556 806 20 9B9 | Satin black   |        |     |  |
| 8   | 958 556 983 00     | sound absorber for water box                                  | center | 1   |  |
| 9   | 958 556 993 00     | sound absorber for water box                                  | left   | 1   |  |
| 10  | 958 556 994 00     | sound absorber for water box                                  | right  | 1   |  |
| 11  | N 903 350 05       | Clamping washer<br>S-5X30                                     |        | X   |  |
| 12  | 958 556 089 00     | Plenum chamber cover<br>Screw<br>Mount<br>Damping             | left   | 1   | PR:OK3   |

Model: 92A 11

Model life 2011>>2018



Model: 92A 11 Model life 2011>>2018

| Pos  | Part Number        | Description  | Remark        | Qty | Model  |
|------|--------------------|--|---------------|-----|--|
|      |                    | Sound absorber<br>Passenger compartment<br>Front end |               |     |  |
| 1    | 958 556 923 00     | Damping for cowl                                     | left          | 1   | PR:D6V,D58   |
| (1)  | 958 556 923 01     | Damping for cowl                                     | left          | 1   | PR:D19,D50,<br>D34,DD8                                 |
| 2    | 958 556 924 00     | Damping for cowl                                     | right         | 1   | PR:D6V,D58   |
| (2)  | 958 556 924 01     | Damping for cowl                                     | right         | 1   | PR:D19,D50,<br>D34,DD8                                 |
| 3    | 958 556 931 00     | Damping for cowl                                     | center        | 1   | PR:DT1,DT5   |
| (3)  | 958 556 931 01     | Damping for cowl                                     | center        | 1   | PR:DU2,DU3,<br>D1V,D11,D19,<br>D43,D50,DD8,<br>DV7,D51 |
| 4    | 958 556 354 00     | Damping for cowl<br>Assembly<br>plate                |               | 1   |  |
| 5    | 958 556 335 00     | Damper for tunnel                                    |               | 1   |  |
| 6    | N 909 113 01       | Clip<br>A6.5X18.19X20.1                              |               | X   |  |
| 7    | 955 556 760 00     | Retaining clip                                       |               | X   |  |
|      | 955 556 760 00 01C | Black  |               |     |  |
| 8    | 958 556 895 00     | Damping  | lhd           | 1   | PR:G1G,L0L   |
|      |                    | with:<br>Assembly<br>plate                           |               |     |  |
| (8)  | 958 556 895 01     | Damping  | lhd           | 1   | PR:G0L,L0L   |
|      |                    | with:<br>Assembly<br>plate                           |               |     |  |
| (8)  | 958 556 895 02     | Damping  | rhd           | 1   | PR:G1G,L0R   |
|      |                    | with:<br>Assembly<br>plate                           |               |     |  |
| (8)  | 958 556 895 03     | Damping  | rhd           | 1   | PR:G0L,L0R   |
|      |                    | with:<br>Assembly<br>plate                           |               |     |  |
| 9    | 958 556 405 00     | Sound absorber<br>Firewall                           |               | 1   |  |
| 10   | 958 556 773 00     | Sound absorber<br>Centre console<br>vorne            |               | 1   |  |
| 11   | 958 556 785 00     | Sound absorber<br>Centre console<br>vorne            | upper         | 1   |  |
| 12   | 958 556 786 00     | Sound absorber<br>Centre console                     | rear<br>upper | 1   |  |
| 13   | 958 556 231 00     | Damping<br>Manual gearbox                            |               | 1   | PR:G0L   |
| (13) | 958 556 231 01     | Damping<br>Automatic transmission                    |               | 1   | PR:G1G   |
| (13) | 958 556 233 00     | Damping<br>Automatic transmission                    | rear          | 1   | PR:G1G   |
| 14   | 958 556 871 00     | Damper for tunnel                                    | left          | 1   | PR:OK0,1E0,<br>1E1                                     |
| (14) | 958 556 871 01     | Damper for tunnel<br>D >> - MJ 2014                  | left          | 1   | PR:OK1   |
| (14) | 958 556 871 02     | Damper for tunnel<br>D - MJ 2013>>                   | left          | 1   | PR:OK0,1E9   |
| (14) | 958 556 872 00     | Damper for tunnel                                    | right         | 1   | PR:D11,D19,<br>D34,D58,D6V                             |
|      |                    | Discontinued part                                    |               |     |  |

Model: 92A 11

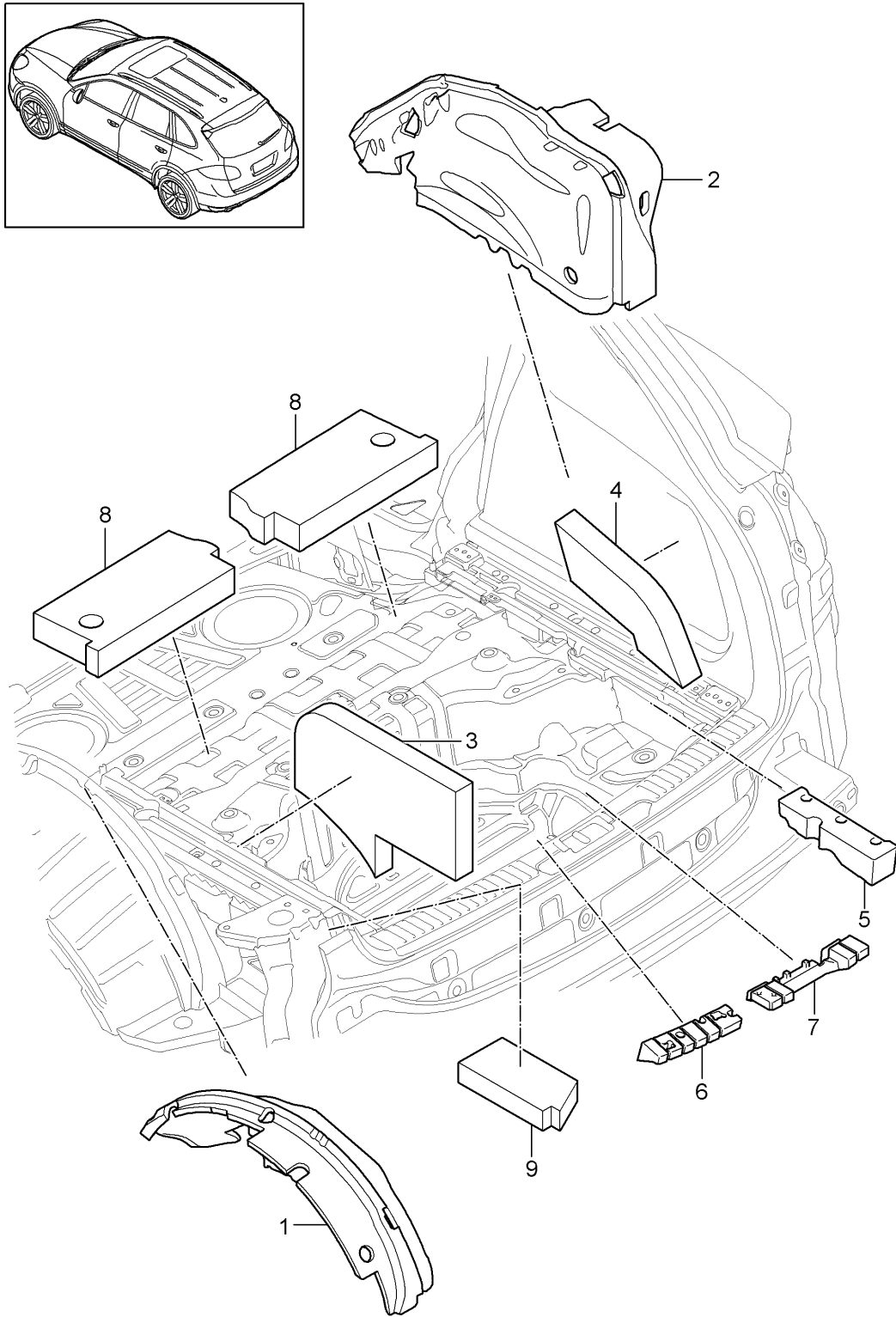
Model life 2011>>2018

| Pos  | Part Number        | Description                             | Remark | Qty | Model                              |
|------|--------------------|---|--------|-----|------------------------------------|
| (14) | 958 556 872 02     | Damper for tunnel                       | right  | 1   | PR:D11,D19,<br>D34,D58,D6V,<br>DD8 |
| (14) | 958 556 872 02     | Damper for tunnel                       | right  | 1   | PR:DD8,DD7,<br>D1V,D43,D50,<br>D51 |
| (14) | 958 556 872 01     | Damper for tunnel<br>Discontinued part  | right  | 1   | PR:D1V,D50                         |
| (14) | 958 556 872 04     | Damper for tunnel                       | right  | 1   | PR:D1V,D50,<br>DD7,D43,D51,<br>DV7 |
| 15   | N 903 350 05       | Clamping washer<br>S-5X30               |        | X   |                                    |
| 16   | N 910 844 02       | Oval hexagon socket head bolt<br>6X15-Q |        | 2   |                                    |
| 17   | 955 556 761 00     | Bracket                                 |        | 1   |                                    |
|      | 955 556 761 00 01C | Satin black                             |        |     |                                    |
| 18   | 955 556 761 00     | Bracket                                 |        | 1   |                                    |
|      | 955 556 761 00 01C | Satin black                             |        |     |                                    |
| 20   | 958 556 938 00     | Sound absorber<br>Centre console        | upper  | 1   |                                    |
| 21   | 958 556 939 00     | Sound absorber<br>Centre console        | upper  | 1   |                                    |



Model: 92A 11

Model life 2011>>2018



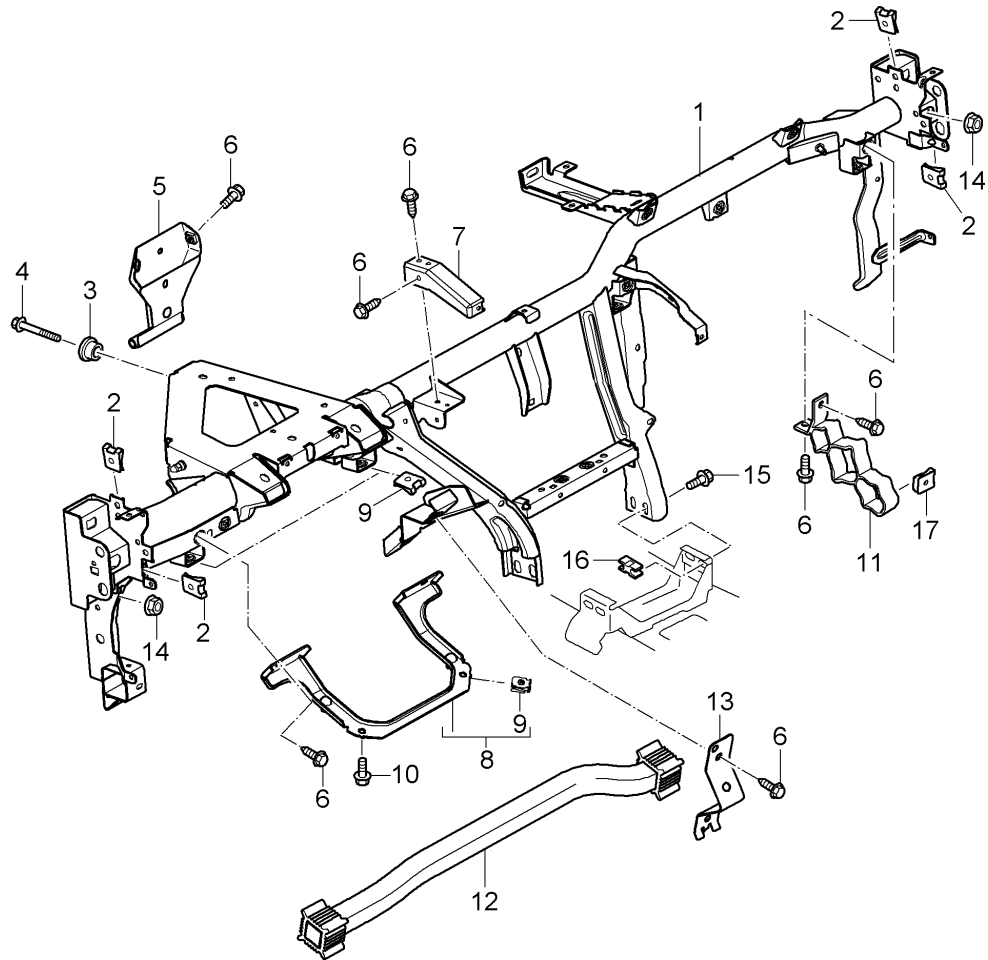
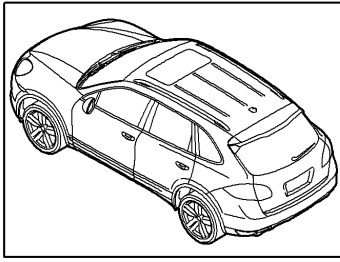
Model: 92A 11

Model life 2011>>2018

| Pos  | Part Number    | Description                               | Remark | Qty | Model                              |
|------|----------------|---|--------|-----|------------------------------------|
|      |                | Sound absorber<br>Luggage compartment     |        |     |                                    |
| 1    | 958 556 813 00 | sound absorb.for wheel housing            | left   | 1   |                                    |
| 2    | 958 556 814 00 | sound absorb.for wheel housing            | right  | 1   |                                    |
| 3    | 958 556 815 00 | sound absorb.for wheel housing            | left   | 1   |                                    |
|      |                |   | rear   |     |                                    |
|      |                |   | upper  |     |                                    |
| 4    | 958 556 816 00 | sound absorb.for wheel housing            | right  | 1   |                                    |
|      |                |   | rear   |     |                                    |
|      |                |   | upper  |     |                                    |
| 5    | 958 556 801 00 | Damping                                   | left   | 1   |                                    |
| (5)  | 958 556 802 00 | Damping                                   | right  | 1   |                                    |
| 6    | 958 556 909 00 | sound absorb. for cross member            |        | 1   |                                    |
| 7    | 958 556 421 00 | Damping                                   | left   | 1   |                                    |
|      |                | lock carrier                              |        |     |                                    |
| (7)  | 958 556 422 00 | Damping                                   | right  | 1   |                                    |
|      |                | lock carrier                              |        |     |                                    |
| 8    | 958 556 777 00 | Sound absorber<br>Luggage compartment     |        | 2   | PR:0K0,1G1,<br>1G4,1G8,9AH,<br>9AD |
| 9    | 958 556 406 00 | Sound absorber                            |        | 1   | PR:9AH                             |
|      |                | Air conditioning                          |        |     |                                    |
| (10) | 958 864 835 00 | Sound absorbing plate<br>Spare wheel well |        | 1   |                                    |

Model: 92A 11

Model life 2011>>2018

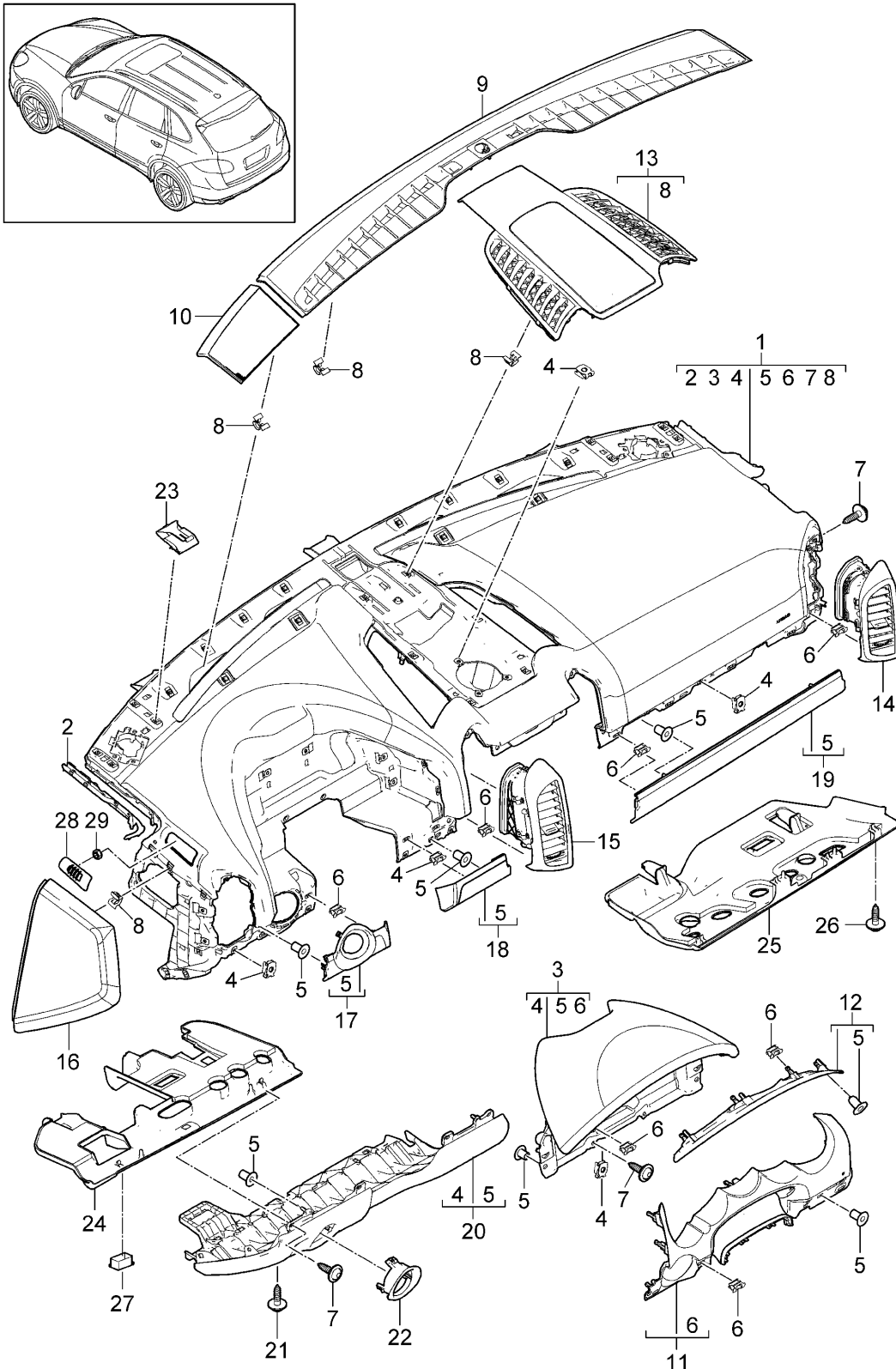


Model: 92A 11 Model life 2011>>2018

| Pos  | Part Number    | Description  | Remark       | Qty | Model  |
|------|----------------|--|--------------|-----|--------|
|      |                | retaining frame<br>for<br>dashboard                                      |              |     |        |
| 1    | 958 552 045 00 | retaining frame  | lhd          | 1   | PR:L0L |
| (1)  | 958 552 045 01 | retaining frame  | rhd          | 1   | PR:L0R |
| 2    | N 906 987 03   | Speed nut<br>4,2 X 16 X 12   |              | X   |        |
| 3    | 958 552 049 00 | Adjusting nut  |              | 1   |        |
| 4    | WHT 004 927    | hexagon head bolt (combi)<br>M8 X 125                                    |              | 1   |        |
| 5    | 958 552 293 00 | Brace  | lhd          | 1   | PR:L0L |
| (5)  | 958 552 293 01 | Brace  | lower<br>rhd | 1   | PR:L0R |
| 6    | N 910 799 01   | Hex collared bolt<br>M 6 X 20  |              | X   |        |
| 7    | 958 552 780 00 | bracket for dash panel   | lhd          | 1   | PR:L0L |
| 7    | 958 552 780 01 | bracket for dash panel   | rhd          | 1   | PR:L0R |
| 8    | 958 552 435 00 | bracket for airbag   | lhd          | 1   | PR:L0L |
| 9    | N 906 988 01   | Speed nut<br>ST 4,2 X 16 X12,3   |              | 2   |        |
| 10   | N 906 986 06   | Hexagon socket head panel bolt<br>4,2 X 16<br>Mount<br>Bracket<br>Airbag |              | 2   |        |
| 12   | 958 552 265 00 | Brace<br>Airbag  | lhd          | 1   | PR:L0L |
| (12) | 958 552 266 00 | Brace<br>Airbag  | rhd          | 1   | PR:L0R |
| 13   | 958 552 520 00 | bracket for airbag   |              | 1   |        |
| 14   | N 907 611 03   | Hexagon collar nut<br>self-locking<br>M 8<br>Mount                       |              | 3   |        |
| 15   | N 106 421 03   | retaining frame<br>Hex collared bolt<br>M 8 X 25<br>Mount                |              | 4   |        |
| 16   | WHT 003 953    | retaining frame<br>Speed nut<br>M 8 X 16,8 X 39                          |              | 4   |        |

Model: 92A 11

Model life 2011>>2018



Model: 92A 11 Model life 2011>>2018

| Pos | Part Number        | Description  | Remark | Qty | Model              |
|-----|--------------------|--|--------|-----|--------------------|
| 1   | 958 552 003 00     | Instrument panel trim<br>Accessories<br>Instrument panel trim<br>Leatherette<br>D >> - MJ 2016 | lhd    | 1   | PR:L0L,4N1,<br>4N9 |
|     | 958 552 003 00 DJ6 | Platinum Grey  | -MD    |     |                    |
|     | 958 552 003 00 DK4 | Black  | -MA,77 |     |                    |
|     | 958 552 003 00 DM5 | Luxor beige  | -MC    |     |                    |
|     | 958 552 003 00 OU4 | agate grey   | -MB    |     |                    |
| (1) | 958 552 003 10     | Instrument panel trim<br>Leatherette<br>D - MJ 2017>>  | lhd    | 1   | PR:L0L,4N1,<br>4N9 |
|     | 958 552 003 10 DK4 | Black  | -MA,77 |     |                    |
|     | 958 552 003 10 DM5 | Luxor beige  | -MC    |     |                    |
|     | 958 552 003 10 OU4 | agate grey   | -MB    |     |                    |
| (1) | 958 552 003 01     | Instrument panel trim<br>Leatherette<br>D >> - MJ 2016   | rhd    | 1   | PR:L0R,4N1,<br>4N9 |
|     | 958 552 003 01 DJ6 | Platinum Grey  | -MD    |     |                    |
|     | 958 552 003 01 DK4 | Black  | -MA,77 |     |                    |
|     | 958 552 003 01 DM5 | Luxor beige  | -MC    |     |                    |
|     | 958 552 003 01 OU4 | agate grey   | -MB    |     |                    |
| (1) | 958 552 003 11     | Instrument panel trim<br>Leatherette<br>D - MJ 2017>>  | rhd    | 1   | PR:L0R,4N1,<br>4N9 |
|     | 958 552 003 11 DK4 | Black  | -MA,77 |     |                    |
|     | 958 552 003 11 DM5 | Luxor beige  | -MC    |     |                    |
|     | 958 552 003 11 OU4 | agate grey   | -MB    |     |                    |
| (1) | 958 552 003 02     | Instrument panel trim<br>Leather<br>D >> - MJ 2016   | lhd    | 1   | PR:L0L,4N3,<br>4N8 |
|     | 958 552 003 02 A11 | Black  | -LC,YC |     |                    |
|     | 958 552 003 02 DE1 | Umber  | -LF,YF |     |                    |
|     | 958 552 003 02 F0C | Black/Titanium Blue  | -TW    |     |                    |
|     | 958 552 003 02 F0E | Umber/Light Tartufo  | -TY    |     |                    |
|     | 958 552 003 02 L0F | Umber/Cream  | -TX    |     |                    |
|     | 958 552 003 02 7J0 | Luxor beige  | -LE,YE |     |                    |
|     | 958 552 003 02 9B0 | Platinum Grey  | -LD,YD |     |                    |
|     | 958 552 003 02 AAD | Black/Carrera Red  | -TA    |     |                    |
|     | 958 552 003 02 AAE | Black/Luxor Beige  | -TB    |     |                    |
|     | 958 552 003 02 IVE | Black/Carmin Red   | -YA    |     |                    |
|     | 958 552 003 02 IVF | Black/Peridot  | -YB    |     |                    |
|     | 958 552 003 02 HAD | Black/Saddle Tan   | -MI    |     |                    |
|     | 958 552 003 02 HDP | Black/Cohiba Brown   | -LH    |     |                    |
|     | 958 552 003 02 HAE | Saddle Tan/Cream   | -MJ    |     |                    |
|     | 958 552 003 02 HAF | Saddle Tan/Luxor Beige   | -MK    |     |                    |
|     | 958 552 003 02 HAG | Black/Rhodium Silver   | -MF    |     |                    |
|     | 958 552 003 02 OA1 | agate grey   | -MG,ML |     |                    |
|     | 958 552 003 02 OK6 | saddle brown   | -ME,MH |     |                    |
|     | 958 552 003 02 HDP | Black/Cohiba Brown   | -LH    |     |                    |
|     | 958 552 003 02 HIE | Black/Cream  | -LG    |     |                    |
| (1) | 958 552 003 12     | Instrument panel trim<br>Leather<br>D - MJ 2017>>  | lhd    | 1   | PR:L0L,4N3,<br>4N8 |
|     | 958 552 003 12 A11 | Black  | -LC,YC |     |                    |
|     | 958 552 003 12 OA1 | agate grey   | -MG,ML |     |                    |
|     | 958 552 003 12 OK6 | saddle brown   | -ME,MH |     |                    |
|     | 958 552 003 12 7J0 | Luxor beige  | -LE,YE |     |                    |
|     | 958 552 003 12 AAD | Black/Carrera Red  | -TA    |     |                    |
|     | 958 552 003 12 HAD | Black/Saddle Tan   | -MI    |     |                    |
|     | 958 552 003 12 HAE | Saddle Tan/Cream   | -MJ    |     |                    |
|     | 958 552 003 12 HAF | Saddle Tan/Luxor Beige   | -MK    |     |                    |
|     | 958 552 003 12 HAG | Black/Rhodium Silver   | -MF    |     |                    |

Model: 92A 11 Model life 2011>>2018

| Pos                | Part Number        | Description  | Remark           | Qty | Model              |     |
|--------------------|--------------------|--|------------------|-----|--------------------|-----|
| (1)                | 958 552 003 12 HDP | Black/Cohiba Brown   | -LH              | 1   | PR:L0R,4N3,<br>4N8 |     |
|                    | 958 552 003 12 HIE | Black/Cream  | -LG              |     |                    |     |
|                    | 958 552 003 12 IVE | Black/Carmine Red  | -YA              |     |                    |     |
|                    | 958 552 003 03     | Instrument panel trim<br>Leather<br>D >> - MJ 2016           | rhd              |     |                    |     |
|                    | 958 552 003 03 A11 | Black  | -LC,YC           |     |                    |     |
|                    | 958 552 003 03 DE1 | Umber  | -LF,YF           |     |                    |     |
|                    | 958 552 003 03 F0C | Black/Titanium Blue  | -TW              |     |                    |     |
|                    | 958 552 003 03 F0E | Umber/Light Tartufo  | -TY              |     |                    |     |
|                    | 958 552 003 03 L0F | Umber/Cream  | -TX              |     |                    |     |
|                    | 958 552 003 03 7J0 | Luxor beige  | -LE,YE           |     |                    |     |
|                    | 958 552 003 03 9B0 | Platinum Grey  | -LD,YD           |     |                    |     |
|                    | 958 552 003 03 AAD | Black/Carrera Red  | -TA              |     |                    |     |
|                    | 958 552 003 03 AAE | Black/Luxor Beige  | -TB              |     |                    |     |
|                    | 958 552 003 03 IVE | Black/Carmine Red  | -YA              |     |                    |     |
|                    | 958 552 003 03 IVF | Black/Peridot  | -YB              |     |                    |     |
|                    | (1)                | 958 552 003 03 HAD   | Black/Saddle Tan |     |                    | -MI |
|                    |                    | 958 552 003 03 HAE   | Saddle Tan/Cream |     |                    | -MJ |
| 958 552 003 03 HAF |                    | Saddle Tan/Luxor Beige                                       | -MK              |     |                    |     |
| 958 552 003 03 HAG |                    | Black/Rhodium Silver   | -MF              |     |                    |     |
| 958 552 003 03 OA1 |                    | agate grey   | -MG,ML           |     |                    |     |
| 958 552 003 03 OK6 |                    | saddle brown   | -ME,MH           |     |                    |     |
| 958 552 003 03 HDP |                    | Black/Cohiba Brown   | -LH              |     |                    |     |
| 958 552 003 13     |                    | Instrument panel trim<br>Leather<br>D - MJ 2017>>            | rhd              |     |                    |     |
| 958 552 003 13 A11 |                    | Black  | -LC,YC           |     |                    |     |
| 958 552 003 13 OA1 |                    | agate grey   | -MG,ML           |     |                    |     |
| 958 552 003 13 OK6 |                    | saddle brown   | -ME,MH           |     |                    |     |
| 958 552 003 13 7J0 |                    | Luxor beige  | -LE,YE           |     |                    |     |
| 958 552 003 13 AAD |                    | Black/Carrera Red  | -TA              |     |                    |     |
| 958 552 003 13 HAD |                    | Black/Saddle Tan   | -MI              |     |                    |     |
| 958 552 003 13 HAE |                    | Saddle Tan/Cream   | -MJ              |     |                    |     |
| 958 552 003 13 HAF |                    | Saddle Tan/Luxor Beige                                       | -MK              |     |                    |     |
| 958 552 003 13 HAG |                    | Black/Rhodium Silver   | -MF              |     |                    |     |
| (1)                | 958 552 003 13 HDP | Black/Cohiba Brown   | -LH              |     |                    |     |
|                    | 958 552 003 13 HIE | Black/Cream  | -LG              |     |                    |     |
|                    | 958 552 003 13 IVE | Black/Carmine Red  | -YA              |     |                    |     |
|                    | 958 552 003 04     | Instrument panel trim<br>Leather<br>Nature<br>D >> - MJ 2016 | lhd              |     |                    |     |
|                    | 958 552 003 04 L0G | Espresso/Cognac  | -VB              |     |                    |     |
|                    | 958 552 003 04 6J0 | Espresso   | -VA              |     |                    |     |
|                    | 958 552 003 14     | Instrument panel trim<br>Leather<br>Nature<br>D - MJ 2017>>  | lhd              |     |                    |     |
|                    | 958 552 003 14 L0G | Espresso/Cognac  | -VB              |     |                    |     |
|                    | 958 552 003 14 6J0 | Espresso   | -VA              |     |                    |     |
|                    | 958 552 003 05     | Instrument panel trim<br>Leather<br>Nature<br>D >> - MJ 2016 | rhd              |     |                    |     |
|                    | 958 552 003 05 L0G | Espresso/Cognac  | -VB              |     |                    |     |
|                    | 958 552 003 05 6J0 | Espresso   | -VA              |     |                    |     |
|                    | 958 552 003 15     | Instrument panel trim<br>Leather<br>Nature<br>D - MJ 2017>>  | rhd              |     |                    |     |
|                    | 958 552 003 15 L0G | Espresso/Cognac  | -VB              |     |                    |     |
|                    | 958 552 003 15 6J0 | Espresso   | -VA              |     |                    |     |

Model: 92A 11 Model life 2011>>2018

| Pos | Part Number        | Description   | Remark   | Qty | Model                |
|-----|--------------------|---|--|-----|----------------------|
| 2   | 958 552 285 00     | Support section<br>for<br>Trim<br>A-pillar              | left   | 1   |                      |
| (2) | 958 552 286 00     | Support section<br>for<br>Trim<br>A-pillar              | right  | 1   |                      |
| 3   | 958 552 277 00     | Instrument box<br>Combi-instrument<br>Leatherette       |  | 1   | PR: 4N1, 4N9         |
|     | 958 552 277 00 DJ6 | Platinum Grey   | -MC  |     |                      |
|     | 958 552 277 00 DK4 | Black   | -MA  |     |                      |
|     | 958 552 277 00 DM5 | Luxor beige   | -MD  |     |                      |
|     | 958 552 277 00 HAB | Black/Luxor Beige                                       | -77  |     |                      |
|     | 958 552 277 00 OU4 | agate grey  | -MB  |     |                      |
| (3) | 958 552 277 01     | Instrument box<br>Combi-instrument<br>Leather           |  | 1   | PR: 4N3, 4N8         |
|     | 958 552 277 01 A11 | Black   | -LC, YC  |     |                      |
|     | 958 552 277 01 DE1 | Umber   | -LF, YF  |     |                      |
|     | 958 552 277 01 F0C | Black/Titanium Blue                                     | -TW  |     |                      |
|     | 958 552 277 01 F0E | Umber/Light Tartufo                                     | -TY  |     |                      |
|     | 958 552 277 01 L0F | Umber/Cream   | -TX  |     |                      |
|     | 958 552 277 01 7J0 | Luxor beige   | -LE, YE  |     |                      |
|     | 958 552 277 01 9B0 | Platinum Grey   | -LD, YD  |     |                      |
|     | 958 552 277 01 AAD | Black/Carrera Red                                       | -TA  |     |                      |
|     | 958 552 277 01 AAE | Black/Luxor Beige                                       | -TB  |     |                      |
|     | 958 552 277 01 IVE | Black/Carmine Red                                       | -YA  |     |                      |
|     | 958 552 277 01 IVF | Black/Peridot   | -YB  |     |                      |
|     | 958 552 277 01 HAD | Black/Saddle Tan  | -MI  |     |                      |
|     | 958 552 277 01 HAE | Saddle Tan/Cream  | -MJ  |     |                      |
|     | 958 552 277 01 HAF | Saddle Tan/Luxor Beige                                  | -MK  |     |                      |
|     | 958 552 277 01 HAG | Black/Rhodium Silver                                    | -MF  |     |                      |
|     | 958 552 277 01 OA1 | agate grey  | -MG, ML  |     |                      |
|     | 958 552 277 01 OK6 | saddle brown  | -ME, MH  |     |                      |
| (3) | 958 552 277 02     | Instrument box<br>Combi-instrument<br>Leather<br>Nature |  | 1   | PR: 4N4, 4N5         |
|     | 958 552 277 02 L0G | Espresso/Cognac   | -VB  |     |                      |
|     | 958 552 277 02 6J0 | Espresso  | -VA  |     |                      |
| 4   | N 906 988 01       | Speed nut<br>ST 4,2                                     |  | X   |                      |
| 5   | 958 552 900 00     | Grommet   |  | X   |                      |
| 6   | 955 552 107 00     | Retaining clip  |  | X   |                      |
| 7   | N 906 986 06       | Hexagon socket head panel bolt<br>ST 4,2 X 16           |  | X   |                      |
| 8   | 958 555 190 00     | Clip  |  | X   |                      |
| 9   | 958 552 365 00     | Defroster trim  | front  | 1   |                      |
|     | 958 552 365 00 DE1 | Umber   | -LF, TX, TY, YF  |     |                      |
|     | 958 552 365 00 3T0 | Espresso  | -VA, VB  |     |                      |
|     | 958 552 365 00 4U0 | Platinum Grey   | -LD, MD, YD  |     |                      |
|     | 958 552 365 00 5Q0 | Black   | -LC, LG, LH, MA,<br>MF, MI, TA, TB,<br>TW, YA, YB, YC,<br>77 |     |                      |
|     | 958 552 365 00 6W0 | Luxor beige   | -LE, MC, YE  |     |                      |
|     | 958 552 365 00 OA6 | agate grey  | -MB, MG, ML  |     |                      |
|     | 958 552 365 00 OL7 | saddle brown  | -ME, MH, MJ, MK  |     |                      |
| 10  | 958 552 793 00     | Loudspeaker trim<br>Instrument panel trim               | left   | 1   | PR: 8RV, 9VK,<br>9VL |
|     | 958 552 793 00 DE1 | Umber   | -LF, TX, TY, YF  |     |                      |



Model: 92A 11 Model life 2011>>2018

| Pos  | Part Number        | Description                               | Remark  | Qty | Model             |
|------|--------------------|---|---|-----|-------------------|
|      | 958 552 793 00 3T0 | Espresso                                  | -VA,VB  |     |                   |
|      | 958 552 793 00 4U0 | Platinum Grey                             | -LD,MD,YD   |     |                   |
|      | 958 552 793 00 5Q0 | Black                                     | -LC, LG, LH, MA, MF, MI, TA, TB, TW, YA, YB, YC, 77 |     |                   |
|      | 958 552 793 00 6W0 | Luxor beige                               | -LE,MC, YE  |     |                   |
|      | 958 552 793 00 OA6 | agate grey                                | -MB, MG, ML   |     |                   |
|      | 958 552 793 00 OL7 | saddle brown                              | -ME, MH, MJ, MK                                     |     |                   |
| (10) | 958 552 794 00     | Loudspeaker trim<br>Instrument panel trim | right   | 1   | PR: 8RV, 9VK, 9VL |
|      | 958 552 794 00 DE1 | Umber                                     | -LF, TX, TY, YF                                     |     |                   |
|      | 958 552 794 00 3T0 | Espresso                                  | -VA,VB  |     |                   |
|      | 958 552 794 00 4U0 | Platinum Grey                             | -LD,MD,YD   |     |                   |
|      | 958 552 794 00 5Q0 | Black                                     | -LC, LG, LH, MA, MF, MI, TA, TB, TW, YA, YB, YC, 77 |     |                   |
|      | 958 552 794 00 6W0 | Luxor beige                               | -LE,MC, YE  |     |                   |
|      | 958 552 794 00 OA6 | agate grey                                | -MB, MG, ML   |     |                   |
|      | 958 552 794 00 OL7 | saddle brown                              | -ME, MH, MJ, MK                                     |     |                   |
| (10) | 958 552 793 02     | Loudspeaker trim<br>Instrument panel trim | left  | 1   | PR: 9VJ           |
|      | 958 552 793 02 DE1 | Umber                                     | -LF, TX, TY, YF                                     |     |                   |
|      | 958 552 793 02 3T0 | Espresso                                  | -VA,VB  |     |                   |
|      | 958 552 793 02 4U0 | Platinum Grey                             | -LD,MD,YD   |     |                   |
|      | 958 552 793 02 5Q0 | Black                                     | -LC, LG, LH, MA, MF, MI, TA, TB, TW, YA, YB, YC, 77 |     |                   |
|      | 958 552 793 02 6W0 | Luxor beige                               | -LE,MC, YE  |     |                   |
|      | 958 552 793 02 OA6 | agate grey                                | -MB, MG, ML   |     |                   |
|      | 958 552 793 02 OL7 | saddle brown                              | -ME, MH, MJ, MK                                     |     |                   |
| (10) | 958 552 794 02     | Loudspeaker trim<br>Instrument panel trim | right   | 1   | PR: 9VJ           |
|      | 958 552 794 02 DE1 | Umber                                     | -LF, TX, TY, YF                                     |     |                   |
|      | 958 552 794 02 3T0 | Espresso                                  | -VA,VB  |     |                   |
|      | 958 552 794 02 4U0 | Platinum Grey                             | -LD,MD,YD   |     |                   |
|      | 958 552 794 02 5Q0 | Black                                     | -LC, LG, LH, MA, MF, MI, TA, TB, TW, YA, YB, YC, 77 |     |                   |
|      | 958 552 794 02 6W0 | Luxor beige                               | -LE,MC, YE  |     |                   |
|      | 958 552 794 02 OA6 | agate grey                                | -MB, MG, ML   |     |                   |
|      | 958 552 794 02 OL7 | saddle brown                              | -ME, MH, MJ, MK                                     |     |                   |
| (10) | 958 552 793 01     | Loudspeaker trim<br>Instrument panel trim | left  | 1   | PR: 9VJ           |
|      |                    | with:<br>inscription<br>Burmester         |   |     |                   |
|      | 958 552 793 01 DE1 | Umber                                     | -LF, TX, TY, YF                                     |     |                   |
|      | 958 552 793 01 3T0 | Espresso                                  | -VA,VB  |     |                   |
|      | 958 552 793 01 4U0 | Platinum Grey                             | -LD,MD,YD   |     |                   |
|      | 958 552 793 01 5Q0 | Black                                     | -LC, LG, LH, MA, MF, MI, TA, TB, TW, YA, YB, YC, 77 |     |                   |
|      | 958 552 793 01 6W0 | Luxor beige                               | -LE,MC, YE  |     |                   |
|      | 958 552 793 01 OA6 | agate grey                                | -MB, MG, ML   |     |                   |
|      | 958 552 793 01 OL7 | saddle brown                              | -ME, MH, MJ, MK                                     |     |                   |
| (10) | 958 552 794 01     | Loudspeaker trim<br>Instrument panel trim | right   | 1   | PR: 9VJ           |
|      |                    | with:                                     |   |     |                   |

Model: 92A 11 Model life 2011>>2018

| Pos  | Part Number        | Description                        | Remark   | Qty | Model                    |
|------|--------------------|------------------------------------|--|-----|--------------------------|
|      |                    | inscription                        |  |     |                          |
|      |                    | Burmester                          |  |     |                          |
|      | 958 552 794 01 DE1 | Umber                              | -LF, TX, TY, YF  |     |                          |
|      | 958 552 794 01 3T0 | Espresso                           | -VA, VB  |     |                          |
|      | 958 552 794 01 4U0 | Platinum Grey                      | -LD, MD, YD  |     |                          |
|      | 958 552 794 01 5Q0 | Black                              | -LC, LG, LH, MA,<br>MF, MI, TA, TB,<br>TW, YA, YB, YC,<br>77 |     |                          |
|      | 958 552 794 01 6W0 | Luxor beige                        | -LE, MC, YE  |     |                          |
|      | 958 552 794 01 OA6 | agate grey                         | -MB, MG, ML  |     |                          |
|      | 958 552 794 01 OL7 | saddle brown                       | -ME, MH, MJ, MK  |     |                          |
| 11   | 958 552 054 00     | Trim for instruments<br>Lower part | lhd  | 1   | PR:L0L                   |
|      | 958 552 054 00 DE1 | Umber                              | -LF, TX, TY  |     |                          |
|      | 958 552 054 00 3T0 | Espresso                           | -VA, VB  |     |                          |
|      | 958 552 054 00 4U0 | Platinum Grey                      | -LD, MD  |     |                          |
|      | 958 552 054 00 5Q0 | Black                              | -LC, MA, TW, 77  |     |                          |
|      | 958 552 054 00 6W0 | Luxor beige                        | -LE, MC  |     |                          |
| 11   | 958 552 054 04     | Trim for instruments<br>Lower part | lhd  | 1   | PR:L0L                   |
|      | 958 552 054 04 OA6 | agate grey                         | -MB, MG, ML  |     |                          |
|      | 958 552 054 04 OL7 | saddle brown                       | -ME, MH, MJ, MK  |     |                          |
| (11) | 958 552 054 01     | Trim for instruments<br>Lower part | rhhd   | 1   | PR:L0R                   |
|      | 958 552 054 01 DE1 | Umber                              | -LF, TX, TY  |     |                          |
|      | 958 552 054 01 3T0 | Espresso                           | -VA, VB  |     |                          |
|      | 958 552 054 01 4U0 | Platinum Grey                      | -LD, MD  |     |                          |
|      | 958 552 054 01 5Q0 | Black                              | -LC, MA, TW  |     |                          |
|      | 958 552 054 01 6W0 | Luxor beige                        | -LE, MC  |     |                          |
| (11) | 958 552 054 05     | Trim for instruments<br>Lower part | rhhd   | 1   | PR:L0R                   |
|      | 958 552 054 05 OA6 | agate grey                         | -MB, MG, ML  |     |                          |
|      | 958 552 054 05 OL7 | saddle brown                       | -ME, MH, MJ, MK  |     |                          |
| 12   | 958 552 059 00     | Trim for instruments<br>Upper part |  | 1   |                          |
|      | 958 552 059 00 DE1 | Umber                              | -LF, TX, TY, YF  |     |                          |
|      | 958 552 059 00 3T0 | Espresso                           | -VA, VB  |     |                          |
|      | 958 552 059 00 4U0 | Platinum Grey                      | -LD, MD, YD  |     |                          |
|      | 958 552 059 00 5Q0 | Black                              | -LC, LG, LH, MA,<br>MF, MI, TA, TB,<br>TW, YA, YB, YC,<br>77 |     |                          |
|      | 958 552 059 00 6W0 | Luxor beige                        | -LE, MC, YE  |     |                          |
|      | 958 552 059 00 OA6 | agate grey                         | -MB, MG, ML  |     |                          |
|      | 958 552 059 00 OL7 | saddle brown                       | -ME, MH, MJ, MK  |     |                          |
| 13   | 958 552 189 00     | Cover<br>center<br>upper           |  | 1   | PR:QR0                   |
|      | 958 552 189 00 DE1 | Umber                              | -LF, TX, TY, YF  |     |                          |
|      | 958 552 189 00 3T0 | Espresso                           | -VA, VB  |     |                          |
|      | 958 552 189 00 4U0 | Platinum Grey                      | -LD, MD, YD  |     |                          |
|      | 958 552 189 00 5Q0 | Black                              | -LC, LG, LH, MA,<br>MF, MI, TA, TB,<br>TW, YA, YB, YC,<br>77 |     |                          |
|      | 958 552 189 00 6W0 | Luxor beige                        | -LE, MC, YE  |     |                          |
|      | 958 552 189 00 OA6 | agate grey                         | -MB, MG, ML  |     |                          |
|      | 958 552 189 00 OL7 | saddle brown                       | -ME, MH, MJ, MK  |     |                          |
| (13) | 958 552 189 01     | Cover<br>center<br>upper           |  | 1   | PR:QR1, QR3,<br>QR4, QR5 |
|      | 958 552 189 01 DE1 | Umber                              | -LF, TX, TY, YF  |     |                          |
|      | 958 552 189 01 3T0 | Espresso                           | -VA, VB  |     |                          |
|      | 958 552 189 01 4U0 | Platinum Grey                      | -LD, MD, YD  |     |                          |

Model: 92A 11 Model life 2011>>2018

| Pos  | Part Number        | Description               | Remark  | Qty | Model      |
|------|--------------------|---------------------------|---|-----|------------|
|      | 958 552 189 01 5Q0 | Black                     | -LC, LG, LH, MA, MF, MI, TA, TB, TW, YA, YB, YC, 77 |     |            |
|      | 958 552 189 01 6W0 | Luxor beige               | -LE, MC, YE   |     |            |
|      | 958 552 189 01 OA6 | agate grey                | -MB, MG, ML   |     |            |
|      | 958 552 189 01 OL7 | saddle brown              | -ME, MH, MJ, MK                                     |     |            |
| (14) | 958 552 703 01     | Vent                      | left  | 1   |            |
|      | 958 552 703 01 G0B | Matt Black/Galvano Silver |   |     |            |
| 14   | 958 552 704 01     | Vent                      | right   | 1   |            |
|      | 958 552 704 01 G0B | Matt Black/Galvano Silver |   |     |            |
| 15   | 958 552 727 01     | Centre nozzle             | left  | 1   |            |
|      |                    | D >> - MJ 2016            |   |     |            |
|      | 958 552 727 01 G0B | Matt Black/Galvano Silver |   |     |            |
| (15) | 958 552 727 05     | Centre nozzle             | left  | 1   |            |
|      |                    | D - MJ 2017>>             |   |     |            |
|      | 958 552 727 05 G0B | Matt Black/Galvano Silver |   |     |            |
| (15) | 958 552 728 01     | Centre nozzle             | right   | 1   |            |
|      |                    | D >> - MJ 2016            |   |     |            |
|      | 958 552 728 01 G0B | Matt Black/Galvano Silver |   |     |            |
| (15) | 958 552 728 05     | Centre nozzle             | right   | 1   |            |
|      |                    | D - MJ 2017>>             |   |     |            |
|      | 958 552 728 05 G0B | Matt Black/Galvano Silver |   |     |            |
| 16   | 958 552 175 00     | Closing element           | left side   | 1   |            |
|      | 958 552 175 00 DE1 | Umber                     | -LF, TX, TY   |     |            |
|      | 958 552 175 00 3T0 | Espresso                  | -VA, VB   |     |            |
|      | 958 552 175 00 4U0 | Platinum Grey             | -LD, MD   |     |            |
|      | 958 552 175 00 5Q0 | Black                     | -LC, MA, TW   |     |            |
|      | 958 552 175 00 6W0 | Luxor beige               | -LE, MC   |     |            |
| (16) | 958 552 175 01     | Closing element           | left side   | 1   |            |
|      | 958 552 175 01 5Q0 | Black                     | -LC, LG, LH, MA, MF, MI, TA, TB, TW, YA, YB, YC, 77 |     |            |
|      | 958 552 175 01 OA6 | agate grey                | -MB, MG, ML   |     |            |
|      | 958 552 175 01 OL7 | saddle brown              | -ME, MH, MJ, MK                                     |     |            |
| (16) | 958 552 176 00     | Closing element           | right side  | 1   |            |
|      | 958 552 176 00 DE1 | Umber                     | -LF, TX, TY   |     |            |
|      | 958 552 176 00 3T0 | Espresso                  | -VA, VB   |     |            |
|      | 958 552 176 00 4U0 | Platinum Grey             | -LD, MD   |     |            |
|      | 958 552 176 00 5Q0 | Black                     | -LC, MA, TW   |     |            |
|      | 958 552 176 00 6W0 | Luxor beige               | -LE, MC   |     |            |
| (16) | 958 552 176 01     | Closing element           | right side  | 1   |            |
|      | 958 552 176 01 5Q0 | Black                     | -LC, LG, LH, MA, MF, MI, TA, TB, TW, YA, YB, YC, 77 |     |            |
|      | 958 552 176 01 OA6 | agate grey                | -MB, MG, ML   |     |            |
|      | 958 552 176 01 OL7 | saddle brown              | -ME, MH, MJ, MK                                     |     |            |
| 17   | 958 552 221 00     | Trim                      | lhd   | 1   | PR:L0L,5TL |
|      |                    | Ignition starter lock     |   |     |            |
|      | 958 552 221 00 6BB | Piano Black, high-gloss   |   |     |            |
| (17) | 958 552 221 01     | Trim                      | lhd   | 1   | PR:L0L,5TE |
|      |                    | Ignition starter lock     |   |     |            |
|      | 958 552 221 01 GR4 | Aluminium, brushed        |   |     |            |
| (17) | 958 552 221 02     | Trim                      | lhd   | 1   | PR:L0L,5MG |
|      |                    | Ignition starter lock     |   |     |            |
|      | 958 552 221 02 BG1 | Walnut, high-gloss        |   |     |            |
| (17) | 958 552 221 03     | Trim                      | lhd   | 1   | PR:L0L,5MB |

Model: 92A 11 Model life 2011>>2018

| Pos  | Part Number        | Description  | Remark | Qty | Model      |
|------|--------------------|--|--------|-----|------------|
| (17) | 958 552 221 03 CK6 | Ignition starter lock<br>Swedish Birch             |        |     |            |
|      | 958 552 221 04     | Trim   | lhd    | 1   | PR:L0L,5TF |
| (17) | 958 552 221 04 BT2 | Ignition starter lock<br>Olive Ash matt open-pored |        |     |            |
|      | 958 552 221 05     | Trim   | lhd    | 1   | PR:L0L,5MH |
| (17) | 958 552 221 05 BX3 | Ignition starter lock<br>Carbon, fine high-gloss   |        |     |            |
|      | 958 552 221 06     | Trim   | rhd    | 1   | PR:L0R,5TL |
| (17) | 958 552 221 06 6BB | Ignition starter lock<br>Piano Black, high-gloss   |        |     |            |
|      | 958 552 221 07     | Trim   | rhd    | 1   | PR:L0R,5TE |
| (17) | 958 552 221 07 GR4 | Ignition starter lock<br>Aluminium, brushed        |        |     |            |
|      | 958 552 221 08     | Trim   | rhd    | 1   | PR:L0R,5MG |
| (17) | 958 552 221 08 BG1 | Ignition starter lock<br>Walnut, high-gloss        |        |     |            |
|      | 958 552 221 09     | Trim   | rhd    | 1   | PR:L0R,5MB |
| (17) | 958 552 221 09 CK6 | Ignition starter lock<br>Swedish Birch             |        |     |            |
|      | 958 552 221 10     | Trim   | rhd    | 1   | PR:L0R,5TF |
| (17) | 958 552 221 10 BT2 | Ignition starter lock<br>Olive Ash matt open-pored |        |     |            |
|      | 958 552 221 11     | Trim   | rhd    | 1   | PR:L0R,5MH |
| (17) | 958 552 221 11 BX3 | Ignition starter lock<br>Carbon, fine high-gloss   |        |     |            |
|      | 958 552 221 12     | Trim   | lhd    | 1   | PR:L0L,5ML |
| (17) | 958 552 221 12 OG1 | Ignition starter lock<br>Mahogany Yachting         |        |     |            |
|      | 958 552 221 13     | Trim   | rhd    | 1   | PR:L0R,5ML |
| 18   | 958 552 221 13 OG1 | Ignition starter lock<br>Mahogany Yachting         |        |     |            |
|      | 958 552 226 00     | Trim<br>(drivers side)                             | lhd    | 1   | PR:L0L,5TL |
| (18) | 958 552 226 00 6BB | Ignition starter lock<br>Piano Black, high-gloss   |        |     |            |
|      | 958 552 226 01     | Trim<br>(drivers side)                             | lhd    | 1   | PR:L0L,5TE |
| (18) | 958 552 226 01 GR4 | Ignition starter lock<br>Aluminium, brushed        |        |     |            |
|      | 958 552 226 02     | Trim<br>(drivers side)                             | lhd    | 1   | PR:L0L,5MG |
| (18) | 958 552 226 02 BG1 | Ignition starter lock<br>Walnut, high-gloss        |        |     |            |
|      | 958 552 226 03     | Trim<br>(drivers side)                             | lhd    | 1   | PR:L0L,5MB |
| (18) | 958 552 226 03 CK6 | Ignition starter lock<br>Swedish Birch             |        |     |            |
|      | 958 552 226 04     | Trim<br>(drivers side)                             | lhd    | 1   | PR:L0L,5TF |
| (18) | 958 552 226 04 BT2 | Ignition starter lock<br>Olive Ash matt open-pored |        |     |            |
|      | 958 552 226 05     | Trim<br>(drivers side)                             | lhd    | 1   | PR:L0L,5MH |
| (18) | 958 552 226 05 BX3 | Ignition starter lock<br>Carbon, fine high-gloss   |        |     |            |
|      | 958 552 226 06     | Trim<br>(drivers side)                             | rhd    | 1   | PR:L0R,5TL |
| (18) | 958 552 226 06 6BB | Ignition starter lock<br>Piano Black, high-gloss   |        |     |            |
|      | 958 552 226 07     | Trim<br>(drivers side)                             | rhd    | 1   | PR:L0R,5TE |
| (18) | 958 552 226 07 GR4 | Ignition starter lock<br>Aluminium, brushed        |        |     |            |
|      | 958 552 226 08     | Trim<br>(drivers side)                             | rhd    | 1   | PR:L0R,5MG |
| (18) | 958 552 226 08 BG1 | Ignition starter lock<br>Walnut, high-gloss        |        |     |            |
|      | 958 552 226 09     | Trim<br>(drivers side)                             | rhd    | 1   | PR:L0R,5MB |
| (18) | 958 552 226 09 CK6 | Ignition starter lock<br>Swedish Birch             |        |     |            |
|      | 958 552 226 10     | Trim   | rhd    | 1   | PR:L0R,5TF |

Model: 92A 11 Model life 2011>>2018

| Pos  | Part Number        | Description                                 | Remark | Qty | Model                      |
|------|--------------------|---|--------|-----|----------------------------|
| (18) | 958 552 226 10 BT2 | (drivers side)<br>Olive Ash matt open-pored |        |     |                            |
|      | 958 552 226 11     | Trim<br>(drivers side)                      | rhd    | 1   | PR:L0R,5MH                 |
| (18) | 958 552 226 11 BX3 | Carbon, fine high-gloss                     |        |     |                            |
|      | 958 552 226 12     | Trim<br>(drivers side)                      | lhd    | 1   | PR:L0L,5ML                 |
| (18) | 958 552 226 12 OG1 | Mahogany Yachting                           |        |     |                            |
|      | 958 552 226 13     | Trim<br>(drivers side)                      | rhd    | 1   | PR:L0R,5ML                 |
| 19   | 958 552 226 13 OG1 | Mahogany Yachting                           |        |     |                            |
|      | 958 552 222 00     | Trim<br>(passenger side)                    | lhd    | 1   | PR:L0L,5TL                 |
| (19) | 958 552 222 00 6BB | Piano Black, high-gloss                     |        |     |                            |
|      | 958 552 222 01     | Trim<br>(passenger side)                    | lhd    | 1   | PR:L0L,5TE                 |
| (19) | 958 552 222 01 GR4 | Aluminium, brushed                          |        |     |                            |
|      | 958 552 222 02     | Trim<br>(passenger side)                    | lhd    | 1   | PR:L0L,5MG                 |
| (19) | 958 552 222 02 BG1 | Walnut, high-gloss                          |        |     |                            |
|      | 958 552 222 03     | Trim<br>(passenger side)                    | lhd    | 1   | PR:L0L,5MB                 |
| (19) | 958 552 222 03 CK6 | Swedish Birch                               |        |     |                            |
|      | 958 552 222 04     | Trim<br>(passenger side)                    | lhd    | 1   | PR:L0L,5TF                 |
| (19) | 958 552 222 04 BT2 | Olive Ash matt open-pored                   |        |     |                            |
|      | 958 552 222 05     | Trim<br>(passenger side)                    | lhd    | 1   | PR:L0L,5MH                 |
| (19) | 958 552 222 05 BX3 | Carbon, fine high-gloss                     |        |     |                            |
|      | 958 552 222 06     | Trim<br>(passenger side)                    | rhd    | 1   | PR:L0R,5TL                 |
| (19) | 958 552 222 06 6BB | Piano Black, high-gloss                     |        |     |                            |
|      | 958 552 222 07     | Trim<br>(passenger side)                    | rhd    | 1   | PR:L0R,5TE                 |
| (19) | 958 552 222 07 GR4 | Aluminium, brushed                          |        |     |                            |
|      | 958 552 222 08     | Trim<br>(passenger side)                    | rhd    | 1   | PR:L0R,5MG                 |
| (19) | 958 552 222 08 BG1 | Walnut, high-gloss                          |        |     |                            |
|      | 958 552 222 09     | Trim<br>(passenger side)                    | rhd    | 1   | PR:L0R,5MB                 |
| (19) | 958 552 222 09 CK6 | Swedish Birch                               |        |     |                            |
|      | 958 552 222 10     | Trim<br>(passenger side)                    | rhd    | 1   | PR:L0R,5TF                 |
| (19) | 958 552 222 10 BT2 | Olive Ash matt open-pored                   |        |     |                            |
|      | 958 552 222 11     | Trim<br>(passenger side)                    | rhd    | 1   | PR:L0R,5MH                 |
| (19) | 958 552 222 11 BX3 | Carbon, fine high-gloss                     |        |     |                            |
|      | 958 552 222 12     | Trim<br>(passenger side)                    | lhd    | 1   | PR:L0L,5ML                 |
| (19) | 958 552 222 12 OG1 | Mahogany Yachting                           |        |     |                            |
|      | 958 552 222 13     | Trim<br>(passenger side)                    | rhd    | 1   | PR:L0R,5ML                 |
| 20   | 958 552 222 13 OG1 | Mahogany Yachting                           |        |     |                            |
|      | 958 552 803 00     | Trim<br>(drivers side)<br>Leatherette       | lhd    | 1   | PR:L0L,4N1,<br>4UD,4UE,4N9 |
|      | 958 552 803 00 DJ6 | Platinum Grey                               | -MD    |     |                            |
|      | 958 552 803 00 DK4 | Black                                       | -MA    |     |                            |
|      | 958 552 803 00 DM5 | Luxor beige                                 | -77,MC |     |                            |
|      | 958 552 803 00 OS2 | agate grey                                  | -MB    |     |                            |
| (20) | 958 552 803 01     | Trim<br>(drivers side)<br>Leatherette       | rhd    | 1   | PR:L0R,4N1,<br>4UD,4UE,4N9 |

Model: 92A 11 Model life 2011>>2018

| Pos  | Part Number        | Description            | Remark              | Qty | Model                      |
|------|--------------------|------------------------|---------------------|-----|----------------------------|
| (20) | 958 552 803 01 DJ6 | Platinum Grey          | -MD                 | 1   | PR:L0L,4N3,<br>4N8,4UD     |
|      | 958 552 803 01 DK4 | Black                  | -MA                 |     |                            |
|      | 958 552 803 01 DM5 | Luxor beige            | -77,MC              |     |                            |
|      | 958 552 803 01 OS2 | agate grey             | -MB                 |     |                            |
|      | 958 552 803 02     | Trim<br>(drivers side) | lhd                 |     |                            |
|      |                    | Leather                |                     |     |                            |
|      | 958 552 803 02 A11 | Black                  | -LC,MF,YA,YB,<br>YC |     |                            |
|      | 958 552 803 02 DE1 | Umber                  | -LF,YF              |     |                            |
|      | 958 552 803 02 DF2 | Light Tartufo          | -TY                 |     |                            |
|      | 958 552 803 02 DJ3 | Titanium Blue          | -TW                 |     |                            |
|      | 958 552 803 02 7J0 | Luxor beige            | -LE,MK,TB,YE        |     |                            |
|      | 958 552 803 02 8D0 | Cream                  | -LG,MJ,TX           |     |                            |
|      | 958 552 803 02 9B0 | Platinum Grey          | -LD,YD              |     |                            |
|      | 958 552 803 02 OA1 | agate grey             | -MG,ML              |     |                            |
| (20) | 958 552 803 02 OK6 | saddle brown           | -ME,MH,MI           | 1   | PR:L0L,4N3,<br>4N8,4UE     |
|      | 958 552 803 02 OB8 | Cohiba Brown           | -LH                 |     |                            |
|      | 958 552 803 02 OG3 | Carrera Red            | -TA                 |     |                            |
|      | 958 552 803 02     | Trim<br>(drivers side) | lhd                 |     |                            |
|      |                    | Leather                |                     |     |                            |
|      | 958 552 803 02 A11 | Black                  | -LC,MF,YA,YB,<br>YC |     |                            |
|      | 958 552 803 02 DE1 | Umber                  | -LF,YF              |     |                            |
|      | 958 552 803 02 DF2 | Light Tartufo          | -TY                 |     |                            |
|      | 958 552 803 02 DJ3 | Titanium Blue          | -TW                 |     |                            |
|      | 958 552 803 02 7J0 | Luxor beige            | -LE,MK,TB,YE        |     |                            |
|      | 958 552 803 02 8D0 | Cream                  | -LG,MJ,TX           |     |                            |
|      | 958 552 803 02 9B0 | Platinum Grey          | -LD,YD              |     |                            |
|      | 958 552 803 02 OA1 | agate grey             | -MG,ML              |     |                            |
|      | 958 552 803 02 OK6 | saddle brown           | -ME,MH,MI           |     |                            |
| (20) | 958 552 803 02 OB8 | Cohiba Brown           | -LH                 | 1   | PR:L0R,4N3,<br>4N8,4UD,4UE |
|      | 958 552 803 02 OG3 | Carrera Red            | -TA                 |     |                            |
|      | 958 552 803 03     | Trim<br>(drivers side) | rhd                 |     |                            |
|      |                    | Leather                |                     |     |                            |
|      | 958 552 803 03 A11 | Black                  | -LC,MF,YA,YB,<br>YC |     |                            |
|      | 958 552 803 03 DE1 | Umber                  | -LF,YF              |     |                            |
|      | 958 552 803 03 DF2 | Light Tartufo          | -TY                 |     |                            |
|      | 958 552 803 03 DJ3 | Titanium Blue          | -TW                 |     |                            |
|      | 958 552 803 03 7J0 | Luxor beige            | -LE,MK,TB,YE        |     |                            |
|      | 958 552 803 03 8D0 | Cream                  | -LG,MJ,TX           |     |                            |
|      | 958 552 803 03 9B0 | Platinum Grey          | -LD,YD              |     |                            |
|      | 958 552 803 03 OA1 | agate grey             | -MG,ML              |     |                            |
|      | 958 552 803 03 OK6 | saddle brown           | -ME,MH,MI           |     |                            |
|      | 958 552 803 03 OB8 | Cohiba Brown           | -LH                 |     |                            |
| (20) | 958 552 803 03 OG3 | Carrera Red            | -TA                 | 1   | PR:L0L,4N4,<br>4N5,4UD,4UE |
|      | 958 552 803 04     | Trim<br>(drivers side) | lhd                 |     |                            |
|      |                    | Leather                |                     |     |                            |
|      |                    | Nature                 |                     |     |                            |
|      | 958 552 803 04 6J0 | Espresso               | -VA                 |     |                            |
|      | 958 552 803 04 7F0 | Cognac                 | -VB                 |     |                            |
|      | 958 552 803 05     | Trim<br>(drivers side) | rhd                 |     |                            |
|      |                    | Leather                |                     |     |                            |
|      |                    | Nature                 |                     |     |                            |
|      | 958 552 803 05 6J0 | Espresso               | -VA                 |     |                            |
|      | 958 552 803 05 7F0 | Cognac                 | -VB                 |     |                            |
|      | 958 552 803 06     | Trim<br>(drivers side) | lhd                 |     |                            |
|      |                    |                        |                     |     |                            |
|      |                    |                        |                     |     |                            |

Model: 92A 11 Model life 2011>>2018

| Pos  | Part Number        | Description  | Remark              | Qty | Model |                        |
|------|--------------------|--|---------------------|-----|-------|------------------------|
|      | 958 552 803 06 DJ6 | Leatherette<br>Platinum Grey                               | -MD                 |     |       |                        |
|      | 958 552 803 06 DK4 | Black  | -MA                 |     |       |                        |
|      | 958 552 803 06 DM5 | Luxor beige  | -77,MC              |     |       |                        |
|      | 958 552 803 06 OS2 | agate grey   | -MB                 |     |       |                        |
| (20) | 958 552 803 07     | Trim<br>(drivers side)<br>Leatherette                      |                     | rhd | 1     | PR:L0R,4N1             |
|      | 958 552 803 07 DJ6 | Platinum Grey  | -MD                 |     |       |                        |
|      | 958 552 803 07 DK4 | Black  | -MA                 |     |       |                        |
|      | 958 552 803 07 DM5 | Luxor beige  | -77,MC              |     |       |                        |
|      | 958 552 803 07 OS2 | agate grey   | -MB                 |     |       |                        |
| (20) | 958 552 803 08     | Trim<br>(drivers side)<br>Leather                          |                     | lhd | 1     | PR:L0L,4N3,<br>4N8     |
|      | 958 552 803 08 A11 | Black  | -LC,MF,YA,YB,<br>YC |     |       |                        |
|      | 958 552 803 08 DE1 | Umber  | -LF,YF              |     |       |                        |
|      | 958 552 803 08 DF2 | Light Tartufo  | -TY                 |     |       |                        |
|      | 958 552 803 08 DJ3 | Titanium Blue  | -TW                 |     |       |                        |
|      | 958 552 803 08 7J0 | Luxor beige  | -LE,MK,TB,YE        |     |       |                        |
|      | 958 552 803 08 8D0 | Cream  | -LG,MJ,TX           |     |       |                        |
|      | 958 552 803 08 9B0 | Platinum Grey  | -LD,YD              |     |       |                        |
|      | 958 552 803 08 OA1 | agate grey   | -MG,ML              |     |       |                        |
|      | 958 552 803 08 OG3 | Carrera Red  | -TA                 |     |       |                        |
|      | 958 552 803 08 OK6 | saddle brown   | -ME,MH,MI           |     |       |                        |
| (20) | 958 552 803 08     | Trim<br>(drivers side)<br>Leather                          |                     | rhd | 1     | PR:L0R,4N3,<br>4N8     |
|      | 958 552 803 08 A11 | Black  | -LC,MF,YA,YB,<br>YC |     |       |                        |
|      | 958 552 803 08 DE1 | Umber  | -LF,YF              |     |       |                        |
|      | 958 552 803 08 DF2 | Light Tartufo  | -TY                 |     |       |                        |
|      | 958 552 803 08 DJ3 | Titanium Blue  | -TW                 |     |       |                        |
|      | 958 552 803 08 7J0 | Luxor beige  | -LE,MK,TB,YE        |     |       |                        |
|      | 958 552 803 08 8D0 | Cream  | -LG,MJ,TX           |     |       |                        |
|      | 958 552 803 08 9B0 | Platinum Grey  | -LD,YD              |     |       |                        |
|      | 958 552 803 08 OA1 | agate grey   | -MG,ML              |     |       |                        |
|      | 958 552 803 08 OG3 | Carrera Red  | -TA                 |     |       |                        |
|      | 958 552 803 08 OK6 | saddle brown   | -ME,MH,MI           |     |       |                        |
| (20) | 958 552 803 10     | Trim<br>(drivers side)<br>Leather<br>Nature                |                     | lhd | 1     | PR:L0L,4N4,<br>4N5,4UQ |
|      | 958 552 803 10 6J0 | Espresso   | -VA                 |     |       |                        |
|      | 958 552 803 10 7F0 | Cognac   | -VB                 |     |       |                        |
| (20) | 958 552 803 11     | Trim<br>(drivers side)<br>Leather<br>Nature                |                     | rhd | 1     | PR:L0R,4N4,<br>4N5     |
|      | 958 552 803 11 6J0 | Espresso   | -VA                 |     |       |                        |
|      | 958 552 803 11 7F0 | Cognac   | -VB                 |     |       |                        |
| 21   | N 910 935 02       | Hexagon socket oval head<br>bolt, self-locking<br>M 6 X 30 |                     |     | 3     |                        |
| 22   | 958 552 290 00     | Support<br>Light switch                                    |                     | lhd | 1     | PR:L0L                 |
|      | 958 552 290 00 DE1 | Umber  | -LF,YF              |     |       |                        |
|      | 958 552 290 00 DF2 | Light Tartufo  | -TY                 |     |       |                        |
|      | 958 552 290 00 DJ3 | Titanium Blue  | -TW                 |     |       |                        |
|      | 958 552 290 00 2S0 | Cognac   | -VB                 |     |       |                        |
|      | 958 552 290 00 3T0 | Espresso   | -VA                 |     |       |                        |
|      | 958 552 290 00 4U0 | Platinum Grey  | -LD,MD,YD           |     |       |                        |

Model: 92A 11 Model life 2011>>2018

| Pos  | Part Number        | Description                    | Remark  | Qty | Model  |
|------|--------------------|--------------------------------|---|-----|--------|
|      | 958 552 290 00 5Q0 | Black                          | -LC, MA, MF, TA, TB, YA, YB, YC                     |     |        |
|      | 958 552 290 00 5V0 | Cream                          | -LG, MJ, TX   |     |        |
|      | 958 552 290 00 6W0 | Luxor beige                    | -LE, MC, MK, TB, YE, 77                             |     |        |
|      | 958 552 290 00 OA6 | agate grey                     | -MB, MG, ML   |     |        |
|      | 958 552 290 00 OE1 | Carrera Red                    | -TA   |     |        |
|      | 958 552 290 00 OL7 | saddle brown                   | -ME, MH, MI   |     |        |
| (22) | 958 552 290 01     | Support                        | rhd   | 1   | PR:LOR |
|      |                    | Light switch                   |   |     |        |
|      | 958 552 290 01 DE1 | Umber                          | -LF, YF   |     |        |
|      | 958 552 290 01 DF2 | Light Tartufo                  | -TY   |     |        |
|      | 958 552 290 01 DJ3 | Titanium Blue                  | -TW   |     |        |
|      | 958 552 290 01 2S0 | Cognac                         | -VB   |     |        |
|      | 958 552 290 01 3T0 | Espresso                       | -VA   |     |        |
|      | 958 552 290 01 4U0 | Platinum Grey                  | -LD, MD, YD   |     |        |
|      | 958 552 290 01 5Q0 | Black                          | -LC, MA, MF, TA, TB, YA, YB, YC                     |     |        |
|      | 958 552 290 01 5V0 | Cream                          | -LG, MJ, TX   |     |        |
|      | 958 552 290 01 6W0 | Luxor beige                    | -LE, MC, MK, TB, YE, 77                             |     |        |
|      | 958 552 290 01 OA6 | agate grey                     | -MB, MG, ML   |     |        |
|      | 958 552 290 01 OE1 | Carrera Red                    | -TA   |     |        |
|      | 958 552 290 01 OL7 | saddle brown                   | -ME, MH, MI   |     |        |
| 23   | 958 552 117 00     | Clip                           |   | 3   |        |
|      |                    | Scuttle                        |   |     |        |
| 24   | 958 573 173 00     | Sound absorber                 | left lhd  | 1   | PR:L0L |
|      |                    | Cold air                       | left  |     |        |
|      |                    | D >> - MJ 2014                 |   |     |        |
| (24) | 958 573 173 01     | Sound absorber                 | left lhd  | 1   | PR:L0L |
|      |                    | Cold air                       | left  |     |        |
|      |                    | (drivers side)                 |   |     |        |
|      |                    | D - MJ 2015>>                  |   |     |        |
| 24   | 958 573 173 10     | Sound absorber                 | right rhd   | 1   | PR:LOR |
|      |                    | Cold air                       |   |     |        |
|      |                    | (drivers side)                 |   |     |        |
|      |                    | D >> - MJ 2014                 |   |     |        |
| (24) | 958 573 173 11     | Sound absorber                 | right rhd   | 1   | PR:LOR |
|      |                    | Cold air                       |   |     |        |
|      |                    | (drivers side)                 |   |     |        |
|      |                    | D - MJ 2015>>                  |   |     |        |
| 25   | 958 573 174 00     | Sound absorber                 | right lhd   | 1   | PR:L0L |
|      |                    | Cold air                       | right   |     |        |
| 25   | 958 573 174 10     | Sound absorber                 | left rhd  | 1   | PR:LOR |
|      |                    | Cold air                       |   |     |        |
|      |                    | (passenger side)               |   |     |        |
| 26   | N 906 986 06       | Hexagon socket head panel bolt |   | 1   |        |
|      |                    | 4,2 X 16                       |   |     |        |
|      |                    | Mount                          |   |     |        |
|      |                    | Cover                          |   |     |        |
| 27   | 958 612 161 00     | mounting for diagnosis plug    |   | 1   |        |
|      | 958 612 161 00 9B9 | Satin black                    |   |     |        |
| 28   | 958 552 705 00     | Vent                           | left upper  | 1   |        |
|      | 958 552 705 00 DE1 | Umber                          | -LF, TX, TY, YF                                     |     |        |
|      | 958 552 705 00 3T0 | Espresso                       | -VA, VB   |     |        |
|      | 958 552 705 00 4U0 | Platinum Grey                  | -LD, MD, YD   |     |        |
|      | 958 552 705 00 5Q0 | Black                          | -LC, LG, LH, MA, MF, MI, TA, TB, TW, YA, YB, YC, 77 |     |        |
|      | 958 552 705 00 6W0 | Luxor beige                    | -LE, MC, YE   |     |        |
|      | 958 552 705 00 OA6 | agate grey                     | -MB, MG, ML   |     |        |
|      | 958 552 705 00 OL7 | saddle brown                   | -ME, MH, MJ, MK                                     |     |        |

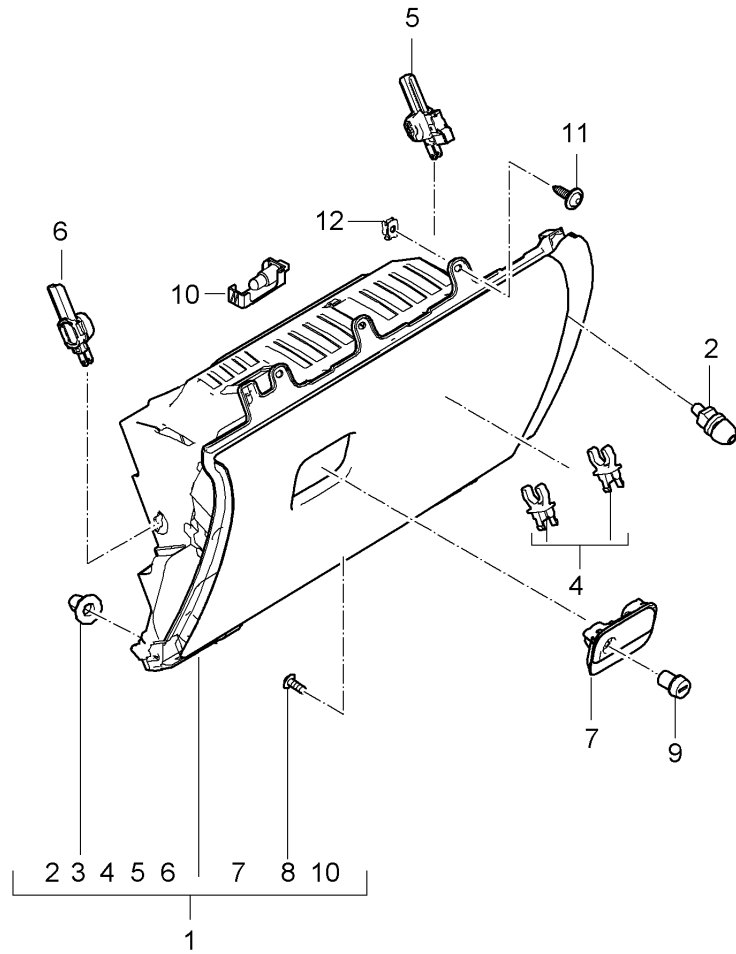
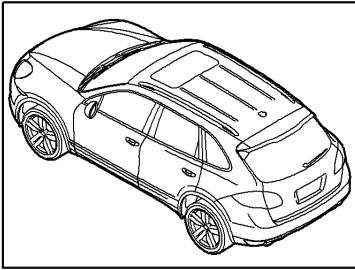


Model: 92A 11 Model life 2011>>2018

| Pos  | Part Number        | Description   | Remark  | Qty | Model |
|------|--------------------|---------------|---|-----|-------|
| (28) | 958 552 706 00     | Vent          | left upper  | 1   |       |
|      | 958 552 706 00 DE1 | Umber         | -LF, TX, TY, YF                                     |     |       |
|      | 958 552 706 00 3T0 | Espresso      | -VA, VB   |     |       |
|      | 958 552 706 00 4U0 | Platinum Grey | -LD, MD, YD   |     |       |
|      | 958 552 706 00 5Q0 | Black         | -LC, LG, LH, MA, MF, MI, TA, TB, TW, YA, YB, YC, 77 |     |       |
|      | 958 552 706 00 6W0 | Luxor beige   | -LE, MC, YE   |     |       |
|      | 958 552 706 00 OA6 | agate grey    | -MB, MG, ML   |     |       |
|      | 958 552 706 00 OL7 | saddle brown  | -ME, MH, MJ, MK                                     |     |       |
| -    | 999 591 865 02     | Nut           |   | X   |       |
|      |                    | Mount         |   |     |       |
|      |                    | Side vent     |   |     |       |
| 29   | 999 591 865 02     | Nut           |   | X   |       |
|      |                    | Mount         |   |     |       |
|      |                    | Side vent     |   |     |       |

Model: 92A 11

Model life 2011>>2018



Model: 92A 11 Model life 2011>>2018

| Pos | Part Number        | Description                           | Remark          | Qty | Model          |
|-----|--------------------|---------------------------------------|-----------------|-----|----------------|
| 1   | 958 552 095 00     | Glove box<br>Glove box<br>Leatherette | lhd             | 1   | PR:L0L,4N1     |
|     | 958 552 095 00 DJ6 | Platinum Grey                         | -MD             |     |                |
|     | 958 552 095 00 DK4 | Black                                 | -MA             |     |                |
|     | 958 552 095 00 DM5 | Luxor beige                           | -MC             |     |                |
| 1   | 958 552 095 14     | Glove box<br>Leatherette              | lhd             | 1   | PR:L0L,4N1,4N9 |
|     | 958 552 095 14 DM5 | Luxor beige                           | -MC,77          |     |                |
|     | 958 552 095 14 OS2 | agate grey                            | -MB             |     |                |
| (1) | 958 552 095 01     | Glove box<br>Leatherette              | rhd             | 1   | PR:L0R,4N1     |
|     | 958 552 095 01 DJ6 | Platinum Grey                         | -MD             |     |                |
|     | 958 552 095 01 DK4 | Black                                 | -MA             |     |                |
|     | 958 552 095 01 DM5 | Luxor beige                           | -MC             |     |                |
| (1) | 958 552 095 17     | Glove box<br>Leatherette              | rhd             | 1   | PR:L0R,4N1,4N9 |
|     | 958 552 095 17 DM5 | Luxor beige                           | -MC,77          |     |                |
|     | 958 552 095 17 OS2 | agate grey                            | -MB             |     |                |
| (1) | 958 552 095 02     | Glove box<br>Leather                  | lhd             | 1   | PR:L0L,4N3,4N8 |
|     | 958 552 095 02 A11 | Black                                 | -LC, YA, YB, YC |     |                |
|     | 958 552 095 02 DE1 | Umber                                 | -LF             |     |                |
|     | 958 552 095 02 DF2 | Light Tartufo                         | -TY             |     |                |
|     | 958 552 095 02 DJ3 | Titanium Blue                         | -TW             |     |                |
|     | 958 552 095 02 7J0 | Luxor beige                           | -LE, YE         |     |                |
|     | 958 552 095 02 8D0 | Cream                                 | -TX             |     |                |
|     | 958 552 095 02 9B0 | Platinum Grey                         | -LD, YD         |     |                |
| (1) | 958 552 095 15     | Glove box<br>Leather                  | lhd             | 1   | PR:L0L,4N3,4N8 |
|     | 958 552 095 15 OG3 | Carrera Red                           | -TA             |     |                |
|     | 958 552 095 15 OA1 | agate grey                            | -MG, ML         |     |                |
|     | 958 552 095 15 OK6 | saddle brown                          | -ME, MH, MI     |     |                |
|     | 958 552 095 15 OB8 | Cohiba Brown                          | -LH             |     |                |
| (1) | 958 552 095 03     | Glove box<br>Leather                  | rhd             | 1   | PR:L0R,4N3,4N8 |
|     | 958 552 095 03 A11 | Black                                 | -LC, YA, YB, YC |     |                |
|     | 958 552 095 03 DE1 | Umber                                 | -LF             |     |                |
|     | 958 552 095 03 DF2 | Light Tartufo                         | -TY             |     |                |
|     | 958 552 095 03 DJ3 | Titanium Blue                         | -TW             |     |                |
|     | 958 552 095 03 7J0 | Luxor beige                           | -LE, YE         |     |                |
|     | 958 552 095 03 8D0 | Cream                                 | -TX             |     |                |
|     | 958 552 095 03 9B0 | Platinum Grey                         | -LD, YD         |     |                |
| (1) | 958 552 095 18     | Glove box<br>Leather                  | rhd             | 1   | PR:L0R,4N3,4N8 |
|     | 958 552 095 18 OG3 | Carrera Red                           | -TA             |     |                |
|     | 958 552 095 18 OA1 | agate grey                            | -MG, ML         |     |                |
|     | 958 552 095 18 OK6 | saddle brown                          | -ME, MH, MI     |     |                |
|     | 958 552 095 18 OB8 | Cohiba Brown                          | -LH             |     |                |
| (1) | 958 552 095 04     | Glove box<br>Leather<br>Nature        | lhd             | 1   | PR:L0L,4N4,4N5 |
|     | 958 552 095 04 6J0 | Espresso                              | -VA             |     |                |
|     | 958 552 095 04 7F0 | Cognac                                | -VB             |     |                |
| (1) | 958 552 095 05     | Glove box<br>Leather<br>Nature        | rhd             | 1   | PR:L0R,4N4,4N5 |
|     | 958 552 095 05 6J0 | Espresso                              | -VA             |     |                |
|     | 958 552 095 05 7F0 | Cognac                                | -VB             |     |                |
| 2   | 958 552 363 00     | Stop buffer<br>Glove box              |                 | 2   |                |
| 3   | 958 552 900 00     | Grommet                               |                 | 2   |                |
| 4   | 958 552 223 00     | Pen holder                            |                 | 2   |                |

Model: 92A 11 Model life 2011>>2018

| Pos | Part Number                          | Description   | Remark                         | Qty | Model  |
|-----|--------------------------------------|---|--------------------------------|-----|--------|
| 5   | 958 552 309 00                       | Damper<br>Glove box<br><br>with:<br>Contact switch<br>Glove box |                                | 1   |        |
| 6   | 958 552 310 00                       | Damper<br>Glove box<br><br>without:<br>Switch                   |                                | 1   |        |
| 7   | 958 552 147 00                       | handle<br>Glove box<br>No longer use the part here              | lhd                            | 1   | PR:L0L |
| 7   | 958 552 147 00 GT8<br>958 552 147 02 | Galvano silver<br>handle<br>Glove box                           | lhd                            | 1   | PR:L0L |
|     | 958 552 147 02 DE1                   | Umber   | -LF, YF                        |     |        |
|     | 958 552 147 02 DF2                   | Light Tartufo   | -TY                            |     |        |
|     | 958 552 147 02 DJ3                   | Titanium Blue   | -TW                            |     |        |
|     | 958 552 147 02 2S0                   | Cognac  | -VB                            |     |        |
|     | 958 552 147 02 3T0                   | Espresso  | -VA                            |     |        |
|     | 958 552 147 02 4U0                   | Platinum Grey   | -LD, MD, YD                    |     |        |
|     | 958 552 147 02 5Q0                   | Black   | -LC, MA, MF, TA,<br>YA, YB, YC |     |        |
|     | 958 552 147 02 5V0                   | Cream   | -LG, MJ, TX                    |     |        |
|     | 958 552 147 02 6W0                   | Luxor beige   | -LE, MC, MK, TB,<br>YE, 77     |     |        |
|     | 958 552 147 02 OA6                   | agate grey  | -MB, MG, ML                    |     |        |
|     | 958 552 147 02 OL7                   | saddle brown  | -ME, MH, MI                    |     |        |
|     | 958 552 147 02 OE1                   | Carrera Red   | -TA                            |     |        |
| 7   | 958 552 147 01                       | handle<br>Glove box<br>No longer use the part here              | rhd                            | 1   | PR:L0R |
| 7   | 958 552 147 01 GT8<br>958 552 147 03 | Galvano silver<br>handle<br>Glove box                           | rhd                            | 1   | PR:L0R |
|     | 958 552 147 03 DE1                   | Umber   | -LF, YF                        |     |        |
|     | 958 552 147 03 DF2                   | Light Tartufo   | -TY                            |     |        |
|     | 958 552 147 03 DJ3                   | Titanium Blue   | -TW                            |     |        |
|     | 958 552 147 03 2S0                   | Cognac  | -VB                            |     |        |
|     | 958 552 147 03 3T0                   | Espresso  | -VA                            |     |        |
|     | 958 552 147 03 4U0                   | Platinum Grey   | -LD, MD, YD                    |     |        |
|     | 958 552 147 03 5Q0                   | Black   | -LC, MA, MF, TA,<br>YA, YB, YC |     |        |
|     | 958 552 147 03 5V0                   | Cream   | -LG, MJ, TX                    |     |        |
|     | 958 552 147 03 6W0                   | Luxor beige   | -LE, MC, MK, TB,<br>YE, 77     |     |        |
|     | 958 552 147 03 OA6                   | agate grey  | -MB, MG, ML                    |     |        |
|     | 958 552 147 03 OL7                   | saddle brown  | -ME, MH, MI                    |     |        |
|     | 958 552 147 03 OE1                   | Carrera Red   | -TA                            |     |        |
| 8   | N 106 402 01                         | Oval hexagon socket head bolt<br>M 4 x 10<br>Mount<br>handle    |                                | 2   |        |
| 9   | 996 552 915 01                       | Lock cylinders<br>Glove box<br>Vehicle Ident. No.<br>Indicate   |                                | 1   |        |
| 10  |                                      | Glove box light<br><br>see illustration:                        | 903-004                        | 1   |        |
|     |                                      | Pos<br>10   |                                |     |        |
| 11  | N 906 986 06                         | Hexagon socket head panel bolt<br>4,2 X 16                      |                                | X   |        |

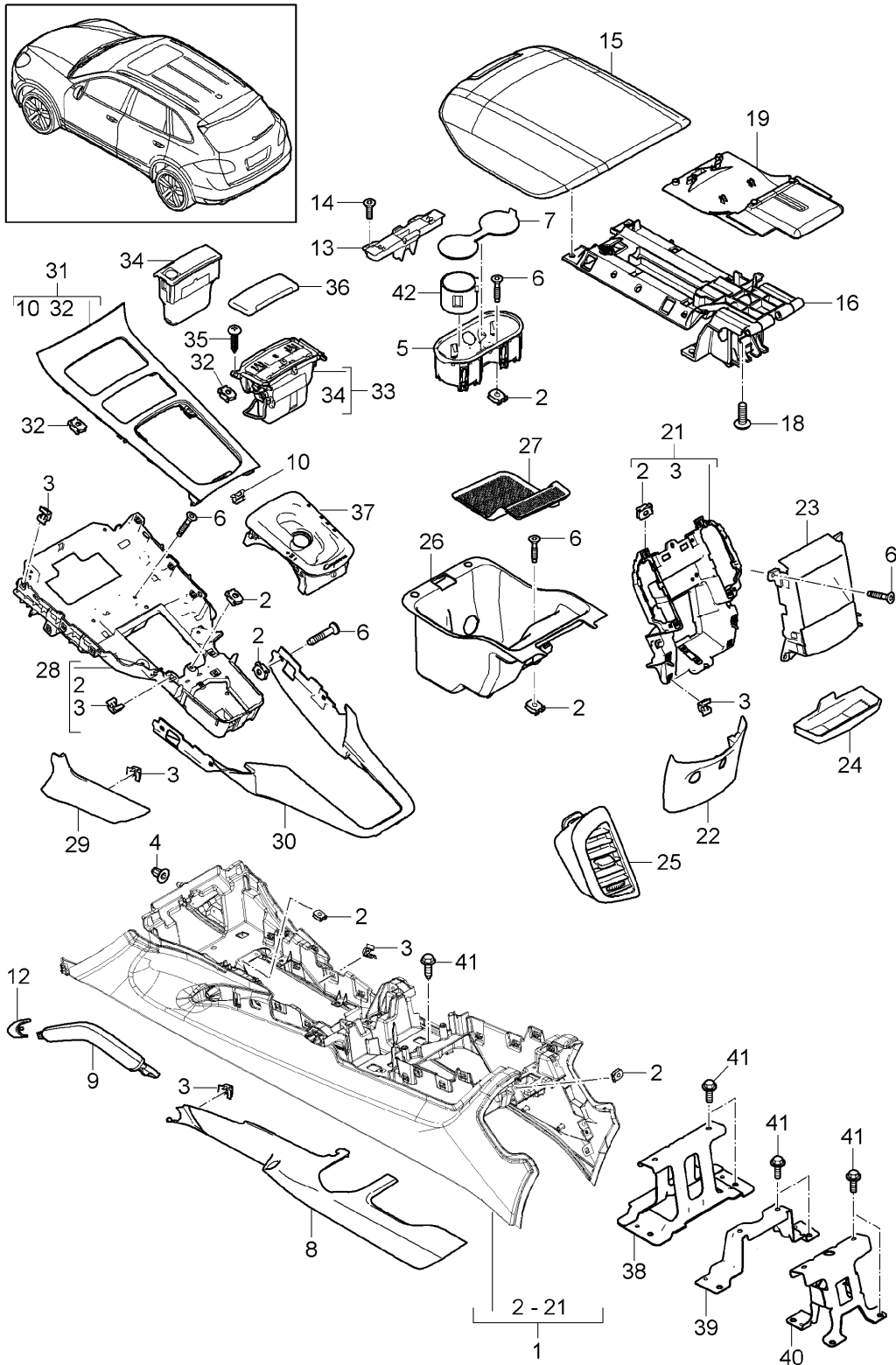
Model: 92A 11

Model life 2011&gt;&gt;2018

| Pos | Part Number  | Description         | Remark | Qty | Model |
|-----|--------------|---------------------|--------|-----|-------|
| 12  | N 906 988 01 | Speed nut<br>ST 4,2 |        | X   |       |

Model: 92A 11

Model life 2011>>2018



Model: 92A 11 Model life 2011>>2018

| Pos | Part Number        | Description                                     | Remark | Qty | Model              |
|-----|--------------------|---|--------|-----|--------------------|
| (1) | 958 553 239 10     | Centre console<br>Centre console<br>Leatherette |        | 1   | PR:3D1,9AD,<br>6F0 |
|     | 958 553 239 10 DJ6 | Platinum Grey                                   | -MD    |     |                    |
|     | 958 553 239 10 DK4 | Black   | -MA    |     |                    |
|     | 958 553 239 10 DM5 | Luxor beige                                     | -MC    |     |                    |
|     | 958 553 239 10 OS2 | agate grey                                      | -MB    |     |                    |
|     | 958 553 239 10 HAC | Black/Luxor Beige                               | -77    |     |                    |
| -   |                    | Centre console<br>also use:                     |        |     | PR:6F6,6F8         |
| (1) | 958 553 239 10     | POSITION 15<br>Centre console<br>two-colour     |        | 1   | PR:3D9,9AD,<br>6F0 |
|     | 958 553 239 10 HAC | Black/Luxor Beige                               | -77    |     |                    |
| -   |                    | Centre console<br>also use:                     |        |     | PR:6F6,6F8         |
| (1) | 958 553 239 01     | POSITION 15<br>Centre console<br>Leatherette    |        | 1   | PR:3D1,9AH         |
|     | 958 553 239 01 DJ6 | Platinum Grey                                   | -MD    |     |                    |
|     | 958 553 239 01 DK4 | Black   | -MA    |     |                    |
|     | 958 553 239 01 DM5 | Luxor beige                                     | -MC    |     |                    |
| -   |                    | Centre console<br>also use:                     |        |     | PR:6F6,6F8         |
| (1) | 958 553 239 07     | POSITION 15<br>Centre console<br>Leatherette    |        | 1   | PR:3D1,9AH,<br>6F0 |
|     | 958 553 239 07 OS2 | agate grey                                      | -MB    |     |                    |
| -   |                    | Centre console<br>also use:                     |        |     | PR:6F6,6F8         |
| (1) | 958 553 239 02     | POSITION 15<br>Centre console<br>Leather        |        | 1   | PR:3D6,3D8,<br>9AD |
|     | 958 553 239 02 A11 | Black   | -LC    |     |                    |
|     | 958 553 239 02 DE1 | Umber   | -LF    |     |                    |
|     | 958 553 239 02 DF2 | Light Tartufo                                   | -TY    |     |                    |
|     | 958 553 239 02 DJ3 | Titanium Blue                                   | -TW    |     |                    |
|     | 958 553 239 02 7J0 | Luxor beige                                     | -LE    |     |                    |
|     | 958 553 239 02 8D0 | Cream   | -TX    |     |                    |
|     | 958 553 239 02 9B0 | Platinum Grey                                   | -LD    |     |                    |
| -   |                    | Centre console<br>also use:                     |        |     | PR:6F6,6F8         |
| (1) | 958 553 239 11     | POSITION 15<br>Centre console                   |        | 1   | PR:3D6,3D8,        |
|     | 958 553 239 11 OG3 | Carrera Red                                     | -TA    |     |                    |
|     | 958 553 239 11 OK6 | saddle brown                                    | -MH    |     |                    |
|     | 958 553 239 11 OA1 | agate grey                                      | -MG    |     |                    |
|     | 958 553 239 11 CSZ | Luxor Beige/Black                               | -TB    |     |                    |
|     | 958 553 239 11 HAD | Luxor Beige/Black                               | -MI    |     |                    |
|     | 958 553 239 11 HAE | Saddle Tan/Cream                                | -MJ    |     |                    |
|     | 958 553 239 11 HAF | Saddle Tan/Luxor Beige                          | -MK    |     |                    |
|     | 958 553 239 11 HCO | Carrera Red/Black                               | -TA    |     |                    |
|     | 958 553 239 11 HHQ | Cream/Black                                     | -LG    |     |                    |
|     | 958 553 239 11 HHZ | Cohiba Brown/Black                              | -LH    |     |                    |
| -   |                    | Centre console<br>also use:                     |        |     | PR:6F6,6F8         |
| (1) | 958 553 239 03     | POSITION 15<br>Centre console<br>Leather        |        | 1   | PR:3D6,3D8,<br>9AH |
|     | 958 553 239 03 A11 | Black   | -LC    |     |                    |
|     | 958 553 239 03 DE1 | Umber   | -LF    |     |                    |
|     | 958 553 239 03 DF2 | Light Tartufo                                   | -TY    |     |                    |
|     | 958 553 239 03 DJ3 | Titanium Blue                                   | -TW    |     |                    |

Model: 92A 11 Model life 2011>>2018

| Pos | Part Number        | Description                   | Remark  | Qty | Model         |
|-----|--------------------|-------------------------------|---------|-----|---------------|
| -   | 958 553 239 03 7J0 | Luxor beige                   | -LE     |     |               |
|     | 958 553 239 03 8D0 | Cream                         | -TX     |     |               |
|     | 958 553 239 03 9B0 | Platinum Grey                 | -LD     |     |               |
|     |                    | Centre console                |         |     | PR: 6F6, 6F8  |
|     |                    | also use:                     |         |     |               |
| (1) | 958 553 239 12     | POSITION 15<br>Centre console |         | 1   | PR: 3D6, 3D8, |
|     | 958 553 239 12 OG3 | Carrera Red                   | -TA     |     |               |
|     | 958 553 239 12 OK6 | saddle brown                  | -MH     |     |               |
|     | 958 553 239 12 OA1 | agate grey                    | -MG     |     |               |
|     | 958 553 239 12 CSZ | Luxor Beige/Black             | -TB     |     |               |
|     | 958 553 239 12 HAD | Luxor Beige/Black             | -MI     |     |               |
|     | 958 553 239 12 HAE | Saddle Tan/Cream              | -MJ     |     |               |
|     | 958 553 239 12 HAF | Saddle Tan/Luxor Beige        | -MK     |     |               |
|     | 958 553 239 12 HCO | Carrera Red/Black             | -TA     |     |               |
|     | 958 553 239 12 HHQ | Cream/Black                   | -LG     |     |               |
|     | 958 553 239 12 HHZ | Cohiba Brown/Black            | -LH     |     |               |
| -   |                    | Centre console                |         |     | PR: 6F6, 6F8  |
|     |                    | also use:                     |         |     |               |
| (1) | 958 553 239 04     | POSITION 15<br>Centre console |         | 1   | PR: 3D4, 3D7, |
|     |                    | Leather                       |         |     | 9AD           |
|     |                    | Nature                        |         |     |               |
|     | 958 553 239 04 6J0 | Espresso                      | -VA     |     |               |
|     | 958 553 239 04 7F0 | Cognac                        | -VB     |     |               |
| -   |                    | Centre console                |         |     | PR: 6F6, 6F8  |
|     |                    | also use:                     |         |     |               |
| (1) | 958 553 239 05     | POSITION 15<br>Centre console |         | 1   | PR: 3D4, 3D7, |
|     |                    | Leather                       |         |     | 9AH           |
|     |                    | Nature                        |         |     |               |
|     | 958 553 239 05 6J0 | Espresso                      | -VA     |     |               |
|     | 958 553 239 05 7F0 | Cognac                        | -VB     |     |               |
| -   |                    | Centre console                |         |     | PR: 6F6, 6F8  |
|     |                    | also use:                     |         |     |               |
| (1) | 958 553 239 15     | POSITION 15<br>Centre console |         | 1   | PR: 3D5, 9AD, |
|     |                    | Alcantara                     |         |     | 6F0           |
|     | 958 553 239 15 IVA | Black                         | -MF, YC |     |               |
|     | 958 553 239 15 IVB | Platinum Grey                 | -YD     |     |               |
|     | 958 553 239 15 IVC | Luxor beige                   | -YE     |     |               |
|     | 958 553 239 15 IVD | Umber                         | -YF     |     |               |
|     | 958 553 239 15 IVE | Black/Carmin Red              | -YA     |     |               |
|     | 958 553 239 15 IVF | Black/Peridot                 | -YB     |     |               |
|     | 958 553 239 15 DJN | saddle brown                  | -ME     |     |               |
|     | 958 553 239 15 DJQ | agate grey                    | -ML     |     |               |
|     | 958 553 239 15 DJS | Black/Rhodium Silver          | -MF     |     |               |
| -   |                    | Centre console                |         |     | PR: 6F6, 6F8  |
|     |                    | also use:                     |         |     |               |
| (1) | 958 553 239 16     | POSITION 15<br>Centre console |         | 1   | PR: 3D5, 9AH, |
|     |                    | Alcantara                     |         |     | 6F0           |
|     | 958 553 239 16 IVA | Black                         | -MF, YC |     |               |
|     | 958 553 239 16 IVB | Platinum Grey                 | -YD     |     |               |
|     | 958 553 239 16 IVC | Luxor beige                   | -YE     |     |               |
|     | 958 553 239 16 IVD | Umber                         | -YF     |     |               |
|     | 958 553 239 16 IVE | Black/Carmin Red              | -YA     |     |               |
|     | 958 553 239 16 IVF | Black/Peridot                 | -YB     |     |               |
|     | 958 553 239 16 DJN | saddle brown                  | -ME     |     |               |
|     | 958 553 239 16 DJQ | agate grey                    | -ML     |     |               |
|     | 958 553 239 16 DJS | Black/Rhodium Silver          | -MF     |     |               |
| -   |                    | Centre console                |         |     | PR: 6F6, 6F8  |
|     |                    | also use:                     |         |     |               |



Model: 92A 11 Model life 2011>>2018

| Pos | Part Number        | Description                                  | Remark  | Qty | Model        |
|-----|--------------------|--|---|-----|--------------|
| 2   | N 906 988 01       | Position 15<br>Speed nut<br>4,2 X 16 X 12    |   | X   |              |
| 3   | 958 555 190 00     | Clip   |   | X   |              |
| 4   | 958 552 900 00     | Grommet                                      |   | X   |              |
| 5   | 958 553 531 00     | Retainer for centre console<br>Drinks holder |   | 1   |              |
| 6   | N 906 986 06       | Hexagon socket head panel bolt<br>4,2 X 16   |   | X   |              |
| 7   | 958 553 136 00     | Insert<br>Drinks holder                      |   | 1   |              |
| 8   | 958 553 097 00     | Cover for centre console                     | left  | 1   |              |
|     | 958 553 097 00 OA6 | agate grey                                   | -MB, MG, ML   |     |              |
|     | 958 553 097 00 OL7 | saddle brown                                 | -ML, ME, MH, MJ, MK                                 |     |              |
|     | 958 553 097 00 DE1 | Umber  | -LF, TX, TY, YF                                     |     |              |
|     | 958 553 097 00 3T0 | Espresso                                     | -VA, VB   |     |              |
|     | 958 553 097 00 4U0 | Platinum Grey                                | -LD, MD, YD   |     |              |
|     | 958 553 097 00 5Q0 | Black  | -LC, LG, LH, MA, MF, MI, TA, TB, TW, YA, YB, YC, 77 |     |              |
| (8) | 958 553 097 00 6W0 | Luxor beige                                  | -LE, MC, YE   | 1   |              |
|     | 958 553 098 00     | Cover for centre console                     | right   | 1   |              |
|     | 958 553 098 00 OA6 | agate grey                                   | -MB, MG, ML   |     |              |
|     | 958 553 098 00 OL7 | saddle brown                                 | -ME, MH, MJ, MK                                     |     |              |
|     | 958 553 098 00 DE1 | Umber  | -LF, TX, TY, YF                                     |     |              |
|     | 958 553 098 00 3T0 | Espresso                                     | -VA, VB   |     |              |
|     | 958 553 098 00 4U0 | Platinum Grey                                | -LD, MD, YD   |     |              |
|     | 958 553 098 00 5Q0 | Black  | -LC, LG, LH, MA, MF, MI, TA, TB, TW, YA, YB, YC, 77 |     |              |
| 9   | 958 553 098 00 6W0 | Luxor beige                                  | -LE, MC, YE   | 1   | PR: 3D1      |
|     | 958 553 645 00     | Grab handle                                  | left  | 1   |              |
|     |                    | Centre console                               |   |     |              |
|     |                    | Leatherette                                  |   |     |              |
|     | 958 553 645 00 21U | Black  | -MA   |     |              |
|     | 958 553 645 00 32X | Luxor beige                                  | -MC, 77   |     |              |
|     | 958 553 645 00 7EG | Platinum Grey                                | -MD   |     |              |
|     | 958 553 645 00 OF6 | agate grey                                   | -MB   |     |              |
| (9) | 958 553 646 00     | Grab handle                                  | right   | 1   | PR: 3D1      |
|     |                    | Centre console                               |   |     |              |
|     |                    | Leatherette                                  |   |     |              |
|     | 958 553 646 00 21U | Black  | -MA   |     |              |
|     | 958 553 646 00 32X | Luxor beige                                  | -MC, 77   |     |              |
|     | 958 553 646 00 7EG | Platinum Grey                                | -MD   |     |              |
|     | 958 553 646 00 OF6 | agate grey                                   | -MB   |     |              |
| (9) | 958 553 645 01     | Grab handle                                  | left  | 1   | PR: 3D6, 3D8 |
|     |                    | Centre console                               |   |     |              |
|     |                    | Leather                                      |   |     |              |
|     | 958 553 645 01 A11 | Black  | -LC, MI, TW   |     |              |
|     | 958 553 645 01 DE1 | Umber  | -LF, TX, TY   |     |              |
|     | 958 553 645 01 7J0 | Luxor beige                                  | -LE, TB   |     |              |
|     | 958 553 645 01 9B0 | Platinum Grey                                | -LD   |     |              |
| (9) | 958 553 645 03     | Grab handle                                  | left  | 1   | PR: 3D6, 3D8 |
|     |                    | Centre console                               |   |     |              |
|     |                    | Leather                                      |   |     |              |
|     | 958 553 645 03 OG3 | Carrera Red                                  | -TA   |     |              |
|     | 958 553 645 03 OB8 | Cohiba Brown                                 | -LH   |     |              |
|     | 958 553 645 03 OK6 | saddle brown                                 | -MH, MJ, MK   |     |              |

Model: 92A 11 Model life 2011>>2018

| Pos  | Part Number        | Description    | Remark  | Qty | Model        |
|------|--------------------|----------------|---|-----|--------------|
| (9)  | 958 553 645 03 OA1 | agate grey     | -MG   | 1   | PR: 3D5      |
|      | 958 553 645 03 8D0 | Cream          | -LG   |     |              |
| (9)  | 958 553 645 03     | Grab handle    | left  | 1   | PR: 3D5      |
|      | 958 553 645 03 A11 | Centre console | Leather   |     |              |
| (9)  | 958 553 645 03 7J0 | Black          | -YA, MF, YC   | 1   | PR: 3D5      |
|      | 958 553 645 03 OK6 | Luxor beige    | -YE   |     |              |
| (9)  | 958 553 645 03 OA1 | saddle brown   | -ME   | 1   | PR: 3D5      |
|      | 958 553 646 01     | agate grey     | -ML   |     |              |
| (9)  | 958 553 646 01     | Grab handle    | right   | 1   | PR: 3D5      |
|      | 958 553 646 01 A11 | Centre console | Leather   |     |              |
| (9)  | 958 553 646 01 7J0 | Black          | -YA, MF, YC   | 1   | PR: 3D6, 3D8 |
|      | 958 553 646 01 OK6 | Luxor beige    | -YE   |     |              |
| (9)  | 958 553 646 01 OA1 | saddle brown   | -ME   | 1   | PR: 3D6, 3D8 |
|      | 958 553 646 01     | agate grey     | -ML   |     |              |
| (9)  | 958 553 646 01     | Grab handle    | right   | 1   | PR: 3D6, 3D8 |
|      | 958 553 646 01 A11 | Centre console | Leather   |     |              |
| (9)  | 958 553 646 01 DE1 | Black          | -LC, MI, TW   | 1   | PR: 3D4, 3D7 |
|      | 958 553 646 01 7J0 | Umber          | -LF, TX, TY   |     |              |
| (9)  | 958 553 646 01 9B0 | Luxor beige    | -LE, TB   | 1   | PR: 3D4, 3D7 |
|      | 958 553 646 01 OG3 | Platinum Grey  | -LD   |     |              |
| (9)  | 958 553 646 01 OB8 | Carrera Red    | -TA   | 1   | PR: 3D4, 3D7 |
|      | 958 553 646 01 OK6 | Cohiba Brown   | -LH   |     |              |
| (9)  | 958 553 646 01 OA1 | saddle brown   | -MH, MJ, MK   | 1   | PR: 3D4, 3D7 |
|      | 958 553 646 01 8D0 | agate grey     | -MG   |     |              |
| (9)  | 958 553 646 01 8D0 | Cream          | -LG   | 1   | PR: 3D4, 3D7 |
|      | 958 553 645 02     | Grab handle    | left  |     |              |
| (9)  | 958 553 645 02 6J0 | Centre console | Leather   | 1   | PR: 3D4, 3D7 |
|      | 958 553 646 02     | Nature         |   |     |              |
| (9)  | 958 553 645 02 6J0 | Espresso       | -VA, VB   | 1   | PR: 3D4, 3D7 |
|      | 958 553 646 02     | Grab handle    | right   |     |              |
| 10   | 955 552 107 00     | Centre console | Leather   | X   |              |
| 12   | 958 553 633 00     | Nature         |   | 1   |              |
| (12) | 958 553 633 00 DE1 | Espresso       | -VA, VB   | 1   |              |
|      | 958 553 633 00 3T0 | Retaining clip |   |     |              |
| (12) | 958 553 633 00 4U0 | Cover cap      | left  | 1   |              |
|      | 958 553 633 00 5Q0 | Grab handle    |   |     |              |
| (12) | 958 553 633 00 DE1 | Centre console | Leather   | 1   |              |
|      | 958 553 633 00 3T0 | Umber          | -LF, TX, TY, YF                                     |     |              |
| (12) | 958 553 633 00 4U0 | Espresso       | -VA, VB   | 1   |              |
|      | 958 553 633 00 5Q0 | Platinum Grey  | -LD, MD, YD   |     |              |
| (12) | 958 553 633 00 6W0 | Black          | -LC, LG, LH, MA, MF, MI, TA, TB, TW, YA, YB, YC, 77 | 1   |              |
|      | 958 553 633 00 OL7 | Luxor beige    | -LE, MC, YE   |     |              |
| (12) | 958 553 634 00     | saddle brown   | -ME, MH, MJ, MK                                     | 1   |              |
|      | 958 553 634 00 DE1 | Cover cap      | right   |     |              |
| (12) | 958 553 634 00 3T0 | Grab handle    |   | 1   |              |
|      | 958 553 634 00 4U0 | Centre console | Leather   |     |              |
| (12) | 958 553 634 00 5Q0 | Umber          | -LF, TX, TY, YF                                     | 1   |              |
|      | 958 553 634 00 6W0 | Espresso       | -VA, VB   |     |              |
| (12) | 958 553 634 00 OL7 | Platinum Grey  | -LD, MD, YD   | 1   |              |
|      | 958 553 634 00 5Q0 | Black          | -LC, LG, LH, MA, MF, MI, TA, TB, TW, YA, YB, YC, 77 |     |              |
| (12) | 958 553 634 00 6W0 | Luxor beige    | -LE, MC, YE   | 1   |              |
|      | 958 553 634 00 OL7 | saddle brown   | -ME, MH, MJ, MK                                     |     |              |
| 13   | 958 553 083 00     | cover - lock   |   | 1   |              |

Model: 92A 11 Model life 2011>>2018

| Pos  | Part Number        | Description   | Remark          | Qty | Model                |
|------|--------------------|---|-----------------|-----|----------------------|
| 14   | N 910 327 02       | Centre console<br>Round-head screw with inner<br>hexagon socket head<br>M 6 X 20<br>Mount<br>cover - lock |                 | 2   |                      |
| 15   | 958 553 207 00     | armrest (leatherette)<br>Centre console<br>D >> - MJ 2014   |                 | 1   | PR: 3D1              |
|      | 958 553 207 00 21U | Black   | -MA             |     |                      |
|      | 958 553 207 00 32X | Luxor beige   | -MC             |     |                      |
|      | 958 553 207 00 7EG | Platinum Grey   | -MD             |     |                      |
| 15   | 958 553 207 06     | armrest (leatherette)<br>Centre console<br>D >> - MJ 2014<br>Discontinued part                            |                 | 1   | PR: 3D1, 3D9,<br>6F0 |
|      | 958 553 207 06 21U | Black   | -MA             |     |                      |
|      | 958 553 207 06 32X | Luxor beige   | -MC, 77         |     |                      |
|      | 958 553 207 06 7EG | Platinum Grey   | -MD             |     |                      |
| 15   | 958 553 207 40     | armrest (leatherette)<br>Centre console<br>D - MJ 2015>>  |                 | 1   | PR: 3D1, 3D9,<br>6F0 |
|      | 958 553 207 40 21U | Black   | -MA             |     |                      |
|      | 958 553 207 40 32X | Luxor beige   | -MC, 77         |     |                      |
|      | 958 553 207 40 OF6 | agate grey  | -MB             |     |                      |
| (15) | 958 553 207 01     | armrest (leather)<br>Centre console<br>D >> - MJ 2014   |                 | 1   | PR: 3D6, 3D8         |
|      | 958 553 207 01 A11 | Black   | -LC, MI, TW, YC |     |                      |
|      | 958 553 207 01 DE1 | Umber   | -LF, TX, TY, YF |     |                      |
|      | 958 553 207 01 7J0 | Luxor beige   | -LE, YE         |     |                      |
|      | 958 553 207 01 9B0 | Platinum Grey   | -LD, YD         |     |                      |
|      | 958 553 207 01 F0C | Black/Titanium Blue   | -TW             |     |                      |
|      | 958 553 207 01 F0D | Umber/Cream   | -TX             |     |                      |
|      | 958 553 207 01 F0E | Umber/Light Tartufo   | -TY             |     |                      |
| (15) | 958 553 207 07     | armrest (leather)<br>Centre console<br>D >> - MJ 2014   |                 | 1   | PR: 3D6, 3D8         |
|      | 958 553 207 07 OG3 | Carrera Red   |                 |     |                      |
| (15) | 958 553 207 41     | armrest (leather)<br>Centre console<br>D - MJ 2015>>  |                 | 1   | PR: 3D6, 3D8,<br>6F0 |
|      | 958 553 207 41 HAD | Black/Saddle Tan  | -MI             |     |                      |
|      | 958 553 207 41 A11 | Black   | -LC             |     |                      |
|      | 958 553 207 41 HAU | Saddle Tan/Luxor Beige  | -MK             |     |                      |
|      | 958 553 207 41 HDO | Saddle Tan/Cream  | -MJ             |     |                      |
|      | 958 553 207 41 OA1 | agate grey  | -MG             |     |                      |
|      | 958 553 207 41 OB8 | Cohiba Brown  | -LH             |     |                      |
|      | 958 553 207 41 OK6 | saddle brown  | -MH             |     |                      |
|      | 958 553 207 41 7J0 | Luxor beige   | -LE             |     |                      |
|      | 958 553 207 41 8D0 | Cream   | -LG             |     |                      |
|      | 958 553 207 41 OG3 | Carrera Red   | -TA             |     |                      |
| (15) | 958 553 207 03     | armrest (leather)<br>Centre console<br>Leather<br>Nature<br>D >> - MJ 2014                                |                 | 1   | PR: 3D4, 3D7         |
|      | 958 553 207 03 6J0 | Espresso  | -VA             |     |                      |
|      | 958 553 207 03 F0F | Espresso/Cognac   | -VB             |     |                      |
| (15) | 958 553 207 42     | armrest (leather)<br>Centre console<br>Leather<br>Nature  |                 | 1   | PR: 3D4, 3D7,<br>6F0 |

Model: 92A 11 Model life 2011>>2018

| Pos                | Part Number               | Description                           | Remark          | Qty               | Model                  |
|--------------------|---------------------------|---------------------------------------|-----------------|-------------------|------------------------|
| (15)               | 958 553 207 42 6J0        | D - MJ 2015>><br>Espresso             | -VA             | 1                 | PR: 3D5                |
|                    | 958 553 207 42 F0F        | Espresso/Cognac                       | -VB             |                   |                        |
|                    | 958 553 207 09            | armrest (alcantara)<br>Centre console |                 |                   |                        |
|                    |                           | D - MJ 2013>> - MJ 2014               |                 |                   |                        |
|                    | 958 553 207 09 IVA        | Black                                 | -YC             |                   |                        |
|                    | 958 553 207 09 IVB        | Platinum Grey                         | -YD             |                   |                        |
|                    | 958 553 207 09 IVC        | Luxor beige                           | -YE             |                   |                        |
|                    | 958 553 207 09 IVD        | Umber                                 | -YF             |                   |                        |
|                    | 958 553 207 09 IVE        | Black/Carmine Red                     | -YA             |                   |                        |
|                    | 958 553 207 09 IVF        | Black/Peridot                         | -YB             |                   |                        |
| (15)               | 958 553 207 43            | armrest (alcantara)<br>Centre console |                 | 1                 | PR: 3D5, 6F0           |
|                    |                           | D - MJ 2015>>                         |                 |                   |                        |
|                    | 958 553 207 43 IVA        | Black                                 | -YC             |                   |                        |
|                    | 958 553 207 43 IVC        | Luxor beige                           | -YE             |                   |                        |
|                    | 958 553 207 43 IVE        | Black/Carmine Red                     | -YA             |                   |                        |
|                    | 958 553 207 43 DJN        | saddle brown                          | -ME             |                   |                        |
|                    | 958 553 207 43 DJQ        | agate grey                            | -ML             |                   |                        |
|                    | 958 553 207 43 DJS        | Black/Rhodium Silver                  | -MF             |                   |                        |
|                    | 958 553 207 10            | Armrest<br>Centre console             |                 |                   |                        |
|                    |                           | D >> - MJ 2014                        |                 |                   |                        |
| (15)               | 958 553 207 10 21U        | Black                                 | -MA             | 1                 | PR: 3D1, 3D9, 6F6      |
|                    | 958 553 207 10 32X        | Luxor beige                           | -MC, 77         |                   |                        |
|                    | 958 553 207 10 7EG        | Platinum Grey                         | -MD             |                   |                        |
|                    | 958 553 207 44            | Armrest<br>Centre console             |                 |                   |                        |
|                    |                           | D - MJ 2015>>                         |                 |                   |                        |
|                    | 958 553 207 44 21U        | Black                                 | -MA             |                   |                        |
|                    | 958 553 207 44 32X        | Luxor beige                           | -MC, 77         |                   |                        |
|                    | 958 553 207 44 7EG        | Platinum Grey                         | -MD             |                   |                        |
|                    | 958 553 207 44 OF6        | agate grey                            | -MB             |                   |                        |
|                    | 958 553 207 11            | Armrest<br>Centre console             |                 |                   |                        |
|                    | D >> - MJ 2014            |                                       |                 |                   |                        |
| (15)               | 958 553 207 11 A11        | Black                                 | -LC, MI, TW, YC | 1                 | PR: 3D5, 3D6, 3D8, 6F6 |
|                    | 958 553 207 11 DE1        | Umber                                 | -LF, TX, TY, YF |                   |                        |
|                    | 958 553 207 11 OG3        | Carrera Red                           | -TA             |                   |                        |
|                    | 958 553 207 11 7J0        | Luxor beige                           | -LE, TB, YE     |                   |                        |
|                    | 958 553 207 11 9B0        | Platinum Grey                         | -LD, YD         |                   |                        |
|                    | 958 553 207 11 IVE        | Black/Carmine Red                     | -YA             |                   |                        |
|                    | 958 553 207 11 IVF        | Black/Peridot                         | -YB             |                   |                        |
|                    | 958 553 207 45            | Armrest<br>Centre console             |                 |                   |                        |
|                    |                           | D - MJ 2015>>                         |                 |                   |                        |
|                    | 958 553 207 45 A11        | Black                                 | -LC, MI, YC     |                   |                        |
| 958 553 207 45 DE1 | Umber                     | -LF, TX, TY, YF                       |                 |                   |                        |
| 958 553 207 45 DJS | Black/Rhodium Silver      | -MF                                   |                 |                   |                        |
| 958 553 207 45 HAU | Saddle Tan/Luxor Beige    | -MK                                   |                 |                   |                        |
| 958 553 207 45 HDO | Saddle Tan/Cream          | -MJ                                   |                 |                   |                        |
| 958 553 207 45 IVE | Black/Carmine Red         | -YA                                   |                 |                   |                        |
| 958 553 207 45 IVF | Black/Peridot             | -YB                                   |                 |                   |                        |
| 958 553 207 45 OA1 | agate grey                | -MG, ML                               |                 |                   |                        |
| 958 553 207 45 OB8 | Cohiba Brown              | -LH                                   |                 |                   |                        |
| 958 553 207 45 OG3 | Carrera Red               | -TA                                   |                 |                   |                        |
| 958 553 207 45 OK6 | saddle brown              | -ME, MH, MJ, MK                       |                 |                   |                        |
| 958 553 207 45 7J0 | Luxor beige               | -LE, TB, YE                           |                 |                   |                        |
| 958 553 207 45 8D0 | Cream                     | -LG                                   |                 |                   |                        |
| 958 553 207 45 9B0 | Platinum Grey             | -LD, YD                               |                 |                   |                        |
| 958 553 207 12     | Armrest<br>Centre console |                                       | 1               | PR: 3D4, 3D7, 6F6 |                        |

Model: 92A 11 Model life 2011>>2018

| Pos  | Part Number        | Description   | Remark | Qty | Model                     |
|------|--------------------|---|--------|-----|---------------------------|
|      |                    | D >> - MJ 2014  |        |     |                           |
| (15) | 958 553 207 12 6J0 | Espresso  | -VA,VB | 1   | PR:3D4,3D7,6F6            |
|      | 958 553 207 46     | Armrest<br>Centre console<br>D - MJ 2015>>                                    |        |     |                           |
| (15) | 958 553 207 46 6J0 | Espresso  | -VA,VB | 1   | /LL<br>PR:L0L,3D1,6F8     |
|      | 958 553 207 13     | Armrest<br>Centre console<br>inscription<br>Porsche Cayenne<br>D >> - MJ 2014 |        |     |                           |
| (15) | 958 553 207 13 21U | Black   | -MA    | 1   | /LL<br>PR:L0L,3D1,3D9,6F8 |
|      | 958 553 207 13 32X | Luxor beige   | -MC,77 |     |                           |
|      | 958 553 207 13 7EG | Platinum Grey   | -MD    |     |                           |
| (15) | 958 553 207 47     | Armrest<br>Centre console<br>inscription<br>Porsche Cayenne<br>D - MJ 2015>>  |        |     |                           |
|      | 958 553 207 47 21U | Black   | -MA    | 1   | /RL<br>PR:L0R,3D1,6F8     |
|      | 958 553 207 47 32X | Luxor beige   | -MC,77 |     |                           |
|      | 958 553 207 47 OF6 | agate grey  | -MB    |     |                           |
| (15) | 958 553 207 14     | Armrest<br>Centre console<br>inscription<br>Porsche Cayenne<br>D >> - MJ 2014 |        |     |                           |
|      | 958 553 207 14 21U | Black   | -MA    | 1   | /RL<br>PR:L0R,3D1,3D9,6F8 |
|      | 958 553 207 14 32X | Luxor beige   | -MC,77 |     |                           |
|      | 958 553 207 14 7EG | Platinum Grey   | -MD    |     |                           |
| (15) | 958 553 207 48     | Armrest<br>Centre console<br>inscription<br>Porsche Cayenne<br>D - MJ 2015>>  |        |     |                           |
|      | 958 553 207 48 21U | Black   | -MA    | 1   | /LL<br>PR:L0L,3D1,6F8     |
|      | 958 553 207 48 32X | Luxor beige   | -MC,77 |     |                           |
|      | 958 553 207 48 OF6 | agate grey  | -MB    |     |                           |
| (15) | 958 553 207 15     | Armrest<br>Centre console<br>inscription<br>Cayenne S<br>D >> - MJ 2014       |        |     |                           |
|      | 958 553 207 15 21U | Black   | -MA    | 1   | /LL<br>PR:L0L,3D1,3D9,6F8 |
|      | 958 553 207 15 32X | Luxor beige   | -MC,77 |     |                           |
|      | 958 553 207 15 7EG | Platinum Grey   | -MD    |     |                           |
| (15) | 958 553 207 49     | Armrest<br>Centre console<br>inscription<br>Cayenne S<br>D - MJ 2015>>        |        |     |                           |
|      | 958 553 207 49 21U | Black   | -MA    | 1   | /RL<br>PR:L0R,3D1,6F8     |
|      | 958 553 207 49 32X | Luxor beige   | -MC,77 |     |                           |
|      | 958 553 207 49 OF6 | agate grey  | -MB    |     |                           |
| (15) | 958 553 207 16     | Armrest<br>Centre console<br>inscription<br>Cayenne S<br>D >> - MJ 2014       |        |     |                           |
|      | 958 553 207 16 21U | Black   | -MA    | 1   | /LL                       |
|      | 958 553 207 16 32X | Luxor beige   | -MC,77 |     |                           |
|      | 958 553 207 16 7EG | Platinum Grey   | -MD    |     |                           |
| (15) | 958 553 207 50     | Armrest   |        | 1   | /RL                       |

Model: 92A 11 Model life 2011>>2018

| Pos  | Part Number        | Description   | Remark    | Qty | Model                         |
|------|--------------------|---|-----------|-----|-------------------------------|
|      |                    | Centre console inscription<br>Cayenne S<br>D - MJ 2015>>        |           |     | PR:L0R,3D1,3D9,6F8            |
| (15) | 958 553 207 50 21U | Black   | -MA       | 1   |                               |
|      | 958 553 207 50 32X | Luxor beige   | -MC,77    |     |                               |
|      | 958 553 207 50 OF6 | agate grey  | -MB       |     |                               |
|      | 958 553 207 17     | Armrest<br>Centre console inscription<br>Porsche Cayenne<br>GTS |           |     | /LL<br>PR:L0L,3D1,6F8,E0W     |
|      |                    | D >> - MJ 2014  |           |     |                               |
|      | 958 553 207 17 21U | Black   | -MA       | 1   |                               |
|      | 958 553 207 17 32X | Luxor beige   | -MC,77    |     |                               |
|      | 958 553 207 17 7EG | Platinum Grey   | -MD       |     |                               |
| (15) | 958 553 207 51     | Armrest<br>Centre console inscription<br>Porsche Cayenne<br>GTS |           |     | /LL<br>PR:L0L,3D1,3D9,6F8,E0W |
|      |                    | D - MJ 2015>>   |           |     |                               |
|      | 958 553 207 51 21U | Black   | -MA       | 1   |                               |
|      | 958 553 207 51 32X | Luxor beige   | -MC,77    |     |                               |
|      | 958 553 207 51 7EG | Platinum Grey   | -MD       |     |                               |
|      | 958 553 207 51 OF6 | agate grey  | -MB       |     |                               |
| (15) | 958 553 207 18     | Armrest<br>Centre console inscription<br>Porsche Cayenne<br>GTS |           |     | /RL<br>PR:L0R,3D1,6F8,E0W     |
|      |                    | D >> - MJ 2014  |           |     |                               |
|      | 958 553 207 18 21U | Black   | -MA       | 1   |                               |
|      | 958 553 207 18 32X | Luxor beige   | -MC,77    |     |                               |
|      | 958 553 207 18 7EG | Platinum Grey   | -MD       |     |                               |
|      | 958 553 207 18 OF6 | agate grey  | -MB       |     |                               |
| (15) | 958 553 207 52     | Armrest<br>Centre console inscription<br>Porsche Cayenne<br>GTS |           |     | /RL<br>PR:L0R,3D1,3D9,6F8,E0W |
|      |                    | D - MJ 2015>>   |           |     |                               |
|      | 958 553 207 52 21U | Black   | -MA       | 1   |                               |
|      | 958 553 207 52 32X | Luxor beige   | -MC,77    |     |                               |
|      | 958 553 207 52 7EG | Platinum Grey   | -MD       |     |                               |
|      | 958 553 207 52 OF6 | agate grey  | -MB       |     |                               |
| (15) | 958 553 207 19     | Armrest<br>Centre console inscription<br>Porsche Cayenne<br>GTS |           |     | /LL<br>PR:L0L,3D6,3D8,6F8     |
|      |                    | D >> - MJ 2014  |           |     |                               |
|      | 958 553 207 19 A11 | Black   | -LC,MI,TW | 1   |                               |
|      | 958 553 207 19 DE1 | Umber   | -LF,TX,TY |     |                               |
|      | 958 553 207 19 7J0 | Luxor beige   | -LE       |     |                               |
|      | 958 553 207 19 9B0 | Platinum Grey   | -LD       |     |                               |
| (15) | 958 553 207 53     | Armrest<br>Centre console inscription<br>Porsche Cayenne<br>GTS |           |     | /LL<br>PR:L0L,3D6,3D8,6F8     |
|      |                    | D - MJ 2015>>   |           |     |                               |
|      | 958 553 207 53 A11 | Black   | -LC,MI    | 1   |                               |
|      | 958 553 207 53 HAU | Saddle Tan/Luxor Beige  | -MK       |     |                               |
|      | 958 553 207 53 HDO | Saddle Tan/Cream  | -MJ       |     |                               |

Model: 92A 11 Model life 2011>>2018

| Pos  | Part Number        | Description   | Remark      | Qty | Model                           |
|------|--------------------|---|-------------|-----|---------------------------------|
|      | 958 553 207 53 OA1 | agate grey  | -MG         |     |                                 |
|      | 958 553 207 53 OB8 | Cohiba Brown  | -LH         |     |                                 |
|      | 958 553 207 53 OG3 | Garnet Red/Carrera Red  | -TA         |     |                                 |
|      | 958 553 207 53 OK6 | agate grey  | -MH         |     |                                 |
|      | 958 553 207 53 7J0 | Luxor beige   | -LE         |     |                                 |
|      | 958 553 207 53 8D0 | Cream   | -LG         |     |                                 |
| (15) | 958 553 207 20     | Armrest<br>Centre console<br>inscription<br>Porsche Cayenne<br>D >> - MJ 2014 |             | 1   | /RL<br>PR:L0R, 3D6,<br>3D8, 6F8 |
|      | 958 553 207 20 A11 | Black   | -LC,MI,TW   |     |                                 |
|      | 958 553 207 20 DE1 | Umber   | -LF, TX, TY |     |                                 |
|      | 958 553 207 20 7J0 | Luxor beige   | -LE         |     |                                 |
|      | 958 553 207 20 9B0 | Platinum Grey   | -LD         |     |                                 |
| (15) | 958 553 207 54     | Armrest<br>Centre console<br>inscription<br>Porsche Cayenne<br>D - MJ 2015>>  |             | 1   | /RL<br>PR:L0R, 3D6,<br>3D8, 6F8 |
|      | 958 553 207 54 A11 | Black   | -LC,MI      |     |                                 |
|      | 958 553 207 54 HAU | Saddle Tan/Luxor Beige  | -MK         |     |                                 |
|      | 958 553 207 54 HDO | Saddle Tan/Cream  | -MJ         |     |                                 |
|      | 958 553 207 54 OA1 | agate grey  | -MG         |     |                                 |
|      | 958 553 207 54 OB8 | Cohiba Brown  | -LH         |     |                                 |
|      | 958 553 207 54 OG3 | Carrera Red   | -TA         |     |                                 |
|      | 958 553 207 54 OK6 | saddle brown  | -MH         |     |                                 |
|      | 958 553 207 54 7J0 | Luxor beige   | -LE         |     |                                 |
|      | 958 553 207 54 8D0 | Cream   | -LG         |     |                                 |
| (15) | 958 553 207 21     | Armrest<br>Centre console<br>inscription<br>Cayenne S<br>D >> - MJ 2014       |             | 1   | /LL<br>PR:L0L, 3D6,<br>3D8, 6F8 |
|      | 958 553 207 21 A11 | Black   | -LC,MI,TW   |     |                                 |
|      | 958 553 207 21 DE1 | Umber   | -LF, TX, TY |     |                                 |
|      | 958 553 207 21 F0C | Black/Titanium Blue   | -TW         |     |                                 |
|      | 958 553 207 21 7J0 | Luxor beige   | -LE         |     |                                 |
|      | 958 553 207 21 9B0 | Platinum Grey   | -LD         |     |                                 |
| (15) | 958 553 207 55     | Armrest<br>Centre console<br>inscription<br>Cayenne S<br>D >> - MJ 2014       |             | 1   | /LL<br>PR:L0L, 3D6,<br>3D8, 6F8 |
|      | 958 553 207 55 F0D | Umber/Cream   | -TX         |     |                                 |
|      | 958 553 207 55 F0E | Umber/Light Tartufo   | -TY         |     |                                 |
| (15) | 958 553 207 55     | Armrest<br>Centre console<br>inscription<br>Cayenne S<br>D - MJ 2015>>        |             | 1   | /LL<br>PR:L0L, 3D6,<br>3D8, 6F8 |
|      | 958 553 207 55 A11 | Black   | -LC,MI      |     |                                 |
|      | 958 553 207 55 DE1 | Umber   | -LF, TX, TY |     |                                 |
|      | 958 553 207 55 HAU | Saddle Tan/Luxor Beige  | -MK         |     |                                 |
|      | 958 553 207 55 HDO | Saddle Tan/Cream  | -MJ         |     |                                 |
|      | 958 553 207 55 OA1 | agate grey  | -MG         |     |                                 |
|      | 958 553 207 55 OB8 | Cohiba Brown  | -LH         |     |                                 |
|      | 958 553 207 55 OG3 | Carrera Red   | -TA         |     |                                 |
|      | 958 553 207 55 OK6 | saddle brown  | -MH, MJ, MK |     |                                 |
|      | 958 553 207 55 7J0 | Luxor beige   | -LE         |     |                                 |
|      | 958 553 207 55 8D0 | Cream   | -LG         |     |                                 |
|      | 958 553 207 55 9B0 | Platinum Grey   | -LD         |     |                                 |
| (15) | 958 553 207 22     | Armrest   |             | 1   | /RL                             |

Model: 92A 11 Model life 2011>>2018

| Pos  | Part Number        | Description  | Remark    | Qty | Model                         |
|------|--------------------|--|-----------|-----|-------------------------------|
|      |                    | Centre console inscription<br>Cayenne S<br>D >> - MJ 2014            |           |     | PR:L0R,3D6,<br>3D8,6F8        |
|      | 958 553 207 22 A11 | Black  | -LC,MI,TW |     |                               |
|      | 958 553 207 22 DE1 | Umber  | -LF,TX,TY |     |                               |
|      | 958 553 207 22 F0C | Black/Titanium Blue  | -TW       |     |                               |
|      | 958 553 207 22 7J0 | Luxor beige  | -LE       |     |                               |
|      | 958 553 207 22 9B0 | Platinum Grey  | -LD       |     |                               |
| (15) | 958 553 207 56     | Armrest<br>Centre console inscription<br>Cayenne S<br>D >> - MJ 2014 |           | 1   | /LL<br>PR:L0L,3D6,<br>3D8,6F8 |
|      | 958 553 207 56 F0D | Umber/Cream  | -TX       |     |                               |
|      | 958 553 207 56 F0E | Umber/Light Tartufo  | -TY       |     |                               |
| (15) | 958 553 207 56     | Armrest<br>Centre console inscription<br>Cayenne S<br>D - MJ 2015>>  |           | 1   | /RL<br>PR:L0R,3D6,<br>3D8,6F8 |
|      | 958 553 207 56 A11 | Black  | -LC,MI    |     |                               |
|      | 958 553 207 56 DE1 | Umber  | -LF       |     |                               |
|      | 958 553 207 56 F0D | Umber/Cream  | -TX       |     |                               |
|      | 958 553 207 56 F0E | Umber/Light Tartufo  | -TY       |     |                               |
|      | 958 553 207 56 HAU | Saddle Tan/Luxor Beige   | -MK       |     |                               |
|      | 958 553 207 56 HD0 | Saddle Tan/Cream   | -MJ       |     |                               |
|      | 958 553 207 56 OA1 | agate grey   | -MG       |     |                               |
|      | 958 553 207 56 OB8 | Cohiba Brown   | -LH       |     |                               |
|      | 958 553 207 56 OG3 | Carrera Red  | -TA       |     |                               |
|      | 958 553 207 56 OK6 | saddle brown   | -MK,MJ    |     |                               |
|      | 958 553 207 56 7J0 | Luxor beige  | -LE       |     |                               |
|      | 958 553 207 56 8D0 | Cream  | -LG       |     |                               |
|      | 958 553 207 56 9B0 | Platinum Grey  | -LD       |     |                               |
| (15) | 958 553 207 23     | Armrest<br>Centre console inscription<br>Turbo<br>D >> - MJ 2014     |           | 1   | /LL<br>PR:L0L,3D6,<br>3D8,6F8 |
|      | 958 553 207 23 A11 | Black  | -LC,MI,TW |     |                               |
|      | 958 553 207 23 DE1 | Umber  | -LF       |     |                               |
|      | 958 553 207 23 F0D | Umber/Cream  | -TX       |     |                               |
|      | 958 553 207 23 F0E | Umber/Light Tartufo  | -TY       |     |                               |
|      | 958 553 207 23 7J0 | Luxor beige  | -LE       |     |                               |
|      | 958 553 207 23 9B0 | Platinum Grey  | -LD       |     |                               |
| (15) | 958 553 207 57     | Armrest<br>Centre console inscription<br>Turbo<br>D - MJ 2015>>      |           | 1   | /LL<br>PR:L0L,3D6,<br>3D8,6F8 |
|      | 958 553 207 57 A11 | Black  | -LC,MI    |     |                               |
|      | 958 553 207 57 7J0 | Luxor beige  | -LE       |     |                               |
|      | 958 553 207 57 OA1 | agate grey   | -MG       |     |                               |
|      | 958 553 207 57 OK6 | saddle brown   | -MH,MJ,MK |     |                               |
|      | 958 553 207 57 F0D | Umber/Cream  |           |     |                               |
| (15) | 958 553 207 24     | Armrest<br>Centre console inscription<br>Turbo<br>D >> - MJ 2014     |           | 1   | /RL<br>PR:L0R,3D6,<br>3D8,6F8 |
|      | 958 553 207 24 A11 | Black  | -LC,MI,TW |     |                               |
|      | 958 553 207 24 DE1 | Umber  | -LF       |     |                               |
|      | 958 553 207 24 F0D | Umber/Cream  | -TX       |     |                               |



Model: 92A 11 Model life 2011>>2018

| Pos                | Part Number        | Description  | Remark  | Qty         | Model                           |  |   |  |
|--------------------|--------------------|--|---|-------------|---------------------------------|--|---|--|
| (15)               | 958 553 207 24 F0E | Umber/Light Tartufo  | -TY   | 1           | /RL<br>PR:L0R, 3D6,<br>3D8, 6F8 |  |   |  |
|                    | 958 553 207 24 7J0 | Luxor beige  | -LE   |             |                                 |  |   |  |
|                    | 958 553 207 24 9B0 | Platinum Grey  | -LD   |             |                                 |  |   |  |
|                    | 958 553 207 58     | Armrest<br>Centre console<br>inscription<br>Turbo<br>D - MJ 2015>>                   |   |             |                                 |  |   |  |
|                    | 958 553 207 58 A11 | Black  | -LC, MI   |             |                                 |  |   |  |
|                    | 958 553 207 58 DE1 | Umber  | -LF   |             |                                 |  |   |  |
|                    | 958 553 207 58 F0D | Umber/Cream  | -TX   |             |                                 |  |   |  |
|                    | 958 553 207 58 F0E | Umber/Light Tartufo  | -TY   |             |                                 |  |   |  |
|                    | 958 553 207 58 HAU | Saddle Tan/Luxor Beige   | -MK   |             |                                 |  |   |  |
|                    | 958 553 207 58 HDO | Saddle Tan/Cream   | -MJ   |             |                                 |  |   |  |
|                    | 958 553 207 58 OA1 | agate grey   | -MG   |             |                                 |  |   |  |
|                    | 958 553 207 58 OB8 | Cohiba Brown   | -LH   |             |                                 |  |   |  |
|                    | 958 553 207 58 OG3 | Carrera Red  | -TA   |             |                                 |  |   |  |
|                    | 958 553 207 58 OK6 | saddle brown   | -MH, MJ, MK   |             |                                 |  |   |  |
|                    | (15)               | 958 553 207 58 7J0   | Luxor beige   |             |                                 | -LE  | 1 | /LL<br>PR:L0L, 3D5,<br>3D6, 3D8, 6F8,<br>E0W |
| 958 553 207 58 8D0 |                    | Cream  | -LG   |             |                                 |  |   |  |
| 958 553 207 58 9B0 |                    | Platinum Grey  | -LD   |             |                                 |  |   |  |
| 958 553 207 25     |                    | Armrest<br>Centre console<br>inscription<br>Porsche Cayenne<br>GTS<br>D >> - MJ 2014 |   |             |                                 |  |   |  |
| 958 553 207 25 A11 |                    | Black  | -LC, MI, YC   |             |                                 |  |   |  |
| 958 553 207 25 DE1 |                    | Umber  | -TX, TY, YF   |             |                                 |  |   |  |
| 958 553 207 25 7J0 |                    | Luxor beige  | -LE, TB, YE   |             |                                 |  |   |  |
| 958 553 207 25 9B0 |                    | Platinum Grey  | -YD   |             |                                 |  |   |  |
| 958 553 207 25 IVE |                    | Black/Carmin Red   | -YA   |             |                                 |  |   |  |
| 958 553 207 25 IVF |                    | Black/Peridot  | -YB   |             |                                 |  |   |  |
| 958 553 207 25 OG3 |                    | Carrera Red  | -TA   |             |                                 |  |   |  |
| (15)               |                    | 958 553 207 59   | Armrest<br>Centre console<br>inscription<br>Porsche Cayenne<br>GTS<br>D - MJ 2015>> |             | 1                               | /LL<br>PR:L0L, 3D5,<br>3D6, 3D8, 6F8,<br>E0W |   |  |
|                    |                    | 958 553 207 59 A11   | Black   | -LC, MI, YC |                                 |  |   |  |
|                    |                    | 958 553 207 59 DE1   | Umber   | -YF         |                                 |  |   |  |
|                    |                    | 958 553 207 59 DJS   | Black/Rhodium Silver  | -MF         |                                 |  |   |  |
|                    | 958 553 207 59 HAU | Saddle Tan/Luxor Beige   | -MK   |             |                                 |  |   |  |
|                    | 958 553 207 59 HDO | Saddle Tan/Cream   | -MJ   |             |                                 |  |   |  |
|                    | 958 553 207 59 IVE | Black/Carmin Red   | -YA   |             |                                 |  |   |  |
|                    | 958 553 207 59 IVF | Black/Peridot  | -YB   |             |                                 |  |   |  |
|                    | 958 553 207 59 OA1 | agate grey   | -MG, ML   |             |                                 |  |   |  |
|                    | 958 553 207 59 OB8 | Cohiba Brown   | -LH   |             |                                 |  |   |  |
|                    | 958 553 207 59 OG3 | Carrera Red  | -TA   |             |                                 |  |   |  |
|                    | 958 553 207 59 OK6 | saddle brown   | -ME, MH, MJ, MK   |             |                                 |  |   |  |
|                    | 958 553 207 59 7J0 | Luxor beige  | -LE, YE   |             |                                 |  |   |  |
|                    | 958 553 207 59 8D0 | Cream  | -LG   |             |                                 |  |   |  |
|                    | (15)               | 958 553 207 59 9B0   | Platinum Grey   | -YD         |                                 |  | 1 | /RL<br>PR:L0R, 3D5,<br>3D6, 3D8, 6F8,<br>E0W |
| 958 553 207 26     |                    | Armrest<br>Centre console<br>inscription<br>Porsche Cayenne<br>GTS<br>D >> - MJ 2014 |   |             |                                 |  |   |  |
| 958 553 207 26 A11 |                    | Black  | -LC, MI, YC   |             |                                 |  |   |  |
| 958 553 207 26 DE1 |                    | Umber  | -TX, TY, YF   |             |                                 |  |   |  |
|                    | 958 553 207 26 7J0 | Luxor beige  | -LE, TB, YE   |             |                                 |  |   |  |

Model: 92A 11 Model life 2011>>2018

| Pos  | Part Number        | Description   | Remark  | Qty  | Model                                     |                                   |   |                                   |
|------|--------------------|---|---|--|---|-----------------------------------|---|-----------------------------------|
| (15) | 958 553 207 26 9B0 | Platinum Grey   | -YD   | 1  | /RL<br>PR:L0R,3D5,<br>3D6,3D8,6F8,<br>E0W |                                   |   |                                   |
|      | 958 553 207 26 IVE | Black/Carmine Red   | -YA   |  |   |                                   |   |                                   |
|      | 958 553 207 26 IVF | Black/Peridot   | -YB   |  |   |                                   |   |                                   |
|      | 958 553 207 60     | Armrest<br>Centre console<br>inscription<br>Porsche Cayenne<br>GTS<br>D - MJ 2015>> |   |  |   |                                   |   |                                   |
|      | 958 553 207 60 A11 | Black   | -LC,MI,YC   |  |   |                                   |   |                                   |
|      | 958 553 207 60 DJS | Black/Rhodium Silver  | -MF   |  |   |                                   |   |                                   |
|      | 958 553 207 60 HAU | Saddle Tan/Luxor Beige  | -MK   |  |   |                                   |   |                                   |
|      | 958 553 207 60 HDO | Saddle Tan/Cream  | -MJ   |  |   |                                   |   |                                   |
|      | 958 553 207 60 IVE | Black/Carmine Red   | -YA   |  |   |                                   |   |                                   |
|      | 958 553 207 60 OA1 | agate grey  | -MG,ML  |  |   |                                   |   |                                   |
|      | 958 553 207 60 OB8 | Cohiba Brown  | -LH   |  |   |                                   |   |                                   |
|      | 958 553 207 60 OG3 | Carrera Red   | -TA   |  |   |                                   |   |                                   |
|      | 958 553 207 60 OK6 | saddle brown  | -ME,MH,MJ,MK  |  |   |                                   |   |                                   |
|      | 958 553 207 60 7J0 | Luxor beige   | -LE,YE  |  |   |                                   |   |                                   |
| (15) | 958 553 207 60 8D0 | Cream   | -LG   | 1  | /LL<br>PR:L0L,3D6,<br>3D8,6F8,E8A         |                                   |   |                                   |
|      | 958 553 207 35     | Armrest<br>Centre console<br>inscription<br>Turbo S<br>D >> - MJ 2014               |   |  |   |                                   |   |                                   |
|      | 958 553 207 35 OG3 | Carrera Red   | -TA   |  |   |                                   |   |                                   |
|      | 958 553 207 35 7J0 | Luxor beige   | -TB   |  |   |                                   |   |                                   |
|      | (15)               | 958 553 207 61  | Armrest<br>Centre console<br>inscription<br>Turbo S<br>D - MJ 2015>>  |  |   |                                   | 1 | /LL<br>PR:L0L,3D6,<br>3D8,6F8,E8A |
|      |                    | 958 553 207 61 A11  | Black   |  |   | -LC,MI                            |   |                                   |
|      |                    | 958 553 207 61 HAU  | Saddle Tan/Luxor Beige  |  |   | -MK                               |   |                                   |
|      |                    | 958 553 207 61 HDO  | Saddle Tan/Cream  |  |   | -MJ                               |   |                                   |
|      |                    | 958 553 207 61 OA1  | agate grey  |  |   | -MG                               |   |                                   |
|      |                    | 958 553 207 61 OB8  | Cohiba Brown  |  |   | -LH                               |   |                                   |
|      |                    | 958 553 207 61 OG3  | Carrera Red   |  |   | -TA                               |   |                                   |
|      |                    | 958 553 207 61 OK6  | Cohiba Brown  |  |   | -MH                               |   |                                   |
|      |                    | 958 553 207 61 7J0  | Luxor beige   |  |   | -LE,TB                            |   |                                   |
|      |                    | 958 553 207 61 8D0  | Cream   |  |   | -LG                               |   |                                   |
| (15) |                    | 958 553 207 36  | Armrest<br>Centre console<br>inscription<br>Turbo S<br>D >> - MJ 2014 |  | 1   | /RL<br>PR:L0R,3D6,<br>3D8,6F8,E8A |   |                                   |
|      |                    | 958 553 207 36 OG3  | Carrera Red   | -TB  |   |                                   |   |                                   |
|      |                    | 958 553 207 36 7J0  | Luxor beige   | -TA  |   |                                   |   |                                   |
|      |                    | (15)  | 958 553 207 62  | Armrest<br>Centre console<br>inscription<br>Turbo S<br>D - MJ 2015>> |   |                                   |   |                                   |
|      | 958 553 207 62 A11 |   | Black   | -LC,MI   |   |                                   |   |                                   |
|      | 958 553 207 62 HAU |   | Saddle Tan/Luxor Beige  | -MK  |   |                                   |   |                                   |
|      | 958 553 207 62 HDO |   | Saddle Tan/Cream  | -MJ  |   |                                   |   |                                   |
|      | 958 553 207 62 OA1 |   | agate grey  | -MG  |   |                                   |   |                                   |
|      | 958 553 207 62 OB8 |   | Cohiba Brown  | -LH  |   |                                   |   |                                   |
|      | 958 553 207 62 OG3 |   | Carrera Red   | -TA  |   |                                   |   |                                   |
|      | 958 553 207 62 OK6 |   | Cohiba Brown  | -MH  |   |                                   |   |                                   |
|      | 958 553 207 62 7J0 |   | Luxor beige   | -LE,TB   |   |                                   |   |                                   |
|      | 958 553 207 62 8D0 |   | Cream   | -LG  |   |                                   |   |                                   |
|      | (15)               |   | 958 553 207 27  | Armrest  |   |                                   |   | 1                                 |

Model: 92A 11

Model life 2011>>2018

| Pos  | Part Number                              | Description   | Remark              | Qty | Model                      |
|------|--|---|---------------------|-----|----------------------------|
|      |  | Centre console inscription<br>Porsche Cayenne   |                     |     | PR:L0L,3D4,<br>3D7,6F8     |
| (15) | 958 553 207 27 6J0<br>958 553 207 28     | Espresso<br>Armrest   | -VA,VB              | 1   | /RL                        |
|      |  | Centre console inscription<br>Porsche Cayenne   |                     |     | PR:L0R,3D4,<br>3D7,6F8     |
| (15) | 958 553 207 28 6J0<br>958 553 207 29     | Espresso<br>Armrest   | -VA,VB              | 1   | /LL                        |
|      |  | Centre console inscription<br>Cayenne S   |                     |     | PR:L0L,3D4,<br>3D7,6F8     |
| (15) | 958 553 207 29 6J0<br>958 553 207 30     | Espresso<br>Armrest   | -VA,VB              | 1   | /RL                        |
|      |  | Centre console inscription<br>Cayenne S   |                     |     | PR:L0R,3D4,<br>3D7,6F8     |
| (15) | 958 553 207 30 6J0<br>958 553 207 31     | Espresso<br>Armrest   | -VA,VB              | 1   | /LL                        |
|      |  | Centre console inscription<br>Turbo   |                     |     | PR:L0L,3D4,<br>3D7,6F8     |
| (15) | 958 553 207 31 6J0<br>958 553 207 32     | Espresso<br>Armrest   | -VA,VB              | 1   | /RL                        |
|      |  | Centre console inscription<br>Turbo   |                     |     | PR:L0R,3D4,<br>3D7,6F8     |
| (15) | 958 553 207 32 6J0<br>958 553 207 33     | Espresso<br>Armrest   | -VA,VB              | 1   | /LL                        |
|      |  | Centre console inscription<br>Porsche Cayenne<br>GTS                                      |                     |     | PR:L0L,3D4,<br>3D7,6F8,E0W |
| (15) | 958 553 207 33 6J0<br>958 553 207 34     | Espresso<br>Armrest   | -VA,VB              | 1   | /RL                        |
|      |  | Centre console inscription<br>Porsche Cayenne<br>GTS                                      |                     |     | PR:L0R,3D4,<br>3D7,6F8,E0W |
| (15) | 958 553 207 34 6J0<br>958 553 207 37     | Espresso<br>Armrest   | -VA,VB              | 1   | /LL                        |
|      |  | Centre console inscription<br>Turbo S   |                     |     | PR:L0L,3D4,<br>3D7,6F8,E8A |
| (15) | 958 553 207 37 6J0<br>958 553 207 38     | Espresso<br>Armrest   | -VA,VB              | 1   | /RL                        |
|      |  | Centre console inscription<br>Turbo S   |                     |     | PR:L0R,3D4,<br>3D7,6F8,E8A |
| 16   | 958 553 207 38 6J0<br>958 553 206 00     | Espresso<br>Hinge   | -VA,VB              | 1   |                            |
| 18   | N 910 327 02                             | Armrest<br>Round-head screw with inner<br>hexagon socket head<br>6 X 20<br>Mount<br>Hinge |                     | 2   |                            |
| 19   | 958 553 289 00                           | Trim for centre console<br>Armrest<br>Discontinued part                                   |                     | 1   |                            |
|      | 958 553 289 00 5Q0<br>958 553 289 00 4U0 | Black<br>Platinum Grey  | -LC,MA,TW<br>-LD,MD |     |                            |

Model: 92A 11 Model life 2011>>2018

| Pos                | Part Number                 | Description             | Remark                  | Qty | Model      |
|--------------------|-----------------------------|-------------------------|-------------------------|-----|------------|
| 19                 | 958 553 289 00 6W0          | Luxor beige             | -LE,MC                  | 1   |            |
|                    | 958 553 289 00 3T0          | Espresso                | -VA,VB                  |     |            |
|                    | 958 553 289 00 DE1          | Umber                   | -LF, TX, TY             |     |            |
|                    | 958 553 289 01              | Trim for centre console |                         |     |            |
|                    |                             | Armrest                 |                         |     |            |
|                    | 958 553 289 01 5Q0          | Black                   | -LC, MA, TW, YA, YB, YC |     |            |
|                    | 958 553 289 01 4U0          | Platinum Grey           | -LD, MD, YD             |     |            |
|                    | 958 553 289 01 6W0          | Luxor beige             | -LE, MC, TB, YE         |     |            |
|                    | 958 553 289 01 3T0          | Espresso                | -VA, VB                 |     |            |
|                    | 958 553 289 01 DE1          | Umber                   | -LF, TX, TY             |     |            |
| 958 553 289 01 OL7 | saddle brown                | -MH                     |                         |     |            |
| 958 553 289 01 OE1 | Carrera Red                 | -TA                     |                         |     |            |
|                    | No longer use the part here |                         |                         |     |            |
| 21                 | 958 553 289 01 OA6          | agate grey              | -MB                     | 1   |            |
|                    | 958 553 289 01 OB8          | Cohiba Brown            | -LH                     |     |            |
| 22                 | 958 553 252 00              | Carrier                 | rear                    | 1   |            |
|                    |                             | Centre console          |                         |     |            |
|                    | 958 553 440 00              | Trim for centre console | rear                    | 1   | PR:7B6,9AD |
|                    | 958 553 440 00 DE1          | Umber                   | -LF, YF                 |     |            |
|                    | 958 553 440 00 DF2          | Light Tartufo           | -TY                     |     |            |
|                    | 958 553 440 00 DJ3          | Titanium Blue           | -TW                     |     |            |
|                    | 958 553 440 00 2S0          | Cognac                  | -VB                     |     |            |
|                    | 958 553 440 00 3T0          | Espresso                | -VA                     |     |            |
|                    | 958 553 440 00 4U0          | Platinum Grey           | -LD, MD, YD             |     |            |
|                    | 958 553 440 00 5Q0          | Black                   | -LC, MA, MF, YA, YB, YC |     |            |
|                    | 958 553 440 00 5V0          | Cream                   | -LG, MJ, TX             |     |            |
|                    | 958 553 440 00 6W0          | Luxor beige             | -LE, MC, MK, TB, YE, 77 |     |            |
| (22)               | 958 553 440 00 OE1          | Carrera Red             | -TA                     | 1   | PR:7B6,9AH |
|                    | 958 553 440 01              | Trim for centre console | rear                    |     |            |
|                    | 958 553 440 01 DE1          | Umber                   | -LF, YF                 |     |            |
|                    | 958 553 440 01 DF2          | Light Tartufo           | -TY                     |     |            |
|                    | 958 553 440 01 DJ3          | Titanium Blue           | -TW                     |     |            |
|                    | 958 553 440 01 2S0          | Cognac                  | -VB                     |     |            |
|                    | 958 553 440 01 3T0          | Espresso                | -VA                     |     |            |
|                    | 958 553 440 01 4U0          | Platinum Grey           | -LD, MD, YD             |     |            |
|                    | 958 553 440 01 5Q0          | Black                   | -LC, MA, MF, YA, YB, YC |     |            |
|                    |                             | 958 553 440 01 5V0      | Cream                   |     |            |
|                    | 958 553 440 01 6W0          | Luxor beige             | -LE, MC, MK, TB, YE     |     |            |
| (22)               | 958 553 440 01 OE1          | Carrera Red             | -TA                     | 1   | PR:7B7,9AD |
|                    | 958 553 440 01 OB8          | Cohiba Brown            | -LH                     |     |            |
|                    | 958 553 440 01 OL7          | saddle brown            | -ME, MH, MI             |     |            |
|                    | 958 553 440 02              | Trim for centre console | rear                    |     |            |
|                    | 958 553 440 02 DE1          | Umber                   | -LF, YF                 |     |            |
|                    | 958 553 440 02 DF2          | Light Tartufo           | -TY                     |     |            |
|                    | 958 553 440 02 DJ3          | Titanium Blue           | -TW                     |     |            |
|                    | 958 553 440 02 2S0          | Cognac                  | -VB                     |     |            |
|                    | 958 553 440 02 3T0          | Espresso                | -VA                     |     |            |
|                    | 958 553 440 02 4U0          | Platinum Grey           | -LD, MD, YD             |     |            |
|                    | 958 553 440 02 5Q0          | Black                   | -LC, MA, MF, YA, YB, YC |     |            |
|                    | 958 553 440 02 5V0          | Cream                   | -LG, MJ, TX             |     |            |
|                    | 958 553 440 02 6W0          | Luxor beige             | -LE, MC, MK, TB, YE     |     |            |
| (22)               | 958 553 440 02 OE1          | Carrera Red             | -TA                     | 1   | PR:7B7,9AH |
|                    | 958 553 440 03              | Trim for centre console | rear                    |     |            |
|                    | 958 553 440 03 DE1          | Umber                   | -LF, YF                 |     |            |
|                    | 958 553 440 03 DF2          | Light Tartufo           | -TY                     |     |            |
|                    | 958 553 440 03 DJ3          | Titanium Blue           | -TW                     |     |            |

Model: 92A 11 Model life 2011>>2018

| Pos  | Part Number        | Description  | Remark                 | Qty | Model              |
|------|--------------------|--|------------------------|-----|--------------------|
|      | 958 553 440 03 2S0 | Cognac   | -VB                    |     |                    |
|      | 958 553 440 03 3T0 | Espresso   | -VA                    |     |                    |
|      | 958 553 440 03 4U0 | Platinum Grey                                      | -LD,MD,YD              |     |                    |
|      | 958 553 440 03 5Q0 | Black  | -LC,MA,MF,YA,<br>YB,YC |     |                    |
|      | 958 553 440 03 5V0 | Cream  | -LG,MJ,TX              |     |                    |
|      | 958 553 440 03 6W0 | Luxor beige  | -LE,MC,MK,TB,<br>YE    |     |                    |
|      | 958 553 440 03 OE1 | Carrera Red  | -TA                    |     |                    |
| 23   | 958 553 131 00     | Stowage compartment<br>Centre console              | rear                   | 1   | PR:9AD             |
| 24   | 958 553 723 00     | Insert<br>Stowage compartment<br>Centre console    | rear                   | 1   | PR:9AD             |
| 25   | 958 553 203 00     | Air vent<br>Centre console                         | left<br>rear           | 1   |                    |
| (25) | 958 553 203 00 GOB | Matt Black/Galvano Silver                          |                        |     |                    |
|      | 958 553 204 00     | Air vent<br>Centre console                         | right<br>rear          | 1   |                    |
| 26   | 958 553 204 00 GOB | Matt Black/Galvano Silver                          |                        |     |                    |
|      | 958 553 232 00     | Stowage box<br>Centre console                      |                        | 1   |                    |
| 26   | 958 553 232 02     | D >> - MJ 2011<br>Stowage box<br>Centre console    |                        | 1   |                    |
|      |                    | F >> 92-CLA05 335                                  |                        |     |                    |
|      |                    | F >> 92-CLA92 110                                  |                        |     |                    |
|      |                    | F >> 92-CLA64 565                                  |                        |     |                    |
|      |                    | F >> 92-CLA28 225                                  |                        |     |                    |
|      |                    | F >> 92-CLA28 101                                  |                        |     |                    |
|      |                    | F >> 92-CLA45 215                                  |                        |     |                    |
|      |                    | F >> 92-CLA82 187                                  |                        |     |                    |
|      |                    | D >> - MJ 2016                                     |                        |     |                    |
| (26) | 958 553 232 01     | Stowage box<br>Centre console                      |                        | 1   |                    |
|      |                    | F 92-CLA05 336>>                                   |                        |     |                    |
|      |                    | F 92-CLA92 111>>                                   |                        |     |                    |
|      |                    | F 92-CLA64 566>>                                   |                        |     |                    |
|      |                    | F 92-CLA28 226>>                                   |                        |     |                    |
|      |                    | F 92-CLA28 102>>                                   |                        |     |                    |
|      |                    | F 92-CLA45 216>>                                   |                        |     |                    |
|      |                    | F 92-CLA82 188>>                                   |                        |     |                    |
|      |                    | D >> - MJ 2016                                     |                        |     |                    |
| (26) | 958 553 232 03     | Stowage box<br>Centre console                      |                        | 1   |                    |
|      |                    | D - MJ 2017>>                                      |                        |     |                    |
| 27   | 958 553 301 00     | Insert<br>Stowage box                              |                        | 1   | PR:9W0,9W1,<br>9W5 |
|      |                    | D >> - MJ 2016                                     |                        |     |                    |
| (27) | 958 553 301 01     | Insert<br>Stowage box                              |                        | 1   | PR:9ZP             |
|      |                    | D >> - MJ 2016                                     |                        |     |                    |
| (27) | 958 553 301 02     | Insert<br>Stowage box                              |                        | 1   |                    |
|      |                    | D - MJ 2017>>                                      |                        |     |                    |
| 28   | 958 553 251 01     | Carrier<br>Control panel                           |                        | 1   |                    |
| 29   | 958 553 365 00     | Air-conditioning switch<br>Trim for centre console | left<br>front          | 1   | PR:3D1             |
|      |                    | Embossed   |                        |     |                    |
|      | 958 553 365 00 21U | Black  | -MA                    |     |                    |
|      | 958 553 365 00 32X | Luxor beige  | -MC                    |     |                    |

Model: 92A 11 Model life 2011>>2018

| Pos  | Part Number        | Description             | Remark  | Qty | Model             |
|------|--------------------|-------------------------|---|-----|-------------------|
| (29) | 958 553 365 00 7EG | Platinum Grey           | -MD   |     |                   |
|      | 958 553 366 00     | Trim for centre console | right   | 1   | PR: 3D1           |
|      |                    | Embossed                | front   |     |                   |
|      | 958 553 366 00 21U | Black                   | -MA   |     |                   |
|      | 958 553 366 00 32X | Luxor beige             | -MC   |     |                   |
| (29) | 958 553 366 00 7EG | Platinum Grey           | -MD   |     |                   |
|      | 958 553 365 01     | Trim for centre console | left  | 1   | PR: 3D6, 3D8, 3D5 |
|      |                    |                         | front   |     |                   |
|      | 958 553 365 01 A11 | Black                   | -LC, MF, YA, YB, YC                             |     |                   |
|      | 958 553 365 01 DE1 | Umber                   | -LF, YF   |     |                   |
|      | 958 553 365 01 DF2 | Light Tartufo           | -TY   |     |                   |
|      | 958 553 365 01 DJ3 | Titanium Blue           | -TW   |     |                   |
|      | 958 553 365 01 7J0 | Luxor beige             | -LE, MK, YE, 77                                 |     |                   |
|      | 958 553 365 01 8D0 | Cream                   | -LG, MJ, TX                                     |     |                   |
|      | 958 553 365 01 9B0 | Platinum Grey           | -LD, YD   |     |                   |
|      | 958 553 365 01 OG3 | Carrera Red             | -TA   |     |                   |
|      | 958 553 365 01 OA1 | agate grey              | -MG, ML   |     |                   |
|      | 958 553 365 01 OB8 | Cohiba Brown            | -LH   |     |                   |
|      | 958 553 365 01 OK6 | saddle brown            | -MH, MI, ME                                     |     |                   |
| (29) | 958 553 366 01     | Trim for centre console | right   | 1   | PR: 3D6, 3D8, 3D5 |
|      |                    |                         | front   |     |                   |
|      | 958 553 366 01 A11 | Black                   | -LC, MF, YA, YB, YC                             |     |                   |
|      | 958 553 366 01 DE1 | Umber                   | -LF, YF   |     |                   |
|      | 958 553 366 01 DF2 | Light Tartufo           | -TY   |     |                   |
|      | 958 553 366 01 DJ3 | Titanium Blue           | -TW   |     |                   |
|      | 958 553 366 01 7J0 | Luxor beige             | -LE, MK, YE, 77                                 |     |                   |
|      | 958 553 366 01 8D0 | Cream                   | -LG, MJ, TX                                     |     |                   |
|      | 958 553 366 01 9B0 | Platinum Grey           | -LD, YD   |     |                   |
|      | 958 553 366 01 OG3 | Carrera Red             | -TA   |     |                   |
|      | 958 553 366 01 OA1 | agate grey              | -MG, ML   |     |                   |
|      | 958 553 366 01 OB8 | Cohiba Brown            | -LH   |     |                   |
|      | 958 553 366 01 OK6 | saddle brown            | -MH, MI, ME                                     |     |                   |
| (29) | 958 553 365 02     | Trim for centre console | left  | 1   | PR: 3D4, 3D7      |
|      |                    |                         | front   |     |                   |
|      | 958 553 365 02 6J0 | Espresso                | -VA   |     |                   |
|      | 958 553 365 02 7F0 | Cognac                  | -VB   |     |                   |
| (29) | 958 553 366 02     | Trim for centre console | right   | 1   | PR: 3D4, 3D7      |
|      |                    |                         | front   |     |                   |
|      | 958 553 366 02 6J0 | Espresso                | -VA   |     |                   |
|      | 958 553 366 02 7F0 | Cognac                  | -VB   |     |                   |
| 30   | 958 553 375 00     | Trim for centre console | center  | 1   |                   |
|      |                    |                         |   |     |                   |
|      | 958 553 375 00 DE1 | Umber                   | -LF, YF   |     |                   |
|      | 958 553 375 00 DF2 | Light Tartufo           | -TY   |     |                   |
|      | 958 553 375 00 DJ3 | Titanium Blue           | -TW   |     |                   |
|      | 958 553 375 00 2S0 | Cognac                  | -VB   |     |                   |
|      | 958 553 375 00 3T0 | Espresso                | -VA   |     |                   |
|      | 958 553 375 00 4U0 | Platinum Grey           | -LD, MD, YD                                     |     |                   |
|      | 958 553 375 00 5Q0 | Black                   | -LC, LG, LH, MA, MF, MI, TA, TB, YA, YB, YC, 77 |     |                   |
|      |                    |                         | -MJ, TX   |     |                   |
|      | 958 553 375 00 5V0 | Cream                   | -LE, MC, MK, YE                                 |     |                   |
|      | 958 553 375 00 6W0 | Luxor beige             | -MB, MG, ML                                     |     |                   |
|      | 958 553 375 00 OA6 | agate grey              |   |     |                   |
| 31   | 958 553 324 00     | Cover panel             | front   | 1   | PR: 5TL           |
|      |                    | Centre console          |   |     |                   |
|      | 958 553 324 00 6BB | Piano Black, high-gloss |   |     |                   |
| (31) | 958 553 324 01     | Cover panel             | front   | 1   | PR: 5TE           |
|      |                    | Centre console          |   |     |                   |
|      | 958 553 324 01 GR4 | Aluminium, brushed      |   |     |                   |
| (31) | 958 553 324 02     | Cover panel             | front   | 1   | PR: 5MG           |

Model: 92A 11 Model life 2011>>2018

| Pos  | Part Number                          | Description   | Remark | Qty | Model      |
|------|--------------------------------------|---|--------|-----|------------|
| (31) | 958 553 324 02 BG1<br>958 553 324 03 | Centre console<br>Walnut, high-gloss<br>Cover panel                 | front  | 1   | PR:5MB     |
| (31) | 958 553 324 03 CK6<br>958 553 324 04 | Centre console<br>Swedish Birch<br>Cover panel                      | front  | 1   | PR:5TF     |
| (31) | 958 553 324 04 BT2<br>958 553 324 05 | Centre console<br>Olive Ash matt open-pored<br>Cover panel          | front  | 1   | PR:5MH     |
| (31) | 958 553 324 05 BX3<br>958 553 324 05 | Centre console<br>Carbon, fine high-gloss<br>Cover panel            | front  | 1   | PR:5MH     |
| (31) | 958 553 324 05 BX3<br>958 553 324 06 | Centre console<br>Carbon, fine high-gloss<br>Cover panel            | front  | 1   | PR:5ML     |
| (31) | 958 553 324 06 OG1<br>958 553 324 07 | Centre console<br>Mahogany Yachting<br>Cover panel                  | front  | 1   | PR:5MP     |
| 32   | 958 553 324 07 OE9<br>N 101 734 02   | Centre console<br>American Walnut<br>Speed nut                      |        | 2   |            |
| 33   | 958 553 273 00                       | ST 4,2 X 9,6 X 8,3<br>Stowage comp. with mounting                   |        | 1   | PR:9JA     |
| (33) | 958 553 273 01                       | ashtray   |        | 1   | PR:9JB     |
|      |                                      | with:   |        |     |            |
| 34   | 958 553 311 00                       | ashtray<br>Pot  |        | 1   | PR:9JB     |
| (34) | 958 553 311 00 6N3<br>958 553 132 00 | Matt black<br>Stowage compartment<br>Centre console                 |        | 1   | PR:9JA     |
| 35   | 958 553 132 00 6N3<br>N 106 737 01   | Matt black<br>Hexagon socket flat<br>head bolt                      |        | 2   |            |
|      |                                      | ST 4,2 X 9,5<br>Mount<br>Support                                    |        |     |            |
| 36   | 958 553 315 00                       | ashtray<br>Stowage compartment<br>Trim                              |        | 1   | PR:5TL,NZ0 |
| (36) | 958 553 315 00 6BB<br>958 553 315 01 | Piano Black, high-gloss<br>Trim<br>ashtray                          |        | 1   | PR:5TE,NZ0 |
| (36) | 958 553 315 01 GR4<br>958 553 315 02 | Stowage compartment<br>Aluminium, brushed<br>Trim                   |        | 1   | PR:5MG     |
| (36) | 958 553 315 02 BG1<br>958 553 315 03 | ashtray<br>Stowage compartment<br>Walnut, high-gloss<br>Trim        |        | 1   | PR:5MB,NZ0 |
| (36) | 958 553 315 03 CK6<br>958 553 315 04 | ashtray<br>Stowage compartment<br>Swedish Birch<br>Trim             |        | 1   | PR:5TF,NZ0 |
| (36) | 958 553 315 04 BT2<br>958 553 315 05 | ashtray<br>Stowage compartment<br>Olive Ash matt open-pored<br>Trim |        | 1   | PR:5MH,NZ0 |
|      |                                      | ashtray<br>Stowage compartment                                      |        |     |            |

Model: 92A 11

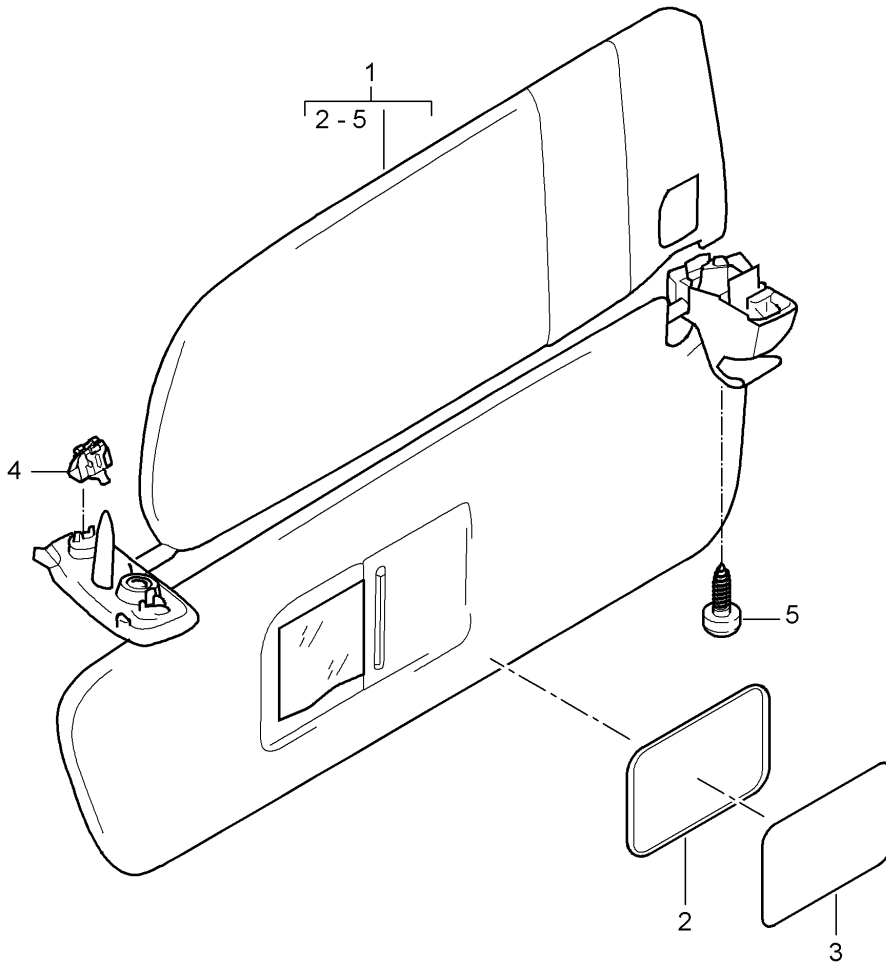
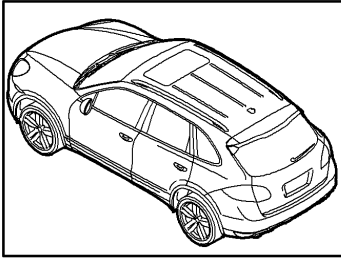
Model life 2011>>2018

| Pos  | Part Number                          | Description   | Remark | Qty | Model      |
|------|--------------------------------------|---|--------|-----|------------|
| (36) | 958 553 315 05 BX3<br>958 553 315 06 | Carbon, fine high-gloss<br>Trim<br>ashtray<br>Stowage compartment |        | 1   | PR:5ML,NZ0 |
| (36) | 958 553 315 06 OG1<br>958 553 315 07 | Mahogany Yachting<br>Trim<br>ashtray<br>Stowage compartment       |        | 1   | PR:5MP,NZ0 |
| 37   | 958 553 315 07 OE9<br>958 553 419 00 | American Walnut<br>Cover<br>Shift gate                            |        | 1   | PR:G1G     |
| 38   | 958 553 419 00 GT8                   | Galvano silver  |        |     |            |
| 39   | 958 553 253 00                       | Retainer for centre console                                       | front  | 1   |            |
| 40   | 958 553 107 00                       | Retainer for centre console                                       | center | 1   |            |
| 41   | 958 553 254 00                       | Retainer for centre console                                       | rear   | 1   |            |
| 41   | N 909 995 02                         | Hex collared bolt<br>M6 X 25                                      |        | X   |            |
| 42   | 958 553 981 00                       | Insert for cupholder  |        | 1   |            |



Model: 92A 11

Model life 2011>>2018



Model: 92A 11 Model life 2011>>2018

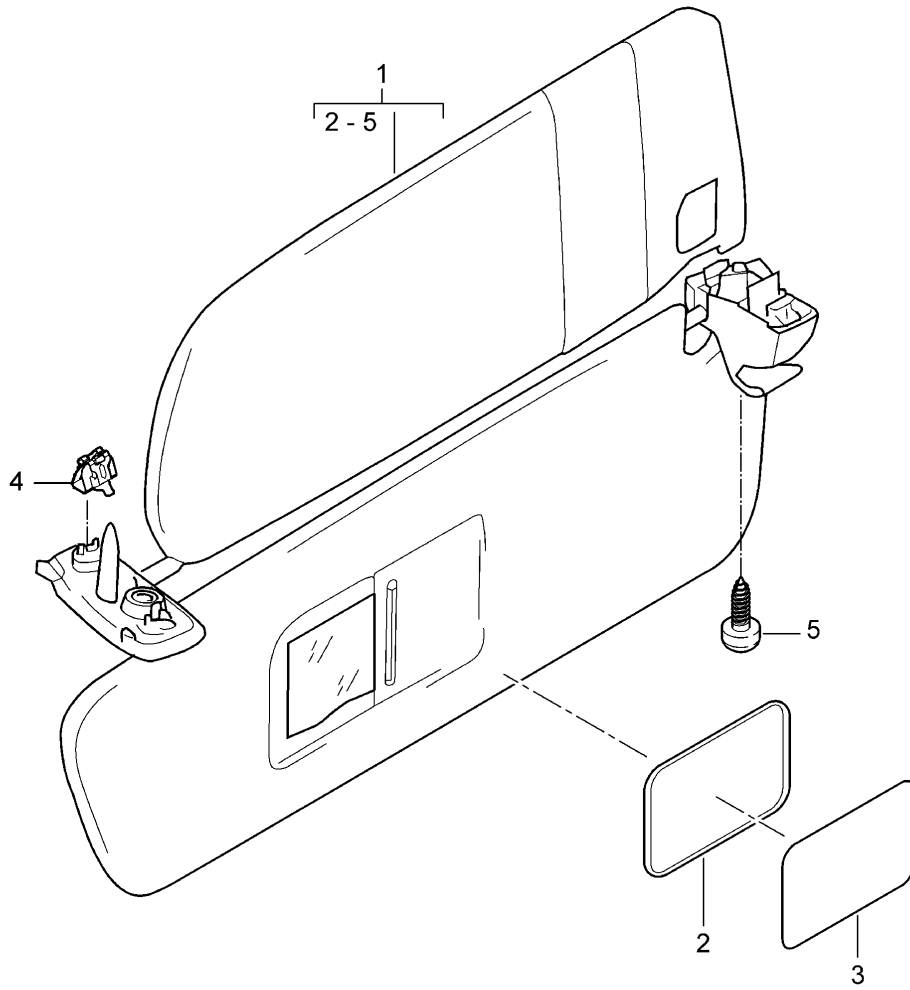
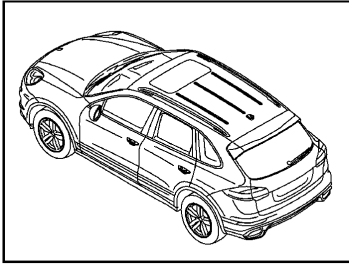
| Pos | Part Number        | Description                               | Remark   | Qty | Model                     |
|-----|--------------------|---|--|-----|---------------------------|
| 1   | 958 731 551 00     | sun vizors<br>D >> - MJ 2014<br>Sun visor | left   | 1   | PR: 5XH, 6NJ              |
|     | 958 731 551 00 AY1 | Leatherette<br>Black                      | -LC, MA, TA, TB,<br>TW, YA, YB, YC                           |     |                           |
|     | 958 731 551 00 AZ2 | Luxor beige                               | -LE, MC, YE  |     |                           |
|     | 958 731 551 00 BA3 | Platinum Grey                             | -LD, MD, YD  |     |                           |
|     | 958 731 551 00 BD5 | Espresso                                  | -VA, VB  |     |                           |
|     | 958 731 551 00 DE1 | Umber                                     | -LF, TX, TY, YF  |     |                           |
| (1) | 958 731 552 00     | Sun visor                                 | right  | 1   | PR: 5XH, 6NJ              |
|     | 958 731 552 00 AY1 | Leatherette<br>Black                      | -LC, MA, TA, TB,<br>TW, YA, YB, YC                           |     |                           |
|     | 958 731 552 00 AZ2 | Luxor beige                               | -LE, MC, YE  |     |                           |
|     | 958 731 552 00 BA3 | Platinum Grey                             | -LD, MD, YD  |     |                           |
|     | 958 731 552 00 BD5 | Espresso                                  | -VA, VB  |     |                           |
|     | 958 731 552 00 DE1 | Umber                                     | -LF, TX, TY, YF  |     |                           |
| (1) | 958 731 551 01     | Sun visor                                 | left   | 1   | PR: 5XH, 6NG              |
|     | 958 731 551 01 AY1 | Leatherette<br>Black                      | -LC, MA, TA, TB,<br>TW, YA, YB, YC                           |     |                           |
|     | 958 731 551 01 AZ2 | Luxor beige                               | -LE, MC, YE  |     |                           |
|     | 958 731 551 01 BA3 | Platinum Grey                             | -LD, MD, YD  |     |                           |
|     | 958 731 551 01 BD5 | Espresso                                  | -VA, VB  |     |                           |
|     | 958 731 551 01 DE1 | Umber                                     | -LF, TX, TY, YF  |     |                           |
| (1) | 958 731 552 01     | Sun visor                                 | right  | 1   | PR: 5XH, 6NG              |
|     | 958 731 552 01 AY1 | Leatherette<br>Black                      | -LC, MA, TA, TB,<br>TW, YA, YB, YC                           |     |                           |
|     | 958 731 552 01 AZ2 | Luxor beige                               | -LE, MC, YE  |     |                           |
|     | 958 731 552 01 BA3 | Platinum Grey                             | -LD, MD, YD  |     |                           |
|     | 958 731 552 01 BD5 | Espresso                                  | -VA, VB  |     |                           |
|     | 958 731 552 01 DE1 | Umber                                     | -LF, TX, TY, YF  |     |                           |
| (1) | 958 731 551 03     | Sun visor                                 | left   | 1   | PR: 5XH, 6NN              |
|     | 958 731 551 03 GN2 | Alcantara<br>Umber                        | -LF, TX, TY, YF  |     |                           |
|     | 958 731 551 03 2W0 | Black                                     | -LC, LG, LH, MA,<br>MF, MI, TA, TB,<br>TW, YA, YB, YC,<br>77 |     |                           |
|     | 958 731 551 03 8U3 | Platinum Grey                             | -LD, MD, YD  |     |                           |
|     | 958 731 551 03 9U1 | Luxor beige                               | -LE, MC, YE  |     |                           |
|     | 958 731 551 03 9U7 | Espresso                                  | -VA, VB  |     |                           |
| (1) | 958 731 552 03     | Sun visor                                 | right  | 1   | PR: 5XH, 6NN              |
|     | 958 731 552 03 GN2 | Alcantara<br>Umber                        | -LF, TX, TY, YF  |     |                           |
|     | 958 731 552 03 2W0 | Black                                     | -LC, LG, LH, MA,<br>MF, MI, TA, TB,<br>TW, YA, YB, YC,<br>77 |     |                           |
|     | 958 731 552 03 8U3 | Platinum Grey                             | -LD, MD, YD  |     |                           |
|     | 958 731 552 03 9U1 | Luxor beige                               | -LE, MC, YE  |     |                           |
|     | 958 731 552 03 9U7 | Espresso                                  | -VA, VB  |     |                           |
| (1) | 958 731 552 13     | Sun visor                                 | right  | 1   | PR: 5XH, 6NN,<br>9MB, 6NH |
|     | 958 731 552 13 GN2 | Alcantara<br>Umber                        | -LF, TX, TY, YF  |     |                           |
|     | 958 731 552 13 2W0 | Black                                     | -LC, LG, LH, MA,<br>MF, MI, TA, TB,<br>TW, YA, YB, YC,<br>77 |     |                           |
|     | 958 731 552 13 8U3 | Platinum Grey                             | -LD, MD, YD  |     |                           |
|     | 958 731 552 13 9U1 | Luxor beige                               | -LE, MC, YE  |     |                           |

Model: 92A 11 Model life 2011>>2018

| Pos | Part Number        | Description           | Remark                         | Qty | Model                  |
|-----|--------------------|-----------------------|--------------------------------|-----|------------------------|
| (1) | 958 731 552 13 9U7 | Espresso              | -VA,VB                         |     |                        |
|     | 958 731 551 04     | Sun visor             | left                           | 1   | PR:5XH,6NH             |
|     |                    | Alcantara             |                                |     |                        |
|     | 958 731 551 04 GN2 | Umber                 | -LF, TX, TY, YF                |     |                        |
|     | 958 731 551 04 2W0 | Black                 | -LC, MA, TW, YA,<br>YB, YC     |     |                        |
|     | 958 731 551 04 8U3 | Platinum Grey         | -LD, MD, YD                    |     |                        |
|     | 958 731 551 04 9U1 | Luxor beige           | -LE, MC, YE                    |     |                        |
|     | 958 731 551 04 9U7 | Espresso              | -VA, VB                        |     |                        |
| (1) | 958 731 552 04     | Sun visor             | right                          | 1   | PR:5XH,6NH             |
|     |                    | Alcantara             |                                |     |                        |
|     | 958 731 552 04 GN2 | Umber                 | -LF, TX, TY, YF                |     |                        |
|     | 958 731 552 04 2W0 | Black                 | -LC, MA, TW, YA,<br>YB, YC     |     |                        |
|     | 958 731 552 04 8U3 | Platinum Grey         | -LD, MD, YD                    |     |                        |
|     | 958 731 552 04 9U1 | Luxor beige           | -LE, MC, YE                    |     |                        |
|     | 958 731 552 04 9U7 | Espresso              | -VA, VB                        |     |                        |
| (1) | 958 731 552 15     | Sun visor             | right                          | 1   | PR:GPO,5XH,<br>6NJ,9MB |
|     |                    | Leatherette           |                                |     |                        |
|     | 958 731 552 15 AY1 | Black                 | -LC, LG, LH, MA,<br>MI, TA, 77 |     |                        |
|     | 958 731 552 15 AZ2 | Luxor beige           | -LE, MC                        |     |                        |
|     | 958 731 552 15 BD5 | Espresso              | -VA, VB                        |     |                        |
|     | 958 731 552 15 DE1 | Umber                 |                                |     |                        |
|     | 958 731 552 15 BP1 | saddle brown          | -MH, MJ, MK                    |     |                        |
|     | 958 731 552 15 OR1 | agate grey            | -MB, MG                        |     |                        |
| 2   | 955 731 643 01     | Frame                 |                                | 1   |                        |
|     |                    | Vanity mirror         |                                |     |                        |
| 3   | 955 731 567 01     | Vanity mirror         |                                | 1   |                        |
| 4   | 958 731 633 00     | Clamp                 |                                | X   |                        |
| 5   | N 106 663 02       | oval head panel screw |                                | 2   |                        |
|     |                    | ST 4,2 X 19           |                                |     |                        |
|     |                    | for                   |                                |     |                        |
|     |                    | Mount                 |                                |     |                        |
|     |                    | Support               |                                |     |                        |
|     |                    | Sun visor             |                                |     |                        |

Model: 92A 11

Model life 2011>>2018



Model: 92A 11 Model life 2011>>2018

| Pos | Part Number        | Description                              | Remark                    | Qty | Model                              |
|-----|--------------------|--|---------------------------|-----|------------------------------------|
| 1   | 958 731 551 07     | sun vizors<br>D - MJ 2015>><br>Sun visor | left lhd                  | 1   | PR:L0L,6NJ,<br>9MA,5XH             |
|     | 958 731 551 07 AY1 | Leatherette<br>Black                     | -LC,LG,LH,MA,<br>MI,TA,77 |     |                                    |
|     | 958 731 551 07 AZ2 | Luxor beige                              | -LE,MC                    |     |                                    |
|     | 958 731 551 07 BD5 | Espresso                                 | -VA,VB                    |     |                                    |
|     | 958 731 551 07 DE1 | Umber                                    |                           |     |                                    |
|     | 958 731 551 07 BP1 | saddle brown                             | -MH,MJ,MK                 |     |                                    |
|     | 958 731 551 07 OR1 | agate grey                               | -MB,MG                    |     |                                    |
| 1   | 958 731 551 27     | Sun visor                                | left lhd                  | 1   | PR:L0L,5XH,<br>6NJ,9MA,6DL,<br>6DQ |
|     | 958 731 551 27 AY1 | Leatherette<br>Black                     | -LC,LG,LH,MA,<br>MI,TA,77 |     |                                    |
|     | 958 731 551 27 AZ2 | Luxor beige                              | -LE,MC                    |     |                                    |
|     | 958 731 551 27 BD5 | Espresso                                 | -VA,VB                    |     |                                    |
|     | 958 731 551 27 DE1 | Umber                                    |                           |     |                                    |
|     | 958 731 551 27 BP1 | saddle brown                             | -MH,MJ,MK                 |     |                                    |
|     | 958 731 551 27 OR1 | agate grey                               | -MB,MG                    |     |                                    |
| (1) | 958 731 552 20     | Sun visor                                | right lhd                 | 1   | PR:L0L,5XH,<br>6NJ,9MA             |
|     | 958 731 552 20 AY1 | Leatherette<br>Black                     | -LC,LG,LH,MA,<br>MI,TA,77 |     |                                    |
|     | 958 731 552 20 AZ2 | Luxor beige                              | -LE,MC                    |     |                                    |
|     | 958 731 552 20 BD5 | Espresso                                 | -VA,VB                    |     |                                    |
|     | 958 731 552 20 BP1 | saddle brown                             | -MH,MJ,MK                 |     |                                    |
|     | 958 731 552 20 OR1 | agate grey                               | -MB,MG                    |     |                                    |
|     | 958 731 552 20 BA3 | Platinum Grey                            | -LD,MD,YD                 |     |                                    |
| (1) | 958 731 552 07     | Sun visor                                | right rhd                 | 1   | PR:L0R,5XH,<br>6NJ,9MA             |
|     | 958 731 552 07 AY1 | Leatherette<br>Black                     | -LC,LG,LH,MA,<br>MI,TA,77 |     |                                    |
|     | 958 731 552 07 AZ2 | Luxor beige                              | -LE,MC                    |     |                                    |
|     | 958 731 552 07 BD5 | Espresso                                 | -VA,VB                    |     |                                    |
|     | 958 731 552 07 DE1 | Umber                                    |                           |     |                                    |
|     | 958 731 552 07 BP1 | saddle brown                             | -MH,MJ,MK                 |     |                                    |
|     | 958 731 552 07 OR1 | agate grey                               | -MB,MG                    |     |                                    |
| (1) | 958 731 552 07     | Sun visor                                | right lhd                 | 1   | PR:L0L,6DL,<br>6NJ,9MA             |
|     | 958 731 552 07 AY1 | Leatherette<br>Black                     | -LC,LG,LH,MA,<br>MI,TA,77 |     |                                    |
|     | 958 731 552 07 AZ2 | Luxor beige                              | -LE,MC                    |     |                                    |
|     | 958 731 552 07 BD5 | Espresso                                 | -VA,VB                    |     |                                    |
|     | 958 731 552 07 BP1 | saddle brown                             | -MH,MJ,MK                 |     |                                    |
|     | 958 731 552 07 OR1 | agate grey                               | -MB,MG                    |     |                                    |
| (1) | 958 731 551 20     | Sun visor                                | left rhd                  | 1   | PR:L0R,5XH,<br>6NJ,9MA             |
|     | 958 731 551 20 AY1 | Leatherette<br>Black                     | -LC,LG,LH,MA,<br>MI,TA,77 |     |                                    |
|     | 958 731 551 20 AZ2 | Luxor beige                              | -LE,MC                    |     |                                    |
|     | 958 731 551 20 BD5 | Espresso                                 | -VA,VB                    |     |                                    |
|     | 958 731 551 20 BP1 | saddle brown                             | -MH,MJ,MK                 |     |                                    |
|     | 958 731 551 20 OR1 | agate grey                               | -MB,MG                    |     |                                    |
| (1) | 958 731 551 15     | Sun visor                                | left lhd                  | 1   | PR:GP1,L0L,<br>5XH,6NJ,9MB,<br>6DL |
|     | 958 731 551 15 AY1 | Leatherette<br>D >> - MJ 2016<br>Black   | -LC,LG,LH,MA,<br>MI,TA,77 |     |                                    |
|     | 958 731 551 15 AZ2 | Luxor beige                              | -LE,MC                    |     |                                    |
|     | 958 731 551 15 BD5 | Espresso                                 | -VA,VB                    |     |                                    |
|     | 958 731 551 15 DE1 | Umber                                    |                           |     |                                    |

Model: 92A 11 Model life 2011>>2018

| Pos | Part Number        | Description                               | Remark                              | Qty | Model                                  |
|-----|--------------------|---|-------------------------------------|-----|--|
| (1) | 958 731 551 15 BP1 | saddle brown                              | -MH,MJ,MK                           | 1   | PR:GP1,L0L,<br>5XH,6NJ,9MB,<br>6DL,6DQ |
|     | 958 731 551 15 OR1 | agate grey                                | -MB, MG                             |     |  |
|     | 958 731 551 21     | Sun visor<br>Leatherette<br>D - MJ 2017>> | left lhd                            |     |  |
|     | 958 731 551 21 AY1 | Black                                     | -LC, LG, LH, MA,<br>MI, TA, 77      |     |  |
|     | 958 731 551 21 AZ2 | Luxor beige                               | -LE, MC                             |     |  |
|     | 958 731 551 21 BD5 | Espresso                                  | -VA, VB                             |     |  |
|     | 958 731 551 21 DE1 | Umber                                     |                                     |     |  |
| (1) | 958 731 551 21 BP1 | saddle brown                              | -MH,MJ,MK                           | 1   | PR:GP1,L0R,<br>5XH,6NJ,9MB             |
|     | 958 731 551 21 OR1 | agate grey                                | -MB, MG                             |     |  |
|     | 958 731 552 15     | Sun visor<br>Leatherette                  | right rhd                           |     |  |
|     | 958 731 552 15 AY1 | Black                                     | -LC, LG, LH, MA,<br>MI, TA, 77      |     |  |
|     | 958 731 552 15 AZ2 | Luxor beige                               | -LE, MC                             |     |  |
|     | 958 731 552 15 BD5 | Espresso                                  | -VA, VB                             |     |  |
|     | 958 731 552 15 DE1 | Umber                                     |                                     |     |  |
| (1) | 958 731 552 15 BP1 | saddle brown                              | -MH,MJ,MK                           | 1   | PR:GP1,L0L,<br>6DL,6NJ,9MB             |
|     | 958 731 552 15 OR1 | agate grey                                | -MB, MG                             |     |  |
|     | 958 731 552 15     | Sun visor<br>Leatherette                  | right lhd                           |     |  |
|     | 958 731 552 15 AY1 | Black                                     | -LC, LG, LH, MA,<br>MI, TA, 77      |     |  |
|     | 958 731 552 15 AZ2 | Luxor beige                               | -LE, MC                             |     |  |
|     | 958 731 552 15 BD5 | Espresso                                  | -VA, VB                             |     |  |
|     | 958 731 552 15 DE1 | Umber                                     |                                     |     |  |
| (1) | 958 731 552 15 BP1 | saddle brown                              | -MH,MJ,MK                           | 1   | PR:GP1,L0R,<br>5XH,6NJ,9MB             |
|     | 958 731 552 15 OR1 | agate grey                                | -MB, MG                             |     |  |
|     | 958 731 551 16     | Sun visor<br>Leatherette                  | left rhd                            |     |  |
|     | 958 731 551 16 AY1 | Black                                     | -LC, LG, LH, MA,<br>MI, TA, 77      |     |  |
|     | 958 731 551 16 AZ2 | Luxor beige                               | -LE, MC                             |     |  |
|     | 958 731 551 16 BD5 | Espresso                                  | -VA, VB                             |     |  |
|     | 958 731 551 16 DE1 | Umber                                     |                                     |     |  |
| (1) | 958 731 551 16 BP1 | saddle brown                              | -MH,MJ,MK                           | 1   | PR:GP1,L0L,<br>5XH,6NJ,9MB             |
|     | 958 731 551 16 OR1 | agate grey                                | -MB, MG                             |     |  |
|     | 958 731 552 16     | Sun visor<br>Leatherette                  | right lhd                           |     |  |
|     | 958 731 552 16 AY1 | Black                                     | -LC, LG, LH, MA,<br>MI, TA, 77      |     |  |
|     | 958 731 552 16 AZ2 | Luxor beige                               | -LE, MC                             |     |  |
|     | 958 731 552 16 BD5 | Espresso                                  | -VA, VB                             |     |  |
|     | 958 731 552 16 DE1 | Umber                                     |                                     |     |  |
| (1) | 958 731 552 16 BP1 | saddle brown                              | -MH,MJ,MK                           | 1   | PR:GP1,L0L,<br>6DQ,6NJ,9MB<br>"CN."    |
|     | 958 731 552 16 OR1 | agate grey                                | -MB, MG                             |     |  |
|     | 958 731 552 23     | Sun visor<br>Leatherette                  | right lhd                           |     |  |
|     | 958 731 552 23 AY1 | Black                                     | -LC, LG, LH, MA,<br>MI, TA, 77      |     |  |
|     | 958 731 552 23 AZ2 | Luxor beige                               | -LE, MC                             |     |  |
|     | 958 731 552 23 BD5 | Espresso                                  | -VA, VB                             |     |  |
|     | 958 731 552 23 DE1 | Umber                                     |                                     |     |  |
| (1) | 958 731 552 23 BP1 | saddle brown                              | -MH,MJ,MK                           | 1   | PR:L0L,5XH,<br>6NN,9MA,6DL             |
|     | 958 731 552 23 OR1 | agate grey                                | -MB, MG                             |     |  |
|     | 958 731 551 10     | Sun visor<br>Alcantara<br>D >> - MJ 2016  | left lhd                            |     |  |
|     | 958 731 551 10 GN2 | Umber                                     |                                     |     |  |
|     | 958 731 551 10 2W0 | Black                                     | -LC, LG, LH, MA,<br>MF, MI, TA, YA, |     |  |

Model: 92A 11 Model life 2011&gt;&gt;2018

| Pos | Part Number        | Description   | Remark   | Qty | Model                                       |
|-----|--------------------|---------------|--|-----|---|
| (1) | 958 731 551 10 9U1 | Luxor beige   | YC, 77   | 1   | PR: 5XH, 6NN,<br>9MA, L0L, 6DL,<br>6DQ      |
|     | 958 731 551 10 9U7 | Espresso      | -LE, MC, YE  |     |   |
|     | 958 731 551 10 OP2 | saddle brown  | -VA, VB  |     |   |
|     | 958 731 551 10 OU5 | agate grey    | -ME, MH, MJ, MK  |     |   |
|     | 958 731 551 23     | Sun visor     | -MB, MG, ML  |     |   |
|     |                    | Alcantara     | left   |     |   |
|     |                    | D - MJ 2017>> |  |     |   |
|     | 958 731 551 23 GN2 | Umber         | -LF, TX, TY, YF  |     |   |
|     | 958 731 551 23 2W0 | Black         | -LC, LG, LH, MA,<br>MF, MI, TA, TB,<br>TW, YA, YB, YC,<br>77 |     |   |
| (1) | 958 731 551 23 8U3 | Platinum Grey | -LD, MD, YD  | 1   | PR: GP1, L0L,<br>5XH, 6DL, 6DQ,<br>6NN, 9MB |
|     | 958 731 551 23 9U1 | Luxor beige   | -LE, MC, YE  |     |   |
|     | 958 731 551 23 9U7 | Espresso      | -VA, VB  |     |   |
|     | 958 731 551 24     | Sun visor     | left   |     |   |
|     |                    |               | Alcantara  |     |   |
|     |                    | D - MJ 2017>> |  |     |   |
|     | 958 731 551 24 2W0 | Black         | -LC, LG, LH, MA,<br>MF, MI, TA, YA,<br>YC, 77                |     |   |
|     | 958 731 551 24 9U1 | Luxor beige   | -LE, MC, YE  |     |   |
|     | 958 731 551 24 9U7 | Espresso      | -VA, VB  |     |   |
|     | 958 731 551 24 OP2 | saddle brown  | -ME, MH, MJ, MK  |     |   |
|     | 958 731 551 24 OU5 | agate grey    | -MB, MG, ML  |     |   |
| (1) | 958 731 551 14     | Sun visor     | left rhd   | 1   | PR: L0R, 5XH,<br>6NN, 9MA                   |
|     |                    | Alcantara     |  |     |   |
|     | 958 731 551 14 GN2 | Umber         |  |     |   |
|     | 958 731 551 14 2W0 | Black         | -LC, LG, LH, MA,<br>MF, MI, TA, YA,<br>YC, 77                |     |   |
|     | 958 731 551 14 9U1 | Luxor beige   | -LE, MC, YE  |     |   |
|     | 958 731 551 14 9U7 | Espresso      | -VA, VB  |     |   |
|     | 958 731 551 14 OP2 | saddle brown  | -ME, MH, MJ, MK  |     |   |
|     | 958 731 551 14 OU5 | agate grey    | -MB, MG, ML  |     |   |
| (1) | 958 731 552 10     | Sun visor     | right rhd  | 1   | PR: L0R, 5XH,<br>6NN, 9MA                   |
|     |                    | Alcantara     |  |     |   |
|     | 958 731 552 10 GN2 | Umber         |  |     |   |
|     | 958 731 552 10 2W0 | Black         | -LC, LG, LH, MA,<br>MF, MI, TA, YA,<br>YC, 77                |     |   |
|     | 958 731 552 10 9U1 | Luxor beige   | -LE, MC, YE  |     |   |
|     | 958 731 552 10 9U7 | Espresso      | -VA, VB  |     |   |
|     | 958 731 552 10 OP2 | saddle brown  | -ME, MH, MJ, MK  |     |   |
|     | 958 731 552 10 OU5 | agate grey    | -MB, MG, ML  |     |   |
| (1) | 958 731 552 14     | Sun visor     | right lhd  | 1   | PR: L0L, 5XH,<br>6NN, 9MA                   |
|     |                    | Alcantara     |  |     |   |
|     | 958 731 552 14 GN2 | Umber         |  |     |   |
|     | 958 731 552 14 2W0 | Black         | -LC, LG, LH, MA,<br>MF, MI, TA, YA,<br>YC, 77                |     |   |
|     | 958 731 552 14 9U1 | Luxor beige   | -LE, MC, YE  |     |   |
|     | 958 731 552 14 9U7 | Espresso      | -VA, VB  |     |   |
|     | 958 731 552 14 OP2 | saddle brown  | -ME, MH, MJ, MK  |     |   |
|     | 958 731 552 14 OU5 | agate grey    | -MB, MG, ML  |     |   |
| (1) | 958 731 552 24     | Sun visor     | right lhd  | 1   | PR: L0L, 6DQ,<br>6NN, 9MA<br>"CN."          |
|     |                    | Alcantara     |  |     |   |
|     | 958 731 552 24 2W0 | Black         | -LC, LG, LH, MA,<br>MF, MI, TA, YA,<br>YC, 77                |     |   |
|     | 958 731 552 24 9U1 | Luxor beige   | -LE, MC, YE  |     |   |

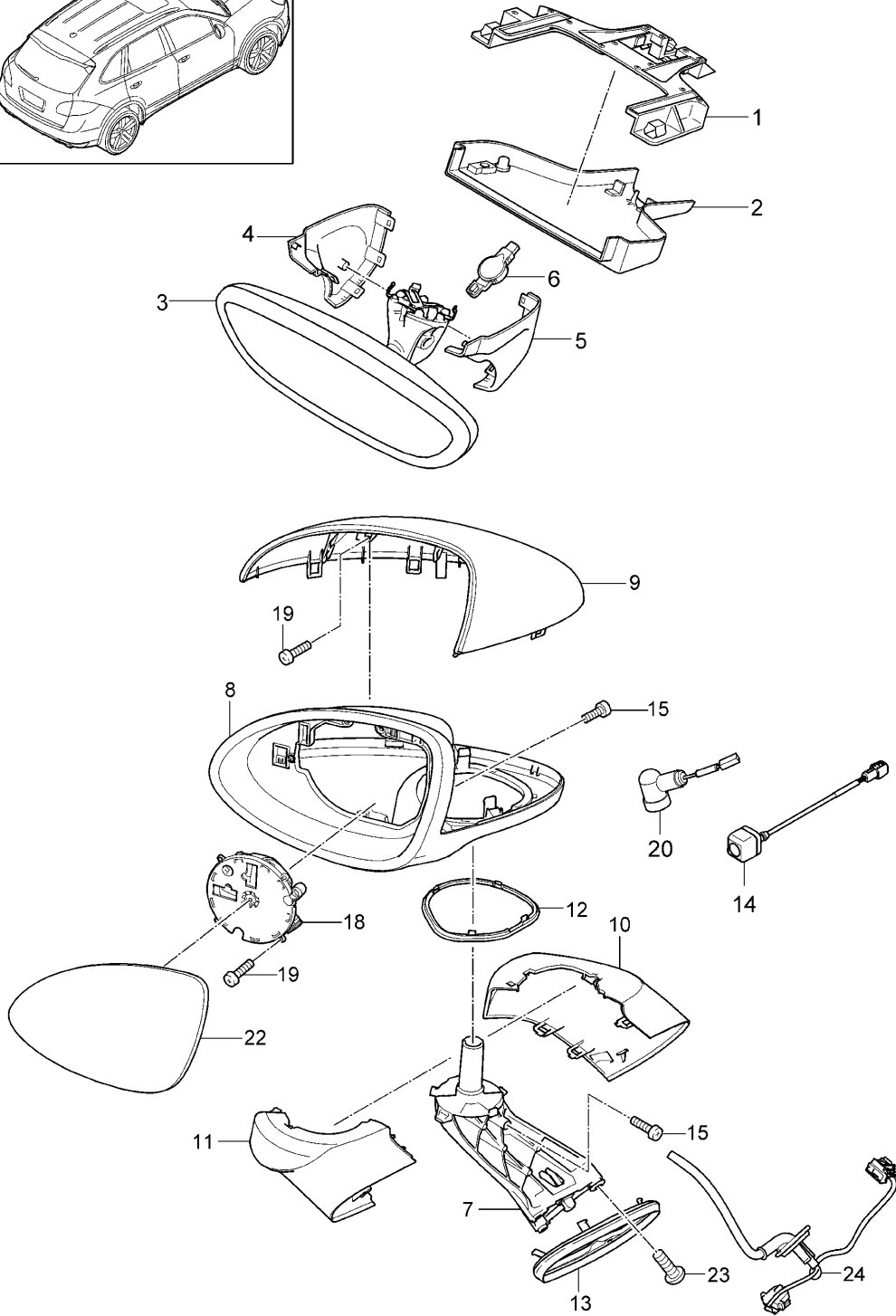
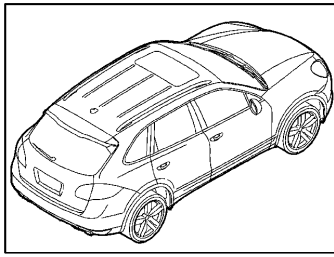
Model: 92A 11 Model life 2011>>2018

| Pos | Part Number        | Description           | Remark                                 | Qty | Model                               |
|-----|--------------------|-----------------------|--|-----|-------------------------------------|
| (1) | 958 731 552 24 9U7 | Espresso              | -VA,VB                                 | 1   | PR:GP1,L0L,<br>5XH,6NN,9MB          |
|     | 958 731 552 24 OP2 | saddle brown          | -ME,MH,MJ,MK                           |     |                                     |
|     | 958 731 552 24 OU5 | agate grey            | -MB,MG,ML                              |     |                                     |
|     | 958 731 551 13     | Sun visor             | left lhd                               |     |                                     |
|     |                    | Alcantara             |  |     |                                     |
|     |                    | Umber                 |  |     |                                     |
| (1) | 958 731 551 13 GN2 | Umber                 | -LC,LG,LH,MA,<br>MF,MI,TA,YA,<br>YC,77 | 1   | PR:GP1,L0R,<br>5XH,6NN,9MB          |
|     | 958 731 551 13 2W0 | Black                 |  |     |                                     |
|     |                    | Luxor beige           | -LE,MC,YE                              |     |                                     |
|     |                    | Espresso              | -VA,VB                                 |     |                                     |
|     |                    | saddle brown          | -ME,MH,MJ,MK                           |     |                                     |
|     |                    | agate grey            | -MB,MG,ML                              |     |                                     |
| (1) | 958 731 552 13     | Sun visor             | right rhd                              | 1   | PR:GP1,L0R,<br>5XH,6NN,9MB          |
|     |                    | Alcantara             |  |     |                                     |
|     |                    | Umber                 |  |     |                                     |
|     |                    | Black                 | -LC,LG,LH,MA,<br>MF,MI,TA,YA,<br>YC,77 |     |                                     |
|     |                    | Luxor beige           | -LE,MC,YE                              |     |                                     |
|     |                    | Espresso              | -VA,VB                                 |     |                                     |
| (1) | 958 731 552 13 OP2 | saddle brown          | -ME,MH,MJ,MK                           | 1   | PR:GP1,L0R,<br>5XH,6NN,9MB          |
|     | 958 731 552 13 OU5 | agate grey            | -MB,MG,ML                              |     |                                     |
|     | 958 731 551 18     | Sun visor             | left rhd                               |     |                                     |
|     |                    | Alcantara             |  |     |                                     |
|     |                    | Umber                 |  |     |                                     |
|     |                    | Black                 | -LC,LG,LH,MA,<br>MF,MI,TA,YA,<br>YC,77 |     |                                     |
| (1) | 958 731 551 18 9U1 | Luxor beige           | -LE,MC,YE                              | 1   | PR:GP1,L0L,<br>5XH,6NN,9MB          |
|     | 958 731 551 18 9U7 | Espresso              | -VA,VB                                 |     |                                     |
|     | 958 731 551 18 OP2 | saddle brown          | -ME,MH,MJ,MK                           |     |                                     |
|     | 958 731 551 18 OU5 | agate grey            | -MB,MG,ML                              |     |                                     |
|     | 958 731 552 18     | Sun visor             | right lhd                              |     |                                     |
|     |                    | Alcantara             |  |     |                                     |
| (1) | 958 731 552 18 GN2 | Umber                 | -LC,LG,LH,MA,<br>MF,MI,TA,YA,<br>YC,77 | 1   | PR:GP1,L0L,<br>6DQ,6NN,9MB<br>"CN." |
|     | 958 731 552 18 2W0 | Black                 |  |     |                                     |
|     |                    | Luxor beige           | -LE,MC,YE                              |     |                                     |
|     |                    | Espresso              | -VA,VB                                 |     |                                     |
|     |                    | saddle brown          | -ME,MH,MJ,MK                           |     |                                     |
|     |                    | agate grey            | -MB,MG,ML                              |     |                                     |
| 2   | 958 731 552 25     | Sun visor             | right lhd                              | 1   | PR:GP1,L0L,<br>6DQ,6NN,9MB<br>"CN." |
|     |                    | Alcantara             |  |     |                                     |
|     |                    | Black                 | -LC,LG,LH,MA,<br>MF,MI,TA,YA,<br>YC,77 |     |                                     |
|     |                    | Luxor beige           | -LE,MC,YE                              |     |                                     |
|     |                    | Espresso              | -VA,VB                                 |     |                                     |
|     |                    | saddle brown          | -ME,MH,MJ,MK                           |     |                                     |
| 3   | 958 731 552 25 OP2 | agate grey            | -MB,MG,ML                              | 1   | PR:GP1,L0L,<br>6DQ,6NN,9MB<br>"CN." |
|     | 958 731 643 00     | Frame                 |  |     |                                     |
|     |                    | Vanity mirror         |  |     |                                     |
|     |                    | Vanity mirror         |  |     |                                     |
|     |                    | Clamp                 |  |     |                                     |
|     |                    | oval head panel screw |  |     |                                     |
| 4   | 955 731 567 01     | Vanity mirror         |  | 1   | PR:GP1,L0L,<br>6DQ,6NN,9MB<br>"CN." |
|     | 958 731 633 00     | Clamp                 |  |     |                                     |
|     |                    | ST 4,2 X 19           |  |     |                                     |
|     |                    | for                   |  |     |                                     |
|     |                    | Mount                 |  |     |                                     |
|     |                    | Support               |  |     |                                     |
| 5   | N 106 663 02       | Sun visor             |  | 2   | PR:GP1,L0L,<br>6DQ,6NN,9MB<br>"CN." |
|     |                    | ST 4,2 X 19           |  |     |                                     |
|     |                    | for                   |  |     |                                     |
|     |                    | Mount                 |  |     |                                     |
|     |                    | Support               |  |     |                                     |
|     |                    | Sun visor             |  |     |                                     |



Model: 92A 11

Model life 2011>>2018



Model: 92A 11

Model life 2011>>2018

| Pos | Part Number  | Description  | Remark              | Qty | Model  |
|-----|--|--|---------------------|-----|--|
| 1   | 7PP 858 327  | Rear-view mirror<br>Exterior mirror<br>Accessories<br>D >> - MJ 2014<br>basic plate<br>for<br>Mirror base<br>Interior mirror<br>Pos. 1<br>8/05/00<br>Use |                     | 1   |  |
| 2   | 7PP 863 081  | No longer use the part here<br>Cover<br>for<br>basic plate<br>Mirror base<br>Interior mirror   |                     | 1   | PR:7Y0,7Y1,<br>8G0,9Q1                               |
| 3   | 7PP 863 081 1E0<br>7PP 857 511 C                     | Satin black<br>Interior mirror<br>Manually<br>Dimmable<br>Discontinued part  |                     | 1   | PR:4L2,5RQ,<br>5RR,5RT,5RV,<br>5SG,5SJ,5SL<br>-"J.." |
| (3) | 7PP 857 511 C 1E0<br>7PP 857 511 D                   | Satin black<br>Interior mirror, automatic<br>anti-dazzle   |                     | 1   | PR:4L6   |
| (3) | 7PP 857 511 D 1E0<br>958 731 511 00                  | Satin black<br>Interior mirror<br>Manually<br>Dimmable   |                     | 1   | PR:4L2,5RV,<br>5SU,5RP,5SL<br>"J.."                  |
|     |  | with:  |                     |     |  |
| 4   | 958 731 511 00 1E0<br>7PP 858 547<br>7PP 858 547 1E0 | Camera<br>Interior mirror<br>Cover cap<br>Satin black  | left<br>left        | 1   |  |
| 5   | 7PP 858 548<br>7PP 858 548 1E0                       | Rear-view mirror<br>Cover cap<br>Satin black   | right<br>right      | 1   |  |
| 6   |  | Rear-view mirror<br>Rain sensor<br>Rear-view mirror  |                     |     |  |
| 7   | 958 731 507 00                                       | see illustration:<br>Mirror base<br>Exterior mirror  | 904-000<br>left lhd | 1   | PR:L0L,5RQ,<br>5RR,5RT,5RV,<br>5SG,5SJ,5SL           |
| (7) | 958 731 507 00 9B9<br>958 731 508 00                 | Satin black<br>Mirror base<br>Exterior mirror  | right lhd           | 1   | PR:L0L,5RQ,<br>5RR,5RT,5RV,<br>5SG,5SJ,5SL           |
| (7) | 958 731 508 00 9B9<br>958 731 507 10                 | Satin black<br>Mirror base<br>Exterior mirror  | left rhd            | 1   | PR:L0R,5RQ,<br>5RR,5RT,5RV,<br>5SG,5SJ,5SL           |
| (7) | 958 731 507 10 9B9<br>958 731 508 10                 | Satin black<br>Mirror base<br>Exterior mirror  | right rhd           | 1   | PR:L0R,5RQ,<br>5RR,5RT,5RV,<br>5SG,5SJ,5SL           |
| (7) | 958 731 508 10 9B9<br>958 731 507 20                 | Satin black<br>Mirror base<br>Exterior mirror<br>(drivers side)  | left lhd            | 1   | Japan<br>PR:L0L,5RP,<br>5SL,9TH<br>"J.."             |
|     |  | without:   |                     |     |  |
|     | 958 731 507 20 9B9                                   | Camera<br>Satin black  |                     |     |  |

Model: 92A 11 Model life 2011>>2018

| Pos | Part Number                          | Description   | Remark    | Qty | Model   |
|-----|--------------------------------------|---|-----------|-----|---|
| (7) | 958 731 508 20                       | Mirror base<br>Exterior mirror<br>(passenger side)<br><br>with:<br>Camera                               | right lhd | 1   | Japan<br>PR:5RP,9TH,<br>L0L<br>"J.."                    |
| (7) | 958 731 508 20 9B9<br>958 731 507 30 | Satin black<br>Mirror base<br>Exterior mirror<br>(drivers side)<br><br>without:<br>Camera               | left lhd  | 1   | Japan<br>PR:L0L,5RP,<br>5SL,9TF<br>"J.."                |
| (7) | 958 731 507 30 9B9<br>958 731 508 30 | Satin black<br>Mirror base<br>Exterior mirror<br>(passenger side)<br><br>with:<br>Camera                | right lhd | 1   | Japan<br>PR:L0L,5RP,<br>9TF<br>"J.."                    |
| (7) | 958 731 508 30 9B9<br>958 731 507 40 | Satin black<br>Mirror base<br>Exterior mirror<br>(passenger side)<br><br>with:<br>Camera                | left rhd  | 1   | Japan<br>PR:L0R,5RV,<br>5SU,9TH<br>"J.."                |
| (7) | 958 731 507 40 9B9<br>958 731 508 40 | Satin black<br>Mirror base<br>Exterior mirror<br>(drivers side)<br><br>with:<br>Camera                  | right rhd | 1   | Japan<br>PR:5RV,5SU,<br>9TH,L0R<br>"J.."                |
| (7) | 958 731 508 40 9B9<br>958 731 507 50 | Satin black<br>Mirror base<br>Exterior mirror<br>(passenger side)<br><br>with:<br>Camera                | left rhd  | 1   | Japan<br>PR:L0R,5RV,<br>5SU,9TF<br>"J.."                |
| (7) | 958 731 507 50 9B9<br>958 731 508 50 | Satin black<br>Mirror base<br>Exterior mirror<br>(drivers side)<br><br>without:<br>Camera               | right rhd | 1   | Japan<br>PR:L0R,5RV,<br>5SU,9TF<br>"J.."                |
| (7) | 958 731 508 50 9B9<br>958 731 507 60 | Satin black<br>Mirror base<br>Exterior mirror<br>(drivers side)<br><br>without:<br>Camera               | left lhd  | 1   | Turbo S<br>Japan<br>PR:E8A,L0L,<br>5RP,5SL,9TF<br>"J.." |
| (7) | 958 731 507 60 041<br>958 731 508 60 | Discontinued part<br>Black<br>Mirror base<br>Exterior mirror<br>(passenger side)<br><br>with:<br>Camera | right lhd | 1   | Turbo S<br>Japan<br>PR:E8A,L0L,<br>5RP,9TF<br>"J.."     |
| (7) | 958 731 508 60 041<br>958 731 507 70 | Discontinued part<br>Black<br>Mirror base<br>Exterior mirror<br>(passenger side)<br><br>with:<br>Camera | left rhd  | 1   | Turbo S<br>Japan<br>PR:E8A,L0R,<br>5SU,9TF<br>"J.."     |
|     | 958 731 507 70 041                   | Discontinued part<br>Black  |           |     |   |

Model: 92A 11 Model life 2011>>2018

| Pos | Part Number                          | Description   | Remark    | Qty | Model   |
|-----|--------------------------------------|---|-----------|-----|---|
| (7) | 958 731 508 70                       | Mirror base<br>Exterior mirror<br>(drivers side)<br><br>without:<br>Camera<br>Discontinued part | right rhd | 1   | Turbo S<br>Japan<br>PR:E8A,L0R,<br>5RV,5SU,9TF<br>"J.." |
| 8   | 958 731 508 70 041<br>958 731 527 00 | Black<br>Exterior mirror housing<br>Lower part<br><br>without:<br>Light                         | left      | 1   | PR:9TH,5RQ,<br>5RR,5RT,5RV,<br>5SG,5SJ,5SL              |
| (8) | 958 731 527 00 9B9<br>958 731 528 00 | Satin black<br>Exterior mirror housing<br>Lower part<br><br>without:<br>Light                   | right     | 1   | PR:9TH,5RQ,<br>5RR,5RT,5RV,<br>5SG,5SJ,5SL              |
| (8) | 958 731 528 00 9B9<br>958 731 527 10 | Satin black<br>Exterior mirror housing<br>Lower part<br><br>with:<br>Light                      | left      | 1   | PR:9TF,5RQ,<br>5RR,5RT,5RV,<br>5SG,5SJ,5SL              |
| (8) | 958 731 527 10 9B9<br>958 731 528 10 | Satin black<br>Exterior mirror housing<br>Lower part<br><br>with:<br>Light                      | right     | 1   | PR:9TF,5RQ,<br>5RR,5RT,5RV,<br>5SG,5SJ,5SL              |
| (8) | 958 731 528 10 9B9<br>958 731 527 20 | Satin black<br>Exterior mirror housing<br>Lower part<br><br>with:<br>Light<br>Discontinued part | left      | 1   | Turbo S<br>PR:E8A,5RQ,<br>5SG,5SJ,5SL,<br>9TF           |
| (8) | 958 731 527 20 041<br>958 731 528 20 | Black<br>Exterior mirror housing<br>Lower part<br><br>with:<br>Light<br>Discontinued part       | right     | 1   | Turbo S<br>PR:E8A,5RQ,<br>5RR,5RT,5RV,<br>9TF           |
| 9   | 958 731 528 20 041<br>958 731 537 00 | Black<br>Exterior mirror housing<br><br>For vehicles without<br>lane assist system              | left      | 1   | PR:5RQ,5RR,<br>5RT,5RV,5SG,<br>5SJ,5SL,7Y0              |
| (9) | 958 731 537 00 G2X<br>958 731 538 00 | primed<br>Exterior mirror housing<br><br>For vehicles without<br>lane assist system             | right     | 1   | PR:5RQ,5RR,<br>5RT,5RV,5SG,<br>5SJ,5SL,7Y0              |
| (9) | 958 731 538 00 G2X<br>958 731 537 10 | primed<br>Exterior mirror housing<br><br>For vehicles with<br>lane change assist                | left      | 1   | PR:5RQ,5RR,<br>5RT,5RV,5SG,<br>5SJ,5SL,7Y1,<br>7Y7      |
| (9) | 958 731 537 10 G2X<br>958 731 538 10 | primed<br>Exterior mirror housing<br><br>For vehicles with                                      | right     | 1   | PR:5RQ,5RR,<br>5RT,5RV,5SG,<br>5SJ,5SL,7Y1,             |

Model: 92A 11 Model life 2011>>2018

| Pos  | Part Number                          | Description                             | Remark         | Qty | Model                             |
|------|--------------------------------------|---|----------------|-----|-----------------------------------|
|      |                                      | lane change assist primed               |                |     | 7Y7                               |
| (9)  | 958 731 538 10 G2X<br>958 731 537 20 | Exterior mirror housing                 | left           | 1   | PR:5RP,5RV,5SL,5SU,7Y0            |
|      |                                      | For vehicles without lane assist system |                |     |                                   |
| (9)  | 958 731 537 20 G2X<br>958 731 538 20 | Exterior mirror housing                 | right          | 1   | PR:5RP,5RV,5SL,5SU,7Y0            |
|      |                                      | For vehicles without lane assist system |                |     |                                   |
| (9)  | 958 731 538 20 G2X<br>958 731 537 30 | Exterior mirror housing                 | left           | 1   | PR:5RP,5RV,5SL,5SU,7Y1,7Y7        |
|      |                                      | For vehicles with lane change assist    |                |     |                                   |
| (9)  | 958 731 537 30 G2X<br>958 731 538 30 | Exterior mirror housing                 | right          | 1   | PR:5RP,5RV,5SL,5SU,7Y1,7Y7        |
|      |                                      | For vehicles with lane change assist    |                |     |                                   |
| 10   | 958 731 538 30 G2X<br>958 731 085 00 | Cover cap<br>Mirror base                | left<br>front  | 1   | PR:L0L,5RQ,5RR,5RT,5SG,5SL        |
| (10) | 958 731 085 00 9B9<br>958 731 086 00 | Satin black<br>Cover cap<br>Mirror base | right<br>front | 1   | PR:L0L,5RQ,5RR,5RT,5SG,5SL        |
| (10) | 958 731 086 00 9B9<br>958 731 085 10 | Satin black<br>Cover cap<br>Mirror base | left<br>front  | 1   | Japan<br>PR:L0L,5RP,5SL           |
| (10) | 958 731 085 10 9B9<br>958 731 086 10 | Satin black<br>Cover cap<br>Mirror base | right<br>front | 1   | Japan<br>PR:L0L,5RP,5SL           |
| (10) | 958 731 086 10 9B9<br>958 731 085 20 | Satin black<br>Cover cap<br>Mirror base | left<br>front  | 1   | PR:L0R,5RV,5SJ                    |
| (10) | 958 731 085 20 9B9<br>958 731 086 20 | Satin black<br>Cover cap<br>Mirror base | right<br>front | 1   | PR:L0R,5RV,5SJ                    |
| (10) | 958 731 086 20 9B9<br>958 731 085 30 | Satin black<br>Cover cap<br>Mirror base | left<br>front  | 1   | Japan<br>PR:L0R,5RV,5SU           |
| (10) | 958 731 085 30 9B9<br>958 731 086 30 | Satin black<br>Cover cap<br>Mirror base | right<br>front | 1   | Japan<br>PR:L0R,5RV,5SU           |
| (10) | 958 731 086 30 9B9<br>958 731 085 40 | Satin black<br>Cover cap<br>Mirror base | left<br>front  | 1   | Turbo S<br>PR:E8A,L0L,5RQ,5SL,5SG |
|      |                                      | Discontinued part                       |                |     |                                   |
| (10) | 958 731 085 40 041<br>958 731 086 40 | Black<br>Cover cap<br>Mirror base       | right<br>front | 1   | Turbo S<br>PR:E8A,L0L,5RQ,5RR,5RT |
|      |                                      | Discontinued part                       |                |     |                                   |
| (10) | 958 731 086 40 041<br>958 731 085 50 | Black<br>Cover cap                      | left<br>rhd    | 1   | Turbo S                           |

Model: 92A 11 Model life 2011>>2018

| Pos  | Part Number        | Description                       | Remark         | Qty | Model   |
|------|--------------------|-----------------------------------|----------------|-----|---|
|      |                    | Mirror base                       | front          |     | PR:E8A,L0R,<br>5SJ  |
|      | 958 731 085 50 041 | Discontinued part                 |                |     |   |
| (10) | 958 731 086 50     | Black<br>Cover cap<br>Mirror base | right<br>front | 1   | Turbo S<br>PR:E8A,L0R,<br>5RV,5SJ                             |
|      | 958 731 086 50 041 | Discontinued part                 |                |     |   |
| (10) | 958 731 085 60     | Black<br>Cover cap<br>Mirror base | left<br>front  | 1   | Turbo S<br>Japan<br>PR:E8A,L0L,<br>5RP,5SL                    |
|      | 958 731 085 60 041 | Discontinued part                 |                |     |   |
| (10) | 958 731 086 60     | Black<br>Cover cap<br>Mirror base | right<br>front | 1   | Turbo S<br>Japan<br>PR:E8A,L0L,<br>5RP                        |
|      | 958 731 086 60 041 | Discontinued part                 |                |     |   |
| (10) | 958 731 085 70     | Black<br>Cover cap<br>Mirror base | left<br>front  | 1   | Turbo S<br>Japan<br>PR:E8A,L0R,<br>5SU                        |
|      | 958 731 085 70 041 | Discontinued part                 |                |     |   |
| (10) | 958 731 086 70     | Black<br>Cover cap<br>Mirror base | right<br>front | 1   | Turbo S<br>Japan<br>PR:E8A,L0R,<br>5RV,5SU                    |
|      | 958 731 086 70 041 | Discontinued part                 |                |     |   |
| 11   | 958 731 019 00     | Black<br>Cover cap<br>Mirror base | left<br>rear   | 1   | PR:L0L,5RQ,<br>5SL,5RT,5SG                                    |
|      | 958 731 019 00 9B9 | Satin black                       |                |     |   |
| (11) | 958 731 020 00     | Black<br>Cover cap<br>Mirror base | right<br>rear  | 1   | PR:L0L,5RQ,<br>5RR,5RT,5SG,<br>5SL                            |
|      | 958 731 020 00 9B9 | Satin black                       |                |     |   |
| (11) | 958 731 019 10     | Black<br>Cover cap<br>Mirror base | left<br>rear   | 1   | Japan<br>PR:L0L,5RP,<br>5SL                                   |
|      | 958 731 019 10 9B9 | Satin black                       |                |     |   |
| (11) | 958 731 020 10     | Black<br>Cover cap<br>Mirror base | right<br>rear  | 1   | Japan<br>PR:L0L,5RP,<br>5SL                                   |
|      | 958 731 020 10 9B9 | Satin black                       |                |     |   |
| (11) | 958 731 019 20     | Black<br>Cover cap<br>Mirror base | left<br>rear   | 1   | PR:L0R,5SJ  |
|      | 958 731 019 20 9B9 | Satin black                       |                |     |   |
| (11) | 958 731 020 20     | Black<br>Cover cap<br>Mirror base | right<br>rear  | 1   | PR:L0R,5SJ  |
|      | 958 731 020 20 9B9 | Satin black                       |                |     |   |
| (11) | 958 731 019 30     | Black<br>Cover cap<br>Mirror base | left<br>rear   | 1   | Japan<br>PR:L0R,5SU   |
|      | 958 731 019 30 9B9 | Satin black                       |                |     |   |
| (11) | 958 731 020 30     | Black<br>Cover cap<br>Mirror base | right<br>rear  | 1   | Japan<br>PR:L0R,5SU   |
|      | 958 731 020 30 9B9 | Satin black                       |                |     |   |
| (11) | 958 731 019 40     | Black<br>Cover cap<br>Mirror base | left<br>rear   | 1   | Turbo S<br>PR:E8A,L0L,<br>5RQ,5SL,6XP,<br>6XQ,6XT,6XW,<br>5SG |
|      | 958 731 019 40 041 | Discontinued part                 |                |     |   |
| (11) | 958 731 020 40     | Black<br>Cover cap                | right<br>lhd   | 1   | Turbo S   |

Model: 92A 11 Model life 2011>>2018

| Pos  | Part Number        | Description   | Remark            | Qty | Model  |
|------|--------------------|---|-------------------|-----|--|
|      |                    | Mirror base   | rear              |     | PR:E8A,L0L,<br>5RQ,5RR,5RT                             |
|      | 958 731 020 40 041 | Discontinued part   |                   |     |  |
| (11) | 958 731 019 50     | Black<br>Cover cap<br>Mirror base   | left rhd<br>rear  | 1   | Turbo S<br>PR:E8A,L0R,<br>5SJ                          |
|      | 958 731 019 50 041 | Discontinued part   |                   |     |  |
| (11) | 958 731 020 50     | Black<br>Cover cap<br>Mirror base   | right rhd<br>rear | 1   | Turbo S<br>PR:E8A,L0R,<br>5RV,5SJ                      |
|      | 958 731 020 50 041 | Discontinued part   |                   |     |  |
| (11) | 958 731 019 60     | Black<br>Cover cap<br>Mirror base   | left lhd<br>rear  | 1   | Turbo S<br>Japan<br>PR:E8A,L0L,<br>5RP,5SL,6XP,<br>6XQ |
|      | 958 731 019 60 041 | Discontinued part   |                   |     |  |
| (11) | 958 731 020 60     | Black<br>Cover cap<br>Mirror base   | right lhd<br>rear | 1   | Turbo S<br>Japan<br>PR:E8A,L0L,<br>5RP                 |
|      | 958 731 020 60 041 | Discontinued part   |                   |     |  |
| (11) | 958 731 019 70     | Black<br>Cover cap<br>Mirror base   | left rhd<br>rear  | 1   | Turbo S<br>Japan<br>PR:E8A,L0R,<br>5SU                 |
|      | 958 731 019 70 041 | Discontinued part   |                   |     |  |
| (11) | 958 731 020 70     | Black<br>Cover cap<br>Mirror base   | right rhd<br>rear | 1   | Turbo S<br>Japan<br>PR:E8A,L0R,<br>5SU,5RV             |
|      | 958 731 020 70 041 | Discontinued part   |                   |     |  |
| 12   | 958 731 555 00     | Seal<br>Mirror housing<br>Mirror base   | left              | 1   | PR:5RQ,5RR,<br>5RT,5RV,5SG,<br>5SJ,5SL                 |
| (12) | 958 731 556 00     | Seal<br>Mirror housing<br>Mirror base   | right             | 1   | PR:5RQ,5RR,<br>5RT,5RV,5SG,<br>5SJ,5SL                 |
| (12) | 958 731 555 10     | Seal<br>Mirror housing<br>Mirror base   | left              | 1   | PR:5RP,5RV,<br>5SL,5SU                                 |
| (12) | 958 731 556 10     | Seal<br>Mirror housing<br>Mirror base   | right             | 1   | PR:5RP,5RV,<br>5SL,5SU                                 |
| 13   | 958 731 679 00     | Seal<br>Mirror base   | left              | 1   |  |
| (13) | 958 731 680 00     | Seal<br>Mirror base   | right             | 1   |  |
| (13) | 958 731 679 10     | Seal<br>Mirror base   | left              | 1   |  |
| (13) | 958 731 680 10     | No longer use the part here<br>Seal<br>Mirror base<br>No longer use the part here | right             | 1   |  |
| (14) |                    | Camera<br>See group<br>9/11/00  |                   |     | PR:5SU,5RP   |
| 15   | 999 919 024 09     | fillister hd. bolt<br>3 X 12  |                   | 2   |  |
| 18   | 955 624 047 01     | Adjusting motor   |                   | 2   | PR:6XP,6XW   |

Model: 92A 11 Model life 2011>>2018

| Pos  | Part Number    | Description   | Remark | Qty | Model                                  |
|------|----------------|---|--------|-----|--|
| (18) | 955 624 048 01 | Adjusting motor   |        | 2   | PR:6XQ,6XT                             |
| 19   | 999 141 043 02 | fillister hd. bolt<br>M 3 x 14<br>for<br>Adjusting motor                    |        | 5   |  |
| 20   |                | Light<br>Exterior mirror<br>See group<br>9/03/04                            |        | 1   |  |
| 22   | 958 731 521 00 | Mirror glass<br>Plane   | left   | 1   | PR:L0L,5SG,<br>6XP,6XQ                 |
| (22) | 958 731 521 10 | Mirror glass<br>Plane   | left   | 1   | PR:L0L,5SG,<br>6XT,6XW                 |
| (22) | 958 731 521 20 | Mirror (aspherical)<br>Aspherical   | left   | 1   | PR:L0L,5RQ,<br>5SL,6XP,6XQ             |
| (22) | 958 731 521 30 | Mirror (aspherical)<br>Aspherical   | left   | 1   | PR:L0L,5SL,<br>6XT,6XW                 |
| (22) | 958 731 521 40 | Mirror glass<br>Convex  | left   | 1   | PR:L0R,5SJ,<br>6XP,6XQ                 |
| (22) | 958 731 521 50 | Mirror glass<br>Convex  | left   | 1   | PR:L0R,5SJ,<br>6XT,6XW                 |
| (22) | 958 731 521 60 | Mirror (aspherical)<br>Aspherical   | left   | 1   | PR:L0R,5SL,<br>5RP,6XP,6XQ             |
| (22) | 958 731 521 70 | Mirror glass<br>Convex  | left   | 1   | PR:L0R,5SU,<br>6XP,6XQ                 |
| (22) | 958 731 522 00 | Mirror glass<br>Convex  | right  | 1   | PR:L0L,5RQ,<br>6XP,6XQ                 |
| (22) | 958 731 522 10 | Mirror glass<br>Convex  | right  | 1   | PR:L0L,5RQ,<br>6XT,6XW                 |
| (22) | 958 731 522 40 | Mirror glass<br>Convex  | right  | 1   | PR:L0L,5RT,<br>6XP,6XQ                 |
| (22) | 958 731 522 50 | Mirror glass<br>Convex  | right  | 1   | PR:L0L,5RT,<br>6XT,6XW                 |
| (22) | 958 731 522 80 | Mirror (aspherical)<br>Aspherical   | right  | 1   | PR:L0R,5RV,<br>6XP,6XQ                 |
| (22) | 958 731 522 90 | Mirror (aspherical)<br>Aspherical   | right  | 1   | PR:L0R,5RV,<br>6XT,6XW                 |
| (22) | 958 731 522 60 | Mirror (aspherical)<br>Aspherical   | right  | 1   | PR:L0R,5RV,<br>5SU,6XP<br>"J.."        |
| (22) | 958 731 522 70 | Mirror glass<br>Convex  | right  | 1   | PR:L0L,5RP,<br>6XP,6XQ<br>"J.."        |
| 23   | N 911 821 01   | Hexagon socket flat<br>head bolt<br>M 6 X 32<br>for<br>Mount<br>Mirror base |        | 3   |  |
| 24   | 958 612 489 00 | Wire set<br>Exterior mirror<br>Engine                                       |        | 1   | PR:5RQ,5RR,<br>5RT,5RV,7Y0,<br>9TH,6XP |
| (24) | 958 612 489 05 | Wire set<br>Exterior mirror<br>Engine                                       |        | 1   | PR:5SG,5SJ,<br>5SL,6XP,7Y0,<br>9TF     |
| (24) | 958 612 489 10 | Light<br>Wire set<br>Exterior mirror<br>Engine                              | with:  | 1   | PR:5SG,5SJ,<br>5SL,6XP,7Y1,<br>9TH,7Y7 |
| (24) | 958 612 489 15 | Lane Change Assistant<br>Wire set   | with:  | 1   | PR:5SG,5SJ,                            |



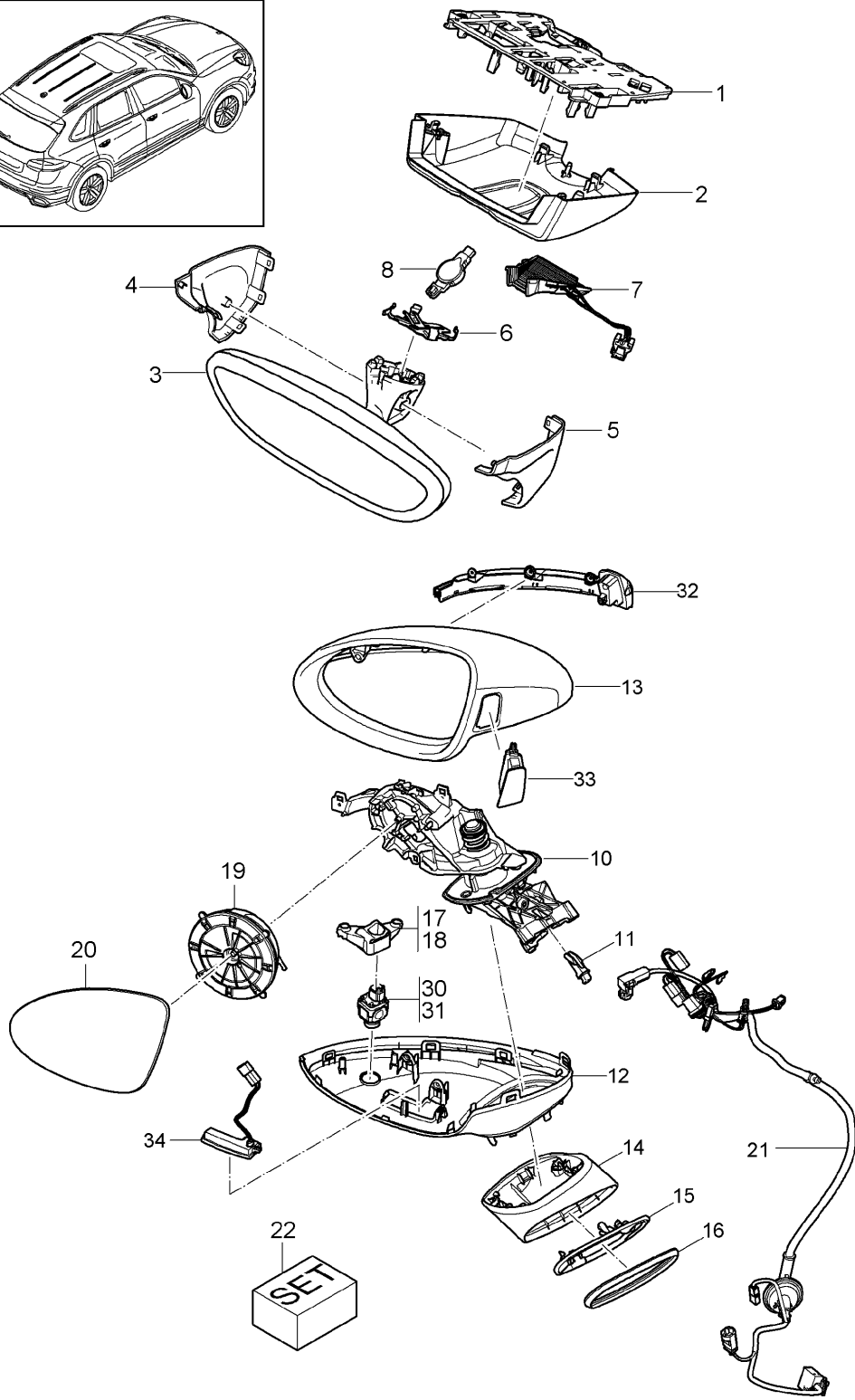
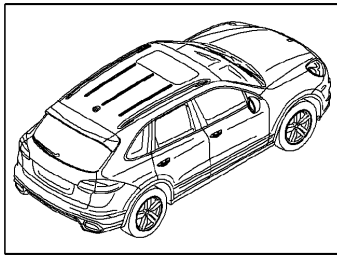


Model: 92A 11 Model life 2011>>2018

| Pos  | Part Number    | Description   | Remark | Qty | Model   |
|------|----------------|---|--------|-----|---|
| (24) | 958 612 489 75 | All-electric<br>with:<br>Memory<br>Lane Change Assistant<br>Wire set<br>Exterior mirror<br>All-electric |        | 1   | 9TH, 7Y7<br>PR: 5SG, 5SJ,<br>5SL, 6XT, 7Y1,<br>9TF, 7Y7 |
| (24) | 958 612 450 00 | with:<br>Memory<br>Light<br>Lane Change Assistant<br>Wire set<br>Exterior mirror<br>Engine              |        | 1   | PR: 5SU, 6XP,<br>7Y0, 9TH                               |
| (24) | 958 612 450 10 | with:<br>Camera<br>Wire set<br>Exterior mirror<br>Engine  |        | 1   | PR: 5SU, 6XP,<br>7Y0, 9TF                               |
| (24) | 958 612 450 20 | with:<br>Camera<br>Light<br>Wire set<br>Exterior mirror<br>Engine                                       |        | 1   | PR: 5SU, 6XP,<br>7Y1, 9TH, 7Y7                          |
| (24) | 958 612 450 30 | with:<br>Camera<br>Lane Change Assistant<br>Wire set<br>Exterior mirror<br>Engine                       |        | 1   | PR: 5SU, 6XP,<br>7Y1, 9TF, 7Y7                          |
| (24) | 958 612 450 40 | with:<br>Camera<br>Light<br>Lane Change Assistant<br>Wire set<br>Exterior mirror<br>Memory              |        | 1   | PR: 5SU, 6XQ,<br>7Y0, 9TH                               |
| (24) | 958 612 450 50 | with:<br>Camera<br>Wire set<br>Exterior mirror<br>Memory  |        | 1   | PR: 5SU, 6XQ,<br>7Y0, 9TF                               |
| (24) | 958 612 450 60 | with:<br>Camera<br>Light<br>Wire set<br>Exterior mirror<br>Memory                                       |        | 1   | PR: 5SU, 6XQ,<br>7Y1, 9TH, 7Y7                          |
| (24) | 958 612 450 70 | with:<br>Camera<br>Lane Change Assistant<br>Wire set<br>Exterior mirror<br>Memory                       |        | 1   | PR: 5SU, 6XQ,<br>7Y1, 9TF, 7Y7                          |
|      |                | with:<br>Camera<br>Light<br>Lane Change Assistant   |        |     |   |

Model: 92A 11

Model life 2011>>2018



Model: 92A 11 Model life 2011>>2018

| Pos  | Part Number   | Description   | Remark         | Qty | Model  |
|------|---|---|----------------|-----|--|
| 1    | 7PP 858 327 C                                       | Rear-view mirror<br>Exterior mirror<br>Accessories<br>2nd GENERATION<br>D - MJ 2015>><br>basic plate<br>for<br>Mirror base<br>Interior mirror<br>POS. 1<br>8/05/00<br>Use |                | 1   |  |
| 2    | 7PP 863 081   | No longer use the part here<br>Cover<br>for<br>basic plate<br>Mirror base<br>Interior mirror  |                | 1   | PR:7Y0,7Y1,<br>8G0,9Q1                               |
| (2)  | 7PP 863 081 1E0<br>7PP 863 081 D                    | Satin black<br>Cover<br>for<br>basic plate<br>Mirror base<br>Interior mirror  |                | 1   | PR:7Y6,7Y7,<br>8G0,9Q1,8G1,<br>8G2,9Q6               |
| 3    | 7PP 863 081 D 1E0<br>7PP 857 511 E                  | Satin black<br>Interior mirror<br>Manually<br>Dimmable  |                | 1   | PR:4L2,5RQ,<br>5RR,5RT,5RV,<br>5SG,5SJ,5SL<br>-"J.." |
| (3)  | 7PP 857 511 E 1E0<br>7PP 857 511 H                  | Satin black<br>Interior mirror, automatic<br>anti-dazzle  |                | 1   | PR:4L6   |
| 4    | 7PP 857 511 H 1E0<br>7PP 858 547<br>7PP 858 547 1E0 | Satin black<br>Cover cap<br>Satin black<br>Rear-view mirror   | left<br>left   | 1   |  |
| 5    | 7PP 858 548<br>7PP 858 548 1E0                      | Cover cap<br>Satin black<br>Rear-view mirror  | right<br>right | 1   |  |
| 6    | 7PP 857 959   | Spring clip<br>Rear-view mirror   |                | 1   |  |
| 7    | 7PP 858 066   | Trim<br>Camera  |                | 1   | PR:7Y6,7Y7,<br>8G0,9Q1,8G2,<br>8G1,9Q6               |
| 8    |   | Rain sensor<br>Rear-view mirror<br>see illustration:  | 904-000        |     |  |
| 10   | 958 731 317 00                                      | Mirror base<br>Exterior mirror<br>with:   | left lhd       | 1   | PR:5SG,5SL,<br>L0L                                   |
| (10) | 958 731 317 01                                      | reinforcement plate<br>Driving mechanism<br>Spring<br>Mirror base<br>Exterior mirror<br>with:   | left rhd       | 1   | PR:5SJ,5SU,<br>L0R                                   |
| (10) | 958 731 318 00                                      | reinforcement plate<br>Driving mechanism<br>Spring<br>Mirror base<br>Exterior mirror<br>with:   | right lhd      | 1   | PR:5RP,5RQ,<br>5RR,5RT,L0L                           |

Model: 92A 11

Model life 2011>>2018

| Pos  | Part Number                          | Description   | Remark    | Qty | Model                                      |
|------|--------------------------------------|---|-----------|-----|--|
| (10) | 958 731 318 01                       | Driving mechanism<br>Spring<br>Mirror base<br>Exterior mirror<br><br>with:<br>reinforcement plate | right rhd | 1   | PR:5RV,L0R                                 |
| 11   | 958 731 215 00                       | Driving mechanism<br>Spring<br>Clip   |           | 2   |  |
| 12   | 958 731 407 00                       | Mirror base<br>Mirror housing<br>Lower part   | left      | 1   | PR:5SG,5SJ,<br>5SL,7X0,7X2,<br>7X8,7X9,9TH |
| (12) | 958 731 407 00 9B9<br>958 731 407 01 | Satin black<br>Mirror housing<br>Lower part<br><br>with:<br>Light                                 | left      | 1   | PR:5SG,5SJ,<br>5SL,7X0,7X2,<br>7X8,7X9,9TF |
| (12) | 958 731 407 01 9B9<br>958 731 407 02 | Satin black<br>Mirror housing<br>Lower part   | left      | 1   | PR:5SU,9TH<br>"J.."                        |
| (12) | 958 731 407 02 9B9<br>958 731 407 03 | Satin black<br>Mirror housing<br>Lower part<br><br>with:<br>Light                                 | left      | 1   | PR:5SU,9TF<br>"J.."                        |
| (12) | 958 731 407 03 9B9<br>958 731 407 04 | Satin black<br>Mirror housing<br>Lower part<br><br>with:<br>Real Top View                         | left      | 1   | PR:5SG,5SJ,<br>5SL,8A4,9TH                 |
| (12) | 958 731 407 04 9B9<br>958 731 407 05 | Satin black<br>Mirror housing<br>Lower part<br><br>with:<br>Light<br>and<br>Real Top View         | left      | 1   | PR:5SG,5SJ,<br>5SL,8A4,9TF                 |
| (12) | 958 731 407 05 9B9<br>958 731 407 06 | Satin black<br>Mirror housing<br>Lower part<br><br>with:<br>Light<br>primed                       | left      | 1   | PR:E8A,9TF                                 |
| (12) | 958 731 407 06 G2X<br>958 731 407 07 | Mirror housing<br>Lower part<br><br>with:<br>Light<br>and<br>Real Top View                        | left      | 1   | PR:E8A,9TF,<br>8A4                         |
| (12) | 958 731 407 07 G2X<br>958 731 407 08 | primed<br>Mirror housing<br>Lower part<br><br>with:<br>Light<br>primed                            | left      | 1   | PR:E8A,9TF<br>"J.."                        |
| (12) | 958 731 407 08 G2X<br>958 731 407 09 | Mirror housing<br>Lower part<br><br>with:<br>Light<br>primed                                      | left      | 1   | PR:6FJ,6FU                                 |
| (12) | 958 731 407 09 G2X<br>958 731 407 10 | primed<br>Mirror housing<br>Lower part<br><br>with:<br>Real Top View                              | left      | 1   | PR:6FJ,6FU,<br>8A4                         |

Model: 92A 11 Model life 2011>>2018

| Pos  | Part Number                          | Description                                 | Remark | Qty | Model  |
|------|--------------------------------------|---|--------|-----|--|
| (12) | 958 731 407 10 G2X<br>958 731 407 11 | primed<br>Mirror housing<br>Lower part      | left   | 1   | PR:6FJ,6FU,<br>5SU<br>"J.."                        |
|      |                                      | with:<br>Camera                             |        |     |  |
| (12) | 958 731 407 11 G2X<br>958 731 408 00 | primed<br>Mirror housing<br>Lower part      | right  | 1   | PR:5RQ,5RR,<br>5RT,5RV,7X0,<br>7X2,7X8,7X9,<br>9TH |
| (12) | 958 731 408 00 9B9<br>958 731 408 01 | Satin black<br>Mirror housing<br>Lower part | right  | 1   | PR:5RQ,5RR,<br>5RT,5RV,7X0,<br>7X2,7X8,7X9,<br>9TF |
|      |                                      | with:<br>Light                              |        |     |  |
| (12) | 958 731 408 01 9B9<br>958 731 408 02 | Satin black<br>Mirror housing<br>Lower part | right  | 1   | PR:5RP,9TH<br>"J.."                                |
| (12) | 958 731 408 02 9B9<br>958 731 408 03 | Satin black<br>Mirror housing<br>Lower part | right  | 1   | PR:5RP,9TF<br>"J.."                                |
|      |                                      | with:<br>Light                              |        |     |  |
| (12) | 958 731 408 03 9B9<br>958 731 408 04 | Satin black<br>Mirror housing<br>Lower part | right  | 1   | PR:5RQ,5RR,<br>5RT,5RV,8A4,<br>9TH                 |
|      |                                      | with:<br>Real Top View                      |        |     |  |
| (12) | 958 731 408 04 9B9<br>958 731 408 05 | Satin black<br>Mirror housing<br>Lower part | right  | 1   | PR:5RQ,5RR,<br>5RT,5RV,8A4,<br>9TF                 |
|      |                                      | with:<br>Light<br>and<br>Real Top View      |        |     |  |
| (12) | 958 731 408 05 9B9<br>958 731 408 06 | Satin black<br>Mirror housing<br>Lower part | left   | 1   | PR:E8A,9TF   |
|      |                                      | with:<br>Light                              |        |     |  |
| (12) | 958 731 408 06 G2X<br>958 731 408 07 | primed<br>Mirror housing<br>Lower part      | left   | 1   | PR:E8A,9TF,<br>8A4                                 |
|      |                                      | with:<br>Light<br>and<br>Real Top View      |        |     |  |
| (12) | 958 731 408 07 G2X<br>958 731 408 08 | primed<br>Mirror housing<br>Lower part      | left   | 1   | PR:E8A,9TF<br>"J.."                                |
|      |                                      | with:<br>Light                              |        |     |  |
| (12) | 958 731 408 08 G2X<br>958 731 408 09 | primed<br>Mirror housing<br>Lower part      | right  | 1   | PR:6FJ,6FU   |
| (12) | 958 731 408 09 G2X<br>958 731 408 10 | primed<br>Mirror housing<br>Lower part      | right  | 1   | PR:6FJ,6FU,<br>8A4                                 |
|      |                                      | with:<br>Real Top View                      |        |     |  |
| (12) | 958 731 408 10 G2X<br>958 731 408 11 | primed<br>Mirror housing<br>Lower part      | right  | 1   | PR:6FJ,6FU,<br>5RP                                 |

Model: 92A 11 Model life 2011>>2018

| Pos  | Part Number                          | Description  | Remark    | Qty | Model                              |
|------|--------------------------------------|--|-----------|-----|------------------------------------|
|      |                                      | with:  |           |     | "J.."                              |
| 13   | 958 731 408 11 G2X<br>958 731 751 00 | Camera<br>primed<br>Exterior mirror housing<br>Upper part                | left      | 1   | PR:7Y0,7Y6                         |
|      |                                      | without:   |           |     |                                    |
| (13) | 958 731 751 00 G2X<br>958 731 751 01 | Lane Change Assistant<br>primed<br>Exterior mirror housing<br>Upper part | left      | 1   | PR:7Y1,7Y7                         |
|      |                                      | with:  |           |     |                                    |
| (13) | 958 731 751 01 G2X<br>958 731 752 00 | Lane Change Assistant<br>primed<br>Exterior mirror housing<br>Upper part | right     | 1   | PR:7Y0,7Y6                         |
|      |                                      | without:   |           |     |                                    |
| (13) | 958 731 752 00 G2X<br>958 731 752 01 | Lane Change Assistant<br>primed<br>Exterior mirror housing<br>Upper part | right     | 1   | PR:7Y1,7Y7                         |
|      |                                      | with:  |           |     |                                    |
| 14   | 958 731 752 01 G2X<br>958 731 703 00 | Lane Change Assistant<br>primed<br>Cover cap<br>Mirror base              | left lhd  | 1   | PR:5SG,5SL,<br>L0L                 |
| (14) | 958 731 703 00 9B9<br>958 731 703 02 | Satin black<br>Cover cap<br>Mirror base                                  | left lhd  | 1   | PR:5SG,5SL,<br>E8A,L0L             |
| (14) | 958 731 703 02 G2X<br>958 731 703 01 | primed<br>Cover cap<br>Mirror base                                       | left rhd  | 1   | PR:5SJ,5SU,<br>L0R                 |
| (14) | 958 731 703 01 9B9<br>958 731 703 03 | Satin black<br>Cover cap<br>Mirror base                                  | left rhd  | 1   | PR:5SJ,5SU,<br>E8A,L0R             |
| (14) | 958 731 703 03 G2X<br>958 731 704 00 | primed<br>Cover cap<br>Mirror base                                       | right lhd | 1   | PR:5RP,5RQ,<br>5RR,5RT,L0L         |
| (14) | 958 731 704 00 9B9<br>958 731 704 02 | Satin black<br>Cover cap<br>Mirror base                                  | right lhd | 1   | PR:5RP,5RQ,<br>5RR,5RT,E8A,<br>L0L |
| (14) | 958 731 704 02 G2X<br>958 731 704 01 | primed<br>Cover cap<br>Mirror base                                       | right rhd | 1   | PR:5RV,L0R                         |
| (14) | 958 731 704 01 9B9<br>958 731 704 03 | Satin black<br>Cover cap<br>Mirror base                                  | right rhd | 1   | PR:5RV,E8A,<br>L0R                 |
| 15   | 958 731 704 03 G2X<br>958 731 707 00 | primed<br>Seal   | left      | 1   |                                    |
| (15) | 958 731 708 00                       | Mirror housing<br>Mirror base<br>Seal                                    | right     | 1   |                                    |
| 16   | 958 731 533 00                       | Mirror housing<br>Mirror base<br>Seal                                    | left lhd  | 1   | PR:L0L                             |
| (16) | 958 731 533 01                       | Mirror base<br>Seal  | right lhd | 1   | PR:L0L                             |
| (16) | 958 731 534 00                       | Mirror base<br>Seal  | left rhd  | 1   | PR:L0R                             |
| (16) | 958 731 534 01                       | Mirror base<br>Seal  | right rhd | 1   | PR:L0R                             |
| 17   | 958 731 571 00                       | Mirror base<br>arm   | left      | 1   | PR:8A4                             |

Model: 92A 11 Model life 2011>>2018

| Pos  | Part Number    | Description   | Remark        | Qty | Model                      |
|------|----------------|---|---------------|-----|----------------------------|
| (17) | 958 731 572 00 | Real Top View<br>arm  | right         | 1   | PR:8A4                     |
| 18   | 958 731 571 01 | Real Top View<br>arm<br>Japan<br>Camera   | left          | 1   | "J.."                      |
| (18) | 958 731 572 01 | arm<br>Japan<br>Camera  | right         | 1   | "J.."                      |
| 19   | 7PP 959 578 D  | Adjusting motor<br>Mirror glass   |               | 2   | PR:6XP,6XW                 |
| (19) | 7PP 959 578 E  | Adjusting motor<br>Mirror glass<br>Memory   |               | 2   | PR:6XQ,6XT                 |
| 20   | 958 731 055 00 | Mirror glass (flat)   | left          | 1   | PR:L0L,5SG,<br>6XP,6XQ     |
| (20) | 958 731 055 01 | Mirror (aspherical)<br>Aspherical   | left          | 1   | PR:L0L,5SL,<br>6XP,6XQ     |
| (20) | 958 731 055 02 | Mirror glass (convex)   | left          | 1   | PR:L0R,5SJ,<br>5SU,6XP,6XQ |
| (20) | 958 731 055 03 | Mirror glass (flat)   | left          | 1   | PR:L0L,5SG,<br>6XT,6XW     |
| (20) | 958 731 055 04 | Mirror (aspherical)<br>Aspherical   | left          | 1   | PR:L0L,5SL,<br>6XT,6XW     |
| (20) | 958 731 055 05 | Mirror glass (convex)   | left          | 1   | PR:L0R,5SJ,<br>6XT,6XW     |
| (20) | 958 731 056 00 | Mirror glass (convex)   | right         | 1   | PR:L0L,5RP,<br>5RQ,6XP,6XQ |
| (20) | 958 731 056 02 | Mirror glass (convex)   | right         | 1   | PR:L0L,5RT,<br>6XP,6XQ     |
| (20) | 958 731 056 03 | Mirror glass (convex)   | right         | 1   | PR:L0L,5RQ,<br>6XT,6XW     |
| (20) | 958 731 056 05 | Mirror glass (convex)   | right         | 1   | PR:L0L,5RT,<br>6XT,6XW     |
| (20) | 958 731 056 06 | Mirror (aspherical)<br>Aspherical   | right         | 1   | PR:L0R,5RV,<br>6XP,6XQ     |
| (20) | 958 731 056 07 | Mirror (aspherical)<br>Aspherical   | right         | 1   | PR:L0R,5RV,<br>6XT,6XW     |
| (21) | 958 612 469 30 | Wire set<br>Exterior mirror   | left a. right | 1   | PR:6XQ,6XT,<br>-8A4        |
|      |                | with:<br>Light<br>Lane Change Assistant<br>Real Top View<br>Memory                          |               |     |                            |
| (21) | 958 612 469 35 | Wire set<br>Exterior mirror   | left          | 1   | PR:6XQ,6XT,<br>8A4         |
|      |                | with:<br>Light<br>Lane Change Assistant<br>Real Top View<br>Memory                          |               |     |                            |
| (21) | 958 612 469 40 | Automatic<br>Dimmable<br>Wire set<br>Exterior mirror  | right         | 1   | PR:6XQ,6XT,<br>8A4         |
|      |                | with:<br>Light<br>Lane Change Assistant<br>Real Top View<br>Memory<br>Automatic<br>Dimmable |               |     |                            |

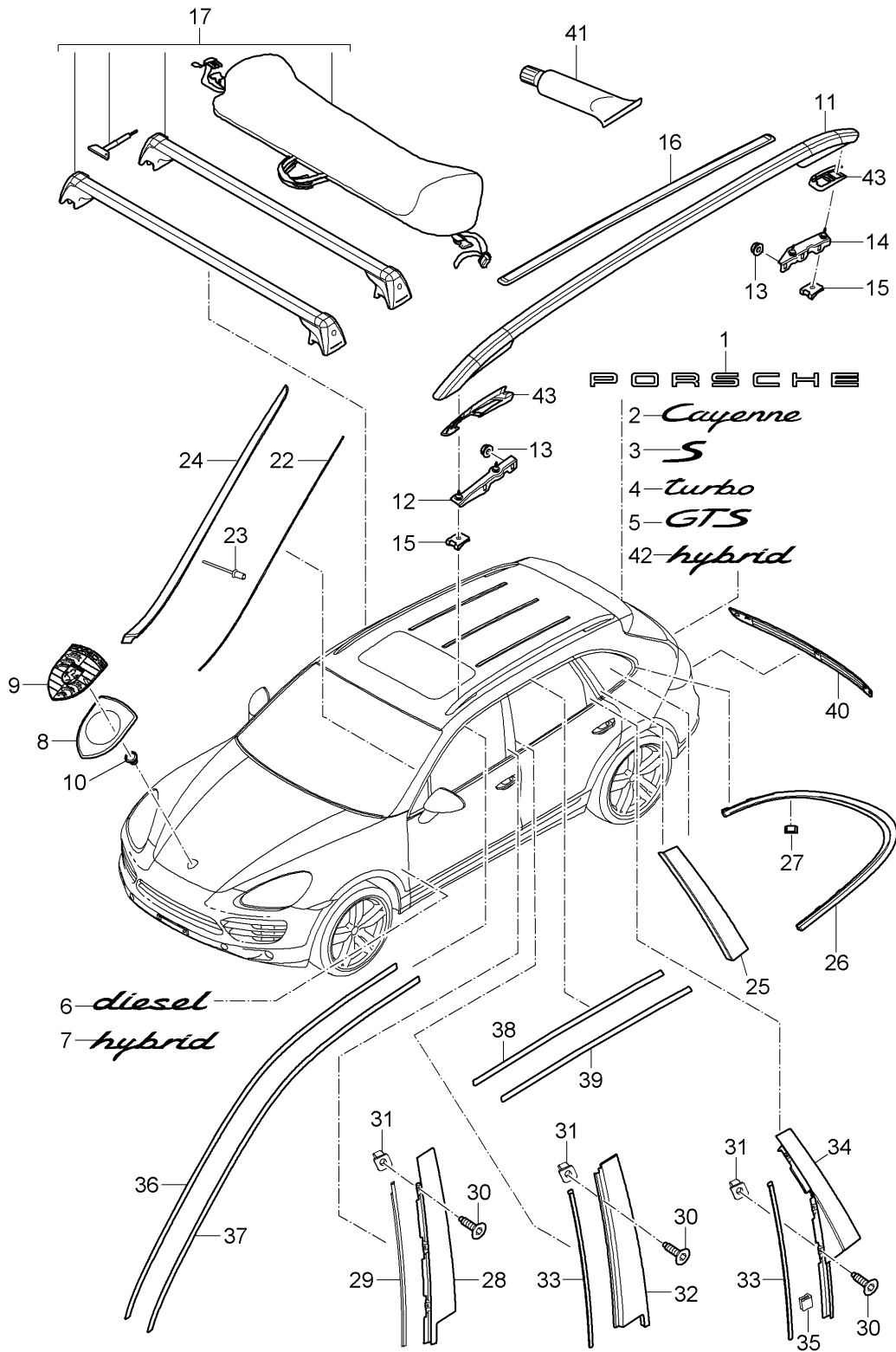


Model: 92A 11 Model life 2011>>2018

| Pos  | Part Number    | Description  | Remark        | Qty | Model               |
|------|----------------|--|---------------|-----|---------------------|
| (21) | 958 612 469 45 | Wire set<br>Exterior mirror<br><br>with:<br>Light<br>Lane Change Assistant<br>Automatic<br>Dimmable                  | left a. right | 1   | PR:6XW,6XP,<br>-8A4 |
| (21) | 958 612 469 50 | Wire set<br>Exterior mirror<br><br>with:<br>Light<br>Lane Change Assistant<br>Real Top View<br>Automatic<br>Dimmable | left          | 1   | PR:6XW,6XP,<br>8A4  |
| (21) | 958 612 469 55 | Wire set<br>Exterior mirror<br><br>with:<br>Light<br>Lane Change Assistant<br>Real Top View<br>Automatic<br>Dimmable | right         | 1   | PR:6XW,6XP,<br>8A4  |
| (21) | 958 612 469 60 | Wire set<br>Exterior mirror<br><br>with:<br>Light<br>Lane Change Assistant   |               | 1   | PR:6XP<br>"J.."     |
| (21) | 958 612 469 65 | Wire set<br>Exterior mirror<br><br>with:<br>Light<br>Lane Change Assistant<br>Memory                                 |               | 1   | PR:6XQ<br>"J.."     |
| (21) | 958 612 469 65 | Wire set<br>Exterior mirror<br><br>with:<br>Light<br>Lane Change Assistant<br>Memory                                 |               | 1   | PR:6XQ<br>"J.."     |
| 22   | 958 731 709 00 | 1 set securing bolts<br>(complete)   |               | 1   |                     |
| 30   |                | Camera   |               | 1   | PR:5SU,5RP          |
| 31   |                | Camera see illustration:   | 911-000       | 1   | "J.."               |
| 32   |                | Turn signal indicator see illustration:  | 911-000       | 1   | PR:8A4              |
| 33   |                | Warning light see illustration:  | 905-003       | 1   |                     |
| 34   |                | Light see illustration:  | 901-005       | 1   |                     |
|      |                |  | 903-002       | 1   |                     |

Model: 92A 11

Model life 2011>>2018



Model: 92A 11

Model life 2011>>2018

| Pos | Part Number        | Description   | Remark                 | Qty | Model              |
|-----|--------------------|---|------------------------|-----|--------------------|
|     |                    | inscriptions/lettering<br>Decorative fittings<br>D >> - MJ 2014 | upper<br>outer         |     |                    |
| 1   | 958 559 687 00     | inscription<br>Porsche  |                        | 1   | PR:0NB             |
|     | 958 559 687 00 0C1 | inscription<br>White Silver Chrom                               |                        |     |                    |
| 1   | 958 559 687 01     | inscription<br>Porsche<br>chromed                               |                        | 1   | PR:0NB             |
| 2   | 958 559 675 00     | inscription<br>Porsche Cayenne                                  |                        | 1   | PR:0NB             |
|     | 958 559 675 00 0C1 | inscription<br>White Silver Chrom                               |                        |     |                    |
| 2   | 958 559 675 01     | inscription<br>Porsche Cayenne<br>chromed                       |                        | 1   | PR:0NB             |
| 3   | 958 559 676 00     | inscription<br>Cayenne S  |                        | 1   | V8<br>PR:0NB       |
|     | 958 559 676 00 0C1 | inscription<br>WHITE SILVER CHROM                               |                        |     |                    |
| 3   | 958 559 676 01     | inscription<br>"S"<br>chromed                                   |                        | 1   | PR:0NB             |
| 4   | 958 559 677 00     | inscription<br>"Turbo"  |                        | 1   | PR:0NB             |
|     | 958 559 677 00 0C1 | inscription<br>White Silver Chrom                               |                        |     |                    |
| 4   | 958 559 677 01     | inscription<br>"Turbo"<br>chromed                               |                        | 1   | PR:0NB             |
| (5) | 958 559 675 20     | inscription<br>GTS<br>chromed                                   |                        | 1   | PR:0NB,E0W         |
| 6   | 958 559 499 10     | inscription<br>Diesel   | left                   | 1   | PR:D50,D43,<br>0NB |
|     | 958 559 499 10 0C1 | inscription<br>White Silver Chrom                               | side                   |     |                    |
| (6) | 958 559 499 11     | inscription<br>Diesel<br>chromed                                | left<br>left<br>side   | 1   | PR:D50,D43,<br>0NB |
| (6) | 958 559 500 10     | Wing<br>inscription<br>Diesel                                   | right                  | 1   | PR:D50,D43,<br>0NB |
|     | 958 559 500 10 0C1 | inscription<br>White Silver Chrom                               | side                   |     |                    |
| (6) | 958 559 500 11     | Wing<br>inscription<br>Diesel<br>chromed                        | right<br>right<br>side | 1   | PR:D50,D43,<br>0NB |
| 7   | 958 559 499 00     | Wing<br>inscription<br>Hybrid                                   | left                   | 1   | PR:0NB,D19         |
|     | 958 559 499 00 0C1 | inscription<br>White Silver Chrom                               | side                   |     |                    |
| (7) | 958 559 499 01     | Wing<br>inscription<br>Hybrid<br>chromed                        | left<br>left<br>side   | 1   | PR:0NB,D19         |
| (7) | 958 559 500 00     | Wing<br>inscription<br>Hybrid                                   | right                  | 1   | PR:0NB,D19         |

Model: 92A 11 Model life 2011>>2018

| Pos  | Part Number        | Description  | Remark                 | Qty | Model                              |
|------|--------------------|--|------------------------|-----|------------------------------------|
|      | 958 559 500 00 0C1 | inscription<br>White Silver Chrom  | side                   |     |                                    |
| (7)  | 958 559 500 01     | Wing<br>inscription<br>Hybrid<br>chromed<br>Wing                                       | right<br>right<br>side | 1   | PR:0NB,D19                         |
| 8    | 7L5 853 611 B      | Underlay<br>Porsche crest  |                        | 1   |                                    |
| 9    | 958 559 601 00     | Porsche crest<br>D >> - MJ 2013  |                        | 1   |                                    |
| 9    | 958 559 601 02     | Porsche crest  |                        | 1   |                                    |
| 10   | WHT 004 974        | Nut<br>Mount<br>Porsche crest  |                        | 2   |                                    |
| 11   | 958 559 025 00     | roof rail<br>(complete)<br>Discontinued part   | left                   | 1   | PR:3S5,5W4                         |
| 11   | 958 559 025 01     | 958 559 025 00 041 Black<br>roof rail<br>(complete)                                    | left                   | 1   | PR:3S5,5W4                         |
| (11) | 958 559 043 00     | 958 559 025 01 041 Black<br>roof rail<br>(complete)<br>Discontinued part               | left                   | 1   | PR:3S1,5W1                         |
| (11) | 958 559 043 01     | 958 559 043 00 8Z8 silver<br>roof rail<br>(complete)                                   | left                   | 1   | PR:3S1,5W1                         |
| (11) | 958 559 026 00     | 958 559 043 01 8Z8 silver<br>roof rail<br>(complete)<br>Discontinued part              | right                  | 1   | PR:3S5,5W4                         |
| (11) | 958 559 026 01     | 958 559 026 00 041 Black<br>roof rail<br>(complete)                                    | right                  | 1   | PR:3S5,5W4                         |
| (11) | 958 559 044 01     | 958 559 026 01 041 Black<br>roof rail<br>(complete)                                    | right                  | 1   | PR:3S1,5W1                         |
| 12   | 958 559 197 00     | 958 559 044 01 8Z8 silver<br>Securing bracket<br>roof rail                             | left<br>front          | 1   | PR:3S1,3S5,<br>5W1,5W4             |
| (12) | 958 559 198 00     | Securing bracket<br>roof rail  | right<br>front         | 1   | PR:3S1,3S5,<br>5W1,5W4             |
| 13   | N 911 893 03       | Hexagon nut<br>M 6   |                        | 8   | PR:3S1,3S5                         |
| 14   | 958 559 201 00     | Securing bracket<br>roof rail  | left<br>rear           | 1   | PR:3S1,3S5,<br>5W1,5W4             |
| (14) | 958 559 202 00     | Securing bracket<br>roof rail  | right<br>rear          | 1   | PR:3S1,3S5,<br>5W1,5W4             |
| 15   | WHT 003 205 A      | hex. nut, self-locking with<br>washer<br>M 6   |                        | 8   | PR:3S1,3S5,<br>5W1,5W4             |
| 16   | 958 559 465 00     | Protective strip<br>Roof   |                        | 1   | PR:3FA,3FE,<br>3S1,3S5,5W1,<br>5W4 |
| 17   | 958 044 000 10     | 958 559 465 00 041 Black<br>958 559 465 00 8Z8 silver<br>Roof rack<br>see<br>Equipment |                        | 1   | PR:5W1,5W4                         |
| 22   | 958 559 587 00     | Bracket<br>Water deflector strip   | left                   | 1   |                                    |
| (22) | 958 559 588 00     | Bracket  | right                  | 1   |                                    |

Model: 92A 11 Model life 2011>>2018

| Pos  | Part Number                          | Description  | Remark         | Qty | Model              |
|------|--------------------------------------|--|----------------|-----|--------------------|
| 23   | N 908 550 01                         | Water deflector strip<br>Pop rivet<br>A3,2 X 6,5     |                | 12  |                    |
| 24   | 958 559 327 00<br>958 559 327 00 9B9 | Water deflector strip<br>Satin black<br>A-pillar     | left<br>left   | 1   |                    |
| (24) | 958 559 328 00<br>958 559 328 00 9B9 | Water deflector strip<br>Satin black<br>A-pillar     | right<br>right | 1   |                    |
| 25   | 958 559 381 00<br>958 559 381 00 GW1 | trim for pillar c<br>Black                           | left           | 1   |                    |
| (25) | 958 559 382 00<br>958 559 382 00 GW1 | trim for pillar c<br>Black                           | right          | 1   |                    |
| 26   | 958 559 995 00                       | Cover trim<br>Side window<br>Discontinued part       | left           | 1   |                    |
|      | 958 559 995 00 GW1                   | Black  |                |     |                    |
| 26   | 958 559 995 01                       | Cover trim<br>Side window                            | left           | 1   |                    |
|      | 958 559 995 01 GW1                   | Black  |                |     |                    |
| (26) | 958 559 996 00                       | Cover trim<br>Side window<br>Discontinued part       | right          | 1   |                    |
|      | 958 559 996 00 GW1                   | Black  |                |     |                    |
| (26) | 958 559 996 01                       | Cover trim<br>Side window                            | right          | 1   |                    |
|      | 958 559 996 01 GW1                   | Black  |                |     |                    |
| (26) | 958 559 995 20                       | Cover trim<br>Side window<br>Discontinued part       | left           | 1   |                    |
|      | 958 559 995 20 7Z7                   | aluminium<br>Polished                                |                |     |                    |
| (26) | 958 559 995 21                       | Cover trim<br>Side window                            | left           | 1   |                    |
|      | 958 559 995 21 7Z7                   | aluminium<br>Polished                                |                |     |                    |
| (26) | 958 559 996 20                       | Cover trim<br>Side window<br>Discontinued part       | right          | 1   |                    |
|      | 958 559 996 20 7Z7                   | aluminium<br>Polished                                |                |     |                    |
| (26) | 958 559 996 21                       | Cover trim<br>Side window                            | right          | 1   |                    |
|      | 958 559 996 21 7Z7                   | aluminium<br>Polished                                |                |     |                    |
| (26) | 958 559 995 40                       | Cover trim<br>Side window<br>D - MJ 2014>> - MJ 2014 | left           | 1   | Platinum<br>PR:QJ3 |
|      | 958 559 995 40 M7T                   | Platinum Silver Metallic                             |                |     |                    |
| (26) | 958 559 996 40                       | Cover trim<br>Side window<br>D - MJ 2014>> - MJ 2014 | right          | 1   | Platinum<br>PR:QJ3 |
|      | 958 559 996 40 M7T                   | Platinum Silver Metallic                             |                |     |                    |
| 27   | 958 559 339 00                       | Clip   |                | X   |                    |
| 28   | 958 559 317 00                       | trim for pillar b                                    | left<br>front  | 1   |                    |
|      | 958 559 317 00 GW1                   | Black  |                |     |                    |
| (28) | 958 559 318 00                       | trim for pillar b                                    | right<br>front | 1   |                    |
|      | 958 559 318 00 GW1                   | Black  |                |     |                    |
| 29   | 958 559 521 00                       | Seal<br>Trim<br>B-pillar                             | left<br>front  | 1   |                    |

Model: 92A 11 Model life 2011>>2018

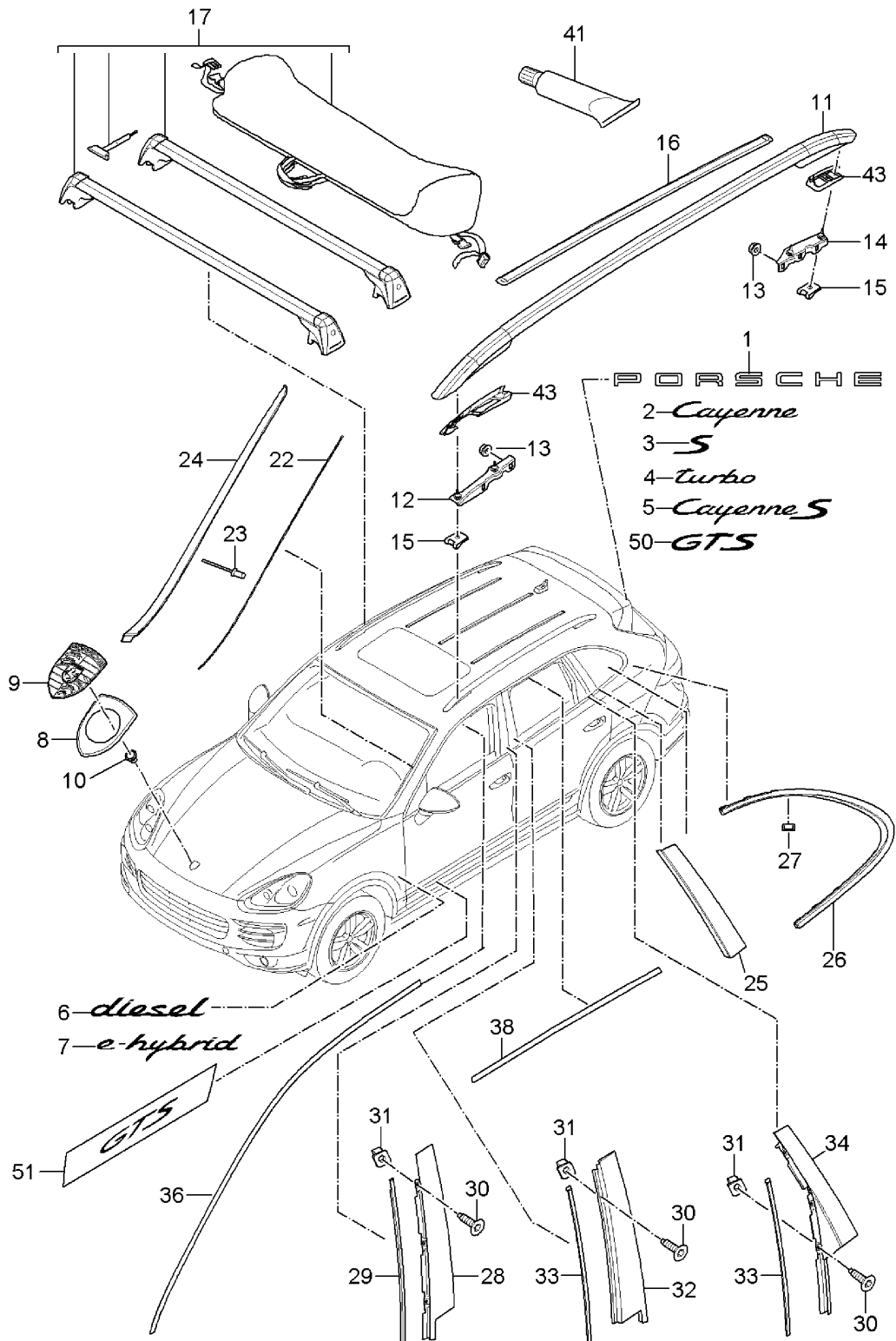
| Pos  | Part Number                          | Description  | Remark         | Qty | Model    |
|------|--------------------------------------|--|----------------|-----|----------|
| (29) | 958 559 522 00                       | Seal<br>Trim   | right<br>front | 1   |          |
| (29) | 958 559 522 01                       | B-pillar<br>Seal<br>Trim<br>B-pillar   | right<br>front | 1   |          |
| 30   | N 106 567 02                         | Hexagon socket head panel bolt<br>ST 4,2 X 16                                  |                | 18  |          |
| 31   | 955 803 115 00                       | insert nut<br>ST 4,2 X 7,1   |                | 18  |          |
| 32   | 958 559 351 00                       | trim for pillar b  | left<br>rear   | 1   |          |
| 32   | 958 559 351 00 GW1<br>958 559 351 02 | Black<br>trim for pillar b   | left<br>rear   | 1   |          |
| (32) | 958 559 351 02 GW1<br>958 559 352 00 | Black<br>trim for pillar b   | right<br>rear  | 1   |          |
| (32) | 958 559 352 00 GW1<br>958 559 352 02 | Black<br>trim for pillar b   | right<br>rear  | 1   |          |
| 33   | 958 559 352 02 GW1<br>958 559 473 00 | Black<br>Seal<br>Trim<br>B-pillar<br>c-pillar                                  | left<br>rear   | 1   |          |
| 33   | 958 559 473 01                       | Seal<br>Trim<br>B-pillar<br>c-pillar   | left<br>rear   | 1   |          |
| (33) | 958 559 474 00                       | Seal<br>Trim<br>B-pillar<br>c-pillar   | right<br>rear  | 1   |          |
| 34   | 958 559 589 00                       | trim for pillar c  | left<br>front  | 1   |          |
| (34) | 958 559 589 00 GW1<br>958 559 590 00 | Black<br>trim for pillar c   | right<br>front | 1   |          |
| 35   | 958 559 590 00 GW1<br>1K0 839 963    | Black<br>intermediate layer<br>Trim<br>c-pillar                                | front          | 31  |          |
| 35   | 1K0 837 963 A                        | Discontinued part<br>Intermediate layer<br>(self-adhesive)<br>Trim<br>c-pillar | front          | 31  |          |
| 36   | 958 559 985 00<br>958 559 985 00 7Z7 | Trim<br>aluminium<br>Polished  | left<br>front  | 1   | PR:QJ2   |
| (36) | 958 559 986 00<br>958 559 986 00 7Z7 | Trim<br>aluminium<br>Polished  | right<br>front | 1   | PR:QJ2   |
| 37   | 958 559 985 10                       | Trim   | left<br>front  | 1   | PR:QJ4   |
| (37) | 958 559 985 10 GW1<br>958 559 986 10 | Black<br>Trim  | right<br>front | 1   | PR:QJ4   |
| (37) | 958 559 986 10 GW1<br>958 559 985 20 | Black<br>Trim  | left           | 1   | Platinum |

Model: 92A 11 Model life 2011>>2018

| Pos  | Part Number        | Description              | Remark                | Qty | Model              |
|------|--------------------|--------------------------|-----------------------|-----|--------------------|
|      |                    | D - MJ 2014>> - MJ 2014  | front                 |     | PR:QJ3             |
| (37) | 958 559 985 20 M7T | Platinum Silver Metallic |                       |     |                    |
|      | 958 559 986 20     | Trim                     | right front           | 1   | Platinum<br>PR:QJ3 |
|      |                    | D - MJ 2014>> - MJ 2014  |                       |     |                    |
| 38   | 958 559 986 20 M7T | Platinum Silver Metallic |                       |     |                    |
|      | 958 559 907 00     | Trim                     | left rear             | 1   | PR:QJ2             |
|      |                    | 958 559 907 00 7Z7       | aluminium<br>Polished |     |                    |
| (38) | 958 559 908 00     | Trim                     | right rear            | 1   | PR:QJ2             |
|      |                    | 958 559 908 00 7Z7       | aluminium<br>Polished |     |                    |
| 39   | 958 559 907 10     | Trim                     | left rear             | 1   | PR:QJ4             |
|      |                    | 958 559 907 10 GW1       | Black                 |     |                    |
| (39) | 958 559 908 10     | Trim                     | right rear            | 1   | PR:QJ4             |
|      |                    | 958 559 908 10 GW1       | Black                 |     |                    |
| (39) | 958 559 907 20     | Trim                     | left rear             | 1   | Platinum<br>PR:QJ3 |
|      |                    | D - MJ 2014>> - MJ 2014  |                       |     |                    |
| (39) | 958 559 907 20 M7T | Platinum Silver Metallic |                       |     |                    |
|      | 958 559 908 20     | Trim                     | right rear            | 1   | Platinum<br>PR:QJ3 |
|      |                    | D - MJ 2014>> - MJ 2014  |                       |     |                    |
| 40   | 958 559 908 20 M7T | Platinum Silver Metallic |                       |     |                    |
|      | 958 512 955 00     | Trim strip for tailgate  |                       | 1   | PR:QJ2,QJ4         |
| (40) | 958 512 955 00 GV9 | Galvano silver           |                       |     |                    |
|      | 958 512 955 01     | Trim strip for tailgate  |                       | 1   | PR:QJ4             |
|      | 958 512 955 01 041 | Black                    |                       |     |                    |
| 41   | 958 559 021 00     | Gasket set               |                       | 1   |                    |
|      |                    | roof rail                |                       |     |                    |
| 42   | 958 559 675 10     | inscription              |                       | 1   | PR:D19,0NB         |
|      |                    | Hybrid                   |                       |     |                    |
|      |                    | Rear end                 |                       |     |                    |
|      | 958 559 675 10 0C1 | inscription              |                       |     |                    |
| (42) | 958 559 675 11     | White Silver Chrom       |                       | 1   | PR:D19,0NB         |
|      |                    | inscription              |                       |     |                    |
|      |                    | Hybrid                   |                       |     |                    |
|      |                    | Rear end                 |                       |     |                    |
|      |                    | chromed                  |                       |     |                    |
| 43   | 958 559 025 00     | roof rail                |                       | 1   |                    |
|      |                    | Cover cap                |                       |     |                    |
|      |                    | roof rail                |                       |     |                    |
|      |                    | Matt black               |                       |     |                    |
|      |                    | Discontinued part        |                       |     |                    |
| (43) | 958 559 025 10     | roof rail                |                       | 1   |                    |
|      |                    | Cover cap                |                       |     |                    |
|      |                    | roof rail                |                       |     |                    |
|      |                    | Matt black               |                       |     |                    |

Model: 92A 11

Model life 2011>>2018





Model: 92A 11 Model life 2011>>2018

| Pos  | Part Number        | Description   | Remark         | Qty | Model              |
|------|--------------------|---|----------------|-----|--------------------|
| 1    | 958 559 687 01     | inscriptions/lettering<br>Decorative fittings<br>D - MJ 2015>><br>inscription<br>Porsche<br>Rear lid<br>chromed | upper<br>outer | 1   | PR:0NB,-D19        |
| (1)  | 958 559 687 02     | inscription<br>Porsche<br>Rear lid<br>Matt black  |                | 1   | PR:DU3             |
| 2    | 958 559 675 01     | inscription<br>Porsche Cayenne<br>Rear lid<br>chromed   |                | 1   | PR:0NB,-D19        |
| (2)  | 958 559 675 02     | inscription<br>Porsche Cayenne<br>Rear lid<br>Matt black  |                | 1   | PR:DU3             |
| 3    | 958 559 676 01     | inscription<br>"S"<br>Rear lid<br>chromed   |                | 1   | PR:0NB,-D19        |
| 4    | 958 559 677 01     | inscription<br>"TURBO"<br>Rear lid<br>chromed   |                | 1   | PR:0NB,-D19        |
| 5    | 958 559 675 50     | inscription<br>"CAYENNE S"<br>Rear lid  |                | 1   | PR:0NB,D19         |
| 6    | 958 559 499 11     | Discontinued part<br>inscription<br>DIESEL<br>chromed<br>Wing   | left<br>side   | 1   | PR:D50,D43,<br>0NB |
| (6)  | 958 559 500 11     | inscription<br>DIESEL<br>chromed<br>Wing  | right<br>side  | 1   | PR:D50,D43,<br>0NB |
| 7    | 958 559 499 20     | inscription<br>"E-HYBRID"<br>Wing   | left<br>side   | 1   | PR:0NB,D19         |
| (7)  | 958 559 500 20     | Discontinued part<br>inscription<br>"E-HYBRID"<br>Wing  | right<br>side  | 1   | PR:0NB,D19         |
| 8    | 991 559 215 02     | Underlay<br>Porsche crest   |                | 1   |                    |
| 9    | 958 559 601 02     | Porsche crest   |                | 1   |                    |
| 10   | WHT 004 974        | Nut<br>Mount  |                | 2   |                    |
| 11   | 958 559 025 02     | Porsche crest<br>roof rail<br>(complete)  | left           | 1   | PR:3S5,5W4         |
|      |                    | Cover   | with:          |     |                    |
| (11) | 958 559 025 02 OK1 | Matt black  |                |     |                    |
| (11) | 958 559 043 02     | roof rail<br>(complete)   | left           | 1   | PR:3S1,5W1         |
| (11) | 958 559 043 02 8Z8 | silver  |                |     |                    |
| (11) | 958 559 026 02     | roof rail<br>(complete)   | right          | 1   | PR:3S5,5W4         |

Model: 92A 11 Model life 2011>>2018

| Pos  | Part Number                              | Description  | Remark         | Qty | Model                              |
|------|--|--|----------------|-----|------------------------------------|
|      |  | with:  |                |     |                                    |
| (11) | 958 559 026 02 OK1<br>958 559 044 02     | Cover<br>Matt black<br>roof rail<br>(complete)     | right          | 1   | PR:3S1,5W1                         |
| 12   | 958 559 044 02 8Z8<br>958 559 197 01     | silver<br>Securing bracket<br>roof rail            | left<br>front  | 1   | PR:3S1,3S5,<br>5W1,5W4             |
| (12) | 958 559 198 01                           | Securing bracket<br>roof rail                      | right<br>front | 1   | PR:3S1,3S5,<br>5W1,5W4             |
| 13   | N 911 893 03                             | Hexagon nut<br>M 6                                 |                | 8   | PR:3S1,3S5,<br>5W1,5W4             |
| 14   | 958 559 201 00                           | Securing bracket<br>roof rail                      | left<br>rear   | 1   | PR:3S1,3S5,<br>5W1,5W4             |
| (14) | 958 559 202 00                           | Securing bracket<br>roof rail                      | right<br>rear  | 1   | PR:3S1,3S5,<br>5W1,5W4             |
| 15   | WHT 003 205 A                            | hex. nut, self-locking with<br>washer<br>M 6       |                | 8   | PR:3S1,3S5,<br><br>5W1,5W4         |
| 16   | 958 559 465 00                           | Protective strip<br>Roof                           |                | 1   | PR:3FA,3FE,<br>3S1,3S5,5W1,<br>5W4 |
|      | 958 559 465 00 041<br>958 559 465 00 8Z8 | Black<br>silver                                    |                |     |                                    |
| 17   | 958 044 000 10                           | Roof rack<br>see<br>Tequipment                     |                | 1   | PR:5W1,5W4                         |
| 22   | 958 559 587 00                           | Bracket<br>Water deflector strip                   | left           | 1   |                                    |
| (22) | 958 559 588 00                           | Bracket<br>Water deflector strip                   | right          | 1   |                                    |
| 23   | N 908 550 01                             | Pop rivet<br>A3,2 X 6,5                            |                | 12  |                                    |
| 24   | 958 559 327 01<br>958 559 327 01 9B9     | Water deflector strip<br>Satin black<br>A-pillar   | left<br>left   | 1   |                                    |
| (24) | 958 559 328 01<br>958 559 328 01 9B9     | Water deflector strip<br>Satin black<br>A-pillar   | right<br>right | 1   |                                    |
| (25) | 958 559 381 10<br>958 559 381 10 GW1     | trim for pillar c<br>Black                         | left           | 1   |                                    |
| (25) | 958 559 382 10<br>958 559 382 10 GW1     | trim for pillar c<br>Black                         | right          | 1   |                                    |
| 26   | 958 559 995 01                           | Cover trim<br>Side window                          | left           | 1   | PR:QJ4                             |
|      | 958 559 995 01 GW1                       | Black  |                |     |                                    |
| (26) | 958 559 996 01                           | Cover trim<br>Side window                          | right          | 1   | PR:QJ4                             |
|      | 958 559 996 01 GW1                       | Black  |                |     |                                    |
| (26) | 958 559 995 21<br>958 559 995 21 7Z7     | Cover trim<br>Side window<br>aluminium<br>Polished | left           | 1   | PR:QJ2                             |
| (26) | 958 559 996 21<br>958 559 996 21 7Z7     | Cover trim<br>Side window<br>aluminium<br>Polished | right          | 1   | PR:QJ2                             |
| 27   | 958 559 339 00                           | Clip   |                | X   |                                    |
| 28   | 958 559 317 01                           | trim for pillar b                                  | left<br>front  | 1   |                                    |
|      | 958 559 317 01 GW1                       | Black  |                |     |                                    |
| (28) | 958 559 318 01                           | trim for pillar b                                  | right<br>front | 1   |                                    |

Model: 92A 11

Model life 2011&gt;&gt;2018

| Pos  | Part Number                          | Description                                      | Remark         | Qty | Model  |
|------|--------------------------------------|--|----------------|-----|--------|
| 29   | 958 559 318 01 GW1<br>958 559 521 00 | Black<br>Seal<br>Trim<br>B-pillar                | left<br>front  | 1   |        |
| (29) | 958 559 522 00                       | Seal<br>Trim<br>B-pillar                         | right<br>front | 1   |        |
| 30   | N 106 567 02                         | Hexagon socket head panel bolt<br>ST 4,2 X 16    |                | 18  |        |
| 31   | 955 803 115 00                       | insert nut<br>ST 4,2 X 7,1                       |                | 18  |        |
| 32   | 958 559 351 02                       | trim for pillar b                                | left<br>rear   | 1   |        |
| (32) | 958 559 351 02 GW1<br>958 559 352 02 | Black<br>trim for pillar b                       | right<br>rear  | 1   |        |
| 33   | 958 559 352 02 GW1<br>958 559 473 00 | Black<br>Seal<br>Trim<br>B-pillar                | left<br>rear   | 1   |        |
| (33) | 958 559 474 00                       | c-pillar<br>Seal<br>Trim<br>B-pillar<br>c-pillar | right<br>rear  | 1   |        |
| 34   | 958 559 589 01                       | trim for pillar c                                | left<br>front  | 1   |        |
| (34) | 958 559 589 01 GW1<br>958 559 590 01 | Black<br>trim for pillar c                       | right<br>front | 1   |        |
| 36   | 958 559 590 01 GW1<br>958 559 985 00 | Black<br>Trim                                    | left<br>front  | 1   | PR:QJ2 |
| (36) | 958 559 985 00 7Z7                   | aluminium<br>Polished<br>Trim                    | right<br>front | 1   | PR:QJ2 |
| (36) | 958 559 986 00 7Z7                   | aluminium<br>Polished<br>Trim                    | left<br>front  | 1   | PR:QJ4 |
| (36) | 958 559 985 10 GW1<br>958 559 986 10 | Black<br>Trim                                    | right<br>front | 1   | PR:QJ4 |
| 38   | 958 559 986 10 GW1<br>958 559 907 00 | Black<br>Trim                                    | left<br>rear   | 1   | PR:QJ2 |
| (38) | 958 559 907 00 7Z7                   | aluminium<br>Polished<br>Trim                    | right<br>rear  | 1   | PR:QJ2 |
| (38) | 958 559 908 00 7Z7                   | aluminium<br>Polished<br>Trim                    | left<br>rear   | 1   | PR:QJ4 |
| (38) | 958 559 907 10 GW1<br>958 559 908 10 | Black<br>Trim                                    | right<br>rear  | 1   | PR:QJ4 |
| 41   | 958 559 908 10 GW1                   | Black  |                | 1   |        |
| 43   | 958 559 021 00                       | Gasket set<br>roof rail                          |                | 1   |        |
|      | 958 559 025 00                       | roof rail<br>Cover cap                           |                | 1   |        |

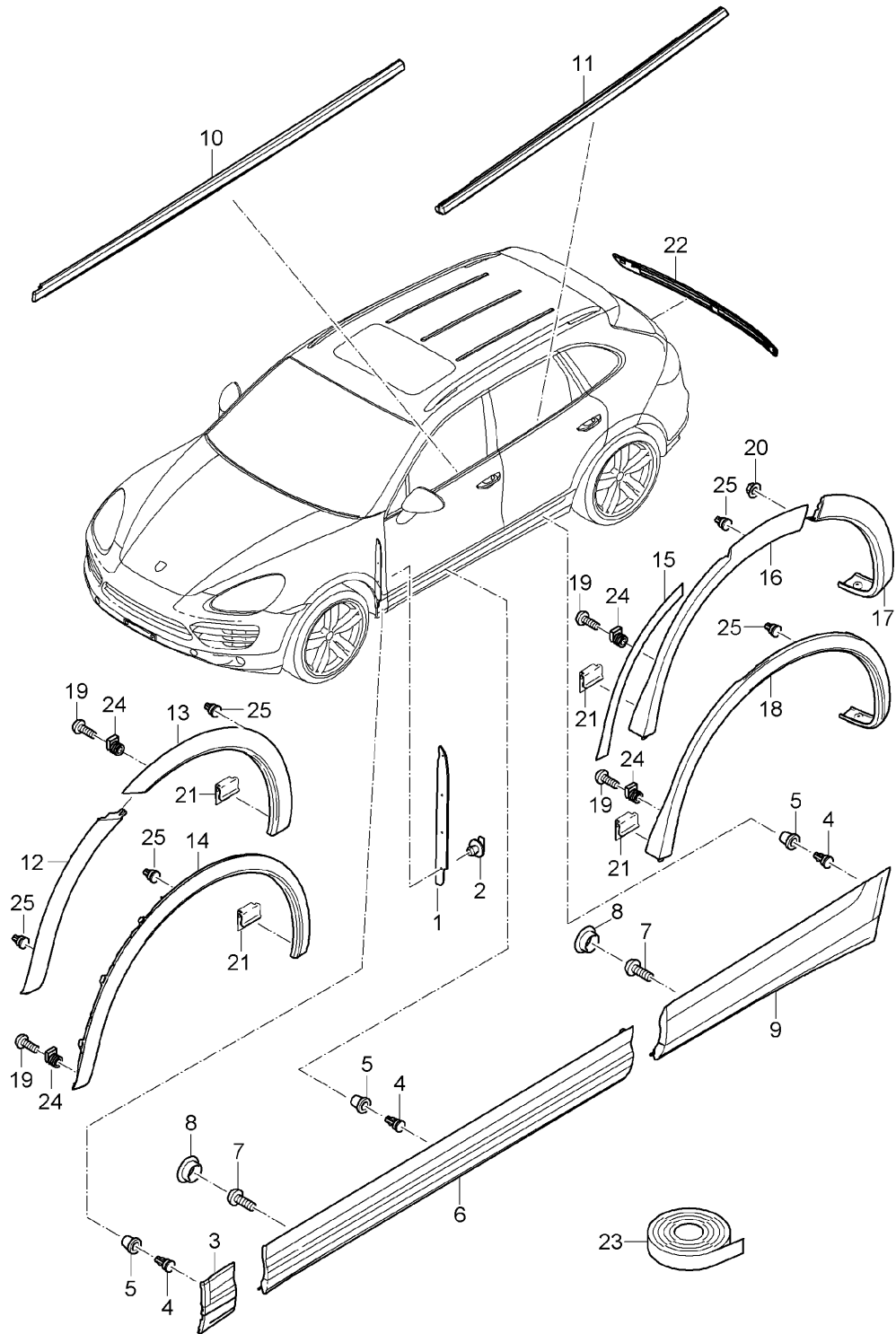
Model: 92A 11

Model life 2011>>2018

| Pos  | Part Number    | Description  | Remark                 | Qty | Model  |
|------|----------------|--|------------------------|-----|--------|
| (43) | 958 559 025 10 | roof rail<br>Matt black<br>Discontinued part   |                        | 1   |        |
| 50   | 958 559 675 30 | roof rail<br>Cover cap<br>roof rail<br>Matt black<br>inscription<br>Porsche Cayenne<br>Rear lid<br>GTS |                        | 1   | PR:DU3 |
| 51   | 958 559 155 00 | Matt black<br>Decorative film<br>GTS<br>for<br>Door<br>and<br>Matt black                               | front<br>left<br>right | 1   | PR:DU3 |

Model: 92A 11

Model life 2011>>2018



Model: 92A 11 Model life 2011>>2018

| Pos | Part Number                          | Description   | Remark          | Qty | Model                     |
|-----|--------------------------------------|---|-----------------|-----|---------------------------|
| 1   |                                      | moldings<br>D >> - MJ 2014<br>Trim<br>Wing                                      | lower<br>outer  | 1   |                           |
| 2   |                                      | see illustration:<br>Spreader rivet<br>8,1 X 13                                 | 801-040         | X   |                           |
| 3   | 958 559 959 00                       | see illustration:<br>lining for fender  | 801-040<br>left | 1   | PR: 6GA, 6GF,<br>6GH, 6GJ |
| 3   | 958 559 959 00 G2X<br>958 559 959 01 | Discontinued part<br>primed<br>lining for fender                                | left            | 1   | PR: 6GA, 6GF,<br>6GH, 6GJ |
| (3) | 958 559 959 01 G2X<br>958 559 959 10 | primed<br>lining for fender<br>Discontinued part                                | left            | 1   | PR: 6GB                   |
| (3) | 958 559 959 10 G2X<br>958 559 959 11 | primed<br>lining for fender   | left            | 1   | PR: 6GB                   |
| (3) | 958 559 959 11 G2X<br>958 559 960 00 | primed<br>lining for fender   | right           | 1   | PR: 6GA, 6GF,<br>6GH, 6GJ |
| (3) | 958 559 960 00 G2X<br>958 559 960 01 | Discontinued part<br>primed<br>lining for fender                                | right           | 1   | PR: 6GA, 6GF,<br>6GH, 6GJ |
| (3) | 958 559 960 01 G2X<br>958 559 960 10 | primed<br>lining for fender<br>Discontinued part                                | right           | 1   | PR: 6GB                   |
| (3) | 958 559 960 10 G2X<br>958 559 960 11 | primed<br>lining for fender   | right           | 1   | PR: 6GB                   |
| 4   | 958 559 719 00                       | Clip  |                 | X   |                           |
| 5   | 955 559 586 00                       | Grommet<br>for<br>Cover<br>Wing   |                 | 36  |                           |
| 6   | 958 559 787 04                       | molding for door  | left<br>front   | 1   | PR: 6GA, 6GF,<br>6GH, 6GJ |
| 6   | 958 559 787 04 G2X<br>958 559 787 13 | primed<br>molding for door  | left<br>front   | 1   | PR: 6GB                   |
| 6   | 958 559 787 13 G2X<br>958 559 787 21 | primed<br>molding for door  | left<br>front   | 1   | PR: 6GJ                   |
| (6) | 958 559 787 21 G2X<br>958 559 788 04 | primed<br>molding for door  | right<br>front  | 1   | PR: 6GA, 6GF,<br>6GH      |
| (6) | 958 559 788 04 G2X<br>958 559 788 13 | primed<br>molding for door  | right<br>front  | 1   | PR: 6GB                   |
| (6) | 958 559 788 13 G2X<br>958 559 788 21 | primed<br>molding for door  | right<br>front  | 1   | PR: 6GJ                   |
| 7   | 958 559 788 21 G2X<br>N 106 538 01   | primed<br>Hexagon socket head<br>bolt<br>M 5 X 8,0<br>for<br>strip<br>Door seal | front and rear  | 4   |                           |
| 8   | 955 559 108 00                       | Bungs   | front and rear  | 4   |                           |

Model: 92A 11 Model life 2011>>2018

| Pos  | Part Number                          | Description  | Remark         | Qty | Model              |
|------|--------------------------------------|--|----------------|-----|--------------------|
| 9    | 958 559 789 00                       | for<br>strip<br>Door seal<br>molding for door                                | left<br>rear   | 1   | PR:6GA,6GF,<br>6GH |
| (9)  | 958 559 789 00 G2X<br>958 559 789 10 | primed<br>molding for door   | left<br>rear   | 1   | PR:6GB             |
| (9)  | 958 559 789 10 G2X<br>958 559 789 20 | primed<br>molding for door   | left<br>rear   | 1   | PR:6GJ             |
| (9)  | 958 559 789 20 G2X<br>958 559 790 00 | primed<br>molding for door   | right<br>rear  | 1   | PR:6GA,6GF,<br>6GH |
| (9)  | 958 559 790 00 G2X<br>958 559 790 10 | primed<br>molding for door   | right<br>rear  | 1   | PR:6GB             |
| (9)  | 958 559 790 10 G2X<br>958 559 790 20 | primed<br>molding for door   | right<br>rear  | 1   | PR:6GJ             |
| 10   | 958 559 790 20 G2X<br>958 559 475 02 | primed<br>Cover<br>Side window   | left<br>front  | 1   | PR:QJ2             |
| (10) | 958 559 475 02 7Z7<br>958 559 476 02 | chrome<br>Cover<br>Side window   | right<br>front | 1   | PR:QJ2             |
| (10) | 958 559 476 02 7Z7<br>958 559 475 11 | chrome<br>Cover<br>Side window   | left<br>front  | 1   | PR:QJ4             |
| (10) | 958 559 475 11 GW1<br>958 559 476 11 | Black<br>Cover<br>Side window  | right<br>front | 1   | PR:QJ4             |
| (10) | 958 559 476 11 GW1<br>958 559 475 20 | Black<br>Cover<br>Side window  | left<br>front  | 1   | Platinum<br>PR:QJ3 |
| (10) | 958 559 475 20 M7T<br>958 559 476 20 | D - MJ 2014>> - MJ 2014<br>Platinum Silver Metallic<br>Cover<br>Side window  | right<br>front | 1   | Platinum<br>PR:QJ3 |
| 11   | 958 559 476 20 M7T<br>958 559 477 01 | D - MJ 2014>> - MJ 2014<br>Platinum Silver Metallic<br>Cover<br>Side window  | left<br>rear   | 1   | PR:QJ2             |
| (11) | 958 559 477 01 7Z7<br>958 559 478 01 | chrome<br>Cover<br>Side window   | right<br>rear  | 1   | PR:QJ2             |
| (11) | 958 559 478 01 7Z7<br>958 559 477 11 | chrome<br>Cover<br>Side window   | left<br>rear   | 1   | PR:QJ4             |
| (11) | 958 559 477 11 GW1<br>958 559 478 11 | Black<br>Cover<br>Side window  | right<br>rear  | 1   | PR:QJ4             |
| (11) | 958 559 478 11 GW1<br>958 559 477 20 | Black<br>Cover<br>Side window  | left<br>rear   | 1   | Platinum<br>PR:QJ3 |
| (11) | 958 559 477 20 M7T<br>958 559 478 20 | D - MJ 2014>> - MJ 2014<br>Platinum Silver Metallic<br>Cover<br>Side window  | right<br>rear  | 1   | Platinum<br>PR:QJ3 |
| 12   | 958 559 478 20 M7T<br>958 559 819 00 | D - MJ 2014>> - MJ 2014<br>Platinum Silver Metallic<br>wheel cover<br>bumper | left<br>front  | 1   | PR:6GB             |

Model: 92A 11 Model life 2011>>2018

| Pos  | Part Number        | Description               | Remark      | Qty | Model      |
|------|--------------------|---------------------------|-------------|-----|------------|
|      |                    | D >> - MJ 2014            |             |     |            |
| (12) | 958 559 819 00 9B9 | Black wheel cover bumper  | right front | 1   | PR:6GB     |
|      |                    | D >> - MJ 2014            |             |     |            |
| (12) | 958 559 820 00 9B9 | Black wheel cover         | left front  | 1   | PR:6GJ,GP0 |
|      |                    | 20"                       |             |     |            |
|      |                    | D >> - MJ 2014            |             |     |            |
| (12) | 958 559 819 50 G2X | primed wheel cover        | right front | 1   | PR:6GJ,GP0 |
|      |                    | 20"                       |             |     |            |
|      |                    | D >> - MJ 2014            |             |     |            |
| 13   | 958 559 820 50 G2X | primed wheel cover        | left front  | 1   | PR:6GB     |
|      |                    | Wing                      |             |     |            |
| (13) | 958 559 727 00 9B9 | Black wheel cover         | right front | 1   | PR:6GB     |
|      |                    | Wing                      |             |     |            |
| (13) | 958 559 728 00 9B9 | Black wheel cover         | left front  | 1   | PR:6GJ,GP0 |
|      |                    | 20"                       |             |     |            |
|      |                    | D >> - MJ 2014            |             |     |            |
| (13) | 958 559 727 50 G2X | primed wheel cover        | right front | 1   | PR:6GJ,GP0 |
|      |                    | 20"                       |             |     |            |
|      |                    | D >> - MJ 2014            |             |     |            |
| 14   | 958 559 728 50 G2X | primed wheel cover bumper | left front  | 1   | PR:6GF     |
| (14) | 958 559 727 11 9B9 | Black wheel cover bumper  | left front  | 1   | PR:6GA     |
| (14) | 958 559 727 20 9B9 | Black wheel cover bumper  | left front  | 1   | PR:6GH     |
| (14) | 958 559 727 30 G2X | primed wheel cover bumper | right front | 1   | PR:6GF     |
| (14) | 958 559 728 11 9B9 | Black wheel cover bumper  | right front | 1   | PR:6GA     |
| (14) | 958 559 728 20 9B9 | Black wheel cover bumper  | right front | 1   | PR:6GH     |
|      |                    | 21"                       |             |     |            |
| 15   | 958 559 728 30 G2X | primed wheel cover        | left rear   | 1   | PR:6GB     |
|      |                    | Door                      |             |     |            |
| (15) | 958 559 709 00 9B9 | Black wheel cover         | right rear  | 1   | PR:6GB     |
|      |                    | Door                      |             |     |            |
| (15) | 958 559 710 00 9B9 | Black Cover trim          | left rear   | 1   | PR:6GJ,GP0 |
|      |                    | Door                      |             |     |            |
|      |                    | 20"                       |             |     |            |
|      |                    | D >> - MJ 2014            |             |     |            |
|      | 958 559 709 50 G2X | primed                    |             |     |            |



Model: 92A 11 Model life 2011>>2018

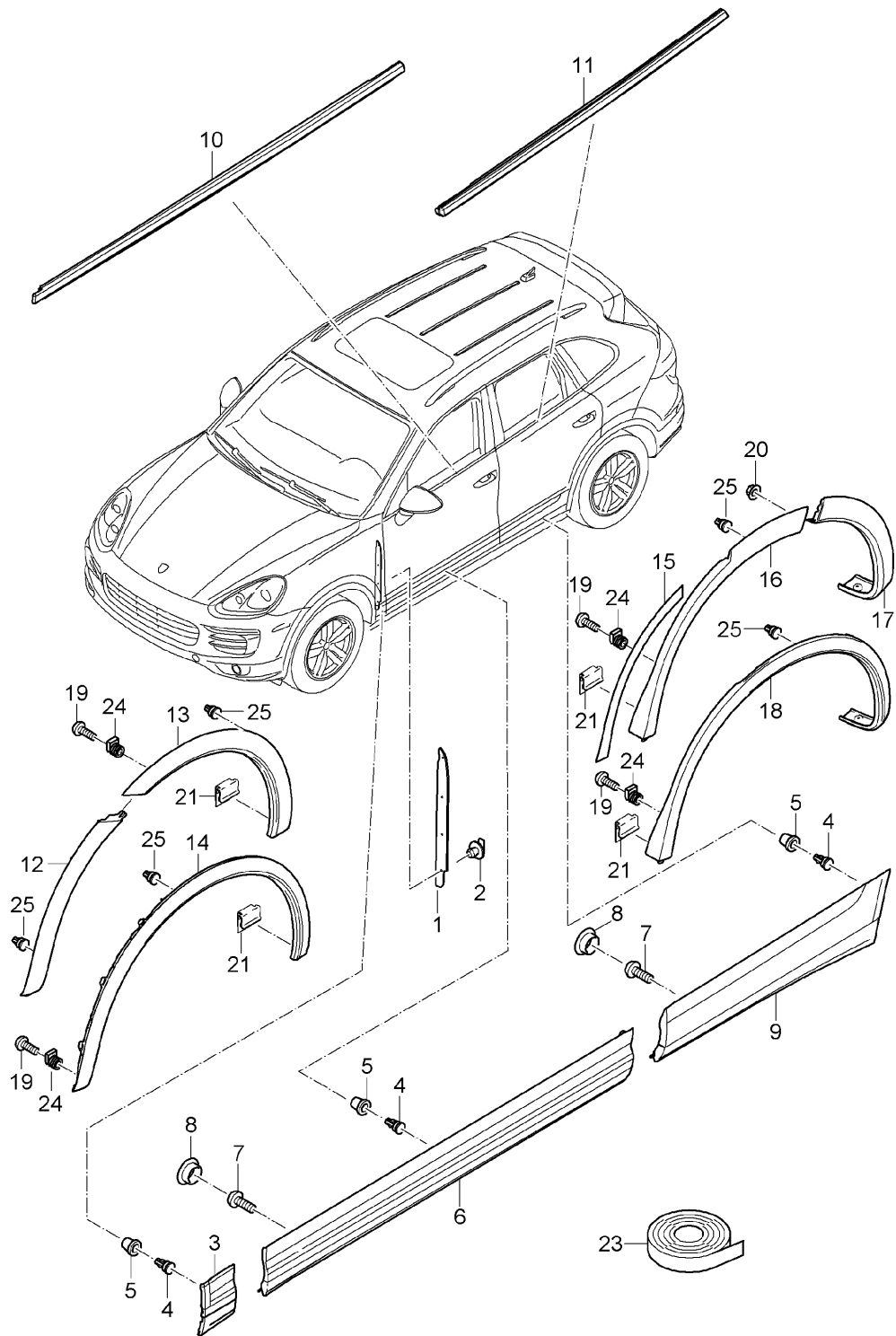
| Pos  | Part Number                          | Description   | Remark        | Qty | Model      |
|------|--------------------------------------|---|---------------|-----|------------|
| (15) | 958 559 710 50                       | Cover trim<br>Door<br>20"<br>D >> - MJ 2014             | right<br>rear | 1   | PR:6GJ,GP0 |
| 16   | 958 559 710 50 G2X<br>958 559 827 00 | primed<br>wheel cover<br>Side part                      | left<br>rear  | 1   | PR:6GB     |
| (16) | 958 559 827 00 9B9<br>958 559 828 00 | Black<br>wheel cover<br>Side part                       | right<br>rear | 1   | PR:6GB     |
| (16) | 958 559 828 00 9B9<br>958 559 827 50 | Black<br>wheel cover<br>20"<br>D >> - MJ 2014           | left<br>rear  | 1   | PR:6GJ,GP0 |
| (16) | 958 559 827 50 G2X<br>958 559 828 50 | primed<br>wheel cover<br>20"<br>D >> - MJ 2014          | right<br>rear | 1   | PR:6GJ,GP0 |
| 17   | 958 559 828 50 G2X<br>958 559 989 00 | primed<br>wheel cover<br>bumper<br>D >> - MJ 2014       | left<br>rear  | 1   | PR:6GB     |
| (17) | 958 559 989 00 9B9<br>958 559 990 00 | Black<br>wheel cover<br>bumper<br>D >> - MJ 2014        | right<br>rear | 1   | PR:6GB     |
| (17) | 958 559 990 00 9B9<br>958 559 989 50 | Black<br>wheel cover<br>20"<br>D >> - MJ 2014           | left<br>rear  | 1   | PR:6GJ,GP0 |
| (17) | 958 559 989 50 G2X<br>958 559 990 50 | primed<br>wheel cover<br>20"<br>D >> - MJ 2014          | right<br>rear | 1   | PR:6GJ,GP0 |
| 18   | 958 559 990 50 G2X<br>958 559 827 10 | primed<br>wheel cover<br>Side part                      | left<br>rear  | 1   | PR:6GF     |
| 18   | 958 559 827 10 9B9<br>958 559 827 20 | Black<br>wheel cover<br>Side part                       | left<br>rear  | 1   | PR:6GA     |
| (18) | 958 559 827 20 9B9<br>958 559 827 30 | Black<br>wheel cover<br>bumper<br>21"<br>D >> - MJ 2014 | left<br>rear  | 1   | PR:6GH     |
| (18) | 958 559 827 30 G2X<br>958 559 828 10 | primed<br>wheel cover<br>Side part                      | right<br>rear | 1   | PR:6GF     |
| (18) | 958 559 828 10 9B9<br>958 559 828 20 | Black<br>wheel cover<br>Side part                       | right<br>rear | 1   | PR:6GA     |
| (18) | 958 559 828 20 9B9<br>958 559 828 30 | Black<br>wheel cover<br>bumper<br>21"<br>D >> - MJ 2014 | right<br>rear | 1   | PR:6GH     |
| 19   | 958 559 828 30 G2X<br>N 909 187 01   | primed<br>Hexagon socket head panel bolt<br>for         |               | X   |            |

Model: 92A 11 Model life 2011>>2018

| Pos  | Part Number                          | Description   | Remark | Qty | Model                  |
|------|--------------------------------------|---|--------|-----|------------------------|
| 20   | WHT 000 001 B                        | wheel cover<br>TP4 X 12<br>hex. nut with washer<br>for<br>wheel cover |        | 1   |                        |
| 21   | 958 559 107 00                       | M 5<br>Clip<br>for<br>wheel cover                                     |        | 2   |                        |
| 22   | 958 512 955 01                       | Trim strip for tailgate<br>D >> - MJ 2014                             | lower  | 1   | PR:QJ4                 |
| (22) | 958 512 955 01 041<br>958 512 955 01 | Black<br>Trim strip for tailgate<br>D >> - MJ 2014                    | lower  | 1   | PR:QJ2,QJ4,            |
| (22) | 958 512 955 01 GV9<br>958 512 955 02 | Galvano silver<br>Decorative trim for lid<br>D - MJ 2014>> - MJ 2014  | lower  | 1   | Platinum<br>PR:QJ3,GP0 |
| 23   | 958 512 955 02 M7T<br>000 043 985 00 | Platinum Silver Metallic<br>Adhesive tape<br>2 Meter                  |        | 1   |                        |
| 24   | 000 043 986 00                       | Clip  |        | X   |                        |
| 25   | 000 043 984 00                       | Clip  |        | 1   |                        |

Model: 92A 11

Model life 2011>>2018



Model: 92A 11 Model life 2011>>2018

| Pos | Part Number        | Description   | Remark         | Qty | Model                  |
|-----|--------------------|---|----------------|-----|------------------------|
|     |                    | Decorative fittings   | lower<br>outer |     | PR:GP1                 |
| 1   |                    | D - MJ 2015>><br>Trim<br>Wing   |                | 1   |                        |
|     |                    | see illustration:   | 801-042        |     |                        |
| 2   |                    | Spreader rivet<br>8,1 X 13  |                | X   |                        |
|     |                    | see illustration:   | 801-042        |     |                        |
| 3   | 958 559 959 01     | lining for fender   | left           | 1   | PR:6GA,6GF,<br>6GH,6GJ |
|     | 958 559 959 01 G2X | primed  |                |     |                        |
| (3) | 958 559 959 01     | lining for fender   | left           | 1   | PR:6GK                 |
|     | 958 559 959 01 G2X | primed  |                |     |                        |
| (3) | 958 559 959 11     | lining for fender   | left           | 1   | PR:6GB                 |
|     | 958 559 959 11 G2X | primed  |                |     |                        |
| (3) | 958 559 960 01     | lining for fender   | right          | 1   | PR:6GA,6GF,<br>6GH,6GJ |
|     | 958 559 960 01 G2X | primed  |                |     |                        |
| (3) | 958 559 960 01     | lining for fender   | right          | 1   | PR:6GK                 |
|     | 958 559 960 01 G2X | primed  |                |     |                        |
| (3) | 958 559 960 11     | lining for fender   | right          | 1   | PR:6GB                 |
|     | 958 559 960 11 G2X | primed  |                |     |                        |
| 4   | 958 559 719 00     | Clip  |                | X   |                        |
| 5   | 955 559 586 00     | Grommet<br>Mount<br>Cover<br>Wing                                       |                | X   |                        |
| 6   | 958 559 787 04     | molding for door  | left<br>front  | 1   | PR:6GA,6GF,<br>6GH     |
|     | 958 559 787 04 G2X | primed  |                |     |                        |
| 6   | 958 559 787 13     | molding for door  | left<br>front  | 1   | PR:6GB                 |
|     | 958 559 787 13 G2X | primed  |                |     |                        |
| 6   | 958 559 787 21     | molding for door  | left<br>front  | 1   | PR:6GK                 |
|     | 958 559 787 21 G2X | primed  |                |     |                        |
| (6) | 958 559 788 04     | molding for door  | right<br>front | 1   | PR:6GA,6GF,<br>6GH     |
|     | 958 559 788 04 G2X | primed  |                |     |                        |
| (6) | 958 559 788 13     | molding for door  | right<br>front | 1   | PR:6GB                 |
|     | 958 559 788 13 G2X | primed  |                |     |                        |
| (6) | 958 559 788 21     | molding for door  | right<br>front | 1   | PR:6GK                 |
|     | 958 559 788 21 G2X | primed  |                |     |                        |
| 7   | N 106 538 01       | Hexagon socket head<br>bolt<br>M 5 X 8,0<br>Mount<br>strip<br>Door seal | front and rear | 4   |                        |
| 8   | 955 559 108 00     | Bungs<br>for<br>strip<br>Door seal                                      | front and rear | 4   |                        |
| 9   | 958 559 789 00     | molding for door  | left<br>rear   | 1   | PR:6GA,6GF,<br>6GH     |
|     | 958 559 789 00 G2X | primed  |                |     |                        |
| (9) | 958 559 789 10     | molding for door  | left<br>rear   | 1   | PR:6GB                 |
|     | 958 559 789 10 G2X | primed  |                |     |                        |
| (9) | 958 559 789 20     | molding for door  | left           | 1   | PR:6GK                 |

Model: 92A 11 Model life 2011>>2018

| Pos  | Part Number                          | Description                     | Remark         | Qty | Model              |
|------|--------------------------------------|---------------------------------|----------------|-----|--------------------|
|      |                                      |                                 | rear           |     |                    |
| (9)  | 958 559 789 20 G2X<br>958 559 790 00 | primed<br>molding for door      | right<br>rear  | 1   | PR:6GA,6GF,<br>6GH |
| (9)  | 958 559 790 00 G2X<br>958 559 790 10 | primed<br>molding for door      | right<br>rear  | 1   | PR:6GB             |
| (9)  | 958 559 790 10 G2X<br>958 559 790 20 | primed<br>molding for door      | right<br>rear  | 1   | PR:6GK             |
| 10   | 958 559 790 20 G2X<br>958 559 475 02 | primed<br>Cover<br>Side window  | left<br>front  | 1   | PR:QJ2             |
| (10) | 958 559 475 02 7Z7<br>958 559 476 02 | chrome<br>Cover<br>Side window  | right<br>front | 1   | PR:QJ2             |
| (10) | 958 559 476 02 7Z7<br>958 559 475 12 | chrome<br>Cover<br>Side window  | left<br>front  | 1   | PR:QJ4             |
| (10) | 958 559 475 12 GW1<br>958 559 476 12 | Black<br>Cover<br>Side window   | right<br>front | 1   | PR:QJ4             |
| 11   | 958 559 476 12 GW1<br>958 559 477 02 | Black<br>Cover<br>Side window   | left<br>rear   | 1   | PR:QJ2             |
| (11) | 958 559 477 02 7Z7<br>958 559 478 02 | chrome<br>Cover<br>Side window  | right<br>rear  | 1   | PR:QJ2             |
| (11) | 958 559 478 02 7Z7<br>958 559 477 12 | chrome<br>Cover<br>Side window  | left<br>rear   | 1   | PR:QJ4             |
| (11) | 958 559 477 12 GW1<br>958 559 478 12 | Black<br>Cover<br>Side window   | right<br>rear  | 1   | PR:QJ4             |
| 12   | 958 559 478 12 GW1<br>958 559 819 10 | Black<br>wheel cover<br>bumper  | left<br>front  | 1   | PR:6GB             |
| (12) | 958 559 819 10 9B9<br>958 559 820 10 | Black<br>wheel cover<br>bumper  | right<br>front | 1   | PR:6GB             |
| 13   | 958 559 820 10 9B9<br>958 559 727 00 | Black<br>wheel cover<br>Wing    | left<br>front  | 1   | PR:6GB             |
| (13) | 958 559 727 00 9B9<br>958 559 728 00 | Black<br>wheel cover<br>Wing    | right<br>front | 1   | PR:6GB             |
| 14   | 958 559 728 00 9B9<br>958 559 727 11 | Black<br>wheel cover<br>bumper  | left<br>front  | 1   | PR:6GF             |
| (14) | 958 559 727 11 9B9<br>958 559 727 20 | Black<br>wheel cover<br>bumper  | left<br>front  | 1   | PR:6GA             |
| (14) | 958 559 727 20 9B9<br>958 559 727 30 | Black<br>wheel cover<br>bumper  | left<br>front  | 1   | PR:6GH             |
| (14) | 958 559 727 30 G2X<br>958 559 727 80 | primed<br>wheel cover<br>bumper | left<br>front  | 1   | PR:6GK             |
| (14) | 958 559 727 80 G2X<br>958 559 728 11 | primed<br>wheel cover<br>bumper | right<br>front | 1   | PR:6GF             |
|      | 958 559 728 11 9B9                   | Black                           |                |     |                    |

Model: 92A 11

Model life 2011&gt;&gt;2018

| Pos  | Part Number                          | Description  | Remark         | Qty | Model  |
|------|--------------------------------------|--|----------------|-----|--------|
| (14) | 958 559 728 20                       | wheel cover<br>bumper  | right<br>front | 1   | PR:6GA |
| (14) | 958 559 728 20 9B9<br>958 559 728 30 | Black<br>wheel cover<br>bumper                                 | right<br>front | 1   | PR:6GH |
| (14) | 958 559 728 30 G2X<br>958 559 728 80 | primed<br>wheel cover<br>bumper                                | right<br>front | 1   | PR:6GK |
| 15   | 958 559 728 80 G2X<br>958 559 709 00 | primed<br>wheel cover<br>Door                                  | left<br>rear   | 1   | PR:6GB |
| (15) | 958 559 709 00 9B9<br>958 559 710 00 | Black<br>wheel cover<br>Door                                   | right<br>rear  | 1   | PR:6GB |
| 16   | 958 559 710 00 9B9<br>958 559 827 00 | Black<br>wheel cover<br>Side part                              | left<br>rear   | 1   | PR:6GB |
| (16) | 958 559 827 00 9B9<br>958 559 828 00 | Black<br>wheel cover<br>Side part                              | right<br>rear  | 1   | PR:6GB |
| 17   | 958 559 828 00 9B9<br>958 559 989 10 | Black<br>wheel cover<br>bumper                                 | left<br>rear   | 1   | PR:6GB |
| (17) | 958 559 989 10 9B9<br>958 559 990 10 | Black<br>wheel cover<br>bumper                                 | right<br>rear  | 1   | PR:6GB |
| 18   | 958 559 990 10 9B9<br>958 559 827 10 | Black<br>wheel cover<br>Side part                              | left<br>rear   | 1   | PR:6GF |
| 18   | 958 559 827 10 9B9<br>958 559 827 20 | Black<br>wheel cover<br>Side part                              | left<br>rear   | 1   | PR:6GA |
| (18) | 958 559 827 20 9B9<br>958 559 827 40 | Black<br>wheel cover<br>bumper                                 | left<br>rear   | 1   | PR:6GH |
| (18) | 958 559 827 40 G2X<br>958 559 827 80 | primed<br>wheel cover<br>bumper                                | left<br>rear   | 1   | PR:6GK |
| (18) | 958 559 827 80 G2X<br>958 559 828 10 | primed<br>wheel cover<br>Side part                             | right<br>rear  | 1   | PR:6GF |
| (18) | 958 559 828 10 9B9<br>958 559 828 20 | Black<br>wheel cover<br>Side part                              | right<br>rear  | 1   | PR:6GA |
| (18) | 958 559 828 20 9B9<br>958 559 828 40 | Black<br>wheel cover<br>bumper                                 | right<br>rear  | 1   | PR:6GH |
| (18) | 958 559 828 40 G2X<br>958 559 828 80 | primed<br>wheel cover<br>bumper                                | right<br>rear  | 1   | PR:6GK |
| 19   | 958 559 828 80 G2X<br>N 909 187 01   | primed<br>Hexagon socket head panel bolt<br>for<br>wheel cover |                | X   |        |
| 20   | WHT 000 001 B                        | TP4 X 12<br>hex. nut with washer<br>for<br>wheel cover         |                | 1   |        |
| 21   | 958 559 107 00                       | M 5<br>Clip  |                | 2   |        |

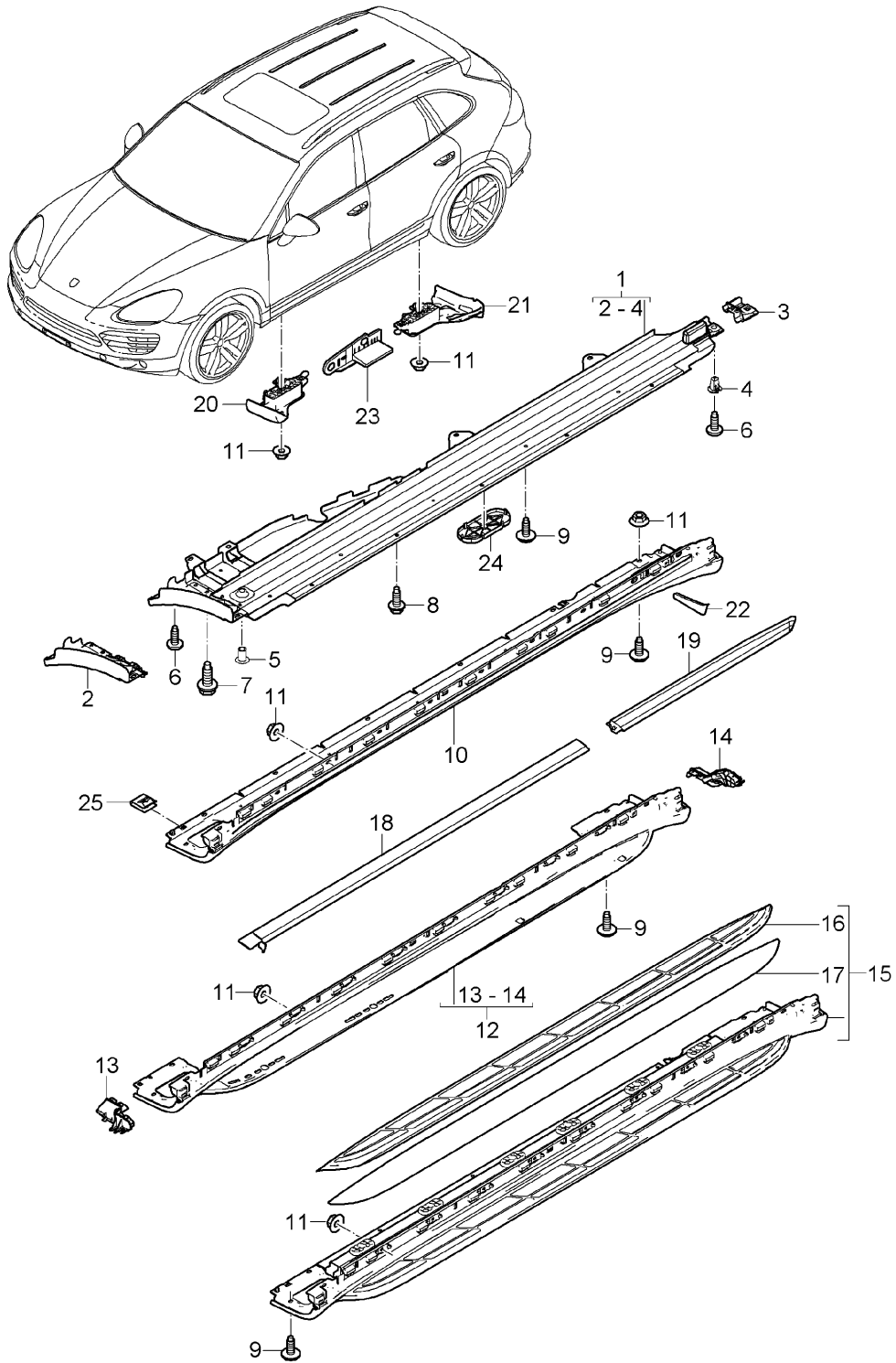
Model: 92A 11

Model life 2011&gt;&gt;2018

| Pos | Part Number    | Description                                    | Remark | Qty | Model |
|-----|----------------|--|--------|-----|-------|
| 23  | 000 043 985 00 | for<br>wheel cover<br>Adhesive tape<br>2 METER |        | 1   |       |
| 24  | 000 043 986 00 | Clip   |        | X   |       |
| 25  | 000 043 984 00 | Clip   |        | 1   |       |

Model: 92A 11

Model life 2011>>2018





Model: 92A 11 Model life 2011>>2018

| Pos  | Part Number                          | Description  | Remark                         | Qty | Model                  |
|------|--------------------------------------|--|--------------------------------|-----|------------------------|
| 1    | 958 559 830 00                       | Linings<br>Accessories<br>Sill<br>Bracket<br><br>(complete)<br>Discontinued part | left<br>inner                  | 1   | PR:VR2,7K0             |
| (1)  | 958 559 830 01                       | Bracket<br><br>(complete)<br>Discontinued part                                   | left<br>inner                  | 1   | PR:VR2,7K3,<br>7K4,7K5 |
| (1)  | 958 559 830 02                       | Bracket<br><br>(complete)  | left<br>inner                  | 1   | PR:VR2                 |
| (1)  | 958 559 840 00                       | Bracket<br><br>(complete)<br>Discontinued part                                   | right<br>inner                 | 1   | PR:VR2                 |
| (1)  | 958 559 840 01                       | Bracket<br><br>(complete)  | right<br>inner                 | 1   | PR:VR2                 |
| 2    | 958 559 349 00                       | end piece<br>Bracket   | left<br>inner                  | 1   | PR:VR2                 |
| (2)  | 958 559 350 00                       | end piece<br>Bracket   | front<br>right<br>inner        | 1   | PR:VR2                 |
| 3    | 958 559 579 00                       | end piece<br>Bracket   | front<br>left<br>inner         | 1   | PR:VR2                 |
| (3)  | 958 559 580 00                       | end piece<br>Bracket   | rear<br>right<br>inner<br>rear | 1   | PR:VR2                 |
| 4    | WHT 004 935                          | expanding nut<br>TP5X15.5  | right                          | 2   | PR:VR2                 |
| 5    | N 904 085 04                         | rivetted cap nut<br>M8   |                                | 2   | PR:VR2                 |
| 6    | N 911 604 01                         | Hexagon socket head panel bolt<br>TP5 X 16                                       |                                | 2   | PR:VR2                 |
| (6)  | N 909 747 01                         | Discontinued part<br>Hexagon socket head panel bolt                              |                                | X   |                        |
| 7    | N 909 210 02                         | Hexagon bolt<br>M8 X 22  |                                | 8   | PR:VR2                 |
| (7)  | N 910 343 01                         | self-tapping screw<br>M6 X 20  |                                | X   | PR:VR2                 |
| 8    | N 910 345 01                         | hexagon head bolt (combi)<br>M6 X 20   |                                | 8   | PR:VR2                 |
| 9    | N 908 082 01                         | Hexagon socket head panel bolt<br>M6 X 18,5                                      |                                | 8   | PR:VR2                 |
| 10   | 958 559 553 00                       | Cover<br>Sill  | left<br>side                   | 1   | PR:VR0                 |
| (10) | 958 559 553 00 9B9<br>958 559 554 00 | Satin black<br>Cover<br>Sill   | right<br>side                  | 1   | PR:VR0                 |
| (10) | 958 559 554 00 9B9<br>958 559 885 00 | Satin black<br>Cover<br>Sill   | left<br>side                   | 1   | PR:VR4                 |
| (10) | 958 559 885 00 G2X<br>958 559 886 00 | primed<br>Cover<br>Sill  | right<br>side                  | 1   | PR:VR4                 |
| 11   | 958 559 886 00 G2X<br>N 905 708 03   | primed<br>hex. nut with washer<br>M6   |                                | 20  |                        |

Model: 92A 11

Model life 2011>>2018

| Pos  | Part Number                          | Description                                     | Remark         | Qty | Model  |
|------|--------------------------------------|---|----------------|-----|--------|
| 12   | 958 559 887 00                       | Cover<br>Sill                                   | left<br>side   | 1   | PR:VR2 |
| (12) | 958 559 887 00 9B9<br>958 559 887 00 | Satin black<br>Cover<br>Sill                    | left<br>side   | 1   | PR:VR5 |
| (12) | 958 559 887 00 9B9<br>958 559 888 00 | Satin black<br>Cover<br>Sill                    | right<br>side  | 1   | PR:VR2 |
| (12) | 958 559 888 00 9B9<br>958 559 888 00 | Satin black<br>Cover<br>Sill                    | right<br>side  | 1   | PR:VR5 |
| 13   | 958 559 888 00 9B9<br>958 559 455 00 | Satin black<br>end piece<br>Cover<br>Sill       | left<br>front  | 1   | PR:VR2 |
| (13) | 958 559 455 00                       | end piece<br>Cover<br>Sill                      | left<br>front  | 1   | PR:VR5 |
| (13) | 958 559 456 00                       | end piece<br>Cover<br>Sill                      | right<br>front | 1   | PR:VR2 |
| (13) | 958 559 456 00                       | end piece<br>Cover<br>Sill                      | right<br>front | 1   | PR:VR5 |
| 14   | 958 559 657 00                       | end piece<br>Cover<br>Sill                      | left<br>rear   | 1   | PR:VR2 |
| (14) | 958 559 657 00                       | end piece<br>Cover<br>Sill                      | left<br>rear   | 1   | PR:VR5 |
| (14) | 958 559 658 00                       | end piece<br>Cover<br>Sill                      | right<br>rear  | 1   | PR:VR2 |
| (14) | 958 559 658 00                       | end piece<br>Cover<br>Sill                      | right<br>rear  | 1   | PR:VR5 |
| 15   | 958 559 847 00                       | bumper guards<br>(complete)                     | left<br>side   | 1   | PR:VR1 |
|      |                                      | with:<br>footboard<br>Sill<br>Discontinued part |                |     |        |
| 15   | 958 559 847 00 9B9<br>958 559 847 01 | Satin black<br>bumper guards<br>(complete)      | left<br>side   | 1   | PR:VR1 |
|      |                                      | with:<br>footboard<br>Sill<br>(complete)        |                |     |        |
| (15) | 958 559 847 01 9B9<br>958 559 848 00 | Satin black<br>bumper guards<br>(complete)      | right<br>side  | 1   | PR:VR1 |
|      |                                      | with:<br>footboard<br>Sill<br>Discontinued part |                |     |        |
| (15) | 958 559 848 00 9B9<br>958 559 848 01 | Satin black<br>bumper guards<br>(complete)      | right<br>side  | 1   | PR:VR1 |
|      |                                      | with:<br>footboard<br>Sill                      |                |     |        |
|      | 958 559 848 01 9B9                   | Satin black                                     |                |     |        |

Model: 92A 11 Model life 2011>>2018

| Pos  | Part Number        | Description  | Remark         | Qty | Model              |
|------|--------------------|--|----------------|-----|--------------------|
| 16   | 958 559 619 00     | footboard<br>Sill                                      | left<br>side   | 1   | PR:VR1             |
| 16   | 000 043 310 45     | No longer use the part here<br>footboard<br>(complete) | left<br>side   | 1   | PR:VR1             |
|      |                    | with:  |                |     |                    |
|      |                    | Fasteners<br>Documents<br>Sill                         |                |     |                    |
| (16) | 958 559 620 00     | footboard<br>Sill                                      | right<br>side  | 1   | PR:VR1             |
| (16) | 000 043 310 46     | No longer use the part here<br>footboard<br>(complete) | right<br>side  | 1   | PR:VR1             |
|      |                    | with:  |                |     |                    |
|      |                    | Fasteners<br>Documents<br>Sill                         |                |     |                    |
| 17   | 958 559 631 00     | Insert<br>footboard<br>Set                             | left           | 1   | PR:VR1             |
|      |                    | comprising:  |                |     |                    |
|      |                    | Insert   |                | 4   |                    |
|      |                    | Assembly kit   |                | 1   |                    |
| (17) | 958 559 632 00     | Insert<br>footboard<br>Set                             | right          | 1   | PR:VR1             |
|      |                    | comprising:  |                |     |                    |
|      |                    | Insert   |                | 4   |                    |
|      |                    | Assembly kit   |                | 1   |                    |
| 18   | 958 559 537 00     | Sill trim strip  | left<br>front  | 1   |                    |
| (18) | 958 559 537 00 9B9 | Satin black  |                |     |                    |
|      | 958 559 538 00     | Sill trim strip  | right<br>front | 1   |                    |
|      | 958 559 538 00 9B9 | Satin black  |                |     |                    |
| 19   | 958 559 539 00     | Sill trim strip  | left<br>rear   | 1   |                    |
| (19) | 958 559 539 00 9B9 | Satin black  |                |     |                    |
|      | 958 559 540 00     | Sill trim strip  | right<br>rear  | 1   |                    |
|      | 958 559 540 00 9B9 | Satin black  |                |     |                    |
| 20   | 958 559 829 00     | socket - jack  | left<br>front  | 1   |                    |
| (20) | 958 559 829 00 9B9 | Satin black  |                |     |                    |
|      | 958 559 832 00     | socket - jack  | right<br>front | 1   |                    |
|      | 958 559 832 00 9B9 | Satin black  |                |     |                    |
| 21   | 958 559 831 00     | socket - jack  | left<br>rear   | 1   |                    |
| (21) | 958 559 831 00 9B9 | Satin black  |                |     |                    |
|      | 958 559 834 00     | socket - jack  | right<br>rear  | 1   |                    |
|      | 958 559 834 00 9B9 | Satin black  |                |     |                    |
| 22   | 958 559 851 00     | wheel spoiler<br>Sport Design package                  | left           | 1   | PR:VR4             |
| (22) | 958 559 851 00 9B9 | Satin black  |                |     |                    |
|      | 958 559 852 00     | wheel spoiler<br>Sport Design package                  | right          | 1   | PR:VR4             |
|      | 958 559 852 00 9B9 | Satin black  |                |     |                    |
| 23   | 958 559 479 00     | Reinforcement<br>Side member trim                      | left           | 1   | PR:VR0,VR2,<br>VR4 |
| (23) | 958 559 479 00     | Reinforcement  | left           | 1   | PR:VR5             |

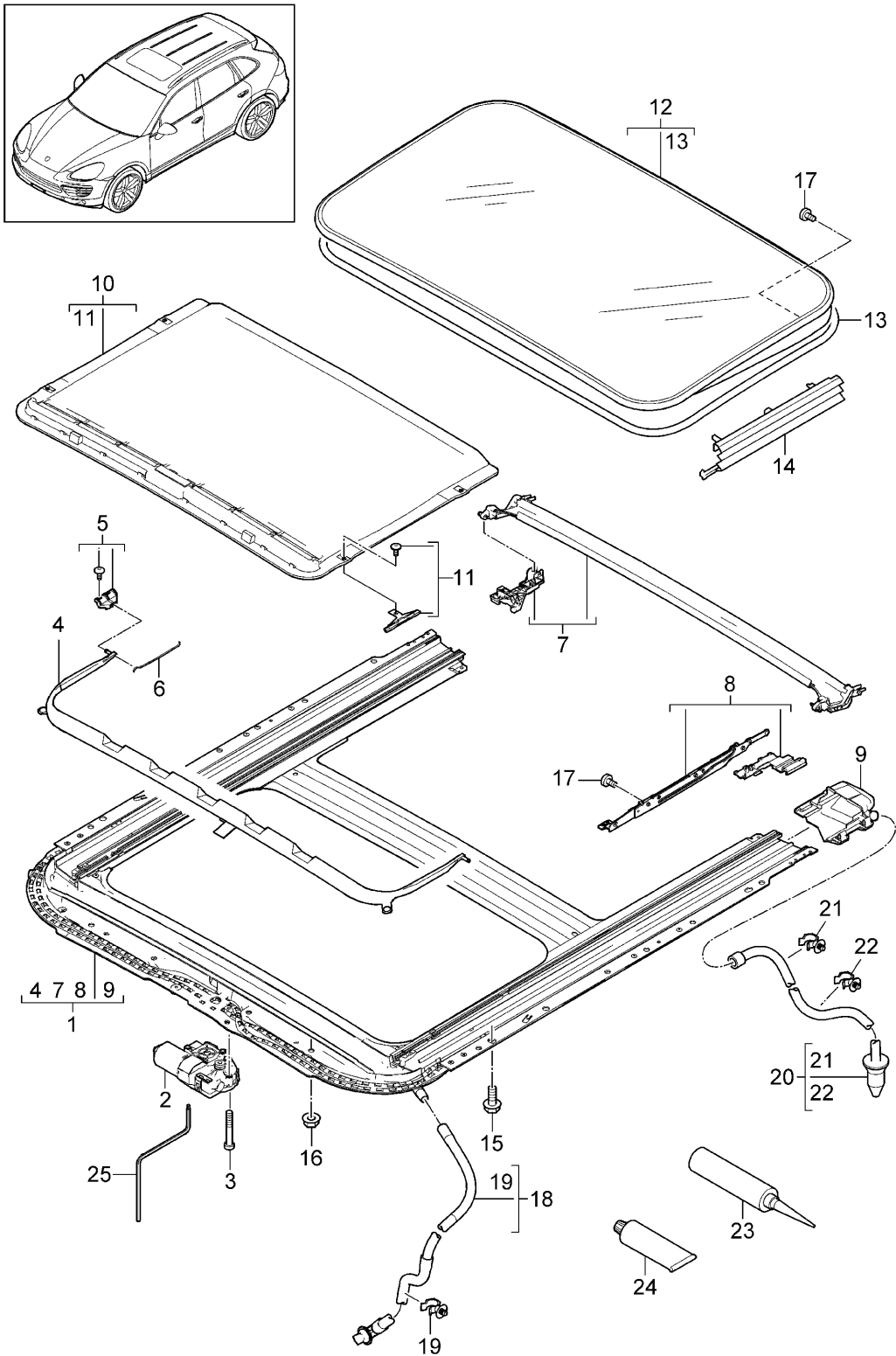
Model: 92A 11

Model life 2011>>2018

| Pos  | Part Number    | Description   | Remark        | Qty | Model              |
|------|----------------|---|---------------|-----|--------------------|
| (23) | 958 559 480 00 | Side member trim<br>Reinforcement                         | right         | 1   | PR:VR0,VR2,<br>VR4 |
| (23) | 958 559 480 00 | Side member trim<br>Reinforcement                         | right         | 1   | PR:VR5             |
| 24   | 958 559 769 00 | Side member trim<br>Cover<br>for<br>Bracket<br>(complete) | left<br>inner | 1   | PR:VR2             |
| 25   | N 101 941 04   | Speed nut<br>POS10  |               | 1   | PR:VR4             |

Model: 92A 11

Model life 2011>>2018



Model: 92A 11 Model life 2011>>2018

| Pos  | Part Number        | Description  | Remark   | Qty | Model  |
|------|--------------------|--|--|-----|--------|
| 1    | 958 564 045 00     | Sunroof<br>Frame for sliding sunroof<br>aperture<br>(complete) |  | 1   | PR:3FE |
| 2    | 958 624 591 20     | Engine   |  | 1   |        |
| 3    | 958 564 721 00     | Set<br>Fastening screw<br>Driving mechanism<br>M5x33           |  | 1   |        |
| 4    | 958 564 651 00     | wind deflector   |  | 1   |        |
| 5    | 958 564 944 00     | Parts kit<br>wind deflector                                    |  | 1   |        |
|      |                    | with:  |  |     |        |
| 6    | 958 564 695 00     | Screw<br>leaf spring   |  | 2   |        |
| 7    | 958 564 481 00     | repair set<br>Water deflector strip                            |  | 1   |        |
| 8    | 958 564 153 00     | repair set<br>gate guide                                       |  | 1   |        |
|      |                    | with:  |  |     |        |
| 9    | 958 564 211 00     | Cable<br>Parts kit<br>end piece                                |  | 1   |        |
| 10   | 958 564 255 00     | Roofliner frame<br>Cloth                                       |  | 1   |        |
|      | 958 564 255 00 DE1 | Umber  | -LF, TX, TY, YF  |     |        |
|      | 958 564 255 00 4F7 | Espresso   | -VA, VB  |     |        |
|      | 958 564 255 00 6F2 | Black  | -LC, LG, LH, MA,<br>MI, TA, TB, TW,<br>YA, YB, YC, 77        |     |        |
|      | 958 564 255 00 7F3 | Luxor beige  | -LE, MC, YE  |     |        |
|      | 958 564 255 00 9F1 | Platinum Grey  | -LD, MD, YD  |     |        |
|      | 958 564 255 00 CH6 | saddle brown   | -ME, MH, MJ, MK  |     |        |
|      | 958 564 255 00 DR7 | agate grey   | -MB, MG, ML  |     |        |
| (10) | 958 564 255 00     | Roofliner frame<br>Alcantara                                   |  | 1   |        |
|      | 958 564 255 00 GN2 | Umber  | -LF, TX, TY, YF  |     |        |
|      | 958 564 255 00 2W0 | Black  | -LC, LG, LH, MA,<br>MF, MI, TA, TB,<br>TW, YA, YB, YC,<br>77 |     |        |
|      | 958 564 255 00 8U3 | Platinum Grey  | -LD, MD, YD  |     |        |
|      | 958 564 255 00 9U1 | Luxor beige  | -LE, MC, YE  |     |        |
|      | 958 564 255 00 9U7 | Espresso   | -VA, VB  |     |        |
|      | 958 564 255 00 OP2 | saddle brown   | -ME, MH, MJ, MK  |     |        |
|      | 958 564 255 00 OU5 | agate grey   | -MB, MG, ML  |     |        |
| 11   | 958 564 924 00     | Glide piece<br>Set   |  | 1   |        |
|      |                    | with:  |  |     |        |
| 12   | 958 564 071 00     | Screw<br>Glass roof  |  | 1   |        |
| 13   | 958 564 297 00     | Seal   |  | 1   |        |
| 14   | 958 564 781 00     | Bellows  | left   | 1   |        |
| (14) | 958 564 782 00     | Bellows  | right  | 1   |        |
| 15   | N 103 126 03       | hexagon head bolt (combi)<br>M6x16                             |  | 6   |        |
| 16   | N 904 369 04       | hex. nut, self-locking with<br>washer<br>M6                    |  | 4   |        |
| 17   | 958 564 721 10     | Set<br>Fastening screw<br>Cover<br>M5X14                       |  | 1   |        |

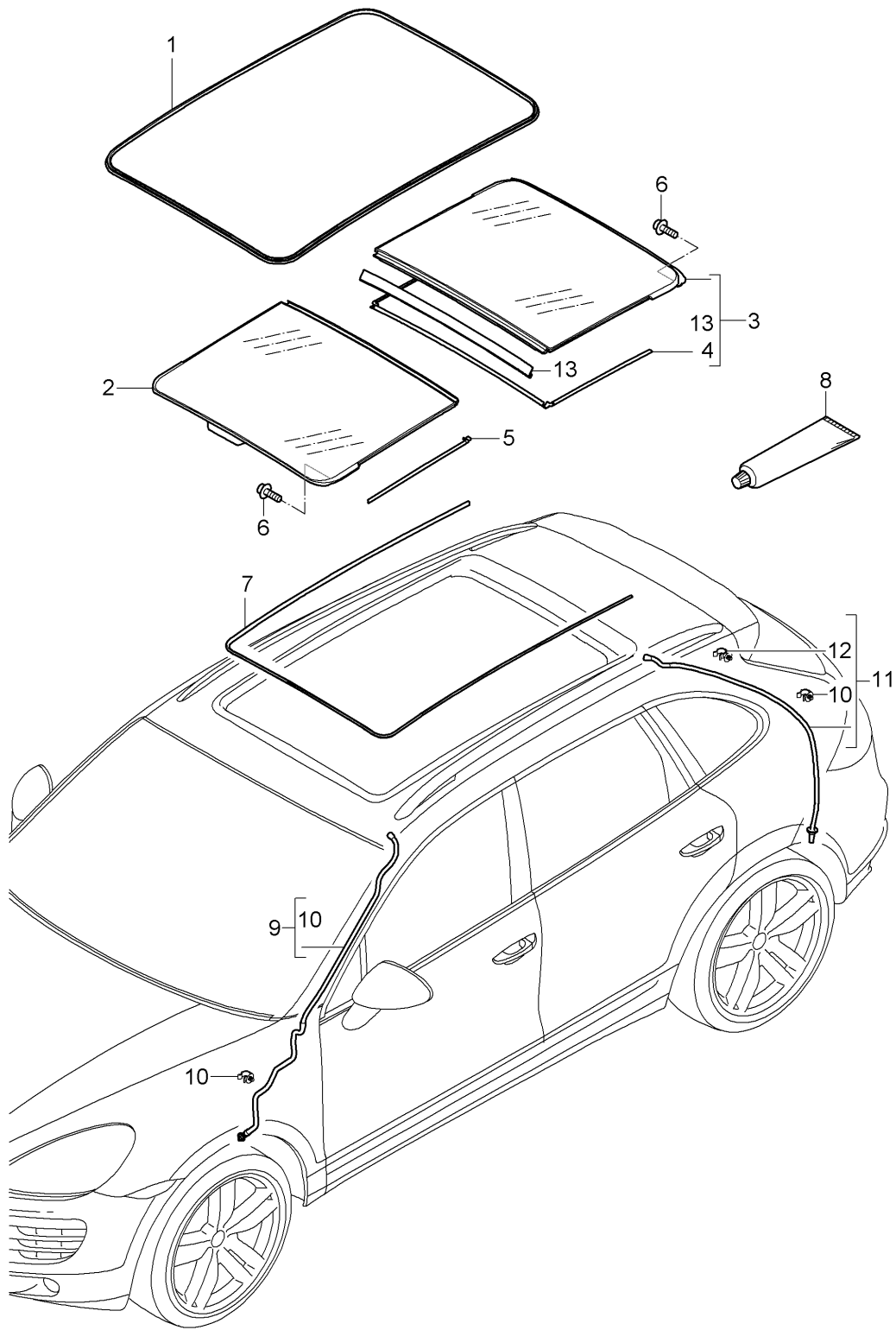
Model: 92A 11

Model life 2011>>2018

| Pos  | Part Number    | Description                  | Remark         | Qty | Model |
|------|----------------|------------------------------|----------------|-----|-------|
| 18   | 958 564 201 00 | Water drainage hose          | front<br>left  | 1   |       |
| (18) | 958 564 202 00 | Water drainage hose          | front<br>right | 1   |       |
| 19   | 958 564 244 00 | Hose bracket                 |                | 2   |       |
| 20   | 958 564 203 00 | Water drainage hose          | rear<br>left   | 1   |       |
| (20) | 958 564 204 00 | Water drainage hose          | rear<br>right  | 1   |       |
| 21   | 958 564 244 10 | Hose bracket                 |                | 1   |       |
| 22   | 958 564 244 00 | Hose bracket                 |                | 6   |       |
| 23   | 000 043 173 00 | sealant<br>for<br>end piece  |                | 1   |       |
| 24   | 958 564 902 00 | Grease<br>for<br>gate guide  |                | 1   |       |
| 25   | 955 564 036 00 | crank<br>Emergency operation |                | 1   |       |

Model: 92A 11

Model life 2011>>2018



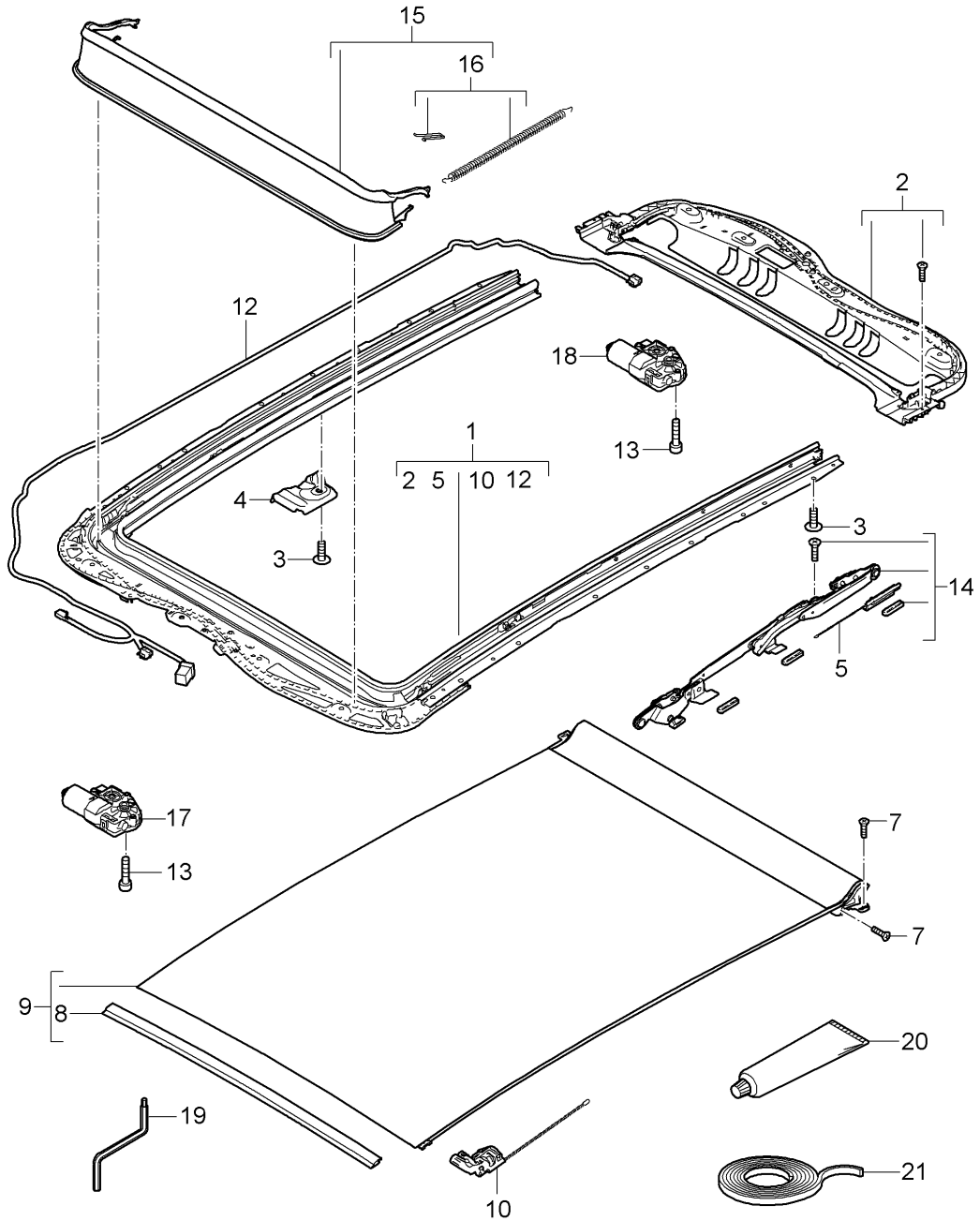
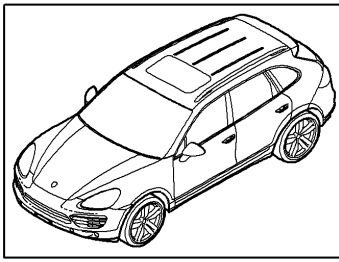


Model: 92A 11 Model life 2011>>2018

| Pos  | Part Number        | Description  | Remark         | Qty | Model  |
|------|--------------------|--|----------------|-----|--------|
|      |                    | Glass roof<br>Accessories<br>Cover<br>Water drainage hose<br>Seal<br>Body<br>Discontinued part |                | 1   | PR:3FU |
| 1    | 958 562 459 02     |  |                | 1   |        |
| 1    | 958 562 459 03     | Seal<br>Body   |                | 1   |        |
| 2    | 958 562 055 00     | Cover  | front          | 1   |        |
| 3    | 958 562 055 00 9B9 | Glass roof<br>Satin black  |                |     |        |
|      | 958 562 056 00     | Cover  | rear           | 1   |        |
| 3    | 958 562 056 00 9B9 | Glass roof<br>Discontinued part<br>Satin black   |                |     |        |
|      | 958 562 056 01     | Cover  | rear           | 1   |        |
| 4    | 958 562 056 01 9B9 | Glass roof<br>Satin black  |                |     |        |
|      | 958 562 297 00     | Seal<br>for<br>Cover   | rear           | 1   |        |
| 4    | 958 562 297 01     | D >> - MJ 2011<br>Seal<br>for<br>Cover   | rear           | 1   |        |
| 5    | 958 562 791 00     | D - MJ 2012>><br>Trim  |                | 2   |        |
| 6    | 958 562 791 00 9B9 | Satin black  |                | 1   |        |
| 6    | 958 562 955 00     | Set<br>Fasteners   |                | 1   |        |
| 7    | 958 562 439 00     | Cover<br>Seal  | inner          | 1   |        |
| 8    | 958 562 900 01     | grease<br>150 ML<br>1 tube   |                | 1   |        |
| (8)  | 000 043 302 96     | D >> - 10.01.2016<br>Grease spray can<br>100 ML<br>Spraying can                                |                | 1   |        |
| 9    | 958 564 201 00     | D - 11.01.2016>><br>Water drainage hose  | front<br>left  | 1   |        |
| (9)  | 958 564 202 00     | Water drainage hose  | front<br>right | 1   |        |
| 10   | 958 564 244 00     | Hose bracket   |                | X   |        |
| 11   | 958 562 203 00     | Water drainage hose  | rear<br>left   | 1   |        |
| (11) | 958 562 204 00     | Water drainage hose  | rear<br>right  | 1   |        |
| 12   | 958 564 244 10     | Hose bracket   |                | 6   |        |
| 13   | 958 562 913 00     | Seal<br>for<br>Cover   | front<br>rear  | 1   |        |
|      |                    | D - MJ 2012>>  |                |     |        |

Model: 92A 11

Model life 2011>>2018



Model: 92A 11 Model life 2011>>2018

| Pos | Part Number        | Description   | Remark   | Qty | Model   |
|-----|--------------------|---|--|-----|---------|
|     |                    | Glass roof<br>Frame<br>Accessories                                      |  |     | PR: 3FU |
| 1   | 958 562 049 00     | Frame<br>D >> - MJ 2011<br>Discontinued part                            |  | 1   |         |
| (1) | 958 562 049 01     | Frame<br>D >> - MJ 2011<br>also use:                                    | 958 562 307 02   | 1   |         |
| (1) | 958 562 049 01     | Frame<br>D >> - 10.01.2016  |  | 1   |         |
| (1) | 958 562 049 02     | D - MJ 2012>><br>Frame<br>D - 11.01.2016>>                              |  | 1   |         |
| 2   | 958 562 259 00     | repair set<br>Frame<br>Part   | rear   | 1   |         |
| 3   | N 911 664 01       | also use:<br>Oval hexagon socket head bolt<br>M6X14                     | 000 043 172 00   | 22  |         |
| 4   | 958 562 294 00     | Console   | right  | 1   |         |
| (4) | 958 562 293 00     | Console   | left   | 1   |         |
| 5   | 958 562 870 00     | Set<br>Cable<br>Cover   |  | 1   |         |
| 7   | 958 562 920 00     | Set<br>Fastening screw<br>roller blind                                  |  | 1   |         |
| 8   | 958 562 921 00     | repair set<br>Roof arch   |  | 1   |         |
| 9   | 958 562 307 01     | roller blind<br>D >> - MJ 2011  |  | 1   |         |
|     | 958 562 307 01 0F8 | Umber   | -LF, TX, TY, YF  |     |         |
|     | 958 562 307 01 0C5 | Platinum Grey   | -LD, MD, YD  |     |         |
|     | 958 562 307 01 0A3 | Black   | -LC, MA, TW, YA,<br>YB, YC                                   |     |         |
|     | 958 562 307 01 0B4 | Luxor beige   | -LE, MC, YE  |     |         |
|     | 958 562 307 01 0E7 | Espresso  | -VA, VB  |     |         |
| (9) | 958 562 307 02     | roller blind<br>D - MJ 2012>>   |  | 1   |         |
|     | 958 562 307 02 0F8 | Umber   | -LF, TX, TY, YF  |     |         |
|     | 958 562 307 02 0C5 | Platinum Grey   | -LD, MD, YD  |     |         |
|     | 958 562 307 02 0A3 | Black   | -LC, LG, LH, MA,<br>MF, MI, TA, TB,<br>TW, YA, YB, YC,<br>77 |     |         |
|     | 958 562 307 02 0B4 | Luxor beige   | -LE, MC, YE  |     |         |
|     | 958 562 307 02 0E7 | Espresso  | -VA, VB  |     |         |
|     | 958 562 307 02 0G9 | agate grey  | -MB, MG, ML  |     |         |
|     | 958 562 307 02 ZR5 | saddle brown  | -ME, MH, MJ, MK  |     |         |
| 10  | 958 562 870 10     | Set<br>Cable<br>roller blind  |  | 1   |         |
| 12  | 958 612 648 00     | Wire set  |  | 1   |         |
| 13  | 958 562 057 00     | Glass roof<br>Set of fastening parts<br>Screw<br>M5X28<br>for<br>Engine | front and rear   | 1   |         |
| 14  | 958 562 738 00     | Set<br>Toggle catch<br>for  |  | 1   |         |

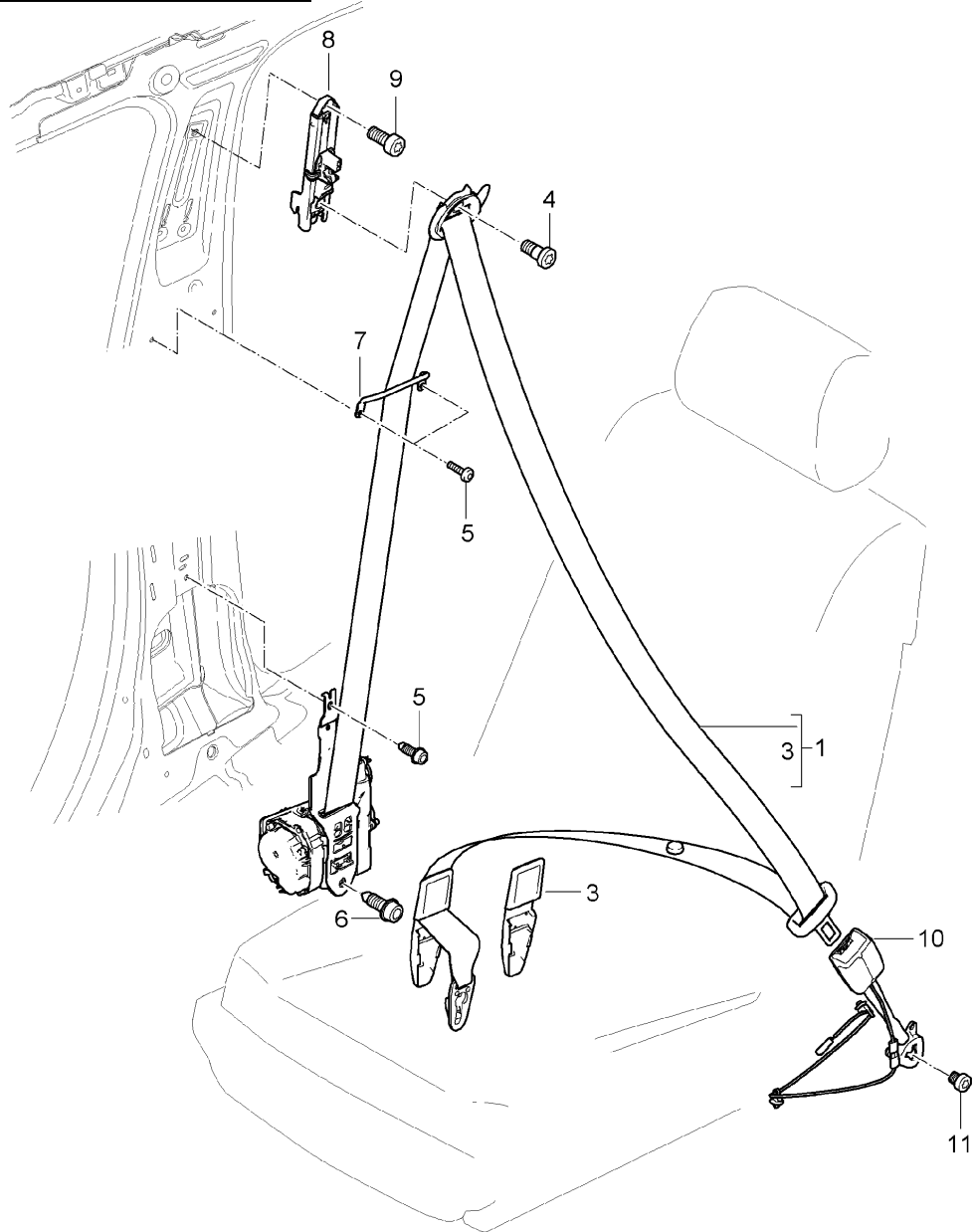
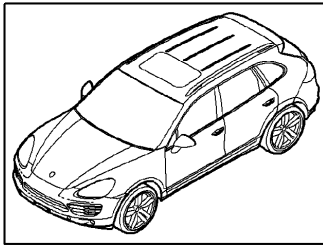
Model: 92A 11

Model life 2011>>2018

| Pos  | Part Number        | Description  | Remark | Qty | Model |
|------|--------------------|--|--------|-----|-------|
| 15   | 958 562 651 00     | Glass roof<br>wind deflector                                       |        | 1   |       |
|      | 958 562 651 00 9B9 | Satin black  |        |     |       |
| 16   | 958 562 671 00     | Parts kit<br>wind deflector  |        | 1   |       |
| 17   | 958 624 591 00     | Engine<br>for<br>Driving mechanism<br>Cover                        | front  | 1   |       |
| 18   | 958 624 591 10     | Engine<br>for<br>Driving mechanism<br>roller blind                 | rear   | 1   |       |
| 19   | 955 564 036 00     | crank<br>Emergency operation                                       |        | 1   |       |
| 20   | 958 562 900 01     | grease<br>150 ML<br>1 tube   |        | 1   |       |
| (20) | 000 043 302 96     | D >> - 10.01.2016<br>Grease spray can<br>100 ML<br>Spraying can    |        | 1   |       |
| 21   | 000 043 172 00     | D - 11.01.2016>><br>sealing cord<br>roller<br>for<br>Seal<br>Frame | rear   | 1   |       |

Model: 92A 11

Model life 2011>>2018



Model: 92A 11 Model life 2011>>2018

| Pos | Part Number        | Description   | Remark | Qty | Model  |
|-----|--------------------|---|--------|-----|--------|
| 1   | 958 803 002 00     | Three-point safety belt<br>Belt latch                                 | front  | 1   |        |
|     | 958 803 002 00 HCP | Black   |        |     | PR:FZ0 |
|     | 958 803 002 00 N13 | guards red (Porsche)  |        |     | PR:FZ1 |
|     | 958 803 002 00 U01 | silver grey   |        |     | PR:FZ2 |
|     | 958 803 002 00 62S | Luxor beige   |        |     | PR:FZ3 |
|     | 958 803 002 00 1P0 | Cognac  |        |     | PR:FZ5 |
|     | 958 803 002 00 DE1 | Umber   |        |     | PR:FZ6 |
|     | 958 803 002 00 DJ3 | Titanium Blue   |        |     | PR:FZ7 |
| 1   | 958 803 002 01     | Three-point safety belt   | right  | 1   |        |
|     | 958 803 002 01 HCP | Black   |        |     | PR:FZ0 |
|     | 958 803 002 01 N13 | guards red (Porsche)  |        |     | PR:FZ1 |
|     | 958 803 002 01 U01 | silver grey   |        |     | PR:FZ2 |
|     | 958 803 002 01 62S | Luxor beige   |        |     | PR:FZ3 |
|     | 958 803 002 01 1P0 | Cognac  |        |     | PR:FZ5 |
|     | 958 803 002 01 DE1 | Umber   |        |     | PR:FZ6 |
|     | 958 803 002 01 DJ3 | Titanium Blue   |        |     | PR:FZ7 |
|     | 958 803 002 01 M3C | Carmine red   |        |     | PR:FZ8 |
|     | 958 803 002 01 2S1 | Peridot Metallic  |        |     | PR:FZ9 |
| 1   | 958 803 002 02     | Three-point safety belt<br>D - MJ 2015>>                              | right  | 1   |        |
|     | 958 803 002 02 OR1 | agate grey  |        |     | PR:FI0 |
|     | 958 803 002 02 OP2 | saddle brown  |        |     | PR:FI1 |
|     | 958 803 002 02 OA5 | Carrera Red   |        |     | PR:FI2 |
|     | 958 803 002 02 OC7 | Espresso  |        |     | PR:FI3 |
|     | 958 803 002 02 M7U | Rhodium Silver Metallic   |        |     | PR:FI5 |
|     | 958 803 002 02 OB8 | Cohiba Brown  |        |     | PR:FI7 |
| (1) | 958 803 001 00     | Three-point safety belt<br>Discontinued part                          | left   | 1   |        |
|     | 958 803 001 00 HCP | Black   |        |     | PR:FZ0 |
|     | 958 803 001 00 N13 | guards red (Porsche)  |        |     | PR:FZ1 |
|     | 958 803 001 00 U01 | silver grey   |        |     | PR:FZ2 |
|     | 958 803 001 00 62S | Luxor beige   |        |     | PR:FZ3 |
|     | 958 803 001 00 1P0 | Cognac  |        |     | PR:FZ5 |
|     | 958 803 001 00 DE1 | Umber   |        |     | PR:FZ6 |
|     | 958 803 001 00 DJ3 | Titanium Blue   |        |     | PR:FZ7 |
| (1) | 958 803 001 01     | Three-point safety belt   | left   | 1   |        |
|     | 958 803 001 01 HCP | Black   |        |     | PR:FZ0 |
|     | 958 803 001 01 N13 | guards red (Porsche)  |        |     | PR:FZ1 |
|     | 958 803 001 01 U01 | silver grey   |        |     | PR:FZ2 |
|     | 958 803 001 01 62S | Luxor beige   |        |     | PR:FZ3 |
|     | 958 803 001 01 1P0 | Cognac  |        |     | PR:FZ5 |
|     | 958 803 001 01 DE1 | Umber   |        |     | PR:FZ6 |
|     | 958 803 001 01 DJ3 | Titanium Blue   |        |     | PR:FZ7 |
|     | 958 803 001 01 M3C | Carmine red   |        |     | PR:FZ8 |
|     | 958 803 001 01 2S1 | Peridot Metallic  |        |     | PR:FZ9 |
| (1) | 958 803 001 02     | Three-point safety belt<br>D - MJ 2015>>                              | left   | 1   |        |
|     | 958 803 001 02 OR1 | agate grey  |        |     | PR:FI0 |
|     | 958 803 001 02 OP2 | saddle brown  |        |     | PR:FI1 |
|     | 958 803 001 02 OA5 | Carrera Red   |        |     | PR:FI2 |
|     | 958 803 001 02 OC7 | Espresso  |        |     | PR:FI3 |
|     | 958 803 001 02 M7U | Rhodium Silver Metallic   |        |     | PR:FI5 |
|     | 958 803 001 02 OB8 | Cohiba Brown  |        |     | PR:FI7 |
| 3   | 958 803 563 00     | repair set<br>Cover cap<br>Black                                      |        | 2   |        |
|     |                    | with:   |        |     |        |
| 4   | N 989 243 03       | felt strip<br>Socket head collared bolt with<br>inner multipoint head |        | 2   |        |

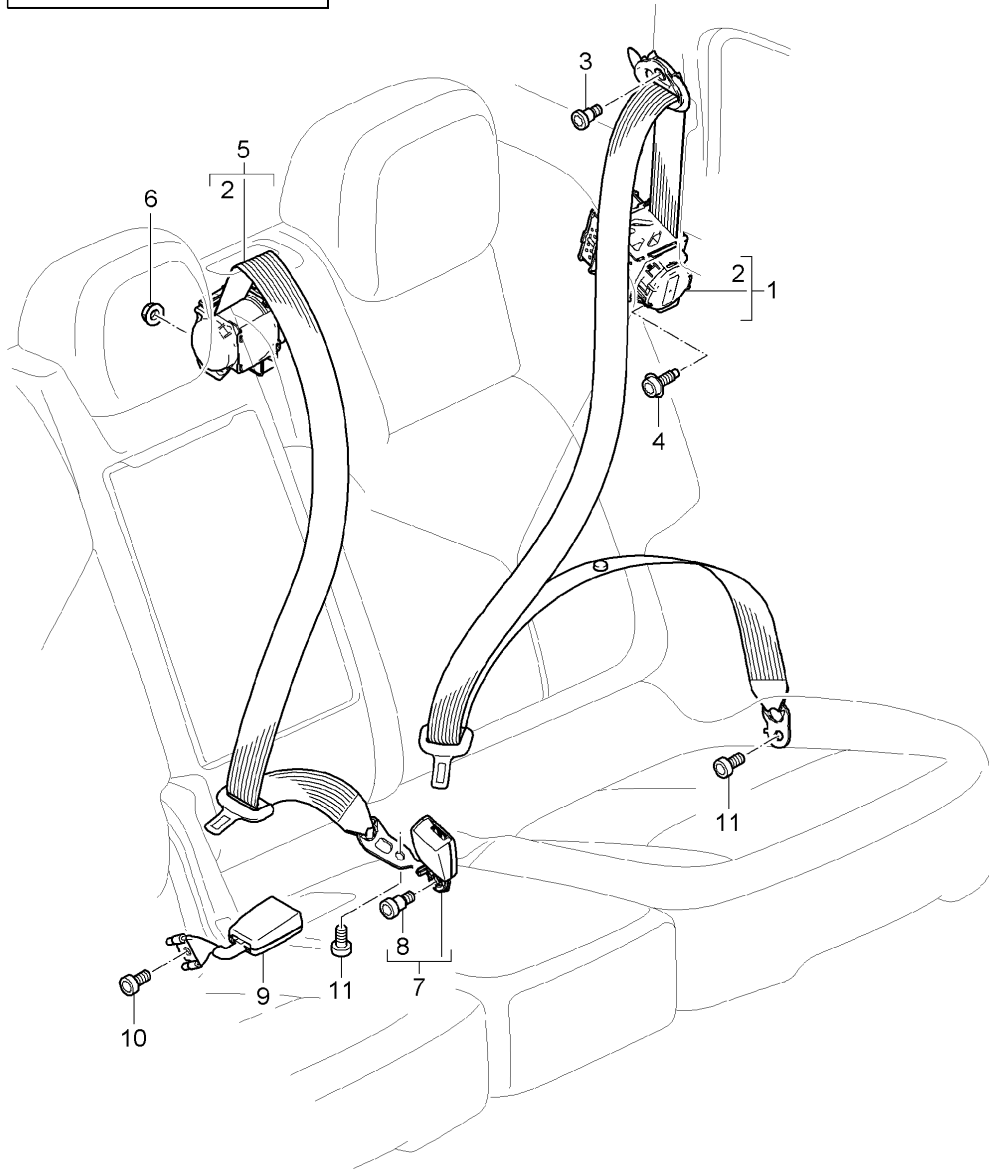
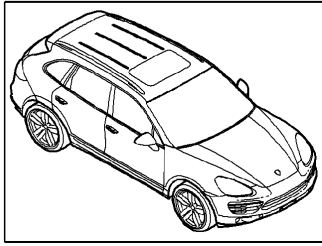
Model: 92A 11

Model life 2011>>2018

| Pos | Part Number        | Description   | Remark | Qty | Model |
|-----|--------------------|---|--------|-----|-------|
| 5   | N 909 446 04       | 7/16 X 14 X 26<br>Oval hexagon socket head bolt<br>M5 X 12                    |        | X   |       |
| 6   | N 989 260 01       | Socket head collared bolt with<br>inner multipoint head<br>M 11.113X1.27X22.0 |        | 2   |       |
| 7   | 958 803 817 00     | arm   |        | 2   |       |
| 8   | 958 803 819 00     | Support<br>Height adjustment<br>Belt  |        | 2   |       |
| 9   | N 105 724 01       | Socket head bolt with inner<br>multipoint head<br>M8 X 16                     |        | 2   |       |
| 10  | 958 803 755 00     | Belt latch  |        | 2   |       |
|     | 958 803 755 00 YLZ | Satin black   |        |     |       |
| 11  | N 989 237 01       | Socket head bolt with inner<br>multipoint head<br>Belt latch                  |        | 2   |       |

Model: 92A 11

Model life 2011>>2018





Model: 92A 11 Model life 2011>>2018

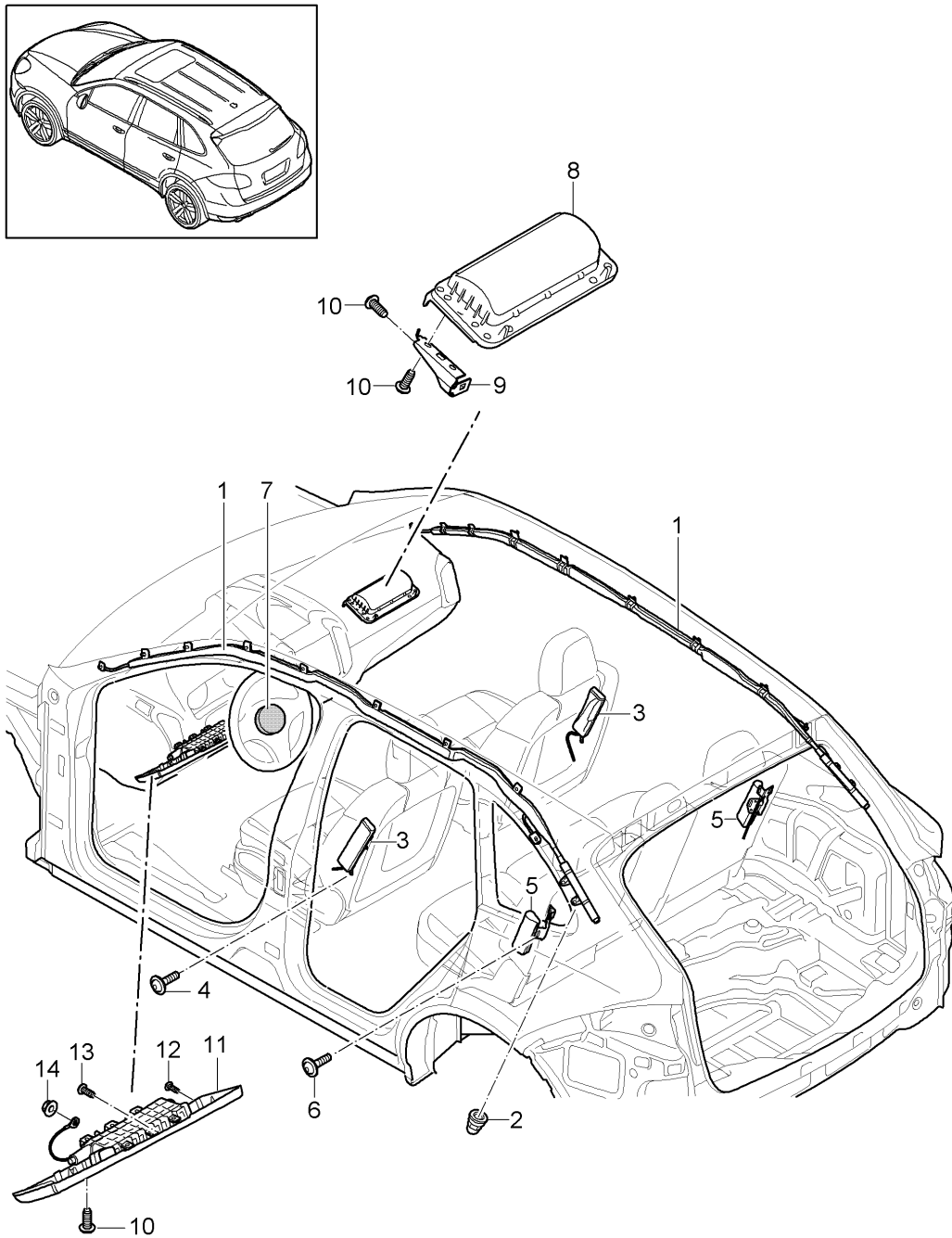
| Pos | Part Number        | Description  | Remark       | Qty | Model  |
|-----|--------------------|--|--------------|-----|--------|
| 1   | 958 803 051 00     | Seat belt<br>Belt latch<br>Seat belt<br>D >> - MJ 2013 | rear<br>left | 1   | PR:3ZU |
|     | 958 803 051 00 HCP | Black  |              |     | PR:FZ0 |
|     | 958 803 051 00 N13 | guards red (Porsche)                                   |              |     | PR:FZ1 |
|     | 958 803 051 00 U01 | silver grey  |              |     | PR:FZ2 |
|     | 958 803 051 00 62S | Luxor beige  |              |     | PR:FZ3 |
|     | 958 803 051 00 1P0 | Cognac   |              |     | PR:FZ5 |
|     | 958 803 051 00 DE1 | Umber  |              |     | PR:FZ6 |
|     | 958 803 051 00 DJ3 | Titanium Blue  |              |     | PR:FZ7 |
| 1   | 958 803 051 01     | Seat belt<br>D >> - MJ 2013                            | left         | 1   | PR:3ZU |
|     | 958 803 051 01 M3C | Carmine red  |              |     | PR:FZ8 |
|     | 958 803 051 01 2S1 | Peridot Metallic                                       |              |     | PR:FZ9 |
| 1   | 958 803 051 03     | Seat belt<br>D - MJ 2014>>                             | left         | 1   | PR:3ZU |
|     | 958 803 051 03 HCP | Black  |              |     | PR:FZ0 |
|     | 958 803 051 03 N13 | guards red (Porsche)                                   |              |     | PR:FZ1 |
|     | 958 803 051 03 U01 | silver grey  |              |     | PR:FZ2 |
|     | 958 803 051 03 62S | Luxor beige  |              |     | PR:FZ3 |
|     | 958 803 051 03 1P0 | Cognac   |              |     | PR:FZ5 |
|     | 958 803 051 03 DE1 | Umber  |              |     | PR:FZ6 |
|     | 958 803 051 03 DJ3 | Titanium Blue  |              |     | PR:FZ7 |
|     | 958 803 051 03 M3C | Carmine red  |              |     | PR:FZ8 |
|     | 958 803 051 03 2S1 | Peridot Metallic                                       |              |     | PR:FZ9 |
|     | 958 803 051 03 OR1 | agate grey   |              |     | PR:FI0 |
|     | 958 803 051 03 OP2 | saddle brown   |              |     | PR:FI1 |
|     | 958 803 051 03 OA5 | Carrera Red  |              |     | PR:FI2 |
|     | 958 803 051 03 OC7 | Espresso   |              |     | PR:FI3 |
|     | 958 803 051 03 M7U | Rhodium Silver Metallic                                |              |     | PR:FI5 |
|     | 958 803 051 03 OB8 | Cohiba Brown   |              |     | PR:FI7 |
| (1) | 958 803 050 00     | Three-point safety belt<br>D >> - MJ 2013              | right        | 1   | PR:3ZU |
|     | 958 803 050 00 HCP | Black  |              |     | PR:FZ0 |
|     | 958 803 050 00 N13 | guards red (Porsche)                                   |              |     | PR:FZ1 |
|     | 958 803 050 00 U01 | silver grey  |              |     | PR:FZ2 |
|     | 958 803 050 00 62S | Luxor beige  |              |     | PR:FZ3 |
|     | 958 803 050 00 1P0 | Cognac   |              |     | PR:FZ5 |
|     | 958 803 050 00 DE1 | Umber  |              |     | PR:FZ6 |
|     | 958 803 050 00 DJ3 | Titanium Blue  |              |     | PR:FZ7 |
| (1) | 958 803 050 01     | Three-point safety belt<br>D >> - MJ 2013              | right        | 1   | PR:3ZU |
|     | 958 803 050 01 M3C | Carmine red  |              |     | PR:FZ8 |
|     | 958 803 050 01 2S1 | Peridot Metallic                                       |              |     | PR:FZ9 |
| (1) | 958 803 050 03     | Three-point safety belt<br>D - MJ 2014>>               | right        | 1   | PR:3ZU |
|     | 958 803 050 03 HCP | Black  |              |     | PR:FZ0 |
|     | 958 803 050 03 N13 | guards red (Porsche)                                   |              |     | PR:FZ1 |
|     | 958 803 050 03 U01 | silver grey  |              |     | PR:FZ2 |
|     | 958 803 050 03 62S | Luxor beige  |              |     | PR:FZ3 |
|     | 958 803 050 03 1P0 | Cognac   |              |     | PR:FZ5 |
|     | 958 803 050 03 DE1 | Umber  |              |     | PR:FZ6 |
|     | 958 803 050 03 DJ3 | Titanium Blue  |              |     | PR:FZ7 |
|     | 958 803 050 03 M3C | Carmine red  |              |     | PR:FZ8 |
|     | 958 803 050 03 2S1 | Peridot Metallic                                       |              |     | PR:FZ9 |
|     | 958 803 050 03 OR1 | agate grey   |              |     | PR:FI0 |
|     | 958 803 050 03 OP2 | saddle brown   |              |     | PR:FI1 |
|     | 958 803 050 03 OA5 | Carrera Red  |              |     | PR:FI2 |
|     | 958 803 050 03 OC7 | Espresso   |              |     | PR:FI3 |
|     | 958 803 050 03 M7U | Rhodium Silver Metallic                                |              |     | PR:FI5 |
|     | 958 803 050 03 OB8 | Cohiba Brown   |              |     | PR:FI7 |
| 3   | N 989 243 03       | Socket head collared bolt with                         |              | 2   |        |

Model: 92A 11 Model life 2011>>2018

| Pos | Part Number  | Description  | Remark | Qty | Model  |
|-----|--|--|--------|-----|--|
| 4   | N 989 260 01   | inner multipoint head<br>7/16X14X26<br>Socket head collared bolt with<br>inner multipoint head<br>M 11.113X1.27X22 |        | 2   |  |
| 5   | 958 803 053 00<br>958 803 053 00 HCP   | Seat belt<br>Black   | center | 1   | PR:3QT<br>PR:FZ0,FZ8,<br>FZ9<br>PR:FZ1<br>PR:FZ2<br>PR:FZ3<br>PR:FZ5<br>PR:FZ6<br>PR:FZ7 |
|     | 958 803 053 00 N13<br>958 803 053 00 U01<br>958 803 053 00 62S<br>958 803 053 00 1P0<br>958 803 053 00 DE1<br>958 803 053 00 DJ3                   | guards red (Porsche)<br>silver grey<br>Luxor beige<br>Cognac<br>Umber<br>Titanium Blue                             |        |     |  |
| 5   | 958 803 053 01<br>958 803 053 01 OR1<br>958 803 053 01 OP2<br>958 803 053 01 OA5<br>958 803 053 01 OC7<br>958 803 053 01 M7U<br>958 803 053 01 OB8 | Seat belt<br>agate grey<br>saddle brown<br>Carrera Red<br>Espresso<br>Rhodium Silver Metallic<br>Cohiba Brown      | center | 1   | PR:3QT<br>PR:FI0<br>PR:FI1<br>PR:FI2<br>PR:FI3<br>PR:FI5<br>PR:FI7                       |
| 6   | N 989 910 01   | Hexagon nut<br>7/16-20   |        | 1   |  |
| 7   | 958 803 753 00<br>958 803 753 00 QVZ   | Belt latch<br>Satin black  | left   | 1   |  |
| (7) | 958 803 754 00<br>958 803 754 00 QVZ   | Belt latch<br>Satin black  | right  | 1   |  |
| 8   | N 989 243 03   | Socket head collared bolt with<br>inner multipoint head<br>Belt latch  |        | 2   |  |
| 9   | 958 803 740 00<br>958 803 740 00 YLZ   | Belt latch<br>Satin black  | center | 1   |  |
| 10  | N 989 271 01   | Socket head bolt with inner<br>multipoint head<br>M11.113X1.27X30<br>Belt latch                                    | center | 1   |  |
| 11  | N 989 520 01   | Socket head bolt with inner<br>multipoint head<br>M11.113X1.27X18  |        | X   |  |

Model: 92A 11

Model life 2011>>2018



Model: 92A 11 Model life 2011>>2018

| Pos | Part Number        | Description   | Remark          | Qty | Model                     |
|-----|--------------------|---|-----------------|-----|---------------------------|
| -   |                    | Airbag<br>Control unit<br>Sensor<br>for<br>Airbag   |                 |     |                           |
| 1   | 958 803 069 00     | see illustration:<br>Airbag unit<br>Head airbag unit<br>D >> - MJ 2014<br>Discontinued part | 901-005<br>left | 1   |                           |
| 1   | 958 803 069 01     | Airbag unit<br>Head airbag unit<br>D >> - MJ 2014   | left            | 1   |                           |
| 1   | 958 803 069 02     | Airbag unit<br>Head airbag unit<br>D - MJ 2015>>  | left            | 1   |                           |
| (1) | 958 803 070 00     | Airbag unit<br>Head airbag unit<br>D >> - MJ 2014<br>Discontinued part                      | right           | 1   |                           |
| (1) | 958 803 070 01     | Airbag unit<br>Head airbag unit<br>D >> - MJ 2014   | right           | 1   |                           |
| (1) | 958 803 070 02     | Airbag unit<br>Head airbag unit<br>D - MJ 2015>>  | right           | 1   |                           |
| 2   | 955 618 419 21     | domed cap nut<br>M6<br>for<br>Mount   |                 | X   |                           |
| 3   | 958 521 241 00     | Head airbag unit<br>Side airbag unit<br>Seat<br>Discontinued part                           | left<br>front   | 1   | PR: 4X3, 4X4              |
| 3   | 958 521 241 01     | Side airbag unit<br>Seat  | left<br>front   | 1   | PR: 4X3, 4X4              |
| (3) | 958 521 242 00     | Side airbag unit<br>Seat<br>Discontinued part   | right<br>front  | 1   | PR: 4X3, 4X4              |
| (3) | 958 521 242 01     | Side airbag unit<br>Seat  | right<br>front  | 1   | PR: 4X3, 4X4              |
| 4   | N 910 423 01       | Oval hexagon socket head bolt<br>M6 X 16<br>Mount   |                 | 1   |                           |
| 5   | 958 522 441 01     | Airbag<br>Side airbag unit<br>Seat  | left<br>rear    | 1   | PR: 4X4, 3NW              |
| (5) | 958 522 442 01     | Side airbag unit<br>Seat  | right<br>rear   | 1   | PR: 4X4, 3NW              |
| 6   | N 910 423 01       | Oval hexagon socket head bolt<br>M6 X 16<br>Mount   |                 | 2   |                           |
| 7   | 958 803 074 00     | Airbag<br>Airbag unit<br>steering wheel<br>D >> - MJ 2014                                   |                 | 1   | PR: 4N1, 4N9              |
|     | 958 803 074 00 4U0 | Platinum Grey   | -MD             |     |                           |
|     | 958 803 074 00 6W0 | Luxor beige   | -MC             |     |                           |
|     | 958 803 074 00 5Q0 | Black   | -MA, 77         |     |                           |
| (7) | 958 803 075 00     | Airbag unit<br>steering wheel<br>Leather<br>D >> - MJ 2014                                  |                 | 1   | PR: 4N3, 4N4,<br>4N5, 4N8 |

Model: 92A 11 Model life 2011>>2018

| Pos | Part Number        | Description                                     | Remark                                  | Qty | Model                       |
|-----|--------------------|---|---|-----|-----------------------------|
|     | 958 803 075 00 8T3 | Platinum Grey                                   | -LD, YD                                 |     |                             |
|     | 958 803 075 00 9J9 | Luxor beige                                     | -LE, YE                                 |     |                             |
|     | 958 803 075 00 6H6 | Espresso  | -VA, VB                                 |     |                             |
|     | 958 803 075 00 DE1 | Umber   | -LF, TX, TY, YF                         |     |                             |
|     | 958 803 075 00 A34 | Black   | -LC, MF, MI, TA, TB, TW, YA, YB, YC, 77 |     |                             |
| (7) | 958 803 201 00     | airbag unit for steering wheel                  |   | 1   | PR: 4N1, 4N9, 1A2           |
|     |                    | D - MJ 2015>>                                   |   |     |                             |
|     | 958 803 201 00 OA6 | agate grey                                      | -MB                                     |     |                             |
|     | 958 803 201 00 6W0 | Luxor beige                                     | -MC                                     |     |                             |
|     | 958 803 201 00 5Q0 | Black   | -LG, LH, MA, 77                         |     |                             |
| (7) | 958 803 201 01     | airbag unit for steering wheel                  |   | 1   | PR: 4N1, 4N9, 0F5           |
|     |                    | D - MJ 2015>>                                   |   |     |                             |
|     | 958 803 201 01 OA6 | agate grey                                      | -MB                                     |     |                             |
|     | 958 803 201 01 6W0 | Luxor beige                                     | -MC                                     |     |                             |
|     | 958 803 201 01 5Q0 | Black   | -LG, LH, MA, 77                         |     |                             |
| (7) | 958 803 201 02     | Airbag unit steering wheel<br>Leather           |   | 1   | PR: 4N3, 4N4, 4N5, 4N8, 1A2 |
|     |                    | D - MJ 2015>>                                   |   |     |                             |
|     | 958 803 201 02 A34 | Black   | -LC, LG, LH, MF, MI, TA, YA, YC         |     |                             |
|     | 958 803 201 02 OE5 | agate grey                                      | -MG, ML                                 |     |                             |
|     | 958 803 201 02 OK6 | saddle brown                                    | -ME, MH, MJ, MK                         |     |                             |
|     | 958 803 201 02 6H6 | Espresso  | -VA, VB                                 |     |                             |
|     | 958 803 201 02 9J9 | Luxor beige                                     | -LE, YE                                 |     |                             |
| (7) | 958 803 201 03     | Airbag unit steering wheel<br>Leather           |   | 1   | PR: 4N3, 4N4, 4N5, 4N8, 0F5 |
|     |                    | D - MJ 2015>>                                   |   |     |                             |
|     | 958 803 201 03 A34 | Black   | -LC, LG, LH, MF, MI, TA, YA, YC         |     |                             |
|     | 958 803 201 03 OE5 | agate grey                                      | -MG, ML                                 |     |                             |
|     | 958 803 201 03 OK6 | saddle brown                                    | -ME, MH, MJ, MK                         |     |                             |
|     | 958 803 201 03 6H6 | Espresso  | -VA, VB                                 |     |                             |
|     | 958 803 201 03 9J9 | Luxor beige                                     | -LE, YE                                 |     |                             |
| 8   | 958 803 071 00     | Airbag unit (passenger side)                    |   | 1   |                             |
| 9   | 958 803 072 00     | bracket for airbag Airbag unit (passenger side) | left                                    | 1   |                             |
| (9) | 958 803 072 50     | bracket for airbag Airbag unit (passenger side) | right                                   | 1   |                             |
| 10  | N 910 935 02       | Hexagon socket oval head bolt, self-locking     |   | 8   |                             |
| 11  | 958 803 061 00     | Airbag unit dashboard                           | lower left                              | 1   |                             |
|     | 958 803 061 00 DF2 | Light Tartufo                                   | -TY                                     |     |                             |
|     | 958 803 061 00 DJ3 | Titanium Blue                                   | -TW                                     |     |                             |
|     | 958 803 061 00 3S0 | Cognac  | -VB                                     |     |                             |
|     | 958 803 061 00 5V0 | Cream   | -LG, MJ, TX                             |     |                             |
|     | 958 803 061 00 DE1 | Umber   | -LF, YF                                 |     |                             |
|     | 958 803 061 00 6W0 | Luxor beige                                     | -LE, MC, MK, TB, YE, 77                 |     |                             |
|     | 958 803 061 00 3T0 | Espresso  | -VA                                     |     |                             |
|     | 958 803 061 00 4U0 | Platinum Grey                                   | -LD, MD, YD                             |     |                             |
|     | 958 803 061 00 5Q0 | Black   | -LC, MA, MF, YA, YB, YC                 |     |                             |
|     | 958 803 061 00 OA6 | agate grey                                      | -MB, MG, ML                             |     |                             |

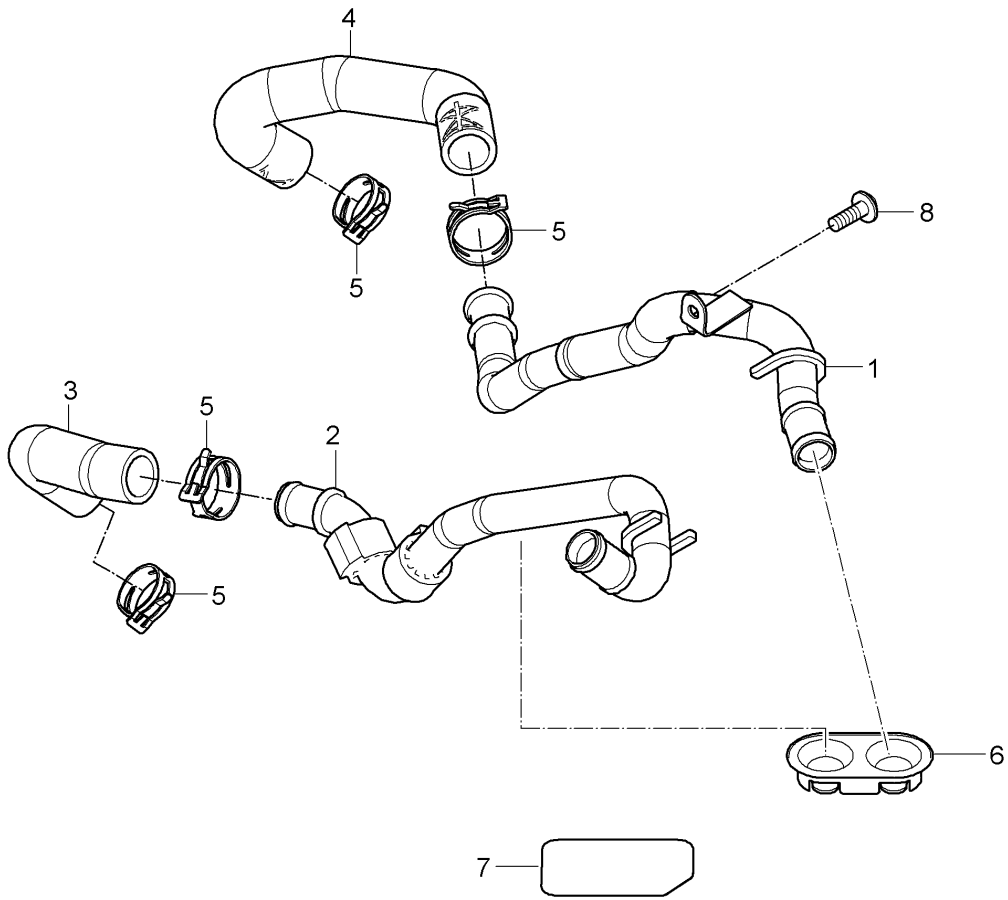
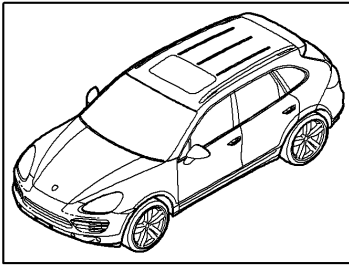
Model: 92A 11

Model life 2011>>2018

| Pos | Part Number        | Description   | Remark     | Qty | Model |
|-----|--------------------|---|------------|-----|-------|
|     | 958 803 061 00 OE1 | Carrera Red   | -TA        |     |       |
|     | 958 803 061 00 OL7 | saddle brown  | -ME ,MH,MI |     |       |
|     | 958 803 061 00 OB8 | Cohiba Brown  | -LH        |     |       |
| 12  | N 906 986 06       | Hexagon socket head panel bolt<br>ST 4.2x16                 |            | 8   |       |
| 13  | N 105 695 01       | Round-head screw with inner<br>hexagon socket head<br>M5x16 |            | 3   |       |
| 14  | N 015 082 10       | Hexagon collar nut<br>M6<br>Ground cable                    |            | 1   |       |

Model: 92A 11

Model life 2011>>2018



Model: 92A 11

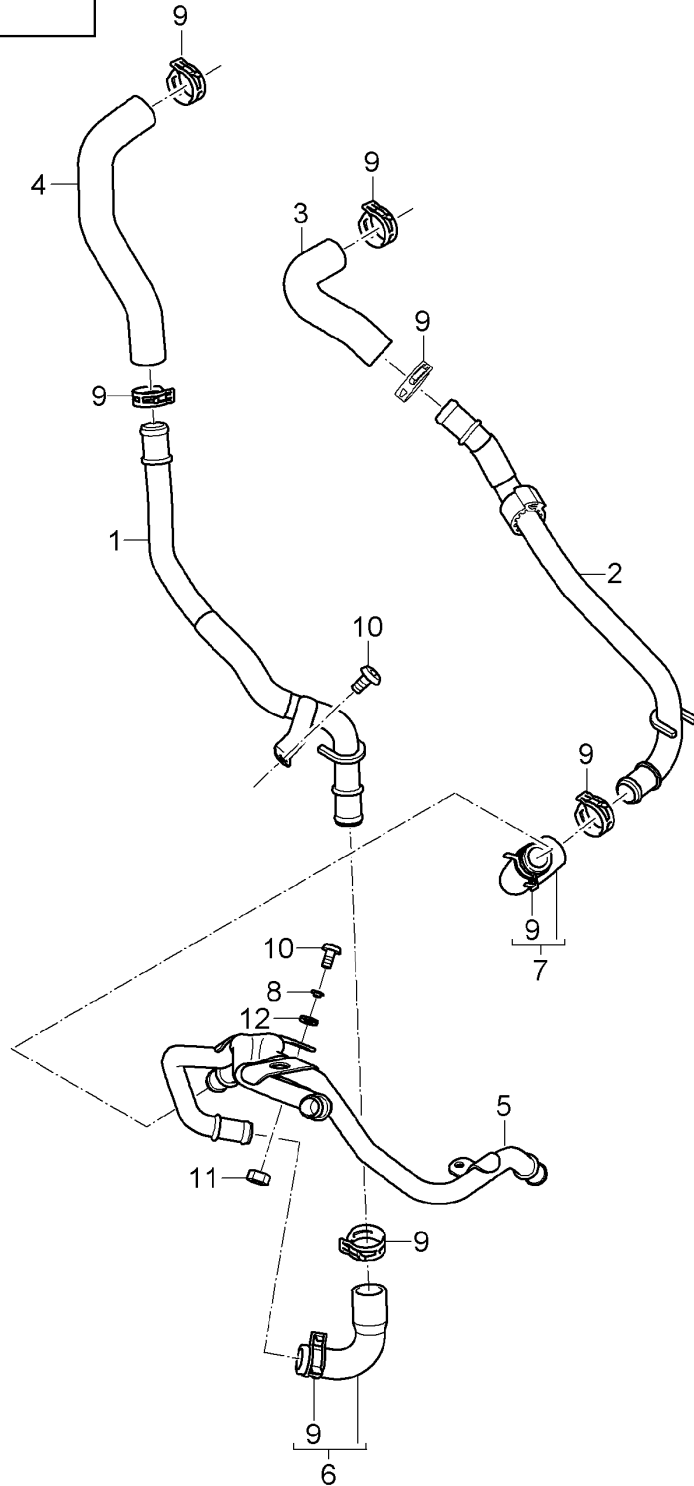
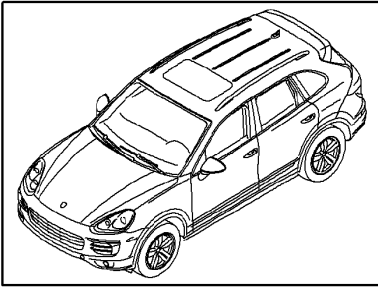
Model life 2011&gt;&gt;2018

| Pos | Part Number    | Description                   | Remark | Qty | Model  |
|-----|----------------|-------------------------------|--------|-----|--------|
|     |                | Hose                          |        |     |        |
|     |                | water box                     |        |     |        |
| 1   | 958 572 857 01 | Hot air duct                  | lhd    | 1   | PR:L0L |
| (1) | 958 572 887 01 | Hot air duct                  | rhd    | 1   | PR:L0R |
| 2   | 958 572 911 02 | Hot air duct                  | lhd    | 1   | PR:L0L |
|     |                | AUSGANG                       |        |     |        |
| (2) | 958 572 912 01 | Hot air duct                  | rhd    | 1   | PR:L0R |
| (3) | 955 572 581 00 | Heating hose                  | lhd    | 1   | PR:L0L |
|     |                | heat exchanger                |        |     |        |
|     |                | Output                        |        |     |        |
| 4   | 958 572 307 00 | Heating hose                  | lhd    | 1   | PR:L0L |
|     |                | heat exchanger                |        |     |        |
|     |                | Input                         |        |     |        |
| 5   | N 906 870 01   | Spring band clamp             |        | 4   |        |
| 6   | 955 572 781 01 | Grommet                       |        | 1   |        |
| 7   | 958 572 792 00 | seal for water box            |        | 1   |        |
| 8   | N 910 967 01   | Oval hexagon socket head bolt |        | 1   |        |
|     |                | M6 X 16                       |        |     |        |



Model: 92A 11

Model life 2011>>2018



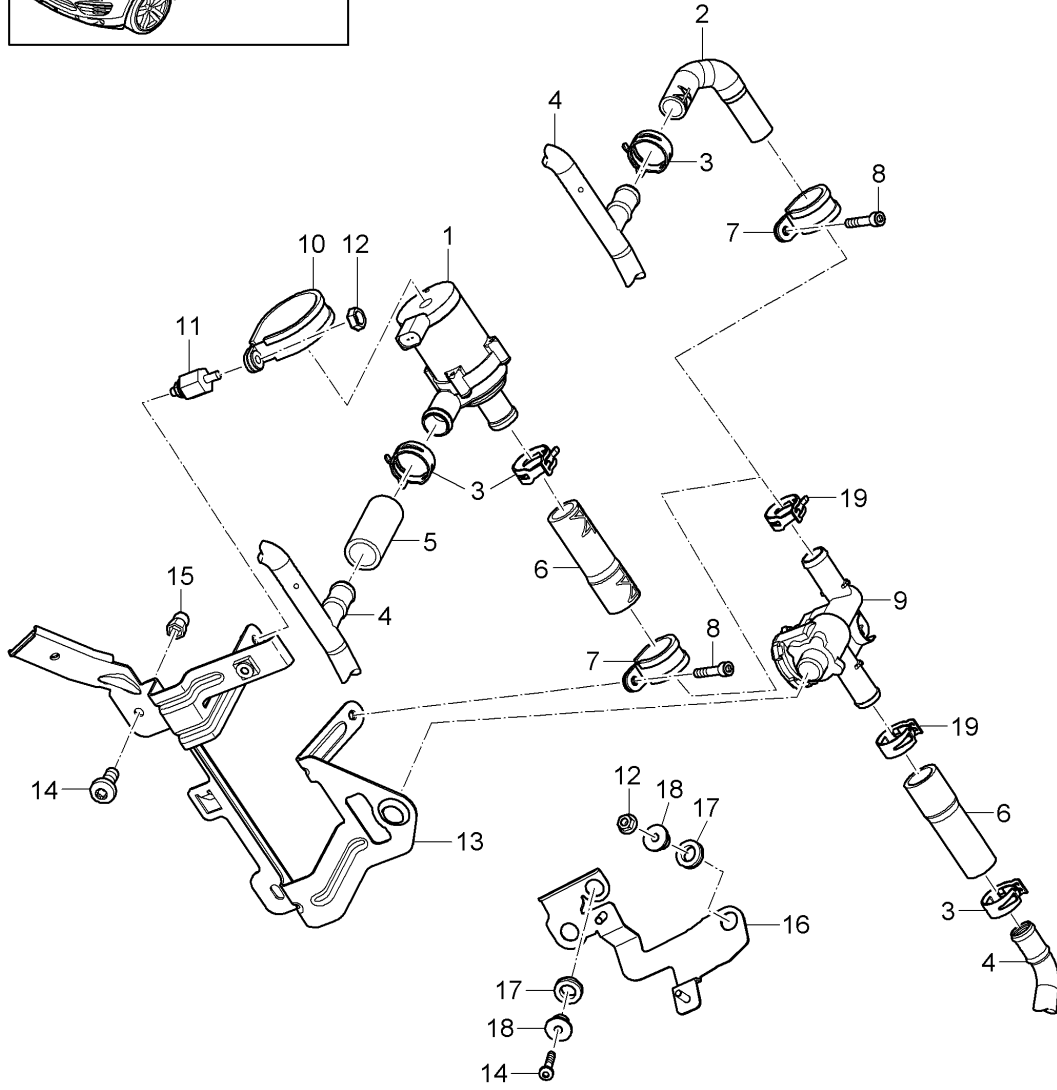
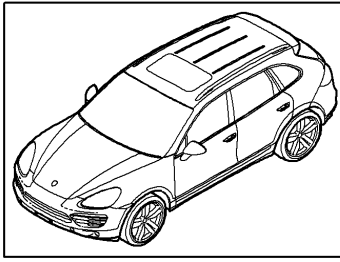
Model: 92A 11

Model life 2011>>2018

| Pos | Part Number    | Description                             | Remark | Qty | Model      |
|-----|----------------|---|--------|-----|------------|
|     |                | heater<br>water box                     | Hybrid |     | PR:GP1,0K3 |
| 1   | 958 572 934 00 | Wheel housing panel<br>Pipe assembly    | lhd    | 1   | PR:L0L     |
| (1) | 958 572 934 10 | Of<br>Air conditioner<br>Pipe assembly  | rhhd   | 1   | PR:L0R     |
| 2   | 958 572 660 00 | Of<br>Air conditioner<br>Water pipe     | lhd    | 1   | PR:L0L     |
| (2) | 958 572 660 10 | Of<br>heat exchanger<br>Water pipe      | rhhd   | 1   | PR:L0R     |
| 3   | 955 572 581 00 | Of<br>heat exchanger<br>Heating hose    | lhd    | 1   | PR:L0L     |
| (3) | 958 572 196 00 | Heating hose                            | rhhd   | 2   | PR:L0R     |
| 4   | 958 572 307 00 | Heating hose                            | lhd    | 1   | PR:L0L     |
| 5   | 958 572 928 01 | Pipe assembly<br>Set                    |        | 1   |            |
| -   | N 106 776 01   | Bracket<br>Pipe assembly                |        | 1   |            |
| 6   | 958 572 895 00 | Set<br>Heating hose                     |        | 1   |            |
| 7   | 958 572 437 00 | Heating hose                            |        | 1   |            |
| 8   | 1T0 805 179 A  | Sleeve<br>7,5X1,5-A                     |        | X   |            |
| 9   | 999 512 658 09 | Hose clamp<br>B 27 X 12                 |        | X   |            |
| 10  | N 910 967 01   | Oval hexagon socket head bolt<br>M 6X16 |        | 1   |            |
| 11  | N 904 025 03   | hexagon nut, self-locking               |        | 2   |            |
| 12  | 955 572 095 00 | Rubber grommet<br>Bracket               |        | X   |            |

Model: 92A 11

Model life 2011>>2018

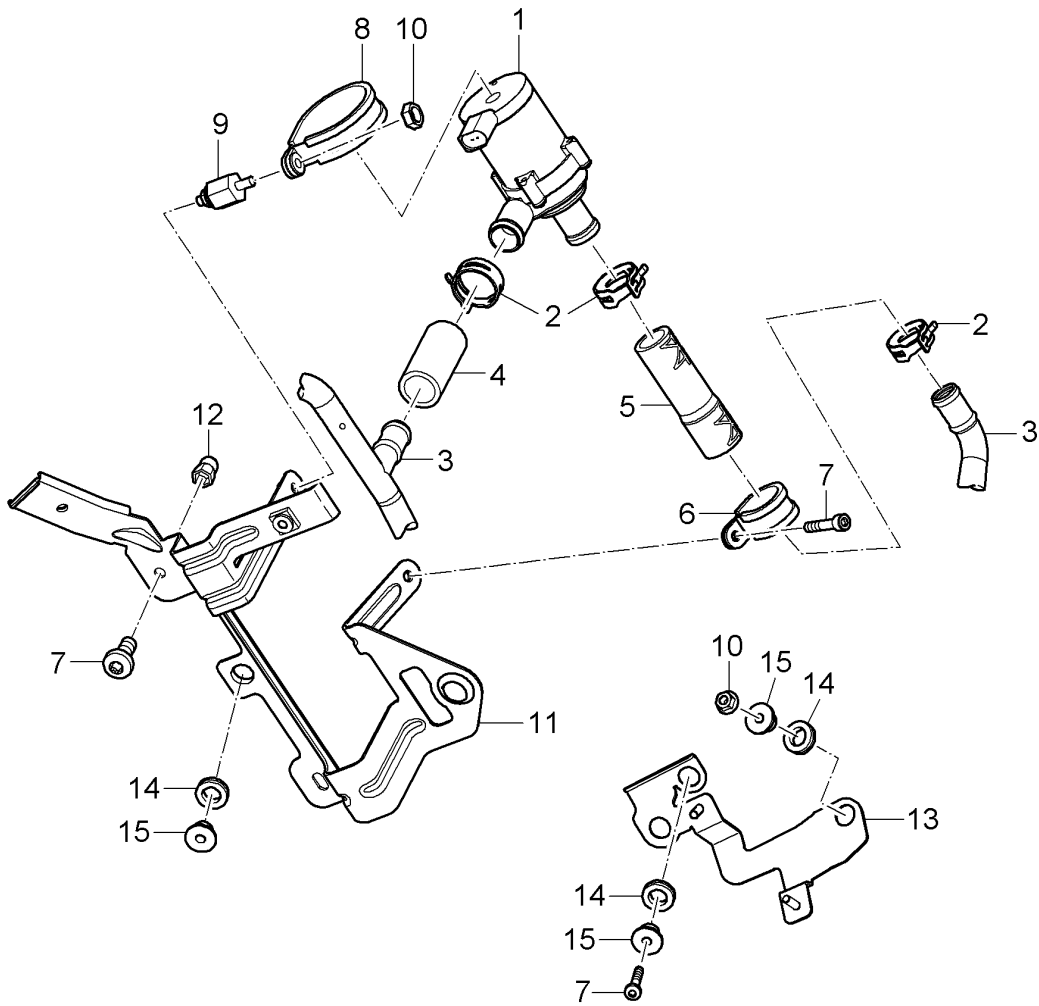
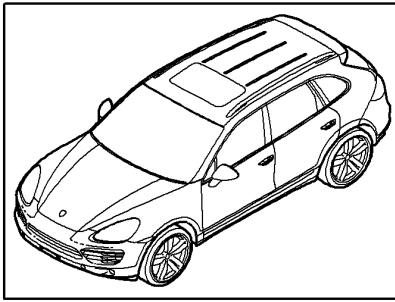


Model: 92A 11 Model life 2011>>2018

| Pos  | Part Number    | Description                               | Remark  | Qty | Model                      |
|------|----------------|---|---------|-----|----------------------------|
|      |                | heater<br>Pump<br>intake manifold         |         |     | PR:-D11                    |
| 1    | 955 106 561 10 | Coolant pump                              |         | 1   | PR:9M0                     |
| (1)  | 955 572 150 07 | Coolant pump                              |         | 1   | PR:9M1,9M5,<br>9M9         |
| 2    | 958 572 320 10 | Heating hose<br>Shut-off valve            |         | 1   | PR:D34,9M0,<br>9AH         |
| 3    | N 906 870 01   | Spring band clamp<br>B 27 X 12            |         | X   | PR:0K0,9M0                 |
| 4    |                | heater pipe                               |         | 1   | PR:-D19                    |
| 5    | 955 572 373 00 | see illustration:<br>Heating hose         | 813-000 | 1   | PR:D50,D58,<br>D6V,9M0     |
| 6    | 958 572 371 00 | Heating hose                              |         | X   | PR:D58,D6V,<br>D50,D34,9M0 |
| 7    | N 020 616 11   | Clamp<br>Heating hose<br>D1-25X15         |         | 1   | PR:0K0,9M0                 |
| 8    | N 105 103 01   | Hexagon socket head<br>bolt<br>M6 X 35    |         | X   | PR:0K0,9M0                 |
| 9    | 958 572 810 00 | Heater valve                              |         | 1   | PR:9M0,0K0                 |
| 10   | N 909 423 01   | Clamp<br>Pump<br>D1-48X15                 |         | 1   | PR:D1V,D50,<br>D58,D6V,9M0 |
| 11   | 955 572 567 00 | Rubber buffer<br>Mount<br>Pump<br>Bracket |         | 1   | PR:D1V,D50,<br>D58,D6V,9M0 |
| 12   | N 015 082 10   | Hexagon collar nut<br>M6                  |         | X   | PR:9M0                     |
| 13   | 958 572 545 01 | Retainer for pump                         |         | 1   | PR:0K0,9M0                 |
| (13) | 958 116 232 07 | Bracket                                   |         | 1   | PR:D19                     |
| 14   | N 910 967 01   | Oval hexagon socket head bolt<br>M6 X 16  |         | X   |                            |
| 15   | N 902 631 04   | rivetted cap nut<br>M6                    |         | X   |                            |
| 16   | 958 572 950 00 | Bracket<br>heater pipe                    |         | 1   | PR:0K0                     |
| 17   | 955 572 095 00 | Rubber grommet                            |         | 2   | PR:0K0                     |
| 18   | 955 572 121 00 | bush                                      |         | 2   | PR:0K0                     |
| 19   | 958 572 586 00 | Clamp                                     |         | 2   | PR:D34,D50,<br>D58,D6V,9M0 |

Model: 92A 11

Model life 2011>>2018



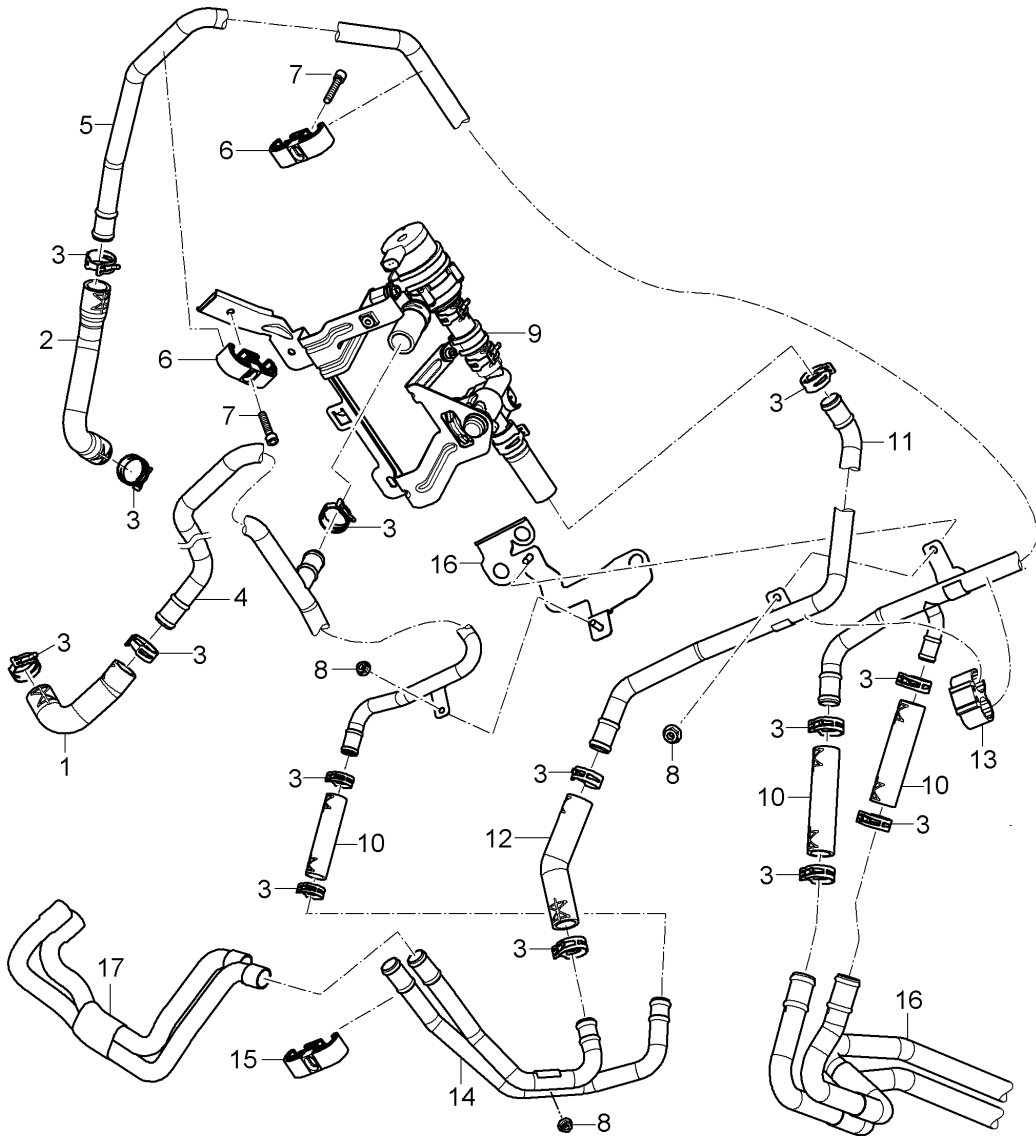
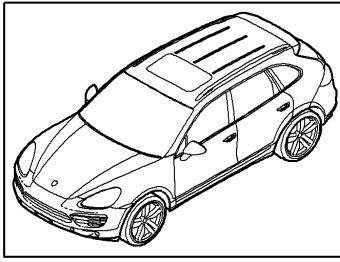
Model: 92A 11

Model life 2011&gt;&gt;2018

| Pos | Part Number    | Description                              | Remark  | Qty | Model                      |
|-----|----------------|--|---------|-----|----------------------------|
|     |                | heater                                   | China   |     | PR:D11                     |
|     |                | Pump                                     |         |     |                            |
|     |                | intake manifold                          |         |     |                            |
| 1   | 955 106 561 10 | Coolant pump                             |         | 1   | PR:9M0                     |
| (1) | 955 572 150 07 | Coolant pump                             |         | 1   | PR:9M1,9M5,<br>9M9         |
| 2   | N 906 870 01   | Spring band clamp<br>B 27 X 12           |         | 4   |                            |
| 3   |                | heater pipe                              |         | 1   |                            |
|     |                | see illustration:                        | 813-000 |     |                            |
| 4   | 955 572 373 00 | Heating hose                             |         | 1   | PR:9M0                     |
| 5   | 958 572 371 00 | Heating hose                             |         | 1   | PR:9M0                     |
| 6   | N 020 616 11   | Clamp                                    |         | 1   |                            |
|     |                | Heating hose<br>D1-25X15                 |         |     |                            |
| 7   | N 910 967 01   | Oval hexagon socket head bolt<br>M6 X 16 |         | X   |                            |
| 8   | N 909 423 01   | Clamp                                    |         | 1   | PR:9M0                     |
|     |                | Pump<br>D1-48X15                         |         |     |                            |
| 9   | 955 572 567 00 | Rubber buffer                            |         | 1   | PR:9M0                     |
|     |                | Mount                                    |         |     |                            |
|     |                | Pump                                     |         |     |                            |
|     |                | Bracket                                  |         |     |                            |
| 10  | N 015 082 10   | Hexagon collar nut<br>M6                 |         | 2   | PR:9M0                     |
| 11  | 958 572 545 01 | Retainer for pump                        |         | 1   | PR:9M0,9AD,<br>D50,D58,D6V |
| 12  | N 902 631 04   | rivetted cap nut<br>M6                   |         | X   |                            |
| 13  | 958 572 950 00 | Bracket                                  |         | 1   | PR:0K0                     |
|     |                | heater pipe                              |         |     |                            |
| 14  | 955 572 095 00 | Rubber grommet                           |         | 4   | PR:0K0                     |
| 15  | 955 572 121 00 | bush                                     |         | 4   | PR:0K0                     |

Model: 92A 11

Model life 2011>>2018



Model: 92A 11

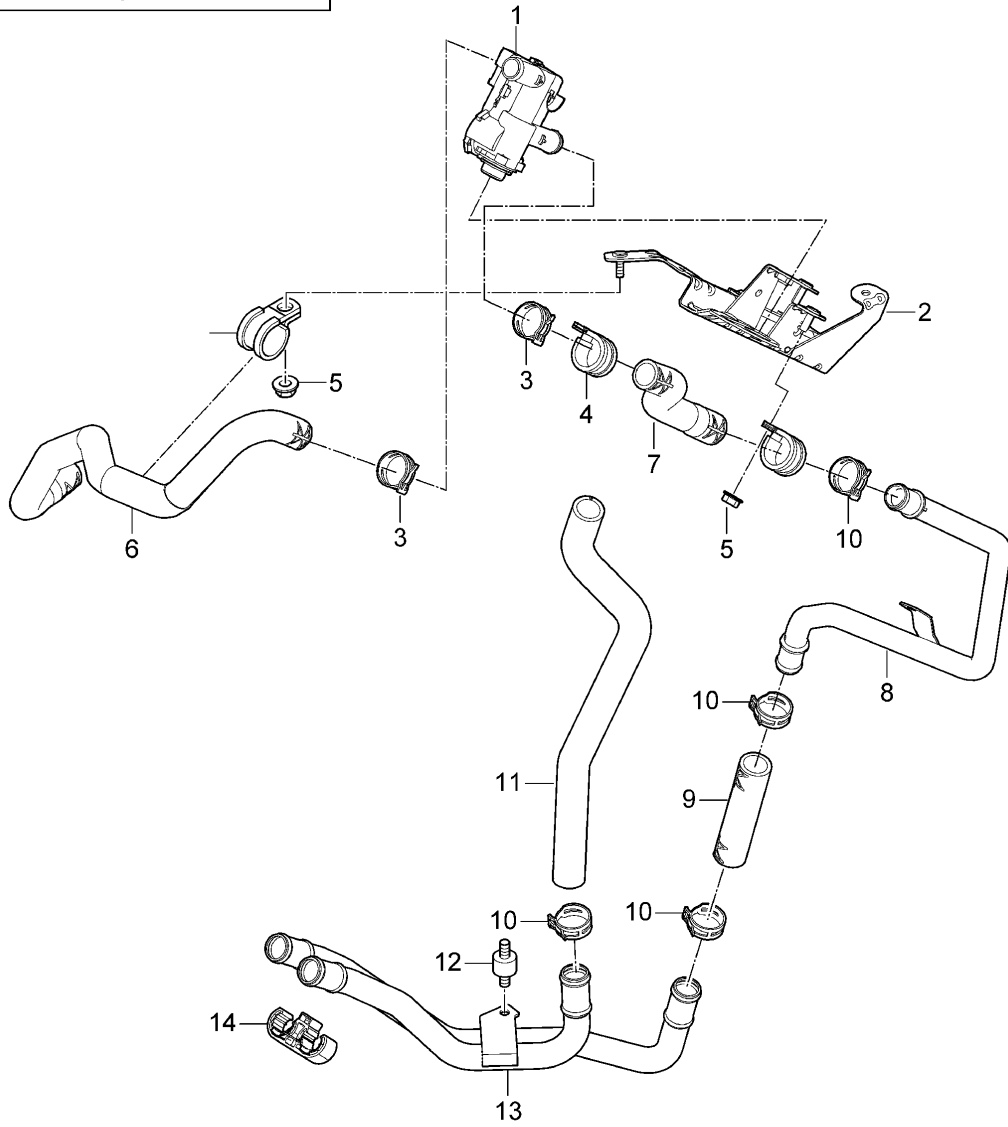
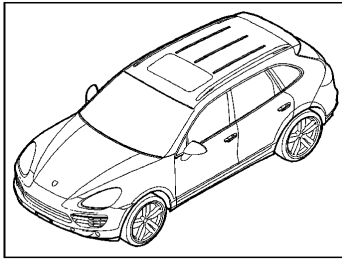
Model life 2011>>2018

| Pos  | Part Number    | Description                            | Remark  | Qty | Model  |
|------|----------------|--|---------|-----|--|
|      |                | heater                                 |         |     | PR: -D19   |
|      |                | Wheel housing                          |         |     |  |
|      |                | Feed line                              |         |     |  |
|      |                | return line                            |         |     |  |
| 1    | 958 572 320 00 | Heating hose                           |         | 1   | PR: 0K0  |
| 2    | 958 572 324 00 | Heating hose                           |         | 1   | PR: 0K0  |
| 3    | N 906 870 01   | Spring band clamp<br>B 27 X 12         |         | X   |  |
| 4    | 958 572 929 01 | Hot air duct                           |         | 1   | PR: 0K0, 9AH,<br>9M0                             |
| (4)  | 958 572 858 00 | Hot air duct                           |         | 1   | PR: 0K0, 9AD,<br>9M0                             |
| 5    | 958 572 927 01 | Hot air duct                           |         | 1   | PR: 0K0, 9AH,<br>9M0                             |
| (5)  | 958 572 925 10 | Hot air duct                           |         | 1   | PR: 0K0, 9AD,<br>9M0                             |
| 6    | 955 572 055 01 | Clip                                   |         | X   | PR: 0K0, 9M0                                     |
| (6)  | 955 572 787 00 | Clip                                   |         | X   | PR: 0K0, 9AH                                     |
| 7    | N 105 103 01   | Hexagon socket head<br>bolt<br>M6 X 35 |         | X   | PR: 0K0, 9M0                                     |
| 8    | N 015 082 10   | Hexagon collar nut<br>M6               |         | X   |  |
| 9    |                | Pump                                   |         |     | PR: -D11   |
| (9)  |                | see illustration:<br>Pump              | 813-005 |     | PR: D11  |
|      |                | see illustration:                      | 813-007 |     | "CN."  |
| 10   | 958 572 308 00 | Heating hose                           |         | X   |  |
| 11   | 958 572 926 01 | Hot air duct                           |         | 1   | PR: 9M1, 9M5,<br>9M9                             |
| (11) | 958 572 926 02 | Hot air duct                           |         | 1   | PR: DD8, DU2,<br>DU3, DT1, DT5,<br>9AD, 9AH, 9M0 |
| (11) | 958 572 811 01 | Hot air duct                           |         | 1   | PR: DV7, D1V,<br>D50, D51, 9M0                   |
| (11) | 958 572 811 01 | Hot air duct                           |         | 1   | PR: D11, 9M0                                     |
| (11) | 958 572 811 01 | Hot air duct                           |         | 1   | PR: D43, 9M0                                     |
| 12   | 958 572 983 00 | Heating hose                           |         | 1   | PR: 0K0, 9M0,<br>9M1, 9M5, 9M9                   |
| 13   | 958 572 699 00 | Grommet                                |         | 1   | PR: 0K0  |
| 14   | 955 572 698 00 | heater pipe<br>Discontinued part       |         | 1   | PR: 9M0, 9M5                                     |
| 14   | 955 572 698 02 | heater pipe                            |         | 1   | PR: 9M0, 9M5                                     |
| (14) | 955 572 698 01 | heater pipe                            |         | 1   | PR: 9M1, 9M9                                     |
| (14) | 955 572 698 01 | heater pipe                            |         | 1   | PR: 0K3  |
| 15   | 955 572 055 03 | Clip                                   |         | X   |  |
| 16   |                | Hot air duct                           |         | 1   |  |
| 17   |                | see illustration:<br>Water hose        | 813-025 | 1   |  |
|      |                | see illustration:<br>Engine            | 105-030 |     |  |



Model: 92A 11

Model life 2011>>2018



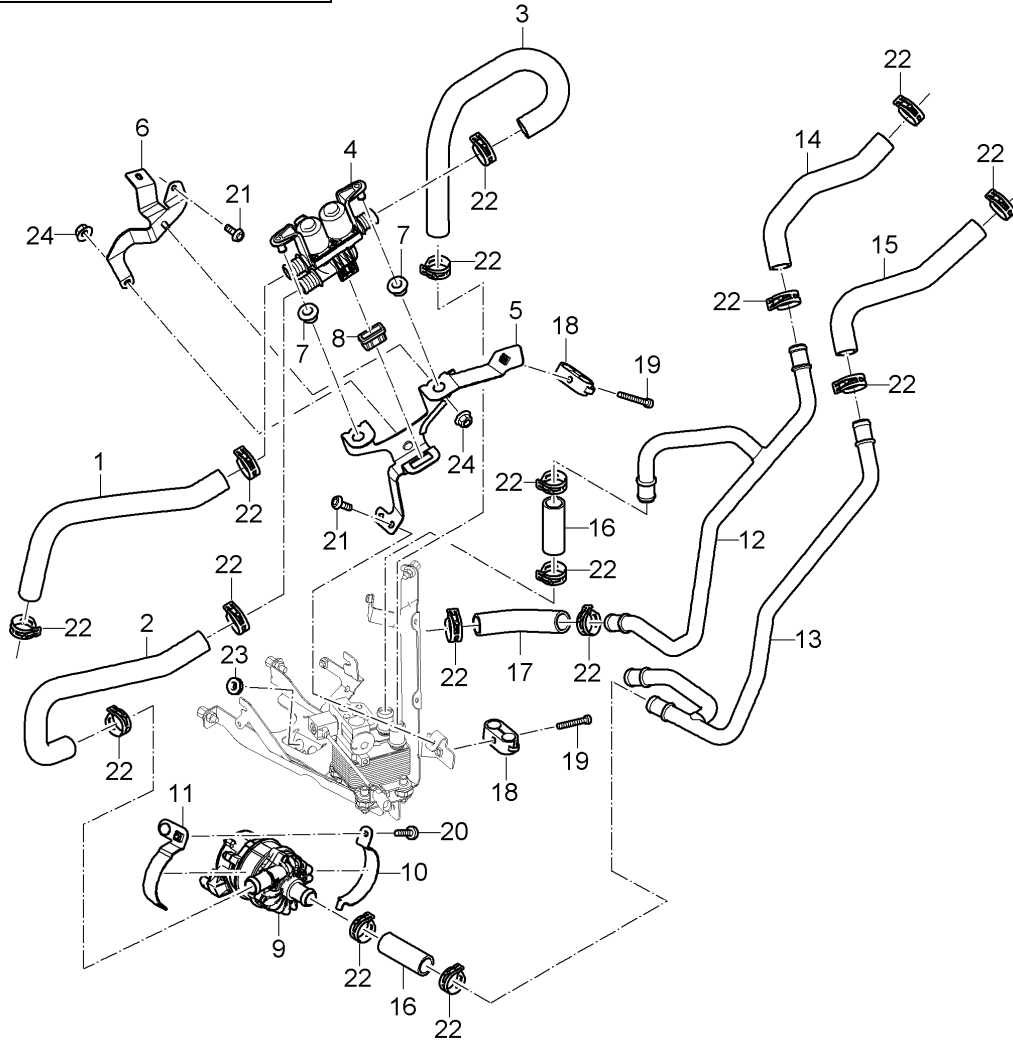
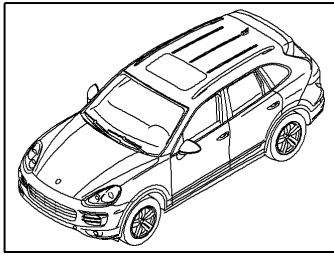
Model: 92A 11

Model life 2011>>2018

| Pos | Part Number    | Description   | Remark | Qty | Model      |
|-----|----------------|---|--------|-----|------------|
| 1   | 958 572 810 00 | Hose<br>Wheel housing<br>heater<br>Heater valve<br>Coolant pump | Hybrid | 1   | PR:D19,9M0 |
| 2   | 958 116 232 07 | Bracket   |        | 1   | PR:D19     |
| 3   | 958 572 586 00 | Clamp   |        | 2   | PR:9M0     |
| 4   | N 020 616 11   | Clamp   |        | 3   | PR:9M0     |
| 5   | N 015 082 10   | Heating hose<br>D1-25X15<br>Hexagon collar nut<br>M6            |        | 3   |            |
| 6   | 958 572 581 00 | Heating hose  |        | 1   |            |
| 7   | 958 572 984 00 | Hose  |        | 1   | PR:9M0,9AD |
| 8   | 958 572 249 00 | Pipe  |        | 1   | PR:9M0,9AD |
| 9   | 958 572 308 00 | Heating hose  |        | 1   | PR:9M0     |
| 10  | N 906 870 01   | Spring band clamp<br>B 27 X 12                                  |        | X   |            |
| 11  | 958 572 330 00 | Heating hose  |        | 1   |            |
| 12  | 955 572 567 00 | Rubber buffer   |        | 1   | PR:9M0,9AD |
| 13  | 955 572 698 00 | heater pipe<br>Discontinued part                                |        | 1   | PR:9M0,9M5 |
| 13  | 955 572 698 02 | heater pipe   |        | 1   | PR:9M0,9M5 |
| 14  | 955 572 055 03 | Clip  |        | 1   |            |

Model: 92A 11

Model life 2011>>2018



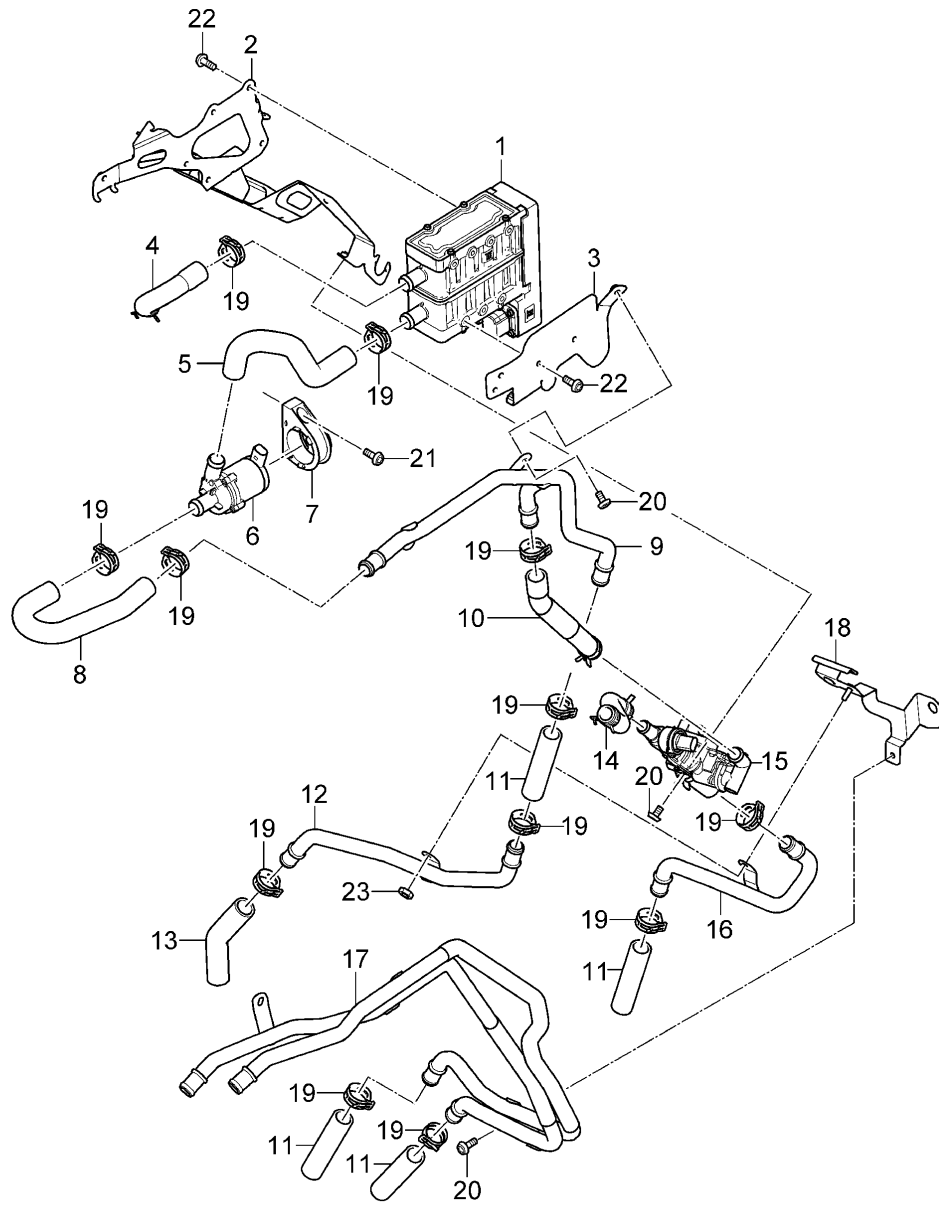
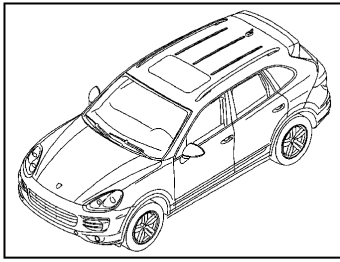
Model: 92A 11

Model life 2011>>2018

| Pos | Part Number    | Description                              | Remark | Qty | Model      |
|-----|----------------|--|--------|-----|------------|
|     |                | heater<br>High voltage<br>heat exchanger | Hybrid |     | PR:GP1,0K3 |
| 1   | 958 572 985 00 | Heating hose                             |        | 1   |            |
| 2   | 958 572 986 00 | Heating hose                             |        | 1   |            |
| 3   | 958 572 987 00 | Heating hose                             |        | 1   |            |
| 4   | 7PP 819 809    | Change-over valve                        |        | 1   |            |
| 5   | 958 572 827 00 | Bracket<br>Change-over valve             |        | 1   |            |
| 6   | 958 572 828 00 | Bracket<br>Change-over valve             |        | 1   |            |
| 7   | 970 573 811 00 | Guide piece<br>Disengageable             | upper  | 2   |            |
| 8   | 970 573 813 00 | Guide piece<br>Disengageable             | lower  | 1   |            |
| 9   | 958 572 567 00 | Coolant pump<br>Electric                 |        | 1   |            |
| 10  | 958 572 600 00 | Clamp<br>Pump                            |        | 1   |            |
| 11  | 958 572 610 00 | Battery<br>Clamp<br>Pump<br>Battery      | front  | 1   |            |
| 12  | 958 572 601 00 | Heater pipeline                          |        | 1   |            |
| 13  | 958 572 602 00 | Heater pipeline                          |        | 1   |            |
| 14  | 958 572 307 10 | Heating hose                             | return | 1   |            |
| 15  | 958 572 308 10 | Heating hose                             | feed   | 1   |            |
| 16  | 958 572 308 20 | Heating hose                             | short  | 1   |            |
| 17  | 958 572 601 10 | Water pipe                               |        | 1   |            |
|     |                | with:                                    |        |     |            |
| 18  | 958 572 055 00 | Non-return valve<br>Clip<br>5X9,5        |        | 3   |            |
| 19  | N 909 677 01   | Torx<br>socket head bolt<br>AM 5X35      |        | 3   |            |
| 20  | N 910 969 01   | round hd. screw<br>M6X22-K               |        | 1   |            |
| 21  | N 910 967 01   | Oval hexagon socket head bolt<br>M 6X16  |        | 1   |            |
| 22  | 999 512 658 09 | Hose clamp<br>B 27 X 12                  |        | X   |            |
| 23  | 955 572 095 00 | Rubber grommet<br>Bracket                |        | 2   |            |
| 24  | N 904 025 03   | hexagon nut, self-locking<br>M6          |        | X   |            |

Model: 92A 11

Model life 2011>>2018



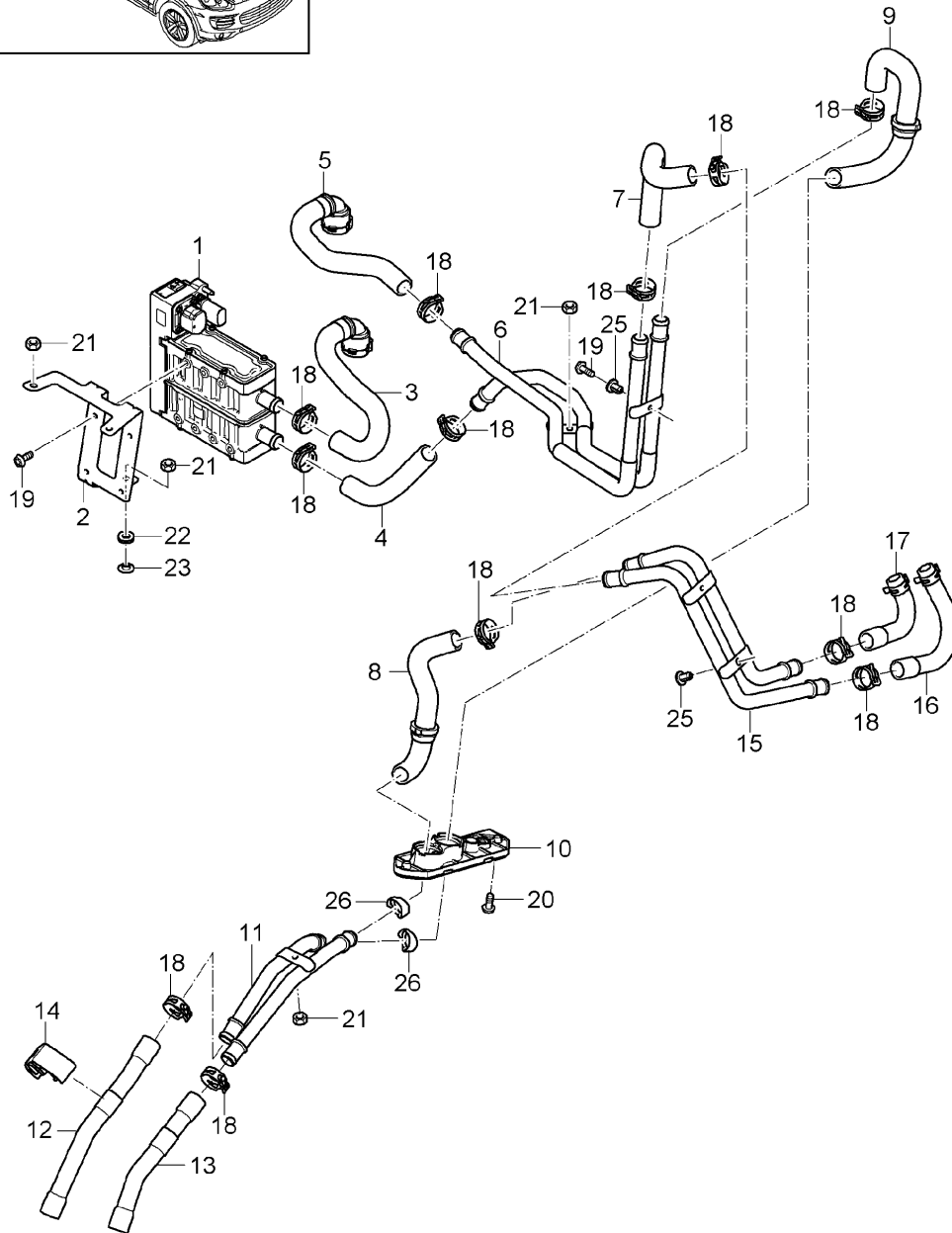
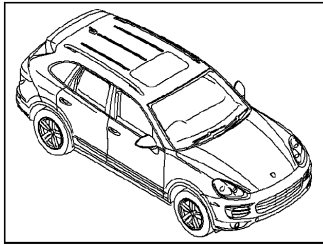
Model: 92A 11

Model life 2011>>2018

| Pos | Part Number    | Description  | Remark | Qty | Model      |
|-----|----------------|--|--------|-----|------------|
|     |                | heater<br>High voltage<br>heat exchanger<br>Wheel housing            | Hybrid |     | PR:GP1,0K3 |
| 1   | 12E 963 231 E  | High-voltage heating (PTC)<br>High voltage                           |        | 1   |            |
| 2   | 958 572 750 00 | bracket for heat exchanger   |        | 1   |            |
| 3   | 958 572 259 00 | bracket for heat exchanger<br>Protective plate                       |        | 1   |            |
| 4   | 958 572 993 00 | Heating hose   |        | 1   |            |
| 5   | 958 572 992 00 | Heating hose   |        | 1   |            |
| 6   | 955 106 561 10 | Coolant pump   |        | 1   |            |
| 7   | 958 572 610 00 | Clamp<br>Pump  |        | 1   |            |
| 8   | 958 572 991 00 | Heating hose   |        | 1   |            |
| 9   | 958 572 801 50 | Hot air duct   |        | 1   |            |
| 10  | 958 572 979 00 | Heating hose   |        | 1   |            |
| 11  | 958 572 308 00 | Heating hose   |        | 4   |            |
| 12  | 958 572 663 00 | Hot air duct   |        | 1   |            |
| 13  | 958 572 983 00 | Heating hose   |        | 1   |            |
| 14  | 958 572 896 00 | Heating hose   |        | 1   |            |
| 15  | 958 572 824 00 | Change-over valve  |        | 1   |            |
| 16  | 958 572 666 00 | Hot air duct   |        | 1   |            |
| 17  | 958 572 097 00 | Set<br>heater pipe   |        | 1   |            |
| 18  | 958 572 950 00 | Bracket  |        | 1   |            |
| 19  | 999 512 658 09 | Hose clamp<br>B 27 X 12  |        | X   |            |
| 20  | N 910 967 01   | Oval hexagon socket head bolt<br>M 6X16                              |        | X   |            |
| 21  | N 910 969 01   | round hd. screw<br>M 6X22  |        | X   |            |
| 22  | N 107 732 01   | Flat head bolt with hexagon<br>socket head, thread forming<br>M 6X10 |        | X   |            |
| 23  | N 904 025 03   | hexagon nut, self-locking<br>M6                                      |        | X   |            |

Model: 92A 11

Model life 2011>>2018



Model: 92A 11

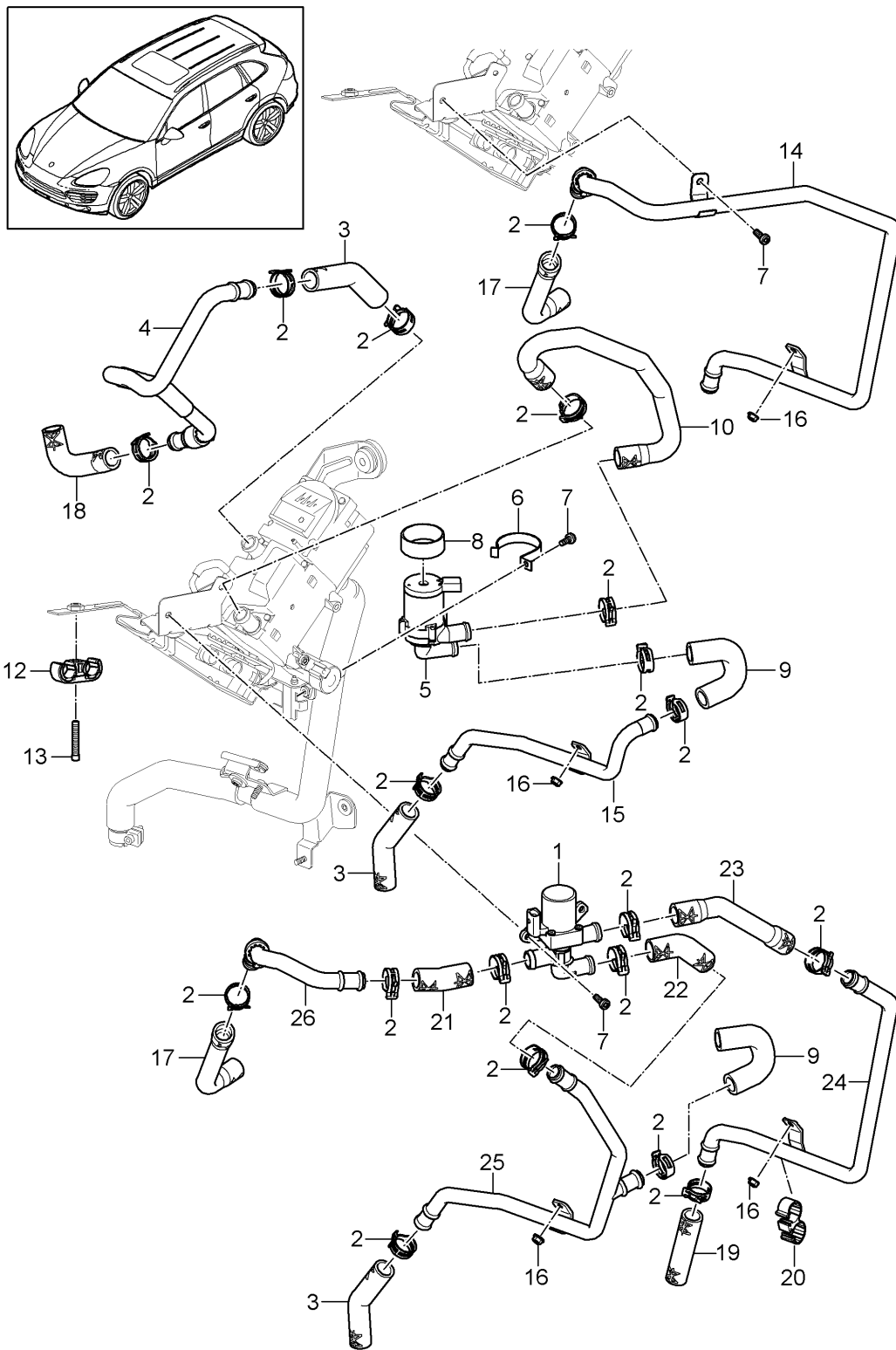
Model life 2011>>2018

| Pos | Part Number    | Description  | Remark | Qty | Model      |
|-----|----------------|--|--------|-----|------------|
|     |                | Hybrid heater<br>Battery   | rear   |     | PR:GP1,0K3 |
| 1   | 12E 963 231 E  | High-voltage heating (PTC)<br>High voltage                           |        | 1   |            |
| 2   | 958 573 453 00 | bracket for heat exchanger<br>HV- PTC                                |        | 1   |            |
| 3   | 958 572 337 00 | Heating hose   |        | 1   |            |
| 4   | 958 572 371 10 | Heating hose   |        | 1   |            |
| 5   | 958 572 332 00 | Heating hose   |        | 1   |            |
| 6   | 958 572 673 00 | Set<br>Hot air duct  |        | 1   |            |
| 7   | 958 572 373 10 | Heating hose   |        | 1   |            |
| 8   | 958 572 376 00 | Heating hose   |        | 1   |            |
| 9   | 958 572 370 00 | Heating hose   |        | 1   |            |
| 10  | 958 504 339 00 | Retaining plate  |        | 1   |            |
|     |                | with:  |        |     |            |
| 11  | 958 572 671 00 | Seal<br>Set<br>Hot air duct  |        | 1   |            |
| 12  | 958 572 362 00 | Heating hose   |        | 1   |            |
| 13  | 958 572 378 00 | Heating hose   |        | 1   |            |
| 14  | 955 573 763 00 | Distance piece   |        | 1   |            |
| 15  | 958 572 674 00 | Set<br>Hot air duct  |        | 1   |            |
| 16  | 958 572 374 10 | Heating hose   |        | 1   |            |
| 17  | 958 572 375 00 | Heating hose   |        | 1   |            |
| 18  | 999 512 658 09 | Hose clamp<br>B 27 X 12  |        | X   |            |
| 19  | N 107 732 01   | Flat head bolt with hexagon<br>socket head, thread forming<br>M 6X10 |        | X   |            |
| 20  | N 106 695 01   | fillister head bolt with<br>multi-point socket head<br>M5GFX12       |        | 2   |            |
| 21  | N 904 025 03   | hexagon nut, self-locking<br>M6                                      |        | X   |            |
| 22  | 955 572 095 00 | Rubber grommet<br>Bracket  |        | 2   |            |
| 23  | 955 572 121 00 | bush   |        | 4   | PR:OK0     |
| 25  | 4F0 857 784    | Spreader rivet   |        | 1   |            |
| 26  | N 105 587 01   | Spring band clamp<br>27X12   |        | 2   |            |



Model: 92A 11

Model life 2011>>2018

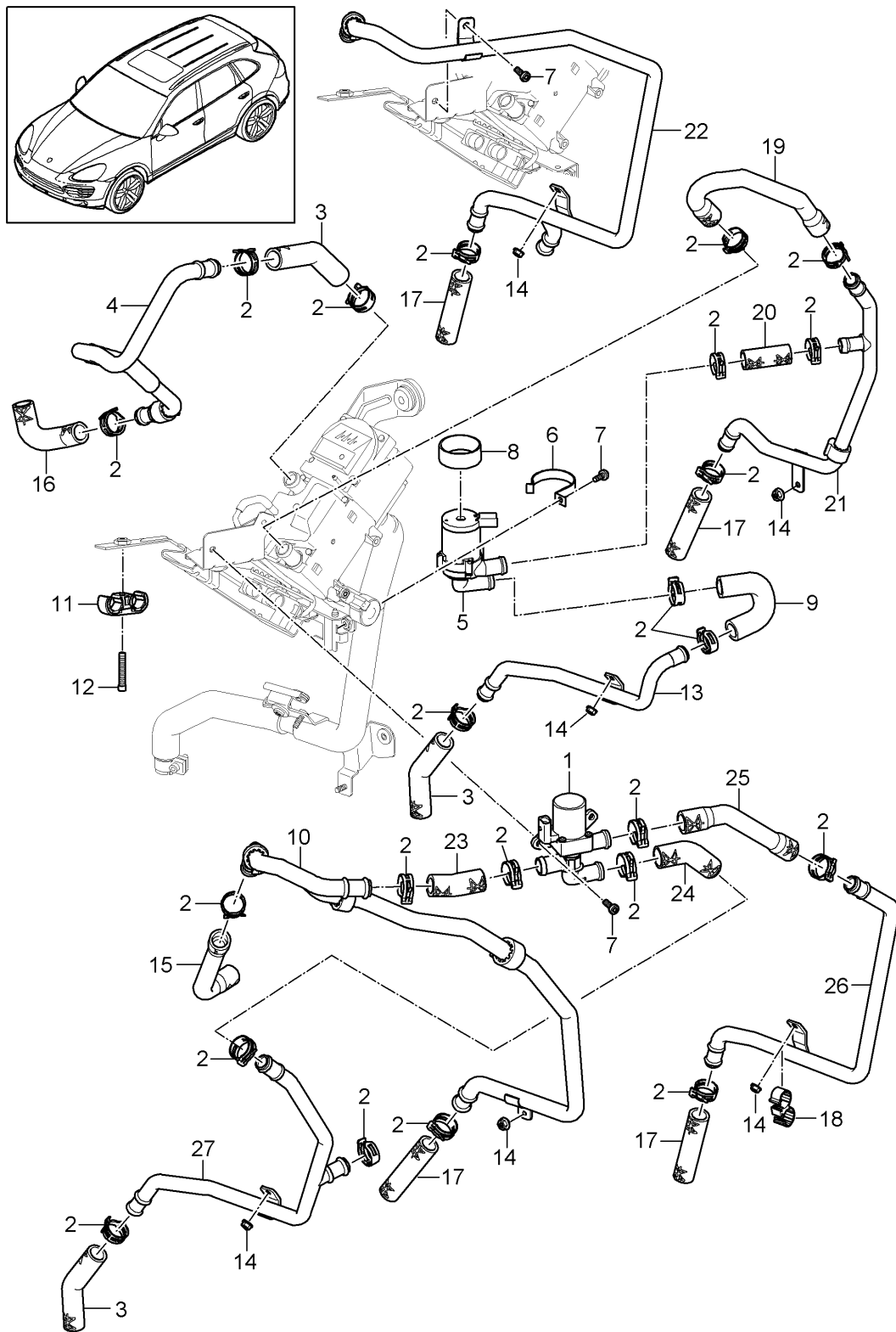


Model: 92A 11 Model life 2011>>2018

| Pos  | Part Number    | Description  | Remark | Qty | Model                                 |
|------|----------------|--|--------|-----|---------------------------------------|
|      |                | Hose<br>Wheel housing  |        |     | PR: 9AD, 9M1, 9M5, 9M9                |
|      |                | with:<br>Auxiliary air conditioner<br>and<br>Auxiliary heater<br>Feed line<br>return line<br>Valve |        | 1   | PR: 9M1, 9M9                          |
| 1    | 955 572 824 03 |  |        |     |                                       |
| 2    | N 906 870 01   | Spring band clamp<br>B 27 X 12   |        | X   |                                       |
| 3    | 958 572 983 00 | Heating hose   |        | 2   | PR: 0K0, 9M1, 9M5, 9M9                |
| 4    | 958 572 926 01 | Hot air duct   |        | 1   | PR: 9M1, 9M5, 9M9                     |
| 5    | 955 572 150 07 | Coolant pump   |        | 1   | PR: 9M1, 9M5, 9M9                     |
| 6    | 958 572 148 00 | Clamp spring<br>Mount<br>Pump  |        | 1   | PR: 9M1, 9M5, 9M9                     |
| 7    | N 910 967 01   | Oval hexagon socket head bolt<br>M6 X 16   |        | X   |                                       |
| 8    | 958 572 409 00 | Rubber gaiter<br>for<br>Clamp  |        | 1   | PR: 9M1, 9M5, 9M9                     |
| 9    | 958 572 373 00 | Heating hose   |        | 1   | PR: 9M1, 9M5, 9M9                     |
| 10   | 958 572 374 00 | Heating hose   |        | 1   | PR: 9AD, 9M1, 9M5, 9M9                |
| 12   | 955 572 055 01 | Clip   |        | X   |                                       |
| 13   | N 105 103 01   | Hexagon socket head<br>bolt<br>M6 x 35   |        | 1   |                                       |
| 14   | 958 572 857 02 | Hot air duct   |        | 1   | PR: 9AD, 9M5                          |
| 15   | 958 572 278 00 | Hot air duct   |        | 1   | PR: 9M5                               |
| 16   | N 015 082 10   | Hexagon collar nut   |        | 1   |                                       |
| 17   | 958 572 324 00 | Heating hose   |        | 1   | PR: 0K0                               |
| 18   | 958 572 320 00 | Heating hose   |        | 1   | PR: D1V, D43, D6V, D58, 9AD           |
| 19   | 958 572 308 00 | Heating hose   |        | 1   | PR: D6V, D58, D34, D50, 0K1, 9AD, 9M0 |
| (19) | 958 572 308 00 | Heating hose   |        | 1   | PR: D11, 9AD, 9M0                     |
| 20   | 958 572 699 00 | Grommet  |        | 1   |                                       |
| 21   | 955 572 583 00 | Heating hose   |        | 1   | PR: 9M1, 9M9                          |
| 22   | 955 572 584 00 | Heating hose   |        | 1   | PR: 9M1, 9M5, 9M9                     |
| 23   | 958 572 982 00 | Heating hose   |        | 1   | PR: 9M1, 9M9                          |
| 24   | 958 572 911 10 | Hot air duct   |        | 1   | PR: 9M1, 9M9                          |
| 25   | 958 572 888 00 | Hot air duct   |        | 1   | PR: 9M1, 9M9                          |
| 26   | 958 572 929 10 | Hot air duct   |        | 1   | PR: 9AD, 9M1, 9M9                     |

Model: 92A 11

Model life 2011>>2018

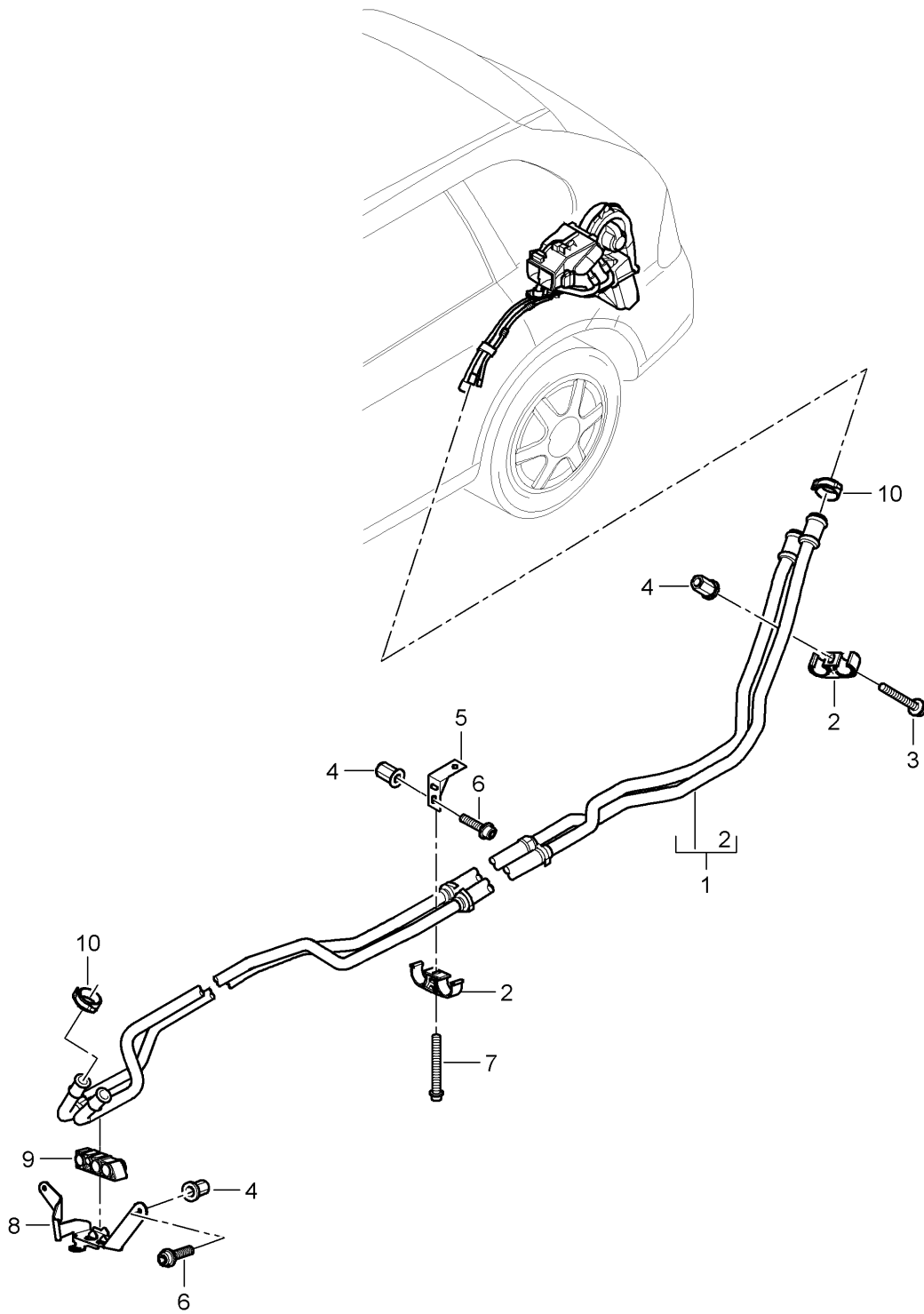


Model: 92A 11 Model life 2011>>2018

| Pos  | Part Number    | Description  | Remark | Qty | Model                                  |
|------|----------------|--|--------|-----|--|
|      |                | Hose<br>Wheel housing  |        |     | PR:9AH,9M1,<br>9M5,9M9                 |
|      |                | with:<br>Auxiliary air conditioner<br>and<br>Auxiliary heater<br>Feed line<br>return line<br>Valve |        | 1   | PR:9M1,9M9                             |
| 1    | 955 572 824 03 |  |        |     |  |
| 2    | N 906 870 01   | Spring band clamp<br>B 27 X 12   |        | X   |  |
| 3    | 958 572 983 00 | Heating hose   |        | 2   | PR:0K0,9M1,<br>9M5,9M9                 |
| 4    | 958 572 926 01 | Hot air duct   |        | 1   | PR:9M1,9M5,<br>9M9                     |
| 5    | 955 572 150 07 | Coolant pump   |        | 1   | PR:9M1,9M5,<br>9M9                     |
| 6    | 958 572 148 00 | Clamp spring<br>Mount<br>Pump  |        | 1   | PR:9M1,9M5,<br>9M9                     |
| 7    | N 910 967 01   | Oval hexagon socket head bolt<br>M6 X 16   |        | X   |  |
| 8    | 958 572 409 00 | Rubber gaiter<br>for<br>Clamp  |        | 1   | PR:9M1,9M5,<br>9M9                     |
| 9    | 958 572 373 00 | Heating hose   |        | 1   | PR:9M1,9M5,<br>9M9                     |
| 10   | 958 572 912 10 | Hot air duct   |        | 1   | PR:9AH,9M1,<br>9M9                     |
| 11   | 955 572 055 01 | Clip   |        | X   |  |
| 12   | N 105 103 01   | Hexagon socket head<br>bolt<br>M6 x 35   |        | 1   |  |
| 13   | 958 572 278 00 | Hot air duct   |        | 1   | PR:9M5                                 |
| 14   | N 015 082 10   | Hexagon collar nut   |        | 1   |  |
| 15   | 958 572 324 00 | Heating hose   |        | 1   | PR:0K0                                 |
| 16   | 958 572 320 00 | Heating hose   |        | 1   | PR:D1V,D43,<br>D6V,D58,D34,<br>9AH     |
| 17   | 958 572 308 00 | Heating hose   |        | 3   | PR:D6V,D58,<br>D34,D50,0K1,<br>9AH,9M0 |
| (17) | 958 572 308 00 | Heating hose   |        | 3   | PR:D11,9AH,<br>9M0                     |
| 18   | 958 572 699 00 | Grommet  |        | 1   |  |
| 19   | 958 572 981 00 | Heating hose   |        | 1   | PR:9AH                                 |
| 20   | 955 572 784 00 | Heating hose   |        | 1   | PR:9AH,9M1,<br>9M5,9M9                 |
| 21   | 958 572 925 00 | Hot air duct   |        | 1   | PR:9AH,9M1,<br>9M5,9M9                 |
| 22   | 958 572 377 00 | Hot air duct   |        | 1   | PR:9AH,9M5                             |
| 23   | 955 572 583 00 | Heating hose   |        | 1   | PR:9M1,9M9                             |
| 24   | 955 572 584 00 | Heating hose   |        | 1   | PR:9M1,9M5,<br>9M9                     |
| 25   | 958 572 982 00 | Heating hose   |        | 1   | PR:9M1,9M9                             |
| 26   | 958 572 911 10 | Hot air duct   |        | 1   | PR:9M1,9M9                             |
| 27   | 958 572 888 00 | Hot air duct   |        | 1   | PR:9M1,9M9                             |

Model: 92A 11

Model life 2011>>2018



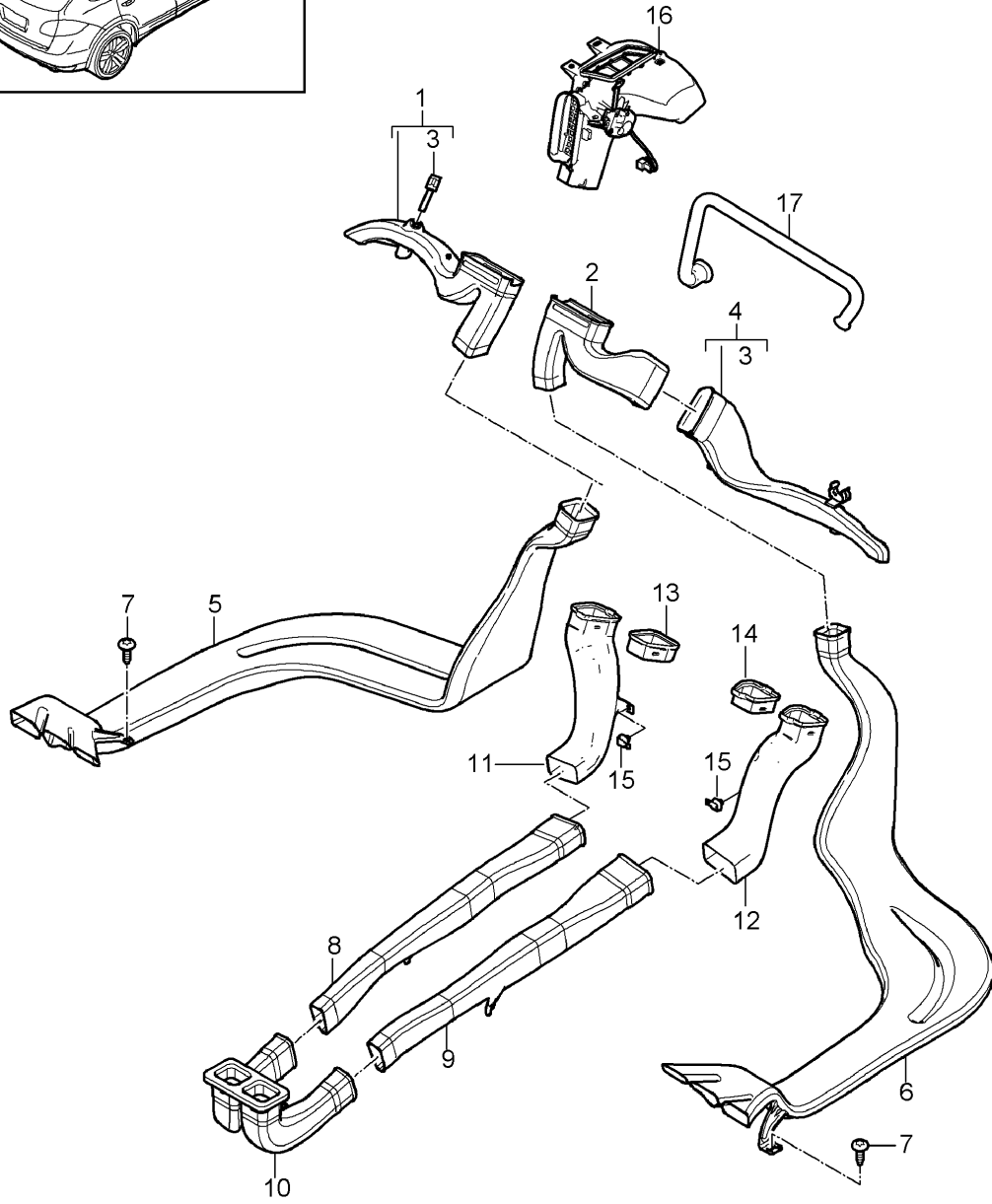
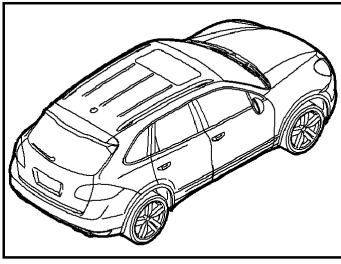
Model: 92A 11

Model life 2011&gt;&gt;2018

| Pos | Part Number    | Description                               | Remark | Qty | Model      |
|-----|----------------|---|--------|-----|------------|
|     |                | Hot air duct<br>Auxiliary air conditioner | rear   |     | PR:9AH     |
| 1   | 958 572 885 00 | Hot air duct                              |        | 1   | PR:0K0,9AH |
| 1   | 958 572 885 00 | Hot air duct                              |        | 1   | PR:0K3     |
| 2   | 955 572 787 00 | Clip                                      |        | 2   |            |
| 3   | N 105 103 01   | Hexagon socket head<br>bolt<br>M6 X 35    |        | 1   |            |
| 4   | N 902 631 04   | rivetted cap nut<br>M6                    |        | X   |            |
| 5   | 955 572 495 00 | Line holder                               |        | 2   |            |
| 6   | N 910 967 01   | Oval hexagon socket head bolt<br>M6 X 16  |        | X   |            |
| 7   | N 106 247 01   | Socket head bolt<br>M6 X 70               |        | 2   |            |
| 8   | 955 573 605 00 | Bracket                                   |        | 1   |            |
| 9   | 955 572 757 05 | Distance piece                            |        | 1   |            |
| 10  | N 906 870 01   | Spring band clamp                         |        | X   |            |

Model: 92A 11

Model life 2011>>2018



Model: 92A 11

Model life 2011>>2018

| Pos | Part Number    | Description  | Remark                   | Qty | Model          |
|-----|----------------|--|--------------------------|-----|----------------|
| 1   | 958 573 383 00 | Air distributor<br>Footwell outlet vent            | left lhd                 | 1   | PR:L0L,9AD     |
| (1) | 958 573 385 00 | Footwell outlet vent                               | left front<br>left lhd   | 1   | PR:L0L,0K0,9AH |
|     |                | with:  |                          |     |                |
| (1) | 958 573 387 00 | Auxiliary air conditioner<br>Footwell outlet vent  | left rhd                 | 1   | PR:L0R,9AD     |
| (1) | 958 573 387 10 | Footwell outlet vent                               | left front<br>left rhd   | 1   | PR:L0R         |
| (1) | 958 573 389 00 | Footwell outlet vent                               | left front<br>left rhd   | 1   | PR:L0R,0K0,9AH |
|     |                | with:  |                          |     |                |
| 2   | 958 573 384 00 | Auxiliary air conditioner<br>Footwell outlet vent  | right lhd                | 1   | PR:L0L,9AD     |
| (2) | 958 573 386 00 | Footwell outlet vent                               | right front<br>right lhd | 1   | PR:L0L,0K0,9AH |
|     |                | with:  |                          |     |                |
| 3   | 958 572 304 00 | Auxiliary air conditioner<br>Temperature sensor    |                          | 1   |                |
| 4   | 958 573 391 00 | Footwell outlet vent                               | right front<br>right lhd | 1   | PR:L0L         |
| (4) | 958 573 388 00 | Footwell outlet vent                               | right front<br>right rhd | 1   | PR:L0R,9AD     |
| (4) | 958 573 390 00 | Footwell outlet vent                               | right front<br>right rhd | 1   | PR:L0R,0K0,9AH |
|     |                | with:  |                          |     |                |
| 5   | 958 573 655 00 | Auxiliary air conditioner<br>Air guide<br>Footwell | left rear                | 1   | PR:9AD         |
| 6   | 958 573 656 00 | Air guide<br>Footwell                              | right rear               | 1   | PR:9AD         |
| 7   | N 906 986 06   | Hexagon socket head panel bolt<br>ST 4,2 X 16      |                          | X   |                |
| 8   | 958 573 801 00 | Air guide channel<br>Centre console                | left                     | 1   | PR:9AD         |
| 9   | 958 573 802 00 | Air guide channel<br>Centre console                | right                    | 1   | PR:9AD         |
| 10  | 958 573 870 00 | Air guide channel<br>Air exhaust<br>Centre console | rear                     | 1   | PR:9AD         |
| 11  | 958 573 657 00 | Air guide channel<br>Air exhaust<br>Centre console | left front               | 1   | PR:9AD         |
| 12  | 958 573 658 00 | Air guide channel<br>Air exhaust<br>Centre console | right front              | 1   | PR:9AD         |
| 13  | 958 573 663 00 | Cap closure<br>Air duct<br>Centre console          | left front               | 1   | PR:9AH         |
| 14  | 958 573 664 00 | Cap closure  | right                    | 1   | PR:9AH         |



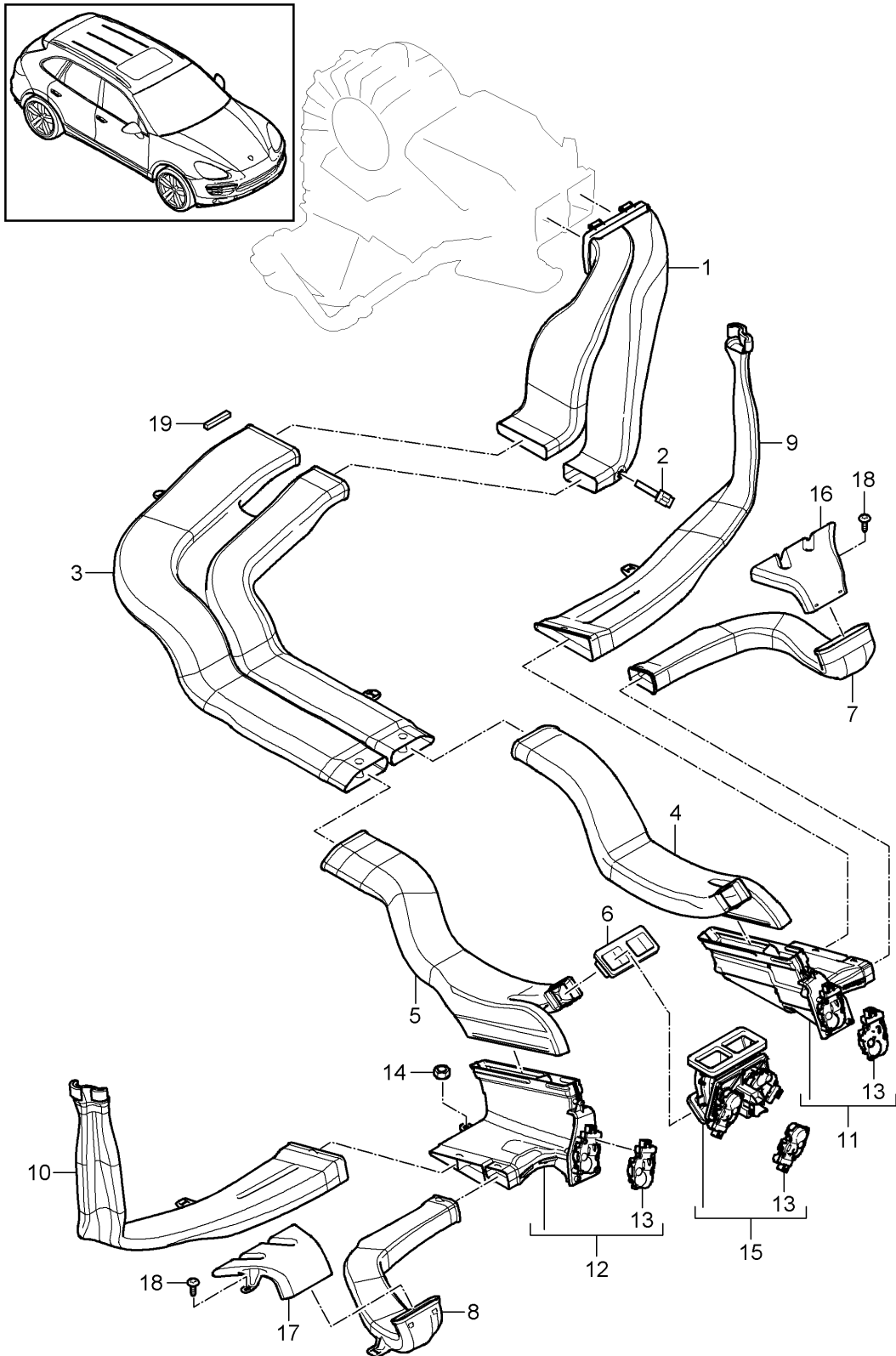
Model: 92A 11

Model life 2011>>2018

| Pos  | Part Number    | Description   | Remark          | Qty | Model  |
|------|----------------|---|-----------------|-----|--------|
| 15   | N 906 851 01   | Air duct<br>Centre console<br>bracket for connector housing | front           | 2   | PR:9AD |
| 16   | 958 573 693 00 | Air duct<br>Centre console<br>Air guide                     | left<br>center  | 1   |        |
| (16) | 958 573 693 02 | Discontinued part<br>Air guide                              | left<br>center  | 1   |        |
| (16) | 958 573 693 01 | Air guide   | right<br>center | 1   |        |
| (16) | 958 573 693 03 | Discontinued part<br>Air guide                              | right<br>center | 1   |        |
| 17   | 958 573 311 00 | air hose<br>Cold air  | lhd             | 1   | PR:L0L |
| (17) | 958 573 311 10 | air hose<br>Cold air  | rhd             | 1   | PR:L0R |

Model: 92A 11

Model life 2011>>2018



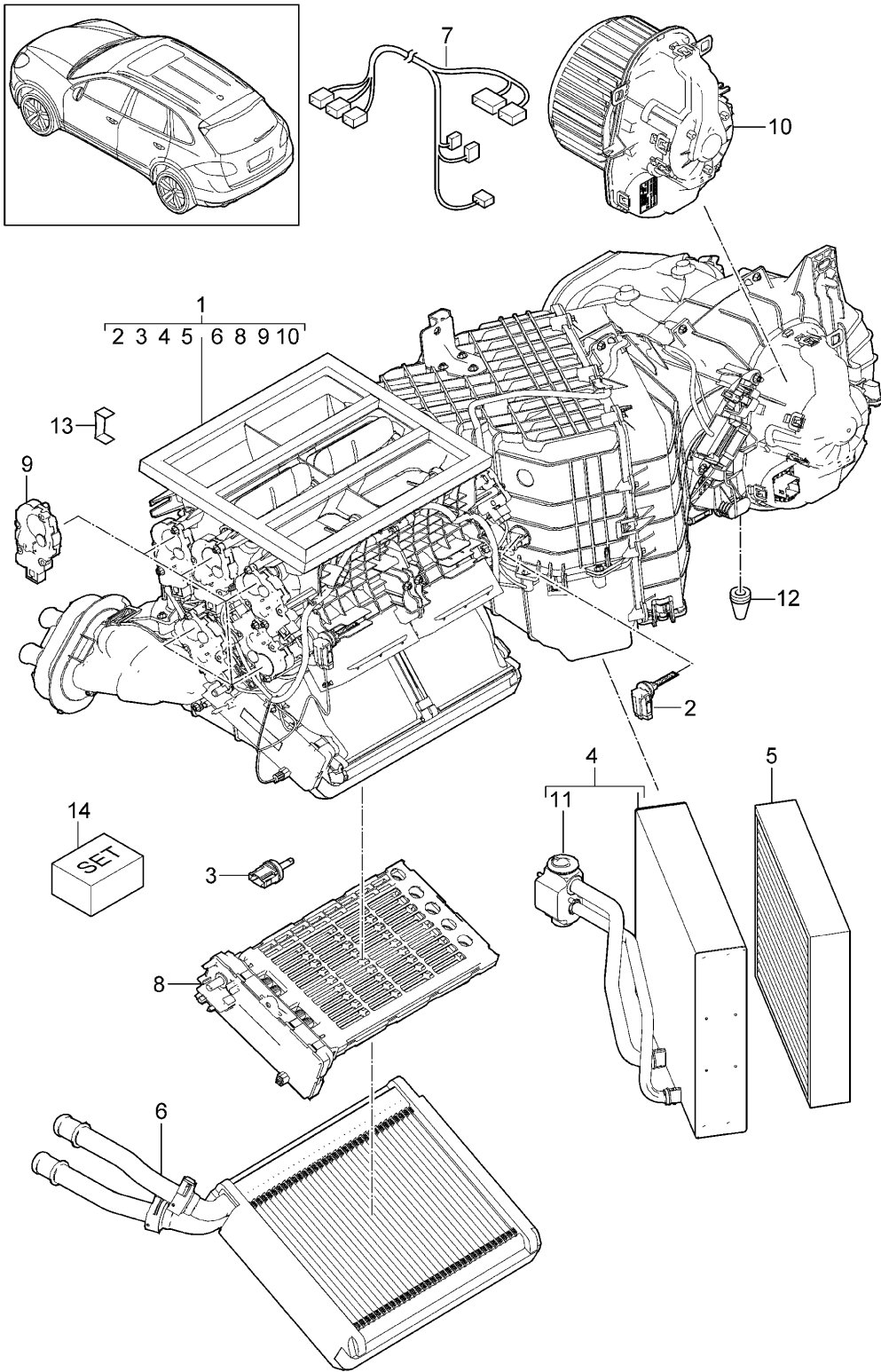
Model: 92A 11

Model life 2011>>2018

| Pos | Part Number    | Description                                   | Remark         | Qty | Model  |
|-----|----------------|---|----------------|-----|--------|
|     |                | Air distributor<br>Auxiliary air conditioner  |                |     | PR:9AH |
| 1   | 958 573 681 00 | Air guide channel<br>Wheel housing            |                | 1   |        |
| 2   |                | Air conditioner<br>Sensor                     |                |     |        |
|     |                | see illustration:                             | 813-050        |     |        |
| 3   | 958 573 699 00 | Air guide channel                             | left<br>rear   | 1   |        |
| 4   | 958 573 689 00 | Air guide channel<br>tunnel                   | left           | 1   |        |
| 5   | 958 573 690 00 | Air guide channel<br>tunnel                   | right          | 1   |        |
| 6   | 955 573 331 00 | Adapter<br>Exhaust                            |                | 1   |        |
| 7   | 958 573 857 00 | Air guide channel<br>Footwell                 | left<br>rear   | 1   |        |
| 8   | 958 573 858 00 | Air guide channel<br>Footwell                 | right<br>rear  | 1   |        |
| 9   | 958 573 847 00 | Air guide channel<br>B-pillar                 | left<br>lower  | 1   |        |
| 10  | 958 573 848 00 | Air guide channel<br>B-pillar                 | right<br>lower | 1   |        |
| 11  | 958 573 351 00 | Air distributor                               | left           | 1   |        |
|     |                | with:   |                |     |        |
| 12  | 958 573 352 00 | Servomotor<br>Air distributor                 | right          | 1   |        |
|     |                | with:   |                |     |        |
| 13  | 958 612 512 00 | Servomotor                                    |                | 4   |        |
| 14  | N 907 579 01   | Hexagon collar nut<br>E 5                     |                | 2   |        |
| 15  | 958 573 526 00 | Air distributor<br>Centre console             |                | 1   |        |
|     |                | with:   |                |     |        |
| 16  | 958 573 903 00 | Servomotor<br>Exhaust<br>Footwell             | left<br>rear   | 1   |        |
| 17  | 958 573 904 00 | Exhaust<br>Footwell                           | right<br>rear  | 1   |        |
| 18  | N 906 986 06   | Hexagon socket head panel bolt<br>ST 4,2 X 16 |                | X   |        |
| 19  | 958 573 798 00 | Plastic foam strip                            |                | 1   |        |

Model: 92A 11

Model life 2011>>2018



Model: 92A 11 Model life 2011>>2018

| Pos  | Part Number    | Description   | Remark | Qty | Model              |
|------|----------------|---|--------|-----|--------------------|
|      |                | Air conditioner<br>Individual parts                   | front  |     |                    |
| 1    | 958 572 300 00 | Air conditioner<br>Discontinued part                  | lhd    | 1   | PR:L0L,7E6,<br>9AD |
| 1    | 958 572 300 01 | Air conditioner                                       | lhd    | 1   | PR:L0L,7E6,<br>9AD |
| 1    | 958 572 300 05 | Air conditioning                                      |        | 1   | PR:L0L,7E6,<br>9AD |
| (1)  | 958 572 301 00 | Air conditioner<br>Discontinued part                  | lhd    | 1   | PR:L0L,7E0,<br>9AD |
| (1)  | 958 572 301 01 | Air conditioner<br>Discontinued part                  | lhd    | 1   | PR:L0L,7E0,<br>9AD |
| (1)  | 958 572 301 05 | Air conditioning                                      |        | 1   | PR:L0L,7E0,<br>9AD |
| (1)  | 958 572 302 00 | Air conditioner<br>Discontinued part                  | lhd    | 1   | PR:L0L,7E0,<br>9AH |
| (1)  | 958 572 302 01 | Air conditioner<br>Discontinued part                  | lhd    | 1   | PR:L0L,7E0,<br>9AH |
| (1)  | 958 572 302 02 | Air conditioner<br>Discontinued part                  | lhd    | 1   | PR:L0L,7E0,<br>9AH |
| (1)  | 958 572 302 03 | Air conditioner<br>Discontinued part                  | lhd    | 1   | PR:L0L,7E0,<br>9AH |
| (1)  | 958 572 302 04 | Air conditioner                                       | lhd    | 1   | PR:L0L,7E0,<br>9AH |
| (1)  | 958 572 303 00 | Air conditioner                                       | rhd    | 1   | PR:LOR,7E6,<br>9AD |
| (1)  | 958 572 303 04 | Air conditioning                                      |        | 1   | PR:LOR,7E6,<br>9AD |
| (1)  | 958 572 305 03 | Air conditioner<br>D - MJ 2014>><br>Discontinued part | rhd    | 1   | PR:LOR,7E0,<br>9AD |
| (1)  | 958 572 305 04 | Air conditioner<br>D - MJ 2015>>                      | rhd    | 1   | PR:LOR,7E0,<br>9AD |
| (1)  | 958 572 306 00 | Air conditioner<br>Discontinued part                  | rhd    | 1   | PR:LOR,7E0,<br>9AH |
| (1)  | 958 572 306 01 | Air conditioner<br>Discontinued part                  | rhd    | 1   | PR:LOR,7E0,<br>9AH |
| (1)  | 958 572 306 04 | Air conditioner<br>D - MJ 2014>>                      | rhd    | 1   | PR:LOR,7E0,<br>9AH |
| 2    | 958 572 304 00 | Temperature sensor                                    |        | 1   |                    |
| 3    | 958 572 304 10 | Temperature sensor                                    |        | 1   |                    |
| 4    | 958 572 317 00 | evaporator  | lhd    | 1   | PR:L0L             |
| (4)  | 958 572 318 00 | evaporator  | rhd    | 1   | PR:LOR             |
| (4)  | 958 572 101 01 | evaporator  |        | 1   | PR:9AH,0K0         |
| 5    | 958 572 219 00 | Dust and pollen filter insert                         |        | 1   |                    |
| 6    | 958 572 326 00 | heat exchanger  | lhd    | 1   | PR:L0L             |
| (6)  | 958 572 327 00 | heat exchanger  | rhd    | 1   | PR:LOR             |
| 7    | 958 612 350 00 | Wire set  | lhd    | 1   | PR:L0L,7E0,<br>9AD |
| (7)  | 958 612 350 01 | Wire set  | lhd    | 1   | PR:L0L,7E6,<br>9AD |
| (7)  | 958 612 350 03 | Wire set  | rhd    | 1   | PR:LOR,7E6,<br>9AD |
| (7)  | 958 612 351 00 | Wire set  | rhd    | 1   | PR:LOR,7E0,<br>9AH |
| (7)  | 958 612 351 01 | Wire set  | lhd    | 1   | PR:L0L,7E0,<br>9AH |
| (7)  | 958 612 351 03 | Wire set  | rhd    | 1   | PR:LOR,7E0,<br>9AD |
| 8    | 958 612 235 00 | heater unit   |        | 1   | PR:7E6             |
| 9    | 958 612 511 00 | Servomotor  |        | X   |                    |
| 10   | 958 572 342 02 | Fan   | lhd    | 1   | PR:L0L             |
| (10) | 958 572 341 01 | Fan   | rhd    | 1   | PR:LOR             |

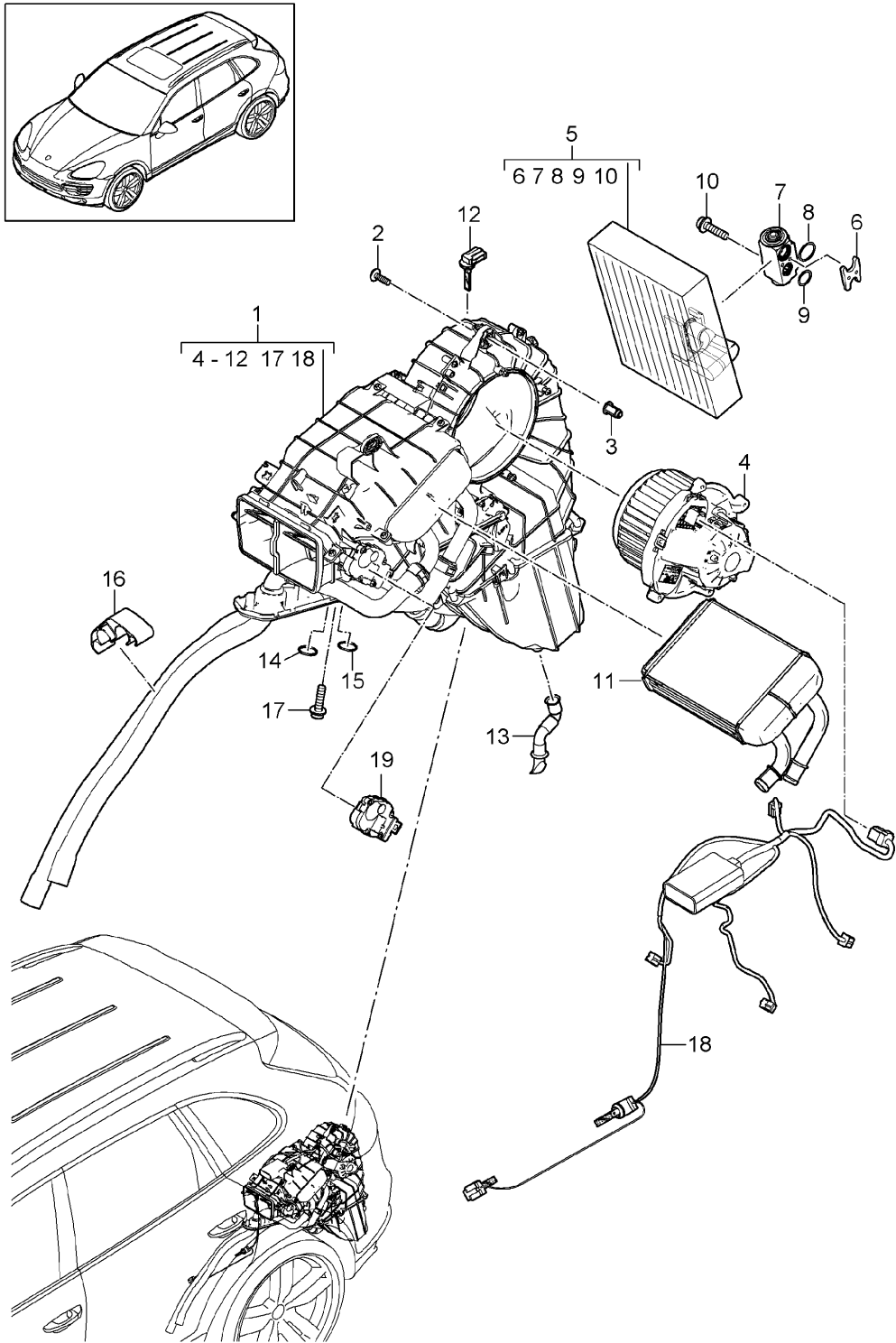
Model: 92A 11

Model life 2011&gt;&gt;2018

| Pos | Part Number    | Description          | Remark | Qty | Model |
|-----|----------------|----------------------|--------|-----|-------|
| 11  | 958 572 319 00 | Expansion valve      |        | 1   |       |
| 12  | 955 572 333 01 | drain tube           |        | 1   |       |
| 13  | 928 570 423 00 | Tensioning spring    |        | 1   |       |
| 14  | 8K0 898 540    | 1 set securing bolts |        | 1   |       |

Model: 92A 11

Model life 2011>>2018



Model: 92A 11

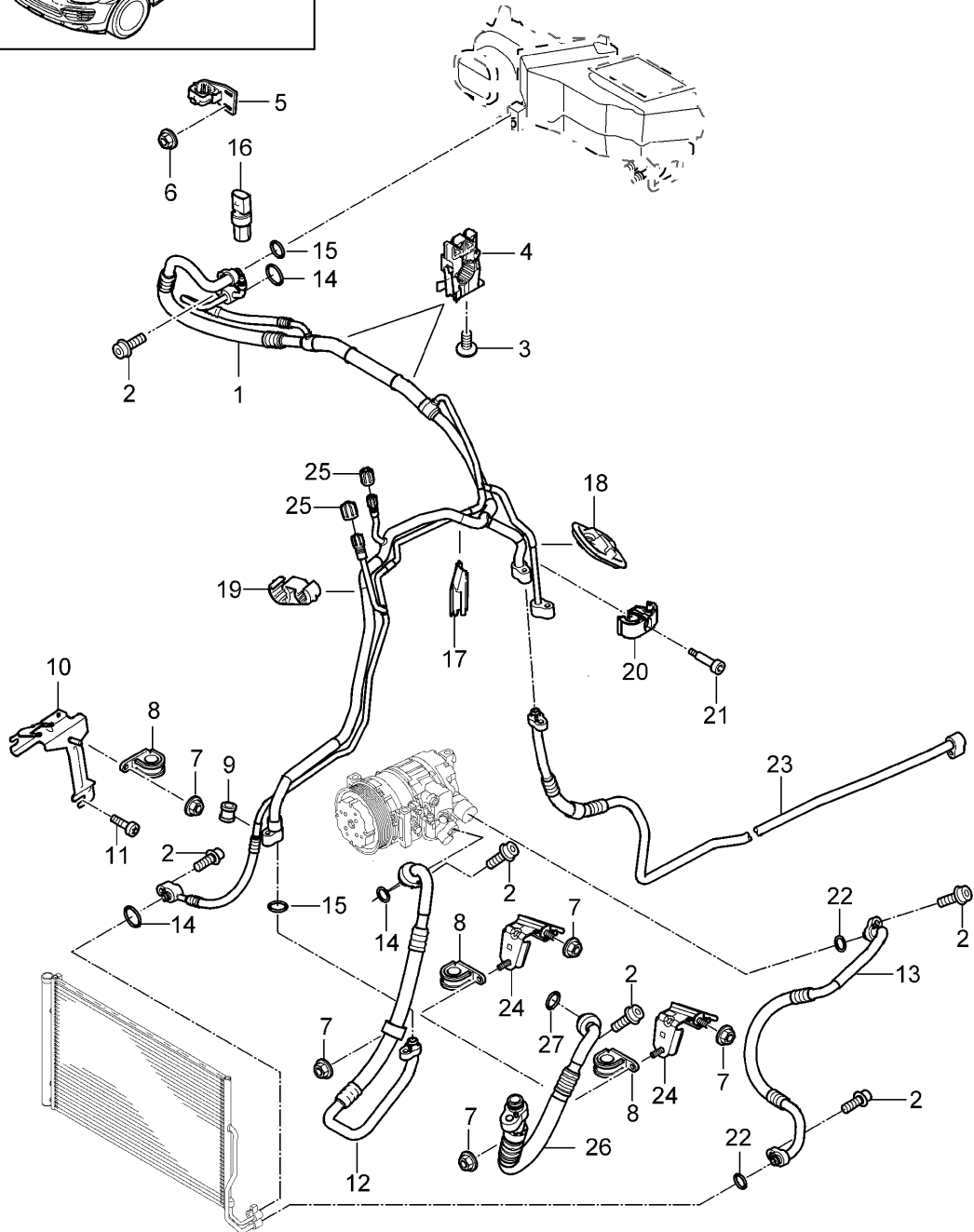
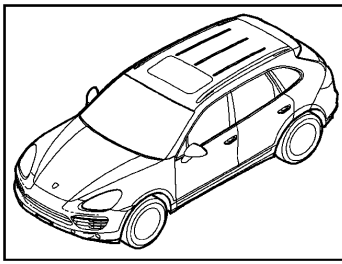
Model life 2011>>2018

| Pos  | Part Number    | Description           | Remark         | Qty | Model      |
|------|----------------|-----------------------|----------------|-----|------------|
|      |                | Air conditioner       | rear           |     | PR:9AH     |
|      |                | Individual parts      |                |     |            |
| 1    | 958 572 003 00 | Air conditioner       |                | 1   | PR:0K0,9AH |
|      |                | Discontinued part     |                |     |            |
| 1    | 958 572 003 03 | Air conditioner       |                | 1   | PR:0K0,9AH |
| 2    | N 910 799 01   | Hex collared bolt     |                | 3   |            |
|      |                | M6 X 20               |                |     |            |
| 3    | N 106 185 01   | riveted cap nut       |                | X   |            |
|      |                | M6                    |                |     |            |
| 4    | 958 572 022 03 | Fan                   |                | 1   |            |
| 5    | 958 572 101 01 | evaporator            |                | 1   |            |
| 6    | 955 572 064 00 | Bracket               |                | 1   |            |
|      |                | Expansion valve       |                |     |            |
| 7    | 955 572 319 11 | Expansion valve       |                | 1   |            |
| 8    | 955 572 325 10 | seal ring             |                | 1   |            |
|      |                | Exhaust               |                |     |            |
| 9    | 955 572 324 00 | O-ring                |                | 1   |            |
|      |                | Intake                |                |     |            |
| 10   | N 104 763 01   | Socket head bolt      |                | 2   |            |
|      |                | M5 X 40               |                |     |            |
| 11   | 955 572 070 01 | heat exchanger        |                | 1   |            |
| 12   | 958 572 304 00 | Temperature sensor    |                | 1   |            |
| 13   | 955 572 091 00 | drain tube            |                | 1   |            |
| 14   | 955 573 749 00 | O-ring                |                | X   |            |
|      |                | 9,5 X 2,5             |                |     |            |
| 15   | 955 572 094 00 | O-ring                |                | X   |            |
|      |                | 11,0 X 2,5            |                |     |            |
|      |                | Discontinued part     |                |     |            |
| 15   | 955 573 749 01 | O-ring                |                | X   |            |
|      |                | 11 X 2,5              |                |     |            |
| 16   | 955 573 763 00 | Distance piece        |                | 1   |            |
| 17   | N 104 144 02   | Socket head bolt with |                | X   |            |
|      |                | hexagon socket head   |                |     |            |
|      |                | M8 X 28               |                |     |            |
| 18   | 958 612 565 00 | Wire set              |                | 1   | PR:0K0,9AH |
| 19   | 958 612 512 01 | Servomotor            | AUFNAHME       | 4   |            |
|      |                |                       | star-shaped    |     |            |
| (19) | 958 612 511 01 | Servomotor            | AUFNAHME       | 1   |            |
|      |                |                       | AUSSENSECHSKAN |     |            |
|      |                |                       | T              |     |            |



Model: 92A 11

Model life 2011>>2018



Model: 92A 11 Model life 2011>>2018

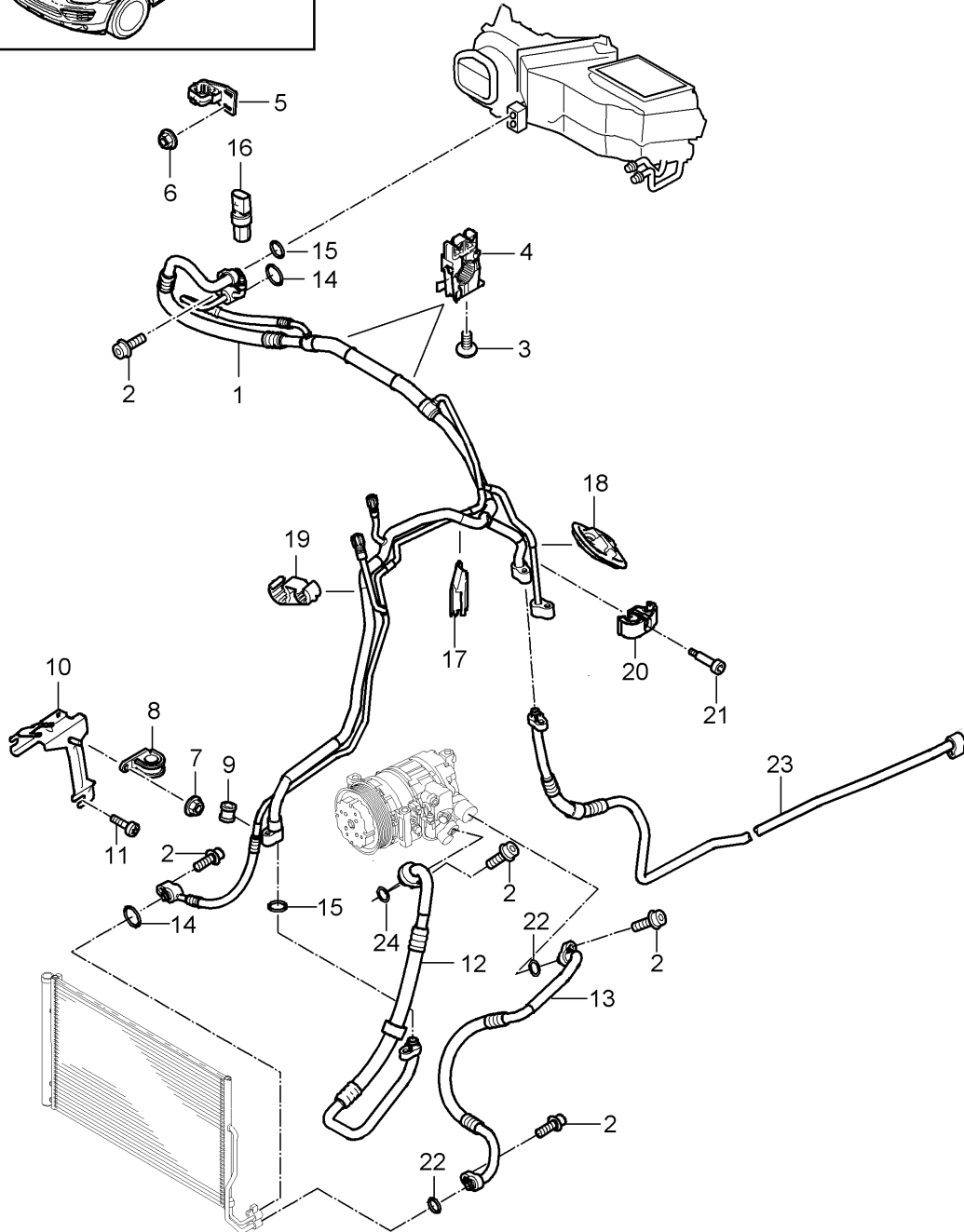
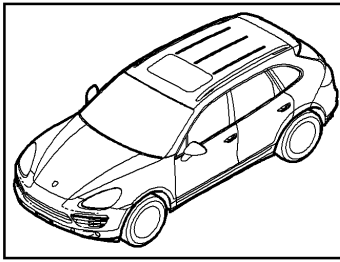
| Pos | Part Number    | Description   | Remark | Qty | Model                              |
|-----|----------------|---|--------|-----|------------------------------------|
|     |                | refrigerant circuit   | front  |     | PR:9AD                             |
|     |                | with:<br>Auxiliary air conditioner                                    |        |     |                                    |
|     |                | D >> - MJ 2016  |        |     |                                    |
| 1   | 958 573 741 40 | Pressure line<br>Condenser<br>for<br>Expansion valve                  | lhd    | 1   | PR:D58,D6V,<br>D34,DT1,DT5,<br>L0L |
| (1) | 958 573 741 07 | Pressure line<br>Discontinued part                                    | lhd    | 1   | PR:D50,L0L                         |
| (1) | 958 573 741 15 | Pressure line<br>Discontinued part                                    | lhd    | 1   | PR:D43,L0L                         |
| (1) | 958 573 741 17 | Pressure line<br>Condenser<br>for<br>Expansion valve                  | lhd    | 1   | PR:D43,L0L                         |
| (1) | 958 573 741 22 | Pressure line<br>Condenser<br>for<br>Expansion valve                  | lhd    | 1   | PR:D19,L0L,                        |
| 1   | 958 573 741 50 | Refrigerant line<br>Condenser<br>Expansion valve<br>Discontinued part | lhd    | 1   | PR:D19,L0L                         |
| (1) | 958 573 741 12 | Pressure line   | lhd    | 1   | PR:D11,L0L                         |
| (1) | 958 573 741 27 | Pressure line<br>Condenser<br>for<br>Expansion valve                  | lhd    | 1   | PR:D6V,L0L                         |
| (1) | 958 573 741 31 | Pressure line<br>Condenser<br>for<br>Expansion valve                  | lhd    | 1   | PR:DD8,L0L                         |
| (1) | 958 573 741 41 | Pressure line<br>Condenser<br>for<br>Expansion valve                  | lhd    | 1   | PR:DU2,DU3,<br>L0L                 |
| (1) | 958 573 742 05 | Pressure line   | rhd    | 1   | PR:D58,D6V,<br>D34,-E0W,L0R        |
| 1   | 958 573 741 51 | Refrigerant line<br>Condenser<br>Expansion valve                      | rhd    | 1   | PR:D19,L0R                         |
| (1) | 958 573 742 10 | Pressure line   | rhd    | 1   | PR:D50,L0R                         |
| (1) | 958 573 742 22 | Pressure line<br>Condenser<br>for<br>Expansion valve                  | rhd    | 1   | PR:D43,L0R                         |
| (1) | 958 573 742 29 | Pressure line<br>Condenser<br>for<br>Expansion valve                  | rhd    | 1   | GTS<br>PR:D6V,E0W,<br>L0R          |
| (1) | 958 573 721 04 | Pressure line<br>D - MJ 2013>>  |        | 1   | PR:D50,D1V,<br>D43,DV7,D51         |
| (1) | 958 573 742 33 | Pressure line<br>Condenser<br>for<br>Expansion valve                  | rhd    | 1   | PR:DD8,L0R                         |
| 2   | N 104 144 02   | Socket head bolt with<br>hexagon socket head<br>M8X28-U               |        | X   |                                    |
| 3   | N 911 235 01   | Hexagon socket flat<br>head bolt<br>5,0X14-Q                          | lhd    | 2   | PR:L0L                             |

Model: 92A 11 Model life 2011>>2018

| Pos  | Part Number    | Description                               | Remark  | Qty | Model                  |
|------|----------------|---|---------|-----|------------------------|
| 4    | 958 573 055 00 | Clip                                      | lhd     | 2   | PR:L0L                 |
| 5    | 958 573 055 01 | Clip                                      | rhd     | 1   | PR:L0R                 |
| 6    | N 904 553 01   | Hexagon collar nut<br>B5                  | rhd     | 2   | PR:L0R                 |
| 7    | N 015 082 10   | Hexagon collar nut<br>M6                  |         | X   |                        |
| 8    | N 020 647 3    | Clamp                                     |         | X   | PR:D58,D6V,<br>D34,D19 |
| 9    | N 020 651 7    | Clamp                                     |         | 1   |                        |
| 10   | 958 820 893 00 | Bracket                                   |         | 1   | PR:-D19                |
| 11   | N 910 967 01   | Oval hexagon socket head bolt<br>M6X16-TC |         | X   |                        |
| (12) | 958 573 744 04 | Refrigerant line                          |         | 1   | PR:D34                 |
| (12) | 958 573 744 02 | Refrigerant line                          |         | 1   | PR:D58,D6V,<br>DT1,DT5 |
| (12) | 958 573 744 03 | Refrigerant line<br>D >> - MJ 2014        |         | 1   | PR:D19                 |
| (12) | 958 573 744 05 | Refrigerant line                          |         | 1   | PR:DD8                 |
| 13   | 958 573 721 00 | Pressure line                             |         | 1   | PR:D34                 |
| (13) | 958 573 721 01 | Pressure line                             |         | 1   | PR:D19                 |
| (13) | 958 573 721 02 | Pressure line<br>D >> - MJ 2012           |         | 1   | PR:D50,D1V,<br>D43     |
| (13) | 958 573 721 03 | Pressure line                             |         | 1   | PR:D11                 |
| (13) | 958 573 721 10 | Pressure line<br>D >> - MJ 2014           |         | 1   | PR:D58,D6V             |
| (13) | 958 573 721 12 | Refrigerant line<br>D - MJ 2015>>         |         | 1   | PR:DT1,DT5             |
| (13) | 958 573 721 15 | Pressure line                             |         | 1   | PR:DD8                 |
| (13) | 958 573 721 50 | Refrigerant line<br>Condenser             |         | 1   | PR:DU2,DU3             |
| 14   | 955 573 749 00 | O-ring                                    |         | X   |                        |
| 15   | 955 573 749 02 | O-ring<br>13.7X2.5-N                      |         | X   |                        |
| 16   | 955 613 137 01 | Pressure sensor                           |         | 1   |                        |
| 17   | 958 573 667 00 | Grommet                                   |         | 1   |                        |
| 18   | 958 573 668 00 | Grommet                                   |         | 1   |                        |
| 19   | 955 573 759 00 | Bracket                                   |         | 1   |                        |
| 20   | 955 572 180 00 | dual clip                                 |         | 1   |                        |
| 21   | N 105 103 01   | Hexagon socket head<br>bolt<br>M6 x 35    |         | 1   |                        |
| 22   | 955 572 094 00 | O-ring<br>11,0 X 2,5<br>Discontinued part |         | X   |                        |
| 22   | 955 573 749 01 | O-ring<br>11X2.5-N                        |         | 2   |                        |
| 23   |                | see illustration:                         | 813-065 |     |                        |
| 24   | 958 573 891 00 | Bracket                                   |         | 1   | PR:D19                 |
| 25   | 3C0 820 581    | Protective cap<br>Valve cap               |         | 1   |                        |
| 26   | 958 573 744 06 | Refrigerant line<br>D >> - MJ 2016        |         | 1   | PR:DU2,DU3             |
| 27   | 955 573 749 03 | O-ring<br>23,8 X 2,4                      |         | X   |                        |

Model: 92A 11

Model life 2011>>2018



Model: 92A 11 Model life 2011>>2018

| Pos | Part Number    | Description   | Remark | Qty | Model                      |
|-----|----------------|---|--------|-----|----------------------------|
|     |                | refrigerant circuit<br>with:<br>4-zone<br>Auxiliary air conditioner<br>D >> - MJ 2016 | front  |     | PR:9AH                     |
| 1   | 958 573 741 06 | Pressure line   | lhd    | 1   | PR:D58,D6V,<br>D34,L0L     |
| 1   | 958 573 741 26 | Discontinued part<br>Pressure line<br>Condenser<br>for<br>Expansion valve             | lhd    | 1   | PR:D58,D6V,<br>D34,L0L,DT1 |
| (1) | 958 573 741 10 | Pressure line<br>D >> - MJ 2011   | lhd    | 1   | PR:D50,D1V,<br>L0L         |
| (1) | 958 573 741 20 | Pressure line   | lhd    | 1   | PR:D43,D50,<br>L0L         |
| (1) | 958 573 741 11 | Pressure line   | lhd    | 1   | PR:D11,L0L<br>"CH."        |
| (1) | 958 573 741 29 | Pressure line<br>Condenser<br>for<br>Expansion valve                                  | lhd    | 1   | PR:D6V,L0L<br>"CH."        |
| (1) | 958 573 741 32 | Pressure line<br>Condenser<br>for<br>Expansion valve                                  | lhd    | 1   | PR:DD8,L0L                 |
| (1) | 958 573 741 43 | Pressure line<br>Condenser<br>for<br>Expansion valve                                  | lhd    | 1   | PR:DU2,DU3,<br>L0L         |
| (1) | 958 573 742 06 | Pressure line   | rhd    | 1   | PR:D58,D6V,<br>D34,L0R     |
| (1) | 958 573 742 08 | Pressure line   | rhd    | 1   | PR:D50,L0R                 |
| (1) | 958 573 742 23 | Pressure line   | rhd    | 1   | PR:D50,L0R                 |
| (1) | 958 573 742 23 | Pressure line   | rhd    | 1   | PR:D43,L0R                 |
| (1) | 958 573 742 30 | Pressure line<br>Condenser<br>for<br>Expansion valve                                  | rhd    | 1   | PR:D6V,L0R                 |
| (1) | 958 573 742 34 | Pressure line<br>Condenser<br>for<br>Expansion valve                                  | rhd    | 1   | PR:DD8,L0R                 |
| (1) | 958 573 742 40 | Pressure line<br>Condenser<br>for<br>Expansion valve                                  | rhd    | 1   | PR:DU2,DU3,<br>L0R         |
| 2   | N 104 144 02   | Socket head bolt with<br>hexagon socket head<br>M 8X28-U                              |        | X   |                            |
| 3   | N 911 235 01   | Hexagon socket flat<br>head bolt<br>5,0X14-Q  | lhd    | 2   | PR:L0L                     |
| 4   | 958 573 055 00 | Clip  | lhd    | 2   | PR:L0L                     |
| 5   | 958 573 055 01 | Clip  | rhd    | 1   | PR:L0R                     |
| 6   | N 904 553 01   | Hexagon collar nut<br>B5  | rhd    | 2   | PR:L0R                     |
| 7   | N 015 082 10   | Hexagon collar nut<br>M6  |        | 1   | PR:-D1V,<br>-D11,-D43      |
| 8   | N 020 647 3    | Clamp   |        | 1   | PR:D58,D6V,<br>D34,D19     |
| 9   | N 020 651 7    | Clamp   |        | 1   |                            |
| 10  | 958 820 893 00 | Bracket   | lower  | 1   |                            |
| 11  | N 910 967 01   | Oval hexagon socket head bolt   |        | X   |                            |

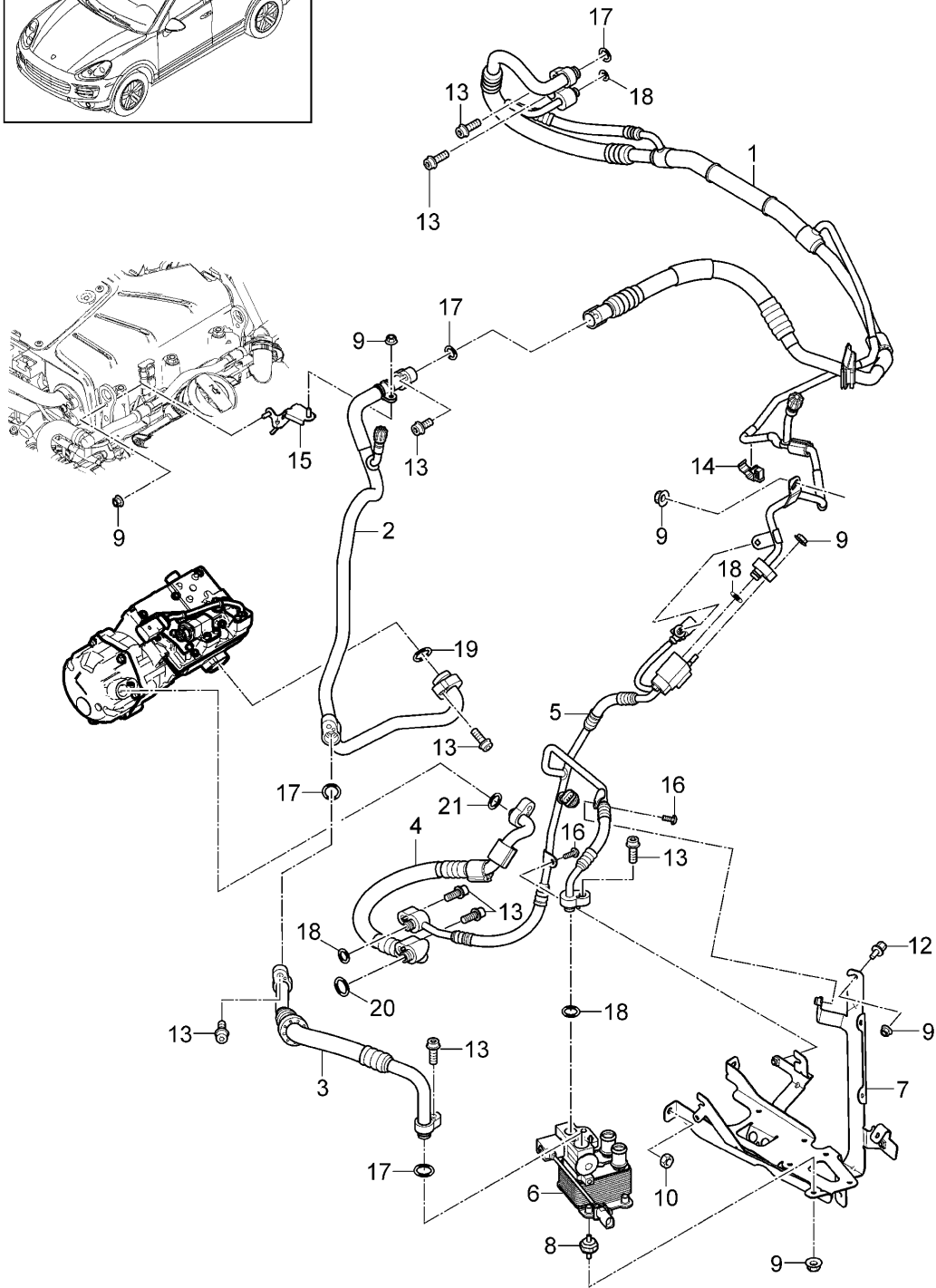
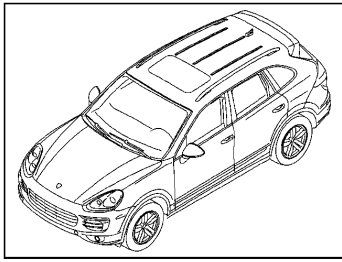
Model: 92A 11

Model life 2011>>2018

| Pos  | Part Number    | Description                               | Remark  | Qty | Model                  |
|------|----------------|---|---------|-----|------------------------|
| 12   | 958 573 744 00 | M6X16-TC<br>Refrigerant line              |         | 1   | PR:D34                 |
| (12) | 958 573 744 04 | Refrigerant line                          |         | 1   | PR:D34                 |
| (12) | 958 573 744 02 | Refrigerant line                          |         | 1   | PR:D58,D6V,<br>DT1     |
| (12) | 958 573 744 06 | Refrigerant line<br>D >> - MJ 2016        |         | 1   | PR:DU2,DU3             |
| 13   | 958 573 721 00 | Pressure line                             |         | 1   | PR:D34                 |
| (13) | 958 573 721 02 | Pressure line<br>D >> - MJ 2012           |         | 1   | PR:D50,D1V,<br>D43     |
| (13) | 958 573 721 03 | Pressure line                             |         | 1   | PR:D11                 |
| (13) | 958 573 721 04 | Pressure line                             |         | 1   | PR:D43,D1V             |
| (13) | 958 573 721 10 | Pressure line                             |         | 1   | PR:D58,D6V,<br>DT5,DT1 |
| (13) | 958 573 721 50 | Refrigerant line<br>Condenser             |         | 1   | PR:DU2,DU3             |
| (13) | 958 573 721 15 | Pressure line                             |         | 1   | PR:DD8                 |
| 14   | 955 573 749 00 | O-ring                                    |         | X   |                        |
| 15   | 955 573 749 02 | O-ring                                    |         | X   |                        |
| 16   | 955 613 137 03 | Pressure sensor<br>use if required:       |         | 1   |                        |
| 17   | 958 573 667 00 | Grommet                                   |         | 1   |                        |
| 18   | 958 573 668 00 | Grommet                                   |         | 1   |                        |
| 19   | 955 573 759 00 | Bracket                                   |         | 1   |                        |
| 20   | 955 572 180 00 | dual clip                                 |         | 1   |                        |
| 21   | N 105 103 01   | Hexagon socket head<br>bolt<br>M6 x 35    |         | 1   |                        |
| 22   | 955 572 094 00 | O-ring<br>11,0 X 2,5<br>Discontinued part |         | X   |                        |
| 22   | 955 573 749 01 | O-ring                                    |         | 2   |                        |
| 23   |                | see illustration:                         | 813-065 |     |                        |
| 24   | 955 573 749 03 | O-ring<br>23,8 X 2,4                      |         | X   |                        |

Model: 92A 11

Model life 2011>>2018



Model: 92A 11

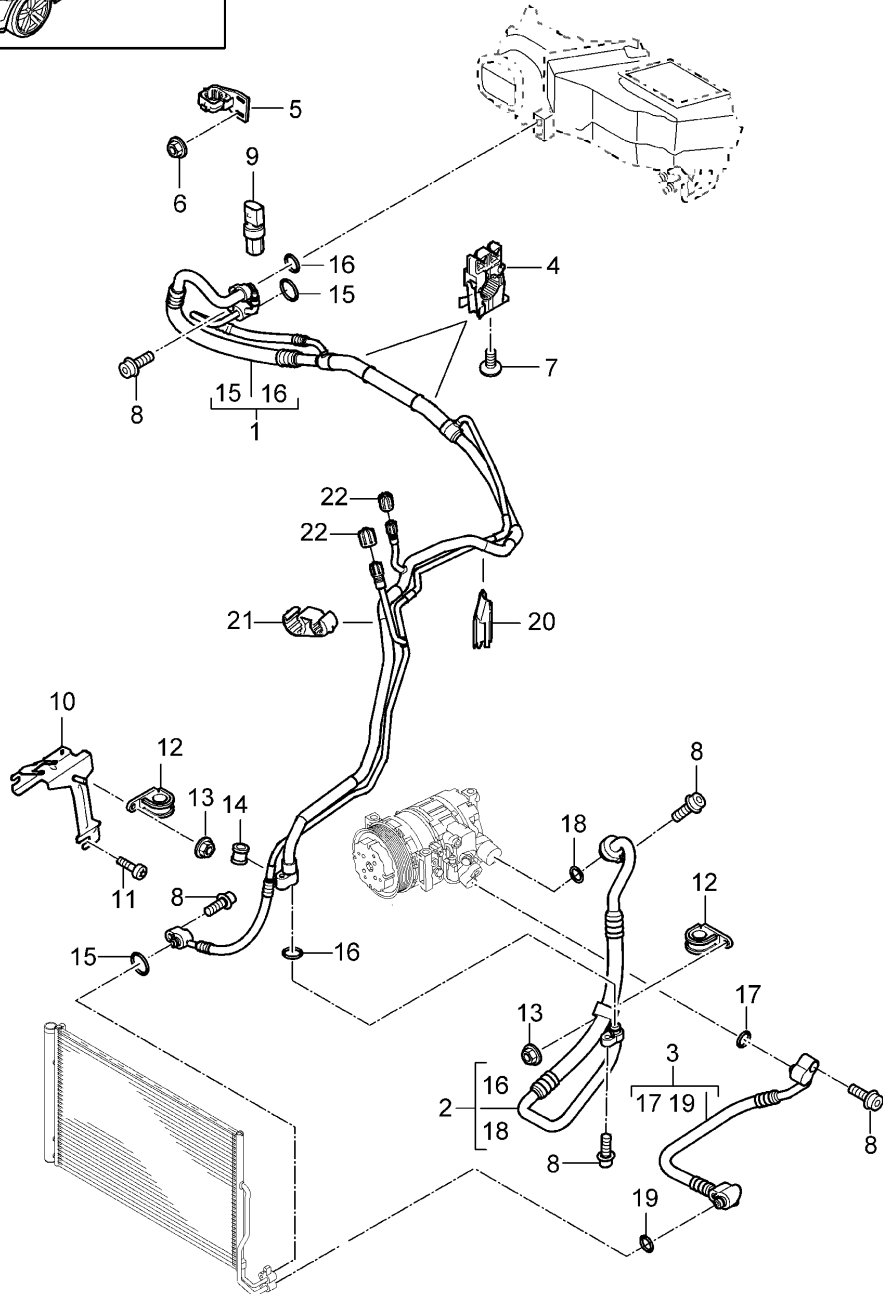
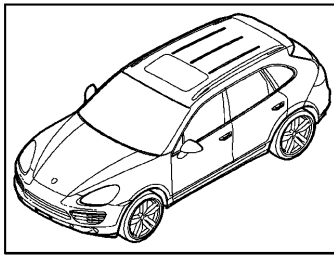
Model life 2011>>2018

| Pos | Part Number    | Description   | Remark | Qty | Model              |
|-----|----------------|---|--------|-----|--------------------|
|     |                | refrigerant circuit<br>Hybrid                         |        |     | PR:GP1,0K3,<br>9AD |
|     |                | D >> - MJ 2016  |        |     |                    |
| 1   | 958 573 741 50 | Refrigerant line<br>Condenser                         | lhd    | 1   | PR:D19,L0L         |
|     |                | Expansion valve                                       |        |     |                    |
| 1   | 958 573 741 51 | Refrigerant line<br>Condenser                         | rhd    | 1   | PR:D19,L0R         |
|     |                | Expansion valve                                       |        |     |                    |
| 2   | 958 820 744 51 | Refrigerant line<br>Compressor                        |        | 1   | PR:D19             |
| 3   | 958 573 738 50 | Refrigerant line<br>heat exchanger                    |        | 1   | PR:D19             |
| 4   | 958 573 721 50 | Refrigerant line<br>Condenser                         |        | 1   | PR:DU2,DU3         |
| 5   | 958 573 751 52 | Refrigerant line<br>heat exchanger                    |        | 1   | PR:D19             |
| 6   | 958 573 111 50 | heat exchanger  |        | 1   |                    |
| 6   | 958 573 111 51 | heat exchanger  |        | 1   |                    |
| 7   | 958 573 545 50 | Bracket<br>heat exchanger                             |        | 1   |                    |
| 8   | 7L0 819 083    | Bonded rubber bush                                    |        | 4   |                    |
| 9   | N 904 025 03   | hexagon nut, self-locking<br>M6                       |        | X   |                    |
| 10  | N 106 092 01   | Hexagon collar nut<br>M8                              |        | 2   |                    |
| 12  | N 908 144 02   | Blind rivet stud<br>M6                                |        | 1   |                    |
| 13  | N 104 144 02   | Socket head bolt with<br>hexagon socket head<br>M8X28 |        | X   |                    |
| 14  | N 906 970 01   | Corrugated tube clip                                  |        | 1   |                    |
| 15  | 958 573 891 00 | Bracket   |        | 1   |                    |
| 16  | N 910 967 01   | Oval hexagon socket head bolt<br>M6X16                |        | 1   |                    |
| 17  | 999 707 558 41 | O-ring<br>NW 16                                       |        | 4   |                    |
| 18  | 999 707 556 41 | O-ring<br>NW 10                                       |        | 5   |                    |
| 19  | 999 707 439 41 | O-ring  |        | 1   |                    |
| 20  | 999 707 557 41 | O-ring<br>NW 13                                       |        | 1   |                    |
| 21  | 999 707 555 41 | O-ring<br>NW 10                                       |        | 1   |                    |



Model: 92A 11

Model life 2011>>2018



Model: 92A 11

Model life 2011>>2018

| Pos | Part Number    | Description  | Remark | Qty | Model                              |
|-----|----------------|--|--------|-----|------------------------------------|
|     |                | refrigerant circuit<br>2-zone  | front  |     | PR:KK1,9AD                         |
| 1   | 958 820 741 00 | D - MJ 2017>><br>Refrigerant line<br>Condenser<br>for<br>Expansion valve | lhd    | 1   | PR:D34,DT1,<br>DT5,L0L             |
| (1) | 958 820 741 05 | Refrigerant line<br>Condenser<br>for<br>Expansion valve                  | rhd    | 1   | PR:D34,DT1,<br>DT5,L0R             |
| (1) | 958 820 741 10 | Refrigerant line<br>Condenser<br>for<br>Expansion valve                  | lhd    | 1   | PR:D11,L0L                         |
| (1) | 958 820 741 15 | Refrigerant line<br>Condenser<br>for<br>Expansion valve                  | lhd    | 1   | PR:DU2,DU3,<br>L0L                 |
| (1) | 958 820 741 20 | Refrigerant line<br>Condenser<br>for<br>Expansion valve                  | rhd    | 1   | PR:DU2,DU3,<br>L0R                 |
| (1) | 958 820 741 25 | Refrigerant line<br>Condenser<br>for<br>Expansion valve                  | lhd    | 1   | PR:D43,DV7,<br>D1V,D50,D51,<br>L0L |
| (1) | 958 820 741 35 | Refrigerant line<br>Condenser<br>for<br>Expansion valve                  | lhd    | 1   | PR:DD8,L0L                         |
| (1) | 958 820 741 40 | Refrigerant line<br>Condenser<br>for<br>Expansion valve                  | rhd    | 1   | PR:DD8,L0R                         |
| 2   | 958 573 744 14 | Refrigerant line   |        | 1   | PR:D34                             |
| (2) | 958 573 744 15 | Refrigerant line   |        | 1   | PR:DU2,DU3                         |
| (2) | 958 573 744 16 | Refrigerant line   |        | 1   | PR:DT1,DT5                         |
| (2) | 958 816 744 20 | Refrigerant line<br>suction line<br>Condenser<br>for<br>Compressor       |        | 1   | PR:DD8                             |
| 3   | 958 573 721 12 | Refrigerant line<br>Condenser  |        | 1   | PR:DT1,DT5                         |
| (3) | 958 573 721 51 | Refrigerant line<br>Condenser  |        | 1   | PR:DU2,DU3                         |
| (3) | 958 573 721 16 | Refrigerant line<br>Condenser  |        | 1   | PR:DD8                             |
| (3) | 958 573 721 06 | Pressure line<br>Condenser   |        | 1   | PR:D34                             |
| (3) | 958 573 721 17 | Pressure line<br>Condenser   |        | 1   | PR:D43                             |
| (3) | 958 573 721 18 | Pressure line<br>Condenser   |        | 1   | PR:D11,KK1                         |
| 4   | 958 573 055 02 | Clip   | lhd    | 2   | PR:L0L                             |
| 5   | 958 573 055 01 | Clip   | rhd    | 1   | PR:L0R                             |
| 6   | N 904 553 01   | Hexagon collar nut<br>B5   | rhd    | 2   | PR:L0R                             |
| 7   | N 911 235 01   | Hexagon socket flat<br>head bolt<br>5,0X14-Q                             | lhd    | 2   | PR:L0L                             |
| 8   | N 104 144 02   | Socket head bolt with  |        | X   |                                    |

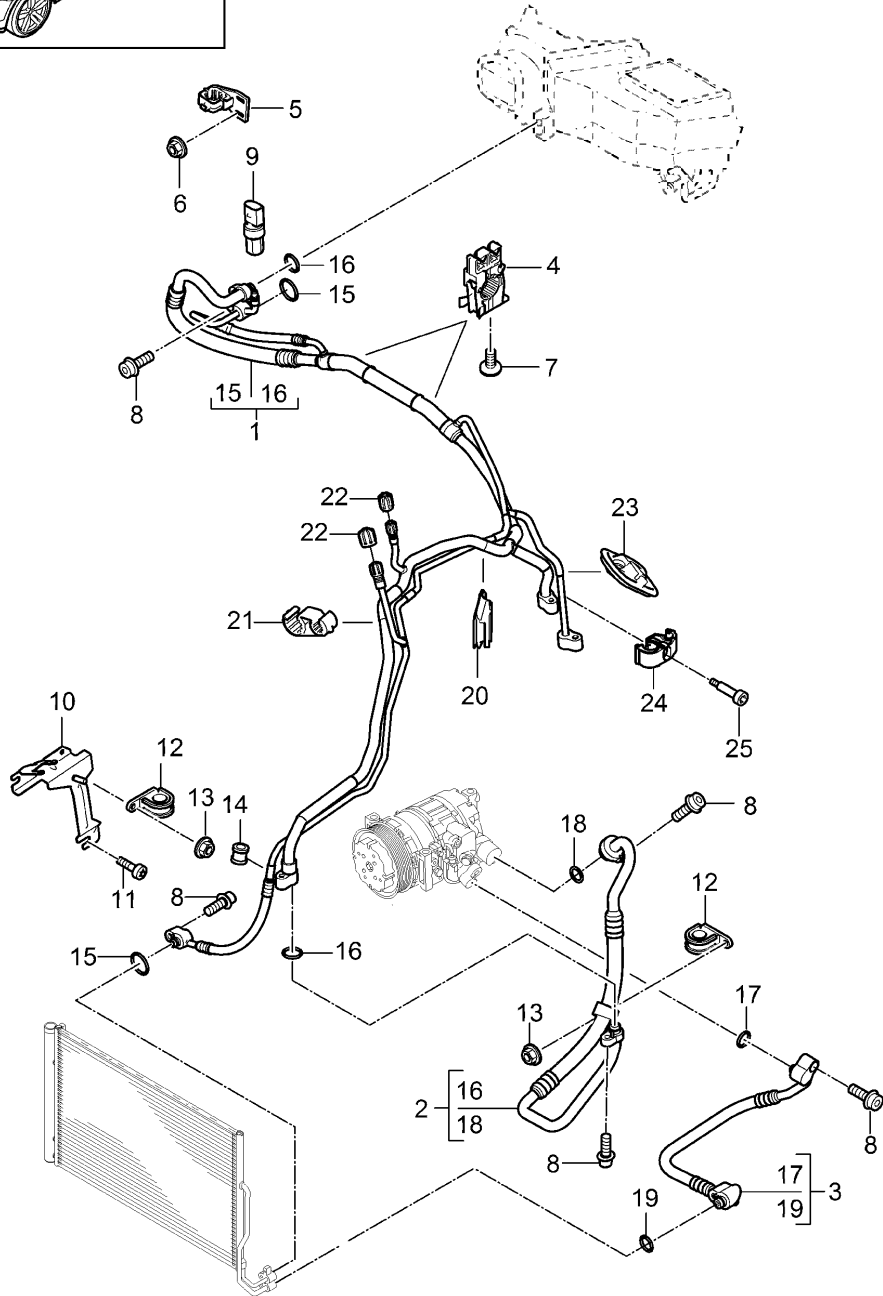
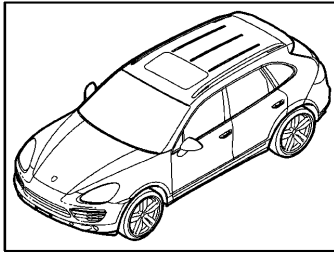
Model: 92A 11

Model life 2011>>2018

| Pos | Part Number    | Description                                       | Remark | Qty | Model |
|-----|----------------|---|--------|-----|-------|
| 9   | 955 613 137 03 | hexagon socket head<br>M8X28-U<br>Pressure sensor |        | 1   |       |
|     |                | use if required:                                  |        |     |       |
| 10  | 958 820 893 00 | Bracket   |        | 1   |       |
| 11  | N 910 967 01   | Oval hexagon socket head bolt<br>M6X16-TC         |        | 2   |       |
| 12  | N 020 647 3    | Clamp   |        | 2   |       |
| 13  | N 015 082 10   | Hexagon collar nut<br>M6                          |        | X   |       |
| 14  | N 020 651 7    | Clamp   |        | 1   |       |
| 15  | 955 573 749 00 | O-ring  |        | X   |       |
| 16  | 955 573 749 02 | O-ring<br>13.7X2.5-N                              |        | X   |       |
| 17  | 955 573 749 01 | O-ring<br>11X2.5-N                                |        | 1   |       |
| 18  | 955 573 749 03 | O-ring<br>23,8 X 2,4                              |        | X   |       |
| 19  | 955 573 749 04 | O-ring<br>10.8 X 1,82                             |        | X   |       |
| 20  | 958 573 667 00 | Grommet   |        | 1   |       |
| 21  | 955 573 759 00 | Bracket   |        | 1   |       |
| 22  | 3C0 820 581    | Protective cap<br>Valve cap                       |        | 1   |       |

Model: 92A 11

Model life 2011>>2018



Model: 92A 11 Model life 2011>>2018

| Pos | Part Number    | Description   | Remark | Qty | Model                              |
|-----|----------------|---|--------|-----|------------------------------------|
|     |                | refrigerant circuit<br>4-zone   | front  |     | PR:KK1,9AH                         |
|     |                | with:   |        |     |                                    |
|     |                | Auxiliary air conditioner<br>D - MJ 2017>>                            |        |     |                                    |
| 1   | 958 820 741 55 | Refrigerant line<br>Condenser<br>for<br>Expansion valve               | lhd    | 1   | PR:D34,DT1,<br>DT5,L0L             |
| (1) | 958 820 741 60 | Refrigerant line<br>Condenser<br>for<br>Expansion valve               | rhd    | 1   | PR:D34,DT1,<br>DT5,L0R             |
| (1) | 958 820 741 65 | Refrigerant line<br>Condenser<br>Compressor<br>for<br>Expansion valve | lhd    | 1   | PR:D11,L0L                         |
| (1) | 958 573 741 54 | Pressure line<br>Condenser<br>for<br>Expansion valve                  | lhd    | 1   | PR:DU2,DU3,<br>L0L                 |
| (1) | 958 820 741 76 | Refrigerant line<br>Condenser<br>for<br>Expansion valve               | rhd    | 1   | PR:DU2,DU3,<br>L0R                 |
| (1) | 958 820 741 70 | Refrigerant line<br>Condenser<br>for<br>Expansion valve               | lhd    | 1   | PR:D43,DV7,<br>D1V,D50,D51,<br>L0L |
| (1) | 958 573 742 25 | Pressure line<br>Condenser<br>for<br>Expansion valve                  | rhd    | 1   | PR:D43,DV7,<br>D1V,D50,D51,<br>L0R |
| (1) | 958 820 741 80 | Refrigerant line<br>Condenser<br>for<br>Expansion valve               | lhd    | 1   | PR:DD8,L0L                         |
| (1) | 958 820 741 85 | Refrigerant line<br>Condenser<br>for<br>Expansion valve               | rhd    | 1   | PR:DD8,L0R                         |
| 2   | 958 573 744 14 | Refrigerant line<br>suction line                                      |        | 1   | PR:D34                             |
| 2   | 958 573 744 15 | Refrigerant line<br>suction line                                      |        | 1   | PR:DU2,DU3                         |
| (2) | 958 573 744 16 | Refrigerant line<br>suction line                                      |        | 1   | PR:DT1,DT5                         |
| (2) | 958 573 744 05 | Refrigerant line<br>suction line                                      |        | 1   | PR:DD8                             |
| 3   | 958 573 721 12 | Refrigerant line<br>Condenser   |        | 1   | PR:DT1,DT5                         |
| (3) | 958 573 721 51 | Refrigerant line<br>Condenser   |        | 1   | PR:DU2,DU3                         |
| (3) | 958 573 721 16 | Refrigerant line<br>Condenser   |        | 1   | PR:DD8                             |
| (3) | 958 573 721 06 | Pressure line<br>Condenser  |        | 1   | PR:D34                             |
| (3) | 958 573 721 17 | Pressure line<br>Condenser  |        | 1   | PR:D43                             |
| (3) | 958 573 721 18 | Pressure line<br>Condenser  |        | 1   | PR:D11,KK1                         |
| 4   | 958 573 055 02 | Clip  | lhd    | 2   | PR:L0L                             |

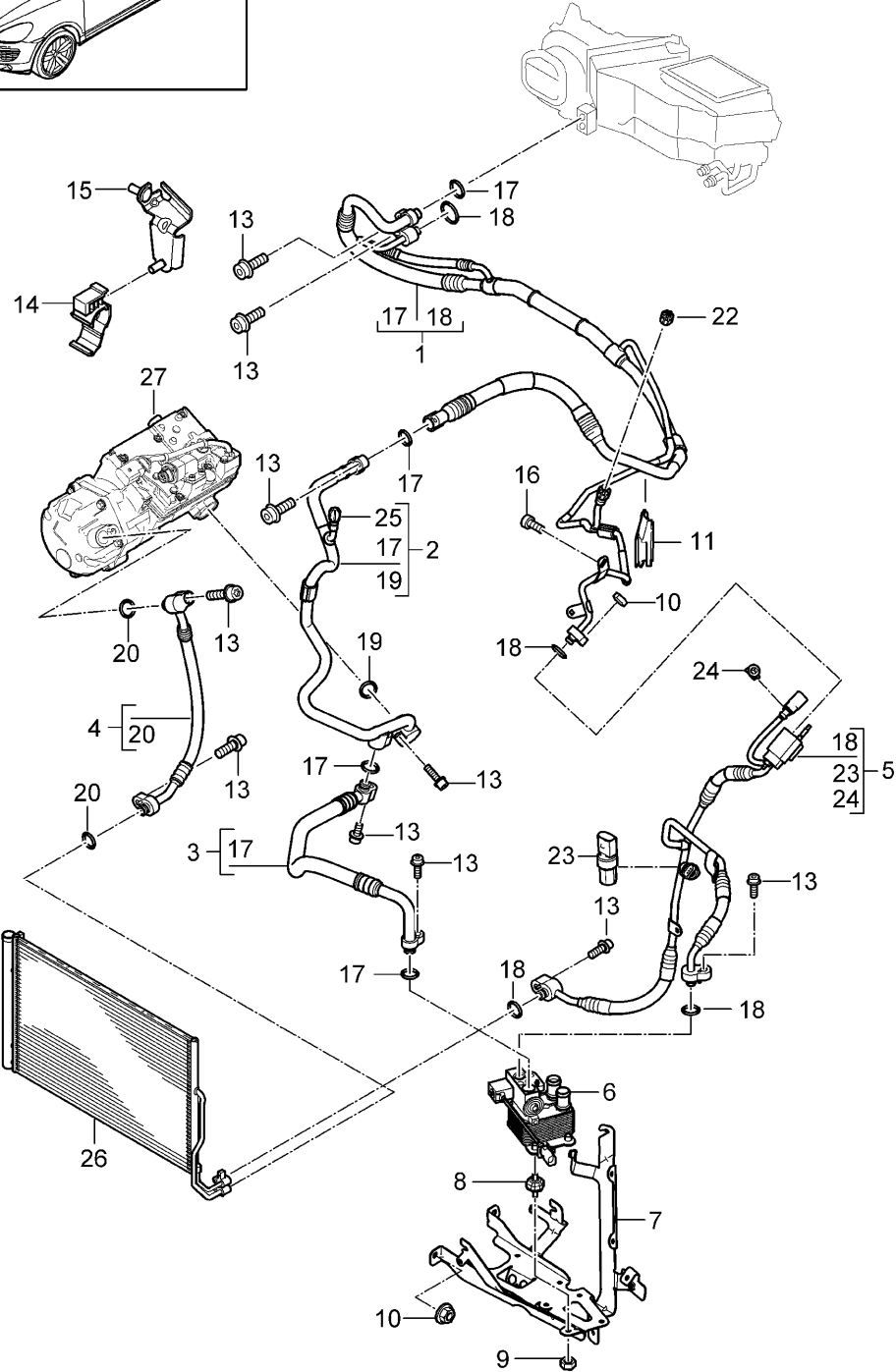
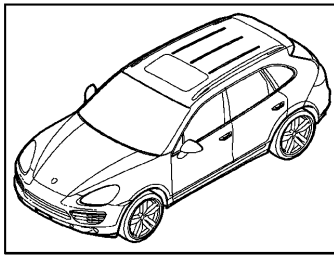
Model: 92A 11

Model life 2011>>2018

| Pos | Part Number    | Description   | Remark  | Qty | Model  |
|-----|----------------|---|---------|-----|--------|
| 5   | 958 573 055 01 | Clip  | rhd     | 1   | PR:L0R |
| 6   | N 904 553 01   | Hexagon collar nut<br>B5                                | rhd     | 2   | PR:L0R |
| 7   | N 911 235 01   | Hexagon socket flat<br>head bolt<br>5,0X14-Q            | lhd     | 2   | PR:L0L |
| 8   | N 104 144 02   | Socket head bolt with<br>hexagon socket head<br>M8X28-U |         | X   |        |
| 9   | 955 613 137 03 | Pressure sensor<br>use if required:                     |         | 1   |        |
| 10  | 958 820 893 00 | Bracket   |         | 1   |        |
| 11  | N 910 967 01   | Oval hexagon socket head bolt<br>M6X16-TC               |         | 2   |        |
| 12  | N 020 647 3    | Clamp   |         | 2   |        |
| 13  | N 015 082 10   | Hexagon collar nut<br>M6                                |         | X   |        |
| 14  | N 020 651 7    | Clamp   |         | 1   |        |
| 15  | 955 573 749 00 | O-ring<br>9,5X2,5                                       |         | X   |        |
| 16  | 955 573 749 02 | O-ring<br>13.7X2.5-N                                    |         | X   |        |
| 17  | 955 573 749 01 | O-ring<br>11X2.5-N                                      |         | 1   |        |
| 18  | 955 573 749 03 | O-ring<br>23,8 X 2,4                                    |         | X   |        |
| 19  | 955 573 749 04 | O-ring<br>10.8 X 1,82                                   |         | X   |        |
| 20  | 958 573 667 00 | Grommet   |         | 1   |        |
| 21  | 955 573 759 00 | Bracket   |         | 1   |        |
| 22  | 3C0 820 581    | Protective cap<br>Valve cap                             |         | 1   |        |
| 23  | 958 573 668 00 | Grommet   |         | 1   |        |
| 24  | 955 572 180 00 | dual clip   |         | 1   |        |
| 25  | N 105 103 01   | Hexagon socket head<br>bolt<br>M6 X 35                  |         | 1   |        |
| 26  |                | see illustration:                                       | 813-065 |     |        |

Model: 92A 11

Model life 2011>>2018



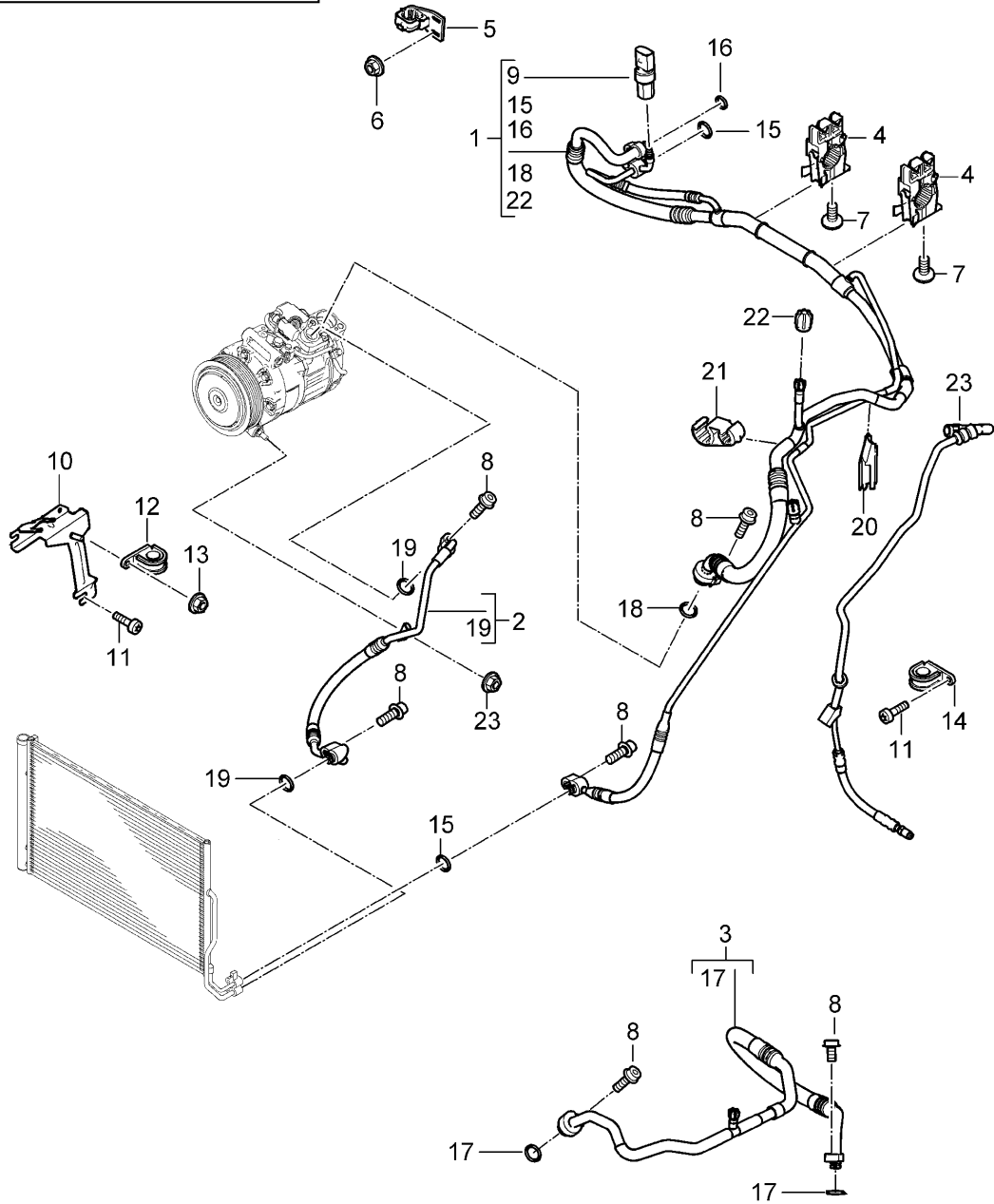
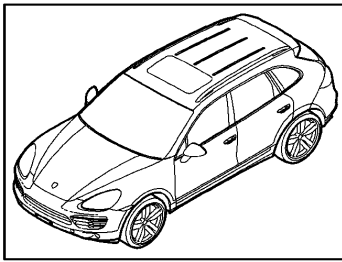
Model: 92A 11 Model life 2011>>2018

| Pos | Part Number    | Description  | Remark  | Qty | Model                |
|-----|----------------|--|---------|-----|----------------------|
|     |                | refrigerant circuit<br>Hybrid                                      |         |     | PR:KK1 ,D19 ,<br>9AD |
| 1   | 958 820 741 45 | D - MJ 2017>><br>Refrigerant line<br>heat exchanger<br>Condenser   | lhd     | 1   | PR:L0L               |
| (1) | 958 820 741 50 | Expansion valve<br>Refrigerant line<br>heat exchanger<br>Condenser | rhd     | 1   | PR:L0R               |
| 2   | 958 820 744 50 | Expansion valve<br>Refrigerant line                                |         | 1   |                      |
| 3   | 958 573 738 52 | Compressor<br>Refrigerant line                                     |         | 1   |                      |
| 4   | 958 820 721 50 | heat exchanger<br>Refrigerant line<br>Condenser                    |         | 1   |                      |
| 5   | 958 820 741 53 | Refrigerant line<br>Condenser                                      |         | 1   | PR:D19               |
| 6   | 958 573 111 51 | Expansion valve<br>heat exchanger                                  |         | 1   |                      |
| 7   | 958 573 545 50 | Bracket<br>heat exchanger  |         | 1   | PR:OK3               |
| 8   | 7L0 819 083    | Bonded rubber bush   |         | 4   |                      |
| 9   | N 904 025 03   | hexagon nut, self-locking<br>M6                                    |         | X   |                      |
| 10  | N 106 092 01   | Hexagon collar nut<br>M8   |         | 2   |                      |
| 11  | 958 573 667 00 | Grommet  |         | 1   |                      |
| 13  | N 104 144 02   | Socket head bolt with<br>hexagon socket head<br>M8X28              |         | X   |                      |
| 14  | N 906 970 01   | Corrugated tube clip   |         | 1   |                      |
| 15  | 958 573 891 00 | Bracket  |         | 1   |                      |
| 16  | N 910 967 01   | Oval hexagon socket head bolt<br>M6X16                             |         | 1   |                      |
| 17  | 999 707 558 41 | O-ring<br>NW 16  |         | 4   |                      |
| 18  | 999 707 556 41 | O-ring<br>NW 10  |         | 5   |                      |
| 19  | 999 707 439 41 | O-ring<br>23,8X2,4   |         | 1   |                      |
| 20  | 999 707 557 41 | O-ring<br>NW 13  |         | 1   |                      |
| 21  | 999 707 555 41 | O-ring<br>NW 10  |         | 1   |                      |
| 22  | 3C0 820 581    | Protective cap<br>Valve cap  |         | 1   |                      |
| 23  | 955 613 137 03 | Pressure sensor  |         | 1   |                      |
| 24  | 958 606 845 50 | use if required:<br>Retaining bracket<br>B 6,8                     |         | 1   |                      |
| 25  | 9A7 816 231 00 | Connector housing<br>Cover   |         | 1   |                      |
| 26  |                | Valve cap<br>Condenser   |         | 1   |                      |
| 27  |                | Air conditioning<br>see illustration:                              | 813-075 | 1   |                      |
|     |                | Compressor<br>Air conditioning<br>see illustration:                | 813-074 |     |                      |



Model: 92A 11

Model life 2011>>2018



Model: 92A 11 Model life 2011>>2018

| Pos | Part Number    | Description   | Remark   | Qty | Model                                    |
|-----|----------------|---|--|-----|--|
| (1) | 958 816 741 10 | refrigerant circuit<br>2-zone<br>R1234YF<br>D - MJ 2017>><br>Refrigerant line<br>Condenser<br>for<br>Expansion valve<br><br>Discontinued part | front<br><br>lhd<br><br>also use: 958 411 813 00 | 1   | PR:KK3,9AD                               |
| (1) | 958 816 741 15 | Refrigerant line<br>Condenser<br>for<br>Expansion valve<br><br>Discontinued part  | rhd<br><br>also use: 958 411 813 00              | 1   | PR:DU2,DU3,<br>L0L<br>PR:DU2,DU3,<br>L0R |
| (1) | 958 816 741 20 | Refrigerant line<br>Condenser<br>for<br>Expansion valve   | lhd  | 1   | PR:D43,DV7,<br>D1V,D50,D51,<br>L0L       |
| (1) | 958 816 741 25 | Refrigerant line<br>Condenser<br>for<br>Expansion valve   | rhd  | 1   | PR:D43,DV7,<br>D1V,D50,D51,<br>L0R       |
| (1) | 958 816 741 30 | Refrigerant line<br>Condenser<br>for<br>Expansion valve   | lhd  | 1   | PR:DD8,L0L                               |
| (1) | 958 816 741 35 | Refrigerant line<br>Condenser<br>for<br>Expansion valve   | rhd  | 1   | PR:DD8,L0R                               |
| 2   | 958 816 744 00 | Refrigerant line<br>suction line<br>Condenser<br>for<br>Compressor  |  | 1   | PR:D34,D11                               |
| (2) | 958 816 744 05 | Refrigerant line<br>suction line<br>Condenser<br>for<br>Compressor  |  | 1   | PR:DU2,DU3                               |
| (2) | 958 816 744 10 | Refrigerant line<br>suction line<br>Condenser<br>for<br>Compressor  |  | 1   | PR:DT1,DT5                               |
| (3) | 958 816 721 40 | Refrigerant line  |  | 1   | V8TDI<br>PR:DD8                          |
| (3) | 958 816 721 20 | Refrigerant line<br>suction line<br>Condenser<br>for<br>Compressor  |  | 1   | PR:D43,D50,<br>D51,D1V,DV7               |
| 4   | 958 573 055 02 | Clip  | lhd  | 2   | PR:L0L                                   |
| 5   | 958 573 055 01 | Clip  | rhd  | 1   | PR:L0R                                   |
| 6   | N 904 553 01   | Hexagon collar nut<br>B5  | rhd  | 2   | PR:L0R                                   |
| 7   | N 911 235 01   | Hexagon socket flat<br>head bolt<br>5,0X14-Q  | lhd  | 2   | PR:L0L                                   |

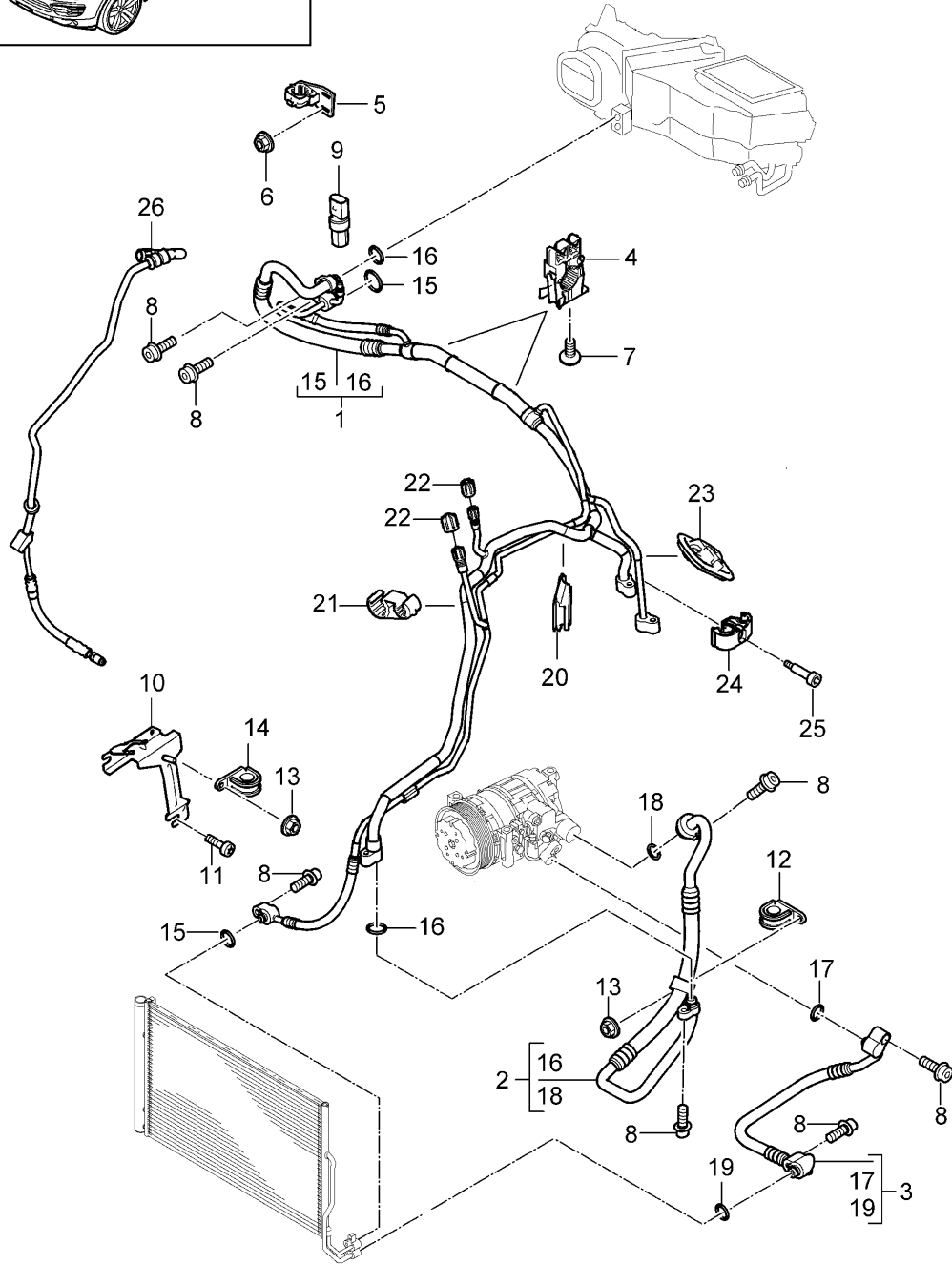
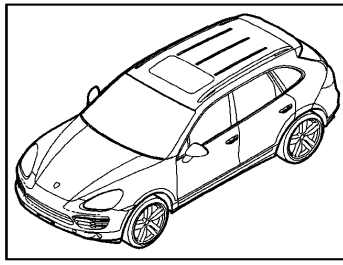
Model: 92A 11

Model life 2011>>2018

| Pos | Part Number    | Description   | Remark | Qty | Model      |
|-----|----------------|---|--------|-----|------------|
| 8   | N 104 144 02   | Socket head bolt with<br>hexagon socket head<br>M8X28-U |        | X   |            |
| 9   | 955 613 137 03 | Pressure sensor<br>use if required:                     |        | 1   |            |
| 10  | 958 820 893 00 | Bracket   |        | 1   |            |
| 11  | N 910 967 01   | Oval hexagon socket head bolt<br>M6X16-TC               |        | 2   |            |
| 12  | N 020 647 3    | Clamp   |        | 2   |            |
| 13  | N 015 082 10   | Hexagon collar nut<br>M6                                |        | X   |            |
| 14  | N 020 651 7    | Clamp   |        | 1   |            |
| 15  | 955 573 749 00 | O-ring  |        | X   |            |
| 16  | 955 573 749 02 | O-ring<br>13.7X2.5-N                                    |        | X   |            |
| 17  | 955 573 749 01 | O-ring<br>11X2.5-N                                      |        | 1   |            |
| 18  | 955 573 749 03 | O-ring<br>23,8 X 2,4                                    |        | X   |            |
| 19  | 955 573 749 04 | O-ring<br>10.8 X 1,82                                   |        | X   |            |
| 20  | 958 573 667 00 | Grommet   |        | 1   |            |
| 21  | 955 573 759 00 | Bracket   |        | 1   |            |
| 22  | 3C0 820 581    | Protective cap<br>Valve cap                             |        | 1   |            |
| 23  | 958 411 813 00 | Shrink-fit hose<br>Refrigerant line<br>connection piece |        | 1   | PR:DU2,DU3 |

Model: 92A 11

Model life 2011>>2018



Model: 92A 11 Model life 2011>>2018

| Pos | Part Number    | Description  | Remark         | Qty | Model                                    |
|-----|----------------|--|----------------|-----|--|
|     |                | refrigerant circuit<br>4-zone  | front          |     | PR:KK3,9AH                               |
|     |                | with:<br>Auxiliary air conditioner<br>R1234YF<br>D - MJ 2017>>               |                |     |  |
| 1   | 958 816 741 60 | Refrigerant line<br>Condenser<br>for<br>Expansion valve                      | lhd            | 1   | PR:D34,DT1,<br>DT5,L0L                   |
| (1) | 958 816 741 65 | Refrigerant line<br>Condenser<br>for<br>Expansion valve                      | rhd            | 1   | PR:D34,DT1,<br>DT5,L0R                   |
| (1) | 958 816 741 70 | Refrigerant line<br>Condenser<br>for<br>Expansion valve                      | lhd            | 1   |  |
|     |                | also use:  | 958 411 813 00 |     |  |
| (1) | 958 816 741 75 | Refrigerant line<br>Condenser<br>for<br>Expansion valve                      | rhd            | 1   | PR:DU2,DU3,<br>L0L<br>PR:DU2,DU3,<br>L0R |
|     |                | also use:  | 958 411 813 00 |     |  |
| (1) | 958 816 741 80 | Discontinued part<br>Refrigerant line<br>Condenser<br>for<br>Expansion valve | lhd            | 1   | PR:D43,DV7,<br>D1V,D50,D51,<br>L0L       |
| (1) | 958 816 741 85 | Refrigerant line<br>Condenser<br>for<br>Expansion valve                      | rhd            | 1   | PR:D43,DV7,<br>D1V,D50,D51,<br>L0R       |
| (1) | 958 816 741 90 | Refrigerant line<br>Condenser<br>for<br>Expansion valve                      | lhd            | 1   | PR:DD8,L0L                               |
| (1) | 958 816 741 95 | Refrigerant line<br>Condenser<br>for<br>Expansion valve                      | rhd            | 1   | PR:DD8,L0R                               |
| 2   | 958 816 744 00 | Refrigerant line   |                | 1   | PR:D34                                   |
| (2) | 958 816 744 05 | Refrigerant line   |                | 1   | PR:DU2,DU3                               |
| (2) | 958 816 744 10 | Refrigerant line   |                | 1   | PR:DT1,DT5                               |
| (2) | 958 816 744 20 | Refrigerant line   |                | 1   | PR:DD8                                   |
| 3   | 958 816 721 00 | Refrigerant line   |                | 1   | V8 Turbo<br>PR:DT1,DT5                   |
| (3) | 958 816 721 10 | Refrigerant line   |                | 1   | V6 Turbo<br>PR:DU2,DU3                   |
| (3) | 958 816 721 20 | Refrigerant line   |                | 1   | V6<br>PR:D43,DV7,<br>D1V,D50,D51         |
| (3) | 958 816 721 40 | Refrigerant line   |                | 1   | V8TDI<br>PR:DD8                          |
| (3) | 958 816 721 60 | Refrigerant line   |                | 1   | VR6<br>PR:D34                            |
| 4   | 958 573 055 02 | Clip   | lhd            | 2   | PR:L0L                                   |
| 5   | 958 573 055 01 | Clip   | rhd            | 1   | PR:L0R                                   |
| 6   | N 904 553 01   | Hexagon collar nut<br>B5   | rhd            | 2   | PR:L0R                                   |
| 7   | N 911 235 01   | Hexagon socket flat  | lhd            | 2   | PR:L0L                                   |

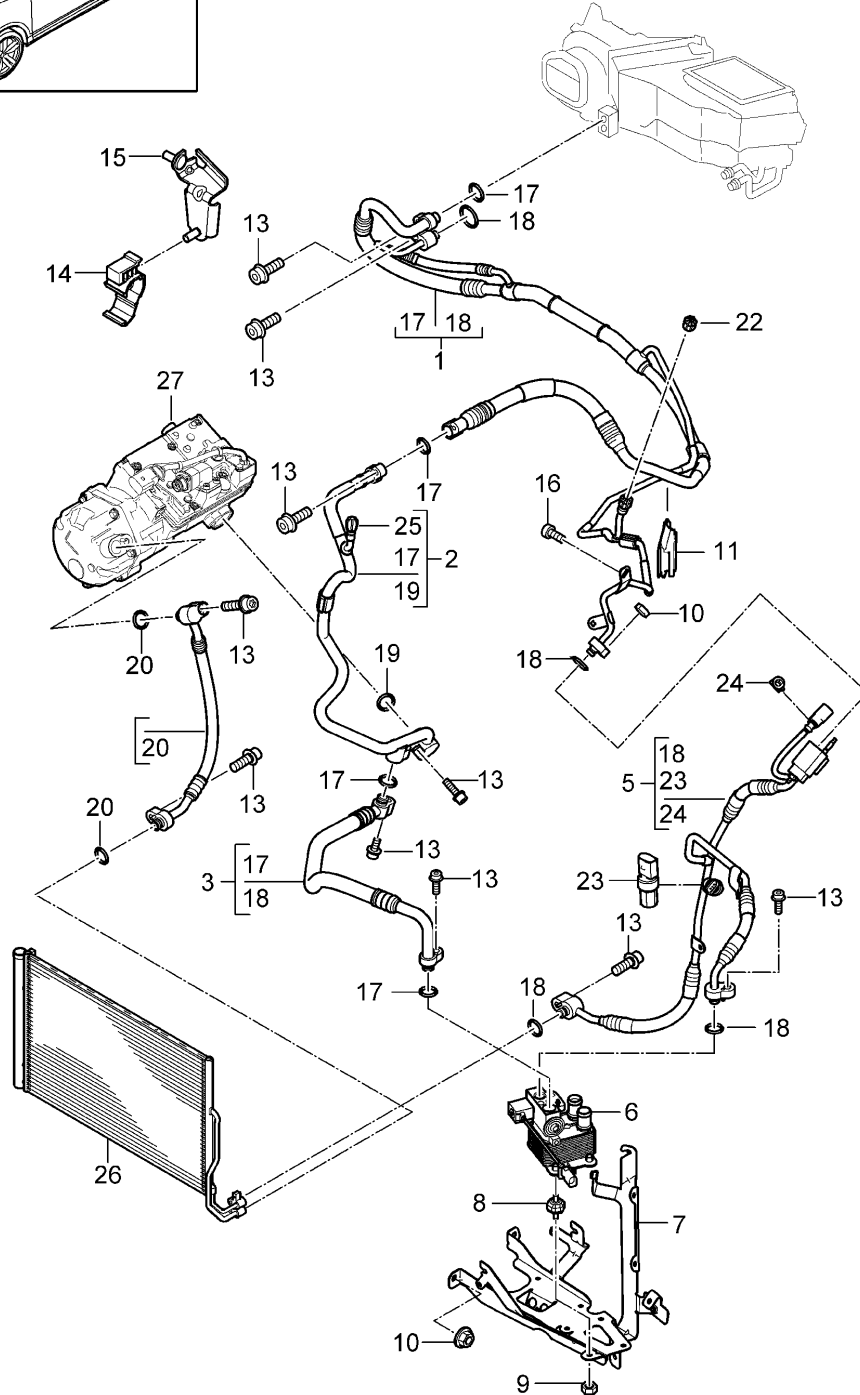
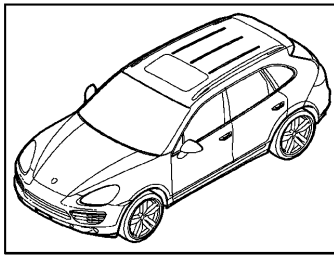
Model: 92A 11

Model life 2011&gt;&gt;2018

| Pos | Part Number    | Description  | Remark | Qty | Model      |
|-----|----------------|--|--------|-----|------------|
| 8   | N 104 144 02   | head bolt<br>5,0X14-Q<br>Socket head bolt with<br>hexagon socket head<br>M8X28-U |        | X   |            |
| 9   | 955 613 137 03 | Pressure sensor<br>use if required:  |        | 1   |            |
| 10  | 958 820 893 00 | Bracket  |        | 1   |            |
| 11  | N 910 967 01   | Oval hexagon socket head bolt<br>M6X16-TC  |        | 2   |            |
| 12  | N 020 647 3    | Clamp  |        | 2   |            |
| 13  | N 015 082 10   | Hexagon collar nut<br>M6   |        | X   |            |
| 14  | N 020 651 7    | Clamp  |        | 1   |            |
| 15  | 955 573 749 00 | O-ring<br>9,5X2,5  |        | X   |            |
| 16  | 955 573 749 02 | O-ring<br>13.7X2.5-N   |        | X   |            |
| 17  | 955 573 749 01 | O-ring<br>11X2.5-N   |        | 1   |            |
| 18  | 955 573 749 03 | O-ring<br>23,8 X 2,4   |        | X   |            |
| 19  | 955 573 749 04 | O-ring<br>10.8 X 1,82  |        | X   |            |
| 20  | 958 573 667 00 | Grommet  |        | 1   |            |
| 21  | 955 573 759 00 | Bracket  |        | 1   |            |
| 22  | 3C0 820 581    | Protective cap<br>Valve cap  |        | 1   |            |
| 23  | 958 573 668 00 | Grommet  |        | 1   |            |
| 24  | 955 572 180 00 | dual clip  |        | 1   |            |
| 25  | N 105 103 01   | Hexagon socket head<br>bolt<br>M6 X 35   |        | 1   |            |
| 26  | 958 411 813 00 | Shrink-fit hose<br>connection piece  |        | 1   | PR:DU2,DU3 |

Model: 92A 11

Model life 2011>>2018



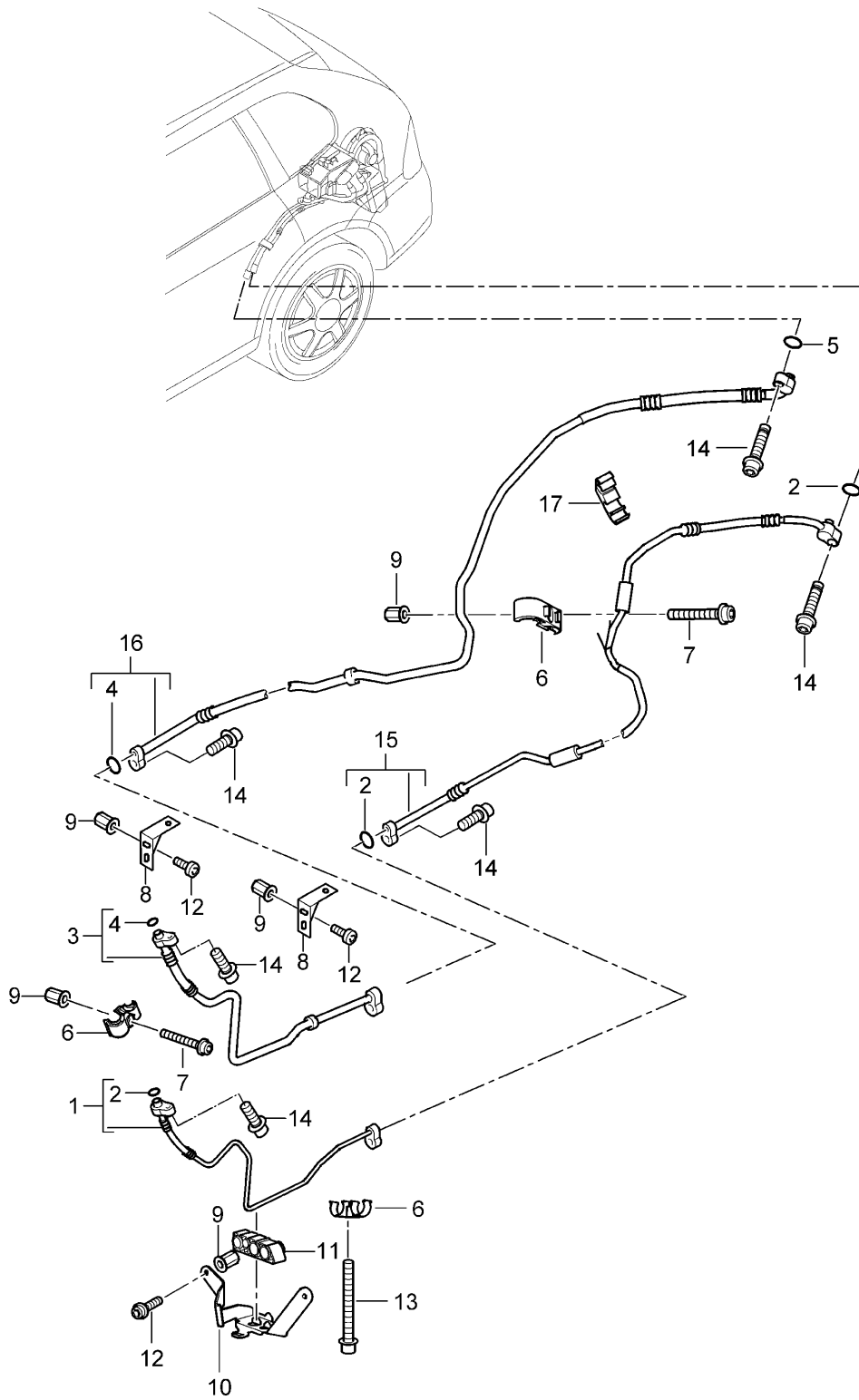
Model: 92A 11 Model life 2011>>2018

| Pos | Part Number    | Description   | Remark  | Qty | Model                |
|-----|----------------|---|---------|-----|----------------------|
|     |                | refrigerant circuit<br>Hybrid<br>R1234YF<br>D - MJ 2017>> |         |     | PR:KK3 ,D19 ,<br>9AD |
| 1   | 958 816 741 40 | Refrigerant line<br>Condenser                             | lhd     | 1   | PR:L0L               |
| 1   | 958 816 741 45 | Expansion valve<br>Refrigerant line<br>Condenser          | rhd     | 1   | PR:L0R               |
| 2   | 958 816 744 50 | Expansion valve<br>Refrigerant line<br>Compressor         |         | 1   |                      |
| 3   | 958 816 738 50 | suction line<br>Refrigerant line                          |         | 1   |                      |
| 4   | 958 816 721 50 | heat exchanger<br>Refrigerant line<br>Condenser           |         | 1   |                      |
| 5   | 958 816 741 50 | Refrigerant line<br>Condenser                             |         | 1   |                      |
| 6   | 958 573 111 51 | Expansion valve<br>heat exchanger                         |         | 1   |                      |
| 7   | 958 573 545 50 | Bracket<br>heat exchanger                                 |         | 1   | PR:0K3               |
| 8   | 7L0 819 083    | Bonded rubber bush  |         | 4   |                      |
| 9   | N 904 025 03   | hexagon nut, self-locking<br>M6                           |         | X   |                      |
| 10  | N 106 092 01   | Hexagon collar nut<br>M8                                  |         | 2   |                      |
| 11  | 958 573 667 00 | Grommet   |         | 1   |                      |
| 13  | N 104 144 02   | Socket head bolt with<br>hexagon socket head<br>M8X28     |         | X   |                      |
| 14  | N 906 970 01   | Corrugated tube clip                                      |         | 1   |                      |
| 15  | 958 573 891 00 | Bracket   |         | 1   |                      |
| 16  | N 910 967 01   | Oval hexagon socket head bolt<br>M6X16                    |         | 1   |                      |
| 17  | 999 707 558 41 | O-ring<br>NW 16   |         | 4   |                      |
| 18  | 999 707 556 41 | O-ring<br>NW 10   |         | 5   |                      |
| 19  | 999 707 439 41 | O-ring<br>23,8X2,4  |         | 1   |                      |
| 20  | 999 707 557 41 | O-ring<br>NW 13   |         | 1   |                      |
| 21  | 999 707 555 41 | O-ring<br>NW 10   |         | 1   |                      |
| 22  | 3C0 820 581    | Protective cap<br>Valve cap                               |         | 1   |                      |
| 23  | 955 613 137 03 | Pressure sensor   |         | 1   |                      |
| 24  | 958 606 845 50 | use if required:<br>Retaining bracket<br>B 6,8            |         | 1   |                      |
| 25  | 9A7 816 231 00 | Connector housing<br>Cover                                |         | 1   |                      |
| 26  |                | Valve cap<br>Condenser                                    |         | 1   |                      |
| 27  |                | Air conditioning<br>see illustration:<br>Compressor       | 813-075 | 1   |                      |
|     |                | Air conditioning<br>see illustration:                     | 813-074 |     |                      |



Model: 92A 11

Model life 2011>>2018



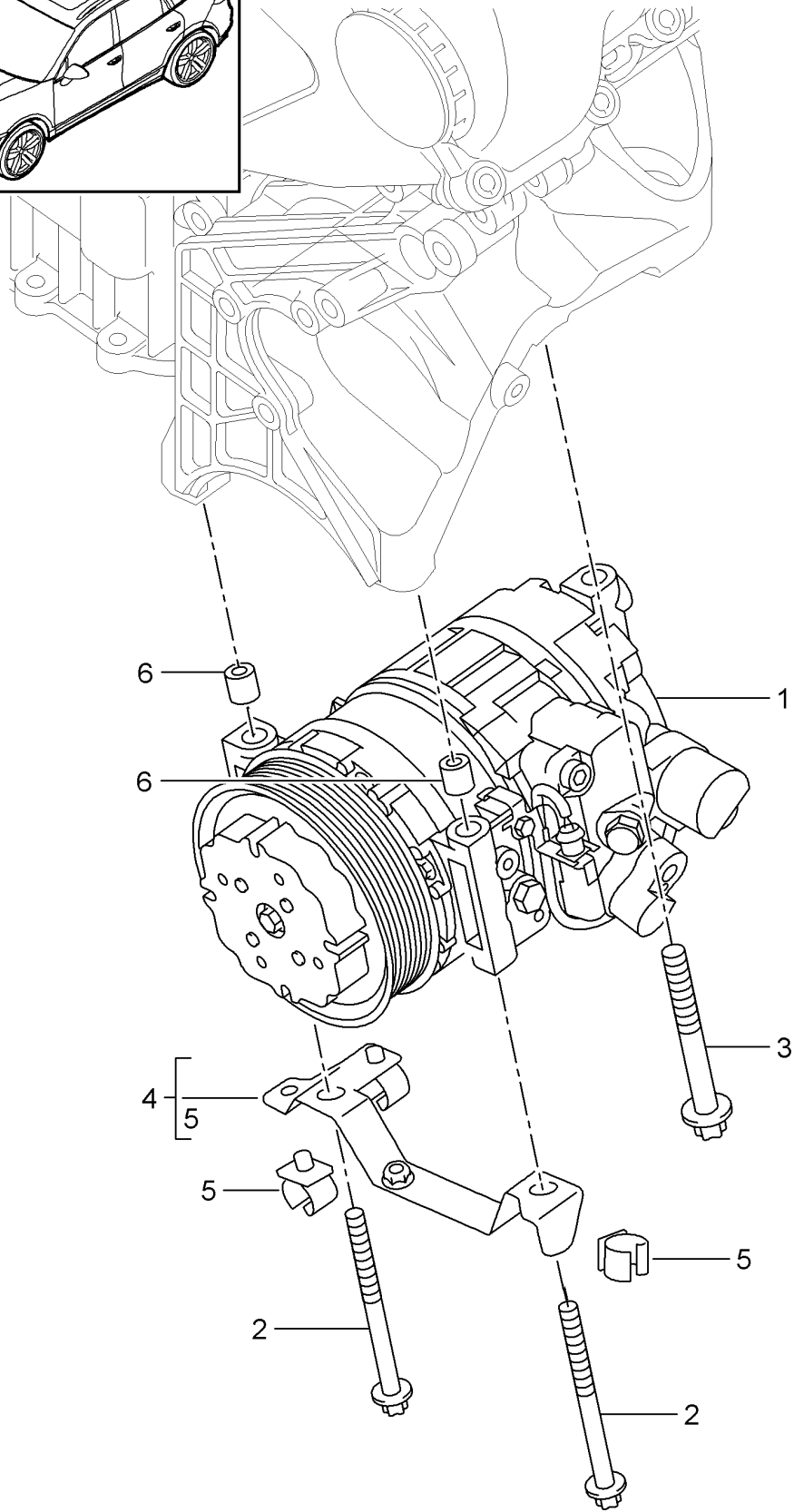
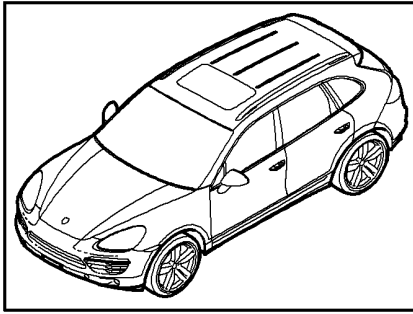
Model: 92A 11

Model life 2011>>2018

| Pos | Part Number    | Description   | Remark | Qty | Model  |
|-----|----------------|---|--------|-----|--------|
|     |                | refrigerant circuit                                     | rear   |     | PR:9AH |
|     |                | Auxiliary air conditioner                               |        |     |        |
| 1   | 958 573 722 00 | Pressure line   |        | 1   |        |
| 2   | 955 573 749 00 | O-ring  |        | X   |        |
| 3   | 958 573 729 00 | suction line  |        | 1   |        |
| 4   | 955 573 749 01 | O-ring  |        | X   |        |
| 5   | 955 573 749 02 | O-ring  |        | X   |        |
| 6   | 955 572 180 00 | dual clip   |        | X   |        |
| 7   | N 105 103 01   | Hexagon socket head<br>bolt<br>M6 X 35                  |        | X   |        |
| 8   | 955 572 495 00 | Line holder   |        | 2   |        |
| 9   | N 902 631 04   | riveted cap nut<br>M6                                   |        | X   |        |
| 10  | 955 573 605 00 | Bracket   |        | 1   |        |
| 11  | 955 572 757 05 | Distance piece  |        | 1   |        |
| 12  | N 910 967 01   | Oval hexagon socket head bolt<br>M6 X 16                |        | X   |        |
| 13  | N 106 247 01   | Socket head bolt<br>M6 X 60                             |        | 2   |        |
| 14  | N 104 144 02   | Socket head bolt with<br>hexagon socket head<br>M8 X 28 |        | X   |        |
| 15  | 958 573 725 00 | Pressure line   |        | 1   |        |
| 16  | 958 573 727 00 | suction line  |        | 1   |        |
| 17  | 955 573 763 00 | Distance piece  |        | 1   |        |

Model: 92A 11

Model life 2011>>2018

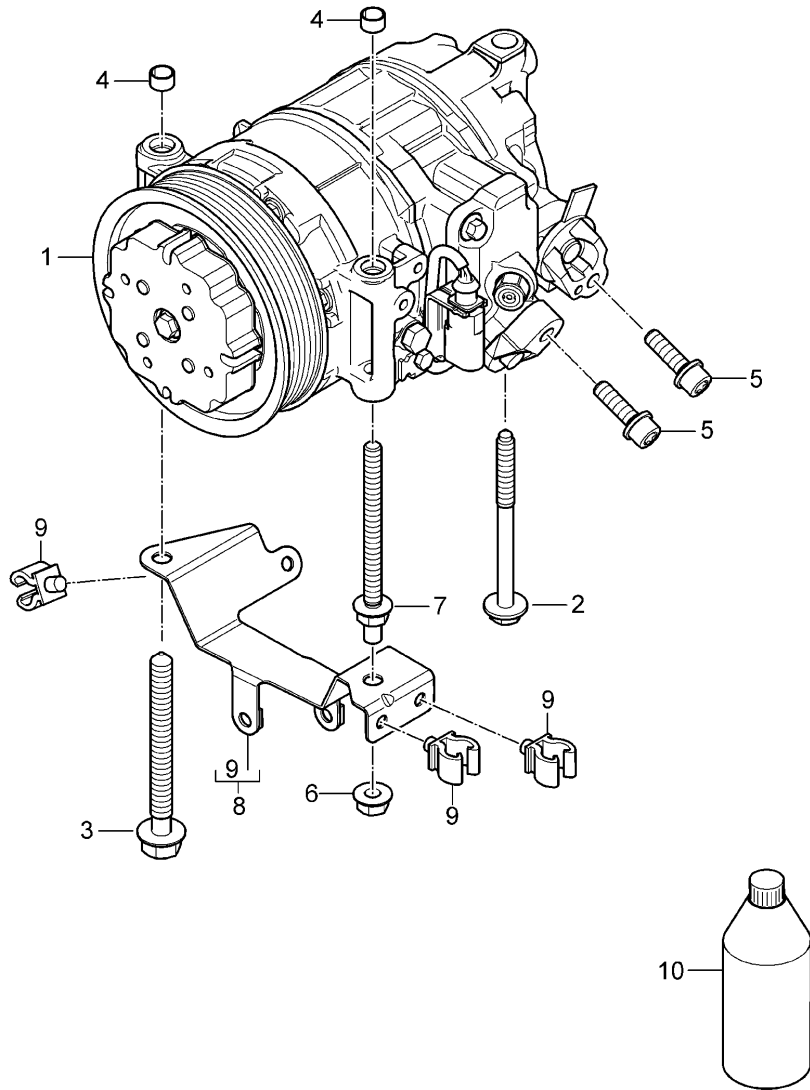
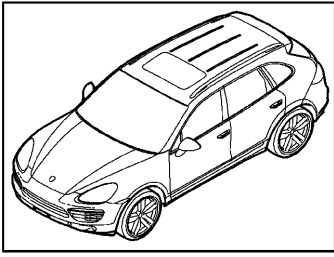


Model: 92A 11 Model life 2011>>2018

| Pos | Part Number    | Description  | Remark | Qty | Model  |
|-----|----------------|--|--------|-----|--|
| (1) | 958 126 011 02 | Compressor<br>Air conditioning<br>D >> - MJ 2016<br>Compressor |        | 1   | Hybrid<br>PR:D19,B0D,<br>B0E,B0N,B1C,<br>B0L |
| (1) | 958 126 011 BX | Compressor   |        | 1   | PR:D19,B0D,<br>B0E,B0N,B1C,<br>B0L           |
| (1) | 7PP 820 803 B  | Compressor   |        | 1   | Hybrid<br>PR:D19,GP1                         |
| (1) | 7PP 820 803 BX | Compressor   |        | 1   | PR:D19,GP1                                   |
| (1) | 958 126 012 01 | Compressor   |        | 1   | 6-Zyl. 3,6l<br>PR:D34                        |
| (1) | 958 126 012 AX | Compressor   |        | 1   | PR:D34                                       |
| (1) | 958 126 013 01 | Compressor   |        | 1   | Diesel<br>PR:D50,D51,<br>D43,D1V,DV7         |
| (1) | 958 126 013 AX | Compressor   |        | 1   | PR:D50,D51,<br>D43,D1V,DV7                   |
| (1) | 958 126 014 01 | Compressor   |        | 1   | V8 Bi -Turbo<br>PR:D58,D6V,<br>DT1,DT5       |
| (1) | 958 126 014 BX | Compressor   |        | 1   | PR:D58,D6V,<br>DT1,DT5                       |
| (1) | 958 126 015 01 | Compressor   |        | 1   | 6-Zyl. China<br>PR:D11                       |
| (1) | 958 126 015 AX | Compressor   |        | 1   | PR:D11                                       |
| (1) | 958 126 016 00 | Compressor   |        | 1   | V8 Diesel<br>PR:DD8                          |
| (1) | 958 126 016 X  | Compressor<br>D >> - MJ 2014                                   |        | 1   | PR:DD8                                       |
| (1) | 958 126 017 00 | Compressor   |        | 1   | PR:DU2,DU3                                   |
| (1) | 958 126 017 X  | Compressor   |        | 1   | PR:DU2,DU3                                   |
| 2   | N 907 075 02   | hexagon head bolt (combi)<br>M 8 X 100                         |        | 2   | PR:D58,D6V,<br>D34                           |
| 2   | N 907 075 02   | hexagon head bolt (combi)<br>M 8 X 100                         |        | 2   | PR:D50,D1V                                   |
| (2) | N 106 366 01   | bolt,hex.hd.with shoul.(combi)<br>M 8 X 110                    |        | 2   | PR:D19                                       |
| 3   | N 106 727 01   | Hex collared bolt<br>M 10 X 100                                |        | 1   | PR:D58,D6V,<br>D34,0AW                       |
| (3) | N 907 075 02   | hexagon head bolt (combi)<br>M 8 X 100                         |        | 1   | PR:D34,0AB                                   |
| (3) | N 907 075 02   | hexagon head bolt (combi)<br>M 8 X 100                         |        | 1   | PR:D50,D1V                                   |
| (3) | N 106 366 01   | bolt,hex.hd.with shoul.(combi)<br>M 8 X 110                    |        | 3   | PR:D19                                       |
| 4   | 958 126 020 00 | Bracket for compressor   |        | 1   | PR:D58,D6V                                   |
| (5) | 4D0 616 823    | Bracket  |        | 3   | PR:D58,D6V                                   |
| 6   | 958 147 501 00 | Centre sleeve<br>6,5 X 11,15                                   |        | 2   | PR:-D58,-D6V                                 |
| (6) | 955 126 501 02 | Centre sleeve<br>M6 X 10                                       |        | 2   | PR:D58,D6V                                   |
| -   | 000 043 200 04 | Compressor oil<br>R134A<br>250 ML                              |        | 1   |  |

Model: 92A 11

Model life 2011>>2018



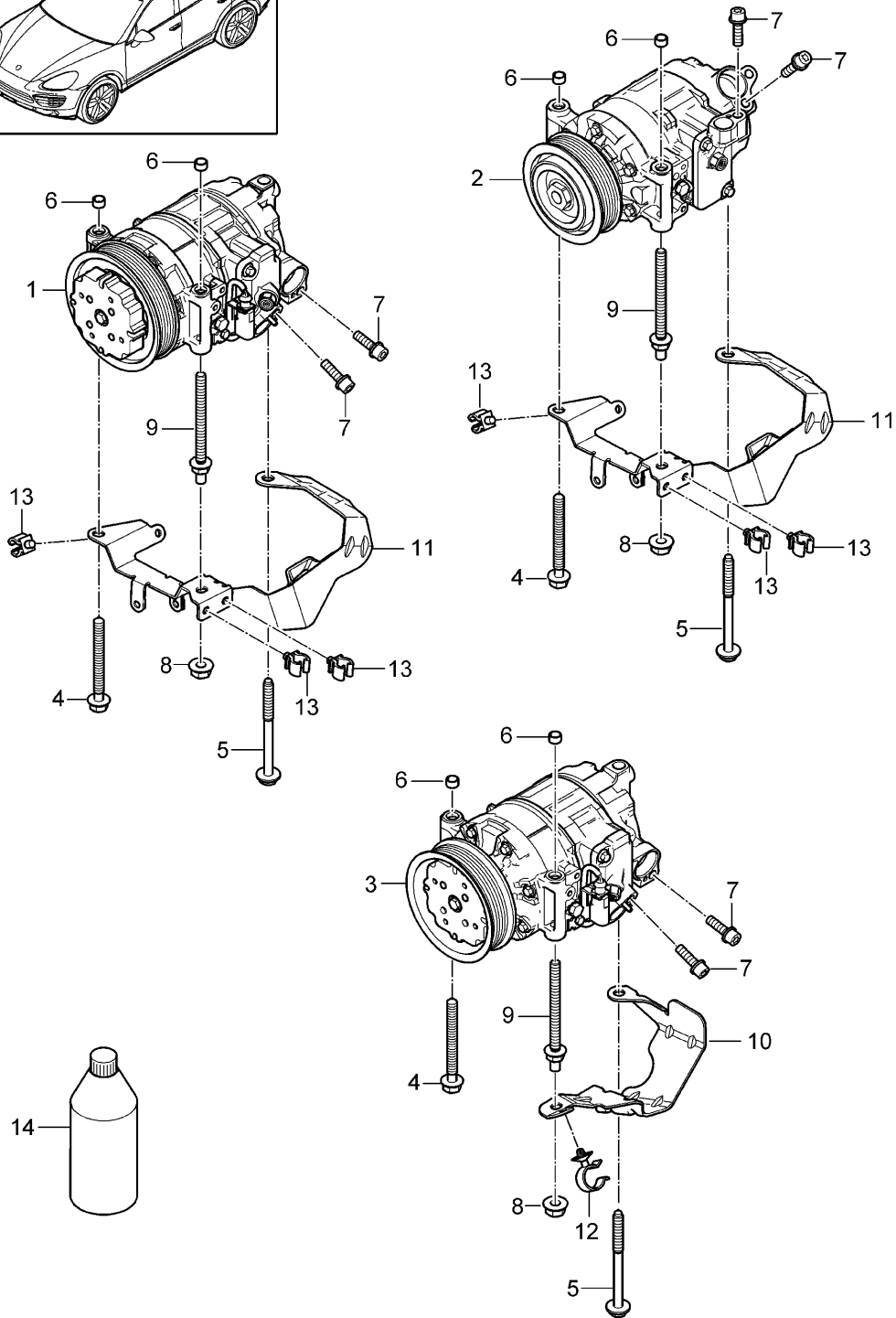
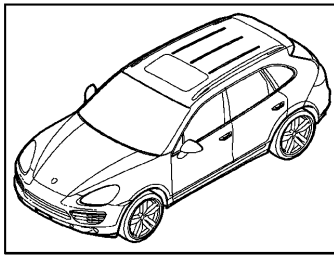
Model: 92A 11

Model life 2011&gt;&gt;2018

| Pos | Part Number    | Description   | Remark | Qty | Model                                |
|-----|----------------|---|--------|-----|--------------------------------------|
|     |                | Compressor<br>Air conditioning<br>D - MJ 2017>>       |        |     | PR:KK1,-D19                          |
| 1   | 958 126 017 00 | Compressor  |        | 1   | V6 Turbo<br>PR:DU2,DU3               |
| 1   | 958 126 017 X  | Compressor  |        | 1   | V6 Turbo<br>PR:DU2,DU3               |
| 1   | 958 126 014 01 | Compressor  |        | 1   | V8 Turbo<br>PR:DT1,DT5               |
| 1   | 958 126 014 BX | Compressor  |        | 1   | V8 Turbo<br>PR:DT1,DT5               |
| 1   | 958 126 012 01 | Compressor  |        | 1   | VR6<br>PR:D34                        |
| 1   | 958 126 012 AX | Compressor  |        | 1   | VR6<br>PR:D34                        |
| 1   | 958 126 013 01 | Compressor  |        | 1   | V6 TDI<br>PR:D43,DV7,<br>D1V,D50,D51 |
| 1   | 958 126 013 AX | Compressor  |        | 1   | V6 TDI<br>PR:D43,DV7,<br>D1V,D50,D51 |
| (1) | 958 126 016 00 | Compressor  |        | 1   | V8 TDI<br>PR:DD8,KK1                 |
| (1) | 958 126 016 X  | Compressor  |        | 1   | V8 TDI<br>PR:DD8,KK1                 |
| (1) | 958 126 015 01 | Compressor  |        | 1   | 6-Zyl. China<br>PR:D11               |
| (1) | 958 126 015 AX | Compressor  |        | 1   | PR:D11                               |
| 2   | N 907 075 02   | hexagon head bolt (combi)<br>M8X100X41-S2             |        | X   | PR:DV7,D1V,<br>D50,D51               |
| 3   | N 106 727 01   | Hex collared bolt<br>BM10X100X90                      |        | X   |                                      |
| 4   | 958 147 501 00 | Centre sleeve<br>6,5 X 11,15                          |        | 2   |                                      |
| 5   | N 104 144 02   | Socket head bolt with<br>hexagon socket head<br>M8X28 |        | 2   |                                      |
| 6   | N 106 092 01   | Hexagon collar nut<br>M8                              |        | 2   | PR:D43,DV7,<br>D1V,D50,D51           |
| 7   | N 107 976 01   | double stud with hexagon drive<br>AM8X90-M8X12        |        | 1   | PR:D43,DV7,<br>D1V,D50,D51           |
| 8   | 958 126 020 00 | Bracket for compressor                                |        | 1   | PR:D58,D6V                           |
| 9   | 4D0 616 823    | Bracket   |        | 3   | PR:D58,D6V                           |
| 10  | 000 043 200 04 | Compressor oil<br>R134A<br>250 ML                     |        | 1   |                                      |

Model: 92A 11

Model life 2011>>2018



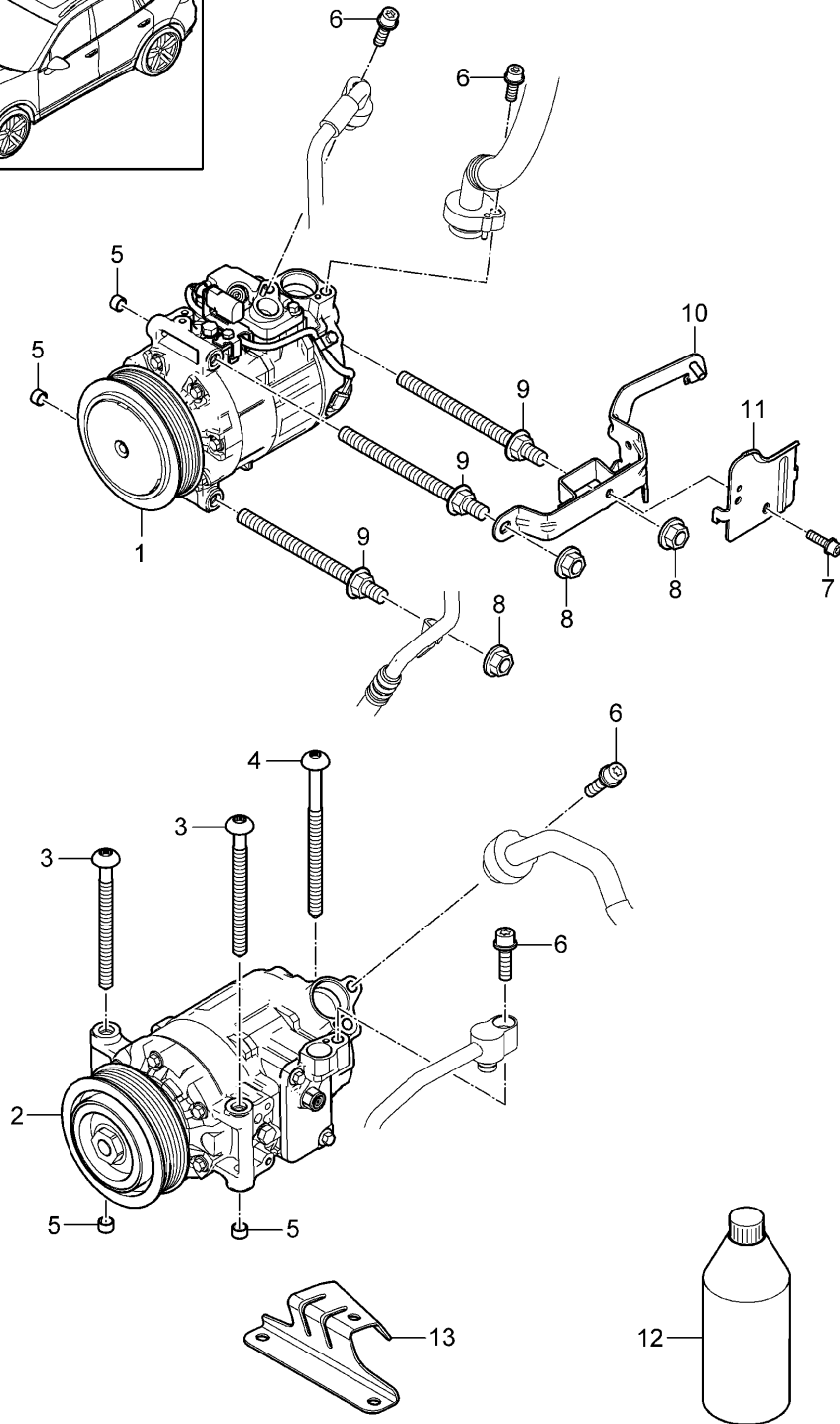
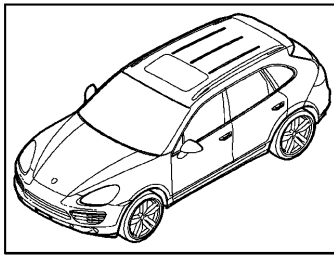
Model: 92A 11 Model life 2011>>2018

| Pos  | Part Number    | Description  | Remark | Qty | Model                      |
|------|----------------|--|--------|-----|----------------------------|
|      |                | Compressor<br>Air conditioning<br>Petrol<br>D - MJ 2017>>              |        |     | PR:KK3,-D19                |
| 1    | 958 126 050 00 | Compressor   |        | 1   | V6 Turbo<br>PR:DU2,DU3     |
| (1)  | 958 126 050 X  | Compressor   |        | 1   | V6 Turbo<br>PR:DU2,DU3     |
| 2    | 958 126 055 00 | Compressor   |        | 1   | V8 Turbo<br>PR:DT1,DT5     |
| (2)  | 958 126 055 X  | Compressor   |        | 1   | V8 Turbo<br>PR:DT1,DT5     |
| 3    | 958 126 060 00 | Compressor   |        | 1   | VR6<br>PR:D34              |
| (3)  | 958 126 060 X  | Compressor   |        | 1   | VR6<br>PR:D34              |
| 4    | N 907 075 02   | hexagon head bolt (combi)<br>M8X100X41-S2                              |        | X   |                            |
| 5    | N 106 727 01   | Hex collared bolt<br>BM10X100X90                                       |        | 1   |                            |
| 6    | 958 147 501 00 | Centre sleeve<br>6,5 X 11,15   |        | 2   |                            |
| 7    | N 104 144 02   | Socket head bolt with<br>hexagon socket head<br>M8X28                  |        | 2   |                            |
| 8    | N 106 092 01   | Hexagon collar nut<br>M8   |        | 2   | PR:D43,DV7,<br>D1V,D50,D51 |
| 9    | N 107 976 01   | double stud with hexagon drive<br>AM8X90-M8X12                         |        | 1   | PR:D43,DV7,<br>D1V,D50,D51 |
| 10   | 958 816 432 00 | Protective plate<br>Compressor   |        | 1   | PR:D34                     |
| 11   | 958 816 432 10 | Protective plate   |        | 1   | PR:DT1,DT5,<br>DU2,DU3     |
| 12   | 9A7 105 518 01 | Bracket<br>20X12XC12-6.5   |        | 1   |                            |
| 14   | 9A7 573 900 10 | Refrigerant<br>Oil<br>Compressor<br>R1234YF<br>250 ML                  |        | 1   |                            |
| (14) |                | Refrigerant<br>for<br>R1234YF<br>5 KG<br>See workshop manual<br>8X00IN |        | 1   |                            |



Model: 92A 11

Model life 2011>>2018

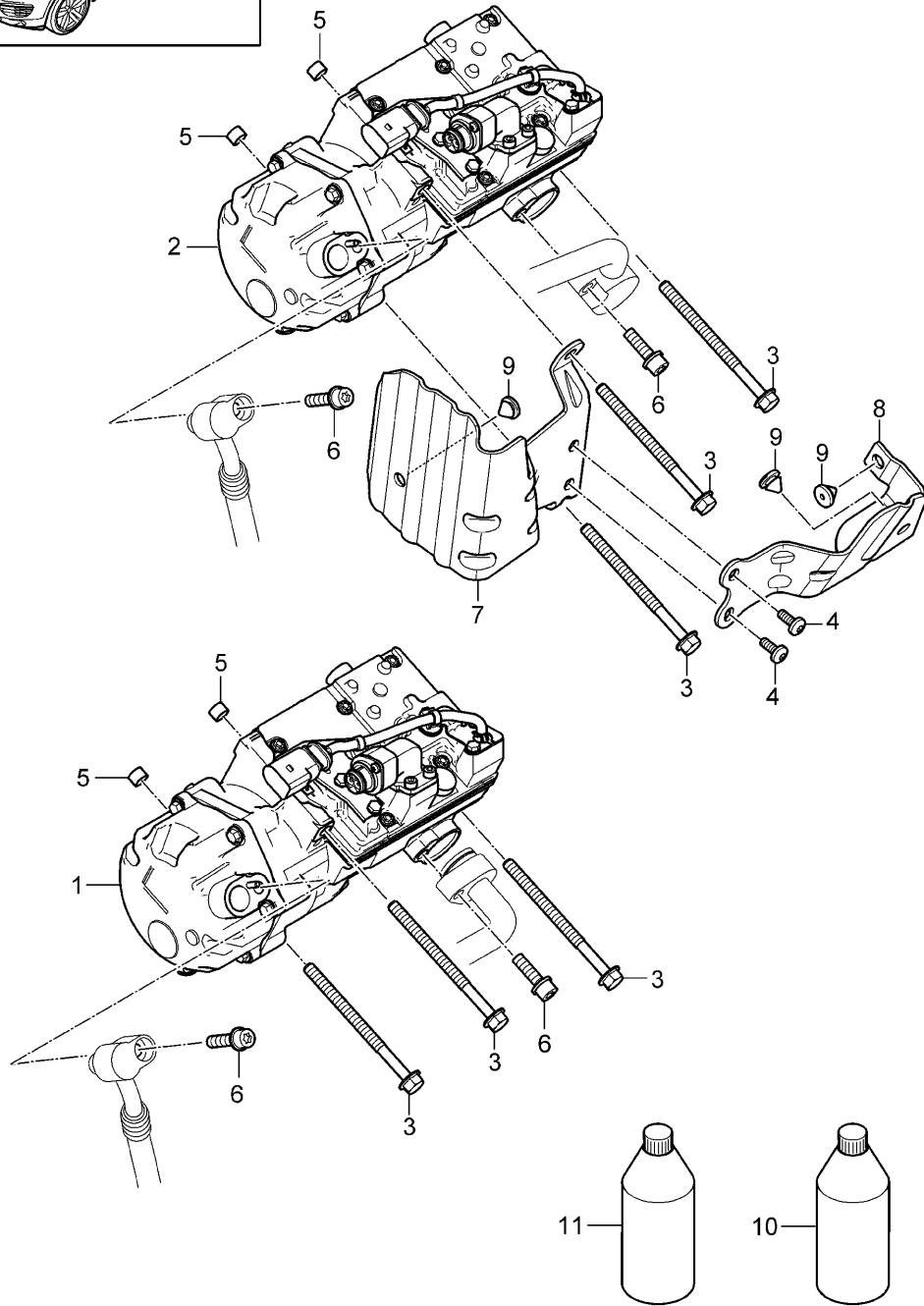
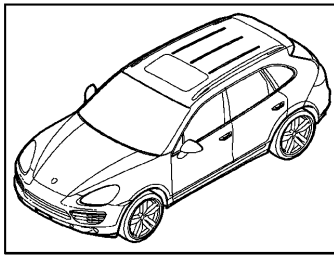


Model: 92A 11 Model life 2011>>2018

| Pos  | Part Number    | Description   | Remark    | Qty | Model   |
|------|----------------|---|-----------|-----|---|
| 1    | 958 126 065 00 | Compressor<br>Air conditioning<br>Diesel<br>R1234YF<br>D - MJ 2017>><br>Compressor  |           | 1   | PR:KK3,-D19<br>V6 TDI<br>PR:D43,DV7,<br>D1V,D50,D51 |
| (1)  | 958 126 065 X  | Compressor  |           | 1   | V6 TDI<br>PR:D43,DV7,<br>D1V,D50,D51                |
| 2    | 958 126 070 00 | Compressor  |           | 1   | V8 TDI<br>PR:DD8,KK3                                |
| (2)  | 958 126 070 X  | Compressor  |           | 1   | V8 TDI<br>PR:DD8,KK3                                |
| 3    | 9A7 911 269 01 | Multiple-tooth screw<br>BM 8X95X80  |           | 2   | PR:DD8  |
| 4    | 9A7 911 267 01 | Multiple-tooth screw<br>BM 8X115X80   |           | 1   | PR:DD8  |
| 5    | 958 147 501 00 | Centre sleeve<br>6,5 X 11,15  |           | 2   |   |
| 6    | N 104 144 02   | Socket head bolt with<br>hexagon socket head<br>M8X28   |           | 2   |   |
| 7    | N 910 967 01   | Oval hexagon socket head bolt<br>M6 X 16  |           | X   |   |
| 8    | N 106 092 01   | Hexagon collar nut<br>M8  |           | 3   | PR:D43,DV7,<br>D1V,D50,D51                          |
| 9    | N 107 976 01   | double stud with hexagon drive<br>Double screw<br>AM8X90-M8X12  |           | 3   | PR:D43,DV7,<br>D1V,D50,D51                          |
| 10   | 958 573 431 00 | Protective plate  |           | 1   | PR:D43,DV7,   |
| 11   | 958 573 432 20 | Protective plate  |           | 1   | PR:D43,DV7,   |
| 12   | 9A7 573 900 10 | Refrigerant<br>Oil<br>Compressor<br>R1234YF<br>250 ML<br>Refrigerant<br>for<br>R1234YF<br>5 KG<br>See workshop manual<br>8X00IN |           | 1   |   |
| (12) |                |   |           | 1   |   |
| 13   |                | Bracket<br>see illustration, item:  | 107-047,7 | 1   |   |

Model: 92A 11

Model life 2011>>2018



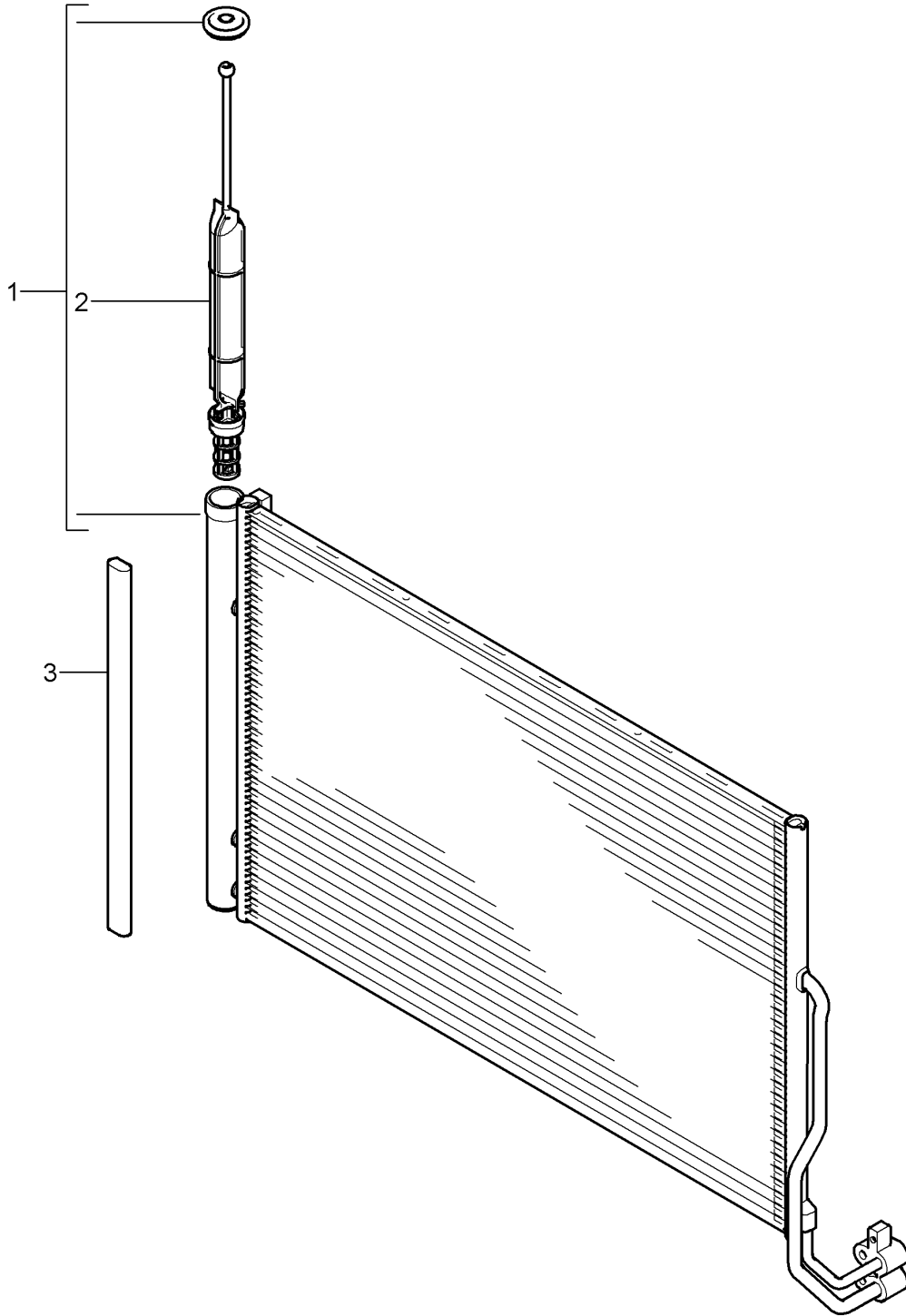
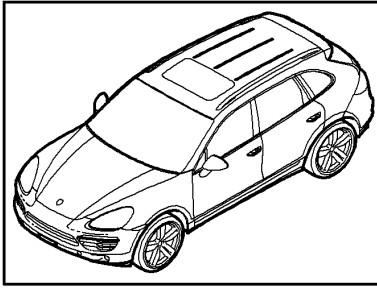
Model: 92A 11

Model life 2011>>2018

| Pos  | Part Number    | Description  | Remark | Qty | Model               |
|------|----------------|--|--------|-----|---------------------|
|      |                | Compressor<br>Air conditioning<br>Hybrid<br>D - MJ 2017>>              |        |     | PR:KK1, KK3,<br>D19 |
| 1    | 7PP 820 803 B  | Compressor   |        | 1   | Hybrid<br>PR:KK1    |
| (1)  | 7PP 820 803 BX | Compressor   |        | 1   | PR:KK1              |
| 2    | 958 816 803 90 | Compressor<br>Hybrid   |        | 1   | PR:KK3              |
| (2)  | 958 816 803 X  | Compressor<br>Hybrid   |        | 1   | PR:KK3              |
| 3    | N 106 366 01   | bolt,hex.hd.with shoul.(combi)<br>M 8 X 110                            |        | 3   |                     |
| 4    | N 911 266 01   | Oval hexagon socket head bolt<br>M6X16                                 |        | 2   | PR:KK3              |
| 5    | 958 147 501 00 | Centre sleeve<br>6,5 X 11,15   |        | 2   |                     |
| 6    | N 104 144 02   | Socket head bolt with<br>hexagon socket head<br>M8X28                  |        | 2   |                     |
| 7    | 958 816 431 10 | Protective plate   |        | 1   | PR:OK3              |
| 8    | 958 816 432 30 | Protective plate   |        | 1   | PR:OK3              |
| 9    | 9A7 905 814 01 | Rubber bungs<br>A7X2X10.7  |        | 3   | PR:KK3              |
| 10   | 000 043 200 04 | Compressor oil<br>R134A<br>250 ML                                      |        | 1   | PR:KK1              |
| 11   | 9A7 573 900 10 | Refrigerant<br>Oil<br>Compressor<br>R1234YF<br>250 ML                  |        | 1   | PR:KK3              |
| (11) |                | Refrigerant<br>for<br>R1234YF<br>5 KG<br>See workshop manual<br>8X00IN |        | 1   | PR:KK3              |

Model: 92A 11

Model life 2011>>2018



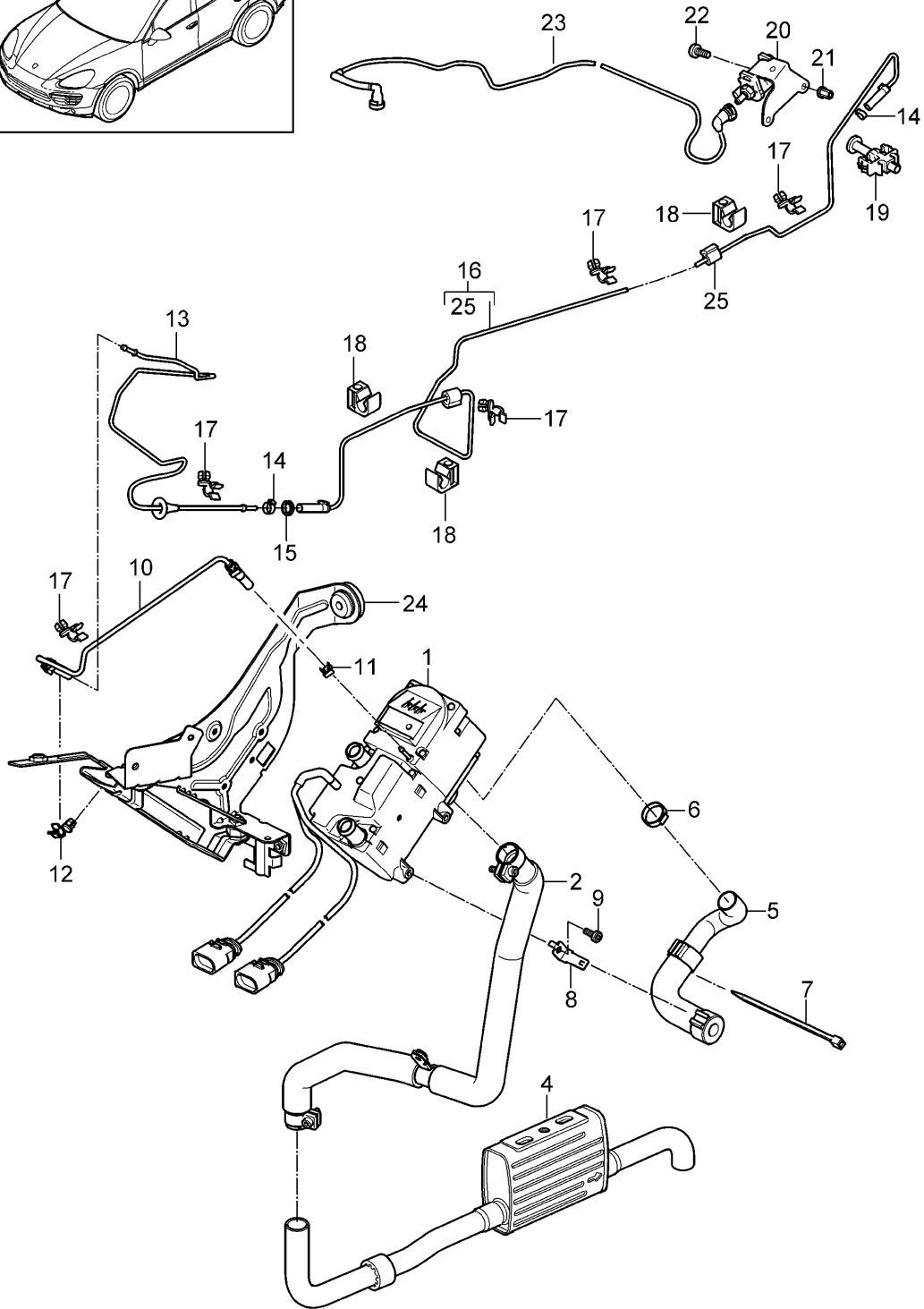
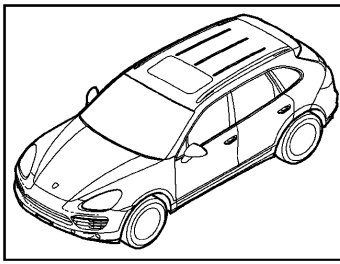
Model: 92A 11

Model life 2011&gt;&gt;2018

| Pos | Part Number    | Description                   | Remark | Qty | Model    |
|-----|----------------|-------------------------------|--------|-----|----------|
| 1   | 958 573 111 02 | Condenser<br>Air conditioning |        | 1   | PR: -D58 |
| 1   | 958 573 111 01 | Condenser                     |        | 1   | PR: D58  |
| 2   | 958 573 191 02 | Drier                         |        | 1   |          |
| 3   | 958 573 117 00 | Sealing strip                 |        | 1   |          |

Model: 92A 11

Model life 2011>>2018



Model: 92A 11

Model life 2011>>2018

| Pos | Part Number    | Description  | Remark  | Qty | Model                  |
|-----|----------------|--|---------|-----|------------------------|
|     |                | Auxiliary heater<br>Fuel system<br>and<br>Silencer<br>Bracket<br><br>see illustration: | 813-085 |     |                        |
| 1   | 958 572 801 02 | Auxiliary heater<br>Discontinued part  |         | 1   | PR:1A2,9M1,<br>9M9     |
| 1   | 958 572 801 04 | Auxiliary heater<br>Discontinued part  |         | 1   | PR:1A2,9M1,<br>9M9     |
| 1   | 958 572 801 06 | Auxiliary heater<br>Discontinued part  |         | 1   | PR:1A2,9M1,<br>9M9     |
| 1   | 958 572 801 12 | Auxiliary heater   |         | 1   | PR:1A2,9M1,<br>9M9     |
| 1   | 958 572 801 03 | Auxiliary heater<br>Discontinued part  |         | 1   | PR:9M5,9M1,<br>9M9,0F5 |
| 1   | 958 572 801 05 | Auxiliary heater<br>Discontinued part  |         | 1   | PR:0F5,9M1,<br>9M9     |
| 1   | 958 572 801 07 | Auxiliary heater<br>Discontinued part  |         | 1   | PR:0F5,9M1,<br>9M9     |
| 1   | 958 572 801 11 | Auxiliary heater   |         | 1   | PR:0F5,9M1,<br>9M9     |
| 1   | 958 572 801 11 | Auxiliary heater   |         | 1   | PR:9M5                 |
| 1   | 958 572 801 08 | Auxiliary heater   |         | 1   | PR:1A5,9M1,<br>9M9     |
| 2   | 958 572 506 00 | Exhaust pipe   |         | 1   | PR:9M1,9M5,<br>9M9     |
| 4   | 958 819 193 00 | Silencer   |         | 1   |                        |
| 5   | 958 572 194 00 | Silencer   |         | 1   |                        |
| 6   | N 102 020 01   | Ear crimp hose clamp<br>Silencer   |         | 1   |                        |
| 7   | N 909 377 01   | Cable ties   |         | 1   |                        |
| 8   | 958 572 147 00 | bracket for exhaust silencer   |         | 1   |                        |
| 9   | N 106 549 02   | Flat head bolt with hexagon<br>socket head, thread forming<br>M 6 X 16                 |         | 1   |                        |
| 10  | 958 572 490 01 | Fuel line<br>heater unit<br>Wheel housing  |         | 1   |                        |
| 11  | N 102 313 01   | Ear crimp hose clamp<br>Auxiliary heater   |         | 1   |                        |
| 12  | 955 572 788 00 | Clip   |         | 1   |                        |
| 13  | 958 261 491 02 | Fuel line<br>Floor   | front   | 1   |                        |
| 14  | N 102 035 01   | Clamp<br>Auxiliary heater  |         | X   |                        |
| 15  | 955 358 320 00 | Rubber mounting<br>Fuel line   |         | 1   |                        |
| 16  | 958 261 492 02 | Fuel line<br>Floor   | rear    | 1   |                        |
| 17  | 955 355 547 20 | Line holder<br>Clip  |         | 5   |                        |
| 18  | 958 572 794 00 | Bracket<br>Simple<br>Clip<br>Discontinued part   |         | 3   |                        |
| 18  | 999 651 331 40 | Cable holder   |         | 3   |                        |
| 19  | 955 355 546 01 | Line holder  |         | 1   |                        |
| 20  | 958 572 163 00 | Fuel pump<br>Auxiliary heater  |         | 1   |                        |
| 21  | N 902 631 04   | rivetted cap nut<br>Mount<br>Fuel pump   |         | 2   |                        |



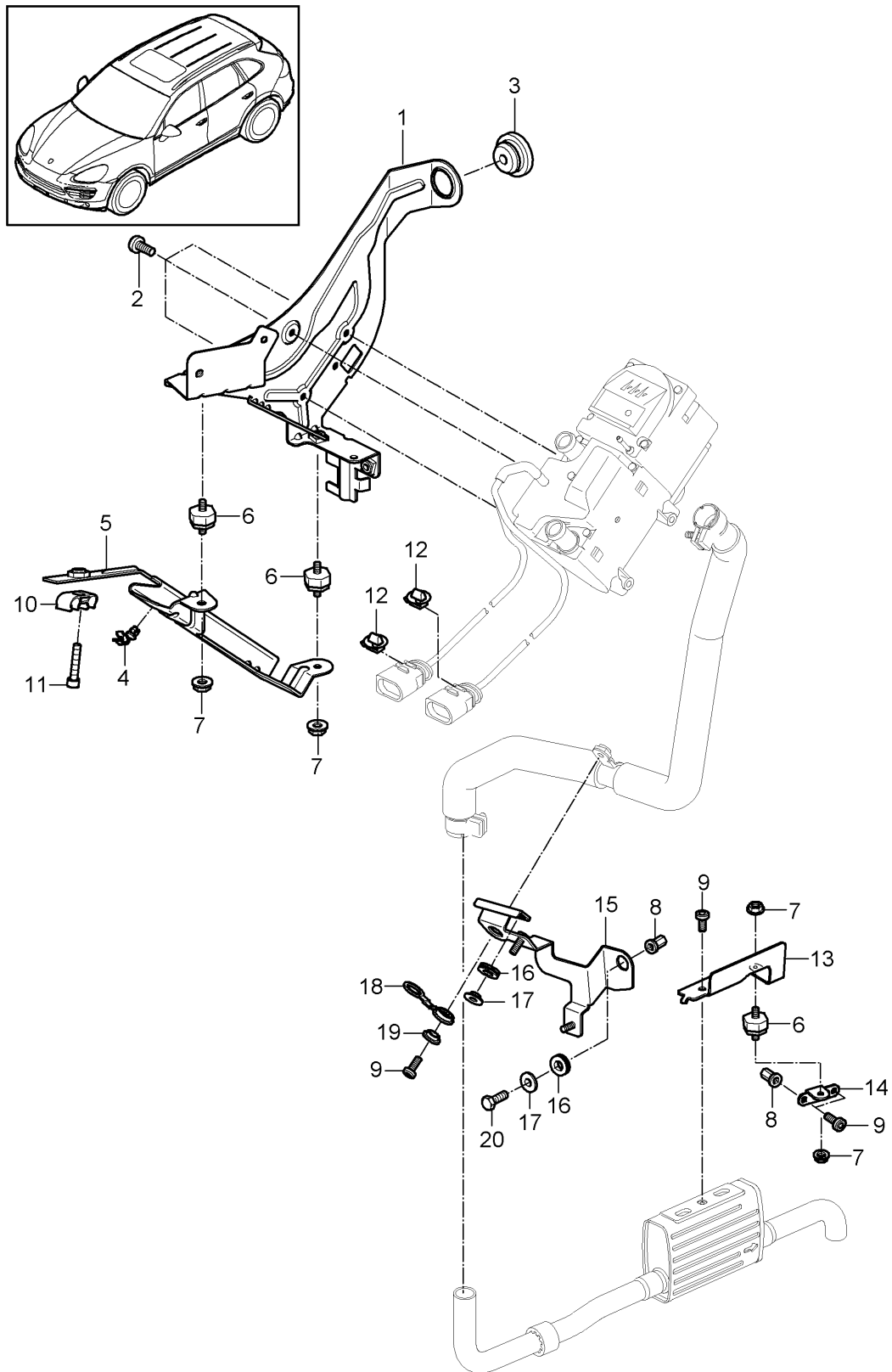
Model: 92A 11

Model life 2011>>2018

| Pos | Part Number    | Description                              | Remark  | Qty | Model |
|-----|----------------|--|---------|-----|-------|
| 22  | N 910 967 01   | Oval hexagon socket head bolt<br>M6 X 16 |         | 2   |       |
| 23  | 958 201 355 01 | Fuel line<br>Pump<br>Fuel tank           |         | 1   |       |
| 24  |                | see illustration:                        | 813-085 |     |       |
| 25  | 955 355 550 00 | Distance piece                           |         | 4   |       |

Model: 92A 11

Model life 2011>>2018

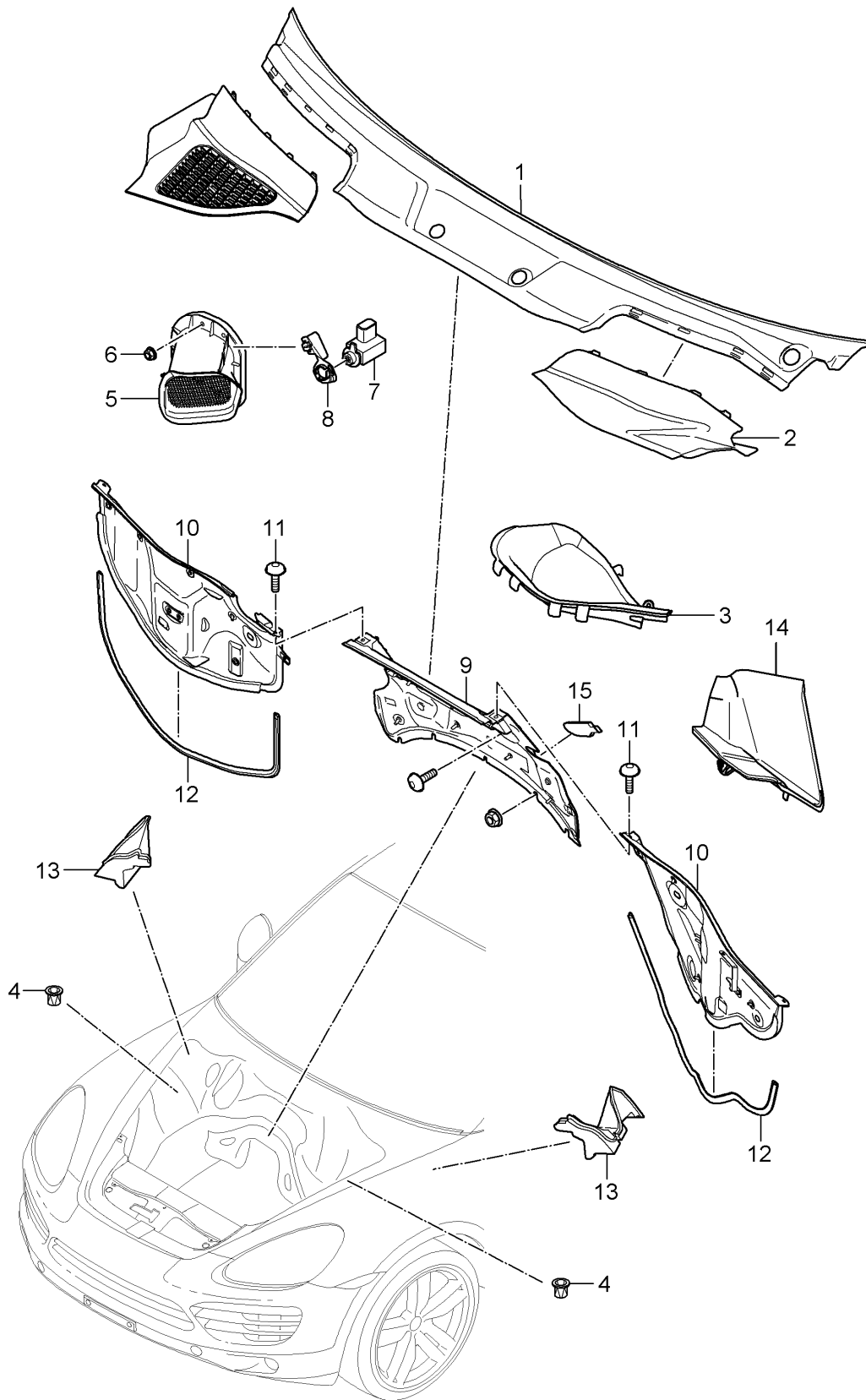


Model: 92A 11 Model life 2011>>2018

| Pos | Part Number    | Description   | Remark | Qty | Model |
|-----|----------------|---|--------|-----|-------|
| 1   | 958 572 803 02 | Bracket<br>Auxiliary heater   |        | 1   |       |
| 2   | N 106 549 02   | Bracket<br>heater unit  |        | 3   |       |
| 3   | 955 572 261 00 | Flat head bolt with hexagon<br>socket head, thread forming<br>M6 X 16 |        | 1   |       |
| 4   | 955 572 788 00 | Rubber bush   |        | 2   |       |
| 5   | 958 572 805 01 | Clip  |        | 1   |       |
| 5   | 958 572 805 02 | Bracket<br>Discontinued part  |        | 1   |       |
| 6   | 955 572 833 00 | Bonded rubber bush  |        | 2   |       |
| 7   | N 015 082 10   | Hexagon collar nut<br>M 6   |        | 9   |       |
| 8   | N 902 631 04   | rivetted cap nut<br>M6  |        | X   |       |
| 9   | N 910 967 01   | Oval hexagon socket head bolt<br>M6 X 16                              |        | 3   |       |
| 10  | 955 572 055 01 | Clip  |        | X   |       |
| 11  | N 106 209 01   | Socket head bolt with<br>hexagon socket head<br>M6 X 30               |        | 1   |       |
| 12  | 958 572 830 00 | Clip<br>Mount<br>Cable plug   |        | 1   |       |
| 13  | 958 572 808 02 | Retainer for exhaust system   |        | 1   |       |
| 14  | 955 572 809 00 | Bracket<br>exhaust system   |        | 1   |       |
| 15  | 958 572 950 00 | Bracket<br>Exhaust pipe   |        | 1   |       |
| 16  | 955 572 095 00 | Rubber grommet  |        | X   |       |
| 17  | 955 572 121 00 | bush  |        | X   |       |
| 18  | 955 572 828 00 | Mounting<br>Exhaust pipe  |        | 1   |       |
| 19  | 955 572 827 01 | bush  |        | X   |       |
| 20  | N 106 532 01   | Hex collared bolt<br>M6 x 16  |        | 1   |       |

Model: 92A 11

Model life 2011>>2018



Model: 92A 11 Model life 2011>>2018

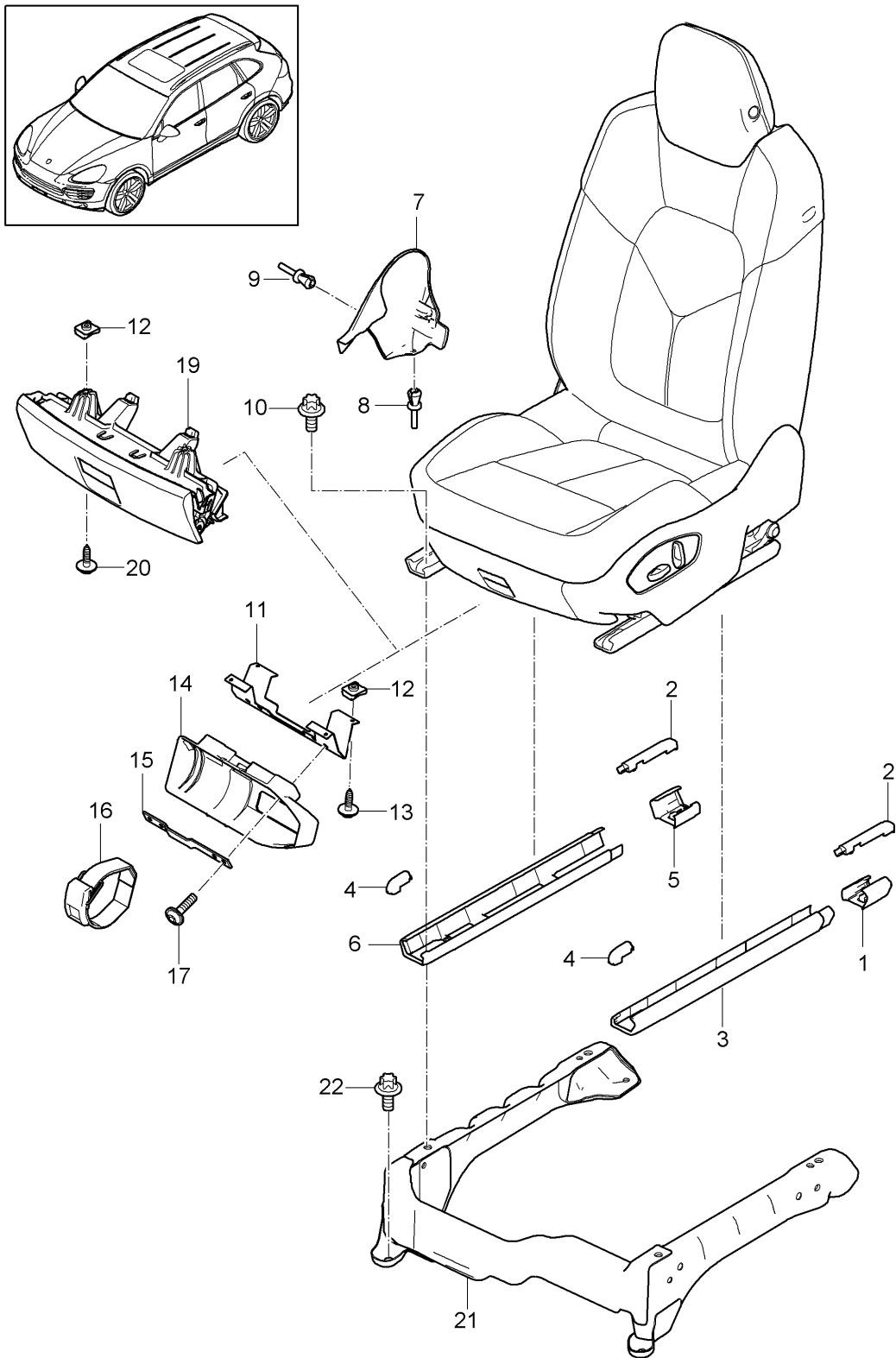
| Pos  | Part Number        | Description   | Remark     | Qty | Model       |
|------|--------------------|---|------------|-----|-------------|
| 1    | 958 572 563 01     | Cover<br>water box<br>Fresh-air intake system<br>Plenum chamber cover | rhd        | 1   | PR:LOR      |
| (1)  | 958 572 563 01 9B9 | Black   |            |     |             |
| (1)  | 958 572 564 01     | Plenum chamber cover  | lhd        | 1   | PR:L0L      |
|      | 958 572 564 01 9B9 | Black   |            |     |             |
| 2    | 958 572 729 00     | Flap  | right lhd  | 1   | PR:L0L      |
|      |                    | D >> - MJ 2014  |            |     |             |
|      | 958 572 729 00 9B9 | Black   |            |     |             |
| 2    | 958 572 730 10     | Flap  | right lhd  | 1   | PR:L0L      |
|      |                    | D - MJ 2015>>   |            |     |             |
|      | 958 572 730 10 9B9 | Black   |            |     |             |
| (2)  | 958 572 729 02     | Flap  | left lhd   | 1   | PR:L0L      |
|      |                    | D >> - MJ 2014  |            |     |             |
|      | 958 572 729 02 9B9 | Black   |            |     |             |
| (2)  | 958 572 729 10     | Cap   | left lhd   | 1   | PR:L0L      |
|      |                    | D - MJ 2015>>   |            |     |             |
|      | 958 572 729 10 9B9 | Black   |            |     |             |
| (2)  | 958 572 730 00     | Flap  | right rhd  | 1   | PR:LOR      |
|      |                    | D >> - MJ 2014  |            |     |             |
|      | 958 572 730 00 9B9 | Black   |            |     |             |
| (2)  | 958 572 732 10     | Flap  | right rhd  | 1   | PR:LOR      |
|      |                    | D - MJ 2015>>   |            |     |             |
|      | 958 572 732 10 9B9 | Black   |            |     |             |
| (2)  | 958 572 731 00     | Flap  | left rhd   | 1   | PR:LOR      |
|      |                    | D >> - MJ 2014  |            |     |             |
|      | 958 572 731 00 9B9 | Black   |            |     |             |
| (2)  | 958 572 731 10     | Flap  | left rhd   | 1   | PR:LOR      |
|      |                    | D - MJ 2015>>   |            |     |             |
|      | 958 572 731 10 9B9 | Black   |            |     |             |
| 3    | 958 572 349 00     | Cover   | lhd        | 1   | PR:L0L,-DD8 |
| (3)  | 958 572 349 01     | intake manifold<br>Cover  | rhd        | 1   | PR:LOR,-DD8 |
| (3)  | 958 572 349 10     | intake manifold<br>Cover  | lhd        | 1   | PR:L0L,DD8  |
| (3)  | 958 572 349 20     | intake manifold<br>Cover  | rhd        | 1   | PR:LOR,DD8  |
| 4    | 958 572 419 00     | Water drain valve   |            | 1   |             |
| 5    | 958 572 155 00     | intake manifold   | lhd        | 1   | PR:L0L      |
| (5)  | 958 572 156 00     | water box<br>intake manifold  | rhd        | 1   | PR:LOR      |
| 6    | N 015 082 10       | water box<br>Hexagon collar nut<br>M 6                                |            | X   |             |
| 7    | 958 572 659 00     | Air quality sensor<br>Air inlet                                       |            | 1   | PR:9AD,9AH  |
| 8    | 958 572 939 00     | Clip<br>Sensor  |            | 1   | PR:9AD,9AH  |
| 9    | 958 572 523 00     | water box   | center     | 1   |             |
| 10   | 958 572 511 00     | Firewall<br>water box   | left       | 1   | PR:-DD8     |
| 10   | 958 572 511 10     | Firewall<br>water box   | right rhd  | 1   | PR:DD8,LOR  |
| (10) | 958 572 511 20     | Firewall<br>water box   | left lhd   | 1   | PR:DD8,L0L  |
| (10) | 958 572 512 00     | Firewall<br>water box   | left right | 1   | PR:-DD8     |
| (10) | 958 572 512 20     | Firewall<br>water box   | right      | 1   | PR:DD8      |
| 11   | N 907 371 01       | Firewall<br>Oval hexagon socket head bolt                             |            | X   |             |

Model: 92A 11 Model life 2011>>2018

| Pos  | Part Number                          | Description  | Remark         | Qty | Model                              |
|------|--------------------------------------|--|----------------|-----|------------------------------------|
| 12   | 958 572 037 00                       | M6 X 12<br>seal for water box                                    | left           | 1   |                                    |
| (12) | 958 572 048 00                       | seal for water box   | right          | 1   |                                    |
| 13   | 958 572 531 00                       | seal for water box   | left<br>front  | 1   |                                    |
| 13   | 958 572 531 01                       | Wheel housing<br>D >> - MJ 2014<br>seal for water box            | left<br>front  | 1   |                                    |
| (13) | 958 572 532 00                       | Wheel housing<br>D - MJ 2015>><br>seal for water box             | right<br>front | 1   |                                    |
| (13) | 958 572 532 01                       | Wheel housing<br>D >> - MJ 2014<br>seal for water box            | right<br>front | 1   |                                    |
| 14   | 958 572 389 00                       | Wheel housing<br>D - MJ 2015>><br>Cover<br>Water deflector strip | left           | 1   |                                    |
| 14   | 958 572 389 00 9B9<br>958 572 389 01 | D >> - MJ 2014<br>Satin black<br>Cover                           | left           | 1   |                                    |
| (14) | 958 572 389 01 9B9<br>958 572 390 00 | Water deflector strip<br>D - MJ 2015>><br>Satin black<br>Cover   | right          | 1   |                                    |
| (14) | 958 572 390 00 9B9<br>958 572 390 01 | Water deflector strip<br>D >> - MJ 2014<br>Satin black<br>Cover  | right          | 1   |                                    |
| 15   | 958 572 390 01 9B9<br>958 572 908 00 | Water deflector strip<br>D - MJ 2015>><br>Satin black<br>Bungs   |                | X   | PR:D11,D19,<br>D34,D43,0GG,<br>DD8 |
|      | 958 572 908 00 9B9                   | Black  |                |     |                                    |

Model: 92A 11

Model life 2011>>2018



Model: 92A 11 Model life 2011>>2018

| Pos | Part Number        | Description  | Remark  | Qty | Model |
|-----|--------------------|--|---|-----|-------|
| -   |                    | Front seat<br>Accessories<br>Front seat<br>(complete)<br>Not available |   |     |       |
| 1   | 958 521 563 00     | Cover<br>Seat rail<br>Front seat                                       | left<br>rear                                      | 1   |       |
|     | 958 521 563 00 1E0 | Black  | -LC, LG, LH, MA,<br>MF, TA, TB, YA,<br>YB, YC, 77 |     |       |
|     | 958 521 563 00 4H0 | Luxor beige  | -LE, MC, MK, YE                                   |     |       |
|     | 958 521 563 00 6L0 | Platinum Grey  | -LD, MD, YD                                       |     |       |
|     | 958 521 563 00 5J0 | Cream  | -MJ, TX   |     |       |
|     | 958 521 563 00 7N0 | Espresso   | -VA   |     |       |
|     | 958 521 563 00 8P0 | Cognac   | -VB   |     |       |
|     | 958 521 563 00 DE1 | Umber  | -LF, YF   |     |       |
|     | 958 521 563 00 DF2 | Light Tartufo  | -TY   |     |       |
|     | 958 521 563 00 DJ3 | Titanium Blue  | -TW   |     |       |
|     | 958 521 563 00 OP1 | agate grey   | -MB, MG, ML                                       |     |       |
|     | 958 521 563 00 OM8 | saddle brown   | -ME, MH, MI                                       |     |       |
| 2   | 958 521 466 00     | Cover cap<br>Seat rail<br>Front seat                                   | left a. right<br>rear                             | 2   |       |
|     | 958 521 466 00 1E0 | Black  | -LC, LG, LH, MA,<br>MF, TA, TB, YA,<br>YB, YC, 77 |     |       |
|     | 958 521 466 00 4H0 | Luxor beige  | -LE, MC, MK, YE                                   |     |       |
|     | 958 521 466 00 6L0 | Platinum Grey  | -LD, MD, YD                                       |     |       |
|     | 958 521 466 00 5J0 | Cream  | -MJ, TX   |     |       |
|     | 958 521 466 00 7N0 | Espresso   | -VA   |     |       |
|     | 958 521 466 00 8P0 | Cognac   | -VB   |     |       |
|     | 958 521 466 00 DE1 | Umber  | -LF, YF   |     |       |
|     | 958 521 466 00 DF2 | Light Tartufo  | -TY   |     |       |
|     | 958 521 466 00 DJ3 | Titanium Blue  | -TW   |     |       |
|     | 958 521 466 00 OP1 | agate grey   | -MB, MG, ML                                       |     |       |
|     | 958 521 466 00 OM8 | saddle brown   | -ME, MH, MI                                       |     |       |
| 3   | 958 521 463 00     | Cover cap<br>Seat rail<br>Front seat                                   | left  | 1   |       |
|     | 958 521 463 00 1E0 | Satin black  | -LC, LG, LH, MA,<br>MF, TA, TB, YA,<br>YB, YC, 77 |     |       |
|     | 958 521 463 00 4H0 | Luxor beige  | -LE, MC, MK, YE                                   |     |       |
|     | 958 521 463 00 6L0 | Platinum Grey  | -LD, MD, YD                                       |     |       |
|     | 958 521 463 00 5J0 | Cream  | -MJ, TX   |     |       |
|     | 958 521 463 00 7N0 | Espresso   | -VA   |     |       |
|     | 958 521 463 00 8P0 | Cognac   | -VB   |     |       |
|     | 958 521 463 00 DE1 | Umber  | -LF, YF   |     |       |
|     | 958 521 463 00 DF2 | Light Tartufo  | -TY   |     |       |
|     | 958 521 463 00 DJ3 | Titanium Blue  | -TW   |     |       |
|     | 958 521 463 00 OP1 | agate grey   | -MB, MG, ML                                       |     |       |
|     | 958 521 463 00 OM8 | saddle brown   | -ME, MH, MI                                       |     |       |
| 4   | 958 521 465 00     | Cover cap  | left a. right                                     | 2   |       |
|     | 958 521 465 00 OP1 | agate grey   | -MB, MG, ML                                       |     |       |
|     | 958 521 465 00 OM8 | saddle brown   | -ME, MH, MI                                       |     |       |
|     |                    | Seat rail<br>Front seat  |   |     |       |
|     | 958 521 465 00 1E0 | Black  | -LC, LG, LH, MA,<br>MF, TA, TB, YA,<br>YB, YC, 77 |     |       |
|     | 958 521 465 00 4H0 | Luxor beige  | -LE, MC, MK, YE                                   |     |       |
|     | 958 521 465 00 6L0 | Platinum Grey  | -LD, MD, YD                                       |     |       |



Model: 92A 11 Model life 2011>>2018

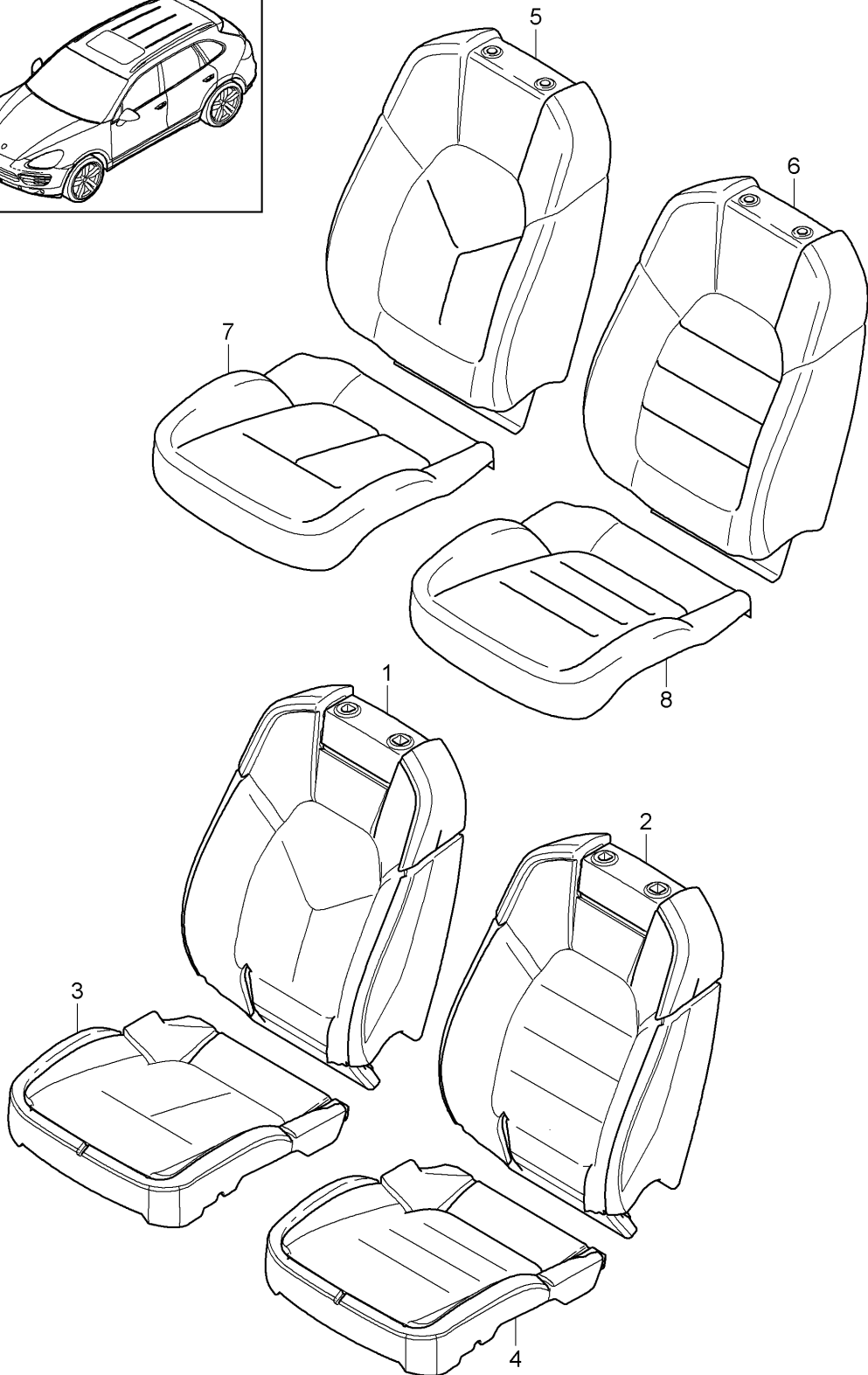
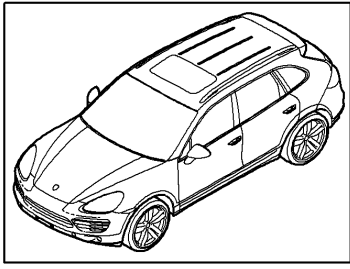
| Pos                | Part Number        | Description        | Remark                                      | Qty             | Model |
|--------------------|--------------------|--------------------|---|-----------------|-------|
| 5                  | 958 521 465 00 5J0 | Cream              | -MJ, TX                                     | 1               |       |
|                    | 958 521 465 00 7N0 | Espresso           | -VA   |                 |       |
|                    | 958 521 465 00 8P0 | Cognac             | -VB   |                 |       |
|                    | 958 521 465 00 DE1 | Umber              | -LF, YF                                     |                 |       |
|                    | 958 521 465 00 DF2 | Light Tartufo      | -TY   |                 |       |
|                    | 958 521 465 00 DJ3 | Titanium Blue      | -TW   |                 |       |
|                    | 958 521 465 00 OP1 | agate grey         | -MB, MG, ML                                 |                 |       |
|                    | 958 521 465 00 OM8 | saddle brown       | -ME, MH, MI                                 |                 |       |
|                    | 958 521 564 00     | Cover              | right                                       |                 |       |
|                    |                    | Seat rail          | rear  |                 |       |
|                    |                    | Front seat         |   |                 |       |
|                    | 958 521 564 00 1E0 | Satin black        | -LC, LG, LH, MA, MF, TA, TB, YA, YB, YC, 77 |                 |       |
|                    | 958 521 564 00 4H0 | Luxor beige        | -LE, MC, MK, YE                             |                 |       |
|                    | 6                  | 958 521 564 00 6L0 | Platinum Grey                               |                 |       |
| 958 521 564 00 5J0 |                    | Cream              | -MJ, TX                                     |                 |       |
| 958 521 564 00 7N0 |                    | Espresso           | -VA   |                 |       |
| 958 521 564 00 8P0 |                    | Cognac             | -VB   |                 |       |
| 958 521 564 00 DE1 |                    | Umber              | -LF, YF                                     |                 |       |
| 958 521 564 00 DF2 |                    | Light Tartufo      | -TY   |                 |       |
| 958 521 564 00 DJ3 |                    | Titanium Blue      | -TW   |                 |       |
| 958 521 564 00 OP1 |                    | agate grey         | -MB, MG, ML                                 |                 |       |
| 958 521 564 00 OM8 |                    | saddle brown       | -ME, MH, MI                                 |                 |       |
| 958 521 464 00     |                    | Cover cap          | right                                       |                 |       |
|                    |                    | Seat rail          |   |                 |       |
|                    |                    | Front seat         |   |                 |       |
| 958 521 464 00 1E0 |                    | Satin black        | -LC, LG, LH, MA, MF, TA, TB, YA, YB, YC, 77 |                 |       |
| 7                  |                    | 958 521 464 00 4H0 | Luxor beige                                 | -LE, MC, MK, YE | 1     |
|                    | 958 521 464 00 6L0 | Platinum Grey      | -LD, MD, YD                                 |                 |       |
|                    | 958 521 464 00 5J0 | Cream              | -MJ, TX                                     |                 |       |
|                    | 958 521 464 00 7N0 | Espresso           | -VA   |                 |       |
|                    | 958 521 464 00 8P0 | Cognac             | -VB   |                 |       |
|                    | 958 521 464 00 DE1 | Umber              | -LF, YF                                     |                 |       |
|                    | 958 521 464 00 DF2 | Light Tartufo      | -TY   |                 |       |
|                    | 958 521 464 00 DJ3 | Titanium Blue      | -TW   |                 |       |
|                    | 958 521 464 00 OP1 | agate grey         | -MB, MG, ML                                 |                 |       |
|                    | 958 521 464 00 OM8 | saddle brown       | -MI, ME, MH                                 |                 |       |
|                    | 958 521 327 00     | Cover panel        | left  |                 |       |
|                    |                    | Mounting component | inner                                       |                 |       |
|                    | 958 521 327 00 82V | Titan black        | -LC, LG, MA, MF, TA, TB, YA, YB, YC, 77     |                 |       |
|                    | (7)                | 958 521 327 00 4H0 | Luxor beige                                 | -LE, MC, MK, YE |       |
| 958 521 327 00 6L0 |                    | Platinum Grey      | -LD, MD, YD                                 |                 |       |
| 958 521 327 00 5J0 |                    | Cream              | -MJ, TX                                     |                 |       |
| 958 521 327 00 7N0 |                    | Espresso           | -VA   |                 |       |
| 958 521 327 00 8P0 |                    | Cognac             | -VB   |                 |       |
| 958 521 327 00 DE1 |                    | Umber              | -LF, YF                                     |                 |       |
| 958 521 327 00 DF2 |                    | Light Tartufo      | -TY   |                 |       |
| 958 521 327 00 DJ3 |                    | Titanium Blue      | -TW   |                 |       |
| 958 521 327 00 OP1 |                    | agate grey         | -MB, MG, ML                                 |                 |       |
| 958 521 327 00 OM8 |                    | saddle brown       | -ME, MH, MI                                 |                 |       |
| 958 521 328 00     |                    | Cover panel        | right                                       |                 |       |
|                    |                    | Mounting component | inner                                       |                 |       |
| 958 521 328 00 82V |                    | Titan black        | -LC, LG, MA, MF, TA, TB, YA, YB, YC, 77     |                 |       |
| 958 521 328 00 4H0 |                    | Luxor beige        | -LE, MC, MK, YE                             |                 |       |
|                    | 958 521 328 00 6L0 | Platinum Grey      | -LD, MD, YD                                 |                 |       |
|                    | 958 521 328 00 5J0 | Cream              | -MJ, TX                                     |                 |       |

Model: 92A 11 Model life 2011>>2018

| Pos  | Part Number                          | Description   | Remark  | Qty | Model       |
|------|--------------------------------------|---|---|-----|-------------|
|      | 958 521 328 00 7N0                   | Espresso  | -VA   |     |             |
|      | 958 521 328 00 8P0                   | Cognac  | -VB   |     |             |
|      | 958 521 328 00 DE1                   | Umber   | -LF, YF   |     |             |
|      | 958 521 328 00 DF2                   | Light Tartufo   | -TY   |     |             |
|      | 958 521 328 00 DJ3                   | Titanium Blue   | -TW   |     |             |
|      | 958 521 328 00 OP1                   | agate grey  | -MB, MG, ML   |     |             |
|      | 958 521 328 00 OM8                   | saddle brown  | -ME, MH, MI   |     |             |
| 8    | N 038 501 3                          | Spreader rivet<br>A6 x 12   |   | 1   |             |
| 9    | 8E0 881 500                          | Spreader rivet  |   | 1   |             |
| 10   | N 911 475 02                         | Socket head bolt with inner<br>multipoint head (Kombi)<br>M 10 X 35<br>Mount<br>Seat rail |   | 4   |             |
| 11   | 958 521 286 00                       | Holder for fire extinguisher  |   | 1   | PR:L0L, 6A7 |
| 11   | 958 521 285 00                       | Holder for fire extinguisher  |   | 1   | PR:L0R, 6A7 |
| 12   | N 900 880 03                         | Speed nut<br>M6 x 17,1 x 14   |   | 4   | PR:6A7      |
| 13   | N 907 371 01                         | Oval hexagon socket head bolt<br>M6 x 12  |   | 4   | PR:6A7      |
| 14   | 7PP 882 650                          | Cup<br>Fire extinguishers   |   | 1   | PR:6A7      |
| 15   | 7PP 882 649                          | Insert<br>Cup<br>Fire extinguishers   |   | 1   | PR:6A7      |
| 16   | 7PP 882 645                          | tensioning strap<br>Cup<br>Fire extinguishers   |   | 1   | PR:6A7      |
| 17   | N 107 148 01                         | fillister head bolt with<br>multi-point socket head<br>M6 X 18                            |   | 2   | PR:6A7      |
| 19   | 958 521 400 00<br>958 521 400 00 82V | drawer<br>Titan black   | left<br>-LC, LG, MA, MF,<br>TA, TB, YA, YB,<br>YC, 77 | 1   | PR:6A0      |
|      | 958 521 400 00 4H0                   | Luxor beige   | -LE, MC, MK, YE                                       |     |             |
|      | 958 521 400 00 6L0                   | Platinum Grey   | -LD, MD, YD   |     |             |
|      | 958 521 400 00 5J0                   | Cream   | -MJ, TX   |     |             |
|      | 958 521 400 00 7N0                   | Espresso  | -VA   |     |             |
|      | 958 521 400 00 8P0                   | Cognac  | -VB   |     |             |
|      | 958 521 400 00 DE1                   | Umber   | -LF, YF   |     |             |
|      | 958 521 400 00 DF2                   | Light Tartufo   | -TY   |     |             |
|      | 958 521 400 00 DJ3                   | Titanium Blue   | -TW   |     |             |
|      | 958 521 400 00 OP1                   | agate grey  | -MB, MG, ML   |     |             |
|      | 958 521 400 00 OM8                   | saddle brown  | -ME, MH, MI   |     |             |
| 20   | N 907 371 05                         | Oval hexagon socket head bolt<br>M6 X 12  |   | 2   | PR:6A7, 6A0 |
| 21   | 958 521 411 00                       | Frame<br>Seat<br>(drivers side)<br>Discontinued part                                      |   | 1   |             |
| (21) | 958 521 411 01                       | Frame<br>Seat<br>(drivers side)   |   | 1   |             |
| (21) | 958 521 410 00                       | Frame<br>Seat<br>(passenger side)   |   | 1   |             |
| 22   | N 910 192 02                         | Socket head collared bolt with<br>inner multipoint head<br>M 10 X 25<br>Mount<br>Frame    |   | 4   |             |

Model: 92A 11

Model life 2011>>2018



Model: 92A 11 Model life 2011>>2018

| Pos | Part Number    | Description                         | Remark | Qty | Model      |
|-----|----------------|-------------------------------------|--------|-----|------------|
|     |                | Foam part<br>Cover<br>Standard seat |        |     | PR:Q1G     |
| 1   | 958 521 771 00 | Foam part<br>backrest               | left   | 1   | PR:N1P,4A0 |
| (1) | 958 521 771 00 | Foam part<br>backrest               | left   | 1   | PR:N1X,4A0 |
| (1) | 958 521 771 00 | Foam part<br>backrest               | left   | 1   | PR:N5U,4A0 |
| (1) | 958 521 771 00 | Foam part<br>backrest               | left   | 1   | PR:N1D,4A0 |
| (1) | 958 521 772 00 | Foam part<br>backrest               | right  | 1   | PR:N1P,4A0 |
| (1) | 958 521 772 00 | Foam part<br>backrest               | right  | 1   | PR:N1X,4A0 |
| (1) | 958 521 772 00 | Foam part<br>backrest               | right  | 1   | PR:N5U,4A0 |
| (1) | 958 521 772 00 | Foam part<br>backrest               | right  | 1   | PR:N1D,4A0 |
| (1) | 958 521 779 00 | Foam part<br>backrest               | left   | 1   | PR:N1P,4A3 |
| (1) | 958 521 779 00 | Foam part<br>backrest               | left   | 1   | PR:N1X,4A3 |
| (1) | 958 521 779 00 | Foam part<br>backrest               | left   | 1   | PR:N5U,4A3 |
| (1) | 958 521 779 00 | Foam part<br>backrest               | left   | 1   | PR:N1D,4A3 |
| (1) | 958 521 779 00 | Foam part<br>backrest               | left   | 1   | PR:N1P,4A4 |
| (1) | 958 521 779 00 | Foam part<br>backrest               | left   | 1   | PR:N1X,4A4 |
| (1) | 958 521 779 00 | Foam part<br>backrest               | left   | 1   | PR:N5U,4A4 |
| (1) | 958 521 779 00 | Foam part<br>backrest               | left   | 1   | PR:N1D,4A4 |
| (1) | 958 521 780 00 | Foam part<br>backrest               | right  | 1   | PR:N1P,4A3 |
| (1) | 958 521 780 00 | Foam part<br>backrest               | right  | 1   | PR:N1X,4A3 |
| (1) | 958 521 780 00 | Foam part<br>backrest               | right  | 1   | PR:N5U,4A3 |
| (1) | 958 521 780 00 | Foam part<br>backrest               | right  | 1   | PR:N1D,4A3 |
| (1) | 958 521 780 00 | Foam part<br>backrest               | right  | 1   | PR:N1P,4A4 |
| (1) | 958 521 780 00 | Foam part<br>backrest               | right  | 1   | PR:N1X,4A4 |
| (1) | 958 521 780 00 | Foam part<br>backrest               | right  | 1   | PR:N5U,4A4 |
| (1) | 958 521 780 00 | Foam part<br>backrest               | right  | 1   | PR:N1D,4A4 |
| 2   | 958 521 773 00 | Foam part<br>backrest               | left   | 1   | PR:N5Y,4A0 |
| (2) | 958 521 773 00 | Foam part<br>backrest               | left   | 1   | PR:N7D,4A0 |
| (2) | 958 521 773 00 | Foam part<br>backrest               | left   | 1   | PR:N7F,4A0 |
| (2) | 958 521 774 00 | Foam part<br>backrest               | right  | 1   | PR:N5Y,4A0 |
| (2) | 958 521 774 00 | Foam part<br>backrest               | right  | 1   | PR:N7D,4A0 |
| (2) | 958 521 774 00 | Foam part<br>backrest               | right  | 1   | PR:N7F,4A0 |

Model: 92A 11 Model life 2011>>2018

| Pos | Part Number    | Description   | Remark | Qty | Model                  |
|-----|----------------|---|--------|-----|------------------------|
| (2) | 958 521 777 00 | Foam part<br>backrest                                       | left   | 1   | PR:N5Y,4A3             |
| (2) | 958 521 777 00 | Foam part<br>backrest                                       | left   | 1   | PR:N7D,4A3             |
| (2) | 958 521 777 00 | Foam part<br>backrest                                       | left   | 1   | PR:N7F,4A3             |
| (2) | 958 521 777 00 | Foam part<br>backrest                                       | left   | 1   | PR:N5Y,4A4             |
| (2) | 958 521 777 00 | Foam part<br>backrest                                       | left   | 1   | PR:N7D,4A4             |
| (2) | 958 521 777 00 | Foam part<br>backrest                                       | left   | 1   | PR:N7F,4A4             |
| (2) | 958 521 778 00 | Foam part<br>backrest                                       | right  | 1   | PR:N5Y,4A3             |
| (2) | 958 521 778 00 | Foam part<br>backrest                                       | right  | 1   | PR:N7D,4A3             |
| (2) | 958 521 778 00 | Foam part<br>backrest                                       | right  | 1   | PR:N7F,4A3             |
| (2) | 958 521 778 00 | Foam part<br>backrest                                       | right  | 1   | PR:N5Y,4A4             |
| (2) | 958 521 778 00 | Foam part<br>backrest                                       | right  | 1   | PR:N7D,4A4             |
| (2) | 958 521 778 00 | Foam part<br>backrest                                       | right  | 1   | PR:N7F,4A4             |
| 3   | 958 521 370 00 | Foam part<br>Seat cushion                                   | left   | 1   | PR:L0L,N1P,<br>4A0     |
| (3) | 958 521 370 00 | Foam part<br>Seat cushion                                   | left   | 1   | PR:L0L,N1X,<br>4A0     |
| (3) | 958 521 370 00 | Foam part<br>Seat cushion                                   | left   | 1   | PR:L0L,N5U,<br>4A0     |
| (3) | 958 521 370 00 | Foam part<br>Seat cushion                                   | left   | 1   | PR:L0L,N1D,<br>4A0     |
| (3) | 958 521 470 00 | Foam part<br>Seat cushion                                   | right  | 1   | PR:L0L,N1P,<br>4A0,9P3 |
| (3) | 958 521 470 00 | Foam part<br>Seat cushion                                   | right  | 1   | PR:L0L,N1X,<br>4A0,9P3 |
| (3) | 958 521 470 00 | Foam part<br>Seat cushion                                   | right  | 1   | PR:L0L,N5U,<br>4A0,9P3 |
| (3) | 958 521 470 00 | Foam part<br>Seat cushion                                   | right  | 1   | PR:L0L,N1D,<br>4A0,9P3 |
| (3) | 958 521 371 00 | Foam part<br>Seat cushion                                   | left   | 1   | PR:L0R,N1P,<br>4A0     |
| (3) | 958 521 371 00 | Foam part<br>Seat cushion                                   | left   | 1   | PR:L0R,N1X,<br>4A0     |
| (3) | 958 521 371 00 | Foam part<br>Seat cushion                                   | left   | 1   | PR:L0R,N5U,<br>4A0     |
| (3) | 958 521 371 00 | Foam part<br>Seat cushion                                   | left   | 1   | PR:L0R,N1D,<br>4A0     |
| (3) | 958 521 471 00 | Foam part<br>Seat cushion                                   | right  | 1   | PR:L0R,N1P,<br>4A0,9P3 |
| (3) | 958 521 471 00 | Foam part<br>Seat cushion                                   | right  | 1   | PR:L0R,N1X,<br>4A0,9P3 |
| (3) | 958 521 471 00 | Foam part<br>Seat cushion                                   | right  | 1   | PR:L0R,N5U,<br>4A0,9P3 |
| (3) | 958 521 471 00 | Foam part<br>Seat cushion                                   | right  | 1   | PR:L0R,N1D,<br>4A0,9P3 |
| (3) | 958 521 372 00 | Foam part<br>Seat cushion<br>with heating                   | left   | 1   | PR:L0L,N1P,<br>4A3     |
| (3) | 958 521 372 00 | Foam part<br>Seat cushion<br>with heating<br>D >> - MJ 2013 | left   | 1   | PR:L0L,N1X,<br>4A3     |

Model: 92A 11 Model life 2011>>2018

| Pos | Part Number    | Description   | Remark | Qty | Model                  |
|-----|----------------|---|--------|-----|------------------------|
| (3) | 958 521 372 00 | D >> - MJ 2013<br>Foam part<br>Seat cushion<br>with heating | left   | 1   | PR:L0L,N5U,<br>4A3     |
| (3) | 958 521 372 00 | D >> - MJ 2013<br>Foam part<br>Seat cushion<br>with heating | left   | 1   | PR:L0L,N1P,<br>4A4     |
| (3) | 958 521 372 00 | D >> - MJ 2013<br>Foam part<br>Seat cushion<br>with heating | left   | 1   | PR:L0L,N1X,<br>4A4     |
| (3) | 958 521 372 00 | D >> - MJ 2013<br>Foam part<br>Seat cushion<br>with heating | left   | 1   | PR:L0L,N5U,<br>4A4     |
| (3) | 958 521 372 01 | D >> - MJ 2013<br>Foam part<br>Seat cushion<br>with heating | left   | 1   | PR:L0L,N1P,<br>4A3     |
| (3) | 958 521 372 01 | D - MJ 2014>><br>Foam part<br>Seat cushion<br>with heating  | left   | 1   | PR:L0L,N1X,<br>4A3     |
| (3) | 958 521 372 01 | D - MJ 2014>><br>Foam part<br>Seat cushion<br>with heating  | left   | 1   | PR:L0L,N5U,<br>4A3     |
| (3) | 958 521 372 01 | D - MJ 2014>><br>Foam part<br>Seat cushion<br>with heating  | left   | 1   | PR:L0L,N1D,<br>4A3     |
| (3) | 958 521 372 01 | D - MJ 2014>><br>Foam part<br>Seat cushion<br>with heating  | left   | 1   | PR:L0L,N1P,<br>4A4     |
| (3) | 958 521 372 01 | D - MJ 2014>><br>Foam part<br>Seat cushion<br>with heating  | left   | 1   | PR:L0L,N1X,<br>4A4     |
| (3) | 958 521 372 01 | D - MJ 2014>><br>Foam part<br>Seat cushion<br>with heating  | left   | 1   | PR:L0L,N5U,<br>4A4     |
| (3) | 958 521 372 01 | D - MJ 2014>><br>Foam part<br>Seat cushion<br>with heating  | left   | 1   | PR:L0L,N1D,<br>4A4     |
| (3) | 958 521 472 00 | D >> - MJ 2013<br>Foam part<br>Seat cushion<br>with heating | right  | 1   | PR:L0L,N1P,<br>4A3,9P3 |
| (3) | 958 521 472 00 | D >> - MJ 2013<br>Foam part<br>Seat cushion<br>with heating | right  | 1   | PR:L0L,N1X,<br>4A3,9P3 |
| (3) | 958 521 472 00 | D >> - MJ 2013<br>Foam part<br>Seat cushion<br>with heating | right  | 1   | PR:L0L,N5U,<br>4A3,9P3 |
| (3) | 958 521 472 00 | D >> - MJ 2013<br>Foam part<br>Seat cushion                 | right  | 1   | PR:L0L,N1P,<br>4A4,9P3 |

Model: 92A 11 Model life 2011>>2018

| Pos | Part Number    | Description   | Remark | Qty | Model                  |
|-----|----------------|---|--------|-----|------------------------|
| (3) | 958 521 472 00 | with heating<br>D >> - MJ 2013<br>Foam part<br>Seat cushion<br>with heating | right  | 1   | PR:L0L,N1X,<br>4A4,9P3 |
| (3) | 958 521 472 00 | with heating<br>D >> - MJ 2013<br>Foam part<br>Seat cushion<br>with heating | right  | 1   | PR:L0L,N5U,<br>4A4,9P3 |
| (3) | 958 521 472 01 | with heating<br>D >> - MJ 2013<br>Foam part<br>Seat cushion<br>with heating | right  | 1   | PR:L0L,N1P,<br>4A3,9P3 |
| (3) | 958 521 472 01 | D - MJ 2014>><br>Foam part<br>Seat cushion<br>with heating                  | right  | 1   | PR:L0L,N1X,<br>4A3,9P3 |
| (3) | 958 521 472 01 | D - MJ 2014>><br>Foam part<br>Seat cushion<br>with heating                  | right  | 1   | PR:L0L,N5U,<br>4A4,9P3 |
| (3) | 958 521 472 01 | D - MJ 2014>><br>Foam part<br>Seat cushion<br>with heating                  | right  | 1   | PR:L0L,N1D,<br>4A3,9P3 |
| (3) | 958 521 472 01 | D - MJ 2014>><br>Foam part<br>Seat cushion<br>with heating                  | right  | 1   | PR:L0L,N1P,<br>4A4,9P3 |
| (3) | 958 521 472 01 | D - MJ 2014>><br>Foam part<br>Seat cushion<br>with heating                  | right  | 1   | PR:L0L,N1X,<br>4A4,9P3 |
| (3) | 958 521 472 01 | D - MJ 2014>><br>Foam part<br>Seat cushion<br>with heating                  | right  | 1   | PR:L0L,N5U,<br>4A4,9P3 |
| (3) | 958 521 472 01 | D - MJ 2014>><br>Foam part<br>Seat cushion<br>with heating                  | right  | 1   | PR:L0L,N1D,<br>4A4,9P3 |
| (3) | 958 521 373 00 | D - MJ 2014>><br>Foam part<br>Seat cushion<br>with heating                  | left   | 1   | PR:L0R,N1P,<br>4A3     |
| (3) | 958 521 373 00 | D >> - MJ 2013<br>Foam part<br>Seat cushion<br>with heating                 | left   | 1   | PR:L0R,N1X,<br>4A3     |
| (3) | 958 521 373 00 | D >> - MJ 2013<br>Foam part<br>Seat cushion<br>with heating                 | left   | 1   | PR:L0R,N5U,<br>4A3     |
| (3) | 958 521 373 00 | D >> - MJ 2013<br>Foam part<br>Seat cushion<br>with heating                 | left   | 1   | PR:L0R,N1P,<br>4A4     |
| (3) | 958 521 373 00 | D >> - MJ 2013<br>Foam part<br>Seat cushion<br>with heating                 | left   | 1   | PR:L0R,N1X,<br>4A4     |
| (3) | 958 521 373 00 | D >> - MJ 2013<br>Foam part   | left   | 1   | PR:L0R,N5U,            |

Model: 92A 11 Model life 2011>>2018

| Pos | Part Number    | Description   | Remark | Qty | Model                     |
|-----|----------------|---|--------|-----|---------------------------|
| (3) | 958 521 373 01 | Seat cushion<br>with heating<br>D >> - MJ 2013<br>Foam part | left   | 1   | 4A4<br>PR:L0R,N1P,<br>4A3 |
| (3) | 958 521 373 01 | Seat cushion<br>with heating<br>D - MJ 2014>><br>Foam part  | left   | 1   | PR:L0R,N1X,<br>4A3        |
| (3) | 958 521 373 01 | Seat cushion<br>with heating<br>D - MJ 2014>><br>Foam part  | left   | 1   | PR:L0R,N5U,<br>4A3        |
| (3) | 958 521 373 01 | Seat cushion<br>with heating<br>D - MJ 2014>><br>Foam part  | left   | 1   | PR:L0R,N1D,<br>4A3        |
| (3) | 958 521 373 01 | Seat cushion<br>with heating<br>D - MJ 2014>><br>Foam part  | left   | 1   | PR:L0R,N1P,<br>4A4        |
| (3) | 958 521 373 01 | Seat cushion<br>with heating<br>D - MJ 2014>><br>Foam part  | left   | 1   | PR:L0R,N1X,<br>4A4        |
| (3) | 958 521 373 01 | Seat cushion<br>with heating<br>D - MJ 2014>><br>Foam part  | left   | 1   | PR:L0R,N5U,<br>4A4        |
| (3) | 958 521 373 01 | Seat cushion<br>with heating<br>D - MJ 2014>><br>Foam part  | left   | 1   | PR:L0R,N1D,<br>4A4        |
| (3) | 958 521 473 00 | Seat cushion<br>with heating<br>D >> - MJ 2013<br>Foam part | right  | 1   | PR:L0R,N1P,<br>4A3,9P3    |
| (3) | 958 521 473 00 | Seat cushion<br>with heating<br>D >> - MJ 2013<br>Foam part | right  | 1   | PR:L0R,N1X,<br>4A3,9P3    |
| (3) | 958 521 473 00 | Seat cushion<br>with heating<br>D >> - MJ 2013<br>Foam part | right  | 1   | PR:L0R,N5U,<br>4A3,9P3    |
| (3) | 958 521 473 00 | Seat cushion<br>with heating<br>D >> - MJ 2013<br>Foam part | right  | 1   | PR:L0R,N1P,<br>4A4,9P3    |
| (3) | 958 521 473 00 | Seat cushion<br>with heating<br>D >> - MJ 2013<br>Foam part | right  | 1   | PR:L0R,N1X,<br>4A4,9P3    |
| (3) | 958 521 473 00 | Seat cushion<br>with heating<br>D >> - MJ 2013<br>Foam part | right  | 1   | PR:L0R,N5U,<br>4A4,9P3    |
| (3) | 958 521 473 01 | Seat cushion<br>with heating<br>D >> - MJ 2013<br>Foam part | right  | 1   | PR:L0R,N1P,<br>4A3,9P3    |
|     |                | D - MJ 2014>>   |        |     |                           |



Model: 92A 11 Model life 2011>>2018

| Pos | Part Number    | Description   | Remark | Qty | Model                  |
|-----|----------------|---|--------|-----|------------------------|
| (3) | 958 521 473 01 | Foam part<br>Seat cushion<br>with heating<br>D - MJ 2014>>  | right  | 1   | PR:L0R,N1X,<br>4A3,9P3 |
| (3) | 958 521 473 01 | Foam part<br>Seat cushion<br>with heating<br>D - MJ 2014>>  | right  | 1   | PR:L0R,N5U,<br>4A3,9P3 |
| (3) | 958 521 473 01 | Foam part<br>Seat cushion<br>with heating<br>D - MJ 2014>>  | right  | 1   | PR:L0R,N1D,<br>4A3,9P3 |
| (3) | 958 521 473 01 | Foam part<br>Seat cushion<br>with heating<br>D - MJ 2014>>  | right  | 1   | PR:L0R,N1P,<br>4A4,9P3 |
| (3) | 958 521 473 01 | Foam part<br>Seat cushion<br>with heating<br>D - MJ 2014>>  | right  | 1   | PR:L0R,N1X,<br>4A4,9P3 |
| (3) | 958 521 473 01 | Foam part<br>Seat cushion<br>with heating<br>D - MJ 2014>>  | right  | 1   | PR:L0R,N5U,<br>4A4,9P3 |
| (3) | 958 521 473 01 | Foam part<br>Seat cushion<br>with heating<br>D - MJ 2014>>  | right  | 1   | PR:L0R,N1D,<br>4A4,9P3 |
| 4   | 958 521 374 00 | Foam part<br>Seat cushion                                   | left   | 1   | PR:L0L,N5Y,<br>4A0     |
| (4) | 958 521 374 00 | Foam part<br>Seat cushion                                   | left   | 1   | PR:L0L,N7D,<br>4A0     |
| (4) | 958 521 374 00 | Foam part<br>Seat cushion                                   | left   | 1   | PR:L0L,N7F,<br>4A0     |
| (4) | 958 521 474 00 | Foam part<br>Seat cushion                                   | right  | 1   | PR:L0L,N5Y,<br>4A0,9P3 |
| (4) | 958 521 474 00 | Foam part<br>Seat cushion                                   | right  | 1   | PR:L0L,N7D,<br>4A0,9P3 |
| (4) | 958 521 474 00 | Foam part<br>Seat cushion                                   | right  | 1   | PR:L0L,N7F,<br>4A0,9P3 |
| (4) | 958 521 375 00 | Foam part<br>Seat cushion                                   | left   | 1   | PR:L0R,N5Y,<br>4A0     |
| (4) | 958 521 375 00 | Foam part<br>Seat cushion                                   | left   | 1   | PR:L0R,N7D,<br>4A0     |
| (4) | 958 521 375 00 | Foam part<br>Seat cushion                                   | left   | 1   | PR:L0R,N7F,<br>4A0     |
| (4) | 958 521 475 00 | Foam part<br>Seat cushion                                   | right  | 1   | PR:L0R,N5Y,<br>4A0,9P3 |
| (4) | 958 521 475 00 | Foam part<br>Seat cushion                                   | right  | 1   | PR:L0R,N7D,<br>4A0,9P3 |
| (4) | 958 521 475 00 | Foam part<br>Seat cushion                                   | right  | 1   | PR:L0R,N7F,<br>4A0,9P3 |
| (4) | 958 521 376 00 | Foam part<br>Seat cushion<br>with heating                   | left   | 1   | PR:L0L,N5Y,<br>4A3     |
| (4) | 958 521 376 00 | Foam part<br>Seat cushion<br>with heating<br>D >> - MJ 2013 | left   | 1   | PR:L0L,N7D,<br>4A3     |
| (4) | 958 521 376 00 | Foam part<br>Seat cushion<br>with heating<br>D >> - MJ 2013 | left   | 1   | PR:L0L,N7F,<br>4A3     |

Model: 92A 11 Model life 2011>>2018

| Pos | Part Number    | Description   | Remark | Qty | Model                  |
|-----|----------------|---|--------|-----|------------------------|
| (4) | 958 521 376 00 | D >> - MJ 2013<br>Foam part<br>Seat cushion<br>with heating | left   | 1   | PR:L0L,N5Y,<br>4A4     |
| (4) | 958 521 376 00 | D >> - MJ 2013<br>Foam part<br>Seat cushion<br>with heating | left   | 1   | PR:L0L,N7D,<br>4A4     |
| (4) | 958 521 376 00 | D >> - MJ 2013<br>Foam part<br>Seat cushion<br>with heating | left   | 1   | PR:L0L,N7F,<br>4A4     |
| (4) | 958 521 376 01 | D >> - MJ 2013<br>Foam part<br>Seat cushion<br>with heating | left   | 1   | PR:L0L,N5Y,<br>4A3     |
| (4) | 958 521 376 01 | D - MJ 2014>><br>Foam part<br>Seat cushion<br>with heating  | left   | 1   | PR:L0L,N7D,<br>4A3     |
| (4) | 958 521 376 01 | D - MJ 2014>><br>Foam part<br>Seat cushion<br>with heating  | left   | 1   | PR:L0L,N7F,<br>4A3     |
| (4) | 958 521 376 01 | D - MJ 2014>><br>Foam part<br>Seat cushion<br>with heating  | left   | 1   | PR:L0L,N5Y,<br>4A4     |
| (4) | 958 521 376 01 | D - MJ 2014>><br>Foam part<br>Seat cushion<br>with heating  | left   | 1   | PR:L0L,N7D,<br>4A4     |
| (4) | 958 521 376 01 | D - MJ 2014>><br>Foam part<br>Seat cushion<br>with heating  | left   | 1   | PR:L0L,N7F,<br>4A4     |
| (4) | 958 521 476 00 | D >> - MJ 2013<br>Foam part<br>Seat cushion<br>with heating | right  | 1   | PR:L0L,N5Y,<br>4A3,9P3 |
| (4) | 958 521 476 00 | D >> - MJ 2013<br>Foam part<br>Seat cushion<br>with heating | right  | 1   | PR:L0L,N7D,<br>4A3,9P3 |
| (4) | 958 521 476 00 | D >> - MJ 2013<br>Foam part<br>Seat cushion<br>with heating | right  | 1   | PR:L0L,N7F,<br>4A3,9P3 |
| (4) | 958 521 476 00 | D >> - MJ 2013<br>Foam part<br>Seat cushion<br>with heating | right  | 1   | PR:L0L,N5Y,<br>4A4,9P3 |
| (4) | 958 521 476 00 | D >> - MJ 2013<br>Foam part<br>Seat cushion<br>with heating | right  | 1   | PR:L0L,N7D,<br>4A4,9P3 |
| (4) | 958 521 476 00 | D >> - MJ 2013<br>Foam part<br>Seat cushion<br>with heating | right  | 1   | PR:L0L,N7F,<br>4A4,9P3 |
| (4) | 958 521 476 01 | D >> - MJ 2013<br>Foam part<br>Seat cushion                 | right  | 1   | PR:L0L,N5Y,<br>4A3,9P3 |

Model: 92A 11

Model life 2011&gt;&gt;2018

| Pos | Part Number    | Description   | Remark | Qty | Model                  |
|-----|----------------|---|--------|-----|------------------------|
| (4) | 958 521 476 01 | with heating<br>D - MJ 2014>><br>Foam part<br>Seat cushion  | right  | 1   | PR:L0L,N7D,<br>4A3,9P3 |
| (4) | 958 521 476 01 | with heating<br>D - MJ 2014>><br>Foam part<br>Seat cushion  | right  | 1   | PR:L0L,N7F,<br>4A3,9P3 |
| (4) | 958 521 476 01 | with heating<br>D - MJ 2014>><br>Foam part<br>Seat cushion  | right  | 1   | PR:L0L,N5Y,<br>4A4,9P3 |
| (4) | 958 521 476 01 | with heating<br>D - MJ 2014>><br>Foam part<br>Seat cushion  | right  | 1   | PR:L0L,N7D,<br>4A4,9P3 |
| (4) | 958 521 476 01 | with heating<br>D - MJ 2014>><br>Foam part<br>Seat cushion  | right  | 1   | PR:L0L,N7F,<br>4A4,9P3 |
| (4) | 958 521 377 00 | with heating<br>D - MJ 2014>><br>Foam part<br>Seat cushion  | left   | 1   | PR:L0R,N5Y,<br>4A3     |
| (4) | 958 521 377 00 | with heating<br>D >> - MJ 2013<br>Foam part<br>Seat cushion | left   | 1   | PR:L0R,N7D,<br>4A3     |
| (4) | 958 521 377 00 | with heating<br>D >> - MJ 2013<br>Foam part<br>Seat cushion | left   | 1   | PR:L0R,N7F,<br>4A3     |
| (4) | 958 521 377 00 | with heating<br>D >> - MJ 2013<br>Foam part<br>Seat cushion | left   | 1   | PR:L0R,N5Y,<br>4A4     |
| (4) | 958 521 377 00 | with heating<br>D >> - MJ 2013<br>Foam part<br>Seat cushion | left   | 1   | PR:L0R,N7D,<br>4A4     |
| (4) | 958 521 377 00 | with heating<br>D >> - MJ 2013<br>Foam part<br>Seat cushion | left   | 1   | PR:L0R,N7F,<br>4A4     |
| (4) | 958 521 377 01 | with heating<br>D - MJ 2014>><br>Foam part<br>Seat cushion  | left   | 1   | PR:L0R,N5Y,<br>4A3     |
| (4) | 958 521 377 01 | with heating<br>D - MJ 2014>><br>Foam part<br>Seat cushion  | left   | 1   | PR:L0R,N7D,<br>4A3     |
| (4) | 958 521 377 01 | with heating<br>D - MJ 2014>><br>Foam part<br>Seat cushion  | left   | 1   | PR:L0R,N7F,<br>4A3     |
| (4) | 958 521 377 01 | with heating<br>D - MJ 2014>><br>Foam part<br>Seat cushion  | left   | 1   | PR:L0R,N5Y,<br>4A4     |
| (4) | 958 521 377 01 | with heating<br>D - MJ 2014>><br>Foam part                  | left   | 1   | PR:L0R,N7D,            |

Model: 92A 11 Model life 2011>>2018

| Pos | Part Number        | Description   | Remark | Qty | Model                     |
|-----|--------------------|---|--------|-----|---------------------------|
| (4) | 958 521 377 01     | Seat cushion<br>with heating<br>D - MJ 2014>><br>Foam part  | left   | 1   | 4A4<br>PR:L0R,N7F,<br>4A4 |
| (4) | 958 521 477 00     | Seat cushion<br>with heating<br>D - MJ 2014>><br>Foam part  | right  | 1   | PR:L0R,N5Y,<br>4A3,9P3    |
| (4) | 958 521 477 00     | Seat cushion<br>with heating<br>D >> - MJ 2013<br>Foam part | right  | 1   | PR:L0R,N7D,<br>4A3,9P3    |
| (4) | 958 521 477 00     | Seat cushion<br>with heating<br>D >> - MJ 2013<br>Foam part | right  | 1   | PR:L0R,N7F,<br>4A3,9P3    |
| (4) | 958 521 477 00     | Seat cushion<br>with heating<br>D >> - MJ 2013<br>Foam part | right  | 1   | PR:L0R,N5Y,<br>4A4,9P3    |
| (4) | 958 521 477 00     | Seat cushion<br>with heating<br>D >> - MJ 2013<br>Foam part | right  | 1   | PR:L0R,N7D,<br>4A4,9P3    |
| (4) | 958 521 477 00     | Seat cushion<br>with heating<br>D >> - MJ 2013<br>Foam part | right  | 1   | PR:L0R,N7F,<br>4A4,9P3    |
| (4) | 958 521 477 01     | Seat cushion<br>with heating<br>D >> - MJ 2013<br>Foam part | right  | 1   | PR:L0R,N5Y,<br>4A3,9P3    |
| (4) | 958 521 477 01     | Seat cushion<br>with heating<br>D - MJ 2014>><br>Foam part  | right  | 1   | PR:L0R,N7D,<br>4A3,9P3    |
| (4) | 958 521 477 01     | Seat cushion<br>with heating<br>D - MJ 2014>><br>Foam part  | right  | 1   | PR:L0R,N7F,<br>4A3,9P3    |
| (4) | 958 521 477 01     | Seat cushion<br>with heating<br>D - MJ 2014>><br>Foam part  | right  | 1   | PR:L0R,N5Y,<br>4A4,9P3    |
| (4) | 958 521 477 01     | Seat cushion<br>with heating<br>D - MJ 2014>><br>Foam part  | right  | 1   | PR:L0R,N7D,<br>4A4,9P3    |
| (4) | 958 521 477 01     | Seat cushion<br>with heating<br>D - MJ 2014>><br>Foam part  | right  | 1   | PR:L0R,N7F,<br>4A4,9P3    |
| 5   | 958 521 801 00     | Backrest cover<br>Embossed<br>D >> - MJ 2013                | left   | 1   | PR:N1X                    |
|     | 958 521 801 00 D0A | Black   | -MA    |     |                           |
|     | 958 521 801 00 D0B | Platinum Grey   | -MD    |     |                           |
|     | 958 521 801 00 D0C | Luxor beige   | -MC    |     |                           |
| 5   | 958 521 804 01     | Backrest cover<br>Embossed                                  | left   | 1   | PR:N1X                    |

Model: 92A 11 Model life 2011>>2018

| Pos | Part Number        | Description                                       | Remark       | Qty | Model  |
|-----|--------------------|---|--------------|-----|--------|
|     |                    | D - MJ 2014>>                                     |              |     |        |
|     | 958 521 804 01 D0A | Black   | -MA          |     |        |
|     | 958 521 804 01 D0B | Platinum Grey                                     | -MD          |     |        |
|     | 958 521 804 01 D0C | Luxor beige                                       | -MC          |     |        |
|     | 958 521 804 01 DJL | agate grey  | -MB          |     |        |
| (5) | 958 521 811 00     | D - MJ 2015>><br>Backrest cover<br>Embossed       | right        | 1   | PR:N1X |
|     |                    | D >> - MJ 2013                                    |              |     |        |
|     | 958 521 811 00 D0A | Black   | -MA          |     |        |
|     | 958 521 811 00 D0B | Platinum Grey                                     | -MD          |     |        |
|     | 958 521 811 00 D0C | Luxor beige                                       | -MC          |     |        |
| (5) | 958 521 814 01     | Backrest cover<br>Embossed                        | right        | 1   | PR:N1X |
|     |                    | D - MJ 2014>>                                     |              |     |        |
|     | 958 521 814 01 D0A | Black   | -MA          |     |        |
|     | 958 521 814 01 D0B | Platinum Grey                                     | -MD          |     |        |
|     | 958 521 814 01 D0C | Luxor beige                                       | -MC          |     |        |
|     | 958 521 814 01 DJL | agate grey  | -MB          |     |        |
| (5) | 958 521 845 00     | D - MJ 2015>><br>Backrest cover<br>Embossed       | left         | 1   | PR:N1D |
| (5) | 958 521 845 00 HAA | Black/Luxor Beige                                 | -77          |     |        |
| (5) | 958 521 855 00     | Backrest cover<br>Embossed                        | right        | 1   | PR:N1D |
|     |                    | D - MJ 2015>>                                     |              |     |        |
| (5) | 958 521 855 00 HAA | Black/Luxor Beige                                 | -77          |     |        |
| (5) | 958 521 802 00     | Backrest cover<br>Plain leather                   | left         | 1   | PR:N5U |
|     |                    | D >> - MJ 2013                                    |              |     |        |
|     | 958 521 802 00 D0D | Black   | -LC,MA,YC    |     |        |
|     | 958 521 802 00 D0E | Platinum Grey                                     | -LD,MD,YD    |     |        |
|     | 958 521 802 00 D0F | Luxor beige                                       | -LE,MC,YE    |     |        |
|     | 958 521 802 00 D0G | Umber   | -LF,YF       |     |        |
|     | 958 521 802 00 D0H | Titanium Blue                                     | -TW          |     |        |
|     | 958 521 802 00 D0J | Cream   | -LF, TX      |     |        |
|     | 958 521 802 00 D0K | Light Tartufo                                     | -TY          |     |        |
| (5) | 958 521 802 01     | Backrest cover<br>Plain leather                   | left         | 1   | PR:N5U |
|     |                    | D - MJ 2014>>                                     |              |     |        |
|     | 958 521 802 01 D0D | Black   | -LC,MA,YC    |     |        |
|     | 958 521 802 01 D0E | Platinum Grey                                     | -LD,MD,YD    |     |        |
|     | 958 521 802 01 D0F | Luxor beige                                       | -LE,MC,MK,YE |     |        |
|     | 958 521 802 01 D0G | Umber   | -LF,YF       |     |        |
|     | 958 521 802 01 D0J | Cream   | -MJ, TX      |     |        |
|     | 958 521 802 01 D0K | Light Tartufo                                     | -TY          |     |        |
|     | 958 521 802 01 YKI | agate grey  | -MB, MG, ML  |     |        |
|     |                    | D - MJ 2015>>                                     |              |     |        |
|     | 958 521 802 01 YMI | saddle brown                                      | -ME, MH, MI  |     |        |
|     |                    | D - MJ 2015>>                                     |              |     |        |
| (5) | 958 521 802 01 HHM | Cohiba Brown                                      | -LH          |     |        |
| (5) | 958 521 812 00     | Backrest cover<br>(drivers side)<br>Plain leather | right        | 1   | PR:N5U |
|     |                    | D - MJ 2014>>                                     |              |     |        |
|     | 958 521 812 00 D0D | Black   | -LC,MA,YC    |     |        |
|     | 958 521 812 00 D0E | Platinum Grey                                     | -LD,MD,YD    |     |        |
|     | 958 521 812 00 D0F | Luxor beige                                       | -LE,MC,YE    |     |        |
|     | 958 521 812 00 D0G | Umber   | -LF,YF       |     |        |
|     | 958 521 812 00 D0H | Titanium Blue                                     | -TW          |     |        |
|     | 958 521 812 00 D0J | Cream   | -TX          |     |        |
|     | 958 521 812 00 D0K | Light Tartufo                                     | -TY          |     |        |
| (5) | 958 521 812 01     | Backrest cover<br>(drivers side)<br>Plain leather | right        | 1   | PR:N5U |

Model: 92A 11 Model life 2011>>2018

| Pos | Part Number        | Description                                  | Remark       | Qty | Model  |
|-----|--------------------|--|--------------|-----|--------|
|     |                    | D - MJ 2014>>                                |              |     |        |
|     | 958 521 812 01 D0D | Black  | -LC,MA,YC    |     |        |
|     | 958 521 812 01 D0E | Platinum Grey                                | -LD,MD,YD    |     |        |
|     | 958 521 812 01 D0F | Luxor beige                                  | -LE,MC,MK,YE |     |        |
|     | 958 521 812 01 D0G | Umber  | -LF,TX       |     |        |
|     | 958 521 812 01 D0H | Titanium Blue                                | -TW          |     |        |
|     | 958 521 812 01 D0J | Cream  | -MJ,TX       |     |        |
|     | 958 521 812 01 D0K | Light Tartufo                                | -TY          |     |        |
|     | 958 521 812 01 YKI | agate grey                                   | -MB,MG,ML    |     |        |
|     | 958 521 812 01 YMI | saddle brown                                 | -ME,MH,MI    |     |        |
|     | 958 521 812 01 HHM | Cohiba Brown                                 | -LH          |     |        |
| (5) | 958 521 803 00     | Backrest cover<br>Nature                     | left         | 1   | PR:N1P |
|     |                    | D >> - MJ 2013                               |              |     |        |
|     | 958 521 803 00 D0L | Espresso                                     | -VA          |     |        |
|     | 958 521 803 00 D0M | Cognac                                       | -VB          |     |        |
| (5) | 958 521 803 01     | Backrest cover<br>Nature                     | left         | 1   | PR:N1P |
|     |                    | D - MJ 2014>>                                |              |     |        |
|     | 958 521 803 01 D0L | Espresso                                     | -VA          |     |        |
|     | 958 521 803 01 D0M | Cognac                                       | -VB          |     |        |
| (5) | 958 521 813 00     | Backrest cover<br>Nature                     | right        | 1   | PR:N1P |
|     |                    | D >> - MJ 2013                               |              |     |        |
|     | 958 521 813 00 D0L | Espresso                                     | -VA          |     |        |
|     | 958 521 813 00 D0M | Cognac                                       | -VB          |     |        |
| (5) | 958 521 813 01     | Backrest cover<br>Nature                     | right        | 1   | PR:N1P |
|     |                    | D - MJ 2014>>                                |              |     |        |
|     | 958 521 813 01 D0L | Espresso                                     | -VA          |     |        |
|     | 958 521 813 01 D0M | Cognac                                       | -VB          |     |        |
| 6   | 958 521 821 00     | Backrest cover<br>Embossed<br>Draped leather | left         | 1   | PR:N7F |
|     |                    | D >> - MJ 2013                               |              |     |        |
|     | 958 521 821 00 D0A | Black  | -MA          |     |        |
|     | 958 521 821 00 D0B | Platinum Grey                                | -MD          |     |        |
|     | 958 521 821 00 D0C | Luxor beige                                  | -MC          |     |        |
| 6   | 958 521 821 01     | Backrest cover<br>Embossed<br>Draped leather | left         | 1   | PR:N7F |
|     |                    | D - MJ 2014>>                                |              |     |        |
|     | 958 521 821 01 D0A | Black  | -MA          |     |        |
|     | 958 521 821 01 D0B | Platinum Grey                                | -MD          |     |        |
|     | 958 521 821 01 D0C | Luxor beige                                  | -MC          |     |        |
|     | 958 521 821 01 DJL | agate grey                                   | -MB          |     |        |
| (6) | 958 521 831 00     | Backrest cover<br>Embossed<br>Draped leather | right        | 1   | PR:N7F |
|     |                    | D >> - MJ 2013                               |              |     |        |
|     | 958 521 831 00 D0A | Black  | -MA          |     |        |
|     | 958 521 831 00 D0B | Platinum Grey                                | -MD          |     |        |
|     | 958 521 831 00 D0C | Luxor beige                                  | -MC          |     |        |
| (6) | 958 521 831 01     | Backrest cover<br>Embossed<br>Draped leather | right        | 1   | PR:N7F |
|     |                    | D - MJ 2014>>                                |              |     |        |
|     | 958 521 831 01 D0A | Black  | -MA          |     |        |
|     | 958 521 831 01 D0B | Platinum Grey                                | -MD          |     |        |
|     | 958 521 831 01 D0C | Luxor beige                                  | -MC          |     |        |
|     | 958 521 831 01 DJL | Luxor beige                                  | -MB          |     |        |
|     |                    | D - MJ 2015>>                                |              |     |        |
| (6) | 958 521 822 00     | Backrest cover                               | left         | 1   | PR:N7D |

Model: 92A 11 Model life 2011>>2018

| Pos | Part Number        | Description  | Remark       | Qty | Model  |
|-----|--------------------|--|--------------|-----|--------|
|     |                    | Plain leather<br>Draped leather<br>D >> - MJ 2013                  |              |     |        |
|     | 958 521 822 00 D0D | Black  | -LC,MA,YC    |     |        |
|     | 958 521 822 00 D0E | Platinum Grey  | -LD,MD,YD    |     |        |
|     | 958 521 822 00 D0F | Luxor beige  | -LE,MC,YE    |     |        |
|     | 958 521 822 00 D0G | Umber  | -LF,YF       |     |        |
|     | 958 521 822 00 D0H | Titanium Blue  | -TW          |     |        |
|     | 958 521 822 00 D0J | Cream  | -TX          |     |        |
|     | 958 521 822 00 D0K | Light Tartufo  | -TY          |     |        |
| (6) | 958 521 822 01     | Backrest cover<br>Plain leather<br>Draped leather<br>D - MJ 2014>> | left         | 1   | PR:N7D |
|     | 958 521 822 01 D0D | Black  | -LC,MA,YC    |     |        |
|     | 958 521 822 01 D0E | Platinum Grey  | -LD,MD,YD    |     |        |
|     | 958 521 822 01 D0F | Luxor beige  | -LE,MC,MK,YE |     |        |
|     | 958 521 822 01 D0G | Umber  | -LF,YF       |     |        |
|     | 958 521 822 01 D0H | Titanium Blue  | -TW          |     |        |
|     | 958 521 822 01 D0J | Cream  | -MJ, TX      |     |        |
|     | 958 521 822 01 D0K | Light Tartufo  | -TY          |     |        |
|     | 958 521 822 01 YKI | agate grey<br>D - MJ 2015>>  | -MB, MG      |     |        |
|     | 958 521 822 01 YMI | saddle brown<br>D - MJ 2015>>                                      | -MH, MI      |     |        |
| (6) | 958 521 822 01 HHM | Cohiba Brown   | -LH          |     |        |
|     | 958 521 832 01     | Backrest cover<br>Plain leather<br>Draped leather                  | right        | 1   | PR:N7D |
|     | 958 521 832 01 D0D | Black  | -LC,MA,YC    |     |        |
|     | 958 521 832 01 D0E | Platinum Grey  | -LD,MD,YD    |     |        |
|     | 958 521 832 01 D0F | Luxor beige  | -LE,MC,MK,YE |     |        |
|     | 958 521 832 01 D0G | Umber  | -LF,YF       |     |        |
|     | 958 521 832 01 D0H | Titanium Blue  | -TW          |     |        |
|     | 958 521 832 01 D0J | Cream  | -MJ, TX      |     |        |
|     | 958 521 832 01 D0K | Light Tartufo  | -TY          |     |        |
|     | 958 521 832 01 YKI | agate grey   | -MB, MG      |     |        |
|     | 958 521 832 01 YMI | saddle brown   | -MH, MI      |     |        |
| (6) | 958 521 832 01 HHM | Cohiba Brown   | -LH          |     |        |
|     | 958 521 823 00     | Backrest cover<br>Nature<br>Draped leather<br>D >> - MJ 2013       | left         | 1   | PR:N5Y |
|     | 958 521 823 00 D0L | Espresso   | -VA          |     |        |
|     | 958 521 823 00 D0M | Cognac   | -VB          |     |        |
| (6) | 958 521 823 01     | Backrest cover<br>Nature<br>Draped leather<br>D - MJ 2014>>        | left         | 1   | PR:N5Y |
|     | 958 521 823 01 D0L | Espresso   | -VA          |     |        |
|     | 958 521 823 01 D0M | Cognac   | -VB          |     |        |
| (6) | 958 521 833 01     | Backrest cover<br>Nature<br>Draped leather                         | right        | 1   | PR:N5Y |
|     | 958 521 833 01 D0L | Espresso   | -VA          |     |        |
|     | 958 521 833 01 D0M | Cognac   | -VB          |     |        |
| (7) | 958 521 403 00     | Seat cover<br>Plain leather<br>D >> - MJ 2013                      | left         | 1   | PR:N5U |
|     | 958 521 403 00 D0D | Black  | -LC          |     |        |
|     | 958 521 403 00 D0E | Platinum Grey  | -LD          |     |        |
|     | 958 521 403 00 D0F | Luxor beige  | -LE          |     |        |
|     | 958 521 403 00 D0G | Umber  | -LF          |     |        |

Model: 92A 11 Model life 2011>>2018

| Pos                | Part Number          | Description          | Remark              | Qty | Model      |
|--------------------|----------------------|----------------------|---------------------|-----|------------|
| (7)                | 958 521 403 00 D0H   | Titanium Blue        | -TW                 | 1   | PR:N5U     |
|                    | 958 521 403 00 D0J   | Cream                | -TX                 |     |            |
|                    | 958 521 403 00 D0K   | Light Tartufo        | -TY                 |     |            |
|                    | 958 521 840 03       | Seat cover<br>left   |                     |     |            |
|                    |                      | D - MJ 2014>>        |                     |     |            |
|                    | 958 521 840 03 D0D   | Black                | -LC                 |     |            |
|                    | 958 521 840 03 D0E   | Platinum Grey        | -LD                 |     |            |
|                    | 958 521 840 03 D0F   | Luxor beige          | -LE,MK              |     |            |
|                    | 958 521 840 03 D0G   | Black/umbra          | -LF                 |     |            |
|                    | 958 521 840 03 D0H   | Titanium Blue        | -TW                 |     |            |
| 958 521 840 03 D0J | Cream                | -MJ,TX               |                     |     |            |
| 958 521 840 03 D0K | Black/tartufo, light | -TY                  |                     |     |            |
| 958 521 840 03 YKI | agate grey           | -MG                  |                     |     |            |
|                    | D - MJ 2015>>        |                      |                     |     |            |
| 958 521 840 03 YMI | saddle brown         | -MH,MI               |                     |     |            |
|                    | D - MJ 2015>>        |                      |                     |     |            |
| (7)                | 958 521 840 03 HHM   | Cohiba Brown         | -LH                 | 1   | PR:N5U,9P3 |
|                    | 958 521 840 00       | Seat cover<br>right  |                     |     |            |
|                    |                      | D - MJ 2013>>        |                     |     |            |
|                    | 958 521 840 00 D0D   | Black                | -LC                 |     |            |
|                    | 958 521 840 00 D0E   | Platinum Grey        | -LD                 |     |            |
|                    | 958 521 840 00 D0F   | Luxor beige          | -LE                 |     |            |
|                    | 958 521 840 00 D0G   | Black/umbra          | -LF                 |     |            |
|                    | 958 521 840 00 D0H   | Titanium Blue        | -TW                 |     |            |
|                    | 958 521 840 00 D0J   | Cream                | -TX                 |     |            |
|                    | 958 521 840 00 D0K   | Black/tartufo, light | -TY                 |     |            |
| (7)                | 958 521 840 00       | Seat cover<br>right  |                     | 1   | PR:N5U,9P7 |
|                    |                      | D - MJ 2013>>        |                     |     |            |
|                    | 958 521 840 00 D0D   | Black                | -LC                 |     |            |
|                    | 958 521 840 00 D0E   | Platinum Grey        | -LD                 |     |            |
|                    | 958 521 840 00 D0F   | Luxor beige          | -LE                 |     |            |
|                    | 958 521 840 00 D0G   | Black/umbra          | -LF                 |     |            |
|                    | 958 521 840 00 D0H   | Titanium Blue        | -TW                 |     |            |
|                    | 958 521 840 00 D0J   | Cream                | -TX                 |     |            |
|                    | 958 521 840 00 D0K   | Black/tartufo, light | -TY                 |     |            |
|                    | (7)                  | 958 521 840 02       | Seat cover<br>right |     |            |
|                    |                      | D - MJ 2014>>        |                     |     |            |
| 958 521 840 02 D0D |                      | Black                | -LC                 |     |            |
| 958 521 840 02 D0E |                      | Platinum Grey        | -LD                 |     |            |
| 958 521 840 02 D0F |                      | Luxor beige          | -LE,MK              |     |            |
| 958 521 840 02 D0G |                      | Umber                | -LF                 |     |            |
| 958 521 840 02 D0H |                      | Titanium Blue        | -TW                 |     |            |
| 958 521 840 02 D0J |                      | Cream                | -MJ,TX              |     |            |
| 958 521 840 02 D0K |                      | Light Tartufo        | -TY                 |     |            |
| 958 521 840 02 YKI |                      | agate grey           | -MG                 |     |            |
|                    | D - MJ 2015>>        |                      |                     |     |            |
| 958 521 840 02 YMI | saddle brown         | -MH,MI               |                     |     |            |
|                    | D - MJ 2015>>        |                      |                     |     |            |
| (7)                | 958 521 840 02 HHM   | Cohiba Brown         | -LH                 | 1   | PR:N5U,9P7 |
|                    | 958 521 840 02       | Seat cover<br>right  |                     |     |            |
|                    |                      | D - MJ 2014>>        |                     |     |            |
|                    | 958 521 840 02 D0D   | Black                | -LC                 |     |            |
|                    | 958 521 840 02 D0E   | Platinum Grey        | -LD                 |     |            |
|                    | 958 521 840 02 D0F   | Luxor beige          | -LE,MK              |     |            |
|                    | 958 521 840 02 D0G   | Umber                | -LF                 |     |            |
|                    | 958 521 840 02 D0H   | Titanium Blue        | -TW                 |     |            |
|                    | 958 521 840 02 D0J   | Cream                | -MJ,TX              |     |            |
|                    | 958 521 840 02 D0K   | Light Tartufo        | -TY                 |     |            |
| 958 521 840 02 YKI | agate grey           | -MG                  |                     |     |            |
|                    | D - MJ 2015>>        |                      |                     |     |            |
| 958 521 840 02 YMI | saddle brown         | -MH,MI               |                     |     |            |
|                    | D - MJ 2015>>        |                      |                     |     |            |
| 958 521 840 02 HHM | Cohiba Brown         | -LH                  |                     |     |            |



Model: 92A 11 Model life 2011>>2018

| Pos | Part Number        | Description          | Remark | Qty | Model      |
|-----|--------------------|----------------------|--------|-----|------------|
| (7) | 958 521 404 00     | Seat cover<br>Nature | left   | 1   | PR:N1P     |
|     | 958 521 404 00 D0L | Espresso             | -VA    |     |            |
|     | 958 521 404 00 D0M | Cognac               | -VB    |     |            |
| (7) | 958 521 846 01     | Seat cover (leather) | right  | 1   | PR:N1P,9P3 |
|     | 958 521 846 01 D0L | Espresso             | -VA    |     |            |
|     | 958 521 846 01 D0M | Cognac               | -VB    |     |            |
| (7) | 958 521 846 01     | Seat cover (leather) | right  | 1   | PR:N1P,9P7 |
|     | 958 521 846 01 D0L | Espresso             | -VA    |     |            |
|     | 958 521 846 01 D0M | Cognac               | -VB    |     |            |
| (7) | 958 521 837 00     | Seat cover           | left   | 1   | PR:N1X     |
|     |                    | D >> - MJ 2013       |        |     |            |
|     | 958 521 837 00 D0C | Luxor beige          | -MC    |     |            |
|     | 958 521 837 00 D0B | Platinum Grey        | -MD    |     |            |
|     | 958 521 837 00 D0A | Black                | -MA    |     |            |
| (7) | 958 521 837 00     | Seat cover           | left   | 1   | PR:N1D     |
|     |                    | D >> - MJ 2013       |        |     |            |
|     | 958 521 837 00 HAA | Black/Luxor Beige    | -77    |     |            |
| (7) | 958 521 837 01     | Seat cover           | left   | 1   | PR:N1X     |
|     |                    | D - MJ 2014>>        |        |     |            |
|     | 958 521 837 01 D0C | Luxor beige          | -MC    |     |            |
|     | 958 521 837 01 D0B | Platinum Grey        | -MD    |     |            |
|     | 958 521 837 01 D0A | Black                | -MA    |     |            |
|     | 958 521 837 01 DJL | agate grey           | -MB    |     |            |
|     |                    | D - MJ 2015>>        |        |     |            |
| (7) | 958 521 837 01     | Seat cover           | left   | 1   | PR:N1D     |
|     |                    | D - MJ 2014>>        |        |     |            |
|     | 958 521 837 01 HAA | Black/Luxor Beige    | -77    |     |            |
| (7) | 958 521 830 00     | Seat cover           | right  | 1   | PR:N1X,9P3 |
|     |                    | D >> - MJ 2013       |        |     |            |
|     | 958 521 830 00 D0A | Black                | -MA    |     |            |
|     | 958 521 830 00 D0B | Platinum Grey        | -MD    |     |            |
|     | 958 521 830 00 D0C | Luxor beige          | -MC    |     |            |
| (7) | 958 521 830 00     | Seat cover           | right  | 1   | PR:N1X,9P7 |
|     |                    | D >> - MJ 2013       |        |     |            |
|     | 958 521 830 00 D0A | Black                | -MA    |     |            |
|     | 958 521 830 00 D0B | Platinum Grey        | -MD    |     |            |
|     | 958 521 830 00 D0C | Luxor beige          | -MC    |     |            |
| (7) | 958 521 830 00     | Seat cover           | right  | 1   | PR:N1D,9P3 |
|     |                    | D >> - MJ 2013       |        |     |            |
|     | 958 521 830 00 HAA | Black/Luxor Beige    | -77    |     |            |
| (7) | 958 521 830 00     | Seat cover           | right  | 1   | PR:N1D,9P7 |
|     |                    | D >> - MJ 2013       |        |     |            |
|     | 958 521 830 00 HAA | Black/Luxor Beige    | -77    |     |            |
| (7) | 958 521 830 01     | Seat cover           | right  | 1   | PR:N1X,9P3 |
|     |                    | D - MJ 2014>>        |        |     |            |
|     | 958 521 830 01 D0A | Black                | -MA    |     |            |
|     | 958 521 830 01 D0B | Platinum Grey        | -MD    |     |            |
|     | 958 521 830 01 D0C | Luxor beige          | -MC    |     |            |
|     | 958 521 830 01 DJL | agate grey           | -MB    |     |            |
|     |                    | D >> - MJ 2015       |        |     |            |
| (7) | 958 521 830 01     | Seat cover           | right  | 1   | PR:N1X,9P7 |
|     |                    | D - MJ 2014>>        |        |     |            |
|     | 958 521 830 01 D0A | Black                | -MA    |     |            |
|     | 958 521 830 01 D0B | Platinum Grey        | -MD    |     |            |
|     | 958 521 830 01 D0C | Luxor beige          | -MC    |     |            |
|     | 958 521 830 01 DJL | agate grey           | -MB    |     |            |
|     |                    | D >> - MJ 2015       |        |     |            |
| (7) | 958 521 830 01     | Seat cover           | right  | 1   | PR:N1D,9P3 |
|     |                    | D - MJ 2014>>        |        |     |            |
|     | 958 521 830 01 HAA | Black/Luxor Beige    | -77    |     |            |
| (7) | 958 521 830 01     | Seat cover           | right  | 1   | PR:N1D,9P7 |
|     |                    | D - MJ 2014>>        |        |     |            |

Model: 92A 11 Model life 2011>>2018

| Pos | Part Number  | Description  | Remark  | Qty | Model      |
|-----|--|--|---|-----|------------|
| 8   | 958 521 830 01 HAA<br>958 521 405 01   | Black/Luxor Beige<br>Seat cover<br>Embossed<br>Draped leather<br>D >> - MJ 2013  | -77<br>left   | 1   | PR:N7F     |
| 8   | 958 521 405 01 D0A<br>958 521 405 01 D0B<br>958 521 405 01 D0C<br>958 521 405 02   | Black<br>Platinum Grey<br>Luxor beige<br>Seat cover<br>Embossed<br>Draped leather<br>D - MJ 2014>>   | -MA<br>-MD<br>-MC<br>left   | 1   | PR:N7F     |
| (8) | 958 521 405 02 D0A<br>958 521 405 02 D0B<br>958 521 405 02 DJL<br>958 521 405 02 D0C<br>958 521 838 01   | Black<br>Platinum Grey<br>agate grey<br>D - MJ 2015>><br>Luxor beige<br>Seat cover<br>Embossed<br>Draped leather   | -MA<br>-MD<br>-MB<br>-MC<br>right   | 1   | PR:N7F,9P3 |
| (8) | 958 521 838 01 D0A<br>958 521 838 01 D0B<br>958 521 838 01 D0C<br>958 521 838 01 DJL<br>958 521 838 01   | Black<br>Platinum Grey<br>Luxor beige<br>agate grey<br>D - MJ 2015>><br>Seat cover<br>Embossed<br>Draped leather   | -MA<br>-MD<br>-MC<br>-MB<br>right   | 1   | PR:N7F,9P7 |
| (8) | 958 521 838 01 D0A<br>958 521 838 01 D0B<br>958 521 838 01 D0C<br>958 521 838 01 DJL<br>958 521 406 01   | Black<br>Platinum Grey<br>Luxor beige<br>agate grey<br>D - MJ 2015>><br>Seat cover<br>Plain leather<br>Draped leather<br>D >> - MJ 2013  | -MA<br>-MD<br>-MC<br>-MB<br>left  | 1   | PR:N7D     |
| (8) | 958 521 406 01 D0D<br>958 521 406 01 D0E<br>958 521 406 01 D0F<br>958 521 406 01 D0G<br>958 521 406 01 D0H<br>958 521 406 01 D0J<br>958 521 406 01 D0K<br>958 521 406 02   | Black<br>Platinum Grey<br>Luxor beige<br>Umber<br>Titanium Blue<br>Cream<br>Light Tartufo<br>Seat cover<br>Plain leather<br>Draped leather<br>D - MJ 2014>>  | -LC<br>-LD<br>-LE<br>-LF<br>-TW<br>-TX<br>-TY<br>left                                   | 1   | PR:N7D     |
| (8) | 958 521 406 02 D0D<br>958 521 406 02 D0E<br>958 521 406 02 D0F<br>958 521 406 02 D0G<br>958 521 406 02 D0H<br>958 521 406 02 D0J<br>958 521 406 02 D0K<br>958 521 406 02 YKI<br>958 521 406 02 YMI<br>958 521 406 02 HHM<br>958 521 844 00 | Black<br>Platinum Grey<br>Luxor beige<br>Umber<br>Titanium Blue<br>Cream<br>Light Tartufo<br>agate grey<br>D - MJ 2015>><br>saddle brown<br>D - MJ 2015>><br>Cohiba Brown<br>Seat cover<br>Plain leather<br>Draped leather | -LC<br>-LD<br>-LE, MK<br>-LF<br>-TW<br>-MJ, TX<br>-TY<br>-MG<br>-MH, MI<br>-LH<br>right | 1   | PR:N7D,9P3 |

Model: 92A 11 Model life 2011>>2018

| Pos | Part Number        | Description                                   | Remark | Qty | Model      |
|-----|--------------------|---|--------|-----|------------|
|     |                    | D >> - MJ 2013                                |        |     |            |
|     | 958 521 844 00 D0D | Black   | -LC    |     |            |
|     | 958 521 844 00 D0E | Platinum Grey                                 | -LD    |     |            |
|     | 958 521 844 00 D0F | Luxor beige                                   | -LE    |     |            |
|     | 958 521 844 00 D0G | Black/umbra                                   | -LF    |     |            |
|     | 958 521 844 00 D0H | Titanium Blue                                 | -TW    |     |            |
|     | 958 521 844 00 D0J | Cream   | -TX    |     |            |
|     | 958 521 844 00 D0K | Black/tartufo, light                          | -TY    |     |            |
| (8) | 958 521 844 00     | Seat cover<br>Plain leather<br>Draped leather | right  | 1   | PR:N7D,9P7 |
|     |                    | D >> - MJ 2013                                |        |     |            |
|     | 958 521 844 00 D0D | Black   | -LC    |     |            |
|     | 958 521 844 00 D0E | Platinum Grey                                 | -LD    |     |            |
|     | 958 521 844 00 D0F | Luxor beige                                   | -LE    |     |            |
|     | 958 521 844 00 D0G | Black/umbra                                   | -LF    |     |            |
|     | 958 521 844 00 D0H | Titanium Blue                                 | -TW    |     |            |
|     | 958 521 844 00 D0J | Cream   | -TX    |     |            |
|     | 958 521 844 00 D0K | Black/tartufo, light                          | -TY    |     |            |
| (8) | 958 521 844 01     | Seat cover<br>Plain leather<br>Draped leather | right  | 1   | PR:N7D,9P3 |
|     | 958 521 844 01 D0D | Black   | -LC    |     |            |
|     | 958 521 844 01 D0E | Platinum Grey                                 | -LD    |     |            |
|     | 958 521 844 01 D0F | Luxor beige                                   | -LE,MK |     |            |
|     | 958 521 844 01 D0G | Black/umbra                                   | -LF    |     |            |
|     | 958 521 844 01 D0H | Titanium Blue                                 | -TW    |     |            |
|     | 958 521 844 01 D0J | Cream   | -MJ,TX |     |            |
|     | 958 521 844 01 D0K | Black/tartufo, light                          | -TY    |     |            |
|     | 958 521 844 01 YKI | Black/agate grey                              | -MG    |     |            |
|     |                    | D - MJ 2015>>                                 |        |     |            |
|     | 958 521 844 01 YMI | saddle brown                                  | -MH,MI |     |            |
|     |                    | D - MJ 2015>>                                 |        |     |            |
|     | 958 521 844 01 HHM | Cohiba Brown                                  | -LH    |     |            |
| (8) | 958 521 844 01     | Seat cover<br>Plain leather<br>Draped leather | right  | 1   | PR:N7D,9P7 |
|     | 958 521 844 01 D0D | Black   | -LC    |     |            |
|     | 958 521 844 01 D0E | Platinum Grey                                 | -LD    |     |            |
|     | 958 521 844 01 D0F | Luxor beige                                   | -LE,MK |     |            |
|     | 958 521 844 01 D0G | Black/umbra                                   | -LF    |     |            |
|     | 958 521 844 01 D0H | Titanium Blue                                 | -TW    |     |            |
|     | 958 521 844 01 D0J | Cream   | -MJ,TX |     |            |
|     | 958 521 844 01 D0K | Black/tartufo, light                          | -TY    |     |            |
|     | 958 521 844 01 YKI | Black/agate grey                              | -MG    |     |            |
|     |                    | D - MJ 2015>>                                 |        |     |            |
|     | 958 521 844 01 YMI | saddle brown                                  | -MH,MI |     |            |
|     |                    | D - MJ 2015>>                                 |        |     |            |
|     | 958 521 844 01 HHM | Cohiba Brown                                  | -LH    |     |            |
| (8) | 958 521 407 01     | Seat cover<br>Nature<br>Draped leather        | left   | 1   | PR:N5Y     |
|     | 958 521 407 01 D0L | Espresso                                      | -VA    |     |            |
|     | 958 521 407 01 D0M | Cognac  | -VB    |     |            |
| (8) | 958 521 417 01     | Seat cover<br>Nature<br>Draped leather        | right  | 1   | PR:N5Y,9P3 |
|     | 958 521 417 01 D0L | Espresso                                      | -VA    |     |            |
|     | 958 521 417 01 D0M | Cognac  | -VB    |     |            |
| (8) | 958 521 417 01     | Seat cover<br>Nature<br>Draped leather        | right  | 1   | PR:N5Y,9P7 |
|     | 958 521 417 01 D0L | Espresso                                      | -VA    |     |            |

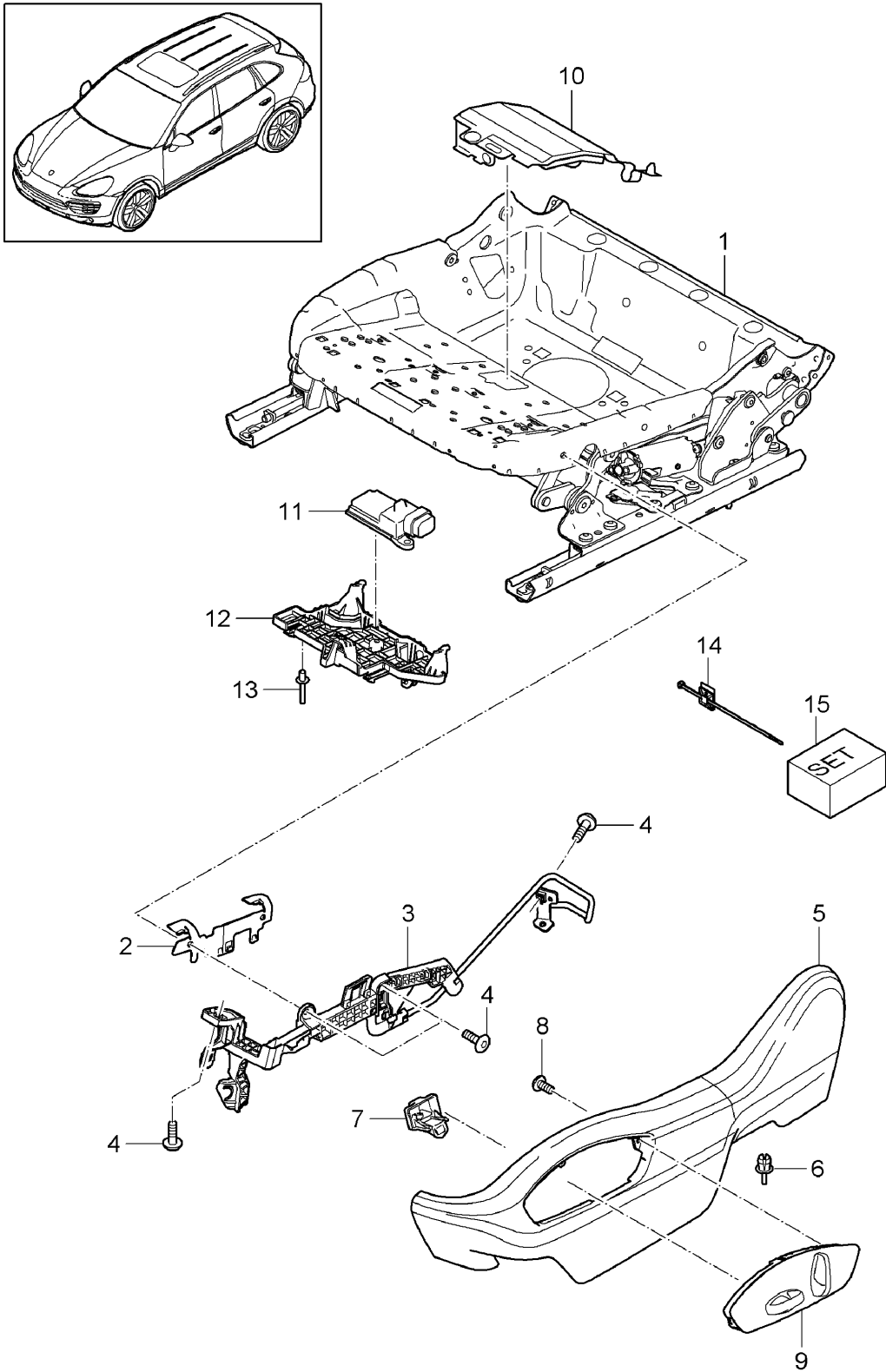
Model: 92A 11

Model life 2011>>2018

| Pos | Part Number  | Description   | Remark | Qty | Model |
|-----|--|---|--------|-----|-------|
| -   | 958 521 417 01 DOM<br>958 521 761 11<br><br>958 521 761 11 95R | Cognac<br>repair set<br>knob<br>child seat<br>Identification: >> >><br>Grey | -VB    | 1   |       |

Model: 92A 11

Model life 2011>>2018



Model: 92A 11 Model life 2011>>2018

| Pos | Part Number        | Description   | Remark                                  | Qty | Model |
|-----|--------------------|---|---|-----|-------|
| 1   |                    | Seat frame<br>Standard seat<br>frame for seat                   |   |     |       |
|     |                    | with:<br>Adjusting motor<br>see illustration:                   | 817-025                                 |     |       |
| 2   | 958 521 539 00     | Reinforcement<br>Seat adjuster                                  | left                                    | 1   |       |
| (2) | 958 521 540 00     | Reinforcement<br>Seat adjuster                                  | right                                   | 1   |       |
| 3   | 958 521 559 00     | Bracket<br>frame for seat                                       | left                                    | 1   |       |
| (3) | 958 521 560 00     | Bracket<br>frame for seat                                       | right                                   | 1   |       |
| 4   | N 107 148 01       | fillister head bolt with<br>multi-point socket head<br>M 6 X 18 |   | 4   |       |
| 5   | 958 521 313 00     | Trim<br>Front seat<br>Sill<br>D >> - MJ 2013                    | left                                    | 1   |       |
|     | 958 521 313 00 82V | Titan black   | -LC,MA,TA,TB,<br>YA,YB,YC               |     |       |
|     | 958 521 313 00 4H0 | Luxor beige   | -LE,MC,YE                               |     |       |
|     | 958 521 313 00 6L0 | Platinum Grey   | -LD,MD,YD                               |     |       |
|     | 958 521 313 00 5J0 | Cream   | -TX                                     |     |       |
|     | 958 521 313 00 7N0 | Espresso  | -VA                                     |     |       |
|     | 958 521 313 00 8P0 | Cognac  | -VB                                     |     |       |
|     | 958 521 313 00 DE1 | Umber   | -LF,YF                                  |     |       |
|     | 958 521 313 00 DF2 | Light Tartufo   | -TY                                     |     |       |
|     | 958 521 313 00 DJ3 | Titanium Blue   | -TW                                     |     |       |
| (5) | 7P5 881 313 B      | Trim<br>Front seat<br>Sill<br>D - MJ 2014>>                     | left                                    | 1   |       |
|     | 7P5 881 313 B 82V  | Titan black   | -LC, LG,MA,MF,<br>TA,TB,YA,YB,<br>YC,77 |     |       |
|     | 7P5 881 313 B 4H0  | Luxor beige   | -LE,MC,MK,YE                            |     |       |
|     | 7P5 881 313 B 6L0  | Platinum Grey   | -LD,MD,YD                               |     |       |
|     | 7P5 881 313 B 5J0  | Cream   | -MJ,TX                                  |     |       |
|     | 7P5 881 313 B 7N0  | Espresso  | -VA                                     |     |       |
|     | 7P5 881 313 B 8P0  | Cognac  | -VB                                     |     |       |
|     | 7P5 881 313 B DE1  | Umber   | -LF,YF                                  |     |       |
|     | 7P5 881 313 B DF2  | Light Tartufo   | -TY                                     |     |       |
|     | 7P5 881 313 B DJ3  | Titanium Blue   | -TW                                     |     |       |
|     | 7P5 881 313 B OM8  | saddle brown  | -ME,MH,MI                               |     |       |
|     | 7P5 881 313 B OP1  | agate grey  | -MB,MG,ML                               |     |       |
|     | 7P5 881 313 B OB8  | Cohiba Brown  | -LH                                     |     |       |
| (5) | 958 521 314 00     | Trim<br>Front seat<br>Sill<br>D >> - MJ 2013                    | right                                   | 1   |       |
|     | 958 521 314 00 82V | Titan black   | -LC,MA,TA,TB,<br>YA,YB,YC               |     |       |
|     | 958 521 314 00 4H0 | Luxor beige   | -LE,MC,YE                               |     |       |
|     | 958 521 314 00 6L0 | Platinum Grey   | -LD,MD,YD                               |     |       |
|     | 958 521 314 00 5J0 | Cream   | -TX                                     |     |       |
|     | 958 521 314 00 7N0 | Espresso  | -VA                                     |     |       |
|     | 958 521 314 00 8P0 | Cognac  | -VB                                     |     |       |
|     | 958 521 314 00 DE1 | Umber   | -LF,YF                                  |     |       |
|     | 958 521 314 00 DF2 | Light Tartufo   | -TY                                     |     |       |
|     | 958 521 314 00 DJ3 | Titanium Blue   | -TW                                     |     |       |

Model: 92A 11 Model life 2011>>2018

| Pos | Part Number       | Description  | Remark  | Qty | Model              |
|-----|-------------------|--|---|-----|--------------------|
| (5) | 7P5 881 314 B     | Trim<br>Front seat<br>Sill<br>D - MJ 2014>>                  | right   | 1   |                    |
|     | 7P5 881 314 B 82V | Titan black  | -LC, LG, MA, MF,<br>TA, TB, YA, YB,<br>YC, 77 |     |                    |
|     | 7P5 881 314 B 4H0 | Luxor beige  | -LE, MC, MK, YE                               |     |                    |
|     | 7P5 881 314 B 6L0 | Platinum Grey  | -LD, MD, YD                                   |     |                    |
|     | 7P5 881 314 B 5J0 | Cream  | -MJ, TX                                       |     |                    |
|     | 7P5 881 314 B 7N0 | Espresso   | -VA   |     |                    |
|     | 7P5 881 314 B 8P0 | Cognac   | -VB   |     |                    |
|     | 7P5 881 314 B DE1 | Umber  | -LF, YF                                       |     |                    |
|     | 7P5 881 314 B DF2 | Light Tartufo  | -TY   |     |                    |
|     | 7P5 881 314 B DJ3 | Titanium Blue  | -TW   |     |                    |
|     | 7P5 881 314 B OM8 | saddle brown   | -ME, MH, MI                                   |     |                    |
|     | 7P5 881 314 B OP1 | agate grey   | -MB, MG, ML                                   |     |                    |
|     | 7P5 881 314 B OB8 | Cohiba Brown   | -LH   |     |                    |
| 6   | N 038 501 3       | Spreader rivet<br>A 6 X 12                                   |   | 2   |                    |
| 7   | 958 521 775 00    | bracket for seat frame trim<br>panel<br>Trim                 | left  | 1   |                    |
| (7) | 958 521 776 00    | bracket for seat frame trim<br>panel<br>Trim                 | right   | 1   |                    |
| 8   | N 104 159 03      | Oval hexagon socket head bolt<br>TP 4 X 12                   |   | 4   |                    |
| 9   | 7PP 959 747 M     | Switch module for seat<br>Module<br>Front seat<br>Seat frame | left  | 2   | PR:3L5             |
| (9) | 7PP 959 747 M L0H | Galvano silver   |   |     |                    |
| (9) | 7PP 959 747 M     | Switch module for seat<br>Module<br>Front seat<br>Seat frame | left  | 2   | PR:L0R,Q1G,<br>3L4 |
| (9) | 7PP 959 747 M L0H | Galvano silver   |   |     |                    |
| (9) | 7PP 959 747 M     | Switch module for seat<br>Module<br>Front seat<br>Seat frame | left  | 2   | PR:L0R,Q4P,<br>3L4 |
| (9) | 7PP 959 747 M L0H | Galvano silver   |   |     |                    |
| (9) | 7PP 959 748 M     | Switch module for seat<br>Module<br>Front seat<br>Seat frame | right   | 2   | PR:3L5             |
| (9) | 7PP 959 748 M L0H | Galvano silver   |   |     |                    |
| (9) | 7PP 959 748 M     | Switch module for seat<br>Module<br>Front seat<br>Seat frame | right   | 2   | PR:L0L,Q1G,<br>3L4 |
| (9) | 7PP 959 748 M L0H | Galvano silver   |   |     |                    |
| (9) | 7PP 959 748 M     | Switch module for seat<br>Module<br>Front seat<br>Seat frame | right   | 2   | PR:L0L,Q4P,<br>3L4 |
| (9) | 7PP 959 748 M L0H | Galvano silver   |   |     |                    |
| (9) | 7PP 959 747 N     | Switch module for seat<br>Module<br>Front seat<br>Seat frame | left  | 2   | PR:L0L,Q1G,<br>3L4 |
|     | 7PP 959 747 N DMN | Galvano silver   |   |     |                    |

Model: 92A 11

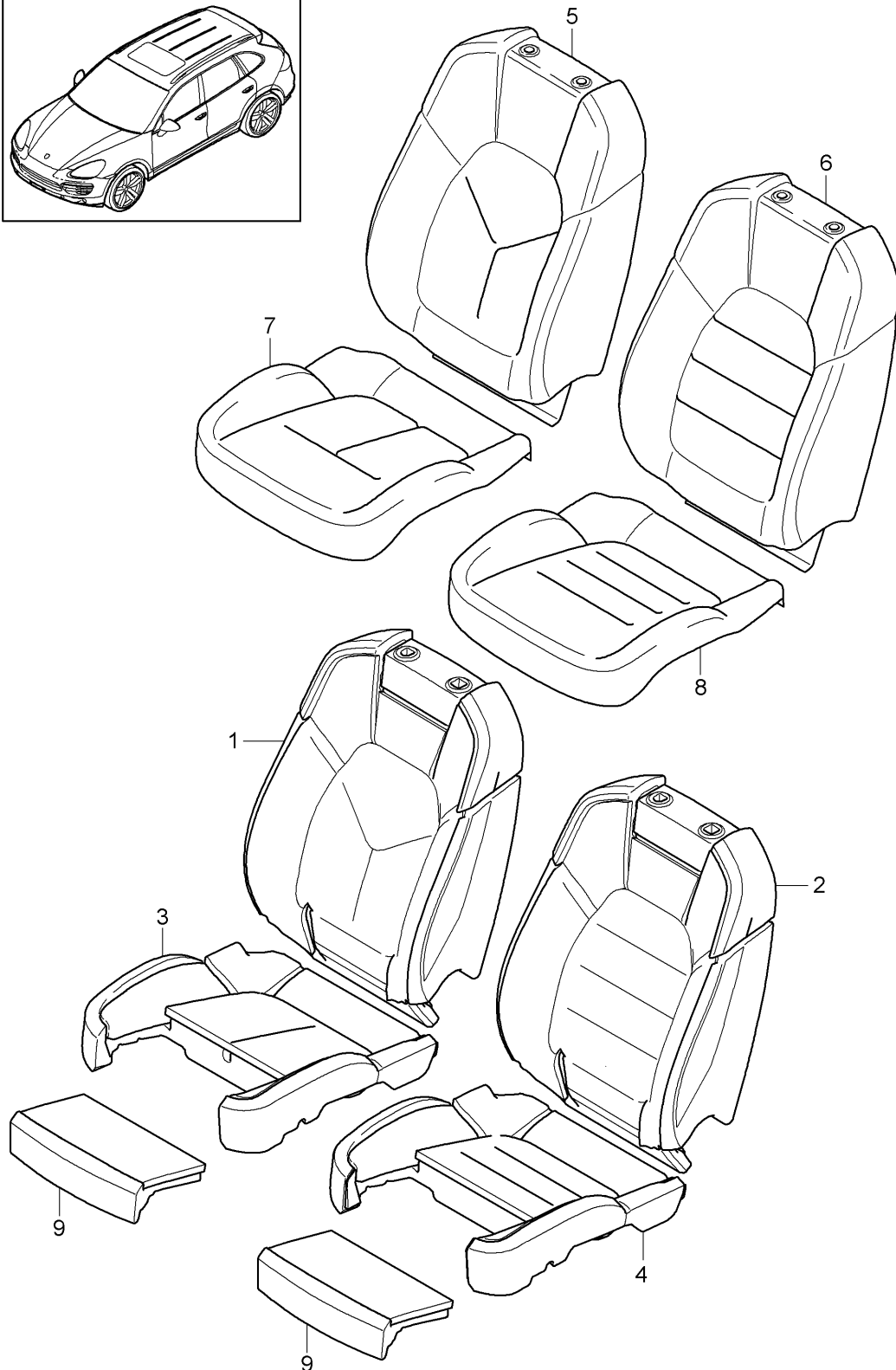
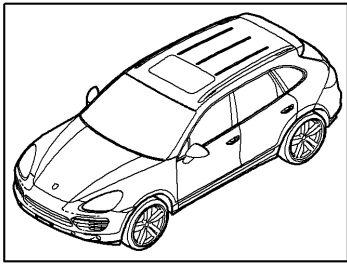
Model life 2011&gt;&gt;2018

| Pos  | Part Number                         | Description   | Remark | Qty | Model                      |
|------|-------------------------------------|---|--------|-----|----------------------------|
| (9)  | 7PP 959 747 N                       | Switch module for seat<br>Module<br>Front seat<br>Seat frame                                    | left   | 2   | PR:L0L,Q4P,<br>3L4         |
| (9)  | 7PP 959 747 N DMN<br>7PP 959 747 N  | Galvano silver<br>Switch module for seat<br>Module<br>Front seat<br>Seat frame<br>Memory switch | left   | 2   | PR:3PN,Q1G                 |
| (9)  | 7PP 959 747 N DMN<br>7PP 959 747 N  | Galvano silver<br>Switch module for seat<br>Module<br>Front seat<br>Seat frame<br>Memory switch | left   | 2   | PR:3PN,Q4P                 |
| (9)  | 7PP 959 747 N DMN<br>7PP 959 748 N  | Galvano silver<br>Switch module for seat<br>Module<br>Front seat<br>Seat frame                  | right  | 2   | PR:L0R,Q1G,<br>3L4         |
| (9)  | 7PP 959 748 N DMN<br>7PP 959 748 N  | Galvano silver<br>Switch module for seat<br>Module<br>Front seat<br>Seat frame                  | right  | 2   | PR:L0R,Q4P,<br>3L4         |
| (9)  | 7PP 959 748 N DMN<br>7PP 959 748 N  | Galvano silver<br>Switch module for seat<br>Module<br>Front seat<br>Seat frame                  | right  | 2   | PR:3PN,Q1G                 |
| (9)  | 7PP 959 748 N DMN<br>7PP 959 748 N  | Galvano silver<br>Switch module for seat<br>Module<br>Front seat<br>Seat frame                  | right  | 2   | PR:Q4P,3PN                 |
| 10   | 7PP 959 748 N DMN<br>958 618 553 00 | Galvano silver<br>Module<br>seat occupied recognition<br>Front seat                             |        | 1   | PR:9P3                     |
| 10   | 958 618 553 01                      | Discontinued part<br>Module<br>seat occupied recognition<br>Front seat                          |        | 1   | PR:9P3                     |
| 12   | 958 521 729 00                      | Bracket<br>seat occupied recognition<br>Memory  |        | 1   | PR:L0L,3L4,<br>3PN         |
| (12) | 958 521 730 00                      | Bracket<br>seat occupied recognition<br>Memory  |        | 1   | PR:L0R,3L4,<br>3PN,9P3,9P7 |
| 13   | N 908 123 02                        | Pop rivet<br>6 X 10   |        | 2   |                            |
| 14   | WHT 005 450                         | Cable holder<br>Mount<br>Wire set<br>Seat frame   |        | 1   | PR:3L5                     |
| 15   | 958 521 907 00                      | repair set<br>Seat frame<br>Front seat  |        | 1   |                            |



Model: 92A 11

Model life 2011>>2018



Model: 92A 11 Model life 2011>>2018

| Pos | Part Number    | Description                        | Remark | Qty | Model      |
|-----|----------------|------------------------------------|--------|-----|------------|
|     |                | Foam part<br>Cover<br>Comfort seat |        |     | PR:Q2J     |
| 1   | 958 521 771 00 | Foam part<br>backrest              | left   | 1   | PR:N1P,4A0 |
| (1) | 958 521 771 00 | Foam part<br>backrest              | left   | 1   | PR:N5U,4A0 |
| (1) | 958 521 771 00 | Foam part<br>backrest              | left   | 1   | PR:N1M,4A0 |
| (1) | 958 521 772 00 | Foam part<br>backrest              | right  | 1   | PR:N1P,4A0 |
| (1) | 958 521 772 00 | Foam part<br>backrest              | right  | 1   | PR:N5U,4A0 |
| (1) | 958 521 772 00 | Foam part<br>backrest              | right  | 1   | PR:N1M,4A0 |
| (1) | 958 521 779 00 | Foam part<br>backrest              | left   | 1   | PR:N1P,4A3 |
| (1) | 958 521 779 00 | Foam part<br>backrest              | left   | 1   | PR:N5U,4A3 |
| (1) | 958 521 779 00 | Foam part<br>backrest              | left   | 1   | PR:N1M,4A3 |
| (1) | 958 521 779 00 | Foam part<br>backrest              | left   | 1   | PR:N1P,4A4 |
| (1) | 958 521 779 00 | Foam part<br>backrest              | left   | 1   | PR:N5U,4A4 |
| (1) | 958 521 779 00 | Foam part<br>backrest              | left   | 1   | PR:N1M,4A4 |
| (1) | 958 521 780 00 | Foam part<br>backrest              | right  | 1   | PR:N1P,4A3 |
| (1) | 958 521 780 00 | Foam part<br>backrest              | right  | 1   | PR:N5U,4A3 |
| (1) | 958 521 780 00 | Foam part<br>backrest              | right  | 1   | PR:N1M,4A3 |
| (1) | 958 521 780 00 | Foam part<br>backrest              | right  | 1   | PR:N1P,4A4 |
| (1) | 958 521 780 00 | Foam part<br>backrest              | right  | 1   | PR:N5U,4A4 |
| (1) | 958 521 780 00 | Foam part<br>backrest              | right  | 1   | PR:N1M,4A4 |
| 2   | 958 521 773 00 | Foam part<br>backrest              | left   | 1   | PR:N5Y,4A0 |
| (2) | 958 521 773 00 | Foam part<br>backrest              | left   | 1   | PR:N7D,4A0 |
| (2) | 958 521 773 00 | Foam part<br>backrest              | left   | 1   | PR:N7F,4A0 |
| (2) | 958 521 774 00 | Foam part<br>backrest              | right  | 1   | PR:N5Y,4A0 |
| (2) | 958 521 774 00 | Foam part<br>backrest              | right  | 1   | PR:N7D,4A0 |
| (2) | 958 521 774 00 | Foam part<br>backrest              | right  | 1   | PR:N7F,4A0 |
| (2) | 958 521 777 00 | Foam part<br>backrest              | left   | 1   | PR:N5Y,4A3 |
| (2) | 958 521 777 00 | Foam part<br>backrest              | left   | 1   | PR:N7D,4A3 |
| (2) | 958 521 777 00 | Foam part<br>backrest              | left   | 1   | PR:N7F,4A3 |
| (2) | 958 521 777 00 | Foam part<br>backrest              | left   | 1   | PR:N5Y,4A4 |
| (2) | 958 521 777 00 | Foam part<br>backrest              | left   | 1   | PR:N7D,4A4 |
| (2) | 958 521 777 00 | Foam part<br>backrest              | left   | 1   | PR:N7F,4A4 |

Model: 92A 11 Model life 2011>>2018

| Pos | Part Number    | Description                               | Remark | Qty | Model                  |
|-----|----------------|---|--------|-----|------------------------|
| (2) | 958 521 778 00 | Foam part<br>backrest                     | right  | 1   | PR:N5Y,4A3             |
| (2) | 958 521 778 00 | Foam part<br>backrest                     | right  | 1   | PR:N7D,4A3             |
| (2) | 958 521 778 00 | Foam part<br>backrest                     | right  | 1   | PR:N7F,4A3             |
| (2) | 958 521 778 00 | Foam part<br>backrest                     | right  | 1   | PR:N5Y,4A4             |
| (2) | 958 521 778 00 | Foam part<br>backrest                     | right  | 1   | PR:N7D,4A4             |
| (2) | 958 521 778 00 | Foam part<br>backrest                     | right  | 1   | PR:N7F,4A4             |
| 3   | 958 521 379 00 | Foam part<br>Seat cushion                 | left   | 1   | PR:L0L,N1P,<br>4A0     |
| (3) | 958 521 379 00 | Foam part<br>Seat cushion                 | left   | 1   | PR:L0L,N5U,<br>4A0     |
| (3) | 958 521 379 00 | Foam part<br>Seat cushion                 | left   | 1   | PR:L0L,N1M,<br>4A0     |
| (3) | 958 521 479 00 | Foam part<br>Seat cushion                 | right  | 1   | PR:L0L,N1P,<br>4A0,9P3 |
| (3) | 958 521 479 00 | Foam part<br>Seat cushion                 | right  | 1   | PR:L0L,N5U,<br>4A0,9P3 |
| (3) | 958 521 479 00 | Foam part<br>Seat cushion                 | right  | 1   | PR:L0L,N1M,<br>4A0,9P3 |
| (3) | 958 521 380 00 | Foam part<br>Seat cushion                 | left   | 1   | PR:L0R,N1P,<br>4A0     |
| (3) | 958 521 380 00 | Foam part<br>Seat cushion                 | left   | 1   | PR:L0R,N5U,<br>4A0     |
| (3) | 958 521 380 00 | Foam part<br>Seat cushion                 | left   | 1   | PR:L0R,N1M,<br>4A0     |
| (3) | 958 521 480 00 | Foam part<br>Seat cushion                 | right  | 1   | PR:L0R,N1P,<br>4A0,9P3 |
| (3) | 958 521 480 00 | Foam part<br>Seat cushion                 | right  | 1   | PR:L0R,N5U,<br>4A0,9P3 |
| (3) | 958 521 480 00 | Foam part<br>Seat cushion                 | right  | 1   | PR:L0R,N1M,<br>4A0,9P3 |
| (3) | 958 521 381 01 | Foam part<br>Seat cushion<br>with heating | left   | 1   | PR:L0L,N1P,<br>4A3     |
| (3) | 958 521 381 01 | Foam part<br>Seat cushion<br>with heating | left   | 1   | PR:L0L,N5U,<br>4A3     |
| (3) | 958 521 381 01 | Foam part<br>Seat cushion<br>with heating | left   | 1   | PR:L0L,N1M,<br>4A3     |
| (3) | 958 521 381 01 | Foam part<br>Seat cushion<br>with heating | left   | 1   | PR:L0L,N1P,<br>4A4     |
| (3) | 958 521 381 01 | Foam part<br>Seat cushion<br>with heating | left   | 1   | PR:L0L,N5U,<br>4A4     |
| (3) | 958 521 381 01 | Foam part<br>Seat cushion<br>with heating | left   | 1   | PR:L0L,N1M,<br>4A4     |
| (3) | 958 521 481 00 | Foam part<br>Seat cushion<br>with heating | right  | 1   | PR:L0L,N1P,<br>4A3,9P3 |
|     |                | D >> - MJ 2013<br>Discontinued part       |        |     |                        |
| (3) | 958 521 481 00 | Foam part<br>Seat cushion<br>with heating | right  | 1   | PR:L0L,N5U,<br>4A3,9P3 |
|     |                | D >> - MJ 2013                            |        |     |                        |

Model: 92A 11 Model life 2011>>2018

| Pos | Part Number    | Description  | Remark | Qty | Model                  |
|-----|----------------|--|--------|-----|------------------------|
| (3) | 958 521 481 00 | Discontinued part<br>Foam part<br>Seat cushion<br>with heating<br>D >> - MJ 2013 | right  | 1   | PR:L0L,N1M,<br>4A3,9P3 |
| (3) | 958 521 481 00 | Discontinued part<br>Foam part<br>Seat cushion<br>with heating<br>D >> - MJ 2013 | right  | 1   | PR:L0L,N1P,<br>4A4,9P3 |
| (3) | 958 521 481 00 | Discontinued part<br>Foam part<br>Seat cushion<br>with heating<br>D >> - MJ 2013 | right  | 1   | PR:L0L,N5U,<br>4A4,9P3 |
| (3) | 958 521 481 00 | Discontinued part<br>Foam part<br>Seat cushion<br>with heating<br>D >> - MJ 2013 | right  | 1   | PR:L0L,N1M,<br>4A4,9P3 |
| (3) | 958 521 481 01 | Discontinued part<br>Foam part<br>Seat cushion<br>with heating<br>D - MJ 2014>>  | right  | 1   | PR:L0L,N1P,<br>4A3,9P3 |
| (3) | 958 521 481 01 | Foam part<br>Seat cushion<br>with heating<br>D - MJ 2014>>                       | right  | 1   | PR:L0L,N5U,<br>4A3,9P3 |
| (3) | 958 521 481 01 | Foam part<br>Seat cushion<br>with heating<br>D - MJ 2014>>                       | right  | 1   | PR:L0L,N1M,<br>4A3,9P3 |
| (3) | 958 521 481 01 | Foam part<br>Seat cushion<br>with heating<br>D - MJ 2014>>                       | right  | 1   | PR:L0L,N1P,<br>4A4,9P3 |
| (3) | 958 521 481 01 | Foam part<br>Seat cushion<br>with heating<br>D - MJ 2014>>                       | right  | 1   | PR:L0L,N5U,<br>4A4,9P3 |
| (3) | 958 521 481 01 | Foam part<br>Seat cushion<br>with heating<br>D - MJ 2014>>                       | right  | 1   | PR:L0L,N1M,<br>4A4,9P3 |
| (3) | 958 521 382 00 | Discontinued part<br>Foam part<br>Seat cushion<br>with heating<br>D >> - MJ 2013 | left   | 1   | PR:L0R,N1P,<br>4A3     |
| (3) | 958 521 382 00 | Discontinued part<br>Foam part<br>Seat cushion<br>with heating<br>D >> - MJ 2013 | left   | 1   | PR:L0R,N5U,<br>4A3     |
| (3) | 958 521 382 00 | Discontinued part<br>Foam part<br>Seat cushion<br>with heating<br>D >> - MJ 2013 | left   | 1   | PR:L0R,N1M,<br>4A3     |
| (3) | 958 521 382 00 | Discontinued part<br>Foam part<br>Seat cushion<br>with heating                   | left   | 1   | PR:L0R,N1P,<br>4A4     |

Model: 92A 11 Model life 2011>>2018

| Pos | Part Number    | Description  | Remark | Qty | Model                  |
|-----|----------------|--|--------|-----|------------------------|
| (3) | 958 521 382 00 | D >> - MJ 2013<br>Discontinued part<br>Foam part<br>Seat cushion<br>with heating | left   | 1   | PR:L0R,N5U,<br>4A4     |
| (3) | 958 521 382 00 | D >> - MJ 2013<br>Discontinued part<br>Foam part<br>Seat cushion<br>with heating | left   | 1   | PR:L0R,N1M,<br>4A4     |
| (3) | 958 521 382 01 | D >> - MJ 2013<br>Discontinued part<br>Foam part<br>Seat cushion<br>with heating | left   | 1   | PR:L0R,N1P,<br>4A3     |
| (3) | 958 521 382 01 | D - MJ 2014>><br>Foam part<br>Seat cushion<br>with heating                       | left   | 1   | PR:L0R,N5U,<br>4A3     |
| (3) | 958 521 382 01 | D - MJ 2014>><br>Foam part<br>Seat cushion<br>with heating                       | left   | 1   | PR:L0R,N1M,<br>4A3     |
| (3) | 958 521 382 01 | D - MJ 2014>><br>Foam part<br>Seat cushion<br>with heating                       | left   | 1   | PR:L0R,N1P,<br>4A4     |
| (3) | 958 521 382 01 | D - MJ 2014>><br>Foam part<br>Seat cushion<br>with heating                       | left   | 1   | PR:L0R,N5U,<br>4A4     |
| (3) | 958 521 382 01 | D - MJ 2014>><br>Foam part<br>Seat cushion<br>with heating                       | left   | 1   | PR:L0R,N1M,<br>4A4     |
| (3) | 958 521 482 00 | D >> - MJ 2013<br>Discontinued part<br>Foam part<br>Seat cushion<br>with heating | right  | 1   | PR:L0R,N1P,<br>4A3,9P3 |
| (3) | 958 521 482 00 | D >> - MJ 2013<br>Discontinued part<br>Foam part<br>Seat cushion<br>with heating | right  | 1   | PR:L0R,N5U,<br>4A3,9P3 |
| (3) | 958 521 482 00 | D >> - MJ 2013<br>Discontinued part<br>Foam part<br>Seat cushion<br>with heating | right  | 1   | PR:L0R,N1M,<br>4A3,9P3 |
| (3) | 958 521 482 00 | D >> - MJ 2013<br>Discontinued part<br>Foam part<br>Seat cushion<br>with heating | right  | 1   | PR:L0R,N1P,<br>4A4,9P3 |
| (3) | 958 521 482 00 | D >> - MJ 2013<br>Discontinued part<br>Foam part<br>Seat cushion<br>with heating | right  | 1   | PR:L0R,N5U,<br>4A4,9P3 |
| (3) | 958 521 482 00 | D >> - MJ 2013<br>Discontinued part<br>Foam part<br>Seat cushion                 | right  | 1   | PR:L0R,N1M,<br>4A4,9P3 |

Model: 92A 11 Model life 2011>>2018

| Pos | Part Number    | Description  | Remark | Qty | Model                  |
|-----|----------------|--|--------|-----|------------------------|
| (3) | 958 521 482 01 | with heating<br>D >> - MJ 2013<br>Discontinued part<br>Foam part<br>Seat cushion | right  | 1   | PR:L0R,N1P,<br>4A3,9P3 |
| (3) | 958 521 482 01 | with heating<br>D - MJ 2014>><br>Foam part<br>Seat cushion                       | right  | 1   | PR:L0R,N5U,<br>4A3,9P3 |
| (3) | 958 521 482 01 | with heating<br>D - MJ 2014>><br>Foam part<br>Seat cushion                       | right  | 1   | PR:L0R,N1M,<br>4A3,9P3 |
| (3) | 958 521 482 01 | with heating<br>D - MJ 2014>><br>Foam part<br>Seat cushion                       | right  | 1   | PR:L0R,N1P,<br>4A4,9P3 |
| (3) | 958 521 482 01 | with heating<br>D - MJ 2014>><br>Foam part<br>Seat cushion                       | right  | 1   | PR:L0R,N5U,<br>4A4,9P3 |
| (3) | 958 521 482 01 | with heating<br>D - MJ 2014>><br>Foam part<br>Seat cushion                       | right  | 1   | PR:L0R,N1M,<br>4A4,9P3 |
| 4   | 958 521 383 00 | Foam part<br>Seat cushion  | left   | 1   | PR:L0L,N5Y,<br>4A0     |
| 4   | 958 521 383 00 | Foam part<br>Seat cushion  | left   | 1   | PR:L0L,N7D,<br>4A0     |
| (4) | 958 521 483 00 | Foam part<br>Seat cushion  | right  | 1   | PR:L0L,N5Y,<br>4A0,9P3 |
| (4) | 958 521 483 00 | Foam part<br>Seat cushion  | right  | 1   | PR:L0L,N7D,<br>4A0,9P3 |
| (4) | 958 521 384 00 | Foam part<br>Seat cushion  | left   | 1   | PR:L0R,N5Y,<br>4A0     |
| (4) | 958 521 384 00 | Foam part<br>Seat cushion  | left   | 1   | PR:L0R,N7D,<br>4A0     |
| (4) | 958 521 484 00 | Foam part<br>Seat cushion  | right  | 1   | PR:L0R,N5Y,<br>4A0,9P3 |
| (4) | 958 521 484 00 | Foam part<br>Seat cushion  | right  | 1   | PR:L0R,N7D,<br>4A0,9P3 |
| (4) | 958 521 385 00 | Foam part<br>Seat cushion<br>with heating  | left   | 1   | PR:L0L,N5Y,<br>4A3     |
| (4) | 958 521 385 00 | D >> - MJ 2013<br>Discontinued part<br>Foam part<br>Seat cushion                 | left   | 1   | PR:L0L,N7D,<br>4A3     |
| (4) | 958 521 385 00 | with heating<br>D >> - MJ 2013<br>Discontinued part<br>Foam part<br>Seat cushion | left   | 1   | PR:L0L,N5Y,<br>4A4     |
| (4) | 958 521 385 00 | with heating<br>D >> - MJ 2013<br>Discontinued part<br>Foam part<br>Seat cushion | left   | 1   | PR:L0L,N7D,<br>4A4     |
| (4) | 958 521 385 00 | with heating<br>D >> - MJ 2013<br>Discontinued part                              | left   | 1   | PR:L0L,N7D,<br>4A4     |

Model: 92A 11 Model life 2011>>2018

| Pos | Part Number    | Description  | Remark | Qty | Model                  |
|-----|----------------|--|--------|-----|------------------------|
| (4) | 958 521 385 01 | Foam part<br>Seat cushion<br>with heating<br>D - MJ 2014>>                       | left   | 1   | PR:L0L,N5Y,<br>4A3     |
| (4) | 958 521 385 01 | Foam part<br>Seat cushion<br>with heating<br>D - MJ 2014>>                       | left   | 1   | PR:L0L,N7D,<br>4A3     |
| (4) | 958 521 385 01 | Foam part<br>Seat cushion<br>with heating<br>D - MJ 2014>>                       | left   | 1   | PR:L0L,N5Y,<br>4A4     |
| (4) | 958 521 385 01 | Foam part<br>Seat cushion<br>with heating<br>D - MJ 2014>>                       | left   | 1   | PR:L0L,N7D,<br>4A4     |
| (4) | 958 521 485 00 | Foam part<br>Seat cushion<br>with heating<br>D >> - MJ 2013<br>Discontinued part | right  | 1   | PR:L0L,N5Y,<br>4A3,9P3 |
| (4) | 958 521 485 00 | Foam part<br>Seat cushion<br>with heating<br>D >> - MJ 2013<br>Discontinued part | right  | 1   | PR:L0L,N7D,<br>4A3,9P3 |
| (4) | 958 521 485 00 | Foam part<br>Seat cushion<br>with heating<br>D >> - MJ 2013<br>Discontinued part | right  | 1   | PR:L0L,N5Y,<br>4A4,9P3 |
| (4) | 958 521 485 00 | Foam part<br>Seat cushion<br>with heating<br>D >> - MJ 2013<br>Discontinued part | right  | 1   | PR:L0L,N7D,<br>4A4,9P3 |
| (4) | 958 521 485 01 | Foam part<br>Seat cushion<br>with heating<br>D - MJ 2014>>                       | right  | 1   | PR:L0L,N5Y,<br>4A3,9P3 |
| (4) | 958 521 485 01 | Foam part<br>Seat cushion<br>with heating<br>D - MJ 2014>>                       | right  | 1   | PR:L0L,N7D,<br>4A3,9P3 |
| (4) | 958 521 485 01 | Foam part<br>Seat cushion<br>with heating<br>D - MJ 2014>>                       | right  | 1   | PR:L0L,N5Y,<br>4A4,9P3 |
| (4) | 958 521 485 01 | Foam part<br>Seat cushion<br>with heating<br>D - MJ 2014>>                       | right  | 1   | PR:L0L,N7D,<br>4A4,9P3 |
| (4) | 958 521 386 00 | Foam part<br>Seat cushion<br>with heating<br>D >> - MJ 2013<br>Discontinued part | left   | 1   | PR:L0R,N5Y,<br>4A3     |
| (4) | 958 521 386 00 | Foam part<br>Seat cushion<br>with heating<br>D >> - MJ 2013<br>Discontinued part | left   | 1   | PR:L0R,N7D,<br>4A3     |
| (4) | 958 521 386 00 | Foam part  | left   | 1   | PR:L0R,N5Y,            |

Model: 92A 11 Model life 2011>>2018

| Pos | Part Number    | Description   | Remark | Qty | Model                 |
|-----|----------------|---|--------|-----|-----------------------|
| (4) | 958 521 386 00 | Seat cushion with heating<br>D >> - MJ 2013<br>Discontinued part<br>Foam part | left   | 1   | 4A4<br>PR:L0R,N7D,4A4 |
| (4) | 958 521 386 01 | Seat cushion with heating<br>D >> - MJ 2013<br>Discontinued part<br>Foam part | left   | 1   | PR:L0R,N5Y,4A3        |
| (4) | 958 521 386 01 | Seat cushion with heating<br>D - MJ 2014>><br>Foam part                       | left   | 1   | PR:L0R,N7D,4A3        |
| (4) | 958 521 386 01 | Seat cushion with heating<br>D - MJ 2014>><br>Foam part                       | left   | 1   | PR:L0R,N5Y,4A4        |
| (4) | 958 521 386 01 | Seat cushion with heating<br>D - MJ 2014>><br>Foam part                       | left   | 1   | PR:L0R,N7D,4A4        |
| (4) | 958 521 486 00 | Seat cushion with heating<br>D >> - MJ 2013<br>Discontinued part<br>Foam part | right  | 1   | PR:L0R,N5Y,4A3,9P3    |
| (4) | 958 521 486 00 | Seat cushion with heating<br>D >> - MJ 2013<br>Discontinued part<br>Foam part | right  | 1   | PR:L0R,N7D,4A3,9P3    |
| (4) | 958 521 486 00 | Seat cushion with heating<br>D >> - MJ 2013<br>Discontinued part<br>Foam part | right  | 1   | PR:L0R,N5Y,4A4,9P3    |
| (4) | 958 521 486 00 | Seat cushion with heating<br>D >> - MJ 2013<br>Discontinued part<br>Foam part | right  | 1   | PR:L0R,N7D,4A4,9P3    |
| (4) | 958 521 486 01 | Seat cushion with heating<br>D - MJ 2014>><br>Foam part                       | right  | 1   | PR:L0R,N5Y,4A3,9P3    |
| (4) | 958 521 486 01 | Seat cushion with heating<br>D - MJ 2014>><br>Foam part                       | right  | 1   | PR:L0R,N7D,4A3,9P3    |
| (4) | 958 521 486 01 | Seat cushion with heating<br>D - MJ 2014>><br>Foam part                       | right  | 1   | PR:L0R,N5Y,4A4,9P3    |
| (4) | 958 521 486 01 | Seat cushion with heating<br>D - MJ 2014>><br>Foam part                       | right  | 1   | PR:L0R,N7D,4A4,9P3    |
| 5   | 958 521 802 00 | Backrest cover<br>Plain leather   | left   | 1   | PR:L0L,N5U            |



Model: 92A 11 Model life 2011>>2018

| Pos | Part Number        | Description                     | Remark         | Qty | Model       |
|-----|--------------------|---------------------------------|----------------|-----|-------------|
|     |                    | D >> - MJ 2013                  |                |     |             |
|     | 958 521 802 00 D0D | Black                           | -LC,MA, YC     |     |             |
|     | 958 521 802 00 D0E | Platinum Grey                   | -LD,MD, YD     |     |             |
|     | 958 521 802 00 D0F | Luxor beige                     | -LE,MC, YE     |     |             |
|     | 958 521 802 00 D0G | Umber                           | -LF, YF        |     |             |
|     | 958 521 802 00 D0H | Titanium Blue                   | -TW            |     |             |
|     | 958 521 802 00 D0J | Cream                           | -TX            |     |             |
|     | 958 521 802 00 D0K | Light Tartufo                   | -TY            |     |             |
| (5) | 958 521 802 01     | Backrest cover<br>Plain leather | left           | 1   | PR:N5U      |
|     |                    | D - MJ 2014>>                   |                |     |             |
|     | 958 521 802 01 D0D | Black                           | -LC,MA, YC     |     |             |
|     | 958 521 802 01 D0E | Platinum Grey                   | -LD,MD, YD     |     |             |
|     | 958 521 802 01 D0F | Luxor beige                     | -LE,MC, MK, YE |     |             |
|     | 958 521 802 01 D0G | Umber                           | -LF, YF        |     |             |
|     | 958 521 802 01 D0H | Titanium Blue                   |                |     |             |
|     | 958 521 802 01 D0J | Cream                           | -MJ, TX        |     |             |
|     | 958 521 802 01 D0K | Light Tartufo                   | -TY            |     |             |
|     | 958 521 802 01 YKI | agate grey                      | -MB, MG, ML    |     |             |
|     |                    | D - MJ 2015>>                   |                |     |             |
|     | 958 521 802 01 YMI | saddle brown                    | -ME, MH, MI    |     |             |
|     |                    | D - MJ 2015>>                   |                |     |             |
| (5) | 958 521 802 01 HHM | Cohiba Brown                    | +LH            |     |             |
|     | 958 521 805 00     | Backrest cover<br>Plain leather | left           | 1   | PR:L0R, N5U |
|     | 958 521 805 00 D0D | Black                           | -LC,MA         |     |             |
|     | 958 521 805 00 D0E | Platinum Grey                   | -LD,MD         |     |             |
|     | 958 521 805 00 D0F | Luxor beige                     | -LE,MC         |     |             |
|     | 958 521 805 00 D0G | Umber                           | -LF            |     |             |
|     | 958 521 805 00 D0H | Titanium Blue                   | -TW            |     |             |
|     | 958 521 805 00 D0J | Cream                           | -TX            |     |             |
|     | 958 521 805 00 D0K | Light Tartufo                   | -TY            |     |             |
| (5) | 958 521 812 00     | Backrest cover<br>Plain leather | right          | 1   | PR:N5U      |
|     |                    | D >> - MJ 2013                  |                |     |             |
|     | 958 521 812 00 D0D | Black                           | -LC,MA, YC     |     |             |
|     | 958 521 812 00 D0E | Platinum Grey                   | -LD,MD, YD     |     |             |
|     | 958 521 812 00 D0F | Luxor beige                     | -LE,MC, YE     |     |             |
|     | 958 521 812 00 D0G | Umber                           | -LF, YF        |     |             |
|     | 958 521 812 00 D0H | Titanium Blue                   | -TW            |     |             |
|     | 958 521 812 00 D0J | Cream                           | -TX            |     |             |
|     | 958 521 812 00 D0K | Light Tartufo                   | -TY            |     |             |
| (5) | 958 521 812 01     | Backrest cover<br>Plain leather | right          | 1   | PR:N5U      |
|     |                    | D - MJ 2014>>                   |                |     |             |
|     | 958 521 812 01 D0D | Black                           | -LC,MA, YC     |     |             |
|     | 958 521 812 01 D0E | Platinum Grey                   | -LD,MD, YD     |     |             |
|     | 958 521 812 01 D0F | Luxor beige                     | -LE,MC, MK, YE |     |             |
|     | 958 521 812 01 D0G | Umber                           | -LF, YF        |     |             |
|     | 958 521 812 01 D0H | Titanium Blue                   |                |     |             |
|     | 958 521 812 01 D0J | Cream                           | -MJ, TX        |     |             |
|     | 958 521 812 01 D0K | Light Tartufo                   | -TY            |     |             |
|     | 958 521 812 01 YKI | agate grey                      | -MB, MG, ML    |     |             |
|     |                    | D - MJ 2015>>                   |                |     |             |
|     | 958 521 812 01 YMI | saddle brown                    | -ME, MH, MI    |     |             |
|     |                    | D - MJ 2015>>                   |                |     |             |
| (5) | 958 521 812 01 HHM | Cohiba Brown                    | +LH            |     |             |
|     | 958 521 815 00     | Backrest cover<br>Plain leather | right          | 1   | PR:L0R, N5U |
|     | 958 521 815 00 D0D | Black                           | -LC,MA         |     |             |
|     | 958 521 815 00 D0E | Platinum Grey                   | -LD,MD         |     |             |
|     | 958 521 815 00 D0F | Luxor beige                     | -LE,MC         |     |             |
|     | 958 521 815 00 D0G | Umber                           | -LF            |     |             |

Model: 92A 11 Model life 2011>>2018

| Pos                | Part Number        | Description                                       | Remark                   | Qty | Model  |       |            |            |
|--------------------|--------------------|---|--------------------------|-----|--------|-------|------------|------------|
|                    | 958 521 815 00 D0H | Titanium Blue                                     | -TW                      |     |        |       |            |            |
|                    | 958 521 815 00 D0J | Cream   | -TX                      |     |        |       |            |            |
|                    | 958 521 815 00 D0K | Light Tartufo                                     | -TY                      |     |        |       |            |            |
| (5)                | 958 521 803 01     | Backrest cover<br>Nature                          | left                     | 1   | PR:N1P |       |            |            |
|                    | 958 521 803 01 D0L | Espresso  | -VA                      |     |        |       |            |            |
|                    | 958 521 803 01 D0M | Cognac  | -VB                      |     |        |       |            |            |
|                    | (5)                | 958 521 806 00                                    | Backrest cover<br>Nature |     |        | left  | 1          | PR:L0R,N1P |
|                    | 958 521 806 00 D0L | Espresso  | -VA                      |     |        |       |            |            |
|                    | 958 521 806 00 D0M | Cognac  | -VB                      |     |        |       |            |            |
|                    | (5)                | 958 521 813 00                                    | Backrest cover<br>Nature |     |        | right | 1          | PR:N1P     |
|                    |                    | D >> - MJ 2013                                    |                          |     |        |       |            |            |
|                    | 958 521 813 00 D0L | Espresso  | -VA                      |     |        |       |            |            |
|                    | 958 521 813 00 D0M | Cognac  | -VB                      |     |        |       |            |            |
| (5)                | 958 521 813 01     | Backrest cover<br>Nature                          | right                    |     |        | 1     | PR:N1P     |            |
|                    |                    | D - MJ 2014>>                                     |                          |     |        |       |            |            |
|                    | 958 521 813 01 D0L | Espresso  | -VA                      |     |        |       |            |            |
|                    | 958 521 813 01 D0M | Cognac  | -VB                      |     |        |       |            |            |
| (5)                | 958 521 816 00     | Backrest cover<br>Nature                          | right                    |     |        | 1     | PR:L0R,N1P |            |
|                    | 958 521 816 00 D0L | Espresso  | -VA                      |     |        |       |            |            |
|                    | 958 521 816 00 D0M | Cognac  | -VB                      |     |        |       |            |            |
|                    | (5)                | 958 521 821 00                                    | Backrest cover           |     |        | left  | 1          | PR:N1M     |
|                    |                    | two-colour  |                          |     |        |       |            |            |
|                    | 958 521 821 00 AAC | Black/Luxor Beige                                 | -77                      |     |        |       |            |            |
|                    | 958 521 821 00 AAB | Black/Carrera Red                                 | -TA                      |     |        |       |            |            |
| 958 521 821 00 HGK | Black/Cream        | -LG   |                          |     |        |       |            |            |
| (5)                | 958 521 820 00     | Backrest cover<br>two-colour                      | right                    | 1   | PR:N1M |       |            |            |
|                    | 958 521 820 00 AAC | Black/Luxor Beige                                 | -77                      |     |        |       |            |            |
|                    | 958 521 820 00 AAB | Black/Carrera Red                                 | -TA                      |     |        |       |            |            |
|                    | 958 521 820 00 HGK | Black/Cream                                       | -LG                      |     |        |       |            |            |
| 6                  | 958 521 822 00     | Backrest cover<br>Plain leather<br>Draped leather | left                     | 1   | PR:N7D |       |            |            |
|                    |                    | D >> - MJ 2013                                    |                          |     |        |       |            |            |
|                    | 958 521 822 00 D0D | Black   | -LC,MA,YC                |     |        |       |            |            |
|                    | 958 521 822 00 D0E | Platinum Grey                                     | -LD,MD,YD                |     |        |       |            |            |
| 958 521 822 00 D0F | Luxor beige        | -LE,MC,YE   |                          |     |        |       |            |            |
| 958 521 822 00 D0G | Umber              | -LF,YF  |                          |     |        |       |            |            |
| 958 521 822 00 D0H | Titanium Blue      | -TW   |                          |     |        |       |            |            |
| 958 521 822 00 D0J | Cream              | -TX   |                          |     |        |       |            |            |
| 958 521 822 00 D0K | Light Tartufo      | -TY   |                          |     |        |       |            |            |
| 6                  | 958 521 822 01     | Backrest cover<br>Plain leather<br>Draped leather | left                     |     |        | 1     | PR:N7D     |            |
|                    |                    | D - MJ 2014>>                                     |                          |     |        |       |            |            |
|                    | 958 521 822 01 D0D | Black   | -LC,MA,YC                |     |        |       |            |            |
|                    | 958 521 822 01 D0E | Platinum Grey                                     | -LD,MD,YD                |     |        |       |            |            |
| 958 521 822 01 D0F | Luxor beige        | -LE,MC,MK,YE                                      |                          |     |        |       |            |            |
| 958 521 822 01 D0G | Umber              | -LF,YF  |                          |     |        |       |            |            |
| 958 521 822 01 D0H | Titanium Blue      |   |                          |     |        |       |            |            |
| 958 521 822 01 D0J | Cream              | -MJ,TX  |                          |     |        |       |            |            |
| 958 521 822 01 D0K | Light Tartufo      | -TY   |                          |     |        |       |            |            |
| 958 521 822 01 YKI | agate grey         | -MB,MG  |                          |     |        |       |            |            |
|                    |                    | D - MJ 2015>>                                     |                          |     |        |       |            |            |
|                    | 958 521 822 01 YMI | saddle brown                                      | -MH,MI                   |     |        |       |            |            |
|                    |                    | D - MJ 2015>>                                     |                          |     |        |       |            |            |
|                    | 958 521 822 01 HHM | Cohiba Brown                                      | -LH                      |     |        |       |            |            |
|                    | (6)                | 958 521 825 00                                    | Backrest cover           |     |        | left  | 1          | PR:L0R,N7D |

Model: 92A 11 Model life 2011>>2018

| Pos | Part Number        | Description    | Remark       | Qty | Model      |
|-----|--------------------|----------------|--------------|-----|------------|
|     |                    | Plain leather  |              |     |            |
|     |                    | Draped leather |              |     |            |
|     | 958 521 825 00 D0D | Black          | -LC,MA       |     |            |
|     | 958 521 825 00 D0E | Platinum Grey  | -LD,MD       |     |            |
|     | 958 521 825 00 D0F | Luxor beige    | -LE,MC       |     |            |
|     | 958 521 825 00 D0G | Umber          | -LF          |     |            |
|     | 958 521 825 00 D0H | Titanium Blue  | -TW          |     |            |
|     | 958 521 825 00 D0J | Cream          | -TX          |     |            |
|     | 958 521 825 00 D0K | Light Tartufo  | -TY          |     |            |
| (6) | 958 521 832 01     | Backrest cover | right        | 1   | PR:N7D     |
|     |                    | Plain leather  |              |     |            |
|     |                    | Draped leather |              |     |            |
|     | 958 521 832 01 D0D | Black          | -LC,MA,YC    |     |            |
|     | 958 521 832 01 D0E | Platinum Grey  | -LD,MD,YD    |     |            |
|     | 958 521 832 01 D0F | Luxor beige    | -LE,MC,MK,YE |     |            |
|     | 958 521 832 01 D0G | Umber          | -LF,YF       |     |            |
|     | 958 521 832 01 D0H | Titanium Blue  |              |     |            |
|     | 958 521 832 01 D0J | Cream          | -MJ,TX       |     |            |
|     | 958 521 832 01 D0K | Light Tartufo  | -TY          |     |            |
|     | 958 521 832 01 YKI | agate grey     | -MB,MG       |     |            |
|     |                    | D - MJ 2015>>  |              |     |            |
|     | 958 521 832 01 YMI | saddle brown   | -MH,MI       |     |            |
|     |                    | D - MJ 2015>>  |              |     |            |
| (6) | 958 521 832 01 HHM | Cohiba Brown   | -LH          |     |            |
|     | 958 521 835 00     | Backrest cover | right        | 1   | PR:L0R,N7D |
|     |                    | Plain leather  |              |     |            |
|     |                    | Draped leather |              |     |            |
|     | 958 521 835 00 D0D | Black          | -LC,MA       |     |            |
|     | 958 521 835 00 D0E | Platinum Grey  | -LD,MD       |     |            |
|     | 958 521 835 00 D0F | Luxor beige    | -LE,MC       |     |            |
|     | 958 521 835 00 D0G | Umber          | -LF          |     |            |
|     | 958 521 835 00 D0H | Titanium Blue  | -TW          |     |            |
|     | 958 521 835 00 D0J | Cream          | -TX          |     |            |
|     | 958 521 835 00 D0K | Light Tartufo  | -TY          |     |            |
| (6) | 958 521 823 00     | Backrest cover | left         | 1   | PR:N5Y     |
|     |                    | Nature         |              |     |            |
|     |                    | Draped leather |              |     |            |
|     |                    | D >> - MJ 2013 |              |     |            |
|     | 958 521 823 00 D0L | Espresso       | -VA          |     |            |
|     | 958 521 823 00 D0M | Cognac         | -VB          |     |            |
| (6) | 958 521 823 01     | Backrest cover | left         | 1   | PR:N5Y     |
|     |                    | Nature         |              |     |            |
|     |                    | Draped leather |              |     |            |
|     |                    | D - MJ 2014>>  |              |     |            |
|     | 958 521 823 01 D0L | Espresso       | -VA          |     |            |
|     | 958 521 823 01 D0M | Cognac         | -VB          |     |            |
| (6) | 958 521 826 00     | Backrest cover | left         | 1   | PR:L0R,N5Y |
|     |                    | Nature         |              |     |            |
|     |                    | Draped leather |              |     |            |
|     | 958 521 826 00 D0L | Espresso       | -VA          |     |            |
|     | 958 521 826 00 D0M | Cognac         | -VB          |     |            |
| (6) | 958 521 833 00     | Backrest cover | right        | 1   | PR:N5Y     |
|     |                    | Nature         |              |     |            |
|     |                    | Draped leather |              |     |            |
|     |                    | D >> - MJ 2013 |              |     |            |
|     | 958 521 833 00 D0L | Espresso       | -VA          |     |            |
|     | 958 521 833 00 D0M | Cognac         | -VB          |     |            |
| (6) | 958 521 833 01     | Backrest cover | right        | 1   | PR:N5Y     |
|     |                    | Nature         |              |     |            |
|     |                    | Draped leather |              |     |            |
|     |                    | D - MJ 2014>>  |              |     |            |
|     | 958 521 833 01 D0L | Espresso       | -VA          |     |            |
|     | 958 521 833 01 D0M | Cognac         | -VB          |     |            |

Model: 92A 11 Model life 2011>>2018

| Pos | Part Number        | Description                                   | Remark       | Qty | Model                  |
|-----|--------------------|---|--------------|-----|------------------------|
| (6) | 958 521 836 00     | Backrest cover<br>Nature<br>Draped leather    | right        | 1   | PR:L0R,N5Y             |
|     | 958 521 836 00 D0L | Espresso                                      | -VA          |     |                        |
|     | 958 521 836 00 D0M | Cognac  | -VB          |     |                        |
| 7   | 958 521 420 00     | Seat cover<br>Plain leather                   | left         | 1   | PR:N5U                 |
|     | 958 521 420 00 D0D | Black   | -LC,MA       |     |                        |
|     | 958 521 420 00 D0E | Platinum Grey                                 | -LD,MD       |     |                        |
|     | 958 521 420 00 D0F | Luxor beige                                   | -LE,MC       |     |                        |
|     | 958 521 420 00 D0G | Umber   | -LF          |     |                        |
|     | 958 521 420 00 D0H | Titanium Blue                                 | -TW          |     |                        |
|     | 958 521 420 00 D0J | Cream   | -TX          |     |                        |
|     | 958 521 420 00 D0K | Light Tartufo                                 | -TY          |     |                        |
| 7   | 958 521 420 13     | Seat cover<br>Plain leather<br>D - MJ 2014>>  | left         | 1   | PR:N5U                 |
|     | 958 521 420 13 D0D | Black   | -LC,MA,YC    |     |                        |
|     | 958 521 420 13 D0E | Platinum Grey                                 | -LD,MD,YD    |     |                        |
|     | 958 521 420 13 D0F | Luxor beige                                   | -LE,MC,YE    |     |                        |
|     | 958 521 420 13 D0G | Umber   | -LF,YF       |     |                        |
|     | 958 521 420 13 D0H | Titanium Blue                                 |              |     |                        |
|     | 958 521 420 13 D0J | Cream   | -MJ,TX       |     |                        |
|     | 958 521 420 13 D0K | Light Tartufo                                 | -TY          |     |                        |
|     | 958 521 420 13 YKI | agate grey                                    | -MB,MG,ML    |     |                        |
| (7) | 958 521 426 02     | Seat cover<br>Plain leather<br>D - MJ 2015>>  | left         | 1   | PR:N0Q,N1B             |
|     | 958 521 426 02 D0D | Black   | -LC,MA,YC    |     |                        |
|     | 958 521 426 02 D0F | Luxor beige                                   | -LE,MC,MK,YE |     |                        |
|     | 958 521 426 02 D0J | Cream   | -MJ          |     |                        |
|     | 958 521 426 02 YKI | agate grey                                    | -MB,MG,ML    |     |                        |
|     | 958 521 426 02 YMI | saddle brown<br>D - MJ 2015>>                 | -ME,MH,MI    |     |                        |
|     | 958 521 426 02 HHM | Cohiba Brown                                  | -LH          |     |                        |
| (7) | 958 521 426 02     | Seat cover<br>Plain leather                   | left         | 1   | PR:N1B                 |
|     | 958 521 426 02 AAB | Black/Carrera Red                             | -TA          |     |                        |
|     | 958 521 426 02 AAC | Black/Luxor Beige                             | -77          |     |                        |
| (7) | 958 521 430 00     | Seat cover<br>Plain leather<br>D >> - MJ 2012 | right        | 1   | PR:N5U,9P3             |
|     | 958 521 430 00 D0D | Black   | -LC,MA       |     |                        |
|     | 958 521 430 00 D0E | Platinum Grey                                 | -LD,MD       |     |                        |
|     | 958 521 430 00 D0F | Luxor beige                                   | -LE,MC       |     |                        |
|     | 958 521 430 00 D0G | Umber   | -LF          |     |                        |
|     | 958 521 430 00 D0H | Titanium Blue                                 | -TW          |     |                        |
|     | 958 521 430 00 D0J | Cream   | -TX          |     |                        |
|     | 958 521 430 00 D0K | Light Tartufo                                 | -TY          |     |                        |
| (7) | 958 521 430 00     | Seat cover<br>Plain leather<br>D >> - MJ 2012 | right        | 1   | PR:N5U,9P7             |
|     | 958 521 430 00 D0D | Black   | -LC,MA       |     |                        |
|     | 958 521 430 00 D0E | Platinum Grey                                 | -LD,MD       |     |                        |
|     | 958 521 430 00 D0F | Luxor beige                                   | -LE,MC       |     |                        |
|     | 958 521 430 00 D0G | Umber   | -LF          |     |                        |
|     | 958 521 430 00 D0H | Titanium Blue                                 | -TW          |     |                        |
|     | 958 521 430 00 D0J | Cream   | -TX          |     |                        |
|     | 958 521 430 00 D0K | Light Tartufo                                 | -TY          |     |                        |
| (7) | 958 521 856 01     | Seat cover<br>Plain leather<br>D - MJ 2014>>  | right        | 1   | PR:L0L,N0Q,<br>9P3,9P7 |
|     | 958 521 856 01 D0D | Black   | -LC,MA,YC    |     |                        |

Model: 92A 11 Model life 2011>>2018

| Pos | Part Number        | Description                                  | Remark       | Qty | Model                  |
|-----|--------------------|--|--------------|-----|------------------------|
|     | 958 521 856 01 D0F | Luxor beige                                  | -LE,MC,MK,YE |     |                        |
|     | 958 521 856 01 D0J | Cream  | -MJ          |     |                        |
|     | 958 521 856 01 YKI | agate grey                                   | -MB,MG,ML    |     |                        |
|     | 958 521 856 01 YMI | saddle brown                                 | -ME,MH,MI    |     |                        |
|     | 958 521 856 01 HHM | Cohiba Brown                                 | -LH          |     |                        |
| (7) | 958 521 856 01     | Seat cover<br>Plain leather<br>D - MJ 2014>> | right        | 1   | PR:N0Q,N1B,<br>9P7,9P3 |
|     | 958 521 856 01 AAB | Black/Carrera Red                            | -TA          |     |                        |
|     | 958 521 856 01 AAC | Black/Luxor Beige                            | -77          |     |                        |
| (7) | 958 521 850 00     | Seat cover<br>Plain leather<br>D - MJ 2013>> | right        | 1   | PR:N5U,9P3             |
|     | 958 521 850 00 D0D | Black  | -LC,MA,YC    |     |                        |
|     | 958 521 850 00 D0E | Platinum Grey                                | -LD,MD,YD    |     |                        |
|     | 958 521 850 00 D0F | Luxor beige                                  | -LE,MC,YE    |     |                        |
|     | 958 521 850 00 D0G | Black/umbra                                  | -LF,YF       |     |                        |
|     | 958 521 850 00 D0H | Titanium Blue                                | -TW          |     |                        |
|     | 958 521 850 00 D0J | Cream  | -TX          |     |                        |
|     | 958 521 850 00 D0K | Black/tartufo, light                         | -TY          |     |                        |
| (7) | 958 521 850 00     | Seat cover<br>Plain leather<br>D - MJ 2013>> | right        | 1   | PR:N5U,9P7             |
|     | 958 521 850 00 D0D | Black  | -LC,MA,YC    |     |                        |
|     | 958 521 850 00 D0E | Platinum Grey                                | -LD,MD,YD    |     |                        |
|     | 958 521 850 00 D0F | Luxor beige                                  | -LE,MC,YE    |     |                        |
|     | 958 521 850 00 D0G | Black/umbra                                  | -LF,YF       |     |                        |
|     | 958 521 850 00 D0H | Titanium Blue                                | -TW          |     |                        |
|     | 958 521 850 00 D0J | Cream  | -TX          |     |                        |
|     | 958 521 850 00 D0K | Black/tartufo, light                         | -TY          |     |                        |
| (7) | 958 521 420 13     | Seat cover<br>Plain leather                  | left         | 1   | PR:N1M,N5U             |
|     | 958 521 420 13 AAB | Black/Carrera Red                            | -TA          |     |                        |
|     | 958 521 420 13 AAC | Black/Luxor Beige                            | -77          |     |                        |
|     | 958 521 420 13 HHM | Black/Cohiba Brown                           | -LH          |     |                        |
|     | 958 521 420 13 YMI | saddle brown                                 | -MI          |     |                        |
|     | 958 521 420 13 HGK | Black/Cream                                  | -LG          |     |                        |
| (7) | 958 521 421 13     | Seat cover<br>Plain leather                  | right        | 1   | PR:L0L,N1M,<br>N5U,9P7 |
|     | 958 521 421 13 AAB | Black/Carrera Red                            | -TA          |     |                        |
|     | 958 521 421 13 AAC | Black/Luxor Beige                            | -77          |     |                        |
|     | 958 521 421 13 HHM | Black/Cohiba Brown                           | -LH          |     |                        |
|     | 958 521 421 13 HGK | Black/Cream                                  | -LG          |     |                        |
|     | 958 521 421 13 YKI | agate grey                                   | -MB,MG,ML    |     |                        |
| (7) | 958 521 421 13     | Seat cover<br>Plain leather                  | right        | 1   | PR:N1M,N5U,<br>9P3     |
|     | 958 521 421 13 AAB | Black/Carrera Red                            | -TA          |     |                        |
|     | 958 521 421 13 AAC | Black/Luxor Beige                            | -77,TB       |     |                        |
|     | 958 521 421 13 HHM | Black/Cohiba Brown                           | -LH          |     |                        |
|     | 958 521 421 13 YMI | saddle brown                                 | -MI          |     |                        |
|     | 958 521 421 13 HGK | Black/Cream                                  | -LG          |     |                        |
|     | 958 521 421 13 YKI | agate grey                                   | -MB,MG,ML    |     |                        |
| (7) | 958 521 421 02     | Seat cover<br>Nature                         | left         | 1   | PR:N1P                 |
|     | 958 521 421 02 D0L | Espresso                                     | -VA          |     |                        |
|     | 958 521 421 02 D0M | Cognac                                       | -VB          |     |                        |
| (7) | 958 521 858 01     | Seat cover<br>Nature                         | right        | 1   | PR:N1P,9P3             |
|     | 958 521 858 01 D0L | Espresso                                     | -VA          |     |                        |
|     | 958 521 858 01 D0M | Cognac                                       | -VB          |     |                        |
| (7) | 958 521 858 01     | Seat cover                                   | right        | 1   | PR:N1P,9P7             |

Model: 92A 11 Model life 2011>>2018

| Pos                | Part Number        | Description          | Remark       | Qty | Model      |
|--------------------|--------------------|----------------------|--------------|-----|------------|
| (8)                | 958 521 858 01 D0L | Nature Espresso      | -VA          | 1   | PR:N7D     |
|                    | 958 521 858 01 D0M | Cognac               | -VB          |     |            |
|                    | 958 521 422 01     | Seat cover           | left         |     |            |
|                    |                    | Plain leather        |              |     |            |
|                    |                    | Draped leather       |              |     |            |
|                    |                    | D >> - MJ 2013       |              |     |            |
|                    | 958 521 422 01 D0D | Black                | -LC,MA,YC    |     |            |
|                    | 958 521 422 01 D0E | Platinum Grey        | -LD,MD,YD    |     |            |
|                    | 958 521 422 01 D0F | Luxor beige          | -LE,MC,YE    |     |            |
|                    | 958 521 422 01 D0G | Umber                | -LF,YF       |     |            |
| (8)                | 958 521 422 01 D0H | Titanium Blue        | -TW          | 1   | PR:N7D     |
|                    | 958 521 422 01 D0J | Cream                | -TX          |     |            |
|                    | 958 521 422 01 D0K | Light Tartufo        | -TY          |     |            |
|                    | 958 521 422 02     | Seat cover           | left         |     |            |
|                    |                    | Plain leather        |              |     |            |
|                    |                    | Draped leather       |              |     |            |
|                    |                    | D - MJ 2014>>        |              |     |            |
|                    | 958 521 422 02 D0D | Black                | -LC,MA,YC    |     |            |
|                    | 958 521 422 02 D0E | Platinum Grey        | -LD,MD,YD    |     |            |
|                    | 958 521 422 02 D0F | Luxor beige          | -LE,MC,MK,YE |     |            |
| (8)                | 958 521 422 02 D0G | Umber                | -LF,YF       | 1   | PR:N7D,9P3 |
|                    | 958 521 422 02 D0H | Titanium Blue        |              |     |            |
|                    | 958 521 422 02 D0J | Cream                | -MJ,TX       |     |            |
|                    | 958 521 422 02 D0K | Light Tartufo        | -TY          |     |            |
|                    | 958 521 422 02 YKI | agate grey           | -MB,MG       |     |            |
|                    |                    | D - MJ 2015>>        |              |     |            |
|                    | 958 521 422 02 YMI | saddle brown         | -MH,MI       |     |            |
|                    |                    | D - MJ 2015>>        |              |     |            |
|                    | 958 521 422 02 HHM | Cohiba Brown         | -LH          |     |            |
|                    | 958 521 854 00     | Seat cover           | right        |     |            |
| (8)                |                    | D >> - MJ 2013       |              | 1   | PR:N7D,9P7 |
|                    | 958 521 854 00 D0D | Black                | -LC,MA,YC    |     |            |
|                    | 958 521 854 00 D0E | Platinum Grey        | -LD,MD,YD    |     |            |
|                    | 958 521 854 00 D0F | Luxor beige          | -LE,MC,YE    |     |            |
|                    | 958 521 854 00 D0G | Black/umbra          | -LF,YF       |     |            |
|                    | 958 521 854 00 D0H | Titanium Blue        | -TW          |     |            |
|                    | 958 521 854 00 D0J | Cream                | -TX          |     |            |
|                    | 958 521 854 00 D0K | Black/tartufo, light | -TY          |     |            |
|                    | 958 521 854 00     | Seat cover           | right        |     |            |
|                    |                    | D >> - MJ 2013       |              |     |            |
| (8)                | 958 521 854 00 D0D | Black                | -LC,MA,YC    | 1   | PR:N7D,9P3 |
|                    | 958 521 854 00 D0E | Platinum Grey        | -LD,MD,YD    |     |            |
|                    | 958 521 854 00 D0F | Luxor beige          | -LE,MC,YE    |     |            |
|                    | 958 521 854 00 D0G | Black/umbra          | -LF,YF       |     |            |
|                    | 958 521 854 00 D0H | Titanium Blue        | -TW          |     |            |
|                    | 958 521 854 00 D0J | Cream                | -TX          |     |            |
|                    | 958 521 854 00 D0K | Black/tartufo, light | -TY          |     |            |
|                    | 958 521 854 01     | Seat cover           | right        |     |            |
|                    |                    | D - MJ 2014>>        |              |     |            |
|                    | 958 521 854 01 D0D | Black                | -LC,MA,YC    |     |            |
| (8)                | 958 521 854 01 D0E | Platinum Grey        | -LD,MD,YD    | 1   | PR:N7D,9P7 |
|                    | 958 521 854 01 D0F | Luxor beige          | -LE,MC,MK,YE |     |            |
|                    | 958 521 854 01 D0G | Umber                | -LF,YF       |     |            |
|                    | 958 521 854 01 D0H | Titanium Blue        |              |     |            |
|                    | 958 521 854 01 D0J | Cream                | -MJ,TX       |     |            |
|                    | 958 521 854 01 D0K | Light Tartufo        | -TY          |     |            |
|                    | 958 521 854 01 YKI | agate grey           | -MB,MG       |     |            |
|                    |                    | D - MJ 2015>>        |              |     |            |
|                    | 958 521 854 01 YMI | saddle brown         | -MH,MI       |     |            |
|                    |                    | D - MJ 2015>>        |              |     |            |
| 958 521 854 01 HHM | Cohiba Brown       | -LH                  |              |     |            |
| 958 521 854 01     | Seat cover         | right                |              |     |            |

Model: 92A 11 Model life 2011>>2018

| Pos | Part Number        | Description   | Remark         | Qty | Model            |
|-----|--------------------|---|----------------|-----|------------------|
|     |                    | D - MJ 2014>>   |                |     |                  |
|     | 958 521 854 01 D0D | Black   | -LC,MA, YC     |     |                  |
|     | 958 521 854 01 D0E | Platinum Grey   | -LD,MD, YD     |     |                  |
|     | 958 521 854 01 D0F | Luxor beige   | -LE,MC, MK, YE |     |                  |
|     | 958 521 854 01 D0G | Umber   | -LF, YF        |     |                  |
|     | 958 521 854 01 D0H | Titanium Blue   |                |     |                  |
|     | 958 521 854 01 D0J | Cream   | -MJ, TX        |     |                  |
|     | 958 521 854 01 D0K | Light Tartufo   | -TY            |     |                  |
|     | 958 521 854 01 YKI | agate grey  | -MB, MG        |     |                  |
|     |                    | D - MJ 2015>>   |                |     |                  |
|     | 958 521 854 01 YMI | saddle brown  | -MH, MI        |     |                  |
| (8) | 958 521 423 01     | D - MJ 2015>><br>Seat cover<br>Nature<br>Draped leather | left           | 1   | PR:N5Y           |
|     |                    | D >> - MJ 2013  |                |     |                  |
|     | 958 521 423 01 D0L | Espresso  | -VA            |     |                  |
|     | 958 521 423 01 D0M | Cognac  | -VB            |     |                  |
| (8) | 958 521 423 02     | Seat cover<br>Nature<br>Draped leather                  | left           | 1   | PR:N5Y           |
|     |                    | D - MJ 2014>>   |                |     |                  |
|     | 958 521 423 02 D0L | Espresso  | -VA            |     |                  |
|     | 958 521 423 02 D0M | Cognac  | -VB            |     |                  |
| (8) | 958 521 884 00     | Seat cover<br>Nature<br>Draped leather                  | right          | 1   | PR:N5Y, 9P3      |
|     |                    | D >> - MJ 2013  |                |     |                  |
|     | 958 521 884 00 D0L | Espresso  | -VA            |     |                  |
|     | 958 521 884 00 D0M | Cognac  | -VB            |     |                  |
| (8) | 958 521 884 00     | Seat cover<br>Nature<br>Draped leather                  | right          | 1   | PR:N5Y, 9P7      |
|     |                    | D >> - MJ 2013  |                |     |                  |
|     | 958 521 884 00 D0L | Espresso  | -VA            |     |                  |
|     | 958 521 884 00 D0M | Cognac  | -VB            |     |                  |
| (8) | 958 521 884 01     | Seat cover<br>Nature<br>Draped leather                  | right          | 1   | PR:N5Y, 9P3      |
|     |                    | D - MJ 2014>>   |                |     |                  |
|     | 958 521 884 01 D0L | Espresso  | -VA            |     |                  |
|     | 958 521 884 01 D0M | Cognac  | -VB            |     |                  |
| (8) | 958 521 884 01     | Seat cover<br>Nature<br>Draped leather                  | right          | 1   | PR:N5Y, 9P7      |
|     |                    | D - MJ 2014>>   |                |     |                  |
|     | 958 521 884 01 D0L | Espresso  | -VA            |     |                  |
|     | 958 521 884 01 D0M | Cognac  | -VB            |     |                  |
| 9   | 958 521 392 00     | Foam part<br>Seat cushion<br>without heating            | front          | 1   | PR:N1P, 4A0, 9P3 |
| (9) | 958 521 392 00     | Foam part<br>Seat cushion<br>without heating            | front          | 1   | PR:N1P, 4A0, 9P7 |
| (9) | 958 521 392 00     | Foam part<br>Seat cushion<br>without heating            | front          | 1   | PR:N5U, 4A0, 9P3 |
| (9) | 958 521 392 00     | Foam part<br>Seat cushion<br>without heating            | front          | 1   | PR:N5U, 4A0, 9P7 |
| (9) | 958 521 392 00     | Foam part<br>Seat cushion<br>without heating            | front          | 1   | PR:N5Y, 4A0, 9P3 |

Model: 92A 11

Model life 2011&gt;&gt;2018

| Pos | Part Number    | Description                                  | Remark | Qty | Model                  |
|-----|----------------|--|--------|-----|------------------------|
| (9) | 958 521 392 00 | Foam part<br>Seat cushion<br>without heating | front  | 1   | PR:N5Y,4A0,<br>9P7     |
| (9) | 958 521 392 00 | Foam part<br>Seat cushion<br>without heating | front  | 1   | PR:N7D,4A0,<br>9P3     |
| (9) | 958 521 392 00 | Foam part<br>Seat cushion<br>without heating | front  | 1   | PR:N7D,4A0,<br>9P7     |
| (9) | 958 521 392 00 | Foam part<br>Seat cushion<br>without heating | front  | 1   | PR:N1M,4A0,<br>9P3     |
| (9) | 958 521 392 00 | Foam part<br>Seat cushion<br>without heating | front  | 1   | PR:N1M,4A0,<br>9P7     |
| (9) | 958 521 390 00 | Foam part<br>Seat cushion<br>with heating    | front  | 1   | PR:N1P,4A3,<br>9P3     |
| (9) | 958 521 390 00 | Foam part<br>Seat cushion<br>with heating    | front  | 1   | PR:N1P,4A3,<br>9P7     |
| (9) | 958 521 390 00 | Foam part<br>Seat cushion<br>with heating    | front  | 1   | PR:N1P,4A4,<br>9P3     |
| (9) | 958 521 390 00 | Foam part<br>Seat cushion<br>with heating    | front  | 1   | PR:N1P,4A4,<br>9P7     |
| (9) | 958 521 390 00 | Foam part<br>Seat cushion<br>with heating    | front  | 1   | PR:N5U,4A3,<br>9P3     |
| (9) | 958 521 390 00 | Foam part<br>Seat cushion<br>with heating    | front  | 1   | PR:N5U,4A3,<br>9P7     |
| (9) | 958 521 390 00 | Foam part<br>Seat cushion<br>with heating    | front  | 1   | PR:N5U,4A4,<br>9P3     |
| (9) | 958 521 390 00 | Foam part<br>Seat cushion<br>with heating    | front  | 1   | PR:N5U,4A4,<br>9P7     |
| (9) | 958 521 390 00 | Foam part<br>Seat cushion<br>with heating    | front  | 1   | PR:N5Y,4A3,<br>9P3     |
| (9) | 958 521 390 00 | Foam part<br>Seat cushion<br>with heating    | front  | 1   | PR:N5Y,4A3,<br>9P7     |
| (9) | 958 521 390 00 | Foam part<br>Seat cushion<br>with heating    | front  | 1   | PR:N5Y,4A4,<br>9P3     |
| (9) | 958 521 390 00 | Foam part<br>Seat cushion<br>with heating    | front  | 1   | PR:N5Y,4A4,<br>9P7,9P3 |
| (9) | 958 521 390 00 | Foam part<br>Seat cushion<br>with heating    | front  | 1   | PR:N7D,4A3,<br>9P3     |
| (9) | 958 521 390 00 | Foam part<br>Seat cushion<br>with heating    | front  | 1   | PR:N7D,4A3,<br>9P7     |
| (9) | 958 521 390 00 | Foam part<br>Seat cushion<br>with heating    | front  | 1   | PR:N7D,4A4,<br>9P3     |
| (9) | 958 521 390 00 | Foam part<br>Seat cushion<br>with heating    | front  | 1   | PR:N7D,4A4,<br>9P7     |



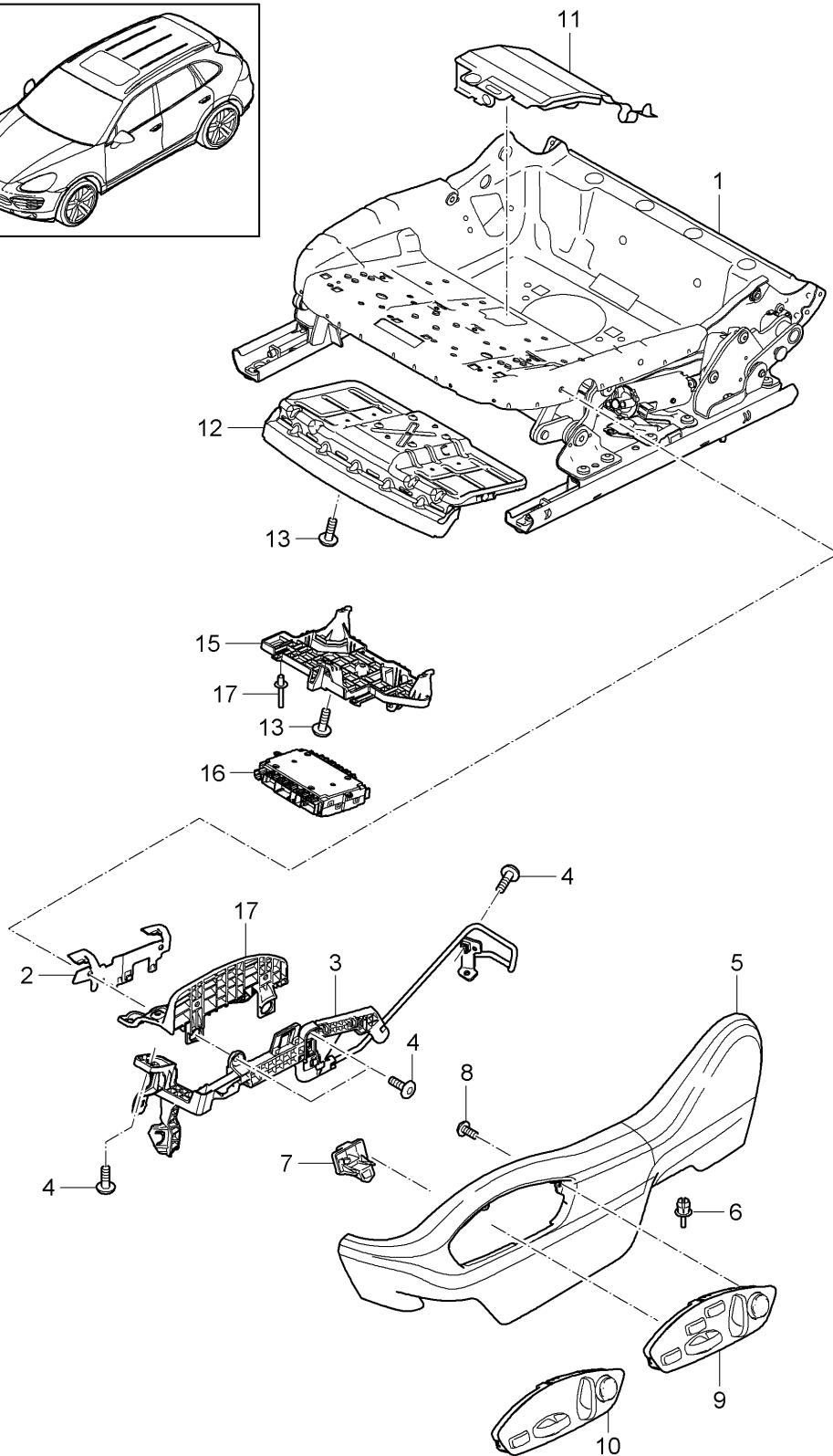
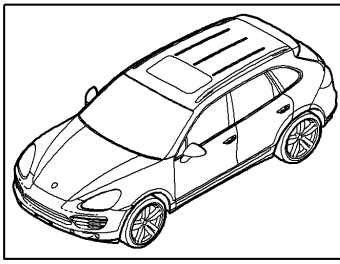
Model: 92A 11

Model life 2011>>2018

| Pos | Part Number        | Description   | Remark | Qty | Model              |
|-----|--------------------|---|--------|-----|--------------------|
| (9) | 958 521 390 00     | Foam part<br>Seat cushion<br>with heating                 | front  | 1   | PR:N1M,4A3,<br>9P3 |
| (9) | 958 521 390 00     | Foam part<br>Seat cushion<br>with heating                 | front  | 1   | PR:N1M,4A3,<br>9P7 |
| (9) | 958 521 390 00     | Foam part<br>Seat cushion<br>with heating                 | front  | 1   | PR:N1M,4A4,<br>9P3 |
| (9) | 958 521 390 00     | Foam part<br>Seat cushion<br>with heating                 | front  | 1   | PR:N1M,4A4,<br>9P7 |
| -   | 958 521 761 11     | repair set<br>knob<br>child seat<br>Identification: >> >> |        | 1   |                    |
|     | 958 521 761 11 95R | Grey  |        |     |                    |

Model: 92A 11

Model life 2011>>2018



Model: 92A 11 Model life 2011>>2018

| Pos | Part Number        | Description   | Remark                                 | Qty | Model      |
|-----|--------------------|---|--|-----|------------|
|     |                    | Seat frame<br>Comfort seat<br>sports seat<br>frame for seat     |  |     | PR:Q1J,Q2J |
| 1   |                    | with:<br>Adjusting motor<br>see illustration:                   | 817-025                                |     |            |
| 2   | 958 521 539 00     | Reinforcement<br>Seat adjuster                                  | left                                   | 1   |            |
| (2) | 958 521 540 00     | Reinforcement<br>Seat adjuster                                  | right                                  | 1   |            |
| 3   | 958 521 559 00     | Bracket<br>frame for seat                                       | left                                   | 1   |            |
| (3) | 958 521 560 00     | Bracket<br>frame for seat                                       | right                                  | 1   |            |
| 4   | N 107 148 01       | fillister head bolt with<br>multi-point socket head<br>M 6 X 18 |  | 4   |            |
| 5   | 958 521 313 00     | Trim<br>Front seat<br>Sill<br>D >> - MJ 2013                    | left                                   | 1   |            |
|     | 958 521 313 00 82V | Titan black   | -LC,MA,TA,TB,<br>YA,YB,YC              |     |            |
|     | 958 521 313 00 4H0 | Luxor beige   | -LE,MC,YE                              |     |            |
|     | 958 521 313 00 6L0 | Platinum Grey   | -LD,MD,YD                              |     |            |
|     | 958 521 313 00 5J0 | Cream   | -TX                                    |     |            |
|     | 958 521 313 00 7N0 | Espresso  | -VA                                    |     |            |
|     | 958 521 313 00 8P0 | Cognac  | -VB                                    |     |            |
|     | 958 521 313 00 DE1 | Umber   | -LF,YF                                 |     |            |
|     | 958 521 313 00 DF2 | Light Tartufo   | -TY                                    |     |            |
|     | 958 521 313 00 DJ3 | Titanium Blue   | -TW                                    |     |            |
| (5) | 7P5 881 313 B      | Trim<br>Front seat<br>Sill<br>D - MJ 2014>>                     | left                                   | 1   |            |
|     | 7P5 881 313 B 82V  | Titan black   | -LC,LG,MA,MF,<br>TA,TB,YA,YB,<br>YC,77 |     |            |
|     | 7P5 881 313 B 4H0  | Luxor beige   | -LE,MC,MK,YE                           |     |            |
|     | 7P5 881 313 B 6L0  | Platinum Grey   | -LD,MD,YD                              |     |            |
|     | 7P5 881 313 B 5J0  | Cream   | -MJ,TX                                 |     |            |
|     | 7P5 881 313 B 7N0  | Espresso  | -VA                                    |     |            |
|     | 7P5 881 313 B 8P0  | Cognac  | -VB                                    |     |            |
|     | 7P5 881 313 B DE1  | Umber   | -LF,YF                                 |     |            |
|     | 7P5 881 313 B DF2  | Light Tartufo   | -TY                                    |     |            |
|     | 7P5 881 313 B DJ3  | Titanium Blue   |  |     |            |
|     | 7P5 881 313 B OM8  | saddle brown  | -ME,MH,MI                              |     |            |
|     | 7P5 881 313 B OP1  | agate grey  | -MB,MG,ML                              |     |            |
|     | 7P5 881 313 B OB8  | Cohiba Brown  | -LH                                    |     |            |
| 5   | 958 521 314 00     | Trim<br>Front seat<br>Sill<br>D >> - MJ 2013                    | right                                  | 1   |            |
|     | 958 521 314 00 82V | Titan black   | -LC,MA,TA,TB,<br>YA,YB,YC              |     |            |
|     | 958 521 314 00 4H0 | Luxor beige   | -LE,MC,YE                              |     |            |
|     | 958 521 314 00 6L0 | Platinum Grey   | -LD,MD,YD                              |     |            |
|     | 958 521 314 00 5J0 | Cream   | -TX                                    |     |            |
|     | 958 521 314 00 7N0 | Espresso  | -VA                                    |     |            |
|     | 958 521 314 00 8P0 | Cognac  | -VB                                    |     |            |
|     | 958 521 314 00 DE1 | Umber   | -LF,YF                                 |     |            |
|     | 958 521 314 00 DF2 | Light Tartufo   | -TY                                    |     |            |

Model: 92A 11

Model life 2011&gt;&gt;2018

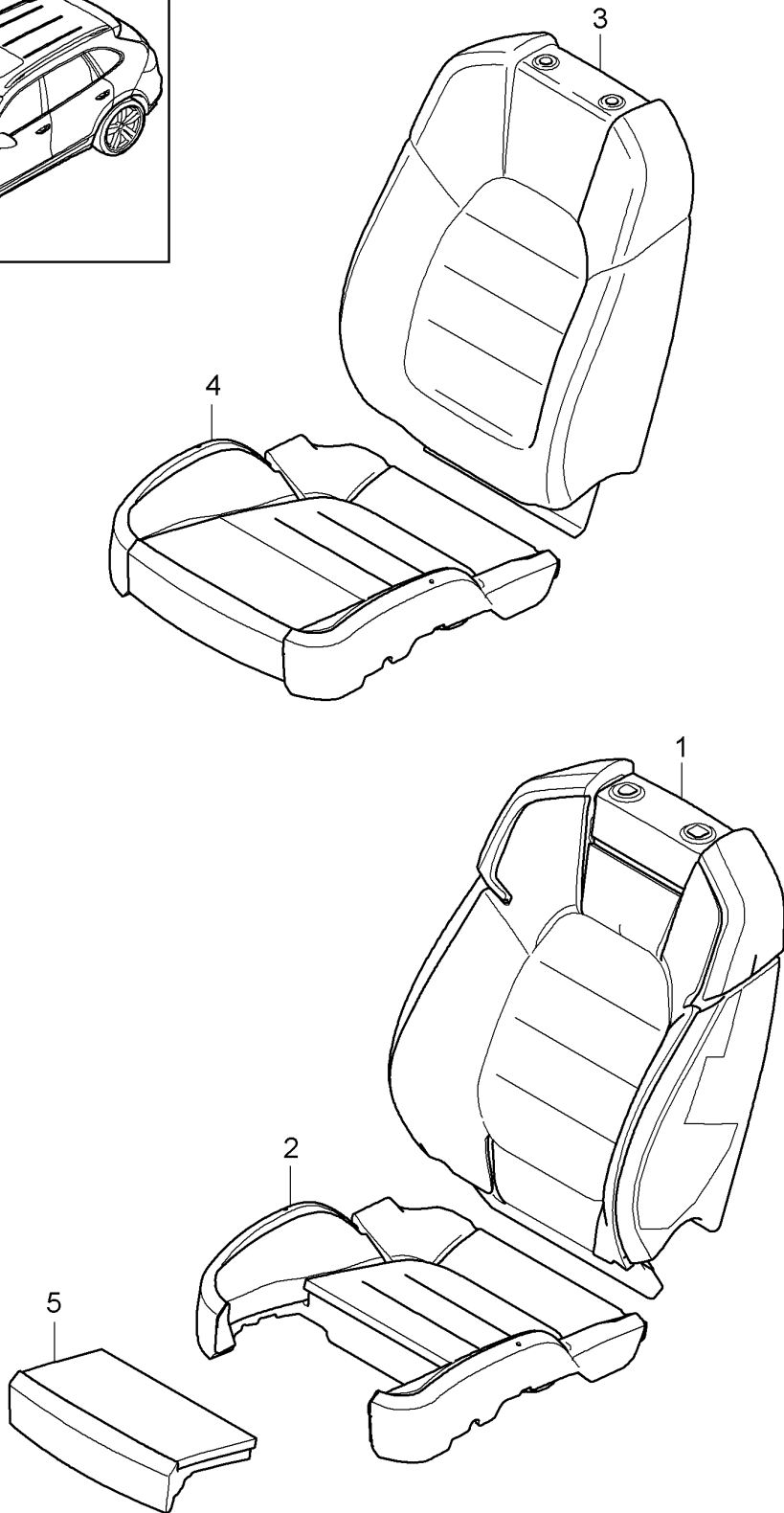
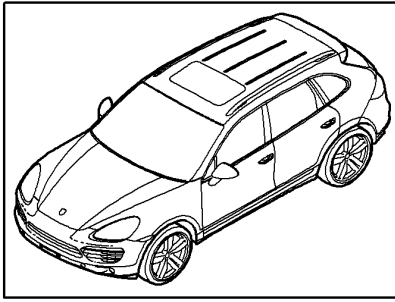
| Pos  | Part Number                         | Description  | Remark  | Qty | Model       |
|------|-------------------------------------|--|---|-----|-------------|
| 5    | 958 521 314 00 DJ3<br>7P5 881 314 B | Titanium Blue<br>Trim<br>Front seat<br>Sill<br>D - MJ 2014>>                   | -TW<br>right                                  | 1   |             |
|      | 7P5 881 314 B 82V                   | Titan black  | -LC, LG, MA, MF,<br>TA, TB, YA, YB,<br>YC, 77 |     |             |
|      | 7P5 881 314 B 4H0                   | Luxor beige  | -LE, MC, MK, YE                               |     |             |
|      | 7P5 881 314 B 6L0                   | Platinum Grey  | -LD, MD, YD                                   |     |             |
|      | 7P5 881 314 B 5J0                   | Cream  | -MJ, TX                                       |     |             |
|      | 7P5 881 314 B 7N0                   | Espresso   | -VA   |     |             |
|      | 7P5 881 314 B 8P0                   | Cognac   | -VB   |     |             |
|      | 7P5 881 314 B DE1                   | Umber  | -LF, YF                                       |     |             |
|      | 7P5 881 314 B DF2                   | Light Tartufo  | -TY   |     |             |
|      | 7P5 881 314 B DJ3                   | Titanium Blue  |   |     |             |
|      | 7P5 881 314 B OM8                   | saddle brown   | -ME, MH, MI                                   |     |             |
|      | 7P5 881 314 B OP1                   | agate grey   | -MB, MG, ML                                   |     |             |
|      | 7P5 881 314 B OB8                   | Cohiba Brown   | -LH   |     |             |
| 6    | N 038 501 3                         | Spreader rivet<br>A 6 X 12   |   | 2   |             |
| 7    | 958 521 775 00                      | Cross member<br>Mount<br>Trim  | left  | 1   |             |
| (7)  | 958 521 776 00                      | bracket for seat frame trim<br>panel<br>Trim                                   | right   | 1   |             |
| 8    | N 104 159 03                        | Oval hexagon socket head bolt<br>TP 4 X 12                                     |   | 4   |             |
| 9    | 7PP 959 747 Q                       | Switch module for seat<br>Module<br>Front seat<br>Seat frame                   | left  | 2   | PR:Q1J, 3PN |
| (9)  | 7PP 959 747 Q L0H<br>7PP 959 748 Q  | Galvano silver<br>Switch module for seat<br>Module<br>Front seat<br>Seat frame | right   | 2   | PR:Q1J, 3PN |
| 10   | 7PP 959 748 Q L0H<br>7PP 959 747 P  | Galvano silver<br>Switch module for seat<br>Module<br>Front seat<br>Seat frame | left  | 2   | PR:Q2J, 3PN |
| (10) | 7PP 959 747 P L0H<br>7PP 959 748 P  | Galvano silver<br>Switch module for seat<br>Module<br>Front seat<br>Seat frame | right   | 2   | PR:Q2J, 3PN |
| (11) | 7PP 959 748 P L0H<br>958 618 553 00 | Galvano silver<br>Module<br>seat occupied recognition<br>Front seat            |   | 1   | PR:9P3      |
| (11) | 958 618 553 01                      | Discontinued part<br>Module<br>seat occupied recognition<br>Front seat         |   | 1   | PR:9P3      |
| 12   | 958 521 057 00                      | Discontinued part<br>Seat adjuster<br>Deep                                     | left  | 1   |             |
| (12) | 958 521 058 00                      | Front seat<br>Seat adjuster<br>Deep<br>Front seat                              | right   | 1   |             |

Model: 92A 11 Model life 2011>>2018

| Pos  | Part Number    | Description  | Remark | Qty | Model        |
|------|----------------|--|--------|-----|--------------|
| 13   | N 907 371 01   | Oval hexagon socket head bolt<br>M 6 X 12                  |        | 4   |              |
| 16   | 958 618 760 01 | Control unit<br>Seat                                       |        | 1   | PR: 3L4, 3PN |
| 16   | 958 618 760 02 | Control unit<br>Seat<br>D >> - MJ 2012                     |        | 1   | PR: 3L4, 3PN |
| (16) | 958 618 760 03 | Discontinued part<br>Control unit<br>Seat<br>D - MJ 2013>> |        | 1   | PR: 3L4, 3PN |
| (16) | 958 618 760 04 | Discontinued part<br>Control unit<br>Seat<br>D - MJ 2013>> |        | 1   | PR: 3L4, 3PN |
| 17   | N 908 123 02   | Discontinued part<br>Pop rivet<br>6 X 10                   |        | 2   |              |

Model: 92A 11

Model life 2011>>2018



Model: 92A 11 Model life 2011>>2018

| Pos | Part Number    | Description              | Remark | Qty | Model          |
|-----|----------------|--------------------------|--------|-----|----------------|
|     |                | Foam part<br>Cover       |        |     | PR:Q1J, Q4P    |
| 1   | 958 521 787 00 | sports seat<br>Foam part | left   | 1   | PR:N1P, 4A0    |
| 1   | 958 521 787 00 | backrest                 | left   | 1   | PR:N2S, 4A0    |
| 1   | 958 521 787 00 | Foam part                | left   | 1   | PR:N5U, 4A0    |
| 1   | 958 521 787 00 | backrest                 | left   | 1   | PR:N1M, 4A0    |
| (1) | 958 521 788 00 | Foam part                | right  | 1   | PR:N1P, 4A0    |
| (1) | 958 521 788 00 | backrest                 | right  | 1   | PR:N2S, 4A0    |
| (1) | 958 521 788 00 | Foam part                | right  | 1   | PR:N5U, 4A0    |
| (1) | 958 521 788 00 | backrest                 | right  | 1   | PR:N1M, 4A0    |
| (1) | 958 521 787 10 | Foam part                | left   | 1   | PR:N1P, 4A3    |
| (1) | 958 521 787 10 | backrest                 | left   | 1   | PR:N1P, 4A4    |
| (1) | 958 521 787 10 | Foam part                | left   | 1   | PR:N2S, 4A3    |
| (1) | 958 521 787 10 | backrest                 | left   | 1   | PR:N2S, 4A4    |
| (1) | 958 521 787 10 | Foam part                | left   | 1   | PR:N5U, 4A3    |
| (1) | 958 521 787 10 | backrest                 | left   | 1   | PR:N5U, 4A4    |
| (1) | 958 521 787 10 | Foam part                | left   | 1   | PR:N1M, 4A3    |
| (1) | 958 521 787 10 | backrest                 | left   | 1   | PR:N1M, 4A4    |
| (1) | 958 521 788 10 | Foam part                | right  | 1   | PR:N1P, 4A3    |
| (1) | 958 521 788 10 | backrest                 | right  | 1   | PR:N1P, 4A4    |
| (1) | 958 521 788 10 | Foam part                | right  | 1   | PR:N2S, 4A3    |
| (1) | 958 521 788 10 | backrest                 | right  | 1   | PR:N2S, 4A4    |
| (1) | 958 521 788 10 | Foam part                | right  | 1   | PR:N5U, 4A3    |
| (1) | 958 521 788 10 | backrest                 | right  | 1   | PR:N5U, 4A4    |
| (1) | 958 521 788 10 | Foam part                | right  | 1   | PR:N1M, 4A3    |
| (1) | 958 521 788 10 | backrest                 | right  | 1   | PR:N1M, 4A4    |
| 2   | 958 521 387 00 | Foam part                | left   | 1   | PR:L0L, N1P,   |
| (2) | 958 521 387 50 | Seat cushion             | left   | 1   | 4A0, Q1J       |
| (2) | 958 521 376 70 | Foam part                | left   | 1   | PR:L0L, N1P,   |
| (2) | 958 521 387 00 | Seat cushion             | left   | 1   | N2S, N5U, 4A0  |
| (2) | 958 521 387 00 | Foam part                | left   | 1   | PR:L0L, N1P,   |
| (2) | 958 521 387 00 | Seat cushion             | left   | 1   | N2S, N5U, 4A0, |
| (2) | 958 521 387 00 | Foam part                | left   | 1   | 9P7            |
| (2) | 958 521 387 00 | Seat cushion             | left   | 1   | PR:L0L, N1X,   |
| (2) | 958 521 387 00 | Foam part                | left   | 1   | 4A0, Q1J       |
| (2) | 958 521 387 00 | Seat cushion             | left   | 1   | PR:L0L, N5U,   |
| (2) | 958 521 387 00 | Foam part                | left   | 1   | 4A0, Q1J       |
| (2) | 958 521 387 00 | Seat cushion             | left   | 1   | PR:L0L, N1M,   |

Model: 92A 11 Model life 2011>>2018

| Pos | Part Number    | Description   | Remark | Qty | Model                      |
|-----|----------------|---|--------|-----|----------------------------|
| (2) | 958 521 487 00 | Seat cushion<br>Foam part   | right  | 1   | 4A0,Q1J<br>PR:L0L,N1P,     |
| (2) | 958 521 487 00 | Seat cushion<br>Foam part   | right  | 1   | 4A0,9P3,Q1J<br>PR:L0L,N1X, |
| (2) | 958 521 487 00 | Seat cushion<br>Foam part   | right  | 1   | 4A0,9P3,Q1J<br>PR:L0L,N5U, |
| (2) | 958 521 487 00 | Seat cushion<br>Foam part   | right  | 1   | 4A0,9P3,Q1J<br>PR:L0L,N1M, |
| (2) | 958 521 388 00 | Seat cushion<br>Foam part   | left   | 1   | 4A0,9P3,Q1J<br>PR:LOR,N1P, |
| (2) | 958 521 388 00 | Seat cushion<br>Foam part   | left   | 1   | 4A0,Q1J<br>PR:LOR,N1X,     |
| (2) | 958 521 388 00 | Seat cushion<br>Foam part   | left   | 1   | 4A0,Q1J<br>PR:LOR,N5U,     |
| (2) | 958 521 388 00 | Seat cushion<br>Foam part   | left   | 1   | 4A0,Q1J<br>PR:LOR,N1M,     |
| (2) | 958 521 488 00 | Seat cushion<br>Foam part   | right  | 1   | 4A0,Q1J<br>PR:LOR,N1P,     |
| (2) | 958 521 488 00 | Seat cushion<br>Foam part   | right  | 1   | 4A0,9P3,Q1J<br>PR:LOR,N1X, |
| (2) | 958 521 488 00 | Seat cushion<br>Foam part   | right  | 1   | 4A0,9P3,Q1J<br>PR:LOR,N5U, |
| (2) | 958 521 488 00 | Seat cushion<br>Foam part   | right  | 1   | 4A0,9P3,Q1J<br>PR:LOR,N1M, |
| (2) | 958 521 488 00 | Seat cushion<br>Foam part   | right  | 1   | 4A0,9P3,Q1J<br>PR:LOR,N1M, |
| (2) | 958 521 389 01 | Seat cushion<br>Foam part   | left   | 1   | 4A0,9P3,Q1J<br>PR:L0L,N1P, |
| (2) | 958 521 389 01 | Seat cushion<br>with heating<br>Foam part                           | left   | 1   | 4A3,Q1J<br>PR:L0L,N1P,     |
| (2) | 958 521 389 01 | Seat cushion<br>with heating<br>Foam part                           | left   | 1   | 4A4,Q1J<br>PR:L0L,N5U,     |
| (2) | 958 521 389 01 | Seat cushion<br>with heating<br>Foam part                           | left   | 1   | 4A3,Q1J<br>PR:L0L,N5U,     |
| (2) | 958 521 389 01 | Seat cushion<br>with heating<br>Foam part                           | left   | 1   | 4A4,Q1J<br>PR:L0L,N5U,     |
| (2) | 958 521 389 01 | Seat cushion<br>with heating<br>Foam part                           | left   | 1   | 4A4,Q1J<br>PR:L0L,N1M,     |
| (2) | 958 521 389 01 | Seat cushion<br>with heating<br>Foam part                           | left   | 1   | 4A3,Q1J<br>PR:L0L,N1M,     |
| (2) | 958 521 489 00 | Seat cushion<br>with heating<br>Foam part                           | right  | 1   | 4A4,Q1J<br>PR:L0L,N1P,     |
| (2) | 958 521 489 00 | Seat cushion<br>with heating<br>D >> - MJ 2013<br>Discontinued part | right  | 1   | 4A3,9P3,Q1J<br>PR:L0L,N1P, |
| (2) | 958 521 489 00 | Seat cushion<br>with heating<br>D >> - MJ 2013<br>Discontinued part | right  | 1   | 4A4,9P3,Q1J<br>PR:L0L,N5U, |
| (2) | 958 521 489 00 | Seat cushion<br>with heating<br>D >> - MJ 2013<br>Discontinued part | right  | 1   | 4A3,9P3,Q1J<br>PR:L0L,N5U, |
| (2) | 958 521 489 00 | Seat cushion<br>with heating<br>D >> - MJ 2013<br>Discontinued part | right  | 1   | 4A4,9P3,Q1J<br>PR:L0L,N5U, |



Model: 92A 11 Model life 2011>>2018

| Pos | Part Number    | Description  | Remark | Qty | Model                      |
|-----|----------------|--|--------|-----|----------------------------|
| (2) | 958 521 489 00 | Foam part<br>Seat cushion<br>with heating<br>D >> - MJ 2013<br>Discontinued part | right  | 1   | PR:L0L,N1M,<br>4A3,9P3,Q1J |
| (2) | 958 521 489 00 | Foam part<br>Seat cushion<br>with heating<br>D >> - MJ 2013<br>Discontinued part | right  | 1   | PR:L0L,N1M,<br>4A4,9P3,Q1J |
| (2) | 958 521 489 01 | Foam part<br>Seat cushion<br>with heating<br>D - MJ 2014>>                       | right  | 1   | PR:L0L,N1P,<br>4A3,9P3,Q1J |
| (2) | 958 521 489 01 | Foam part<br>Seat cushion<br>with heating<br>D - MJ 2014>>                       | right  | 1   | PR:L0L,N1P,<br>4A4,9P3,Q1J |
| (2) | 958 521 489 01 | Foam part<br>Seat cushion<br>with heating<br>D - MJ 2014>>                       | right  | 1   | PR:L0L,N5U,<br>4A3,9P3,Q1J |
| (2) | 958 521 489 01 | Foam part<br>Seat cushion<br>with heating<br>D - MJ 2014>>                       | right  | 1   | PR:L0L,N5U,<br>4A4,9P3,Q1J |
| (2) | 958 521 489 01 | Foam part<br>Seat cushion<br>with heating<br>D - MJ 2014>>                       | right  | 1   | PR:L0L,N1M,<br>4A3,9P3,Q1J |
| (2) | 958 521 489 01 | Foam part<br>Seat cushion<br>with heating<br>D - MJ 2014>>                       | right  | 1   | PR:L0L,N1M,<br>4A4,9P3,Q1J |
| (2) | 958 521 391 00 | Foam part<br>Seat cushion<br>with heating<br>D >> - MJ 2013<br>Discontinued part | left   | 1   | PR:L0R,N1P,<br>4A3,Q1J     |
| (2) | 958 521 391 00 | Foam part<br>Seat cushion<br>with heating<br>D >> - MJ 2013<br>Discontinued part | left   | 1   | PR:L0R,N1P,<br>4A4,Q1J     |
| (2) | 958 521 391 00 | Foam part<br>Seat cushion<br>with heating<br>D >> - MJ 2013<br>Discontinued part | left   | 1   | PR:L0R,N5U,<br>4A3,Q1J     |
| (2) | 958 521 391 00 | Foam part<br>Seat cushion<br>with heating<br>D >> - MJ 2013<br>Discontinued part | left   | 1   | PR:L0R,N5U,<br>4A4,Q1J     |
| (2) | 958 521 391 00 | Foam part<br>Seat cushion<br>with heating<br>D >> - MJ 2013<br>Discontinued part | left   | 1   | PR:L0R,N1M,<br>4A3,Q1J     |
| (2) | 958 521 391 00 | Foam part<br>Seat cushion<br>with heating<br>D >> - MJ 2013<br>Discontinued part | left   | 1   | PR:L0R,N1M,<br>4A4,Q1J     |

Model: 92A 11 Model life 2011>>2018

| Pos | Part Number    | Description  | Remark | Qty | Model                      |
|-----|----------------|--|--------|-----|----------------------------|
| (2) | 958 521 391 01 | Discontinued part<br>Foam part<br>Seat cushion<br>with heating<br>D - MJ 2014>>  | left   | 1   | PR:L0R,N1P,<br>4A3,Q1J     |
| (2) | 958 521 391 01 | Foam part<br>Seat cushion<br>with heating<br>D - MJ 2014>>                       | left   | 1   | PR:L0R,N1P,<br>4A4,Q1J     |
| (2) | 958 521 391 01 | Foam part<br>Seat cushion<br>with heating<br>D - MJ 2014>>                       | left   | 1   | PR:L0R,N5U,<br>4A3,Q1J     |
| (2) | 958 521 391 01 | Foam part<br>Seat cushion<br>with heating<br>D - MJ 2014>>                       | left   | 1   | PR:L0R,N5U,<br>4A4,Q1J     |
| (2) | 958 521 391 01 | Foam part<br>Seat cushion<br>with heating<br>D - MJ 2014>>                       | left   | 1   | PR:L0R,N1M,<br>4A3,Q1J     |
| (2) | 958 521 391 01 | Foam part<br>Seat cushion<br>with heating<br>D - MJ 2014>>                       | left   | 1   | PR:L0R,N1M,<br>4A4,Q1J     |
| (2) | 958 521 491 00 | Foam part<br>Seat cushion<br>with heating<br>D >> - MJ 2013<br>Discontinued part | right  | 1   | PR:L0R,N1P,<br>4A3,9P3,Q1J |
| (2) | 958 521 491 00 | Foam part<br>Seat cushion<br>with heating<br>D >> - MJ 2013<br>Discontinued part | right  | 1   | PR:L0R,N1P,<br>4A4,9P3,Q1J |
| (2) | 958 521 491 00 | Foam part<br>Seat cushion<br>with heating<br>D >> - MJ 2013<br>Discontinued part | right  | 1   | PR:L0R,N5U,<br>4A3,9P3,Q1J |
| (2) | 958 521 491 00 | Foam part<br>Seat cushion<br>with heating<br>D >> - MJ 2013<br>Discontinued part | right  | 1   | PR:L0R,N5U,<br>4A4,9P3,Q1J |
| (2) | 958 521 491 00 | Foam part<br>Seat cushion<br>with heating<br>D >> - MJ 2013<br>Discontinued part | right  | 1   | PR:L0R,N1M,<br>4A3,9P3,Q1J |
| (2) | 958 521 491 00 | Foam part<br>Seat cushion<br>with heating<br>D >> - MJ 2013<br>Discontinued part | right  | 1   | PR:L0R,N1M,<br>4A4,9P3,Q1J |
| (2) | 958 521 491 01 | Foam part<br>Seat cushion<br>with heating<br>D - MJ 2014>>                       | right  | 1   | PR:L0R,N1P,<br>4A3,9P3,Q1J |
| (2) | 958 521 491 01 | Foam part<br>Seat cushion<br>with heating<br>D - MJ 2014>>                       | right  | 1   | PR:L0R,N1P,<br>4A4,9P3,Q1J |

Model: 92A 11 Model life 2011>>2018

| Pos | Part Number    | Description  | Remark | Qty | Model                         |
|-----|----------------|--|--------|-----|-------------------------------|
| (2) | 958 521 491 01 | Foam part<br>Seat cushion<br>with heating<br>D - MJ 2014>>                       | right  | 1   | PR:L0R,N5U,<br>4A3,9P3,Q1J    |
| (2) | 958 521 491 01 | Foam part<br>Seat cushion<br>with heating<br>D - MJ 2014>>                       | right  | 1   | PR:L0R,N5U,<br>4A4,9P3,Q1J    |
| (2) | 958 521 491 01 | Foam part<br>Seat cushion<br>with heating<br>D - MJ 2014>>                       | right  | 1   | PR:L0R,N1M,<br>4A3,9P3,Q1J    |
| (2) | 958 521 491 01 | Foam part<br>Seat cushion<br>with heating<br>D - MJ 2014>>                       | right  | 1   | PR:L0R,N1M,<br>4A4,9P3,Q1J    |
| (2) | 958 521 399 00 | Foam part<br>Seat cushion<br>with heating<br>D >> - MJ 2013<br>Discontinued part | left   | 1   | GTS<br>PR:L0L,N1P,<br>4A3,Q4P |
| (2) | 958 521 399 00 | Foam part<br>Seat cushion<br>with heating<br>D >> - MJ 2013<br>Discontinued part | left   | 1   | GTS<br>PR:L0L,N1P,<br>4A4,Q4P |
| (2) | 958 521 399 00 | Foam part<br>Seat cushion<br>with heating<br>D >> - MJ 2013<br>Discontinued part | left   | 1   | GTS<br>PR:L0L,N2S,<br>4A3,Q4P |
| (2) | 958 521 399 00 | Foam part<br>Seat cushion<br>with heating<br>D >> - MJ 2013<br>Discontinued part | left   | 1   | GTS<br>PR:L0L,N2S,<br>4A4,Q4P |
| (2) | 958 521 399 00 | Foam part<br>Seat cushion<br>with heating<br>D >> - MJ 2013<br>Discontinued part | left   | 1   | GTS<br>PR:L0L,N5U,<br>4A3,Q4P |
| (2) | 958 521 399 00 | Foam part<br>Seat cushion<br>with heating<br>D >> - MJ 2013<br>Discontinued part | left   | 1   | GTS<br>PR:L0L,N5U,<br>4A4,Q4P |
| (2) | 958 521 399 01 | Foam part<br>Seat cushion<br>with heating<br>D - MJ 2014>>                       | left   | 1   | GTS<br>PR:L0L,N1P,<br>4A3,Q4P |
| (2) | 958 521 399 01 | Foam part<br>Seat cushion<br>with heating<br>D - MJ 2014>>                       | left   | 1   | GTS<br>PR:L0L,N1P,<br>4A4,Q4P |
| (2) | 958 521 399 01 | Foam part<br>Seat cushion<br>with heating<br>D - MJ 2014>>                       | left   | 1   | GTS<br>PR:L0L,N2S,<br>4A3,Q4P |
| (2) | 958 521 399 01 | Foam part<br>Seat cushion<br>with heating<br>D - MJ 2014>>                       | left   | 1   | GTS<br>PR:L0L,N2S,<br>4A4,Q4P |
| (2) | 958 521 499 01 | Foam part  | right  | 1   | GTS                           |

Model: 92A 11 Model life 2011>>2018

| Pos | Part Number        | Description                            | Remark       | Qty | Model                         |
|-----|--------------------|--|--------------|-----|-------------------------------|
| (2) | 958 521 499 01     | Seat cushion with heating<br>Foam part | right        | 1   | PR:L0L,N1P,4A3,9P3,Q4P<br>GTS |
| (2) | 958 521 499 01     | Seat cushion with heating<br>Foam part | right        | 1   | PR:L0L,N1P,4A4,9P3,Q4P<br>GTS |
| (2) | 958 521 499 01     | Seat cushion with heating<br>Foam part | right        | 1   | PR:L0L,N2S,4A3,9P3,Q4P<br>GTS |
| (2) | 958 521 499 01     | Seat cushion with heating<br>Foam part | right        | 1   | PR:L0L,N2S,4A4,9P3,Q4P<br>GTS |
| (2) | 958 521 499 01     | Seat cushion with heating<br>Foam part | right        | 1   | PR:L0L,N5U,4A3,9P3,Q4P<br>GTS |
| (2) | 958 521 393 03     | Seat cushion with heating<br>Foam part | left         | 1   | PR:L0L,N5U,4A4,9P3,Q4P<br>GTS |
| (2) | 958 521 393 03     | Seat cushion with heating<br>Foam part | left         | 1   | PR:L0R,N1P,4A3,9P3,Q4P<br>GTS |
| (2) | 958 521 393 03     | Seat cushion with heating<br>Foam part | left         | 1   | PR:L0R,N1P,4A4,9P3,Q4P<br>GTS |
| (2) | 958 521 393 03     | Seat cushion with heating<br>Foam part | left         | 1   | PR:L0R,N2S,4A3,9P3,Q4P<br>GTS |
| (2) | 958 521 393 03     | Seat cushion with heating<br>Foam part | left         | 1   | PR:L0R,N2S,4A4,9P3,Q4P<br>GTS |
| (2) | 958 521 393 03     | Seat cushion with heating<br>Foam part | left         | 1   | PR:L0R,N5U,4A3,9P3,Q4P<br>GTS |
| (2) | 958 521 393 03     | Seat cushion with heating<br>Foam part | left         | 1   | PR:L0R,N5U,4A4,9P3,Q4P<br>GTS |
| (2) | 958 521 493 03     | Seat cushion with heating<br>Foam part | right        | 1   | PR:L0R,N1P,4A3,Q4P<br>GTS     |
| (2) | 958 521 493 03     | Seat cushion with heating<br>Foam part | right        | 1   | PR:L0R,N1P,4A4,Q4P<br>GTS     |
| (2) | 958 521 493 03     | Seat cushion with heating<br>Foam part | right        | 1   | PR:L0R,N2S,4A3,Q4P<br>GTS     |
| (2) | 958 521 493 03     | Seat cushion with heating<br>Foam part | right        | 1   | PR:L0R,N2S,4A4,Q4P<br>GTS     |
| (2) | 958 521 493 03     | Seat cushion with heating<br>Foam part | right        | 1   | PR:L0R,N5U,4A3,Q4P<br>GTS     |
| (2) | 958 521 493 03     | Seat cushion with heating<br>Foam part | right        | 1   | PR:L0R,N5U,4A4,Q4P<br>GTS     |
| 3   | 958 521 860 01     | Backrest cover<br>Plain leather        | left         | 1   | PR:N5U,Q1J                    |
|     | 958 521 860 01 D0D | Black                                  | -LC,MA,YC    |     |                               |
|     | 958 521 860 01 D0E | Platinum Grey                          | -YD          |     |                               |
|     | 958 521 860 01 D0F | Luxor beige                            | -LE,MC,MK,YE |     |                               |
|     | 958 521 860 01 D0G | Umber                                  | -YF          |     |                               |
|     | 958 521 860 01 D0H | Titanium Blue                          | -TW          |     |                               |
|     | 958 521 860 01 D0J | Cream                                  | -MJ,TX       |     |                               |
|     | 958 521 860 01 D0K | Light Tartufo                          | -TY          |     |                               |
|     | 958 521 860 01 AAB | Black/Carrera Red                      | -TA          |     |                               |

Model: 92A 11 Model life 2011>>2018

| Pos                | Part Number        | Description       | Remark          | Qty   | Model               |
|--------------------|--------------------|-------------------|-----------------|-------|---------------------|
| (3)                | 958 521 860 01 YKI | agate grey        | -MB, MG, ML     | 1     | GTS<br>PR:N5U, Q4P  |
|                    | 958 521 860 01 YMI | saddle brown      | -ME, MH, MI     |       |                     |
|                    | 958 521 860 01 HHM | Cohiba Brown      | -LH             |       |                     |
|                    | 958 521 860 01     | Backrest cover    | left            |       |                     |
|                    |                    | Plain leather     |                 |       |                     |
|                    | 958 521 860 01 D0D | Black             | -LC, MA, YC     |       |                     |
|                    | 958 521 860 01 D0E | Platinum Grey     | -YD             |       |                     |
|                    | 958 521 860 01 D0F | Luxor beige       | -LE, MC, MK, YE |       |                     |
|                    | 958 521 860 01 D0G | Umber             | -YF             |       |                     |
|                    | 958 521 860 01 D0H | Titanium Blue     | -TW             |       |                     |
|                    | 958 521 860 01 D0J | Cream             | -MJ, TX         |       |                     |
| (3)                | 958 521 860 01 D0K | Light Tartufo     | -TY             | 1     | PR:L0R, N5U,<br>Q1J |
|                    | 958 521 860 01 AAB | Black/Carrera Red | -TA             |       |                     |
|                    | 958 521 860 01 YKI | agate grey        | -MB, MG, ML     |       |                     |
|                    | 958 521 860 01 YMI | saddle brown      | -ME, MH, MI     |       |                     |
|                    | 958 521 860 01 HHM | Cohiba Brown      | -LH             |       |                     |
|                    | 958 521 862 00     | Backrest cover    | left            |       |                     |
|                    |                    | Plain leather     |                 |       |                     |
|                    | D                  | >> - MJ 2013      |                 |       |                     |
|                    | 958 521 862 00 D0D | Black             | -LC, MA         |       |                     |
|                    | 958 521 862 00 D0E | Platinum Grey     | -LD, MD         |       |                     |
|                    | 958 521 862 00 D0F | Luxor beige       | -LE, MC         |       |                     |
| 958 521 862 00 D0G | Umber              | -LF               |                 |       |                     |
| 958 521 862 00 D0H | Titanium Blue      | -TW               |                 |       |                     |
| 958 521 862 00 D0J | Cream              | -TX               |                 |       |                     |
| 958 521 862 00 D0K | Light Tartufo      | -TY               |                 |       |                     |
| (3)                | 958 521 861 00     | Backrest cover    | right           | 1     | PR:L0R, N5U,<br>Q1J |
|                    |                    | Plain leather     |                 |       |                     |
|                    | D                  | >> - MJ 2013      |                 |       |                     |
|                    | 958 521 861 00 D0D | Black             | -LC, MA, YC     |       |                     |
|                    | 958 521 861 00 D0E | Platinum Grey     | -LD, MD, YD     |       |                     |
|                    | 958 521 861 00 D0F | Luxor beige       | -LE, MC, YE     |       |                     |
|                    | 958 521 861 00 D0G | Umber             | -LF, YF         |       |                     |
|                    | 958 521 861 00 D0H | Titanium Blue     | -TW             |       |                     |
|                    | 958 521 861 00 D0J | Cream             | -TX             |       |                     |
|                    | 958 521 861 00 D0K | Light Tartufo     | -TY             |       |                     |
|                    | (3)                | 958 521 861 00    | Backrest cover  |       |                     |
|                    |                    | Plain leather     |                 |       |                     |
| D                  |                    | >> - MJ 2013      |                 |       |                     |
| 958 521 861 00 D0D |                    | Black             | -LC, MA, YC     |       |                     |
| 958 521 861 00 D0E |                    | Platinum Grey     | -LD, MD, YD     |       |                     |
| 958 521 861 00 D0F |                    | Luxor beige       | -LE, MC, YE     |       |                     |
| 958 521 861 00 D0G |                    | Umber             | -LF, YF         |       |                     |
| 958 521 861 00 D0H |                    | Titanium Blue     | -TW             |       |                     |
| 958 521 861 00 D0J |                    | Cream             | -TX             |       |                     |
| 958 521 861 00 D0K |                    | Light Tartufo     | -TY             |       |                     |
| (3)                |                    | 958 521 861 00    | Backrest cover  | right | 1                   |
|                    |                    | Plain leather     |                 |       |                     |
|                    | D                  | >> - MJ 2013      |                 |       |                     |
|                    | 958 521 861 00 D0D | Black             | -LC, MA, YC     |       |                     |
|                    | 958 521 861 00 D0E | Platinum Grey     | -LD, MD, YD     |       |                     |
|                    | 958 521 861 00 D0F | Luxor beige       | -LE, MC, YE     |       |                     |
|                    | 958 521 861 00 D0G | Umber             | -LF, YF         |       |                     |
|                    | 958 521 861 00 D0H | Titanium Blue     | -TW             |       |                     |
|                    | 958 521 861 00 D0J | Cream             | -TX             |       |                     |
|                    | 958 521 861 00 D0K | Light Tartufo     | -TY             |       |                     |
|                    | (3)                | 958 521 861 01    | Backrest cover  | right |                     |
|                    |                    | Plain leather     |                 |       |                     |
| D - MJ 2014>>      |                    |                   |                 |       |                     |
| 958 521 861 01 D0D |                    | Black             | -LC, MA, YC     |       |                     |
| 958 521 861 01 D0E |                    | Platinum Grey     | -YD             |       |                     |
| 958 521 861 01 D0F |                    | Luxor beige       | -LE, MC, MK, YE |       |                     |
| 958 521 861 01 D0G |                    | Umber             | -YF             |       |                     |

Model: 92A 11 Model life 2011>>2018

| Pos | Part Number        | Description                                      | Remark          | Qty | Model               |
|-----|--------------------|--|-----------------|-----|---------------------|
|     | 958 521 861 01 DOH | Titanium Blue                                    | -TW             |     |                     |
|     | 958 521 861 01 DOJ | Cream  | -MJ, TX         |     |                     |
|     | 958 521 861 01 DOK | Light Tartufo                                    | -TY             |     |                     |
|     | 958 521 861 01 YKI | agate grey                                       | -MB, MG, ML     |     |                     |
|     | 958 521 861 01 YMI | saddle brown                                     | -ME, MH, MI     |     |                     |
|     | 958 521 861 01 HHM | Cohiba Brown                                     | -LH             |     |                     |
| (3) | 958 521 861 01     | Backrest cover<br>Plain leather<br>D - MJ 2014>> | right           | 1   | GTS<br>PR:N5U, Q4P  |
|     | 958 521 861 01 DOD | Black  | -LC, MA, YC     |     |                     |
|     | 958 521 861 01 D0E | Platinum Grey                                    | -YD             |     |                     |
|     | 958 521 861 01 D0F | Luxor beige                                      | -LE, MC, MK, YE |     |                     |
|     | 958 521 861 01 D0G | Umber  | -YF             |     |                     |
|     | 958 521 861 01 DOH | Titanium Blue                                    | -TW             |     |                     |
|     | 958 521 861 01 DOJ | Cream  | -MJ, TX         |     |                     |
|     | 958 521 861 01 DOK | Light Tartufo                                    | -TY             |     |                     |
|     | 958 521 861 01 YKI | agate grey                                       | -MB, MG, ML     |     |                     |
|     | 958 521 861 01 YMI | saddle brown                                     | -ME, MH, MI     |     |                     |
|     | 958 521 861 01 HHM | Cohiba Brown                                     | -LH             |     |                     |
| (3) | 958 521 890 00     | Backrest cover<br>Plain leather<br>D - MJ 2014>> | left            | 1   | PR:N1M, Q1J         |
|     | 958 521 890 00 AAB | Black/Carrera Red                                | -TA             |     |                     |
|     | 958 521 890 00 AAC | Black/Luxor Beige                                | -77             |     |                     |
| (3) | 958 521 891 00     | Backrest cover<br>Plain leather<br>D - MJ 2014>> | right           | 1   | PR:N1M, Q1J         |
|     | 958 521 891 00 AAB | Black/Carrera Red                                | -TA             |     |                     |
|     | 958 521 891 00 AAC | Black/Luxor Beige                                | -77             |     |                     |
| (3) | 958 521 864 01     | Backrest cover<br>Nature                         | left            | 1   | PR:N1P, Q1J         |
|     | 958 521 864 01 D0L | Espresso   | -VA             |     |                     |
|     | 958 521 864 01 D0M | Cognac   | -VB             |     |                     |
| (3) | 958 521 864 01     | Backrest cover<br>Nature                         | left            | 1   | GTS<br>PR:N1P, Q4P  |
|     | 958 521 864 01 D0L | Espresso   | -VA             |     |                     |
|     | 958 521 864 01 D0M | Cognac   | -VB             |     |                     |
| (3) | 958 521 866 00     | Backrest cover<br>Nature                         | left            | 1   | PR:L0R, N1P,<br>4UE |
|     | 958 521 866 00 D0L | Espresso   | -VA             |     |                     |
|     | 958 521 866 00 D0M | Cognac   | -VB             |     |                     |
| (3) | 958 521 865 01     | Backrest cover<br>Nature                         | right           | 1   | PR:N1P, Q1J         |
|     | 958 521 865 01 D0L | Espresso   | -VA             |     |                     |
|     | 958 521 865 01 D0M | Cognac   | -VB             |     |                     |
| (3) | 958 521 865 01     | Backrest cover<br>Nature                         | right           | 1   | GTS<br>PR:N1P, Q4P  |
|     | 958 521 865 01 D0L | Espresso   | -VA             |     |                     |
|     | 958 521 865 01 D0M | Cognac   | -VB             |     |                     |
| (3) | 958 521 867 00     | Backrest cover<br>Nature                         | right           | 1   | PR:L0R, N1P,<br>4UE |
|     | 958 521 867 00 D0L | Espresso   | -VA             |     |                     |
|     | 958 521 867 00 D0M | Cognac   | -VB             |     |                     |
| (3) | 958 521 885 01     | backrest cover (alcantara)                       | left            | 1   | GTS<br>PR:N2S, Q4P  |
|     | 958 521 885 01 IVA | Black-black                                      | -LC, MA, YC     |     |                     |
|     | 958 521 885 01 IVB | Platinum Grey                                    | -MD, YD         |     |                     |
|     | 958 521 885 01 IVC | Luxor beige                                      | -LE, MC, YE     |     |                     |
|     | 958 521 885 01 IVD | Black/umbra                                      | -YF             |     |                     |
|     | 958 521 885 01 IVE | Black/Carmine Red                                | -YA             |     |                     |
|     | 958 521 885 01 IVF | Black/Peridot                                    | -YB             |     |                     |
|     | 958 521 885 01 DJM | Black/agate grey                                 | -MB, MG, ML     |     |                     |
|     | 958 521 885 01 DJN | saddle brown                                     | -ME             |     |                     |

Model: 92A 11 Model life 2011>>2018

| Pos | Part Number        | Description  | Remark       | Qty | Model              |   |                    |
|-----|--------------------|--|--------------|-----|--------------------|---|--------------------|
| (3) | 958 521 885 01 DJP | Black/Rhodium Silver                                   | -MF          | 1   | GTS<br>PR:N2S,Q4P  |   |                    |
|     | 958 521 886 01     | backrest cover (alcantara)                             | right        |     |                    |   |                    |
|     | 958 521 886 01 IVA | Black-black  | -LC,MA,YC    |     |                    |   |                    |
|     | 958 521 886 01 IVB | Alcantara  | -MD,YD       |     |                    |   |                    |
|     | 958 521 886 01 IVC | Luxor beige  | -LE,MC,YE    |     |                    |   |                    |
|     | 958 521 886 01 IVD | Umber  | -YF          |     |                    |   |                    |
|     | 958 521 886 01 IVE | Black/Carmine Red                                      | -YA          |     |                    |   |                    |
|     | 958 521 886 01 IVF | Black/Peridot  | -YB          |     |                    |   |                    |
|     | 958 521 886 01 DJM | agate grey   | -MB,MG,ML    |     |                    |   |                    |
|     | 958 521 886 01 DJN | saddle brown   | -ME          |     |                    |   |                    |
| 4   | 958 521 886 01 DJP | Black/Rhodium Silver                                   | -MF          | 1   | PR:N5U,Q1J         |   |                    |
|     | 958 521 424 00     | Seat cover<br>Plain leather<br>D >> - MJ 2011          | left         |     |                    |   |                    |
|     | 958 521 424 00 D0D | Black  | -LC,MA       |     |                    |   |                    |
|     | 958 521 424 00 D0E | Platinum Grey  | -LD,MD       |     |                    |   |                    |
|     | 958 521 424 00 D0F | Luxor beige  | -LE,MC       |     |                    |   |                    |
|     | 958 521 424 00 D0G | Umber  | -LF          |     |                    |   |                    |
|     | 958 521 424 00 D0H | Titanium Blue  | -TW          |     |                    |   |                    |
|     | 958 521 424 00 D0J | Cream  | -TX          |     |                    |   |                    |
|     | 958 521 424 00 D0K | Light Tartufo  | -TY          |     |                    |   |                    |
| 4   | 958 521 424 01     | Seat cover<br>Plain leather<br>D - MJ 2012>> - MJ 2013 | left         |     |                    | 1 | PR:N5U,Q1J         |
|     | 958 521 424 01 D0D | Black  | -LC,MA,YC    |     |                    |   |                    |
|     | 958 521 424 01 D0E | Platinum Grey  | -LD,MD       |     |                    |   |                    |
|     | 958 521 424 01 D0F | Luxor beige  | -LE,MC,YE    |     |                    |   |                    |
|     | 958 521 424 01 D0G | Umber  | -LF,YF       |     |                    |   |                    |
|     | 958 521 424 01 D0H | Titanium Blue  | -TW          |     |                    |   |                    |
|     | 958 521 424 01 D0J | Cream  | -TX          |     |                    |   |                    |
|     | 958 521 424 01 D0K | Light Tartufo  | -TY          |     |                    |   |                    |
| 4   | 958 521 424 02     | Seat cover<br>Plain leather<br>D - MJ 2014>>           | left         | 1   | PR:N5U,Q1J         |   |                    |
|     | 958 521 424 02 D0D | Black  | -LC,MA,YC    |     |                    |   |                    |
|     | 958 521 424 02 D0E | Platinum Grey  | -LD,MD,YD    |     |                    |   |                    |
|     | 958 521 424 02 D0F | Luxor beige  | -LE,MC,MK,YE |     |                    |   |                    |
|     | 958 521 424 02 D0G | Umber  | -LF,YF       |     |                    |   |                    |
|     | 958 521 424 02 D0J | Cream  | -MJ,TX       |     |                    |   |                    |
|     | 958 521 424 02 D0K | Light Tartufo  | -TY          |     |                    |   |                    |
|     | 958 521 424 02 YKI | agate grey   | -MB,MG,ML    |     |                    |   |                    |
|     | 958 521 424 02 YMI | saddle brown   | -ME,MH,MI    |     |                    |   |                    |
|     | 958 521 424 02 HHM | Cohiba Brown   | -LH          |     |                    |   |                    |
| 4   | 958 521 424 02     | Seat cover<br>Plain leather<br>D - MJ 2014>>           | left         | 1   | PR:N1M,Q1J         |   |                    |
|     | 958 521 424 02 AAB | Black/Carrera Red                                      | -TA          |     |                    |   |                    |
|     | 958 521 424 02 AAC | Black/Luxor Beige                                      | -77          |     |                    |   |                    |
|     | 958 521 424 02 HGK | Black/Cream  | -LG          |     |                    |   |                    |
| (4) | 958 521 434 00     | Seat cover<br>Plain leather<br>D >> - MJ 2011          | right        |     |                    | 1 | PR:N5U,9P3,<br>Q1J |
|     | 958 521 434 00 D0D | Black  | -LC,MA       |     |                    |   |                    |
|     | 958 521 434 00 D0E | Platinum Grey  | -LD,MD       |     |                    |   |                    |
|     | 958 521 434 00 D0F | Luxor beige  | -LE,MC       |     |                    |   |                    |
|     | 958 521 434 00 D0G | Umber  | -LF          |     |                    |   |                    |
|     | 958 521 434 00 D0H | Titanium Blue  | -TW          |     |                    |   |                    |
|     | 958 521 434 00 D0J | Cream  | -TX          |     |                    |   |                    |
|     | 958 521 434 00 D0K | Light Tartufo  | -TY          |     |                    |   |                    |
| (4) | 958 521 434 01     | Seat cover<br>Plain leather<br>D - MJ 2012>> - MJ 2013 | right        | 1   | PR:N5U,9P3,<br>Q1J |   |                    |
|     | 958 521 434 00 D0D | Black  | -LC,MA       |     |                    |   |                    |
|     | 958 521 434 00 D0E | Platinum Grey  | -LD,MD       |     |                    |   |                    |
|     | 958 521 434 00 D0F | Luxor beige  | -LE,MC       |     |                    |   |                    |
|     | 958 521 434 00 D0G | Umber  | -LF          |     |                    |   |                    |
|     | 958 521 434 00 D0H | Titanium Blue  | -TW          |     |                    |   |                    |
|     | 958 521 434 00 D0J | Cream  | -TX          |     |                    |   |                    |
|     | 958 521 434 00 D0K | Light Tartufo  | -TY          |     |                    |   |                    |
| (4) | 958 521 434 01     | Seat cover<br>Plain leather<br>D - MJ 2012>> - MJ 2013 | right        |     |                    | 1 | PR:N5U,9P3,<br>Q1J |
|     | 958 521 434 00 D0D | Black  | -LC,MA       |     |                    |   |                    |
|     | 958 521 434 00 D0E | Platinum Grey  | -LD,MD       |     |                    |   |                    |
|     | 958 521 434 00 D0F | Luxor beige  | -LE,MC       |     |                    |   |                    |
|     | 958 521 434 00 D0G | Umber  | -LF          |     |                    |   |                    |
|     | 958 521 434 00 D0H | Titanium Blue  | -TW          |     |                    |   |                    |
|     | 958 521 434 00 D0J | Cream  | -TX          |     |                    |   |                    |
|     | 958 521 434 00 D0K | Light Tartufo  | -TY          |     |                    |   |                    |
| (4) | 958 521 434 01     | Seat cover<br>Plain leather<br>D - MJ 2012>> - MJ 2013 | right        | 1   | PR:N5U,9P3,<br>Q1J |   |                    |
|     | 958 521 434 00 D0D | Black  | -LC,MA       |     |                    |   |                    |
|     | 958 521 434 00 D0E | Platinum Grey  | -LD,MD       |     |                    |   |                    |
|     | 958 521 434 00 D0F | Luxor beige  | -LE,MC       |     |                    |   |                    |
|     | 958 521 434 00 D0G | Umber  | -LF          |     |                    |   |                    |
|     | 958 521 434 00 D0H | Titanium Blue  | -TW          |     |                    |   |                    |
|     | 958 521 434 00 D0J | Cream  | -TX          |     |                    |   |                    |
|     | 958 521 434 00 D0K | Light Tartufo  | -TY          |     |                    |   |                    |

Model: 92A 11 Model life 2011>>2018

| Pos | Part Number        | Description  | Remark       | Qty | Model              |
|-----|--------------------|--|--------------|-----|--------------------|
|     | 958 521 434 01 D0D | Black  | -LC,MA,YC    |     |                    |
|     | 958 521 434 01 D0E | Platinum Grey  | -LD,MD       |     |                    |
|     | 958 521 434 01 D0F | Luxor beige  | -LE,MC,YE    |     |                    |
|     | 958 521 434 01 D0G | Umber  | -LF,YF       |     |                    |
|     | 958 521 434 01 D0H | Titanium Blue  | -TW          |     |                    |
|     | 958 521 434 01 D0J | Cream  | -TX          |     |                    |
|     | 958 521 434 01 D0K | Light Tartufo  | -TY          |     |                    |
| (4) | 958 521 434 02     | Seat cover<br>Plain leather<br>D - MJ 2014>>                 | right        | 1   | PR:N5U,9P3,<br>Q1J |
|     | 958 521 434 02 D0D | Black  | -LD,MA,YC,LC |     |                    |
|     | 958 521 434 02 D0E | Platinum Grey  | -LD,MD,YD    |     |                    |
|     | 958 521 434 02 D0F | Luxor beige  | -LE,MC,MK,YE |     |                    |
|     | 958 521 434 02 D0G | Umber  | -LF,YF       |     |                    |
|     | 958 521 434 02 D0J | Cream  | -MJ,TX       |     |                    |
|     | 958 521 434 02 D0K | Light Tartufo  | -TY          |     |                    |
|     | 958 521 434 02 YKI | agate grey   | -MB,MG,ML    |     |                    |
|     | 958 521 434 02 YMI | saddle brown   | -ME,MH,MI    |     |                    |
| (4) | 958 521 434 02 HHM | Cohiba Brown<br>Seat cover<br>Plain leather<br>D - MJ 2014>> | right        | 1   | PR:N1M,9P3,<br>Q1J |
|     | 958 521 434 02 AAB | Black/Carrera Red  | -TA          |     |                    |
|     | 958 521 434 02 AAC | Black/Luxor Beige  | -77          |     |                    |
|     | 958 521 434 02 HGK | Black/Cream  | -LG          |     |                    |
| (4) | 958 521 425 00     | Seat cover<br>Nature<br>D >> - MJ 2011                       | left         | 1   | PR:N1P,Q1J         |
|     | 958 521 425 00 D0L | Espresso   | -VA          |     |                    |
|     | 958 521 425 00 D0M | Cognac   | -VB          |     |                    |
| (4) | 958 521 425 01     | Seat cover<br>Nature<br>D - MJ 2012>> - MJ 2013              | left         | 1   | PR:N1P,Q1J         |
|     | 958 521 425 01 D0L | Espresso   | -VA          |     |                    |
|     | 958 521 425 01 D0M | Cognac   | -VB          |     |                    |
| (4) | 958 521 425 02     | Seat cover<br>Nature<br>D - MJ 2014>>                        | left         | 1   | PR:N1P,Q1J         |
|     | 958 521 425 02 D0L | Espresso   | -VA          |     |                    |
|     | 958 521 425 02 D0M | Cognac   | -VB          |     |                    |
| (4) | 958 521 435 00     | Seat cover<br>Nature<br>D >> - MJ 2011                       | right        | 1   | PR:N1P,9P3,<br>Q1J |
|     | 958 521 435 00 D0L | Espresso   | -VA          |     |                    |
|     | 958 521 435 00 D0M | Cognac   | -VB          |     |                    |
| (4) | 958 521 435 01     | Seat cover<br>Nature<br>D - MJ 2012>> - MJ 2013              | right        | 1   | PR:N1P,9P3,<br>Q1J |
|     | 958 521 435 01 D0L | Espresso   | -VA          |     |                    |
|     | 958 521 435 01 D0M | Cognac   | -VB          |     |                    |
| (4) | 958 521 435 02     | Seat cover<br>Nature<br>D - MJ 2014>>                        | right        | 1   | PR:N1P,9P3,<br>Q1J |
|     | 958 521 435 02 D0L | Espresso   | -VA          |     |                    |
|     | 958 521 435 02 D0M | Cognac   | -VB          |     |                    |
| (4) | 958 521 401 01     | Seat cover<br>Plain leather                                  | left         | 1   | GTS<br>PR:N5U,Q4P  |
|     | 958 521 401 01 D0D | Black  | -LC          |     |                    |
|     | 958 521 401 01 D0F | Luxor beige  | -LE,MK       |     |                    |
|     | 958 521 401 01 D0H | Titanium Blue  |              |     |                    |
|     | 958 521 401 01 D0J | Cream  | -MJ,TX       |     |                    |
|     | 958 521 401 01 D0K | Light Tartufo  | -TY          |     |                    |
|     | 958 521 401 01 YKI | agate grey   | -MG          |     |                    |



Model: 92A 11

Model life 2011&gt;&gt;2018

| Pos | Part Number        | Description                                  | Remark      | Qty | Model                     |
|-----|--------------------|--|-------------|-----|---------------------------|
|     | 958 521 401 01 YMI | saddle brown                                 | -MH,MI      |     |                           |
|     | 958 521 401 01 HHM | Cohiba Brown                                 | -LH         |     |                           |
| (4) | 958 521 408 01     | Seat cover<br>Plain leather                  | right       | 1   | GTS<br>PR:N5U,9P3,<br>Q4P |
|     | 958 521 408 01 D0D | Black  | -LC         |     |                           |
|     | 958 521 408 01 D0F | Luxor beige                                  | -LE,MK      |     |                           |
|     | 958 521 408 01 D0H | Titanium Blue                                |             |     |                           |
|     | 958 521 408 01 D0J | Cream  | -MJ, TX     |     |                           |
|     | 958 521 408 01 D0K | Light Tartufo                                | -TY         |     |                           |
|     | 958 521 408 01 YKI | agate grey                                   | -MG         |     |                           |
|     | 958 521 408 01 YMI | saddle brown                                 | -MH,MI      |     |                           |
|     | 958 521 408 01 HHM | Cohiba Brown                                 | -LH         |     |                           |
| (4) | 958 521 418 01     | Seat cover<br>Nature                         | left        | 1   | GTS<br>PR:N1P,Q4P         |
|     | 958 521 418 01 D0L | Espresso                                     | -VA         |     |                           |
|     | 958 521 418 01 D0M | Cognac                                       | -VB         |     |                           |
| (4) | 958 521 419 01     | Seat cover<br>Nature                         | right       | 1   | GTS<br>PR:N1P,9P3,<br>Q4P |
|     | 958 521 419 01 D0L | Espresso                                     | -VA         |     |                           |
|     | 958 521 419 01 D0M | Cognac                                       | -VB         |     |                           |
| (4) | 958 521 445 01     | Seat cover<br>Alcantara                      | left        | 1   | GTS<br>PR:N2S,Q4P         |
|     | 958 521 445 01 IVA | Black-black                                  | -LC, MA, YC |     |                           |
|     | 958 521 445 01 IVB | Alcantara                                    | -MD, YD     |     |                           |
|     | 958 521 445 01 IVC | Luxor beige                                  | -LE, MC, YE |     |                           |
|     | 958 521 445 01 IVD | Umber  | -YF         |     |                           |
|     | 958 521 445 01 IVE | Black/Carmine Red                            | -YA         |     |                           |
|     | 958 521 445 01 IVF | Black/Peridot                                | -YB         |     |                           |
|     | 958 521 445 01 DJM | agate grey                                   | -MB, MG, ML |     |                           |
|     | 958 521 445 01 DJN | saddle brown                                 | -ME         |     |                           |
|     | 958 521 445 01 DJP | Black/Rhodium Silver                         | -MF         |     |                           |
| (4) | 958 521 444 01     | Seat cover<br>Alcantara                      | right       | 1   | GTS<br>PR:N2S,9P3,<br>Q4P |
|     | 958 521 444 01 IVA | Black-black                                  | -LC, MA, YC |     |                           |
|     | 958 521 444 01 IVB | Alcantara                                    | -MD, YD     |     |                           |
|     | 958 521 444 01 IVC | Luxor beige                                  | -LE, MC, YE |     |                           |
|     | 958 521 444 01 IVD | Umber  | -YF         |     |                           |
|     | 958 521 444 01 IVE | Black/Carmine Red                            | -YA         |     |                           |
|     | 958 521 444 01 IVF | Black/Peridot                                | -YB         |     |                           |
|     | 958 521 444 01 DJM | agate grey                                   | -MB, MG, ML |     |                           |
|     | 958 521 444 01 DJN | saddle brown                                 | -ME         |     |                           |
|     | 958 521 444 01 DJP | Black/Rhodium Silver                         | -MF         |     |                           |
| 5   | 958 521 392 00     | Foam part<br>Seat cushion<br>without heating | front       | 1   | PR:N1P,4A0                |
| 5   | 958 521 392 00     | Foam part<br>Seat cushion<br>without heating | front       | 1   | PR:N5U,4A0                |
| (5) | 958 521 390 00     | Foam part<br>Seat cushion<br>with heating    | front       | 1   | PR:N1P,4A3                |
| (5) | 958 521 390 00     | Foam part<br>Seat cushion<br>with heating    | front       | 1   | PR:N1P,4A4                |
| (5) | 958 521 390 00     | Foam part<br>Seat cushion<br>with heating    | front       | 1   | PR:N5U,4A3                |
| (5) | 958 521 390 00     | Foam part<br>Seat cushion<br>with heating    | front       | 1   | PR:N5U,4A4                |

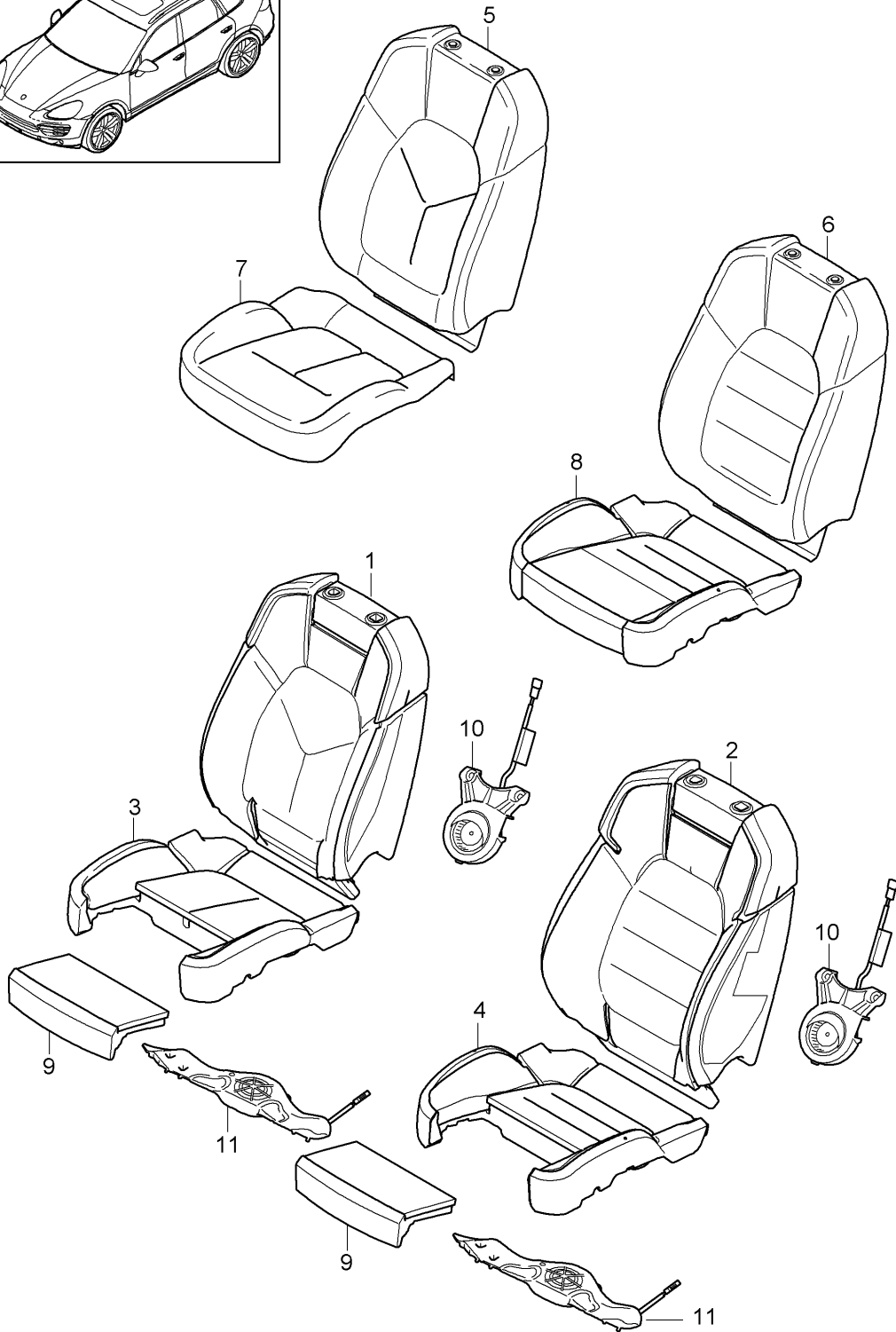
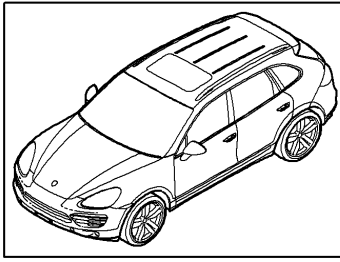
Model: 92A 11

Model life 2011>>2018

| Pos | Part Number        | Description   | Remark | Qty | Model   |
|-----|--------------------|---|--------|-----|---------|
| -   | 958 521 761 11     | repair set<br>knob<br>child seat<br>Identification: >> >> |        | 1   |         |
|     | 958 521 761 11 95R | Grey  |        |     |         |
| 6   | 958 881 695 00     | Foam sect. for rest side supp.                            | left   | 1   | PR:-Q1J |
| (6) | 958 881 696 00     | Foam sect. for rest side supp.                            | right  | 1   | PR:-Q1J |

Model: 92A 11

Model life 2011>>2018



Model: 92A 11 Model life 2011>>2018

| Pos | Part Number    | Description                               | Remark | Qty | Model                  |
|-----|----------------|---|--------|-----|------------------------|
| (1) | 958 521 789 00 | Foam part<br>Seat cover<br>Backrest cover | left   | 1   | PR:Q2J,N0Q,<br>4A3     |
| (1) | 958 521 789 00 | Foam part<br>backrest                     | left   | 1   | PR:Q2J,N0Q,<br>4A4     |
| (1) | 958 521 789 00 | Foam part<br>backrest                     | left   | 1   | PR:Q2J,N1A,<br>4A3     |
| (1) | 958 521 789 00 | Foam part<br>backrest                     | left   | 1   | PR:Q2J,N1A,<br>4A4     |
| (1) | 958 521 789 00 | Foam part<br>backrest                     | left   | 1   | PR:Q2J,N1B,<br>4A3     |
| (1) | 958 521 789 00 | Foam part<br>backrest                     | left   | 1   | PR:Q2J,N1B,<br>4A4     |
| (1) | 958 521 790 00 | Foam part<br>backrest                     | right  | 1   | PR:Q2J,N0Q,<br>4A3     |
| (1) | 958 521 790 00 | Foam part<br>backrest                     | right  | 1   | PR:Q2J,N0Q,<br>4A4     |
| (1) | 958 521 790 00 | Foam part<br>backrest                     | right  | 1   | PR:Q2J,N1A,<br>4A3     |
| (1) | 958 521 790 00 | Foam part<br>backrest                     | right  | 1   | PR:Q2J,N1A,<br>4A4     |
| (1) | 958 521 790 00 | Foam part<br>backrest                     | right  | 1   | PR:Q2J,N1B,<br>4A3     |
| (1) | 958 521 790 00 | Foam part<br>backrest                     | right  | 1   | PR:Q2J,N1B,<br>4A4     |
| 2   | 958 521 791 00 | Foam part<br>backrest                     | left   | 1   | PR:Q1J,N0Q,<br>4A3     |
| (2) | 958 521 791 00 | Foam part<br>backrest                     | left   | 1   | PR:Q1J,N0Q,<br>4A4     |
| (2) | 958 521 791 00 | Foam part<br>backrest                     | left   | 1   | PR:Q1J,N1A,<br>4A3     |
| (2) | 958 521 791 00 | Foam part<br>backrest                     | left   | 1   | PR:Q1J,N1A,<br>4A4     |
| (2) | 958 521 791 00 | Foam part<br>backrest                     | left   | 1   | PR:Q1J,N1B,<br>4A3     |
| (2) | 958 521 791 00 | Foam part<br>backrest                     | left   | 1   | PR:Q1J,N1B,<br>4A4     |
| (2) | 958 521 791 02 | Foam part<br>backrest<br>D >> - MJ 2014   | left   | 1   | PR:Q1J,N1B,<br>4A4     |
| (2) | 958 521 792 00 | Foam part<br>backrest<br>D - MJ 2015>>    | right  | 1   | PR:Q1J,N0Q,<br>4A3     |
| (2) | 958 521 792 00 | Foam part<br>backrest                     | right  | 1   | PR:Q1J,N0Q,<br>4A4     |
| (2) | 958 521 792 00 | Foam part<br>backrest                     | right  | 1   | PR:Q1J,N1A,<br>4A3     |
| (2) | 958 521 792 00 | Foam part<br>backrest                     | right  | 1   | PR:Q1J,N1A,<br>4A4     |
| (2) | 958 521 792 00 | Foam part<br>backrest                     | right  | 1   | PR:Q1J,N1B,<br>4A3     |
| (2) | 958 521 792 00 | Foam part<br>backrest                     | right  | 1   | PR:Q1J,N1B,<br>4A4     |
| (3) | 958 521 393 01 | Foam part<br>Seat cushion<br>with heating | left   | 1   | PR:Q2J,L0L,<br>N0Q,4A3 |
| (3) | 958 521 393 01 | Foam part<br>Seat cushion<br>with heating | left   | 1   | PR:Q2J,L0L,<br>N0Q,4A4 |
| (3) | 958 521 393 01 | Foam part<br>Seat cushion                 | left   | 1   | PR:Q2J,L0L,<br>N1A,4A3 |

Model: 92A 11 Model life 2011>>2018

| Pos | Part Number    | Description                               | Remark | Qty | Model                      |
|-----|----------------|---|--------|-----|----------------------------|
| (3) | 958 521 393 01 | with heating<br>Foam part<br>Seat cushion | left   | 1   | PR:Q2J,L0L,<br>N1A,4A4     |
| (3) | 958 521 393 01 | with heating<br>Foam part<br>Seat cushion | left   | 1   | PR:Q2J,L0L,<br>N1B,4A3     |
| (3) | 958 521 393 01 | with heating<br>Foam part<br>Seat cushion | left   | 1   | PR:Q2J,L0L,<br>N1B,4A4     |
| (3) | 958 521 494 01 | with heating<br>Foam part<br>Seat cushion | right  | 1   | PR:Q2J,L0L,<br>N0Q,4A3,9P3 |
| (3) | 958 521 494 01 | with heating<br>Foam part<br>Seat cushion | right  | 1   | PR:Q2J,L0L,<br>N0Q,4A4,9P3 |
| (3) | 958 521 494 01 | with heating<br>Foam part<br>Seat cushion | right  | 1   | PR:Q2J,L0L,<br>N1A,4A3,9P3 |
| (3) | 958 521 494 01 | with heating<br>Foam part<br>Seat cushion | right  | 1   | PR:Q2J,L0L,<br>N1A,4A4,9P3 |
| (3) | 958 521 494 01 | with heating<br>Foam part<br>Seat cushion | right  | 1   | PR:Q2J,L0L,<br>N1B,4A3,9P3 |
| (3) | 958 521 494 01 | with heating<br>Foam part<br>Seat cushion | right  | 1   | PR:Q2J,L0L,<br>N1B,4A4,9P3 |
| (3) | 958 521 394 01 | with heating<br>Foam part<br>Seat cushion | left   | 1   | PR:Q2J,L0R,<br>N0Q,4A3     |
| (3) | 958 521 394 01 | with heating<br>Foam part<br>Seat cushion | left   | 1   | PR:Q2J,L0R,<br>N0Q,4A4     |
| (3) | 958 521 394 01 | with heating<br>Foam part<br>Seat cushion | left   | 1   | PR:Q2J,L0R,<br>N1A,4A3     |
| (3) | 958 521 394 01 | with heating<br>Foam part<br>Seat cushion | left   | 1   | PR:Q2J,L0R,<br>N1A,4A4     |
| (3) | 958 521 394 01 | with heating<br>Foam part<br>Seat cushion | left   | 1   | PR:Q2J,L0R,<br>N1B,4A3     |
| (3) | 958 521 394 01 | with heating<br>Foam part<br>Seat cushion | left   | 1   | PR:Q2J,L0R,<br>N1B,4A4     |
| (3) | 958 521 497 00 | with heating<br>Foam part<br>Seat cushion | right  | 1   | PR:Q2J,L0R,<br>N0Q,4A3,9P3 |
| (3) | 958 521 497 00 | with heating<br>Foam part<br>Seat cushion | right  | 1   | PR:Q2J,L0R,<br>N0Q,4A4,9P3 |
| (3) | 958 521 497 00 | with heating<br>Foam part<br>Seat cushion | right  | 1   | PR:Q2J,L0R,<br>N1A,4A3,9P3 |
| (3) | 958 521 497 00 | with heating<br>Foam part<br>Seat cushion | right  | 1   | PR:Q2J,L0R,<br>N1A,4A4,9P3 |
| (3) | 958 521 497 00 | with heating<br>Foam part<br>Seat cushion | right  | 1   | PR:Q2J,L0R,<br>N1B,4A3,9P3 |

Model: 92A 11 Model life 2011>>2018

| Pos | Part Number    | Description                               | Remark | Qty | Model                      |
|-----|----------------|---|--------|-----|----------------------------|
| (3) | 958 521 497 00 | with heating<br>Foam part<br>Seat cushion | right  | 1   | PR:Q2J,L0R,<br>N1B,4A4,9P3 |
| 4   | 958 521 395 01 | with heating<br>Foam part<br>Seat cushion | left   | 1   | PR:Q1J,L0L,<br>N0Q,4A3     |
| (4) | 958 521 395 01 | with heating<br>Foam part<br>Seat cushion | left   | 1   | PR:Q1J,L0L,<br>N0Q,4A4     |
| (4) | 958 521 395 01 | with heating<br>Foam part<br>Seat cushion | left   | 1   | PR:Q1J,L0L,<br>N1A,4A3     |
| (4) | 958 521 395 01 | with heating<br>Foam part<br>Seat cushion | left   | 1   | PR:Q1J,L0L,<br>N1A,4A4     |
| (4) | 958 521 395 01 | with heating<br>Foam part<br>Seat cushion | left   | 1   | PR:Q1J,L0L,<br>N1B,4A3     |
| (4) | 958 521 395 01 | with heating<br>Foam part<br>Seat cushion | left   | 1   | PR:Q1J,L0L,<br>N1B,4A4     |
| (4) | 958 521 495 01 | with heating<br>Foam part<br>Seat cushion | right  | 1   | PR:Q1J,L0L,<br>N0Q,4A3,9P3 |
| (4) | 958 521 495 01 | with heating<br>Foam part<br>Seat cushion | right  | 1   | PR:Q1J,L0L,<br>N0Q,4A4,9P3 |
| (4) | 958 521 495 01 | with heating<br>Foam part<br>Seat cushion | right  | 1   | PR:Q1J,L0L,<br>N1A,4A3,9P3 |
| (4) | 958 521 495 01 | with heating<br>Foam part<br>Seat cushion | right  | 1   | PR:Q1J,L0L,<br>N1A,4A4,9P3 |
| (4) | 958 521 495 01 | with heating<br>Foam part<br>Seat cushion | right  | 1   | PR:Q1J,L0L,<br>N1B,4A3,9P3 |
| (4) | 958 521 495 01 | with heating<br>Foam part<br>Seat cushion | right  | 1   | PR:Q1J,L0L,<br>N1B,4A4,9P3 |
| (4) | 958 521 396 01 | with heating<br>Foam part<br>Seat cushion | left   | 1   | PR:Q1J,L0R,<br>N0Q,4A3     |
| (4) | 958 521 396 01 | with heating<br>Foam part<br>Seat cushion | left   | 1   | PR:Q1J,L0R,<br>N0Q,4A4     |
| (4) | 958 521 396 01 | with heating<br>Foam part<br>Seat cushion | left   | 1   | PR:Q1J,L0R,<br>N1A,4A3     |
| (4) | 958 521 396 01 | with heating<br>Foam part<br>Seat cushion | left   | 1   | PR:Q1J,L0R,<br>N1A,4A4     |
| (4) | 958 521 396 01 | with heating<br>Foam part<br>Seat cushion | left   | 1   | PR:Q1J,L0R,<br>N1B,4A3     |
| (4) | 958 521 396 01 | with heating<br>Foam part<br>Seat cushion | left   | 1   | PR:Q1J,L0R,<br>N1B,4A4     |
| (4) | 958 521 496 01 | with heating<br>Foam part<br>Seat cushion | right  | 1   | PR:Q1J,L0R,<br>N0Q,4A3,9P3 |
| (4) | 958 521 496 01 | with heating<br>Foam part<br>Seat cushion | right  | 1   | PR:Q1J,L0R,<br>N0Q,4A4,9P3 |

Model: 92A 11

Model life 2011&gt;&gt;2018

| Pos | Part Number        | Description                               | Remark       | Qty | Model                      |
|-----|--------------------|---|--------------|-----|----------------------------|
| (4) | 958 521 496 01     | with heating<br>Foam part<br>Seat cushion | right        | 1   | PR:Q1J,L0R,<br>N1A,4A3,9P3 |
| (4) | 958 521 496 01     | with heating<br>Foam part<br>Seat cushion | right        | 1   | PR:Q1J,L0R,<br>N1A,4A4,9P3 |
| (4) | 958 521 496 01     | with heating<br>Foam part<br>Seat cushion | right        | 1   | PR:Q1J,L0R,<br>N1B,4A3,9P3 |
| (4) | 958 521 496 01     | with heating<br>Foam part<br>Seat cushion | right        | 1   | PR:Q1J,L0R,<br>N1B,4A4,9P3 |
| (5) | 958 521 869 01     | Backrest cover<br>Plain leather           | left         | 1   | PR:Q2J,N0Q                 |
|     | 958 521 869 01 D0D | Black                                     | -LC,MA,YC    |     |                            |
|     | 958 521 869 01 D0E | Platinum Grey                             | -LD,MD,YD    |     |                            |
|     | 958 521 869 01 D0F | Luxor beige                               | -LE,MC,MK,YE |     |                            |
|     | 958 521 869 01 D0G | Umber                                     | -LF,YF       |     |                            |
|     | 958 521 869 01 D0H | Titanium Blue                             |              |     |                            |
|     | 958 521 869 01 D0J | No longer use the part here<br>Cream      | -MJ,TX       |     |                            |
|     | 958 521 869 01 D0K | Light Tartufo                             | -TY          |     |                            |
|     | 958 521 869 01 YKI | agate grey                                | -MB,MG,ML    |     |                            |
|     | 958 521 869 01 YMI | saddle brown                              | -ME,MH,MI    |     |                            |
| (5) | 958 521 869 01     | Backrest cover<br>Leather                 | left         | 1   | PR:Q2J,N1B                 |
|     | 958 521 869 01 AAB | two-colour<br>Black/Carrera Red           | -TA          |     |                            |
|     | 958 521 869 01 AAC | Black/Luxor Beige                         | -77,TB       |     |                            |
| (5) | 958 521 869 02     | Backrest cover<br>Leather                 | left         | 1   | PR:Q2J,N1B                 |
|     | 958 521 869 02 HGK | two-colour<br>Black/Cream                 | -LG          |     |                            |
|     | 958 521 869 02 HHM | D - MJ 2015>><br>Cohiba Brown             | -LH          |     |                            |
|     | 958 521 869 02 HHM | D - MJ 2016>>                             |              |     |                            |
| (5) | 958 521 868 01     | Backrest cover<br>Plain leather           | right        | 1   | PR:Q2J,N0Q                 |
|     | 958 521 868 01 D0D | Black                                     | -LC,MA,YC    |     |                            |
|     | 958 521 868 01 D0E | Platinum Grey                             | -LD,MD,YD    |     |                            |
|     | 958 521 868 01 D0F | Luxor beige                               | -LE,MC,MK,YE |     |                            |
|     | 958 521 868 01 D0G | Umber                                     | -LF,YF       |     |                            |
|     | 958 521 868 01 D0H | Titanium Blue                             |              |     |                            |
|     | 958 521 868 01 D0J | No longer use the part here<br>Cream      | -MJ,TX       |     |                            |
|     | 958 521 868 01 D0K | Light Tartufo                             | -TY          |     |                            |
|     | 958 521 868 01 YKI | agate grey                                | -MB,MG,ML    |     |                            |
|     | 958 521 868 01 YMI | saddle brown                              | -ME,MH,MI    |     |                            |
| (5) | 958 521 868 01     | Backrest cover<br>Leather                 | right        | 1   | PR:Q2J,N1B                 |
|     | 958 521 868 01 AAB | two-colour<br>Black/Carrera Red           | -TA          |     |                            |
|     | 958 521 868 01 AAC | Black/Luxor Beige                         | -77,TB       |     |                            |
| (5) | 958 521 868 02     | Backrest cover<br>Leather                 | right        | 1   | PR:Q2J,N1B                 |
|     | 958 521 868 02 HGK | two-colour<br>Black/Cream                 | -LG          |     |                            |
|     | 958 521 868 02 HHM | D - MJ 2015>><br>Cohiba Brown             | -LH          |     |                            |
|     | 958 521 868 02 HHM | D - MJ 2016>>                             |              |     |                            |
| (5) | 958 521 873 01     | Backrest cover<br>Nature                  | left         | 1   | PR:Q2J,N1A                 |

Model: 92A 11 Model life 2011>>2018

| Pos                | Part Number        | Description                     | Remark                          | Qty | Model      |              |   |            |
|--------------------|--------------------|---------------------------------|---------------------------------|-----|------------|--------------|---|------------|
| (5)                | 958 521 873 01 D0L | Espresso                        | -VA                             | 1   | PR:Q2J,N1A |              |   |            |
|                    | 958 521 873 01 D0M | Cognac                          | -VB                             |     |            |              |   |            |
|                    | 958 521 872 01     | Backrest cover<br>Nature        | right                           |     |            |              |   |            |
| 6                  | 958 521 872 01 D0L | Espresso                        | -VA                             | 1   | PR:Q1J,N0Q |              |   |            |
|                    | 958 521 872 01 D0M | Cognac                          | -VB                             |     |            |              |   |            |
|                    | 958 521 877 00     | Backrest cover<br>Plain leather | left                            |     |            |              |   |            |
|                    |                    | D >> - MJ 2013                  |                                 |     |            |              |   |            |
|                    | 958 521 877 00 D0D | Black                           | -LC,MA,YC                       |     |            |              |   |            |
|                    | 958 521 877 00 D0E | Platinum Grey                   | -LD,MD,YD                       |     |            |              |   |            |
|                    | 958 521 877 00 D0F | Luxor beige                     | -LE,MC,YE                       |     |            |              |   |            |
|                    | 958 521 877 00 D0G | Umber                           | -LF,YF                          |     |            |              |   |            |
|                    | 958 521 877 00 D0H | Titanium Blue                   | -TW                             |     |            |              |   |            |
|                    | 958 521 877 00 D0J | Cream                           | -TX                             |     |            |              |   |            |
| (6)                | 958 521 877 00 D0K | Light Tartufo                   | -TY                             | 1   | PR:Q1J,N1B |              |   |            |
|                    | 958 521 877 00     | Backrest cover<br>Plain leather | left                            |     |            |              |   |            |
|                    |                    | D >> - MJ 2013                  |                                 |     |            |              |   |            |
|                    | 958 521 877 00 AAB | Black/Carrera Red               | -TA                             |     |            |              |   |            |
|                    | 958 521 877 00 AAC | Black/Luxor Beige               | -TB                             |     |            |              |   |            |
|                    | (6)                | 958 521 862 01                  | Backrest cover<br>Plain leather |     |            | left         | 1 | PR:Q1J,N0Q |
|                    |                    |                                 | D - MJ 2014>>                   |     |            |              |   |            |
|                    |                    | 958 521 862 01 D0D              | Black                           |     |            | -LC,MA,YC    |   |            |
|                    |                    | 958 521 862 01 D0E              | Platinum Grey                   |     |            | -LD,MD,YD    |   |            |
|                    |                    | 958 521 862 01 D0F              | Luxor beige                     |     |            | -LE,MC,MK,YE |   |            |
| 958 521 862 01 D0G |                    | Umber                           | -LF,YF                          |     |            |              |   |            |
| 958 521 862 01 D0H |                    | Titanium Blue                   | -TW                             |     |            |              |   |            |
| 958 521 862 01 D0J |                    | Cream                           | -MJ, TX                         |     |            |              |   |            |
| 958 521 862 01 D0K |                    | Light Tartufo                   | -TY                             |     |            |              |   |            |
| 958 521 862 01 YKI |                    | agate grey                      | -MB, MG, ML                     |     |            |              |   |            |
| 958 521 862 01 YMI | saddle brown       | -ME, MH, MI                     |                                 |     |            |              |   |            |
| (6)                | 958 521 862 01 HHM | Cohiba Brown                    | -LH                             | 1   | PR:Q1J,N1B |              |   |            |
|                    | 958 521 862 01     | Backrest cover<br>Plain leather | left                            |     |            |              |   |            |
|                    |                    | D - MJ 2014>>                   |                                 |     |            |              |   |            |
|                    | 958 521 862 01 AAB | Black/Carrera Red               | -TA                             |     |            |              |   |            |
|                    | 958 521 862 01 AAC | Black/Luxor Beige               | -TB                             |     |            |              |   |            |
|                    | (6)                | 958 521 876 00                  | Backrest cover<br>Plain leather |     |            | right        | 1 | PR:Q1J,N0Q |
|                    |                    |                                 | D >> - MJ 2013                  |     |            |              |   |            |
|                    |                    | 958 521 876 00 D0D              | Black                           |     |            | -LC,MA,YC    |   |            |
|                    |                    | 958 521 876 00 D0E              | Platinum Grey                   |     |            | -LD,MD,YD    |   |            |
|                    |                    | 958 521 876 00 D0F              | Luxor beige                     |     |            | -LE,MC,YE    |   |            |
| 958 521 876 00 D0G |                    | Umber                           | -LF,YF                          |     |            |              |   |            |
| 958 521 876 00 D0H |                    | Titanium Blue                   | -TW                             |     |            |              |   |            |
| 958 521 876 00 D0J |                    | Cream                           | -TX                             |     |            |              |   |            |
| 958 521 876 00 D0K |                    | Light Tartufo                   | -TY                             |     |            |              |   |            |
| 958 521 876 00     |                    | Backrest cover<br>Plain leather | right                           |     |            |              |   |            |
|                    | D >> - MJ 2013     |                                 |                                 |     |            |              |   |            |
| (6)                | 958 521 876 00 AAB | Black/Carrera Red               | -TA                             | 1   | PR:Q1J,N0Q |              |   |            |
|                    | 958 521 876 00 AAC | Black/Luxor Beige               | -TB                             |     |            |              |   |            |
|                    | 958 521 863 01     | Backrest cover<br>Plain leather | right                           |     |            |              |   |            |
|                    |                    | D - MJ 2014>>                   |                                 |     |            |              |   |            |
|                    | 958 521 863 01 D0D | Black                           | -LC,MA,YC                       |     |            |              |   |            |
|                    | 958 521 863 01 D0E | Platinum Grey                   | -LD,MD,YD                       |     |            |              |   |            |
|                    | 958 521 863 01 D0F | Luxor beige                     | -LE,MC,MK,YE                    |     |            |              |   |            |
|                    | 958 521 863 01 D0G | Umber                           | -LF,YF                          |     |            |              |   |            |
|                    | 958 521 863 01 D0H | Titanium Blue                   | -TW                             |     |            |              |   |            |
|                    | 958 521 863 01 D0J | Cream                           | -MJ, TX                         |     |            |              |   |            |
| 958 521 863 01 D0K | Light Tartufo      | -TY                             |                                 |     |            |              |   |            |



Model: 92A 11 Model life 2011>>2018

| Pos                | Part Number        | Description                     | Remark                | Qty   | Model                      |             |   |                            |
|--------------------|--------------------|---------------------------------|-----------------------|-------|----------------------------|-------------|---|----------------------------|
| (6)                | 958 521 863 01 YKI | agate grey                      | -MB, MG, ML           | 1     | PR:Q1J, N1B                |             |   |                            |
|                    | 958 521 863 01 YMI | saddle brown                    | -ME, MH, MI           |       |                            |             |   |                            |
|                    | 958 521 863 01 HHM | Cohiba Brown                    | -LH                   |       |                            |             |   |                            |
| (6)                | 958 521 863 01     | Backrest cover<br>Plain leather | right                 | 1     | PR:Q1J, N1A                |             |   |                            |
|                    | 958 521 863 01 AAB | Black/Carrera Red               | -TA                   |       |                            |             |   |                            |
|                    | 958 521 863 01 AAC | Black/Luxor Beige               | -TB                   |       |                            |             |   |                            |
| (6)                | 958 521 866 01     | Backrest cover<br>Nature        | left                  | 1     | PR:Q1J, N1A                |             |   |                            |
|                    | 958 521 866 01 D0L | Espresso                        | -VA                   |       |                            |             |   |                            |
|                    | 958 521 866 01 D0M | Cognac                          | -VB                   |       |                            |             |   |                            |
| (6)                | 958 521 867 01     | Backrest cover<br>Nature        | right                 | 1     | PR:Q1J, N1A                |             |   |                            |
|                    | 958 521 867 01 D0L | Espresso                        | -VA                   |       |                            |             |   |                            |
|                    | 958 521 867 01 D0M | Cognac                          | -VB                   |       |                            |             |   |                            |
| (7)                | 958 521 426 02     | Seat cover<br>Plain leather     | left                  | 1     | PR:Q2J, N0Q, N1B           |             |   |                            |
|                    | 958 521 426 02 D0D | Black                           | -LC, MA, YC           |       |                            |             |   |                            |
|                    | 958 521 426 02 D0E | Platinum Grey                   | -LD, MD, YD           |       |                            |             |   |                            |
|                    | 958 521 426 02 D0F | Luxor beige                     | -LE, MC, MK, YE       |       |                            |             |   |                            |
|                    | 958 521 426 02 D0G | Umber                           | -LF, YF               |       |                            |             |   |                            |
|                    | 958 521 426 02 D0H | Titanium Blue                   | -TW                   |       |                            |             |   |                            |
|                    | 958 521 426 02 D0J | Cream                           | -MJ, TX               |       |                            |             |   |                            |
|                    | 958 521 426 02 D0K | Light Tartufo                   | -TY                   |       |                            |             |   |                            |
|                    | 958 521 426 02 YKI | agate grey                      | -MB, MG, ML           |       |                            |             |   |                            |
|                    | 958 521 426 02 YMI | saddle brown                    | -ME, MH, MI           |       |                            |             |   |                            |
|                    | 958 521 426 02     | Seat cover<br>Plain leather     | left                  |       |                            |             |   |                            |
|                    | 958 521 426 02 AAB | Black/Carrera Red               | -TA                   |       |                            |             |   |                            |
|                    | 958 521 426 02 AAC | Black/Luxor Beige               | -77                   |       |                            |             |   |                            |
| (7)                | 958 521 426 02 HGK | Black/Cream                     | -LG                   | 1     | PR:N0Q, 9P3, 9P7, Q2J, N1B |             |   |                            |
|                    | 958 521 426 02 HHM | Cohiba Brown                    | -LH                   |       |                            |             |   |                            |
|                    | 958 521 856 01     | Seat cover<br>Plain leather     | right                 |       |                            |             |   |                            |
|                    | 958 521 856 01 D0D | Black                           | -LC, MA, YC           |       |                            |             |   |                            |
|                    | 958 521 856 01 D0E | Platinum Grey                   | -LD, MD, YD           |       |                            |             |   |                            |
|                    | 958 521 856 01 D0F | Luxor beige                     | -LE, MC, MK, YE       |       |                            |             |   |                            |
|                    | 958 521 856 01 D0G | Umber                           | -LF, YF               |       |                            |             |   |                            |
|                    | 958 521 856 01 D0H | Titanium Blue                   | -TW                   |       |                            |             |   |                            |
|                    | 958 521 856 01 D0J | Cream                           | -MJ, TX               |       |                            |             |   |                            |
|                    | 958 521 856 01 D0K | Light Tartufo                   | -TY                   |       |                            |             |   |                            |
|                    | 958 521 856 01 YKI | agate grey                      | -MB, MG, ML           |       |                            |             |   |                            |
|                    | 958 521 856 01 YMI | saddle brown                    | -ME, MH, MI           |       |                            |             |   |                            |
|                    | (7)                | 958 521 856 01                  | Seat cover<br>Leather |       |                            | right       | 1 | PR-Q2J, N0Q, N1B, 9P3, 9P7 |
| 958 521 856 01     |                    | D - MJ 2014>>                   |                       |       |                            |             |   |                            |
| 958 521 856 01 AAB |                    | Black/Carrera Red               | -TA                   |       |                            |             |   |                            |
| 958 521 856 01 AAC |                    | Black/Luxor Beige               | -77, TB               |       |                            |             |   |                            |
| 958 521 856 01 HGK |                    | Black/Cream                     | -LG                   |       |                            |             |   |                            |
| 958 521 856 01 HHM |                    | Cohiba Brown                    | -LH                   |       |                            |             |   |                            |
| 958 521 427 02     |                    | Seat cover<br>Nature            | left                  |       |                            |             |   |                            |
| 958 521 427 02 D0L |                    | Espresso                        | -VA                   |       |                            |             |   |                            |
| 958 521 427 02 D0M |                    | Cognac                          | -VB                   |       |                            |             |   |                            |
| (8)                |                    | 958 521 440 01                  | Seat cover<br>Nature  | right | 1                          | PR:Q2J, N1A |   |                            |
|                    |                    | 958 521 440 01 D0L              | Espresso              | -VA   |                            |             |   |                            |
|                    |                    | 958 521 440 01 D0M              | Cognac                | -VB   |                            |             |   |                            |
| (8)                |                    | 958 521 428 01                  | Seat cover            | left  | 1                          | PR:Q1J, N0Q |   |                            |
|                    | 958 521 428 01     | Seat cover                      | left                  |       |                            |             |   |                            |

Model: 92A 11 Model life 2011>>2018

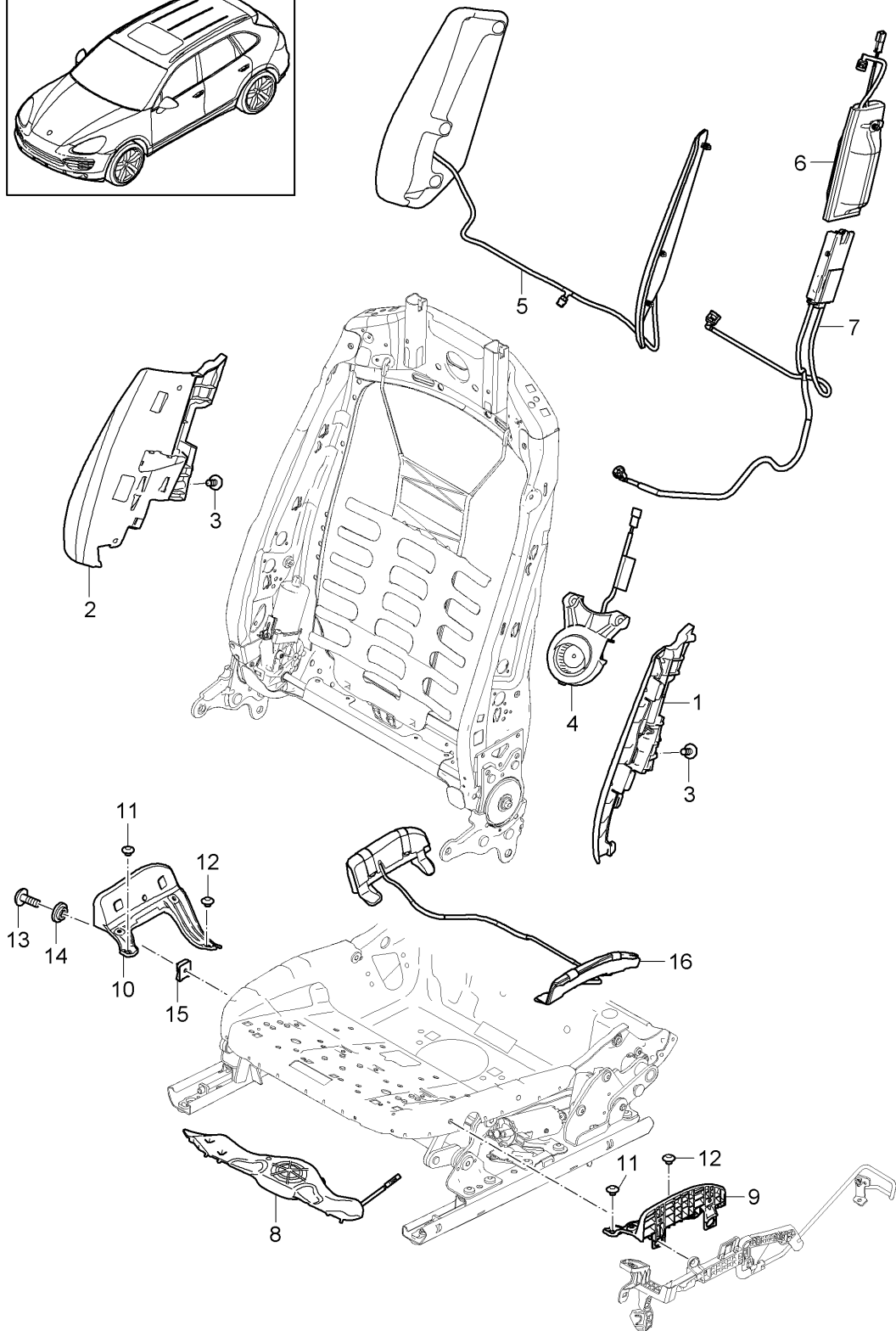
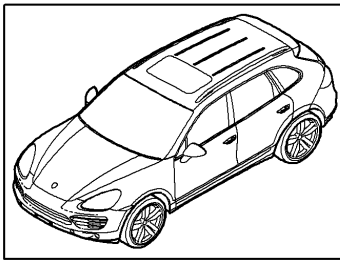
| Pos | Part Number        | Description   | Remark       | Qty | Model                      |
|-----|--------------------|---|--------------|-----|----------------------------|
|     |                    | Plain leather<br>Draped leather<br>D >> - MJ 2013               |              |     |                            |
|     | 958 521 428 01 D0D | Black   | -LC,MA,YC    |     |                            |
|     | 958 521 428 01 D0E | Platinum Grey   | -LD,MD,YD    |     |                            |
|     | 958 521 428 01 D0F | Luxor beige   | -LE,MC,YE    |     |                            |
|     | 958 521 428 01 D0G | Umber   | -LF,YF       |     |                            |
|     | 958 521 428 01 D0H | Titanium Blue   | -TW          |     |                            |
|     | 958 521 428 01 D0J | Cream   | -TX          |     |                            |
|     | 958 521 428 01 D0K | Light Tartufo   | -TY          |     |                            |
| (8) | 958 521 428 02     | Seat cover<br>Seat cover (leather perf.)<br>D >> - 29.06.2015   | left         | 1   | PR-N0Q,N1B,<br>Q1J         |
|     | 958 521 428 02 D0D | Black   | -LC,MA,YC    |     |                            |
|     | 958 521 428 02 D0E | Platinum Grey   | -LD,MD,YD    |     |                            |
|     | 958 521 428 02 D0F | Luxor beige   | -LE,MC,MK,YE |     |                            |
|     | 958 521 428 02 D0G | Umber   | -LF,YF       |     |                            |
|     | 958 521 428 02 D0H | Titanium Blue   |              |     |                            |
|     | 958 521 428 02 D0J | Cream   | -MJ          |     |                            |
|     | 958 521 428 02 D0K | Light Tartufo   | -TY          |     |                            |
|     | 958 521 428 02 YKI | agate grey<br>D - MJ 2015>>                                     | -MB,MG,ML    |     |                            |
|     | 958 521 428 02 YMI | saddle brown<br>D - MJ 2015>>                                   | -ME,MH,MI    |     |                            |
| (8) | 958 881 405        | Seat cover<br>Seat cover (leather perf.)<br>D - 30.06.2015>>    | left         | 1   | PR-N0Q,N1B,<br>Q1J         |
|     | 958 881 405 D0D    | Black   | -LC,MA,YC    |     |                            |
|     | 958 881 405 D0F    | Luxor beige   | -LE,MC,MK,YE |     |                            |
|     | 958 881 405 D0J    | Cream   | -MJ          |     |                            |
|     | 958 881 405 YKI    | agate grey  | -MB,MG,ML    |     |                            |
|     | 958 881 405 YMI    | saddle brown  | -ME,MH,MI    |     |                            |
|     | 958 881 405 D0G    | Umber   | -LF,YF       |     |                            |
|     | 958 881 405 D0H    | Titanium Blue   | -TW          |     |                            |
|     | 958 881 405 D0K    | Light Tartufo   | -TY          |     |                            |
| (8) | 958 521 428 02     | Seat cover<br>Leather<br>two-colour<br>D >> - 29.06.2015        | left         | 1   | PR-N0Q,N1B,<br>Q1J         |
|     | 958 521 428 02 AAB | Black/Carrera Red   | -TA          |     |                            |
|     | 958 521 428 02 AAC | Black/Luxor Beige   | -77,TB       |     |                            |
|     | 958 521 428 02 HGK | Black/Cream   | -LG          |     |                            |
| 8   | 958 521 428 03     | Seat cover<br>Leather<br>two-colour<br>D - 30.06.2015>>         | left         | 1   | PR-N0Q,N1B,<br>Q1J         |
|     | 958 521 428 03 AAB | Black/Carrera Red   | -TA          |     |                            |
|     | 958 521 428 03 AAC | Black/Luxor Beige   | -77,TB       |     |                            |
|     | 958 521 428 03 HGK | Black/Cream   | -LG          |     |                            |
| (8) | 958 521 438 01     | Seat cover<br>Plain leather<br>Draped leather<br>D >> - MJ 2013 | right        | 1   | PR:Q1J,N0Q,<br>9P3,9P7     |
|     | 958 521 438 01 D0D | Black   | -LC,MA,YC    |     |                            |
|     | 958 521 438 01 D0E | Platinum Grey   | -LD,MD,YD    |     |                            |
|     | 958 521 438 01 D0F | Luxor beige   | -LE,MC,YE    |     |                            |
|     | 958 521 438 01 D0G | Umber   | -LF,YF       |     |                            |
|     | 958 521 438 01 D0H | Titanium Blue   | -TW          |     |                            |
|     | 958 521 438 01 D0J | Cream   | -TX          |     |                            |
|     | 958 521 438 01 D0K | Light Tartufo   | -TY          |     |                            |
| (8) | 958 521 438 02     | Seat cover<br>for leather trim                                  | right        | 1   | PR-N0Q,N1B,<br>Q1J,9P3,9P7 |
|     | 958 521 438 02 D0D | Black   | -LC,MA,YC    |     |                            |

Model: 92A 11 Model life 2011>>2018

| Pos | Part Number        | Description  | Remark       | Qty | Model                      |
|-----|--------------------|--|--------------|-----|----------------------------|
|     | 958 521 438 02 D0E | Platinum Grey  | -LD,MD,YD    |     |                            |
|     | 958 521 438 02 D0F | Luxor beige  | -LE,MC,MK,YE |     |                            |
|     | 958 521 438 02 D0G | Umber  | -LF,YF       |     |                            |
|     | 958 521 438 02 D0H | Titanium Blue  | -TW          |     |                            |
|     | 958 521 438 02 D0J | Cream  | -MJ, TX      |     |                            |
|     | 958 521 438 02 D0K | Light Tartufo  | -TY          |     |                            |
|     | 958 521 438 02 YKI | agate grey   | -MB, MG, ML  |     |                            |
|     | 958 521 438 02 YMI | saddle brown   | -ME, MH, MI  |     |                            |
| (8) | 958 881 406        | Seat cover<br>Seat cover (leather perf.)<br>for leather trim | right        | 1   |                            |
|     | 958 881 406 HGK    | Black/Cream  | -LG          |     |                            |
|     | 958 881 406 HHM    | Cohiba Brown   | -LH          |     |                            |
| (8) | 958 881 405 A      | Seat cover<br>Seat cover (leather perf.)                     | left         | 1   | PR-N0Q,N1B,<br>Q1J         |
|     | 958 881 405 A HHM  | Cohiba Brown   | -LH          |     |                            |
| (8) | 958 521 438 02     | Seat cover<br>Leather<br>two-colour<br>D >> - 29.06.2015     | right        | 1   | PR-N0Q,N1B,<br>Q1J,9P3,9P7 |
|     | 958 521 438 02 AAB | Black/Carrera Red  | -TA          |     |                            |
|     | 958 521 438 02 AAC | Black/Luxor Beige  | -TB          |     |                            |
| (8) | 958 521 443 01     | Seat cover (leather)<br>Nature                               | left         | 1   | PR:Q1J,N1A                 |
|     | 958 521 443 01 D0L | Espresso   | -VA          |     |                            |
|     | 958 521 443 01 D0M | Cognac   | -VB          |     |                            |
| (8) | 958 521 442 01     | Seat cover (leather)<br>Nature                               | right        | 1   | PR:Q1J,N1A                 |
|     | 958 521 442 01 D0L | Espresso   | -VA          |     |                            |
|     | 958 521 442 01 D0M | Cognac   | -VB          |     |                            |
| 9   | 958 521 397 00     | Foam part<br>Seat cushion<br>with heating                    | front        | 1   | PR:N0Q,N1A,<br>N1B,4A3,4A4 |
| 10  | 958 624 351 00     | ventliation motor<br>backrest                                |              | 1   | PR:N0Q,N1A,<br>N1B         |
| 11  | 958 624 345 00     | Front seat<br>ventliation motor<br>Seat surface              |              | 1   | PR:N0Q,N1A,<br>N1B         |
| -   | 958 521 761 11     | Front seat<br>repair set<br>knob<br>child seat               |              | 1   |                            |
|     | 958 521 761 11 95R | Identification: >> >><br>Grey                                |              |     |                            |

Model: 92A 11

Model life 2011>>2018



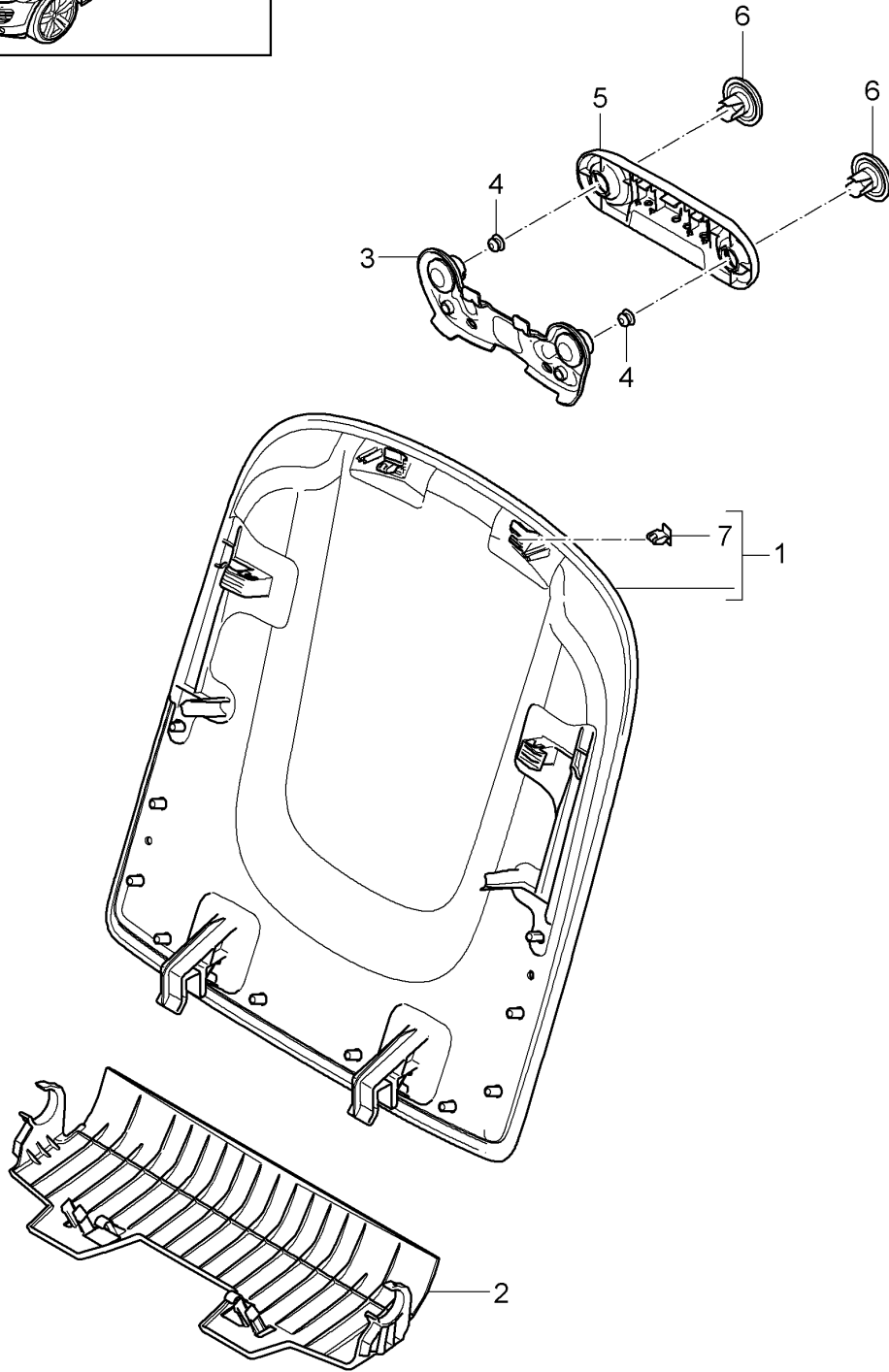
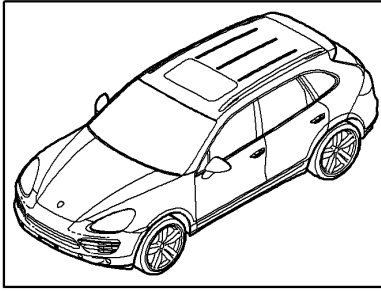
Model: 92A 11

Model life 2011&gt;&gt;2018

| Pos | Part Number    | Description   | Remark          | Qty | Model      |
|-----|----------------|---|-----------------|-----|------------|
| 1   | 958 521 353 00 | Seat width adjustment<br>Support element                            | left            | 1   | PR:Q1J,Q4P |
| 2   | 958 521 354 00 | Seat width adjustment<br>Support element                            | right           | 1   |            |
| 3   | N 103 545 03   | Seat width adjustment<br>Hexagon socket oval head bolt<br>(combi)   |                 | 4   |            |
| 4   |                | M 6 X 12<br>Electric fan<br>backrest<br>Front seat                  |                 | 1   |            |
| 5   | 958 521 351 00 | see illustration:<br>Einlage für<br>Lehnenwangenverstellung         | 817-014         | 1   |            |
| 6   | 958 521 355 02 | Pump  |                 | 1   |            |
| 7   | 958 521 356 01 | Seat width adjustment<br>Valve block                                |                 | 1   |            |
| 8   |                | Seat width adjustment<br>Electric fan<br>Seat surface<br>Front seat |                 | 1   |            |
| 9   | 958 521 349 01 | see illustration:<br>Support element                                | 817-014<br>left | 1   |            |
| 10  | 958 521 350 00 | Seat width adjustment<br>Seat side bolster<br>Seat width adjustment | right           | 1   |            |
| 11  | N 902 244 01   | Pop rivet<br>A 4,8 X 9  |                 | 2   |            |
| 12  | N 908 123 02   | Pop rivet<br>A 6 X 10   |                 | 2   |            |
| 13  | N 107 148 01   | fillister head bolt with<br>multi-point socket head<br>m 6 X 18     |                 | 4   |            |
| 14  | 958 521 357 01 | bush<br>Support   |                 | 2   |            |
| 15  | WHT 003 301    | Speed nut<br>M6   |                 | 2   |            |
| 16  | 958 521 357 00 | Einlage für<br>Sitzwangenverstellung<br>Seat surface                |                 | 1   |            |

Model: 92A 11

Model life 2011>>2018

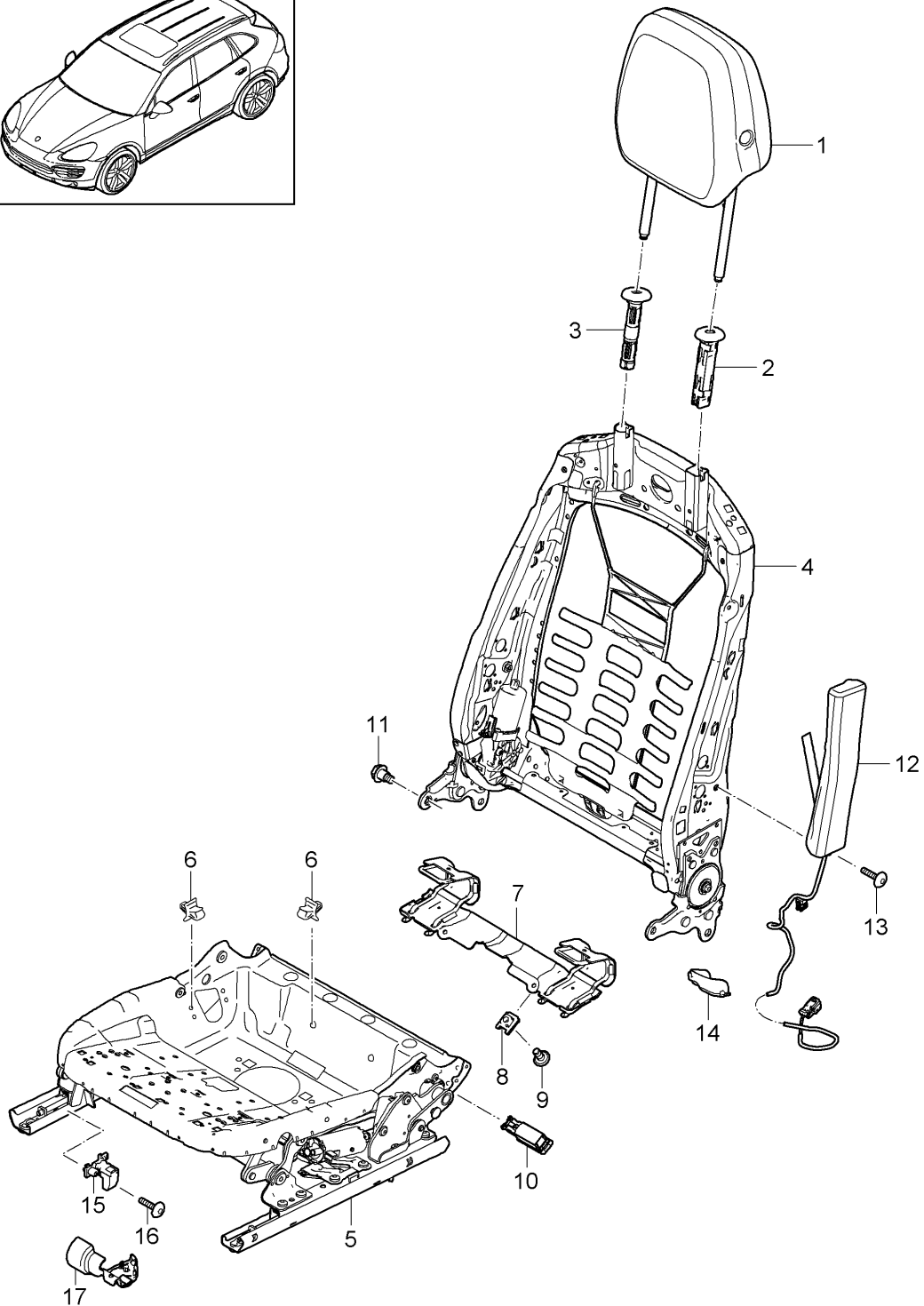
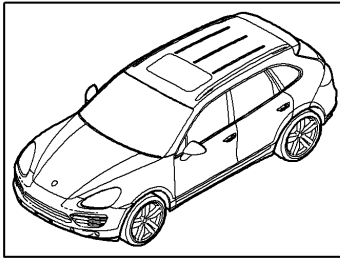


Model: 92A 11 Model life 2011>>2018

| Pos | Part Number        | Description   | Remark  | Qty | Model  |
|-----|--------------------|---|---|-----|--------|
| 1   | 958 521 989 00     | Cover<br>Backrest shell<br>Cover<br>Backrest shell  | left a. right<br>upper                        | 1   |        |
|     | 958 521 989 00 1D0 | Black   | -LC, LG, MA, MF,<br>TA, TB, YA, YB,<br>YC, 77 |     |        |
|     | 958 521 989 00 2E0 | Luxor beige   | -LE, MC, MK, YE                               |     |        |
|     | 958 521 989 00 3F0 | Platinum Grey                                       | -LD, MD, YD                                   |     |        |
|     | 958 521 989 00 BS4 | Cream   | -MJ, TX                                       |     |        |
|     | 958 521 989 00 5H0 | Espresso  | -VA   |     |        |
|     | 958 521 989 00 6K0 | Cognac  | -VB   |     |        |
|     | 958 521 989 00 DE1 | Umber   | -LF, YF                                       |     |        |
|     | 958 521 989 00 DF2 | Light Tartufo                                       | -TY   |     |        |
|     | 958 521 989 00 DJ3 | Titanium Blue                                       | -TW   |     |        |
|     | 958 521 989 00 OW7 | agate grey  | -MB, MG, ML                                   |     |        |
|     | 958 521 989 00 OE4 | saddle brown  | -ME, MH, MI                                   |     |        |
| 1   | 958 521 989 01     | Cover<br>Backrest shell                             | left a. right<br>upper                        | 1   |        |
|     | 958 521 989 01 OB8 | Cohiba Brown  | -LH   |     |        |
| 2   | 958 521 091 00     | Trim  | left a. right<br>lower                        | 1   |        |
| 3   | 958 521 998 00     | Bracket<br>Rear seat entertainment system<br>Screen | left a. right                                 | 1   | PR:9WM |
| 4   | N 909 299 01       | Pop rivet<br>A4 X 14                                |   | 2   | PR:9WM |
| 5   | 958 521 793 00     | Trim<br>Rear seat entertainment system              | left a. right                                 | 1   | PR:9WM |
|     | 958 521 793 00 1E0 | Black   | -LC, LG, MA, MF,<br>TA, TB, YA, YB,<br>YC, 77 |     |        |
|     | 958 521 793 00 4H0 | Luxor beige   | -LE, MC, MK, YE                               |     |        |
|     | 958 521 793 00 6L0 | Platinum Grey                                       | -LD, MD, YD                                   |     |        |
|     | 958 521 793 00 5J0 | Cream   | -MJ, TX                                       |     |        |
|     | 958 521 793 00 7N0 | Espresso  | -VA   |     |        |
|     | 958 521 793 00 8P0 | Cognac  | -VB   |     |        |
|     | 958 521 793 00 DE1 | Umber   | -LF, YF                                       |     |        |
|     | 958 521 793 00 DF2 | Light Tartufo                                       | -TY   |     |        |
|     | 958 521 793 00 DJ3 | Titanium Blue                                       | -TW   |     |        |
|     | 958 521 793 00 OP1 | agate grey  | -MB, MG, ML                                   |     |        |
|     | 958 521 793 00 OM8 | saddle brown  | -ME, MH, MI                                   |     |        |
|     | 958 521 793 00 HHM | Cohiba Brown  | -LH   |     |        |
| 6   | 958 521 090 00     | Retaining clip<br>Trim                              |   | 2   | PR:9WM |
| 7   | 958 999 521 00     | Clip<br>Backrest shell                              |   | 2   |        |
| -   | 958 612 297 00     | Wire set<br>Rear seat entertainment system          | left  | 1   | PR:9WM |
| -   | 958 612 298 00     | Wire set<br>Rear seat entertainment system          | right   | 1   | PR:9WM |

Model: 92A 11

Model life 2011>>2018





Model: 92A 11 Model life 2011>>2018

| Pos | Part Number        | Description   | Remark    | Qty | Model                      |
|-----|--------------------|---|-----------|-----|----------------------------|
|     |                    | Backrest frame<br>frame for seat                    |           |     |                            |
|     |                    | with:   |           |     |                            |
| 1   | 958 521 901 00     | Adjusting motor<br>Head restraint<br>D >> - MJ 2014 | left      | 1   | PR:N1D,N1X,<br>N7F,3J4     |
|     | 958 521 901 00 21U | Black   | -MA       |     |                            |
|     | 958 521 901 00 32X | Luxor beige   | -MC       |     |                            |
|     | 958 521 901 00 7EG | Platinum Grey                                       | -MD       |     |                            |
|     | 958 521 901 00 OF6 | agate grey  | -MB       |     |                            |
|     | 958 521 901 00 HAA | Black/Luxor Beige                                   | -77       |     |                            |
| (1) | 958 521 901 02     | Head restraint<br>D - MJ 2015>> - MJ 2015           | left      | 1   | PR:N1D,N1X,<br>N7F,3J4     |
|     | 958 521 901 02 21U | Black   | -MA       |     |                            |
|     | 958 521 901 02 32X | Luxor beige   | -MC       |     |                            |
|     | 958 521 901 02 7EG | Platinum Grey                                       | -MD       |     |                            |
|     | 958 521 901 02 OF6 | agate grey  | -MB       |     |                            |
|     | 958 521 901 02 HAA | Black/Luxor Beige                                   | -77       |     |                            |
| (1) | 958 521 901 06     | Head restraint<br>D - MJ 2016>>                     | left      | 1   | PR:N1D,N1X,<br>N7F,3F4     |
|     | 958 521 901 06 21U | Black   | -MA       |     |                            |
|     | 958 521 901 06 32X | Luxor beige   | -MC       |     |                            |
|     | 958 521 901 06 HAA | Black/Luxor Beige                                   | -77       |     |                            |
|     | 958 521 901 06 OF6 | agate grey  | -MB       |     |                            |
| (1) | 958 521 911 00     | Head restraint<br>D >> - MJ 2014                    | right     | 1   | PR:N1D,N1X,<br>N7F,3J4     |
|     | 958 521 911 00 21U | Black   | -MA       |     |                            |
|     | 958 521 911 00 32X | Luxor beige   | -MC       |     |                            |
|     | 958 521 911 00 7EG | Platinum Grey                                       | -MD       |     |                            |
|     | 958 521 911 00 OF6 | agate grey  | -MB       |     |                            |
| (1) | 958 521 911 02     | Head restraint<br>D - MJ 2015>> - MJ 2015           | right     | 1   | PR:N1D,N1X,<br>N7F,3J4     |
|     | 958 521 911 02 21U | Black   | -MA       |     |                            |
|     | 958 521 911 02 32X | Luxor beige   | -MC       |     |                            |
|     | 958 521 911 02 7EG | Platinum Grey                                       | -MD       |     |                            |
|     | 958 521 911 02 OF6 | agate grey  | -MB       |     |                            |
| (1) | 958 521 902 06     | Head restraint<br>D - MJ 2016>>                     | right     | 1   | PR:N1D,N1X,<br>N7F,3J4     |
|     | 958 521 902 06 21U | Black   | -MA       |     |                            |
|     | 958 521 902 06 32X | Luxor beige   | -MC       |     |                            |
|     | 958 521 902 06 HAA | Black/Luxor Beige                                   | -MD       |     |                            |
|     | 958 521 902 06 OF6 | agate grey  | -MB       |     |                            |
| (1) | 958 521 902 00     | Head restraint<br>D >> - MJ 2014                    | left      | 1   | PR:N1B,N1M,<br>3J4         |
|     | 958 521 902 00 AAB | Black/Carrera Red                                   | -TA       |     |                            |
|     | 958 521 902 00 AAC | Black/Luxor Beige                                   | -TB,77    |     |                            |
| (1) | 958 521 902 02     | Head restraint<br>D - MJ 2015>> - MJ 2015           | left      | 1   | PR:N1B,N1M,<br>3J4         |
|     | 958 521 902 02 AAB | Black/Carrera Red                                   | -TA       |     |                            |
|     | 958 521 902 02 AAC | Black/Luxor Beige                                   | -77       |     |                            |
| (1) | 958 521 902 00     | Head restraint<br>D >> - MJ 2014                    | left      | 1   | PR:N0Q,N5U,<br>N7D,N2S,3J4 |
|     | 958 521 902 00 8YR | Black   | -LC,MA,YC |     |                            |
|     | 958 521 902 00 9H6 | Luxor beige   | -LE,MC,YE |     |                            |
|     | 958 521 902 00 7A0 | Platinum Grey                                       | -LD,MD,YD |     |                            |
|     | 958 521 902 00 6G0 | Cream   | -TX       |     |                            |
|     | 958 521 902 00 DE1 | Umber   | -LF,YF    |     |                            |
|     | 958 521 902 00 DF2 | Light Tartufo                                       | -TY       |     |                            |
|     | 958 521 902 00 DJ3 | Titanium Blue                                       | -TW       |     |                            |
|     | 958 521 902 00 PL1 | agate grey  |           |     |                            |
|     | 958 521 902 00 OK6 | saddle brown  |           |     |                            |
| (1) | 958 521 902 02     | Head restraint<br>D - MJ 2015>> - MJ 2015           | left      | 1   | PR:N0Q,N5U,<br>N7D,N2S,3J4 |

Model: 92A 11 Model life 2011>>2018

| Pos | Part Number        | Description                 | Remark       | Qty | Model                                  |
|-----|--------------------|-----------------------------|--------------|-----|--|
|     | 958 521 902 02 8YR | Black                       | -LC,MA,YC    |     |  |
|     | 958 521 902 02 9H6 | Luxor beige                 | -LE,MC,MK,YE |     |  |
|     | 958 521 902 02 7A0 | Platinum Grey               |              |     |  |
|     | 958 521 902 02 6G0 | Cream                       | -MJ          |     |  |
|     | 958 521 902 02 DE1 | Umber                       |              |     |  |
|     | 958 521 902 02 DF2 | Light Tartufo               |              |     |  |
|     | 958 521 902 02 DJ3 | Titanium Blue               |              |     |  |
|     |                    | No longer use the part here |              |     |  |
|     | 958 521 902 02 PL1 | agate grey                  | -MB,MG,ML    |     |  |
|     | 958 521 902 02 OK6 | saddle brown                | -ME,MI,ML    |     |  |
| (1) | 958 521 901 20     | Head restraint              | left         | 1   | PR:NOQ,N1B,<br>N1M,N2S,N5U,<br>N7D,3J4 |
|     |                    | D - MJ 2016>>               |              |     |  |
|     | 958 521 901 20 6G0 | Cream                       | -MJ          |     |  |
|     | 958 521 901 20 8YR | Black                       | -LC,MA,YC    |     |  |
|     | 958 521 901 20 9H6 | Luxor beige                 | -LE,MC,MK,YE |     |  |
|     | 958 521 901 20 OB8 | Cohiba Brown                | -LH          |     |  |
|     | 958 521 901 20 OK6 | saddle brown                | -ME,MH,MI    |     |  |
|     | 958 521 901 20 PL1 | agate grey                  | -MB,MG,ML    |     |  |
| (1) | 958 521 901 20     | Head restraint              | left         | 1   | PR:N1B,N1M,<br>3J4                     |
|     |                    | D - MJ 2016>>               |              |     |  |
|     | 958 521 901 20 AAB | Black/Carrera Red           | -TA          |     |  |
|     | 958 521 901 20 AAC | Black/Luxor Beige           | -77          |     |  |
|     | 958 521 901 20 HGK | Black/Cream                 | -LG          |     |  |
| (1) | 958 521 912 00     | Head restraint              | right        | 1   | PR:N1B,N1M,<br>3J4                     |
|     |                    | D >> - MJ 2014              |              |     |  |
|     | 958 521 912 00 AAB | Black/Carrera Red           | -TA          |     |  |
|     | 958 521 912 00 AAC | Black/Luxor Beige           | -TB,77       |     |  |
| (1) | 958 521 912 02     | Head restraint              | right        | 1   | PR:N1B,N1M,<br>3J4                     |
|     |                    | D - MJ 2015>> - MJ 2015     |              |     |  |
|     | 958 521 912 02 AAB | Black/Carrera Red           | -TA          |     |  |
|     | 958 521 912 02 AAC | Black/Luxor Beige           | -77          |     |  |
| (1) | 958 521 912 00     | Head restraint              | right        | 1   | PR:NOQ,N5U,<br>N7D,N2S,3J4             |
|     |                    | D >> - MJ 2014              |              |     |  |
|     | 958 521 912 00 8YR | Black                       | -LC,MA,YC    |     |  |
|     | 958 521 912 00 9H6 | Luxor beige                 | -LE,MC,YE    |     |  |
|     | 958 521 912 00 7A0 | Platinum Grey               | -LD,MD,YD    |     |  |
|     | 958 521 912 00 6G0 | Cream                       | -TX          |     |  |
|     | 958 521 912 00 DE1 | Umber                       | -LF,YF       |     |  |
|     | 958 521 912 00 DF2 | Light Tartufo               | -TY          |     |  |
|     | 958 521 912 00 DJ3 | Titanium Blue               | -TW          |     |  |
|     | 958 521 912 00 PL1 | agate grey                  |              |     |  |
|     | 958 521 912 00 OK6 | saddle brown                |              |     |  |
| (1) | 958 521 912 02     | Head restraint              | right        | 1   | PR:NOQ,N5U,<br>N7D,N2S,3J4             |
|     |                    | D - MJ 2015>> - MJ 2015     |              |     |  |
|     | 958 521 912 02 8YR | Black                       | -LC,MA,YC    |     |  |
|     | 958 521 912 02 9H6 | Luxor beige                 | -LE,MC,MK,YE |     |  |
|     | 958 521 912 02 7A0 | Platinum Grey               |              |     |  |
|     | 958 521 912 02 6G0 | Cream                       | -MJ          |     |  |
|     | 958 521 912 02 DE1 | Umber                       |              |     |  |
|     | 958 521 912 02 DF2 | Light Tartufo               |              |     |  |
|     | 958 521 912 02 DJ3 | Titanium Blue               |              |     |  |
|     |                    | No longer use the part here |              |     |  |
|     | 958 521 912 02 PL1 | agate grey                  | -MB,MG,ML    |     |  |
|     | 958 521 912 02 OK6 | saddle brown                | -ME,MI,ML    |     |  |
| (1) | 958 521 902 20     | Head restraint              | right        | 1   | PR:NOQ,N5U,<br>N7D,N2S,3J4             |
|     |                    | D - MJ 2016>>               |              |     |  |
|     | 958 521 902 20 6G0 | Cream                       | -MJ          |     |  |
|     | 958 521 902 20 8YR | Black                       | -LC,MA,YC    |     |  |
|     | 958 521 902 20 9H6 | Luxor beige                 | -LE,MC,MK,YE |     |  |
|     | 958 521 902 20 OB8 | Cohiba Brown                | -LH          |     |  |
|     | 958 521 902 20 OK6 | saddle brown                | -ME,MH,MI    |     |  |
|     | 958 521 902 20 PL1 | agate grey                  | -MB,MG,ML    |     |  |

Model: 92A 11 Model life 2011>>2018

| Pos | Part Number        | Description  | Remark | Qty | Model              |
|-----|--------------------|--|--------|-----|--------------------|
| (1) | 958 521 902 20     | Head restraint<br>D - MJ 2016>>                            | right  | 1   | PR:N1B,N1M,<br>3J4 |
|     | 958 521 902 20 AAB | Black/Carrera Red  | -TA    |     |                    |
|     | 958 521 902 20 AAC | Black/Luxor Beige  | -77    |     |                    |
|     | 958 521 902 20 HGK | Black/Cream  | -LG    |     |                    |
| (1) | 958 521 903 00     | Head restraint<br>Porsche crest<br>D >> - MJ 2014          | left   | 1   | PR:N1D,3J7         |
|     | 958 521 903 00 HAA | Black/Luxor Beige  | -77    |     |                    |
| (1) | 958 521 903 01     | Head restraint<br>Porsche crest<br>D - MJ 2015>> - MJ 2015 | left   | 1   | PR:N1D,3J7         |
|     | 958 521 903 01 HAA | Black/Luxor Beige  | -77    |     |                    |
| (1) | 958 521 903 00     | Head restraint<br>Porsche crest<br>D >> - MJ 2014          | left   | 1   | PR:N1D,5ZF         |
|     | 958 521 903 00 HAA | Black/Luxor Beige  | -77    |     |                    |
| (1) | 958 521 903 01     | Head restraint<br>Porsche crest<br>D - MJ 2015>> - MJ 2015 | left   | 1   | PR:N1D,5ZF         |
|     | 958 521 903 01 HAA | Black/Luxor Beige  | -77    |     |                    |
| (1) | 958 521 903 00     | Head restraint<br>Porsche crest<br>D >> - MJ 2014          | left   | 1   | PR:N1X,3J7         |
|     | 958 521 903 00 21U | Black  | -MA    |     |                    |
|     | 958 521 903 00 32X | Luxor beige  | -MC    |     |                    |
|     | 958 521 903 00 7EG | Platinum Grey  | -MD    |     |                    |
|     | 958 521 903 00 OF6 | agate grey   |        |     |                    |
| (1) | 958 521 903 01     | Head restraint<br>Porsche crest<br>D - MJ 2015>> - MJ 2015 | left   | 1   | PR:N1X,3J7         |
|     | 958 521 903 01 21U | Black  | -MA    |     |                    |
|     | 958 521 903 01 32X | Luxor beige  | -MC    |     |                    |
|     | 958 521 903 01 7EG | Platinum Grey  | -MD    |     |                    |
|     | 958 521 903 01 OF6 | agate grey   | -MB    |     |                    |
| (1) | 958 521 903 00     | Head restraint<br>Porsche crest<br>D >> - MJ 2014          | left   | 1   | PR:N1X,5ZF         |
|     | 958 521 903 00 21U | Black  | -MA    |     |                    |
|     | 958 521 903 00 32X | Luxor beige  | -MC    |     |                    |
|     | 958 521 903 00 7EG | Platinum Grey  | -MD    |     |                    |
|     | 958 521 903 00 OF6 | agate grey   |        |     |                    |
| (1) | 958 521 903 01     | Head restraint<br>Porsche crest<br>D - MJ 2015>> - MJ 2015 | left   | 1   | PR:N1X,5ZF         |
|     | 958 521 903 01 21U | Black  | -MA    |     |                    |
|     | 958 521 903 01 32X | Luxor beige  | -MC    |     |                    |
|     | 958 521 903 01 7EG | Platinum Grey  | -MD    |     |                    |
|     | 958 521 903 01 OF6 | agate grey   | -MB    |     |                    |
| (1) | 958 521 903 00     | Head restraint<br>Porsche crest<br>D >> - MJ 2014          | left   | 1   | PR:N7F,3J7         |
|     | 958 521 903 00 21U | Black  | -MA    |     |                    |
|     | 958 521 903 00 32X | Luxor beige  | -MC    |     |                    |
|     | 958 521 903 00 7EG | Platinum Grey  | -MD    |     |                    |
|     | 958 521 903 00 OF6 | agate grey   |        |     |                    |
| (1) | 958 521 903 01     | Head restraint<br>Porsche crest<br>D - MJ 2015>> - MJ 2015 | left   | 1   | PR:N7F,3J7         |
|     | 958 521 903 01 21U | Black  | -MA    |     |                    |
|     | 958 521 903 01 32X | Luxor beige  | -MC    |     |                    |
|     | 958 521 903 01 7EG | Platinum Grey  | -MD    |     |                    |
|     | 958 521 903 01 OF6 | agate grey   | -MB    |     |                    |

Model: 92A 11 Model life 2011>>2018

| Pos | Part Number        | Description  | Remark | Qty | Model                      |
|-----|--------------------|--|--------|-----|----------------------------|
| (1) | 958 521 903 00     | Head restraint<br>Porsche crest<br>D >> - MJ 2014          | left   | 1   | PR:N7F,5ZF                 |
|     | 958 521 903 00 21U | Black  | -MA    |     |                            |
|     | 958 521 903 00 32X | Luxor beige  | -MC    |     |                            |
|     | 958 521 903 00 7EG | Platinum Grey  | -MD    |     |                            |
|     | 958 521 903 00 OF6 | agate grey   |        |     |                            |
| (1) | 958 521 903 01     | Head restraint<br>Porsche crest<br>D - MJ 2015>> - MJ 2015 | left   | 1   | PR:N7F,5ZF                 |
|     | 958 521 903 01 21U | Black  | -MA    |     |                            |
|     | 958 521 903 01 32X | Luxor beige  | -MC    |     |                            |
|     | 958 521 903 01 7EG | Platinum Grey  | -MD    |     |                            |
|     | 958 521 903 01 OF6 | agate grey   | -MB    |     |                            |
| (1) | 958 521 901 10     | Head restraint<br>Porsche crest<br>D - MJ 2016>>           | left   | 1   | PR:N1D,N1X,<br>N7F,3J7,5ZF |
|     | 958 521 901 10 21U | Black  | -MA    |     |                            |
|     | 958 521 901 10 32X | Luxor beige  | -MC    |     |                            |
|     | 958 521 901 10 HAA | Black/Luxor Beige  | -77    |     |                            |
|     | 958 521 901 10 OF6 | agate grey   | -MB    |     |                            |
| (1) | 958 521 913 00     | Head restraint<br>Porsche crest<br>D >> - MJ 2014          | right  | 1   | PR:N1D,3J7                 |
|     | 958 521 913 00 HAA | Black/Luxor Beige  | -77    |     |                            |
| (1) | 958 521 913 01     | Head restraint<br>Porsche crest<br>D - MJ 2015>> - MJ 2015 | right  | 1   | PR:N1D,3J7                 |
|     | 958 521 913 01 HAA | Black/Luxor Beige  | -77    |     |                            |
| (1) | 958 521 913 00     | Head restraint<br>Porsche crest<br>D >> - MJ 2014          | right  | 1   | PR:N1D,5ZF                 |
|     | 958 521 913 00 HAA | Black/Luxor Beige  | -77    |     |                            |
| (1) | 958 521 913 01     | Head restraint<br>Porsche crest<br>D - MJ 2015>> - MJ 2015 | right  | 1   | PR:N1D,5ZF                 |
|     | 958 521 913 01 HAA | Black/Luxor Beige  | -77    |     |                            |
| (1) | 958 521 913 00     | Head restraint<br>Porsche crest<br>D >> - MJ 2014          | right  | 1   | PR:N1X,3J7                 |
|     | 958 521 913 00 21U | Black  | -MA    |     |                            |
|     | 958 521 913 00 32X | Luxor beige  | -MC    |     |                            |
|     | 958 521 913 00 7EG | Platinum Grey  | -77    |     |                            |
|     | 958 521 913 00 OF6 | agate grey   |        |     |                            |
| (1) | 958 521 913 01     | Head restraint<br>Porsche crest<br>D - MJ 2015>> - MJ 2015 | right  | 1   | PR:N1X,3J7                 |
|     | 958 521 913 01 21U | Black  | -MA    |     |                            |
|     | 958 521 913 01 32X | Luxor beige  | -MC    |     |                            |
|     | 958 521 913 01 7EG | Platinum Grey  | -MD    |     |                            |
|     | 958 521 913 01 OF6 | agate grey   | -MB    |     |                            |
| (1) | 958 521 913 00     | Head restraint<br>Porsche crest<br>D >> - MJ 2014          | right  | 1   | PR:N1X,5ZF                 |
|     | 958 521 913 00 21U | Black  | -MA    |     |                            |
|     | 958 521 913 00 32X | Luxor beige  | -MC    |     |                            |
|     | 958 521 913 00 7EG | Platinum Grey  | -MD    |     |                            |
|     | 958 521 913 00 OF6 | agate grey   |        |     |                            |
| (1) | 958 521 913 01     | Head restraint<br>Porsche crest<br>D - MJ 2015>> - MJ 2015 | right  | 1   | PR:N1X,5ZF                 |
|     | 958 521 913 01 21U | Black  | -MA    |     |                            |
|     | 958 521 913 01 32X | Luxor beige  | -MC    |     |                            |

Model: 92A 11 Model life 2011>>2018

| Pos                | Part Number        | Description             | Remark       | Qty | Model                      |
|--------------------|--------------------|-------------------------|--------------|-----|----------------------------|
| (1)                | 958 521 913 01 7EG | Platinum Grey           | -MD          | 1   | PR:N7F,3J7                 |
|                    | 958 521 913 01 OF6 | agate grey              | -MB          |     |                            |
|                    | 958 521 913 00     | Head restraint          | right        |     |                            |
|                    |                    | Porsche crest           |              |     |                            |
|                    |                    | D >> - MJ 2014          |              |     |                            |
| (1)                | 958 521 913 00 21U | Black                   | -MA          | 1   | PR:N7F,3J7                 |
|                    | 958 521 913 00 32X | Luxor beige             | -MC          |     |                            |
|                    | 958 521 913 00 7EG | Platinum Grey           | -MD          |     |                            |
|                    | 958 521 913 00 OF6 | agate grey              |              |     |                            |
|                    | 958 521 913 01     | Head restraint          | right        |     |                            |
| (1)                | 958 521 913 01     | Porsche crest           |              | 1   | PR:N7F,5ZF                 |
|                    |                    | D - MJ 2015>> - MJ 2015 |              |     |                            |
|                    | 958 521 913 01 21U | Black                   | -MA          |     |                            |
|                    | 958 521 913 01 32X | Luxor beige             | -MC          |     |                            |
|                    | 958 521 913 01 7EG | Platinum Grey           | -MD          |     |                            |
| (1)                | 958 521 913 01 OF6 | agate grey              | -MB          | 1   | PR:N7F,5ZF                 |
|                    | 958 521 913 00     | Head restraint          | right        |     |                            |
|                    |                    | Porsche crest           |              |     |                            |
|                    |                    | D >> - MJ 2014          |              |     |                            |
|                    | 958 521 913 00 21U | Black                   | -MA          |     |                            |
| (1)                | 958 521 913 00 32X | Luxor beige             | -MC          | 1   | PR:N7F,5ZF                 |
|                    | 958 521 913 00 7EG | Platinum Grey           | -MD          |     |                            |
|                    | 958 521 913 00 OF6 | agate grey              |              |     |                            |
|                    | 958 521 913 01     | Head restraint          | right        |     |                            |
|                    |                    | Porsche crest           |              |     |                            |
| (1)                | 958 521 913 01 21U | Black                   | -MA          | 1   | PR:N1D,N1X,<br>N7F,3J7,5ZF |
|                    | 958 521 913 01 32X | Luxor beige             | -MC          |     |                            |
|                    | 958 521 913 01 7EG | Platinum Grey           | -MD          |     |                            |
|                    | 958 521 913 01 OF6 | agate grey              | -MB          |     |                            |
|                    | 958 521 902 10     | Head restraint          | right        |     |                            |
| (1)                | 958 521 902 10     | Porsche crest           |              | 1   | PR:NOQ,3J7                 |
|                    |                    | D - MJ 2016>>           |              |     |                            |
|                    | 958 521 902 10 21U | Black                   | -MA          |     |                            |
|                    | 958 521 902 10 32X | Luxor beige             | -MC          |     |                            |
|                    | 958 521 902 10 HAA | Black/Luxor Beige       | -MD          |     |                            |
| (1)                | 958 521 902 10 OF6 | agate grey              |              | 1   | PR:NOQ,3J7                 |
|                    | 958 521 904 00     | Head restraint          | left         |     |                            |
|                    |                    | Porsche crest           |              |     |                            |
|                    |                    | D >> - MJ 2014          |              |     |                            |
|                    | 958 521 904 00 8YR | Black                   | -LC,MA,YC    |     |                            |
| (1)                | 958 521 904 00 9H6 | Luxor beige             | -LE,MC,MK,YE | 1   | PR:NOQ,3J7                 |
|                    | 958 521 904 00 7A0 | Platinum Grey           | -LD,MD,YD    |     |                            |
|                    | 958 521 904 00 6G0 | Cream                   | -TX          |     |                            |
|                    | 958 521 904 00 DE1 | Umber                   | -LF,YF       |     |                            |
|                    | 958 521 904 00 DF2 | Light Tartufo           | -TY          |     |                            |
|                    | 958 521 904 00 DJ3 | Titanium Blue           | -TW          |     |                            |
|                    | 958 521 904 00 PL1 | agate grey              |              |     |                            |
|                    | 958 521 904 00 OK6 | saddle brown            |              |     |                            |
|                    | 958 521 904 01     | Head restraint          | left         |     |                            |
|                    |                    | Porsche crest           |              |     |                            |
|                    |                    | D - MJ 2015>> - MJ 2015 |              |     |                            |
|                    | 958 521 904 01 8YR | Black                   | -LC,MA,YC    |     |                            |
|                    | 958 521 904 01 9H6 | Luxor beige             | -LE,MC,MK,YE |     |                            |
|                    | 958 521 904 01 7A0 | Platinum Grey           |              |     |                            |
|                    | 958 521 904 01 6G0 | Cream                   | -MJ,TX       |     |                            |
| 958 521 904 01 DE1 | Umber              |                         |              |     |                            |
| 958 521 904 01 DF2 | Light Tartufo      |                         |              |     |                            |
| 958 521 904 01 DJ3 | Titanium Blue      |                         |              |     |                            |
| 958 521 904 01 PL1 | agate grey         | -MB,MG,ML               |              |     |                            |
| 958 521 904 01 OK6 | saddle brown       | -ME,MH,MI               |              |     |                            |
| (1)                | 958 521 904 00     | Head restraint          | left         | 1   | PR:NOQ,5ZF                 |
|                    |                    | Porsche crest           |              |     |                            |

Model: 92A 11 Model life 2011>>2018

| Pos | Part Number        | Description                     | Remark       | Qty | Model      |
|-----|--------------------|---------------------------------|--------------|-----|------------|
|     |                    | D >> - MJ 2014                  |              |     |            |
|     | 958 521 904 00 8YR | Black                           | -LC,MA,YC    |     |            |
|     | 958 521 904 00 9H6 | Luxor beige                     | -LE,MC,YE    |     |            |
|     | 958 521 904 00 7A0 | Platinum Grey                   | -LD,MD,YD    |     |            |
|     | 958 521 904 00 6G0 | Cream                           | -TX          |     |            |
|     | 958 521 904 00 DE1 | Umber                           | -LF,YF       |     |            |
|     | 958 521 904 00 DF2 | Light Tartufo                   | -TY          |     |            |
|     | 958 521 904 00 DJ3 | Titanium Blue                   | -TW          |     |            |
|     | 958 521 904 00 PL1 | agate grey                      |              |     |            |
|     | 958 521 904 00 OK6 | saddle brown                    |              |     |            |
| (1) | 958 521 904 01     | Head restraint<br>Porsche crest | left         | 1   | PR:N0Q,5ZF |
|     |                    | D - MJ 2015>> - MJ 2015         |              |     |            |
|     | 958 521 904 01 8YR | Black                           | -LC,MA,YC    |     |            |
|     | 958 521 904 01 9H6 | Luxor beige                     | -LE,MC,MK,YE |     |            |
|     | 958 521 904 01 7A0 | Platinum Grey                   |              |     |            |
|     | 958 521 904 01 6G0 | Cream                           | -MJ,TX       |     |            |
|     | 958 521 904 01 DE1 | Umber                           |              |     |            |
|     | 958 521 904 01 DF2 | Light Tartufo                   |              |     |            |
|     | 958 521 904 01 DJ3 | Titanium Blue                   |              |     |            |
|     | 958 521 904 01 PL1 | agate grey                      | -MB,MG,ML    |     |            |
|     | 958 521 904 01 OK6 | saddle brown                    | -ME,MH,MI    |     |            |
| (1) | 958 521 904 00     | Head restraint<br>Porsche crest | left         | 1   | PR:N1B,3J7 |
|     |                    | D >> - MJ 2014                  |              |     |            |
|     | 958 521 904 00 AAB | Black/Carrera Red               | -TA          |     |            |
|     | 958 521 904 00 AAC | Black/Luxor Beige               | -TB,77       |     |            |
| (1) | 958 521 904 01     | Head restraint<br>Porsche crest | left         | 1   | PR:N1B,3J7 |
|     |                    | D - MJ 2015>> - MJ 2015         |              |     |            |
|     | 958 521 904 01 AAB | Black/Carrera Red               | -TA          |     |            |
|     | 958 521 904 01 AAC | Black/Luxor Beige               |              |     |            |
| (1) | 958 521 904 00     | Head restraint<br>Porsche crest | left         | 1   | PR:N1B,5ZF |
|     |                    | D >> - MJ 2014                  |              |     |            |
|     | 958 521 904 00 AAB | Black/Carrera Red               | -TA          |     |            |
|     | 958 521 904 00 AAC | Black/Luxor Beige               | -TB,77       |     |            |
| (1) | 958 521 904 01     | Head restraint<br>Porsche crest | left         | 1   | PR:N1B,5ZF |
|     |                    | D - MJ 2015>> - MJ 2015         |              |     |            |
|     | 958 521 904 01 AAB | Black/Carrera Red               | -TA          |     |            |
|     | 958 521 904 01 AAC | Black/Luxor Beige               |              |     |            |
| (1) | 958 521 904 00     | Head restraint<br>Porsche crest | left         | 1   | PR:N1M,3J7 |
|     |                    | D >> - MJ 2014                  |              |     |            |
|     | 958 521 904 00 AAB | Black/Carrera Red               | -TA          |     |            |
|     | 958 521 904 00 AAC | Black/Luxor Beige               | -TB,77       |     |            |
| (1) | 958 521 904 01     | Head restraint<br>Porsche crest | left         | 1   | PR:N1M,3J7 |
|     |                    | D - MJ 2015>> - MJ 2015         |              |     |            |
|     | 958 521 904 01 AAB | Black/Carrera Red               | -TA          |     |            |
|     | 958 521 904 01 AAC | Black/Luxor Beige               |              |     |            |
| (1) | 958 521 904 00     | Head restraint<br>Porsche crest | left         | 1   | PR:N1M,5ZF |
|     |                    | D >> - MJ 2014                  |              |     |            |
|     | 958 521 904 00 AAB | Black/Carrera Red               | -TA          |     |            |
|     | 958 521 904 00 AAC | Black/Luxor Beige               | -TB,77       |     |            |
| (1) | 958 521 904 01     | Head restraint<br>Porsche crest | left         | 1   | PR:N1M,5ZF |
|     |                    | D - MJ 2015>> - MJ 2015         |              |     |            |
|     | 958 521 904 01 AAB | Black/Carrera Red               | -TA          |     |            |
|     | 958 521 904 01 AAC | Black/Luxor Beige               |              |     |            |
| (1) | 958 521 904 00     | Head restraint                  | left         | 1   | PR:N2S,3J7 |

Model: 92A 11 Model life 2011>>2018

| Pos | Part Number        | Description                              | Remark       | Qty | Model      |
|-----|--------------------|--|--------------|-----|------------|
|     |                    | Porsche crest<br>D >> - MJ 2014          |              |     |            |
|     | 958 521 904 00 8YR | Black                                    | -LC,MA,YC    |     |            |
|     | 958 521 904 00 9H6 | Luxor beige                              | -LE,MC,YE    |     |            |
|     | 958 521 904 00 7A0 | Platinum Grey                            | -LD,MD,YD    |     |            |
|     | 958 521 904 00 6G0 | Cream                                    | -TX          |     |            |
|     | 958 521 904 00 DE1 | Umber                                    | -LF,YF       |     |            |
|     | 958 521 904 00 DF2 | Light Tartufo                            | -TY          |     |            |
|     | 958 521 904 00 DJ3 | Titanium Blue                            | -TW          |     |            |
|     | 958 521 904 00 PL1 | agate grey                               |              |     |            |
|     | 958 521 904 00 OK6 | saddle brown                             |              |     |            |
| (1) | 958 521 904 01     | Head restraint                           | left         | 1   | PR:N2S,3J7 |
|     |                    | Porsche crest<br>D - MJ 2015>> - MJ 2015 |              |     |            |
|     | 958 521 904 01 8YR | Black                                    | -LC,MA,YC    |     |            |
|     | 958 521 904 01 9H6 | Luxor beige                              | -LE,MC,MK,YE |     |            |
|     | 958 521 904 01 7A0 | Platinum Grey                            |              |     |            |
|     | 958 521 904 01 6G0 | Cream                                    | -MJ, TX      |     |            |
|     | 958 521 904 01 DE1 | Umber                                    |              |     |            |
|     | 958 521 904 01 DF2 | Light Tartufo                            |              |     |            |
|     | 958 521 904 01 DJ3 | Titanium Blue                            |              |     |            |
|     | 958 521 904 01 PL1 | agate grey                               | -MB, MG, ML  |     |            |
|     | 958 521 904 01 OK6 | saddle brown                             | -ME, MH, MI  |     |            |
| (1) | 958 521 904 00     | Head restraint                           | left         | 1   | PR:N2S,5ZF |
|     |                    | Porsche crest<br>D >> - MJ 2014          |              |     |            |
|     | 958 521 904 00 8YR | Black                                    | -LC,MA,YC    |     |            |
|     | 958 521 904 00 9H6 | Luxor beige                              | -LE,MC,YE    |     |            |
|     | 958 521 904 00 7A0 | Platinum Grey                            | -LD,MD,YD    |     |            |
|     | 958 521 904 00 6G0 | Cream                                    | -TX          |     |            |
|     | 958 521 904 00 DE1 | Umber                                    | -LF,YF       |     |            |
|     | 958 521 904 00 DF2 | Light Tartufo                            | -TY          |     |            |
|     | 958 521 904 00 DJ3 | Titanium Blue                            | -TW          |     |            |
|     | 958 521 904 00 PL1 | agate grey                               |              |     |            |
|     | 958 521 904 00 OK6 | saddle brown                             |              |     |            |
| (1) | 958 521 904 01     | Head restraint                           | left         | 1   | PR:N2S,5ZF |
|     |                    | Porsche crest<br>D - MJ 2015>> - MJ 2015 |              |     |            |
|     | 958 521 904 01 8YR | Black                                    | -LC,MA,YC    |     |            |
|     | 958 521 904 01 9H6 | Luxor beige                              | -LE,MC,MK,YE |     |            |
|     | 958 521 904 01 7A0 | Platinum Grey                            |              |     |            |
|     | 958 521 904 01 6G0 | Cream                                    | -MJ, TX      |     |            |
|     | 958 521 904 01 DE1 | Umber                                    |              |     |            |
|     | 958 521 904 01 DF2 | Light Tartufo                            |              |     |            |
|     | 958 521 904 01 DJ3 | Titanium Blue                            |              |     |            |
|     | 958 521 904 01 PL1 | agate grey                               | -MB, MG, ML  |     |            |
|     | 958 521 904 01 OK6 | saddle brown                             | -ME, MH, MI  |     |            |
| (1) | 958 521 904 00     | Head restraint                           | left         | 1   | PR:N5U,3J7 |
|     |                    | Porsche crest<br>D >> - MJ 2014          |              |     |            |
|     | 958 521 904 00 8YR | Black                                    | -LC,MA,YC    |     |            |
|     | 958 521 904 00 9H6 | Luxor beige                              | -LE,MC,YE    |     |            |
|     | 958 521 904 00 7A0 | Platinum Grey                            | -LD,MD,YD    |     |            |
|     | 958 521 904 00 6G0 | Cream                                    | -TX          |     |            |
|     | 958 521 904 00 DE1 | Umber                                    | -LF,YF       |     |            |
|     | 958 521 904 00 DF2 | Light Tartufo                            | -TY          |     |            |
|     | 958 521 904 00 DJ3 | Titanium Blue                            | -TW          |     |            |
|     | 958 521 904 00 PL1 | agate grey                               |              |     |            |
|     | 958 521 904 00 OK6 | saddle brown                             |              |     |            |
| (1) | 958 521 904 01     | Head restraint                           | left         | 1   | PR:N5U,3J7 |
|     |                    | Porsche crest<br>D - MJ 2015>> - MJ 2015 |              |     |            |
|     | 958 521 904 01 8YR | Black                                    | -LC,MA,YC    |     |            |

Model: 92A 11 Model life 2011>>2018

| Pos | Part Number        | Description  | Remark          | Qty | Model      |
|-----|--------------------|--|-----------------|-----|------------|
|     | 958 521 904 01 9H6 | Luxor beige  | -LE,MC,MK,YE    |     |            |
|     | 958 521 904 01 7A0 | Platinum Grey  |                 |     |            |
|     | 958 521 904 01 6G0 | Cream  | -MJ, TX         |     |            |
|     | 958 521 904 01 DE1 | Umber  |                 |     |            |
|     | 958 521 904 01 DF2 | Light Tartufo  |                 |     |            |
|     | 958 521 904 01 DJ3 | Titanium Blue  |                 |     |            |
|     | 958 521 904 01 PL1 | agate grey   | -MB, MG, ML     |     |            |
|     | 958 521 904 01 OK6 | saddle brown   | -ME, MH, MI     |     |            |
| (1) | 958 521 904 00     | Head restraint<br>Porsche crest<br>D >> - MJ 2014          | left            | 1   | PR:N5U,5ZF |
|     | 958 521 904 00 8YR | Black  | -LC, MA, YC     |     |            |
|     | 958 521 904 00 9H6 | Luxor beige  | -LE, MC, YE     |     |            |
|     | 958 521 904 00 7A0 | Platinum Grey  | -LD, MD, YD     |     |            |
|     | 958 521 904 00 6G0 | Cream  | -TX             |     |            |
|     | 958 521 904 00 DE1 | Umber  | -LF, YF         |     |            |
|     | 958 521 904 00 DF2 | Light Tartufo  | -TY             |     |            |
|     | 958 521 904 00 DJ3 | Titanium Blue  | -TW             |     |            |
|     | 958 521 904 00 PL1 | agate grey   |                 |     |            |
|     | 958 521 904 00 OK6 | saddle brown   |                 |     |            |
| (1) | 958 521 904 01     | Head restraint<br>Porsche crest<br>D - MJ 2015>> - MJ 2015 | left            | 1   | PR:N5U,5ZF |
|     | 958 521 904 01 8YR | Black  | -LC, MA, YC     |     |            |
|     | 958 521 904 01 9H6 | Luxor beige  | -LE, MC, MK, YE |     |            |
|     | 958 521 904 01 7A0 | Platinum Grey  |                 |     |            |
|     | 958 521 904 01 6G0 | Cream  | -MJ, TX         |     |            |
|     | 958 521 904 01 DE1 | Umber  |                 |     |            |
|     | 958 521 904 01 DF2 | Light Tartufo  |                 |     |            |
|     | 958 521 904 01 DJ3 | Titanium Blue  |                 |     |            |
|     | 958 521 904 01 PL1 | agate grey   | -MB, MG, ML     |     |            |
|     | 958 521 904 01 OK6 | saddle brown   | -ME, MH, MI     |     |            |
| (1) | 958 521 904 00     | Head restraint<br>Porsche crest<br>D >> - MJ 2014          | left            | 1   | PR:N7D,3J7 |
|     | 958 521 904 00 8YR | Black  | -LC, MA, YC     |     |            |
|     | 958 521 904 00 9H6 | Luxor beige  | -LE, MC, YE     |     |            |
|     | 958 521 904 00 7A0 | Platinum Grey  | -LD, MD, YD     |     |            |
|     | 958 521 904 00 6G0 | Cream  | -TX             |     |            |
|     | 958 521 904 00 DE1 | Umber  | -LF, YF         |     |            |
|     | 958 521 904 00 DF2 | Light Tartufo  | -TY             |     |            |
|     | 958 521 904 00 DJ3 | Titanium Blue  | -TW             |     |            |
|     | 958 521 904 00 PL1 | agate grey   |                 |     |            |
|     | 958 521 904 00 OK6 | saddle brown   |                 |     |            |
| (1) | 958 521 904 01     | Head restraint<br>Porsche crest<br>D - MJ 2015>> - MJ 2015 | left            | 1   | PR:N7D,3J7 |
|     | 958 521 904 01 8YR | Black  | -LC, MA, YC     |     |            |
|     | 958 521 904 01 9H6 | Luxor beige  | -LE, MC, MK, YE |     |            |
|     | 958 521 904 01 7A0 | Platinum Grey  |                 |     |            |
|     | 958 521 904 01 6G0 | Cream  | -MJ, TX         |     |            |
|     | 958 521 904 01 DE1 | Umber  |                 |     |            |
|     | 958 521 904 01 DF2 | Light Tartufo  |                 |     |            |
|     | 958 521 904 01 DJ3 | Titanium Blue  |                 |     |            |
|     | 958 521 904 01 PL1 | agate grey   | -MB, MG, ML     |     |            |
|     | 958 521 904 01 OK6 | saddle brown   | -ME, MH, MI     |     |            |
| (1) | 958 521 904 00     | Head restraint<br>Porsche crest<br>D >> - MJ 2014          | left            | 1   | PR:N7D,5ZF |
|     | 958 521 904 00 8YR | Black  | -LC, MA, YC     |     |            |
|     | 958 521 904 00 9H6 | Luxor beige  | -LE, MC, YE     |     |            |
|     | 958 521 904 00 7A0 | Platinum Grey  | -LD, MD, YD     |     |            |
|     | 958 521 904 00 6G0 | Cream  | -TX             |     |            |



Model: 92A 11 Model life 2011>>2018

| Pos | Part Number        | Description  | Remark          | Qty | Model                                      |
|-----|--------------------|--|-----------------|-----|--|
|     | 958 521 904 00 DE1 | Umber  | -LF, YF         |     |  |
|     | 958 521 904 00 DF2 | Light Tartufo  | -TY             |     |  |
|     | 958 521 904 00 DJ3 | Titanium Blue  | -TW             |     |  |
|     | 958 521 904 00 PL1 | agate grey   |                 |     |  |
|     | 958 521 904 00 OK6 | saddle brown   |                 |     |  |
| (1) | 958 521 904 01     | Head restraint<br>Porsche crest<br>D - MJ 2015>> - MJ 2015 | left            | 1   | PR:NOQ,N1B,<br>N1M,N2S,N5U,<br>N7D,3J7,5ZF |
|     | 958 521 904 01 8YR | Black  | -LC, MA, YC     |     |  |
|     | 958 521 904 01 9H6 | Luxor beige  | -LE, MC, MK, YE |     |  |
|     | 958 521 904 01 7A0 | Platinum Grey  |                 |     |  |
|     | 958 521 904 01 6G0 | Cream  | -MJ, TX         |     |  |
|     | 958 521 904 01 DE1 | Umber  |                 |     |  |
|     | 958 521 904 01 DF2 | Light Tartufo  |                 |     |  |
|     | 958 521 904 01 DJ3 | Titanium Blue  |                 |     |  |
|     | 958 521 904 01 PL1 | agate grey   | -MB, MG, ML     |     |  |
|     | 958 521 904 01 OK6 | saddle brown   | -ME, MH, MI     |     |  |
| (1) | 958 521 901 30     | Head restraint<br>Porsche crest<br>D - MJ 2016>>           | left            | 1   | PR:NOQ,N1B,<br>N1M,N2S,N5U,<br>N7D,3J7,5ZF |
|     | 958 521 901 30 6G0 | Cream  | -MJ             |     |  |
|     | 958 521 901 30 7A0 | Platinum Grey  |                 |     |  |
|     | 958 521 901 30 8YR | Black  | -LC, MA, YC     |     |  |
|     | 958 521 901 30 9H6 | Luxor beige  | -LE, MC, MK, YE |     |  |
|     | 958 521 901 30 DE1 | Umber  |                 |     |  |
|     | 958 521 901 30 DF2 | Light Tartufo  |                 |     |  |
|     | 958 521 901 30 OB8 | Cohiba Brown   | -LH             |     |  |
|     | 958 521 901 30 OK6 | saddle brown   | -ME, MH, MI     |     |  |
|     | 958 521 901 30 PL1 | agate grey<br>two-colour                                   | -MB, MG, ML     |     |  |
|     | 958 521 901 30 AAB | Black/Carrera Red  | -TA             |     |  |
|     | 958 521 901 30 AAC | Black/Luxor Beige  | -77             |     |  |
|     | 958 521 901 30 HGK | Black/Cream  | -LG             |     |  |
| (1) | 958 521 914 00     | Head restraint<br>Porsche crest<br>D >> - MJ 2014          | right           | 1   | PR:NOQ,3J7                                 |
|     | 958 521 914 00 8YR | Black  | -LC, MA, YC     |     |  |
|     | 958 521 914 00 9H6 | Luxor beige  | -LE, MC, YE     |     |  |
|     | 958 521 914 00 7A0 | Platinum Grey  | -LD, MD, YD     |     |  |
|     | 958 521 914 00 6G0 | Cream  | -TX             |     |  |
|     | 958 521 914 00 DE1 | Umber  | -LF, YF         |     |  |
|     | 958 521 914 00 DF2 | Light Tartufo  | -TY             |     |  |
|     | 958 521 914 00 DJ3 | Titanium Blue  | -TW             |     |  |
|     | 958 521 914 00 PL1 | agate grey   |                 |     |  |
|     | 958 521 914 00 OK6 | saddle brown   |                 |     |  |
| (1) | 958 521 914 01     | Head restraint<br>Porsche crest<br>D - MJ 2015>> - MJ 2015 | right           | 1   | PR:NOQ,3J7                                 |
|     | 958 521 914 01 8YR | Black  | -LC, MA, YC     |     |  |
|     | 958 521 914 01 9H6 | Luxor beige  | -LE, MC, MK, YE |     |  |
|     | 958 521 914 01 7A0 | Platinum Grey  |                 |     |  |
|     | 958 521 914 01 6G0 | Cream  | -MJ, TX         |     |  |
|     | 958 521 914 01 DE1 | Umber  |                 |     |  |
|     | 958 521 914 01 DF2 | Light Tartufo  |                 |     |  |
|     | 958 521 914 01 DJ3 | Titanium Blue  |                 |     |  |
|     | 958 521 914 01 PL1 | agate grey   | -MB, MG, ML     |     |  |
|     | 958 521 914 01 OK6 | saddle brown   | -ME, MH, MI     |     |  |
| (1) | 958 521 914 00     | Head restraint<br>Porsche crest<br>D >> - MJ 2014          | right           | 1   | PR:NOQ,5ZF                                 |
|     | 958 521 914 00 8YR | Black  | -LC, MA, YC     |     |  |
|     | 958 521 914 00 9H6 | Luxor beige  | -LE, MC, YE     |     |  |
|     | 958 521 914 00 7A0 | Platinum Grey  | -LD, MD, YD     |     |  |

Model: 92A 11 Model life 2011>>2018

| Pos | Part Number        | Description  | Remark          | Qty | Model       |
|-----|--------------------|--|-----------------|-----|-------------|
|     | 958 521 914 00 6G0 | Cream  | -TX             |     |             |
|     | 958 521 914 00 DE1 | Umber  | -LF, YF         |     |             |
|     | 958 521 914 00 DF2 | Light Tartufo  | -TY             |     |             |
|     | 958 521 914 00 DJ3 | Titanium Blue  | -TW             |     |             |
|     | 958 521 914 00 PL1 | agate grey   |                 |     |             |
|     | 958 521 914 00 OK6 | saddle brown   |                 |     |             |
| (1) | 958 521 914 01     | Head restraint<br>Porsche crest<br>D - MJ 2015>> - MJ 2015 | right           | 1   | PR:N0Q, 5ZF |
|     | 958 521 914 01 8YR | Black  | -LC, MA, YC     |     |             |
|     | 958 521 914 01 9H6 | Luxor beige  | -LE, MC, MK, YE |     |             |
|     | 958 521 914 01 7A0 | Platinum Grey  |                 |     |             |
|     | 958 521 914 01 6G0 | Cream  | -MJ, TX         |     |             |
|     | 958 521 914 01 DE1 | Umber  |                 |     |             |
|     | 958 521 914 01 DF2 | Light Tartufo  |                 |     |             |
|     | 958 521 914 01 DJ3 | Titanium Blue  |                 |     |             |
|     | 958 521 914 01 PL1 | agate grey   | -MB, MG, ML     |     |             |
|     | 958 521 914 01 OK6 | saddle brown   | -ME, MH, MI     |     |             |
| (1) | 958 521 914 00     | Head restraint<br>Porsche crest<br>D >> - MJ 2014          | right           | 1   | PR:N1B, 3J7 |
|     | 958 521 914 00 AAB | Black/Carrera Red  | -TA             |     |             |
|     | 958 521 914 00 AAC | Black/Luxor Beige  | -TB, 77         |     |             |
| (1) | 958 521 914 01     | Head restraint<br>Porsche crest<br>D - MJ 2015>> - MJ 2015 | right           | 1   | PR:N1B, 3J7 |
|     | 958 521 914 01 AAB | Black/Carrera Red  | -TA             |     |             |
|     | 958 521 914 01 AAC | Black/Luxor Beige  |                 |     |             |
| (1) | 958 521 914 00     | Head restraint<br>Porsche crest<br>D >> - MJ 2014          | right           | 1   | PR:N1B, 5ZF |
|     | 958 521 914 00 AAB | Black/Carrera Red  | -TA             |     |             |
|     | 958 521 914 00 AAC | Black/Luxor Beige  | -TB, 77         |     |             |
| (1) | 958 521 914 01     | Head restraint<br>Porsche crest<br>D - MJ 2015>> - MJ 2015 | right           | 1   | PR:N1B, 5ZF |
|     | 958 521 914 01 AAB | Black/Carrera Red  | -TA             |     |             |
|     | 958 521 914 01 AAC | Black/Luxor Beige  |                 |     |             |
| (1) | 958 521 914 00     | Head restraint<br>Porsche crest<br>D >> - MJ 2014          | right           | 1   | PR:N1M, 3J7 |
|     | 958 521 914 00 AAB | Black/Carrera Red  | -TA             |     |             |
|     | 958 521 914 00 AAC | Black/Luxor Beige  | -TB, 77         |     |             |
| (1) | 958 521 914 01     | Head restraint<br>Porsche crest<br>D - MJ 2015>> - MJ 2015 | right           | 1   | PR:N1M, 5ZF |
|     | 958 521 914 01 AAB | Black/Carrera Red  | -TA             |     |             |
|     | 958 521 914 01 AAC | Black/Luxor Beige  |                 |     |             |
| (1) | 958 521 914 00     | Head restraint<br>Porsche crest<br>D >> - MJ 2014          | right           | 1   | PR:N1M, 5ZF |
|     | 958 521 914 00 AAB | Black/Carrera Red  | -TA             |     |             |
|     | 958 521 914 00 AAC | Black/Luxor Beige  | -TB, 77         |     |             |
| (1) | 958 521 914 01     | Head restraint<br>Porsche crest<br>D - MJ 2015>> - MJ 2015 | right           | 1   | PR:N1M, 5ZF |
|     | 958 521 914 01 AAB | Black/Carrera Red  | -TA             |     |             |
|     | 958 521 914 01 AAC | Black/Luxor Beige  |                 |     |             |
| (1) | 958 521 914 00     | Head restraint<br>Porsche crest<br>D >> - MJ 2014          | right           | 1   | PR:N2S, 3J7 |
|     | 958 521 914 00 8YR | Black  | -LC, MA, YC     |     |             |
|     | 958 521 914 00 9H6 | Luxor beige  | -LE, MC, YE     |     |             |

Model: 92A 11 Model life 2011>>2018

| Pos | Part Number        | Description  | Remark        | Qty | Model      |
|-----|--------------------|--|---------------|-----|------------|
|     | 958 521 914 00 7A0 | Platinum Grey  | -LD,MD,YD     |     |            |
|     | 958 521 914 00 6G0 | Cream  | -TX           |     |            |
|     | 958 521 914 00 DE1 | Umber  | -LF,YF        |     |            |
|     | 958 521 914 00 DF2 | Light Tartufo  | -TY           |     |            |
|     | 958 521 914 00 DJ3 | Titanium Blue  | -TW           |     |            |
|     | 958 521 914 00 PL1 | agate grey   |               |     |            |
|     | 958 521 914 00 OK6 | saddle brown   |               |     |            |
| (1) | 958 521 914 01     | Head restraint<br>Porsche crest<br>D - MJ 2015>> - MJ 2015 | right         | 1   | PR:N2S,3J7 |
|     | 958 521 914 01 8YR | Black  | -LC,MA,YC     |     |            |
|     | 958 521 914 01 9H6 | Luxor beige  | -LE,MC,MK,YE  |     |            |
|     | 958 521 914 01 7A0 | Platinum Grey  |               |     |            |
|     | 958 521 914 01 6G0 | Cream  | -MJ, TX       |     |            |
|     | 958 521 914 01 DE1 | Umber  |               |     |            |
|     | 958 521 914 01 DF2 | Light Tartufo  |               |     |            |
|     | 958 521 914 01 DJ3 | Titanium Blue  |               |     |            |
|     | 958 521 914 01 PL1 | agate grey   | -MB, MG, ML   |     |            |
|     | 958 521 914 01 OK6 | saddle brown   | -ME, MH, MI   |     |            |
| (1) | 958 521 914 00     | Head restraint<br>Porsche crest<br>D >> - MJ 2014          | right         | 1   | PR:N2S,5ZF |
|     | 958 521 914 00 8YR | Black  | -LC,MA,YC     |     |            |
|     | 958 521 914 00 9H6 | Luxor beige  | -LE,MC, YE    |     |            |
|     | 958 521 914 00 7A0 | Platinum Grey  | -LD,MD,YD     |     |            |
|     | 958 521 914 00 6G0 | Cream  | -TX           |     |            |
|     | 958 521 914 00 DE1 | Umber  | -LF, YF       |     |            |
|     | 958 521 914 00 DF2 | Light Tartufo  | -TY           |     |            |
|     | 958 521 914 00 DJ3 | Titanium Blue  | -TW           |     |            |
|     | 958 521 914 00 PL1 | agate grey   |               |     |            |
|     | 958 521 914 00 OK6 | saddle brown   |               |     |            |
| (1) | 958 521 914 01     | Head restraint<br>Porsche crest<br>D - MJ 2015>> - MJ 2015 | right         | 1   | PR:N2S,5ZF |
|     | 958 521 914 01 8YR | Black  | -LC,MA,YC     |     |            |
|     | 958 521 914 01 9H6 | Luxor beige  | -LE,MC,MK, YE |     |            |
|     | 958 521 914 01 7A0 | Platinum Grey  |               |     |            |
|     | 958 521 914 01 6G0 | Cream  | -MJ, TX       |     |            |
|     | 958 521 914 01 DE1 | Umber  |               |     |            |
|     | 958 521 914 01 DF2 | Light Tartufo  |               |     |            |
|     | 958 521 914 01 DJ3 | Titanium Blue  |               |     |            |
|     | 958 521 914 01 PL1 | agate grey   | -MB, MG, ML   |     |            |
|     | 958 521 914 01 OK6 | saddle brown   | -ME, MH, MI   |     |            |
| (1) | 958 521 914 00     | Head restraint<br>Porsche crest<br>D >> - MJ 2014          | right         | 1   | PR:N5U,3J7 |
|     | 958 521 914 00 8YR | Black  | -LC,MA,YC     |     |            |
|     | 958 521 914 00 9H6 | Luxor beige  | -LE,MC, YE    |     |            |
|     | 958 521 914 00 7A0 | Platinum Grey  | -LD,MD,YD     |     |            |
|     | 958 521 914 00 6G0 | Cream  | -TX           |     |            |
|     | 958 521 914 00 DE1 | Umber  | -LF, YF       |     |            |
|     | 958 521 914 00 DF2 | Light Tartufo  | -TY           |     |            |
|     | 958 521 914 00 DJ3 | Titanium Blue  | -TW           |     |            |
|     | 958 521 914 00 PL1 | agate grey   |               |     |            |
|     | 958 521 914 00 OK6 | saddle brown   |               |     |            |
| (1) | 958 521 914 01     | Head restraint<br>Porsche crest<br>D - MJ 2015>> - MJ 2015 | right         | 1   | PR:N5U,3J7 |
|     | 958 521 914 01 8YR | Black  | -LC,MA,YC     |     |            |
|     | 958 521 914 01 9H6 | Luxor beige  | -LE,MC,MK, YE |     |            |
|     | 958 521 914 01 7A0 | Platinum Grey  |               |     |            |
|     | 958 521 914 01 6G0 | Cream  | -MJ, TX       |     |            |
|     | 958 521 914 01 DE1 | Umber  |               |     |            |

Model: 92A 11 Model life 2011>>2018

| Pos                | Part Number        | Description             | Remark          | Qty | Model      |
|--------------------|--------------------|-------------------------|-----------------|-----|------------|
| (1)                | 958 521 914 01 DF2 | Light Tartufo           |                 | 1   | PR:N5U,5ZF |
|                    | 958 521 914 01 DJ3 | Titanium Blue           |                 |     |            |
|                    | 958 521 914 01 PL1 | agate grey              | -MB, MG, ML     |     |            |
|                    | 958 521 914 01 OK6 | saddle brown            | -ME, MH, MI     |     |            |
|                    | 958 521 914 00     | Head restraint          | right           |     |            |
|                    |                    | Porsche crest           |                 |     |            |
|                    |                    | D >> - MJ 2014          |                 |     |            |
|                    | 958 521 914 00 8YR | Black                   | -LC, MA, YC     |     |            |
|                    | 958 521 914 00 9H6 | Luxor beige             | -LE, MC, YE     |     |            |
|                    | 958 521 914 00 7A0 | Platinum Grey           | -LD, MD, YD     |     |            |
| (1)                | 958 521 914 00 6G0 | Cream                   | -TX             | 1   | PR:N5U,5ZF |
|                    | 958 521 914 00 DE1 | Umber                   | -LF, YF         |     |            |
|                    | 958 521 914 00 DF2 | Light Tartufo           | -TY             |     |            |
|                    | 958 521 914 00 DJ3 | Titanium Blue           | -TW             |     |            |
|                    | 958 521 914 00 PL1 | agate grey              |                 |     |            |
|                    | 958 521 914 00 OK6 | saddle brown            |                 |     |            |
|                    | 958 521 914 01     | Head restraint          | right           |     |            |
|                    |                    | Porsche crest           |                 |     |            |
|                    |                    | D - MJ 2015>> - MJ 2015 |                 |     |            |
|                    | 958 521 914 01 8YR | Black                   | -LC, MA, YC     |     |            |
| (1)                | 958 521 914 01 9H6 | Luxor beige             | -LE, MC, MK, YE | 1   | PR:N7D,3J7 |
|                    | 958 521 914 01 7A0 | Platinum Grey           |                 |     |            |
|                    | 958 521 914 01 6G0 | Cream                   | -MJ, TX         |     |            |
|                    | 958 521 914 01 DE1 | Umber                   |                 |     |            |
|                    | 958 521 914 01 DF2 | Light Tartufo           |                 |     |            |
|                    | 958 521 914 01 DJ3 | Titanium Blue           |                 |     |            |
|                    | 958 521 914 01 PL1 | agate grey              | -MB, MG, ML     |     |            |
|                    | 958 521 914 01 OK6 | saddle brown            | -ME, MH, MI     |     |            |
|                    | 958 521 914 00     | Head restraint          | right           |     |            |
|                    |                    | Porsche crest           |                 |     |            |
| (1)                | 958 521 914 00 8YR | Black                   | -LC, MA, YC     | 1   | PR:N7D,3J7 |
|                    | 958 521 914 00 9H6 | Luxor beige             | -LE, MC, YE     |     |            |
|                    | 958 521 914 00 7A0 | Platinum Grey           | -LD, MD, YD     |     |            |
|                    | 958 521 914 00 6G0 | Cream                   | -TX             |     |            |
|                    | 958 521 914 00 DE1 | Umber                   | -LF, YF         |     |            |
|                    | 958 521 914 00 DF2 | Light Tartufo           | -TY             |     |            |
|                    | 958 521 914 00 DJ3 | Titanium Blue           | -TW             |     |            |
|                    | 958 521 914 00 PL1 | agate grey              |                 |     |            |
|                    | 958 521 914 00 OK6 | saddle brown            |                 |     |            |
|                    | 958 521 914 01     | Head restraint          | right           |     |            |
| (1)                | 958 521 914 01     | Porsche crest           |                 | 1   | PR:N7D,5ZF |
|                    |                    | D - MJ 2015>> - MJ 2015 |                 |     |            |
|                    | 958 521 914 01 8YR | Black                   | -LC, MA, YC     |     |            |
|                    | 958 521 914 01 9H6 | Luxor beige             | -LE, MC, MK, YE |     |            |
|                    | 958 521 914 01 7A0 | Platinum Grey           |                 |     |            |
|                    | 958 521 914 01 6G0 | Cream                   | -MJ, TX         |     |            |
|                    | 958 521 914 01 DE1 | Umber                   |                 |     |            |
|                    | 958 521 914 01 DF2 | Light Tartufo           |                 |     |            |
|                    | 958 521 914 01 DJ3 | Titanium Blue           |                 |     |            |
|                    | 958 521 914 01 PL1 | agate grey              | -MB, MG, ML     |     |            |
| (1)                | 958 521 914 01 OK6 | saddle brown            | -ME, MH, MI     | 1   | PR:N7D,5ZF |
|                    | 958 521 914 00     | Head restraint          | right           |     |            |
|                    |                    | Porsche crest           |                 |     |            |
|                    |                    | D >> - MJ 2014          |                 |     |            |
|                    | 958 521 914 00 8YR | Black                   | -LC, MA, YC     |     |            |
|                    | 958 521 914 00 9H6 | Luxor beige             | -LE, MC, YE     |     |            |
|                    | 958 521 914 00 7A0 | Platinum Grey           | -LD, MD, YD     |     |            |
|                    | 958 521 914 00 6G0 | Cream                   | -TX             |     |            |
|                    | 958 521 914 00 DE1 | Umber                   | -LF, YF         |     |            |
|                    | 958 521 914 00 DF2 | Light Tartufo           | -TY             |     |            |
| 958 521 914 00 DJ3 | Titanium Blue      | -TW                     |                 |     |            |
| 958 521 914 00 PL1 | agate grey         |                         |                 |     |            |

Model: 92A 11 Model life 2011>>2018

| Pos | Part Number        | Description             | Remark       | Qty | Model                                      |
|-----|--------------------|-------------------------|--------------|-----|--|
| (1) | 958 521 914 00 OK6 | saddle brown            |              |     |  |
|     | 958 521 914 01     | Head restraint          | right        | 1   | PR:N7D,5ZF                                 |
|     |                    | Porsche crest           |              |     |  |
|     |                    | D - MJ 2015>> - MJ 2015 |              |     |  |
|     | 958 521 914 01 8YR | Black                   | -LC,MA,YC    |     |  |
|     | 958 521 914 01 9H6 | Luxor beige             | -LE,MC,MK,YE |     |  |
|     | 958 521 914 01 7A0 | Platinum Grey           |              |     |  |
|     | 958 521 914 01 6G0 | Cream                   | -MJ, TX      |     |  |
|     | 958 521 914 01 DE1 | Umber                   |              |     |  |
|     | 958 521 914 01 DF2 | Light Tartufo           |              |     |  |
|     | 958 521 914 01 DJ3 | Titanium Blue           |              |     |  |
|     | 958 521 914 01 PL1 | agate grey              | -MB, MG, ML  |     |  |
| (1) | 958 521 914 01 OK6 | saddle brown            | -ME, MH, MI  |     |  |
|     | 958 521 902 30     | Head restraint          | right        | 1   | PR:NOQ,N1B,<br>N1M,N2S,N5U,<br>N7D,3J7,5ZF |
|     |                    | Porsche crest           |              |     |  |
|     |                    | D - MJ 2016>>           |              |     |  |
|     | 958 521 902 30 6G0 | Cream                   | -MJ          |     |  |
|     | 958 521 902 30 7A0 | Platinum Grey           |              |     |  |
|     | 958 521 902 30 8YR | Black                   | -LC,MA,YC    |     |  |
|     | 958 521 902 30 9H6 | Luxor beige             | -LE,MC,MK,YE |     |  |
|     | 958 521 902 30 DE1 | Umber                   |              |     |  |
|     | 958 521 902 30 DF2 | Light Tartufo           |              |     |  |
|     | 958 521 902 30 OB8 | Cohiba Brown            | -LH          |     |  |
|     | 958 521 902 30 OK6 | saddle brown            | -ME, MH, MI  |     |  |
|     | 958 521 902 30 PL1 | agate grey              | -MB, MG, ML  |     |  |
|     | 958 521 902 30 AAB | Black/Carrera Red       | -TA          |     |  |
|     | 958 521 902 30 AAC | Black/Luxor Beige       | -77          |     |  |
|     | 958 521 902 30 HGK | Black/Cream             | -LG          |     |  |
| (1) | 958 521 905 00     | Head restraint          | left         | 1   | PR:N1A,3J4                                 |
|     |                    | Nature                  |              |     |  |
|     |                    | D >> - MJ 2014          |              |     |  |
|     | 958 521 905 00 8C0 | Espresso                | -VA          |     |  |
|     | 958 521 905 00 9EF | Cognac                  | -VB          |     |  |
| (1) | 958 521 905 01     | Head restraint          | left         | 1   | PR:N1A,3J4                                 |
|     |                    | Nature                  |              |     |  |
|     |                    | D - MJ 2015>> - MJ 2015 |              |     |  |
|     | 958 521 905 01 8C0 | Espresso                | -VA          |     |  |
|     | 958 521 905 01 9EF | Cognac                  | -VB          |     |  |
| (1) | 958 521 905 00     | Head restraint          | left         | 1   | PR:N1P,3J4                                 |
|     |                    | Nature                  |              |     |  |
|     |                    | D >> - MJ 2014          |              |     |  |
|     | 958 521 905 00 8C0 | Espresso                | -VA          |     |  |
|     | 958 521 905 00 9EF | Cognac                  | -VB          |     |  |
| (1) | 958 521 905 01     | Head restraint          | left         | 1   | PR:N1P,3J4                                 |
|     |                    | Nature                  |              |     |  |
|     |                    | D - MJ 2015>> - MJ 2015 |              |     |  |
|     | 958 521 905 01 8C0 | Espresso                | -VA          |     |  |
|     | 958 521 905 01 9EF | Cognac                  | -VB          |     |  |
| (1) | 958 521 905 00     | Head restraint          | left         | 1   | PR:N5Y,3J4                                 |
|     |                    | Nature                  |              |     |  |
|     |                    | D >> - MJ 2014          |              |     |  |
|     | 958 521 905 00 8C0 | Espresso                | -VA          |     |  |
|     | 958 521 905 00 9EF | Cognac                  | -VB          |     |  |
| (1) | 958 521 905 01     | Head restraint          | left         | 1   | PR:N5Y,3J4                                 |
|     |                    | Nature                  |              |     |  |
|     |                    | D - MJ 2015>> - MJ 2015 |              |     |  |
|     | 958 521 905 01 8C0 | Espresso                | -VA          |     |  |
|     | 958 521 905 01 9EF | Cognac                  | -VB          |     |  |
| (1) | 958 521 901 40     | Head restraint          | left         | 1   | PR:N1A,N1P,<br>N5Y,3J4                     |
|     |                    | Nature                  |              |     |  |
|     |                    | D - MJ 2016>>           |              |     |  |
|     | 958 521 901 40 8C0 | Espresso                | -VA          |     |  |
|     | 958 521 901 40 9EF | Cognac                  | -VB          |     |  |

Model: 92A 11 Model life 2011>>2018

| Pos | Part Number        | Description  | Remark | Qty | Model                  |
|-----|--------------------|--|--------|-----|------------------------|
| (1) | 958 521 915 00     | Head restraint<br>Nature<br>D >> - MJ 2014                           | right  | 1   | PR:N1A,3J4             |
|     | 958 521 915 00 8C0 | Espresso   | -VA    |     |                        |
|     | 958 521 915 00 9EF | Cognac   | -VB    |     |                        |
| (1) | 958 521 915 01     | Head restraint<br>Nature<br>D - MJ 2015>> - MJ 2015                  | right  | 1   | PR:N1A,3J4             |
|     | 958 521 915 01 8C0 | Espresso   | -VA    |     |                        |
|     | 958 521 915 01 9EF | Cognac   | -VB    |     |                        |
| (1) | 958 521 915 00     | Head restraint<br>Nature<br>D >> - MJ 2014                           | right  | 1   | PR:N1P,3J4             |
|     | 958 521 915 00 8C0 | Espresso   | -VA    |     |                        |
|     | 958 521 915 00 9EF | Cognac   | -VB    |     |                        |
| (1) | 958 521 915 01     | Head restraint<br>Nature<br>D - MJ 2015>> - MJ 2015                  | right  | 1   | PR:N1P,3J4             |
|     | 958 521 915 01 8C0 | Espresso   | -VA    |     |                        |
|     | 958 521 915 01 9EF | Cognac   | -VB    |     |                        |
| (1) | 958 521 915 00     | Head restraint<br>Nature<br>D >> - MJ 2014                           | right  | 1   | PR:N5Y,3J4             |
|     | 958 521 915 00 8C0 | Espresso   | -VA    |     |                        |
|     | 958 521 915 00 9EF | Cognac   | -VB    |     |                        |
| (1) | 958 521 915 01     | Head restraint<br>Nature<br>D - MJ 2015>> - MJ 2015                  | right  | 1   | PR:N5Y,3J4             |
|     | 958 521 915 01 8C0 | Espresso   | -VA    |     |                        |
|     | 958 521 915 01 9EF | Cognac   | -VB    |     |                        |
| (1) | 958 521 902 40     | Head restraint<br>Nature<br>D - MJ 2016>>                            | right  | 1   | PR:N1A,N1P,<br>N5Y,3J4 |
|     | 958 521 902 40 8C0 | Espresso   | -VA    |     |                        |
|     | 958 521 902 40 9EF | Cognac   | -VB    |     |                        |
| (1) | 958 521 906 00     | Head restraint<br>Nature<br>Porsche crest<br>D >> - MJ 2014          | left   | 1   | PR:N1A,3J7             |
|     | 958 521 906 00 8C0 | Espresso   | -VA    |     |                        |
|     | 958 521 906 00 9EF | Cognac   | -VB    |     |                        |
| (1) | 958 521 906 01     | Head restraint<br>Nature<br>Porsche crest<br>D - MJ 2015>> - MJ 2015 | left   | 1   | PR:N1A,3J7             |
|     | 958 521 906 01 8C0 | Espresso   | -VA    |     |                        |
|     | 958 521 906 01 9EF | Cognac   | -VB    |     |                        |
| (1) | 958 521 906 00     | Head restraint<br>Nature<br>Porsche crest<br>D >> - MJ 2014          | left   | 1   | PR:N1A,5ZF             |
|     | 958 521 906 00 8C0 | Espresso   | -VA    |     |                        |
|     | 958 521 906 00 9EF | Cognac   | -VB    |     |                        |
| (1) | 958 521 906 01     | Head restraint<br>Nature<br>Porsche crest<br>D - MJ 2015>> - MJ 2015 | left   | 1   | PR:N1A,5ZF             |
|     | 958 521 906 01 8C0 | Espresso   | -VA    |     |                        |
|     | 958 521 906 01 9EF | Cognac   | -VB    |     |                        |
| (1) | 958 521 906 00     | Head restraint<br>Nature<br>Porsche crest<br>D >> - MJ 2014          | left   | 1   | PR:N1P,3J7             |

Model: 92A 11 Model life 2011>>2018

| Pos | Part Number        | Description  | Remark | Qty | Model                      |
|-----|--------------------|--|--------|-----|----------------------------|
| (1) | 958 521 906 00 8C0 | Espresso   | -VA    | 1   | PR:N1P,3J7                 |
|     | 958 521 906 00 9EF | Cognac   | -VB    |     |                            |
|     | 958 521 906 01     | Head restraint<br>Nature<br>Porsche crest<br>D - MJ 2015>> - MJ 2015 | left   |     |                            |
|     | 958 521 906 01 8C0 | Espresso   | -VA    |     |                            |
| (1) | 958 521 906 01 9EF | Cognac   | -VB    | 1   | PR:N1P,5ZF                 |
|     | 958 521 906 00     | Head restraint<br>Nature<br>Porsche crest<br>D >> - MJ 2014          | left   |     |                            |
|     | 958 521 906 00 8C0 | Espresso   | -VA    |     |                            |
|     | 958 521 906 00 9EF | Cognac   | -VB    |     |                            |
| (1) | 958 521 906 01     | Head restraint<br>Nature<br>Porsche crest<br>D - MJ 2015>> - MJ 2015 | left   | 1   | PR:N1P,5ZF                 |
|     | 958 521 906 01 8C0 | Espresso   | -VA    |     |                            |
|     | 958 521 906 01 9EF | Cognac   | -VB    |     |                            |
|     | 958 521 906 00     | Head restraint<br>Nature<br>Porsche crest<br>D >> - MJ 2014          | left   |     |                            |
| (1) | 958 521 906 00 8C0 | Espresso   | -VA    | 1   | PR:N5Y,3J7                 |
|     | 958 521 906 00 9EF | Cognac   | -VB    |     |                            |
|     | 958 521 906 01     | Head restraint<br>Nature<br>Porsche crest<br>D - MJ 2015>> - MJ 2015 | left   |     |                            |
|     | 958 521 906 01 8C0 | Espresso   | -VA    |     |                            |
| (1) | 958 521 906 01 9EF | Cognac   | -VB    | 1   | PR:N5Y,5ZF                 |
|     | 958 521 906 00     | Head restraint<br>Nature<br>Porsche crest<br>D >> - MJ 2014          | left   |     |                            |
|     | 958 521 906 00 8C0 | Espresso   | -VA    |     |                            |
|     | 958 521 906 00 9EF | Cognac   | -VB    |     |                            |
| (1) | 958 521 906 01     | Head restraint<br>Nature<br>Porsche crest<br>D - MJ 2015>> - MJ 2015 | left   | 1   | PR:N5Y,5ZF                 |
|     | 958 521 906 01 8C0 | Espresso   | -VA    |     |                            |
|     | 958 521 906 01 9EF | Cognac   | -VB    |     |                            |
|     | 958 521 901 50     | Head restraint<br>Nature<br>Porsche crest<br>D - MJ 2016>>           | left   |     |                            |
| (1) | 958 521 901 50 8C0 | Espresso   | -VA    | 1   | PR:N1A,N1P,<br>N5Y,3J7,5ZF |
|     | 958 521 901 50 9EF | Cognac   | -VB    |     |                            |
|     | 958 521 916 00     | Head restraint<br>Nature<br>Porsche crest<br>D >> - MJ 2014          | right  |     |                            |
|     | 958 521 916 00 8C0 | Espresso   | -VA    |     |                            |
| (1) | 958 521 916 00 9EF | Cognac   | -VB    | 1   | PR:N1A,3J7                 |
|     | 958 521 916 01     | Head restraint<br>Nature<br>Porsche crest<br>D - MJ 2015>> - MJ 2015 | right  |     |                            |
|     | 958 521 916 01 8C0 | Espresso   | -VA    |     |                            |
|     | 958 521 916 01 9EF | Cognac   | -VB    |     |                            |
| (1) | 958 521 916 00     | Head restraint<br>Nature<br>Porsche crest<br>D >> - MJ 2014          | right  | 1   | PR:N1A,5ZF                 |
|     | 958 521 916 01 8C0 | Espresso   | -VA    |     |                            |
|     | 958 521 916 01 9EF | Cognac   | -VB    |     |                            |

Model: 92A 11 Model life 2011>>2018

| Pos | Part Number        | Description  | Remark | Qty | Model                      |
|-----|--------------------|--|--------|-----|----------------------------|
|     |                    | Nature<br>Porsche crest<br>D >> - MJ 2014          |        |     |                            |
|     | 958 521 916 00 8C0 | Espresso   | -VA    |     |                            |
|     | 958 521 916 00 9EF | Cognac   | -VB    |     |                            |
| (1) | 958 521 916 01     | Head restraint                                     | right  | 1   | PR:N1A,5ZF                 |
|     |                    | Nature<br>Porsche crest<br>D - MJ 2015>> - MJ 2015 |        |     |                            |
|     | 958 521 916 01 8C0 | Espresso   | -VA    |     |                            |
|     | 958 521 916 01 9EF | Cognac   | -VB    |     |                            |
| (1) | 958 521 916 00     | Head restraint                                     | right  | 1   | PR:N1P,3J7                 |
|     |                    | Nature<br>Porsche crest<br>D >> - MJ 2014          |        |     |                            |
|     | 958 521 916 00 8C0 | Espresso   | -VA    |     |                            |
|     | 958 521 916 00 9EF | Cognac   | -VB    |     |                            |
| (1) | 958 521 916 01     | Head restraint                                     | right  | 1   | PR:N1P,3J7                 |
|     |                    | Nature<br>Porsche crest<br>D - MJ 2015>> - MJ 2015 |        |     |                            |
|     | 958 521 916 01 8C0 | Espresso   | -VA    |     |                            |
|     | 958 521 916 01 9EF | Cognac   | -VB    |     |                            |
| (1) | 958 521 916 00     | Head restraint                                     | right  | 1   | PR:N1P,5ZF                 |
|     |                    | Nature<br>Porsche crest<br>D >> - MJ 2014          |        |     |                            |
|     | 958 521 916 00 8C0 | Espresso   | -VA    |     |                            |
|     | 958 521 916 00 9EF | Cognac   | -VB    |     |                            |
| (1) | 958 521 916 01     | Head restraint                                     | right  | 1   | PR:N1P,5ZF                 |
|     |                    | Nature<br>Porsche crest<br>D - MJ 2015>> - MJ 2015 |        |     |                            |
|     | 958 521 916 01 8C0 | Espresso   | -VA    |     |                            |
|     | 958 521 916 01 9EF | Cognac   | -VB    |     |                            |
| (1) | 958 521 916 00     | Head restraint                                     | right  | 1   | PR:N5Y,3J7                 |
|     |                    | Nature<br>Porsche crest<br>D >> - MJ 2014          |        |     |                            |
|     | 958 521 916 00 8C0 | Espresso   | -VA    |     |                            |
|     | 958 521 916 00 9EF | Cognac   | -VB    |     |                            |
| (1) | 958 521 916 01     | Head restraint                                     | right  | 1   | PR:N5Y,3J7                 |
|     |                    | Nature<br>Porsche crest<br>D - MJ 2015>> - MJ 2015 |        |     |                            |
|     | 958 521 916 01 8C0 | Espresso   | -VA    |     |                            |
|     | 958 521 916 01 9EF | Cognac   | -VB    |     |                            |
| (1) | 958 521 916 00     | Head restraint                                     | right  | 1   | PR:N5Y,5ZF                 |
|     |                    | Nature<br>Porsche crest<br>D >> - MJ 2014          |        |     |                            |
|     | 958 521 916 00 8C0 | Espresso   | -VA    |     |                            |
|     | 958 521 916 00 9EF | Cognac   | -VB    |     |                            |
| (1) | 958 521 916 01     | Head restraint                                     | right  | 1   | PR:N5Y,5ZF                 |
|     |                    | Nature<br>Porsche crest<br>D - MJ 2015>> - MJ 2015 |        |     |                            |
|     | 958 521 916 01 8C0 | Espresso   | -VA    |     |                            |
|     | 958 521 916 01 9EF | Cognac   | -VB    |     |                            |
| (1) | 958 521 902 50     | Head restraint                                     | right  | 1   | PR:N1A,N1P,<br>N5Y,3J7,5ZF |
|     |                    | Nature<br>Porsche crest<br>D - MJ 2016>>           |        |     |                            |



Model: 92A 11 Model life 2011>>2018

| Pos | Part Number        | Description   | Remark | Qty | Model                              |
|-----|--------------------|---|--------|-----|------------------------------------|
| (1) | 958 521 902 50 8C0 | Espresso  | -VA    | 1   | PR:N2S,5ZD                         |
|     | 958 521 902 50 9EF | Cognac  | -VB    |     |                                    |
|     | 958 521 901 01     | Head restraint<br>Plain leather<br>inscription<br>GTS   | left   |     |                                    |
|     |                    | D >> - MJ 2014  |        |     |                                    |
|     | 958 521 901 01 IVE | Black/Carmine Red                                       | -YA    |     |                                    |
| (1) | 958 521 901 01 IVF | Black/Peridot   | -YB    | 1   | PR:N2S,5ZD                         |
|     | 958 521 901 01 DJP | Black/Rhodium Silver                                    |        |     |                                    |
|     | 958 521 901 01 PL1 | agate grey  |        |     |                                    |
|     | 958 521 901 01 9H6 | Luxor beige   |        |     |                                    |
|     | 958 521 901 03     | Head restraint<br>Plain leather<br>inscription<br>GTS   | left   |     |                                    |
| (1) |                    | D - MJ 2015>> - MJ 2015                                 |        | 1   | PR:N2S,5ZD                         |
|     | 958 521 901 03 IVE | Black/Carmine Red                                       | -YA    |     |                                    |
|     | 958 521 901 03 IVF | Black/Peridot   |        |     |                                    |
|     | 958 521 901 03 DJP | Black/Rhodium Silver                                    | -MF    |     |                                    |
|     | 958 521 901 03 PL1 | agate grey  | -ML    |     |                                    |
| (1) | 958 521 901 03 9H6 | Luxor beige   | -YE    | 1   | PR:N2S,5ZD                         |
|     | 958 521 902 01     | Head restraint<br>Plain leather<br>inscription<br>GTS   | right  |     |                                    |
|     |                    | D >> - MJ 2014  |        |     |                                    |
|     | 958 521 902 01 IVE | Black/Carmine Red                                       | -YA    |     |                                    |
|     | 958 521 902 01 IVF | Black/Peridot   | -YB    |     |                                    |
| (1) | 958 521 902 01 DJP | Black/Rhodium Silver                                    |        | 1   | PR:N2S,5ZD                         |
|     | 958 521 902 01 PL1 | agate grey  |        |     |                                    |
|     | 958 521 902 01 9H6 | Luxor beige   |        |     |                                    |
|     | 958 521 902 03     | Head restraint<br>Plain leather<br>inscription<br>GTS   | right  |     |                                    |
|     |                    | D - MJ 2015>> - MJ 2015                                 |        |     |                                    |
| (1) | 958 521 902 03 IVE | Black/Carmine Red                                       | -YA    | 1   | PR:N1A,N1P,<br>5ZD                 |
|     | 958 521 902 03 IVF | Black/Peridot   |        |     |                                    |
|     | 958 521 902 03 DJP | Black/Rhodium Silver                                    | -MF    |     |                                    |
|     | 958 521 902 03 PL1 | agate grey  | -ML    |     |                                    |
|     | 958 521 902 03 9H6 | Luxor beige   | -YE    |     |                                    |
| (1) | 958 521 901 04     | Head restraint<br>Natural leather<br>inscription<br>GTS | left   | 1   | PR:N1A,N1P,<br>5ZD                 |
|     |                    | D - MJ 2016>>   |        |     |                                    |
|     | 958 521 901 04 8C0 | Espresso  | -VA    |     |                                    |
|     | 958 521 901 04 9EF | Cognac  | -VB    |     |                                    |
|     | 958 521 902 04     | Head restraint<br>Natural leather<br>inscription<br>GTS | right  |     |                                    |
| (1) |                    | D - MJ 2016>>   |        | 1   | PR:N2S,N0Q,<br>N1B,N1M,N5U,<br>5ZD |
|     | 958 521 902 04 8C0 | Espresso  | -VA    |     |                                    |
|     | 958 521 902 04 9EF | Cognac  | -VB    |     |                                    |
|     | 958 521 901 05     | Head restraint<br>Plain leather<br>inscription<br>GTS   | left   |     |                                    |
|     |                    | D - MJ 2016>>   |        |     |                                    |
| (1) | 958 521 901 05 AAB | Black/Carrera Red                                       | -TA    | 1   | PR:N2S,N0Q,<br>N1B,N1M,N5U,<br>5ZD |
|     | 958 521 901 05 DJP | Black/Rhodium Silver                                    | -MF    |     |                                    |

Model: 92A 11 Model life 2011>>2018

| Pos                | Part Number        | Description  | Remark  | Qty         | Model                              |     |   |             |
|--------------------|--------------------|--|---|-------------|------------------------------------|-----|---|-------------|
| (1)                | 958 521 901 05 HGK | Black/Cream  | -LG   | 1           | PR:N2S,N0Q,<br>N1B,N1M,N5U,<br>5ZD |     |   |             |
|                    | 958 521 901 05 IVE | Black/Carmine Red  | -YA   |             |                                    |     |   |             |
|                    | 958 521 901 05 OB8 | Cohiba Brown   | -LH   |             |                                    |     |   |             |
|                    | 958 521 901 05 OK6 | saddle brown   | -ME,MH,MI                                     |             |                                    |     |   |             |
|                    | 958 521 901 05 PL1 | agate grey   | -MG   |             |                                    |     |   |             |
|                    | 958 521 901 05 6G0 | Cream  | -MJ   |             |                                    |     |   |             |
|                    | 958 521 901 05 8YR | Black  | -LC,YC  |             |                                    |     |   |             |
|                    | 958 521 901 05 9H6 | Luxor beige  | -LE,MK,YE                                     |             |                                    |     |   |             |
|                    | 958 521 902 05     | Head restraint<br>Plain leather<br>inscription<br>GTS<br>D - MJ 2016>> | right   |             |                                    |     |   |             |
|                    | 958 521 902 05 AAB | Black/Carrera Red  | -TA   |             |                                    |     |   |             |
|                    | 958 521 902 05 DJP | Black/Rhodium Silver   | -MF   |             |                                    |     |   |             |
|                    | 958 521 902 05 HGK | Black/Cream  | -LG   |             |                                    |     |   |             |
|                    | 958 521 902 05 IVE | Black/Carmine Red  | -YA   |             |                                    |     |   |             |
|                    | 958 521 902 05 OB8 | Cohiba Brown   | -LH   |             |                                    |     |   |             |
|                    | 958 521 902 05 OK6 | saddle brown   | -ME,MH,MI                                     |             |                                    |     |   |             |
|                    | 958 521 902 05 PL1 | agate grey   | -MG   |             |                                    |     |   |             |
|                    | 2                  | 958 521 902 05 6G0   | Cream   |             |                                    | -MJ | 1 |             |
| 958 521 902 05 8YR |                    | Black  | -LC,YC  |             |                                    |     |   |             |
| 958 521 902 05 9H6 |                    | Luxor beige  | -LE,MK,YE                                     |             |                                    |     |   |             |
| 958 522 920 00     |                    | guide sleeve<br>Head restraint   | left  |             |                                    |     |   |             |
|                    |                    | Key without:   |   |             |                                    |     |   |             |
| 958 522 920 00 1E0 |                    | Black  | -LC, LG, MA, MF,<br>TA, TB, YA, YB,<br>YC, 77 |             |                                    |     |   |             |
| 958 522 920 00 4H0 |                    | Luxor beige  | -LE, MC, YE                                   |             |                                    |     |   |             |
| 958 522 920 00 6L0 |                    | Platinum Grey  | -LD, MD, YD                                   |             |                                    |     |   |             |
| 958 522 920 00 5J0 |                    | Cream  | -MJ, TX                                       |             |                                    |     |   |             |
| 958 522 920 00 7N0 |                    | Espresso   | -VA   |             |                                    |     |   |             |
| 958 522 920 00 8P0 |                    | Cognac   | -VB   |             |                                    |     |   |             |
| 958 522 920 00 DE1 |                    | Umber  | -LF, YF                                       |             |                                    |     |   |             |
| 958 522 920 00 DF2 |                    | Light Tartufo  | -TY   |             |                                    |     |   |             |
| 958 522 920 00 DJ3 |                    | Titanium Blue  | -TW   |             |                                    |     |   |             |
| 958 522 920 00 82V |                    | Titan black  | -LC, MA                                       |             |                                    |     |   |             |
| 3                  |                    | 958 522 920 00 OP1   | agate grey                                    | -MB, MG, ML | 1                                  |     |   |             |
|                    |                    | 958 522 920 00 OM8   | saddle brown                                  | -ME, MH, MI |                                    |     |   |             |
|                    | 958 522 921 00     | guide sleeve<br>Head restraint   | right   |             |                                    |     |   |             |
|                    |                    | Key with:  |   |             |                                    |     |   |             |
|                    | 958 522 921 00 1E0 | Black  | -LC, LG, MA, MF,<br>TA, TB, YA, YB,<br>YC, 77 |             |                                    |     |   |             |
|                    | 958 522 921 00 4H0 | Luxor beige  | -LE, MC, YE                                   |             |                                    |     |   |             |
|                    | 958 522 921 00 6L0 | Platinum Grey  | -LD, MD, YD                                   |             |                                    |     |   |             |
|                    | 958 522 921 00 5J0 | Cream  | -MJ, TX                                       |             |                                    |     |   |             |
|                    | 958 522 921 00 7N0 | Espresso   | -VA   |             |                                    |     |   |             |
|                    | 958 522 921 00 8P0 | Cognac   | -VB   |             |                                    |     |   |             |
|                    | 958 522 921 00 DE1 | Umber  | -LF, YF                                       |             |                                    |     |   |             |
|                    | 958 522 921 00 DF2 | Light Tartufo  | -TY   |             |                                    |     |   |             |
|                    | 958 522 921 00 DJ3 | Titanium Blue  | -TW   |             |                                    |     |   |             |
|                    | 958 522 921 00 82V | Titan black  | -LC, MA                                       |             |                                    |     |   |             |
|                    | 4                  | 958 522 921 00 OP1   | agate grey                                    | -MB, MG, ML |                                    |     | 1 | PR:Q1G, 3L4 |
|                    |                    | 958 522 921 00 OM8   | saddle brown                                  | -ME, MH, MI |                                    |     |   |             |
|                    |                    | 958 521 045 00   | backrest frame<br>Electric                    | left        |                                    |     |   |             |
|                    |                    | No longer use the part here  |   |             |                                    |     |   |             |
| (4) 958 521 045 00 |                    | backrest frame   | left  |             |                                    |     |   |             |

Model: 92A 11 Model life 2011>>2018

| Pos | Part Number    | Description   | Remark                       | Qty | Model                  |
|-----|----------------|---|------------------------------|-----|------------------------|
| (4) | 958 521 045 00 | Electric<br>No longer use the part here<br>backrest frame                   | left                         | 1   | PR:Q4P,3L4             |
| (4) | 958 521 045 00 | Electric<br>No longer use the part here<br>backrest frame                   | left                         | 1   | PR:Q4P,3L5             |
| (4) | 958 521 045 01 | Electric<br>D >> - MJ 2014<br>No longer use the part here<br>backrest frame | left                         | 1   | PR:3L4,3L5,<br>3PN     |
|     |                | also use:   | 958 881 879<br>9A7 898 173   |     |                        |
| (4) | 958 521 046 00 | D - MJ 2015>><br>backrest frame   | right                        | 1   | PR:Q1G,3L4             |
| (4) | 958 521 046 00 | Electric<br>No longer use the part here<br>backrest frame                   | right                        | 1   | PR:Q1G,3L5             |
| (4) | 958 521 046 00 | Electric<br>No longer use the part here<br>backrest frame                   | right                        | 1   | PR:Q4P,3L4             |
| (4) | 958 521 046 00 | Electric<br>No longer use the part here<br>backrest frame                   | right                        | 1   | PR:Q4P,3L5             |
| (4) | 958 521 046 01 | Electric<br>D >> - MJ 2014<br>No longer use the part here<br>backrest frame | right                        | 1   | PR:3L4,3L5,<br>3PN     |
|     |                | also use:   | 958 881 879<br>9A7 898 173   |     |                        |
| (4) | 958 521 841 00 | D - MJ 2015>><br>backrest frame   | left                         | 1   | PR:Q1J,3PN,<br>Q2J     |
|     |                | Electric<br>Memory  |                              |     |                        |
|     |                | also use:   | 958 881 879 A<br>9A7 898 173 |     |                        |
| (4) | 958 881 879 A  | Lumbar support  |                              | 1   | PR:Q1J,Q2J,<br>3PN     |
| (4) | 958 881 879    | Electric<br>Memory  |                              |     |                        |
| (4) | 958 881 879    | Mat for lumbar support  |                              | 1   | PR:Q1G,Q4P,<br>3L4,3L5 |
| (4) | 958 521 842 00 | Grille<br>backrest frame  | right                        | 1   | PR:Q1J,3PN,<br>Q2J     |
|     |                | Electric<br>Memory  |                              |     |                        |
|     |                | also use:   | 958 881 879 A<br>9A7 898 173 |     |                        |
| 5   | 958 521 851 00 | frame for seat  | left                         | 1   | PR:3L4                 |
|     |                | Electric<br>Included<br>Adjusting motor                                     |                              |     |                        |
| (5) | 958 521 851 00 | D >> - MJ 2014<br>frame for seat  | left                         | 1   | PR:3L5                 |
|     |                | Electric<br>Included<br>Adjusting motor                                     |                              |     |                        |
| (5) | 958 521 851 00 | D >> - MJ 2014<br>frame for seat  | left                         | 1   | PR:3PN                 |
|     |                | Electric<br>Included<br>Adjusting motor                                     |                              |     |                        |
| (5) | 8K0 881 105 T  | D >> - MJ 2014<br>Seat frame (electrically                                  | left                         | 1   | PR:3L4                 |

Model: 92A 11 Model life 2011>>2018

| Pos  | Part Number    | Description   | Remark  | Qty | Model      |
|------|----------------|---|---------|-----|------------|
| (5)  | 8K0 881 105 T  | adjustable)<br>Included<br>Servomotor<br>Seat frame (electrically adjustable)           | left    | 1   | PR:3L5     |
| (5)  | 8K0 881 105 T  | Included<br>Servomotor<br>Seat frame (electrically adjustable)                          | left    | 1   | PR:3PN     |
| (5)  | 958 521 852 00 | Included<br>Servomotor<br>frame for seat<br>Electric                                    | right   | 1   | PR:3L4     |
| (5)  | 958 521 852 00 | Included<br>Servomotor<br>D >> - MJ 2014<br>frame for seat<br>Electric                  | right   | 1   | PR:3L5     |
| (5)  | 958 521 852 00 | Included<br>Servomotor<br>D >> - MJ 2014<br>frame for seat<br>Electric                  | right   | 1   | PR:3PN     |
| (5)  | 8K0 881 106 T  | Included<br>Servomotor<br>Seat frame (electrically adjustable)                          | right   | 1   | PR:3L4     |
| (5)  | 8K0 881 106 T  | Included<br>Servomotor<br>Seat frame (electrically adjustable)                          | right   | 1   | PR:3L5     |
| (5)  | 8K0 881 106 T  | Included<br>Servomotor<br>Seat frame (electrically adjustable)                          | right   | 1   | PR:3PN     |
| 6    | 958 521 952 00 | Retaining clip  |         | 4   |            |
| 7    | 958 521 545 00 | Retaining bracket<br>child seat<br>Preparation  |         | 1   |            |
| 8    | N 907 371 01   | Oval hexagon socket head bolt<br>M6 X 12<br>Mount                                       |         | 2   |            |
| 9    | N 900 880 03   | Airbag<br>Speed nut<br>Mount  |         | 2   |            |
| 10   |                | child seat<br>Lighting<br>Footwell  |         | 1   |            |
| 11   | WHT 002 796 B  | see illustration:<br>Socket head bolt with multi-point inner drive, self-lock.<br>Mount | 903-004 | 4   |            |
| 12   | 958 521 241 00 | backrest<br>Side airbag unit<br>Discontinued part                                       | left    | 1   | PR:4X3,4X4 |
| (12) | 958 521 241 01 | Side airbag unit  | left    | 1   | PR:4X3,4X4 |
| (12) | 958 521 242 00 | Side airbag unit<br>Discontinued part   | right   | 1   | PR:4X3,4X4 |
| (12) | 958 521 242 01 | Side airbag unit  | right   | 1   | PR:4X3,4X4 |
| 13   | N 910 423 01   | Oval hexagon socket head bolt   |         | 1   |            |

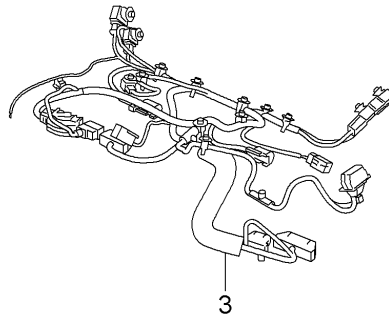
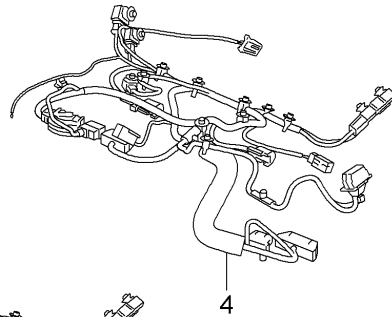
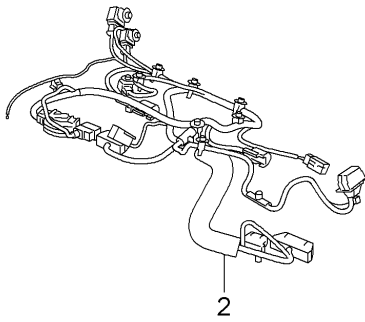
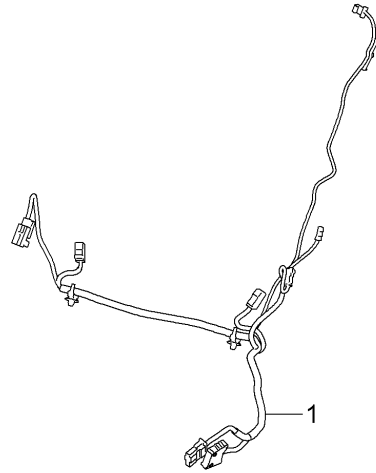
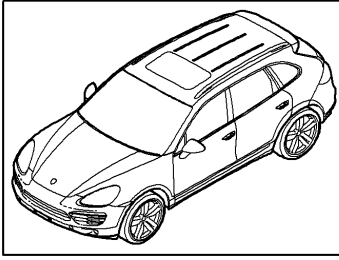
Model: 92A 11

Model life 2011>>2018

| Pos  | Part Number    | Description  | Remark | Qty | Model                |
|------|----------------|--|--------|-----|----------------------|
| 14   | 958 521 922 00 | M6 X 16<br>Mount<br>Airbag<br>Edge protection<br>backrest        | left   | 1   | PR: 4A0, 4X3,<br>4X4 |
| (14) | 958 521 923 00 | Edge protection<br>backrest                                      | right  | 1   |                      |
| 15   | 958 659 341 00 | Sensor<br>Seating position control                               |        | 1   |                      |
| 16   | N 907 321 02   | Hexagon socket flat<br>head bolt<br>TP 4 X 16<br>Mount<br>Sensor |        | 1   |                      |
| 17   | 958 521 953 00 | Engine cover   | left   | 1   |                      |
| (17) | 958 521 954 00 | Engine cover   | right  | 1   |                      |
| 18   | 958 898 955    | Set of fastening parts<br>Lumbar support                         |        | 1   |                      |
| -    | 958 521 818 00 | Retaining clip<br>Wire set<br>Seat heater                        |        | X   |                      |

Model: 92A 11

Model life 2011>>2018



Model: 92A 11 Model life 2011>>2018

| Pos | Part Number    | Description  | Remark | Qty | Model  |
|-----|----------------|--|--------|-----|--|
| 1   | 958 612 750 00 | Wiring looms<br>Standard seat<br>Comfort seat<br>sports seat<br>Wire set<br>backrest |        | 1   | PR:Q1G, 3L5, 3L4                               |
| (1) | 958 612 751 00 | Standard seat<br>Wire set<br>backrest  |        | 1   | PR:L0L, Q1G, 3L4                               |
| (1) | 958 612 751 00 | Standard seat<br>Memory<br>Wire set<br>backrest                                      |        | 1   | PR:L0R, Q1G, 3L4                               |
| (1) | 958 612 752 00 | Standard seat<br>Memory<br>Wire set<br>backrest                                      |        | 1   | PR:Q2J, 3PN, 4D0                               |
| (1) | 958 612 753 00 | Comfort seat<br>Memory<br>Lumbar<br>Wire set<br>backrest                             |        | 1   | PR:Q2J, 3PN, 4D3, 4A3, 4A4                     |
| (1) | 958 612 754 00 | Comfort seat<br>Memory<br>Lumbar<br>Vented<br>Wire set<br>backrest                   |        | 1   | PR:Q1J, 3PN, 4D0                               |
| (1) | 958 612 755 00 | Comfort seat<br>Memory<br>Lumbar<br>Seat width adjustment<br>Wire set<br>backrest    |        | 1   | PR:Q1J, 3PN, 4D3, 4A3, 4A4                     |
| 2   | 958 612 759 00 | Vented<br>Wire set<br>Seat adjuster  | left   | 1   | PR:L0L, Q1G, 3L4, 4A3, 4A4, 4D0, 4UQ, 9P7      |
| (2) | 958 612 761 00 | Standard seat<br>Wire set<br>Seat adjuster   | left   | 1   | PR:L0L, Q1G, 3L5, 4A0, 4UE, 4UP, 9P3           |
| (2) | 958 612 762 00 | Standard seat<br>Wire set<br>Seat adjuster   | right  | 1   | PR:L0L, Q1G, 3L5, 4A0, 4UE, 4UP, 9P3           |
| (2) | 958 612 763 00 | Standard seat<br>Wire set<br>Seat adjuster   | left   | 1   | PR:L0L, Q1G, 3L5, 4A3, 4A4, 4D0, 4UE, 4UP, 9P3 |
| (2) | 958 612 764 00 | Standard seat<br>with seat heating<br>Wire set<br>Seat adjuster                      | right  | 1   | PR:L0L, Q1G, 3L4, 4A3, 4A4, 4D0, 4UE, 9P3, 4UP |
| (2) | 958 612 765 00 | Standard seat<br>with seat heating<br>Wire set<br>Seat adjuster                      | left   | 1   | PR:L0L, Q1G, 3L5, 4A0, 4UQ, 9P7                |
| (2) | 958 612 766 00 | Standard seat<br>Wire set<br>Seat adjuster   | right  | 1   | PR:L0L, Q1G, 3L5, 4A0, 4UQ, 9P7                |
| (2) | 958 612 767 00 | Standard seat<br>Wire set  | left   | 1   | PR:L0L, Q1G,                                   |

Model: 92A 11 Model life 2011>>2018

| Pos | Part Number    | Description   | Remark | Qty | Model  |
|-----|----------------|---|--------|-----|--|
| (2) | 958 612 768 00 | Seat adjuster<br>Standard seat<br>with seat heating<br>Wire set                           | right  | 1   | 3L5, 4A3, 4A4,<br>4D0, 4UQ, 9P7<br>PR:L0L, Q1G,<br>3L4, 4A3, 4A4,<br>4D0, 4UQ, 9P7 |
| (2) | 958 612 769 00 | Seat adjuster<br>Standard seat<br>with seat heating<br>Wire set                           | left   | 1   | PR:L0L, Q1G,<br>3L4, 4A0, 4UE,<br>9P3  |
| (2) | 958 612 770 00 | Seat adjuster<br>Standard seat<br>with seat heating<br>Wire set                           | right  | 1   | PR:L0R, Q1G,<br>3L5, 4A0, 4UE,<br>4UD, 9P3   |
| (2) | 958 612 771 00 | Seat adjuster<br>Standard seat<br>with seat heating<br>Wire set                           | left   | 1   | PR:L0R, Q1G,<br>3L5, 4A0, 4UD,<br>4UE, 9P3   |
| (2) | 958 612 772 00 | Seat adjuster<br>Standard seat<br>with seat heating<br>Wire set                           | right  | 1   | PR:L0R, Q1G,<br>3L4, 4A0, 4UE,<br>9P3  |
| (2) | 958 612 773 00 | Seat adjuster<br>Standard seat<br>with seat heating<br>Wire set                           | left   | 1   | PR:L0R, Q1G,<br>3L5, 4A3, 4A4,<br>4D0, 4UE, 9P3                                    |
| (2) | 958 612 774 00 | Seat adjuster<br>Standard seat<br>with seat heating<br>Wire set                           | right  | 1   | PR:L0R, Q1G,<br>3L5, 4A3, 4A4,<br>4D0, 4UE, 9P3                                    |
| (2) | 958 612 775 00 | Seat adjuster<br>Standard seat<br>with seat heating<br>Wire set                           | left   | 1   | PR:L0L, Q1G,<br>3L5, 4A3, 4A4,<br>4D0, 4UE, 9P3                                    |
| (2) | 958 612 776 00 | Seat adjuster<br>Standard seat<br>with seat heating<br>Wire set                           | right  | 1   | PR:L0R, Q1G,<br>3L4, 4A3, 4A4,<br>4D0, 4UE, 9P3                                    |
| (2) | 958 612 777 00 | Seat adjuster<br>Standard seat<br>with seat heating<br>Wire set                           | left   | 1   | PR:L0L, Q1G,<br>3L4, 4A0, 4D0,<br>4UQ, 9P7   |
| (2) | 958 612 778 00 | Seat adjuster<br>Standard seat<br>with seat heating<br>Wire set                           | left   | 1   | PR:L0L, Q1G,<br>3L4, 4A3, 4A4,<br>4D0, 4UQ, 9P7                                    |
| (2) | 958 612 757 00 | Seat adjuster<br>Standard seat<br>with seat heating<br>Wire set                           | left   | 1   | PR:L0L, Q1G,<br>3L4, 4A3, 4A4,<br>4D0, 4UD, 4UE,<br>9P3                            |
| (3) | 958 612 779 00 | Seat adjuster<br>Comfort seat<br>with seat heating<br>Memory<br>Lumbar support adjustment | left   | 1   | PR:L0L, Q2J,<br>3PN, 4A3, 4A4,<br>4D0, 4UE, 9P3                                    |
| (3) | 958 612 780 00 | Seat adjuster<br>Comfort seat<br>with seat heating<br>Wire set                            | right  | 1   | PR:L0L, Q2J,<br>3PN, 4A3, 4A4,<br>4D0, 4UE, 9P3                                    |
| (3) | 958 612 781 00 | Seat adjuster<br>Comfort seat<br>with seat heating<br>Wire set                            | left   | 1   | PR:L0L, Q2J,<br>3PN, 4A3, 4A4,<br>4D3, 4UE, 9P3                                    |



Model: 92A 11 Model life 2011>>2018

| Pos | Part Number    | Description   | Remark | Qty | Model  |
|-----|----------------|---|--------|-----|--|
| (3) | 958 612 782 00 | Vented<br>Memory<br>with seat heating<br>Lumbar support adjustment<br>Wire set<br>Seat adjuster<br>Comfort seat | right  | 1   | PR:L0L,Q2J,<br>3PN,4A3,4A4,<br>4D3,4UE,9P3         |
| (3) | 958 612 783 00 | Vented<br>Memory<br>with seat heating<br>Wire set<br>Seat adjuster<br>Comfort seat                              | left   | 1   | PR:L0L,Q2J,<br>3PN,4A3,4A4,<br>4D0,4UQ,9P7         |
| (3) | 958 612 784 00 | Memory<br>with seat heating<br>Lumbar support adjustment<br>Wire set<br>Seat adjuster<br>Comfort seat           | right  | 1   | PR:L0L,Q2J,<br>3PN,4A3,4A4,<br>4D0,4UQ,9P7         |
| (3) | 958 612 785 00 | Memory<br>with seat heating<br>Wire set<br>Seat adjuster<br>Comfort seat  | left   | 1   | PR:L0L,Q2J,<br>3PN,4A3,4A4,<br>4D3,4UQ,9P7         |
| (3) | 958 612 786 00 | Vented<br>Memory<br>with seat heating<br>Lumbar support adjustment<br>Wire set<br>Seat adjuster<br>Comfort seat | right  | 1   | PR:L0L,Q2J,<br>3PN,4A3,4A4,<br>4D3,4UQ,9P7         |
| (3) | 958 612 787 00 | Vented<br>Memory<br>with seat heating<br>Wire set<br>Seat adjuster<br>Comfort seat                              | left   | 1   | PR:L0R,Q2J,<br>3PN,4A3,4A4,<br>4D0,4UE,4UD,<br>9P3 |
| (3) | 958 612 788 00 | Memory<br>with seat heating<br>Lumbar support adjustment<br>Wire set<br>Seat adjuster<br>Comfort seat           | right  | 1   | PR:L0R,Q2J,<br>3PN,4A3,4A4,<br>4D0,4UE,4UD,<br>9P3 |
| (3) | 958 612 789 00 | Memory<br>with seat heating<br>Wire set<br>Seat adjuster<br>Comfort seat  | left   | 1   | PR:L0R,Q2J,<br>3PN,4A3,4A4,<br>4D3,4UE,4UD,<br>9P3 |
| (3) | 958 612 790 00 | Vented<br>Memory<br>with seat heating<br>Lumbar support adjustment<br>Wire set<br>Seat adjuster<br>Comfort seat | right  | 1   | PR:L0R,Q2J,<br>3PN,4A3,4A4,<br>4D3,4UE,4UD,<br>9P3 |
| (4) | 958 612 791 00 | Vented<br>Memory<br>with seat heating<br>Wire set<br>Seat adjuster<br>sports seat<br>Memory<br>without heating  | left   | 1   | PR:L0L,Q1J,<br>3PN,4A0,4D0,<br>4UE,4UD,9P3         |

Model: 92A 11

Model life 2011&gt;&gt;2018

| Pos | Part Number    | Description  | Remark | Qty | Model  |
|-----|----------------|--|--------|-----|--|
| (4) | 958 612 792 00 | Lumbar support adjustment<br>Wire set<br>Seat adjuster<br>sports seat<br>Memory<br>without heating             | right  | 1   | PR:L0L,Q1J,<br>3PN,4A0,4D0,<br>4UE,4UD,9P3         |
| (4) | 958 612 793 00 | Wire set<br>Seat adjuster<br>sports seat<br>Memory<br>with seat heating  | left   | 1   | PR:L0L,Q1J,<br>3PN,4A3,4A4,<br>4D0,4UE,4UD,<br>9P3 |
| (4) | 958 612 794 00 | Lumbar support adjustment<br>Wire set<br>Seat adjuster<br>sports seat<br>Memory<br>with seat heating           | right  | 1   | PR:L0L,Q1J,<br>3PN,4A3,4A4,<br>4D0,4UE,4UD,<br>9P3 |
| (4) | 958 612 795 00 | Wire set<br>Seat adjuster<br>sports seat<br>Memory<br>with seat heating  | left   | 1   | PR:L0L,Q1J,<br>3PN,4A3,4A4,<br>4D3,4UE,4UD,<br>9P3 |
| (4) | 958 612 796 00 | Lumbar support adjustment<br>Wire set<br>Seat adjuster<br>sports seat<br>Vented<br>Memory<br>with seat heating | right  | 1   | PR:L0L,Q1J,<br>3PN,4A3,4A4,<br>4D3,4UE,4UD,<br>9P3 |
| (4) | 958 612 797 00 | Wire set<br>Seat adjuster<br>sports seat<br>Memory<br>without heating  | left   | 1   | PR:L0L,Q1J,<br>3PN,4A0,4UQ,<br>9P7                 |
| (4) | 958 612 798 00 | Lumbar support adjustment<br>Wire set<br>Seat adjuster<br>sports seat<br>Memory<br>without heating             | right  | 1   | PR:L0L,Q1J,<br>3PN,4A0,4UQ,<br>9P7                 |
| (4) | 958 612 799 00 | Wire set<br>Seat adjuster<br>sports seat<br>Memory<br>with seat heating  | left   | 1   | PR:L0L,Q1J,<br>3PN,4A3,4A4,<br>4D0,4UQ,9P7         |
| (4) | 958 612 800 00 | Lumbar support adjustment<br>Wire set<br>Seat adjuster<br>sports seat<br>Memory<br>with seat heating           | right  | 1   | PR:L0L,Q1J,<br>3PN,4A3,4A4,<br>4D0,4UQ,9P7         |
| (4) | 958 612 801 00 | Wire set<br>Seat adjuster<br>sports seat<br>Memory<br>with seat heating  | left   | 1   | PR:L0L,Q1J,<br>3PN,4A3,4A4,<br>4D3,4UQ,9P7         |
| (4) | 958 612 802 00 | Lumbar support adjustment<br>Wire set<br>Seat adjuster<br>sports seat<br>Memory<br>with seat heating           | right  | 1   | PR:L0L,Q1J,<br>3PN,4A3,4A4,<br>4D3,4UQ,9P7         |
| (4) | 958 612 805 00 | Wire set   | left   | 1   | PR:L0R,Q1J,  |

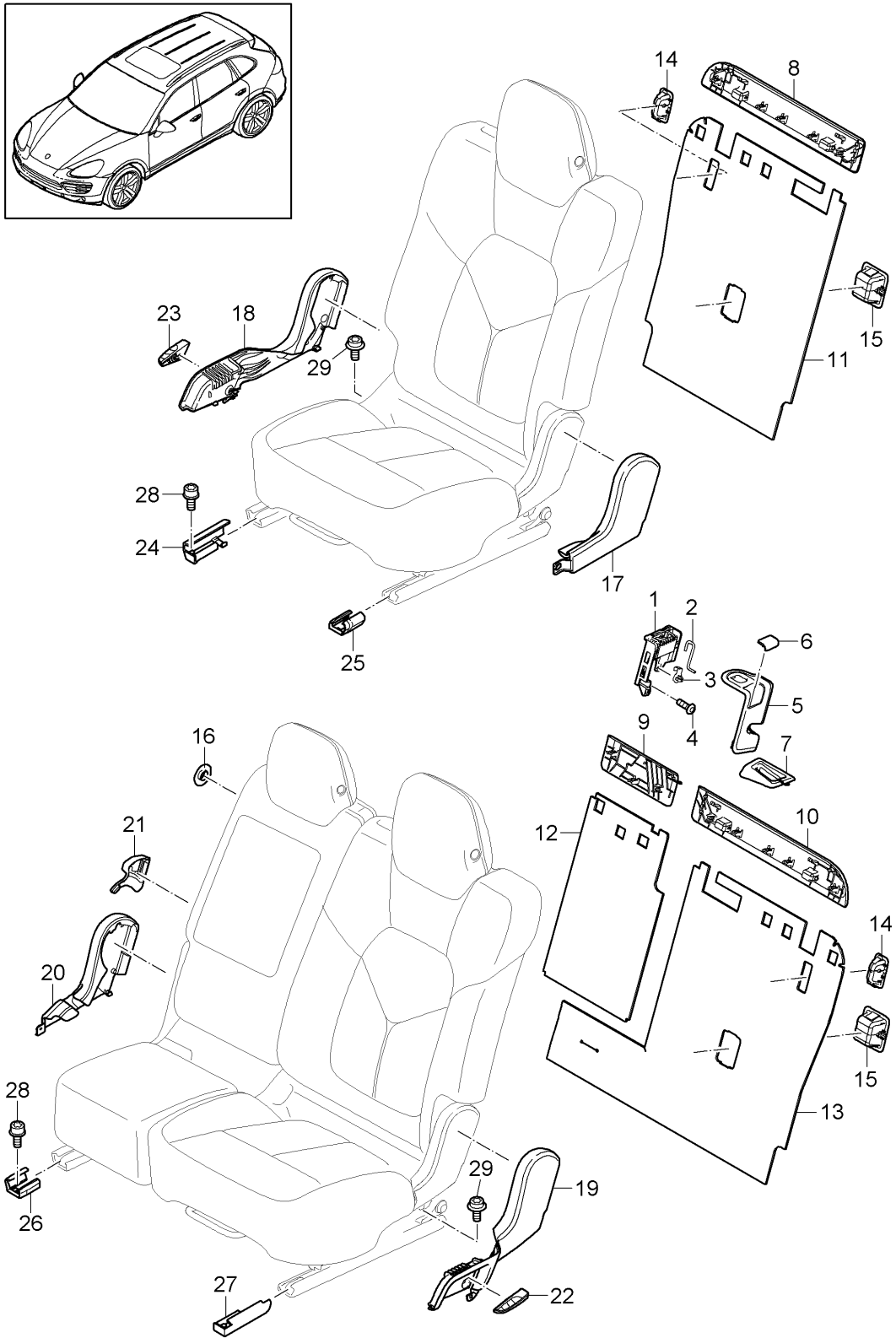
Model: 92A 11

Model life 2011>>2018

| Pos | Part Number    | Description  | Remark | Qty | Model  |
|-----|----------------|--|--------|-----|--|
| (4) | 958 612 806 00 | Seat adjuster<br>sports seat<br>Memory<br>without heating<br>Lumbar support adjustment<br>Wire set   | right  | 1   | 3PN, 4A0, 4D0,<br>4UE, 4UD, 9P3<br><br>PR:L0R, Q1J,<br>3PN, 4A0, 4D0,<br>4UE, 4UD, 9P3 |
| (4) | 958 612 809 00 | Seat adjuster<br>sports seat<br>Memory<br>without heating<br>Wire set                                | left   | 1   | PR:L0R, Q1J,<br>3PN, 4A3, 4A4,<br>4D0, 4UE, 4UD,<br>9P3                                |
| (4) | 958 612 810 00 | Seat adjuster<br>sports seat<br>Memory<br>with seat heating<br>Lumbar support adjustment<br>Wire set | right  | 1   | PR:L0R, Q1J,<br>3PN, 4A3, 4A4,<br>4D0, 4UE, 4UD,<br>9P3                                |
| (4) | 958 612 811 00 | Seat adjuster<br>sports seat<br>Memory<br>with seat heating<br>Wire set                              | left   | 1   | PR:L0R, Q1J,<br>3PN, 4A3, 4A4,<br>4D3, 4UE, 4UD,<br>9P3                                |
| (4) | 958 612 812 00 | Seat adjuster<br>sports seat<br>Memory<br>with seat heating<br>Lumbar support adjustment<br>Wire set | right  | 1   | PR:L0R, Q1J,<br>3PN, 4A3, 4A4,<br>4D3, 4UE, 4UD,<br>9P3                                |

Model: 92A 11

Model life 2011>>2018



Model: 92A 11 Model life 2011>>2018

| Pos | Part Number        | Description   | Remark  | Qty | Model |
|-----|--------------------|---|---|-----|-------|
| 1   | 958 522 165 00     | Back seat backrest<br>Accessories<br>Backrest release           | left  | 1   |       |
| 2   | 958 522 899 00     | Wire<br>Release<br>backrest                                     | center  | 1   |       |
| 3   | 958 522 313 00     | Clip<br>Release<br>backrest                                     | center  | 1   |       |
| 4   | N 106 695 01       | fillister head bolt with<br>multi-point socket head<br>M 5 X 12 |   | 1   |       |
| 5   | 958 522 607 00     | Cover frame<br>lever for folding backrest                       |   | 1   |       |
|     | 958 522 607 00 1E0 | Black   | -LC, LG, MA, MA,<br>MF, TA, TB, YA,<br>YB, YC, 77 |     |       |
|     | 958 522 607 00 4H0 | Luxor beige   | -LE, MC, MK, YE                                   |     |       |
|     | 958 522 607 00 5J0 | Cream   | -MJ, TX   |     |       |
|     | 958 522 607 00 6L0 | Platinum Grey   | -LD, MD, YD                                       |     |       |
|     | 958 522 607 00 7N0 | Espresso  | -VA   |     |       |
|     | 958 522 607 00 8P0 | Cognac  | -VB   |     |       |
|     | 958 522 607 00 82V | Titan black   | -LC, MA   |     |       |
|     | 958 522 607 00 DE1 | Umber   | -LF, YF   |     |       |
|     | 958 522 607 00 DF2 | Light Tartufo   | -TY   |     |       |
|     | 958 522 607 00 DJ3 | Titanium Blue   | -TW   |     |       |
|     | 958 522 607 00 OP1 | agate grey  | -MB, MG, ML                                       |     |       |
|     | 958 522 607 00 OM8 | saddle brown  | -ME, MH, MI                                       |     |       |
| 6   | 958 522 695 00     | Actuator button<br>lever for folding backrest                   |   | 1   |       |
|     | 958 522 695 00 1E0 | Black   | -LC, LG, MA, MA,<br>MF, TA, TB, YA,<br>YB, YC, 77 |     |       |
|     | 958 522 695 00 4H0 | Luxor beige   | -LE, MC, MK, YE                                   |     |       |
|     | 958 522 695 00 5J0 | Cream   | -MJ, TX   |     |       |
|     | 958 522 695 00 6L0 | Platinum Grey   | -LD, MD, YD                                       |     |       |
|     | 958 522 695 00 7N0 | Espresso  | -VA   |     |       |
|     | 958 522 695 00 8P0 | Cognac  | -VB   |     |       |
|     | 958 522 695 00 82V | Titan black   | -LC, MA   |     |       |
|     | 958 522 695 00 DE1 | Umber   | -LF, YF   |     |       |
|     | 958 522 695 00 DF2 | Light Tartufo   | -TY   |     |       |
|     | 958 522 695 00 DJ3 | Titanium Blue   | -TW   |     |       |
|     | 958 522 695 00 OP1 | agate grey  | -MB, MG, ML                                       |     |       |
|     | 958 522 695 00 OM8 | saddle brown  | -ME, MH, MI                                       |     |       |
| 7   | 958 522 657 00     | Cover frame<br>Belt   |   | 1   |       |
|     | 958 522 657 00 1E0 | Black   | -LC, LG, MA, MA,<br>MF, TA, TB, YA,<br>YB, YC, 77 |     |       |
|     | 958 522 657 00 4H0 | Luxor beige   | -LE, MC, MK, YE                                   |     |       |
|     | 958 522 657 00 5J0 | Cream   | -MJ, TX   |     |       |
|     | 958 522 657 00 6L0 | Platinum Grey   | -LD, MD, YD                                       |     |       |
|     | 958 522 657 00 7N0 | Espresso  | -VA   |     |       |
|     | 958 522 657 00 8P0 | Cognac  | -VB   |     |       |
|     | 958 522 657 00 DE1 | Umber   | -LF, YF   |     |       |
|     | 958 522 657 00 DF2 | Light Tartufo   | -TY   |     |       |
|     | 958 522 657 00 DJ3 | Titanium Blue   | -TW   |     |       |
|     | 958 522 657 00 OP1 | agate grey  | -MB, MG, ML                                       |     |       |
|     | 958 522 657 00 OM8 | saddle brown  | -ME, MH, MI                                       |     |       |
|     | 958 522 657 00 OB8 | Cohiba Brown  | -LH   |     |       |
| 8   | 958 522 250 00     | Trim<br>backrest  | right   | 1   |       |

Model: 92A 11 Model life 2011>>2018

| Pos | Part Number        | Description                 | Remark   | Qty | Model |
|-----|--------------------|-----------------------------|--|-----|-------|
|     | 958 522 250 00 1E0 | Black                       | -LC, LG, MA, MA,<br>MF, TA, TB, YA,<br>YB, YC, 77            |     |       |
|     | 958 522 250 00 4H0 | Luxor beige                 | -LE, MC, MK, YE  |     |       |
|     | 958 522 250 00 5J0 | Cream                       | -MJ, TX  |     |       |
|     | 958 522 250 00 6L0 | Platinum Grey               | -LD, MD, YD  |     |       |
|     | 958 522 250 00 7N0 | Espresso                    | -VA  |     |       |
|     | 958 522 250 00 8P0 | Cognac                      | -VB  |     |       |
|     | 958 522 250 00 82V | Titan black                 | -LC, MA  |     |       |
|     | 958 522 250 00 DE1 | Umber                       | -LF, YF  |     |       |
|     | 958 522 250 00 DF2 | Light Tartufo               | -TY  |     |       |
|     | 958 522 250 00 DJ3 | Titanium Blue               | -TW  |     |       |
|     | 958 522 250 00 OP1 | agate grey                  | -MB, MG, ML  |     |       |
|     | 958 522 250 00 OM8 | saddle brown                | -ME, MH, MI  |     |       |
|     | 958 522 250 00 OB8 | Cohiba Brown                | -LH  |     |       |
| 9   | 958 522 744 00     | Trim<br>backrest            | center   | 1   |       |
|     | 958 522 744 00 1E0 | Black                       | -LC, LG, MA, MA,<br>MF, TA, TB, YA,<br>YB, YC, 77            |     |       |
|     | 958 522 744 00 4H0 | Luxor beige                 | -LE, MC, MK, YE  |     |       |
|     | 958 522 744 00 5J0 | Cream                       | -MJ, TX  |     |       |
|     | 958 522 744 00 6L0 | Platinum Grey               | -LD, MD, YD  |     |       |
|     | 958 522 744 00 7N0 | Espresso                    | -VA  |     |       |
|     | 958 522 744 00 8P0 | Cognac                      | -VB  |     |       |
|     | 958 522 744 00 DE1 | Umber                       | -LF, YF  |     |       |
|     | 958 522 744 00 DF2 | Light Tartufo               | -TY  |     |       |
|     | 958 522 744 00 DJ3 | Titanium Blue               | -TW  |     |       |
|     | 958 522 744 00 OP1 | agate grey                  | -MB, MG, ML  |     |       |
|     | 958 522 744 00 OM8 | saddle brown                | -ME, MH, MI  |     |       |
|     | 958 522 744 00 OB8 | Cohiba Brown                | -LH  |     |       |
| 10  | 958 522 249 00     | Trim<br>backrest            | left   | 1   |       |
|     | 958 522 249 00 1E0 | Black                       | -LC, LG, MA, MA,<br>MF, TA, TB, YA,<br>YB, YC, 77            |     |       |
|     | 958 522 249 00 4H0 | Luxor beige                 | -LE, MC, MK, YE  |     |       |
|     | 958 522 249 00 5J0 | Cream                       | -MJ, TX  |     |       |
|     | 958 522 249 00 6L0 | Platinum Grey               | -LD, MD, YD  |     |       |
|     | 958 522 249 00 7N0 | Espresso                    | -VA  |     |       |
|     | 958 522 249 00 8P0 | Cognac                      | -VB  |     |       |
|     | 958 522 249 00 DE1 | Umber                       | -LF, YF  |     |       |
|     | 958 522 249 00 DF2 | Light Tartufo               | -TY  |     |       |
|     | 958 522 249 00 DJ3 | Titanium Blue               | -TW  |     |       |
|     | 958 522 249 00 OP1 | agate grey                  | -MB, MG, ML  |     |       |
|     | 958 522 249 00 OM8 | saddle brown                | -ME, MH, MI  |     |       |
|     | 958 522 249 00 OB8 | Umber                       | -LH  |     |       |
| 11  | 958 522 754 00     | Rear panel trim<br>backrest | left<br>right  | 1   |       |
|     | 958 522 754 00 DK4 | Black                       | -LC, LG, LH, MA,<br>MF, MI, TA, TB,<br>TW, YA, YB, YC,<br>77 |     |       |
|     | 958 522 754 00 DM5 | Luxor beige                 | -LE, MC, YE  |     |       |
|     | 958 522 754 00 DJ6 | Platinum Grey               | -LD, MD, YD  |     |       |
|     | 958 522 754 00 DP8 | Espresso                    | -VA, VB  |     |       |
|     | 958 522 754 00 DE1 | Umber                       | -LF, TX, TY, YF  |     |       |
|     | 958 522 754 00 OK2 | agate grey                  | -MB, MG, ML  |     |       |
|     | 958 522 754 00 OP2 | saddle brown                | -ME, MH, MJ, MK  |     |       |
| 12  | 958 522 611 00     | Rear panel trim<br>backrest | center   | 1   |       |
|     | 958 522 611 00 DK4 | Black                       | -LC, LG, LH, MA,<br>MF, MI, TA, TB,                          |     |       |

Model: 92A 11 Model life 2011>>2018

| Pos | Part Number        | Description                              | Remark  | Qty | Model |
|-----|--------------------|--|---|-----|-------|
|     |                    |  | TW, YA, YB, YC, 77                                  |     |       |
|     | 958 522 611 00 DM5 | Luxor beige                              | -LE, MC, YE   |     |       |
|     | 958 522 611 00 DJ6 | Platinum Grey                            | -LD, MD, YD   |     |       |
|     | 958 522 611 00 DP8 | Espresso                                 | -VA, VB   |     |       |
|     | 958 522 611 00 DE1 | Umber                                    | -LF, TX, TY, YF                                     |     |       |
|     | 958 522 611 00 OK2 | agate grey                               | -MB, MG, ML   |     |       |
|     | 958 522 611 00 OP2 | saddle brown                             | -ME, MH, MJ, MK                                     |     |       |
| 13  | 958 522 753 00     | Rear panel trim<br>backrest              | left  | 1   |       |
|     | 958 522 753 00 DK4 | Black                                    | -LC, LG, LH, MA, MF, MI, TA, TB, TW, YA, YB, YC, 77 |     |       |
|     | 958 522 753 00 DM5 | Luxor beige                              | -LE, MC, YE   |     |       |
|     | 958 522 753 00 DJ6 | Platinum Grey                            | -LD, MD, YD   |     |       |
|     | 958 522 753 00 DP8 | Espresso                                 | -VA, VB   |     |       |
|     | 958 522 753 00 DE1 | Umber                                    | -LF, TX, TY, YF                                     |     |       |
|     | 958 522 753 00 OK2 | agate grey                               | -MB, MG, ML   |     |       |
|     | 958 522 753 00 OP2 | saddle brown                             | -ME, MH, MJ, MK                                     |     |       |
| 14  | 958 522 302 00     | Trim<br>Rear panel trim<br>Net partition |   | 2   |       |
|     | 958 522 302 00 82V | Titan black                              | -LC, LG, LH, MA, MF, MI, TA, TB, TW, YA, YB, YC, 77 |     |       |
|     | 958 522 302 00 4H0 | Luxor beige                              | -LE, MC, YE   |     |       |
|     | 958 522 302 00 6L0 | Platinum Grey                            | -LD, MD, YD   |     |       |
|     | 958 522 302 00 7N0 | Espresso                                 | -VA, VB   |     |       |
|     | 958 522 302 00 DE1 | Umber                                    | -LF, TX, TY, YF                                     |     |       |
|     | 958 522 302 00 OP1 | agate grey                               | -MB, MG, ML   |     |       |
|     | 958 522 302 00 OM8 | saddle brown                             | -ME, MH, MJ, MK                                     |     |       |
| 15  | 958 522 301 00     | Cover cap<br>Rear panel trim             |   | 2   |       |
|     | 958 522 301 00 82V | Titan black                              | -LC, LG, LH, MA, MF, MI, TA, TB, TW, YA, YB, YC, 77 |     |       |
|     | 958 522 301 00 4H0 | Luxor beige                              | -LE, MC, YE   |     |       |
|     | 958 522 301 00 6L0 | Platinum Grey                            | -LD, MD, YD   |     |       |
|     | 958 522 301 00 7N0 | Espresso                                 | -VA, VB   |     |       |
|     | 958 522 301 00 DE1 | Umber                                    | -LF, TX, TY, YF                                     |     |       |
|     | 958 522 301 00 OP1 | agate grey                               | -MB, MG, ML   |     |       |
|     | 958 522 301 00 OM8 | saddle brown                             | -ME, MH, MJ, MK                                     |     |       |
| 16  | 958 522 678 00     | Grommet<br>backrest                      | left  | 1   |       |
| 17  | 958 522 785 00     | Trim<br>Mounting component               |   | 1   |       |
|     | 958 522 785 00 82V | Titan black                              | -LC, LG, MA, MA, MF, TA, TB, YA, YB, YC, 77         |     |       |
|     | 958 522 785 00 4H0 | Luxor beige                              | -LE, MC, MK, YE                                     |     |       |
|     | 958 522 785 00 5J0 | Cream                                    | -MJ, TX   |     |       |
|     | 958 522 785 00 6L0 | Platinum Grey                            | -LD, MD, YD   |     |       |
|     | 958 522 785 00 7N0 | Espresso                                 | -VA   |     |       |
|     | 958 522 785 00 8P0 | Cognac                                   | -VB   |     |       |
|     | 958 522 785 00 DE1 | Umber                                    | -LF, YF   |     |       |
|     | 958 522 785 00 DF2 | Light Tartufo                            | -TY   |     |       |
|     | 958 522 785 00 DJ3 | Titanium Blue                            | -TW   |     |       |
|     | 958 522 785 00 OP1 | agate grey                               | -MB, MG, ML   |     |       |
|     | 958 522 785 00 OM8 | saddle brown                             | -ME, MH, MI   |     |       |
|     | 958 522 785 00 OB8 | Cohiba Brown                             | -LH   |     |       |

Model: 92A 11 Model life 2011&gt;&gt;2018

| Pos                | Part Number        | Description                 | Remark  | Qty | Model |
|--------------------|--------------------|-----------------------------|---|-----|-------|
| 18                 | 958 522 786 01     | Trim                        |   | 1   |       |
|                    |                    | Mounting component          |   |     |       |
|                    | 958 522 786 01 82V | Titan black                 | -LC, LG, MA, MA,<br>MF, TA, TB, YA,<br>YB, YC, 77 |     |       |
|                    | 958 522 786 01 4H0 | Luxor beige                 | -LE, MC, MK, YE                                   |     |       |
|                    | 958 522 786 01 5J0 | Cream                       | -MJ, TX   |     |       |
|                    | 958 522 786 01 6L0 | Platinum Grey               | -LD, MD, YD                                       |     |       |
|                    | 958 522 786 01 7N0 | Espresso                    | -VA   |     |       |
|                    | 958 522 786 01 8P0 | Cognac                      | -VB   |     |       |
|                    | 958 522 786 01 DE1 | Umber                       | -LF, YF   |     |       |
|                    | 958 522 786 01 DF2 | Light Tartufo               | -TY   |     |       |
|                    | 958 522 786 01 DJ3 | Titanium Blue               | -TW   |     |       |
|                    | 958 522 786 01 OP1 | agate grey                  | -MB, MG, ML                                       |     |       |
|                    | 958 522 786 01 OM8 | saddle brown                | -ME, MH, MI                                       |     |       |
| 958 522 786 01 OB8 | Cohiba Brown       | -LH                         |   |     |       |
| 19                 | 958 522 787 01     | Trim                        |   | 1   |       |
|                    |                    | Mounting component          |   |     |       |
|                    | 958 522 787 01 82V | Titan black                 | -LC, LG, MA, MA,<br>MF, TA, TB, YA,<br>YB, YC, 77 |     |       |
|                    | 958 522 787 01 4H0 | Luxor beige                 | -LE, MC, MK, YE                                   |     |       |
|                    | 958 522 787 01 5J0 | Cream                       | -MJ, TX   |     |       |
|                    | 958 522 787 01 6L0 | Platinum Grey               | -LD, MD, YD                                       |     |       |
|                    | 958 522 787 01 7N0 | Espresso                    | -VA   |     |       |
|                    | 958 522 787 01 8P0 | Cognac                      | -VB   |     |       |
|                    | 958 522 787 01 DE1 | Umber                       | -LF, YF   |     |       |
|                    | 958 522 787 01 DF2 | Light Tartufo               | -TY   |     |       |
|                    | 958 522 787 01 DJ3 | Titanium Blue               | -TW   |     |       |
|                    | 958 522 787 01 OP1 | agate grey                  | -MB, MG, ML                                       |     |       |
|                    | 958 522 787 01 OM8 | saddle brown                | -ME, MH, MI                                       |     |       |
| 20                 | 958 522 788 00     | Trim                        |   | 1   |       |
|                    |                    | Mounting component          |   |     |       |
|                    | 958 522 788 00 82V | Titan black                 | -LC, LG, MA, MA,<br>MF, TA, TB, YA,<br>YB, YC, 77 |     |       |
|                    | 958 522 788 00 4H0 | Luxor beige                 | -LE, MC, MK, YE                                   |     |       |
|                    | 958 522 788 00 5J0 | Cream                       | -MJ, TX   |     |       |
|                    | 958 522 788 00 6L0 | Platinum Grey               | -LD, MD, YD                                       |     |       |
|                    | 958 522 788 00 7N0 | Espresso                    | -VA   |     |       |
|                    | 958 522 788 00 8P0 | Cognac                      | -VB   |     |       |
|                    | 958 522 788 00 DE1 | Umber                       | -LF, YF   |     |       |
|                    | 958 522 788 00 DF2 | Light Tartufo               | -TY   |     |       |
|                    | 958 522 788 00 DJ3 | Titanium Blue               | -TW   |     |       |
|                    | 958 522 788 00 OP1 | agate grey                  | -MB, MG, ML                                       |     |       |
|                    | 958 522 788 00 OM8 | saddle brown                | -ME, MH, MI                                       |     |       |
| 21                 | 958 522 789 01     | Trim                        |   | 1   |       |
|                    |                    | backrest                    |   |     |       |
|                    | 958 522 789 01 82V | Titan black                 | -LC, LG, MA, MA,<br>MF, TA, TB, YA,<br>YB, YC, 77 |     |       |
|                    | 958 522 789 01 4H0 | Luxor beige                 | -LE, MC, MK, YE                                   |     |       |
|                    | 958 522 789 01 5J0 | Cream                       | -MJ, TX   |     |       |
|                    | 958 522 789 01 6L0 | Platinum Grey               | -LD, MD, YD                                       |     |       |
|                    | 958 522 789 01 7N0 | Espresso                    | -VA   |     |       |
|                    | 958 522 789 01 8P0 | Cognac                      | -VB   |     |       |
|                    | 958 522 789 01 DE1 | Umber                       | -LF, YF   |     |       |
|                    | 958 522 789 01 DF2 | Light Tartufo               | -TY   |     |       |
|                    | 958 522 789 01 DJ3 | Titanium Blue               | -TW   |     |       |
|                    | 958 522 789 01 OP1 | agate grey                  | -MB, MG, ML                                       |     |       |
|                    | 958 522 789 01 OM8 | saddle brown                | -ME, MH, MI                                       |     |       |
| 22                 | 958 522 639 00     | Handle for backrest release | left  | 1   |       |
|                    | 958 522 639 00 GT8 | Galvano silver              |   |     |       |



Model: 92A 11 Model life 2011>>2018

| Pos                | Part Number        | Description   | Remark   | Qty   | Model |  |   |  |
|--------------------|--------------------|---|--|-------|-------|--|---|--|
| 23                 | 958 522 640 00     | Handle for backrest release                             | right  | 1     |       |  |   |  |
|                    | 958 522 640 00 GT8 | Galvano silver  |  |       |       |  |   |  |
| 24                 | 958 522 624 00     | Cover cap   |  | 1     |       |  |   |  |
|                    |                    | Seat rail   |  |       |       |  |   |  |
|                    | 958 522 624 00 1E0 | Black   | -LC, LG, MA, MA,<br>MF, TA, TB, YA,<br>YB, YC, 77                                    |       |       |  |   |  |
|                    | 958 522 624 00 4H0 | Luxor beige   | -LE, MC, MK, YE  |       |       |  |   |  |
|                    | 958 522 624 00 5J0 | Cream   | -MJ, TX  |       |       |  |   |  |
|                    | 958 522 624 00 6L0 | Platinum Grey   | -LD, MD, YD  |       |       |  |   |  |
|                    | 958 522 624 00 7N0 | Espresso  | -VA  |       |       |  |   |  |
|                    | 958 522 624 00 8P0 | Cognac  | -VB  |       |       |  |   |  |
|                    | 958 522 624 00 DE1 | Umber   | -LF, YF  |       |       |  |   |  |
|                    | 958 522 624 00 DF2 | Light Tartufo   | -TY  |       |       |  |   |  |
|                    | 958 522 624 00 DJ3 | Titanium Blue   | -TW  |       |       |  |   |  |
|                    | 958 522 624 00 OP1 | agate grey  | -MB, MG, ML  |       |       |  |   |  |
|                    | 958 522 624 00 OM8 | saddle brown  | -ME, MH, MI  |       |       |  |   |  |
|                    | 25                 | 958 522 625 00  | Cover cap  |       |       |  | 1 |  |
|                    |                    | Seat rail   |  |       |       |  |   |  |
|                    |                    | Discontinued part                                       |  |       |       |  |   |  |
| 958 522 625 00 1E0 |                    | Black   | -LC, MA  |       |       |  |   |  |
| 958 522 625 00 4H0 |                    | Luxor beige   | -LE, MC  |       |       |  |   |  |
| 958 522 625 00 5J0 |                    | Cream   | -TX  |       |       |  |   |  |
| 958 522 625 00 6L0 |                    | Platinum Grey   | -LD, MD  |       |       |  |   |  |
| 958 522 625 00 7N0 |                    | Espresso  | -VA  |       |       |  |   |  |
| 958 522 625 00 8P0 |                    | Cognac  | -VB  |       |       |  |   |  |
| 958 522 625 00 DE1 |                    | Umber   | -LF  |       |       |  |   |  |
| 958 522 625 00 DF2 |                    | Light Tartufo   | -TY  |       |       |  |   |  |
| 958 522 625 00 DJ3 |                    | Titanium Blue   | -TW  |       |       |  |   |  |
| 26                 |                    | 958 522 626 00  | Cover cap  |       | 1     |  |   |  |
|                    |                    |   | Seat rail  |       |       |  |   |  |
|                    |                    | Discontinued part                                       |  |       |       |  |   |  |
|                    | 958 522 626 00 1E0 | Black   | -LC, MA  |       |       |  |   |  |
|                    | 958 522 626 00 4H0 | Luxor beige   | -LE, MC  |       |       |  |   |  |
|                    | 958 522 626 00 5J0 | Cream   | -TX  |       |       |  |   |  |
|                    | 958 522 626 00 6L0 | Platinum Grey   | -LD, MD  |       |       |  |   |  |
|                    | 958 522 626 00 7N0 | Espresso  | -VA  |       |       |  |   |  |
|                    | 958 522 626 00 8P0 | Cognac  | -VB  |       |       |  |   |  |
|                    | 958 522 626 00 DE1 | Umber   | -LF  |       |       |  |   |  |
|                    | 958 522 626 00 DF2 | Light Tartufo   | -TY  |       |       |  |   |  |
|                    | 958 522 626 00 DJ3 | Titanium Blue   | -TW  |       |       |  |   |  |
|                    | 27                 | 958 522 627 00  | Cover cap  |       |       |  | 1 |  |
|                    |                    |   | Seat rail  |       |       |  |   |  |
| 958 522 627 00 1E0 |                    | Black   | -LC, LG, MA, MA,<br>MF, TA, TB, YA,<br>YB, YC, 77                                    |       |       |  |   |  |
| 958 522 627 00 4H0 |                    | Luxor beige   | -LE, MC, MK, YE  |       |       |  |   |  |
| 958 522 627 00 5J0 |                    | Cream   | -MJ, TX  |       |       |  |   |  |
| 958 522 627 00 6L0 |                    | Platinum Grey   | -LD, MD, YD  |       |       |  |   |  |
| 958 522 627 00 7N0 |                    | Espresso  | -VA  |       |       |  |   |  |
| 958 522 627 00 8P0 |                    | Cognac  | -VB  |       |       |  |   |  |
| 958 522 627 00 DE1 |                    | Umber   | -LF, YF  |       |       |  |   |  |
| 958 522 627 00 DF2 |                    | Light Tartufo   | -TY  |       |       |  |   |  |
| 958 522 627 00 DJ3 |                    | Titanium Blue   | -TW  |       |       |  |   |  |
| 958 522 627 00 OP1 |                    | agate grey  | -MB, MG, ML  |       |       |  |   |  |
| 958 522 627 00 OM8 |                    | saddle brown  | -ME, MH, MI  |       |       |  |   |  |
| 28                 |                    | N 911 929 01  | Socket head bolt with inner<br>multipoint head (Kombi)<br>M 10 X 25<br>Mount<br>Seat | front | 4     |  |   |  |
|                    |                    |   |  |       |       |  |   |  |
| 29                 | N 911 915 01       | Socket head collared bolt with<br>inner multipoint head | side   | 4     |       |  |   |  |

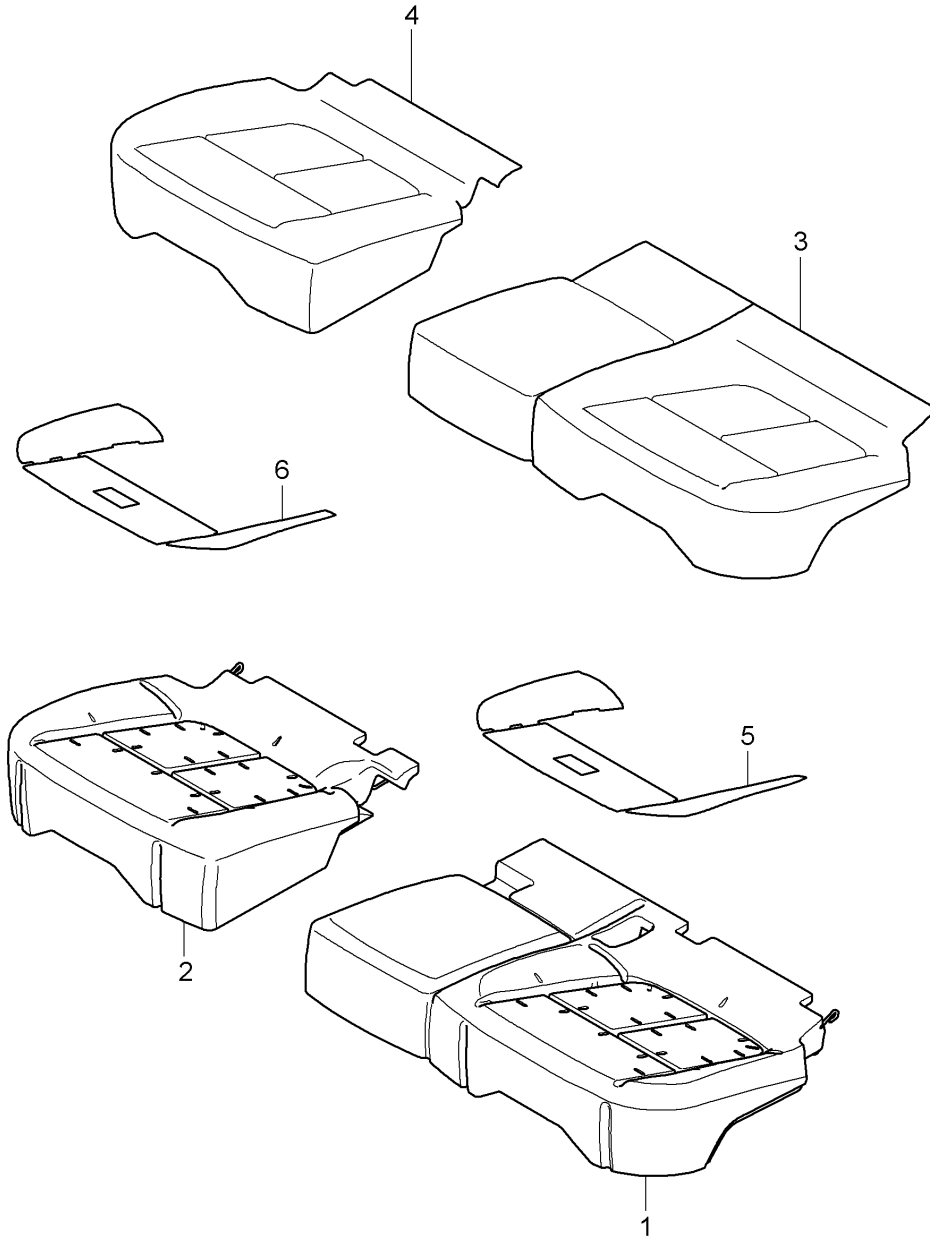
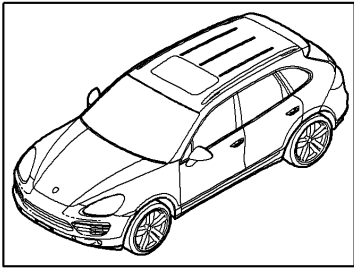
Model: 92A 11

Model life 2011>>2018

| Pos | Part Number | Description                | Remark | Qty | Model |
|-----|-------------|----------------------------|--------|-----|-------|
|     |             | M 12 X 22<br>Mount<br>Seat |        |     |       |

Model: 92A 11

Model life 2011>>2018



Model: 92A 11 Model life 2011>>2018

| Pos | Part Number        | Description   | Remark | Qty | Model  |
|-----|--------------------|---|--------|-----|--|
|     |                    | Seat cushion<br>Comfort seat<br>Foam part<br>seat covers<br>heater element-seat           | rear   |     | PR:Q1G,Q2J   |
| 1   | 958 522 375 01     | Foam part<br>Seat cushion   | left   | 1   | PR:N1A,N0Q,<br>N1B,N1D,N1M,<br>N1P,N1X,N5U         |
| (1) | 958 522 375 15     | Foam part<br>Seat cushion   | left   | 1   | PR:N1A,N0Q,<br>N5U,4A4,N1D,<br>N1B,N1M,N1X,<br>N1P |
| (1) | 958 522 375 10     | D - MJ 2015>><br>Foam part<br>Seat cushion<br>Draped leather                              | left   | 1   | PR:N7D,N5Y,<br>N7F                                 |
| 2   | 958 522 376 01     | Foam part<br>Seat cushion   | right  | 1   | PR:GP1,N1D,<br>N1M,3NW,4D0,<br>4D3                 |
| (2) | 958 522 376 15     | Foam part<br>Seat cushion   | right  | 1   | PR:N1A,N0Q,<br>N1B,N1D,N1M,<br>N1P,N1X,N5U,<br>4A4 |
| (2) | 958 522 376 10     | D - MJ 2015>><br>Foam part<br>Seat cushion<br>Draped leather                              | right  | 1   | PR:N7D,N5Y,<br>N7F                                 |
| 3   | 958 522 405 03     | Seat cover<br>Standard seat<br>Leather<br>Embossed  | left   | 1   | PR:N1D,N1X,<br>-Q2J,-4A4                           |
|     | 958 522 405 03 D0A | Black   | -MA    |     |  |
|     | 958 522 405 03 D0B | Platinum Grey   | -MD    |     |  |
|     | 958 522 405 03 D0C | Luxor beige   | -MC    |     |  |
|     | 958 522 405 03 HAA | Black/Luxor Beige   | -77    |     |  |
| (3) | 958 522 405 12     | Seat cover<br>Standard seat<br>Leather<br>Embossed<br>Draped leather                      | left   | 1   | PR:Q1G,N7F,<br>4A0,4A3,3NW                         |
|     | D >> - MJ 2013     |   |        |     |  |
|     | 958 522 405 12 D0A | Black   | -MA    |     |  |
|     | 958 522 405 12 D0B | Platinum Grey   | -MD    |     |  |
|     | 958 522 405 12 D0C | Luxor beige   | -MC    |     |  |
| (3) | 958 522 405 13     | Seat cover<br>Standard seat<br>Leather<br>Embossed<br>Draped leather                      | left   | 1   | PR:Q1G,N7F,<br>4A0,4A3,3NW                         |
|     | D - MJ 2014>>      |   |        |     |  |
|     | 958 522 405 13 D0A | Black   | -MA    |     |  |
|     | 958 522 405 13 D0B | Platinum Grey   | -MD    |     |  |
|     | 958 522 405 13 D0C | Luxor beige   | -MC    |     |  |
|     | 958 522 405 13 DJL | agate grey  | -MB    |     |  |
| (3) | 958 522 405 22     | D - MJ 2015>><br>Seat cover<br>Standard seat<br>Leather<br>Embossed<br>for<br>Seat heater | left   | 1   | PR:N1D,N1X,<br>4A4,-Q2J                            |
|     | D >> - MJ 2013     |   |        |     |  |
|     | 958 522 405 22 D0A | Black   | -MA    |     |  |
|     | 958 522 405 22 D0B | Platinum Grey   | -MD    |     |  |
|     | 958 522 405 22 D0C | Luxor beige   | -MC    |     |  |

Model: 92A 11 Model life 2011>>2018

| Pos | Part Number        | Description       | Remark    | Qty | Model                                      |
|-----|--------------------|-------------------|-----------|-----|--|
| (3) | 958 522 405 22 HAA | Black/Luxor Beige |           |     |  |
|     | 958 522 405 23     | Seat cover        | left      | 1   | PR:N1D,N1X,<br>4A4,-Q2J                    |
|     |                    | Standard seat     |           |     |  |
|     |                    | Leather           |           |     |  |
|     |                    | Embossed          |           |     |  |
|     |                    | for               |           |     |  |
|     |                    | Seat heater       |           |     |  |
|     |                    | D - MJ 2014>>     |           |     |  |
|     | 958 522 405 23 D0A | Black             | -MA       |     |  |
|     | 958 522 405 23 D0B | Platinum Grey     | -MD       |     |  |
|     | 958 522 405 23 D0C | Luxor beige       | -MC       |     |  |
|     | 958 522 405 23 HAA | Black/Luxor Beige | -77       |     |  |
| (3) | 958 522 405 32     | Seat cover        | left      | 1   | PR:Q1G,N7F,<br>4A4,3NW                     |
|     |                    | Standard seat     |           |     |  |
|     |                    | Leather           |           |     |  |
|     |                    | Embossed          |           |     |  |
|     |                    | Draped leather    |           |     |  |
|     |                    | for               |           |     |  |
|     |                    | Seat heater       |           |     |  |
|     |                    | D >> - MJ 2013    |           |     |  |
|     | 958 522 405 32 D0A | Black             | -MA       |     |  |
|     | 958 522 405 32 D0B | Platinum Grey     | -MD       |     |  |
|     | 958 522 405 32 D0C | Luxor beige       | -MC       |     |  |
| (3) | 958 522 405 33     | Seat cover        | left      | 1   | PR:Q1G,N7F,<br>4A4,3NW                     |
|     |                    | Standard seat     |           |     |  |
|     |                    | Leather           |           |     |  |
|     |                    | Embossed          |           |     |  |
|     |                    | Draped leather    |           |     |  |
|     |                    | for               |           |     |  |
|     |                    | Seat heater       |           |     |  |
|     |                    | D - MJ 2014>>     |           |     |  |
|     | 958 522 405 33 D0A | Black             | -MA       |     |  |
|     | 958 522 405 33 D0B | Platinum Grey     | -MD       |     |  |
|     | 958 522 405 33 D0C | Luxor beige       | -MC       |     |  |
|     | 958 522 405 33 DJL | agate grey        | -MB       |     |  |
|     |                    | D - MJ 2015>>     |           |     |  |
| (3) | 958 522 405 42     | Seat cover        | left      | 1   | PR:N5U,N1M,<br>N0Q,N1B,-4A4                |
|     |                    | Standard seat     |           |     |  |
|     |                    | Plain leather     |           |     |  |
|     |                    | D >> - MJ 2013    |           |     |  |
|     | 958 522 405 42 D0D | Black             | -LC,MA,YC |     |  |
|     | 958 522 405 42 D0E | Platinum Grey     | -LD,MD,YD |     |  |
|     | 958 522 405 42 D0F | Luxor beige       | -LE,MC,YE |     |  |
|     | 958 522 405 42 D0G | Umber             | -LF,YF    |     |  |
|     | 958 522 405 42 D0H | Titanium Blue     | -TW       |     |  |
|     | 958 522 405 42 D0J | Cream             | -TX       |     |  |
|     | 958 522 405 42 D0K | Light Tartufo     | -TY       |     |  |
|     | 958 522 405 42 AAB | Black/Carrera Red | -TA       |     |  |
|     | 958 522 405 42 AAC | Black/Luxor Beige | -TB       |     |  |
| (3) | 958 522 405 43     | Seat cover        | left      | 1   | PR:GP0,N0Q,<br>N1B,N1M,N5U,<br>3NW,4A0,4A3 |
|     |                    | Standard seat     |           |     |  |
|     |                    | Plain leather     |           |     |  |
|     |                    | D - MJ 2014>>     |           |     |  |
|     | 958 522 405 43 D0D | Black             | -LC,MA,YC |     |  |
|     | 958 522 405 43 D0E | Platinum Grey     | -LD,MD,YD |     |  |
|     | 958 522 405 43 D0F | Luxor beige       | -LE,MC,YE |     |  |
|     | 958 522 405 43 D0G | Umber             | -LF,YF    |     |  |
|     | 958 522 405 43 D0H | Titanium Blue     |           |     |  |
|     | 958 522 405 43 D0J | Cream             | -TX       |     |  |
|     | 958 522 405 43 D0K | Light Tartufo     | -TY       |     |  |
|     | 958 522 405 43 AAB | Black/Carrera Red | -TA       |     |  |
|     | 958 522 405 43 AAC | Black/Luxor Beige | -TB,77    |     |  |
| (3) | 958 522 405 46     | Seat cover        | left      | 1   | PR:N7D,Q2J,                                |

Model: 92A 11 Model life 2011>>2018

| Pos | Part Number        | Description  | Remark       | Qty | Model                      |
|-----|--------------------|--|--------------|-----|----------------------------|
|     |                    | Standard seat<br>Draped leather<br>D >> - MJ 2013                                    |              |     | -4A4                       |
|     | 958 522 405 46 D0D | Black  | -LC,MA,YC    |     |                            |
|     | 958 522 405 46 D0E | Platinum Grey  | -LD,MD,YD    |     |                            |
|     | 958 522 405 46 D0F | Luxor beige  | -LE,MC,YE    |     |                            |
|     | 958 522 405 46 D0G | Umber  | -LF,YF       |     |                            |
|     | 958 522 405 46 D0H | Titanium Blue  | -TW          |     |                            |
|     | 958 522 405 46 D0J | Cream  | -TX          |     |                            |
|     | 958 522 405 46 D0K | Light Tartufo  | -TY          |     |                            |
| (3) | 958 522 405 47     | Seat cover<br>Standard seat<br>Draped leather<br>D - MJ 2014>>                       | left         | 1   | PR:N7D,-4A4,<br>Q2J        |
|     | 958 522 405 47 D0D | Black  | -LC,MI,YC    |     |                            |
|     | 958 522 405 47 D0E | Platinum Grey  | -LD,MD,YD    |     |                            |
|     | 958 522 405 47 D0F | Luxor beige  | -LE,MC,MK,YE |     |                            |
|     | 958 522 405 47 D0G | Umber  | -LF,YF       |     |                            |
|     | 958 522 405 47 D0H | Titanium Blue  |              |     |                            |
|     | 958 522 405 47 D0J | Cream  | -MJ,TX       |     |                            |
|     | 958 522 405 47 D0K | Light Tartufo  | -TY          |     |                            |
|     | 958 522 405 47 YKI | agate grey   | -MB,MG       |     |                            |
|     | 958 522 405 47 YMI | saddle brown   | -MH,MI       |     |                            |
| (3) | 958 522 405 52     | Seat cover<br>Standard seat<br>Leather<br>Nature                                     | left         | 1   | PR:N1A,N1P,<br>-4A4,Q2J    |
|     | 958 522 405 52 D0L | Espresso   | -VA          |     |                            |
|     | 958 522 405 52 D0M | Cognac   | -VB          |     |                            |
| (3) | 958 522 405 53     | Seat cover<br>Standard seat<br>Leather<br>Nature                                     | left         | 1   | PR:N1A,N1P,<br>-4A4,Q2J    |
|     | 958 522 405 53 D0L | Espresso   | -VA          |     |                            |
|     | 958 522 405 53 D0M | Cognac   | -VB          |     |                            |
| (3) | 958 522 405 57     | Seat cover<br>Standard seat<br>Leather<br>Nature<br>Draped leather<br>D >> - MJ 2013 | left         | 1   | PR:N5Y,-4A4,<br>Q2J        |
|     | 958 522 405 57 D0L | Espresso   | -VA          |     |                            |
|     | 958 522 405 57 D0M | Cognac   | -VB          |     |                            |
| (3) | 958 522 405 58     | Seat cover<br>Standard seat<br>Leather<br>Nature<br>Draped leather<br>D - MJ 2014>>  | left         | 1   | PR:N5Y,-4A4,<br>Q2J        |
|     | 958 522 405 58 D0L | Espresso   | -VA          |     |                            |
|     | 958 522 405 58 D0M | Cognac   | -VB          |     |                            |
| (3) | 958 522 405 62     | Seat cover<br>Standard seat<br>Plain leather<br>for<br>Seat heater<br>D >> - MJ 2013 | left         | 1   | PR:N5U,N1M,<br>N0Q,N1B,4A4 |
|     | 958 522 405 62 D0D | Black  | -LC,MA,YC    |     |                            |
|     | 958 522 405 62 D0E | Platinum Grey  | -LD,MD,YD    |     |                            |
|     | 958 522 405 62 D0F | Luxor beige  | -LE,MC,YE    |     |                            |
|     | 958 522 405 62 D0G | Umber  | -LF,YF       |     |                            |
|     | 958 522 405 62 D0H | Titanium Blue  | -TW          |     |                            |
|     | 958 522 405 62 D0J | Cream  | -TX          |     |                            |

Model: 92A 11 Model life 2011>>2018

| Pos | Part Number        | Description   | Remark       | Qty | Model                                |
|-----|--------------------|---|--------------|-----|--------------------------------------|
| (3) | 958 522 405 62 DOK | Light Tartufo   | -TY          | 1   | PR:N5U,N1M,<br>N0Q,N1B,4A4,<br>3NW   |
|     | 958 522 405 62 AAB | Black/Carrera Red   | -TA          |     |                                      |
|     | 958 522 405 62 AAC | Black/Luxor Beige   | -TB          |     |                                      |
|     | 958 522 405 63     | Seat cover<br>Standard seat<br>Plain leather<br>for<br>Seat heater                    | left         |     |                                      |
|     | 958 522 405 63 D0D | Black   | -LC,MA,YC    |     |                                      |
|     | 958 522 405 63 D0E | Platinum Grey   | -LD,MD,YD    |     |                                      |
|     | 958 522 405 63 D0F | Luxor beige   | -LE,MC,YE    |     |                                      |
|     | 958 522 405 63 D0G | Umber   | -LF,YF       |     |                                      |
|     | 958 522 405 63 D0H | Titanium Blue   | -TW          |     |                                      |
|     | 958 522 405 63 D0J | Cream   | -TX          |     |                                      |
| (3) | 958 522 405 63 DOK | Light Tartufo   | -TY          | 1   | PR:N0Q,N1B,<br>3NW,4D1               |
|     | 958 522 405 63 YMI | saddle brown  |              |     |                                      |
|     | 958 522 405 63 AAB | Black/Carrera Red   | -TA          |     |                                      |
|     | 958 522 405 63 AAC | Black/Luxor Beige<br>D >> - 26.05.2014  | -TB,77       |     |                                      |
|     | 958 522 405 88     | Seat cover<br>Standard seat<br>Plain leather<br>for<br>Seat heater                    | left         |     |                                      |
|     | 958 522 405 88 D0D | Black   | -LC,MA,YC    |     |                                      |
|     | 958 522 405 88 D0F | Luxor beige   | -LE,MC,MK,YE |     |                                      |
|     | 958 522 405 88 D0J | Cream   | -MJ          |     |                                      |
|     | 958 522 405 88 YMI | saddle brown  | -ME,MH,MI    |     |                                      |
|     | 958 522 405 88 AAB | Black/Carrera Red   | -TA          |     |                                      |
| (3) | 958 522 405 88 AAC | Black/Luxor Beige   | -TB,77       | 1   | PR:N1D,N1X,<br>4D0,4D3,<br>-Q2J,-4A4 |
|     | 958 522 405 88 HGK | Black/Cream   | -LG          |     |                                      |
|     | 958 522 405 88 HHM | Cohiba Brown  | -LH          |     |                                      |
|     | 958 522 405 88 YKI | agate grey<br>D - 26.05.2014>> - 01.07.2015   | -MB,MG,ML    |     |                                      |
|     | 958 522 405 64     | Seat cover<br>Standard seat<br>Plain leather<br>D - MJ 2015>>                         | left         |     |                                      |
|     | 958 522 405 64 D0A | Black   | -MA          |     |                                      |
|     | 958 522 405 64 D0C | Luxor beige   | -MC          |     |                                      |
|     | 958 522 405 64 DJL | agate grey  | -MB          |     |                                      |
|     | 958 522 405 64 HAA | Black/Luxor Beige   | -77          |     |                                      |
|     | 958 522 405 69     | Comfort seat<br>Comfort seat<br>Plain leather<br>for<br>Seat heater<br>D - MJ 2015>>  | left         |     |                                      |
| (3) | 958 522 405 69 AAB | Black/Carrera Red   | -TA          | 1   | PR:N1M,Q2J,<br>4A4                   |
|     | 958 522 405 69 AAC | Black/Luxor Beige   | -77          |     |                                      |
|     | 958 522 405 69 HGK | Black/Cream   | -LG          |     |                                      |
| (3) | 958 522 405 69     | Comfort seat<br>Standard seat<br>Plain leather<br>for<br>Seat heater<br>D - MJ 2015>> | left         | 1   | PR:GP1,N1M,<br>Q1G,Q2J,3NW,<br>4A4   |
|     | 958 522 405 69 AAB | Black/Carrera Red   | -TA          |     |                                      |
|     | 958 522 405 69 AAC | Black/Luxor Beige   | -77          |     |                                      |
|     | 958 522 405 69 HGK | Black/Cream   | -LG          |     |                                      |
| (3) | 958 522 405 68     | Seat cover<br>Standard seat   | left         | 1   | PR:Q2J,N1M,<br>3NW,-4A4              |

Model: 92A 11 Model life 2011>>2018

| Pos | Part Number        | Description        | Remark          | Qty | Model   |
|-----|--------------------|--------------------|-----------------|-----|---|
|     |                    | Plain leather      |                 |     |   |
|     |                    | D - MJ 2014>>      |                 |     |   |
|     | 958 522 405 68 AAB | Black/Carrera Red  | -TA             |     |   |
|     | 958 522 405 68 AAC | Black/Luxor Beige  | -77             |     |   |
|     | 958 522 405 68 YKI | agate grey         | -MB, MG, ML     |     |   |
|     | 958 522 405 68 HGK | Black/Cream        | -LG             |     |   |
|     | 958 522 405 68 HHM | Cohiba Brown       | -LH             |     |   |
|     | 958 522 405 68 D0D | Black              | -MA, YC, LC     |     |   |
|     | 958 522 405 68 D0F | Luxor beige        | -LE, MC, MK, YE |     |   |
|     | 958 522 405 68 D0J | Cream              | -MJ             |     |   |
|     | 958 522 405 68 YMI | saddle brown       | -ME, MH, MI     |     |   |
| (3) | 958 522 405 68     | Seat cover         | left            | 1   | PR:GP1, N0Q, N1B, N1M, N5U, Q1G, Q2J, 3NW, 4D0, 4D3 |
|     |                    | Standard seat      |                 |     |   |
|     |                    | Plain leather      |                 |     |   |
|     |                    | D - MJ 2014>>      |                 |     |   |
|     | 958 522 405 68 AAB | Black/Carrera Red  | -TA             |     |   |
|     | 958 522 405 68 AAC | Black/Luxor Beige  | -77             |     |   |
|     | 958 522 405 68 YKI | agate grey         | -MB, MG, ML     |     |   |
|     | 958 522 405 68 HGK | Black/Cream        | -LG             |     |   |
|     | 958 522 405 68 HHM | Cohiba Brown       | -LH             |     |   |
|     | 958 522 405 68 D0D | Black              | -MA, YC, LC     |     |   |
|     | 958 522 405 68 D0F | Luxor beige        | -LE, MC, MK, YE |     |   |
|     | 958 522 405 68 D0J | Cream              | -MJ             |     |   |
|     | 958 522 405 68 YMI | saddle brown       | -ME, MH, MI     |     |   |
| (3) | 958 522 405 66     | Seat cover         | left            | 1   | PR:N7D, 4A4, Q2J                                    |
|     |                    | Standard seat      |                 |     |   |
|     |                    | Plain leather      |                 |     |   |
|     |                    | Draped leather for |                 |     |   |
|     |                    | Seat heater        |                 |     |   |
|     |                    | D >> - MJ 2013     |                 |     |   |
|     | 958 522 405 66 D0D | Black              | -LC, MA, YC     |     |   |
|     | 958 522 405 66 D0E | Platinum Grey      | -LD, MD, YD     |     |   |
|     | 958 522 405 66 D0F | Luxor beige        | -LE, MC, YE     |     |   |
|     | 958 522 405 66 D0G | Umber              | -LF, YF         |     |   |
|     | 958 522 405 66 D0H | Titanium Blue      | -TW             |     |   |
|     | 958 522 405 66 D0J | Cream              | -TX             |     |   |
|     | 958 522 405 66 D0K | Light Tartufo      | -TY             |     |   |
| (3) | 958 522 405 67     | Seat cover         | left            | 1   | PR:N7D, 4A4, Q2J                                    |
|     |                    | Standard seat      |                 |     |   |
|     |                    | Plain leather      |                 |     |   |
|     |                    | Draped leather for |                 |     |   |
|     |                    | Seat heater        |                 |     |   |
|     |                    | D - MJ 2014>>      |                 |     |   |
|     | 958 522 405 67 D0D | Black              | -LC, MA         |     |   |
|     | 958 522 405 67 D0E | Platinum Grey      |                 |     |   |
|     | 958 522 405 67 D0F | Luxor beige        | -LE, MC, MK     |     |   |
|     | 958 522 405 67 D0G | Umber              |                 |     |   |
|     | 958 522 405 67 D0H | Titanium Blue      |                 |     |   |
|     | 958 522 405 67 D0J | Cream              | -MJ             |     |   |
|     | 958 522 405 67 D0K | Light Tartufo      |                 |     |   |
|     | 958 522 405 67 YKI | agate grey         | -MB, MG         |     |   |
|     | 958 522 405 67 YMI | saddle brown       | -MH, MI         |     |   |
| (3) | 958 522 405 73     | Seat cover         | left            | 1   | PR:N1A, N1P, 4A4, Q2J                               |
|     |                    | Standard seat      |                 |     |   |
|     |                    | Leather Nature for |                 |     |   |
|     |                    | Seat heater        |                 |     |   |
|     | 958 522 405 73 D0L | Espresso           | -VA             |     |   |
|     | 958 522 405 73 D0M | Cognac             | -VB             |     |   |



Model: 92A 11 Model life 2011>>2018

| Pos | Part Number        | Description  | Remark | Qty | Model                                  |
|-----|--------------------|--|--------|-----|--|
| (3) | 958 522 405 77     | Seat cover<br>Standard seat<br>Leather<br>Nature<br>Draped leather<br>for<br>Seat heater<br>D >> - MJ 2013 | left   | 1   | PR:N5Y,4A4,<br>Q2J                     |
|     | 958 522 405 77 D0L | Espresso   | -VA    |     |  |
|     | 958 522 405 77 D0M | Cognac   | -VB    |     |  |
| (3) | 958 522 405 78     | Seat cover<br>Standard seat<br>Leather<br>Nature<br>Draped leather<br>for<br>Seat heater<br>D - MJ 2014>>  | left   | 1   | PR:N5Y,4A4                             |
|     | 958 522 405 78 D0L | Espresso   | -VA    |     |  |
|     | 958 522 405 78 D0M | Cognac   | -VB    |     |  |
| 4   | 958 522 406 01     | Seat cover<br>Standard seat<br>Leather<br>Embossed<br>D >> - MJ 2013                                       | right  | 1   | PR:N1D,N1X,<br>-Q2J,-4A4               |
|     | 958 522 406 01 D0A | Black  | -MA    |     |  |
|     | 958 522 406 01 D0B | Platinum Grey  | -MD    |     |  |
|     | 958 522 406 01 D0C | Luxor beige  | -MC    |     |  |
|     | 958 522 406 01 HAA | Black/Luxor Beige  | -77    |     |  |
| (4) | 958 522 406 02     | Seat cover<br>Standard seat<br>Leather<br>Embossed   | right  | 1   | PR:GP0,N1D,<br>N1X,Q1G,3NW,<br>4A0,4A3 |
|     | 958 522 406 02 D0A | Black  | -MA    |     |  |
|     | 958 522 406 02 D0B | Platinum Grey  | -MD    |     |  |
|     | 958 522 406 02 D0C | Luxor beige  | -MC    |     |  |
|     | 958 522 406 02 HAA | Black/Luxor Beige  | -77    |     |  |
| (4) | 958 522 406 03     | Seat cover<br>Standard seat<br>Leather<br>Embossed   | right  | 1   | PR:GP1,N1D,<br>N1X,Q1G,3NW,<br>4D0,4D3 |
|     | 958 522 406 03 D0A | Black  | -MA    |     |  |
|     | 958 522 406 03 D0C | Luxor beige  | -MC    |     |  |
|     | 958 522 406 03 HAA | Black/Luxor Beige  | -77    |     |  |
| (4) | 958 522 406 11     | Seat cover<br>Standard seat<br>Leather<br>Embossed<br>Draped leather<br>D >> - MJ 2013                     | right  | 1   | PR:Q1G,N7F,<br>4A0,4A3,3NW             |
|     | 958 522 406 11 D0A | Black  | -MA    |     |  |
|     | 958 522 406 11 D0B | Platinum Grey  | -MD    |     |  |
|     | 958 522 406 11 D0C | Luxor beige  | -MC    |     |  |
| (4) | 958 522 406 12     | Seat cover<br>Standard seat<br>Leather<br>Embossed<br>Draped leather<br>D - MJ 2014>>                      | right  | 1   | PR:Q1G,N7F,<br>4A0,4A3,3NW             |
|     | 958 522 406 12 D0A | Black  | -MA    |     |  |
|     | 958 522 406 12 D0B | Platinum Grey  | -MD    |     |  |
|     | 958 522 406 12 D0C | Luxor beige  | -MC    |     |  |
|     | 958 522 406 12 DJL | agate grey   | -MB    |     |  |

Model: 92A 11 Model life 2011>>2018

| Pos | Part Number        | Description  | Remark    | Qty | Model  |
|-----|--------------------|--|-----------|-----|--|
| (4) | 958 522 406 22     | Seat cover<br>Standard seat<br>Leather<br>Embossed<br>for<br>Seat heater<br>D >> - MJ 2013                   | right     | 1   | PR:N1D,N1X,<br>4A4,-Q2J                                |
|     | 958 522 406 22 D0A | Black  | -MA       |     |  |
|     | 958 522 406 22 D0B | Platinum Grey  | -MD       |     |  |
|     | 958 522 406 22 D0C | Luxor beige  | -MC       |     |  |
|     | 958 522 406 22 HAA | Black/Luxor Beige  |           |     |  |
| (4) | 958 522 406 23     | Seat cover<br>Standard seat<br>Leather<br>Embossed<br>for<br>Seat heater<br>D - MJ 2014>>                    | right     | 1   | PR:N1D,N1X,<br>4A4,-Q2J                                |
|     | 958 522 406 23 D0A | Black  | -MA       |     |  |
|     | 958 522 406 23 D0B | Platinum Grey  | -MD       |     |  |
|     | 958 522 406 23 D0C | Luxor beige  | -MC       |     |  |
|     | 958 522 406 23 HAA | Black/Luxor Beige  | -77       |     |  |
| (4) | 958 522 406 31     | Seat cover<br>Standard seat<br>Leather<br>Embossed<br>Draped leather<br>for<br>Seat heater<br>D >> - MJ 2013 | right     | 1   | PR:Q1G,N7F,<br>4A4,3NW                                 |
|     | 958 522 406 31 D0A | Black  | -MA       |     |  |
|     | 958 522 406 31 D0B | Platinum Grey  | -MD       |     |  |
|     | 958 522 406 31 D0C | Luxor beige  | -MC       |     |  |
| (4) | 958 522 406 32     | Seat cover<br>Standard seat<br>Leather<br>Embossed<br>Draped leather<br>for<br>Seat heater<br>D - MJ 2014>>  | right     | 1   | PR:Q1G,N7F,<br>4A4,3NW                                 |
|     | 958 522 406 32 D0A | Black  | -MA       |     |  |
|     | 958 522 406 32 D0B | Platinum Grey  | -MD       |     |  |
|     | 958 522 406 32 D0C | Luxor beige  | -MC       |     |  |
|     | 958 522 406 32 DJL | agate grey   | -MB       |     |  |
| (4) | 958 522 406 42     | Seat cover<br>Standard seat<br>Plain leather<br>D >> - MJ 2013   | right     | 1   | PR-N0Q,N1B,<br>N5U,Q1G,Q2J,<br>3NW,4A0,4A3             |
|     | 958 522 406 42 D0D | Black  | -LC,MA,YC |     |  |
|     | 958 522 406 42 D0E | Platinum Grey  | -LD,MD,YD |     |  |
|     | 958 522 406 42 D0F | Luxor beige  | -LE,MC,YE |     |  |
|     | 958 522 406 42 D0G | Umber  | -LF,YF    |     |  |
|     | 958 522 406 42 D0H | Titanium Blue  | -TW       |     |  |
|     | 958 522 406 42 D0J | Cream  | -TX       |     |  |
|     | 958 522 406 42 D0K | Light Tartufo  | -TY       |     |  |
|     | 958 522 406 42 AAB | Black/Carrera Red  | -TA       |     |  |
|     | 958 522 406 42 AAC | Black/Luxor Beige  | -TB       |     |  |
| (4) | 958 522 406 43     | Seat cover<br>Standard seat<br>Plain leather<br>D - MJ 2014>>  | right     | 1   | PR-GP0,N0Q,<br>N1B,N1M,N5U,<br>Q1G,Q2J,3NW,<br>4A0,4A3 |
|     | 958 522 406 43 D0D | Black  | -LC,MA,YC |     |  |

Model: 92A 11 Model life 2011>>2018

| Pos | Part Number        | Description  | Remark       | Qty | Model                      |
|-----|--------------------|--|--------------|-----|----------------------------|
|     | 958 522 406 43 D0E | Platinum Grey  | -LD,MD,YD    |     |                            |
|     | 958 522 406 43 D0F | Luxor beige  | -LE,MC,YE    |     |                            |
|     | 958 522 406 43 D0G | Umber  | -LF,YF       |     |                            |
|     | 958 522 406 43 D0J | Cream  | -TX          |     |                            |
|     | 958 522 406 43 D0K | Light Tartufo  | -TY          |     |                            |
|     | 958 522 406 43 AAB | Black/Carrera Red  | -TA          |     |                            |
|     | 958 522 406 43 AAC | Black/Luxor Beige  | -TB,77       |     |                            |
| (4) | 958 522 406 46     | Seat cover<br>Standard seat<br>Draped leather<br>D >> - MJ 2013                      | right        | 1   | PR:N7D,Q2J,<br>-4A4        |
|     | 958 522 406 46 D0D | Black  | -LC,MA,YC    |     |                            |
|     | 958 522 406 46 D0E | Platinum Grey  | -LD,MD,YD    |     |                            |
|     | 958 522 406 46 D0F | Luxor beige  | -LE,MC,YE    |     |                            |
|     | 958 522 406 46 D0G | Umber  | -LF,YF       |     |                            |
|     | 958 522 406 46 D0H | Titanium Blue  | -TW          |     |                            |
|     | 958 522 406 46 D0J | Cream  | -TX          |     |                            |
|     | 958 522 406 46 D0K | Light Tartufo  | -TY          |     |                            |
| (4) | 958 522 406 47     | Seat cover<br>Standard seat<br>Draped leather<br>D - MJ 2014>>                       | right        | 1   | PR:N7D,Q2J,<br>-4A4        |
|     | 958 522 406 47 D0D | Black  | -LC,MA,YC    |     |                            |
|     | 958 522 406 47 D0E | Platinum Grey  | -LD,MD,YD    |     |                            |
|     | 958 522 406 47 D0F | Luxor beige  | -LE,MC,MK,YE |     |                            |
|     | 958 522 406 47 D0G | Umber  | -LF,YF       |     |                            |
|     | 958 522 406 47 D0H | Titanium Blue  |              |     |                            |
|     | 958 522 406 47 D0J | Cream  | -MJ,TX       |     |                            |
|     | 958 522 406 47 D0K | Light Tartufo  | -TY          |     |                            |
|     | 958 522 406 47 YKI | agate grey   | -MB,MG       |     |                            |
|     | 958 522 406 47 YMI | saddle brown   | -MH,MI       |     |                            |
| (4) | 958 522 406 51     | Seat cover<br>Standard seat<br>Leather<br>Nature<br>D >> - MJ 2013                   | right        | 1   | PR:N1A,N1P,<br>Q2J,-4A4    |
|     | 958 522 406 51 D0L | Espresso   | -VA          |     |                            |
|     | 958 522 406 51 D0M | Cognac   | -VB          |     |                            |
| (4) | 958 522 406 52     | Seat cover<br>Standard seat<br>Leather<br>Nature<br>D - MJ 2014>>                    | right        | 1   | PR:N1A,N1P,<br>Q2J,-4A4    |
|     | 958 522 406 52 D0L | Espresso   | -VA          |     |                            |
|     | 958 522 406 52 D0M | Cognac   | -VB          |     |                            |
| (4) | 958 522 406 56     | Seat cover<br>Standard seat<br>Leather<br>Nature<br>Draped leather<br>D >> - MJ 2013 | right        | 1   | PR:N5Y,Q2J,<br>-4A4        |
|     | 958 522 406 56 D0L | Espresso   | -VA          |     |                            |
|     | 958 522 406 56 D0M | Cognac   | -VB          |     |                            |
| (4) | 958 522 406 57     | Seat cover<br>Standard seat<br>Leather<br>Nature<br>Draped leather<br>D - MJ 2014>>  | right        | 1   | PR:N5Y,Q2J,<br>-4A4        |
|     | 958 522 406 57 D0L | Espresso   | -VA          |     |                            |
|     | 958 522 406 57 D0M | Cognac   | -VB          |     |                            |
| (4) | 958 522 406 62     | Seat cover<br>Standard seat  | right        | 1   | PR:N5U,N1M,<br>N0Q,N1B,4A4 |

Model: 92A 11 Model life 2011>>2018

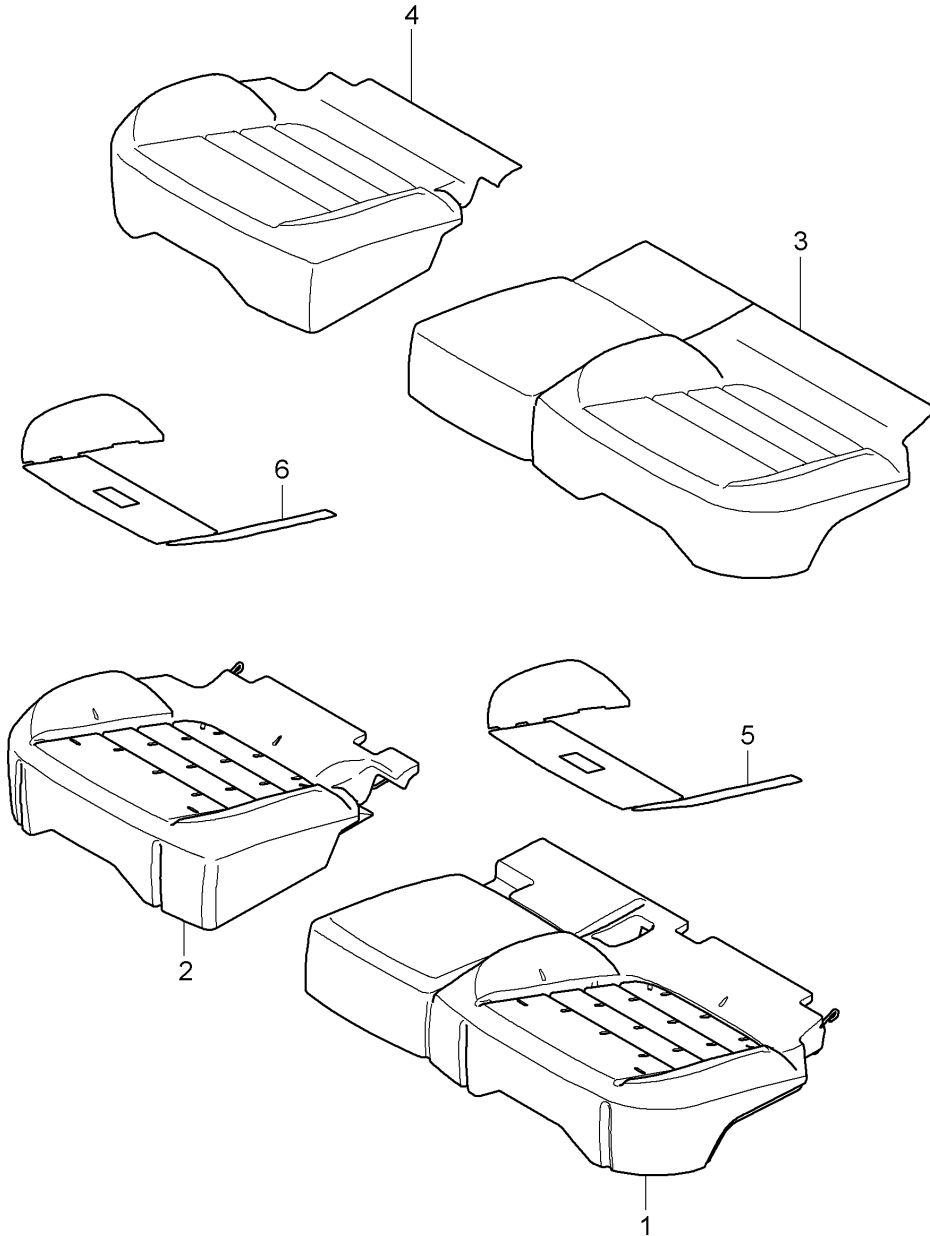
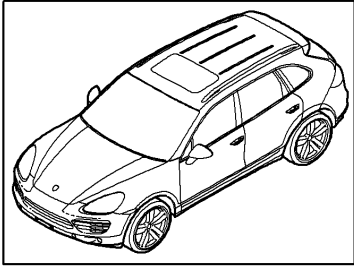
| Pos | Part Number        | Description  | Remark       | Qty | Model                                      |
|-----|--------------------|--|--------------|-----|--|
|     |                    | Plain leather<br>for<br>Seat heater<br>D >> - MJ 2013  |              |     |  |
|     | 958 522 406 62 D0D | Black  | -LC,MA,YC    |     |  |
|     | 958 522 406 62 D0E | Platinum Grey  | -LD,MD,YD    |     |  |
|     | 958 522 406 62 D0F | Luxor beige  | -LE,MC,YE    |     |  |
|     | 958 522 406 62 D0G | Umber  | -LF,YF       |     |  |
|     | 958 522 406 62 D0H | Titanium Blue  | -TW          |     |  |
|     | 958 522 406 62 D0J | Cream  | -TX          |     |  |
|     | 958 522 406 62 D0K | Light Tartufo  | -TY          |     |  |
|     | 958 522 406 62 AAB | Black/Carrera Red  | -TA          |     |  |
|     | 958 522 406 62 AAC | Black/Luxor Beige  | -TB          |     |  |
| (4) | 958 522 406 63     | Seat cover<br>Standard seat<br>Plain leather<br>for<br>Seat heater<br>D - MJ 2014>>                    | right        | 1   | PR:N1M,N5U,<br>N0Q,N1B,4A4,<br>3NW,GP0     |
|     | 958 522 406 63 D0D | Black  | -LC,MA,YC    |     |  |
|     | 958 522 406 63 D0E | Platinum Grey  | -LD,MD,YD    |     |  |
|     | 958 522 406 63 D0F | Luxor beige  | -LE,MC,YE    |     |  |
|     | 958 522 406 63 D0G | Umber  | -LF,YF       |     |  |
|     | 958 522 406 63 D0J | Cream  | -TX          |     |  |
|     | 958 522 406 63 D0K | Light Tartufo  | -TY          |     |  |
|     | 958 522 406 63 AAB | Black/Carrera Red  | -TA          |     |  |
|     | 958 522 406 63 AAC | Black/Luxor Beige  | -TB,77       |     |  |
| (4) | 958 522 406 64     | Seat cover<br>Standard seat<br>Plain leather<br>for<br>Seat heater<br>D - MJ 2014>>                    | right        | 1   | PR-N1M,N5U,<br>N0Q,N1B,4D0,<br>3NW,GP1,4D3 |
|     | 958 522 406 64 D0D | Black  | -LC,MA,YC    |     |  |
|     | 958 522 406 64 D0F | Luxor beige  | -LE,MC,YE,MK |     |  |
|     | 958 522 406 64 YKI | agate grey   | -MB,MG,ML    |     |  |
|     | 958 522 406 64 D0J | Cream  | -MJ          |     |  |
|     | 958 522 406 64 YMI | saddle brown   | -ME,MH,MI    |     |  |
|     | 958 522 406 64 AAB | Black/Carrera Red  | -TA          |     |  |
|     | 958 522 406 64 AAC | Black/Luxor Beige  | -77          |     |  |
|     | 958 522 406 64 HHM | Cohiba Brown   | -LH          |     |  |
| (4) | 958 522 406 66     | Seat cover<br>Standard seat<br>Plain leather<br>Draped leather<br>for<br>Seat heater<br>D >> - MJ 2013 | right        | 1   | PR:N7D,4A4,<br>Q2J                         |
|     | 958 522 406 66 D0D | Black  | -LC,MA,YC    |     |  |
|     | 958 522 406 66 D0E | Platinum Grey  | -LD,MD,YD    |     |  |
|     | 958 522 406 66 D0F | Luxor beige  | -LE,MC,YE    |     |  |
|     | 958 522 406 66 D0G | Umber  | -LF,YF       |     |  |
|     | 958 522 406 66 D0H | Titanium Blue  | -TW          |     |  |
|     | 958 522 406 66 D0J | Cream  | -TX          |     |  |
|     | 958 522 406 66 D0K | Light Tartufo  | -TY          |     |  |
| (4) | 958 522 406 67     | Seat cover<br>Standard seat<br>Plain leather<br>Draped leather<br>for<br>Seat heater<br>D - MJ 2014>>  | right        | 1   | PR:N7D,Q2J,<br>4A4                         |
|     | 958 522 406 67 D0D | Black  | -LC,MA       |     |  |

Model: 92A 11 Model life 2011>>2018

| Pos | Part Number        | Description  | Remark               | Qty | Model  |
|-----|--------------------|--|----------------------|-----|--|
|     | 958 522 406 67 D0E | Platinum Grey  | -LD,MD,YD            |     |  |
|     | 958 522 406 67 D0F | Luxor beige  | -LE,MC,MK            |     |  |
|     | 958 522 406 67 D0G | Umber  | -LF,YF               |     |  |
|     | 958 522 406 67 D0H | Titanium Blue  |                      |     |  |
|     | 958 522 406 67 D0J | Cream  | -MJ                  |     |  |
|     | 958 522 406 67 D0K | Light Tartufo  | -TY                  |     |  |
|     | 958 522 406 67 YKI | agate grey   | -MB,MG               |     |  |
|     | 958 522 406 67 YMI | saddle brown   | -MH,MI               |     |  |
| (4) | 958 522 406 74     | Seat cover<br>Standard seat<br>Leather<br>Nature<br>for<br>Seat heater                               | right                | 1   | PR:N1A,N1P,<br>Q2J,4A4   |
|     | 958 522 406 74 D0L | Espresso   | -VA                  |     |  |
|     | 958 522 406 74 D0M | Cognac   | -VB                  |     |  |
| (4) | 958 522 406 76     | Seat cover<br>Standard seat<br>Leather<br>Nature<br>Draped leather<br>with heating<br>D >> - MJ 2013 | right                | 1   | PR:N5Y,Q2J,<br>4A4   |
|     | 958 522 406 76 D0L | Espresso   | -VA                  |     |  |
|     | 958 522 406 76 D0M | Cognac   | -VB                  |     |  |
| (4) | 958 522 406 77     | Seat cover<br>Standard seat<br>Leather<br>Nature<br>Draped leather<br>with heating<br>D - MJ 2014>>  | right                | 1   | PR:N5Y,Q2J,<br>4A4   |
|     | 958 522 406 77 D0L | Espresso   | -VA                  |     |  |
|     | 958 522 406 77 D0M | Cognac   | -VB                  |     |  |
| (4) | 958 885 406        | Seat cover<br>Comfort seat   | right                | 1   | PR-GP1,N0Q,<br>N1B,Q2J,3NW,<br>4D1   |
| 5   | 958 885 406 AAB    | Black/Carrera Red<br>heater element-seat   | -TA<br>left          | 1   | PR:4A4   |
| (5) | 958 653 043 00     | Seat side bolster<br>heater element-seat   | rear<br>rear<br>left | 1   | PR-GP1,N0Q,<br>N1A,N1B,N1D,<br>N1M,N1P,N1X,<br>N5U,Q1G,Q2J,<br>3NW,4A4,4D0,<br>4D3 |
| 6   | 958 653 044 00     | Heating element<br>Seat side bolster   | right<br>rear        | 1   | PR:4A4   |

Model: 92A 11

Model life 2011>>2018



Model: 92A 11 Model life 2011>>2018

| Pos | Part Number        | Description  | Remark       | Qty | Model                                  |
|-----|--------------------|--|--------------|-----|--|
|     |                    | Seat cushion<br>sports seat<br>Foam part<br>Cover<br>Heating element | rear         |     | PR:Q1J,Q4P                             |
| 1   | 958 522 375 21     | Foam part<br>Seat cushion  | left         | 1   | PR:NOQ,N1A,<br>N1B,N1M,N1P,<br>N5U,N2S |
| 2   | 958 522 376 21     | Foam part<br>Seat cushion  | right        | 1   | PR:NOQ,N1A,<br>N1B,N1M,N1P,<br>N2S,N5U |
| 3   | 958 522 405 87     | Seat cover<br>Plain leather  | left         | 1   | PR:NOQ,N1B,<br>N1M,N5U,4A0,<br>4A3     |
|     | 958 522 405 87 D0D | Black  | -LC,MA,YC    |     |  |
|     | 958 522 405 87 D0E | Platinum Grey  | -LD,MD,YD    |     |  |
|     | 958 522 405 87 D0F | Luxor beige  | -LE,MC,MK,YE |     |  |
|     | 958 522 405 87 D0G | Umber  | -LF,YF       |     |  |
|     | 958 522 405 87 D0J | Cream  | -MJ,TX       |     |  |
|     | 958 522 405 87 D0K | Light Tartufo  | -TY          |     |  |
|     | 958 522 405 87 YKI | agate grey   | -MB,MG,ML    |     |  |
|     | 958 522 405 87 YMI | saddle brown   | -ME,MH,MI    |     |  |
|     | 958 522 405 87 AAB | Black/Carrera Red  | -TA          |     |  |
|     | 958 522 405 87 AAC | Black/Luxor Beige  | -77          |     |  |
|     | 958 522 405 87 HGK | Black/Cream  | -LG          |     |  |
|     | 958 522 405 87 HHM | Cohiba Brown   | -LH          |     |  |
| (3) | 958 522 405 86     | Cover<br>Leather<br>Nature   | left         | 1   | PR:N1A,N1P,<br>4A0,4A3                 |
|     | 958 522 405 86 D0L | Espresso   | -VA          |     |  |
|     | 958 522 405 86 D0M | Cognac   | -VB          |     |  |
| (3) | 958 522 407 01     | Seat cover<br>Alcantara<br>D >> - MJ 2013                            | left         | 1   | GTS<br>PR:Q4P,N2S,<br>3NW,4A0,4A3      |
|     | 958 522 407 01 IVA | Black  | -MA,YC       |     |  |
|     | 958 522 407 01 IVB | Platinum Grey  | -MD,YD       |     |  |
|     | 958 522 407 01 IVC | Luxor beige  | -MC,YE       |     |  |
|     | 958 522 407 01 IVD | Umber  | -YF          |     |  |
|     | 958 522 407 01 IVE | Black/Carmin Red   | -YA          |     |  |
|     | 958 522 407 01 IVF | Black/Peridot  | -YB          |     |  |
| (3) | 958 522 407 02     | Seat cover<br>Alcantara<br>D - MJ 2014>>                             | left         | 1   | GTS<br>PR:Q4P,N2S,<br>3NW,4A0,4A3      |
|     | 958 522 407 02 IVA | Black  | -LC,MA,YC    |     |  |
|     | 958 522 407 02 IVB | Platinum Grey  | -MD,YD       |     |  |
|     | 958 522 407 02 IVC | Luxor beige  | -LE,MC,YE    |     |  |
|     | 958 522 407 02 IVD | Umber  | -YF          |     |  |
|     | 958 522 407 02 IVE | Black/Carmin Red   | -YA          |     |  |
|     | 958 522 407 02 IVF | Black/Peridot  | -YB          |     |  |
|     | 958 522 407 02 DJM | agate grey   | -MB,MG,ML    |     |  |
|     | 958 522 407 02 DJN | saddle brown   | -ME          |     |  |
|     | 958 522 407 02 DJP | Black/Rhodium Silver   | -MF          |     |  |
| (3) | 958 522 405 90     | Seat cover<br>Leather<br>Nature<br>Seat heater<br>D - MJ 2016>>      | left         | 1   | PR:GP1,N1A,<br>3NW,4D1                 |
|     | 958 522 405 90 D0L | Cognac   | -VA          |     |  |
|     | 958 522 405 90 D0M | Cognac   | -VB          |     |  |
| (3) | 958 522 405 93     | Seat cover<br>Plain leather<br>for<br>Seat heater                    | left         | 1   | PR:NOQ,N1B,<br>N1M,N5U,4A4             |

Model: 92A 11 Model life 2011>>2018

| Pos | Part Number        | Description  | Remark          | Qty | Model                              |
|-----|--------------------|--|-----------------|-----|------------------------------------|
|     | 958 522 405 93 D0D | Black  | -LC, MA, YC     |     |                                    |
|     | 958 522 405 93 D0E | Platinum Grey  | -LD, MD, YD     |     |                                    |
|     | 958 522 405 93 D0F | Luxor beige  | -LE, MC, MK, YE |     |                                    |
|     | 958 522 405 93 D0G | Umber  | -LF, YF         |     |                                    |
|     | 958 522 405 93 D0H | Titanium Blue  |                 |     |                                    |
|     | 958 522 405 93 D0J | Cream  | -MJ, TX         |     |                                    |
|     | 958 522 405 93 D0K | Light Tartufo  | -TY             |     |                                    |
|     | 958 522 405 93 YKI | agate grey   | -MB, MG, ML     |     |                                    |
|     | 958 522 405 93 YMI | saddle brown   | -ME, MH, MI     |     |                                    |
|     | 958 522 405 93 AAB | Black/Carrera Red  | -TA             |     |                                    |
|     | 958 522 405 93 AAC | Black/Luxor Beige  | -TB, 77         |     |                                    |
| (3) | 958 522 405 97     | Seat cover<br>Leather<br>Nature<br>Seat heater<br>D >> - MJ 2013 | left            | 1   | PR:N1A,N1P,<br>4A4                 |
|     | 958 522 405 97 D0L | Espresso   | -VA             |     |                                    |
|     | 958 522 405 97 D0M | Cognac   | -VB             |     |                                    |
| (3) | 958 522 405 98     | Seat cover<br>Leather<br>Nature<br>Seat heater<br>D - MJ 2014>>  | left            | 1   | PR:N1A,N1P,<br>3NW,4A4,4D0,<br>4D3 |
|     | 958 522 405 98 D0L | Espresso   | -VA             |     |                                    |
|     | 958 522 405 98 D0M | Cognac   | -VB             |     |                                    |
| (3) | 958 522 409 00     | Seat cover<br>Alcantara<br>D >> - MJ 2013                        | left            | 1   | GTS<br>PR:Q4P,N2S,<br>3NW,4A4      |
|     | 958 522 409 00 IVA | Black  | -MA, YC         |     |                                    |
|     | 958 522 409 00 IVB | Alcantara  | -MD, YD         |     |                                    |
|     | 958 522 409 00 IVC | Luxor beige  | -MC, YE         |     |                                    |
|     | 958 522 409 00 IVD | Umber  | -YF             |     |                                    |
|     | 958 522 409 00 IVE | Black/Carmine Red  | -YA             |     |                                    |
|     | 958 522 409 00 IVF | Black/Peridot  | -YB             |     |                                    |
| (3) | 958 522 409 01     | Seat cover<br>Alcantara<br>D >> - MJ 2014                        | left            | 1   | GTS<br>PR:Q4P,N2S,<br>3NW,4A4      |
|     | 958 522 409 01 IVA | Black  | -MA, YC         |     |                                    |
|     | 958 522 409 01 IVB | Alcantara  | -MD, YD         |     |                                    |
|     | 958 522 409 01 IVC | Luxor beige  | -MC, YE         |     |                                    |
|     | 958 522 409 01 IVD | Umber  | -YF             |     |                                    |
|     | 958 522 409 01 IVE | Black/Carmine Red  | -YA             |     |                                    |
|     | 958 522 409 01 IVF | Black/Peridot  | -YB             |     |                                    |
|     | 958 522 409 01 DJM | agate grey   |                 |     |                                    |
|     | 958 522 409 01 DJN | saddle brown   |                 |     |                                    |
|     | 958 522 409 01 DJP | Black/Rhodium Silver   |                 |     |                                    |
| 4   | 958 522 406 87     | Seat cover<br>Plain leather                                      | right           | 1   | PR:N0Q,N1B,<br>N1M,N5U,4A0,<br>4A3 |
|     | 958 522 406 87 D0D | Black  | -LC, MA, YC     |     |                                    |
|     | 958 522 406 87 D0E | Platinum Grey  | -LD, MD, YD     |     |                                    |
|     | 958 522 406 87 D0F | Luxor beige  | -LE, MC, MK, YE |     |                                    |
|     | 958 522 406 87 D0G | Black/umbra  | -LF, YF         |     |                                    |
|     | 958 522 406 87 D0H | Titanium Blue  |                 |     |                                    |
|     | 958 522 406 87 D0J | Cream  | -MJ, TX         |     |                                    |
|     | 958 522 406 87 D0K | Black/tartufo, light   | -TY             |     |                                    |
|     | 958 522 406 87 YKI | agate grey   | -MB, MG, ML     |     |                                    |
|     | 958 522 406 87 YMI | saddle brown   | -ME, MH, MI     |     |                                    |
|     | 958 522 406 87 AAB | Black/Carrera Red  | -TA             |     |                                    |
|     | 958 522 406 87 AAC | Black/Luxor Beige  | -TB, 77         |     |                                    |
|     | 958 522 406 87 HGK | Black/Cream  | -LG             |     |                                    |
|     | 958 522 406 87 HHM | Cohiba Brown   | -LH             |     |                                    |
| (4) | 958 522 406 86     | Seat cover   | right           | 1   | PR:N1A,N1P,                        |



Model: 92A 11 Model life 2011>>2018

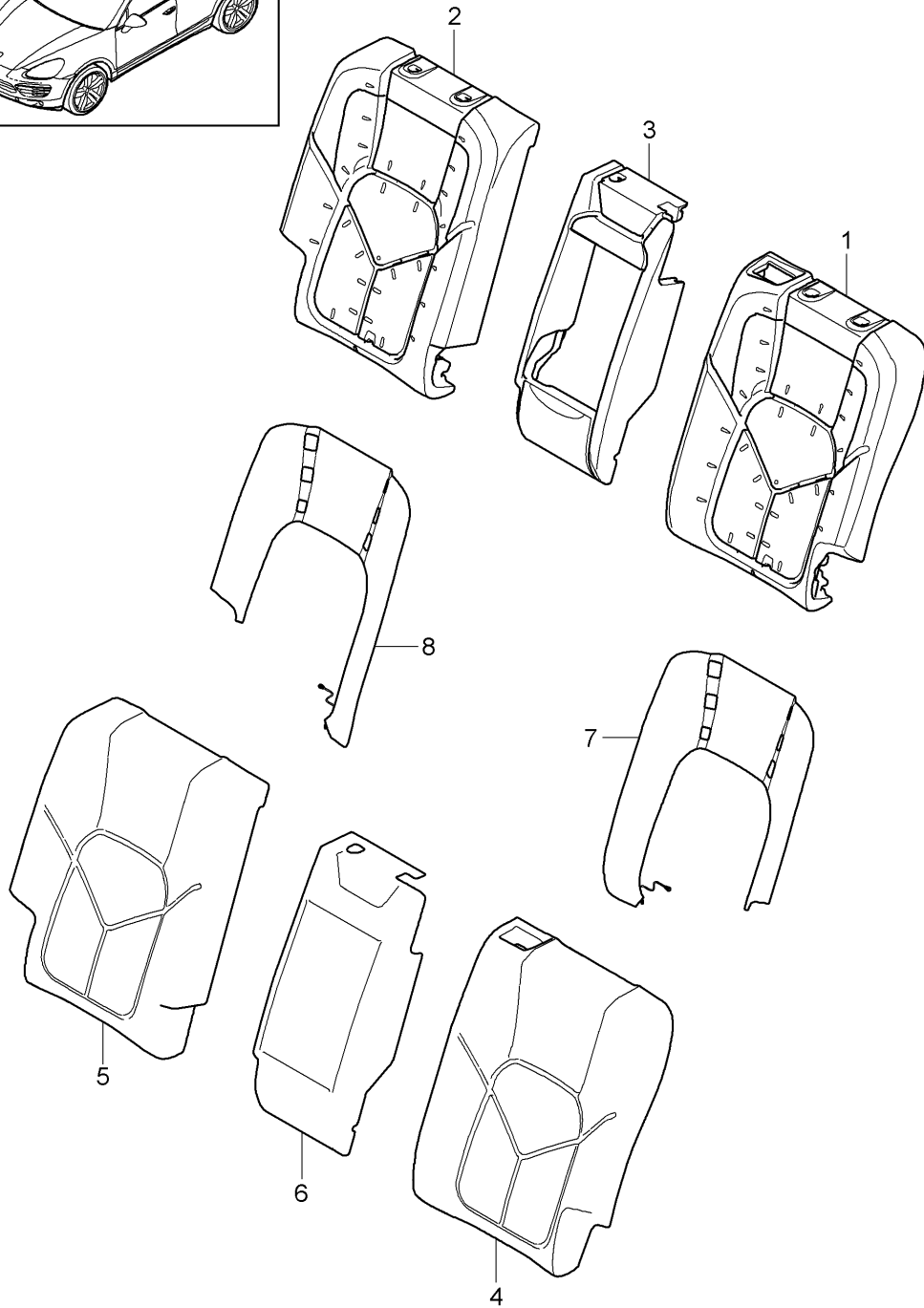
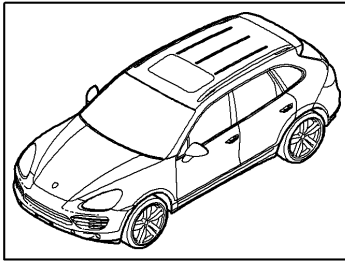
| Pos | Part Number        | Description                 | Remark                     | Qty | Model                                      |
|-----|--------------------|-----------------------------|----------------------------|-----|--|
|     |                    | Leather<br>Nature           |                            |     | 4A0, 4A3                                   |
|     | 958 522 406 86 D0L | Espresso                    | -VA                        |     |  |
|     | 958 522 406 86 D0M | Cognac                      | -VB                        |     |  |
| (4) | 958 522 408 01     | Seat cover<br>Alcantara     | right                      | 1   | GTS<br>PR:Q4P,N2S,<br>3NW,4A0,4A3          |
|     |                    | D >> - MJ 2013              |                            |     |  |
|     | 958 522 408 01 IVA | Black                       | -MA, YC                    |     |  |
|     | 958 522 408 01 IVB | Platinum Grey               | -MD, YD                    |     |  |
|     | 958 522 408 01 IVC | Luxor beige                 | -MC, YE                    |     |  |
|     | 958 522 408 01 IVD | Umber                       | -YF                        |     |  |
|     | 958 522 408 01 IVE | Black/Carmine Red           | -YA                        |     |  |
|     | 958 522 408 01 IVF | Black/Peridot               | -YB                        |     |  |
| (4) | 958 522 408 02     | Seat cover<br>Alcantara     | right                      | 1   | GTS<br>PR:Q4P,N2S,<br>3NW,4A0,4A3          |
|     |                    | D - MJ 2014>>               |                            |     |  |
|     | 958 522 408 02 IVA | Black                       | -LC, MA, YC                |     |  |
|     | 958 522 408 02 IVB | Platinum Grey               | -MD, YD                    |     |  |
|     | 958 522 408 02 IVC | Luxor beige                 | -LE, MC, YE                |     |  |
|     | 958 522 408 02 IVD | Umber                       | -YF                        |     |  |
|     | 958 522 408 02 IVE | Black/Carmine Red           | -YA                        |     |  |
|     | 958 522 408 02 IVF | Black/Peridot               | -YB                        |     |  |
|     | 958 522 408 02 DJM | agate grey                  | -MB, MG, ML                |     |  |
|     | 958 522 408 02 DJN | saddle brown                | -ME                        |     |  |
|     | 958 522 408 02 DJP | Black/Rhodium Silver        | -MF                        |     |  |
| (4) | 958 522 406 90     | Seat cover<br>Leather       | right<br>left              | 1   | PR:GP1,N1A,<br>3NW,4D1                     |
|     |                    | Nature<br>Seat heater       |                            |     |  |
|     |                    | D - MJ 2016>>               |                            |     |  |
|     | 958 522 406 90 D0L | Espresso                    | -VA                        |     |  |
|     | 958 522 406 90 D0M | Espresso                    | -VB                        |     |  |
| (4) | 958 522 410 20     | Seat cover<br>Leather       | right<br>left              | 1   | PR:GP1,N0Q,<br>N1B,3NW,4D1                 |
|     |                    | Nature<br>Seat heater       |                            |     |  |
|     | 958 522 410 20 AAB | Black/Carrera Red           | -TA                        |     |  |
|     | 958 522 410 20 AAC | Black/Luxor Beige           | -77                        |     |  |
|     | 958 522 410 20 D0D | Black                       | -LC, MA, YC                |     |  |
|     | 958 522 410 20 D0F | Luxor beige                 | -LE, MC, MK, YE            |     |  |
|     | 958 522 410 20 D0J | Cream                       | -MJ                        |     |  |
|     | 958 522 410 20 HGK | Black/Cream                 | -LG                        |     |  |
|     | 958 522 410 20 HHM | Cohiba Brown                | -LH                        |     |  |
|     | 958 522 410 20 YKI | agate grey                  | -MB, MG, ML, ME,<br>MH, MI |     |  |
| (4) | 958 522 406 93     | Seat cover<br>Plain leather | right                      | 1   | PR:N0Q,N1B,<br>N1M,N5U,4A4,<br>4D0,4D3,3NW |
|     |                    | for<br>Seat heater          |                            |     |  |
|     | 958 522 406 93 D0D | Black                       | -LC, MA, YC                |     |  |
|     | 958 522 406 93 D0E | Platinum Grey               | -LD, MD, YD                |     |  |
|     | 958 522 406 93 D0F | Luxor beige                 | -LE, MC, MK, YE            |     |  |
|     | 958 522 406 93 D0G | Umber                       | -LF, YF                    |     |  |
|     | 958 522 406 93 D0H | Titanium Blue               |                            |     |  |
|     | 958 522 406 93 D0J | Cream                       | -MJ, TX                    |     |  |
|     | 958 522 406 93 D0K | Light Tartufo               | -TY                        |     |  |
|     | 958 522 406 93 YKI | agate grey                  | -MB, MG, ML                |     |  |
|     | 958 522 406 93 YMI | saddle brown                | -ME, MH, MI                |     |  |
|     | 958 522 406 93 AAB | Black/Carrera Red           | -TA                        |     |  |
|     | 958 522 406 93 AAC | Black/Luxor Beige           | -TB, 77                    |     |  |
| (4) | 958 522 406 98     | Seat cover<br>Leather       | right                      | 1   | PR:N1A,N1P,<br>3NW,4A4,4D0,<br>4D3         |
|     |                    | Nature                      |                            |     |  |

Model: 92A 11 Model life 2011>>2018

| Pos | Part Number        | Description          | Remark | Qty | Model       |
|-----|--------------------|----------------------|--------|-----|-------------|
|     |                    | for                  |        |     |             |
|     |                    | Seat heater          |        |     |             |
|     | 958 522 406 98 D0L | Espresso             | -VA    |     |             |
|     | 958 522 406 98 D0M | Cognac               | -VB    |     |             |
| (4) | 958 522 410 00     | Seat cover           | right  | 1   | GTS         |
|     |                    | Alcantara            |        |     | PR:Q4P,N2S, |
|     |                    | D >> - MJ 2013       |        |     | 3NW,4A4     |
|     | 958 522 410 00 IVA | Black                | -MA,YC |     |             |
|     | 958 522 410 00 IVB | Alcantara            | -MD,YD |     |             |
|     | 958 522 410 00 IVC | Luxor beige          | -MC,YE |     |             |
|     | 958 522 410 00 IVD | Umber                | -YF    |     |             |
|     | 958 522 410 00 IVE | Black/Carmine Red    | -YA    |     |             |
|     | 958 522 410 00 IVF | Black/Peridot        | -YB    |     |             |
| (4) | 958 522 410 01     | Seat cover           | right  | 1   | GTS         |
|     |                    | Alcantara            |        |     | PR:Q4P,N2S, |
|     |                    | D - MJ 2014>>        |        |     | 3NW,4A4     |
|     | 958 522 410 01 IVA | Black                | -MA,YC |     |             |
|     | 958 522 410 01 IVB | Alcantara            | -MD,YD |     |             |
|     | 958 522 410 01 IVC | Luxor beige          | -MC,YE |     |             |
|     | 958 522 410 01 IVD | Umber                | -YF    |     |             |
|     | 958 522 410 01 IVE | Black/Carmine Red    | -YA    |     |             |
|     | 958 522 410 01 IVF | Black/Peridot        | -YB    |     |             |
|     | 958 522 410 01 DJM | agate grey           |        |     |             |
|     | 958 522 410 01 DJN | saddle brown         |        |     |             |
|     | 958 522 410 01 DJP | Black/Rhodium Silver |        |     |             |
| 5   | 958 653 043 10     | Heating element      | left   | 1   | PR:4A4      |
|     |                    | Seat side bolster    | rear   |     |             |
| 6   | 958 653 044 10     | Heating element      | right  | 1   | PR:4A4      |
|     |                    | Seat side bolster    | rear   |     |             |

Model: 92A 11

Model life 2011>>2018



Model: 92A 11 Model life 2011>>2018

| Pos | Part Number    | Description  | Remark | Qty | Model  |
|-----|----------------|--|--------|-----|--|
|     |                | Back seat backrest<br>Standard seat<br>Comfort seat<br>Foam part<br>Cover<br>Heating element | rear   |     | PR:Q1G,Q2J   |
| 1   | 958 522 775 00 | Foam part<br>backrest  | left   | 1   | PR:NOQ,N1A,<br>N1B,N1D,N1M,<br>N1P,N1X,N5U,<br>-GP1,4D0,<br>4D3,4X3    |
| (1) | 958 522 775 01 | Foam part<br>backrest  | left   | 1   | PR:GP1,N0Q,<br>N1A,N1B,N1D,<br>N1M,N1P,N1X,<br>N5U,4A0,4A3,<br>4X3     |
| (1) | 958 522 775 05 | Foam part<br>backrest<br>(heated)  | left   | 1   | PR:GP1,N0Q,<br>N1A,N1B,N1D,<br>N1M,N1P,N1X,<br>N5U,4A4,4D0,<br>4D3,4X3 |
| (1) | 958 522 775 10 | Foam part<br>backrest<br><br>with:<br>Airbag   | left   | 1   | PR:NOQ,N1A,<br>N1B,N1D,N1M,<br>N1P,N1X,N5U,<br>-GP1,4D0,<br>4D3,4X4    |
| (1) | 958 522 775 11 | Foam part<br>backrest<br><br>with:<br>Airbag   | left   | 1   | PR:4A0,4A3,<br>4X4,GP1   |
| (1) | 958 522 775 15 | Foam part<br>backrest<br>(heated)<br><br>with:<br>Airbag                                     | left   | 1   | PR:NOQ,N1A,<br>N1B,N1D,N1M,<br>N1P,N1X,N5U,<br>3NW,4A4,4D0,<br>4D3,4X4 |
| (1) | 958 522 775 20 | Foam part<br>backrest<br>Draped leather  | left   | 1   | PR:N5Y,N7D,<br>N7F,4X3   |
| (1) | 958 522 775 30 | Foam part<br>backrest<br><br>with:<br>Airbag<br>Draped leather                               | left   | 1   | PR:N5Y,N7D,<br>N7F,4X4   |
| (1) | 958 522 775 35 | Foam part<br>backrest<br>Vented<br><br>with:<br>Airbag                                       | left   | 1   | PR:GP1,N0Q,<br>N1A,N1B,4A4,<br>4X4,4D1                                 |
| 2   | 958 522 776 00 | D - MJ 2015>><br>Foam part<br>backrest   | right  | 1   | PR:NOQ,N1A,<br>N1B,N1D,N1M,<br>N1P,N1X,N5U,<br>4D0,4D3,4X3             |
| (2) | 958 522 776 10 | Foam part<br>backrest<br><br>with:<br>Airbag   | right  | 1   | PR:N1D,N1M,<br>3NW,4D0,4D3,<br>4X4,N0Q                                 |
| (2) | 958 522 776 15 | Foam part<br>backrest<br>(heated)<br><br>with:<br>Airbag                                     | right  | 1   | PR:GP1,4A4,<br>4X4   |
| (2) | 958 522 776 20 | Foam part  | right  | 1   | PR:N5Y,N7D,  |

Model: 92A 11 Model life 2011>>2018

| Pos | Part Number  | Description   | Remark                           | Qty | Model                                |
|-----|--|---|----------------------------------|-----|--------------------------------------|
| (2) | 958 522 776 30   | backrest<br>Draped leather<br>Foam part<br>backrest<br><br>with:<br><br>Airbag<br>Draped leather  | right                            | 1   | N7F, 4X3<br>PR:N5Y, N7D,<br>N7F, 4X4 |
| 3   | 958 522 777 00   | Foam part<br>backrest   | right                            | 1   |                                      |
| 4   | 958 522 805 13   | Backrest cover<br>Standard seat<br>Leather<br>Embossed  | left                             | 1   | PR:N1D, 4A0,<br>4A3, 4X4             |
| (4) | 958 522 805 13 HAA<br>958 522 805 20   | Black/Luxor Beige<br>Backrest cover<br>Standard seat<br>Leather<br>Embossed   | -77<br>left                      | 1   | PR:N1D, 3NW,<br>4A4, 4X4             |
| (4) | 958 522 805 20 HAA<br>958 522 805 02   | Black/Luxor Beige<br>Backrest cover<br>Standard seat<br>Leather<br>Embossed   | -77<br>left                      | 1   | PR:N1X, 4A0,<br>4A3, 4X3             |
| (4) | 958 522 805 02 D0A<br>958 522 805 02 D0B<br>958 522 805 02 D0C<br>958 522 805 07                       | Black<br>Platinum Grey<br>Luxor beige<br>Backrest cover<br>Standard seat<br>Leather<br>Embossed<br><br>with:<br><br>Airbag                  | -MA<br>-MD<br>-MC<br>left        | 1   | PR:N1X, 4A0,<br>4A3, 4X4             |
| (4) | 958 522 805 07 D0A<br>958 522 805 07 D0B<br>958 522 805 07 D0C<br>958 522 835 00                       | Black<br>Platinum Grey<br>Luxor beige<br>Backrest cover<br>Standard seat<br>Leather<br>Embossed<br><br>with:<br><br>Airbag<br>D - MJ 2015>> | -MA<br>-MD<br>-MC<br>left        | 1   | PR:GP1, N1X,<br>4D0, 4D3, 4X4        |
| (4) | 958 522 835 00 D0A<br>958 522 835 00 D0C<br>958 522 835 00 DJL<br>958 522 805 11                       | Black<br>Luxor beige<br>agate grey<br>Backrest cover<br>Standard seat<br>Draped leather<br>Embossed<br><br>D >> - MJ 2013                   | -MA<br>-MC<br>-MB<br>left        | 1   | PR:N7F, 4A0,<br>4A3, 4X3             |
| (4) | 958 522 805 11 D0A<br>958 522 805 11 D0B<br>958 522 805 11 D0C<br>958 522 805 12                       | Black<br>Platinum Grey<br>Luxor beige<br>Backrest cover<br>Standard seat<br>Draped leather<br>Embossed<br><br>D - MJ 2014>>                 | -MA<br>-MC<br>-MB<br>left        | 1   | PR:N7F, 4A0,<br>4A3, 4X3             |
| (4) | 958 522 805 12 D0A<br>958 522 805 12 D0B<br>958 522 805 12 D0C<br>958 522 805 12 DJL<br>958 522 805 17 | Black<br>Platinum Grey<br>Luxor beige<br>agate grey<br>Backrest cover   | -MA<br>-MD<br>-MC<br>-MB<br>left | 1   | PR:N7F, 4A0,                         |

Model: 92A 11 Model life 2011>>2018

| Pos | Part Number        | Description  | Remark | Qty | Model                         |
|-----|--------------------|--|--------|-----|-------------------------------|
|     |                    | Standard seat<br>Draped leather<br>Embossed  |        |     | 4A3, 4X4                      |
|     |                    | with:  |        |     |                               |
|     |                    | Airbag<br>D >> - MJ 2013   |        |     |                               |
|     | 958 522 805 17 D0A | Black  | -MA    |     |                               |
|     | 958 522 805 17 D0B | Platinum Grey  | -MD    |     |                               |
|     | 958 522 805 17 D0C | Luxor beige  | -MC    |     |                               |
| (4) | 958 522 805 18     | Backrest cover<br>Standard seat<br>Draped leather<br>Embossed                                  | left   | 1   | PR:N7F, 4A0,<br>4A3, 4X4      |
|     |                    | with:  |        |     |                               |
|     |                    | Airbag<br>D - MJ 2014>>  |        |     |                               |
|     | 958 522 805 18 D0A | Black  | -MA    |     |                               |
|     | 958 522 805 18 D0B | Platinum Grey  | -MD    |     |                               |
|     | 958 522 805 18 D0C | Luxor beige  | -MC    |     |                               |
|     | 958 522 805 18 DJL | agate grey   | -MB    |     |                               |
| (4) | 958 522 805 20     | Backrest cover<br>Standard seat<br>Leather<br>Embossed<br>for<br>Seat heater<br>D >> - MJ 2013 | left   | 1   | PR:Q1G, N1X,<br>4A4, 4X3, 3NW |
|     | 958 522 805 20 D0A | Black  | -MA    |     |                               |
|     | 958 522 805 20 D0B | Platinum Grey  | -MD    |     |                               |
|     | 958 522 805 20 D0C | Luxor beige  | -MC    |     |                               |
| (4) | 958 522 805 22     | Backrest cover<br>Standard seat<br>Leather<br>Embossed<br>for<br>Seat heater<br>D - MJ 2014>>  | left   | 1   | PR:Q1G, N1X,<br>4A4, 4X3, 3NW |
|     | 958 522 805 22 D0A | Black  | -MA    |     |                               |
|     | 958 522 805 22 D0B | Platinum Grey  | -MD    |     |                               |
|     | 958 522 805 22 D0C | Luxor beige  | -MC    |     |                               |
| (4) | 958 522 805 27     | Backrest cover<br>Standard seat<br>Leather<br>Embossed<br>for<br>Seat heater<br>Airbag         | left   | 1   | PR:N1X, 4A4,<br>4X4           |
|     | 958 522 805 27 D0A | Black  | -MA    |     |                               |
|     | 958 522 805 27 D0B | Platinum Grey  | -MD    |     |                               |
|     | 958 522 805 27 D0C | Luxor beige  | -MC    |     |                               |
| (4) | 958 522 805 31     | Backrest cover<br>Standard seat<br>Draped leather<br>Embossed<br>for<br>Seat heater<br>Airbag  | left   | 1   | PR:N7F, 4A4,<br>4X3           |
|     | 958 522 805 31 D0A | Black  | -MA    |     |                               |
|     | 958 522 805 31 D0B | Platinum Grey  | -MD    |     |                               |
|     | 958 522 805 31 D0C | Luxor beige  | -MC    |     |                               |
| (4) | 958 522 805 32     | Backrest cover<br>Standard seat<br>Draped leather  | left   | 1   | PR:N7F, 4A4,<br>4X3           |
|     | 958 522 805 32 D0A | Black  | -MA    |     |                               |
|     | 958 522 805 32 D0B | Platinum Grey  | -MD    |     |                               |
|     | 958 522 805 32 D0C | Luxor beige  | -MC    |     |                               |
| (4) | 958 522 805 31     | Backrest cover<br>Standard seat<br>Draped leather  | left   | 1   | PR:N7F, 4A4,<br>4X3           |
|     | 958 522 805 31 D0A | Black  | -MA    |     |                               |
|     | 958 522 805 31 D0B | Platinum Grey  | -MD    |     |                               |
|     | 958 522 805 31 D0C | Luxor beige  | -MC    |     |                               |
| (4) | 958 522 805 32     | Backrest cover<br>Standard seat<br>Draped leather  | left   | 1   | PR:N7F, 4A4,<br>4X3           |
|     | 958 522 805 32 D0A | Black  | -MA    |     |                               |
|     | 958 522 805 32 D0B | Platinum Grey  | -MD    |     |                               |
|     | 958 522 805 32 D0C | Luxor beige  | -MC    |     |                               |

Model: 92A 11 Model life 2011>>2018

| Pos | Part Number        | Description   | Remark    | Qty | Model                                  |
|-----|--------------------|---|-----------|-----|--|
|     |                    | Embossed<br>for<br>Seat heater<br>D - MJ 2014>>   |           |     |  |
|     | 958 522 805 32 D0A | Black   | -MA       |     |  |
|     | 958 522 805 32 D0B | Platinum Grey   | -MD       |     |  |
|     | 958 522 805 32 D0C | Luxor beige   | -MC       |     |  |
|     | 958 522 805 32 DJL | agate grey  | -MB       |     |  |
| (4) | 958 522 805 36     | Backrest cover<br>Standard seat<br>Draped leather<br>Embossed<br>for<br>Seat heater<br>Airbag<br>D >> - MJ 2013 | left      | 1   | PR:N7F,4A4,<br>4X4                     |
|     | 958 522 805 36 D0A | Black   | -MA       |     |  |
|     | 958 522 805 36 D0B | Platinum Grey   | -MD       |     |  |
|     | 958 522 805 36 D0C | Luxor beige   | -MC       |     |  |
| (4) | 958 522 805 37     | Backrest cover<br>Standard seat<br>Draped leather<br>Embossed<br>for<br>Seat heater<br>Airbag<br>D - MJ 2014>>  | left      | 1   | PR:N7F,4A4,<br>4X4                     |
|     | 958 522 805 37 D0A | Black   | -MA       |     |  |
|     | 958 522 805 37 D0B | Platinum Grey   | -MD       |     |  |
|     | 958 522 805 37 D0C | Luxor beige   | -MC       |     |  |
|     | 958 522 805 37 DJL | agate grey  | -MB       |     |  |
| (4) | 958 522 805 40     | Backrest cover<br>Standard seat<br>Draped leather<br>D >> - MJ 2013   | left      | 1   | PR:N7D,4A0,<br>4A3,4X3                 |
|     | 958 522 805 40 D0D | Black   | -LC,MA,YC |     |  |
|     | 958 522 805 40 D0E | Platinum Grey   | -LD,MD,YD |     |  |
|     | 958 522 805 40 D0F | Luxor beige   | -LE,MC,YE |     |  |
|     | 958 522 805 40 D0G | Umber   | -LF,YF    |     |  |
|     | 958 522 805 40 D0H | Titanium Blue   | -TW       |     |  |
|     | 958 522 805 40 D0J | Cream   | -TX       |     |  |
|     | 958 522 805 40 D0K | Light Tartufo   | -TY       |     |  |
| (4) | 958 522 805 42     | Backrest cover<br>Standard seat<br>Draped leather<br>D - MJ 2014>>  | left      | 1   | PR:N7D,4A0,<br>4A3,4X3                 |
|     | 958 522 805 42 D0D | Black   | -LC,MF,YC |     |  |
|     | 958 522 805 42 D0E | Platinum Grey   | -LD,MD,YD |     |  |
|     | 958 522 805 42 D0F | Luxor beige   | -LE,MC,YE |     |  |
|     | 958 522 805 42 D0G | Umber   | -LF,YF    |     |  |
|     | 958 522 805 42 D0H | Titanium Blue   |           |     |  |
|     | 958 522 805 42 D0J | Cream   | -TX       |     |  |
|     | 958 522 805 42 D0K | Light Tartufo   | -TY       |     |  |
|     | 958 522 805 42 FSR | Luxor beige<br>D - MJ 2015>>  | -MK       |     |  |
|     | 958 522 805 42 YKI | agate grey<br>D - MJ 2015>>   | -MB,MG    |     |  |
|     | 958 522 805 42 YMI | saddle brown<br>D - MJ 2015>>   | -MH       |     |  |
| (4) | 958 522 805 46     | Backrest cover<br>Standard seat<br>Plain leather  | left      | 1   | PR:NOQ,N1B,<br>N1M,N5U,4A0,<br>4A3,4X4 |

with:

Model: 92A 11 Model life 2011>>2018

| Pos | Part Number        | Description                                       | Remark       | Qty | Model  |
|-----|--------------------|---|--------------|-----|--|
|     |                    | Airbag<br>D >> - MJ 2013<br>Discontinued part     |              |     |  |
|     | 958 522 805 46 D0D | Black   | -LC,MA,AC    |     |  |
|     | 958 522 805 46 D0E | Platinum Grey                                     | -LD,MD,YD    |     |  |
|     | 958 522 805 46 D0F | Luxor beige                                       | -LE,MC,YE    |     |  |
|     | 958 522 805 46 D0G | Umber   | -LF,YF       |     |  |
|     | 958 522 805 46 D0H | Titanium Blue                                     | -TW          |     |  |
|     | 958 522 805 46 D0J | Cream   | -TX          |     |  |
|     | 958 522 805 46 D0K | Light Tartufo                                     | -TY          |     |  |
|     | 958 522 805 46 AAB | Black/Carrera Red                                 | -TA          |     |  |
|     | 958 522 805 46 AAC | Black/Luxor Beige                                 | -TB          |     |  |
| (4) | 958 522 805 47     | Backrest cover<br>Standard seat<br>Plain leather  | left         | 1   | PR:NOQ,N1B,<br>N1M,N5U,4A0,<br>4A3,4X4             |
|     |                    | with:   |              |     |  |
|     |                    | Airbag<br>D - MJ 2014>>                           |              |     |  |
|     | 958 522 805 47 D0D | Black   | -LC,MA,YC    |     |  |
|     | 958 522 805 47 D0E | Platinum Grey                                     |              |     |  |
|     | 958 522 805 47 D0F | Luxor beige                                       | -LE,MC,MK,YE |     |  |
|     | 958 522 805 47 D0G | Umber   |              |     |  |
|     | 958 522 805 47 D0H | Titanium Blue                                     |              |     |  |
|     | 958 522 805 47 D0J | Cream   | -MJ          |     |  |
|     | 958 522 805 47 D0K | Light Tartufo                                     |              |     |  |
|     | 958 522 805 47 AAB | Black/Carrera Red                                 | -TA          |     |  |
|     | 958 522 805 47 AAC | Black/Luxor Beige                                 | -77          |     |  |
| (4) | 958 522 805 48     | Backrest cover<br>Comfort seat<br>Plain leather   | left         | 1   | PR:GP1,N0Q,<br>N1B,N1M,N5U,<br>4D0,4D3,4X4,<br>3NW |
|     |                    | with:   |              |     |  |
|     |                    | Airbag<br>D - MJ 2015>>                           |              |     |  |
|     | 958 522 805 48 AAB | Black/Carrera Red                                 | -TA          |     |  |
|     | 958 522 805 48 AAC | Black/Luxor Beige                                 | -77          |     |  |
|     | 958 522 805 48 D0D | Black   | -LC,MA,YC    |     |  |
|     | 958 522 805 48 D0F | Luxor beige                                       | -LE,MC,YE    |     |  |
|     | 958 522 805 48 FSR | Luxor beige                                       | -MK          |     |  |
|     | 958 522 805 48 HGK | Black/Cream                                       | -LG          |     |  |
|     | 958 522 805 48 HHD | Saddle Tan/Black                                  | -MI          |     |  |
|     | 958 522 805 48 HHI | Cream/Saddle Tan                                  | -MJ          |     |  |
|     | 958 522 805 48 YKI | agate grey  | -MB,MG,ML    |     |  |
|     | 958 522 805 48 YMI | saddle brown                                      | -ME,MH       |     |  |
| (4) | 958 522 805 52     | Backrest cover<br>Standard seat<br>Plain leather  | left         | 1   | PR:NOQ,N1B,<br>N1M,N5U,4A0,<br>4A3,4X3             |
|     | 958 522 805 52 D0D | Black   | -LC,MA,YC    |     |  |
|     | 958 522 805 52 D0E | Platinum Grey                                     | -LD,MD,YD    |     |  |
|     | 958 522 805 52 D0F | Luxor beige                                       | -LE,MC,YE    |     |  |
|     | 958 522 805 52 D0G | Umber   | -LF,YF       |     |  |
|     | 958 522 805 52 D0H | Titanium Blue                                     |              |     |  |
|     | 958 522 805 52 D0J | Cream   | -TX          |     |  |
|     | 958 522 805 52 D0K | Light Tartufo                                     | -TY          |     |  |
|     | 958 522 805 52 AAB | Black/Carrera Red                                 | -TA          |     |  |
|     | 958 522 805 52 AAC | Black/Luxor Beige                                 | -TB,77       |     |  |
| (4) | 958 522 805 56     | Backrest cover<br>Standard seat<br>Draped leather | left         | 1   | PR:N7D,4A0,<br>4A3,4X4                             |
|     |                    | with:   |              |     |  |
|     |                    | Airbag<br>D >> - MJ 2013                          |              |     |  |
|     | 958 522 805 56 D0D | Black   | -LC,MA,YC    |     |  |
|     | 958 522 805 56 D0E | Platinum Grey                                     | -LD,MD,YD    |     |  |



Model: 92A 11 Model life 2011>>2018

| Pos | Part Number        | Description  | Remark    | Qty | Model                  |
|-----|--------------------|--|-----------|-----|------------------------|
| (4) | 958 522 805 56 D0F | Luxor beige  | -LE,MC,YE | 1   | PR:N7D,4A0,4A3,4X4     |
|     | 958 522 805 56 D0G | Umber  | -LF,YF    |     |                        |
|     | 958 522 805 56 D0H | Titanium Blue  | -TW       |     |                        |
|     | 958 522 805 56 D0J | Cream  | -TX       |     |                        |
|     | 958 522 805 56 D0K | Light Tartufo  | -TY       |     |                        |
|     | 958 522 805 57     | Backrest cover<br>Standard seat<br>Draped leather                      | left      |     |                        |
|     |                    |  | with:     |     |                        |
|     |                    | Airbag<br>D - MJ 2014>>  |           |     |                        |
|     | 958 522 805 57 D0D | Black  | -LC,MA,YC |     |                        |
|     | 958 522 805 57 D0E | Platinum Grey  | -LD,MD,YD |     |                        |
|     | 958 522 805 57 D0F | Luxor beige  | -LE,MC,YE |     |                        |
|     | 958 522 805 57 D0G | Umber  | -LF,YF    |     |                        |
|     | 958 522 805 57 D0H | Titanium Blue  |           |     |                        |
|     | 958 522 805 57 D0J | Cream  | -TX       |     |                        |
| (4) | 958 522 805 57 D0K | Light Tartufo  | -TY       | 1   | PR:N1A,N1P,4A0,4A3,4X3 |
|     | 958 522 805 57 FSR | Luxor Beige/Saddle Tan   | -MK       |     |                        |
|     | 958 522 805 57 HHD | Saddle Tan/Black   | -MI       |     |                        |
|     | 958 522 805 57 HHI | Cream/Saddle Tan   | -MJ       |     |                        |
|     | 958 522 805 57 YKI | agate grey   | -MB,MG    |     |                        |
|     | 958 522 805 57 YMI | saddle brown   | -MH       |     |                        |
|     | 958 522 805 61     | Backrest cover<br>Standard seat<br>Leather<br>Nature                   | left      |     |                        |
|     |                    | D >> - MJ 2013   |           |     |                        |
|     | 958 522 805 61 D0L | Espresso   | -VA       |     |                        |
|     | 958 522 805 61 D0M | Cognac   | -VB       |     |                        |
|     | 958 522 805 62     | Backrest cover<br>Standard seat<br>Leather<br>Nature                   | left      |     |                        |
|     |                    | D - MJ 2014>>  |           |     |                        |
|     | 958 522 805 62 D0L | Espresso   | -VA       |     |                        |
|     | 958 522 805 62 D0M | Cognac   | -VB       |     |                        |
| (4) | 958 522 805 65     | Backrest cover<br>Standard seat<br>Leather<br>Nature                   | left      | 1   | PR:N1A,N1P,4A0,4A3,4X4 |
|     |                    |  | with:     |     |                        |
|     |                    | Airbag<br>D >> - MJ 2013   |           |     |                        |
|     | 958 522 805 65 D0L | Espresso   | -VA       |     |                        |
|     | 958 522 805 65 D0M | Cognac   | -VB       |     |                        |
|     | 958 522 805 66     | Backrest cover<br>Standard seat<br>Leather<br>Nature                   | left      |     |                        |
|     |                    |  | with:     |     |                        |
|     |                    | Airbag<br>D - MJ 2014>>  |           |     |                        |
|     | 958 522 805 66 D0L | Espresso   | -VA       |     |                        |
|     | 958 522 805 66 D0M | Cognac   | -VB       |     |                        |
|     | 958 522 805 71     | Backrest cover<br>Standard seat<br>Leather<br>Nature<br>Draped leather | left      |     |                        |
|     |                    | D >> - MJ 2013   |           |     |                        |
|     | 958 522 805 71 D0L | Espresso   | -VA       |     |                        |
|     | 958 522 805 71 D0M | Cognac   | -VB       |     |                        |

Model: 92A 11 Model life 2011>>2018

| Pos | Part Number        | Description   | Remark    | Qty | Model                                  |
|-----|--------------------|---|-----------|-----|--|
| (4) | 958 522 805 72     | Backrest cover<br>Standard seat<br>Leather<br>Nature<br>Draped leather<br>D - MJ 2014>> | left      | 1   | PR:N5Y,4A0,<br>4A3,4X3                 |
|     | 958 522 805 72 D0L | Espresso  | -VA       |     |  |
|     | 958 522 805 72 D0M | Cognac  | -VB       |     |  |
| (4) | 958 522 805 76     | Backrest cover<br>Standard seat<br>Leather<br>Nature<br>Draped leather                  | left      | 1   | PR:N5Y,4A0,<br>4A3,4X4                 |
|     |                    | with:   |           |     |  |
|     |                    | Airbag<br>D >> - MJ 2013  |           |     |  |
|     | 958 522 805 76 D0L | Espresso  | -VA       |     |  |
|     | 958 522 805 76 D0M | Cognac  | -VB       |     |  |
| (4) | 958 522 805 77     | Backrest cover<br>Standard seat<br>Leather<br>Nature<br>Draped leather                  | left      | 1   | PR:N5Y,4A0,<br>4A3,4X4                 |
|     |                    | with:   |           |     |  |
|     |                    | Airbag<br>D - MJ 2014>>   |           |     |  |
|     | 958 522 805 77 D0L | Espresso  | -VA       |     |  |
|     | 958 522 805 77 D0M | Cognac  | -VB       |     |  |
| (4) | 958 522 805 88     | Backrest cover<br>Standard seat<br>Plain leather<br>for<br>Seat heater<br>Airbag        | left      | 1   | PR:NOQ,N1B,<br>N1M,N5U,3NW,<br>4A4,4X4 |
|     | 958 522 805 88 D0D | Black   | -LC,MA,YC |     |  |
|     | 958 522 805 88 D0E | Platinum Grey   | -LD,MD,YD |     |  |
|     | 958 522 805 88 D0F | Luxor beige   | -LE,MC,YE |     |  |
|     | 958 522 805 88 D0G | Umber   | -LF,YF,TX |     |  |
|     | 958 522 805 88 D0H | Titanium Blue   | -TW       |     |  |
|     | 958 522 805 88 D0J | Cream   | -TX       |     |  |
|     | 958 522 805 88 D0K | Light Tartufo   | -TY       |     |  |
|     | 958 522 805 88 AAB | Black/Carrera Red   | -TA       |     |  |
|     | 958 522 805 88 AAC | Black/Luxor Beige   | -TB,77    |     |  |
|     | 958 522 805 88 HGK | Black/Cream   | -LG       |     |  |
| (4) | 958 522 805 87     | Backrest cover<br>Standard seat<br>Plain leather<br>for<br>Seat heater<br>Airbag        | left      | 1   | PR:NOQ,N1B,<br>3NW,N5U,4A4,<br>4X3     |
|     |                    | with:   |           |     |  |
|     |                    | D >> - MJ 2013  |           |     |  |
|     | 958 522 805 87 D0D | Black   | -LC,MA,YC |     |  |
|     | 958 522 805 87 D0E | Platinum Grey   | -LD,MD,YD |     |  |
|     | 958 522 805 87 D0F | Luxor beige   | -LE,MC,YE |     |  |
|     | 958 522 805 87 D0G | Umber   | -LF,YF    |     |  |
|     | 958 522 805 87 D0H | Titanium Blue   | -TW       |     |  |
|     | 958 522 805 87 D0J | Cream   | -TX       |     |  |
|     | 958 522 805 87 D0K | Light Tartufo   | -TY       |     |  |
|     | 958 522 805 87 AAB | Black/Carrera Red   | -TA       |     |  |
|     | 958 522 805 87 AAC | Black/Luxor Beige   | -TB       |     |  |
| (4) | 958 522 805 89     | Backrest cover<br>Standard seat<br>Plain leather  | left      | 1   | PR:NOQ,N1B,<br>N1M,N5U,4A4,<br>4X3     |

Model: 92A 11 Model life 2011>>2018

| Pos | Part Number        | Description   | Remark    | Qty | Model              |
|-----|--------------------|---|-----------|-----|--------------------|
|     |                    | for<br>Seat heater<br>Airbag<br>D - MJ 2014>>   |           |     |                    |
|     | 958 522 805 89 D0D | Black   | -LC,MA,YC |     |                    |
|     | 958 522 805 89 D0E | Platinum Grey   | -LD,MD,YD |     |                    |
|     | 958 522 805 89 D0F | Luxor beige   | -LE,MC,YE |     |                    |
|     | 958 522 805 89 D0G | Umber   | -LF,YF    |     |                    |
|     | 958 522 805 89 D0H | Titanium Blue   |           |     |                    |
|     | 958 522 805 89 D0J | Cream   | -TX       |     |                    |
|     | 958 522 805 89 D0K | Light Tartufo   | -TY       |     |                    |
|     | 958 522 805 89 AAB | Black/Carrera Red   | -TA       |     |                    |
|     | 958 522 805 89 AAC | Black/Luxor Beige   | -TB,77    |     |                    |
|     | 958 522 805 89 HGK | Black/Cream   | -LG       |     |                    |
| (4) | 958 522 805 91     | Backrest cover<br>Standard seat<br>Draped leather<br>for<br>Seat heater<br>D >> - MJ 2013           | left      | 1   | PR:N7D,4A4,<br>4X3 |
|     | 958 522 805 91 D0D | Black   | -LC,MA,YC |     |                    |
|     | 958 522 805 91 D0E | Platinum Grey   | -LD,MD,YD |     |                    |
|     | 958 522 805 91 D0F | Luxor beige   | -LE,MC,YE |     |                    |
|     | 958 522 805 91 D0G | Umber   | -LF,YF    |     |                    |
|     | 958 522 805 91 D0H | Titanium Blue   | -TW       |     |                    |
|     | 958 522 805 91 D0J | Cream   | -TX       |     |                    |
|     | 958 522 805 91 D0K | Light Tartufo   | -TY       |     |                    |
| (4) | 958 522 805 92     | Backrest cover<br>Standard seat<br>Draped leather<br>for<br>Seat heater<br>D - MJ 2014>>            | left      | 1   | PR:N7D,4A4,<br>4X3 |
|     | 958 522 805 92 D0D | Black   | -LC,MA,YC |     |                    |
|     | 958 522 805 92 D0E | Platinum Grey   | -LD,MD,YD |     |                    |
|     | 958 522 805 92 D0F | Luxor beige   | -LE,MC,YE |     |                    |
|     | 958 522 805 92 D0G | Umber   | -LF,YF    |     |                    |
|     | 958 522 805 92 D0H | Titanium Blue   |           |     |                    |
|     | 958 522 805 92 D0J | Cream   | -MJ       |     |                    |
|     | 958 522 805 92 D0K | Light Tartufo   | -TY       |     |                    |
|     | 958 522 805 92 FSR | Luxor Beige/Saddle Tan  | -MK       |     |                    |
|     | 958 522 805 92 HHD | Saddle Tan/Black  | -MI       |     |                    |
|     | 958 522 805 92 HHI | Cream/Saddle Tan  | -MJ       |     |                    |
|     | 958 522 805 92 YKI | agate grey  | -MB,MG    |     |                    |
|     | 958 522 805 92 YMI | saddle brown  | -MH       |     |                    |
| (4) | 958 522 805 96     | Backrest cover<br>Standard seat<br>Draped leather<br>for<br>Seat heater<br>Airbag<br>D >> - MJ 2013 | left      | 1   | PR:N7D,4A4,<br>4X4 |
|     | 958 522 805 96 D0D | Black   | -LC,MA,YC |     |                    |
|     | 958 522 805 96 D0E | Platinum Grey   | -LD,MD,YD |     |                    |
|     | 958 522 805 96 D0F | Luxor beige   | -LE,MC,YE |     |                    |
|     | 958 522 805 96 D0G | Umber   | -LF,YF    |     |                    |
|     | 958 522 805 96 D0H | Titanium Blue   | -TW       |     |                    |
|     | 958 522 805 96 D0J | Cream   | -TX       |     |                    |
|     | 958 522 805 96 D0K | Light Tartufo   | -TY       |     |                    |
| (4) | 958 522 805 97     | Backrest cover<br>Standard seat<br>Draped leather<br>for  | left      | 1   | PR:N7D,4A4,<br>4X4 |

Model: 92A 11 Model life 2011>>2018

| Pos | Part Number        | Description            | Remark    | Qty | Model                  |
|-----|--------------------|------------------------|-----------|-----|------------------------|
|     |                    | Seat heater            |           |     |                        |
|     |                    | Airbag                 |           |     |                        |
|     |                    | D - MJ 2014>>          |           |     |                        |
|     | 958 522 805 97 D0D | Black                  | -LC,MA,YC |     |                        |
|     | 958 522 805 97 D0E | Platinum Grey          | -LD,MD,YD |     |                        |
|     | 958 522 805 97 D0F | Luxor beige            | -LE,MC,YE |     |                        |
|     | 958 522 805 97 D0G | Umber                  | -LF,YF    |     |                        |
|     | 958 522 805 97 D0H | Titanium Blue          |           |     |                        |
|     | 958 522 805 97 D0J | Cream                  | -MJ       |     |                        |
|     | 958 522 805 97 D0K | Light Tartufo          | -TY       |     |                        |
|     | 958 522 805 97 FSR | Luxor Beige/Saddle Tan | -MK       |     |                        |
|     | 958 522 805 97 HHD | Saddle Tan/Black       | -MI       |     |                        |
|     | 958 522 805 97 HHI | Cream/Saddle Tan       | -MJ       |     |                        |
|     | 958 522 805 97 YKI | agate grey             | -MB,MG    |     |                        |
|     | 958 522 805 97 YMI | saddle brown           | -MH       |     |                        |
| (4) | 958 522 807 01     | Backrest cover         | left      | 1   | PR:N1A,N1P,<br>4A4,4X3 |
|     |                    | Standard seat          |           |     |                        |
|     |                    | Leather                |           |     |                        |
|     |                    | Nature                 |           |     |                        |
|     |                    | for                    |           |     |                        |
|     |                    | Seat heater            |           |     |                        |
|     |                    | D >> - MJ 2013         |           |     |                        |
|     | 958 522 807 01 D0L | Espresso               | -VA       |     |                        |
|     | 958 522 807 01 D0M | Cognac                 | -VB       |     |                        |
| (4) | 958 522 807 02     | Backrest cover         | left      | 1   | PR:N1A,N1P,<br>4A4,4X3 |
|     |                    | Standard seat          |           |     |                        |
|     |                    | Leather                |           |     |                        |
|     |                    | Nature                 |           |     |                        |
|     |                    | for                    |           |     |                        |
|     |                    | Seat heater            |           |     |                        |
|     |                    | D - MJ 2014>>          |           |     |                        |
|     | 958 522 807 02 D0L | Espresso               | -VA       |     |                        |
|     | 958 522 807 02 D0M | Cognac                 | -VB       |     |                        |
| (4) | 958 522 807 12     | Backrest cover         | left      | 1   | PR:N1A,N1P,<br>4A4,4X4 |
|     |                    | Standard seat          |           |     |                        |
|     |                    | Leather                |           |     |                        |
|     |                    | for                    |           |     |                        |
|     |                    | Seat heater            |           |     |                        |
|     |                    | Airbag                 |           |     |                        |
|     |                    | D >> - MJ 2013         |           |     |                        |
|     | 958 522 807 12 D0L | Espresso               | -VA       |     |                        |
|     | 958 522 807 12 D0M | Cognac                 | -VB       |     |                        |
| (4) | 958 522 807 08     | Backrest cover         | left      | 1   | PR:GP1,N1A,<br>4D1,4X4 |
|     |                    | Standard seat          |           |     |                        |
|     |                    | Leather                |           |     |                        |
|     |                    | for                    |           |     |                        |
|     |                    | Seat heater            |           |     |                        |
|     |                    | Airbag                 |           |     |                        |
|     |                    | D - MJ 2015>>          |           |     |                        |
|     | 958 522 807 08 D0L | Espresso               | -VA       |     |                        |
|     | 958 522 807 08 D0M | Cognac                 | -VB       |     |                        |
| (4) | 958 522 807 06     | Backrest cover         | left      | 1   | PR:N1A,N1P,<br>4A4,4X4 |
|     |                    | Comfort seat           |           |     |                        |
|     |                    | Leather                |           |     |                        |
|     |                    | for                    |           |     |                        |
|     |                    | Seat heater            |           |     |                        |
|     |                    | Airbag                 |           |     |                        |
|     |                    | D - MJ 2014>>          |           |     |                        |
|     | 958 522 807 06 D0L | Espresso               | -VA       |     |                        |
|     | 958 522 807 06 D0M | Cognac                 | -VB       |     |                        |
| (4) | 958 522 807 11     | Backrest cover         | left      | 1   | PR:N5Y,4A4,<br>4X3     |
|     |                    | Standard seat          |           |     |                        |
|     |                    | Leather                |           |     |                        |

Model: 92A 11 Model life 2011>>2018

| Pos | Part Number  | Description  | Remark                     | Qty | Model  |
|-----|--|--|----------------------------|-----|--|
|     |  | Nature<br>Draped leather<br>for<br>Seat heater<br>D >> - MJ 2013   |                            |     |  |
| (4) | 958 522 807 11 D0L<br>958 522 807 11 D0M<br>958 522 807 13                       | Espresso<br>Cognac<br>Backrest cover<br>Standard seat<br>Leather<br>Nature<br>Draped leather<br>for<br>Seat heater<br>D - MJ 2014>>            | -VA<br>-VB<br>left         | 1   | PR:N5Y,4A4,<br>4X3                                 |
| (4) | 958 522 807 13 D0L<br>958 522 807 13 D0M<br>958 522 807 16                       | Espresso<br>Cognac<br>Backrest cover<br>Standard seat<br>Leather<br>Nature<br>Draped leather<br>for<br>Seat heater<br>Airbag<br>D >> - MJ 2013 | -VA<br>-VB<br>left         | 1   | PR:N5Y,4A4,<br>4X4                                 |
| (4) | 958 522 807 16 D0L<br>958 522 807 16 D0M<br>958 522 807 17                       | Espresso<br>Cognac<br>Backrest cover<br>Standard seat<br>Leather<br>Nature<br>Draped leather<br>for<br>Seat heater<br>Airbag<br>D - MJ 2014>>  | -VA<br>-VB<br>left         | 1   | PR:N5Y,4A4,<br>4X4                                 |
| 5   | 958 522 807 17 D0L<br>958 522 807 17 D0M<br>958 522 806 02                       | Espresso<br>Cognac<br>Backrest cover<br>Standard seat<br>Leather<br>Embossed<br>D >> - MJ 2014   | -VA<br>-VB<br>right        | 1   | PR:N1X,4A0,<br>4X3,4A3                             |
| (5) | 958 522 806 02 D0A<br>958 522 806 02 D0B<br>958 522 806 02 D0C<br>958 522 806 07 | Black<br>Platinum Grey<br>Luxor beige<br>Backrest cover<br>Standard seat<br>Leather<br>Embossed<br>with:                                       | -MA<br>-MD<br>-MC<br>right | 1   | PR:N1X,4A0,<br>4A3,4X4                             |
| (5) | 958 522 806 07 D0A<br>958 522 806 07 D0B<br>958 522 806 07 D0C<br>958 522 806 08 | Black<br>Platinum Grey<br>Luxor beige<br>Backrest cover<br>Standard seat<br>Leather<br>with:   | -MA<br>-MD<br>-MC<br>right | 1   | PR:GP1,N0Q,<br>N1B,N1M,N5U,<br>4D0,4D3,4X4,<br>3NW |
|     | 958 522 806 08 AAB<br>958 522 806 08 D0D   | Airbag<br>Black/Carrera Red<br>Black   | -TA<br>-LC,MA,YC           |     |  |

Model: 92A 11 Model life 2011>>2018

| Pos | Part Number                    | Description  | Remark    | Qty | Model                  |
|-----|--------------------------------|--|-----------|-----|------------------------|
| (5) | 958 522 806 08 D0F             | Luxor beige  | -LE,MC,YE | 1   | PR:N7F,4A0,<br>4A3,4X3 |
|     | 958 522 806 08 YKI             | agate grey   | -MB,MG,ML |     |                        |
|     | 958 522 806 08 AAC             | Black/Luxor Beige  | -77       |     |                        |
|     | 958 522 810 00                 | Backrest cover<br>Standard seat<br>Draped leather<br>Embossed                | right     |     |                        |
|     |                                | D >> - MJ 2015   |           |     |                        |
| (5) | 958 522 810 00 D0A             | Black  | -MA       | 1   | PR:N7F,4A0,<br>4A3,4X3 |
|     | 958 522 810 00 D0B             | Platinum Grey  | -MD       |     |                        |
|     | 958 522 810 00 D0C             | Luxor beige  | -MC       |     |                        |
|     | 958 522 810 50                 | Backrest cover<br>Standard seat<br>Draped leather<br>Embossed                | right     |     |                        |
|     |                                | D - MJ 2014>>  |           |     |                        |
| (5) | 958 522 810 50 D0A             | Black  | -MA       | 1   | PR:N7F,4A0,<br>4A3,4X4 |
|     | 958 522 810 50 D0B             | Platinum Grey  | -MD       |     |                        |
|     | 958 522 810 50 D0C             | Luxor beige  | -MC       |     |                        |
|     | 958 522 810 50 DJL             | agate grey   | -MB       |     |                        |
|     | 958 522 810 02                 | Backrest cover<br>Standard seat<br>Draped leather<br>Embossed                | right     |     |                        |
|     | D with:<br>Airbag >> - MJ 2014 |  |           |     |                        |
| (5) | 958 522 810 02 D0A             | Black  | -MA       | 1   | PR:N7F,4A0,<br>4A3,4X4 |
|     | 958 522 810 02 D0B             | Platinum Grey  | -MD       |     |                        |
|     | 958 522 810 02 D0C             | Luxor beige  | -MC       |     |                        |
|     | 958 522 810 52                 | Backrest cover<br>Standard seat<br>Draped leather<br>Embossed                | right     |     |                        |
|     |                                | D with:<br>Airbag >> - MJ 2014>>   |           |     |                        |
| (5) | 958 522 810 52 D0A             | Black  | -MA       | 1   | PR:N1X,4A4,<br>4X3     |
|     | 958 522 810 52 D0B             | Platinum Grey  | -MD       |     |                        |
|     | 958 522 810 52 D0C             | Luxor beige  | -MC       |     |                        |
|     | 958 522 810 52 DJL             | agate grey   | -MB       |     |                        |
|     | 958 522 806 20                 | Backrest cover<br>Standard seat<br>Leather<br>Embossed<br>for<br>Seat heater | right     |     |                        |
|     | D >> - MJ 2014                 |  |           |     |                        |
| (5) | 958 522 806 20 D0A             | Black  | -MA       | 1   | PR:N1X,4A4,<br>4X3     |
|     | 958 522 806 20 D0B             | Platinum Grey  | -MD       |     |                        |
|     | 958 522 806 20 D0C             | Luxor beige  | -MC       |     |                        |
|     | 958 522 806 22                 | Backrest cover<br>Standard seat<br>Leather<br>Embossed<br>for<br>Seat heater | right     |     |                        |
|     |                                | D - MJ 2014>>  |           |     |                        |
| (5) | 958 522 806 22 D0A             | Black  | -MA       | 1   | PR:N1X,3NW,<br>4A4,4X4 |
|     | 958 522 806 22 D0B             | Platinum Grey  | -MD       |     |                        |
|     | 958 522 806 22 D0C             | Luxor beige  | -MC       |     |                        |
|     | 958 522 806 27                 | Backrest cover<br>Standard seat  | right     |     |                        |
|     |                                |  |           |     |                        |

Model: 92A 11 Model life 2011>>2018

| Pos | Part Number        | Description   | Remark    | Qty | Model                      |
|-----|--------------------|---|-----------|-----|----------------------------|
|     |                    | Leather<br>Embossed<br>for<br>Seat heater<br>Airbag   |           |     |                            |
|     | 958 522 806 27 D0A | Black   | -MA       |     |                            |
|     | 958 522 806 27 D0B | Platinum Grey   | -MD       |     |                            |
|     | 958 522 806 27 D0C | Luxor beige   | -MC       |     |                            |
| (5) | 958 522 810 01     | Backrest cover<br>Standard seat<br>Draped leather<br>Embossed<br>for<br>Seat heater<br>D >> - MJ 2014           | right     | 1   | PR:N7F,3NW,<br>4A4,4X3     |
|     | 958 522 810 01 D0A | Black   | -MA       |     |                            |
|     | 958 522 810 01 D0B | Platinum Grey   | -MD       |     |                            |
|     | 958 522 810 01 D0C | Luxor beige   | -MC       |     |                            |
| (5) | 958 522 810 51     | Backrest cover<br>Standard seat<br>Draped leather<br>Embossed<br>for<br>Seat heater<br>D - MJ 2014>>            | right     | 1   | PR:N7F,3NW,<br>4A4,4X3     |
|     | 958 522 810 51 D0A | Black   | -MA       |     |                            |
|     | 958 522 810 51 D0B | Platinum Grey   | -MD       |     |                            |
|     | 958 522 810 51 D0C | Luxor beige   | -MC       |     |                            |
|     | 958 522 810 51 DJL | agate grey  | -MB       |     |                            |
| (5) | 958 522 810 03     | Backrest cover<br>Standard seat<br>Draped leather<br>Embossed<br>for<br>Seat heater<br>Airbag<br>D >> - MJ 2014 | right     | 1   | PR:N7F,3NW,<br>4A4,4X4     |
|     | 958 522 810 03 D0A | Black   | -MA       |     |                            |
|     | 958 522 810 03 D0B | Platinum Grey   | -MD       |     |                            |
|     | 958 522 810 03 D0C | Luxor beige   | -MC       |     |                            |
| (5) | 958 522 810 53     | Backrest cover<br>Standard seat<br>Draped leather<br>Embossed<br>for<br>Seat heater<br>Airbag<br>D - MJ 2014>>  | right     | 1   | PR:N7F,3NW,<br>4A4,4X4     |
|     | 958 522 810 53 D0A | Black   | -MA       |     |                            |
|     | 958 522 810 53 D0B | Platinum Grey   | -MD       |     |                            |
|     | 958 522 810 53 D0C | Luxor beige   | -MC       |     |                            |
|     | 958 522 810 53 DJL | agate grey  | -MB       |     |                            |
| (5) | 958 522 810 05     | Backrest cover<br>Standard seat<br>Comfort seat<br>Draped leather<br>D >> - MJ 2014                             | right     | 1   | PR:N7D,3NW,<br>4A0,4X3,4A3 |
|     | 958 522 810 05 D0D | Black   | -LC,MA,YC |     |                            |
|     | 958 522 810 05 D0E | Platinum Grey   | -LD,MD,YD |     |                            |
|     | 958 522 810 05 D0F | Luxor beige   | -LE,MC,YE |     |                            |
|     | 958 522 810 05 D0G | Umber   | -LF,YF    |     |                            |
|     | 958 522 810 05 D0H | Titanium Blue   | -TW       |     |                            |
|     | 958 522 810 05 D0J | Cream   | -TX       |     |                            |

Model: 92A 11 Model life 2011>>2018

| Pos | Part Number        | Description   | Remark          | Qty | Model                                     |   |  |
|-----|--------------------|---|-----------------|-----|---|---|--|
| (5) | 958 522 810 05 DOK | Light Tartufo   | -TY             | 1   | PR:N7D, 3NW, 4A3, 4X3, 4A0                |   |  |
|     | 958 522 810 55     | Backrest cover<br>Draped leather<br>D - MJ 2014>>                       | right           |     |   |   |  |
|     | 958 522 810 55 DOD | Black   | -LC, MA, YC     |     |   |   |  |
|     | 958 522 810 55 D0E | Platinum Grey   | -LD, MD, YD     |     |   |   |  |
|     | 958 522 810 55 D0F | Luxor beige   | -LE, MC, YE     |     |   |   |  |
|     | 958 522 810 55 D0G | Umber   | -LF, YF         |     |   |   |  |
|     | 958 522 810 55 D0H | Titanium Blue   |                 |     |   |   |  |
|     | 958 522 810 55 D0J | Cream   | -TX             |     |   |   |  |
|     | 958 522 810 55 DOK | Light Tartufo   | -TY             |     |   |   |  |
|     | 958 522 810 55 FSR | Luxor Beige/Saddle Tan  | -MK             |     |   |   |  |
|     | 958 522 810 55 HHD | Saddle Tan/Black  | -MI             |     |   |   |  |
|     | 958 522 810 55 HHI | Cream/Saddle Tan  | -MJ             |     |   |   |  |
|     | 958 522 810 55 YKI | agate grey  | -MB, MG         |     |   |   |  |
|     | 958 522 810 55 YMI | saddle brown  | -MH             |     |   |   |  |
| (5) | 958 522 810 28     | Backrest cover<br>Standard seat<br>Plain leather                        | right           |     |   | 1 | PR:N5U, 3NW, 4A0, 4X4, 4A3, N1M            |
|     |                    | with:<br>Airbag   |                 |     |   |   |  |
|     | 958 522 810 28 DOD | Black   | -LC, MA, YC     |     |   |   |  |
|     | 958 522 810 28 D0E | Platinum Grey   | -LD, MD, YD     |     |   |   |  |
|     | 958 522 810 28 D0F | Luxor beige   | -LE, MC, YE     |     |   |   |  |
|     | 958 522 810 28 D0G | Black/umbra   | -LF, YF         |     |   |   |  |
|     | 958 522 810 28 D0H | Titanium Blue   |                 |     |   |   |  |
|     | 958 522 810 28 D0J | Cream   | -TX             |     |   |   |  |
|     | 958 522 810 28 DOK | Black/tartufo, light  | -TY             |     |   |   |  |
|     | 958 522 810 28 AAB | Black/Carrera Red   | -TA             |     |   |   |  |
|     | 958 522 810 28 AAC | Black/Luxor Beige   | -TB, 77         |     |   |   |  |
| (5) | 958 522 810 38     | Backrest cover<br>Comfort seat<br>Plain leather                         | right           | 1   | PR:GP1, N0Q, N1B, N1M, N5U, 4D0, 4D3, 4X3 |   |  |
|     |                    | with:<br>Airbag   |                 |     |   |   |  |
|     | 958 522 810 38 AAB | Black/Carrera Red   | -TA             |     |   |   |  |
|     | 958 522 810 38 AAC | Black/Luxor Beige   | -77             |     |   |   |  |
|     | 958 522 810 38 DOD | Black   | -LC, MA, YC     |     |   |   |  |
|     | 958 522 810 38 FSR | Luxor Beige/Saddle Tan  | -MK             |     |   |   |  |
|     | 958 522 810 38 HHD | Saddle Tan/Black  | -MI             |     |   |   |  |
|     | 958 522 810 38 HHI | Cream/Saddle Tan  | -MJ             |     |   |   |  |
|     | 958 522 810 38 YKI | agate grey  | -MB, MG         |     |   |   |  |
|     | 958 522 810 38 YMI | saddle brown  | -ME, MH         |     |   |   |  |
|     | 958 522 810 38 HEB | Cohiba Brown/Black  | -LH             |     |   |   |  |
|     | 958 522 810 38 HGK | Black/Cream   | -LG             |     |   |   |  |
|     | 958 522 810 38 D0F | Luxor beige   | -LE, MC, YE, MK |     |   |   |  |
| (5) | 958 522 810 34     | Backrest cover<br>Standard seat<br>Plain leather                        | right           |     |   | 1 | PR:N0Q, N1B, N1M, N5U, 4A0, 4A3, 4X3, -GP1 |
|     | 958 522 810 34 DOD | Black   | -LC, MA, YC     |     |   |   |  |
|     | 958 522 810 34 D0E | Platinum Grey   | -LD, MD, YD     |     |   |   |  |
|     | 958 522 810 34 D0F | Luxor beige   | -LE, MC, YE     |     |   |   |  |
|     | 958 522 810 34 D0G | Umber   | -LF, YF         |     |   |   |  |
|     | 958 522 810 34 D0H | Titanium Blue   |                 |     |   |   |  |
|     | 958 522 810 34 D0J | Cream   | -TX             |     |   |   |  |
|     | 958 522 810 34 DOK | Light Tartufo   | -TY             |     |   |   |  |
|     | 958 522 810 34 AAB | Black/Carrera Red   | -TA             |     |   |   |  |
|     | 958 522 810 34 AAC | Black/Luxor Beige   | -TB, 77         |     |   |   |  |
| (5) | 958 522 810 08     | Backrest cover<br>Standard seat<br>Draped leather<br>for<br>Seat heater | right           | 1   | PR:N7D, 4A0, 4A3, 4X4                     |   |  |



Model: 92A 11 Model life 2011>>2018

| Pos | Part Number        | Description  | Remark     | Qty | Model                         |
|-----|--------------------|--|------------|-----|-------------------------------|
|     |                    | D >> - MJ 2013   |            |     |                               |
|     | 958 522 810 08 D0D | Black  | -LC,MA, YC |     |                               |
|     | 958 522 810 08 D0E | Platinum Grey  | -LD,MD, YD |     |                               |
|     | 958 522 810 08 D0F | Luxor beige  | -LE,MC, YE |     |                               |
|     | 958 522 810 08 D0G | Umber  | -LF, YF    |     |                               |
|     | 958 522 810 08 D0H | Titanium Blue  | -TW        |     |                               |
|     | 958 522 810 08 D0J | Cream  | -TX        |     |                               |
|     | 958 522 810 08 D0K | Light Tartufo  | -TY        |     |                               |
| (5) | 958 522 810 36     | Backrest cover<br>Standard seat<br>Draped leather<br>for<br>Seat heater<br>D - MJ 2014>> | right      | 1   | PR:N7D, 4A0,<br>4A3, 4X4      |
|     | 958 522 810 36 D0D | Black  | -LC,MA, YC |     |                               |
|     | 958 522 810 36 D0E | Platinum Grey  | -LD,MD, YD |     |                               |
|     | 958 522 810 36 D0F | Luxor beige  | -LE,MC, YE |     |                               |
|     | 958 522 810 36 D0G | Umber  | -LF, YF    |     |                               |
|     | 958 522 810 36 D0H | Titanium Blue  |            |     |                               |
|     | 958 522 810 36 D0J | Cream  | -TX        |     |                               |
|     | 958 522 810 36 D0K | Light Tartufo  | -TY        |     |                               |
|     | 958 522 810 36 FSR | Luxor Beige/Saddle Tan   | -MK        |     |                               |
|     | 958 522 810 36 HHD | Saddle Tan/Black   | -MI        |     |                               |
|     | 958 522 810 36 HHI | Cream/Saddle Tan   | -MJ        |     |                               |
|     | 958 522 810 36 YKI | agate grey   | -MB, MG    |     |                               |
|     | 958 522 810 36 YMI | saddle brown   | -MH        |     |                               |
| (5) | 958 522 810 11     | Backrest cover<br>Standard seat<br>Leather<br>Nature<br>D >> - MJ 2013                   | right      | 1   | PR:N1A, N1P,<br>4A0, 4A3, 4X3 |
|     | 958 522 810 11 D0L | Espresso   | -VA        |     |                               |
|     | 958 522 810 11 D0M | Cognac   | -VB        |     |                               |
| (5) | 958 522 810 41     | Backrest cover<br>Standard seat<br>Leather<br>Nature<br>D - MJ 2014>>                    | right      | 1   | PR:N1A, N1P,<br>4A0, 4A3, 4X3 |
|     | 958 522 810 41 D0L | Espresso   | -VA        |     |                               |
|     | 958 522 810 41 D0M | Cognac   | -VB        |     |                               |
| (5) | 958 522 810 32     | Backrest cover<br>Standard seat<br>Leather<br>Nature<br>with:                            | right      | 1   | PR:N1A, N1P,<br>4A0, 4A3, 4X4 |
|     | 958 522 810 32 D0L | Espresso   | -VA        |     |                               |
|     | 958 522 810 32 D0M | Cognac   | -VB        |     |                               |
| (5) | 958 522 810 12     | Backrest cover<br>Standard seat<br>Leather<br>Nature<br>Draped leather<br>D >> - MJ 2013 | right      | 1   | PR:N5Y, 4A0,<br>4A3, 4X3      |
|     | 958 522 810 12 D0L | Espresso   | -VA        |     |                               |
|     | 958 522 810 12 D0M | Cognac   | -VB        |     |                               |
| (5) | 958 522 810 42     | Backrest cover<br>Standard seat<br>Leather<br>Nature<br>Draped leather<br>D - MJ 2014>>  | right      | 1   | PR:N5Y, 4A0,<br>4A3, 4X3      |
|     | 958 522 810 42 D0L | Espresso   | -VA        |     |                               |

Model: 92A 11 Model life 2011>>2018

| Pos | Part Number                          | Description  | Remark       | Qty | Model  |
|-----|--------------------------------------|--|--------------|-----|--|
| (5) | 958 522 810 42 DOM<br>958 522 810 29 | Cognac<br>Backrest cover<br>Standard seat<br>Leather<br>Nature<br>Draped leather                   | -VB<br>right | 1   | PR:N5Y,4A0,<br>4A3,4X4                             |
|     |                                      | with:  |              |     |  |
|     | 958 522 810 29 D0L                   | Airbag<br>Espresso   | -VA          |     |  |
| (5) | 958 522 810 29 DOM<br>958 522 806 87 | Cognac<br>Backrest cover<br>Standard seat<br>Plain leather<br>for<br>Seat heater<br>D >> - MJ 2013 | -VB<br>right | 1   | PR:NOQ,N1B,<br>N5U,4A4,4X3,<br>3NW                 |
|     | 958 522 806 87 D0D                   | Black  | -LC,MA,YC    |     |  |
|     | 958 522 806 87 D0E                   | Platinum Grey  | -LD,MD,YD    |     |  |
|     | 958 522 806 87 D0F                   | Luxor beige  | -LE,MC,YE    |     |  |
|     | 958 522 806 87 D0G                   | Umber  | -LF,YF       |     |  |
|     | 958 522 806 87 D0H                   | Titanium Blue  | -TW          |     |  |
|     | 958 522 806 87 D0J                   | Cream  | -TX          |     |  |
|     | 958 522 806 87 D0K                   | Light Tartufo  | -TY          |     |  |
|     | 958 522 806 87 AAB                   | Black/Carrera Red  | -TA          |     |  |
|     | 958 522 806 87 AAC                   | Black/Luxor Beige  | -TB          |     |  |
| (5) | 958 522 806 88                       | Backrest cover<br>Standard seat<br>Plain leather<br>for<br>Seat heater<br>D - MJ 2014>>            | right        | 1   | PR:NOQ,N1B,<br>N1M,N5U,4A4,<br>4X3,3NW             |
|     | 958 522 806 88 D0D                   | Black  | -LC,MA,YC    |     |  |
|     | 958 522 806 88 D0E                   | Platinum Grey  | -LD,MD,YD    |     |  |
|     | 958 522 806 88 D0F                   | Luxor beige  | -LE,MC,YE    |     |  |
|     | 958 522 806 88 D0G                   | Umber  | -LF,YF       |     |  |
|     | 958 522 806 88 D0H                   | Titanium Blue  |              |     |  |
|     | 958 522 806 88 D0J                   | Cream  | -TX          |     |  |
|     | 958 522 806 88 D0K                   | Light Tartufo  | -TY          |     |  |
|     | 958 522 806 88 AAB                   | Black/Carrera Red  | -TA          |     |  |
|     | 958 522 806 88 AAC                   | Black/Luxor Beige  | -TB,77       |     |  |
|     | 958 522 806 88 HGK                   | Black/Cream  | -LG          |     |  |
| (5) | 958 522 810 33                       | Backrest cover<br>Comfort seat<br>Plain leather<br>for<br>Seat heater<br>Airbag                    | right        | 1   | PR:NOQ,N1B,<br>N1M,N5U,Q1G,<br>Q2J,3NW,4A4,<br>4X4 |
|     | 958 522 810 33 D0D                   | Black  | -LC,MA,YC    |     |  |
|     | 958 522 810 33 D0E                   | Platinum Grey  | -LD,MD,YD    |     |  |
|     | 958 522 810 33 D0F                   | Luxor beige  | -LE,MC,YE    |     |  |
|     | 958 522 810 33 D0G                   | Umber  | -LF,YF       |     |  |
|     | 958 522 810 33 D0J                   | Cream  | -TX          |     |  |
|     | 958 522 810 33 D0K                   | Light Tartufo  | -TY          |     |  |
|     | 958 522 810 33 AAB                   | Black/Carrera Red  | -TA          |     |  |
|     | 958 522 810 33 AAC                   | Black/Luxor Beige  | -TB,77       |     |  |
|     | 958 522 810 33 HGK                   | Black/Cream  | -LG          |     |  |
| (5) | 958 522 810 06                       | Backrest cover<br>Standard seat<br>Draped leather<br>for<br>Seat heater<br>D >> - MJ 2013          | right        | 1   | PR:N7D,4A4,<br>4X3                                 |
|     | 958 522 810 06 D0D                   | Black  | -LC,MA,YC    |     |  |

Model: 92A 11 Model life 2011>>2018

| Pos                | Part Number            | Description   | Remark    | Qty | Model              |
|--------------------|------------------------|---|-----------|-----|--------------------|
| (5)                | 958 522 810 06 D0E     | Platinum Grey   | -LD,MD,YD | 1   | PR:N7D,4A4,4X3     |
|                    | 958 522 810 06 D0F     | Luxor beige   | -LE,MC,YE |     |                    |
|                    | 958 522 810 06 D0G     | Umber   | -LF,YF    |     |                    |
|                    | 958 522 810 06 D0H     | Titanium Blue   | -TW       |     |                    |
|                    | 958 522 810 06 D0J     | Cream   | -TX       |     |                    |
|                    | 958 522 810 06 D0K     | Light Tartufo   | -TY       |     |                    |
|                    | 958 522 810 46         | Backrest cover<br>Standard seat<br>Draped leather<br>for<br>Seat heater<br>D - MJ 2014>>            | right     |     |                    |
|                    | 958 522 810 46 D0D     | Black   | -LC,MA,YC |     |                    |
|                    | 958 522 810 46 D0E     | Platinum Grey   | -LD,MD,YD |     |                    |
|                    | 958 522 810 46 D0F     | Luxor beige   | -LE,MC,YE |     |                    |
| 958 522 810 46 D0G | Umber                  | -LF,YF  |           |     |                    |
| 958 522 810 46 D0H | Titanium Blue          |   |           |     |                    |
| 958 522 810 46 D0J | Cream                  | -TX   |           |     |                    |
| 958 522 810 46 D0K | Light Tartufo          | -TY   |           |     |                    |
| 958 522 810 46 FSR | Luxor Beige/Saddle Tan | -MK   |           |     |                    |
| 958 522 810 46 HHD | Saddle Tan/Black       | -MI   |           |     |                    |
| 958 522 810 46 HHI | Cream/Saddle Tan       | -MJ   |           |     |                    |
| 958 522 810 46 YKI | agate grey             | -MB,MG  |           |     |                    |
| 958 522 810 46 YMI | saddle brown           | -MH   |           |     |                    |
| (5)                | 958 522 810 10         | Backrest cover<br>Standard seat<br>Draped leather<br>for<br>Seat heater<br>Airbag<br>D >> - MJ 2013 | right     | 1   | PR:N7D,4A4,4X4     |
| 958 522 810 10 D0D | Black                  | -LC,MA,YC   |           |     |                    |
| 958 522 810 10 D0E | Platinum Grey          | -LD,MD,YD   |           |     |                    |
| 958 522 810 10 D0F | Luxor beige            | -LE,MC,YE   |           |     |                    |
| 958 522 810 10 D0G | Black/umbra            | -LF,YF  |           |     |                    |
| 958 522 810 10 D0H | Titanium Blue          | -TW   |           |     |                    |
| 958 522 810 10 D0J | Cream                  | -TX   |           |     |                    |
| 958 522 810 10 D0K | Black/tartufo, light   | -TY   |           |     |                    |
| (5)                | 958 522 810 39         | Backrest cover<br>Standard seat<br>Draped leather<br>for<br>Seat heater<br>Airbag<br>D - MJ 2014>>  | right     | 1   | PR:N7D,4A4,4X4     |
| 958 522 810 39 D0D | Black                  | -LC,MA,YC   |           |     |                    |
| 958 522 810 39 D0E | Platinum Grey          | -LD,MD,YD   |           |     |                    |
| 958 522 810 39 D0F | Luxor beige            | -LE,MC,YE   |           |     |                    |
| 958 522 810 39 D0G | Umber                  | -LF,YF  |           |     |                    |
| 958 522 810 39 D0H | Titanium Blue          |   |           |     |                    |
| 958 522 810 39 D0J | Cream                  | -TX   |           |     |                    |
| 958 522 810 39 D0K | Light Tartufo          | -TY   |           |     |                    |
| 958 522 810 39 FSR | Luxor Beige/Saddle Tan | -MK   |           |     |                    |
| 958 522 810 39 HHD | Saddle Tan/Black       | -MI   |           |     |                    |
| 958 522 810 39 HHI | Cream/Saddle Tan       | -MJ   |           |     |                    |
| 958 522 810 39 YKI | agate grey             | -MB,MG  |           |     |                    |
| 958 522 810 39 YMI | saddle brown           | -MH   |           |     |                    |
| (5)                | 958 522 810 43         | Backrest cover<br>Standard seat<br>Leather<br>Nature<br>for<br>Seat heater                          | right     | 1   | PR:N1A,N1P,4A4,4X3 |

Model: 92A 11 Model life 2011>>2018

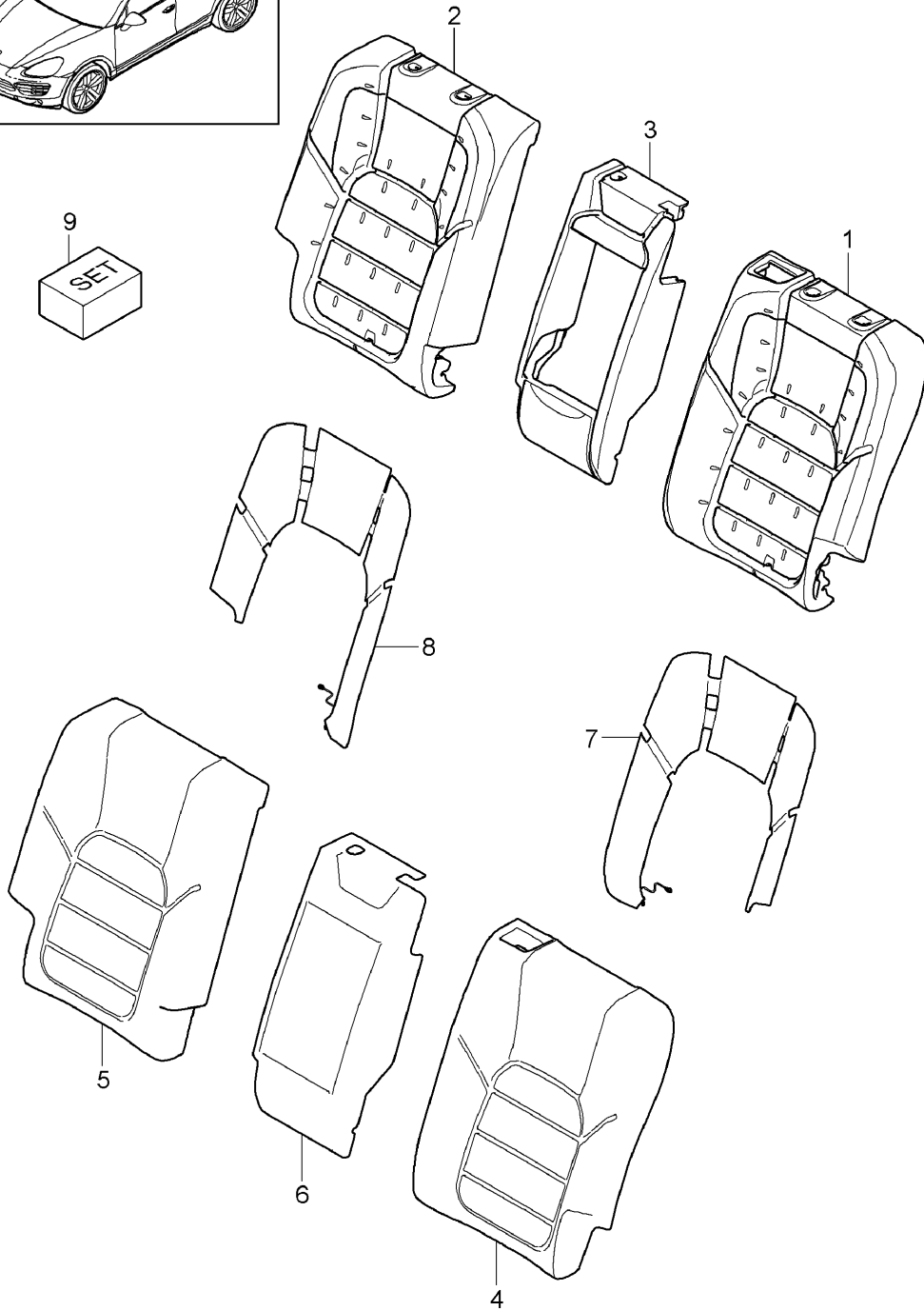
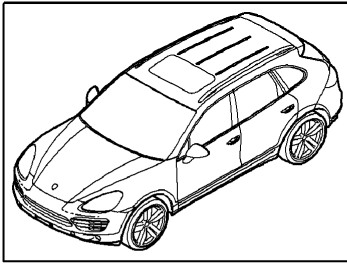
| Pos | Part Number        | Description  | Remark | Qty | Model                      |
|-----|--------------------|--|--------|-----|----------------------------|
| (5) | 958 522 810 43 D0L | Espresso   | -VA    | 1   | PR:N1A,N1P,<br>4A4,4X4     |
|     | 958 522 810 43 D0M | Cognac   | -VB    |     |                            |
|     | 958 522 806 13     | Backrest cover<br>Standard seat<br>Leather<br>Nature<br>for<br>Seat heater<br>Airbag                                     | right  |     |                            |
| (5) | 958 522 806 13 D0L | Espresso   | -VA    | 1   | PR:N5Y,4A4,<br>4X3         |
|     | 958 522 806 13 D0M | Cognac   | -VB    |     |                            |
|     | 958 522 810 14     | Backrest cover<br>Standard seat<br>Leather<br>Nature<br>Draped leather<br>for<br>Seat heater<br>D >> - MJ 2013           | right  |     |                            |
| (5) | 958 522 810 14 D0L | Espresso   | -VA    | 1   | PR:N5Y,4A4,<br>4X3         |
|     | 958 522 810 14 D0M | Cognac   | -VB    |     |                            |
|     | 958 522 810 44     | Backrest cover<br>Standard seat<br>Leather<br>Nature<br>Draped leather<br>for<br>Seat heater<br>D - MJ 2014>>            | right  |     |                            |
| (5) | 958 522 810 44 D0L | Espresso   | -VA    | 1   | PR:N5Y,4A4,<br>4X4         |
|     | 958 522 810 44 D0M | Cognac   | -VB    |     |                            |
|     | 958 522 810 17     | Backrest cover<br>Standard seat<br>Leather<br>Nature<br>Draped leather<br>for<br>Seat heater<br>Airbag<br>D >> - MJ 2013 | right  |     |                            |
| (5) | 958 522 810 17 D0L | Espresso   | -VA    | 1   | PR:N5Y,4A4,<br>4X4         |
|     | 958 522 810 17 D0M | Cognac   | -VB    |     |                            |
|     | 958 522 810 47     | Backrest cover<br>Standard seat<br>Leather<br>Nature<br>Draped leather<br>for<br>Seat heater<br>Airbag<br>D - MJ 2014>>  | right  |     |                            |
| (5) | 958 522 810 47 D0L | Espresso   | -VA    | 1   | PR:N1D,4A0,<br>4A3,4X3     |
|     | 958 522 810 47 D0M | Cognac   | -VB    |     |                            |
|     | 958 522 810 35     | Backrest cover<br>sports seat<br>Partial leather<br>two-colour   | right  |     |                            |
| (5) | 958 522 810 35 HAA | Black/Luxor Beige  | -77    | 1   | PR:N1D,Q1G,<br>3NW,4A4,4X4 |
|     | 958 522 810 40     | Backrest cover<br>sports seat<br>Partial leather<br>two-colour   | right  |     |                            |
|     | 958 522 810 40 HAA | Black/Luxor Beige  | -77    |     |                            |

Model: 92A 11 Model life 2011>>2018

| Pos                | Part Number        | Description  | Remark                                     | Qty | Model                              |        |   |                    |
|--------------------|--------------------|--|--|-----|------------------------------------|--------|---|--------------------|
| (5)                | 958 522 810 48     | Backrest cover<br>sports seat<br>Partial leather<br>two-colour | right                                      | 1   | PR:N1D,Q1G,<br>3NW,4A0,4A3,<br>4X4 |        |   |                    |
| 6                  | 958 522 810 48 HAA | Black/Luxor Beige  | -77  | 1   | PR:N1D,N1X,<br>N7F                 |        |   |                    |
|                    | 958 522 828 02     | Seat cover (leather)<br>Standard seat<br>Embossed              | center                                     |     |                                    |        |   |                    |
|                    | 958 522 828 02 D0A | Black  | -MA  |     |                                    |        |   |                    |
|                    | 958 522 828 02 D0B | Platinum Grey  | -MD  |     |                                    |        |   |                    |
|                    | 958 522 828 02 D0C | Luxor beige  | -MC  |     |                                    |        |   |                    |
|                    | 958 522 828 02 HAA | Black/Luxor Beige  | -77  |     |                                    |        |   |                    |
|                    | 958 522 828 02 DJL | agate grey<br>D - MJ 2015>>                                    | -MB  |     |                                    |        |   |                    |
| (6)                | 958 522 828 15     | Backrest cover<br>Comfort seat                                 | center                                     | 1   | PR:NOQ,N1B,<br>N1M,N2S,N5U,<br>N7D |        |   |                    |
|                    | 958 522 828 15 D0D | Plain leather<br>Black   | -LC,MA,MF,YA,<br>YC                        |     |                                    |        |   |                    |
|                    | 958 522 828 15 D0E | Platinum Grey  | -LD,MD                                     |     |                                    |        |   |                    |
|                    | 958 522 828 15 D0F | Luxor beige  | -LE,MC,YE                                  |     |                                    |        |   |                    |
|                    | 958 522 828 15 D0G | Umber  | -LF  |     |                                    |        |   |                    |
|                    | 958 522 828 15 D0H | Titanium Blue  |  |     |                                    |        |   |                    |
|                    | 958 522 828 15 D0J | Cream  | -TX  |     |                                    |        |   |                    |
|                    | 958 522 828 15 D0K | Light Tartufo  | -TY  |     |                                    |        |   |                    |
|                    | 958 522 828 15 YKI | agate grey   | -MB,MG,ML                                  |     |                                    |        |   |                    |
|                    | 958 522 828 15 YMI | saddle brown   | -ME,MH                                     |     |                                    |        |   |                    |
|                    | (6)                | 958 522 828 13   | Cover<br>Comfort seat<br>Leather<br>Nature |     |                                    | center | 1 | PR:N1A,N1P,<br>N5Y |
|                    |                    | 958 522 828 13 D0L   | Espresso                                   |     |                                    | -VA    |   |                    |
| 958 522 828 13 D0M |                    | Cognac   | -VB  |     |                                    |        |   |                    |
| (6)                | 958 522 828 25     | Backrest cover<br>Embossed                                     | center                                     | 1   | PR:N1D                             |        |   |                    |
|                    | 958 522 828 25 HAA | Black/Luxor Beige  | -77  |     |                                    |        |   |                    |
| 7                  | 958 653 567 00     | Heating element<br>Backrest side bolster                       | left<br>rear                               | 1   | PR:4A4                             |        |   |                    |
| 8                  | 958 653 568 00     | Heating element<br>Backrest side bolster                       | right<br>rear                              | 1   | PR:4A4                             |        |   |                    |

Model: 92A 11

Model life 2011>>2018



Model: 92A 11

Model life 2011>>2018

| Pos | Part Number    | Description  | Remark | Qty | Model                                      |
|-----|----------------|--|--------|-----|--|
|     |                | Back seat backrest<br>sports seat<br>Foam part<br>seat covers<br>heater element-seat | rear   |     | PR:Q1J,Q4P                                 |
| 1   | 958 522 775 40 | Foam part<br>backrest  | left   | 1   | PR:Q1J,3NW,<br>4D0,4X3                     |
| (1) | 958 522 775 40 | Foam part<br>backrest  | left   | 1   | PR:Q1J,3NW,<br>4D3,4X3                     |
| (1) | 958 522 775 40 | Foam part<br>backrest  | left   | 1   | PR:Q4P,3NW,<br>4D0,4X3                     |
| (1) | 958 522 775 40 | Foam part<br>backrest  | left   | 1   | PR:Q4P,3NW,<br>4D3,4X3                     |
| (1) | 958 522 775 50 | Foam part<br>backrest  | left   | 1   | PR:Q1J,3NW,<br>4D0,4X4                     |
|     |                | with:  |        |     |  |
| (1) | 958 522 775 50 | Airbag<br>Foam part<br>backrest  | left   | 1   | PR:Q1J,3NW,<br>4D3,4X4                     |
|     |                | with:  |        |     |  |
| (1) | 958 522 775 50 | Airbag<br>Foam part<br>backrest  | left   | 1   | PR:Q4P,3NW,<br>4D0,4X4                     |
|     |                | with:  |        |     |  |
| (1) | 958 522 775 50 | Airbag<br>Foam part<br>backrest  | left   | 1   | PR:Q4P,3NW,<br>4D3,4X4                     |
|     |                | with:  |        |     |  |
| 2   | 958 522 776 40 | Airbag<br>Foam part<br>backrest  | right  | 1   | PR:Q1J,3NW,<br>4D0,4X3                     |
| (2) | 958 522 776 40 | Foam part<br>backrest  | right  | 1   | PR:Q1J,3NW,<br>4D3,4X3                     |
| (2) | 958 522 776 40 | Foam part<br>backrest  | right  | 1   | PR:Q4P,3NW,<br>4D0,4X3                     |
| (2) | 958 522 776 40 | Foam part<br>backrest  | right  | 1   | PR:Q4P,3NW,<br>4D3,4X3                     |
| (2) | 958 522 776 50 | Foam part<br>backrest  | right  | 1   | PR:Q1J,3NW,<br>4D0,4X4                     |
|     |                | with:  |        |     |  |
| (2) | 958 522 776 50 | Airbag<br>Foam part<br>backrest  | right  | 1   | PR:Q1J,3NW,<br>4D3,4X4                     |
|     |                | with:  |        |     |  |
| (2) | 958 522 776 50 | Airbag<br>Foam part<br>backrest  | right  | 1   | PR:Q4P,3NW,<br>4D0,4X4                     |
|     |                | with:  |        |     |  |
| (2) | 958 522 776 50 | Airbag<br>Foam part<br>backrest  | right  | 1   | PR:Q4P,3NW,<br>4D3,4X4                     |
|     |                | with:  |        |     |  |
| (2) | 958 522 776 60 | Airbag<br>Foam part<br>backrest  | right  | 1   | PR:NOQ,N1A,<br>N1B,Q1J,3NW,<br>4A4,4D1,4X4 |
|     |                | with:  |        |     |  |
| 3   | 958 522 777 00 | Airbag<br>Vented<br>Foam part<br>backrest  | center | 1   | PR:3NW                                     |
| 4   | 958 522 807 20 | Backrest cover<br>Plain leather<br>D >> - MJ 2013                                    | left   | 1   | PR:Q1J,N0Q,<br>3NW,4A0,4X3                 |

Model: 92A 11 Model life 2011>>2018

| Pos | Part Number        | Description                                       | Remark    | Qty | Model                      |
|-----|--------------------|---|-----------|-----|----------------------------|
|     | 958 522 807 20 D0D | Black   | -LC,MA,YC |     |                            |
|     | 958 522 807 20 D0E | Platinum Grey                                     | -LD,MD,YD |     |                            |
|     | 958 522 807 20 D0F | Luxor beige                                       | -LE,MC,YE |     |                            |
|     | 958 522 807 20 D0G | Umber   | -LF,YF    |     |                            |
|     | 958 522 807 20 D0H | Titanium Blue                                     | -TW       |     |                            |
|     | 958 522 807 20 D0J | Cream   | -TX       |     |                            |
|     | 958 522 807 20 D0K | Light Tartufo                                     | -TY       |     |                            |
| (4) | 958 522 807 20     | Backrest cover<br>Plain leather<br>D >> - MJ 2013 | left      | 1   | PR:Q1J,N0Q,<br>3NW,4A3,4X3 |
|     | 958 522 807 20 D0D | Black   | -LC,MA,YC |     |                            |
|     | 958 522 807 20 D0E | Platinum Grey                                     | -LD,MD,YD |     |                            |
|     | 958 522 807 20 D0F | Luxor beige                                       | -LE,MC,YE |     |                            |
|     | 958 522 807 20 D0G | Umber   | -LF,YF    |     |                            |
|     | 958 522 807 20 D0H | Titanium Blue                                     | -TW       |     |                            |
|     | 958 522 807 20 D0J | Cream   | -TX       |     |                            |
|     | 958 522 807 20 D0K | Light Tartufo                                     | -TY       |     |                            |
| (4) | 958 522 807 20     | Backrest cover<br>Plain leather<br>D >> - MJ 2013 | left      | 1   | PR:Q1J,N5U,<br>3NW,4A0,4X3 |
|     | 958 522 807 20 D0D | Black   | -LC,MA,YC |     |                            |
|     | 958 522 807 20 D0E | Platinum Grey                                     | -LD,MD,YD |     |                            |
|     | 958 522 807 20 D0F | Luxor beige                                       | -LE,MC,YE |     |                            |
|     | 958 522 807 20 D0G | Umber   | -LF,YF    |     |                            |
|     | 958 522 807 20 D0H | Titanium Blue                                     | -TW       |     |                            |
|     | 958 522 807 20 D0J | Cream   | -TX       |     |                            |
|     | 958 522 807 20 D0K | Light Tartufo                                     | -TY       |     |                            |
| (4) | 958 522 807 20     | Backrest cover<br>Plain leather<br>D >> - MJ 2013 | left      | 1   | PR:Q1J,N5U,<br>3NW,4A3,4X3 |
|     | 958 522 807 20 D0D | Black   | -LC,MA,YC |     |                            |
|     | 958 522 807 20 D0E | Platinum Grey                                     | -LD,MD,YD |     |                            |
|     | 958 522 807 20 D0F | Luxor beige                                       | -LE,MC,YE |     |                            |
|     | 958 522 807 20 D0G | Umber   | -LF,YF    |     |                            |
|     | 958 522 807 20 D0H | Titanium Blue                                     | -TW       |     |                            |
|     | 958 522 807 20 D0J | Cream   | -TX       |     |                            |
|     | 958 522 807 20 D0K | Light Tartufo                                     | -TY       |     |                            |
| (4) | 958 522 807 20     | Backrest cover<br>Plain leather<br>D >> - MJ 2013 | left      | 1   | PR:Q1J,N1B,<br>3NW,4A0,4X3 |
|     | 958 522 807 20 AAB | Black/Carrera Red                                 | -TA       |     |                            |
|     | 958 522 807 20 AAC | Black/Luxor Beige                                 | -TB       |     |                            |
| (4) | 958 522 807 20     | Backrest cover<br>Plain leather<br>D >> - MJ 2013 | left      | 1   | PR:Q1J,N1B,<br>3NW,4A3,4X3 |
|     | 958 522 807 20 AAB | Black/Carrera Red                                 | -TA       |     |                            |
|     | 958 522 807 20 AAC | Black/Luxor Beige                                 | -TB       |     |                            |
| (4) | 958 522 807 20     | Backrest cover<br>Plain leather<br>D >> - MJ 2013 | left      | 1   | PR:Q1J,N1M,<br>3NW,4A0,4X3 |
|     | 958 522 807 20 AAB | Black/Carrera Red                                 | -TA       |     |                            |
|     | 958 522 807 20 AAC | Black/Luxor Beige                                 | -TB       |     |                            |
| (4) | 958 522 807 20     | Backrest cover<br>Plain leather<br>D >> - MJ 2013 | left      | 1   | PR:Q1J,N1M,<br>3NW,4A3,4X3 |
|     | 958 522 807 20 AAB | Black/Carrera Red                                 | -TA       |     |                            |
|     | 958 522 807 20 AAC | Black/Luxor Beige                                 | -TB       |     |                            |
| (4) | 958 522 807 20     | Backrest cover<br>Plain leather<br>D >> - MJ 2013 | left      | 1   | PR:Q1J,N1M,<br>3NW,4A3,4X3 |
|     | 958 522 807 20 AAB | Black/Carrera Red                                 | -TA       |     |                            |
|     | 958 522 807 20 AAC | Black/Luxor Beige                                 | -TB       |     |                            |
| (4) | 958 522 807 20     | Backrest cover                                    | left      | 1   | PR:Q4P,N0Q,                |



Model: 92A 11 Model life 2011>>2018

| Pos | Part Number        | Description       | Remark      | Qty | Model                      |
|-----|--------------------|-------------------|-------------|-----|----------------------------|
|     |                    | Plain leather     |             |     | 3NW, 4A0, 4X3              |
|     |                    | D >> - MJ 2013    |             |     |                            |
|     | 958 522 807 20 D0D | Black             | -LC, MA, YC |     |                            |
|     | 958 522 807 20 D0E | Platinum Grey     | -LD, MD, YD |     |                            |
|     | 958 522 807 20 D0F | Luxor beige       | -LE, MC, YE |     |                            |
|     | 958 522 807 20 D0G | Umber             | -LF, YF     |     |                            |
|     | 958 522 807 20 D0H | Titanium Blue     | -TW         |     |                            |
|     | 958 522 807 20 D0J | Cream             | -TX         |     |                            |
|     | 958 522 807 20 D0K | Light Tartufo     | -TY         |     |                            |
| (4) | 958 522 807 20     | Backrest cover    | left        | 1   | PR:Q4P, N0Q, 3NW, 4A3, 4X3 |
|     |                    | Plain leather     |             |     |                            |
|     |                    | D >> - MJ 2013    |             |     |                            |
|     | 958 522 807 20 D0D | Black             | -LC, MA, YC |     |                            |
|     | 958 522 807 20 D0E | Platinum Grey     | -LD, MD, YD |     |                            |
|     | 958 522 807 20 D0F | Luxor beige       | -LE, MC, YE |     |                            |
|     | 958 522 807 20 D0G | Umber             | -LF, YF     |     |                            |
|     | 958 522 807 20 D0H | Titanium Blue     | -TW         |     |                            |
|     | 958 522 807 20 D0J | Cream             | -TX         |     |                            |
|     | 958 522 807 20 D0K | Light Tartufo     | -TY         |     |                            |
| (4) | 958 522 807 20     | Backrest cover    | left        | 1   | PR:Q4P, N5U, 3NW, 4A0, 4X3 |
|     |                    | Plain leather     |             |     |                            |
|     |                    | D >> - MJ 2013    |             |     |                            |
|     | 958 522 807 20 D0D | Black             | -LC, MA, YC |     |                            |
|     | 958 522 807 20 D0E | Platinum Grey     | -LD, MD, YD |     |                            |
|     | 958 522 807 20 D0F | Luxor beige       | -LE, MC, YE |     |                            |
|     | 958 522 807 20 D0G | Umber             | -LF, YF     |     |                            |
|     | 958 522 807 20 D0H | Titanium Blue     | -TW         |     |                            |
|     | 958 522 807 20 D0J | Cream             | -TX         |     |                            |
|     | 958 522 807 20 D0K | Light Tartufo     | -TY         |     |                            |
| (4) | 958 522 807 20     | Backrest cover    | left        | 1   | PR:Q4P, N5U, 3NW, 4A3, 4X3 |
|     |                    | Plain leather     |             |     |                            |
|     |                    | D >> - MJ 2013    |             |     |                            |
|     | 958 522 807 20 D0D | Black             | -LC, MA, YC |     |                            |
|     | 958 522 807 20 D0E | Platinum Grey     | -LD, MD, YD |     |                            |
|     | 958 522 807 20 D0F | Luxor beige       | -LE, MC, YE |     |                            |
|     | 958 522 807 20 D0G | Umber             | -LF, YF     |     |                            |
|     | 958 522 807 20 D0H | Titanium Blue     | -TW         |     |                            |
|     | 958 522 807 20 D0J | Cream             | -TX         |     |                            |
|     | 958 522 807 20 D0K | Light Tartufo     | -TY         |     |                            |
| (4) | 958 522 807 20     | Backrest cover    | left        | 1   | PR:Q4P, N1B, 3NW, 4A0, 4X3 |
|     |                    | Plain leather     |             |     |                            |
|     |                    | D >> - MJ 2013    |             |     |                            |
|     | 958 522 807 20 AAB | Black/Carrera Red | -TA         |     |                            |
|     | 958 522 807 20 AAC | Black/Luxor Beige | -TB         |     |                            |
| (4) | 958 522 807 20     | Backrest cover    | left        | 1   | PR:Q4P, N1B, 3NW, 4A3, 4X3 |
|     |                    | Plain leather     |             |     |                            |
|     |                    | D >> - MJ 2013    |             |     |                            |
|     | 958 522 807 20 AAB | Black/Carrera Red | -TA         |     |                            |
|     | 958 522 807 20 AAC | Black/Luxor Beige | -TB         |     |                            |
| (4) | 958 522 807 20     | Backrest cover    | left        | 1   | PR:Q4P, N1M, 3NW, 4A0, 4X3 |
|     |                    | Plain leather     |             |     |                            |
|     |                    | D >> - MJ 2013    |             |     |                            |
|     | 958 522 807 20 AAB | Black/Carrera Red | -TA         |     |                            |
|     | 958 522 807 20 AAC | Black/Luxor Beige | -TB         |     |                            |
| (4) | 958 522 807 20     | Backrest cover    | left        | 1   | PR:Q4P, N1M, 3NW, 4A3, 4X3 |
|     |                    | Plain leather     |             |     |                            |
|     |                    | D >> - MJ 2013    |             |     |                            |
|     | 958 522 807 20 AAB | Black/Carrera Red | -TA         |     |                            |
|     | 958 522 807 20 AAC | Black/Luxor Beige | -TB         |     |                            |
| (4) | 958 522 807 22     | Backrest cover    | left        | 1   | PR:Q1J, N0Q, 3NW, 4A0, 4X3 |
|     |                    | Plain leather     |             |     |                            |
|     |                    | D - MJ 2014>>     |             |     |                            |
|     | 958 522 807 22 D0D | Black             | -LC, MA, YC |     |                            |

Model: 92A 11 Model life 2011>>2018

| Pos | Part Number        | Description                                      | Remark      | Qty | Model                         |
|-----|--------------------|--|-------------|-----|-------------------------------|
|     | 958 522 807 22 D0E | Platinum Grey                                    | -LD, MD, YD |     |                               |
|     | 958 522 807 22 D0F | Luxor beige                                      | -LE, MC, YE |     |                               |
|     | 958 522 807 22 D0G | Umber  | -LF, YF     |     |                               |
|     | 958 522 807 22 D0H | Titanium Blue                                    |             |     |                               |
|     | 958 522 807 22 D0J | Cream  | -TX         |     |                               |
|     | 958 522 807 22 D0K | Light Tartufo                                    | -TY         |     |                               |
|     | 958 522 807 22 YKI | agate grey                                       | -MB, MG, ML |     |                               |
|     | 958 522 807 22 YMI | saddle brown                                     | -ME, MH     |     |                               |
| (4) | 958 522 807 22     | Backrest cover<br>Plain leather<br>D - MJ 2014>> | left        | 1   | PR:Q1J, N0Q,<br>3NW, 4A3, 4X3 |
|     | 958 522 807 22 D0D | Black  | -LC, MA, YC |     |                               |
|     | 958 522 807 22 D0E | Platinum Grey                                    | -LD, MD, YD |     |                               |
|     | 958 522 807 22 D0F | Luxor beige                                      | -LE, MC, YE |     |                               |
|     | 958 522 807 22 D0G | Umber  | -LF, YF     |     |                               |
|     | 958 522 807 22 D0H | Titanium Blue                                    |             |     |                               |
|     | 958 522 807 22 D0J | Cream  | -TX         |     |                               |
|     | 958 522 807 22 D0K | Light Tartufo                                    | -TY         |     |                               |
|     | 958 522 807 22 YKI | agate grey                                       | -MB, MG, ML |     |                               |
|     | 958 522 807 22 YMI | saddle brown                                     | -ME, MH     |     |                               |
| (4) | 958 522 807 22     | Backrest cover<br>Plain leather<br>D - MJ 2014>> | left        | 1   | PR:Q1J, N5U,<br>3NW, 4A0, 4X3 |
|     | 958 522 807 22 D0D | Black  | -LC, MA, YC |     |                               |
|     | 958 522 807 22 D0E | Platinum Grey                                    | -LD, MD, YD |     |                               |
|     | 958 522 807 22 D0F | Luxor beige                                      | -LE, MC, YE |     |                               |
|     | 958 522 807 22 D0G | Umber  | -LF, YF     |     |                               |
|     | 958 522 807 22 D0H | Titanium Blue                                    |             |     |                               |
|     | 958 522 807 22 D0J | Cream  | -TX         |     |                               |
|     | 958 522 807 22 D0K | Light Tartufo                                    | -TY         |     |                               |
|     | 958 522 807 22 YKI | agate grey                                       | -MB, MG, ML |     |                               |
|     | 958 522 807 22 YMI | saddle brown                                     | -ME, MH     |     |                               |
| (4) | 958 522 807 22     | Backrest cover<br>Plain leather<br>D - MJ 2014>> | left        | 1   | PR:Q1J, N5U,<br>3NW, 4A3, 4X3 |
|     | 958 522 807 22 D0D | Black  | -LC, MA, YC |     |                               |
|     | 958 522 807 22 D0E | Platinum Grey                                    | -LD, MD, YD |     |                               |
|     | 958 522 807 22 D0F | Luxor beige                                      | -LE, MC, YE |     |                               |
|     | 958 522 807 22 D0G | Umber  | -LF, YF     |     |                               |
|     | 958 522 807 22 D0H | Titanium Blue                                    |             |     |                               |
|     | 958 522 807 22 D0J | Cream  | -TX         |     |                               |
|     | 958 522 807 22 D0K | Light Tartufo                                    | -TY         |     |                               |
|     | 958 522 807 22 YKI | agate grey                                       | -MB, MG, ML |     |                               |
|     | 958 522 807 22 YMI | saddle brown                                     | -ME, MH     |     |                               |
| (4) | 958 522 807 22     | Backrest cover<br>Plain leather<br>D - MJ 2014>> | left        | 1   | PR:Q1J, N1B,<br>3NW, 4A0, 4X3 |
|     | 958 522 807 22 AAB | Black/Carrera Red                                | -TA         |     |                               |
|     | 958 522 807 22 AAC | Black/Luxor Beige                                | -TB, 77     |     |                               |
|     | 958 522 807 22 FSR | Luxor Beige/Saddle Tan                           | -MK         |     |                               |
|     | 958 522 807 22 HHD | Saddle Tan/Black                                 | -MI         |     |                               |
|     | 958 522 807 22 HHI | Cream/Saddle Tan                                 | -MJ         |     |                               |
| (4) | 958 522 807 22     | Backrest cover<br>Plain leather<br>D - MJ 2014>> | left        | 1   | PR:Q1J, N1B,<br>3NW, 4A3, 4X3 |
|     | 958 522 807 22 AAB | Black/Carrera Red                                | -TA         |     |                               |
|     | 958 522 807 22 AAC | Black/Luxor Beige                                | -TB, 77     |     |                               |
|     | 958 522 807 22 FSR | Luxor Beige/Saddle Tan                           | -MK         |     |                               |
|     | 958 522 807 22 HHD | Saddle Tan/Black                                 | -MI         |     |                               |
|     | 958 522 807 22 HHI | Cream/Saddle Tan                                 | -MJ         |     |                               |
| (4) | 958 522 807 22     | Backrest cover<br>Plain leather<br>D - MJ 2014>> | left        | 1   | PR:Q1J, N1M,<br>3NW, 4A0, 4X3 |

Model: 92A 11 Model life 2011>>2018

| Pos | Part Number        | Description                                      | Remark   | Qty | Model                      |
|-----|--------------------|--|--|-----|----------------------------|
|     | 958 522 807 22 AAB | Black/Carrera Red                                | -TA  |     |                            |
|     | 958 522 807 22 AAC | Black/Luxor Beige                                | -TB,77   |     |                            |
|     | 958 522 807 22 FSR | Luxor Beige/Saddle Tan                           | -MK  |     |                            |
|     | 958 522 807 22 HHD | Saddle Tan/Black                                 | -MI  |     |                            |
|     | 958 522 807 22 HHI | Cream/Saddle Tan                                 | -MJ  |     |                            |
| (4) | 958 522 807 22     | Backrest cover<br>Plain leather<br>D - MJ 2014>> | left   | 1   | PR:Q1J,N1M,<br>3NW,4A3,4X3 |
|     | 958 522 807 22 AAB | Black/Carrera Red                                | -TA  |     |                            |
|     | 958 522 807 22 AAC | Black/Luxor Beige                                | -TB,77   |     |                            |
|     | 958 522 807 22 FSR | Luxor Beige/Saddle Tan                           | -MK  |     |                            |
|     | 958 522 807 22 HHD | Saddle Tan/Black                                 | -MI  |     |                            |
|     | 958 522 807 22 HHI | Cream/Saddle Tan                                 | -MJ  |     |                            |
| 4   | 958 522 807 22     | Backrest cover<br>Plain leather<br>D - MJ 2014>> | left   | 1   | PR:Q4P,N0Q,<br>3NW,4A0,4X3 |
|     | 958 522 807 22 D0D | Black  | -LC,MA,YC  |     |                            |
|     | 958 522 807 22 D0E | Platinum Grey                                    | -LD,MD,YD  |     |                            |
|     | 958 522 807 22 D0F | Luxor beige                                      | -LE,MC,YE  |     |                            |
|     | 958 522 807 22 D0G | Umber  | -LF,YF   |     |                            |
|     | 958 522 807 22 D0H | Titanium Blue                                    |  |     |                            |
|     | 958 522 807 22 D0J | Cream  | -TX  |     |                            |
|     | 958 522 807 22 D0K | Light Tartufo                                    | -TY  |     |                            |
|     | 958 522 807 22 YKI | agate grey                                       | -MB,MG,ML  |     |                            |
|     | 958 522 807 22 YMI | saddle brown                                     | -ME,MH   |     |                            |
|     | 4                  | 958 522 807 22                                   | Backrest cover<br>Plain leather<br>D - MJ 2014>> |     |                            |
|     | 958 522 807 22 D0D | Black  | -LC,MA,YC  |     |                            |
|     | 958 522 807 22 D0E | Platinum Grey                                    | -LD,MD,YD  |     |                            |
|     | 958 522 807 22 D0F | Luxor beige                                      | -LE,MC,YE  |     |                            |
|     | 958 522 807 22 D0G | Umber  | -LF,YF   |     |                            |
|     | 958 522 807 22 D0H | Titanium Blue                                    |  |     |                            |
|     | 958 522 807 22 D0J | Cream  | -TX  |     |                            |
|     | 958 522 807 22 D0K | Light Tartufo                                    | -TY  |     |                            |
|     | 958 522 807 22 YKI | agate grey                                       | -MB,MG,ML  |     |                            |
|     | 958 522 807 22 YMI | saddle brown                                     | -ME,MH   |     |                            |
|     | 4                  | 958 522 807 22                                   | Backrest cover<br>Plain leather<br>D - MJ 2014>> |     |                            |
|     | 958 522 807 22 D0D | Black  | -LC,MA,YC  |     |                            |
|     | 958 522 807 22 D0E | Platinum Grey                                    | -LD,MD,YD  |     |                            |
|     | 958 522 807 22 D0F | Luxor beige                                      | -LE,MC,YE  |     |                            |
|     | 958 522 807 22 D0G | Umber  | -LF,YF   |     |                            |
|     | 958 522 807 22 D0H | Titanium Blue                                    |  |     |                            |
|     | 958 522 807 22 D0J | Cream  | -TX  |     |                            |
|     | 958 522 807 22 D0K | Light Tartufo                                    | -TY  |     |                            |
|     | 958 522 807 22 YKI | agate grey                                       | -MB,MG,ML  |     |                            |
|     | 958 522 807 22 YMI | saddle brown                                     | -ME,MH   |     |                            |
|     | (4)                | 958 522 807 22                                   | Backrest cover<br>Plain leather<br>D - MJ 2014>> |     |                            |

Model: 92A 11 Model life 2011>>2018

| Pos | Part Number        | Description                         | Remark    | Qty | Model  |
|-----|--------------------|-------------------------------------|-----------|-----|--|
|     |                    | D - MJ 2014>>                       |           |     |  |
|     | 958 522 807 22 AAB | Black/Carrera Red                   | -TA       |     |  |
|     | 958 522 807 22 AAC | Black/Luxor Beige                   | -TB,77    |     |  |
|     | 958 522 807 22 FSR | Luxor Beige/Saddle Tan              | -MK       |     |  |
|     | 958 522 807 22 HHD | Saddle Tan/Black                    | -MI       |     |  |
|     | 958 522 807 22 HHI | Cream/Saddle Tan                    | -MJ       |     |  |
| (4) | 958 522 807 22     | Backrest cover<br>Plain leather     | left      | 1   | PR:Q4P,N1B,<br>3NW,4A3,4X3   |
|     |                    | D - MJ 2014>>                       |           |     |  |
|     | 958 522 807 22 AAB | Black/Carrera Red                   | -TA       |     |  |
|     | 958 522 807 22 AAC | Black/Luxor Beige                   | -TB,77    |     |  |
|     | 958 522 807 22 FSR | Luxor Beige/Saddle Tan              | -MK       |     |  |
|     | 958 522 807 22 HHD | Saddle Tan/Black                    | -MI       |     |  |
|     | 958 522 807 22 HHI | Cream/Saddle Tan                    | -MJ       |     |  |
| (4) | 958 522 807 22     | Backrest cover<br>Plain leather     | left      | 1   | PR:Q4P,N1M,<br>3NW,4A0,4X3   |
|     |                    | D - MJ 2014>>                       |           |     |  |
|     | 958 522 807 22 AAB | Black/Carrera Red                   | -TA       |     |  |
|     | 958 522 807 22 AAC | Black/Luxor Beige                   | -TB,77    |     |  |
|     | 958 522 807 22 FSR | Luxor Beige/Saddle Tan              | -MK       |     |  |
|     | 958 522 807 22 HHD | Saddle Tan/Black                    | -MI       |     |  |
|     | 958 522 807 22 HHI | Cream/Saddle Tan                    | -MJ       |     |  |
| (4) | 958 522 807 22     | Backrest cover<br>Plain leather     | left      | 1   | PR:Q4P,N1M,<br>3NW,4A3,4X3   |
|     |                    | D - MJ 2014>>                       |           |     |  |
|     | 958 522 807 22 AAB | Black/Carrera Red                   | -TA       |     |  |
|     | 958 522 807 22 AAC | Black/Luxor Beige                   | -TB,77    |     |  |
|     | 958 522 807 22 FSR | Luxor Beige/Saddle Tan              | -MK       |     |  |
|     | 958 522 807 22 HHD | Saddle Tan/Black                    | -MI       |     |  |
|     | 958 522 807 22 HHI | Cream/Saddle Tan                    | -MJ       |     |  |
| (4) | 958 522 807 25     | Backrest cover<br>Plain leather     | left      | 1   | PR:N5U,4A0,<br>4A3,4X4,N0Q,<br>Q1J                                 |
|     |                    | Airbag with:                        |           |     |  |
|     | 958 522 807 25 D0D | Black                               | -LC,MA,YC |     |  |
|     | 958 522 807 25 D0E | Platinum Grey                       | -LD,MD,YD |     |  |
|     | 958 522 807 25 D0F | Luxor beige                         | -LE,MC,YE |     |  |
|     | 958 522 807 25 D0G | Umber                               | -LF,YF    |     |  |
|     | 958 522 807 25 D0H | Titanium Blue                       | -TW       |     |  |
|     | 958 522 807 25 D0J | Cream                               | -TX       |     |  |
|     | 958 522 807 25 D0K | Light Tartufo                       | -TY       |     |  |
|     | 958 522 807 25 AAB | Black/Carrera Red                   | -TA       |     |  |
|     | 958 522 807 25 AAC | Black/Luxor Beige                   | -TB,77    |     |  |
| (4) | 958 885 805        | Backrest cover<br>sports seat       | left      | 1   | PR-N0Q,N1B,<br>N1M,N5U,Q1J,<br>Q4P,3NW,4A0,<br>4A3,4D0,4D3,<br>4X4 |
|     | 958 885 805 HEB    | Cohiba Brown/Black                  | -LH       |     |  |
| (4) | 958 522 807 30     | Backrest cover<br>Leather<br>Nature | left      | 1   | PR:N1A,4A0,<br>4A3,4X3,Q1J,<br>Q4P,N1P                             |
|     | 958 522 807 30 D0L | Espresso                            | -VA       |     |  |
|     | 958 522 807 30 D0M | Cognac                              | -VB       |     |  |
| (4) | 958 522 807 35     | Backrest cover<br>Leather<br>Nature | left      | 1   | PR:N1P,4A0,<br>4A3,4X4,Q1J,<br>Q4P,N1A                             |
|     |                    | Airbag with:                        |           |     |  |
|     | 958 522 807 35 D0L | Espresso                            | -VA       |     |  |
|     | 958 522 807 35 D0M | Cognac                              | -VB       |     |  |
| (4) | 958 522 807 40     | Backrest cover<br>Plain leather     | left      | 1   | PR:N5U,4A4,<br>4X3,Q1J,Q4P,  |

Model: 92A 11 Model life 2011>>2018

| Pos | Part Number        | Description  | Remark    | Qty | Model  |
|-----|--------------------|--|-----------|-----|--|
|     |                    | for<br>Seat heater   |           |     | N0Q  |
|     | 958 522 807 40 D0D | Black  | -LC,MA,YC |     |  |
|     | 958 522 807 40 D0E | Platinum Grey  | -LD,MD,YD |     |  |
|     | 958 522 807 40 D0F | Luxor beige  | -LE,MC,YE |     |  |
|     | 958 522 807 40 D0G | Umber  | -LF,YF    |     |  |
|     | 958 522 807 40 D0H | Titanium Blue  |           |     |  |
|     | 958 522 807 40 D0J | Cream  | -TX       |     |  |
|     | 958 522 807 40 D0K | Light Tartufo  | -TY       |     |  |
|     | 958 522 807 40 AAB | Black/Carrera Red  | -TA       |     |  |
|     | 958 522 807 40 AAC | Black/Luxor Beige  | -TB,77    |     |  |
| (4) | 958 522 807 45     | Backrest cover<br>Plain leather<br>for<br>Seat heater<br>Airbag<br>D >> - MJ 2013<br>Discontinued part | left      | 1   | PR:N0Q,4A4,<br>4X4,Q1J,Q4P,<br>N5U                                 |
|     | 958 522 807 45 D0D | Black  | -LC,MA,YC |     |  |
|     | 958 522 807 45 D0E | Platinum Grey  | -LD,MD,YD |     |  |
|     | 958 522 807 45 D0F | Luxor beige  | -LE,MC,YE |     |  |
|     | 958 522 807 45 D0G | Umber  | -LF,YF    |     |  |
|     | 958 522 807 45 D0H | Titanium Blue  |           |     |  |
|     | 958 522 807 45 D0J | Cream  | -TX       |     |  |
|     | 958 522 807 45 D0K | Light Tartufo  | -TY       |     |  |
|     | 958 522 807 45 AAB | Black/Carrera Red  | -TA       |     |  |
|     | 958 522 807 45 AAC | Black/Luxor Beige  | -TB,77    |     |  |
| (4) | 958 522 807 47     | Backrest cover<br>Plain leather<br>for<br>Seat heater<br>Airbag<br>D - MJ 2014>>                       | left      | 1   | PR:GP1,N0Q,<br>N1B,N1M,N5U,<br>Q1J,Q4P,3NW,<br>4A4,4D0,4D3,<br>4X4 |
|     | 958 522 807 47 D0D | Black  | -LC,MA,YC |     |  |
|     | 958 522 807 47 D0E | Platinum Grey  | -LD,MD,YD |     |  |
|     | 958 522 807 47 D0F | Luxor beige  | -LE,MC,YE |     |  |
|     | 958 522 807 47 D0G | Umber  | -LF,YF    |     |  |
|     | 958 522 807 47 D0J | Cream  | -TX       |     |  |
|     | 958 522 807 47 D0K | Light Tartufo  | -TY       |     |  |
|     | 958 522 807 47 AAB | Black/Carrera Red  | -TA       |     |  |
|     | 958 522 807 47 AAC | Black/Luxor Beige  | -TB,77    |     |  |
| (4) | 958 522 807 50     | Backrest cover<br>Leather<br>Nature<br>for<br>Seat heater  | left      | 1   | PR:N1A,4A4,<br>4X3,Q1J,Q4P,<br>N1P                                 |
|     | 958 522 807 50 D0L | Espresso   | -VA       |     |  |
|     | 958 522 807 50 D0M | Cognac   | -VB       |     |  |
| (4) | 958 522 807 55     | Backrest cover<br>Comfort seat<br>Leather<br>Nature<br>for<br>Seat heater<br>Airbag                    | left      | 1   | PR:N1A,4A4,<br>4X4,Q1J,Q4P,<br>N1P                                 |
|     | 958 522 807 55 D0L | Espresso   | -VA       |     |  |
|     | 958 522 807 55 D0M | Cognac   | -VB       |     |  |
| (4) | 958 522 809 00     | backrest cover (alcantara)<br>sports seat  | left      | 1   | GTS<br>PR:N2S,Q4P,<br>3NW,4A0,4A3,<br>4X3                          |
|     | 958 522 809 00 IVA | Black  | -MA,YC,LC |     |  |
|     | 958 522 809 00 IVB | Alcantara  | -MD,YD    |     |  |

Model: 92A 11 Model life 2011>>2018

| Pos                | Part Number        | Description                               | Remark                                    | Qty | Model  |             |   |  |
|--------------------|--------------------|---|---|-----|--|-------------|---|--|
| (4)                | 958 522 809 00 IVC | Luxor beige                               | -MC, YE                                   | 1   | GTS<br>PR:N2S, Q4P,<br>3NW, 4A4, 4X3                         |             |   |  |
|                    | 958 522 809 00 IVD | Umber                                     | -YF                                       |     |  |             |   |  |
|                    | 958 522 809 00 IVE | Black/Carmine Red                         | -YA                                       |     |  |             |   |  |
|                    | 958 522 809 00 IVF | Black/Peridot                             | -YB                                       |     |  |             |   |  |
|                    | 958 522 825 00     | backrest cover (alcantara)<br>sports seat | left                                      |     |  |             |   |  |
|                    | 958 522 825 00 IVA | Black                                     | -MA, YC                                   |     |  |             |   |  |
|                    | 958 522 825 00 IVB | Alcantara                                 | -MD, YD                                   |     |  |             |   |  |
|                    | 958 522 825 00 IVC | Luxor beige                               | -MC, YE                                   |     |  |             |   |  |
|                    | 958 522 825 00 IVD | Umber                                     | -YF                                       |     |  |             |   |  |
|                    | 958 522 825 00 IVE | Black/Carmine Red                         | -YA                                       |     |  |             |   |  |
| (4)                | 958 522 825 00 IVF | Black/Peridot                             | -YB                                       | 1   | GTS<br>PR:N2S, Q4P,<br>3NW, 4A0, 4A3,<br>4X4                 |             |   |  |
|                    | 958 522 827 00     | backrest cover (alcantara)<br>sports seat | left                                      |     |  |             |   |  |
|                    |                    | D >> - MJ 2014                            |   |     |  |             |   |  |
|                    | 958 522 827 00 IVA | Black                                     | -MA, YC                                   |     |  |             |   |  |
|                    | 958 522 827 00 IVB | Alcantara                                 | -MD, YD                                   |     |  |             |   |  |
|                    | 958 522 827 00 IVC | Luxor beige                               | -MC, YE                                   |     |  |             |   |  |
|                    | 958 522 827 00 IVD | Umber                                     | -YF                                       |     |  |             |   |  |
|                    | 958 522 827 00 IVE | Black/Carmine Red                         | -YA                                       |     |  |             |   |  |
|                    | 958 522 827 00 IVF | Black/Peridot                             | -YB                                       |     |  |             |   |  |
|                    | (4)                | 958 522 827 01                            | backrest cover (alcantara)<br>sports seat |     |  | left        | 1 | GTS<br>PR:N2S, Q4P,<br>3NW, 4A0, 4A3,<br>4X4 |
|                    |                    | D - MJ 2015>>                             |   |     |  |             |   |  |
| 958 522 827 01 IVA |                    | Black                                     | -MF, YC                                   |     |  |             |   |  |
| 958 522 827 01 IVB |                    | Alcantara                                 | -MD, YD                                   |     |  |             |   |  |
| 958 522 827 01 IVC |                    | Luxor beige                               | -LE, MC, YE                               |     |  |             |   |  |
| 958 522 827 01 IVD |                    | Umber                                     | -YF                                       |     |  |             |   |  |
| 958 522 827 01 IVE |                    | Black/Carmine Red                         | -YA                                       |     |  |             |   |  |
| 958 522 827 01 IVF |                    | Black/Peridot                             | -YB                                       |     |  |             |   |  |
| 958 522 827 01 DJM |                    | agate grey                                | -ML                                       |     |  |             |   |  |
| 958 522 827 01 DJN |                    | saddle brown                              | -ME                                       |     |  |             |   |  |
| (4)                | 958 522 827 01 DJP | Black/Rhodium Silver                      | -MF                                       | 1   | GTS<br>PR:N2S, Q4P,<br>3NW, 4A4, 4X4                         |             |   |  |
|                    | 958 522 829 00     | backrest cover (alcantara)<br>sports seat | left                                      |     |  |             |   |  |
|                    | 958 522 829 00 IVA | Black                                     | -MA, YC                                   |     |  |             |   |  |
|                    | 958 522 829 00 IVB | Alcantara                                 | -MD, YD                                   |     |  |             |   |  |
|                    | 958 522 829 00 IVC | Luxor beige                               | -MC, YE                                   |     |  |             |   |  |
|                    | 958 522 829 00 IVD | Umber                                     | -YF                                       |     |  |             |   |  |
|                    | 958 522 829 00 IVE | Black/Carmine Red                         | -YA                                       |     |  |             |   |  |
|                    | 958 522 829 00 IVF | Black/Peridot                             | -YB                                       |     |  |             |   |  |
|                    | (5)                | 958 522 810 18                            | Backrest cover<br>Plain leather           |     |  | right       | 1 | PR:NOQ, N5U,<br>Q1J, 3NW, 4A0,<br>4A3, 4X3   |
|                    |                    | 958 522 810 18 D0D                        | Black                                     |     |  | -LC, MA, YC |   |  |
| 958 522 810 18 D0E |                    | Platinum Grey                             | -LD, MD, YD                               |     |  |             |   |  |
| 958 522 810 18 D0F |                    | Luxor beige                               | -LE, MC, YE                               |     |  |             |   |  |
| 958 522 810 18 D0G |                    | Umber                                     | -LF, YF                                   |     |  |             |   |  |
| 958 522 810 18 D0H |                    | Titanium Blue                             | -TW                                       |     |  |             |   |  |
| 958 522 810 18 D0J |                    | Cream                                     | -TX                                       |     |  |             |   |  |
| 958 522 810 18 D0K |                    | Light Tartufo                             | -TY                                       |     |  |             |   |  |
| 958 522 810 18 AAB |                    | Black/Carrera Red                         | -TA                                       |     |  |             |   |  |
| 958 522 810 18 AAC |                    | Black/Luxor Beige                         | -TB, 77                                   |     |  |             |   |  |
| (5)                | 958 522 810 21     | Backrest cover<br>Plain leather           | right                                     | 1   | PR:NOQ, N1B,<br>N1M, N5U, 3NW,<br>4A0, 4A3, 4D0,<br>4D3, 4X3 |             |   |  |
|                    | 958 522 810 21 FSR | Luxor beige                               | -MK                                       |     |  |             |   |  |
|                    | 958 522 810 21 HEB | Cohiba Brown/Black                        | -LH                                       |     |  |             |   |  |

Model: 92A 11 Model life 2011>>2018

| Pos                | Part Number        | Description   | Remark      | Qty | Model  |
|--------------------|--------------------|---|-------------|-----|--|
| (5)                | 958 522 810 21 HGK | Black/Cream   | -LG         | 1   | PR:N0Q,N5U,<br>Q1J,3NW,4A0,<br>4A3,4X4                     |
|                    | 958 522 810 21 HHD | Saddle Tan/Black  | -MI         |     |  |
|                    | 958 522 810 21 HHI | Cream/Saddle Tan  | -MJ         |     |  |
|                    | 958 522 810 21 YKI | agate grey  | -MB, MG, ML |     |  |
|                    | 958 522 810 21 YMI | saddle brown  | -ME, MH     |     |  |
|                    | 958 522 810 30     | Backrest cover<br>Plain leather                                 | right       |     |  |
|                    |                    |   | with:       |     |  |
|                    |                    | Airbag  |             |     |  |
|                    | 958 522 810 30 D0D | Black   | -LC, MA, YC |     |  |
|                    | 958 522 810 30 D0E | Platinum Grey   | -LD, MD, YD |     |  |
| 958 522 810 30 D0F | Luxor beige        | -LE, MC, YE   |             |     |  |
| 958 522 810 30 D0G | Umber              | -LF, YF   |             |     |  |
| 958 522 810 30 D0H | Titanium Blue      |   |             |     |  |
| 958 522 810 30 D0J | Cream              | -TX   |             |     |  |
| 958 522 810 30 D0K | Light Tartufo      | -TY   |             |     |  |
| 958 522 810 30 AAB | Black/Carrera Red  | -TA   |             |     |  |
| 958 522 810 30 AAC | Black/Luxor Beige  | -TB, 77   |             |     |  |
| (5)                | 958 522 810 30 HHD | Saddle Tan/Black  | -MI         | 1   | PR:N1A,N1P,<br>Q1J,3NW,4A0,<br>4A3,4X3                     |
|                    | 958 522 810 21     | Backrest cover<br>Leather<br>Nature                             | right       |     |  |
| (5)                | 958 522 810 21 D0L | Espresso  | -VA         | 1   | PR:N1A,N1P,<br>Q1J,3NW,4A0,<br>4A3,4X4                     |
|                    | 958 522 810 21 D0M | Cognac  | -VB         |     |  |
| (5)                | 958 522 810 22     | Backrest cover<br>Leather<br>Nature                             | right       | 1   | PR:N1A,N1P,<br>Q1J,3NW,4A0,<br>4A3,4X4                     |
|                    |                    |   | with:       |     |  |
| (5)                | 958 522 810 22 D0L | Espresso  | -VA         | 1   | PR:N0Q,N5U,<br>Q1J,3NW,4A4,<br>4X3                         |
|                    | 958 522 810 22 D0M | Cognac  | -VB         |     |  |
| (5)                | 958 522 810 19     | Backrest cover<br>Plain leather<br>for<br>Seat heater           | right       | 1   | PR:N0Q,N5U,<br>Q1J,3NW,4A4,<br>4X3                         |
|                    | 958 522 810 19 D0D | Black   | -LC, MA, YC |     |  |
|                    | 958 522 810 19 D0E | Platinum Grey   | -LD, MD, YD |     |  |
|                    | 958 522 810 19 D0F | Luxor beige   | -LE, MC, YE |     |  |
|                    | 958 522 810 19 D0G | Umber   | -LF, YF     |     |  |
|                    | 958 522 810 19 D0H | Titanium Blue   |             |     |  |
|                    | 958 522 810 19 D0J | Cream   | -TX         |     |  |
|                    | 958 522 810 19 D0K | Light Tartufo   | -TY         |     |  |
|                    | 958 522 810 19 AAB | Black/Carrera Red   | -TA         |     |  |
|                    | 958 522 810 19 AAC | Black/Luxor Beige   | -TB, 77     |     |  |
| (5)                | 958 522 808 47     | Backrest cover<br>Plain leather<br>for<br>Seat heater<br>Airbag | right       | 1   | PR:N0Q,N1B,<br>N1M,N5U,Q1J,<br>Q4P,3NW,4A4,<br>4D0,4D3,4X4 |
|                    | 958 522 808 47 D0D | Black   | -LC, MA, YC |     |  |
|                    | 958 522 808 47 D0E | Platinum Grey   | -LD, MD, YD |     |  |
|                    | 958 522 808 47 D0F | Luxor beige   | -LE, MC, YE |     |  |
|                    | 958 522 808 47 D0G | Umber   | -LF, YF     |     |  |
|                    | 958 522 808 47 D0H | Titanium Blue   |             |     |  |
|                    | 958 522 808 47 D0J | Cream   | -TX         |     |  |
|                    | 958 522 808 47 D0K | Light Tartufo   | -TY         |     |  |
|                    | 958 522 808 47 AAC | Black/Luxor Beige   | -MB, MG, ML |     |  |
|                    | 958 522 808 47 AAB | Black/Carrera Red   | -ME, MH     |     |  |
| (5)                | 958 522 808 50     | Backrest cover<br>Leather<br>Nature<br>for<br>Seat heater       | right       | 1   | PR:N1P,N1A,<br>4X3,Q1J,4A4,<br>3NW                         |
|                    |                    |   |             |     |  |

Model: 92A 11 Model life 2011>>2018

| Pos                | Part Number        | Description  | Remark              | Qty | Model                                      |
|--------------------|--------------------|--|---------------------|-----|--|
| (5)                | 958 522 808 50 D0L | Espresso   | -VA                 | 1   | PR:N1A,N1P,<br>Q1J,3NW,4A4,<br>4X4         |
|                    | 958 522 808 50 D0M | Cognac   | -VB                 |     |  |
|                    | 958 522 810 23     | Backrest cover<br>Leather<br>Nature<br>for<br>Seat heater<br>Airbag<br>D >> - MJ 2013<br>Discontinued part | right               |     |  |
| (5)                | 958 522 810 23 D0L | Espresso   | -VA                 | 1   | PR:N1A,N1P,<br>Q1J,3NW,4A4,<br>4X4         |
|                    | 958 522 810 23 D0M | Cognac   | -VB                 |     |  |
|                    | 958 522 810 31     | Backrest cover<br>Leather<br>Nature<br>for<br>Seat heater<br>Airbag<br>D - MJ 2014>>                       | right               |     |  |
| (5)                | 958 522 810 31 D0L | Espresso   | -VA                 | 1   | PR-N1A,Q1J,<br>3NW,4D1,4X4                 |
|                    | 958 522 810 31 D0M | Cognac   | -VB                 |     |  |
| (5)                | 958 885 806        | Backrest cover<br>sports seat  |                     | 1   |  |
| (5)                | 958 885 806 D0M    | Cognac   | -VB                 | 1   | PR:GP1,N0Q,<br>N1B,Q1J,3NW,<br>4D1,4X4,4D3 |
| (5)                | 958 522 808 70     | Backrest cover<br>Plain leather<br>for<br>Seat heater<br>Airbag<br>Vented                                  | right               | 1   | PR:N2S,Q4P,<br>3NW,4A0,4A3,<br>4X3         |
|                    | 958 522 808 70 D0D | Black  | -LC,MA,YC           |     |  |
|                    | 958 522 808 70 D0F | Luxor beige  | -LE,MC,YE           |     |  |
|                    | 958 522 808 70 FSR | Luxor Beige/Saddle Tan   | -MK                 |     |  |
|                    | 958 522 808 70 HEB | Cohiba Brown/Black   | -LH                 |     |  |
|                    | 958 522 808 70 HGK | Black/Cream  | -LG                 |     |  |
|                    | 958 522 808 70 HHD | Saddle Tan/Black   | -MI                 |     |  |
|                    | 958 522 808 70 HHI | Cream/Saddle Tan   | -MJ                 |     |  |
|                    | 958 522 808 70 YKI | agate grey   | -MB,MG,ML,ME,<br>MH |     |  |
|                    | 958 522 808 70 AAC | Black/Luxor Beige  | -77                 |     |  |
|                    | 958 522 808 70 AAB | Black/Carrera Red  | -TA                 |     |  |
|                    | 958 522 810 24     | backrest cover (alcantara)<br>sports seat<br>GTS   | right               |     |  |
|                    | (5)                | 958 522 810 24 IVA   | Black               |     |  |
| 958 522 810 24 IVB |                    | Platinum Grey  | -MD,YD              |     |  |
| 958 522 810 24 IVC |                    | Luxor beige  | -MC,YE              |     |  |
| 958 522 810 24 IVD |                    | Umber  | -YF                 |     |  |
| 958 522 810 24 IVE |                    | Black/Carmin Red   | -YA                 |     |  |
| 958 522 810 24 IVF |                    | Black/Peridot  | -YB                 |     |  |
| 958 522 810 25     |                    | Backrest cover<br>sports seat<br>GTS<br>Alcantara  | right               |     |  |
| 958 522 810 25 IVA |                    | Alcantara  | -MA,YC              |     |  |
| 958 522 810 25 IVB |                    | Alcantara  | -MD,YD              |     |  |
| 958 522 810 25 IVC |                    | Alcantara  | -MC,YE              |     |  |
| (5)                | 958 522 810 25 IVD | Umber  | -YF                 | 1   | PR:N2S,Q4P,<br>3NW,4A4,4X3                 |
|                    | 958 522 810 25 IVE | Black/Carmin Red   | -YA                 |     |  |
|                    | 958 522 810 25 IVF | Black/Peridot  | -YB                 |     |  |
|                    | 958 522 810 45     | Backrest cover<br>sports seat<br>GTS   | right               |     |  |
|                    | 958 522 810 25 IVA | Alcantara  | -MA,YC              |     |  |
|                    | 958 522 810 25 IVB | Alcantara  | -MD,YD              |     |  |
|                    | 958 522 810 25 IVC | Alcantara  | -MC,YE              |     |  |



Model: 92A 11 Model life 2011>>2018

| Pos | Part Number        | Description                                      | Remark      | Qty | Model  |
|-----|--------------------|--|-------------|-----|--|
|     |                    | Alcantara  |             |     |  |
|     |                    | D - MJ 2015>>                                    |             |     |  |
|     | 958 522 810 45 IVA | Black  | -MF, YC     |     |  |
|     | 958 522 810 45 IVB | Platinum Grey                                    | -MD, YD     |     |  |
|     | 958 522 810 45 IVC | Luxor beige                                      | -LE, MC, YE |     |  |
|     | 958 522 810 45 IVD | Umber  | -YF         |     |  |
|     | 958 522 810 45 IVE | Black/Carmin Red                                 | -YA         |     |  |
|     | 958 522 810 45 IVF | Black/Peridot                                    | -YB         |     |  |
|     | 958 522 810 45 DJM | agate grey                                       | -ML         |     |  |
|     | 958 522 810 45 DJN | saddle brown                                     | -ME         |     |  |
|     | 958 522 810 45 DJP | Black/Rhodium Silver                             | -MF         |     |  |
| (5) | 958 522 810 26     | backrest cover (alcantara)<br>sports seat<br>GTS | right       | 1   | PR:N2S, Q4P,<br>3NW, 4A4, 4X4                |
|     | 958 522 810 26 IVA | Black  | -MA, YC     |     |  |
|     | 958 522 810 26 IVB | Alcantara  | -MD, YD     |     |  |
|     | 958 522 810 26 IVC | Alcantara  | -LE, MC, YE |     |  |
|     | 958 522 810 26 IVD | Umber  | -YF         |     |  |
|     | 958 522 810 26 IVE | Black/Carmin Red                                 | -YA         |     |  |
|     | 958 522 810 26 IVF | Black/Peridot                                    | -YB         |     |  |
| (5) | 958 522 810 37     | backrest cover (alcantara)<br>sports seat<br>GTS | right       | 1   | PR:N2S, Q4P,<br>3NW, 4A4, 4X4                |
|     | 958 522 810 37 IVA | Black  | -MA, YC     |     |  |
|     | 958 522 810 37 IVB | Alcantara  | -MD, YD     |     |  |
|     | 958 522 810 37 IVC | Alcantara  | -LE, MC, YE |     |  |
|     | 958 522 810 37 IVD | Umber  | -YF         |     |  |
|     | 958 522 810 37 IVE | Black/Carmin Red                                 | -YA         |     |  |
|     | 958 522 810 37 IVF | Black/Peridot                                    | -YB         |     |  |
| (5) | 958 522 826 00     | backrest cover (alcantara)<br>sports seat        | right       | 1   | GTS<br>PR:N2S, Q4P,<br>3NW, 4A0, 4A3,<br>4X3 |
|     | 958 522 826 00 IVA | Black  | -MA, YC, LC |     |  |
|     | 958 522 826 00 IVB | Platinum Grey                                    | -MD, YD     |     |  |
|     | 958 522 826 00 IVC | Luxor beige                                      | -LE, MC, YE |     |  |
|     | 958 522 826 00 IVD | Umber  | -YF         |     |  |
|     | 958 522 826 00 IVE | Black/Carmin Red                                 | -YA         |     |  |
|     | 958 522 826 00 IVF | Black/Peridot                                    | -YB         |     |  |
| (5) | 958 522 830 00     | backrest cover (alcantara)<br>sports seat        | right       | 1   | GTS<br>PR:N2S, Q4P,<br>3NW, 4A0, 4A3,<br>4X3 |
|     | 958 522 830 00 IVA | Black  | -MA, YC     |     |  |
|     | 958 522 830 00 IVB | Alcantara  | -MD, YD     |     |  |
|     | 958 522 830 00 IVC | Luxor beige                                      | -LE, MC, YE |     |  |
|     | 958 522 830 00 IVD | Umber  | -YF         |     |  |
|     | 958 522 830 00 IVE | Black/Carmin Red                                 | -YA         |     |  |
|     | 958 522 830 00 IVF | Black/Peridot                                    | -YB         |     |  |
| (5) | 958 522 832 00     | backrest cover (alcantara)<br>sports seat        | right       | 1   | GTS<br>PR:N2S, Q4P,<br>3NW, 4A0, 4A3,<br>4X4 |
|     |                    | D >> - MJ 2014                                   |             |     |  |
|     | 958 522 832 00 IVA | Black  | -MA, YC     |     |  |
|     | 958 522 832 00 IVB | Alcantara  | -MD, YD     |     |  |
|     | 958 522 832 00 IVC | Luxor beige                                      | -LE, MC, YE |     |  |
|     | 958 522 832 00 IVD | Umber  | -YF         |     |  |
|     | 958 522 832 00 IVE | Black/Carmin Red                                 | -YA         |     |  |
|     | 958 522 832 00 IVF | Black/Peridot                                    | -YB         |     |  |
| (5) | 958 522 832 01     | backrest cover (alcantara)<br>sports seat        | right       | 1   | GTS<br>PR:N2S, Q4P,<br>3NW, 4A0, 4A3,<br>4X4 |
|     |                    | D - MJ 2015>>                                    |             |     |  |

Model: 92A 11 Model life 2011>>2018

| Pos | Part Number        | Description  | Remark                 | Qty | Model  |
|-----|--------------------|--|------------------------|-----|--|
|     | 958 522 832 01 IVA | Black  | -MA, YC                |     |  |
|     | 958 522 832 01 IVB | Alcantara  | -MD, YD                |     |  |
|     | 958 522 832 01 IVC | Luxor beige  | -LE, MC, YE            |     |  |
|     | 958 522 832 01 IVD | Umber  | -YF                    |     |  |
|     | 958 522 832 01 IVE | Black/Carmine Red                                    | -YA                    |     |  |
|     | 958 522 832 01 IVF | Black/Peridot  | -YB                    |     |  |
|     | 958 522 832 01 DJM | agate grey   | -ML                    |     |  |
|     | 958 522 832 01 DJN | saddle brown   | -ME                    |     |  |
|     | 958 522 832 01 DJP | Black/Rhodium Silver                                 | -MF                    |     |  |
| (5) | 958 522 834 00     | backrest cover (alcantara)<br>sports seat            | right                  | 1   | GTS<br>PR: N2S, Q4P,<br>3NW, 4A4, 4X4,<br>4D0, 4D3 |
|     | 958 522 834 00 IVA | Black  | -MA, YC                |     |  |
|     | 958 522 834 00 IVB | Alcantara  | -MD, YD                |     |  |
|     | 958 522 834 00 IVC | Luxor beige  | -MC, YE                |     |  |
|     | 958 522 834 00 IVD | Umber  | -YF                    |     |  |
|     | 958 522 834 00 IVE | Black/Carmine Red                                    | -YA                    |     |  |
|     | 958 522 834 00 IVF | Black/Peridot  | -YB                    |     |  |
| 6   | 958 522 828 14     | Backrest cover                                       | center                 | 1   | PR: N5U, N7D,<br>3NW, N0Q                          |
|     |                    | Plain leather<br>D >> - MJ 2013<br>Discontinued part |                        |     |  |
|     | 958 522 828 14 D0D | Black  | -MF, YC                |     |  |
|     | 958 522 828 14 D0E | Platinum Grey  | -LD, MD                |     |  |
|     | 958 522 828 14 D0F | Luxor beige  | -LE, MC                |     |  |
|     | 958 522 828 14 D0G | Umber  | -YF                    |     |  |
|     | 958 522 828 14 D0H | Titanium Blue  | -TW                    |     |  |
|     | 958 522 828 14 D0J | Cream  | -TX                    |     |  |
|     | 958 522 828 14 D0K | Light Tartufo  | -TY                    |     |  |
|     | 958 522 828 14 AAB | Black/Carrera Red                                    | -TA                    |     |  |
|     | 958 522 828 14 AAC | Black/Luxor Beige                                    | -TB                    |     |  |
| (6) | 958 522 828 15     | Backrest cover                                       | center                 | 1   | PR-3NW, N0Q,<br>N1B, N1M, N2S,<br>N5U, N7D         |
|     |                    | D - MJ 2014>>  |                        |     |  |
|     | 958 522 828 15 D0D | Black  | -LC, MA, MF, YA,<br>YC |     |  |
|     | 958 522 828 15 D0E | Platinum Grey  | -LD, MD                |     |  |
|     | 958 522 828 15 D0F | Luxor beige  | -LE, MC, YE            |     |  |
|     | 958 522 828 15 D0G | Umber  | -LF                    |     |  |
|     | 958 522 828 15 D0H | Titanium Blue  | -TW                    |     |  |
|     | 958 522 828 15 D0J | Cream  | -MJ                    |     |  |
|     | 958 522 828 15 D0K | Light Tartufo  | -TY                    |     |  |
|     | 958 522 828 15 AAB | Black/Carrera Red                                    | -TA                    |     |  |
|     | 958 522 828 15 AAC | Black/Luxor Beige                                    | -TB, 77                |     |  |
|     | 958 522 828 15 FSR | Luxor Beige/Saddle Tan                               | -MK                    |     |  |
|     | 958 522 828 15 HEB | Cohiba Brown/Black                                   | -LH                    |     |  |
|     | 958 522 828 15 HGK | Black/Cream  | -LG                    |     |  |
|     | 958 522 828 15 HHD | Saddle Tan/Black                                     | -MI                    |     |  |
|     | 958 522 828 15 HHI | Cream/Saddle Tan                                     | -MJ                    |     |  |
|     | 958 522 828 15 YKI | agate grey   | -MB, MG, ML            |     |  |
|     | 958 522 828 15 YMI | saddle brown   | -ME, MH                |     |  |
| (6) | 958 522 828 20     | Seat cover (leather)<br>Nature                       | center                 | 1   | PR: N1P, N5Y                                       |
|     | 958 522 828 20 D0L | Espresso   | -VA                    |     |  |
|     | 958 522 828 20 D0M | Cognac   | -VB                    |     |  |
| 7   | 958 653 567 10     | Heating element<br>Backrest side bolster             | left<br>rear           | 1   | PR: 4A4  |
| 8   | 958 653 568 10     | Heating element<br>Backrest side bolster             | right<br>rear          | 1   | PR: 4A4  |
| 9   | 958 521 761 11     | repair set<br>knob                                   |                        | 1   |  |

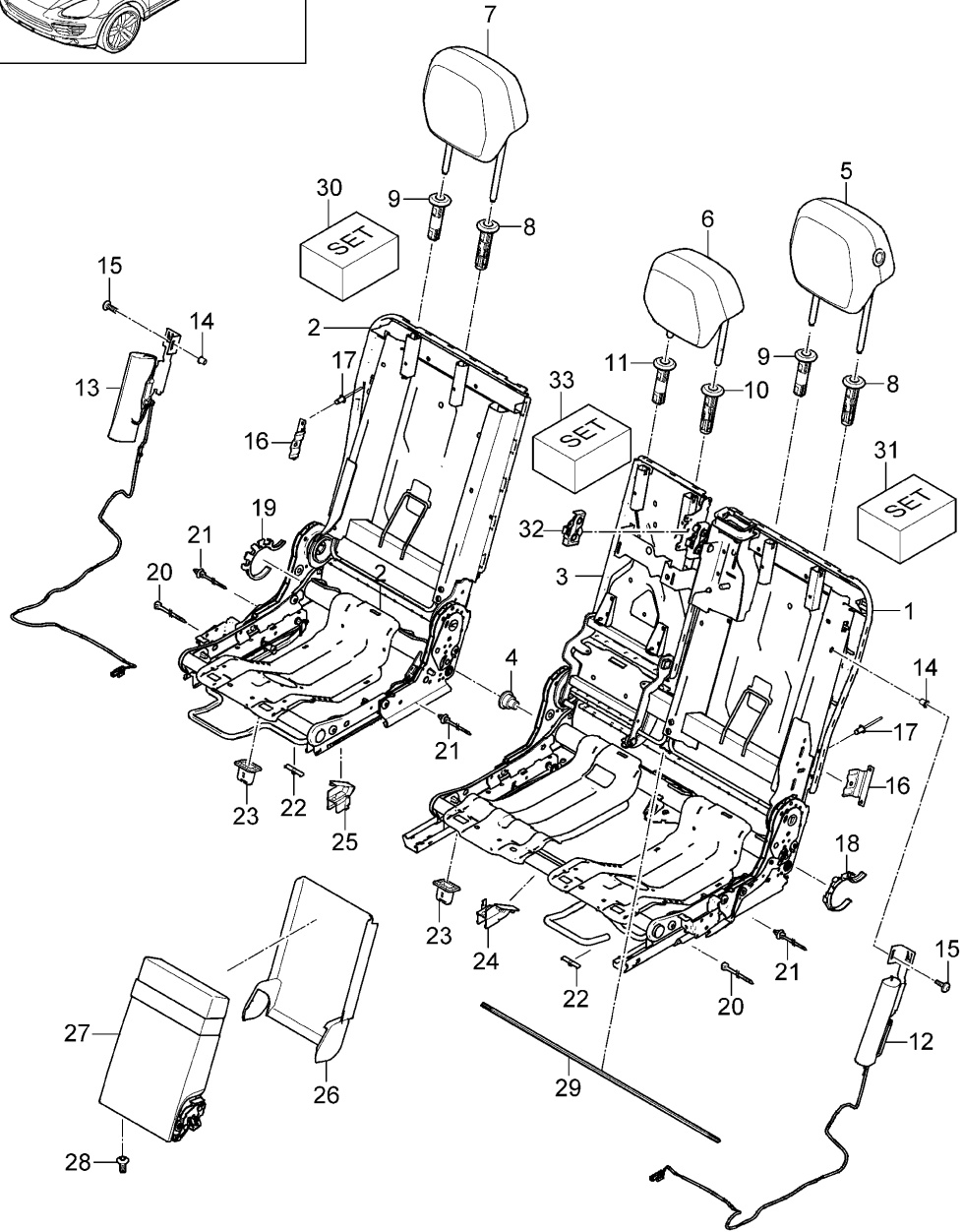
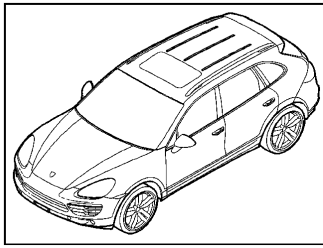
Model: 92A 11

Model life 2011>>2018

| Pos | Part Number        | Description                                 | Remark | Qty | Model |
|-----|--------------------|---|--------|-----|-------|
|     | 958 521 761 11 95R | child seat<br>Identification: >> >><br>Grey |        |     |       |

Model: 92A 11

Model life 2011>>2018



Model: 92A 11 Model life 2011>>2018

| Pos | Part Number        | Description  | Remark         | Qty | Model                      |
|-----|--------------------|--|----------------|-----|----------------------------|
| 1   | 958 522 101 01     | Head restraint<br>Accessories<br>Backrest frame<br>Ski bag<br>frame for seat<br>with:                  | left           | 1   | PR:Q1G,Q2J,<br>3NW         |
| (1) | 958 522 101 10     | Backrest frame<br>frame for seat<br>with:  | left           | 1   | PR:Q1J                     |
| (1) | 958 522 101 20     | Backrest frame<br>frame for seat<br>with:  | left           | 1   | PR:Q1J,Q4P,<br>3NW         |
| 2   | 958 522 102 01     | Backrest frame<br>frame for seat<br>with:  | right          | 1   | PR:Q1G,Q2J                 |
| 2   | 958 522 102 01     | Backrest frame<br>frame for seat<br>with:  | right          | 1   | PR:Q1G,Q2J,<br>3NW         |
| (2) | 958 522 102 10     | Backrest frame<br>frame for seat<br>with:  | right          | 1   | PR:Q1J                     |
| (2) | 958 522 102 15     | Backrest frame<br>frame for seat<br>with:  | right          | 1   | PR:Q1J,Q4P,<br>3NW         |
| 3   | 958 522 070 00     | Backrest frame<br>backrest frame   | left<br>center | 1   |                            |
| 3   | 958 522 930 00     | Collapsible<br>Instead of<br>Use<br>Position<br>1<br>Discontinued part<br>Flap<br>Ski bag<br>Bodyshell | left           | 1   | PR:3NW                     |
| 4   | 958 522 071 00     | Connecting piece   | center         | 1   | PR:3NW                     |
| 5   | 958 522 811 00     | Backrest frame<br>Collapsible<br>Head restraint<br>Standard seat                                       | left           | 1   | PR:Q1G,N1X,<br>N7F         |
|     | 958 522 811 00 21U | Black  | -MA            |     |                            |
|     | 958 522 811 00 32X | Luxor beige  | -MC            |     |                            |
|     | 958 522 811 00 7EG | Platinum Grey  | -MD            |     |                            |
|     | 958 522 811 00 HAA | Black/Luxor Beige<br>D - MJ 2014>>   | -77            |     |                            |
|     | 958 522 811 00 OF6 | agate grey<br>D - MJ 2015>>  | -MB            |     |                            |
| 5   | 958 522 811 02     | Head restraint<br>Standard seat  | left           | 1   | PR:Q1G,N1X,<br>N7F         |
|     | 958 522 811 02 21U | Black  | -MA            |     |                            |
|     | 958 522 811 02 32X | Luxor beige  | -MC            |     |                            |
|     | 958 522 811 02 7EG | Platinum Grey  | -MD            |     |                            |
|     | 958 522 811 02 HAA | Black/Luxor Beige<br>D - MJ 2014>>   | -77            |     |                            |
|     | 958 522 811 02 OF6 | agate grey<br>D - MJ 2015>>  | -MB            |     |                            |
| (5) | 958 522 812 00     | Head restraint<br>Standard seat<br>with:   | left           | 1   | PR:Q1G,N1X,<br>N7F,5ZF,3NW |
|     | 958 522 812 00 21U | Porsche crest<br>Black   | -MA            |     |                            |
|     | 958 522 812 00 32X | Luxor beige  | -MC            |     |                            |

Model: 92A 11 Model life 2011>>2018

| Pos | Part Number        | Description                                     | Remark       | Qty | Model  |
|-----|--------------------|---|--------------|-----|--|
|     | 958 522 812 00 7EG | Platinum Grey                                   | -MD          |     |  |
|     | 958 522 812 00 HAA | Black/Luxor Beige                               | -77          |     |  |
|     |                    | D - MJ 2014>>                                   |              |     |  |
|     | 958 522 812 00 OF6 | agate grey                                      | -MB          |     |  |
|     |                    | D - MJ 2015>>                                   |              |     |  |
| (5) | 958 522 813 00     | Head restraint<br>Comfort seat<br>sports seat   | left         | 1   | PR:N0Q,N5U,<br>N7D,3J4,3J7,<br>3NW,N2S,N1B,<br>N1M |
|     | 958 522 813 00 8YR | Black   | -LC,MA,YC    |     |  |
|     | 958 522 813 00 9H6 | Luxor beige                                     | -LE,MC,MK,YE |     |  |
|     | 958 522 813 00 7A0 | Platinum Grey                                   | -LD,MD,YD    |     |  |
|     | 958 522 813 00 6G0 | Cream   | -MJ,TX       |     |  |
|     | 958 522 813 00 DE1 | Umber   | -LF,YF       |     |  |
|     | 958 522 813 00 DF2 | Light Tartufo                                   | -TY          |     |  |
|     | 958 522 813 00 DJ3 | Titanium Blue                                   | -TW          |     |  |
|     | 958 522 813 00 AAB | Black/Carrera Red                               | -TA          |     |  |
|     |                    | D - MJ 2014>>                                   |              |     |  |
|     | 958 522 813 00 AAC | Black/Luxor Beige                               | -TB,77       |     |  |
|     |                    | D - MJ 2014>>                                   |              |     |  |
|     | 958 522 813 00 DJP | Black/Rhodium Silver                            | -MF          |     |  |
|     |                    | D - MJ 2015>>                                   |              |     |  |
|     | 958 522 813 00 IVE | Black/Carmine Red                               | -YA          |     |  |
|     |                    | D - MJ 2015>>                                   |              |     |  |
|     | 958 522 813 00 PL1 | agate grey                                      | -MB,MG,ML    |     |  |
|     |                    | D - MJ 2015>>                                   |              |     |  |
| (5) | 958 522 813 00 OK6 | saddle brown                                    | -ME,MH,MI    |     |  |
| (5) | 958 522 813 01     | Head restraint<br>Comfort seat<br>sports seat   | left         | 1   | PR:N0Q,N5U,<br>N7D,3J4,3J7,<br>3NW,N2S,N1B,<br>N1M |
|     | 958 522 813 01 8YR | Black   | -LC,MA,YC    |     |  |
|     | 958 522 813 01 9H6 | Luxor beige                                     | -LE,MC,MK,YE |     |  |
|     | 958 522 813 01 7A0 | Platinum Grey                                   | -LD,MD,YD    |     |  |
|     | 958 522 813 01 6G0 | Cream   | -MJ,TX       |     |  |
|     | 958 522 813 01 DE1 | Umber   | -LF,YF       |     |  |
|     | 958 522 813 01 DF2 | Light Tartufo                                   | -TY          |     |  |
|     | 958 522 813 01 DJ3 | Titanium Blue                                   | -TW          |     |  |
|     | 958 522 813 01 AAB | Black/Carrera Red                               | -TA          |     |  |
|     |                    | D - MJ 2014>>                                   |              |     |  |
|     | 958 522 813 01 AAC | Black/Luxor Beige                               | -TB,77       |     |  |
|     |                    | D - MJ 2014>>                                   |              |     |  |
|     | 958 522 813 01 DJP | Black/Rhodium Silver                            | -MF          |     |  |
|     |                    | D - MJ 2015>>                                   |              |     |  |
|     | 958 522 813 01 IVE | Black/Carmine Red                               | -YA          |     |  |
|     |                    | D - MJ 2015>>                                   |              |     |  |
|     | 958 522 813 01 PL1 | agate grey                                      | -MB,MG,ML    |     |  |
|     |                    | D - MJ 2015>>                                   |              |     |  |
|     | 958 522 813 01 HGK | Black/Cream                                     | -LG          |     |  |
|     |                    | D - MJ 2015>>                                   |              |     |  |
|     | 958 522 813 01 OK6 | saddle brown                                    | -ME,MH,MI    |     |  |
|     |                    | D - MJ 2015>>                                   |              |     |  |
| (5) | 958 522 901 75     | Head restraint                                  | left         | 1   | PR:N0Q,N1B,<br>N1M,N2S,N5U,<br>N7D,3J4,3J7,<br>3NW |
|     |                    | D - MJ 2016>>                                   |              |     |  |
| (5) | 958 522 901 75 OB8 | Cohiba Brown                                    | -LH          |     |  |
| (5) | 958 522 814 00     | Head restraint<br>Comfort seat<br>Plain leather | left         | 1   | PR:3NW,N0Q,<br>N5U,N7D,5ZF                         |
|     |                    | with:<br>Porsche crest<br>D >> - MJ 2014        |              |     |  |

Model: 92A 11 Model life 2011>>2018

| Pos | Part Number        | Description                                      | Remark          | Qty | Model                                      |
|-----|--------------------|--|-----------------|-----|--|
|     | 958 522 814 00 8YR | Black  | -LC, MA, YC     |     |  |
|     | 958 522 814 00 9H6 | Luxor beige                                      | -LE, MC, YE     |     |  |
|     | 958 522 814 00 7A0 | Platinum Grey                                    | -LD, MD, YD     |     |  |
|     | 958 522 814 00 6G0 | Cream  | -MJ, TX         |     |  |
|     | 958 522 814 00 DE1 | Umber  | -LF, YF         |     |  |
|     | 958 522 814 00 DF2 | Light Tartufo                                    | -TY             |     |  |
|     | 958 522 814 00 DJ3 | Titanium Blue                                    | -TW             |     |  |
|     | 958 522 814 00 AAB | Black/Carrera Red                                | -TA             |     |  |
|     | 958 522 814 00 AAC | Black/Luxor Beige                                | -TB, 77         |     |  |
|     | 958 522 814 00 PL1 | agate grey                                       | -MB, MG, ML     |     |  |
| (5) | 958 522 814 01     | Head restraint<br>Comfort seat<br>Plain leather  | left            | 1   | PR:NOQ,N1B,<br>N1M,N2S,N5U,<br>N7D,3NW,5ZF |
|     |                    | with:  |                 |     |  |
|     |                    | Porsche crest<br>D - MJ 2015>>                   |                 |     |  |
|     | 958 522 814 01 AAB | Black/Carrera Red                                | -TA             |     |  |
|     | 958 522 814 01 AAC | Black/Luxor Beige                                | -77             |     |  |
|     | 958 522 814 01 HGK | Black/Cream                                      | -LG             |     |  |
|     | 958 522 814 01 OB8 | Cohiba Brown                                     | -LH             |     |  |
|     | 958 522 814 01 OK6 | saddle brown                                     | -ME, MH, MI     |     |  |
|     | 958 522 814 01 PL1 | agate grey                                       | -MB, MG, ML     |     |  |
|     | 958 522 814 01 6G0 | Cream  | -MJ             |     |  |
|     | 958 522 814 01 8YR | Black  | -LC             |     |  |
|     | 958 522 814 01 9H6 | Luxor beige                                      | -LE, MC, MK, YE |     |  |
| (5) | 958 522 815 00     | Head restraint<br>Comfort seat<br>sports seat    | left            | 1   | PR:Q1J,Q2J,<br>N1P,N5Y                     |
|     | 958 522 815 00 8C0 | Espresso   | -VA             |     |  |
|     | 958 522 815 00 9EF | Cognac   | -VB             |     |  |
| (5) | 958 522 816 00     | Head restraint<br>Comfort seat<br>sports seat    | left            | 1   | PR:Q1J,Q2J,<br>N1P,N5Y                     |
|     |                    | with:  |                 |     |  |
|     |                    | Porsche crest                                    |                 |     |  |
|     | 958 522 816 00 8C0 | Espresso   | -VA             |     |  |
|     | 958 522 816 00 9EF | Cognac   | -VB             |     |  |
| (5) | 958 522 837 00     | Head restraint<br>Natural leather<br>sports seat | left            | 1   | GTS<br>PR:N1A,N1P,<br>3NW,5ZD              |
|     |                    | D - MJ 2015>>                                    |                 |     |  |
|     | 958 522 837 00 8C0 | Espresso   | -VA             |     |  |
|     | 958 522 837 00 9EF | Cognac   | -VB             |     |  |
| (5) | 958 522 839 00     | Head restraint                                   | left            | 1   | GTS<br>PR:NOQ,N1B,<br>N1M,N5U,3NW,<br>5ZD  |
|     |                    | D - MJ 2015>>                                    |                 |     |  |
|     | 958 522 839 00 AAB | Black/Carrera Red                                | -TA             |     |  |
|     | 958 522 839 00 DJP | Black/Rhodium Silver                             | -MF             |     |  |
|     | 958 522 839 00 HGK | Black/Cream                                      | -LG             |     |  |
|     | 958 522 839 00 IVE | Black/Carmine Red                                | -YA             |     |  |
|     | 958 522 839 00 OB8 | Cohiba Brown                                     | -LH             |     |  |
|     | 958 522 839 00 OK6 | saddle brown                                     | -ME, MH, MI     |     |  |
|     | 958 522 839 00 PL1 | agate grey                                       | -MG, ML         |     |  |
|     | 958 522 839 00 6G0 | Cream  | -MJ             |     |  |
|     | 958 522 839 00 8YR | Black  | -LC, YC         |     |  |
|     | 958 522 839 00 9H6 | Luxor beige                                      | -LE, MK, YE     |     |  |
| 6   | 958 522 817 00     | Head restraint<br>Standard seat                  | center          | 1   | PR:Q1G,N1X,<br>N7F                         |
|     | 958 522 817 00 21U | Black  | -MA             |     |  |
|     | 958 522 817 00 32X | Luxor beige                                      | -MC             |     |  |
|     | 958 522 817 00 7EG | Platinum Grey                                    | -MD             |     |  |
|     | 958 522 817 00 HAA | Black/Luxor Beige                                | -77             |     |  |

Model: 92A 11 Model life 2011>>2018

| Pos | Part Number        | Description  | Remark                 | Qty | Model                                  |
|-----|--------------------|--|------------------------|-----|--|
|     | 958 522 817 00 OF6 | D - MJ 2014>><br>agate grey                                    | -MB                    |     |  |
| (6) | 958 522 818 00     | D - MJ 2015>><br>Head restraint<br>Comfort seat<br>sports seat | center                 | 1   | PR:Q1J,Q2J,<br>N5U,N7D                 |
|     | 958 522 818 00 8YR | Black  | -LC,MA,MF,YA,<br>YB,YC |     |  |
|     | 958 522 818 00 9H6 | Luxor beige  | -LE,MC,YE              |     |  |
|     | 958 522 818 00 7A0 | Platinum Grey  | -LD,MD,YD              |     |  |
|     | 958 522 818 00 6G0 | Cream  | -MJ, TX                |     |  |
|     | 958 522 818 00 DE1 | Umber  | -LF, YF                |     |  |
|     | 958 522 818 00 DF2 | Light Tartufo  | -TY                    |     |  |
|     | 958 522 818 00 DJ3 | Titanium Blue  | -TW                    |     |  |
|     | 958 522 818 00 AAB | Black/Carrera Red  | -TA                    |     |  |
|     | 958 522 818 00 AAC | Black/Luxor Beige  | -TB,77,MB,MG,          |     |  |
| (6) | 958 522 900 20     | Head restraint<br>Comfort seat<br>sports seat                  | center                 | 1   | PR:N0Q,N1B,<br>N1M,N2S,N5U,<br>N7D,3NW |
|     | 958 522 900 20 6G0 | D - MJ 2016>><br>Cream   | -MJ                    |     |  |
|     | 958 522 900 20 8YR | Black  | -LC,MA,MF,YA,<br>YC    |     |  |
|     | 958 522 900 20 9H6 | Luxor beige  | -LE,MC,MK,YE           |     |  |
|     | 958 522 900 20 OB8 | Cohiba Brown   | -LH                    |     |  |
|     | 958 522 900 20 OK6 | saddle brown   | -ME,MH,MI              |     |  |
|     | 958 522 900 20 PL1 | agate grey<br>two-colour                                       | -MB,MG,ML              |     |  |
|     | 958 522 900 20 AAB | Black/Carrera Red  | -TA                    |     |  |
|     | 958 522 900 20 AAC | Black/Luxor Beige  | -77                    |     |  |
|     | 958 522 900 20 HGK | Black/Cream  | -LG                    |     |  |
| (6) | 958 522 819 00     | Head restraint<br>Comfort seat<br>sports seat<br>Nature        | center                 | 1   | PR:Q1J,Q2J,<br>N1P,N5Y                 |
|     | 958 522 819 00 8C0 | Espresso   | -VA                    |     |  |
|     | 958 522 819 00 9EF | Cognac   | -VB                    |     |  |
| 7   | 958 522 820 00     | Head restraint<br>Standard seat                                | right                  | 1   | PR:Q1G,N1X,<br>N7F                     |
|     | 958 522 820 00 21U | Black  | -MA                    |     |  |
|     | 958 522 820 00 32X | Luxor beige  | -MC                    |     |  |
|     | 958 522 820 00 7EG | Platinum Grey  | -MD                    |     |  |
|     | 958 522 820 00 HAA | Black/Luxor Beige  | -77                    |     |  |
|     | 958 522 820 00 OF6 | D - MJ 2014>><br>agate grey                                    | -MB                    |     |  |
| (7) | 958 522 812 01     | D - MJ 2015>><br>Head restraint<br>Plain leather               | right                  | 1   | GTS<br>PR:N2S,3NW,<br>5ZD              |
|     | 958 522 812 01 IVE | D - MJ 2012>><br>Black/Carmin Red                              | -YA                    |     |  |
|     | 958 522 812 01 IVF | Black/Peridot  | -YB                    |     |  |
| (7) | 958 522 821 00     | Head restraint<br>Standard seat                                | right                  | 1   | PR:Q1G,N1X,<br>N7F,5ZF,3NW,<br>N1D     |
|     | 958 522 821 00 21U | Porsche crest<br>Black   | -MA                    |     |  |
|     | 958 522 821 00 32X | Luxor beige  | -MC                    |     |  |
|     | 958 522 821 00 7EG | Platinum Grey  | -MD                    |     |  |
|     | 958 522 821 00 HAA | Black/Luxor Beige  | -77                    |     |  |
|     | 958 522 821 00 OF6 | D - MJ 2014>><br>agate grey                                    | -MB                    |     |  |
|     |                    | D - MJ 2015>>  |                        |     |  |

with:



Model: 92A 11 Model life 2011>>2018

| Pos | Part Number        | Description   | Remark        | Qty | Model  |
|-----|--------------------|---|---------------|-----|--|
| (7) | 958 522 902 70     | Head restraint<br>Standard seat                         | right         | 1   | PR:N1D,N1X,<br>N7F,3NW,3J4,<br>3J7                 |
|     |                    | with:   |               |     |  |
|     | 958 522 902 70 21U | Porsche crest<br>Black                                  | -MA           |     |  |
|     | 958 522 902 70 32X | Luxor beige   | -MC           |     |  |
|     | 958 522 902 70 HAA | Black/Luxor Beige                                       | -77           |     |  |
|     | 958 522 902 70 OF6 | agate grey  | -MB           |     |  |
| (7) | 958 522 822 00     | Head restraint<br>Comfort seat<br>sports seat           | right         | 1   | PR:NOQ,N1B,<br>N1M,N2S,N5U,<br>N7D,3J4,3J7,<br>3NW |
|     | 958 522 822 00 8YR | Black   | -LC,MA,YC     |     |  |
|     | 958 522 822 00 9H6 | Luxor beige   | -LE,MC,MK,YE  |     |  |
|     | 958 522 822 00 7A0 | Platinum Grey   | -LD,MD,YD     |     |  |
|     | 958 522 822 00 6G0 | Cream   | -MJ,TX        |     |  |
|     | 958 522 822 00 DE1 | Umber   | -LF,YF        |     |  |
|     | 958 522 822 00 DF2 | Light Tartufo   | -TY           |     |  |
|     | 958 522 822 00 DJ3 | Titanium Blue   | -TW           |     |  |
|     | 958 522 822 00 AAB | Black/Carrera Red                                       | -TA           |     |  |
|     | 958 522 822 00 AAC | Black/Luxor Beige                                       | -TB,77        |     |  |
|     | 958 522 822 00 DJP | Black/Rhodium Silver                                    | -MF           |     |  |
|     |                    | D - MJ 2015>>   |               |     |  |
|     | 958 522 822 00 IVE | Black/Carmine Red                                       | -YA           |     |  |
|     |                    | D - MJ 2015>>   |               |     |  |
|     | 958 522 822 00 PL1 | agate grey  | -MB,MG,ML     |     |  |
|     | 958 522 822 00 OK6 | saddle brown  | -VA           |     |  |
| (7) | 958 522 902 75     | Head restraint  | right<br>left | 1   | PR:NOQ,N1B,<br>N1M,N2S,N5U,<br>N7D,3J4,3J7,<br>3NW |
|     |                    | D - MJ 2016>>   |               |     |  |
|     | 958 522 902 75 OK6 | saddle brown  | -ME,MH,MI     |     |  |
|     | 958 522 902 75 OB8 | Cohiba Brown  | -LH           |     |  |
|     | 958 522 902 75 HGK | Black/Cream   | -LG           |     |  |
| (7) | 958 522 823 00     | Head restraint<br>Comfort seat<br>Plain leather         | right         | 1   | PR:3NW,N0Q,<br>N5U,N7D,5ZF                         |
|     |                    | with:   |               |     |  |
|     |                    | Porsche crest   |               |     |  |
|     | 958 522 823 00 8YR | Black   | -LC,MA,YC     |     |  |
|     | 958 522 823 00 9H6 | Luxor beige   | -LE,MC,YE     |     |  |
|     | 958 522 823 00 7A0 | Platinum Grey   | -LD,MD,YD     |     |  |
|     | 958 522 823 00 6G0 | Cream   | -MJ,TX        |     |  |
|     | 958 522 823 00 DE1 | Umber   | -LF,YF        |     |  |
|     | 958 522 823 00 DF2 | Light Tartufo   | -TY           |     |  |
|     | 958 522 823 00 DJ3 | Titanium Blue   | -TW           |     |  |
|     | 958 522 823 00 AAB | Black/Carrera Red                                       | -TA           |     |  |
|     | 958 522 823 00 AAC | Black/Luxor Beige                                       | -TB,77        |     |  |
|     | 958 522 823 00 PL1 | agate grey  | -MB,MG,ML     |     |  |
|     |                    | D - MJ 2015>>   |               |     |  |
| (7) | 958 522 823 00     | Head restraint<br>Comfort seat<br>sports seat<br>Nature | right         | 1   | PR:Q1J,Q2J,<br>N1P,N5Y                             |
|     | 958 522 823 00 8C0 | Espresso  | -VA           |     |  |
|     | 958 522 823 00 9EF | Cognac  | -VB           |     |  |
| (7) | 958 522 824 00     | Head restraint<br>Comfort seat<br>sports seat           | right         | 1   | PR:Q1J,Q2J,<br>N1P,N5Y                             |
|     |                    | with:   |               |     |  |
|     |                    | Porsche crest   |               |     |  |
|     | 958 522 824 00 8C0 | Espresso  | -VA           |     |  |
|     | 958 522 824 00 9EF | Cognac  | -VB           |     |  |

Model: 92A 11 Model life 2011>>2018

| Pos | Part Number        | Description  | Remark  | Qty | Model                              |
|-----|--------------------|--|---|-----|------------------------------------|
| (7) | 958 522 836 00     | Head restraint<br>Natural leather<br>D - MJ 2015>> | right   | 1   | PR:N1A,N1P,<br>3NW,5ZD             |
|     | 958 522 836 00 8C0 | Espresso   | -VA   |     |                                    |
|     | 958 522 836 00 9EF | Cognac   | -VB   |     |                                    |
| (7) | 958 522 838 00     | Head restraint<br>D - MJ 2015>>                    | right   | 1   | PR:NOQ,N1B,<br>N1M,N5U,3NW,<br>5ZD |
|     | 958 522 838 00 AAB | Black/Carrera Red                                  | -TA   |     |                                    |
|     | 958 522 838 00 DJP | Black/Rhodium Silver                               | -MF   |     |                                    |
|     | 958 522 838 00 HGK | Black/Cream  | -LG   |     |                                    |
|     | 958 522 838 00 IVE | Black/Carmine Red                                  | -YA   |     |                                    |
|     | 958 522 838 00 OB8 | Cohiba Brown                                       | -LH   |     |                                    |
|     | 958 522 838 00 OK6 | saddle brown                                       | -ME,MH,MI                                     |     |                                    |
|     | 958 522 838 00 PL1 | agate grey   | -MG,ML  |     |                                    |
|     | 958 522 838 00 6G0 | Cream  | -MJ   |     |                                    |
|     | 958 522 838 00 8YR | Black  | -LC,YC  |     |                                    |
|     | 958 522 838 00 9H6 | Luxor beige  | -LE,MK,YE                                     |     |                                    |
| 8   | 958 522 920 00     | guide sleeve<br>Head restraint                     | left  | 1   |                                    |
|     |                    | without:   |   |     |                                    |
|     |                    | Key  |   |     |                                    |
|     | 958 522 920 00 OB8 | Cohiba Brown                                       | -LH   |     |                                    |
|     | 958 522 920 00 1E0 | Black  | -LC, LG, MA, MF,<br>TA, TB, YA, YB,<br>YC, 77 |     |                                    |
|     | 958 522 920 00 4H0 | Luxor beige  | -LE, MC, MK, YE                               |     |                                    |
|     | 958 522 920 00 6L0 | Platinum Grey                                      | -LD, MD, YD                                   |     |                                    |
|     | 958 522 920 00 5J0 | Cream  | -MJ, TX                                       |     |                                    |
|     | 958 522 920 00 7N0 | Espresso   | -VA   |     |                                    |
|     | 958 522 920 00 8P0 | Cognac   | -VB   |     |                                    |
|     | 958 522 920 00 DE1 | Umber  | -LF, YF                                       |     |                                    |
|     | 958 522 920 00 DF2 | Light Tartufo                                      | -TY   |     |                                    |
|     | 958 522 920 00 DJ3 | Titanium Blue                                      | -TW   |     |                                    |
|     | 958 522 920 00 82V | Titan black  | -LC, MA                                       |     |                                    |
|     | 958 522 920 00 OP1 | agate grey   | -MB, MG, ML                                   |     |                                    |
|     | 958 522 920 00 OM8 | saddle brown                                       | -ME, MH, MI                                   |     |                                    |
| 9   | 958 522 921 00     | guide sleeve<br>Head restraint                     | right   | 1   |                                    |
|     |                    | with:  |   |     |                                    |
|     |                    | Key  |   |     |                                    |
|     | 958 522 921 00 1E0 | Black  | -LC, LG, MA, MF,<br>TA, TB, YA, YB,<br>YC, 77 |     |                                    |
|     | 958 522 921 00 4H0 | Luxor beige  | -LE, MC, MK, YE                               |     |                                    |
|     | 958 522 921 00 6L0 | Platinum Grey                                      | -LD, MD, YD                                   |     |                                    |
|     | 958 522 921 00 5J0 | Cream  | -MJ, TX                                       |     |                                    |
|     | 958 522 921 00 7N0 | Espresso   | -VA   |     |                                    |
|     | 958 522 921 00 8P0 | Cognac   | -VB   |     |                                    |
|     | 958 522 921 00 DE1 | Umber  | -LF, YF                                       |     |                                    |
|     | 958 522 921 00 DF2 | Light Tartufo                                      | -TY   |     |                                    |
|     | 958 522 921 00 DJ3 | Titanium Blue                                      | -TW   |     |                                    |
|     | 958 522 921 00 82V | Titan black  | -LC, MA                                       |     |                                    |
|     | 958 522 921 00 OP1 | agate grey   | -MB, MG, ML                                   |     |                                    |
|     | 958 522 921 00 OM8 | saddle brown                                       | -ME, MH, MI                                   |     |                                    |
|     | 958 522 921 00 OB8 | Cohiba Brown                                       | -LH   |     |                                    |
| 10  | 958 522 920 10     | guide sleeve<br>Head restraint                     | left  | 1   |                                    |
|     |                    | without:   |   |     |                                    |
|     |                    | Key  |   |     |                                    |
|     | 958 522 920 10 1E0 | Black  | -LC, MA, TA, TB,<br>YA, YB, YC                |     |                                    |
|     | 958 522 920 10 4H0 | Luxor beige  | -LE, MC, YE                                   |     |                                    |

Model: 92A 11 Model life 2011>>2018

| Pos                | Part Number        | Description                               | Remark                    | Qty | Model  |
|--------------------|--------------------|---|---------------------------|-----|--------|
| 10                 | 958 522 920 10 6L0 | Platinum Grey                             | -LD,MD,YD                 | 1   |        |
|                    | 958 522 920 10 5J0 | Cream                                     | -TX                       |     |        |
|                    | 958 522 920 10 7N0 | Espresso                                  | -VA                       |     |        |
|                    | 958 522 920 10 8P0 | Cognac                                    | -VB                       |     |        |
|                    | 958 522 920 10 DE1 | Umber                                     | -LF,YF                    |     |        |
|                    | 958 522 920 10 DF2 | Light Tartufo                             | -TY                       |     |        |
|                    | 958 522 920 10 DJ3 | Titanium Blue                             | -TW                       |     |        |
|                    | 958 522 920 10 82V | Titan black                               | -LC,MA                    |     |        |
| 11                 | 958 522 920 20     | guide sleeve<br>Head restraint            | left                      | 1   |        |
|                    |                    | without:                                  |                           |     |        |
|                    |                    | Key                                       |                           |     |        |
|                    | 958 522 920 20 OB8 | Cohiba Brown                              | -LH                       |     |        |
|                    | 958 522 920 20 OM8 | saddle brown                              | -ME,MH,MI                 |     |        |
|                    | 958 522 920 20 OP1 | agate grey                                | -MB,MG,ML                 |     |        |
|                    | 958 522 921 10     | guide sleeve<br>Head restraint            | right                     |     |        |
|                    |                    | with:                                     |                           |     |        |
|                    |                    | Key                                       |                           |     |        |
|                    | 958 522 921 10 1E0 | Black                                     | -LC,MA,TA,TB,<br>YA,YB,YC |     |        |
| 11                 | 958 522 921 10 4H0 | Luxor beige                               | -LE,MC,YE                 | 1   |        |
|                    | 958 522 921 10 6L0 | Platinum Grey                             | -LD,MD,YD                 |     |        |
|                    | 958 522 921 10 5J0 | Cream                                     | -TX                       |     |        |
|                    | 958 522 921 10 7N0 | Espresso                                  | -VA                       |     |        |
|                    | 958 522 921 10 8P0 | Cognac                                    | -VB                       |     |        |
|                    | 958 522 921 10 DE1 | Umber                                     | -LF,YF                    |     |        |
|                    | 958 522 921 10 DF2 | Light Tartufo                             | -TY                       |     |        |
|                    | 958 522 921 10 DJ3 | Titanium Blue                             | -TW                       |     |        |
|                    | 958 522 921 10 82V | Titan black                               | -LC,MA                    |     |        |
|                    | 958 522 921 20     | guide sleeve<br>Head restraint            | right                     |     |        |
|                    | with:              |   |                           |     |        |
|                    | Key                |   |                           |     |        |
| 958 522 921 20 OB8 | Cohiba Brown       | -LH                                       |                           |     |        |
| 958 522 921 20 OM8 | saddle brown       | -ME,MH,MI                                 |                           |     |        |
| 958 522 921 20 OP1 | agate grey         | -MB,MG,ML                                 |                           |     |        |
| 12                 | 958 522 441 01     | Side airbag unit                          | left                      | 1   | PR:4X4 |
| 13                 | 958 522 442 01     | Side airbag unit                          | right                     | 1   | PR:4X4 |
| 14                 | N 909 278 01       | riveted cap nut<br>M 6                    |                           | 2   |        |
| 15                 | N 910 423 01       | Oval hexagon socket head bolt<br>M6 X 16  |                           | 2   |        |
| 16                 | 958 522 339 00     | Support<br>Airbag                         |                           | 2   |        |
| 17                 | N 104 650 01       | Pop rivet<br>5,0 X 10                     |                           | 4   |        |
| 18                 | 958 522 117 00     | Cable guide                               | left                      | 1   |        |
| 19                 | 958 522 118 00     | Cable guide                               | right                     | 1   |        |
| 20                 | N 907 002 01       | Cable ties<br>A 4,8 X 134                 |                           | 2   |        |
| 21                 | 958 522 850 00     | Cable strap<br>A 8 X 125                  |                           | 2   |        |
| 22                 | 958 522 851 00     | Cable holder                              |                           | 2   |        |
| 23                 | 958 522 373 00     | Clip<br>Seat cushion                      |                           | 5   |        |
|                    |                    | D >> - MJ 2013                            |                           |     |        |
| (23)               | 958 522 373 01     | Discontinued part<br>Clip<br>Seat cushion |                           | 5   |        |
|                    |                    | D - MJ 2014>>                             |                           |     |        |
| 24                 | 958 522 599 00     | Connector mounting                        | left                      | 1   |        |
| 25                 | 958 522 600 00     | Connector mounting                        | right                     | 1   |        |

Model: 92A 11

Model life 2011&gt;&gt;2018

| Pos  | Part Number        | Description   | Remark              | Qty | Model  |
|------|--------------------|---|---------------------|-----|--|
| 26   | 958 522 219 00     | Cover panel   |                     | 1   |  |
|      |                    | Ski bag   |                     |     |  |
|      | 958 522 219 00 1E0 | Black   |                     |     |  |
|      | 958 522 219 00 4H0 | Luxor beige   | -LE,MC              |     |  |
|      | 958 522 219 00 6L0 | Platinum Grey   | -LD,MD              |     |  |
|      | 958 522 219 00 5J0 | Cream   | -TX                 |     |  |
|      | 958 522 219 00 7N0 | Espresso  | -VA                 |     |  |
|      | 958 522 219 00 8P0 | Cognac  | -VB                 |     |  |
|      | 958 522 219 00 DE1 | Umber   | -LF                 |     |  |
|      | 958 522 219 00 DF2 | Light Tartufo   | -TY                 |     |  |
|      | 958 522 219 00 DJ3 | Titanium Blue   | -TW                 |     |  |
|      | 958 522 219 00 82V | Titan black   | -LC,MA              |     |  |
| 26   | 958 522 219 01     | Cover panel   |                     | 1   |  |
|      |                    | Ski bag   |                     |     |  |
|      | 958 522 219 01 1E0 | Black   |                     |     |  |
|      | 958 522 219 01 4H0 | Luxor beige   | -LE,MC              |     |  |
|      | 958 522 219 01 6L0 | Platinum Grey   | -LD,MD              |     |  |
|      | 958 522 219 01 5J0 | Cream   | -TX                 |     |  |
|      | 958 522 219 01 7N0 | Espresso  | -VA                 |     |  |
|      | 958 522 219 01 8P0 | Cognac  | -VB                 |     |  |
|      | 958 522 219 01 DE1 | Umber   | -LF                 |     |  |
|      | 958 522 219 01 DF2 | Light Tartufo   | -TY                 |     |  |
|      | 958 522 219 01 DJ3 | Titanium Blue   | -TW                 |     |  |
|      | 958 522 219 01 82V | Titan black   | -LC,MA              |     |  |
| 27   | 958 522 081 00     | Backrest complete   | center              | 1   | PR:Q1G,N1X,<br>N7F,N1D,3NW                         |
|      | 958 522 081 00 21U | Black   | -MA                 |     |  |
|      | 958 522 081 00 32X | Luxor beige   | -MC                 |     |  |
|      | 958 522 081 00 7EG | Platinum Grey   | -MD                 |     |  |
|      | 958 522 081 00 HHA | Titanium black/luxor beige  | -77                 |     |  |
|      |                    | D - MJ 2014>>   |                     |     |  |
| (27) | 958 522 081 10     | Backrest complete   | center              | 1   | PR:Q1J,Q2J,<br>N5U,N7D,N0Q,<br>N1M,3NW,N1B,<br>N2S |
|      | 958 522 081 10 8YR | Black   | -LC,MA,YA,YB,<br>YC |     |  |
|      | 958 522 081 10 9H6 | Luxor beige   | -LE,MC,YE           |     |  |
|      | 958 522 081 10 7A0 | Platinum Grey   | -LD,MD,YD           |     |  |
|      | 958 522 081 10 6G0 | Cream   | -TX                 |     |  |
|      | 958 522 081 10 DE1 | Umber   | -LF,YF              |     |  |
|      | 958 522 081 10 DF2 | Light Tartufo   | -TY                 |     |  |
|      | 958 522 081 10 DJ3 | Titanium Blue   | -TW                 |     |  |
|      | 958 522 081 10 OG3 | Carrera Red   | -TA                 |     |  |
|      | 958 522 081 10 PL1 | agate grey  | -MB,MG,ML           |     |  |
|      | 958 522 081 10 BT0 | Titanium black/luxor beige  | -77                 |     |  |
|      | 958 522 081 10 OB8 | Cohiba Brown  | -LH                 |     |  |
| (27) | 958 522 081 20     | Backrest complete   | center              | 1   | PR:Q1J,Q2J,<br>N1P,N5Y                             |
|      |                    | Nature  |                     |     |  |
|      | 958 522 081 20 8C0 | Espresso  | -VA                 |     |  |
|      | 958 522 081 20 9EF | Cognac  | -VB                 |     |  |
| 28   | N 107 560 01       | Flat head bolt with hexagon<br>socket head, thread forming<br>M6 X 14 |                     | 2   |  |
| 29   | 958 522 209 00     | shaft<br>aluminium<br>Backrest frame<br>retaining lever<br>Long       |                     | 1   | PR:3NW   |
| 30   | 958 522 189 00     | lever for folding backrest<br>retaining lever<br>repair set           | right               | 1   | PR:3NW   |

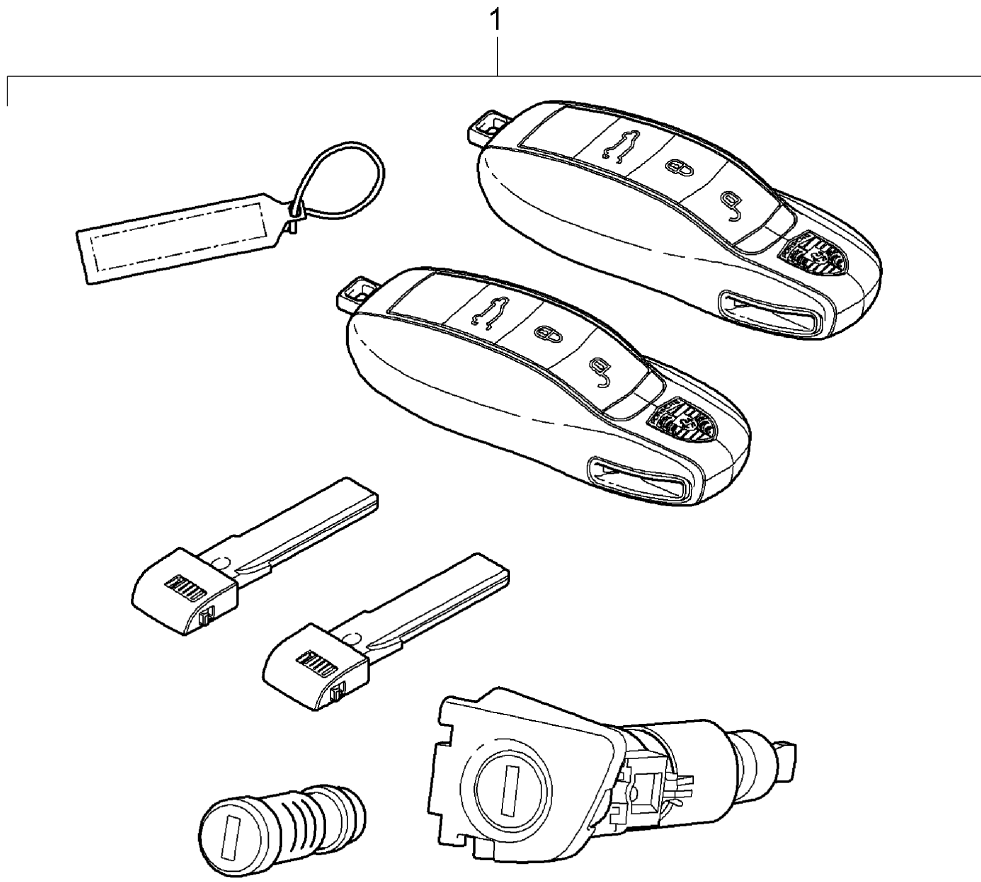
Model: 92A 11

Model life 2011&gt;&gt;2018

| Pos | Part Number    | Description   | Remark         | Qty | Model   |
|-----|----------------|---|----------------|-----|---------|
| 31  | 958 522 188 00 | lever for folding backrest<br>retaining lever<br>repair set | left           | 1   | PR: 3NW |
| 32  | 958 522 200 00 | Backrest lock   | rear<br>center | 1   |         |
| 33  | 958 522 999 00 | Set of fastening parts<br>lock<br>backrest                  | rear<br>center | 1   |         |

Model: 92A 11

Model life 2011>>2018



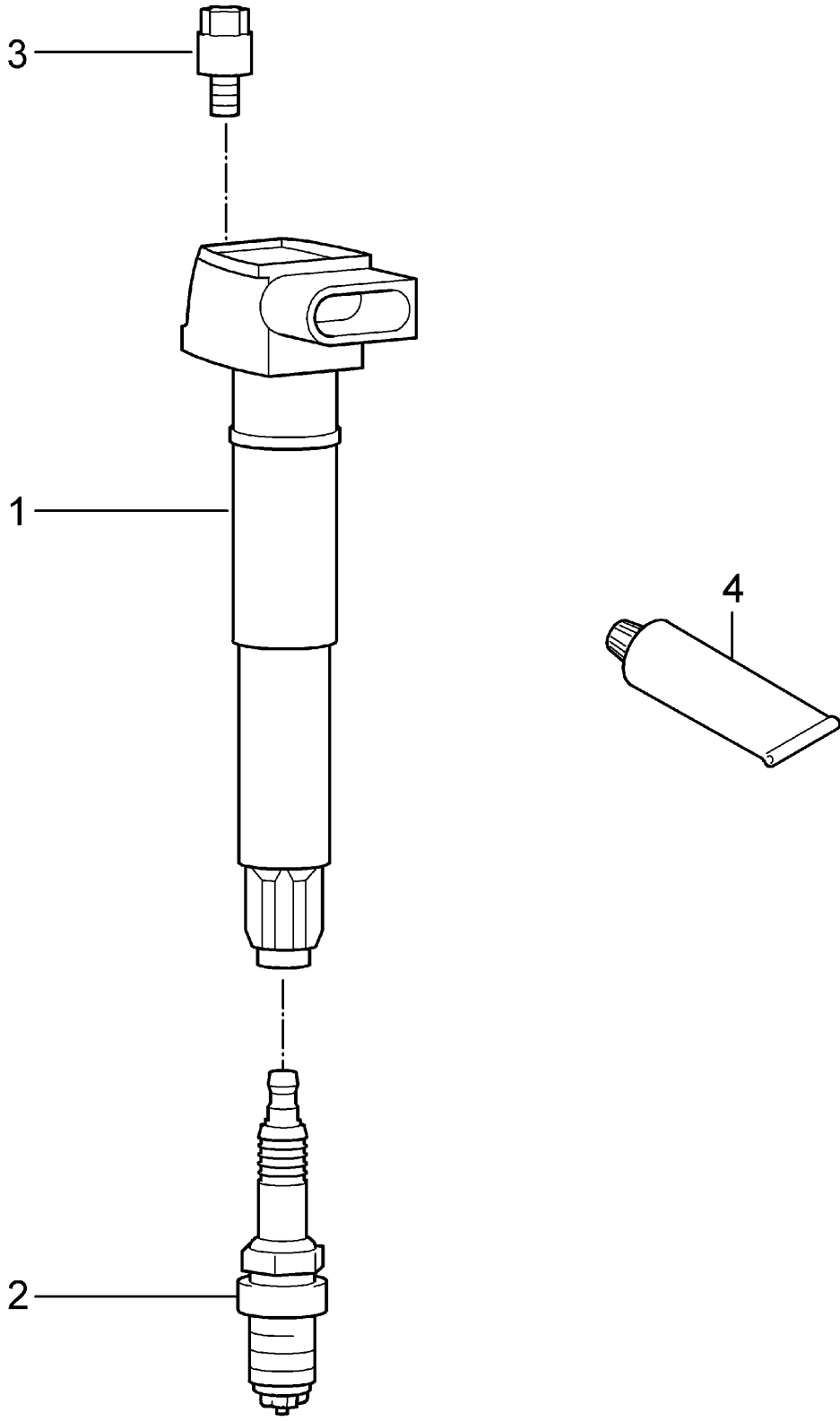
Model: 92A 11

Model life 2011>>2018

| Pos | Part Number    | Description  | Remark | Qty | Model                        |
|-----|----------------|--|--------|-----|------------------------------|
| 1   | 958 538 901 03 | repair kits<br>Set of locks<br>comprising:<br>Glove compartment lock<br>Lock cylinders<br>emergency key<br>Handheld transmitter<br>1 set of lock cylinders with<br>handheld trans. & emerg. key<br>(manufactured to order,<br>please provide vehicle ident.<br>number when ordering) | lhd    | 1   | 434 MHz<br>PR:5D8,L0L        |
| 1   | 958 538 902 03 | Set of locks<br>VIN<br>Indicate<br>D - MJ 2013>>   | rhd    | 1   | 434 MHz<br>PR:5D8,L0R        |
| 1   | 958 538 901 05 | 1 set of lock cylinders with<br>handheld trans. & emerg. key<br><br>(manufactured to order,<br>please provide vehicle ident.<br>number when ordering)  | lhd    | 1   | 315 MHz<br>(J)<br>PR:5D3,L0L |
| 1   | 958 538 902 05 | Set of locks<br>VIN<br>Indicate  | rhd    | 1   | 315 MHz<br>(J)<br>PR:5D3,L0R |
| 1   | 958 538 901 06 | 1 set of lock cylinders with<br>handheld trans. & emerg. key<br><br>(manufactured to order,<br>please provide vehicle ident.<br>number when ordering)  |        | 1   | 433 MHz<br>Korea<br>PR:5D1   |

Model: 92A 11

Model life 2011>>2018



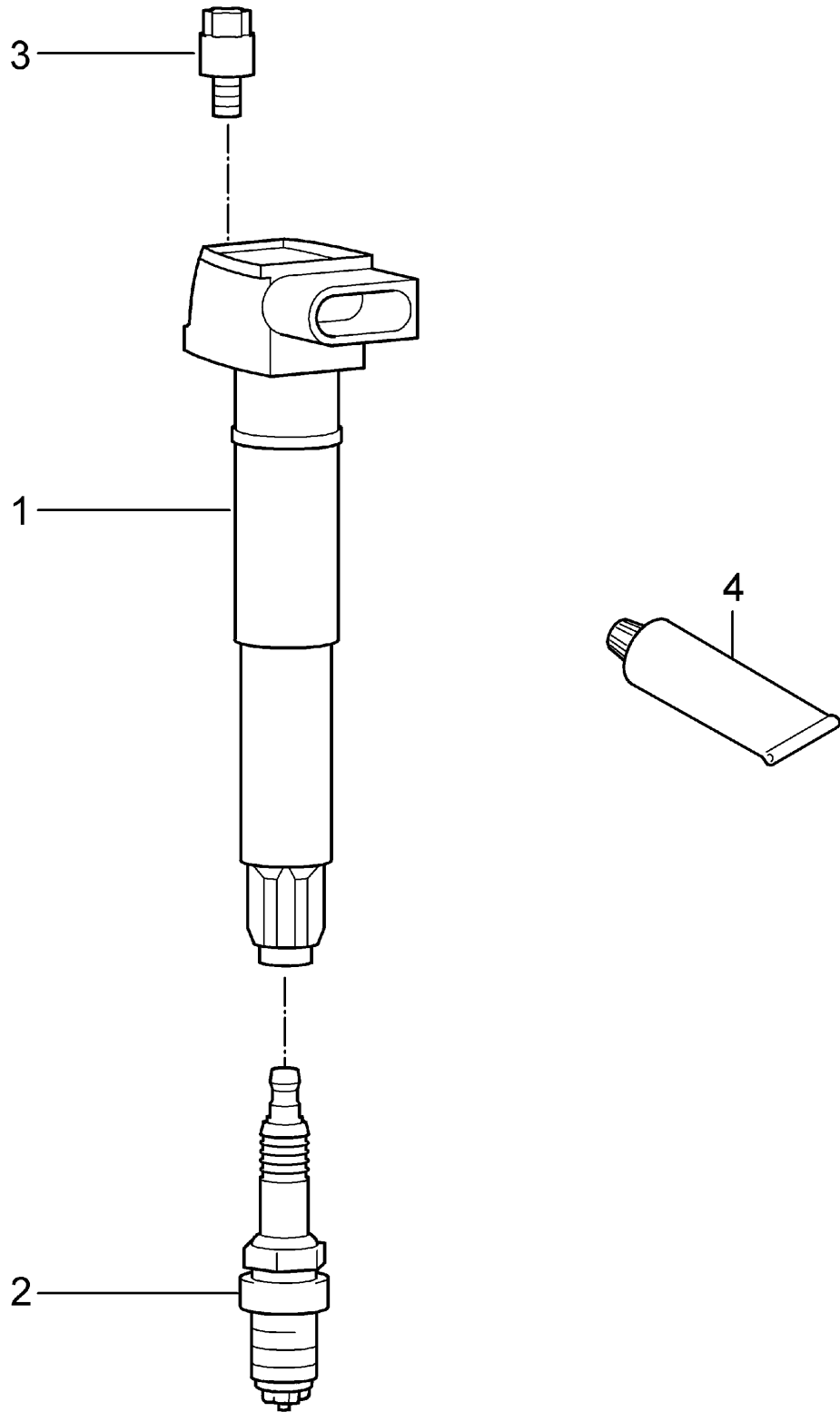


Model: 92A 11 Model life 2011>>2018

| Pos | Part Number    | Description   | Remark         | Qty    | Model                                |
|-----|----------------|---|----------------|--------|--------------------------------------|
| 1   | 948 602 104 10 | Ignition system<br>D >> - MJ 2014<br>Ignition coil  |                | 8      | 4802,4852                            |
| (1) | 958 602 101 00 | Ignition coil<br>also use:                          | 948 105 146 00 | 6      | 5502                                 |
| (1) | 958 602 102 00 | Ignition coil<br>also use:                          | 948 105 146 00 | 6      | 06EC,CGFA,<br>CGEA,CGE               |
| 2   | 958 170 222 90 | Spark plug<br>ILZKR8A                               | also use:      | 6      | 5502                                 |
| 2   | 958 170 221 90 | Spark plug<br>T40109S                               |                | 6      | 06EC,CGFA,<br>CGEA,CGE,              |
| (2) | 955 170 320 90 | Glow plug<br>D >> - MJ 2011                         | 000 043 210 83 | X<br>6 | CJT B,CJT<br>059E                    |
| (2) | 958 170 320 90 | Glow plug<br>D - MJ 2012>>                          |                | 6      | CRCA,CRCB                            |
| (2) | 958 170 320 90 | Glow plug<br>D - MJ 2013>>                          |                | 8      | CUDB                                 |
| (2) | 958 170 320 91 | Glow plug<br>D - MJ 2013>>                          |                | 8      | CUDB                                 |
| 2   | 999 170 130 90 | Spark plug<br>FGR 5NQE                              |                | 8      | 4802                                 |
| 2   | 999 170 228 90 | Spark plug<br>FR6 NPP                               |                | 8      | 4852                                 |
| 3   | 948 105 146 00 | Screw<br>aluminium                                  |                | 8      | 4802,4852                            |
| 4   | 000 043 210 83 | grease<br>for<br>Ignition coil<br>958.602.102.00/01 |                | 1      | 06EC,CGFA,<br>CGEA,CGE,<br>CJT B,CJT |

Model: 92A 11

Model life 2011>>2018



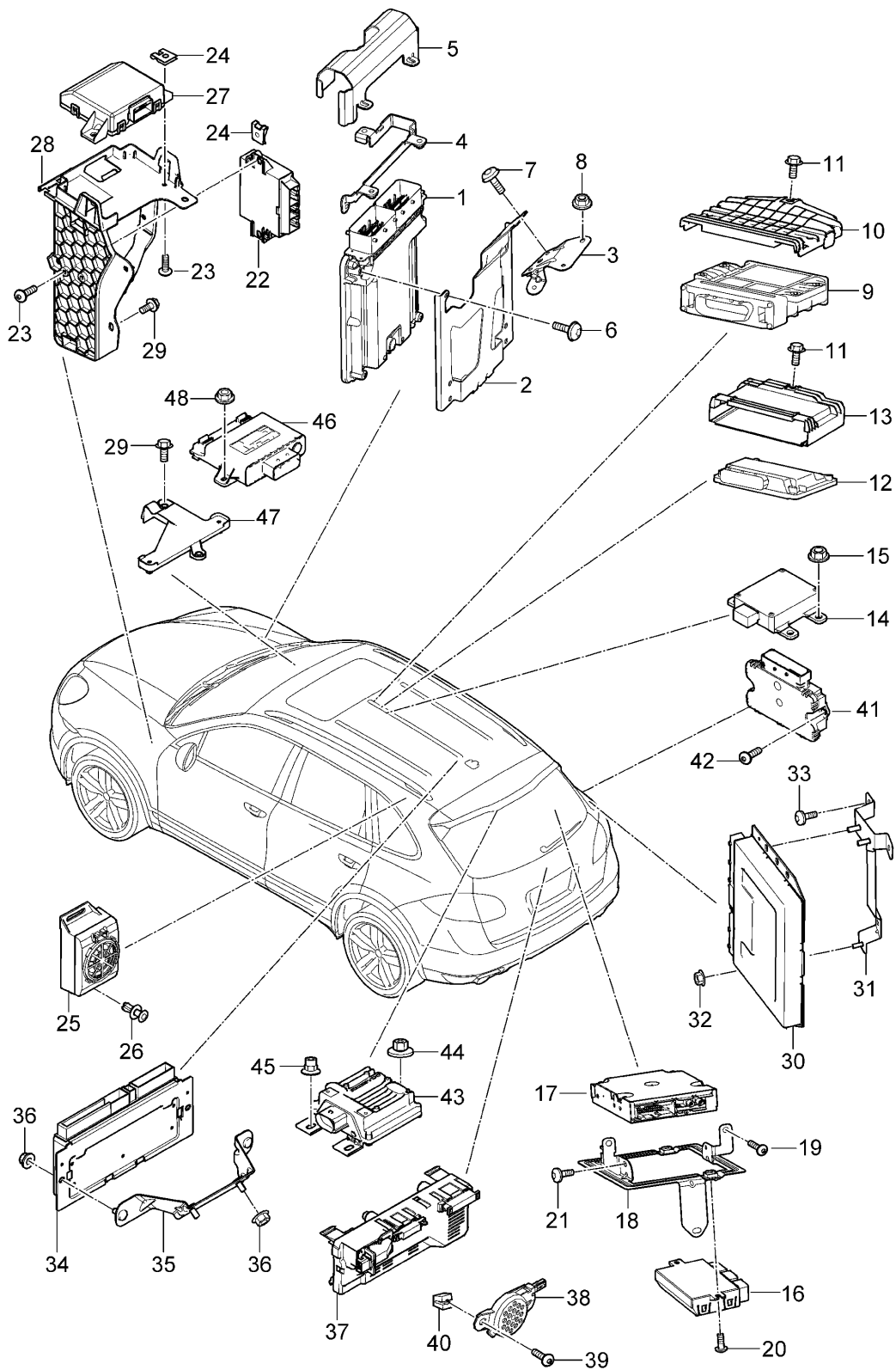
Model: 92A 11

Model life 2011>>2018

| Pos | Part Number    | Description   | Remark                   | Qty | Model  |
|-----|----------------|---|--------------------------|-----|--|
| 1   | 948 602 104 13 | Ignition system<br>D - MJ 2015>><br>Ignition coil   |                          | 8   | CFTB, CFT,<br>CYXA, CYX  |
| 1   | 958 602 101 00 | Ignition coil                                       | also use: 948 105 146 00 | 6   | CEYA   |
| (1) | 958 602 102 00 | Ignition coil                                       | also use: 948 105 146 00 | 6   | CGEA, CGE,<br>CGFA, CJTB,  |
| (1) | 946 602 104 00 | Ignition coil                                       | also use: 948 105 146 00 | 6   | CURA, CUR,<br>CXZA, CXZ  |
| 2   | 999 170 228 90 | Spark plug<br>FR6 NPP                               |                          | 8   | CFTB, CFT,<br>CYXA, CYX  |
| 2   | 958 170 222 90 | Spark plug<br>ILZKR8A                               |                          | 6   | CEYA   |
| 2   | 958 170 221 90 | Spark plug<br>T40109S                               |                          | 6   | CGFA, CGEA,<br>CGE, CJTB, CJT  |
| (2) | 999 170 233 90 | Spark plug<br>FR5 NPP                               | also use: 000 043 210 83 | 6   | CURA, CUR,<br>CXZA, CXZ  |
| (2) | 958 170 320 91 | Glow plug   |                          | 6   | CRCA   |
| (2) | 958 170 320 91 | Glow plug   |                          | 8   | CUDC   |
| (2) | 958 170 320 91 | Glow plug   |                          | 6   | CVVA, CVVC,  |
| 3   | 948 105 146 00 | Screw   |                          | 8   | CFTB, CFT,<br>CGEA,<br>CGE, CGFA,<br>CURA, CUR,<br>CJTB, CJT,<br>CXZA, CXZ |
| (3) | 999 073 703 01 | flat round head bolt<br>M 6 X 46,5                  |                          | 6   | CURA, CUR,<br>CXZA, CXZ  |
| 4   | 000 043 210 83 | grease<br>for<br>Ignition coil<br>958.602.102.00/01 |                          | 1   | CGEA, CGE,<br>CGFA, CJTB,<br>CJT   |

Model: 92A 11

Model life 2011>>2018



Model: 92A 11 Model life 2011>>2018

| Pos | Part Number    | Description   | Remark | Qty | Model                  |
|-----|----------------|---|--------|-----|------------------------|
|     |                | Control units<br>Engine and transmission<br>Lock control<br>oil pump<br>Tow hitch<br>Reversing camera<br>Parking aid<br>Gateway<br>Adaptive suspension<br>- PDCC -<br>Rear lid<br>Electric parking brake<br>Fuel pump<br>Start/Stop<br>D >> - MJ 2014 |        |     |                        |
| 1   | 958 618 604 00 | Control unit<br>- dme -<br>See technical information<br>GR. 2 NR. 93/10<br>KD - NR. 2470  |        | 1   | PR:D6V,D58             |
| -   | 948 607 314 00 | also use: 948 607 314 00<br>Cover cap   |        | 1   |                        |
| (1) | 958 618 603 00 | Control unit<br>- dme -   |        | 1   | PR:D34                 |
| (1) | 958 618 603 20 | Control unit<br>- dme -   |        | 1   | PR:D11                 |
| (1) | 958 618 603 21 | D >> - MJ 2013<br>Control unit<br>- dme -   |        | 1   | PR:D11                 |
| (1) | 958 618 603 30 | D - MJ 2014>><br>Control unit<br>- dme -  |        | 1   | PR:D19                 |
| (1) | 958 618 603 30 | D >> - MJ 2012<br>Control unit<br>- dme -   |        | 1   | PR:D19,B0L             |
| (1) | 958 618 603 31 | D - MJ 2013>><br>Control unit<br>- dme -  |        | 1   | PR:D19,-B0L            |
| (1) | 958 618 605 10 | D - MJ 2013>><br>Control unit<br>- dme -  |        | 1   | PR:D50,G1G,<br>7MG     |
| (1) | 958 618 605 11 | D >> - MJ 2011<br>Control unit<br>- dme -   |        | 1   | PR:D43,G1G,<br>7MQ,7MJ |
| (1) | 958 618 605 20 | D - MJ 2012>><br>Control unit<br>- dme -  |        | 1   | PR:D50,G1G,<br>0GG     |
| (1) | 958 618 605 21 | D >> - MJ 2011<br>Control unit<br>- dme -   |        | 1   | PR:D43,G1G,<br>0GG     |
| (1) | 958 618 605 30 | D - MJ 2012>><br>Control unit<br>- dme -  |        | 1   | PR:D50,G1G,<br>0GZ     |
| (1) | 958 618 605 31 | D >> - MJ 2011<br>Control unit<br>- dme -   |        | 1   | PR:D43,G1G,<br>0GZ     |
| (1) | 958 618 605 40 | D - MJ 2012>><br>Control unit<br>- dme -  |        | 1   | PR:D1V,G1G,<br>7MG     |
| (1) | 958 618 605 41 | D >> - MJ 2011<br>Control unit<br>- dme -<br>D - MJ 2012>>  |        | 1   | PR:D1V,G1G,<br>7MQ     |

Model: 92A 11

Model life 2011&gt;&gt;2018

| Pos | Part Number    | Description   | Remark | Qty | Model                              |
|-----|----------------|---|--------|-----|------------------------------------|
| (1) | 958 618 605 60 | Control unit<br>- dme -<br>D - MJ 2013>>                              |        | 2   | PR:DD8,G1G,<br>7MG,7MQ,7MJ         |
| (1) | 958 618 605 70 | Control unit<br>- dme -<br>D - MJ 2013>>                              |        | 2   | PR:DD8,G1G,<br>OGG                 |
| 2   | 958 618 233 00 | Retainer for control units  |        | 1   | PR:D6V,D58                         |
| (2) | 958 618 233 10 | Retainer for control units  |        | 1   | PR:D34,D19                         |
| (2) | 958 618 233 10 | Retainer for control units  |        | 1   | PR:D50,D1V,<br>D11,D43             |
| (2) | 958 618 233 20 | Retainer for control units<br>D - MJ 2013>>                           |        | 1   | PR:DD8,L0L                         |
| (2) | 958 618 233 30 | Retainer for control units<br>D - MJ 2013>>                           |        | 1   | PR:DD8,L0L                         |
| (2) | 958 618 233 40 | Retainer for control units<br>D - MJ 2013>>                           |        | 1   | PR:DD8,L0R                         |
| (2) | 958 618 233 50 | Retainer for control units<br>D - MJ 2013>>                           |        | 1   | PR:DD8,L0R                         |
| 3   | 958 618 234 00 | Retainer for control units  |        | 1   |                                    |
| 4   | 958 618 471 00 | Bracket   |        | 1   | PR:KE2                             |
| 5   | 958 618 443 20 | Securing bars   |        | 1   | PR:D6V,D58,<br>KE2                 |
| (5) | 958 618 443 00 | Securing bars   |        | 1   | PR:D34,D19,<br>KE2                 |
| (5) | 958 618 443 00 | Securing bars   |        | 1   | PR:D11,KE2                         |
| (5) | 958 618 443 10 | Securing bars   |        | 1   | PR:D50,D1V,<br>KE2,D43             |
| (5) | 958 618 443 30 | Securing bars<br>D - MJ 2013>>  |        | 1   | PR:DD8,KE2                         |
| 6   | N 105 215 03   | Oval hexagon socket head bolt<br>M 6 X 16                             |        | 4   | PR:D6V,D58                         |
| (6) | N 911 366 01   | sheer bolt<br>M 5 X 12  |        | 2   | PR:D6V,D58,<br>KE2                 |
| (6) | 958 618 739 00 | Retaining clip<br>Control unit<br>- dme -                             |        | 2   | PR:D11                             |
| (6) | N 106 695 01   | fillister head bolt with<br>multi-point socket head<br>M 5 X 12       |        | 4   | PR:D34,D19,<br>KE0                 |
| (6) | N 106 695 01   | fillister head bolt with<br>multi-point socket head<br>M 5 X 12       |        | 4   | PR:D50,D1V,<br>D11,KE0,D43,<br>DD8 |
| (6) | N 911 366 01   | sheer bolt<br>M 5 X 12  |        | 4   | PR:D34,D19,<br>KE2                 |
| (6) | N 911 366 01   | sheer bolt<br>M 5 X 12  |        | 4   | PR:D50,D1V,<br>D11,KE2,D43,<br>DD8 |
| (6) | N 911 468 01   | sheer bolt, self-locking<br>M 6 X 16<br>for<br>Mount<br>Position<br>5 |        | 3   | PR:KE2                             |
| 7   | N 910 967 01   | Oval hexagon socket head bolt<br>M 6 X 16                             |        | 2   |                                    |
| 7   | N 909 187 02   | Hexagon socket head panel bolt<br>TP 4 X 12                           |        | 3   | PR:DD8,L0R                         |
| 8   | N 015 082 10   | Hexagon collar nut<br>M 6   |        | 2   |                                    |
| (8) | N 904 483 02   | speed nut<br>5,0  |        | 1   | PR:DD8,L0L                         |
| 9   | 958 618 120 01 | Control unit for automatic  |        | 1   | PR:G1G,D34                         |

Model: 92A 11 Model life 2011>>2018

| Pos | Part Number    | Description   | Remark | Qty | Model                       |
|-----|----------------|---|--------|-----|-----------------------------|
| 9   | 958 618 120 03 | gearbox<br>D >> - MJ 2011<br>Control unit for automatic gearbox   |        | 1   | PR:G1G,D34                  |
| 9   | 958 618 120 04 | D - MJ 2012>> - MJ 2012<br>Control unit for automatic gearbox   |        | 1   | PR:G1G,D34,<br>-IY2         |
| 9   | 958 618 120 05 | D - MJ 2013>><br>Control unit for automatic gearbox   |        | 1   | PR:G1G,D34,<br>IY2          |
| 9   | 958 618 120 10 | D - MJ 2013>><br>Control unit for automatic gearbox   |        | 1   | PR:G1G,D50                  |
| 9   | 958 618 120 12 | D >> - MJ 2011<br>Control unit for automatic gearbox  |        | 1   | PR:G1G,D43                  |
| 9   | 958 618 120 13 | D - MJ 2012>> - MJ 2012<br>Control unit for automatic gearbox   |        | 1   | PR:G1G,D43,<br>-IY2         |
| 9   | 958 618 120 14 | D - MJ 2013>><br>Control unit for automatic gearbox   |        | 1   | PR:G1G,D43,<br>IY2          |
| 9   | 958 618 120 20 | D - MJ 2013>><br>Control unit for automatic gearbox   |        | 1   | PR:G1G,D1V                  |
| 9   | 958 618 120 22 | D >> - MJ 2011<br>Control unit for automatic gearbox  |        | 1   | PR:G1G,D1V                  |
| 9   | 958 618 120 23 | D - MJ 2012>> - MJ 2012<br>Control unit for automatic gearbox   |        | 1   | PR:G1G,D1V,<br>-IY2         |
| 9   | 958 618 120 24 | D - MJ 2013>><br>Control unit for automatic gearbox   |        | 1   | PR:G1G,D1V,<br>IY2          |
| 9   | 958 618 123 01 | D - MJ 2013>><br>Control unit for automatic gearbox   |        | 1   | PR:G1G,D19,<br>7MG,0GG,7GH  |
| 9   | 958 618 123 03 | D >> - MJ 2011<br>Control unit for automatic gearbox<br>for<br>Gearbox<br>F >> 92-CLA92 110<br>F >> 92-CLA92 138<br>D - MJ 2012>> |        | 1   | PR:G1G,D19,<br>7MG,0GG,7GH  |
| 9   | 958 618 123 04 | Control unit for automatic gearbox<br>for<br>Gearbox<br>F 92-CLA92 111>><br>F 92-CLA92 139>><br>D - MJ 2012>>                     |        | 1   | PR:G1G,D19,<br>7MG,0GG,7GH, |

Model: 92A 11 Model life 2011>>2018

| Pos | Part Number    | Description   | Remark | Qty | Model                               |
|-----|----------------|---|--------|-----|-------------------------------------|
| 9   | 958 618 123 10 | Control unit for automatic gearbox<br>D >> - MJ 2011<br>Discontinued part                                 |        | 1   | 7MN, 7MQ, 7MJ<br>PR:G1G,D19,<br>7GB |
| 9   | 958 618 123 11 | Control unit for automatic gearbox<br>D >> - MJ 2011  |        | 1   | PR:G1G,D19,<br>7GB                  |
| 9   | 958 618 123 12 | Control unit for automatic gearbox for Gearbox<br>F >> 92-CLA92 110<br>F >> 92-CLA92 138<br>D - MJ 2012>> |        | 1   | PR:G1G,D19,<br>7GB                  |
| 9   | 958 618 123 13 | Control unit for automatic gearbox for Gearbox<br>F 92-CLA92 111>><br>F 92-CLA92 139>><br>D - MJ 2012>>   |        | 1   | PR:G1G,D19,<br>7GB                  |
| 9   | 958 618 121 01 | Control unit for automatic gearbox<br>D >> - MJ 2011  |        | 1   | PR:G1G,D6V                          |
| 9   | 958 618 121 03 | Control unit for automatic gearbox<br>D - MJ 2012>> - MJ 2012   |        | 1   | PR:G1G,D6V                          |
| 9   | 958 618 121 04 | Control unit for automatic gearbox<br>D - MJ 2013>>   |        | 1   | PR:G1G,D6V,<br>-IY2                 |
| 9   | 958 618 121 05 | Control unit for automatic gearbox<br>D - MJ 2013>>   |        | 1   | PR:G1G,D6V,<br>IY2                  |
| 9   | 958 618 121 10 | Control unit for automatic gearbox<br>D - MJ 2013>>   |        | 1   | PR:G1G,E0W,<br>-IY2                 |
| 9   | 958 618 121 11 | Control unit for automatic gearbox<br>D - MJ 2013>>   |        | 1   | PR:G1G,E0W,<br>IY2                  |
| 9   | 958 618 122 01 | Control unit for automatic gearbox for Gearbox<br>D >> - MJ 2011  |        | 1   | PR:G1G,D58                          |
| 9   | 958 618 122 10 | Control unit for automatic gearbox for Gearbox<br>D - MJ 2012>> - MJ 2012                                 |        | 1   | PR:G1G,D58                          |
| 9   | 958 618 122 11 | Control unit for automatic gearbox  |        | 1   | PR:G1G,D58,<br>-IY2,E0A             |



Model: 92A 11

Model life 2011&gt;&gt;2018

| Pos | Part Number    | Description  | Remark | Qty | Model                   |
|-----|----------------|--|--------|-----|-------------------------|
| 9   | 958 618 122 12 | for<br>Gearbox<br>D - MJ 2013>><br>Control unit for automatic<br>gearbox           |        | 1   | PR:G1G,D58,<br>IY2,E0A  |
| 9   | 958 618 122 20 | for<br>Gearbox<br>D - MJ 2013>><br>Control unit for automatic<br>gearbox           |        | 1   | PR:G1G,E81              |
| 9   | 958 618 122 21 | D - MJ 2012>> - MJ 2012<br>Control unit for automatic<br>gearbox                   |        | 1   | PR:G1G,E81,<br>-IY2     |
| 9   | 958 618 122 22 | D - MJ 2013>><br>Control unit for automatic<br>gearbox                             |        | 1   | PR:G1G,E81,<br>IY2      |
| 9   | 958 618 122 30 | D - MJ 2013>><br>Control unit for automatic<br>gearbox                             |        | 1   | PR:G1G,E8A,<br>-IY2,D58 |
| 9   | 958 618 122 35 | for<br>Gearbox<br>D - MJ 2013>> - MJ 2013<br>Control unit for automatic<br>gearbox |        | 1   | PR:G1G,E8A,<br>D58      |
| 9   | 958 618 124 00 | for<br>Gearbox<br>D - MJ 2014>><br>Control unit for automatic<br>gearbox           |        | 1   | PR:G1G,D11              |
| 9   | 958 618 124 01 | D >> - MJ 2011<br>Control unit for automatic<br>gearbox                            |        | 1   | PR:G1G,D11              |
| 9   | 958 618 124 02 | D - MJ 2012>> - MJ 2012<br>Control unit for automatic<br>gearbox                   |        | 1   | PR:G1G,D11,<br>-IY2     |
| 9   | 958 618 124 03 | D - MJ 2013>><br>Control unit for automatic<br>gearbox                             |        | 1   | PR:G1G,D11,<br>IY2      |
| 9   | 958 618 125 00 | D - MJ 2013>><br>Control unit for automatic<br>gearbox                             |        | 1   | PR:G1G,DD8,<br>7MJ      |
| (9) | 958 618 122 31 | D - MJ 2013>><br>Control unit for automatic<br>gearbox                             |        | 1   | PR:G1G,DD8,<br>7MJ      |
| 9   | 958 618 125 10 | D - MJ 2014>><br>Control unit for automatic<br>gearbox                             |        | 1   | PR:G1G,DD8,<br>OGG      |
| 10  | 958 618 130 00 | D - MJ 2013>><br>Retainer for control unit for<br>automatic gearbox                |        | 1   | PR:G1G                  |
| 11  | N 106 532 01   | Hex collared bolt<br>M 6 X 16  |        | 1   | PR:G1G                  |
| 12  | 958 618 024 00 | Control unit<br>Lock control<br>Transverse   |        | 1   | PR:1Y1                  |

Model: 92A 11 Model life 2011>>2018

| Pos  | Part Number    | Description   | Remark  | Qty | Model                      |
|------|----------------|---|---------|-----|----------------------------|
| 12   | 958 618 024 01 | No longer use the part here<br>Control unit<br>Lock control<br>Transverse<br>D >> - MJ 2012                   |         | 1   | PR:1Y1                     |
| 12   | 958 618 024 02 | Control unit<br>Lock control<br>Transverse<br>D - MJ 2013>>   |         | 1   | PR:1Y1                     |
| 12   | 958 618 024 03 | Control unit<br>Lock control<br>Transverse<br>D - MJ 2013>>   |         | 1   | PR:1Y1                     |
| 13   | 958 618 131 00 | Retainer for control units  |         | 1   | PR:1Y1                     |
| 14   | 958 618 601 00 | Control unit<br>oil pump  |         | 1   | PR:G1G,7L4,<br>7L6,7L8     |
| (14) | 958 618 601 10 | Control unit<br>oil pump  |         | 1   | PR:D19                     |
| 15   | N 015 082 10   | Hexagon collar nut<br>M 6   |         | 2   |                            |
| 16   | 7P0 907 383 C  | Control unit for trailer<br>detection   |         | 1   | PR:1D2,1D6,<br>1D9         |
| 16   | 7P0 907 383 G  | Tow hitch<br>Control unit for trailer<br>detection  |         | 1   | PR:1D2,1D6,<br>1D9         |
| 17   | 958 618 045 00 | Tow hitch<br>Control unit for<br>reversing camera system  |         | 1   | PR:7X8,7X9                 |
| (17) | 7PP 907 171    | Control unit for<br>reversing camera system   |         | 1   | PR:7X7                     |
| 18   | 958 618 137 00 | Bracket<br>Control unit<br>Tow hitch<br>Reversing camera<br>for cars without<br>TV<br>for vehicles with<br>TV |         | 1   |                            |
| 19   | N 910 967 01   | see illustration:<br>Oval hexagon socket head bolt<br>M 6 X 16  | 911-000 | 3   |                            |
| 20   | N 910 967 01   | Oval hexagon socket head bolt<br>M 6 X 16   |         | 2   | PR:1D2,1D6,<br>1D9,QV0,QV4 |
| (20) | N 102 849 05   | fillister head bolt with<br>multi-point socket head<br>M 6 X 8  |         | 2   | PR:1D2,1D6,<br>1D9,QV1     |
| 21   | N 104 066 04   | Oval hexagon socket head bolt<br>M 5 X 8  |         | 3   | PR:7X8,7X9                 |
| 22   | 958 618 042 00 | Control unit for parking aid<br>D >> - MJ 2011  |         | 1   | PR:7X2,7X8                 |
| 22   | 958 618 042 01 | Control unit for parking aid<br>D - MJ 2012>>   |         | 1   | PR:7X2,7X8                 |
| 23   | N 906 986 06   | Hexagon socket head panel bolt<br>ST 4,2 X 16   |         | 3   |                            |
| 24   | N 906 988 01   | Speed nut<br>4,2  |         | 3   |                            |
| 25   | 7PP 035 709 A  | Loudspeaker<br>Parking aid  |         | 1   | PR:7X2,7X8                 |
| 26   | N 911 635 01   | Spreader rivet  |         | 3   | PR:7X2,7X8                 |
| 27   | 958 610 127 01 | Control unit for gateway<br>See technical information   |         | 1   |                            |

Model: 92A 11 Model life 2011>>2018

| Pos  | Part Number    | Description  | Remark | Qty | Model                               |
|------|----------------|--|--------|-----|-------------------------------------|
| 27   | 958 610 127 02 | GR. 9 NR. 93/10<br>KD - NR. 9035<br>D >> - MJ 2011<br>Discontinued part<br>Control unit for gateway<br>See technical information |        | 1   |                                     |
| 27   | 958 610 127 03 | GR. 9 NR. 93/10<br>KD - NR. 9035<br>D >> - MJ 2011<br>Discontinued part<br>Control unit for gateway<br>See technical information |        | 1   |                                     |
| 27   | 958 610 127 05 | GR. 9 NR. 93/10<br>KD - NR. 9035<br>D >> - MJ 2011<br>Discontinued part<br>Control unit for gateway<br>See technical information |        | 1   |                                     |
| 27   | 7PP 907 530 R  | GR. 9 NR. 93/10<br>KD - NR. 9035<br>D - MJ 2012>><br>Discontinued part<br>Control unit for gateway                               |        | 1   |                                     |
| 28   | 958 610 333 00 | D >> - MJ 2014<br>1 set: brackets for<br>ultrasonics sensors<br>Control units<br>Gateway   | lhd    | 1   | PR:L0L                              |
| (28) | 958 610 333 10 | Retainer for control units<br>Gateway  | rhd    | 1   | PR:L0R                              |
| (28) | 958 610 333 20 | bracket for parking aid<br>control unit  | rhd    | 1   | PR:L0R                              |
| 29   | N 910 799 01   | Hex collared bolt<br>M 6 X 20  |        | X   |                                     |
| 30   | 958 618 304 00 | Control unit for adaptive<br>suspension<br>D >> - MJ 2011<br>No longer use the part here   |        | 1   | PR:1BK                              |
| 30   | 958 618 304 01 | Control unit for adaptive<br>suspension<br>D >> - MJ 2011<br>Discontinued part   |        | 1   | PR:1BK                              |
| 30   | 958 618 304 02 | Control unit for adaptive<br>suspension<br>D >> - MJ 2012  |        | 1   | PR:1BK                              |
| 30   | 958 618 304 02 | Control unit for adaptive<br>suspension<br>D - MJ 2013>>   |        | 1   | PR:1BK,D19,<br>D6V,D58,E81,<br>-IY2 |
| 30   | 958 618 304 03 | Control unit for adaptive<br>suspension<br>D - MJ 2013>>   |        | 1   | PR:1BK,D19,<br>D6V,D58,E81,<br>IY2  |
| 30   | 958 618 305 00 | Control unit for adaptive<br>suspension<br>D - MJ 2013>>   |        | 1   | PR:1BK,E0W,<br>D34,-IY2             |
| 30   | 958 618 305 01 | Control unit for adaptive<br>suspension<br>D - MJ 2013>>   |        | 1   | PR:1BK,E0W,<br>D34,E8A,IY2,<br>D6V  |
| 30   | 958 618 305 01 | Control unit for adaptive<br>suspension<br>D - MJ 2013>>   |        | 1   | PR:1BK,E0W,<br>D34,E8A,D6V          |

Model: 92A 11 Model life 2011>>2018

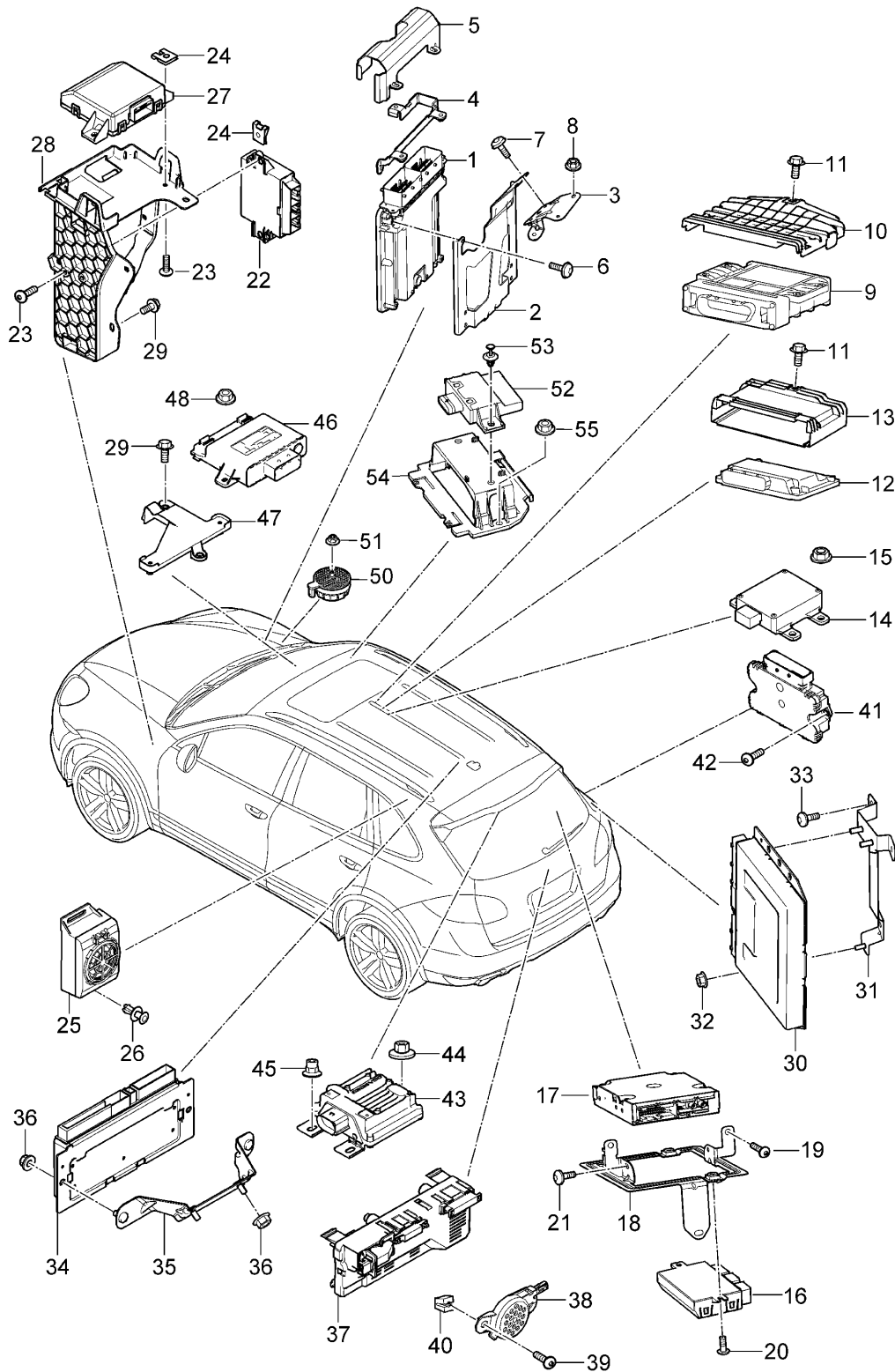
| Pos  | Part Number    | Description   | Remark | Qty | Model                              |
|------|----------------|---|--------|-----|------------------------------------|
| 30   | 958 618 305 00 | D - MJ 2013>><br>Control unit for adaptive suspension   |        | 1   | PR:1BK,D43,<br>D1V,D11,-IY2        |
| 30   | 958 618 305 01 | D - MJ 2013>><br>Control unit for adaptive suspension   |        | 1   | PR:1BK,D43,<br>D1V,D11,DD8,<br>IY2 |
| (30) | 958 618 304 10 | D - MJ 2013>><br>Control unit for adaptive suspension   |        | 1   | PR:1BH,1BZ                         |
| (30) | 958 618 304 11 | No longer use the part here<br>Control unit for adaptive suspension   |        | 1   | PR:1BH,1BZ                         |
| (30) | 958 618 304 12 | D >> - MJ 2011<br>Discontinued part<br>Control unit for adaptive suspension   |        | 1   | PR:1BH,1BZ,<br>-E0W,-IY2           |
| (30) | 958 618 304 13 | D >> - MJ 2013<br>Control unit for adaptive suspension  |        | 1   | PR:1BH,1BZ,<br>-DD8,IY2            |
| (30) | 958 618 304 13 | D - MJ 2013>><br>Control unit for adaptive suspension   |        | 1   | PR:1BH,1BZ,<br>-E0W,IY2            |
| (30) | 958 618 305 10 | D - MJ 2013>><br>Control unit for adaptive suspension   |        | 1   | PR:E0W,1BH,<br>1BZ,-IY2            |
| (30) | 958 618 305 11 | D - MJ 2013>><br>Control unit for adaptive suspension   |        | 1   | PR:E0W,1BH,<br>1BZ,IY2             |
| (30) | 958 618 305 11 | D - MJ 2013>><br>Control unit for adaptive suspension   |        | 1   | PR:DD8,1BH,<br>1BZ,IY2             |
| 31   | 958 618 215 00 | D - MJ 2013>><br>Bracket  |        | 1   | PR:1BK,1BH,<br>1BZ                 |
| 32   | N 015 082 10   | Hexagon collar nut<br>M 6   |        | 3   | PR:1BK,1BH,<br>1BZ                 |
| 33   | N 106 532 01   | Hex collared bolt<br>M 6 X 20   |        | 3   | PR:1BK,1BH,<br>1BZ                 |
| 34   | 958 618 068 00 | Control unit<br>- PDCC -  |        | 1   | PR:0AW                             |
| 34   | 958 618 068 02 | D >> - MJ 2011<br>Control unit<br>- PDCC -<br>F >> 92-CLA05 335<br>F >> 92-CLA92 110<br>F >> 92-CLA64 565<br>F >> 92-CLA28 225<br>F >> 92-CLA28 101<br>F >> 92-CLA45 215<br>F >> 92-CLA82 187 |        | 1   | PR:0AW                             |
| 34   | 958 618 068 03 | D - MJ 2012>><br>Control unit<br>- PDCC -<br>F 92-CLA05 336>><br>F 92-CLA92 111>><br>F 92-CLA64 566>>   |        | 1   | PR:0AW                             |

Model: 92A 11 Model life 2011>>2018

| Pos  | Part Number    | Description   | Remark | Qty | Model                  |
|------|----------------|---|--------|-----|------------------------|
|      |                | F 92-CLA28 226>><br>F 92-CLA28 102>><br>F 92-CLA45 216>><br>F 92-CLA82 188>><br>D - MJ 2012>> |        |     |                        |
| 35   | 958 618 070 00 | Retainer for control units  |        | 1   | PR:0AW                 |
| 36   | N 015 082 10   | Hexagon collar nut<br>M 6   |        | 4   | PR:0AW                 |
| 37   | 958 618 080 00 | Control unit<br>Rear lid<br>D >> - MJ 2011<br>Discontinued part                               |        | 1   | PR:4E7                 |
| 37   | 958 618 080 01 | Control unit<br>Rear lid<br>D >> - MJ 2011  |        | 1   | PR:4E7                 |
| 37   | 958 618 080 02 | Control unit<br>Rear lid<br>D - MJ 2012>> - MJ 2012   |        | 1   | PR:4E7                 |
| 37   | 958 618 080 03 | Control unit<br>Rear lid<br>D - MJ 2013>>   |        | 1   | PR:4E7                 |
| 38   | 8E0 919 279    | Warning buzzer<br>Warning function  |        | 1   | PR:4E7                 |
| 39   | N 906 986 06   | Hexagon socket head panel bolt<br>ST 4,2 X 16   |        | 2   | PR:4E7                 |
| 40   | N 905 410 01   | expanding nut   |        | 2   | PR:4E7                 |
| 41   | 958 618 109 00 | Control unit<br>Electric parking brake<br>D >> - MJ 2011                                      |        | 1   |                        |
| 41   | 958 618 109 01 | Control unit<br>Electric parking brake<br>D - MJ 2012>>                                       |        | 1   |                        |
| 42   | N 106 533 01   | Hex collared bolt<br>M 6 X 20   |        | 2   |                        |
| 43   | 958 618 151 00 | Control unit for fuel<br>pump<br>No longer use the part here                                  |        | 1   |                        |
| 43   | 7P0 906 093 A  | Control unit for fuel<br>pump<br>No longer use the part here                                  |        | 1   |                        |
| 43   | 7P0 906 093 B  | Control unit for fuel<br>pump   |        | 1   |                        |
| 44   | 970 618 377 00 | Support section   |        | 1   |                        |
| 45   | 955 111 548 03 | panel nut   |        | 2   |                        |
| 46   | 7PP 959 663 B  | Voltage stabiliser<br>For start-stop system<br>D >> - MJ 2011<br>Discontinued part            |        | 1   | PR:7L4,7L6,<br>7L8     |
| 46   | 7PP 959 663 E  | Voltage stabiliser<br>For start-stop system   |        | 1   | PR:7L4,7L6,<br>7L8     |
| 47   | 958 618 663 00 | Bracket   | lhd    | 1   | PR:7L4,7L6,<br>7L8,L0L |
| (47) | 958 618 663 10 | Bracket   | rhd    | 1   | PR:7L4,7L6,<br>7L8,L0R |
| 48   | N 908 877 03   | Hexagon flange nut,<br>self-locking<br>M 6  |        | 2   | PR:7L4,7L6,<br>7L8     |

Model: 92A 11

Model life 2011>>2018



Model: 92A 11 Model life 2011>>2018

| Pos | Part Number    | Description  | Remark | Qty | Model                                      |
|-----|----------------|--|--------|-----|--|
|     |                | Control units<br>Engine and transmission<br>Lock control<br>oil pump<br>Tow hitch<br>Reversing camera<br>Parking aid<br>Gateway<br>Adaptive suspension<br>- PDCC -<br>Rear lid<br>Electric parking brake<br>Fuel pump<br>Start/Stop<br>D - MJ 2015>> |        |     |  |
| (1) | 958 618 603 40 | Control unit<br>- dme -  |        | 1   | PR:DT1                                     |
| (1) | 958 618 603 40 | Control unit<br>- dme -  |        | 1   | PR:DT5                                     |
| (1) | 958 618 603 50 | Control unit<br>- dme -  |        | 1   | PR:DU2                                     |
| (1) | 958 618 603 50 | Control unit<br>- dme -  |        | 1   | PR:DU3                                     |
| (1) | 958 618 603 60 | Control unit<br>- dme -  |        | 1   | PR:D34                                     |
| (1) | 958 618 603 70 | Control unit<br>- dme -  |        | 1   | PR:D19                                     |
| (1) | 958 618 603 80 | Control unit<br>- dme -  |        | 1   | PR:D11, 7MJ                                |
| (1) | 958 618 606 00 | Control unit<br>- dme -  |        | 1   | PR:D43                                     |
| (1) | 958 618 606 10 | Control unit<br>- dme -  |        | 1   | PR:D1V, DV7,<br>DD7, D51                   |
| (1) | 958 618 606 20 | Control unit<br>- dme -  |        | 1   | PR:D50                                     |
| (1) | 958 618 606 30 | Control unit<br>- dme -  |        | 2   | PR:DD8, 0GG                                |
| (1) | 958 618 606 40 | Control unit<br>- dme -  |        | 2   | PR:DD8, 7MJ                                |
| (1) | 958 618 606 50 | Control unit<br>- dme -  |        | 2   | PR:DD8, 7MM                                |
| 2   | 958 618 233 60 | Retainer for control units   |        | 1   | PR:DT1, DU2                                |
| 2   | 958 618 233 60 | Retainer for control units   |        | 1   | PR:DT5                                     |
| 2   | 958 618 233 60 | Retainer for control units   |        | 1   | PR:DU3                                     |
| (2) | 958 618 233 10 | Retainer for control units   |        | 1   | PR:D34, D19                                |
| (2) | 958 618 233 10 | Retainer for control units   |        | 1   | PR:D50, D1V,<br>DV7, D51, D43,<br>DD7      |
| (2) | 958 618 233 10 | Retainer for control units   |        | 1   | PR:D11                                     |
| (2) | 958 618 233 30 | Retainer for control units   |        | 1   | PR:DD8, L0L                                |
| (2) | 958 618 233 50 | Retainer for control units   |        | 1   | PR:DD8, L0R                                |
| 3   | 958 618 234 00 | Retainer for control units   |        | 1   |  |
| 4   | 958 618 471 00 | Bracket  |        | 1   | PR:KE2                                     |
| (5) | 958 618 443 00 | Securing bars  |        | 1   | PR:D34, D19,<br>KE2                        |
| (5) | 958 618 443 00 | Securing bars  |        | 1   | PR:D11, KE2                                |
| (5) | 958 618 443 10 | Securing bars  |        | 1   | PR:D50, D1V,<br>KE2, D43, DV7,<br>D51, DD7 |
| (5) | 958 618 443 30 | Securing bars  |        | 1   | PR:DD8, KE2                                |
| 6   | N 105 215 03   | Oval hexagon socket head bolt<br>M 6 X 16  |        | 4   | PR:DT1, DU2,<br>DU3, DT5                   |
| (6) | N 911 366 01   | sheer bolt   |        | 2   | PR:DT1, DT5,                               |

Model: 92A 11

Model life 2011&gt;&gt;2018

| Pos  | Part Number    | Description  | Remark | Qty | Model   |
|------|----------------|--|--------|-----|---|
| (6)  | 958 618 739 00 | M 5 X 12<br>Retaining clip   |        | 2   | DU2,DU3<br>PR:D11   |
| (6)  | N 106 695 01   | Control unit<br>- dme -<br>fillister head bolt with<br>multi-point socket head<br>M 5 X 12 |        | 4   | PR:D34,D19,   |
| (6)  | N 106 695 01   | fillister head bolt with<br>multi-point socket head<br>M 5 X 12                            |        | 4   | KE0<br>PR:D50,D1V,  |
| (6)  | N 911 366 01   | sheer bolt<br>M 5 X 12   |        | 4   | KE0,D43,DD8,<br>DV7,D51,DD7,<br>D11<br>PR:D34,D19,        |
| (6)  | N 911 366 01   | sheer bolt<br>M 5 X 12   |        | 4   | KE2<br>PR:D50,D1V,<br>KE2,D43,DD8,<br>DV7,D51,DD7,<br>D11 |
| (6)  | N 911 468 01   | sheer bolt, self-locking<br>M 6 X 16<br>for<br>Mount<br>Position<br>5                      |        | 3   | PR:KE2  |
| 7    | N 910 967 01   | Oval hexagon socket head bolt<br>M 6 X 16  |        | 2   |   |
| 7    | N 909 187 02   | Hexagon socket head panel bolt<br>TP 4 X 12  |        | 3   | PR:DD8,L0R  |
| 8    | N 015 082 10   | Hexagon collar nut<br>M 6  |        | 2   |   |
| (8)  | N 904 483 02   | speed nut<br>5,0   |        | 1   | PR:DD8,L0L  |
| 9    | 958 618 120 40 | Control unit for automatic<br>gearbox  |        | 1   | PR:G1G  |
| 10   | 958 618 130 00 | Retainer for control unit for<br>automatic gearbox   |        | 1   | PR:G1G  |
| 11   | N 106 532 01   | Hex collared bolt<br>M 6 X 16  |        | 1   | PR:G1G  |
| 12   | 958 618 024 04 | Control unit<br>Lock control<br>Transverse   |        | 1   |   |
| 13   | 958 618 131 00 | Retainer for control units   |        | 1   |   |
| 14   | 958 618 601 01 | Control unit<br>oil pump   |        | 1   | PR:G1G,7L4,<br>7L6,7L8                                    |
| (14) | 958 618 601 10 | Control unit<br>oil pump   |        | 1   | PR:D19  |
| 15   | N 015 082 10   | Hexagon collar nut<br>M 6  |        | 2   |   |
| 16   | 7P0 907 383 J  | Control unit for trailer<br>detection<br>Tow hitch   |        | 1   | PR:1D3,1D9  |
| 17   | 958 618 045 10 | Control unit for<br>reversing camera system<br>TOP-VIEW                                    |        | 1   | PR:8A4  |
| 18   | 958 618 137 00 | Bracket<br>Control unit<br>Tow hitch<br>Reversing camera                                   |        | 1   | PR:1D1,1D3,<br>1D6,7X0,7X2,<br>7X8,7X9                    |
| (18) | 958 618 680 00 | Bracket<br>Control unit<br>Reversing camera  |        | 1   | PR:QV0,QV1,<br>QV3,8A4                                    |
| 19   | N 910 967 01   | Oval hexagon socket head bolt<br>M 6 X 16  |        | 3   |   |



Model: 92A 11 Model life 2011>>2018

| Pos  | Part Number    | Description   | Remark | Qty | Model                      |
|------|----------------|---|--------|-----|----------------------------|
| 20   | N 910 967 01   | Oval hexagon socket head bolt<br>M 6 X 16   |        | 2   | PR:1D2,1D6,<br>1D9,QV0,QV4 |
| (20) | N 102 849 05   | fillister head bolt with<br>multi-point socket head<br>M 6 X 8                          |        | 2   | PR:1D2,1D6,<br>1D9,QV1     |
| 21   | N 104 066 04   | Oval hexagon socket head bolt<br>M 5 X 8  |        | 3   | PR:7X8,7X9                 |
| 22   | 95B 919 475 G  | Control unit for parking aid  |        | 1   | PR:7X2,7X8,<br>8A4         |
| (22) | 95B 919 475 L  | D >> - MJ 2016<br>Control unit for parking aid  |        | 1   | PR:7X2,7X8,<br>8A4         |
| 23   | N 906 986 06   | D - MJ 2017>><br>Hexagon socket head panel bolt<br>ST 4,2 X 16                          |        | 3   |                            |
| 24   | N 906 988 01   | Speed nut<br>4,2  |        | 3   |                            |
| 25   | 7PP 035 709 A  | Loudspeaker<br>Parking aid  |        | 1   | PR:7X2,7X8                 |
| 26   | N 911 635 01   | Spreader rivet  |        | 3   | PR:7X2,7X8                 |
| 27   | 95B 907 530 E  | Diagnosis interface for<br>data bus (Gateway)   |        | 1   |                            |
| (27) | 95B 907 530 J  | D >> - MJ 2016<br>Control unit for gateway<br>Gateway                                   |        | 1   |                            |
| 28   | 958 610 333 00 | D - MJ 2017>><br>1 set: brackets for<br>ultrasonics sensors<br>Control units<br>Gateway | lhd    | 1   | PR:L0L                     |
| (28) | 958 610 333 10 | Retainer for control units  | rhd    | 1   | PR:L0R                     |
| (28) | 958 610 333 20 | Control unit for gateway<br>bracket for parking aid<br>control unit                     | rhd    | 1   | PR:L0R                     |
| 29   | N 910 799 01   | Hex collared bolt<br>M 6 X 20   |        | X   |                            |
| 30   | 958 618 306 00 | Control unit for adaptive<br>suspension   |        | 1   | PR:1BK                     |
| (30) | 958 618 306 10 | Control unit for adaptive<br>suspension   |        | 1   | PR:1BH,1BZ                 |
| 31   | 958 618 215 00 | Bracket   |        | 1   | PR:1BK,1BH,<br>1BZ         |
| 32   | N 015 082 10   | Hexagon collar nut<br>M 6   |        | 3   | PR:1BK,1BH,<br>1BZ         |
| 33   | N 106 532 01   | Hex collared bolt<br>M 6 X 20   |        | 3   | PR:1BK,1BH,<br>1BZ         |
| 34   | 958 618 067 00 | Control unit<br>- PDCC -  |        | 1   | PR:0AW                     |
| 35   | 958 618 070 00 | Retainer for control units  |        | 1   | PR:0AW                     |
| 36   | N 015 082 10   | Hexagon collar nut<br>M 6   |        | 4   | PR:0AW                     |
| 37   | 7P5 959 107 E  | Control unit<br>Rear lid  |        | 1   | PR:4E7                     |
| 38   | 8E0 919 279    | Warning buzzer<br>Warning function  |        | 1   | PR:4E7                     |
| 39   | N 906 986 06   | Hexagon socket head panel bolt<br>ST 4,2 X 16   |        | 2   | PR:4E7                     |
| 40   | N 905 410 01   | expanding nut   |        | 2   | PR:4E7                     |
| 41   | 958 618 109 01 | Control unit<br>Electric parking brake  |        | 1   |                            |
| 42   | N 106 533 01   | Hex collared bolt<br>M 6 X 20   |        | 2   |                            |
| 43   | 7P0 906 093 B  | Control unit for fuel   |        | 1   |                            |

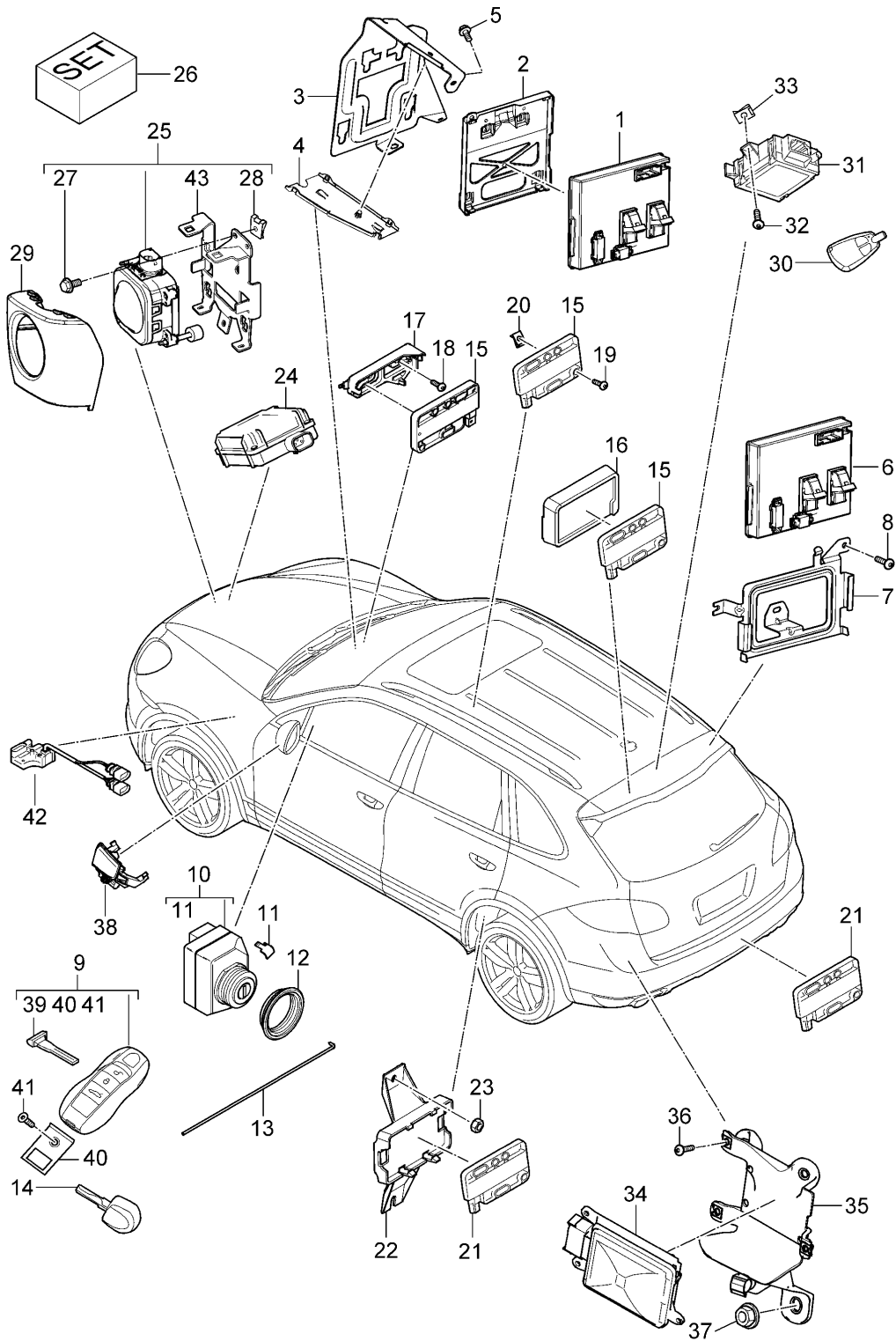
Model: 92A 11

Model life 2011&gt;&gt;2018

| Pos  | Part Number    | Description                                | Remark | Qty | Model                     |
|------|----------------|--|--------|-----|---------------------------|
| 44   | 970 618 377 00 | pump<br>Support section                    |        | 1   |                           |
| 45   | 955 111 548 03 | panel nut                                  |        | 2   |                           |
| 46   | 7PP 959 663 E  | Voltage stabiliser<br>Start/Stop           |        | 1   | PR: 7L4, 7L6,<br>7L8      |
| 47   | 958 618 663 00 | Bracket                                    | lhd    | 1   | PR: 7L4, 7L6,<br>7L8, L0L |
| (47) | 958 618 663 10 | Bracket                                    | rhd    | 1   | PR: 7L4, 7L6,<br>7L8, L0R |
| 48   | N 908 877 03   | Hexagon flange nut,<br>self-locking<br>M 6 |        | 2   | PR: 7L4, 7L6,<br>7L8      |
| 50   | 4H0 907 601 D  | Actuator for impact sound<br>Engine noises |        | 1   | PR: 2HB                   |
| 51   | N 908 877 03   | Hexagon flange nut,<br>self-locking        |        | 1   | PR: 2HB                   |
| 52   | 958 907 159 00 | Control unit<br>Engine noises              |        | 1   | PR: 2HB                   |
| 53   | N 911 585 01   | Spreader rivet                             |        | 2   | PR: 2HB                   |
| 54   | 958 035 935 00 | Retainer for control units                 |        | 1   | PR: 2HB                   |
| 55   | N 909 472 01   | Hexagon nut                                |        | 2   | PR: 2HB                   |

Model: 92A 11

Model life 2011>>2018



Model: 92A 11

Model life 2011>>2018

| Pos | Part Number    | Description  | Remark | Qty | Model               |
|-----|----------------|--|--------|-----|---------------------|
|     |                | Control units<br>Electronics<br>Front end<br>Rear end<br>Handheld transmitter<br>Ignition/starter switch<br>Garage door opener<br>Distance sensor<br>Receiving part<br>Auxiliary heater<br>Lane Change Assistant<br>Auxiliary heater<br>D >> - MJ 2014 |        |     |                     |
| 1   | 7PP 907 064 CG | Control unit<br>Electronics<br>Front end<br>D >> - MJ 2011   |        | 1   | PR:5D2,5D3          |
| 1   | 7PP 907 064 DA | Discontinued part<br>Control unit<br>Electronics<br>Front end<br>D >> - MJ 2011  |        | 1   | PR:5D2,5D3          |
| 1   | 7PP 907 064 DG | Discontinued part<br>Control unit<br>Electronics<br>Front end<br>D >> - MJ 2011  |        | 1   | PR:5D2,5D3          |
| 1   | 7PP 907 064 EA | Control unit<br>Electronics<br>Front end<br>F >> 92-CLA03 712<br>F >> 92-CLA91 365<br>F >> 92-CLA25 247<br>F >> 92-CLA44 031<br>F >> 92-CLA81 613<br>D - MJ 2012>>   |        | 1   | PR:5D2,5D3          |
| 1   | 7PP 907 064 EJ | Control unit<br>Electronics<br>Front end<br>F 92-CLA03 713>><br>F 92-CLA91 366>><br>F 92-CLA25 248>><br>F 92-CLA44 032>><br>F 92-CLA81 614>><br>D - MJ 2012>> - MJ 2012  |        | 1   | PR:5D2,5D3          |
| 1   | 7PP 907 064 EP | Control unit<br>Electronics<br>Front end<br>D - MJ 2013>>  |        | 1   | PR:5D2,5D3,<br>-IY2 |
| 1   | 7PP 907 064 GF | Control unit<br>Electronics<br>Front end<br>D - MJ 2013>>  |        | 1   | PR:5D2,5D3,<br>IY2  |
| 1   | 7PP 907 064 HH | Control unit (BCM) for<br>conv. system & OB power supply<br>Electric<br>Front end  |        | 1   | PR:5D2,5D3          |
| (1) | 7PP 907 064 CF | Control unit<br>Electronics<br>Front end<br>D >> - MJ 2011   |        | 1   | PR:5D1              |
| (1) | 7PP 907 064 CT | Discontinued part<br>Control unit  |        | 1   | PR:5D1              |

Model: 92A 11 Model life 2011>>2018

| Pos | Part Number    | Description  | Remark | Qty | Model       |
|-----|----------------|--|--------|-----|-------------|
| (1) | 7PP 907 064 DF | Electronics<br>Front end<br>D >> - MJ 2011<br>Discontinued part<br>Control unit  |        | 1   | PR:5D1      |
| 1   | 7PP 907 064 DT | Electronics<br>Front end<br>D >> - MJ 2011<br>Control unit   |        | 1   | PR:5D1      |
| 1   | 7PP 907 064 EH | Electronics<br>Front end<br>F >> 92-CLA03 712<br>F >> 92-CLA91 365<br>F >> 92-CLA25 247<br>F >> 92-CLA44 031<br>F >> 92-CLA81 613<br>D - MJ 2012>><br>Control unit |        | 1   | PR:5D1      |
| 1   | 7PP 907 064 ES | Electronics<br>Front end<br>F 92-CLA03 713>><br>F 92-CLA91 366>><br>F 92-CLA25 248>><br>F 92-CLA44 032>><br>F 92-CLA81 614>><br>D - MJ 2012>><br>Control unit      |        | 1   | PR:5D1,-IY2 |
| 1   | 7PP 907 064 GE | Electronics<br>Front end<br>D - MJ 2013>> - MJ 2013<br>Control unit  |        | 1   | PR:5D1,IY2  |
| 1   | 7PP 907 064 GE | Electronics<br>Front end<br>D - MJ 2013>> - MJ 2013<br>Control unit  |        | 1   | PR:5D1,IY2  |
| 1   | 7PP 907 064 EN | Electronics<br>Front end<br>D - MJ 2014>><br>Control unit  |        | 1   | PR:5D8,-IY2 |
| 1   | 7PP 907 064 GD | Electronics<br>Front end<br>D - MJ 2013>> - MJ 2013<br>Control unit  |        | 1   | PR:5D8,IY2  |
| 1   | 7PP 907 064 HF | Electronics<br>Front end<br>D - MJ 2013>> - MJ 2013<br>Control unit  |        | 1   | PR:5D8,4F2  |
| 1   | 7PP 907 064 HC | Electronics<br>Front end<br>D - MJ 2014>><br>Control unit  |        | 1   | PR:5D8,4K3  |
| 2   | 7PP 907 348 B  | Retainer for control units   |        | 1   |             |
| 3   | 958 618 347 00 | Retainer for control units   | lhd    | 1   | PR:L0L      |
| (3) | 958 618 347 10 | Retainer for control units   | rhd    | 1   | PR:L0R      |
| 4   | 958 618 347 20 | Cover  |        | 1   |             |
| 5   | N 910 799 01   | Hex collared bolt<br>M 6 X 20  |        | 2   |             |
| 6   | 958 618 279 00 | Control unit<br>Electronics<br>Rear end  |        | 1   |             |

Model: 92A 11 Model life 2011>>2018

| Pos | Part Number    | Description  | Remark | Qty | Model  |
|-----|----------------|--|--------|-----|--------|
| 6   | 958 618 279 02 | D >> - MJ 2011<br>Discontinued part<br>Control unit<br>Electronics<br>Rear end                                       |        | 1   |        |
| 6   | 958 618 279 10 | D >> - MJ 2011<br>Control unit<br>Electronics<br>Rear end  |        | 1   |        |
| 6   | 958 618 279 12 | D - MJ 2012>> - MJ 2012<br>Control unit<br>Electronics<br>Rear end   |        | 1   |        |
| 6   | 958 618 279 14 | D - MJ 2013>> - MJ 2013<br>Control unit<br>Electronics<br>Rear end   |        | 1   |        |
| -   | 958 612 371 00 | D - MJ 2014>><br>Diode, with cable<br>See workshop manual<br>KD-NR.578949<br>SY-NR.SY0311                            |        | 1   |        |
| 7   | 958 618 348 00 | Retainer for control units<br>No longer use the part here  |        | 1   |        |
| 7   | 958 618 348 01 | Retainer for control units   |        | 1   |        |
| 8   | N 104 514 05   | Oval hexagon socket head bolt<br>M 6 X 16  |        | 3   |        |
| 9   |                | Handheld transmitter<br>Key cover<br>See technical information<br>Service<br>Group 5<br>Document<br>5708 31/12       |        |     |        |
| 9   | 958 637 946 00 | Handheld transmitter<br>Key cover<br>Vehicle Ident. No.<br>Indicate  |        | 1   | PR:5D1 |
| 9   | 958 637 946 01 | D >> - MJ 2011<br>No longer use the part here<br>Handheld transmitter<br>Key cover<br>Vehicle Ident. No.<br>Indicate |        | 1   | PR:5D1 |
| 9   | 958 637 946 02 | D - MJ 2012>><br>No longer use the part here<br>Handheld transmitter<br>Key cover<br>Vehicle Ident. No.<br>Indicate  |        | 1   | PR:5D1 |
| (9) | 958 637 946 03 | D >> - 06.11.2016<br>Handheld transmitter<br>Key cover<br>Vehicle Ident. No.<br>Indicate                             |        | 1   | PR:5D1 |
| 9   | 958 637 950 02 | D - 07.11.2016>><br>Handheld transmitter<br>Key cover<br>Vehicle Ident. No.<br>Indicate                              |        | 1   | PR:5D8 |
| 9   | 958 637 950 03 | D >> - 06.11.2016<br>D - MJ 2013>><br>Handheld transmitter   |        | 1   | PR:5D8 |

Model: 92A 11 Model life 2011>>2018

| Pos | Part Number    | Description  | Remark | Qty | Model      |
|-----|----------------|--|--------|-----|------------|
| (9) | 958 637 948 00 | Key cover<br>Vehicle Ident. No.<br>Indicate<br>D - 07.11.2016>><br>Handheld transmitter                              |        | 1   | PR:5D3     |
| (9) | 958 637 948 01 | Key cover<br>Vehicle Ident. No.<br>Indicate<br>D >> - MJ 2011<br>No longer use the part here<br>Handheld transmitter |        | 1   | PR:5D3     |
| (9) | 958 637 948 02 | Key cover<br>Vehicle Ident. No.<br>Indicate<br>D - MJ 2012>><br>No longer use the part here<br>Handheld transmitter  |        | 1   | PR:5D3     |
| (9) | 958 637 948 03 | Key cover<br>Vehicle Ident. No.<br>Indicate<br>D >> - 06.11.2016<br>Handheld transmitter                             |        | 1   | PR:5D3     |
| (9) | 958 637 947 00 | Key cover<br>Vehicle Ident. No.<br>Indicate<br>D - 07.11.2016>><br>Handheld transmitter                              |        | 1   | PR:5D2     |
| (9) | 958 637 947 01 | Key cover<br>Vehicle Ident. No.<br>Indicate<br>D >> - MJ 2011<br>No longer use the part here<br>Handheld transmitter |        | 1   | PR:5D2     |
| (9) | 958 637 947 02 | Key cover<br>Vehicle Ident. No.<br>Indicate<br>D - MJ 2012>><br>No longer use the part here<br>Handheld transmitter  |        | 1   | PR:5D2     |
| (9) | 958 637 947 03 | Key cover<br>Vehicle Ident. No.<br>Indicate<br>D >> - 06.11.2016<br>Handheld transmitter                             |        | 1   | PR:5D2     |
| -   | 999 611 108 00 | Battery for hand sender  |        | 1   |            |
| 10  | 7PP 905 865 D  | Control unit<br>Ignition/starter switch  |        | 1   |            |
| 10  | 7PP 905 865 F  | D >> - MJ 2012<br>Control unit<br>Ignition/starter switch  |        | 1   |            |
| 11  | 970 618 959 00 | D - MJ 2013>><br>Cover<br>Release  |        | 1   |            |
| 12  | 7PP 911 094    | Nut  |        | 1   |            |
| 13  | 7PP 907 256    | Emergency operation<br>Release   |        | 1   |            |
| 14  | 7PP 919 157    | Ignition/starter switch<br>Control panel   |        | 1   | PR:4F2,4F6 |
| 15  | 7PP 962 132 A  | Aerial   | inner  | 3   | PR:4F2,4F6 |

Model: 92A 11 Model life 2011>>2018

| Pos  | Part Number    | Description   | Remark | Qty                   | Model                      |
|------|----------------|---|--------|-----------------------|----------------------------|
| 16   | 958 637 213 00 | Retainer for aerial   |        | 1                     | PR:4F2,4F6,<br>1G1,1G4,1G8 |
| (16) | 958 637 213 10 | boot floor plate<br>Retainer for aerial   |        | 1                     | PR:4F2,4F6,<br>OK1         |
| (16) | 958 637 283 00 | boot floor plate<br>Retainer for aerial   |        | 1                     | PR:4F2,4F6,<br>3F4         |
| 17   | 958 637 283 00 | boot floor plate<br>Retainer for aerial   |        | 1                     | PR:4F2,4F6                 |
| 18   | N 910 935 02   | Dashboard<br>Hexagon socket oval head<br>bolt, self-locking<br>M 6 X 30                       |        | 2                     | PR:4F2,4F6                 |
| 19   | N 107 018 01   | panel screw<br>4,2 X 22   |        | 2                     | PR:4F2,4F6                 |
| 20   | N 906 988 01   | Speed nut<br>4,2  |        | 2                     | PR:4F2,4F6                 |
| 21   | 7PP 962 132    | Aerial  | outer  | 3                     | PR:4F2,4F6                 |
| 22   | 958 637 285 00 | Retainer for aerial<br>Wheel housing  |        | 2                     | PR:4F2,4F6                 |
| 23   | N 904 953 01   | Hexagon nut<br>D 5  |        | 4                     | PR:4F2,4F6                 |
| 24   | 8K0 907 410    | Control unit for<br>opening garage door   |        | 1                     | PR:VC1                     |
| (24) | 8K0 907 410 C  | Control unit for<br>opening garage door   |        | 1                     | PR:VC2                     |
| 25   | 958 605 085 00 | Control unit for<br>distance regulation<br>D >> - 28.06.2010                                  |        | 1                     | PR:8T3,-D58,<br>-E0W       |
| 25   | 958 605 085 01 | Discontinued part<br>Control unit for<br>distance regulation<br>D - 28.06.2010>> - 05.11.2012 |        | 1                     | PR:8T3,-D58,<br>-E0W       |
| 25   | 958 605 085 02 | Control unit for<br>distance regulation<br>D - 05.11.2012>>                                   |        | 1                     | PR:8T3,-D58,<br>-E0W       |
| (25) | 958 605 085 10 | Control unit for<br>distance regulation<br>D >> - 28.06.2010                                  |        | 1                     | PR:D58,8T3                 |
| (25) | 958 605 085 11 | Discontinued part<br>Control unit for<br>distance regulation<br>D - 28.06.2010>> - 05.11.2012 |        | 1                     | PR:8T3,D58                 |
| (25) | 958 605 085 11 | Control unit for<br>distance regulation<br>D - 28.06.2010>> - 05.11.2012                      |        | 1                     | PR:8T3,E0W                 |
| (25) | 958 605 085 12 | Control unit for<br>distance regulation<br>D - 05.11.2012>>                                   |        | 1                     | PR:8T3,D58                 |
| (25) | 958 605 085 12 | Control unit for<br>distance regulation<br>D - 05.11.2012>>                                   |        | 1                     | PR:8T3,E0W                 |
| 26   | 970 605 901 00 | repair set<br>comprising:<br>Clip<br>adjusting screw<br>Screw<br>Clip                         |        | 1<br>3<br>2<br>1<br>3 | PR:8T3                     |
| 27   | N 910 991 01   | Socket head bolt with inner<br>multipoint head<br>M 6 X 20                                    |        | 3                     | PR:8T3                     |
| 28   | N 906 887 01   | Speed nut   |        | 3                     | PR:D58,8T3                 |



Model: 92A 11 Model life 2011>>2018

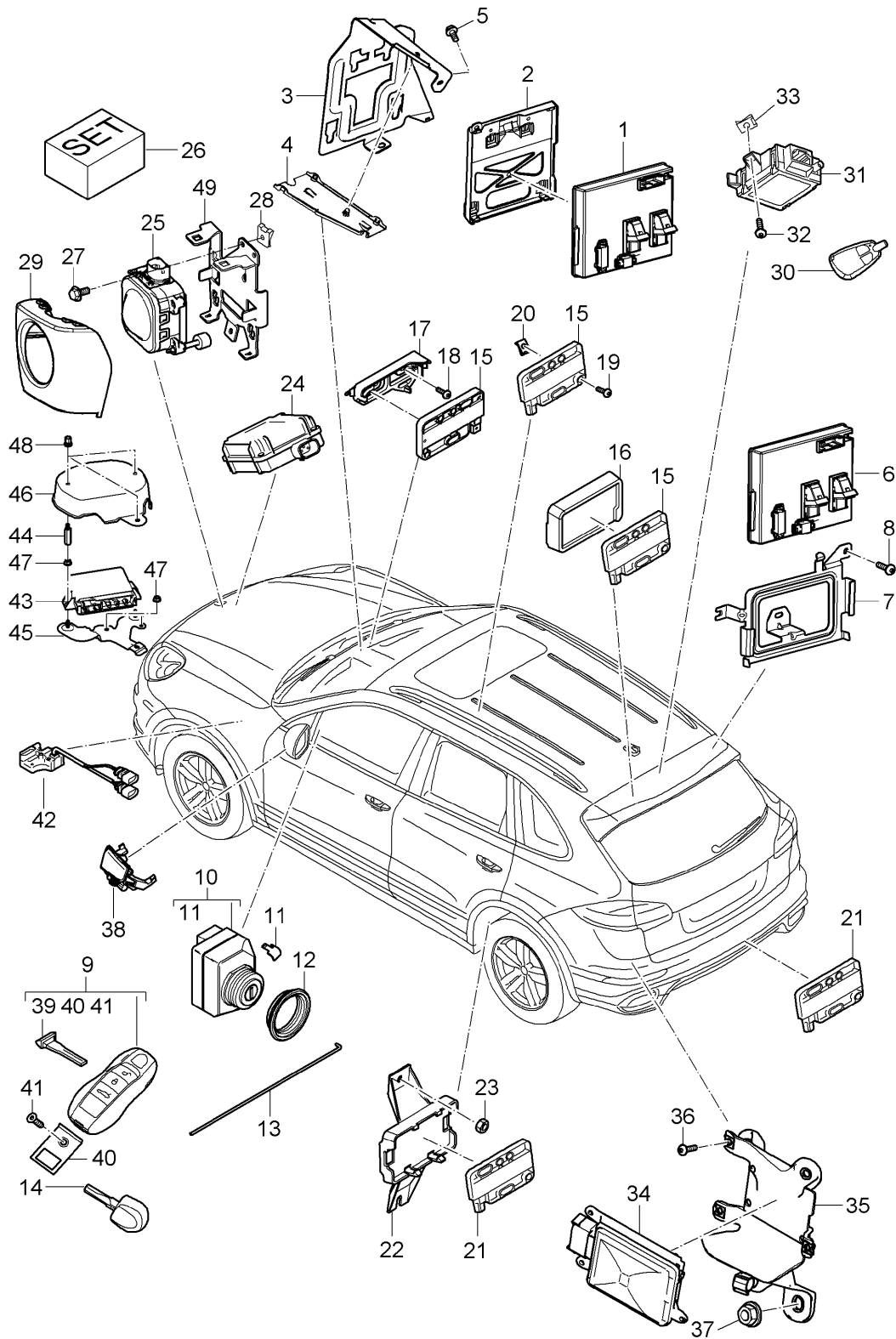
| Pos  | Part Number    | Description  | Remark   | Qty | Model       |
|------|----------------|--|----------|-----|-------------|
|      |                | M 6  |          |     |             |
| 29   | 958 605 379 00 | Cover panel  |          | 1   | PR:8T3      |
| 29   | 958 605 379 00 | Cover panel  |          | 1   | PR:8T3      |
| 30   | 7PP 963 511 A  | Handheld transmitter                                       |          | 1   | PR:9M9      |
|      |                | Auxiliary heater   |          |     |             |
| 30   | 7PP 963 511 B  | Handheld transmitter                                       |          | 1   | PR:9M9      |
|      |                | Auxiliary heater   |          |     |             |
| 31   | 8K0 963 271    | Control and receiver unit for radio-controlled aux. heater |          | 1   | PR:9M9      |
|      |                | Receiving part   |          |     |             |
|      |                | Auxiliary heater   |          |     |             |
| 32   | N 106 428 01   | Hexagon socket head panel bolt ST 3,5 X 13                 |          | 2   | PR:9M9      |
| 33   | N 911 680 01   | Speed nut 3,5  |          | 2   | PR:9M9      |
| 34   | 958 618 566 01 | Control unit for lane change assist                        | left     | 1   | PR:7Y1      |
|      |                | F >> 92-CLA04 180  |          |     |             |
|      |                | F >> 92-CLA62 840  |          |     |             |
|      |                | F >> 92-CLA26 224  |          |     |             |
|      |                | F >> 92-CLA91 673  |          |     |             |
|      |                | F >> 92-CLA44 394  |          |     |             |
|      |                | F >> 92-CLA81 814  |          |     |             |
| 34   | 958 618 566 10 | Control unit for lane change assist                        | left     | 1   | PR:7Y1,7Y7  |
|      |                | F 92-CLA04 181>>   |          |     |             |
|      |                | F 92-CLA62 841>>   |          |     |             |
|      |                | F 92-CLA26 225>>   |          |     |             |
|      |                | F 92-CLA91 674>>   |          |     |             |
|      |                | F 92-CLA44 395>>   |          |     |             |
|      |                | F 92-CLA81 815>>   |          |     |             |
| 34   | 958 618 568 01 | Control unit for lane change assist                        | right    | 1   | PR:7Y1      |
|      |                | F >> 92-CLA04 180  |          |     |             |
|      |                | F >> 92-CLA62 840  |          |     |             |
|      |                | F >> 92-CLA26 224  |          |     |             |
|      |                | F >> 92-CLA91 673  |          |     |             |
|      |                | F >> 92-CLA44 394  |          |     |             |
|      |                | F >> 92-CLA81 814  |          |     |             |
| 34   | 958 618 568 10 | Control unit for lane change assist                        | right    | 1   | PR:7Y1,7Y7  |
|      |                | F 92-CLA04 181>>   |          |     |             |
|      |                | F 92-CLA62 841>>   |          |     |             |
|      |                | F 92-CLA26 225>>   |          |     |             |
|      |                | F 92-CLA91 674>>   |          |     |             |
|      |                | F 92-CLA44 395>>   |          |     |             |
|      |                | F 92-CLA81 815>>   |          |     |             |
| 35   | 958 618 509 00 | Bracket  | left     | 1   | PR:7Y1      |
| (35) | 958 618 510 00 | Bracket  | right    | 1   | PR:7Y1      |
|      |                | Discontinued part  |          |     |             |
| (35) | 958 618 510 01 | Bracket  | right    | 1   | PR:7Y1      |
| 36   | N 105 864 01   | Oval hexagon socket head bolt M 5 X 10                     |          | 6   | PR:7Y1      |
| 37   | N 905 708 03   | hex. nut with washer M 6                                   |          | 6   | PR:7Y1      |
| 38   | 958 641 039 00 | Warning light  | left lhd | 1   | PR:7Y1,L0L, |
|      |                | For vehicles with lane change assist                       |          |     |             |
|      |                | Exterior mirror  |          |     |             |
| (38) | 958 641 039 10 | Warning light  | left rhd | 1   | PR:7Y1,L0R, |
|      |                | For vehicles with lane change assist                       |          |     |             |
|      |                | Exterior mirror  |          |     |             |

Model: 92A 11 Model life 2011>>2018

| Pos  | Part Number    | Description   | Remark    | Qty | Model              |
|------|----------------|---|-----------|-----|--------------------|
| (38) | 958 641 039 20 | Warning light<br>For vehicles with<br>lane change assist<br>Exterior mirror   | left lhd  | 1   | PR:7Y1,L0L,<br>5SU |
| (38) | 958 641 039 30 | Warning light<br>For vehicles with<br>lane change assist<br>Exterior mirror   | left rhd  | 1   | PR:7Y1,L0R,<br>5SU |
| (38) | 958 641 040 00 | Warning light<br>For vehicles with<br>lane change assist<br>Exterior mirror   | right lhd | 1   | PR:7Y1,L0L,        |
| (38) | 958 641 040 10 | Warning light<br>For vehicles with<br>lane change assist<br>Exterior mirror   | right rhd | 1   | PR:7Y1,L0R,        |
| (38) | 958 641 040 20 | Warning light<br>For vehicles with<br>lane change assist<br>Exterior mirror   | right lhd | 1   | PR:7Y1,L0L,<br>5RP |
| (38) | 958 641 040 30 | Warning light<br>For vehicles with<br>lane change assist<br>Exterior mirror   | right rhd | 1   | PR:7Y1,L0R,<br>5RP |
| 39   | 958 538 916 00 | emergency key<br>with stipulated lock number<br>* Part number must be ordered<br>* manually by indicating<br>* vehicle ID number. |           | 1   |                    |
| 40   | 991 637 301 00 | Eye   |           | 1   |                    |
| 41   | 991 637 303 00 | countersunk bolt  |           | 1   |                    |
| 42   | 958 618 272 00 | Control unit for auxiliary<br>heating   |           | 1   | PR:9M1,9M5,<br>9M9 |
| 42   | 958 618 272 01 | D >> - MJ 2012<br>Control unit for auxiliary<br>heating   |           | 1   | PR:9M1,9M5,<br>9M9 |
| 43   | 958 605 086 10 | D - MJ 2013>><br>Retainer for control units<br>Distance sensor  |           | 1   | PR:8T3             |
| (43) | 958 605 086 20 | Retainer for control units<br>Distance sensor   |           | 1   | PR:8T3             |
| -    |                | Alarm horn<br>see illustration:   | 903-000   |     |                    |

Model: 92A 11

Model life 2011>>2018



Model: 92A 11

Model life 2011>>2018

| Pos | Part Number    | Description   | Remark | Qty | Model                  |
|-----|----------------|---|--------|-----|------------------------|
|     |                | Control units<br>Electronics<br>Front end<br>Rear end<br>Handheld transmitter<br>Ignition/starter switch<br>Garage door opener<br>Distance sensor<br>Receiving part<br>Auxiliary heater<br>Lane Change Assistant<br>Auxiliary heater<br>D - MJ 2015>> |        |     |                        |
| 1   | 7PP 907 064 HP | Control unit (BCM) for<br>conv. system & OB power supply<br>Electric  |        | 1   | PR:5D2,5D3,<br>4F2,4F6 |
| 1   | 7PP 907 064 KJ | Control unit<br>Electronics<br>Front end  |        | 1   | PR:5D2,5D3,<br>4K0,4K3 |
| 1   | 7PP 907 064 HM | Control unit<br>Electronics<br>Front end  |        | 1   | PR:5D8                 |
| 1   | 7PP 907 064 HN | Control unit (BCM) for<br>conv. system & OB power supply<br>Electric<br>Front end   |        | 1   | PR:5D1                 |
| 2   | 7PP 907 348 B  | Retainer for control units  |        | 1   |                        |
| 3   | 958 618 347 00 | Retainer for control units  | lhd    | 1   | PR:L0L                 |
| (3) | 958 618 347 11 | Retainer for control units  | rhd    | 1   | PR:L0R                 |
| 4   | 958 618 347 20 | Cover   |        | 1   |                        |
| 5   | N 910 799 01   | Hex collared bolt<br>M 6 X 20   |        | 2   |                        |
| 6   | 7PP 907 279 CB | Control unit (BCM) for<br>conv. system & OB power supply<br>Rear end  |        | 1   |                        |
| -   | 958 612 371 00 | Diode, with cable<br>See workshop manual<br>KD-NR.578949<br>SY-NR.SY0311  |        | 1   |                        |
| 7   | 958 618 348 01 | Retainer for control units  |        | 1   |                        |
| 8   | N 104 514 05   | Oval hexagon socket head bolt<br>M 6 X 16   |        | 3   |                        |
| 9   |                | Handheld transmitter<br>Key cover<br>See technical information<br>Service<br>Group 5<br>Document<br>5708 31/12  |        |     |                        |
| 9   | 958 637 946 02 | Handheld transmitter<br>Key cover<br>Vehicle Ident. No.<br>Indicate   |        | 1   | PR:5D1                 |
| 9   | 958 637 950 02 | Handheld transmitter<br>Key cover<br>Vehicle Ident. No.<br>Indicate   |        | 1   | PR:5D8                 |
| (9) | 958 637 948 02 | Handheld transmitter<br>Key cover<br>Vehicle Ident. No.<br>Indicate   |        | 1   | PR:5D3                 |
| (9) | 958 637 947 02 | Handheld transmitter  |        | 1   | PR:5D2                 |

Model: 92A 11 Model life 2011>>2018

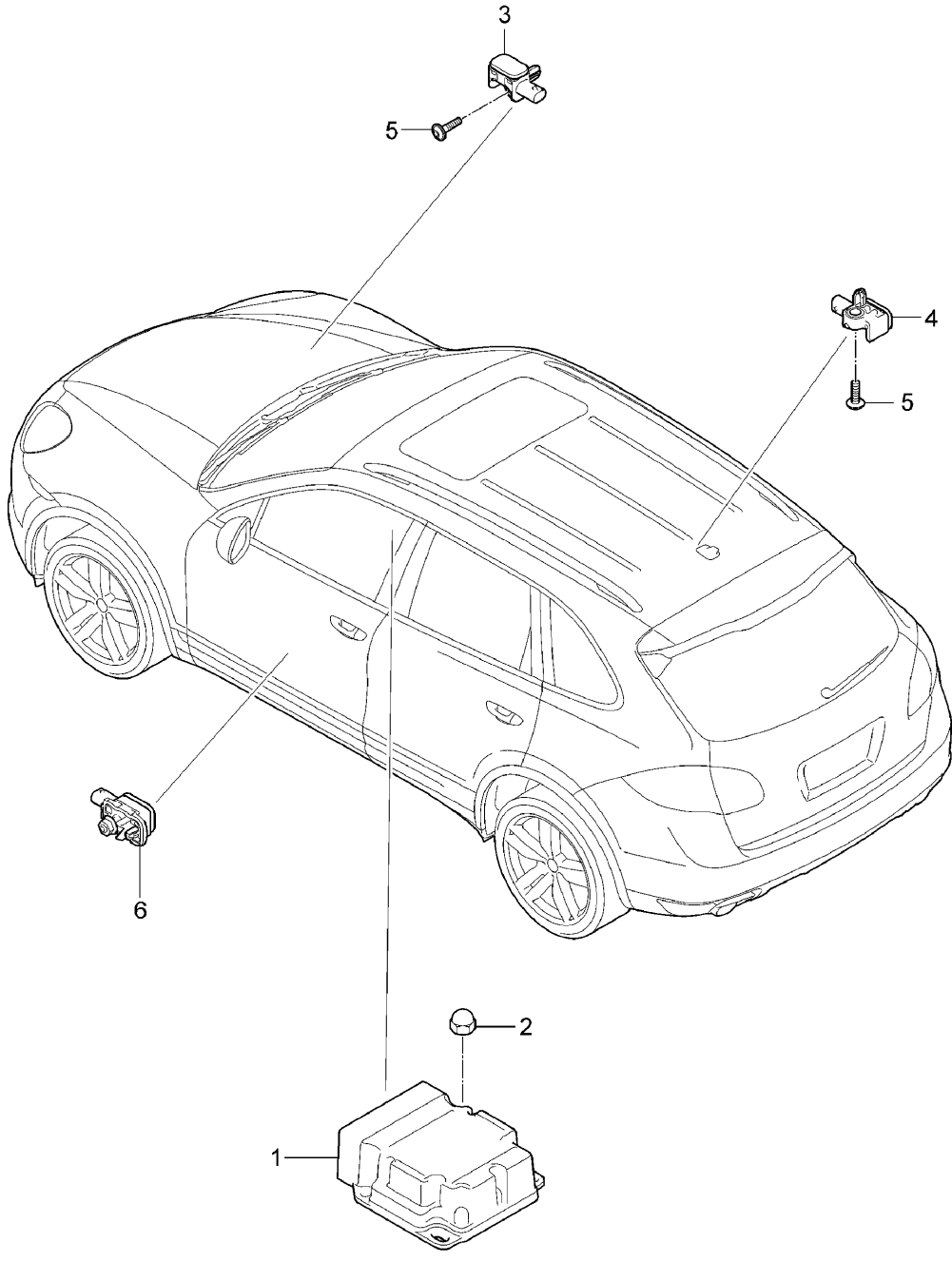
| Pos  | Part Number    | Description   | Remark | Qty | Model                      |
|------|----------------|---|--------|-----|----------------------------|
| -    | 999 611 108 00 | Key cover   |        | 1   |                            |
| 10   | 7PP 905 865 F  | Vehicle Ident. No.<br>Indicate<br>Battery for hand sender<br>Control unit<br>Ignition/starter switch<br>D >> - 09.10.2016 |        | 1   |                            |
| (10) | 9A7 905 865 00 | Control unit<br>Ignition/starter switch<br>D - 10.10.2016>>   |        | 1   |                            |
| 11   | 970 618 959 00 | Cover<br>Release  |        | 1   |                            |
| 12   | 7PP 911 094    | Nut   |        | 1   |                            |
| 13   | 7PP 907 256    | Emergency operation<br>Release<br>Ignition/starter switch   |        | 1   |                            |
| 14   | 7PP 919 157    | Control panel   |        | 1   | PR:4F2,4F6                 |
| 15   | 7PP 962 132 A  | Aerial  | inner  | 3   | PR:4F2,4F6                 |
| 16   | 958 637 213 00 | Retainer for aerial   |        | 1   | PR:4F2,4F6,<br>1G1,1G4,1G8 |
| (16) | 958 637 213 10 | boot floor plate<br>Retainer for aerial   |        | 1   | PR:4F2,4F6,<br>0K1         |
| (16) | 958 637 283 00 | boot floor plate<br>Retainer for aerial   |        | 1   | PR:4F2,4F6,<br>3F4         |
| 17   | 958 637 283 00 | boot floor plate<br>Retainer for aerial   |        | 1   | PR:4F2,4F6                 |
| 18   | N 910 935 02   | Dashboard<br>Hexagon socket oval head<br>bolt, self-locking<br>M 6 X 30   |        | 2   | PR:4F2,4F6                 |
| 19   | N 107 018 01   | panel screw<br>4,2 X 22   |        | 2   | PR:4F2,4F6                 |
| 20   | N 906 988 01   | Speed nut<br>4,2  |        | 2   | PR:4F2,4F6                 |
| 21   | 7PP 962 132    | Aerial  | outer  | 3   | PR:4F2,4F6                 |
| 22   | 958 637 285 00 | Retainer for aerial<br>Wheel housing  |        | 2   | PR:4F2,4F6                 |
| 23   | N 904 953 01   | Hexagon nut<br>D 5  |        | 4   | PR:4F2,4F6                 |
| 24   | 8K0 907 410    | Control unit for<br>opening garage door   |        | 1   | PR:VC1                     |
| (24) | 8K0 907 410 C  | Control unit for<br>opening garage door   |        | 1   | PR:VC2                     |
| (25) | 958 605 085 20 | Control unit for<br>distance regulation<br>Distance sensor  |        | 1   | PR:8T3                     |
| 26   | 970 605 901 00 | repair set<br>comprising:<br>Clip<br>adjusting screw<br>Screw<br>Clip   |        | 1   | PR:8T3                     |
| 27   | N 910 991 01   | Socket head bolt with inner<br>multipoint head<br>M 6 X 20  |        | 3   | PR:8T3                     |
| 28   | N 906 887 01   | Speed nut<br>M 6  |        | 3   | PR:D58,8T3                 |
| 29   | 958 605 379 01 | Cover panel   |        | 1   | PR:8T3                     |
| 30   | 7PP 963 511 B  | Handheld transmitter<br>Auxiliary heater  |        | 1   | PR:9M9                     |
| 31   | 8K0 963 271    | Control and receiver unit for   |        | 1   | PR:9M9                     |

Model: 92A 11 Model life 2011>>2018

| Pos  | Part Number    | Description  | Remark    | Qty | Model              |
|------|----------------|--|-----------|-----|--------------------|
|      |                | radio-controlled aux. heater<br>Receiving part<br>Auxiliary heater             |           |     |                    |
| 32   | N 106 428 01   | Hexagon socket head panel bolt<br>ST 3,5 X 13                                  |           | 2   | PR:9M9             |
| 33   | N 911 680 01   | Speed nut<br>3,5   |           | 2   | PR:9M9             |
| 33   | N 911 680 01   | Speed nut<br>3,5   |           | 2   | PR:9M9             |
| 34   | 8T0 907 566 B  | Control unit for<br>lane change assist   | left      | 1   |                    |
| (34) | 8T0 907 568 B  | Control unit for<br>lane change assist   | right     | 1   |                    |
| 35   | 958 618 509 10 | Bracket  | left      | 1   |                    |
| (35) | 958 618 510 10 | Bracket  | right     | 1   |                    |
| 36   | N 105 864 01   | Oval hexagon socket head bolt<br>M 5 X 10                                      |           | 6   |                    |
| 37   | N 905 708 03   | hex. nut with washer<br>M 6  |           | 6   |                    |
| 38   | 958 641 039 50 | Warning light<br>Lane Change Assistant<br>Exterior mirror                      | left lhd  | 1   | PR:7Y1,7Y7,<br>L0L |
| (38) | 958 641 040 50 | Warning light<br>Lane Change Assistant<br>Exterior mirror                      | right lhd | 1   | PR:7Y1,7Y7,<br>L0L |
| (38) | 958 641 039 60 | Warning light<br>Lane Change Assistant<br>Exterior mirror                      | left rhd  | 1   | PR:7Y1,7Y7,<br>L0R |
| (38) | 958 641 040 60 | Warning light<br>Lane Change Assistant<br>Exterior mirror                      | right rhd | 1   | PR:7Y1,7Y7,<br>L0R |
| 39   | 958 538 916 00 | emergency key<br>with stipulated lock number<br>Vehicle Ident. No.<br>Indicate |           | 1   |                    |
| 40   | 991 637 301 00 | Eye  |           | 1   |                    |
| 41   | 991 637 303 00 | countersunk bolt   |           | 1   |                    |
| 42   | 958 618 272 02 | Control unit for auxiliary<br>heating  |           | 1   | PR:9M1,9M5,<br>9M9 |
| 43   | 7PP 035 620 AE | Control unit<br>VTS vehicle tracking   |           | 1   | PR:7G9,7I2,<br>7I0 |
| 44   | 7PP 971 952    | Distance piece<br>M 6  |           | 2   | PR:7I0,7I2         |
| 45   | 958 646 317 00 | Retainer for control units<br>VTS vehicle tracking                             |           | 1   | PR:7I0,7I2         |
| 46   | 958 646 429 00 | Cover cap<br>Control unit<br>VTS vehicle tracking                              |           | 1   | PR:7I0,7I2         |
| 47   | N 015 082 10   | Hexagon collar nut<br>M6   |           | 4   | PR:7I0,7I2         |
| -    | 7PP 862 077    | Driver Card<br>Card<br>VTS vehicle tracking                                    |           | 1   | PR:7I2             |
| 48   | WHT 006 947    | Pull-off nut<br>M 6 - SB   |           | 3   | PR:7I0,7I2         |
| 49   | 958 605 086 00 | Retainer for control units<br>Distance sensor                                  |           | 1   | PR:8T3             |
| -    |                | Alarm horn<br>see illustration:  | 903-000   |     |                    |

Model: 92A 11

Model life 2011>>2018



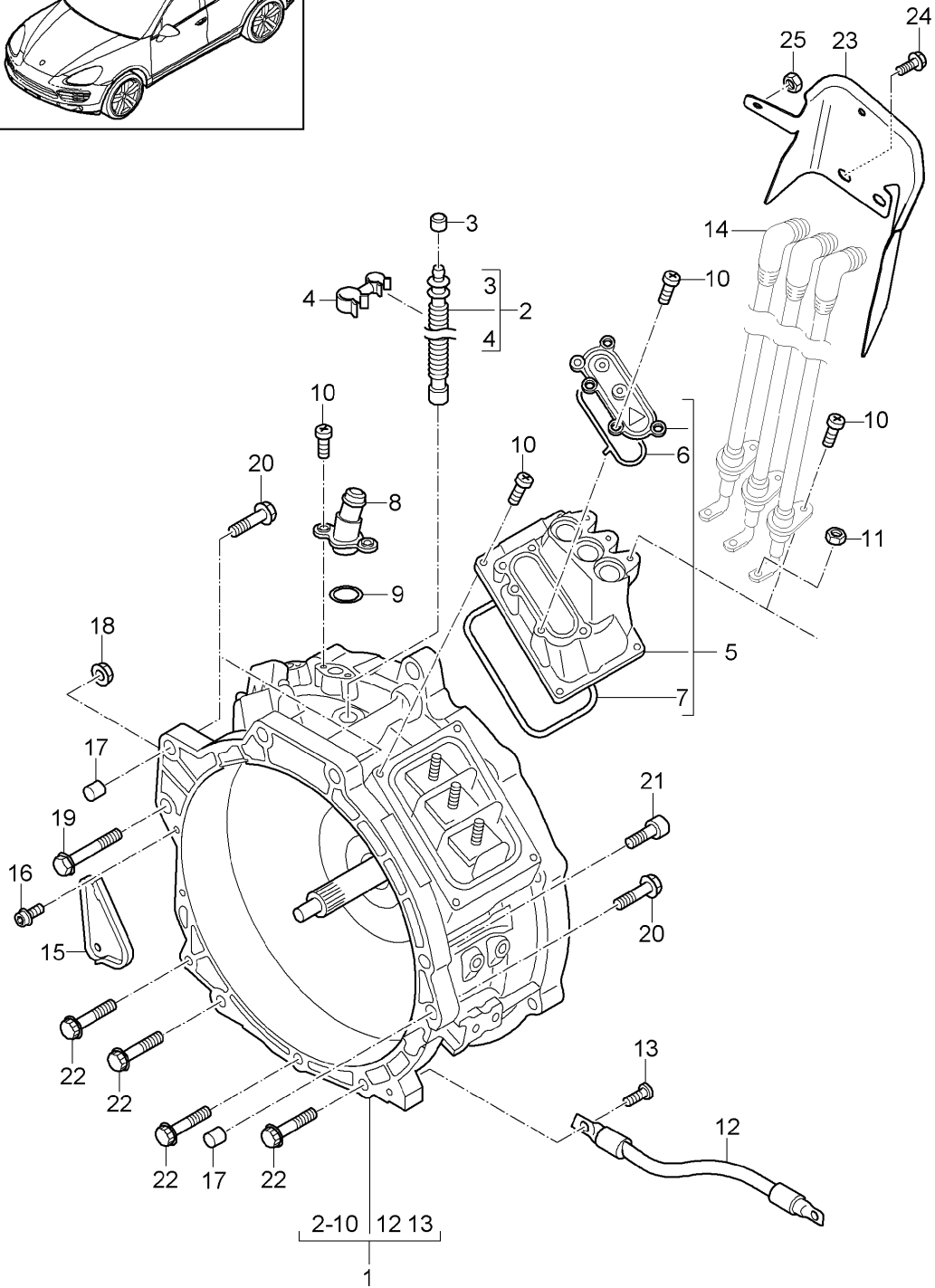
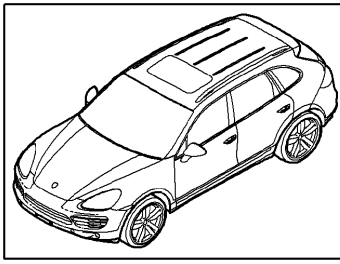
Model: 92A 11 Model life 2011>>2018

| Pos | Part Number    | Description   | Remark  | Qty | Model |
|-----|----------------|---|---------|-----|-------|
| -   |                | Control unit<br>Sensor<br>Airbag<br>Airbag unit<br>see illustration:      | 812-050 |     |       |
| -   |                | Switch<br>Airbag<br>see illustration:                                     | 903-004 |     |       |
| 1   | 958 618 201 00 | Control unit for airbag<br>D >> - MJ 2014<br>Discontinued part            |         | 1   |       |
| 1   | 958 618 201 01 | Control unit for airbag<br>D >> - MJ 2014<br>Discontinued part            |         | 1   |       |
| 1   | 958 618 201 02 | Control unit for airbag<br>D >> - MJ 2014<br>Discontinued part            |         | 1   |       |
| 1   | 958 618 201 03 | Control unit for airbag<br>D >> - MJ 2014                                 |         | 1   |       |
| 1   | 958 618 201 04 | Control unit for airbag<br>D - 26.05.2014>> - 30.05.2015                  |         | 1   |       |
| 1   | 9A7 959 655    | Control unit for airbag<br>D - 30.05.2016>>                               |         | 1   |       |
| 2   | 955 618 419 21 | domed cap nut<br>M 6  |         | 3   |       |
| 3   | 958 618 220 00 | Front sensor<br>D >> - MJ 2014  |         | 2   |       |
| (3) | 958 618 220 10 | Front sensor<br>D - MJ 2015>>   |         | 2   |       |
| 4   | 958 618 222 00 | Crash sensor for airbag<br>Side airbag unit<br>c-pillar<br>D >> - MJ 2014 |         | 2   |       |
| 4   | 958 618 222 20 | Sensor<br>Side airbag unit<br>c-pillar<br>D - MJ 2015>>                   |         | 2   |       |
| 5   | N 104 134 04   | Oval hexagon socket head bolt<br>M 6 X 25                                 |         | 4   |       |
| 6   | 958 618 222 10 | Sensor<br>Side airbag unit<br>doors                                       |         | 2   |       |



Model: 92A 11

Model life 2011>>2018

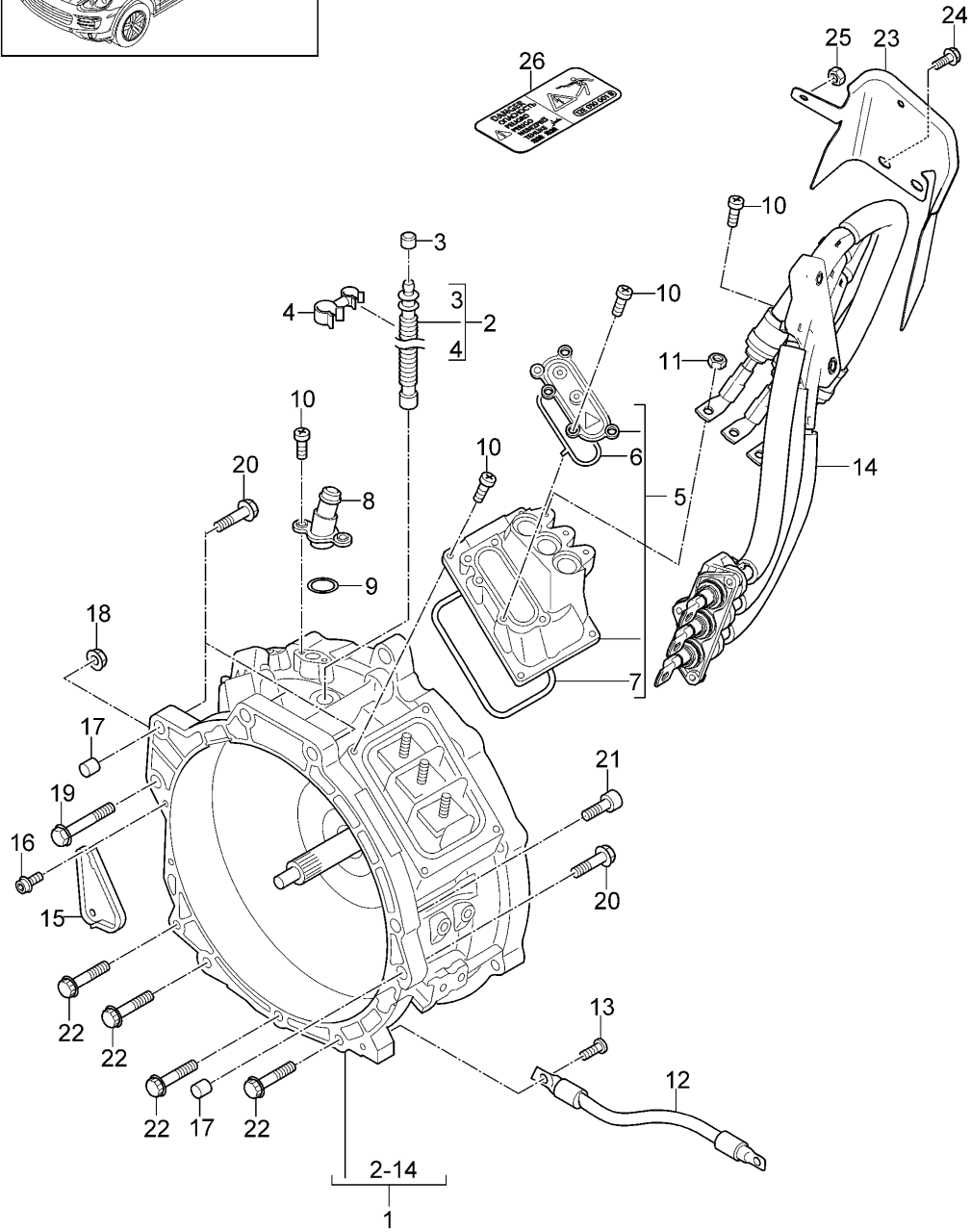
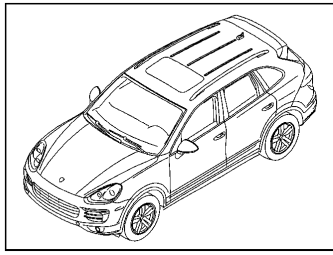


Model: 92A 11 Model life 2011>>2018

| Pos | Part Number    | Description  | Remark    | Qty | Model   |
|-----|----------------|--|-----------|-----|---------|
| 1   | 958 624 152 X  | Traction motor for elec. drive<br>Electric motor<br>D >> - MJ 2014<br>Electric motor<br>F >> 92-CLA92 699<br>Discontinued part |           | 1   | - "J.." |
| 1   | 958 624 152 AX | Electric motor<br>with:  | link loom | 1   | "J.."   |
| 1   | 958 624 152 CX | F >> 92-CLA92 699<br>Electric motor<br>without:  | link loom | 1   | "J.."   |
| 1   | 958 624 152 BX | F >> 92-CLA92 699<br>Electric motor<br>F 92-CLA92 700>>  |           | 1   |         |
| 2   | 958 301 647 00 | Breather line  |           | 1   |         |
| 3   | 014 301 485    | Cap for venting the gearbox  |           | 1   |         |
| 4   | N 105 638 01   | Bracket  |           | 1   |         |
| 5   | 958 624 152 50 | repair set<br>Connection box   |           | 1   |         |
| 6   | 958 624 111 00 | Seal   | upper     | 1   |         |
| 7   | 958 624 112 00 | Seal   | lower     | 1   |         |
| 8   | 958 624 623 00 | Cooling water socket   |           | 2   |         |
| 9   | 958 624 447 00 | O-ring   |           | 2   |         |
| 10  | N 101 243 06   | Oval hexagon socket head bolt<br>M 6 X 20  |           | X   |         |
| 11  | N 106 092 01   | Hexagon collar nut<br>M 8  |           | 3   |         |
| 12  | 958 611 235 00 | Earth line<br>No longer use the part here  |           | 1   |         |
| 12  | 958 611 235 01 | Earth line   |           | 1   |         |
| 13  | N 911 896 01   | Flat head multi-point<br>socket bolt<br>M 8 X 18   |           | 1   |         |
| 14  |                | Wire set<br>see illustration:  | 901-030   | 1   |         |
| 15  | 958 101 648 00 | Cover  |           | 1   |         |
| 16  | N 911 266 01   | Oval hexagon socket head bolt<br>M 6 X 16<br>Discontinued part   |           | 2   |         |
| 16  | N 910 967 01   | Oval hexagon socket head bolt<br>M 6 X 16  |           | 2   |         |
| 17  | 955 101 139 01 | dowel sleeve   |           | 2   |         |
| 18  | N 910 955 01   | Hexagon collar nut<br>M 10   |           | 1   |         |
| 19  | N 911 056 01   | Hex collared bolt<br>M 10 X 85   |           | 1   |         |
| 20  | N 910 301 02   | multi-point socket head bolt<br>with collar<br>AM 12 X 70  |           | 4   |         |
| 21  | N 105 651 02   | Socket head bolt with<br>hexagon socket head<br>M 12 X 60  |           | 1   |         |
| 22  | N 911 507 01   | 12-edge flange screw<br>M 10 X 60  |           | 4   |         |
| 23  | 958 624 792 00 | Cover<br>Connection box  |           | 1   |         |
| 24  | N 106 531 02   | Electric motor<br>Hexagon bolt<br>M 8 X 20   |           | 1   |         |
| 25  | N 011 006 32   | Hexagon nut<br>M 6   |           | 1   |         |

Model: 92A 11

Model life 2011>>2018



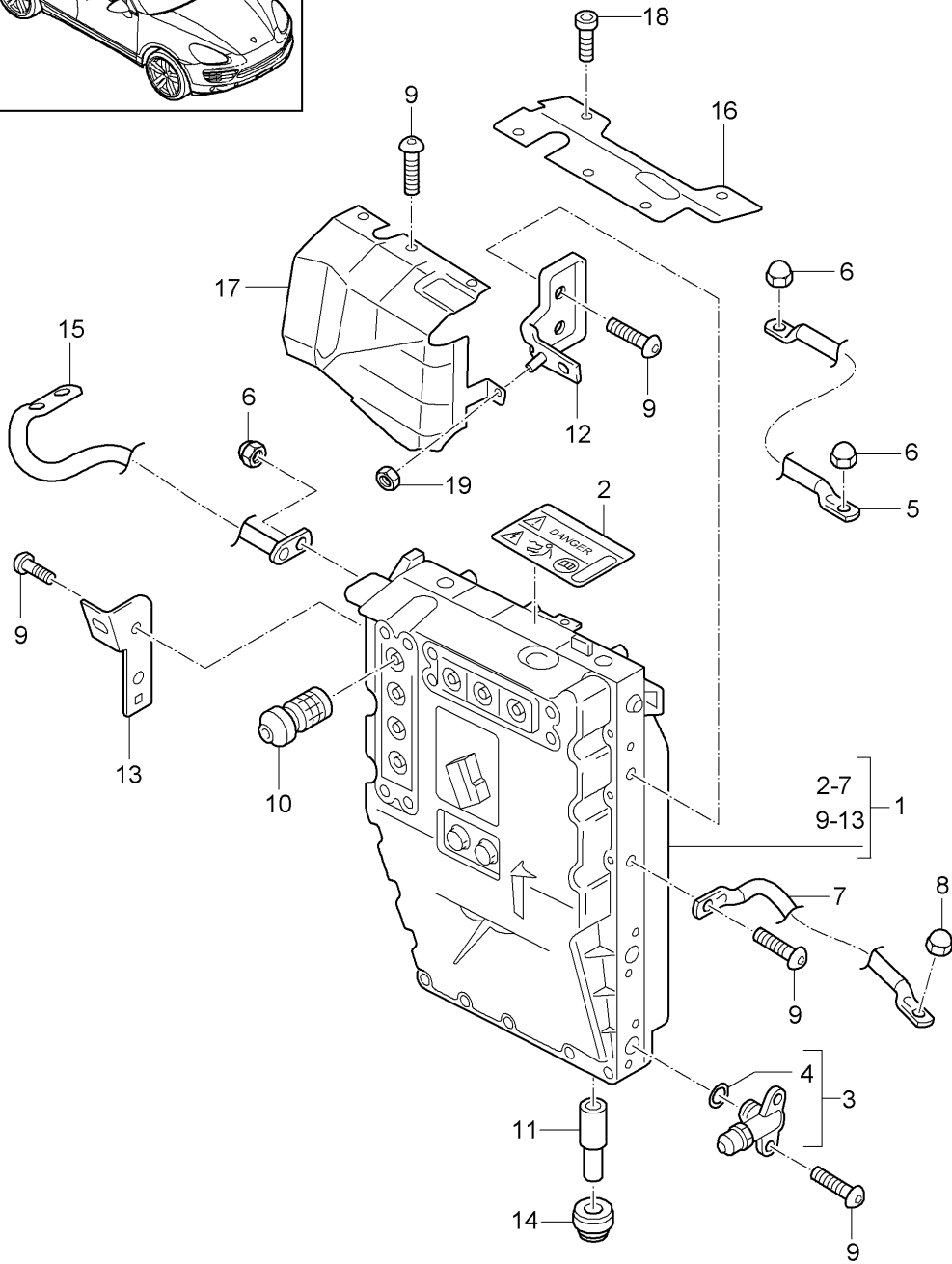
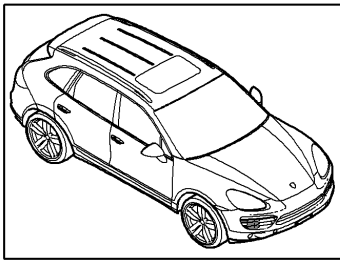
Model: 92A 11

Model life 2011>>2018

| Pos | Part Number    | Description   | Remark | Qty | Model |
|-----|----------------|---|--------|-----|-------|
| 1   | 958 624 152 JX | Traction motor for elec. drive<br>Electric motor<br>D - MJ 2015>><br>Electric motor<br>for<br>Driving mechanism |        | 1   |       |
| 2   | 958 301 647 00 | Breather line   |        | 1   |       |
| 3   | 014 301 485    | Cap for venting the gearbox   |        | 1   |       |
| 4   | N 105 638 01   | Bracket   |        | 1   |       |
| 5   | 958 624 152 50 | repair set<br>Connection box  |        | 1   |       |
| 6   | 958 624 111 00 | Seal  | upper  | 1   |       |
| 7   | 958 624 112 00 | Seal  | lower  | 1   |       |
| 8   | 958 624 623 00 | Cooling water socket  |        | 2   |       |
| 9   | 958 624 447 00 | O-ring  |        | 2   |       |
| 10  | N 101 243 09   | Oval hexagon socket head bolt<br>M 6 X 20   |        | X   |       |
| 11  | N 106 092 01   | Hexagon collar nut<br>M 8   |        | 3   |       |
| 12  | 958 611 235 01 | Earth line  |        | 1   |       |
| 13  | N 911 896 01   | Flat head multi-point<br>socket bolt<br>M 8 X 18  |        | 1   |       |
| 14  |                | Wire set<br>See group<br>9/01/35  |        | 1   |       |
| 15  | 958 101 648 00 | Cover   |        | 1   |       |
| 16  | N 910 967 01   | Oval hexagon socket head bolt<br>M 6 X 16   |        | 2   |       |
| 17  | 955 101 139 01 | dowel sleeve  |        | 2   |       |
| 18  | N 910 955 01   | Hexagon collar nut<br>M 10  |        | 1   |       |
| 19  | N 911 056 01   | Hex collared bolt<br>M 10 X 85  |        | 1   |       |
| 20  | N 910 301 02   | multi-point socket head bolt<br>with collar<br>AM 12 X 70   |        | 4   |       |
| 21  | N 105 651 02   | Socket head bolt with<br>hexagon socket head<br>M 12 X 60   |        | 1   |       |
| 22  | N 911 507 01   | 12-edge flange screw<br>M 10 X 60   |        | 4   |       |
| 23  | 958 624 792 00 | Cover<br>Connection box   |        | 1   |       |
| 24  | N 106 531 02   | Electric motor<br>Hexagon bolt<br>M 8 X 20  |        | 1   |       |
| 25  | N 011 006 32   | Hexagon nut<br>M 6  |        | 1   |       |
| 26  | 958 701 697 10 | Warning sign for hybrid<br>vehicles<br>High voltage<br>Electric motor<br>Driving mechanism                      |        | 1   |       |

Model: 92A 11

Model life 2011>>2018



Model: 92A 11

Model life 2011>>2018

| Pos | Part Number    | Description  | Remark | Qty | Model   |
|-----|----------------|--|--------|-----|---|
| 1   | 958 618 060 X  | Hybrid<br>Power and control electronics-<br>for electric drive<br>D >> - MJ 2014   |        | 1   |   |
| 1   | 958 618 060 BX | Power and control electronics-<br>for electric drive<br>See technical information<br>KD - NR. 2791<br>F >> 92-CLA92 699<br>Discontinued part |        | 1   |   |
| 1   | 958 618 060 CX | Power and control electronics-<br>for electric drive<br>F 92-CLA92 700>>   |        | 1   |   |
| 2   | 958 701 697 00 | Warning sign for hybrid<br>vehicles<br><br>High voltage  |        | 1   | - "J..",<br><br>- "PME",<br>- "CN.",<br>- "BR.",<br>- "RUS" |
| (2) | 958 701 697 10 | Warning sign for hybrid<br>vehicles<br><br>High voltage  |        | 1   | "J..", "PME",<br><br>"CN.", "BR.",<br>"RUS"                 |
| 3   | 958 106 133 00 | Cooling water socket   |        | 2   |   |
| 4   | 958 106 134 00 | O-ring   |        | 2   |   |
| 5   | 958 611 235 10 | Earth line   |        | 1   |   |
| 6   | 958 611 182 00 | Power and control electronics-<br>for electric drive<br>Body<br>domed cap nut<br>M 8   |        | 3   |   |
| 7   | 958 611 235 20 | Earth line   |        | 1   |   |
| 8   | 955 618 419 21 | Power and control electronics-<br>for electric drive<br>Body<br>domed cap nut<br>M 6   |        | 1   |   |
| 9   | N 104 514 08   | Oval hexagon socket head bolt<br>M 6 X 16  |        | X   |   |
| 10  | 958 618 061 00 | Safety connector   |        | 1   |   |
| -   | 958 618 998 00 | Set of fastening parts<br>comprising:<br>Pos. 11,12,13   |        | 1   |   |
| 11  |                | Centring journal   |        | 2   |   |
| 12  |                | Bracket  | front  | 1   |   |
| 13  |                | Bracket  | rear   | 1   |   |
| 14  | 958 618 669 00 | Grommet  |        | 2   |   |
| 15  | 958 612 192 10 | Cable  |        | 1   |   |
| 16  | 958 618 672 00 | Power and control electronics-<br>for electric drive<br>Connection point<br>Cable<br>Engine bay<br>Support                                   |        | 1   |   |
| 17  | 958 618 837 00 | Crash protection<br>Crash protection   |        | 1   |   |
| 18  | N 910 967 01   | Power and control electronics-<br>for electric drive<br>Oval hexagon socket head bolt  |        | 3   |   |

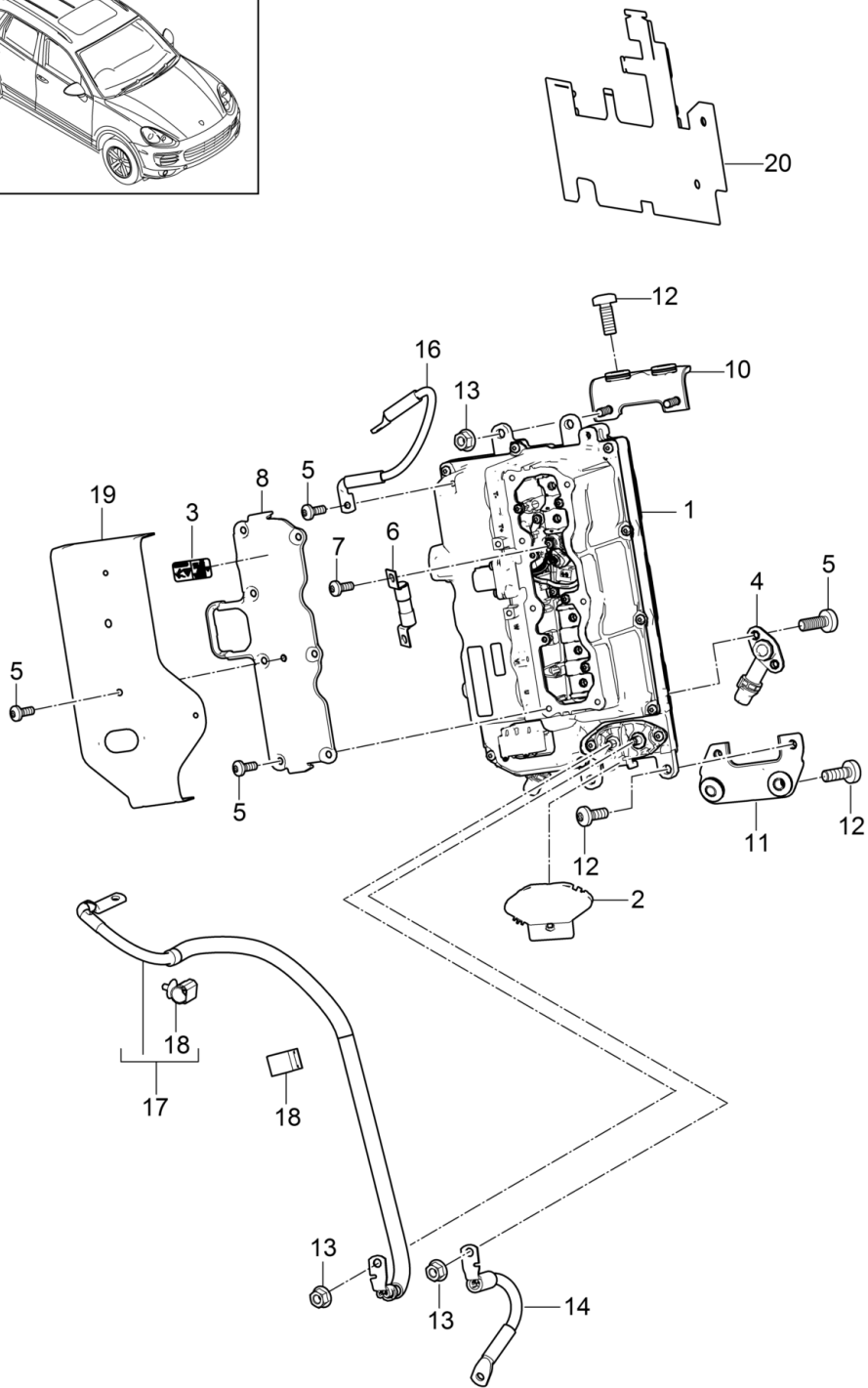
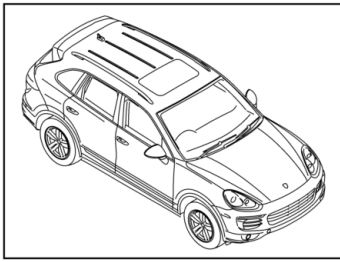
Model: 92A 11

Model life 2011&gt;&gt;2018

| Pos | Part Number  | Description                           | Remark | Qty | Model |
|-----|--------------|---------------------------------------|--------|-----|-------|
| 19  | N 015 082 10 | M 6 X 16<br>Hexagon collar nut<br>M 6 |        | 1   |       |

Model: 92A 11

Model life 2011>>2018





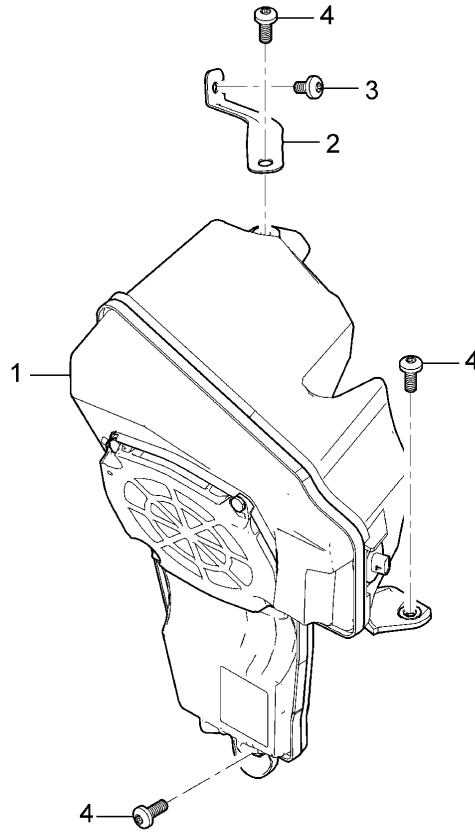
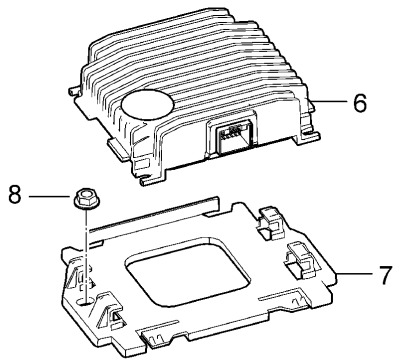
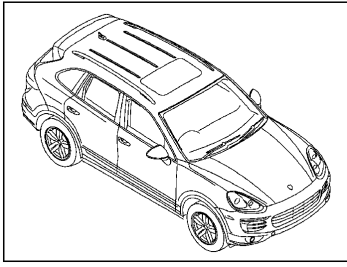
Model: 92A 11

Model life 2011&gt;&gt;2018

| Pos  | Part Number    | Description  | Remark | Qty | Model              |
|------|----------------|--|--------|-----|--------------------|
| 1    | 958 608 070 X  | Power and control electronics-<br>for electric drive<br>D - MJ 2015>>                        |        | 1   |                    |
| (1)  | 958 608 070 AX | Power and control electronics-<br>for electric drive<br>Discontinued part                    |        | 1   |                    |
| (1)  | 958 608 070 BX | Power and control electronics-<br>for electric drive<br>Discontinued part                    |        | 1   |                    |
| 2    | 958 608 299 00 | Cover  |        | 1   |                    |
| 3    | 958 701 697 10 | Ground cable<br>Warning sign for hybrid<br>vehicles<br>High voltage<br>Identification: >> >> |        | 1   |                    |
| 4    | 958 608 133 00 | Cooling water socket<br>Power and control electronics-<br>for electric drive                 |        | 2   |                    |
| 5    | N 104 514 05   | Oval hexagon socket head bolt<br>M 6 X 16  |        | 4   |                    |
| 6    | 5C0 915 463    | fuse<br>for<br>Compressor  |        | 1   |                    |
| 7    | WHT 006 421    | Air conditioning<br>hexagon head bolt (combi)<br>M 4 X 10                                    |        | 2   |                    |
| 8    | 958 608 300 01 | Cover<br>Wire set  |        | 1   |                    |
| 10   | 958 608 591 00 | Power and control electronics-<br>for electric drive<br>Bracket                              | upper  | 1   |                    |
| 11   | 958 608 592 00 | Bracket  | lower  | 1   |                    |
| 12   | N 106 650 01   | Flat head multi-point<br>socket bolt<br>M 8 X 30   |        | 6   |                    |
| 13   | N 106 092 01   | Hexagon collar nut<br>M 8  |        | 2   |                    |
| 14   | 958 608 235 00 | Earth line<br>Power and control electronics-<br>for electric drive<br>Body                   |        | 1   |                    |
| (14) | 958 608 236 00 | Earth line<br>heat exchanger   | front  | 1   |                    |
| 16   | 958 608 235 10 | Earth line<br>Power and control electronics-<br>for electric drive<br>Connection point       |        | 1   |                    |
| 17   | 958 608 349 01 | Engine bay<br>Earth line<br>Power and control electronics-<br>for electric drive             |        | 1   |                    |
| 19   | 958 608 837 00 | Alternator<br>Cover  |        | 1   |                    |
| 20   | 958 864 587    | Power and control electronics-<br>for electric drive<br>Insulation for<br>power electronics  |        | 1   | PR-B1P,D19,<br>OK3 |

Model: 92A 11

Model life 2011>>2018



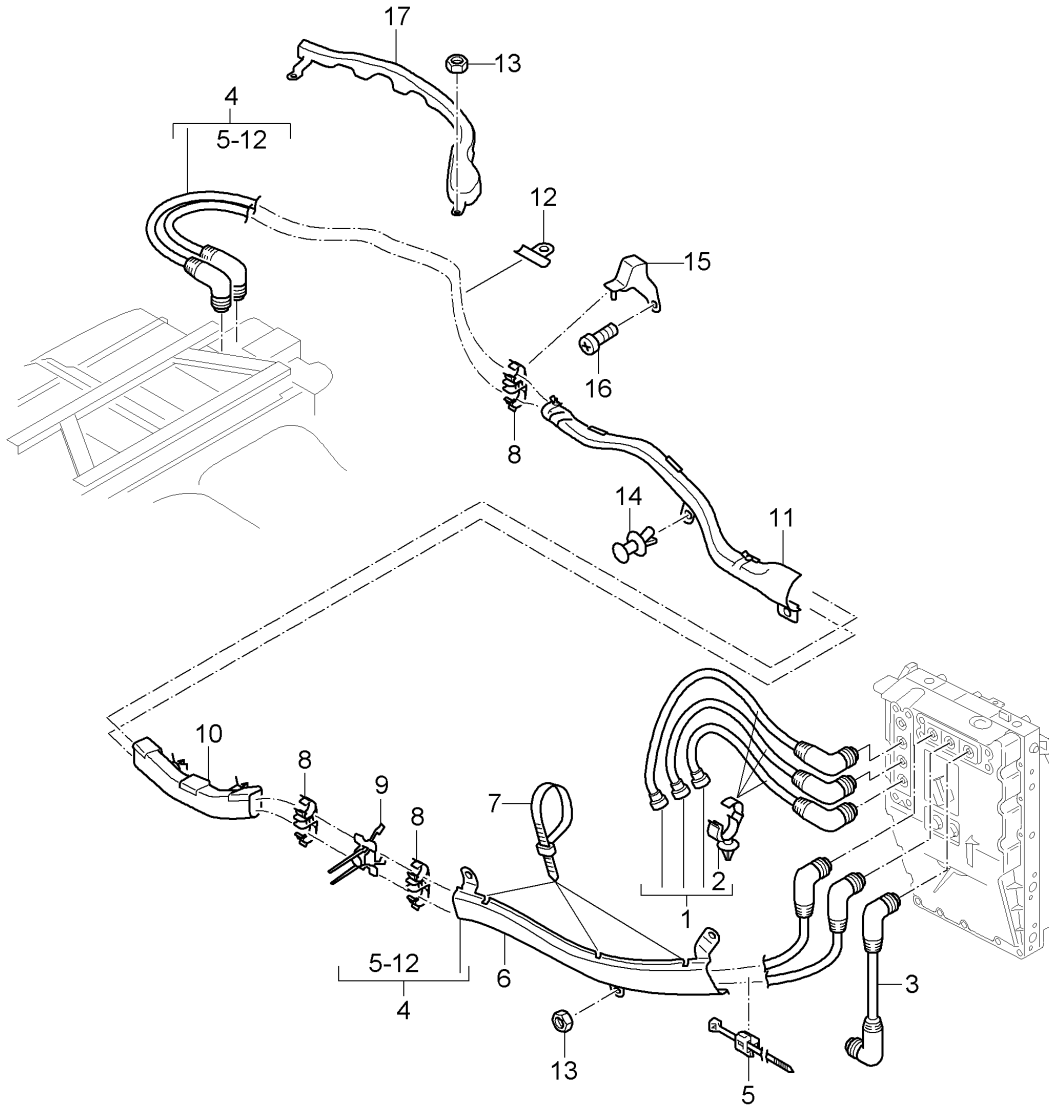
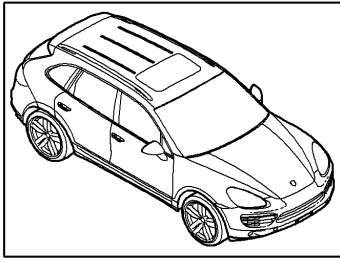
Model: 92A 11

Model life 2011&gt;&gt;2018

| Pos | Part Number    | Description  | Remark | Qty | Model  |
|-----|----------------|--|--------|-----|--------|
| 1   | 958 645 916 00 | Loudspeaker<br>Box<br>Driving noise<br>Control unit<br>D - MJ 2015>> |        | 1   | PR:GM4 |
| 2   | 958 645 464 00 | Loudspeaker<br>Box<br>Driving noise<br>Bracket                       |        | 1   | PR:GM4 |
| 3   | N 101 703 02   | Loudspeaker<br>Box<br>round hd. screw<br>M6 X 10                     |        | 1   | PR:GM4 |
| 4   | N 910 968 01   | Hexagon socket flat<br>head bolt<br>M6 X 20                          |        | 3   | PR:GM4 |
| 6   | 958 645 335 00 | Amplifiers<br>Loudspeaker<br>Box                                     |        | 1   | PR:GM4 |
| 7   | 958 645 180 00 | Holder for amplifier   |        | 1   | PR:GM4 |
| 8   | N 909 472 01   | Hexagon nut<br>C5  |        | 2   | PR:GM4 |

Model: 92A 11

Model life 2011>>2018



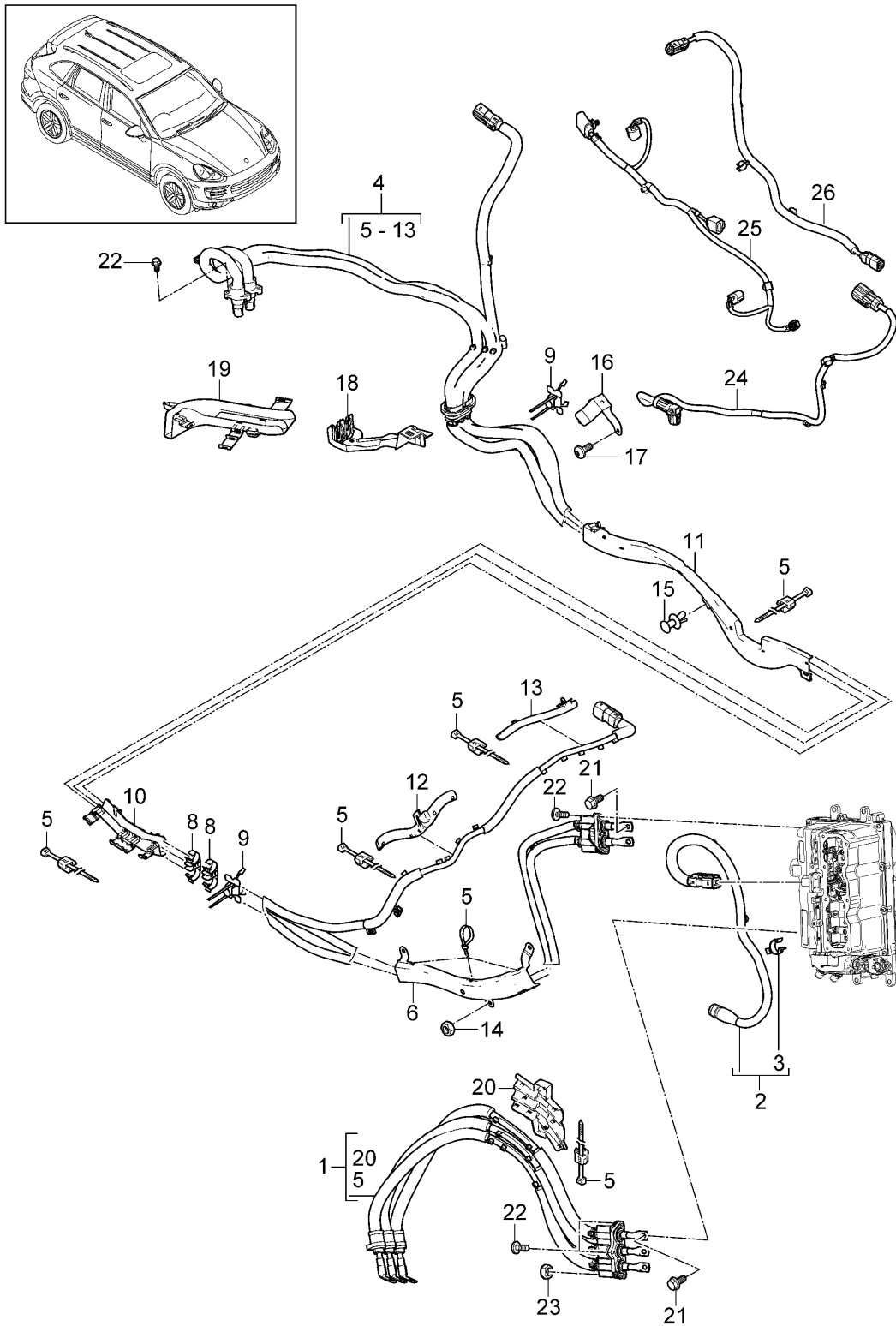
Model: 92A 11

Model life 2011>>2018

| Pos | Part Number    | Description  | Remark | Qty | Model  |
|-----|----------------|--|--------|-----|--------|
| 1   | 958 612 013 00 | Hybrid<br>Wiring looms<br>D >> - MJ 2014<br>Wire set<br>Power and control electronics-<br>for electric drive                   |        | 1   |        |
| 1   | 958 612 013 10 | F >> 92-CLA92 699<br>Wire set<br>Power and control electronics-<br>for electric drive  |        | 1   |        |
| 2   | N 909 809 01   | Electric motor   |        | 3   |        |
| 3   | 958 612 008 00 | Hose bracket<br>Cable<br>Power and control electronics-<br>for electric drive  |        | 1   | PR:9AD |
| 3   | 958 612 008 10 | Compressor<br>Air conditioning<br>Cable<br>Power and control electronics-<br>for electric drive                                |        | 1   | PR:9AD |
| 3   | 958 612 008 11 | Compressor<br>Air conditioning<br>No longer use the part here<br>Cable<br>Power and control electronics-<br>for electric drive |        | 1   | PR:9AD |
| 4   | 958 612 015 00 | Compressor<br>Air conditioning<br>Wire set<br>Power and control electronics-<br>for electric drive                             |        | 1   |        |
| 4   | 958 612 015 10 | Battery<br>Wire set<br>Power and control electronics-<br>for electric drive  |        | 1   |        |
| 5   | 958 612 838 00 | Battery  |        | 2   |        |
| 6   | 958 612 851 00 | Cable ties with bracket  |        | 1   |        |
| 7   | N 909 377 02   | Cable guide  |        | 3   |        |
| 8   | 958 612 853 00 | Cable ties   |        | 3   |        |
| 9   | 958 612 854 00 | Cable holder   |        | 1   |        |
| 10  | 958 612 615 00 | Cable ties   |        | 1   |        |
| 11  | 958 612 394 00 | Cable guide  |        | 1   |        |
| 12  | 958 612 855 00 | Cable guide  |        | 1   |        |
| 13  | N 015 082 10   | Cable holder   |        | 1   |        |
| 14  | 701 867 299    | Hexagon collar nut<br>M 6  |        | X   |        |
| 15  | 958 612 280 00 | Clip   |        | 2   |        |
| 16  | N 104 514 04   | Cable holder   |        | 1   |        |
| 17  | 958 612 616 00 | Hexagon socket flat<br>head bolt<br>M 6 X 16<br>Cable cover  |        | 2   |        |
|     |                |  |        | 1   |        |

Model: 92A 11

Model life 2011>>2018

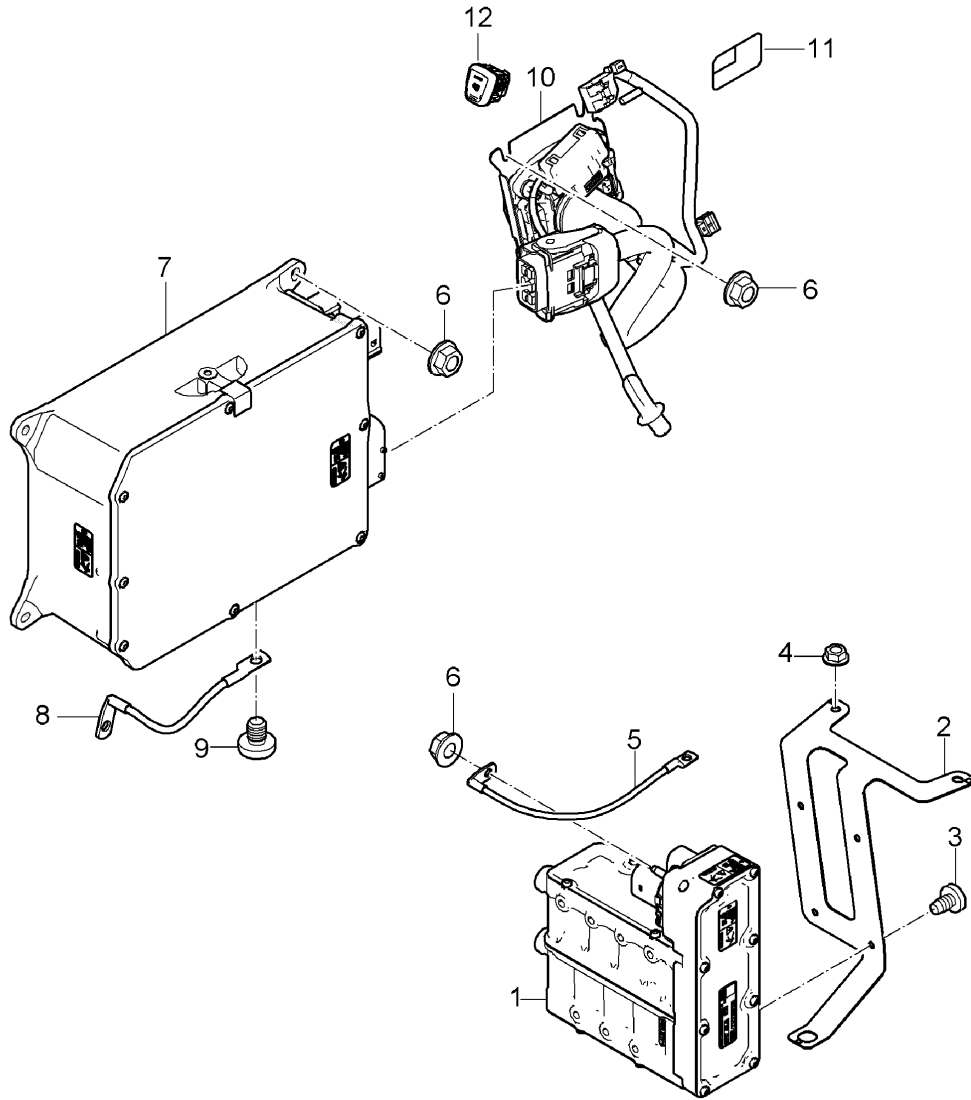
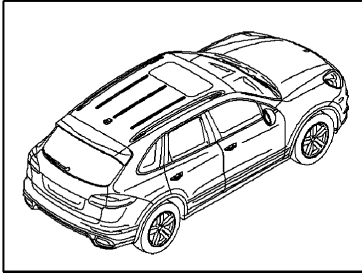


Model: 92A 11 Model life 2011>>2018

| Pos | Part Number    | Description  | Remark       | Qty | Model  |
|-----|----------------|--|--------------|-----|--------|
| 1   | 958 611 013 30 | Hybrid<br>Wiring looms<br>D - MJ 2015>><br>Wire set                                    |              | 1   |        |
| 2   | 958 611 008 30 | Power and control electronics-<br>for electric drive<br>Cable                          |              | 1   | PR:9AD |
| 3   | N 107 723 01   | Power and control electronics-<br>for electric drive<br>Compressor<br>Air conditioning |              | 1   |        |
| 4   | 958 611 015 30 | Cable tie with hose retainer<br>Wire set   |              | 1   |        |
|     |                | Power and control electronics-<br>for electric drive                                   |              | 1   |        |
|     |                | Battery  | N 9 10 696 0 | 4   |        |
|     |                | Charger  | N 9 04 560 0 | 1   |        |
|     |                | also use:  | N 1 06 531 0 | 3   |        |
| 5   | N 909 377 02   | Cable ties   |              | X   |        |
| 6   | 958 612 851 00 | Cable guide  |              | 1   |        |
| 8   | 958 612 860 00 | Cable holder   |              | 4   |        |
| 9   | 958 612 854 00 | Cable ties   |              | 1   |        |
| 10  | 958 612 615 30 | Cable guide  |              | 1   |        |
| 11  | 958 612 394 30 | Cable guide  |              | 1   |        |
| 12  | 958 612 395 30 | Cable guide  |              | 1   |        |
| 13  | 958 612 396 30 | Cable guide  |              | 1   |        |
| 14  | N 015 082 10   | Hexagon collar nut<br>M 6  |              | X   |        |
| 15  | 701 867 299    | Clip   |              | 2   |        |
| 16  | 958 612 280 00 | Cable holder   |              | 1   |        |
| 17  | N 910 967 01   | Oval hexagon socket head bolt<br>M 6 X 16  |              | 2   |        |
| 18  | 958 612 856 00 | Cable holder   |              | 1   |        |
| 19  | 958 612 397 30 | Cable guide  |              | 1   |        |
| 20  | 958 612 397 40 | Cable guide  |              | 1   |        |
| 21  | N 106 531 01   | Hexagon flange screw<br>M 8 X 20   |              | 5   |        |
| 22  | N 910 696 01   | Hexagon socket flat<br>head bolt<br>M 6 X 22   |              | 5   |        |
| 23  | N 904 560 02   | Hexagon collar nut<br>M 6  |              | 1   |        |
| 24  | 958 611 016 00 | Wire set<br>Battery<br>Charger   |              | 1   |        |
| 25  | 958 611 017 00 | Adapter<br>Line<br>heat exchanger  |              | 1   |        |
| 26  | 958 611 018 00 | Gearbox<br>Adapter<br>Line<br>heat exchanger<br>Charger                                |              | 1   |        |

Model: 92A 11

Model life 2011>>2018





Model: 92A 11

Model life 2011&gt;&gt;2018

| Pos  | Part Number    | Description  | Remark | Qty | Model      |
|------|----------------|--|--------|-----|------------|
|      |                | heat exchanger<br>Rear end<br>Battery<br>INTERIEUR<br>Charger<br>Battery<br>Charging socket<br>D - MJ 2015>> |        |     |            |
| 1    | 12E 963 231 E  | High-voltage heating (PTC)<br>Rear end   |        | 2   |            |
| 2    | 958 573 453 00 | bracket for heat exchanger   |        | 1   |            |
| 3    | N 107 732 01   | Flat head bolt with hexagon<br>socket head, thread forming<br>M 6 X 10                                       |        | 3   |            |
| 4    | N 904 025 03   | hexagon nut, self-locking<br>M 6   |        | 3   |            |
| 5    | 958 608 235 30 | Earth line<br>heat exchanger<br>Body   |        | 1   |            |
| 6    | N 015 082 10   | Hexagon collar nut<br>M 6  |        | 1   |            |
| 7    | 958 612 682 00 | Battery charger<br>3,6 KW<br>D >> - 16.04.2017   |        | 1   | PR:KB1     |
| (7)  | 958 612 682 02 | Battery charger<br>3,6 KW<br>D - 17.04.2017>>  |        | 1   | PR:KB1     |
| (7)  | 958 612 681 00 | Battery charger<br>7,2 KW  |        | 1   | PR:KB2     |
| 8    | 958 608 235 20 | Earth line<br>Charger  |        | 1   |            |
| 9    | N 106 803 02   | Hexagon socket flat<br>head bolt<br>M6 X 8   |        | 1   |            |
| 10   | 958 611 676 00 | Wire set<br>Charger<br>High voltage<br>Charging socket   |        | 1   | PR:KB2,ES3 |
| (10) | 958 611 676 30 | Wire set<br>Charger<br>High voltage<br>Charging socket   |        | 1   | PR:KB1,ES3 |
| (10) | 958 611 676 10 | Wire set<br>Charger<br>High voltage<br>Charging socket   |        | 1   | PR:KB2,ES1 |
| (10) | 958 611 676 40 | Wire set<br>Charger<br>High voltage<br>Charging socket   |        | 1   | PR:KB1,ES1 |
| 11   | 958 701 678 00 | Charging socket<br>Sticker<br>Charging socket<br>English   |        | 1   | PR:OSC     |
| (11) | 958 701 678 10 | Sticker<br>Charging socket<br>Arabic   |        | 1   | PR:OSW     |
| (11) | 958 701 678 20 | Sticker<br>Charging socket<br>German   |        | 1   | PR:OSB     |
| (11) | 958 701 678 30 | Sticker<br>Charging socket<br>Chinese  |        | 1   | PR:OSM     |
| (11) | 958 701 678 40 | Sticker  |        | 1   | PR:OSL     |

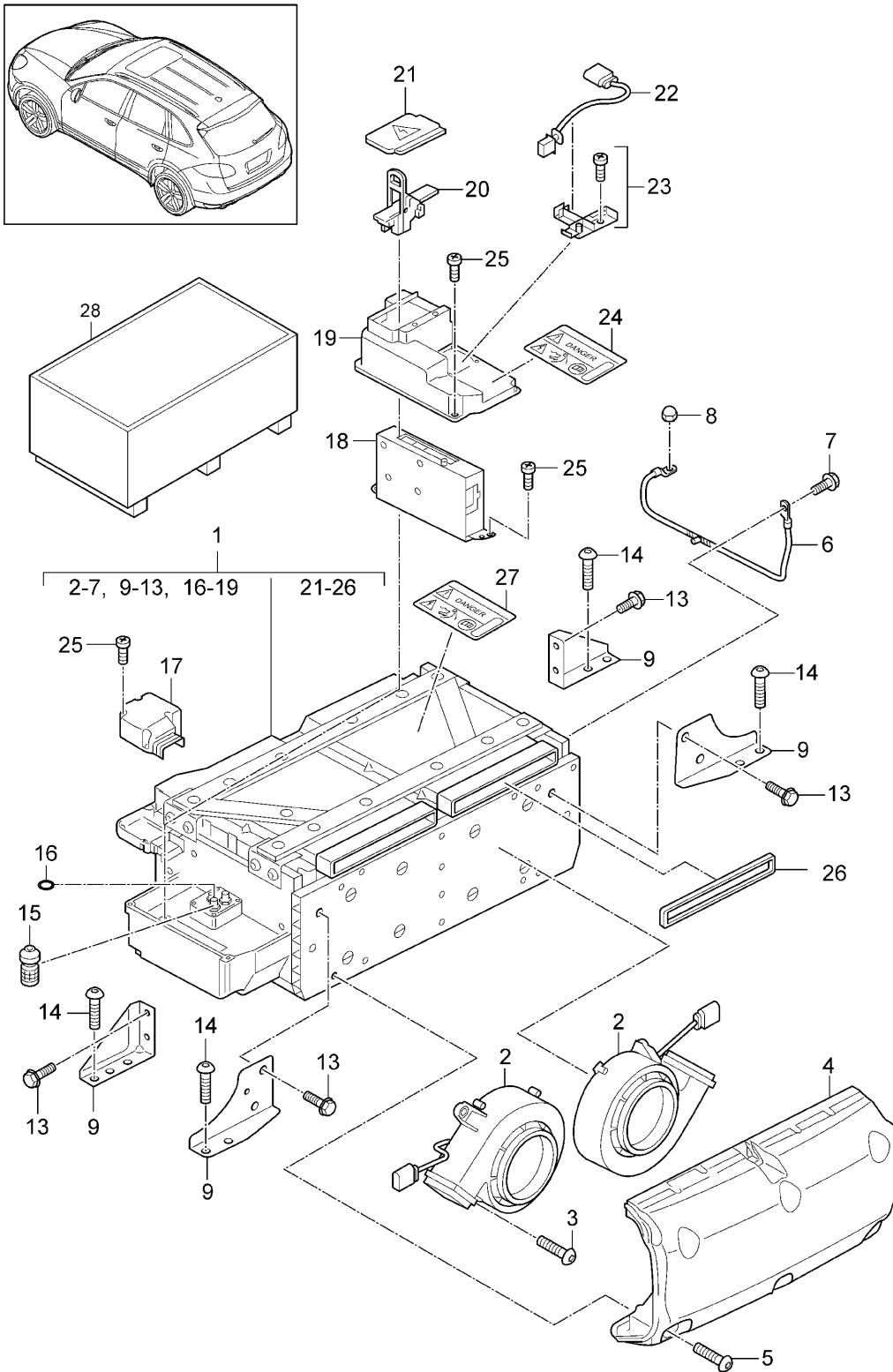
Model: 92A 11

Model life 2011>>2018

| Pos  | Part Number     | Description                            | Remark | Qty | Model  |
|------|-----------------|--|--------|-----|--------|
| (11) | 958 701 678 50  | Charging socket<br>Japanese<br>Sticker |        | 1   | PR:0SG |
| 12   | 7PP 915 210     | Charging socket<br>French<br>Switch    |        | 1   |        |
|      | 7PP 915 210 1E0 | Charging control indicator<br>Black    |        |     |        |

Model: 92A 11

Model life 2011>>2018



Model: 92A 11 Model life 2011>>2018

| Pos  | Part Number    | Description  | Remark                         | Qty              | Model   |
|------|----------------|--|--------------------------------|------------------|---|
| 1    | 958 611 590 X  | Hybrid Battery<br>D >> - MJ 2014<br>Hybrid battery<br>Discontinued part  |                                | 1                |   |
| 1    | 958 611 590 AX | Hybrid battery   |                                | 1                |   |
| 2    | 958 624 463 00 | Fan motor  |                                | 2                |   |
| 3    | N 106 444 04   | Hexagon socket flat head bolt<br>M 6 X 22  |                                | 6                |   |
| 4    | 958 572 024 00 | housing<br>Fan motor   |                                | 1                |   |
| -    |                | Air guide  |                                |                  |   |
| 5    | N 907 809 04   | see illustration:<br>Oval hexagon socket head bolt<br>M 6 X 16   | 901-050                        | 1                |   |
| 6    | 958 611 235 30 | Earth line<br>Battery<br>Body  |                                | 1                |   |
| 7    | N 908 479 03   | hexagon head bolt (combi)<br>M 6 X 15  |                                | 1                |   |
| 8    | 955 618 419 21 | domed cap nut<br>M 6   |                                | 1                |   |
| 9    | 958 611 183 00 | Securing bracket<br>Set<br>comprising:<br>Securing bracket<br>Securing bracket<br>Securing bracket<br>Securing bracket | front<br>left<br>right<br>rear | 1<br>1<br>1<br>1 |   |
| 13   | N 910 793 01   | Hex collared bolt<br>M 8 X 16  |                                | 8                |   |
| 14   | WHT 000 716 A  | round hd. screw<br>M 8 X 20  |                                | 8                |   |
| 15   | 958 618 061 00 | Safety connector   |                                | 1                |   |
| 16   | 958 611 433 00 | Seal   |                                | 1                |   |
| 17   | 958 611 443 00 | Cable cover  |                                | 1                |   |
| 18   | 958 618 182 X  | Control unit<br>Battery  |                                | 1                |   |
| 19   | 958 611 431 00 | Cover<br>Control unit<br>Battery   |                                | 1                |   |
| 20   | 958 611 423 00 | Connector<br>Maintenance   |                                | 1                |   |
| 21   | 958 611 441 00 | with:<br>fuse<br>Cover<br>Connector<br>Maintenance   |                                | 1                |   |
| 22   | 958 612 059 00 | Wire set<br>Diagnostic   |                                | 1                |   |
| 23   | 958 611 345 00 | Bracket<br>Wire set<br>Diagnostic  |                                | 1                |   |
| 24   | 958 701 697 00 | Warning sign for hybrid vehicles<br><br>High voltage   |                                | 2                | - "J..",<br><br>- "PME",<br>- "CN.",<br>- "BR.",<br>- "RUS" |
| (24) | 958 701 697 10 | Warning sign for hybrid vehicles   |                                | 2                | "J..", "PME",<br><br>"CN.", "BR.",                          |

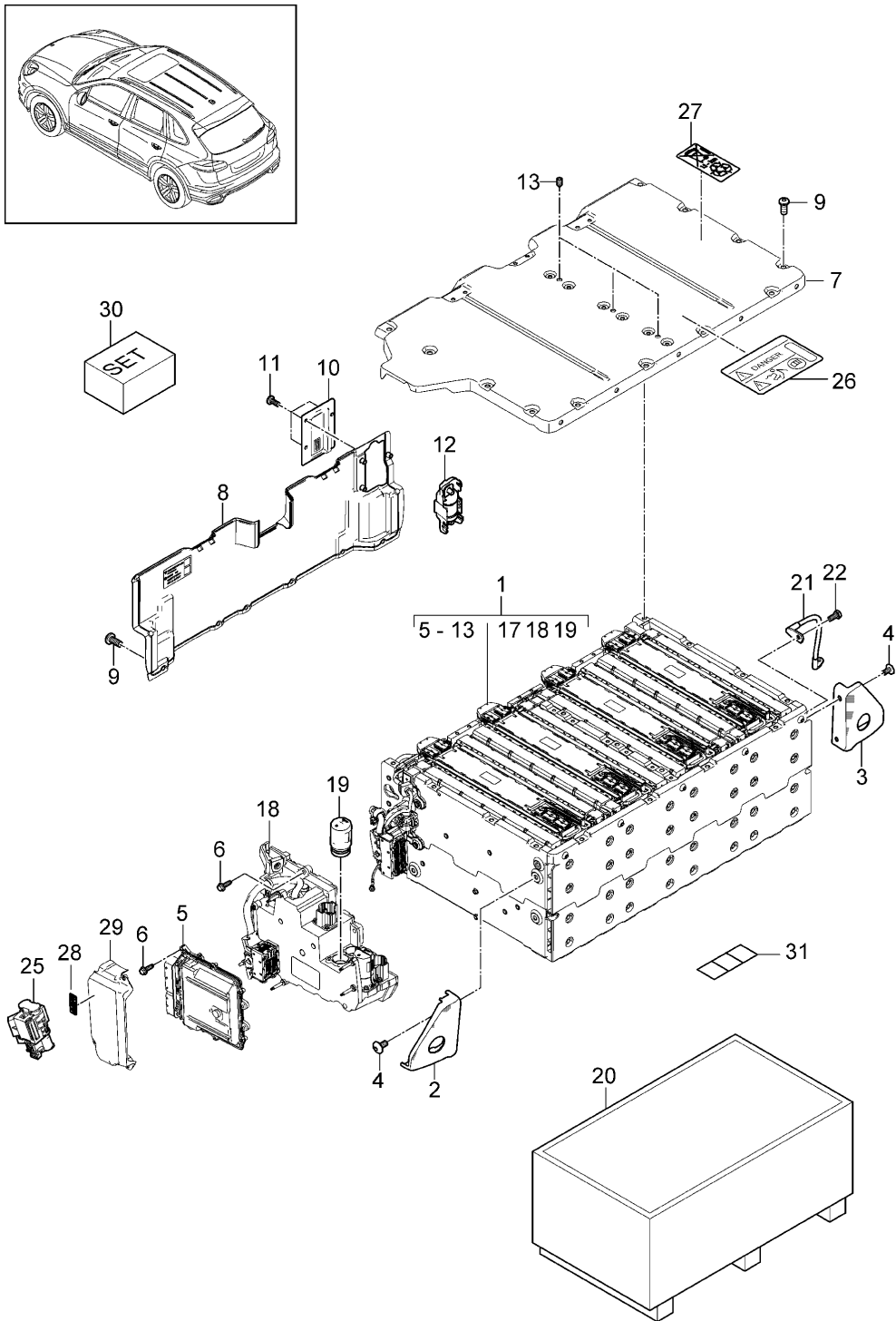
Model: 92A 11

Model life 2011>>2018

| Pos | Part Number    | Description   | Remark  | Qty | Model |
|-----|----------------|---|---------|-----|-------|
| 25  | 958 611 182 10 | High voltage<br>Set   |         | 1   |       |
| 26  | 958 611 191 00 | Fastening screw<br>Gasket set   |         | 1   |       |
| 27  |                | modify in workshop<br>Warning sign  |         |     |       |
| 28  | 12E 998 020    | see illustration:<br>Recycling box for lithium-<br>ion battery<br>Hybrid<br>Battery<br>Module<br>Defect | 001-005 | 1   |       |

Model: 92A 11

Model life 2011>>2018



Model: 92A 11 Model life 2011>>2018

| Pos  | Part Number    | Description                           | Remark | Qty | Model |
|------|----------------|---------------------------------------|--------|-----|-------|
|      |                | Hybrid Battery                        |        |     |       |
|      |                | D - MJ 2015>>                         |        |     |       |
| 1    | 7PP 915 590 E  | Hybrid battery                        |        | 1   |       |
| (1)  | 7PP 915 590 BX | Hybrid battery                        |        | 1   |       |
| 2    | 958 611 371 10 | Bracket                               | left   | 1   |       |
|      |                | Battery                               | rear   |     |       |
| (2)  | 958 611 345 10 | Bracket                               | left   | 1   |       |
|      |                | Battery                               | front  |     |       |
| 3    | 958 611 372 10 | Bracket                               | right  | 1   |       |
|      |                | Battery                               | rear   |     |       |
| (3)  | 958 611 346 10 | Bracket                               | right  | 1   |       |
|      |                | Battery                               | front  |     |       |
| 4    | WHT 006 905    | Oval-head screw                       |        | 8   |       |
|      |                | M 8 X 16                              |        |     |       |
| 5    | 958 611 022 02 | Control unit                          |        | 1   |       |
|      |                | Battery                               |        |     |       |
|      |                | No longer use the part here           |        |     |       |
| (5)  | 958 611 022 03 | Control unit                          |        | 1   |       |
|      |                | Battery                               |        |     |       |
| 6    | 970 611 901 17 | Set                                   |        | 1   |       |
|      |                | Screw                                 |        |     |       |
|      |                | Control unit                          |        |     |       |
| 7    | 7PP 915 465 A  | Cover plate                           | upper  | 1   |       |
|      |                | Battery                               |        |     |       |
| 8    | 000 043 209 34 | Cover plate                           | side   | 1   |       |
|      |                | Battery                               |        |     |       |
|      |                | without:                              |        |     |       |
|      |                | Cover                                 |        |     |       |
|      |                | Fuse box                              |        |     |       |
| 9    | 970 611 901 12 | Set                                   |        | 1   |       |
|      |                | Screw                                 |        |     |       |
| 10   | 970 611 901 03 | Cover                                 |        | 1   |       |
|      |                | Fuse box                              |        |     |       |
|      |                | Battery                               |        |     |       |
| 11   | 970 611 901 14 | Set                                   |        | 1   |       |
|      |                | Screw                                 |        |     |       |
|      |                | fuse                                  |        |     |       |
| 12   | 970 611 901 05 | Cover                                 |        | 1   |       |
|      |                | with:                                 |        |     |       |
|      |                | fuse                                  |        |     |       |
| 13   | N 106 820 01   | threaded pin                          |        | 3   |       |
|      |                | M 8 X 12                              |        |     |       |
| 17   | 970 611 901 16 | Set                                   |        | 1   |       |
|      |                | Screw                                 |        |     |       |
| 18   | 958 611 251 03 | relay plate                           |        | 1   |       |
|      |                | Battery                               |        |     |       |
| 19   | 970 611 901 08 | fuse                                  |        | 1   |       |
| 20   | 970 611 901 01 | Transport box                         |        | 1   |       |
|      |                | Battery                               |        |     |       |
| (20) | 12E 998 020    | Recycling box for lithium-ion battery |        | 1   |       |
|      |                | Hybrid Battery                        |        |     |       |
|      |                | Module                                |        |     |       |
|      |                | Defect                                |        |     |       |
| 21   | 958 608 235 00 | Earth line                            |        | 1   |       |
|      |                | High voltage                          |        |     |       |
|      |                | Battery                               |        |     |       |
|      |                | Body                                  |        |     |       |
| 22   | N 010 239 29   | Hexagon bolt                          |        | 1   |       |
|      |                | M 8 X 18                              |        |     |       |
| 25   | 4J0 973 704    | Maintenance connector for             |        | 1   |       |

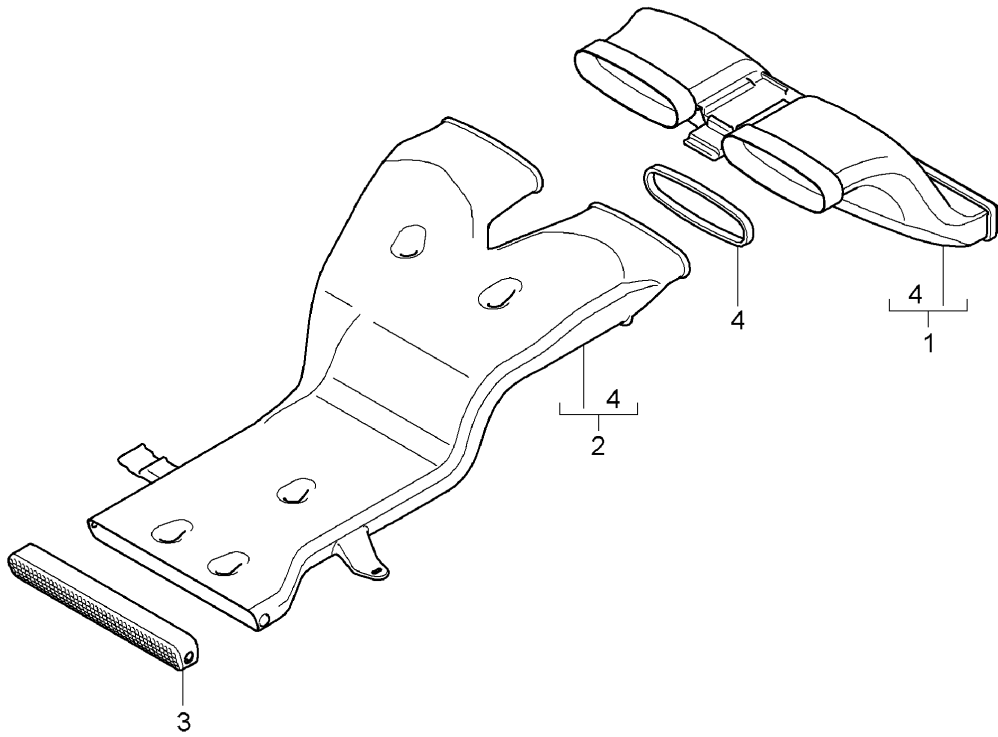
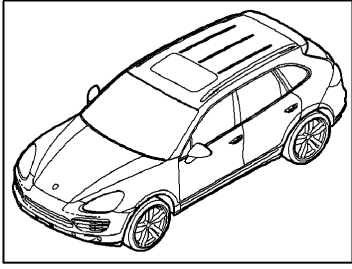
Model: 92A 11 Model life 2011>>2018

| Pos  | Part Number    | Description  | Remark  | Qty | Model  |
|------|----------------|--|---------|-----|--------|
| 26   | 8R0 010 539    | high voltage system<br>Maintenance<br>Warning sign for hybrid<br>vehicles<br>English |         | 1   |        |
| (26) | 8R0 010 539 A  | Warning sign for hybrid<br>vehicles<br>German  |         | 1   |        |
| (26) | 8R0 010 539 B  | Warning sign for hybrid<br>vehicles<br>French  |         | 1   |        |
| (26) | 8R0 010 539 C  | Warning sign for hybrid<br>vehicles<br>Spanish                                       |         | 1   |        |
| (26) | 8R0 010 539 D  | Warning sign for hybrid<br>vehicles<br>Italian                                       |         | 1   |        |
| (26) | 8R0 010 539 E  | Warning sign for hybrid<br>vehicles<br>Russian                                       |         | 1   |        |
| (26) | 8R0 010 539 F  | Warning sign for hybrid<br>vehicles<br>Chinese                                       |         | 1   |        |
| (26) | 8R0 010 539 G  | Warning sign for hybrid<br>vehicles<br>Japanese                                      |         | 1   |        |
| 27   | 7PP 010 849 L  | Warning sign<br>ENTSORGUNG<br>Battery  |         | 1   |        |
| 28   | 958 701 739 00 | Warning sign for hybrid<br>vehicles<br>yellow<br>Cover<br>Fuse box                   |         | 1   |        |
| 29   | 7PP 915 151 B  | Battery cover<br>Control unit  |         | 1   |        |
| 30   | 958 611 901 18 | Set<br>Screw<br>Cover  |         | 1   |        |
| 31   | 958 701 740 00 | M 8 X 20<br>Warning sign<br>Luggage<br>Tool  |         | 1   | PR:OK3 |
| -    |                | Battery<br>Warning sign<br>see illustration:   | 001-005 |     |        |



Model: 92A 11

Model life 2011>>2018



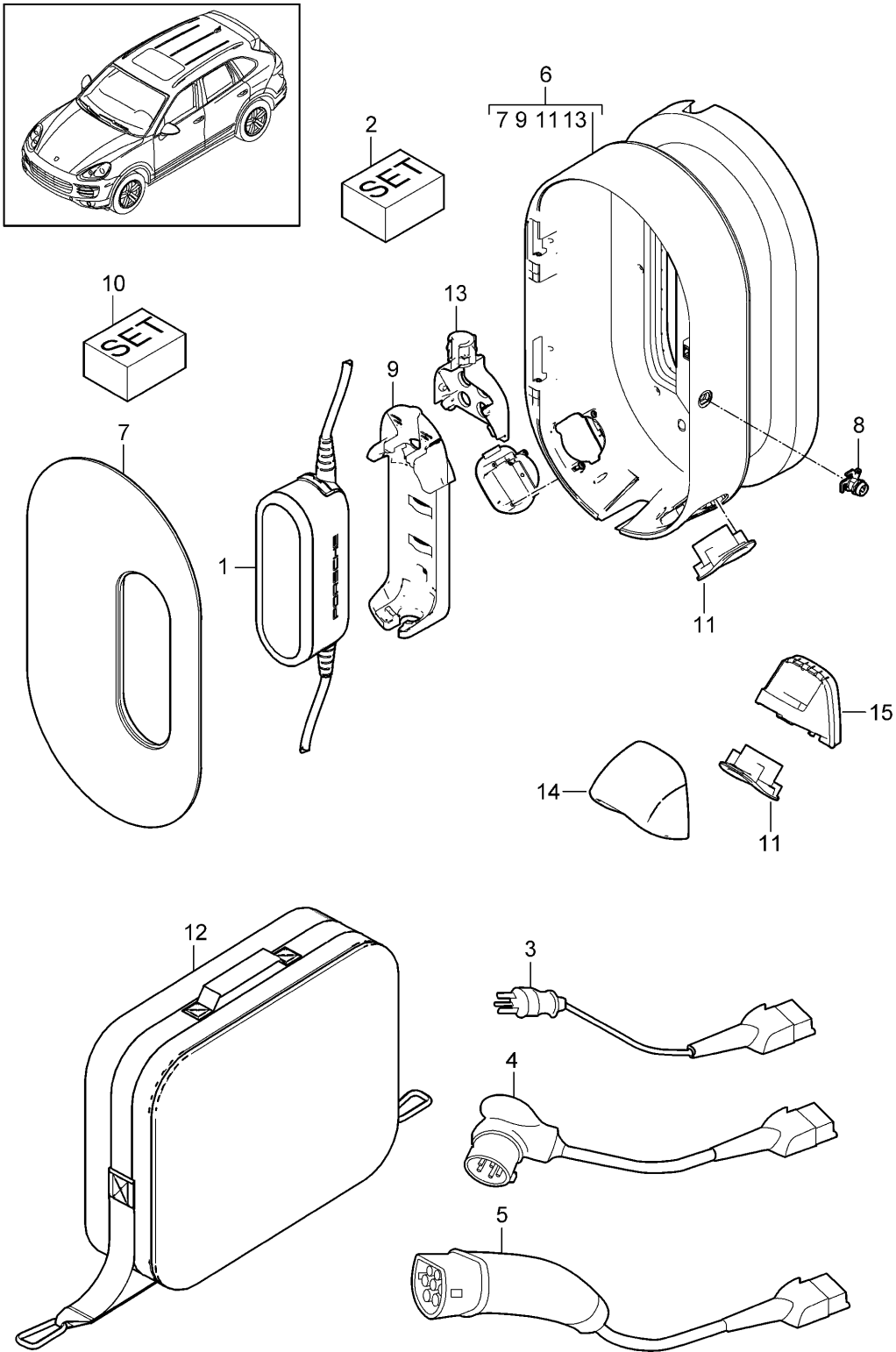
Model: 92A 11

Model life 2011>>2018

| Pos | Part Number    | Description        | Remark | Qty | Model |
|-----|----------------|--------------------|--------|-----|-------|
|     |                | Hybrid             |        |     |       |
|     |                | Air guide          |        |     |       |
|     |                | Battery            |        |     |       |
|     |                | D >> - MJ 2014     |        |     |       |
| 1   | 958 573 553 00 | Air guide housing  |        | 1   |       |
| 2   | 958 573 505 00 | Air duct           |        | 1   |       |
| 3   | 958 573 154 00 | Grille             |        | 1   |       |
| 4   | 958 611 191 00 | Gasket set         |        | 1   |       |
|     |                | modify in workshop |        |     |       |

Model: 92A 11

Model life 2011>>2018



Model: 92A 11

Model life 2011&gt;&gt;2018

| Pos | Part Number    | Description  | Remark | Qty | Model           |
|-----|----------------|--|--------|-----|-----------------|
| (1) | 7PP 971 675 B  | Electronic unit<br>Charger<br>Universal<br>Charging Dock<br>D - MJ 2015>><br>Electronic unit<br>Charger<br>Universal<br>3,6 KW |        | 1   | PR:KB1          |
| (1) | 7PP 971 675 C  | Electronic unit<br>Charger<br>Universal<br>7,2 KW  |        | 1   | PR:KB2          |
| 2   | 7PP 919 839    | Fixing set<br>Set  |        | 1   |                 |
| 3   | 7PP 971 678    | Electronic unit<br>Charger<br>Charge cable for mains socket<br>Power supply<br>220 V<br>TYP E/F                                |        | 1   | PR:EV1          |
| (3) | 7PP 971 678 A  | Charge cable for mains socket<br>Power supply<br>100 V<br>TYP B  |        | 1   | PR:EV2<br>"J.." |
| (3) | 7PP 971 678 B  | Charge cable for mains socket<br>Power supply<br>Type j  |        | 1   | PR:EV3<br>"CH." |
| (3) | 7PP 971 678 C  | Charge cable for mains socket<br>Power supply<br>TYP G   |        | 1   | PR:EV4<br>"GB." |
| (3) | 7PP 971 678 E  | Charge cable for mains socket<br>Power supply<br>TYP I 10 A  |        | 1   | PR:EV7<br>"AUS" |
| (3) | 7PP 971 678 H  | Charge cable for mains socket<br>Power supply<br>TYP I 16 A  |        | 1   | PR:EV7<br>"AUS" |
| (3) | 7PP 971 678 G  | Charge cable for mains socket<br>Power supply<br>Type k  |        | 1   | PR:EV6<br>"DK." |
| (3) | 7PP 971 678 J  | Charge cable for mains socket<br>Power supply<br>TYP M   |        | 1   | PR:EV8<br>"IND" |
| (3) | 7PP 971 678 L  | Charge cable for mains socket<br>Power supply<br>TYP N   |        | 1   | PR:70L<br>"ZA." |
| (3) | 7PP 971 678 M  | Charge cable for mains socket<br>Power supply<br>Type i  |        | 1   | PR:EV9<br>"CN." |
| (3) | 7PP 971 678 N  | Charge cable for mains socket<br>Power supply<br>Type l  |        | 1   | PR:70S<br>"I.." |
| (3) | 7PP 971 678 P  | Charge cable for mains socket<br>Power supply<br>TYP N   |        | 1   | PR:70H<br>"BR." |
| (3) | 7PP 971 678 BB | Charge cable for mains socket<br>Power supply<br>TYP B 300 MM  |        | 1   | PR:71X<br>"BR." |
| 4   | 7PP 971 678 T  | Charge cable for mains socket<br>Power supply<br>NEMA 6-30   |        | 1   | PR:73B          |
| (4) | 7PP 971 678 AA | Charge cable for mains socket<br>Power supply  |        | 1   | PR:73C          |

Model: 92A 11

Model life 2011&gt;&gt;2018

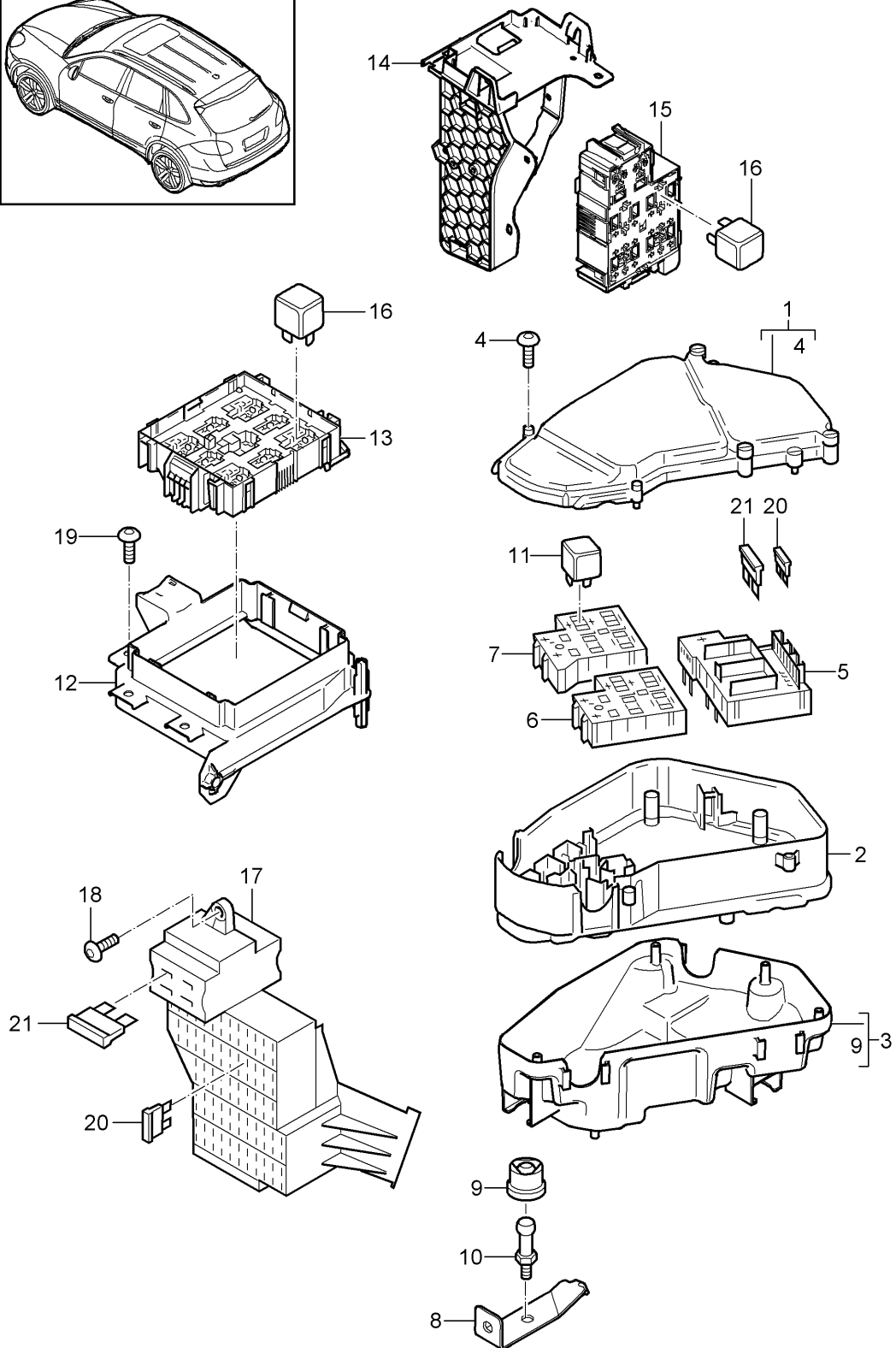
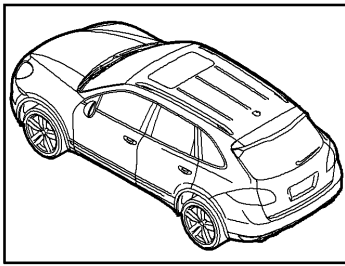
| Pos | Part Number    | Description  | Remark | Qty | Model                      |
|-----|----------------|--|--------|-----|----------------------------|
| (4) | 7PP 971 678 AB | NEMA 6-50<br>Charge cable for mains socket<br>Power supply         |        | 1   | PR:73D                     |
| (4) | 7PP 971 678 AC | NEMA 14-30<br>Charge cable for mains socket<br>Power supply        |        | 1   | PR:73E                     |
| 4   | 7PP 971 678 AE | NEMA 14-50<br>Charge cable for mains socket<br>Power supply        |        | 1   | PR:73J                     |
| (4) | 7PP 971 678 AF | CEE 3P 16A<br>Charge cable for mains socket<br>Power supply        |        | 1   | PR:73K                     |
| (4) | 7PP 971 678 AG | CEE 3P 32A<br>Charge cable for mains socket<br>Power supply        |        | 1   | PR:73G                     |
| (4) | 7PP 971 678 AH | CEE 1P 16A<br>Charge cable for mains socket<br>Power supply        |        | 1   | PR:73H                     |
| (4) | 7PP 971 678 AJ | CEE 1P 32A<br>Charge cable for mains socket<br>Power supply        |        | 1   | PR:73F<br>"J.."            |
| (4) | 7PP 971 678 AS | YP-41 200 V<br>Charge cable for mains socket<br>Power supply       |        | 1   | PR:71Y<br>"CN."            |
| 5   | 7PP 971 676    | 1P UL<br>Charging cable for vehicle<br>Vehicle                     |        | 1   | PR:ES3,EH1,<br>KB1         |
| (5) | 7PP 971 676 A  | TYP 2<br>3,6 KW 2,5 M<br>Charging cable for vehicle<br>Vehicle     |        | 1   | PR:EH2,ES3,<br>KB1         |
| (5) | 7PP 971 676 B  | TYP 2<br>3,6 KW 7,5 M<br>Charging cable for vehicle<br>Vehicle     |        | 1   | PR:EH1,ES3,<br>KB2         |
| (5) | 7PP 971 676 C  | TYP 2<br>7,2 KW 2,5 M<br>Charging cable for vehicle<br>Vehicle     |        | 1   | PR:EH2,ES3,<br>KB2         |
| (5) | 7PP 971 676 F  | TYP 2<br>7,2 KW 7,5 M<br>Charging cable for vehicle<br>Vehicle     |        | 1   | PR:ES3,EH1,<br>KB2,73J,73K |
| (5) | 7PP 971 676 G  | TYP 2 3P<br>7,2 KW 2,5 M<br>Charging cable for vehicle<br>Vehicle  |        | 1   | PR:ES3,EH1,<br>KB2,73J,73K |
| (5) | 7PP 971 676 M  | TYP 2 3P<br>7,2 KW 7,5 M<br>Charging cable for vehicle<br>Vehicle  |        | 1   | PR:ES3,EH1,<br>KB2,73H     |
| (5) | 7PP 971 676 N  | TYP 2 1P<br>7,2 KW 2,5 M<br>Charging cable for vehicle<br>Vehicle  |        | 1   | PR:ES3,EH2,<br>KB2,73H     |
| (5) | 7PP 971 676 P  | TYP 2 1P<br>7,2 KW 7,5 M<br>Charging cable for vehicle<br>Vehicle  |        | 1   | PR:ES1,EH1,<br>KB1         |
| (5) | 7PP 971 676 Q  | TYP 1 IEC<br>3,6 KW 2,5 M<br>Charging cable for vehicle<br>Vehicle |        | 1   | PR:ES1,EH2,<br>KB1         |

Model: 92A 11 Model life 2011>>2018

| Pos  | Part Number    | Description   | Remark | Qty | Model   |
|------|----------------|---|--------|-----|---|
| (5)  | 7PP 971 676 R  | TYP 1 IEC<br>3,6 KW 7,5 M<br>Charging cable for vehicle<br>Vehicle                |        | 1   | PR:ES1, EH1,<br>KB2   |
| (5)  | 7PP 971 676 S  | TYP 1 IEC<br>7,2 KW 2,5 M<br>Charging cable for vehicle<br>Vehicle                |        | 1   | PR:ES1, EH2,<br>KB2   |
| (6)  | 7PP 915 706    | TYP 1 IEC<br>7,2 KW 7,5 M<br>Charging Dock<br>Electronic unit<br>Charger<br>TYP 1 |        | 1   | "USA", "J..",<br>"PAP", "AUS",<br>"MEX", "PLA",<br>"CDN", "ROK",<br>"SGP", "KAR"            |
| (6)  | 7PP 915 706 A  | Charging Dock<br>Electronic unit<br>Charger<br>TYP 2                              |        | 1   | - "USA",<br>- "J..",<br>- "AUS",<br>- "MEX",<br>- "CDN",<br>- "ROK",<br>- "SGP",<br>- "KAR" |
| (6)  | 7PP 915 706 A  | Charging Dock<br>Electronic unit<br>Charger<br>TYP 2                              |        | 1   | "PAP", "PLA",<br>"PME"  |
| 7    | 7PP 886 337 A  | Door<br>(complete)  |        | 1   |   |
| 8    | 7PP 837 012 A  | Door lock<br>Included<br>key  |        | 1   |   |
| 9    | 7PP 943 109 A  | Retainer for charger<br>Small   |        | 1   |   |
| 10   | 7PP 909 991 A  | Assembly kit<br>Bracket   |        | 1   |   |
| 11   | 7PP 957 547 C  | Bracket<br>Connector<br>TYP 2   |        | 1   | PR:ES3, NJ1,<br>NJ2   |
| (11) | 9A7 957 547 02 | No longer use the part here<br>Bracket<br>Connector<br>TYP 2                      |        | 1   |   |
| (11) | 7PP 957 547 D  | Bracket<br>Connector<br>TYP 1   |        | 1   | PR:ES1, NJ1,<br>NJ2   |
| 12   | 970 551 711 01 | Pocket<br>Connection line   |        | 1   |   |
| 13   | 7PP 971 605    | Cable guide<br>Bracket<br>Small   |        | 1   | PR:NJ2  |
| 14   | 7PP 915 736    | Trim<br>Bracket<br>Connector  |        | 1   | PR:NJ2  |
| 15   | 7PP 937 559    | Carrier plate<br>Bracket<br>Connector   |        | 1   | PR:NJ2  |

Model: 92A 11

Model life 2011>>2018



Model: 92A 11

Model life 2011&gt;&gt;2018

| Pos | Part Number    | Description   | Remark | Qty | Model                  |
|-----|----------------|---|--------|-----|------------------------|
| 1   | 958 610 105 00 | central electrics<br>Fuse box<br>D >> - MJ 2014<br>central electrics<br>water box | lhd    | 1   | PR:L0L,D6V,<br>D58,D19 |
| 1   | 958 610 105 10 | No longer use the part here<br>central electrics<br>water box                     | rhd    | 1   | PR:L0R,D6V,<br>D58,D19 |
| 1   | 958 610 105 20 | No longer use the part here<br>central electrics<br>water box                     | lhd    | 1   | PR:L0L,D34             |
| 1   | 958 610 105 20 | No longer use the part here<br>central electrics<br>water box                     | lhd    | 1   | PR:L0L,D50,<br>D1V     |
| 1   | 958 610 105 30 | No longer use the part here<br>central electrics<br>water box                     | rhd    | 1   | PR:L0R,D34,<br>D50,D1V |
| 1   | 958 610 111 00 | Cover<br>central electrics<br>water box   |        | 1   |                        |
| 2   | 958 610 615 00 | Centre part<br>central electrics<br>water box                                     |        | 1   | PR:D6V,D58,<br>D19     |
| (2) | 958 610 615 10 | Centre part<br>central electrics<br>water box                                     |        | 1   | PR:D34                 |
| (2) | 958 610 615 10 | Centre part<br>central electrics<br>water box                                     |        | 1   | PR:D50,D1V,<br>D11,D43 |
| (2) | 958 610 615 10 | Centre part<br>central electrics<br>water box                                     |        | 1   | PR:DD8                 |
| 3   | 958 610 616 00 | D - MJ 2013>><br>Lower part<br>central electrics<br>water box                     | lhd    | 1   | PR:L0L                 |
| (3) | 958 610 616 10 | Lower part<br>central electrics<br>water box                                      | rhd    | 1   | PR:L0R                 |
| 4   | N 909 722 01   | Hexagon socket flat<br>head bolt<br>6,0 X 25,0                                    |        | 4   |                        |
| 5   | 955 610 219 00 | Carrier plate<br>fuse<br>central electrics  |        | 1   |                        |
| 6   | 955 610 109 00 | Relay carrier 1<br>central electrics  |        | 1   | PR:D34,D6V,<br>D58     |
| 6   | 955 610 109 00 | Relay carrier 1<br>central electrics  |        | 1   | PR:D19                 |
| 6   | 955 610 109 00 | Relay carrier 1<br>central electrics  |        | 1   | PR:D11                 |
| (6) | 955 610 109 10 | Relay carrier 1<br>central electrics  |        | 1   | PR:D50,D1V,<br>D43     |
| (6) | 955 610 109 10 | Relay carrier 1<br>central electrics  |        | 1   | PR:DD8                 |
| 7   | 955 610 110 00 | D - MJ 2013>><br>Relay carrier 2<br>central electrics                             |        | 1   | PR:D34                 |
| 7   | 955 610 110 00 | Relay carrier 2<br>central electrics  |        | 1   | PR:D50,D1V,<br>D11,D43 |
| 7   | 955 610 110 00 | Relay carrier 2<br>central electrics  |        | 1   | PR:DD8                 |



Model: 92A 11

Model life 2011&gt;&gt;2018

| Pos  | Part Number    | Description  | Remark | Qty | Model              |
|------|----------------|--|--------|-----|--------------------|
| 7    | 955 610 110 00 | D - MJ 2013>><br>Relay carrier 2<br>central electrics                    |        | 1   | PR:D19             |
| 8    | 958 610 502 00 | Cable holder   |        | 1   |                    |
| 9    | 955 610 122 00 | Rubber bush  |        | 3   |                    |
| 10   | WHT 002 378    | Ball screw<br>M 6 X 36,5   |        | 1   |                    |
| (10) | WHT 000 508    | Ball pin<br>M 6 X 23,5   |        | 2   |                    |
| 11   |                | Relay  |        | X   |                    |
| (11) | 955 618 028 00 | Control unit for glow plug<br>relay location/code no.:                   | S1/1   | 1   | PR:D50,D1V         |
| (11) | 958 618 028 00 | D >> - MJ 2011<br>Control unit for glow plug<br>relay location/code no.: | S1/1   | 1   | PR:D43,D1V         |
| (11) | 958 618 028 10 | D - MJ 2012>><br>Control unit for glow plug<br>relay location/code no.:  | S1/1   | 1   | PR:DD8             |
| (11) | 958 615 029 00 | D - MJ 2013>><br>Relay<br>Engine<br>relay location/code no.:             | S1/2   | 1   | PR:D11             |
| (11) | 955 615 025 10 | Relay<br>relay location/code no.:  | S1/3   | 1   | PR:D34,D6V,<br>D58 |
| (11) | 955 615 025 10 | Relay<br>relay location/code no.:  | S1/3   | 1   | PR:D19             |
| (11) | 955 615 025 10 | Relay<br>relay location/code no.:  | S1/3   | 1   | PR:D11             |
| (11) | 958 618 028 10 | Control unit for glow plug<br>relay location/code no.:                   | S1/3   | 1   | PR:DD8             |
| (11) | 955 615 008 00 | D - MJ 2013>><br>Relay<br>Secondary pump<br>relay location/code no.:     | S1/4   | 1   | PR:D6V,D58,<br>D19 |
| (11) | 958 615 008 01 | Discontinued part<br>Relay<br>Secondary pump<br>relay location/code no.: | S1/4   | 1   | PR:D6V,D58,<br>D19 |
| (11) | 955 615 008 00 | Relay<br>Secondary pump<br>relay location/code no.:                      | S1/4   | 1   | PR:D11             |
| (11) | 958 615 008 01 | Discontinued part<br>Relay<br>Secondary pump<br>relay location/code no.: | S1/4   | 1   | PR:D11             |
| (11) | 999 657 015 90 | Relay<br>Coolant pump<br>relay location/code no.:                        | S1/5   | 1   | PR:D11             |
| (11) | 999 657 015 90 | Relay<br>Coolant pump<br>relay location/code no.:                        | S1/5   | 1   | PR:D50,D1V         |
| (11) | 999 657 010 90 | D >> - MJ 2011<br>Relay<br>Coolant pump<br>relay location/code no.:      | S1/5   | 1   | PR:D43,D1V         |
| (11) | 999 657 010 90 | D - MJ 2012>><br>Relay<br>Coolant pump<br>relay location/code no.:       | S1/5   | 1   | PR:DD8             |
| (11) | 955 615 025 10 | D - MJ 2013>><br>Relay<br>relay location/code no.:                       | S2/3   | 1   | PR:D50,D1V,<br>D43 |
| (11) | 955 615 025 10 | Relay  |        | 1   | PR:DD8             |

Model: 92A 11 Model life 2011>>2018

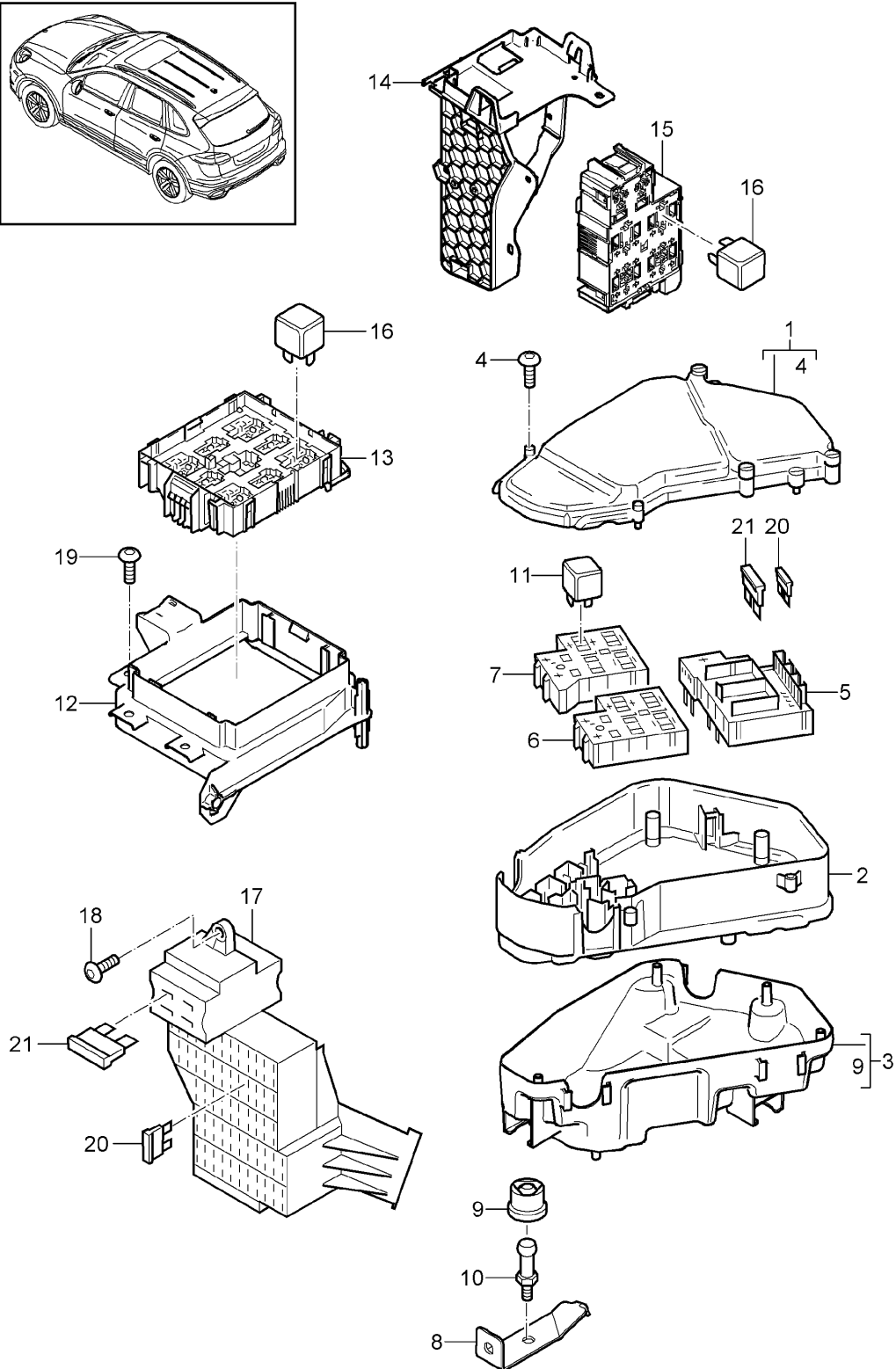
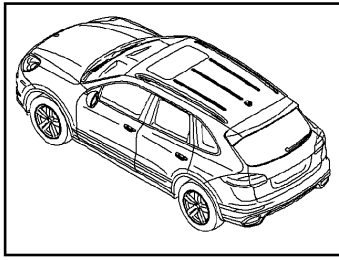
| Pos  | Part Number    | Description   | Remark     | Qty | Model                  |
|------|----------------|---|------------|-----|------------------------|
| (11) | 955 615 008 00 | relay location/code no.:<br>D - MJ 2013>><br>Relay<br>Pump<br>Vacuum booster        | S2/3       | 1   | PR:D19                 |
| (11) | 958 615 008 01 | relay location/code no.:<br>Discontinued part<br>Relay<br>Pump<br>Vacuum booster    | S2/3       | 1   | PR:D19                 |
| (11) | 955 615 008 00 | relay location/code no.:<br>Relay<br>Starter  | S2/3       | 1   | PR:D50,D1V,<br>D11     |
| (11) | 958 615 008 01 | relay location/code no.:<br>D >> - MJ 2011<br>Discontinued part<br>Relay<br>Starter | S2/4       | 1   | PR:D50,D1V,<br>D11     |
| (11) | 958 615 008 01 | relay location/code no.:<br>D >> - MJ 2011<br>Relay<br>Starter                      | S2/4       | 1   | PR:D43,D1V,<br>D11     |
| (11) | 958 615 008 01 | relay location/code no.:<br>D - MJ 2012>><br>Relay<br>Starter                       | S2/4       | 1   | PR:DD8                 |
| (11) | 955 615 008 00 | relay location/code no.:<br>D - MJ 2013>><br>Relay<br>Starter                       | S2/4       | 1   | PR:D34                 |
| (11) | 958 615 008 01 | relay location/code no.:<br>Discontinued part<br>Relay<br>Starter                   | S2/4       | 1   | PR:D34                 |
| (11) | 955 615 027 00 | relay location/code no.:<br>Relay<br>Starter  | S2/4       | 1   | PR:D34,D6V,<br>D58     |
| (11) | 955 615 027 00 | relay location/code no.:<br>Relay<br>Starter  | S20        | 1   | PR:D50,D1V,<br>D11,D43 |
| (11) | 955 615 027 00 | relay location/code no.:<br>Relay<br>Starter  | S20        | 1   | PR:DD8                 |
| 12   | 958 610 149 00 | relay location/code no.:<br>D - MJ 2013>><br>Retaining frame                        | S20        | 1   |                        |
| 13   | 955 610 117 00 | relay plate   |            | 1   |                        |
| 14   |                | S L<br>Bracket<br>relay plate   |            | 1   |                        |
| 15   | 955 610 109 00 | see illustration, item:<br>Relay carrier 1  | 901-003,28 | 1   |                        |
| 16   |                | S R<br>Relay  |            | X   |                        |
| (16) | 955 615 010 01 | Relay<br>Adaptive suspension  |            | 1   | PR:1BK                 |
| (16) | 999 657 010 90 | relay location/code no.:<br>Relay<br>Water cooling                                  | SL1        | 1   | PR:D19                 |
| (16) | 958 615 010 00 | relay location/code no.:<br>Relay<br>Fanfare  | SL2        | 1   |                        |

Model: 92A 11 Model life 2011>>2018

| Pos  | Part Number    | Description  | Remark          | Qty | Model  |
|------|----------------|--|-----------------|-----|--------|
| (16) | 999 657 010 90 | relay location/code no.:<br>Relay<br>Start/Stop          | SL4             | 1   |        |
| (16) | 958 615 029 00 | relay location/code no.:<br>Relay<br>Rear window heating | SL6             | 1   |        |
| (16) | 958 615 011 00 | relay location/code no.:<br>Relay<br>Level sensor        | SL7             | 1   | PR:D19 |
| (16) | 958 615 029 00 | relay location/code no.:<br>Relay<br>Windscreen heating  | SL9             | 1   |        |
| (16) | 958 615 029 00 | relay location/code no.:<br>Relay<br>Windscreen heating  | SR1             | 1   |        |
| (16) | 999 657 010 90 | relay location/code no.:<br>Relay<br>Residual warmth     | SR2             | 1   |        |
| (16) | 958 615 010 00 | relay location/code no.:<br>Relay<br>Cooling<br>Battery  | SR5             | 1   | PR:D19 |
| 17   | 958 610 211 00 | relay location/code no.:<br>Fuse box                     | SR6<br>left lhd | 1   | PR:L0L |
| (17) | 958 610 211 10 | Fuse box   | left rhd        | 1   | PR:L0R |
| (17) | 958 610 212 00 | Fuse box   | left lhd        | 1   | PR:L0L |
| (17) | 958 610 212 10 | Fuse box   | right rhd       | 1   | PR:L0R |
| -    | 955 610 314 00 | Tool<br>for<br>fuse                                      |                 | 2   |        |
| 18   | N 106 768 01   | Oval hexagon socket head bolt<br>M 5 X 25                |                 | 4   |        |
| 19   | 958 423 199 00 | Oval hexagon socket head bolt                            |                 | 1   |        |
| 20   | 999 607 082 00 | fuse<br>5 A  |                 | X   |        |
| (20) | 999 607 083 00 | fuse<br>7,5 A  |                 | X   |        |
| (20) | 999 607 084 00 | fuse<br>10 A   |                 | X   |        |
| (20) | 999 607 085 00 | fuse<br>15 A   |                 | X   |        |
| (20) | N 017 131 13   | flat fuse<br>20 A  | 19/2x5          | X   |        |
| (20) | 999 607 087 00 | fuse<br>25 A   |                 | X   |        |
| (20) | 999 607 088 00 | fuse<br>30 A   |                 | X   |        |
| 21   | N 102 519 03   | flat fuse<br>E30 A                                       | 29/2x8          | X   |        |
| (21) | 999 607 073 00 | fuse<br>E40 A  |                 | X   |        |
| (21) | 999 607 077 00 | fuse<br>E60 A  |                 | X   |        |

Model: 92A 11

Model life 2011>>2018



Model: 92A 11 Model life 2011>>2018

| Pos  | Part Number    | Description   | Remark | Qty | Model                                  |
|------|----------------|---|--------|-----|--|
| 1    | 958 610 111 00 | central electrics<br>Fuse box<br>D - MJ 2015>><br>Cover |        | 1   |  |
| 2    | 958 610 615 00 | central electrics<br>water box<br>Centre part           |        | 1   | PR:DT1,DU2,<br>D19,DT5                 |
| (2)  | 958 610 615 00 | central electrics<br>water box<br>Centre part           |        | 1   | PR:D11,DU3                             |
| (2)  | 958 610 615 10 | central electrics<br>water box<br>Centre part           |        | 1   | PR:D34                                 |
| (2)  | 958 610 615 10 | central electrics<br>water box<br>Centre part           |        | 1   | PR:D1V,D50,<br>DV7,DD7,DD8,<br>D51     |
| 3    | 958 610 616 00 | central electrics<br>water box<br>Lower part            | lhd    | 1   | PR:L0L                                 |
| (3)  | 958 610 616 10 | central electrics<br>water box<br>Lower part            | rhd    | 1   | PR:L0R                                 |
| 4    | N 909 722 01   | Hexagon socket flat<br>head bolt<br>6,0 X 25,0          |        | 4   |  |
| 5    | 955 610 219 00 | Carrier plate<br>fuse                                   |        | 1   |  |
| 6    | 955 610 109 00 | central electrics<br>Relay carrier 1                    |        | 1   | PR:DT1,DU2,<br>D34,D19,DT5             |
| 6    | 955 610 109 00 | central electrics<br>Relay carrier 1                    |        | 1   | PR:D11,DU3                             |
| (6)  | 955 610 109 10 | central electrics<br>Relay carrier 1                    |        | 1   | PR:D50,D43,<br>DD8,DD7,DV7,<br>D1V,D51 |
| 7    | 955 610 110 00 | Relay carrier 2<br>central electrics                    |        | 1   |  |
| 8    | 958 610 502 00 | Cable holder  |        | 1   |  |
| 9    | 955 610 122 00 | Rubber bush   |        | 3   |  |
| 10   | WHT 002 378    | Ball screw<br>M 6 X 36,5                                |        | 1   |  |
| (10) | WHT 000 508    | Ball pin<br>M 6 X 23,5                                  |        | 2   |  |
| 11   |                | Relay   |        | X   |  |
| (11) | 958 618 028 00 | Control unit for glow plug                              |        | 1   | PR:D1V,D43,<br>D50,DV7,DD7,<br>DD8,D51 |
| (11) | 958 618 028 10 | Control unit for glow plug<br>relay location/code no.:  | S1/1   | 1   | PR:DD8                                 |
| (11) | 958 615 029 00 | Relay<br>Engine<br>relay location/code no.:             | S1/1   | 1   | PR:D11                                 |
| (11) | 955 615 025 10 | Relay<br>relay location/code no.:                       | S1/2   | 1   | PR:D34,D19,                            |
| (11) | 955 615 025 10 | Relay<br>relay location/code no.:                       | S1/3   | 1   | PR:D11,DU3                             |
| (11) | 958 618 028 10 | Control unit for glow plug<br>relay location/code no.:  | S1/3   | 1   | PR:DD8                                 |
| (11) | 958 615 008 01 | Relay<br>Secondary pump<br>relay location/code no.:     | S1/3   | 1   | PR:DT1,DU2,<br>D19,DT5                 |
| (11) |                |   | S1/4   |     |  |

Model: 92A 11 Model life 2011>>2018

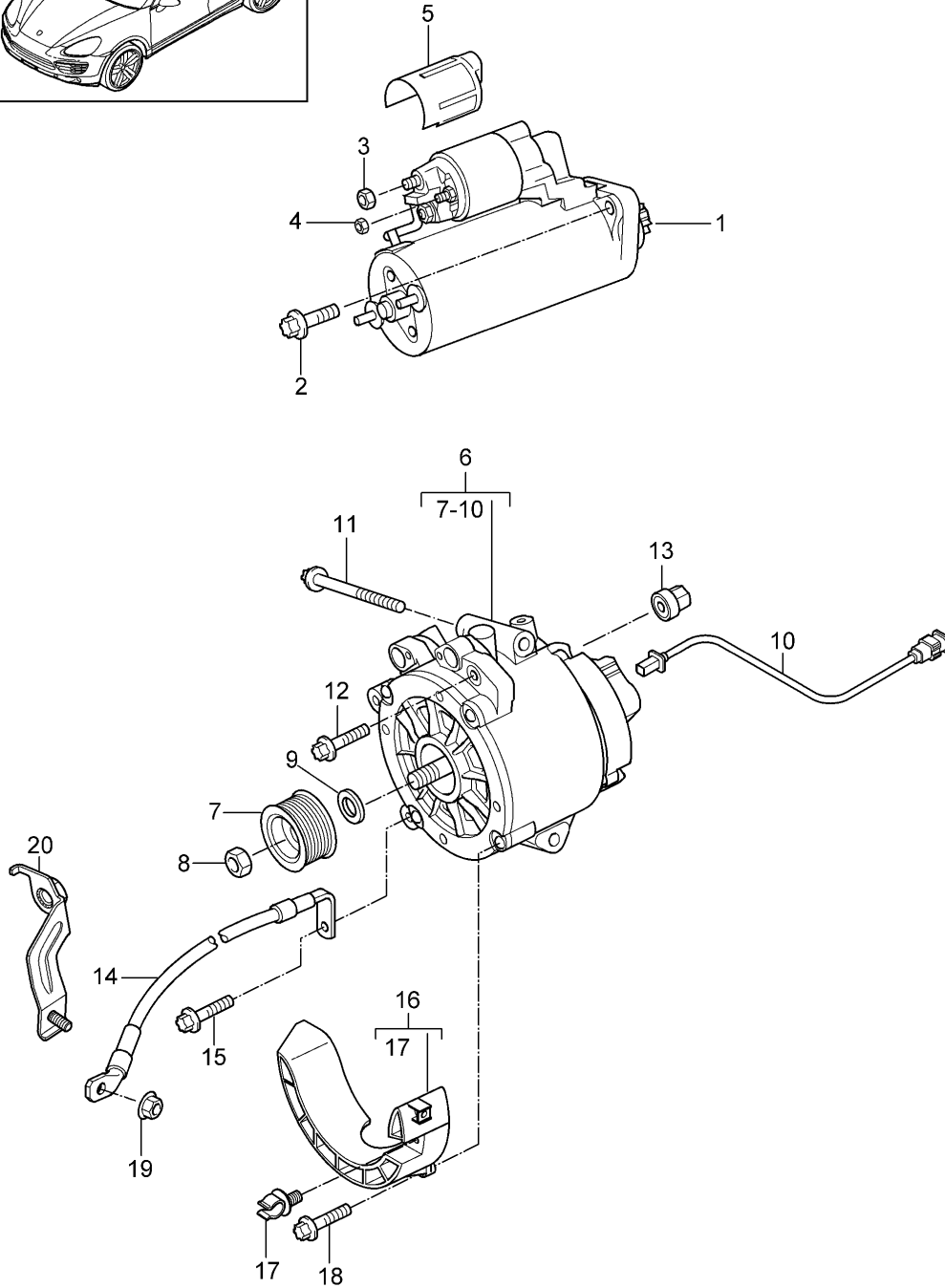
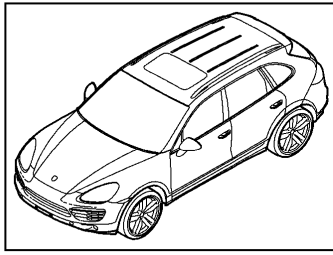
| Pos  | Part Number    | Description   | Remark      | Qty | Model                                  |
|------|----------------|---|-------------|-----|--|
| (11) | 958 615 008 01 | Relay<br>Secondary pump<br>relay location/code no.:             | S1/4        | 1   | PR:D11,DU3                             |
| (11) | 955 615 025 10 | Relay<br>relay location/code no.:                               | S2/3        | 1   | PR:D1V,D43,<br>D50,DV7,DD7,<br>DD8,D51 |
| (11) | 958 615 008 01 | Relay<br>Pump<br>Vacuum booster<br>relay location/code no.:     | S2/3        | 1   | PR:D19                                 |
| (11) | 958 615 008 01 | Relay<br>Starter<br>relay location/code no.:                    | S2/4        | 1   | PR:DT1,DU2,<br>D34,DT5                 |
| (11) | 958 615 008 01 | Relay<br>Starter<br>relay location/code no.:                    | S2/4        | 1   | PR:D11,DU3                             |
| (11) | 958 615 008 01 | Relay<br>Starter<br>relay location/code no.:                    | S2/4        | 1   | PR:D1V,D43,<br>D50,DV7,DD7,<br>DD8,D51 |
| (11) | 955 615 027 00 | Relay<br>Starter<br>relay location/code no.:                    | S20         | 1   | PR:DT1,DU2,<br>D34,DT5                 |
| (11) | 955 615 027 00 | Relay<br>Starter<br>relay location/code no.:                    | S20         | 1   | PR:D11,DU3                             |
| (11) | 955 615 027 00 | Relay<br>Starter<br>relay location/code no.:                    | S20         | 1   | PR:D1V,D43,<br>D50,DV7,DD7,<br>DD8,D51 |
| 12   | 958 610 149 00 | Retaining frame<br>relay plate                                  |             | 1   |  |
| 13   | 955 610 117 00 | relay plate<br>S L  |             | 1   |  |
| 14   |                | Bracket<br>relay plate<br>see illustration, item:               | 901-003,28  | 1   |  |
| 15   | 955 610 109 00 | Relay carrier 1<br>S R  |             | 1   |  |
| 16   |                | Relay   |             | X   |  |
| (16) | 958 615 029 00 | Relay<br>Adaptive suspension<br>relay location/code no.:        | SL1         | 1   |  |
| (16) | 4H0 951 253 C  | Relay<br>Water cooling<br>relay location/code no.:              | SL2         | 1   | PR:D19                                 |
| (16) | 958 615 029 00 | Relay<br>Windscreen heating<br>relay location/code no.:         | left<br>SL3 | 1   |  |
| (16) | 4H0 951 253 C  | Relay<br>Fanfare<br>relay location/code no.:                    | SL4         | 1   |  |
| (16) | 4H0 951 253 C  | Relay<br>Pump<br>Transmission fluid<br>relay location/code no.: | SL5         | 1   | PR:D19                                 |
| (16) | 4H0 951 253 C  | Relay<br>Start/Stop<br>relay location/code no.:                 | SL6         | 1   |  |
| (16) | 958 615 029 00 | Relay<br>Rear window heating<br>relay location/code no.:        | SL7         | 1   |  |
| (16) | 4H0 951 253 C  | Relay<br>ACC<br>relay location/code no.:                        | SL8         | 1   |  |

Model: 92A 11 Model life 2011>>2018

| Pos  | Part Number    | Description                               | Remark    | Qty | Model  |
|------|----------------|---|-----------|-----|--------|
| (16) | 958 615 029 00 | Relay<br>Windscreen heating               | right     | 1   |        |
|      |                | relay location/code no.:                  | SL9       |     |        |
| 17   | 958 610 211 00 | Fuse box                                  | left lhd  | 1   | PR:L0L |
|      |                |   | left      |     |        |
| (17) | 958 610 211 10 | Fuse box                                  | left rhd  | 1   | PR:L0R |
|      |                |   | left      |     |        |
| (17) | 958 610 212 00 | Fuse box                                  | right lhd | 1   | PR:L0L |
|      |                |   | right     |     |        |
| (17) | 958 610 212 10 | Fuse box                                  | right rhd | 1   | PR:L0R |
|      |                |   | right     |     |        |
| -    | 955 610 314 00 | Tool<br>for<br>fuse                       |           | 2   |        |
| 18   | N 106 768 01   | Oval hexagon socket head bolt<br>M 5 X 25 |           | 4   |        |
| 19   | 958 423 199 00 | Oval hexagon socket head bolt             |           | 1   |        |
| 20   | 999 607 082 00 | fuse<br>5 A                               |           | X   |        |
| (20) | 999 607 083 00 | fuse<br>7,5 A                             |           | X   |        |
| (20) | 999 607 084 00 | fuse<br>10 A                              |           | X   |        |
| (20) | 999 607 085 00 | fuse<br>15 A                              |           | X   |        |
| (20) | 999 607 087 00 | fuse<br>25 A                              |           | X   |        |
| (20) | 999 607 088 00 | fuse<br>30 A                              |           | X   |        |
| 21   | N 102 519 03   | flat fuse<br>E30 A                        | 29/2x8    | X   |        |
| (21) | 999 607 073 00 | fuse<br>E40 A                             |           | X   |        |
| (21) | 999 607 077 00 | fuse<br>E60 A                             |           | X   |        |

Model: 92A 11

Model life 2011>>2018





Model: 92A 11 Model life 2011>>2018

| Pos | Part Number    | Description  | Remark | Qty | Model                              |
|-----|----------------|--|--------|-----|------------------------------------|
|     |                | Starter<br>Alternator<br>Earth line<br>D >> - MJ 2014                                    |        |     |                                    |
| 1   | 948 604 214 00 | Starter  |        | 1   | PR:D6V,D58                         |
| 1   | 948 604 214 X  | Starter  |        | 1   | PR:D6V,D58                         |
| (1) | 955 604 107 11 | Starter  |        | 1   | PR:D34,7L7                         |
| (1) | 955 604 107 BX | Starter  |        | 1   | PR:D34,7L7                         |
| (1) | 958 604 110 00 | Starter  |        | 1   | PR:D34,7L4,<br>7L6,7L8             |
| (1) | 958 604 110 X  | Starter  |        | 1   | PR:D34,7L4,<br>7L6,7L8             |
| (1) | 958 604 111 00 | Starter  |        | 1   | PR:D11,G1G                         |
| (1) | 958 604 111 X  | Starter  |        | 1   | PR:D11,G1G                         |
| (1) | 955 604 108 00 | Starter  |        | 1   | PR:D50,D1V,<br>7L7,D43             |
| (1) | 955 604 108 X  | Starter  |        | 1   | PR:D50,D1V,<br>7L7,D43             |
| (1) | 958 604 109 00 | Starter  |        | 1   | PR:D50,D1V,<br>7L4,7L6,7L8,<br>D43 |
| (1) | 958 604 109 X  | Starter  |        | 1   | PR:D50,D1V,<br>7L4,7L6,7L8,<br>D43 |
| (1) | 958 604 112 00 | Starter  |        | 1   | PR:DD8                             |
| (1) | 958 604 112 X  | Starter  |        | 1   | PR:DD8                             |
| 2   | 900 385 011 01 | Torx screw<br>BM 10 X 45   |        | 2   | PR:D6V,D58                         |
| (2) | N 102 171 03   | Hex collared bolt<br>BM 12 X 60 X 48   |        | 1   | PR:D34                             |
| (2) | N 105 934 01   | Hex collared bolt<br>AM 12 X 50  |        | 1   | PR:D34                             |
| (2) | N 911 532 01   | 12-edge flange screw<br>AM 10 X 95   |        | 1   | PR:D11                             |
| (2) | N 911 295 01   | Cylinder fitting screw with<br>inner multipoint head<br>M 12 X 75                        |        | 1   | PR:D11                             |
| (2) | N 102 902 06   | Hex collared bolt<br>AM 10 X 70  |        | 1   | PR:D50,D1V,<br>D43                 |
| (2) | N 102 902 06   | Hex collared bolt<br>AM 10 X 70  |        | 1   | PR:DD8                             |
| (2) | N 106 438 01   | D - MJ 2013>><br>Hex collared bolt<br>M 10 X 90  |        | 1   | PR:D50,D1V,<br>D43                 |
| (2) | N 903 316 05   | Socket head bolt with hexagon<br>socket head (combination)<br>M 10 X 40<br>D - MJ 2013>> |        | 1   | PR:DD8                             |
| 3   | 900 377 003 01 | Hexagon nut<br>M 8   |        | 1   |                                    |
| 4   | 900 377 010 02 | Hexagon nut<br>M 6   |        | 1   | PR:D6V,D58                         |
| 5   | 948 604 119 00 | Heat insulation<br>Starter   |        | 1   | PR:D6V,D58                         |
| (5) | 955 604 115 00 | Heat insulation<br>Starter   |        | 1   | PR:D34                             |
| 6   | 948 603 033 00 | Alternator   |        | 1   | PR:D6V,D58                         |
| 6   | 948 603 033 X  | Alternator   |        | 1   | PR:D6V,D58                         |
| (6) | 958 603 121 00 | Alternator   |        | 1   | PR:D34,9G1                         |
| (6) | 958 603 121 X  | Alternator   |        | 1   | PR:D34,9G1                         |
| (6) | 958 603 122 00 | Alternator   |        | 1   | PR:D11,9G1                         |
| (6) | 958 603 122 X  | Alternator   |        | 1   | PR:D11,9G1                         |
| (6) | 958 603 123 00 | Alternator   |        | 1   | PR:D50,D1V,                        |

Model: 92A 11

Model life 2011&gt;&gt;2018

| Pos  | Part Number    | Description  | Remark | Qty | Model                              |
|------|----------------|--|--------|-----|------------------------------------|
| (6)  | 958 603 123 X  | D >> - MJ 2011<br>Alternator                                   |        | 1   | 9G1<br>PR:D50,D1V,                 |
| (6)  | 059 903 023 L  | D >> - MJ 2011<br>Alternator                                   |        | 1   | 9G1<br>PR:D43,D1V,                 |
| (6)  | 059 903 023 X  | D - MJ 2012>><br>3-phase alternator<br>(water-cooled)          |        | 1   | 9G1<br>PR:D43,D1V,                 |
| (6)  | 958 603 124 00 | D - MJ 2012>><br>Alternator                                    |        | 1   | 9G1<br>PR:DD8                      |
| (6)  | 958 603 124 X  | D - MJ 2013>><br>Alternator                                    |        | 1   | PR:DD8                             |
| 7    | 948 603 125 01 | pulley   |        | 1   | PR:D6V,D58                         |
| 8    | 948 603 127 01 | Hexagon nut<br>M 16 X 1,5                                      |        | 1   | PR:D6V,D58                         |
| 9    | 948 603 129 00 | Shim   |        | 1   | PR:D6V,D58                         |
| (9)  | 948 603 163 00 | Cover disc   |        | 1   | PR:D6V,D58                         |
| 10   | 948 603 070 00 | Wire set<br>Alternator   |        | 1   | PR:D6V,D58                         |
| 11   | 900 385 014 01 | Torx screw<br>BM 8 X 95  |        | 2   | PR:D6V,D58                         |
| (11) | N 106 100 01   | Hex collared bolt<br>AM 8 X 90                                 |        | 2   | PR:D34,D11,<br>D50,D1V,D43,<br>DD8 |
| 12   | 900 385 042 01 | Torx screw<br>BM 8 X 35  |        | 1   | PR:D6V,D58                         |
| 13   | 999 070 016 00 | domed cap nut<br>M 8   |        | 1   | PR:D6V,D58                         |
| 14   | 958 611 195 00 | Earth line<br>Alternator<br>Body                               |        | 1   | PR:D6V,D58                         |
| (14) | 955 611 196 00 | Earth line<br>Engine<br>Body                                   |        | 1   | PR:D34                             |
| (14) | 958 611 197 00 | Earth line<br>Engine<br>Body                                   |        | 1   | PR:D50,D1V                         |
| (14) | 958 611 198 00 | Earth line<br>Engine<br>Body                                   |        | 1   | PR:D19                             |
| (14) | 958 611 199 00 | Earth line<br>Engine<br>Body                                   |        | 1   | PR:D11                             |
| (14) | 958 611 199 30 | Earth line<br>Engine<br>Body                                   |        | 1   | PR:DD8                             |
| (14) | 958 611 199 10 | Earth line<br>Engine<br>Body<br>Mount                          |        | 1   | PR:D11,D50,<br>D1V,D43             |
| (14) | 958 611 199 10 | Engine support<br>Earth line<br>Engine<br>Body<br>Mount        |        | 1   | PR:D19                             |
| (14) | 958 611 199 20 | Engine support<br>Earth line<br>rear axle differential<br>Body |        | 1   | PR:0K1                             |
| 15   | 900 385 098 01 | Torx screw<br>M 8 X 25   |        | 1   | PR:D6V,D58                         |
| (15) | N 903 516 02   | Socket head bolt with hexagon<br>socket head (combination)     |        | 1   | PR:D34                             |

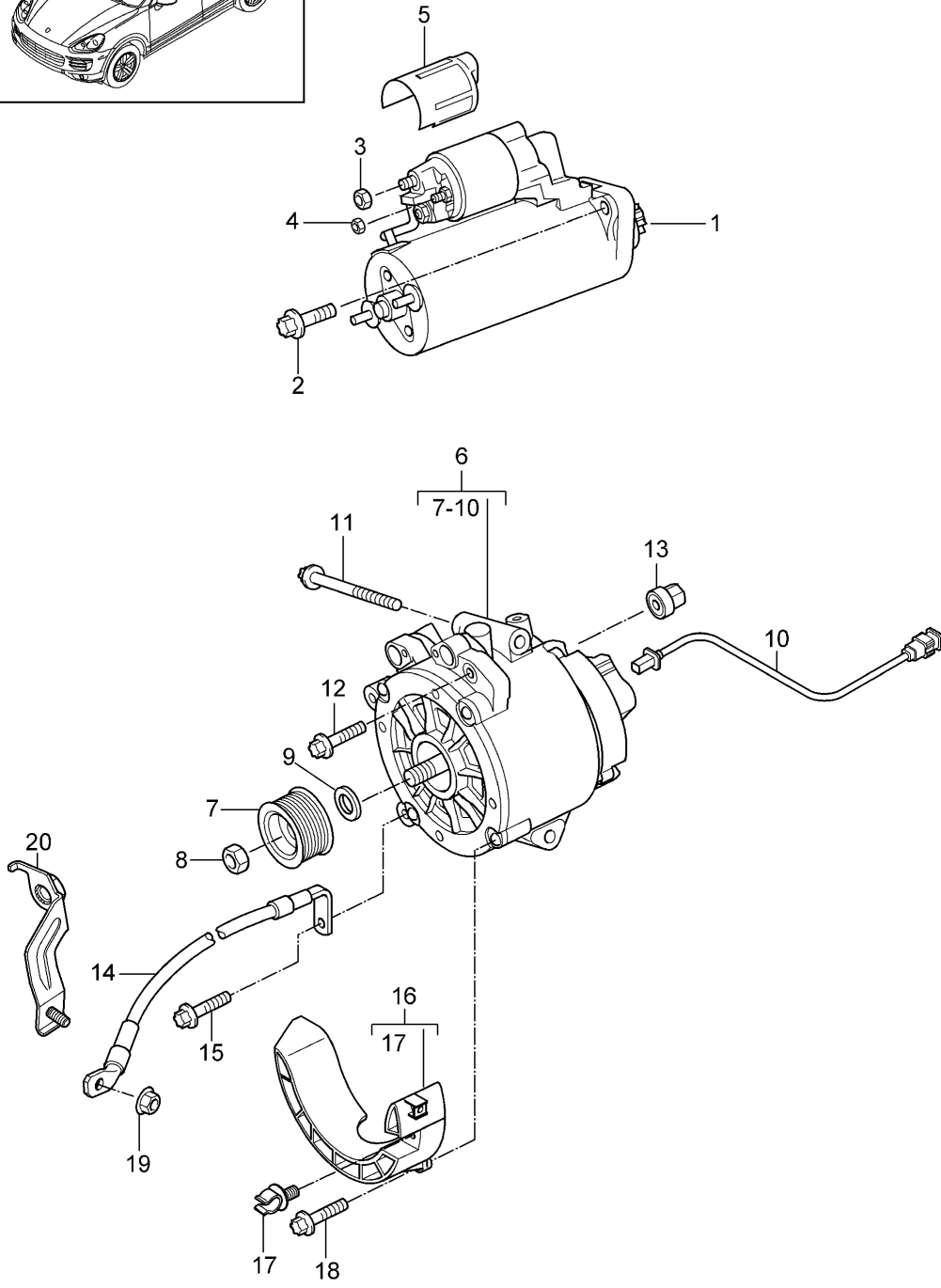
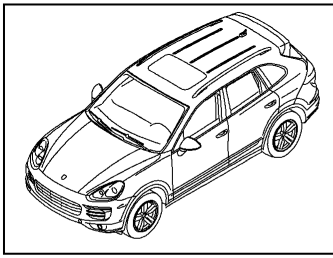
Model: 92A 11

Model life 2011&gt;&gt;2018

| Pos  | Part Number    | Description                                       | Remark | Qty | Model              |
|------|----------------|---|--------|-----|--------------------|
| (15) | N 106 534 01   | M 10 X 20<br>Hex collared bolt                    |        | 1   | PR:D19,D11         |
| (15) | N 106 531 02   | M 10 X 20<br>Hexagon bolt                         |        | 1   | PR:D19,D11         |
| (15) | N 106 531 02   | M 8 X 20<br>Mount<br>Earth line<br>Engine support |        | 1   | PR:D50,D1V,<br>D43 |
| (15) | N 010 239 29   | Hexagon bolt<br>M 8 X 20                          |        | 1   | PR:DD8             |
| 16   | 948 115 024 20 | Support   |        | 1   | PR:D6V,D58         |
| 17   | 999 507 930 40 | Alternator<br>Hose bracket                        |        | 1   | PR:D6V,D58         |
| 18   | 999 073 908 31 | 23,0<br>fillister hd. bolt<br>M 8 X 35            |        | 2   | PR:D6V,D58         |
| 19   | N 902 955 02   | Hexagon collar nut<br>M 8                         |        | 1   | PR:-0K1            |
| (19) | 958 611 182 00 | domed cap nut<br>M 8<br>Mount<br>Earth line       |        | 1   | PR:0K1             |
| 20   | 7P0 971 501    | rear axle differential<br>Cable holder<br>Line    |        | 1   |                    |

Model: 92A 11

Model life 2011>>2018



Model: 92A 11 Model life 2011>>2018

| Pos | Part Number    | Description   | Remark | Qty | Model                                   |
|-----|----------------|---|--------|-----|---|
| 1   | 948 604 214 01 | Starter<br>Alternator<br>Earth line<br>D - MJ 2015>><br>Starter         |        | 1   | PR:DT1,DU2,<br>DU3,DT5                  |
| 1   | 948 604 214 AX | Starter   |        | 1   | PR:DT1,DU2,<br>DU3,DT5                  |
| (1) | 955 604 107 11 | Starter   |        | 1   | PR:D34,7L7                              |
| (1) | 955 604 107 BX | Starter   |        | 1   | PR:D34,7L7                              |
| (1) | 958 604 110 01 | Starter   |        | 1   | PR:D34,7L4,<br>7L6,7L8                  |
| (1) | 958 604 110 01 | Starter   |        | 1   | PR:D34,7L4,<br>7L6,7L8                  |
| (1) | 958 604 110 AX | Starter   |        | 1   | PR:D34,7L4,<br>7L6,7L8                  |
| (1) | 958 604 113 00 | Starter   |        | 1   | PR:D11,G1G                              |
| (1) | 958 604 113 X  | Starter   |        | 1   | PR:D11,G1G                              |
| (1) | 955 604 108 00 | Starter   |        | 1   | PR:D50,D1V,<br>DD7,7L7                  |
| (1) | 955 604 108 X  | Starter   |        | 1   | PR:D50,D1V,<br>DD7,7L7                  |
| (1) | 958 604 109 00 | Starter   |        | 1   | PR:D50,D1V,<br>D43,DV7,DD7,<br>-7L7,D51 |
| (1) | 958 604 109 X  | Starter   |        | 1   | PR:D50,D1V,<br>D43,DV7,DD7,<br>-7L7,D51 |
| (1) | 958 604 112 00 | Starter   |        | 1   | PR:DD8                                  |
| (1) | 958 604 112 X  | Starter   |        | 1   | PR:DD8                                  |
| 2   | 900 385 011 01 | Torx screw<br>BM 10X45  |        | 2   |   |
| (2) | N 102 171 03   | Hex collared bolt<br>BM 12 X 60 X 48                                    |        | 1   | PR:DT1,DU2,<br>DU3,DT5<br>PR:D34        |
| (2) | N 105 934 01   | Hex collared bolt<br>AM 12 X 50   |        | 1   | PR:D34                                  |
| (2) | N 911 532 01   | 12-edge flange screw<br>AM 10 X 95                                      |        | 1   | PR:D11                                  |
| (2) | N 911 295 01   | Cylinder fitting screw with<br>inner multipoint head<br>M 12 X 75       |        | 1   | PR:D11                                  |
| (2) | N 102 902 06   | Hex collared bolt<br>AM 10 X 70   |        | 1   | PR:D50,D1V,<br>DV7,DD7,D51,<br>D43      |
| (2) | N 102 902 06   | Hex collared bolt<br>AM 10 X 70   |        | 1   | PR:DD8                                  |
| (2) | N 106 438 01   | Hex collared bolt<br>M 10 X 90  |        | 1   | PR:D50,D1V,<br>DV7,DD7,D51,<br>D43      |
| (2) | N 903 316 05   | Socket head bolt with hexagon<br>socket head (combination)<br>M 10 X 40 |        | 1   | PR:DD8                                  |
| 3   | 900 377 003 01 | Hexagon nut<br>M 8  |        | 1   |   |
| 4   | 900 377 010 02 | Hexagon nut<br>M 6  |        | 1   | PR:D6V,D58                              |
| 5   | 955 604 115 00 | Heat insulation<br>Starter  |        | 1   | PR:D34                                  |
| 6   | 7PP 903 016 C  | Alternator  |        | 1   | PR:DU2,DU3,                             |

Model: 92A 11 Model life 2011>>2018

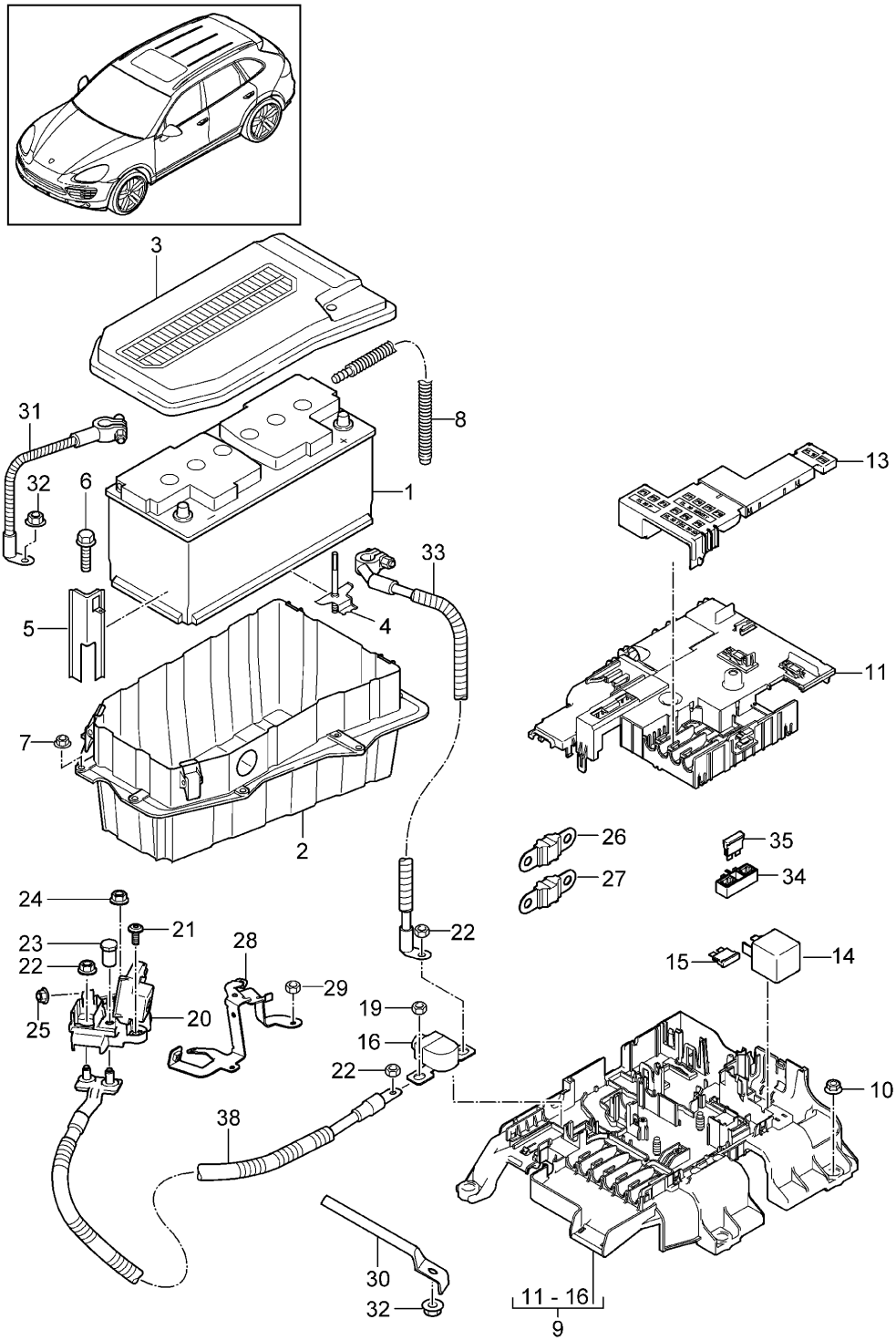
| Pos  | Part Number    | Description                      | Remark | Qty | Model                                  |
|------|----------------|----------------------------------|--------|-----|--|
| (6)  | 7PP 903 016 CX | Alternator                       |        | 1   | PR:DU2,DU3,                            |
| (6)  | 948 603 033 00 | Alternator                       |        | 1   | PR:DT1,DT5                             |
| (6)  | 948 603 033 X  | Alternator                       |        | 1   | PR:DT1,DT5                             |
| (6)  | 958 603 121 01 | Alternator                       |        | 1   | PR:D34,9G1                             |
| (6)  | 958 603 121 AX | Alternator                       |        | 1   | PR:D34,9G1                             |
| (6)  | 958 603 122 01 | Alternator                       |        | 1   | PR:D11,9G1                             |
| (6)  | 958 603 122 AX | Alternator                       |        | 1   | PR:D11,9G1                             |
| (6)  | 059 903 023 N  | Alternator                       |        | 1   | PR:D43,D1V,<br>D50,DV7,DD7,<br>D51,9G1 |
| (6)  | 059 903 023 AX | Alternator                       |        | 1   | PR:D43,D1V,<br>D50,DV7,DD7,<br>D51,9G1 |
| (6)  | 958 603 124 00 | Alternator                       |        | 1   | PR:DD8                                 |
| (6)  | 958 603 124 X  | Alternator                       |        | 1   | PR:DD8                                 |
| 7    | 948 603 125 01 | pulley                           |        | 1   | PR:DT1,DU2,<br>DU3,DT5                 |
| 8    | 948 603 127 01 | Hexagon nut<br>M16X1,5           |        | 1   | PR:DT1,DU2,<br>DU3,DT5                 |
| 9    | 948 603 129 00 | Shim                             |        | 1   | PR:DT1,DU2,<br>DU3,DT5                 |
| (9)  | 948 603 163 00 | Cover disc                       |        | 1   | PR:DT1,DU2,<br>DU3,DT5                 |
| 10   | 948 603 070 00 | Wire set<br>Alternator           |        | 1   | PR:DT1,DU2,<br>DU3,DT5                 |
| 11   | 900 385 014 01 | Torx screw<br>BM 8 X 95          |        | 2   | PR:DT1,DU2,<br>DU3,DT5                 |
| (11) | N 106 100 01   | Hex collared bolt<br>AM 8 X 90   |        | 2   | PR:D34                                 |
| (11) | N 106 100 01   | Hex collared bolt<br>AM 8 X 90   |        | 2   | PR:D11,D50,<br>D1V,D43,DD8,<br>DV7,DD7 |
| 12   | 900 385 042 01 | Torx screw<br>BM 8 X 35          |        | 1   | PR:DT1,DU2,<br>DU3,DT5                 |
| 13   | 999 070 016 00 | domed cap nut<br>M 8             |        | 1   | PR:DT1,DU2,<br>DU3,DT5                 |
| 14   | 958 611 195 00 | Earth line<br>Alternator<br>Body |        | 1   | PR:DT1,DT5                             |
| (14) | 958 607 040 01 | Earth line<br>Alternator<br>Body |        | 1   | PR:DU2,DU3                             |
| (14) | 955 611 196 00 | Earth line<br>Engine<br>Body     |        | 1   | PR:D34                                 |
| (14) | 958 611 199 10 | Earth line<br>Engine<br>Body     |        | 1   | PR:D19                                 |
| (14) | 958 611 199 10 | Earth line<br>Engine             |        | 1   | PR:D11                                 |

Model: 92A 11 Model life 2011>>2018

| Pos  | Part Number    | Description   | Remark | Qty | Model                              |
|------|----------------|---|--------|-----|------------------------------------|
| (14) | 958 611 199 30 | Body<br>Earth line<br>Engine  |        | 1   | PR:DD8                             |
| (14) | 958 611 199 10 | Body<br>Earth line<br>Engine  |        | 1   | PR:D50,D1V,<br>D43,DV7,DD7,<br>D51 |
| (14) | 958 611 199 20 | Body<br>Earth line<br>rear axle differential                            |        | 1   | PR:OK3                             |
| 15   | 900 385 098 01 | Torx screw<br>M 8 X 25  |        | 1   | PR:DT1,DU2,<br>DU3,DT5             |
| (15) | N 903 516 02   | Socket head bolt with hexagon<br>socket head (combination)<br>M 10 X 20 |        | 1   | PR:D34                             |
| (15) | N 106 531 02   | Hexagon bolt<br>M 8 X 20<br>Mount                                       |        | 1   | PR:D19                             |
| (15) | N 106 531 02   | Earth line<br>Engine support<br>Hexagon bolt<br>M 8 X 20                |        | 1   | PR:D50,D1V,<br>D43,D11,DV7,<br>DD7 |
| (15) | N 010 239 29   | Hexagon bolt<br>M 8 X 18  |        | 1   | PR:DD8                             |
| 16   | 948 115 024 21 | Support<br>Alternator   |        | 1   | PR:DT1,DU2,<br>DU3,DT5             |
| 17   | 999 507 930 40 | Hose bracket<br>23,0  |        | 1   | PR:DT1,DU2,<br>DU3,DT5             |
| 18   | 999 073 908 31 | fillister hd. bolt<br>M 8 X 35  |        | 2   | PR:DT1,DU2,<br>DU3,DT5             |
| 19   | N 902 955 02   | Hexagon collar nut<br>M 8   |        | 1   | PR:-OK1                            |
| (19) | 958 611 182 00 | domed cap nut<br>M 8<br>Mount   |        | 1   | PR:OK1                             |
| 20   | 7P0 971 501    | Earth line<br>rear axle differential<br>Cable holder<br>Line            |        | 1   |                                    |

Model: 92A 11

Model life 2011>>2018





Model: 92A 11

Model life 2011&gt;&gt;2018

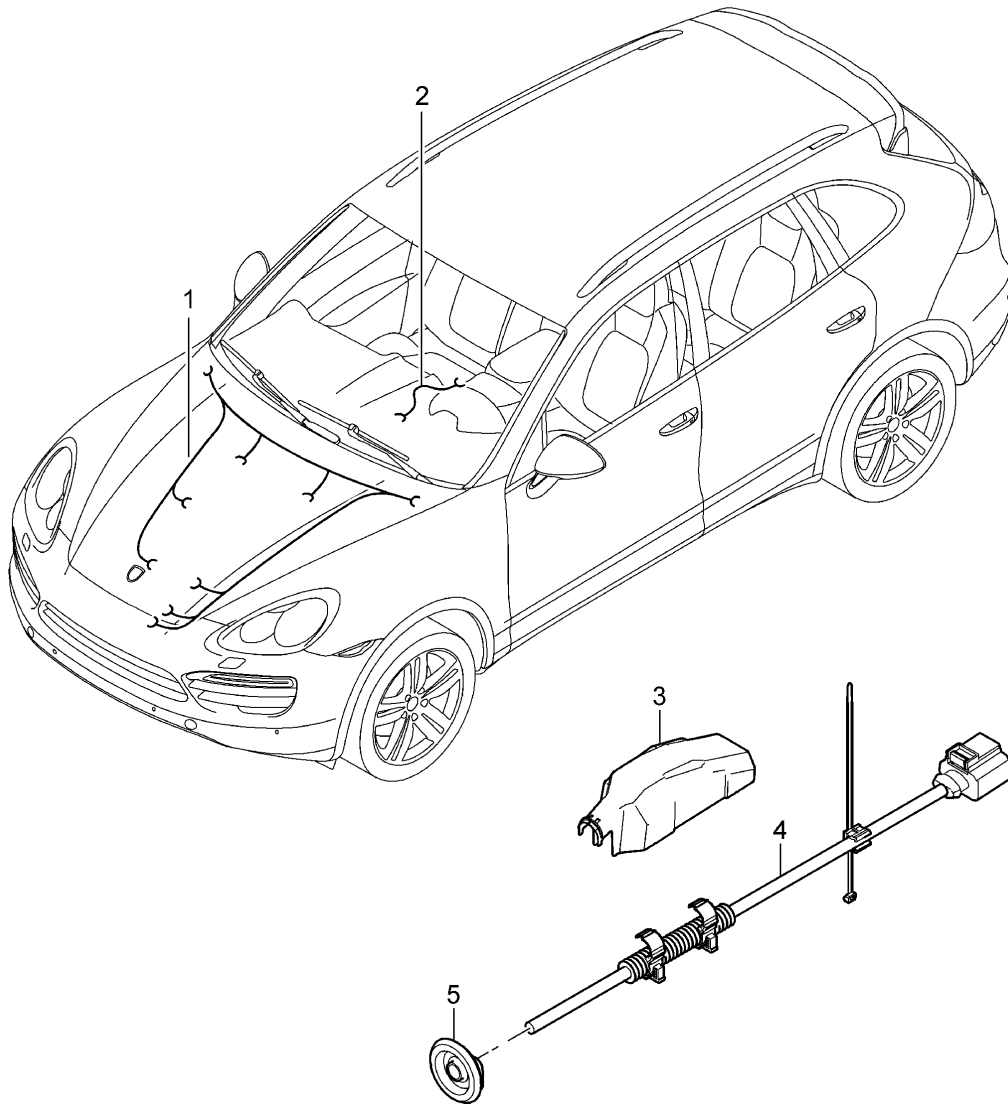
| Pos | Part Number    | Description  | Remark | Qty | Model                 |
|-----|----------------|--|--------|-----|-----------------------|
| 1   | 958 611 075 21 | Battery<br>Power distributor   |        | 1   | PR:J1N                |
| (1) | 958 611 092 21 | Battery<br>75AH  |        | 1   | PR:JOB,-D11<br>-"CN." |
| (1) | 958 611 092 21 | Battery<br>92AH  |        | 1   | PR:JOB,D11<br>"CN."   |
| (1) | 958 611 110 20 | F >> 92-BLA61 871<br>Battery<br>110 AH                                 |        | 1   | PR:JOB,D11<br>"CN."   |
| (1) | 958 611 105 21 | F 92-BLA61 872>><br>Battery<br>105 AH                                  |        | 1   | PR:J0P                |
| 2   | 958 504 151 00 | battery box  |        | 1   |                       |
| 3   | 955 504 152 00 | Cover for housing  |        | 1   |                       |
| 4   | 955 611 209 02 | clamping piece   |        | 1   |                       |
| 5   | 955 611 210 02 | Reinforcement bracket  |        | 1   |                       |
| 6   | N 100 829 08   | Battery<br>Hex collared bolt<br>M 6 X 16                               |        | 1   |                       |
| 7   | N 015 082 10   | Hexagon collar nut<br>M 6  |        | X   |                       |
| 8   | 955 611 311 00 | Breather line  |        | 1   |                       |
| 9   | 958 610 308 00 | Power distributor  |        | 1   | PR:OK0                |
| (9) | 958 610 308 10 | Power distributor  |        | 1   | PR:OK1,OK3            |
| 10  | N 015 082 10   | Hexagon collar nut<br>M 6  |        | 3   |                       |
| 11  | 958 610 309 00 | Cover<br>Power distributor   |        | 1   |                       |
| 13  | 958 610 309 10 | Cover<br>fuse  |        | 1   |                       |
| 14  | 8D0 951 253    | Relay  |        | 1   |                       |
| 15  | 999 607 082 00 | fuse<br>5 A  |        | X   |                       |
| 16  | 958 611 205 00 | Switch unit<br>Battery main switch                                     |        | 1   |                       |
| 19  | N 106 092 01   | Hexagon collar nut<br>M 8  |        | X   |                       |
| 20  | 958 611 202 00 | Connection point<br>Cable  |        | 1   |                       |
| 21  | N 106 536 01   | Engine bay<br>Socket head bolt with<br>hexagon socket head<br>M 6 X 20 |        | 1   |                       |
| 22  | N 106 092 01   | Hexagon collar nut<br>M 8  |        | 3   |                       |
| 23  | 955 611 206 00 | Hexagon nut<br>Terminal clamp  |        | 1   |                       |
| 24  | N 902 955 02   | Emergency starting<br>Hexagon collar nut<br>M 8                        |        | 2   |                       |
| 25  | N 105 972 01   | Hexagon collar nut<br>self-locking<br>M 5                              |        | X   |                       |
| 26  | N 105 255 08   | fuse<br>150 A<br>Fan   |        | 1   |                       |
| 27  | N 105 255 06   | Water cooling<br>fuse<br>100 A<br>Pump<br>Power steering               |        | 1   | PR:D19                |

Model: 92A 11 Model life 2011>>2018

| Pos  | Part Number    | Description   | Remark | Qty | Model  |
|------|----------------|---|--------|-----|--|
| 28   | 958 611 539 00 | Bracket<br>Connection point   |        | 1   | PR:D19   |
| 29   | N 015 082 10   | Hexagon collar nut<br>M 6<br>Mount<br>Bracket<br>Connection point         |        | 3   | PR:D19   |
| 30   | 958 611 203 00 | cable shoe<br>Earth line<br>D >> - MJ 2014                                |        | 1   |  |
| 30   | 958 611 203 10 | cable shoe<br>Earth line<br>D - MJ 2015>>                                 |        | 1   |  |
| 31   | 958 611 181 00 | Earth line<br>Battery<br>Body<br><br>with:<br>Sensor<br>D >> - 29.05.2016 |        | 1   |  |
| (31) | 958 611 181 11 | Earth line<br>Battery<br>Body<br><br>with:<br>Sensor<br>D - 30.05.2016>>  |        | 1   |  |
| 32   | 958 611 182 00 | domed cap nut<br>M 8  |        | 2   |  |
| 33   | 958 612 090 00 | Battery cable<br>Power distributor  |        | 1   | PR:J1N,7L7   |
| (33) | 958 612 090 10 | Battery cable<br><br>Power distributor                                    |        | 1   | PR:J0B,J0P,<br>7L6,7L7,7L8,<br>8RV   |
| (33) | 958 612 090 20 | Battery cable<br><br>Power distributor                                    |        | 1   | PR:7L6,7L8,<br>9VJ,9VK,9VL   |
| 34   | 958 612 530 00 | fuse holder   |        | 1   | PR:9VJ,9VK,<br>9VL   |
| 35   | 999 607 073 00 | fuse<br>40 A  |        | 1   | PR:9VJ,9VK,<br>9VL   |
| 38   | 958 612 091 00 | Cable<br>Power distributor<br>Connection point<br>Engine bay              |        | 1   |  |
| (38) | 958 612 091 10 | Cable<br>Power distributor<br>Connection point<br>Engine bay              |        | 1   | PR:DT1,DU2,<br>D19,D34,D58,<br>D6V,D11,DU3,<br>DT5<br>PR:D50,D1V,<br>D43,DD8,D51,<br>DV7,DD7 |

Model: 92A 11

Model life 2011>>2018



Model: 92A 11 Model life 2011>>2018

| Pos | Part Number    | Description   | Remark | Qty | Model                      |
|-----|----------------|---|--------|-----|----------------------------|
| 1   | 958 612 019 00 | Wiring looms<br>Engine bay<br>Gearbox<br>D >> - MJ 2014<br>Wire set lhd |        | 1   | PR:D6V,D58,<br>L0L,IY1     |
| (1) | 958 612 019 01 | Engine bay<br>D >> - MJ 2011<br>Wire set lhd                            |        | 1   | PR:D6V,D58,<br>L0L,IY2     |
| (1) | 958 612 019 01 | Engine bay<br>D - MJ 2011>><br>Wire set lhd                             |        | 1   | PR:D6V,D58,<br>L0L         |
| (1) | 958 612 019 10 | Engine bay<br>D - MJ 2012>><br>Wire set rhd                             |        | 1   | PR:D6V,D58,<br>L0R         |
| (1) | 958 612 019 20 | Engine bay<br>Wire set lhd  |        | 1   | PR:D34,L0L                 |
| (1) | 958 612 019 30 | Engine bay<br>Wire set rhd  |        | 1   | PR:D34,L0R                 |
| (1) | 958 612 019 40 | Engine bay<br>Wire set lhd  |        | 1   | PR:D50,D1V,<br>7MG,L0L     |
| (1) | 958 612 020 00 | Engine bay<br>D >> - MJ 2011<br>Wire set lhd                            |        | 1   | PR:D43,D1V,<br>7MQ,7MJ,L0L |
| (1) | 958 612 019 50 | Engine bay<br>D - MJ 2012>><br>Wire set rhd                             |        | 1   | PR:D50,D1V,<br>7MG,L0R     |
| (1) | 958 612 020 10 | Engine bay<br>D >> - MJ 2011<br>Wire set rhd                            |        | 1   | PR:D43,D1V,<br>7MQ,L0R     |
| (1) | 958 612 019 45 | Engine bay<br>D - MJ 2012>><br>Wire set lhd                             |        | 1   | PR:D50,D1V,<br>0GG,L0L     |
| (1) | 958 612 020 05 | Engine bay<br>D >> - MJ 2011<br>Wire set lhd                            |        | 1   | PR:D43,D1V,<br>0GG,L0L     |
| (1) | 958 612 019 55 | Engine bay<br>D >> - MJ 2012<br>Wire set rhd                            |        | 1   | PR:D50,D1V,<br>0GG,L0R     |
| (1) | 958 612 020 15 | Engine bay<br>D >> - MJ 2011<br>Wire set rhd                            |        | 1   | PR:D43,D1V,<br>0GG,L0R     |
| (1) | 958 612 019 60 | Engine bay<br>D - MJ 2012>><br>Wire set lhd                             |        | 1   | PR:D50,D1V,<br>0GZ,L0L     |
| (1) | 958 612 020 20 | Engine bay<br>D >> - MJ 2011<br>Wire set lhd                            |        | 1   | PR:D43,D1V,<br>0GZ,L0L     |
| (1) | 958 612 019 65 | Engine bay<br>D - MJ 2012>><br>Wire set rhd                             |        | 1   | PR:D50,D1V,<br>0GZ,L0R     |
| (1) | 958 612 020 25 | Engine bay<br>D >> - MJ 2011<br>Wire set rhd                            |        | 1   | PR:D43,D1V,<br>0GZ,L0R     |
| (1) | 958 612 020 40 | Engine bay<br>D - MJ 2012>><br>Wire set lhd                             |        | 1   | PR:DD8,L0L,<br>0GG,0GZ     |
| (1) | 958 612 020 45 | Engine bay<br>D - MJ 2013>><br>Wire set rhd                             |        | 1   | PR:DD8,L0R,<br>0GG,0GZ     |
| (1) | 958 612 020 50 | Engine bay<br>D - MJ 2013>><br>Wire set lhd                             |        | 1   | PR:DD8,L0L,<br>7MJ,7MQ     |

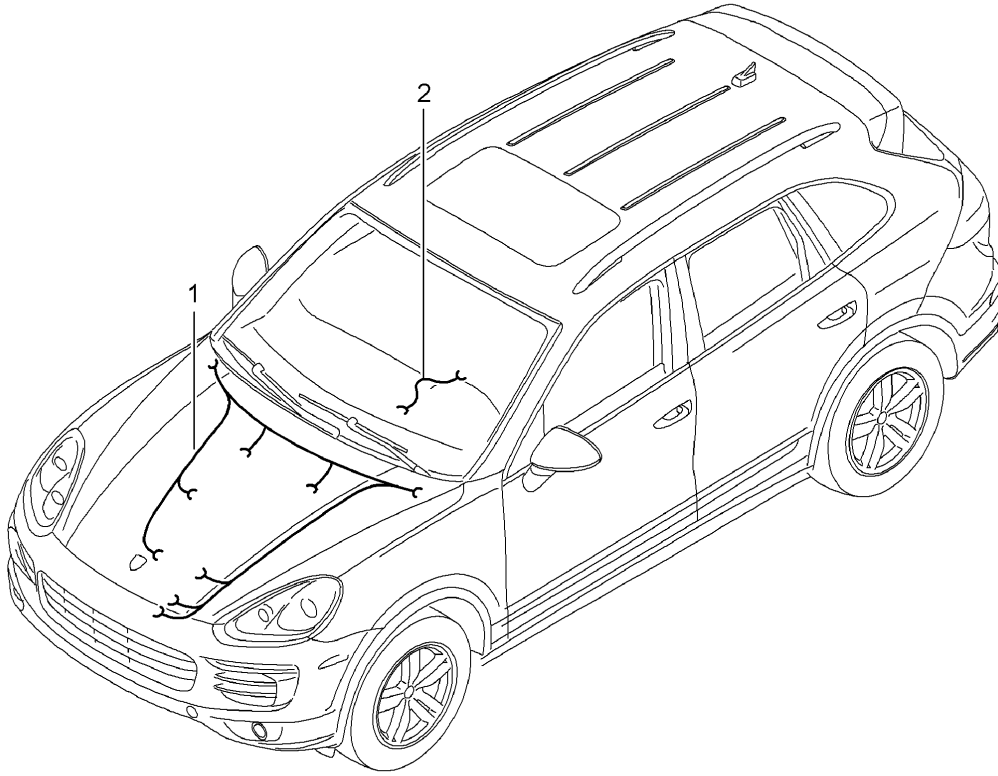
Model: 92A 11

Model life 2011>>2018

| Pos | Part Number    | Description  | Remark | Qty | Model                                  |
|-----|----------------|--|--------|-----|--|
| (1) | 958 612 020 55 | D - MJ 2013>><br>Wire set<br>Engine bay                | rhd    | 1   | PR:DD8,L0R,<br>7MJ,7MQ                 |
| (1) | 958 612 019 70 | D - MJ 2013>><br>Wire set<br>Engine bay                | lhd    | 1   | PR:D19,7MG,<br>0GG,0GU,L0L             |
| (1) | 958 612 019 75 | Wire set<br>Engine bay                                 | rhd    | 1   | PR:D19,7MG,<br>0GG,0GU,L0R             |
| (1) | 958 612 019 80 | Wire set<br>Engine bay                                 | lhd    | 1   | PR:D19,7GB,<br>L0L                     |
| (1) | 958 612 019 85 | Wire set<br>Engine bay                                 | lhd    | 1   | PR:D11,L0L                             |
| (1) | 958 612 019 86 | F >> 92-BLA64 073<br>Wire set<br>Engine bay            | lhd    | 1   | PR:D11,L0L                             |
| 2   | 958 612 401 00 | F 92-BLA64 074>><br>Wire set<br>Automatic transmission |        | 1   | PR:D34,G1G,<br>7L7                     |
| 2   | 958 612 401 00 | Wire set<br>Automatic transmission                     |        | 1   | PR:D50,D1V,<br>7L7,D43,DD8             |
| 2   | 958 612 401 10 | Wire set<br>Automatic transmission                     |        | 1   | PR:D34,7L4,<br>7L6,7L8                 |
| 2   | 958 612 401 10 | Wire set<br>Automatic transmission                     |        | 1   | PR:D50,D1V,<br>7L4,7L6,7L8,<br>D43,DD8 |
| 2   | 958 612 401 10 | Wire set<br>Automatic transmission<br>D - MJ 2013>>    |        | 1   | PR:DD8,7L4,<br>7L8                     |
| 2   | 958 612 401 50 | Wire set<br>Automatic transmission                     |        | 1   | PR:D11,7L7                             |
| 2   | 958 612 401 40 | Wire set<br>Automatic transmission                     |        | 1   | PR:D19                                 |
| 2   | 958 612 401 20 | Wire set<br>Automatic transmission                     |        | 1   | PR:D6V,D58,<br>7L7                     |
| 2   | 958 612 401 30 | Wire set<br>Automatic transmission                     |        | 1   | PR:D6V,D58,<br>7L4,7L6,7L8             |
| 3   | 948 607 314 00 | Cover cap<br>D - MJ 2013>>                             |        | 1   |  |
| 4   | 000 043 989 70 | repair set<br>Cable<br>Transfer box                    |        | 1   |  |
| (4) | 000 043 989 94 | repair set<br>Cable<br>Transfer box                    |        | 1   |  |

Model: 92A 11

Model life 2011>>2018



Model: 92A 11 Model life 2011>>2018

| Pos | Part Number    | Description  | Remark | Qty | Model                              |
|-----|----------------|--|--------|-----|------------------------------------|
| 1   | 958 612 021 00 | Wiring looms<br>Engine bay<br>Gearbox<br>D - MJ 2015>><br>Wire set | lhd    | 1   | PR:DT1,L0L,<br>DT5                 |
| (1) | 958 612 021 10 | Engine bay<br>Wire set   | rhd    | 1   | PR:DT1,L0R,<br>DT5                 |
| 1   | 958 612 021 20 | Engine bay<br>Wire set<br>Engine bay                               | lhd    | 1   | PR:DU2,L0L,<br>OGG,7MJ,7GH,<br>DU3 |
| 1   | 958 612 021 30 | Wire set<br>Engine bay   | rhd    | 1   | PR:DU2,L0R,<br>OGG,7MJ,7GH,<br>DU3 |
| 1   | 958 612 021 40 | Wire set<br>Engine bay   | lhd    | 1   | PR:DU2,L0L,<br>7MM,DU3             |
| 1   | 958 612 021 50 | Wire set<br>Engine bay   | rhd    | 1   | PR:DU2,L0R,<br>7MM,DU3             |
| 1   | 958 612 021 60 | Wire set<br>Engine bay   | lhd    | 1   | PR:DU2,L0L,<br>7GB,DU3             |
| 1   | 958 612 021 70 | Wire set<br>Engine bay   | lhd    | 1   | PR:D34,L0L                         |
| 1   | 958 612 021 80 | Wire set<br>Engine bay   | rhd    | 1   | PR:D34,L0R                         |
| 1   | 958 612 021 90 | Wire set<br>Engine bay   | lhd    | 1   | PR:D11,L0L,<br>7MJ                 |
| 1   | 958 612 022 00 | Wire set<br>Engine bay   | lhd    | 1   | PR:D19,L0L,<br>OGG,7GH,7MJ,        |
| 1   | 958 612 022 10 | Wire set<br>Engine bay   | rhd    | 1   | PR:D19,L0R,<br>OGG,7GH,7MJ,        |
| 1   | 958 612 022 20 | Wire set<br>Engine bay   | lhd    | 1   | PR:D19,L0L,<br>7GB,0K3             |
| 1   | 958 612 022 30 | Wire set<br>Engine bay   | lhd    | 1   | PR:D43,L0L,<br>OGZ                 |
| 1   | 958 612 022 40 | Wire set<br>Engine bay   | rhd    | 1   | PR:D43,L0R,<br>OGZ                 |
| 1   | 958 612 022 50 | Wire set<br>Engine bay   | lhd    | 1   | PR:D43,L0L,<br>OGG,7GH             |
| 1   | 958 612 022 60 | Wire set<br>Engine bay   | rhd    | 1   | PR:D43,L0R,<br>OGG,7GH             |
| 1   | 958 612 022 70 | Wire set<br>Engine bay   | lhd    | 1   | PR:D43,L0L,<br>7MJ                 |
| 1   | 958 612 022 80 | Wire set<br>Engine bay   | rhd    | 1   | PR:D43,L0R,<br>7MJ                 |
| 1   | 958 612 023 00 | Wire set<br>Engine bay   | lhd    | 1   | PR:DD7,DV7,<br>D1V,D51,7MM,        |
| 1   | 958 612 023 10 | Wire set<br>Engine bay   | rhd    | 1   | PR:DD7,DV7,<br>D1V,D51,7MM,        |
| 1   | 958 612 023 20 | Wire set<br>Engine bay   | lhd    | 1   | PR:DD8,L0L,<br>OGG,7GH             |
| 1   | 958 612 023 30 | Wire set<br>Engine bay   | rhd    | 1   | PR:DD8,L0R,<br>OGG,7GH             |
| 1   | 958 612 023 40 | Wire set   | lhd    | 1   | PR:DD8,L0L,                        |

Model: 92A 11

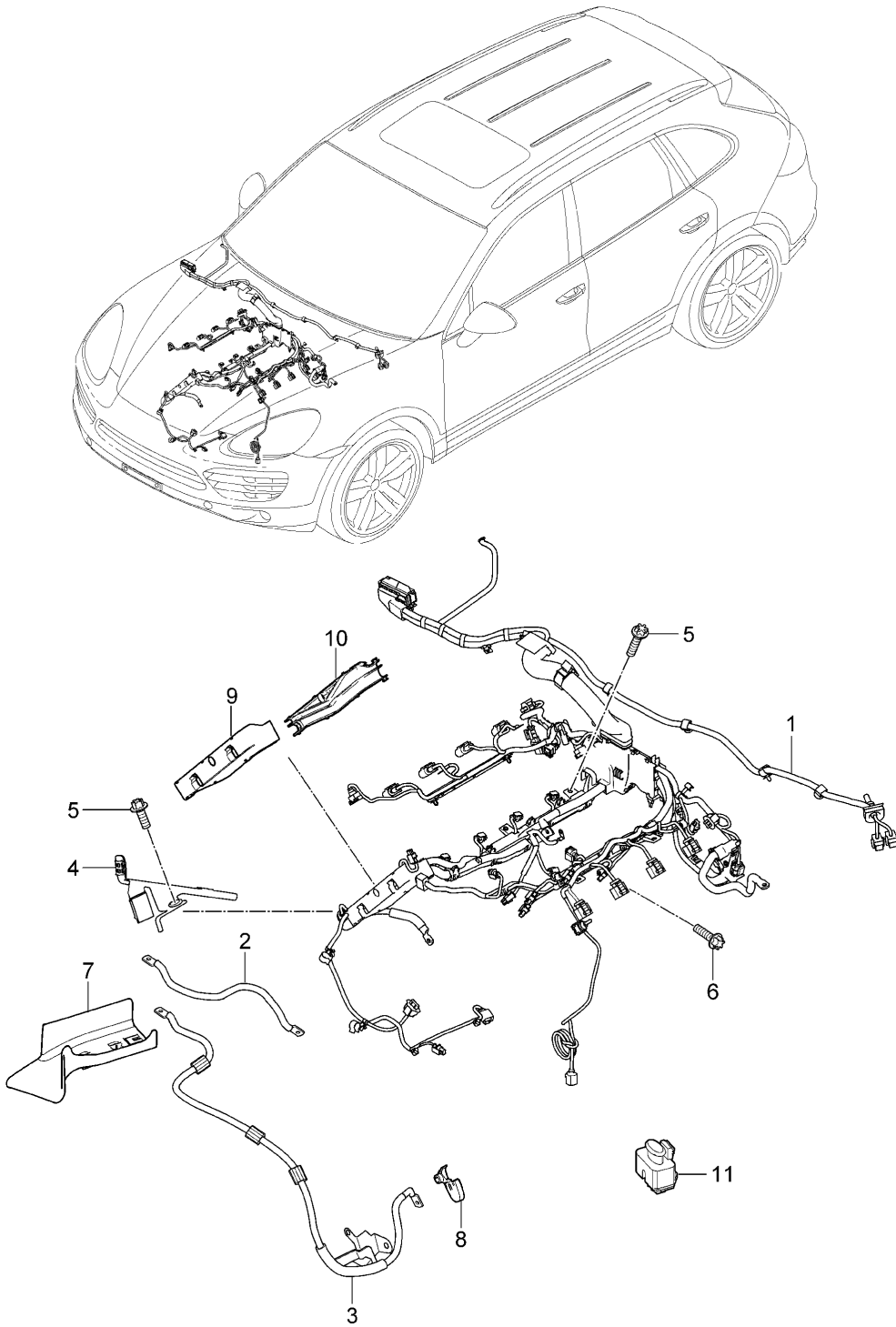
Model life 2011>>2018

| Pos | Part Number    | Description                                      | Remark | Qty | Model   |
|-----|----------------|--|--------|-----|---|
| 1   | 958 612 023 50 | Engine bay<br>Wire set                           | rhd    | 1   | 7MJ<br>PR:DD8,L0R,  |
| 1   | 958 612 023 60 | Engine bay<br>Wire set                           | lhd    | 1   | 7MJ<br>PR:DD8,L0L,  |
| 1   | 958 612 023 70 | Engine bay<br>Wire set                           | rhd    | 1   | 7MM<br>PR:DD8,L0R,  |
| 2   | 958 612 401 00 | Engine bay<br>Wire set<br>Automatic transmission |        | 1   | 7MM<br>PR:DD8,DU2,<br>DU3,DV7,D1V,<br>D34,D43,D50,<br>D51,7L7 |
| (2) | 958 612 401 10 | Wire set<br>Automatic transmission               |        | 1   | PR:DD8,DU2,<br>DU3,DV7,D1V,<br>D34,D43,D50,<br>D51,7L4,7L8    |
| (2) | 958 612 401 50 | Wire set<br>Automatic transmission               |        | 1   | PR:D11,7L7  |
| (2) | 958 612 401 20 | Wire set<br>Automatic transmission               |        | 1   | PR:DT1,DT5,<br>7L7  |
| (2) | 958 612 401 30 | Wire set<br>Automatic transmission               |        | 1   | PR:DT1,DT5,<br>7L4,7L8  |
| (2) | 958 612 401 60 | Wire set<br>Automatic transmission               |        | 1   | PR:D11,7L4,<br>7L8  |
| (2) | 958 612 401 70 | Wire set<br>Automatic transmission               |        | 1   | PR:D19  |



Model: 92A 11

Model life 2011>>2018



Model: 92A 11 Model life 2011>>2018

| Pos | Part Number    | Description  | Remark                      | Qty | Model                                    |
|-----|----------------|--|-----------------------------|-----|--|
| 1   | 948 607 008 03 | Wiring looms<br>Engine<br>D >> - MJ 2014<br>Wire set<br>Engine |                             | 1   | PR:D6V                                   |
| 1   | 948 607 008 06 | D >> - MJ 2011<br>Wire set<br>Engine                           | also use:<br>948 607 314 00 | 1   | PR:D6V                                   |
| (1) | 948 607 008 53 | D - MJ 2012>><br>Wire set<br>Engine                            | also use:<br>948 607 314 00 | 1   | PR:D58                                   |
| (1) | 948 607 008 55 | D >> - MJ 2011<br>Discontinued part<br>Wire set                | also use:<br>948 607 314 00 | 1   | PR:D58                                   |
| (1) | 948 607 008 56 | Engine<br>D >> - MJ 2011<br>Wire set                           | also use:<br>948 607 314 00 | 1   | PR:D58                                   |
| -   | 948 607 314 00 | D - MJ 2012>><br>Cover cap                                     |                             | 1   |  |
| (1) | 958 607 010 00 | Wire set<br>Engine   |                             | 1   | PR:D34                                   |
| (1) | 958 607 010 10 | Wire set<br>Engine   |                             | 1   | PR:D50,D1V                               |
| -   | N 107 551 01   | D >> - MJ 2011<br>toothed lock washer                          |                             | 1   |  |
| (1) | 958 607 010 11 | Wire set<br>Engine   |                             | 1   | PR:D43,0GZ,<br>D1V                       |
| (1) | 958 607 010 12 | D - MJ 2012>><br>Wire set<br>Engine                            |                             | 1   | PR:D43,0GG,<br>D1V                       |
| (1) | 958 607 010 13 | D - MJ 2012>><br>Wire set<br>Engine                            |                             | 1   | PR:D43,7MQ,<br>D1V,7MJ                   |
| (1) | 958 607 010 65 | D - MJ 2012>><br>Wire set<br>Engine                            | lhd                         | 1   | PR:L0L,DD8,<br>0GG,0GZ                   |
| (1) | 958 607 010 70 | D - MJ 2013>><br>Wire set<br>Engine                            | lhd                         | 1   | PR:L0L,DD8,<br>7MJ,7MQ                   |
| (1) | 958 607 010 75 | D - MJ 2013>><br>Wire set<br>Engine                            | rhd                         | 1   | PR:L0R,DD8,<br>0GG,0GZ                   |
| (1) | 958 607 010 80 | D - MJ 2013>><br>Wire set<br>Engine                            | rhd                         | 1   | PR:L0R,DD8,<br>7MJ,7MQ                   |
| (1) | 958 607 010 50 | D - MJ 2013>><br>Wire set<br>Engine                            |                             | 1   | PR:D19,7MG,<br>0GG                       |
| (1) | 958 607 010 20 | F >> 92-BLA90 669<br>Wire set<br>Engine                        |                             | 1   |  |
| (1) | 958 607 010 30 | F 92-BLA90 670>><br>Wire set<br>Engine                         |                             | 1   | PR:D19,7MG,<br>0GG,7GH,7MN<br>PR:D19,7GB |

Model: 92A 11

Model life 2011&gt;&gt;2018

| Pos | Part Number    | Description  | Remark        | Qty | Model              |
|-----|----------------|--|---------------|-----|--------------------|
| (1) | 958 607 627 20 | Wire set<br>Injection valve  |               | 1   | PR:D19             |
| (1) | 958 607 627 00 | Wire set<br>Injection valve  | cylinders 1-3 | 1   | PR:D19             |
| (1) | 958 607 010 40 | Wire set<br>Engine   | cylinders 4-6 | 1   | PR:D11,0GG         |
| (1) | 958 607 010 41 | F >> 92-BLA64 073<br>Wire set<br>Engine  |               | 1   | PR:D11,0GG         |
| (1) | 958 607 627 20 | F 92-BLA64 074>><br>Wire set<br>Injection valve                                    |               | 1   | PR:D11,0GG         |
| (1) | 958 607 627 00 | Wire set<br>Injection valve  | cylinders 1-3 | 1   | PR:D11,0GG         |
| 2   | 958 612 192 00 | Cable<br>Alternator  | cylinders 4-6 | 1   | PR:D34             |
| 3   | 958 612 122 01 | Cable<br>Starter   |               | 1   | PR:D34             |
| (3) | 948 607 087 01 | Cable<br>Starter   |               | 1   | 4802,4852          |
| (3) | 958 612 122 10 | Positive cable<br>Cable<br>Starter<br>Alternator                                   |               | 1   | PR:D50,D1V,<br>D43 |
| (3) | 958 612 122 11 | D >> - MJ 2012<br>Cable<br>Starter<br>Alternator                                   |               | 1   | PR:D43,D1V         |
| (3) | 958 612 122 30 | D - MJ 2013>><br>Cable<br>Starter<br>Alternator                                    |               | 1   | PR:DD8             |
| (3) | 958 612 122 20 | D - MJ 2013>><br>Cable<br>Starter<br>Alternator                                    |               | 1   | PR:D11             |
| 4   | 948 607 145 00 | Heat insulation<br>Cable<br>Alternator   |               | 1   | PR:D6V,D58         |
| 5   | 900 385 009 01 | Torx screw<br>BM 6 X 16  |               | X   | PR:D6V,D58         |
| 6   | 900 385 041 01 | Torx screw<br>BM 6 X 12<br>Mount<br>Ground cable                                   |               | 4   | PR:D6V,D58         |
| 6   | N 104 648 02   | Valve cover<br>Oval hexagon socket head bolt<br>TP 4 X 12<br>Mount<br>Ground cable |               | 4   | PR:-D6V,-D58       |
| 7   | 958 612 123 00 | Valve cover<br>Cable guide<br>Connection point<br>Engine bay                       |               | 1   | PR:D34,D6V,<br>D58 |
| 8   | 958 607 103 00 | Cover cap<br>Starter   |               | 1   | PR:D34             |
| 9   | 948 607 251 00 | Cable guide - upper part<br>Cover for timing chain                                 |               | 1   | PR:D34             |
| 10  | 948 607 161 00 | Cable guide - lower part   |               | 1   | PR:D34             |

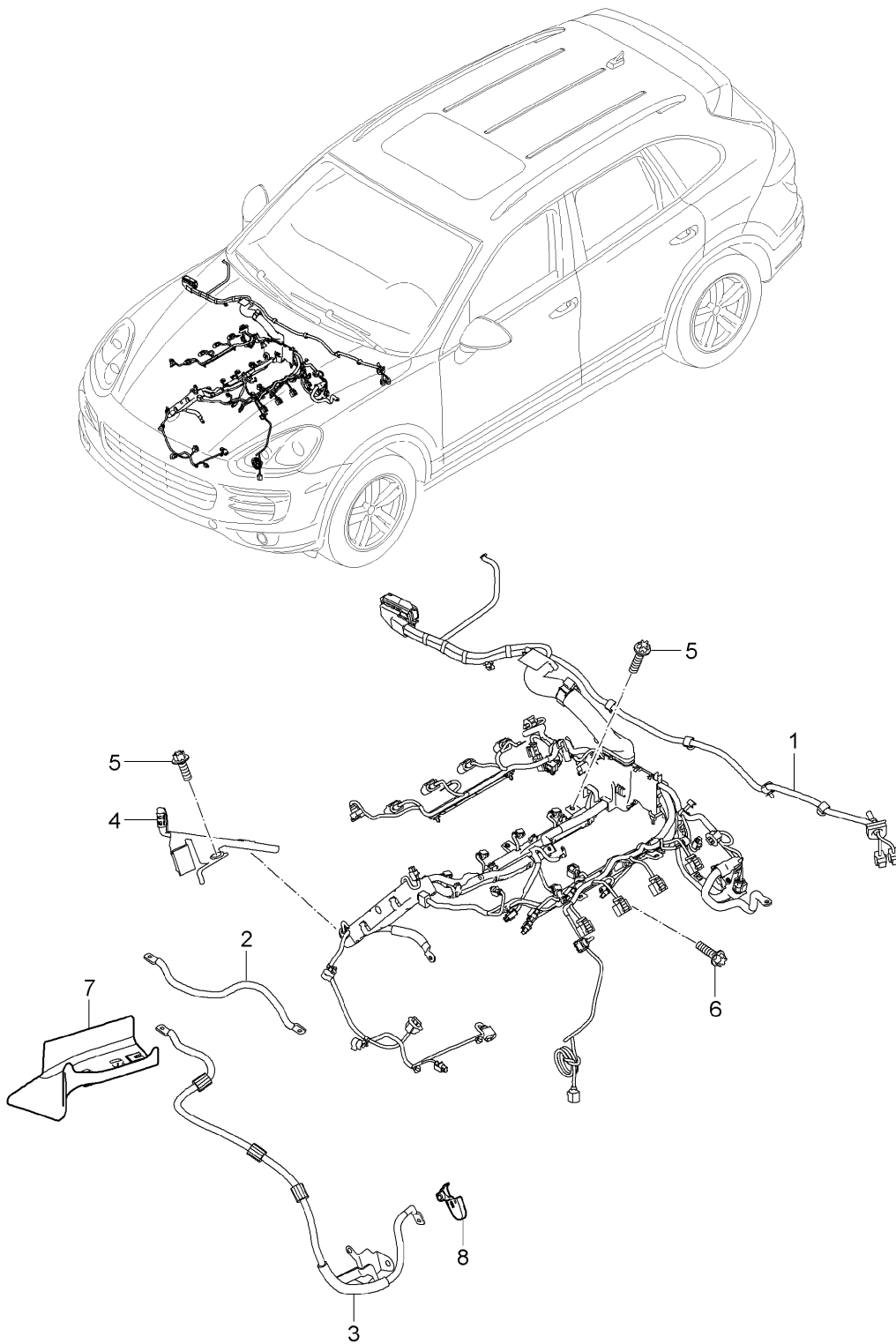
Model: 92A 11

Model life 2011>>2018

| Pos | Part Number | Description                                  | Remark  | Qty | Model |
|-----|-------------|--|---------|-----|-------|
| 11  |             | Connector<br>Sensor<br><br>see illustration: | 107-025 |     |       |

Model: 92A 11

Model life 2011>>2018



Model: 92A 11 Model life 2011>>2018

| Pos | Part Number    | Description   | Remark        | Qty | Model                                  |
|-----|----------------|---|---------------|-----|--|
| 1   | 948 607 018 00 | Wiring looms<br>Engine<br>D - MJ 2015>><br>Wire set<br>Engine |               | 1   | PR:DT1,DT5                             |
| (1) | 946 607 011 01 | Wire set<br>Engine<br>also use: 948 607 314 00                |               | 1   | PR:DU2,DU3                             |
| (1) | 946 607 011 02 | D >> - MJ 2016<br>Wire set<br>Engine                          |               | 1   | PR:DU2,DU3                             |
| (1) | 958 607 010 00 | D - MJ 2017>><br>Wire set<br>Engine                           |               | 1   | PR:D34                                 |
| (1) | 958 607 011 00 | Wire set<br>Engine  |               | 1   | PR:D19,0GG,<br>7MJ,7MM,7MN,<br>0K3,7GH |
| (1) | 958 607 011 10 | Wire set<br>Engine  |               | 1   | PR:D19,0K3,<br>7GB                     |
| (1) | 958 607 627 20 | Wire set<br>Injection valve                                   |               | 1   | PR:D19                                 |
| (1) | 958 607 627 00 | Wire set<br>Injection valve                                   | cylinders 1-3 | 1   | PR:D19                                 |
| (1) | 958 607 010 41 | Wire set<br>Engine  | cylinders 4-6 | 1   | PR:D11                                 |
| (1) | 958 607 627 20 | Wire set<br>Injection valve                                   |               | 1   | PR:D11,0GG                             |
| (1) | 958 607 627 00 | Wire set<br>Injection valve                                   | cylinders 1-3 | 1   | PR:D11                                 |
| (1) | 958 607 011 30 | Wire set<br>Engine  | cylinders 4-6 | 1   | PR:D43,0GZ                             |
| (1) | 958 607 011 40 | Wire set<br>Engine  |               | 1   | PR:D43,0GG,<br>7GH                     |
| (1) | 958 607 011 50 | Wire set<br>Engine  |               | 1   | PR:D43,7MJ                             |
| (1) | 958 607 011 70 | Wire set<br>Engine  |               | 1   | PR:DD7,DV7,<br>D1V,D51,7MM             |
| (1) | 958 607 012 00 | Wire set<br>Engine  |               | 1   | PR:DD8,L0L,<br>0GG,7GH                 |
| (1) | 958 607 012 10 | Wire set<br>Engine  |               | 1   | PR:DD8,L0L,<br>7MJ                     |
| (1) | 958 607 012 15 | Wire set<br>Engine  |               | 1   | PR:DD8,L0L,<br>7MM                     |
| (1) | 958 607 012 20 | Wire set<br>Engine  |               | 1   | PR:DD8,L0R,<br>0GG,7GH                 |
| (1) | 958 607 012 30 | Wire set<br>Engine  |               | 1   | PR:DD8,L0R,<br>7MJ                     |
| (1) | 958 607 012 35 | Wire set<br>Engine  |               | 1   | PR:DD8,L0R,<br>7MM                     |
| 3   | 958 612 122 01 | Cable<br>Positive cable<br>Battery<br>for<br>Starter          |               | 1   | PR:D34                                 |
| (3) | 946 607 089 00 | Battery cable<br>Positive cable<br>for<br>Starter             |               | 1   | PR:DU2,DU3                             |
| (3) | 958 612 122 12 | Cable   |               | 1   | PR:D1V,D43,                            |

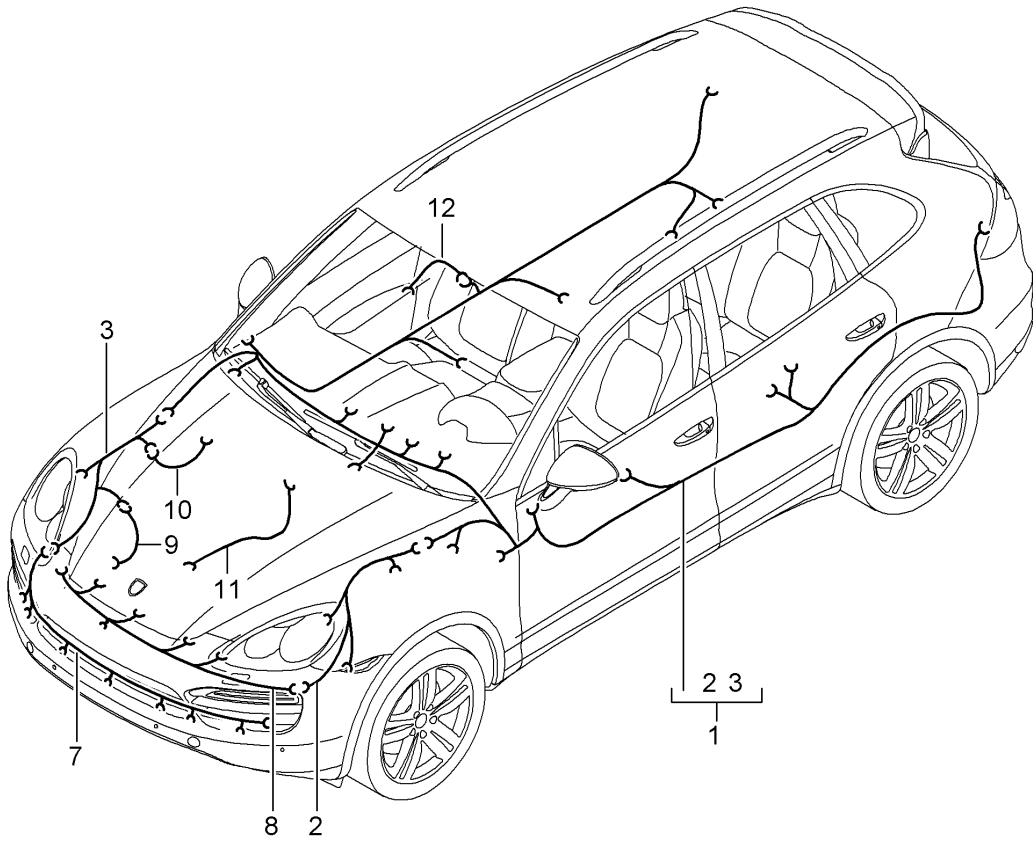
Model: 92A 11

Model life 2011>>2018

| Pos | Part Number    | Description  | Remark | Qty | Model                                |
|-----|----------------|--|--------|-----|--------------------------------------|
| (3) | 958 612 122 30 | Starter<br>Alternator<br>Cable   |        | 1   | D50, DV7, DD7,<br>D51<br>PR:DD8      |
| (3) | 946 607 069 01 | Starter<br>Alternator<br>Wire set  |        | 1   | PR:DU2,DU3                           |
| 4   | 948 607 145 00 | Starter<br>Heat insulation<br>Cable  |        | 1   | PR:DT1,DT5                           |
| 5   | 900 385 009 01 | Alternator<br>Torx screw   |        | X   | PR:DT1,DT5                           |
| 6   | 900 385 041 01 | BM 6 X 16<br>Torx screw<br>BM 6 X 12<br>Mount                                      |        | 4   | PR:DT1,DT5                           |
| 6   | N 104 648 02   | Ground cable<br>Valve cover<br>Oval hexagon socket head bolt<br>TP 4 X 12<br>Mount |        | 4   | PR:-DT1,-DT5                         |
| 7   | 958 612 123 00 | Ground cable<br>Valve cover<br>Cable guide<br>Connection point<br>Engine bay       |        | 1   |                                      |
| 8   | 958 607 103 00 | Cover cap<br>Starter   |        | 1   | PR:D34,DT1,<br>DU2,DU3,DT5<br>PR:D34 |

Model: 92A 11

Model life 2011>>2018





Model: 92A 11 Model life 2011>>2018

| Pos | Part Number    | Description  | Remark         | Qty | Model   |
|-----|----------------|--|----------------|-----|---|
| 1   | 958 612 901 00 | Wiring looms<br>Passenger compartment bumper<br>FRONT luggage compartment anti-locking brake syst. -abs-<br>brake pad wear display<br>Front axle<br>D >> - MJ 2014 |                | 1   |   |
| -   | 958 612 461 00 | Wire set<br>Passenger compartment<br>* Part number must be ordered<br>* manually by indicating<br>* vehicle ID number.<br>Heat insulation for<br>Rubber grommet    |                | 1   | PR:D34,D19,<br>D11  |
| 2   | 958 612 913 00 | Wire set<br>Gearbox<br>part section wiring harness<br>modify in workshop   | left<br>front  | 1   | PR:-D19,8BB,<br>8BF,8BR   |
| (2) | 958 612 915 00 | Wire set<br>part section wiring harness<br><br>modify in workshop  | left<br>front  | 1   | PR:-D19,8BC,<br>8BE,8BT,8BZ,<br>8EA,8EC,8ED,<br>8EE,8EF,8EG,<br>8EH,8JD,8JE,<br>8JG,8JJ |
| 2   | 958 612 917 00 | Wire set<br>part section wiring harness<br>modify in workshop  | left<br>front  | 1   | PR:D19,8BB,<br>8BF,8BR  |
| (2) | 958 612 919 00 | Wire set<br>part section wiring harness<br>modify in workshop  | left<br>front  | 1   | PR:D19,8BC,<br>8BE,8BT,8BZ,<br>8EA,8EC,8ED,<br>8EE,8EF,8EG,<br>8EH,8JD,8JE,<br>8JG,8JJ  |
| 3   | 958 612 912 00 | Wire set<br>part section wiring harness<br>modify in workshop  | right<br>front | 1   | PR:8BB,8BF,<br>8BR  |
| (3) | 958 612 914 00 | Wire set<br>part section wiring harness<br>modify in workshop  | right<br>front | 1   | PR:8BC,8BE,<br>8BT,8BZ,8EA,<br>8EC,8ED,8EE,<br>8EF,8EG,8EH,<br>8JD,8JE,8JG,<br>8JJ      |
| 7   | 958 612 331 00 | Wire set<br>bumper   | front          | 1   | PR:D58  |
| 7   | 958 612 331 00 | Wire set<br>bumper   | front          | 1   | PR:E0W,7X2,<br>7X8  |
| 7   | 958 612 331 30 | D - MJ 2013>><br>Wire set<br>bumper  | front          | 1   | PR:E0W,7X0  |
| 7   | 958 612 331 10 | D - MJ 2013>><br>Wire set<br>bumper  | front          | 1   | PR:D34,D6V,<br>7X2,7X8  |
| 7   | 958 612 331 10 | Wire set<br>bumper   | front          | 1   | PR:D50,D1V,<br>D11,7X2,7X8,<br>D43,DD8  |
| 7   | 958 612 331 10 | Wire set<br>bumper   | front          | 1   | PR:D19,7X2,<br>7X8  |
| 7   | 958 612 331 20 | Wire set<br>bumper   | front          | 1   | PR:D34,D6V,<br>7X0  |
| 7   | 958 612 331 20 | Wire set<br>bumper   | front          | 1   | PR:D50,D1V,<br>D11,7X0,D43,<br>DD8  |
| 7   | 958 612 331 20 | Wire set<br>bumper   | front          | 1   | PR:D19,7X0  |
| 8   | 958 612 360 00 | Wire set<br>FRONT luggage compartment  |                | 1   | PR:8T3  |

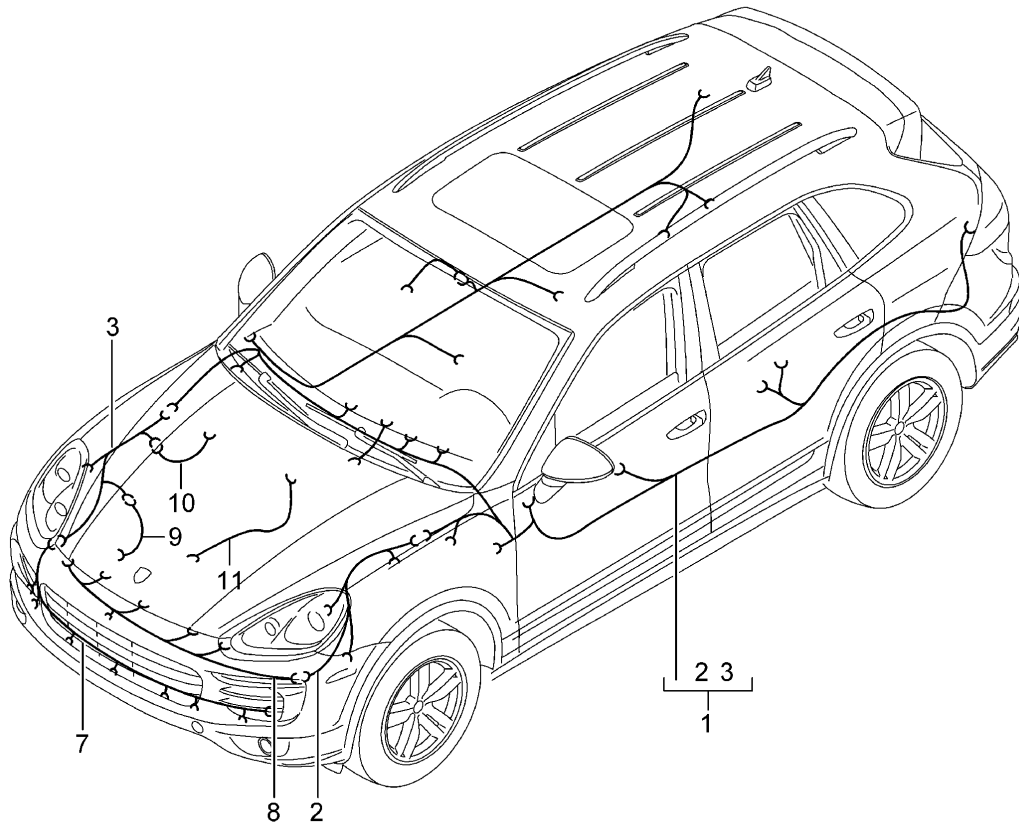
Model: 92A 11

Model life 2011&gt;&gt;2018

| Pos | Part Number    | Description  | Remark | Qty | Model  |
|-----|----------------|--|--------|-----|--------|
| (8) | 958 612 360 10 | Wire set<br>FRONT luggage compartment                                      |        | 1   | PR:8T1 |
| 9   | 958 612 677 00 | Wire set<br>Sensor<br>Airbag   | right  | 1   |        |
| 10  | 958 612 321 00 | Wire set<br>anti-locking brake syst. -abs-<br>brake pad wear display       | front  | 2   |        |
| 11  | 958 612 204 00 | Wire set<br>Bonnet   |        | 1   |        |
|     |                | with:  |        |     |        |
| 12  | 958 612 375 00 | Hoses<br>Windscreen washer system<br>Wire set<br>Rain sensor<br>Windscreen |        | 1   |        |

Model: 92A 11

Model life 2011>>2018



Model: 92A 11 Model life 2011>>2018

| Pos | Part Number    | Description   | Remark | Qty | Model   |
|-----|----------------|---|--------|-----|---|
| 1   | 958 612 901 00 | Wiring looms<br>Passenger compartment<br>bumper<br>FRONT luggage compartment<br>anti-locking brake syst. -abs-<br>brake pad wear display<br>Front axle<br>D - MJ 2015>><br>Wire set<br>Passenger compartment<br>* Part number must be ordered<br>* manually by indicating<br>* vehicle ID number. |        | 1   |   |
| -   | 958 612 461 00 | Heat insulation<br>for<br>Rubber grommet<br>Wire set<br>Gearbox   |        | 1   | PR:D34,D19,<br>D11                                      |
| 2   | 958 612 913 10 | Wire set<br>part section wiring harness   | front  | 1   | PR:-D19,8BC,<br>8BZ,8JD,8BE,<br>8EA,8EE,8EF,<br>8EG,8JE |
| (2) | 958 612 915 10 | modify in workshop<br>Wire set<br>part section wiring harness<br>modify in workshop   | front  | 1   | PR:-D19,8EX,<br>8EY,8IS                                 |
| (2) | 958 612 916 10 | Wire set<br>part section wiring harness<br>modify in workshop   | front  | 1   | PR:D19,8EX,<br>8EY,8IS,8JE                              |
| (2) | 958 612 917 10 | Wire set<br>part section wiring harness   | front  | 1   | PR:D19,8BC,<br>8BZ,8JD,8BE,<br>8EA,8EE,8EF,<br>8EG,8JE  |
| 3   | 958 612 912 10 | modify in workshop<br>Wire set<br>part section wiring harness<br>modify in workshop   | front  | 1   | PR:8EX,8EY,<br>8IS                                      |
| (3) | 958 612 914 10 | Wire set<br>part section wiring harness   | front  | 1   | PR:8BC,8BZ,<br>8JD,8BE,8EA,<br>8EE,8EF,8EG,<br>8JE      |
| 7   | 958 612 332 00 | modify in workshop<br>Wire set<br>bumper  | front  | 1   | PR:7X2,7X8,<br>8F2                                      |
| 7   | 958 612 332 10 | D >> - MJ 2016<br>Wire set<br>bumper  | front  | 1   | PR:7X0,7X9,<br>8F5                                      |
| 7   | 958 612 332 20 | D >> - MJ 2016<br>Wire set<br>bumper  | front  | 1   | PR:7X2,7X8,<br>8F5                                      |
| 7   | 958 612 332 30 | D >> - MJ 2016<br>Wire set<br>bumper  | front  | 1   | PR:7X0,7X9,<br>8F2                                      |
| 7   | 958 612 332 40 | D >> - MJ 2016<br>Wire set<br>bumper  | front  | 1   | PR:8A4,8F2  |
| 7   | 958 612 332 50 | D >> - MJ 2016<br>Wire set<br>bumper  | front  | 1   | PR:8A4,8F5  |
| 7   | 958 612 332 60 | D >> - MJ 2016<br>Wire set<br>bumper  | front  | 1   |   |
| (8) | 958 612 360 20 | D - MJ 2017>><br>Wire set<br>FRONT luggage compartment<br>D >> - MJ 2016  |        | 1   | PR:8T1,-D11,<br>7G5,7G9,7I0,<br>7I2                     |

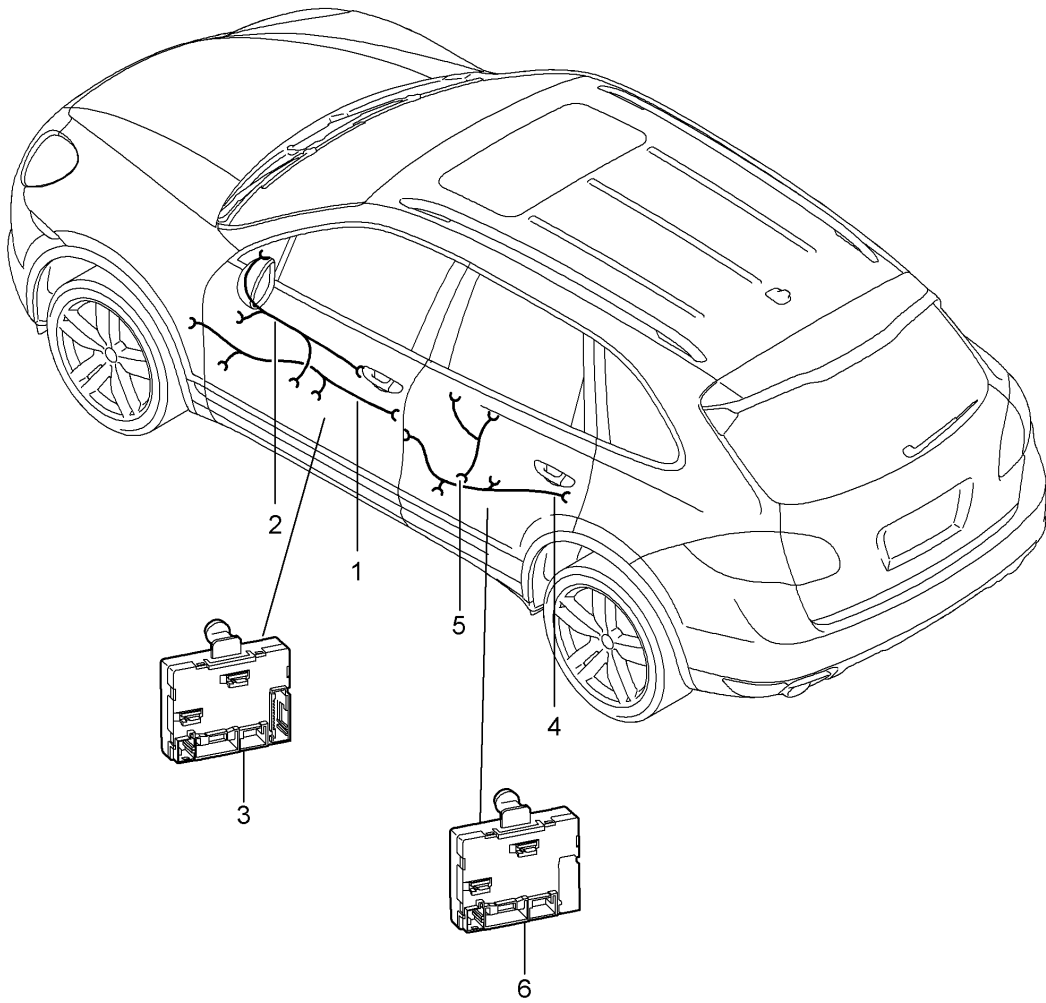
Model: 92A 11

Model life 2011>>2018

| Pos | Part Number    | Description  | Remark | Qty | Model                                  |
|-----|----------------|--|--------|-----|--|
| (8) | 958 612 360 21 | Wire set<br>FRONT luggage compartment<br>D >> - MJ 2016              |        | 1   | PR:8T1,-7G5,<br>-7G9,-7I0,<br>-7I2,DV7 |
| (8) | 958 612 360 21 | Wire set<br>FRONT luggage compartment<br>D - MJ 2017>>               |        | 1   | PR:8T1,-D11                            |
| (8) | 958 612 360 40 | Wire set<br>FRONT luggage compartment<br>D >> - MJ 2016              |        | 1   | PR:8T3,-D11,<br>7G5,7G9,7I0,<br>7I2    |
| (8) | 958 612 360 41 | Wire set<br>FRONT luggage compartment<br>D - MJ 2017>>               |        | 1   | PR:8T3,-D11                            |
| (8) | 958 612 360 30 | Wire set<br>FRONT luggage compartment                                |        | 1   | PR:8T1,D11                             |
| (8) | 958 612 360 50 | Wire set<br>FRONT luggage compartment                                |        | 1   | PR:8T3,D11                             |
| 9   | 958 612 677 10 | Wire set<br>Sensor<br>Airbag<br>Fanfare<br>High-pitched              | right  | 1   |  |
| 10  | 958 612 321 01 | Wire set<br>anti-locking brake syst. -abs-<br>brake pad wear display | front  | 2   |  |
| 11  | 958 612 204 10 | Wire set<br>Bonnet<br><br>with:<br>Hoses<br>Windscreen washer system |        | 1   |  |

Model: 92A 11

Model life 2011>>2018



Model: 92A 11 Model life 2011>>2018

| Pos | Part Number    | Description   | Remark | Qty | Model               |
|-----|----------------|---|--------|-----|---------------------|
| 1   | 958 612 610 00 | Wiring looms<br>Control units<br>doors<br>D >> - MJ 2014<br>Wire set<br>Assembly frame<br>Driver's door |        | 1   | PR:8RV,0K0,<br>-IY2 |
| 1   | 958 612 610 01 | D >> - MJ 2013<br>Wire set<br>Assembly frame<br>Driver's door   |        | 1   | PR:8RV,0K0,<br>IY2  |
| 1   | 958 612 610 01 | D - MJ 2013>><br>Wire set<br>Assembly frame<br>Driver's door  |        | 1   | PR:8RV,0K0          |
| 1   | 958 612 610 40 | D - MJ 2014>><br>Wire set<br>Assembly frame<br>Driver's door  |        | 1   | PR:8RV,0K1,<br>-IY2 |
| 1   | 958 612 610 41 | D >> - MJ 2013<br>Wire set<br>Assembly frame<br>Driver's door   |        | 1   | PR:8RV,0K1,<br>IY2  |
| 1   | 958 612 610 41 | D - MJ 2013>><br>Wire set<br>Assembly frame<br>Driver's door  |        | 1   | PR:8RV,0K1          |
| 1   | 958 612 610 10 | D - MJ 2014>><br>Wire set<br>Assembly frame<br>Driver's door  |        | 1   | PR:9VK,0K0,<br>-IY2 |
| 1   | 958 612 610 11 | D >> - MJ 2013<br>Wire set<br>Assembly frame<br>Driver's door   |        | 1   | PR:9VK,0K0,<br>IY2  |
| 1   | 958 612 610 11 | D - MJ 2013>><br>Wire set<br>Assembly frame<br>Driver's door  |        | 1   | PR:9VK,0K0          |
| 1   | 958 612 610 50 | D - MJ 2014>><br>Wire set<br>Assembly frame<br>Driver's door  |        | 1   | PR:9VK,0K1,<br>-IY2 |
| 1   | 958 612 610 51 | D >> - MJ 2013<br>Wire set<br>Assembly frame<br>Driver's door   |        | 1   | PR:9VK,0K1,<br>IY2  |
| 1   | 958 612 610 51 | D - MJ 2013>><br>Wire set<br>Assembly frame<br>Driver's door  |        | 1   | PR:9VK,0K1          |
| 1   | 958 612 610 20 | D - MJ 2014>><br>Wire set<br>Assembly frame<br>Driver's door  |        | 1   | PR:9VL,0K0,<br>-IY2 |
| 1   | 958 612 610 21 | D >> - MJ 2013<br>Wire set<br>Assembly frame<br>Driver's door   |        | 1   | PR:9VL,0K0,<br>IY2  |
| 1   | 958 612 610 21 | D - MJ 2013>><br>Wire set<br>Assembly frame<br>Driver's door  |        | 1   | PR:9VL,0K0          |

Model: 92A 11

Model life 2011&gt;&gt;2018

| Pos | Part Number    | Description  | Remark | Qty | Model               |
|-----|----------------|--|--------|-----|---------------------|
| 1   | 958 612 610 60 | D - MJ 2014>><br>Wire set<br>Assembly frame<br>Driver's door<br>D >> - MJ 2013 |        | 1   | PR:9VL,0K1,<br>-IY2 |
| 1   | 958 612 610 61 | Wire set<br>Assembly frame<br>Driver's door<br>D - MJ 2013>>                   |        | 1   | PR:9VL,0K1,<br>IY2  |
| 1   | 958 612 610 61 | Wire set<br>Assembly frame<br>Driver's door<br>D - MJ 2014>>                   |        | 1   | PR:9VL,0K1          |
| 1   | 958 612 610 30 | Wire set<br>Assembly frame<br>Driver's door<br>D >> - MJ 2013                  |        | 1   | PR:9VJ,0K0,<br>-IY2 |
| 1   | 958 612 610 31 | Wire set<br>Assembly frame<br>Driver's door<br>D - MJ 2013>>                   |        | 1   | PR:9VJ,0K0,<br>IY2  |
| 1   | 958 612 610 31 | Wire set<br>Assembly frame<br>Driver's door<br>D - MJ 2014>>                   |        | 1   | PR:9VJ,0K0          |
| 1   | 958 612 610 70 | Wire set<br>Assembly frame<br>Driver's door<br>D >> - MJ 2013                  |        | 1   | PR:9VJ,0K1,<br>-IY2 |
| 1   | 958 612 610 71 | Wire set<br>Assembly frame<br>Driver's door<br>D - MJ 2013>>                   |        | 1   | PR:9VJ,0K1,<br>IY2  |
| 1   | 958 612 610 71 | Wire set<br>Assembly frame<br>Driver's door<br>D - MJ 2014>>                   |        | 1   | PR:9VJ,0K1          |
| 1   | 958 612 611 00 | Wire set<br>Assembly frame<br>Passenger's door                                 |        | 1   | PR:8RV              |
| 1   | 958 612 611 10 | Wire set<br>Assembly frame<br>Passenger's door                                 |        | 1   | PR:9VK              |
| 1   | 958 612 611 20 | Wire set<br>Assembly frame<br>Passenger's door                                 |        | 1   | PR:9VL,4F2,<br>4F6  |
| 1   | 958 612 611 30 | Wire set<br>Assembly frame<br>Passenger's door                                 |        | 1   | PR:9VJ              |
| 1   | 958 612 611 40 | Wire set<br>Assembly frame<br>Passenger's door                                 |        | 1   | PR:9VL,4K0,<br>4K3  |
| 2   | 958 612 620 00 | Wire set<br>door panel<br>Driver's door<br>D >> - MJ 2011                      |        | 1   |                     |
| 2   | 958 612 620 10 | Wire set<br>door panel<br>Driver's door<br>D - MJ 2012>> - MJ 2012             |        | 1   |                     |
| 2   | 958 612 620 11 | Wire set<br>door panel<br>Driver's door  |        | 1   |                     |



Model: 92A 11 Model life 2011>>2018

| Pos | Part Number    | Description   | Remark | Qty | Model      |
|-----|----------------|---|--------|-----|------------|
| 2   | 958 612 621 00 | D - MJ 2013>><br>Wire set<br>door panel<br>Passenger's door<br>D >> - MJ 2011 |        | 1   |            |
| 2   | 958 612 621 10 | Wire set<br>door panel<br>Passenger's door<br>D - MJ 2012>> - MJ 2012         |        | 1   |            |
| 2   | 958 612 621 11 | Wire set<br>door panel<br>Passenger's door<br>D - MJ 2013>>                   |        | 1   |            |
| 3   | 958 618 793 00 | Door control unit<br>(drivers side)<br>D >> - MJ 2011<br>Discontinued part    | front  | 1   |            |
| 3   | 958 618 793 01 | Door control unit<br>(drivers side)<br>D >> - MJ 2011                         | front  | 1   |            |
| 3   | 958 618 793 02 | Door control unit<br>(drivers side)<br>D - MJ 2012>> - MJ 2012                | front  | 1   |            |
| 3   | 4H0 959 793 P  | Door control unit<br>(drivers side)<br>D - MJ 2013>>                          | front  | 1   |            |
| 3   | 4H0 959 793 AA | Door control unit<br>(drivers side)<br>D - MJ 2014>>                          | front  | 1   | PR:IY1     |
| (3) | 958 618 792 00 | Door control unit<br>(passenger side)<br>D >> - MJ 2011<br>Discontinued part  | front  | 1   |            |
| (3) | 958 618 792 01 | Door control unit<br>(passenger side)<br>D >> - MJ 2011                       | front  | 1   |            |
| (3) | 958 618 792 02 | Door control unit<br>(passenger side)<br>D - MJ 2012>> - MJ 2012              | front  | 1   |            |
| (3) | 4H0 959 792 M  | Door control unit<br>(passenger side)<br>D - MJ 2013>>                        | front  | 1   |            |
| (3) | 4H0 959 792 Q  | Door control unit<br>(passenger side)<br>D - MJ 2014>>                        | front  | 1   |            |
| 4   | 958 612 630 00 | Wire set<br>Assembly frame  | rear   | 2   | PR:8RV,9VK |
| 4   | 958 612 630 10 | Wire set<br>Assembly frame  | rear   | 2   | PR:9VL     |
| 4   | 958 612 630 20 | Wire set<br>Assembly frame  | rear   | 2   | PR:9VJ     |
| 5   | 958 612 640 00 | Wire set<br>door panel<br>D >> - MJ 2012                                      | rear   | 2   |            |
| 5   | 958 612 640 01 | Wire set<br>door panel<br>D - MJ 2013>>                                       | rear   | 2   |            |
| 6   | 958 618 795 00 | Door control unit<br>D >> - MJ 2011<br>Discontinued part                      | rear   | 2   | PR:3Y0     |
| 6   | 958 618 795 01 | Door control unit<br>D >> - MJ 2012   | rear   | 2   | PR:3Y0     |
| 6   | 4H0 959 795 J  | Door control unit   | rear   | 2   | PR:3Y0     |

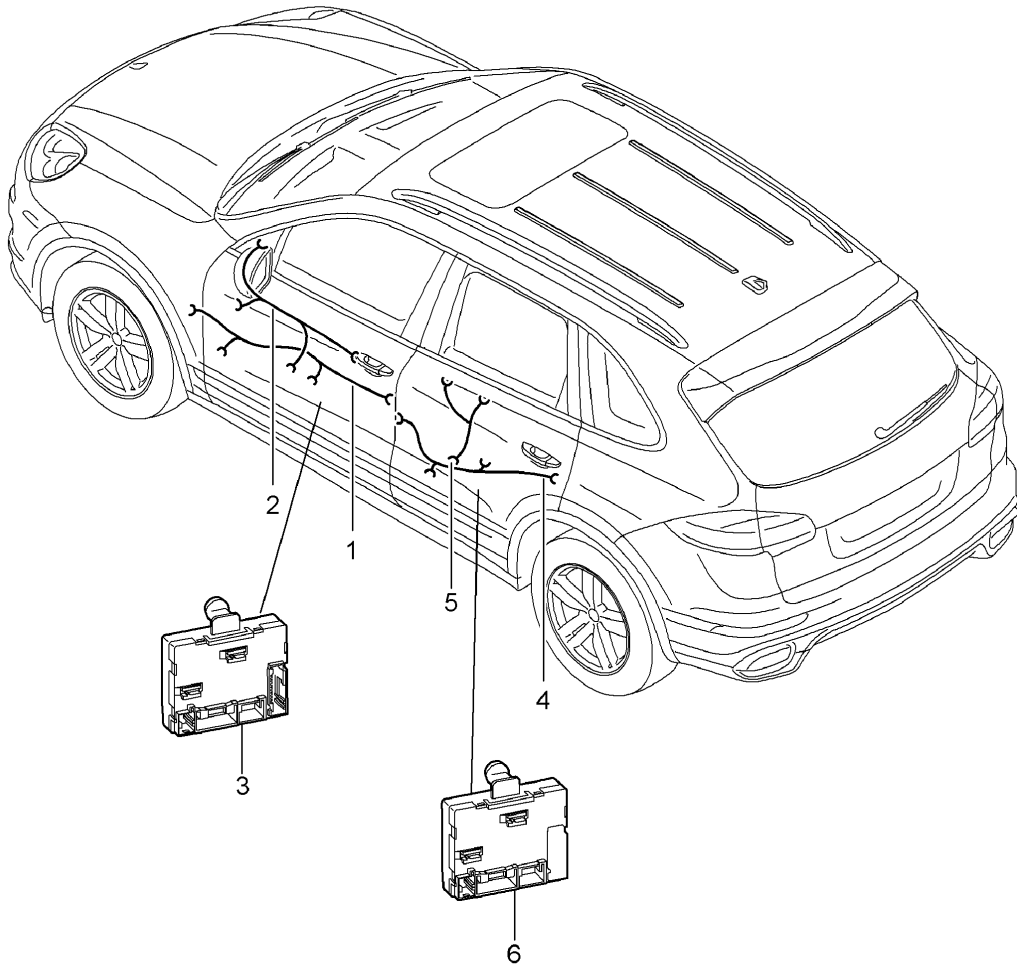
Model: 92A 11

Model life 2011>>2018

| Pos | Part Number    | Description  | Remark  | Qty | Model  |
|-----|----------------|--|---------|-----|--------|
| (6) | 4H0 959 795 P  | D >> - 10.11.2013<br>D - MJ 2013>><br>Door control unit                | rear    | 2   | PR:3Y0 |
| (6) | 958 618 795 10 | D - 11.11.2013>><br>Door control unit                                  | rear    | 2   | PR:3Y8 |
| (6) | 958 618 795 11 | D >> - MJ 2011<br>Discontinued part<br>Door control unit               | rear    | 2   | PR:3Y8 |
| (6) | 4H0 959 795 K  | D >> - MJ 2012<br>Door control unit                                    | rear    | 2   | PR:3Y8 |
| (6) | 4H0 959 795 L  | D - MJ 2013>><br>Door control unit                                     | rear    | 2   | PR:3Y8 |
| -   |                | D - MJ 2014>><br>Cable ties<br>for<br>Repair work<br>see illustration: | 902-010 |     |        |

Model: 92A 11

Model life 2011>>2018

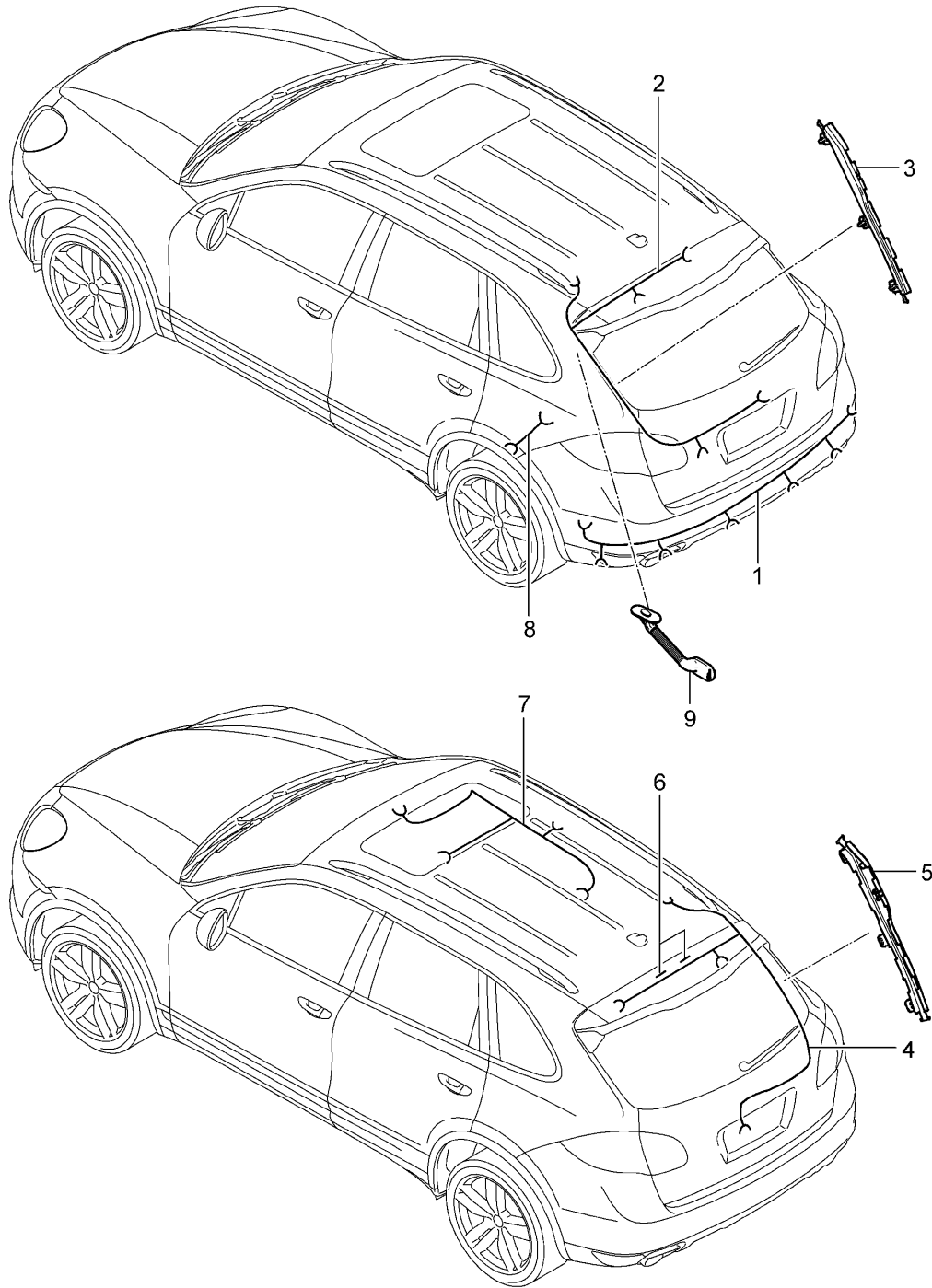


Model: 92A 11 Model life 2011>>2018

| Pos | Part Number    | Description  | Remark | Qty | Model              |
|-----|----------------|--|--------|-----|--------------------|
| 1   | 958 612 612 40 | Wiring looms<br>Control units<br>doors<br>D - MJ 2015>><br>Wire set<br>Assembly frame<br>Driver's door |        | 1   | PR:8RV             |
| 1   | 958 612 612 50 | Wire set<br>Assembly frame<br>Driver's door  |        | 1   | PR:9VK             |
| 1   | 958 612 612 60 | Wire set<br>Assembly frame<br>Driver's door  |        | 1   | PR:9VL             |
| 1   | 958 612 612 70 | Wire set<br>Assembly frame<br>Driver's door  |        | 1   | PR:9VJ             |
| 1   | 958 612 613 40 | Wire set<br>Assembly frame<br>Passenger's door   |        | 1   | PR:8RV             |
| 1   | 958 612 613 50 | Wire set<br>Assembly frame<br>Passenger's door   |        | 1   | PR:9VK             |
| 1   | 958 612 613 60 | Wire set<br>Assembly frame<br>Passenger's door   |        | 1   | PR:9VL             |
| 1   | 958 612 613 70 | Wire set<br>Assembly frame<br>Passenger's door   |        | 1   | PR:9VJ             |
| 2   | 958 612 620 20 | Wire set<br>door panel<br>(passenger side)   |        | 1   |                    |
| 2   | 958 612 621 20 | Wire set<br>door panel<br>(drivers side)   |        | 1   |                    |
| 3   | 4H0 959 793 AC | Door control unit<br>(drivers side)  | front  | 1   | PR:-GZ2            |
| (3) | 4H0 959 792 S  | Door control unit<br>(passenger side)  | front  | 1   | PR:-GZ2            |
| (3) | 4H0 959 793 T  | Door control unit<br>(drivers side)  | front  | 1   | PR:GZ2             |
| (3) | 4H0 959 792 P  | Door control unit<br>(passenger side)  | front  | 1   | PR:GZ2             |
| 4   | 958 612 631 00 | Wire set<br>Assembly frame   | rear   | 2   | PR:8RV,9VK,<br>GZ2 |
| (4) | 958 612 631 05 | Wire set<br>Assembly frame   | rear   | 2   | PR:8RV,9VK,<br>GZ0 |
| (4) | 958 612 631 10 | Wire set<br>Assembly frame   | rear   | 2   | PR:9VL,GZ2         |
| (4) | 958 612 631 15 | Wire set<br>Assembly frame   | rear   | 2   | PR:9VL,GZ0         |
| (4) | 958 612 631 20 | Wire set<br>Assembly frame   | rear   | 2   | PR:9VJ,GZ2         |
| (4) | 958 612 631 25 | Wire set<br>Assembly frame   | rear   | 2   | PR:9VJ,GZ0         |
| 5   | 958 612 640 10 | Wire set<br>door panel   | rear   | 2   |                    |
| 6   | 4H0 959 795 P  | Door control unit  | rear   | 2   | PR:3Y0,GZ0         |
| (6) | 4H0 959 795 L  | Door control unit  | rear   | 2   | PR:3Y7             |
| (6) | 4H0 959 795 L  | Door control unit  | rear   | 2   | PR:3Y0,GZ2         |

Model: 92A 11

Model life 2011>>2018



Model: 92A 11 Model life 2011>>2018

| Pos | Part Number    | Description  | Remark | Qty | Model  |
|-----|----------------|--|--------|-----|--|
|     |                | Wiring looms<br>Rear end<br>roof trim<br>anti-locking brake syst. -abs-<br>brake pad wear display<br>Rear axle<br>D >> - MJ 2014 |        |     |  |
| 1   | 958 612 831 00 | Wire set<br>bumper   |        | 1   | PR:7X2,7X8   |
| 2   | 958 612 803 00 | Wire set<br>Rear lid   | left   | 1   | PR:QV1,QV5,<br>QU0,0K0                                 |
| 2   | 958 612 803 20 | Wire set<br>Rear lid   | left   | 1   | PR:QV1,QV5,<br>QU0,0K1                                 |
| (2) | 958 612 803 10 | Wire set<br>Rear lid   | left   | 1   | PR:QV0,0K0   |
| (2) | 958 612 803 30 | Wire set<br>Rear lid   | left   | 1   | PR:QV0,0K1   |
| 3   | 958 612 849 00 | Cable guide<br>Rear lid  | left   | 1   |  |
| 4   | 958 612 814 01 | Wire set<br>Rear lid   | right  | 1   | PR:GY1,4E0,<br>7Q0,7T1,7T4,<br>8AJ,8YZ,0K0,<br>2D0     |
| 4   | 958 612 818 00 | Wire set<br>Rear lid   | right  | 1   | PR:GY1,4E0,<br>7Q0,7T1,7T4,<br>8AJ,8YZ,0K1,<br>2D0     |
| (4) | 958 612 814 11 | Wire set<br>Rear lid   | right  | 1   | PR:GY0,4E0,<br>7Q0,7T1,7T4,<br>8AJ,8YZ,0K0,<br>2D0     |
| (4) | 958 612 818 10 | Wire set<br>Rear lid   | right  | 1   | PR:GY0,4E0,<br>7Q0,7T1,7T4,<br>8AJ,8YZ,0K1,<br>2D0     |
| (4) | 958 612 814 21 | Wire set<br>Rear lid   | right  | 1   | PR:GY1,4E0,<br>7Q0,7T1,7T4,<br>8DQ,8DV,0K0,<br>7Q7,2D0 |
| (4) | 958 612 818 20 | Wire set<br>Rear lid   | right  | 1   | PR:GY1,4E0,<br>7Q0,7T1,7T4,<br>8DQ,8DV,0K1,<br>7Q7,2D0 |
| (4) | 958 612 814 31 | Wire set<br>Rear lid   | right  | 1   | PR:GY0,4E0,<br>7Q0,7T1,7T4,<br>8DQ,8DV,0K0,<br>7Q7,2D0 |
| (4) | 958 612 818 30 | Wire set<br>Rear lid   | right  | 1   | PR:GY0,4E0,<br>7Q0,7T1,7T4,<br>8DQ,8DV,0K1,<br>7Q7,2D0 |
| (4) | 958 612 814 41 | Wire set<br>Rear lid   | right  | 1   | PR:GY1,4E7,<br>7Q0,7T1,7T4,<br>8AJ,8YZ,0K0,<br>2D0     |
| (4) | 958 612 818 40 | Wire set<br>Rear lid   | right  | 1   | PR:GY1,4E7,<br>7Q0,7T1,7T4,<br>8AJ,8YZ,0K1,<br>2D0     |
| (4) | 958 612 814 51 | Wire set<br>Rear lid   | right  | 1   | PR:GY1,4E7,<br>7Q0,7T1,7T4,<br>8DQ,8DV,0K0,<br>7Q7,2D0 |

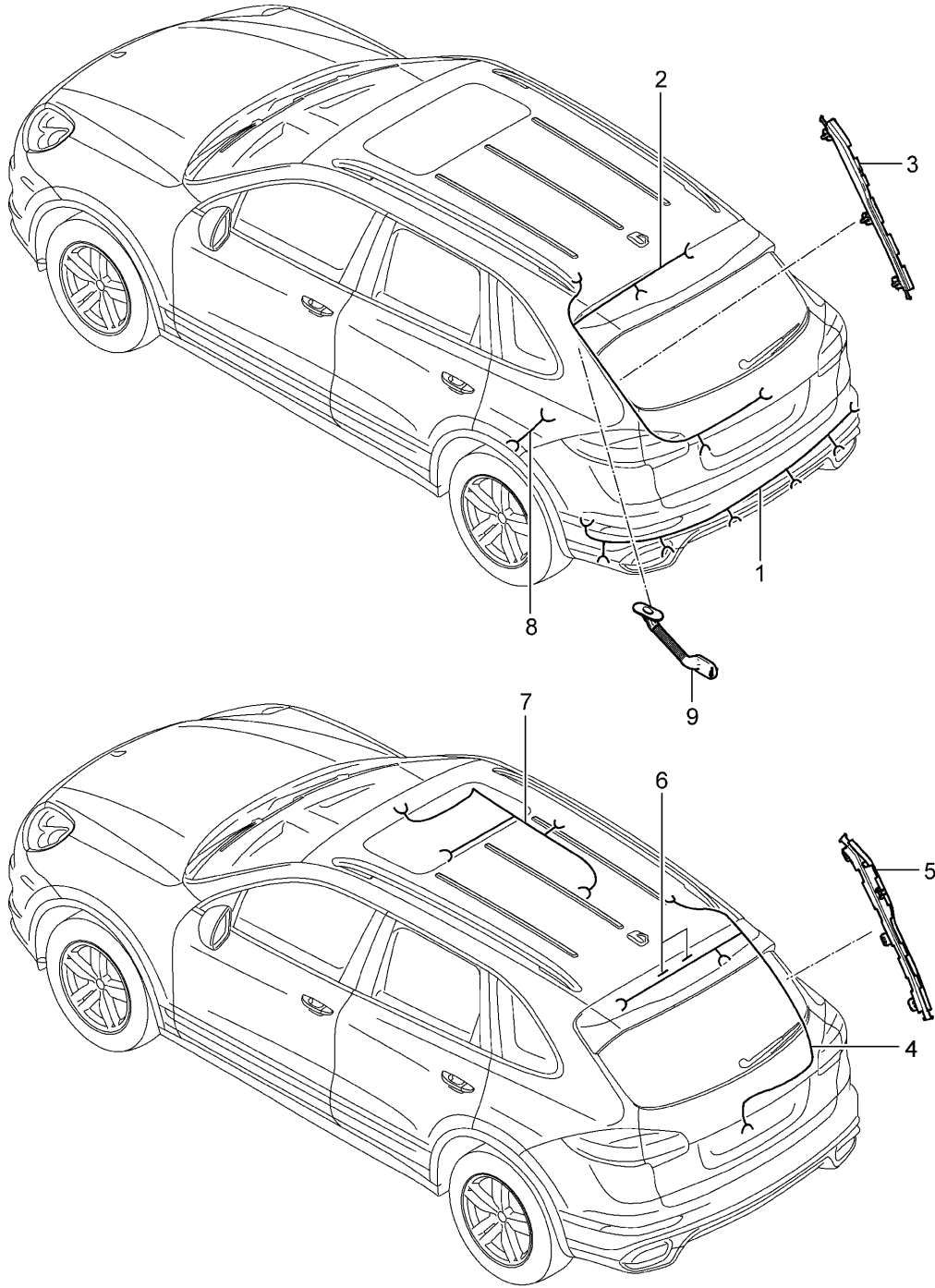
Model: 92A 11

Model life 2011&gt;&gt;2018

| Pos | Part Number    | Description  | Remark | Qty | Model  |
|-----|----------------|--|--------|-----|--|
| (4) | 958 612 818 50 | Wire set<br>Rear lid   | right  | 1   | PR:GY1,4E7,<br>7Q0,7T1,7T4,<br>8DQ,8DV,0K1,<br>7Q7,2D0 |
| (4) | 958 612 818 52 | Wire set<br>Rear lid   | right  | 1   | PR:4E7,7Q0,<br>7T1,7T4,8DQ,<br>8DV,0K0,7Q7,<br>2D1,2D2 |
| (4) | 958 612 818 53 | Wire set<br>Rear lid   | right  | 1   | PR:4E7,7Q0,<br>7T1,7T4,8DQ,<br>8DV,0K1,7Q7,<br>2D1,2D2 |
| (4) | 958 612 816 01 | Wire set<br>Rear lid   | right  | 1   | PR:GY0,4E0,<br>7Q4,0K1                                 |
| (4) | 958 612 820 00 | Wire set<br>Rear lid   | right  | 1   | PR:GY0,4E0,<br>7Q4,0K1                                 |
| (4) | 958 612 816 11 | Wire set<br>Rear lid   | right  | 1   | PR:GY1,4E7,<br>7Q4,0K0                                 |
| (4) | 958 612 820 10 | Wire set<br>Rear lid   | right  | 1   | PR:GY1,4E7,<br>7Q4,0K1                                 |
| -   | 958 612 890 00 | Bracket for flat connector<br>housing<br>Wire set<br>and<br>Rear lid | right  | 1   |  |
| 5   | 958 612 850 00 | Cable guide<br>Rear lid  | right  | 1   |  |
| 6   | 958 612 852 00 | Velcro<br>modify in workshop   |        | 2   |  |
| 7   | 958 612 808 00 | Wire set<br>roof trim  |        | 1   |  |
| 8   | 958 612 821 00 | Wire set<br>anti-locking brake syst. -abs-<br>brake pad wear display | rear   | 2   |  |
| 9   | 958 971 905    | Cable support sleeve   | left   | 1   |  |
| (9) | 958 971 905 A  | Cable support sleeve   | right  | 1   |  |

Model: 92A 11

Model life 2011>>2018





Model: 92A 11 Model life 2011>>2018

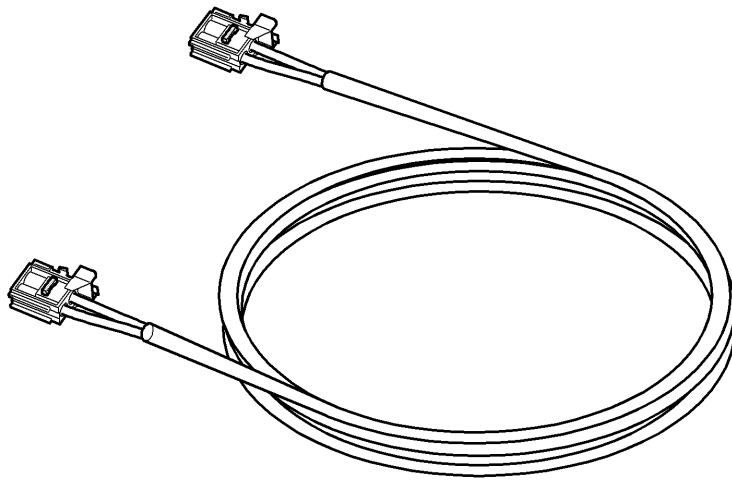
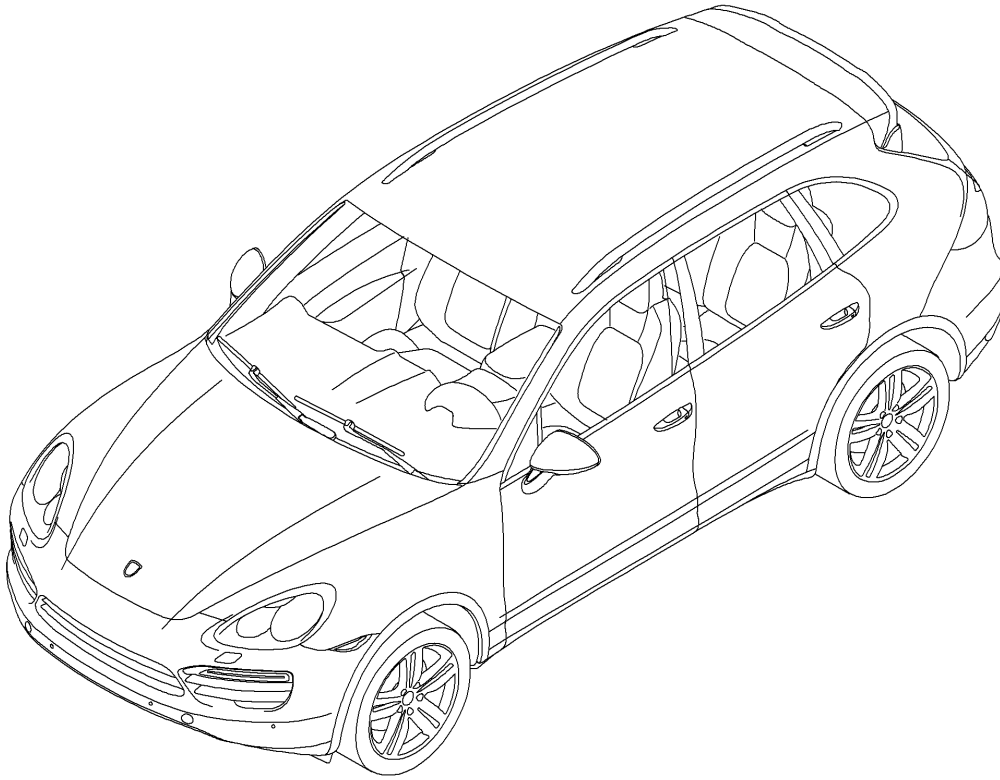
| Pos | Part Number    | Description   | Remark | Qty | Model  |
|-----|----------------|---|--------|-----|--|
|     |                | Wiring looms<br>Rear end<br>roof trim<br>anti-locking brake syst. -abs-<br>brake pad wear display<br>Rear axle<br>D - MJ 2015>> |        |     |  |
| 1   | 958 612 832 00 | Wire set<br>bumper  |        | 1   | PR:7X2,7X8,<br>8A4                               |
| (2) | 958 612 803 40 | Wire set<br>Rear lid  | left   | 1   | PR:QV1,QV5,<br>0K0,-8A4,<br>-7Q4                 |
| (2) | 958 612 803 50 | Wire set<br>Rear lid  | left   | 1   | PR:QV1,QV5,<br>0K3,-8A4,<br>-7Q4                 |
| (2) | 958 612 803 60 | Wire set<br>Rear lid  | left   | 1   | PR:QU0,QV0,<br>QV3,QV4,QV8,<br>0K0,-8A4,<br>-7Q4 |
| (2) | 958 612 803 70 | Wire set<br>Rear lid  | left   | 1   | PR:QU0,QV0,<br>QV3,QV4,QV8,<br>0K3,-8A4,<br>-7Q4 |
| (2) | 958 612 803 80 | Wire set<br>Rear lid  | left   | 1   | PR:QV0,0K0,<br>7Q4,7X8,7X9                       |
| (2) | 958 612 803 90 | Wire set<br>Rear lid  | left   | 1   | PR:QV0,0K3,<br>7Q4,7X8,7X9                       |
| (2) | 958 612 804 00 | Wire set<br>Rear lid  | left   | 1   | PR:QV0,0K0,<br>7Q4,8A4                           |
| (2) | 958 612 804 10 | Wire set<br>Rear lid  | left   | 1   | PR:QV0,0K3,<br>7Q4,8A4                           |
| (2) | 958 612 804 20 | Wire set<br>Rear lid  | left   | 1   | PR:QU0,QV0,<br>QV3,QV4,QV8,<br>0K0,8A4,-7Q4      |
| (2) | 958 612 804 30 | Wire set<br>Rear lid  | left   | 1   | PR:QU0,QV0,<br>QV3,QV4,QV8,<br>0K3,8A4,-7Q4      |
| (2) | 958 612 804 40 | Wire set<br>Rear lid  | left   | 1   | PR:QV1,QV5,<br>0K0,8A4,-7Q4                      |
| (2) | 958 612 804 50 | Wire set<br>Rear lid  | left   | 1   | PR:QV1,QV5,<br>0K3,8A4,-7Q4                      |
| 3   | 958 612 849 00 | Cable guide<br>Rear lid   | left   | 1   |  |
| 4   | 958 612 824 00 | Wire set<br>Rear lid  | right  | 1   | PR:0K0,-7Q4,<br>7X0,7X2,8A4,<br>8AJ,8YZ          |
| (4) | 958 612 824 10 | D >> - MJ 2016<br>Wire set<br>Rear lid  | right  | 1   | PR:0K0,-7Q4,<br>7X0,7X2,8A4,<br>8DQ,8DV          |
| (4) | 958 612 824 20 | D >> - MJ 2016<br>Wire set<br>Rear lid  | right  | 1   | PR:0K0,7Q4,<br>7X0,7X2,8A4                       |
| (4) | 958 612 824 30 | D >> - MJ 2016<br>Wire set<br>Rear lid  | right  | 1   | PR:0K3,-7Q4,<br>7X0,7X2,8A4,<br>8AJ,8YZ          |
| (4) | 958 612 824 40 | D >> - MJ 2016<br>Wire set<br>Rear lid  | right  | 1   | PR:0K3,-7Q4,<br>7X0,7X2,8A4,<br>8DQ,8DV          |
| (4) | 958 612 824 50 | D >> - MJ 2016<br>Wire set  | right  | 1   | PR:0K3,7Q4,                                      |

Model: 92A 11 Model life 2011>>2018

| Pos | Part Number    | Description  | Remark | Qty | Model  |
|-----|----------------|--|--------|-----|--|
| (4) | 958 612 824 60 | Rear lid<br>D >> - MJ 2016<br>Wire set<br>Rear lid | right  | 1   | 7X0,7X2,8A4<br>PR:0K0,-7Q4,<br>7X8,7X9,8AJ,<br>8YZ     |
| (4) | 958 612 824 70 | D >> - MJ 2016<br>Wire set<br>Rear lid             | right  | 1   | PR:0K0,-7Q4,<br>7X8,7X9,8DQ,<br>8DV                    |
| (4) | 958 612 824 80 | D >> - MJ 2016<br>Wire set<br>Rear lid             | right  | 1   | PR:0K0,7Q4,<br>7X8,7X9                                 |
| (4) | 958 612 824 90 | D >> - MJ 2016<br>Wire set<br>Rear lid             | right  | 1   | PR:0K3,-7Q4,<br>7X8,7X9,8AJ,<br>8YZ                    |
| (4) | 958 612 825 00 | D >> - MJ 2016<br>Wire set<br>Rear lid             | right  | 1   | PR:0K3,-7Q4,<br>7X8,7X9,8DQ,<br>8DV                    |
| (4) | 958 612 825 10 | D >> - MJ 2016<br>Wire set<br>Rear lid             | right  | 1   | PR:0K3,7Q4,<br>7X8,7X9                                 |
| (4) | 958 971 148 00 | D >> - MJ 2016<br>Wire set<br>Rear lid             | right  | 1   | PR:2D0,ER1,<br>ER2,ER3,ER4,<br>ER6,ER7,ER8             |
| (4) | 958 971 148 01 | D - MJ 2017>><br>Wire set<br>Rear lid              | right  | 1   | PR:2D0,ER5   |
| (4) | 958 971 148 02 | D - MJ 2017>><br>Wire set<br>Rear lid              | right  | 1   | PR:2D1,2D2,<br>ER1,ER2,ER3,<br>ER4,ER6,ER7,<br>ER8     |
| (4) | 958 971 148 03 | D - MJ 2017>><br>Wire set<br>Rear lid              | right  | 1   | PR:2D1,2D2,<br>ER5                                     |
| (4) | 958 971 148 04 | D - MJ 2017>><br>Wire set<br>Rear lid              | right  | 1   | PR:2D0,ER1,<br>ER2,ER3,ER4,<br>ER6,ER7,ER8,<br>8A4     |
| (4) | 958 971 148 05 | D - MJ 2017>><br>Wire set<br>Rear lid              | right  | 1   | PR:2D0,ER5,<br>8A4                                     |
| (4) | 958 971 148 06 | D - MJ 2017>><br>Wire set<br>Rear lid              | right  | 1   | PR:2D1,2D2,<br>ER1,ER2,ER3,<br>ER4,ER6,ER7,<br>ER8,8A4 |
| (4) | 958 971 148 07 | D - MJ 2017>><br>Wire set<br>Rear lid              | right  | 1   | PR:2D1,2D2,<br>ER5,8A4                                 |
| 5   | 958 612 850 00 | D - MJ 2017>><br>Cable guide<br>Rear lid           | right  | 1   |  |
| 6   | 958 612 852 00 | Velcro<br>modify in workshop                       |        | 2   |  |
| 7   | 958 612 808 01 | Wire set<br>roof trim                              |        | 1   |  |
| 8   | 958 612 821 01 | Wire set<br>anti-locking brake syst. -abs-         | rear   | 2   |  |
| 9   | 958 971 905    | brake pad wear display<br>Cable support sleeve     | left   | 1   |  |
| (9) | 958 971 905 A  | Cable support sleeve                               | right  | 1   |  |

Model: 92A 11

Model life 2011>>2018



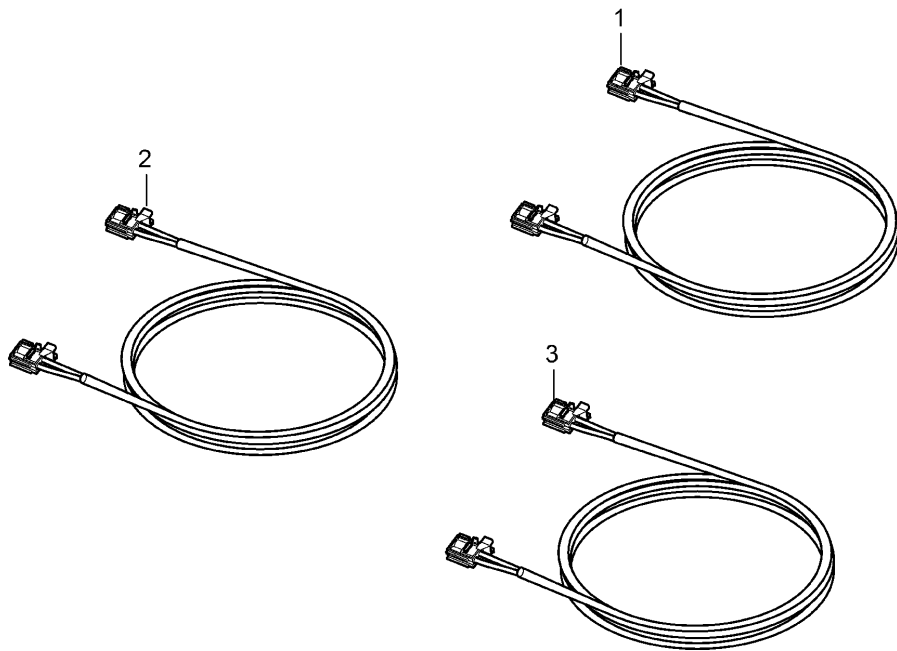
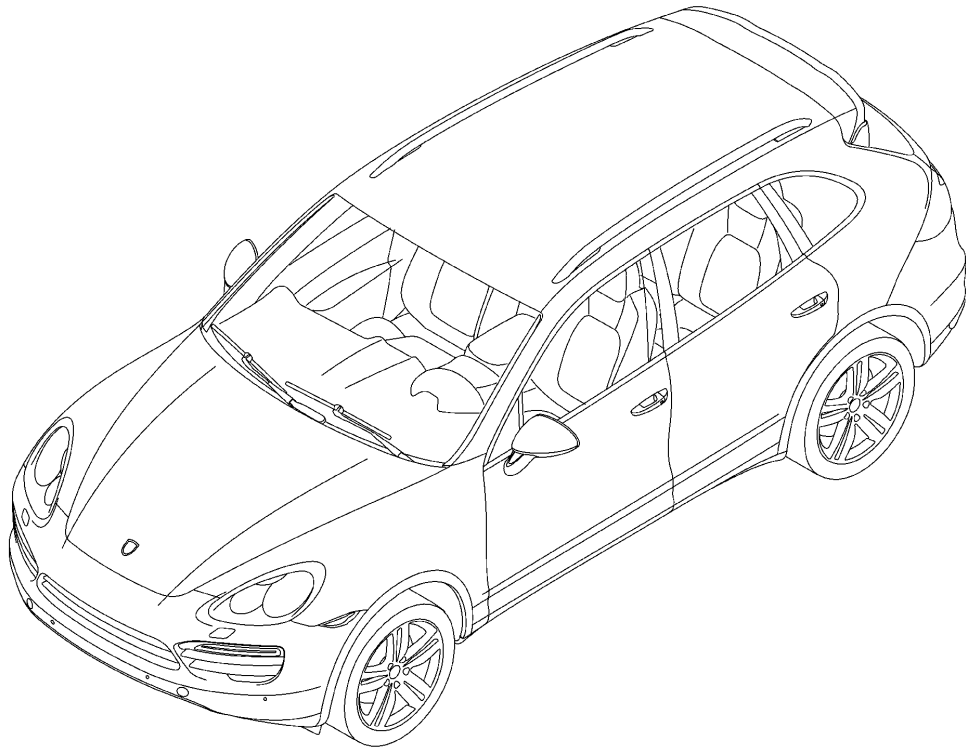
Model: 92A 11

Model life 2011>>2018

| Pos | Part Number    | Description                                  | Remark | Qty | Model                      |
|-----|----------------|--|--------|-----|----------------------------|
| -   | 958 622 401 00 | fibre optic wave conductor<br>D >> - MJ 2016 |        | 1   | PR:QV0,8AJ,<br>8DQ,8DV,9VL |
| -   | 958 622 402 00 | fibre optic wave conductor<br>Module         |        | 1   | PR:QV0,8AJ,<br>8DQ,8DV,9VJ |
| -   | 958 622 403 00 | fibre optic wave conductor<br>Module         |        | 1   | PR:QV1,8DV,<br>9VK         |
| -   | 958 622 404 00 | fibre optic wave conductor<br>Module         |        | 1   | PR:QV1,8DV,<br>9VL         |
| -   | 958 622 405 00 | fibre optic wave conductor<br>Module         |        | 1   | PR:QV1,8DV,<br>9VJ         |

Model: 92A 11

Model life 2011>>2018



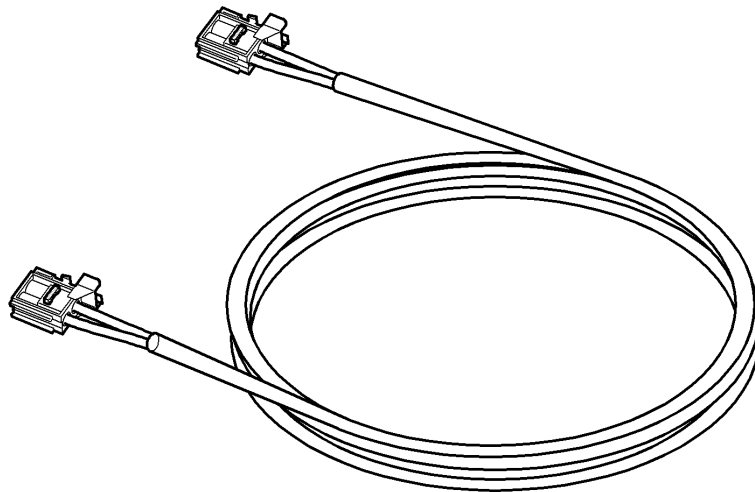
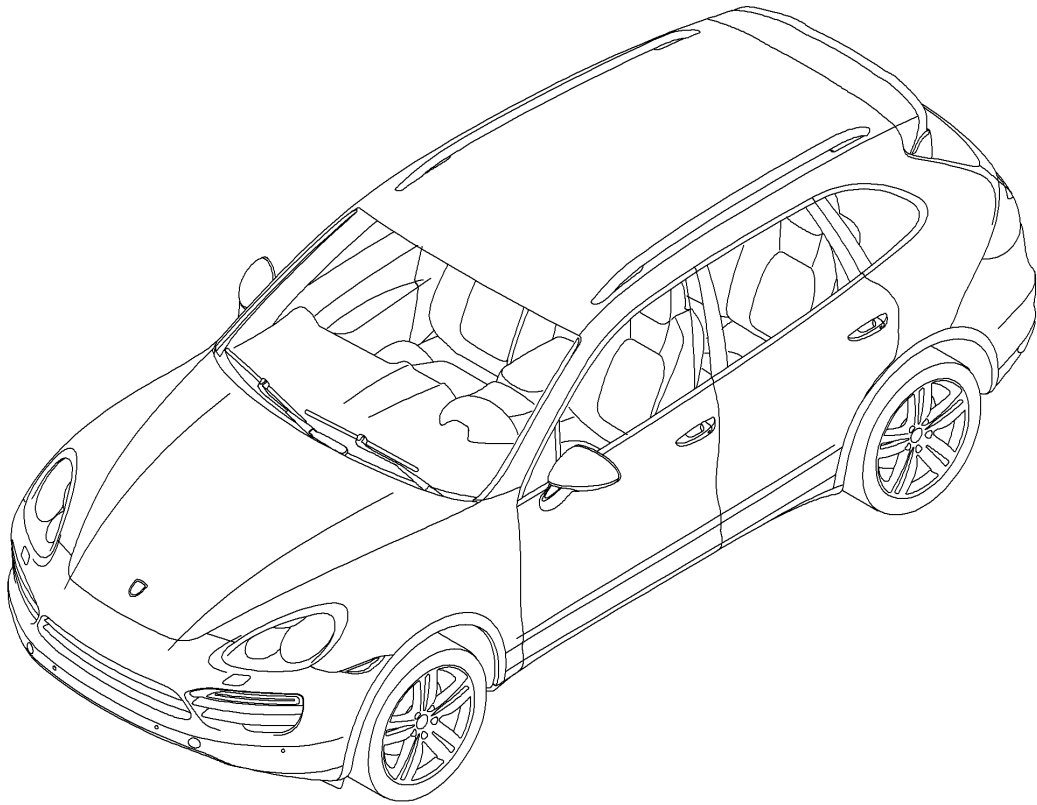
Model: 92A 11

Model life 2011>>2018

| Pos | Part Number    | Description   | Remark | Qty | Model                              |
|-----|----------------|---|--------|-----|------------------------------------|
| 1   | 958 970 268 00 | fibre optic wave conductor<br>D - MJ 2017>><br>fibre optic wave conductor<br>Module |        | 1   | PR:L0L,QU8,<br>QV0,QV3,9VL,<br>9VJ |
| (1) | 958 970 268 01 | fibre optic wave conductor<br>Module  |        | 1   | PR:L0R,QV0,<br>QV3,9VL,9VJ         |
| 2   | 958 970 268 02 | fibre optic wave conductor<br>Module  |        | 1   | PR:L0L,QU1,<br>QV1,9VK             |
| (2) | 958 970 268 03 | fibre optic wave conductor<br>Module  |        | 1   | PR:L0R,QU1,<br>QV1,9VK             |
| 3   | 958 970 268 04 | fibre optic wave conductor<br>Module  |        | 1   | PR:L0L,QU1,<br>QV1,9VJ,9VL         |
| (3) | 958 970 268 05 | fibre optic wave conductor<br>Module  |        | 1   | PR:L0R,QU1,<br>QV1,9VJ,9VL         |

Model: 92A 11

Model life 2011>>2018



Model: 92A 11

Model life 2011>>2018

| Pos | Part Number    | Description   | Remark | Qty | Model  |
|-----|----------------|---|--------|-----|--------|
| -   | 958 612 333 00 | Wiring looms<br>Airbag<br>Seat belt<br>Wire set<br>Airbag unit<br>(passenger side)<br>Setting 1<br>To<br>Control unit<br>Airbag<br>Connector<br>Light green | lhd    | 1   | PR:L0L |
| -   | 958 612 333 20 | Wire set<br>Airbag unit<br>(passenger side)<br>Setting 1<br>To<br>Control unit<br>Airbag<br>Connector<br>Light green  | rhd    | 1   | PR:L0R |
| -   | 958 612 333 10 | Wire set<br>Airbag unit<br>(passenger side)<br>Setting2<br>To<br>Control unit<br>Airbag<br>Connector<br>yellow  | lhd    | 1   | PR:L0L |
| -   | 958 612 333 30 | Wire set<br>Airbag unit<br>(passenger side)<br>Setting2<br>To<br>Control unit<br>Airbag<br>Connector<br>yellow  | rhd    | 1   | PR:L0R |
| -   | 958 612 335 00 | Wire set<br>Airbag unit<br>Head airbag unit<br>(drivers side)<br>To<br>Control unit<br>Airbag   | lhd    | 1   | PR:L0L |
| -   | 958 612 335 10 | Wire set<br>Airbag unit<br>Head airbag unit<br>(drivers side)<br>To<br>Control unit<br>Airbag   | rhd    | 1   | PR:L0R |
| -   | 958 612 335 30 | Wire set<br>Airbag unit<br>Head airbag unit<br>(passenger side)<br>To<br>Control unit<br>Airbag   | lhd    | 1   | PR:L0L |
| -   | 958 612 335 20 | Wire set<br>Airbag unit<br>Head airbag unit   | rhd    | 1   | PR:L0R |

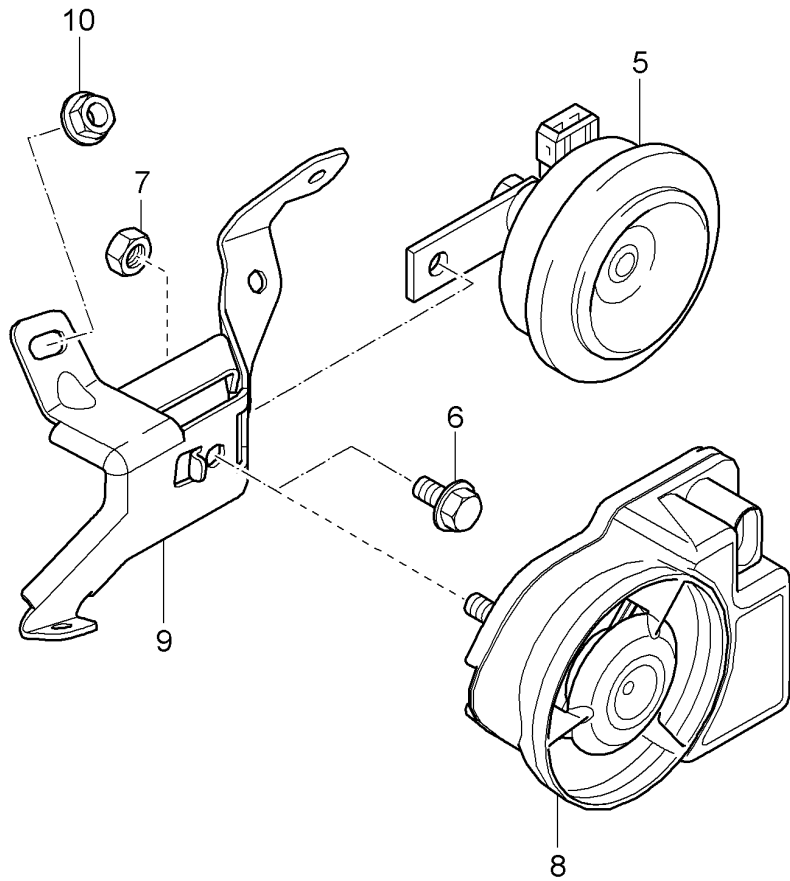
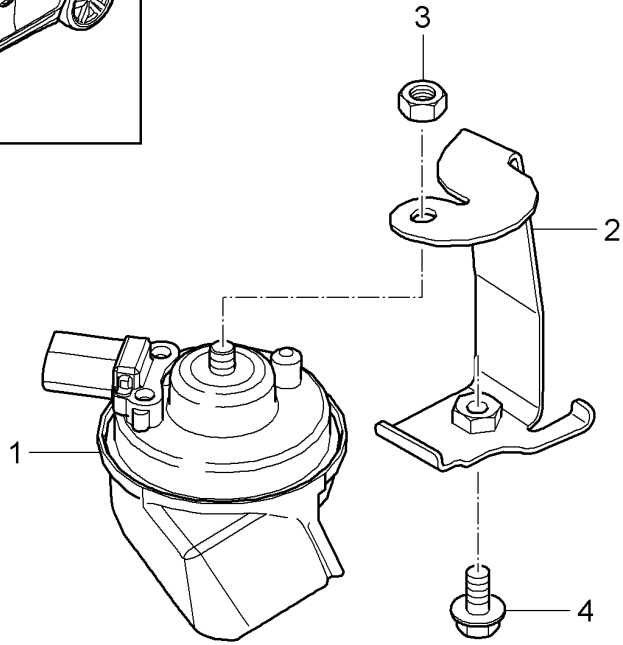
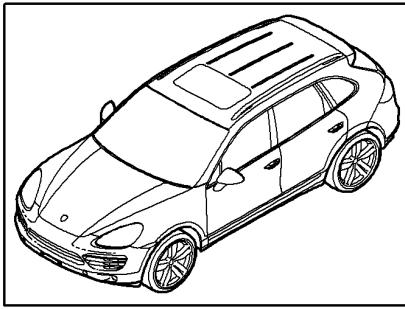


Model: 92A 11 Model life 2011>>2018

| Pos | Part Number    | Description  | Remark            | Qty | Model  |
|-----|----------------|--|-------------------|-----|--------|
| -   | 958 612 325 00 | (passenger side)<br>To<br>Control unit<br>Airbag<br>Wire set<br>Airbag unit<br>dashboard                       | lower             | 1   |        |
| -   | 958 612 345 00 | To<br>Control unit<br>Airbag<br>Wire set<br>Seat belt tensioner<br>(drivers side)                              |                   | 1   |        |
| -   | 958 612 345 10 | To<br>Control unit<br>Airbag<br>Connector<br>yellow<br>Wire set<br>Seat belt tensioner<br>(passenger side)     |                   | 1   |        |
| -   | 958 612 345 40 | To<br>Control unit<br>Airbag<br>Connector<br>yellow<br>Wire set<br>Seat belt tensioner                         | rear left<br>lhd  | 1   | PR:L0L |
| -   | 958 612 345 50 | To<br>Control unit<br>Airbag<br>Wire set<br>Seat belt tensioner  | rear left<br>rhd  | 1   | PR:L0R |
| -   | 958 612 345 60 | To<br>Control unit<br>Airbag<br>Wire set<br>Seat belt tensioner  | rear right<br>lhd | 1   | PR:L0L |
| -   | 958 612 345 70 | To<br>Control unit<br>Airbag<br>Wire set<br>Seat belt tensioner  | rear right<br>rhd | 1   | PR:L0R |
| -   | 958 612 373 00 | To<br>Control unit<br>Airbag<br>Wire set<br>Switch unit<br>Battery main switch<br>To<br>Control unit<br>Airbag |                   | 1   |        |

Model: 92A 11

Model life 2011>>2018

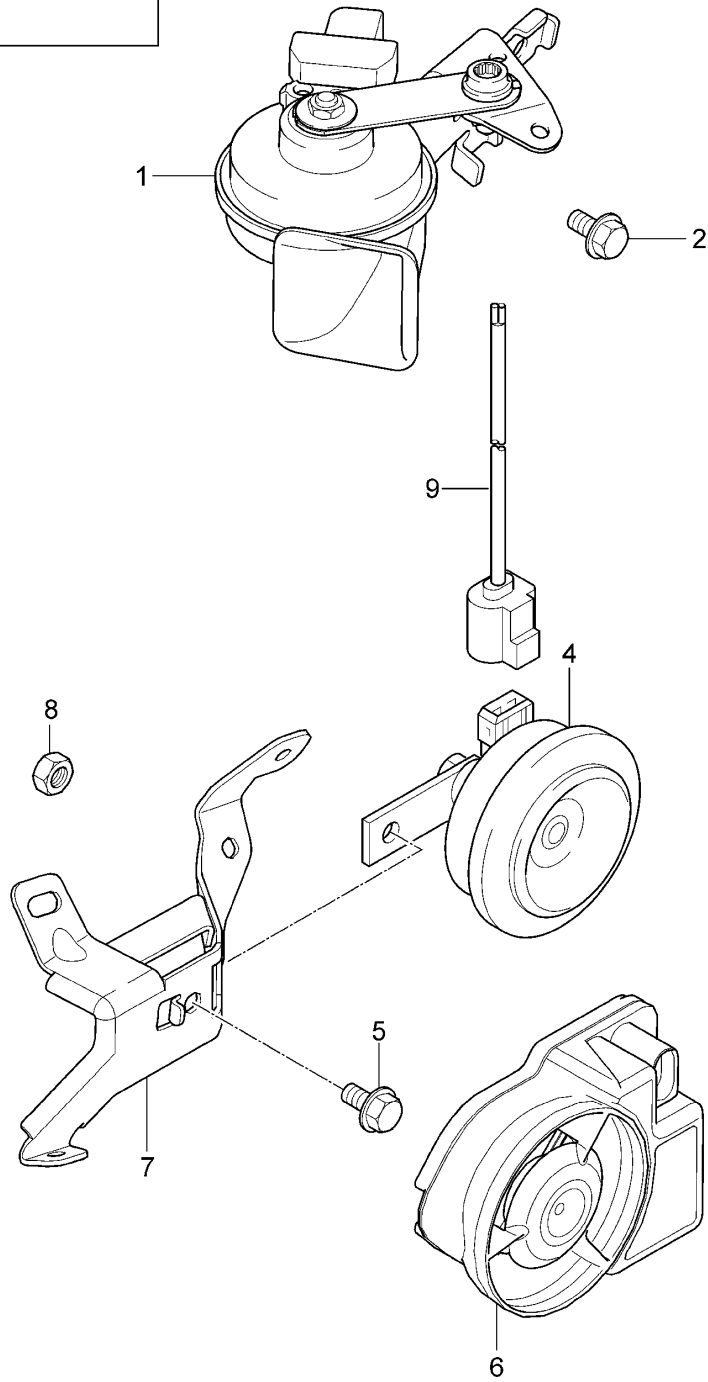
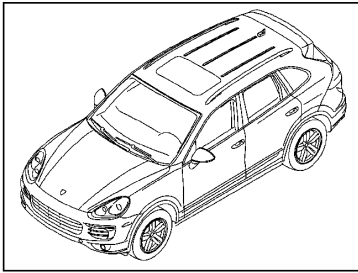


Model: 92A 11 Model life 2011>>2018

| Pos | Part Number    | Description   | Remark         | Qty | Model        |
|-----|----------------|---|----------------|-----|--------------|
| 1   | 958 635 205 00 | Fanfare<br>Signal horn<br>Alarm horn<br>D >> - MJ 2014  |                | 1   |              |
| 1   | 958 635 105 00 | Fanfare<br>Low-pitched                                  |                | 1   |              |
| 1   | 958 635 115 00 | Fanfare<br>Low-pitched<br>with:<br>Bracket<br>also use: | 970 612 935 00 | 1   |              |
| (1) | 958 635 206 00 | Cover<br>Fanfare<br>Low-pitched                         |                | 1   |              |
| (1) | 958 635 106 00 | Fanfare<br>High-pitched                                 |                | 1   |              |
| (1) | 958 635 116 00 | Fanfare<br>High-pitched<br>with:<br>also use:           | 970 612 935 00 | 1   |              |
| 2   | 958 635 160 00 | Cover<br>Fanfare<br>High-pitched                        |                | 1   |              |
| (2) | 958 635 161 00 | Bracket for fanfare<br>Low-pitched                      |                | 1   |              |
| 3   | 900 034 001 04 | Bracket for fanfare<br>High-pitched                     |                | 2   |              |
| 4   | N 104 139 05   | Nut<br>M 8  |                | 2   |              |
| 5   | 958 637 117 00 | hexagon head bolt (combi)<br>M 8 X 16                   |                | 1   | PR: 7AC, 7AK |
| 6   | N 910 730 01   | Signal horn<br>Hexagon bolt<br>M 8 X 16                 |                | 1   | PR: 7AC, 7AK |
| 7   | N 106 092 01   | Hexagon collar nut<br>M 8                               |                | 1   |              |
| 8   | 1K8 951 605 A  | Hexagon collar nut<br>M 8                               |                | 1   | PR: 7AH, 7AL |
| 9   | 958 637 150 00 | Alarm horn<br>Retainer for signal horn                  |                | 1   |              |
| 10  | N 015 082 10   | Hexagon collar nut<br>M 6                               |                | 2   |              |

Model: 92A 11

Model life 2011>>2018



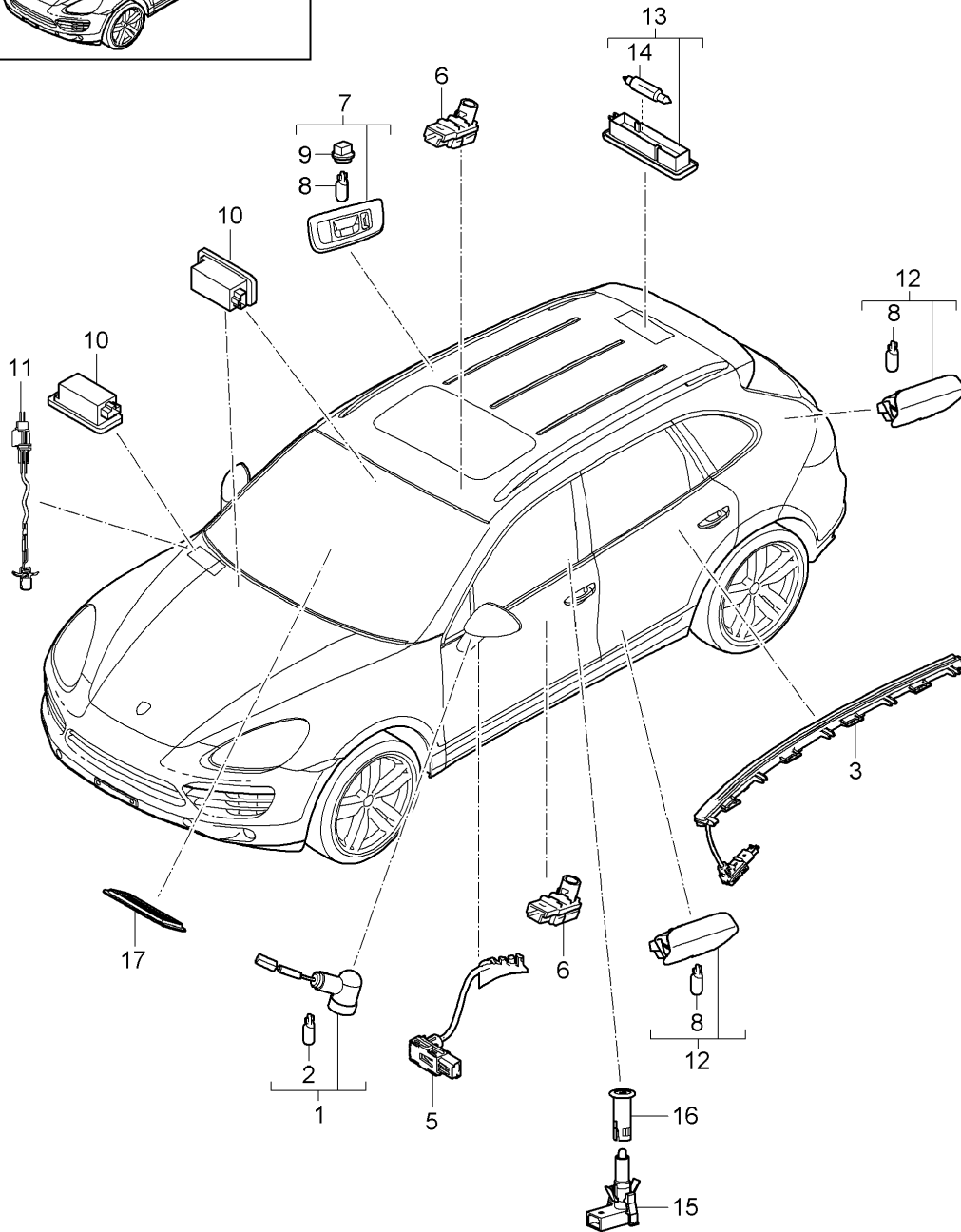
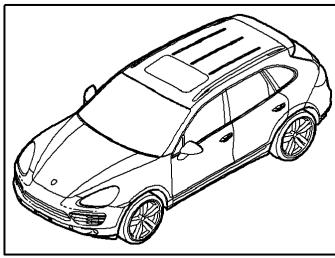
Model: 92A 11

Model life 2011>>2018

| Pos | Part Number    | Description  | Remark        | Qty | Model      |
|-----|----------------|--|---------------|-----|------------|
| 1   | 958 635 107 05 | Fanfare<br>Signal horn<br>Alarm horn<br>D - MJ 2015>><br>Fanfare<br>High-pitched |               | 1   |            |
| (1) | 958 635 108 05 | Fanfare<br>Low-pitched   | with:         | 1   |            |
| 2   | N 910 793 01   | Hex collared bolt<br>M 8 X 16  |               | 2   |            |
| 4   | 958 637 117 01 | Signal horn<br>D >> - 30.05.2016   |               | 1   | PR:7AC,7AK |
| (4) | 971 951 101    | Signal horn<br>use if required:  | 9P1 998 003 A | 1   | PR:7AC,7AK |
| 5   | N 910 730 01   | D - 31.05.2016>><br>Hexagon bolt<br>M 8 X 16                                     |               | 1   | PR:7AC,7AK |
| 6   | 1K8 951 605 B  | Alarm horn   |               | 1   | PR:7AH,7AL |
| 7   | 958 637 150 00 | Retainer for signal horn   |               | 1   |            |
| 8   | N 015 082 10   | Hexagon collar nut<br>M 6  |               | 2   |            |
| 9   | 9P1 998 003 A  | Wire set<br>Modification kit<br>Signal horn                                      |               | 1   | PR:7AC,7AK |

Model: 92A 11

Model life 2011>>2018



Model: 92A 11 Model life 2011>>2018

| Pos | Part Number        | Description   | Remark  | Qty | Model                              |
|-----|--------------------|---|---|-----|------------------------------------|
|     |                    | Interior lights<br>Luggage compartment lamp<br>Door warning light<br>Footwell light<br>Light<br>Exterior mirror<br>D >> - MJ 2014 |   |     |                                    |
| 1   | 958 631 611 00     | Light   | left  | 1   | PR:5SG,5SJ,<br>5SL,9TF             |
| (1) | 958 631 613 00     | Exterior mirror<br>Light  | left  | 1   | PR:5RP,5SU,<br>9TF                 |
| (1) | 958 631 612 00     | Exterior mirror<br>Light  | right   | 1   | PR:5RQ,5RR,<br>5RT,5RV,5SJ,<br>9TF |
| (1) | 958 631 614 00     | Exterior mirror<br>Light  | right   | 1   | PR:5RP,5RV,<br>5SU,9TF             |
| 2   | 999 631 032 90     | bulb<br>5 W   |   | 1   | PR:9TF                             |
| 3   | 958 632 211 00     | Light<br>Door   | left<br>front   | 1   | PR:9MB                             |
|     | 958 632 211 00 5Q0 | Black   | -LC, LG, LH, MA,<br>MF, MI, TA, TB,<br>TW, YA, YB, YC |     |                                    |
|     | 958 632 211 00 3T0 | Espresso  | -VA, VB   |     |                                    |
|     | 958 632 211 00 4U0 | Platinum Grey   | -LD, MD, YD   |     |                                    |
|     | 958 632 211 00 6W0 | Luxor beige   | -LE, MC, YE   |     |                                    |
|     | 958 632 211 00 DE1 | Umber   | -LF, TX, TY, YF                                       |     |                                    |
| (3) | 958 632 212 00     | Light<br>Door   | right<br>front  | 1   | PR:9MB                             |
|     | 958 632 212 00 5Q0 | Black   | -LC, LG, LH, MA,<br>MF, MI, TA, TB,<br>TW, YA, YB, YC |     |                                    |
|     | 958 632 212 00 3T0 | Espresso  | -VA, VB   |     |                                    |
|     | 958 632 212 00 4U0 | Platinum Grey   | -LD, MD, YD   |     |                                    |
|     | 958 632 212 00 6W0 | Luxor beige   | -LE, MC, YE   |     |                                    |
|     | 958 632 212 00 DE1 | Umber   | -LF, TX, TY, YF                                       |     |                                    |
| (3) | 958 632 213 00     | Light<br>Door   | left<br>rear  | 1   | PR:9MB                             |
|     | 958 632 213 00 5Q0 | Black   | -LC, LG, LH, MA,<br>MF, MI, TA, TB,<br>TW, YA, YB, YC |     |                                    |
|     | 958 632 213 00 3T0 | Espresso  | -VA, VB   |     |                                    |
|     | 958 632 213 00 4U0 | Platinum Grey   | -LD, MD, YD   |     |                                    |
|     | 958 632 213 00 6W0 | Luxor beige   | -LE, MC, YE   |     |                                    |
|     | 958 632 213 00 DE1 | Umber   | -LF, TX, TY, YF                                       |     |                                    |
| (3) | 958 632 214 00     | Light<br>Door   | right<br>rear   | 1   | PR:9MB                             |
|     | 958 632 214 00 5Q0 | Black   | -LC, LG, LH, MA,<br>MF, MI, TA, TB,<br>TW, YA, YB, YC |     |                                    |
|     | 958 632 214 00 3T0 | Espresso  | -VA, VB   |     |                                    |
|     | 958 632 214 00 4U0 | Platinum Grey   | -LD, MD, YD   |     |                                    |
|     | 958 632 214 00 6W0 | Luxor beige   | -LE, MC, YE   |     |                                    |
|     | 958 632 214 00 DE1 | Umber   | -LF, TX, TY, YF                                       |     |                                    |
| 5   | 958 632 501 00     | Light   | lhd   | 1   | PR:L0L                             |
| (5) | 958 632 502 00     | Ignition/starter switch<br>Light  | rhd   | 1   | PR:L0R                             |
| 6   | 958 632 145 00     | Ignition/starter switch<br>Light  |   | 5   |                                    |
|     |                    | Storage pocket<br>doors   |   | 4   |                                    |
| (7) | 958 632 291 00     | Centre console<br>Reading light   | left  | 1   | PR:3FA,9MA                         |

Model: 92A 11 Model life 2011>>2018

| Pos | Part Number        | Description       | Remark      | Qty | Model        |
|-----|--------------------|-------------------|-------------|-----|--------------|
|     |                    | F >> 92-CLA42 663 | rear        |     |              |
|     |                    | F >> 92-CLA81 121 |             |     |              |
|     |                    | F >> 92-CLA02 422 |             |     |              |
|     |                    | F >> 92-CLA22 980 |             |     |              |
|     |                    | F >> 92-CLA61 757 |             |     |              |
|     |                    | F >> A2-CLA90 921 |             |     |              |
|     | 958 632 291 00 1E0 | Black             | -LC,MA,TW   |     |              |
|     | 958 632 291 00 4H0 | Luxor beige       | -LE,MC      |     |              |
|     | 958 632 291 00 6L0 | Platinum Grey     | -LD,MD      |     |              |
|     | 958 632 291 00 7N0 | Espresso          | -VA,VB      |     |              |
|     | 958 632 291 00 DE1 | Umber             | -LF, TX, TY |     |              |
| (7) | 958 632 291 01     | Reading light     | left        | 1   | PR: 3FA, 9MA |
|     |                    | F 92-CLA42 664>>  | rear        |     |              |
|     |                    | F 92-CLA81 122>>  |             |     |              |
|     |                    | F 92-CLA02 423>>  |             |     |              |
|     |                    | F 92-CLA22 981>>  |             |     |              |
|     |                    | F 92-CLA61 758>>  |             |     |              |
|     |                    | F A2-CLA90 922>>  |             |     |              |
|     | 958 632 291 01 1E0 | Black             | -LC,MA,TW   |     |              |
|     | 958 632 291 01 4H0 | Luxor beige       | -LE,MC      |     |              |
|     | 958 632 291 01 6L0 | Platinum Grey     | -LD,MD      |     |              |
|     | 958 632 291 01 7N0 | Espresso          | -VA,VB      |     |              |
|     | 958 632 291 01 DE1 | Umber             | -LF, TX, TY |     |              |
| (7) | 958 632 292 00     | Reading light     | right       | 1   | PR: 3FA, 9MA |
|     |                    | F >> 92-CLA42 663 | rear        |     |              |
|     |                    | F >> 92-CLA81 121 |             |     |              |
|     |                    | F >> 92-CLA02 422 |             |     |              |
|     |                    | F >> 92-CLA22 980 |             |     |              |
|     |                    | F >> 92-CLA61 757 |             |     |              |
|     |                    | F >> A2-CLA90 921 |             |     |              |
|     | 958 632 292 00 1E0 | Black             | -LC,MA,TW   |     |              |
|     | 958 632 292 00 4H0 | Luxor beige       | -LE,MC      |     |              |
|     | 958 632 292 00 6L0 | Platinum Grey     | -LD,MD      |     |              |
|     | 958 632 292 00 7N0 | Espresso          | -VA,VB      |     |              |
|     | 958 632 292 00 DE1 | Umber             | -LF, TX, TY |     |              |
| (7) | 958 632 292 01     | Reading light     | right       | 1   | PR: 3FA, 9MA |
|     |                    | F 92-CLA42 664>>  | rear        |     |              |
|     |                    | F 92-CLA81 122>>  |             |     |              |
|     |                    | F 92-CLA02 423>>  |             |     |              |
|     |                    | F 92-CLA22 981>>  |             |     |              |
|     |                    | F 92-CLA61 758>>  |             |     |              |
|     |                    | F A2-CLA90 922>>  |             |     |              |
|     | 958 632 292 01 1E0 | Black             | -LC,MA,TW   |     |              |
|     | 958 632 292 01 4H0 | Luxor beige       | -LE,MC      |     |              |
|     | 958 632 292 01 6L0 | Platinum Grey     | -LD,MD      |     |              |
|     | 958 632 292 01 7N0 | Espresso          | -VA,VB      |     |              |
|     | 958 632 292 01 DE1 | Umber             | -LF, TX, TY |     |              |
| (7) | 958 632 291 20     | Reading light     | left        | 1   | PR: 3FA, 9MB |
|     |                    | F >> 92-CLA42 663 | rear        |     |              |
|     |                    | F >> 92-CLA81 121 |             |     |              |
|     |                    | F >> 92-CLA02 422 |             |     |              |
|     |                    | F >> 92-CLA22 980 |             |     |              |
|     |                    | F >> 92-CLA61 757 |             |     |              |
|     |                    | F >> A2-CLA90 921 |             |     |              |
|     | 958 632 291 20 1E0 | Black             | -LC,MA,TW   |     |              |
|     | 958 632 291 20 4H0 | Luxor beige       | -LE,MC      |     |              |
|     | 958 632 291 20 6L0 | Platinum Grey     | -LD,MD      |     |              |
|     | 958 632 291 20 7N0 | Espresso          | -VA,VB      |     |              |



Model: 92A 11 Model life 2011>>2018

| Pos | Part Number  | Description   | Remark   | Qty | Model                |
|-----|--|---|--|-----|----------------------|
| (7) | 958 632 291 20 DE1<br>958 632 291 21   | Umber<br>Reading light<br><br>F 92-CLA42 664>><br>F 92-CLA81 122>><br>F 92-CLA02 423>><br>F 92-CLA22 981>><br>F 92-CLA61 758>><br>F A2-CLA90 922>>  | -LF, TX, TY<br>left<br>rear  | 1   | PR: 3FA, 9MB         |
| (7) | 958 632 291 21 1E0<br>958 632 291 21 4H0<br>958 632 291 21 6L0<br>958 632 291 21 7N0<br>958 632 291 21 DE1<br>958 632 292 20 | Black<br>Luxor beige<br>Platinum Grey<br>Espresso<br>Umber<br>Reading light<br><br>F >> 92-CLA42 663<br>F >> 92-CLA81 121<br>F >> 92-CLA02 422<br>F >> 92-CLA22 980<br>F >> 92-CLA61 757<br>F >> A2-CLA90 921 | -LC, MA, TW<br>-LE, MC<br>-LD, MD<br>-VA, VB<br>-LF, TX, TY<br>right<br>rear | 1   | PR: 3FA, 9MB         |
| (7) | 958 632 292 20 1E0<br>958 632 292 20 4H0<br>958 632 292 20 6L0<br>958 632 292 20 7N0<br>958 632 292 20 DE1<br>958 632 292 21 | Black<br>Luxor beige<br>Platinum Grey<br>Espresso<br>Umber<br>Reading light<br><br>F 92-CLA42 664>><br>F 92-CLA81 122>><br>F 92-CLA02 423>><br>F 92-CLA22 981>><br>F 92-CLA61 758>><br>F A2-CLA90 922>>       | -LC, MA, TW<br>-LE, MC<br>-LD, MD<br>-VA, VB<br>-LF, TX, TY<br>right<br>rear | 1   | PR: 3FA, 9MB         |
| (7) | 958 632 292 21 1E0<br>958 632 292 21 4H0<br>958 632 292 21 6L0<br>958 632 292 21 7N0<br>958 632 292 21 DE1<br>958 632 291 10 | Black<br>Luxor beige<br>Platinum Grey<br>Espresso<br>Umber<br>Reading light<br><br>F >> 92-CLA42 663<br>F >> 92-CLA81 121<br>F >> 92-CLA02 422<br>F >> 92-CLA22 980<br>F >> 92-CLA61 757<br>F >> A2-CLA90 921 | -LC, MA, TW<br>-LE, MC<br>-LD, MD<br>-VA, VB<br>-LF, TX, TY<br>left<br>rear  | 1   | PR: 3FE, 3FU,<br>9MA |
| (7) | 958 632 291 10 1E0<br>958 632 291 10 4H0<br>958 632 291 10 6L0<br>958 632 291 10 7N0<br>958 632 291 10 DE1<br>958 632 291 11 | Black<br>Luxor beige<br>Platinum Grey<br>Espresso<br>Umber<br>Reading light<br><br>F 92-CLA42 664>><br>F 92-CLA81 122>><br>F 92-CLA02 423>><br>F 92-CLA22 981>><br>F 92-CLA61 758>><br>F A2-CLA90 922>>       | -LC, MA, TW<br>-LE, MC<br>-LD, MD<br>-VA, VB<br>-LF, TX, TY<br>left<br>rear  | 1   |                      |

Model: 92A 11 Model life 2011>>2018

| Pos | Part Number        | Description       | Remark      | Qty | Model             |
|-----|--------------------|-------------------|-------------|-----|-------------------|
|     | 958 632 291 11 1E0 | Black             | -LC, MA, TW |     | PR: 3FE, 3FU, 9MA |
|     | 958 632 291 11 4H0 | Luxor beige       | -LE, MC     |     |                   |
|     | 958 632 291 11 6L0 | Platinum Grey     | -LD, MD     |     |                   |
|     | 958 632 291 11 7N0 | Espresso          | -VA, VB     |     |                   |
|     | 958 632 291 11 DE1 | Umber             | -LF, TX, TY |     |                   |
| (7) | 958 632 292 10     | Reading light     | right rear  | 1   |                   |
|     |                    | F >> 92-CLA42 663 |             |     |                   |
|     |                    | F >> 92-CLA81 121 |             |     |                   |
|     |                    | F >> 92-CLA02 422 |             |     |                   |
|     |                    | F >> 92-CLA22 980 |             |     |                   |
|     |                    | F >> 92-CLA61 757 |             |     |                   |
|     |                    | F >> A2-CLA90 921 |             |     | PR: 3FE, 3FU, 9MA |
|     | 958 632 292 10 1E0 | Black             | -LC, MA, TW |     | PR: 3FE, 3FU, 9MA |
|     | 958 632 292 10 4H0 | Luxor beige       | -LE, MC     |     |                   |
|     | 958 632 292 10 6L0 | Platinum Grey     | -LD, MD     |     |                   |
|     | 958 632 292 10 7N0 | Espresso          | -VA, VB     |     |                   |
|     | 958 632 292 10 DE1 | Umber             | -LF, TX, TY |     |                   |
| (7) | 958 632 292 11     | Reading light     | right rear  | 1   |                   |
|     |                    | F 92-CLA42 664>>  |             |     |                   |
|     |                    | F 92-CLA81 122>>  |             |     |                   |
|     |                    | F 92-CLA02 423>>  |             |     |                   |
|     |                    | F 92-CLA22 981>>  |             |     |                   |
|     |                    | F 92-CLA61 758>>  |             |     |                   |
|     |                    | F A2-CLA90 922>>  |             |     | PR: 3FE, 3FU, 9MA |
|     | 958 632 292 11 1E0 | Black             | -LC, MA, TW |     | PR: 3FE, 3FU, 9MA |
|     | 958 632 292 11 4H0 | Luxor beige       | -LE, MC     |     |                   |
|     | 958 632 292 11 6L0 | Platinum Grey     | -LD, MD     |     |                   |
|     | 958 632 292 11 7N0 | Espresso          | -VA, VB     |     |                   |
|     | 958 632 292 11 DE1 | Umber             | -LF, TX, TY |     |                   |
| (7) | 958 632 291 30     | Reading light     | left rear   | 1   |                   |
|     |                    | F >> 92-CLA42 663 |             |     |                   |
|     |                    | F >> 92-CLA81 121 |             |     |                   |
|     |                    | F >> 92-CLA02 422 |             |     |                   |
|     |                    | F >> 92-CLA22 980 |             |     |                   |
|     |                    | F >> 92-CLA61 757 |             |     |                   |
|     |                    | F >> A2-CLA90 921 |             |     | PR: 3FE, 3FU, 9MA |
|     | 958 632 291 30 1E0 | Black             | -LC, MA, TW |     | PR: 3FE, 3FU, 9MB |
|     | 958 632 291 30 4H0 | Luxor beige       | -LE, MC     |     |                   |
|     | 958 632 291 30 6L0 | Platinum Grey     | -LD, MD     |     |                   |
|     | 958 632 291 30 7N0 | Espresso          | -VA, VB     |     |                   |
|     | 958 632 291 30 DE1 | Umber             | -LF, TX, TY |     |                   |
| (7) | 958 632 291 31     | Reading light     | left rear   | 1   |                   |
|     |                    | F 92-CLA42 664>>  |             |     |                   |
|     |                    | F 92-CLA81 122>>  |             |     |                   |
|     |                    | F 92-CLA02 423>>  |             |     |                   |
|     |                    | F 92-CLA22 981>>  |             |     |                   |
|     |                    | F 92-CLA61 758>>  |             |     |                   |
|     |                    | F A2-CLA90 922>>  |             |     | PR: 3FE, 3FU, 9MB |
|     | 958 632 291 31 1E0 | Black             | -LC, MA, TW |     | PR: 3FE, 3FU, 9MB |

Model: 92A 11 Model life 2011>>2018

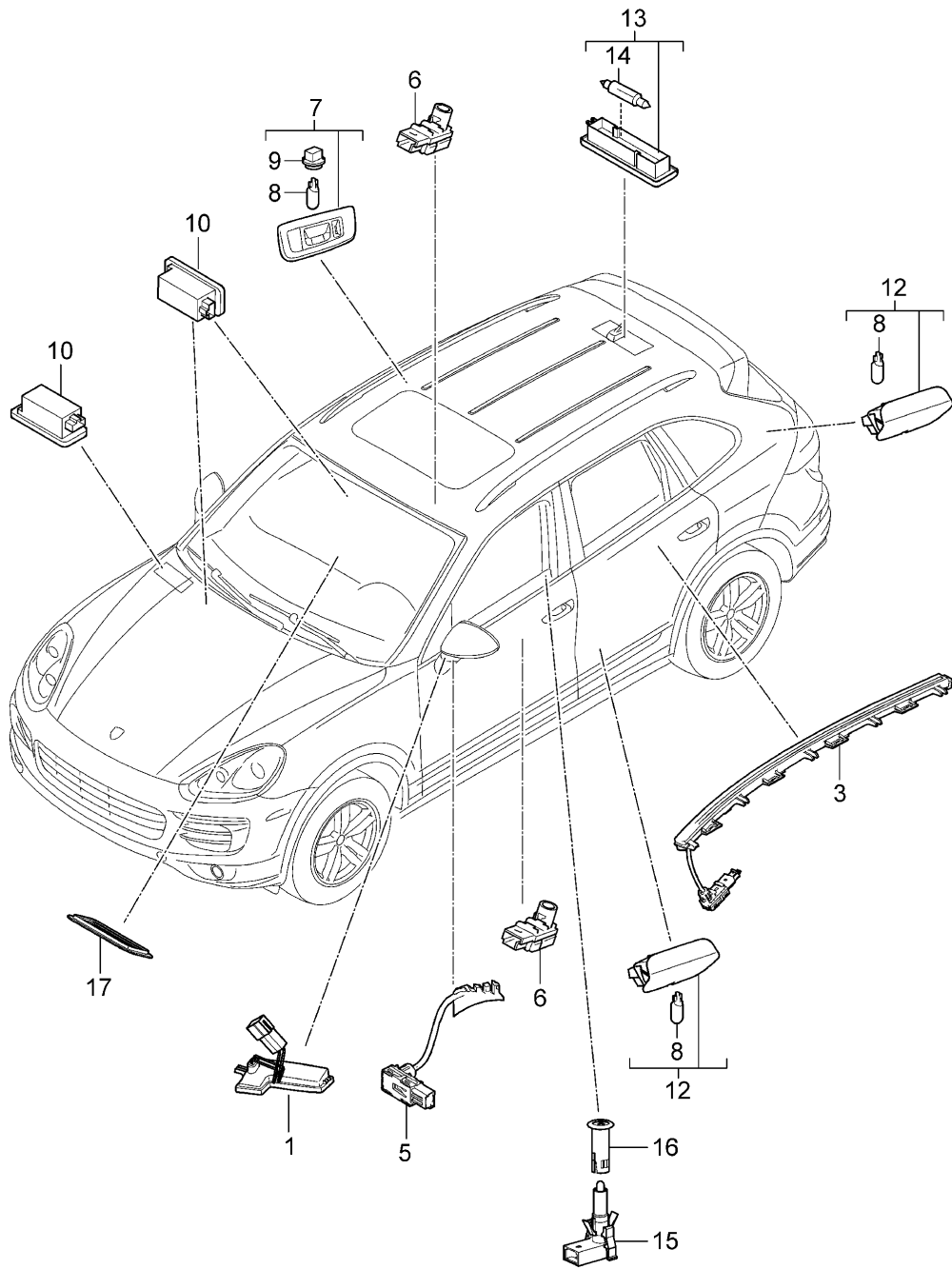
| Pos         | Part Number        | Description              | Remark          | Qty | Model                |
|-------------|--------------------|--------------------------|-----------------|-----|----------------------|
| (7)         | 958 632 291 31 4H0 | Luxor beige              | -LE,MC          | 1   |                      |
|             | 958 632 291 31 6L0 | Platinum Grey            | -LD,MD          |     |                      |
|             | 958 632 291 31 7N0 | Espresso                 | -VA,VB          |     |                      |
|             | 958 632 291 31 DE1 | Umber                    | -LF, TX, TY     |     |                      |
|             | 958 632 292 30     | Reading light            | right<br>rear   |     |                      |
|             | F                  | >> 92-CLA42 663          |                 |     |                      |
|             | F                  | >> 92-CLA81 121          |                 |     |                      |
|             |                    |                          |                 |     | PR: 3FE, 3FU,<br>9MB |
| (7)         | 958 632 292 30 1E0 | Black                    | -LC,MA,TW       | 1   |                      |
|             | 958 632 292 30 4H0 | Luxor beige              | -LE,MC          |     |                      |
|             | 958 632 292 30 6L0 | Platinum Grey            | -LD,MD          |     |                      |
|             | 958 632 292 30 7N0 | Espresso                 | -VA,VB          |     |                      |
|             | 958 632 292 30 DE1 | Umber                    | -LF, TX, TY     |     |                      |
|             | 958 632 292 31     | Reading light            | right<br>rear   |     |                      |
|             | F                  | 92-CLA42 664>>           |                 |     |                      |
|             |                    |                          |                 |     | PR: 3FE, 3FU,<br>9MB |
| 8           | 958 632 292 31 1E0 | Black                    | -LC,MA,TW       | X   |                      |
|             | 958 632 292 31 4H0 | Luxor beige              | -LE,MC          |     |                      |
|             | 958 632 292 31 6L0 | Platinum Grey            | -LD,MD          |     |                      |
|             | 958 632 292 31 7N0 | Espresso                 | -VA,VB          |     |                      |
|             | 958 632 292 31 DE1 | Umber                    | -LF, TX, TY     |     |                      |
| N 017 753 5 | bulb 'longlife'    |                          |                 |     |                      |
| 9           | 7PP 919 244        | Bulb holder              |                 | 2   | PR: 9MA              |
| 10          | 955 632 202 01     | interior light           | front and rear  | X   |                      |
|             |                    | Footwell                 |                 | 4   |                      |
|             |                    | Glove box                |                 | 1   |                      |
| 11          | 958 613 601 00     | Contact switch           |                 | 1   |                      |
|             |                    | Stowage box              |                 |     |                      |
|             |                    | Centre console           |                 |     |                      |
|             |                    | with:                    |                 |     |                      |
| 12          | 958 632 411 00     | Cable                    |                 | X   |                      |
|             |                    | Door warning light       |                 | 4   |                      |
|             |                    | doors                    |                 |     |                      |
|             |                    | Rear lid                 |                 | 2   |                      |
| 13          | 955 632 207 00     | Luggage compartment lamp |                 | 1   |                      |
| -           |                    | Luggage compartment lamp |                 | 1   |                      |
|             |                    | LED                      |                 |     |                      |
|             |                    | see                      |                 |     |                      |
|             |                    | Tequipment               |                 |     |                      |
| 14          | 900 631 106 90     | Linolite lamp            |                 | 1   |                      |
|             |                    | 10 W                     |                 |     |                      |
| 15          | 7PP 919 238        | warning lamp             |                 | 2   |                      |
|             |                    | Immobiliser              |                 |     |                      |
|             |                    | D                        | >> - 06.11.2016 |     |                      |
| (15)        | 7PP 919 238        | warning lamp             |                 | 1   |                      |
|             |                    | Immobiliser              |                 |     |                      |
|             |                    | (drivers side)           |                 |     |                      |
|             |                    | D - 07.11.2016>>         |                 |     |                      |
| (15)        | 95B 919 238        | warning lamp             |                 | 1   |                      |

Model: 92A 11 Model life 2011>>2018

| Pos  | Part Number        | Description   | Remark                     | Qty | Model |
|------|--------------------|---|----------------------------|-----|-------|
| 16   | 958 632 242 00     | Immobiliser<br>Replacement<br>(passenger side)<br>D - 07.11.2016>><br>Sleeve<br>No longer use the part here |                            | 2   |       |
|      | 958 632 242 00 1E0 | Black   | -LC, MA, TW, LC,<br>YA, YB |     |       |
|      | 958 632 242 00 4H0 | Luxor beige   | -LE, MC, YE                |     |       |
|      | 958 632 242 00 6L0 | Platinum Grey   | -LD, MD, YD                |     |       |
|      | 958 632 242 00 7N0 | Espresso  | -VA, VB                    |     |       |
|      | 958 632 242 00 DE1 | Umber   | -LF, TX, TY, YF            |     |       |
| 16   | 958 632 242 01     | Sleeve  |                            | 2   |       |
|      | 958 632 242 01 1E0 | Black   | -LC, MA, TW, LC,<br>YA, YB |     |       |
|      | 958 632 242 01 4H0 | Luxor beige   | -LE, MC, YE                |     |       |
|      | 958 632 242 01 6L0 | Platinum Grey   | -LD, MD, YD                |     |       |
|      | 958 632 242 01 7N0 | Espresso  | -VA, VB                    |     |       |
|      | 958 632 242 01 DE1 | Umber   | -LF, TX, TY, YF            |     |       |
| (16) | 958 632 242 01     | D >> - 06.11.2016<br>Sleeve   |                            | 1   |       |
|      | 958 632 242 01 1E0 | Black   | -LC, MA, TW, LC,<br>YA, YB |     |       |
|      | 958 632 242 01 4H0 | Luxor beige   | -LE, MC, YE                |     |       |
|      | 958 632 242 01 6L0 | Platinum Grey   | -LD, MD, YD                |     |       |
|      | 958 632 242 01 7N0 | Espresso  | -VA, VB                    |     |       |
|      | 958 632 242 01 DE1 | Umber   | -LF, TX, TY, YF            |     |       |
| (16) | 95B 919 205        | D - 07.11.2016>><br>Sleeve  |                            | 1   |       |
|      | 95B 919 205 1E0    | Black   | -LC, MA, TW, LC,<br>YA, YB |     |       |
|      | 95B 919 205 4H0    | Luxor beige   | -LE, MC, YE                |     |       |
|      | 95B 919 205 6L0    | Platinum Grey   | -LD, MD, YD                |     |       |
|      | 95B 919 205 7N0    | Espresso  | -VA, VB                    |     |       |
|      | 95B 919 205 DE1    | Umber   | -LF, TX, TY, YF            |     |       |
| 17   | 958 632 273 00     | D - 07.11.2016>><br>Frame<br>Cover<br>Light<br>Seat   |                            | X   |       |

Model: 92A 11

Model life 2011>>2018



Model: 92A 11 Model life 2011>>2018

| Pos | Part Number        | Description  | Remark   | Qty | Model      |
|-----|--------------------|--|--|-----|------------|
|     |                    | Interior lights<br>Luggage compartment lamp<br>Door warning light<br>Footwell light<br>Light<br>Exterior mirror<br>D - MJ 2015>> |  |     |            |
| 1   | 958 631 615 00     | Light  | left   | 1   |            |
|     |                    | Exterior mirror  |  |     |            |
| 1   | 958 631 616 00     | Light  | right  | 1   |            |
|     |                    | Exterior mirror  |  |     |            |
| 3   | 958 632 211 00     | Light  | left   | 1   |            |
|     |                    | Door   | front  |     |            |
|     | 958 632 211 00 5Q0 | Black  | -LC, LG, LH, MA,<br>MF, MI, TA, TB,<br>TW, YA, YB, YC        |     |            |
|     | 958 632 211 00 3T0 | Espresso   | -VA, VB  |     |            |
|     | 958 632 211 00 OL7 | saddle brown   | -ME, MH, MJ, MK  |     |            |
|     | 958 632 211 00 6W0 | Luxor beige  | -LE, MC, YE  |     |            |
|     | 958 632 211 00 OA6 | agate grey   | -MB, MG, ML  |     |            |
| 3   | 958 632 212 00     | Light  | right  | 1   |            |
|     |                    | Door   | front  |     |            |
|     | 958 632 212 00 5Q0 | Black  | -LC, LG, LH, MA,<br>MF, MI, TA, TB,<br>TW, YA, YB, YC        |     |            |
|     | 958 632 212 00 3T0 | Espresso   | -VA, VB  |     |            |
|     | 958 632 212 00 OL7 | saddle brown   | -ME, MH, MJ, MK  |     |            |
|     | 958 632 212 00 6W0 | Luxor beige  | -LE, MC, YE  |     |            |
|     | 958 632 212 00 OA6 | agate grey   | -MB, MG, ML  |     |            |
| (3) | 958 632 213 00     | Light  | left   | 1   |            |
|     |                    | Door   | rear   |     |            |
|     | 958 632 213 00 5Q0 | Black  | -LC, LG, LH, MA,<br>MF, MI, TA, TB,<br>TW, YA, YB, YC        |     |            |
|     | 958 632 213 00 3T0 | Espresso   | -VA, VB  |     |            |
|     | 958 632 213 00 OL7 | saddle brown   | -ME, MH, MJ, MK  |     |            |
|     | 958 632 213 00 6W0 | Luxor beige  | -LE, MC, YE  |     |            |
|     | 958 632 213 00 OA6 | agate grey   | -MB, MG, ML  |     |            |
| (3) | 958 632 214 00     | Light  | right  | 1   |            |
|     |                    | Door   | rear   |     |            |
|     | 958 632 214 00 5Q0 | Black  | -LC, LG, LH, MA,<br>MF, MI, TA, TB,<br>TW, YA, YB, YC        |     |            |
|     | 958 632 214 00 3T0 | Espresso   | -VA, VB  |     |            |
|     | 958 632 214 00 OL7 | saddle brown   | -ME, MH, MJ, MK  |     |            |
|     | 958 632 214 00 6W0 | Luxor beige  | -LE, MC, YE  |     |            |
|     | 958 632 214 00 OA6 | agate grey   | -MB, MG, ML  |     |            |
| 5   | 958 632 501 00     | Light  | lhd  | 1   | PR:L0L     |
|     |                    | Ignition/starter switch  |  |     |            |
| (5) | 958 632 502 00     | Light  | rhd  | 1   | PR:L0R     |
|     |                    | Ignition/starter switch  |  |     |            |
| 6   | 958 632 145 00     | Light  |  | 5   |            |
|     |                    | Storage pocket   |  | 4   |            |
|     |                    | doors  |  |     |            |
|     |                    | and  |  |     |            |
|     |                    | Centre console   |  | 1   |            |
| (7) | 958 632 291 01     | Reading light  | left   | 1   | PR:3FA,9MA |
|     |                    |  | rear   |     |            |
|     | 958 632 291 01 1E0 | Black  | -LC, LG, LH, MA,<br>MF, MI, TA, TB,<br>TW, YA, YB, YC,<br>77 |     |            |
|     | 958 632 291 01 4H0 | Luxor beige  | -LE, MC, YE  |     |            |

Model: 92A 11 Model life 2011>>2018

| Pos | Part Number        | Description   | Remark  | Qty | Model                |
|-----|--------------------|---------------|---|-----|----------------------|
| (7) | 958 632 291 01 OM8 | saddle brown  | -ME, MH, MJ, MK   | 1   | PR: 3FA, 9MA         |
|     | 958 632 291 01 7N0 | Espresso      | -VA, VB   |     |                      |
|     | 958 632 291 01 OP1 | agate grey    | -MB, MG, ML   |     |                      |
|     | 958 632 292 01     | Reading light | right   |     |                      |
|     | 958 632 292 01 1E0 | Black         | rear<br>-LC, LG, LH, MA,<br>MF, MI, TA, TB,<br>TW, YA, YB, YC,<br>77          |     |                      |
| 7   | 958 632 292 01 4H0 | Luxor beige   | -LE, MC, YE   | 1   | PR: 3FA, 9MB         |
|     | 958 632 292 01 OM8 | saddle brown  | -ME, MH, MJ, MK   |     |                      |
|     | 958 632 292 01 7N0 | Espresso      | -VA, VB   |     |                      |
|     | 958 632 292 01 OP1 | agate grey    | -MB, MG, ML   |     |                      |
|     | 958 632 291 21     | Reading light | left<br>rear<br>-LC, LG, LH, MA,<br>MF, MI, TA, TB,<br>TW, YA, YB, YC,<br>77  |     |                      |
| 7   | 958 632 291 21 1E0 | Black         | -LC, LG, LH, MA,<br>MF, MI, TA, TB,<br>TW, YA, YB, YC,<br>77                  | 1   | PR: 3FA, 9MB         |
|     | 958 632 291 21 4H0 | Luxor beige   | -LE, MC, YE   |     |                      |
|     | 958 632 291 21 OM8 | saddle brown  | -ME, MH, MJ, MK   |     |                      |
|     | 958 632 291 21 7N0 | Espresso      | -VA, VB   |     |                      |
|     | 958 632 291 21 OP1 | agate grey    | -MB, MG, ML   |     |                      |
| (7) | 958 632 292 21     | Reading light | right<br>rear<br>-LC, LG, LH, MA,<br>MF, MI, TA, TB,<br>TW, YA, YB, YC,<br>77 | 1   | PR: 3FE, 3FU,<br>9MA |
|     | 958 632 292 21 1E0 | Black         | -LC, LG, LH, MA,<br>MF, MI, TA, TB,<br>TW, YA, YB, YC,<br>77                  |     |                      |
|     | 958 632 292 21 4H0 | Luxor beige   | -LE, MC, YE   |     |                      |
|     | 958 632 292 21 OM8 | saddle brown  | -ME, MH, MJ, MK   |     |                      |
|     | 958 632 292 21 7N0 | Espresso      | -VA, VB   |     |                      |
| (7) | 958 632 292 21 OP1 | agate grey    | -MB, MG, ML   | 1   | PR: 3FE, 3FU,<br>9MA |
|     | 958 632 291 11     | Reading light | left<br>rear<br>-LC, LG, LH, MA,<br>MF, MI, TA, TB,<br>TW, YA, YB, YC,<br>77  |     |                      |
|     | 958 632 291 11 1E0 | Black         | -LC, LG, LH, MA,<br>MF, MI, TA, TB,<br>TW, YA, YB, YC,<br>77                  |     |                      |
|     | 958 632 291 11 4H0 | Luxor beige   | -LE, MC, YE   |     |                      |
|     | 958 632 291 11 OM8 | saddle brown  | -ME, MH, MJ, MK   |     |                      |
| (7) | 958 632 291 11 7N0 | Espresso      | -VA, VB   | 1   | PR: 3FE, 3FU,<br>9MA |
|     | 958 632 291 11 OP1 | agate grey    | -MB, MG, ML   |     |                      |
|     | 958 632 292 11     | Reading light | right<br>rear<br>-LC, LG, LH, MA,<br>MF, MI, TA, TB,<br>TW, YA, YB, YC,<br>77 |     |                      |
|     | 958 632 292 11 1E0 | Black         | -LC, LG, LH, MA,<br>MF, MI, TA, TB,<br>TW, YA, YB, YC,<br>77                  |     |                      |
|     | 958 632 292 11 4H0 | Luxor beige   | -LE, MC, YE   |     |                      |
| (7) | 958 632 292 11 OM8 | saddle brown  | -ME, MH, MJ, MK   | 1   | PR: 3FE, 3FU,<br>9MB |
|     | 958 632 292 11 7N0 | Espresso      | -VA, VB   |     |                      |
|     | 958 632 292 11 OP1 | agate grey    | -MB, MG, ML   |     |                      |
|     | 958 632 291 31     | Reading light | left<br>rear<br>-LC, LG, LH, MA,<br>MF, MI, TA, TB,<br>TW, YA, YB, YC,<br>77  |     |                      |
|     | 958 632 291 31 1E0 | Black         | -LC, LG, LH, MA,<br>MF, MI, TA, TB,<br>TW, YA, YB, YC,<br>77                  |     |                      |
| (7) | 958 632 291 31 4H0 | Luxor beige   | -LE, MC, YE   | 1   | PR: 3FE, 3FU,<br>9MB |
|     | 958 632 291 31 OM8 | saddle brown  | -ME, MH, MJ, MK   |     |                      |
|     | 958 632 291 31 7N0 | Espresso      | -VA, VB   |     |                      |
|     | 958 632 291 31 OP1 | agate grey    | -MB, MG, ML   |     |                      |
|     | 958 632 291 31     | Reading light | left<br>rear<br>-LC, LG, LH, MA,<br>MF, MI, TA, TB,<br>TW, YA, YB, YC,<br>77  |     |                      |
| (7) | 958 632 291 31 1E0 | Black         | -LC, LG, LH, MA,<br>MF, MI, TA, TB,<br>TW, YA, YB, YC,<br>77                  | 1   | PR: 3FE, 3FU,<br>9MB |
|     | 958 632 291 31 4H0 | Luxor beige   | -LE, MC, YE   |     |                      |
|     | 958 632 291 31 OM8 | saddle brown  | -ME, MH, MJ, MK   |     |                      |
|     | 958 632 291 31 7N0 | Espresso      | -VA, VB   |     |                      |
|     | 958 632 291 31 OP1 | agate grey    | -MB, MG, ML   |     |                      |

Model: 92A 11 Model life 2011>>2018

| Pos  | Part Number        | Description  | Remark  | Qty | Model             |
|------|--------------------|--|---|-----|-------------------|
| (7)  | 958 632 292 31     | Reading light  | right   | 1   | PR: 3FE, 3FU, 9MB |
|      | 958 632 292 31 1E0 | Black  | rear<br>-LC, LG, LH, MA, MF, MI, TA, TB, TW, YA, YB, YC, 77 |     |                   |
|      | 958 632 292 31 4H0 | Luxor beige  | -LE, MC, YE   |     |                   |
|      | 958 632 292 31 OM8 | saddle brown   | -ME, MH, MJ, MK   |     |                   |
|      | 958 632 292 31 7N0 | Espresso   | -VA, VB   |     |                   |
|      | 958 632 292 31 OP1 | agate grey   | -MB, MG, ML   |     |                   |
| 8    | N 017 753 5        | bulb 'longlife'<br>5 W   |   | X   |                   |
| 9    | 7PP 919 244        | Bulb holder  |   | 2   |                   |
| 10   | 955 632 202 01     | interior light   | front and rear  | X   | PR: 9MA           |
|      |                    | Footwell   |   | 4   |                   |
|      |                    | Glove box  |   | 1   |                   |
| (10) | 958 632 202 10     | interior light   | front and rear  | X   | PR: 9MB           |
|      |                    | Footwell   |   | 4   |                   |
|      |                    | Glove box  |   | 1   |                   |
| 12   | 1K0 947 411 C      | Door warning light<br>doors                                    |   | X   |                   |
|      |                    | Rear lid   |   | 2   |                   |
| 13   | 955 632 207 00     | Luggage compartment lamp                                       |   | 1   |                   |
| 13   | 955 632 209 00     | Luggage compartment lamp<br>LED                                |   | 1   |                   |
| 14   | 900 631 106 90     | Linolite lamp<br>10 W  |   | 1   |                   |
| 15   | 7PP 919 238 A      | warning lamp<br>Immobiliser                                    |   | 2   |                   |
|      |                    | D >> - 06.11.2016  |   |     |                   |
| (15) | 7PP 919 238 A      | warning lamp<br>Immobiliser<br>(drivers side)                  |   | 1   |                   |
|      |                    | D - 07.11.2016>>   |   |     |                   |
| (15) | 95B 919 238        | warning lamp<br>Immobiliser<br>Replacement<br>(passenger side) |   | 1   |                   |
|      |                    | D - 07.11.2016>>   |   |     |                   |
| 16   | 958 632 242 01     | Sleeve   |   | 2   |                   |
|      | 958 632 242 01 1E0 | Black  | -LC, MA, TW, LC, YA, YB                                     |     |                   |
|      | 958 632 242 01 4H0 | Luxor beige  | -LE, MC, YE   |     |                   |
|      | 958 632 242 01 6L0 | Platinum Grey  | -LD, MD, YD   |     |                   |
|      | 958 632 242 01 7N0 | Espresso   | -VA, VB   |     |                   |
|      | 958 632 242 01 DE1 | Umber  | -LF, TX, TY, YF   |     |                   |
|      |                    | D >> - 06.11.2016  |   |     |                   |
| (16) | 958 632 242 01     | Sleeve   |   | 2   |                   |
|      | 958 632 242 01 1E0 | Black  | -LC, MA, TW, LC, YA, YB                                     |     |                   |
|      | 958 632 242 01 4H0 | Luxor beige  | -LE, MC, YE   |     |                   |
|      | 958 632 242 01 6L0 | Platinum Grey  | -LD, MD, YD   |     |                   |
|      | 958 632 242 01 7N0 | Espresso   | -VA, VB   |     |                   |
|      | 958 632 242 01 DE1 | Umber  | -LF, TX, TY, YF   |     |                   |
|      |                    | D - 07.11.2016>>   |   |     |                   |
| (16) | 95B 919 205        | Sleeve   |   | 2   |                   |
|      | 95B 919 205 1E0    | Black  | -LC, MA, TW, LC, YA, YB                                     |     |                   |
|      | 95B 919 205 4H0    | Luxor beige  | -LE, MC, YE   |     |                   |
|      | 95B 919 205 6L0    | Platinum Grey  | -LD, MD, YD   |     |                   |
|      | 95B 919 205 7N0    | Espresso   | -VA, VB   |     |                   |
|      | 95B 919 205 DE1    | Umber  | -LF, TX, TY, YF   |     |                   |
|      |                    | D - 07.11.2016>>   |   |     |                   |



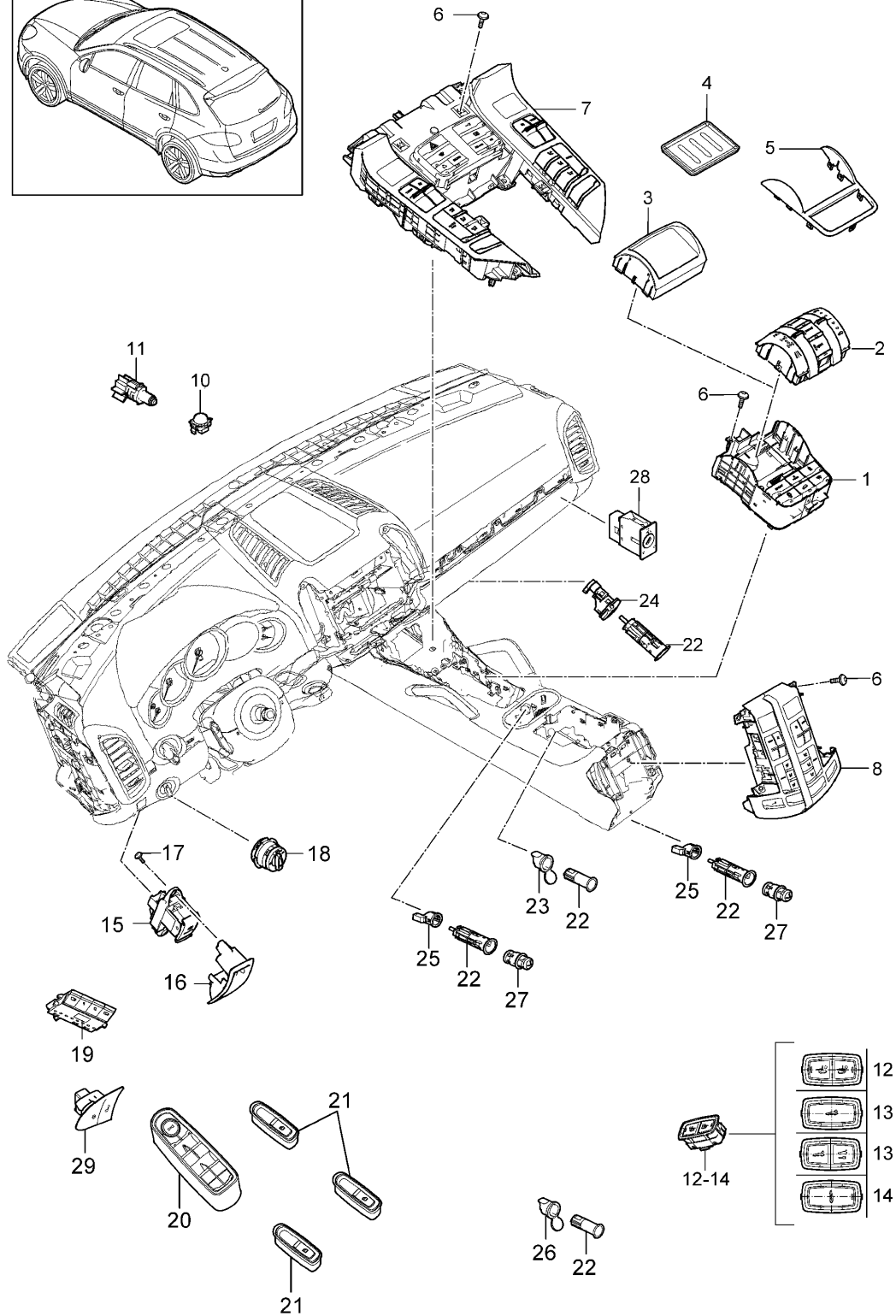
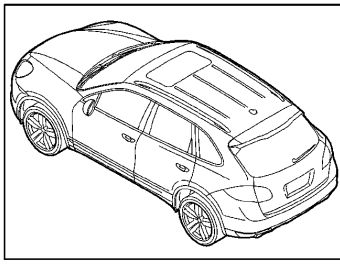
Model: 92A 11

Model life 2011>>2018

| Pos | Part Number    | Description                     | Remark | Qty | Model |
|-----|----------------|---------------------------------|--------|-----|-------|
| 17  | 958 632 273 00 | Frame<br>Cover<br>Light<br>Seat |        | X   |       |

Model: 92A 11

Model life 2011>>2018



Model: 92A 11 Model life 2011>>2018

| Pos | Part Number    | Description   | Remark | Qty | Model  |
|-----|----------------|---|--------|-----|--|
| 1   | 958 613 127 00 | Switch<br>Control panel<br>Air conditioning<br>D >> - MJ 2014<br>Control panel with pushbuttons |        | 1   | PR:0K0,4GC,<br>4GK,7L7,9M0,<br>9M5                 |
| 1   | 958 613 131 00 | Control panel with pushbuttons  |        | 1   | PR:0K1,4GC,<br>4GK,7L7,9M0                         |
| 1   | 958 613 135 00 | Control panel with pushbuttons  |        | 1   | PR:0K0,4GC,<br>4GK,7L4,7L6,<br>7L8,9M0,9M5         |
| 1   | 958 613 129 00 | Control panel with pushbuttons  |        | 1   | PR:0K0,4GG,<br>4GH,7L7,9M0,<br>9M5                 |
| 1   | 958 613 133 00 | Control panel with pushbuttons  |        | 1   | PR:0K1,4GG,<br>4GH,7L7,9M0                         |
| 1   | 958 613 137 00 | Control panel with pushbuttons  |        | 1   | PR:0K0,4GG,<br>4GH,7L4,7L6,<br>7L8,9M0,9M5         |
| 1   | 958 613 128 00 | Control panel with pushbuttons  |        | 1   | PR:0K0,4GC,<br>4GK,7L7,9M1,<br>9M9                 |
| 1   | 958 613 136 00 | Control panel with pushbuttons  |        | 1   | PR:0K0,4GC,<br>4GK,7L4,7L6,<br>7L8,9M1,9M9         |
| 1   | 958 613 130 00 | Control panel with pushbuttons  |        | 1   | PR:0K0,4GG,<br>4GH,7L7,9M1,<br>9M9                 |
| 1   | 958 613 138 00 | Control panel with pushbuttons  |        | 1   | PR:0K0,4GG,<br>4GH,7L4,7L6,<br>7L8,9M1,9M9         |
| 1   | 958 613 140 00 | Control panel with pushbuttons<br>D - MJ 2014>>   |        | 1   | PR:0K0,0P0,<br>0P3,7L7,7Y0,<br>7Y1,9M0,9M5         |
| 1   | 958 613 141 00 | Control panel with pushbuttons<br>D - MJ 2014>>   |        | 1   | PR:0K0,0P8,<br>0P9,7L4,7L8,<br>7Y6,7Y7,9M1,<br>9M9 |
| 1   | 958 613 142 00 | Control panel with pushbuttons<br>D - MJ 2014>>   |        | 1   | PR:0K0,0P8,<br>0P9,7L4,7L8,<br>7Y0,7Y1,9M1,<br>9M9 |
| 1   | 958 613 143 00 | Control panel with pushbuttons<br>D - MJ 2014>>   |        | 1   | PR:0K0,0P8,<br>0P9,7L4,7L8,<br>7Y6,7Y7,9M0,<br>9M5 |
| 1   | 958 613 144 00 | Control panel with pushbuttons<br>D - MJ 2014>>   |        | 1   | PR:0K0,0P8,<br>0P9,7L4,7L8,<br>7Y0,7Y1,9M0,<br>9M5 |
| 1   | 958 613 145 00 | Control panel with pushbuttons<br>D - MJ 2014>>   |        | 1   | PR:0K1,0P0,<br>0P3,7L7,7Y6,<br>7Y7,9M0,9M5         |
| 1   | 958 613 146 00 | Control panel with pushbuttons<br>D - MJ 2014>>   |        | 1   | PR:0K0,0P8,<br>0P9,7L7,7Y6,<br>7Y7,9M1,9M9         |
| 1   | 958 613 147 00 | Control panel with pushbuttons<br>D - MJ 2014>>   |        | 1   | PR:0K0,0P8,<br>0P9,7L7,7Y0,<br>7Y1,9M1,9M9         |
| 1   | 958 613 148 00 | Control panel with pushbuttons<br>D - MJ 2014>>   |        | 1   | PR:0K0,0P8,<br>0P9,7L7,7Y6,<br>7Y7,9M0,9M5         |

Model: 92A 11 Model life 2011>>2018

| Pos | Part Number        | Description   | Remark | Qty | Model  |
|-----|--------------------|---|--------|-----|--|
| 1   | 958 613 149 00     | Control panel with pushbuttons<br>D - MJ 2014>>     |        | 1   | PR:0K0,0P8,<br>0P9,7L7,7Y0,<br>7Y1,9M0,9M5         |
| 1   | 958 613 150 00     | Control panel with pushbuttons<br>D - MJ 2014>>     |        | 1   | PR:0K0,0P0,<br>0P3,7L4,7L8,<br>7Y6,9M1,9M9,<br>7Y7 |
| 1   | 958 613 151 00     | Control panel with pushbuttons<br>D - MJ 2014>>     |        | 1   | PR:0K0,0P0,<br>0P3,7L4,7L8,<br>7Y0,9M1,9M9,<br>7Y1 |
| 1   | 958 613 152 00     | Control panel with pushbuttons<br>D - MJ 2014>>     |        | 1   | PR:0K0,0P0,<br>0P3,7L4,7L8,<br>7Y6,9M0,9M5,<br>7Y7 |
| 1   | 958 613 153 00     | Control panel with pushbuttons<br>D - MJ 2014>>     |        | 1   | PR:0K0,0P0,<br>0P3,7L4,7L8,<br>7Y0,9M0,9M5,<br>7Y1 |
| 1   | 958 613 154 00     | Control panel with pushbuttons<br>D - MJ 2014>>     |        | 1   | PR:0K1,0P0,<br>0P3,7L7,7Y0,<br>7Y1,9M0,9M5         |
| 1   | 958 613 155 00     | Control panel with pushbuttons<br>D - MJ 2014>>     |        | 1   | PR:0K0,0P0,<br>0P3,7L7,7Y6,<br>7Y7,9M1,9M9         |
| 1   | 958 613 256 00     | Control panel with pushbuttons<br>D - MJ 2014>>     |        | 1   | PR:0K0,0P0,<br>0P3,7L7,7Y0,<br>7Y1,9M1,9M9         |
| 1   | 958 613 157 00     | Control panel with pushbuttons<br>D - MJ 2014>>     |        | 1   | PR:0K0,0P0,<br>0P3,7L7,7Y6,<br>7Y7,9M0,9M5         |
| 2   | 958 613 523 00     | Combined switch<br>D >> - MJ 2013                   |        | 1   | PR:0K0,1BA,<br>1BW                                 |
| 2   | 958 613 523 01     | Combined switch<br>D - MJ 2014>>                    |        | 1   | PR:0K0,1BA,<br>1BW                                 |
| 2   | 958 613 524 00     | Combined switch<br>D >> - MJ 2013                   |        | 1   | PR:0K0,1BH,<br>1BZ                                 |
| 2   | 958 613 524 01     | Combined switch<br>D - MJ 2014>>                    |        | 1   | PR:0K0,1BH,<br>1BZ                                 |
| 2   | 958 613 521 00     | Combined switch                                     |        | 1   | PR:0K1,1BH,  |
| 2   | 958 613 525 00     | Combined switch<br>D >> - MJ 2013                   |        | 1   | PR:0K0,1BK   |
| 2   | 958 613 525 01     | Combined switch<br>D - MJ 2014>>                    |        | 1   | PR:0K0,1BK   |
| 2   | 958 613 522 00     | Combined switch                                     |        | 1   | PR:0K1,1BK   |
| 3   | 958 552 561 00     | Stowage compartment                                 |        | 1   | PR:0K1,1BA,  |
| 4   | 958 552 169 00     | Mat   |        | 1   | PR:0K0,1BA,<br>1BW                                 |
|     | 958 552 169 00 1E0 | Black   |        |     |  |
| (4) | 958 552 169 10     | Mat   |        | 1   | PR:0K1,1BA,<br>1BW                                 |
|     | 958 552 169 10 1E0 | Black   |        |     |  |
| 5   | 958 613 180 00     | Trim for centre console                             |        | 1   |  |
|     | 958 613 180 00 6N3 | Matt black  |        |     |  |
| 6   | N 906 986 06       | Hexagon socket head panel bolt<br>4,2 X 16          |        | X   |  |
| -   |                    | Control panel<br>Air conditioning                   | front  |     |  |
| 7   | 958 653 101 00     | Control panel<br>Air conditioning<br>D >> - MJ 2011 |        | 1   | PR:4A0,4D0,<br>9AD                                 |
|     |                    | Discontinued part                                   |        |     |  |
| 7   | 958 653 101 01     | Control panel                                       |        | 1   | PR:4A0,4D0,  |

Model: 92A 11 Model life 2011>>2018

| Pos | Part Number    | Description   | Remark | Qty | Model                    |
|-----|----------------|---|--------|-----|--------------------------|
| 7   | 958 653 101 02 | Air conditioning<br>D >> - MJ 2011<br>Discontinued part<br>Control panel  |        | 1   | 9AD<br>PR: 4A0, 4D0, 9AD |
| 7   | 958 653 101 03 | Air conditioning<br>D >> - MJ 2011<br>Control panel<br>Air conditioning<br>F >> 92-CLA05 335<br>F >> 92-CLA92 110<br>F >> 92-CLA64 565<br>F >> 92-CLA28 225<br>F >> 92-CLA28 101<br>F >> 92-CLA45 215<br>F >> 92-CLA82 187<br>D - MJ 2012>> |        | 1   | PR: 4A0, 4D0, 9AD        |
| 7   | 958 653 101 04 | Control panel<br>Air conditioning<br>F 92-CLA05 336>><br>F 92-CLA92 111>><br>F 92-CLA64 566>><br>F 92-CLA28 226>><br>F 92-CLA28 102>><br>F 92-CLA45 216>><br>F 92-CLA82 188>><br>D >> - MJ 2012   |        | 1   | PR: 4A0, 4D0, 9AD        |
| 7   | 958 653 101 05 | Control panel<br>Air conditioning<br>D - MJ 2013>> - MJ 2013  |        | 1   | PR: 4A0, 4D0, 9AD        |
| 7   | 958 653 101 06 | Control panel<br>Air conditioning<br>D - MJ 2014>>  |        | 1   | PR: 4A0, 4D0, 9AD        |
| 7   | 958 653 201 00 | Control panel<br>Air conditioning<br>D >> - MJ 2011   |        | 1   | PR: 4A0, 4D0, 9AH        |
| 7   | 958 653 201 03 | Control panel<br>Air conditioning<br>F >> 92-CLA05 335<br>F >> 92-CLA92 110<br>F >> 92-CLA64 565<br>F >> 92-CLA28 225<br>F >> 92-CLA28 101<br>F >> 92-CLA45 215<br>F >> 92-CLA82 187<br>D - MJ 2012>>                                       |        | 1   | PR: 4A0, 4D0, 9AH        |
| 7   | 958 653 201 04 | Control panel<br>Air conditioning<br>F 92-CLA05 336>><br>F 92-CLA92 111>><br>F 92-CLA64 566>><br>F 92-CLA28 226>><br>F 92-CLA28 102>><br>F 92-CLA45 216>><br>F 92-CLA82 188>><br>D >> - MJ 2012   |        | 1   | PR: 4A0, 4D0, 9AH        |

Model: 92A 11 Model life 2011>>2018

| Pos | Part Number    | Description   | Remark | Qty | Model                  |
|-----|----------------|---|--------|-----|------------------------|
| 7   | 958 653 201 05 | Control panel<br>Air conditioning<br>D - MJ 2013>> - MJ 2013  |        | 1   | PR: 4A0, 4D0, 9AH      |
| 7   | 958 653 201 06 | Control panel<br>Air conditioning<br>D - MJ 2014>>  |        | 1   | PR: 4A0, 4D0, 9AH      |
| 7   | 958 653 102 00 | Control panel<br>Air conditioning<br>D >> - MJ 2011<br>Discontinued part  |        | 1   | PR: 4A3, 4A4, 4D0, 9AD |
| 7   | 958 653 102 01 | Control panel<br>Air conditioning<br>D >> - MJ 2011<br>Discontinued part  |        | 1   | PR: 4A3, 4A4, 4D0, 9AD |
| 7   | 958 653 102 02 | Control panel<br>Air conditioning<br>D >> - MJ 2011   |        | 1   | PR: 4A3, 4A4, 4D0, 9AD |
| 7   | 958 653 102 03 | Control panel<br>Air conditioning<br>F >> 92-CLA05 335<br>F >> 92-CLA92 110<br>F >> 92-CLA64 565<br>F >> 92-CLA28 225<br>F >> 92-CLA28 101<br>F >> 92-CLA45 215<br>F >> 92-CLA82 187<br>D - MJ 2012>> |        | 1   | PR: 4A3, 4A4, 4D0, 9AD |
| 7   | 958 653 102 04 | Control panel<br>Air conditioning<br>F 92-CLA05 336>><br>F 92-CLA92 111>><br>F 92-CLA64 566>><br>F 92-CLA28 226>><br>F 92-CLA28 102>><br>F 92-CLA45 216>><br>F 92-CLA82 188>><br>D >> - MJ 2012       |        | 1   | PR: 4A3, 4A4, 4D0, 9AD |
| 7   | 958 653 102 05 | Control panel<br>Air conditioning<br>D - MJ 2013>> - MJ 2013  |        | 1   | PR: 4A3, 4A4, 4D0, 9AD |
| 7   | 958 653 102 06 | Control panel<br>Air conditioning<br>D - MJ 2014>>  |        | 1   | PR: 4A3, 4A4, 4D0, 9AD |
| 7   | 958 653 202 00 | Control panel<br>Air conditioning<br>D >> - MJ 2011<br>Discontinued part  |        | 1   | PR: 4A3, 4A4, 4D0, 9AH |
| 7   | 958 653 202 01 | Control panel<br>Air conditioning<br>D >> - MJ 2011   |        | 1   | PR: 4A3, 4A4, 4D0, 9AH |
| 7   | 958 653 202 03 | Control panel<br>Air conditioning<br>F >> 92-CLA05 335<br>F >> 92-CLA92 110<br>F >> 92-CLA64 565<br>F >> 92-CLA28 225<br>F >> 92-CLA28 101<br>F >> 92-CLA45 215<br>F >> 92-CLA82 187                  |        | 1   |                        |

Model: 92A 11 Model life 2011>>2018

| Pos | Part Number    | Description  | Remark | Qty | Model                     |
|-----|----------------|--|--------|-----|---------------------------|
| 7   | 958 653 202 04 | D - MJ 2012>><br>Control panel<br>Air conditioning<br>F 92-CLA05 336>><br>F 92-CLA92 111>><br>F 92-CLA64 566>><br>F 92-CLA28 226>><br>F 92-CLA28 102>><br>F 92-CLA45 216>><br>F 92-CLA82 188>><br>D >> - MJ 2012 |        | 1   | PR: 4A3, 4A4,<br>4D0, 9AH |
| 7   | 958 653 202 05 | Control panel<br>Air conditioning<br>D - MJ 2013>> - MJ 2013   |        | 1   | PR: 4A3, 4A4,<br>4D0, 9AH |
| 7   | 958 653 202 06 | Control panel<br>Air conditioning<br>D - MJ 2014>>   |        | 1   | PR: 4A3, 4A4,<br>4D0, 9AH |
| 7   | 958 653 103 00 | Control panel<br>Air conditioning<br>D >> - MJ 2011<br>Discontinued part   |        | 1   | PR: 4A3, 4A4,<br>4D3, 9AD |
| 7   | 958 653 103 01 | Control panel<br>Air conditioning<br>D >> - MJ 2011<br>Discontinued part   |        | 1   | PR: 4A3, 4A4,<br>4D3, 9AD |
| 7   | 958 653 103 02 | Control panel<br>Air conditioning<br>D >> - MJ 2011  |        | 1   | PR: 4A3, 4A4,<br>4D3, 9AD |
| 7   | 958 653 103 03 | Control panel<br>Air conditioning<br>F >> 92-CLA05 335<br>F >> 92-CLA92 110<br>F >> 92-CLA64 565<br>F >> 92-CLA28 225<br>F >> 92-CLA28 101<br>F >> 92-CLA45 215<br>F >> 92-CLA82 187<br>D - MJ 2012>>            |        | 1   |                           |
| 7   | 958 653 103 04 | Control panel<br>Air conditioning<br>F 92-CLA05 336>><br>F 92-CLA92 111>><br>F 92-CLA64 566>><br>F 92-CLA28 226>><br>F 92-CLA28 102>><br>F 92-CLA45 216>><br>F 92-CLA82 188>><br>D >> - MJ 2012                  |        | 1   | PR: 4A3, 4A4,<br>4D3, 9AD |
| 7   | 958 653 103 05 | Control panel<br>Air conditioning<br>D - MJ 2013>> - MJ 2013   |        | 1   | PR: 4A3, 4A4,<br>4D3, 9AD |
| 7   | 958 653 103 06 | Control panel<br>Air conditioning<br>D - MJ 2014>>   |        | 1   | PR: 4A3, 4A4,<br>4D3, 9AD |
| 7   | 958 653 203 00 | Control panel  |        | 1   | PR: 4A3, 4A4,             |

Model: 92A 11 Model life 2011>>2018

| Pos | Part Number        | Description   | Remark | Qty | Model  |
|-----|--------------------|---|--------|-----|--|
| 7   | 958 653 203 01     | Air conditioning<br>D >> - MJ 2011<br>Discontinued part<br>Control panel  |        | 1   | 4D3, 9AH<br>PR: 4A3, 4A4,<br>4D3, 9AH                  |
| 7   | 958 653 203 03     | Air conditioning<br>D >> - MJ 2011<br>Discontinued part<br>Control panel  |        | 1   |  |
| 7   | 958 653 203 04     | Air conditioning<br>F >> 92-CLA05 335<br>F >> 92-CLA92 110<br>F >> 92-CLA64 565<br>F >> 92-CLA28 225<br>F >> 92-CLA28 101<br>F >> 92-CLA45 215<br>F >> 92-CLA82 187<br>D - MJ 2012>>            |        | 1   | PR: 4A3, 4A4,<br>4D3, 9AH                              |
| 7   | 958 653 203 05     | Control panel<br>Air conditioning<br>F 92-CLA05 336>><br>F 92-CLA92 111>><br>F 92-CLA64 566>><br>F 92-CLA28 226>><br>F 92-CLA28 102>><br>F 92-CLA45 216>><br>F 92-CLA82 188>><br>D >> - MJ 2012 |        | 1   | PR: 4A3, 4A4,<br>4D3, 9AH<br>PR: 4A3, 4A4,<br>4D3, 9AH |
| 7   | 958 653 203 06     | Control panel<br>Air conditioning<br>D - MJ 2013>> - MJ 2013  |        | 1   | PR: 4A3, 4A4,<br>4D3, 9AH                              |
| -   |                    | Control panel<br>Air conditioning   | rear   |     |  |
| 8   | 958 653 301 00     | Control panel<br>Air conditioning<br>D >> - MJ 2011   |        | 1   | PR: 4A0, 4A3,<br>9AH                                   |
| 8   | 958 653 301 01     | Control panel<br>Air conditioning<br>D - MJ 2012>>  |        | 1   | PR: 4A0, 4A3,<br>9AH                                   |
| 8   | 958 653 302 00     | Control panel<br>Air conditioning<br>D >> - MJ 2011   |        | 1   | PR: 4A4, 9AH   |
| 8   | 958 653 302 01     | Control panel<br>Air conditioning<br>D - MJ 2012>>  |        | 1   | PR: 4A4, 9AH   |
| 8   | 958 653 308 00     | Control panel<br>D - MJ 2013>>  |        | 1   | PR: 4A0, 9AD,<br>4A3                                   |
|     | 958 653 308 00 5Q0 | Black<br>Trim   |        |     |  |
| (8) | 958 613 303 00     | Combined switch<br>D >> - MJ 2011   |        | 1   | PR: 4A0, 4A3,<br>9AD                                   |
| (8) | 958 613 303 01     | Combined switch<br>D - MJ 2012>>  |        | 1   | PR: 4A0, 4A3,<br>9AD                                   |
| (8) | 958 613 304 00     | Combined switch<br>D >> - MJ 2011   |        | 1   | PR: 4A4, 9AD   |
| (8) | 958 613 304 01     | Combined switch<br>D - MJ 2012>>  |        | 1   | PR: 4A4, 9AD   |



Model: 92A 11 Model life 2011>>2018

| Pos  | Part Number        | Description                               | Remark   | Qty | Model              |
|------|--------------------|---|----------|-----|--------------------|
| 10   | 7PP 907 539 A      | Sensor<br>Air conditioning                |          | 1   |                    |
| 11   | 7PP 907 527 A      | Temperature sensor                        |          | 1   |                    |
| 12   | 958 613 164 00     | Switch<br>Tow hitch                       |          | 1   | PR:1D9             |
|      | 958 613 164 00 6N3 | Matt black                                |          |     |                    |
| 13   | 7PP 959 832 F      | Switch for<br>rear lid release            |          | 1   | PR:4E7,4K0,<br>4K3 |
|      |                    | D >> - MJ 2011                            |          |     |                    |
|      | 7PP 959 832 F A05  | Matt black                                |          |     |                    |
| 13   | 7PP 959 832 H      | Switch for<br>rear lid release            |          | 1   | PR:4E7,4K0,<br>4K3 |
|      |                    | D - MJ 2012>>                             |          |     |                    |
|      | 7PP 959 832 H IVI  | Matt black                                |          |     |                    |
| (13) | 7PP 959 832 G      | Switch for<br>rear lid release            |          | 1   | PR:4E7,4F2,<br>4F6 |
|      |                    | D >> - MJ 2011                            |          |     |                    |
|      | 7PP 959 832 G A05  | Matt black                                |          |     |                    |
| (13) | 7PP 959 832 J      | Switch for<br>rear lid release            |          | 1   | PR:4E7,4F2,<br>4F6 |
|      |                    | D - MJ 2012>>                             |          |     |                    |
|      | 7PP 959 832 J IVI  | Matt black                                |          |     |                    |
| 15   | 958 613 251 00     | Switch<br>Electric parking brake          |          | 1   |                    |
| 16   | 958 613 163 00     | Trim for switch<br>Electric parking brake |          | 1   |                    |
|      | 958 613 163 00 5Q0 | Black                                     |          |     |                    |
|      | 958 613 163 00 4U0 | Platinum Grey                             |          |     |                    |
|      | 958 613 163 00 6W0 | Luxor beige                               |          |     |                    |
|      | 958 613 163 00 5V0 | Cream                                     |          |     |                    |
|      | 958 613 163 00 3T0 | Espresso                                  |          |     |                    |
|      | 958 613 163 00 2S0 | Cognac                                    |          |     |                    |
|      | 958 613 163 00 DE1 | Umber                                     |          |     |                    |
|      | 958 613 163 00 DF2 | Light Tartufo                             |          |     |                    |
|      | 958 613 163 00 DJ3 | Titanium Blue                             |          |     |                    |
|      | 958 613 163 00 OE1 | Carrera Red                               |          |     |                    |
| 17   | N 911 211 01       | Hexalobular flange screw<br>M 4 X 16      |          | 2   |                    |
| 18   | 958 613 533 00     | switch for lighting                       |          | 1   |                    |
|      |                    | D >> - MJ 2011                            |          |     |                    |
|      |                    | Discontinued part                         |          |     |                    |
| 18   | 958 613 533 01     | switch for lighting                       |          | 1   |                    |
|      |                    | D >> - MJ 2011                            |          |     |                    |
| 18   | 958 613 533 02     | switch for lighting                       |          | 1   |                    |
|      |                    | D - MJ 2012>> - MJ 2012                   |          |     |                    |
| 18   | 958 613 533 03     | switch for lighting                       |          | 1   |                    |
|      |                    | D - MJ 2013>> - MJ 2013                   |          |     |                    |
| 18   | 7P5 941 531 F      | switch for lighting                       |          | 1   |                    |
|      |                    | D - MJ 2014>>                             |          |     |                    |
| 19   | 958 613 103 00     | Switch<br>Memory                          | left     | 1   | PR:3L4,3PN         |
|      |                    | D >> - MJ 2012                            |          |     |                    |
| 19   | 958 613 103 05     | Switch<br>Memory<br>Driver's door         | left lhd | 1   | PR:L0L,3L4,<br>3PN |
|      |                    | D - MJ 2013>>                             |          |     |                    |
| 19   | 958 613 103 10     | Switch<br>Memory<br>Passenger's door      | left rhd | 1   | PR:L0R,3PN         |
|      |                    | D - MJ 2013>>                             |          |     |                    |
| (19) | 958 613 104 00     | Switch<br>Memory                          | right    | 1   | PR:3L4,3PN         |
|      |                    | D >> - MJ 2012                            |          |     |                    |

Model: 92A 11 Model life 2011>>2018

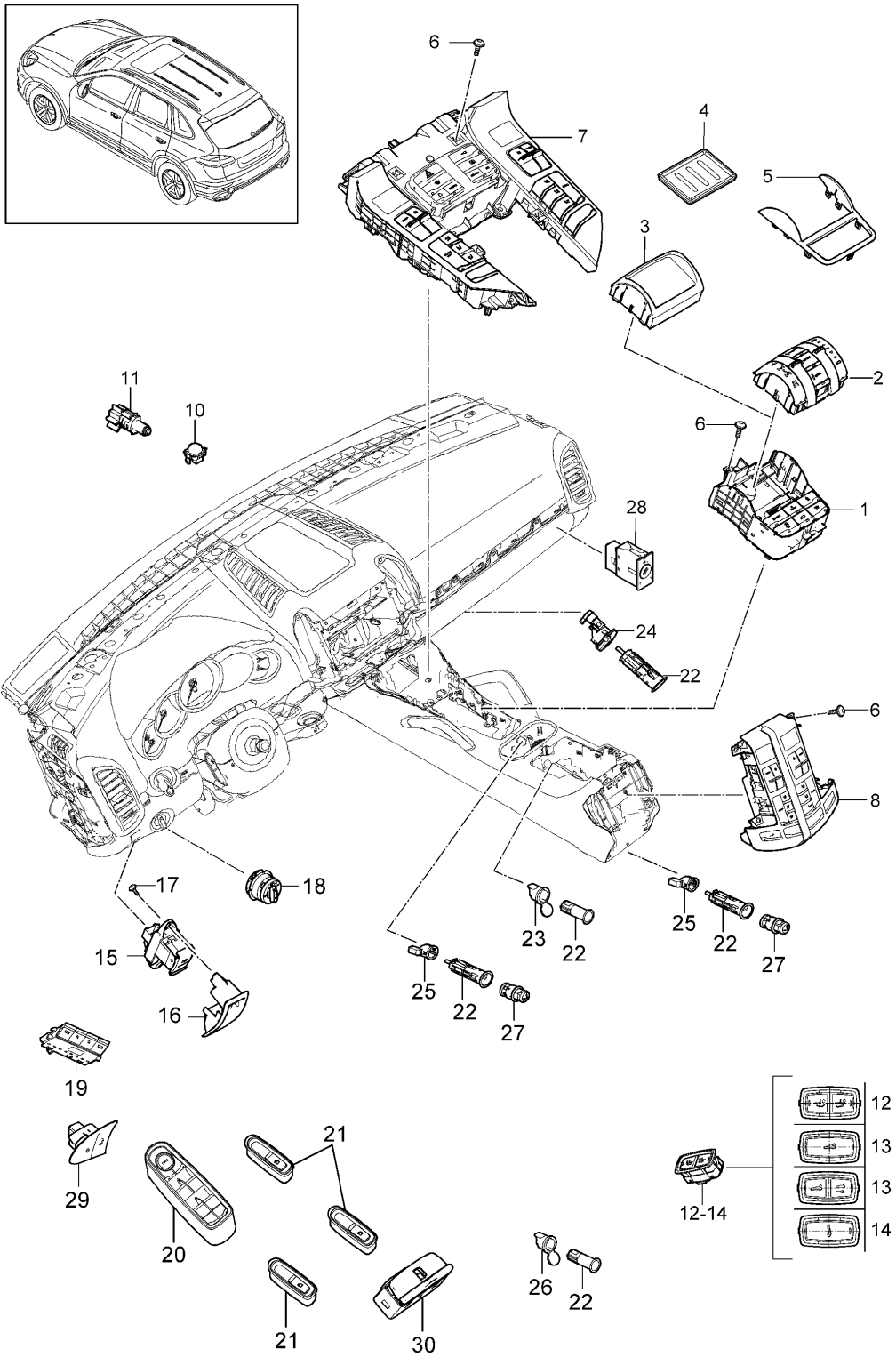
| Pos  | Part Number                          | Description  | Remark    | Qty | Model              |
|------|--------------------------------------|--|-----------|-----|--------------------|
| (19) | 958 613 104 05                       | Switch<br>Memory<br>Passenger's door<br>D - MJ 2013>>  | right lhd | 1   | PR:L0L,3PN         |
| (19) | 958 613 104 10                       | Switch<br>Memory<br>Driver's door<br>D - MJ 2013>>   | right rhd | 1   | PR:L0R,3L4,<br>3PN |
| 20   | 958 613 156 00                       | Switch for electric<br>window regulator<br>Exterior mirror<br>(drivers side)<br>Discontinued part  |           | 1   | PR:4E0,7Y0         |
| 20   | 958 613 156 00 DML<br>958 613 156 01 | Matt Black/hi-gloss chrome<br>Switch for electric<br>window regulator<br>Exterior mirror<br>(drivers side)<br>Discontinued part                          |           | 1   | PR:4E0,7Y0         |
| 20   | 958 613 156 01 DML<br>958 613 156 02 | Matt Black/hi-gloss chrome<br>Switch for electric<br>window regulator<br>Exterior mirror<br>(drivers side)<br>Discontinued part                          |           | 1   | PR:4E0,7Y0         |
| (20) | 958 613 156 02 DML<br>7PP 959 858 H  | Matt Black/hi-gloss chrome<br>Switch for electric<br>window regulator<br>Exterior mirror<br>Luggage compartment<br>(drivers side)<br>Discontinued part   |           | 1   | PR:4E7,7Y0         |
| (20) | 7PP 959 858 H DML<br>7PP 959 858 K   | Matt Black/hi-gloss chrome<br>Switch for electric<br>window regulator<br>Exterior mirror<br>Luggage compartment<br>(drivers side)<br>Discontinued part   |           | 1   | PR:4E7,7Y0         |
| (20) | 7PP 959 858 K DML<br>7PP 959 858 R   | Matt Black/hi-gloss chrome<br>Switch for electric<br>window regulator<br>Exterior mirror<br>Luggage compartment<br>(drivers side)<br>Discontinued part   |           | 1   | PR:4E7,7Y0         |
| (20) | 7PP 959 858 R DML<br>958 613 156 10  | Matt Black/hi-gloss chrome<br>Switch for electric<br>window regulator<br>Exterior mirror<br>Lane Change Assistant<br>(drivers side)<br>Discontinued part |           | 1   | PR:4E0,7Y1         |
| (20) | 958 613 156 10 DML<br>958 613 156 11 | Matt Black/hi-gloss chrome<br>Switch for electric<br>window regulator<br>Exterior mirror<br>Lane Change Assistant<br>(drivers side)<br>Discontinued part |           | 1   | PR:4E0,7Y1         |
| (20) | 958 613 156 11 DML<br>958 613 156 20 | Matt Black/hi-gloss chrome<br>Switch for electric<br>window regulator<br>Exterior mirror<br>Lane Change Assistant<br>(drivers side)                      |           | 1   | PR:4E7,7Y1         |

Model: 92A 11 Model life 2011>>2018

| Pos  | Part Number                         | Description  | Remark | Qty                   | Model              |
|------|-------------------------------------|--|--------|-----------------------|--------------------|
| (20) | 958 613 156 20 DML<br>7PP 959 858 M | Discontinued part<br>Matt Black/hi-gloss chrome<br>Switch for electric<br>window regulator<br>Exterior mirror<br>Luggage compartment<br>Lane Change Assistant<br>(drivers side)<br>Discontinued part |        | 1                     | PR:4E7,7Y1         |
| (20) | 7PP 959 858 M DML<br>7PP 959 858 Q  | Matt Black/hi-gloss chrome<br>Switch for electric<br>window regulator<br>Exterior mirror<br>Luggage compartment<br>Lane Change Assistant<br>(drivers side)   |        | 1                     | PR:4E7,7Y1,<br>7Y7 |
| 21   | 7PP 959 858 Q DML<br>7PP 959 855 B  | Matt Black/hi-gloss chrome<br>Switch for electric<br>window regulator<br>Discontinued part   | right  | 3                     |                    |
| 21   | 7PP 959 855 B DML<br>7PP 959 855 C  | Matt Black/hi-gloss chrome<br>Switch for electric<br>window regulator  | right  | 3                     |                    |
| 22   | 7PP 959 855 C DML<br>955 652 107 00 | Matt Black/hi-gloss chrome<br>Socket<br>Bracket<br>Beverages<br>Centre console<br>Centre console<br>Socket   | rear   | 3<br>1                |                    |
| (22) | 958 652 107 00                      | Luggage compartment<br>Stowage compartment<br>Centre console<br>Sound absorber<br>Cold air<br>(passenger side)   |        | 2<br>3<br>1<br>1<br>1 |                    |
| 23   | 997 652 104 00                      | clamping ring  |        | 1                     |                    |
| 24   | 958 652 103 00                      | Spring pin<br>D >> - MJ 2013   |        | 1                     |                    |
| (24) | 7P5 919 341 A                       | Spring pin<br>D - MJ 2014>>  |        | 1                     |                    |
| 25   | 7PP 919 341                         | Spring pin   |        | 3                     |                    |
| 26   | 955 652 106 01                      | Spring pin<br>Luggage compartment trim   | left   | 1                     |                    |
| 27   | 955 652 201 00                      | Cigarette lighter  |        | 2                     |                    |
| (27) | 955 652 201 00 01C                  | Satin black  |        | 1                     |                    |
| (27) | 958 652 311 00                      | Cigarette lighter cover  |        | 1                     |                    |
| 28   | 958 613 165 00                      | Switch<br>Airbag   |        | 1                     | PR:4UE,4UP         |
| 29   | 7PP 962 107 B                       | Switch<br>Central locking system<br>Inner actuator<br>Door handle<br>D - MJ 2013>>   | left   | 1                     |                    |
| (29) | 7PP 962 107 B IVI<br>7PP 962 107 C  | Matt black<br>Switch<br>Central locking system<br>Inner actuator<br>Door handle<br>D - MJ 2013>>   | right  | 1                     |                    |
|      | 7PP 962 107 C IVI                   | Matt black   |        |                       |                    |

Model: 92A 11

Model life 2011>>2018



Model: 92A 11 Model life 2011>>2018

| Pos | Part Number    | Description  | Remark | Qty | Model  |
|-----|----------------|--|--------|-----|--|
| 1   | 958 613 158 00 | Switch<br>Control panel<br>Air conditioning<br>D - MJ 2015>><br>Control panel with pushbuttons |        | 1   | PR:QR0,QR1,<br>QR3,QR4,OK0,<br>OP0,OP3,OP6,<br>7L7,7Y0,7Y1         |
| 1   | 958 613 159 00 | Control panel with pushbuttons   |        | 1   | PR:QR0,QR1,<br>QR3,QR4,OK0,<br>OP0,OP3,OP6,<br>7L7,7Y6,7Y7         |
| 1   | 958 613 160 00 | Control panel with pushbuttons   |        | 1   | PR:QR5,OK0,<br>OP0,OP3,OP6,<br>7L7,7Y0,7Y1,<br>7Y7                 |
| 1   | 958 613 161 00 | Control panel with pushbuttons   |        | 1   | PR:QR5,OK0,<br>OP0,OP3,OP6,<br>7L7,7Y6,7Y7                         |
| 1   | 958 613 162 00 | Control panel with pushbuttons   |        | 1   | PR:QR0,QR1,<br>QR3,QR4,OK3,<br>OP0,OP3,OP6,<br>7L7,7Y0,7Y1         |
| 1   | 958 613 163 00 | Trim for switch  |        | 1   | PR:QR0,QR1,<br>QR3,QR4,OK3,<br>OP0,OP3,OP6,<br>7L7,7Y6,7Y7         |
| 1   | 958 613 164 00 | Switch   |        | 1   | PR:QR5,OK3,<br>OP0,OP3,OP6,<br>7L7,7Y0,7Y1                         |
| 1   | 958 613 166 00 | Control panel with pushbuttons   |        | 1   | PR:QR5,OK3,<br>OP0,OP3,OP6,<br>7L7,7Y6,7Y7                         |
| 1   | 958 613 167 00 | Control panel with pushbuttons   |        | 1   | PR:QR0,QR1,<br>QR3,QR4,OK0,<br>OP0,OP3,OP6,<br>7L4,7L8,7Y0,<br>7Y1 |
| 1   | 958 613 168 00 | Control panel with pushbuttons   |        | 1   | PR:QR0,QR1,<br>QR3,QR4,OK0,<br>OP0,OP3,OP6,<br>7L4,7L8,7Y6,<br>7Y7 |
| 1   | 958 613 169 00 | Control panel with pushbuttons   |        | 1   | PR:QR5,OK0,<br>OP0,OP3,OP6,<br>7L4,7L8,7Y0,<br>7Y1                 |
| 1   | 958 613 170 00 | Control panel with pushbuttons   |        | 1   | PR:QR5,OK0,<br>OP0,OP3,OP6,<br>7L4,7L8,7Y6,<br>7Y7                 |
| 1   | 958 613 171 00 | Control panel with pushbuttons   |        | 1   | PR:QR0,QR1,<br>QR3,QR4,OK0,<br>OP8,OP9,7L7,<br>7Y0,7Y1             |
| 1   | 958 613 172 00 | Control panel with pushbuttons   |        | 1   | PR:QR0,QR1,<br>QR3,QR4,OK0,<br>OP8,OP9,7L7,<br>7Y6,7Y7             |
| 1   | 958 613 173 00 | Control panel with pushbuttons   |        | 1   | PR:QR5,OK0,<br>OP8,OP9,7L7,<br>7Y0,7Y1                             |
| 1   | 958 613 174 00 | Control panel with pushbuttons   |        | 1   | PR:QR5,OK0,  |

Model: 92A 11 Model life 2011>>2018

| Pos | Part Number        | Description                             | Remark | Qty | Model   |
|-----|--------------------|---|--------|-----|---|
| 1   | 958 613 175 00     | Control panel with pushbuttons          |        | 1   | 0P8,0P9,7L7,7Y6,7Y7<br>PR:QR0,QR1,QR3,QR4,0K0,0P8,0P9,7L4,7L8,7Y0,7Y1 |
| 1   | 958 613 176 00     | Control panel with pushbuttons          |        | 1   | PR:QR0,QR1,QR3,QR4,0K0,0P8,0P9,7L4,7L8,7Y6,7Y7                        |
| 1   | 958 613 177 00     | Control panel with pushbuttons          |        | 1   | PR:QR5,0K0,0P8,0P9,7L4,7L8,7Y0,7Y1                                    |
| 1   | 958 613 178 00     | Control panel with pushbuttons          |        | 1   | PR:QR5,0K0,0P8,0P9,7L4,7L8,7Y6,7Y7                                    |
| 1   | 958 613 179 00     | Control panel with pushbuttons          |        | 1   | PR:B1P,0K3,7L7,7Y0,7Y1,7Y7  |
| 1   | 958 613 179 10     | Control panel with pushbuttons          |        | 1   | PR:B1P,0K3,7L7,7Y6,7Y7  |
| 2   | 958 613 521 01     | Combined switch                         |        | 1   | PR:0K1,0K3,   |
| 2   | 958 613 522 01     | Combined switch                         |        | 1   | PR:0K1,0K3,   |
| 2   | 958 613 523 01     | Combined switch                         |        | 1   | PR:0K0,1BA,1BW  |
| 2   | 958 613 524 02     | Combined switch                         |        | 1   | PR:0K0,1BH,1BZ  |
| 2   | 958 613 525 02     | Combined switch                         |        | 1   | PR:0K0,1BK  |
| 3   | 958 552 561 00     | Stowage compartment                     |        | 1   | PR:0K1,1BA,   |
| 4   | 958 552 169 00     | Mat                                     |        | 1   | PR:0K0,1BA,1BW  |
| 5   | 958 552 169 00 1E0 | Black                                   |        |     |   |
|     | 958 613 180 00     | Trim for centre console                 |        | 1   |   |
|     | 958 613 180 00 6N3 | Matt black                              |        |     |   |
| 6   | N 906 986 06       | Hexagon socket head panel bolt 4,2 X 16 |        | X   |   |
| -   |                    | Control panel                           | front  |     |   |
|     |                    | Air conditioning                        |        |     |   |
| 7   | 958 653 101 07     | Control panel                           |        | 1   | PR:4A0,4D0,9AD,IY1  |
|     |                    | Air conditioning                        |        |     |   |
|     |                    | D >> - MJ 2015                          |        |     |   |
| (7) | 958 653 101 08     | Control panel                           |        | 1   | PR:4A0,4D0,9AD,IY2  |
|     |                    | Air conditioning                        |        |     |   |
|     |                    | D - MJ 2015>> - MJ 2015                 |        |     |   |
| (7) | 958 653 101 08     | Control panel                           |        | 1   | PR:4A0,4D0,9AD  |
|     |                    | Air conditioning                        |        |     |   |
|     |                    | D - MJ 2016>>                           |        |     |   |
| (7) | 958 653 201 07     | Control panel                           |        | 1   | PR:4A0,4D0,9AH,IY1  |
|     |                    | Air conditioning                        |        |     |   |
|     |                    | D >> - MJ 2015                          |        |     |   |
| (7) | 958 653 201 08     | Control panel                           |        | 1   | PR:4A0,4D0,9AH,IY2  |
|     |                    | Air conditioning                        |        |     |   |
|     |                    | D - MJ 2015>> - MJ 2015                 |        |     |   |
| (7) | 958 653 201 08     | Control panel                           |        | 1   | PR:4A0,4D0,9AH  |
|     |                    | Air conditioning                        |        |     |   |
|     |                    | D - MJ 2016>>                           |        |     |   |
| (7) | 958 653 102 07     | Control panel                           |        | 1   | PR:4A3,4A4,4D0,9AD,IY1  |
|     |                    | Air conditioning                        |        |     |   |
|     |                    | D >> - MJ 2015                          |        |     |   |
| (7) | 958 653 102 08     | Control panel                           |        | 1   | PR:4A3,4A4,4D0,9AD,IY2  |
|     |                    | Air conditioning                        |        |     |   |
|     |                    | D - MJ 2015>> - MJ 2015                 |        |     |   |
| (7) | 958 653 102 08     | Control panel                           |        | 1   | PR:4A3,4A4,   |

Model: 92A 11 Model life 2011>>2018

| Pos  | Part Number        | Description  | Remark | Qty | Model                                  |
|------|--------------------|--|--------|-----|--|
| (7)  | 958 653 202 07     | Air conditioning<br>D - MJ 2016>><br>Control panel<br>Air conditioning<br>D >> - MJ 2015 |        | 1   | 4D0,9AD<br>PR: 4A3,4A4,<br>4D0,9AH,IY1 |
| (7)  | 958 653 202 08     | Control panel<br>Air conditioning<br>D - MJ 2015>> - MJ 2015                             |        | 1   | PR: 4A3,4A4,<br>4D0,9AH,IY2            |
| (7)  | 958 653 202 08     | Control panel<br>Air conditioning<br>D - MJ 2016>>                                       |        | 1   | PR: 4A3,4A4,<br>4D0,9AH                |
| (7)  | 958 653 103 07     | Control panel<br>Air conditioning<br>D >> - MJ 2015                                      |        | 1   | PR: 4A3,4A4,<br>4D3,4D1,9AD,<br>IY1    |
| (7)  | 958 653 103 08     | Control panel<br>Air conditioning<br>D - MJ 2015>> - MJ 2015                             |        | 1   | PR: 4A3,4A4,<br>4D3,4D1,9AD,<br>IY2    |
| (7)  | 958 653 103 08     | Control panel<br>Air conditioning<br>D - MJ 2016>>                                       |        | 1   | PR: 4A3,4A4,<br>4D3,4D1,9AD            |
| (7)  | 958 653 203 07     | Control panel<br>Air conditioning<br>D >> - MJ 2015                                      |        | 1   | PR: 4A3,4A4,<br>4D3,4D1,9AH,<br>IY1    |
| (7)  | 958 653 203 08     | Control panel<br>Air conditioning<br>D - MJ 2015>> - MJ 2015                             |        | 1   | PR: 4A3,4A4,<br>4D3,4D1,9AH,<br>IY2    |
| (7)  | 958 653 203 08     | Control panel<br>Air conditioning<br>D - MJ 2016>>                                       |        | 1   | PR: 4A3,4A4,<br>4D3,4D1,9AH            |
| -    |                    | Control panel  | rear   |     |  |
| 8    | 958 653 301 03     | Air conditioning<br>Control panel  |        | 1   | PR: 4A0,4A3,<br>9AH                    |
| 8    | 958 653 302 03     | Control panel<br>Air conditioning  |        | 1   | PR: 4A4,9AH,<br>4D0,4D3                |
| 8    | 958 653 303 04     | Control panel<br>Air conditioning  |        | 1   | PR: 4A4,9AH,<br>4D1                    |
| 8    | 958 653 308 00     | Control panel  |        | 1   | PR: 4A0,9AD,<br>4A3                    |
|      | 958 653 308 00 5Q0 | Black<br>Trim  |        |     |  |
| (8)  | 958 613 304 03     | Combined switch  |        | 1   | PR: 4A4,9AD                            |
| 10   | 7PP 907 539 A      | Sensor<br>Air conditioning   |        | 1   | PR: 4GC,4GH,<br>4GK                    |
| (10) | 958 572 345 00     | Sensor<br>Air conditioning   |        | 1   | PR: 4GG                                |
| 11   | 7PP 907 527 A      | Temperature sensor   |        | 1   |  |
| 12   | 958 613 164 10     | Switch<br>Tow hitch  |        | 1   | PR: 1BK,1D3                            |
|      | 958 613 164 10 6N3 | Matt black   |        |     |  |
| 12   | 958 613 164 20     | Switch<br>Tow hitch  |        | 1   | PR: 1BK,1BH,<br>1BW,1BZ,1D3            |
|      | 958 613 164 20 6N3 | Matt black   |        |     |  |
| 12   | 958 613 164 30     | Switch<br>Tow hitch  |        | 1   | PR: 1BK,1D0,<br>1D1,1D6,1D7,<br>1D8    |
|      | 958 613 164 30 6N3 | Matt black   |        |     |  |
| 13   | 7PP 959 832 H      | Switch for<br>rear lid release   |        | 1   | PR: 4E7,4K0,<br>4K3                    |
|      | 7PP 959 832 H IVI  | Matt black   |        |     |  |
| (13) | 7PP 959 832 J      | Switch for<br>rear lid release   |        | 1   | PR: 4E7,4F2,<br>4F6                    |
|      | 7PP 959 832 J IVI  | Matt black   |        |     |  |

Model: 92A 11 Model life 2011>>2018

| Pos  | Part Number                          | Description  | Remark                     | Qty                   | Model                |
|------|--------------------------------------|--|----------------------------|-----------------------|----------------------|
| 15   | 958 613 251 00                       | Switch<br>Electric parking brake   |                            | 1                     |                      |
| 16   | 958 613 163 00                       | Trim for switch<br>Electric parking brake  |                            | 1                     |                      |
|      | 958 613 163 00 5Q0                   | Black  | -LC, MA, MF, YA,<br>YB, YC |                       |                      |
|      | 958 613 163 00 4U0                   | Platinum Grey  | -LD, MD, YD                |                       |                      |
|      | 958 613 163 00 6W0                   | Luxor beige  | -LE, MC, MK, TB,<br>YE, 77 |                       |                      |
|      | 958 613 163 00 5V0                   | Cream  | -LG, MJ, TX                |                       |                      |
|      | 958 613 163 00 3T0                   | Espresso   | -VA                        |                       |                      |
|      | 958 613 163 00 2S0                   | Cognac   | -VB                        |                       |                      |
|      | 958 613 163 00 DE1                   | Umber  | -LF, YF                    |                       |                      |
|      | 958 613 163 00 DF2                   | Light Tartufo  | -TY                        |                       |                      |
|      | 958 613 163 00 DJ3                   | Titanium Blue  | -TW                        |                       |                      |
|      | 958 613 163 00 OE1                   | Carrera Red  | -TA                        |                       |                      |
| 17   | N 911 211 01                         | Hexalobular flange screw<br>M 4 X 16   |                            | 2                     |                      |
| 18   | 7P5 941 531 F                        | switch for lighting  |                            | 1                     |                      |
| 19   | 958 613 103 20                       | Switch<br>Memory   | left                       | 1                     | PR: 3L4, 3PN         |
| 19   | 958 613 103 10                       | Switch<br>Memory   | left rhd                   | 1                     | PR: L0R, 3PN         |
| (19) | 958 613 104 05                       | Passenger's door<br>Switch<br>Memory   | right lhd                  | 1                     | PR: L0L, 3PN         |
| (19) | 958 613 104 10                       | Passenger's door<br>Switch<br>Memory   | right rhd                  | 1                     | PR: L0R, 3L4,<br>3PN |
| (20) | 7PP 959 858 AF                       | Driver's door<br>Switch for electric<br>window regulator   |                            | 1                     | PR: 4E7, 7Y0,<br>7Y6 |
|      |                                      | Exterior mirror<br>Luggage compartment<br>(drivers side)   |                            |                       |                      |
| (20) | 7PP 959 858 AF DML<br>7PP 959 858 AE | Matt Black/hi-gloss chrome<br>Switch for electric<br>window regulator  |                            | 1                     | PR: 4E7, 7Y1,<br>7Y7 |
|      |                                      | Exterior mirror<br>Luggage compartment<br>Lane Change Assistant<br>(drivers side)  |                            |                       |                      |
| 21   | 7PP 959 858 AE DML<br>7PP 959 855 E  | Matt Black/hi-gloss chrome<br>Switch for electric<br>window regulator  |                            | 3                     |                      |
|      |                                      | Matt Black/hi-gloss chrome<br>D >> - 20.08.2017  |                            |                       |                      |
| (21) | 9A7 959 855 00<br>9A7 959 855 00 DML | Switch for electric<br>window regulator<br>Matt Black/hi-gloss chrome<br>D - 21.08.2017>>  |                            | 3                     |                      |
| 22   | 955 652 107 00                       | Socket<br>Bracket<br>Beverages   | rear                       | 3<br>1                |                      |
| (22) | 958 652 107 00                       | Centre console<br>Centre console<br>Socket<br>Luggage compartment<br>Stowage compartment<br>Centre console<br>Sound absorber<br>Cold air<br>(passenger side) |                            | 2<br>3<br>1<br>1<br>1 |                      |

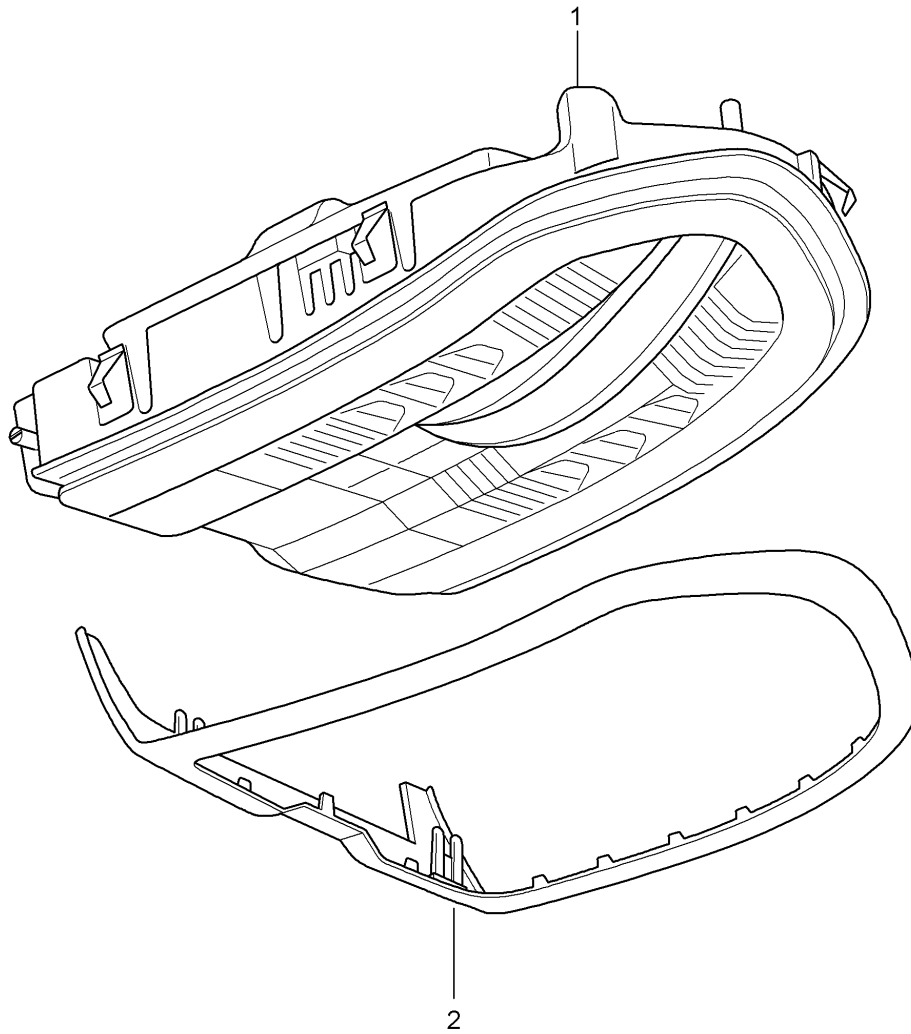
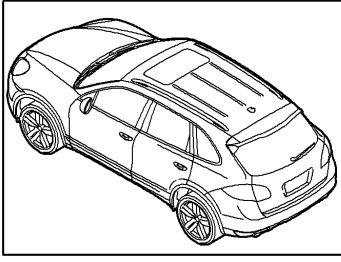


Model: 92A 11 Model life 2011>>2018

| Pos  | Part Number        | Description              | Remark | Qty | Model      |
|------|--------------------|--------------------------|--------|-----|------------|
| 23   | 997 652 104 00     | clamping ring            |        | 1   |            |
| 24   | 7P5 919 341 A      | Spring pin               |        | 1   |            |
| 25   | 7PP 919 341        | Spring pin               |        | 3   |            |
| 26   | 955 652 106 01     | Spring pin               | left   | 1   |            |
|      |                    | Luggage compartment trim |        |     |            |
| 27   | 955 652 201 00     | Cigarette lighter        |        | 2   |            |
|      | 955 652 201 00 01C | Satin black              |        |     |            |
| (27) | 958 652 311 00     | Cigarette lighter cover  |        | 1   |            |
| 28   | 958 613 165 00     | Switch                   |        | 1   | PR:4UE,4UP |
|      |                    | Airbag                   |        |     |            |
| 29   | 7PP 962 107 D      | Switch                   | left   | 1   |            |
|      |                    | Central locking system   |        |     |            |
|      |                    | Inner actuator           |        |     |            |
|      |                    | Door handle              |        |     |            |
|      | 7PP 962 107 D IVI  | Matt black               |        |     |            |
| 29   | 7PP 962 107 E      | Switch                   | right  | 1   |            |
|      |                    | Central locking system   |        |     |            |
|      |                    | Inner actuator           |        |     |            |
|      |                    | Door handle              |        |     |            |
|      | 7PP 962 107 E IVI  | Matt black               |        |     |            |
| 30   | 958 613 181 00     | Switch                   |        | 1   | PR:0K3     |
|      |                    | Fuel filler flap         |        |     |            |
|      |                    | Matt black               |        |     |            |

Model: 92A 11

Model life 2011>>2018



Model: 92A 11 Model life 2011>>2018

| Pos | Part Number    | Description                                     | Remark | Qty | Model   |
|-----|----------------|---|--------|-----|---|
|     |                | Console<br>Roof<br>workshop manual<br>Attention |        |     |   |
| 1   | 7PP 868 404 CK | D >> - MJ 2013<br>Roof console                  |        | 1   | PR:VC0,3FA,<br>7Q0,7T1,7T4,<br>7X0,7X9,9MA                  |
| 1   | 7PP 868 404 FD | D >> - MJ 2011<br>Roof console                  |        | 1   | PR:VC0,3FA,<br>7Q0,7T1,7T4,<br>7X0,7X9,9MA,<br>7Q7,-IY2     |
| 1   | 7PP 868 404 HR | D - MJ 2012>> - MJ 2013<br>Roof console         |        | 1   | PR:VC0,3FA,<br>7Q0,7T1,7T4,<br>7X0,7X9,9MA,<br>7Q7,IY2      |
| 1   | 7PP 868 404 HR | D - MJ 2013>><br>Roof console                   |        | 1   | PR:VC0,3FA,<br>7Q0,7T1,7T4,<br>7X0,7X9,9MA,<br>7Q7          |
| 1   | 7PP 868 404 CL | Roof console                                    |        | 1   | PR:VC0,3FE,<br>7Q0,7T1,7T4,<br>7X0,7X9,9MA                  |
| 1   | 7PP 868 404 FE | D >> - MJ 2011<br>Roof console                  |        | 1   | PR:VC0,3FE,<br>7Q0,7T1,7T4,<br>7X0,7X9,9MA,<br>7Q7,-IY2     |
| 1   | 7PP 868 404 HS | D - MJ 2012>> - MJ 2013<br>Roof console         |        | 1   | PR:VC0,3FE,<br>7Q0,7T1,7T4,<br>7X0,7X9,9MA,<br>7Q7,IY2      |
| 1   | 7PP 868 404 HS | D - MJ 2012>><br>Roof console                   |        | 1   | PR:VC0,3FE,<br>7Q0,7T1,7T4,<br>7X0,7X9,9MA,<br>7Q7          |
| 1   | 7PP 868 404 CM | Roof console                                    |        | 1   | PR:VC0,3FA,<br>7Q0,7T1,7T4,<br>7X2,7X8,9MA                  |
| 1   | 7PP 868 404 FF | D >> - MJ 2011<br>Roof console                  |        | 1   | PR:VC0,3FA,<br>7Q0,7T1,7T4,<br>7X2,7X8,9MA,<br>7Q7,-IY2     |
| 1   | 7PP 868 404 HT | D - MJ 2012>> - MJ 2013<br>Roof console         |        | 1   | PR:VC0,3FA,<br>7Q0,7T1,7T4,<br>7X2,7X8,9MA,<br>7Q7,IY2      |
| 1   | 7PP 868 404 HT | D - MJ 2013>><br>Roof console                   |        | 1   | PR:VC0,3FA,<br>7Q0,7T1,7T4,<br>7X2,7X8,9MA,<br>7Q7          |
| 1   | 7PP 868 404 CN | Roof console                                    |        | 1   | PR:VC1,VC2,<br>3FA,7Q0,7T1,<br>7T4,7X0,7X9,<br>9MA          |
| 1   | 7PP 868 404 FG | D >> - MJ 2011<br>Roof console                  |        | 1   | PR:VC1,VC2,<br>3FA,7Q0,7T1,<br>7T4,7X0,7X9,<br>9MA,7Q7,-IY2 |
| 1   | 7PP 868 404 JA | D - MJ 2012>> - MJ 2013<br>Roof console         |        | 1   | PR:VC1,VC2,<br>3FA,7Q0,7T1,<br>7T4,7X0,7X9,<br>9MA,7Q7,IY2  |
| 1   | 7PP 868 404 JA | D - MJ 2013>><br>Roof console                   |        | 1   | PR:VC1,VC2,<br>3FA,7Q0,7T1,<br>7T4,7X0,7X9,<br>9MA,7Q7,IY2  |

Model: 92A 11 Model life 2011>>2018

| Pos | Part Number    | Description                             | Remark | Qty | Model   |
|-----|----------------|---|--------|-----|---|
| 1   | 7PP 868 404 CP | D - MJ 2013>><br>Roof console           |        | 1   | 3FA,7Q0,7T1,<br>7T4,7X0,7X9,<br>9MA,7Q7<br>PR:VC0,3FE,<br>7Q0,7T1,7T4,<br>7X2,7X8,9MA |
| 1   | 7PP 868 404 FH | D >> - MJ 2011<br>Roof console          |        | 1   | PR:VC0,3FE,<br>7Q0,7T1,7T4,<br>7X2,7X8,9MA,<br>7Q7,-IY2                               |
| 1   | 7PP 868 404 JB | D - MJ 2012>> - MJ 2013<br>Roof console |        | 1   | PR:VC0,3FE,<br>7Q0,7T1,7T4,<br>7X2,7X8,9MA,<br>7Q7,IY2                                |
| 1   | 7PP 868 404 JB | D - MJ 2013>><br>Roof console           |        | 1   | PR:VC0,3FE,<br>7Q0,7T1,7T4,<br>7X2,7X8,9MA,<br>7Q7                                    |
| 1   | 7PP 868 404 CQ | D >> - MJ 2011<br>Roof console          |        | 1   | PR:VC1,VC2,<br>3FA,7Q0,7T1,<br>7T4,7X2,7X8,<br>9MA                                    |
| 1   | 7PP 868 404 FJ | D - MJ 2012>> - MJ 2013<br>Roof console |        | 1   | PR:VC1,VC2,<br>3FA,7Q0,7T1,<br>7T4,7X2,7X8,<br>9MA,7Q7,-IY2                           |
| 1   | 7PP 868 404 JC | D - MJ 2013>><br>Roof console           |        | 1   | PR:VC1,VC2,<br>3FA,7Q0,7T1,<br>7T4,7X2,7X8,<br>9MA,7Q7,IY2                            |
| 1   | 7PP 868 404 JC | D - MJ 2013>><br>Roof console           |        | 1   | PR:VC1,VC2,<br>3FA,7Q0,7T1,<br>7T4,7X2,7X8,<br>9MA,7Q7                                |
| 1   | 7PP 868 404 CR | D >> - MJ 2011<br>Roof console          |        | 1   | PR:VC1,VC2,<br>3FE,7Q0,7T1,<br>7T4,7X0,7X9,<br>9MA                                    |
| 1   | 7PP 868 404 FK | D - MJ 2012>> - MJ 2013<br>Roof console |        | 1   | PR:VC1,VC2,<br>3FE,7Q0,7T1,<br>7T4,7X0,7X9,<br>9MA,7Q7,-IY2                           |
| 1   | 7PP 868 404 JD | D - MJ 2013>><br>Roof console           |        | 1   | PR:VC1,VC2,<br>3FE,7Q0,7T1,<br>7T4,7X0,7X9,<br>9MA,7Q7,IY2                            |
| 1   | 7PP 868 404 JD | D - MJ 2013>><br>Roof console           |        | 1   | PR:VC1,VC2,<br>3FE,7Q0,7T1,<br>7T4,7X0,7X9,<br>9MA,7Q7                                |
| 1   | 7PP 868 404 CS | D >> - MJ 2011<br>Roof console          |        | 1   | PR:VC1,VC2,<br>3FE,7Q0,7T1,<br>7T4,7X2,7X8,<br>9MA                                    |
| 1   | 7PP 868 404 FL | D - MJ 2012>> - MJ 2013<br>Roof console |        | 1   | PR:VC1,VC2,<br>3FE,7Q0,7T1,<br>7T4,7X2,7X8,<br>9MA,7Q7,-IY2                           |
| 1   | 7PP 868 404 JE | D - MJ 2013>><br>Roof console           |        | 1   | PR:VC1,VC2,<br>3FE,7Q0,7T1,<br>7T4,7X2,7X8,<br>9MA,7Q7,IY2                            |
| 1   | 7PP 868 404 JE | Roof console                            |        | 1   | PR:VC1,VC2,   |

Model: 92A 11

Model life 2011>>2018

| Pos | Part Number    | Description                             | Remark | Qty | Model   |
|-----|----------------|---|--------|-----|---|
| 1   | 7PP 868 404 CT | D - MJ 2013>><br>Roof console           |        | 1   | 3FE, 7Q0, 7T1, 7T4, 7X2, 7X8, 9MA, 7Q7<br>PR:VC0, 3FA, 7Q4, 7X0, 7X9, 9MA |
| 1   | 7PP 868 404 FM | D >> - MJ 2011<br>Roof console          |        | 1   | PR:VC0, 3FA, 7Q4, 7X0, 7X9, 9MA, -IY2                                     |
| 1   | 7PP 868 404 JF | D - MJ 2012>> - MJ 2013<br>Roof console |        | 1   | PR:VC0, 3FA, 7Q4, 7X0, 7X9, 9MA, IY2                                      |
| 1   | 7PP 868 404 JF | D - MJ 2013>><br>Roof console           |        | 1   | PR:VC0, 3FA, 7Q4, 7X0, 7X9, 9MA   |
| 1   | 7PP 868 404 DA | D - MJ 2013>><br>Roof console           |        | 1   | PR:VC0, 3FE, 7Q4, 7X0, 7X9, 9MA   |
| 1   | 7PP 868 404 FN | D >> - MJ 2011<br>Roof console          |        | 1   | PR:VC0, 3FE, 7Q4, 7X0, 7X9, 9MA, -IY2                                     |
| 1   | 7PP 868 404 JG | D - MJ 2012>> - MJ 2013<br>Roof console |        | 1   | PR:VC0, 3FE, 7Q4, 7X0, 7X9, 9MA, IY2                                      |
| 1   | 7PP 868 404 JG | D - MJ 2013>><br>Roof console           |        | 1   | PR:VC0, 3FE, 7Q4, 7X0, 7X9, 9MA   |
| 1   | 7PP 868 404 DB | D - MJ 2013>><br>Roof console           |        | 1   | PR:VC0, 3FA, 7Q4, 7X2, 7X8, 9MA   |
| 1   | 7PP 868 404 FP | D >> - MJ 2011<br>Roof console          |        | 1   | PR:VC0, 3FA, 7Q4, 7X2, 7X8, 9MA, -IY2                                     |
| 1   | 7PP 868 404 JH | D - MJ 2012>> - MJ 2013<br>Roof console |        | 1   | PR:VC0, 3FA, 7Q4, 7X2, 7X8, 9MA, IY2                                      |
| 1   | 7PP 868 404 JH | D - MJ 2013>><br>Roof console           |        | 1   | PR:VC0, 3FA, 7Q4, 7X2, 7X8, 9MA   |
| 1   | 7PP 868 404 DC | D - MJ 2013>><br>Roof console           |        | 1   | PR:VC1, VC2, 3FA, 7Q4, 7X0, 7X9, 9MA                                      |
| 1   | 7PP 868 404 FQ | D >> - MJ 2011<br>Roof console          |        | 1   | PR:VC1, VC2, 3FA, 7Q4, 7X0, 7X9, 9MA, -IY2                                |
| 1   | 7PP 868 404 JJ | D - MJ 2012>> - MJ 2013<br>Roof console |        | 1   | PR:VC1, VC2, 3FA, 7Q4, 7X0, 7X9, 9MA, IY2                                 |
| 1   | 7PP 868 404 JJ | D - MJ 2013>><br>Roof console           |        | 1   | PR:VC1, VC2, 3FA, 7Q4, 7X0, 7X9, 9MA                                      |
| 1   | 7PP 868 404 DD | D - MJ 2013>><br>Roof console           |        | 1   | PR:VC0, 3FE, 7Q4, 7X2, 7X8, 9MA   |
| 1   | 7PP 868 404 FR | D >> - MJ 2011<br>Roof console          |        | 1   | PR:VC0, 3FE, 7Q4, 7X2, 7X8, 9MA, -IY2                                     |
| 1   | 7PP 868 404 JK | D - MJ 2012>> - MJ 2013<br>Roof console |        | 1   | PR:VC0, 3FE, 7Q4, 7X2, 7X8, 9MA, IY2                                      |
| 1   | 7PP 868 404 JK | D - MJ 2013>><br>Roof console           |        | 1   | PR:VC0, 3FE, 7Q4, 7X2, 7X8, 9MA   |
|     |                | D - MJ 2013>>                           |        |     |   |

Model: 92A 11 Model life 2011>>2018

| Pos | Part Number    | Description                             | Remark | Qty | Model   |
|-----|----------------|---|--------|-----|---|
| 1   | 7PP 868 404 DE | Roof console                            |        | 1   | PR:VC1,VC2,<br>3FA,7Q4,7X2,<br>7X8,9MA                  |
| 1   | 7PP 868 404 FS | D >> - MJ 2011<br>Roof console          |        | 1   | PR:VC1,VC2,<br>3FA,7Q4,7X2,<br>7X8,9MA,-IY2             |
| 1   | 7PP 868 404 JL | D - MJ 2012>> - MJ 2013<br>Roof console |        | 1   | PR:VC1,VC2,<br>3FA,7Q4,7X2,<br>7X8,9MA,IY2              |
| 1   | 7PP 868 404 JL | D - MJ 2013>><br>Roof console           |        | 1   | PR:VC1,VC2,<br>3FA,7Q4,7X2,<br>7X8,9MA                  |
| 1   | 7PP 868 404 DF | D - MJ 2013>><br>Roof console           |        | 1   | PR:VC1,VC2,<br>3FE,7Q4,7X0,<br>7X9,9MA                  |
| 1   | 7PP 868 404 FT | D >> - MJ 2011<br>Roof console          |        | 1   | PR:VC1,VC2,<br>3FE,7Q4,7X0,<br>7X9,9MA,-IY2             |
| 1   | 7PP 868 404 JM | D - MJ 2012>> - MJ 2013<br>Roof console |        | 1   | PR:VC1,VC2,<br>3FE,7Q4,7X0,<br>7X9,9MA,IY2              |
| 1   | 7PP 868 404 JM | D - MJ 2013>><br>Roof console           |        | 1   | PR:VC1,VC2,<br>3FE,7Q4,7X0,<br>7X9,9MA                  |
| 1   | 7PP 868 404 DG | D - MJ 2013>><br>Roof console           |        | 1   | PR:VC1,VC2,<br>3FE,7Q4,7X2,<br>7X8,9MA                  |
| 1   | 7PP 868 404 GA | D >> - MJ 2011<br>Roof console          |        | 1   | PR:VC1,VC2,<br>3FE,7Q4,7X2,<br>7X8,9MA,-IY2             |
| 1   | 7PP 868 404 JN | D - MJ 2012>> - MJ 2013<br>Roof console |        | 1   | PR:VC1,VC2,<br>3FE,7Q4,7X2,<br>7X8,9MA,IY2              |
| 1   | 7PP 868 404 JN | D - MJ 2013>><br>Roof console           |        | 1   | PR:VC1,VC2,<br>3FE,7Q4,7X2,<br>7X8,9MA                  |
| 1   | 7PP 868 404 DH | D - MJ 2013>><br>Roof console           |        | 1   | PR:VC0,3FA,<br>7Q0,7T1,7T4,<br>7X0,7X9,9MB              |
| 1   | 7PP 868 404 GB | D >> - MJ 2011<br>Roof console          |        | 1   | PR:VC0,3FA,<br>7Q0,7T1,7T4,<br>7X0,7X9,9MB,<br>7Q7,-IY2 |
| 1   | 7PP 868 404 JP | D - MJ 2012>> - MJ 2013<br>Roof console |        | 1   | PR:VC0,3FA,<br>7Q0,7T1,7T4,<br>7X0,7X9,9MB,<br>7Q7,IY2  |
| 1   | 7PP 868 404 JP | D - MJ 2013>><br>Roof console           |        | 1   | PR:VC0,3FA,<br>7Q0,7T1,7T4,<br>7X0,7X9,9MB,<br>7Q7      |
| 1   | 7PP 868 404 DJ | D >> - MJ 2011<br>Roof console          |        | 1   | PR:VC0,3FE,<br>7Q0,7T1,7T4,<br>7X0,7X9,9MB              |
| 1   | 7PP 868 404 GC | D - MJ 2012>> - MJ 2013<br>Roof console |        | 1   | PR:VC0,3FE,<br>7Q0,7T1,7T4,<br>7X0,7X9,9MB,<br>7Q7,-IY2 |
| 1   | 7PP 868 404 JQ | D - MJ 2013>><br>Roof console           |        | 1   | PR:VC0,3FE,<br>7Q0,7T1,7T4,<br>7X0,7X9,9MB,<br>7Q7,IY2  |
| 1   | 7PP 868 404 JQ | Roof console                            |        | 1   | PR:VC0,3FE,   |

Model: 92A 11

Model life 2011>>2018

| Pos | Part Number    | Description                             | Remark | Qty | Model  |
|-----|----------------|---|--------|-----|--|
| 1   | 7PP 868 404 DK | D - MJ 2013>><br>Roof console           |        | 1   | 7Q0,7T1,7T4,<br>7X0,7X9,9MB,<br>7Q7<br>PR:VC0,3FA,<br>7Q0,7T1,7T4, |
| 1   | 7PP 868 404 GD | D >> - MJ 2011<br>Roof console          |        | 1   | 7X2,7X8,9MB<br>PR:VC0,3FA,<br>7Q0,7T1,7T4,                         |
| 1   | 7PP 868 404 JR | D - MJ 2012>> - MJ 2013<br>Roof console |        | 1   | 7X2,7X8,9MB,<br>7Q7,-IY2<br>PR:VC0,3FA,<br>7Q0,7T1,7T4,            |
| 1   | 7PP 868 404 JR | D - MJ 2013>><br>Roof console           |        | 1   | 7X2,7X8,9MB,<br>7Q7,IY2<br>PR:VC0,3FA,<br>7Q0,7T1,7T4,             |
| 1   | 7PP 868 404 DL | D - MJ 2013>><br>Roof console           |        | 1   | 7X2,7X8,9MB,<br>7Q7<br>PR:VC1,VC2,<br>3FA,7Q0,7T1,                 |
| 1   | 7PP 868 404 GE | D >> - MJ 2011<br>Roof console          |        | 1   | 7T4,7X0,7X9,<br>9MB<br>PR:VC1,VC2,<br>3FA,7Q0,7T1,                 |
| 1   | 7PP 868 404 JS | D - MJ 2012>> - MJ 2013<br>Roof console |        | 1   | 7T4,7X0,7X9,<br>9MB,7Q7,-IY2<br>PR:VC1,VC2,<br>3FA,7Q0,7T1,        |
| 1   | 7PP 868 404 JS | D - MJ 2013>><br>Roof console           |        | 1   | 7T4,7X0,7X9,<br>9MB,7Q7,IY2<br>PR:VC1,VC2,<br>3FA,7Q0,7T1,         |
| 1   | 7PP 868 404 DM | D - MJ 2013>><br>Roof console           |        | 1   | 7T4,7X0,7X9,<br>9MB,7Q7<br>PR:VC0,3FE,<br>7Q0,7T1,7T4,             |
| 1   | 7PP 868 404 GF | D >> - MJ 2011<br>Roof console          |        | 1   | 7X2,7X8,9MB<br>PR:VC0,3FE,<br>7Q0,7T1,7T4,                         |
| 1   | 7PP 868 404 JT | D - MJ 2012>> - MJ 2013<br>Roof console |        | 1   | 7X2,7X8,9MB,<br>7Q7,-IY2<br>PR:VC0,3FE,<br>7Q0,7T1,7T4,            |
| 1   | 7PP 868 404 JT | D - MJ 2013>><br>Roof console           |        | 1   | 7X2,7X8,9MB,<br>7Q7,IY2<br>PR:VC0,3FE,<br>7Q0,7T1,7T4,             |
| 1   | 7PP 868 404 DN | D - MJ 2013>><br>Roof console           |        | 1   | 7X2,7X8,9MB,<br>7Q7<br>PR:VC1,VC2,<br>3FA,7Q0,7T1,                 |
| 1   | 7PP 868 404 GG | D >> - MJ 2011<br>Roof console          |        | 1   | 7T4,7X2,7X8,<br>9MB<br>PR:VC1,VC2,<br>3FA,7Q0,7T1,                 |
| 1   | 7PP 868 404 KA | D - MJ 2012>> - MJ 2013<br>Roof console |        | 1   | 7T4,7X2,7X8,<br>9MB,7Q7,-IY2<br>PR:VC1,VC2,<br>3FA,7Q0,7T1,        |
| 1   | 7PP 868 404 KA | D - MJ 2013>><br>Roof console           |        | 1   | 7T4,7X2,7X8,<br>9MB,7Q7,IY2<br>PR:VC1,VC2,<br>3FA,7Q0,7T1,         |

Model: 92A 11

Model life 2011>>2018

| Pos | Part Number    | Description                             | Remark | Qty | Model   |
|-----|----------------|---|--------|-----|---|
| 1   | 7PP 868 404 DP | D - MJ 2013>><br>Roof console           |        | 1   | 7T4, 7X2, 7X8, 9MB, 7Q7<br>PR:VC1, VC2, 3FE, 7Q0, 7T1, 7T4, 7X0, 7X9, 9MB |
| 1   | 7PP 868 404 GH | D >> - MJ 2011<br>Roof console          |        | 1   | PR:VC1, VC2, 3FE, 7Q0, 7T1, 7T4, 7X0, 7X9, 9MB, 7Q7, -IY2                 |
| 1   | 7PP 868 404 KB | D - MJ 2012>> - MJ 2013<br>Roof console |        | 1   | PR:VC1, VC2, 3FE, 7Q0, 7T1, 7T4, 7X0, 7X9, 9MB, 7Q7, IY2                  |
| 1   | 7PP 868 404 KB | D - MJ 2013>><br>Roof console           |        | 1   | PR:VC1, VC2, 3FE, 7Q0, 7T1, 7T4, 7X0, 7X9, 9MB, 7Q7                       |
| 1   | 7PP 868 404 DQ | D - MJ 2013>><br>Roof console           |        | 1   | PR:VC1, VC2, 3FE, 7Q0, 7T1, 7T4, 7X0, 7X9, 9MB                            |
| 1   | 7PP 868 404 GJ | D >> - MJ 2011<br>Roof console          |        | 1   | PR:VC1, VC2, 3FE, 7Q0, 7T1, 7T4, 7X2, 7X8, 9MB, 7Q7, -IY2                 |
| 1   | 7PP 868 404 KC | D - MJ 2012>> - MJ 2013<br>Roof console |        | 1   | PR:VC1, VC2, 3FE, 7Q0, 7T1, 7T4, 7X2, 7X8, 9MB, 7Q7, IY2                  |
| 1   | 7PP 868 404 KC | D - MJ 2013>><br>Roof console           |        | 1   | PR:VC1, VC2, 3FE, 7Q0, 7T1, 7T4, 7X2, 7X8, 9MB, 7Q7                       |
| 1   | 7PP 868 404 DR | D - MJ 2013>><br>Roof console           |        | 1   | PR:VC0, 3FA, 7Q4, 7X0, 7X9, 9MB   |
| 1   | 7PP 868 404 GK | D >> - MJ 2011<br>Roof console          |        | 1   | PR:VC0, 3FA, 7Q4, 7X0, 7X9, 9MB, -IY1                                     |
| 1   | 7PP 868 404 KD | D - MJ 2012>> - MJ 2013<br>Roof console |        | 1   | PR:VC0, 3FA, 7Q4, 7X0, 7X9, 9MB, IY2                                      |
| 1   | 7PP 868 404 KD | D - MJ 2013>><br>Roof console           |        | 1   | PR:VC0, 3FA, 7Q4, 7X0, 7X9, 9MB   |
| 1   | 7PP 868 404 DS | D - MJ 2013>><br>Roof console           |        | 1   | PR:VC0, 3FE, 7Q4, 7X0, 7X9, 9MB   |
| 1   | 7PP 868 404 GL | D >> - MJ 2011<br>Roof console          |        | 1   | PR:VC0, 3FE, 7Q4, 7X0, 7X9, 9MB, -IY2                                     |
| 1   | 7PP 868 404 KE | D - MJ 2012>> - MJ 2013<br>Roof console |        | 1   | PR:VC0, 3FE, 7Q4, 7X0, 7X9, 9MB, IY2                                      |
| 1   | 7PP 868 404 KE | D - MJ 2013>><br>Roof console           |        | 1   | PR:VC0, 3FE, 7Q4, 7X0, 7X9, 9MB   |
| 1   | 7PP 868 404 DT | D - MJ 2013>><br>Roof console           |        | 1   | PR:VC0, 3FA, 7Q4, 7X2, 7X8, 9MB   |
| 1   | 7PP 868 404 GM | D >> - MJ 2011<br>Roof console          |        | 1   | PR:VC0, 3FA, 7Q4, 7X2, 7X8,   |



Model: 92A 11 Model life 2011>>2018

| Pos | Part Number    | Description                             | Remark | Qty | Model   |
|-----|----------------|---|--------|-----|---|
| 1   | 7PP 868 404 KF | D - MJ 2012>> - MJ 2013<br>Roof console |        | 1   | 9MB, -IY2<br>PR:VC0, 3FA,<br>7Q4, 7X2, 7X8,<br>9MB, IY2 |
| 1   | 7PP 868 404 KF | D - MJ 2013>><br>Roof console           |        | 1   | PR:VC0, 3FA,<br>7Q4, 7X2, 7X8,<br>9MB                   |
| 1   | 7PP 868 404 EA | D - MJ 2013>><br>Roof console           |        | 1   | PR:VC1, VC2,<br>3FA, 7Q4, 7X0,<br>7X9, 9MB              |
| 1   | 7PP 868 404 GN | D >> - MJ 2011<br>Roof console          |        | 1   | PR:VC1, VC2,<br>3FA, 7Q4, 7X0,<br>7X9, 9MB, -IY2        |
| 1   | 7PP 868 404 KG | D - MJ 2012>> - MJ 2013<br>Roof console |        | 1   | PR:VC1, VC2,<br>3FA, 7Q4, 7X0,<br>7X9, 9MB, IY2         |
| 1   | 7PP 868 404 KG | D - MJ 2013>><br>Roof console           |        | 1   | PR:VC1, VC2,<br>3FA, 7Q4, 7X0,<br>7X9, 9MB              |
| 1   | 7PP 868 404 EB | D - MJ 2013>><br>Roof console           |        | 1   | PR:VC0, 3FE,<br>7Q4, 7X2, 7X8,<br>9MB                   |
| 1   | 7PP 868 404 GP | D >> - MJ 2011<br>Roof console          |        | 1   | PR:VC0, 3FE,<br>7Q4, 7X2, 7X8,<br>9MB, -IY2             |
| 1   | 7PP 868 404 KH | D - MJ 2012>> - MJ 2013<br>Roof console |        | 1   | PR:VC0, 3FE,<br>7Q4, 7X2, 7X8,<br>9MB, IY2              |
| 1   | 7PP 868 404 KH | D - MJ 2013>><br>Roof console           |        | 1   | PR:VC0, 3FE,<br>7Q4, 7X2, 7X8,<br>9MB                   |
| 1   | 7PP 868 404 EC | D - MJ 2013>><br>Roof console           |        | 1   | PR:VC1, VC2,<br>3FA, 7Q4, 7X2,<br>7X8, 9MB              |
| 1   | 7PP 868 404 GQ | D >> - MJ 2011<br>Roof console          |        | 1   | PR:VC1, VC2,<br>3FA, 7Q4, 7X2,<br>7X8, 9MB, -IY2        |
| 1   | 7PP 868 404 KJ | D - MJ 2012>> - MJ 2013<br>Roof console |        | 1   | PR:VC1, VC2,<br>3FA, 7Q4, 7X2,<br>7X8, 9MB, IY2         |
| 1   | 7PP 868 404 KJ | D - MJ 2013>><br>Roof console           |        | 1   | PR:VC1, VC2,<br>3FA, 7Q4, 7X2,<br>7X8, 9MB              |
| 1   | 7PP 868 404 FC | D - MJ 2013>><br>Roof console           |        | 1   | PR:VC1, VC2,<br>3FE, 7Q4, 7X0,<br>7X9, 9MB              |
| 1   | 7PP 868 404 GR | D >> - MJ 2011<br>Roof console          |        | 1   | PR:VC1, VC2,<br>3FE, 7Q4, 7X0,<br>7X9, 9MB, -IY2        |
| 1   | 7PP 868 404 KK | D - MJ 2012>> - MJ 2013<br>Roof console |        | 1   | PR:VC1, VC2,<br>3FE, 7Q4, 7X0,<br>7X9, 9MB, IY2         |
| 1   | 7PP 868 404 KK | D - MJ 2013>><br>Roof console           |        | 1   | PR:VC1, VC2,<br>3FE, 7Q4, 7X0,<br>7X9, 9MB              |
| 1   | 7PP 868 404 ED | D - MJ 2013>><br>Roof console           |        | 1   | PR:VC1, VC2,<br>3FE, 7Q4, 7X2,<br>7X8, 9MB              |
| 1   | 7PP 868 404 GS | D >> - MJ 2011<br>Roof console          |        | 1   | PR:VC1, VC2,<br>3FE, 7Q4, 7X2,<br>7X8, 9MB, -IY2        |
| 1   | 7PP 868 404 KL | D - MJ 2012>> - MJ 2013<br>Roof console |        | 1   | PR:VC1, VC2,<br>3FE, 7Q4, 7X2,                          |

Model: 92A 11 Model life 2011>>2018

| Pos | Part Number    | Description                             | Remark | Qty | Model   |
|-----|----------------|---|--------|-----|---|
| 1   | 7PP 868 404 KL | D - MJ 2013>><br>Roof console           |        | 1   | 7X8,9MB,IY2<br>PR:VC1,VC2,<br>3FE,7Q4,7X2,<br>7X8,9MB       |
| (1) | 958 613 942 01 | D - MJ 2013>><br>Roof console           |        | 1   | PR:VC0,3FU,<br>7Q0,7T1,7T4,<br>7X0,7X9,9MA                  |
| (1) | 958 613 942 02 | D >> - MJ 2011<br>Roof console          |        | 1   | PR:VC0,3FU,<br>7Q0,7T1,7T4,<br>7X0,7X9,9MA,<br>7Q7,-IY2     |
| (1) | 958 613 942 03 | D - MJ 2012>> - MJ 2013<br>Roof console |        | 1   | PR:VC0,3FU,<br>7Q0,7T1,7T4,<br>7X0,7X9,9MA,<br>7Q7,IY2      |
| (1) | 958 613 943 01 | D - MJ 2013>><br>Roof console           |        | 1   | PR:VC0,3FU,<br>7Q0,7T1,7T4,<br>7X2,7X8,9MA                  |
| (1) | 958 613 943 02 | D >> - MJ 2011<br>Roof console          |        | 1   | PR:VC0,3FU,<br>7Q0,7T1,7T4,<br>7X2,7X8,9MA,<br>7Q7,-IY2     |
| (1) | 958 613 943 03 | D - MJ 2012>> - MJ 2013<br>Roof console |        | 1   | PR:VC0,3FU,<br>7Q0,7T1,7T4,<br>7X2,7X8,9MA,<br>7Q7,IY2      |
| (1) | 958 613 944 01 | D - MJ 2013>><br>Roof console           |        | 1   | PR:VC1,VC2,<br>3FU,7Q0,7T1,<br>7T4,7X0,7X9,<br>9MA          |
| (1) | 958 613 944 02 | D >> - MJ 2011<br>Roof console          |        | 1   | PR:VC1,VC2,<br>3FU,7Q0,7T1,<br>7T4,7X0,7X9,<br>9MA,7Q7,-IY2 |
| (1) | 958 613 944 03 | D - MJ 2012>> - MJ 2013<br>Roof console |        | 1   | PR:VC1,VC2,<br>3FU,7Q0,7T1,<br>7T4,7X0,7X9,<br>9MA,7Q7,IY2  |
| (1) | 958 613 945 01 | D - MJ 2013>><br>Roof console           |        | 1   | PR:VC1,VC2,<br>3FU,7Q0,7T1,<br>7T4,7X2,7X8,<br>9MA          |
| (1) | 958 613 945 02 | D >> - MJ 2011<br>Roof console          |        | 1   | PR:VC1,VC2,<br>3FU,7Q0,7T1,<br>7T4,7X2,7X8,<br>9MA,7Q7,-IY2 |
| (1) | 958 613 945 03 | D - MJ 2012>> - MJ 2013<br>Roof console |        | 1   | PR:VC1,VC2,<br>3FU,7Q0,7T1,<br>7T4,7X2,7X8,<br>9MA,7Q7,IY2  |
| (1) | 958 613 946 01 | D - MJ 2013>><br>Roof console           |        | 1   | PR:VC0,3FU,<br>7Q4,7X0,7X9,<br>9MA                          |
| (1) | 958 613 946 02 | D >> - MJ 2011<br>Roof console          |        | 1   | PR:VC0,3FU,<br>7Q4,7X0,7X9,<br>9MA,-IY2                     |
| (1) | 958 613 946 03 | D - MJ 2012>> - MJ 2013<br>Roof console |        | 1   | PR:VC0,3FU,<br>7Q4,7X0,7X9,<br>9MA,IY2                      |
| (1) | 958 613 947 01 | D - MJ 2013>><br>Roof console           |        | 1   | PR:VC0,3FU,<br>7Q4,7X2,7X8,<br>9MA                          |
| (1) | 958 613 947 02 | D >> - MJ 2011<br>Roof console          |        | 1   | PR:VC0,3FU,   |

Model: 92A 11 Model life 2011>>2018

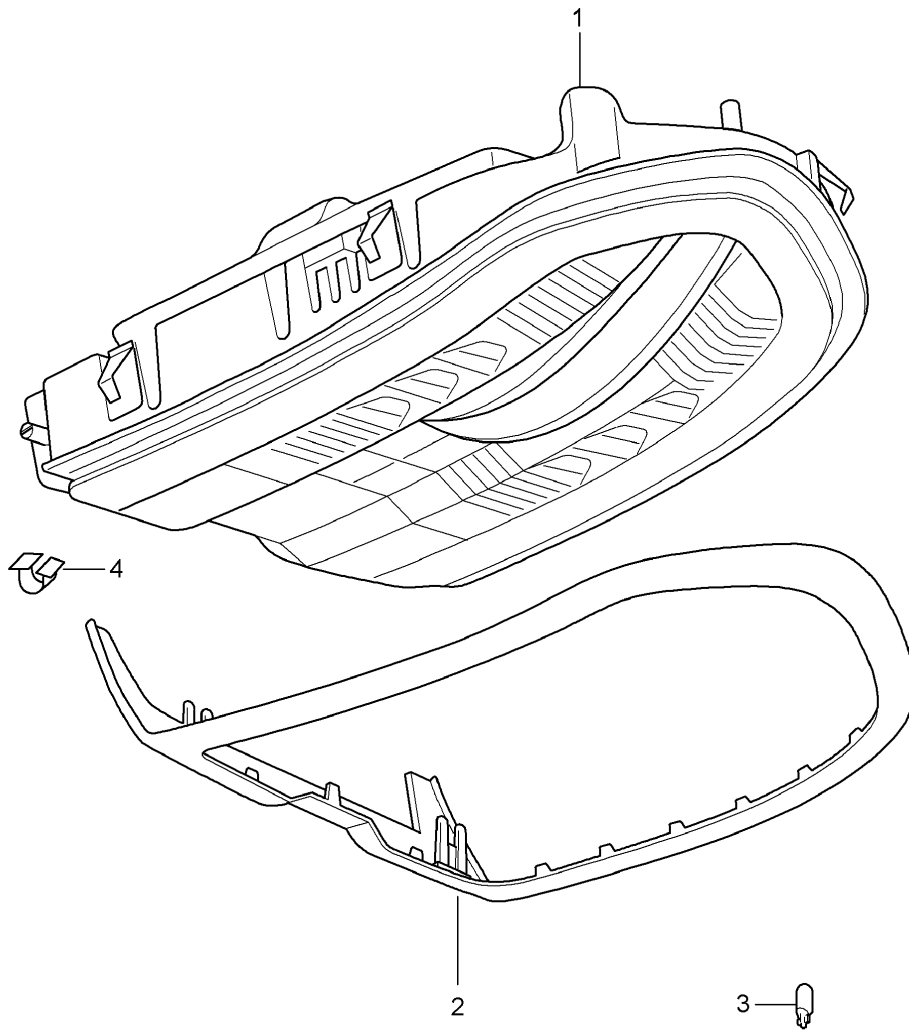
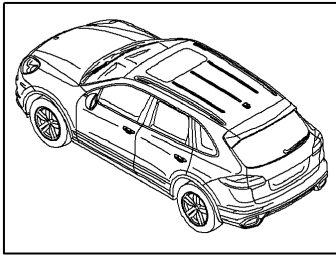
| Pos | Part Number    | Description                             | Remark | Qty | Model  |
|-----|----------------|---|--------|-----|--|
| (1) | 958 613 947 03 | D - MJ 2012>> - MJ 2013<br>Roof console |        | 1   | 7Q4, 7X2, 7X8, 9MA, -IY2<br>PR:VC0, 3FU, 7Q4, 7X2, 7X8, 9MA, IY2 |
| (1) | 958 613 948 01 | D - MJ 2013>><br>Roof console           |        | 1   | PR:VC1, VC2, 3FU, 7Q4, 7X0, 7X9, 9MA                             |
| (1) | 958 613 948 02 | D >> - MJ 2011<br>Roof console          |        | 1   | PR:VC1, VC2, 3FU, 7Q4, 7X0, 7X9, 9MA, -IY2                       |
| (1) | 958 613 948 03 | D - MJ 2012>> - MJ 2013<br>Roof console |        | 1   | PR:VC1, VC2, 3FU, 7Q4, 7X0, 7X9, 9MA, IY2                        |
| (1) | 958 613 949 01 | D - MJ 2013>><br>Roof console           |        | 1   | PR:VC1, VC2, 3FU, 7Q4, 7X2, 7X8, 9MA                             |
| (1) | 958 613 949 02 | D >> - MJ 2011<br>Roof console          |        | 1   | PR:VC1, VC2, 3FU, 7Q4, 7X2, 7X8, 9MA, -IY2                       |
| (1) | 958 613 949 03 | D - MJ 2012>> - MJ 2013<br>Roof console |        | 1   | PR:VC1, VC2, 3FU, 7Q4, 7X2, 7X8, 9MA, IY2                        |
| (1) | 958 613 950 01 | D - MJ 2013>><br>Roof console           |        | 1   | PR:VC0, 3FU, 7Q0, 7T1, 7T4, 7X0, 7X9, 9MB                        |
| (1) | 958 613 950 02 | D >> - MJ 2011<br>Roof console          |        | 1   | PR:VC0, 3FU, 7Q0, 7T1, 7T4, 7X0, 7X9, 9MB, 7Q7, -IY2             |
| (1) | 958 613 950 03 | D - MJ 2012>> - MJ 2013<br>Roof console |        | 1   | PR:VC0, 3FU, 7Q0, 7T1, 7T4, 7Q7, IY2                             |
| (1) | 958 613 951 01 | D - MJ 2013>><br>Roof console           |        | 1   | PR:VC0, 3FU, 7Q0, 7T1, 7T4, 7X2, 7X8, 9MB                        |
| (1) | 958 613 951 02 | D >> - MJ 2011<br>Roof console          |        | 1   | PR:VC0, 3FU, 7Q0, 7T1, 7T4, 7X2, 7X8, 9MB, 7Q7, -IY2             |
| (1) | 958 613 951 03 | D - MJ 2012>> - MJ 2013<br>Roof console |        | 1   | PR:VC0, 3FU, 7Q0, 7T1, 7T4, 7X2, 7X8, 9MB, 7Q7, IY2              |
| (1) | 958 613 952 01 | D - MJ 2013>><br>Roof console           |        | 1   | PR:VC1, VC2, 3FU, 7Q0, 7T1, 7T4, 7X0, 7X9, 9MB                   |
| (1) | 958 613 952 02 | D >> - MJ 2011<br>Roof console          |        | 1   | PR:VC1, VC2, 3FU, 7Q0, 7T1, 7T4, 7X0, 7X9, 9MB, 7Q7, -IY2        |
| (1) | 958 613 952 03 | D - MJ 2012>> - MJ 2013<br>Roof console |        | 1   | PR:VC1, VC2, 3FU, 7Q0, 7T1, 7T4, 7X0, 7X9, 9MB, 7Q7, IY2         |
| (1) | 958 613 953 01 | D - MJ 2013>><br>Roof console           |        | 1   | PR:VC1, VC2, 3FU, 7Q0, 7T1, 7T4, 7X2, 7X8, 9MB                   |
| (1) | 958 613 953 02 | D >> - MJ 2011<br>Roof console          |        | 1   | PR:VC1, VC2, 3FU, 7Q0, 7T1, 7T4, 7X2, 7X8, 9MB                   |
| (1) | 958 613 953 03 | D - MJ 2012>> - MJ 2013<br>Roof console |        | 1   | PR:VC1, VC2, 3FU, 7Q0, 7T1, 7T4, 7X2, 7X8, 9MB                   |

Model: 92A 11 Model life 2011>>2018

| Pos | Part Number     | Description                             | Remark  | Qty | Model  |
|-----|-----------------|---|---|-----|--|
| (1) | 958 613 953 03  | Roof console<br>D - MJ 2013>>           |   | 1   | 9MB,7Q7,-IY2<br>PR:VC1,VC2,<br>3FU,7Q0,7T1,<br>7T4,7X2,7X8,<br>9MB,7Q7,IY2 |
| (1) | 958 613 954 01  | Roof console<br>D >> - MJ 2011          |   | 1   | PR:VC0,3FU,<br>7Q4,7X0,7X9,<br>9MB   |
| (1) | 958 613 954 02  | Roof console<br>D - MJ 2012>> - MJ 2013 |   | 1   | PR:VC0,3FU,<br>7Q4,7X0,7X9,<br>9MB,-IY2                                    |
| (1) | 958 613 954 03  | Roof console<br>D - MJ 2013>>           |   | 1   | PR:VC0,3FU,<br>7Q4,7X0,7X9,<br>9MB,IY2                                     |
| (1) | 958 613 955 01  | Roof console<br>D >> - MJ 2011          |   | 1   | PR:VC0,3FU,<br>7Q4,7X2,7X8,<br>9MB   |
| (1) | 958 613 955 02  | Roof console<br>D - MJ 2012>> - MJ 2013 |   | 1   | PR:VC0,3FU,<br>7Q4,7X2,7X8,<br>9MB,-IY2                                    |
| (1) | 958 613 955 03  | Roof console<br>D - MJ 2013>>           |   | 1   | PR:VC0,3FU,<br>7Q4,7X2,7X8,<br>9MB,IY2                                     |
| (1) | 958 613 956 01  | Roof console<br>D >> - MJ 2011          |   | 1   | PR:VC1,VC2,<br>3FU,7Q4,7X0,<br>7X9,9MB                                     |
| (1) | 958 613 956 02  | Roof console<br>D - MJ 2012>> - MJ 2013 |   | 1   | PR:VC1,VC2,<br>3FU,7Q4,7X0,<br>7X9,9MB,-IY2                                |
| (1) | 958 613 956 03  | Roof console<br>D - MJ 2013>>           |   | 1   | PR:VC1,VC2,<br>3FU,7Q4,7X0,<br>7X9,9MB,IY2                                 |
| (1) | 958 613 957 01  | Roof console<br>D >> - MJ 2011          |   | 1   | PR:VC1,VC2,<br>3FU,7Q4,7X2,<br>7X8,9MB                                     |
| (1) | 958 613 957 02  | Roof console<br>D - MJ 2012>> - MJ 2013 |   | 1   | PR:VC1,VC2,<br>3FU,7Q4,7X2,<br>7X8,9MB,-IY2                                |
| (1) | 958 613 957 03  | Roof console<br>D - MJ 2013>>           |   | 1   | PR:VC1,VC2,<br>3FU,7Q4,7X2,<br>7X8,9MB,IY2                                 |
| 2   | 7PP 919 317     | Trim<br>Console<br>Roof                 |   | 1   |  |
|     | 7PP 919 317 6W0 | Luxor beige                             | -LE,MC,YE   |     |  |
|     | 7PP 919 317 4U0 | Platinum Grey                           | -LD,MD,YD   |     |  |
|     | 7PP 919 317 5Q0 | Black                                   | -LC,LG,LH,MA,<br>MF,MI,TA,TB,<br>TW,YA,YB,YC,<br>77 |     |  |
|     | 7PP 919 317 3T0 | Espresso                                | -VA,VB  |     |  |
|     | 7PP 919 317 DE1 | Umber                                   | -LF,TX,TY,YF  |     |  |
| -   | 999 631 032 90  | bulb<br>W5W                             |   | X   |  |
| -   | 95B 868 771     | Spring clip                             |   | X   |  |

Model: 92A 11

Model life 2011>>2018



Model: 92A 11 Model life 2011>>2018

| Pos | Part Number    | Description  | Remark | Qty | Model  |
|-----|----------------|--|--------|-----|--|
| 1   | 7PP 868 404 LK | Console<br>Roof<br>workshop manual<br>Attention<br>D - MJ 2014>> - MJ 2016<br>Roof console |        | 1   | PR:VC0,7Q0,<br>7T1,7T4,7X0,<br>7X9,9MA,3FA,<br>7Q7         |
| 1   | 7PP 868 404 LL | Roof console   |        | 1   | PR:VC0,7Q0,<br>7T1,7T4,7X0,<br>7X9,9MA,3FE,<br>7Q7         |
| 1   | 7PP 868 404 LM | Roof console   |        | 1   | PR:VC0,7Q0,<br>7T1,7T4,7X2,<br>7X8,8A4,9MA,<br>3FA,7Q7     |
| 1   | 7PP 868 404 LN | Roof console   |        | 1   | PR:VC1,VC2,<br>7Q0,7T1,7T4,<br>7X0,7X9,9MA,<br>3FA,7Q7     |
| 1   | 7PP 868 404 LP | Roof console   |        | 1   | PR:VC0,7Q0,<br>7T1,7T4,7X2,<br>7X8,8A4,9MA,<br>3FE,7Q7     |
| 1   | 7PP 868 404 LQ | Roof console   |        | 1   | PR:VC1,VC2,<br>7Q0,7T1,7T4,<br>7X2,7X8,8A4,<br>9MA,3FA,7Q7 |
| 1   | 7PP 868 404 LR | Roof console   |        | 1   | PR:VC1,VC2,<br>7Q0,7T1,7T4,<br>7X0,7X9,9MA,<br>3FE,7Q7     |
| 1   | 7PP 868 404 LS | Roof console   |        | 1   | PR:VC1,VC2,<br>7Q0,7T1,7T4,<br>7X2,7X8,8A4,<br>9MA,3FE,7Q7 |
| 1   | 7PP 868 404 LT | Roof console   |        | 1   | PR:VC0,7Q4,<br>7X0,7X9,9MA,<br>3FA                         |
| 1   | 7PP 868 404 MA | Roof console   |        | 1   | PR:VC0,7Q4,<br>7X0,7X9,9MA,<br>3FE                         |
| 1   | 7PP 868 404 MB | Roof console   |        | 1   | PR:VC0,7Q4,<br>7X2,7X8,8A4,<br>9MA,3FA                     |
| 1   | 7PP 868 404 MC | Roof console   |        | 1   | PR:VC1,VC2,<br>7Q4,7X0,7X9,<br>9MA,3FA                     |
| 1   | 7PP 868 404 MD | Roof console   |        | 1   | PR:VC0,7Q4,<br>7X2,7X8,8A4,<br>9MA,3FE                     |
| 1   | 7PP 868 404 ME | Roof console   |        | 1   | PR:VC1,VC2,<br>7Q4,7X2,7X8,<br>8A4,9MA,3FA                 |
| 1   | 7PP 868 404 MF | Roof console   |        | 1   | PR:VC1,VC2,<br>7Q4,7X0,7X9,<br>9MA,3FE                     |
| 1   | 7PP 868 404 MG | Roof console   |        | 1   | PR:VC1,VC2,<br>7Q4,7X2,7X8,<br>8A4,9MA,3FE                 |
| 1   | 7PP 868 404 MH | Roof console   |        | 1   | PR:VC0,7Q0,<br>7T1,7T4,7X0,                                |

Model: 92A 11 Model life 2011>>2018

| Pos | Part Number    | Description  | Remark | Qty | Model  |
|-----|----------------|--------------|--------|-----|--|
| 1   | 7PP 868 404 MJ | Roof console |        | 1   | 7X9, 9MB, 3FA, 7Q7<br>PR:VC0, 7Q0, 7T1, 7T4, 7X0, 7X9, 9MB, 3FE, 7Q7 |
| 1   | 7PP 868 404 MK | Roof console |        | 1   | PR:VC0, 7Q0, 7T1, 7T4, 7X2, 7X8, 8A4, 9MB, 3FA, 7Q7                  |
| 1   | 7PP 868 404 ML | Roof console |        | 1   | PR:VC1, VC2, 7Q0, 7T1, 7T4, 7X0, 7X9, 9MB, 3FA, 7Q7                  |
| 1   | 7PP 868 404 MM | Roof console |        | 1   | PR:VC0, 7Q0, 7T1, 7T4, 7X2, 7X8, 8A4, 9MB, 3FE, 7Q7                  |
| 1   | 7PP 868 404 MN | Roof console |        | 1   | PR:VC1, VC2, 7Q0, 7T1, 7T4, 7X2, 7X8, 8A4, 9MB, 3FA, 7Q7             |
| 1   | 7PP 868 404 MP | Roof console |        | 1   | PR:VC1, VC2, 7Q0, 7T1, 7T4, 7X0, 7X9, 9MB, 3FE, 7Q7                  |
| 1   | 7PP 868 404 MQ | Roof console |        | 1   | PR:VC1, VC2, 7Q0, 7T1, 7T4, 7X2, 7X8, 8A4, 9MB, 3FE, 7Q7             |
| 1   | 7PP 868 404 MR | Roof console |        | 1   | PR:VC0, 7Q4, 7X0, 7X9, 9MB, 3FA                                      |
| 1   | 7PP 868 404 MS | Roof console |        | 1   | PR:VC0, 7Q4, 7X0, 7X9, 9MB, 3FE                                      |
| 1   | 7PP 868 404 MT | Roof console |        | 1   | PR:VC0, 7Q4, 7X2, 7X8, 8A4, 9MB, 3FA                                 |
| 1   | 7PP 868 404 NA | Roof console |        | 1   | PR:VC1, VC2, 7Q4, 7X0, 7X9, 9MB, 3FA                                 |
| 1   | 7PP 868 404 NB | Roof console |        | 1   | PR:VC0, 7Q4, 7X2, 7X8, 8A4, 9MB, 3FE                                 |
| 1   | 7PP 868 404 NC | Roof console |        | 1   | PR:VC1, VC2, 7Q4, 7X2, 7X8, 8A4, 9MB, 3FA                            |
| 1   | 7PP 868 404 ND | Roof console |        | 1   | PR:VC1, VC2, 7Q4, 7X0, 7X9, 9MB, 3FE                                 |
| 1   | 7PP 868 404 NE | Roof console |        | 1   | PR:VC1, VC2, 7Q4, 7X2, 7X8, 8A4, 9MB, 3FE                            |
| (1) | 958 613 942 04 | Roof console |        | 1   | PR:VC0, 7Q0, 7T1, 7T4, 7X0, 7X9, 9MA, 3FU, 7Q7                       |
| (1) | 958 613 943 04 | Roof console |        | 1   | PR:VC0, 7Q0, 7T1, 7T4, 7X2, 7X8, 8A4, 9MA, 3FU, 7Q7                  |
| (1) | 958 613 944 04 | Roof console |        | 1   | PR:VC1, VC2,   |

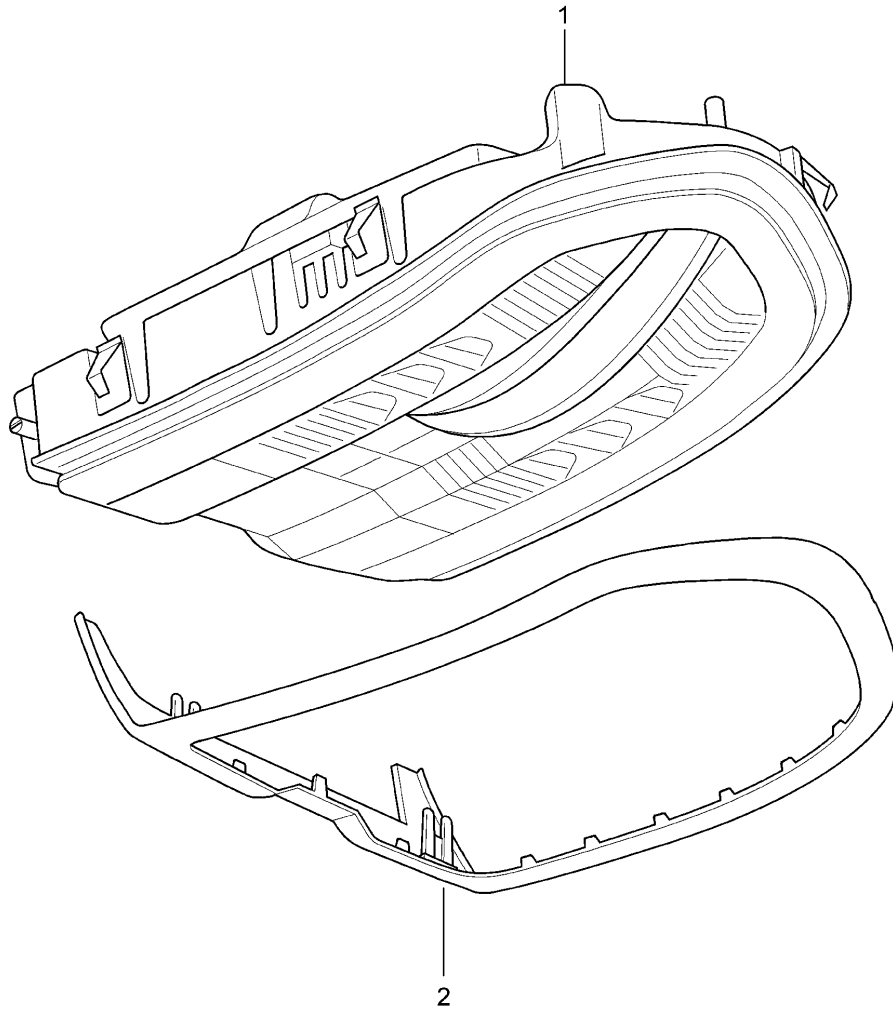
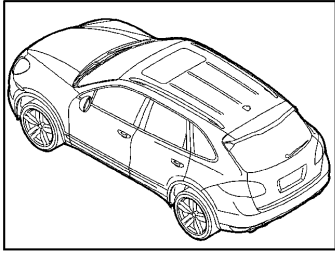
Model: 92A 11 Model life 2011>>2018

| Pos | Part Number  | Description   | Remark   | Qty | Model  |
|-----|--|---|--|-----|--|
| (1) | 958 613 945 04   | Roof console  |  | 1   | 7Q0, 7T1, 7T4, 7X0, 7X9, 9MA, 3FU, 7Q7<br>PR:VC1, VC2, 7Q0, 7T1, 7T4, 7X2, 7X8, 8A4, 9MA, 3FU, 7Q7 |
| (1) | 958 613 946 04   | Roof console  |  | 1   | PR:VC0, 7Q4, 7X0, 7X9, 9MA, 3FU  |
| (1) | 958 613 947 04   | Roof console  |  | 1   | PR:VC0, 7Q4, 7X2, 7X8, 8A4, 9MA, 3FU   |
| (1) | 958 613 948 04   | Roof console  |  | 1   | PR:VC1, VC2, 7Q4, 7X0, 7X9, 9MA, 3FU   |
| (1) | 958 613 949 04   | Roof console  |  | 1   | PR:VC1, VC2, 7Q4, 7X2, 7X8, 8A4, 9MA, 3FU  |
| (1) | 7PP 868 404 NP   | Roof console  |  | 1   | PR:VC0, 7Q0, 7T1, 7T4, 7X0, 7X9, 9MB, 3FU, 7Q7   |
| (1) | 958 613 951 04   | Roof console  |  | 1   | PR:VC0, 7Q0, 7T1, 7T4, 7X2, 7X8, 8A4, 9MB, 3FU, 7Q7  |
| (1) | 958 613 952 04   | Roof console  |  | 1   | PR:VC1, VC2, 7Q0, 7T1, 7T4, 7X0, 7X9, 9MB, 3FU, 7Q7  |
| (1) | 958 613 953 04   | Roof console  |  | 1   | PR:VC1, VC2, 7Q0, 7T1, 7T4, 7X2, 7X8, 8A4, 9MB, 3FU, 7Q7   |
| (1) | 958 613 954 04   | Roof console  |  | 1   | PR:VC0, 7Q4, 7X0, 7X9, 9MB, 3FU  |
| (1) | 958 613 955 04   | Roof console  |  | 1   | PR:VC0, 7Q4, 7X2, 7X8, 8A4, 9MB, 3FU   |
| (1) | 958 613 956 04   | Roof console  |  | 1   | PR:VC1, VC2, 7Q4, 7X0, 7X9, 9MB, 3FU   |
| (1) | 958 613 957 04   | Roof console  |  | 1   | PR:VC1, VC2, 7Q4, 7X2, 7X8, 8A4, 9MB, 3FU  |
| 2   | 7PP 919 317<br>7PP 919 317 6W0<br>7PP 919 317 0A6<br>7PP 919 317 5Q0 | Trim<br>Console<br>Roof<br>Luxor beige<br>agate grey<br>Black | -LE, MC, YE<br>-MB, MG, ML<br>-LC, LG, LH, MA,<br>MF, MI, TA, TB,<br>TW, YA, YB, YC,<br>77 | 1   |  |
| 3   | 999 631 032 90   | bulb<br>W5W   |  | X   |  |
| 4   | 95B 868 771  | Spring clip   |  | X   |  |



Model: 92A 11

Model life 2011>>2018



Model: 92A 11 Model life 2011>>2018

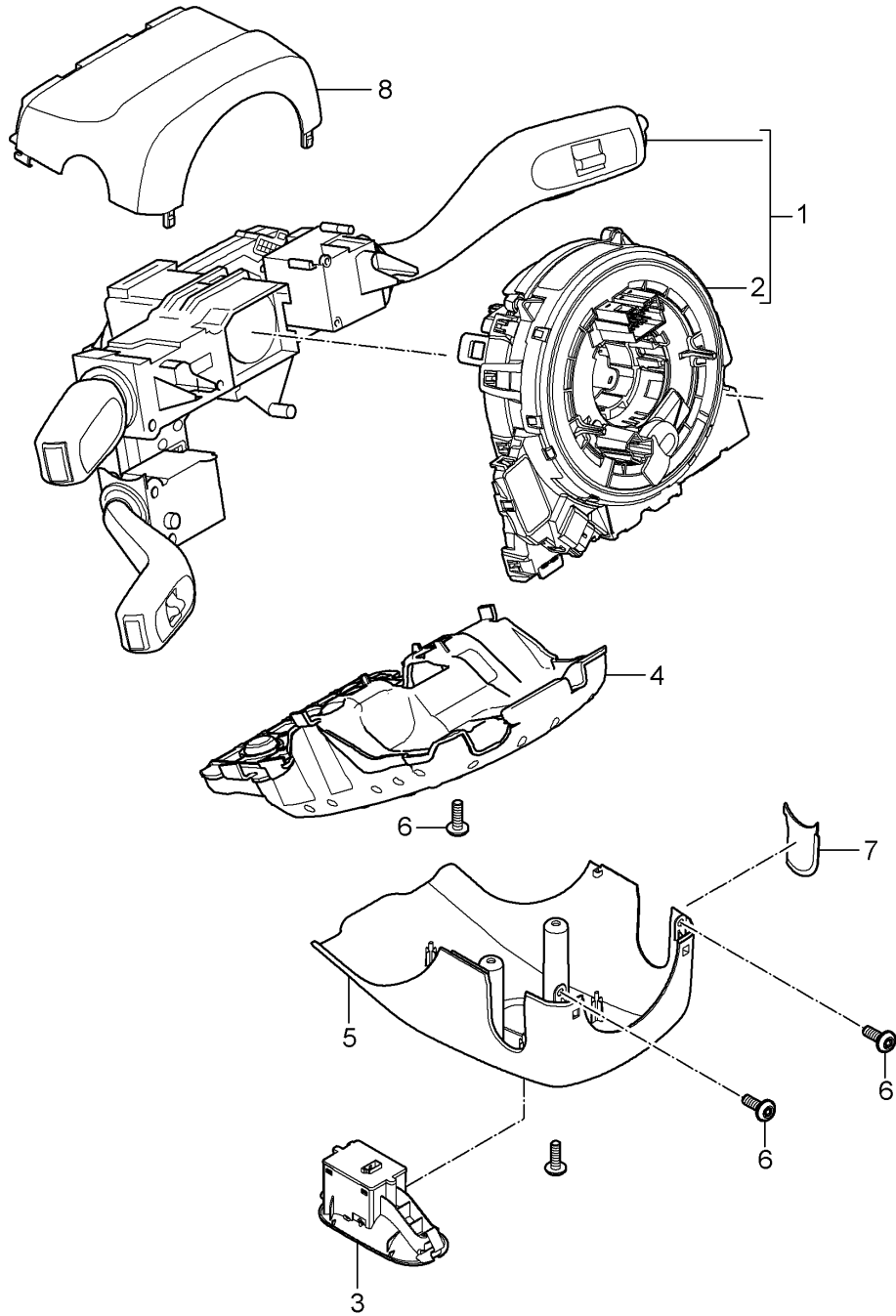
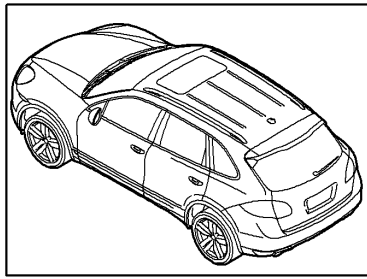
| Pos | Part Number    | Description  | Remark | Qty | Model                                  |
|-----|----------------|--|--------|-----|--|
|     |                | Console<br>Roof<br>workshop manual<br>Attention<br>D - MJ 2017>> |        |     |  |
| 1   | 7PP 868 404 LK | Roof console   |        | 1   | PR:VC0,7X0,<br>7X9,9MA,3FA             |
| 1   | 7PP 868 404 LL | Roof console   |        | 1   | PR:VC0,7X0,<br>7X9,9MA,3FE             |
| 1   | 7PP 868 404 LM | Roof console   |        | 1   | PR:VC0,7X2,<br>7X8,8A4,9MA,<br>3FA     |
| 1   | 7PP 868 404 LN | Roof console   |        | 1   | PR:VC1,VC2,<br>7X0,7X9,9MA,<br>3FA     |
| 1   | 7PP 868 404 LP | Roof console   |        | 1   | PR:VC0,7X2,<br>7X8,8A4,9MA,<br>3FE     |
| 1   | 7PP 868 404 LQ | Roof console   |        | 1   | PR:VC1,VC2,<br>7X2,7X8,8A4,<br>9MA,3FA |
| 1   | 7PP 868 404 LR | Roof console   |        | 1   | PR:VC1,VC2,<br>7X0,7X9,9MA,<br>3FE     |
| 1   | 7PP 868 404 LS | Roof console   |        | 1   | PR:VC1,VC2,<br>7X2,7X8,8A4,<br>9MA,3FE |
| 1   | 7PP 868 404 MH | Roof console   |        | 1   | PR:VC0,7X0,<br>7X9,9MB,3FA             |
| 1   | 7PP 868 404 MJ | Roof console   |        | 1   | PR:VC0,7X0,<br>7X9,9MB,3FE             |
| 1   | 7PP 868 404 MK | Roof console   |        | 1   | PR:VC0,7X2,<br>7X8,8A4,9MB,<br>3FA     |
| 1   | 7PP 868 404 ML | Roof console   |        | 1   | PR:VC1,VC2,<br>7X0,7X9,9MB,<br>3FA     |
| 1   | 7PP 868 404 MM | Roof console   |        | 1   | PR:VC0,7X2,<br>7X8,8A4,9MB,<br>3FE     |
| 1   | 7PP 868 404 MN | Roof console   |        | 1   | PR:VC1,VC2,<br>7X2,7X8,8A4,<br>9MB,3FA |
| 1   | 7PP 868 404 MP | Roof console   |        | 1   | PR:VC1,VC2,<br>7X0,7X9,9MB,<br>3FE     |
| 1   | 7PP 868 404 MQ | Roof console   |        | 1   | PR:VC1,VC2,<br>7X2,7X8,8A4,<br>9MB,3FE |
| (1) | 958 613 942 04 | Roof console   |        | 1   | PR:VC0,7X0,<br>7X9,9MA,3FU             |
| (1) | 958 613 943 04 | Roof console   |        | 1   | PR:VC0,7X2,<br>7X8,8A4,9MA,<br>3FU     |
| (1) | 958 613 944 04 | Roof console   |        | 1   | PR:VC1,VC2,<br>7X0,7X9,9MA,<br>3FU     |
| (1) | 958 613 945 04 | Roof console   |        | 1   | PR:VC1,VC2,<br>7X2,7X8,8A4,<br>9MA,3FU |
| (1) | 7PP 868 404 NP | Roof console   |        | 1   | PR:VC0,7X0,<br>7X9,9MB,3FU             |
| (1) | 958 613 951 04 | Roof console   |        | 1   | PR:VC0,7X2,                            |

Model: 92A 11 Model life 2011>>2018

| Pos | Part Number     | Description             | Remark  | Qty | Model  |
|-----|-----------------|-------------------------|---|-----|--|
| (1) | 958 613 952 04  | Roof console            |   | 1   | 7X8, 8A4, 9MB, 3FU<br>PR: VC1, VC2, 7X0, 7X9, 9MB, 3FU |
| (1) | 958 613 953 04  | Roof console            |   | 1   | PR: VC1, VC2, 7X2, 7X8, 8A4, 9MB, 3FU                  |
| 2   | 7PP 919 317     | Trim<br>Console<br>Roof |   | 1   |  |
|     | 7PP 919 317 6W0 | Luxor beige             | -LE, MC, YE   |     |  |
|     | 7PP 919 317 0A6 | agate grey              | -MB, MG, ML   |     |  |
|     | 7PP 919 317 5Q0 | Black                   | -LC, LG, LH, MA, MF, MI, TA, TB, TW, YA, YB, YC, 77 |     |  |
| 3   | 999 631 032 90  | bulb<br>W5W             |   | X   |  |
| 4   | 95B 868 771     | Spring clip             |   | X   |  |

Model: 92A 11

Model life 2011>>2018



Model: 92A 11 Model life 2011>>2018

| Pos | Part Number    | Description   | Remark | Qty | Model                                      |
|-----|----------------|---|--------|-----|--|
| 1   | 958 613 011 00 | Steering column switch<br>D >> - MJ 2014                      |        | 1   | PR:QH0,1ML,<br>2PM,8T1,8X0                 |
| 1   | 958 613 011 03 | Steering column switch<br>D >> - MJ 2011                      |        | 1   | PR:QH0,1ML,<br>2PM,8T1,8X0,<br>2PX         |
| 1   | 958 613 011 03 | Steering column switch<br>D - MJ 2012>> - MJ 2012             |        | 1   | PR:QH0,1ML,<br>2PM,8T1,8X0,<br>2PX, IY1    |
| 1   | 958 613 011 10 | Steering column switch<br>D - MJ 2013>> - MJ 2013             |        | 1   | PR:QH0,1ML,<br>2PM,8T1,8X0,<br>2PX, IY2    |
| 1   | 958 613 011 10 | Steering column switch<br>D - MJ 2014>> - MJ 2014             |        | 1   | PR:QH0,1ML,<br>2PM,8T1,8X0,<br>2PX, IY1    |
| 1   | 958 613 011 11 | Steering column switch<br>D - MJ 2014>>                       |        | 1   | PR:QH0,1ML,<br>2PM,8T1,8X0,<br>2PX, IY2    |
| 1   | 958 613 013 00 | Steering column switch<br>D >> - MJ 2011                      |        | 1   | PR:QH0,1ML,<br>2PM,8T1,8X1                 |
| 1   | 958 613 013 01 | Discontinued part<br>Steering column switch<br>D >> - MJ 2011 |        | 1   | PR:QH0,1ML,<br>2PM,8T1,8X1                 |
| 1   | 958 613 013 02 | Discontinued part<br>Steering column switch<br>D >> - MJ 2011 |        | 1   | PR:QH0,1ML,<br>2PM,8T1,8X1                 |
| 1   | 958 613 013 03 | Steering column switch<br>D - MJ 2012>> - MJ 2012             |        | 1   | PR:QH0,1ML,<br>2PM,8T1,8X1,<br>2PX         |
| 1   | 958 613 013 03 | Steering column switch<br>D - MJ 2013>> - MJ 2013             |        | 1   | PR:QH0,1ML,<br>2PM,8T1,8X1,<br>2PX, IY1    |
| 1   | 958 613 013 10 | Steering column switch<br>D - MJ 2013>> - MJ 2013             |        | 1   | PR:QH0,1ML,<br>2PM,8T1,8X1,<br>2PX, IY2    |
| 1   | 958 613 013 10 | Steering column switch<br>D - MJ 2014>> - MJ 2014             |        | 1   | PR:QH0,1ML,<br>2PM,8T1,8X1,<br>2PX, IY1    |
| 1   | 958 613 013 11 | Steering column switch<br>D - MJ 2014>>                       |        | 1   | PR:QH0,1ML,<br>2PM,8T1,8X1,<br>2PX, IY2    |
| 1   | 958 613 015 00 | Steering column switch<br>D >> - MJ 2011                      |        | 1   | PR:QH1,2ZM,<br>8T1,8X1                     |
| 1   | 958 613 015 03 | Steering column switch<br>D - MJ 2012>> - MJ 2012             |        | 1   | PR:QH1,2ZM,<br>8T1,8X1                     |
| 1   | 958 613 015 03 | Steering column switch<br>D - MJ 2013>> - MJ 2013             |        | 1   | PR:QH1,2ZM,<br>8T1,8X1, IY1                |
| 1   | 958 613 015 10 | Steering column switch<br>D - MJ 2013>> - MJ 2013             |        | 1   | PR:QH1,2ZM,<br>8T1,8X1, IY2                |
| 1   | 958 613 015 10 | Steering column switch<br>D - MJ 2014>> - MJ 2014             |        | 1   | PR:QH1,2ZM,<br>8T1,8X1, IY1                |
| 1   | 958 613 015 11 | Steering column switch<br>D - MJ 2014>>                       |        | 1   | PR:QH1,2ZM,<br>8T1,8X1, IY2                |
| 1   | 958 613 017 00 | Steering column switch<br>D >> - MJ 2011                      |        | 1   | PR:QH0,1XE,<br>1XJ,2FX,2ZH,<br>8T1,8X0     |
| 1   | 958 613 017 03 | Steering column switch<br>D - MJ 2012>> - MJ 2012             |        | 1   | PR:QH0,1XE,<br>1XJ,2FX,2ZH,<br>2ZU,8T1,8X0 |
| 1   | 958 613 017 03 | Steering column switch<br>D - MJ 2013>> - MJ 2013             |        | 1   | PR:QH0,1XE,<br>1XJ,2FX,2ZH,<br>2ZU,8T1,8X0 |

Model: 92A 11 Model life 2011>>2018

| Pos | Part Number    | Description   | Remark | Qty | Model   |
|-----|----------------|---|--------|-----|---|
| 1   | 958 613 017 10 | Steering column switch<br>D - MJ 2013>> - MJ 2013             |        | 1   | IY1<br>PR:QH0,1XE,<br>1XJ,2FX,2ZH,<br>2ZU,8T1,8X0,<br>IY2 |
| 1   | 958 613 017 10 | Steering column switch<br>D - MJ 2014>> - MJ 2014             |        | 1   | PR:QH0,1XE,<br>1XJ,2FX,2ZH,<br>2ZU,8T1,8X0,<br>IY1        |
| 1   | 958 613 017 11 | Steering column switch<br>D - MJ 2014>>                       |        | 1   | PR:QH0,1XE,<br>1XJ,2FX,2ZH,<br>2ZU,8T1,8X0,<br>IY2        |
| 1   | 958 613 019 00 | Steering column switch<br>D >> - MJ 2011<br>Discontinued part |        | 1   | PR:QH0,1XE,<br>1XJ,2FX,2ZH,<br>8T1,8X1                    |
| 1   | 958 613 019 01 | Steering column switch<br>D >> - MJ 2011                      |        | 1   | PR:QH0,1XE,<br>1XJ,2FX,2ZH,<br>8T1,8X1                    |
| 1   | 958 613 019 03 | Steering column switch<br>D - MJ 2012>> - MJ 2012             |        | 1   | PR:QH0,1XE,<br>1XJ,2FX,2ZH,<br>2ZU,8T1,8X1                |
| 1   | 958 613 019 03 | Steering column switch<br>D - MJ 2013>> - MJ 2013             |        | 1   | PR:QH0,1XE,<br>1XJ,2FX,2ZH,<br>2ZU,8T1,8X1,<br>IY1        |
| 1   | 958 613 019 10 | Steering column switch<br>D - MJ 2013>> - MJ 2013             |        | 1   | PR:QH0,1XE,<br>1XJ,2FX,2ZH,<br>2ZU,8T1,8X1,<br>IY2        |
| 1   | 958 613 019 10 | Steering column switch<br>D - MJ 2014>> - MJ 2014             |        | 1   | PR:QH0,1XE,<br>1XJ,2FX,2ZH,<br>2ZU,8T1,8X1,<br>IY1        |
| 1   | 958 613 019 11 | Steering column switch<br>D - MJ 2014>>                       |        | 1   | PR:QH0,1XE,<br>1XJ,2FX,2ZH,<br>2ZU,8T1,8X1,<br>IY2        |
| 1   | 958 613 021 00 | Steering column switch<br>D >> - MJ 2011                      |        | 1   | PR:QH1,1XE,<br>1XJ,2FX,2ZH,<br>8T1,8X0                    |
| 1   | 958 613 021 03 | Steering column switch<br>D - MJ 2012>> - MJ 2012             |        | 1   | PR:QH1,1XE,<br>1XJ,2FX,2ZH,<br>2ZU,8T1,8X0                |
| 1   | 958 613 021 03 | Steering column switch<br>D - MJ 2013>> - MJ 2013             |        | 1   | PR:QH1,1XE,<br>1XJ,2FX,2ZH,<br>2ZU,8T1,8X0,<br>IY1        |
| 1   | 958 613 021 10 | Steering column switch<br>D - MJ 2013>> - MJ 2013             |        | 1   | PR:QH1,1XE,<br>1XJ,2FX,2ZH,<br>2ZU,8T1,8X0,<br>IY2        |
| 1   | 958 613 021 10 | Steering column switch<br>D - MJ 2014>> - MJ 2014             |        | 1   | PR:QH1,1XE,<br>1XJ,2FX,2ZH,<br>2ZU,8T1,8X0,<br>IY1        |
| 1   | 958 613 021 11 | Steering column switch<br>D - MJ 2014>>                       |        | 1   | PR:QH1,1XE,<br>1XJ,2FX,2ZH,<br>2ZU,8T1,8X0,<br>IY2        |
| 1   | 958 613 023 00 | Steering column switch<br>D >> - MJ 2011                      |        | 1   | PR:QH1,1XE,<br>1XJ,2FX,2ZH,<br>8T1,8X1                    |

Model: 92A 11 Model life 2011>>2018

| Pos | Part Number    | Description                                       | Remark | Qty | Model  |
|-----|----------------|---|--------|-----|--|
| 1   | 958 613 023 03 | Steering column switch<br>D - MJ 2012>> - MJ 2012 |        | 1   | PR:QH1,1XE,<br>1XJ,2FX,2ZH,<br>2ZU,8T1,8X1         |
| 1   | 958 613 023 03 | Steering column switch<br>D - MJ 2013>> - MJ 2013 |        | 1   | PR:QH1,1XE,<br>1XJ,2FX,2ZH,<br>2ZU,8T1,8X1,<br>IY1 |
| 1   | 958 613 023 10 | Steering column switch<br>D - MJ 2013>> - MJ 2013 |        | 1   | PR:QH1,1XE,<br>1XJ,2FX,2ZH,<br>2ZU,8T1,8X1,<br>IY2 |
| 1   | 958 613 023 10 | Steering column switch<br>D - MJ 2014>> - MJ 2014 |        | 1   | PR:QH1,1XE,<br>1XJ,2FX,2ZH,<br>2ZU,8T1,8X1,<br>IY1 |
| 1   | 958 613 023 11 | Steering column switch<br>D - MJ 2014>>           |        | 1   | PR:QH1,1XE,<br>1XJ,2FX,2ZH,<br>2ZU,8T1,8X1,<br>IY2 |
| 1   | 958 613 025 00 | Steering column switch<br>D >> - MJ 2011          |        | 1   | PR:QH0,2ZM,<br>8T3,8X0                             |
| 1   | 958 613 025 03 | Steering column switch<br>D - MJ 2012>> - MJ 2012 |        | 1   | PR:QH0,2ZM,<br>8T3,8X0                             |
| 1   | 958 613 025 03 | Steering column switch<br>D - MJ 2013>> - MJ 2013 |        | 1   | PR:QH0,2ZM,<br>8T3,8X0,IY1                         |
| 1   | 958 613 025 10 | Steering column switch<br>D - MJ 2013>> - MJ 2013 |        | 1   | PR:QH0,2ZM,<br>8T3,8X0,IY2                         |
| 1   | 958 613 025 10 | Steering column switch<br>D - MJ 2014>> - MJ 2014 |        | 1   | PR:QH0,2ZM,<br>8T3,8X0,IY1                         |
| 1   | 958 613 025 11 | Steering column switch<br>D - MJ 2014>>           |        | 1   | PR:QH0,2ZM,<br>8T3,8X0,IY2                         |
| 1   | 958 613 027 00 | Steering column switch<br>D >> - MJ 2011          |        | 1   | PR:QH0,2ZM,<br>8T3,8X1                             |
| 1   | 958 613 027 03 | Steering column switch<br>D - MJ 2012>> - MJ 2012 |        | 1   | PR:QH0,2ZM,<br>8T3,8X1                             |
| 1   | 958 613 027 03 | Steering column switch<br>D - MJ 2013>> - MJ 2013 |        | 1   | PR:QH0,2ZM,<br>8T3,8X1,IY1                         |
| 1   | 958 613 027 10 | Steering column switch<br>D - MJ 2013>> - MJ 2013 |        | 1   | PR:QH0,2ZM,<br>8T3,8X1,IY2                         |
| 1   | 958 613 027 10 | Steering column switch<br>D - MJ 2014>> - MJ 2014 |        | 1   | PR:QH0,2ZM,<br>8T3,8X1,IY1                         |
| 1   | 958 613 027 11 | Steering column switch<br>D - MJ 2014>>           |        | 1   | PR:QH0,2ZM,<br>8T3,8X1,IY2                         |
| 1   | 958 613 029 00 | Steering column switch<br>D >> - MJ 2011          |        | 1   | PR:QH1,2ZM,<br>8T3,8X0                             |
| 1   | 958 613 029 03 | Steering column switch<br>D - MJ 2012>> - MJ 2012 |        | 1   | PR:QH1,2ZM,<br>8T3,8X0                             |
| 1   | 958 613 029 03 | Steering column switch<br>D - MJ 2013>> - MJ 2013 |        | 1   | PR:QH1,2ZM,<br>8T3,8X0,IY1                         |
| 1   | 958 613 029 10 | Steering column switch<br>D - MJ 2013>> - MJ 2013 |        | 1   | PR:QH1,2ZM,<br>8T3,8X0,IY2                         |
| 1   | 958 613 029 10 | Steering column switch<br>D - MJ 2014>> - MJ 2014 |        | 1   | PR:QH1,2ZM,<br>8T3,8X0,IY1                         |
| 1   | 958 613 029 11 | Steering column switch<br>D - MJ 2014>>           |        | 1   | PR:QH1,2ZM,<br>8T3,8X0,IY2                         |
| 1   | 958 613 031 00 | Steering column switch<br>D >> - MJ 2011          |        | 1   | PR:QH1,2ZM,<br>8T3,8X1                             |
| 1   | 958 613 031 03 | Steering column switch<br>D - MJ 2012>> - MJ 2012 |        | 1   | PR:QH1,2ZM,<br>8T3,8X1                             |
| 1   | 958 613 031 03 | Steering column switch<br>D - MJ 2013>> - MJ 2013 |        | 1   | PR:QH1,2ZM,<br>8T3,8X1,IY1                         |
| 1   | 958 613 031 10 | Steering column switch<br>D - MJ 2013>> - MJ 2013 |        | 1   | PR:QH1,2ZM,<br>8T3,8X1,IY2                         |

Model: 92A 11 Model life 2011>>2018

| Pos | Part Number    | Description                                       | Remark | Qty | Model  |
|-----|----------------|---|--------|-----|--|
| 1   | 958 613 031 10 | Steering column switch<br>D - MJ 2014>> - MJ 2014 |        | 1   | PR:QH1,2ZM,<br>8T3,8X1,IY1                         |
| 1   | 958 613 031 11 | Steering column switch<br>D - MJ 2014>>           |        | 1   | PR:QH1,2ZM,<br>8T3,8X1,IY2                         |
| 1   | 958 613 033 00 | Steering column switch<br>D >> - MJ 2011          |        | 1   | PR:QH0,1XE,<br>1XJ,2FX,2ZH,<br>8T3,8X0             |
| 1   | 958 613 033 03 | Steering column switch<br>D - MJ 2012>> - MJ 2012 |        | 1   | PR:QH0,1XE,<br>1XJ,2FX,2ZH,<br>2ZU,8T3,8X0         |
| 1   | 958 613 033 03 | Steering column switch<br>D - MJ 2013>> - MJ 2013 |        | 1   | PR:QH0,1XE,<br>1XJ,2FX,2ZH,<br>2ZU,8T3,8X0,<br>IY1 |
| 1   | 958 613 033 10 | Steering column switch<br>D - MJ 2013>> - MJ 2013 |        | 1   | PR:QH0,1XE,<br>1XJ,2FX,2ZH,<br>2ZU,8T3,8X0,<br>IY2 |
| 1   | 958 613 033 10 | Steering column switch<br>D - MJ 2014>> - MJ 2014 |        | 1   | PR:QH0,1XE,<br>1XJ,2FX,2ZH,<br>2ZU,8T3,8X0,<br>IY1 |
| 1   | 958 613 033 11 | Steering column switch<br>D - MJ 2014>>           |        | 1   | PR:QH0,1XE,<br>1XJ,2FX,2ZH,<br>2ZU,8T3,8X0,<br>IY2 |
| 1   | 958 613 035 00 | Steering column switch<br>D >> - MJ 2011          |        | 1   | PR:QH0,1XE,<br>1XJ,2FX,2ZH,<br>8T3,8X1             |
| 1   | 958 613 035 03 | Steering column switch<br>D - MJ 2012>> - MJ 2012 |        | 1   | PR:QH0,1XE,<br>1XJ,2FX,2ZH,<br>2ZU,8T3,8X1         |
| 1   | 958 613 035 03 | Steering column switch<br>D - MJ 2013>> - MJ 2013 |        | 1   | PR:QH0,1XE,<br>1XJ,2FX,2ZH,<br>2ZU,8T3,8X1,<br>IY1 |
| 1   | 958 613 035 10 | Steering column switch<br>D - MJ 2013>> - MJ 2013 |        | 1   | PR:QH0,1XE,<br>1XJ,2FX,2ZH,<br>2ZU,8T3,8X1,<br>IY2 |
| 1   | 958 613 035 10 | Steering column switch<br>D - MJ 2014>> - MJ 2014 |        | 1   | PR:QH0,1XE,<br>1XJ,2FX,2ZH,<br>2ZU,8T3,8X1,<br>IY1 |
| 1   | 958 613 035 11 | Steering column switch<br>D - MJ 2014>>           |        | 1   | PR:QH0,1XE,<br>1XJ,2FX,2ZH,<br>2ZU,8T3,8X1,<br>IY2 |
| 1   | 958 613 037 00 | Steering column switch<br>D >> - MJ 2011          |        | 1   | PR:QH1,1XE,<br>1XJ,2FX,2ZH,<br>8T3,8X0             |
| 1   | 958 613 037 03 | Steering column switch<br>D - MJ 2012>> - MJ 2012 |        | 1   | PR:QH1,1XE,<br>1XJ,2FX,2ZH,<br>2ZU,8T3,8X0         |
| 1   | 958 613 037 03 | Steering column switch<br>D - MJ 2013>> - MJ 2013 |        | 1   | PR:QH1,1XE,<br>1XJ,2FX,2ZH,<br>2ZU,8T3,8X0,<br>IY1 |
| 1   | 958 613 037 10 | Steering column switch<br>D - MJ 2013>> - MJ 2013 |        | 1   | PR:QH1,1XE,<br>1XJ,2FX,2ZH,<br>2ZU,8T3,8X0,<br>IY2 |
| 1   | 958 613 037 10 | Steering column switch                            |        | 1   | PR:QH1,1XE,  |



Model: 92A 11 Model life 2011>>2018

| Pos | Part Number    | Description  | Remark | Qty | Model  |
|-----|----------------|--|--------|-----|--|
| 1   | 958 613 037 11 | D - MJ 2014>> - MJ 2014<br>Steering column switch<br>D - MJ 2014>> |        | 1   | 1XJ, 2FX, 2ZH,<br>2ZU, 8T3, 8X0,<br>IY1<br>PR:QH1, 1XE,<br>1XJ, 2FX, 2ZH,<br>2ZU, 8T3, 8X0,<br>IY2 |
| 1   | 958 613 039 00 | Steering column switch<br>D >> - MJ 2011                           |        | 1   | PR:QH1, 1XE,<br>1XJ, 2FX, 2ZH,<br>8T3, 8X1   |
| 1   | 958 613 039 03 | Steering column switch<br>D - MJ 2012>> - MJ 2012                  |        | 1   | PR:QH1, 1XE,<br>1XJ, 2FX, 2ZH,<br>2ZU, 8T3, 8X1  |
| 1   | 958 613 039 03 | Steering column switch<br>D - MJ 2013>> - MJ 2013                  |        | 1   | PR:QH1, 1XE,<br>1XJ, 2FX, 2ZH,<br>2ZU, 8T3, 8X1,<br>IY1  |
| 1   | 958 613 039 10 | Steering column switch<br>D - MJ 2013>> - MJ 2013                  |        | 1   | PR:QH1, 1XE,<br>1XJ, 2FX, 2ZH,<br>2ZU, 8T3, 8X1,<br>IY2  |
| 1   | 958 613 039 10 | Steering column switch<br>D - MJ 2014>> - MJ 2014                  |        | 1   | PR:QH1, 1XE,<br>1XJ, 2FX, 2ZH,<br>2ZU, 8T3, 8X1,<br>IY1  |
| 1   | 958 613 039 11 | Steering column switch<br>D - MJ 2014>>                            |        | 1   | PR:QH1, 1XE,<br>1XJ, 2FX, 2ZH,<br>2ZU, 8T3, 8X1,<br>IY2  |
| 1   | 958 613 041 00 | Steering column switch<br>D >> - MJ 2011                           |        | 1   | PR:QH1, 1ML,<br>2PM, 8T1, 8X0  |
| 1   | 958 613 041 03 | Steering column switch<br>D - MJ 2012>> - MJ 2012                  |        | 1   | PR:QH1, 1ML,<br>2PM, 8T1, 8X0,<br>2PX  |
| 1   | 958 613 041 03 | Steering column switch<br>D - MJ 2013>> - MJ 2013                  |        | 1   | PR:QH1, 1ML,<br>2PM, 8T1, 8X0,<br>2PX, IY1   |
| 1   | 958 613 041 10 | Steering column switch<br>D - MJ 2013>> - MJ 2013                  |        | 1   | PR:QH1, 1ML,<br>2PM, 8T1, 8X0,<br>2PX, IY2   |
| 1   | 958 613 041 10 | Steering column switch<br>D - MJ 2014>> - MJ 2014                  |        | 1   | PR:QH1, 1ML,<br>2PM, 8T1, 8X0,<br>2PX, IY1   |
| 1   | 958 613 041 11 | Steering column switch<br>D - MJ 2014>>                            |        | 1   | PR:QH1, 1ML,<br>2PM, 8T1, 8X0,<br>2PX, IY2   |
| 1   | 958 613 043 00 | Steering column switch<br>D >> - MJ 2011                           |        | 1   | PR:QH1, 1ML,<br>2PM, 8T1, 8X1  |
| 1   | 958 613 043 03 | Steering column switch<br>D - MJ 2012>> - MJ 2012                  |        | 1   | PR:QH1, 1ML,<br>2PM, 8T1, 8X1,<br>2PX  |
| 1   | 958 613 043 03 | Steering column switch<br>D - MJ 2013>> - MJ 2013                  |        | 1   | PR:QH1, 1ML,<br>2PM, 8T1, 8X1,<br>2PX, IY1   |
| 1   | 958 613 043 10 | Steering column switch<br>D - MJ 2013>> - MJ 2013                  |        | 1   | PR:QH1, 1ML,<br>2PM, 8T1, 8X1,<br>2PX, IY2   |
| 1   | 958 613 043 10 | Steering column switch<br>D - MJ 2014>> - MJ 2014                  |        | 1   | PR:QH1, 1ML,<br>2PM, 8T1, 8X1,<br>2PX, IY1   |
| 1   | 958 613 043 11 | Steering column switch<br>D - MJ 2014>>                            |        | 1   | PR:QH1, 1ML,<br>2PM, 8T1, 8X1,<br>2PX, IY2   |

Model: 92A 11 Model life 2011>>2018

| Pos | Part Number    | Description                                       | Remark | Qty | Model                                  |
|-----|----------------|---|--------|-----|--|
| 1   | 958 613 045 00 | Steering column switch<br>D >> - MJ 2011          |        | 1   | PR:QH0,2PH,<br>8T1,8X0                 |
| 1   | 958 613 045 03 | Steering column switch<br>D - MJ 2012>> - MJ 2012 |        | 1   | PR:QH0,2PH,<br>8T1,8X0                 |
| 1   | 958 613 045 03 | Steering column switch<br>D - MJ 2013>> - MJ 2013 |        | 1   | PR:QH0,2PH,<br>8T1,8X0,IY1             |
| 1   | 958 613 045 10 | Steering column switch<br>D - MJ 2013>> - MJ 2013 |        | 1   | PR:QH0,2PH,<br>8T1,8X0,IY2             |
| 1   | 958 613 045 10 | Steering column switch<br>D - MJ 2014>> - MJ 2014 |        | 1   | PR:QH0,2PH,<br>8T1,8X0,IY1             |
| 1   | 958 613 045 11 | Steering column switch<br>D - MJ 2014>>           |        | 1   | PR:QH0,2PH,<br>8T1,8X0,IY2             |
| 1   | 958 613 047 00 | Steering column switch<br>D >> - MJ 2011          |        | 1   | PR:QH0,2PH,<br>8T1,8X1                 |
| 1   | 958 613 047 03 | Steering column switch<br>D - MJ 2012>> - MJ 2012 |        | 1   | PR:QH0,2PH,<br>8T1,8X1                 |
| 1   | 958 613 047 03 | Steering column switch<br>D - MJ 2013>> - MJ 2013 |        | 1   | PR:QH0,2PH,<br>8T1,8X1,IY1             |
| 1   | 958 613 047 10 | Steering column switch<br>D - MJ 2013>> - MJ 2013 |        | 1   | PR:QH0,2PH,<br>8T1,8X1,IY2             |
| 1   | 958 613 047 10 | Steering column switch<br>D - MJ 2014>> - MJ 2014 |        | 1   | PR:QH0,2PH,<br>8T1,8X1,IY1             |
| 1   | 958 613 047 11 | Steering column switch<br>D - MJ 2014>>           |        | 1   | PR:QH0,2PH,<br>8T1,8X1,IY2             |
| 1   | 958 613 049 00 | Steering column switch<br>D >> - MJ 2011          |        | 1   | PR:QH1,2PH,<br>8T1,8X0                 |
| 1   | 958 613 049 03 | Steering column switch<br>D - MJ 2012>> - MJ 2012 |        | 1   | PR:QH1,2PH,<br>8T1,8X0                 |
| 1   | 958 613 049 03 | Steering column switch<br>D - MJ 2013>> - MJ 2013 |        | 1   | PR:QH1,2PH,<br>8T1,8X0,IY1             |
| 1   | 958 613 049 10 | Steering column switch<br>D - MJ 2013>> - MJ 2013 |        | 1   | PR:QH1,2PH,<br>8T1,8X0,IY2             |
| 1   | 958 613 049 10 | Steering column switch<br>D - MJ 2014>> - MJ 2014 |        | 1   | PR:QH1,2PH,<br>8T1,8X0,IY1             |
| 1   | 958 613 049 11 | Steering column switch<br>D - MJ 2014>>           |        | 1   | PR:QH1,2PH,<br>8T1,8X0,IY2             |
| 1   | 958 613 051 00 | Steering column switch<br>D >> - MJ 2011          |        | 1   | PR:QH1,2PH,<br>8T1,8X1                 |
| 1   | 958 613 051 03 | Steering column switch<br>D - MJ 2012>> - MJ 2012 |        | 1   | PR:QH1,2PH,<br>8T1,8X1                 |
| 1   | 958 613 051 03 | Steering column switch<br>D - MJ 2013>> - MJ 2013 |        | 1   | PR:QH1,2PH,<br>8T1,8X1,IY1             |
| 1   | 958 613 051 10 | Steering column switch<br>D - MJ 2013>> - MJ 2013 |        | 1   | PR:QH1,2PH,<br>8T1,8X1,IY2             |
| 1   | 958 613 051 10 | Steering column switch<br>D - MJ 2014>> - MJ 2014 |        | 1   | PR:QH1,2PH,<br>8T1,8X1,IY1             |
| 1   | 958 613 051 11 | Steering column switch<br>D - MJ 2014>>           |        | 1   | PR:QH1,2PH,<br>8T1,8X1,IY2             |
| 1   | 958 613 053 00 | Steering column switch<br>D >> - MJ 2011          |        | 1   | PR:QH0,1ML,<br>2PM,8T3,8X0             |
| 1   | 958 613 053 03 | Steering column switch<br>D - MJ 2012>> - MJ 2012 |        | 1   | PR:QH0,1ML,<br>2PM,8T3,8X0,<br>2PX     |
| 1   | 958 613 053 03 | Steering column switch<br>D - MJ 2013>> - MJ 2013 |        | 1   | PR:QH0,1ML,<br>2PM,8T3,8X0,<br>2PX,IY1 |
| 1   | 958 613 053 10 | Steering column switch<br>D - MJ 2013>> - MJ 2013 |        | 1   | PR:QH0,1ML,<br>2PM,8T3,8X0,<br>2PX,IY2 |
| 1   | 958 613 053 10 | Steering column switch<br>D - MJ 2014>> - MJ 2014 |        | 1   | PR:QH0,1ML,<br>2PM,8T3,8X0,<br>2PX,IY1 |
| 1   | 958 613 053 11 | Steering column switch                            |        | 1   | PR:QH0,1ML,                            |

Model: 92A 11 Model life 2011>>2018

| Pos | Part Number    | Description                                       | Remark | Qty | Model                                |
|-----|----------------|---|--------|-----|--------------------------------------|
|     |                | D - MJ 2014>>                                     |        |     | 2PM, 8T3, 8X0, 2PX, IY2              |
| 1   | 958 613 055 00 | Steering column switch<br>D >> - MJ 2011          |        | 1   | PR:QH0, 1ML, 2PM, 8T3, 8X1           |
| 1   | 958 613 055 03 | Steering column switch<br>D - MJ 2012>> - MJ 2012 |        | 1   | PR:QH0, 1ML, 2PM, 8T3, 8X1, 2PX      |
| 1   | 958 613 055 03 | Steering column switch<br>D - MJ 2013>> - MJ 2013 |        | 1   | PR:QH0, 1ML, 2PM, 8T3, 8X1, 2PX, IY1 |
| 1   | 958 613 055 10 | Steering column switch<br>D - MJ 2013>> - MJ 2013 |        | 1   | PR:QH0, 1ML, 2PM, 8T3, 8X1, 2PX, IY2 |
| 1   | 958 613 055 10 | Steering column switch<br>D - MJ 2014>> - MJ 2014 |        | 1   | PR:QH0, 1ML, 2PM, 8T3, 8X1, 2PX, IY1 |
| 1   | 958 613 055 11 | Steering column switch<br>D - MJ 2014>>           |        | 1   | PR:QH0, 1ML, 2PM, 8T3, 8X1, 2PX, IY2 |
| 1   | 958 613 057 00 | Steering column switch<br>D >> - MJ 2011          |        | 1   | PR:QH1, 1ML, 2PM, 8T3, 8X0           |
| 1   | 958 613 057 03 | Steering column switch<br>D - MJ 2012>> - MJ 2012 |        | 1   | PR:QH1, 1ML, 2PM, 8T3, 8X0, 2PX      |
| 1   | 958 613 057 03 | Steering column switch<br>D - MJ 2013>> - MJ 2013 |        | 1   | PR:QH1, 1ML, 2PM, 8T3, 8X0, 2PX, IY1 |
| 1   | 958 613 057 10 | Steering column switch<br>D - MJ 2013>> - MJ 2013 |        | 1   | PR:QH1, 1ML, 2PM, 8T3, 8X0, 2PX, IY2 |
| 1   | 958 613 057 10 | Steering column switch<br>D - MJ 2014>> - MJ 2014 |        | 1   | PR:QH1, 1ML, 2PM, 8T3, 8X0, 2PX, IY1 |
| 1   | 958 613 057 11 | Steering column switch<br>D - MJ 2014>>           |        | 1   | PR:QH1, 1ML, 2PM, 8T3, 8X0, 2PX, IY2 |
| 1   | 958 613 059 00 | Steering column switch<br>D >> - MJ 2011          |        | 1   | PR:QH1, 1ML, 2PM, 8T3, 8X1           |
| 1   | 958 613 059 03 | Steering column switch<br>D - MJ 2012>> - MJ 2012 |        | 1   | PR:QH1, 1ML, 2PM, 8T3, 8X1, 2PX      |
| 1   | 958 613 059 03 | Steering column switch<br>D - MJ 2013>> - MJ 2013 |        | 1   | PR:QH1, 1ML, 2PM, 8T3, 8X1, 2PX, IY1 |
| 1   | 958 613 059 10 | Steering column switch<br>D - MJ 2013>> - MJ 2013 |        | 1   | PR:QH1, 1ML, 2PM, 8T3, 8X1, 2PX, IY2 |
| 1   | 958 613 059 10 | Steering column switch<br>D - MJ 2014>> - MJ 2014 |        | 1   | PR:QH1, 1ML, 2PM, 8T3, 8X1, 2PX, IY1 |
| 1   | 958 613 059 11 | Steering column switch<br>D - MJ 2014>>           |        | 1   | PR:QH1, 1ML, 2PM, 8T3, 8X1, 2PX, IY2 |
| 1   | 958 613 061 00 | Steering column switch<br>D >> - MJ 2011          |        | 1   | PR:QH0, 2PH, 8T3, 8X0                |
| 1   | 958 613 061 03 | Steering column switch<br>D - MJ 2012>> - MJ 2012 |        | 1   | PR:QH0, 2PH, 8T3, 8X0                |
| 1   | 958 613 061 03 | Steering column switch<br>D - MJ 2013>> - MJ 2013 |        | 1   | PR:QH0, 2PH, 8T3, 8X0, IY1           |
| 1   | 958 613 061 10 | Steering column switch<br>D - MJ 2013>> - MJ 2013 |        | 1   | PR:QH0, 2PH, 8T3, 8X0, IY2           |
| 1   | 958 613 061 10 | Steering column switch<br>D - MJ 2014>> - MJ 2014 |        | 1   | PR:QH0, 2PH, 8T3, 8X0, IY1           |

Model: 92A 11

Model life 2011&gt;&gt;2018

| Pos | Part Number    | Description                                       | Remark | Qty | Model                      |
|-----|----------------|---|--------|-----|----------------------------|
| 1   | 958 613 061 11 | Steering column switch<br>D - MJ 2014>>           |        | 1   | PR:QH0,2PH,<br>8T3,8X0,IY2 |
| 1   | 958 613 063 00 | Steering column switch<br>D >> - MJ 2011          |        | 1   | PR:QH0,2PH,<br>8T3,8X1     |
| 1   | 958 613 063 03 | Steering column switch<br>D - MJ 2012>> - MJ 2012 |        | 1   | PR:QH0,2PH,<br>8T3,8X1     |
| 1   | 958 613 063 03 | Steering column switch<br>D - MJ 2013>> - MJ 2013 |        | 1   | PR:QH0,2PH,<br>8T3,8X1,IY1 |
| 1   | 958 613 063 10 | Steering column switch<br>D - MJ 2013>> - MJ 2013 |        | 1   | PR:QH0,2PH,<br>8T3,8X1,IY2 |
| 1   | 958 613 063 10 | Steering column switch<br>D - MJ 2014>> - MJ 2014 |        | 1   | PR:QH0,2PH,<br>8T3,8X1,IY1 |
| 1   | 958 613 063 11 | Steering column switch<br>D - MJ 2014>>           |        | 1   | PR:QH0,2PH,<br>8T3,8X1,IY2 |
| 1   | 958 613 065 00 | Steering column switch<br>D >> - MJ 2011          |        | 1   | PR:QH1,2PH,<br>8T3,8X0     |
| 1   | 958 613 065 03 | Steering column switch<br>D - MJ 2012>> - MJ 2012 |        | 1   | PR:QH1,2PH,<br>8T3,8X0     |
| 1   | 958 613 065 03 | Steering column switch<br>D - MJ 2013>> - MJ 2013 |        | 1   | PR:QH1,2PH,<br>8T3,8X0,IY1 |
| 1   | 958 613 065 10 | Steering column switch<br>D - MJ 2013>> - MJ 2013 |        | 1   | PR:QH1,2PH,<br>8T3,8X0,IY2 |
| 1   | 958 613 065 10 | Steering column switch<br>D - MJ 2014>> - MJ 2014 |        | 1   | PR:QH1,2PH,<br>8T3,8X0,IY1 |
| 1   | 958 613 065 11 | Steering column switch<br>D - MJ 2014>>           |        | 1   | PR:QH1,2PH,<br>8T3,8X0,IY2 |
| 1   | 958 613 067 00 | Steering column switch<br>D >> - MJ 2011          |        | 1   | PR:QH1,2PH,<br>8T3,8X1     |
| 1   | 958 613 067 03 | Steering column switch<br>D - MJ 2012>> - MJ 2012 |        | 1   | PR:QH1,2PH,<br>8T3,8X1     |
| 1   | 958 613 067 03 | Steering column switch<br>D - MJ 2013>> - MJ 2013 |        | 1   | PR:QH1,2PH,<br>8T3,8X1,IY1 |
| 1   | 958 613 067 10 | Steering column switch<br>D - MJ 2013>> - MJ 2013 |        | 1   | PR:QH1,2PH,<br>8T3,8X1,IY2 |
| 1   | 958 613 067 10 | Steering column switch<br>D - MJ 2014>> - MJ 2014 |        | 1   | PR:QH1,2PH,<br>8T3,8X1,IY1 |
| 1   | 958 613 067 11 | Steering column switch<br>D - MJ 2014>>           |        | 1   | PR:QH1,2PH,<br>8T3,8X1,IY2 |
| 1   | 958 613 069 00 | Steering column switch<br>D >> - MJ 2011          |        | 1   | PR:QH0,2ZM,<br>8T1,8X0     |
| 1   | 958 613 069 03 | Steering column switch<br>D - MJ 2012>> - MJ 2012 |        | 1   | PR:QH0,2ZM,<br>8T1,8X0     |
| 1   | 958 613 069 03 | Steering column switch<br>D - MJ 2013>> - MJ 2013 |        | 1   | PR:QH0,2ZM,<br>8T1,8X0,IY1 |
| 1   | 958 613 069 10 | Steering column switch<br>D - MJ 2013>> - MJ 2013 |        | 1   | PR:QH0,2ZM,<br>8T1,8X0,IY2 |
| 1   | 958 613 069 10 | Steering column switch<br>D - MJ 2014>> - MJ 2014 |        | 1   | PR:QH0,2ZM,<br>8T1,8X0,IY1 |
| 1   | 958 613 069 11 | Steering column switch<br>D - MJ 2014>>           |        | 1   | PR:QH0,2ZM,<br>8T1,8X0,IY2 |
| 1   | 958 613 071 00 | Steering column switch<br>D >> - MJ 2011          |        | 1   | PR:QH0,2ZM,<br>8T1,8X1     |
| 1   | 958 613 071 03 | Steering column switch<br>D - MJ 2012>> - MJ 2012 |        | 1   | PR:QH0,2ZM,<br>8T1,8X1     |
| 1   | 958 613 071 03 | Steering column switch<br>D - MJ 2013>> - MJ 2013 |        | 1   | PR:QH0,2ZM,<br>8T1,8X1,IY1 |
| 1   | 958 613 071 10 | Steering column switch<br>D - MJ 2013>> - MJ 2013 |        | 1   | PR:QH0,2ZM,<br>8T1,8X1,IY2 |
| 1   | 958 613 071 10 | Steering column switch<br>D - MJ 2014>> - MJ 2014 |        | 1   | PR:QH0,2ZM,<br>8T1,8X1,IY1 |
| 1   | 958 613 071 11 | Steering column switch<br>D - MJ 2014>>           |        | 1   | PR:QH0,2ZM,<br>8T1,8X1     |
| 1   | 958 613 073 00 | Steering column switch                            |        | 1   | PR:QH1,2ZM,                |

Model: 92A 11 Model life 2011>>2018

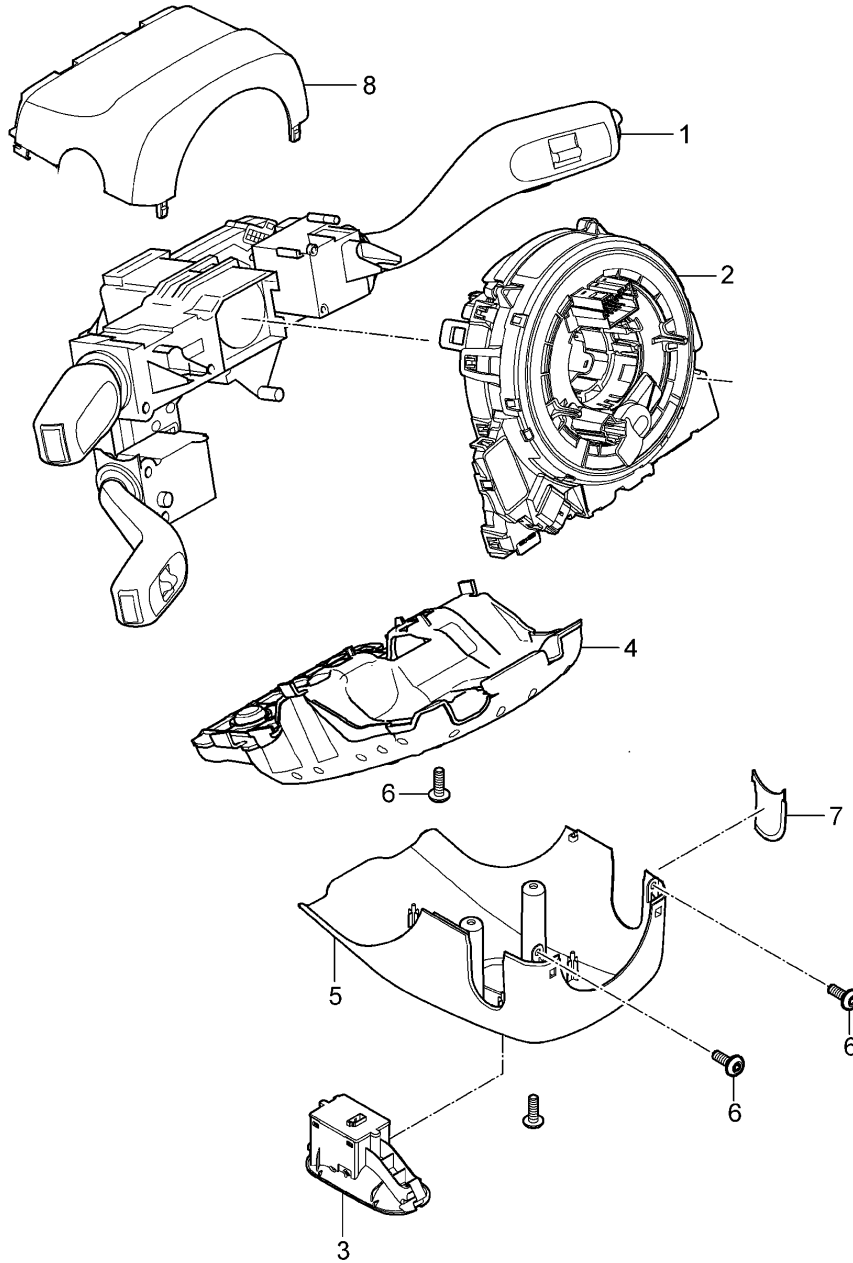
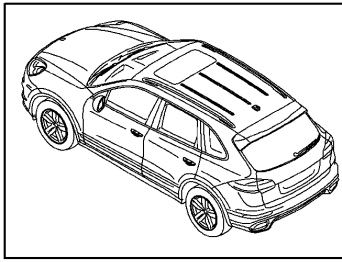
| Pos | Part Number    | Description   | Remark | Qty | Model                                 |
|-----|----------------|---|--------|-----|---------------------------------------|
| 1   | 958 613 073 03 | D >> - MJ 2011<br>Steering column switch                                      |        | 1   | 8T1, 8X0<br>PR:QH1, 2ZM,              |
| 1   | 958 613 073 03 | D - MJ 2012>> - MJ 2012<br>Steering column switch                             |        | 1   | 8T1, 8X0<br>PR:QH1, 2ZM,              |
| 1   | 958 613 073 10 | D - MJ 2013>> - MJ 2013<br>Steering column switch                             |        | 1   | 8T1, 8X0, IY1<br>PR:QH1, 2ZM,         |
| 1   | 958 613 073 10 | D - MJ 2013>> - MJ 2013<br>Steering column switch                             |        | 1   | 8T1, 8X0, IY2<br>PR:QH1, 2ZM,         |
| 2   | 958 652 568 00 | D - MJ 2014>> - MJ 2014<br>Control unit<br>Steering column switch             |        | 1   | 8T1, 8X0, IY1<br>PR:2PM, 2ZM,<br>1ML  |
|     |                | with:<br>Spring<br>steering sensor  |        |     |                                       |
| 2   | 958 652 568 01 | D >> - MJ 2011<br>Discontinued part<br>Control unit<br>Steering column switch |        | 1   | PR:2PM, 2ZM,<br>1ML                   |
|     |                | with:<br>Spring<br>steering sensor  |        |     |                                       |
| 2   | 958 652 568 02 | D >> - MJ 2011<br>Discontinued part<br>Control unit<br>Steering column switch |        | 1   | PR:2PM, 2ZM,<br>1ML                   |
|     |                | with:<br>Spring<br>steering sensor  |        |     |                                       |
| 2   | 958 652 568 03 | D >> - MJ 2011<br>Control unit<br>Steering column switch                      |        | 1   | PR:2PM, 2ZM,<br>1ML, 2PX              |
|     |                | with:<br>Spring<br>steering sensor  |        |     |                                       |
| (2) | 958 652 568 10 | D - MJ 2012>><br>Control unit<br>Steering column switch                       |        | 1   | PR:1XJ, 2FX,<br>2PH, 2ZH, 1XE,<br>2ZU |
|     |                | with:<br>Spring<br>steering sensor  |        |     |                                       |
| (2) | 958 652 568 11 | D >> - MJ 2011<br>Discontinued part<br>Control unit<br>Steering column switch |        | 1   | PR:1XJ, 2FX,<br>2PH, 2ZH, 1XE,<br>2ZU |
|     |                | with:<br>Spring<br>steering sensor  |        |     |                                       |
| (2) | 958 652 568 12 | D >> - MJ 2011<br>Discontinued part<br>Control unit<br>Steering column switch |        | 1   | PR:1XJ, 2FX,<br>2PH, 2ZH, 1XE,<br>2ZU |
|     |                | with:<br>Spring<br>steering sensor  |        |     |                                       |
| (2) | 958 652 568 13 | D >> - MJ 2011<br>Control unit<br>Steering column switch                      |        | 1   | PR:1XJ, 2FX,<br>2PH, 2ZH, 1XE,<br>2ZU |
|     |                | with:<br>Spring<br>steering sensor  |        |     |                                       |
| 3   | 7PP 953 519 B  | D - MJ 2012>><br>Switch<br>Adjustment   |        | 1   | PR:2C4                                |

Model: 92A 11 Model life 2011>>2018

| Pos | Part Number        | Description                                   | Remark   | Qty | Model                    |
|-----|--------------------|---|--|-----|--------------------------|
|     | 7PP 953 519 B A05  | Steering column<br>Matt black                 |  |     |                          |
| 4   | 958 552 515 00     | Shock absorber                                |  | 1   | PR:2C5                   |
| (4) | 958 552 515 10     | Shock absorber                                |  | 1   | PR:2C4                   |
| 5   | 958 552 475 00     | Switch housing                                | lower  | 1   | PR:2C5                   |
|     | 958 552 475 00 5Q0 | Black   | -LC, MA, TA, TB,<br>TW, YA, YB, YC                           |     |                          |
|     | 958 552 475 00 4U0 | Platinum Grey                                 | -LD, MD, YD  |     |                          |
|     | 958 552 475 00 6W0 | Luxor beige                                   | -LE, MC, YE  |     |                          |
|     | 958 552 475 00 3T0 | Espresso                                      | -VA, VB  |     |                          |
|     | 958 552 475 00 DE1 | Umber   | -LF, TX, TY, YF  |     |                          |
| (5) | 958 552 475 01     | Switch housing                                | lower  | 1   | PR:2C4                   |
|     | 958 552 475 01 5Q0 | Black   | -LC, MA, TA, TB,<br>TW, YA, YA, YB,<br>YC, 77                |     |                          |
|     | 958 552 475 01 4U0 | Platinum Grey                                 | -LD, MD, YD  |     |                          |
|     | 958 552 475 01 6W0 | Luxor beige                                   | -LE, MC, YE  |     |                          |
|     | 958 552 475 01 3T0 | Espresso                                      | -VA, VB  |     |                          |
|     | 958 552 475 01 DE1 | Umber   | -LF, TX, TY, YF  |     |                          |
| 6   | N 906 986 06       | Hexagon socket head panel bolt<br>ST 4,2 X 16 |  | 4   |                          |
| 7   | 958 552 675 00     | Cover   |  | 1   | PR:1XE, 2FX,<br>2ZH, 2ZM |
|     | 958 552 675 00 5Q0 | Black   | -LC, LG, LH, MA,<br>MF, MI, TA, TB,<br>TW, YA, YB, YC,<br>77 |     |                          |
|     | 958 552 675 00 4U0 | Platinum Grey                                 | -LD, MD, YD  |     |                          |
|     | 958 552 675 00 6W0 | Luxor beige                                   | -LE, MC, YE  |     |                          |
|     | 958 552 675 00 3T0 | Espresso                                      | -VA, VB  |     |                          |
|     | 958 552 675 00 DE1 | Umber   | -LF, TX, TY, YF  |     |                          |
| 8   | 958 552 473 00     | Switch housing                                | upper  | 1   |                          |
|     | 958 552 473 00 5Q0 | Black   | -LC, LG, LH, MA,<br>MF, MI, TA, TB,<br>TW, YA, YB, YC,<br>77 |     |                          |
|     | 958 552 473 00 4U0 | Platinum Grey                                 | -LD, MD, YD  |     |                          |
|     | 958 552 473 00 6W0 | Luxor beige                                   | -LE, MC, YE  |     |                          |
|     | 958 552 473 00 3T0 | Espresso                                      | -VA, VB  |     |                          |
|     | 958 552 473 00 DE1 | Umber   | -LF, TX, TY, YF  |     |                          |

Model: 92A 11

Model life 2011>>2018



Model: 92A 11 Model life 2011>>2018

| Pos | Part Number        | Description   | Remark  | Qty | Model                      |
|-----|--------------------|---|---|-----|----------------------------|
| 1   | 95B 953 502 D      | Steering column switch<br>D - MJ 2015>><br>Steering column switch               |   | 1   | PR:QH0,8T3,<br>8X0         |
| 1   | 95B 953 502 E      | Steering column switch  |   | 1   | PR:QH0,8T3,<br>8X1         |
| 1   | 95B 953 502 F      | Steering column switch  |   | 1   | PR:QH1,8T3,<br>8X0         |
| 1   | 95B 953 502 H      | Steering column switch  |   | 1   | PR:QH1,8T3,<br>8X1         |
| 1   | 95B 953 502 J      | Steering column switch  |   | 1   | PR:QH0,8T1,<br>8X0         |
| 1   | 95B 953 502 K      | Steering column switch  |   | 1   | PR:QH0,8T1,<br>8X1         |
| 1   | 95B 953 502 L      | Steering column switch  |   | 1   | PR:QH1,8T1,<br>8X0         |
| 1   | 95B 953 502 M      | Steering column switch  |   | 1   | PR:QH1,8T1,<br>8X1         |
| 2   | 95B 953 568        | Control unit<br>Steering column switch<br>Included<br>Spring<br>steering sensor |   | 1   | PR:2ZM,2PX                 |
| (2) | 95B 953 568 A      | Control unit<br>Steering column switch<br>Included<br>Spring<br>steering sensor |   | 1   | PR:1XG,2FX,<br>2ZH,1XE,2ZU |
| 3   | 7PP 953 519 E      | Switch for steering column<br>adjustment  |   | 1   | PR:2C4                     |
|     | 7PP 953 519 E IVI  | Matt black  |   |     |                            |
| 4   | 958 552 515 20     | Shock absorber  |   | 1   | PR:2C5                     |
| (4) | 958 552 515 30     | Shock absorber  |   | 1   | PR:2C4                     |
| 5   | 958 552 177 00     | Switch housing  | lower   | 1   | PR:2C5                     |
|     | 958 552 177 00 OA6 | agate grey  | -MB, MG, ML                                       |     |                            |
|     | 958 552 177 00 OL7 | saddle brown  | -ME, MH, MJ, MK                                   |     |                            |
|     | 958 552 177 00 3T0 | Espresso  | -VA, VB   |     |                            |
|     | 958 552 177 00 5Q0 | Black   | -LC, LG, LH, MA,<br>MF, MI, TA, TB,<br>YA, YC, 77 |     |                            |
|     | 958 552 177 00 6W0 | Luxor beige   | -LE, MC, YE                                       |     |                            |
| 5   | 958 552 178 00     | Switch housing  | lower   | 1   | PR:2C4                     |
|     | 958 552 178 00 OA6 | agate grey  | -MB, MG, ML                                       |     |                            |
|     | 958 552 178 00 OL7 | saddle brown  | -ME, MH, MJ, MK                                   |     |                            |
|     | 958 552 178 00 3T0 | Espresso  | -VA, VB   |     |                            |
|     | 958 552 178 00 5Q0 | Black   | -LC, LG, LH, MA,<br>MF, MI, TA, TB,<br>YA, YC, 77 |     |                            |
|     | 958 552 178 00 6W0 | Luxor beige   | -LE, MC, YE                                       |     |                            |
| 6   | N 906 986 01       | Hexagon socket head panel bolt<br>ST 4,2 X 16                                   |   | 4   |                            |
| 7   | 958 552 675 00     | Cover   |   | 1   | PR:1XG                     |
|     | 958 552 675 00 OA6 | agate grey  | -MB, MG, ML                                       |     |                            |
|     | 958 552 675 00 OL7 | saddle brown  | -ME, MH, MJ, MK                                   |     |                            |
|     | 958 552 675 00 3T0 | Espresso  | -VA, VB   |     |                            |
|     | 958 552 675 00 5Q0 | Black   | -LC, LG, LH, MA,<br>MF, MI, TA, TB,<br>YA, YC, 77 |     |                            |
|     | 958 552 675 00 6W0 | Luxor beige   | -LE, MC, YE                                       |     |                            |
| 8   | 958 552 473 00     | Switch housing  | upper   | 1   |                            |
|     | 958 552 473 00 OA6 | agate grey  | -MB, MG, ML                                       |     |                            |
|     | 958 552 473 00 OL7 | saddle brown  | -ME, MH, MJ, MK                                   |     |                            |
|     | 958 552 473 00 3T0 | Espresso  | -VA, VB   |     |                            |

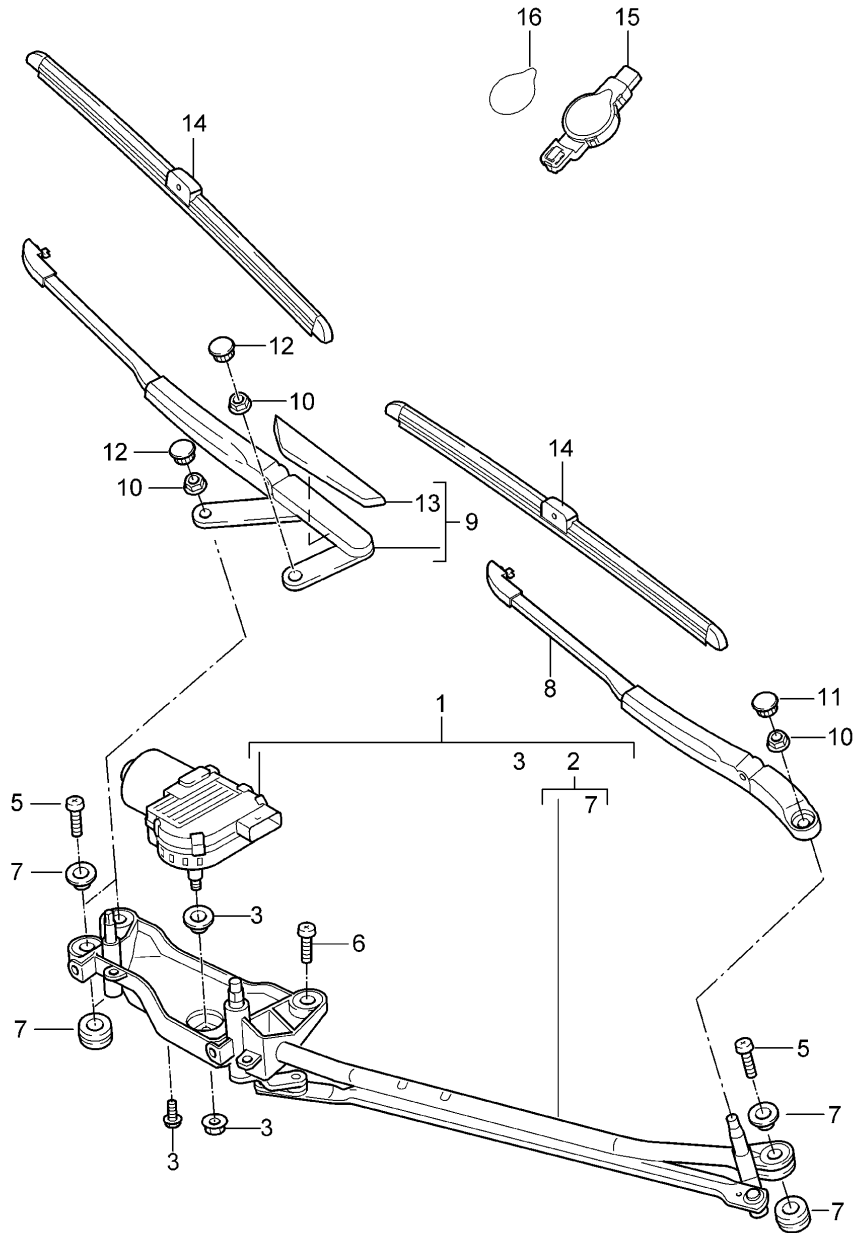
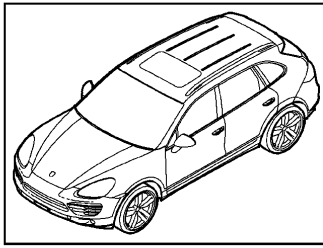


Model: 92A 11                      Model life 2011>>2018

| Pos | Part Number        | Description | Remark   | Qty | Model |
|-----|--------------------|-------------|--|-----|-------|
|     | 958 552 473 00 5Q0 | Black       | -LC, LG, LH, MA,<br>MF, MI, TA, TB,<br>YA, YC, 77<br>-LE, MC, YE |     |       |
|     | 958 552 473 00 6W0 | Luxor beige |  |     |       |

Model: 92A 11

Model life 2011>>2018



Model: 92A 11

Model life 2011>>2018

| Pos  | Part Number    | Description  | Remark    | Qty | Model  |
|------|----------------|--|-----------|-----|--------|
| 1    | 958 628 023 00 | Windscreen wiper system, compl<br>Rain sensor                        | lhd       | 1   | PR:L0L |
| 1    | 958 628 024 00 | Windscreen wiper system, compl<br>comprising:<br>Position<br>1,2,3,7 | rhd       | 1   | PR:L0R |
| 2    | 958 628 137 00 | Crank drive  | lhd       | 1   | PR:L0L |
| (2)  | 958 628 138 00 | Crank drive  | rhd       | 1   | PR:L0R |
| 3    | 958 628 930 00 | repair set<br>comprising:<br>fillister hd. bolt<br>M 6 X 19          |           | 1   |        |
| -    |                | Hexagon nut<br>M 6   |           | 3   |        |
| -    |                | Cover cap  |           | 1   |        |
| 5    | N 105 355 02   | Hexagon socket head<br>bolt (combi)<br>M 6 X 30                      |           | 1   |        |
| 6    | WHT 004 769    | Hexagon socket head<br>bolt (combi)<br>M 6 X 35                      |           | 3   |        |
| 7    | 955 628 711 00 | repair set<br>comprising:<br>bush<br>13,6 MM                         |           | 2   |        |
| -    |                | bush<br>6,4 X 13,6 MM  |           | 1   |        |
| -    |                | bush<br>6,4 MM   |           | 1   |        |
| -    |                | Grommet  |           | 4   |        |
| 8    | 958 628 028 00 | Wiper arm<br>(drivers side)  | lhd       | 1   | PR:L0L |
| (8)  | 958 628 027 00 | Wiper arm<br>(drivers side)  | rhd       | 1   | PR:L0R |
| 9    | 958 628 029 00 | Wiper arm<br>(passenger side)  | lhd       | 1   | PR:L0L |
| (9)  | 958 628 026 00 | Wiper arm<br>(passenger side)  | rhd       | 1   | PR:L0R |
| 10   | N 102 613 11   | Hexagon nut<br>M 10  |           | 3   |        |
| 11   | 958 628 305 00 | cap for wiper arm<br>(drivers side)                                  |           | 1   |        |
| 12   | 955 628 305 02 | cap for wiper arm<br>(passenger side)                                |           | 2   |        |
| 13   | 958 628 309 00 | Cover<br>(passenger side)  | lhd       | 1   | PR:L0L |
| (13) | 958 628 308 00 | Cover<br>(passenger side)  | rhd       | 1   | PR:L0R |
| 14   | 958 628 939 00 | 1 set: wiper blades<br>(drivers side)<br>(passenger side)            | front LHD | 1   | PR:L0L |
| (14) | 958 628 941 00 | 1 set: wiper blades<br>(drivers side)<br>(passenger side)            | front RHD | 1   | PR:L0R |
| 15   | 7P0 955 559 D  | Rain and humidity sensor   |           | 1   |        |
| 16   | 000 043 207 65 | Adhesive film<br>Rain sensor<br>Discontinued part                    |           | 1   |        |
| 16   | 9A7 955 609 00 | Adhesive film  |           | 1   |        |

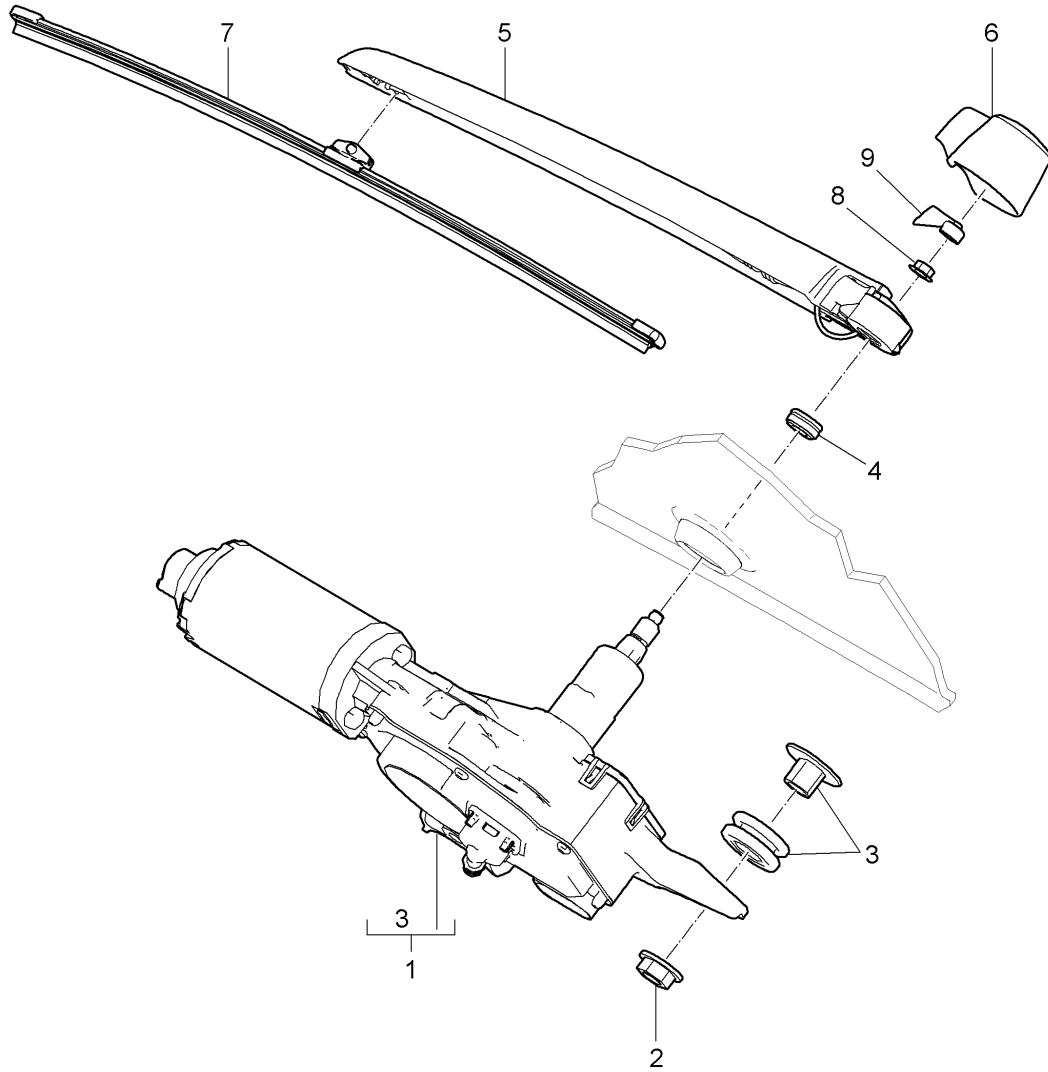
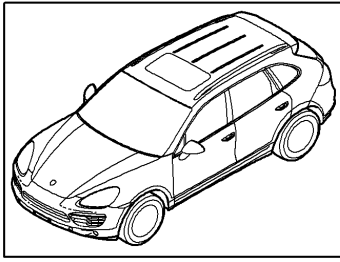
Model: 92A 11

Model life 2011>>2018

| Pos | Part Number | Description | Remark | Qty | Model |
|-----|-------------|-------------|--------|-----|-------|
|     |             | Rain sensor |        |     |       |

Model: 92A 11

Model life 2011>>2018



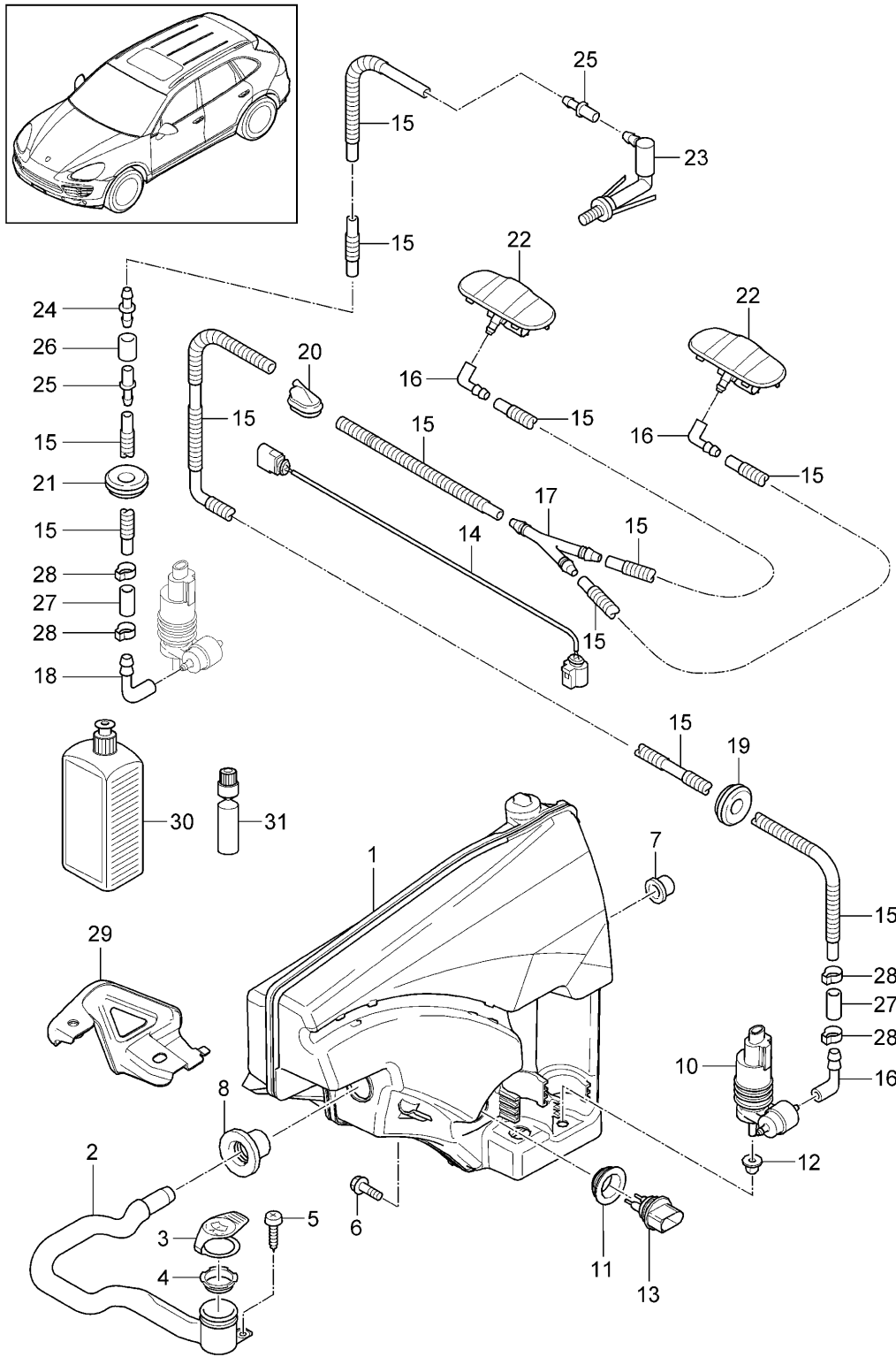
Model: 92A 11

Model life 2011>>2018

| Pos | Part Number    | Description                      | Remark | Qty | Model      |
|-----|----------------|----------------------------------|--------|-----|------------|
| 1   | 958 628 080 00 | Rear window wiper<br>Wiper motor |        | 1   |            |
| -   |                | use if required:                 |        |     |            |
| -   | 958 612 704 00 | Terminal sleeve housing          |        | 1   |            |
| -   | N 105 112 03   | Push-on sleeve                   |        | 4   |            |
| -   | 958 612 740 00 | Seal                             |        | 2   |            |
|     |                | Single wire                      |        |     |            |
| -   | 958 612 740 01 | Seal                             |        | 2   |            |
|     |                | Single wire                      |        |     |            |
| 2   | N 907 143 03   | hex. nut with washer<br>M 6      |        | 3   |            |
| 3   | 958 628 711 00 | repair set<br>comprising:        |        | 1   |            |
|     |                | Grommet                          |        | 2   |            |
|     |                | bush                             |        | 2   |            |
|     |                | Grommet                          |        | 1   |            |
|     |                | bush                             |        | 1   |            |
| 4   | 958 628 273 00 | Grommet                          |        | 1   | PR:VW5     |
| (4) | 958 628 273 10 | Grommet                          |        | 1   | PR:4KC,4KF |
| 5   | 958 628 040 00 | Wiper arm                        |        | 1   |            |
| 6   | 958 628 122 00 | Cover cap                        |        | 1   |            |
| 7   | 958 628 050 00 | wiper blade                      |        | 1   |            |
| 8   | N 015 083 15   | Hexagon collar nut<br>M 8        |        | 1   |            |
| 9   | 958 628 078 00 | Water jet                        |        | 1   |            |

Model: 92A 11

Model life 2011>>2018



Model: 92A 11 Model life 2011>>2018

| Pos  | Part Number        | Description                   | Remark | Qty | Model  |
|------|--------------------|-------------------------------|--------|-----|--------|
| 1    | 958 528 703 00     | Windscreen washer system      |        | 1   | PR:8X1 |
| (1)  | 958 528 704 00     | Water reservoir               |        | 1   | PR:8X0 |
| 2    | 958 528 605 01     | fuel filler neck              |        | 1   |        |
|      |                    | D >> - MJ 2014                |        |     |        |
| 2    | 958 528 605 02     | fuel filler neck              |        | 1   |        |
|      |                    | D - MJ 2015>>                 |        |     |        |
| 3    | 955 528 607 01     | Cover                         |        | 1   |        |
|      |                    | D >> - MJ 2014                |        |     |        |
| 3    | 3Q0 955 455        | End cap                       |        | 1   |        |
|      |                    | D >> - 13.03.2017             |        |     |        |
|      |                    | D - MJ 2015>>                 |        |     |        |
| 3    | 9A7 955 455 00     | End cap                       |        | 1   |        |
|      |                    | D - 13.03.2017>>              |        |     |        |
| 4    | 955 528 606 02     | strainer                      |        | 1   |        |
|      |                    | D >> - MJ 2014                |        |     |        |
| 4    | 3D0 955 485 A      | strainer                      |        | 1   |        |
|      |                    | D - MJ 2015>>                 |        |     |        |
| 5    | N 107 030 01       | round hd. screw               |        | 1   |        |
|      |                    | M 6 X 10                      |        |     |        |
| 6    | N 908 204 01       | bolt, hex. hd. (combi.)       |        | 2   |        |
|      |                    | self-locking                  |        |     |        |
|      |                    | M 6 X 16                      |        |     |        |
| 7    | 999 702 221 40     | Grommet                       |        | 1   |        |
| 8    | 955 528 711 01     | Seal                          |        | 1   |        |
|      |                    | fuel filler neck              |        |     |        |
| 10   | 955 628 172 01     | Windscreen washer system pump |        | 1   |        |
| 11   | 955 528 721 00     | Seal                          |        | 1   |        |
| 12   | 958 628 712 00     | Seal                          |        | 1   |        |
| 13   | 955 628 105 00     | Water level switch            |        | 1   |        |
| 14   | 958 612 204 00     | Wire set                      |        | 1   | PR:9T1 |
|      |                    | Bonnet                        |        |     |        |
|      |                    | with:                         |        |     |        |
|      |                    | Hoses                         |        |     |        |
|      |                    | Windscreen washer system      |        |     |        |
|      |                    | D >> - MJ 2014                |        |     |        |
| (14) | 958 612 204 10     | Wire set                      |        | 1   | PR:9T1 |
|      |                    | Bonnet                        |        |     |        |
|      |                    | with:                         |        |     |        |
|      |                    | Hoses                         |        |     |        |
|      |                    | Windscreen washer system      |        |     |        |
|      |                    | D - MJ 2015>>                 |        |     |        |
| 15   | 955 628 130 00     | Hose                          |        | X   |        |
|      |                    | 6,0 X 1,0                     |        |     |        |
|      |                    | 10000 MM                      |        |     |        |
| 16   | 955 628 200 01     | Elbow fitting                 |        | 3   |        |
| 17   | 955 628 210 00     | Distributor                   |        | 1   |        |
| 18   | 955 628 230 01     | Elbow fitting                 |        | 1   |        |
| 19   | 955 628 250 00     | Cable support sleeve          |        | 1   |        |
| 20   | 6Q0 955 998        | Grommet                       |        | 1   |        |
| 21   | 955 628 252 00     | Grommet                       |        | 1   |        |
| 22   | 958 628 077 01     | Water jet                     | left   | 1   |        |
|      | 958 628 077 01 9B9 | Satin black                   |        |     |        |
| (22) | 958 628 077 11     | Water jet                     | right  | 1   |        |
|      | 958 628 077 11 9B9 | Satin black                   |        |     |        |
| 23   | 958 628 078 00     | Water jet                     |        | 1   |        |
|      |                    | Rear end                      |        |     |        |
| -    |                    | repair set                    |        |     |        |
|      |                    | for                           |        |     |        |
|      |                    | Hose                          |        |     |        |
| 24   | 958 628 222 00     | Connection piece              |        | 2   |        |
| 25   | 958 628 223 00     | Connection piece              |        | 3   |        |
| 26   | 955 628 224 00     | Shrink-fit hose               |        | 1   |        |



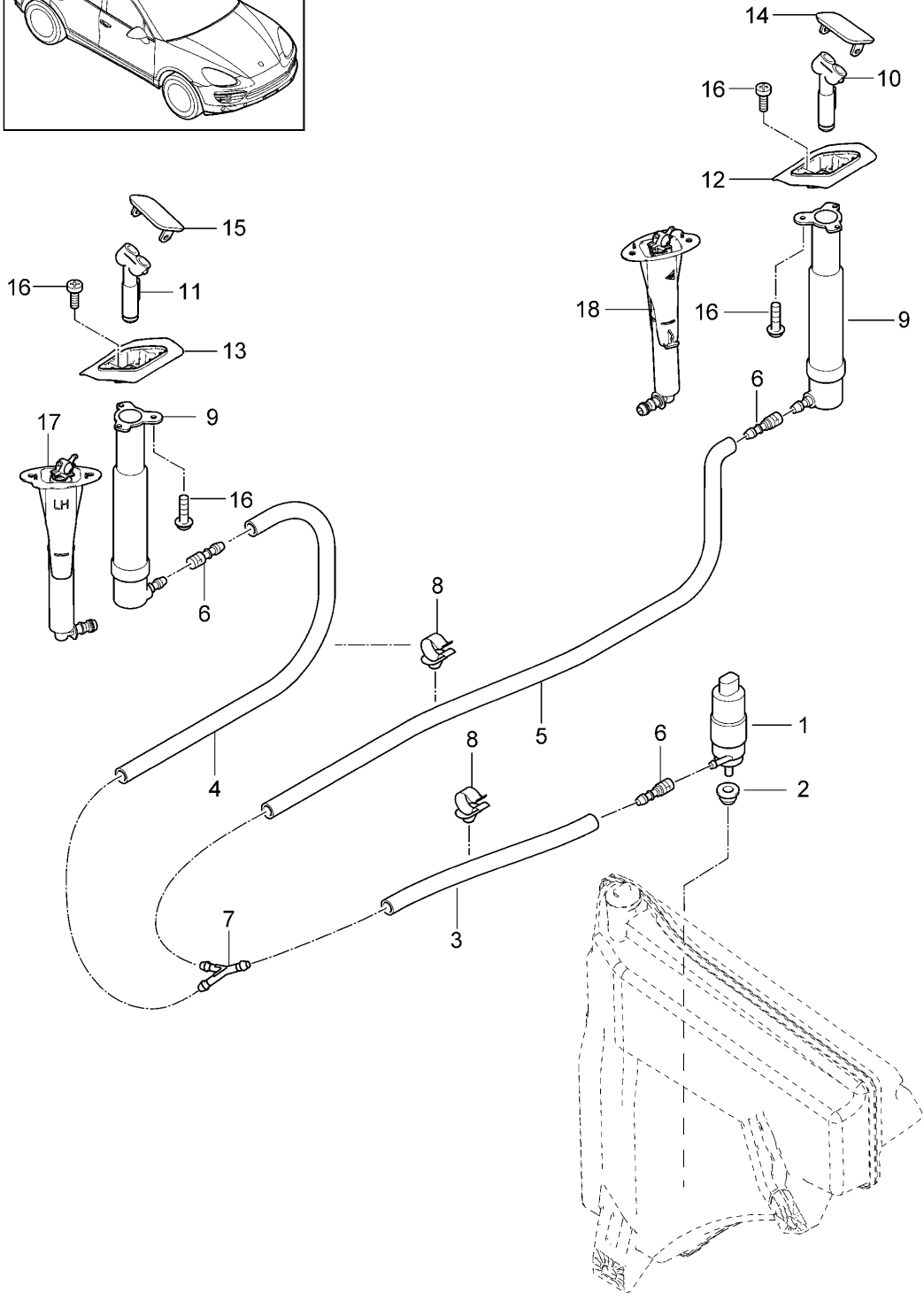
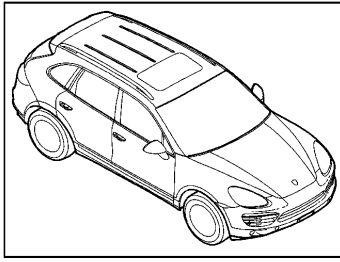
Model: 92A 11

Model life 2011>>2018

| Pos | Part Number    | Description                                       | Remark | Qty | Model |
|-----|----------------|---|--------|-----|-------|
| 27  | 955 628 225 00 | Hose  |        | 1   |       |
| 28  | N 020 902 2    | Cable ties  |        | 2   |       |
| 29  | 958 805 324 00 | Bracket for filler neck<br>Mount<br>D - MJ 2015>> |        | 1   |       |
| 30  | 999 901 017 42 | Window cleaning solution<br>250 ML<br>Summer      |        | X   |       |
| 31  | 999 901 033 40 | Window cleaning solution<br>1000 ML<br>Winter     |        | X   |       |

Model: 92A 11

Model life 2011>>2018



Model: 92A 11 Model life 2011>>2018

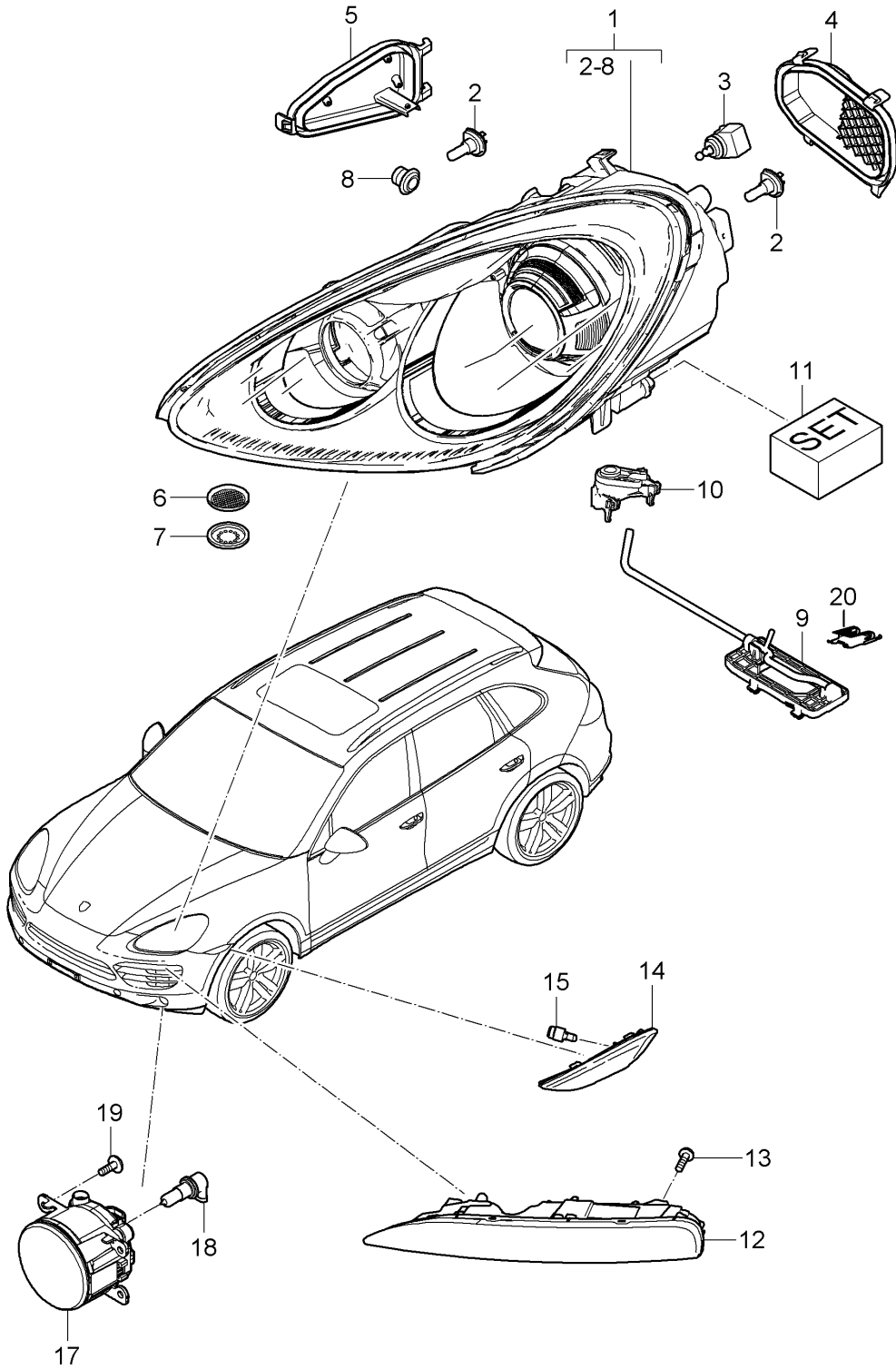
| Pos  | Part Number    | Description   | Remark                 | Qty | Model        |
|------|----------------|---|------------------------|-----|--------------|
| 1    | 958 624 502 00 | Headlight washer system<br>Pump for headlight-<br>washer system   |                        | 1   | PR:8X1       |
| 2    | 431 955 465 A  | Seal  |                        | 1   |              |
| -    | 000 043 204 79 | Hose<br>8 X 3<br>see<br>Pos<br>3, 4, 5  |                        | *   |              |
| 3    |                |   | shorten to:<br>1470 MM | 1   |              |
| 4    |                |   | shorten to:<br>255 MM  | 1   |              |
| 5    |                |   | shorten to:<br>1710 MM | 1   |              |
| 6    | 955 628 206 00 | Connection piece<br>D >> - MJ 2014  |                        | 3   |              |
| (6)  | 955 628 204 00 | Connection piece<br>D - MJ 2015>>   |                        | 3   |              |
| 7    | 113 955 975 B  | t-piece   |                        | 1   |              |
| 8    | N 906 706 01   | Clip  |                        | 9   |              |
| 9    | 958 628 180 00 | Nozzle holder<br>D >> - MJ 2014   |                        | 2   |              |
| 10   | 958 628 161 00 | Nozzle head<br>D >> - MJ 2014   | left                   | 1   |              |
| 11   | 958 628 162 00 | Nozzle head<br>D >> - MJ 2014   | right                  | 1   |              |
| 12   | 958 628 185 00 | Bracket<br>D >> - MJ 2014   | left                   | 1   | PR:-D58,-E0W |
| (12) | 958 628 185 10 | Bracket<br>D >> - MJ 2014   | left                   | 1   | PR:D58,E0W   |
| (12) | 958 628 185 20 | Bracket<br>D - MJ 2015>>  | left                   | 1   |              |
| (12) | 958 628 185 21 | No longer use the part here<br>Bracket<br>see<br>Technical information<br>113/14                            | left                   | 1   |              |
| -    | 000 043 300 47 | also use:<br>D - MJ 2015>><br>Adhesive set<br>adhesive<br>with:<br>emulsion tube<br>5-fold<br>D - MJ 2015>> | 000 043 300 47         | 1   |              |
| 13   | 958 628 186 00 | Bracket<br>D >> - MJ 2014   | right                  | 1   | PR:-D58,-E0W |
| (13) | 958 628 186 10 | Bracket<br>D >> - MJ 2014   | right                  | 1   | PR:D58,E0W   |
| 13   | 958 628 186 20 | Bracket<br>D - MJ 2015>>  | right                  | 1   |              |
| 13   | 958 628 186 21 | No longer use the part here<br>Bracket<br>see<br>Technical information<br>113/14                            | right                  | 1   |              |
| -    | 000 043 300 47 | also use:<br>D - MJ 2015>><br>Adhesive set<br>adhesive<br>with:<br>emulsion tube<br>5-fold<br>D - MJ 2015>> | 000 043 300 47         | 1   |              |
| 14   | 958 628 301 00 | Cover panel   | left                   | 1   |              |

Model: 92A 11 Model life 2011>>2018

| Pos  | Part Number        | Description             | Remark | Qty | Model   |
|------|--------------------|-------------------------|--------|-----|---------|
|      |                    | D >> - MJ 2014          |        |     |         |
| 14   | 958 628 301 00 G2X | primed                  |        |     |         |
|      | 958 628 301 00     | Cover panel             | left   | 1   |         |
|      |                    | D >> - MJ 2014          |        |     |         |
| (14) | 958 628 301 00 G2X | primed                  |        |     |         |
|      | 958 628 303 00     | Cover panel             | left   | 1   |         |
|      |                    | D >> - MJ 2014          |        |     |         |
| (14) | 958 628 303 00 G2X | primed                  |        |     |         |
|      | 958 505 333 00     | Air guide               | left   | 1   |         |
|      |                    | Headlight washer system |        |     |         |
|      |                    | D - MJ 2015>>           |        |     |         |
| 15   | 958 505 333 00 G2X | primed                  |        |     |         |
|      | 958 628 302 00     | Cover panel             | right  | 1   |         |
|      |                    | D >> - MJ 2014          |        |     |         |
| 15   | 958 628 302 00 G2X | primed                  |        |     |         |
|      | 958 628 302 00     | Cover panel             | right  | 1   |         |
|      |                    | D >> - MJ 2014          |        |     |         |
| (15) | 958 628 302 00 G2X | primed                  |        |     |         |
|      | 958 628 304 00     | Cover panel             | right  | 1   |         |
| (15) | 958 628 304 00 G2X | primed                  |        |     |         |
|      | 958 505 334 00     | Air guide               | right  | 1   |         |
|      |                    | Headlight washer system |        |     |         |
|      |                    | D - MJ 2015>>           |        |     |         |
| 16   | 958 505 334 00 G2X | primed                  |        |     |         |
|      | WHT 003 954        | Hexagon socket flat     |        | 8   |         |
|      |                    | head bolt               |        |     |         |
|      |                    | 5 X 16                  |        |     |         |
| 17   | 958 628 161 10     | Nozzle head             | left   | 1   | PR:-BOM |
|      |                    | D - MJ 2015>>           |        |     |         |
| 17   | 958 628 161 20     | Nozzle head             | left   | 1   | PR:BOM  |
|      |                    | D - MJ 2015>>           |        |     |         |
| 18   | 958 628 162 10     | Nozzle head             | right  | 1   | PR:-BOM |
|      |                    | D - MJ 2015>>           |        |     |         |
| 18   | 958 628 162 20     | Nozzle head             | right  | 1   | PR:BOM  |
|      |                    | D - MJ 2015>>           |        |     |         |

Model: 92A 11

Model life 2011>>2018



Model: 92A 11

Model life 2011>>2018

| Pos  | Part Number    | Description  | Remark       | Qty | Model  |
|------|----------------|--|--------------|-----|--|
|      |                | Headlights<br>Turn signal repeater<br>Fog lights<br>D >> - MJ 2014 |              |     | PR:8BB,8BF,<br>8BR<br>PR:8BB,8Q2                   |
| 1    | 958 631 173 00 | Headlights<br>No longer use the part here                          | left         | 1   |  |
| 1    | 958 631 173 01 | Headlights   | left         | 1   | PR:8BB,8Q2   |
| (1)  | 958 631 174 00 | Headlights<br>No longer use the part here                          | right        | 1   | PR:8BB,8Q2   |
| (1)  | 958 631 174 01 | Headlights   | right        | 1   | PR:8BB,8Q2   |
| (1)  | 958 631 173 10 | Headlights<br>No longer use the part here                          | left         | 1   | PR:8BF,8Q2   |
| (1)  | 958 631 173 11 | Headlights   | left         | 1   | PR:8BF,8Q2   |
| (1)  | 958 631 174 10 | Headlights<br>No longer use the part here                          | right        | 1   | PR:8BF,8Q2   |
| (1)  | 958 631 174 11 | Headlights   | right        | 1   | PR:8BF,8Q2   |
| 2    | 999 631 133 91 | Halogen bulb<br>H 7  |              | 4   |  |
| 3    | 970 631 147 00 | Adjusting motor<br>Headlight range control<br>Discontinued part    |              | 2   |  |
| 3    | 955 624 219 00 | Adjusting motor<br>Headlight range control                         |              | 2   |  |
| 4    | 958 631 237 00 | Protective hood  | left         | 1   |  |
| (4)  | 958 631 238 00 | Protective hood  | right        | 1   |  |
| 5    | 970 631 103 00 | Cover cap for main beam<br>Appendix                                | left         | 1   |  |
| (5)  | 970 631 104 00 | Cover cap for main beam<br>Appendix                                | right        | 1   |  |
| 6    | 955 631 254 00 | filter element   |              | 2   |  |
| 7    | 955 631 255 00 | Ventilation component  |              | 2   |  |
| 9    | 958 631 519 00 | Mounting for main beam headl.<br>with:<br>shaft                    | left         | 1   |  |
| (9)  | 958 631 520 00 | Mounting for main beam headl.<br>with:<br>shaft                    | right        | 1   |  |
| 10   | 958 631 194 00 | Bracket for headlight<br>No longer use the part here               |              | 2   |  |
| 10   | 958 631 194 01 | Bracket for headlight<br>No longer use the part here               |              | 2   |  |
| 10   | 958 631 194 02 | Bracket for headlight  |              | 2   |  |
| 11   | 958 631 121 00 | Repair kit<br>headlight<br>Support                                 |              | X   |  |
| 12   | 958 631 181 00 | Additional headlight   | rear<br>left | 1   | PR:8BB,8BF,<br>8BR                                 |
| (12) | 958 631 182 00 | Additional headlight   | right        | 1   | PR:8BB,8BF,<br>8BR                                 |
| 13   | WHT 003 954    | Hexagon socket flat<br>head bolt<br>5 X 16                         |              | 4   |  |
| 14   | 958 631 101 00 | Turn signal repeater   | left         | 1   | PR:6GA,6GB,<br>8F2,-CZ4,<br>-CK0,-CQ1,<br>-CN5     |
| (14) | 958 631 101 10 | Turn signal repeater<br>gear set<br>21"                            | left         | 1   | PR:6GF,6GB,<br>8F2,6GH,6GJ,<br>CZ4,CK0,CQ1,<br>CN5 |
| (14) | 958 631 102 00 | Turn signal repeater   | right        | 1   | PR:6GA,6GB,  |

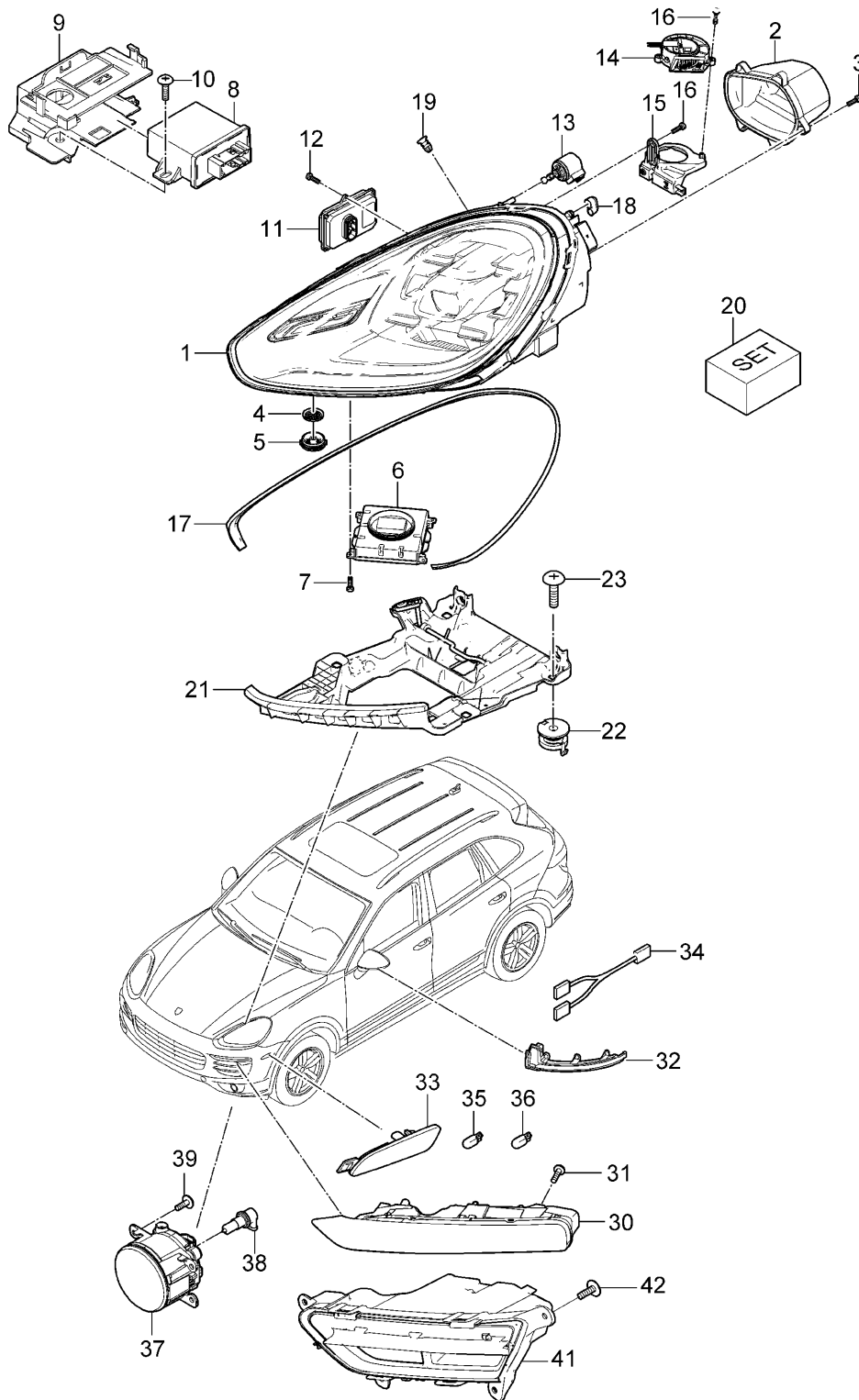
Model: 92A 11

Model life 2011&gt;&gt;2018

| Pos  | Part Number    | Description  | Remark | Qty | Model   |
|------|----------------|--|--------|-----|---|
| (14) | 958 631 102 10 | Turn signal repeater<br>gear set<br>21"                                      | right  | 1   | 8F2, -CZ4,<br>-CK0, -CQ1,<br>-CN5<br>PR: 6GF, 6GB,<br>8F2, 6GH, 6GJ,<br>CZ4, CK0, CQ1,<br>CN5 |
| -    | 958 612 273 00 | Wire set<br>Bulb holder<br>part section wiring harness<br>modify in workshop |        | 1   |   |
| 15   | 999 631 138 90 | bulb<br>5 W<br>yellow  |        | 2   |   |
| 17   | 955 631 163 00 | Fog lights   |        | 2   | PR: 8WB   |
| 18   | 999 631 144 91 | Halogen bulb<br>H 11   |        | 2   | PR: 8WB   |
| 19   | WHT 003 954    | Hexagon socket flat<br>head bolt<br>5 x 16                                   |        | 8   | PR: 8WB   |
| 20   | 958 631 160 00 | retaining spring   |        | 2   |   |

Model: 92A 11

Model life 2011>>2018





Model: 92A 11 Model life 2011>>2018

| Pos  | Part Number    | Description  | Remark | Qty | Model  |
|------|----------------|--|--------|-----|--|
|      |                | Headlights<br>LED<br>Turn signal repeater<br>Fog lights<br>D - MJ 2015>> |        |     | PR:8EX,8EY,<br>8IS<br>PR:8EX,8IS,<br>PR:8EX,8IS, |
| (1)  | 958 631 285 00 | LED headlight  | left   | 1   |  |
| (1)  | 958 631 286 00 | LED headlight  | right  | 1   |  |
| 2    | 958 631 239 00 | Cover cap  | left   | 1   |  |
| (2)  | 958 631 240 00 | Cover cap  | right  | 1   |  |
| 3    | 970 631 199 50 | Screw  |        | 10  |  |
| 4    | 958 631 254 00 | filter element   |        | 2   |  |
| 5    | 958 631 385 00 | ventilation union  |        | 2   |  |
| 6    | 7PP 941 572 B  | Control unit<br>LED module   |        | 2   |  |
| 7    | 970 631 199 50 | Screw<br>4 X 14  |        | 8   |  |
| 8    | 958 618 386 00 | Control unit   |        | 1   |  |
| 9    | 958 618 387 00 | Headlight range control<br>Retainer for control units                    |        | 1   |  |
| 10   | N 910 733 01   | Headlight range control<br>Hexagon socket flat<br>head bolt<br>M 6 X 12  |        | 2   |  |
| 11   | 958 618 388 00 | Power and control electronics-<br>for electric drive                     |        | 2   |  |
| 12   | 970 631 199 50 | Screw  |        | 6   |  |
| 13   | 970 631 153 00 | Adjusting motor  |        | 2   |  |
| 14   | 958 631 052 00 | Headlight range control<br>Fan   |        | 2   |  |
|      |                | with:  |        |     |  |
| 15   | 958 631 593 00 | Electric motor   | left   | 1   |  |
| (15) | 958 631 594 00 | Bracket for radiator fan   | right  | 1   |  |
| 16   | 970 631 199 50 | Screw<br>for<br>Fan  |        | 10  |  |
| 17   | 958 631 119 00 | Seal   |        | 1   |  |
| (17) | 958 631 120 00 | Headlights<br>Seal   |        | 1   |  |
| 18   | 958 631 075 00 | Headlights<br>Cover cap  |        | 2   |  |
| 20   | 958 631 121 00 | Ventilation pipe<br>Repair kit<br>headlight<br>Support                   |        | X   |  |
| 21   | 958 631 521 00 | Mounting for main beam headl.  | rear   | 1   |  |
|      |                | with:  |        |     |  |
| (21) | 958 631 522 00 | shaft<br>Mounting for main beam headl.                                   |        | 1   |  |
|      |                | with:  |        |     |  |
| 22   | WHT 006 897    | shaft<br>speed nut   |        | X   |  |
| 23   | N 912 445 01   | hexagon head bolt (combi)  |        | 8   |  |
| 30   | 958 631 181 30 | Additional headlight   | left   | 1   |  |
| (30) | 958 631 181 40 | Additional headlight   | left   | 1   |  |
| 30   | 958 631 182 30 | Additional headlight   | right  | 1   |  |
| (30) | 958 631 182 40 | Additional headlight   | right  | 1   |  |
| 31   | WHT 003 954    | Hexagon socket flat<br>head bolt<br>5 X 16                               |        | 8   |  |
| 32   | 958 631 101 30 | Turn signal repeater   | left   | 1   |  |

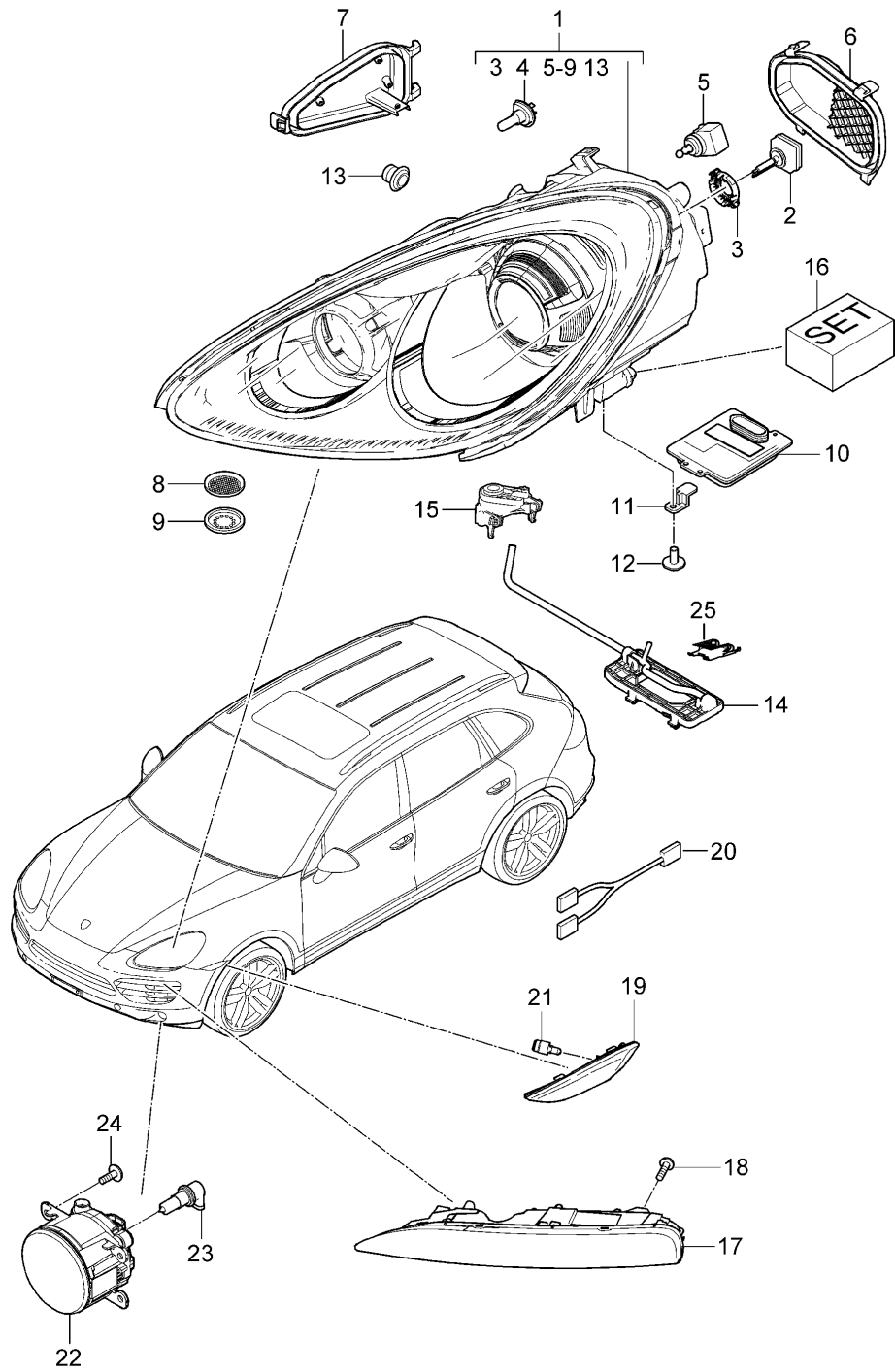
Model: 92A 11

Model life 2011>>2018

| Pos  | Part Number    | Description  | Remark | Qty | Model        |
|------|----------------|--|--------|-----|--------------|
| (32) | 958 631 102 30 | Turn signal repeater   | right  | 1   |              |
| 34   | 958 612 273 00 | Wire set<br>Bulb holder<br>part section wiring harness<br>modify in workshop |        | 1   |              |
| 35   | 999 631 138 90 | bulb<br>5 W<br>yellow  |        | 2   |              |
| 37   | 955 631 163 00 | Fog lights   | Round  | 2   | PR: 8WB, 8WH |
| 38   | 999 631 144 91 | Halogen bulb<br>H 11   |        | 2   | PR: 8WB, 8WH |
| 39   | WHT 003 954    | Hexagon socket flat<br>head bolt<br>5 X 16                                   |        | 8   | PR: 8WB, 8WH |
| -    | 958 631 160 00 | retaining spring   |        | 2   |              |
| 41   | 95B 941 699 C  | Fog lights   | left   | 1   | PR: 8WB, 8WH |
| (41) | 95B 941 700 C  | Fog lights   | right  | 1   | PR: 8WB, 8WH |
| 42   | N 909 747 01   | Hexagon socket head panel bolt<br>5 X 16                                     |        | 8   | PR: 8WB, 8WH |

Model: 92A 11

Model life 2011>>2018



Model: 92A 11

Model life 2011>>2018

| Pos  | Part Number    | Description  | Remark       | Qty | Model              |
|------|----------------|--|--------------|-----|--------------------|
|      |                | Headlights<br>Turn signal repeater<br>Fog lights<br>D >> - MJ 2014 |              |     | PR:8BC,8BZ,<br>8JD |
| 1    | 958 631 175 00 | Headlights<br>No longer use the part here                          | left         | 1   | PR:8BC,8Q3         |
| 1    | 958 631 175 01 | Headlights   | left         | 1   | PR:8BC,8Q3         |
| (1)  | 958 631 176 00 | Headlights<br>No longer use the part here                          | right        | 1   | PR:8BC,8Q3         |
| (1)  | 958 631 176 01 | Headlights   | right        | 1   | PR:8BC,8Q3         |
| (1)  | 958 631 175 10 | Headlights<br>No longer use the part here                          | left         | 1   | PR:8BZ,8Q3         |
| (1)  | 958 631 175 11 | Headlights   | left         | 1   | PR:8BZ,8Q3         |
| (1)  | 958 631 176 10 | Headlights<br>No longer use the part here                          | right        | 1   | PR:8BZ,8Q3         |
| (1)  | 958 631 176 11 | Headlights   | right        | 1   | PR:8BZ,8Q3         |
| 2    | N 105 661 01   | Gas discharge lamp<br>D1S  |              | 2   |                    |
| 3    | 955 631 199 00 | retaining ring for bulb<br>D1S                                     |              | 2   |                    |
| 4    | 999 631 133 91 | Halogen bulb<br>Appendix<br>High beam<br>H 7                       |              | 2   |                    |
| 5    | 970 631 141 00 | Adjusting motor<br>Headlight range control                         |              | 2   |                    |
| 6    | 958 631 237 00 | Protective hood  | left         | 1   |                    |
| (6)  | 958 631 238 00 | Protective hood  | right        | 1   |                    |
| 7    | 970 631 103 00 | Cover cap for main beam<br>Appendix                                | left         | 1   |                    |
| (7)  | 970 631 104 00 | Cover cap for main beam<br>Appendix                                | right        | 1   |                    |
| 8    | 955 631 254 00 | filter element   |              | 2   |                    |
| 9    | 955 631 255 00 | Ventilation component  |              | 2   |                    |
| 10   | 958 618 381 00 | Control unit<br>D >> - MJ 2011                                     |              | 2   |                    |
| 10   | 958 618 381 01 | Discontinued part<br>Control unit<br>D - MJ 2012>>                 |              | 2   | PR:-IY2            |
| 10   | 958 618 381 10 | Control unit<br>D - MJ 2013>>                                      |              | 2   | PR:IY2             |
| 11   | 958 631 382 00 | Retainer for control units   |              | 2   |                    |
| 12   | N 104 159 03   | Oval hexagon socket head bolt<br>4 x 12                            |              | 6   |                    |
| 14   | 958 631 519 00 | Mounting for main beam headl.<br>with:<br>shaft                    | left         | 1   |                    |
| (14) | 958 631 520 00 | Mounting for main beam headl.<br>with:<br>shaft                    | right        | 1   |                    |
| 15   | 958 631 194 00 | Bracket for headlight<br>No longer use the part here               |              | 2   |                    |
| 15   | 958 631 194 01 | Bracket for headlight<br>No longer use the part here               |              | 2   |                    |
| 15   | 958 631 194 02 | Bracket for headlight  |              | 2   |                    |
| 16   | 958 631 121 00 | Repair kit<br>headlight  |              | X   |                    |
| 17   | 958 631 181 00 | Support<br>Additional headlight                                    | rear<br>left | 1   | PR:8BC,8BZ,<br>8JD |
| (17) | 958 631 182 00 | Additional headlight   | right        | 1   | PR:8BC,8BZ,        |

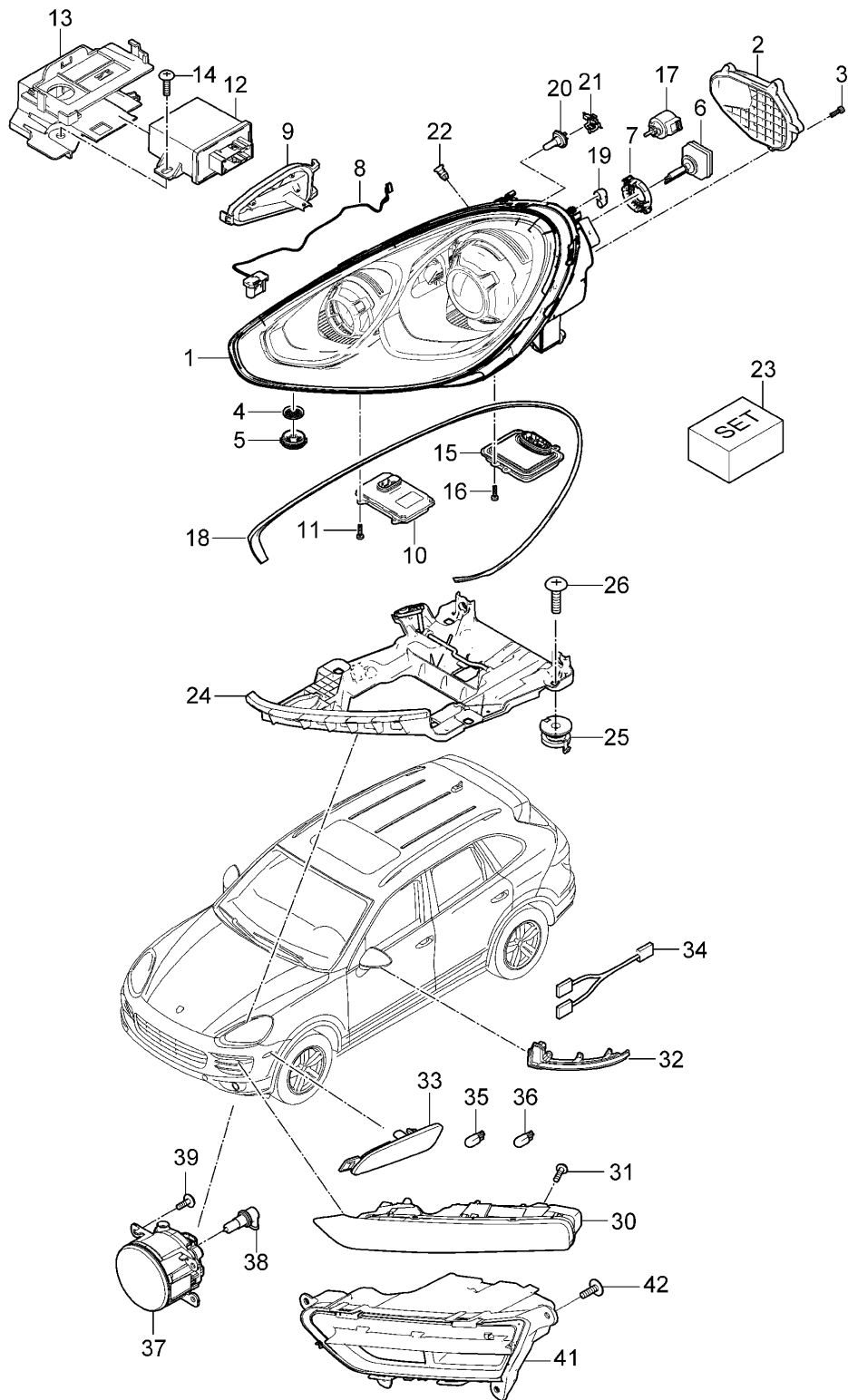
Model: 92A 11

Model life 2011&gt;&gt;2018

| Pos  | Part Number    | Description  | Remark | Qty | Model  |
|------|----------------|--|--------|-----|--|
| 18   | WHT 003 954    | Hexagon socket flat<br>head bolt<br>5 X 16                                   |        | 4   | 8JD  |
| 19   | 958 631 101 00 | Turn signal repeater   | left   | 1   | PR: 6GA, 6GB,<br>8F2, -CZ4,<br>-CK0, -CQ1,<br>-CN5       |
| (19) | 958 631 101 10 | Turn signal repeater<br>gear set<br>21"                                      | left   | 1   | PR: 6GF, 6GB,<br>8F2, 6GH, 6GJ,<br>CZ4, CK0, CQ1,<br>CN5 |
| (19) | 958 631 102 00 | Turn signal repeater   | right  | 1   | PR: 6GA, 6GB,<br>8F2, -CZ4,<br>-CK0, -CQ1,<br>-CN5       |
| (19) | 958 631 102 10 | Turn signal repeater<br>gear set<br>21"                                      | right  | 1   | PR: 6GF, 6GB,<br>8F2, 6GH, 6GJ,<br>CZ4, CK0, CQ1,<br>CN5 |
| 20   | 958 612 273 00 | Wire set<br>Bulb holder<br>part section wiring harness<br>modify in workshop |        | 1   |  |
| 21   | 999 631 138 90 | bulb<br>5 W<br>yellow  |        | 2   |  |
| 22   | 955 631 163 00 | Fog lights   |        | 2   | PR: 8WB  |
| 23   | 999 631 144 91 | Halogen bulb<br>H 11   |        | 2   | PR: 8WB  |
| 24   | WHT 003 954    | Hexagon socket flat<br>head bolt<br>5 x 16                                   |        | 8   | PR: 8WB  |
| 25   | 958 631 160 00 | retaining spring   |        | 2   |  |

Model: 92A 11

Model life 2011>>2018



Model: 92A 11 Model life 2011>>2018

| Pos  | Part Number    | Description   | Remark | Qty | Model  |
|------|----------------|---|--------|-----|--|
|      |                | Headlights<br>XENON<br>Turn signal repeater<br>Fog lights<br>D - MJ 2015>>                |        |     | PR:8BC,8BZ,<br>8JD,8EA,8JE,<br>8BE,8EE,8EF,<br>8EG |
| 1    | 958 631 175 30 | Headlights  | left   | 1   | PR:8BC,8Q2   |
| (1)  | 958 631 176 30 | Headlights  | right  | 1   | PR:8BC,8Q2   |
| (1)  | 958 631 175 40 | Headlights  | left   | 1   | PR:8BZ,8Q2   |
| (1)  | 958 631 176 40 | Headlights  | right  | 1   | PR:8BZ,8Q2   |
| (1)  | 958 631 177 30 | Headlights  | left   | 1   | PR:8JE,8BE,  |
| (1)  | 958 631 178 30 | Headlights  | right  | 1   | PR:8JE,8BE,  |
| (1)  | 958 631 281 31 | Headlights  | left   | 1   | PR:8EE,8EF,  |
| (1)  | 958 631 282 31 | Headlights  | right  | 1   | PR:8EE,8EF,  |
| 3    | 970 631 199 50 | Screw   |        | 10  |  |
| 4    | 958 631 254 00 | filter element  |        | 2   |  |
| 5    | 958 631 385 00 | ventilation union   |        | 2   |  |
| 6    | 958 631 218 00 | Gas discharge lamp<br>D3S   |        | 1   | PR:8EA,8JE,<br>8BE,8EE,8EF,<br>8EG                 |
| (6)  | 958 631 219 00 | Gas discharge lamp<br>D8S   |        | 1   | PR:8BC,8BZ,<br>8JD                                 |
| 7    | 958 631 669 01 | retaining ring for gas<br>discharge bulb<br>D3S   |        | 2   | PR:8EA,8JE,<br>8BE,8EE,8EF,<br>8EG                 |
| (7)  | 958 631 669 00 | retaining ring for gas<br>discharge bulb<br>D8S   |        | 2   | PR:8BC,8BZ,<br>8JD                                 |
| 8    | 958 631 070 01 | Line<br>Gas discharge lamp<br>D3S   |        | 2   | PR:8EA,8JE,<br>8BE,8EE,8EF,<br>8EG                 |
| (8)  | 958 631 070 00 | Line<br>Gas discharge lamp<br>D8S   |        | 2   | PR:8BC,8BZ,<br>8JD                                 |
| 9    | 958 631 607 00 | Protective hood   | left   | 1   |  |
| 9    | 958 631 608 00 | Protective hood   | right  | 1   |  |
| 10   | 7PP 941 329 N  | Control unit for<br>LED headlight<br>Power and control electronics-<br>for electric drive |        | 2   |  |
| 11   | 970 631 199 00 | Screw   |        | 6   |  |
| 12   | 958 618 386 00 | Control unit  |        | 1   |  |
| 13   | 958 618 387 00 | Headlight range control<br>Retainer for control units                                     |        | 1   |  |
| 14   | N 910 733 01   | Headlight range control<br>Hexagon socket flat<br>head bolt<br>M 6 X 12                   |        | 2   |  |
| 15   | 958 631 597 01 | Control unit  |        | 2   | PR:8EA,8JE,<br>8BE,8EE,8EF,                        |
| (15) | 8K0 941 597 F  | Ballast<br>Control unit for gas discharge<br>lamp   |        | 2   | PR:8BC,8BZ,<br>8JD                                 |
| 16   | 970 631 199 00 | Ballast<br>Screw  |        | 6   |  |
| 17   | 970 631 153 00 | Adjusting motor<br>Headlight range control  |        | 2   | PR:8EA,8JE,<br>8BE,8EE,8EF,<br>8EG                 |
| (17) | 970 631 151 00 | Adjusting motor<br>Headlight range control  |        | 2   | PR:8BC,8BZ,<br>8JD                                 |

Model: 92A 11

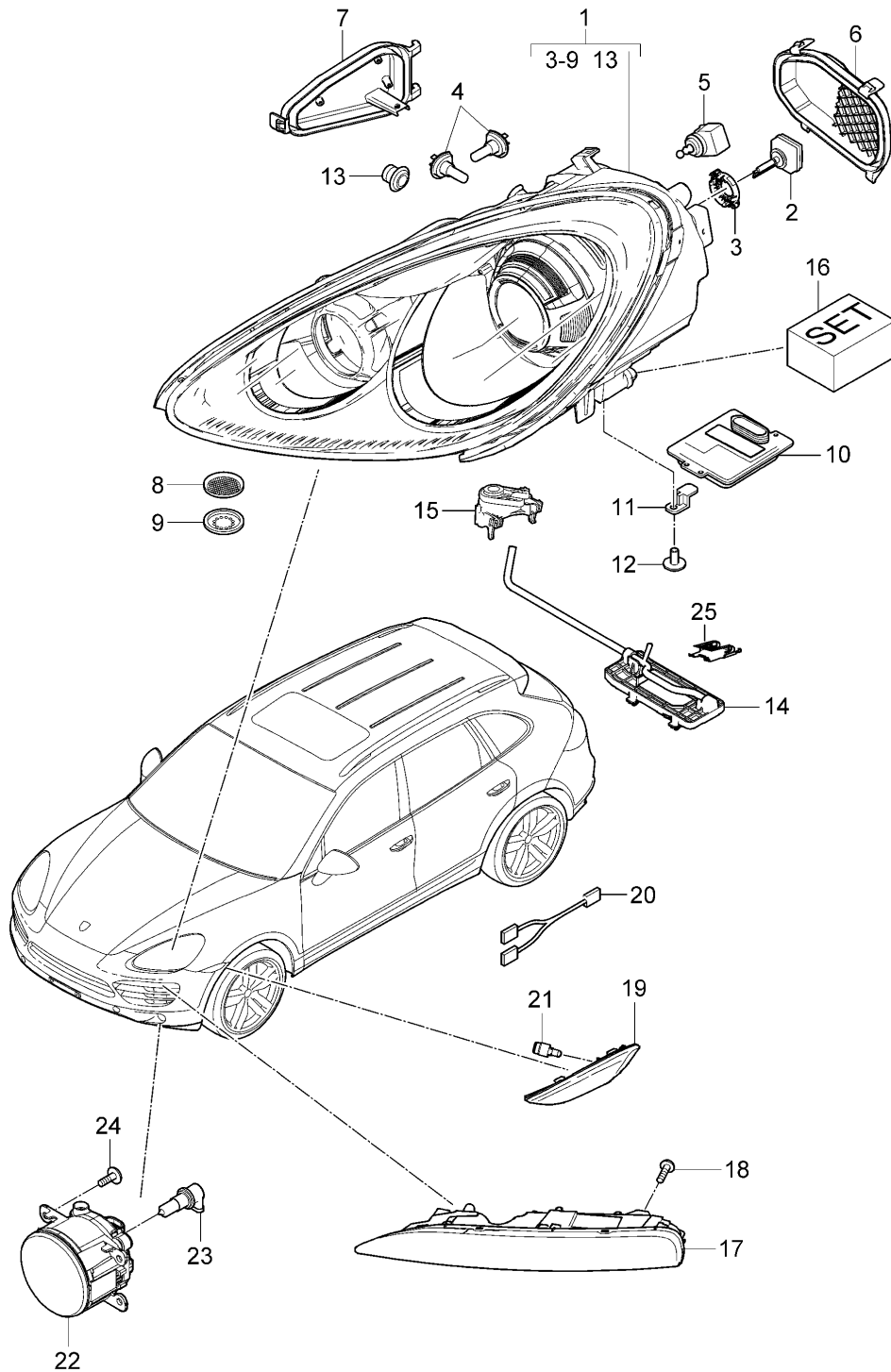
Model life 2011>>2018

| Pos  | Part Number    | Description  | Remark | Qty | Model        |
|------|----------------|--|--------|-----|--------------|
| 18   | 958 631 119 00 | Seal<br>Headlights   |        | 1   |              |
| (18) | 958 631 120 00 | Seal<br>Headlights   |        | 1   |              |
| 19   | 958 631 075 00 | Cover cap<br>Ventilation pipe  |        | 2   |              |
| 20   | 958 631 165 00 | bulb<br>H7   |        | 4   |              |
| 21   | 958 631 166 00 | retaining spring<br>bulb<br>H7   |        | 4   |              |
| 23   | 958 631 121 00 | Repair kit<br>headlight<br>Support   | rear   | X   |              |
| 24   | 958 631 521 00 | Mounting for main beam headl.<br>with:<br>shaft                              |        | 1   |              |
| (24) | 958 631 522 00 | Mounting for main beam headl.<br>with:<br>shaft                              |        | 1   |              |
| 25   | WHT 006 897    | speed nut  |        | X   |              |
| 26   | N 912 445 01   | hexagon head bolt (combi)  |        | 8   |              |
| 30   | 958 631 181 30 | Additional headlight   | left   | 1   |              |
| (30) | 958 631 181 40 | Additional headlight   | left   | 1   |              |
| 30   | 958 631 182 30 | Additional headlight   | right  | 1   |              |
| (30) | 958 631 182 40 | Additional headlight   | right  | 1   |              |
| 31   | WHT 003 954    | Hexagon socket flat<br>head bolt<br>5 X 16                                   |        | 8   |              |
| 32   | 958 631 101 30 | Turn signal repeater   | left   | 1   |              |
| (32) | 958 631 102 30 | Turn signal repeater   | right  | 1   |              |
| 34   | 958 612 273 00 | Wire set<br>Bulb holder<br>part section wiring harness<br>modify in workshop |        | 1   |              |
| 35   | 999 631 138 90 | bulb<br>5 W<br>yellow  |        | 2   |              |
| 37   | 955 631 163 00 | Fog lights   | Round  | 2   | PR: 8WB, 8WH |
| 38   | 999 631 144 91 | Halogen bulb<br>H 11   |        | 2   | PR: 8WB, 8WH |
| 39   | WHT 003 954    | Hexagon socket flat<br>head bolt<br>5 X 16                                   |        | 8   | PR: 8WB, 8WH |
| 41   | 95B 941 699 C  | Fog lights   | left   | 1   | PR: 8WB, 8WH |
| (41) | 95B 941 700 C  | Fog lights   | right  | 1   | PR: 8WB, 8WH |
| 42   | N 909 747 01   | Hexagon socket head panel bolt<br>5 X 16                                     |        | 8   | PR: 8WB, 8WH |



Model: 92A 11

Model life 2011>>2018



Model: 92A 11 Model life 2011>>2018

| Pos | Part Number    | Description  | Remark | Qty | Model   |
|-----|----------------|--|--------|-----|---|
|     |                | Headlights<br>Turn signal repeater<br>Fog lights<br>D >> - MJ 2014 |        |     | PR: -8BB,<br>-8BF, -8BR,<br>-8BC, -8BZ,<br>-8JD |
| 1   | 958 631 177 00 | Headlights<br>No longer use the part here                          | left   | 1   | PR: 8BE, 8JE,<br>8Q3                            |
| 1   | 958 631 177 01 | Headlights   | left   | 1   | PR: 8BE, 8JE,<br>8Q3                            |
| 1   | 958 631 281 00 | Headlights<br>No longer use the part here                          | left   | 1   | PR: 8EE, 8EF,<br>8Q3                            |
| 1   | 958 631 281 01 | Headlights   | left   | 1   | PR: 8EE, 8EF,<br>8Q3                            |
| (1) | 958 631 178 00 | Headlights<br>No longer use the part here                          | right  | 1   | PR: 8BE, 8JE,<br>8Q3                            |
| (1) | 958 631 178 01 | Headlights   | right  | 1   | PR: 8BE, 8JE,<br>8Q3                            |
| (1) | 958 631 282 00 | Headlights<br>No longer use the part here                          | right  | 1   | PR: 8EE, 8EF,<br>8Q3                            |
| (1) | 958 631 282 01 | Headlights   | right  | 1   | PR: 8EE, 8EF,<br>8Q3                            |
| 1   | 958 631 179 00 | Headlights<br>No longer use the part here                          | left   | 1   | PR: 8EC, 8ED,<br>8Q3                            |
| 1   | 958 631 179 01 | Headlights   | left   | 1   | PR: 8EC, 8ED,<br>8Q3                            |
| 1   | 958 631 283 00 | Headlights<br>No longer use the part here                          | left   | 1   | PR: 8JJ, 8JG,<br>8Q3                            |
| 1   | 958 631 283 01 | Headlights   | left   | 1   | PR: 8JJ, 8JG,<br>8Q3                            |
| (1) | 958 631 180 00 | Headlights<br>No longer use the part here                          | right  | 1   | PR: 8EC, 8ED,<br>8Q3                            |
| (1) | 958 631 180 01 | Headlights   | right  | 1   | PR: 8EC, 8ED,<br>8Q3                            |
| (1) | 958 631 284 00 | Headlights<br>No longer use the part here                          | right  | 1   | PR: 8JJ, 8JG,<br>8Q3                            |
| (1) | 958 631 284 01 | Headlights   | right  | 1   | PR: 8JJ, 8JG,<br>8Q3                            |
| 2   | N 105 661 01   | Gas discharge lamp   |        | 2   |   |
| 3   | 955 631 199 00 | retaining ring for bulb  |        | 2   |   |
| 4   | 999 631 133 91 | Halogen bulb<br>H 7  |        | 4   |   |
| 5   | 970 631 141 00 | Adjusting motor  |        | 2   |   |
| 6   | 958 631 237 00 | Headlight range control  |        |     |   |
|     |                | Protective hood  | left   | 1   |   |
| (6) | 958 631 238 00 | Protective hood  | right  | 1   |   |
| 7   | 970 631 103 00 | Cover cap for main beam  | left   | 1   |   |
| (7) | 970 631 107 00 | Appendix<br>Cap<br>Appendix<br>High beam                           | left   | 1   | PR: 8EC, 8ED,<br>8EH, 8BT, 8JG,<br>8JJ          |
|     |                | Control unit with:<br>D >> - MJ 2014                               |        |     |   |
| (7) | 970 631 104 00 | Cover cap for main beam  | right  | 1   |   |
| (7) | 970 631 108 00 | Appendix<br>Cap<br>Appendix<br>High beam                           | right  | 1   | PR: 8EC, 8ED,<br>8EH, 8BT, 8JG,<br>8JJ          |

Model: 92A 11 Model life 2011>>2018

| Pos  | Part Number    | Description  | Remark | Qty | Model  |
|------|----------------|--|--------|-----|--|
|      |                | Control unit with:<br>D >> - MJ 2014   |        |     |  |
| 8    | 955 631 254 00 | filter element   |        | 2   |  |
| 9    | 955 631 255 00 | Ventilation component  |        | 2   |  |
| 10   | 958 618 381 00 | Control unit<br>D >> - MJ 2011   |        | 2   |  |
|      |                | Discontinued part  |        |     |  |
| 10   | 958 618 381 01 | Control unit<br>D >> - MJ 2012   |        | 2   |  |
| 10   | 958 618 381 10 | Control unit<br>D - MJ 2013>>  |        | 2   |  |
| 11   | 958 631 382 00 | Retainer for control units   |        | 2   |  |
| 12   | N 104 159 03   | Oval hexagon socket head bolt<br>4 x 12                                      |        | 6   |  |
| 14   | 958 631 519 00 | Mounting for main beam headl.<br>with:<br>shaft                              | left   | 1   |  |
| (14) | 958 631 520 00 | Mounting for main beam headl.<br>with:<br>shaft                              | right  | 1   |  |
| 15   | 958 631 194 00 | Bracket for headlight<br>No longer use the part here                         |        | 2   |  |
| 15   | 958 631 194 01 | Bracket for headlight<br>No longer use the part here                         |        | 2   |  |
| 15   | 958 631 194 02 | Bracket for headlight  |        | 2   |  |
| 16   | 958 631 121 00 | Repair kit<br>headlight<br>Support   |        | X   |  |
| 17   | 958 631 181 00 | Additional headlight   | rear   | 1   | PR:-E81,   |
| (17) | 958 631 181 10 | Additional headlight   | left   | 1   |  |
| (17) | 958 631 181 20 | Additional headlight   | left   | 1   |  |
| 17   | 958 631 182 00 | Additional headlight   | right  | 1   | PR:-E81,   |
| (17) | 958 631 182 10 | Additional headlight   | right  | 1   |  |
| (17) | 958 631 182 20 | Additional headlight   | right  | 1   |  |
| 18   | WHT 003 954    | Hexagon socket flat<br>head bolt<br>5 X 16                                   |        | 8   |  |
| 19   | 958 631 101 00 | Turn signal repeater   | left   | 1   | PR:6GA,6GB,<br>8F2,-CZ4,<br>-CK0,-CQ1,<br>-CN5     |
| (19) | 958 631 101 10 | Turn signal repeater<br>gear set<br>21"                                      | left   | 1   | PR:6GF,6GB,<br>8F2,6GH,6GJ,<br>CZ4,CK0,CQ1,<br>CN5 |
| (19) | 958 631 102 00 | Turn signal repeater   | right  | 1   | PR:6GA,6GB,<br>8F2,-CZ4,<br>-CK0,-CQ1,<br>-CN5     |
| (19) | 958 631 102 10 | Turn signal repeater<br>gear set<br>21"                                      | right  | 1   | PR:6GF,6GB,<br>8F2,6GH,6GJ,<br>CZ4,CK0,CQ1,<br>CN5 |
| 20   | 958 612 273 00 | Wire set<br>Bulb holder<br>part section wiring harness<br>modify in workshop |        | 1   |  |
| 21   | 999 631 138 90 | bulb<br>5 W<br>yellow  |        | 2   |  |
| 22   | 955 631 163 00 | Fog lights   |        | 2   | PR:8WB   |
| 23   | 999 631 144 91 | Halogen bulb   |        | 2   | PR:8WB   |

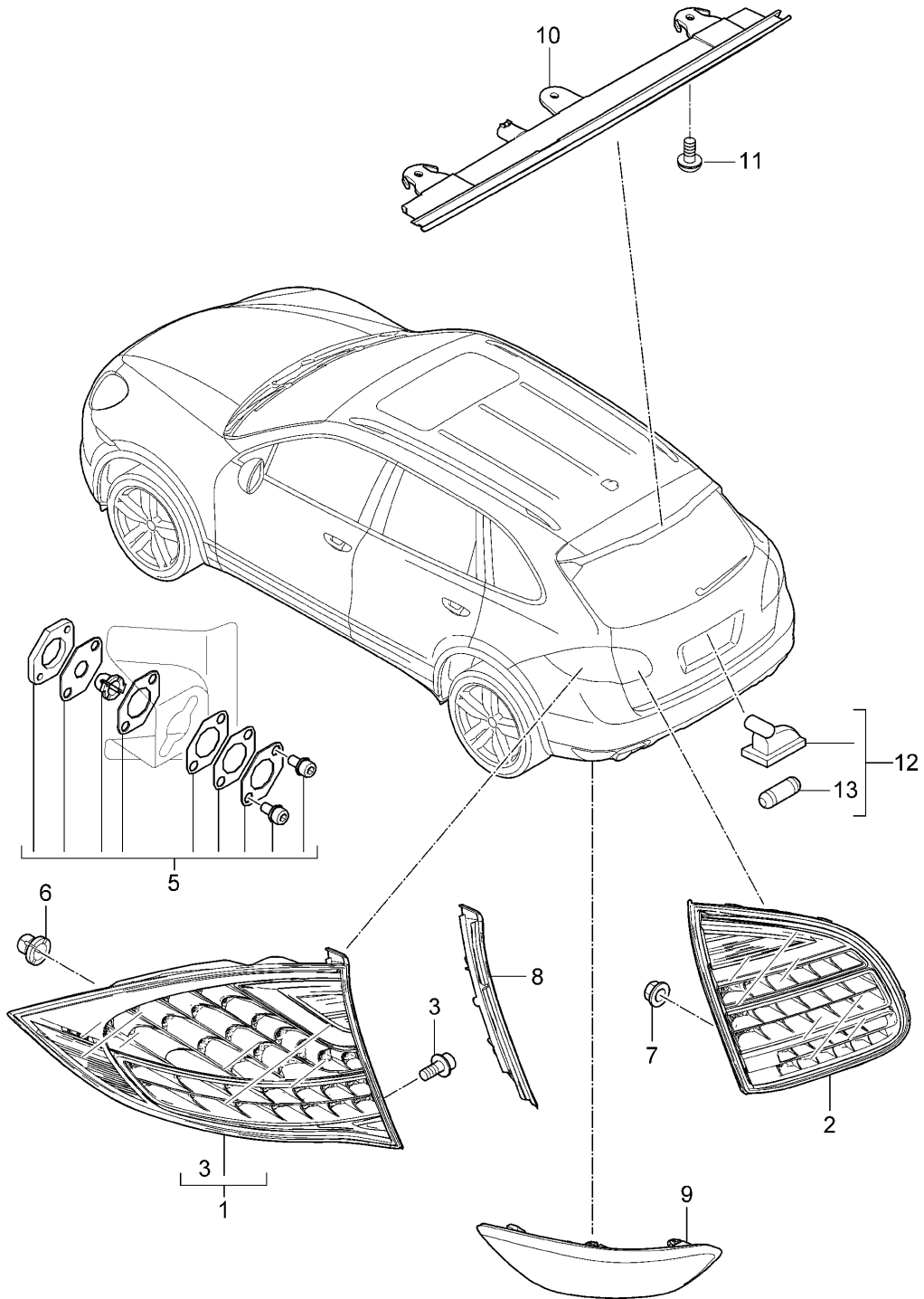
Model: 92A 11

Model life 2011&gt;&gt;2018

| Pos | Part Number    | Description  | Remark | Qty | Model  |
|-----|----------------|--|--------|-----|--------|
| 24  | WHT 003 954    | H 11<br>Hexagon socket flat<br>head bolt<br>5 x 16 |        | 8   | PR:8WB |
| 25  | 958 631 160 00 | retaining spring                                   |        | 2   |        |

Model: 92A 11

Model life 2011>>2018

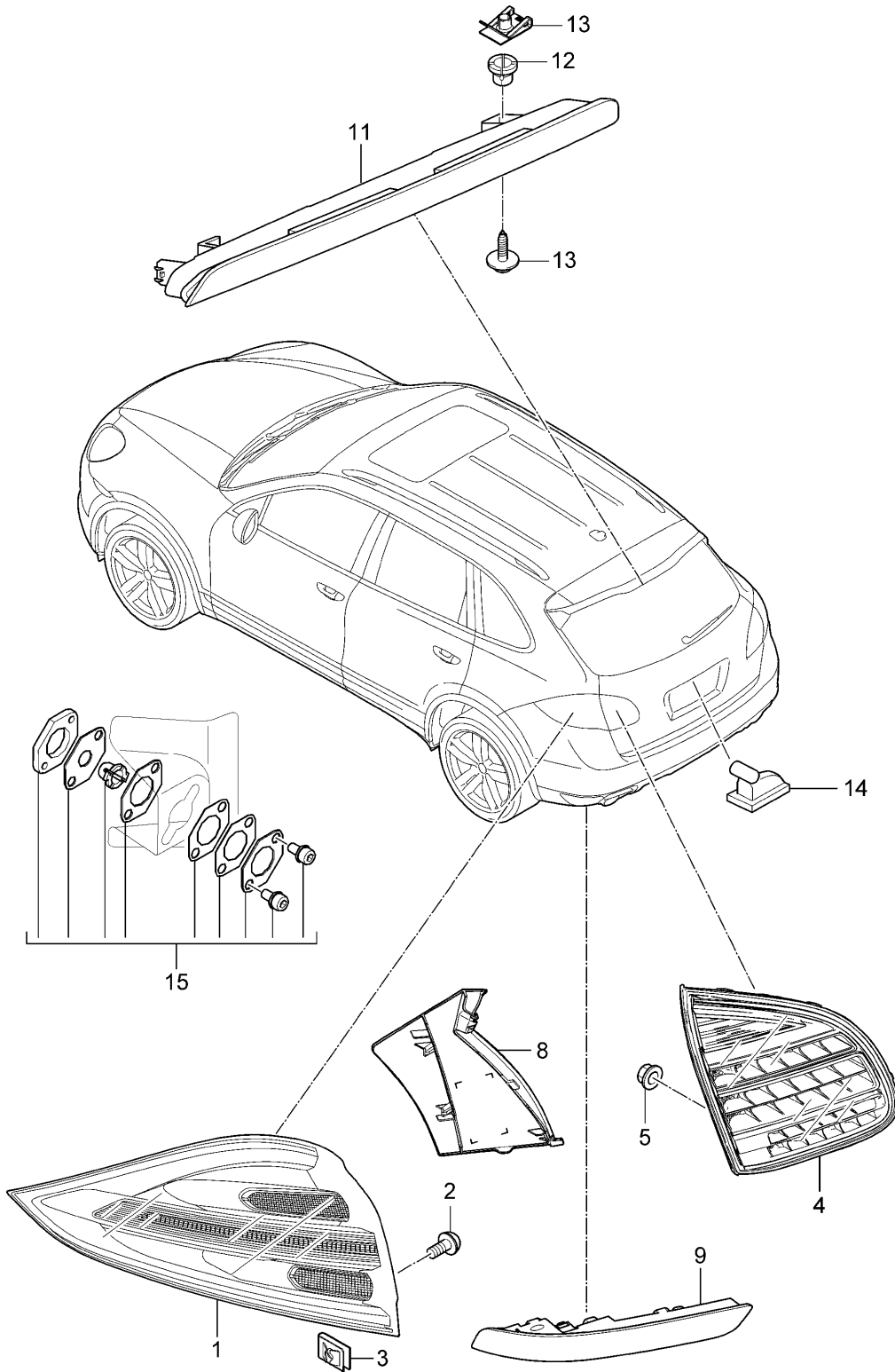


Model: 92A 11 Model life 2011>>2018

| Pos  | Part Number    | Description   | Remark         | Qty                        | Model        |
|------|----------------|---|----------------|----------------------------|--------------|
| 1    | 958 631 095 01 | Rear light<br>Additional brake light<br>Licence plate light<br>D >> - MJ 2014<br>Rear light   | left<br>outer  | 1                          | PR:8SA       |
| 1    | 958 631 095 02 | D >> - MJ 2011<br>Rear light  | left<br>outer  | 1                          | PR:8SA       |
| 1    | 958 631 095 20 | D - MJ 2012>><br>Rear light   | left<br>outer  | 1                          | PR:8SB       |
| (1)  | 958 631 096 01 | Rear light  | right<br>outer | 1                          | PR:8SA       |
| (1)  | 958 631 096 02 | D >> - MJ 2011<br>Rear light  | right<br>outer | 1                          | PR:8SA       |
| (1)  | 958 631 096 20 | D - MJ 2012>><br>Rear light   | right<br>outer | 1                          | PR:8SB       |
| 2    | 958 631 093 01 | Rear light  | left<br>inner  | 1                          | PR:8SA       |
| 2    | 958 631 093 20 | Rear light  | left<br>inner  | 1                          | PR:8SB       |
| (2)  | 958 631 094 01 | Rear light  | right<br>inner | 1                          | PR:8SA       |
| (2)  | 958 631 094 20 | Rear light  | right<br>inner | 1                          | PR:8SB       |
| 3    | N 911 664 01   | Oval hexagon socket head bolt<br>M 6 X 14   |                | 4                          |              |
| 5    | 955 631 215 00 | repair set<br>comprising:<br>Threaded plate<br>Nut lock<br>Spacer plate<br>0,5 MM<br>Spacer plate<br>1,0 MM<br>Bolt with washer<br>M 5 X 12 |                | 1<br>1<br>1<br>2<br>2<br>2 |              |
| 6    | 955 631 471 02 | insert nut  |                | 1                          |              |
| 7    | N 100 173 04   | Hexagon collar nut<br>M 5   |                | 4                          |              |
| 7    | N 904 349 03   | No longer use the part here<br>hex. nut with washer<br>M 5  |                | 4                          |              |
| 8    | 958 631 255 00 | Trim  | left           | 1                          |              |
| (8)  | 958 631 256 00 | Trim  | right          | 1                          |              |
| 9    | 958 631 105 00 | rear light reflector  | left           | 1                          |              |
| (9)  | 958 631 106 00 | rear light reflector  | right          | 1                          |              |
| 10   | 958 631 050 00 | Additional brake light  |                | 1                          | PR:-2D1,-2D2 |
| (10) | 997 631 052 01 | Additional brake light  |                | 1                          | PR:2D1,2D2   |
| 11   | N 105 496 03   | Oval hexagon socket head bolt<br>4 X 16   |                | 2                          |              |
| 12   | 958 631 620 00 | Licence plate light   |                | 2                          |              |
| 13   | N 017 753 5    | bulb 'longlife'<br>5 W  |                | 2                          |              |

Model: 92A 11

Model life 2011>>2018



Model: 92A 11 Model life 2011>>2018

| Pos | Part Number    | Description   | Remark         | Qty                        | Model  |
|-----|----------------|---|----------------|----------------------------|--------|
| 1   | 958 631 061 00 | Rear light<br>Additional brake light<br>Licence plate light<br>D - MJ 2015>><br>Rear light        | left<br>outer  | 1                          | PR:8SA |
| 1   | 958 631 061 01 | No longer use the part here<br>Rear light   | left<br>outer  | 1                          | PR:8SA |
| (1) | 958 631 061 10 | Rear light  | left<br>outer  | 1                          | PR:8SB |
| (1) | 958 631 061 11 | No longer use the part here<br>Rear light   | left<br>outer  | 1                          | PR:8SB |
| (1) | 958 631 062 00 | Rear light  | right<br>outer | 1                          | PR:8SA |
| (1) | 958 631 062 01 | No longer use the part here<br>Rear light   | right<br>outer | 1                          | PR:8SA |
| (1) | 958 631 062 10 | Rear light  | right<br>outer | 1                          | PR:8SB |
| (1) | 958 631 062 11 | No longer use the part here<br>Rear light   | right<br>outer | 1                          | PR:8SB |
| 2   | N 911 664 01   | Oval hexagon socket head bolt<br>M6X14  |                | 22                         |        |
| 3   | N 901 686 04   | Speed nut<br>M 6 X 16 X 24  |                | 2                          |        |
| 4   | 958 631 065 00 | Rear light  | left<br>inner  | 1                          | PR:8SA |
| (4) | 958 631 065 10 | Rear light  | left<br>inner  | 1                          | PR:8SB |
| (4) | 958 631 066 00 | Rear light  | right<br>inner | 1                          | PR:8SA |
| (4) | 958 631 066 10 | Rear light  | right<br>inner | 1                          | PR:8SB |
| 5   | N 015 082 10   | Hexagon collar nut<br>M 6   |                | 2                          |        |
| 8   | 958 631 261 00 | Cover   | left<br>outer  | 1                          | PR:8SA |
| (8) | 958 631 262 00 | Cover   | right<br>outer | 1                          | PR:8SA |
| (8) | 958 631 265 00 | Cover   | left<br>inner  | 1                          | PR:8SA |
| (8) | 958 631 266 00 | Cover   | right<br>inner | 1                          | PR:8SA |
| 9   | 958 631 105 10 | Rear fog light  | left           | 1                          |        |
| (9) | 958 631 106 10 | rear light reflector<br>Rear fog light  | with:<br>right | 1                          |        |
| 11  | 958 631 050 10 | rear light reflector<br>Additional brake light  |                | 1                          |        |
| 12  | N 900 942 01   | Speed nut   |                | 2                          |        |
| 13  | N 106 795 01   | oval head panel screw   |                | 2                          |        |
| 14  | 958 631 620 10 | Licence plate light   |                | 2                          |        |
| 15  | 955 631 215 00 | repair set<br>comprising:<br>Threaded plate<br>Nut lock<br>Spacer plate<br>0,5 MM<br>Spacer plate |                | 1<br>1<br>1<br>1<br>2<br>2 |        |



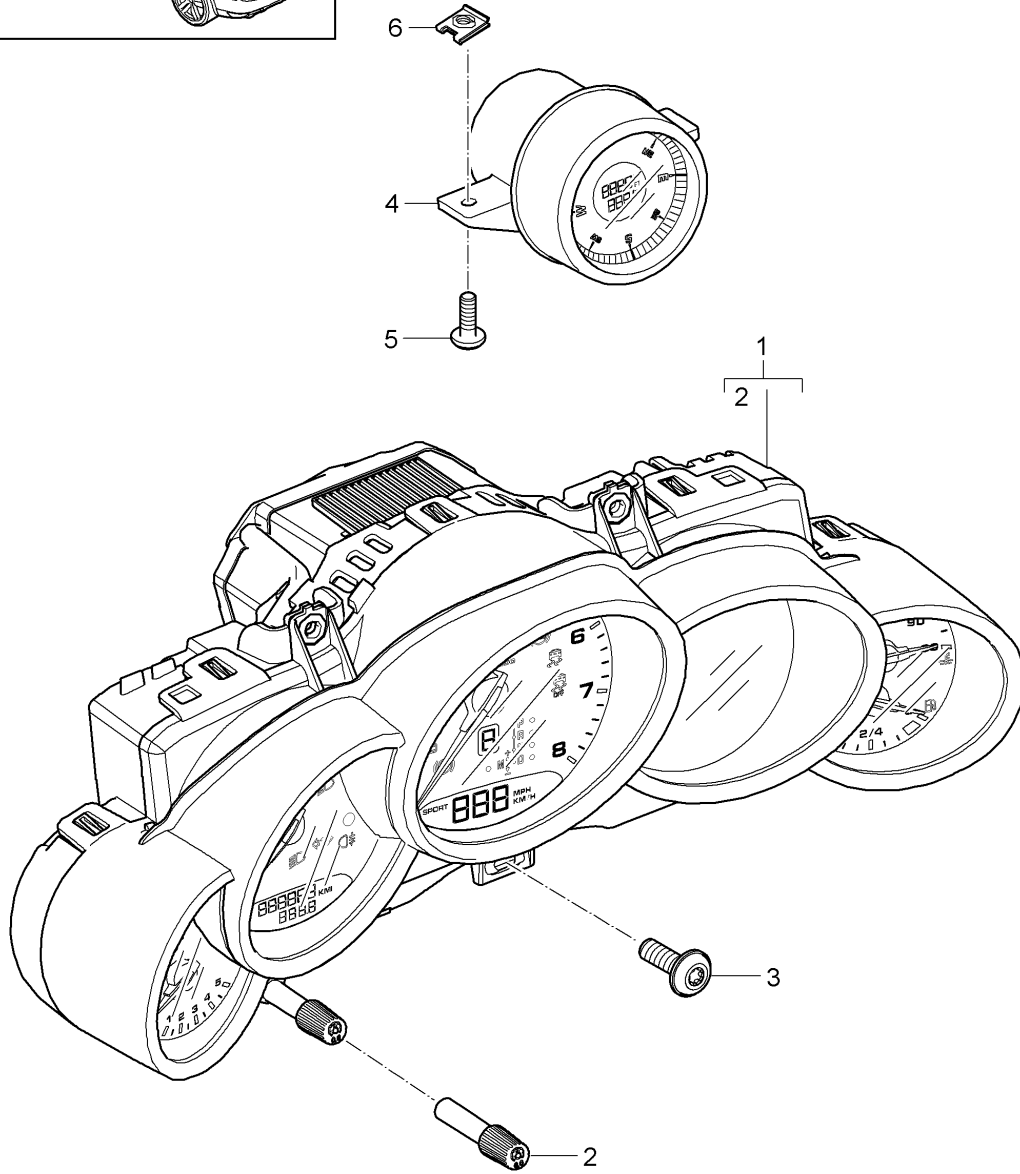
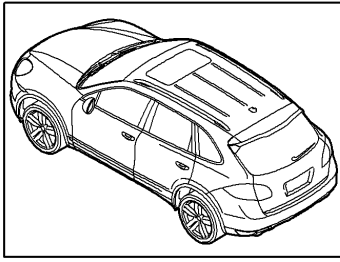
Model: 92A 11

Model life 2011&gt;&gt;2018

| Pos | Part Number    | Description  | Remark | Qty    | Model |
|-----|----------------|--|--------|--------|-------|
| 16  | 955 631 471 02 | 1,0 MM<br>Bolt with washer<br>M 5 X 12<br>insert nut |        | 2<br>1 |       |

Model: 92A 11

Model life 2011>>2018



Model: 92A 11 Model life 2011>>2018

| Pos | Part Number    | Description   | Remark  | Qty | Model  |
|-----|----------------|---|---------|-----|--|
|     |                | Instruments<br>Compass<br>Instruments<br>Dial<br>Black<br>silver<br><br>see illustration:<br>D >> - MJ 2012 | 906-002 |     |  |
| 1   | 958 641 133 00 | Combi-instrument<br>Dial<br>schwarz<br>D >> - MJ 2011   |         | 1   | PR:D34,G0L,<br>U5A,7Q0,7Q4,<br>7T4,7V0,U5E,<br>U5F,U5G     |
| 1   | 958 641 133 01 | Discontinued part<br>Combi-instrument<br>Dial<br>schwarz<br>D >> - MJ 2011                                  |         | 1   | PR:D34,G0L,<br>U5A,7Q0,7Q4,<br>7T4,7V0,U5E,<br>U5F,U5G     |
| 1   | 958 641 133 02 | Combi-instrument<br>Dial<br>schwarz<br>F >> 92-CLA03 712  |         | 1   | PR:D34,G0L,<br>U5A,7Q0,7Q4,<br>7T4,7V0,U5E,<br>U5F,U5G     |
| 1   | 958 641 134 00 | D - MJ 2012>><br>Combi-instrument<br>Dial<br>Black<br>D >> - MJ 2011  |         | 1   | PR:D34,D11,<br>G1G,U5A,7Q0,<br>7Q4,7T4,7V0,<br>U5E,U5F,U5G |
| 1   | 958 641 134 01 | Discontinued part<br>Combi-instrument<br>Dial<br>Black<br>D >> - MJ 2011                                    |         | 1   | PR:D34,D11,<br>G1G,U5A,7Q0,<br>7Q4,7T4,7V0,<br>U5E,U5F,U5G |
| 1   | 958 641 134 02 | Combi-instrument<br>Dial<br>Black<br>F >> 92-CLA03 712<br>F >> 92-CLA62 840                                 |         | 1   | PR:D34,D11,<br>G1G,U5A,7Q0,<br>7Q4,7T4,7V0,<br>U5E,U5F,U5G |
| 1   | 958 641 133 10 | D - MJ 2012>><br>Combi-instrument<br>Dial<br>Black<br>D >> - MJ 2011  |         | 1   | PR:D34,G0L,<br>U5A,7T1,7V0,<br>U5E,U5F,U5G                 |
| 1   | 958 641 133 11 | Discontinued part<br>Combi-instrument<br>Dial<br>Black<br>D >> - MJ 2011                                    |         | 1   | PR:D34,G0L,<br>U5A,7T1,7V0,<br>U5E,U5F,U5G                 |
| 1   | 958 641 133 12 | Combi-instrument<br>Dial<br>Black<br>F >> 92-CLA03 712  |         | 1   | PR:D34,G0L,<br>U5A,7T1,7V0,<br>U5E,U5F,U5G                 |
| 1   | 958 641 134 13 | D - MJ 2012>><br>Combi-instrument<br>Dial<br>Black<br>F 92-CLA03 713>><br>F 92-CLA62 841>>                  |         | 1   | PR:D34,G0L,<br>U5A,7V0,U5G,<br>U5E,U5F,D11                 |
| 1   | 958 641 134 10 | D - MJ 2012>><br>Combi-instrument<br>Dial<br>Black<br>D >> - MJ 2011  |         | 1   | PR:D34,G1G,<br>U5A,7T1,7V0,<br>U5E,U5F,U5G                 |
| 1   | 958 641 134 11 | Discontinued part<br>Combi-instrument   |         | 1   | PR:D34,G1G,  |

Model: 92A 11 Model life 2011>>2018

| Pos | Part Number    | Description   | Remark | Qty | Model   |
|-----|----------------|---|--------|-----|---|
| 1   | 958 641 134 12 | Dial<br>Black<br>D >> - MJ 2011<br>Combi-instrument                     |        | 1   | U5A,7T1,7V0,<br>U5E,U5F,U5G<br>PR:D34,G1G,<br>U5A,7T1,7V0,<br>U5E,U5F,U5G |
| 1   | 958 641 134 13 | Dial<br>Black<br>F >> 92-CLA03 712<br>D - MJ 2012>><br>Combi-instrument |        | 1   | PR:D34,G1G,<br>U5A,7V0,U5G,<br>U5E,U5F,D11                                |
| 1   | 958 641 137 00 | Dial<br>Black<br>D >> - MJ 2011<br>Discontinued part                    |        | 1   | PR:D34,G0L,<br>U5B,7Q0,7V0  |
| 1   | 958 641 137 01 | Dial<br>Black<br>D >> - MJ 2011<br>Combi-instrument                     |        | 1   | PR:D34,G0L,<br>U5B,7Q0,7V0  |
| 1   | 958 641 137 02 | Dial<br>Black<br>F >> 92-CLA03 712<br>D - MJ 2012>>                     |        | 1   | PR:D34,G0L,<br>U5B,7Q0,7V0  |
| 1   | 958 641 138 00 | Dial<br>Black<br>D >> - MJ 2011<br>Discontinued part                    |        | 1   | PR:D34,G1G,<br>U5B,7Q0,7V0  |
| 1   | 958 641 138 01 | Dial<br>Black<br>D >> - MJ 2011<br>Combi-instrument                     |        | 1   | PR:D34,G1G,<br>U5B,7Q0,7V0  |
| 1   | 958 641 138 02 | Dial<br>Black<br>F >> 92-CLA03 712<br>D - MJ 2012>>                     |        | 1   | PR:D34,G1G,<br>U5B,7Q0,7V0  |
| 1   | 958 641 137 10 | Dial<br>Black<br>D >> - MJ 2011<br>Discontinued part                    |        | 1   | PR:D34,G0L,<br>U5B,7T1,7V0  |
| 1   | 958 641 137 11 | Dial<br>Black<br>D >> - MJ 2011<br>Combi-instrument                     |        | 1   | PR:D34,G0L,<br>U5B,7T1,7V0  |
| 1   | 958 641 137 12 | Dial<br>Black<br>F >> 92-CLA03 712<br>D - MJ 2012>>                     |        | 1   | PR:D34,G0L,<br>U5B,7T1,7V0  |
| 1   | 958 641 137 13 | Dial<br>Black<br>F 92-CLA03 713>><br>D - MJ 2012>>                      |        | 1   | PR:D34,G0L,<br>U5B,7V0  |
| 1   | 958 641 138 10 | Dial<br>Combi-instrument  |        | 1   | PR:D34,G1G,<br>U5B,7T1,7V0  |

Model: 92A 11 Model life 2011>>2018

| Pos | Part Number    | Description  | Remark | Qty | Model  |
|-----|----------------|--|--------|-----|--|
| 1   | 958 641 138 11 | Black<br>D >> - MJ 2011<br>Discontinued part<br>Combi-instrument<br>Dial |        | 1   | PR:D34,G1G,<br>U5B,7T1,7V0                                 |
| 1   | 958 641 138 12 | Black<br>D >> - MJ 2011<br>Combi-instrument<br>Dial                      |        | 1   | PR:D34,G1G,<br>U5B,7T1,7V0                                 |
| 1   | 958 641 138 13 | Black<br>F >> 92-CLA03 712<br>D - MJ 2012>><br>Combi-instrument<br>Dial  |        | 1   | PR:D34,G1G,<br>U5B,7V0                                     |
| 1   | 958 641 144 00 | Black<br>F 92-CLA03 713>><br>D - MJ 2012>><br>Combi-instrument<br>Dial   |        | 1   | PR:D50,G1G,<br>U5A,7Q0,7Q4,<br>7T4,D1V,7V0,<br>U5E,U5F,U5G |
| 1   | 958 641 144 01 | Black<br>D >> - MJ 2011<br>Discontinued part<br>Combi-instrument<br>Dial |        | 1   | PR:D50,G1G,<br>U5A,7Q0,7Q4,<br>7T4,D1V,7V0,<br>U5E,U5F,U5G |
| 1   | 958 641 144 02 | Black<br>D >> - MJ 2011<br>Combi-instrument<br>Dial                      |        | 1   | PR:D43,G1G,<br>U5A,7Q0,7Q4,<br>7T4,D1V,7V0,<br>U5E,U5F,U5G |
| 1   | 958 641 144 10 | Black<br>F >> 92-CLA25 247<br>D - MJ 2012>><br>Combi-instrument<br>Dial  |        | 1   | PR:D50,G1G,<br>U5A,7T1,D1V,<br>7V0,U5E,U5F,<br>U5G         |
| 1   | 958 641 144 11 | Black<br>D >> - MJ 2011<br>Discontinued part<br>Combi-instrument<br>Dial |        | 1   | PR:D50,G1G,<br>U5A,7T1,D1V,<br>7V0,U5E,U5F,<br>U5G         |
| 1   | 958 641 144 12 | Black<br>D >> - MJ 2011<br>Combi-instrument<br>Dial                      |        | 1   | PR:D43,G1G,<br>U5A,7T1,D1V,<br>7V0,U5E,U5F,<br>U5G         |
| 1   | 958 641 144 13 | Black<br>F 92-CLA25 248>><br>D - MJ 2012>><br>Combi-instrument<br>Dial   |        | 1   | PR:D43,G1G,<br>U5A,7V0,D1V,<br>U5G,U5E,U5F                 |
| 1   | 958 641 148 00 | Black<br>F 92-CLA25 248>><br>D - MJ 2012>><br>Combi-instrument<br>Dial   |        | 1   | PR:D50,G1G,<br>U5B,7Q0,7V0                                 |
| 1   | 958 641 148 01 | Black<br>D >> - MJ 2011<br>Discontinued part<br>Combi-instrument<br>Dial |        | 1   | PR:D50,G1G,<br>U5B,7Q0,7V0                                 |
| 1   | 958 641 148 02 | Black<br>D >> - MJ 2011<br>Combi-instrument<br>Dial                      |        | 1   | PR:D43,G1G,<br>U5B,7Q0,7V0                                 |
|     |                | Black<br>F >> 92-CLA25 247   |        |     |  |

Model: 92A 11 Model life 2011>>2018

| Pos | Part Number    | Description   | Remark | Qty | Model  |
|-----|----------------|---|--------|-----|--|
| 1   | 958 641 148 10 | D - MJ 2012>><br>Combi-instrument<br>Dial<br>Black<br>D >> - MJ 2011<br>Discontinued part |        | 1   | PR:D50,G1G,<br>U5B,7T1,7V0                         |
| 1   | 958 641 148 11 | Combi-instrument<br>Dial<br>Black<br>D >> - MJ 2011                                       |        | 1   | PR:D50,G1G,<br>U5B,7T1,7V0                         |
| 1   | 958 641 148 12 | Combi-instrument<br>Dial<br>Black<br>F >> 92-CLA25 247                                    |        | 1   | PR:D43,G1G,<br>U5B,7T1,7V0                         |
| 1   | 958 641 148 13 | D - MJ 2012>><br>Combi-instrument<br>Dial<br>Black<br>F 92-CLA25 248>><br>D - MJ 2012>>   |        | 1   | PR:D43,G1G,<br>U5B,7V0                             |
| 1   | 958 641 154 00 | Combi-instrument<br>Dial<br>silver<br>D >> - MJ 2011<br>Discontinued part                 |        | 1   | PR:D19,U5A,<br>7Q0,7Q4,7T4,<br>7V5,U5E,U5F,<br>U5G |
| 1   | 958 641 154 01 | Combi-instrument<br>Dial<br>silver<br>D >> - MJ 2011                                      |        | 1   | PR:D19,U5A,<br>7Q0,7Q4,7T4,<br>7V5,U5E,U5F,<br>U5G |
| 1   | 958 641 154 02 | Combi-instrument<br>Dial<br>silver<br>F >> 92-CLA91 365<br>D - MJ 2012>>                  |        | 1   | PR:D19,U5A,<br>7Q0,7Q4,7T4,<br>7V5,U5E,U5F,<br>U5G |
| 1   | 958 641 154 10 | Combi-instrument<br>Dial<br>silver<br>D >> - MJ 2011<br>Discontinued part                 |        | 1   | PR:D19,U5A,<br>7T1,7V5,U5E,<br>U5F,U5G             |
| 1   | 958 641 154 11 | Combi-instrument<br>Dial<br>silver<br>D >> - MJ 2011                                      |        | 1   | PR:D19,U5A,<br>7T1,7V5,U5E,<br>U5F,U5G             |
| 1   | 958 641 154 12 | Combi-instrument<br>Dial<br>silver<br>F >> 92-CLA91 365<br>D - MJ 2012>>                  |        | 1   | PR:D19,U5A,<br>7T1,7V5,U5E,<br>U5F,U5G             |
| 1   | 958 641 154 13 | Combi-instrument<br>Dial<br>silver<br>F 92-CLA91 366>><br>D - MJ 2012>>                   |        | 1   | PR:D19,U5A,<br>7V5,U5G,U5E,<br>U5F                 |
| 1   | 958 641 158 00 | Combi-instrument<br>Dial<br>silver<br>D >> - MJ 2011<br>Discontinued part                 |        | 1   | PR:D19,U5B,<br>7Q0,7V5                             |
| 1   | 958 641 158 01 | Combi-instrument<br>Dial<br>silver<br>D >> - MJ 2011                                      |        | 1   | PR:D19,U5B,<br>7Q0,7V5                             |
| 1   | 958 641 158 02 | Combi-instrument  |        | 1   | PR:D19,U5B,  |

Model: 92A 11 Model life 2011>>2018

| Pos | Part Number    | Description   | Remark | Qty | Model   |
|-----|----------------|---|--------|-----|---|
| 1   | 958 641 158 10 | Dial<br>silver<br>F >> 92-CLA91 365<br>D - MJ 2012>><br>Combi-instrument<br>Dial<br>silver<br>D >> - MJ 2011<br>Discontinued part |        | 1   | 7Q0, 7V5<br>PR:D19, U5B,<br>7T1, 7V5                    |
| 1   | 958 641 158 11 | Combi-instrument<br>Dial<br>silver<br>D >> - MJ 2011<br>Discontinued part   |        | 1   | PR:D19, U5B,<br>7T1, 7V5                                |
| 1   | 958 641 158 12 | Combi-instrument<br>Dial<br>silver<br>F >> 92-CLA91 365<br>D - MJ 2012>>  |        | 1   | PR:D19, U5B,<br>7T1, 7V5                                |
| 1   | 958 641 158 13 | Combi-instrument<br>Dial<br>silver<br>F 92-CLA91 366>><br>D - MJ 2012>>   |        | 1   | PR:D19, U5B,<br>7V5                                     |
| 1   | 958 641 234 00 | Combi-instrument<br>Dial<br>silver<br>D >> - MJ 2011<br>Discontinued part   |        | 1   | PR:D6V, U5A,<br>7Q0, 7Q4, 7T4,<br>7V5, U5E, U5F,<br>U5G |
| 1   | 958 641 234 01 | Combi-instrument<br>Dial<br>silver<br>D >> - MJ 2011<br>Discontinued part   |        | 1   | PR:D6V, U5A,<br>7Q0, 7Q4, 7T4,<br>7V5, U5E, U5F,<br>U5G |
| 1   | 958 641 234 02 | Combi-instrument<br>Dial<br>silver<br>F >> 92-CLA44 031<br>D - MJ 2012>>  |        | 1   | PR:D6V, U5A,<br>7Q0, 7Q4, 7T4,<br>7V5, U5E, U5F,<br>U5G |
| 1   | 958 641 234 10 | Combi-instrument<br>Dial<br>silver<br>D >> - MJ 2011<br>Discontinued part   |        | 1   | PR:D6V, U5A,<br>7T1, 7V5, U5E,<br>U5F, U5G              |
| 1   | 958 641 234 11 | Combi-instrument<br>Dial<br>silver<br>D >> - MJ 2011<br>Discontinued part   |        | 1   | PR:D6V, U5A,<br>7T1, 7V5, U5E,<br>U5F, U5G              |
| 1   | 958 641 234 12 | Combi-instrument<br>Dial<br>silver<br>F >> 92-CLA44 031<br>D - MJ 2012>>  |        | 1   | PR:D6V, U5A,<br>7T1, 7V5, U5E,<br>U5F, U5G              |
| 1   | 958 641 234 13 | Combi-instrument<br>Dial<br>silver<br>F 92-CLA44 032>><br>D - MJ 2012>>   |        | 1   | PR:D6V, U5A,<br>7V5, U5G, U5E,<br>U5F                   |
| 1   | 958 641 238 00 | Combi-instrument<br>Dial<br>silver<br>D >> - MJ 2011<br>Discontinued part   |        | 1   | PR:D6V, U5B,<br>7Q0, 7V5                                |
| 1   | 958 641 238 01 | Combi-instrument<br>Dial  |        | 1   | PR:D6V, U5B,<br>7Q0, 7V5                                |

Model: 92A 11 Model life 2011>>2018

| Pos | Part Number    | Description   | Remark | Qty | Model  |
|-----|----------------|---|--------|-----|--|
| 1   | 958 641 238 02 | silver<br>D >> - MJ 2011<br>Combi-instrument<br>Dial                            |        | 1   | PR:D6V,U5B,<br>7Q0,7V5                             |
| 1   | 958 641 238 10 | silver<br>F >> 92-CLA44 031<br>D - MJ 2012>><br>Combi-instrument<br>Dial        |        | 1   | PR:D6V,U5B,<br>7T1,7V5                             |
| 1   | 958 641 238 11 | silver<br>D >> - MJ 2011<br>Discontinued part<br>Combi-instrument<br>Dial       |        | 1   | PR:D6V,U5B,<br>7T1,7V5                             |
| 1   | 958 641 238 12 | silver<br>D >> - MJ 2011<br>Combi-instrument<br>Dial                            |        | 1   | PR:D6V,U5B,<br>7T1,7V5                             |
| 1   | 958 641 238 13 | silver<br>F >> 92-CLA44 031<br>D - MJ 2012>><br>Combi-instrument<br>Dial        |        | 1   | PR:D6V,U5B,<br>7V5                                 |
| 1   | 958 641 334 00 | silver<br>F 92-CLA44 032>><br>D - MJ 2012>><br>Combi-instrument<br>Dial         |        | 1   | PR:D58,U5A,<br>7Q0,7Q4,7T4,<br>7V6,U5E,U5F,<br>U5G |
| 1   | 958 641 334 01 | black/silver<br>D >> - MJ 2011<br>Discontinued part<br>Combi-instrument<br>Dial |        | 1   | PR:D58,U5A,<br>7Q0,7Q4,7T4,<br>7V6,U5E,U5F,<br>U5G |
| 1   | 958 641 334 02 | black/silver<br>D >> - MJ 2011<br>Combi-instrument<br>Dial                      |        | 1   | PR:D58,U5A,<br>7Q0,7Q4,7T4,<br>7V6,U5E,U5F,<br>U5G |
| 1   | 958 641 334 10 | black/silver<br>F >> 92-CLA81 613<br>D - MJ 2012>><br>Combi-instrument<br>Dial  |        | 1   | PR:D58,U5A,<br>7T1,U5E,U5F,<br>U5G                 |
| 1   | 958 641 334 11 | black/silver<br>D >> - MJ 2011<br>Discontinued part<br>Combi-instrument<br>Dial |        | 1   | PR:D58,U5A,<br>7T1,U5E,U5F,<br>U5G,7V6             |
| 1   | 958 641 334 12 | black/silver<br>D >> - MJ 2012<br>Combi-instrument<br>Dial                      |        | 1   | PR:D58,U5A,<br>7T1,U5E,U5F,<br>U5G,7V6             |
| 1   | 958 641 334 13 | black/silver<br>F >> 92-CLA81 613<br>D - MJ 2012>><br>Combi-instrument<br>Dial  |        | 1   | PR:D58,U5A,<br>7V6,U5G,U5E,<br>U5F                 |
| 1   | 958 641 338 00 | black/silver<br>F 92-CLA81 614>><br>D - MJ 2012>><br>Combi-instrument<br>Dial   |        | 1   | PR:D58,U5B,<br>7Q0,7V6                             |
|     |                | black/silver<br>D >> - MJ 2011  |        |     |  |



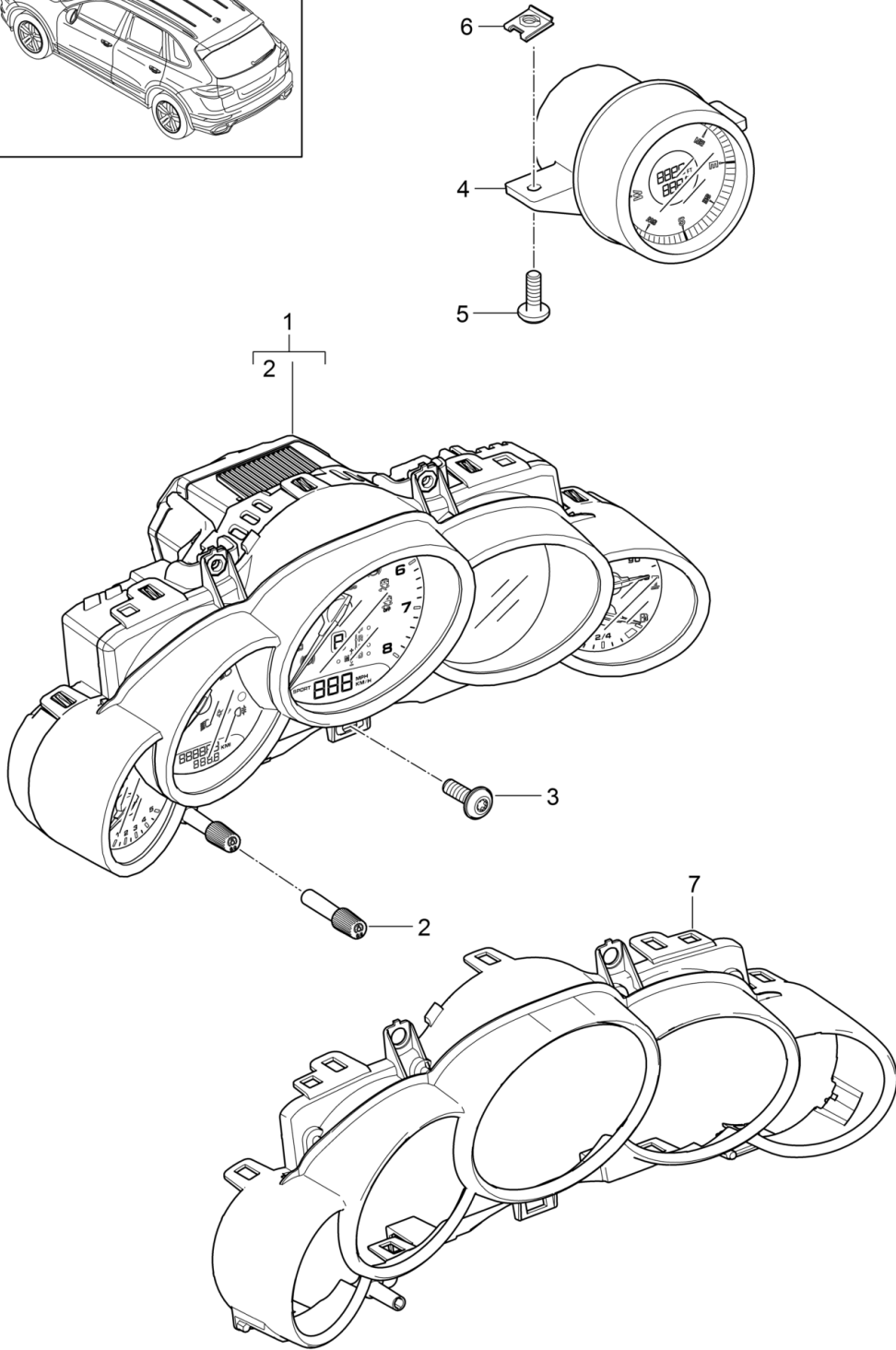
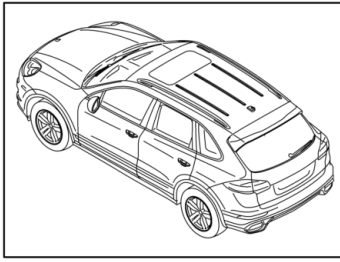
Model: 92A 11

Model life 2011&gt;&gt;2018

| Pos | Part Number    | Description   | Remark | Qty | Model                  |
|-----|----------------|---|--------|-----|------------------------|
| 1   | 958 641 338 01 | Discontinued part<br>Combi-instrument<br>Dial<br>black/silver<br>D >> - MJ 2011 |        | 1   | PR:D58,U5B,<br>7Q0,7V6 |
| 1   | 958 641 338 02 | Combi-instrument<br>Dial<br>black/silver<br>F >> 92-CLA81 613<br>D - MJ 2012>>  |        | 1   | PR:D58,U5B,<br>7Q0,7V6 |
| 1   | 958 641 338 10 | Combi-instrument<br>Dial<br>black/silver<br>D >> - MJ 2011                      |        | 1   | PR:D58,U5B,<br>7T1,7V6 |
| 1   | 958 641 338 11 | Discontinued part<br>Combi-instrument<br>Dial<br>black/silver<br>D >> - MJ 2011 |        | 1   | PR:D58,U5B,<br>7T1,7V6 |
| 1   | 958 641 338 12 | Combi-instrument<br>Dial<br>black/silver<br>F >> 92-CLA81 613<br>D - MJ 2012>>  |        | 1   | PR:D58,U5B,<br>7T1,7V6 |
| 1   | 958 641 338 13 | Combi-instrument<br>Dial<br>black/silver<br>F 92-CLA81 614>><br>D - MJ 2012>>   |        | 1   | PR:D58,U5B,<br>7V6     |
| 2   | 7PP 919 069    | knob<br>throttle control element  |        | 1   |                        |
| 3   | N 906 986 06   | Hexagon socket head panel bolt<br>4,2 X 16                                      |        | 4   |                        |
| 4   | 958 641 401 00 | Compass   |        | 1   | PR:QR1,7T1,<br>7T4     |
| 5   | N 906 986 06   | Hexagon socket head panel bolt<br>4,2 X 16                                      |        | 2   |                        |
| 6   | N 906 988 01   | Speed nut<br>4,2  |        | 2   |                        |

Model: 92A 11

Model life 2011>>2018



Model: 92A 11 Model life 2011>>2018

| Pos | Part Number    | Description   | Remark | Qty | Model  |
|-----|----------------|---|--------|-----|--|
|     |                | Instruments<br>KOMPASS<br>Stopwatch<br>Instruments<br>Dial<br>Black<br>silver |        |     |  |
| 1   | 958 641 160 00 | D - MJ 2015>> - MJ 2016<br>Combi-instrument<br>Dial<br>Black                  |        | 1   | PR:D34,G1G,<br>U5A,U5D,U5E,<br>U5F,U5G,7Q7,                        |
| 1   | 958 641 161 00 | Combi-instrument<br>Dial<br>Black   |        | 1   | PR:D34,G1G,<br>U5B,7T1,7V0,<br>U5C                                 |
| 1   | 958 641 163 00 | Combi-instrument<br>Dial<br>silver  |        | 1   | PR:DU2,U5A,<br>U5D,U5E,U5F,<br>U5G,7Q7,7T1,                        |
| 1   | 958 641 164 00 | Combi-instrument<br>Dial<br>silver  |        | 1   | PR:DU2,U5B,<br>7T1,7V5   |
| 1   | 958 641 166 00 | Combi-instrument<br>Dial<br>silver  |        | 1   | PR:DU3,U5A,<br>U5D,U5E,U5F,<br>U5G,7Q7,7T1,<br>7V5,7Q0,7Q4,<br>7T4 |
| 1   | 958 641 167 00 | GTS<br>Combi-instrument<br>Dial<br>silver                                     | with:  | 1   | PR:DU3,U5B,<br>7T1,7V5   |
| 1   | 958 641 166 10 | GTS<br>Combi-instrument<br>Dial<br>Black                                      | with:  | 1   | PR:DU3,U5A,<br>U5D,U5E,U5F,<br>U5G,7Q7,7T1,<br>7V0,7Q0,7Q4,<br>7T4 |
| 1   | 958 641 167 10 | GTS<br>Combi-instrument<br>Dial<br>Black                                      | with:  | 1   | PR:DU3,U5B,<br>7T1,7V0   |
| 1   | 958 641 169 00 | GTS<br>Combi-instrument<br>Dial<br>black/silver                               |        | 1   | PR:DT1,U5A,<br>U5D,U5E,U5F,<br>U5G,7Q7,7T1,                        |
| 1   | 958 641 170 00 | Combi-instrument<br>Dial<br>black/silver                                      |        | 1   | PR:DT1,U5B,<br>7T1,7V6   |
| 1   | 958 641 169 51 | Combi-instrument<br>Dial<br>black/silver                                      |        | 1   | PR:DT5,U5A,<br>U5E,U5F,U5G,<br>7V6                                 |
| 1   | 958 641 170 51 | Combi-instrument<br>Dial<br>black/silver                                      |        | 1   | PR:DT5,U5B,<br>7V6   |
| 1   | 958 641 172 00 | Combi-instrument<br>Dial<br>silver  |        | 1   | PR:D19,U5A,<br>U5D,U5E,U5F,<br>U5G,7Q7,7T1,                        |
| 1   | 958 641 173 00 | Combi-instrument<br>Dial<br>silver  |        | 1   | PR:D19,U5B,<br>7T1,7V5   |
| 1   | 958 641 175 00 | Combi-instrument<br>Dial<br>Black   |        | 1   | PR:D43,DD7,<br>DV7,D1V,D50,<br>D51,G1G,U5A,<br>7V0,7Q0,7Q4,<br>7T4 |

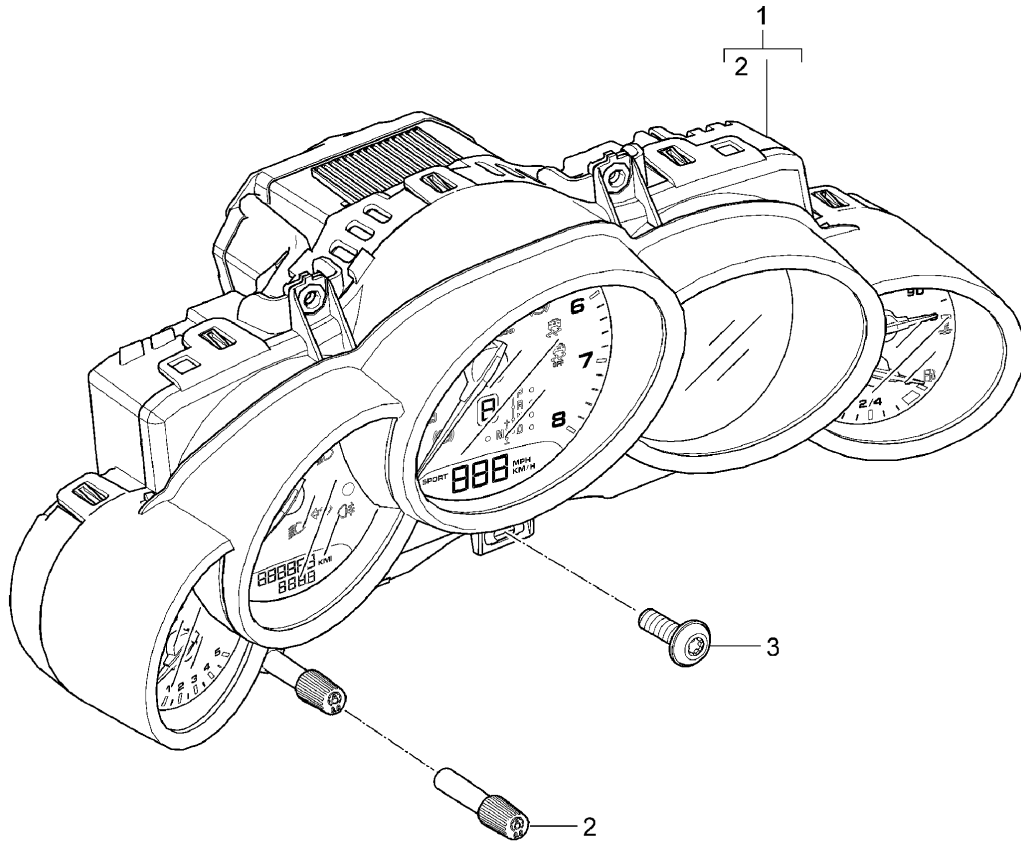
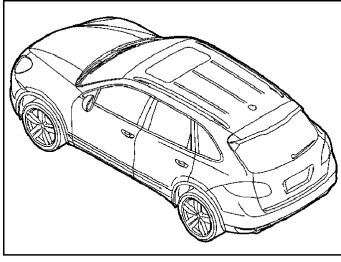
Model: 92A 11

Model life 2011&gt;&gt;2018

| Pos | Part Number    | Description                                | Remark | Qty | Model                                       |
|-----|----------------|--|--------|-----|---|
| 1   | 958 641 176 00 | Combi-instrument<br>Dial<br>Black          |        | 1   | PR:D43,DD7,<br>DV7,D1V,D50,<br>D51,G1G,U5B, |
| 1   | 958 641 178 00 | Combi-instrument<br>Dial<br>silver         |        | 1   | PR:DD8,G1G,<br>U5A,U5D,U5E,<br>U5F,U5G,7Q7, |
| 1   | 958 641 179 00 | Combi-instrument<br>Dial<br>silver         |        | 1   | PR:DD8,G1G,<br>U5B,7T1,7V5                  |
| 2   | 7PP 919 069    | knob<br>throttle control element           |        | 1   |   |
| 3   | N 906 986 06   | Hexagon socket head panel bolt<br>4,2 X 16 |        | 4   |   |
| 4   | 958 641 401 04 | Compass                                    |        | 1   | PR:QR1,7T1,                                 |
| (4) | 958 641 501 04 | Stopwatch                                  |        | 1   | PR:QR4,QR5,                                 |
| (4) | 958 641 501 13 | clock for instrument<br>housing            |        | 1   | PR:QR3,0K0                                  |
| 5   | N 906 986 06   | Hexagon socket head panel bolt<br>4,2 X 16 |        | 2   |   |
| 6   | N 906 988 01   | Speed nut<br>4,2                           |        | 2   |   |
| 7   | 9A7 919 317    | Front frame                                | Glass  | 1   |   |

Model: 92A 11

Model life 2011>>2018



Model: 92A 11 Model life 2011>>2018

| Pos | Part Number    | Description  | Remark | Qty | Model                                      |
|-----|----------------|--|--------|-----|--|
| 1   | 958 641 923 10 | Instruments<br>Dial<br>Coloured<br>D >> - MJ 2012<br>Combi-instrument<br>Dial<br>Indian red        |        | 1   | PR:D34,G0L,<br>U5A,7V1,U5E,<br>U5F,U5G     |
| 1   | 958 641 923 11 | D >> - MJ 2011<br>Combi-instrument<br>Dial<br>Indian red<br>F >> 92-CLA05 335                      |        | 1   | PR:D34,G0L,<br>U5A,7V1,U5E,<br>U5F,U5G     |
| 1   | 958 641 923 12 | D - MJ 2012>><br>Combi-instrument<br>Dial<br>Indian red<br>F 92-CLA05 336>>                        |        | 1   | PR:D34,G0L,<br>U5A,7V1,U5E,<br>U5F,U5G     |
| 1   | 958 641 943 10 | D - MJ 2012>><br>Combi-instrument<br>Dial<br>Carrara white   |        | 1   | PR:D34,G0L,<br>U5A,7V3,U5E,<br>U5F,U5G     |
| 1   | 958 641 943 11 | D >> - MJ 2011<br>Combi-instrument<br>Dial<br>Carrara white<br>F >> 92-CLA05 335                   |        | 1   | PR:D34,G0L,<br>U5A,7V3,U5E,<br>U5F,U5G     |
| 1   | 958 641 943 12 | D - MJ 2012>><br>Combi-instrument<br>Dial<br>Carrara white<br>F 92-CLA05 336>>                     |        | 1   | PR:D34,G0L,<br>U5A,7V3,U5E,<br>U5F,U5G     |
| 1   | 958 641 963 10 | D - MJ 2012>><br>Combi-instrument<br>Dial<br>Luxor beige   |        | 1   | PR:D34,G0L,<br>U5A,7V4,U5E,<br>U5F,U5G     |
| 1   | 958 641 963 11 | D >> - MJ 2011<br>Combi-instrument<br>Dial<br>Luxor beige<br>F >> 92-CLA05 335                     |        | 1   | PR:D34,G0L,<br>U5A,7V4,U5E,<br>U5F,U5G     |
| 1   | 958 641 963 12 | D - MJ 2012>><br>Combi-instrument<br>Dial<br>Luxor beige<br>F 92-CLA05 336>>                       |        | 1   | PR:D34,G0L,<br>U5A,7V4,U5E,<br>U5F,U5G     |
| 1   | 958 641 924 10 | D - MJ 2012>><br>Combi-instrument<br>Dial<br>Indian red  |        | 1   | PR:D34,G1G,<br>U5A,7V1,U5E,<br>U5F,U5G     |
| 1   | 958 641 924 11 | D >> - MJ 2011<br>Combi-instrument<br>Dial<br>Indian red<br>F >> 92-CLA05 335<br>F >> 92-CLA64 565 |        | 1   | PR:D34,G1G,<br>U5A,7V1,U5E,<br>U5F,U5G,D11 |
| 1   | 958 641 924 12 | D - MJ 2012>><br>Combi-instrument<br>Dial<br>Indian red<br>F 92-CLA05 336>><br>F 92-CLA64 566>>    |        | 1   | PR:D34,G1G,<br>U5A,7V1,U5E,<br>U5F,U5G,D11 |
| 1   | 958 641 944 10 | D - MJ 2012>><br>Combi-instrument  |        | 1   | PR:D34,G1G,                                |

Model: 92A 11 Model life 2011>>2018

| Pos | Part Number    | Description   | Remark | Qty | Model   |
|-----|----------------|---|--------|-----|---|
| 1   | 958 641 944 11 | Dial<br>Carrara white<br>D >> - MJ 2011<br>Combi-instrument<br>Dial<br>Carrara white<br>F >> 92-CLA05 335<br>F >> 92-CLA64 565<br>D - MJ 2012>> |        | 1   | U5A,7V3,U5E,<br>U5F,U5G<br>PR:D34,G1G,<br>U5A,7V3,U5E,<br>U5F,U5G,D11 |
| 1   | 958 641 944 12 | Combi-instrument<br>Dial<br>Carrara white<br>F 92-CLA05 336>><br>F 92-CLA64 566>><br>D - MJ 2012>>  |        | 1   | PR:D34,G1G,<br>U5A,7V3,U5E,<br>U5F,U5G,D11                            |
| 1   | 958 641 964 10 | Combi-instrument<br>Dial<br>Luxor beige<br>D >> - MJ 2011   |        | 1   | PR:D34,G1G,<br>U5A,7V4,U5E,<br>U5F,U5G                                |
| 1   | 958 641 964 11 | Combi-instrument<br>Dial<br>Luxor beige<br>F >> 92-CLA05 335<br>F >> 92-CLA64 565<br>D - MJ 2012>>  |        | 1   | PR:D34,G1G,<br>U5A,7V4,U5E,<br>U5F,U5G,D11                            |
| 1   | 958 641 964 12 | Combi-instrument<br>Dial<br>Luxor beige<br>F 92-CLA05 336>><br>F 92-CLA64 566>><br>D - MJ 2012>>  |        | 1   | PR:D34,G1G,<br>U5A,7V4,U5E,<br>U5F,U5G,D11                            |
| 1   | 958 641 927 10 | Combi-instrument<br>Dial<br>Indian red<br>D >> - MJ 2011  |        | 1   | PR:D34,G0L,<br>U5B,7V1  |
| 1   | 958 641 927 11 | Combi-instrument<br>Dial<br>Indian red<br>F >> 92-CLA05 335<br>D - MJ 2012>>  |        | 1   | PR:D34,G0L,<br>U5B,7V1  |
| 1   | 958 641 927 12 | Combi-instrument<br>Dial<br>Indian red<br>F 92-CLA05 336>><br>D - MJ 2012>>   |        | 1   | PR:D34,G0L,<br>U5B,7V1  |
| 1   | 958 641 947 10 | Combi-instrument<br>Dial<br>Carrara white<br>D >> - MJ 2011   |        | 1   | PR:D34,G0L,<br>U5B,7T1,7V3  |
| 1   | 958 641 947 11 | Combi-instrument<br>Dial<br>Carrara white<br>F >> 92-CLA05 335<br>D - MJ 2012>>   |        | 1   | PR:D34,G0L,<br>U5B,7V3  |
| 1   | 958 641 947 12 | Combi-instrument<br>Dial<br>Carrara white<br>F 92-CLA05 336>><br>D - MJ 2012>>  |        | 1   | PR:D34,G0L,<br>U5B,7V3  |
| 1   | 958 641 967 10 | Combi-instrument<br>Dial<br>Luxor beige<br>D >> - MJ 2011   |        | 1   | PR:D34,G0L,<br>U5B,7V4  |

Model: 92A 11 Model life 2011>>2018

| Pos | Part Number    | Description   | Remark | Qty | Model                                      |
|-----|----------------|---|--------|-----|--|
| 1   | 958 641 967 11 | Combi-instrument<br>Dial<br>Luxor beige<br>F >> 92-CLA05 335<br>D - MJ 2012>>                     |        | 1   | PR:D34,G0L,<br>U5B,7V4                     |
| 1   | 958 641 967 12 | Combi-instrument<br>Dial<br>Luxor beige<br>F 92-CLA05 336>><br>D - MJ 2012>>                      |        | 1   | PR:D34,G0L,<br>U5B,7V4                     |
| 1   | 958 641 928 10 | Combi-instrument<br>Dial<br>Indian red<br>D >> - MJ 2011  |        | 1   | PR:D34,G1G,<br>U5B,7V1                     |
| 1   | 958 641 928 11 | Combi-instrument<br>Dial<br>Indian red<br>F >> 92-CLA05 335<br>D - MJ 2012>>                      |        | 1   | PR:D34,G1G,<br>U5B,7V1                     |
| 1   | 958 641 928 12 | Combi-instrument<br>Dial<br>Indian red<br>F 92-CLA05 336>><br>D - MJ 2012>>                       |        | 1   | PR:D34,G1G,<br>U5B,7V1                     |
| 1   | 958 641 948 10 | Combi-instrument<br>Dial<br>Carrara white<br>D >> - MJ 2011                                       |        | 1   | PR:D34,G1G,<br>U5B,7V3                     |
| 1   | 958 641 948 11 | Combi-instrument<br>Dial<br>Carrara white<br>F >> 92-CLA05 335<br>D - MJ 2012>>                   |        | 1   | PR:D34,G1G,<br>U5B,7V3                     |
| 1   | 958 641 948 12 | Combi-instrument<br>Dial<br>Carrara white<br>F 92-CLA05 336>><br>D - MJ 2012>>                    |        | 1   | PR:D34,G1G,<br>U5B,7V3                     |
| 1   | 958 641 968 10 | Combi-instrument<br>Dial<br>Luxor beige<br>D >> - MJ 2011   |        | 1   | PR:D34,G1G,<br>U5B,7V4                     |
| 1   | 958 641 968 11 | Combi-instrument<br>Dial<br>Luxor beige<br>F >> 92-CLA05 335<br>D - MJ 2012>>                     |        | 1   | PR:D34,G1G,<br>U5B,7V4                     |
| 1   | 958 641 968 12 | Combi-instrument<br>Dial<br>Luxor beige<br>F 92-CLA05 336>><br>D - MJ 2012>>                      |        | 1   | PR:D34,G1G,<br>U5B,7V4                     |
| 1   | 958 641 904 10 | Combi-instrument<br>Dial<br>Indian red<br>D >> - MJ 2011  |        | 1   | PR:D50,G1G,<br>U5A,D1V,7V1,<br>U5E,U5F,U5G |
| 1   | 958 641 904 11 | Combi-instrument<br>Dial<br>Indian red<br>F >> 92-CLA28 225<br>F >> 92-CLA28 101<br>D - MJ 2012>> |        | 1   | PR:D43,G1G,<br>U5A,7V1,U5E,<br>U5F,U5G,D1V |
| 1   | 958 641 904 12 | Combi-instrument  |        | 1   | PR:D43,G1G,                                |



Model: 92A 11 Model life 2011>>2018

| Pos | Part Number    | Description  | Remark | Qty | Model                                      |
|-----|----------------|--|--------|-----|--|
| 1   | 958 641 914 10 | Dial<br>Indian red<br>F 92-CLA28 226>><br>F 92-CLA28 102>><br>D - MJ 2012>><br>Combi-instrument      |        | 1   | U5A,7V1,U5E,<br>U5F,U5G,D1V                |
| 1   | 958 641 914 11 | Dial<br>Carrara white<br>D >> - MJ 2011<br>Combi-instrument  |        | 1   | PR:D50,G1G,<br>U5A,D1V,7V3,<br>U5E,U5F,U5G |
| 1   | 958 641 914 12 | Dial<br>Carrara white<br>F >> 92-CLA28 225<br>F >> 92-CLA28 101<br>D - MJ 2012>><br>Combi-instrument |        | 1   | PR:D43,G1G,<br>U5A,D1V,7V3,<br>U5E,U5F,U5G |
| 1   | 958 641 934 10 | Dial<br>Carrara white<br>F 92-CLA28 226>><br>F 92-CLA28 102>><br>D - MJ 2012>><br>Combi-instrument   |        | 1   | PR:D50,G1G,<br>U5A,D1V,7V4,<br>U5E,U5F,U5G |
| 1   | 958 641 934 11 | Dial<br>Luxor beige<br>D >> - MJ 2011<br>Combi-instrument  |        | 1   | PR:D43,G1G,<br>U5A,7V4,U5E,<br>U5F,U5G,D1V |
| 1   | 958 641 934 12 | Dial<br>Luxor beige<br>F >> 92-CLA28 225<br>F >> 92-CLA28 101<br>D - MJ 2012>><br>Combi-instrument   |        | 1   | PR:D43,G1G,<br>U5A,7V4,U5E,<br>U5F,U5G,D1V |
| 1   | 958 641 908 10 | Dial<br>Luxor beige<br>F 92-CLA28 226>><br>F 92-CLA28 102>><br>D - MJ 2012>><br>Combi-instrument     |        | 1   | PR:D50,G1G,<br>U5B,7V1                     |
| 1   | 958 641 908 11 | Dial<br>Indian red<br>D >> - MJ 2011<br>Combi-instrument   |        | 1   | PR:D43,G1G,<br>U5B,7V1                     |
| 1   | 958 641 908 12 | Dial<br>Indian red<br>F >> 92-CLA28 225<br>D - MJ 2012>><br>Combi-instrument                         |        | 1   | PR:D43,G1G,<br>U5B,7V1                     |
| 1   | 958 641 918 10 | Dial<br>Indian red<br>F 92-CLA28 226>><br>D - MJ 2012>><br>Combi-instrument                          |        | 1   | PR:D50,G1G,<br>U5B,7V3                     |
| 1   | 958 641 918 11 | Dial<br>Carrara white<br>D >> - MJ 2011<br>Combi-instrument  |        | 1   | PR:D43,G1G,<br>U5B,7V3                     |
| 1   | 958 641 918 12 | Dial<br>Carrara white<br>F >> 92-CLA28 225<br>D - MJ 2012>><br>Combi-instrument                      |        | 1   | PR:D43,G1G,<br>U5B,7V3                     |

Model: 92A 11 Model life 2011>>2018

| Pos | Part Number    | Description   | Remark | Qty | Model                              |
|-----|----------------|---|--------|-----|------------------------------------|
| 1   | 958 641 938 10 | F 92-CLA28 226>><br>D - MJ 2012>><br>Combi-instrument<br>Dial<br>Luxor beige    |        | 1   | PR:D50,G1G,<br>U5B,7T1,7V4         |
| 1   | 958 641 938 11 | D >> - MJ 2011<br>Combi-instrument<br>Dial<br>Luxor beige                       |        | 1   | PR:D43,G1G,<br>U5B,7V4             |
| 1   | 958 641 938 12 | F >> 92-CLA28 225<br>D - MJ 2012>><br>Combi-instrument<br>Dial<br>Luxor beige   |        | 1   | PR:D43,G1G,<br>U5B,7V4             |
| 1   | 958 641 954 10 | F 92-CLA28 226>><br>D - MJ 2012>><br>Combi-instrument<br>Dial<br>Indian red     |        | 1   | PR:D6V,U5A,<br>7V1,U5E,U5F,<br>U5G |
| 1   | 958 641 954 11 | D >> - MJ 2011<br>Combi-instrument<br>Dial<br>Indian red                        |        | 1   | PR:D6V,U5A,<br>7V1,U5E,U5F,<br>U5G |
| 1   | 958 641 954 12 | F >> 92-CLA45 215<br>D - MJ 2012>><br>Combi-instrument<br>Dial<br>Indian red    |        | 1   | PR:D6V,U5A,<br>7V1,U5E,U5F,<br>U5G |
| 1   | 958 641 974 10 | F 92-CLA45 216>><br>D - MJ 2012>><br>Combi-instrument<br>Dial<br>Carrara white  |        | 1   | PR:D6V,U5A,<br>7V3,U5E,U5F,<br>U5G |
| 1   | 958 641 974 11 | D >> - MJ 2011<br>Combi-instrument<br>Dial<br>Carrara white                     |        | 1   | PR:D6V,U5A,<br>7V3,U5E,U5F,<br>U5G |
| 1   | 958 641 974 12 | F >> 92-CLA45 215<br>D - MJ 2012>><br>Combi-instrument<br>Dial<br>Carrara white |        | 1   | PR:D6V,U5A,<br>7V3,U5E,U5F,<br>U5G |
| 1   | 958 641 994 10 | F 92-CLA45 216>><br>D - MJ 2012>><br>Combi-instrument<br>Dial<br>Luxor beige    |        | 1   | PR:D6V,U5A,<br>7V4,U5E,U5F,<br>U5G |
| 1   | 958 641 994 11 | D >> - MJ 2011<br>Combi-instrument<br>Dial<br>Luxor beige                       |        | 1   | PR:D6V,U5A,<br>7V4,U5E,U5F,<br>U5G |
| 1   | 958 641 994 12 | F >> 92-CLA45 215<br>D - MJ 2012>><br>Combi-instrument<br>Dial<br>Luxor beige   |        | 1   | PR:D6V,U5A,<br>7V4,U5E,U5F,<br>U5G |
| 1   | 958 641 958 10 | F 92-CLA45 216>><br>D - MJ 2012>><br>Combi-instrument<br>Dial<br>Indian red     |        | 1   | PR:D6V,U5B,<br>7V1                 |
| 1   | 958 641 958 11 | D >> - MJ 2011<br>Combi-instrument  |        | 1   | PR:D6V,U5B,                        |

Model: 92A 11 Model life 2011>>2018

| Pos | Part Number    | Description   | Remark | Qty | Model                              |
|-----|----------------|---|--------|-----|------------------------------------|
| 1   | 958 641 958 12 | Dial<br>Indian red<br>F >> 92-CLA45 215<br>D - MJ 2012>><br>Combi-instrument    |        | 1   | 7V1<br>PR:D6V,U5B,<br>7V1          |
| 1   | 958 641 978 10 | Dial<br>Indian red<br>F 92-CLA45 216>><br>D - MJ 2012>><br>Combi-instrument     |        | 1   | PR:D6V,U5B,<br>7V3                 |
| 1   | 958 641 978 11 | Dial<br>Carrara white<br>D >> - MJ 2011<br>Combi-instrument                     |        | 1   | PR:D6V,U5B,<br>7V3                 |
| 1   | 958 641 978 12 | Dial<br>Carrara white<br>F >> 92-CLA45 215<br>D - MJ 2012>><br>Combi-instrument |        | 1   | PR:D6V,U5B,<br>7V3                 |
| 1   | 958 641 998 10 | Dial<br>Carrara white<br>F 92-CLA45 216>><br>D - MJ 2012>><br>Combi-instrument  |        | 1   | PR:D6V,U5B,<br>7V4                 |
| 1   | 958 641 998 11 | Dial<br>Luxor beige<br>D >> - MJ 2011<br>Combi-instrument                       |        | 1   | PR:D6V,U5B,<br>7V4                 |
| 1   | 958 641 998 12 | Dial<br>Luxor beige<br>F >> 92-CLA45 215<br>D - MJ 2012>><br>Combi-instrument   |        | 1   | PR:D6V,U5B,<br>7V4                 |
| 1   | 958 641 954 30 | Dial<br>Luxor beige<br>F 92-CLA45 216>><br>D - MJ 2012>><br>Combi-instrument    |        | 1   | PR:D58,U5A,<br>7V1,U5E,U5F,<br>U5G |
| 1   | 958 641 954 31 | Dial<br>Indian red<br>D >> - MJ 2011<br>Combi-instrument                        |        | 1   | PR:D58,U5A,<br>7V1,U5E,U5F,<br>U5G |
| 1   | 958 641 954 32 | Dial<br>Indian red<br>F >> 92-CLA82 187<br>D - MJ 2012>><br>Combi-instrument    |        | 1   | PR:D58,U5A,<br>7V1,U5E,U5F,<br>U5G |
| 1   | 958 641 974 30 | Dial<br>Indian red<br>F 92-CLA82 188>><br>D - MJ 2012>><br>Combi-instrument     |        | 1   | PR:D58,U5A,<br>7V3,U5E,U5F,<br>U5G |
| 1   | 958 641 974 31 | Dial<br>Carrara white<br>D >> - MJ 2011<br>Combi-instrument                     |        | 1   | PR:D58,U5A,<br>7V3,U5E,U5F,<br>U5G |
| 1   | 958 641 974 32 | Dial<br>Carrara white<br>F >> 92-CLA82 187<br>D - MJ 2012>><br>Combi-instrument |        | 1   | PR:D58,U5A,<br>7V3,U5E,U5F,<br>U5G |

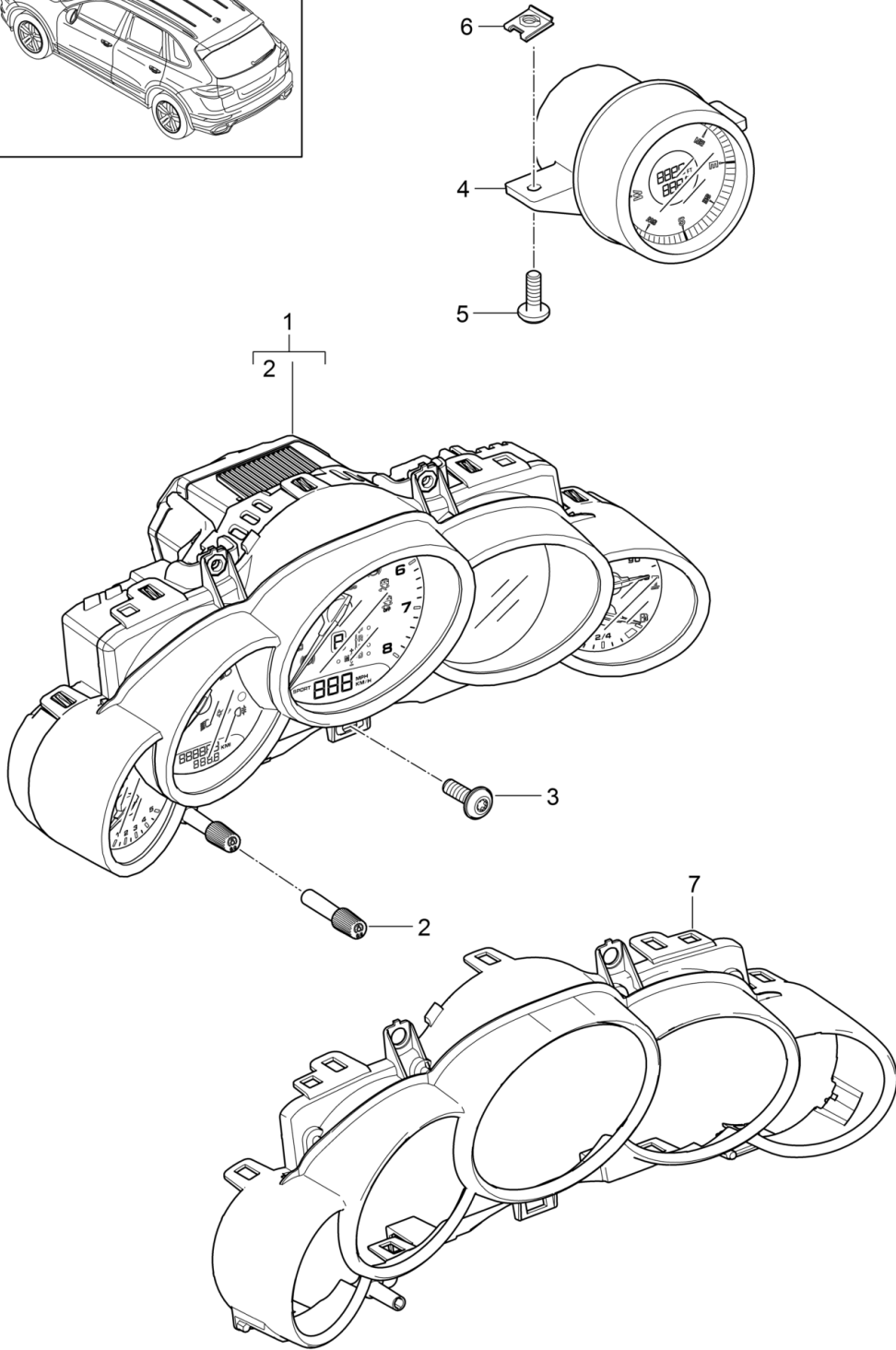
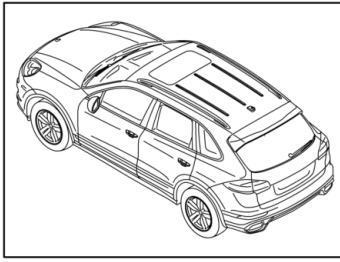
Model: 92A 11

Model life 2011&gt;&gt;2018

| Pos | Part Number    | Description   | Remark | Qty | Model                              |
|-----|----------------|---|--------|-----|------------------------------------|
| 1   | 958 641 994 30 | F 92-CLA82 188>><br>D - MJ 2012>><br>Combi-instrument<br>Dial<br>Luxor beige    |        | 1   | PR:D58,U5A,<br>7V4,U5E,U5F,<br>U5G |
| 1   | 958 641 994 31 | D >> - MJ 2011<br>Combi-instrument<br>Dial<br>Luxor beige                       |        | 1   | PR:D58,U5A,<br>7V4,U5E,U5F,<br>U5G |
| 1   | 958 641 994 32 | F >> 92-CLA82 187<br>D - MJ 2012>><br>Combi-instrument<br>Dial<br>Luxor beige   |        | 1   | PR:D58,U5A,<br>7V4,U5E,U5F,<br>U5G |
| 1   | 958 641 958 30 | F 92-CLA82 188>><br>D - MJ 2012>><br>Combi-instrument<br>Dial<br>Indian red     |        | 1   | PR:D58,U5B,<br>7V1                 |
| 1   | 958 641 958 31 | D >> - MJ 2011<br>Combi-instrument<br>Dial<br>Indian red                        |        | 1   | PR:D58,U5B,<br>7V1                 |
| 1   | 958 641 958 32 | F >> 92-CLA82 187<br>D - MJ 2012>><br>Combi-instrument<br>Dial<br>Indian red    |        | 1   | PR:D58,U5B,<br>7V1                 |
| 1   | 958 641 978 30 | F 92-CLA82 188>><br>D - MJ 2012>><br>Combi-instrument<br>Dial<br>Carrara white  |        | 1   | PR:D58,U5B,<br>7V3                 |
| 1   | 958 641 978 31 | D >> - MJ 2011<br>Combi-instrument<br>Dial<br>Carrara white                     |        | 1   | PR:D58,U5B,<br>7V3                 |
| 1   | 958 641 978 32 | F >> 92-CLA82 187<br>D - MJ 2012>><br>Combi-instrument<br>Dial<br>Carrara white |        | 1   | PR:D58,U5B,<br>7V3                 |
| 1   | 958 641 998 30 | F 92-CLA82 188>><br>D - MJ 2012>><br>Combi-instrument<br>Dial<br>Luxor beige    |        | 1   | PR:D58,U5B,<br>7V4                 |
| 1   | 958 641 998 31 | D >> - MJ 2011<br>Combi-instrument<br>Dial<br>Luxor beige                       |        | 1   | PR:D58,U5B,<br>7V4                 |
| 1   | 958 641 998 32 | F >> 92-CLA82 187<br>D - MJ 2012>><br>Combi-instrument<br>Dial<br>Luxor beige   |        | 1   | PR:D58,U5B,<br>7V4                 |
| 2   | 7PP 919 069    | F 92-CLA82 188>><br>D - MJ 2012>><br>knob                                       |        | 1   |                                    |
| 3   | N 906 986 06   | throttle control element<br>Hexagon socket head panel bolt<br>4,2 X 16          |        | 4   |                                    |

Model: 92A 11

Model life 2011>>2018



Model: 92A 11 Model life 2011>>2018

| Pos | Part Number    | Description                           | Remark | Qty | Model  |
|-----|----------------|---------------------------------------|--------|-----|--|
|     |                | Instruments                           |        |     |  |
|     |                | Dial                                  |        |     |  |
|     |                | Coloured                              |        |     |  |
|     |                | D - MJ 2015>> - MJ 2016               |        |     |  |
| 1   | 958 641 800 00 | Combi-instrument<br>Dial<br>GRANATROT |        | 1   | PR:D34,D11,<br>U5A,U5D,U5E,<br>U5F,U5G,7V7         |
| 1   | 958 641 801 00 | Combi-instrument<br>Dial<br>GRANATROT |        | 1   | PR:D34,U5B,<br>7V7                                 |
| 1   | 958 641 803 00 | Combi-instrument<br>Dial<br>GRANATROT |        | 1   | PR:DU2,U5A,<br>U5D,U5E,U5F,<br>U5G,7V7             |
| 1   | 958 641 804 00 | Combi-instrument<br>Dial<br>GRANATROT |        | 1   | PR:DU2,U5B,<br>7V7                                 |
| 1   | 958 641 806 00 | Combi-instrument<br>Dial<br>GRANATROT |        | 1   | PR:DU3,U5A,<br>U5D,U5E,U5F,<br>U5G,7V7             |
| 1   | 958 641 807 00 | Combi-instrument<br>Dial<br>GRANATROT |        | 1   | PR:DU3,U5B,<br>7V7                                 |
| 1   | 958 641 809 00 | Combi-instrument<br>Dial<br>GRANATROT |        | 1   | PR:DT1,U5A,<br>U5D,U5E,U5F,<br>U5G,7V7             |
| 1   | 958 641 810 00 | Combi-instrument<br>Dial<br>GRANATROT |        | 1   | PR:DT1,U5B,<br>7V7                                 |
| 1   | 958 641 812 00 | Combi-instrument<br>Dial<br>GRANATROT |        | 1   | PR:DT5,U5A,<br>U5D,U5E,U5F,<br>U5G,7V7             |
| 1   | 958 641 813 00 | Combi-instrument<br>Dial<br>GRANATROT |        | 1   | PR:DT5,U5B,<br>7V7                                 |
| 1   | 958 641 815 00 | Combi-instrument<br>Dial<br>GRANATROT |        | 1   | PR:D43,DD7,<br>DV7,D1V,D50,<br>D51,U5A,U5D,<br>7V7 |
| 1   | 958 641 816 00 | Combi-instrument<br>Dial<br>GRANATROT |        | 1   | PR:D43,DD7,<br>DV7,D1V,D50,<br>D51,U5B,7V7         |
| 1   | 958 641 815 00 | Combi-instrument<br>Dial<br>GRANATROT |        | 1   | PR:DD8,U5A,<br>U5D,U5E,U5F,<br>U5G,7V7             |
| 1   | 958 641 816 00 | Combi-instrument<br>Dial<br>GRANATROT |        | 1   | PR:DD8,U5C,<br>7V7                                 |
| 1   | 958 641 820 00 | Combi-instrument<br>Dial              |        | 1   | PR:D34,D11,<br>U5A,U5D,U5E,<br>U5F,U5G,7V3         |
| 1   | 958 641 821 00 | Combi-instrument<br>Dial<br>white     |        | 1   | PR:D34,U5B,<br>7V3                                 |
| 1   | 958 641 823 00 | Combi-instrument<br>Dial<br>white     |        | 1   | PR:DU2,U5A,<br>U5D,U5E,U5F,<br>U5G,7V3             |
| 1   | 958 641 824 00 | Combi-instrument<br>Dial<br>white     |        | 1   | PR:DU2,U5B,<br>7V3                                 |
| 1   | 958 641 826 00 | Combi-instrument<br>Dial<br>white     |        | 1   | PR:DU3,U5A,<br>U5D,U5E,U5F,<br>U5G,7V3             |
| 1   | 958 641 827 00 | Combi-instrument                      |        | 1   | PR:DU3,U5B,  |

Model: 92A 11

Model life 2011>>2018

| Pos | Part Number    | Description                             | Remark | Qty | Model  |
|-----|----------------|---|--------|-----|--|
| 1   | 958 641 829 00 | Dial<br>white<br>Combi-instrument       |        | 1   | 7V3<br>PR:DT1,U5A,<br>U5D,U5E,U5F,<br>U5G,7V3      |
| 1   | 958 641 830 00 | Dial<br>white<br>Combi-instrument       |        | 1   | PR:DT1,U5B,<br>7V3                                 |
| 1   | 958 641 832 00 | Dial<br>white<br>Combi-instrument       |        | 1   | PR:DT5,U5A,<br>U5D,U5E,U5F,<br>U5G,7V3             |
| 1   | 958 641 833 00 | Dial<br>white<br>Combi-instrument       |        | 1   | PR:DT5,U5B,<br>7V3                                 |
| 1   | 958 641 835 00 | Dial<br>white<br>Combi-instrument       |        | 1   | PR:D43,DD7,<br>DV7,D1V,D50,<br>D51,U5A,U5D,<br>7V3 |
| 1   | 958 641 836 00 | Dial<br>white<br>Combi-instrument       |        | 1   | PR:D43,DD7,<br>DV7,D1V,D50,<br>D51,U5B,7V3         |
| 1   | 958 641 835 00 | Dial<br>white<br>Combi-instrument       |        | 1   | PR:DD8,U5A,<br>U5D,U5E,U5F,<br>U5G,7V3             |
| 1   | 958 641 836 00 | Dial<br>white<br>Combi-instrument       |        | 1   | PR:DD8,U5C,<br>7V3                                 |
| 1   | 958 641 840 00 | Dial<br>Luxor beige<br>Combi-instrument |        | 1   | PR:D34,D11,<br>U5A,U5D,U5E,<br>U5F,U5G,7V4         |
| 1   | 958 641 841 00 | Dial<br>Luxor beige<br>Combi-instrument |        | 1   | PR:D34,U5B,<br>7V4                                 |
| 1   | 958 641 843 00 | Dial<br>Luxor beige<br>Combi-instrument |        | 1   | PR:DU2,U5A,<br>U5D,U5E,U5F,<br>U5G,7V4             |
| 1   | 958 641 844 00 | Dial<br>Luxor beige<br>Combi-instrument |        | 1   | PR:DU2,U5B,<br>7V4                                 |
| 1   | 958 641 846 00 | Dial<br>Luxor beige<br>Combi-instrument |        | 1   | PR:DU3,U5A,<br>U5D,U5E,U5F,<br>U5G,7V4             |
| 1   | 958 641 847 00 | Dial<br>Luxor beige<br>Combi-instrument |        | 1   | PR:DU3,U5B,<br>7V4                                 |
| 1   | 958 641 849 00 | Dial<br>Luxor beige<br>Combi-instrument |        | 1   | PR:DT1,U5A,<br>U5D,U5E,U5F,<br>U5G,7V4             |
| 1   | 958 641 850 00 | Dial<br>Luxor beige<br>Combi-instrument |        | 1   | PR:DT1,U5B,<br>7V4                                 |
| 1   | 958 641 852 00 | Dial<br>Luxor beige<br>Combi-instrument |        | 1   | PR:DT5,U5A,<br>U5D,U5E,U5F,<br>U5G,7V4             |
| 1   | 958 641 853 00 | Dial<br>Luxor beige<br>Combi-instrument |        | 1   | PR:DT5,U5B,<br>7V4                                 |
| 1   | 958 641 855 00 | Dial<br>Luxor beige<br>Combi-instrument |        | 1   | PR:D43,DD7,<br>DV7,D1V,D50,<br>D51,U5A,U5D,<br>7V4 |
| 1   | 958 641 856 00 | Dial<br>Luxor beige<br>Combi-instrument |        | 1   | PR:D43,DD7,<br>DV7,D1V,D50,                        |

Model: 92A 11

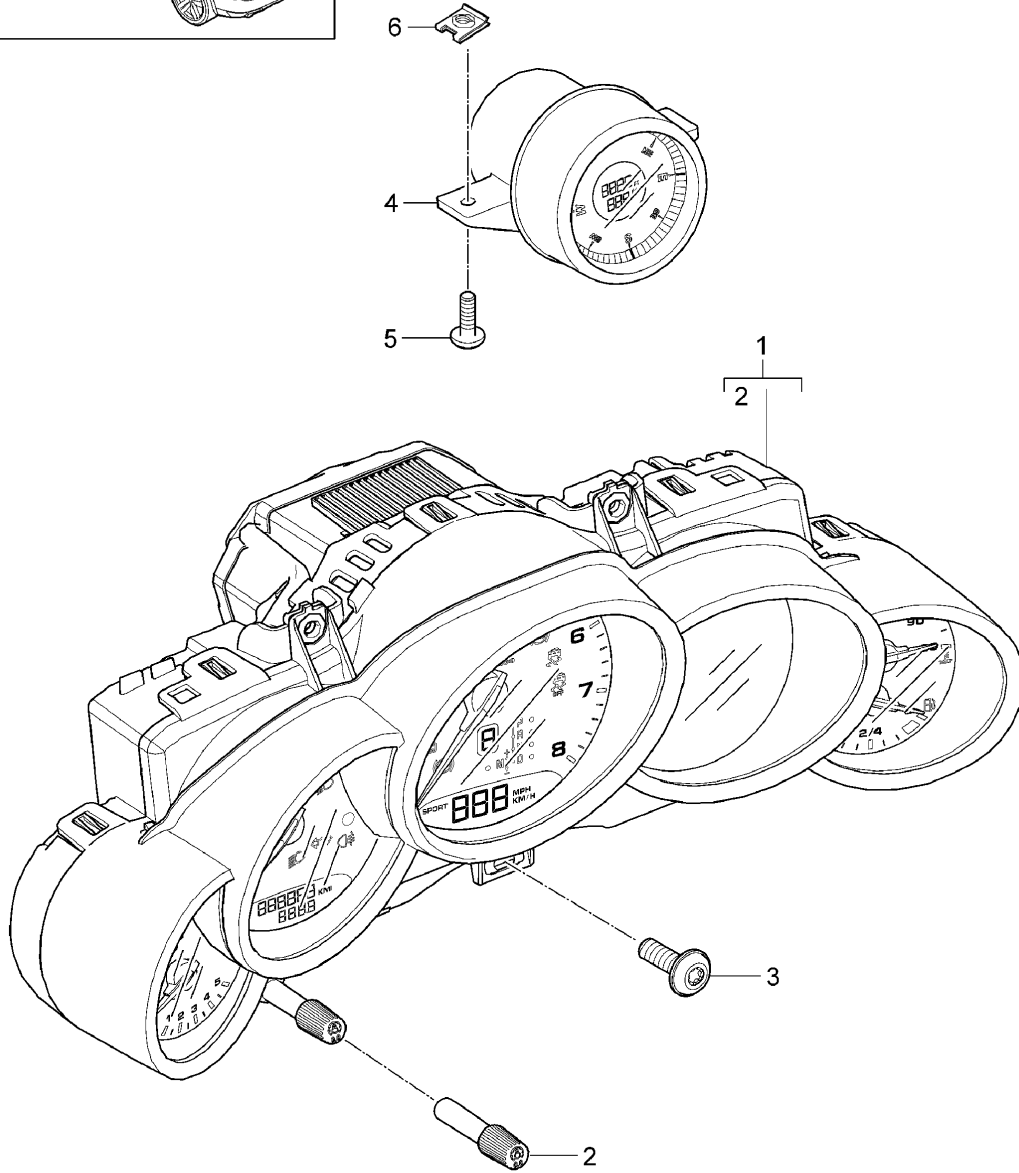
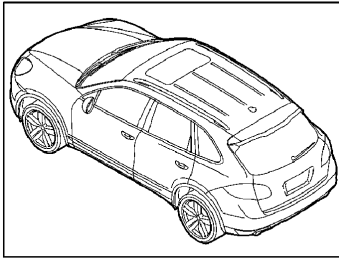
Model life 2011>>2018

| Pos | Part Number    | Description   | Remark | Qty | Model   |
|-----|----------------|---|--------|-----|---|
| 1   | 958 641 855 00 | Luxor beige<br>Combi-instrument<br>Dial             |        | 1   | D51,U5B,7V4<br>PR:DD8,U5A,<br>U5D,U5E,U5F,<br>U5G,7V4 |
| 1   | 958 641 856 00 | Luxor beige<br>Combi-instrument<br>Dial             |        | 1   | PR:DD8,U5C,<br>7V4                                    |
| 1   | 958 641 846 20 | Luxor beige<br>Combi-instrument<br>Dial<br>KAMINROT |        | 1   | PR:DU3,U5A,<br>U5D,U5E,U5F,<br>U5G,7Q7,7T1,<br>7T4    |
| 1   | 958 641 847 20 | Combi-instrument<br>Dial<br>KAMINROT                |        | 1   | PR:DU3,U5B,<br>7V8                                    |
| 2   | 7PP 919 069    | knob<br>throttle control element                    |        | 1   |   |
| 3   | N 906 986 06   | Hexagon socket head panel bolt<br>4,2 X 16          |        | 4   |   |
| 4   | 7P5 919 107 L  | Compass<br>GRANATROT                                |        | 1   | PR:QR1,7T1,<br>7T4,7Q7,UP5                            |
| (4) | 7P5 919 107 M  | Compass<br>Luxor beige                              |        | 1   | PR:QR1,7T1,<br>7T4,7Q7,UP4                            |
| (4) | 7P5 919 107 N  | Compass<br>white                                    |        | 1   | PR:QR1,7T1,<br>7T4,7Q7,UP3                            |
| (4) | 7P5 919 203 G  | Stopwatch<br>GRANATROT                              |        | 1   | PR:QR4,QR5,<br>OK0,UP5                                |
| (4) | 7P5 919 203 H  | Stopwatch<br>Luxor beige                            |        | 1   | PR:QR4,QR5,<br>OK0,UP4                                |
| (4) | 7P5 919 203 J  | Stopwatch<br>white                                  |        | 1   | PR:QR4,QR5,<br>OK0,UP3                                |
| (4) | 958 641 501 05 | Stopwatch<br>Hybrid                                 |        | 1   | PR:QR4,QR5,<br>OK3                                    |
| (4) | 958 641 501 08 | Stopwatch<br>GTS                                    |        | 1   | PR:QR4,QR5,<br>OK0                                    |
| (4) | 958 641 501 13 | clock for instrument<br>housing                     |        | 1   | PR:QR3,OK0  |
| (4) | 958 641 501 14 | Clock<br>Hybrid                                     |        | 1   | PR:QR3,OK3  |
| (4) | 958 641 501 17 | clock for instrument<br>housing<br>GTS              |        | 1   | PR:QR3,OK0  |
| 5   | N 906 986 06   | Hexagon socket head panel bolt<br>4,2 X 16          |        | 2   |   |
| 6   | N 906 988 01   | Speed nut<br>4,2                                    |        | 2   |   |
| 7   | 9A7 919 317    | Front frame   | Glass  | 1   |   |



Model: 92A 11

Model life 2011>>2018



Model: 92A 11 Model life 2011>>2018

| Pos | Part Number    | Description  | Remark  | Qty | Model   |
|-----|----------------|--|---------|-----|---|
|     |                | Instruments<br>Compass<br>Instruments<br>Dial<br>Black<br>silver |         |     |   |
|     |                | see illustration:<br>D - MJ 2013>> - MJ 2014                     | 906-003 |     |   |
| 1   | 958 641 133 14 | Combi-instrument<br>Dial<br>Black                                |         | 1   | PR:D34,G0L,<br>U5A,7V0,U5G,<br>U5E,U5F,-IY2                 |
| 1   | 958 641 133 20 | D - MJ 2013>> - MJ 2013<br>Combi-instrument<br>Dial<br>Black     |         | 1   | PR:D34,G0L,<br>U5A,7V0,U5G,<br>U5E,U5F,IY2                  |
| 1   | 958 641 133 24 | D - MJ 2013>> - MJ 2013<br>Combi-instrument<br>Dial<br>Black     |         | 1   | PR:D34,G0L,<br>U5A,7V0,U5G,<br>U5E,U5F                      |
| 1   | 958 641 134 14 | D - MJ 2014>><br>Combi-instrument<br>Dial<br>Black               |         | 1   | PR:D34,G1G,<br>U5A,7V0,U5G,<br>U5E,U5F,D11,<br>-IY2         |
| 1   | 958 641 134 20 | D - MJ 2013>> - MJ 2013<br>Combi-instrument<br>Dial<br>Black     |         | 1   | PR:D34,G1G,<br>U5A,7V0,U5G,<br>U5E,U5F,D11,<br>IY2          |
| 1   | 958 641 134 24 | D - MJ 2013>> - MJ 2013<br>Combi-instrument<br>Dial<br>Black     |         | 1   | PR:D34,G1G,<br>U5A,7V0,U5G,<br>U5E,U5F,D11                  |
| 1   | 958 641 137 14 | D - MJ 2014>><br>Combi-instrument<br>Dial<br>Black               |         | 1   | PR:D34,G0L,<br>U5B,7V0,-IY2                                 |
| 1   | 958 641 137 20 | D - MJ 2013>> - MJ 2013<br>Combi-instrument<br>Dial<br>Black     |         | 1   | PR:D34,G0L,<br>U5B,7V0,IY2                                  |
| 1   | 958 641 137 24 | D - MJ 2013>> - MJ 2013<br>Combi-instrument<br>Dial<br>Black     |         | 1   | PR:D34,G0L,<br>U5B,7V0,7T1                                  |
| 1   | 958 641 138 14 | D - MJ 2014>><br>Combi-instrument<br>Dial<br>Black               |         | 1   | PR:D34,G1G,<br>U5B,7V0,-IY2                                 |
| 1   | 958 641 138 20 | D - MJ 2013>> - MJ 2013<br>Combi-instrument<br>Dial<br>Black     |         | 1   | PR:D34,G1G,<br>U5B,7V0,IY2                                  |
| 1   | 958 641 138 24 | D - MJ 2013>> - MJ 2013<br>Combi-instrument<br>Dial<br>Black     |         | 1   | PR:D34,G1G,<br>U5B,7V0                                      |
| 1   | 958 641 144 15 | D - MJ 2014>><br>Combi-instrument<br>Dial<br>Black               |         | 1   | PR:D43,G1G,<br>U5A,7V0,D1V,<br>U5G,U5E,U5F,<br>U5D,D50,-IY2 |
| 1   | 958 641 144 20 | D - MJ 2013>> - MJ 2013<br>Combi-instrument<br>Dial<br>Black     |         | 1   | PR:D43,G1G,<br>U5A,7V0,D1V,<br>U5G,U5E,U5F,                 |

Model: 92A 11 Model life 2011>>2018

| Pos | Part Number    | Description   | Remark | Qty | Model   |
|-----|----------------|---|--------|-----|---|
| 1   | 958 641 144 24 | D - MJ 2013>> - MJ 2013<br>Combi-instrument<br>Dial<br>Black  |        | 1   | U5D,D50,IY2<br>PR:D43,G1G,<br>U5A,7V0,D1V,<br>U5G,U5E,U5F,<br>D50,U5D |
| 1   | 958 641 148 15 | D - MJ 2014>><br>Combi-instrument<br>Dial<br>Black            |        | 1   | PR:D43,G1G,<br>U5B,7V0,-IY2   |
| 1   | 958 641 148 20 | D - MJ 2013>> - MJ 2013<br>Combi-instrument<br>Dial<br>Black  |        | 1   | PR:D43,G1G,<br>U5B,7V0,IY2  |
| 1   | 958 641 148 24 | D - MJ 2013>> - MJ 2013<br>Combi-instrument<br>Dial<br>Black  |        | 1   | PR:D43,G1G,<br>U5B,7V0  |
| 1   | 958 641 154 14 | D - MJ 2014>><br>Combi-instrument<br>Dial<br>silver           |        | 1   | PR:D19,U5A,<br>7V5,U5G,U5E,<br>U5F,-IY2                               |
| 1   | 958 641 154 20 | D - MJ 2013>> - MJ 2013<br>Combi-instrument<br>Dial<br>silver |        | 1   | PR:D19,U5A,<br>7V5,U5G,U5E,<br>U5F,IY2                                |
| 1   | 958 641 154 24 | D - MJ 2013>> - MJ 2013<br>Combi-instrument<br>Dial<br>silver |        | 1   | PR:D19,U5A,<br>7V5,U5G,U5E,<br>U5F                                    |
| 1   | 958 641 158 14 | D - MJ 2014>><br>Combi-instrument<br>Dial<br>silver           |        | 1   | PR:D19,U5B,<br>7V5,-IY2   |
| 1   | 958 641 158 20 | D - MJ 2013>> - MJ 2013<br>Combi-instrument<br>Dial<br>silver |        | 1   | PR:D19,U5B,<br>7V5,IY2  |
| 1   | 958 641 158 24 | D - MJ 2013>> - MJ 2013<br>Combi-instrument<br>Dial<br>silver |        | 1   | PR:D19,U5B,<br>7V5  |
| 1   | 958 641 234 14 | D - MJ 2014>><br>Combi-instrument<br>Dial<br>silver           |        | 1   | PR:D6V,U5A,<br>7V5,U5G,U5E,<br>U5F,E0A,-IY2                           |
| 1   | 958 641 234 21 | D - MJ 2013>> - MJ 2013<br>Combi-instrument<br>Dial<br>silver |        | 1   | PR:D6V,U5A,<br>7V5,U5G,U5E,<br>U5F,E0A,IY2                            |
| 1   | 958 641 234 34 | D - MJ 2013>> - MJ 2013<br>Combi-instrument<br>Dial<br>silver |        | 1   | PR:D6V,U5A,<br>7V5,U5G,U5E,<br>U5F                                    |
| 1   | 958 641 238 14 | D - MJ 2014>><br>Combi-instrument<br>Dial<br>silver           |        | 1   | PR:D6V,U5B,<br>7V5,E0A,-IY2   |
| 1   | 958 641 238 21 | D - MJ 2013>> - MJ 2013<br>Combi-instrument<br>Dial<br>silver |        | 1   | PR:D6V,U5B,<br>7V5,E0A,IY2  |
| 1   | 958 641 238 34 | D - MJ 2013>> - MJ 2013<br>Combi-instrument<br>Dial           |        | 1   | PR:D6V,U5B,<br>7V5  |

Model: 92A 11 Model life 2011>>2018

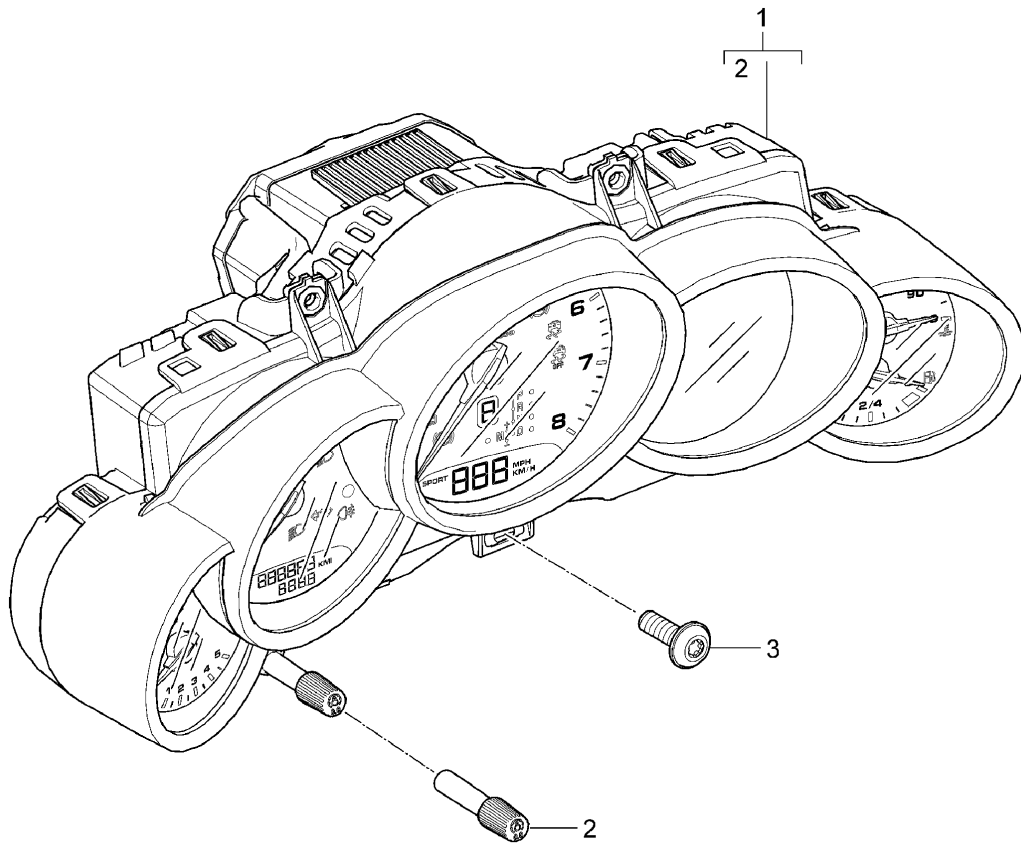
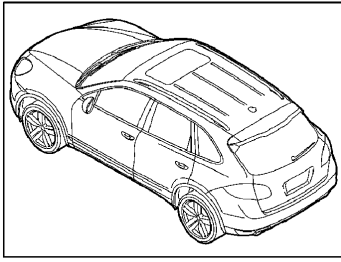
| Pos | Part Number    | Description   | Remark | Qty | Model                                       |
|-----|----------------|---|--------|-----|---|
| 1   | 958 641 234 25 | silver<br>D - MJ 2014>><br>Combi-instrument<br>Dial                 |        | 1   | PR:D6V,U5A,<br>7V5,E0W,U5G,<br>U5E,U5F,-IY2 |
| 1   | 958 641 234 26 | silver<br>D - MJ 2013>> - MJ 2013<br>Combi-instrument<br>Dial       |        | 1   | PR:D6V,U5A,<br>7V5,E0W,U5G,<br>U5E,U5F,IY2  |
| 1   | 958 641 234 27 | silver<br>D - MJ 2013>> - MJ 2013<br>Combi-instrument<br>Dial       |        | 1   | PR:D6V,U5A,<br>7V5,E0W,U5G,<br>U5E,U5F      |
| 1   | 958 641 238 25 | silver<br>D - MJ 2014>><br>Combi-instrument<br>Dial                 |        | 1   | PR:D6V,U5B,<br>7V5,E0W,-IY2                 |
| 1   | 958 641 238 26 | silver<br>D - MJ 2013>> - MJ 2013<br>Combi-instrument<br>Dial       |        | 1   | PR:D6V,U5B,<br>7V5,E0W,IY2                  |
| 1   | 958 641 238 34 | silver<br>D - MJ 2013>> - MJ 2013<br>Combi-instrument<br>Dial       |        | 1   | PR:D6V,U5B,<br>7V5                          |
| 1   | 958 641 334 14 | silver<br>D - MJ 2014>><br>Combi-instrument<br>Dial                 |        | 1   | PR:D58,U5A,<br>7V6,U5G,U5E,<br>U5F,E81,-IY2 |
| 1   | 958 641 334 20 | black/silver<br>D - MJ 2013>> - MJ 2013<br>Combi-instrument<br>Dial |        | 1   | PR:D58,U5A,<br>7V6,U5G,U5E,<br>U5F,E81,IY2  |
| 1   | 958 641 334 34 | black/silver<br>D - MJ 2013>> - MJ 2013<br>Combi-instrument<br>Dial |        | 1   | PR:D58,U5A,<br>7V6,U5G,U5E,<br>U5F          |
| 1   | 958 641 334 30 | black/silver<br>D - MJ 2014>><br>Combi-instrument<br>Dial           |        | 1   | PR:D58,U5A,<br>7V6,U5G,U5E,<br>U5F,E8A      |
| 1   | 958 641 336 31 | black/silver<br>D - MJ 2013>> - MJ 2013<br>Combi-instrument<br>Dial |        | 1   | PR:D58,U5A,<br>7V6,U5G,U5E,<br>U5F,E8A      |
| 1   | 958 641 338 14 | black/silver<br>D - MJ 2014>><br>Combi-instrument<br>Dial           |        | 1   | PR:D58,U5B,<br>7V6,E81,-IY2                 |
| 1   | 958 641 338 20 | black/silver<br>D - MJ 2013>> - MJ 2013<br>Combi-instrument<br>Dial |        | 1   | PR:D58,U5B,<br>7V6,E81,IY2                  |
| 1   | 958 641 338 30 | black/silver<br>D - MJ 2013>> - MJ 2013<br>Combi-instrument<br>Dial |        | 1   | PR:D58,U5B,<br>7V6,E8A                      |
| 1   | 958 641 338 31 | black/silver<br>D - MJ 2013>> - MJ 2013<br>Combi-instrument<br>Dial |        | 1   | PR:D58,U5B,<br>7V6,E8A                      |
| 1   | 958 641 338 34 | black/silver<br>D - MJ 2014>><br>Combi-instrument                   |        | 1   | PR:D58,U5B,                                 |

Model: 92A 11 Model life 2011>>2018

| Pos | Part Number    | Description  | Remark | Qty | Model                                     |
|-----|----------------|--|--------|-----|---|
| 1   | 958 641 244 15 | Dial<br>black/silver<br>D - MJ 2014>><br>Combi-instrument<br>Dial<br>silver<br>D - MJ 2013>> - MJ 2013 |        | 1   | 7V6<br>PR:DD8,U5A,<br>U5E,U5F,U5G,<br>7V5 |
| 1   | 958 641 244 16 | Combi-instrument<br>Dial<br>silver<br>D - MJ 2014>><br>Combi-instrument                                |        | 1   | PR:DD8,U5A,<br>U5E,U5F,U5G,<br>7V5        |
| 1   | 958 641 248 15 | Dial<br>silver<br>D - MJ 2013>> - MJ 2013  |        | 1   | PR:DD8,U5B,<br>7V5                        |
| 1   | 958 641 248 16 | Combi-instrument<br>Dial<br>silver<br>D - MJ 2014>><br>Combi-instrument                                |        | 1   | PR:DD8,U5B,<br>7V5                        |
| 2   | 7PP 919 069    | knob<br>throttle control element<br>D - MJ 2013>>  |        | 1   |   |
| 3   | N 906 986 06   | Hexagon socket head panel bolt<br>4,2 X 16<br>D - MJ 2013>>  |        | 4   |   |
| 4   | 958 641 401 04 | Compass<br>D - MJ 2013>>   |        | 1   | PR:QR1,7T1,                               |
| (4) | 958 641 501 01 | Stopwatch<br>D - MJ 2013>>   |        | 1   | PR:QR4,QR5                                |
| (4) | 958 641 501 10 | Clock<br>D - MJ 2013>><br>No longer use the part here  |        | 1   | PR:QR3                                    |
| (4) | 958 641 501 11 | Clock<br>D - MJ 2013>><br>No longer use the part here  |        | 1   | PR:QR3                                    |
| (4) | 958 641 501 12 | Clock<br>D - MJ 2013>>   |        | 1   | PR:QR3                                    |
| 5   | N 906 986 06   | Hexagon socket head panel bolt<br>4,2 X 16<br>D - MJ 2013>>  |        | 2   |   |
| 6   | N 906 988 01   | Speed nut<br>4,2<br>D - MJ 2013>>  |        | 2   |   |

Model: 92A 11

Model life 2011>>2018



Model: 92A 11 Model life 2011>>2018

| Pos | Part Number    | Description  | Remark | Qty | Model   |
|-----|----------------|--|--------|-----|---|
| 1   | 958 641 923 14 | Instruments<br>Dial<br>Coloured<br>D - MJ 2013>> - MJ 2014<br>Combi-instrument<br>Dial<br>Indian red |        | 1   | PR:D34,G0L,<br>U5A,7V1,U5E,<br>U5F,U5G,-IY2         |
| 1   | 958 641 923 20 | D - MJ 2013>><br>Combi-instrument<br>Dial<br>Indian red  |        | 1   | PR:D34,G0L,<br>U5A,7V1,U5E,<br>U5F,U5G,IY2          |
| 1   | 958 641 923 21 | D - MJ 2013>><br>Combi-instrument<br>Dial<br>Indian red  |        | 1   | PR:D34,G0L,<br>U5A,7V1,U5E,<br>U5F,U5G              |
| 1   | 958 641 943 14 | D - MJ 2014>><br>Combi-instrument<br>Dial<br>Carrara white   |        | 1   | PR:D34,G0L,<br>U5A,7V3,U5E,<br>U5F,U5G              |
| 1   | 958 641 943 20 | D - MJ 2013>><br>Combi-instrument<br>Dial<br>Carrara white   |        | 1   | PR:D34,G0L,<br>U5A,7V3,U5E,<br>U5F,U5G,IY2          |
| 1   | 958 641 943 21 | D - MJ 2013>><br>Combi-instrument<br>Dial<br>white   |        | 1   | PR:D34,G0L,<br>U5A,7V3,U5E,<br>U5F,U5G              |
| 1   | 958 641 963 14 | D - MJ 2014>><br>Combi-instrument<br>Dial<br>Luxor beige   |        | 1   | PR:D34,G0L,<br>U5A,7V4,U5E,<br>U5F,U5G,-IY2         |
| 1   | 958 641 963 20 | D - MJ 2013>><br>Combi-instrument<br>Dial<br>Luxor beige   |        | 1   | PR:D34,G0L,<br>U5A,7V4,U5E,<br>U5F,U5G,IY2          |
| 1   | 958 641 963 21 | D - MJ 2013>><br>Combi-instrument<br>Dial<br>Luxor beige   |        | 1   | PR:D34,G0L,<br>U5A,7V4,U5E,<br>U5F,U5G              |
| 1   | 958 641 924 14 | D - MJ 2014>><br>Combi-instrument<br>Dial<br>Indian red  |        | 1   | PR:D34,G1G,<br>U5A,7V1,U5E,<br>U5F,U5G,D11,<br>-IY2 |
| 1   | 958 641 924 20 | D - MJ 2013>><br>Combi-instrument<br>Dial<br>Indian red  |        | 1   | PR:D34,G1G,<br>U5A,7V1,U5E,<br>U5F,U5G,D11,<br>IY2  |
| 1   | 958 641 924 21 | D - MJ 2013>><br>Combi-instrument<br>Dial<br>Indian red  |        | 1   | PR:D34,G1G,<br>U5A,7V1,U5E,<br>U5F,U5G,D11          |
| 1   | 958 641 944 14 | D - MJ 2014>><br>Combi-instrument<br>Dial<br>Carrara white   |        | 1   | PR:D34,G1G,<br>U5A,7V3,U5E,<br>U5F,U5G,D11,<br>-IY2 |
| 1   | 958 641 944 20 | D - MJ 2013>><br>Combi-instrument<br>Dial<br>Carrara white   |        | 1   | PR:D34,G1G,<br>U5A,7V3,U5E,<br>U5F,U5G,D11,<br>IY2  |
| 1   | 958 641 944 21 | D - MJ 2013>><br>Combi-instrument<br>Dial<br>Changeover switch                                       |        | 1   | PR:D34,G1G,<br>U5A,7V3,U5E,<br>U5F,U5G,D11          |

Model: 92A 11

Model life 2011&gt;&gt;2018

| Pos | Part Number    | Description  | Remark | Qty | Model   |
|-----|----------------|--|--------|-----|---|
| 1   | 958 641 964 14 | D - MJ 2014>><br>Combi-instrument<br>Dial<br>Luxor beige   |        | 1   | PR:D34,G1G,<br>U5A,7V4,U5E,<br>U5F,U5G,D11,<br>-IY2 |
| 1   | 958 641 964 20 | D - MJ 2013>><br>Combi-instrument<br>Dial<br>Luxor beige   |        | 1   | PR:D34,G1G,<br>U5A,7V4,U5E,<br>U5F,U5G,D11,<br>IY2  |
| 1   | 958 641 964 21 | D - MJ 2013>><br>Combi-instrument<br>Dial<br>Luxor beige   |        | 1   | PR:D34,G1G,<br>U5A,7V4,U5E,<br>U5F,U5G,D11          |
| 1   | 958 641 927 14 | D - MJ 2014>><br>Combi-instrument<br>Dial<br>Indian red    |        | 1   | PR:D34,G0L,<br>U5B,7V1,-IY2                         |
| 1   | 958 641 927 20 | D - MJ 2013>><br>Combi-instrument<br>Dial<br>Indian red    |        | 1   | PR:D34,G0L,<br>U5B,7V1,IY2                          |
| 1   | 958 641 927 21 | D - MJ 2013>><br>Combi-instrument<br>Dial<br>Indian red    |        | 1   | PR:D34,G0L,<br>U5B,7V1                              |
| 1   | 958 641 947 14 | D - MJ 2014>><br>Combi-instrument<br>Dial<br>Carrara white |        | 1   | PR:D34,G0L,<br>U5B,7V3,-IY2                         |
| 1   | 958 641 947 20 | D - MJ 2013>><br>Combi-instrument<br>Dial<br>Carrara white |        | 1   | PR:D34,G0L,<br>U5B,7V3,IY2                          |
| 1   | 958 641 947 21 | D - MJ 2013>><br>Combi-instrument<br>Dial<br>white         |        | 1   | PR:D34,G0L,<br>U5B,7V3                              |
| 1   | 958 641 967 14 | D - MJ 2014>><br>Combi-instrument<br>Dial<br>Luxor beige   |        | 1   | PR:D34,G0L,<br>U5B,7V4,-IY2                         |
| 1   | 958 641 967 20 | D - MJ 2013>><br>Combi-instrument<br>Dial<br>Luxor beige   |        | 1   | PR:D34,G0L,<br>U5B,7V4,IY2                          |
| 1   | 958 641 967 21 | D - MJ 2013>><br>Combi-instrument<br>Dial<br>Luxor beige   |        | 1   | PR:D34,G0L,<br>U5B,7V4                              |
| 1   | 958 641 928 14 | D - MJ 2014>><br>Combi-instrument<br>Dial<br>Indian red    |        | 1   | PR:D34,G1G,<br>U5B,7V1,-IY2                         |
| 1   | 958 641 928 20 | D - MJ 2013>><br>Combi-instrument<br>Dial<br>Indian red    |        | 1   | PR:D34,G1G,<br>U5B,7V1,IY2                          |
| 1   | 958 641 928 21 | D - MJ 2013>><br>Combi-instrument<br>Dial<br>Indian red    |        | 1   | PR:D34,G1G,<br>U5B,7V1                              |
| 1   | 958 641 948 14 | D - MJ 2014>><br>Combi-instrument<br>Dial                  |        | 1   | PR:D34,G1G,<br>U5B,7V3,-IY2                         |



Model: 92A 11 Model life 2011>>2018

| Pos | Part Number    | Description  | Remark | Qty | Model   |
|-----|----------------|--|--------|-----|---|
| 1   | 958 641 948 20 | Carrara white<br>D - MJ 2013>><br>Combi-instrument<br>Dial |        | 1   | PR:D34,G1G,<br>U5B,7V3,IY2                          |
| 1   | 958 641 948 21 | Carrara white<br>D - MJ 2013>><br>Combi-instrument<br>Dial |        | 1   | PR:D34,G1G,<br>U5B,7V3                              |
| 1   | 958 641 968 14 | white<br>D - MJ 2014>><br>Combi-instrument<br>Dial         |        | 1   | PR:D34,G1G,<br>U5B,7V4,-IY2                         |
| 1   | 958 641 968 20 | Luxor beige<br>D - MJ 2013>><br>Combi-instrument<br>Dial   |        | 1   | PR:D34,G1G,<br>U5B,7V4,IY2                          |
| 1   | 958 641 968 21 | Luxor beige<br>D - MJ 2013>><br>Combi-instrument<br>Dial   |        | 1   | PR:D34,G1G,<br>U5B,7V4                              |
| 1   | 958 641 904 14 | Luxor beige<br>D - MJ 2014>><br>Combi-instrument<br>Dial   |        | 1   | PR:D43,G1G,<br>U5A,7V1,U5E,<br>U5F,U5G,D1V,<br>-IY2 |
| 1   | 958 641 904 20 | Indian red<br>D - MJ 2013>><br>Combi-instrument<br>Dial    |        | 1   | PR:D43,G1G,<br>U5A,7V1,U5E,<br>U5F,U5G,D1V,<br>IY2  |
| 1   | 958 641 904 21 | Indian red<br>D - MJ 2013>><br>Combi-instrument<br>Dial    |        | 1   | PR:D43,G1G,<br>U5A,7V1,U5E,<br>U5F,U5G,D1V          |
| 1   | 958 641 904 20 | Indian red<br>D - MJ 2014>><br>Combi-instrument<br>Dial    |        | 1   | PR:DD8,G1G,<br>U5A,7V1,U5E,<br>U5F,U5G              |
| 1   | 958 641 904 21 | Indian red<br>D - MJ 2013>><br>Combi-instrument<br>Dial    |        | 1   | PR:DD8,G1G,<br>U5A,7V1,U5E,<br>U5F,U5G              |
| 1   | 958 641 914 14 | Indian red<br>D - MJ 2014>><br>Combi-instrument<br>Dial    |        | 1   | PR:D43,G1G,<br>U5A,7V3,U5E,<br>U5F,U5G,D1V,<br>-IY2 |
| 1   | 958 641 914 20 | Carrara white<br>D - MJ 2013>><br>Combi-instrument<br>Dial |        | 1   | PR:D43,G1G,<br>U5A,7V3,U5E,<br>U5F,U5G,D1V,<br>IY2  |
| 1   | 958 641 914 21 | Carrara white<br>D - MJ 2013>><br>Combi-instrument<br>Dial |        | 1   | PR:D43,G1G,<br>U5A,7V3,U5E,<br>U5F,U5G,D1V          |
| 1   | 958 641 914 20 | white<br>D - MJ 2014>><br>Combi-instrument<br>Dial         |        | 1   | PR:DD8,G1G,<br>U5A,7V3,U5E,<br>U5F,U5G              |
| 1   | 958 641 914 21 | Carrara white<br>D - MJ 2013>><br>Combi-instrument<br>Dial |        | 1   | PR:DD8,G1G,<br>U5A,7V3,U5E,<br>U5F,U5G              |
| 1   | 958 641 934 14 | white<br>D - MJ 2014>><br>Combi-instrument                 |        | 1   | PR:D43,G1G,   |

Model: 92A 11 Model life 2011>>2018

| Pos | Part Number    | Description  | Remark | Qty | Model  |
|-----|----------------|--|--------|-----|--|
| 1   | 958 641 934 20 | Dial<br>Luxor beige<br>D - MJ 2013>><br>Combi-instrument   |        | 1   | U5A,7V4,U5E,<br>U5F,U5G,D1V,<br>-IY2<br>PR:D43,G1G,<br>U5A,7V4,U5E,<br>U5F,U5G,D1V,<br>IY2 |
| 1   | 958 641 934 21 | Dial<br>Luxor beige<br>D - MJ 2013>><br>Combi-instrument   |        | 1   | PR:D43,G1G,<br>U5A,7V4,U5E,<br>U5F,U5G,D1V   |
| 1   | 958 641 934 20 | Dial<br>Luxor beige<br>D - MJ 2014>><br>Combi-instrument   |        | 1   | PR:DD8,G1G,<br>U5A,7V4,U5E,<br>U5F,U5G   |
| 1   | 958 641 934 21 | Dial<br>Luxor beige<br>D - MJ 2013>><br>Combi-instrument   |        | 1   | PR:DD8,G1G,<br>U5A,7V4,U5E,<br>U5F,U5G   |
| 1   | 958 641 908 14 | Dial<br>Luxor beige<br>D - MJ 2014>><br>Combi-instrument   |        | 1   | PR:D43,G1G,<br>U5B,7V1,-IY2  |
| 1   | 958 641 908 20 | Dial<br>Indian red<br>D - MJ 2013>><br>Combi-instrument    |        | 1   | PR:D43,G1G,<br>U5B,7V1,IY2   |
| 1   | 958 641 908 21 | Dial<br>Indian red<br>D - MJ 2013>><br>Combi-instrument    |        | 1   | PR:D43,G1G,<br>U5B,7V1   |
| 1   | 958 641 908 20 | Dial<br>Indian red<br>D - MJ 2014>><br>Combi-instrument    |        | 1   | PR:DD8,G1G,<br>U5B,7V1   |
| 1   | 958 641 908 21 | Dial<br>Indian red<br>D - MJ 2013>><br>Combi-instrument    |        | 1   | PR:DD8,G1G,<br>U5B,7V1   |
| 1   | 958 641 918 14 | Dial<br>Indian red<br>D - MJ 2014>><br>Combi-instrument    |        | 1   | PR:D43,G1G,<br>U5B,7V3,-IY2  |
| 1   | 958 641 918 20 | Dial<br>Carrara white<br>D - MJ 2013>><br>Combi-instrument |        | 1   | PR:D43,G1G,<br>U5B,7V3,IY2   |
| 1   | 958 641 918 21 | Dial<br>Carrara white<br>D - MJ 2013>><br>Combi-instrument |        | 1   | PR:D43,G1G,<br>U5B,7V3   |
| 1   | 958 641 918 20 | Dial<br>white<br>D - MJ 2014>><br>Combi-instrument         |        | 1   | PR:DD8,G1G,<br>U5B,7V3   |
| 1   | 958 641 918 21 | Dial<br>Carrara white<br>D - MJ 2013>><br>Combi-instrument |        | 1   | PR:DD8,G1G,<br>U5B,7V3   |
| 1   | 958 641 938 14 | Dial<br>white<br>D - MJ 2014>><br>Combi-instrument         |        | 1   | PR:D43,G1G,<br>U5B,7V4   |
|     |                | Dial<br>Luxor beige<br>D - MJ 2013>>                       |        |     |  |

Model: 92A 11

Model life 2011&gt;&gt;2018

| Pos | Part Number    | Description  | Remark | Qty | Model                                       |
|-----|----------------|--|--------|-----|---|
| 1   | 958 641 938 20 | Combi-instrument<br>Dial<br>Luxor beige<br>D - MJ 2013>>   |        | 1   | PR:D43,G1G,<br>U5B,7V4,IY2                  |
| 1   | 958 641 938 21 | Combi-instrument<br>Dial<br>Luxor beige<br>D - MJ 2014>>   |        | 1   | PR:D43,G1G,<br>U5B,7V4                      |
| 1   | 958 641 938 20 | Combi-instrument<br>Dial<br>Luxor beige<br>D - MJ 2013>>   |        | 1   | PR:DD8,G1G,<br>U5B,7V4                      |
| 1   | 958 641 938 21 | Combi-instrument<br>Dial<br>Luxor beige<br>D - MJ 2014>>   |        | 1   | PR:DD8,G1G,<br>U5B,7V4                      |
| 1   | 958 641 954 14 | Combi-instrument<br>Dial<br>Indian red<br>D - MJ 2013>>    |        | 1   | PR:D6V,U5A,<br>7V1,U5E,U5F,<br>U5G,E0A,-IY2 |
| 1   | 958 641 954 21 | Combi-instrument<br>Dial<br>Indian red<br>D - MJ 2013>>    |        | 1   | PR:D6V,U5A,<br>7V1,U5E,U5F,<br>U5G,E0A,IY2  |
| 1   | 958 641 954 22 | Combi-instrument<br>Dial<br>Indian red<br>D - MJ 2014>>    |        | 1   | PR:D6V,U5A,<br>7V1,U5E,U5F,<br>U5G,E0A      |
| 1   | 958 641 974 14 | Combi-instrument<br>Dial<br>Carrara white<br>D - MJ 2013>> |        | 1   | PR:D6V,U5A,<br>7V3,U5E,U5F,<br>U5G,E0A,-IY2 |
| 1   | 958 641 974 21 | Combi-instrument<br>Dial<br>Carrara white<br>D - MJ 2013>> |        | 1   | PR:D6V,U5A,<br>7V3,U5E,U5F,<br>U5G,E0A,IY2  |
| 1   | 958 641 974 22 | Combi-instrument<br>Dial<br>white<br>D - MJ 2014>>         |        | 1   | PR:D6V,U5A,<br>7V3,U5E,U5F,<br>U5G,E0A      |
| 1   | 958 641 994 14 | Combi-instrument<br>Dial<br>Luxor beige<br>D - MJ 2013>>   |        | 1   | PR:D6V,U5A,<br>7V4,U5E,U5F,<br>U5G,E0A,-IY2 |
| 1   | 958 641 994 21 | Combi-instrument<br>Dial<br>Luxor beige<br>D - MJ 2013>>   |        | 1   | PR:D6V,U5A,<br>7V4,U5E,U5F,<br>U5G,E0A,IY2  |
| 1   | 958 641 994 22 | Combi-instrument<br>Dial<br>Luxor beige<br>D - MJ 2014>>   |        | 1   | PR:D6V,U5A,<br>7V4,U5E,U5F,<br>U5G,E0A      |
| 1   | 958 641 958 14 | Combi-instrument<br>Dial<br>Indian red<br>D - MJ 2013>>    |        | 1   | PR:D6V,U5B,<br>7V1,E0A,-IY2                 |
| 1   | 958 641 958 21 | Combi-instrument<br>Dial<br>Indian red<br>D - MJ 2013>>    |        | 1   | PR:D6V,U5B,<br>7V1,E0A,IY2                  |
| 1   | 958 641 958 22 | Combi-instrument<br>Dial<br>Indian red                     |        | 1   | PR:D6V,U5B,<br>7V1,E0A                      |

Model: 92A 11

Model life 2011&gt;&gt;2018

| Pos | Part Number    | Description  | Remark | Qty | Model                                       |
|-----|----------------|--|--------|-----|---|
| 1   | 958 641 978 14 | D - MJ 2014>><br>Combi-instrument<br>Dial<br>Carrara white |        | 1   | PR:D6V,U5B,<br>7V3,E0A,-IY2                 |
| 1   | 958 641 978 21 | D - MJ 2013>><br>Combi-instrument<br>Dial<br>Carrara white |        | 1   | PR:D6V,U5B,<br>7V3,E0A,IY2                  |
| 1   | 958 641 978 22 | D - MJ 2013>><br>Combi-instrument<br>Dial<br>white         |        | 1   | PR:D6V,U5B,<br>7V3,E0A                      |
| 1   | 958 641 998 14 | D - MJ 2014>><br>Combi-instrument<br>Dial<br>Luxor beige   |        | 1   | PR:D6V,U5B,<br>7V4,E0A,-IY2                 |
| 1   | 958 641 998 21 | D - MJ 2013>><br>Combi-instrument<br>Dial<br>Luxor beige   |        | 1   | PR:D6V,U5B,<br>7V4,E0A,IY2                  |
| 1   | 958 641 998 22 | D - MJ 2013>><br>Combi-instrument<br>Dial<br>Luxor beige   |        | 1   | PR:D6V,U5B,<br>7V4,E0A                      |
| 1   | 958 641 954 54 | D - MJ 2014>><br>Combi-instrument<br>Dial<br>Indian red    |        | 1   | PR:D6V,U5A,<br>7V1,U5E,U5F,<br>U5G,E0W,-IY2 |
| 1   | 958 641 954 55 | D - MJ 2013>><br>Combi-instrument<br>Dial<br>Indian red    |        | 1   | PR:D6V,U5A,<br>7V1,U5E,U5F,<br>U5G,E0W,IY2  |
| 1   | 958 641 954 56 | D - MJ 2013>><br>Combi-instrument<br>Dial<br>Indian red    |        | 1   | PR:D6V,U5A,<br>7V1,U5E,U5F,<br>U5G,E0W      |
| 1   | 958 641 974 54 | D - MJ 2014>><br>Combi-instrument<br>Dial<br>Carrara white |        | 1   | PR:D6V,U5A,<br>7V3,U5E,U5F,<br>U5G,E0W,-IY2 |
| 1   | 958 641 974 55 | D - MJ 2013>><br>Combi-instrument<br>Dial<br>Carrara white |        | 1   | PR:D6V,U5A,<br>7V3,U5E,U5F,<br>U5G,E0W,IY2  |
| 1   | 958 641 974 56 | D - MJ 2013>><br>Combi-instrument<br>Dial<br>white         |        | 1   | PR:D6V,U5A,<br>7V3,U5E,U5F,<br>U5G,E0W      |
| 1   | 958 641 994 54 | D - MJ 2014>><br>Combi-instrument<br>Dial<br>Luxor beige   |        | 1   | PR:D6V,U5A,<br>7V4,U5E,U5F,<br>U5G,E0W,-IY2 |
| 1   | 958 641 994 55 | D - MJ 2013>><br>Combi-instrument<br>Dial<br>Luxor beige   |        | 1   | PR:D6V,U5A,<br>7V4,U5E,U5F,<br>U5G,E0W,IY2  |
| 1   | 958 641 994 56 | D - MJ 2013>><br>Combi-instrument<br>Dial<br>Luxor beige   |        | 1   | PR:D6V,U5A,<br>7V4,U5E,U5F,<br>U5G,E0W      |
| 1   | 958 641 958 54 | D - MJ 2014>><br>Combi-instrument<br>Dial                  |        | 1   | PR:D6V,U5B,<br>7V1,E0W,-IY2                 |

Model: 92A 11 Model life 2011>>2018

| Pos | Part Number    | Description  | Remark | Qty | Model                                   |
|-----|----------------|--|--------|-----|---|
| 1   | 958 641 958 55 | Indian red<br>D - MJ 2013>><br>Combi-instrument<br>Dial    |        | 1   | PR:D6V,U5B,<br>7V1,E0W,IY2              |
| 1   | 958 641 958 56 | Indian red<br>D - MJ 2013>><br>Combi-instrument<br>Dial    |        | 1   | PR:D6V,U5B,<br>7V1,E0W                  |
| 1   | 958 641 978 54 | Indian red<br>D - MJ 2014>><br>Combi-instrument<br>Dial    |        | 1   | PR:D6V,U5B,<br>7V3,E0W,-IY2             |
| 1   | 958 641 978 55 | Carrara white<br>D - MJ 2013>><br>Combi-instrument<br>Dial |        | 1   | PR:D6V,U5B,<br>7V3,E0W,IY2              |
| 1   | 958 641 978 56 | Carrara white<br>D - MJ 2013>><br>Combi-instrument<br>Dial |        | 1   | PR:D6V,U5B,<br>7V3,E0W                  |
| 1   | 958 641 998 54 | white<br>D - MJ 2014>><br>Combi-instrument<br>Dial         |        | 1   | PR:D6V,U5B,<br>7V4,E0W,-IY2             |
| 1   | 958 641 998 55 | Luxor beige<br>D - MJ 2013>><br>Combi-instrument<br>Dial   |        | 1   | PR:D6V,U5B,<br>7V4,E0W,IY2              |
| 1   | 958 641 998 56 | Luxor beige<br>D - MJ 2013>><br>Combi-instrument<br>Dial   |        | 1   | PR:D6V,U5B,<br>7V4,E0W                  |
| 1   | 958 641 954 34 | Luxor beige<br>D - MJ 2014>><br>Combi-instrument<br>Dial   |        | 1   | PR:D58,U5A,<br>7V1,U5E,U5F,<br>U5G,-IY2 |
| 1   | 958 641 954 35 | Indian red<br>D - MJ 2013>><br>Combi-instrument<br>Dial    |        | 1   | PR:D58,U5A,<br>7V1,U5E,U5F,<br>U5G,IY2  |
| 1   | 958 641 954 36 | Indian red<br>D - MJ 2013>><br>Combi-instrument<br>Dial    |        | 1   | PR:D58,U5A,<br>7V1,U5E,U5F,<br>U5G      |
| 1   | 958 641 954 40 | Indian red<br>D - MJ 2014>><br>Combi-instrument<br>Dial    |        | 1   | PR:D58,U5A,<br>7V1,U5E,U5F,<br>U5G,E8A  |
| 1   | 958 641 954 41 | Indian red<br>D - MJ 2013>><br>Combi-instrument<br>Dial    |        | 1   | PR:D58,U5A,<br>7V1,U5E,U5F,<br>U5G,E8A  |
| 1   | 958 641 974 34 | Indian red<br>D - MJ 2014>><br>Combi-instrument<br>Dial    |        | 1   | PR:D58,U5A,<br>7V3,U5E,U5F,<br>U5G,-IY2 |
| 1   | 958 641 974 35 | Carrara white<br>D - MJ 2013>><br>Combi-instrument<br>Dial |        | 1   | PR:D58,U5A,<br>7V3,U5E,U5F,<br>U5G,IY2  |
| 1   | 958 641 974 36 | Carrara white<br>D - MJ 2013>><br>Combi-instrument         |        | 1   | PR:D58,U5A,                             |

Model: 92A 11 Model life 2011>>2018

| Pos | Part Number    | Description   | Remark | Qty | Model   |
|-----|----------------|---|--------|-----|---|
| 1   | 958 641 974 40 | Dial<br>white<br>D - MJ 2014>><br>Combi-instrument<br>Dial<br>Carrara white |        | 1   | 7V3,U5E,U5F,<br>U5G<br>PR:D58,U5A,<br>7V3,U5E,U5F,<br>U5G,IY2 |
| 1   | 958 641 974 41 | D - MJ 2013>><br>Combi-instrument<br>Dial<br>white                          |        | 1   | PR:D58,U5A,<br>7V3,U5E,U5F,<br>U5G                            |
| 1   | 958 641 994 34 | D - MJ 2014>><br>Combi-instrument<br>Dial<br>Luxor beige                    |        | 1   | PR:D58,U5A,<br>7V4,U5E,U5F,<br>U5G,-IY2                       |
| 1   | 958 641 994 35 | D - MJ 2013>><br>Combi-instrument<br>Dial<br>Luxor beige                    |        | 1   | PR:D58,U5A,<br>7V4,U5E,U5F,<br>U5G,IY2                        |
| 1   | 958 641 994 36 | D - MJ 2013>><br>Combi-instrument<br>Dial<br>Luxor beige                    |        | 1   | PR:D58,U5A,<br>7V4,U5E,U5F,<br>U5G                            |
| 1   | 958 641 994 40 | D - MJ 2014>><br>Combi-instrument<br>Dial<br>Luxor beige                    |        | 1   | PR:D58,U5A,<br>7V4,U5E,U5F,<br>U5G,E8A                        |
| 1   | 958 641 994 41 | D - MJ 2013>><br>Combi-instrument<br>Dial<br>Luxor beige                    |        | 1   | PR:D58,U5A,<br>7V4,U5E,U5F,<br>U5G,E8A                        |
| 1   | 958 641 958 34 | D - MJ 2014>><br>Combi-instrument<br>Dial<br>Indian red                     |        | 1   | PR:D58,U5B,<br>7V1,-IY2                                       |
| 1   | 958 641 958 35 | D - MJ 2013>><br>Combi-instrument<br>Dial<br>Indian red                     |        | 1   | PR:D58,U5B,<br>7V1,IY2  |
| 1   | 958 641 958 36 | D - MJ 2013>><br>Combi-instrument<br>Dial<br>Indian red                     |        | 1   | PR:D58,U5B,<br>7V1  |
| 1   | 958 641 958 40 | D - MJ 2014>><br>Combi-instrument<br>Dial<br>Indian red                     |        | 1   | PR:D58,U5B,<br>7V1,E8A  |
| 1   | 958 641 958 41 | D - MJ 2013>><br>Combi-instrument<br>Dial<br>Indian red                     |        | 1   | PR:D58,U5B,<br>7V1,E8A  |
| 1   | 958 641 978 34 | D - MJ 2014>><br>Combi-instrument<br>Dial<br>Carrara white                  |        | 1   | PR:D58,U5B,<br>7V3,-IY2                                       |
| 1   | 958 641 978 35 | D - MJ 2013>><br>Combi-instrument<br>Dial<br>Carrara white                  |        | 1   | PR:D58,U5B,<br>7V3,IY2  |
| 1   | 958 641 978 36 | D - MJ 2013>><br>Combi-instrument<br>Dial<br>Carrara white                  |        | 1   | PR:D58,U5B,<br>7V3  |
|     |                | D - MJ 2014>>   |        |     |   |

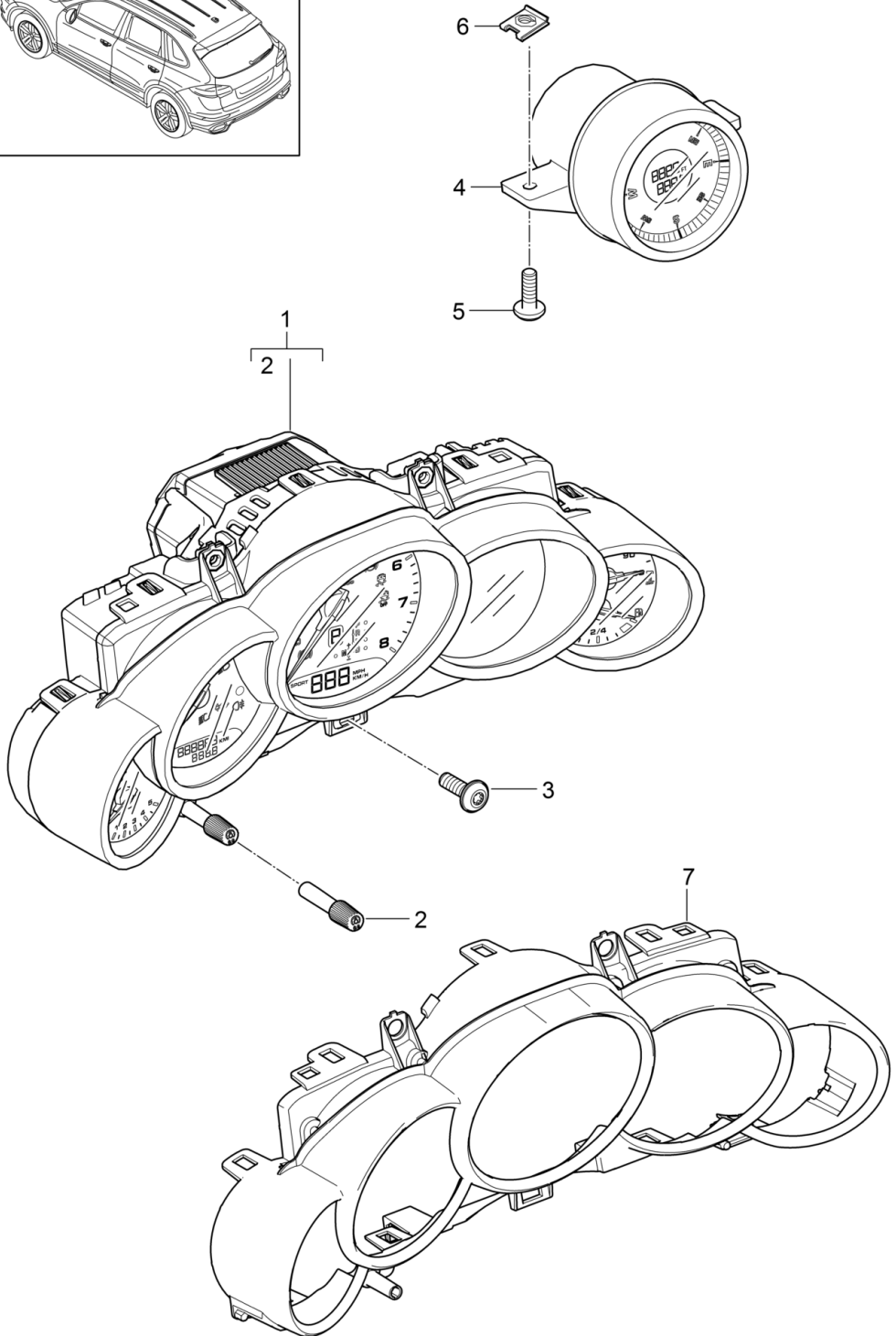
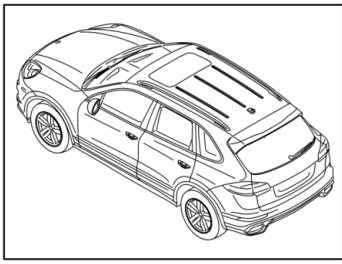
Model: 92A 11

Model life 2011&gt;&gt;2018

| Pos | Part Number    | Description   | Remark | Qty | Model                   |
|-----|----------------|---|--------|-----|-------------------------|
| 1   | 958 641 978 40 | Combi-instrument<br>Dial<br>Carrara white<br>D - MJ 2013>>  |        | 1   | PR:D58,U5B,<br>7V3,E8A  |
| 1   | 958 641 978 41 | Combi-instrument<br>Dial<br>white<br>D - MJ 2014>>          |        | 1   | PR:D58,U5B,<br>7V3,E8A  |
| 1   | 958 641 998 34 | Combi-instrument<br>Dial<br>Luxor beige<br>D - MJ 2013>>    |        | 1   | PR:D58,U5B,<br>7V4,-IY2 |
| 1   | 958 641 998 35 | Combi-instrument<br>Dial<br>Luxor beige<br>D - MJ 2013>>    |        | 1   | PR:D58,U5B,<br>7V4,IY2  |
| 1   | 958 641 998 36 | Combi-instrument<br>Dial<br>Luxor beige<br>D - MJ 2014>>    |        | 1   | PR:D58,U5B,<br>7V4      |
| 1   | 958 641 998 40 | Combi-instrument<br>Dial<br>Luxor beige<br>D - MJ 2013>>    |        | 1   | PR:D58,U5B,<br>7V4,IY2  |
| 1   | 958 641 998 41 | Combi-instrument<br>Dial<br>Luxor beige<br>D - MJ 2014>>    |        | 1   | PR:D58,U5B,<br>7V4      |
| 2   | 7PP 919 069    | knob<br>throttle control element<br>D - MJ 2013>>           |        | 1   |                         |
| 3   | N 906 986 06   | Hexagon socket head panel bolt<br>4,2 X 16<br>D - MJ 2013>> |        | 4   |                         |

Model: 92A 11

Model life 2011>>2018





Model: 92A 11 Model life 2011>>2018

| Pos | Part Number    | Description   | Remark | Qty | Model   |
|-----|----------------|---|--------|-----|---|
|     |                | Instruments<br>KOMPASS<br>Stopwatch<br>Instruments<br>Dial<br>Black<br>silver |        |     | PR:7V0,7V5,<br>7V6  |
| 1   | 958 641 160 02 | D - MJ 2017>><br>Combi-instrument<br>Dial<br>Black                            |        | 1   | PR:D11,D34,<br>U5A,U5E,U5F,<br>U5G,7V0                                    |
| 1   | 958 641 161 02 | Combi-instrument<br>Dial<br>Black   |        | 1   | PR:D34,U5B,<br>7V0  |
| 1   | 958 641 163 02 | Combi-instrument<br>Dial<br>silver  |        | 1   | PR:DU2,U5A,<br>U5E,U5F,U5G,<br>7V5  |
| 1   | 958 641 164 02 | Combi-instrument<br>Dial<br>silver  |        | 1   | PR:DU2,U5B,<br>7V5  |
| 1   | 958 641 166 02 | Combi-instrument<br>Dial<br>silver  |        | 1   | PR:DU3,U5A,<br>U5E,U5F,U5G,<br>7V5  |
| 1   | 958 641 167 02 | Combi-instrument<br>Dial<br>silver  |        | 1   | PR:DU3,U5B,<br>7V5  |
| 1   | 958 641 166 11 | Combi-instrument<br>Dial<br>Black   |        | 1   | PR:DU3,U5A,<br>U5E,U5F,U5G,<br>7V0  |
| 1   | 958 641 167 11 | Combi-instrument<br>Dial<br>Black   |        | 1   | PR:DU3,U5B,<br>7V0  |
| 1   | 958 641 169 02 | Combi-instrument<br>Dial<br>black/silver                                      |        | 1   | PR:DT1,U5A,<br>U5E,U5F,U5G,<br>7V6  |
| 1   | 958 641 170 02 | Combi-instrument<br>Dial<br>black/silver                                      |        | 1   | PR:DT1,U5B,<br>7V6  |
| 1   | 958 641 169 52 | Combi-instrument<br>Dial<br>black/silver                                      |        | 1   | PR:DT5,U5A,<br>U5E,U5F,U5G,<br>7V6  |
| 1   | 958 641 170 52 | Combi-instrument<br>Dial<br>black/silver                                      |        | 1   | PR:DT5,U5B,<br>7V6  |
| 1   | 958 641 172 02 | Combi-instrument<br>Dial<br>silver  |        | 1   | PR:D19,U5A,<br>U5E,U5F,U5G,<br>7V5  |
| 1   | 958 641 173 02 | Combi-instrument<br>Dial<br>silver  |        | 1   | PR:D19,U5B,<br>7V5  |
| 1   | 958 641 175 02 | Combi-instrument<br>Dial<br>Black   |        | 1   | PR:D1V,D43,<br>D50,DV7,D51,<br>U5A,U5E,U5F,<br>PR:D43,DV7,<br>D51,U5B,7V0 |
| 1   | 958 641 176 02 | Combi-instrument<br>Dial<br>Black   |        | 1   |   |
| 1   | 958 641 178 02 | Combi-instrument<br>Dial<br>silver  |        | 1   | PR:DD8,U5A,<br>U5E,U5F,U5G,<br>7V5  |
| 1   | 958 641 179 02 | Combi-instrument<br>Dial<br>silver  |        | 1   | PR:DD8,U5B,<br>7V5  |
| 2   | 7PP 919 069    | knob  |        | 1   |   |

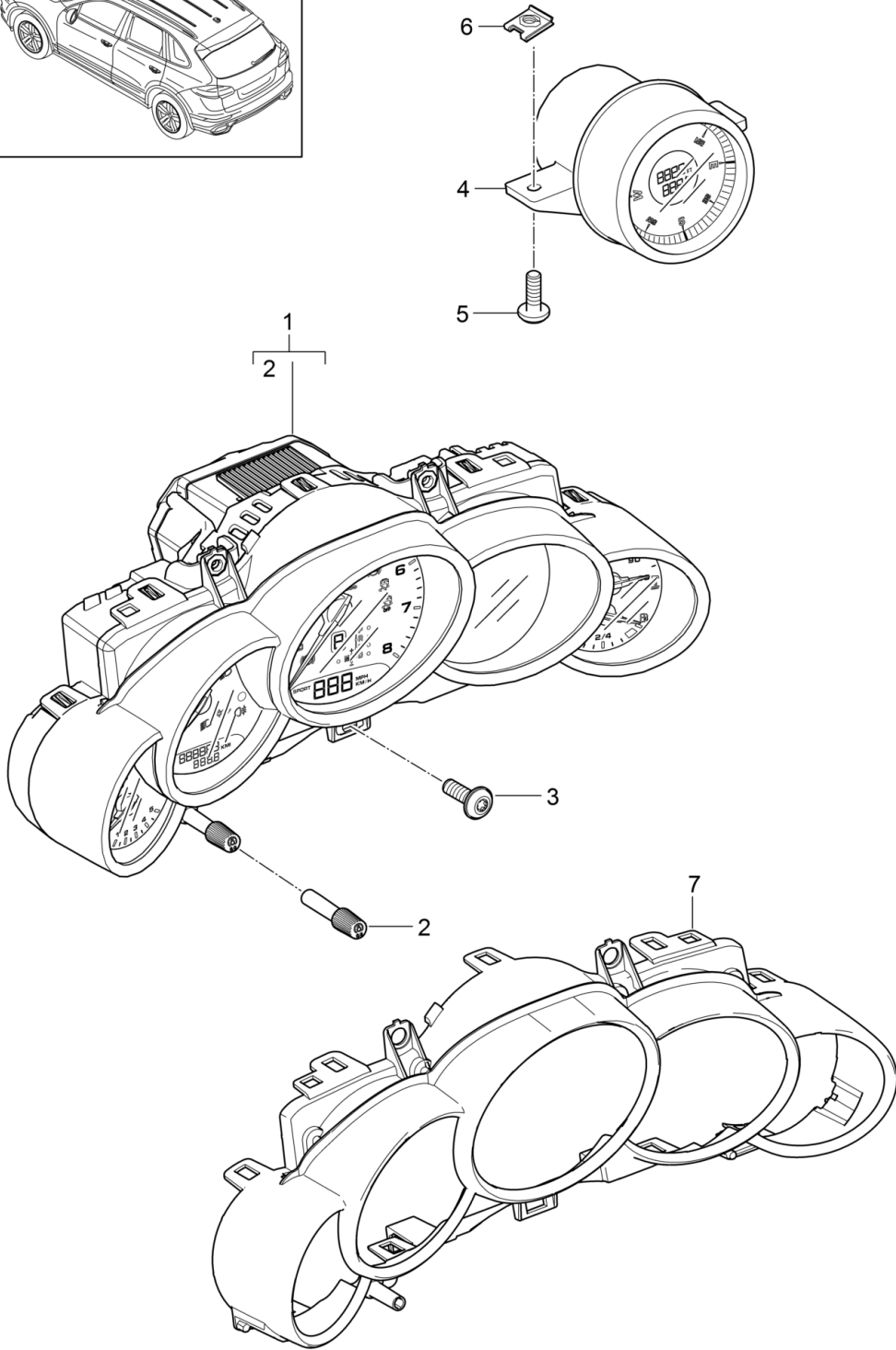
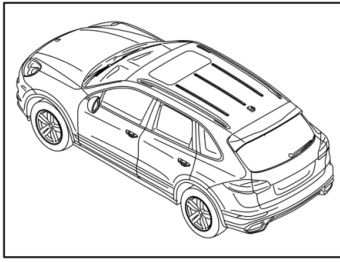
Model: 92A 11

Model life 2011>>2018

| Pos | Part Number    | Description  | Remark | Qty | Model       |
|-----|----------------|--|--------|-----|-------------|
| 3   | N 906 986 06   | throttle control element<br>Hexagon socket head panel bolt<br>4,2 X 16 |        | 4   |             |
| 4   | 958 641 401 05 | Compass  |        | 1   | PR:QR1,7T1, |
| (4) | 958 641 501 07 | Stopwatch  |        | 1   | PR:QR4,QR5, |
| (4) | 958 641 501 15 | clock for instrument<br>housing  |        | 1   | PR:QR3,0K0  |
| 5   | N 906 986 06   | Hexagon socket head panel bolt<br>4,2 X 16                             |        | 2   |             |
| 6   | N 906 988 01   | Speed nut<br>4,2   |        | 2   |             |
| 7   | 9A7 919 317    | Front frame<br>D >> - MJ 2016  | Glass  | 1   |             |

Model: 92A 11

Model life 2011>>2018



Model: 92A 11 Model life 2011>>2018

| Pos | Part Number    | Description   | Remark | Qty | Model   |
|-----|----------------|---|--------|-----|---|
|     |                | Instruments   |        |     | PR:7V3,7V4,<br>7V7,7V8  |
| 1   | 958 641 800 01 | Dial<br>Coloured<br>D - MJ 2017>><br>Combi-instrument |        | 1   | PR:D34,D11,<br>U5A,U5E,U5F,<br>U5G,7V7  |
| 1   | 958 641 801 01 | Dial<br>GRANATROT<br>Combi-instrument                 |        | 1   | PR:D34,U5B,<br>7V7  |
| 1   | 958 641 803 01 | Dial<br>GRANATROT<br>Combi-instrument                 |        | 1   | PR:DU2,U5A,<br>U5E,U5F,U5G,<br>7V7  |
| 1   | 958 641 804 01 | Dial<br>GRANATROT<br>Combi-instrument                 |        | 1   | PR:DU2,U5B,<br>7V7  |
| 1   | 958 641 806 01 | Dial<br>GRANATROT<br>Combi-instrument                 |        | 1   | PR:DU3,U5A,<br>U5E,U5F,U5G,<br>7V7  |
| 1   | 958 641 807 01 | Dial<br>GRANATROT<br>Combi-instrument                 |        | 1   | PR:DU3,U5B,<br>7V7  |
| 1   | 958 641 809 01 | Dial<br>GRANATROT<br>Combi-instrument                 |        | 1   | PR:DT1,U5A,<br>U5E,U5F,U5G,<br>7V7  |
| 1   | 958 641 810 01 | Dial<br>GRANATROT<br>Combi-instrument                 |        | 1   | PR:DT1,U5B,<br>7V7  |
| 1   | 958 641 812 01 | Dial<br>GRANATROT<br>Combi-instrument                 |        | 1   | PR:DT5,U5A,<br>U5E,U5F,U5G,<br>7V7  |
| 1   | 958 641 813 01 | Dial<br>GRANATROT<br>Combi-instrument                 |        | 1   | PR:DT5,U5B,<br>7V7  |
| 1   | 958 641 815 01 | Dial<br>GRANATROT<br>Combi-instrument                 |        | 1   | PR:DD8,D1V,<br>D43,D50,D51,<br>DV7,U5A,U5E,<br>PR:DD8,D43,<br>D51,DV7,U5B,<br>7V7 |
| 1   | 958 641 816 01 | Dial<br>GRANATROT<br>Combi-instrument                 |        | 1   | PR:D34,D11,<br>U5A,U5E,U5F,<br>U5G,7V3  |
| 1   | 958 641 820 01 | Dial<br>white<br>Combi-instrument                     |        | 1   | PR:D34,U5B,<br>7V3  |
| 1   | 958 641 821 01 | Dial<br>white<br>Combi-instrument                     |        | 1   | PR:DU2,U5A,<br>U5E,U5F,U5G,<br>7V3  |
| 1   | 958 641 823 01 | Dial<br>white<br>Combi-instrument                     |        | 1   | PR:DU2,U5B,<br>7V3  |
| 1   | 958 641 826 01 | Dial<br>white<br>Combi-instrument                     |        | 1   | PR:DU3,U5A,<br>U5E,U5F,U5G,<br>7V3  |
| 1   | 958 641 827 01 | Dial<br>white<br>Combi-instrument                     |        | 1   | PR:DU3,U5B,<br>7V3  |
| 1   | 958 641 829 01 | Dial<br>white<br>Combi-instrument                     |        | 1   | PR:DT1,U5A,<br>U5E,U5F,U5G,<br>7V3  |
| 1   | 958 641 830 01 | Dial<br>white<br>Combi-instrument                     |        | 1   | PR:DT1,U5B,<br>7V3  |

Model: 92A 11 Model life 2011>>2018

| Pos | Part Number    | Description  | Remark | Qty | Model   |
|-----|----------------|--|--------|-----|---|
| 1   | 958 641 832 01 | white<br>Combi-instrument<br>Dial                                      |        | 1   | PR:DT5,U5A,<br>U5E,U5F,U5G,<br>7V3  |
| 1   | 958 641 833 01 | white<br>Combi-instrument<br>Dial                                      |        | 1   | PR:DT5,U5B,<br>7V3  |
| 1   | 958 641 835 01 | white<br>Combi-instrument<br>Dial                                      |        | 1   | PR:DD8,D1V,<br>D43,D50,D51,<br>DV7,U5A,U5E,<br>PR:DD8,D43,<br>D51,DV7,U5B,<br>7V3 |
| 1   | 958 641 836 01 | white<br>Combi-instrument<br>Dial                                      |        | 1   | PR:DD8,D43,<br>D51,DV7,U5B,<br>7V3  |
| 1   | 958 641 840 01 | Luxor beige<br>Combi-instrument<br>Dial                                |        | 1   | PR:D34,D11,<br>U5A,U5E,U5F,<br>U5G,7V4  |
| 1   | 958 641 841 01 | Luxor beige<br>Combi-instrument<br>Dial                                |        | 1   | PR:D34,U5B,<br>7V4  |
| 1   | 958 641 843 01 | Luxor beige<br>Combi-instrument<br>Dial                                |        | 1   | PR:DU2,U5A,<br>U5E,U5F,U5G,<br>7V4  |
| 1   | 958 641 844 01 | Luxor beige<br>Combi-instrument<br>Dial                                |        | 1   | PR:DU2,U5B,<br>7V4  |
| 1   | 958 641 846 01 | Luxor beige<br>Combi-instrument<br>Dial                                |        | 1   | PR:DU3,U5A,<br>U5E,U5F,U5G,<br>7V4  |
| 1   | 958 641 847 01 | Luxor beige<br>Combi-instrument<br>Dial                                |        | 1   | PR:DU3,U5B,<br>7V4  |
| 1   | 958 641 849 01 | Luxor beige<br>Combi-instrument<br>Dial                                |        | 1   | PR:DT1,U5A,<br>U5E,U5F,U5G,<br>7V4  |
| 1   | 958 641 850 01 | Luxor beige<br>Combi-instrument<br>Dial                                |        | 1   | PR:DT1,U5B,<br>7V4  |
| 1   | 958 641 852 01 | Luxor beige<br>Combi-instrument<br>Dial                                |        | 1   | PR:DT5,U5A,<br>U5E,U5F,U5G,<br>7V4  |
| 1   | 958 641 853 01 | Luxor beige<br>Combi-instrument<br>Dial                                |        | 1   | PR:DT5,U5B,<br>7V4  |
| 1   | 958 641 855 01 | Luxor beige<br>Combi-instrument<br>Dial                                |        | 1   | PR:DD8,D1V,<br>D43,D50,D51,<br>DV7,U5A,U5E,<br>PR:DD8,D43,<br>D51,DV7,U5B,<br>7V4 |
| 1   | 958 641 856 01 | Luxor beige<br>Combi-instrument<br>Dial                                |        | 1   | PR:DD8,D43,<br>D51,DV7,U5B,<br>7V4  |
| 1   | 958 641 846 21 | Luxor beige<br>Combi-instrument<br>Dial                                |        | 1   | PR:DU3,U5A,<br>U5E,U5F,U5G,<br>7V8  |
| 1   | 958 641 847 21 | KAMINROT<br>Combi-instrument<br>Dial                                   |        | 1   | PR:DU3,U5B,<br>7V8  |
| 2   | 7PP 919 069    | KAMINROT<br>knob   |        | 1   |   |
| 3   | N 906 986 06   | throttle control element<br>Hexagon socket head panel bolt<br>4,2 X 16 |        | 4   |   |
| (4) | 9A7 919 107 17 | Compass<br>GRANATROT   |        | 1   | PR:QR1,7UG,<br>UP5  |
| (4) | 9A7 919 107 18 | Compass<br>Luxor beige   |        | 1   | PR:QR1,UP4,<br>7UG  |

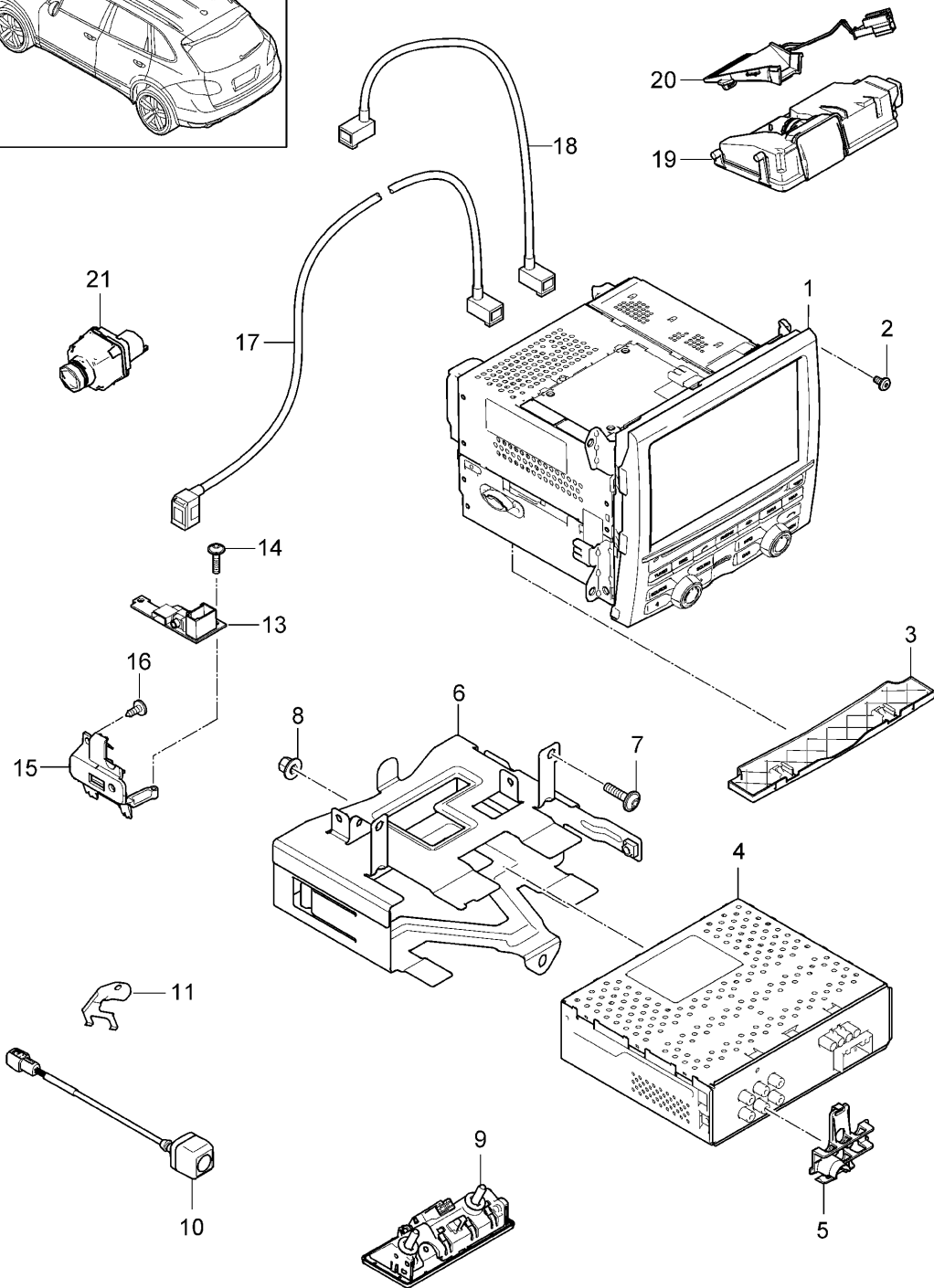
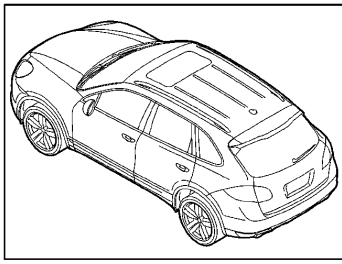
Model: 92A 11

Model life 2011&gt;&gt;2018

| Pos | Part Number    | Description                                | Remark | Qty | Model              |
|-----|----------------|--|--------|-----|--------------------|
| (4) | 9A7 919 107 19 | Compass<br>white                           |        | 1   | PR:QR1,7UG,<br>UP3 |
| (4) | 9A7 919 203 13 | Stopwatch<br>GRANATROT                     |        | 1   | PR:QR5,0K0,<br>UP5 |
| (4) | 9A7 919 203 14 | Stopwatch<br>Luxor beige                   |        | 1   | PR:QR5,0K0,<br>UP4 |
| (4) | 9A7 919 203 16 | Stopwatch<br>white                         |        | 1   | PR:QR5,0K0,<br>UP3 |
| (4) | 958 641 501 06 | Stopwatch<br>Hybrid                        |        | 1   | PR:QR5,0K3         |
| (4) | 958 641 501 08 | Stopwatch<br>GTS                           |        | 1   | PR:QR5,0K0,<br>7V8 |
| (4) | 958 641 501 15 | clock for instrument<br>housing            |        | 1   | PR:QR3,0K0         |
| (4) | 958 641 501 16 | Clock<br>Hybrid                            |        | 1   | PR:QR3,0K3         |
| (4) | 958 641 501 17 | clock for instrument<br>housing<br>GTS     |        | 1   | PR:QR3,0K0         |
| 5   | N 906 986 06   | Hexagon socket head panel bolt<br>4,2 X 16 |        | 2   |                    |
| 6   | N 906 988 01   | Speed nut<br>4,2                           |        | 2   |                    |
| 7   | 9A7 919 317    | Front frame<br>D >> - MJ 2017              | Glass  | 1   |                    |

Model: 92A 11

Model life 2011>>2018



Model: 92A 11 Model life 2011>>2018

| Pos | Part Number    | Description  | Remark | Qty | Model       |
|-----|----------------|--|--------|-----|-------------|
| -   |                | Navigation system<br>Radio unit<br>Receiving part<br>TV<br>Reversing camera<br>Camera<br>Exterior mirror<br>Multimedia interface<br>Camera<br>Windscreen<br>D >> - MJ 2016   |        |     |             |
| 1   | 958 642 970 X  | Control panel<br>Only in exchange<br>Control panel<br>We take back:<br>958.642.970.00<br>F >> 92-CLA05 335<br>F >> 92-CLA92 110<br>F >> 92-CLA64 565<br>F >> 92-CLA28 225<br>F >> 92-CLA28 101<br>F >> 92-CLA45 215<br>F >> 92-CLA82 187 |        | 1   | PR:7T1      |
| 1   | 958 642 970 AX | Control panel<br>We take back:<br>958.642.970.01<br>F 92-CLA05 336>><br>F 92-CLA92 111>><br>F 92-CLA64 566>><br>F 92-CLA28 226>><br>F 92-CLA28 102>><br>F 92-CLA45 216>><br>F 92-CLA82 188>>   |        | 1   | PR:7T1,-IY2 |
| 1   | 958 642 970 10 | D >> - 05.11.2012<br>Control panel<br>D - 05.11.2012>>   |        | 1   | PR:7T1,IY2  |
| 1   | 958 642 970 KX | Control panel<br>We take back:<br>958.642.970.10   |        | 1   | PR:7T1,IY2  |
| 1   | 958 642 970 20 | D >> - MJ 2013<br>Control panel<br>D - MJ 2014>> - MJ 2014   |        | 1   | PR:7T1,-IY2 |
| 1   | 958 642 970 LX | Control panel<br>We take back:<br>958.642.970.20<br>D - MJ 2014>> - MJ 2014  |        | 1   | PR:7T1,-IY2 |
| 1   | 958 642 970 21 | Control panel<br>D - MJ 2014>> - MJ 2014   |        | 1   | PR:7T1,IY2  |
| 1   | 958 642 970 MX | Control panel<br>We take back:<br>958.642.970.21<br>D - MJ 2014>> - MJ 2014  |        | 1   | PR:7T1,IY2  |
| 1   | 958 642 970 NX | Control panel<br>We take back:<br>958.642.970.22<br>D - MJ 2015>> - MJ 2015  |        | 1   | PR:7T1,-IY2 |
| 1   | 958 642 970 PX | Control panel<br>We take back:<br>958.642.970.23<br>D - MJ 2015>> - MJ 2015  |        | 1   | PR:7T1,IY2  |
| 1   | 958 642 970 24 | Control panel<br>D - MJ 2016>>   |        | 1   | PR:7T1      |
| 1   | 958 642 970 QX | Control panel  |        | 1   | PR:7T1      |



Model: 92A 11 Model life 2011>>2018

| Pos | Part Number    | Description  | Remark | Qty | Model                                     |
|-----|----------------|--|--------|-----|---|
| 1   | 958 642 972 00 | We take back:<br>958.642.970.24<br>D - MJ 2016>><br>Control panel<br>F >> 92-CLA05 335<br>F >> 92-CLA92 110<br>F >> 92-CLA64 565<br>F >> 92-CLA28 225<br>F >> 92-CLA28 101<br>F >> 92-CLA45 215<br>F >> 92-CLA82 187 |        | 1   | PR:7T1,7D7                                |
| 1   | 958 642 972 X  | Control panel<br>We take back:<br>958.642.972.00<br>F >> 92-CLA05 335<br>F >> 92-CLA92 110<br>F >> 92-CLA64 565<br>F >> 92-CLA28 225<br>F >> 92-CLA28 101<br>F >> 92-CLA45 215<br>F >> 92-CLA82 187                  |        | 1   | PR:7T1,7D7<br>-"CN."                      |
| 1   | 958 642 972 00 | Control panel<br>F >> 92-CLA05 335<br>F >> 92-CLA92 110<br>F >> 92-CLA64 565<br>F >> 92-CLA28 225<br>F >> 92-CLA28 101<br>F >> 92-CLA45 215<br>F >> 92-CLA82 187   |        | 1   | PR:7T1,7D7<br>"CN."                       |
| 1   | 958 642 972 AX | Control panel<br>We take back:<br>958.642.972.01<br>F 92-CLA05 336>><br>F 92-CLA92 111>><br>F 92-CLA64 566>><br>F 92-CLA28 226>><br>F 92-CLA28 102>><br>F 92-CLA45 216>><br>F 92-CLA82 188>>                         |        | 1   | PR:7T1,7D7,<br>-IY2<br>PR:7T1,7D7,<br>IY2 |
| 1   | 958 642 972 KX | Control panel<br>We take back:<br>958.642.972.10<br>D >> - MJ 2013   |        | 1   | PR:7T1,7D7,<br>-IY2                       |
| 1   | 958 642 972 LX | Control panel<br>We take back:<br>958.642.972.20<br>D - MJ 2014>> - MJ 2014  |        | 1   | PR:7T1,7D7,<br>IY2                        |
| 1   | 958 642 972 MX | Control panel<br>We take back:<br>958.642.972.21<br>D - MJ 2014>> - MJ 2014  |        | 1   | PR:7T1,7D7,<br>-IY2                       |
| 1   | 958 642 972 NX | Control panel<br>We take back:<br>958.642.972.22<br>D - MJ 2015>> - MJ 2015  |        | 1   | PR:7T1,7D7,<br>IY2                        |
| 1   | 958 642 972 PX | Control panel<br>We take back:   |        | 1   | PR:7T1,7D7,<br>IY2                        |

Model: 92A 11 Model life 2011>>2018

| Pos | Part Number    | Description   | Remark | Qty | Model               |
|-----|----------------|---|--------|-----|---------------------|
| 1   | 958 642 972 QX | 958.642.972.23<br>D - MJ 2015>> - MJ 2015<br>Control panel<br>We take back:<br>958.642.972.24   |        | 1   | PR:7T1,7D7          |
| 1   | 958 642 974 LX | D - MJ 2016>><br>Control panel<br>We take back:<br>958.642.974.20   |        | 1   | PR:7T4,-IY2         |
| 1   | 958 642 974 MX | D - MJ 2014>> - MJ 2014<br>Control panel<br>We take back:<br>958.642.974.21   |        | 1   | PR:7T4,IY2          |
| 1   | 958 642 974 NX | D - MJ 2014>> - MJ 2014<br>Control panel<br>We take back:<br>958.642.974.22   |        | 1   | PR:7T4,-IY2         |
| 1   | 958 642 974 PX | D - MJ 2015>> - MJ 2015<br>Control panel<br>We take back:<br>958.642.974.23   |        | 1   | PR:7T4,IY2          |
| 1   | 958 642 974 QX | D - MJ 2015>> - MJ 2015<br>Control panel<br>We take back:<br>958.642.974.24   |        | 1   | PR:7T4              |
| 1   | 958 642 975 X  | D - MJ 2016>><br>Control panel<br>We take back:<br>958.642.975.00<br>F >> 92-CLA05 335<br>F >> 92-CLA92 110<br>F >> 92-CLA64 565<br>F >> 92-CLA28 225<br>F >> 92-CLA45 215<br>F >> 92-CLA82 187 |        | 1   | PR:7T4,7D7          |
| 1   | 958 642 975 AX | Control panel<br>We take back:<br>958.642.975.01<br>F 92-CLA05 336>><br>F 92-CLA92 111>><br>F 92-CLA64 566>><br>F 92-CLA28 226>><br>F 92-CLA45 216>><br>F 92-CLA82 188>>                        |        | 1   | PR:7T4,7D7,<br>-IY2 |
| 1   | 958 642 975 KX | Control panel<br>We take back:<br>958.642.975.10<br>D >> - MJ 2013  |        | 1   | PR:7T4,7D7,<br>IY2  |
| 1   | 958 642 975 LX | Control panel<br>We take back:<br>958.642.975.20<br>D - MJ 2014>> - MJ 2014   |        | 1   | PR:7T4,7D7,<br>-IY2 |
| 1   | 958 642 975 MX | Control panel<br>We take back:<br>958.642.975.21<br>D - MJ 2014>> - MJ 2014   |        | 1   | PR:7T4,7D7,<br>IY2  |
| 1   | 958 642 975 NX | Control panel<br>We take back:<br>958.642.975.22<br>D - MJ 2015>> - MJ 2015   |        | 1   | PR:7T4,7D7,<br>-IY2 |
| 1   | 958 642 975 PX | Control panel<br>We take back:<br>958.642.975.23  |        | 1   | PR:7T4,7D7,<br>IY2  |

Model: 92A 11 Model life 2011>>2018

| Pos | Part Number    | Description   | Remark | Qty | Model                |
|-----|----------------|---|--------|-----|----------------------|
| 1   | 958 642 975 QX | D - MJ 2015>> - MJ 2015<br>Control panel<br>We take back:<br>958.642.975.24   |        | 1   | PR:7T4,7D7           |
| 1   | 958 642 976 X  | D - MJ 2016>><br>Control panel<br>We take back:<br>958.642.976.00<br>F 92-CLA05 336>><br>F 92-CLA92 111>><br>F 92-CLA28 226>><br>F 92-CLA45 216>><br>F 92-CLA82 188>> |        | 1   | PR:7Q7,-7D7,<br>-IY2 |
| 1   | 958 642 976 KX | Control panel<br>We take back:<br>958.642.976.10  |        | 1   | PR:7Q7,-7D7,<br>IY2  |
| 1   | 958 642 976 LX | D >> - MJ 2013<br>Control panel<br>We take back:<br>958.642.976.20  |        | 1   | PR:7Q7,-7D7,<br>-IY2 |
| 1   | 958 642 976 MX | D - MJ 2014>> - MJ 2014<br>Control panel<br>We take back:<br>958.642.976.21   |        | 1   | PR:7Q7,-7D7,<br>IY2  |
| 1   | 958 642 976 NX | D - MJ 2014>> - MJ 2014<br>Control panel<br>We take back:<br>958.642.976.22   |        | 1   | PR:7Q7,-7D7,<br>-IY2 |
| 1   | 958 642 976 PX | D - MJ 2015>> - MJ 2015<br>Control panel<br>We take back:<br>958.642.976.23   |        | 1   | PR:7Q7,-7D7,<br>IY2  |
| 1   | 958 642 976 QX | D - MJ 2015>> - MJ 2015<br>Control panel<br>We take back:<br>958.642.976.24   |        | 1   | PR:7Q7,-7D7          |
| 1   | 958 642 977 X  | D - MJ 2016>><br>Control panel<br>We take back:<br>958.642.977.00<br>F 92-CLA05 336>><br>F 92-CLA92 111>><br>F 92-CLA28 226>><br>F 92-CLA45 216>><br>F 92-CLA82 188>> |        | 1   | PR:7Q7,7D7,<br>-IY2  |
| 1   | 958 642 977 KX | Control panel<br>We take back:<br>958.642.977.10  |        | 1   | PR:7Q7,7D7,<br>IY2   |
| 1   | 958 642 977 LX | D >> - MJ 2013<br>Control panel<br>We take back:<br>958.642.977.20  |        | 1   | PR:7Q7,7D7,<br>-IY2  |
| 1   | 958 642 977 MX | D - MJ 2014>> - MJ 2014<br>Control panel<br>We take back:<br>958.642.977.21   |        | 1   | PR:7Q7,7D7,<br>IY2   |
| 1   | 958 642 977 NX | D - MJ 2014>> - MJ 2014<br>Control panel<br>We take back:<br>958.642.977.22   |        | 1   | PR:7Q7,7D7,<br>-IY2  |
| 1   | 958 642 977 PX | D - MJ 2015>> - MJ 2015<br>Control panel<br>We take back:   |        | 1   | PR:7Q7,7D7,<br>IY2   |

Model: 92A 11 Model life 2011>>2018

| Pos | Part Number    | Description   | Remark | Qty | Model                       |
|-----|----------------|---|--------|-----|-----------------------------|
| 1   | 958 642 977 QX | 958.642.977.23<br>D - MJ 2015>> - MJ 2015<br>Control panel<br>We take back:<br>958.642.977.24 |        | 1   | PR:7Q7,7D7                  |
| 1   | 958 642 950 X  | D - MJ 2016>><br>Control panel<br>We take back:<br>958.642.950.00                             |        | 1   | PR:QU0,QV5,8DV,7T1,IY2      |
| 1   | 958 642 950 LX | D >> - MJ 2013<br>Control panel<br>We take back:<br>958.642.950.20                            |        | 1   | PR:QU0,QV5,8DV,7T1,-IY2     |
| 1   | 958 642 950 MX | D - MJ 2014>> - MJ 2014<br>Control panel<br>We take back:<br>958.642.950.21                   |        | 1   | PR:QU0,QV5,8DV,7T1,IY2      |
| 1   | 958 642 950 NX | D - MJ 2014>> - MJ 2014<br>Control panel<br>We take back:<br>958.642.950.22                   |        | 1   | PR:QU0,QV5,8DV,7T1,-IY2     |
| 1   | 958 642 950 PX | D - MJ 2015>> - MJ 2015<br>Control panel<br>We take back:<br>958.642.950.23                   |        | 1   | PR:QU0,QV5,8DV,7T1,IY2      |
| 1   | 958 642 950 QX | D - MJ 2015>> - MJ 2015<br>Control panel<br>We take back:<br>958.642.950.24                   |        | 1   | PR:QU0,QV5,8DV,7T1          |
| 1   | 958 642 951 X  | D - MJ 2016>><br>Control panel<br>We take back:<br>958.642.951.00                             |        | 1   | PR:QU0,QV5,8DV,7T1,7D7,IY2  |
| 1   | 958 642 951 LX | D >> - MJ 2013<br>Control panel<br>We take back:<br>958.642.951.20                            |        | 1   | PR:QU0,QV5,8DV,7T1,7D7,-IY2 |
| 1   | 958 642 951 MX | D - MJ 2014>> - MJ 2014<br>Control panel<br>We take back:<br>958.642.951.21                   |        | 1   | PR:QU0,QV5,8DV,7T1,7D7,IY2  |
| 1   | 958 642 951 NX | D - MJ 2014>> - MJ 2014<br>Control panel<br>We take back:<br>958.642.951.22                   |        | 1   | PR:QU0,QV5,8DV,7T1,7D7,-IY2 |
| 1   | 958 642 951 PX | D - MJ 2015>> - MJ 2015<br>Control panel<br>We take back:<br>958.642.951.23                   |        | 1   | PR:QU0,QV5,8DV,7T1,7D7,IY2  |
| 1   | 958 642 951 QX | D - MJ 2015>> - MJ 2015<br>Control panel<br>We take back:<br>958.642.951.24                   |        | 1   | PR:QU0,QV5,8DV,7T1,7D7      |
| 1   | 958 642 952 X  | D - MJ 2016>><br>Control panel<br>We take back:<br>958.642.952.00                             |        | 1   | PR:QU0,QV5,7Q0,8DV,IY2,QV0  |
| 1   | 958 642 952 LX | D >> - MJ 2013<br>Control panel<br>We take back:<br>958.642.952.20                            |        | 1   | PR:QU0,QV5,7Q0,8DV,-IY2,QV0 |
| 1   | 958 642 952 MX | D - MJ 2014>> - MJ 2014<br>Control panel  |        | 1   | PR:QU0,QV5,                 |

Model: 92A 11 Model life 2011>>2018

| Pos | Part Number    | Description   | Remark | Qty | Model  |
|-----|----------------|---|--------|-----|--|
| 1   | 958 642 952 NX | We take back:<br>958.642.952.21<br>D - MJ 2014>> - MJ 2014<br>Control panel |        | 1   | 7Q0,8DV,IY2,<br>QV0<br>PR:QU0,QV5,<br>7Q0,8DV,<br>-IY2,QV0 |
| 1   | 958 642 952 PX | We take back:<br>958.642.952.22<br>D - MJ 2015>> - MJ 2015<br>Control panel |        | 1   | PR:7Q0,8DV,<br>IY2,QV0                                     |
| 1   | 958 642 952 QX | We take back:<br>958.642.952.23<br>D - MJ 2015>> - MJ 2015<br>Control panel |        | 1   | PR:QU0,QV5,<br>7Q0,8DV,QV0                                 |
| 1   | 958 642 953 X  | We take back:<br>958.642.952.24<br>D - MJ 2016>><br>Control panel           |        | 1   | PR:QU0,QV5,<br>7Q0,8DV,7D7,<br>IY2                         |
| 1   | 958 642 953 LX | We take back:<br>958.642.953.00<br>D >> - MJ 2013<br>Control panel          |        | 1   | PR:QU0,QV5,<br>7Q0,8DV,7D7,<br>-IY2                        |
| 1   | 958 642 953 MX | We take back:<br>958.642.953.20<br>D - MJ 2014>> - MJ 2014<br>Control panel |        | 1   | PR:QU0,QV5,<br>7Q0,8DV,7D7,<br>IY2                         |
| 1   | 958 642 953 NX | We take back:<br>958.642.953.21<br>D - MJ 2014>> - MJ 2014<br>Control panel |        | 1   | PR:QU0,QV5,<br>7Q0,8DV,7D7,<br>-IY2                        |
| 1   | 958 642 953 PX | We take back:<br>958.642.953.22<br>D - MJ 2015>> - MJ 2015<br>Control panel |        | 1   | PR:QU0,QV5,<br>7Q0,8DV,7D7,<br>IY2                         |
| 1   | 958 642 953 QX | We take back:<br>958.642.953.23<br>D - MJ 2015>> - MJ 2015<br>Control panel |        | 1   | PR:QU0,QV5,<br>7Q0,8DV,7D7                                 |
| -   |                | We take back:<br>958.642.953.24<br>D - MJ 2016>><br>Control unit            |        |     |  |
| -   | 970 642 929 01 | Telephone<br>See group<br>9/11/10<br>Rot. knob<br>for<br>Control panel      | left   | 1   |  |
| -   | 970 642 930 01 | Rot. knob<br>for<br>Control panel   | right  | 1   |  |
| (1) | 958 645 130 00 | radio<br>CDR 31<br>D >> - MJ 2011   |        | 1   | PR:QV0,7A0,<br>8AJ,8RV,9VJ,<br>9VL,9W0                     |
| (1) | 958 645 130 X  | radio<br>CDR 31<br>We take back:<br>958.645.130.00<br>D >> - MJ 2011        |        | 1   | PR:QV0,7A0,<br>8AJ,8RV,9VJ,<br>9VL,9W0                     |
| (1) | 958 645 130 02 | radio<br>CDR 31<br>D - MJ 2012>>  |        | 1   | PR:QV0,7A0,<br>8AJ,8RV,9VJ,<br>9VL,9W0                     |
| (1) | 958 645 130 BX | radio<br>CDR 31<br>We take back:  |        | 1   | PR:QV0,7A0,<br>8AJ,8RV,9VJ,<br>9VL,9W0                     |

Model: 92A 11 Model life 2011>>2018

| Pos | Part Number    | Description  | Remark | Qty | Model                                  |
|-----|----------------|--|--------|-----|--|
| (1) | 958 645 132 00 | 958.645.130.02<br>D - MJ 2012>><br>radio<br>CDR 31                   |        | 1   | PR:QV0,7D7,<br>8AJ,8RV,9VJ,<br>9VL,9W0 |
| (1) | 958 645 132 X  | D >> - MJ 2011<br>radio<br>CDR 31<br>We take back:<br>958.645.132.00 |        | 1   | PR:QV0,7D7,<br>8AJ,8RV,9VJ,<br>9VL,9W0 |
| (1) | 958 645 132 02 | D >> - MJ 2011<br>radio<br>CDR 31                                    |        | 1   | PR:QV0,7D7,<br>8AJ,8RV,9VJ,<br>9VL,9W0 |
| (1) | 958 645 132 BX | D - MJ 2012>><br>radio<br>CDR 31<br>We take back:<br>958.645.132.02  |        | 1   | PR:QV0,7D7,<br>8AJ,8RV,9VJ,<br>9VL,9W0 |
| (1) | 958 645 134 00 | D - MJ 2012>><br>radio<br>CDR 31                                     |        | 1   | PR:QV0,7A0,<br>8AJ,8RV,9VJ,<br>9VL,9W5 |
| (1) | 958 645 134 X  | D >> - MJ 2011<br>radio<br>CDR 31<br>We take back:<br>958.645.134.00 |        | 1   | PR:QV0,7A0,<br>8AJ,8RV,9VJ,<br>9VL,9W5 |
| (1) | 958 645 134 02 | D >> - MJ 2011<br>radio<br>CDR 31                                    |        | 1   | PR:QV0,7A0,<br>8AJ,8RV,9VJ,<br>9VL,9W5 |
| (1) | 958 645 134 BX | D - MJ 2012>><br>radio<br>CDR 31<br>We take back:<br>958.645.134.02  |        | 1   | PR:QV0,7A0,<br>8AJ,8RV,9VJ,<br>9VL,9W5 |
| (1) | 958 645 136 00 | D - MJ 2012>><br>radio<br>CDR 31                                     |        | 1   | PR:QV0,7D7,<br>8AJ,8RV,9VJ,<br>9VL,9W5 |
| (1) | 958 645 136 X  | D >> - MJ 2011<br>radio<br>CDR 31<br>We take back:<br>958.645.136.00 |        | 1   | PR:QV0,7D7,<br>8AJ,8RV,9VJ,<br>9VL,9W5 |
| (1) | 958 645 136 02 | D >> - MJ 2011<br>radio<br>CDR 31                                    |        | 1   | PR:QV0,7D7,<br>8AJ,8RV,9VJ,<br>9VL,9W5 |
| (1) | 958 645 136 BX | D - MJ 2012>><br>radio<br>CDR 31<br>We take back:<br>958.645.136.02  |        | 1   | PR:QV0,7D7,<br>8AJ,8RV,9VJ,<br>9VL,9W5 |
| -   | 970 645 929 00 | D - MJ 2012>><br>Rot. knob<br>for<br>Radio unit<br>CDR 31            | left   | 1   |  |
| -   | 970 645 930 00 | Rot. knob<br>for<br>Radio unit<br>CDR 31                             | right  | 1   |  |
| 2   | 999 919 247 01 | fillister hd. bolt<br>M 5 X 12                                       |        | 4   |  |
| 3   | 958 645 422 00 | radio trim   |        | 1   |  |
| -   | 997 642 271 52 | DVD-ROM for navigation<br>system                                     |        | 1   | PR:7RT                                 |

Model: 92A 11

Model life 2011&gt;&gt;2018

| Pos | Part Number    | Description   | Remark | Qty | Model  |
|-----|----------------|---|--------|-----|--------|
| -   | 997 642 271 53 | for<br>Software<br>DVD-ROM for navigation<br>system                   |        | 1   | PR:7RT |
| -   | 997 642 271 54 | for<br>Software<br>DVD-ROM for navigation<br>system                   |        | 1   | PR:7RT |
| -   | 997 642 271 55 | for<br>Software<br>7PP.919.193.BG<br>DVD-ROM for navigation<br>system |        | 1   | PR:7RT |
| -   | 997 642 271 56 | for<br>Software<br>DVD-ROM for navigation<br>system                   |        | 1   | PR:7RT |
| -   | 997 642 271 57 | for<br>Software<br>D - MJ 2014>><br>DVD-ROM for navigation<br>system  |        | 1   | PR:7RT |
| -   | 997 642 271 58 | for<br>Software<br>D - MJ 2015>><br>DVD-ROM for navigation<br>system  |        | 1   | PR:7RT |
| -   | 997 642 271 59 | for<br>Software<br>D - MJ 2016>><br>DVD-ROM for navigation<br>system  |        | 1   | PR:7RT |
| -   | 997 642 275 52 | for<br>Software<br>DVD-ROM for navigation<br>system                   |        | 1   | PR:7RX |
| -   | 997 642 275 53 | for<br>Software<br>DVD-ROM for navigation<br>system                   |        | 1   | PR:7RX |
| -   | 997 642 275 54 | for<br>Software<br>7PP.919.193.AN<br>DVD-ROM for navigation<br>system |        | 1   | PR:7RX |
| -   | 997 642 275 55 | for<br>Software<br>DVD-ROM for navigation<br>system                   |        | 1   | PR:7RX |
| -   | 997 642 275 56 | for<br>Software<br>DVD-ROM for navigation<br>system                   |        | 1   | PR:7RX |
| -   | 997 642 275 57 | for<br>Software<br>D - MJ 2014>><br>DVD-ROM for navigation<br>system  |        | 1   | PR:7RX |
| -   | 997 642 275 58 | for<br>Software<br>D - MJ 2015>><br>DVD-ROM for navigation            |        | 1   | PR:7RX |

Model: 92A 11

Model life 2011&gt;&gt;2018

| Pos | Part Number    | Description  | Remark | Qty | Model  |
|-----|----------------|--|--------|-----|--------|
| -   | 997 642 277 52 | system<br>for<br>Software<br>D - MJ 2016>><br>DVD-ROM for navigation<br>system |        | 1   | PR:7RH |
| -   | 997 642 277 53 | system<br>for<br>Software<br>DVD-ROM for navigation<br>system                  |        | 1   | PR:7RH |
| -   | 997 642 277 54 | system<br>for<br>Software<br>DVD-ROM for navigation<br>system                  |        | 1   | PR:7RH |
| -   | 997 642 277 54 | system<br>for<br>Software<br>DVD-ROM for navigation<br>system                  |        | 1   | PR:7RH |
| -   | 997 642 287 50 | system<br>for<br>Software<br>DVD-ROM for navigation<br>system                  |        | 1   | PR:7RH |
| -   | 991 642 287 51 | system<br>for<br>Software<br>DVD-ROM for navigation<br>system                  |        | 1   | PR:7RH |
| -   | 991 642 287 52 | system<br>for<br>Software<br>DVD-ROM for navigation<br>system                  |        | 1   | PR:7RH |
| -   | 991 642 287 57 | system<br>for<br>Software<br>D - MJ 2014>><br>DVD-ROM for navigation<br>system |        | 1   | PR:7RH |
| -   | 991 642 287 58 | system<br>for<br>Software<br>D - MJ 2015>><br>DVD-ROM for navigation<br>system |        | 1   | PR:7RH |
| -   | 997 642 279 52 | system<br>for<br>Software<br>D - MJ 2016>><br>DVD-ROM for navigation<br>system |        | 1   | PR:7RJ |
| -   | 997 642 279 53 | system<br>for<br>Software<br>DVD-ROM for navigation<br>system                  |        | 1   | PR:7RJ |
| -   | 997 642 279 54 | system<br>for<br>Software<br>DVD-ROM for navigation<br>system                  |        | 1   | PR:7RJ |
| -   | 997 642 279 55 | system<br>for<br>Software<br>DVD-ROM for navigation<br>system                  |        | 1   | PR:7RJ |
| -   | 997 642 279 56 | system<br>for<br>Software<br>DVD-ROM for navigation<br>system                  |        | 1   | PR:7RJ |



Model: 92A 11

Model life 2011&gt;&gt;2018

| Pos | Part Number    | Description  | Remark | Qty | Model              |
|-----|----------------|--|--------|-----|--------------------|
| -   | 997 642 279 57 | D - MJ 2014>><br>DVD-ROM for navigation<br>system<br>for<br>Software     |        | 1   | PR:7RJ             |
| -   | 997 642 279 58 | D - MJ 2015>><br>DVD-ROM for navigation<br>system<br>for<br>Software     |        | 1   | PR:7RJ             |
| -   | 997 642 281 52 | D - MJ 2016>><br>DVD-ROM for navigation<br>system<br>for<br>Software     |        | 1   | PR:7RM,7RN,<br>7RY |
| -   | 997 642 281 53 | DVD-ROM for navigation<br>system<br><br>for<br>Software                  |        | 1   | PR:7RM,7RN,<br>7RY |
| -   | 997 642 281 54 | DVD-ROM for navigation<br>system<br><br>for<br>Software                  |        | 1   | PR:7RM,7RN,<br>7RY |
| -   | 997 642 281 55 | DVD-ROM for navigation<br>system<br><br>for<br>Software                  |        | 1   | PR:7RM,7RN,<br>7RY |
| -   | 997 642 281 56 | DVD-ROM for navigation<br>system<br><br>for<br>Software                  |        | 1   | PR:7RM,7RN,<br>7RY |
| -   | 997 642 281 57 | D - MJ 2014>><br>DVD-ROM for navigation<br>system<br><br>for<br>Software |        | 1   | PR:7RM,7RN,<br>7RY |
| -   | 997 642 281 58 | D - MJ 2015>><br>DVD-ROM for navigation<br>system<br><br>for<br>Software |        | 1   | PR:7RM,7RN,<br>7RY |
| -   | 997 642 283 52 | D - MJ 2016>><br>DVD-ROM for navigation<br>system<br>for<br>Software     |        | 1   | PR:7RV             |
| -   | 997 642 283 53 | DVD-ROM for navigation<br>system<br>for<br>Software                      |        | 1   | PR:7RV             |
| -   | 997 642 283 54 | DVD-ROM for navigation<br>system<br>for<br>Software                      |        | 1   | PR:7RV             |
| -   | 997 642 283 55 | DVD-ROM for navigation<br>system<br>for                                  |        | 1   | PR:7RV             |

Model: 92A 11

Model life 2011&gt;&gt;2018

| Pos | Part Number    | Description  | Remark | Qty | Model  |
|-----|----------------|--|--------|-----|--------|
| -   | 997 642 283 56 | Software<br>DVD-ROM for navigation<br>system<br>for<br>Software<br>D - MJ 2014>> |        | 1   | PR:7RV |
| -   | 997 642 283 57 | Software<br>DVD-ROM for navigation<br>system<br>for<br>Software<br>D - MJ 2015>> |        | 1   |        |
| -   | 997 642 283 58 | Software<br>DVD-ROM for navigation<br>system<br>for<br>Software<br>D - MJ 2016>> |        | 1   |        |
| -   | 970 642 285 50 | Software<br>DVD-ROM for navigation<br>system<br>for<br>Software                  |        | 1   | PR:7RG |
| -   | 970 642 285 51 | Software<br>DVD-ROM for navigation<br>system<br>for<br>Software                  |        | 1   | PR:7RG |
| -   | 970 642 285 52 | Software<br>DVD-ROM for navigation<br>system<br>for<br>Software                  |        | 1   | PR:7RG |
| -   | 970 642 285 53 | Software<br>DVD-ROM for navigation<br>system<br>for<br>Software                  |        | 1   | PR:7RG |
| -   | 970 642 285 54 | Software<br>DVD-ROM for navigation<br>system<br>for<br>Software                  |        | 1   | PR:7RG |
| -   | 970 642 285 55 | Software<br>DVD-ROM for navigation<br>system<br>for<br>Software                  |        | 1   | PR:7RG |
| -   | 970 642 285 57 | Software<br>DVD-ROM for navigation<br>system<br>for<br>Software<br>D - MJ 2014>> |        | 1   | PR:7RG |
| -   | 970 642 285 58 | Software<br>DVD-ROM for navigation<br>system<br>for<br>Software<br>D - MJ 2015>> |        | 1   | PR:7RG |
| -   | 991 642 288 56 | Software<br>DVD-ROM for navigation<br>system<br>for<br>Software<br>D - MJ 2016>> |        | 1   | PR:77J |
| -   | 991 642 288 57 | Software<br>DVD-ROM for navigation<br>system<br>for<br>Software<br>D - MJ 2014>> |        | 1   | PR:77J |
| -   | 991 642 288 58 | Software<br>DVD-ROM for navigation<br>system<br>for<br>Software<br>D - MJ 2015>> |        | 1   | PR:77J |

Model: 92A 11 Model life 2011>>2018

| Pos | Part Number    | Description   | Remark         | Qty | Model              |
|-----|----------------|---|----------------|-----|--------------------|
| -   | 991 642 289 56 | for<br>Software<br>D - MJ 2016>><br>DVD-ROM for navigation<br>system  |                | 1   | PR:77K             |
| -   | 991 642 289 57 | for<br>Software<br>D - MJ 2014>><br>DVD-ROM for navigation<br>system  |                | 1   | PR:77K             |
| -   | 991 642 289 58 | for<br>Software<br>D - MJ 2015>><br>DVD-ROM for navigation<br>system  |                | 1   | PR:77K             |
| -   | 997 642 148 02 | for<br>Software<br>D - MJ 2016>><br>CD-ROM for electronic<br>driver's logbook   |                | 1   | PR:9NY             |
| -   | 7PP 919 855    | D >> - MJ 2011<br>CD-ROM for electronic<br>driver's logbook   |                | 1   | PR:9NY             |
| 4   | 7PP 919 148 A  | D - MJ 2012>><br>Receiving part<br>TV   |                | 1   | PR:QV1             |
| 4   | 7PP 919 148 F  | No longer use the part here<br>Receiving part<br>TV   |                | 1   | PR:QV1             |
|     |                | for vehicles up to<br>F >> 92-CLA05 335<br>F >> 92-CLA92 110<br>F >> 92-CLA64 565<br>F >> 92-CLA28 225<br>F >> 92-CLA28 101<br>F >> 92-CLA45 215<br>F >> 92-CLA82 187 |                |     |                    |
|     |                | also use:   | 958 642 255 10 | 1   |                    |
|     |                |   | 7PP 971 067    | 1   |                    |
|     |                |   | 8D0 971 897 A  | 2   |                    |
|     |                |   | N 910 967 01   | 3   |                    |
| 4   | 7PP 919 148 F  | Receiving part<br>TV<br>F 92-CLA05 336>><br>F 92-CLA92 111>><br>F 92-CLA64 566>><br>F 92-CLA28 226>><br>F 92-CLA28 102>><br>F 92-CLA45 216>><br>F 92-CLA82 188>>      |                | 1   | PR:QV1             |
| 4   | 7PP 919 148 H  | D >> - 29.10.2012<br>Receiver unit for<br>TV reception  |                | 1   | PR:QV1             |
| 4   | 7PP 919 148 H  | D - 29.10.2012>><br>Receiver unit for<br>TV reception   |                | 1   | PR:QV5             |
| 5   | 955 642 295 10 | D - 05.11.2012>><br>Coding connector<br>F >> 92-CLA05 335<br>F >> 92-CLA92 110<br>F >> 92-CLA64 565<br>F >> 92-CLA64 565<br>F >> 92-CLA28 101                         |                | 1   | PR:QV1,7X8,<br>7X9 |

Model: 92A 11 Model life 2011>>2018

| Pos  | Part Number    | Description  | Remark | Qty | Model       |
|------|----------------|--|--------|-----|-------------|
| 6    | 958 642 255 00 | F >> 92-CLA45 215<br>F >> 92-CLA82 187<br>Bracket<br>F >> 92-CLA05 335<br>F >> 92-CLA92 110<br>F >> 92-CLA64 565<br>F >> 92-CLA28 225<br>F >> 92-CLA28 101<br>F >> 92-CLA45 215<br>F >> 92-CLA82 187 |        | 1   | PR:QV1      |
| (6)  | 958 642 255 10 | Bracket<br>F 92-CLA05 336>><br>F 92-CLA92 111>><br>F 92-CLA64 566>><br>F 92-CLA28 226>><br>F 92-CLA28 102>><br>F 92-CLA45 216>><br>F 92-CLA82 188>>  |        | 1   | PR:QV1, QV5 |
| 7    | N 910 967 01   | Oval hexagon socket head bolt<br>M 6 X 16  |        | 3   | PR:QV1      |
| 8    | N 100 151 01   | Hexagon nut<br>T 5<br>F >> 92-CLA05 335<br>F >> 92-CLA92 110<br>F >> 92-CLA64 565<br>F >> 92-CLA28 225<br>F >> 92-CLA28 101<br>F >> 92-CLA45 215<br>F >> 92-CLA82 187                                |        | 1   | PR:QV1      |
| (8)  | N 910 967 01   | Oval hexagon socket head bolt<br>M 6 X 16<br>F 92-CLA05 336>><br>F 92-CLA92 111>><br>F 92-CLA64 566>><br>F 92-CLA28 226>><br>F 92-CLA28 102>><br>F 92-CLA45 216>><br>F 92-CLA82 188>>                |        | 3   | PR:QV1, QV5 |
| 9    | 958 645 290 01 | Reversing camera<br>with:<br>Tip switch<br>Rear lid  |        | 1   | PR:7X8, 7X9 |
| (9)  | 958 645 290 10 | D >> - MJ 2014<br>Reversing camera<br>with:<br>Tip switch<br>Rear lid  |        | 1   | PR:7X8, 7X9 |
| (9)  | 958 645 290 20 | D - MJ 2015>><br>Reversing camera<br>with:<br>Tip switch<br>Rear lid   |        | 1   | PR:8A4      |
| 10   | 958 645 291 00 | D - MJ 2015>><br>Camera  |        | 1   | PR:5SU, 5RP |
| 11   | 958 645 297 00 | Exterior mirror<br>Retaining frame   | left   | 1   | PR:5SU      |
| (11) | 958 645 298 00 | Camera<br>Retaining frame  | right  | 1   | PR:5RP      |
| 13   | 958 642 351 00 | Adapter<br>Multimedia interface<br>F >> 92-CLA05 335<br>F >> 92-CLA92 110  |        | 1   |             |

Model: 92A 11 Model life 2011>>2018

| Pos  | Part Number        | Description  | Remark | Qty | Model                        |
|------|--------------------|--|--------|-----|------------------------------|
| (13) | 7PP 035 724 D      | F >> 92-CLA64 565<br>F >> 92-CLA28 225<br>F >> 92-CLA28 101<br>F >> 92-CLA45 215<br>F >> 92-CLA82 187<br><br>bush<br>Multimedia interface<br>Glove box<br>F 92-CLA05 336>><br>F 92-CLA92 111>><br>F 92-CLA64 566>><br>F 92-CLA28 226>><br>F 92-CLA28 102>><br>F 92-CLA45 216>><br>F 92-CLA82 188>> |        | 1   | PR:UF1,8DQ,8DV               |
| (13) | 958 642 351 10     | Adapter<br>Multimedia interface<br>F >> 92-CLA05 335<br>F >> 92-CLA92 110<br>F >> 92-CLA64 565<br>F >> 92-CLA28 225<br>F >> 92-CLA28 101<br>F >> 92-CLA45 215<br>F >> 92-CLA82 187   |        | 1   | PR:UF1,8DQ,8DV<br>PR:UF1,8AJ |
| (13) | 7PP 035 724 C      | Plug socket<br>Multimedia interface<br>Glove box<br>F 92-CLA05 336>><br>F 92-CLA92 111>><br>F 92-CLA64 566>><br>F 92-CLA28 226>><br>F 92-CLA28 102>><br>F 92-CLA45 216>><br>F 92-CLA82 188>>   |        | 1   | PR:UF1,8AJ                   |
| 14   | N 105 150 03       | Hexagon socket flat<br>head bolt<br>3,0 X 8,0<br>F >> 92-CLA05 335<br>F >> 92-CLA92 110<br>F >> 92-CLA64 565<br>F >> 92-CLA28 225<br>F >> 92-CLA28 101<br>F >> 92-CLA45 215<br>F >> 92-CLA82 187   |        | 2   | PR:UF1                       |
| 15   | 958 642 797 20     | Support<br>Adapter<br>Multimedia interface   |        | 1   | PR:UF1,8DQ,8DV               |
|      | 958 642 797 20 1E0 | Black<br>F >> 92-CLA05 335<br>F >> 92-CLA92 110<br>F >> 92-CLA64 565<br>F >> 92-CLA28 225<br>F >> 92-CLA28 101<br>F >> 92-CLA45 215<br>F >> 92-CLA82 187   |        |     |                              |
| (15) | 958 642 797 30     | Support<br>Adapter<br>Multimedia interface   |        | 1   | PR:UF1,8DQ,8DV               |
|      | 958 642 797 30 1E0 | Black  |        |     |                              |

Model: 92A 11 Model life 2011>>2018

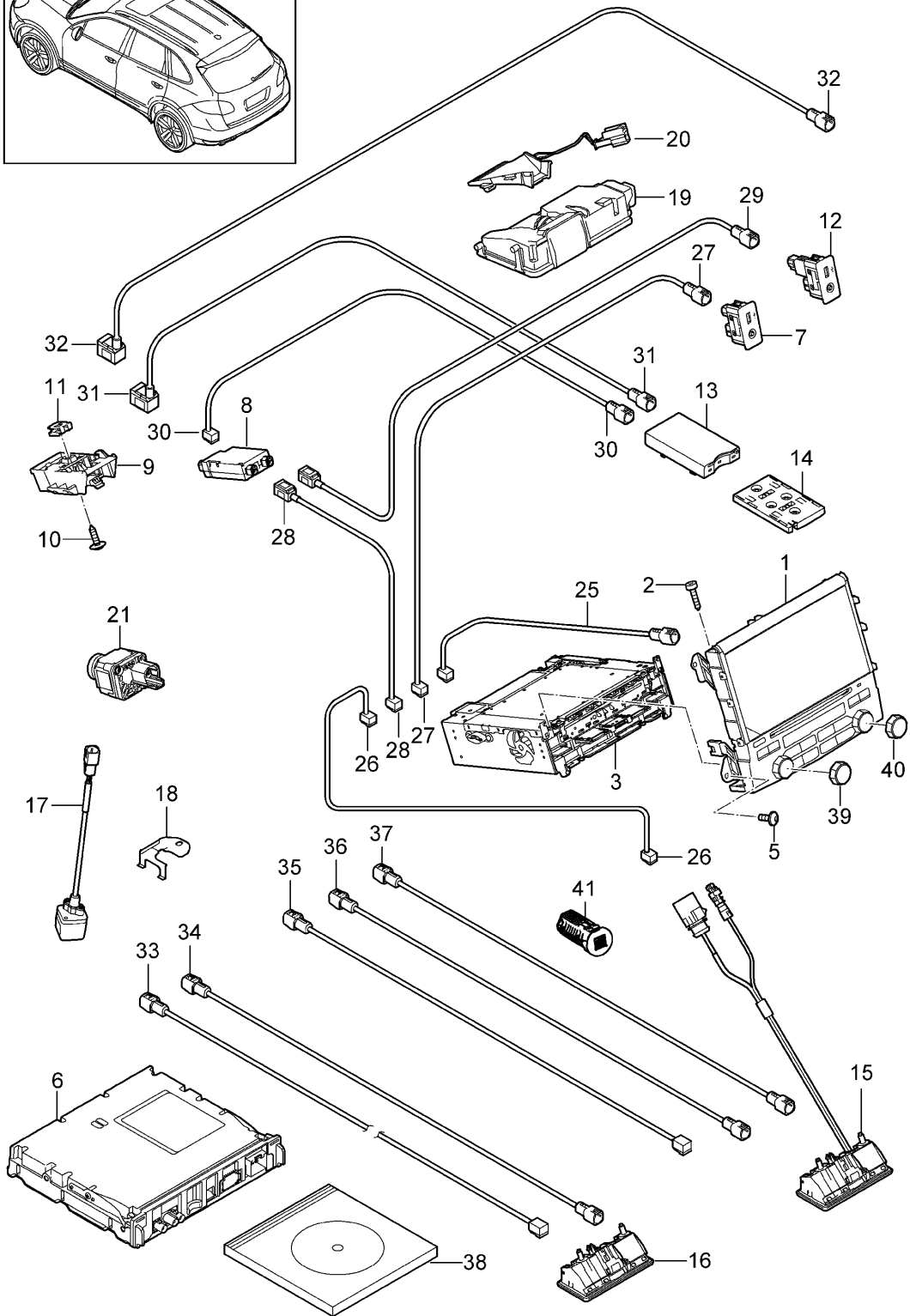
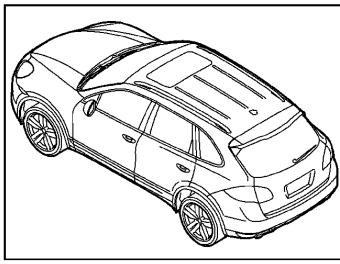
| Pos  | Part Number        | Description  | Remark | Qty | Model      |
|------|--------------------|--|--------|-----|------------|
| (15) | 958 642 797 10     | F 92-CLA05 336>><br>F 92-CLA92 111>><br>F 92-CLA64 566>><br>F 92-CLA28 226>><br>F 92-CLA28 102>><br>F 92-CLA45 216>><br>F 92-CLA82 188>><br>Support<br>Adapter<br>Multimedia interface |        | 1   | PR:UF1,8AJ |
|      | 958 642 797 10 1E0 | Black<br>F >> 92-CLA05 335<br>F >> 92-CLA92 110<br>F >> 92-CLA64 565<br>F >> 92-CLA28 225<br>F >> 92-CLA28 101<br>F >> 92-CLA45 215<br>F >> 92-CLA82 187                               |        |     |            |
| (15) | 958 642 797 30     | Support<br>Adapter<br>Multimedia interface   |        | 1   | PR:UF1,8AJ |
|      | 958 642 797 30 1E0 | Black<br>F 92-CLA05 336>><br>F 92-CLA92 111>><br>F 92-CLA64 566>><br>F 92-CLA28 226>><br>F 92-CLA28 102>><br>F 92-CLA45 216>><br>F 92-CLA82 188>>                                      |        |     |            |
| (15) | 958 642 797 00     | Support<br>Adapter<br>Multimedia interface   |        | 1   | PR:UF0     |
|      | 958 642 797 00 1E0 | Black<br>F >> 92-CLA05 335<br>F >> 92-CLA92 110<br>F >> 92-CLA64 565<br>F >> 92-CLA28 225<br>F >> 92-CLA28 101<br>F >> 92-CLA45 215<br>F >> 92-CLA82 187                               |        |     |            |
| (15) | 958 642 797 40     | Support<br>Adapter<br>Multimedia interface   |        | 1   | PR:UF0     |
|      | 958 642 797 40 1E0 | Black<br>F 92-CLA05 336>><br>F 92-CLA92 111>><br>F 92-CLA64 566>><br>F 92-CLA28 226>><br>F 92-CLA28 102>><br>F 92-CLA45 216>><br>F 92-CLA82 188>>                                      |        |     |            |
| 16   | N 106 737 01       | Hexagon socket flat<br>head bolt<br>4,2 X 9,5  |        | 1   | PR:UF0,UF1 |
| 17   | 958 612 642 00     | Connecting line<br>Control panel<br>Multimedia interface   |        | 1   | PR:UF1     |
|      |                    | F >> 92-CLA05 335<br>F >> 92-CLA92 110<br>F >> 92-CLA64 565<br>F >> 92-CLA28 225<br>F >> 92-CLA28 101<br>F >> 92-CLA45 215   |        |     |            |

Model: 92A 11 Model life 2011>>2018

| Pos  | Part Number    | Description  | Remark | Qty | Model                              |
|------|----------------|--|--------|-----|------------------------------------|
| (17) | 958 612 642 20 | F >> 92-CLA82 187<br>Connecting line<br>Multimedia interface<br>Control panel<br>- USB -<br>F 92-CLA05 336>><br>F 92-CLA92 111>><br>F 92-CLA64 566>><br>F 92-CLA28 226>><br>F 92-CLA28 102>><br>F 92-CLA45 216>><br>F 92-CLA82 188>> |        | 1   | PR:UF1                             |
| (17) | 958 612 642 30 | Connecting line<br>Multimedia interface<br>Control panel<br>- AUX -<br>F 92-CLA05 336>><br>F 92-CLA92 111>><br>F 92-CLA64 566>><br>F 92-CLA28 226>><br>F 92-CLA28 102>><br>F 92-CLA45 216>><br>F 92-CLA82 188>>                      |        | 1   | PR:UF1,8AJ                         |
| 18   | 958 612 642 10 | Connecting line<br>Control panel<br>Combi-instrument   |        | 1   | PR:8DQ,8DV                         |
| 19   | 7PP 980 653    | Camera<br>Windscreen   |        | 1   | PR:7Y6,7Y7,<br>8G0,8G1,9Q1,<br>9Q6 |
| 20   | 7PP 858 066    | Trim   | with:  | 1   | PR:7Y6,7Y7,<br>8G0,8G1,9Q1,<br>9Q6 |
| 21   | 5Q0 980 546 A  | heater<br>Camera<br>Real Top View<br>D - MJ 2015>>   |        | 4   | PR:8A4                             |

Model: 92A 11

Model life 2011>>2018





Model: 92A 11 Model life 2011>>2018

| Pos | Part Number    | Description  | Remark | Qty | Model                                      |
|-----|----------------|--|--------|-----|--|
| 1   | 958 919 606 00 | Control panel<br>Navigation system<br>Central computer<br>TV<br>microphone<br>Camera<br>D - MJ 2017>><br>display |        | 1   | PR:ER1,ER2,<br>ER4,ER6,ER7,<br>ER8,I8L,9ZK |
| 1   | 958 919 606 X  | display  |        | 1   | PR:ER1,ER2,<br>ER4,ER6,ER7,<br>ER8,I8L,9ZK |
| 1   | 958 919 607 00 | display  |        | 1   | PR:ER1,ER2,<br>ER4,ER6,ER7,<br>ER8,I8L,9ZX |
| 1   | 958 919 607 X  | display  |        | 1   | PR:ER1,ER2,<br>ER4,ER6,ER7,<br>ER8,I8L,9ZX |
| 1   | 958 919 608 00 | display  |        | 1   | PR:ER3,ER5,<br>9ZK                         |
| 1   | 958 919 608 X  | display  |        | 1   | PR:ER3,ER5,<br>9ZK                         |
| 1   | 958 919 609 00 | display  |        | 1   | PR:ER3,ER5,<br>9ZX                         |
| 1   | 958 919 609 X  | display  |        | 1   | PR:ER3,ER5,<br>9ZX                         |
| 2   | 9A7 008 064 00 | flat round head bolt<br>M 2,5 X 10   |        | 4   |  |
| 3   | 9P1 035 035 G  | Central computer   |        | 1   | PR:ER1,QU1,<br>QV3,9ZK                     |
| 3   | 9P1 035 035 AX | Central computer   |        | 1   | PR:ER1,QU1,<br>QV3,9ZK                     |
| (3) | 9P1 035 036 G  | Central computer   |        | 1   | PR:ER1,QV0,<br>QV1,9ZK                     |
| (3) | 9P1 035 036 AX | Central computer   |        | 1   | PR:ER1,QV0,<br>QV1,9ZK                     |
| (3) | 9P1 035 037 G  | Central computer   |        | 1   | PR:ER1,QU1,<br>QV3,9ZX                     |
| (3) | 9P1 035 037 AX | Central computer   |        | 1   | PR:ER1,QU1,<br>QV3,9ZX                     |
| (3) | 9P1 035 038 G  | Central computer   |        | 1   | PR:ER1,QV0,<br>QV1,9ZX                     |
| (3) | 9P1 035 038 AX | Central computer   |        | 1   | PR:ER1,QV0,<br>QV1,9ZX                     |
| (3) | 9P1 035 039 G  | Central computer   |        | 1   | PR:ER2,QV0,<br>9ZK                         |
| (3) | 9P1 035 039 AX | Central computer   |        | 1   | PR:ER2,QV0,<br>9ZK                         |
| (3) | 9P1 035 040 G  | Central computer   |        | 1   | PR:ER2,I8L,<br>QV0,7A0,9ZX                 |
| (3) | 9P1 035 040 AX | Central computer   |        | 1   | PR:ER2,I8L,<br>QV0,7A0,9ZX                 |
| (3) | 9P1 035 041 G  | Central computer   |        | 1   | PR:ER2,QU1,<br>QV3,9ZK                     |
| (3) | 9P1 035 041 AX | Central computer   |        | 1   | PR:ER2,QU1,<br>QV3,9ZK                     |
| (3) | 9P1 035 868 G  | Central computer   |        | 1   | PR:ER2,QU1,<br>QV3,9ZX                     |
| (3) | 9P1 035 868 AX | Central computer   |        | 1   | PR:ER2,QU1,<br>QV3,9ZX                     |
| (3) | 9P1 035 890 G  | Central computer   |        | 1   | PR:ER3,I8L,<br>QU8,7A0,9ZK                 |

Model: 92A 11 Model life 2011>>2018

| Pos | Part Number    | Description                              | Remark      | Qty | Model                                      |
|-----|----------------|--|-------------|-----|--|
| (3) | 9P1 035 890 AX | Central computer                         |             | 1   | PR:ER3,I8L,<br>QU8,7A0,9ZK                 |
| (3) | 9P1 035 892 G  | Central computer                         |             | 1   | PR:ER3,QU8,<br>9ZX                         |
| (3) | 9P1 035 892 AX | Central computer                         |             | 1   | PR:ER3,QU8,<br>9ZX                         |
| (3) | 9P1 035 893 G  | Central computer                         |             | 1   | PR:ER4,QV0                                 |
| (3) | 9P1 035 893 AX | Central computer                         |             | 1   | PR:ER4,QV0                                 |
| (3) | 9P1 035 894 E  | Central computer                         |             | 1   | PR:ER6,QV0,<br>QV1,9ZK                     |
| (3) | 9P1 035 894 AX | Central computer                         |             | 1   | PR:ER6,QV0,<br>QV1,9ZK                     |
| (3) | 9P1 035 895 E  | Central computer                         |             | 1   | PR:ER6,QV0,<br>QV1,9ZX                     |
| (3) | 9P1 035 895 AX | Central computer                         |             | 1   | PR:ER6,QV0,<br>QV1,9ZX                     |
| (3) | 9P1 035 896 E  | Central computer                         |             | 1   | PR:ER8,QV0,<br>9ZX                         |
| (3) | 9P1 035 896 AX | Central computer                         |             | 1   | PR:ER8,QV0,<br>9ZX                         |
| (3) | 9P1 035 897 E  | Central computer                         |             | 1   | PR:ER5,QV0,<br>QV1,9ZK                     |
| (3) | 9P1 035 897 AX | Central computer                         |             | 1   | "J.."<br>PR:ER5,QV0,<br>QV1,9ZK            |
| (3) | 9P1 035 898 E  | Central computer                         |             | 1   | "J.."<br>PR:ER5,QV0,<br>QV1,9ZX            |
| (3) | 9P1 035 898 AX | Central computer                         |             | 1   | "J.."<br>PR:ER5,QV0,<br>QV1,9ZX            |
| (3) | 9P1 035 899 E  | Central computer                         |             | 1   | "J.."<br>PR:ER7,QV0,<br>QV1,9ZX            |
| (3) | 9P1 035 899 AX | Central computer                         |             | 1   | PR:ER7,QV0,<br>QV1,9ZX                     |
| 5   | 999 919 247 01 | fillister hd. bolt<br>M5X12              |             | 4   |  |
| 6   | 9A7 919 191 01 | TV tuner<br>TV                           |             | 1   | PR:ER1,ER2,<br>ER8,QU1,QV1                 |
| (6) | 9A7 919 192 01 | TV tuner<br>TV                           |             | 1   | PR:ER6,QV1                                 |
| (6) | 9A7 919 146 01 | TV tuner<br>TV                           |             | 1   | PR:ER7,QV1                                 |
| (6) | 9A7 919 129 01 | TV tuner<br>TV                           |             | 1   | PR:ER5,QV1                                 |
| 7   | 95B 035 252    | Connection for USB and AUX-IN            |             | 1   | PR:ER5,UI6                                 |
| 8   | 9A7 642 953 00 | USB hub                                  |             | 1   | PR:ER5,UI6                                 |
| 9   | 9P1 035 925 A  | Bracket for USB hub                      |             | 1   | PR:ER5,UI6                                 |
| 10  | N 906 986 06   | Hexagon socket head panel bolt           |             | 1   | PR:ER5,UI6                                 |
| 11  | N 906 988 01   | Speed nut                                |             | 1   | PR:ER5,UI6                                 |
| 12  | 95B 035 252 A  | Connection for USB and AUX-IN            |             | 1   | PR:ER1,ER2,<br>ER3,ER4,ER6,<br>ER7,ER8,UI6 |
| 13  | 9A7 919 813 00 | chip card reader for road<br>toll system |             | 1   | PR:ER5                                     |
| 13  | 9A7 919 813 A  | chip card reader for road<br>toll system |             | 1   | PR:ER5                                     |
|     |                |  | 9A7 035 504 |     |  |
|     |                | use also for<br>retrofitting:            |             |     |  |
| 14  | 958 919 813 00 | Bracket<br>chip card reader for road     |             | 1   | PR:ER5                                     |

Model: 92A 11 Model life 2011>>2018

| Pos  | Part Number    | Description  | Remark        | Qty | Model                          |
|------|----------------|--|---------------|-----|--------------------------------|
| 15   | 958 645 290 11 | toll system<br>Pushbutton for electric lid lock actuator with camera<br>Rear lid   |               | 1   | PR:7X8,7X9                     |
| 16   | 958 645 290 21 | Pushbutton for electric lid lock actuator with camera<br>Rear lid  |               | 1   | PR:8A4                         |
| 17   | 958 645 291 00 | Camera<br>Exterior mirror  |               | 1   | PR:5SU,5RP                     |
| 18   | 958 645 297 00 | Retaining frame<br>Camera  | left          | 1   | PR:5SU                         |
| (18) | 958 645 298 00 | Retaining frame<br>Camera  | right         | 1   | PR:5RP                         |
| 19   | 7PP 980 653 D  | Camera<br>Windscreen   |               | 1   | PR:8G1,8G2,9Q1,9Q6             |
| 20   | 7PP 858 066    | Trim   |               | 1   | PR:8G1,8G2,9Q1,9Q6             |
| 21   | 5Q0 980 546 A  | Camera<br>TOP-VIEW   | with: heater  | 1   | PR:8A4                         |
| -    |                | Connecting line  |               |     |                                |
| 25   | 958 971 327 00 | Connecting line<br>(Central computer > Display)<br>(Dark green conn. housing > black connector housing)  | 500 MM        | 1   |                                |
| 26   | 958 971 086 00 | Connecting line<br>(Central computer > instrument cluster)<br>(Black connector housing > dark green connector housing)                               |               | 1   |                                |
| 27   | 958 971 086 01 | Connecting line<br>(Central computer > connection for USB and AUX-IN)<br>(Dark green connector housing> yellow conn. cable housing > 2-pin wire)     | 2700 MM       | 1   | PR:ER1,ER2,ER3,ER4,ER6,ER7,ER8 |
| 28   | 958 971 086 02 | Connecting line<br>(Central computer > USB hub)<br>Connection for USB and AUX-IN<br>(Yellow connector housing > dark green connector housing)        | 500 MM        | 1   | PR:ER5                         |
| 29   | 958 971 086 03 | Connecting line<br>(USB hub > connection for USB and AUX-IN)<br>(Dark green connector housing> nut brown connector housing)                          | 2800 MM       | 1   | PR:ER5                         |
| 30   | 958 971 086 04 | Connecting line<br>(Chip card reader > USB hub)<br>(Nut brown connector housing > bordeaux red conn. housing)  | 2200 MM       | 1   | PR:ER5                         |
| 31   | 958 971 086 05 | Aerial connection line<br>(Transmission & receiver unit road toll system> chip card reader)<br>(Yellow connector housing > yellow connector housing) | 2340 MM       | 1   | PR:ER5                         |
| 32   | 958 971 298 00 | Connecting line<br>microphone<br>Roof<br>Console<br>Connecting line<br>3740 MM   | 2 pin<br>Open | 1   |                                |

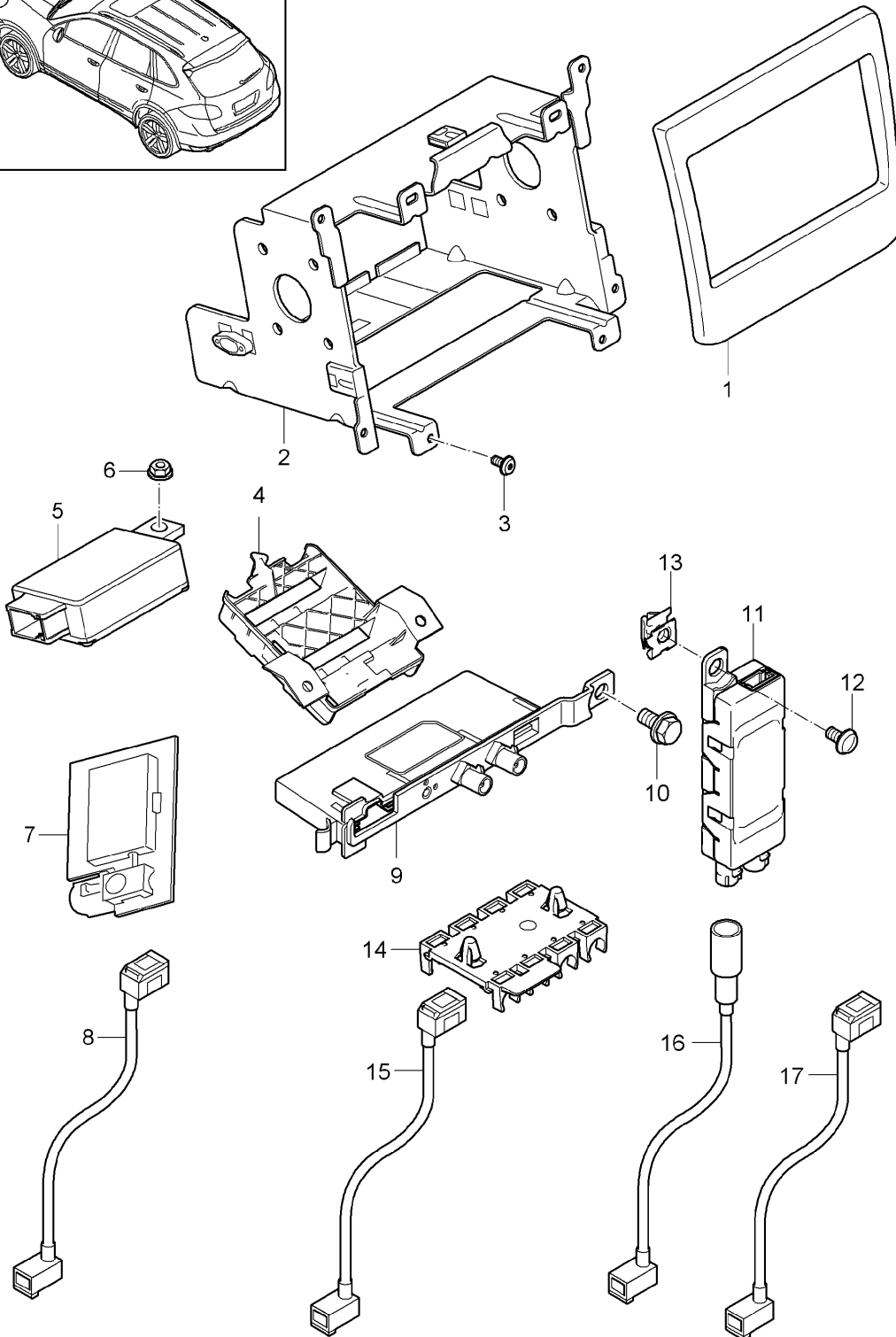
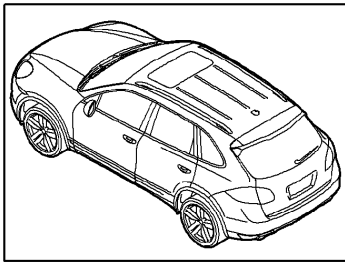
Model: 92A 11

Model life 2011&gt;&gt;2018

| Pos  | Part Number    | Description  | Remark               | Qty | Model      |
|------|----------------|--|----------------------|-----|------------|
| 33   | 958 647 216 05 | Connecting line<br>(Central computer > contr.unit<br>for reversing camera)<br>(Cream white conn. housing ><br>2-pin line connection) | 5160 MM              | 1   |            |
| 34   | 958 971 298 02 | Connecting line<br>(Reversing camera > tailgate)<br>(Cream white conn. housing ><br>cream white conn. housing)                       | 2250 MM              | 1   | PR:7X8,7X9 |
| 35   | 958 647 216 15 | Connecting line<br>(Reversing camera contr.unit ><br>roof)<br>(Dark green conn. housing ><br>cream white conn. housing)              | 1280 MM              | 1   |            |
| (35) | 958 647 216 00 | Connecting line<br>(Roof >Reversing camera<br>control unit)<br>(Blue/grey connector housing ><br>nut brown connector housing)        | 1380 MM              | 1   |            |
| 36   | 958 971 158 00 | Connecting line<br>(Reversing camera > tailgate)<br>(Black connector housing ><br>black connector housing)                           | 1910 MM              | 1   | PR:8A4     |
| 37   | 958 971 158 01 | Connecting line<br>Reversing camera<br>(Blue connector housing ><br>blue connector housing)  | 1040 MM              | 1   | PR:8A4     |
| (37) | 958 647 216 10 | Connecting line<br>(Control unit for rev.camera ><br>TV tuner)<br><br>(Green connector housing ><br>yellow connector housing)        | 510 MM<br><br>angled | 1   |            |
| 38   | 958 919 855 00 | CD-ROM for electronic<br>driver's logbook  |                      | 1   | PR:9NY     |
| 39   | 9P1 919 069    | Rot. knob<br>display   | left                 | 1   |            |
| 40   | 9P1 919 070    | Rot. knob<br>display   | right                | 1   |            |
| 41   | 958 035 222 00 | USB connector<br>Charging socket   |                      | 1   |            |

Model: 92A 11

Model life 2011>>2018



Model: 92A 11 Model life 2011>>2018

| Pos  | Part Number    | Description  | Remark | Qty | Model                              |
|------|----------------|--|--------|-----|------------------------------------|
|      |                | Preparation<br>Navigation system<br>Japan<br>D >> - MJ 2016                                    |        |     | PR:7Q4                             |
| 1    | 958 642 323 00 | Front frame  |        | 1   |                                    |
| 2    | 958 642 327 00 | Bracket  |        | 1   |                                    |
| 3    | 999 919 247 01 | fillister hd. bolt<br>5,0 X 12   |        | 4   |                                    |
| 4    | 958 642 328 00 | Bracket<br>Card reader<br>D - MJ 2015>>  |        | 1   |                                    |
| -    | 7PP 035 500    | Aerial<br>ETC<br>D >> - MJ 2014  |        | 1   |                                    |
| -    | 5C5 919 853    | 'DSRC' antenna<br>D SRC<br>D - MJ 2015>>   |        | 1   |                                    |
| 5    | 7PP 971 324 B  | Adapter cable for CAN bus  |        | 1   |                                    |
| 6    | N 909 472 01   | Hexagon nut<br>C 5   |        | 1   |                                    |
| 7    | 7PP 035 504    | Aerial<br>GPS  |        | 1   |                                    |
| 8    | 958 647 208 00 | Aerial connection line<br>GPS<br>To<br>Control panel<br>Navigation system<br>Connector<br>blue |        | 1   |                                    |
| 8    | 958 647 208 30 | Aerial connection line<br>GPS<br>To<br>Control panel<br>Navigation system<br>Connector<br>blue |        | 1   | PR:7Y6,7Y7,<br>8G0,8G1,9Q1,<br>9Q6 |
| 9    | 958 647 311 00 | Aerial amplifier<br>Rear lid   | right  | 1   |                                    |
| (9)  | 958 647 315 00 | Aerial amplifier<br>Rear lid   | left   | 1   |                                    |
| 10   | N 908 479 03   | hexagon head bolt (combi)<br>M 6 X 15  |        | 1   |                                    |
| 11   | 958 647 318 00 | Aerial amplifier<br>Side window  | right  | 1   |                                    |
| (11) | 958 647 318 00 | Aerial amplifier<br>Side window  | left   | 1   |                                    |
| 12   | N 104 472 01   | Hexagon socket oval head<br>panel bolt (combi)<br>4,8 X 13                                     |        | 1   |                                    |
| 13   | WHT 000 748    | expanding nut<br>4,8   |        | 1   |                                    |
| 14   | 955 647 432 10 | Bracket<br>4-pole<br>Connection point<br>Roof  |        | 1   |                                    |
| (14) | 958 647 432 00 | Bracket<br>3-pole<br>Connection point<br>Roof  |        | 1   |                                    |
| 15   | 958 647 208 05 | Connecting line<br>Connection point<br>Roof  |        | 1   |                                    |

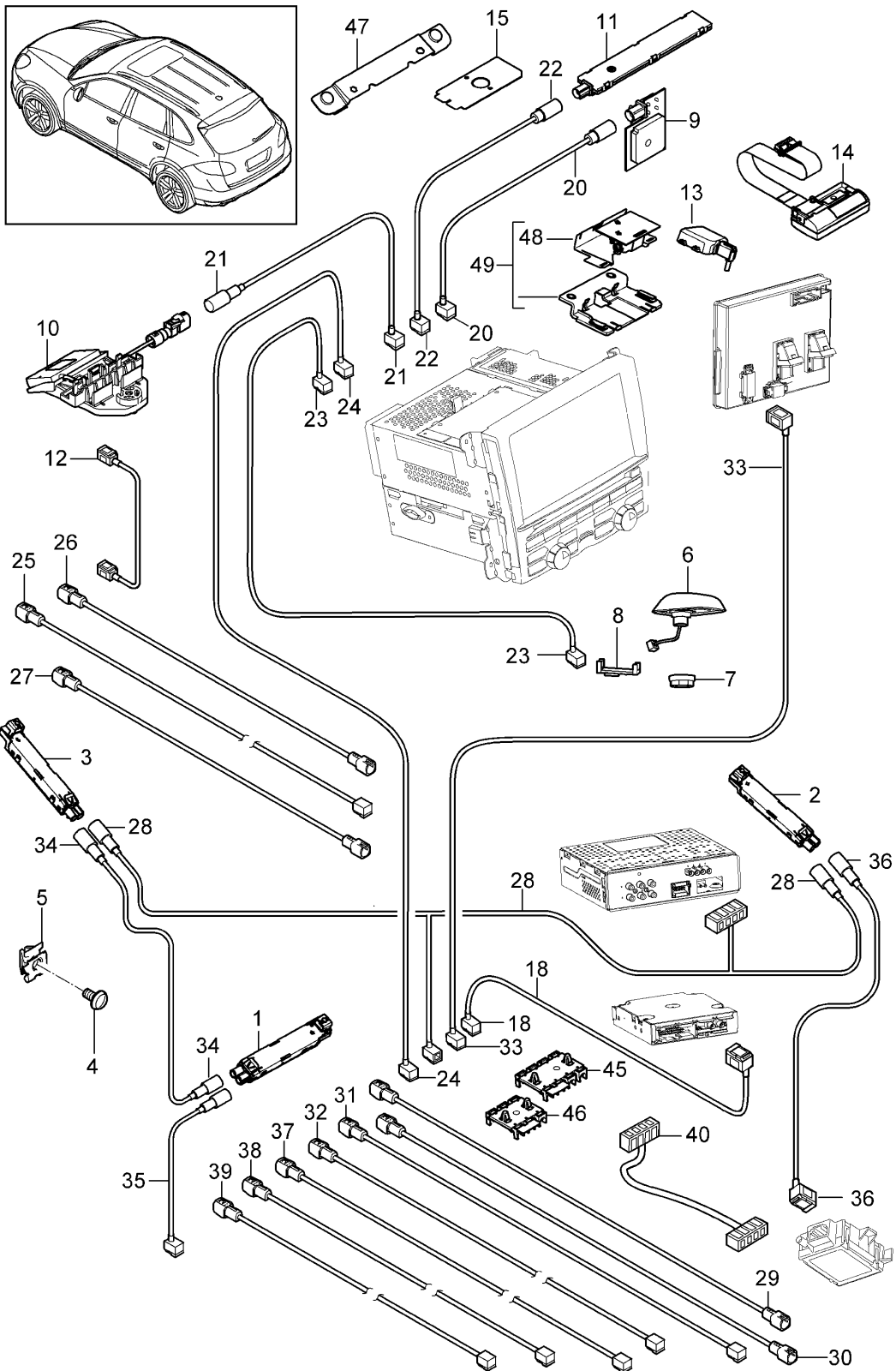
Model: 92A 11

Model life 2011>>2018

| Pos  | Part Number    | Description  | Remark | Qty | Model |
|------|----------------|--|--------|-----|-------|
| (15) | 958 647 208 11 | To<br>Control panel<br>Navigation system<br>Connector<br>Black<br>AM/FM<br>Connecting line<br>Connection point                 |        | 1   |       |
| 16   | 958 647 208 15 | To<br>Control panel<br>Navigation system<br>Connector<br>green<br>TV 1/2<br>Connecting line<br>Aerial amplifier<br>Side window |        | 2   |       |
| 17   | 958 647 208 20 | To<br>Control panel<br>Navigation system<br>Connector<br>cream white<br>TV 3 + 4<br>Connecting line<br>microphone<br>Console   |        | 1   |       |
| (17) | 958 647 208 25 | Roof<br>Connecting line<br>Reversing camera  |        | 1   |       |

Model: 92A 11

Model life 2011>>2018





Model: 92A 11 Model life 2011>>2018

| Pos | Part Number   | Description  | Remark | Qty | Model  |
|-----|---------------|--|--------|-----|--|
| 1   | 95B 035 225 D | Aerial amplifier<br>Aerial<br>Connecting line<br>D - MJ 2017>><br>Aerial amplifier<br>Rear lid | right  | 1   | PR:ER1,ER2,<br>ER3,ER4,ER6,<br>ER7,ER8                     |
| (1) | 95B 035 225 E | 2-pole<br>yellow<br>Aerial amplifier<br>Rear lid   | right  | 1   | PR:ER5   |
| (1) | 95B 035 225 F | 2-pole<br>violet<br>Aerial amplifier<br>Rear lid   | left   | 1   | PR:ER1,ER2,<br>ER3,ER4,ER6,<br>ER7,ER8,QU8,<br>QV0,QV3     |
| (1) | 95B 035 225 G | Single pole<br>Bordeaux red<br>Aerial amplifier<br>Rear lid                                    | left   | 1   | PR:ER5,QV0   |
| (1) | 95B 035 225 H | Single pole<br>blue<br>Aerial amplifier<br>Rear lid  | left   | 1   | PR:ER1,ER2,<br>ER3,ER4,ER6,<br>ER7,ER8,QU1,<br>QV1         |
| (1) | 95B 035 225 Q | 2-pole<br>Bordeaux red<br>Aerial amplifier<br>Rear lid   | left   | 1   | PR:ER5,QV1   |
| 2   | 95B 035 225 J | 2-pole<br>blue<br>Aerial amplifier<br>Side window  | left   | 1   | PR:ER1,ER2,<br>ER3,ER4,ER6,<br>ER8,QV1                     |
| (2) | 95B 035 225 K | Single pole<br>green<br>Aerial amplifier<br>Side window  | left   | 1   | PR:ER5,QV1   |
| (2) | 95B 035 225 L | Single pole<br>brown<br>Aerial amplifier<br>Side window  | left   | 1   | PR:ER1,ER2,<br>ER3,ER4,ER6,<br>ER7,ER8,QV3                 |
| (2) | 95B 035 225 M | Single pole<br>Black<br>Aerial amplifier<br>Side window  | left   | 1   | PR:ER1,ER2,<br>ER3,ER4,ER6,<br>ER8,QU1                     |
| 3   | 95B 035 225 J | 2-pole<br>Black<br>Aerial amplifier<br>Side window   | right  | 1   | PR:ER1,ER2,<br>ER3,ER4,ER6,<br>ER8,QU1,QV1,<br>9M0,9M1     |
| (3) | 95B 035 225 K | Single pole<br>green<br>Aerial amplifier<br>Side window  | right  | 1   | PR:ER5,QV1   |
| (3) | 95B 035 225 N | Single pole<br>brown<br>Aerial amplifier<br>Side window  | right  | 1   | PR:ER1,ER2,<br>ER3,ER4,ER6,<br>ER7,ER8,QU8,<br>QV0,QV3,9M9 |

Model: 92A 11 Model life 2011>>2018

| Pos | Part Number    | Description   | Remark        | Qty | Model  |
|-----|----------------|---|---------------|-----|--|
| (3) | 95B 035 225 P  | Grey<br>Aerial amplifier<br>Side window<br><br>2-pole<br>green  | right         | 1   | PR:ER1,ER2,<br>ER3,ER4,ER6,<br>ER8,QU1,QV1,<br>9M9 |
| 4   | WHT 000 748    | expanding nut   |               | X   |  |
| 5   | N 104 472 01   | Hexagon socket oval head<br>panel bolt (combi)  |               | X   |  |
| 9   | 7PP 035 504 A  | Aerial<br>GPS   |               | 1   |  |
| 10  | 958 647 500 20 | Aerial<br>VTS vehicle tracking<br>GPS<br><br>with:  |               | 1   | PR:7G9,7I0,<br>7I2                                 |
| 11  | 9A7 035 504 00 | Bracket<br>Aerial<br>VTS vehicle tracking<br>GSM  |               | 1   | PR:7I0,7I2,<br>7G9                                 |
| 12  | 9A7 035 550 00 | Line<br>Aerial<br>Logbook<br>Connector housing<br>grey blue<br>4985 MM  |               | 1   | PR:7G9,7I0,<br>7I2                                 |
| 13  | 9A7 647 504 00 | Aerial<br>ETC   |               | 1   | PR:ER5   |
| 14  | 9A7 647 504 10 | Aerial<br>VICS  |               | 1   | PR:ER5   |
| 14  | 9A7 035 504    | Aerial<br>VICS<br><br>use also for<br>retrofitting:   | 9A7.919.813.A | 1   | PR:ER5   |
| 15  | 971 035 510 C  | Telephone aerial<br>GSM/UMTS/LTE1<br>Front apron  |               | 1   | PR:9ZK   |
| 20  | 958 647 207 00 | Aerial connection line<br>GPS<br>To<br>Central computer<br>Connector housing<br>blue<br>To<br>Connector housing<br>blue<br>2790 MM                            |               | 1   |  |
| 21  | 958 647 207 50 | Aerial connection line<br>Control unit<br>To<br>GPS<br>VTS vehicle tracking<br>Connector housing<br>blue<br>To<br>Connector housing<br>cream white<br>7240 MM |               | 1   | PR:7G5,7G9,<br>7I0,7I2                             |
| 22  | 958 035 550 20 | Aerial connection line<br>Control unit<br>To<br>GSM<br>VTS vehicle tracking<br>Connector housing  |               | 1   |  |

Model: 92A 11

Model life 2011>>2018

| Pos | Part Number    | Description   | Remark        | Qty | Model                                      |
|-----|----------------|---|---------------|-----|--|
| 23  | 958 035 550 21 | Bordeaux red<br>To<br>Connector housing<br>Bordeaux red<br>8350 MM<br>Connecting line<br>Aerial<br>Navigation<br>Telephone<br>Connector housing<br>blue<br>To<br>Connector housing<br>blue<br>2840 MM   |               | 1   | PR:I8L                                     |
| 25  | 958 035 550 22 | Aerial connection line<br><br>Connector housing<br>Black<br>To<br>Connector housing<br>yellow<br>4230 MM  |               | 1   | PR:ER1,ER2,<br>ER8,QU1,QV3,<br>9M0,9M1,9M5 |
| 26  | 958 035 550 23 | Aerial connection line<br><br>Connector housing<br>green<br>To<br>Connector housing<br>green<br>790 MM<br>and<br>Connector housing<br>SCHWARZ<br>220 MM<br>To<br>Connector housing<br>yellow<br>1250 MM |               | 1   | PR:ER1,ER2,<br>ER8,QU1,9M0,<br>9M1,9M5     |
| 27  | 958 035 550 24 | Aerial connection line<br><br>Connector housing<br>Black<br>To<br>Connector housing<br>yellow<br>1250 MM  |               | 1   | PR:ER1,ER2,<br>ER8,QV3,9M0,<br>9M1,9M5     |
| 28  | 958 647 213 10 | Connecting line<br>Receiving part<br>TV<br>To<br>Connection point<br>Roof<br>To<br>Aerial amplifier<br>Side window<br>and<br>Line<br>4-part<br>white<br>yellow<br>red<br>blue                           | right<br>left | 1   |  |

Model: 92A 11 Model life 2011>>2018

| Pos  | Part Number    | Description   | Remark        | Qty | Model                                      |
|------|----------------|---|---------------|-----|--|
| (28) | 958 035 550 25 | Connecting line<br>Receiving part<br>TV<br>To<br>Connection point<br>Roof<br>To<br>Aerial amplifier<br>Side window<br>Connector housing<br>green<br>To<br>Connector housing<br>green<br>2200 MM<br>To<br>Connector housing<br>green<br>790 MM         | left a. right | 1   | PR:ER1,ER2,<br>ER6,ER8,QV1,<br>9M0,9M1,9M5 |
| (28) | 958 035 550 26 | Connecting line<br>Receiving part<br>TV<br>To<br>Connection point<br>Roof<br>To<br>Aerial amplifier<br>Side window<br>Connector housing<br>green<br>To<br>Connector housing<br>nut brown<br>2200 MM<br>To<br>Connector housing<br>nut brown<br>790 MM | left a. right | 1   | PR:ER5,QV1                                 |
| 29   | 958 035 550 27 | Connecting line<br>Receiving part<br>TV<br>To<br>Rear lid<br>Connector housing<br>green<br>To<br>Connector housing<br>nut brown<br>1430 MM  | left          | 1   | PR:QV1,QU1,<br>9M0,9M1,9M5                 |
| 30   | 958 035 550 28 | Connecting line<br>Side window<br><br>and<br>Connector housing<br>green<br>To<br>Connector housing<br>green<br>2200 MM<br>To<br>Connector housing<br>green<br>790 MM  | left<br>right | 1   | PR:ER1,ER2,<br>ER6,ER8,QV1,<br>9M9         |

Model: 92A 11

Model life 2011>>2018

| Pos  | Part Number    | Description   | Remark        | Qty | Model  |
|------|----------------|---|---------------|-----|--|
| (30) | 958 035 550 29 | To<br>Connector housing<br>beige<br>1260 MM<br>Connecting line<br>Side window<br>Connector housing<br>Black<br>To<br>Connector housing<br>yellow<br>1250 MM<br>To<br>Connector housing<br>green<br>2200 MM<br>To<br>Connector housing<br>green<br>790 MM<br>To<br>Connector housing<br>beige<br>1260 MM<br>Connecting line<br>Aerial<br>Radio unit<br>Connection point<br>Roof<br>To<br>Central computer<br>Connector housing<br>Black<br>To<br>Connector housing<br>cream white<br>4200 MM | left a. right | 1   | PR:ER1,ER2,<br>ER6,ER8,QV1,<br>9M9   |
| 31   | 958 647 203 05 | Aerial connection line<br>Radio unit<br>Connection point<br>Roof<br>To<br>Central computer<br>Connector housing<br>Black<br>To<br>Connector housing<br>cream white<br>4200 MM   |               | 1   | PR:LOR   |
| (31) | 958 035 550 30 | Aerial connection line<br>Radio unit<br>Connection point<br>Roof<br>To<br>Central computer<br>Connector housing<br>Black<br>To<br>Connector housing<br>cream white<br>4250 MM   |               | 1   | PR:L0L   |
| 32   | 958 035 550 31 | Aerial connection line<br>Radio unit<br>Connector housing<br>yellow<br>To<br>Connector housing<br>Black<br>920 MM<br>To<br>Connector housing<br>Blue-grey<br>920 MM   |               | 1   | PR:OK0,OK3,<br>2D0,2D1,2D2,<br>7X0,7X2,7X8,<br>7X9,8A4,ER1,<br>ER2,ER3,ER4,<br>ER6,ER7,ER8 |
| (32) | 958 035 550 32 | Aerial connection line  |               | 1   | PR:QU1,QV1,  |

Model: 92A 11 Model life 2011>>2018

| Pos  | Part Number    | Description   | Remark | Qty | Model   |
|------|----------------|---|--------|-----|---|
| (32) | 958 035 550 33 | Radio unit<br>Connector housing<br>violet<br>To<br>Connector housing<br>beige<br>1130 MM<br>To<br>Connector housing<br>green<br>1130 MM<br>Aerial connection line   |        | 1   | 0K0,0K3,ER1,<br>ER2,ER3,ER4,<br>ER6,ER7,ER8<br><br>PR:QU8,QV0,<br>QV3,0K0,0K3,<br>ER1,ER2,ER3,<br>ER4,ER6,ER7,<br>ER8 |
| (32) | 958 035 550 34 | Radio unit<br>Connector housing<br>violet<br>To<br>Connector housing<br>beige<br>1130 MM<br>Aerial connection line  |        | 1   | PR:0K0,0K3,<br>2D0,2D1,2D2,<br>7X0,7X2,7X8,<br>7X9,8A4,ER5  |
| (32) | 958 035 550 35 | Radio unit<br>Connector housing<br>violet<br>To<br>Connector housing<br>Black<br>920 MM<br>To<br>Connector housing<br>Blue-grey<br>920 MM<br>Aerial connection line |        | 1   | PR:QU1,QV1,<br>0K0,0K3,ER5  |
| (32) | 958 035 550 36 | Radio unit<br>Connector housing<br>blue<br>To<br>Connector housing<br>beige<br>1130 MM<br>To<br>Connector housing<br>green<br>1130 MM<br>Aerial connection line     |        | 1   | PR:QU8,QV0,<br>QV3,0K0,0K3,<br>ER5  |
| 33   | 958 647 214 00 | Connecting line<br>Central locking system<br>Control unit<br>Electronics<br>Front end<br>To<br>Connection point   |        | 1   |   |

Model: 92A 11

Model life 2011&gt;&gt;2018

| Pos | Part Number    | Description  | Remark | Qty | Model  |
|-----|----------------|--|--------|-----|--|
| 34  | 958 647 295 10 | Roof<br>Connector housing<br>Blue-grey<br>To<br>Connector housing<br>Blue-grey<br>4700 MM<br>Connecting line<br>Aerial amplifier<br>Connector housing<br>cream white<br>To<br>Connector housing<br>cream white<br>450 MM |        | 1   | PR:8L6   |
| 35  | 958 647 296 10 | Aerial connection line<br>Rear lid<br>Connector housing<br>Black<br>To<br>Connector housing<br>Black<br>850 MM   |        | 1   |  |
| 36  | 958 647 213 20 | Connecting line<br>Auxiliary heater<br>Aerial amplifier<br>Side window<br>To<br>Receiving part<br>Auxiliary heater<br>Connector housing<br>green<br>To<br>Connector housing<br>beige<br>1240 MM                          | right  | 1   | PR:9M9   |
| 37  | 958 035 550 37 | Connecting line<br>Auxiliary heater<br>Connector housing<br>beige<br>To<br>Connector housing<br>Blue-grey<br>1240 MM   |        | 1   | PR:ER1,ER2,<br>ER6,ER8,QV0,<br>QV3,9M9                     |
| 38  | 958 035 550 38 | Connecting line<br>Aerial<br>Telephone<br>Connector housing<br>violet<br>To<br>Connector housing<br>violet<br>3540 MM<br>To<br>Connector housing<br>violet<br>2820 MM  |        | 1   | PR:9ZK   |
| 39  | 958 035 550 39 | Connecting line<br>Aerial<br>Telephone<br>Connector housing<br>violet<br>To  |        | 1   | PR:VC0,VC1,<br>VC2,8X0,7X2,<br>7X8,7X9,8F2,<br>8F5,8A4,9ZK |

Model: 92A 11

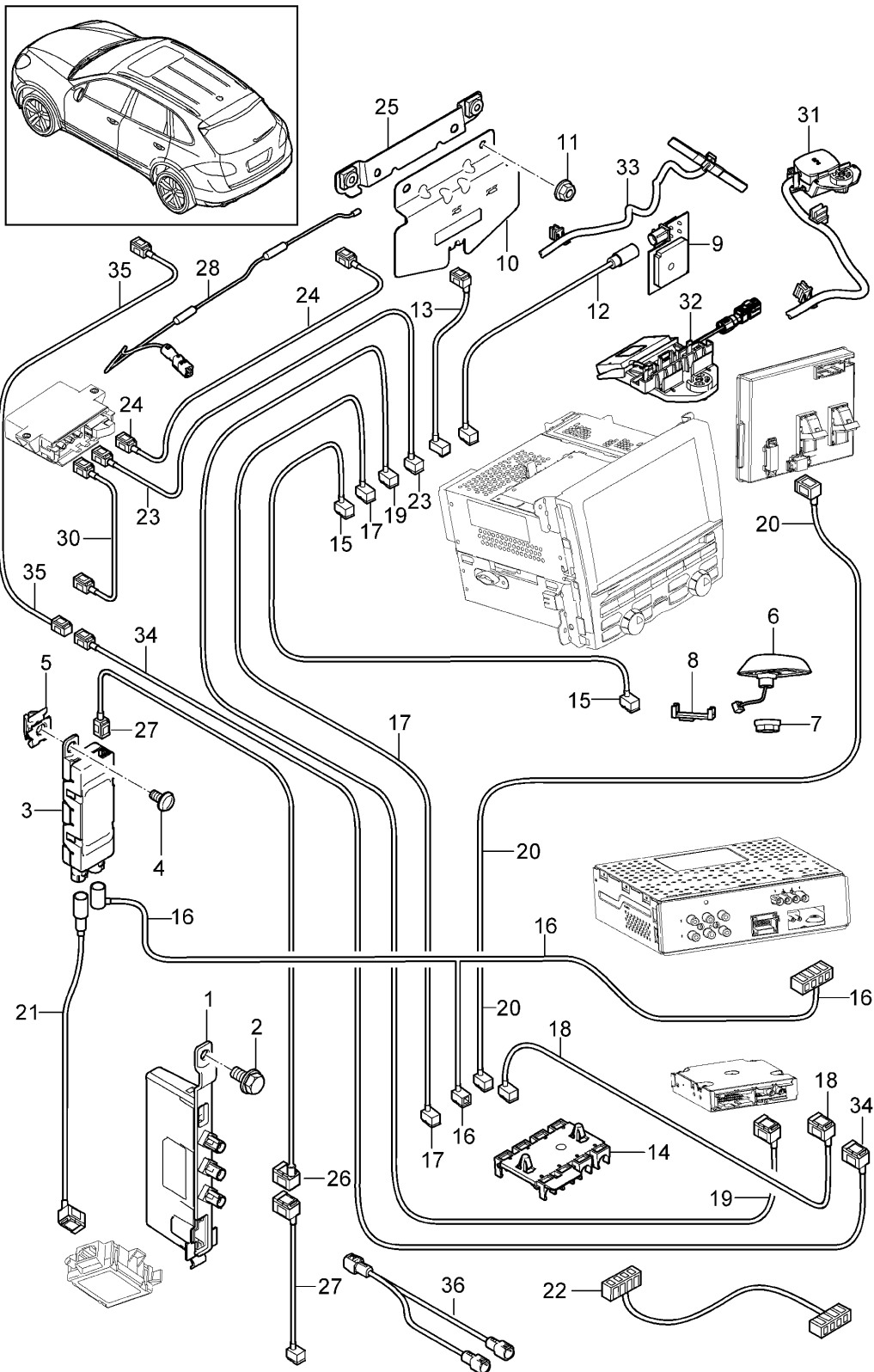
Model life 2011>>2018

| Pos  | Part Number    | Description  | Remark | Qty | Model                         |
|------|----------------|--|--------|-----|-------------------------------|
| 40   | 958 647 215 00 | Connector housing<br>violet<br>650 MM<br>Connecting line<br>Rear seat entertainment system<br>Left seat<br>To<br>Right seat<br>Connector housing<br>Black<br>To<br>Connector housing<br>Black<br>4450 MM |        | 1   | PR:QV0                        |
| (40) | 958 647 215 05 | Connecting line<br>Rear seat entertainment system<br>Left seat<br>To<br>Right seat<br>and<br>Receiving part<br>TV<br>All<br>Connector housing<br>Black<br>4360 MM  |        | 1   | PR:QV1                        |
| 45   | 955 647 432 10 | Bracket<br>4-pole<br>Connection point<br>Roof  |        | 1   |                               |
| 46   | 958 647 432 00 | Bracket<br>3-pole<br>Connection point<br>Roof  |        | 1   | PR:QV1, 7Q0,<br>7X8, 7X9      |
| 47   | 958 647 433 10 | Adapter<br>mounting plate<br>Control unit<br>Windscreen heating  |        | 1   | PR:4GG, 4GH                   |
| 48   | 971 035 503    | Telephone aerial   |        | 1   | PR:7Y0, 7Y1,<br>8G0, 9Q1, 9ZK |
| 49   | 958 035 640 00 | Telephone aerial<br><br>with:<br><br>Bracket   |        | 1   | PR:7Y0, 7Y1,<br>8G0, 9Q1, 9ZK |



Model: 92A 11

Model life 2011>>2018



Model: 92A 11 Model life 2011>>2018

| Pos  | Part Number    | Description   | Remark | Qty | Model                                      |
|------|----------------|---|--------|-----|--|
| 1    | 958 647 311 00 | Aerial amplifier<br>Aerial<br>Connecting line<br>D >> - MJ 2016 | right  | 1   | PR:QV0,7Q0,<br>8AJ,8YZ                     |
| 1    | 958 647 312 00 | Aerial amplifier<br>Rear lid                                    | right  | 1   | PR:8DQ,8DV,                                |
| 1    | 958 647 312 01 | D >> - MJ 2013<br>Aerial amplifier<br>Rear lid                  | right  | 1   | PR:8DQ,8DV,                                |
| 1    | 958 647 312 00 | D - MJ 2013>><br>Aerial amplifier<br>Rear lid                   | right  | 1   | PR:7T4                                     |
| 1    | 958 647 312 01 | D >> - MJ 2013<br>Aerial amplifier<br>Rear lid                  | right  | 1   | PR:7T4                                     |
| 1    | 958 647 313 00 | D - MJ 2013>><br>Aerial amplifier<br>Rear lid                   | left   | 1   | PR:QV0,8DQ,<br>8DV                         |
| 1    | 958 647 313 00 | Aerial amplifier<br>Rear lid                                    | left   | 1   | PR:QV0,7T4                                 |
| 1    | 958 647 314 00 | Aerial amplifier<br>Rear lid                                    | left   | 1   | PR:QV1,8DQ,<br>8DV                         |
| 1    | 958 647 314 00 | Aerial amplifier<br>Rear lid                                    | left   | 1   | PR:QV1,7T4                                 |
| 2    | N 908 479 03   | hexagon head bolt (combi)<br>M 6 X 15                           |        | 1   |  |
| 3    | 958 647 316 00 | Aerial amplifier<br>Side window                                 | right  | 1   | PR:QV0,9M9                                 |
| 3    | 958 647 317 00 | Aerial amplifier<br>Side window                                 | right  | 1   | PR:QV1,9M9                                 |
| 3    | 958 647 318 00 | Aerial amplifier<br>Side window                                 | right  | 1   | PR:QV1,-9M9                                |
| 3    | 958 647 318 00 | Aerial amplifier<br>Side window                                 | left   | 1   | PR:QV1                                     |
| 3    | 958 647 319 00 | Aerial amplifier<br>Side window                                 | left   | 1   | PR:QV5                                     |
| 3    | 958 647 320 00 | Aerial amplifier<br>Side window                                 | left   | 1   | PR:QU0                                     |
| 4    | N 104 472 01   | Hexagon socket oval head<br>panel bolt (combi)<br>4,8 X 13      |        | 1   |  |
| 5    | WHT 000 748    | expanding nut<br>4,8  |        | 1   |  |
| 9    | 7PP 035 504    | Aerial<br>GPS<br>for<br>PCM                                     |        | 1   | PR:7T1,7T4,<br>7Q4,7Q7                     |
| 10   | 958 647 106 00 | Telephone aerial  |        | 1   | PR:9W1,9W5,<br>9ZP,7Y0,7Y1,<br>8G0,9Q1     |
| (10) | 7PP 035 503    | Telephone aerial  |        | 1   | PR:9W1,9ZP,<br>7Y6,7Y7,8G0,<br>8G1,9Q1,9Q6 |
| 11   | WHT 001 248    | Hexagon nut<br>M 6  |        | 2   | PR:9W1,9W5,<br>9ZP                         |
| 12   | 958 647 207 00 | Pin<br>Aerial connection line<br>GPS<br>To<br>Control panel     |        | 1   | PR:7T1,7T4                                 |

Model: 92A 11 Model life 2011>>2018

| Pos  | Part Number    | Description   | Remark        | Qty | Model                                      |
|------|----------------|---|---------------|-----|--|
| 12   | 958 647 207 35 | Navigation system<br>Connector<br>blue<br>Aerial connection line  |               | 1   | PR:7T1,7T4,<br>7Y6,7Y7,8G0,<br>8G1,9Q1,9Q6 |
| 13   | 958 647 207 05 | GPS<br>To<br>Control panel<br>Navigation system<br>Connector<br>blue<br>Connecting line<br>Aerial<br>Telephone<br>To<br>Control panel<br>Navigation system<br>Connector<br>violet |               | 1   | PR:9W1,9ZP                                 |
| 13   | 958 647 207 30 | Connecting line<br>Aerial<br>Telephone<br>To<br>Control panel<br>Navigation system<br>Connector<br>violet   |               | 1   | PR:9W1,9ZP,<br>7Y6,7Y7,8G0,<br>8G1,9Q1,9Q6 |
| (13) | 958 647 207 10 | Connecting line<br>Aerial<br>Telephone<br>To<br>Centre console<br>Connector<br>violet   |               | 1   | PR:9W5                                     |
| 14   | 955 647 432 10 | Bracket<br>4-pole<br>Connection point<br>Roof   |               | 1   |  |
| (14) | 958 647 432 00 | Bracket<br>3-pole<br>Connection point<br>Roof   |               | 1   |  |
| 16   | 958 647 213 10 | Connecting line<br>Receiving part<br>TV<br>To<br>Connection point<br>Roof<br>To<br>Aerial amplifier<br>Side window<br>and   | right<br>left | 1   | PR:QV1,QV5                                 |
| 17   | 958 647 203 01 | Connecting line<br>Connection point<br>Roof<br>To<br>Control panel<br>Navigation system<br>Connector<br>Black   |               | 1   | PR:8DQ,8DV                                 |
| (17) | 958 647 203 06 | Connecting line<br>Connection point<br>Roof   |               | 1   | PR:QU0,QV5                                 |

Model: 92A 11

Model life 2011>>2018

| Pos  | Part Number    | Description   | Remark | Qty | Model              |
|------|----------------|---|--------|-----|--------------------|
| (17) | 958 647 203 05 | To<br>Control panel<br>Navigation system<br>Connector<br>green<br>Connecting line<br>Connection point<br>Roof       |        | 1   | PR:8AJ             |
| 18   | 958 647 216 00 | To<br>Radio unit<br>Connector<br>Black<br>Connecting line<br>Connection point<br>Roof                               |        | 1   |                    |
| (18) | 958 647 216 15 | To<br>Control unit<br>Reversing camera<br>Connector<br>Blue-grey<br>Connecting line<br>Connection point<br>Roof     |        | 1   |                    |
| 19   | 958 647 216 05 | To<br>Control unit<br>Reversing camera<br>Connector<br>green<br>Connecting line<br>Control unit<br>Reversing camera |        | 1   | PR:7X8,7X9,<br>QV0 |
| (19) | 958 647 216 10 | To<br>Control panel<br>Navigation system<br>Connecting line<br>Control unit<br>Reversing camera                     |        | 1   | PR:7X8,7X9,<br>QV1 |
| 20   | 958 647 214 00 | To<br>Receiving part<br>TV<br>Connecting line<br>Control unit<br>Electronics<br>Front end                           |        | 1   |                    |
| 21   | 958 647 213 20 | To<br>Connection point<br>Roof<br>Connecting line<br>Aerial amplifier<br>Side window                                | right  | 1   | PR:9M9             |
| (21) | 958 647 203 07 | To<br>Receiving part<br>Auxiliary heater<br>Connecting line<br>Aerial amplifier<br>Side window                      | left   | 1   | PR:QU0,QV5         |
| 22   | 958 647 215 00 | To<br>Connection point<br>Roof<br>Connecting line<br>Rear seat entertainment system<br>Left seat                    |        | 1   | PR:QV0,9WM         |

Model: 92A 11

Model life 2011&gt;&gt;2018

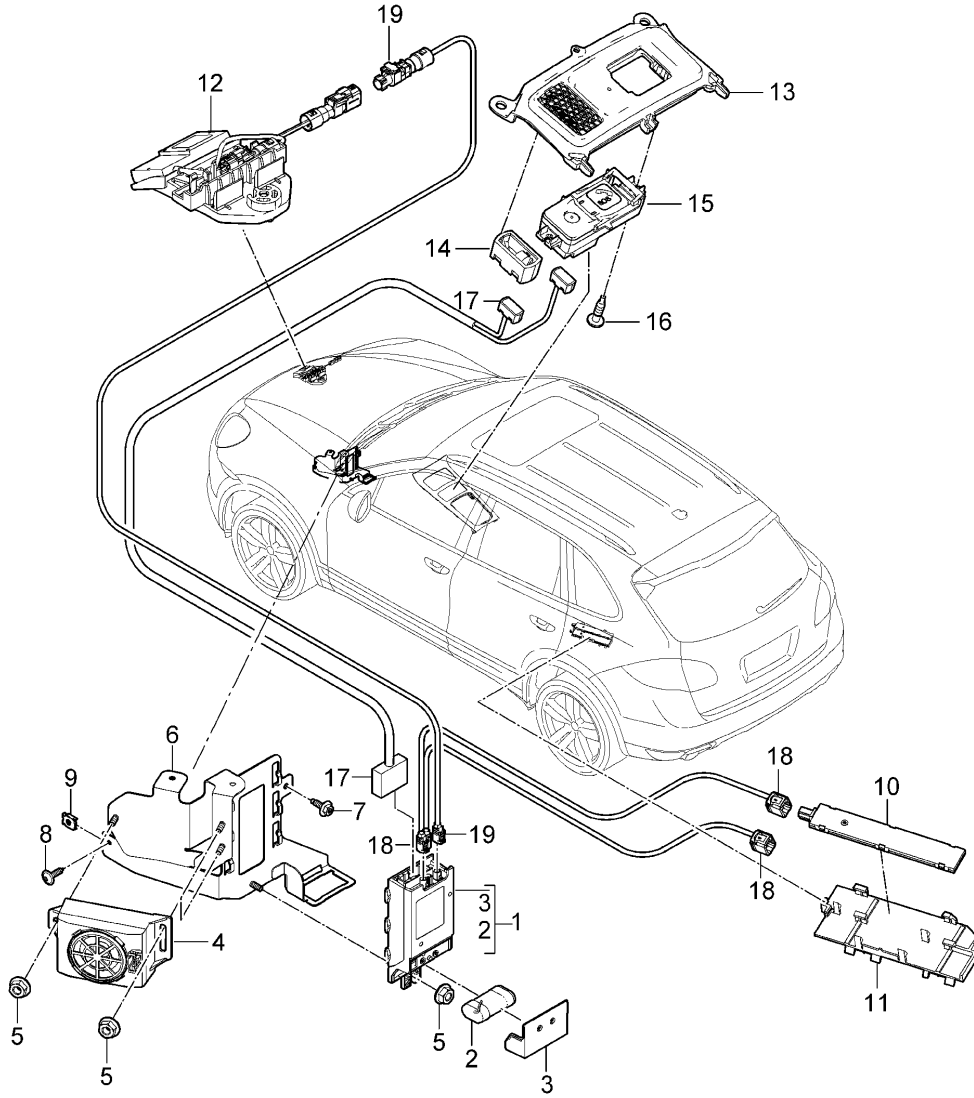
| Pos  | Part Number    | Description  | Remark | Qty | Model                      |
|------|----------------|--|--------|-----|----------------------------|
| (22) | 958 647 215 05 | Right seat<br>Connecting line<br>Rear seat entertainment system<br>Left seat<br>To<br>Right seat<br>and<br>Receiving part<br>TV<br>F >> 92-CLA05 335<br>F >> 92-CLA92 110<br>F >> 92-CLA64 565<br>F >> 92-CLA28 225<br>F >> 92-CLA28 101<br>F >> 92-CLA45 215<br>F >> 92-CLA82 187 |        | 1   | PR:QV1,9WM                 |
| (22) | 958 647 215 10 | Connecting line<br>Rear seat entertainment system<br>Left seat<br>To<br>Right seat<br>and<br>Receiving part<br>TV<br>F 92-CLA05 336>><br>F 92-CLA92 111>><br>F 92-CLA64 566>><br>F 92-CLA28 226>><br>F 92-CLA28 102>><br>F 92-CLA45 216>><br>F 92-CLA82 188>>                      |        | 1   | PR:QV1,9WM                 |
| 23   | 958 647 207 50 | Aerial connection line<br>Control unit<br>To<br>GPS<br>VTS vehicle tracking<br>Connector<br>blue   |        | 1   | PR:7G5,7G9,<br>7I0,7I2     |
| 24   | 958 647 207 60 | Aerial connection line<br>Control unit<br>To<br>GSM<br>VTS vehicle tracking<br>Connector<br>violet   |        | 1   | PR:7G5,7G9,<br>7I0,7I2     |
| 25   | 958 647 433 00 | Adapter<br>mounting plate<br>Control unit<br>Windscreen heating  |        | 1   |                            |
| 26   | 958 647 295 10 | Connecting line<br>Aerial amplifier<br>Connector<br>in<br>cream white  |        | 1   | PR:8L6                     |
| 27   | 958 647 296 10 | Aerial connection line   |        | 1   | PR:7T1,7T4,<br>8DQ,8DV     |
| 28   | 95B 035 502 A  | Rear lid<br>Aerial<br>VTS vehicle tracking   |        | 1   | PR:7G5,7G9,<br>7I0,7I2,8T1 |
| 30   | 958 647 501 50 | Aerial<br>VTS vehicle tracking<br>DRIVER CARD<br>Connector   |        | 1   | PR:7G5                     |

Model: 92A 11 Model life 2011>>2018

| Pos | Part Number    | Description  | Remark | Qty | Model                  |
|-----|----------------|--|--------|-----|------------------------|
| 31  | 958 647 500 10 | Blue-grey<br>Aerial<br>GPS<br>VTS vehicle tracking<br>D >> - MJ 2014   |        | 1   | PR:7G5                 |
| 32  | 958 647 500 20 | Aerial<br>GPS<br>VTS vehicle tracking<br>with:<br>Bracket<br>D - MJ 2015>>   |        | 1   | PR:7G5,7G9,<br>7I0,7I2 |
| 33  | 958 647 502 10 | Telephone aerial<br>GSM<br>VTS vehicle tracking  |        | 1   | PR:7G5                 |
| 34  | 958 971 158 10 | Connecting line<br>Connection point<br>bumper<br>To<br>Control unit<br>Camera<br>6070 MM   | front  | 1   | PR:8A4                 |
| 35  | 958 971 158 11 | Connecting line<br>Connection point<br>bumper<br>To<br>Camera<br>1530 MM   | front  | 1   | PR:8A4                 |
| 36  | 958 035 550 03 | Aerial connection line<br>for<br>TV tuner<br>Connector<br>green<br>To<br>Connector<br>GRÜN<br>and<br>Connector<br>nut brown<br>1050 MM |        | 1   | PR:QV1                 |

Model: 92A 11

Model life 2011>>2018



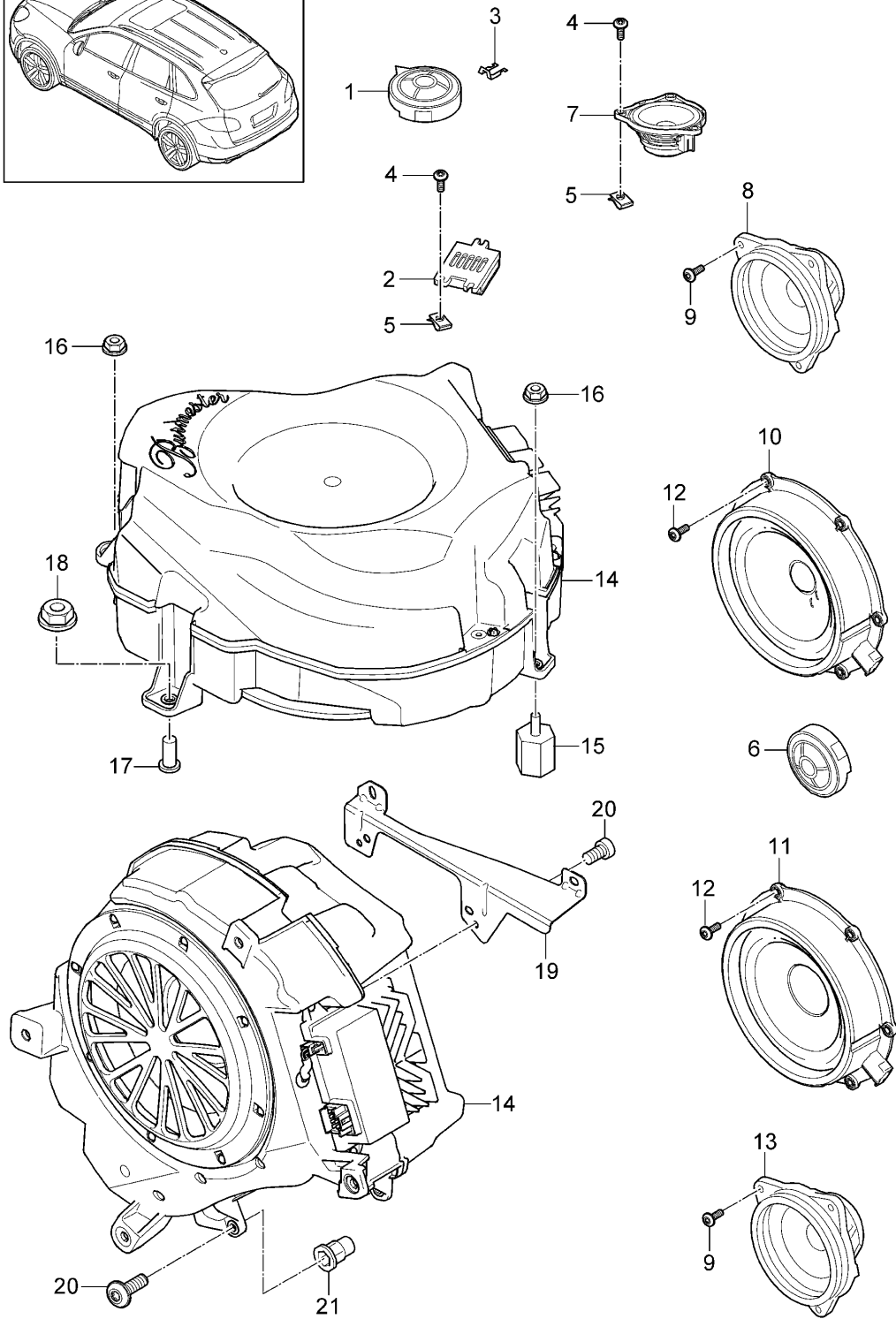
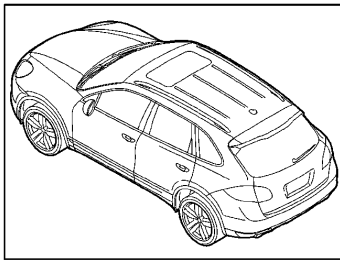
Model: 92A 11 Model life 2011>>2018

| Pos  | Part Number       | Description  | Remark        | Qty | Model |
|------|-------------------|--|---------------|-----|-------|
| 1    | 9P1 035 284 B     | Emergency call system<br>D - MJ 2017>><br>Control unit for emerg. call<br>module and communications unit   |               | 1   |       |
| 2    | 9P1 915 611       | Emergency call system<br>Battery<br>for<br>Communication<br>Box  |               | 1   |       |
| 3    | 9P1 035 215       | Cover<br>for<br>Communication<br>Box   |               | 1   |       |
| 4    | 7PP 035 709 A     | Loudspeaker  |               | 1   |       |
| 5    | N 015 082 10      | Hexagon collar nut   |               | 4   |       |
| 6    | 958 035 206 00    | Bracket  |               | 1   |       |
| 7    | N 910 799 01      | Hex collared bolt<br>6X20  |               | 2   |       |
| 8    | N 906 986 06      | Hexagon socket head panel bolt   |               | 1   |       |
| 9    | N 906 987 03      | Speed nut  |               | 1   |       |
| 10   | 9A7 035 504 00    | Aerial<br>GSM  |               | 2   |       |
| 11   | 958 035 525 00    | Retainer for aerial  | left          | 1   |       |
| (11) | 958 035 526 00    | Retainer for aerial  | right         | 1   |       |
| 12   | 958 647 500 30    | Aerial<br>GPS<br><br>with:<br>Bracket  |               | 1   |       |
| 13   | 958 857 273 00    | Trim for centre console  |               | 1   |       |
| 14   | 9P1 035 712       | microphone   |               | 1   |       |
| 15   | 9P1 959 511 A     | Switch   |               | 1   |       |
| 16   | 9P1 959 511 A 6N3 | Black  |               | 1   |       |
| 16   | N 106 258 02      | Hexagon socket flat<br>head bolt<br>3X10   |               | 2   |       |
| 17   | 958 970 226 00    | Wire set<br>Emergency call system  |               | 1   |       |
| 18   | 958 035 550 00    | No longer use the part here<br>Single wire<br>for<br>Control unit<br>Emergency call system   | left<br>right | 1   |       |
| 19   | 958 035 550 50    | To<br>Aerial<br>GSM<br>5250 MM<br>and<br>Aerial<br>GSM<br>4100 MM<br>Connector housing<br>Bordeaux red<br>violet<br>Single wire<br>for<br>Control unit<br>Emergency call system<br>To<br>Aerial<br>GPS<br>3000 MM<br>Connector housing<br>blue |               | 1   |       |



Model: 92A 11

Model life 2011>>2018



Model: 92A 11 Model life 2011>>2018

| Pos  | Part Number    | Description   | Remark         | Qty         | Model              |
|------|----------------|---|----------------|-------------|--------------------|
| 1    | 7PP 035 411    | Loudspeaker<br>Treble speaker<br>dashboard          | rear           | X           | PR:8RV,9VK         |
|      |                | Door  |                | 2           |                    |
| (1)  | 7PP 035 411 D  | Treble speaker<br>dashboard                         | rear           | X           | PR:9VL             |
|      |                | Door  |                | 2           |                    |
| 2    | 7PP 035 411 E  | Treble speaker<br>dashboard                         |                | 2           | PR:9VJ             |
| 3    | WHT 004 906    | Clip  |                | 6           | PR:8RV,9VK,<br>9VL |
| 4    | N 906 986 06   | Hexagon socket head panel bolt<br>4,2 X 16          |                | 9           |                    |
| 5    | N 906 988 01   | Speed nut<br>4,2                                    |                | 9           |                    |
| 6    | 7PP 035 412 A  | Treble speaker<br>Door                              | rear           | 2           | PR:9VJ             |
| 7    | 7PP 035 828 C  | Loudspeaker<br>dashboard                            | center         | 1           | PR:9VK             |
| (7)  | 7PP 035 828 D  | Loudspeaker<br>dashboard                            | center         | 1           | PR:9VL             |
| (7)  | 7PP 035 828 E  | Loudspeaker<br>dashboard                            | center         | 1           | PR:9VJ             |
| 8    | 7PP 035 415 D  | Mid tone speaker<br>Door                            | front          | 2           | PR:8RV             |
| 8    | 7PP 035 415 H  | Mid tone speaker<br>Door                            | front          | 2           | PR:8RV             |
| (8)  | 7PP 035 415 E  | Mid tone speaker<br>Door                            | front          | 2           | PR:9VK             |
| (8)  | 7PP 035 415 F  | Mid tone speaker<br>Door                            | front          | 2           | PR:9VL             |
| (8)  | 7PP 035 415 G  | Mid tone speaker<br>Door                            | front<br>rear  | X<br>2<br>2 | PR:9VJ             |
| 9    | N 908 401 03   | Hex socket oval head collared<br>4,0 X 14,0         |                | X           |                    |
| 10   | 958 645 551 00 | Bass loudspeaker<br>Door                            | front          | 2           | PR:8RV             |
| (10) | 7PP 035 454 G  | Bass loudspeaker<br>Door                            | front          | 2           | PR:9VK             |
| (10) | 7PP 035 454 J  | Bass loudspeaker<br>Door                            | front          | 2           | PR:9VK,-IY2        |
| (10) | 7PP 035 454 L  | D >> - MJ 2014<br>Bass loudspeaker<br>Door          | front          | 2           | PR:9VK,IY2         |
| (10) | 7PP 035 454 L  | D - MJ 2014>> - MJ 2014<br>Bass loudspeaker<br>Door | front          | 2           | PR:9VK             |
| (10) | 7PP 035 454 E  | D - MJ 2015>><br>Bass loudspeaker<br>Door           | front          | 2           | PR:9VL             |
| (10) | 7PP 035 454 M  | Bass loudspeaker<br>Door                            | front          | 2           | PR:9VL             |
| (10) | 7PP 035 454 P  | Bass loudspeaker<br>Door                            | front          | 2           | PR:9VL             |
| (10) | 7PP 035 454 H  | Bass loudspeaker<br>Door                            | front<br>front | 2           | PR:9VJ             |
| 11   | 958 645 551 00 | Bass loudspeaker<br>Door                            | rear           | 2           | PR:8RV,9VK         |
| (11) | 7PP 035 710 B  | Bass loudspeaker                                    | rear           | 2           | PR:9VL             |

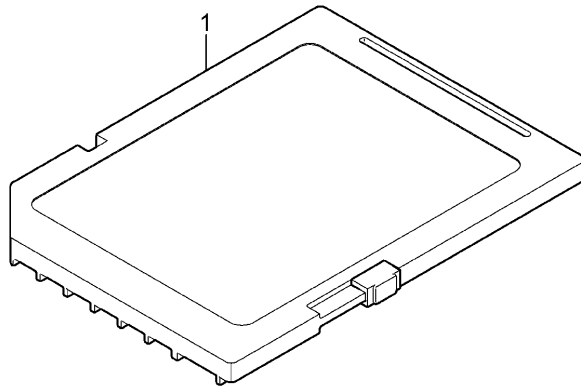
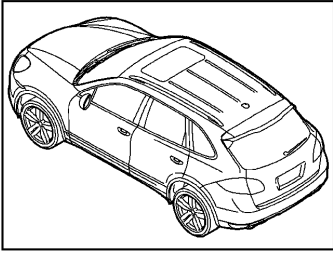
Model: 92A 11

Model life 2011&gt;&gt;2018

| Pos  | Part Number    | Description                               | Remark | Qty | Model              |
|------|----------------|---|--------|-----|--------------------|
| (11) | 7PP 035 453 B  | Door<br>Bass loudspeaker                  | rear   | 2   | PR:9VJ             |
| 12   | 955 533 691 00 | Door<br>oval head panel screw<br>5,0 X 22 |        | 24  |                    |
| 13   | 7PP 035 416 B  | Loudspeaker<br>d-pillar                   |        | 2   | PR:9VL             |
| (13) | 7PP 035 416 C  | Loudspeaker<br>d-pillar                   |        | 2   | PR:9VJ             |
| 14   | 958 645 010 00 | Subwoofer<br>D >> - MJ 2016               |        | 1   | PR:9VL,0K0         |
| (14) | 958 645 010 02 | Subwoofer<br>D - MJ 2017>>                |        | 1   | PR:9VL,0K0         |
| (14) | 958 645 010 10 | Subwoofer                                 |        | 1   | PR:9VJ,0K0         |
| (14) | 958 645 010 20 | Subwoofer<br>D >> - MJ 2016               |        | 1   | PR:9VL,0K3         |
| (14) | 958 645 010 21 | Subwoofer<br>D - MJ 2017>>                |        | 1   | PR:9VL,0K3         |
| (14) | 958 645 010 30 | Subwoofer                                 |        | 1   | PR:9VJ,0K3         |
| 15   | 958 645 434 00 | Distance piece                            |        | 1   | PR:0K0,9VL,<br>9VJ |
| 16   | N 102 058 02   | Hexagon collar nut<br>self-locking<br>M 6 |        | 3   | PR:0K0,9VL,<br>9VJ |
| 17   | 958 362 534 00 | Bracket<br>Subwoofer                      |        | 1   | PR:0K0,9VL,<br>9VJ |
| 18   | N 104 355 08   | Collar nut<br>M 8                         |        | 1   | PR:0K0,9VL,<br>9VJ |
| 19   | 958 645 210 00 | Bracket for subwoofer                     |        | 1   | PR:0K1,9VL,<br>9VJ |
| 20   | N 910 967 01   | Oval hexagon socket head bolt<br>M 6 X 16 |        | 6   | PR:0K1,9VL,<br>9VJ |
| 21   | N 106 185 01   | rivetted cap nut<br>M 6                   |        | 4   | PR:0K1,9VL,<br>9VJ |

Model: 92A 11

Model life 2011>>2018



Model: 92A 11

Model life 2011&gt;&gt;2018

| Pos | Part Number    | Description   | Remark | Qty | Model      |
|-----|----------------|---|--------|-----|------------|
|     |                | SD card<br>Data<br>Navigation<br>for<br>Update<br>D - MJ 2017>>               |        |     |            |
| 1   | 9P1 909 000 G  | SD memory card for updating<br>the navigation data<br>D >> - MJ 2017          |        | 1   | PR:ER1     |
| 1   | 9P1 909 000 T  | SD memory card for updating<br>the navigation data<br>D - MJ 2018>>           |        | 1   | PR:ER1     |
| 1   | 9P1 909 000 H  | SD memory card for updating<br>the navigation data<br>D >> - MJ 2017          |        | 1   | PR:ER3,ER4 |
| 1   | 9P1 909 000 AA | SD memory card for updating<br>the navigation data<br>D - MJ 2018>>           |        | 1   | PR:ER3,ER4 |
| 1   | 9P1 909 000 J  | SD memory card for updating<br>the navigation data<br>D >> - MJ 2017          |        | 1   | PR:ER2     |
| 1   | 9P1 909 000 AB | SD memory card for updating<br>the navigation data<br>D - MJ 2018>>           |        | 1   | PR:ER2     |
| 1   | 9P1 909 000 L  | SD memory card for updating<br>the navigation data<br>D >> - MJ 2017          |        | 1   | PR:ER5     |
| 1   | 9P1 909 000 AD | SD memory card for updating<br>the navigation data<br>D - MJ 2018>> - MJ 2018 |        | 1   | PR:ER5,IY1 |
| 1   | 9P1 909 000 AH | SD memory card for updating<br>the navigation data<br>D - MJ 2018>> - MJ 2018 |        | 1   | PR:ER5,IY2 |
| 1   | 9P1 909 000 N  | SD memory card for updating<br>the navigation data<br>D >> - MJ 2017          |        | 1   | PR:ER8     |
| 1   | 9P1 909 000 AF | SD memory card for updating<br>the navigation data<br>D - MJ 2018>> - MJ 2018 |        | 1   | PR:ER8,IY1 |
| 1   | 9P1 909 000 AK | SD memory card for updating<br>the navigation data<br>D - MJ 2018>> - MJ 2018 |        | 1   | PR:ER8,IY2 |
| 1   | 9P1 906 961    | SD card<br>Software<br>Central computer<br>D >> - MJ 2017                     |        | 1   | PR:ER1,ER2 |
| 1   | 9P1 919 360 B  | SD card<br>Software<br>Central computer<br>D - MJ 2018>>                      |        | 1   | PR:ER1,ER2 |
| 1   | 9P1 906 961 A  | SD card<br>Software<br>Central computer<br>D >> - MJ 2017                     |        | 1   | PR:ER3,ER4 |
| 1   | 9P1 919 360 C  | SD card<br>Software<br>Central computer<br>D - MJ 2018>>                      |        | 1   | PR:ER3,ER4 |
| 1   | 9P1 906 961 B  | SD card<br>Software<br>Central computer<br>D >> - 08.11.2016                  |        | 1   | PR:ER6     |
| 1   | 9P1 919 360    | SD card   |        | 1   | PR:ER6     |

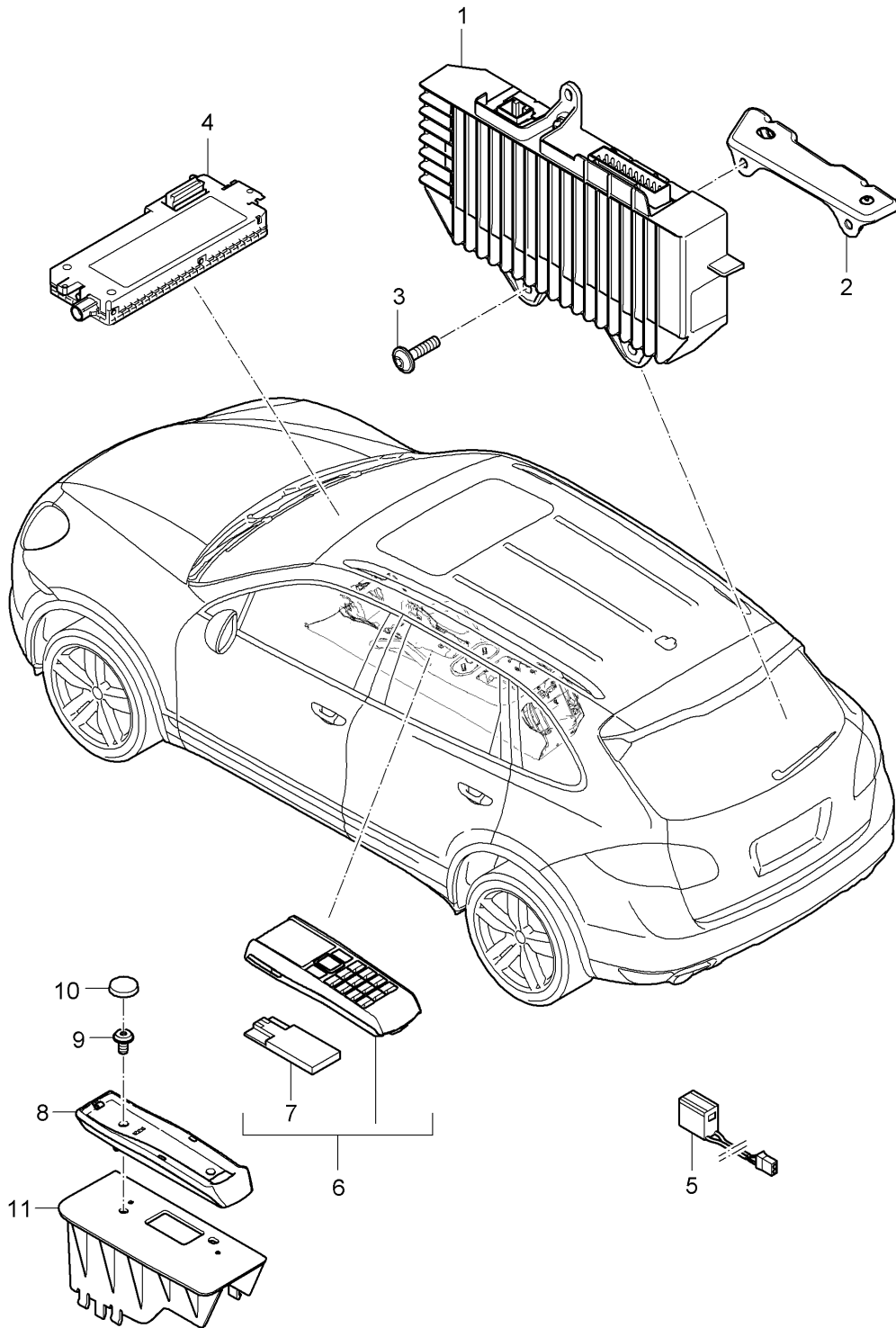
Model: 92A 11

Model life 2011>>2018

| Pos | Part Number   | Description   | Remark | Qty | Model  |
|-----|---------------|---|--------|-----|--------|
| 1   | 9P1 919 360 D | Software<br>Central computer<br>D - 09.11.2016>><br>D >> - MJ 2017<br>SD card |        | 1   | PR:ER6 |
| 1   | 9P1 919 360 A | Software<br>Central computer<br>D - 09.11.2016>><br>D - MJ 2018>><br>SD card  |        | 1   | PR:ER5 |
| 1   | 9P1 919 360 E | Software<br>Central computer<br>D - 16.12.2016>><br>D >> - MJ 2017<br>SD card |        | 1   | PR:ER5 |
| 1   | 9P1 906 961 D | Software<br>Central computer<br>D - MJ 2018>><br>SD card                      |        | 1   | PR:ER8 |
| 1   | 9P1 919 360 F | Software<br>Central computer<br>D >> - MJ 2017<br>SD card                     |        | 1   | PR:ER8 |
| 1   | 9P1 906 961 E | Software<br>Central computer<br>D - MJ 2018>><br>SD card                      |        | 1   | PR:ER7 |
| 1   | 9P1 919 360 G | Software<br>Central computer<br>D >> - MJ 2017<br>SD card                     |        | 1   | PR:ER7 |
|     |               | Software<br>Central computer<br>D - MJ 2018>>                                 |        |     |        |

Model: 92A 11

Model life 2011>>2018



Model: 92A 11 Model life 2011>>2018

| Pos | Part Number    | Description   | Remark  | Qty | Model              |
|-----|----------------|---|---------|-----|--------------------|
| 1   | 958 645 302 00 | Amplifiers<br>Telephone<br>Amplifiers<br>D >> - MJ 2014 |         | 1   | PR:9VK             |
| (1) | 958 645 302 03 | Amplifiers<br>D - MJ 2015>> - MJ 2016                   |         | 1   | PR:9VK             |
| (1) | 7PP 035 223 P  | Amplifiers<br>D >> - MJ 2016                            |         | 1   | PR:9VL             |
| -   | 9A7 645 443 10 | Amplifiers<br>D - MJ 2017>>                             |         | 1   | PR:9VL             |
| (1) | 7PP 035 223 R  | Amplifiers<br>D >> - MJ 2011                            |         | 1   | PR:9VJ             |
| (1) | 7PP 035 223 S  | Amplifiers<br>D - MJ 2012>> - MJ 2016                   |         | 1   | PR:9VJ             |
| 1   | 95B 035 223 B  | Amplifiers<br>D - MJ 2017>>                             |         | 1   | PR:9VJ             |
| (1) | 9P1 035 465 A  | Additional amplifier<br>D - MJ 2017>>                   |         | 1   | PR:9VJ,0K3         |
| (1) | 7PP 035 223 M  | Amplifiers<br>D >> - MJ 2016                            |         | 1   | PR:7Q4,9VL         |
| 2   | 958 645 225 00 | Holder for amplifier<br>D >> - MJ 2016                  |         | 1   | PR:9VJ,9VK,<br>9VL |
| 2   | 958 645 225 00 | Holder for amplifier<br>D - MJ 2017>>                   |         | 1   | PR:9VL             |
| 3   | N 910 967 01   | Oval hexagon socket head bolt<br>M 6 X 16               |         | 5   | PR:9VJ,9VK,<br>9VL |
| 4   | 997 646 218 01 | Control unit for telephone<br>D >> - MJ 2012            |         | 1   | PR:9W1,9ZP         |
| (4) | 997 646 218 01 | Control unit for telephone<br>D - MJ 2013>> - MJ 2013   |         | 1   | PR:9W1,9ZP,<br>IY1 |
| 4   | 7PP 035 730 B  | Control unit for telephone<br>D - MJ 2013>> - MJ 2013   |         | 1   | PR:9W1,9ZP,<br>IY2 |
| 4   | 7PP 035 730 B  | Control unit for telephone<br>D - MJ 2014>> - MJ 2016   |         | 1   | PR:9W1,9ZP         |
| 5   |                | microphone<br>Not available<br>see illustration:        | 903-006 |     |                    |
| 6   | 7PP 035 725 A  | Telephone controls/receiver                             |         | 1   | PR:9ZP             |
| 7   | 997 646 916 00 | Battery   |         | 1   |                    |
| 8   | 955 646 214 00 | Support for cellphone receiver                          |         | 1   |                    |
| 9   | N 911 598 01   | countersunk bolt<br>3,0 X 15,0                          |         | 2   |                    |
| 10  | 955 646 311 00 | Bungs   |         | 2   |                    |
| 11  | 958 646 351 00 | Support section   |         | 1   |                    |