

Model: 987 06**Model life 2006>>2008**

Model Overview Sales Type

Sales term	Description	Mounting time	Remark
987110	Cayman	08/05-07/08	
987111	Cayman	08/05-07/08	
987120	Cayman S	08/05-07/08	
987121	Cayman S	08/05-07/08	
987140	Cayman S	08/07-07/08	
	Special edition		
	Porsche Design		
	Edition 1		
987141	Cayman S	08/07-07/08	
	Special edition		
	Porsche Design		
	Edition 1		
987160	Cayman S	08/07-07/08	
	"Sport" special ed.		
987161	Cayman S	08/07-07/08	
	"Sport" special ed.		

Model: 987 06

Model life 2006>>2008

Model Overview EC

EC	Sales term	LTR	KW	Hp	Cyl	Mounting time	Remark
9720		2,70	180	244	6	08/06-07/08	
9721		3,40	217	295	6	08/05-07/08	
9722		3,40	223	303	6	08/07-07/08	

Model: 987 06**Model life 2006>>2008**

Model Overview TC

TC	Sales term	Type	Mounting time	Remark
A8702		5A	08/06-07/08	
A8721		5A	08/05-07/08	
G8701		5S	08/06-07/08	
G8720		6S	08/06-07/08	
G8721		6S	08/05-07/08	

Model: 987 06 Model life 2006>>2008

VIN-Numbers Overview

Model year	Date	VIN		Remark
2006	01.08.2005	98-6S770061	>98-6S780000	Cayman S
2006	01.08.2005	98-6U770061	>98-6U780000	Cayman S
2006	01.08.2005	98-6S780061	>98-6S790000	Cayman S (USA, CDN, MEX, BR)
2006	01.08.2005	98-6U780061	>98-6U790000	Cayman S (USA, CDN, MEX, BR)
2007	01.08.2006	98-7S750061	>98-7S760000	Cayman
2007	01.08.2006	98-7U750061	>98-7U760000	Cayman
2007	01.08.2006	98-7S770061	>98-7S780000	Cayman S
2007	01.08.2006	98-7U770061	>98-7U780000	Cayman S
2007	01.08.2006	98-7S780061	>98-7S790000	Cayman S (USA, CN, CDN, MEX, BR)
2007	01.08.2006	98-7U780061	>98-7U790000	Cayman S (USA, CN, CDN, MEX, BR)
2007	01.08.2006	98-7S760061	>98-7S770000	Cayman (USA, CN, CDN, MEX, BR)
2007	01.08.2006	98-7U760061	>98-7U770000	Cayman (USA, CN, CDN, MEX, BR)
2008	01.08.2007	98-8S750061	>98-8S760000	Cayman
2008	01.08.2007	98-8U750061	>98-8U760000	Cayman
2008	01.08.2007	98-8S770061	>98-8S780000	Cayman S
2008	01.08.2007	98-8U770061	>98-8U780000	Cayman S
2008	01.08.2007	98-8S780061	>98-8S790000	Cayman S (USA, CN, CDN, MEX, BR)
2008	01.08.2007	98-8U780061	>98-8U790000	Cayman S (USA, CN, CDN, MEX, BR)
2008	01.08.2007	98-8S760061	>98-8S770000	Cayman (USA, CN, CDN, MEX, BR)
2008	01.08.2007	98-8U760061	>98-8U770000	Cayman (USA, CN, CDN, MEX, BR)

Model: 987 06**Model life 2006>>2008**

Engine Numbers

Engine number	Model year	Vehicle type	Engine type
676 00501>60000	2006	CAYMAN "S"	9721
657 00501>60000	2007	CAYMAN	9720
677 00501>60000	2007	CAYMAN "S"	9721
658 00501>60000	2008	CAYMAN	9720
678 00501>60000	2008	CAYMAN "S"	9721
668 00501>60000	2008	CAYMAN "S Sport"	9722

Model: 987 06**Model life 2006>>2008**

Transmission Numbers

Transmission Number	Model year	Vehicle type	Gearbox type
A8721 1 002001>999999	2006	CAYMAN "S" TIPTRONIC	A8721
G8721 1 002001>999999	2006	CAYMAN "S"	G8721
A8702 1 002001>999999	2007	CAYMAN TIPTRONIC	A8702
A8721 1 002001>999999	2007	CAYMAN "S" TIPTRONIC	A8721
G8701 1 002001>999999	2007	CAYMAN	G8701
G8720 1 002001>999999	2007	CAYMAN I480	G8720
G8721 1 002001>999999	2007	CAYMAN "S"	G8721
A8702 1 002001>999999	2008	CAYMAN TIPTRONIC	A8702
A8721 1 002001>999999	2008	CAYMAN "S" TIPTRONIC	A8721
G8701 1 002001>999999	2008	CAYMAN	G8701
G8720 1 002001>999999	2008	CAYMAN I480	G8720
G8721 1 002001>999999	2008	CAYMAN "S"	G8721

Model: 987 06

Model life 2006>>2008

NR	Description
008	Boxster S 3.2 litres displacement
009	Boxster 2.7 litres displacement
022	Black-coloured instrument dials, instrument cluster
023	Silver -coloured instrument dials, instrument cluster
024	Version for Greece
025	Black-coloured instrument dials, stopwatch
026	Silver-coloured instrument dials, stopwatch
029	Standard chassis
030	Sports suspension
032	Touring suspension
034	Version for Italy
058	Impact absorbers, front and rear
061	Version for Great Britain
062	sweden version
063	Version Luxemburg
064	Version for Netherlands
065	Version for Denmark
066	Version for Norway
067	Version for Finland
068	PAP right-hand drive version
069	Other country version
071	EU country version
072	Version for Mexico
073	Version for Russia
074	PAP left-hand drive version
075	Chinese version
098	Left-hand drive version
099	Right-hand drive version
111	Version for Austria
113	Version for Canada
114	Version for Taiwan
119	Version for Spain
124	Version for France
126	Control and indications in French lettering
127	Control and indications in Swedish lettering
130	Control and indications in English lettering
150	Operation with leaded gas
159	Curbed engine, 155 kW/211 bhp
182	Hot country
183	Super hot country
193	japan version
194	Battery, 60 Ah
195	Battery, 70 Ah
196	Battery, 80 Ah
197	Stronger battery
198	Enhanced starter motor (1.7 kW)

Model: 987 06

Model life 2006>>2008

NR	Description
199	Battery disconnection switch
200	95 Ah battery
210	Licence plate holder version 2
211	Licence plate holder version 3
215	Version for Saudi Arabia
218	Licence plate holder version 4
219	Differential
220	Locking differential 40 %
225	Version for Belgium
249	Tiptronic transmission
265	Automatic anti-dazzle interior mirror with rain sensor
266	Automatic anti-dazzle door mirror
267	Automatically dimmable interior and door mirrors
268	Rain sensor
270	Door mirrors -flat - driver's side, electrically adjustable and heatable
271	Door mirrors -aspherical- driver's side, electrically adjustable and heatable
273	Door mirrors, electrically adjustable and heatable
274	Vanity mirror, illuminated
277	Swiss version
288	Headlamp washer
301	Transmission ratio long
325	Version for South Africa/New Zealand
342	Seat heating, left/right seat
369	Standard seat, left
370	Standard seat, right
375	Sports seat, backrest shell, left
376	Sports seat, backrest shell, right
377	Sports seat, backrest shell, left, electrically adjustable
378	Sports seat, backrest shell, right, electrically adjustable
388	Sports bucket seat, left
389	Sports bucket seat, right
392	17-inch Carrera wheel
393	17-inch Boxster II wheel (987)
397	18-inch Boxster II wheel (987)
398	19" Cayman S wheel
401	18-in. Cayman S wheel
402	Carrera 3 wheel 18-inch
403	Carrera S wheel 19-inch
404	19" Turbo-1 wheel
405	Carrera Classic wheel 19-inch

Model: 987 06

Model life 2006>>2008

NR	Description
406	Carrera GT wheel 19-inch/20-inch
407	SportDesign wheel 19-inch
410	18" Turbo-2/Panamera wheel
411	18-inch Carrera wheel -->2005 19-inch Carrera wheel 2012-->
415	18-inch Turbo-Look II wheel
416	18-inch GT3 wheel
418	18-inch Turbo II wheel in GT Silver
424	CD storage unit
425	Rear window wiper
426	Without rear window wiper
431	Multi-function steering wheel, touch + feel
432	Steering wheel with Tiptronic operation
433	20" Carrera S wheel (4)
435	Sports steering wheel
436	3-spoke airbag steering wheel
437	Comfort seat, left, electrically adjustable
438	Comfort seat, right, electrically adjustable
439	20" 911 Turbo 4 wheel
440	Antenna diversity
441	prepared for radio
444	Anti-theft lock, wheel bolts "THATCHAM"
446	Concave wheel centers with full-colour Porsche Crest
447	Emergency wheel
450	Ceramic brake (PCCB)
451	Multi-function steering wheel, Makassar Ebony, touch + feel
452	Multi-function steering wheel, Sycamore, touch + feel
453	Multi-function steering wheel, Carbon, touch + feel
454	Automatic speed control
459	3-spoke airbag steering wheel, touch + feel
460	20" RS Spyder Design wheel
461	External antenna
475	"PASM" electronic damper control
476	Porsche Stability Management (PSM)
479	Version for Australia
480	6-speed manual transmission
481	5th-speed manual transmission
482	Tire Pressure Monitoring TPM, 433 MHz
483	315-MHz TPM, Tire Pressure Monitoring
484	Version for USA
488	Inscriptions in German language
490	Sound system "ASK"

Model: 987 06

Model life 2006>>2008

NR	Description
492	Headlights for left-hand traffic
498	Deletion of model designation on rear end
499	Version for Germany
501	Car cover
509	Fire extinguishers
513	Lumbar support, right seat
521	Tilt sensor
524	Immobilizer, central locking, 433 MHz
525	Immobilizer, central locking, 315 MHz
532	Alarm system remote control omitted
533	Radio convertible-top operation omitted
534	Theft security system, 433 MHz
535	Theft security system, 315 MHz
536	-07 Alarm siren and tilt sensor 08- Alarm siren
537	Seat position control for comfort seat, left
538	Seat position control for comfort seat, right
539	Mechanical seat height adjustment, left
540	Mechanical seat height adjustment, right
541	Active seat ventilation (incl. heated seats)
544	Anti-theft protection without infrared monitoring, 433 MHz
545	Anti-theft protection without infrared monitoring, 315 MHz
549	Roof Transport System
550	Hardtop
551	Wind deflector
553	Version for USA, Canada
554	Front spoiler lip included
555	Black seat belts
560	Advanced airbag
562	Airbag, driver's side and front passenger's side
563	Side airbag
566	Front fog lights, white
567	Windscreen tinted, upper part darker coloured
568	Windscreen without shade band
571	Activated charcoal filter
572	Manual air-conditioning system
573	Air conditioner
575	Luggage compartment cooling system
580	Luggage bulkhead/luggage guard
581	Centre console, front
584	Storage box on engine cover
586	Lumbar support, left seat

Model: 987 06

Model life 2006>>2008

NR	Description
592	Standard rooflining, fabric
594	Alcantara rooflining
601	Xenon lighting system
602	Center high-mounted stop light
606	Daytime driving lights
607	Garage door opener "Homelink", 315 MHz
608	Garage door opener "Homelink" 433 MHz
610	DVD navigation, "Europe package"
611	DVD navigation South Africa
612	DVD navigation middle east
613	DVD navigation australia
614	DVD navigation asia-pacific
615	DVD navigation system, North America
616	DVD, Navigation Russia
617	DVD Navigation China
618	Phone preparation
619	Mobile phone preparation (BLUETOOTH) without console
621	12-V socket, passenger's side, footwell
625	"KESSY" Porsche Entry and Drive
635	Park distance control
639	Sport Chrono package
640	Sport Chrono Plus package
641	electronic log book
650	Electrical sliding roof
651	Electric window opener
652	Without sliding/tilting roof
657	Power steering
659	on-board computer
660	Obd 2
661	Stricter emission-control concept
664	Orvr
665	-2008 PCM 2, 2009- PCM 3 basic module incl. radio
666	-2008 PCM 2, 2009- PCM 3 telephone (GSM)
668	PCM2 telephone handset
669	PCM 3 - Telephone handset (BLUETOOTH)
670	PCM2 navigation
672	-2008 PCM 2, 2009- PCM 3 Offroad navigation
674	"Vehicle Tracking System" preparation
675	Without radio preparation (Japan navigation system)
677	"Driver card" antenna
678	Alarm system connection
679	Restart inhibitor
680	BOSE sound package
685	Rear seats, split
689	Preperation for CD autochanger
690	CD radio "Porsche Online Pro"
692	CD autochanger "Porsche"

Model: 987 06

Model life 2006>>2008

NR	Description
694	CD radio "PORSCHE CDR 24"
697	CD radio "Porsche CDR-23"
711	Omission underbody protection
755	Special model "Porsche Design Edition 1"
757	Special model "Porsche Design Edition 2"
758	Special model "CAYMAN S SPORT"
796	Full leather trim natural leather
798	Full leather trim special leather
799	Full leather trim by choice
801	Makassar Ebony wood package, dark (matt satin finish)
802	Sycamore package, light (matt satin finish)
803	Carbon package
804	GT2 Carbon exterior package
805	Lifestyle package
810	foot mats
912	without identification plate
936	Seat covers, rear, leather
937	Seat covers, rear, leatherette
939	Seat covers, rear, draped leather
946	Seat covers, front, leather/leather/leatherette
950	Alcantara seat covers, front
951	Seat covers front, Alcantara/leather/leather
970	Two-tone interior
971	"TORO" embossed leather
981	Leather equipment, without seat covers
982	Seat covers, front, draped leather/leather/leather
983	Seat covers, front, leather
985	Seat covers, leather/leather/leatherette, 2
990	Seat covers, front, cloth/cloth/leatherette
991	Steering wheel airbag module in leather
998	Leather, natural
999	Passenger compartment monitoring sensor for leather colour of choice
XAF	Turbo aerokit
XAG	Carrera - rear spoiler
XAH	Carrera 4S aerokit
XAJ	Painted sill covers
XAL	Aerokit Boxster
XAM	Aerokit Cayman
XCA	Dashboard trim strip (3-part) sports seats
XCB	Instrument surround sports seats
XCC	Side air vents sports seats
XCD	Center air vent bracket sports seats

Model: 987 06

Model life 2006>>2008

NR	Description
XCE	Rear center console sports seats
XCG	Sports seat backrest in Aluminium Look finish
XCH	Side/centre air vent slats, sports seats
XCK	Rear center console in Galvano Silver
XCL	Instrument surround in Galvano Silver
XCM	Roll-over bar in Galvano Silver
XCN	Side air vents in Aluminium Look finish (997)
XCY	Center air vent in Aluminium Look finish
XCZ	Short shifter
XEA	Passive handset in leather
XE8	Gear lever knob aluminium/dark burr maple/leather
XE9	Handbrake lever aluminium/dark burr maple/leather
XFD	Instrument dials in Sand Beige
XFE	Instrument dials in Terracotta
XFF	Instrument dials in Brown/Natural
XFG	Instrument dials in Guards Red
XFH	Instrument dials in Speed Yellow
XFJ	Instrument dials in Carrara White
XGB	Decorative dashboard trim, carbon
XGC	Dashboard carbon/Alcantara
XGD	Parking brake handle carbon/Alcantara
XGE	Handle recess insert, carbon
XJL	Makassar Ebony side air vent
XJM	Sycamore side air vent
XJN	Makassar Ebony center air vent
XJP	Sycamore center air vent
XJR	Makassar Ebony windscreen defroster panel
XJS	Sycamore windscreen defroster panel
XJT	Makassar Ebony rear center console
XJU	Sycamore rear center console
XJ4	Leather cover for ignition lock surround
XKB	Side air vent in light burr maple
XKC	Side air vent in dark burr maple
XKG	"Defroster trim in light burr maple; leather"
XKH	"Defroster trim in dark burr maple; leather"
XKJ	Defroster trim in Carbon/leather
XKL	Leather speaker covers
XKM	Speaker covers in light burr maple
XKN	Speaker covers in dark burr maple
XKP	Carbon speaker covers
XKR	Center air vent bracket in light burr maple
XKS	Center air vent bracket in dark burr maple
XLA	Boxster tailpipe
XLF	Sports exhaust system
XME	Rear section of centre console painted
XMF	Front center console including 2 storage bins, leather

Model: 987 06

Model life 2006>>2008

NR	Description
XMJ	Rear section of centre console in Carbon
XMK	Roll-over bar in exterior color
XML	Rear center console in light burr maple
XMP	Leather sun visor, 2 illuminated vanity mirrors *
XMR	Sun visor in leather, 2 illuminated vanity mirrors,
XMZ	Rear section of centre console in leather
XNB	Rear center console in dark burr maple
XNG	Instrument surround in leather
XNN	Center air vent bracket in leather
XNR	Carbon center air vent bracket
XNS	Leather steering column trim, 4-part
XNU	Leather trim strip (dashboard)
XNV	Trim strip (dashboard) in light burr maple
XNW	Trim strip (dashboard) in dark burr maple
XNX	Carbon trim strip (dashboard)
XPA	3-spoke sports steering wheel in leather interior co
XPB	3-spoke sports steering wheel, light burr maple, leather
XPC	3-spoke sports steering wheel, dark burr maple, leather
XPD	3-spoke sports steering wheel, Carbon/leather
XPG	3-spoke sports steering wheel, sports seats
XPV	Multi-function steering wheel, Galvano Silver
XPW	Instrument surround in light burr maple
XPX	Instrument surround in dark burr maple *
XPY	Carbon instrument surround
XRB	18-inch Sport Classic II wheel
XRC	18-inch SportTechno wheel
XRL	18-inch SportDesign wheel
XRN	17-mm spacers, rear
XRP	5-mm spacers, front/rear
XRR	19-in. Carrera Sport wheel
XSA	Painted sports seat backrest
XSB	Leather sports seat backrest
XSC	Porsche Crest embossed in headrest
XSD	Front seat controls in leather
XSE	Bucket seat, left
XSF	Bucket seat, right
XSG	Racing bucket seat, left
XSH	Silver seat belts
XSJ	6-point harness
XSL	6-point safety catch
XSM	Racing safety cage
XSN	Omission of rear seats
XSR	Carbon back for bucket seat, right

Model: 987 06

Model life 2006>>2008

NR	Description
XSS	Carbon back for bucket seat, left
XST	Seat belts in Sand Beige
XSU	Upholstered seat
XSW	Seat belts in Maritime Blue
XSX	Seat belts in Guards Red
XSY	Seat belts in Speed Yellow
XTG	Inner door sills in leather
XTJ	Door panel parts in light burr maple
XTK	Door panel parts in dark burr maple
XTL	Door panel parts in Carbon
XTR	Door panel parts in Aluminium Look finish
XTT	Makassar Ebony door panel parts
XTU	Sycamore door panel parts
XTV	Leather door panel parts
XTW	Door panel parts in Galvano Silver
XVM	Leather center air vent
XVP	Trim strip including cupholder cover in leather
XVR	Side/centre air vent in leather
XV1	Defroster trim in leather
XXF	Red tail lights
XXZ	Footrest
XX1	Floor mats, logo, leather border
XX2	footwell light
XY5	Tiptronic gear selector gate in leather
XZB	Carbon centre air vent
XZD	Interior light surround in leather
X45	Instrument dial in interior color
X46	Tiptronic selector lever in aluminium/leather
X47	Gear lever knob in Carbon/leather
X48	Tiptronic selector lever in Carbon/aluminium
X50	Powerkit 331/340 kW
X51	Powerkit 250 kW
X54	Stainless steel tailpipes
X58	Handbrake lever in Carbon/leather
X65	Tiptronic selector lever in light burr maple/aluminium
X66	Tiptronic selector lever in dark burr maple/aluminium
X69	Door entry guards in Carbon with logo
X70	Door entry guards in stainless steel with logo
X71	Instrument dial painted/Aluminium Look finish
X72	Gear lever knob aluminium/light burr maple/leather
X73	Turbo sports suspension
X74	Sports suspension (exclusive)
X75	Differential lock (exclusive)
X76	Inner door sill guard, left/right
X91	Handbrake lever aluminium/light burr maple/leather

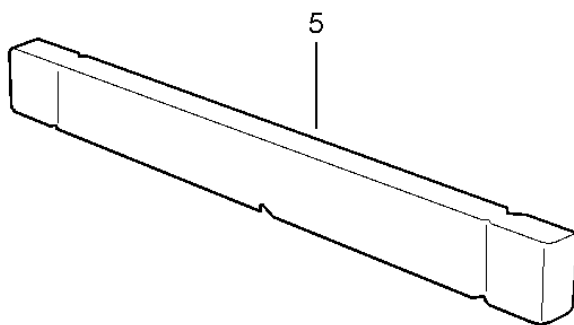
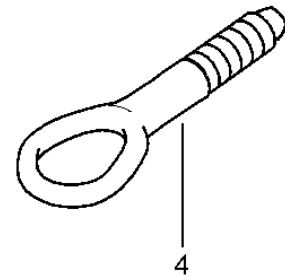
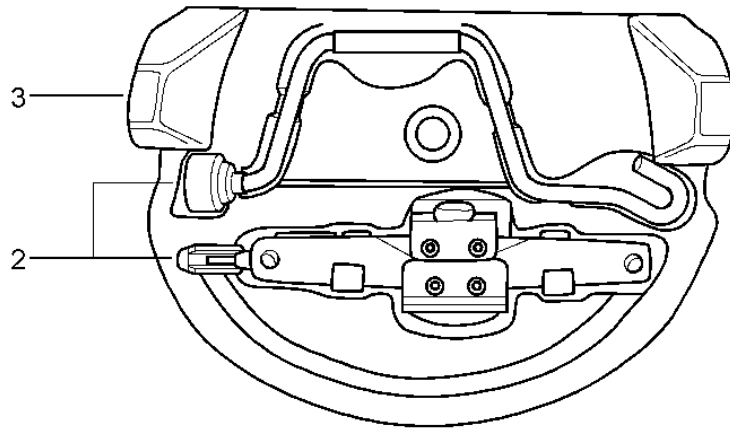
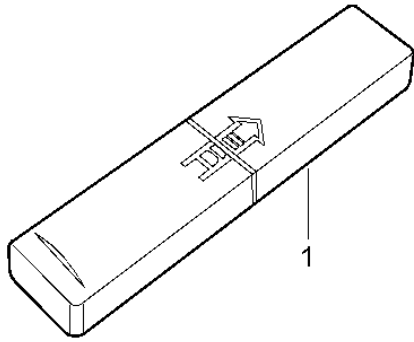
Model: 987 06

Model life 2006>>2008

NR	Description
X97	Gear lever knob in aluminium/leather
X98	Handbrake lever in aluminium/leather
X99	Natural leather

Model: 987 06

Model life 2006>>2008



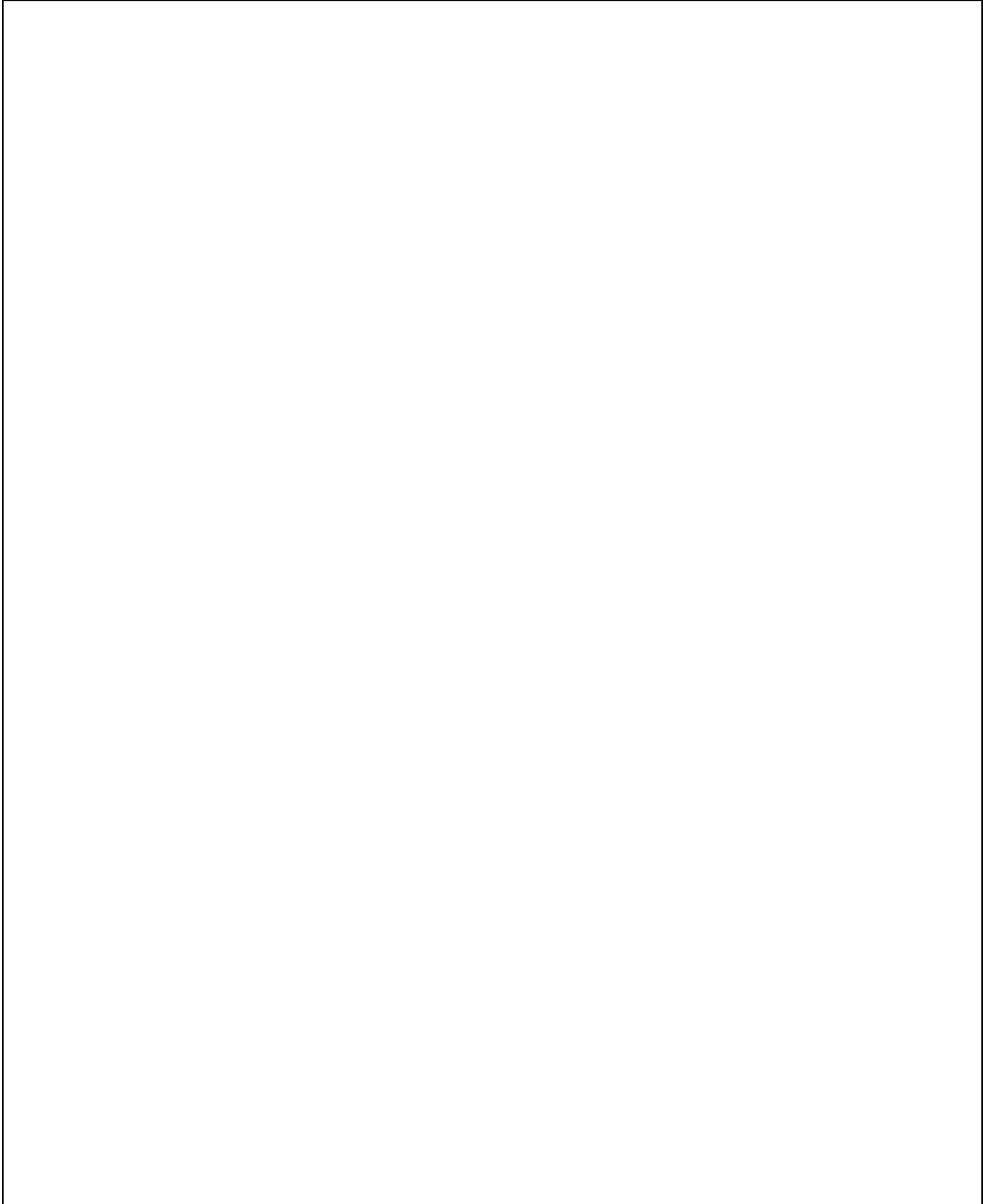
Model: 987 06

Model life 2006>>2008

Pos	Part Number	Description	Remark	Qty	Model
1	997 721 115 00	Tool jack Toolbox with contents comprising:		1	
-	477 012 229	Double open-ended spanner 10 X 13		1	
-	477 012 231	screwdriver		1	
-	111 012 287	handle for screwdriver		1	
-	999 571 077 02	Socket wrench - 5 - for Headlights		1	
2	996 721 211 00	Scissors type jack		1	PR:447
3	996 722 101 00	Foam part		1	PR:447
-	999 571 074 30	Threaded stud for Assembly Wheels		1	PR:447
-	477 012 221 A	wheel bolt wrench		1	PR:447
-	999 571 070 30	operating rod for Rim wrench		1	PR:447
-	997 722 801 00	Mounting for vehicle tools		1	PR:447
-	996 361 521 00	Protective sleeve		1	PR:447
-	987 722 061 00	Cover Spare wheel Discontinued part		1	PR:447
-	987 722 061 01	Cover Spare wheel		1	PR:447
4	997 721 551 00	Tow hitch		1	
5	000 722 722 05	warning triangle Discontinued part		1	
5	000 722 722 06	warning triangle		1	
-	993 722 041 00	first aid kit		1	

Model: 987 06

Model life 2006>>2008



Model: 987 06 Model life 2006>>2008

Pos	Part Number	Description	Remark	Qty	Model
-		Signs/notices		1	PR:447
-	996 361 701 20	Signs/notices Spare wheel Sticker		1	"AUS"
-	997 361 701 00	English Sticker		1	PR:215
-	928 701 150 00	Arabic Sticker		1	
-		"MAX 80 KM/H"			
(2)	955 701 675 00	Signs/notices Engine specifications Sticker		1	PR:193
		Reservoir			
		D - MJ 2008>> - MJ 2008			
3	997 006 108 00	Sticker		1	PR:068
4	997 006 544 00	Sticker		1	
		engine oil			
		- MOBIL 1 -			
		D >> - MJ 2006			
4	997 006 544 01	Sticker		1	
		engine oil			
		- MOBIL 1 -			
		D - MJ 2007>>			
(4)	997 701 535 00	Sticker		1	PR:193
		Engine-oil level			
		D - MJ 2008>> - MJ 2008			
-		Signs/notices			
		Type of fuel			
5	996 006 117 00	Sticker		1	
		98 ROZ			
5	996 006 117 02	Sticker		1	"AUS"
		96 ROZ			
5	996 006 117 01	Sticker		1	PR:150
		98 ROZ			
5	996 006 117 03	Sticker		1	PR:193
		93 RON/MON/2			
5	955 701 676 15	sticker for		1	PR:193
		fuel filler neck			
		D - MJ 2008>> - MJ 2008			
5	955 701 676 10	Sticker		1	PR:193
		Fuel filler flap			
		D - MJ 2008>> - MJ 2008			
-		Signs/notices			
		Airbag			
6	3B0 010 219 B	sticker with pictogram for		1	
		- airbag / child's seat			
		child seat			
6	8D0 010 141 Q	sticker with pictogram for		1	"AUS"
		- airbag / child's seat			
		child seat			
6	987 701 430 00	Sticker		1	
		child seat			
		German			
6	987 701 430 01	Sticker		1	
		child seat			
		English			
6	987 701 430 02	Sticker		1	
		child seat			
		French			
6	987 701 430 03	Sticker		1	
		child seat			
		Italian			
6	987 701 430 04	Sticker		1	

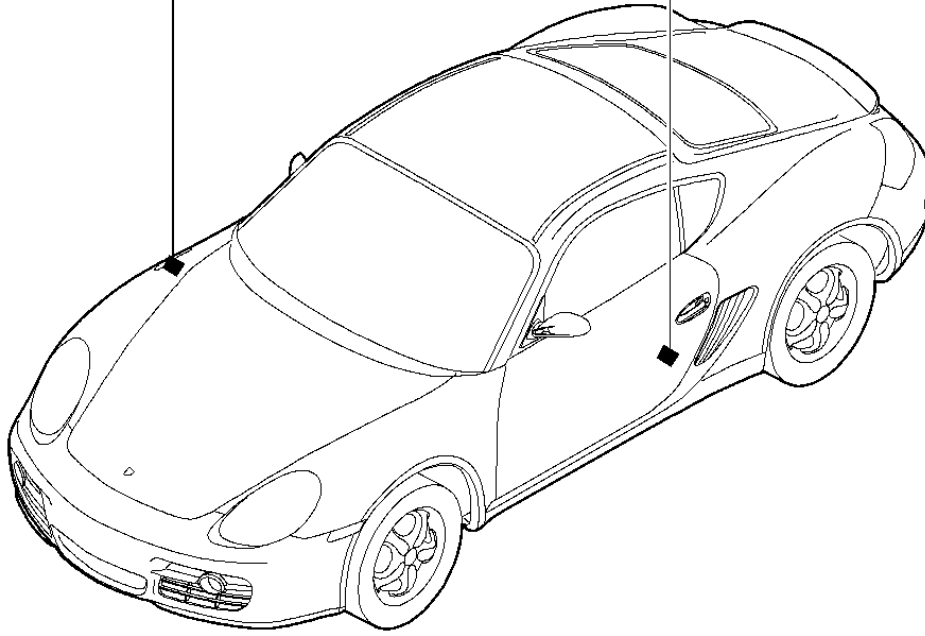
Model: 987 06 Model life 2006>>2008

Pos	Part Number	Description	Remark	Qty	Model
6	987 701 430 05	child seat Swedish Sticker		1	
6	987 701 430 06	child seat Spanish Sticker		1	
6	987 701 430 07	child seat Arabic Sticker		1	
(6)	955 701 675 10	child seat Chinese Sticker Recycling D - MJ 2008>> - MJ 2008		1	PR:193
9	986 701 141 01	Sticker Air conditioning		1	
(9)	987 701 521 00	Sticker Air conditioning D - MJ 2008>> - MJ 2008		1	PR:193
(9)	955 701 673 00	Sticker Battery D - MJ 2008>> - MJ 2008		1	PR:193
10	997 701 170 00	Sticker first aid kit		1	
(10)	997 701 527 00	Sticker Headlights D - MJ 2008>> - MJ 2008		1	PR:193
(10)	955 701 675 05	Sticker brake fluid D - MJ 2008>> - MJ 2008		1	PR:193
11	955 701 675 15	Sticker Import Japan D - MJ 2008>> - MJ 2008		1	PR:193
12	997 701 531 00	Sticker Airbag D - MJ 2008>> - MJ 2008		1	PR:193
(12)	955 701 676 00	Sticker Warning light Engine D - MJ 2008>> - MJ 2008		1	PR:193

Model: 987 06

Model life 2006>>2008

Colour 25H Libell Türkis Metallic



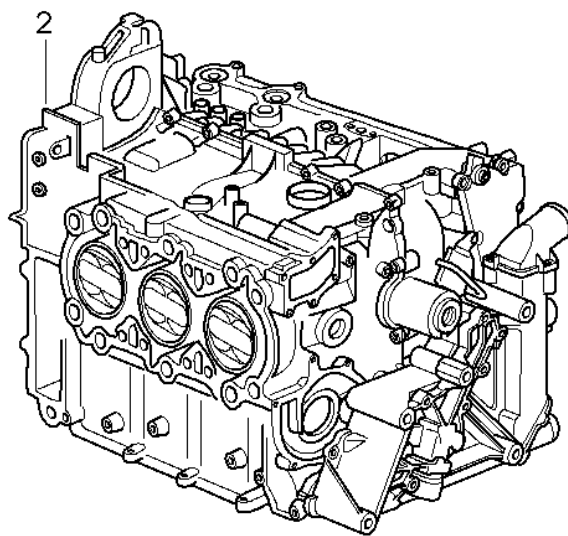
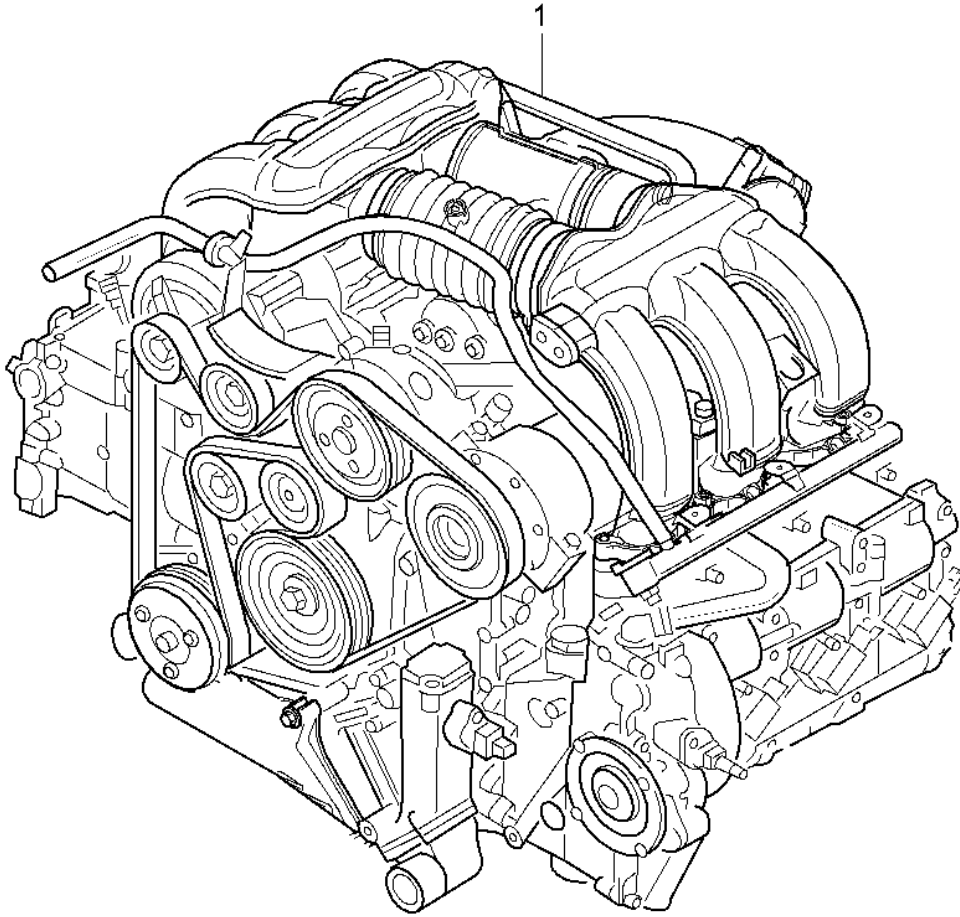
Model: 987 06

Model life 2006>>2008

Pos	Part Number	Description	Remark	Qty	Model
		paint touch-up applicator			
		Paints			
-	911 095 932 20	paint touch-up applicator		X	
	911 095 932 20 041	Black			A 1
	911 095 932 20 80K	guards red (Porsche)			G 1
	911 095 932 20 B9A	Carrara white			B 4
	911 095 932 20 12G	Speed yellow			X 4
-	911 095 933 20	Paint pen set		X	
		Set			
		comprising:			
		base paint			
		clear paint			
	911 095 933 20 92T	Arctic silver metallic			X 1
	911 095 933 20 M3W	Carmon red metallic			E 4
	911 095 933 20 M5W	Lapis blue metallic			J 2
	911 095 933 20 M6W	Lagoon green metallic			G 4
	911 095 933 20 C9Z	Basalt black metallic			Z 4
	911 095 933 20 M7X	Atlas grey metallic			E 7
	911 095 933 20 37W	Midnight Blue Metallic			E 9
	911 095 933 20 6B4	Seal grey metallic			Y 1
	911 095 933 20 22E	Forest green metallic			53
	911 095 933 20 37U	Cobalt blue metallic			56
	911 095 933 20 22D	Slate grey metallic			59
	911 095 933 20 M7Z	GT Silver Metallic			U 2
	911 095 933 20 M6X	Dark olive-metallic			7 G
	911 095 933 20 M7W	Meteor Grey Metallic			9 Q
		D - MJ 2007>>			
	911 095 933 20 8A7	Ruby red metallic			L 2
		D - MJ 2008>> - MJ 2008			
	911 095 933 20 M8W	Macadamia Metallic			9 S
		D - MJ 2008>> - MJ 2008			
	911 095 933 20 2B5	Malachite Green Metallic			H 1
		D - MJ 2008>> - MJ 2008			
	911 095 933 20 M2Z	Nordic Gold Metallic			8 W
		D - MJ 2008>> - MJ 2008			

Model: 987 06

Model life 2006>>2008



Model: 987 06 Model life 2006>>2008

Pos	Part Number	Description	Remark	Qty	Model
-		Replacement engine without: Clutch plate Tiptronic without: flywheel Manual gearbox without: Compressor for Air conditioning			9720, 9721, 9722
1	987 100 921 00	Replacement engine		1	9721+ PR:480
1	987 100 921 04	D - MJ 2006>> - MJ 2006 Replacement engine		1	9721+ PR:480
1	987 100 921 08	D - MJ 2007>> - MJ 2007 Replacement engine		1	9721+ PR:480
1	987 100 922 00	D - MJ 2008>> - MJ 2008 Replacement engine		1	9722+ PR:480
(1)	987 100 920 00	D - MJ 2008>> - MJ 2008 Replacement engine		1	9720+ PR:481
(1)	987 100 920 06	D - MJ 2007>> - MJ 2007 Replacement engine		1	9720+ PR:481
(1)	987 100 920 10	D - MJ 2008>> - MJ 2008 Replacement engine		1	9720+ PR:480
(1)	987 100 920 04	D - MJ 2008>> - MJ 2008 Replacement engine		1	9720+ PR:480
1	987 100 921 01	D - MJ 2007>> - MJ 2007 Replacement engine		1	9721+ PR:249
1	987 100 921 05	D - MJ 2006>> - MJ 2006 Replacement engine		1	9721+ PR:249
1	987 100 921 10	D - MJ 2007>> - MJ 2007 Replacement engine		1	9721+ PR:249
1	987 100 922 02	D - MJ 2008>> - MJ 2008 Replacement engine		1	9722+ PR:249
(1)	987 100 920 01	D - MJ 2008>> - MJ 2008 Replacement engine		1	9720+ PR:249
(1)	987 100 920 08	D - MJ 2007>> - MJ 2007 Replacement engine		1	9720+ PR:249
2	987 100 920 50	D - MJ 2008>> - MJ 2008 Short block comprising: Crankcase housing Connecting rod Crankshaft piston oil pump timing chain Parts kit		1	9720

Model: 987 06 Model life 2006>>2008

Pos	Part Number	Description	Remark	Qty	Model
		without: Gaskets			
		also use:	996 101 016 00	1	
			996 104 215 54	4	
			996 104 216 02	2	
			996 105 244 03	4	
			000 043 204 35	X	
			000 043 300 13	X	
			996 106 125 53	1	
			999 075 074 00	12	
			999 170 223 90	6	
2	987 100 920 TX	D - MJ 2007>> - MJ 2008 Short block comprising: Crankcase housing Connecting rod Crankshaft piston oil pump timing chain Parts kit		1	9720
		without: Gaskets			
		also use:	996 101 016 00	1	
			996 104 215 54	4	
			996 104 216 02	2	
			996 105 244 03	4	
			000 043 204 35	X	
			000 043 300 13	X	
			996 106 125 53	1	
			999 075 074 00	12	
			999 170 223 90	6	
-	996 104 170 10	D - MJ 2007>> - MJ 2008 Cylinder head gasket Short block 98710092050/TX Parts kit for seals Cylinder head		2	
		also use:	996 101 336 50	1	
			996 101 331 50	1	
			996 104 203 00	6	
			999 701 761 41	6	
			996 105 903 05	4	
			999 707 479 40	2	
			999 707 404 40	2	
			996 113 213 51	1	
			999 707 554 40	2	
			999 707 547 40	2	
			999 707 389 40	2	
			996 111 107 55	2	
			999 707 574 40	6	
			999 707 573 40	6	
-	996 106 326 50	Seal thermostat housing Short block Parts kit for seals Accessories		1	
		also use:	999 702 206 50	1	
			999 707 348 40	1	
			996 107 103 51	2	
			999 707 364 40	1	
			997 106 340 00	1	
			996 106 326 50	1	
			997 106 709 00	1	
			997 110 247 02	6	

Model: 987 06 Model life 2006>>2008

Pos	Part Number	Description	Remark	Qty	Model
2	987 100 921 50	Short block comprising: Crankcase housing Connecting rod Crankshaft piston oil pump timing chain Parts kit without: Gaskets	997 113 233 01	1	9721
			997 106 708 00	1	
				1	
2	987 100 921 TX	D - MJ 2006>> - MJ 2008 Short block comprising: Crankcase housing Connecting rod Crankshaft piston oil pump timing chain Parts kit without: Gaskets	999 170 223 90	6	9721
				1	
-	996 104 201 04	D - MJ 2006>> - MJ 2008 Cylinder head gasket Short block 98710092150/TX Parts kit for seals Cylinder head also use:	999 170 223 90	6	
				2	
-	996 106 326 50	Seal thermostat housing	996 101 336 50	1	
			996 101 331 50	1	
			996 104 203 00	6	
			999 701 761 41	6	
			996 105 903 05	4	
			999 707 479 40	2	
			999 707 404 40	2	
			996 113 213 51	1	
			999 707 554 40	2	
			999 707 547 40	2	
	1				
	2				
	12				
	6				
	1				

Model: 987 06 Model life 2006>>2008

Pos	Part Number	Description	Remark	Qty	Model
		Short block 98710092150/TX Parts kit for seals Accessories			
		also use:	999 702 206 50	1	
			999 707 348 40	1	
			996 107 103 51	2	
			999 707 364 40	1	
			997 106 340 00	1	
			997 106 709 00	1	
			997 106 708 00	1	
			997 110 247 02	1	
			997 113 233 01	1	
			996 113 213 51	1	
2	987 100 922 50	Short block comprising: Crankcase housing Connecting rod Crankshaft piston oil pump timing chain Parts kit		1	9722
		Gaskets			
		without:			
		also use:	996 101 016 00	1	
			996 104 215 54	4	
			996 104 216 02	2	
			996 105 244 03	4	
			000 043 204 35	X	
			000 043 300 13	X	
			996 106 125 53	1	
			999 075 074 00	12	
			999 170 223 90	6	
2	987 100 922 TX	D - MJ 2008>> - MJ 2008 Short block comprising: Crankcase housing Connecting rod Crankshaft piston oil pump timing chain Parts kit		1	9722
		Gaskets			
		without:			
		also use:	996 101 016 00	1	
			996 104 215 54	4	
			996 104 216 02	2	
			996 105 244 03	4	
			000 043 204 35	X	
			000 043 300 13	X	
			996 106 125 53	1	
			999 075 074 00	12	
			999 170 223 90	6	
-	996 104 201 04	D - MJ 2008>> - MJ 2008 Cylinder head gasket Short block 98710092250/TX Parts kit for seals Cylinder head		2	
		also use:	996 101 336 50	1	
			996 101 331 50	1	
			996 104 203 00	6	
			999 701 761 41	6	

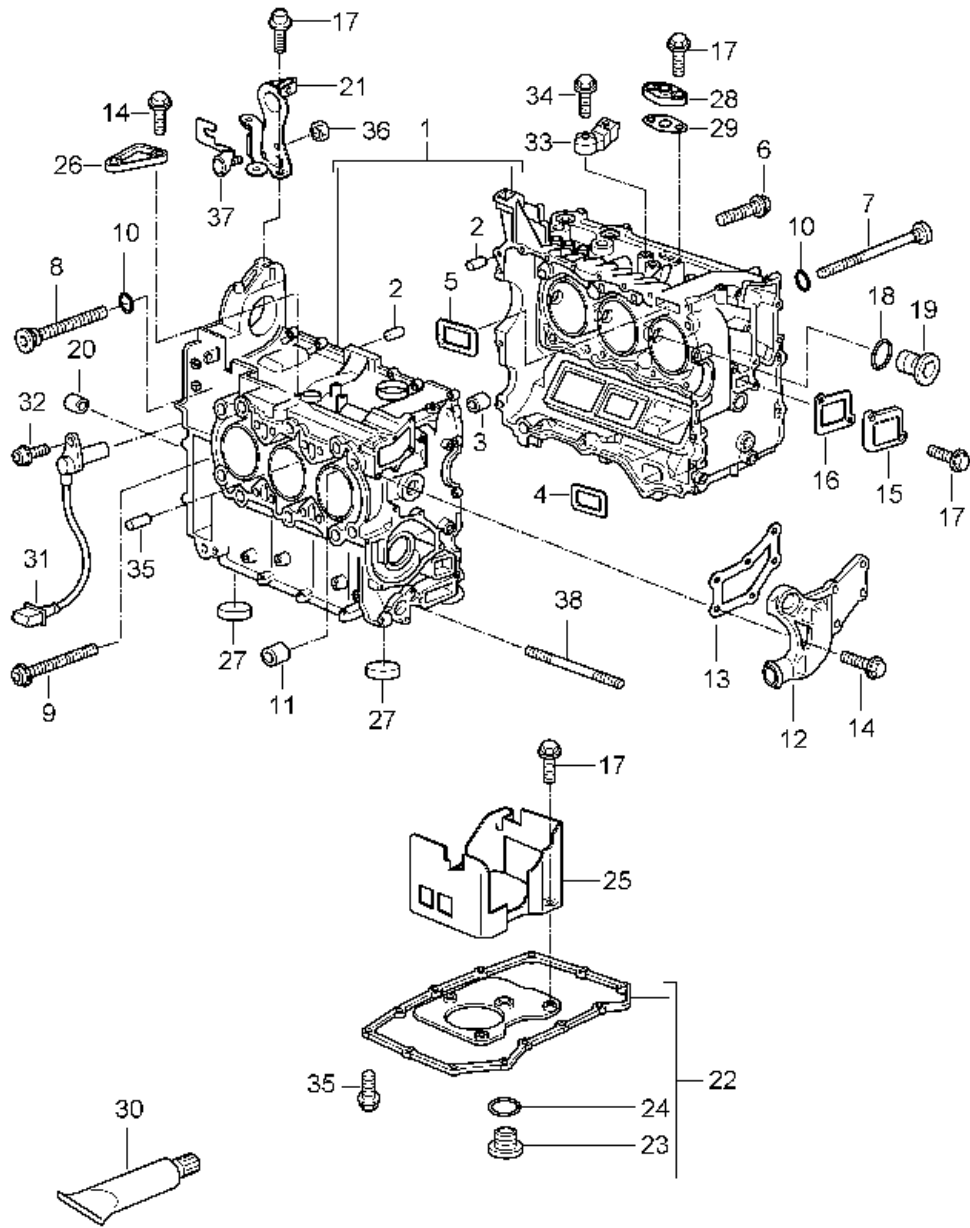
Model: 987 06

Model life 2006>>2008

Pos	Part Number	Description	Remark	Qty	Model
-	996 106 326 50	Seal thermostat housing Short block 98710092250/TX Parts kit for seals Accessories	996 105 903 05 999 707 479 40 999 707 404 40 996 113 213 51 999 707 554 40 999 707 547 40 999 707 389 40 996 111 107 55 999 707 574 40	2 2 2 1 2 2 2 2 12	
		also use:	999 702 206 50 999 707 348 40 996 107 103 51 999 707 364 40 997 106 340 00 997 106 709 00 997 106 708 00 997 110 247 02 997 113 233 01	1 1 2 1 1 1 1 6 1	

Model: 987 06

Model life 2006>>2008



Model: 987 06 Model life 2006>>2008

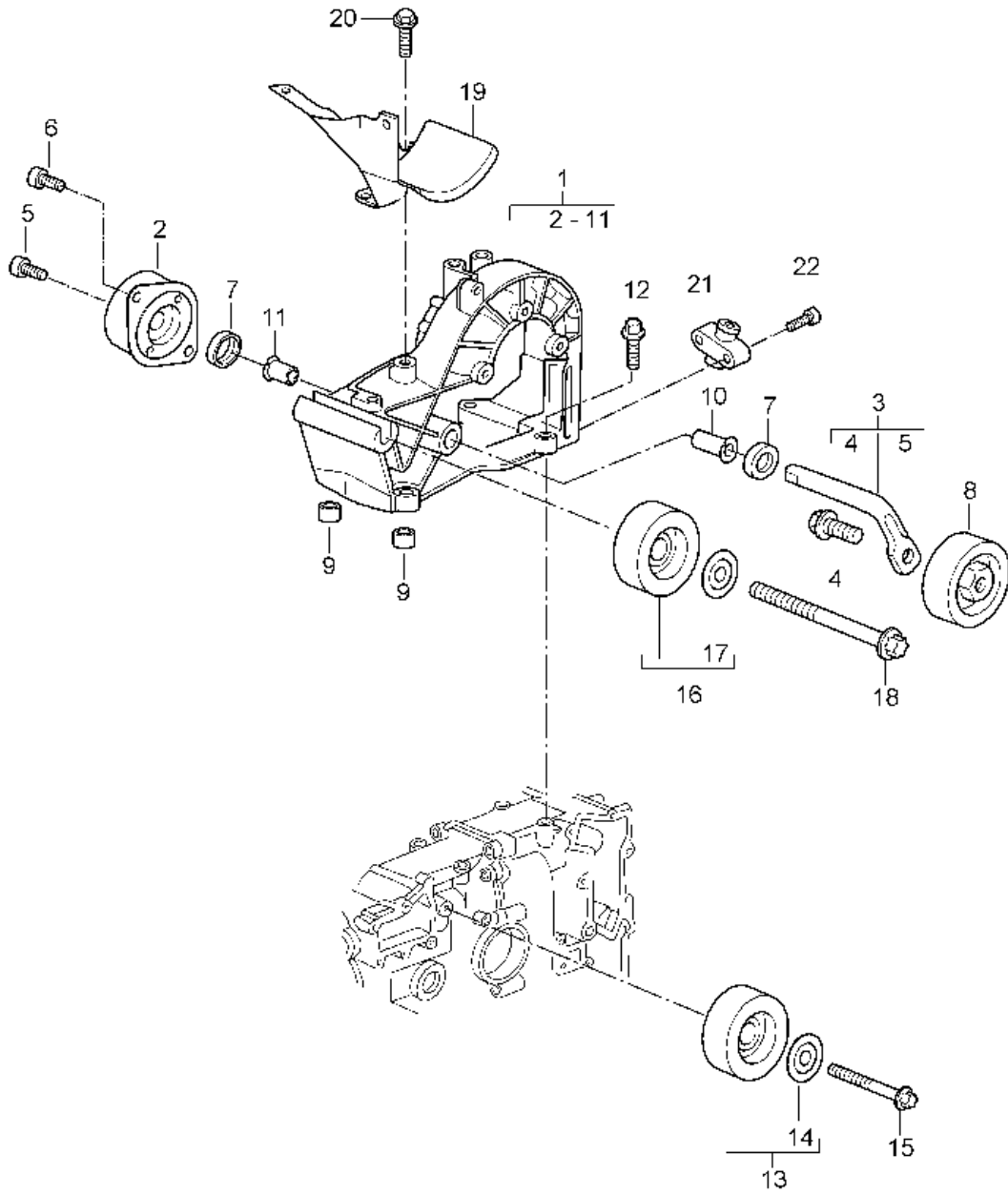
Pos	Part Number	Description	Remark	Qty	Model
		Crankcase housing Individual parts			9720,9721, 9722
1	987 101 901 00	Crankcase housing		1	9721,9722
1	987 101 901 01	Crankcase housing		1	9720
		D - MJ 2007>>			
2	999 012 049 00	Cylinder pin 12 M 6 x 22		3	
3	996 101 253 51	dowel sleeve		3	
4	996 101 361 51	Seal		1	
5	996 101 363 50	Seal		1	
6	900 385 270 04	Torx screw M 6 X 35		19	
(6)	999 385 004 09	Torx screw BM 6 X 35 blue Coated		4	
		D >> - MJ 2007			
(6)	999 385 004 01	Torx screw BM 6 X 35 white Coated		4	
		D - MJ 2008>>			
7	996 101 219 52	Screw 9 X 150		1	
8	996 101 229 00	Screw M 9 X 94		1	
9	996 101 203 00	Screw 9 X 94		1	
10	999 701 789 40	O-ring 12 X 2		2	
		also use:	999 917 788 00	1	
11	999 095 043 01	dowel sleeve 17M 6 X 18,5		4	
12	996 101 021 01	End cap Discontinued part		1	
(12)	996 101 021 02	End cap		1	
13	996 101 331 50	Seal		1	
14	999 073 344 04	flat round head bolt M 6 X 20		8	
15	996 101 016 00	End cap		1	
16	996 101 336 50	Seal		1	
17	900 385 009 09	Torx screw BM 6 X 16		13	
18	900 123 147 30	seal ring A 27 X 32		1	
19	900 219 017 30	sealing plug M 27 X 2		1	
20	014 301 153 B	dowel sleeve 13 X 16 X13,5		2	
		see illustration:	107-005	1	
21	996 107 031 55	oil sump Discontinued part		1	
(22)	996 107 031 57	oil sump Discontinued part		1	
(22)	996 107 031 58	oil sump		1	
23	900 219 009 30	sealing plug M 18 X 1,5		1	
24	900 123 106 30	seal ring A 18 X 24		1	
25	997 107 243 00	filler plate		1	
26	996 113 140 53	End cap		1	
27	999 036 005 02	End cap B 50		2	

Model: 987 06 Model life 2006>>2008

Pos	Part Number	Description	Remark	Qty	Model
27	999 036 005 01	Discontinued part End cap B 50		2	
(27)	000 043 300 19	End cap B 16		2	
(27)	900 036 029 03	Discontinued part End cap B 16		2	
28	996 101 613 50	Bracket No longer use the part here		1	PR:249
28	997 113 340 00	End cap		1	PR:-661
29	900 377 010 09	Hexagon nut M 6 No longer use the part here		1	PR:249
29	996 113 213 51	Seal		1	
30	000 043 204 35	sealant 50 ML Loctite 5900		X	
31	986 606 112 03	impulse sender Discontinued part		1	
31	986 606 112 04	impulse sender		1	
32	900 387 264 09	Socket head bolt M 6 X 16 Discontinued part		1	
32	900 387 264 01	Socket head bolt M 6 X 16		1	
32	N 105 464 03	Hexagon socket head bolt M 6 X 16		1	
33	997 606 121 00	Knock sensor		2	
34	900 385 090 04	Torx screw BM 8 X 35		2	
35	900 385 019 02	Screw BM 6 X 20		13	

Model: 987 06

Model life 2006>>2008



Model: 987 06

Model life 2006>>2008

Pos	Part Number	Description	Remark	Qty	Model
		Belt tensioner			9721,9720
		Belt drive			
1	997 102 016 00	Console		1	PR:480
(1)	996 102 016 01	Console		1	PR:249
		Discontinued part			
(1)	996 102 016 03	Console		1	PR:249
2	997 102 260 00	tensioner		1	
3	996 102 360 51	lever		1	
4	999 072 041 09	Hexagon bolt M 10 X 30		1	
5	900 067 117 03	Socket head bolt M 6 X 16		1	
6	999 067 045 09	Socket head bolt M 8 X 22		2	
7	996 102 365 50	dust cap		2	
8	997 102 117 00	Tensioning roller		1	PR:480
(8)	996 102 117 57	Tensioning roller		1	PR:249
9	999 095 064 00	dowel sleeve 12 M 6 X 13		2	
10	997 102 167 00	Bush		1	
11	997 102 165 00	Bush		1	
12	900 385 090 04	Torx screw M 8 X 35		4	
13	997 102 119 00	idler pulley		1	PR:480
(13)	996 102 119 58	idler pulley		1	PR:249
14	996 102 127 54	Cover disc		1	
15	900 385 091 04	Torx screw M 8 X 60		1	
		Discontinued part			
15	900 385 091 01	Hexagon head bolt M 8 X 60		1	
16	997 102 118 00	idler pulley		1	PR:480
(16)	996 102 118 56	idler pulley		1	PR:249
17	996 102 125 53	Cover disc		1	
18	900 385 092 04	Torx screw M 10 X 145		1	
19	996 102 211 05	Cover		1	
20	900 385 279 09	Hexagon bolt M 6 X 12		3	
		Discontinued part			
20	900 385 279 01	Hexagon head bolt M 6 X 12		3	
21	997 126 101 00	Bracket Compressor Air conditioning		1	

Model: 987 06 Model life 2006>>2008

Pos	Part Number	Description	Remark	Qty	Model
		Crankshaft			9720, 9721, 9722
1	987 102 010 03	Crankshaft		1	9721, 9722
1	996 102 011 58	Crankshaft		1	9720
		D - MJ 2007>>			
2	900 095 031 01	spring pin 6,0 X 16		1	
3	900 302 021 00	Cylinder pin A 4,0 X 10		1	
4	999 113 475 40	Shaft oil seal 40 X 62 X 10		1	
5	997 101 212 00	Shaft oil seal 85 X 105 X 11		1	
6	996 102 115 63	pulley		1	
7	900 082 085 09	Hexagon bolt M 16 X 1,5 X 60		1	
8	996 102 315 51	pressure washer		1	
9	996 103 975 02	Connecting rod Connecting rods comprising: 6 Connecting rods See workshop manual 987 GR.1-1		1	
10	996 103 111 51	bush - connecting rod		6	
11	997 103 115 01	bolt - connecting rod		12	
12	996 103 121 62	connecting rod bearing shell		12	
13	987 101 205 01	crankshaft bearing No longer use the part here		14	9720
13	996 101 205 10	crankshaft bearing D - MJ 2007>>		14	9720
13	996 101 209 04	crankshaft bearing		14	9721, 9722
14	996 101 007 22	Bearing housing Discontinued part		1	9721
14	996 101 007 23	Bearing housing		1	9721
14	996 101 007 09	Bearing housing D - MJ 2007>>		1	9720
15	999 095 064 00	dowel sleeve 12 M 6 X 13		3	
(16)	996 101 115 61	Screw for Bearing housing No longer use the part here		14	
16	996 101 115 59	Screw for Bearing housing		14	
17	986 114 012 06	Dual-mass flywheel		1	9721, 9720+ PR:480
17	986 114 012 05	Dual-mass flywheel D - MJ 2007>>		1	9720+ PR:481
18	999 073 092 09	Socket head bolt M 10 X 1 X 50		8	
19	034 105 313 A	needle bearing -		1	
20	996 101 241 51	Seal		1	
21	996 101 110 00	oil separator		1	
22	996 101 242 51	Seal		1	
23	900 385 050 09	Torx screw M 6 X 16 Discontinued part		6	
(23)	900 385 050 01	Hexagon head bolt M 6 X 16		6	
24	996 101 129 52	thrust washer		2	9720

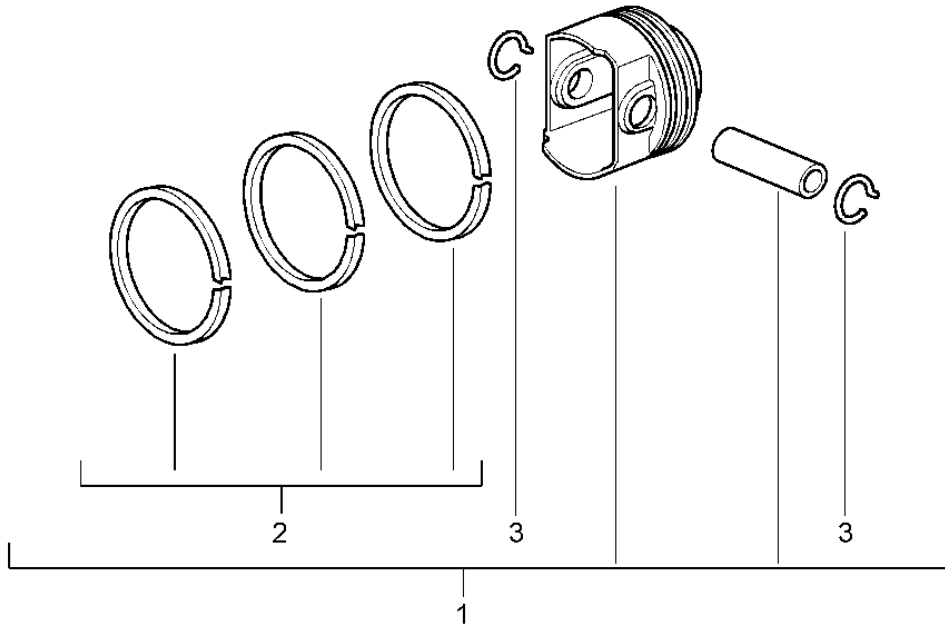
Model: 987 06

Model life 2006>>2008

Pos	Part Number	Description	Remark	Qty	Model
(24)	996 101 132 00	thrust washer		2	9721, 9722
25	996 101 117 54	Cylinder pin		1	
26	996 101 018 51	Spray jet		6	
27	996 102 151 66	Poly-rib belt		1	
28	000 043 204 17	Extreme-pressure grease Optipit 100 GR.		X	

Model: 987 06

Model life 2006>>2008

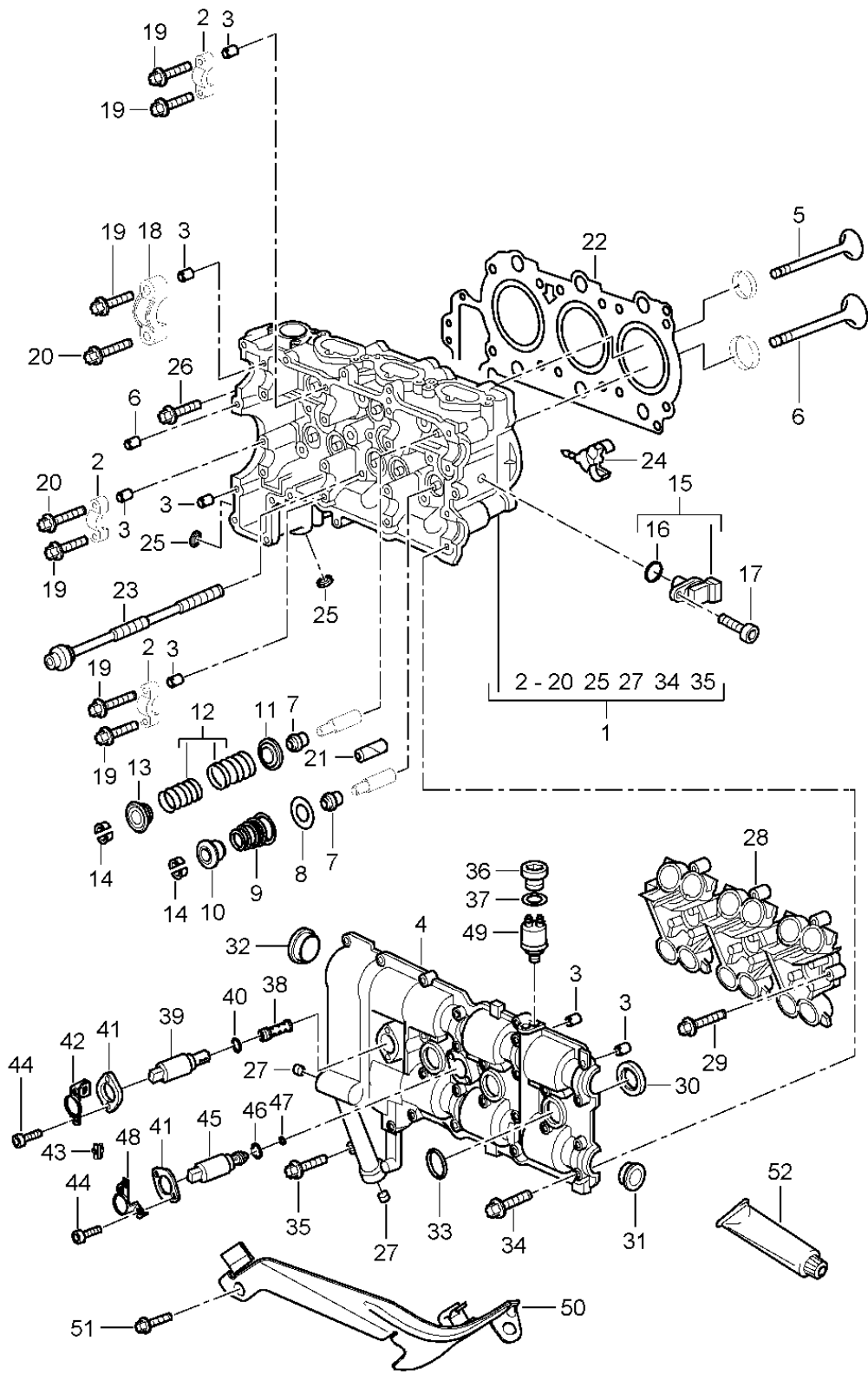


Model: 987 06 Model life 2006>>2008

Pos	Part Number	Description	Remark	Qty	Model
1	987 103 051 13	piston piston complete Tolerance range X Identification: >> >> -		6	9720, 9721, 9722 9721, 9722
(1)	987 103 051 14	524 - 530 G piston complete Tolerance range X Identification: >> >> +		6	9721, 9722
(1)	987 103 071 03	530 - 536 G piston complete Tolerance range X Identification: >> >> -		6	9720
(1)	987 103 071 04	462 - 468 G No longer use the part here piston complete Tolerance range X Identification: >> >> +		6	9720
(1)	987 103 971 00	468 - 474 G No longer use the part here 1 set pistons Content piston Tolerance range X Only by sets		1 6	9720
2	987 103 053 02	1 set: piston rings		6	9721, 9722
2	996 103 073 00	1 set: piston rings		6	9720
3	996 103 141 03	Securing ring		12	

Model: 987 06

Model life 2006>>2008



Model: 987 06 Model life 2006>>2008

Pos	Part Number	Description	Remark	Qty	Model
1	987 104 913 00	Cylinder head Cylinder head Cyl. 1 - 3		1	9720, 9721 9721
1	987 104 913 AX	Cylinder head Cyl. 1 - 3		1	9721
(1)	987 104 915 00	Cylinder head Cyl. 1 - 3 D - MJ 2007>>		1	9720
(1)	987 104 914 00	Cylinder head Cyl. 4 - 6		1	9721
(1)	987 104 914 AX	Cylinder head Cyl. 4 - 6		1	9721
(1)	987 104 916 00	Cylinder head Cyl. 4 - 6 D - MJ 2007>>		1	9720
2		Bearing cover Matching with: Cylinder head		6	
3	996 104 117 50	dowel sleeve		28	
4		Cover Matching with: Cylinder head		2	
5	996 105 271 00	Inlet valve Discontinued part		12	9721
5	996 105 271 02	Inlet valve		12	9721
(5)	987 105 115 00	Inlet valve D - MJ 2007>>		12	9720
6	996 105 273 03	exhaust valve Discontinued part		12	9721
6	996 105 273 04	exhaust valve		12	
(6)	987 105 116 00	exhaust valve D - MJ 2007>>		12	9720
7	996 105 115 52	Valve stem seal		24	
8	996 105 117 51	spring disc exhaust valve	lower	12	
9	996 105 118 01	Valve spring exhaust valve		12	
10	996 105 121 54	spring disc exhaust valve	upper	12	
11	996 105 147 00	spring disc Inlet valve	lower	12	
12	996 105 939 00	1 set of valve springs Inlet valve		12	
13	996 105 145 00	spring disc Inlet valve	upper	12	
14	996 105 123 51	Valve collet		48	
15	997 606 106 03	Hall sensor		2	
16	999 707 404 40	O-ring 17,05 X 1,78		2	
17	900 387 264 01	No longer use the part here Socket head bolt M 6 X 16		2	
17	N 105 464 03	Discontinued part Hexagon socket head bolt M 6 X 16		2	
18		Bearing cover Intake Matching with: Cylinder head		2	
19	900 385 017 09	Torx screw M 6 X 35		12	
20	900 385 025 01	Torx screw		4	

Model: 987 06 Model life 2006>>2008

Pos	Part Number	Description	Remark	Qty	Model
21	000 043 204 46	M 6 X 40 Sleeve for Valve stem seal		1	
22	996 104 201 04	Cylinder head gasket		2	9721
(22)	996 104 170 10	Cylinder head gasket		2	9720
23	996 104 180 58	Screw M 10 X 230 Discontinued part		24	
23	996 104 180 59	Screw M 10 X 230		24	
24	999 507 075 40	Cable holder 3,0 - 12		3	
25	999 036 026 02	End cap 10 MM Discontinued part		4	
25	999 036 026 01	End cap 10 MM		4	
26	900 385 048 01	Torx screw M 6 X 30 Mount Cylinder head Crankcase housing		8	
27	900 036 023 02	End cap B 18 Discontinued part		4	
27	900 036 023 01	End cap B 18		4	
28	997 104 043 00	housing Tappets Hydraulic		2	9721
(28)	987 104 045 00	housing Tappets Hydraulic		2	9720
29	900 385 017 09	Torx screw M 6 X 35		22	
30	996 104 203 00	Seal		6	
31	996 104 215 54	End cap		4	
32	996 104 216 02	End cap		2	
33	999 701 761 41	O-ring 28 X 2		6	
34	999 385 003 01	Torx screw M 6 X 30		16	
35	900 385 048 01	Torx screw M 6 X 30		24	
36	900 219 018 30	sealing plug M 14 X 1,5 No longer use the part here		1	
36	999 063 038 01	sealing plug M 14 X 1,5		1	
37	900 123 104 30	seal ring A 14 X 18 No longer use the part here		1	
37	900 123 173 20	seal ring A 14 X 18		1	
38	997 105 701 00	oil strainer		2	
39	996 105 303 05	throttle control element Camshaft Discontinued part		2	
40	996 105 903 05	O-ring throttle control element Camshaft		2	
41	996 105 244 03	End cap		2	

Model: 987 06

Model life 2006>>2008

Pos	Part Number	Description	Remark	Qty	Model
42	996 105 256 01	throttle control element bracket f.throttle contr.elem.		2	
43	999 651 386 02	Cable clamp 5,5 - 9,0 Discontinued part		2	
43	999 651 386 01	Cable clamp 5,5 - 9,0		2	
44	900 387 006 01	Socket head bolt M 6 X 20		4	
45	997 105 301 00	throttle control element		2	
46	999 707 479 40	O-ring 22,00 X 1,50		2	
47	999 707 441 40	O-ring 18,00 X 1,50		2	
48	996 105 310 03	Bracket		2	
49	986 606 203 03	Oil pressure switch		1	
50	987 104 445 00	Guard plate Cyl. 1 - 3		2	
51	900 385 009 09	Torx screw M 6 X 16		4	
52	000 043 204 35	sealant 50 ML		X	
(52)	000 043 024 00	Extreme-pressure grease 1 tube 80 Gr. for Camshaft		1	

Model: 987 06

Model life 2006>>2008

Pos	Part Number	Description	Remark	Qty	Model
1	997 105 947 00	Camshaft Driving mechanism Camshaft Intake Cyl. 1 - 3		1	9721, 9720, 9722 9721
(1)	997 105 047 03	No longer use the part here Camshaft Intake Cyl. 1 - 3		1	9721
(1)	997 105 947 01	No longer use the part here Camshaft Intake Cyl. 1 - 3		1	9721, 9722
(1)	987 105 951 00	Camshaft Intake Cyl. 1 - 3		1	9720
2	987 105 065 04	Camshaft Exhaust Cyl. 1 - 3		1	9720
(2)	987 105 065 05	Discontinued part Camshaft Exhaust Cyl. 1 - 3		1	9720
(2)	996 105 059 01	Camshaft Exhaust Cyl. 1 - 3		1	9721
(2)	996 105 059 02	Discontinued part Camshaft Exhaust Cyl. 1 - 3		1	9721, 9722
3	987 105 952 00	Camshaft Intake Cyl. 4 - 6		1	9720
(3)	997 105 948 00	Camshaft Intake Cyl. 4 - 6		1	9721
(3)	997 105 048 03	No longer use the part here Camshaft Intake Cyl. 4 - 6		1	9721
(3)	997 105 948 01	No longer use the part here Camshaft Intake Cyl. 4 - 6		1	9721, 9722
4	987 105 066 04	Camshaft Exhaust Cyl. 4 - 6		1	9720
(4)	987 105 066 05	Discontinued part Camshaft Exhaust Cyl. 4 - 6		1	9720
(4)	997 105 060 01	Camshaft Exhaust Cyl. 4 - 6		1	9721
(4)	997 105 060 02	Discontinued part Camshaft Exhaust Cyl. 4 - 6		1	9721, 9722
5	996 105 041 72	Hydraulic tappet Exhaust		12	
6	996 105 255 24	Hydraulic tappet Intake		12	
7	996 105 168 03	Rail		2	

Model: 987 06 Model life 2006>>2008

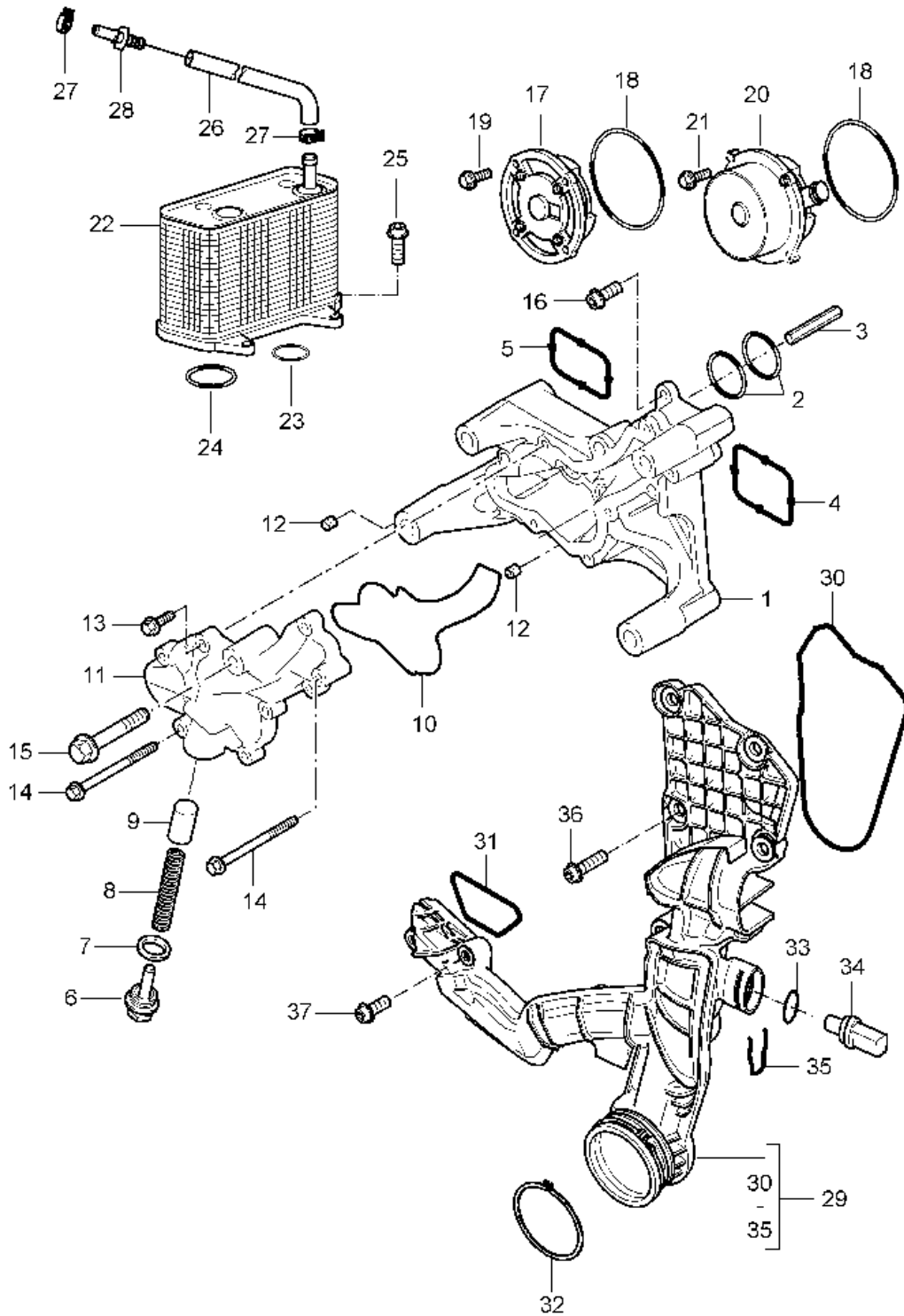
Pos	Part Number	Description	Remark	Qty	Model
		Discontinued part			
7	996 105 168 04	Rail		2	
8	996 105 203 00	Washer		2	
9	996 104 205 07	Bearing bush		2	
10	996 105 051 03	camshaft adjuster unit Camshaft Intake cylinder Cyl. 1 - 3		1	
10	996 105 051 04	Discontinued part camshaft adjuster unit Camshaft Intake cylinder Cyl. 1 - 3		1	
(10)	996 105 052 01	camshaft adjuster unit Camshaft Intake cylinder Cyl. 4 - 6		1	
(10)	996 105 052 02	Discontinued part camshaft adjuster unit Camshaft Intake cylinder Cyl. 4 - 6		1	
11	987 105 260 01	Intermediate piece		2	
12	987 105 254 00	Hexagon bolt M 12 X 1,5 X 130		2	
13	996 105 901 06	Intermediate shaft		1	
14	996 105 024 06	Bearing cover		1	
15	996 105 112 01	Seal		1	
16	900 385 093 09	Hexagon bolt M 6 X 20		3	
16	900 385 093 01	Discontinued part Hexagon bolt M 6 X 20		3	
17	999 076 084 01	Hexagon nut m 12 x 1,25		1	
18	996 105 171 56	timing chain Discontinued part		1	
18	996 105 171 58	timing chain		1	
19	996 105 165 55	Tensioner blade		1	
20	996 105 195 00	covering		1	
21	996 105 197 00	Pressure pin		1	
22	900 234 040 01	fitted washer 10 X 16 X 1,2		1	
23	900 041 004 01	Securing ring 10 X 1		1	
24	996 105 166 51	slide rail		1	
25	900 075 486 01	Bolt with washer M 6 X 40		3	
26	996 105 186 01	chain tensioner Discontinued part		1	
26	996 105 186 02	chain tensioner		1	
27	999 707 344 40	O-ring 18,77 X 1,78		4	
28	996 105 152 00	timing chain Discontinued part		2	
28	996 105 152 01	timing chain		2	
29	996 105 178 54	Chain sprocket with: Follower		2	

Model: 987 06 Model life 2006>>2008

Pos	Part Number	Description	Remark	Qty	Model
30	996 105 280 51	ring		1	
31	900 385 041 01	Torx screw M 6 X 12		8	
32	996 105 156 00	Tensioner blade cylinder 1 - 3		1	
(32)	996 105 158 00	Tensioner blade cylinder 4 - 6		1	
(32)	996 105 158 01	Discontinued part Tensioner blade cylinder 4 - 6		1	
33	996 105 062 01	Screw M 6		6	
(33)	9A1 105 062 01	Discontinued part Socket head bolt M 6		6	
34	999 707 346 40	O-ring 15 X 3		6	
35	996 105 054 01	slide rail cylinder 1 - 3		1	
(35)	996 105 164 00	slide rail cylinder 4 - 6		1	
36	996 105 188 01	chain tensioner Discontinued part		1	
36	996 105 188 02	chain tensioner		1	
37	996 105 180 56	chain tensioner Discontinued part		1	
37	996 105 180 58	chain tensioner		1	
38	900 123 147 30	seal ring A 27 X 32		3	
39	996 105 301 03	throttle control element Discontinued part		2	
39	996 105 301 04	throttle control element		2	
39	997 105 301 00	throttle control element see illustration:	103-000	2	
-	000 043 024 00	Extreme-pressure grease 1 tube 80 Gr. for Camshaft		1	

Model: 987 06

Model life 2006>>2008



Model: 987 06 Model life 2006>>2008

Pos	Part Number	Description	Remark	Qty	Model
		oil pump Tandem pump			9721,9720
1	997 107 012 05	oil pump		1	
(1)	997 107 012 07	oil pump		1	
2	996 107 103 51	O-ring 29,1 X 2,55		2	
		also use:	000 043 300 13	1	
3	996 107 121 50	Follower		1	
4	997 107 266 00	seal ring		1	
5	997 107 267 00	seal ring		1	
6	996 107 105 51	sealing plug		1	
7	996 107 123 50	Seal		1	
8	996 107 127 53	Spring for oil pressure relief valve		1	
9	997 107 125 01	piston		1	
10	997 107 261 00	seal ring		1	
11	997 107 212 03	Oil pump cover for 997 107 012 04		1	
12	996 106 103 50	dowel sleeve		2	
13	900 385 023 09	Screw BM 6 X 25		6	
14	999 073 355 09	flat round head bolt M 6 X 80		2	
15	900 385 089 09	Torx screw BM 10 X 100		1	
16	999 073 344 04	flat round head bolt M 6 X 20		6	
17	997 107 021 03	oil pump Discontinued part		1	
17	997 107 021 04	oil pump		1	
18	999 707 554 40	O-ring 95 X 2,5		2	
		also use:	000 043 300 13	1	
19	999 073 316 09	Hexagon bolt M 6 X 20		4	
20	997 107 022 01	Tandem pump Discontinued part		1	
20	997 107 022 02	Tandem pump Discontinued part		1	
20	997 107 022 03	Tandem pump Discontinued part		1	
20	997 107 022 04	Tandem pump		1	
21	999 073 317 09	flat round head bolt M 6 X 30		4	
22	987 107 025 01	heat exchanger Discontinued part		1	
22	987 107 025 02	heat exchanger		1	
23	999 707 547 40	O-ring 28 X 3		2	
24	999 707 389 40	O-ring 35 X 4		2	
25	900 387 264 09	Socket head bolt M 6 X 16 Discontinued part		4	
25	900 387 264 01	Socket head bolt M 6 X 16		4	
25	N 105 464 03	Hexagon socket head bolt M 6 X 16		4	
26	987 106 531 00	Vent hose F >> 98-8U752 755 F >> 98-8U772 698		1	

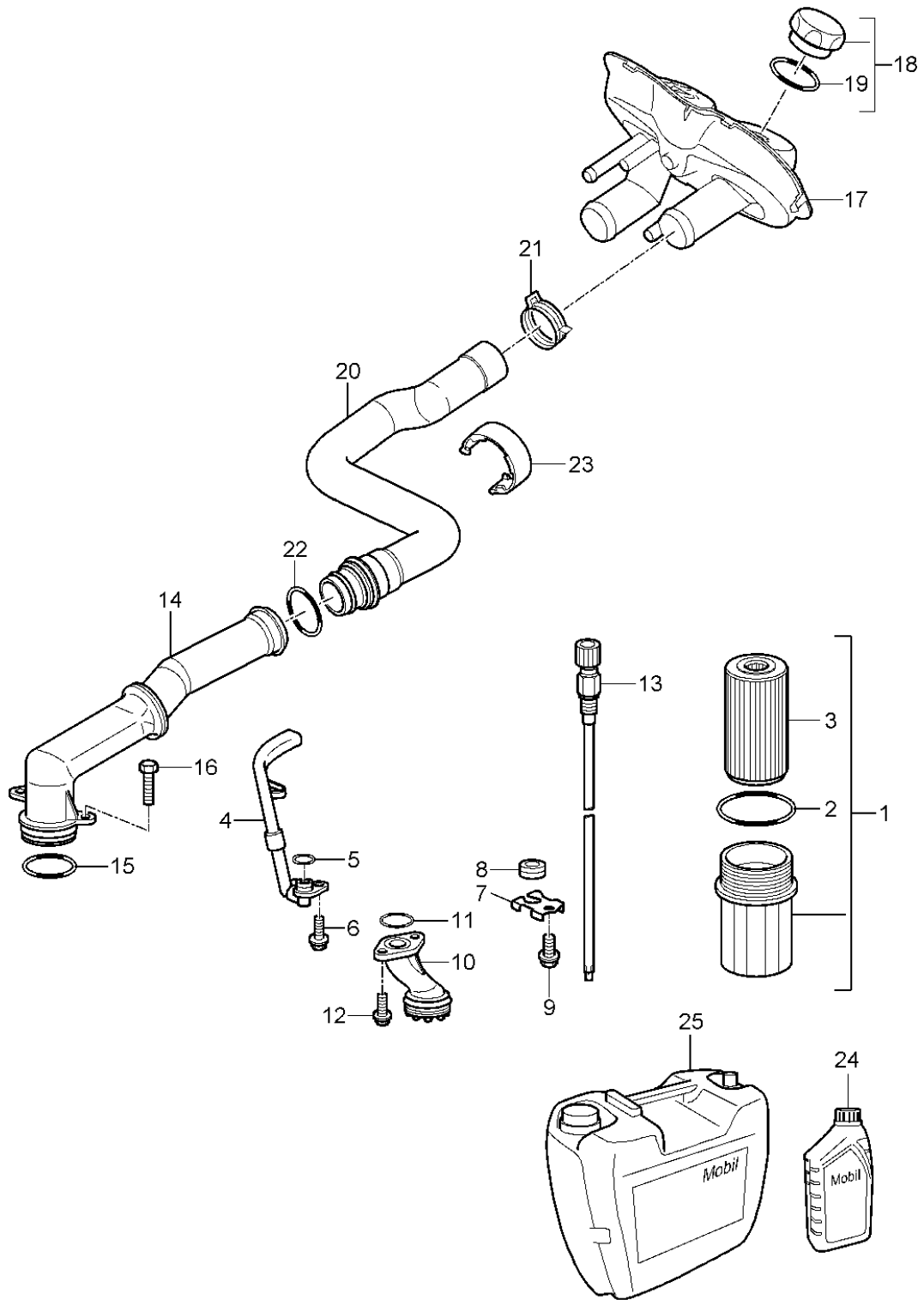
Model: 987 06

Model life 2006>>2008

Pos	Part Number	Description	Remark	Qty	Model
(26)	987 106 531 01	Vent hose F 98-8U752 756>> F 98-8U772 799>>		1	
27	999 512 650 09	Hose clamp B 14 X 12		2	
28	996 106 255 00	Push-on sleeve		1	
29	987 106 508 04	Water guide housing		1	
30	997 106 709 00	seal ring		1	
31	997 106 708 00	seal ring		1	
32	997 106 802 03	Spring SCB 42		1	
33	999 707 508 40	O-ring 19,6 X 3,65		1	
34	997 606 410 00	Temperature sensor		1	
35	999 021 011 01	retaining spring SL-B110		1	
36	999 073 344 04	flat round head bolt M 6 X 20 Discontinued part		3	
36	999 073 344 01	flat round head bolt M 6 X 20		3	
37	999 073 352 09	flat round head bolt M 6 X 35 Discontinued part		5	
37	999 073 352 01	flat round head bolt M 6 X 35		5	
-	996 102 235 01	arm Belt drive		1	PR:249,572
-	996 102 235 01	arm Belt drive		1	PR:249,573

Model: 987 06

Model life 2006>>2008

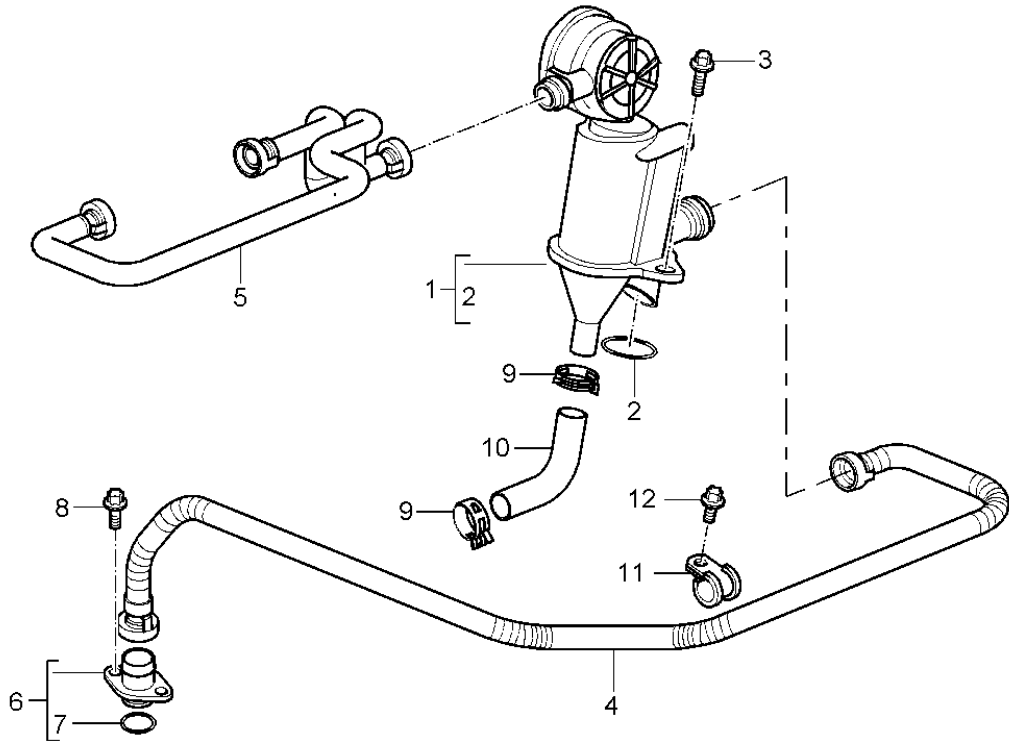


Model: 987 06 Model life 2006>>2008

Pos	Part Number	Description	Remark	Qty	Model
		Engine lubrication			9721,9720
1	996 107 020 55	oil filter		1	
2	996 107 313 51	seal ring		1	
		also use:	000 043 300 13	1	
3	996 107 225 53	filter element		1	
4	997 107 016 00	Return pipe		2	
5	999 701 789 40	O-ring 12 X 2		2	
6	900 385 019 04	Torx screw BM 6 X 20		4	
7	996 107 333 50	Bracket		1	9720
(7)	997 107 333 50	Bracket		1	9721
8	999 702 206 50	Grommet 9,5 X 18,0 X 1,2		1	
9	900 385 041 09	Torx screw M 6 X 12		1	
10	996 107 075 57	Suction tube		1	
11	999 707 375 40	O-ring 30 X 3		1	
12	900 385 275 09	Torx screw M 6 X 20		2	
13	996 606 150 00	oil level sender		1	
14	987 107 150 00	oil pipe		1	
15	999 707 348 40	O-ring 42 X 4		1	
		also use:	000 043 300 13	1	
16	900 385 050 09	Torx screw M 6 X 16		2	
(16)	900 385 050 01	Discontinued part Hexagon head bolt M 6 X 16		2	
17		see illustration:	105-021	1	
18	987 107 035 01	End cap		1	
19	987 107 336 00	Seal		1	
20	987 107 064 01	Oil hose Discontinued part		1	
20	987 107 064 02	Oil hose		1	
21	999 512 667 09	Hose clamp 44 X 12		1	
22	999 701 416 40	O-ring 33 X 4		1	
23	987 107 205 00	Clip		1	
24	000 043 301 19	engine oil EXXON MOBIL 1 0W-40 1 LITER Container		X	
25	000 043 301 21	engine oil EXXON MOBIL 1 0W-40 20 LITER Container		X	

Model: 987 06

Model life 2006>>2008



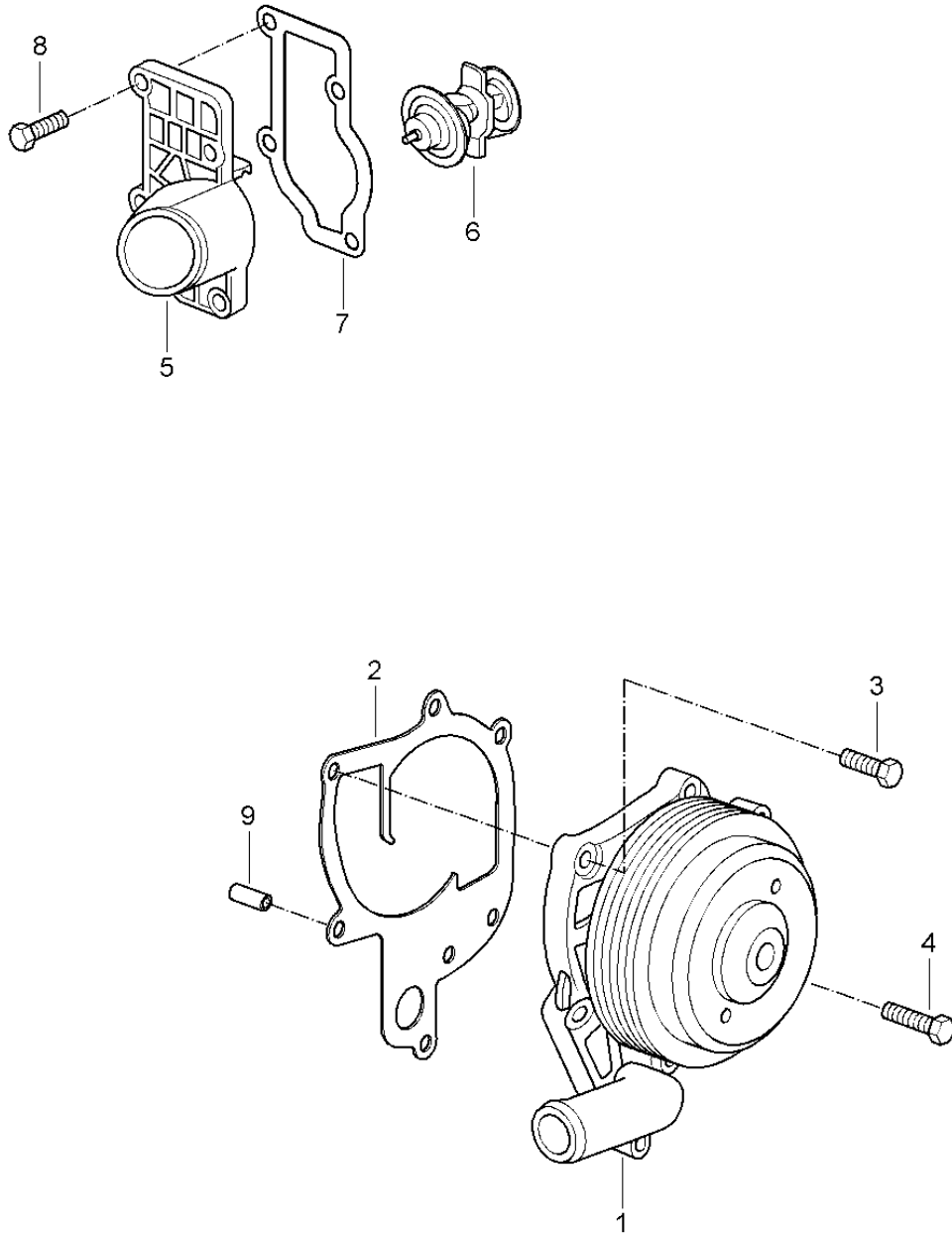
Model: 987 06

Model life 2006>>2008

Pos	Part Number	Description	Remark	Qty	Model
		Crankcase housing			9721, 9720
		Bleeding			
1	996 107 026 00	oil separator		1	
1	996 107 026 01	oil separator		1	
2	999 707 507 40	O-ring		1	
		29,74 X 2,95			
3	900 385 275 09	Torx screw		2	
		M 6 X 20			
4	987 107 246 01	Breather line		1	9720, 9721
		Cyl. 4 - 6			
(4)	987 107 947 00	Breather line		1	
		Cyl. 4 - 6			
5	987 107 145 00	Breather line		1	
		oil separator			
6	996 107 047 01	ventilation union		1	
7	999 707 364 40	seal ring		1	
		30 X 2,5			
8	900 385 050 09	Torx screw		3	
		M 6 X 16			
		Discontinued part			
(8)	900 385 050 01	Hexagon head bolt		3	
		M 6 X 16			
9	999 512 683 09	Hose clamp		2	
		23 X 12			
10	996 107 175 50	Oil hose		1	
11	999 511 008 00	Clamp		1	
		26 X 15			
12	900 385 041 09	Torx screw		1	
		M 6 X 12			

Model: 987 06

Model life 2006>>2008



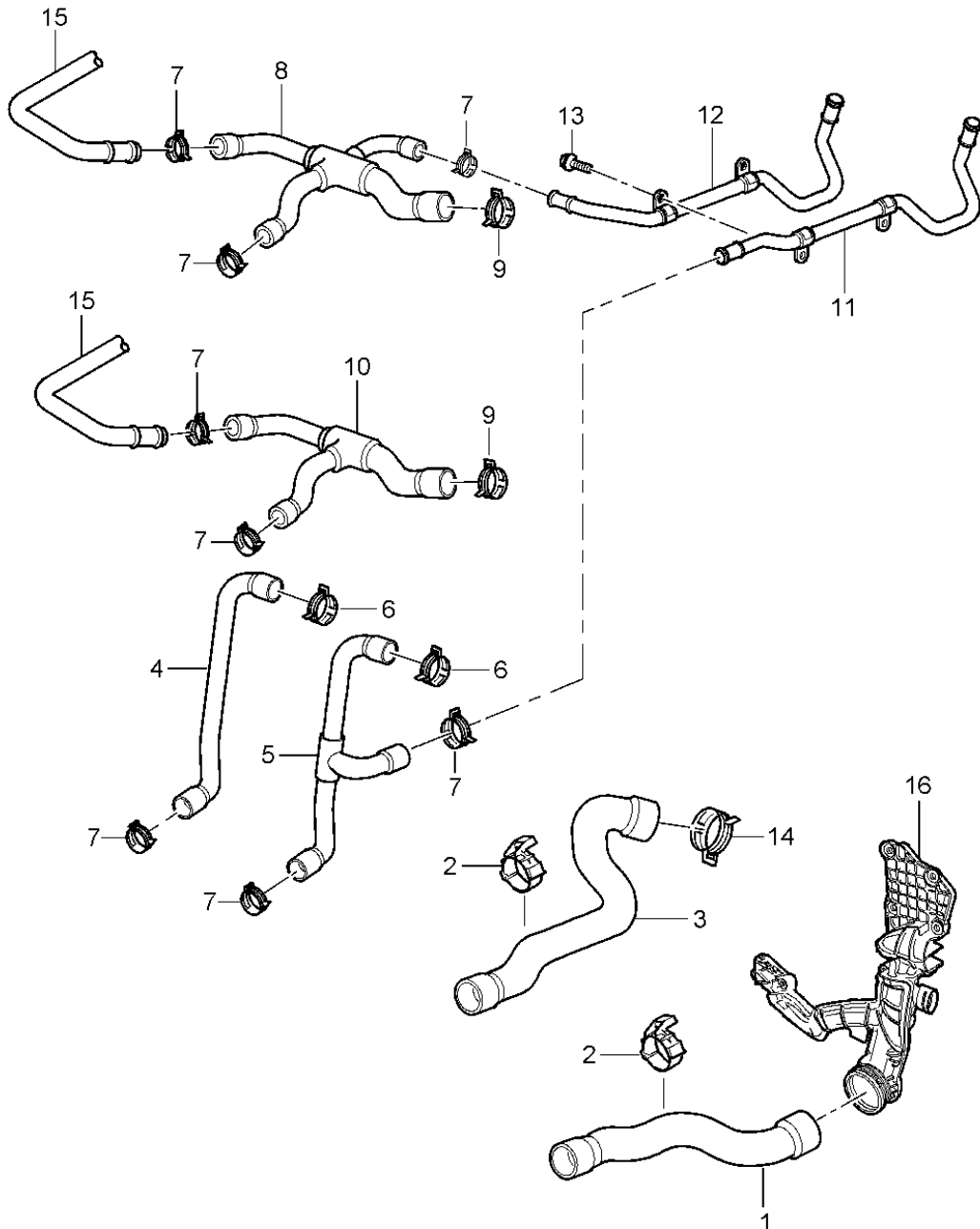
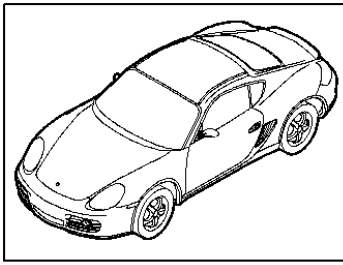
Model: 987 06

Model life 2006>>2008

Pos	Part Number	Description	Remark	Qty	Model
		Coolant pump thermostat housing			9721,9720
1	997 106 011 02	Coolant pump Discontinued part		1	
1	997 106 011 05	Coolant pump Discontinued part		1	
1	997 106 011 06	Coolant pump		1	
2	997 106 340 00	Seal		1	
3	900 378 013 09	Hexagon bolt AM 6 X 25		5	
(3)	900 378 013 01	D >> - MJ 2007 Hexagon bolt AM 6 X 25 D - MJ 2008>>		5	
4	900 378 177 09	Hexagon bolt AM 6 X 30		2	
(4)	900 378 177 01	D >> - MJ 2007 Hexagon bolt AM 6 X 30 D - MJ 2008>>		2	
5	996 106 013 59	thermostat with:		1	
6	996 106 125 52	Thermostat insert		1	
7	996 106 326 50	Seal		1	
8	900 385 019 04	Torx screw BM 6 X 20		4	
9	996 106 103 50	dowel sleeve 8,2 X 7		2	

Model: 987 06

Model life 2006>>2008

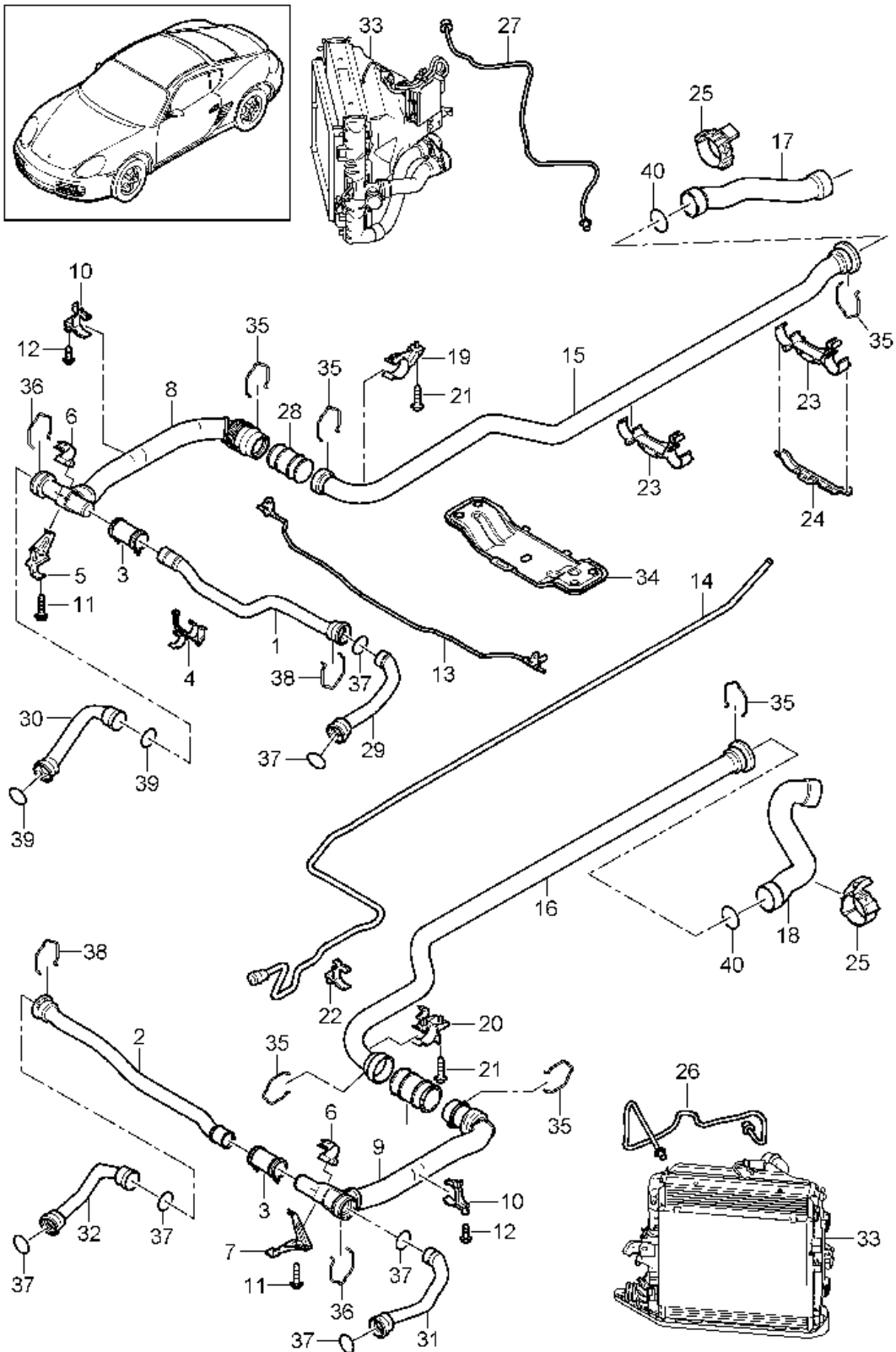


Model: 987 06 Model life 2006>>2008

Pos	Part Number	Description	Remark	Qty	Model
1	987 106 501 06	Water cooling 1 Water hose Supply		1	9721,9720
1	987 106 501 07	Discontinued part Water hose Supply		1	
2	987 106 425 00	Bracket Discontinued part		2	
3	987 106 502 03	Water hose Return line Discontinued part		1	
3	987 106 502 04	Water hose Return line		1	
4	996 106 212 09	Water hose Supply Discontinued part		1	PR:480
(4)	996 106 212 11	Water hose Supply		1	PR:480
5	996 106 212 10	Hose Supply Discontinued part		1	PR:249
5	996 106 212 12	Hose Supply		1	PR:249
6	999 512 660 09	Hose clamp 29 X 12		1	
7	999 512 657 09	Hose clamp 26 X 12		4	
8	987 106 522 01	Water hose Return line Discontinued part		1	PR:249
8	987 106 522 02	Water hose Return line		1	PR:249
9	999 512 664 09	Hose clamp 36 X 12		1	
10	996 106 222 15	Water hose Return line Discontinued part		1	PR:480
10	996 106 222 17	Water hose Return line		1	PR:480
11	987 106 674 00	Coolant pipe Supply Atf cooler		1	PR:249
12	996 106 672 01	Coolant pipe Return line Atf cooler		1	PR:249
13	900 385 009 09	Torx screw M 6 X 16		2	PR:249
14	999 512 669 09	Hose clamp 53 X 12		1	
15		see illustration:	105-020	1	
16		see illustration:	104-000	1	

Model: 987 06

Model life 2006>>2008



Model: 987 06 Model life 2006>>2008

Pos	Part Number	Description	Remark	Qty	Model
1	997 106 711 01	Water cooling 2 Water pipe Supply Discontinued part		1	9721, 9720
1	997 106 711 02	Water pipe Supply Discontinued part		1	
1	997 106 711 03	Water pipe Supply		1	
2	997 106 720 01	Water pipe Return line Discontinued part		1	
2	997 106 720 02	Water pipe Return line Discontinued part		1	
2	997 106 720 03	Water pipe Return line		1	
3	997 106 723 04	Water hose		2	
4	997 106 525 01	Bracket Cross tube	center	1	
5	997 106 574 02	pipe holder Distributor tube	right	1	
6	997 106 526 01	Bracket Cross tube	upper	2	
7	997 106 573 02	pipe holder Distributor tube	left	1	
8	997 106 752 03	Distributor tube Supply		1	9721
(8)	997 106 752 04	Distributor tube Supply		1	9720
9	997 106 751 03	Distributor tube Return line		1	9721
(9)	997 106 751 04	Distributor tube Return line		1	9720
10	997 106 413 01	pipe holder Distributor tube		2	
(10)	997 106 413 01	pipe holder Distributor tube	right	1	PR:601
(10)	997 106 414 00	Bracket Distributor tube	left	1	PR:601
11	900 378 013 09	Hexagon bolt M 6 X 25		2	
12	900 378 036 09	Hexagon bolt M 6 X 12		2	
13	997 106 767 02	Breather line Transverse		1	
14	987 106 227 01	Breather line tunnel		1	
15	987 106 651 02	Water pipe Supply tunnel Discontinued part		1	9720+ PR:249
15	987 106 651 02	Water pipe Supply tunnel Discontinued part		1	9721
15	987 106 651 03	Water pipe Supply tunnel Discontinued part		1	9720+ PR:249
15	987 106 651 04	Water pipe Supply tunnel		1	9720+ PR:249

Model: 987 06 Model life 2006>>2008

Pos	Part Number	Description	Remark	Qty	Model
15	987 106 651 03	Water pipe Supply tunnel Discontinued part		1	9721
15	987 106 651 04	Water pipe Supply tunnel		1	9720+ PR:249
(15)	987 106 851 01	Water pipe Supply tunnel Discontinued part		1	9720+ PR:480,481
(15)	987 106 851 03	Water pipe Supply tunnel		1	9720+ PR:480,481
16	987 106 652 03	Water pipe Return line tunnel Discontinued part		1	9720+ PR:249
16	987 106 652 04	Water pipe Return line tunnel		1	9720+ PR:249
(16)	987 106 652 03	Water pipe Return line tunnel Discontinued part		1	9721
(16)	987 106 652 04	Water pipe Return line tunnel		1	9720+ PR:249
(16)	987 106 852 02	Water pipe Return line tunnel Discontinued part		1	9720+ PR:480,481
(16)	987 106 852 03	Water pipe Return line tunnel		1	9720+ PR:480,481
17		see illustration:	105-005	1	
18		see illustration:	105-005	1	PR:480
19	997 106 520 02	Bracket Firewall	right	1	
20	997 106 521 01	Bracket Firewall	left	1	
21	900 378 035 01	Hexagon bolt M 6 X 16		2	
22	997 106 512 03	Distance piece Breather line		1	
23	997 106 540 02	Bracket tunnel		2	
24	997 106 515 02	Bridge tunnel		1	
25	987 106 425 00	Bracket Heel plate		1	
26	997 106 765 02	Line	left	1	
27	997 106 766 02	Line	right	1	
28	997 106 551 03	Sleeve		2	
29	997 106 623 03	Water hose Supply	left	1	
30	997 106 627 03	Water hose Supply	right	1	
31	997 106 728 03	Water hose Return line	left	1	
32	997 106 624 03	Water hose Return line	right	1	
33		see illustration:	105-015	X	

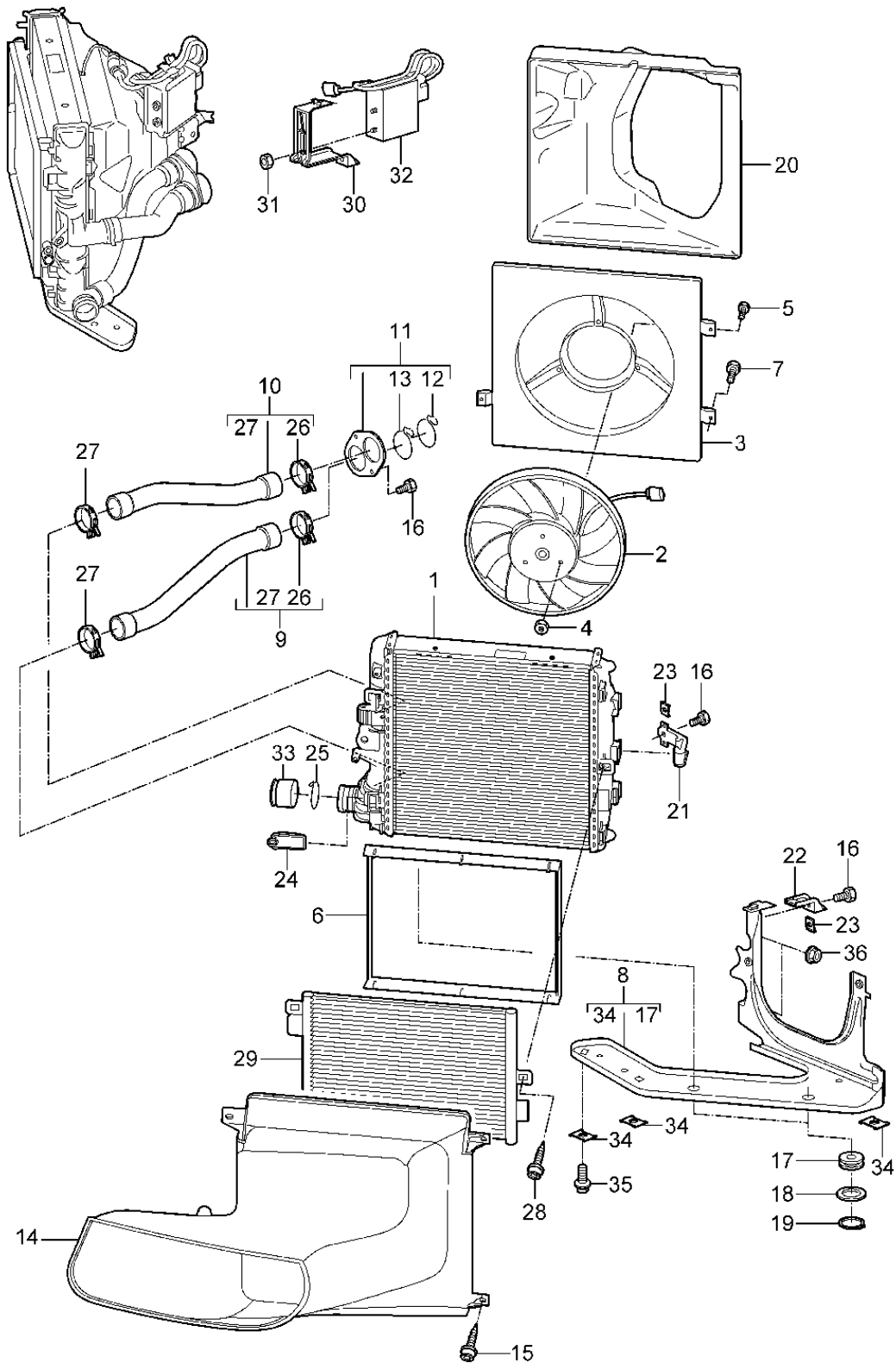
Model: 987 06

Model life 2006>>2008

Pos	Part Number	Description	Remark	Qty	Model
34		see illustration:	801-070	X	
35	997 106 802 03	Spring		X	
36	997 106 802 02	Spring		X	
37	996 106 801 02	O-ring 36,3 X 3,35		X	
38	997 106 802 01	Spring		X	
39	996 106 801 07	O-ring 39,3 X 3,53		X	
40	996 106 801 03	O-ring 46,7 X 3,53		X	

Model: 987 06

Model life 2006>>2008



Model: 987 06

Model life 2006>>2008

Pos	Part Number	Description	Remark	Qty	Model
		Water cooling 3			9721,9720
1	997 106 131 02	Radiator	left	1	
(1)	997 106 132 02	Radiator	right	1	
2	997 624 135 02	Radiator fan	left	2	
(2)	997 624 136 02	Radiator fan	right	2	
3	997 624 131 02	Air guide	left	2	
(3)	997 624 132 02	Air guide	right	2	
4	900 377 001 02	Hexagon nut M 6		6	
5	900 146 116 09	Screw M 5 X 16		6	
6	997 573 711 00	Sealing frame		1	
7	999 919 125 09	Hexagon bolt plastic M 5 X 16		6	
8	997 106 155 01	Console	left	1	
(8)	997 106 156 01	Console	right	1	
9	997 106 621 03	Water hose Supply	left	1	
(9)	997 106 622 03	Water hose Supply	right	1	
10	997 106 625 03	Water hose Return line	left	1	
10	997 106 626 03	Water hose Return line	right	1	
11	997 106 255 02	Connecting piece		2	
12	997 106 802 01	Spring SCB 33		1	
13	997 106 802 02	Spring SCB 36		1	
14	987 575 321 01	Air guide	left	1	
(14)	987 575 322 01	Air guide	right	1	
15	999 919 134 09	fillister hd. bolt M 6 X 16		6	
16	900 385 009 09	Torx screw M 6 X 16		6	
17	999 703 494 40	Rubber bush 15 X 19,5		4	
18	999 025 255 02	Washer		4	
19	999 166 083 09	Retaining plate B 25		4	
20	997 575 341 00	Air guide	left	1	
(20)	997 575 342 00	Air guide	right	1	
21	997 106 232 01	Bracket	outer	2	
22	997 106 455 00	Bracket	left	1	
23	999 591 350 02	panel nut ST 4,8		6	
23	999 591 350 01	Discontinued part panel nut ST 4,8		6	
24	997 106 231 02	Bracket	inner	2	
25	997 106 802 00	Spring SCB26		2	
26	997 106 901 00	clamp		2	
27	997 106 902 00	clamp		2	
28	999 919 125 09	Hexagon bolt 6,0 X 16		1	
29		Condenser see illustration:	813-025	*	
30	997 106 456 00	Bracket	right	1	
31	900 377 010 09	Hexagon nut M 6		2	
32		Control unit		1	

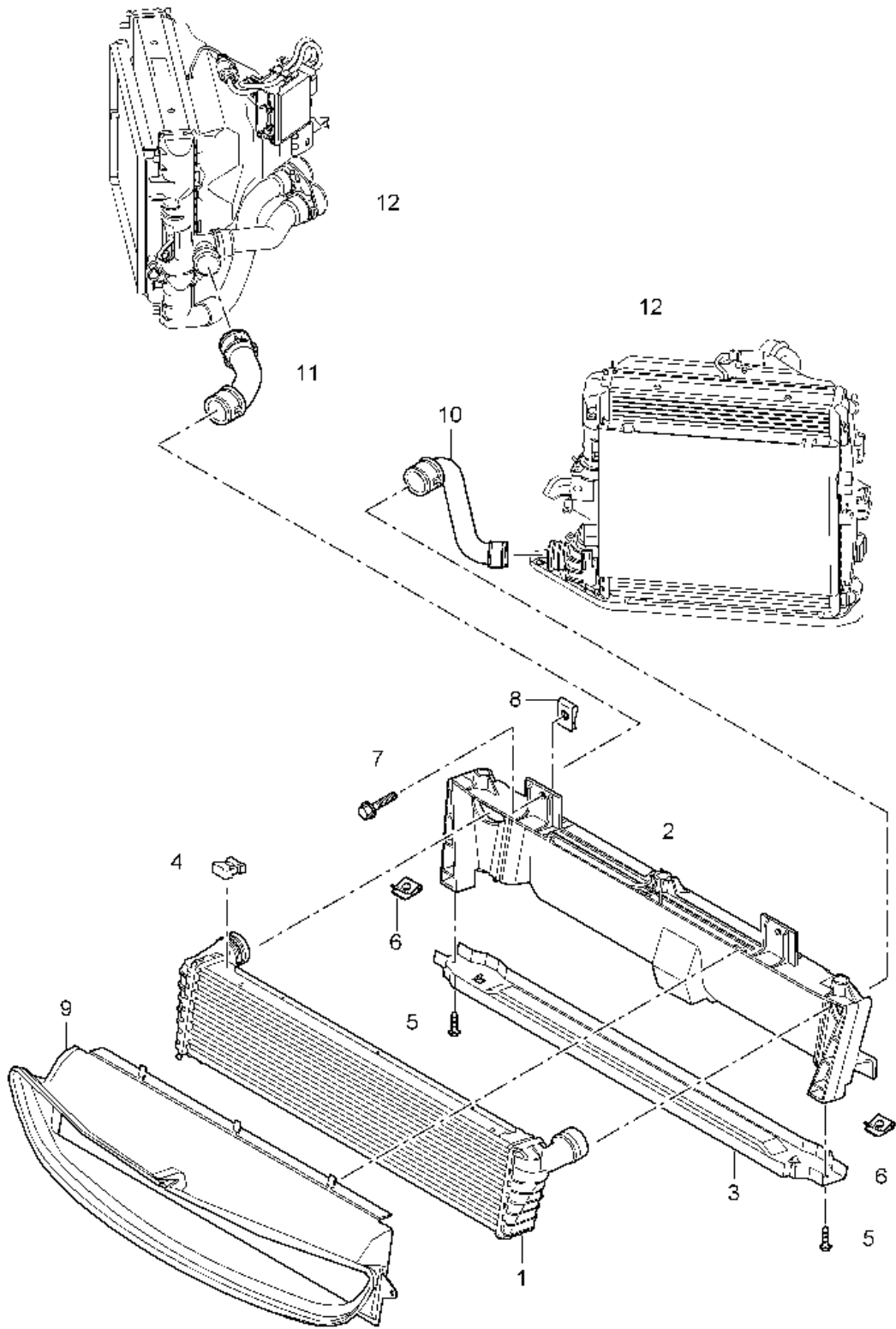
Model: 987 06

Model life 2006>>2008

Pos	Part Number	Description	Remark	Qty	Model
		Cooling air control see illustration:	901-003		
33	997 106 546 02	Bungs		2	
34	999 591 329 01	panel nut ST 4,8		3	
35	999 072 048 01	Hexagon bolt M 8 X 25		2	
36	999 084 447 01	Hexagon nut M 8		4	
36	PAF 003 923	Hexagon nut M 8		4	

Model: 987 06

Model life 2006>>2008



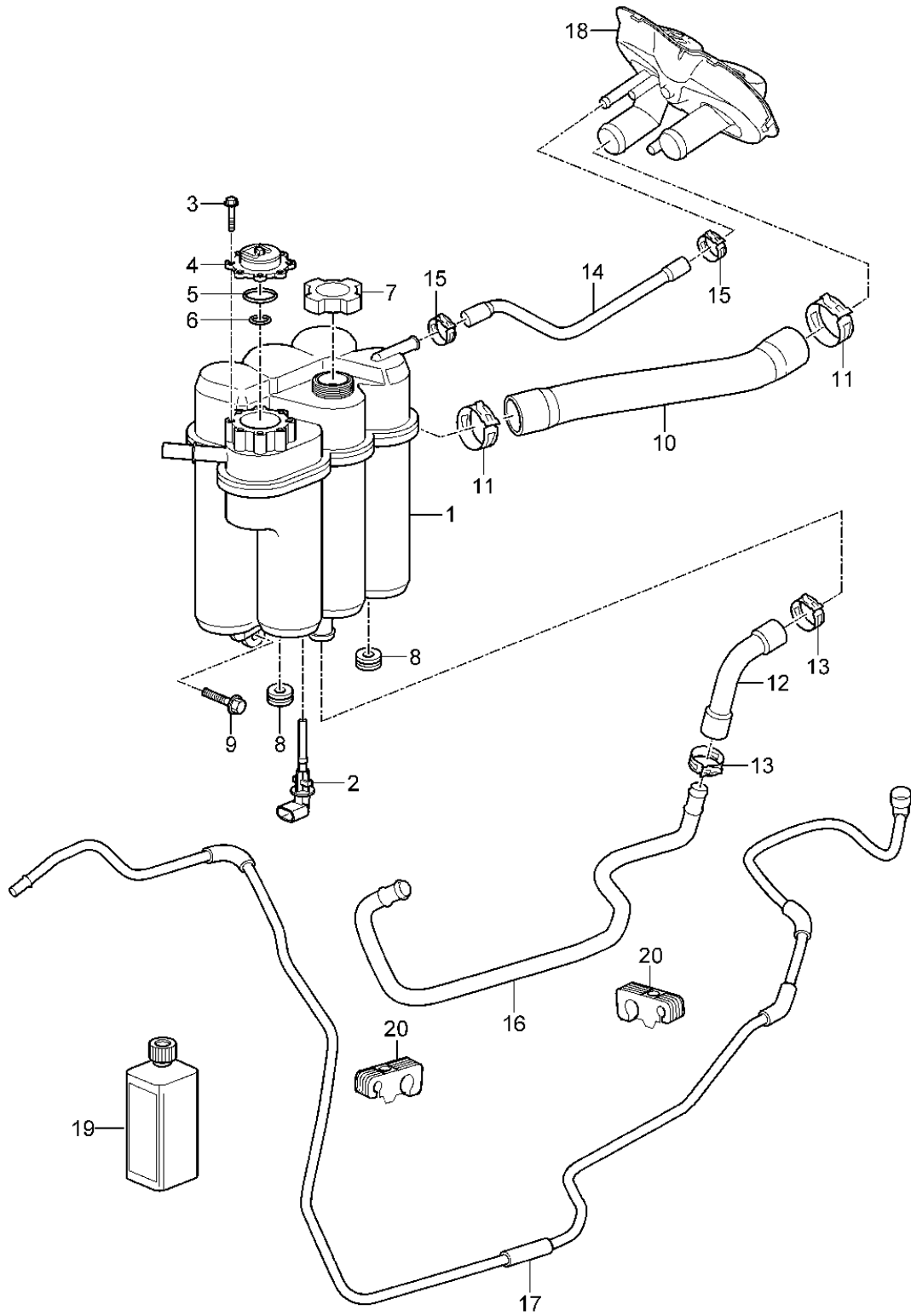
Model: 987 06

Model life 2006>>2008

Pos	Part Number	Description	Remark	Qty	Model
		Radiator	center		9721+ PR:249
1	997 106 037 02	Radiator		1	
2	997 504 487 00	Retaining frame	upper	1	
3	997 504 485 00	Retaining frame	lower	1	
4	997 106 437 00	Rubber bush		4	
5	900 378 035 01	Hexagon bolt M 6 X 16		2	
6	999 591 882 02	panel nut M 6		2	
6	999 591 882 01	Discontinued part panel nut M 6		2	
7	900 378 074 09	Hexagon bolt M 8 X 16		4	
8	999 591 869 02	panel nut M 8		4	
9	987 575 323 01	Air guide Radiator	center	1	
10	997 106 639 03	Water hose Return line		1	
11	997 106 638 03	Water hose Supply		1	
12		see illustration:	105-015	X	

Model: 987 06

Model life 2006>>2008

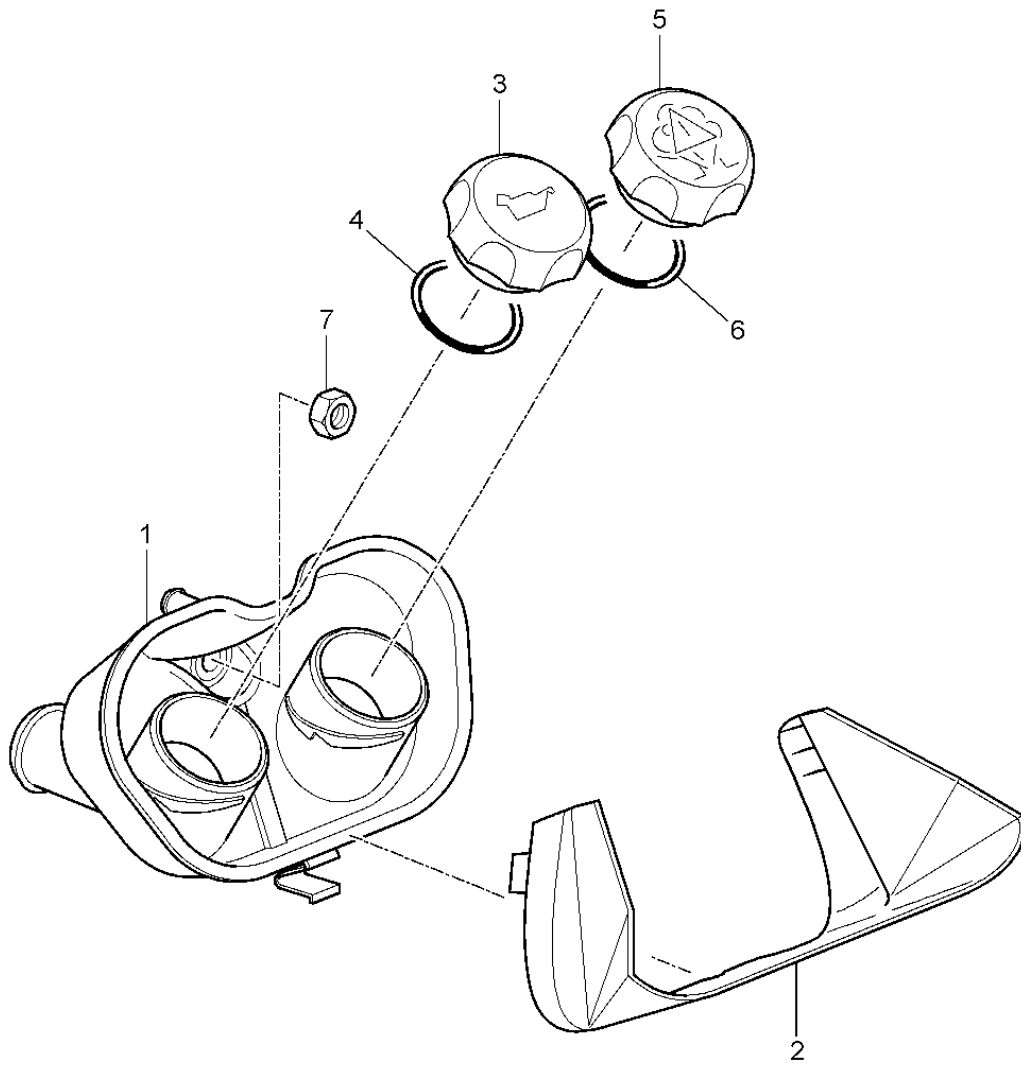


Model: 987 06 Model life 2006>>2008

Pos	Part Number	Description	Remark	Qty	Model
1	987 106 047 02	Water cooling 4 Reservoir		1	9721, 9720
		F >> 98-8U752 755			
		F >> 98-8U772 698			
(1)	987 106 047 03	Reservoir		1	
		F 98-8U752 756>>			
		F 98-8U772 799>>			
2	987 641 503 00	Switch		1	
3	999 919 058 01	Hexagon bolt M 5 X 40		8	
4	996 106 347 02	Bleed valve		1	
5	999 707 370 40	O-ring		1	
		47,00 X 4,0			
6	999 707 371 40	O-ring		1	
		17,00 X 4,0			
7	996 106 447 01	cap for expansion tank See technical manual Group 1		1	
		No longer use the part here			
7	996 106 447 04	cap for expansion tank See technical manual Group 1		1	
8	999 702 183 40	Grommet		2	
9	900 378 074 09	Hexagon bolt M 8 X 16		1	
10	987 106 270 02	Water hose		1	
11	999 512 672 09	Hose clamp 40 X 12		2	
12	987 106 267 02	Hose		1	
13	999 512 657 09	Hose clamp 26 X 12		2	
14	987 106 287 01	Breather line		1	
15	999 512 684 09	Clamp 18 X 12		2	
16	987 106 664 01	Line		1	
17	987 106 682 01	Breather line		1	
18		see illustration:	105-021	1	
19	000 043 301 03	Coolant additive discontinued part	1.0 Ltr.	X	
(19)	000 043 301 04	Coolant additive discontinued part	20ltr.	X	
(19)	000 043 301 47	Coolant additive discontinued part	1.0 Ltr.	X	
(19)	000 043 305 15	Coolant additive	1.0 Ltr.	X	
(19)	000 043 301 48	Coolant additive discontinued part	20ltr.	X	
(19)	000 043 305 16	Coolant additive	20ltr.	X	
(19)	000 043 305 64	Cleaning solution	20ltr.	1	
20	999 591 140 40	Line holder		2	

Model: 987 06

Model life 2006>>2008



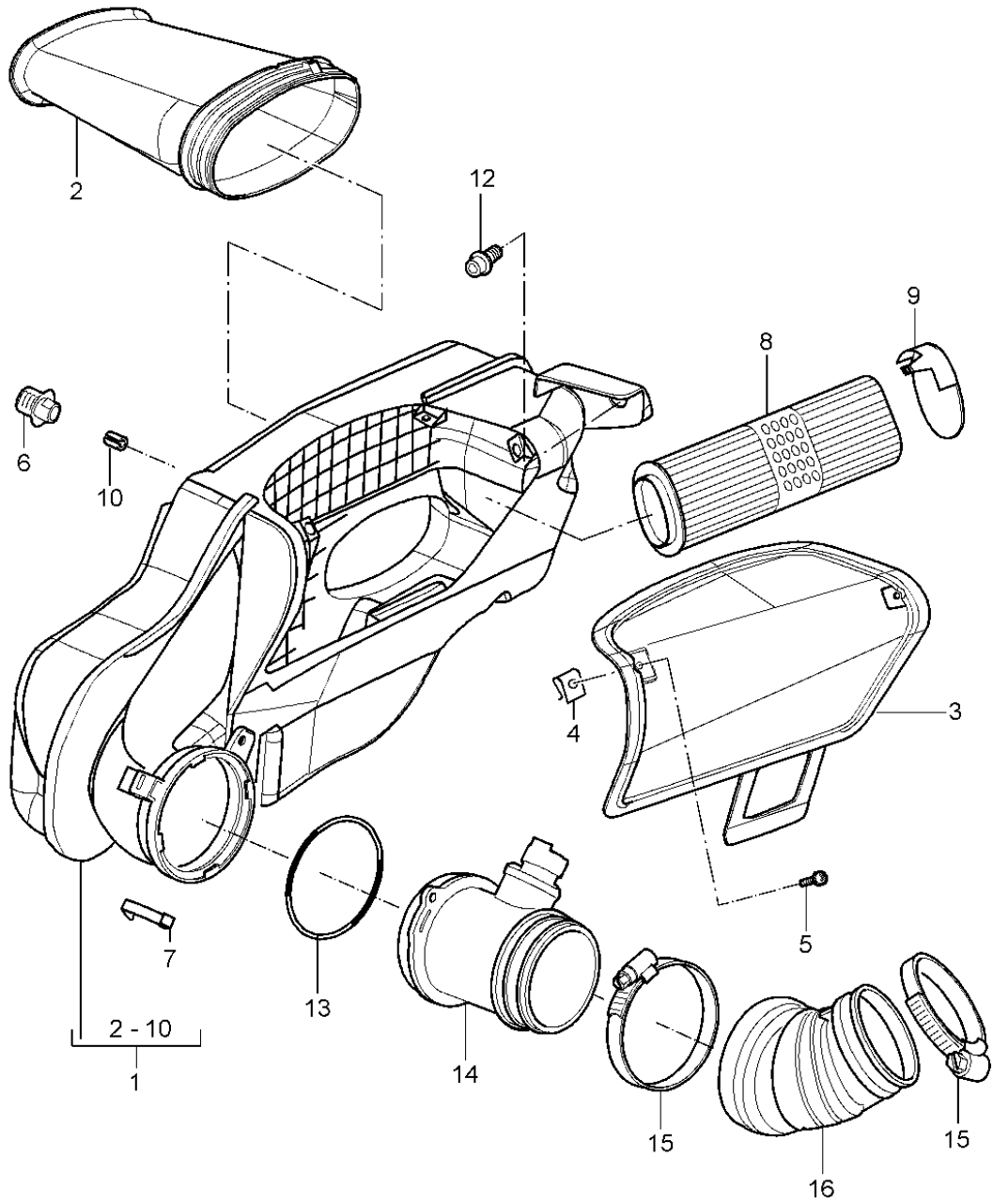
Model: 987 06

Model life 2006>>2008

Pos	Part Number	Description	Remark	Qty	Model
		Water cooling 4 fuel filler neck			9721, 9720
1	987 106 150 02	Cup		1	
2	987 106 180 00	Cover		1	
3	987 107 035 01	End cap engine oil		1	
4	987 107 336 00	Seal		1	
5	987 106 044 00	End cap Coolant		1	
6	987 106 170 00	Seal		1	
7	999 076 071 02	Hexagon nut M 6		1	

Model: 987 06

Model life 2006>>2008



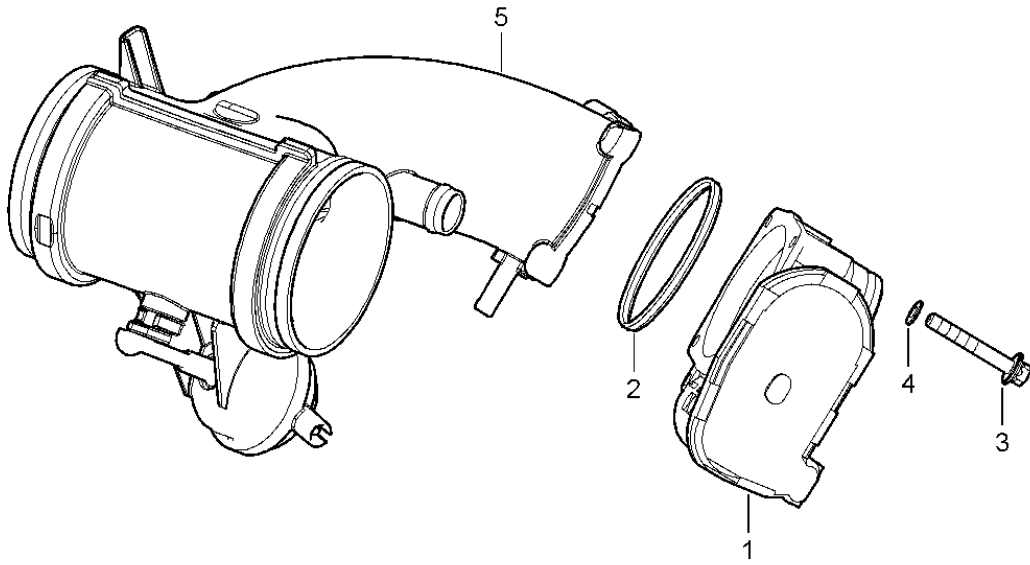
Model: 987 06

Model life 2006>>2008

Pos	Part Number	Description	Remark	Qty	Model
		Air filter			9721,9720
1	987 110 021 00	Air filter		1	
2	987 110 122 00	intake manifold		1	
3	987 110 131 00	Housing cover		1	
4	999 507 442 02	panel nut		2	
5	900 143 095 09	panel screw		3	
6	987 110 141 00	Grommet		1	
7	993 110 116 01	angled bracket		1	
8	987 110 133 00	Air filter element		1	
		Discontinued part			
8	987 110 133 01	Air filter element		1	
9	987 110 134 00	Securing plate		1	
10	900 095 099 09	spring pin		3	
		12 X 14			
11	999 919 050 09	fillister hd. bolt		1	
		4 X 12			
12	900 075 333 02	Bolt with washer		1	
		M 6 X 25			
13	999 707 052 40	O-ring		1	
		91 X 6			
14	987 606 125 00	Air mass meter		1	
15	999 512 542 00	Hose clamp		2	
		80 - 100			
16	987 110 222 00	air guide for air cleaner		1	
		Discontinued part			
(16)	987 110 222 01	air guide for air cleaner		1	

Model: 987 06

Model life 2006>>2008



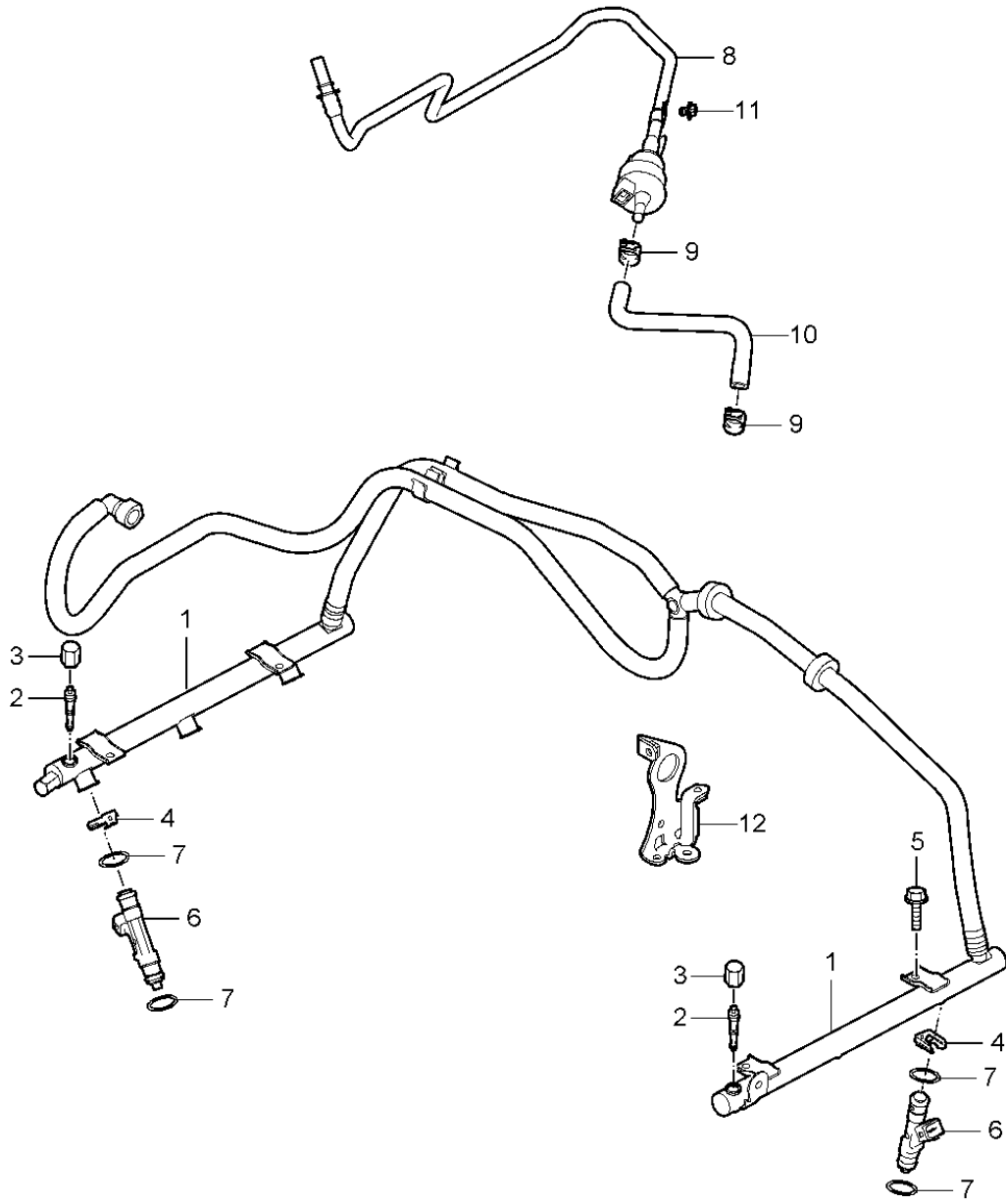
Model: 987 06

Model life 2006>>2008

Pos	Part Number	Description	Remark	Qty	Model
1	997 605 115 00	throttle valve adapter		1	9721, 9720
2	997 110 319 00	throttle valve adapter Seal		1	
3	900 385 025 04	Distributor tube Torx screw		4	
4	N 011 524 7	BM 6 X 40 Washer		2	
5		A 6,4 Distributor tube see illustration:	107-010		

Model: 987 06

Model life 2006>>2008



Model: 987 06

Model life 2006>>2008

Pos	Part Number	Description	Remark	Qty	Model
		Fuel collection pipe			9721,9720
1	987 110 031 01	Fuel collection pipe		1	
2	993 110 217 00	Valve		1	
3	997 110 218 00	Cap closure		1	
4	996 110 113 52	Retaining clip		6	
5	900 385 041 09	Torx screw M 6 X 12		4	
6	997 605 123 00	Injection valve		6	
7	999 707 574 40	O-ring 7,52 X 3,51		12	
8	987 110 128 00	Breather line		1	
9	999 512 650 09	Hose clamp B 14 X 12		2	
10	987 110 237 00	Hose Tank ventilation		1	
11	999 919 125 09	Hexagon bolt M 6 X 16		1	
12	987 101 213 00	Retaining bar		1	

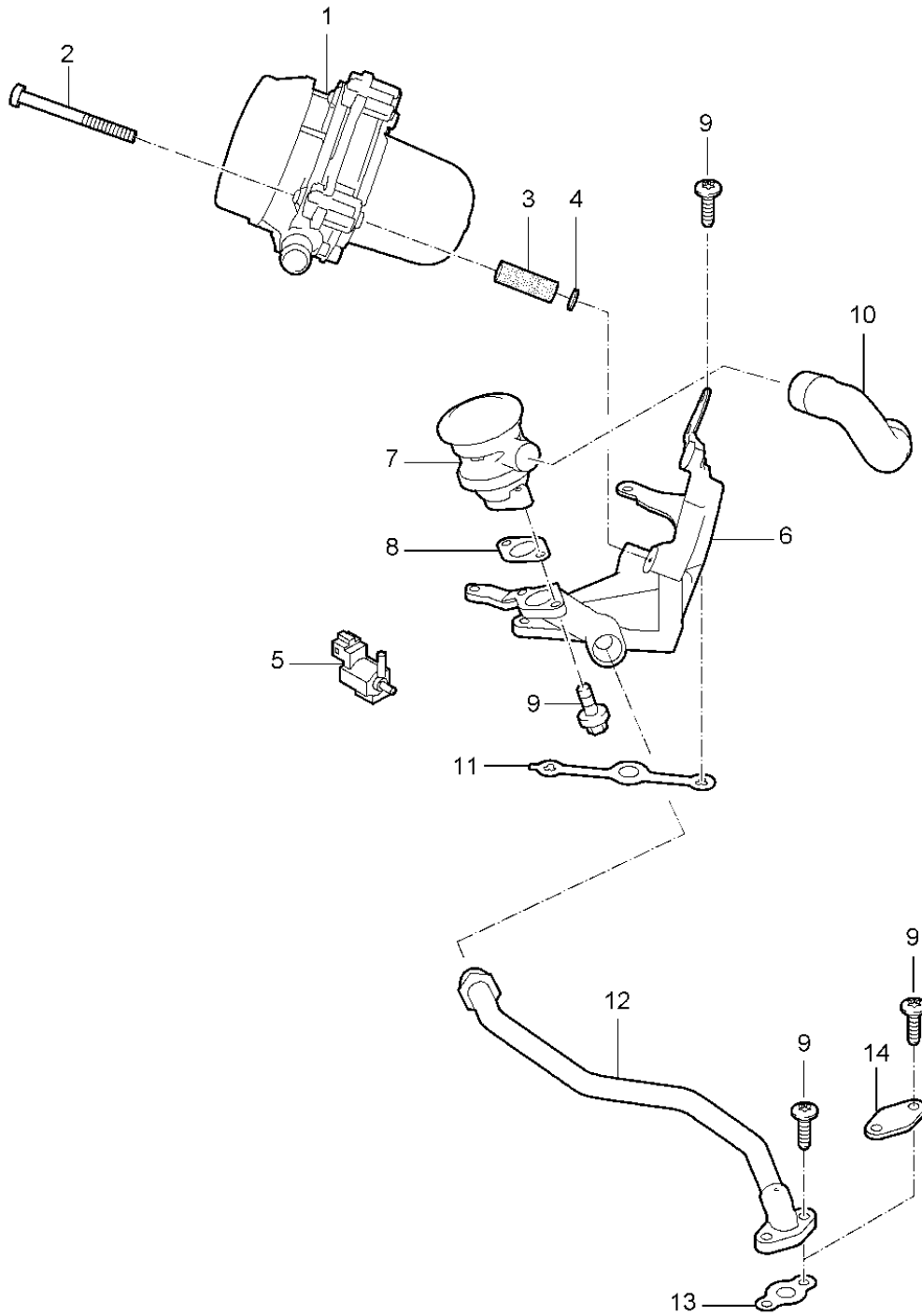
Model: 987 06

Model life 2006>>2008

Pos	Part Number	Description	Remark	Qty	Model
		intake air distributor			9721,9720
1	997 110 036 01	intake air distributor		2	
2	997 110 247 01	Seal		6	
3	900 385 017 04	Torx screw BM6 X 35 Discontinued part		1	
3	900 385 017 01	Torx screw BM6 X 35		1	
4	993 110 530 01	Grommet		1	
5	987 110 116 01	Distributor tube		1	
6	997 110 685 00	Rubber sleeve		4	
7	999 512 539 00	Hose clamp 90 - 110/9 Discontinued part		8	
7	999 512 539 01	Hose clamp 90 - 110/9		8	
8	997 606 213 00	Temperature sensor		1	
9	996 110 120 53	Resonance tube		1	
10	993 110 462 02	Vacuum unit		1	
11	000 043 204 99	Hose 3,5 X 2 120 MM		*	
12	900 380 022 09	Hexagon nut M 6		1	
13		throttle valve adapter see illustration:	107-000	1	
14	999 703 239 01	sound absorber piece 20X15 M6		1	

Model: 987 06

Model life 2006>>2008

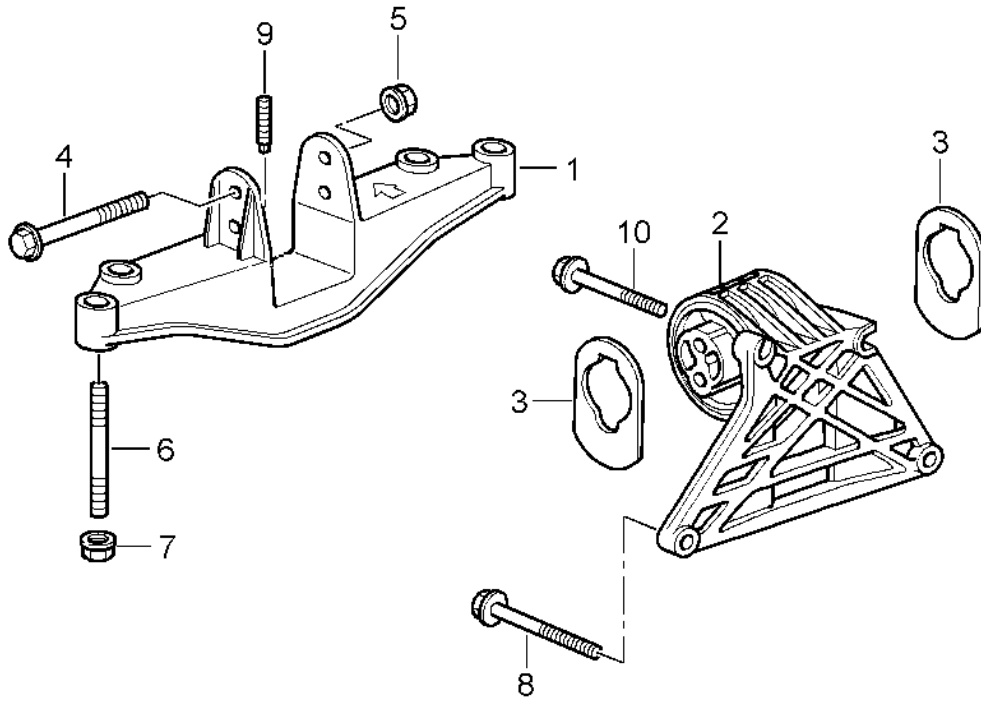


Model: 987 06 Model life 2006>>2008

Pos	Part Number	Description	Remark	Qty	Model
1	997 605 104 00	Air injection Secondary pump D >> - MJ 2007		1	9720,9721
(1)	997 605 104 02	Secondary pump D - MJ 2008>>		1	
2	955 113 325 00	fillister hd. bolt M 6 X 50		3	
3	999 703 868 40	Rubber bush 8,76 X 33,3		3	
4	999 209 077 02	spacer sleeve 6,5 X 1		3	
4	999 209 077 01	Discontinued part spacer sleeve 6,5 X 1		3	
5	996 605 123 01	Change-over valve		1	
6	997 113 137 01	Console Secondary pump		1	
7	948 113 203 51	Valve		1	
8	993 113 258 51	Seal		1	
9	999 073 344 04	flat round head bolt M 6 X 20		7	
10	997 113 339 02	Hose		1	
11	997 113 233 01	Seal Console		1	
12	997 113 117 01	Connecting line		1	
13	996 113 213 51	Seal Connecting line		1	
14	997 113 340 00	End cap		1	

Model: 987 06

Model life 2006>>2008



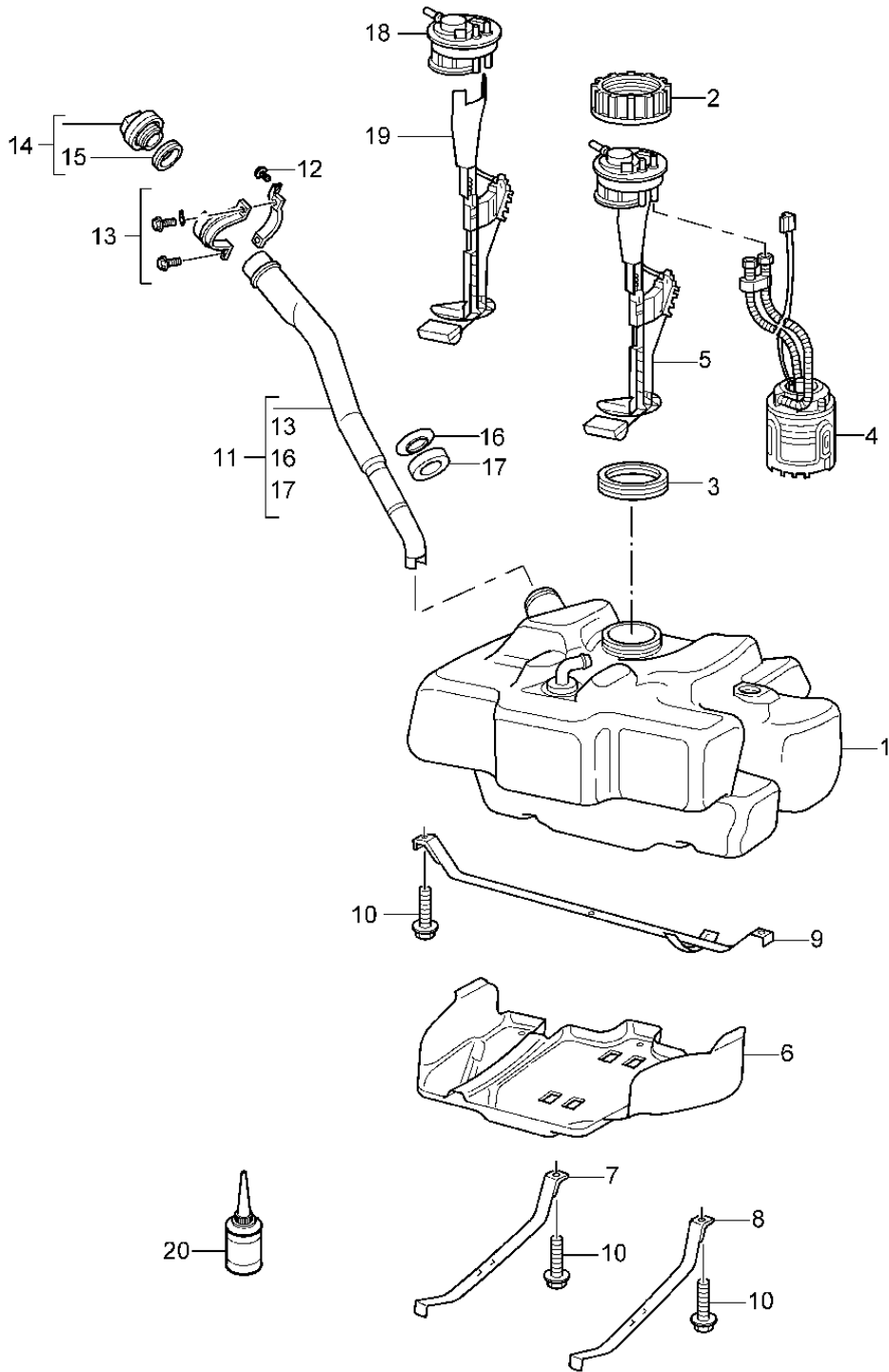
Model: 987 06

Model life 2006>>2008

Pos	Part Number	Description	Remark	Qty	Model
		Engine suspension			9721, 9720
1	987 375 309 01	Engine brackets		1	
2	987 375 023 02	Console for engine mounting		1	
		D - MJ 2006>> - MJ 2006			
2	987 375 023 03	Console for engine mounting		1	
		D - MJ 2007>>			
3	987 375 255 05	Stop		2	
		D >> - MJ 2007			
		Discontinued part			
3	9A1 375 257 01	Stop		2	
4	900 378 167 09	Hexagon bolt		2	
		M 10 X 110			
5	900 380 008 09	Locknut		2	
		M 10			
6	999 061 106 09	Threaded pin		4	
		M 10 X 84			
		Discontinued part			
6	999 061 106 01	Threaded pin		4	
		M 10 X 84			
7	999 076 053 09	Hexagon nut		4	
		M 10			
8	999 072 027 09	Hexagon bolt		3	
		M 10 X 120			
9	999 919 169 02	Threaded pin		1	
		6,0 X 11/M6			
10	999 072 036 09	Hexagon bolt		1	
		M 10 X 80			

Model: 987 06

Model life 2006>>2008



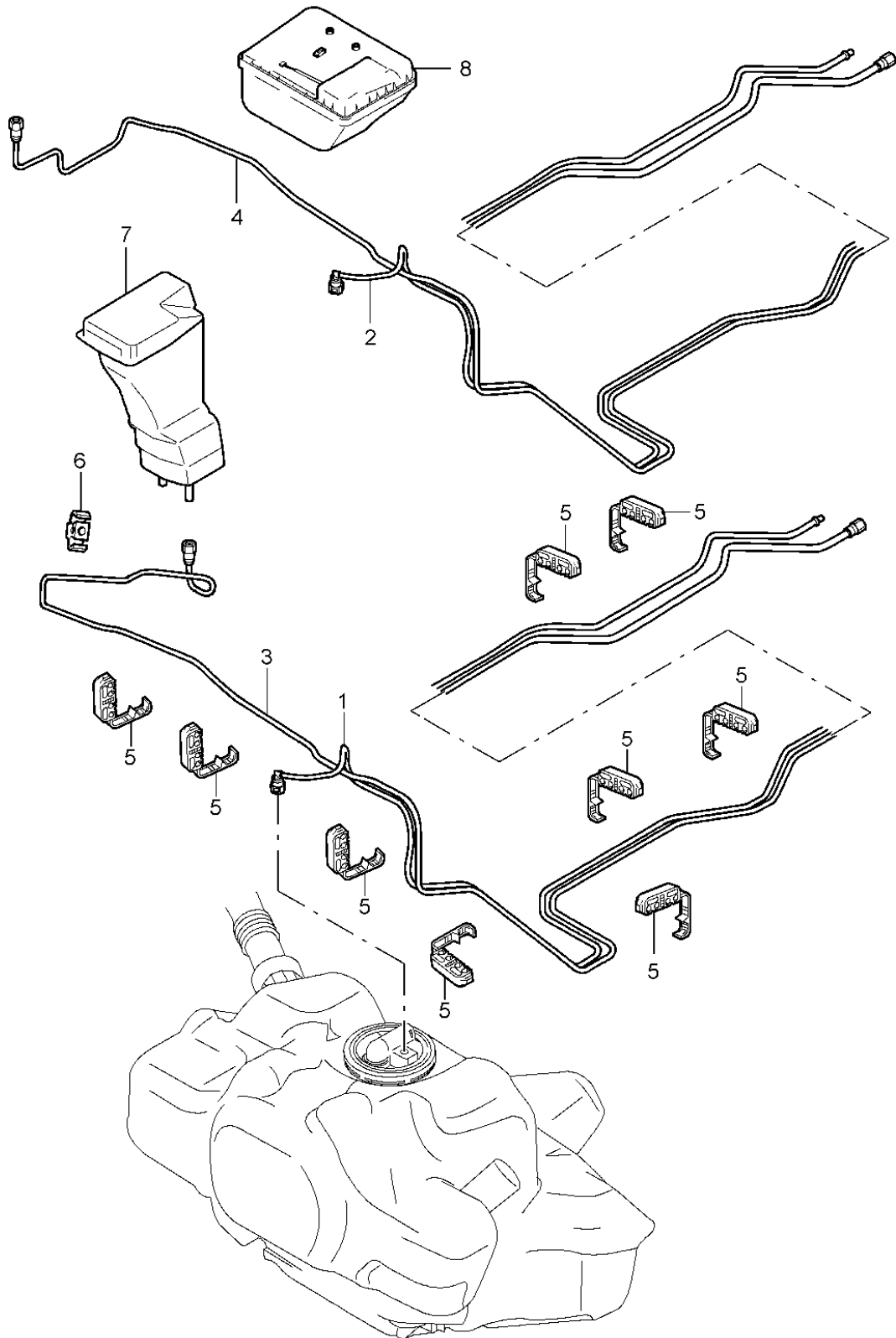
Model: 987 06

Model life 2006>>2008

Pos	Part Number	Description	Remark	Qty	Model
1	996 201 021 05	Fuel tank		1	PR:098
(1)	997 201 022 01	Fuel tank	lhd	1	PR:099
2	996 201 623 00	Union nut	rhd	1	
3	321 919 133	seal ring		1	
4	996 620 132 00	Fuel pump		1	
5	996 620 832 02	Tank gauge		1	
		with:			
6	997 201 331 02	flange Bottom protection for fuel tank	lhd	1	PR:098
(6)	997 201 331 03	Bottom protection for fuel tank	rhd	1	PR:099
7	996 201 106 02	tensioning strap	right	1	
8	996 201 105 02	tensioning strap	left	1	
9	996 201 107 02	tensioning strap	lhd	1	PR:098
(9)	996 201 108 00	tensioning strap	rhd	1	PR:099
10	900 075 479 09	Bolt with washer M 8 X 40		4	
11	997 201 043 06	fuel filler neck		1	
(11)	997 201 043 07	fuel filler neck		1	PR:150,193
12	999 073 348 09	fillister hd. bolt M 6 X 12		1	
13	997 201 951 02	Bracket for filler neck (complete)		1	
14	996 201 241 03	Fuel tank cap		1	
		with:			
-	999 507 499 40	Clip		1	
15	191 201 557	Spreader rivet		1	
16	996 201 755 00	seal ring		1	
17	996 201 753 00	support washer		1	
20	000 043 206 89	Seal		1	
		Multi-purpose additive for Otto engine fuels 100 ML		1	
		Discontinued part			
20	000 043 209 02	Multi-purpose additive for Otto engine fuels 100 ML		1	

Model: 987 06

Model life 2006>>2008



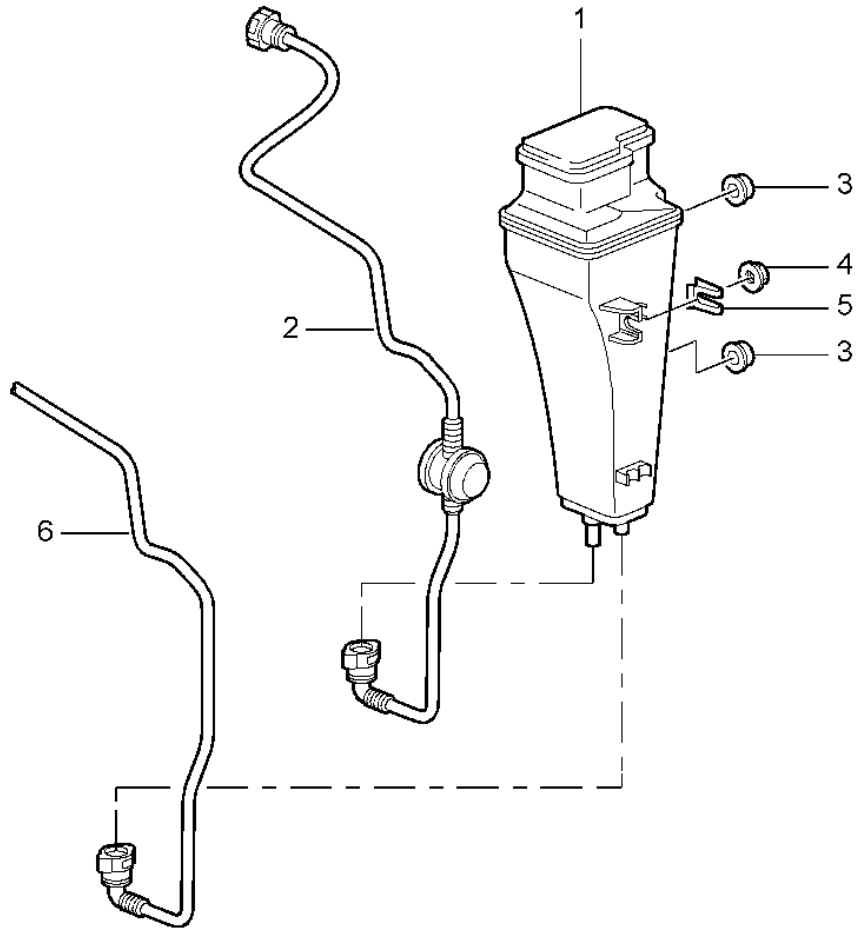
Model: 987 06

Model life 2006>>2008

Pos	Part Number	Description	Remark	Qty	Model
1	987 201 261 01	Fuel system Fuel line Fuel pump for Engine	front	1	
3	987 201 353 01	Purge-air line Activated charcoal container for Engine		1	
5	999 507 521 40	Cable holder 8,0/8/10		X	
6	999 507 727 40	Cable holder 8,0/10,0		1	
7		Activated charcoal container see illustration:	201-020	1	

Model: 987 06

Model life 2006>>2008



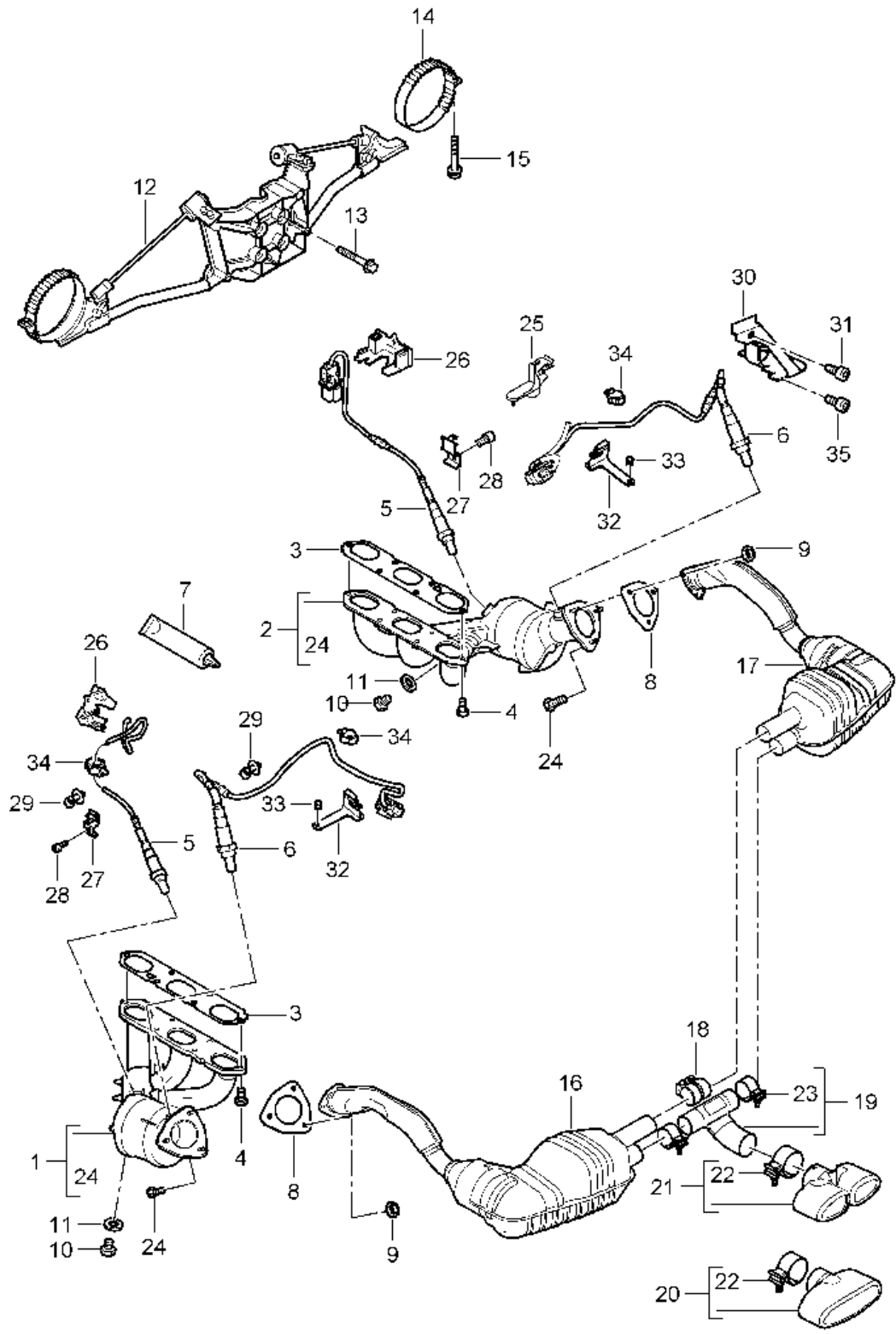
Model: 987 06

Model life 2006>>2008

Pos	Part Number	Description	Remark	Qty	Model
1	997 201 221 01	Activated charcoal container Activated charcoal container (complete)		1	
2	997 201 251 00	Breather line Fuel tank for Activated charcoal container		1	
3	999 702 221 40	Grommet		2	
4	999 084 629 09	Hexagon nut M 6		1	
4	999 084 629 01	Discontinued part Hexagon nut M 6		1	
5	999 507 543 02	Clip 2,00 - 3,00		1	
6		Purge-air line see illustration:	201-005	1	

Model: 987 06

Model life 2006>>2008



Model: 987 06 Model life 2006>>2008

Pos	Part Number	Description	Remark	Qty	Model
1	987 113 108 03	exhaust system Exhaust manifolds Cyl. 4 - 6		1	9721,9720 9720,9721
(1)	987 113 108 05	with: Pre-catalytic converter D - MJ 2007>> Discontinued part Exhaust manifolds Cyl. 4 - 6		1	9721,9720
		with: Pre-catalytic converter			
		also use:	996 111 107 55	1	
			999 075 074 00	12	
			000 043 207 07	1	
			997 111 113 00	1	
			999 084 052 02	3	
2	987 113 107 03	Exhaust manifolds Cyl. 1 - 3		1	9720,9721
		with: Pre-catalytic converter D - MJ 2007>> Discontinued part			
2	987 113 107 05	Exhaust manifolds Cyl. 1 - 3		1	9721,9720
		with: Pre-catalytic converter			
		also use:	996 111 107 55	1	
			999 075 074 00	12	
			000 043 207 07	1	
			997 111 113 00	1	
			999 084 052 02	3	
3	996 111 107 55	Seal Exhaust manifolds		2	9721,9720
		also use:	999 075 074 00	12	
4	999 075 074 00	Hexagon bolt M 8 X 26		12	
(5)	987 606 123 02	Lambda probe in front of Catalytic converter		2	9721,9720
		also use:	000 043 207 07	1	
6	987 606 124 00	Lambda probe After Catalytic converter No longer use the part here		2	9721,9720
6	987 606 123 02	Lambda probe After Catalytic converter		2	9721,9720
		also use:	000 043 207 07	1	
7	000 043 207 07	grease for oxygen sensor		1	
8	997 111 113 00	Seal		2	
		also use:	999 084 052 02	3	
			900 075 365 02	3	
9	999 084 052 02	Locknut M 8		6	
10	900 083 080 00	Hexagon bolt M 8 X 1		2	
11	900 123 050 20	Exhaust emission tube seal ring 8 X 11,5		2	
12	987 111 041 02	Exhaust emission tube Retainer for exhaust system		1	9721+ PR:249

Model: 987 06 Model life 2006>>2008

Pos	Part Number	Description	Remark	Qty	Model
(12)	987 111 041 03	Retainer for exhaust system		1	9720,9721, 9722+
(12)	987 111 042 02	D - MJ 2007>> Retainer for exhaust system		1	PR:249 9720+
(12)	987 111 042 04	D - MJ 2007>> Discontinued part Retainer for exhaust system		1	PR:481 9720+
(12)	987 111 043 03	Retainer for exhaust system		1	9721,9720
13	900 378 056 02	Hexagon bolt M 8 X 60		3	PR:480 9721+
13	900 378 070 09	Hexagon bolt M 10 X 30		4	PR:249 9721,9720+
14	987 111 210 01	Clip		2	PR:480
15	900 378 055 09	Hexagon bolt		2	
(16)	987 113 512 00	Silencer Cyl. 4 - 6		1	PR:XLF
(16)	987 113 512 01	with: Main catalytic converter D >> - MJ 2007 Discontinued part Silencer Cyl. 4 - 6		1	PR:XLF
(16)	987 113 512 02	with: Main catalytic converter D - MJ 2008>> Discontinued part Silencer Cyl. 4 - 6		1	PR:XLF
(16)	987 113 512 AX	with: Main catalytic converter also use: 997 111 113 00 999 084 052 02 900 075 365 02 Silencer with catalyst Cyl. 4 - 6 Main catalytic converter also use: 997 111 113 00 999 084 052 02 900 075 365 02		1	PR:XLF
(16)	987 113 512 60	Silencer Cyl. 4 - 6 with: Main catalytic converter also use: 997 111 113 00 999 084 052 02 900 075 365 02		1	PR:758
(16)	987 113 512 CX	Silencer with catalyst Cyl. 4 - 6 Main catalytic converter also use: 997 111 113 00 999 084 052 02 900 075 365 02		1	PR:758
16	987 113 118 00	Silencer Cyl. 4 - 6 with: Main catalytic converter Discontinued part		1	9721,9720
(16)	987 113 118 01	Silencer Cyl. 4 - 6 with:		1	9721,9720

Model: 987 06 Model life 2006>>2008

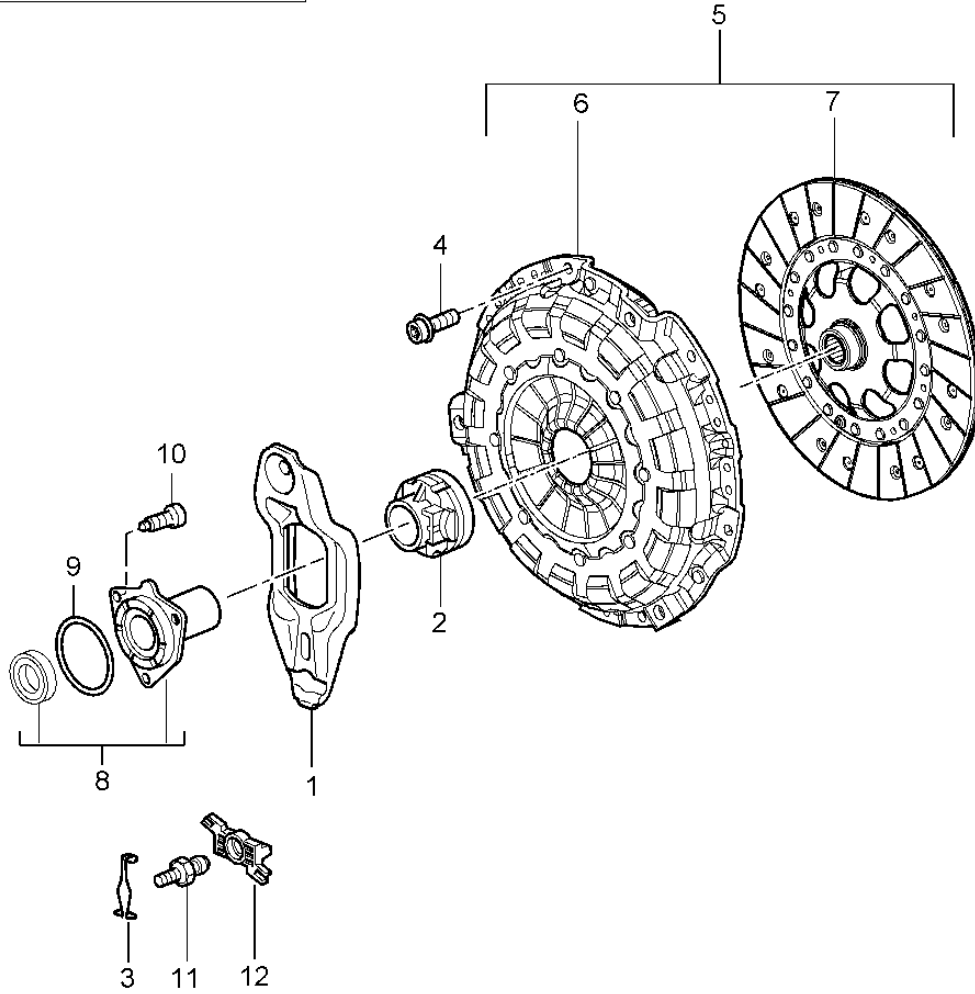
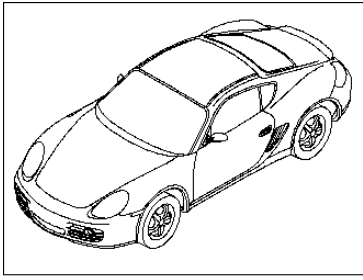
Pos	Part Number	Description	Remark	Qty	Model
(16)	987 113 118 02	Main catalytic converter Discontinued part Silencer Cyl. 4 - 6 with: Main catalytic converter also use:	997 111 113 00 999 084 052 02 900 075 365 02	1 1 3 3	9721, 9720
(17)	987 113 511 00	Silencer Cyl. 1 - 3 with: Main catalytic converter D >> - MJ 2007 Discontinued part		1	PR:XLF
(17)	987 113 511 01	Silencer Cyl. 1 - 3 with: Main catalytic converter D - MJ 2008>> Discontinued part		1	PR:XLF
(17)	987 113 511 02	Silencer Cyl. 1 - 3 with: Main catalytic converter also use:	997 111 113 00 999 084 052 02 900 075 365 02	1 3 3	PR:XLF
(17)	987 113 511 60	Silencer Cyl. 1 - 3 with: Main catalytic converter also use:	997 111 113 00 999 084 052 02 900 075 365 02	1 3 3	PR:758
(17)	987 113 511 CX	Silencer with catalyst Cyl. 1 - 3 Main catalytic converter also use:	997 111 113 00 999 084 052 02 900 075 365 02	1 3 3	PR:758
(17)	987 113 117 00	Silencer Cyl. 1 - 3 with: Main catalytic converter Discontinued part		1	9720, 9721
(17)	987 113 117 01	Silencer Cyl. 1 - 3 with: Main catalytic converter Discontinued part		1	9720, 9721
(17)	987 113 117 02	Silencer Cyl. 1 - 3 with: Main catalytic converter also use:	997 111 113 00 999 084 052 02 900 075 365 02	1 3 3	9720, 9721
18	987 111 220 00	Clamping sleeve		1	
19	987 111 353 00	Exhaust pipe		1	

Model: 987 06 Model life 2006>>2008

Pos	Part Number	Description	Remark	Qty	Model
20	987 111 255 01	Trim for exhaust tail pipe D - MJ 2007>>		1	9720
21	987 111 256 01	Trim for exhaust tail pipe		1	9721
(21)	987 111 981 00	Tailpipe Exclusive programme		1	9721+ PR:XLA
(21)	987 111 258 31	Tailpipe Cayman S		1	PR:758
22	000 043 300 53	Clamp for Trim Set (complete)		1	
23	000 043 300 54	Clamp for Exhaust pipe Set (complete)		2	
24	900 075 365 02	Screw M 8 X 30		X	
25	987 606 259 01	Bracket Line Lambda probe		1	
26	987 606 259 01	Bracket Connector Lambda probe To filler plate		2	PR:660
27	987 606 104 00	Bracket Line Lambda probe To Valve cover Discontinued part		3	
(27)	987 606 104 01	Holder for lambda probe Line To Valve cover		3	
28	900 385 041 09	Torx screw M 6 X 12		3	
29	999 507 111 40	Line holder Lambda probe To Cylinder head		2	
30	987 104 445 00	Guard plate		1	
31	900 387 009 09	Screw M 6 X 12		1	
32	987 606 105 01	Bracket Connector Lambda probe		2	
33	999 591 712 40	Spreader rivet 6,0 X 12,0		4	
34	999 507 075 40	Cable holder 3,0 - 12,0		3	
35	900 385 041 09	Torx screw M 6 X 12		1	

Model: 987 06

Model life 2006>>2008



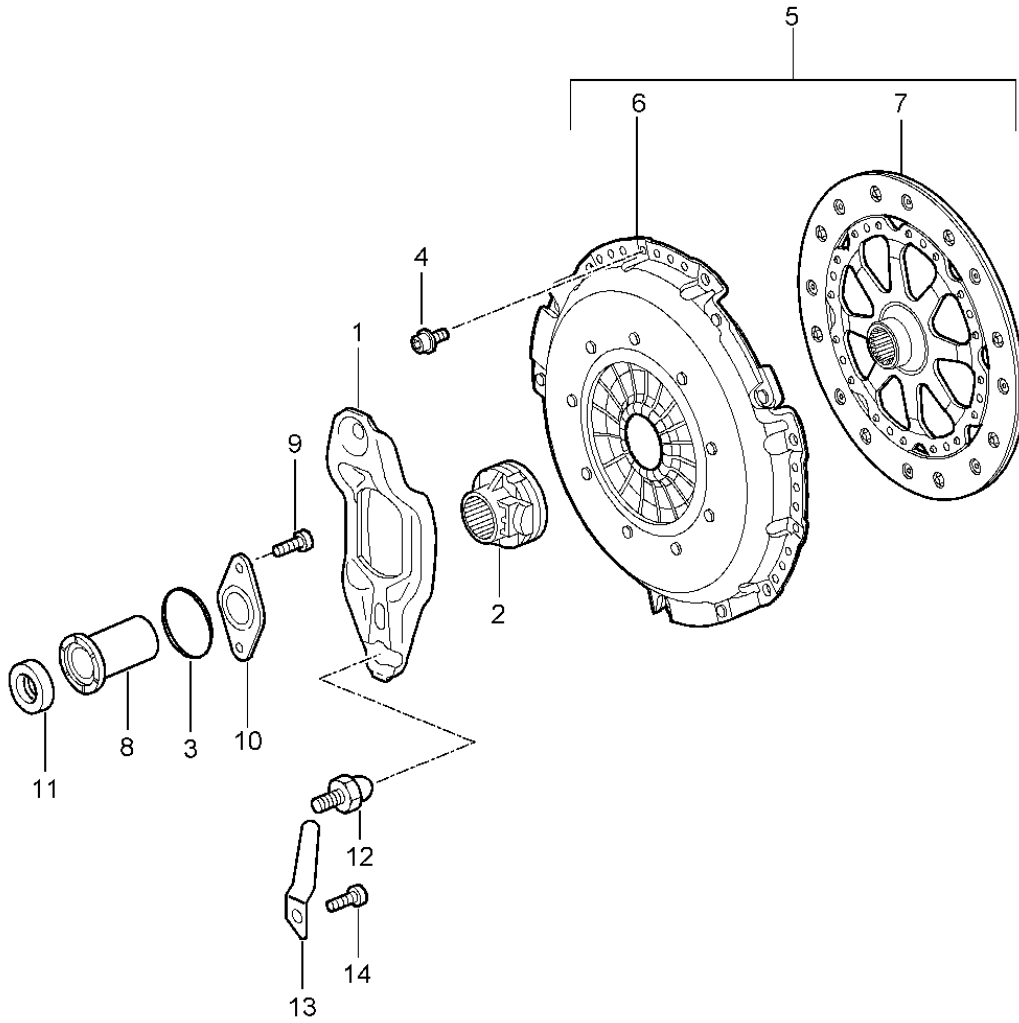
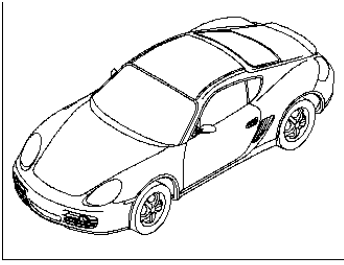
Model: 987 06

Model life 2006>>2008

Pos	Part Number	Description	Remark	Qty	Model
		Coupling			9720+
		D - MJ 2007>>			PR:481
1	012 141 719 B	clutch operating lever		1	
2	012 141 165 E	release bearing		1	
3	012 141 741	retaining spring		1	
4	900 067 131 03	Socket head bolt M 8 X 16		6	
		No longer use the part here			
(4)	999 073 458 01	Screw M 8 X 16		6	
5	987 116 914 00	Coupling Set		1	
6	986 116 028 04	Pressure plate		1	
7	987 116 014 00	Clutch plate Discontinued part		1	
7	987 116 014 01	Clutch plate		1	
8	012 141 180 B	guide sleeve		1	
9	N 903 542 01	O-ring 56,8 X 2,6		1	
10	N 903 663 01	Socket head bolt M 8 X 22		3	
11	012 141 777 D	Ball stud		1	
12	012 141 751 B	Intermediate piece		1	
-	987 116 014 01	Clutch plate		1	
-	000 043 304 02	Grease KLÜBERALFA HM83-801 50 GR.		X	
-	000 043 024 00	Extreme-pressure grease LONGTIME 3EP 80 GR.		X	

Model: 987 06

Model life 2006>>2008

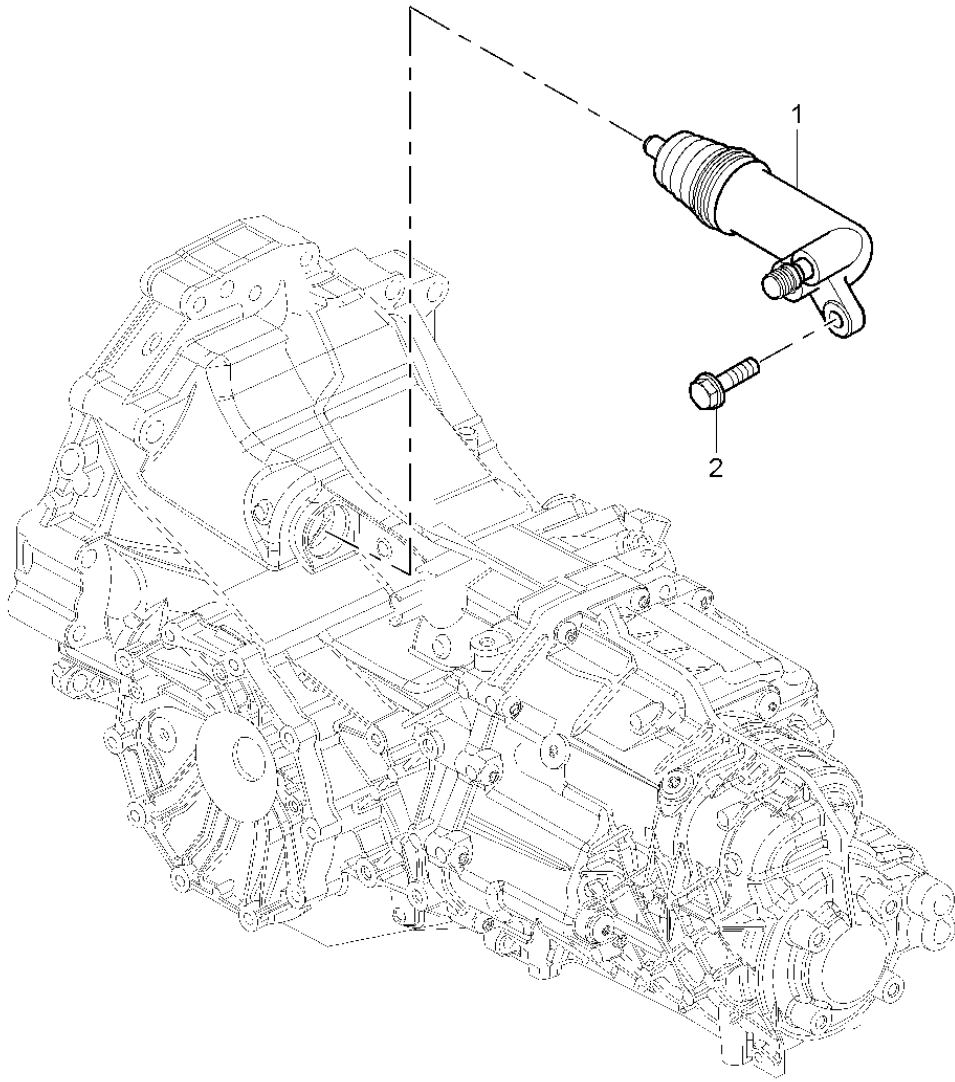


Model: 987 06 Model life 2006>>2008

Pos	Part Number	Description	Remark	Qty	Model
		Coupling			9720, 9721, 9722+ PR:480
1	0A2 141 719	clutch operating lever Discontinued part		1	
1	0A2 141 719 A	clutch operating lever		1	
2	012 141 165 E	release bearing		1	
3	0A2 311 091 A	O-ring		1	
4	900 067 131 03	Socket head bolt M 8 X 16		6	
		No longer use the part here			
(4)	999 073 458 01	Screw M 8 X 16		6	
5	987 116 913 30	Coupling Set		1	9721, 9722
5	987 116 913 36	Coupling Set		1	9721, 9722
(5)	987 116 913 22	Coupling Set Discontinued part		1	9720
(5)	987 116 913 23	Coupling Set Discontinued part		1	9720
(5)	987 116 913 24	Coupling Set		1	9720
6	987 116 027 30	Pressure plate Discontinued part		1	9721, 9722
6	987 116 027 33	Pressure plate		1	9721, 9722
(6)	987 116 027 22	Pressure plate		1	9720
7	987 116 013 20	Clutch plate Discontinued part		1	
7	987 116 013 21	Clutch plate Discontinued part		1	
7	987 116 013 22	Clutch plate		1	
8	0A2 141 181	guide sleeve		1	
9	999 073 320 02	Hexagon bolt M 8 x 20,5		1	
10	0A2 141 179	Retaining plate		1	
11	016 311 113 C	radial shaft seal		1	
12	01E 141 751 A	Intermediate piece		1	
13	01E 141 721 A	leaf spring		1	
14	999 073 319 02	flat round head bolt M 8 x 22		1	

Model: 987 06

Model life 2006>>2008



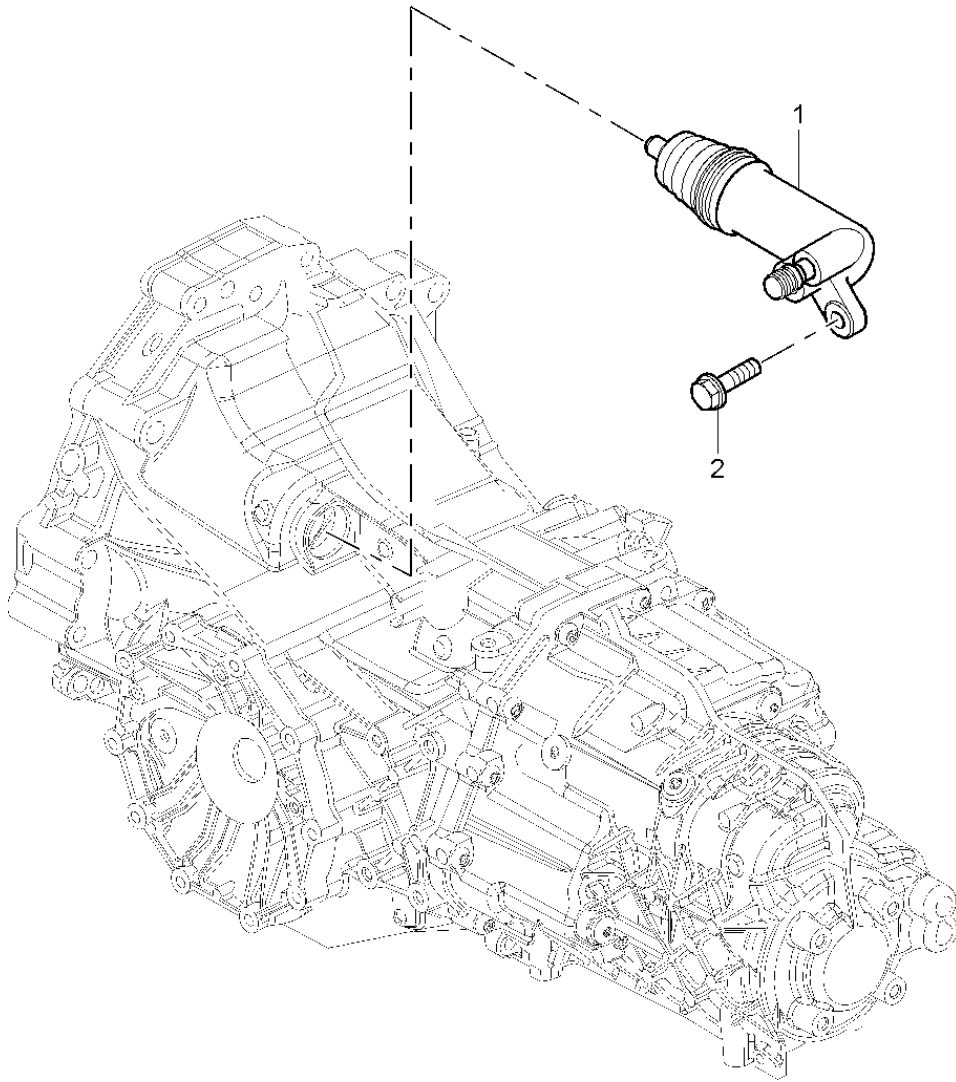
Model: 987 06

Model life 2006>>2008

Pos	Part Number	Description	Remark	Qty	Model
		Clutch release			G8701+ PR:481
1	8E0 721 257 B	Clutch slave cylinder D >> - MJ 2007		1	
(1)	8E0 721 257 M	Clutch slave cylinder D - MJ 2008>>		1	
2	N 090 316 5	bolt,hex.hd.with shoul.(combi) M 8 X 30 Z1 D >> - MJ 2007		1	
(2)	900 075 506 01	Bolt with washer M 8 X 30 D - MJ 2008>>		1	

Model: 987 06

Model life 2006>>2008



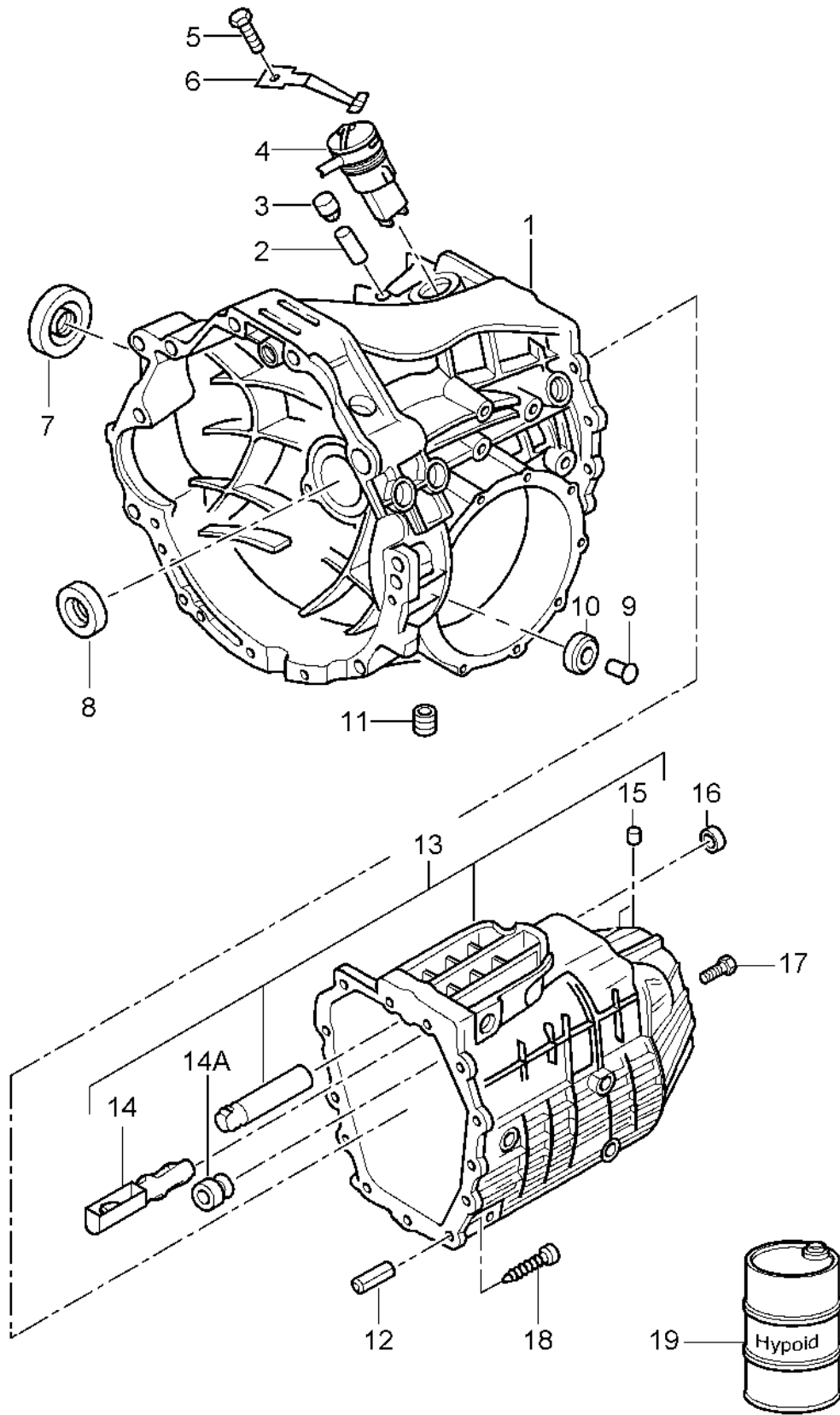
Model: 987 06

Model life 2006>>2008

Pos	Part Number	Description	Remark	Qty	Model
		Clutch release			G8721+ PR:480
1	986 116 237 00	Clutch slave cylinder No longer use the part here		1	
(1)	986 116 237 01	Clutch slave cylinder		1	
2	N 090 316 5	bolt,hex.hd.with shoul.(combi) M 8 X 30 Z1		1	
		D >> - MJ 2007			
(2)	900 075 506 01	Bolt with washer M 8 X 30		1	
		D - MJ 2008>>			

Model: 987 06

Model life 2006>>2008



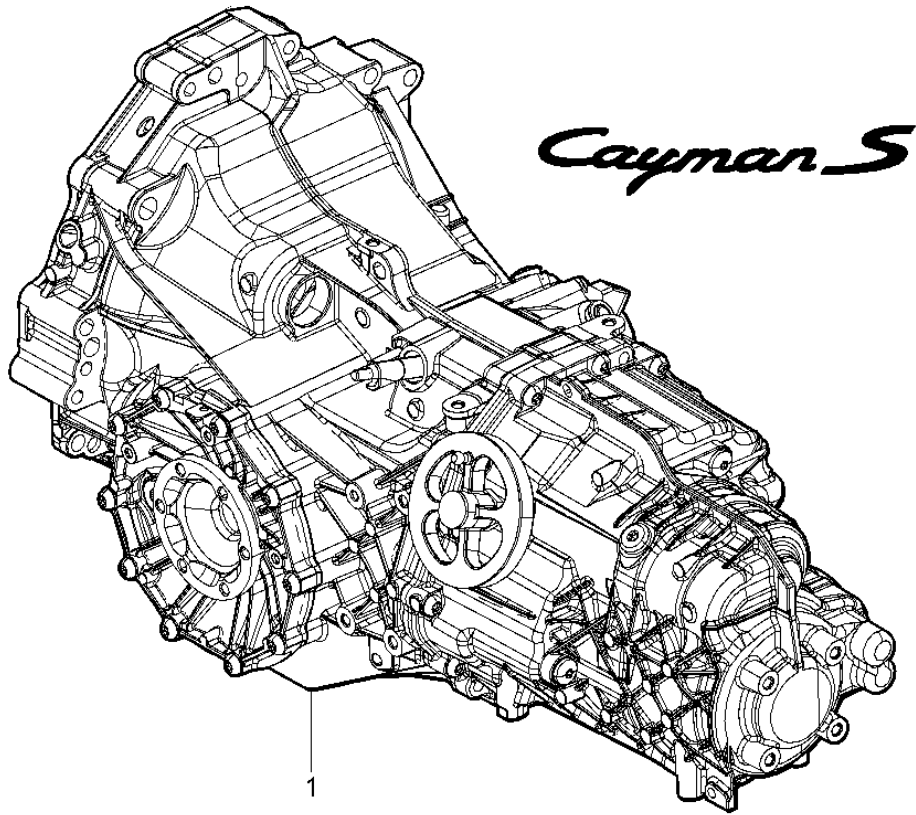
Model: 987 06

Model life 2006>>2008

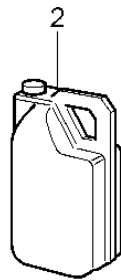
Pos	Part Number	Description	Remark	Qty	Model
-		Replacement transmission Gear housing Gearbox Classification letter Attention			G8701+ PR:481 GAL
-	987 300 010 00	Manual gearbox		1	GAL
1	012 301 103 AD	Gear housing		1	
2	012 301 474 A	Sleeve 12 X 30		1	
3	014 301 485	Cap for venting the gearbox		1	
4	012 919 823 F	Switch		1	
-	999 652 907 40	Plug socket		1	
-	999 652 694 12	Contact bush		2	
-	999 704 161 40	Seal		2	
-	999 652 811 40	Bungs		3	
5	N 040 255 2	Hexagon bolt M 8 X 14		1	
6	012 301 483 G	leaf spring		1	
7	016 409 399 B	radial shaft seal 45 X 60 X 8		1	
8	012 311 113 B	radial shaft seal		1	
9	012 301 183 A	bush BM 8 X 20		1	
10	01X 301 143	Magnet		1	
11	WHT 001 937	sealing plug M 24 X 1,5		1	
12	012 301 473	Sleeve 12 X 30		1	
13	012 301 205 P	Gearbox cover		1	
14	012 301 276 A	oil drip tray	also use: 012 311 429 P	1	
14A	012 311 429 P	roller sleeve 23 X 39 X 28,3		1	
15	012 301 115	Bungs		2	
16	012 301 457 C	Shaft oil seal 16 X 24 X 6		1	
18	012 301 282 A	Oval hexagon socket head bolt M 8 X 48 No longer use the part here		13	
18	9A7 002 079 00	Torx screw M 8 X 48		13	
19	000 043 204 71	Transmission fluid HYPOID 25 LTR. Container		X	
19	000 043 304 71	Discontinued part Transmission fluid HYPOID 20 LTR. Container		X	

Model: 987 06

Model life 2006>>2008



Cayman S



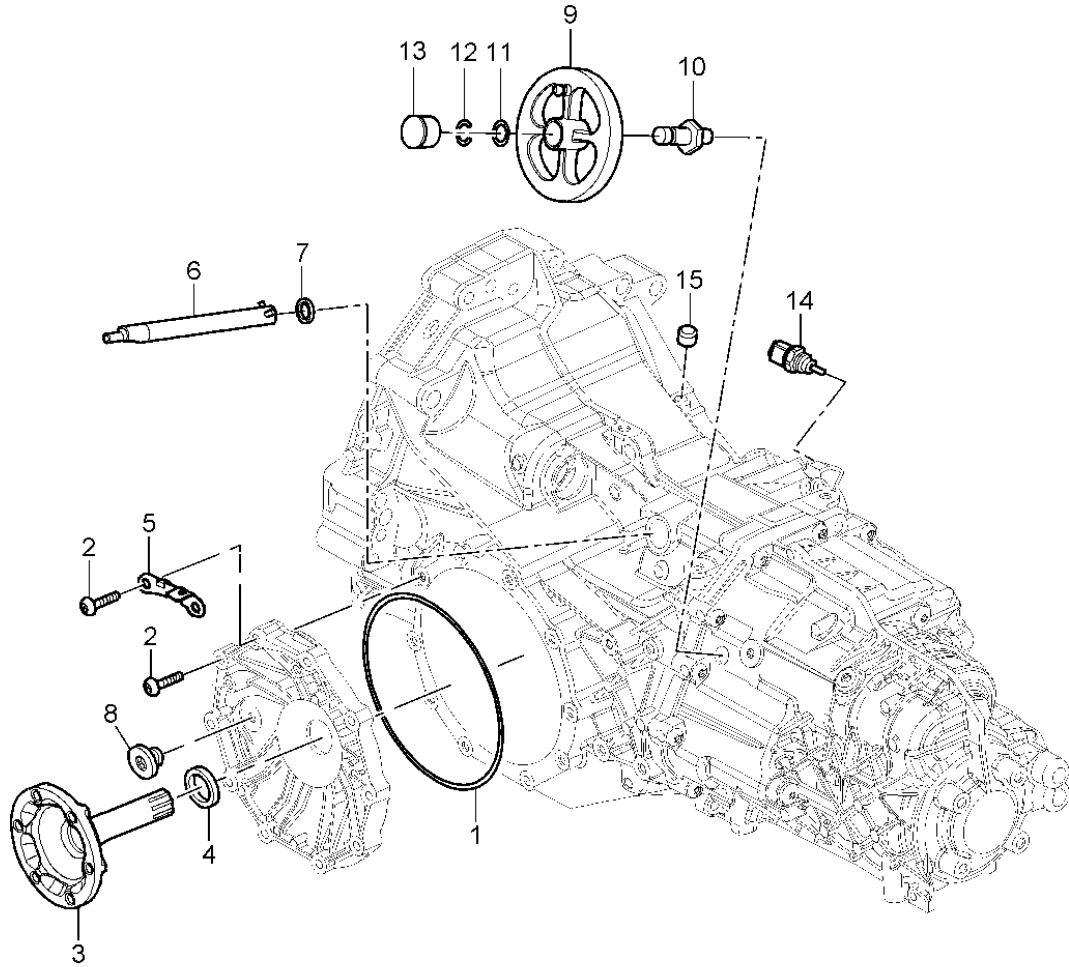
Model: 987 06

Model life 2006>>2008

Pos	Part Number	Description	Remark	Qty	Model
		Replacement transmission Ready for installation			G8720, G8721+ PR:480
1	987 300 010 24	6-speed manual transmission		1	G8720
1	987 300 010 BX	6-speed manual transmission		1	G8720
1	987 300 010 23	6-speed manual transmission		1	G8721
(1)	987 300 010 2X	6-speed manual transmission		1	G8721
2	000 043 204 71	Transmission fluid HYPOID Container 25 LTR.		X	
2	000 043 304 71	Transmission fluid HYPOID 20 LTR.		X	

Model: 987 06

Model life 2006>>2008



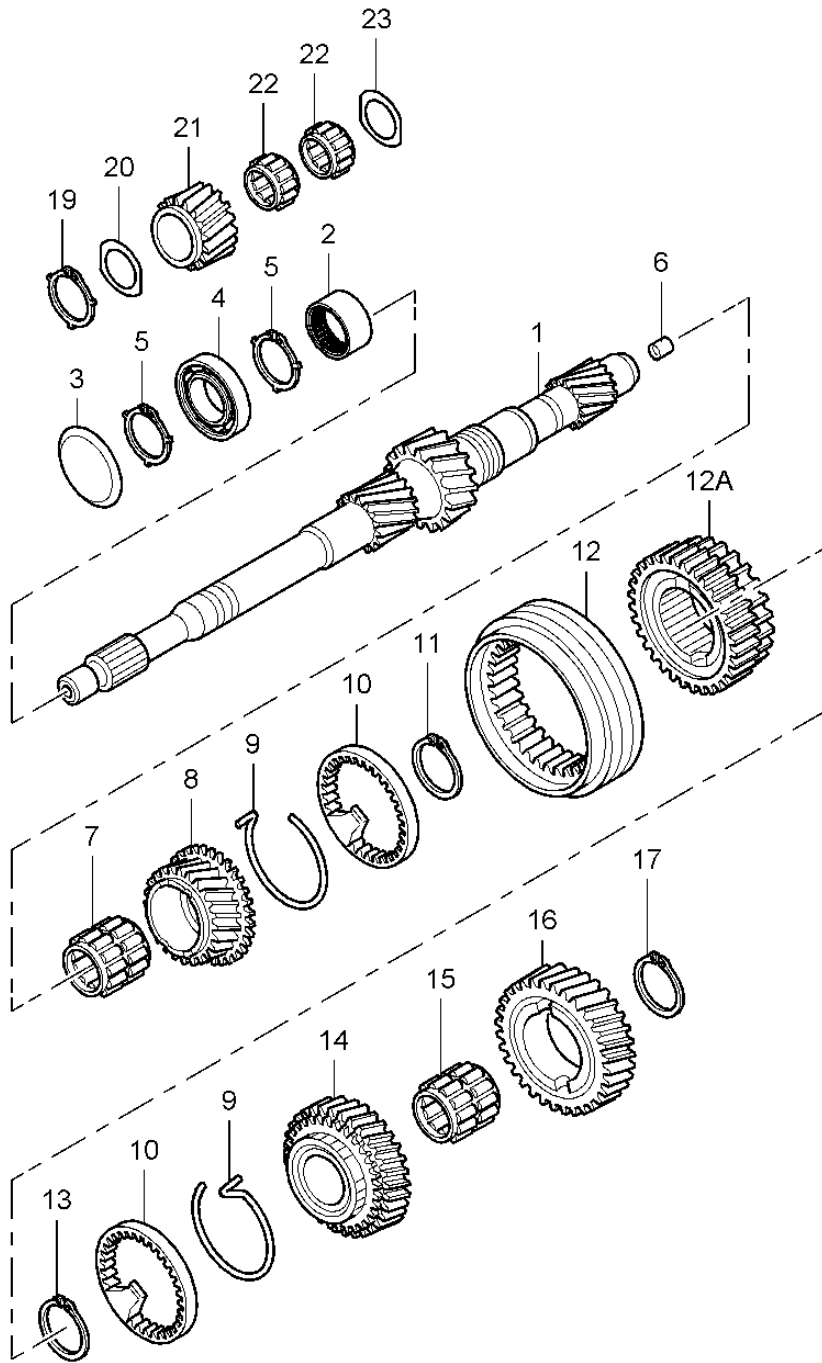
Model: 987 06

Model life 2006>>2008

Pos	Part Number	Description	Remark	Qty	Model
		Replacement transmission Individual parts			G8720, G8721+ PR:480
1	N 905 144 01	O-ring 171,00 X 3,50		1	
2	999 073 368 01	Torx screw M 8 X 42		10	
3	987 332 209 00	Drive flange		2	
4	016 409 399 B	radial shaft seal		2	
5	987 116 214 00	Support		1	
6	987 303 021 00	shift rod		1	
7	012 301 457 B	Shaft oil seal		1	
8	N 910 597 01	sealing plug M 22 X 1,5		1	
9	987 303 051 00	flywheel Discontinued part		1	
9	987 303 051 10	flywheel		1	
10	987 303 151 01	bearing pin		1	
11	900 234 147 00	fitted washer 12 X 18 X 1,0		1	
12	900 041 005 03	Securing ring 12 X 1		1	
13	999 703 011 40	Bungs 25,5 X 30 X 11		1	
14	01E 941 521 A	switch for reversing light Back-up light		1	
15	014 301 485	Cap for venting the gearbox breather assy.		1	

Model: 987 06

Model life 2006>>2008



Model: 987 06 Model life 2006>>2008

Pos	Part Number	Description	Remark	Qty	Model
-		gears and shafts Gearbox Classification letter Attention			G8701+ PR:481 GAL
1	012 311 105 AG	Input shaft		1	
2	012 311 123 D	Needle bush 27 X 41 X 23		1	
3	012 311 443	Belleville spring 42 X 58 X 2		1	
4	012 311 445 G	grooved ball bearing 25 X 58 X 16		1	
4	012 311 445 H	Discontinued part grooved ball bearing 25 X 58 X 16		1	
5	N 902 941 02	Securing ring 24,9 X 1,45		X	
(5)	N 902 941 14	Securing ring 24,9 X 1,54		X	
(5)	N 902 941 15	Securing ring 24,9 X 1,63		X	
(5)	N 902 941 16	Securing ring 24,9 X 1,72		X	
(5)	N 902 941 17	Securing ring 24,9 X 1,81		1	
(5)	N 902 941 18	Securing ring 24,9 X 1,9		X	
(5)	N 902 941 19	Securing ring 24,9 X 1,99		X	
(5)	N 902 941 20	Securing ring 24,9 X 2,08		X	
(5)	N 902 941 11	Securing ring 24,9 X 2,17		X	
6	012 311 111 A	Sleeve 13 X 14 X 10,8		1	
7	012 311 213 J	Needle cage 38 X 43 X 29,5		1	
8	012 311 131 CB	change gear 3rd gear Z = 40 : 28		1	
9	01X 311 312 A	securing spring 3rd/4th gear		2	
10	01X 311 295 J	synchronizer ring 3rd/4th gear		2	
11	N 902 945 01	Securing ring 38 X 2		1	
12	01X 311 315	Sliding sleeve 3rd/4th gear		1	
12A	01X 311 309	synchronizing hub 3rd/4th gear		1	
13	N 902 944 01	Securing ring 37 X 1,9		X	
(13)	N 902 944 02	Securing ring 37 X 1,93		X	
(13)	N 902 944 03	Securing ring 37 X 1,96		X	
(13)	N 902 944 04	Securing ring 37 X 1,99		X	
(13)	N 902 944 05	Securing ring 37 X 2,02		X	
(13)	N 902 944 06	Securing ring 37 X 2,05		X	
14	012 311 149 CQ	change gear		1	

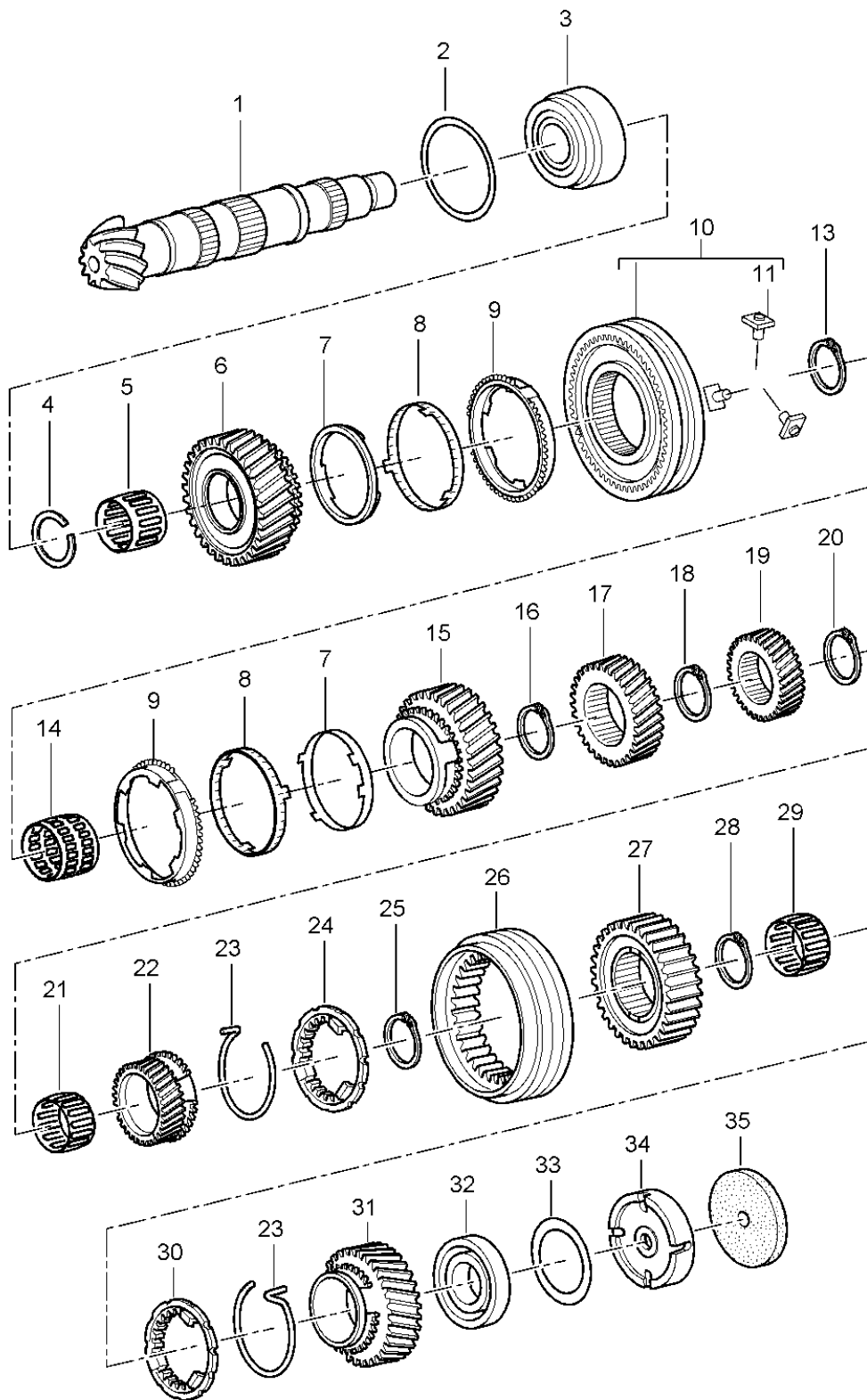
Model: 987 06

Model life 2006>>2008

Pos	Part Number	Description	Remark	Qty	Model
15	012 311 115 F	4th speed Z = 36 : 33 Needle cage		1	
(16)	012 311 159 CH	37 X 42 X 29,8 gear		1	
17	N 902 942 02	5th gear Z = 31 ; 37 Securing ring		X	
(17)	N 902 942 03	36 X 1,9 Securing ring		X	
(17)	N 902 942 04	36 X 1,93 Securing ring		X	
(17)	N 902 942 05	36 X 1,96 Securing ring		X	
(17)	N 902 942 06	36 X 1,99 Securing ring		X	
18	012 311 429 P	36 X 2,02 roller sleeve		1	
19	N 902 951 01	23 X 39 X 28,2 Securing ring		1	
20	012 311 518	22 X 1,7 4th speed Support plate		1	
21	012 311 531 E	3rd gear reverse gear		1	
22	012 311 523 G	needle bearing -		2	
23	012 311 517	22 X 30 X 16 thrust washer		1	

Model: 987 06

Model life 2006>>2008



Model: 987 06 Model life 2006>>2008

Pos	Part Number	Description	Remark	Qty	Model
-		gears and shafts Gearbox Classification letter Attention			G8701+ PR:481 GAL
1		Output shaft		1	
2	012 311 391	adjusting washer 0,4		X	
(2)	012 311 391 A	adjusting washer 0,45		X	
(2)	012 311 391 B	adjusting washer 0,5		X	
(2)	012 311 391 C	adjusting washer 0,55		X	
(2)	012 311 391 D	adjusting washer 0,6		X	
(2)	012 311 391 E	adjusting washer 0,65		X	
(2)	012 311 391 F	adjusting washer 0,7		X	
(2)	012 311 391 G	adjusting washer 0,75		X	
3	012 311 220 A	Taper roller bearing 48,6 X 88 X 21,5		1	
4	N 908 600 01	Securing ring A 48,5 X 2,00		X	
(4)	N 908 600 07	Securing ring A 48,5 X 2,03		X	
(4)	N 908 600 08	Securing ring A 48,5 X 2,09		X	
(4)	N 908 600 09	Securing ring A 48,5 X 2,12		X	
(4)	N 908 600 10	Securing ring 48,5 X 2,15		X	
5	01X 311 325 A	needle bearing - 1st gear 48,5 X 52,5 X 26,4		1	
6	012 311 250 H	change gear 1st gear Z = 35 : 10		1	
7	01X 311 277 G	inner ring 1st gear		1	
(7)	01X 311 277 B	inner ring 2nd gear		1	
(7)	0B1 311 277	Discontinued part inner ring 2nd gear		1	
8	01X 311 259 G	Intermediate ring 1st / 2nd gear		2	
9	01X 311 247 P	synchronizer ring 1st / 2nd gear		2	
9	0B1 311 247 B	Discontinued part synchronizer ring 1st / 2nd gear		2	
10	01X 311 239 B	synchronizing hub with locking collar		1	
		with:			
		Sliding sleeve 1st / 2nd gear			
10	01X 311 239 C	Discontinued part synchronizing hub with locking collar		1	
		with:			

Model: 987 06 Model life 2006>>2008

Pos	Part Number	Description	Remark	Qty	Model
11	01X 311 314 B	Sliding sleeve		3	
13	N 902 947 01	1st / 2nd gear thrust piece		X	
(13)	N 902 947 02	Securing ring 47 X 1,9		X	
(13)	N 902 947 03	Securing ring 47 X 1,93		X	
(13)	N 902 947 04	Securing ring 47 X 1,96		X	
(13)	N 902 947 05	Securing ring 47 X 1,99		X	
14	012 311 229 K	Securing ring 47 X 2,02		X	
14	012 311 229 K	Needle cage 2nd gear		1	
15	012 311 260 L	47 X 52 X 26,6 change gear		1	
16	012 311 317	2nd gear Z = 36 : 17		1	
17	012 311 285 BT	Securing ring 47 X 2,5		1	
18	01X 311 317	gear 3rd gear		X	
(18)	01X 311 317 A	Z = 40 : 28 Securing ring		X	
(18)	01X 311 317 B	44,5 x 1,9 Securing ring		X	
(18)	01X 311 317 C	44,5 x 1,94 Securing ring		X	
(18)	01X 311 317 D	44,5 x 1,98 Securing ring		X	
(18)	01X 311 317 E	44,5 x 2,02 Securing ring		X	
19	012 311 149 BT	44,5 x 2,06 Securing ring		1	
20	N 902 945 01	44,5 x 2,10 gear		X	
(20)	N 902 945 02	4th speed Z = 36 : 33		X	
(20)	N 902 945 03	Securing ring 38 X 2		X	
(20)	N 902 945 04	Securing ring 38 X 2,16		X	
(20)	N 902 945 05	Securing ring 38 X 2,20		X	
21	012 311 116 G	Securing ring 38 X 2,24		X	
22	012 311 159 EJ	Securing ring 38 X 2,28		1	
23	01X 311 312 A	Needle cage 5th gear		2	
24	01X 311 295 J	38 X 43 X 27 change gear		1	
25	N 902 945 01	5th gear Z = 31 : 37		1	
26	01X 311 315	securing spring synchronizer ring		2	
25	N 902 945 01	5th gear and		1	
26	01X 311 315	Reverse gear Securing ring		2	
		38 X 2		1	
		Sliding sleeve		2	

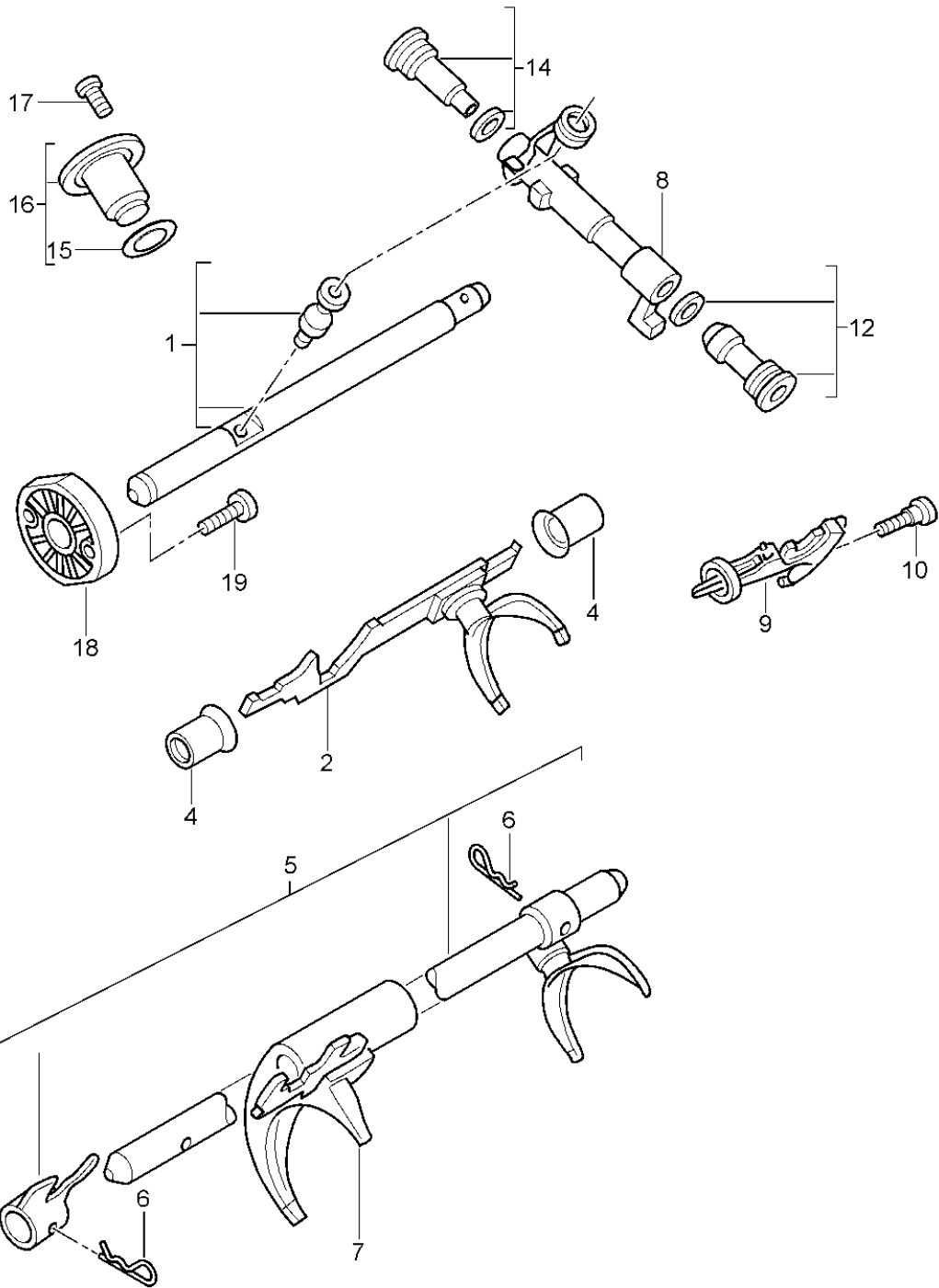
Model: 987 06

Model life 2006>>2008

Pos	Part Number	Description	Remark	Qty	Model
27	01X 311 309	5th gear and Reverse gear synchronizing hub		1	
28	N 902 944 01	5th gear and Reverse gear		X	
(28)	N 902 944 02	Securing ring 37 X 1,9		X	
(28)	N 902 944 03	Securing ring 37 X 1,93		X	
(28)	N 902 944 04	Securing ring 37 X 1,96		X	
(28)	N 902 944 05	Securing ring 37 X 1,99		X	
(28)	N 902 944 06	Securing ring 37 X 2,02		X	
29	012 311 234 E	Securing ring 37 X 2,05		X	
30	01X 311 295 J	needle bearing - 37 x 42 x 24,5		1	
31	012 311 217 L	synchronizer ring		1	
32	012 311 375 C	Reverse gear sliding wheel for reverse gear		1	
33	012 311 393	Taper roller bearing 31,7 x 76,2 x 25,4		X	
(33)	012 311 393 A	adjusting washer 0,45		X	
(33)	012 311 393 B	adjusting washer 0,49		X	
(33)	012 311 393 C	adjusting washer 0,53		X	
(33)	012 311 393 D	adjusting washer 0,57		X	
(33)	012 311 393 E	adjusting washer 0,61		X	
(33)	012 311 393 F	adjusting washer 0,65		X	
(33)	012 311 393 G	adjusting washer 0,69		X	
(33)	012 311 393 H	adjusting washer 0,73		X	
(33)	012 311 393 J	adjusting washer 0,77		X	
(33)	012 311 393 K	adjusting washer 0,81		X	
(33)	012 311 393 L	adjusting washer 0,85		X	
34	012 301 251 B	adjusting washer 0,89		X	
(34)	012 301 251 C	Pressure plate 70,98 X 14,8		X	
35	012 301 193 C	Pressure plate 70,98 X 15,3		1	
		Rubber washer 71 X 7			

Model: 987 06

Model life 2006>>2008



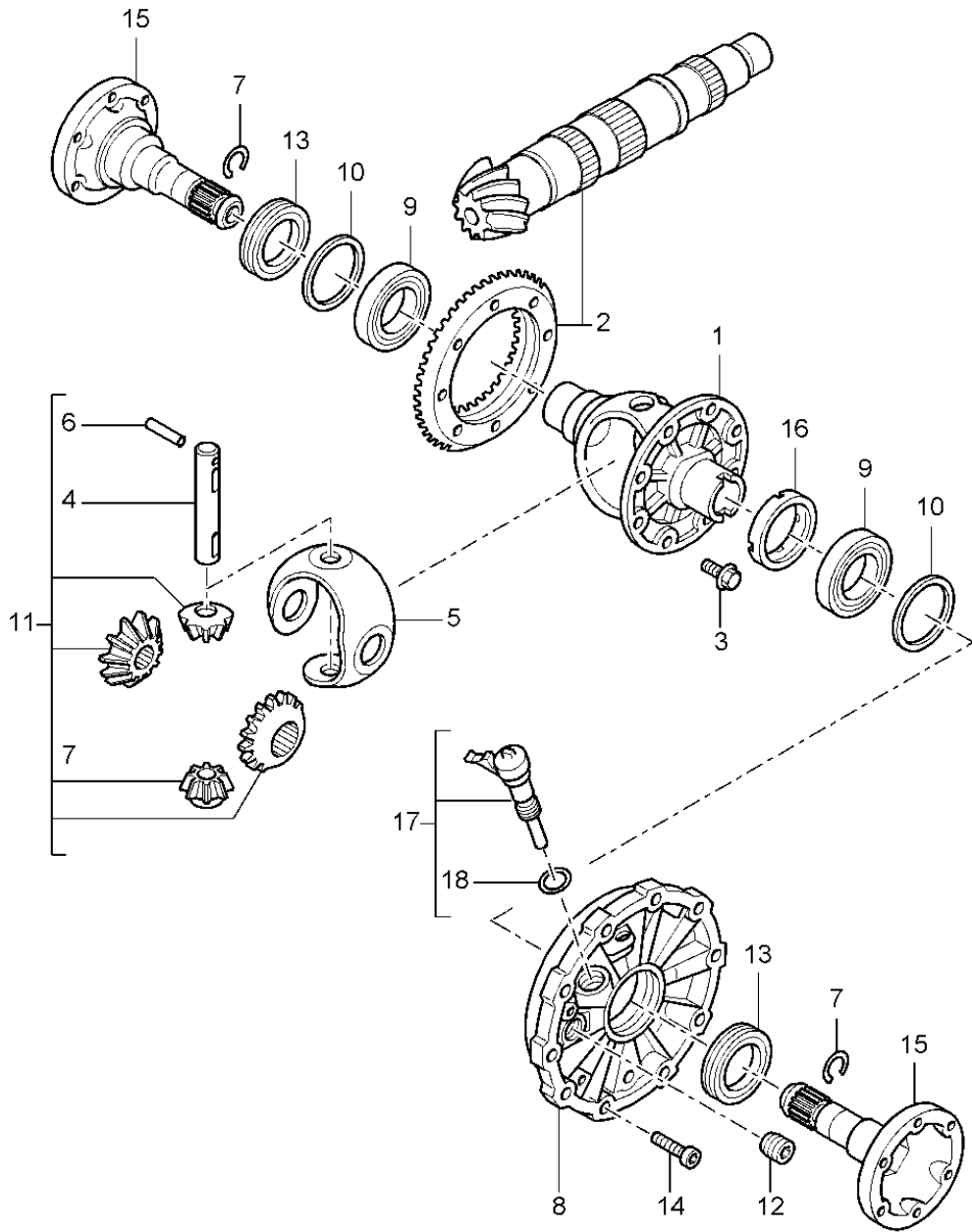
Model: 987 06

Model life 2006>>2008

Pos	Part Number	Description	Remark	Qty	Model
		Manual gearbox			G8701+
		Shift rods			PR:481
		shift forks			
1	012 311 505	shift rod		1	
2	012 311 559 D	selector shaft		1	
		3rd/4th gear			
4	012 301 120 C	Ball sleeve		2	
5	012 311 575 D	selector shaft		1	
		5th gear			
		and			
		Reverse gear			
6	N 023 332 1	spring pin		2	
		6 X 24			
7	012 311 549	Selector fork		1	
		1st / 2nd gear			
8	012 311 617 E	Deviating shaft		1	
9	012 311 741	locking segment		1	
10	012 301 291	Hexagon socket flange screw		1	
		M 8 X 30			
12	012 311 718 D	stop screw		1	
		M 22 X 1,5			
14	012 311 720 D	stop screw		1	
		M 26 X 1,5			
15	N 903 541 01	O-ring		1	
		22 X 2			
16	012 311 691 A	Locking unit		1	
17	N 903 663 03	Cylinder screw,		2	
		self-locking			
		M 8 X 22			
18	012 301 451	Cover for selector shaft		1	
19	N 903 660 01	Oval hexagon socket head bolt		2	
		M 8 X 36			

Model: 987 06

Model life 2006>>2008



Model: 987 06 Model life 2006>>2008

Pos	Part Number	Description	Remark	Qty	Model
-		Differential Gearbox Classification letter Attention			G8701+ PR:481 GAL
1	01X 409 121 A	Differential housing 90 MM		1	
2	012 409 143 EE	pinion gear set 30 : 8		1	
3	N 903 614 01	Hexagon bolt M 10 X 1 X 22,8		10	
4	005 409 177 00	Differential bolt		1	
5	02B 409 170 A	Thrust washer assembly Discontinued part		1	
5	02M 409 170 A	Thrust washer assembly		1	
6	N 100 726 01	spring pin 5 X 36		1	
7	012 409 413	snap ring		2	
8	012 409 131 L	Cover for axle differential		1	
9	002 517 185 A	Taper roller bearing 46 X 75 X 18	right	1	
9	002 517 185 M	Discontinued part Taper roller bearing 46 X 75 X 18	right	1	
9	01X 409 123	Taper roller bearing 50 X 80 X 20	left	1	
10	012 409 387	compensation washer 0,45		X	
10	012 409 387 DM	compensation washer 0,45	left	X	
10	012 409 387 AK	compensation washer 0,45	right	X	
(10)	012 409 387 DN	compensation washer 0,49	left	X	
(10)	012 409 387 AL	compensation washer 0,49	right	X	
(10)	012 409 387 DP	compensation washer 0,53	left	X	
(10)	012 409 387 AM	compensation washer 0,53	right	X	
(10)	012 409 387 DQ	compensation washer 0,57	left	X	
(10)	012 409 387 AN	compensation washer 0,57	right	X	
(10)	012 409 387 DR	compensation washer 0,61	left	X	
(10)	012 409 387 AP	compensation washer 0,61	right	X	
(10)	012 409 387 DS	compensation washer 0,65	left	X	
(10)	012 409 387 AQ	compensation washer 0,65	right	X	
(10)	012 409 387 DT	compensation washer 0,69	left	X	
(10)	012 409 387 AR	compensation washer 0,69	right	X	
(10)	012 409 387 EA	compensation washer 0,73	left	X	
(10)	012 409 387 AS	compensation washer 0,73	right	X	
(10)	012 409 387 EB	compensation washer 0,77	left	X	
(10)	012 409 387 AT	compensation washer	right	X	

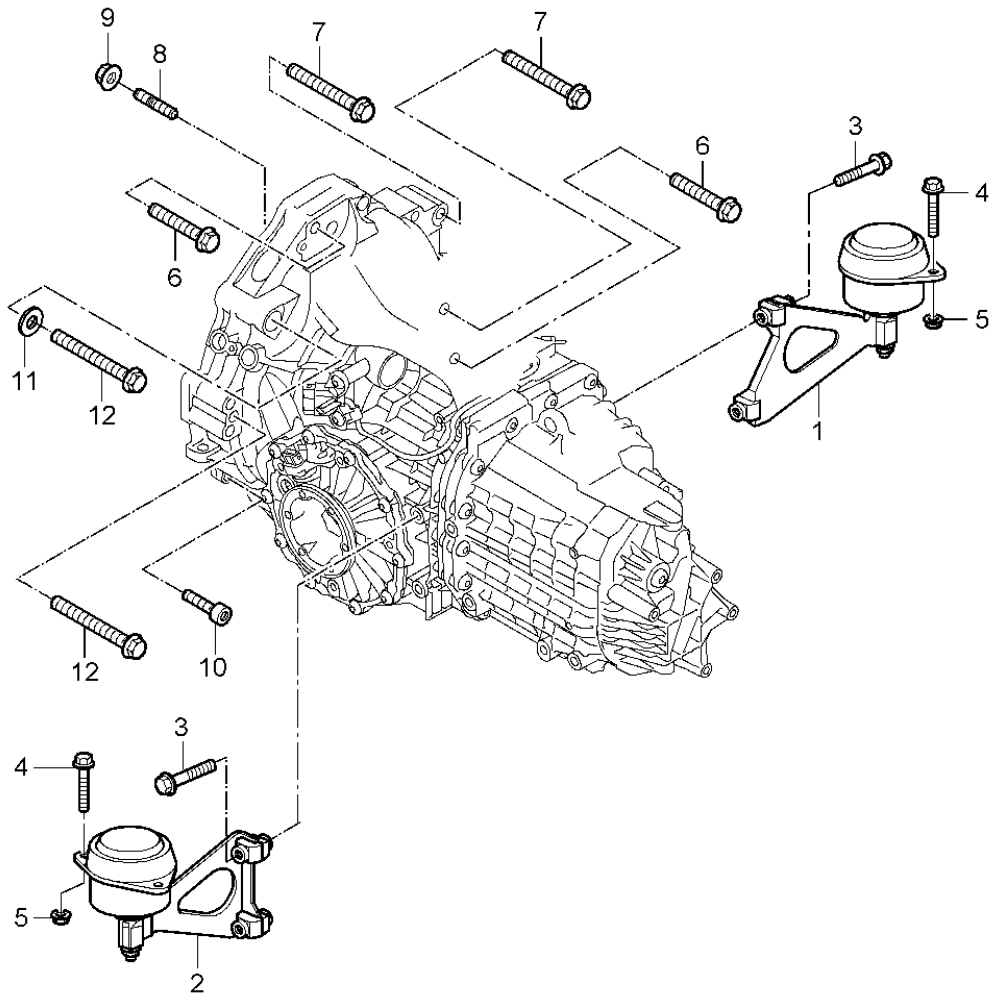
Model: 987 06

Model life 2006>>2008

Pos	Part Number	Description	Remark	Qty	Model
(10)	012 409 387 EC	0,77 compensation washer	left	X	
(10)	012 409 387 BA	0,81 compensation washer	right	X	
(10)	012 409 387 ED	0,81 compensation washer	left	X	
(10)	012 409 387 BB	0,85 compensation washer	right	X	
11	01X 498 081	1 set: differential pinions		1	
12	WHT 001 937	sealing plug M 24 X 1,5		1	
13	016 409 399 B	radial shaft seal 45 X 60 X 8		2	
14	N 903 660 01	Oval hexagon socket head bolt M 8 X 36		10	
15	012 409 343 AC	Flanged shaft		2	
16	012 409 182 C	Drive wheel speedometer without:		1	
(17)	012 409 961	Function-drive Sealing cap		1	
18	N 903 684 01	O-ring 14,5 X 2		1	

Model: 987 06

Model life 2006>>2008



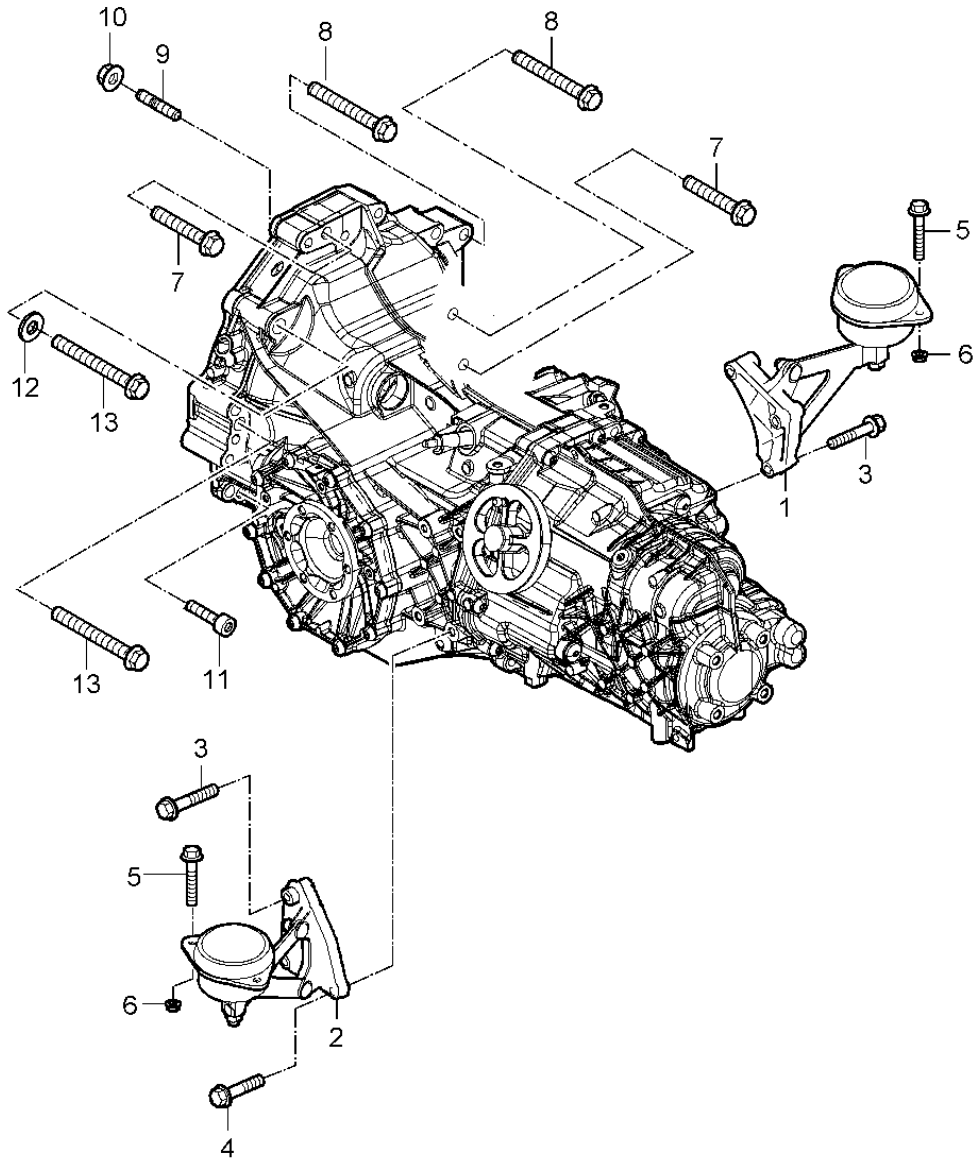
Model: 987 06

Model life 2006>>2008

Pos	Part Number	Description	Remark	Qty	Model
		Manual gearbox Transmission suspension Threaded joint for Engine			G8701+ PR:481
1	986 375 084 03	Transmission bracket	right	1	
2	986 375 083 03	Transmission bracket	left	1	
		Discontinued part			
2	986 375 083 04	Transmission bracket	left	1	
3	900 378 098 09	Hexagon bolt M 10 X 60		4	
		Discontinued part			
4	900 378 159 09	Hexagon bolt M 8 X 60		4	
5	999 084 447 01	Hexagon nut M 8		4	
5	PAF 003 923	Hexagon nut M 8		4	
6	999 072 008 09	Hexagon bolt M 12 X 1,5 X 70		2	
		Discontinued part			
(6)	999 072 008 01	Hexagon bolt M 12 X 1,5 X 70		2	
7	999 072 009 09	Hexagon bolt M 12 X 1,5 X 90		2	
		Discontinued part			
(7)	999 072 009 01	Hexagon bolt M 12 X 1,5 X 90		2	
8	999 218 088 09	Threaded pin M 10 X 30		1	
9	900 377 011 09	Hexagon nut M 10		1	
10	999 073 118 09	Socket head bolt M 10 X 40		1	
11	N 905 028 02	Washer 15 X 28 X 3,5		1	
12	999 072 010 09	Hexagon bolt M 12 X 1,5 X 100		2	

Model: 987 06

Model life 2006>>2008



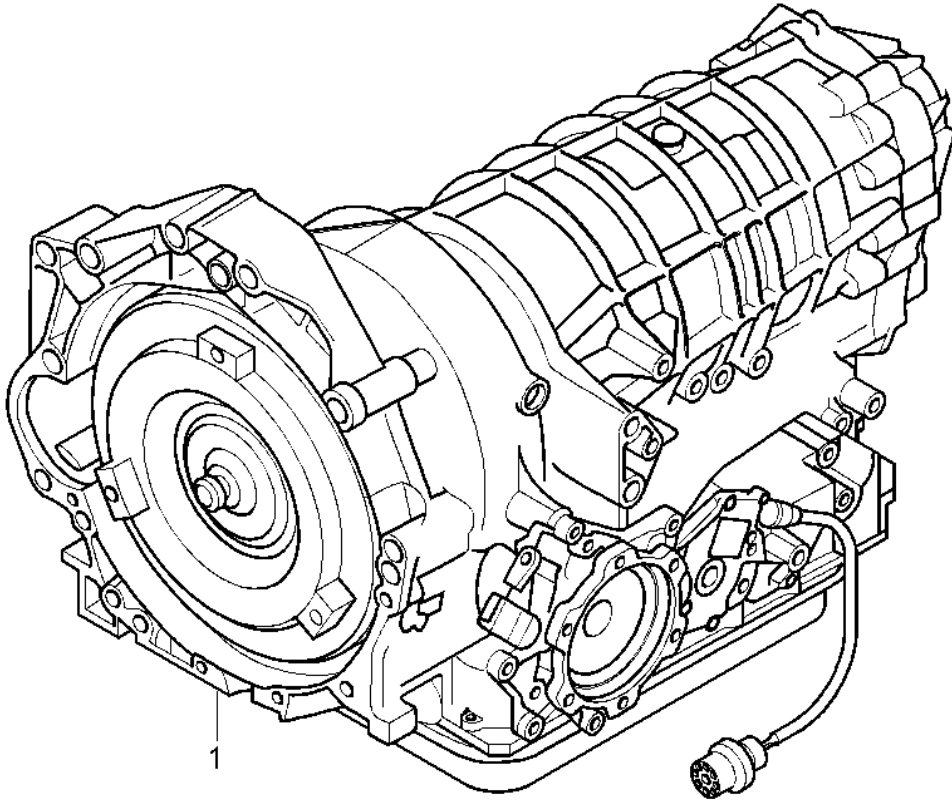
Model: 987 06

Model life 2006>>2008

Pos	Part Number	Description	Remark	Qty	Model
		Manual gearbox Transmission suspension Threaded joint Engine			G8721+ PR:480
1	987 375 042 01	Transmission bracket Discontinued part	right	1	
1	987 375 042 02	Transmission bracket	right	1	
2	987 375 041 01	Transmission bracket Discontinued part	left	1	
2	987 375 041 02	Transmission bracket	left	1	
3	900 378 098 09	Hexagon bolt M 10 X 60 Discontinued part		4	
4	900 378 021 09	Hexagon bolt M 10 X 40		2	
5	900 378 159 09	Hexagon bolt M 8 X 60		4	
6	900 380 005 09	Hexagon nut M 8		4	
7	999 072 008 09	Hexagon bolt M 12 X 1,5 X 70 Discontinued part		2	
(7)	999 072 008 01	Hexagon bolt M 12 X 1,5 X 70		2	
8	999 072 009 09	Hexagon bolt M 12 X 1,5 X 90 Discontinued part		2	
(8)	999 072 009 01	Hexagon bolt M 12 X 1,5 X 90		2	
9	999 218 088 09	Threaded pin M 10 X 30		1	
10	900 377 011 09	Hexagon nut M 10		1	
11	999 073 118 09	Socket head bolt M 10 X 40		1	
12	N 905 028 02	Washer 15 X 28 X 3,5		1	
13	999 072 010 09	Hexagon bolt M 12 X 1,5 X 100		2	

Model: 987 06

Model life 2006>>2008



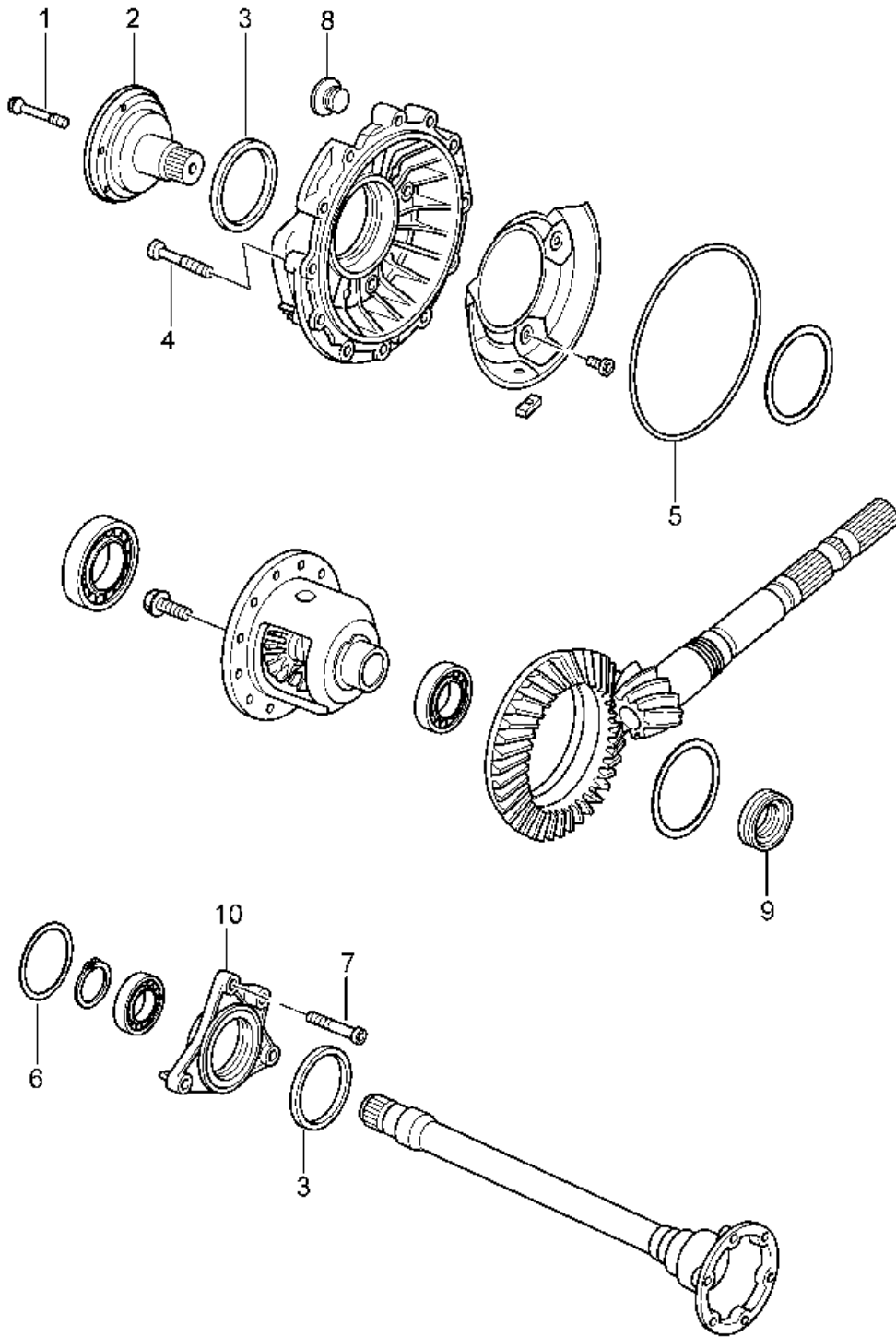
Model: 987 06

Model life 2006>>2008

Pos	Part Number	Description	Remark	Qty	Model
		Tiptronic Replacement transmission Ready for installation			A8702, A8721+ PR:249
1	987 300 011 01	Gearbox D - MJ 2007>>		1	A8702
1	987 300 011 CX	Gearbox D - MJ 2007>>		1	A8702 -"CN."
1	987 300 011 21	Gearbox		1	A8721
1	987 300 011 DX	Gearbox		1	A8721 -"CN."
2	000 043 207 00	Transmission fluid ATF 20 LTR. Container		X	
3	999 917 546 00	Transmission fluid HYPOID 1 LTR. Container		X	
3	000 043 305 49	Discontinued part Transmission fluid HYPOID 1 LTR. Container		X	

Model: 987 06

Model life 2006>>2008

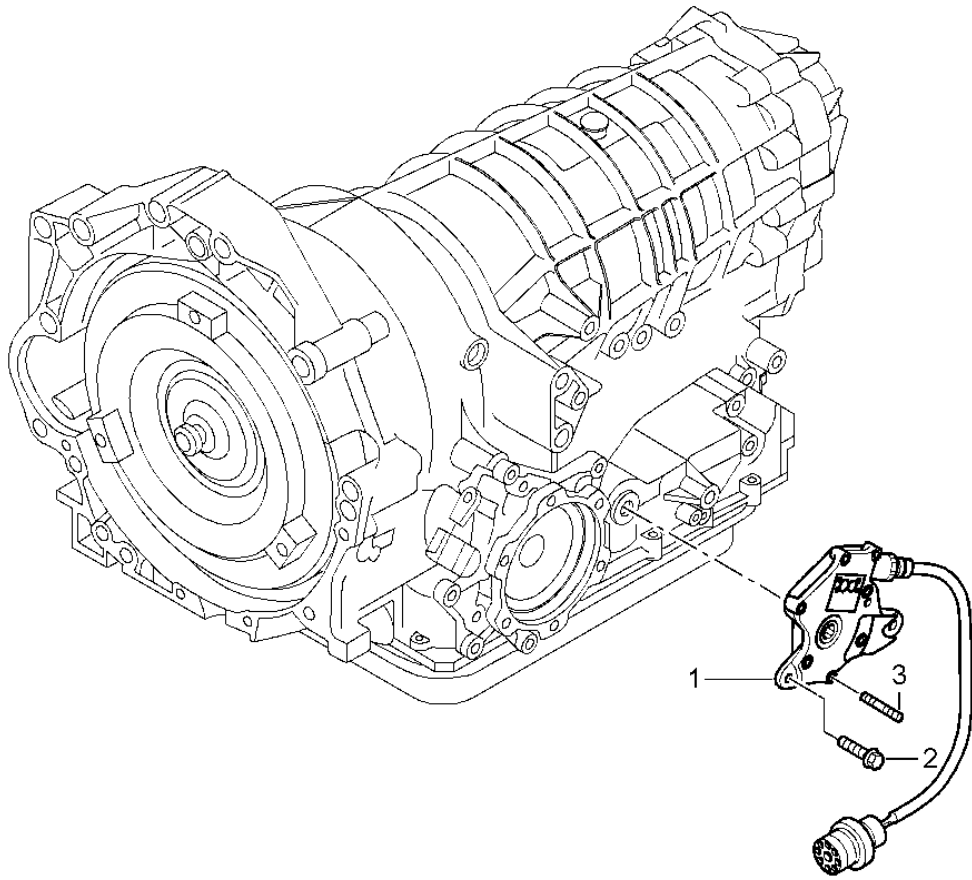


Model: 987 06 Model life 2006>>2008

Pos	Part Number	Description	Remark	Qty	Model
		Tiptronic Differential Differential housing			A8702, A8721+ PR:249
1	944 332 587 00	Expansion screw M 8		1	
2	986 332 201 00	Drive flange M 8		1	A8702
(2)	986 332 201 20	Drive flange M 10		1	A8721
(2)	987 332 208 00	Drive flange M 10		1	A8702
		for Gearbox 98730001101			
3	986 397 027 00	Shaft oil seal for Cover		1	
(3)	996 397 015 00	Shaft oil seal for flange		1	
4	986 397 029 00	Socket head bolt M 8 X 45		12	
5	986 397 028 00	O-ring		1	
6	986 397 034 00	O-ring		1	
7	996 397 007 00	Socket head bolt M 8 X 30		3	
8	986 397 026 00	Seal bolt with sealing ring		2	
		Discontinued part			
8	986 397 026 01	Seal bolt with sealing ring		2	
9	986 397 039 00	Shaft oil seal 34 X 46-37 X 12-16		1	
10	986 332 203 00	Cover Flanged shaft		1	

Model: 987 06

Model life 2006>>2008



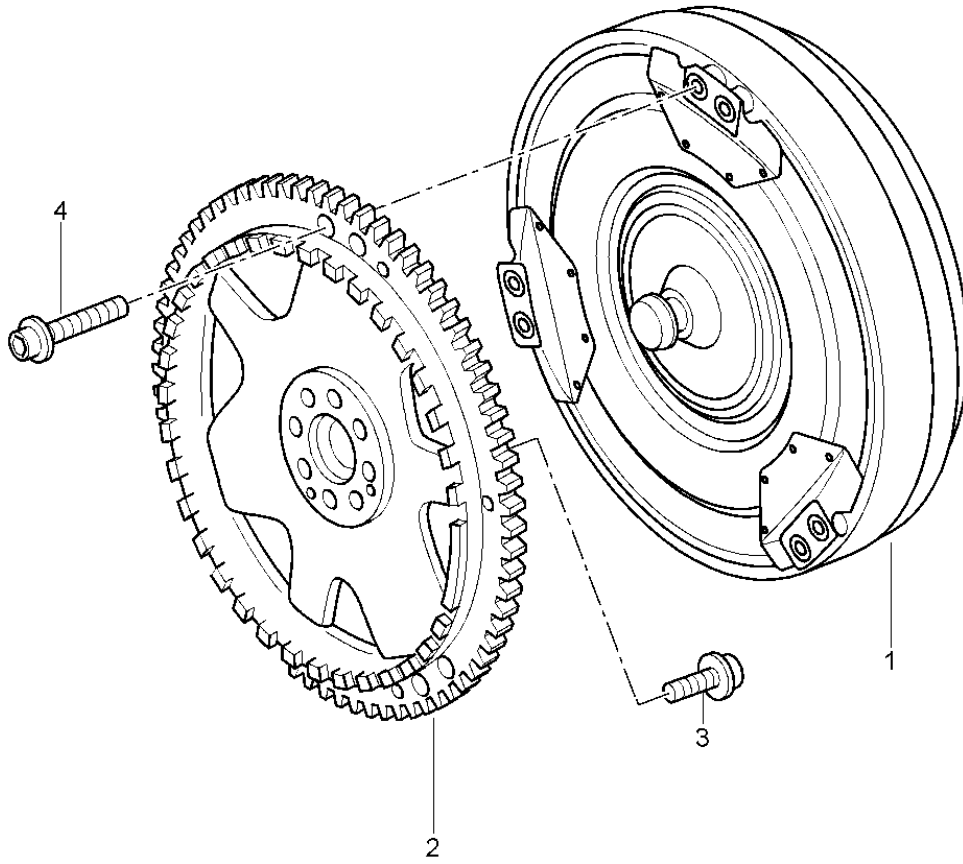
Model: 987 06

Model life 2006>>2008

Pos	Part Number	Description	Remark	Qty	Model
1	986 325 612 01	Tiptronic Selector switch Switch		1	A8702, A8721+ PR:249
2	986 397 025 00	Socket head bolt M 6 X 15 Discontinued part		2	
2	986 397 025 01	Socket head bolt M 6 X 15		2	
3	986 397 024 00	Cylinder pin M 6 X 14		1	

Model: 987 06

Model life 2006>>2008



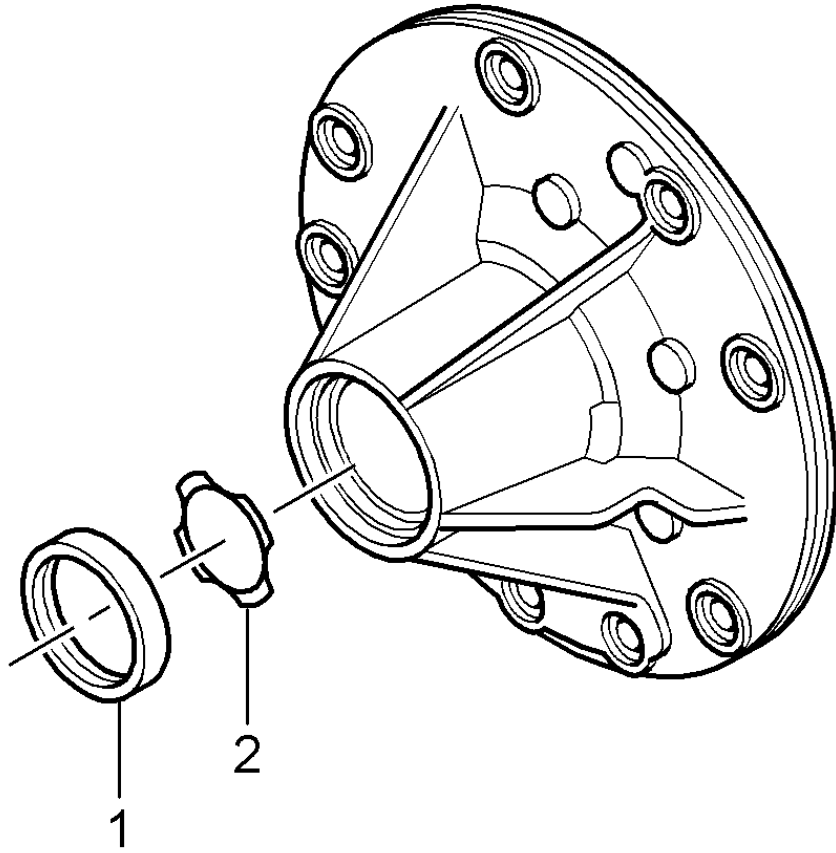
Model: 987 06

Model life 2006>>2008

Pos	Part Number	Description	Remark	Qty	Model
		Tiptronic			PR:249
1	986 316 001 05	Torque converter		1	A8702
2	996 116 075 07	Torque converter		1	
3	999 073 091 09	Clutch plate		8	
		Socket head bolt			
		M 10 X 1 X 25			
4	900 067 369 09	Socket head bolt		6	
		M 8 X 20			

Model: 987 06

Model life 2006>>2008



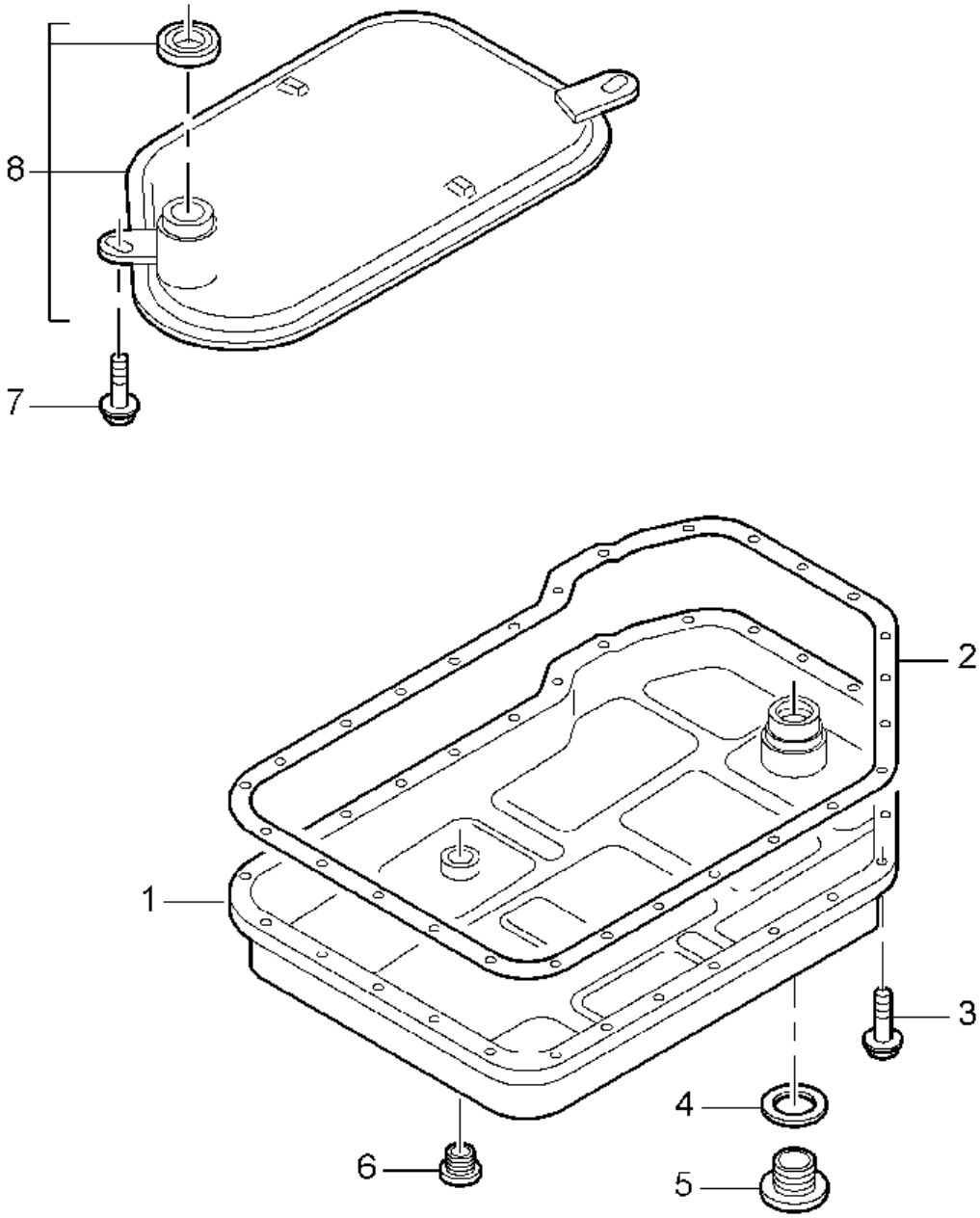
Model: 987 06

Model life 2006>>2008

Pos	Part Number	Description	Remark	Qty	Model
		Tiptronic oil pump			A8702, A8721+
1	996 397 010 00	Shaft oil seal		1	
2	986 397 012 00	Washer		1	

Model: 987 06

Model life 2006>>2008



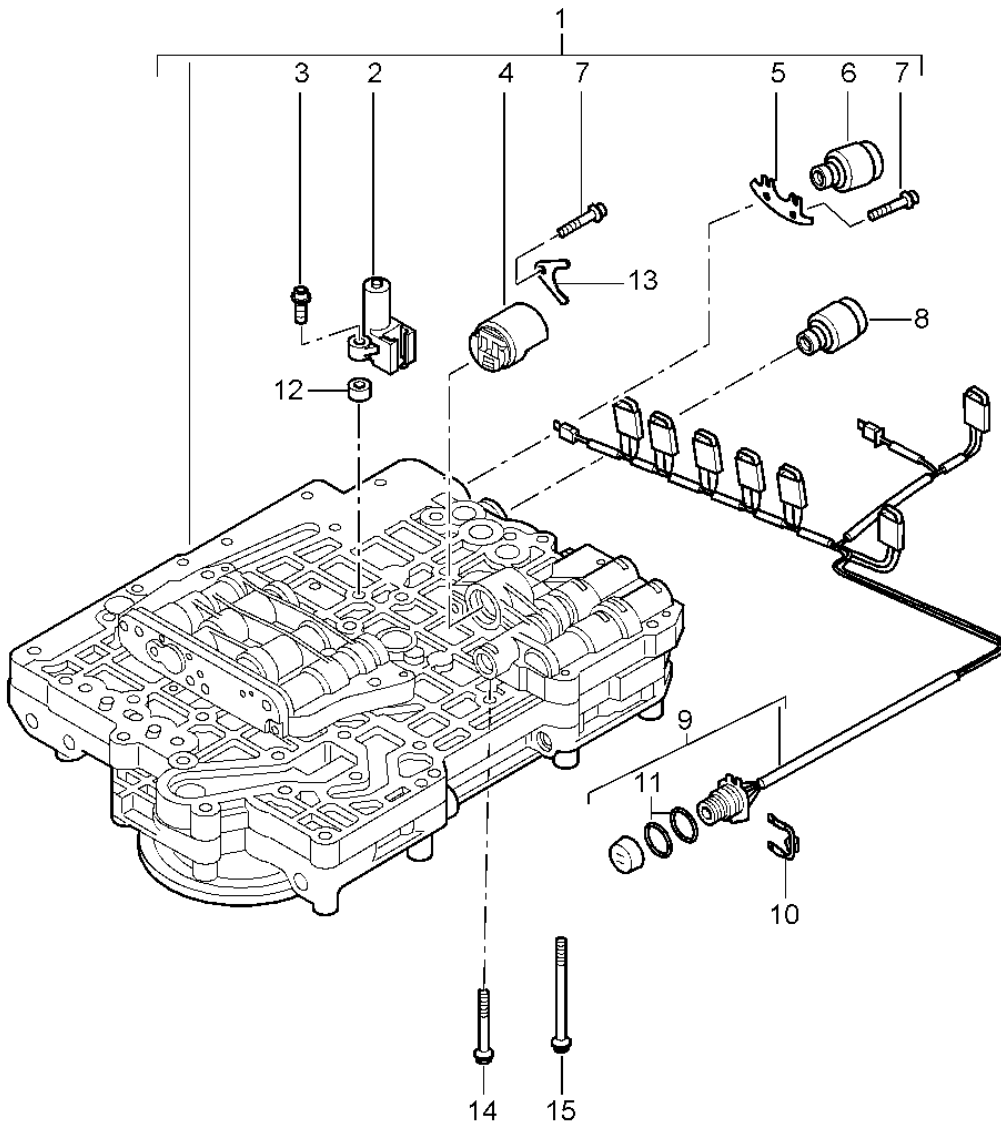
Model: 987 06

Model life 2006>>2008

Pos	Part Number	Description	Remark	Qty	Model
		Tiptronic oil filter			A8702, A8721+ PR:249
1	986 321 025 02	oil sump		1	
2	986 397 016 00	oil sump		1	
3	943 397 039 00	gasket for oil sump		1	
		Socket head bolt M 6 X 20		27	
4	986 397 014 00	O-ring		1	
5	986 397 015 00	sealing plug M 30 X 1,5		1	
		Discontinued part			
5	986 397 015 01	sealing plug M 30 X 1,5		1	
6	986 397 013 00	Seal bolt with sealing ring M 16 X 1,5		1	
7	943 397 045 00	Socket head bolt M 5 X 12		2	
8	986 307 403 00	Filter		2	

Model: 987 06

Model life 2006>>2008



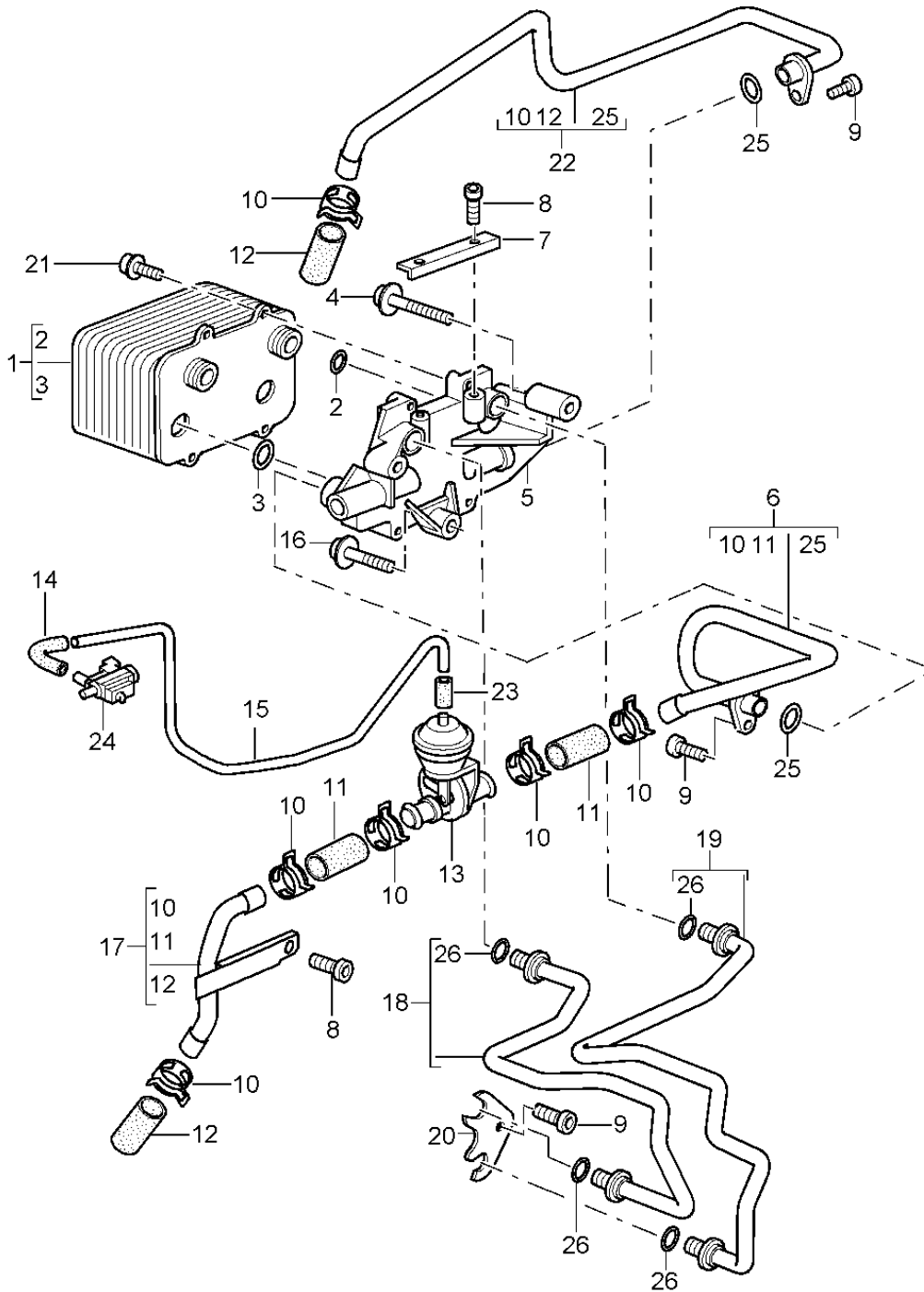
Model: 987 06

Model life 2006>>2008

Pos	Part Number	Description	Remark	Qty	Model
		Tiptronic Switch unit Solenoid valve pressure regulator			A8702,A8721+ PR:249
1	987 325 617 00	Switch unit		1	
2	986 325 608 00	Inductive sensor		1	
3	986 397 019 00	Socket head bolt M 5 X 40		2	
4	986 325 604 01	pressure regulator		1	
5	986 325 615 00	Retaining plate		2	
6	986 325 601 00	Solenoid valve		3	
7	943 397 045 00	Socket head bolt M 5 X 12		5	
8	986 325 603 00	pressure regulator		3	
9	987 325 611 00	Wire set		1	A8702,A8721
10	986 397 018 01	Clip		1	
11	986 397 017 00	O-ring		2	
12	986 397 020 00	Spacer ring		2	
13	943 325 111 00	Retaining plate		1	
14	943 397 013 00	Socket head bolt M 6 X 30		1	
15	943 397 005 00	Socket head bolt M 6 X 60		16	

Model: 987 06

Model life 2006>>2008



Model: 987 06 Model life 2006>>2008

Pos	Part Number	Description	Remark	Qty	Model
		Tiptronic Atf cooler Atf lines			A8702, A8721+ PR:249
1	996 307 017 01	Atf cooler		1	
2	999 707 388 40	O-ring 18,64 X 3,53		2	
3	900 331 034 40	O-ring 25,8 X 3,55		2	
4	999 073 116 09	fillister hd. bolt M 8 X 55		1	
5	986 307 020 00	Port plate		1	
6	986 307 076 21	Water line Supply D >> - MJ 2006		1	
6	986 307 076 22	Water line Supply D - MJ 2007>>		1	
7	986 307 143 02	Latch		1	
8	999 073 103 09	fillister hd. bolt M 6 X 16		2	
9	999 073 094 09	fillister hd. bolt M 8 X 20		4	
10	999 512 656 09	Hose clamp B 25 X 12		6	
11	900 181 060 50	Water hose 18 X 3,5 X 50		2	
12	900 181 062 50	Water hose 18 X 3,5 X 60		2	
13	928 574 573 03	Disc valve		1	
14	928 574 717 05	Molded hose		1	
14	928 574 717 07	Molded hose		1	
14	9P1 129 487	Molded hose		1	
-	999 181 742 40	Pipe 4,0 X 1,0		X	
15		shorten to:	140 MM	1	
16	999 073 105 09	flat round head bolt M 8 X 40		2	
17	986 307 075 21	Water line Supply D >> - MJ 2006		1	
(17)	986 307 075 22	Water line Supply D - MJ 2007>>		1	
18	986 307 085 04	Oil return line D >> - MJ 2006		1	
18	986 307 085 05	Oil return line D - MJ 2007>>		1	
19	986 307 082 04	Oil pipe Supply D >> - MJ 2006		1	
19	986 307 082 05	Oil pipe Supply D - MJ 2007>>		1	
20	996 307 147 00	Bracket D >> - MJ 2006		1	
(20)	996 307 147 01	Bracket D - MJ 2007>>		1	
21	999 073 103 09	fillister hd. bolt M 6 X 16		4	
22	987 307 077 01	Water pipe Return line		1	
23	999 239 040 40	Connecting piece		1	

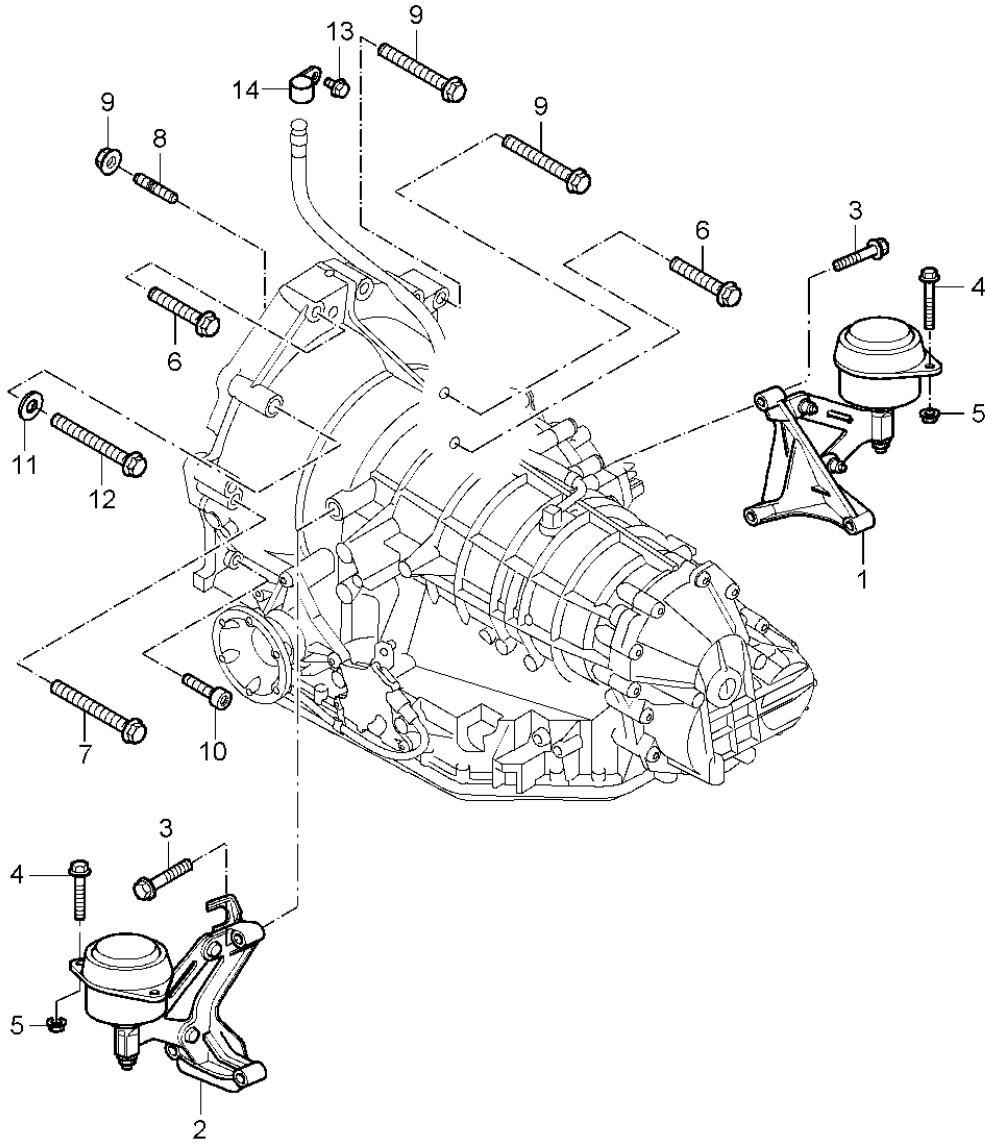
Model: 987 06

Model life 2006>>2008

Pos	Part Number	Description	Remark	Qty	Model
24	996 605 123 01	Change-over valve		1	
25	999 707 387 40	O-ring 15 X 2,5		2	
26	999 707 386 40	O-ring 12,37 X 2,62		4	

Model: 987 06

Model life 2006>>2008



Model: 987 06 Model life 2006>>2008

Pos	Part Number	Description	Remark	Qty	Model
		Tiptronic Transmission suspension Threaded joint for Engine			A8702, A8721+ PR:249
1	986 375 094 03	Transmission bracket	right	1	
		Discontinued part			
1	986 375 094 04	Transmission bracket	right	1	
2	987 375 093 01	Transmission bracket	left	1	
		Discontinued part			
2	987 375 093 02	Transmission bracket	left	1	
3	900 378 076 09	Hexagon bolt		6	
		M 10 X 50			
4	900 378 159 09	Hexagon bolt		4	
		M 8 X 60			
5	999 084 447 09	Hexagon nut		4	
		M 8			
6	999 072 008 09	Hexagon bolt		1	
		M 12 X 1,5 X 70			
		Discontinued part			
6	999 072 008 01	Hexagon bolt		1	
		M 12 X 1,5 X 70			
7	999 072 009 09	Hexagon bolt		3	
		M 12 X 1,5 X 90			
		Discontinued part			
7	999 072 009 01	Hexagon bolt		3	
		M 12 X 1,5 X 90			
8	999 218 088 09	Threaded pin		1	
		M 10 X 30			
9	900 377 011 09	Hexagon nut		1	
		M 10			
10	999 073 119 09	Socket head bolt		1	
		M 10 X 50			
11	N 905 028 02	Washer		1	
		15 X 28 X 3,5			
12	999 072 010 09	Hexagon bolt		1	
		M 12 X 1,5 X 100			
13	900 378 036 09	Hexagon bolt		1	
		M 6 X 12			
14	999 511 142 02	Clamp		1	
		A 1			

Model: 987 06 Model life 2006>>2008

Pos	Part Number	Description	Remark	Qty	Model
1	997 341 081 06	Cross member		1	
2	900 197 070 00	Wishbone Cross member spring pin 13 X 14		1	
3	997 341 043 00	Guide		2	
4	900 378 165 09	Hexagon bolt M 12 X 1,5 X 95 D >> - MJ 2007		2	
(4)	900 378 165 01	Hexagon bolt M 12 X 1,5 X 95 D - MJ 2008>>		2	
5	999 084 445 01	Locknut M 12 X 1,5		2	
6	997 341 053 03	Wishbone		2	
7	999 072 050 09	Hexagon bolt M 14 X 1,5 X 120		2	
8	997 341 145 05	plate		2	
9	999 072 047 09	Hexagon bolt M 12 X 1,5 X 30 Discontinued part		4	
(9)	999 072 047 01	Hexagon bolt M 12 x 1,5 x 30		4	
(10)	900 378 072 01	Hexagon bolt M 12 X 1,5 X 30	front	2	
10	900 378 192 09	Hexagon bolt M 14 X 1,5 X 50 Discontinued part	rear	4	
10	900 378 192 01	Hexagon bolt M 14 x 1,5 x 50	rear	4	
11	900 378 279 09	Hexagon bolt M 14 X 1,5 X 95 D >> - MJ 2007		2	
(11)	900 378 279 01	Hexagon bolt M 14 X 1,5 X 95 D - MJ 2008>>		2	
12	900 380 012 09	Hexagon nut M 14 X 1,5 Discontinued part		2	
12	900 380 012 01	Hexagon nut M 14 X 1,5		2	
13	996 341 483 05	Spoiler	left	1	
13	996 341 484 05	Spoiler	right	1	
14	997 504 433 00	Brace		2	
15		Bracket see illustration:	105-010	1	PR:601
16	900 146 003 02	fillister hd. bolt M 5 X 10		2	PR:601
(16)	900 146 003 03	fillister hd. bolt M 5 x 10		2	PR:601
17	900 378 177 09	Hexagon bolt M 6 X 30		1	PR:601
18	997 631 121 00	Level sensor		1	PR:601
19	900 380 015 09	Hexagon nut M 6 Discontinued part		2	PR:601
(19)	900 380 015 01	Hexagon nut M 6		2	PR:601
20	997 341 375 01	Brace		1	PR:601
21	996 341 371 03	Bracket for cross member		1	PR:601
22	999 084 449 09	Locknut M 12 X 1,5		2	
23	999 084 445 01	Locknut		2	

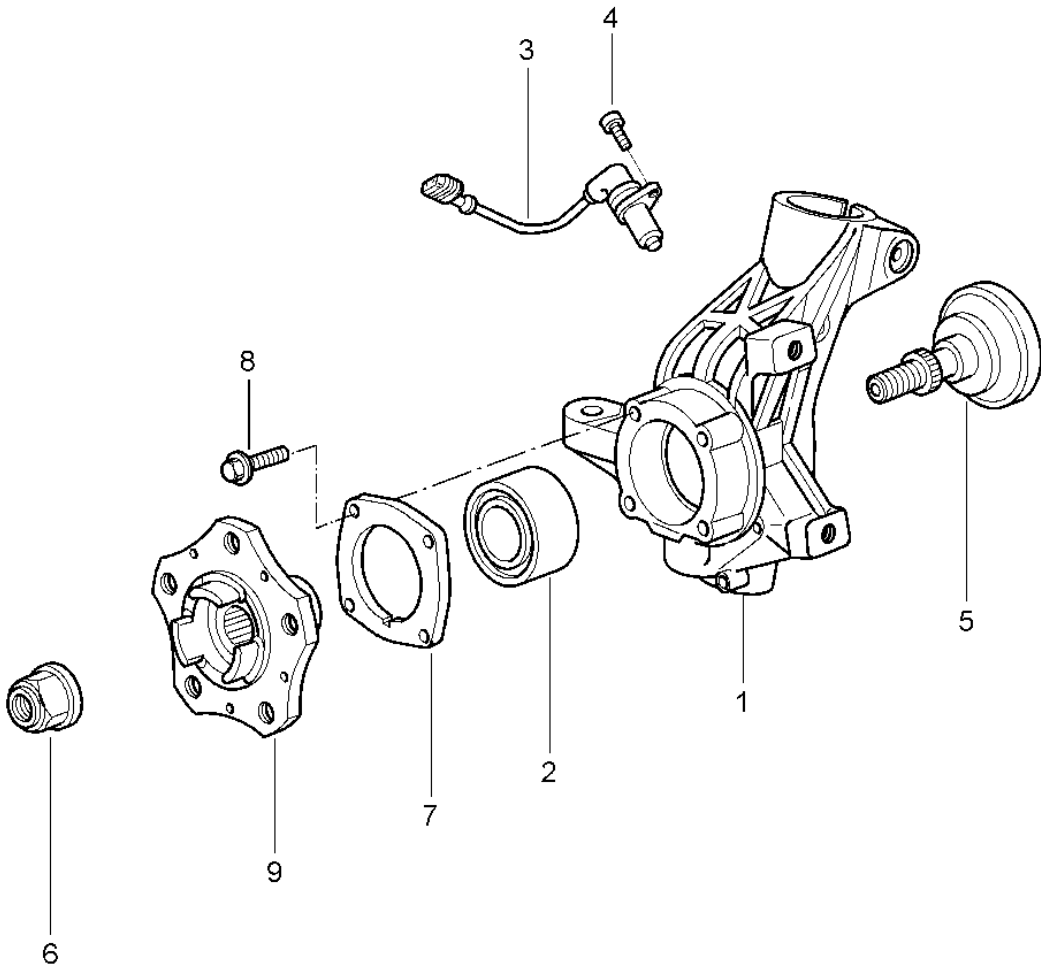
Model: 987 06

Model life 2006>>2008

Pos	Part Number	Description	Remark	Qty	Model
-	997 361 605 90	M 12X 1,5 Spacer ring 5 mm		2	PR: XRP

Model: 987 06

Model life 2006>>2008



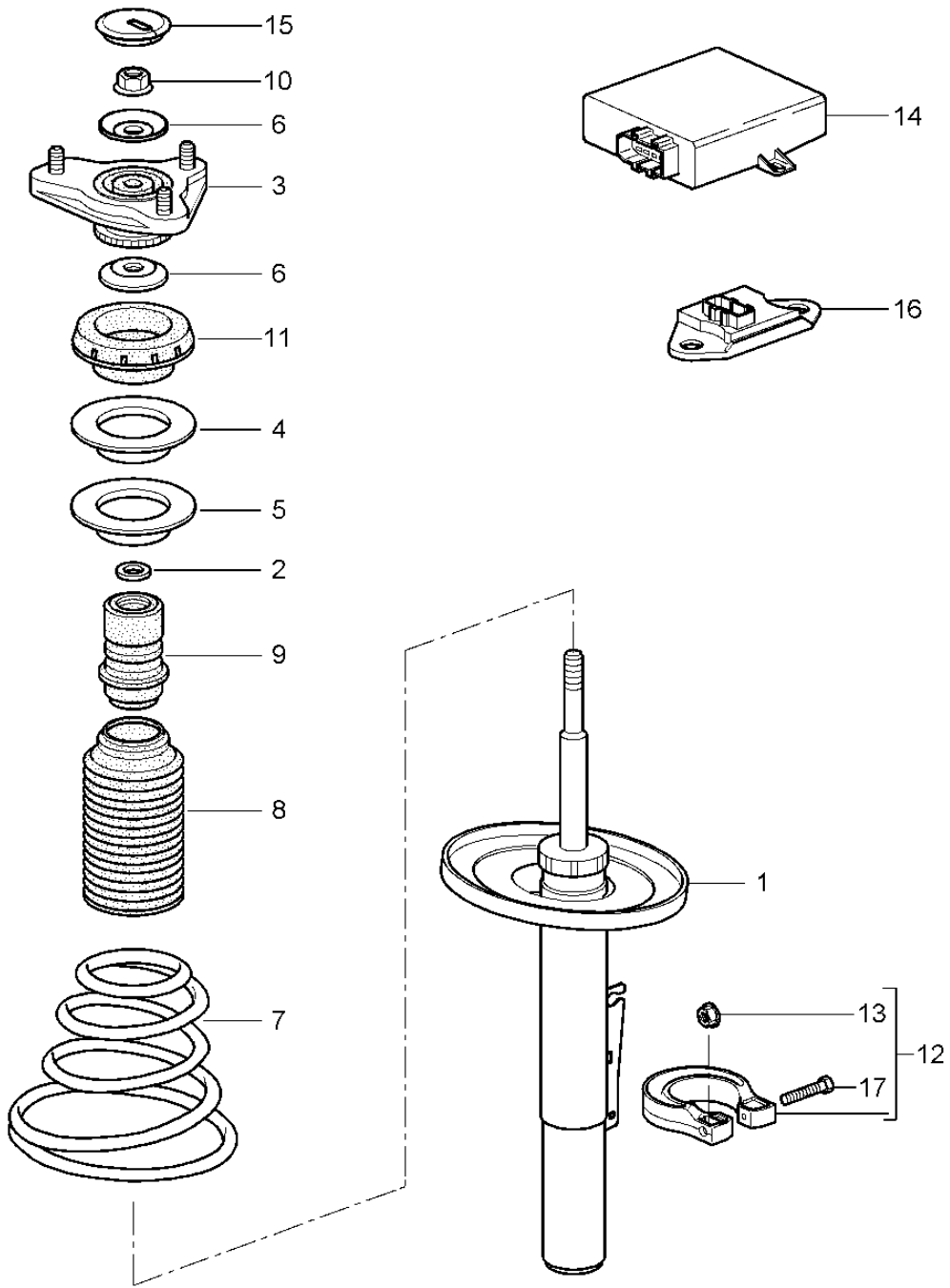
Model: 987 06

Model life 2006>>2008

Pos	Part Number	Description	Remark	Qty	Model
		Wheel carrier			
		Wheel hub			
1	997 341 157 05	Wheel carrier	left	1	
(1)	997 341 157 25	Wheel carrier	left	1	PR:450
(1)	997 341 158 05	Wheel carrier	right	1	
(1)	997 341 158 25	Wheel carrier	right	1	PR:450
2	999 053 054 05	angular ball bearing		2	
3	997 606 407 01	speed sensor		2	
4	900 067 117 09	Socket head bolt		2	
		M 6 X 16			
5	997 341 131 00	retaining bolt		2	
6	999 084 634 02	Locknut		2	
		M 22 X 1,5			
7	986 331 661 20	Cover		2	
8	999 217 042 09	Hexagon bolt		8	
		M 8 X 35			
9	997 341 605 01	Wheel hub		2	
		Discontinued part			
9	991 341 605 02	Wheel hub		2	
		Discontinued part			
9	991 341 605 03	Wheel hub		2	
-	997 361 605 90	Spacer ring		2	PR:XRP
		5 MM			

Model: 987 06

Model life 2006>>2008



Model: 987 06 Model life 2006>>2008

Pos	Part Number	Description	Remark	Qty	Model
1	987 343 047 02	suspension Shock absorber strut Shock absorbers		2	
(1)	987 343 047 03	Discontinued part Shock absorbers		2	
(1)	987 343 045 10	Shock absorbers		2	PR:475
-		Mount Shock absorbers			
-	999 084 445 01	Locknut M 12 X 1,5		2	
2	996 343 513 00	Washer		2	
3	997 343 018 00	Shock absorber bearing Discontinued part		2	
3	997 343 018 01	Shock absorber bearing		2	
-	999 084 447 09	Hexagon nut M 8 Discontinued part		6	
-	999 084 447 01	Hexagon nut M 8		6	
-	PAF 003 923	Hexagon nut M 8		6	
4	996 343 517 01	Thrust ring		2	
5	996 343 511 00	Balancing plate 3,0 MM		X	
(5)	996 343 511 01	Balancing plate 6,5 MM		X	
6	997 343 107 01	Stop plate		4	
(6)	997 343 107 01	Stop plate	lower	2	PR:475
(6)	997 343 107 00	Stop plate	upper	2	
7	997 343 531 37	Coil spring 1 set Discontinued part		1	PR:475
	997 343 531 37 504	1 pair of springs blue red			
(7)	997 343 531 41	Coil spring 1 set		1	PR:475
	997 343 531 41 504	1 pair of springs blue red			
(7)	997 343 531 38	Coil spring 1 set		1	PR:029
	997 343 531 38 504	1 pair of springs Rapeseed yellow blue			
8	996 343 505 00	Bellows		2	
9	996 343 301 02	helper spring		2	
10	900 380 012 09	Hexagon nut M 14 X 1,5 Discontinued part		2	
10	900 380 012 01	Hexagon nut M 14 X 1,5		2	
(11)	996 343 515 05	grooved ball bearing with housing		2	
(12)	997 343 569 00	Clamp		2	CAYMAN S
13	900 377 010 09	Hexagon nut M 6		2	CAYMAN S
-	900 378 111 09	Hexagon bolt M 6 X 60		2	
14	987 618 105 08	Control unit D - MJ 2006>> - MJ 2006 Discontinued part		1	PR:475
(14)	987 618 105 09	Control unit		1	PR:475

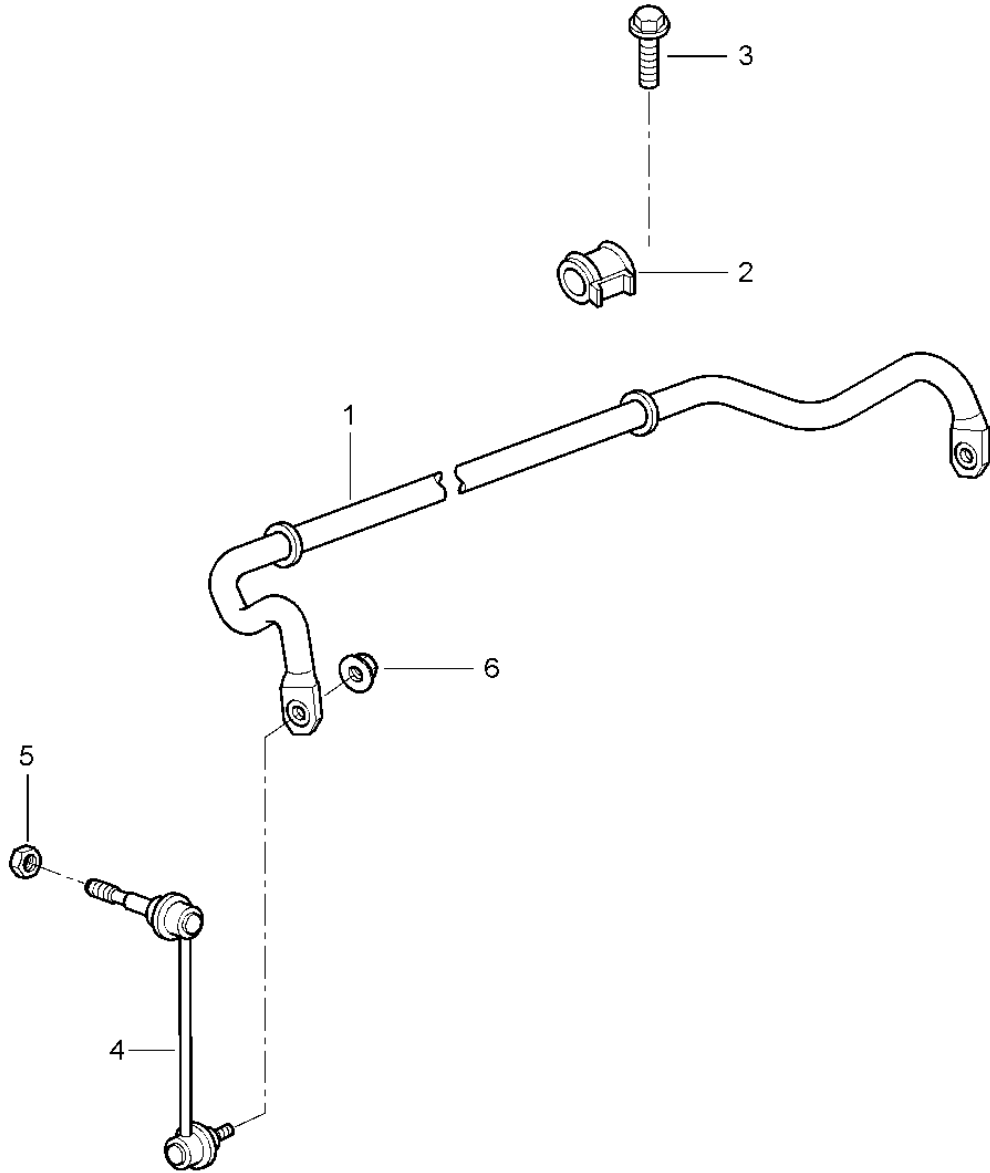
Model: 987 06

Model life 2006>>2008

Pos	Part Number	Description	Remark	Qty	Model
(14)	987 618 105 10	D >> - MJ 2007 Control unit		1	PR:475
15	999 703 457 40	D - MJ 2008>> End cap		2	
16	997 606 111 01	Acceleration sensor for bodywork		1	
17	900 378 111 09	Hexagon bolt M 6 X 60		2	CAYMAN S
18	997 606 212 00	Bracket Accelerator sensor		1	
(18)	997 606 212 01	D - MJ 2006>> - MJ 2006 Bracket Accelerator sensor D - MJ 2007>>		1	

Model: 987 06

Model life 2006>>2008

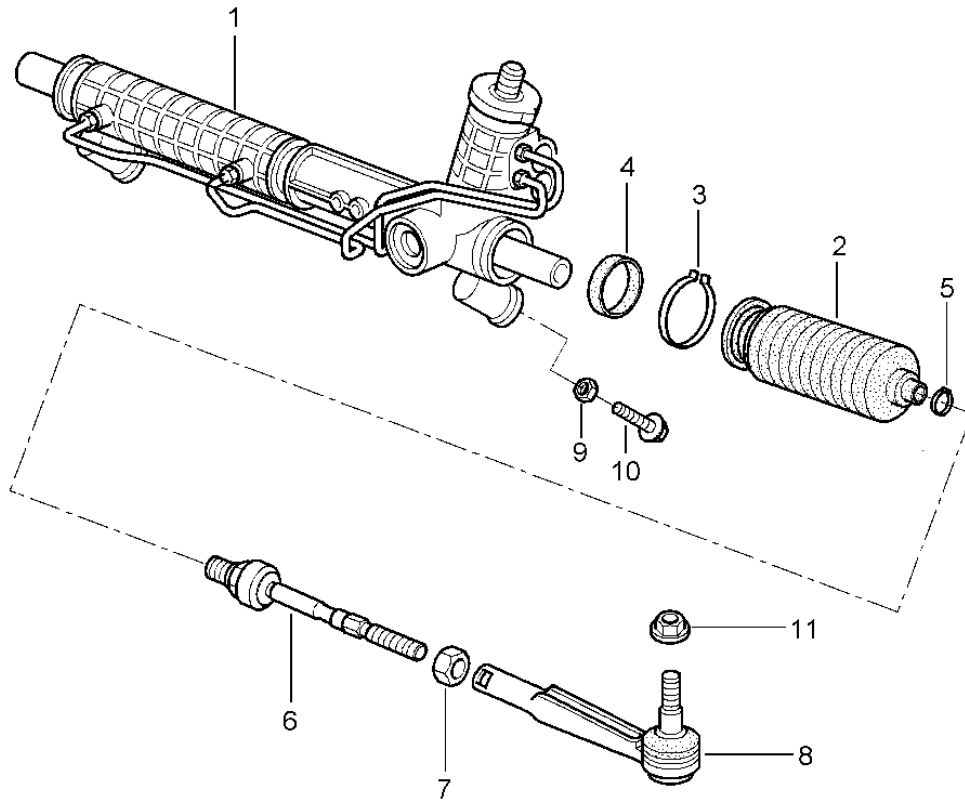


Model: 987 06 Model life 2006>>2008

Pos	Part Number	Description	Remark	Qty	Model
1	997 343 701 07	Anti-roll bar		1	PR:029 CAYMAN
(1)	997 343 701 08	Anti-roll bar		1	PR:475 CAYMAN
(1)	997 343 701 08	Anti-roll bar		1	PR:029 CAYMAN S
(1)	997 343 701 08	Anti-roll bar		1	PR:475 CAYMAN S
(2)	996 343 792 17	anti-roll bar bearing bracket		2	
3	900 378 098 01	Hexagon bolt M 10 X 60		4	
-	900 380 008 01	Hexagon nut M 10		4	
4	997 343 069 01	Coupling rod	left	1	
(4)	997 343 070 01	Coupling rod	right	1	
5	999 084 445 01	Locknut M 12 X 1,5		2	
6	999 084 123 09	Hexagon nut M 10		2	

Model: 987 06

Model life 2006>>2008

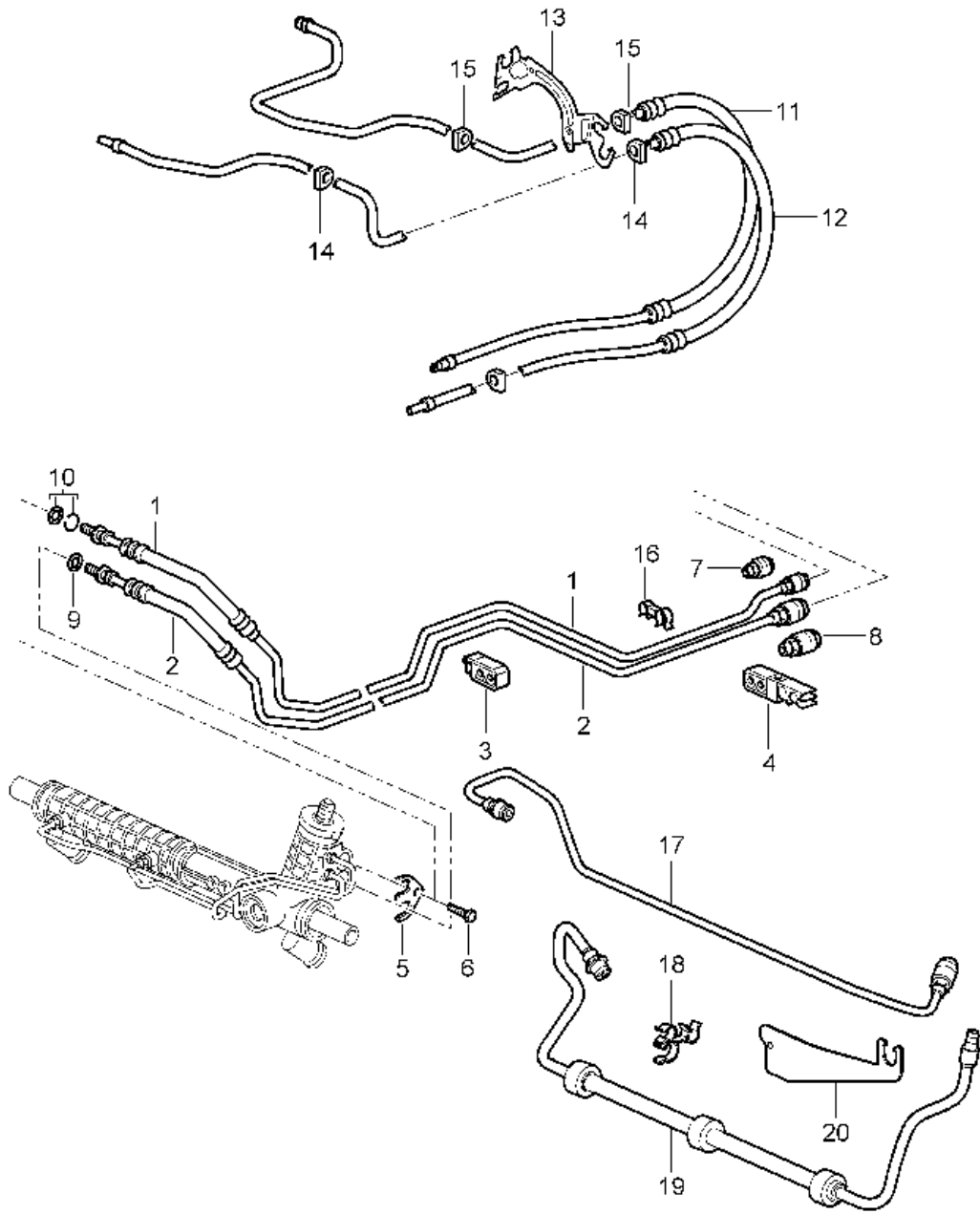


Model: 987 06 Model life 2006>>2008

Pos	Part Number	Description	Remark	Qty	Model
1	997 347 011 05	Power steering Steering gear Steering parts Steering gear Power steering D >> - MJ 2007		1	PR:098
(1)	997 347 011 06	Steering gear Power steering D - MJ 2008>>		1	PR:098
(1)	997 347 012 04	Steering gear Power steering D >> - MJ 2007		1	PR:099
(1)	997 347 012 05	Steering gear Power steering D - MJ 2008>>		1	PR:099
-	996 347 110 02	Clip pinion Steering gear		1	
2	997 347 191 00	Bellows for Steering gear		2	
3	996 347 293 04	clamping ring for Steering gear		2	
4	997 347 373 00	seal ring for Steering gear		2	
5	999 512 693 09	clamping ring		2	
6	997 347 322 00	Joint D >> - MJ 2007		2	
(6)	997 347 322 01	Joint D - MJ 2008>>		2	
7	999 034 037 09	Hexagon nut M 14 X 1,5		2	
8	996 347 131 04	Track rod		2	
9		see illustration, item:	401-000,2		
10	900 378 100 01	Hexagon bolt AM 10 X 45		2	
11	999 084 449 09	Locknut M 12 X 1,5		2	

Model: 987 06

Model life 2006>>2008



Model: 987 06 Model life 2006>>2008

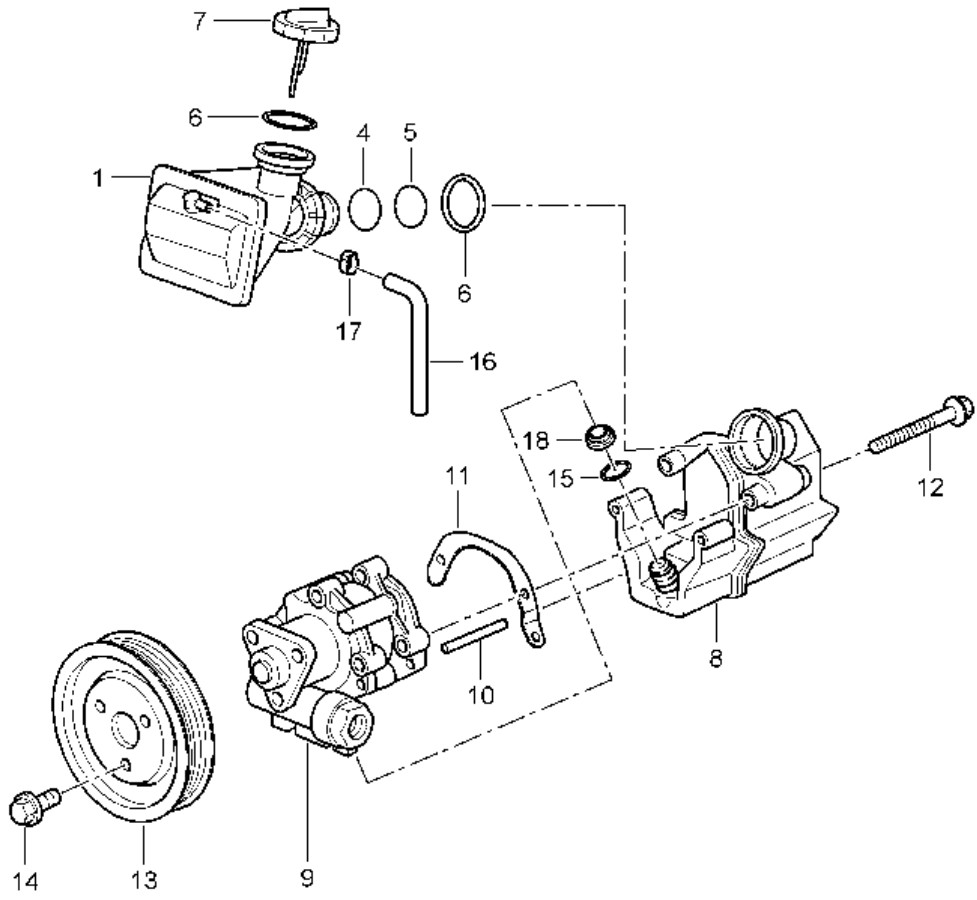
Pos	Part Number	Description	Remark	Qty	Model
1	997 347 451 03	Power steering Lines		1	PR:098
(1)	997 347 451 04	Pressure line D >> - MJ 2007		1	PR:098
(1)	997 347 451 05	Discontinued part Pressure line D - MJ 2008>>		1	PR:098
(1)	997 347 452 02	Pressure line		1	PR:099
2	987 347 449 03	return line		1	PR:098 CAYMAN
(2)	987 347 449 05	Discontinued part return line		1	PR:098 CAYMAN
(2)	987 347 449 07	Discontinued part return line		1	PR:098 CAYMAN
(2)	987 347 449 02	return line		1	PR:098 CAYMAN S
(2)	987 347 449 04	Discontinued part return line		1	PR:098 CAYMAN S
(2)	987 347 449 06	Discontinued part return line		1	PR:098 CAYMAN S
(2)	987 347 650 03	return line		1	PR:099 CAYMAN
(2)	987 347 650 02	return line		1	PR:099 CAYMAN S
3	996 347 543 00	Cable holder		3	
4	996 355 543 00	Bracket		1	
5	996 347 769 01	Tension shackle		1	
6	900 067 063 02	Socket head bolt M 10 X 20		1	
(6)	900 067 063 03	D >> - MJ 2007 Socket head bolt M 10 x 20 D - MJ 2008>>		1	
7	999 230 552 10	Threaded joint		1	
8	999 230 551 10	Threaded joint		1	
-	999 230 683 40	securing clip for Threaded joint		X	
-	999 230 584 40	Pressure line Securing ring Threaded joint return line		1	PR:098
-	999 230 584 40	Securing ring Threaded joint return line		2	PR:099
9	999 230 542 40	O-ring		X	
10	999 230 543 40	repair set Gaskets		X	
11	987 347 443 02	Pressure line		1	
(11)	987 347 443 03	Discontinued part Pressure line		1	
(11)	987 347 443 04	Discontinued part Pressure line		1	
12	987 347 439 01	return line		1	
13	987 347 749 01	Line holder		1	
14	999 702 210 40	Rubber grommet		4	
15	999 702 226 40	Rubber grommet		3	

Model: 987 06 Model life 2006>>2008

Pos	Part Number	Description	Remark	Qty	Model
16	999 507 091 40	Cable holder		3	
17	997 347 564 02	Pressure line		1	PR:099
		D >> - MJ 2007			
(17)	997 347 564 03	Pressure line		1	PR:099
		D - MJ 2008>>			
		Discontinued part			
(17)	997 347 564 04	Pressure line		1	PR:099
		D - MJ 2008>>			
18	999 507 963 40	Line holder		1	PR:099
19	997 347 462 02	return line		1	PR:099
		D - MJ 2006>> - MJ 2006			
(19)	997 347 462 03	return line		1	PR:099
		D - MJ 2007>>			
		Discontinued part			
(19)	997 347 462 04	return line		1	PR:099
		D - MJ 2007>>			
20	997 347 560 00	Line holder		1	PR:099

Model: 987 06

Model life 2006>>2008



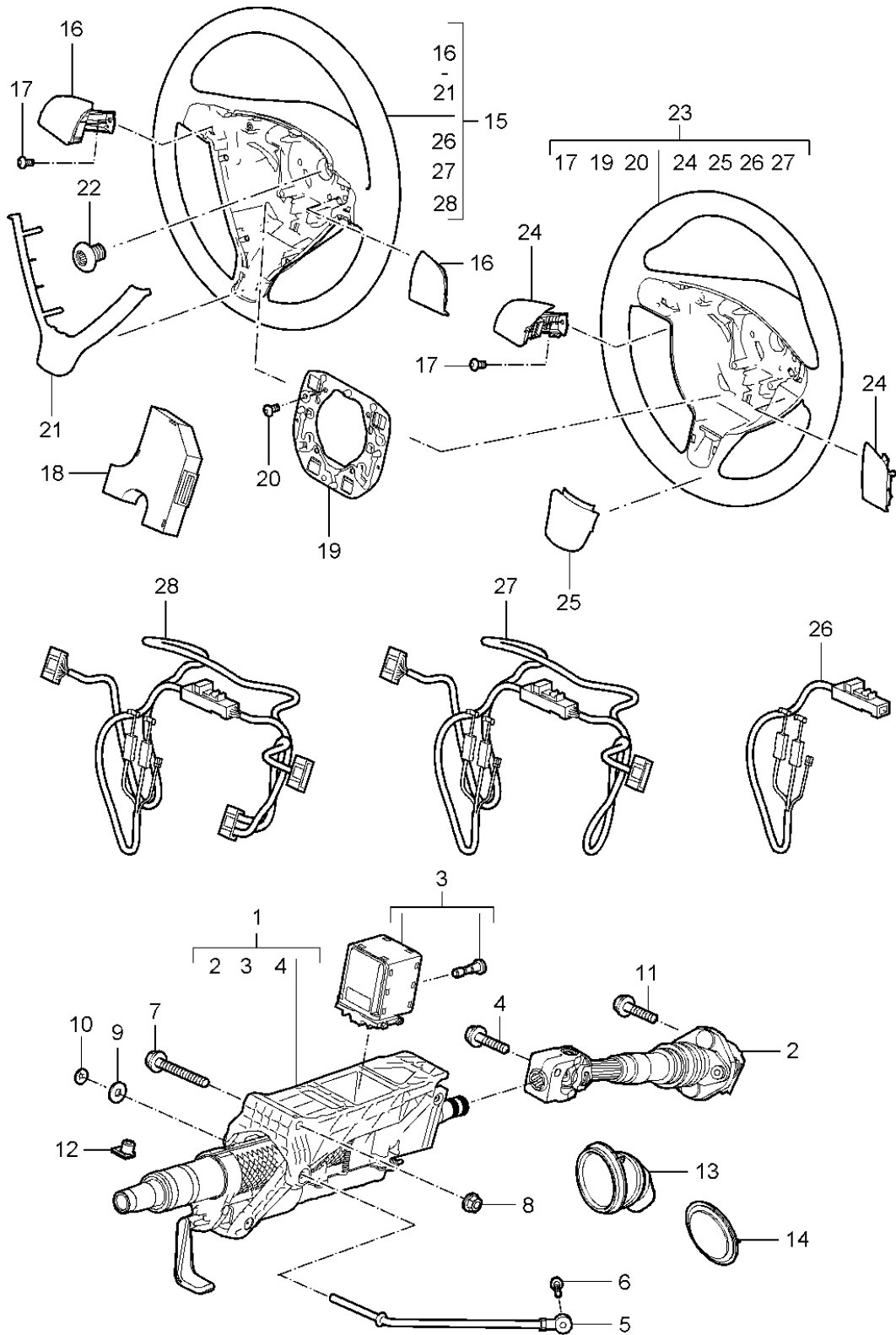
Model: 987 06

Model life 2006>>2008

Pos	Part Number	Description	Remark	Qty	Model
		Power steering			
		Power-steering pump			
		container			
1	987 314 225 00	Reservoir		1	
4	999 707 362 40	seal ring		1	
5	999 707 363 40	seal ring		1	
6	999 701 154 40	seal ring		2	
7	987 314 223 00	Cover		1	
8	997 314 220 00	oil container		1	
9	996 314 050 02	Power-steering pump		1	
10	996 314 320 03	Cylinder pin		2	
11	996 314 431 05	Support		1	
12	900 378 105 09	Hexagon bolt		2	
		AM 8 X 70			
13	996 147 223 60	pulley		1	
14	900 385 099 04	Torx screw		3	
		M 8 X 12			
		Discontinued part			
14	900 385 099 01	Torx screw		3	
		M 8 X 12			
15	999 707 204 40	seal ring		1	
		12.5 X 2N			
16	996 314 545 01	Hose		1	
17	999 512 527 00	Clamp		1	
		8,5-10,0			
-	000 043 206 56	Pentosin		X	
		1000 ML			
18	996 314 427 00	Guide		1	

Model: 987 06

Model life 2006>>2008



Model: 987 06

Model life 2006>>2008

Pos	Part Number	Description	Remark	Qty	Model
(1)	997 347 007 10	Steering protective pipe Intermediate steering shaft Steering wheels Complete steering column with:		1	
2	997 347 023 03	Intermediate steering shaft Intermediate steering shaft Discontinued part		1	
(2)	997 347 023 04	Intermediate steering shaft		1	
3	997 618 158 03	Control unit Steering column with:		1	
(3)	997 618 158 04	Screw D >> - MJ 2007 Discontinued part Control unit Steering column with:		1	
4	999 217 042 09	Screw D - MJ 2008>> Hexagon bolt M 8 X 35		1	
5	997 347 243 00	Support		1	
6	900 378 173 09	Hexagon bolt AM 6 X 20		1	
7	900 378 095 09	Hexagon bolt M 10 X 100		1	
8	900 380 008 09	Locknut M 10 Discontinued part		1	
8	900 380 008 01	Hexagon nut M 10		1	
9	900 151 006 09	Washer		1	
10	999 507 217 07	Clamping washer		1	
11	999 217 042 09	Hexagon bolt M 8 X 35		1	
12	999 920 019 40	Plug-in nut 3,5 X 2,5 X 9		1	
13	986 347 037 01	Bellows		1	
14	996 347 339 02	Rubber seal filler plate		1	
15	997 347 804 60	steering wheel (leather) Embossed Discontinued part		1	PR:436,481, 480
	997 347 804 60 A34	Black			
	997 347 804 60 B24	Stone grey			
	997 347 804 60 T24	Sand beige			
	997 347 804 60 J24	Palm green			
	997 347 804 60 E24	sea blue			
	997 347 804 60 M24	Terracotta			
	997 347 804 60 R24	Cocoa			
	997 347 804 60 D14	Dark grey/natural			
	997 347 804 60 T34	Brown/natural			
15	997 347 804 72	steering wheel (leather) Embossed		1	PR:436,481, 480
	997 347 804 72 A34	Black			
	997 347 804 72 B24	Stone grey			
	997 347 804 72 T24	Sand beige			
	997 347 804 72 E24	sea blue			
	997 347 804 72 M24	Terracotta			
	997 347 804 72 R24	Cocoa			

Model: 987 06 Model life 2006>>2008

Pos	Part Number	Description	Remark	Qty	Model
(15)	997 347 804 72 D14	Dark grey/natural		1	PR:436,249
	997 347 804 72 T34	Brown/natural			
	997 347 804 61	steering wheel (leather) Embossed			
	997 347 804 61 A34	Black			
	997 347 804 61 B24	Stone grey			
	997 347 804 61 T24	Sand beige			
	997 347 804 61 J24	Palm green			
	997 347 804 61 E24	sea blue			
	997 347 804 61 M24	Terracotta			
	997 347 804 61 R24	Cocoa			
(15)	997 347 804 61 D14	Dark grey/natural		1	PR:459,481, 480
	997 347 804 61 T34	Brown/natural			
	997 347 804 62	steering wheel Plain leather			
	997 347 804 62 A34	black/grey			
	997 347 804 62 B24	Stone grey/stone grey			
	997 347 804 62 T24	Sand beige/sand beige			
	997 347 804 62 J24	Palmgreen/palmgreen			
	997 347 804 62 E24	Sea blue/grey			
	997 347 804 62 M24	Terracotta/terracotta			
	997 347 804 62 R24	Cocoa/Cocoa			
(15)	997 347 804 62 D14	Darkgrey natural/grey		1	PR:459,249
	997 347 804 62 T34	Brown nat./brown nat.			
	997 347 804 64	steering wheel Plain leather			
	997 347 804 64 A34	black/grey			
	997 347 804 64 B24	Stone grey/stone grey			
	997 347 804 64 T24	Sand beige/sand beige			
	997 347 804 64 J24	Palmgreen/palmgreen			
	997 347 804 64 E24	Sea blue/grey			
	997 347 804 64 M24	Terracotta/terracotta			
	997 347 804 64 R24	Cocoa/Cocoa			
(15)	997 347 804 64 D14	Darkgrey natural/grey		1	PR:431,481, 480
	997 347 804 64 T34	Brown nat./brown nat.			
	997 347 804 63	multifunction steering wheel Plain leather			
	997 347 804 63 A34	black/grey			
	997 347 804 63 B24	Stone grey/stone grey			
	997 347 804 63 T24	Sand beige/sand beige			
	997 347 804 63 J24	Palmgreen/palmgreen			
	997 347 804 63 E24	Sea blue/grey			
	997 347 804 63 M24	Terracotta/terracotta			
	997 347 804 63 R24	Cocoa/Cocoa			
(15)	997 347 804 63 D14	Darkgrey natural/grey		1	PR:431,249
	997 347 804 63 T34	Brown nat./brown nat.			
	997 347 804 65	steering wheel (leather) Plain leather Multi-function Discontinued part			
	997 347 804 65 A34	black/grey			
	997 347 804 65 B24	Stone grey/stone grey			
	997 347 804 65 T24	Sand beige/sand beige			
	997 347 804 65 J24	Palmgreen/palmgreen			
	997 347 804 65 E24	Sea blue/grey			
	997 347 804 65 M24	Terracotta/terracotta			
	997 347 804 65 R24	Cocoa/Cocoa			
(15)	997 347 804 65 D14	Darkgrey natural/grey		1	PR:431,249
	997 347 804 65 T34	Brown nat./brown nat.			
	997 347 804 77	steering wheel (leather) Plain leather Multi-function			
	997 347 804 77 A34	Black			

Model: 987 06 Model life 2006>>2008

Pos	Part Number	Description	Remark	Qty	Model
	997 347 804 77 B24	Stone grey			
	997 347 804 77 T24	Sand beige			
	997 347 804 77 E24	sea blue			
	997 347 804 77 M24	Terracotta			
	997 347 804 77 R24	Cocoa			
	997 347 804 77 D14	Dark grey/natural			
	997 347 804 77 T34	Brown/natural			
(15)	997 347 804 22	steering wheel Multi-function Wood macassar		1	PR:451,481, 480
	997 347 804 22 FOK	black/grey			
	997 347 804 22 FOL	Stone grey/stone grey			
	997 347 804 22 FOM	Sand beige/sand beige			
	997 347 804 22 FON	Palmgreen/palmgreen			
	997 347 804 22 FOO	Sea blue/grey			
	997 347 804 22 FOP	Terracotta/terracotta			
	997 347 804 22 FOQ	Cocoa/Cocoa			
	997 347 804 22 FOR	Darkgrey natural/grey			
(15)	997 347 804 22 FOS	Brown nat./brown nat.			
	997 347 804 32	steering wheel Multi-function Wood macassar		1	PR:451,249
	997 347 804 32 FOK	black/grey			
	997 347 804 32 FOL	Stone grey/stone grey			
	997 347 804 32 FOM	Sand beige/sand beige			
	997 347 804 32 FON	Palmgreen/palmgreen			
	997 347 804 32 FOO	Sea blue/grey			
	997 347 804 32 FOP	Terracotta/terracotta			
	997 347 804 32 FOQ	Cocoa/Cocoa			
	997 347 804 32 FOR	Darkgrey natural/grey			
(15)	997 347 804 32 FOS	Brown nat./brown nat.			
	997 347 804 23	steering wheel Multi-function Wood Sycamore wood		1	PR:452,481, 480
	997 347 804 23 FOK	black/grey			
	997 347 804 23 FOL	Stone grey/stone grey			
	997 347 804 23 FOM	Sand beige/sand beige			
	997 347 804 23 FON	Palmgreen/palmgreen			
	997 347 804 23 FOO	Sea blue/grey			
	997 347 804 23 FOP	Terracotta/terracotta			
	997 347 804 23 FOQ	Cocoa/Cocoa			
	997 347 804 23 FOR	Darkgrey natural/grey			
(15)	997 347 804 23 FOS	Brown nat./brown nat.			
	997 347 804 33	steering wheel Multi-function Wood Sycamore wood		1	PR:452,249
	997 347 804 33 FOK	black/grey			
	997 347 804 33 FOL	Stone grey/stone grey			
	997 347 804 33 FOM	Sand beige/sand beige			
	997 347 804 33 FON	Palmgreen/palmgreen			
	997 347 804 33 FOO	Sea blue/grey			
	997 347 804 33 FOP	Terracotta/terracotta			
	997 347 804 33 FOQ	Cocoa/Cocoa			
	997 347 804 33 FOR	Darkgrey natural/grey			
(15)	997 347 804 33 FOS	Brown nat./brown nat.			
	997 347 804 24	steering wheel Multi-function Carbon		1	PR:453,481, 480
	997 347 804 24 FOK	black/grey			

Model: 987 06

Model life 2006>>2008

Pos	Part Number	Description	Remark	Qty	Model
	997 347 804 24 FOL	Stone grey/stone grey			
	997 347 804 24 FOM	Sand beige/sand beige			
	997 347 804 24 FON	Palmgreen/palmgreen			
	997 347 804 24 FOO	Sea blue/grey			
	997 347 804 24 FOP	Terracotta/terracotta			
	997 347 804 24 FOQ	Cocoa/Cocoa			
	997 347 804 24 FOR	Darkgrey natural/grey			
	997 347 804 24 FOS	Brown nat./brown nat.			
(15)	997 347 804 34	steering wheel		1	PR:453,249
		Multi-function			
		Carbon			
	997 347 804 34 FOK	black/grey			
	997 347 804 34 FOL	Stone grey/stone grey			
	997 347 804 34 FOM	Sand beige/sand beige			
	997 347 804 34 FON	Palmgreen/palmgreen			
	997 347 804 34 FOO	Sea blue/grey			
	997 347 804 34 FOP	Terracotta/terracotta			
	997 347 804 34 FOQ	Cocoa/Cocoa			
	997 347 804 34 FOR	Darkgrey natural/grey			
	997 347 804 34 FOS	Brown nat./brown nat.			
(15)	997 347 981 00	multifunction steering wheel		1	PR:480,XPV
		Aluminium look			
	997 347 981 00 A34	Black			
	997 347 981 00 B24	Stone grey			
	997 347 981 00 D14	Dark grey/natural			
	997 347 981 00 E24	sea blue			
	997 347 981 00 J24	Palm green			
	997 347 981 00 M24	Terracotta			
	997 347 981 00 R24	Cocoa			
	997 347 981 00 T24	Sand beige			
	997 347 981 00 T34	Brown/natural			
(15)	997 347 981 01	multifunction steering wheel		1	PR:432,XPV
		Aluminium look			
	997 347 981 01 A34	Black			
	997 347 981 01 B24	Stone grey			
	997 347 981 01 D14	Dark grey/natural			
	997 347 981 01 E24	sea blue			
	997 347 981 01 J24	Palm green			
	997 347 981 01 M24	Terracotta			
	997 347 981 01 R24	Cocoa			
	997 347 981 01 T24	Sand beige			
	997 347 981 01 T34	Brown/natural			
16	997 347 837 00	Dummy cover	left	1	PR:480,481
	997 347 837 00 V04	Galvano silver			
(16)	997 347 838 00	Dummy cover	right	1	PR:480,481
	997 347 838 00 V04	Galvano silver			
(16)	997 613 431 02	Switching module	left	1	PR:249
		with:			
		Tiptronic			
		Lever			
(16)	997 613 431 02 V04	Galvano silver			
	997 613 432 02	Switching module	right	1	PR:249
		with:			
		Tiptronic			
		Lever			
(16)	997 613 432 02 V04	Galvano silver			
	997 613 433 02	Switching module	left	1	PR:480,481
		Multi-function			
		Manual gearbox			
	997 613 433 02 V04	Galvano silver			
		F >> 98-7U752 071			
		F >> 98-7U771 010			
(16)	997 613 433 03	Switching module	left	1	PR:480,481

Model: 987 06 Model life 2006>>2008

Pos	Part Number	Description	Remark	Qty	Model
	997 613 433 03 V04	Multi-function Manual gearbox Galvano silver F 98-7U752 072>> F 98-7U771 011>>			
		also use:	997 613 434 03 (V04) 997 613 445 03		
		See technical manual			
		Group:			
		91 6119 91 7719			
(16)	997 613 434 02	Switching module	right	1	PR:480,481
	997 613 434 02 V04	Multi-function Manual gearbox Galvano silver			
		F >> 98-7U752 071 F >> 98-7U771 010			
(16)	997 613 434 03	Switching module		1	
	997 613 434 03 V04	Multi-function Manual gearbox Galvano silver			
		F 98-7U752 072>> F 98-7U771 011>>			
		also use:	997 613 433 03 (V04) 997 613 445 03		
		See technical manual			
		Group:			
		91 6119 91 7719			
(16)	997 613 435 02	Switching module	left	1	PR:249
	997 613 435 02 V04	Multi-function Discontinued part Galvano silver			
		F >> 98-7U752 071 F >> 98-7U771 010			
(16)	997 613 435 03	Switching module	left	1	PR:249
	997 613 435 03 V04	Multi-function Tiptronic Lever Discontinued part Galvano silver			
		F 98-7U752 072>> F 98-7U771 011>>			
		also use:	997 613 436 03 (V04) 997 613 445 03		
		See technical manual			
		Group:			
		91 6119 91 7719			
(16)	997 613 436 02	Switching module	right	1	PR:249
	997 613 436 02 V04	Multi-function Tiptronic Lever Discontinued part Galvano silver			
		F >> 98-7U752 071			
		with:			

Model: 987 06 Model life 2006>>2008

Pos	Part Number	Description	Remark	Qty	Model
(16)	997 613 436 03	F >> 98-7U771 010 Switching module Multi-function with: Tiptronic Lever	right	1	PR:249
	997 613 436 03 V04	Galvano silver F 98-7U752 072>> F 98-7U771 011>> also use: 997 613 435 03 (V04) 997 613 445 03 See technical manual Group: 91 6119 91 7719			
17	999 073 318 09	Round-head screw M 4 X 10		2	
18	997 613 445 02	Electronic unit Multi-function F >> 98-7U752 071 F >> 98-7U771 010		1	
(18)	997 613 445 03	Electronic unit Multi-function F 98-7U752 072>> F 98-7U771 011>> also use: F >> 98-7U752 071 F >> 98-7U770 110 See technical manual Group: 91 6119 91 7719		1	PR:431,451,452,453
19	997 347 880 00	retaining frame		1	
20	999 141 022 09	flat round head bolt M 5 X 12,5		4	
21	997 347 821 00	Trim		1	
	997 347 821 00 D07	Volcano grey			
22	N 910 207 01	Screw with int. serrations M 18 X 1,5 X 26		1	
23	997 347 804 54	sports steering wheel (leather) Embossed		1	PR:435,481,480
	997 347 804 54 A34	Black			
	997 347 804 54 B24	Stone grey			
	997 347 804 54 T24	Sand beige			
	997 347 804 54 J24	Palmgreen/palmgreen			
	997 347 804 54 E24	sea blue			
	997 347 804 54 M24	Terracotta			
	997 347 804 54 R24	Cocoa			
	997 347 804 54 D14	Dark grey/natural			
	997 347 804 54 T34	Brown/natural			
	997 347 804 54 J24	Palmgreen/palmgreen			
(23)	997 347 804 57	sports steering wheel (leather) Embossed Discontinued part		1	PR:435,249
	997 347 804 57 A34	Black			
	997 347 804 57 B24	Stone grey			
	997 347 804 57 T24	Sand beige			

Model: 987 06 Model life 2006>>2008

Pos	Part Number	Description	Remark	Qty	Model
	997 347 804 57 J24	Palm green			
	997 347 804 57 E24	sea blue			
	997 347 804 57 M24	Terracotta			
	997 347 804 57 R24	Cocoa			
	997 347 804 57 D14	Dark grey/natural			
	997 347 804 57 T34	Brown/natural			
(23)	997 347 804 69	sports steering wheel (leather) Embossed		1	PR:435,249
	997 347 804 69 A34	Black			
	997 347 804 69 B24	Stone grey			
	997 347 804 69 T24	Sand beige			
	997 347 804 69 E24	sea blue			
	997 347 804 69 M24	Terracotta			
	997 347 804 69 R24	Cocoa			
	997 347 804 69 D14	Dark grey/natural			
	997 347 804 69 T34	Brown/natural			
(23)	997 347 804 55	sports steering wheel Plain leather		1	PR:460,481, 480
	997 347 804 55 A34	black/grey			
	997 347 804 55 B24	Stone grey/stone grey			
	997 347 804 55 T24	Sand beige/sand beige			
	997 347 804 55 J24	Palmgreen/palmgreen			
	997 347 804 55 E24	Sea blue/grey			
	997 347 804 55 M24	Terracotta/terracotta			
	997 347 804 55 R24	Cocoa/Cocoa			
	997 347 804 55 D14	Darkgrey natural/grey			
	997 347 804 55 T34	Brown nat./brown nat.			
(23)	997 347 804 58	sports steering wheel Plain leather Discontinued part		1	PR:460,249
	997 347 804 58 A34	black/grey			
	997 347 804 58 B24	Stone grey/stone grey			
	997 347 804 58 T24	Sand beige/sand beige			
	997 347 804 58 J24	Palmgreen/palmgreen			
	997 347 804 58 E24	Sea blue/grey			
	997 347 804 58 M24	Terracotta/terracotta			
	997 347 804 58 R24	Cocoa/Cocoa			
	997 347 804 58 D14	Darkgrey natural/grey			
	997 347 804 58 T34	Brown nat./brown nat.			
(23)	997 347 804 70	sports steering wheel Plain leather		1	PR:460,249
	997 347 804 70 A34	Black			
	997 347 804 70 B24	Stone grey			
	997 347 804 70 T24	Sand beige			
	997 347 804 70 E24	sea blue			
	997 347 804 70 M24	Terracotta			
	997 347 804 70 R24	Cocoa			
	997 347 804 70 D14	Dark grey/natural			
	997 347 804 70 T34	Brown/natural			
(23)	997 347 980 00	sports steering wheel (leather)		1	PR:480,XPA
	997 347 980 00 A34	Black			
	997 347 980 00 B24	Stone grey			
	997 347 980 00 D14	Dark grey/natural			
	997 347 980 00 E24	sea blue			
	997 347 980 00 J24	Palm green			
	997 347 980 00 M24	Terracotta			
	997 347 980 00 R24	Cocoa			
	997 347 980 00 T24	Sand beige			
	997 347 980 00 T34	Brown/natural			
(23)	997 347 980 01	sports steering wheel (leather)		1	PR:432,XPA
	997 347 980 01 A34	Black			
	997 347 980 01 B24	Stone grey			
	997 347 980 01 D14	Dark grey/natural			

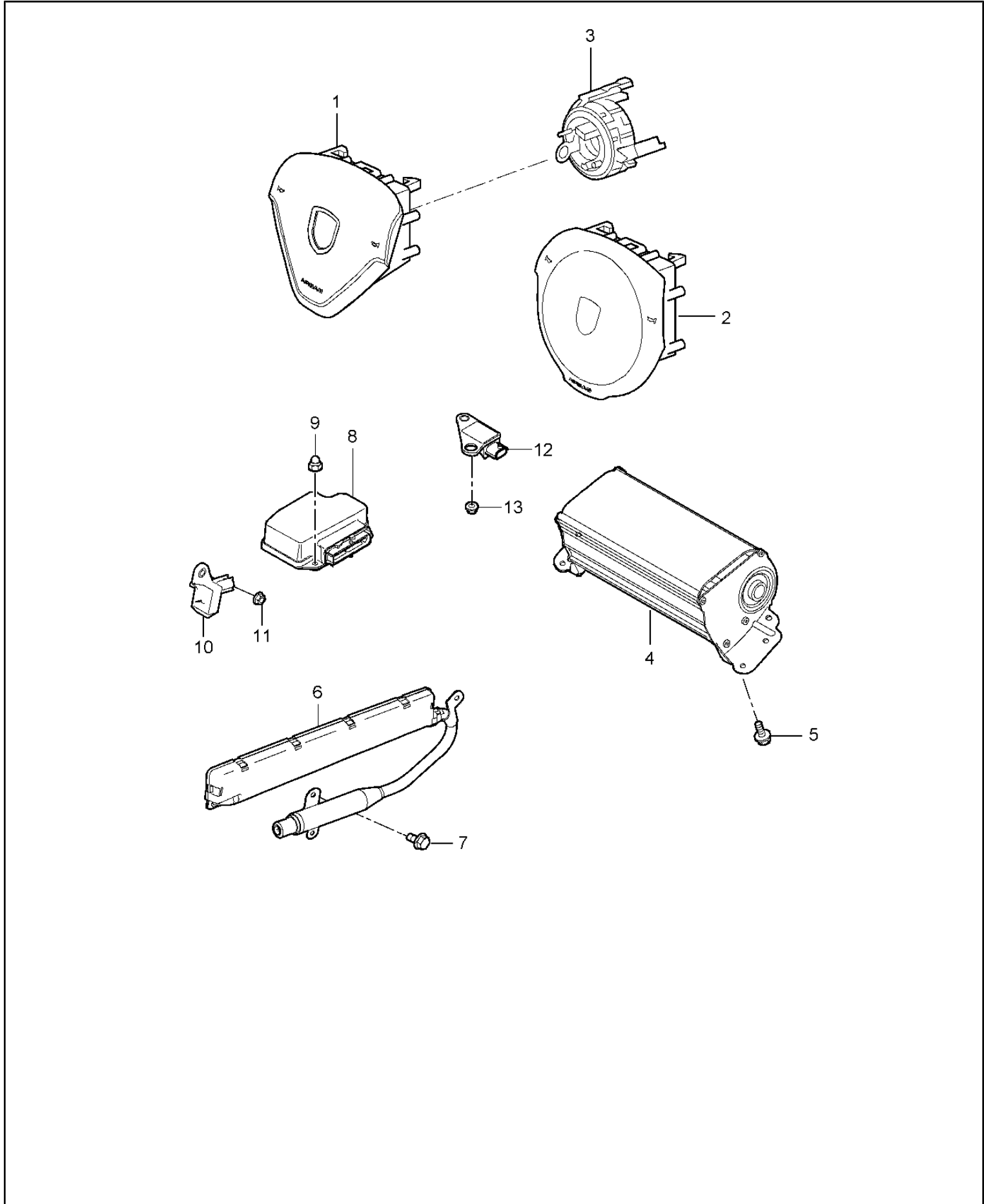
Model: 987 06

Model life 2006>>2008

Pos	Part Number	Description	Remark	Qty	Model
	997 347 980 01 E24	sea blue			
	997 347 980 01 J24	Palm green			
	997 347 980 01 M24	Terracotta			
	997 347 980 01 R24	Cocoa			
	997 347 980 01 T24	Sand beige			
	997 347 980 01 T34	Brown/natural			
(23)	997 347 804 91	sports steering wheel Leather Alcantara		1	PR:758
	997 347 804 91 A15	Black			
(23)	997 347 804 91	sports steering wheel Leather Alcantara		1	PR:755
	997 347 804 91 A15	Black			
(23)	997 347 804 93	sports steering wheel Leather Alcantara		1	PR:758,249
	997 347 804 93 A15	Black			
(23)	997 347 804 93	sports steering wheel Leather Alcantara		1	PR:755,249
	997 347 804 93 A15	Black			
24	997 347 837 40	Dummy cover	left	1	PR:480,481
	997 347 837 40 V04	Galvano silver			
(24)	997 347 838 40	Dummy cover	right	1	PR:480,481
	997 347 838 40 V04	Galvano silver			
(24)	997 613 437 02	Switching module	left	1	PR:249
		with:			
		Tiptronic Lever			
	997 613 437 02 V04	Galvano silver			
(24)	997 613 438 02	Switching module	right	1	PR:249
		with:			
		Tiptronic Lever			
	997 613 438 02 V04	Galvano silver			
25	997 347 821 40	Dummy cover		1	
	997 347 821 40 V04	Galvano silver			
26	997 612 672 00	Wire set 3-spoke steering wheel sports steering wheel		1	PR:480,481
		without:			
		Multi-function Manual gearbox			
27	997 612 674 00	Wire set 3-spoke steering wheel sports steering wheel		1	PR:249
		without:			
		Multi-function Tiptronic			
28	997 612 673 00	Wire set 3-spoke steering wheel		1	PR:431,451, 452,453
		with:			
		Multi-function Manual gearbox Tiptronic			

Model: 987 06

Model life 2006>>2008



Model: 987 06 Model life 2006>>2008

Pos	Part Number	Description	Remark	Qty	Model
1	997 803 089 05	Airbag Airbag unit 3-spoke steering wheel plastic Porsche crest Coloured		1	PR:436
	997 803 089 05 A32	Black			
	997 803 089 05 B22	Stone grey			
	997 803 089 05 T22	Sand beige			
	997 803 089 05 E22	sea blue			
	997 803 089 05 J22	Palm green			
	997 803 089 05 M22	Terracotta			
	997 803 089 05 R32	Cocoa			
	997 803 089 05 T32	Brown/natural			
(1)	997 803 089 06	Airbag unit 3-spoke steering wheel Leather Porsche crest Coloured		1	PR:431,451, 452,453,459, 991
	997 803 089 06 A34	Black			
	997 803 089 06 B24	Stone grey			
	997 803 089 06 T24	Sand beige			
	997 803 089 06 E24	sea blue			
	997 803 089 06 J24	Palm green			
	997 803 089 06 M24	Terracotta			
	997 803 089 06 R24	Cocoa			
	997 803 089 06 D14	Dark grey/natural			
	997 803 089 06 T34	Brown/natural			
(1)	997 803 089 06	Airbag unit 3-spoke steering wheel Leather Porsche crest Coloured		1	PR:XPV,991
	997 803 089 06 A34	Black			
	997 803 089 06 B24	Stone grey			
	997 803 089 06 T24	Sand beige			
	997 803 089 06 E24	sea blue			
	997 803 089 06 J24	Palm green			
	997 803 089 06 M24	Terracotta			
	997 803 089 06 R24	Cocoa			
	997 803 089 06 D14	Dark grey/natural			
	997 803 089 06 T34	Brown/natural			
2	997 803 089 07	Airbag unit sports steering wheel plastic Porsche crest Coloured		1	PR:435
	997 803 089 07 A32	Black			
	997 803 089 07 B22	Stone grey			
	997 803 089 07 T22	Sand beige			
	997 803 089 07 E22	sea blue			
	997 803 089 07 J22	Palm green			
	997 803 089 07 M22	Terracotta			
	997 803 089 07 R32	Cocoa			
	997 803 089 07 T32	Brown/natural			
(2)	997 803 089 08	Airbag unit sports steering wheel Leather Porsche crest Coloured		1	PR:460,991
	997 803 089 08 A34	Black			
	997 803 089 08 B24	Stone grey			
	997 803 089 08 T24	Sand beige			

Model: 987 06 Model life 2006>>2008

Pos	Part Number	Description	Remark	Qty	Model
	997 803 089 08 E24	sea blue			
	997 803 089 08 J24	Palm green			
	997 803 089 08 M24	Terracotta			
	997 803 089 08 R24	Cocoa			
	997 803 089 08 D14	Dark grey/natural			
	997 803 089 08 T34	Brown/natural			
(2)	997 803 089 08	Airbag unit		1	PR:XPA, 991
		sports steering wheel			
		Leather			
		Porsche crest			
		Coloured			
	997 803 089 08 A34	Black			
	997 803 089 08 B24	Stone grey			
	997 803 089 08 T24	Sand beige			
	997 803 089 08 E24	sea blue			
	997 803 089 08 J24	Palm green			
	997 803 089 08 M24	Terracotta			
	997 803 089 08 R24	Cocoa			
	997 803 089 08 D14	Dark grey/natural			
	997 803 089 08 T34	Brown/natural			
(2)	997 803 089 91	Airbag unit		1	PR:755,432
		Leather			
		Alcantara			
	997 803 089 91 A34	Black			
(2)	997 803 089 17	Airbag unit		1	PR:755,433
		sports steering wheel			
		Leather			
		Porsche crest			
		Coloured			
	997 803 089 17 A34	Black			
(2)	997 803 089 17	Airbag unit		1	PR:758,433
		sports steering wheel			
		Leather			
		Porsche crest			
		Coloured			
	997 803 089 17 B24	Stone grey			
3	955 652 211 10	Spring		1	
			with:		
		steering sensor			
4	997 803 071 07	Airbag unit		1	
		(passenger side)			
5	900 378 222 09	Hexagon bolt		4	
		M 6 X 16			
6	997 803 091 03	Side airbag unit	left	1	
		for			
		Head airbag unit			
(6)	997 803 092 03	Side airbag unit	right	1	
		for			
		Head airbag unit			
7	900 378 035 01	Hexagon bolt		6	
		M 6 X 16			
8	997 618 217 08	Control unit for airbag		1	
9	999 070 015 02	domed cap nut		3	
		M 6			
10	997 618 221 00	Crash sensor for airbag		2	
		Side airbag unit			
11	999 084 629 09	Hexagon nut		8	
		M 6			
12	997 618 223 00	Accelerator sensor		2	
		Airbag			
		Front			
		D - MJ 2006>> - MJ 2006			
		Discontinued part			

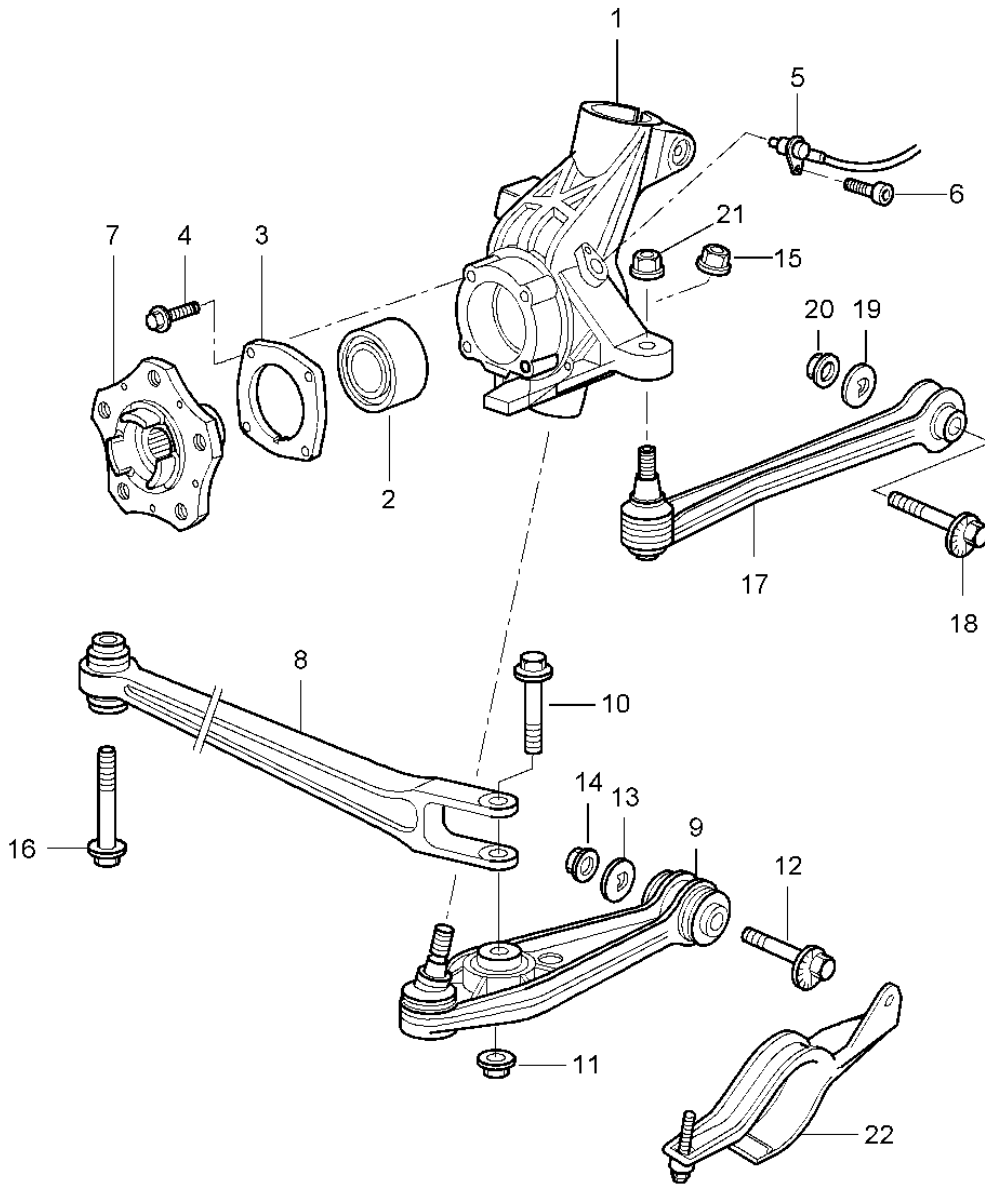
Model: 987 06

Model life 2006>>2008

Pos	Part Number	Description	Remark	Qty	Model
(12)	997 618 223 01	Accelerator sensor Airbag Front		2	
13	999 084 638 01	D - MJ 2007>> Hexagon nut M 6 SB		2	

Model: 987 06

Model life 2006>>2008

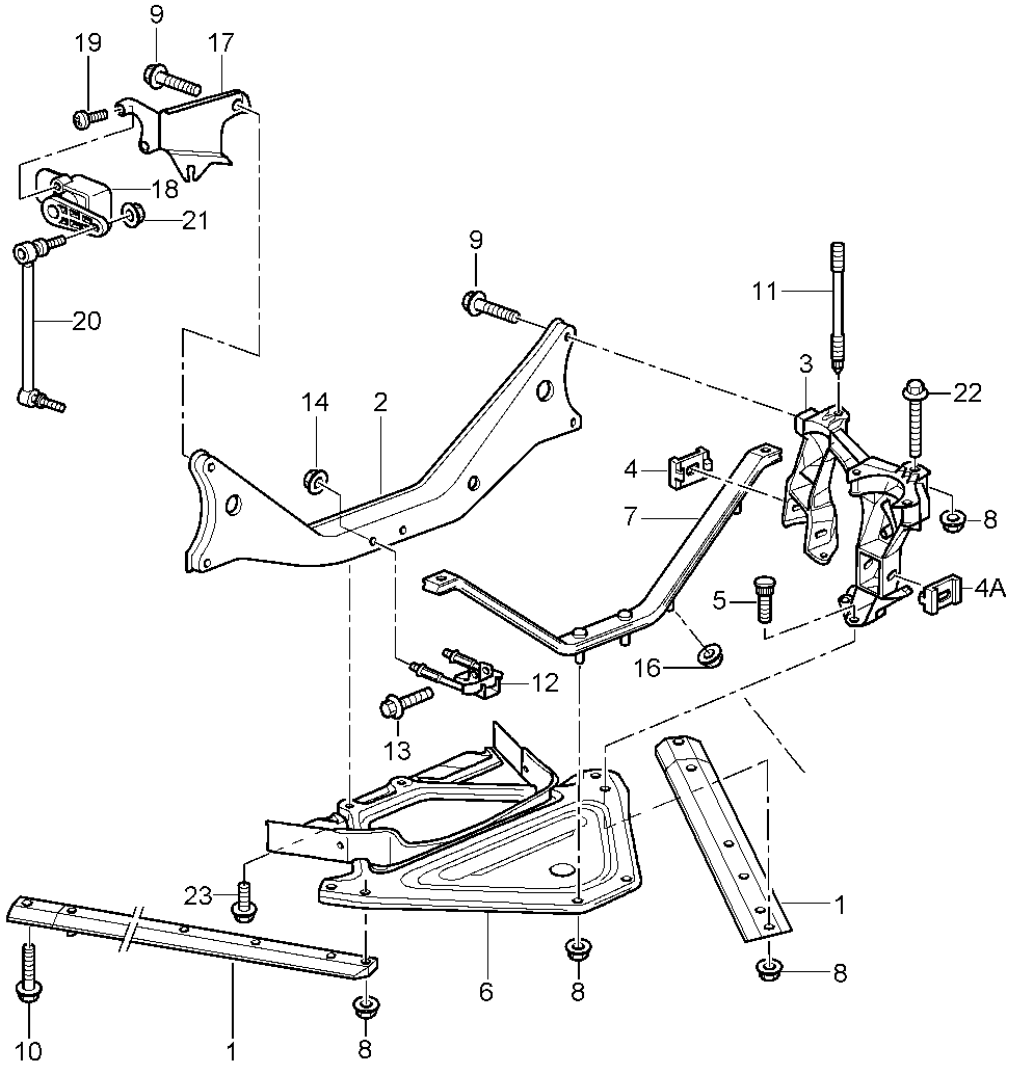


Model: 987 06 Model life 2006>>2008

Pos	Part Number	Description	Remark	Qty	Model
		Rear axle			
		Wheel carrier			
		Guide			
		Wheel hub			
1	987 331 157 06	Wheel carrier	left	1	
(1)	987 331 158 06	Wheel carrier	right	1	
2	999 053 054 05	angular ball bearing		2	
(3)	986 331 661 20	Cover		2	
4	999 217 042 09	Hexagon bolt M 8 X 35		8	
5	997 606 407 01	speed sensor		2	
6	900 067 117 09	Socket head bolt M 6 x 16		2	
7	997 341 605 01	Wheel hub Discontinued part		2	
7	991 341 605 02	Wheel hub Discontinued part		2	
7	991 341 605 03	Wheel hub		2	
8	987 331 043 02	Guide		2	
9	996 341 053 17	Wishbone		2	
(9)	997 331 053 01	F >> 98-6U774 551 Wishbone F 98-6U774 552>> F 98-6U783 369>>		2	
10	900 378 135 09	Hexagon bolt M 14 X 1,5 X 75 Discontinued part		2	
(10)	900 378 135 01	Hexagon bolt m 14 x 1,5 x 75		2	
11	900 380 012 09	Hexagon nut M 14 X 1,5 Discontinued part		2	
11	900 380 012 01	Hexagon nut M 14 X 1,5		2	
(12)	996 331 217 03	Eccentric bolt M 12 X 100		2	
(12)	996 331 217 04	Eccentric bolt M 12 X 105 Technical information Nr.4238 20/07		2	
13	996 331 219 00	eccentric washer		2	
14	999 084 445 01	Locknut M 12 X 1,5		4	
15	999 084 449 09	Locknut M 12 X 1,5		2	
16	900 378 209 09	Hexagon bolt M 14 X 1,5 X 90		2	
-	986 331 023 00	Nut lock		2	
17	997 331 045 04	Track rod		2	
18	996 331 217 02	Eccentric bolt M 12 X 83		2	
19	996 331 219 00	eccentric washer		2	
20	999 084 445 01	Locknut M 12 X 1,5		2	
21	999 084 449 09	Locknut M 12 X 1,5		2	
22	987 331 371 02	Bracket	left	2	PR:601
-	997 361 605 90	Spacer ring 5 mm		2	PR:XRP

Model: 987 06

Model life 2006>>2008



Model: 987 06

Model life 2006>>2008

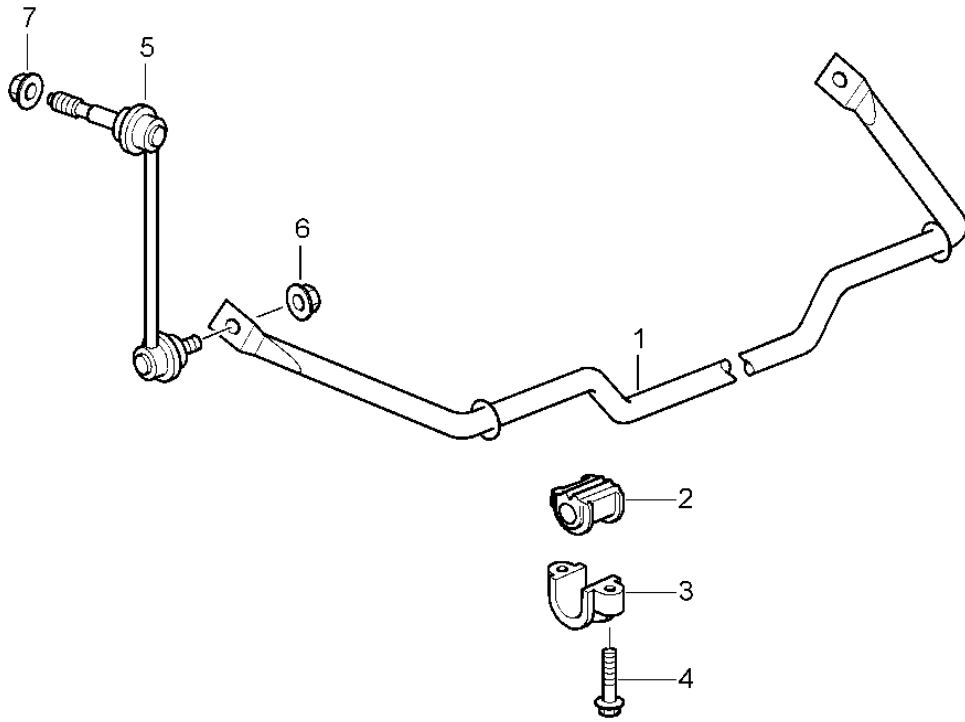
Pos	Part Number	Description	Remark	Qty	Model
1	986 331 031 01	Rear axle Side part Carrier Brace F >> 98-8U750 898 F >> 98-8U770 637	left	1	
(1)	987 331 031 20	Brace F 98-8U750 899>> F 98-8U770 638>>	left	1	
(1)	986 331 032 01	Brace F >> 98-8U750 898 F >> 98-8U770 637	right	1	
(1)	987 331 032 20	Brace F 98-8U750 899>> F 98-8U770 638>>	right	1	
2	986 331 071 10	Cross member		1	
3	987 331 051 04	Side part	left	1	
(3)	987 331 052 04	Side part Technical information Nr.4238 20/07	right	1	
4	986 331 351 01	Clip		6	
5	999 080 031 09	Fastening screw D >> - MJ 2007		8	
(5)	999 080 031 01	Fastening screw D - MJ 2008>>		8	
6	987 331 161 02	Bracket		1	PR:481
(6)	987 331 161 01	Bracket		1	PR:249
(6)	987 331 161 00	Bracket		1	PR:480
-	986 331 361 03	Spoiler		2	
-	999 507 774 40	press stud A 3,9		2	
-	999 507 775 40	press stud B 3,9		2	
7	986 331 093 03	Brace		1	
-	999 072 032 09	Hexagon bolt M 10 X 75 Discontinued part		2	
-	999 072 032 01	Hexagon bolt M 10 x 75 POS.7 Threaded joint		2	
8	999 076 053 09	Body Hexagon nut M 10		14	
(9)	999 072 037 09	Hexagon bolt M 10 X 45		4	
-	999 076 058 09	Nut M 10 - 10 -26A1 in Side part Discontinued part		8	
(9)	999 076 058 01	Nut M 10 - 10 26B1 in Side part		8	
(10)	999 072 031 01	Hexagon bolt M 10 x 45 F >> 98-8U750 898 F >> 98-8U770 637		2	
(10)	999 073 443 01	Bolt with washer M 12 X1,5 X 40 F 98-8U750 899>>		2	

Model: 987 06 Model life 2006>>2008

Pos	Part Number	Description	Remark	Qty	Model
11	999 061 108 09	F 98-8U770 638>> Threaded pin M 10 X 113 Discontinued part		4	
(11)	999 061 108 01	Threaded pin M 10 X 113		4	
12	986 331 181 01	Arresting cable		1	
13	900 378 107 09	Hexagon bolt M 8 X 45 Discontinued part		1	
(13)	900 378 107 01	Hexagon bolt M 8 x 45		1	
14	900 380 005 09	Hexagon nut M 8 D >> - MJ 2006		2	
(14)	999 084 457 01	Hexagon nut M 8 D - MJ 2007>>		2	
17	987 331 611 01	Bracket		1	PR:601
18	997 631 121 00	Level sensor		1	PR:601
19	900 146 003 02	fillister hd. bolt M 5 X 10 Discontinued part		2	PR:601
(19)	900 146 003 03	fillister hd. bolt M 5 x 10		2	PR:601
20	987 331 375 00	Brace		1	PR:601
21	900 380 015 09	Hexagon nut VM 6 Discontinued part		2	PR:601
(21)	900 380 015 01	Hexagon nut VM 6		2	PR:601
22	999 217 165 09	Hexagon bolt M 10 X 80		2	
23	999 072 024 01	Hexagon bolt M 10 x 25		2	

Model: 987 06

Model life 2006>>2008



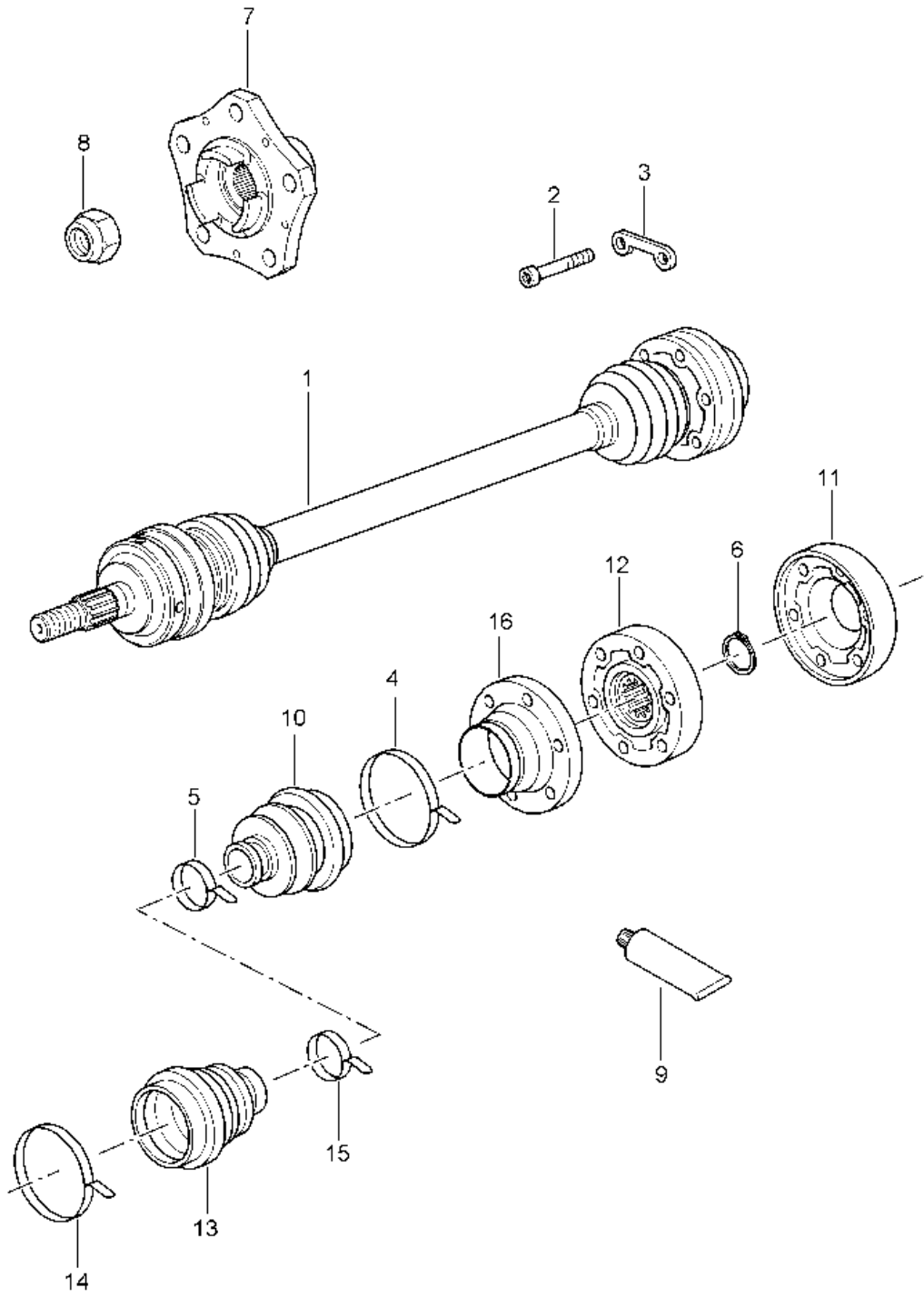
Model: 987 06

Model life 2006>>2008

Pos	Part Number	Description	Remark	Qty	Model
1	987 333 701 03	Anti-roll bar		1	CAYMAN
(1)	987 333 701 04	Anti-roll bar		1	CAYMAN S
2	996 333 792 24	anti-roll bar bearing bracket		2	CAYMAN
(2)	996 333 792 28	anti-roll bar bearing bracket		2	CAYMAN S
3	996 333 777 01	Bearing clamp		2	
4	900 378 055 01	Hexagon bolt AM 8 X 40		4	
5	997 343 069 01	Coupling rod	left	1	
(5)	997 343 070 01	Coupling rod	right	1	
6	999 084 123 09	Hexagon nut M 10		2	
7	999 084 445 01	Locknut M 12		2	

Model: 987 06

Model life 2006>>2008



Model: 987 06 Model life 2006>>2008

Pos	Part Number	Description	Remark	Qty	Model
		Drive shaft			
		Wheel hub			
1	987 332 024 05	Drive shaft	left	2	PR:481
(1)	987 332 024 04	Drive shaft	right	1	PR:481
(1)	987 332 024 23	Drive shaft	left	1	PR:480
(1)	987 332 024 24	Drive shaft	right	1	PR:480
(1)	987 332 024 06	Drive shaft		2	PR:249 CAYMAN
(1)	987 332 024 25	Drive shaft		2	PR:249 CAYMAN S
2	N 909 417 01	Socket head bolt with inner multipoint head M 10 X 45		12	PR:481,249 CAYMAN
(2)	900 067 229 09	Socket head bolt M 10 X 48,4		12	PR:480 CAYMAN CAYMAN-S
(2)	900 067 229 01	Discontinued part Socket head bolt M 10 X 48,4		12	PR:480 CAYMAN CAYMAN-S
(2)	900 067 298 09	Socket head bolt M 10 X 46,5		12	PR:249 CAYMAN S
(2)	900 067 298 02	Discontinued part Socket head bolt M 10 X 46,5		12	PR:249 CAYMAN S
(2)	999 510 047 01	Discontinued part Socket head bolt M 10 X 46,5		12	PR:249 CAYMAN S
3	986 332 191 00	Spacer		6	PR:481
(3)	996 332 191 00	Spacer		6	PR:480
4	996 332 957 00	Clip 73 MM		2	
5	996 332 257 00	Clip 34 MM		2	
6	900 041 014 00	Securing ring		2	
7	997 341 605 01	Wheel hub		2	
7	991 341 605 02	Discontinued part Wheel hub		2	
7	991 341 605 03	Discontinued part Wheel hub		2	
8	999 084 641 02	Locknut		2	
9	000 043 110 01	Grease 1 100-gramme tube		X	
(9)	000 043 205 36	sealant 1 100-gramme tube		X	
10	996 332 293 00	Dust bellows		2	
11	987 332 267 00	End cap		2	PR:481 CAYMAN
(11)	986 332 267 00	End cap		2	PR:249 CAYMAN
(11)	928 332 267 01	End cap		2	PR:480 CAYMAN
(11)	928 332 267 01	End cap		2	PR:480 CAYMAN S
(11)	928 332 267 01	End cap		2	PR:249 CAYMAN S
12	986 332 030 00	Joint		2	PR:481 CAYMAN
(12)	986 332 030 00	Joint		2	PR:249 CAYMAN
(12)	996 332 030 00	Joint		2	PR:480 CAYMAN

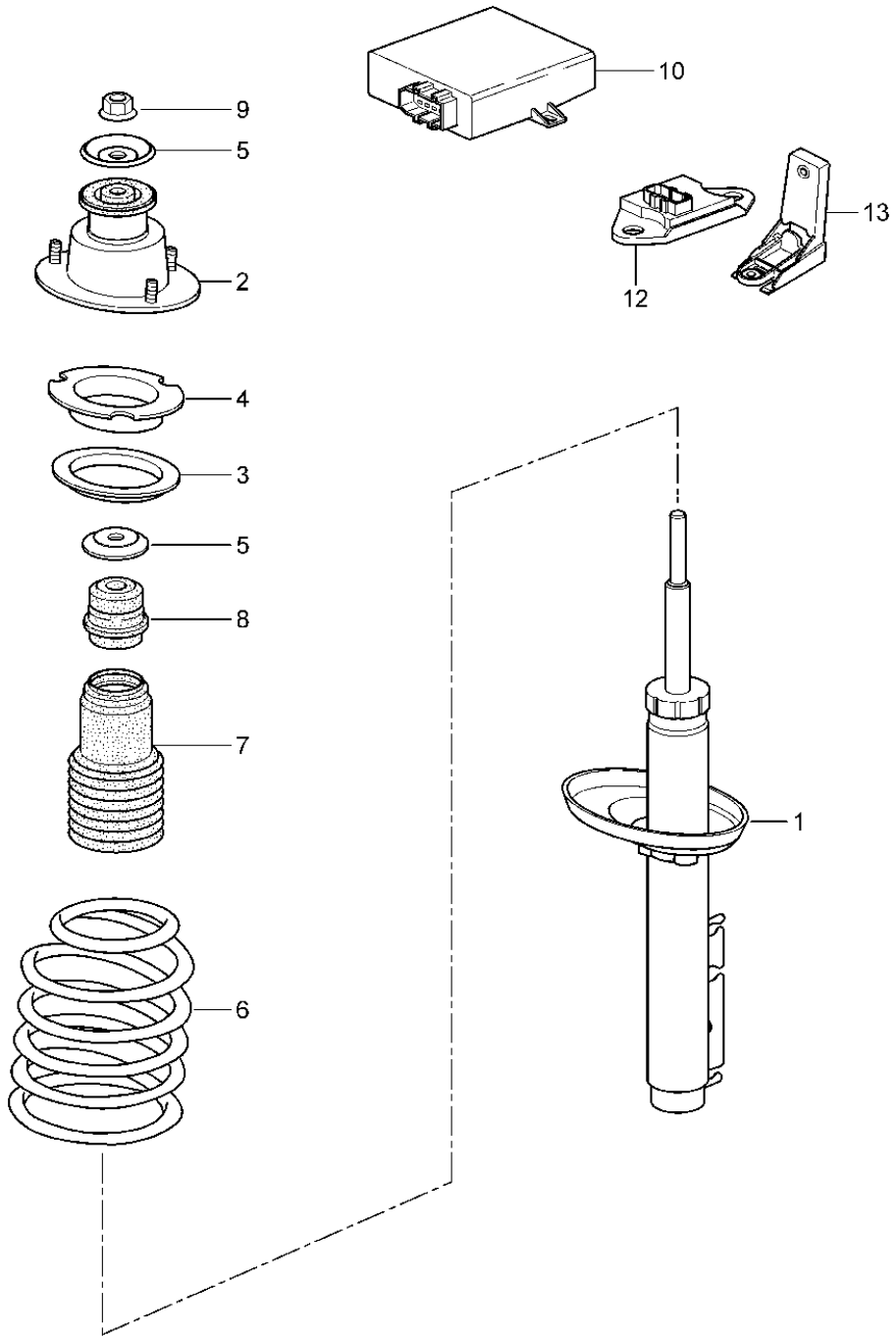
Model: 987 06

Model life 2006>>2008

Pos	Part Number	Description	Remark	Qty	Model
(12)	996 332 030 00	Joint		2	PR:480 CAYMAN S
(12)	996 332 030 00	Joint		2	PR:249 CAYMAN S
13	996 332 293 00	Dust bellows		2	
14	996 332 957 00	Clip		2	
15	996 332 257 00	Clip		2	
16	986 332 259 00	Bellow support		2	PR:481 CAYMAN
(16)	986 332 259 00	Bellow support		2	PR:249 CAYMAN
(16)	996 332 259 00	Bellow support		2	PR:480 CAYMAN
(16)	996 332 259 00	Bellow support		2	PR:480 CAYMAN S
(16)	996 332 259 00	Bellow support		2	PR:249 CAYMAN S

Model: 987 06

Model life 2006>>2008



Model: 987 06 Model life 2006>>2008

Pos	Part Number	Description	Remark	Qty	Model
1	987 333 051 09	Shock absorbers Coil spring Shock absorbers	BILSTEIN	2 2	CAYMAN S CAYMAN PR:029,480, 481
(1)	987 333 051 13	Shock absorbers	BILSTEIN	2 2	CAYMAN S CAYMAN PR:029,480, 481
(1)	987 333 051 10	Shock absorbers	BILSTEIN	2	CAYMAN PR:029,249
(1)	987 333 051 12	Discontinued part Shock absorbers	BILSTEIN	2	CAYMAN PR:029,249
(1)	987 333 051 10	Shock absorbers	BILSTEIN	2	CAYMAN S PR:029,249
(1)	987 333 051 12	Discontinued part Shock absorbers	BILSTEIN	2	CAYMAN S PR:029,249
(1)	987 333 053 19	Shock absorbers	BILSTEIN	2 2	CAYMAN CAYMAN PR:475,481, 480
(1)	987 333 053 20	vibration damper	BILSTEIN	2	CAYMAN PR:475,249
(1)	987 333 053 20	vibration damper		2	CAYMAN S PR:475,249
(1)	987 333 053 20	vibration damper Mount		2	CAYMAN S PR:475,480
-	900 380 005 09	Shock absorbers Hexagon nut M 8		6	
-	999 084 445 01	Locknut M 12 X 1,5		2	
(2)	986 333 059 06	Shock absorber bearing D >> - MJ 2008		2	
(2)	987 333 059 00	Shock absorber bearing D - MJ 2009>>		2	
3	986 333 504 02	Balancing plate 3,0 MM		X	
(3)	986 333 504 03	Balancing plate 6,0 MM		X	
4	986 333 509 02	ring		2	
5	997 343 107 01	Stop plate		4	PR:029
(5)	997 343 107 00	Stop plate	upper	2	PR:475
(5)	997 343 107 01	Stop plate	lower	2	PR:475
6	987 333 531 58	Coil spring 1 set		1	CAYMAN PR:029,481
	987 333 531 58 504	1 pair of springs green white			
6	987 333 531 1B	Coil spring 1 set		1	CAYMAN PR:029,481
	987 333 531 1B 504	1 pair of springs green white			
(6)	987 333 531 59	Coil spring 1 set		1	CAYMAN PR:029,249
	987 333 531 59 504	1 pair of springs blue white			
(6)	987 333 531 43	Coil spring		1	CAYMAN S

Model: 987 06 Model life 2006>>2008

Pos	Part Number	Description	Remark	Qty	Model
		1 set Discontinued part			PR:029,480
	987 333 531 43 504	1 pair of springs green silver			
(6)	987 333 531 60	Coil spring 1 set		1	CAYMAN S PR:029,480
	987 333 531 60 504	1 pair of springs green silver			
(6)	987 333 531 44	Coil spring 1 set		1	CAYMAN S PR:029,249
	987 333 531 44 504	Discontinued part 1 pair of springs blue violet			
(6)	987 333 531 61	Coil spring 1 set		1	CAYMAN S PR:029,249
	987 333 531 61 504	Discontinued part 1 pair of springs blue violet			
(6)	987 333 531 1E	Coil spring 1 set		1	CAYMAN S PR:029,249
	987 333 531 1E 504	1 pair of springs blue violet			
(6)	987 333 531 64	Coil spring 1 set		1	CAYMAN PR:475,481, 480
	987 333 531 64 504	1 pair of springs blue red			
(6)	987 333 531 65	Coil spring 1 set		1	CAYMAN PR:475,249
	987 333 531 65 504	1 pair of springs red green			
(6)	987 333 531 65	Coil spring 1 set		1	CAYMAN S PR:475,480
	987 333 531 65 504	D >> - MJ 2007 1 pair of springs red green			
(6)	987 333 531 93	Coil spring 1 set		1	CAYMAN S PR:475,480
	987 333 531 93 504	D - MJ 2008>> - MJ 2008 1 pair of springs red red Rapeseed yellow			
(6)	987 333 531 47	Coil spring 1 set		1	CAYMAN S PR:475,249
	987 333 531 47 504	1 pair of springs red violet			
(6)	987 333 531 47	Coil spring 1 set		1	CAYMAN S PR:475,249
	987 333 531 47 504	1 pair of springs red violet			
7	986 333 505 01	Bellows		1	
8	987 333 301 00	helper spring		1	

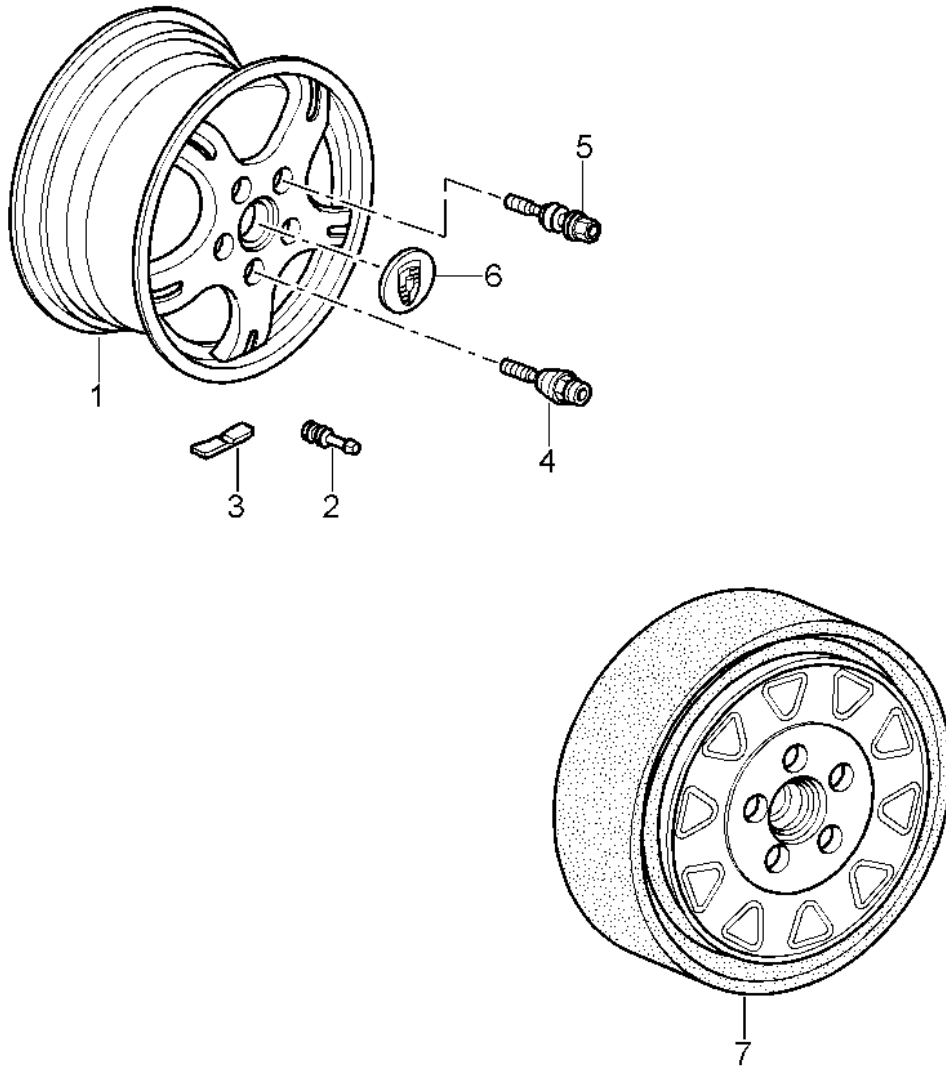
Model: 987 06

Model life 2006>>2008

Pos	Part Number	Description	Remark	Qty	Model
9	900 380 012 09	Hexagon nut M 14 X 1,5 Discontinued part		2	PR:029
9	900 380 012 01	Hexagon nut M 14 X 1,5		2	PR:029
(9)	999 084 645 09	Hexagon nut M 14 X 1,5		2	PR:475
10	987 618 105 08	Control unit D - MJ 2006>> - MJ 2006 Discontinued part		1	PR:475
(10)	987 618 105 09	Control unit D >> - MJ 2007		1	PR:475
(10)	987 618 105 10	Control unit D - MJ 2008>>		1	PR:475
-	997 618 205 00	Retainer for control units for		1	PR:475
-	997 606 111 01	Acceleration sensor for bodywork		1	
-	987 606 235 00	Bracket Accelerator sensor		1	

Model: 987 06

Model life 2006>>2008



Model: 987 06 Model life 2006>>2008

Pos	Part Number	Description	Remark	Qty	Model
-		Wheels Wheel bolts see Technical information 84/11 Group 4 4407			
1	987 362 122 05	Alloy wheel 6,5 J X 17 ET 55	front	2	PR:393
(1)	987 362 136 00	Alloy wheel 8 J X 18 ET 57 Discontinued part	front	2	PR:397
(1)	987 362 136 02	Alloy wheel 8 J X 18 ET 57	front	2	PR:397
(1)	987 362 122 06	Alloy wheel 6,5 J X 17 ET 55	front	2	PR:398
(1)	987 362 136 01	Alloy wheel 8 J X 18 ET 57	front	2	PR:401
(1)	997 362 156 07	Alloy wheel 8 J X 19 ET 57	front	2	PR:403
(1)	997 362 156 00	Alloy wheel BBS 8 J x 19 Et 57	front	2	PR:403
(1)	997 362 156 02	Alloy wheel 8 J x 19 Et 57	front	2	PR:404
(1)	997 362 156 03	D - MJ 2007>> Alloy wheel 8 J X 19 ET 57	front	2	PR:405
(1)	997 362 156 04	Alloy wheel 8 J X 19 ET 57	front	2	PR:407
(1)	997 362 156 55	Alloy wheel 8,5 J X 19 ET 55	front	2	PR:XRR
(1)	987 362 126 00	Alloy wheel 8 J X 17 ET 40	rear	2	PR:393
(1)	987 362 138 00	Alloy wheel 9 J X 18 ET 43	rear	2	PR:397
(1)	987 362 138 02	Discontinued part Alloy wheel 9 J X 18 ET 43	rear	2	PR:397
(1)	987 362 126 01	Alloy wheel 8 J X 17 ET 40	rear	2	PR:398
(1)	987 362 138 01	Alloy wheel 9 J X 18 ET 43	rear	2	PR:401
(1)	997 362 158 05	Alloy wheel 9,5 J X 19 ET 46	rear	2	PR:403
(1)	997 362 158 08	Alloy wheel	rear	2	PR:404

Model: 987 06

Model life 2006>>2008

Pos	Part Number	Description	Remark	Qty	Model
(1)	997 362 158 06	9,5 J x 19 ET 46 D - MJ 2007>> Alloy wheel	rear	2	PR:405
(1)	997 362 158 07	9,5 J X 19 ET 46 Alloy wheel	rear	2	PR:407
(1)	997 362 160 50	9,5 J X 19 ET 46 Alloy wheel		2	
2	900 265 001 50	10 J X 19 ET 42 Rubber valve		4	
(2)	900 265 001 51	Rubber Rubber valve		4	
(2)	311 601 361	Discontinued part Rubber valve		4	
3	997 361 405 00	Rubber Balancer weight (self-adhesive)		X	
(3)	997 361 410 00	5 G. Balancer weight (self-adhesive)		X	
(3)	997 361 415 00	10 G. Balancer weight (self-adhesive)		X	
(3)	997 361 420 00	15 G. Balancer weight (self-adhesive)		X	
(3)	997 361 425 00	20 G. Balancer weight (self-adhesive)		X	
(3)	997 361 430 00	25 G. Balancer weight (self-adhesive)		X	
(3)	997 361 435 00	30 G. Balancer weight (self-adhesive)		X	
(3)	997 361 440 00	35 G. Balancer weight (self-adhesive)		X	
(3)	997 361 445 00	40 G. Balancer weight (self-adhesive)		X	
(3)	997 361 450 00	45 G. Balancer weight (self-adhesive)		X	
(3)	997 361 455 00	50 G. Balancer weight (self-adhesive)		X	
(3)	997 361 460 00	55 G. Balancer weight (self-adhesive)		X	
(3)	997 361 465 00	60 G. Balancer weight (self-adhesive)		X	
(3)	997 361 470 00	65 G. Balancer weight (self-adhesive)		X	
(3)	997 361 475 00	70 G. Balancer weight (self-adhesive)		X	

Model: 987 06 Model life 2006>>2008

Pos	Part Number	Description	Remark	Qty	Model
(3)	997 361 480 00	75 G. Balancer weight (self-adhesive)		X	
(3)	997 361 485 00	80 G. Balancer weight (self-adhesive)		X	
(3)	997 361 490 00	85 G. Balancer weight (self-adhesive)		X	
-		90 G. Wheel bolts see Technical information 84/11 Group 4 4407			
(4)	996 361 057 02	Set Anti-theft protection Wheel bolt silver Discontinued part		1	
(4)	997 361 057 02	Set Anti-theft protection Wheel bolt silver		1	
(4)	996 361 980 02	Wheel bolt Anti-theft protection 1 set silver		1	PR:XRP
(4)	997 361 980 10	D >> - MJ 2007 Set Anti-theft protection Wheel bolt silver		1	PR:XRP
(4)	997 361 057 00	D - MJ 2008>> Set Anti-theft protection Wheel bolt silver		1	PR:444 "GB."
(4)	997 361 057 01	Discontinued part Set Anti-theft protection Wheel bolt silver		1	PR:444 "GB."
(4)	997 361 980 00	Set Anti-theft protection Wheel bolt silver		1	PR:XRP, 444 "GB."
(4)	997 361 980 09	D >> - MJ 2007 Discontinued part Set Anti-theft protection Wheel bolt silver		1	PR:XRP, 444 "GB."
(5)	996 361 203 02	D - MJ 2008>> Wheel bolt silver		16	
(5)	997 361 203 01	Discontinued part Wheel bolt silver		16	
(5)	997 361 203 02	Discontinued part Wheel bolt silver		16	

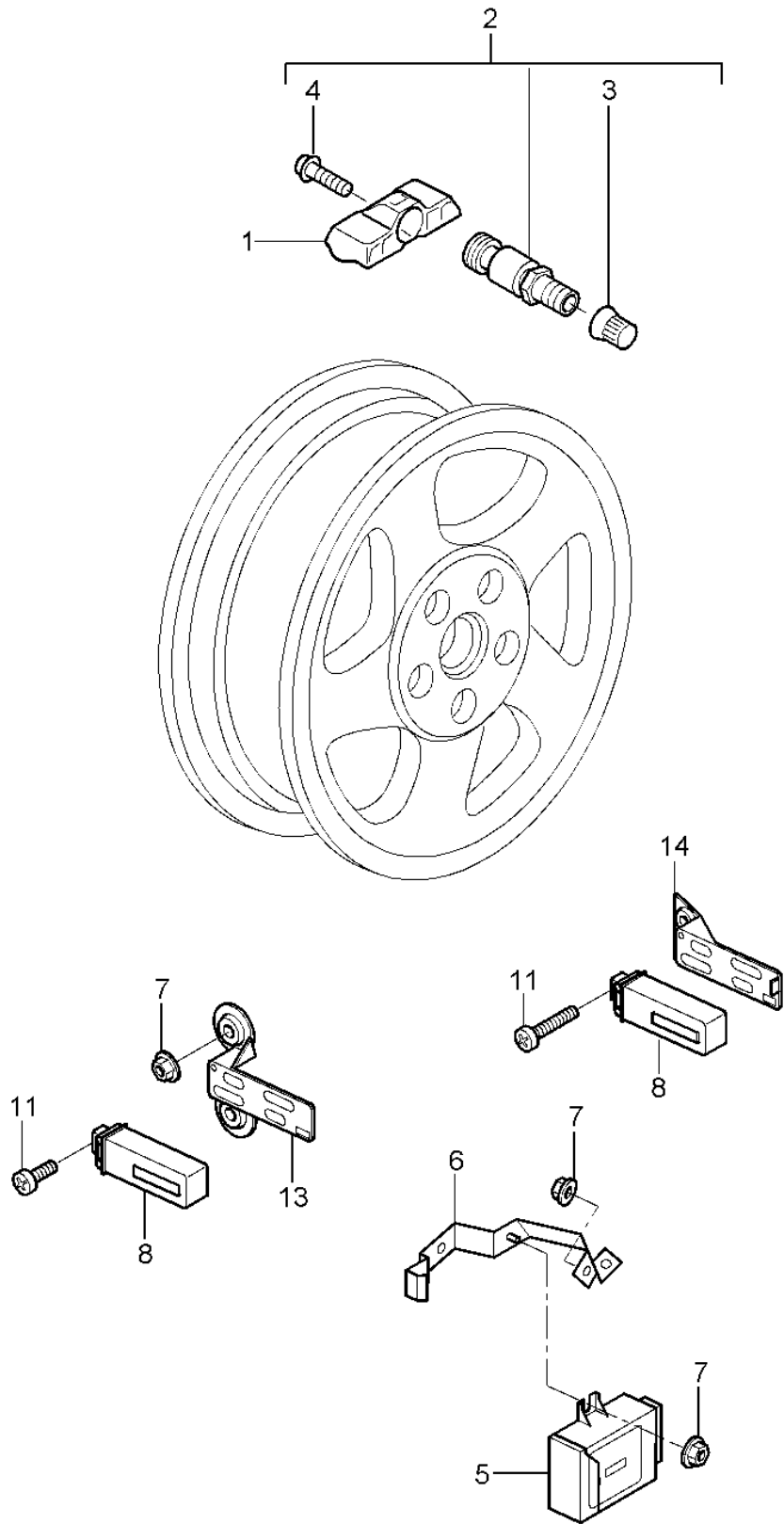
Model: 987 06

Model life 2006>>2008

Pos	Part Number	Description	Remark	Qty	Model
6	955 361 303 00	Hub cap		4	
	955 361 303 00 9A1	silver			
(6)	955 361 303 05	Hub cap		4	PR:446
	955 361 303 05 9A1	silver			PR:758
		Paint			
		modify in workshop			
(6)	997 361 305 00	Hub cap		4	PR:404
		D - MJ 2007>>			
		Discontinued part			
(6)	7PP 601 149 F	Hub cap		4	PR:404
		D - MJ 2007>>			
(6)	997 361 303 01	Hub cap		4	PR:XRR
		Porsche crest			
		Coloured			
		silver			
7	996 362 020 04	Spare wheel		1	PR:447
8	955 722 631 00	Compressed air bottle		1	
		Discontinued part			
8	4L0 012 619 A	Tyre sealant		1	
9	996 361 411 00	Belt		1	PR:447
		for			
		Spare wheel			
10	996 361 521 00	Protective sleeve		1	PR:447
		for			
		Spare wheel			
11	999 914 001 40	Plastic gloves		1	PR:447
		No longer use the part here			
12	997 652 051 00	Compressor		1	
		for			
		Spare wheel			
(12)	997 652 055 00	D >> - MJ 2007		1	
		Compressor			
		for			
		Spare wheel			
		also use:	991 555 575 03	1	
			(1E0)		
			991 555 765 02	1	
			(1E0)		
		D - MJ 2008>>			

Model: 987 06

Model life 2006>>2008



Model: 987 06

Model life 2006>>2008

Pos	Part Number	Description	Remark	Qty	Model
1	997 606 021 00	tyre pressure control system Tyre pressure sensor tyre pressure control system also use: D >> - MJ 2007	955 361 053 00	4	PR:482,483 PR:482
(1)	997 606 021 01	Tyre pressure sensor tyre pressure control system also use: D - MJ 2008>> Discontinued part	955 361 053 00	4	PR:482
(1)	997 606 021 02	Tyre pressure sensor tyre pressure control system also use: D - MJ 2008>>	955 361 053 00	4	PR:482
(1)	997 606 023 00	Tyre pressure sensor tyre pressure control system also use: D >> - MJ 2007 Discontinued part	955 361 053 00	4	PR:483
(1)	997 606 023 01	Tyre pressure sensor tyre pressure control system also use: D - MJ 2008>> Discontinued part	955 361 053 00	4	PR:483
(2)	997 606 023 02	Tyre pressure sensor tyre pressure control system also use: Discontinued part	955 361 053 00	4	PR:483 -"ROK"
(2)	997 606 023 03	Tyre pressure sensor tyre pressure control system also use:	955 361 053 00	4	PR:483 -"ROK"
(1)	997 606 025 00	Tyre pressure sensor tyre pressure control system also use: Discontinued part	955 361 053 00	4	PR:483 "ROK"
(1)	997 606 021 02	Tyre pressure sensor tyre pressure control system also use:	955 361 053 00	4	"ROK"
2	955 361 053 00	Valve aluminium Discontinued part		4	
(2)	9P1 601 361 A	Valve aluminium		4	
3	N 908 729 01	Valve cap for valve unit		4	
4	4D0 601 365	Hexagon socket head bolt, self-locking		4	
5	997 618 103 06	Control unit for tyre pressure control		1	
6	997 618 203 01	Bracket Control unit		1	
7	999 076 081 40	Hexagon plastic collar nut T5 16 X 11, 2		7	
8	997 606 101 00	Aerial 433 MHZ		4	PR:482
(8)	997 606 102 00	Aerial 433 MHZ only in conj. with: 997.606.021.02		4	"ROK"
(8)	997 606 103 00	Aerial 315 MHZ		4	PR:483
-	N 105 168 01	expanding nut st 4,8		4	

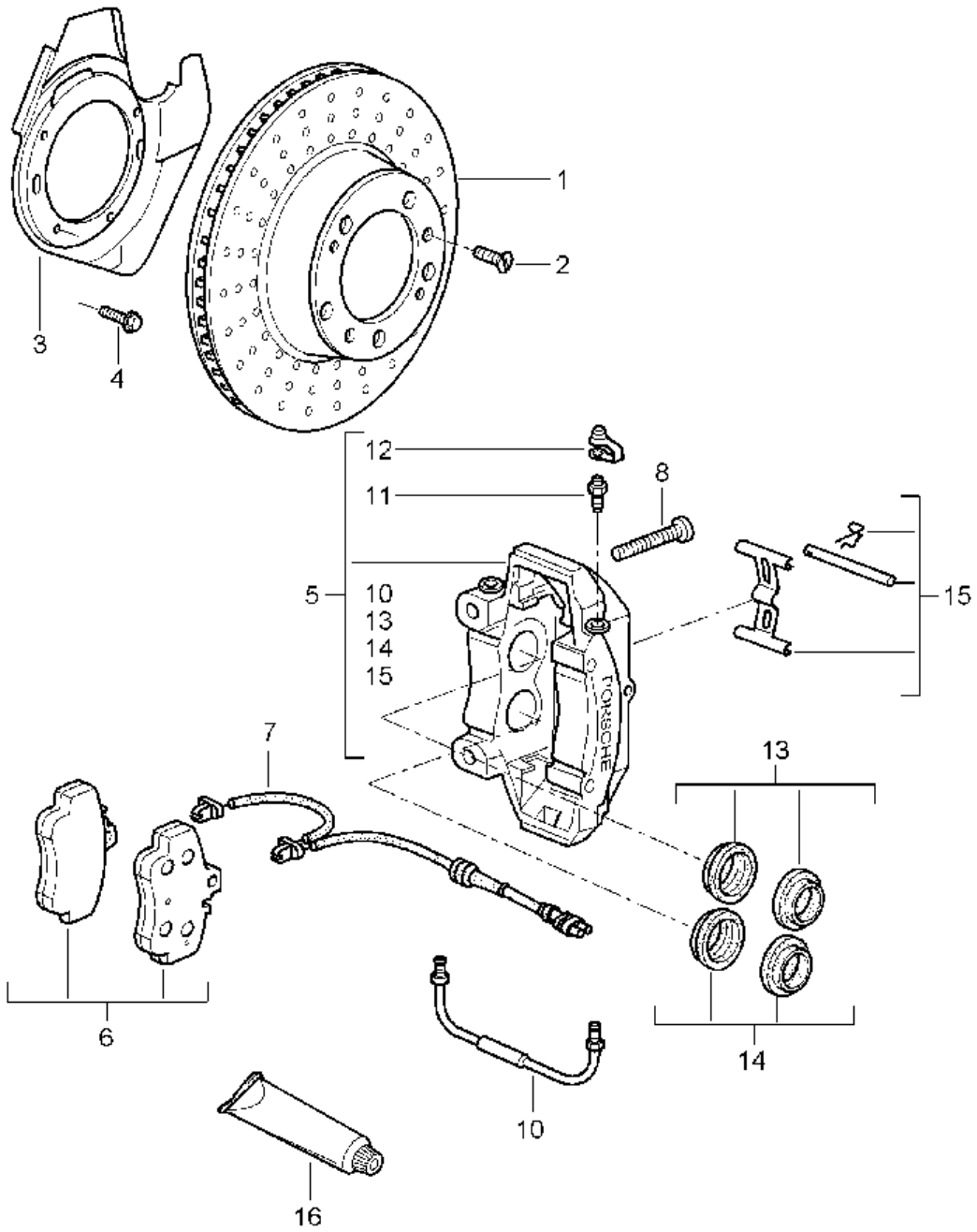
Model: 987 06

Model life 2006>>2008

Pos	Part Number	Description	Remark	Qty	Model
13	997 606 141 00	Retainer for aerial	front	2	
14	997 606 131 00	Retainer for aerial Rear axle		2	

Model: 987 06

Model life 2006>>2008



Model: 987 06 Model life 2006>>2008

Pos	Part Number	Description	Remark	Qty	Model
-		Disc brake Front axle Brake disc Only in pairs Replace Technical manual Attention			PR:450
1	987 351 401 01	Brake disc	left front	1	CAYMAN
(1)	996 351 405 01	Brake disc	left front	1	CAYMAN S
(1)	996 351 031 04	Brake disc	left front	1	PR:450 CAYMAN S
(1)	997 351 031 00	D - MJ 2007>> - MJ 2007 Brake disc	left front	1	PR:450 CAYMAN S
(1)	997 351 031 01	D - MJ 2008>> Discontinued part Brake disc	left front	1	PR:450 CAYMAN S
(1)	987 351 402 01	D - MJ 2008>> Brake disc	right front	1	CAYMAN
(1)	996 351 406 01	Brake disc	right front	1	CAYMAN S
(1)	996 351 032 04	Brake disc	right front	1	PR:450 CAYMAN S
(1)	997 351 032 00	D - MJ 2007>> - MJ 2007 Brake disc	right front	1	PR:450 CAYMAN S
(1)	997 351 032 01	D - MJ 2008>> Discontinued part Brake disc	right front	1	PR:450 CAYMAN S
2	900 269 047 09	D - MJ 2008>> countersunk bolt M 6 X 12 Discontinued part		4	
2	900 269 047 01	countersunk bolt M 6 X 12		4	
(3)	997 351 801 02	Cover plate	left	1	
(3)	997 351 805 05	Cover plate	left	1	PR:450
(3)	997 351 802 02	Cover plate	right	1	
(3)	997 351 806 05	Cover plate	right	1	PR:450
4	999 217 116 09	Hexagon bolt M 6 X 16		X	
5	986 351 421 03	caliper without brake pads	left	1	CAYMAN
(5)	996 351 425 11	caliper without brake pads	left	1	CAYMAN S
(5)	996 351 431 30	caliper without brake pads	left	1	PR:450 CAYMAN S
(5)	996 351 431 31	D >> - MJ 2007 caliper without brake pads	left	1	PR:450 CAYMAN S
(5)	986 351 422 03	D - MJ 2008>> caliper without brake pads	right	1	CAYMAN
(5)	996 351 426 11	caliper without brake pads	right	1	CAYMAN S
(5)	996 351 432 30	caliper without brake pads	right	1	PR:450 CAYMAN S
(5)	996 351 432 31	D >> - MJ 2007 caliper without brake pads	right	1	PR:450 CAYMAN S
(6)	987 351 939 03	D - MJ 2008>> 1 set of brake pads for disk brake		1	CAYMAN
(6)	997 351 939 05	1 set of brake pads for disk brake		1	CAYMAN S

Model: 987 06 Model life 2006>>2008

Pos	Part Number	Description	Remark	Qty	Model
			997 612 756 00	1	
		also use:	997 612 759 00	1	
			955 352 960 00	1	
		See technical manual	46 39 19		
		Group:			
(6)	996 351 947 01	1 set of brake pads for disk brake	front	1	PR:450 CAYMAN S
		See technical manual			
		Group:			
		also use:			
		Fasteners			
		Discontinued part			
(6)	997 351 948 01	1 set of brake pads for disk brake	front	1	PR:450 CAYMAN S
		See technical manual			
		Group:			
		also use:			
		Fasteners			
-	987 351 088 00	Damping plate		4	CAYMAN
-	996 351 088 01	Damping plate		4	CAYMAN S
		Discontinued part			
-	996 351 088 02	Damping plate		4	CAYMAN S
-	996 352 086 01	Damping plate		6	PR:450 CAYMAN S
		See technical manual			
		Group:			
		46 34 20			
		F >> 98-6U775 101			
		Discontinued part			
-	996 352 086 02	Damping plate		6	PR:450 CAYMAN S
		See technical manual			
		Group:			
		46 34 20			
		F >> 98-6U775 101			
7	997 612 755 00	sender wire (pad wear indicator)	left	1	CAYMAN
(7)	997 612 756 00	sender wire (pad wear indicator)	left	1	CAYMAN S
		See technical manual	46 36 19		
		Group:			
(7)	997 612 675 01	sender wire (pad wear indicator)	left	1	PR:450 CAYMAN S
(7)	997 612 757 00	sender wire (pad wear indicator)	right	1	CAYMAN
(7)	997 612 759 00	sender wire (pad wear indicator)	right	1	CAYMAN S
		See technical manual	46 36 19		
		Group:			
(7)	997 612 679 00	sender wire (pad wear indicator)	right	1	PR:450 CAYMAN S
8	999 067 041 09	Socket head bolt M 12 X 1,5 X 72		4	
		Discontinued part			
8	999 067 041 01	Socket head bolt M 12 X 1,5 X 72		4	
(8)	999 067 047 09	Socket head bolt M 12 X 1,5 X 85		4	PR:450 CAYMAN S
10	996 351 962 00	Connecting line	left	1	CAYMAN
(10)	996 351 961 00	Connecting line	right	1	CAYMAN
(10)	996 351 961 00	Connecting line	left	1	CAYMAN S
(10)	996 351 962 00	Connecting line	right	1	CAYMAN S

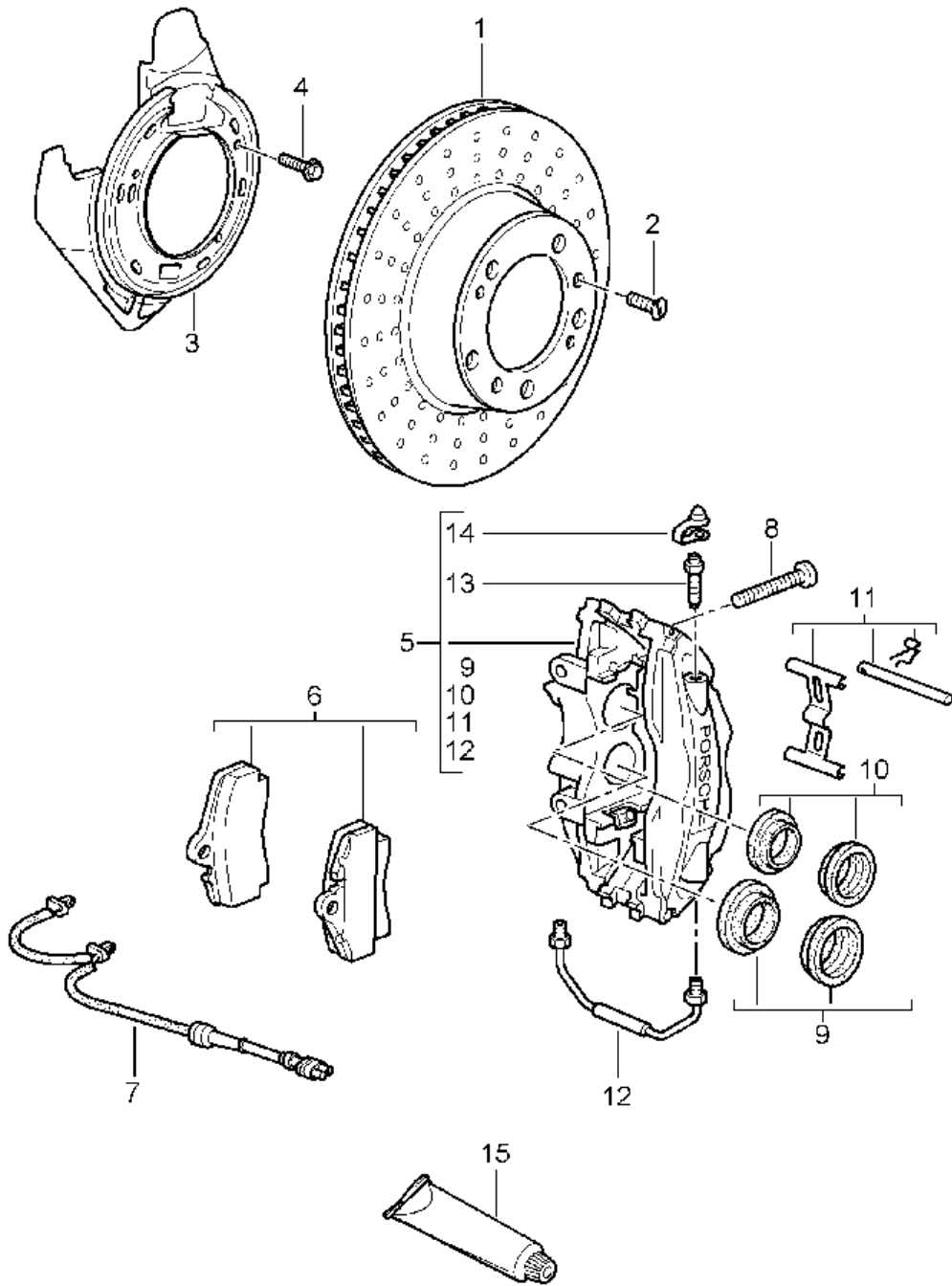
Model: 987 06

Model life 2006>>2008

Pos	Part Number	Description	Remark	Qty	Model
(10)	996 351 961 30	Connecting line	left	1	PR:450 CAYMAN S
(10)	996 351 961 30	Connecting line	right	1	PR:450 CAYMAN S
11	930 351 919 00	Breather valve		2	
12	930 351 927 00	dust cap		2	
		Discontinued part			
12	930 351 927 01	dust cap		2	
13	951 351 917 01	repair set		2	CAYMAN
		Protection caps			
		40 MM \$			
(13)	951 351 917 01	repair set		2	CAYMAN S
		Protection caps			
		40 mm \$			
14	951 351 917 00	repair set		2	CAYMAN
		Protection caps			
		36 MM \$			
(14)	951 351 917 00	repair set		2	CAYMAN S
		Protection caps			
		36 mm \$			
13	996 351 915 01	repair set		2	PR:450 CAYMAN S
		Protection caps			
		38 MM \$			
-	951 352 917 00	repair set		2	PR:450 CAYMAN S
		Protection caps			
		28 MM \$			
14	996 351 915 00	repair set		2	PR:450 CAYMAN S
		Protection caps			
		32 MM \$			
15	996 352 959 01	repair set		1	CAYMAN
		Fasteners			
		Pin		2	
		Cup expander spring		2	
		Securing bars		2	
(15)	955 352 960 00	Repair set for		1	CAYMAN S
		rear axle			
		Fasteners			
		Pin			
		Cup expander spring			
		Securing bars			
		See technical manual			
(15)	996 351 959 30	repair set	Group:	1	PR:450 CAYMAN S
		Fasteners			
		Pin		2	
		Cup expander spring		2	
		Screw		2	
16	000 043 117 00	brake cylinder paste		X	
		50 G			
(16)	000 043 020 00	Assembly paste		X	
		100 G			

Model: 987 06

Model life 2006>>2008



Model: 987 06 Model life 2006>>2008

Pos	Part Number	Description	Remark	Qty	Model
-		Disc brake Rear axle Brake disc Only in pairs Replace Technical manual Attention			PR:450
1	987 352 401 01	Brake disc	rear	2	CAYMAN
(1)	987 352 403 00	Brake disc	rear	2	CAYMAN S
(1)	987 352 031 01	Brake disc	left rear	1	PR:450 CAYMAN S
(1)	987 352 031 02	D >> - MJ 2007 Brake disc	left rear	1	PR:450 CAYMAN S
(1)	987 352 031 03	D - MJ 2008>> Discontinued part Brake disc	left rear	1	PR:450 CAYMAN S
(1)	981 352 031 00	D - MJ 2008>> Discontinued part Brake disc	left rear	1	PR:450 CAYMAN S
(1)	987 352 032 01	D - MJ 2008>> Brake disc	right rear	1	PR:450 CAYMAN S
(1)	987 352 032 02	D >> - MJ 2007 Brake disc	right rear	1	PR:450 CAYMAN S
(1)	987 352 032 03	D - MJ 2008>> Discontinued part Brake disc	right rear	1	PR:450 CAYMAN S
(1)	981 352 032 00	D - MJ 2008>> Discontinued part Brake disc	right rear	1	PR:450 CAYMAN S
2	900 269 047 09	D - MJ 2008>> countersunk bolt M 6 X 12		4	
2	900 269 106 01	Discontinued part countersunk bolt M 6 X 12		4	PR:XRP
3	987 352 801 00	Protective plate		2	
4	999 217 116 09	Hexagon bolt M 6 X 16		X	
5	986 352 423 01	caliper without brake pads	left	1	CAYMAN
(5)	996 352 421 13	caliper without brake pads	left	1	CAYMAN S
(5)	996 352 423 30	caliper without brake pads	left	1	PR:450 CAYMAN S
(5)	996 352 423 31	D >> - MJ 2007 caliper without brake pads	left	1	PR:450 CAYMAN S
(5)	986 352 424 01	D - MJ 2008>> caliper without brake pads	right	1	CAYMAN
(5)	996 352 422 13	caliper without brake pads	right	1	CAYMAN S
(5)	996 352 424 30	caliper without brake pads	right	1	PR:450 CAYMAN S
(5)	996 352 424 31	D >> - MJ 2007 caliper without brake pads	right	1	PR:450 CAYMAN S
6	987 352 939 01	D - MJ 2008>> 1 set of brake pads for	rear	1	CAYMAN

Model: 987 06 Model life 2006>>2008

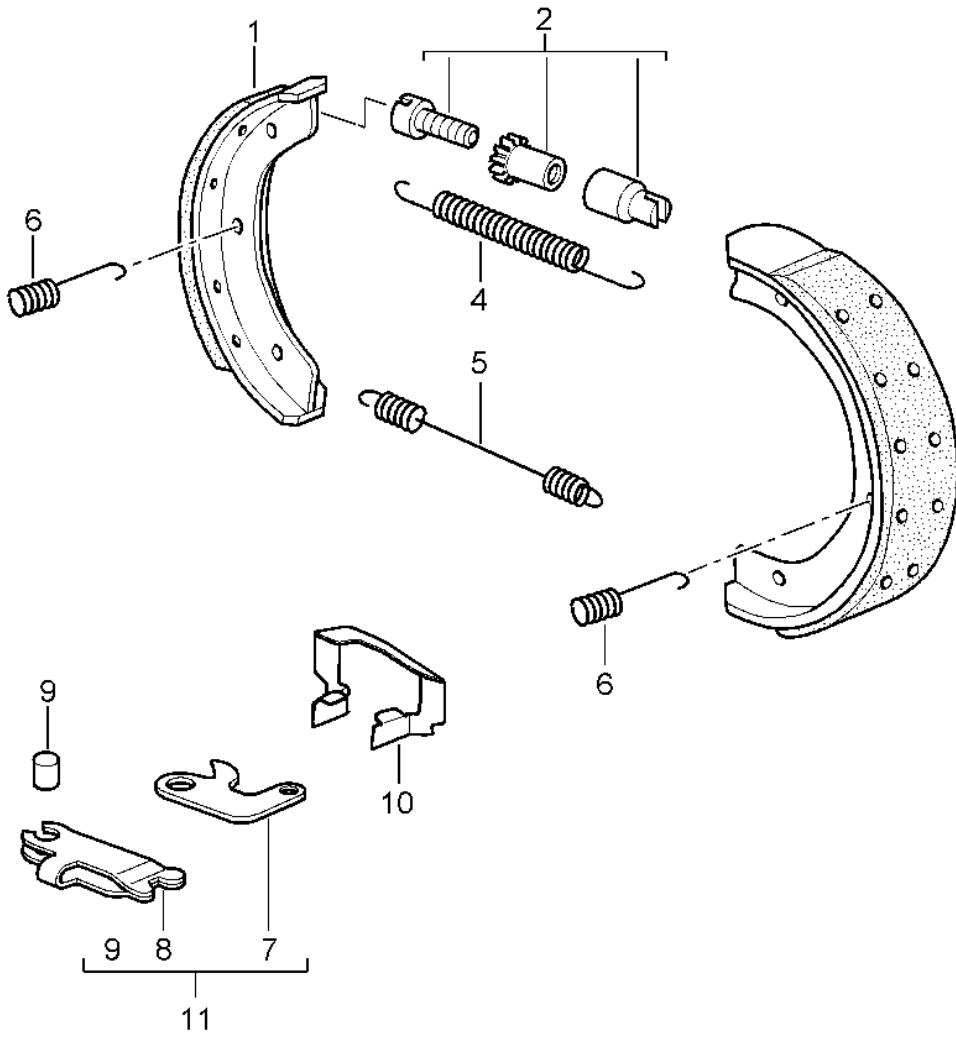
Pos	Part Number	Description	Remark	Qty	Model
(6)	986 352 939 10	disk brake 1 set of brake pads for	rear	1	CAYMAN S
(6)	996 352 947 01	disk brake 1 set of brake pads for disk brake See technical manual	rear	1	PR:450 CAYMAN S
		Group: also use:			
(6)	997 352 948 00	Fasteners 1 set of brake pads for disk brake See technical manual	rear 46 35 20	1	PR:450 CAYMAN S
		Group: also use:			
7	987 612 676 01	Fasteners sender wire (pad wear indicator)		2	CAYMAN
(7)	986 612 365 00	sender wire (pad wear indicator)		2	CAYMAN S
(7)	987 612 676 01	sender wire (pad wear indicator)		2	PR:450 CAYMAN S
-	999 507 464 40	bracket for speed sensor Warning contact		2	
8	999 067 041 09	Socket head bolt M 12 X 1,5 X 72 Discontinued part		4	CAYMAN
8	999 067 041 01	Socket head bolt M 12 X 1,5 X 72		4	CAYMAN
(8)	999 067 041 09	Socket head bolt M 12 X 1,5 X 72 Discontinued part		4	CAYMAN S
(8)	999 067 041 01	Socket head bolt M 12 X 1,5 X 72		4	CAYMAN S
(8)	999 067 047 09	Socket head bolt M 12 X 1,5 X 85		4	PR:450 CAYMAN S
9	951 352 917 01	repair set Protection caps 30 MM \$		X	
10	951 352 917 00	repair set Protection caps 28 MM \$		X	
11	996 352 959 01	repair set Fasteners Pin		1 2	
		Cup expander spring		2	
		Securing bars		2	
11	996 351 959 01	repair set Fasteners Pin		1 2	CAYMAN S PR:450
		Cup expander spring		2	
		Securing bars		2	
-	964 352 096 00	Damping plate 30 MM \$		X	CAYMAN
-	996 352 086 01	Damping plate 28 MM \$ Discontinued part		X	CAYMAN S
-	996 352 086 02	Damping plate 28 MM \$		X	CAYMAN S
-	996 352 086 00	Damping plate 30 MM \$		X	CAYMAN S
-	996 352 086 01	Damping plate 28 MM \$ Discontinued part		X	PR:450 CAYMAN S

Model: 987 06 Model life 2006>>2008

Pos	Part Number	Description	Remark	Qty	Model
-	996 352 086 02	Damping plate 28 MM \$		X	PR:450 CAYMAN S
-	964 352 096 00	Damping plate 30 MM See technical manual		X	PR:450 CAYMAN S
		Group: 46 35 20 F >> 98-6U775 101			
12	996 352 961 00	Connecting line	left	1	CAYMAN
(12)	996 352 961 00	Connecting line	left	1	CAYMAN S
(12)	996 352 962 00	Connecting line	right	1	CAYMAN
(12)	996 352 962 00	Connecting line	right	1	CAYMAN S
(12)	996 351 961 30	Connecting line		2	PR:450 CAYMAN S
13	930 351 919 00	Breather valve		4	
14	930 351 927 00	dust cap Discontinued part		4	
14	930 351 927 01	dust cap		4	
15	000 043 117 00	brake cylinder paste 50 G		X	
(15)	000 043 020 00	Assembly paste 100 G		X	

Model: 987 06

Model life 2006>>2008

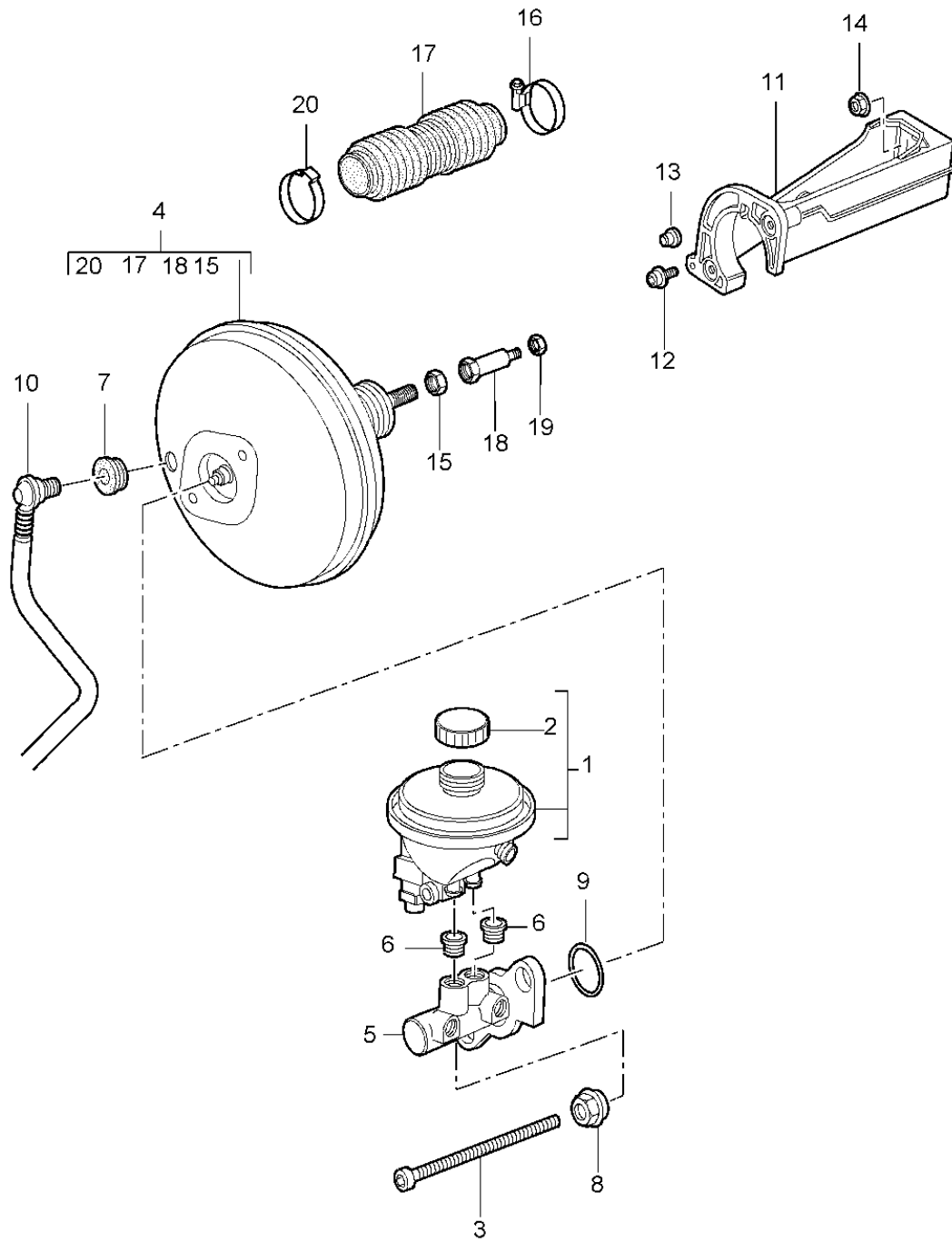


Model: 987 06 Model life 2006>>2008

Pos	Part Number	Description	Remark	Qty	Model
-		handbrake See technical manual			
		Group:			
		46 83 20			
(1)	996 352 993 02	Brake shoe 1 set		1	
		only in conj. with:			
		Pressure spring 997.352.741.01			
2	993 352 071 00	adjustment screw Discontinued part		2	
(2)	298 609 723	adjustment screw		2	
4	997 352 721 01	tension spring Discontinued part		2	
(4)	298 609 717	tension spring		2	
5	997 352 723 02	tension spring		2	
6	997 352 741 01	Pressure spring		4	
		only in conj. with:			
		Brake shoe 996.352.993.00/01/02			
7	986 352 073 02	Expanding bow		2	
8	986 352 073 02	Expanding bow		2	
9	986 352 735 00	Articulated bolt		2	
10	997 352 807 01	Support plate		2	
11	986 352 073 02	Expanding bow		2	

Model: 987 06

Model life 2006>>2008



Model: 987 06

Model life 2006>>2008

Pos	Part Number	Description	Remark	Qty	Model
-	000 043 210 82	Brake master cylinder Brake servo brake fluid	1.0 Ltr.	X	
-	000 043 210 86	brake fluid	30ltr.	X	
1	997 355 013 01	Reservoir for brake fluid		1	PR:481,480
(1)	997 355 013 21	Reservoir for brake fluid		1	PR:249
2	996 355 119 01	catch		1	
-	997 355 125 00	contact carrier for container		1	
3	999 073 124 09	Socket head bolt M 8 X 154 X 80		2	
(3)	999 073 124 02	Discontinued part Socket head bolt M 8 X 154 X 80		2	
(3)	999 073 615 01	Discontinued part Socket head bolt M 8 X 154 X 80		2	
4	997 355 923 00	Brake servo		1	
-	996 355 137 01	catch Threaded joint Brake servo		1	
5	997 355 910 00	Brake master cylinder		1	CAYMAN
(5)	997 355 910 00	Brake master cylinder		1	CAYMAN S
(5)	997 355 910 10	Brake master cylinder		1	PR:450 CAYMAN S
6	993 355 922 00	Grommet		2	
7	999 702 182 40	Rubber bush		1	
8	997 355 925 00	Hexagon nut		2	
9	993 355 212 00	Seal		1	
10	997 355 577 00	Vacuum line		1	PR:098
(10)	997 355 578 00	Vacuum line		1	PR:099
11	997 423 251 00	Intermediate piece		1	
12	999 073 189 01	flat round head bolt M 6 X 12		2	
13	999 703 448 50	Bungs	right	1	
14	900 380 005 09	Hexagon nut M 8		2	
15	900 183 015 02	Hexagon nut M 12 X 1,5		1	
-	996 355 901 01	Seal Brake servo filler plate		1	
16	999 512 478 00	Hose clamp		1	
17	996 423 269 05	Bellows		1	
18	996 355 927 01	Connecting piece		1	
19	900 380 015 09	Hexagon nut M 6		1	
(19)	900 380 015 01	Discontinued part Hexagon nut M 6		1	
20	999 512 672 00	clamp		1	

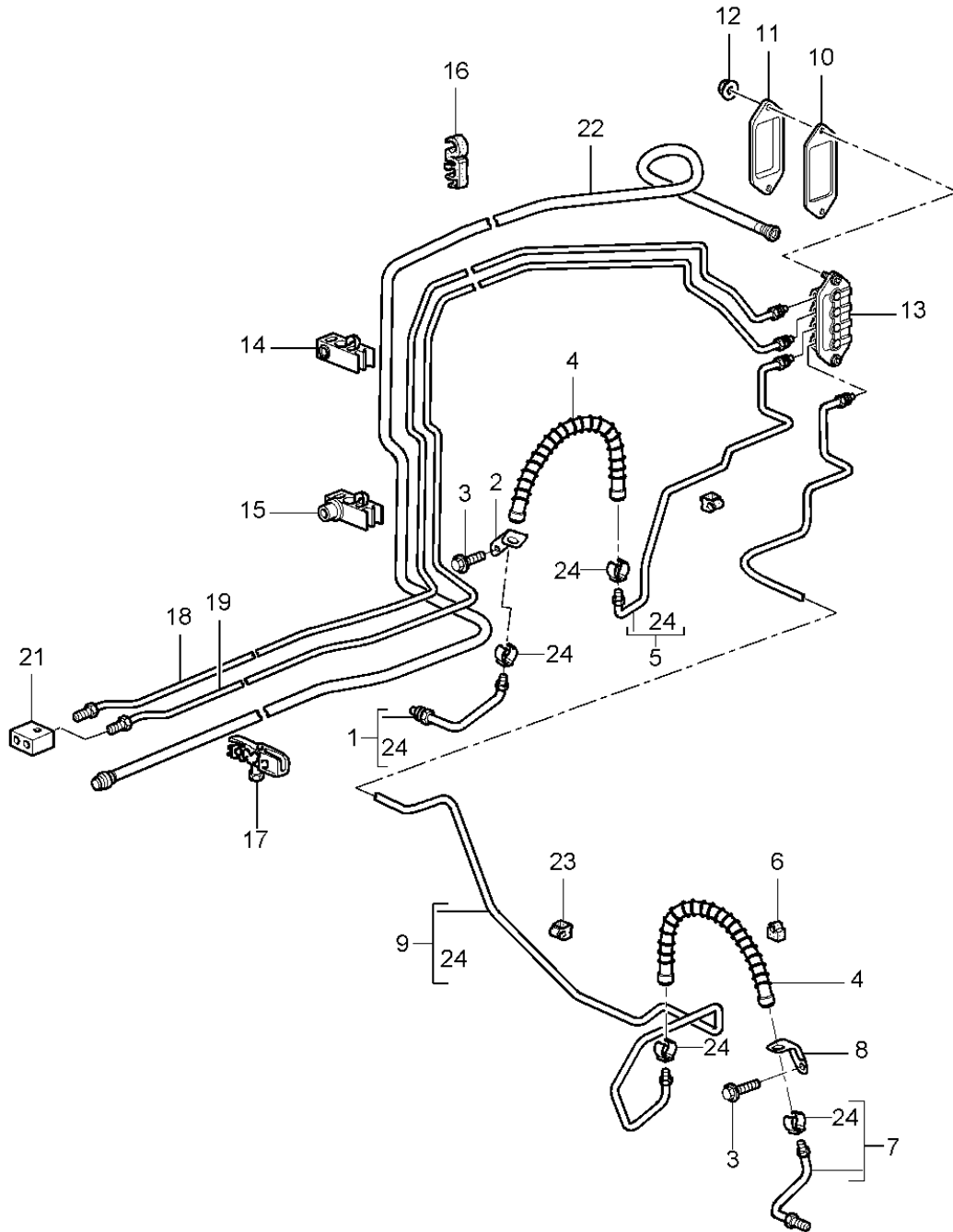
Model: 987 06

Model life 2006>>2008

Pos	Part Number	Description	Remark	Qty	Model
		Brake lines			
		Front end			
1	997 355 315 00	Brake line		1	
2	997 355 316 00	Brake line		1	
3	997 355 327 00	Brake line		1	
4	997 355 326 00	Brake line		1	
5	997 355 650 00	Intermediate piece		1	
6	997 355 752 00	Seal		1	
7	997 355 753 00	Reinforcement		1	
8	997 355 311 00	Pressure line		2	PR:098
9	997 355 312 00	Pressure line		1	PR:099
10	997 355 314 00	Pressure line		1	PR:099
11	999 507 632 40	Cable holder		2	

Model: 987 06

Model life 2006>>2008



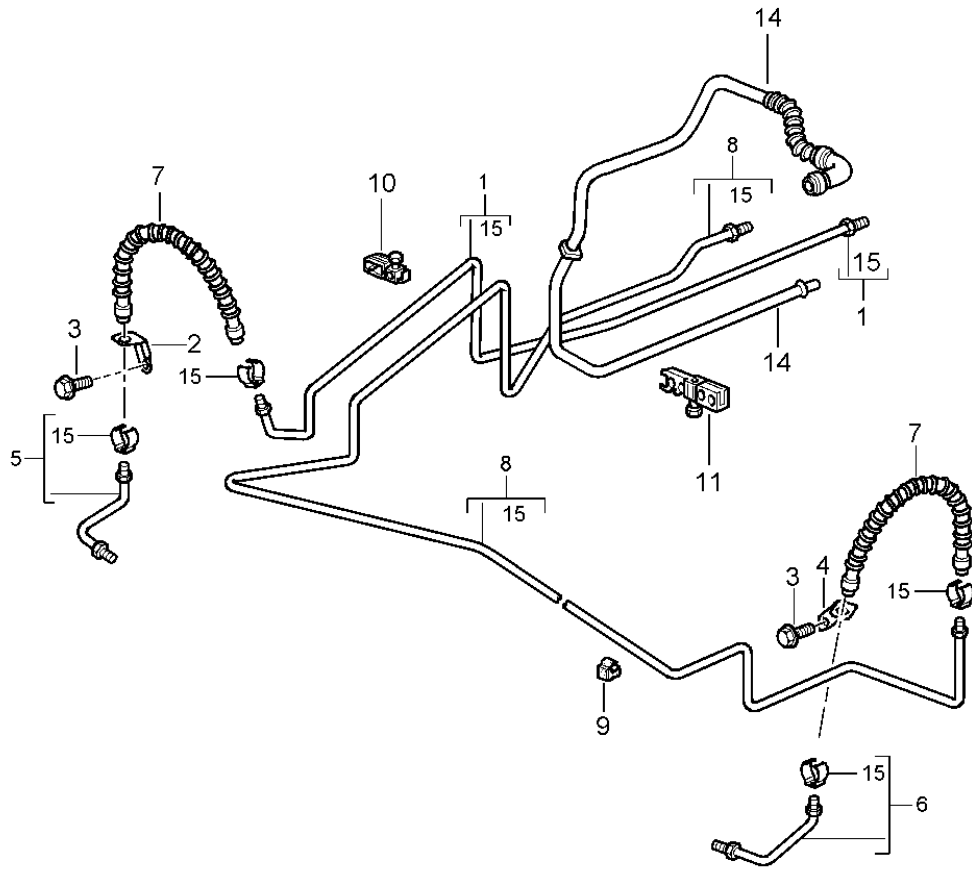
Model: 987 06

Model life 2006>>2008

Pos	Part Number	Description	Remark	Qty	Model
		Brake lines			
		Brake lines			
		Underbody			
		Vacuum line			
1	996 355 581 06	Brake line	left	1	CAYMAN
(1)	996 355 581 06	Brake line	left	1	CAYMAN S
(1)	996 355 581 9B	Brake line		1	CAYMAN S PR:450
2	996 355 501 06	Brake hose bracket	left	1	
3	900 067 117 09	Socket head bolt M 6 X 16		2	
4	996 355 139 01	Brake hose		2	
		Discontinued part			
(4)	996 355 139 03	Brake hose		2	
5	997 355 175 02	Brake line	left	1	
		Discontinued part			
5	997 355 175 10	Brake line	left	1	
		Discontinued part			
5	997 355 175 11	Brake line	left	1	
6	999 591 930 40	Bracket		X	
7	996 355 584 06	Brake line	right	1	CAYMAN
(7)	996 355 584 06	Brake line	right	1	CAYMAN S
(7)	996 355 584 9B	Brake line	right	1	CAYMAN S PR:450
8	996 355 502 06	Brake hose bracket	right	1	
9	997 355 176 02	Brake line		1	
10	997 355 753 00	Reinforcement		1	
11	997 355 752 00	Seal		1	
12	900 380 015 09	Hexagon nut M 6		3	
		Discontinued part			
(12)	900 380 015 01	Hexagon nut M 6		3	
13	997 355 650 00	Intermediate piece		1	
14	996 355 545 00	Bracket		3	
15	996 355 549 00	Bracket		1	
16	996 355 547 01	Bracket		2	
17	996 355 543 00	Bracket		1	
18	997 355 177 01	Brake line		1	
19	997 355 179 01	Brake line		1	
		Discontinued part			
19	997 355 179 10	Brake line		1	
		Discontinued part			
19	997 355 179 11	Brake line		1	
21	996 355 760 31	Connecting piece		1	
22	997 355 571 01	Vacuum line		1	
-	999 702 289 40	Grommet		1	
		Wheel housing			
23	999 651 331 40	Cable holder		5	
24	997 355 331 00	Cable holder retaining spring for Brake line		X	

Model: 987 06

Model life 2006>>2008

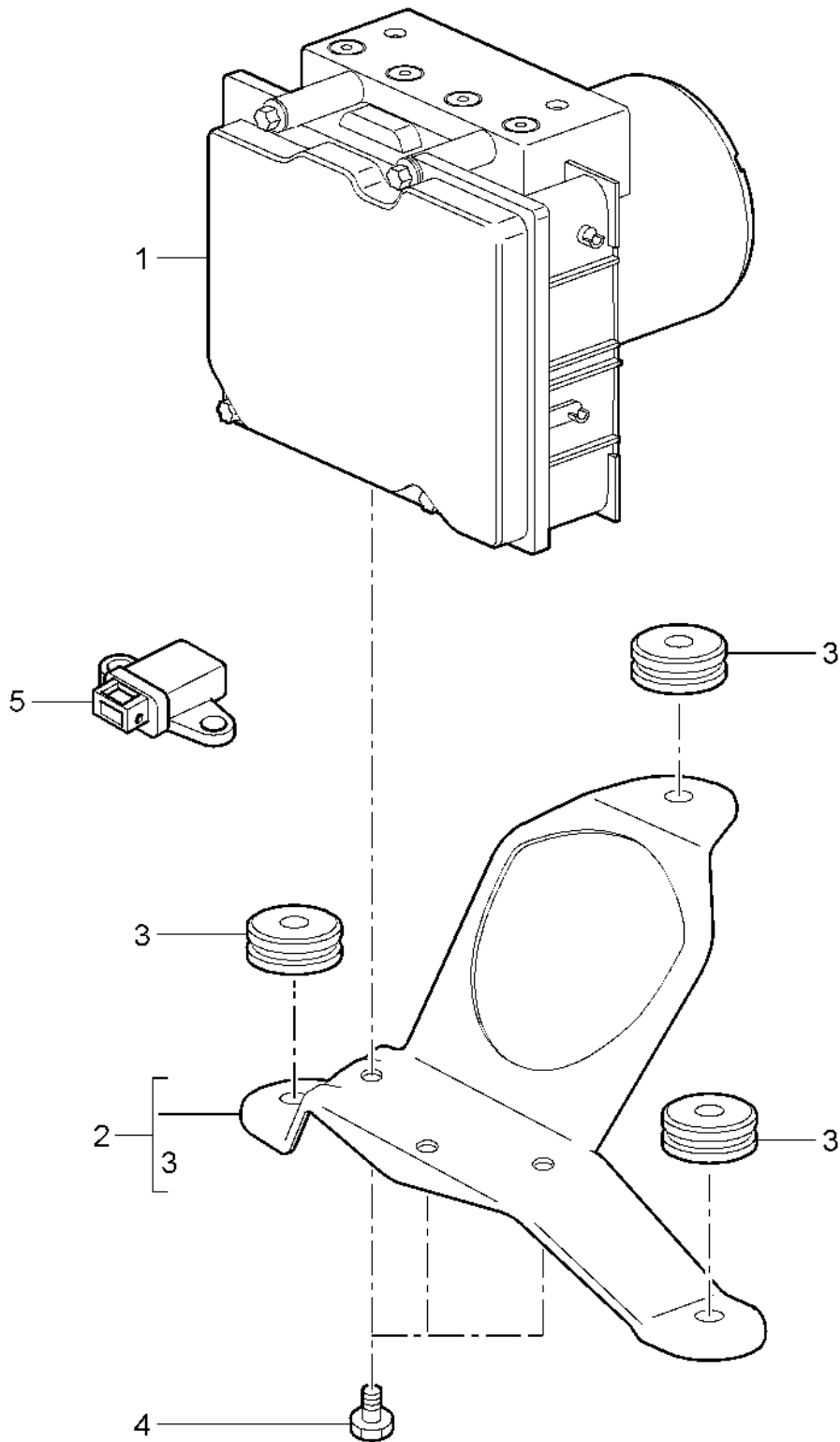


Model: 987 06 Model life 2006>>2008

Pos	Part Number	Description	Remark	Qty	Model
		Brake line			
		Underbody			
		Rear axle			
		Vacuum line			
1	987 355 189 01	Brake line	left	1	
2	987 355 501 01	Retainer for brake hose	left	1	
3	900 067 117 09	Socket head bolt M 6 X 16		4	
4	987 355 502 01	Retainer for brake hose	right	1	
5	987 355 581 00	Brake line	left	1	CAYMAN
(5)	987 355 581 00	Brake line	left	1	CAYMAN S
(5)	987 355 583 00	Brake line	left	1	PR:450 CAYMAN S
(5)	987 355 583 01	Discontinued part Brake line	left	1	PR:450 CAYMAN S
6	987 355 582 00	Brake line	right	1	CAYMAN
(6)	987 355 582 00	Brake line	right	1	CAYMAN S
(6)	987 355 584 00	Brake line	right	1	PR:450 CAYMAN S
(6)	987 355 584 01	Discontinued part Brake line	right	1	PR:450 CAYMAN S
-	996 501 815 02	Brake line bracket		2	
	996 501 815 02 GRV	Brake hose primed			
7	987 355 637 00	Brake hose		2	
(7)	987 355 637 01	Discontinued part Brake hose		2	
8	987 355 190 01	Brake line	right	1	
9	999 651 331 40	Cable holder		3	
10	964 423 811 00	Bracket		2	
11	996 355 543 00	Bracket		1	
14	987 355 575 02	Vacuum line		1	
15	997 355 331 00	retaining spring for Brake line		X	

Model: 987 06

Model life 2006>>2008



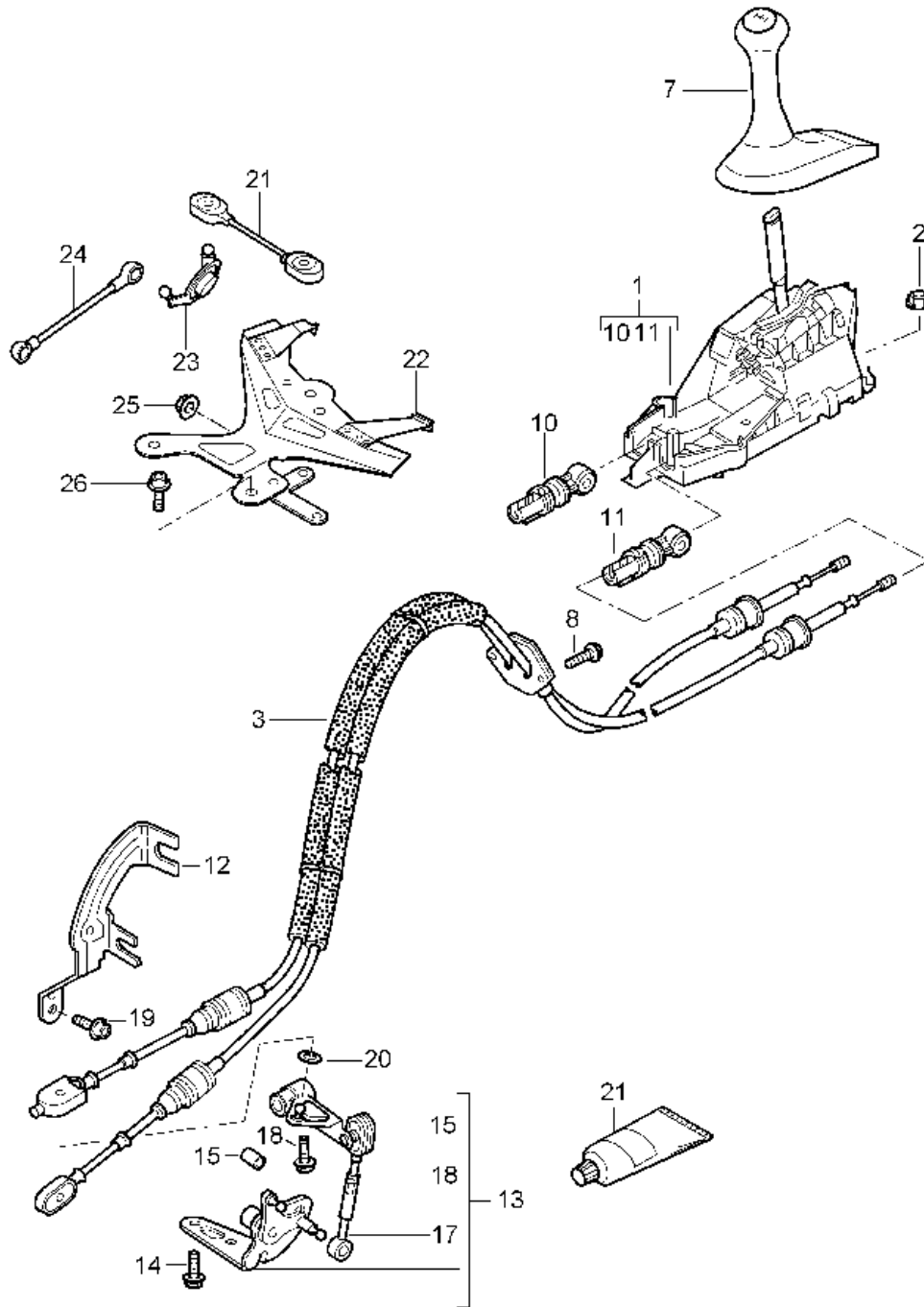
Model: 987 06

Model life 2006>>2008

Pos	Part Number	Description	Remark	Qty	Model
		Hydraulic unit anti-locking brake syst. -abs- Control			
1	987 355 955 05	Hydraulic unit		1	
2	997 355 033 00	Bracket		1	
		with:			
3	964 356 635 00	Rubber bush		3	
-	999 045 004 40	Rubber bush		3	
		Hexagon nut plastic			
4	900 385 060 09	Screw		3	
		BM 6 X 10			
(4)	900 385 060 01	Discontinued part Screw		3	
		BM 6 x 10			
5	996 606 145 00	Sensor		1	

Model: 987 06

Model life 2006>>2008



Model: 987 06 Model life 2006>>2008

Pos	Part Number	Description	Remark	Qty	Model
		Transmission control			
		Manual gearbox			
1	997 424 010 00	ball housing - gearshift lever		1	
(1)	997 424 983 00	ball housing - gearshift lever		1	PR:XCZ
2	999 084 629 01	Hexagon nut		4	
		M 6 SB			
3	987 424 041 11	Cable		1	PR:481
(3)	987 424 042 11	Cable		1	PR:480
		No longer use the part here			
(3)	987 424 042 12	Cable		1	PR:480
7	987 424 075 00	gearstick knob (leather)		1	PR:481
		Shift pattern			
		Black			
	987 424 075 00 FOT	black/black			
	987 424 075 00 FOU	Stone grey/stone grey			
	987 424 075 00 FOV	Sand beige/sand beige			
	987 424 075 00 FOW	Sea blue/sea blue			
	987 424 075 00 FOX	Palmgreen/palmgreen			
	987 424 075 00 FPW	Terracotta/terracotta			
	987 424 075 00 FPX	Cocoa/Cocoa			
	987 424 075 00 FQE	Black/stone grey			
	987 424 075 00 FOY	Dark grey/dark grey			
	987 424 075 00 FOZ	For remote-controlled parking			
(7)	987 424 075 03	gearstick knob		1	PR:481,803
		Carbon			
		Shift pattern			
		Black			
	987 424 075 03 FPP	Black			
	987 424 075 03 FPQ	Stone grey			
	987 424 075 03 FPR	Sand beige			
	987 424 075 03 FPS	sea blue			
	987 424 075 03 FPT	Palm green			
	987 424 075 03 FQC	Terracotta			
	987 424 075 03 FQD	Cocoa			
	987 424 075 03 FPU	Dark grey/natural			
	987 424 075 03 FPV	Brown/natural			
(7)	987 424 075 04	gearstick knob (leather)		1	PR:481,801
		macassar			
		Shift pattern			
		Black			
	987 424 075 04 FPA	Black			
	987 424 075 04 FPB	Stone grey			
	987 424 075 04 FPC	Sand beige			
	987 424 075 04 FPD	sea blue			
	987 424 075 04 FPE	Palm green			
	987 424 075 04 FPY	Terracotta			
	987 424 075 04 FPZ	Cocoa			
	987 424 075 04 FPF	Dark grey/natural			
	987 424 075 04 FPG	Brown/natural			
(7)	987 424 075 04	gearstick knob (leather)		1	PR:481,802
		Sycamore wood			
		Shift pattern			
	987 424 075 04 FPH	Black			
	987 424 075 04 FPJ	Stone grey			
	987 424 075 04 FPK	Sand beige			
	987 424 075 04 FPL	sea blue			
	987 424 075 04 FPM	Palm green			
	987 424 075 04 FQA	Terracotta			
	987 424 075 04 FQB	Cocoa			
	987 424 075 04 FPN	Dark grey/natural			
	987 424 075 04 FPO	Brown/natural			
(7)	997 424 075 01	gearstick knob (leather)		1	PR:480
		Shift pattern			

Model: 987 06

Model life 2006>>2008

Pos	Part Number	Description	Remark	Qty	Model
	997 424 075 01 FOT	Aluminium look black/black			
	997 424 075 01 FOU	Stone grey/stone grey			
	997 424 075 01 FOV	Sand beige/sand beige			
	997 424 075 01 FOW	Sea blue/sea blue			
	997 424 075 01 FOX	Palmgreen/palmgreen			
	997 424 075 01 FPW	Terracotta/terracotta			
	997 424 075 01 FPX	Cocoa/Cocoa			
	997 424 075 01 FQE	Black/stone grey			
	997 424 075 01 FOY	Dark grey/dark grey			
	997 424 075 01 FOZ	Brown nat./brown nat.			
	997 424 075 01 FSR	Carrera Red/Carrera Red			
(7)	997 424 075 03	gearstick knob Carbon Shift pattern Aluminium look		1	PR:480,803
	997 424 075 03 FPP	Black			
	997 424 075 03 FPQ	Stone grey			
	997 424 075 03 FPR	Sand beige			
	997 424 075 03 FPS	sea blue			
	997 424 075 03 FPT	Palm green			
	997 424 075 03 FQC	Terracotta			
	997 424 075 03 FQD	Cocoa			
	997 424 075 03 FPU	Dark grey/natural			
	997 424 075 03 FPV	Brown/natural			
	997 424 075 03 FSS	Carrera Red			
(7)	997 424 075 04	gearstick knob (leather) macassar Shift pattern Aluminium look		1	PR:480,801
	997 424 075 04 FPA	Black			
	997 424 075 04 FPB	Stone grey			
	997 424 075 04 FPC	Sand beige			
	997 424 075 04 FPD	sea blue			
	997 424 075 04 FPE	Palm green			
	997 424 075 04 FPY	Terracotta			
	997 424 075 04 FPZ	Cocoa			
	997 424 075 04 FPF	Dark grey/natural			
	997 424 075 04 FPG	Brown/natural			
	997 424 075 04 FST	Carrera Red			
(7)	997 424 075 04	gearstick knob (leather) Sycamore wood Shift pattern Aluminium look		1	PR:480,802
	997 424 075 04 FPH	Black			
	997 424 075 04 FPJ	Stone grey			
	997 424 075 04 FPK	Sand beige			
	997 424 075 04 FPL	sea blue			
	997 424 075 04 FPM	Palm green			
	997 424 075 04 FQA	Terracotta			
	997 424 075 04 FQB	Cocoa			
	997 424 075 04 FPN	Dark grey/natural			
	997 424 075 04 FPO	Brown/natural			
(7)	997 424 981 00	gearstick knob aluminium Leather		1	PR:X97,480
	997 424 981 00 8YR	Black			
	997 424 981 00 5X5	Stone grey			
	997 424 981 00 8G1	Sand beige			
	997 424 981 00 3S8	sea blue			
	997 424 981 00 4P1	Palm green			
	997 424 981 00 9N2	Terracotta			
	997 424 981 00 9Q3	Cocoa			

Model: 987 06 Model life 2006>>2008

Pos	Part Number	Description	Remark	Qty	Model
	997 424 981 00 D11	Dark grey/natural			
	997 424 981 00 T11	Brown/natural			
	997 424 981 00 N11	Carrera Red			
(7)	987 424 981 00	gearstick knob (leather) aluminium		1	PR:X97,481
	987 424 981 00 8YR	Black			
	987 424 981 00 5X5	Stone grey			
	987 424 981 00 8G1	Sand beige			
	987 424 981 00 3S8	sea blue			
	987 424 981 00 4P1	Palm green			
	987 424 981 00 9N2	Terracotta			
	987 424 981 00 9Q3	Cocoa			
	987 424 981 00 D11	Dark grey/natural			
	987 424 981 00 T11	Brown/natural			
(7)	997 424 075 90	gearstick knob (leather)		1	PR:755
	997 424 075 90 A15	Black			
(7)	997 424 075 90	gearstick knob (leather)		1	PR:758
	997 424 075 90 A15	Black			
8	900 378 173 09	Hexagon bolt M 6 X 20		2	PR:481
(8)	999 084 629 09	Hexagon nut M 6		2	PR:480
(10)	996 424 145 01	Securing element for Cable Adjustable		1	
-	996 424 445 00	Clip for Securing element		1	
11	996 424 147 00	Securing element for Cable Adjustable		1	
12	986 424 165 02	Bracket for Cable D	>> - MJ 2007	1	PR:481
(12)	986 424 165 03	Bracket for Cable D - MJ 2008>>		1 1	PR:481
13	987 424 913 02	Poles Adjustable D	>> - MJ 2007	1	PR:481
(13)	987 424 913 03	Poles Adjustable D - MJ 2008>>		1	PR:481
14	900 075 085 02	Hexagon bolt M 8 X 20		2	PR:481
15	987 424 135 00	Stop buffer		1	
17	987 424 932 02	connecting rod Adjustable		1	PR:481
18	N 901 239 02	Hexagon bolt M 8 X 26		1	PR:481
19	999 073 209 09	Socket head bolt M 10 X 20		2	PR:481
20	986 424 133 00	Washer		2	PR:481
21	987 424 131 02	toggle lever D	>> - MJ 2007	1	PR:480
(21)	987 424 131 22	Discontinued part toggle lever D - MJ 2008>>		1	PR:480
22	987 424 137 01	Transmission bracket		1	PR:480

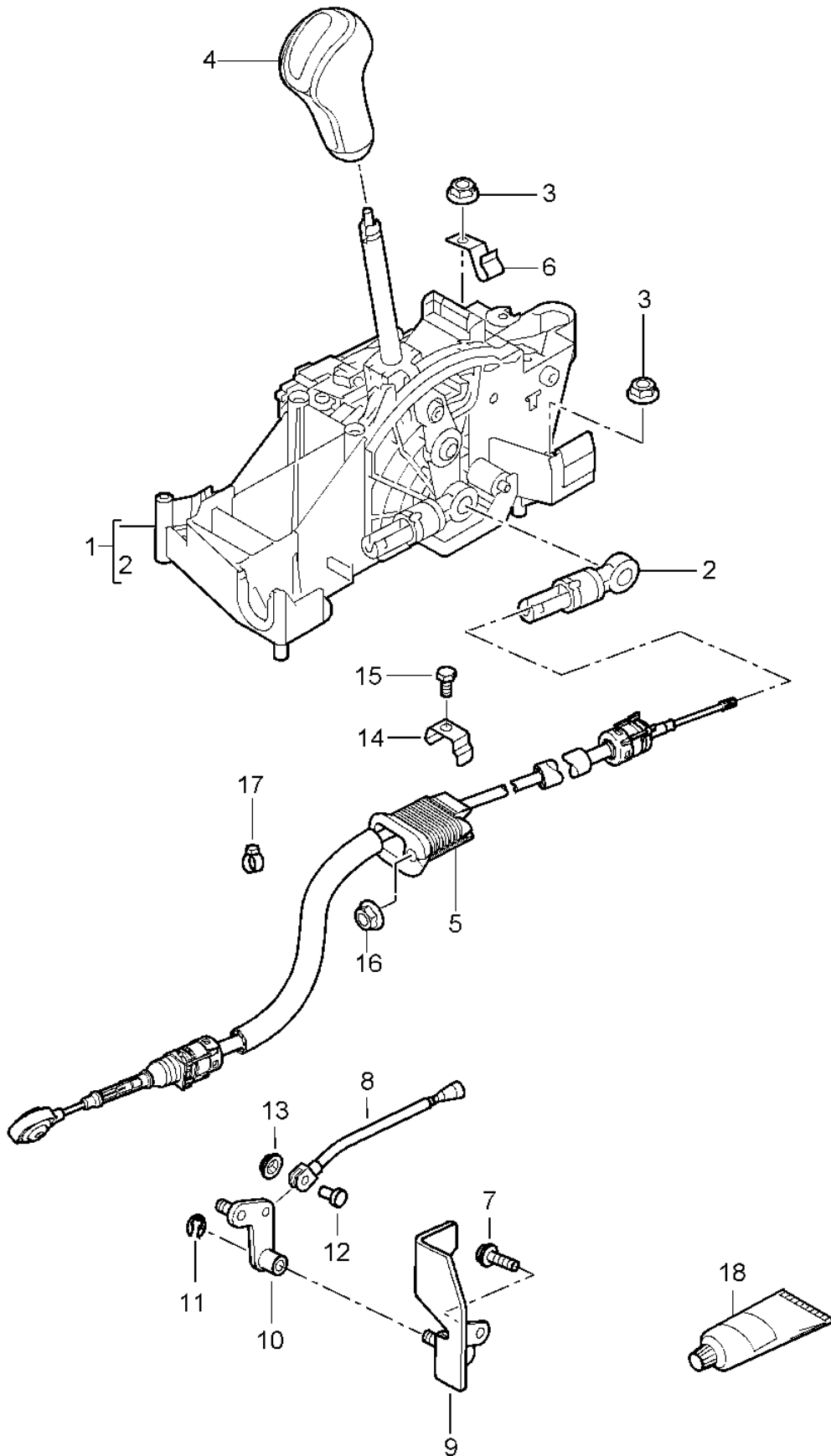
Model: 987 06

Model life 2006>>2008

Pos	Part Number	Description	Remark	Qty	Model
23	987 424 023 00	lever No longer use the part here		1	PR:480
23	981 424 023 00	lever		1	PR:480
24	987 424 035 00	connecting rod D - MJ 2006>> - MJ 2006		1	PR:480
(24)	987 424 035 10	connecting rod D - MJ 2007>> Discontinued part		1	PR:480
(24)	981 424 035 10	connecting rod D - MJ 2007>>		1	PR:480
25	900 377 003 02	Hexagon nut M 8		1	PR:480
26	900 385 274 09	Torx screw M 10 X 25		3	PR:480

Model: 987 06

Model life 2006>>2008



Model: 987 06 Model life 2006>>2008

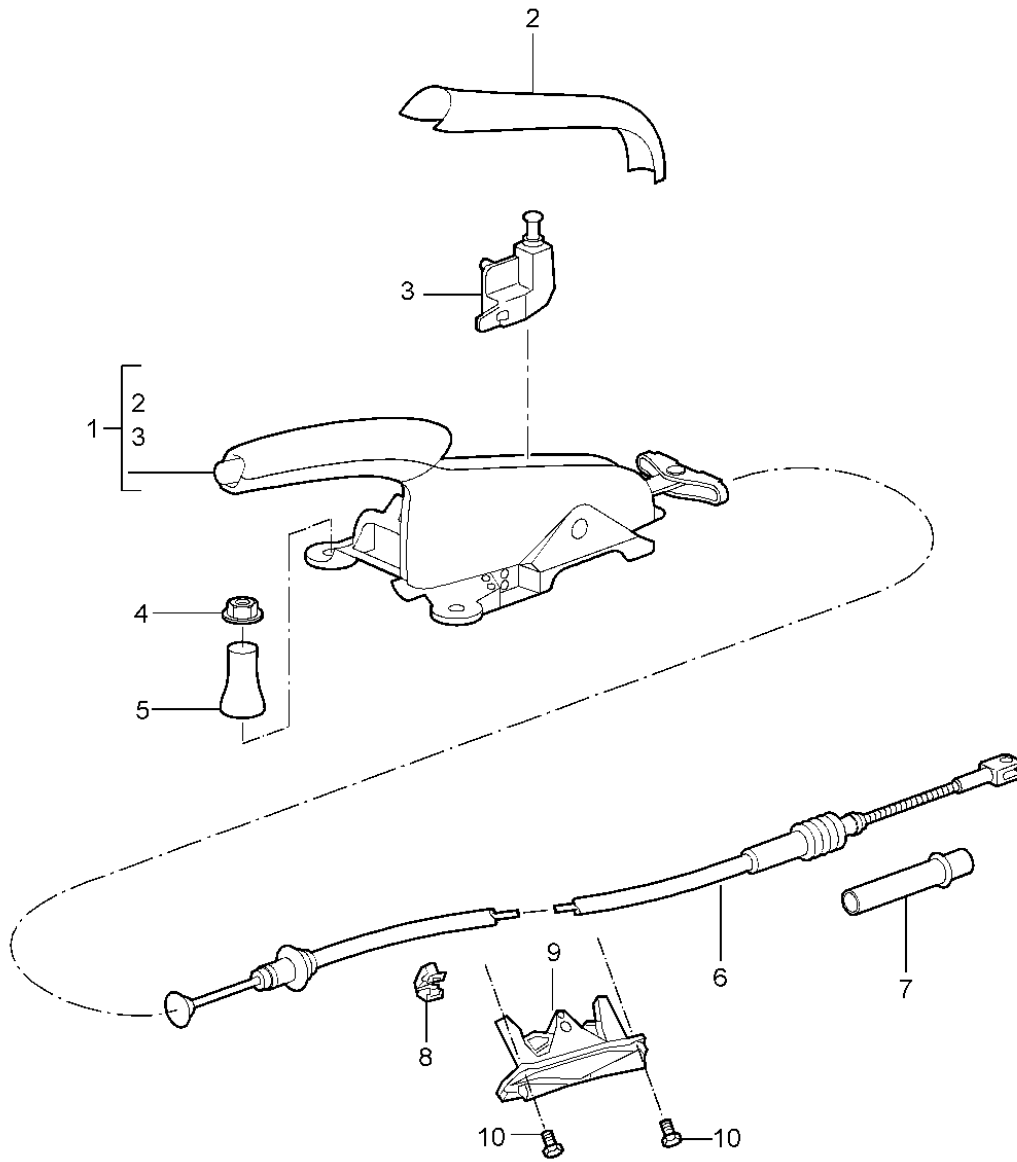
Pos	Part Number	Description	Remark	Qty	Model
(1)	987 426 011 02	selector lever Tiptronic selector lever		1	
		with:			
-	997 613 243 02	housing Switch		1	
-	996 613 212 10	selector lever No longer use the part here Switch		1	
2	996 426 035 00	selector lever Securing element		1	
		for Cable Adjustable			
3	999 084 629 09	Hexagon nut M 6		4	
4	997 426 069 00	Selector knob Leather		1	
		D >> - MJ 2006			
	997 426 069 00 8YR	Black			
	997 426 069 00 5X5	Stone grey			
	997 426 069 00 8G1	Sand beige			
	997 426 069 00 3S8	sea blue			
	997 426 069 00 4P1	Palm green Discontinued part			
	997 426 069 00 9N2	Terracotta			
	997 426 069 00 9Q3	Cocoa			
	997 426 069 00 D11	Dark grey/natural			
	997 426 069 00 T11	Brown/natural			
(4)	997 426 069 10	Selector knob Leather		1	
		D >> - MJ 2006			
	997 426 069 10 4P1	Palm green			
(4)	997 426 069 10	Selector knob Leather		1	
		D - MJ 2007>>			
	997 426 069 10 8YR	Black			
	997 426 069 10 5X5	Stone grey			
	997 426 069 10 8G1	Sand beige			
	997 426 069 10 3S8	sea blue			
	997 426 069 10 4P1	Palm green			
	997 426 069 10 9N2	Terracotta			
	997 426 069 10 9Q3	Cocoa			
	997 426 069 10 D11	Dark grey/natural			
	997 426 069 10 T11	Brown/natural			
	997 426 069 10 N11	Carrera Red			
(4)	997 426 069 03	Selector knob		1	PR:803
		D >> - MJ 2006			
	997 426 069 03 A35	Carbon			
(4)	997 426 069 13	Selector knob		1	PR:803
		D - MJ 2007>>			
	997 426 069 13 A35	Carbon			
(4)	997 426 069 04	Selector knob		1	PR:801
		D >> - MJ 2006			
	997 426 069 04 S61	macassar			
(4)	997 426 069 14	Selector knob		1	PR:801
		D - MJ 2007>>			
	997 426 069 14 S61	macassar			
(4)	997 426 069 04	Selector knob		1	PR:802
		D >> - MJ 2006			
	997 426 069 04 S62	Sycamore wood			
(4)	997 426 069 14	Selector knob		1	PR:802
		D - MJ 2007>>			

Model: 987 06 Model life 2006>>2008

Pos	Part Number	Description	Remark	Qty	Model
	997 426 069 14 S62	Sycamore wood			
(4)	997 426 991 00	selector lever		1	PR:755
	997 426 991 00 A15	Black			
(4)	997 426 991 00	selector lever		1	PR:758
	997 426 991 00 A15	Black			
-	997 426 275 00	Button for selector lever release		1	
	997 426 275 00 V05	Galvano silver			
5	987 426 033 12	Cable		1	
6	999 507 465 03	Bracket		1	
7	999 073 094 09	fillister hd. bolt M 8 X 20		2	
8	986 426 043 01	push rod		1	
9	986 426 041 06	basic plate		1	
10	986 426 045 06	relay lever		1	
11	900 116 007 09	fuse		1	
		D >> - MJ 2007			
(11)	900 116 007 02	fuse		1	
		D - MJ 2008>>			
12	986 426 415 02	Pin		1	
13	999 507 057 02	Clamping washer		1	
		D >> - MJ 2007			
(13)	999 507 057 03	Clamping washer		1	
		D - MJ 2008>>			
15	N 010 237 6	Hexagon bolt M 8 X 12		1	
16	999 084 629 09	Hexagon nut M 6		2	
17	999 507 635 00	Bracket		1	
18	000 043 205 93	grease 1 100-gramme tube		1	

Model: 987 06

Model life 2006>>2008



Model: 987 06

Model life 2006>>2008

Pos	Part Number	Description	Remark	Qty	Model
(1)	997 424 031 62	handbrake Actuator handbrake lever grip (leather) (complete) Discontinued part		1	
	997 424 031 62 8YR	Black			
	997 424 031 62 5X5	Stone grey			
	997 424 031 62 8G1	Sand beige			
	997 424 031 62 3S8	sea blue			
	997 424 031 62 4P1	Palm green			
	997 424 031 62 9N2	Terracotta			
	997 424 031 62 9Q3	Cocoa			
	997 424 031 62 FQF	Black/stone grey			
	997 424 031 62 D11	Dark grey/natural			
	997 424 031 62 T11	Brown/natural			
	997 424 031 62 N11	Carrera Red			
		D - MJ 2008>>			
(1)	997 424 031 67	handbrake lever grip (leather) (complete)		1	
	997 424 031 67 8YR	Black			
	997 424 031 67 5X5	Stone grey			
	997 424 031 67 8G1	Sand beige			
	997 424 031 67 3S8	sea blue			
	997 424 031 67 4P1	Palm green			
	997 424 031 67 9N2	Terracotta			
	997 424 031 67 9Q3	Cocoa			
	997 424 031 67 FQF	Black/stone grey			
	997 424 031 67 D11	Dark grey/natural			
	997 424 031 67 T11	Brown/natural			
	997 424 031 67 N11	Carrera Red			
		D - MJ 2008>>			
(1)	997 424 031 63	Brake lever (complete) macassar Discontinued part		1	PR:801
	997 424 031 63 8YR	Black			
	997 424 031 63 5X5	Stone grey			
	997 424 031 63 8G1	Sand beige			
	997 424 031 63 3S8	sea blue			
	997 424 031 63 4P1	Palm green			
	997 424 031 63 9N2	Terracotta			
	997 424 031 63 9Q3	Cocoa			
	997 424 031 63 D11	Dark grey/natural			
	997 424 031 63 T11	Brown/natural			
	997 424 031 63 N11	Carrera Red			
		D - MJ 2008>>			
(1)	997 424 031 68	Brake lever (complete) macassar		1	PR:801
	997 424 031 68 8YR	Black			
	997 424 031 68 5X5	Stone grey			
	997 424 031 68 8G1	Sand beige			
	997 424 031 68 3S8	sea blue			
	997 424 031 68 4P1	Palm green			
	997 424 031 68 9N2	Terracotta			
	997 424 031 68 9Q3	Cocoa			
	997 424 031 68 D11	Dark grey/natural			
	997 424 031 68 T11	Brown/natural			
	997 424 031 68 N11	Carrera Red			
		D - MJ 2008>>			
(1)	997 424 031 64	Brake lever (complete) Sycamore wood		1	PR:802

Model: 987 06 Model life 2006>>2008

Pos	Part Number	Description	Remark	Qty	Model
		Discontinued part			
	997 424 031 64 8YR	Black			
	997 424 031 64 8G1	Sand beige			
	997 424 031 64 3S8	sea blue			
	997 424 031 64 4P1	Palm green			
	997 424 031 64 9N2	Terracotta			
	997 424 031 64 9Q3	Cocoa			
	997 424 031 64 D11	Dark grey/natural			
	997 424 031 64 T11	Brown/natural			
	997 424 031 64 N11	Carrera Red			
		D - MJ 2008>>			
(1)	997 424 031 69	Brake lever (complete) Sycamore wood		1	PR:802
	997 424 031 69 8YR	Black			
	997 424 031 69 5X5	Stone grey			
	997 424 031 69 8G1	Sand beige			
	997 424 031 69 3S8	sea blue			
	997 424 031 69 4P1	Palm green			
	997 424 031 69 9N2	Terracotta			
	997 424 031 69 9Q3	Cocoa			
	997 424 031 69 D11	Dark grey/natural			
	997 424 031 69 T11	Brown/natural			
	997 424 031 69 N11	Carrera Red			
		D - MJ 2008>>			
(1)	997 424 031 65	Brake lever (complete) Carbon		1	PR:803
		Discontinued part			
	997 424 031 65 8YR	Black			
	997 424 031 65 5X5	Stone grey			
	997 424 031 65 8G1	Sand beige			
	997 424 031 65 3S8	sea blue			
	997 424 031 65 4P1	Palm green			
	997 424 031 65 9N2	Terracotta			
	997 424 031 65 9Q3	Cocoa			
	997 424 031 65 D11	Dark grey/natural			
	997 424 031 65 T11	Brown/natural			
	997 424 031 65 N11	Carrera Red			
		D - MJ 2008>>			
(1)	997 424 031 70	Brake lever (complete) Carbon		1	PR:803
	997 424 031 70 8YR	Black			
	997 424 031 70 5X5	Stone grey			
	997 424 031 70 8G1	Sand beige			
	997 424 031 70 3S8	sea blue			
	997 424 031 70 4P1	Palm green			
	997 424 031 70 9N2	Terracotta			
	997 424 031 70 9Q3	Cocoa			
	997 424 031 70 D11	Dark grey/natural			
	997 424 031 70 T11	Brown/natural			
	997 424 031 70 N11	Carrera Red			
		D - MJ 2008>>			
(1)	997 424 980 00	handbrake lever grip (leather) (complete)		1	PR:X98,098
		D - MJ 2007>>			
		Discontinued part			
	997 424 980 00 8YR	Black			
	997 424 980 00 5X5	Stone grey			
	997 424 980 00 8G1	Sand beige			
	997 424 980 00 3S8	sea blue			
	997 424 980 00 4P1	Palm green			

Model: 987 06 Model life 2006>>2008

Pos	Part Number	Description	Remark	Qty	Model
	997 424 980 00 9N2	Terracotta			
	997 424 980 00 9Q3	Cocoa			
	997 424 980 00 D11	Dark grey/natural			
	997 424 980 00 T11	Brown/natural			
(1)	997 424 980 06	handbrake lever grip (leather) (complete) D - MJ 2007>>		1	PR:X98,098
	997 424 980 06 8YR	Black			
	997 424 980 06 5X5	Stone grey			
	997 424 980 06 8G1	Sand beige			
	997 424 980 06 3S8	sea blue			
	997 424 980 06 4P1	Palm green			
	997 424 980 06 9N2	Terracotta			
	997 424 980 06 9Q3	Cocoa			
	997 424 980 06 D11	Dark grey/natural			
	997 424 980 06 T11	Brown/natural			
(1)	997 424 980 01	handbrake lever grip (leather) (complete) D - MJ 2007>> Discontinued part		1	PR:X98,099
	997 424 980 01 8YR	Black			
	997 424 980 01 5X5	Stone grey			
	997 424 980 01 8G1	Sand beige			
	997 424 980 01 3S8	sea blue			
	997 424 980 01 4P1	Palm green			
	997 424 980 01 9N2	Terracotta			
	997 424 980 01 9Q3	Cocoa			
	997 424 980 01 D11	Dark grey/natural			
	997 424 980 01 T11	Brown/natural			
(1)	997 424 980 07	handbrake lever grip (leather) (complete) D - MJ 2007>>		1	PR:X98,099
	997 424 980 07 8YR	Black			
	997 424 980 07 5X5	Stone grey			
	997 424 980 07 8G1	Sand beige			
	997 424 980 07 3S8	sea blue			
	997 424 980 07 4P1	Palm green			
	997 424 980 07 9N2	Terracotta			
	997 424 980 07 9Q3	Cocoa			
	997 424 980 07 D11	Dark grey/natural			
	997 424 980 07 T11	Brown/natural			
(1)	997 424 031 92	Brake lever (complete) Discontinued part		1	PR:755
	997 424 031 92 A15	Black			
(1)	997 424 031 93	Brake lever (complete)		1	PR:755
	997 424 031 93 A15	Black			
(1)	997 424 031 92	Brake lever (complete) Discontinued part		1	PR:758
	997 424 031 92 A15	Black			
(1)	997 424 031 93	Brake lever (complete)		1	PR:758
	997 424 031 93 A15	Black			
2	997 424 155 00	trim for handbrake lever Leather		1	
	997 424 155 00 8YR	Black			
	997 424 155 00 5X5	Stone grey			
	997 424 155 00 8G1	Sand beige			
	997 424 155 00 3S8	sea blue			
	997 424 155 00 4P1	Palm green			
	997 424 155 00 9N2	Terracotta			

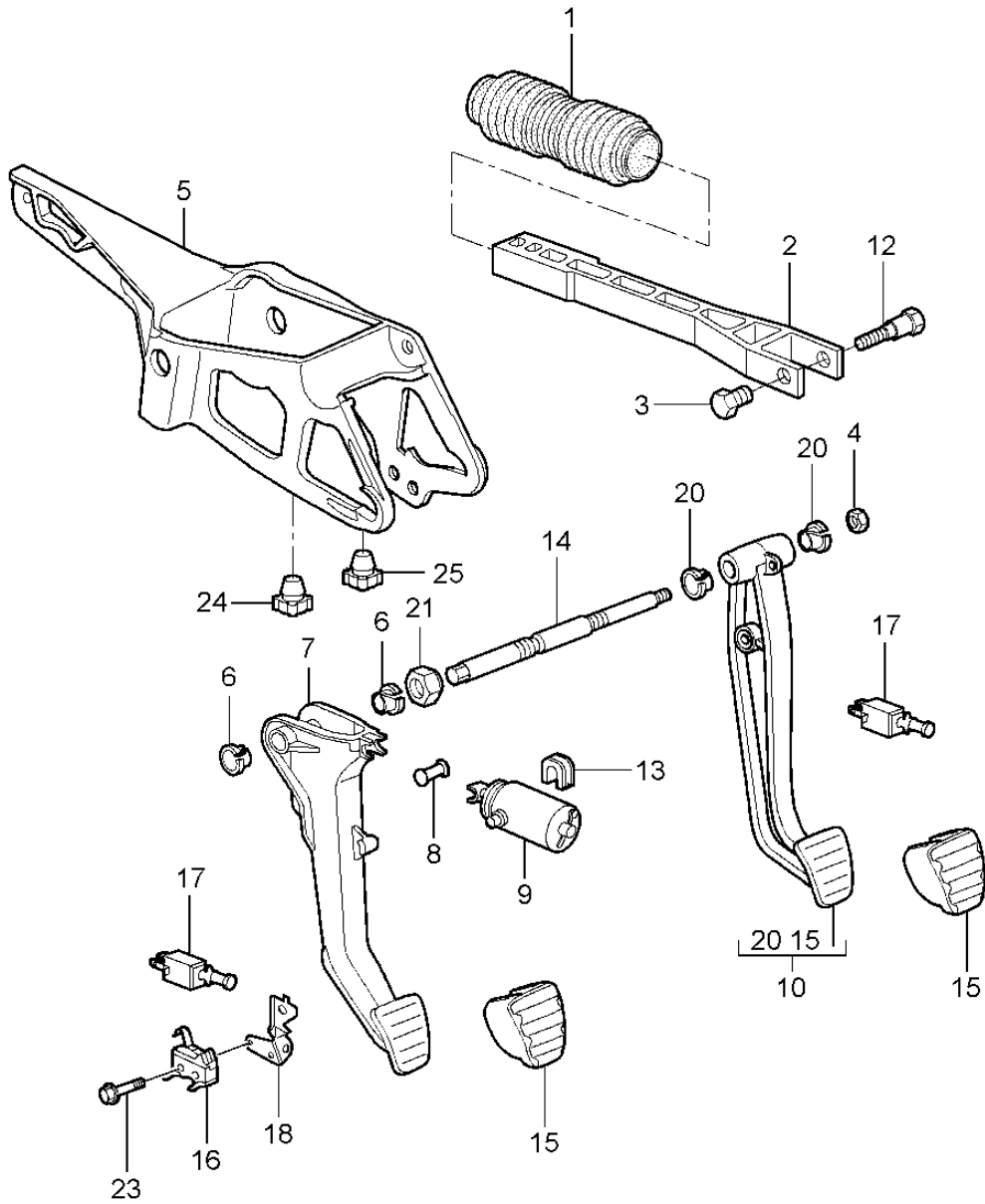
Model: 987 06

Model life 2006>>2008

Pos	Part Number	Description	Remark	Qty	Model
	997 424 155 00 9Q3	Cocoa			
	997 424 155 00 D11	Dark grey/natural			
	997 424 155 00 T11	Brown/natural			
3	996 613 112 01	Switch		1	
4	999 084 630 09	Hexagon nut M 8		4	
6	987 424 141 05	Parking-brake cable		2	
7	986 424 721 07	guide tube		2	
8	999 507 827 40	Hose bracket		2	
9	986 424 310 02	housing		1	
10	900 378 035 01	Hexagon bolt M 6 X 16		4	

Model: 987 06

Model life 2006>>2008



Model: 987 06

Model life 2006>>2008

Pos	Part Number	Description	Remark	Qty	Model
-	000 043 206 17	Pedals universal low temperat. grease 1 tube		X	
1		Bellows see illustration:	604-000	1	
(2)	996 423 165 05	push rod		1	
3	996 423 307 00	Sleeve		1	
4	900 380 005 09	Hexagon nut M 8		3	
				2	
5	997 423 571 02	Console for Servo spring bush		1	PR:480
6	997 423 399 01			2	PR:480
7	997 423 139 01	Clutch pedal switch		1	PR:480
(8)	996 423 315 06	Pin		1	PR:480
-	999 166 022 02	K1-lock for Pin		1	PR:480
9	997 423 081 06	Servo spring		1	
(10)	997 423 091 03	brake pedal Discontinued part		1	PR:480,098
(10)	997 423 091 04	brake pedal		1	PR:480,098
(10)	997 423 092 03	brake pedal Discontinued part		1	PR:480,099
(10)	997 423 092 04	brake pedal		1	PR:480,099
(10)	997 423 093 03	brake pedal Discontinued part		1	PR:249,098
(10)	997 423 093 04	brake pedal		1	PR:249,098
10	997 423 094 03	brake pedal Discontinued part		1	PR:249,099
10	997 423 094 04	brake pedal		1	PR:249,099
12	996 423 308 00	Pin		1	
13	997 423 581 00	bearing shell		1	
14	997 423 281 00	axle		1	PR:480,098
(14)	997 423 284 00	axle		1	PR:480,099
(14)	996 423 283 05	axle		1	PR:249,098
(14)	996 423 286 05	axle		1	PR:249,099
-	996 423 277 00	Bearing sleeve brake pedal		1	PR:099
15	997 423 910 00	pad for brake and clutch pedals		2	PR:480
(15)	997 423 912 00	Cap for foot brake pedal		1	PR:249
16	997 613 109 00	Switch		1	PR:480
(17)	996 613 113 01	Switch brake pedal		2	
(17)	996 613 114 01	Switch for clutch pedal Clutch pedal switch		1	
18	997 423 541 00	Bracket		1	
20	997 423 401 00	bush		2	PR:098
(20)	997 423 402 00	bush		2	PR:099
21	997 423 275 01	sealing plug		1	
22	900 378 273 09	Hexagon bolt M 6 X 18 Discontinued part		1	
(22)	900 378 273 01	Hexagon bolt M 6 x 18		1	
23	900 146 159 02	flat round head bolt M 3 X 20 Discontinued part		1	
23	999 073 480 01	Bolt with washer M 3 X 20		1	
24	997 423 695 00	Rubber stop		1	

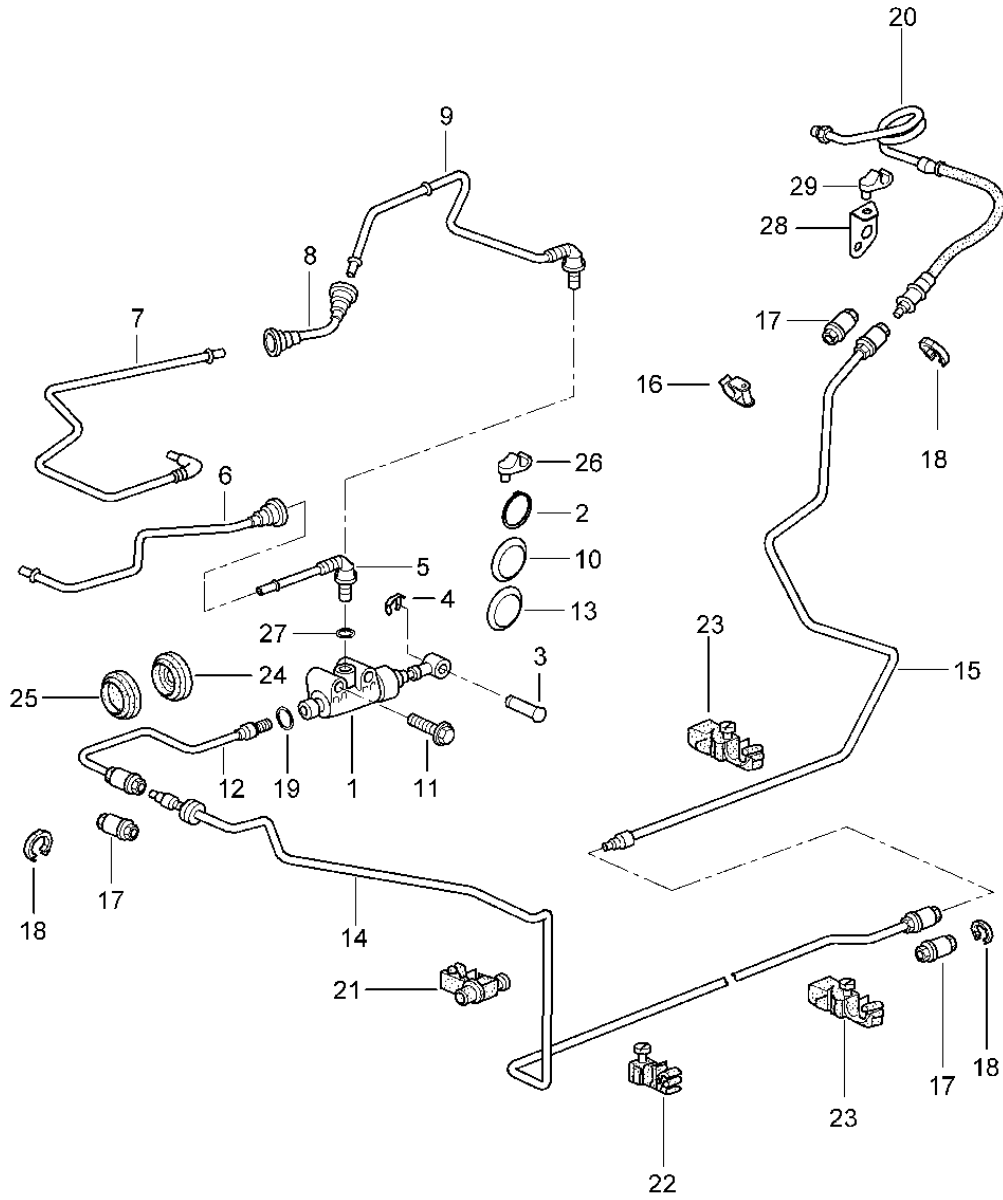
Model: 987 06

Model life 2006>>2008

Pos	Part Number	Description	Remark	Qty	Model
25	997 423 697 00	Rubber stop		1	

Model: 987 06

Model life 2006>>2008



Model: 987 06 Model life 2006>>2008

Pos	Part Number	Description	Remark	Qty	Model
		clutch actuation			
		Clutch master cylinder			
		Clutch tube			
1	997 423 171 01	Clutch master cylinder		1	
2	996 423 614 00	Securing ring		1	
		Pressure line			
3	996 423 315 06	Pin		1	
4	999 166 022 02	Kl-lock for Pin		1	
		Discontinued part			
4	999 166 022 01	Kl-lock for Pin		1	
5	997 423 147 00	Feed line		1	PR:098
6	997 423 137 00	Feed line		1	PR:098
7	996 423 138 04	Feed line		1	PR:099
8	996 423 140 02	Feed line		1	PR:099
9	996 423 142 02	Feed line		1	PR:099
10	999 703 421 40	Grommet		1	PR:249
		Side part			
11	900 378 270 09	Hexagon bolt AM 6 X 45		2	
12	996 423 107 10	Clutch tube		1	PR:098
		Discontinued part			
(12)	996 423 107 11	Clutch tube		1	PR:098
(12)	997 423 108 00	Clutch tube		1	PR:099
		Discontinued part			
(12)	997 423 108 01	Clutch tube		1	PR:099
13	999 702 174 50	Grommet		1	PR:098
14	997 423 109 00	Clutch tube		1	
		Discontinued part			
(14)	997 423 109 01	Clutch tube		1	
15	987 423 113 00	Clutch tube		1	PR:480
		Discontinued part			
(15)	987 423 113 01	Clutch tube		1	PR:480
(15)	987 423 113 25	Clutch tube		1	PR:481
16	999 591 964 40	Bracket		1	
17	999 230 541 10	Threaded joint		3	
18	999 230 683 40	securing clip for Threaded joint		3	
19	999 707 333 40	seal ring		1	
20	987 423 377 00	Clutch hose D >> - MJ 2007		1	PR:480
		Discontinued part			
(20)	987 423 377 01	Clutch hose D >> - MJ 2007		1	PR:480
		Discontinued part			
(20)	987 423 377 02	Clutch hose		1	PR:480
(20)	987 423 377 01	Clutch hose D - MJ 2008>>		1	PR:480
		Discontinued part			
(20)	987 423 377 02	Clutch hose D - MJ 2008>>		1	PR:480
21	996 355 549 00	Bracket		1	
22	996 355 545 00	Bracket		2	
23	996 355 543 00	Bracket		4	
24	999 702 216 42	Grommet		1	PR:481
(24)	999 702 216 42	Grommet		1	PR:480
25	999 702 217 41	Grommet		1	PR:249
26	999 507 585 40	Retaining clip		1	
27	999 707 333 40	seal ring		1	

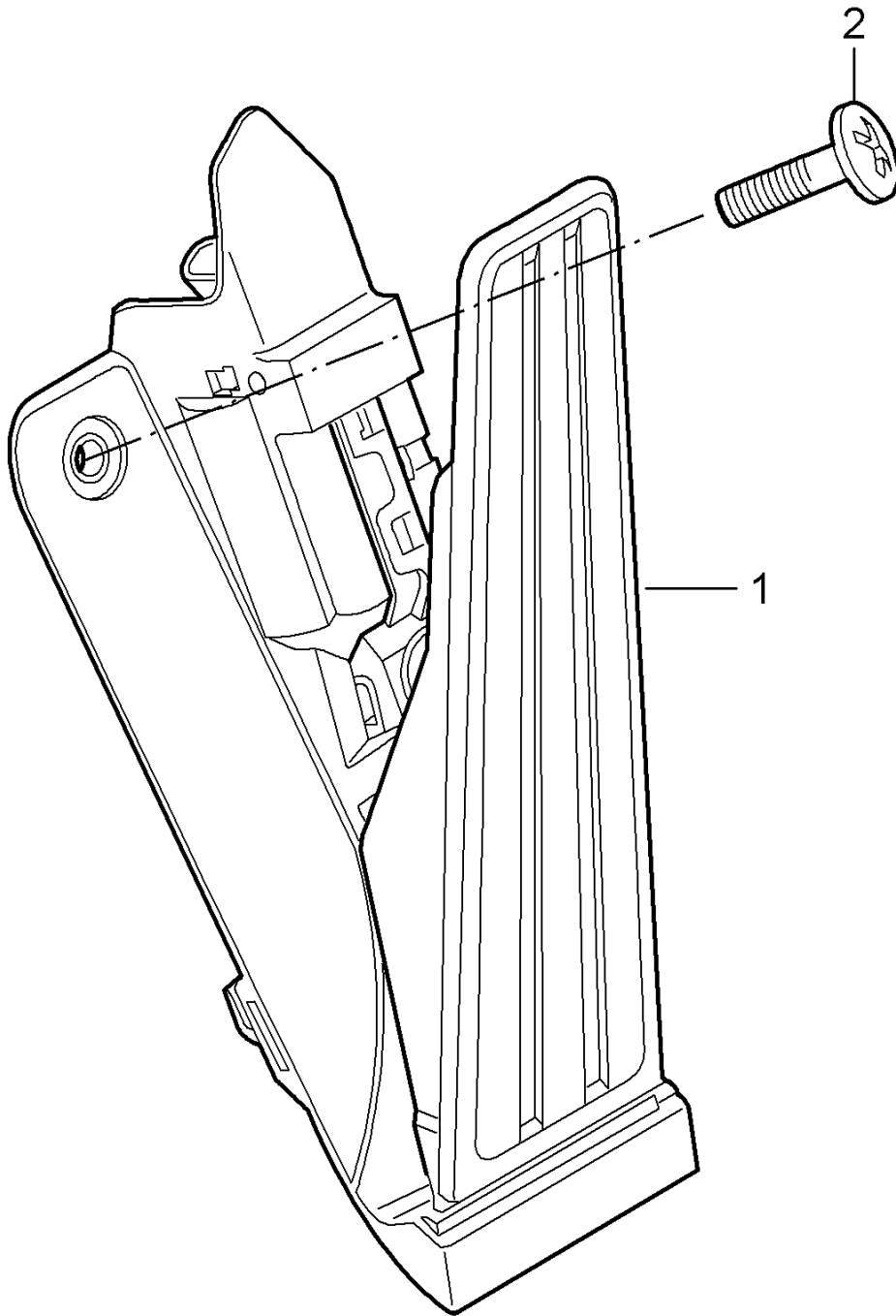
Model: 987 06

Model life 2006>>2008

Pos	Part Number	Description	Remark	Qty	Model
28	986 423 677 25	6,07 X 1,78N Support		1	PR:481
29	999 507 586 40	Cable holder		1	PR:481

Model: 987 06

Model life 2006>>2008



Model: 987 06

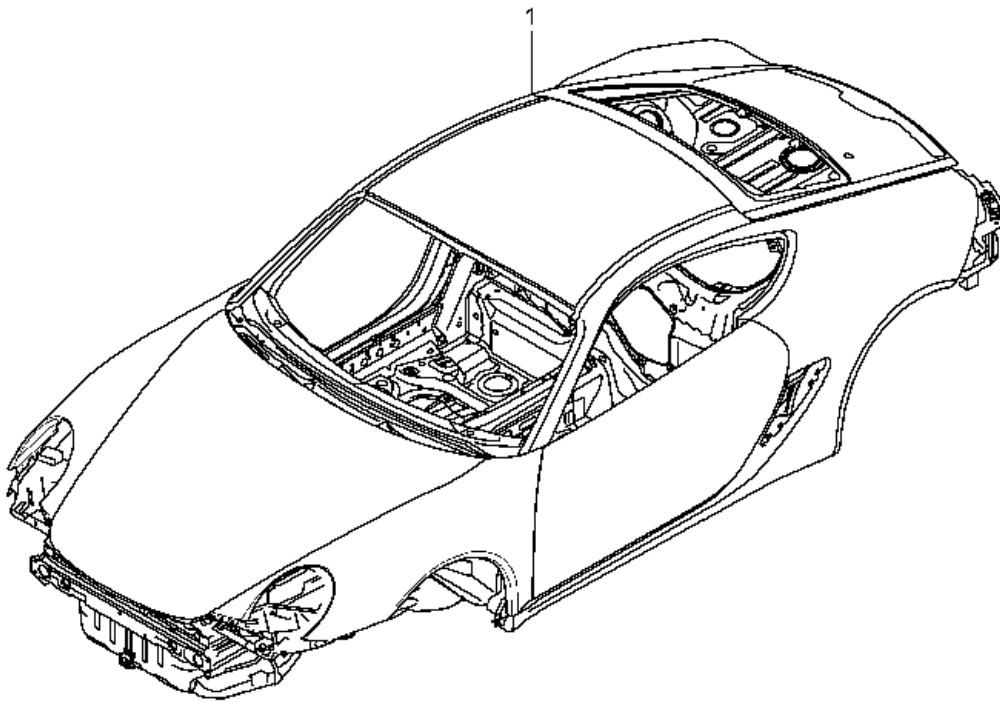
Model life 2006>>2008

Pos	Part Number	Description	Remark	Qty	Model
		Pedals			
		throttle control			
1	997 423 019 02	throttle control		1	PR:481
1	997 423 019 02	throttle control		1	PR:480
(1)	997 423 021 02	throttle control		1	PR:249
2	900 146 161 09	flat round head bolt M 6 X 20		1	

Model: 987 06

Model life 2006>>2008

B	WPOZZZ	98 z 5U730070	A
C	987 121	M9701-885 G5701	
G	L6B4	AT	
D	C00	287 288 425 437	
E		438 446 454 537 610	
E		635 640 650 696 670	
F	00641	20772	



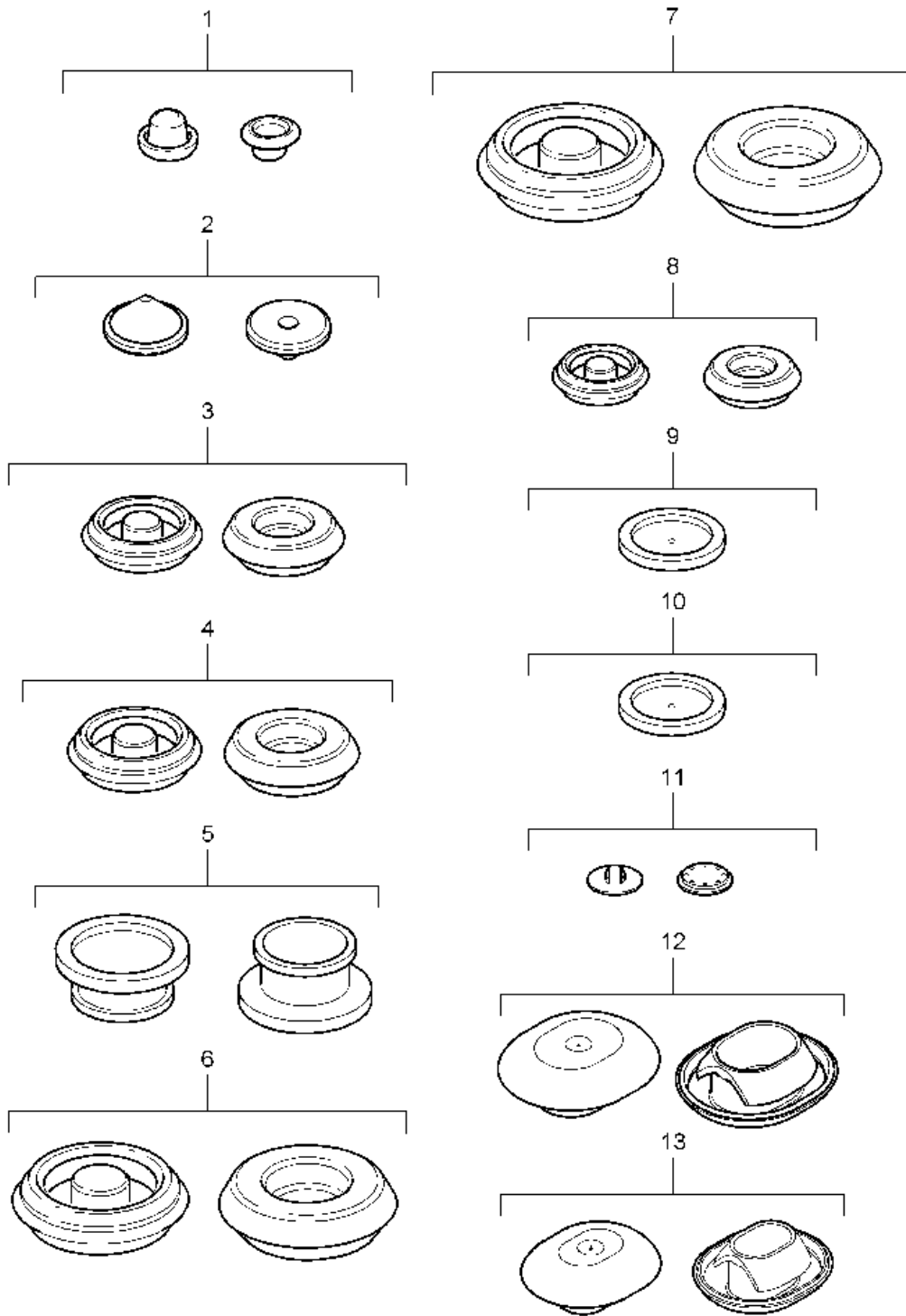
Model: 987 06

Model life 2006>>2008

Pos	Part Number	Description	Remark	Qty	Model
-		Car body primed Sealed			
		with: Underbody protection			
		with: Doors/lids/wings			
-		Bodyshells can only only available from current Model year available			
-		The data required for your order Can be found on the Vehicle data carrier in Vehicle wallet Please indicate this data in your order Vehicle data carrier Vehicle Ident. No. Order type Country equipment Optional extras Additional applications Please state the colour			
A					
B					
C					
D					
E					
F					
G					
1	987 500 900 00 987 500 900 00 GRV	Car body primed		1	

Model: 987 06

Model life 2006>>2008



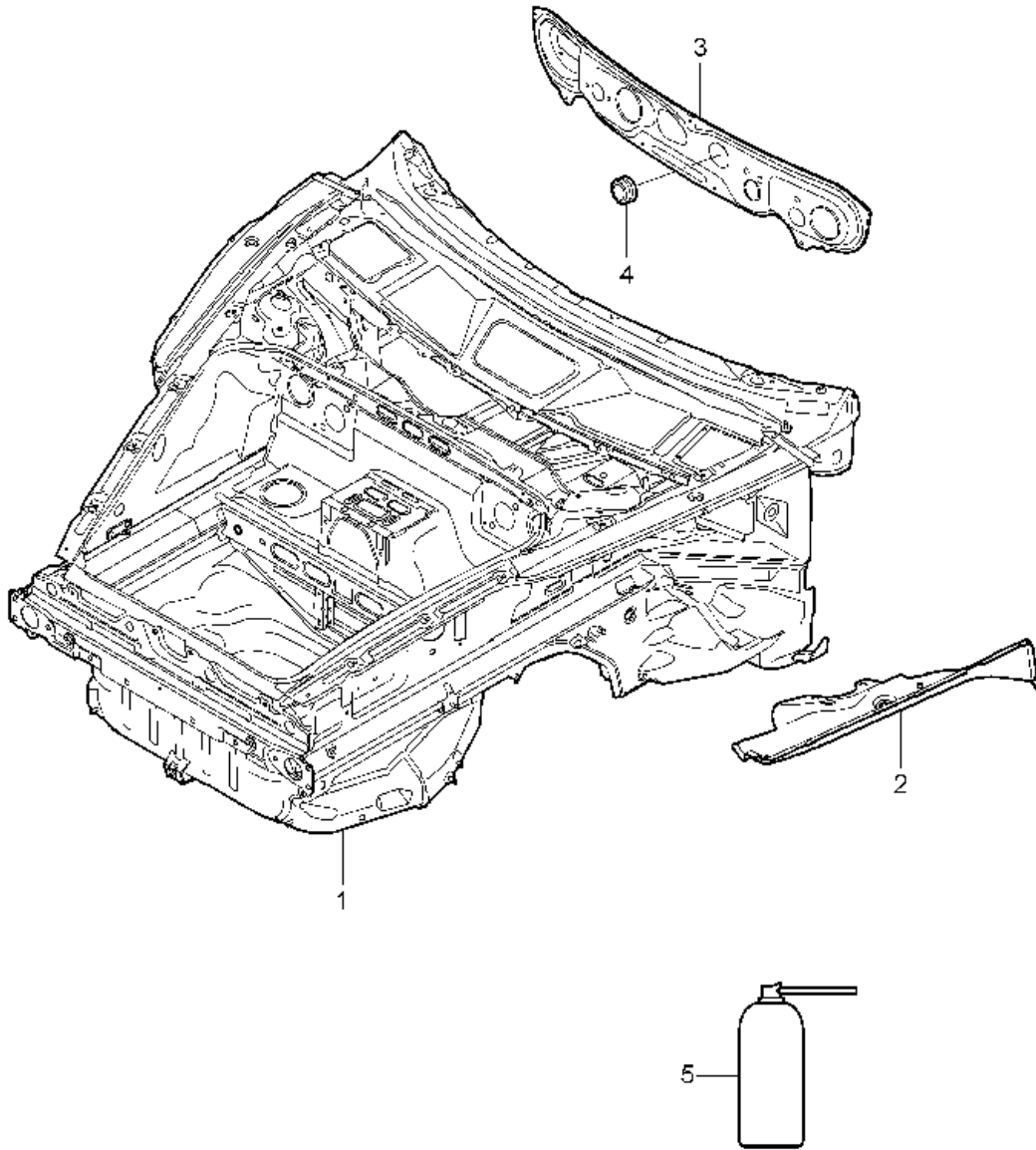
Model: 987 06

Model life 2006>>2008

Pos	Part Number	Description	Remark	Qty	Model
1	999 703 462 40	Bungs Plane See workshop manual End cap 10 x 6,5		X	
2	999 703 421 40	Grommet 15 mm		X	
4	803 803 583 A	Bungs 20 x 30 Discontinued part		X	
4	999 703 196 40	End cap 20 x 30		X	
5	999 703 420 40	Bungs 20,3 x 30 x 11		X	
6	803 803 583	Rubber grommet 30 x 40 Discontinued part		X	
6	999 703 195 40	Rubber grommet 30 x 40		X	
7	999 703 433 40	Bungs 30 x 42		X	
8	999 703 435 40	End cap 15 x 26		X	
9	999 703 008 40	End cap 18,5 x 25		X	
10	999 703 018 40	End cap 23,8 x 30,4		X	
11	999 507 838 40	Bungs 10 x 0,9		X	
12	955 504 184 00	Bungs		X	
13	955 504 185 00	Bungs 15 x20		X	

Model: 987 06

Model life 2006>>2008



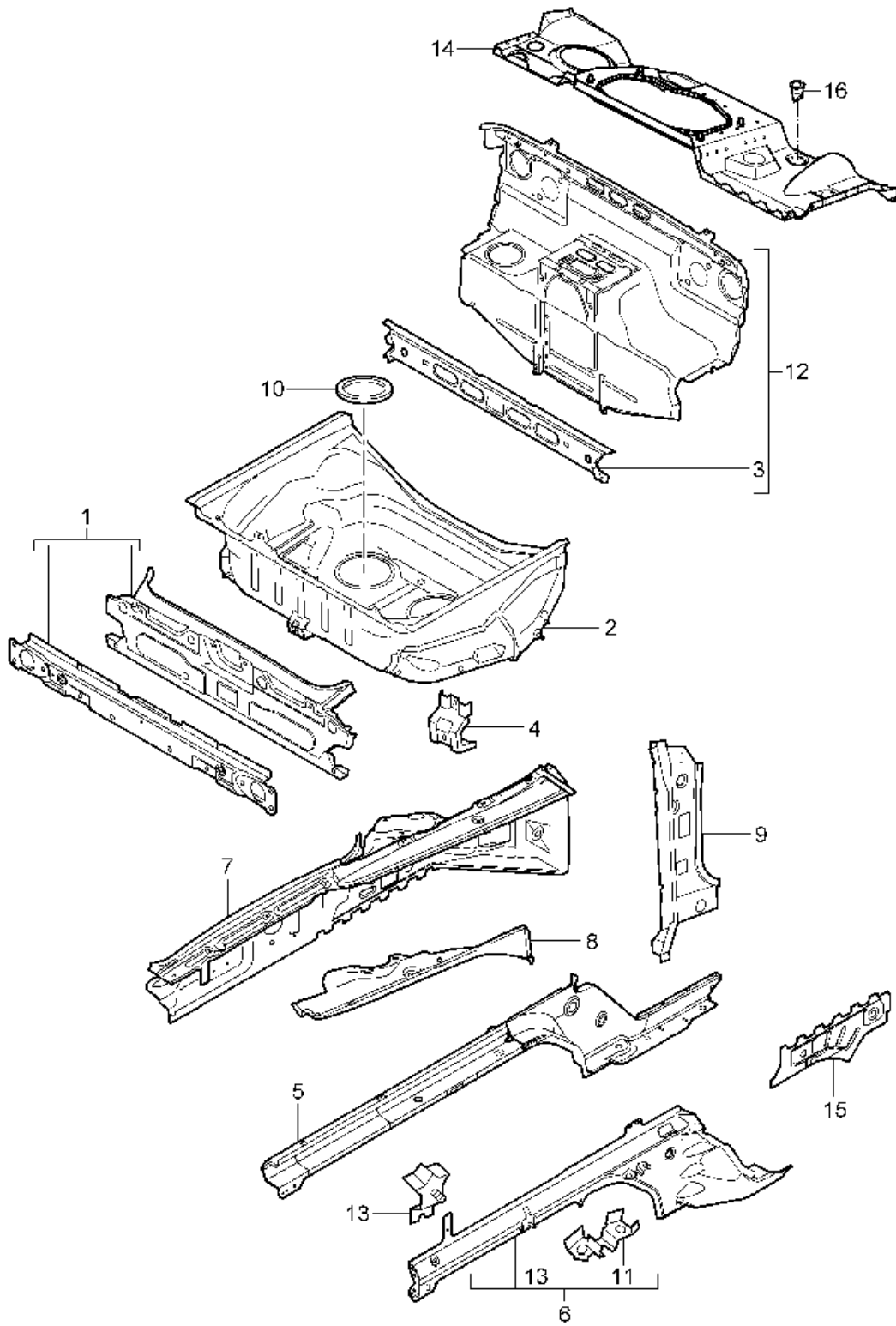
Model: 987 06

Model life 2006>>2008

Pos	Part Number	Description	Remark	Qty	Model
1	987 501 911 00 987 501 911 00 GRV	Front end Front end primed also use: sealant Pos. 5 Processing instructions See technical manual		1	
-		also use:			
(2)	997 501 945 00 997 501 945 00 GRV	Lower part primed	right	1	
(2)	997 501 946 01 997 501 946 01 GRV	Lower part primed	right	1	
3	997 504 121 00	Cover	lhd	1	PR:098
(3)	997 504 121 01	Cover	rhd	1	PR:099
-		also use:			
-	000 043 300 94	Adhesive set		1	
4	999 702 255 41	End cap 62,5 X 72,6		1	
5	999 915 337 40	sealant		1	

Model: 987 06

Model life 2006>>2008

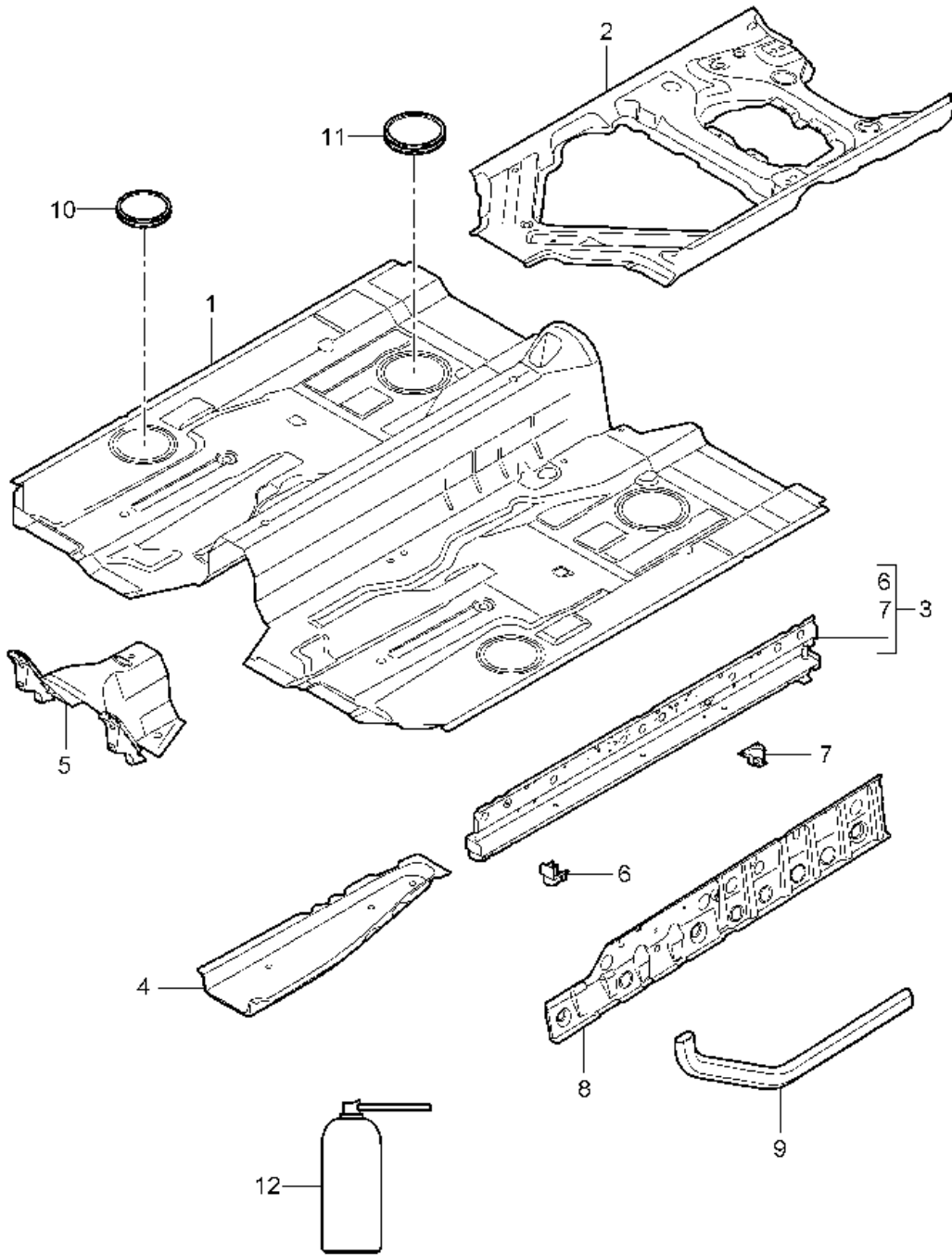


Model: 987 06 Model life 2006>>2008

Pos	Part Number	Description	Remark	Qty	Model
		Front end			
		Individual parts			
1	997 501 931 00	Cross panel		1	
	997 501 931 00 GRV	primed			
2	987 501 979 00	Spare wheel well		1	
	987 501 979 00 GRV	primed			
3	997 501 649 00	Cross member		1	
	997 501 649 00 GRV	primed			
4	996 501 621 00	Bracket		3	
	996 501 621 00 GRV	primed			
5	997 501 305 01	Side member	left	1	
		Discontinued part			
	997 501 305 01 GRV	primed			
5	997 501 905 00	Side member	left	1	
	997 501 905 00 GRV	primed			
(5)	997 501 306 01	Side member	right	1	
		Discontinued part			
	997 501 306 01 GRV	primed			
(5)	997 501 906 00	Side member	right	1	
	997 501 906 00 GRV	primed			
6	997 501 915 01	Side member	left	1	
	997 501 915 01 GRV	primed			
(6)	997 501 916 01	Side member	right	1	
	997 501 916 01 GRV	primed			
7	997 501 935 00	Wheel housing	left	1	
		Discontinued part			
	997 501 935 00 GRV	primed			
7	997 501 935 01	Wheel housing	left	1	
	997 501 935 01 GRV	primed			
(7)	997 501 936 01	Wheel housing	right	1	
	997 501 936 01 GRV	primed			
8	997 501 945 00	Lower part	left	1	
	997 501 945 00 GRV	primed			
(8)	997 501 946 01	Lower part	right	1	
	997 501 946 01 GRV	primed			
9	997 501 937 00	Hinge pillar	left	1	
	997 501 937 00 GRV	primed			
9	997 501 938 00	Hinge pillar	right	1	
	997 501 938 00 GRV	primed			
10	996 504 201 01	Cover		X	
		\$ 145 MM			
11	996 501 815 02	Brake line bracket		2	
	996 501 815 02 GRV	primed			
12	997 502 921 00	Brake line		1	
	997 502 921 00 GRV	filler plate			
		primed			
13	996 501 341 00	Bracket		2	
	996 501 341 00 GRV	primed			
14	997 502 017 01	Radiator		1	
	997 502 017 01 GRV	Cross panel			
		primed			
15	997 501 665 01	Web plate	left	1	
	997 501 665 01 GRV	primed			
(15)	997 501 666 01	Web plate	right	1	
	997 501 666 01 GRV	primed			
16	999 703 476 40	Grommet		4	
		29,8 X 1,0			
16	999 703 476 41	Grommet		4	
		29,8 X 1,0			

Model: 987 06

Model life 2006>>2008



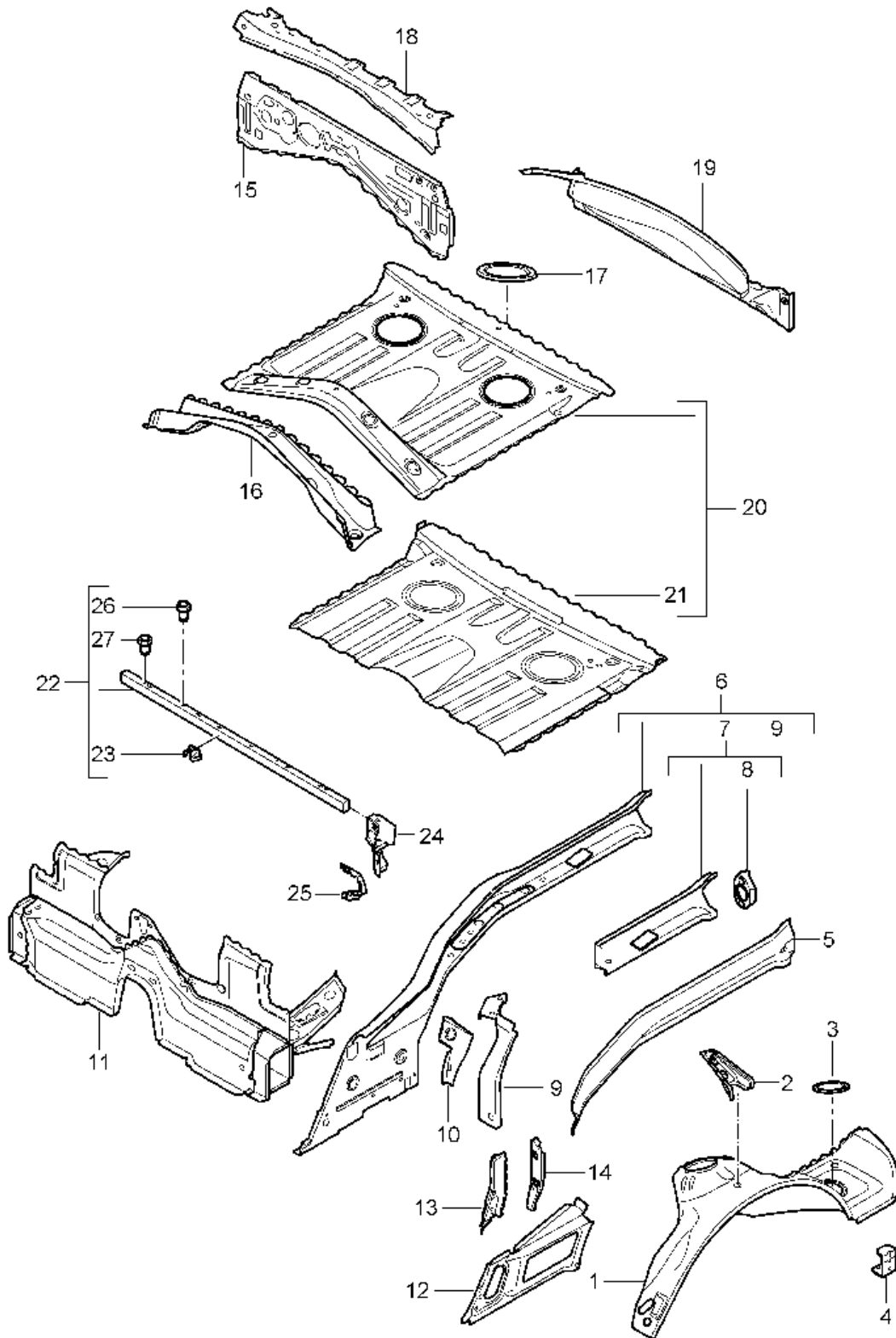
Model: 987 06

Model life 2006>>2008

Pos	Part Number	Description	Remark	Qty	Model
1	987 501 551 00	Floor	center	1	
	987 501 551 00 GRV	Floor primed			
(2)	997 501 953 01	Seat support	left	1	
	997 501 953 01 GRV	Seat support primed			
2	997 501 954 01	Seat support	right	1	
	997 501 954 01 GRV	Seat support primed			
3	987 501 957 00	Side member	left	1	
	987 501 957 00 GRV	Side member primed			
(3)	987 501 958 00	Side member	right	1	
	987 501 958 00 GRV	Side member primed			
4	997 501 525 00	Side member	left	1	
	997 501 525 00 GRV	Side member primed			
(4)	997 501 526 00	Side member	right	1	
	997 501 526 00 GRV	Side member primed			
5	996 501 751 00	Extension		1	
	996 501 751 00 GRV	Extension primed			
6	996 501 785 00	socket - jack	left front	1	
	996 501 785 00 GRV	socket - jack primed			
(6)	996 501 786 00	socket - jack	right front	1	
	996 501 786 00 GRV	socket - jack primed			
7	996 501 481 01	socket - jack	left rear	1	
	996 501 481 01 GRV	socket - jack primed			
(7)	996 501 482 01	socket - jack	right rear	1	
	996 501 482 01 GRV	socket - jack primed			
8	997 501 329 00	Retaining plate	left	1	
	997 501 329 00 GRV	Retaining plate primed			
(8)	997 501 330 00	Retaining plate	right	1	
	997 501 330 00 GRV	Retaining plate primed			
9	997 501 439 00	Support tube		2	
	997 501 439 00 GRV	Support tube primed			
		also use:			
		sealant			
		Pos. 12			
		Processing instructions			
		See technical manual			
		51 49 55			
10	996 504 205 01	Cover		2	
		\$ 125 MM			
11	996 504 201 01	Cover		2	
		\$ 145 MM			
12	999 915 337 40	sealant		1	

Model: 987 06

Model life 2006>>2008



Model: 987 06 Model life 2006>>2008

Pos	Part Number	Description	Remark	Qty	Model
		Rear end			
		Individual parts			
1	987 501 983 00	Wheel housing	left	1	
	987 501 983 00 GRV	primed			
(1)	987 501 984 01	Wheel housing	right	1	
	987 501 984 01 GRV	primed			
2	987 502 675 00	Console	left	1	
	987 502 675 00 GRV	primed			
(2)	987 502 676 00	Console	right	1	
	987 502 676 00 GRV	primed			
3	996 504 209 01	Cover		2	
		100 mm			
4	986 501 613 00	Bracket		2	
	986 501 613 00 GRV	primed			
5	986 501 995 01	Side member		2	
	986 501 995 01 GRV	primed	outer		
6	987 501 177 00	Side member	left	1	
	987 501 177 00 GRV	primed	inner		
(6)	987 501 178 00	Side member	right	1	
	987 501 178 00 GRV	primed	inner		
7	986 501 977 00	Side member	left	1	
	986 501 977 00 GRV	primed	inner		
(7)	987 501 978 00	Sub-part			
		Side member	right	1	
		Discontinued part			
	987 501 978 00 GRV	primed	inner		
		Sub-part			
(3)	987 501 978 02	Side member	right	1	
	987 501 978 02 GRV	primed	inner		
		Sub-part			
		See workshop manual			
8	996 501 377 01	Support	left a. right	2	
	996 501 377 01 GRV	primed			
9	987 501 695 00	Closing element	left	1	
	987 501 695 00 GRV	primed			
(9)	987 501 696 00	Closing element	right	1	
	987 501 696 00 GRV	primed			
10	986 501 863 00	filler plate	left	1	
	986 501 863 00 GRV	primed			
(10)	986 501 864 00	filler plate	right	1	
	986 501 864 00 GRV	primed			
11	987 501 191 00	filler plate		1	
	987 501 191 00 GRV	primed			
12	987 501 553 00	Junction plate	left	1	
	987 501 553 00 GRV	primed			
(12)	987 501 554 00	Junction plate	right	1	
	987 501 554 00 GRV	primed			
13	987 501 151 00	B-pillar	left	1	
	987 501 151 00 GRV	primed	inner		
(13)	987 501 152 00	B-pillar	right	1	
	987 501 152 00 GRV	primed	inner		
14	987 502 531 00	B-pillar	left	1	
	987 502 531 00 GRV	primed	outer		
(14)	987 502 532 00	B-pillar	right	1	
	987 502 532 00 GRV	primed	outer		
15	987 502 671 01	rear panel		1	
	987 502 671 01 GRV	primed			
		Luggage compartment			
16	986 501 575 00	Cross member		1	
	986 501 575 00 GRV	primed			
17	996 504 201 01	Cover		2	
		145 MM			
18	987 502 673 00	Cross member		1	

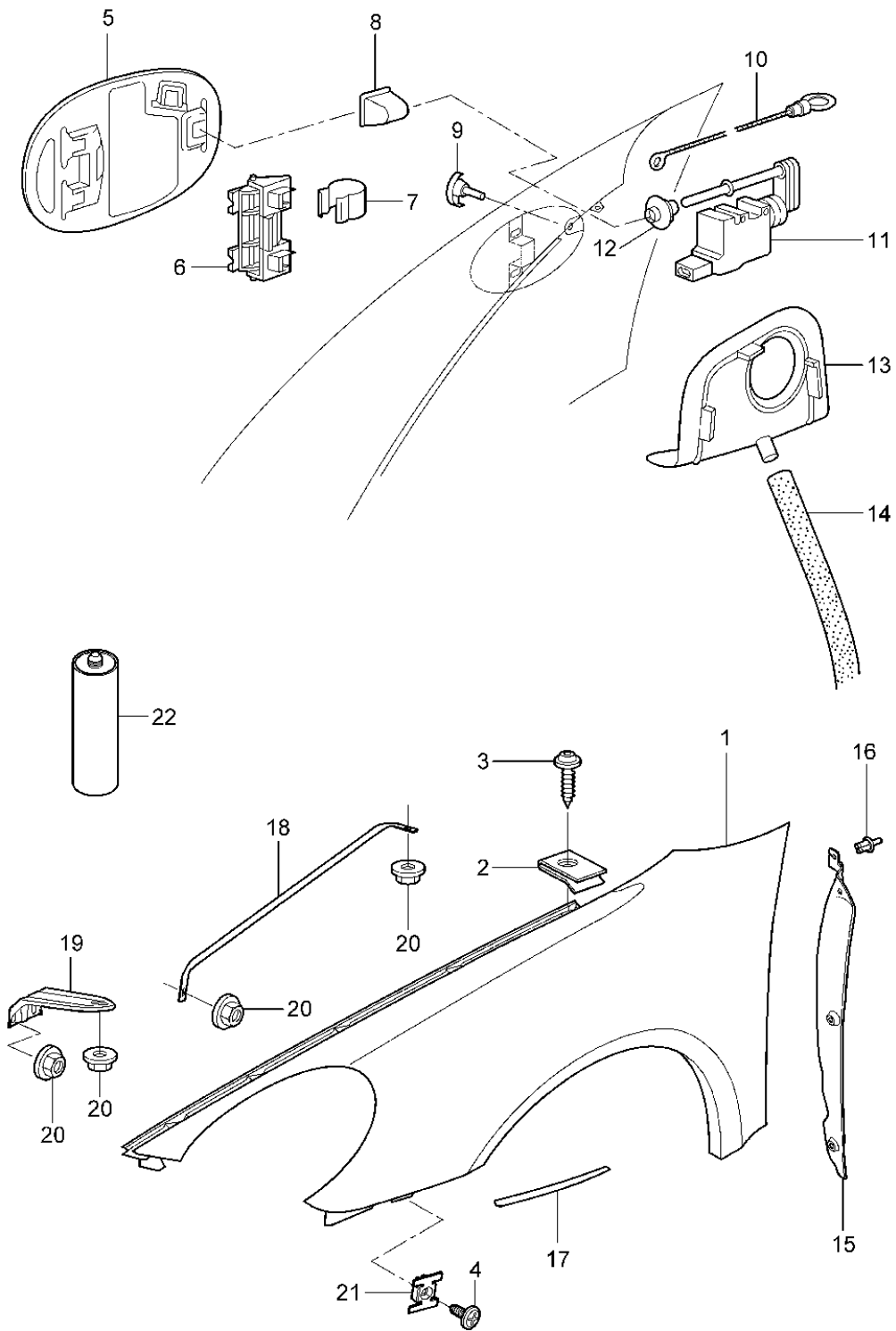
Model: 987 06

Model life 2006>>2008

Pos	Part Number	Description	Remark	Qty	Model
	987 502 673 00 GRV	primed rear panel			
19	987 501 243 01	Cross panel		1	
	987 501 243 01 GRV	primed			
20	986 501 471 00	Floor section		1	
	986 501 471 00 GRV	primed			
21	987 501 971 00	boot floor plate		1	
	987 501 971 00 GRV	primed			
22	987 501 917 00	Pipe		1	
		Discontinued part			
	987 501 917 00 GRV	primed			
22	987 501 917 01	Pipe		1	
	987 501 917 01 GRV	primed			
23	987 501 827 00	Bracket		1	
	987 501 827 00 GRV	primed			
24	987 501 531 00	Bracket	left	1	
	987 501 531 00 GRV	primed			
(24)	987 501 532 00	Bracket	right	1	
	987 501 532 00 GRV	primed			
25	987 501 829 00	Bracket	left	1	
	987 501 829 00 GRV	primed			
(25)	987 501 830 00	Bracket	right	1	
	987 501 830 00 GRV	primed			
26	999 500 110 03	rivetted cap nut		2	
27	999 500 066 02	rivetted cap nut		2	

Model: 987 06

Model life 2006>>2008



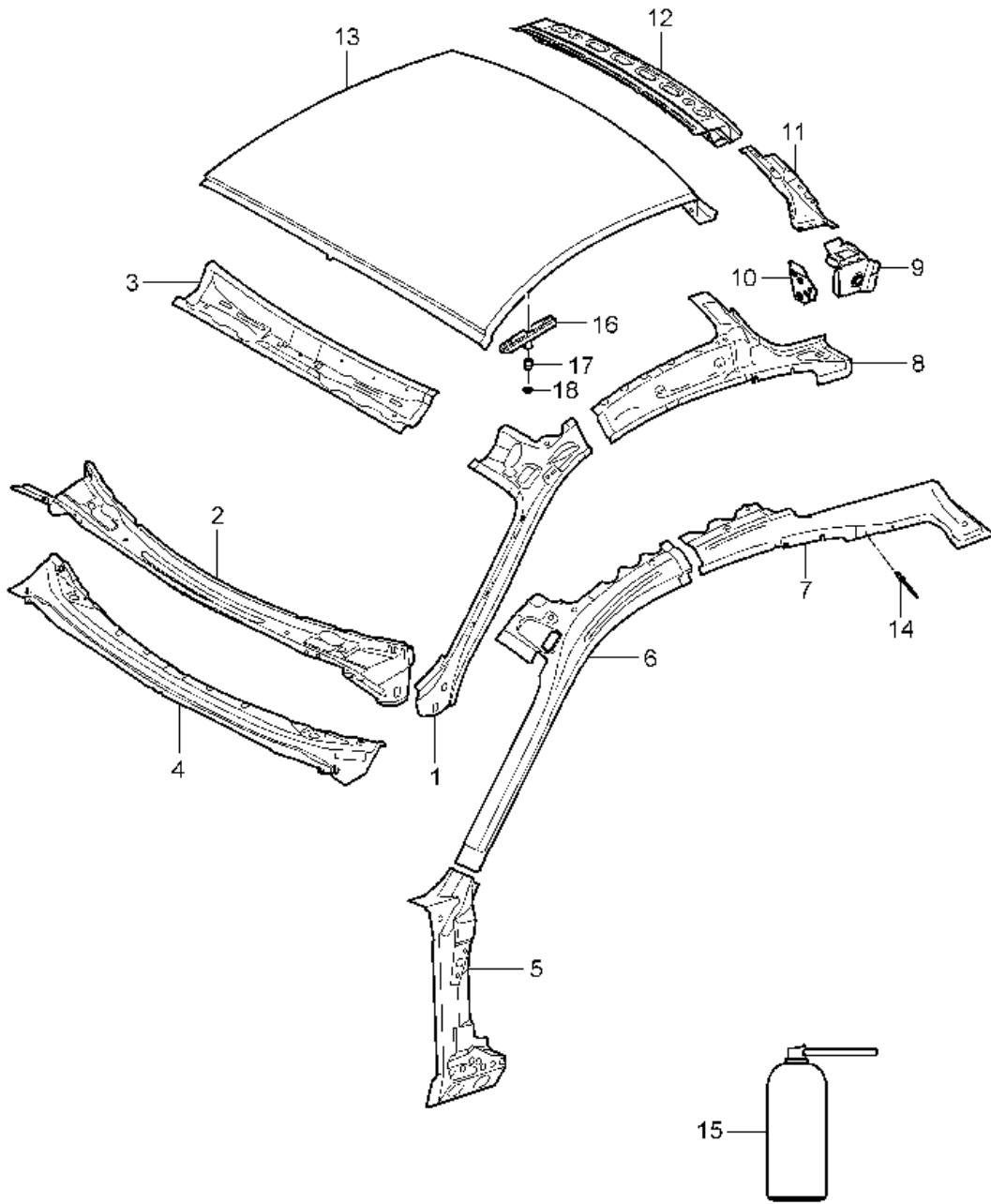
Model: 987 06

Model life 2006>>2008

Pos	Part Number	Description	Remark	Qty	Model
1	987 503 031 00	Wing			
		Wing	left	1	
	987 503 031 00 GRV	primed			
1	987 503 032 02	Wing	right	1	
	987 503 032 02 GRV	primed			
(1)	987 503 032 03	Wing	right	1	PR:461
	987 503 032 03 GRV	primed			
2	999 507 003 02	panel nut		18	
		ST 6,3			
		Discontinued part			
2	999 507 003 01	panel nut		18	
		ST 6,3			
3	999 073 422 02	panel screw		10	
		ST 6,3 X 14			
4	900 187 111 02	Bolt with washer		8	
		ST 6,3 X 12			
		Discontinued part			
4	900 187 111 01	Bolt with washer		8	
		ST 6,3 X 12			
5	987 504 134 00	Fuel filler flap		1	
	987 504 134 00 GRV	primed			
6	996 201 063 00	Hinge		1	
7	997 504 711 00	Spring		1	
8	996 201 423 00	Cap		1	
9	997 504 888 01	Rubber stop		1	
10	996 201 493 00	Emergency operation		1	
11	997 624 113 00	throttle control element		1	
12	996 624 505 02	Guide rose		1	
13	997 201 667 00	Sleeve		1	
14	996 201 153 00	Hose		1	
15	997 504 641 02	lining for fender	left	1	
	997 504 641 02 01C	Black			
(15)	997 504 642 02	lining for fender	right	1	
	997 504 642 02 01C	Black			
16	999 591 712 40	Spreader rivet		6	
		A 6,0 X 12,0			
17	987 504 531 00	Protective film	left	1	
(17)	987 504 532 00	Protective film	right	1	
18	997 504 441 00	Brace		2	
	997 504 441 00 GRV	primed			
19	997 504 555 00	Console		2	
	997 504 555 00 GRV	primed			
20	999 076 066 09	Hexagon nut		10	
		M 6			
21	999 507 590 02	Cage nut		6	
		ST 4,8			
22	000 043 204 85	cavity preservative agent		X	
		400 ML			

Model: 987 06

Model life 2006>>2008



Model: 987 06 Model life 2006>>2008

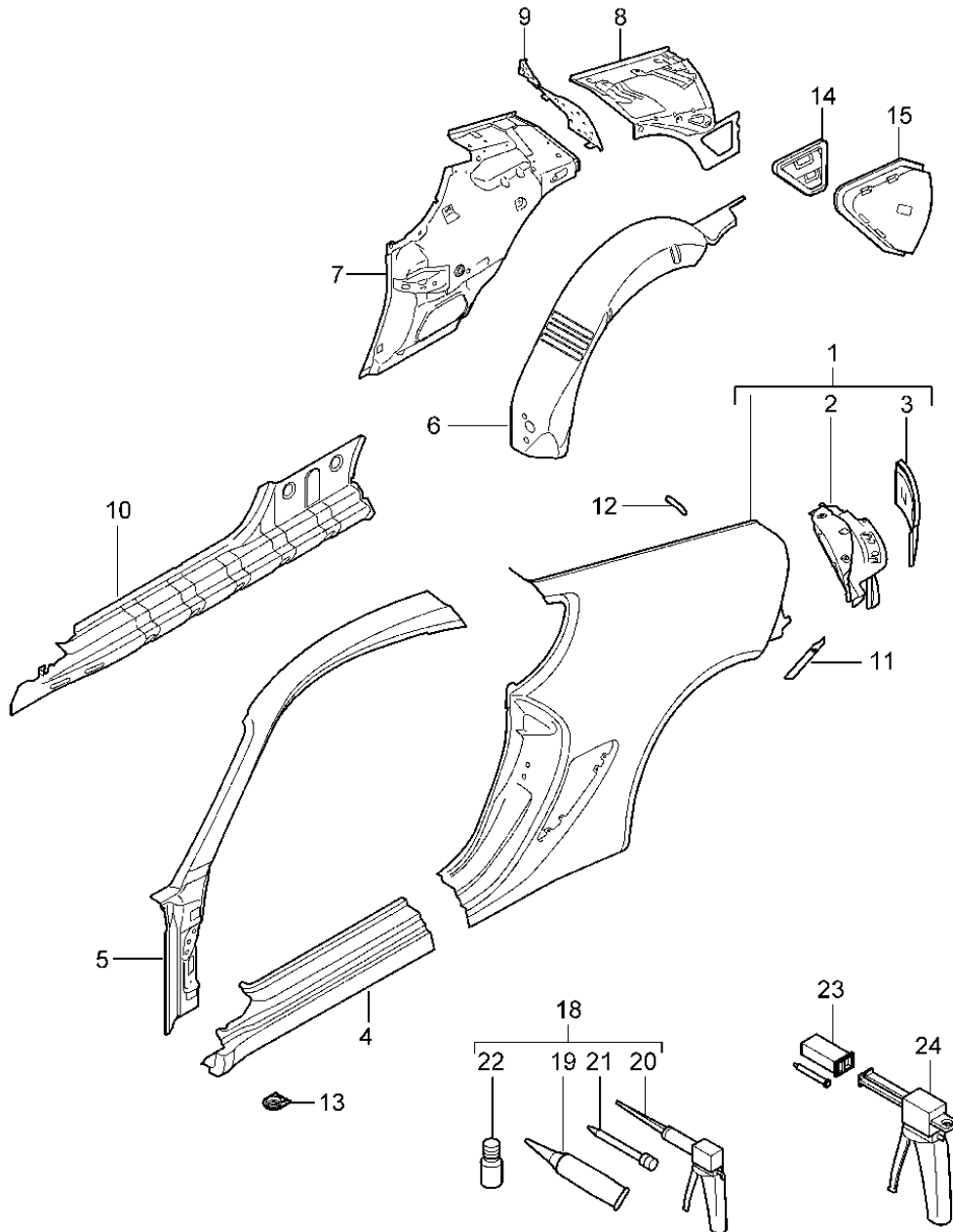
Pos	Part Number	Description	Remark	Qty	Model
1	987 502 637 00	Roof Scuttle			
	987 502 637 00 GRV	Scuttle primed	left	1	
(1)	987 502 638 00	Scuttle	right	1	
	987 502 638 00 GRV	Scuttle primed			
2	987 502 537 00	Scuttle		1	
	987 502 537 00 GRV	Scuttle primed			
3	987 502 919 00	Scuttle support	upper	1	
	987 502 919 00 GRV	Scuttle support primed			
4	997 502 437 00	Scuttle	lower	1	
	997 502 437 00 GRV	Scuttle primed			
5	997 502 233 00	Reinforcement for A-pillar	left	1	
	997 502 233 00 GRV	Reinforcement for A-pillar primed			
		also use:			
(5)	997 502 234 00	Reinforcement for A-pillar	right	1	
	997 502 234 00 GRV	Reinforcement for A-pillar primed			
		also use:			
-	000 043 206 29	Adhesive set		X	
		Body			
		comprising:			
-	000 043 206 30	adhesive		1	
-	000 043 206 31	Double cartridge gun		1	
-	000 043 206 32	emulsion tube		1	
-	000 043 206 33	activator		1	
6	987 502 465 00	Reinforcement for A-pillar	left	1	
	987 502 465 00 GRV	Reinforcement for A-pillar primed			
		also use:			
(6)	987 502 466 00	Reinforcement for A-pillar	right	1	
	987 502 466 00 GRV	Reinforcement for A-pillar primed			
		also use:			
-	000 043 206 29	Adhesive set		X	
		Body			
		comprising:			
-	000 043 206 30	adhesive		1	
-	000 043 206 31	Double cartridge gun		1	
-	000 043 206 32	emulsion tube		1	
-	000 043 206 33	activator		1	
7	987 502 869 00	Reinforcement for side panel	left	1	
	987 502 869 00 GRV	Reinforcement for side panel primed			
		also use:			
(7)	987 502 870 00	Reinforcement for side panel	right	1	
	987 502 870 00 GRV	Reinforcement for side panel primed			
		also use:			
-	000 043 206 29	Adhesive set		X	
		Body			
		comprising:			
-	000 043 206 30	adhesive		1	
-	000 043 206 31	Double cartridge gun		1	
-	000 043 206 32	emulsion tube		1	
-	000 043 206 33	activator		1	
		also use:			
		sealant			
		Pos. 15			
		Processing instructions			
		See technical manual			
		51 06 55			
8	987 502 113 00	Side part	left	1	
	987 502 113 00 GRV	Side part primed			
(8)	987 502 114 00	Side part	right	1	
	987 502 114 00 GRV	Side part primed			
9	987 502 695 00	Sealing channel	left	1	
	987 502 695 00 GRV	Sealing channel primed			

Model: 987 06 Model life 2006>>2008

Pos	Part Number	Description	Remark	Qty	Model
(9)	987 502 696 00 987 502 696 00 GRV	Sealing channel primed	also use: right	1	
-	000 043 206 29	Adhesive set Body comprising:	also use:	X	
-	000 043 206 30	adhesive		1	
-	000 043 206 31	Double cartridge gun		1	
-	000 043 206 32	emulsion tube		1	
-	000 043 206 33	activator		1	
10	987 502 871 00 987 502 871 00 GRV	filler plate primed	left	1	
(10)	987 502 872 00 987 502 872 00 GRV	filler plate primed	also use: right	1	
-	000 043 206 29	Adhesive set Body comprising:	also use:	X	
-	000 043 206 30	adhesive		1	
-	000 043 206 31	Double cartridge gun		1	
-	000 043 206 32	emulsion tube		1	
-	000 043 206 33	activator		1	
11	987 502 591 00 987 502 591 00 GRV	Closing element primed	left	1	
(11)	987 502 592 00 987 502 592 00 GRV	Closing element primed	right	1	
12	987 502 929 00 987 502 929 00 GRV	roof frame (complete) primed	rear	1	
13	987 503 087 00 987 503 087 00 GRV	Outer roof panel primed		1	
-	000 043 204 38	sealant	also use:	1	
14	999 190 414 01	Pop rivet 4,8 x 10,3		10	
15	999 915 337 40	sealant Acoustics		1	
16	996 504 911 00	basic plate	with:	X	
17	996 504 505 00	threaded pin Threaded bush		X	
18	900 025 008 09	Washer A 10,5		X	

Model: 987 06

Model life 2006>>2008



Model: 987 06 Model life 2006>>2008

Pos	Part Number	Description	Remark	Qty	Model
1	987 503 961 01 987 503 961 01 GRV	Side part Side part primed	left	1	
(1)	987 503 962 01 987 503 962 01 GRV	Side part primed	also use: 000 043 206 30 right	1	
-			also use: 000 043 206 30		
2	987 502 961 01 987 502 961 01 GRV	Frame for light primed	left	1	
(2)	987 502 962 01 987 502 962 01 GRV	Frame for light primed	right	1	
3	987 501 651 00 987 501 651 00 GRV	corner part primed	left	1	
(3)	987 501 652 00 987 501 652 00 GRV	corner part primed	right	1	
4	987 503 963 01 987 503 963 01 GRV	Sill primed	left	1	
(4)	987 503 964 01 987 503 964 01 GRV	Sill primed	right	1	
5	987 503 965 01 987 503 965 01 GRV	roof frame primed	left	1	
(5)	987 503 966 01 987 503 966 01 GRV	roof frame primed	also use: 000 043 206 30 right	1	
6	987 502 515 00 987 502 515 00 GRV	Wheel housing primed	left	1	
(6)	987 502 516 00 987 502 516 00 GRV	Wheel housing primed	right	1	
7	987 502 083 01 987 502 083 01 GRV	Side part primed	left	1	
(7)	987 502 084 01 987 502 084 01 GRV	Side part primed	also use: 000 043 206 30 right	1	
8	987 502 105 00 987 502 105 00 GRV	Side part primed	left	1	
(8)	987 502 106 00 987 502 106 00 GRV	Side part primed	right	1	
9	987 504 901 01	Seal Side part See technical manual Group 5 53 55 55		2	
10	987 502 663 00 987 502 663 00 GRV	Reinforcement primed	left	1	
(10)	987 502 664 00 987 502 664 00 GRV	Reinforcement primed	also use: 000 043 206 30 right	1	
11	987 504 631 00	Protective film		2	
12	996 537 237 00	Protective film		2	
13	999 703 475 40	drain tube Sill		2	
14	986 572 043 02	Bleeding	left	1	
(14)	986 572 044 00	Bleeding	right	1	
15	986 572 643 01	Air-guide cowl	left	1	
(15)	986 572 644 01	Air-guide cowl	right	1	
18	000 043 206 29	Bleeding Adhesive set Body comprising:		X	

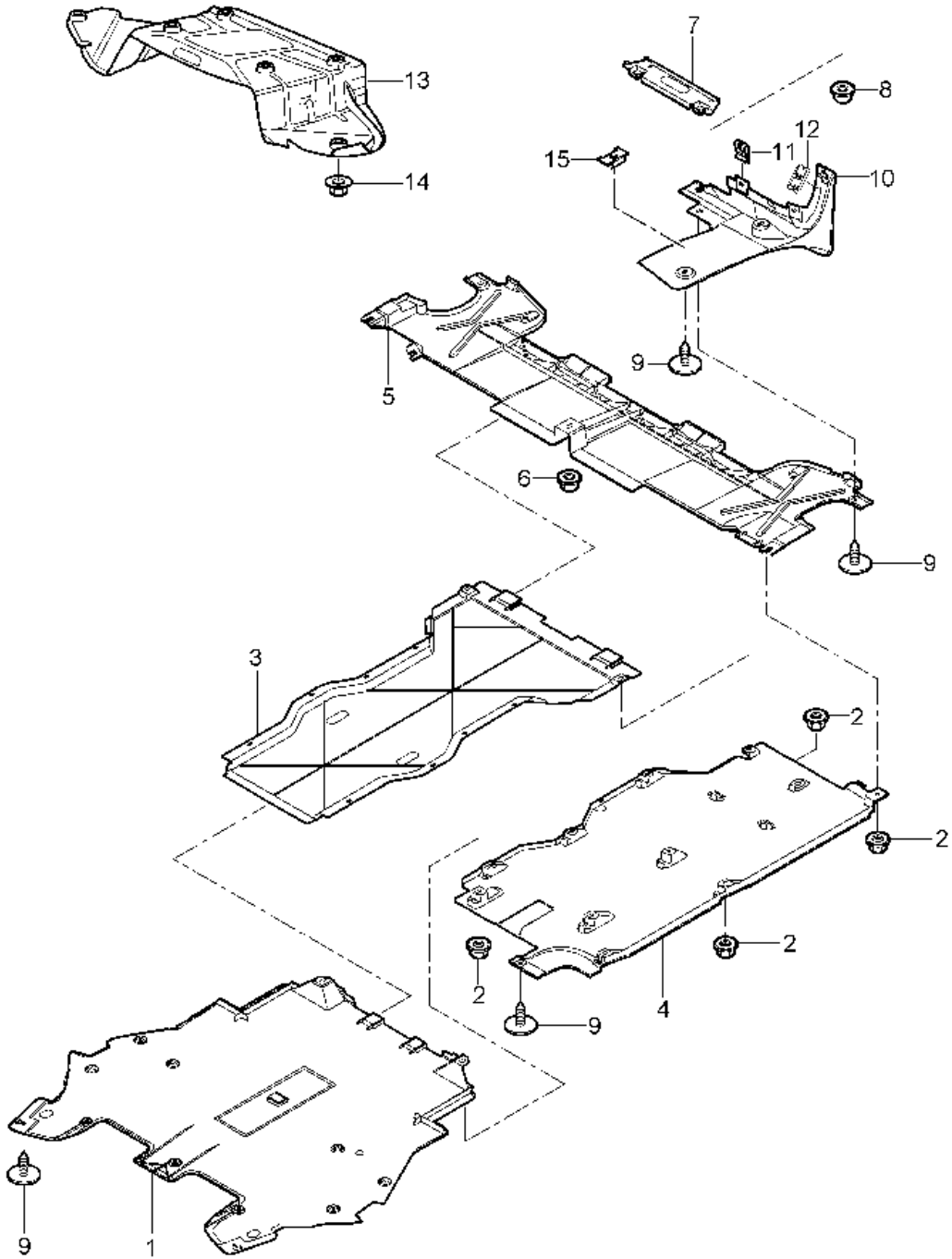
Model: 987 06

Model life 2006>>2008

Pos	Part Number	Description	Remark	Qty	Model
19	000 043 206 30	adhesive		1	
20	000 043 206 31	Double cartridge gun		1	
21	000 043 206 32	emulsion tube		1	
22	000 043 206 33	activator		1	
23	999 915 650 40	adhesive		X	
24	000 043 300 48	Tool set		X	

Model: 987 06

Model life 2006>>2008

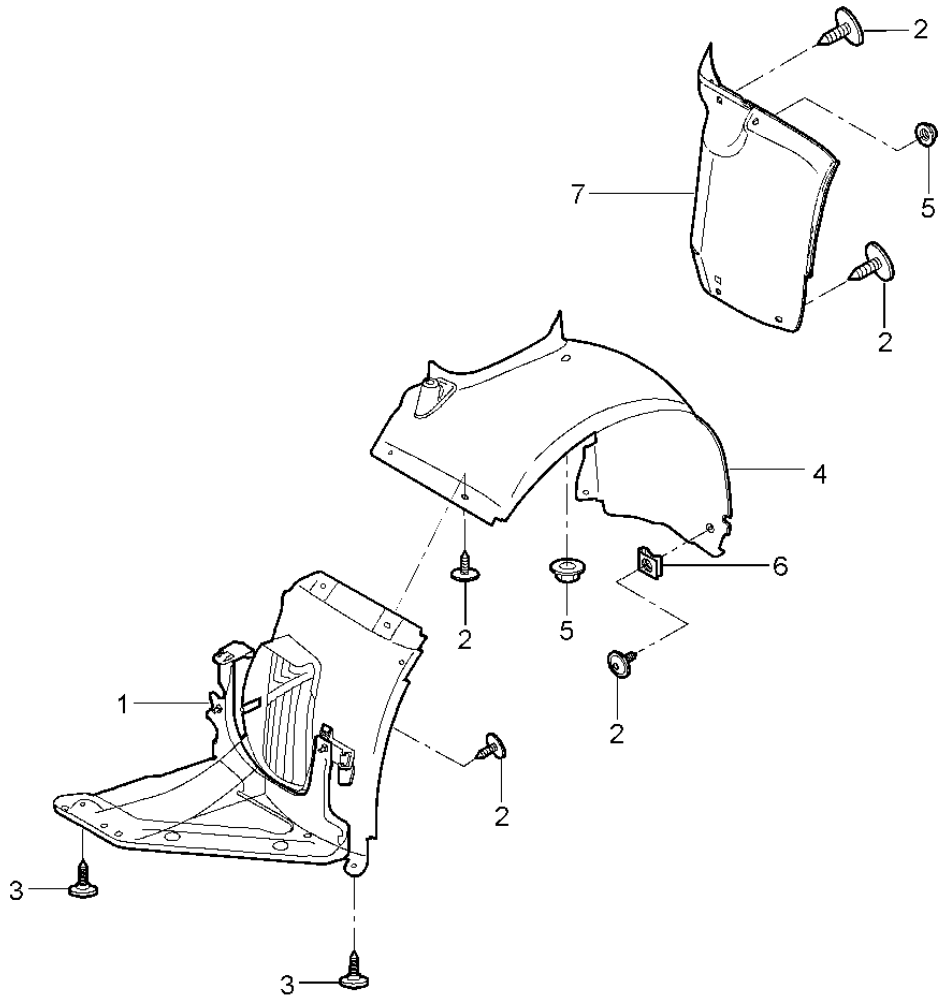


Model: 987 06 Model life 2006>>2008

Pos	Part Number	Description	Remark	Qty	Model
		Linings			
		Underbody			
1	997 504 527 02	Cover	front	1	
2	999 049 028 40	Plastic nut T 5/22 X 10		33	
3	997 504 043 00	Cover	center	1	
4	997 504 343 02	Cover	left	1	
(4)	997 504 344 02	Cover	right	1	
5	987 504 129 00	Cover	rear	1	
6	999 076 068 09	Hexagon nut M 6		1	
6	999 076 068 01	Discontinued part Hexagon nut M 6		1	
7	987 504 571 00	Bracket Cover	rear	2	
8	999 084 212 02	Hexagon nut M 6		2	
9	999 073 231 09	panel screw ST 4,8 X 16		X	
10	987 504 793 00	Trim	left	1	
(10)	987 504 793 00 01C	Satin black			
	987 504 794 00	Trim	right	1	
	987 504 794 00 01C	Satin black			
11	999 507 795 09	panel nut ST 4,8		2	
12	987 504 635 00	Clip	left	1	
(12)	987 504 636 00	Clip	right	1	
		Trim		1	
13	987 504 405 00	Heat insulation		1	
14	999 049 025 09	Collar nut T 5		7	
15	999 507 849 01	Cage nut ST 4,8		4	

Model: 987 06

Model life 2006>>2008



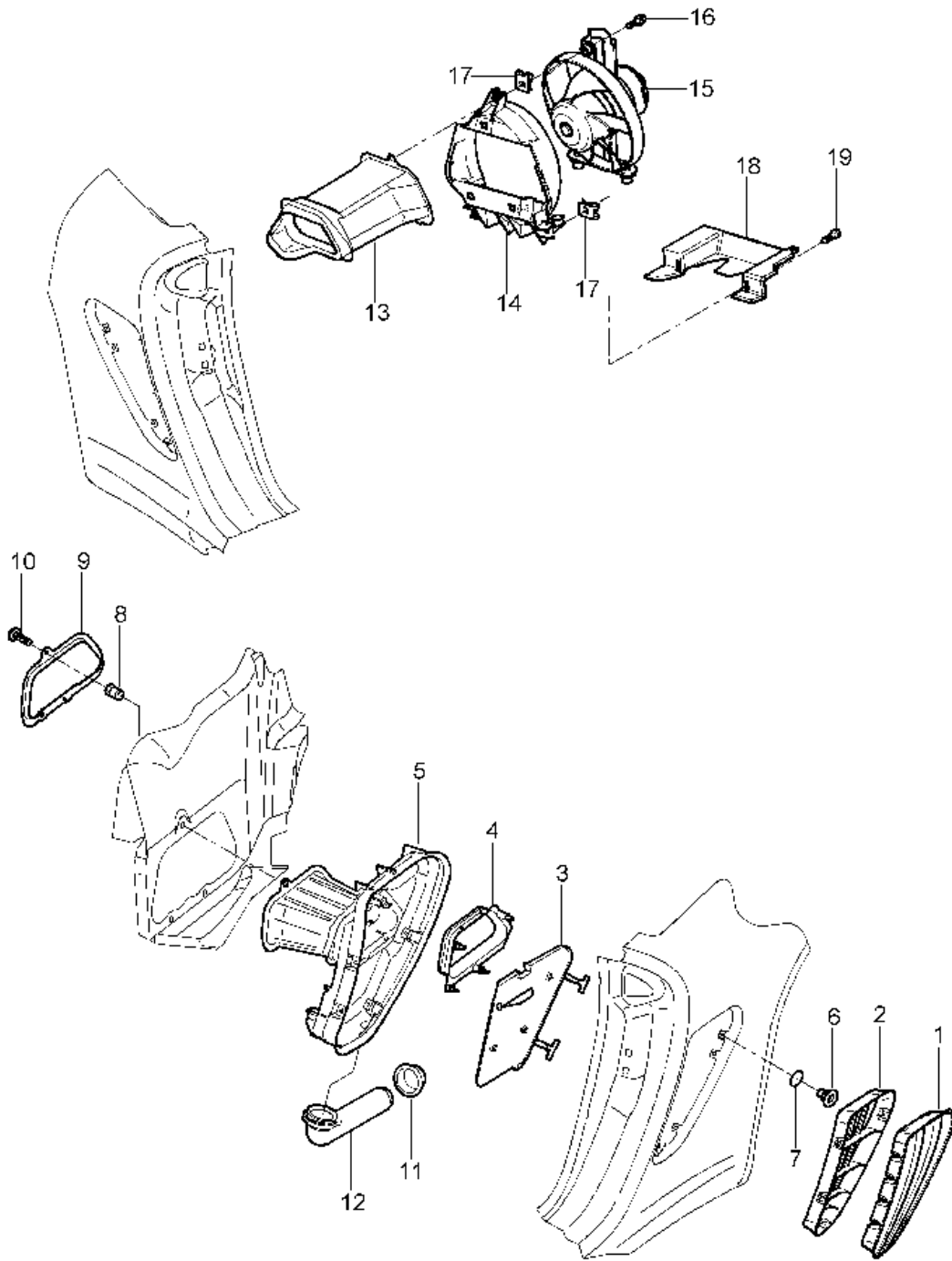
Model: 987 06

Model life 2006>>2008

Pos	Part Number	Description	Remark	Qty	Model
		Linings for Wheel housing			
1	987 504 123 00	Wheel housing liner Discontinued part	left front	1	PR:480,481
(1)	987 504 124 00	Wheel housing liner Discontinued part	right front	1	PR:480,481
(1)	987 504 123 04	Wheel housing liner	left front	1	PR:480,481
(1)	987 504 124 04	Wheel housing liner	right front	1	PR:480,481
(1)	987 504 123 03	Wheel housing liner Discontinued part	left front	1	PR:249
(1)	987 504 124 03	Wheel housing liner Discontinued part	right front	1	PR:249
(1)	987 504 123 05	Wheel housing liner	left front	1	PR:249
(1)	987 504 124 05	Wheel housing liner	right front	1	PR:249
2	999 073 231 09	panel screw ST 4,8 X 16		20	
3	999 073 227 09	panel screw ST 4,8 X 19		4	
4	987 504 203 00	Wheel housing liner	left	1	
(4)	987 504 204 00	Wheel housing liner	right	1	
5	999 049 028 40	Plastic nut T5		10	
6	999 507 795 09	panel nut		2	
7	987 504 573 01	Wheel housing liner	left	1	
(7)	987 504 574 01	Wheel housing liner	right	1	
8	987 504 673 01	Heat insulation	left	1	
(8)	987 504 674 01	Heat insulation	right	1	
9	999 507 795 09	Brake hose panel nut		2	

Model: 987 06

Model life 2006>>2008



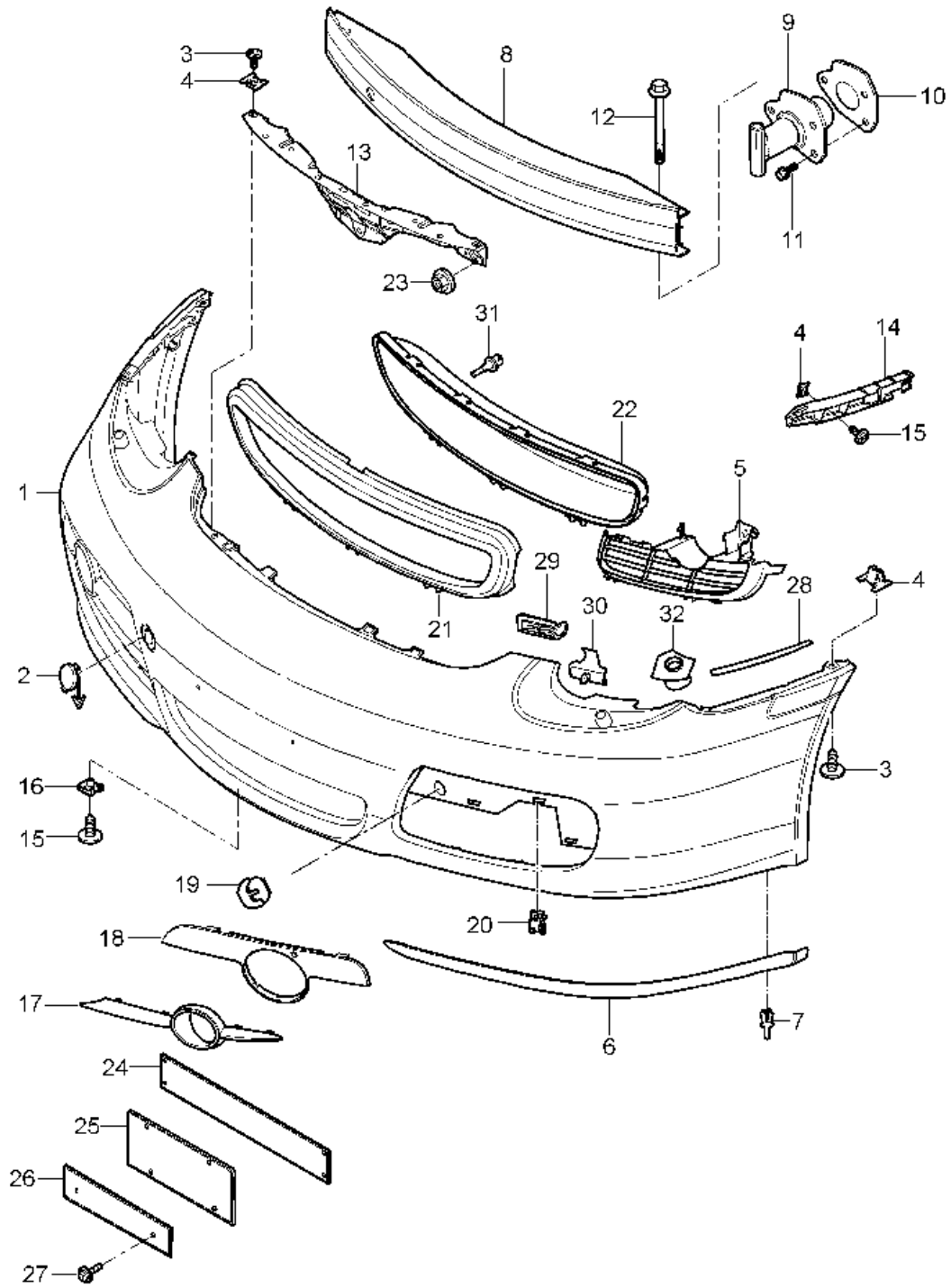
Model: 987 06

Model life 2006>>2008

Pos	Part Number	Description	Remark	Qty	Model
1	987 504 561 02	Ventilation Engine compartment Ventilation grille	left	1	
(1)	987 504 561 02 G2X	primed			
	987 504 562 02	Ventilation grille	right	1	
	987 504 562 02 G2X	primed			
2	987 504 749 02	Frame	left	1	
(2)	987 504 749 02 01C	Satin black			
	987 504 750 02	Frame	right	1	
	987 504 750 02 01C	Satin black			
3	987 575 647 01	Impact absorber plate	left	1	
4	987 575 757 00	Reinforcement	left	1	
5	987 575 657 01	Air guide	left	1	
(5)	987 575 658 00	Air guide	inner right inner	1	
6	999 507 585 40	Retaining clip		8	
7	999 701 489 40	seal ring	left	4	
8	999 500 069 02	riveted cap nut		6	
9	987 575 759 00	Mounting frame		1	
10	900 075 413 09	Air guide			
		Bolt with washer		3	
		M 6 X 16			
11	999 702 288 40	Grommet	left	1	
		32,5 X 20			
12	987 504 431 00	water drain pipe	left	1	
13	987 575 360 01	Air guide channel		1	
14	986 575 356 00	Airscoop	right	1	
15	986 624 036 00	Fan	right	1	
16	900 075 333 02	Bolt with washer		3	
		M 6 X 25			
17	999 507 550 02	panel nut		3	
		M 6			
18	987 575 756 00	Air guide	right	1	
19	900 378 036 09	Hexagon bolt		1	
		M 6 X 12			

Model: 987 06

Model life 2006>>2008



Model: 987 06 Model life 2006>>2008

Pos	Part Number	Description	Remark	Qty	Model
(1)	987 505 191 06	bumper Trim Discontinued part	front	1	
(1)	987 505 191 28	Trim		1	
(1)	987 505 191 07	Trim Discontinued part		1	PR:288
1	987 505 191 08	Trim Discontinued part		1	PR:249
1	987 505 191 29	Trim		1	PR:249
(1)	987 505 191 09	Trim Discontinued part		1	PR:288,249
(1)	987 505 191 34	Trim		1	PR:288,249
2	987 505 703 01	Cover cap		1	
	987 505 703 01 G2X	primed			
3	999 073 227 09	panel screw		10	
4	999 507 590 02	Cage nut		X	
5	987 505 553 02	Grille frame	left	1	
	987 505 553 02 01C	Satin black			
(5)	987 505 554 02	Grille frame	right	1	
	987 505 554 02 01C	Satin black			
6	987 505 527 00	Trim	left	1	CAYMAN
	987 505 527 00 01C	Satin black			
(6)	987 505 528 00	Trim	right	1	CAYMAN
	987 505 528 00 01C	Satin black			
(6)	987 505 527 01	Trim	left	1	CAYMAN S
	987 505 527 01 9B1	Titanium metallic			
(6)	987 505 528 01	Trim	right	1	CAYMAN S
	987 505 528 01 9B1	Titanium metallic			
(6)	987 505 528 02	Trim primed	right	1	
(6)	987 505 527 02	Trim primed	left	1	
(6)	987 505 983 01	Spoiler Discontinued part	left	1	PR:XAM
(6)	987 505 984 01	Spoiler Discontinued part	right	1	PR:XAM
-	987 505 989 01	Adhesive tape Set		1	PR:XAM
7	999 591 712 40	Spreader rivet 6,0 X 12,0		6	
8	997 505 141 02	Bumper carrier		1	
9	997 505 319 00	Impact pipe		2	
10	997 505 751 02	Seal Shock absorber		2	
11	900 378 267 09	Bolt with washer M8 X 30		6	
12	900 378 088 09	Hexagon bolt M 12 x 100		2	
13	997 505 531 00	retaining strip	center	1	
14	987 505 535 01	retaining strip	left	1	
(14)	987 505 536 01	retaining strip	right	1	
15	999 073 418 01	panel screw ST4,8 X 19-C		4	
-	999 591 387 02	Clamping washer 4,0		10	
16	999 591 699 02	panel nut ST 4,8		1	
17	987 505 721 00	Trim	left	1	
	987 505 721 00 G2X	primed			
(17)	987 505 722 00	Trim	right	1	
	987 505 722 00 G2X	primed			
18	987 505 723 00	Trim	left	1	
	987 505 723 00 01C	Satin black			

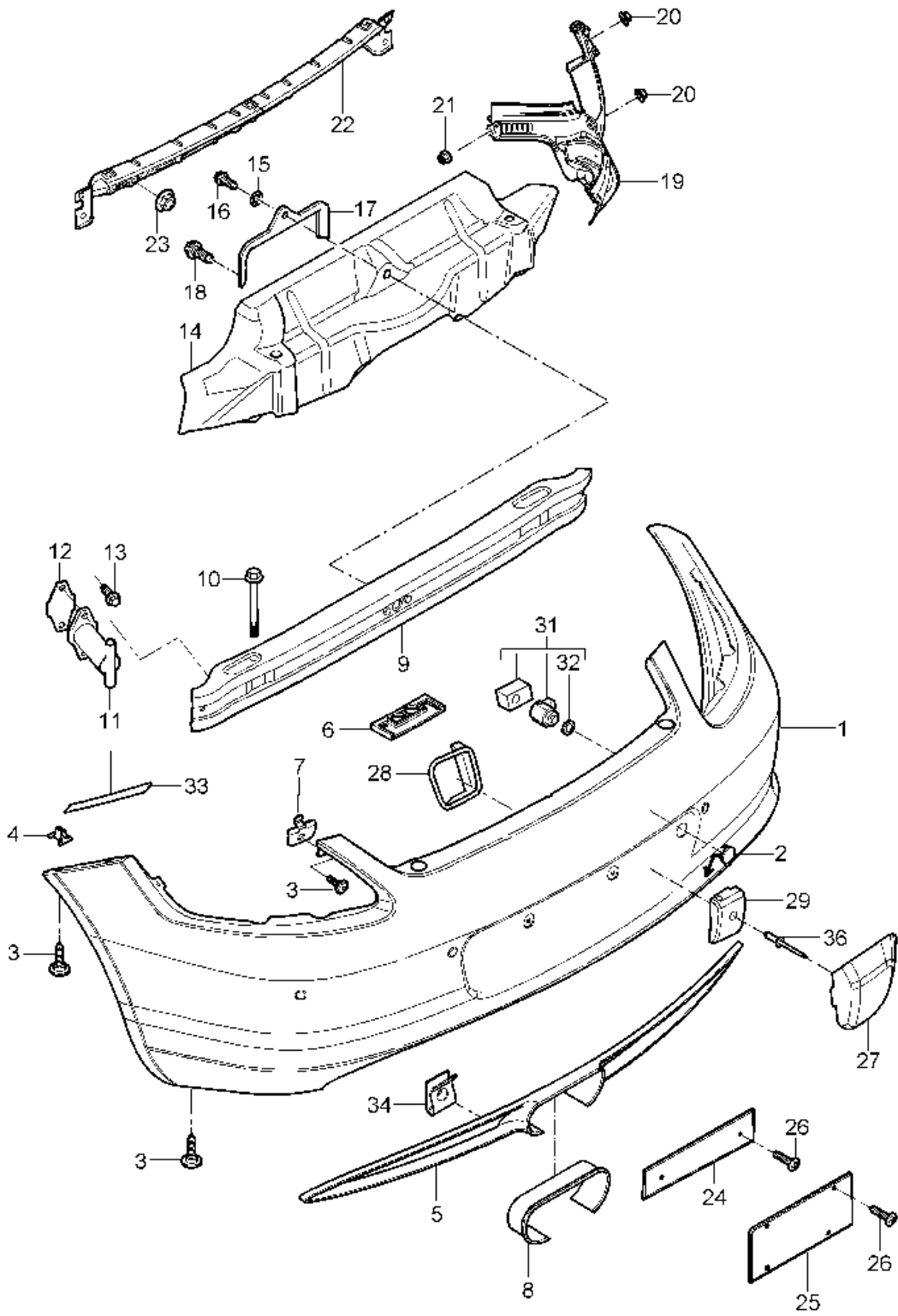
Model: 987 06

Model life 2006>>2008

Pos	Part Number	Description	Remark	Qty	Model
(18)	987 505 724 00	Trim	right	1	
	987 505 724 00 01C	Satin black			
19	987 505 787 00	Clip		2	
20	999 507 768 02	panel nut ST 4,2		6	
21	987 505 555 01	Retaining frame		1	PR:183
	987 505 555 01 01C	Satin black			
22	987 505 751 00	Cover		1	
	987 505 751 00 01C	Satin black			
23	999 076 078 09	Hexagon nut M 6		3	
24	987 701 105 01	Licence plate holder		1	PR:211
	987 701 105 01 01C	Satin black			
26	987 701 109 01	Licence plate holder		1	PR:210
	987 701 109 01 01C	Satin black			
27	999 919 228 A2	Screw 5,0X28,0		X	
(27)	999 919 227 A2	panel screw 5,0X13,0		X	
28	987 504 531 00	Protective film	left	1	
(28)	987 504 532 00	Protective film	right	1	
29	987 505 719 00	Fixing		2	
30	987 505 709 00	Guide plate		2	
31	996 641 142 00	Temperature sensor		1	
32	987 505 561 02	Retaining plate	left	1	
		Headlight washer system also use:			
		Set adhesive			
(32)	987 505 562 02	Retaining plate	right	1	
		Headlight washer system also use:			
		Set adhesive		1	

Model: 987 06

Model life 2006>>2008



Model: 987 06

Model life 2006>>2008

Pos	Part Number	Description	Remark	Qty	Model
1	987 505 291 02	bumper Trim Discontinued part	rear	1	PR:635
1	987 505 291 10	Trim		1	PR:635
(1)	987 505 411 12	Trim Discontinued part		1	
(1)	987 505 411 34	Trim		1	
2	997 505 803 00	cover for towing eye		1	
	997 505 803 00 G2X	primed			
3	999 073 227 09	panel screw ST 4,8 X 19		15	
4	999 507 590 02	Cage nut ST 4,8		7	
5	987 505 853 00	Retaining frame		1	
	987 505 853 00 01C	Satin black			
6	987 505 835 00	Support		1	
7	987 505 815 00	Retaining plate		2	
8	987 505 811 01	Guard plate		1	
	987 505 811 01 9B1	Titanium metallic			
9	987 505 241 00	Bumper carrier		1	
10	900 378 088 09	Hexagon bolt M 12 X 1,5 X 100		2	
11	996 505 019 01	Impact pipe		2	
12	996 505 775 00	Underlay Shock absorber		2	
13	900 378 267 09	Bolt with washer M 8 X 30		4	
14	987 505 475 01	Heat insulation	center	1	
15	999 025 243 02	Washer 5,0X1,0		1	
16	900 278 025 02	Hexagon bolt M5X12		1	
17	987 505 639 01	Rear support		2	
18	999 075 056 09	Bolt with washer M 6 X 22		2	
(19)	987 505 631 05	Wheel housing liner	left side	1	
		Heat protection with:			
19	987 505 632 05	Wheel housing liner	right side	1	
		Heat protection with:			
20	999 076 078 09	Hexagon nut M 6		6	
21	999 049 028 40	Plastic nut T5/22 X 10		4	
22	987 505 841 00	Securing strip		1	
23	999 076 078 09	Hexagon nut M 6		5	
24	987 701 105 01	Licence plate holder		1	PR:211
	987 701 105 01 01C	Satin black			
(24)	987 701 109 01	Licence plate holder		1	PR:210
	987 701 109 01 01C	Satin black			
26	999 919 227 A2	panel screw Bracket		4	PR:210,211
(26)	999 919 227 A2	panel screw Bracket Number plate 5 X 13		8	PR:218
30	999 190 312 30	Button-head rivet Buffer		2	PR:553
		A4,8 X 24,8			
31	955 606 275 05	Sensor Parking aid		4	

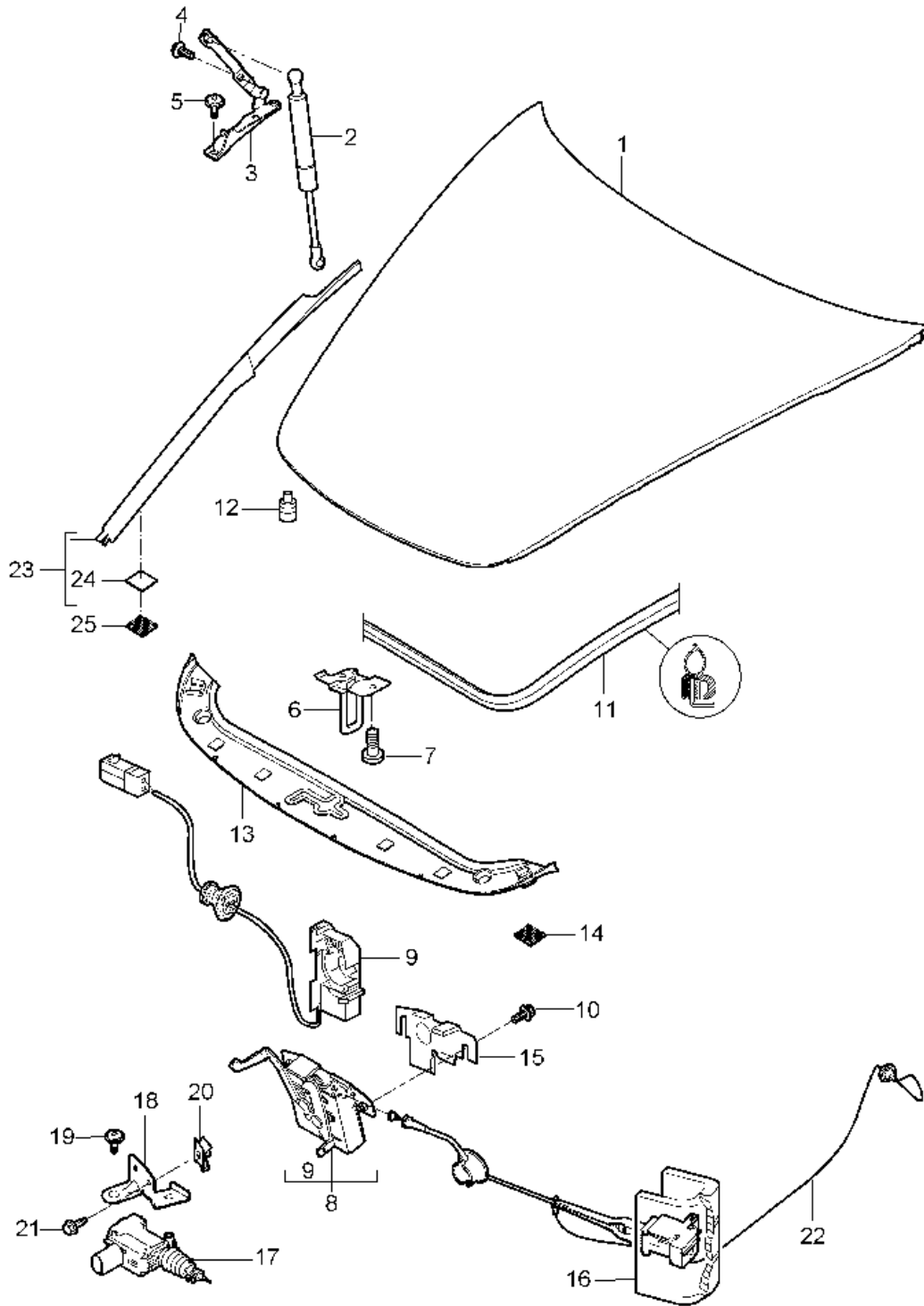
Model: 987 06

Model life 2006>>2008

Pos	Part Number	Description	Remark	Qty	Model
32	7L6 919 659	O-ring Sensor		4	PR:635
33	987 504 631 00	Protective film		2	
34	999 507 795 09	panel nut Rear support ST 4,8		2	

Model: 987 06

Model life 2006>>2008



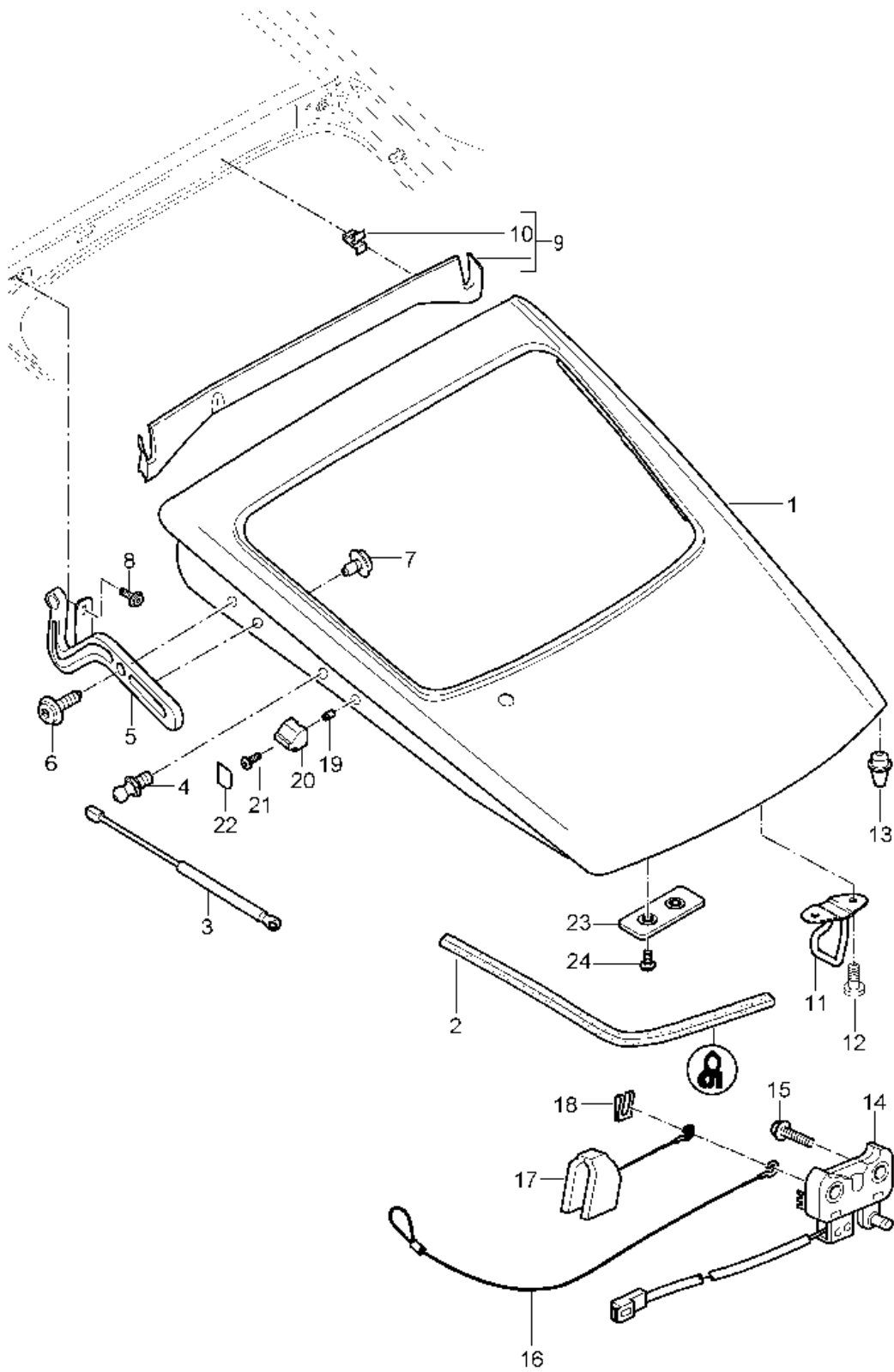
Model: 987 06

Model life 2006>>2008

Pos	Part Number	Description	Remark	Qty	Model
1	997 511 011 00	Cover	front	1	
	997 511 011 00 GRV	Cover primed			
2	997 511 551 01	Gas filled strut		2	
(3)	997 511 151 01	Hinge	left	1	
3	997 511 152 01	Hinge	right	1	
4	999 073 357 09	fillister hd. bolt M 6 X 12		4	
5	999 073 348 09	fillister hd. bolt M 6 X 20		4	
6	997 511 051 00	Lock upper part		1	
7	999 073 350 04	flat round head bolt M 6 X 16		2	
8	997 511 053 00	Lock lower part		1	
9	997 613 206 00	Micro switch		1	
10	900 075 466 09	Bolt with washer M6 X 16		2	
11	997 511 611 00	Seal		1	
12	999 703 140 41	Rubber buffer		2	
13	997 504 811 03	Cover panel		1	
	997 504 811 03 FMT	Satin black			
14	999 902 049 40	Velcro fastener 25 X 20		4	
15	996 511 653 00	Cover		1	
16	997 511 117 00	throttle control element		1	
(23)	997 572 465 02	Cover panel	left	1	
	997 572 465 02 02A	Black			
23	997 572 466 02	Cover panel	right	1	
		Wing			
	997 572 466 02 02A	Black			
24	999 902 052 40	Velcro fastener		4	
		Cover			
		20 X 20			
25	999 902 051 40	Velcro fastener		4	
		Wing			
		20 X 20			

Model: 987 06

Model life 2006>>2008

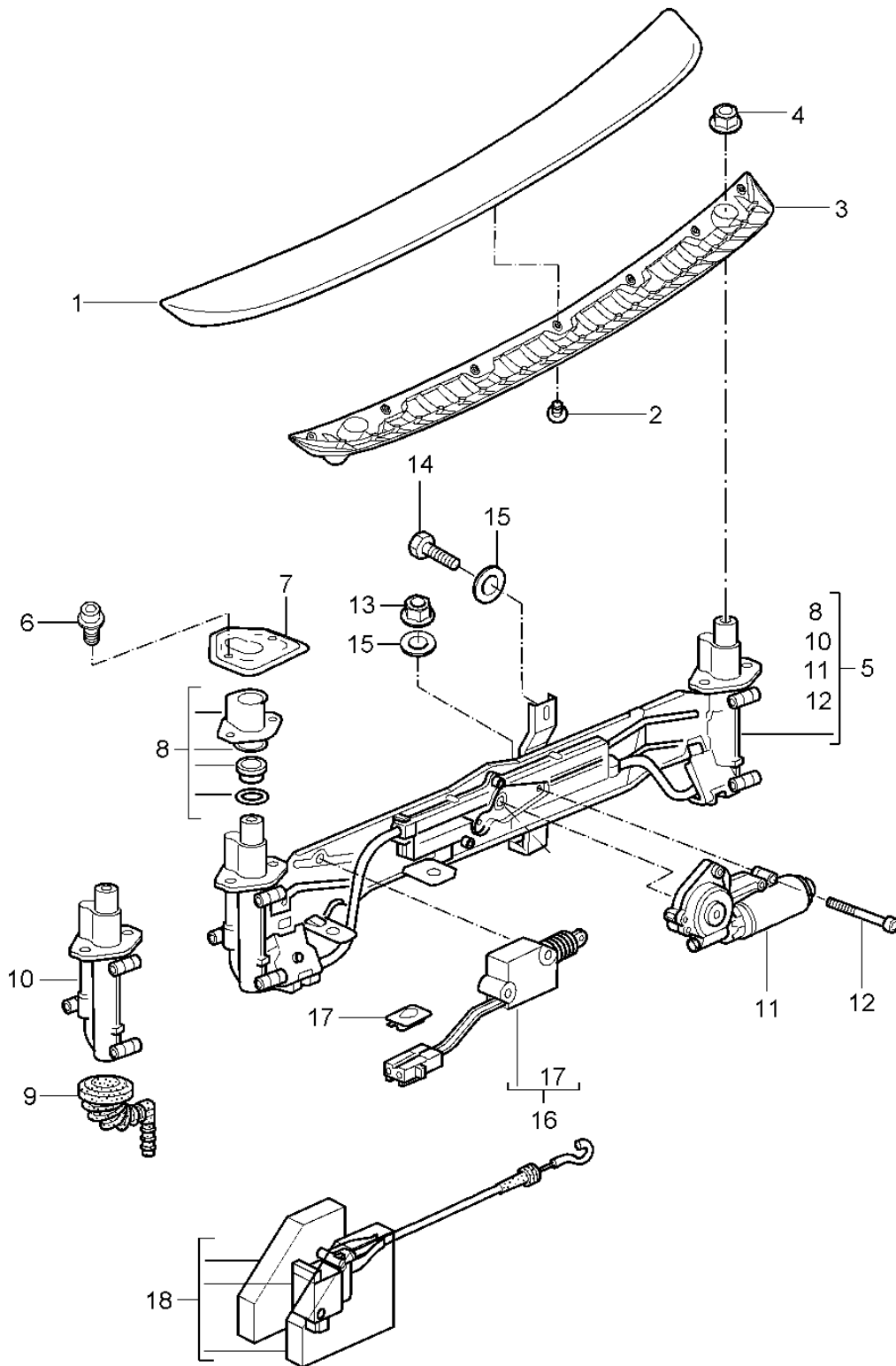


Model: 987 06 Model life 2006>>2008

Pos	Part Number	Description	Remark	Qty	Model
1	987 512 011 01 987 512 011 01 GRV	Cover Cover primed	rear	1	PR:426
1	987 512 011 02 987 512 011 02 GRV	Cover Cover primed	also use:	1	PR:425
-	000 043 204 38	sealant		1	
2	987 512 911 01	Seal Cover		1	
3	987 512 551 00	Gas filled strut Discontinued part		2	
3	987 512 551 02	Gas filled strut		2	
4	999 167 051 03	Ball stud Gas filled strut		4	
5	987 512 151 01	Hinge	left	1	
(5)	987 512 152 01	Hinge	right	1	
6	999 073 364 02	Socket head bolt Hinge Cover M8 X 25	outer	2	
7	999 073 360 02	Socket head bolt Hinge Cover M8 X 16	inner	2	
8	999 073 364 02	Socket head bolt Hinge Bodyshell M8 X 25		4	
9	987 512 111 00 987 512 111 00 01C	Cover Satin black		1	
10	999 507 987 02	Clip Cover 1,60		4	
11	987 512 051 00	Lock upper part		1	
12	999 073 350 04	flat round head bolt M 6 X 16		2	
13	987 512 987 01	throttle control element		2	
14	987 512 053 00	Lock lower part		1	
15	900 075 504 01	Bolt with washer M 6 X 45		2	
16	987 512 521 00	Emergency operation		1	
17	987 512 117 00	throttle control element		1	
18	999 166 054 02	S1-lock Discontinued part		1	
18	999 166 054 01	S1-lock		1	
19	999 500 152 02	rivetted cap nut Discontinued part		4	
19	999 500 159 01	rivetted cap nut M6/0,75		4	
20	987 512 899 00	Rubber buffer		2	
21	999 073 334 00	flat round head bolt M6 x 16		2	
22	987 512 819 00	Protective film		2	
23	987 512 125 02	vibration damper		1	
24	999 073 410 01	fillister hd. bolt vibration damper M6 X 22		2	

Model: 987 06

Model life 2006>>2008



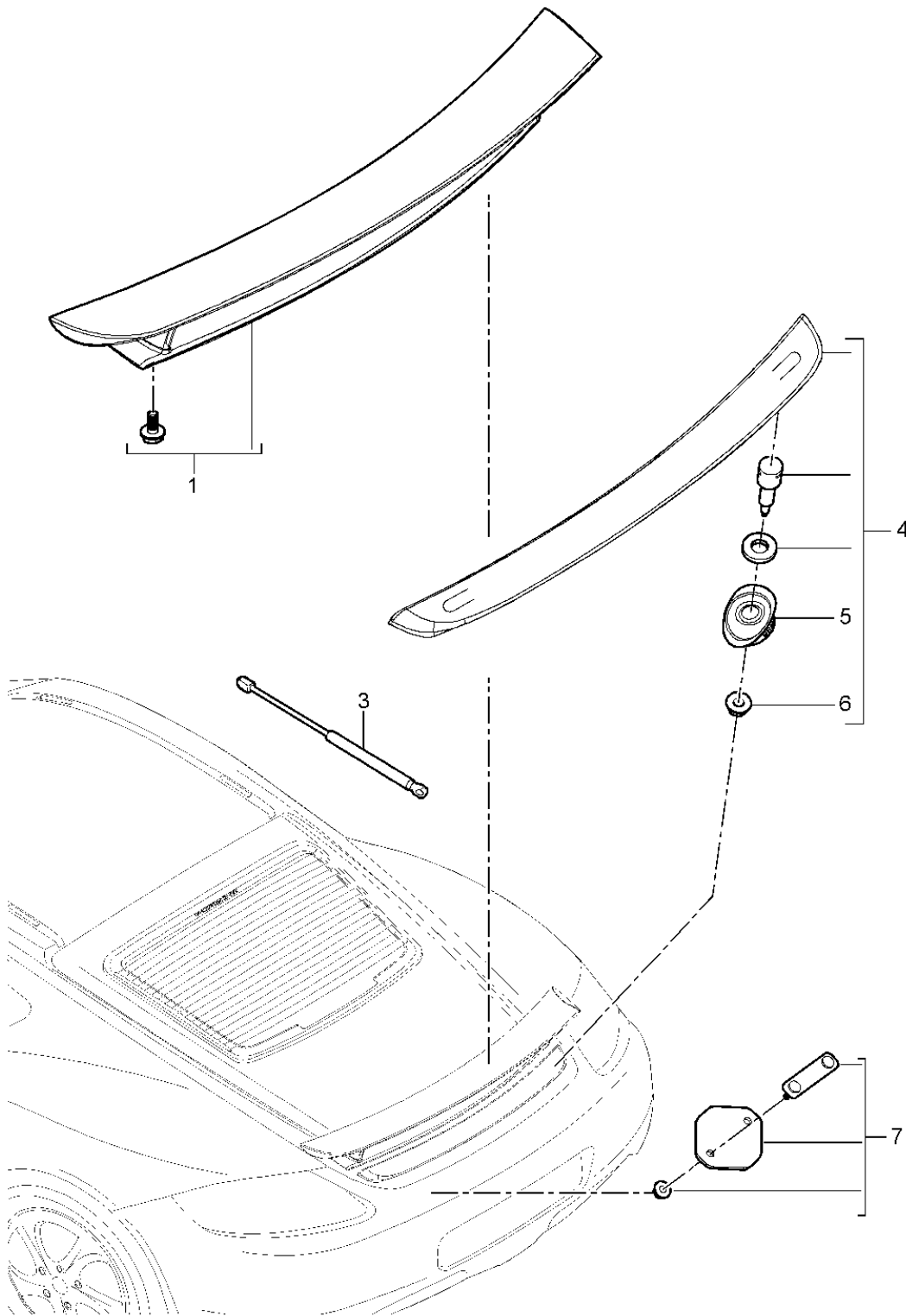
Model: 987 06

Model life 2006>>2008

Pos	Part Number	Description	Remark	Qty	Model
1	987 504 619 00	Rear spoiler		1	
		Upper part			
	987 504 619 00 G2X	primed			
2	999 919 233 07	fillister hd. bolt		7	
		4,0 X 8,0			
3	987 504 623 00	Lower part		1	
4	900 377 003 02	Hexagon nut		2	
		M8			
5	987 504 109 00	Driving mechanism		1	
		(complete)			
6	999 218 016 02	Bolt with washer		4	
		M 6 X 16			
		Micro-self-locking			
		Discontinued part			
6	999 218 016 01	Bolt with washer		4	
		M 6 X 16			
		Micro-self-locking			
7	986 504 251 00	Securing plate		2	
8	987 504 413 00	Gasket set		2	
		Toggle catch			
9	987 504 415 00	Water drainage hose		1	
10	987 504 411 00	Toggle catch		2	
11	996 624 151 00	Electric motor		1	
12	900 074 364 02	Hexagon bolt		1	
		M 5 X 55			
		Micro-self-locking			
13	999 084 629 09	Hexagon nut		3	
		M 6			
14	900 075 485 09	Hexagon bolt		1	
		M 6 X 16			
15	900 035 001 09	Washer		4	
16	996 624 117 01	throttle control element	rear	1	
		Cover			
17	999 507 434 40	bracket for connector housing		1	
18	987 512 117 00	throttle control element		1	

Model: 987 06

Model life 2006>>2008



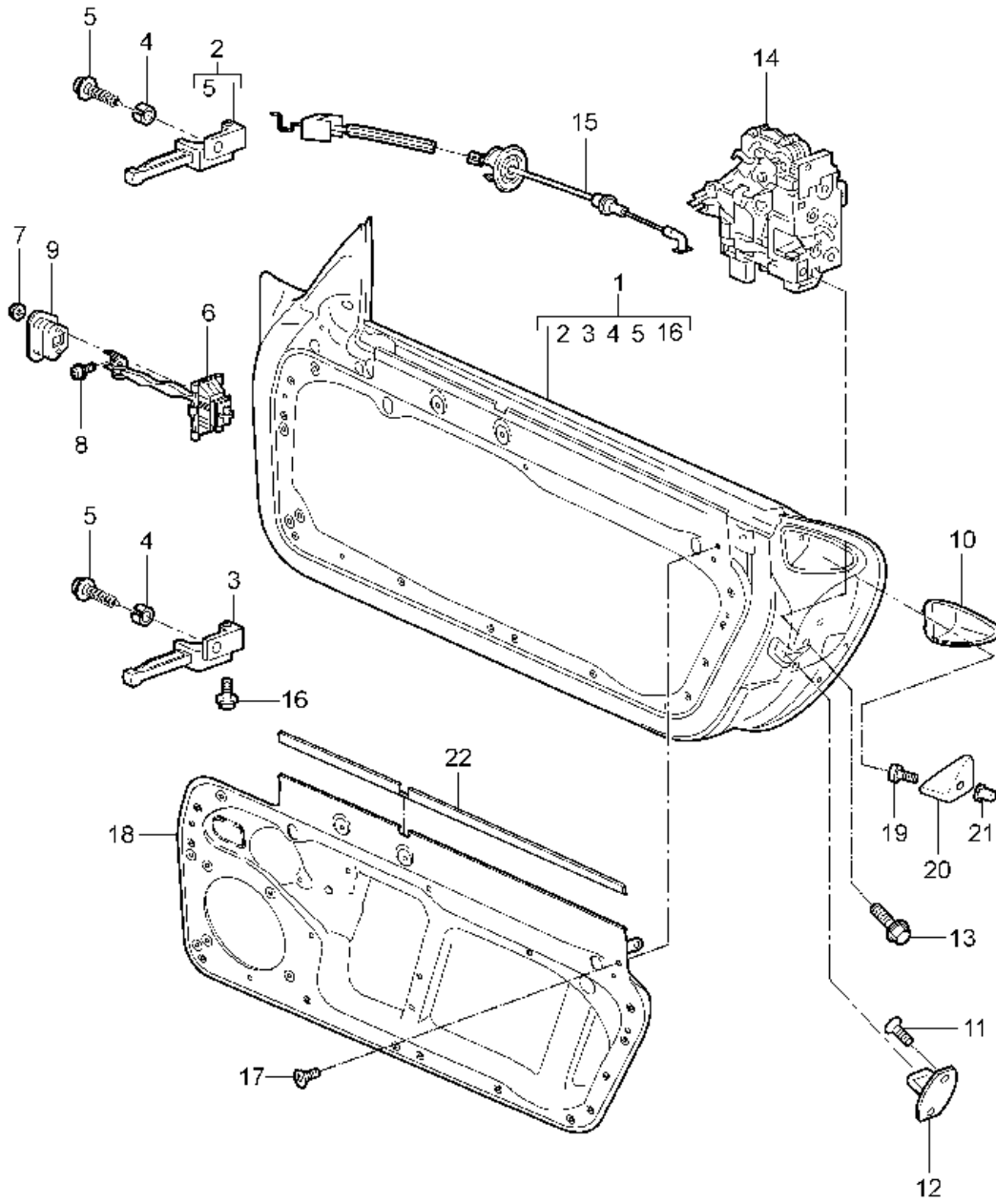
Model: 987 06

Model life 2006>>2008

Pos	Part Number	Description	Remark	Qty	Model
		Rear spoiler Aerokit			PR:XAM
1	987 512 992 01	Rear spoiler		1	
2	987 512 751 00	Screw M6 X 8		4	
3	987 512 551 04	Gas filled strut	left a. right	2	
4	987 512 994 01	Trim Spoiler		1	
(5)	987 512 995 01	Adapter	left	1	
5	987 512 996 01	Adapter Support	right	1	
6	900 380 015 01	Hexagon nut M6		2	
7	987 512 998 00	Seal		2	

Model: 987 06

Model life 2006>>2008



Model: 987 06 Model life 2006>>2008

Pos	Part Number	Description	Remark	Qty	Model
(1)	997 531 011 04 997 531 011 04 GRV	Door shell Installation parts Door lock Door shell primed	left	1	
		also use:			
1	997 531 012 04 997 531 012 04 GRV	Door shell primed	right	1	
		also use:			
-	000 043 305 32	sealant		1	
(2)	997 531 321 00	Hinge	left	1	
2	997 531 322 00	Hinge	right	1	
(3)	997 531 319 00	Hinge	left	1	
3	997 531 320 00	Hinge	right	1	
4	996 531 831 00	Sleeve		4	
5	900 067 291 01	Bolt with washer M 8 X 16		2	
6	997 537 151 01	Door catch Discontinued part		2	
6	997 537 151 02	Door catch		2	
7	999 084 212 02	Hexagon nut M 6		4	
8	999 073 138 09	Screw M 8 X 25 Discontinued part		2	
(8)	999 073 138 01	flat round head bolt M 8 X 25		2	
9	996 537 751 00	Seal		2	
(10)	997 537 331 00	Support		1	
	997 537 331 00 01C	Satin black			
10	997 537 332 00	Support		1	
	997 537 332 00 01C	Satin black			
11	N 910 174 01	countersunk multi-point socket head bolt M 8 X 22		4	
12	3C0 837 767 A	Striker		2	
13	WHT 000 439	flat round head bolt M 8 X 20		2	
(14)	3D1 837 015	Door lock	left lhd	1	PR:098
14	3D1 837 016	Door lock	right lhd	1	PR:098
(14)	3D2 837 015	Door lock	left rhd	1	PR:099
(14)	3D2 837 016	Door lock	right rhd	1	PR:099
15	997 537 319 01	Bowden cable		2	
16	999 072 043 09	Hexagon bolt M 6 X 12 Micro-self-locking fillister hd. bolt M6 X 16		4	
17	999 073 333 09			9	
(18)	987 537 201 00	Inner panel No longer use the part here	left	1	
18	987 537 202 00	Inner panel No longer use the part here	right	1	
(18)	987 537 201 01	Inner panel	left	1	
18	987 537 202 01	Inner panel	right	1	
19	900 119 072 00	Door Socket head bolt M8 X 16		2	
(20)	997 537 333 00	Support	left	1	
	997 537 333 00 G2X	primed			
20	997 537 334 00	Support	right	1	
	997 537 334 00 G2X	Side part primed			
21	999 500 121 02	rivettted cap nut		2	

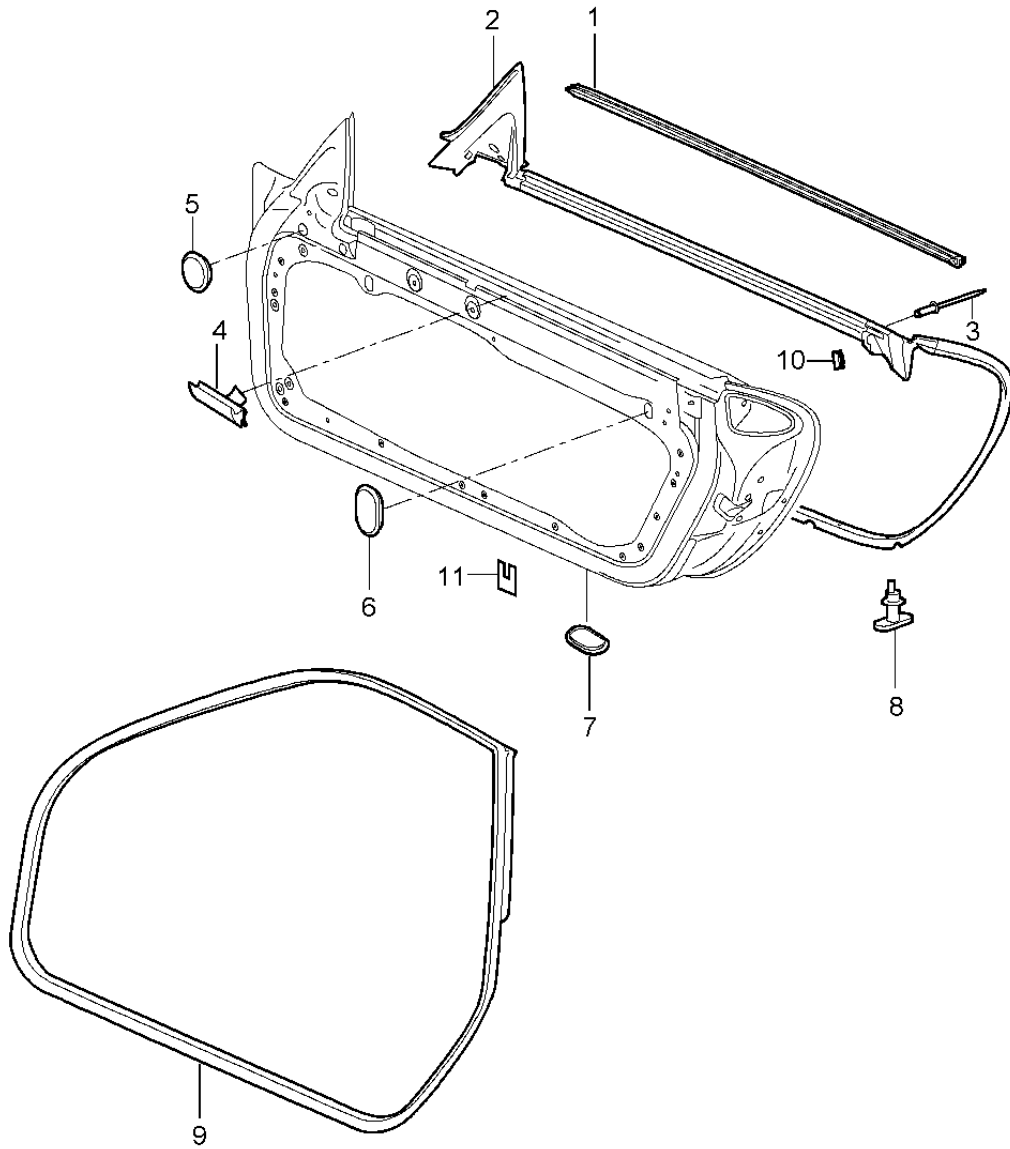
Model: 987 06

Model life 2006>>2008

Pos	Part Number	Description	Remark	Qty	Model
-	999 551 172 40	M8 / 0,8 - 3 Lining strap 25 x 1,3 x 730 for Inner panel		2	

Model: 987 06

Model life 2006>>2008



Model: 987 06 Model life 2006>>2008

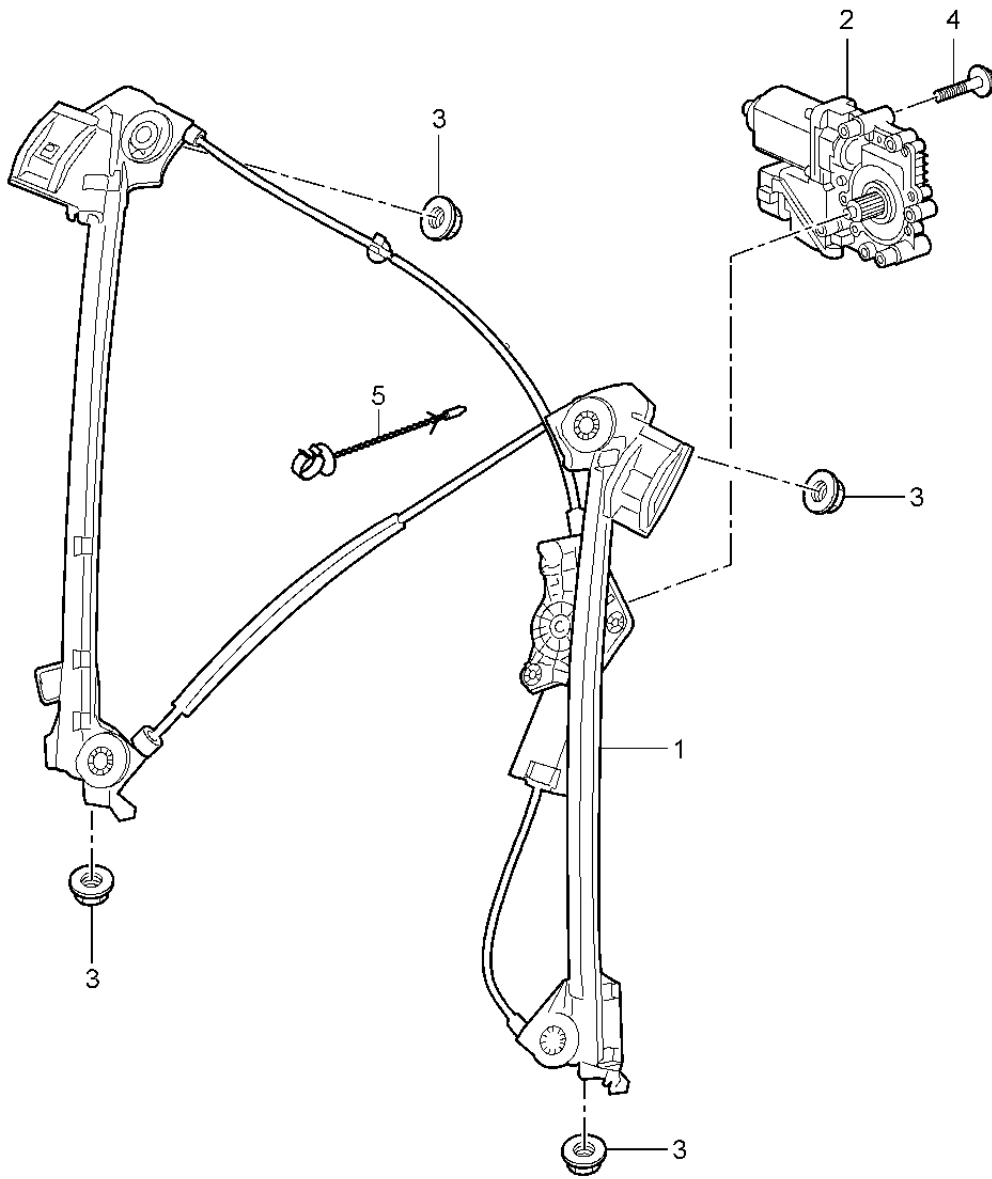
Pos	Part Number	Description	Remark	Qty	Model
		Door seal			
		Seal			
		windshield frame			
(1)	997 537 085 00	Seal	left	1	
1	997 537 086 00	Seal	right	1	
(2)	997 537 531 06	Seal	left	1	
		D >> - MJ 2007			
		Discontinued part			
(2)	997 537 531 07	Seal	left	1	
		D - MJ 2008>>			
2	997 537 532 06	Seal	right	1	
		D >> - MJ 2007			
		Discontinued part			
2	997 537 532 07	Seal	right inner	1	
		D - MJ 2008>>			
3	999 190 450 37	Pop rivet		1	
		4,0 X 6,3			
4	997 537 495 00	Seal		1	
5	803 803 583 A	Bungs		2	
		20,0 X 30,0			
		Discontinued part			
5	999 703 196 40	End cap		2	
		20,0 X 30,0			
6	999 703 541 40	End cap		4	
		20,0 X 28,0			
7	999 703 542 40	End cap		8	
		23,8 X 38,7			
8	999 507 578 40	Clip		36	
		Seal			
		5,0 X 3,7			
		D >> - MJ 2007			
(8)	999 591 513 40	Clip		36	
		Seal			
		5,8 x 0,9			
		D - MJ 2008>>			
(9)	987 537 075 01	Door seal	left	1	
9	987 537 076 01	Door seal	right	1	
10	999 507 851 01	U-clip		4	
		Seal			
		Door			
11	996 537 337 00	protective foil for door		4	

Model: 987 06 Model life 2006>>2008

Pos	Part Number	Description	Remark	Qty	Model
1	997 537 613 00	Door handle	left	1	
	997 537 613 00 G2X	primed			
(1)	997 537 614 00	Door handle	right	1	
	997 537 614 00 G2X	primed			
2	997 537 623 00	Stop buffer		2	
3	997 537 625 00	Stop buffer		2	
4	997 537 621 00	axle		2	
5	997 537 611 00	Return spring	left	1	
(5)	997 537 612 00	Return spring	right	1	
6	997 537 645 00	Handle liner	left lhd	1	PR:098
	997 537 645 00 G2X	primed			
(6)	997 537 646 00	Handle liner	right rhd	1	PR:099
	997 537 646 00 G2X	primed			
(6)	997 537 645 01	Handle liner	left rhd	1	PR:099
	997 537 645 01 G2X	primed			
(6)	997 537 646 01	Handle liner	right lhd	1	PR:098
	997 537 646 01 G2X	primed			
7	997 537 637 00	Underlay	left	1	
(7)	997 537 638 00	Underlay	right	1	
8	997 537 627 00	operating rod		2	
9	997 537 629 00	Pin		2	
10	996 537 641 00	Retaining washer		2	
11	997 537 445 03	Connecting piece		2	
12	997 537 653 00	Actuating lever	left	1	
(12)	997 537 654 00	Actuating lever	right	1	
13	997 613 125 00	Micro switch		2	
13	997 613 125 02	Micro switch		2	
14	997 537 633 00	Window regulator bush		2	
15	997 538 963 00	Bracket	left lhd	1	PR:098
		with lock cylinder			
		with stipulated lock number			
(15)	997 538 964 00	Bracket	right rhd	1	PR:099
		with lock cylinder			
		with stipulated lock number			
(15)	997 538 963 01	Bracket	left lhd	1	PR:098
		with lock cylinder			
		W/o stipulated lock number			
(15)	997 538 964 01	Bracket	right rhd	1	PR:099
		with lock cylinder			
		W/o stipulated lock number			
(15)	997 537 463 01	Bracket	left rhd	1	PR:099
		Without lock cylinder			
(15)	997 537 464 01	Bracket	right lhd	1	PR:098
		Without lock cylinder			
16	900 380 015 09	Hexagon nut		4	
		M6			
17	997 538 931 00	Replacement key		X	
		with stipulated lock number			
		State lock number			
18	997 538 531 00	Blank key		X	
19	944 538 431 00	Key cover		X	
20	955 538 916 00	emergency key		X	
		with stipulated lock number			
		State lock number			
		D >> - MJ 2006			
(20)	955 538 216 00	emergency key		X	
		W/o stipulated lock number			
		D >> - MJ 2006			

Model: 987 06

Model life 2006>>2008



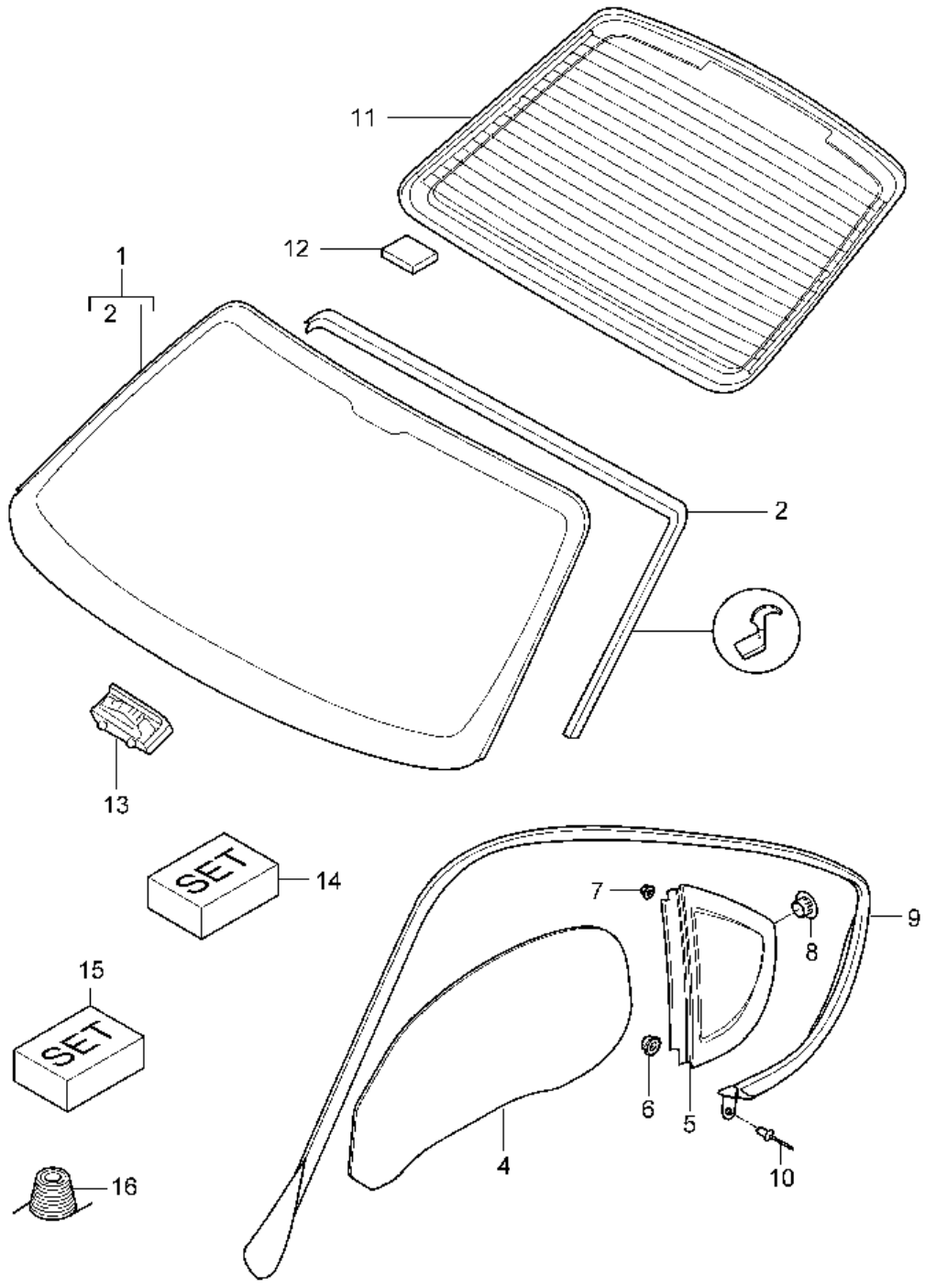
Model: 987 06

Model life 2006>>2008

Pos	Part Number	Description	Remark	Qty	Model
1	987 542 075 01	Window regulator		1	
(1)	987 542 076 01	Window regulator	left	1	
2	997 624 181 02	Electric motor	right	1	
(2)	997 624 182 02	Electric motor	left lhd	1	PR:098
(2)	997 624 181 02	Electric motor	right lhd	1	PR:098
(2)	997 624 181 02	Electric motor	right rhd	1	PR:099
(2)	997 624 182 02	Electric motor	left rhd	1	PR:099
3	900 380 015 09	Hexagon nut M 6		4	
4	999 919 209 09	fillister hd. bolt M5X22		6	
5	987 542 941 00	Clip Bowden cable Window regulator		1	

Model: 987 06

Model life 2006>>2008



Model: 987 06 Model life 2006>>2008

Pos	Part Number	Description	Remark	Qty	Model
1	987 541 911 00	window glazing Windscreen Tinted		1	PR:568
(1)	987 541 911 01	Windscreen Tinted	also use: 000 043 305 35	1	PR:567
(1)	987 541 911 02	Windscreen Tinted	also use: 000 043 305 35	1	PR:267,568
(1)	987 541 911 02	Windscreen Tinted	also use: 000 043 305 35	1	PR:268,568
(1)	987 541 911 03	Windscreen Tinted	also use: 000 043 305 35	1	PR:267,567
(1)	987 541 911 03	Windscreen Tinted	also use: 000 043 305 35	1	PR:268,567
(1)	987 541 911 04	Windscreen Tinted	also use: 000 043 305 35	1	PR:440,568
(1)	987 541 911 05	Windscreen Tinted	also use: 000 043 305 35	1	PR:440,567
(1)	987 541 911 06	Windscreen Tinted	also use: 000 043 305 35	1	PR:267,440, 568
(1)	987 541 911 06	Windscreen Tinted	also use: 000 043 305 35	1	PR:268,440, 568
(1)	987 541 911 07	Windscreen Tinted	also use: 000 043 305 35	1	PR:268,440, 567
(1)	987 541 911 07	Windscreen Tinted	also use: 000 043 305 35	1	PR:267,440, 567
(1)	987 541 911 07	Windscreen Tinted	also use: 000 043 305 35	1	PR:268,440, 567
2	997 541 901 09	Seal for front window		1	
4	987 542 511 03	Door window	left	1	
(4)	987 542 512 03	Door window	right	1	
5	987 543 111 00	Side window	left	1	
(5)	987 543 112 00	Side window	right	1	
6	999 084 210 01	Hexagon nut Side window M8		2	
(6)	987 543 835 00	Threaded bush Side window		2	
7	999 084 220 01	Hexagon nut Side window M5		6	
8	999 702 352 40	Grommet Side window 5,5 X 6,5		2	
9	987 537 481 00	roof frame seal	left	1	
(9)	987 537 482 00	roof frame seal	right	1	
10	999 190 445 37	Pop rivet roof frame seal A 4,0 X 7,9		18	
11	987 545 911 00	Rear window		1	

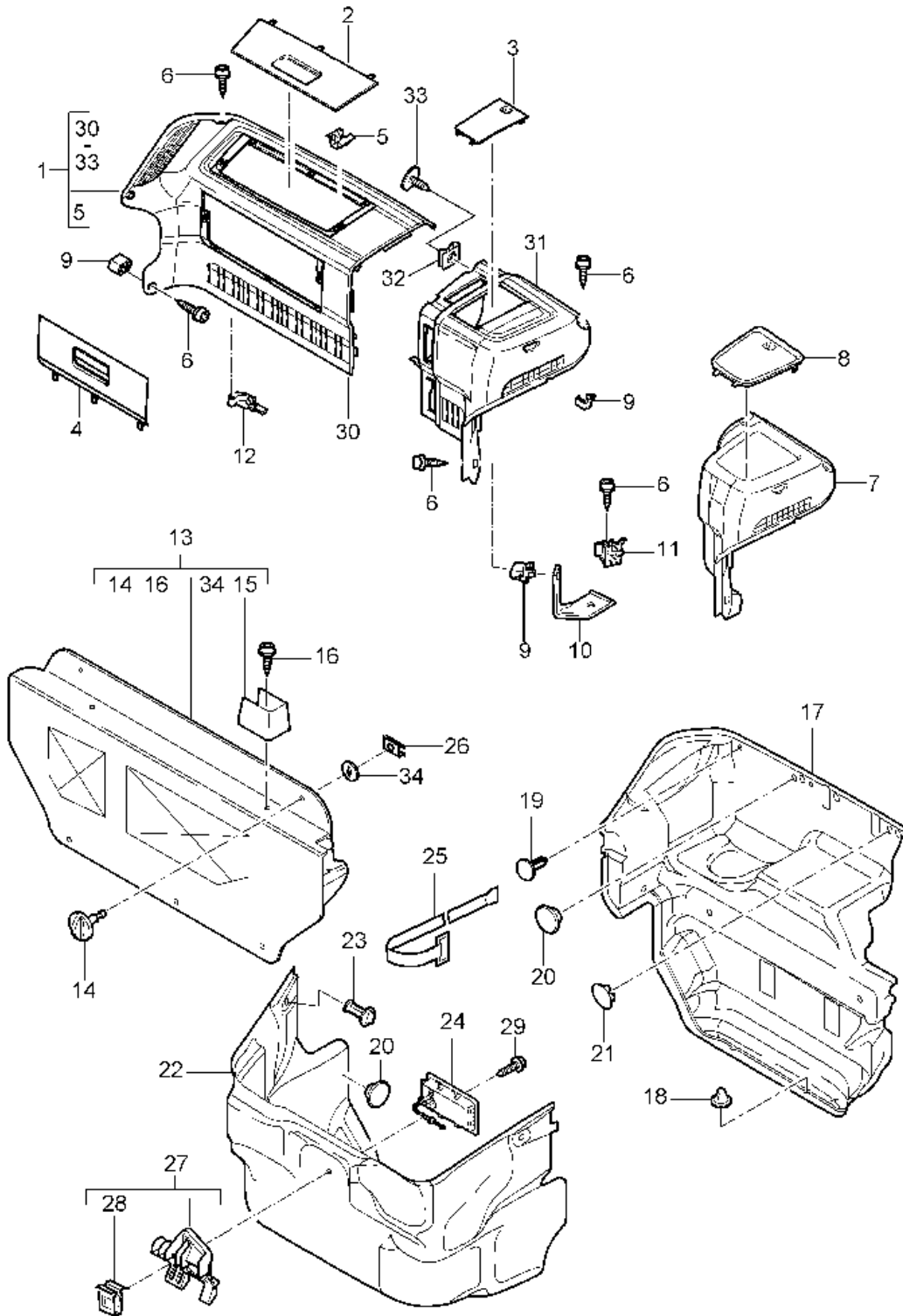
Model: 987 06

Model life 2006>>2008

Pos	Part Number	Description	Remark	Qty	Model
12	999 703 130 40	Stop buffer Rear window		6	
13	999 507 576 41	Bracket		2	
14	000 043 305 35	2K pane adhesive set		1	
15	000 043 205 37	emulsion tube Supplement set		X	
16	000 043 303 32	cutting wire for removing windows		1	

Model: 987 06

Model life 2006>>2008



Model: 987 06

Model life 2006>>2008

Pos	Part Number	Description	Remark	Qty	Model
(1)	997 551 133 00	Luggage compartment Lugg. compartment trim, compl. (3-part)	front lhd	1	PR:098,670
	997 551 133 00 02A	Black			
(1)	997 551 133 00	Lugg. compartment trim, compl. (3-part)	lhd	1	PR:098,672
	997 551 133 00 02A	Black			
(1)	997 551 133 00	Lugg. compartment trim, compl. (3-part)	lhd	1	PR:098,692
	997 551 133 00 02A	Black			
(1)	997 551 133 01	Lugg. compartment trim, compl. (3-part)	rhd	1	PR:099,670
	997 551 133 01 02A	Black			
(1)	997 551 133 01	Lugg. compartment trim, compl. (3-part)	rhd	1	PR:099,672
	997 551 133 01 02A	Black			
(1)	997 551 133 01	Lugg. compartment trim, compl. (3-part)	rhd	1	PR:099,692
	997 551 133 01 02A	Black			
2	997 551 306 00	cover for luggage compartment trim	upper lhd	1	PR:098,670
	997 551 306 00 02A	Black			
2	997 551 306 00	cover for luggage compartment trim	upper lhd	1	PR:098,672
	997 551 306 00 02A	Black			
2	997 551 306 00	cover for luggage compartment trim	upper lhd	1	PR:098,692
	997 551 306 00 02A	Black			
(2)	997 551 305 00	cover for luggage compartment trim	upper rhd	1	PR:099
	997 551 305 00 02A	Black			
3	997 551 301 00	Cover Brake servo	lhd	1	PR:098,670
	997 551 301 00 02A	Black			
3	997 551 301 00	Cover Brake servo	lhd	1	PR:098,672
	997 551 301 00 02A	Black			
3	997 551 301 00	Cover Brake servo	lhd	1	PR:098,692
	997 551 301 00 02A	Black			
(3)	997 551 302 00	Cover Brake servo	rhd	1	PR:099
	997 551 302 00 02A	Black			
4	997 551 308 00	cover for luggage compartment trim	lower lhd	1	PR:098,670
	997 551 308 00 02A	Black			
4	997 551 308 00	cover for luggage compartment trim	lower lhd	1	PR:098,672
	997 551 308 00 02A	Black			
4	997 551 308 00	cover for luggage compartment trim	lower lhd	1	PR:098,692
	997 551 308 00 02A	Black			
(4)	997 551 307 00	cover for luggage compartment trim	lower rhd	1	PR:099
	997 551 307 00 02A	Black			
5	999 507 735 02	Clamp 9 X 22/2,5		4	
6	900 187 501 01	panel screw ST 3,5 X 16		X	
7	997 551 231 00	Trim Brake servo	lhd	1	PR:098
	997 551 231 00 02A	Black			
8	997 551 311 00	Cover trim	lhd	1	PR:098

Model: 987 06 Model life 2006>>2008

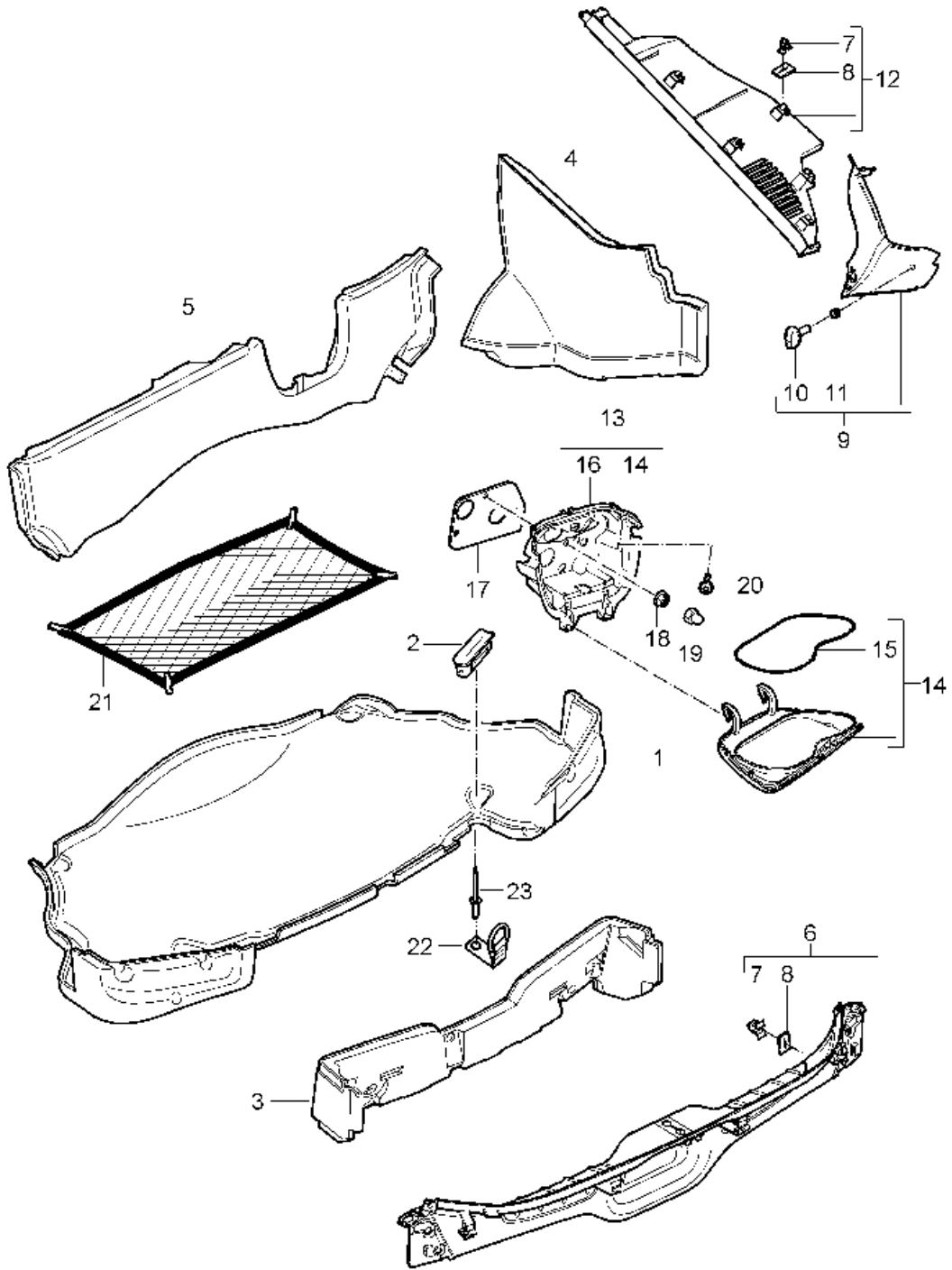
Pos	Part Number	Description	Remark	Qty	Model
		Brake servo			
9	997 551 311 00 02A 999 507 734 40	Black Bracket		X	
10	997 551 771 02	ST 3,5 Bracket Trim		1	
11	999 507 512 40	Luggage compartment Bracket		X	
12	997 551 772 02	ST 3,5 Bracket for trim		1	
13	997 551 123 02	Luggage compartment trim Tool		1	
(13)	997 551 123 02 A31 997 551 123 03	Carpet Black Luggage compartment trim Tool		1	PR:193
14	997 551 123 03 A31 997 551 803 00	Carpet Black catch		2	
15	997 551 801 00	Trim Tool			
	997 551 801 00	retaining strap for warning triangle	left	1	
(15)	997 551 801 00 02A 997 551 802 00	Black retaining strap for warning triangle	right	1	
16	997 551 802 00 02A 999 073 362 09	Black panel screw		2	
17	997 551 051 15	4,8 X 22 Luggage compartment trim filler plate	lhd	1	PR:098,476
(17)	997 551 051 15 A31 997 551 051 16	Carpet Black Luggage compartment trim	lhd	1	PR:098,476, 670
(17)	997 551 051 16 A31 997 551 051 16	filler plate Carpet Black Luggage compartment trim	lhd	1	PR:098,476, 672
(17)	997 551 051 16 A31 997 551 051 16	filler plate Carpet Black Luggage compartment trim	lhd	1	PR:098,476, 692
(17)	997 551 051 16 A31 997 551 051 18	filler plate Carpet Black Luggage compartment trim	rhd	1	PR:099
18	997 551 051 18 A31 999 049 004 40	filler plate Carpet Black Plastic nut		2	
19	999 703 432 40	T5 / 32 X 20 Bungs		2	
20	999 703 455 41	8,2 X 18 End cap		X	
21	999 703 456 40	12,2 X 25 Cover cap		1	
22	987 551 045 04	49 X 26 Trim Luggage compartment liner Carpet		1	

Model: 987 06 Model life 2006>>2008

Pos	Part Number	Description	Remark	Qty	Model
23	987 551 045 04 A31 999 049 006 40	Black Plastic nut T5 /30 X 7,5		2	
25	997 551 741 00	retaining strap for first aid kit		1	PR:024
(25)	997 551 741 00	retaining strap for first aid kit		1	PR:499
26	999 590 055 01	Securing clip 10,7 X 11,5		2	
30	997 551 634 00 997 551 634 00 FMU	Luggage compartment trim black/black	lhd	1	PR:098,670
30	997 551 634 00 997 551 634 00 FMU	Luggage compartment trim black/black	lhd	1	PR:098,672
30	997 551 634 00 997 551 634 00 FMU	Luggage compartment trim black/black	lhd	1	PR:098,692
(30)	997 551 635 00 997 551 635 00 FMU	Luggage compartment trim black/black	rhd	1	PR:099
31	997 551 633 00 997 551 633 00 FMU	Trim Brake servo black/black	lhd	1	PR:098,670
31	997 551 633 00 997 551 633 00 FMU	Trim Brake servo black/black	lhd	1	PR:098,672
31	997 551 633 00 997 551 633 00 FMU	Trim Brake servo black/black	lhd	1	PR:098,692
(31)	997 551 632 00 997 551 632 00 FMU	Trim Brake servo black/black		1	PR:099
32	999 507 795 09	panel nut 4,8		3	
33	999 073 231 09	panel screw st 4,8 X 16		3	
34	999 025 236 40	Washer fuse catch Position 14		2	

Model: 987 06

Model life 2006>>2008



Model: 987 06 Model life 2006>>2008

Pos	Part Number	Description	Remark	Qty	Model
1	987 551 053 02	Luggage compartment Trim Carpet	rear	1	
	987 551 053 02 J10	Palm green D >> - MJ 2007			
	987 551 053 02 M10	Terracotta			
	987 551 053 02 R10	Cocoa			
	987 551 053 02 D11	Dark grey/natural			
	987 551 053 02 T11	Brown/natural			
1	987 551 053 02	Trim Carpet Until Chassis number See technical information GR.7 NR. 17/11 KD-NR. 70		1	
	987 551 053 02 A10	Black			
	987 551 053 02 B10	Stone grey			
	987 551 053 02 T10	Sand beige			
	987 551 053 02 E10	sea blue			
	987 551 053 02 N10	Carrera Red			
1	987 551 053 05	Trim Carpet From Chassis number See technical information GR.7 NR. 17/11 KD-NR. 70		1	
	987 551 053 05 A10	Black			
	987 551 053 05 B10	Stone grey			
	987 551 053 05 T10	Sand beige			
	987 551 053 05 E10	sea blue			
	987 551 053 05 N10	Carrera Red			
2	987 551 545 00	Trim Fastening clip		2	
	987 551 545 00 01C	Satin black			
3	987 551 067 00	Trim Rear spoiler Carpet		1	
	987 551 067 00 J10	Palm green D >> - MJ 2007			
	987 551 067 00 M10	Terracotta			
	987 551 067 00 R10	Cocoa			
	987 551 067 00 D11	Dark grey/natural			
	987 551 067 00 T11	Brown/natural			
3	987 551 067 00	Trim Rear spoiler Carpet Until Chassis number See technical information GR.7 NR. 17/11 KD-NR. 70		1	
	987 551 067 00 A10	Black			
	987 551 067 00 B10	Stone grey			
	987 551 067 00 T10	Sand beige			
	987 551 067 00 E10	sea blue			
	987 551 067 00 N10	Carrera Red			
3	987 551 067 01	Trim Rear spoiler Carpet From Chassis number		1	

Model: 987 06 Model life 2006>>2008

Pos	Part Number	Description	Remark	Qty	Model
		See technical information GR.7 NR. 17/11 KD-NR. 70			
	987 551 067 01 A10	Black			
	987 551 067 01 B10	Stone grey			
	987 551 067 01 T10	Sand beige			
	987 551 067 01 E10	sea blue			
	987 551 067 01 N10	Carrera Red			
(4)	987 551 063 00	Luggage compartment trim	left side	1	
		Carpet Until Chassis number See technical information GR.7 NR. 17/11 KD-NR. 70			
	987 551 063 00 A10	Black			
	987 551 063 00 B10	Stone grey			
	987 551 063 00 T10	Sand beige			
	987 551 063 00 E10	sea blue			
	987 551 063 00 J10	Palm green			
		D >> - MJ 2007			
	987 551 063 00 M10	Terracotta			
	987 551 063 00 R10	Cocoa			
	987 551 063 00 D11	Dark grey/natural			
	987 551 063 00 T11	Brown/natural			
	987 551 063 00 N10	Carrera Red			
(4)	987 551 063 00	D - MJ 2008>> Luggage compartment trim	left side	1	
		Carpet Until Chassis number See technical information GR.7 NR. 17/11 KD-NR. 70			
	987 551 063 00 A10	Black			
	987 551 063 00 B10	Stone grey			
	987 551 063 00 T10	Sand beige			
	987 551 063 00 E10	sea blue			
	987 551 063 00 N10	Carrera Red			
(4)	987 551 063 01	Luggage compartment trim	left side	1	
		Carpet From Chassis number See technical information GR.7 NR. 17/11 KD-NR. 70			
	987 551 063 01 A10	Black			
	987 551 063 01 B10	Stone grey			
	987 551 063 01 T10	Sand beige			
	987 551 063 01 E10	sea blue			
	987 551 063 01 N10	Carrera Red			
4	987 551 064 00	Luggage compartment trim	right side	1	
		Carpet Palm green D >> - MJ 2007			
	987 551 064 00 M10	Terracotta			
	987 551 064 00 R10	Cocoa			
	987 551 064 00 D11	Dark grey/natural			
	987 551 064 00 T11	Brown/natural			

Model: 987 06 Model life 2006>>2008

Pos	Part Number	Description	Remark	Qty	Model
4	987 551 064 00	Luggage compartment trim Carpet Until Chassis number See technical information GR.7 NR. 17/11 KD-NR. 70	right side	1	
	987 551 064 00 A10	Black			
	987 551 064 00 B10	Stone grey			
	987 551 064 00 T10	Sand beige			
	987 551 064 00 E10	sea blue			
	987 551 064 00 N10	Carrera Red			
4	987 551 064 01	Luggage compartment trim Carpet From Chassis number See technical information GR.7 NR. 17/11 KD-NR. 70	right side	1	
	987 551 064 01 A10	Black			
	987 551 064 01 B10	Stone grey			
	987 551 064 01 T10	Sand beige			
	987 551 064 01 E10	sea blue			
	987 551 064 01 N10	Carrera Red			
		D - MJ 2008>>			
5	987 551 045 02	Rear panel trim Cross member Carpet Until Chassis number See technical information GR.7 NR. 17/11 KD-NR. 70		1	
	987 551 045 02 A10	Black			
	987 551 045 02 B10	Stone grey			
	987 551 045 02 T10	Sand beige			
	987 551 045 02 E10	sea blue			
	987 551 045 02 N10	Carrera Red			
		D - MJ 2008>>			
5	987 551 037 00	Rear panel trim Cross member Carpet Until Chassis number See technical information GR.7 NR. 17/11 KD-NR. 70		1	
	987 551 037 00 A10	Black			
	987 551 037 00 B10	Stone grey			
	987 551 037 00 T10	Sand beige			
	987 551 037 00 E10	sea blue			
	987 551 037 00 N10	Carrera Red			
6	987 555 251 00	Trim Lid lock		1	
	987 555 251 00 A03	Black			
	987 555 251 00 5V7	Stone grey			
	987 555 251 00 5Z1	Sand beige			
	987 555 251 00 8W7	sea blue			
	987 555 251 00 5Y2	Palm green			
		D >> - MJ 2007			
	987 555 251 00 8X8	Terracotta			

Model: 987 06 Model life 2006>>2008

Pos	Part Number	Description	Remark	Qty	Model
	987 555 251 00 8P9	Cocoa			
	987 555 251 00 T13	Brown/natural			
	987 555 251 00 N23	Carrera Red			
		D - MJ 2008>>			
-	999 590 057 40	Cams		2	
		catch			
7	999 507 839 01	Clip		X	
		3,5			
8	999 209 084 40	Distance piece		X	
		20 X 25 X 0,5			
(9)	987 551 651 01	Trim	left	1	
		Rear light			
	987 551 651 01 01C	Satin black			
9	987 551 652 01	Trim	right	1	
		Rear light			
	987 551 652 01 01C	Satin black			
10	999 590 056 40	Closing element		2	
		26,5 X 18,4			
11	999 230 579 40	fuse		4	
		6,15 X 1,07			
(12)	987 555 189 01	Luggage compartment trim	left	1	
			Lateral upper		
	987 555 189 01 A03	Black			
	987 555 189 01 5V7	Stone grey			
	987 555 189 01 5Z1	Sand beige			
	987 555 189 01 8W7	sea blue			
	987 555 189 01 5Y2	Palm green			
		D >> - MJ 2007			
	987 555 189 01 8X8	Terracotta			
	987 555 189 01 8P9	Cocoa			
	987 555 189 01 T13	Brown/natural			
	987 555 189 01 N23	Carrera Red			
		D - MJ 2008>>			
12	987 555 190 01	Luggage compartment trim	right	1	
			Lateral upper		
	987 555 190 01 A03	Black			
	987 555 190 01 5V7	Stone grey			
	987 555 190 01 5Z1	Sand beige			
	987 555 190 01 8W7	sea blue			
	987 555 190 01 5Y2	Palm green			
		D >> - MJ 2007			
	987 555 190 01 8X8	Terracotta			
	987 555 190 01 8P9	Cocoa			
	987 555 190 01 T13	Brown/natural			
	987 555 190 01 N23	Carrera Red			
		D - MJ 2008>>			
13	987 555 067 01	Cover		1	
		Service			
		Cup			
	987 555 067 01 J10	Palm green			
		D >> - MJ 2007			
	987 555 067 01 M10	Terracotta			
	987 555 067 01 R10	Cocoa			
	987 555 067 01 D11	Dark grey/natural			
	987 555 067 01 T11	Brown/natural			
13	987 555 067 01	Cover		1	
		Service			
		Cup			
		Until			
		Chassis number			
		See technical information			
		GR.7 NR. 17/11			
		KD-NR. 70			

Model: 987 06 Model life 2006>>2008

Pos	Part Number	Description	Remark	Qty	Model
	987 555 067 01 A10	Black			
	987 555 067 01 B10	Stone grey			
	987 555 067 01 T10	Sand beige			
	987 555 067 01 E10	sea blue			
	987 555 067 01 N10	Carrera Red			
13	987 555 067 02	D - MJ 2008>> Cover Service Cup From Chassis number See technical information GR.7 NR. 17/11 KD-NR. 70		1	
	987 555 067 02 A10	Black			
	987 555 067 02 B10	Stone grey			
	987 555 067 02 T10	Sand beige			
	987 555 067 02 E10	sea blue			
	987 555 067 02 N10	Carrera Red			
14	987 555 075 00	Cover Service Cup		1	
	987 555 075 00 J10	Palm green D >> - MJ 2007			
	987 555 075 00 M10	Terracotta			
	987 555 075 00 R10	Cocoa			
	987 555 075 00 D11	Dark grey/natural			
	987 555 075 00 T11	Brown/natural			
14	987 555 075 00	Cover Service Cup Until Chassis number See technical information GR.7 NR. 17/11 KD-NR. 70		1	
	987 555 075 00 A10	Black			
	987 555 075 00 B10	Stone grey			
	987 555 075 00 T10	Sand beige			
	987 555 075 00 E10	sea blue			
	987 555 075 00 N10	Carrera Red			
14	987 555 075 01	D - MJ 2008>> Cover Service Cup From Chassis number See technical information GR.7 NR. 17/11 KD-NR. 70		1	
	987 555 075 01 A10	Black			
	987 555 075 01 B10	Stone grey			
	987 555 075 01 T10	Sand beige			
	987 555 075 01 E10	sea blue			
	987 555 075 01 N10	Carrera Red			
15	987 555 475 00	Seal Service Cup		1	
16	987 555 077 00	Assembly frame Service Cup		1	
17	987 555 477 00	Sealing frame Service		1	

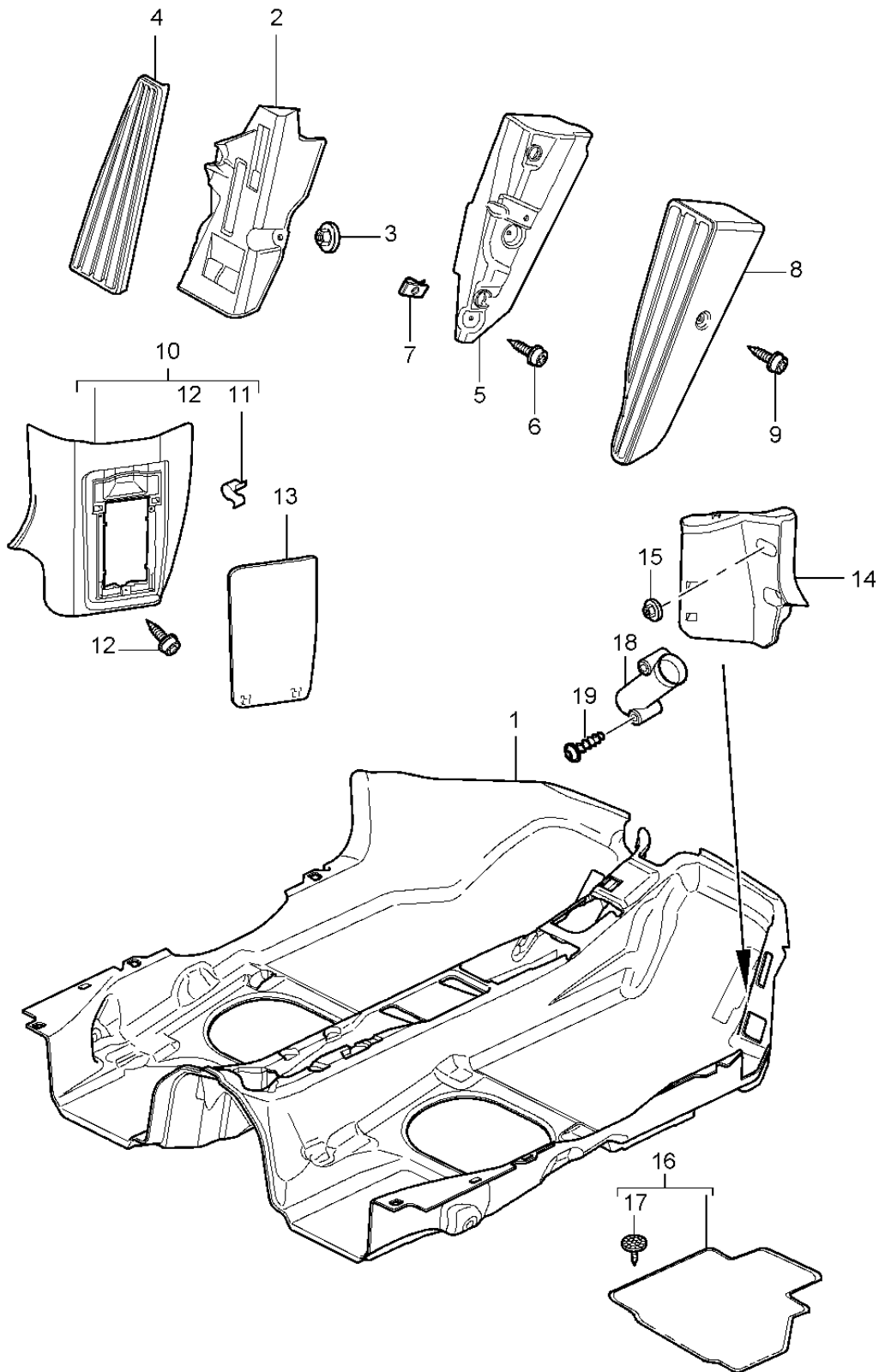
Model: 987 06

Model life 2006>>2008

Pos	Part Number	Description	Remark	Qty	Model
18	999 076 048 01	Cup Hexagon nut M6		3	
19	999 703 231 40	Protective cap		1	
20	999 073 372 01	panel screw 4,2 X 16		2	
21	987 551 339 00	Luggage net		1	
(21)	987 551 339 01	Luggage net		1	PR:479
22	987 551 245 01	Eye Luggage fuse 60 mm		4	
23	999 190 484 02	Pop rivet A 6,4 x 14,5		4	

Model: 987 06

Model life 2006>>2008



Model: 987 06 Model life 2006>>2008

Pos	Part Number	Description	Remark	Qty	Model
1	987 551 011 04	Interior equipment Flooring Linings Flooring (carpet)	lhd	1	PR:098
	987 551 011 04 FLW	Black			
	987 551 011 04 FLX	Stone grey			
	987 551 011 04 FLY	Sand beige			
	987 551 011 04 FLZ	sea blue			
	987 551 011 04 FMA	Palm green			
		D >> - MJ 2007			
	987 551 011 04 FMB	Terracotta			
	987 551 011 04 FMC	Cocoa			
	987 551 011 04 FMD	Dark grey/natural			
	987 551 011 04 FME	Brown/natural			
	987 551 011 04 FSV	Carrera Red			
		D - MJ 2008>>			
1	987 551 011 06	Flooring (carpet)	lhd	1	PR:098,680
	987 551 011 06 FMA	Palm green			
		D >> - MJ 2007			
	987 551 011 06 FMB	Terracotta			
	987 551 011 06 FMC	Cocoa			
	987 551 011 06 FMD	Dark grey/natural			
	987 551 011 06 FME	Brown/natural			
1	987 551 011 06	Flooring (carpet) Until Chassis number See technical information GR.7 NR. 17/11 KD-NR. 70	lhd	1	PR:098,680
	987 551 011 06 FLW	Black			
	987 551 011 06 FLX	Stone grey			
	987 551 011 06 FLY	Sand beige			
	987 551 011 06 FLZ	sea blue			
	987 551 011 06 FSV	Carrera Red			
		D - MJ 2008>>			
1	987 551 011 12	Flooring (carpet) From Chassis number See technical information GR.7 NR. 17/11 KD-NR. 70	lhd	1	PR:098,680
	987 551 011 12 FLW	Black			
	987 551 011 12 FLX	Stone grey			
	987 551 011 12 FLY	Sand beige			
	987 551 011 12 FLZ	sea blue			
	987 551 011 12 FSV	Carrera Red			
		D - MJ 2008>>			
(1)	987 551 011 05	Flooring (carpet)	rhd	1	PR:099
	987 551 011 05 FLW	Black			
	987 551 011 05 FLX	Stone grey			
	987 551 011 05 FLY	Sand beige			
	987 551 011 05 FLZ	sea blue			
	987 551 011 05 FMA	Palm green			
		D >> - MJ 2007			
	987 551 011 05 FMB	Terracotta			
	987 551 011 05 FMC	Cocoa			
	987 551 011 05 FMD	Dark grey/natural			
	987 551 011 05 FME	Brown/natural			
	987 551 011 05 FSV	Carrera Red			
		D - MJ 2008>>			
(1)	987 551 011 07	Flooring (carpet)	rhd	1	PR:099,680
	987 551 011 07 FMA	Palm green			
		D >> - MJ 2007			

Model: 987 06 Model life 2006>>2008

Pos	Part Number	Description	Remark	Qty	Model
	987 551 011 07 FMB	Terracotta			
	987 551 011 07 FMC	Cocoa			
	987 551 011 07 FMD	Dark grey/natural			
	987 551 011 07 FME	Brown/natural			
(1)	987 551 011 07	Flooring (carpet) Until Chassis number See technical information GR.7 NR. 17/11 KD-NR. 70	rhd	1	PR:099,680
	987 551 011 07 FLW	Black			
	987 551 011 07 FLX	Stone grey			
	987 551 011 07 FLY	Sand beige			
	987 551 011 07 FLZ	sea blue			
	987 551 011 07 FSV	Carrera Red D - MJ 2008>>			
(1)	987 551 011 13	Flooring (carpet) From Chassis number See technical information GR.7 NR. 17/11 KD-NR. 70	rhd	1	PR:099,680
	987 551 011 13 FLW	Black			
	987 551 011 13 FLX	Stone grey			
	987 551 011 13 FLY	Sand beige			
	987 551 011 13 FLZ	sea blue			
	987 551 011 13 FSV	Carrera Red D - MJ 2008>>			
-	997 551 813 00	Protective film Carpet D >> - MJ 2007	lhd	1	PR:098
-	997 551 813 01	Protective film Carpet D - MJ 2008>>	lhd	1	PR:098
-	997 551 815 00	Protective film Carpet	rhd	1	PR:099
2	997 551 211 01	Foot rest	lhd	1	PR:098
3	999 076 081 40	Hexagon plastic collar nut T5/16 X 11,2		2	
4	997 551 611 00	Cover for footrest	lhd	1	PR:098
	997 551 611 00 01C	Satin black			
(4)	997 551 986 00	Cover for footrest	lhd	1	PR:XXZ,098
5	997 551 212 00	Foot rest	rhd	1	PR:099
6	999 073 060 02	panel screw ST 4,8 X 13 for Mount	rhd	2	PR:099
7	999 591 485 01	Foot rest panel nut ST 4,8 for Mount	rhd	2	PR:099
8	997 551 612 00	Foot rest Cover for footrest	rhd	1	PR:099
	997 551 612 00 01C	Satin black			
9	999 919 188 09	fillister hd. bolt 5,0 X 30 for Mount Cover	rhd	1	PR:099
10	997 551 101 00	Foot rest Trim Fuse box	lhd	1	PR:098

Model: 987 06 Model life 2006>>2008

Pos	Part Number	Description	Remark	Qty	Model
		Carpet			
	997 551 101 00 A10	Black			
	997 551 101 00 B10	Stone grey			
	997 551 101 00 T10	Sand beige			
	997 551 101 00 E10	sea blue			
	997 551 101 00 J10	Palm green			
		D >> - MJ 2007			
	997 551 101 00 M10	Terracotta			
	997 551 101 00 R10	Cocoa			
	997 551 101 00 D11	Dark grey/natural			
	997 551 101 00 T11	Brown/natural			
	997 551 101 00 N10	Carrera Red			
		D - MJ 2008>>			
(10)	997 551 102 00	Trim	rhd	1	PR:099
		Fuse box			
		Carpet			
	997 551 102 00 A10	Black			
	997 551 102 00 B10	Stone grey			
	997 551 102 00 T10	Sand beige			
	997 551 102 00 E10	sea blue			
	997 551 102 00 J10	Palm green			
		D >> - MJ 2007			
	997 551 102 00 M10	Terracotta			
	997 551 102 00 R10	Cocoa			
	997 551 102 00 D11	Dark grey/natural			
	997 551 102 00 T11	Brown/natural			
	997 551 102 00 N10	Carrera Red			
		D - MJ 2008>>			
11	999 507 552 01	Spring clip		2	
		9,0 X 13/4,0			
12	999 919 161 09	fillister hd. bolt		3	
		5,0 X 18			
		for			
		Mount			
		Fuse box			
13	997 551 621 00	Cover trim	lhd	1	PR:098
		Fuse box			
	997 551 621 00 01C	Satin black			
(13)	997 551 622 00	Cover trim	rhd	1	PR:099
		Fuse box			
	997 551 622 00 01C	Satin black			
14	997 551 712 02	Bracket	lhd	1	PR:098
		Flooring			
(14)	997 551 711 02	Bracket	rhd	1	PR:099
		Flooring			
15	999 076 081 40	Hexagon plastic collar nut		2	
		T5/16 X 11,2			
		Mount			
		Bracket			
		Flooring			
16		Floor mats		1	
		Set			
		See group			
		8/07/07			
		Tequipment catalogue			
17	999 902 054 40	Fixing plate		4	PR:XX1
		for			
		Floor mats			
18	964 551 751 00	Bracket	rhd	1	PR:099,193
		Warning light			
(18)	997 551 852 00	Bracket	lhd	1	PR:098,193
		Warning light			
19	999 919 254 01	fillister hd. bolt		2	

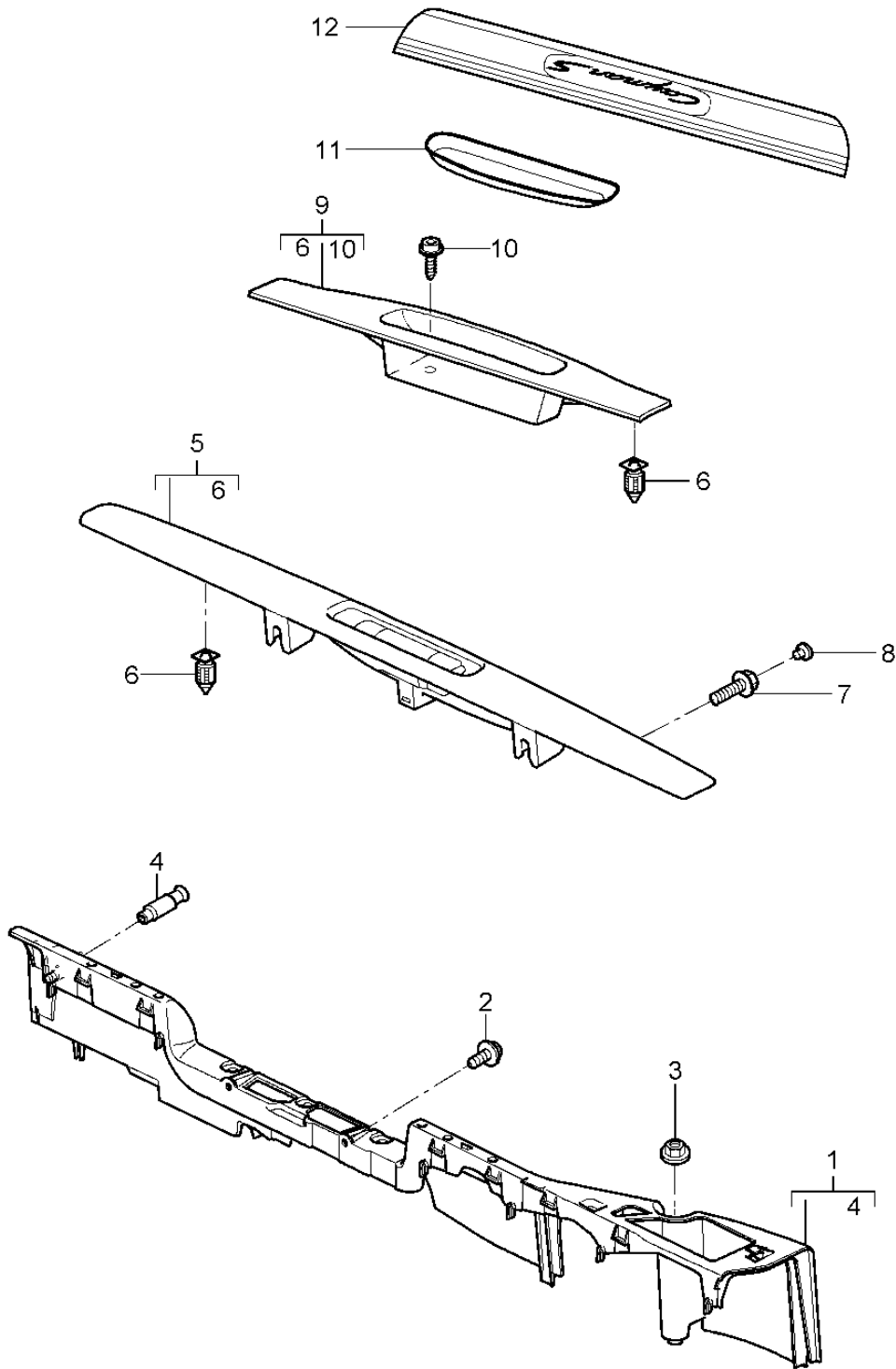
Model: 987 06

Model life 2006>>2008

Pos	Part Number	Description	Remark	Qty	Model
		4,0 x 36,5			

Model: 987 06

Model life 2006>>2008

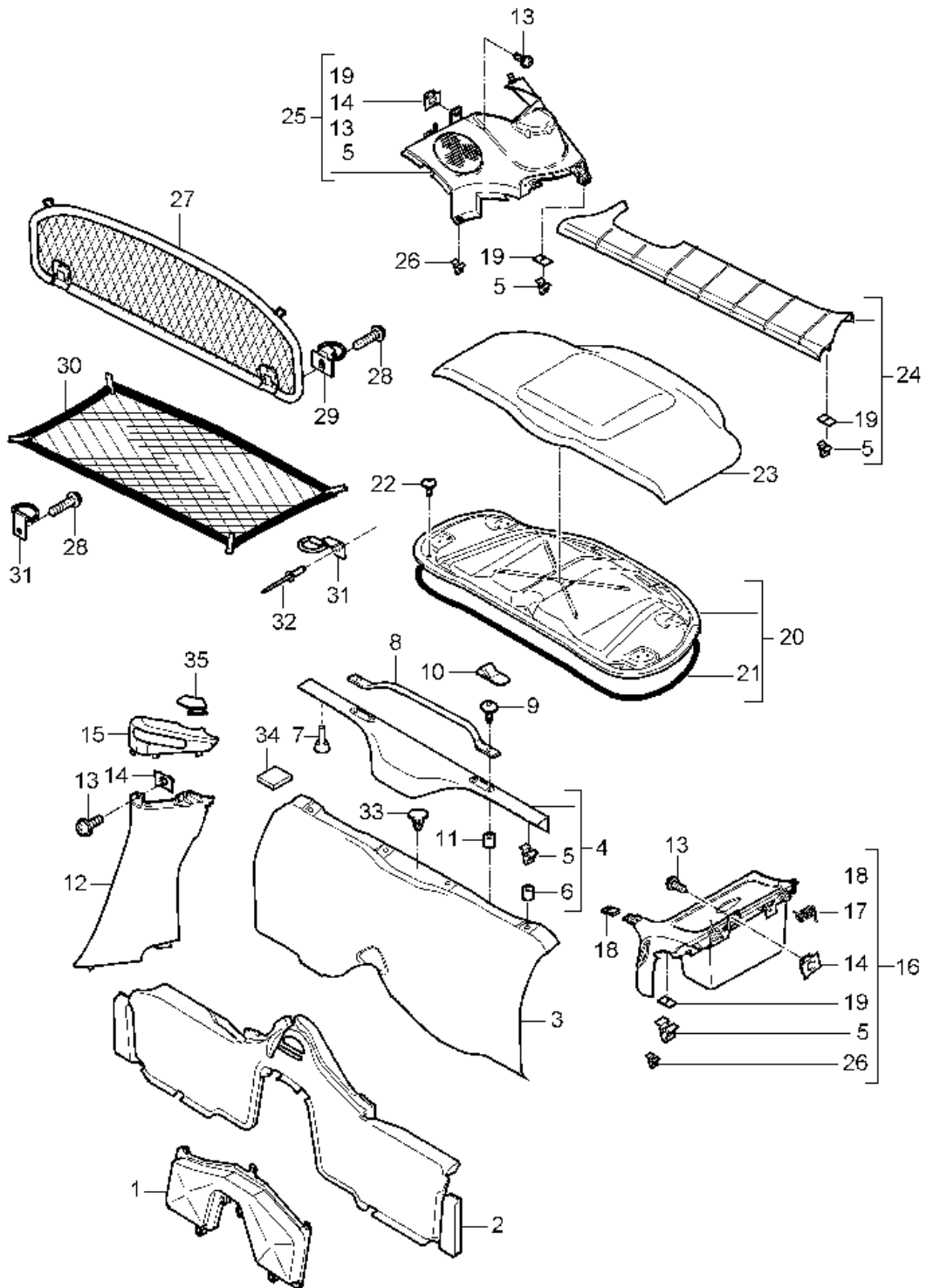


Model: 987 06 Model life 2006>>2008

Pos	Part Number	Description	Remark	Qty	Model
1	987 551 619 01	Trim Sill Support	left	1	
(1)	987 551 620 01	Sill Support	right	1	
2	900 143 082 01	Sill panel screw ST 6,3 X 13 for Mount Support		4	
3	999 076 081 40	Sill Hexagon plastic collar nut T5 16 X 11,2 for Mount Support		2	
4	996 551 873 00	Sill Locating peg for Mount Support		2	
5	997 551 019 04	Sill Trim Sill (drivers side)	lhd	1	PR:098
(5)	997 551 019 04 A03	Black			
	997 551 019 05	Trim Sill (drivers side)	rhd	1	PR:099
	997 551 019 05 A03	Black			
6	999 507 484 40	expanding nut 9 X 22		X	
7	999 067 046 01	Bolt with washer M 6 X 20		2	
8	999 703 443 40	Bungs 8,0 X 11		2	
	999 703 443 40 01C	Satin black			
9	997 551 120 01	Trim Sill (passenger side)		1	
	997 551 120 01 A03	Black			
10	999 919 164 09	fillister hd. bolt 5,0 X 12		1	
11	996 551 513 00	Mat		1	
(12)	987 551 303 06	Sill trim strip Lacquered		2	CAYMAN PR:-X69,-X70
	987 551 303 06 A03	Black			
12	987 551 303 07	Sill trim strip Lacquered		2	CAYMAN S PR:-X69,-X70
	987 551 303 07 A03	Black			
(12)	987 551 980 12	1 set of sill strips		1	CAYMAN S PR:755,X70
(12)	987 551 980 19	D - MJ 2008>> - MJ 2008 1 set of sill strips		1	CAYMAN S PR:758,X70
12		D - MJ 2008>> Sill trim strip Exclusive See catalogue Tequipment 8/07/07		1	

Model: 987 06

Model life 2006>>2008



Model: 987 06 Model life 2006>>2008

Pos	Part Number	Description	Remark	Qty	Model
1	986 504 181 00	Linings Engine compartment engine compartment lid filler plate		1	
-	999 084 629 01	Hexagon nut M6		2	
-	900 378 169 01	Hexagon bolt M6X12		4	
2	987 551 033 01	Trim Cross member Carpet		1	
	987 551 033 01 M10	Terracotta			
	987 551 033 01 R10	Cocoa			
	987 551 033 01 D11	Dark grey/natural			
	987 551 033 01 T11	Brown/natural			
2	987 551 033 01	Trim Cross member Carpet Until Chassis number See technical information GR.7 NR. 17/11 KD-NR. 70		1	
	987 551 033 01 A10	Black			
	987 551 033 01 B10	Stone grey			
	987 551 033 01 T10	Sand beige			
	987 551 033 01 E10	sea blue			
	987 551 033 01 N10	Carrera Red D - MJ 2008>>			
2	987 551 033 02	Trim Cross member Carpet From Chassis number See technical information GR.7 NR. 17/11 KD-NR. 70		1	
	987 551 033 02 A10	Black			
	987 551 033 02 B10	Stone grey			
	987 551 033 02 T10	Sand beige			
	987 551 033 02 E10	sea blue			
	987 551 033 02 N10	Carrera Red D - MJ 2008>>			
3	987 551 035 04	Rear panel trim Carpet		1	
	987 551 035 04 M10	Terracotta			
	987 551 035 04 R10	Cocoa			
	987 551 035 04 D11	Dark grey/natural			
	987 551 035 04 T11	Brown/natural			
3	987 551 035 04	Rear panel trim Carpet Until Chassis number See technical information GR.7 NR. 17/11 KD-NR. 70		1	
	987 551 035 04 A10	Black			
	987 551 035 04 B10	Stone grey			
	987 551 035 04 T10	Sand beige			
	987 551 035 04 E10	sea blue			
	987 551 035 04 N10	Carrera Red D - MJ 2008>>			
3	987 551 035 07	Rear panel trim		1	

Model: 987 06 Model life 2006>>2008

Pos	Part Number	Description	Remark	Qty	Model
		Carpet From Chassis number See technical information GR.7 NR. 17/11 KD-NR. 70			
	987 551 035 07 A10	Black			
	987 551 035 07 B10	Stone grey			
	987 551 035 07 T10	Sand beige			
	987 551 035 07 E10	sea blue			
	987 551 035 07 N10	Carrera Red			
(3)	987 551 035 05	D - MJ 2008>> Rear panel trim Carpet		1	PR:553
	987 551 035 05 M10	Terracotta			
	987 551 035 05 R10	Cocoa			
	987 551 035 05 D11	Dark grey/natural			
	987 551 035 05 T11	Brown/natural			
(3)	987 551 035 05	Rear panel trim Carpet Until Chassis number See technical information GR.7 NR. 17/11 KD-NR. 70		1	PR:553
	987 551 035 05 A10	Black			
	987 551 035 05 B10	Stone grey			
	987 551 035 05 T10	Sand beige			
	987 551 035 05 E10	sea blue			
	987 551 035 05 N10	Carrera Red			
(3)	987 551 035 08	D - MJ 2008>> Rear panel trim Carpet From Chassis number See technical information GR.7 NR. 17/11 KD-NR. 70		1	PR:553
	987 551 035 08 A10	Black			
	987 551 035 08 B10	Stone grey			
	987 551 035 08 T10	Sand beige			
	987 551 035 08 E10	sea blue			
	987 551 035 08 N10	Carrera Red			
4	987 555 401 00	D - MJ 2008>> retaining strip fuse Luggage Discontinued part		1	
	987 555 401 00 A03	Black			
	987 555 401 00 5V7	Stone grey			
	987 555 401 00 5Z1	Sand beige			
	987 555 401 00 8W7	sea blue			
	987 555 401 00 5Y2	Palm green			
		D >> - MJ 2007			
	987 555 401 00 8X8	Terracotta			
	987 555 401 00 8P9	Cocoa			
	987 555 401 00 T13	Brown/natural			
	987 555 401 00 N23	Carrera Red			
4	987 555 401 04	D - MJ 2008>> retaining strip fuse Luggage		1	
	987 555 401 04 A03	Black			

Model: 987 06 Model life 2006>>2008

Pos	Part Number	Description	Remark	Qty	Model
	987 555 401 04 5V7	Stone grey			
	987 555 401 04 5Z1	Sand beige			
	987 555 401 04 8W7	sea blue			
	987 555 401 04 5Y2	Palm green			
		D >> - MJ 2007			
	987 555 401 04 8X8	Terracotta			
	987 555 401 04 8P9	Cocoa			
	987 555 401 04 T13	Brown/natural			
	987 555 401 04 N23	Carrera Red			
		D - MJ 2008>>			
(4)	987 555 401 01	retaining strip		1	PR:580
		fuse			
		Luggage			
		Discontinued part			
	987 555 401 01 A03	Black			
	987 555 401 01 5V7	Stone grey			
	987 555 401 01 5Z1	Sand beige			
	987 555 401 01 8W7	sea blue			
	987 555 401 01 5Y2	Palm green			
		D >> - MJ 2007			
	987 555 401 01 8X8	Terracotta			
	987 555 401 01 8P9	Cocoa			
	987 555 401 01 T13	Brown/natural			
	987 555 401 01 N23	Carrera Red			
		D - MJ 2008>>			
(4)	987 555 401 05	retaining strip		1	PR:580
		fuse			
		Luggage			
	987 555 401 05 A03	Black			
	987 555 401 05 5V7	Stone grey			
	987 555 401 05 5Z1	Sand beige			
	987 555 401 05 8W7	sea blue			
	987 555 401 05 5Y2	Palm green			
		D >> - MJ 2007			
	987 555 401 05 8X8	Terracotta			
	987 555 401 05 8P9	Cocoa			
	987 555 401 05 T13	Brown/natural			
	987 555 401 05 N23	Carrera Red			
		D - MJ 2008>>			
(4)	987 555 401 02	retaining strip		1	PR:805
		fuse			
		Luggage			
		Discontinued part			
	987 555 401 02 041	Black			
	987 555 401 02 84A	guards red (Porsche)			
	987 555 401 02 12H	Speed yellow			
	987 555 401 02 B9A	Carrara white			
	987 555 401 02 92U	Arctic silver metallic			
	987 555 401 02 M3W	Carmon red metallic			
		D >> - MJ 2007			
	987 555 401 02 M5W	Lapis blue metallic			
		D >> - MJ 2007			
	987 555 401 02 M6W	Lagoon green metallic			
		D >> - MJ 2007			
	987 555 401 02 C9Z	Basalt black metallic			
	987 555 401 02 M7X	Atlas grey metallic			
	987 555 401 02 39C	Midnight Blue Metallic			
	987 555 401 02 6B4	Seal grey metallic			
	987 555 401 02 M7W	Meteor Grey Metallic			
		D - MJ 2007>>			
	987 555 401 02 2B4	Forest green metallic			
	987 555 401 02 3C8	Cobalt blue metallic			
	987 555 401 02 23F	Slate grey metallic			

Model: 987 06 Model life 2006>>2008

Pos	Part Number	Description	Remark	Qty	Model
(4)	987 555 401 02 M6X	Dark olive-metallic		1	PR:805
	987 555 401 02 M7Z	GT Silver Metallic			
	987 555 401 02 M8W	Macadamia Metallic			
	987 555 401 02 8A7	Ruby red metallic			
	987 555 401 02 2B5	Malachite Green Metallic			
	987 555 401 06	retaining strip			
		fuse			
		Luggage			
	987 555 401 06 041	Black			
	987 555 401 06 84A	guards red (Porsche)			
	987 555 401 06 12H	Speed yellow			
	987 555 401 06 B9A	Carrara white			
	987 555 401 06 92U	Arctic silver metallic			
	987 555 401 06 M3W	Carmon red metallic			
		D >> - MJ 2007			
	987 555 401 06 M5W	Lapis blue metallic			
		D >> - MJ 2007			
	987 555 401 06 M6W	Lagoon green metallic			
		D >> - MJ 2007			
	987 555 401 06 C9Z	Basalt black metallic			
	987 555 401 06 M7X	Atlas grey metallic			
	987 555 401 06 39C	Midnight Blue Metallic			
	987 555 401 06 6B4	Seal grey metallic			
	987 555 401 06 M7W	Meteor Grey Metallic			
	D - MJ 2007>>				
987 555 401 06 2B4	Forest green metallic				
987 555 401 06 3C8	Cobalt blue metallic				
987 555 401 06 23F	Slate grey metallic				
987 555 401 06 M6X	Dark olive-metallic				
987 555 401 06 M7Z	GT Silver Metallic				
987 555 401 06 M8W	Macadamia Metallic				
987 555 401 06 8A7	Ruby red metallic				
987 555 401 06 2B5	Malachite Green Metallic				
987 555 401 06 G2X	primed				
(4)	987 555 401 03	retaining strip		1	PR:580,805
		fuse			
		Luggage			
		Discontinued part			
	987 555 401 03 041	Black			
	987 555 401 03 84A	guards red (Porsche)			
	987 555 401 03 12H	Speed yellow			
	987 555 401 03 B9A	Carrara white			
	987 555 401 03 92U	Arctic silver metallic			
	987 555 401 03 M3W	Carmon red metallic			
		D >> - MJ 2007			
	987 555 401 03 M5W	Lapis blue metallic			
		D >> - MJ 2007			
	987 555 401 03 M6W	Lagoon green metallic			
		D >> - MJ 2007			
	987 555 401 03 C9Z	Basalt black metallic			
	987 555 401 03 M7X	Atlas grey metallic			
	987 555 401 03 39C	Midnight Blue Metallic			
	987 555 401 03 6B4	Seal grey metallic			
	987 555 401 03 M7W	Meteor Grey Metallic			
		D - MJ 2007>>			
	987 555 401 03 2B4	Forest green metallic			
	987 555 401 03 3C8	Cobalt blue metallic			
	987 555 401 03 23F	Slate grey metallic			
987 555 401 03 M6X	Dark olive-metallic				
987 555 401 03 M7Z	GT Silver Metallic				
987 555 401 03 M8W	Macadamia Metallic				
987 555 401 03 8A7	Ruby red metallic				
987 555 401 03 2B5	Malachite Green Metallic				

Model: 987 06 Model life 2006>>2008

Pos	Part Number	Description	Remark	Qty	Model
(4)	987 555 401 07	retaining strip fuse Luggage		1	PR:580,805
	987 555 401 07 041	Black			
	987 555 401 07 84A	guards red (Porsche)			
	987 555 401 07 12H	Speed yellow			
	987 555 401 07 B9A	Carrara white			
	987 555 401 07 92U	Arctic silver metallic			
	987 555 401 07 M3W	Carmon red metallic D >> - MJ 2007			
	987 555 401 07 M5W	Lapis blue metallic D >> - MJ 2007			
	987 555 401 07 M6W	Lagoon green metallic D >> - MJ 2007			
	987 555 401 07 C9Z	Basalt black metallic			
	987 555 401 07 M7X	Atlas grey metallic			
	987 555 401 07 39C	Midnight Blue Metallic			
	987 555 401 07 6B4	Seal grey metallic			
	987 555 401 07 M7W	Meteor Grey Metallic D - MJ 2007>>			
	987 555 401 07 2B4	Forest green metallic			
	987 555 401 07 3C8	Cobalt blue metallic			
	987 555 401 07 23F	Slate grey metallic			
	987 555 401 07 M6X	Dark olive-metallic			
	987 555 401 07 M7Z	GT Silver Metallic			
	987 555 401 07 M8W	Macadamia Metallic			
	987 555 401 07 8A7	Ruby red metallic			
	987 555 401 07 2B5	Malachite Green Metallic			
	987 555 401 07 G2X	primed			
(4)	987 555 401 02	retaining strip fuse Luggage D - MJ 2008>>		1	PR:758
	987 555 401 02 041	Black			
(4)	987 555 401 03	retaining strip fuse Luggage D - MJ 2008>>		1	PR:580,758
	987 555 401 03 041	Black			
5	999 507 839 01	Clip 3.5		X	
6	999 209 084 40	Distance piece 20 X 25 X 0,5		6	
7	999 703 041 40	Rubber buffer 4 X 6 X 9,3		X	
8	987 555 411 03	arm fuse Luggage		1	
	987 555 411 03 D07	Volcano grey			
9	999 073 095 01	fillister hd. bolt M 8 X 30		2	
10	987 555 403 00	Cover arm		2	
	987 555 403 00 A03	Black			
	987 555 403 00 5V7	Stone grey			
	987 555 403 00 5Z1	Sand beige			
	987 555 403 00 8W7	sea blue			
	987 555 403 00 5Y2	Palm green			
	987 555 403 00 8X8	Terracotta			
	987 555 403 00 8P9	Cocoa			
	987 555 403 00 T13	Brown/natural			
	987 555 403 00 N23	Carrera Red			
11	999 209 083 02	spacer sleeve		2	

Model: 987 06 Model life 2006>>2008

Pos	Part Number	Description	Remark	Qty	Model
(12)	987 555 215 01	4,5 X 0,7 X 5 C-pillar trim	left lower	1	
		D >> - MJ 2007			
	987 555 215 01 A10	Black			
	987 555 215 01 B10	Stone grey			
	987 555 215 01 T10	Sand beige			
	987 555 215 01 E10	sea blue			
	987 555 215 01 J10	Palm green			
	987 555 215 01 M10	Terracotta			
	987 555 215 01 R10	Cocoa			
	987 555 215 01 D11	Dark grey/natural			
	987 555 215 01 T11	Brown/natural			
(12)	987 555 215 02	C-pillar trim	left lower	1	
		D - MJ 2008>>			
	987 555 215 02 M10	Terracotta			
	987 555 215 02 R10	Cocoa			
	987 555 215 02 D11	Dark grey/natural			
	987 555 215 02 T11	Brown/natural			
(12)	987 555 215 02	C-pillar trim	left lower	1	
		Until Chassis number See technical information GR.7 NR. 17/11 KD-NR. 70 D - MJ 2008>>			
	987 555 215 02 A10	Black			
	987 555 215 02 B10	Stone grey			
	987 555 215 02 T10	Sand beige			
	987 555 215 02 E10	sea blue			
	987 555 215 02 N10	Carrera Red			
(12)	987 555 215 03	C-pillar trim	left lower	1	
		From Chassis number See technical information GR.7 NR. 17/11 KD-NR. 70			
	987 555 215 03 A10	Black			
	987 555 215 03 B10	Stone grey			
	987 555 215 03 T10	Sand beige			
	987 555 215 03 E10	sea blue			
	987 555 215 03 N10	Carrera Red			
(12)	987 555 215 03	C-pillar trim	left lower	1	
		From Chassis number See technical information GR.7 NR. 17/11 KD-NR. 70			
	987 555 215 03 A10	Black			
	987 555 215 03 B10	Stone grey			
	987 555 215 03 T10	Sand beige			
	987 555 215 03 E10	sea blue			
	987 555 215 03 N10	Carrera Red			
12	987 555 216 01	C-pillar trim	right lower	1	
		D >> - MJ 2007			
	987 555 216 01 A10	Black			
	987 555 216 01 B10	Stone grey			
	987 555 216 01 T10	Sand beige			

Model: 987 06 Model life 2006>>2008

Pos	Part Number	Description	Remark	Qty	Model
	987 555 216 01 E10	sea blue			
	987 555 216 01 J10	Palm green			
	987 555 216 01 M10	Terracotta			
	987 555 216 01 R10	Cocoa			
	987 555 216 01 D11	Dark grey/natural			
	987 555 216 01 T11	Brown/natural			
12	987 555 216 02	C-pillar trim	right lower	1	
		D - MJ 2008>>			
	987 555 216 02 M10	Terracotta			
	987 555 216 02 R10	Cocoa			
	987 555 216 02 D11	Dark grey/natural			
	987 555 216 02 T11	Brown/natural			
12	987 555 216 02	C-pillar trim	right lower	1	
		Until			
		Chassis number			
		See technical information			
		GR.7 NR. 17/11			
		KD-NR. 70			
		D - MJ 2008>>			
	987 555 216 02 A10	Black			
	987 555 216 02 B10	Stone grey			
	987 555 216 02 T10	Sand beige			
	987 555 216 02 E10	sea blue			
	987 555 216 02 N10	Carrera Red			
12	987 555 216 03	C-pillar trim	left lower	1	
		From			
		Chassis number			
		See technical information			
		GR.7 NR. 17/11			
		KD-NR. 70			
	987 555 216 03 A10	Black			
	987 555 216 03 B10	Stone grey			
	987 555 216 03 T10	Sand beige			
	987 555 216 03 E10	sea blue			
	987 555 216 03 N10	Carrera Red			
13	999 073 372 01	panel screw		4	
		4,2 X 16			
14	999 591 135 01	Cage nut		4	
		ST 4.2			
(15)	987 555 451 00	Rosette	left	1	
	987 555 451 00 A03	Black			
	987 555 451 00 5V7	Stone grey			
	987 555 451 00 5Z1	Sand beige			
	987 555 451 00 8W7	sea blue			
	987 555 451 00 5Y2	Palm green			
		D >> - MJ 2007			
	987 555 451 00 8X8	Terracotta			
	987 555 451 00 8P9	Cocoa			
	987 555 451 00 T13	Brown/natural			
	987 555 451 00 N23	Carrera Red			
		D - MJ 2008>>			
15	987 555 452 00	Rosette	right	1	
		Seat belt			
	987 555 452 00 A03	Black			
	987 555 452 00 5V7	Stone grey			
	987 555 452 00 5Z1	Sand beige			
	987 555 452 00 8W7	sea blue			
	987 555 452 00 5Y2	Palm green			
		D >> - MJ 2007			
	987 555 452 00 8X8	Terracotta			

Model: 987 06 Model life 2006>>2008

Pos	Part Number	Description	Remark	Qty	Model
	987 555 452 00 8P9	Cocoa			
	987 555 452 00 T13	Brown/natural			
	987 555 452 00 N23	Carrera Red			
(15)	987 555 451 01	D - MJ 2008>> Rosette	left	1	PR:805
	987 555 451 01 041	Black			
	987 555 451 01 84A	guards red (Porsche)			
	987 555 451 01 12H	Speed yellow			
	987 555 451 01 B9A	Carrara white			
	987 555 451 01 92U	Arctic silver metallic			
	987 555 451 01 M3W	Carmon red metallic			
		D >> - MJ 2007			
	987 555 451 01 M5W	Lapis blue metallic			
		D >> - MJ 2007			
	987 555 451 01 M6W	Lagoon green metallic			
		D >> - MJ 2007			
	987 555 451 01 C9Z	Basalt black metallic			
	987 555 451 01 M7X	Atlas grey metallic			
	987 555 451 01 39C	Midnight Blue Metallic			
	987 555 451 01 6B4	Seal grey metallic			
	987 555 451 01 M7W	Meteor Grey Metallic			
		D - MJ 2007>>			
	987 555 451 01 2B4	Forest green metallic			
	987 555 451 01 3C8	Cobalt blue metallic			
	987 555 451 01 23F	Slate grey metallic			
	987 555 451 01 M6X	Dark olive-metallic			
	987 555 451 01 M7Z	GT Silver Metallic			
	987 555 451 01 M8W	Macadamia Metallic			
	987 555 451 01 8A7	Ruby red metallic			
(15)	987 555 451 01 2B5	Malachite Green Metallic			
	987 555 452 01	Rosette	right	1	PR:805
		Seat belt			
	987 555 452 01 041	Black			
	987 555 452 01 84A	guards red (Porsche)			
	987 555 452 01 12H	Speed yellow			
	987 555 452 01 B9A	Carrara white			
	987 555 452 01 92U	Arctic silver metallic			
	987 555 452 01 M3W	Carmon red metallic			
		D >> - MJ 2007			
	987 555 452 01 M5W	Lapis blue metallic			
		D >> - MJ 2007			
	987 555 452 01 M6W	Lagoon green metallic			
		D >> - MJ 2007			
	987 555 452 01 C9Z	Basalt black metallic			
	987 555 452 01 M7X	Atlas grey metallic			
	987 555 452 01 39C	Midnight Blue Metallic			
	987 555 452 01 6B4	Seal grey metallic			
	987 555 452 01 M7W	Meteor Grey Metallic			
		D - MJ 2007>>			
	987 555 452 01 2B4	Forest green metallic			
	987 555 452 01 3C8	Cobalt blue metallic			
	987 555 452 01 23F	Slate grey metallic			
	987 555 452 01 M6X	Dark olive-metallic			
	987 555 452 01 M7Z	GT Silver Metallic			
	987 555 452 01 M8W	Macadamia Metallic			
	987 555 452 01 8A7	Ruby red metallic			
	987 555 452 01 2B5	Malachite Green Metallic			
(15)	987 555 451 01	Rosette	left	1	PR:758
		Seat belt			
		D - MJ 2008>>			
	987 555 451 01 041	Black			
(15)	987 555 452 01	Rosette	right	1	PR:758
		Seat belt			

Model: 987 06 Model life 2006>>2008

Pos	Part Number	Description	Remark	Qty	Model
		D - MJ 2008>>			
(16)	987 555 452 01 041	Black			
	987 555 071 05	Stowage compartment	left	1	
	987 555 071 05 A03	Black			
	987 555 071 05 5V7	Stone grey			
	987 555 071 05 5Y2	Palm green			
		D >> - MJ 2007			
	987 555 071 05 5Z1	Sand beige			
	987 555 071 05 8W7	sea blue			
	987 555 071 05 8X8	Terracotta			
	987 555 071 05 8P9	Cocoa			
	987 555 071 05 T13	Brown/natural			
	987 555 071 05 N23	Carrera Red			
		D - MJ 2008>>			
16	987 555 072 05	Stowage compartment	right	1	
	987 555 072 05 A03	Black			
	987 555 072 05 5V7	Stone grey			
	987 555 072 05 5Y2	Palm green			
		D >> - MJ 2007			
	987 555 072 05 5Z1	Sand beige			
	987 555 072 05 8W7	sea blue			
	987 555 072 05 8X8	Terracotta			
	987 555 072 05 8P9	Cocoa			
	987 555 072 05 T13	Brown/natural			
	987 555 072 05 N23	Carrera Red			
		D - MJ 2008>>			
(16)	987 555 071 06	Stowage compartment	left	1	PR:805
	987 555 071 06 041	Black			
	987 555 071 06 84A	guards red (Porsche)			
	987 555 071 06 12H	Speed yellow			
	987 555 071 06 B9A	Carrara white			
	987 555 071 06 92U	Arctic silver metallic			
	987 555 071 06 M3W	Carmon red metallic			
		D >> - MJ 2007			
	987 555 071 06 M5W	Lapis blue metallic			
		D >> - MJ 2007			
	987 555 071 06 M6W	Lagoon green metallic			
		D >> - MJ 2007			
	987 555 071 06 C9Z	Basalt black metallic			
	987 555 071 06 M7X	Atlas grey metallic			
	987 555 071 06 39C	Midnight Blue Metallic			
	987 555 071 06 6B4	Seal grey metallic			
	987 555 071 06 M7W	Meteor Grey Metallic			
		D - MJ 2007>>			
	987 555 071 06 2B4	Forest green metallic			
	987 555 071 06 3C8	Cobalt blue metallic			
	987 555 071 06 23F	Slate grey metallic			
	987 555 071 06 M6X	Dark olive-metallic			
	987 555 071 06 M7Z	GT Silver Metallic			
	987 555 071 06 M8W	Macadamia Metallic			
		D - MJ 2008>>			
	987 555 071 06 8A7	Ruby red metallic			
		D - MJ 2008>>			
	987 555 071 06 2B5	Malachite Green Metallic			
		D - MJ 2008>>			
(16)	987 555 072 06	Stowage compartment	right	1	PR:805
	987 555 072 06 041	Black			
	987 555 072 06 84A	guards red (Porsche)			
	987 555 072 06 12H	Speed yellow			
	987 555 072 06 B9A	Carrara white			
	987 555 072 06 92U	Arctic silver metallic			
	987 555 072 06 M3W	Carmon red metallic			
		D >> - MJ 2007			

Model: 987 06 Model life 2006>>2008

Pos	Part Number	Description	Remark	Qty	Model
	987 555 072 06 M5W	Lapis blue metallic D >> - MJ 2007			
	987 555 072 06 M6W	Lagoon green metallic D >> - MJ 2007			
	987 555 072 06 C9Z	Basalt black metallic			
	987 555 072 06 M7X	Atlas grey metallic			
	987 555 072 06 39C	Midnight Blue Metallic			
	987 555 072 06 6B4	Seal grey metallic			
	987 555 072 06 M7W	Meteor Grey Metallic D - MJ 2007>>			
	987 555 072 06 2B4	Forest green metallic			
	987 555 072 06 3C8	Cobalt blue metallic			
	987 555 072 06 23F	Slate grey metallic			
	987 555 072 06 M6X	Dark olive-metallic			
	987 555 072 06 M7Z	GT Silver Metallic			
	987 555 072 06 M8W	Macadamia Metallic D - MJ 2008>>			
	987 555 072 06 8A7	Ruby red metallic D - MJ 2008>>			
	987 555 072 06 2B5	Malachite Green Metallic D - MJ 2008>>			
(16)	987 555 071 06	Stowage compartment D - MJ 2008>>	left	1	PR:758
(16)	987 555 071 06 041	Black			
(16)	987 555 072 06	Stowage compartment D - MJ 2008>>	right	1	PR:758
17	987 555 072 06 041	Black			
	999 521 093 00	torsion spring 1,4 x 8,3	left	1	
(17)	999 521 092 00	torsion spring 1,4 x 8,3	right	1	
18	999 507 971 01	panel nut ST 4,2		X	
19	999 209 084 40	Distance piece 20 X 25 X 0,5		X	
20	987 513 211 01	cover for engine compartment		1	
21	987 513 611 00	Seal		1	
22	999 073 130 02	Engine cover fillister hd. bolt M6 X 16		5	
23	987 551 039 01	Trim Carpet		1	
	987 551 039 01 J10	Engine cover Palm green D >> - MJ 2007			
	987 551 039 01 M10	Terracotta			
	987 551 039 01 R10	Cocoa			
	987 551 039 01 D11	Dark grey/natural			
	987 551 039 01 T11	Brown/natural			
23	987 551 039 01	Trim Carpet Engine cover Until Chassis number See technical information GR.7 NR. 17/11 KD-NR. 70		1	
	987 551 039 01 A10	Black			
	987 551 039 01 B10	Stone grey			
	987 551 039 01 T10	Sand beige			
	987 551 039 01 E10	sea blue			
	987 551 039 01 N10	Carrera Red D - MJ 2008>>			

Model: 987 06 Model life 2006>>2008

Pos	Part Number	Description	Remark	Qty	Model
23	987 551 039 05	Trim Carpet Engine cover From Chassis number See technical information GR.7 NR. 17/11 KD-NR. 70		1	
	987 551 039 05 A10	Black			
	987 551 039 05 B10	Stone grey			
	987 551 039 05 T10	Sand beige			
	987 551 039 05 E10	sea blue			
	987 551 039 05 N10	Carrera Red D - MJ 2008>>			
24	987 555 151 00	Luggage compartment trim	center	1	
	987 555 151 00 U02	stainless steel			
(25)	987 555 061 03	Trim Support Spring strut	left	1	
	987 555 061 03 A03	Black			
	987 555 061 03 5V7	Stone grey			
	987 555 061 03 5Z1	Sand beige			
	987 555 061 03 8W7	sea blue			
	987 555 061 03 5Y2	Palm green D >> - MJ 2007			
	987 555 061 03 8X8	Terracotta			
	987 555 061 03 8P9	Cocoa			
	987 555 061 03 T13	Brown/natural			
	987 555 061 03 N23	Carrera Red D - MJ 2008>>			
25	987 555 062 03	Trim Support Spring strut	right	1	
	987 555 062 03 A03	Black			
	987 555 062 03 5V7	Stone grey			
	987 555 062 03 5Z1	Sand beige			
	987 555 062 03 8W7	sea blue			
	987 555 062 03 5Y2	Palm green D >> - MJ 2007			
	987 555 062 03 8X8	Terracotta			
	987 555 062 03 8P9	Cocoa			
	987 555 062 03 T13	Brown/natural			
	987 555 062 03 N23	Carrera Red D - MJ 2008>>			
(25)	987 555 061 04	Trim Support Spring strut	left	1	PR:805
	987 555 061 04 041	Black			
	987 555 061 04 84A	guards red (Porsche)			
	987 555 061 04 12H	Speed yellow			
	987 555 061 04 B9A	Carrara white			
	987 555 061 04 92U	Arctic silver metallic			
	987 555 061 04 M3W	Carmon red metallic D >> - MJ 2007			
	987 555 061 04 M5W	Lapis blue metallic D >> - MJ 2007			
	987 555 061 04 M6W	Lagoon green metallic D >> - MJ 2007			
	987 555 061 04 C9Z	Basalt black metallic			
	987 555 061 04 M7X	Atlas grey metallic			
	987 555 061 04 39C	Midnight Blue Metallic			
	987 555 061 04 6B4	Seal grey metallic			
	987 555 061 04 M7W	Meteor Grey Metallic			

Model: 987 06 Model life 2006>>2008

Pos	Part Number	Description	Remark	Qty	Model
		D - MJ 2007>>			
	987 555 061 04 2B4	Forest green metallic			
	987 555 061 04 3C8	Cobalt blue metallic			
	987 555 061 04 23F	Slate grey metallic			
	987 555 061 04 M6X	Dark olive-metallic			
	987 555 061 04 M7Z	GT Silver Metallic			
	987 555 061 04 M8W	Macadamia Metallic			
		D - MJ 2008>>			
	987 555 061 04 8A7	Ruby red metallic			
		D - MJ 2008>>			
	987 555 061 04 2B5	Malachite Green Metallic			
		D - MJ 2008>>			
(25)	987 555 062 04	Trim Support Spring strut	right	1	PR:805
	987 555 062 04 041	Black			
	987 555 062 04 84A	guards red (Porsche)			
	987 555 062 04 12H	Speed yellow			
	987 555 062 04 B9A	Carrara white			
	987 555 062 04 92U	Arctic silver metallic			
	987 555 062 04 M3W	Carmon red metallic			
		D >> - MJ 2007			
	987 555 062 04 M5W	Lapis blue metallic			
		D >> - MJ 2007			
	987 555 062 04 M6W	Lagoon green metallic			
		D >> - MJ 2007			
	987 555 062 04 C9Z	Basalt black metallic			
	987 555 062 04 M7X	Atlas grey metallic			
	987 555 062 04 39C	Midnight Blue Metallic			
	987 555 062 04 6B4	Seal grey metallic			
	987 555 062 04 M7W	Meteor Grey Metallic			
		D - MJ 2007>>			
	987 555 062 04 2B4	Forest green metallic			
	987 555 062 04 3C8	Cobalt blue metallic			
	987 555 062 04 23F	Slate grey metallic			
	987 555 062 04 M6X	Dark olive-metallic			
	987 555 062 04 M7Z	GT Silver Metallic			
	987 555 062 04 M8W	Macadamia Metallic			
		D - MJ 2008>>			
	987 555 062 04 8A7	Ruby red metallic			
		D - MJ 2008>>			
	987 555 062 04 2B5	Malachite Green Metallic			
		D - MJ 2008>>			
(25)	987 555 061 04	Trim Support Spring strut	left	1	PR:758
		D - MJ 2008>>			
(25)	987 555 061 04 041	Black	right	1	PR:758
	987 555 062 04	Trim Support Spring strut			
		D - MJ 2008>>			
26	987 555 062 04 041	Black			
	999 507 584 02	Clamp 8,0 x 10,0/ 2,0		X	
27	987 555 321 00	Luggage net Collapsible		1	PR:580
28	999 073 131 02	fillister hd. bolt M6 X 25		2	
29	987 555 627 00	Bracket Luggage net Collapsible		2	PR:580
30	987 551 339 00	Luggage net		1	

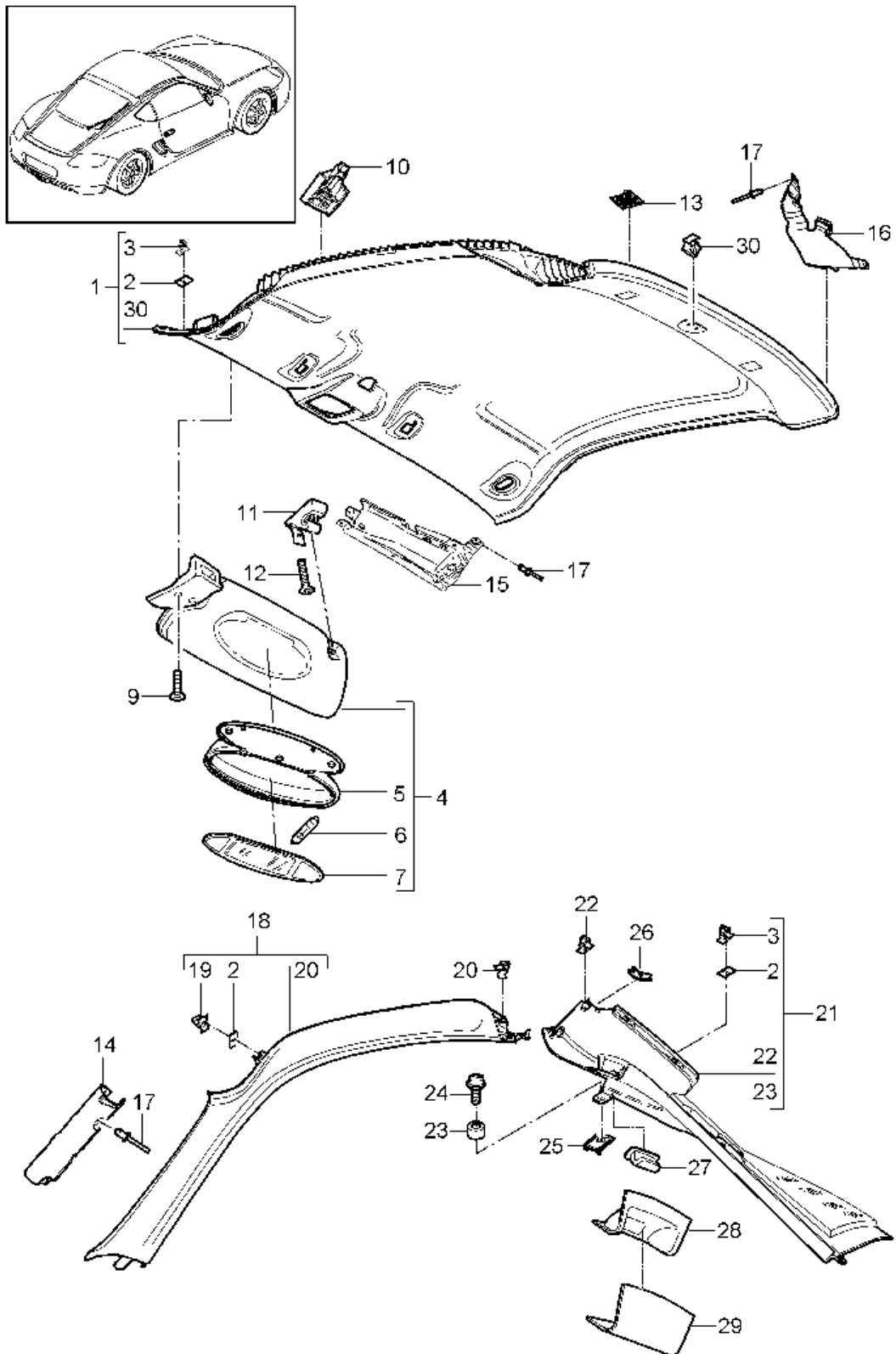
Model: 987 06

Model life 2006>>2008

Pos	Part Number	Description	Remark	Qty	Model
(30)	987 551 339 01	Luggage net		1	PR:479
31	987 551 245 00	Eye Luggage fuse 31 mm		X	
32	999 190 484 02	Pop rivet A6,4 x 14,5		X	
33	999 591 988 40	Clip for Mount rear panel		1	
34	987 556 673 00	D - MJ 2006>> Plastic foam strip 60 X 40 X 10 Trim c-pillar D - MJ 2006>>		1	
35	987 555 781 00	Cover	left lower	1	
(35)	987 555 782 00	Black Cover Black	right lower	1	

Model: 987 06

Model life 2006>>2008



Model: 987 06 Model life 2006>>2008

Pos	Part Number	Description	Remark	Qty	Model
(1)	987 555 091 04	roof trim sun vizors A-pillar c-pillar		1	
	987 555 091 04 A22	Black			
	987 555 091 04 D32	Volcano grey			
	987 555 091 04 T42	Sand beige			
(1)	987 555 091 06	roof trim Cloth		1	PR:607
	987 555 091 06 A22	Black			
	987 555 091 06 D32	Volcano grey			
	987 555 091 06 T42	Sand beige			
(1)	987 555 091 06	roof trim Cloth		1	PR:608
	987 555 091 06 A22	Black			
	987 555 091 06 D32	Volcano grey			
	987 555 091 06 T42	Sand beige			
(1)	987 555 091 09	roof trim Alcantara		1	PR:594
		D - MJ 2007>>			
	987 555 091 09 A15	Black			
	987 555 091 09 5E5	steel grey			
	987 555 091 09 T45	Sand beige			
(1)	987 555 091 10	roof trim Alcantara		1	PR:594,607
		D - MJ 2007>>			
	987 555 091 10 A15	Black			
	987 555 091 10 5E5	steel grey			
	987 555 091 10 T45	Sand beige			
(1)	987 555 091 10	roof trim Alcantara		1	PR:594,608
		D - MJ 2007>>			
	987 555 091 10 A15	Black			
	987 555 091 10 5E5	steel grey			
	987 555 091 10 T45	Sand beige			
2	999 209 084 40	Distance piece 20 X 25 X 0,5		2	
3	999 507 047 09	Clip 3,6		2	
4	987 731 031 07	Sun visor Leatherette	left	1	
	987 731 031 07 A12	Black			
	987 731 031 07 8W4	Stone grey			
	987 731 031 07 7E3	Sand beige			
	987 731 031 07 8Z5	sea blue			
	987 731 031 07 7W3	Palm green			
		D >> - MJ 2007			
(4)	987 731 032 07	Sun visor Leatherette	right	1	
	987 731 032 07 A12	Black			
	987 731 032 07 8W4	Stone grey			
	987 731 032 07 7E3	Sand beige			
	987 731 032 07 8Z5	sea blue			
	987 731 032 07 7W3	Palm green			
		D >> - MJ 2007			
4	987 731 981 04	Sun visor Leather	left	1	PR:XMP
	987 731 981 04 A11	Black			
	987 731 981 04 5X6	Stone grey			
	987 731 981 04 8G2	Sand beige			
	987 731 981 04 3S9	sea blue			

Model: 987 06 Model life 2006>>2008

Pos	Part Number	Description	Remark	Qty	Model
	987 731 981 04 4P2	Palm green D >> - MJ 2007			
	987 731 981 04 9S5	Terracotta			
	987 731 981 04 9V6	Cocoa			
	987 731 981 04 D12	Dark grey/natural			
	987 731 981 04 T12	Brown/natural			
	987 731 981 04 N12	Carrera Red D - MJ 2008>>			
(4)	987 731 982 04	Sun visor Leather	right	1	PR:XMP
	987 731 982 04 A11	Black			
	987 731 982 04 5X6	Stone grey			
	987 731 982 04 8G2	Sand beige			
	987 731 982 04 3S9	sea blue			
	987 731 982 04 4P2	Palm green D >> - MJ 2007			
	987 731 982 04 9S5	Terracotta			
	987 731 982 04 9V6	Cocoa			
	987 731 982 04 D12	Dark grey/natural			
	987 731 982 04 T12	Brown/natural			
	987 731 982 04 N12	Carrera Red D - MJ 2008>>			
5	996 731 903 00	Mirror housing with:		1	
		Lighting			
	996 731 903 00 01C	Satin black			
6	999 631 147 90	bulb 3 W		2	
7	996 731 531 01	Mirror glass with:		2	
		Frame			
	996 731 531 01 01C	Satin black			
9	999 073 326 09	fillister hd. bolt M5 X 10		2	
10	987 731 541 00	basic plate Support		2	
		Sun visor			
11	996 731 341 00	Support	left inner	1	
	996 731 341 00 01C	Satin black			
(11)	996 731 342 00	Support	right inner	1	
		Sun visor			
	996 731 342 00 01C	Satin black			
12	999 919 120 09	fillister hd. bolt 4,0 X 18		2	
13	999 902 050 40	Velcro fastener 25,4 X 25,4		2	
15	987 555 421 02	deformation element windshield frame	left	1	
(15)	987 555 422 02	deformation element windshield frame	right	1	
17	999 190 184 01	Pop rivet 4,0 X 8,5 Mount		X	
		deformation element			
18	987 555 181 04	A-pillar trim	left	1	
	987 555 181 04 A03	Black			
	987 555 181 04 5V7	Stone grey			
	987 555 181 04 5Z1	Sand beige			
	987 555 181 04 8W7	sea blue			
	987 555 181 04 5Y2	Palm green D >> - MJ 2007			
	987 555 181 04 8X8	Terracotta			

Model: 987 06 Model life 2006>>2008

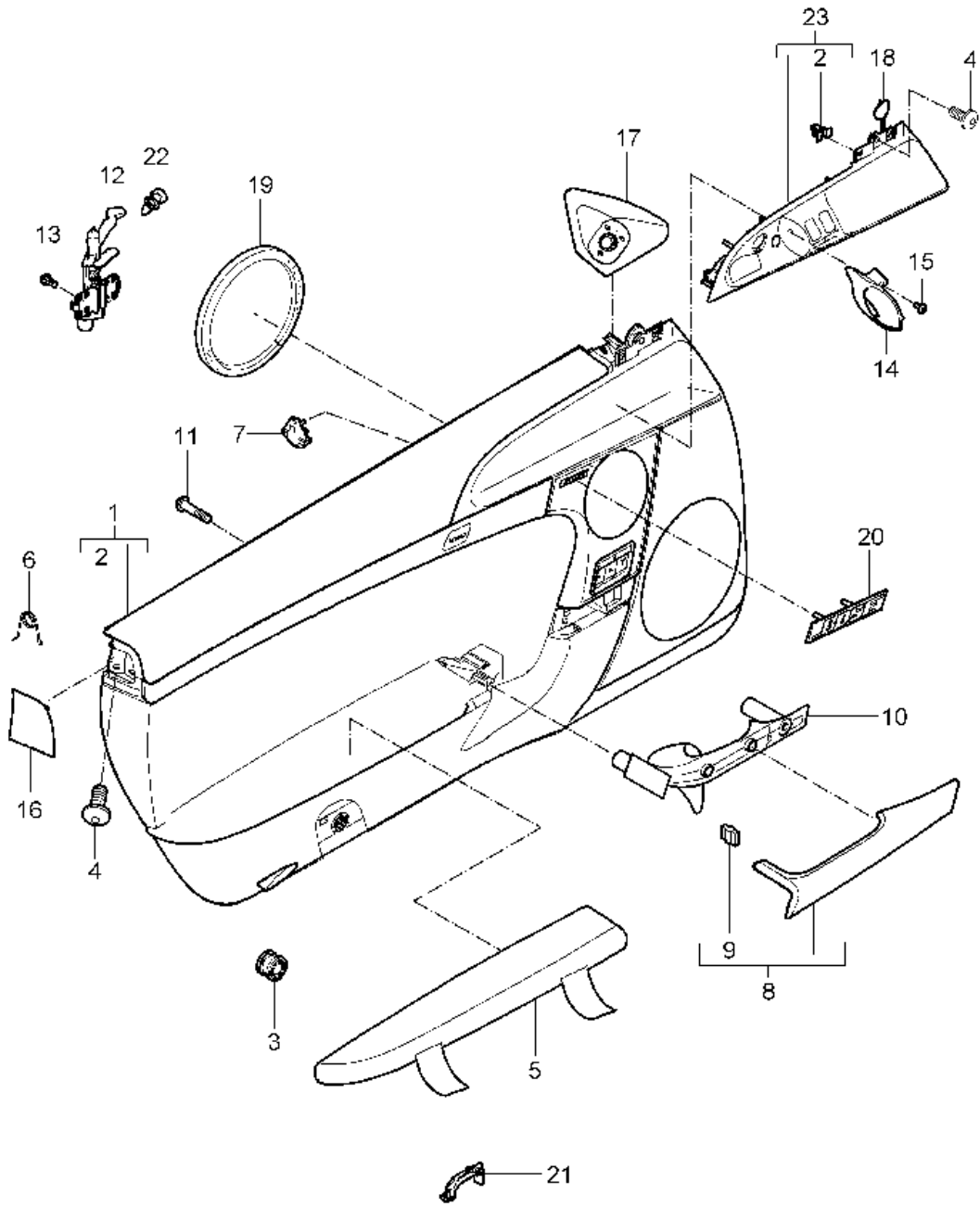
Pos	Part Number	Description	Remark	Qty	Model
(18)	987 555 181 04 8P9	Cocoa	right	1	
	987 555 181 04 T13	Brown/natural			
	987 555 181 04 N23	Carrera Red			
		D - MJ 2008>>			
	987 555 182 04	A-pillar trim			
	987 555 182 04 A03	Black			
	987 555 182 04 5V7	Stone grey			
	987 555 182 04 5Z1	Sand beige			
	987 555 182 04 8W7	sea blue			
	987 555 182 04 5Y2	Palm green			
		D >> - MJ 2007			
	987 555 182 04 8X8	Terracotta			
	987 555 182 04 8P9	Cocoa			
987 555 182 04 T13	Brown/natural				
987 555 182 04 N23	Carrera Red				
	D - MJ 2008>>				
19	999 507 839 01	Clip		X	
		3,5			
20	999 507 476 01	Clamp		3	
		8,0 X 10/2,5			
21	987 555 187 00	C-pillar trim	left	1	
	987 555 187 00 A03	Black			
	987 555 187 00 5V7	Stone grey			
	987 555 187 00 5Z1	Sand beige			
	987 555 187 00 8W7	sea blue			
	987 555 187 00 5Y2	Palm green			
		D >> - MJ 2007			
	987 555 187 00 8X8	Terracotta			
	987 555 187 00 8P9	Cocoa			
	987 555 187 00 T13	Brown/natural			
	987 555 187 00 N23	Carrera Red			
		D - MJ 2008>>			
	(21)	987 555 188 00			
	987 555 188 00 A03	Black			
	987 555 188 00 5V7	Stone grey			
	987 555 188 00 5Z1	Sand beige			
	987 555 188 00 8W7	sea blue			
	987 555 188 00 5Y2	Palm green			
	D >> - MJ 2007				
	987 555 188 00 8X8	Terracotta			
	987 555 188 00 8P9	Cocoa			
	987 555 188 00 T13	Brown/natural			
	987 555 188 00 N23	Carrera Red			
	D - MJ 2008>>				
22	999 507 058 09	Clip		X	
		2,6			
23	999 209 083 02	spacer sleeve		2	
		4,5 X 0,7 X 5			
24	999 073 372 01	panel screw		2	
		ST 4,2 X 16			
25	999 507 971 01	panel nut		2	
		ST 4,2			
(26)	987 555 787 00	Cover panel	left upper	1	
26	987 555 788 00	Cover panel		right upper	1
27	987 555 887 00	Cover Hooks		2	PR:580
(28)	987 555 587 01	Luggage net	left	1	PR:580
		Trim			
		Hooks			
	987 555 587 01 A03	Luggage net Black			

Model: 987 06 Model life 2006>>2008

Pos	Part Number	Description	Remark	Qty	Model
	987 555 587 01 5V7	Stone grey			
	987 555 587 01 5Z1	Sand beige			
	987 555 587 01 8W7	sea blue			
	987 555 587 01 5Y2	Palm green			
		D >> - MJ 2007			
	987 555 587 01 8X8	Terracotta			
	987 555 587 01 8P9	Cocoa			
	987 555 587 01 T13	Brown/natural			
	987 555 587 01 N23	Carrera Red			
		D - MJ 2008>>			
28	987 555 588 01	Trim	right	1	PR:580
		Hooks			
		Luggage net			
	987 555 588 01 A03	Black			
	987 555 588 01 5V7	Stone grey			
	987 555 588 01 5Z1	Sand beige			
	987 555 588 01 8W7	sea blue			
	987 555 588 01 5Y2	Palm green			
		D >> - MJ 2007			
	987 555 588 01 8X8	Terracotta			
	987 555 588 01 8P9	Cocoa			
	987 555 588 01 T13	Brown/natural			
	987 555 588 01 N23	Carrera Red			
		D - MJ 2008>>			
(29)	987 555 567 00	Cover	left	1	
		Trim			
		c-pillar			
	987 555 567 00 A03	Black			
	987 555 567 00 5V7	Stone grey			
	987 555 567 00 5Z1	Sand beige			
	987 555 567 00 8W7	sea blue			
	987 555 567 00 5Y2	Palm green			
		D >> - MJ 2007			
	987 555 567 00 8X8	Terracotta			
	987 555 567 00 8P9	Cocoa			
	987 555 567 00 T13	Brown/natural			
	987 555 567 00 N23	Carrera Red			
		D - MJ 2008>>			
29	987 555 568 00	Cover	right	1	
		Trim			
		c-pillar			
	987 555 568 00 A03	Black			
	987 555 568 00 5V7	Stone grey			
	987 555 568 00 5Z1	Sand beige			
	987 555 568 00 8W7	sea blue			
	987 555 568 00 5Y2	Palm green			
		D >> - MJ 2007			
	987 555 568 00 8X8	Terracotta			
	987 555 568 00 8P9	Cocoa			
	987 555 568 00 T13	Brown/natural			
	987 555 568 00 N23	Carrera Red			
		D - MJ 2008>>			
30	999 591 976 40	Retaining clip		1	
		roof trim			
31	997 555 857 00	Grommet		x	
		A-pillar			

Model: 987 06

Model life 2006>>2008



Model: 987 06 Model life 2006>>2008

Pos	Part Number	Description	Remark	Qty	Model
1	997 555 201 00	door panel Accessories door panel slush technology D >> - MJ 2007	left lhd	1	PR:098
	997 555 201 00 9E8	Palm green D >> - MJ 2007			
1	997 555 201 00	door panel slush technology Until Chassis number See technical information GR.7 NR. 17/11 KD-NR. 70	left lhd	1	PR:098
	997 555 201 00 9L4	Black			
	997 555 201 00 9M5	Stone grey			
	997 555 201 00 9C6	Sand beige			
	997 555 201 00 9D7	sea blue			
1	997 555 901 00	door panel slush technology From Chassis number See technical information GR.7 NR. 17/11 KD-NR. 70	left lhd	1	PR:098
	997 555 901 00 9L4	Black			
	997 555 901 00 9M5	Stone grey			
	997 555 901 00 9C6	Sand beige			
	997 555 901 00 9D7	sea blue			
(1)	997 555 201 04	door panel slush technology D >> - MJ 2007	left lhd	1	PR:098,490
	997 555 201 04 9E8	Palm green D >> - MJ 2007			
(1)	997 555 201 04	door panel slush technology Until Chassis number See technical information GR.7 NR. 17/11 KD-NR. 70	left lhd	1	PR:098,490
	997 555 201 04 9L4	Black			
	997 555 201 04 9M5	Stone grey			
	997 555 201 04 9C6	Sand beige			
	997 555 201 04 9D7	sea blue			
(1)	997 555 901 01	door panel slush technology From Chassis number See technical information GR.7 NR. 17/11 KD-NR. 70	left lhd	1	PR:098,490
	997 555 901 01 9L4	Black			
	997 555 901 01 9M5	Stone grey			
	997 555 901 01 9C6	Sand beige			
	997 555 901 01 9D7	sea blue			
(1)	997 555 201 06	door panel slush technology D >> - MJ 2007	left	1	PR:537
	997 555 201 06 9E8	Palm green D >> - MJ 2007			
(1)	997 555 201 06	door panel slush technology	left	1	PR:537

Model: 987 06 Model life 2006>>2008

Pos	Part Number	Description	Remark	Qty	Model
		Until Chassis number See technical information GR.7 NR. 17/11 KD-NR. 70			
	997 555 201 06 9L4	Black			
	997 555 201 06 9M5	Stone grey			
	997 555 201 06 9C6	Sand beige			
	997 555 201 06 9D7	sea blue			
(1)	997 555 901 03	door panel slush technology From Chassis number See technical information GR.7 NR. 17/11 KD-NR. 70	left	1	PR:537
	997 555 901 03 9L4	Black			
	997 555 901 03 9M5	Stone grey			
	997 555 901 03 9C6	Sand beige			
	997 555 901 03 9D7	sea blue			
(1)	997 555 201 08	door panel slush technology D >> - MJ 2007	left lhd	1	PR:098,680
	997 555 201 08 9E8	Palm green D >> - MJ 2007			
(1)	997 555 201 08	door panel slush technology	left lhd	1	PR:098,680
		Until Chassis number See technical information GR.7 NR. 17/11 KD-NR. 70			
	997 555 201 08 9L4	Black			
	997 555 201 08 9M5	Stone grey			
	997 555 201 08 9C6	Sand beige			
	997 555 201 08 9D7	sea blue			
(1)	997 555 901 05	door panel slush technology From Chassis number See technical information GR.7 NR. 17/11 KD-NR. 70	left lhd	1	PR:098,680
	997 555 901 05 9L4	Black			
	997 555 901 05 9M5	Stone grey			
	997 555 901 05 9C6	Sand beige			
	997 555 901 05 9D7	sea blue			
(1)	997 555 201 10	door panel slush technology D >> - MJ 2007	left lhd	1	PR:537,680, 098
	997 555 201 10 9E8	Palm green D >> - MJ 2007			
(1)	997 555 201 10	door panel slush technology	left lhd	1	PR:537,680, 098
		Until Chassis number See technical information GR.7 NR. 17/11 KD-NR. 70			
	997 555 201 10 9L4	Black			
	997 555 201 10 9M5	Stone grey			
	997 555 201 10 9C6	Sand beige			
	997 555 201 10 9D7	sea blue			

Model: 987 06 Model life 2006>>2008

Pos	Part Number	Description	Remark	Qty	Model
(1)	997 555 901 07	door panel slush technology From Chassis number See technical information GR.7 NR. 17/11 KD-NR. 70	left lhd	1	PR:537,680, 098
	997 555 901 07 9L4	Black			
	997 555 901 07 9M5	Stone grey			
	997 555 901 07 9C6	Sand beige			
	997 555 901 07 9D7	sea blue			
(1)	997 555 202 24	door panel slush technology D >> - MJ 2007	right lhd	1	PR:098
	997 555 202 24 9E8	Palm green D >> - MJ 2007			
(1)	997 555 202 24	door panel slush technology Until Chassis number See technical information GR.7 NR. 17/11 KD-NR. 70	right lhd	1	PR:098
	997 555 202 24 9L4	Black			
	997 555 202 24 9M5	Stone grey			
	997 555 202 24 9C6	Sand beige			
	997 555 202 24 9D7	sea blue			
(1)	997 555 902 17	door panel slush technology From Chassis number See technical information GR.7 NR. 17/11 KD-NR. 70	right lhd	1	PR:098
	997 555 902 17 9L4	Black			
	997 555 902 17 9M5	Stone grey			
	997 555 902 17 9C6	Sand beige			
	997 555 902 17 9D7	sea blue			
(1)	997 555 202 26	door panel slush technology D >> - MJ 2007	right lhd	1	PR:537,098
	997 555 202 26 9E8	Palm green D >> - MJ 2007			
(1)	997 555 202 26	door panel slush technology Until Chassis number See technical information GR.7 NR. 17/11 KD-NR. 70	right lhd	1	PR:537,098
	997 555 202 26 9L4	Black			
	997 555 202 26 9M5	Stone grey			
	997 555 202 26 9C6	Sand beige			
	997 555 202 26 9D7	sea blue			
(1)	997 555 902 18	door panel slush technology From Chassis number See technical information GR.7 NR. 17/11 KD-NR. 70	right lhd	1	PR:537,098
	997 555 902 18 9L4	Black			
	997 555 902 18 9M5	Stone grey			

Model: 987 06 Model life 2006>>2008

Pos	Part Number	Description	Remark	Qty	Model
(1)	997 555 902 18 9C6 997 555 902 18 9D7 997 555 202 26	Sand beige sea blue door panel slush technology D >> - MJ 2007	right lhd	1	PR:098,490
(1)	997 555 202 26 9E8 997 555 202 26	Palm green D >> - MJ 2007 door panel slush technology Until Chassis number See technical information GR.7 NR. 17/11 KD-NR. 70	right lhd	1	PR:098,490
(1)	997 555 202 26 9L4 997 555 202 26 9M5 997 555 202 26 9C6 997 555 202 26 9D7 997 555 902 18	Black Stone grey Sand beige sea blue door panel slush technology From Chassis number See technical information GR.7 NR. 17/11 KD-NR. 70	right lhd	1	PR:098,490
(1)	997 555 902 18 9L4 997 555 902 18 9M5 997 555 902 18 9C6 997 555 902 18 9D7 997 555 202 28	Black Stone grey Sand beige sea blue door panel slush technology D >> - MJ 2007	right lhd	1	PR:098,680
(1)	997 555 202 28 9E8 997 555 202 28	Palm green D >> - MJ 2007 door panel slush technology Until Chassis number See technical information GR.7 NR. 17/11 KD-NR. 70	right lhd	1	PR:098,680
(1)	997 555 202 28 9L4 997 555 202 28 9M5 997 555 202 28 9C6 997 555 202 28 9D7 997 555 902 20	Black Stone grey Sand beige sea blue door panel slush technology From Chassis number See technical information GR.7 NR. 17/11 KD-NR. 70	right lhd	1	PR:098,680
(1)	997 555 902 20 9L4 997 555 902 20 9M5 997 555 902 20 9C6 997 555 902 20 9D7 997 555 202 00	Black Stone grey Sand beige sea blue door panel slush technology D >> - MJ 2007	right rhd	1	PR:099
(1)	997 555 202 00 9E8 997 555 202 00	Palm green D >> - MJ 2007 door panel slush technology	right rhd	1	PR:099

Model: 987 06 Model life 2006>>2008

Pos	Part Number	Description	Remark	Qty	Model
		Until Chassis number See technical information GR.7 NR. 17/11 KD-NR. 70			
	997 555 202 00 9L4	Black			
	997 555 202 00 9M5	Stone grey			
	997 555 202 00 9C6	Sand beige			
	997 555 202 00 9D7	sea blue			
(1)	997 555 902 00	door panel slush technology From Chassis number See technical information GR.7 NR. 17/11 KD-NR. 70	right rhd	1	PR:099
	997 555 902 00 9L4	Black			
	997 555 902 00 9M5	Stone grey			
	997 555 902 00 9C6	Sand beige			
	997 555 902 00 9D7	sea blue			
(1)	997 555 202 04	door panel slush technology D >> - MJ 2007	right rhd	1	PR:099,490
	997 555 202 04 9E8	Palm green D >> - MJ 2007			
(1)	997 555 202 04	door panel slush technology	right rhd	1	PR:099,490
		Until Chassis number See technical information GR.7 NR. 17/11 KD-NR. 70			
	997 555 202 04 9L4	Black			
	997 555 202 04 9M5	Stone grey			
	997 555 202 04 9C6	Sand beige			
	997 555 202 04 9D7	sea blue			
(1)	997 555 902 01	door panel slush From Chassis number See technical information GR.7 NR. 17/11 KD-NR. 70	right rhd	1	PR:099,490
	997 555 902 01 9L4	Black			
	997 555 902 01 9M5	Stone grey			
	997 555 902 01 9C6	Sand beige			
	997 555 902 01 9D7	sea blue			
(1)	997 555 202 06	door panel slush technology D >> - MJ 2007	right rhd	1	PR:538,099
	997 555 202 06 9E8	Palm green D >> - MJ 2007			
(1)	997 555 202 06	door panel slush technology	right rhd	1	PR:538,099
		Until Chassis number See technical information GR.7 NR. 17/11 KD-NR. 70			
	997 555 202 06 9L4	Black			
	997 555 202 06 9M5	Stone grey			
	997 555 202 06 9C6	Sand beige			
	997 555 202 06 9D7	sea blue			

Model: 987 06 Model life 2006>>2008

Pos	Part Number	Description	Remark	Qty	Model
(1)	997 555 902 03	door panel slush technology From Chassis number See technical information GR.7 NR. 17/11 KD-NR. 70	right rhd	1	PR:538,099
	997 555 902 03 9L4	Black			
	997 555 902 03 9M5	Stone grey			
	997 555 902 03 9C6	Sand beige			
	997 555 902 03 9D7	sea blue			
(1)	997 555 202 06	door panel slush technology D >> - MJ 2007	right rhd	1	PR:490,538,099
	997 555 202 06 9E8	Palm green D >> - MJ 2007			
(1)	997 555 202 06	door panel slush technology Until Chassis number See technical information GR.7 NR. 17/11 KD-NR. 70	right rhd	1	PR:490,538,099
	997 555 202 06 9L4	Black			
	997 555 202 06 9M5	Stone grey			
	997 555 202 06 9C6	Sand beige			
	997 555 202 06 9D7	sea blue			
(1)	997 555 902 03	door panel slush technology From Chassis number See technical information GR.7 NR. 17/11 KD-NR. 70	right rhd	1	PR:490,538,099
	997 555 902 03 9L4	Black			
	997 555 902 03 9M5	Stone grey			
	997 555 902 03 9C6	Sand beige			
	997 555 902 03 9D7	sea blue			
(1)	997 555 202 08	door panel slush technology D >> - MJ 2007	right rhd	1	PR:099,680
	997 555 202 08 9E8	Palm green D >> - MJ 2007			
(1)	997 555 202 08	door panel slush technology Until Chassis number See technical information GR.7 NR. 17/11 KD-NR. 70	right rhd	1	PR:099,680
	997 555 202 08 9L4	Black			
	997 555 202 08 9M5	Stone grey			
	997 555 202 08 9C6	Sand beige			
	997 555 202 08 9D7	sea blue			
(1)	997 555 902 05	door panel slush technology From Chassis number See technical information GR.7 NR. 17/11 KD-NR. 70	right rhd	1	PR:099,680
	997 555 902 05 9L4	Black			
	997 555 902 05 9M5	Stone grey			

Model: 987 06 Model life 2006>>2008

Pos	Part Number	Description	Remark	Qty	Model
(1)	997 555 902 05 9C6 997 555 902 05 9D7 997 555 202 10	Sand beige sea blue door panel slush technology D >> - MJ 2007	right rhd	1	PR:538,680, 099
(1)	997 555 202 10 9E8 997 555 202 10	Palm green D >> - MJ 2007 door panel slush technology Until Chassis number See technical information GR.7 NR. 17/11 KD-NR. 70	right rhd	1	PR:538,680, 099
(1)	997 555 202 10 9L4 997 555 202 10 9M5 997 555 202 10 9C6 997 555 202 10 9D7 997 555 902 07	Black Stone grey Sand beige sea blue door panel slush technology From Chassis number See technical information GR.7 NR. 17/11 KD-NR. 70	right rhd	1	PR:538,680, 099
(1)	997 555 902 07 9L4 997 555 902 07 9M5 997 555 902 07 9C6 997 555 902 07 9D7 997 555 201 24	Black Stone grey Sand beige sea blue door panel slush technology D >> - MJ 2007	left rhd	1	PR:099
(1)	997 555 201 24 9E8 997 555 201 24	Palm green D >> - MJ 2007 door panel slush technology Until Chassis number See technical information GR.7 NR. 17/11 KD-NR. 70	left rhd	1	PR:099
(1)	997 555 201 24 9L4 997 555 201 24 9M5 997 555 201 24 9C6 997 555 201 24 9D7 997 555 901 17	Black Stone grey Sand beige sea blue door panel slush technology From Chassis number See technical information GR.7 NR. 17/11 KD-NR. 70	left rhd	1	PR:099
(1)	997 555 901 17 9L4 997 555 901 17 9M5 997 555 901 17 9C6 997 555 901 17 9D7 997 555 201 26	Black Stone grey Sand beige sea blue door panel slush technology D >> - MJ 2007	left rhd	1	PR:538,099
(1)	997 555 201 26 9E8 997 555 201 26	Palm green D >> - MJ 2007 door panel slush technology	left rhd	1	PR:538,099

Model: 987 06 Model life 2006>>2008

Pos	Part Number	Description	Remark	Qty	Model
		Until Chassis number See technical information GR.7 NR. 17/11 KD-NR. 70			
	997 555 201 26 9L4	Black			
	997 555 201 26 9M5	Stone grey			
	997 555 201 26 9C6	Sand beige			
	997 555 201 26 9D7	sea blue			
(1)	997 555 901 18	door panel slush technology	left rhd	1	PR:538,099
		From Chassis number See technical information GR.7 NR. 17/11 KD-NR. 70			
	997 555 901 18 9L4	Black			
	997 555 901 18 9M5	Stone grey			
	997 555 901 18 9C6	Sand beige			
	997 555 901 18 9D7	sea blue			
(1)	997 555 201 26	door panel slush technology	left rhd	1	PR:099,490
		D >> - MJ 2007			
	997 555 201 26 9E8	Palm green			
		D >> - MJ 2007			
(1)	997 555 201 26	door panel slush technology	left rhd	1	PR:099,490
		Until Chassis number See technical information GR.7 NR. 17/11 KD-NR. 70			
	997 555 201 26 9L4	Black			
	997 555 201 26 9M5	Stone grey			
	997 555 201 26 9C6	Sand beige			
	997 555 201 26 9D7	sea blue			
(1)	997 555 901 18	door panel slush technology	left rhd	1	PR:099,490
		From Chassis number See technical information GR.7 NR. 17/11 KD-NR. 70			
	997 555 901 18 9L4	Black			
	997 555 901 18 9M5	Stone grey			
	997 555 901 18 9C6	Sand beige			
	997 555 901 18 9D7	sea blue			
(1)	997 555 201 28	door panel slush technology	left rhd	1	PR:099,680
		D >> - MJ 2007			
	997 555 201 28 9E8	Palm green			
		D >> - MJ 2007			
(1)	997 555 201 28	door panel slush technology	left rhd	1	PR:099,680
		Until Chassis number See technical information GR.7 NR. 17/11 KD-NR. 70			
	997 555 201 28 9L4	Black			
	997 555 201 28 9M5	Stone grey			
	997 555 201 28 9C6	Sand beige			
	997 555 201 28 9D7	sea blue			

Model: 987 06 Model life 2006>>2008

Pos	Part Number	Description	Remark	Qty	Model
(1)	997 555 901 20	door panel slush technology From Chassis number See technical information GR.7 NR. 17/11 KD-NR. 70	left rhd	1	PR:099,680
	997 555 901 20 9L4	Black			
	997 555 901 20 9M5	Stone grey			
	997 555 901 20 9C6	Sand beige			
	997 555 901 20 9D7	sea blue			
(1)	997 555 201 05	Door panel trim (leather)	left lhd	1	PR:098,981
	997 555 201 05 FSE	Palmgreen/palmgreen D >> - MJ 2007			
	997 555 201 05 FSF	Terracotta/terracotta			
	997 555 201 05 FSG	Cocoa/Cocoa			
	997 555 201 05 FSH	Darkgrey natural/grey			
	997 555 201 05 FSJ	Brown nat./brown nat.			
	997 555 201 05 BCB	Black/stone grey			
(1)	997 555 201 05	Door panel trim (leather) Until Chassis number See technical information GR.7 NR. 17/11 KD-NR. 70	left lhd	1	PR:098,981
	997 555 201 05 FSA	black/grey			
	997 555 201 05 FSB	Stone grey/stone grey			
	997 555 201 05 FSC	Sand beige/sand beige			
	997 555 201 05 FSD	Sea blue/grey			
	997 555 201 05 FSP	Carrera Red D - MJ 2008>>			
(1)	997 555 901 02	Door panel trim (leather) From Chassis number See technical information GR.7 NR. 17/11 KD-NR. 70	left lhd	1	PR:098,981
	997 555 901 02 FSA	Black			
	997 555 901 02 FSB	Stone grey			
	997 555 901 02 FSC	Sand beige/sand beige			
	997 555 901 02 FSD	sea blue			
	997 555 901 02 FSP	Carrera Red D - MJ 2008>>			
(1)	997 555 201 05	Door panel trim (leather)	left lhd	1	PR:098,490, 981
	997 555 201 05 FSE	Palmgreen/palmgreen D >> - MJ 2007			
	997 555 201 05 FSF	Terracotta/terracotta			
	997 555 201 05 FSG	Cocoa/Cocoa			
	997 555 201 05 FSH	Darkgrey natural/grey			
	997 555 201 05 FSJ	Brown nat./brown nat.			
	997 555 201 05 BCB	Black/stone grey			
(1)	997 555 201 05	Door panel trim (leather) Until Chassis number See technical information GR.7 NR. 17/11 KD-NR. 70	left lhd	1	PR:098,490, 981
	997 555 201 05 FSA	black/grey			
	997 555 201 05 FSB	Stone grey/stone grey			
	997 555 201 05 FSC	Sand beige/sand beige			
	997 555 201 05 FSD	Sea blue/grey			

Model: 987 06 Model life 2006>>2008

Pos	Part Number	Description	Remark	Qty	Model
(1)	997 555 201 05 FSP	Carrera Red D - MJ 2008>>			
	997 555 901 02	Door panel trim (leather) From Chassis number See technical information GR.7 NR. 17/11 KD-NR. 70	left lhd	1	PR:098,490,981
	997 555 901 02 FSA	Black			
	997 555 901 02 FSB	Stone grey			
	997 555 901 02 FSC	Sand beige/sand beige			
	997 555 901 02 FSD	sea blue			
	997 555 901 02 FSP	Carrera Red D - MJ 2008>>			
(1)	997 555 201 07	Door panel trim (leather) Palmgreen/palmgreen D >> - MJ 2007	left lhd	1	PR:537,981,098
	997 555 201 07 FSF	Terracotta/terracotta			
	997 555 201 07 FSG	Cocoa/Cocoa			
	997 555 201 07 FSH	Darkgrey natural/grey			
	997 555 201 07 FSJ	Brown nat./brown nat.			
	997 555 201 07 BCB	Black/stone grey			
(1)	997 555 201 07	Door panel trim (leather) Until Chassis number See technical information GR.7 NR. 17/11 KD-NR. 70	left lhd	1	PR:537,981,098
	997 555 201 07 FSA	black/grey			
	997 555 201 07 FSB	Stone grey/stone grey			
	997 555 201 07 FSC	Sand beige/sand beige			
	997 555 201 07 FSD	Sea blue/grey			
	997 555 201 07 FSP	Carrera Red D - MJ 2008>>			
(1)	997 555 901 04	Door panel trim (leather) From Chassis number See technical information GR.7 NR. 17/11 KD-NR. 70	left lhd	1	PR:537,981,098
	997 555 901 04 FSA	Black			
	997 555 901 04 FSB	Stone grey/stone grey			
	997 555 901 04 FSC	Sand beige/sand beige			
	997 555 901 04 FSD	sea blue			
	997 555 901 04 FSP	Carrera Red D - MJ 2008>>			
(1)	997 555 201 07	Door panel trim (leather) Palmgreen/palmgreen D >> - MJ 2007	left lhd	1	PR:490,537,981,098
	997 555 201 07 FSF	Terracotta/terracotta			
	997 555 201 07 FSG	Cocoa/Cocoa			
	997 555 201 07 FSH	Darkgrey natural/grey			
	997 555 201 07 FSJ	Brown nat./brown nat.			
	997 555 201 07 BCB	Black/stone grey			
(1)	997 555 201 07	Door panel trim (leather) Until Chassis number	left lhd	1	PR:490,537,981,098

Model: 987 06 Model life 2006>>2008

Pos	Part Number	Description	Remark	Qty	Model
		See technical information GR.7 NR. 17/11 KD-NR. 70			
	997 555 201 07 FSA	black/grey			
	997 555 201 07 FSB	Stone grey/stone grey			
	997 555 201 07 FSC	Sand beige/sand beige			
	997 555 201 07 FSD	Sea blue/grey			
	997 555 201 07 FSP	Carrera Red			
(1)	997 555 901 04	D - MJ 2008>> Door panel trim (leather)	left lhd	1	PR:490,537, 981,098
		From Chassis number See technical information GR.7 NR. 17/11 KD-NR. 70			
	997 555 901 04 FSA	Black			
	997 555 901 04 FSB	Stone grey/stone grey			
	997 555 901 04 FSC	Sand beige/sand beige			
	997 555 901 04 FSD	sea blue			
	997 555 901 04 FSP	Carrera Red			
(1)	997 555 201 09	D - MJ 2008>> Door panel trim (leather)	left lhd	1	PR:098,680, 981
	997 555 201 09 FSE	Palmgreen/palmgreen			
		D >> - MJ 2007			
	997 555 201 09 FSF	Terracotta/terracotta			
	997 555 201 09 FSG	Cocoa/Cocoa			
	997 555 201 09 FSH	Darkgrey natural/grey			
	997 555 201 09 FSJ	Brown nat./brown nat.			
	997 555 201 09 BCB	Black/stone grey			
(1)	997 555 201 09	Door panel trim (leather)	left lhd	1	PR:098,680, 981
		Until Chassis number See technical information GR.7 NR. 17/11 KD-NR. 70			
	997 555 201 09 FSA	black/grey			
	997 555 201 09 FSB	Stone grey/stone grey			
	997 555 201 09 FSC	Sand beige/sand beige			
	997 555 201 09 FSD	Sea blue/grey			
	997 555 201 09 FSP	Carrera Red			
(1)	997 555 901 06	D - MJ 2008>> Door panel trim (leather)	left lhd	1	PR:098,680, 981
		From Chassis number See technical information GR.7 NR. 17/11 KD-NR. 70			
	997 555 901 06 FSA	Black			
	997 555 901 06 FSB	Stone grey			
	997 555 901 06 FSC	Sand beige/sand beige			
	997 555 901 06 FSD	sea blue			
	997 555 901 06 FSP	Carrera Red			
(1)	997 555 201 11	D - MJ 2008>> Door panel trim (leather)	left lhd	1	PR:537,680, 981,098
	997 555 201 11 FSE	Palmgreen/palmgreen			
		D >> - MJ 2007			
	997 555 201 11 FSF	Terracotta/terracotta			
	997 555 201 11 FSG	Cocoa/Cocoa			

Model: 987 06 Model life 2006>>2008

Pos	Part Number	Description	Remark	Qty	Model
(1)	997 555 201 11 FSH	Darkgrey natural/grey			
	997 555 201 11 FSJ	Brown nat./brown nat.			
	997 555 201 11 BCB	Black/stone grey			
	997 555 201 11	Door panel trim (leather)	left lhd	1	PR:537,680,981,098
		Until Chassis number See technical information GR.7 NR. 17/11 KD-NR. 70			
	997 555 201 11 FSA	black/grey			
	997 555 201 11 FSB	Stone grey/stone grey			
(1)	997 555 201 11 FSC	Sand beige/sand beige			
	997 555 201 11 FSD	Sea blue/grey			
	997 555 201 11 FSP	Carrera Red			
	D - MJ 2008>>				
	997 555 901 08	Door panel trim (leather)	left lhd	1	PR:537,680,981,098
		From Chassis number See technical information GR.7 NR. 17/11 KD-NR. 70			
	997 555 901 08 FSA	Black			
(1)	997 555 901 08 FSB	Stone grey/stone grey			
	997 555 901 08 FSC	Sand beige/sand beige			
	997 555 901 08 FSD	sea blue			
	997 555 901 08 FSP	Carrera Red			
	D - MJ 2008>>				
	997 555 202 27	Door panel trim (leather)	right lhd	1	PR:098,981
	997 555 202 27 FSE	Palmgreen/palmgreen			
(1)	D >> - MJ 2007				
	997 555 202 27 FSF	Terracotta/terracotta			
	997 555 202 27 FSG	Cocoa/Cocoa			
	997 555 202 27 FSH	Darkgrey natural/grey			
	997 555 202 27 FSJ	Brown nat./brown nat.			
	997 555 202 27 BCB	Black/stone grey			
	997 555 202 27	Door panel trim (leather)	right lhd	1	PR:098,981
(1)		Until Chassis number See technical information GR.7 NR. 17/11 KD-NR. 70			
	997 555 202 27 FSA	black/grey			
	997 555 202 27 FSB	Stone grey/stone grey			
	997 555 202 27 FSC	Sand beige/sand beige			
	997 555 202 27 FSD	Sea blue/grey			
	997 555 202 27 FSP	Carrera Red			
	D - MJ 2008>>				
997 555 902 19	Door panel trim (leather)	right lhd	1	PR:098,981	
(1)		From Chassis number See technical information GR.7 NR. 17/11 KD-NR. 70			
	997 555 902 19 FSA	Black			
	997 555 902 19 FSB	Stone grey/stone grey			
	997 555 902 19 FSC	Sand beige/sand beige			
	997 555 902 19 FSD	sea blue			
	997 555 902 19 FSP	Carrera Red			
	D - MJ 2008>>				
997 555 202 27	Door panel trim (leather)	right lhd	1	PR:098,490,981	

Model: 987 06 Model life 2006>>2008

Pos	Part Number	Description	Remark	Qty	Model
	997 555 202 27 FSE	Palmgreen/palmgreen D >> - MJ 2007			
	997 555 202 27 FSF	Terracotta/terracotta			
	997 555 202 27 FSG	Cocoa/Cocoa			
	997 555 202 27 FSH	Darkgrey natural/grey			
	997 555 202 27 FSJ	Brown nat./brown nat.			
	997 555 202 27 BCB	Black/stone grey			
(1)	997 555 202 27	Door panel trim (leather)	right lhd	1	PR:098,490,981
		Until Chassis number See technical information GR.7 NR. 17/11 KD-NR. 70			
	997 555 202 27 FSA	black/grey			
	997 555 202 27 FSB	Stone grey/stone grey			
	997 555 202 27 FSC	Sand beige/sand beige			
	997 555 202 27 FSD	Sea blue/grey			
	997 555 202 27 FSP	Carrera Red			
(1)	997 555 902 19	Door panel trim (leather)	right lhd	1	PR:098,490,981
		From Chassis number See technical information GR.7 NR. 17/11 KD-NR. 70			
	997 555 902 19 FSA	Black			
	997 555 902 19 FSB	Stone grey/stone grey			
	997 555 902 19 FSC	Sand beige/sand beige			
	997 555 902 19 FSD	sea blue			
	997 555 902 19 FSP	Carrera Red			
(1)	997 555 202 29	Door panel trim (leather)	right lhd	1	PR:098,680,981
		Until Chassis number See technical information GR.7 NR. 17/11 KD-NR. 70			
	997 555 202 29 FSE	Palmgreen/palmgreen D >> - MJ 2007			
	997 555 202 29 FSF	Terracotta/terracotta			
	997 555 202 29 FSG	Cocoa/Cocoa			
	997 555 202 29 FSH	Darkgrey natural/grey			
	997 555 202 29 FSJ	Brown nat./brown nat.			
	997 555 202 29 BCB	Black/stone grey			
(1)	997 555 202 29	Door panel trim (leather)	right lhd	1	PR:098,680,981
		Until Chassis number See technical information GR.7 NR. 17/11 KD-NR. 70			
	997 555 202 29 FSA	black/grey			
	997 555 202 29 FSB	Stone grey/stone grey			
	997 555 202 29 FSC	Sand beige/sand beige			
	997 555 202 29 FSD	Sea blue/grey			
	997 555 202 29 FSP	Carrera Red			
(1)	997 555 902 21	Door panel trim (leather)	right lhd	1	PR:098,680,981
		From Chassis number See technical information GR.7 NR. 17/11 KD-NR. 70			
	997 555 902 21 FSA	Black			

Model: 987 06 Model life 2006>>2008

Pos	Part Number	Description	Remark	Qty	Model
	997 555 902 21 FSB	Stone grey/stone grey			
	997 555 902 21 FSC	Sand beige/sand beige			
	997 555 902 21 FSD	sea blue			
	997 555 902 21 FSP	Carrera Red			
(1)	997 555 202 05	Door panel trim (leather)	right rhd	1	PR:099,981
	997 555 202 05 FSE	Palmgreen/palmgreen			
		D >> - MJ 2007			
	997 555 202 05 FSF	Terracotta/terracotta			
	997 555 202 05 FSG	Cocoa/Cocoa			
	997 555 202 05 FSH	Darkgrey natural/grey			
	997 555 202 05 FSJ	Brown nat./brown nat.			
	997 555 202 05 BCB	Black/stone grey			
(1)	997 555 202 05	Door panel trim (leather)	right rhd	1	PR:099,981
		Until			
		Chassis number			
		See technical information			
		GR.7 NR. 17/11			
		KD-NR. 70			
	997 555 202 05 FSA	black/grey			
	997 555 202 05 FSB	Stone grey/stone grey			
	997 555 202 05 FSC	Sand beige/sand beige			
	997 555 202 05 FSD	Sea blue/grey			
	997 555 202 05 FSP	Carrera Red			
		D - MJ 2008>>			
(1)	997 555 902 02	Door panel trim (leather)	right rhd	1	PR:099,981
		From			
		Chassis number			
		See technical information			
		GR.7 NR. 17/11			
		KD-NR. 70			
	997 555 902 02 FSA	Black			
	997 555 902 02 FSB	Stone grey			
	997 555 902 02 FSC	Sand beige/sand beige			
	997 555 902 02 FSD	sea blue			
	997 555 902 02 FSP	Carrera Red			
		D - MJ 2008>>			
(1)	997 555 202 05	Door panel trim (leather)	right rhd	1	PR:099,490,981
	997 555 202 05 FSE	Palmgreen/palmgreen			
		D >> - MJ 2007			
	997 555 202 05 FSF	Terracotta/terracotta			
	997 555 202 05 FSG	Cocoa/Cocoa			
	997 555 202 05 FSH	Darkgrey natural/grey			
	997 555 202 05 FSJ	Brown nat./brown nat.			
	997 555 202 05 BCB	Black/stone grey			
(1)	997 555 202 05	Door panel trim (leather)	right rhd	1	PR:099,490,981
		Until			
		Chassis number			
		See technical information			
		GR.7 NR. 17/11			
		KD-NR. 70			
	997 555 202 05 FSA	black/grey			
	997 555 202 05 FSB	Stone grey/stone grey			
	997 555 202 05 FSC	Sand beige/sand beige			
	997 555 202 05 FSD	Sea blue/grey			
	997 555 202 05 FSP	Carrera Red			
		D - MJ 2008>>			
(1)	997 555 902 02	Door panel trim (leather)	right rhd	1	PR:099,490,981
		From			
		Chassis number			
		See technical information			
		GR.7 NR. 17/11			
		KD-NR. 70			

Model: 987 06 Model life 2006>>2008

Pos	Part Number	Description	Remark	Qty	Model
	997 555 902 02 FSA	Black			
	997 555 902 02 FSB	Stone grey			
	997 555 902 02 FSC	Sand beige/sand beige			
	997 555 902 02 FSD	sea blue			
	997 555 902 02 FSP	Carrera Red			
		D - MJ 2008>>			
(1)	997 555 202 07	Door panel trim (leather)	right rhd	1	PR:538,981,099
	997 555 202 07 FSE	Palmgreen/palmgreen			
		D >> - MJ 2007			
	997 555 202 07 FSF	Terracotta/terracotta			
	997 555 202 07 FSG	Cocoa/Cocoa			
	997 555 202 07 FSH	Darkgrey natural/grey			
	997 555 202 07 FSJ	Brown nat./brown nat.			
	997 555 202 07 BCB	Black/stone grey			
(1)	997 555 202 07	Door panel trim (leather)	right rhd	1	PR:538,981,099
		Until			
		Chassis number			
		See technical information			
		GR.7 NR. 17/11			
		KD-NR. 70			
	997 555 202 07 FSA	black/grey			
	997 555 202 07 FSB	Stone grey/stone grey			
	997 555 202 07 FSC	Sand beige/sand beige			
	997 555 202 07 FSD	Sea blue/grey			
	997 555 202 07 FSP	Carrera Red			
		D - MJ 2008>>			
(1)	997 555 902 04	Door panel trim (leather)	right rhd	1	PR:538,981,099
		From			
		Chassis number			
		See technical information			
		GR.7 NR. 17/11			
		KD-NR. 70			
	997 555 902 04 FSA	Black			
	997 555 902 04 FSB	Stone grey			
	997 555 902 04 FSC	Sand beige/sand beige			
	997 555 902 04 FSD	sea blue			
	997 555 902 04 FSP	Carrera Red			
		D - MJ 2008>>			
(1)	997 555 202 07	Door panel trim (leather)	right rhd	1	PR:490,538,981,099
	997 555 202 07 FSE	Palmgreen/palmgreen			
		D >> - MJ 2007			
	997 555 202 07 FSF	Terracotta/terracotta			
	997 555 202 07 FSG	Cocoa/Cocoa			
	997 555 202 07 FSH	Darkgrey natural/grey			
	997 555 202 07 FSJ	Brown nat./brown nat.			
	997 555 202 07 BCB	Black/stone grey			
(1)	997 555 202 07	Door panel trim (leather)	right rhd	1	PR:490,538,981,099
		Until			
		Chassis number			
		See technical information			
		GR.7 NR. 17/11			
		KD-NR. 70			
	997 555 202 07 FSA	black/grey			
	997 555 202 07 FSB	Stone grey/stone grey			
	997 555 202 07 FSC	Sand beige/sand beige			
	997 555 202 07 FSD	Sea blue/grey			
	997 555 202 07 FSP	Carrera Red			
		D - MJ 2008>>			
(1)	997 555 902 04	Door panel trim (leather)	right rhd	1	PR:490,538,981,099
		From			
		Chassis number			

Model: 987 06 Model life 2006>>2008

Pos	Part Number	Description	Remark	Qty	Model
		See technical information GR.7 NR. 17/11 KD-NR. 70			
	997 555 902 04 FSA	Black			
	997 555 902 04 FSB	Stone grey			
	997 555 902 04 FSC	Sand beige/sand beige			
	997 555 902 04 FSD	sea blue			
	997 555 902 04 FSP	Carrera Red			
		D - MJ 2008>>			
(1)	997 555 202 09	Door panel trim (leather)	right rhd	1	PR:099,680,981
	997 555 202 09 FSE	Palmgreen/palmgreen D >> - MJ 2007			
	997 555 202 09 FSF	Terracotta/terracotta			
	997 555 202 09 FSG	Cocoa/Cocoa			
	997 555 202 09 FSH	Darkgrey natural/grey			
	997 555 202 09 FSJ	Brown nat./brown nat.			
	997 555 202 09 BCB	Black/stone grey			
(1)	997 555 202 09	Door panel trim (leather) Until Chassis number See technical information	right rhd	1	PR:099,680,981
		GR.7 NR. 17/11 KD-NR. 70			
	997 555 202 09 FSA	black/grey			
	997 555 202 09 FSB	Stone grey/stone grey			
	997 555 202 09 FSC	Sand beige/sand beige			
	997 555 202 09 FSD	Sea blue/grey			
	997 555 202 09 FSP	Carrera Red			
		D - MJ 2008>>			
(1)	997 555 902 06	Door panel trim (leather) From Chassis number See technical information	right rhd	1	PR:099,680,981
		GR.7 NR. 17/11 KD-NR. 70			
	997 555 902 06 FSA	Black			
	997 555 902 06 FSB	Stone grey/stone grey			
	997 555 902 06 FSC	Sand beige/sand beige			
	997 555 902 06 FSD	sea blue			
	997 555 902 06 FSP	Carrera Red			
		D - MJ 2008>>			
(1)	997 555 202 11	Door panel trim (leather)	right rhd	1	PR:538,680,981,099
	997 555 202 11 FSE	Palmgreen/palmgreen D >> - MJ 2007			
	997 555 202 11 FSF	Terracotta/terracotta			
	997 555 202 11 FSG	Cocoa/Cocoa			
	997 555 202 11 FSH	Darkgrey natural/grey			
	997 555 202 11 FSJ	Brown nat./brown nat.			
	997 555 202 11 BCB	Black/stone grey			
(1)	997 555 202 11	Door panel trim (leather) From Chassis number See technical information	right rhd	1	PR:538,680,981,099
		GR.7 NR. 17/11 KD-NR. 70			
	997 555 202 11 FSA	black/grey			
	997 555 202 11 FSB	Stone grey/stone grey			
	997 555 202 11 FSC	Sand beige/sand beige			
	997 555 202 11 FSD	Sea blue/grey			
	997 555 202 11 FSP	Carrera Red			
		D - MJ 2008>>			

Model: 987 06 Model life 2006>>2008

Pos	Part Number	Description	Remark	Qty	Model
(1)	997 555 902 08	Door panel trim (leather) From Chassis number See technical information GR.7 NR. 17/11 KD-NR. 70	right rhd	1	PR:538,680, 981,099
	997 555 902 08 FSA	Black			
	997 555 902 08 FSB	Stone grey			
	997 555 902 08 FSC	Sand beige/sand beige			
	997 555 902 08 FSD	sea blue			
	997 555 902 08 FSP	Carrera Red			
		D - MJ 2008>>			
(1)	997 555 201 27	Door panel trim (leather)	left rhd	1	PR:099,981
	997 555 201 27 FSE	Palmgreen/palmgreen D >> - MJ 2007			
	997 555 201 27 FSF	Terracotta/terracotta			
	997 555 201 27 FSG	Cocoa/Cocoa			
	997 555 201 27 FSH	Darkgrey natural/grey			
	997 555 201 27 FSJ	Brown nat./brown nat.			
	997 555 201 27 BCB	Black/stone grey			
(1)	997 555 201 27	Door panel trim (leather) Until Chassis number See technical information GR.7 NR. 17/11 KD-NR. 70	left rhd	1	PR:099,981
	997 555 201 27 FSA	black/grey			
	997 555 201 27 FSB	Stone grey/stone grey			
	997 555 201 27 FSC	Sand beige/sand beige			
	997 555 201 27 FSD	Sea blue/grey			
	997 555 201 27 FSP	Carrera Red			
		D - MJ 2008>>			
(1)	997 555 901 19	Door panel trim (leather) From Chassis number See technical information GR.7 NR. 17/11 KD-NR. 70	left rhd	1	PR:099,981
	997 555 901 19 FSA	Black			
	997 555 901 19 FSB	Stone grey/stone grey			
	997 555 901 19 FSC	Sand beige/sand beige			
	997 555 901 19 FSD	sea blue			
	997 555 901 19 FSP	Carrera Red			
		D - MJ 2008>>			
(1)	997 555 201 27	Door panel trim (leather)	left rhd	1	PR:099,490, 981
	997 555 201 27 FSE	Palmgreen/palmgreen D >> - MJ 2007			
	997 555 201 27 FSF	Terracotta/terracotta			
	997 555 201 27 FSG	Cocoa/Cocoa			
	997 555 201 27 FSH	Darkgrey natural/grey			
	997 555 201 27 FSJ	Brown nat./brown nat.			
	997 555 201 27 BCB	Black/stone grey			
(1)	997 555 201 27	Door panel trim (leather) Until Chassis number See technical information GR.7 NR. 17/11 KD-NR. 70	left rhd	1	PR:099,490, 981
	997 555 201 27 FSA	black/grey			
	997 555 201 27 FSB	Stone grey/stone grey			
	997 555 201 27 FSC	Sand beige/sand beige			
	997 555 201 27 FSD	Sea blue/grey			

Model: 987 06 Model life 2006>>2008

Pos	Part Number	Description	Remark	Qty	Model
	997 555 201 27 FSP	Carrera Red D - MJ 2008>>			
(1)	997 555 901 19	Door panel trim (leather) From Chassis number See technical information GR.7 NR. 17/11 KD-NR. 70	left rhd	1	PR:099,490, 981
	997 555 901 19 FSA	Black			
	997 555 901 19 FSB	Stone grey/stone grey			
	997 555 901 19 FSC	Sand beige/sand beige			
	997 555 901 19 FSD	sea blue			
	997 555 901 19 FSP	Carrera Red D - MJ 2008>>			
(1)	997 555 201 29	Door panel trim (leather)	left rhd	1	PR:099,680, 981
	997 555 201 29 FSE	Palmgreen/palmgreen D >> - MJ 2007			
	997 555 201 29 FSF	Terracotta/terracotta			
	997 555 201 29 FSG	Cocoa/Cocoa			
	997 555 201 29 FSH	Darkgrey natural/grey			
	997 555 201 29 FSJ	Brown nat./brown nat.			
	997 555 201 29 BCB	Black/stone grey			
(1)	997 555 201 29	Door panel trim (leather) Until Chassis number See technical information GR.7 NR. 17/11 KD-NR. 70	left rhd	1	PR:099,680, 981
	997 555 201 29 FSA	black/grey			
	997 555 201 29 FSB	Stone grey/stone grey			
	997 555 201 29 FSC	Sand beige/sand beige			
	997 555 201 29 FSD	Sea blue/grey			
	997 555 201 29 FSP	Carrera Red D - MJ 2008>>			
(1)	997 555 901 21	Door panel trim (leather) From Chassis number See technical information GR.7 NR. 17/11 KD-NR. 70	left rhd	1	PR:099,680, 981
	997 555 901 21 FSA	Black			
	997 555 901 21 FSB	Stone grey/stone grey			
	997 555 901 21 FSC	Sand beige/sand beige			
	997 555 901 21 FSD	sea blue			
	997 555 901 21 FSP	Carrera Red D - MJ 2008>>			
2	999 507 533 02	Clamp 8,0 X 10/2,5		2	
3	955 555 243 00	Retaining clip		9	
4	999 073 322 02	fillister hd. bolt 6 X 20 for Mount door panel		5	
5	987 555 221 01	Cover	left	1	CAYMAN
	987 555 221 01 1MZ	Black			
	987 555 221 01 1YP	Stone grey			
	987 555 221 01 1TK	Sand beige			
	987 555 221 01 1VM	sea blue			
	987 555 221 01 1UL	Palm green			

Model: 987 06 Model life 2006>>2008

Pos	Part Number	Description	Remark	Qty	Model
(5)	987 555 222 01	D >> - MJ 2007 Cover Stowage compartment	right	1	CAYMAN
	987 555 222 01 1MZ	Black			
	987 555 222 01 1YP	Stone grey			
	987 555 222 01 1TK	Sand beige			
	987 555 222 01 1VM	sea blue			
	987 555 222 01 1UL	Palm green			
(5)	997 555 221 01	D >> - MJ 2007 Cover Stowage compartment	left	1	CAYMAN PR:981
	997 555 221 01 FSA	black/grey			
	997 555 221 01 FSB	Stone grey/stone grey			
	997 555 221 01 FSC	Sand beige/sand beige			
	997 555 221 01 FSD	Sea blue/grey			
	997 555 221 01 FSE	Palmgreen/palmgreen			
	D >> - MJ 2007				
	997 555 221 01 FSF	Terracotta/terracotta			
	997 555 221 01 FSG	Cocoa/Cocoa			
	997 555 221 01 FSH	Darkgrey natural/grey			
	997 555 221 01 FSJ	Brown nat./brown nat.			
	997 555 221 01 FSP	Carrera Red			
(5)	997 555 221 01	D - MJ 2008>> Cover Stowage compartment	left	1	CAYMAN S
	997 555 221 01 FSA	black/grey			
	997 555 221 01 FSB	Stone grey/stone grey			
	997 555 221 01 FSC	Sand beige/sand beige			
	997 555 221 01 FSD	Sea blue/grey			
	997 555 221 01 FSE	Palmgreen/palmgreen			
	D >> - MJ 2007				
	997 555 221 01 FSF	Terracotta/terracotta			
	997 555 221 01 FSG	Cocoa/Cocoa			
	997 555 221 01 FSH	Darkgrey natural/grey			
	997 555 221 01 FSJ	Brown nat./brown nat.			
	997 555 221 01 FSP	Carrera Red			
(5)	997 555 222 01	D - MJ 2008>> Cover Stowage compartment	right	1	CAYMAN PR:981
	997 555 222 01 FSA	black/grey			
	997 555 222 01 FSB	Stone grey/stone grey			
	997 555 222 01 FSC	Sand beige/sand beige			
	997 555 222 01 FSD	Sea blue/grey			
	997 555 222 01 FSE	Palmgreen/palmgreen			
	D >> - MJ 2007				
	997 555 222 01 FSF	Terracotta/terracotta			
	997 555 222 01 FSG	Cocoa/Cocoa			
	997 555 222 01 FSH	Darkgrey natural/grey			
	997 555 222 01 FSJ	Brown nat./brown nat.			
	997 555 222 01 FSP	Carrera Red			
(5)	997 555 222 01	D - MJ 2008>> Cover Stowage compartment	right	1	CAYMAN S
	997 555 222 01 FSA	black/grey			
	997 555 222 01 FSB	Stone grey/stone grey			
	997 555 222 01 FSC	Sand beige/sand beige			
	997 555 222 01 FSD	Sea blue/grey			
	997 555 222 01 FSE	Palmgreen/palmgreen			
	D >> - MJ 2007				
	997 555 222 01 FSF	Terracotta/terracotta			
	997 555 222 01 FSG	Cocoa/Cocoa			
	997 555 222 01 FSH	Darkgrey natural/grey			
	997 555 222 01 FSJ	Brown nat./brown nat.			

Model: 987 06 Model life 2006>>2008

Pos	Part Number	Description	Remark	Qty	Model
	997 555 222 01 FSP	Carrera Red D - MJ 2008>>			
(5)	997 555 989 00	Cover for stowage compartment Carbon	left	1	PR:XTL
	997 555 989 00 A35	Black			
(5)	997 555 990 00	Cover for stowage compartment Carbon	right	1	PR:XTL
	997 555 990 00 A35	Black			
(5)	997 555 989 01	Cover for stowage compartment	left	1	PR:XTU
	997 555 989 01 S62	Sycamore wood			
(5)	997 555 990 01	Cover for stowage compartment	right	1	PR:XTU
	997 555 990 01 S62	Sycamore wood			
(5)	997 555 989 02	Cover for stowage compartment	left	1	PR:XTT
	997 555 989 02 S61	macassar			
(5)	997 555 990 02	Cover for stowage compartment	right	1	PR:XTT
	997 555 990 02 S61	macassar			
(5)	997 555 989 03	Cover for stowage compartment	left	1	PR:XTW
	997 555 989 03 V04	Galvano silver			
(5)	997 555 990 03	Cover for stowage compartment	right	1	PR:XTW
	997 555 990 03 V04	Galvano silver			
6	997 555 833 00	Leg spring for Cover Stowage compartment	left	1	
(6)	997 555 834 00	Leg spring for Cover Stowage compartment	right	1	
7	997 555 841 00	Damper Stowage compartment		1	
8	987 555 271 01	Pull handle Upper part	left	1	CAYMAN
	987 555 271 01 A11	Black			
	987 555 271 01 5X6	Stone grey			
	987 555 271 01 8G2	Sand beige			
	987 555 271 01 3S9	sea blue			
	987 555 271 01 4P2	Palm green			
	D	>> - MJ 2007			
(8)	987 555 272 01	Pull handle Upper part	right	1	CAYMAN
	987 555 272 01 A11	Black			
	987 555 272 01 5X6	Stone grey			
	987 555 272 01 8G2	Sand beige			
	987 555 272 01 3S9	sea blue			
	987 555 272 01 4P2	Palm green			
	D	>> - MJ 2007			
(8)	987 555 271 02	Pull handle (leather) Upper part	left	1	CAYMAN PR:981
	987 555 271 02 FSA	black/grey			
	987 555 271 02 FSB	Stone grey/stone grey			
	987 555 271 02 FSC	Sand beige/sand beige			
	987 555 271 02 FSD	Sea blue/grey			
	987 555 271 02 FSE	Palmgreen/palmgreen			
	D	>> - MJ 2007			
	987 555 271 02 FSF	Terracotta/terracotta			
	987 555 271 02 FSG	Cocoa/Cocoa			
	987 555 271 02 FSH	Darkgrey natural/grey			
	987 555 271 02 FSJ	Brown nat./brown nat.			
	987 555 271 02 FSP	Carrera Red D - MJ 2008>>			
(8)	987 555 271 02	Pull handle (leather) Upper part	left	1	CAYMAN S
	987 555 271 02 FSA	black/grey			

Model: 987 06 Model life 2006>>2008

Pos	Part Number	Description	Remark	Qty	Model
	987 555 271 02 FSB	Stone grey/stone grey			
	987 555 271 02 FSC	Sand beige/sand beige			
	987 555 271 02 FSD	Sea blue/grey			
	987 555 271 02 FSE	Palmgreen/palmgreen			
		D >> - MJ 2007			
	987 555 271 02 FSF	Terracotta/terracotta			
	987 555 271 02 FSG	Cocoa/Cocoa			
	987 555 271 02 FSH	Darkgrey natural/grey			
	987 555 271 02 FSJ	Brown nat./brown nat.			
	987 555 271 02 FSP	Carrera Red			
		D - MJ 2008>>			
(8)	987 555 272 02	Pull handle (leather)	right	1	CAYMAN
		Upper part			PR:981
	987 555 272 02 FSA	black/grey			
	987 555 272 02 FSB	Stone grey/stone grey			
	987 555 272 02 FSC	Sand beige/sand beige			
	987 555 272 02 FSD	Sea blue/grey			
	987 555 272 02 FSE	Palmgreen/palmgreen			
		D >> - MJ 2007			
	987 555 272 02 FSF	Terracotta/terracotta			
	987 555 272 02 FSG	Cocoa/Cocoa			
	987 555 272 02 FSH	Darkgrey natural/grey			
	987 555 272 02 FSJ	Brown nat./brown nat.			
	987 555 272 02 FSP	Carrera Red			
		D - MJ 2008>>			
(8)	987 555 272 02	Pull handle (leather)	right	1	CAYMAN S
		Upper part			
	987 555 272 02 FSA	black/grey			
	987 555 272 02 FSB	Stone grey/stone grey			
	987 555 272 02 FSC	Sand beige/sand beige			
	987 555 272 02 FSD	Sea blue/grey			
	987 555 272 02 FSE	Palmgreen/palmgreen			
		D >> - MJ 2007			
	987 555 272 02 FSF	Terracotta/terracotta			
	987 555 272 02 FSG	Cocoa/Cocoa			
	987 555 272 02 FSH	Darkgrey natural/grey			
	987 555 272 02 FSJ	Brown nat./brown nat.			
	987 555 272 02 FSP	Carrera Red			
		D - MJ 2008>>			
(8)	987 555 987 00	Pull handle	left	1	PR:XTL
		Upper part			
	987 555 987 00 A11	Black			
	987 555 987 00 5X6	Stone grey			
	987 555 987 00 8G2	Sand beige			
	987 555 987 00 3S9	sea blue			
	987 555 987 00 4P2	Palm green			
		D >> - MJ 2007			
	987 555 987 00 9S5	Terracotta			
	987 555 987 00 9V6	Cocoa			
	987 555 987 00 D12	Dark grey/natural			
	987 555 987 00 T12	Brown/natural			
	987 555 987 00 N12	Carrera Red			
		D - MJ 2008>>			
(8)	987 555 988 00	Pull handle	right	1	PR:XTL
		Upper part			
	987 555 988 00 A11	Black			
	987 555 988 00 5X6	Stone grey			
	987 555 988 00 8G2	Sand beige			
	987 555 988 00 3S9	sea blue			
	987 555 988 00 4P2	Palm green			
		D >> - MJ 2007			
	987 555 988 00 9S5	Terracotta			
	987 555 988 00 9V6	Cocoa			

Model: 987 06 Model life 2006>>2008

Pos	Part Number	Description	Remark	Qty	Model
(8)	987 555 988 00 D12	Dark grey/natural	left	1	PR:XTU
	987 555 988 00 T12	Brown/natural			
	987 555 988 00 N12	Carrera Red			
		D - MJ 2008>>			
	987 555 987 01	Pull handle			
		Upper part			
	987 555 987 01 A11	Black			
	987 555 987 01 5X6	Stone grey			
	987 555 987 01 8G2	Sand beige			
	987 555 987 01 3S9	sea blue			
987 555 987 01 4P2	Palm green				
	D >> - MJ 2007				
987 555 987 01 9S5	Terracotta				
987 555 987 01 9V6	Cocoa				
987 555 987 01 D12	Dark grey/natural				
987 555 987 01 T12	Brown/natural				
987 555 987 01 N12	Carrera Red				
	D - MJ 2008>>				
(8)	987 555 988 01	Pull handle	right	1	PR:XTU
		Upper part			
	987 555 988 01 A11	Black			
	987 555 988 01 5X6	Stone grey			
	987 555 988 01 8G2	Sand beige			
	987 555 988 01 3S9	sea blue			
	987 555 988 01 4P2	Palm green			
		D >> - MJ 2007			
	987 555 988 01 9S5	Terracotta			
	987 555 988 01 9V6	Cocoa			
987 555 988 01 D12	Dark grey/natural				
987 555 988 01 T12	Brown/natural				
987 555 988 01 N12	Carrera Red				
	D - MJ 2008>>				
(8)	987 555 987 02	Pull handle	left	1	PR:XTT
		Upper part			
	987 555 987 02 A11	Black			
	987 555 987 02 5X6	Stone grey			
	987 555 987 02 8G2	Sand beige			
	987 555 987 02 3S9	sea blue			
	987 555 987 02 4P2	Palm green			
		D >> - MJ 2007			
	987 555 987 02 9S5	Terracotta			
	987 555 987 02 9V6	Cocoa			
987 555 987 02 D12	Dark grey/natural				
987 555 987 02 T12	Brown/natural				
987 555 987 02 N12	Carrera Red				
	D - MJ 2008>>				
(8)	987 555 988 02	Pull handle	right	1	PR:XTT
		Upper part			
	987 555 988 02 A11	Black			
	987 555 988 02 5X6	Stone grey			
	987 555 988 02 8G2	Sand beige			
	987 555 988 02 3S9	sea blue			
	987 555 988 02 4P2	Palm green			
		D >> - MJ 2007			
	987 555 988 02 9S5	Terracotta			
	987 555 988 02 9V6	Cocoa			
987 555 988 02 D12	Dark grey/natural				
987 555 988 02 T12	Brown/natural				
987 555 988 02 N12	Carrera Red				
	D - MJ 2008>>				
(8)	987 555 987 03	Pull handle	left	1	PR:XTW
		Upper part			
	987 555 987 03 A11	Black			

Model: 987 06 Model life 2006>>2008

Pos	Part Number	Description	Remark	Qty	Model
	987 555 987 03 5X6	Stone grey			
	987 555 987 03 8G2	Sand beige			
	987 555 987 03 3S9	sea blue			
	987 555 987 03 4P2	Palm green			
		D >> - MJ 2007			
	987 555 987 03 9S5	Terracotta			
	987 555 987 03 9V6	Cocoa			
	987 555 987 03 D12	Dark grey/natural			
	987 555 987 03 T12	Brown/natural			
	987 555 987 03 N12	Carrera Red			
		D - MJ 2008>>			
(8)	987 555 988 03	Pull handle	right	1	PR:XTW
		Upper part			
	987 555 988 03 A11	Black			
	987 555 988 03 5X6	Stone grey			
	987 555 988 03 8G2	Sand beige			
	987 555 988 03 3S9	sea blue			
	987 555 988 03 4P2	Palm green			
		D >> - MJ 2007			
	987 555 988 03 9S5	Terracotta			
	987 555 988 03 9V6	Cocoa			
	987 555 988 03 D12	Dark grey/natural			
	987 555 988 03 T12	Brown/natural			
	987 555 988 03 N12	Carrera Red			
		D - MJ 2008>>			
9	999 591 380 01	Cable fastener		4	
10	987 555 261 01	Pull handle	left	1	
		Lower part			
	987 555 261 01 A11	Black			
	987 555 261 01 5X6	Stone grey			
	987 555 261 01 8G2	Sand beige			
	987 555 261 01 3S9	sea blue			
	987 555 261 01 4P2	Palm green			
		D >> - MJ 2007			
	987 555 261 01 9S5	Terracotta			
	987 555 261 01 9V6	Cocoa			
	987 555 261 01 D12	Dark grey/natural			
	987 555 261 01 T12	Brown/natural			
	987 555 261 01 N12	Carrera Red			
		D - MJ 2008>>			
(10)	987 555 262 01	Pull handle	right	1	
		Lower part			
	987 555 262 01 A11	Black			
	987 555 262 01 5X6	Stone grey			
	987 555 262 01 8G2	Sand beige			
	987 555 262 01 3S9	sea blue			
	987 555 262 01 4P2	Palm green			
		D >> - MJ 2007			
	987 555 262 01 9S5	Terracotta			
	987 555 262 01 9V6	Cocoa			
	987 555 262 01 D12	Dark grey/natural			
	987 555 262 01 T12	Brown/natural			
	987 555 262 01 N12	Carrera Red			
		D - MJ 2008>>			
11	999 919 229 02	fillister hd. bolt 6,0 X 40,0 for Mount		2	
12	997 555 381 02	Pull handle Axle bearing	left	1	
(12)	997 555 382 02	Axle bearing	right	1	
13	999 919 164 09	fillister hd. bolt 5 X 12		3	

Model: 987 06 Model life 2006>>2008

Pos	Part Number	Description	Remark	Qty	Model
14	997 555 461 01	for Mount Axle bearing lever	left	1	
(14)	997 555 461 01 V05	Inner actuator Galvano silver			
	997 555 462 01	lever	right	1	
	997 555 462 01 V05	Inner actuator Galvano silver			
15	999 919 164 09	fillister hd. bolt 5 X 12		1	
16	997 555 683 00	for Mount lever Inner actuator Cover cap	left	1	
	997 555 683 00 A03	Airbag Black			
	997 555 683 00 5V7	Stone grey			
	997 555 683 00 5Z1	Sand beige			
	997 555 683 00 8W7	sea blue			
	997 555 683 00 5Y2	Palm green			
		D >> - MJ 2007			
	997 555 683 00 8X8	Terracotta			
	997 555 683 00 8P9	Cocoa			
	997 555 683 00 T13	Brown/natural			
	997 555 683 00 N23	Carrera Red			
(16)	997 555 684 00	D - MJ 2008>> Cover cap	right	1	
	997 555 684 00 A03	Airbag Black			
	997 555 684 00 5V7	Stone grey			
	997 555 684 00 5Z1	Sand beige			
	997 555 684 00 8W7	sea blue			
	997 555 684 00 5Y2	Palm green			
		D >> - MJ 2007			
	997 555 684 00 8X8	Terracotta			
	997 555 684 00 8P9	Cocoa			
	997 555 684 00 T13	Brown/natural			
	997 555 684 00 N23	Carrera Red			
17	997 555 685 02	D - MJ 2008>> Cover Exterior mirror (drivers side) Lacquered	left lhd	1	PR:098
	997 555 685 02 A03	Black			
	997 555 685 02 5V7	Stone grey			
	997 555 685 02 5Z1	Sand beige			
	997 555 685 02 8W7	sea blue			
	997 555 685 02 5Y2	Palm green			
		D >> - MJ 2007			
	997 555 685 02 8X8	Terracotta			
	997 555 685 02 8P9	Cocoa			
	997 555 685 02 T13	Brown/natural			
	997 555 685 02 N23	Carrera Red			
(17)	997 555 686 03	D - MJ 2008>> Cover Exterior mirror (drivers side) Lacquered	right rhd	1	PR:099
	997 555 686 03 A03	Black			
	997 555 686 03 5V7	Stone grey			
	997 555 686 03 5Z1	Sand beige			

Model: 987 06 Model life 2006>>2008

Pos	Part Number	Description	Remark	Qty	Model
	997 555 686 03 8W7	sea blue			
	997 555 686 03 5Y2	Palm green			
		D >> - MJ 2007			
	997 555 686 03 8X8	Terracotta			
	997 555 686 03 8P9	Cocoa			
	997 555 686 03 T13	Brown/natural			
	997 555 686 03 N23	Carrera Red			
		D - MJ 2008>>			
(17)	997 555 686 02	Cover	right lhd	1	PR:098
		Exterior mirror (passenger side)			
		Lacquered			
	997 555 686 02 A03	Black			
	997 555 686 02 5V7	Stone grey			
	997 555 686 02 5Z1	Sand beige			
	997 555 686 02 8W7	sea blue			
	997 555 686 02 5Y2	Palm green			
		D >> - MJ 2007			
	997 555 686 02 8X8	Terracotta			
	997 555 686 02 8P9	Cocoa			
	997 555 686 02 T13	Brown/natural			
	997 555 686 02 N23	Carrera Red			
		D - MJ 2008>>			
(17)	997 555 685 03	Cover	left rhd	1	PR:099
		Exterior mirror (passenger side)			
		Lacquered			
	997 555 685 03 A03	Black			
	997 555 685 03 5V7	Stone grey			
	997 555 685 03 5Z1	Sand beige			
	997 555 685 03 8W7	sea blue			
	997 555 685 03 5Y2	Palm green			
		D >> - MJ 2007			
	997 555 685 03 8X8	Terracotta			
	997 555 685 03 8P9	Cocoa			
	997 555 685 03 T13	Brown/natural			
	997 555 685 03 N23	Carrera Red			
		D - MJ 2008>>			
18	997 555 577 00	Cover cap		1	
		Handle liner			
	997 555 577 00 A03	Black			
	997 555 577 00 5V7	Stone grey			
	997 555 577 00 8W7	sea blue			
	997 555 577 00 5Y2	Palm green			
		D >> - MJ 2007			
	997 555 577 00 8X8	Terracotta			
	997 555 577 00 8P9	Cocoa			
	997 555 577 00 T13	Brown/natural			
	997 555 577 00 N23	Carrera Red			
		D - MJ 2008>>			
19	997 555 895 00	Plastic foam strip for		1	
		Bass loudspeaker			
20	997 645 511 00	inscription		2	PR:680
21	997 555 597 00	Distance piece		2	
		Bonnet hinge			
22	999 702 281 41	Grommet		1	
		Axle bearing			
23	997 555 351 03	Insert	left lhd	1	PR:098
		Handle liner			
		Lacquered			
	997 555 351 03 A03	Black			
	997 555 351 03 5V7	Stone grey			

Model: 987 06 Model life 2006>>2008

Pos	Part Number	Description	Remark	Qty	Model
	997 555 351 03 5Z1	Sand beige			
	997 555 351 03 8W7	sea blue			
	997 555 351 03 5Y2	Palm green			
		D >> - MJ 2007			
	997 555 351 03 8X8	Terracotta			
	997 555 351 03 8P9	Cocoa			
	997 555 351 03 T13	Brown/natural			
	997 555 351 03 N23	Carrera Red			
		D - MJ 2008>>			
(23)	997 555 352 03	Insert	right rhd	1	PR:099
		Handle liner			
		Lacquered			
	997 555 352 03 A03	Black			
	997 555 352 03 5V7	Stone grey			
	997 555 352 03 5Z1	Sand beige			
	997 555 352 03 8W7	sea blue			
	997 555 352 03 5Y2	Palm green			
		D >> - MJ 2007			
	997 555 352 03 8X8	Terracotta			
	997 555 352 03 8P9	Cocoa			
	997 555 352 03 T13	Brown/natural			
	997 555 352 03 N23	Carrera Red			
		D - MJ 2008>>			
(23)	997 555 352 04	Insert	right lhd	1	PR:098
		Handle liner			
		Lacquered			
	997 555 352 04 A03	Black			
	997 555 352 04 5V7	Stone grey			
	997 555 352 04 5Z1	Sand beige			
	997 555 352 04 8W7	sea blue			
	997 555 352 04 5Y2	Palm green			
		D >> - MJ 2007			
	997 555 352 04 8X8	Terracotta			
	997 555 352 04 8P9	Cocoa			
	997 555 352 04 T13	Brown/natural			
	997 555 352 04 N23	Carrera Red			
		D - MJ 2008>>			
(23)	997 555 351 04	Insert	left rhd	1	PR:099
		Handle liner			
		Lacquered			
	997 555 351 04 A03	Black			
	997 555 351 04 5V7	Stone grey			
	997 555 351 04 5Z1	Sand beige			
	997 555 351 04 8W7	sea blue			
	997 555 351 04 5Y2	Palm green			
		D >> - MJ 2007			
	997 555 351 04 8X8	Terracotta			
	997 555 351 04 8P9	Cocoa			
	997 555 351 04 T13	Brown/natural			
	997 555 351 04 N23	Carrera Red			
		D - MJ 2008>>			
23	997 555 985 00	Insert	left lhd	1	PR:XTV,098
		Handle liner			
		Leather			
	997 555 985 00 A11	Black			
	997 555 985 00 5X6	Stone grey			
	997 555 985 00 8G2	Sand beige			
	997 555 985 00 3S9	sea blue			
	997 555 985 00 4P2	Palm green			
		D >> - MJ 2007			
	997 555 985 00 9S5	Terracotta			
	997 555 985 00 9V6	Cocoa			
	997 555 985 00 D12	Dark grey/natural			

Model: 987 06 Model life 2006>>2008

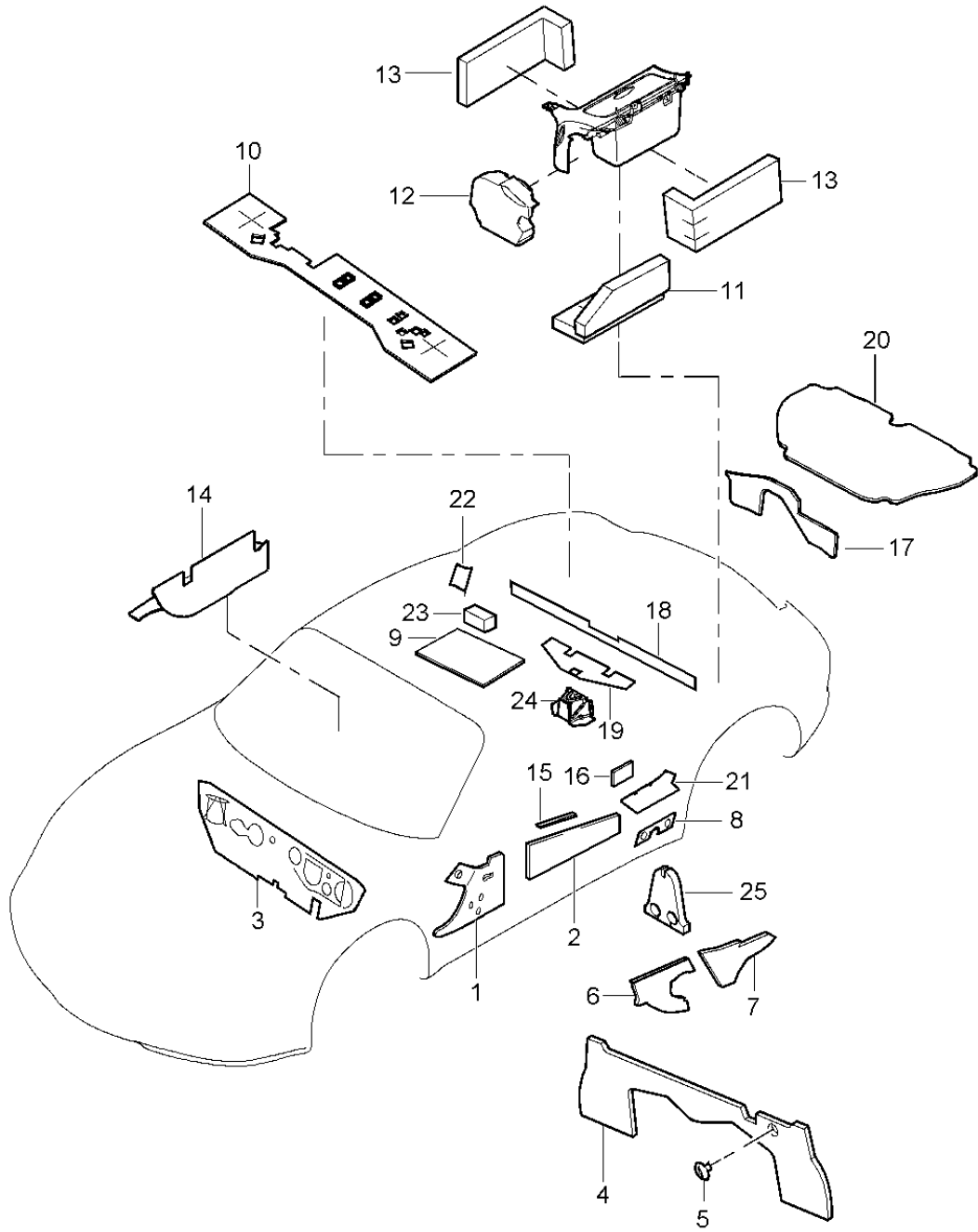
Pos	Part Number	Description	Remark	Qty	Model	
(23)	997 555 985 00 T12	Brown/natural				
	997 555 985 00 N12	Carrera Red				
		D - MJ 2008>>				
	997 555 986 01	Insert	right rhd	1	PR:XTV,099	
		Handle liner				
		Leather				
	997 555 986 01 A11	Black				
	997 555 986 01 5X6	Stone grey				
	997 555 986 01 8G2	Sand beige				
	997 555 986 01 3S9	sea blue				
	997 555 986 01 4P2	Palm green				
		D >> - MJ 2007				
	997 555 986 01 9S5	Terracotta				
	997 555 986 01 9V6	Cocoa				
(23)	997 555 986 01 D12	Dark grey/natural				
	997 555 986 01 T12	Brown/natural				
	997 555 986 01 N12	Carrera Red				
		D - MJ 2008>>				
	997 555 986 00	Insert	right lhd	1	PR:XTV,098	
		Handle liner				
		Leather				
	997 555 986 00 A11	Black				
	997 555 986 00 5X6	Stone grey				
	997 555 986 00 8G2	Sand beige				
	997 555 986 00 3S9	sea blue				
	997 555 986 00 4P2	Palm green				
		D >> - MJ 2007				
	997 555 986 00 9S5	Terracotta				
997 555 986 00 9V6	Cocoa					
(23)	997 555 986 00 D12	Dark grey/natural				
	997 555 986 00 T12	Brown/natural				
	997 555 986 00 N12	Carrera Red				
		D - MJ 2008>>				
	997 555 985 02	Insert	left rhd	1	PR:XTV,099	
		Handle liner				
		Leather				
	997 555 985 02 A11	Black				
	997 555 985 02 5X6	Stone grey				
	997 555 985 02 8G2	Sand beige				
	997 555 985 02 3S9	sea blue				
	997 555 985 02 4P2	Palm green				
		D >> - MJ 2007				
	997 555 985 02 9S5	Terracotta				
997 555 985 02 9V6	Cocoa					
23	997 555 985 02 D12	Dark grey/natural				
	997 555 985 02 T12	Brown/natural				
	997 555 985 02 N12	Carrera Red				
		D - MJ 2008>>				
	997 555 985 03	Insert	left lhd	1	PR:XTL,098	
		Handle liner				
		Carbon				
	997 555 985 03 A35	Black				
	(23)	997 555 986 04	Insert	right rhd	1	PR:XTL,099
			Handle liner			
		Carbon				
	(23)	997 555 986 04 A35	Black			
		997 555 986 03	Insert	right lhd	1	PR:XTL,098
		Handle liner				
	Carbon					
(23)	997 555 986 03 A35	Black				
	997 555 985 05	Insert	left rhd	1	PR:XTL,099	
	Handle liner					
	Carbon					

Model: 987 06 Model life 2006>>2008

Pos	Part Number	Description	Remark	Qty	Model
23	997 555 985 05 A35 997 555 985 06	Black Insert Handle liner	left lhd	1	PR:XTU,098
(23)	997 555 985 06 S62 997 555 986 07	Sycamore wood Insert Handle liner	right rhd	1	PR:XTU,099
(23)	997 555 986 07 S62 997 555 986 06	Sycamore wood Insert Handle liner	right lhd	1	PR:XTU,098
(23)	997 555 986 06 S62 997 555 985 08	Sycamore wood Insert Handle liner	left rhd	1	PR:XTU,099
23	997 555 985 08 S62 997 555 985 09	Sycamore wood Insert Handle liner	left lhd	1	PR:XTT,098
(23)	997 555 985 09 S61 997 555 986 10	macassar Insert Handle liner	right rhd	1	PR:XTT,099
(23)	997 555 986 10 S61 997 555 986 09	macassar Insert Handle liner	right lhd	1	PR:XTT,098
(23)	997 555 986 09 S61 997 555 985 11	macassar Insert Handle liner	left rhd	1	PR:XTT,099
23	997 555 985 11 S61 997 555 985 12	macassar Insert Handle liner	left lhd	1	PR:XTW,098
(23)	997 555 985 12 V04 997 555 986 13	Galvano silver Insert Handle liner	right rhd	1	PR:XTW,099
(23)	997 555 986 13 V04 997 555 986 12	Galvano silver Insert Handle liner	right lhd	1	PR:XTW,098
(23)	997 555 986 12 V04 997 555 985 14	Galvano silver Insert Handle liner	left rhd	1	PR:XTW,099
	997 555 985 14 V04	Galvano silver			

Model: 987 06

Model life 2006>>2008



Model: 987 06 Model life 2006>>2008

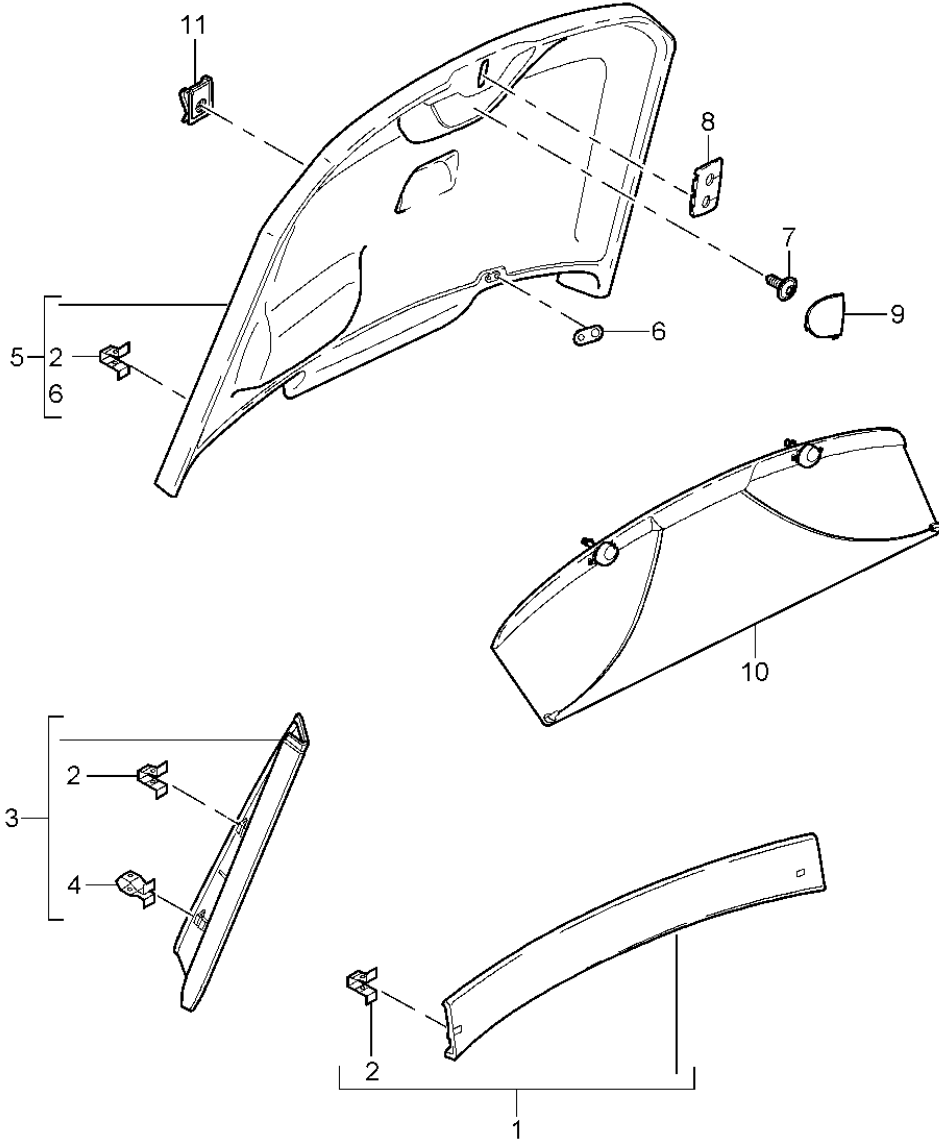
Pos	Part Number	Description	Remark	Qty	Model
		Body			
1	997 556 605 00	Sound proofing 1 Sound absorber	left	1	
(1)	997 556 606 00	Wheel housing Sound absorber	front right	1	
2	997 556 531 00	Wheel housing sound absorber for door	front	2	
2	997 537 551 00	Discontinued part sound absorber for door		2	
3	997 556 723 00	Sound absorber	lhd	1	PR:098
(3)	997 556 724 00	Firewall Sound absorber	rhd	1	PR:099
4	987 556 741 00	Firewall Sound absorber		1	
		Engine bay rear panel			
(4)	987 556 741 01	D >> - MJ 2006 Sound absorber		1	
		Engine bay rear panel			
(4)	987 556 741 02	D >> - MJ 2008 Sound absorber		1	
		Engine bay rear panel			
5	999 049 020 40	D - MJ 2009>> Plastic nut		1	
(6)	987 556 721 00	T5 / 30 X 5,1 Sound absorber	left	1	
6	987 556 722 00	Engine bay Sound absorber	side right	1	
7	987 556 724 00	Engine bay Sound absorber	side right	1	
8	987 556 683 00	Sound absorber for side panel	side	2	
9	987 556 625 00	Sound absorber	rear	1	
10	987 556 665 01	Roof Sound absorber		1	
11	987 556 623 01	Cross member Sound absorber	lower	2	
(12)	987 556 669 00	convertible top stowage box Sound absorber	left	1	
12	987 556 670 00	Filler piece convertible top stowage box Sound absorber	right	1	
13	987 556 663 01	Filler piece convertible top stowage box Sound absorber		2	
14	997 556 634 00	Stowage box Sound absorber		1	PR:680
15	997 537 553 00	Subwoofer sound absorber for door		4	
		Reinforcement D - MJ 2006>>			
16	999 902 056 40	sound absorber for door	upper	1	
17	987 556 745 00	Damping filler plate	inner	1	
		D - MJ 2007>>			
18	987 556 403 00	Sound absorber retaining strip	rear	1	
		D - MJ 2007>>			
19	987 556 401 00	Sound absorber retaining strip	front	1	

Model: 987 06 Model life 2006>>2008

Pos	Part Number	Description	Remark	Qty	Model
20	987 556 743 00	D - MJ 2007>> sound absorber for engine lid	inner	1	
21	987 556 647 00	D - MJ 2007>> Damping Air duct	left	1	
(21)	987 556 648 00	D - MJ 2007>> Damping Air duct	right	1	
22	987 556 637 00	D - MJ 2007>> Sound absorber B-pillar	front	4	
23	987 556 635 00	D - MJ 2007>> Damping filler plate	upper front	2	
24	987 556 405 00	D - MJ 2007>> Damping Bracket		1	
(25)	987 556 705 00	D - MJ 2007>> Sound absorber Wheel housing	left inner rear	1	PR:480
(25)	987 556 706 00	D - MJ 2007>> Sound absorber Wheel housing	right inner rear	1	PR:480
		D - MJ 2007>>			

Model: 987 06

Model life 2006>>2008



Model: 987 06 Model life 2006>>2008

Pos	Part Number	Description	Remark	Qty	Model
1	987 555 191 00	Linings Rear lid Rear lid trim panel	upper	1	
	987 555 191 00 A03	Black			
	987 555 191 00 5V7	Stone grey			
	987 555 191 00 5Z1	Sand beige			
	987 555 191 00 8W7	sea blue			
	987 555 191 00 5Y2	Palm green			
	987 555 191 00 8X8	Terracotta			
	987 555 191 00 8P9	Cocoa			
	987 555 191 00 T13	Brown/natural			
	987 555 191 00 N23	Carrera Red			
2	999 507 839 01	Clip 3,5		X	
(3)	987 555 193 01	Rear lid trim panel	left center	1	
		D >> - MJ 2007			
	987 555 193 01 A03	Black			
	987 555 193 01 5V7	Stone grey			
	987 555 193 01 5Z1	Sand beige			
	987 555 193 01 8W7	sea blue			
	987 555 193 01 5Y2	Palm green			
	987 555 193 01 8X8	Terracotta			
	987 555 193 01 8P9	Cocoa			
	987 555 193 01 T13	Brown/natural			
(3)	987 555 193 02	Rear lid trim panel	left center	1	
		D - MJ 2008>>			
	987 555 193 02 A03	Black			
	987 555 193 02 5V7	Stone grey			
	987 555 193 02 5Z1	Sand beige			
	987 555 193 02 8W7	sea blue			
	987 555 193 02 8X8	Terracotta			
	987 555 193 02 8P9	Cocoa			
	987 555 193 02 T13	Brown/natural			
	987 555 193 02 N23	Carrera Red			
3	987 555 194 01	Rear lid trim panel	right center	1	
		D >> - MJ 2007			
	987 555 194 01 A03	Black			
	987 555 194 01 5V7	Stone grey			
	987 555 194 01 5Z1	Sand beige			
	987 555 194 01 8W7	sea blue			
	987 555 194 01 5Y2	Palm green			
	987 555 194 01 8X8	Terracotta			
	987 555 194 01 8P9	Cocoa			
	987 555 194 01 T13	Brown/natural			
3	987 555 194 02	Rear lid trim panel	right center	1	
		D - MJ 2008>>			
	987 555 194 02 A03	Black			
	987 555 194 02 5V7	Stone grey			
	987 555 194 02 5Z1	Sand beige			
	987 555 194 02 8W7	sea blue			
	987 555 194 02 8X8	Terracotta			
	987 555 194 02 8P9	Cocoa			
	987 555 194 02 T13	Brown/natural			
	987 555 194 02 N23	Carrera Red			
4	999 507 584 02	Clamp 8,0 X 10/ 2,0	center	6	
		Trim			
5	987 555 095 00	Rear lid trim panel	lower	1	PR:426
	987 555 095 00 FQR	black/black			

Model: 987 06 Model life 2006>>2008

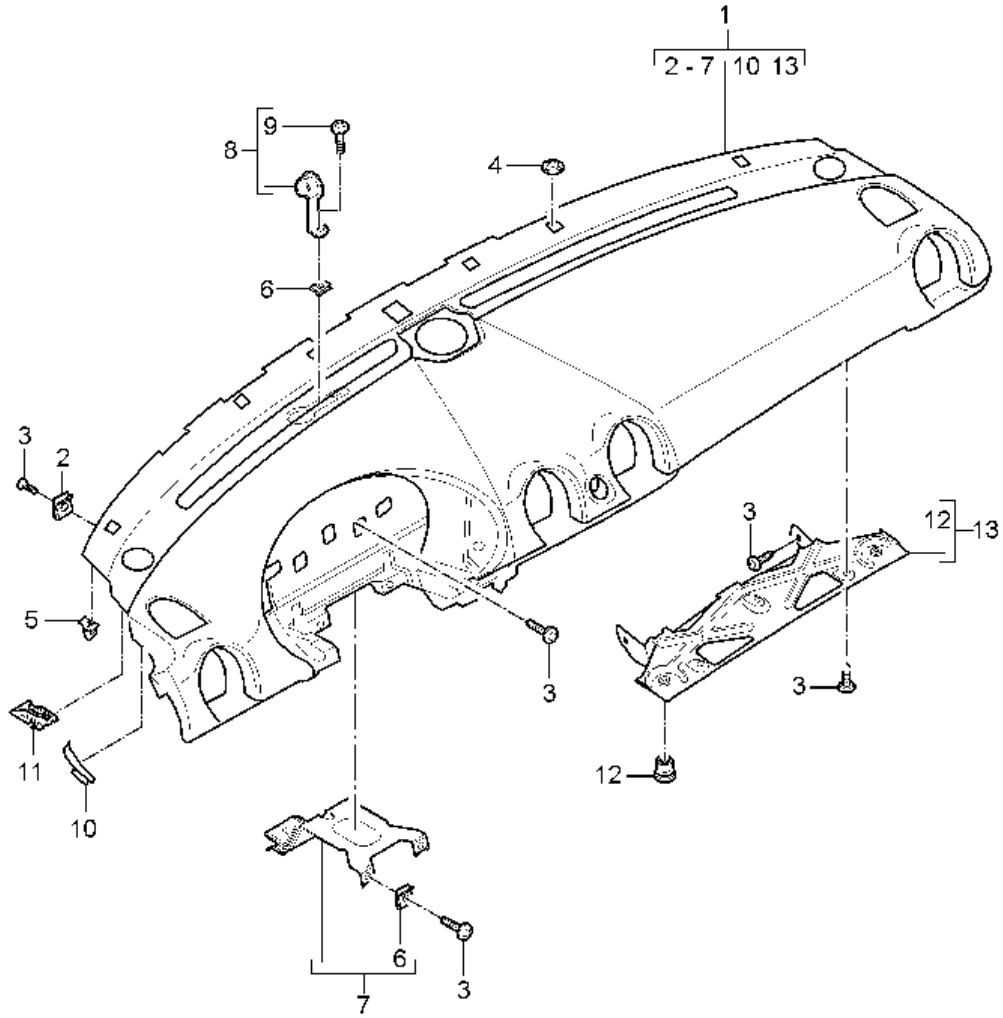
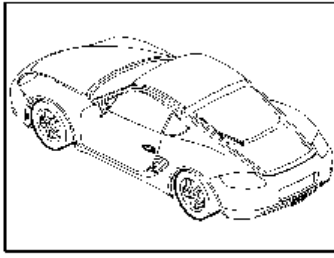
Pos	Part Number	Description	Remark	Qty	Model
	987 555 095 00 FQS	Volcano grey/stone grey			
	987 555 095 00 FQT	Sand beige/sand beige			
	987 555 095 00 FQU	Volcano grey/sea blue			
	987 555 095 00 FQV	Black/palmgreen			
		D >> - MJ 2007			
	987 555 095 00 FQW	Black/terracotta			
	987 555 095 00 FQX	Black/cocoa			
	987 555 095 00 FQY	Black/volcano grey			
	987 555 095 00 FQZ	Black/brown nat.			
	987 555 095 00 FTB	Carrera Red			
		D - MJ 2008>>			
(5)	987 555 095 01	Rear lid trim panel	lower	1	PR:425
	987 555 095 01 FQR	black/black			
	987 555 095 01 FQS	Volcano grey/stone grey			
	987 555 095 01 FQT	Sand beige/sand beige			
	987 555 095 01 FQU	Volcano grey/sea blue			
	987 555 095 01 FQV	Black/palmgreen			
		D >> - MJ 2007			
	987 555 095 01 FQW	Black/terracotta			
	987 555 095 01 FQX	Black/cocoa			
	987 555 095 01 FQY	Black/volcano grey			
	987 555 095 01 FQZ	Black/brown nat.			
	987 555 095 01 FTB	Carrera Red			
		D - MJ 2008>>			
6	987 555 623 00	Eye		2	
		Rear lid			
	987 555 623 00 01C	Satin black			
7	999 073 369 09	fillister hd. bolt		2	
		M 5 X 18			
8	987 555 596 00	Cover		1	
		Lock striker			
		Rear lid			
	987 555 596 00 A03	Black			
	987 555 596 00 5V7	Stone grey			
	987 555 596 00 5Z1	Sand beige			
	987 555 596 00 8W7	sea blue			
	987 555 596 00 5Y2	Palm green			
		D >> - MJ 2007			
	987 555 596 00 8X8	Terracotta			
	987 555 596 00 8P9	Cocoa			
	987 555 596 00 T13	Brown/natural			
	987 555 596 00 N23	Carrera Red			
		D - MJ 2008>>			
9	987 555 597 00	Cover cap	left	2	
		Handle shell			
	987 555 597 00 A03	Black			
	987 555 597 00 5V7	Stone grey			
	987 555 597 00 5Z1	Sand beige			
	987 555 597 00 8W7	sea blue			
	987 555 597 00 5Y2	Palm green			
		D >> - MJ 2007			
	987 555 597 00 8X8	Terracotta			
	987 555 597 00 8P9	Cocoa			
	987 555 597 00 T13	Brown/natural			
	987 555 597 00 N23	Carrera Red			
		D - MJ 2008>>			
(9)	987 555 598 00	Cover cap	right	2	
		Handle shell			
	987 555 598 00 A03	Black			
	987 555 598 00 5V7	Stone grey			
	987 555 598 00 5Z1	Sand beige			
	987 555 598 00 8W7	sea blue			
	987 555 598 00 5Y2	Palm green			

Model: 987 06 Model life 2006>>2008

Pos	Part Number	Description	Remark	Qty	Model
		D >> - MJ 2007			
	987 555 598 00 8X8	Terracotta			
	987 555 598 00 8P9	Cocoa			
	987 555 598 00 T13	Brown/natural			
	987 555 598 00 N23	Carrera Red			
		D - MJ 2008>>			
10	987 555 341 00	Cover		1	
		Rear lid			
	987 555 341 00 A24	Black			
11	999 507 413 08	Cams		2	
		9,3 X 25			

Model: 987 06

Model life 2006>>2008



Model: 987 06 Model life 2006>>2008

Pos	Part Number	Description	Remark	Qty	Model
-		Instrument panel trim Upper part with: Fasteners Accessories			
1	987 552 101 10	dashboard Upper part Leatherette Valid up to: F >> 98-8U750 789 F >> 98-8U770 582	809-001 lhd	1	PR:098
(1)	987 552 101 10 9L4 987 552 101 10 9M5 987 552 101 10 9C6 987 552 101 10 9D7 987 552 101 10 9E8	Black Stone grey Sand beige sea blue Palm green			
		D >> - MJ 2007			
(1)	987 552 102 10	dashboard Upper part Leatherette Valid up to: F >> 98-8U750 641 F >> 98-8U770 453	 rhd	1	PR:099
	987 552 102 10 9L4 987 552 102 10 9M5 987 552 102 10 9C6 987 552 102 10 9D7 987 552 102 10 9E8	Black Stone grey Sand beige sea blue Palm green			
		D >> - MJ 2007			
1	987 552 101 21	dashboard Upper part Leatherette Valid from: F 98-8U750 790>> F 98-8U770 583>>	 lhd	1	PR:098
	987 552 101 21 9L4 987 552 101 21 9M5 987 552 101 21 9C6 987 552 101 21 9D7	Black Stone grey Sand beige sea blue			
(1)	987 552 102 21	dashboard Upper part Leatherette Valid from: F 98-8U750 642>> F 98-8U770 454>>	 rhd	1	PR:099
	987 552 102 21 9L4 987 552 102 21 9M5 987 552 102 21 9C6 987 552 102 21 9D7	Black Stone grey Sand beige sea blue			
(1)	987 552 101 12	dashboard Upper part Leatherette Valid up to: F >> 98-8U750 789 F >> 98-8U770 582	 lhd	1	PR:098, 639, 640
	987 552 101 12 9L4 987 552 101 12 9M5 987 552 101 12 9C6 987 552 101 12 9D7 987 552 101 12 9E8	Black Stone grey Sand beige sea blue Palm green			

Model: 987 06 Model life 2006>>2008

Pos	Part Number	Description	Remark	Qty	Model
(1)	987 552 102 12	D >> - MJ 2007 dashboard Upper part Leatherette Valid up to: F >> 98-8U750 641 F >> 98-8U770 453	rhd	1	PR:099,639,640
	987 552 102 12 9L4	Black			
	987 552 102 12 9M5	Stone grey			
	987 552 102 12 9C6	Sand beige			
	987 552 102 12 9D7	sea blue			
	987 552 102 12 9E8	Palm green			
1	987 552 101 23	D >> - MJ 2007 dashboard Upper part Leatherette Valid from: F 98-8U750 790>> F 98-8U770 583>>	lhd	1	PR:098,639,640
	987 552 101 23 9L4	Black			
	987 552 101 23 9M5	Stone grey			
	987 552 101 23 9C6	Sand beige			
	987 552 101 23 9D7	sea blue			
(1)	987 552 102 23	dashboard Upper part Leatherette Valid from: F 98-8U750 642>> F 98-8U770 454>>	rhd	1	PR:099,639,640
	987 552 102 23 9L4	Black			
	987 552 102 23 9M5	Stone grey			
	987 552 102 23 9C6	Sand beige			
	987 552 102 23 9D7	sea blue			
(1)	987 552 101 11	dashboard Upper part Leather Valid up to: F >> 98-8U750 789 F >> 98-8U770 582	lhd	1	PR:098,981
	987 552 101 11 A11	Black			
	987 552 101 11 5X6	Stone grey			
	987 552 101 11 8G2	Sand beige			
	987 552 101 11 3S9	sea blue			
	987 552 101 11 4P2	Palm green			
	D >> - MJ 2007				
	987 552 101 11 9S5	Terracotta			
	987 552 101 11 9V6	Cocoa			
	987 552 101 11 D12	Dark grey/natural			
	987 552 101 11 T12	Brown/natural			
	987 552 101 11 N12	Carrera Red			
(1)	987 552 102 11	D - MJ 2008>> dashboard Upper part Leather Valid up to: F >> 98-8U750 641 F >> 98-8U770 453	rhd	1	PR:099,981
	987 552 102 11 A11	Black			
	987 552 102 11 5X6	Stone grey			
	987 552 102 11 8G2	Sand beige			
	987 552 102 11 3S9	sea blue			

Model: 987 06 Model life 2006>>2008

Pos	Part Number	Description	Remark	Qty	Model
	987 552 102 11 4P2	Palm green D >> - MJ 2007			
	987 552 102 11 9S5	Terracotta			
	987 552 102 11 9V6	Cocoa			
	987 552 102 11 D12	Dark grey/natural			
	987 552 102 11 T12	Brown/natural			
	987 552 102 11 N12	Carrera Red			
1	987 552 101 22	D - MJ 2008>> dashboard Upper part Leather Valid from: F 98-8U750 790>> F 98-8U770 583>>	lhd	1	PR:098,981
	987 552 101 22 A11	Black			
	987 552 101 22 5X6	Stone grey			
	987 552 101 22 8G2	Sand beige			
	987 552 101 22 3S9	sea blue			
	987 552 101 22 9S5	Terracotta			
	987 552 101 22 9V6	Cocoa			
	987 552 101 22 D12	Dark grey/natural			
	987 552 101 22 T12	Brown/natural			
	987 552 101 22 N12	Carrera Red			
(1)	987 552 102 22	D - MJ 2008>> dashboard Upper part Leather Valid from: F 98-8U750 642>> F 98-8U770 454>>	rhd	1	PR:099,981
	987 552 102 22 A11	Black			
	987 552 102 22 5X6	Stone grey			
	987 552 102 22 8G2	Sand beige			
	987 552 102 22 3S9	sea blue			
	987 552 102 22 9S5	Terracotta			
	987 552 102 22 9V6	Cocoa			
	987 552 102 22 D12	Dark grey/natural			
	987 552 102 22 T12	Brown/natural			
	987 552 102 22 N12	Carrera Red			
(1)	987 552 101 13	D - MJ 2008>> dashboard Upper part Leather Valid up to: F >> 98-8U750 789 F >> 98-8U770 582	lhd	1	PR:098,639, 640,981
	987 552 101 13 A11	Black			
	987 552 101 13 5X6	Stone grey			
	987 552 101 13 8G2	Sand beige			
	987 552 101 13 3S9	sea blue			
	987 552 101 13 4P2	Palm green D >> - MJ 2007			
	987 552 101 13 9S5	Terracotta			
	987 552 101 13 9V6	Cocoa			
	987 552 101 13 D12	Dark grey/natural			
	987 552 101 13 T12	Brown/natural			
	987 552 101 13 N12	Carrera Red			
(1)	987 552 102 13	D - MJ 2008>> dashboard Upper part Leather	rhd	1	PR:099,639, 640,981

Model: 987 06 Model life 2006>>2008

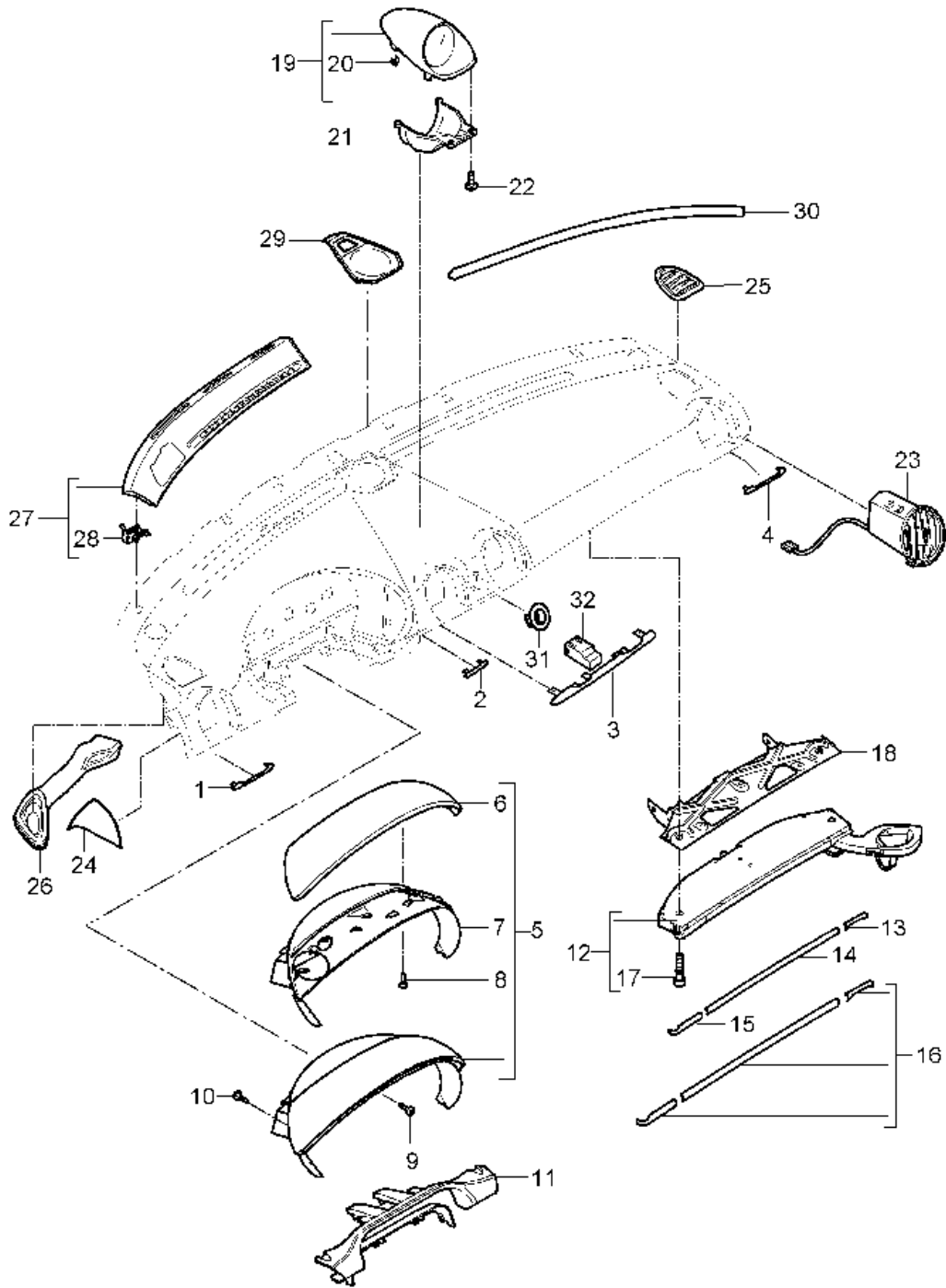
Pos	Part Number	Description	Remark	Qty	Model
		Valid up to: F >> 98-8U750 641 F >> 98-8U770 453			
	987 552 102 13 A11	Black			
	987 552 102 13 5X6	Stone grey			
	987 552 102 13 8G2	Sand beige			
	987 552 102 13 3S9	sea blue			
	987 552 102 13 4P2	Palm green			
		D >> - MJ 2007			
	987 552 102 13 9S5	Terracotta			
	987 552 102 13 9V6	Cocoa			
	987 552 102 13 D12	Dark grey/natural			
	987 552 102 13 T12	Brown/natural			
	987 552 102 13 N12	Carrera Red			
		D - MJ 2008>>			
1	987 552 101 24	dashboard Upper part Leather Valid from: F 98-8U750 790>> F 98-8U770 583>>	lhd	1	PR:098, 639, 640, 981
	987 552 101 24 A11	Black			
	987 552 101 24 5X6	Stone grey			
	987 552 101 24 8G2	Sand beige			
	987 552 101 24 3S9	sea blue			
	987 552 101 24 9S5	Terracotta			
	987 552 101 24 9V6	Cocoa			
	987 552 101 24 D12	Dark grey/natural			
	987 552 101 24 T12	Brown/natural			
	987 552 101 24 N12	Carrera Red			
		D - MJ 2008>>			
(1)	987 552 102 24	dashboard Upper part Leather Valid from: F 98-8U750 642>> F 98-8U770 454>>	rhd	1	PR:099, 639, 640, 981
	987 552 102 24 A11	Black			
	987 552 102 24 5X6	Stone grey			
	987 552 102 24 8G2	Sand beige			
	987 552 102 24 3S9	sea blue			
	987 552 102 24 9S5	Terracotta			
	987 552 102 24 9V6	Cocoa			
	987 552 102 24 D12	Dark grey/natural			
	987 552 102 24 T12	Brown/natural			
	987 552 102 24 N12	Carrera Red			
		D - MJ 2008>>			
2	999 507 971 01	panel nut ST 4,2		X	
3	999 073 155 09	panel screw ST 4,2 X 13		X	
4	999 507 106 02	Clamping washer 8,0		X	
5	999 507 732 01	Clamp 8,0 X 12,0 /4,0		X	
6	999 507 020 01	panel nut ST 4,2		X	
7	997 552 617 01	bracket for dash panel (drivers side)		1	
8	997 552 673 00	Cover Defroster trim		2	

Model: 987 06 Model life 2006>>2008

Pos	Part Number	Description	Remark	Qty	Model
9	999 073 226 09	panel screw ST 4,2 X 16		2	
10	997 552 481 00	Insert A-pillar	left	1	
(10)	997 552 482 00	Insert A-pillar	right	1	
11	999 507 921 01	Clip		2	
12	999 500 132 00	castellated nut M5 Valid up to: F >> 98-8U750 789 F >> 98-8U770 582 F >> 98-8U750 641 F >> 98-8U770 453		2	
12	999 507 319 01	Cage nut M5 Valid from: F 98-8U750 790>> F 98-8U770 583>> F 98-8U750 642>> F 98-8U770 454>>		2	
13	997 552 360 02	Retaining plate for Beverages Bracket Valid up to: F >> 98-8U750 789 F >> 98-8U770 582	lhd	1	PR:098
(13)	997 552 359 02	Retaining plate for Beverages Bracket Valid up to: F >> 98-8U750 641 F >> 98-8U770 453	rhd	1	PR:099
(13)	997 552 360 03	Retaining plate for Beverages Bracket Valid from: F 98-8U750 790>> F 98-8U770 583>>	lhd	1	PR:098
(13)	997 552 359 03	Retaining plate for Beverages Bracket Valid from: F 98-8U750 642>> F 98-8U770 454>>	rhd	1	PR:099

Model: 987 06

Model life 2006>>2008



Model: 987 06 Model life 2006>>2008

Pos	Part Number	Description	Remark	Qty	Model
		Instrument panel trim Upper part			
		with:			
1	987 552 381 01	Accessories Trim (drivers side)	outer lhd	1	CAYMAN PR:098
(1)	987 552 381 01 D07	Volcano grey			
(1)	987 552 382 01	Trim (drivers side)	outer rhd	1	CAYMAN PR:099
(1)	987 552 382 01 D07	Volcano grey			
(1)	987 552 381 02	Trim (drivers side)	outer lhd	1	CAYMAN S PR:098
(1)	987 552 381 02 V04	Galvano silver			
(1)	987 552 382 02	Trim (drivers side)	outer rhd	1	CAYMAN S PR:099
(1)	987 552 382 02 V04	Galvano silver			
(1)	987 552 381 03	Trim (drivers side)	outer lhd	1	PR:098,801
(1)	987 552 381 03 S61	macassar			
(1)	987 552 382 03	Trim (drivers side)	outer rhd	1	PR:099,801
(1)	987 552 382 03 S61	macassar			
(1)	987 552 381 04	Trim	left outer lhd	1	PR:098,802
(1)	987 552 381 04 S62	D >> - MJ 2008 Sycamore wood			
(1)	987 552 382 04	Trim	right outer rhd	1	PR:099,802
(1)	987 552 382 04 S62	D >> - MJ 2008 Sycamore wood			
(1)	987 552 381 05	Trim (drivers side)	outer lhd	1	PR:098,803
(1)	987 552 381 05 A35	Black			
(1)	987 552 382 05	Trim (drivers side)	outer rhd	1	PR:099,803
(1)	987 552 382 05 A35	Black			
(1)	987 552 381 06	Trim (drivers side)	outer lhd	1	PR:098,805
(1)	987 552 381 06 G2X	primed			
(1)	987 552 381 06	Trim (drivers side)	outer lhd	1	CAYMAN S PR:098,758
(1)	987 552 381 06 G2X	D - MJ 2008>> primed			
(1)	987 552 382 06	Trim (drivers side)	outer rhd	1	PR:099,805
(1)	987 552 382 06 G2X	primed			
(1)	987 552 382 06	Trim (drivers side)	outer rhd	1	CAYMAN S PR:099,758
(1)	987 552 382 06 G2X	D - MJ 2008>> primed			
(1)	987 552 986 00	Trim (drivers side)	outer lhd	1	PR:XVP,098
	987 552 986 00 A11	Black			
	987 552 986 00 5X6	Stone grey			
	987 552 986 00 8G2	Sand beige			
	987 552 986 00 3S9	sea blue			
	987 552 986 00 4P2	Palm green			
	987 552 986 00 9S5	D >> - MJ 2007 Terracotta			
	987 552 986 00 9V6	Cocoa			
	987 552 986 00 D12	Dark grey/natural			
	987 552 986 00 T12	Brown/natural			
	987 552 986 00 N12	Carrera Red			

Model: 987 06 Model life 2006>>2008

Pos	Part Number	Description	Remark	Qty	Model
(1)	987 552 986 01	D - MJ 2008>> Trim (drivers side)	outer rhd	1	PR:XVP,099
	987 552 986 01 A11	Black			
	987 552 986 01 5X6	Stone grey			
	987 552 986 01 8G2	Sand beige			
	987 552 986 01 3S9	sea blue			
	987 552 986 01 4P2	Palm green			
	987 552 986 01 9S5	Terracotta >> - MJ 2007			
	987 552 986 01 9V6	Cocoa			
	987 552 986 01 D12	Dark grey/natural			
	987 552 986 01 T12	Brown/natural			
	987 552 986 01 N12	Carrera Red			
2	987 552 383 01	D - MJ 2008>> Trim (drivers side)	inner lhd	1	CAYMAN PR:098
	987 552 383 01 D07	Volcano grey			
(2)	987 552 384 01	Trim (drivers side)	inner rhd	1	CAYMAN PR:099
	987 552 384 01 D07	Volcano grey			
(2)	987 552 383 02	Trim (drivers side)	inner lhd	1	CAYMAN S PR:098
	987 552 383 02 V04	Galvano silver			
(2)	987 552 384 02	Trim (drivers side)	inner rhd	1	CAYMAN S PR:099
	987 552 384 02 V04	Galvano silver			
(2)	987 552 383 03	Trim (drivers side)	inner lhd	1	PR:098,801
	987 552 383 03 S61	macassar			
(2)	987 552 384 03	Trim (drivers side)	inner rhd	1	PR:099,801
	987 552 384 03 S61	macassar			
(2)	987 552 383 04	Trim (drivers side)	inner lhd	1	PR:098,802
	987 552 383 04 S62	Sycamore wood >> - MJ 2008			
(2)	987 552 384 04	Trim (drivers side)	inner rhd	1	PR:099,802
	987 552 384 04 S62	Sycamore wood >> - MJ 2008			
(2)	987 552 383 05	Trim (drivers side)	inner lhd	1	PR:098,803
	987 552 383 05 A35	Black			
(2)	987 552 384 05	Trim (drivers side)	inner rhd	1	PR:099,803
	987 552 384 05 A35	Black			
(2)	987 552 383 06	Trim (drivers side)	inner lhd	1	PR:098,805
	987 552 383 06 G2X	primed			
(2)	987 552 383 06	Trim (drivers side)	inner lhd	1	CAYMAN S PR:098,758
	987 552 383 06 G2X	primed			
(2)	987 552 384 06	Trim (drivers side)	inner rhd	1	PR:099,805
	987 552 384 06 G2X	primed			
(2)	987 552 384 06	Trim (drivers side)	inner rhd	1	CAYMAN S PR:099,758
	987 552 384 06 G2X	primed			
(2)	987 552 987 00	Trim (drivers side)	inner lhd	1	PR:XVP,098

Model: 987 06 Model life 2006>>2008

Pos	Part Number	Description	Remark	Qty	Model
	987 552 987 00 A11	Black			
	987 552 987 00 5X6	Stone grey			
	987 552 987 00 8G2	Sand beige			
	987 552 987 00 3S9	sea blue			
	987 552 987 00 4P2	Palm green			
		D >> - MJ 2007			
	987 552 987 00 9S5	Terracotta			
	987 552 987 00 9V6	Cocoa			
	987 552 987 00 D12	Dark grey/natural			
	987 552 987 00 T12	Brown/natural			
	987 552 987 00 N12	Carrera Red			
		D - MJ 2008>>			
(2)	987 552 987 01	Trim (drivers side)	inner rhd	1	PR:XVP,099
	987 552 987 01 A11	Black			
	987 552 987 01 5X6	Stone grey			
	987 552 987 01 8G2	Sand beige			
	987 552 987 01 3S9	sea blue			
	987 552 987 01 4P2	Palm green			
		D >> - MJ 2007			
	987 552 987 01 9S5	Terracotta			
	987 552 987 01 9V6	Cocoa			
	987 552 987 01 D12	Dark grey/natural			
	987 552 987 01 T12	Brown/natural			
	987 552 987 01 N12	Carrera Red			
		D - MJ 2008>>			
3	987 552 585 01	molding for dashboard	center	1	CAYMAN
	987 552 585 01 D07	Volcano grey			
(3)	987 552 585 02	molding for dashboard	center	1	CAYMAN S
	987 552 585 02 V04	Galvano silver			
(3)	987 552 585 03	molding for dashboard	center	1	PR:801
	987 552 585 03 S61	macassar			
(3)	987 552 585 04	molding for dashboard	center	1	PR:802
		D >> - MJ 2008			
	987 552 585 04 S62	Sycamore wood			
(3)	987 552 585 05	molding for dashboard	center	1	PR:803
	987 552 585 05 A35	Black			
(3)	987 552 585 06	molding for dashboard	center	1	PR:805
	987 552 585 06 G2X	primed			
(3)	987 552 585 06	molding for dashboard	center	1	CAYMAN S PR:758
		D - MJ 2008>>			
	987 552 585 06 G2X	primed			
(3)	987 552 981 00	molding for dashboard	center	1	PR:XVP
	987 552 981 00 A11	Black			
	987 552 981 00 5X6	Stone grey			
	987 552 981 00 8G2	Sand beige			
	987 552 981 00 3S9	sea blue			
	987 552 981 00 4P2	Palm green			
		D >> - MJ 2007			
	987 552 981 00 9S5	Terracotta			
	987 552 981 00 9V6	Cocoa			
	987 552 981 00 D12	Dark grey/natural			
	987 552 981 00 T12	Brown/natural			
	987 552 981 00 N12	Carrera Red			
		D - MJ 2008>>			
4	987 552 388 01	molding for dashboard (passenger side)	lhd	1	CAYMAN PR:098
	987 552 388 01 D07	Volcano grey			
(4)	987 552 387 01	molding for dashboard (passenger side)	rhd	1	CAYMAN PR:099
	987 552 387 01 D07	Volcano grey			
(4)	987 552 388 02	molding for dashboard	lhd	1	CAYMAN S

Model: 987 06 Model life 2006>>2008

Pos	Part Number	Description	Remark	Qty	Model
		(passenger side)			PR:098
(4)	987 552 388 02 V04	Galvano silver			
	987 552 387 02	molding for dashboard (passenger side)	rhd	1	CAYMAN S PR:099
	987 552 387 02 V04	Galvano silver			
(4)	987 552 388 03	molding for dashboard (passenger side)	lhd	1	PR:098,801
	987 552 388 03 S61	macassar			
(4)	987 552 387 03	molding for dashboard (passenger side)	rhd	1	PR:099,801
	987 552 387 03 S61	macassar			
(4)	987 552 388 04	molding for dashboard (passenger side)	lhd	1	PR:098,802
		D >> - MJ 2008			
	987 552 388 04 S62	Sycamore wood			
(4)	987 552 387 04	molding for dashboard (passenger side)	rhd	1	PR:099,802
		D >> - MJ 2008			
	987 552 387 04 S62	Sycamore wood			
(4)	987 552 388 05	molding for dashboard (passenger side)	lhd	1	PR:098,803
	987 552 388 05 A35	Black			
(4)	987 552 387 05	molding for dashboard (passenger side)	rhd	1	PR:099,803
	987 552 387 05 A35	Black			
(4)	987 552 388 06	molding for dashboard (passenger side)	lhd	1	PR:098,805
	987 552 388 06 G2X	primed			
(4)	987 552 388 06	molding for dashboard (passenger side)	lhd	1	CAYMAN S PR:098,758
		D - MJ 2008>>			
	987 552 388 06 G2X	primed			
(4)	987 552 387 06	molding for dashboard (passenger side)	rhd	1	PR:099,805
	987 552 387 06 G2X	primed			
(4)	987 552 387 06	molding for dashboard (passenger side)	rhd	1	CAYMAN S PR:099,758
		D - MJ 2008>>			
	987 552 387 06 G2X	primed			
(4)	987 552 982 00	molding for dashboard (passenger side)	lhd	1	PR:XVP,098
	987 552 982 00 A11	Black			
	987 552 982 00 5X6	Stone grey			
	987 552 982 00 8G2	Sand beige			
	987 552 982 00 3S9	sea blue			
	987 552 982 00 4P2	Palm green			
		D >> - MJ 2007			
	987 552 982 00 9S5	Terracotta			
	987 552 982 00 9V6	Cocoa			
	987 552 982 00 D12	Dark grey/natural			
	987 552 982 00 T12	Brown/natural			
	987 552 982 00 N12	Carrera Red			
		D - MJ 2008>>			
(4)	987 552 982 01	molding for dashboard (passenger side)	rhd	1	PR:XVP,099
	987 552 982 01 A11	Black			
	987 552 982 01 5X6	Stone grey			
	987 552 982 01 8G2	Sand beige			
	987 552 982 01 3S9	sea blue			
	987 552 982 01 4P2	Palm green			
		D >> - MJ 2007			
	987 552 982 01 9S5	Terracotta			
	987 552 982 01 9V6	Cocoa			

Model: 987 06 Model life 2006>>2008

Pos	Part Number	Description	Remark	Qty	Model
5	987 552 982 01 D12	Dark grey/natural			
	987 552 982 01 T12	Brown/natural			
	987 552 982 01 N12	Carrera Red			
		D - MJ 2008>>			
	987 552 023 00	Instrument box (complete) Lacquered	lhd	1	PR:098
	987 552 023 00 A03	Black			
	987 552 023 00 5V7	Stone grey			
	987 552 023 00 5Z1	Sand beige			
	987 552 023 00 8W7	sea blue			
	987 552 023 00 5Y2	Palm green			
(5)	987 552 024 00	Instrument box (complete) Lacquered	rhd	1	PR:099
	987 552 024 00 A03	Black			
	987 552 024 00 5V7	Stone grey			
	987 552 024 00 5Z1	Sand beige			
	987 552 024 00 8W7	sea blue			
	987 552 024 00 5Y2	Palm green			
(5)	987 552 023 01	Instrument box (complete) D >> - MJ 2007	lhd	1	PR:098, 981
	987 552 023 01 FSA	black/grey			
	987 552 023 01 FSB	Stone grey/stone grey			
	987 552 023 01 FSC	Sand beige/sand beige			
	987 552 023 01 FSD	Sea blue/grey			
	987 552 023 01 FSE	Palmgreen/palmgreen			
	987 552 023 01 FSF	Terracotta/terracotta			
	987 552 023 01 FSG	Cocoa/Cocoa			
	987 552 023 01 FSH	Darkgrey natural/grey			
	987 552 023 01 FSJ	Brown nat./brown nat.			
(5)	987 552 023 02	Instrument box (complete)	lhd	1	PR:098, 981
	987 552 023 02 FSA	black/grey			
	987 552 023 02 FSB	Stone grey/stone grey			
	987 552 023 02 FSC	Sand beige/sand beige			
	987 552 023 02 FSD	Sea blue/grey			
	987 552 023 02 FSF	Terracotta/terracotta			
	987 552 023 02 FSG	Cocoa/Cocoa			
	987 552 023 02 FSH	Darkgrey natural/grey			
	987 552 023 02 FSJ	Brown nat./brown nat.			
	987 552 023 02 FSP	Carrera Red			
(5)	987 552 024 01	Instrument box (complete) D >> - MJ 2007	rhd	1	PR:099, 981
	987 552 024 01 FSA	black/grey			
	987 552 024 01 FSB	Stone grey/stone grey			
	987 552 024 01 FSC	Sand beige/sand beige			
	987 552 024 01 FSD	Sea blue/grey			
	987 552 024 01 FSE	Palmgreen/palmgreen			
	987 552 024 01 FSF	Terracotta/terracotta			
	987 552 024 01 FSG	Cocoa/Cocoa			
	987 552 024 01 FSH	Darkgrey natural/grey			
	987 552 024 01 FSJ	Brown nat./brown nat.			
(5)	987 552 024 02	Instrument box (complete) D - MJ 2008>>	rhd	1	PR:099, 981
	987 552 024 02 FSA	black/grey			
	987 552 024 02 FSB	Stone grey/stone grey			
	987 552 024 02 FSC	Sand beige/sand beige			
	987 552 024 02 FSD	Sea blue/grey			
	987 552 024 02 FSF	Terracotta/terracotta			

Model: 987 06 Model life 2006>>2008

Pos	Part Number	Description	Remark	Qty	Model
	987 552 024 02 FSG	Cocoa/Cocoa			
	987 552 024 02 FSH	Darkgrey natural/grey			
	987 552 024 02 FSJ	Brown nat./brown nat.			
	987 552 024 02 FSP	Carrera Red			
(5)	987 552 990 08	Instrument box (complete)	lhd	1	PR:XNG,098
	987 552 990 08 A11	Black			
	987 552 990 08 5X6	Stone grey			
	987 552 990 08 8G2	Sand beige			
	987 552 990 08 3S9	sea blue			
	987 552 990 08 4P2	Palm green			
(5)	987 552 990 09	Instrument box (complete)	rhd	1	PR:XNG,099
	987 552 990 09 A11	Black			
	987 552 990 09 5X6	Stone grey			
	987 552 990 09 8G2	Sand beige			
	987 552 990 09 3S9	sea blue			
	987 552 990 09 4P2	Palm green			
(5)	987 552 990 10	Instrument box (complete)	lhd	1	PR:XNG,098, 981
	987 552 990 10 A11	Black			
	987 552 990 10 5X6	Stone grey			
	987 552 990 10 8G2	Sand beige			
	987 552 990 10 3S9	sea blue			
	987 552 990 10 4P2	Palm green			
	987 552 990 10 9S5	Terracotta			
	987 552 990 10 9V6	Cocoa			
	987 552 990 10 D12	Dark grey/natural			
	987 552 990 10 T12	Brown/natural			
	987 552 990 10 N12	Carrera Red			
(5)	987 552 990 11	Instrument box (complete)	rhd	1	PR:XNG,099, 981
	987 552 990 11 A11	Black			
	987 552 990 11 5X6	Stone grey			
	987 552 990 11 8G2	Sand beige			
	987 552 990 11 3S9	sea blue			
	987 552 990 11 4P2	Palm green			
	987 552 990 11 9S5	Terracotta			
	987 552 990 11 9V6	Cocoa			
	987 552 990 11 D12	Dark grey/natural			
	987 552 990 11 T12	Brown/natural			
	987 552 990 11 N12	Carrera Red			
(5)	987 552 990 12	Instrument box (complete)	lhd	1	PR:XCL,098
	987 552 990 12 V04	Galvano silver			
(5)	987 552 990 13	Instrument box (complete)	rhd	1	PR:XCL,099
	987 552 990 13 V04	Galvano silver			
(5)	987 552 325 02	Instrument box Lacquered D - MJ 2008>>	lhd	1	CAYMAN S PR:098,758
	987 552 325 02 A03	Black			
(5)	987 552 326 02	Instrument box Lacquered D - MJ 2008>>	rhd	1	CAYMAN S PR:099,758
	987 552 326 02 A03	Black			
(5)	987 552 990 14	Instrument box (complete) No longer use the part here	lhd	1	PR:XCL,098, 981
	987 552 990 14 V04	Galvano silver			
(5)	987 552 990 14	Instrument box (complete)	lhd	1	PR:XCL,098, 981
	987 552 990 14 A11	Black			

Model: 987 06 Model life 2006>>2008

Pos	Part Number	Description	Remark	Qty	Model
	987 552 990 14 5X6	Stone grey			
	987 552 990 14 8G2	Sand beige			
	987 552 990 14 3S9	sea blue			
	987 552 990 14 9S5	Terracotta			
	987 552 990 14 9V6	Cocoa			
	987 552 990 14 D12	Dark grey/natural			
	987 552 990 14 T12	Brown/natural			
	987 552 990 14 N12	Carrera Red			
(5)	987 552 990 15	Instrument box (complete)	rhd	1	PR:XCL,099, 981
	987 552 990 15 A11	Black			
	987 552 990 15 5X6	Stone grey			
	987 552 990 15 8G2	Sand beige			
	987 552 990 15 3S9	sea blue			
	987 552 990 15 9S5	Terracotta			
	987 552 990 15 9V6	Cocoa			
	987 552 990 15 D12	Dark grey/natural			
	987 552 990 15 T12	Brown/natural			
	987 552 990 15 N12	Carrera Red			
(5)	987 552 990 15	Instrument box (complete)	rhd	1	PR:XCL,099, 981
		No longer use the part here			
	987 552 990 15 V04	Galvano silver			
(6)	987 552 123 01	Instrument box Upper part	lhd	1	PR:098,981
		D >> - MJ 2007			
	987 552 123 01 FSA	black/grey			
	987 552 123 01 FSB	Stone grey/stone grey			
	987 552 123 01 FSC	Sand beige/sand beige			
	987 552 123 01 FSD	Sea blue/grey			
	987 552 123 01 FSE	Palmgreen/palmgreen			
		D >> - MJ 2007			
	987 552 123 01 FSF	Terracotta/terracotta			
	987 552 123 01 FSG	Cocoa/Cocoa			
	987 552 123 01 FSH	Darkgrey natural/grey			
	987 552 123 01 FSJ	Brown nat./brown nat.			
(6)	987 552 123 02	Instrument box Upper part	lhd	1	PR:098,981
		D - MJ 2008>>			
	987 552 123 02 FSA	black/grey			
	987 552 123 02 FSB	Stone grey/stone grey			
	987 552 123 02 FSC	Sand beige/sand beige			
	987 552 123 02 FSD	Sea blue/grey			
	987 552 123 02 FSF	Terracotta/terracotta			
	987 552 123 02 FSG	Cocoa/Cocoa			
	987 552 123 02 FSH	Darkgrey natural/grey			
	987 552 123 02 FSJ	Brown nat./brown nat.			
	987 552 123 02 FSP	Carrera Red			
(6)	987 552 124 01	Instrument box Upper part	rhd	1	PR:099,981
		D >> - MJ 2007			
	987 552 124 01 FSA	black/grey			
	987 552 124 01 FSB	Stone grey/stone grey			
	987 552 124 01 FSC	Sand beige/sand beige			
	987 552 124 01 FSD	Sea blue/grey			
	987 552 124 01 FSE	Palmgreen/palmgreen			
	987 552 124 01 FSF	Terracotta/terracotta			
	987 552 124 01 FSG	Cocoa/Cocoa			
	987 552 124 01 FSH	Darkgrey natural/grey			
	987 552 124 01 FSJ	Brown nat./brown nat.			
(6)	987 552 124 02	Instrument box Upper part	rhd	1	PR:099,981
		D - MJ 2008>>			

Model: 987 06 Model life 2006>>2008

Pos	Part Number	Description	Remark	Qty	Model
	987 552 124 02 FSA	black/grey			
	987 552 124 02 FSB	Stone grey/stone grey			
	987 552 124 02 FSC	Sand beige/sand beige			
	987 552 124 02 FSD	Sea blue/grey			
	987 552 124 02 FSF	Terracotta/terracotta			
	987 552 124 02 FSG	Cocoa/Cocoa			
	987 552 124 02 FSH	Darkgrey natural/grey			
	987 552 124 02 FSJ	Brown nat./brown nat.			
	987 552 124 02 FSP	Carrera Red			
7	987 552 229 00	Trim		1	PR:098
		Combi-instrument			
	987 552 229 00 A03	Black			
	987 552 229 00 5V7	Stone grey			
	987 552 229 00 5Z1	Sand beige			
	987 552 229 00 8W7	sea blue			
	987 552 229 00 5Y2	Palm green			
	987 552 229 00 8X8	Terracotta			
	987 552 229 00 8P9	Cocoa			
	987 552 229 00 T13	Brown/natural			
	987 552 229 00 N23	Carrera Red			
7	987 552 230 00	Trim		1	PR:099
		Combi-instrument			
	987 552 230 00 A03	Black			
	987 552 230 00 5V7	Stone grey			
	987 552 230 00 5Z1	Sand beige			
	987 552 230 00 8W7	sea blue			
	987 552 230 00 5Y2	Palm green			
		D >> - MJ 2007			
	987 552 230 00 8X8	Terracotta			
	987 552 230 00 8P9	Cocoa			
	987 552 230 00 T13	Brown/natural			
	987 552 230 00 N23	Carrera Red			
		D - MJ 2008>>			
(7)	987 552 989 04	Trim	lhd	1	PR:XNG,098
		Combi-instrument			
	987 552 989 04 A11	Black			
	987 552 989 04 5X6	Stone grey			
	987 552 989 04 8G2	Sand beige			
	987 552 989 04 3S9	sea blue			
	987 552 989 04 4P2	Palm green			
		D >> - MJ 2007			
	987 552 989 04 9S5	Terracotta			
	987 552 989 04 9V6	Cocoa			
	987 552 989 04 D12	Dark grey/natural			
	987 552 989 04 T12	Brown/natural			
	987 552 989 04 N12	Carrera Red			
		D - MJ 2008>>			
(7)	987 552 989 05	Trim	rhd	1	PR:XNG,099
		Combi-instrument			
	987 552 989 05 A11	Black			
	987 552 989 05 5X6	Stone grey			
	987 552 989 05 8G2	Sand beige			
	987 552 989 05 3S9	sea blue			
	987 552 989 05 4P2	Palm green			
		D >> - MJ 2007			
	987 552 989 05 9S5	Terracotta			
	987 552 989 05 9V6	Cocoa			
	987 552 989 05 D12	Dark grey/natural			
	987 552 989 05 T12	Brown/natural			
	987 552 989 05 N12	Carrera Red			
		D - MJ 2008>>			
(7)	987 552 989 06	Trim	lhd	1	PR:XCL,098
		Combi-instrument			

Model: 987 06 Model life 2006>>2008

Pos	Part Number	Description	Remark	Qty	Model
(7)	987 552 989 06 V04	Galvano silver			
	987 552 989 07	Trim	rhd	1	PR:XCL,099
		Combi-instrument			
8	987 552 989 07 V04	Galvano silver			
	999 919 235 09	fillister hd. bolt		4	
		ST 3,5 X 8			
9	900 067 416 01	Socket head bolt		2	
		M5 x 27			
10	999 073 226 09	panel screw		5	
		ST 4,2 X 16			
11	987 552 271 01	Bridge	lhd	1	PR:098
	987 552 271 01 A03	Black			
	987 552 271 01 5V7	Stone grey			
	987 552 271 01 5Z1	Sand beige			
	987 552 271 01 8W7	sea blue			
	987 552 271 01 5Y2	Palm green			
	987 552 271 01 8X8	Terracotta			
		D >> - MJ 2007			
	987 552 271 01 8P9	Cocoa			
	987 552 271 01 T13	Brown/natural			
	987 552 271 01 N23	Carrera Red			
		D - MJ 2008>>			
(11)	987 552 272 01	Bridge	rhd	1	PR:099
	987 552 272 01 A03	Black			
	987 552 272 01 5V7	Stone grey			
	987 552 272 01 5Z1	Sand beige			
	987 552 272 01 8W7	sea blue			
	987 552 272 01 5Y2	Palm green			
	987 552 272 01 8X8	Terracotta			
		D >> - MJ 2007			
	987 552 272 01 8P9	Cocoa			
	987 552 272 01 T13	Brown/natural			
	987 552 272 01 N23	Carrera Red			
		D - MJ 2008>>			
11	987 552 978 00	Bridge	lhd	1	PR:XNS,098
	987 552 978 00 A11	Black			
	987 552 978 00 5X6	Stone grey			
	987 552 978 00 8G2	Sand beige			
	987 552 978 00 3S9	sea blue			
	987 552 978 00 4P2	Palm green			
		D >> - MJ 2007			
	987 552 978 00 9S5	Terracotta			
	987 552 978 00 9V6	Cocoa			
	987 552 978 00 D12	Dark grey/natural			
	987 552 978 00 T12	Brown/natural			
	987 552 978 00 N12	Carrera Red			
		D - MJ 2008>>			
(11)	987 552 978 01	Bridge	rhd	1	PR:XNS,099
		Leather			
	987 552 978 01 A11	Black			
	987 552 978 01 5X6	Stone grey			
	987 552 978 01 8G2	Sand beige			
	987 552 978 01 3S9	sea blue			
	987 552 978 01 4P2	Palm green			
		D >> - MJ 2007			
	987 552 978 01 9S5	Terracotta			
	987 552 978 01 9V6	Cocoa			
	987 552 978 01 D12	Dark grey/natural			
	987 552 978 01 T12	Brown/natural			
	987 552 978 01 N12	Carrera Red			
		D - MJ 2008>>			
12	997 552 294 03	Drinks holder	lhd	1	PR:098
(12)	997 552 293 04	Drinks holder	rhd	1	PR:099

Model: 987 06 Model life 2006>>2008

Pos	Part Number	Description	Remark	Qty	Model
-	997 552 905 00	repair set Flap torsion spring for Beverages Bracket		1	
13	997 552 394 01	Retainer for trim	right lhd	1	CAYMAN PR:098
(13)	997 552 394 01 D07	Volcano grey			
(13)	997 552 393 01	Retainer for trim	right rhd	1	CAYMAN PR:099
(13)	997 552 393 01 D07	Volcano grey			
(13)	997 552 394 02	Retainer for trim	right lhd	1	CAYMAN S PR:098
(13)	997 552 394 02 V04	Galvano silver			
(13)	997 552 393 02	Retainer for trim	right rhd	1	CAYMAN S PR:099
(13)	997 552 393 02 V04	Galvano silver			
(13)	997 552 396 05	Retainer for trim	right lhd	1	PR:098,803
(13)	997 552 396 05 A35	Black			
(13)	997 552 395 05	Retainer for trim	right rhd	1	PR:099,803
(13)	997 552 395 05 A35	Black			
(13)	987 552 394 00	Trim for drinks holder	right lhd	1	PR:098,805
(13)	987 552 394 00 G2X	primed			
(13)	987 552 394 00	Trim for drinks holder	right lhd	1	CAYMAN S PR:098,758
(13)	987 552 394 00 G2X	primed			
(13)	987 552 393 00	Trim for drinks holder	right rhd	1	PR:099,805
(13)	987 552 393 00 G2X	primed			
(13)	987 552 393 00	Trim for drinks holder	right rhd	1	CAYMAN S PR:099,758
(13)	987 552 393 00 G2X	primed			
(13)	997 552 993 00	Leather panel	right lhd	1	PR:XVP,098
	997 552 993 00 A11	Black			
	997 552 993 00 5X6	Stone grey			
	997 552 993 00 8G2	Sand beige			
	997 552 993 00 3S9	sea blue			
	997 552 993 00 4P2	Palm green			
	D	>> - MJ 2007			
	997 552 993 00 9S5	Terracotta			
	997 552 993 00 9V6	Cocoa			
	997 552 993 00 D12	Dark grey/natural			
	997 552 993 00 T12	Brown/natural			
	997 552 993 00 N12	Carrera Red			
(13)	997 552 993 01	Leather panel	right rhd	1	PR:XVP,099
	997 552 993 01 A11	Black			
	997 552 993 01 5X6	Stone grey			
	997 552 993 01 8G2	Sand beige			
	997 552 993 01 3S9	sea blue			
	997 552 993 01 4P2	Palm green			
	D	>> - MJ 2007			
	997 552 993 01 9S5	Terracotta			
	997 552 993 01 9V6	Cocoa			
	997 552 993 01 D12	Dark grey/natural			
	997 552 993 01 T12	Brown/natural			
	997 552 993 01 N12	Carrera Red			
14	997 552 398 00	Retainer for trim	lhd	1	CAYMAN

Model: 987 06 Model life 2006>>2008

Pos	Part Number	Description	Remark	Qty	Model
			center		PR:098
(14)	997 552 398 00 D07 997 552 397 00	Volcano grey Retainer for trim	center rhd	1	CAYMAN PR:099
(14)	997 552 397 00 D07 997 552 398 01	Volcano grey Retainer for trim	center lhd	1	CAYMAN S PR:098
(14)	997 552 398 01 V04 997 552 397 01	Galvano silver Retainer for trim	center rhd	1	CAYMAN S PR:099
(14)	997 552 397 01 V04 997 552 398 04	Galvano silver Retainer for trim	center lhd	1	PR:098,803
(14)	997 552 398 04 A35 997 552 397 04	Black Retainer for trim	center rhd	1	PR:099,803
(14)	997 552 397 04 A35 987 552 392 00	Black Retainer for trim	center lhd	1	PR:098,805
(14)	987 552 392 00 G2X 987 552 392 00	primed Retainer for trim	center lhd	1	CAYMAN S PR:098,758
(14)	987 552 392 00 G2X 987 552 391 00	D - MJ 2008>> primed Retainer for trim	center rhd	1	PR:099,805
(14)	987 552 391 00 G2X 987 552 391 00	primed Retainer for trim	center rhd	1	CAYMAN S PR:099,758
(14)	987 552 391 00 G2X 997 552 994 00	D - MJ 2008>> primed Leather panel	center lhd	1	PR:XVP,098
	997 552 994 00 A11 997 552 994 00 5X6 997 552 994 00 8G2 997 552 994 00 3S9 997 552 994 00 4P2	Black Stone grey Sand beige sea blue Palm green			
	997 552 994 00 9S5 997 552 994 00 9V6 997 552 994 00 D12 997 552 994 00 T12 997 552 994 00 N12	D >> - MJ 2007 Terracotta Cocoa Dark grey/natural Brown/natural Carrera Red			
(14)	997 552 994 01	D - MJ 2008>> Leather panel	center rhd	1	PR:XVP,099
	997 552 994 01 A11 997 552 994 01 5X6 997 552 994 01 8G2 997 552 994 01 3S9 997 552 994 01 4P2	Black Stone grey Sand beige sea blue Palm green			
	997 552 994 01 9S5 997 552 994 01 9V6 997 552 994 01 D12 997 552 994 01 T12 997 552 994 01 N12	D >> - MJ 2007 Terracotta Cocoa Dark grey/natural Brown/natural Carrera Red			
15	997 552 396 01	D - MJ 2008>> Retainer for trim	left lhd	1	CAYMAN PR:098
(15)	997 552 396 01 D07 997 552 395 01	Volcano grey Retainer for trim	left rhd	1	CAYMAN

Model: 987 06 Model life 2006>>2008

Pos	Part Number	Description	Remark	Qty	Model
					PR:099
(15)	997 552 395 01 D07 997 552 396 02	Volcano grey Retainer for trim	left lhd	1	CAYMAN S PR:098
(15)	997 552 396 02 V04 997 552 395 02	Galvano silver Retainer for trim	left rhd	1	CAYMAN S PR:099
(15)	997 552 395 02 V04 997 552 394 05	Galvano silver Retainer for trim	left lhd	1	PR:098,803
(15)	997 552 394 05 A35 997 552 393 05	Black Retainer for trim	left rhd	1	PR:099,803
(15)	997 552 393 05 A35 987 552 396 00	Black Trim for drinks holder	left lhd	1	PR:098,805
(15)	987 552 396 00 G2X 987 552 396 00	primed Trim for drinks holder	left lhd	1	CAYMAN S PR:098,758
(15)	987 552 396 00 G2X 987 552 395 00	primed Trim for drinks holder	left rhd	1	PR:099,805
(15)	987 552 395 00 G2X 987 552 395 00	primed Trim for drinks holder	left rhd	1	CAYMAN S PR:099,758
(15)	987 552 395 00 G2X 997 552 992 00	primed Leather panel	left lhd	1	PR:XVP,098
		997 552 992 00 A11 Black			
		997 552 992 00 5X6 Stone grey			
		997 552 992 00 8G2 Sand beige			
		997 552 992 00 3S9 sea blue			
		997 552 992 00 4P2 Palm green			
		D >> - MJ 2007			
		997 552 992 00 9S5 Terracotta			
		997 552 992 00 9V6 Cocoa			
		997 552 992 00 D12 Dark grey/natural			
		997 552 992 00 T12 Brown/natural			
		997 552 992 00 N12 Carrera Red			
(15)	997 552 992 01 997 552 992 01 A11	D - MJ 2008>> Leather panel Black	left rhd	1	PR:XVP,099
		997 552 992 01 5X6 Stone grey			
		997 552 992 01 8G2 Sand beige			
		997 552 992 01 3S9 sea blue			
		997 552 992 01 4P2 Palm green			
		D >> - MJ 2007			
		997 552 992 01 9S5 Terracotta			
		997 552 992 01 9V6 Cocoa			
		997 552 992 01 D12 Dark grey/natural			
		997 552 992 01 T12 Brown/natural			
		997 552 992 01 N12 Carrera Red			
16	997 552 904 00	D - MJ 2008>> Set Trim Wood	lhd	1	PR:098,801
(16)	997 552 904 00 S61 997 552 903 00	macassar Set Trim Wood	rhd	1	PR:099,801
16	997 552 903 00 S61 997 552 904 01	macassar Set Trim Wood	lhd	1	PR:098,802

Model: 987 06 Model life 2006>>2008

Pos	Part Number	Description	Remark	Qty	Model
16	997 552 904 01 S62	D >> - MJ 2008 Sycamore wood	rhd	1	PR:099,802
	997 552 903 01	Set Trim Wood			
17	997 552 903 01 S62	D >> - MJ 2008 Sycamore wood		2	
	900 067 416 01	Socket head bolt M5 X 27			
18		Retaining plate Beverages Bracket		1	
19	987 552 371 00	see illustration: Air guide Upper part	809-000	1	PR:639,640
	987 552 371 00 A03	Black			
	987 552 371 00 5V7	Stone grey			
	987 552 371 00 5Z1	Sand beige			
	987 552 371 00 8W7	sea blue			
	987 552 371 00 5Y2	Palm green			
	(19)	987 552 371 01			
987 552 371 01 A11		Black			
987 552 371 01 5X6		Stone grey			
987 552 371 01 8G2		Sand beige			
987 552 371 01 3S9		sea blue			
987 552 371 01 4P2		Palm green			
987 552 371 01 9S5		D >> - MJ 2007 Terracotta			
987 552 371 01 9V6		Cocoa			
987 552 371 01 D12		Dark grey/natural			
987 552 371 01 T12		Brown/natural			
987 552 371 01 N12	Carrera Red				
20	999 507 920 01	D - MJ 2008>> U-clip 1,7-2,1		4	PR:639,640
	997 552 373 01	Retainer, upper part Air guide		1	PR:639,640
22	999 919 203 07	fillister hd. bolt 3,0 X 10		4	
23	987 552 131 03	Air vent D >> - MJ 2007		4	
	987 552 131 03 FNE	Volcano grey/galvanosilver		4	
(23)	987 552 131 04	D - MJ 2008>> Air vent		4	
	987 552 131 04 FRA	Black/Galvano Silver		4	PR:XVR
	987 552 980 00	Air vent		4	
	987 552 980 00 A11	Black			
	987 552 980 00 5X6	Stone grey			
	987 552 980 00 8G2	Sand beige			
	987 552 980 00 3S9	sea blue			
	987 552 980 00 4P2	Palm green			
	987 552 980 00 9S5	D >> - MJ 2007 Terracotta			
	987 552 980 00 9V6	Cocoa			
24	987 552 980 00 D12	Dark grey/natural			
	987 552 980 00 T12	Brown/natural			
	987 552 980 00 N12	Carrera Red			
	987 552 980 00	D - MJ 2008>> Dash panel trim	left	1	
	987 552 537 01	Upper part			
	987 552 537 01 A03	Black			

Model: 987 06 Model life 2006>>2008

Pos	Part Number	Description	Remark	Qty	Model
	987 552 537 01 5V7	Stone grey			
	987 552 537 01 5Z1	Sand beige			
	987 552 537 01 8W7	sea blue			
	987 552 537 01 5Y2	Palm green			
		D >> - MJ 2007			
	987 552 537 01 8X8	Terracotta			
	987 552 537 01 8P9	Cocoa			
	987 552 537 01 T13	Brown/natural			
	987 552 537 01 N23	Carrera Red			
		D - MJ 2008>>			
(24)	987 552 538 01	Dash panel trim	right	1	
		Upper part			
	987 552 538 01 A03	Black			
	987 552 538 01 5V7	Stone grey			
	987 552 538 01 5Z1	Sand beige			
	987 552 538 01 8W7	sea blue			
	987 552 538 01 5Y2	Palm green			
		D >> - MJ 2007			
	987 552 538 01 8X8	Terracotta			
	987 552 538 01 8P9	Cocoa			
	987 552 538 01 T13	Brown/natural			
	987 552 538 01 N23	Carrera Red			
		D - MJ 2008>>			
25	987 552 455 01	Cover	left	1	
		Defroster vent			
	987 552 455 01 A03	Black			
	987 552 455 01 5V7	Stone grey			
	987 552 455 01 5Z1	Sand beige			
	987 552 455 01 8W7	sea blue			
	987 552 455 01 5Y2	Palm green			
		D >> - MJ 2007			
	987 552 455 01 8X8	Terracotta			
	987 552 455 01 8P9	Cocoa			
	987 552 455 01 T13	Brown/natural			
	987 552 455 01 N23	Carrera Red			
		D - MJ 2008>>			
(25)	987 552 456 01	Cover	right	1	
		Defroster vent			
	987 552 456 01 A03	Black			
	987 552 456 01 5V7	Stone grey			
	987 552 456 01 5Z1	Sand beige			
	987 552 456 01 8W7	sea blue			
	987 552 456 01 5Y2	Palm green			
		D >> - MJ 2007			
	987 552 456 01 8X8	Terracotta			
	987 552 456 01 8P9	Cocoa			
	987 552 456 01 T13	Brown/natural			
	987 552 456 01 N23	Carrera Red			
		D - MJ 2008>>			
26	987 552 315 02	Air guide	left	1	
(26)	987 552 316 02	Air guide	right	1	
27	997 552 175 01	Defroster trim	left	1	
	997 552 175 01 A03	Black			
	997 552 175 01 5V7	Stone grey			
	997 552 175 01 5Z1	Sand beige			
	997 552 175 01 8W7	sea blue			
	997 552 175 01 5Y2	Palm green			
		D >> - MJ 2007			
	997 552 175 01 8X8	Terracotta			
	997 552 175 01 8P9	Cocoa			
	997 552 175 01 T13	Brown/natural			

Model: 987 06 Model life 2006>>2008

Pos	Part Number	Description	Remark	Qty	Model
	997 552 175 01 N23	Carrera Red			
(27)	997 552 176 01	D - MJ 2008>> Defroster trim	right	1	
	997 552 176 01 A03	Black			
	997 552 176 01 5V7	Stone grey			
	997 552 176 01 5Z1	Sand beige			
	997 552 176 01 8W7	sea blue			
	997 552 176 01 5Y2	Palm green			
		D >> - MJ 2007			
	997 552 176 01 8X8	Terracotta			
	997 552 176 01 8P9	Cocoa			
	997 552 176 01 T13	Brown/natural			
	997 552 176 01 N23	Carrera Red			
(27)	997 552 983 00	D - MJ 2008>> Defroster trim	left	1	PR:XV1
	997 552 983 00 A11	Black			
	997 552 983 00 5X6	Stone grey			
	997 552 983 00 8G2	Sand beige			
	997 552 983 00 3S9	sea blue			
	997 552 983 00 4P2	Palm green			
		D >> - MJ 2007			
	997 552 983 00 9S5	Terracotta			
	997 552 983 00 9V6	Cocoa			
	997 552 983 00 D12	Dark grey/natural			
	997 552 983 00 T12	Brown/natural			
	997 552 983 00 N12	Carrera Red			
(27)	997 552 984 00	D - MJ 2008>> Defroster trim	right	1	PR:XV1
	997 552 984 00 A11	Black			
	997 552 984 00 5X6	Stone grey			
	997 552 984 00 8G2	Sand beige			
	997 552 984 00 3S9	sea blue			
	997 552 984 00 4P2	Palm green			
		D >> - MJ 2007			
	997 552 984 00 9S5	Terracotta			
	997 552 984 00 9V6	Cocoa			
	997 552 984 00 D12	Dark grey/natural			
	997 552 984 00 T12	Brown/natural			
	997 552 984 00 N12	Carrera Red			
(27)	997 552 983 01	D - MJ 2008>> Defroster trim	left	1	PR: XKJ
		D >> - MJ 2008			
	997 552 983 01 A11	Black			
	997 552 983 01 5X6	Stone grey			
	997 552 983 01 8G2	Sand beige			
	997 552 983 01 3S9	sea blue			
	997 552 983 01 4P2	Palm green			
		D >> - MJ 2007			
	997 552 983 01 9S5	Terracotta			
	997 552 983 01 9V6	Cocoa			
	997 552 983 01 D12	Dark grey/natural			
	997 552 983 01 T12	Brown/natural			
	997 552 983 01 N12	Carrera Red			
(27)	997 552 984 01	D - MJ 2008>> Defroster trim	right	1	PR: XKJ
		D >> - MJ 2008			
	997 552 984 01 A11	Black			
	997 552 984 01 5X6	Stone grey			
	997 552 984 01 8G2	Sand beige			
	997 552 984 01 3S9	sea blue			
	997 552 984 01 4P2	Palm green			
		D >> - MJ 2007			
	997 552 984 01 9S5	Terracotta			
	997 552 984 01 9V6	Cocoa			

Model: 987 06 Model life 2006>>2008

Pos	Part Number	Description	Remark	Qty	Model
(27)	997 552 984 01 D12	Dark grey/natural	left	1	PR:XJS
	997 552 984 01 T12	Brown/natural			
	997 552 984 01 N12	Carrera Red			
	997 552 983 02	Defroster trim			
		D >> - MJ 2008			
	997 552 983 02 A11	Black			
	997 552 983 02 5X6	Stone grey			
	997 552 983 02 8G2	Sand beige			
	997 552 983 02 3S9	sea blue			
	997 552 983 02 4P2	Palm green			
		D >> - MJ 2007			
	997 552 983 02 9S5	Terracotta			
	997 552 983 02 9V6	Cocoa			
	997 552 983 02 D12	Dark grey/natural			
997 552 983 02 T12	Brown/natural				
997 552 983 02 N12	Carrera Red				
(27)	997 552 984 02	Defroster trim	right	1	PR:XJS
		D >> - MJ 2008			
	997 552 984 02 A11	Black			
	997 552 984 02 5X6	Stone grey			
	997 552 984 02 8G2	Sand beige			
	997 552 984 02 3S9	sea blue			
	997 552 984 02 4P2	Palm green			
		D >> - MJ 2007			
	997 552 984 02 9S5	Terracotta			
	997 552 984 02 9V6	Cocoa			
	997 552 984 02 D12	Dark grey/natural			
	997 552 984 02 T12	Brown/natural			
	997 552 984 02 N12	Carrera Red			
	(27)	997 552 983 03			
		D >> - MJ 2008			
997 552 983 03 A11		Black			
997 552 983 03 5X6		Stone grey			
997 552 983 03 8G2		Sand beige			
997 552 983 03 3S9		sea blue			
997 552 983 03 4P2		Palm green			
		D >> - MJ 2007			
997 552 983 03 9S5		Terracotta			
997 552 983 03 9V6		Cocoa			
997 552 983 03 D12		Dark grey/natural			
997 552 983 03 T12		Brown/natural			
997 552 983 03 N12		Carrera Red			
(27)		997 552 984 03	Defroster trim	right	1
		D >> - MJ 2008			
	997 552 984 03 A11	Black			
	997 552 984 03 5X6	Stone grey			
	997 552 984 03 8G2	Sand beige			
	997 552 984 03 3S9	sea blue			
	997 552 984 03 4P2	Palm green			
		D >> - MJ 2007			
	997 552 984 03 9S5	Terracotta			
	997 552 984 03 9V6	Cocoa			
	997 552 984 03 D12	Dark grey/natural			
	997 552 984 03 T12	Brown/natural			
	997 552 984 03 N12	Carrera Red			
	28	999 591 307 01	U-clip		
29	997 552 351 01	Trim	center	1	
	997 552 351 01 A03	Black			
	997 552 351 01 5V7	Stone grey			
	997 552 351 01 5Z1	Sand beige			
	997 552 351 01 8W7	sea blue			
	997 552 351 01 5Y2	Palm green			
		D >> - MJ 2007			

Model: 987 06 Model life 2006>>2008

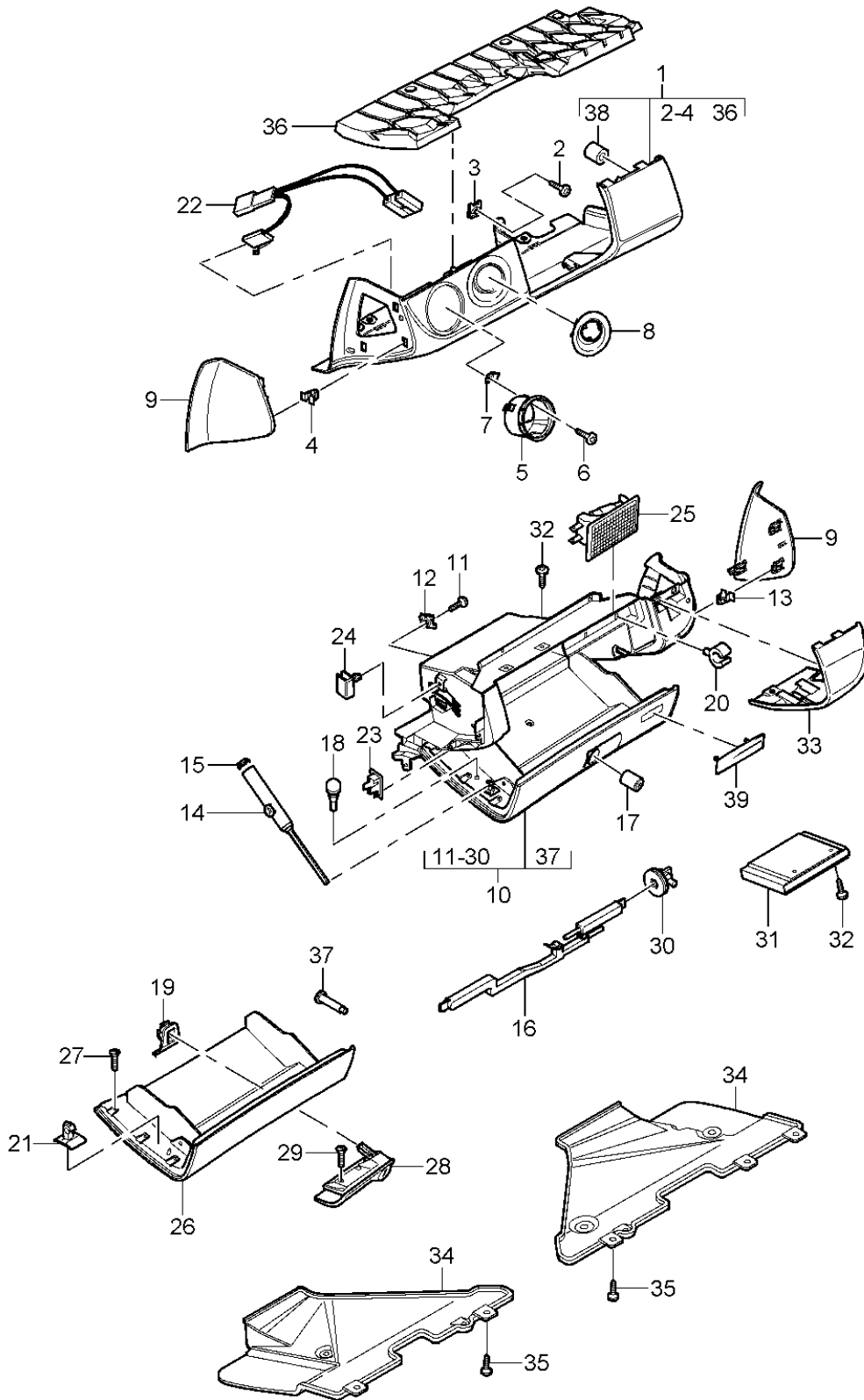
Pos	Part Number	Description	Remark	Qty	Model
	997 552 351 01 8X8	Terracotta			
	997 552 351 01 8P9	Cocoa			
	997 552 351 01 T13	Brown/natural			
	997 552 351 01 N23	Carrera Red			
		D - MJ 2008>>			
(29)	997 552 985 00	Leather panel	center	1	PR: XV1
	997 552 985 00 A11	Black			
	997 552 985 00 5X6	Stone grey			
	997 552 985 00 8G2	Sand beige			
	997 552 985 00 3S9	sea blue			
	997 552 985 00 4P2	Palm green			
		D >> - MJ 2007			
	997 552 985 00 9S5	Terracotta			
	997 552 985 00 9V6	Cocoa			
	997 552 985 00 D12	Dark grey/natural			
	997 552 985 00 T12	Brown/natural			
	997 552 985 00 N12	Carrera Red			
		D - MJ 2008>>			
(29)	997 552 985 00	Leather panel	center	1	PR: XKJ
		D >> - MJ 2008			
	997 552 985 00 A11	Black			
	997 552 985 00 5X6	Stone grey			
	997 552 985 00 8G2	Sand beige			
	997 552 985 00 3S9	sea blue			
	997 552 985 00 4P2	Palm green			
		D >> - MJ 2007			
	997 552 985 00 9S5	Terracotta			
	997 552 985 00 9V6	Cocoa			
	997 552 985 00 D12	Dark grey/natural			
	997 552 985 00 T12	Brown/natural			
	997 552 985 00 N12	Carrera Red			
(29)	997 552 985 00	Leather panel	center	1	PR: XJS
		D >> - MJ 2008			
	997 552 985 00 A11	Black			
	997 552 985 00 5X6	Stone grey			
	997 552 985 00 8G2	Sand beige			
	997 552 985 00 3S9	sea blue			
	997 552 985 00 4P2	Palm green			
		D >> - MJ 2007			
	997 552 985 00 9S5	Terracotta			
	997 552 985 00 9V6	Cocoa			
	997 552 985 00 D12	Dark grey/natural			
	997 552 985 00 T12	Brown/natural			
	997 552 985 00 N12	Carrera Red			
(29)	997 552 985 00	Leather panel	center	1	PR: XJR
		D >> - MJ 2008			
	997 552 985 00 A11	Black			
	997 552 985 00 5X6	Stone grey			
	997 552 985 00 8G2	Sand beige			
	997 552 985 00 3S9	sea blue			
	997 552 985 00 4P2	Palm green			
		D >> - MJ 2007			
	997 552 985 00 9S5	Terracotta			
	997 552 985 00 9V6	Cocoa			
	997 552 985 00 D12	Dark grey/natural			
	997 552 985 00 T12	Brown/natural			
	997 552 985 00 N12	Carrera Red			
30	997 552 645 00	Seal		1	
		Scuttle			
31	987 552 397 02	Trim		1	
		Hazard warning light sw.			
	987 552 397 02 A03	Black			
	987 552 397 02 5V7	Stone grey			

Model: 987 06 Model life 2006>>2008

Pos	Part Number	Description	Remark	Qty	Model
	987 552 397 02 5Z1	Sand beige			
	987 552 397 02 8W7	sea blue			
	987 552 397 02 5Y2	Palm green			
		D >> - MJ 2007			
	987 552 397 02 8X8	Terracotta			
	987 552 397 02 8P9	Cocoa			
	987 552 397 02 T13	Brown/natural			
	987 552 397 02 N23	Carrera Red			
		D - MJ 2008>>			
32	987 552 595 00	Support Switch Central locking system		1	

Model: 987 06

Model life 2006>>2008



Model: 987 06 Model life 2006>>2008

Pos	Part Number	Description	Remark	Qty	Model
1	997 552 201 02	Glove box Cover and Trim (drivers side) Trim lower section Leatherette	lhd	1	PR:098
	997 552 201 02 1MZ	Black			
	997 552 201 02 1YP	Stone grey			
	997 552 201 02 1TK	Sand beige			
	997 552 201 02 1VM	sea blue			
	997 552 201 02 1UL	Palm green			
(1)	997 552 202 02	D >> - MJ 2007 Trim lower section Leatherette	rhd	1	PR:099
	997 552 202 02 1MZ	Black			
	997 552 202 02 1YP	Stone grey			
	997 552 202 02 1TK	Sand beige			
	997 552 202 02 1VM	sea blue			
	997 552 202 02 1UL	Palm green			
(1)	997 552 201 03	D >> - MJ 2007 Trim lower section Leather	lhd	1	PR:098,981
	997 552 201 03 A11	Black			
	997 552 201 03 5X6	Stone grey			
	997 552 201 03 8G2	Sand beige			
	997 552 201 03 3S9	sea blue			
	997 552 201 03 4P2	Palm green			
	997 552 201 03 9S5	Terracotta			
	997 552 201 03 9V6	Cocoa			
	997 552 201 03 D12	Dark grey/natural			
	997 552 201 03 T12	Brown/natural			
	997 552 201 03 N12	Carrera Red			
(1)	997 552 202 03	D - MJ 2008>> Trim lower section Leather	rhd	1	PR:099,981
	997 552 202 03 A11	Black			
	997 552 202 03 5X6	Stone grey			
	997 552 202 03 8G2	Sand beige			
	997 552 202 03 3S9	sea blue			
	997 552 202 03 4P2	Palm green			
	997 552 202 03 9S5	Terracotta			
	997 552 202 03 9V6	Cocoa			
	997 552 202 03 D12	Dark grey/natural			
	997 552 202 03 T12	Brown/natural			
	997 552 202 03 N12	Carrera Red			
	997 552 202 03	D - MJ 2008>>			
2	999 073 155 09	panel screw 4,2 X 13		7	
3	999 507 971 01	panel nut 4,2		7	
4	999 507 732 01	Clamp 8 X 12/ 4 for Mount		7	
5	997 552 427 01	Trim Light switch		1	
	997 552 427 01 A03	Black			
	997 552 427 01 5V7	Stone grey			
	997 552 427 01 5Z1	Sand beige			

Model: 987 06 Model life 2006>>2008

Pos	Part Number	Description	Remark	Qty	Model
	997 552 427 01 8W7	sea blue			
	997 552 427 01 5Y2	Palm green			
		D >> - MJ 2007			
	997 552 427 01 8X8	Terracotta			
	997 552 427 01 8P9	Cocoa			
	997 552 427 01 T13	Brown/natural			
	997 552 427 01 N23	Carrera Red			
		D - MJ 2008>>			
6	999 073 155 09	panel screw		3	
		4,2 X 13			
7	999 507 971 01	panel nut		3	
		4,2			
		for			
		Mount			
		Trim			
		Light switch			
8	997 552 425 01	Trim	lhd	1	PR:098
		Ignition starter lock			
	997 552 425 01 A03	Black			
	997 552 425 01 5V7	Stone grey			
	997 552 425 01 5Z1	Sand beige			
	997 552 425 01 8W7	sea blue			
	997 552 425 01 5Y2	Palm green			
		D >> - MJ 2007			
	997 552 425 01 8X8	Terracotta			
	997 552 425 01 8P9	Cocoa			
	997 552 425 01 T13	Brown/natural			
	997 552 425 01 N23	Carrera Red			
		D - MJ 2008>>			
(8)	997 552 426 01	Trim	rhd	1	PR:099
		Ignition starter lock			
	997 552 426 01 A03	Black			
	997 552 426 01 5V7	Stone grey			
	997 552 426 01 5Z1	Sand beige			
	997 552 426 01 8W7	sea blue			
	997 552 426 01 5Y2	Palm green			
		D >> - MJ 2007			
	997 552 426 01 8X8	Terracotta			
	997 552 426 01 8P9	Cocoa			
	997 552 426 01 T13	Brown/natural			
	997 552 426 01 N23	Carrera Red			
		D - MJ 2008>>			
9	997 552 405 02	Trim	left	1	
	997 552 405 02 A03	Black			
	997 552 405 02 5V7	Stone grey			
	997 552 405 02 5Z1	Sand beige			
	997 552 405 02 8W7	sea blue			
	997 552 405 02 5Y2	Palm green			
		D >> - MJ 2007			
	997 552 405 02 8X8	Terracotta			
	997 552 405 02 8P9	Cocoa			
	997 552 405 02 T13	Brown/natural			
	997 552 405 02 N23	Carrera Red			
		D - MJ 2008>>			
(9)	997 552 406 02	Trim	right side	1	
		(drivers side)			
	997 552 406 02 A03	Black			
	997 552 406 02 5V7	Stone grey			
	997 552 406 02 5Z1	Sand beige			
	997 552 406 02 8W7	sea blue			
	997 552 406 02 5Y2	Palm green			
		D >> - MJ 2007			

Model: 987 06 Model life 2006>>2008

Pos	Part Number	Description	Remark	Qty	Model
	997 552 406 02 8X8	Terracotta			
	997 552 406 02 8P9	Cocoa			
	997 552 406 02 T13	Brown/natural			
	997 552 406 02 N23	Carrera Red			
		D - MJ 2008>>			
10	997 552 204 04	Glove box	lhd	1	PR:098
		Leatherette (complete)			
		Valid up to:			
		F >> 98-8U750 789			
		F >> 98-8U770 582			
	997 552 204 04 1MZ	Black			
	997 552 204 04 1YP	Stone grey			
	997 552 204 04 1TK	Sand beige			
	997 552 204 04 1VM	sea blue			
	997 552 204 04 1UL	Palm green			
		D >> - MJ 2007			
(10)	997 552 203 04	Glove box	rhd	1	PR:099
		Leatherette (complete)			
		Valid up to:			
		F >> 98-8U750 641			
		F >> 98-8U770 453			
	997 552 203 04 1MZ	Black			
	997 552 203 04 1YP	Stone grey			
	997 552 203 04 1TK	Sand beige			
	997 552 203 04 1VM	sea blue			
	997 552 203 04 1UL	Palm green			
		D >> - MJ 2007			
10	997 552 204 06	Glove box	lhd	1	PR:098
		Leatherette (complete)			
		Valid from:			
		F 98-8U750 790>>			
		F 98-8U770 583>>			
	997 552 204 06 1MZ	Black			
	997 552 204 06 1YP	Stone grey			
	997 552 204 06 1TK	Sand beige			
	997 552 204 06 1VM	sea blue			
(10)	997 552 203 06	Glove box	rhd	1	PR:099
		Leatherette (complete)			
		Valid from:			
		F 98-8U750 642>>			
		F 98-8U770 454>>			
	997 552 203 06 1MZ	Black			
	997 552 203 06 1YP	Stone grey			
	997 552 203 06 1TK	Sand beige			
	997 552 203 06 1VM	sea blue			
10	997 552 204 05	Glove box	lhd	1	PR:098,981
		Leather (complete)			
		Valid up to:			
		F >> 98-8U750 789			
		F >> 98-8U770 582			
	997 552 204 05 A11	Black			
	997 552 204 05 5X6	Stone grey			
	997 552 204 05 8G2	Sand beige			
	997 552 204 05 3S9	sea blue			
	997 552 204 05 4P2	Palm green			
		D >> - MJ 2007			
	997 552 204 05 9S5	Terracotta			
	997 552 204 05 9V6	Cocoa			

Model: 987 06 Model life 2006>>2008

Pos	Part Number	Description	Remark	Qty	Model	
(10)	997 552 204 05 D12	Dark grey/natural				
	997 552 204 05 T12	Brown/natural				
	997 552 204 05 N12	Carrera Red				
	997 552 203 05	Glove box Leather (complete) Valid up to: F >> 98-8U750 641 F >> 98-8U770 453	rhd	1	PR:099,981	
	997 552 203 05 A11	Black				
	997 552 203 05 5X6	Stone grey				
	997 552 203 05 8G2	Sand beige				
	997 552 203 05 3S9	sea blue				
	997 552 203 05 4P2	Palm green				
		D >> - MJ 2007				
	997 552 203 05 9S5	Terracotta				
	997 552 203 05 9V6	Cocoa				
	997 552 203 05 D12	Dark grey/natural				
	997 552 203 05 T12	Brown/natural				
997 552 203 05 N12	Carrera Red					
10	997 552 204 07	D - MJ 2008>> Glove box Leather (complete) Valid from: F 98-8U750 790>> F 98-8U770 583>>	lhd	1	PR:098,981	
	997 552 204 07 A11	Black				
	997 552 204 07 5X6	Stone grey				
	997 552 204 07 8G2	Sand beige				
	997 552 204 07 3S9	sea blue				
	997 552 204 07 9S5	Terracotta				
	997 552 204 07 9V6	Cocoa				
	997 552 204 07 D12	Dark grey/natural				
	997 552 204 07 T12	Brown/natural				
	997 552 204 07 N12	Carrera Red				
	(10)	997 552 203 07	Glove box Leather (complete) Valid from: F 98-8U750 642>> F 98-8U770 454>>	rhd	1	PR:099,981
		997 552 203 07 A11	Black			
		997 552 203 07 5X6	Stone grey			
		997 552 203 07 8G2	Sand beige			
997 552 203 07 3S9		sea blue				
997 552 203 07 9S5		Terracotta				
997 552 203 07 9V6		Cocoa				
997 552 203 07 D12		Dark grey/natural				
997 552 203 07 T12		Brown/natural				
997 552 203 07 N12		Carrera Red				
(10)		987 552 204 04	Glove box Leatherette (complete) D - MJ 2008>>	lhd	1	Cayman S PR:098,758
		987 552 204 04 1MZ	Black			
(10)		987 552 203 07	Glove box Leatherette (complete) D - MJ 2008>>	rhd	1	Cayman S PR:099,758
		987 552 203 07 1MZ	Black			
(10)	987 552 204 05	Glove box Leather	lhd	1	Cayman S PR:098,758,	

Model: 987 06 Model life 2006>>2008

Pos	Part Number	Description	Remark	Qty	Model
		(complete) D - MJ 2008>>			981
(10)	987 552 204 05 A11 987 552 204 05 5X6 987 552 204 05	Black Stone grey Glove box Leather (complete) D - MJ 2008>> - MJ 2008	lhd	1	Cayman S PR:098,755, 981
(10)	987 552 204 05 A11 987 552 203 05	Black Glove box Leather (complete) D - MJ 2008>>	rhd	1	Cayman S PR:099,758, 981
(10)	987 552 203 05 A11 987 552 203 05 5X6 987 552 203 05	Black Stone grey Glove box Leather (complete) D - MJ 2008>> - MJ 2008	rhd	1	Cayman S PR:099,755, 981
11	987 552 203 05 A11 999 073 155 09	Black panel screw 4,2 X 13		X	
12	999 507 971 01	panel nut 4,2		X	
13	999 507 732 01	Clamp 8 X 12 /4 for Mount		X	
14	997 552 484 01	Glove box Damper		1	
15	997 552 612 00	Glove box Cover		1	
16	997 552 410 01	Damper Release	lhd	1	PR:098
(16)	997 552 409 01	Glove box Release	rhd	1	PR:099
17	996 552 915 01	Glove box Lock cylinders Vehicle Ident. No. Indicate		1	
18	997 555 533 01	Stop Glove box F >> 98-6U770 260		2	
18	999 703 068 40	Stop buffer 3,7 x 10,3 Glove box F 98-6U770 261>>		2	
19	997 552 509 02	Support Closing element	left lhd	1	PR:098
(19)	997 552 510 02	Support Closing element	right lhd	1	PR:098
(19)	997 552 509 03	Support Closing element	left rhd	1	PR:099
(19)	997 552 510 03	Support Closing element	right rhd	1	PR:099
20	996 552 813 00	Pen holder		2	
21	996 552 879 00	Adapter for Damper		2	
22	997 612 651 00	Wire set Glove box light		1	
23	999 650 564 40	Clip for		1	

Model: 987 06 Model life 2006>>2008

Pos	Part Number	Description	Remark	Qty	Model
24	999 650 565 40	Wire set Micro switch Clip for Wire set		1	
25	997 632 071 00	Glove box light		1	
26	997 552 252 02	Glove compartment cover Leatherette	lhd	1	PR:098
	997 552 252 02 1MZ	Black			
	997 552 252 02 1YP	Stone grey			
	997 552 252 02 1TK	Sand beige			
	997 552 252 02 1VM	sea blue			
	997 552 252 02 1UL	Palm green			
		D >> - MJ 2007			
(26)	997 552 251 02	Glove compartment cover Leatherette	rhd	1	PR:099
	997 552 251 02 1MZ	Black			
	997 552 251 02 1YP	Stone grey			
	997 552 251 02 1TK	Sand beige			
	997 552 251 02 1VM	sea blue			
	997 552 251 02 1UL	Palm green			
		D >> - MJ 2007			
(26)	997 552 252 03	Glove compartment cover Leather	lhd	1	PR:098,981
	997 552 252 03 A11	Black			
	997 552 252 03 5X6	Stone grey			
	997 552 252 03 8G2	Sand beige			
	997 552 252 03 3S9	sea blue			
	997 552 252 03 4P2	Palm green			
		D >> - MJ 2007			
	997 552 252 03 9S5	Terracotta			
	997 552 252 03 9V6	Cocoa			
	997 552 252 03 D12	Dark grey/natural			
	997 552 252 03 T12	Brown/natural			
	997 552 252 03 N12	Carrera Red			
		D - MJ 2008>>			
(26)	997 552 251 03	Glove compartment cover Leather	rhd	1	PR:099,981
	997 552 251 03 A11	Black			
	997 552 251 03 5X6	Stone grey			
	997 552 251 03 8G2	Sand beige			
	997 552 251 03 3S9	sea blue			
	997 552 251 03 4P2	Palm green			
		D >> - MJ 2007			
	997 552 251 03 9S5	Terracotta			
	997 552 251 03 9V6	Cocoa			
	997 552 251 03 D12	Dark grey/natural			
	997 552 251 03 T12	Brown/natural			
	997 552 251 03 N12	Carrera Red			
		D - MJ 2008>>			
(26)	987 552 252 01	Glove compartment cover Leatherette	lhd	1	Cayman S PR:098,758
		D - MJ 2008>>			
	987 552 252 01 1MZ	Black			
(26)	987 552 251 03	Glove compartment cover Leatherette	rhd	1	Cayman S PR:099,758
		D - MJ 2008>>			
	987 552 251 03 1MZ	Black			
(26)	987 552 252 02	Glove compartment cover Leather	lhd	1	Cayman S PR:098,758, 981
		D - MJ 2008>>			
	987 552 252 02 A11	Black			

Model: 987 06 Model life 2006>>2008

Pos	Part Number	Description	Remark	Qty	Model
(26)	987 552 252 02 5X6 987 552 252 02	Stone grey Glove compartment cover Leather D - MJ 2008>> - MJ 2008	lhd	1	Cayman S PR:098,755, 981
(26)	987 552 252 02 A11 987 552 251 01	Black Glove compartment cover Leather D - MJ 2008>>	rhd	1	Cayman S PR:099,758, 981
(26)	987 552 251 01 A11 987 552 251 01 5X6 987 552 251 01	Black Stone grey Glove compartment cover Leather D - MJ 2008>> - MJ 2008	rhd	1	Cayman S PR:099,755, 981
27	987 552 251 01 A11 999 073 249 07	Black panel screw 3.5 X 12 for Mount Glove compartment cover		11	
28	997 552 362 01 997 552 362 01 A03 997 552 362 01 5V7 997 552 362 01 5Z1 997 552 362 01 8W7 997 552 362 01 5Y2 997 552 362 01 8X8 997 552 362 01 8P9 997 552 362 01 T13 997 552 362 01 N23	handle (complete) Black Stone grey Sand beige sea blue Palm green D >> - MJ 2007 Terracotta Cocoa Brown/natural Carrera Red D - MJ 2008>>	lhd	1	PR:098
(28)	997 552 361 01 997 552 361 01 A03 997 552 361 01 5V7 997 552 361 01 5Z1 997 552 361 01 8W7 997 552 361 01 5Y2 997 552 361 01 8X8 997 552 361 01 8P9 997 552 361 01 T13 997 552 361 01 N23	handle (complete) Black Stone grey Sand beige sea blue Palm green D >> - MJ 2007 Terracotta Cocoa Brown/natural Carrera Red D - MJ 2008>>	rhd	1	PR:099
29	999 073 240 01	Screw M 4 X 10 for Mount handle		2	
30	997 552 448 00	Stop		1	
31	997 552 663 00	Box for cds		1	PR:424
(31)	997 552 665 00	Trim Box for cds		1	
32	999 073 240 01	Screw M 4 X 10		2	
33	997 552 256 02 997 552 256 02 1MZ 997 552 256 02 1YP 997 552 256 02 1TK 997 552 256 02 1VM	Trim (passenger side) Leatherette Black Stone grey Sand beige sea blue	lhd	1	PR:098

Model: 987 06 Model life 2006>>2008

Pos	Part Number	Description	Remark	Qty	Model
(33)	997 552 256 02 1UL	Palm green D >> - MJ 2007			
	997 552 255 02	Trim (passenger side) Leatherette	rhd	1	PR:099
	997 552 255 02 1MZ	Black			
	997 552 255 02 1YP	Stone grey			
	997 552 255 02 1TK	Sand beige			
	997 552 255 02 1VM	sea blue			
	997 552 255 02 1UL	Palm green D >> - MJ 2007			
33	997 552 256 03	Leather panel (passenger side)	lhd	1	PR:098,981
	997 552 256 03 A11	Black			
	997 552 256 03 5X6	Stone grey			
	997 552 256 03 8G2	Sand beige			
	997 552 256 03 3S9	sea blue			
	997 552 256 03 4P2	Palm green D >> - MJ 2007			
	997 552 256 03 9S5	Terracotta			
	997 552 256 03 9V6	Cocoa			
	997 552 256 03 D12	Dark grey/natural			
	997 552 256 03 T12	Brown/natural			
	997 552 256 03 N12	Carrera Red D - MJ 2008>>			
(33)	997 552 255 03	Leather panel (passenger side)	rhd	1	PR:099,981
	997 552 255 03 A11	Black			
	997 552 255 03 5X6	Stone grey			
	997 552 255 03 8G2	Sand beige			
	997 552 255 03 3S9	sea blue			
	997 552 255 03 4P2	Palm green D >> - MJ 2007			
	997 552 255 03 9S5	Terracotta			
	997 552 255 03 9V6	Cocoa			
	997 552 255 03 D12	Dark grey/natural			
	997 552 255 03 T12	Brown/natural			
	997 552 255 03 N12	Carrera Red D - MJ 2008>>			
34	997 552 414 01	Trim Footwell (passenger side)	lhd	1	PR:098
(34)	997 552 413 01	Trim Footwell (passenger side)	rhd	1	PR:099
35	1H0 819 943	round hd. screw for Mount Trim Footwell		X	
36	997 552 451 01	Insert	lhd	1	PR:098
(36)	997 552 452 01	Insert	rhd	1	PR:099
37	997 552 649 01	Hinge bolt Glove box		2	
38	997 552 821 00	Grommet		3	
39		Badge Vehicle Ident. No. Indicate Special model		1	PR:755
(39)		D - MJ 2008>> - MJ 2008 Badge Vehicle Ident. No. Indicate		1	PR:758

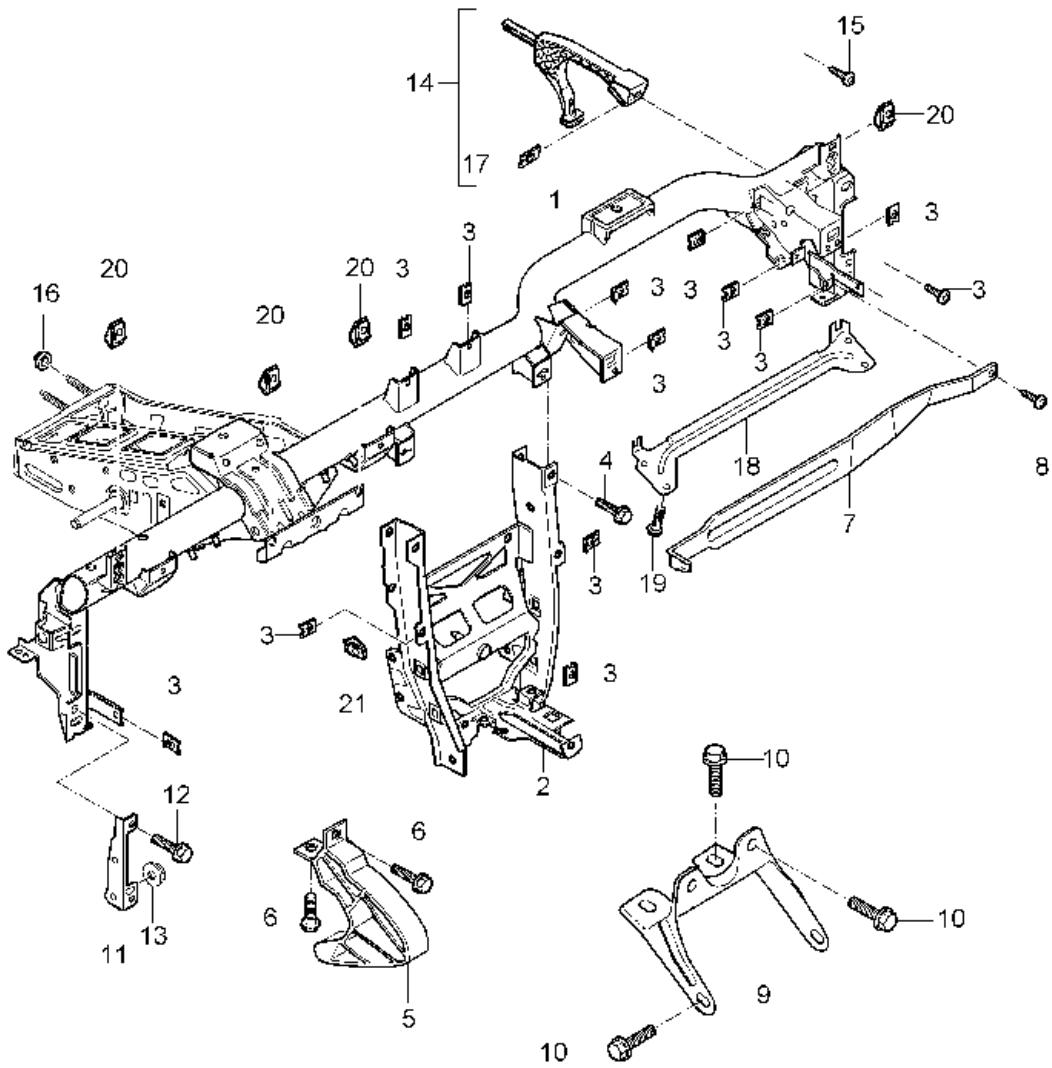
Model: 987 06

Model life 2006>>2008

Pos	Part Number	Description	Remark	Qty	Model
		Special model D - MJ 2008>> - MJ 2008			

Model: 987 06

Model life 2006>>2008



Model: 987 06 Model life 2006>>2008

Pos	Part Number	Description	Remark	Qty	Model
1	997 552 063 03	retaining frame dashboard			
(1)	997 552 063 04	retaining frame	lhd	1	PR:098
		retaining frame	rhd	1	PR:099
		D >> - MJ 2007			
(1)	997 552 063 06	retaining frame	rhd	1	PR:099
		D - MJ 2008>>			
2	997 552 163 05	Support tunnel	lhd	1	PR:098
(2)	997 552 163 06	Support tunnel	rhd	1	PR:099
3	999 507 020 01	panel nut ST 4,2 for Mount retaining frame and Support tunnel		X	
4	900 378 305 01	Hexagon bolt M 8 X 65 for Mount Support		2	
9	997 552 515 01	Bracket tunnel		1	
10	999 073 442 01	Screw M 6 X 25 for Mount Bracket tunnel		X	
11	997 552 407 01	bracket for dash panel	left	1	
(11)	997 552 408 01	bracket for dash panel	right	1	
		A-pillar			
12	900 378 176 01	Hexagon bolt M 8 X 20 for Mount Bracket A-pillar		4	
13	999 084 630 09	Hexagon nut M 8 for Mount Bracket A-pillar		4	
14	997 552 401 00	Retainer for support frame heater		1	
15	999 073 155 09	panel screw ST 4,2 X 13 for Mount Bracket heater		1	
16	997 423 299 01	Nut for Adjustment retaining frame		2	
17	999 507 971 01	Firewall panel nut ST 4,2		1	

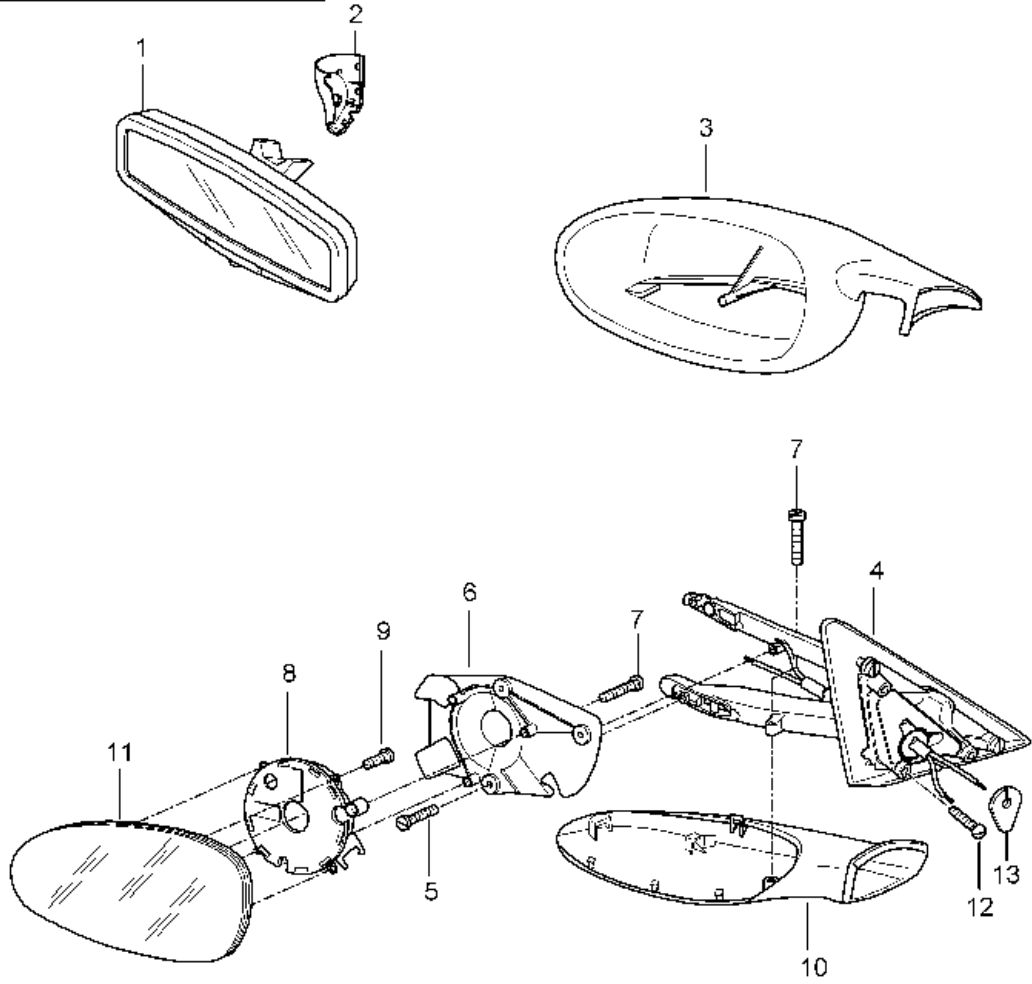
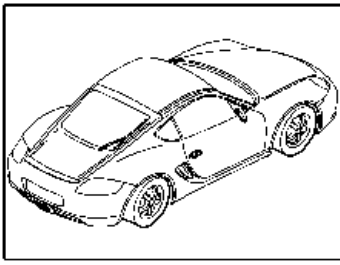
Model: 987 06

Model life 2006>>2008

Pos	Part Number	Description	Remark	Qty	Model
18	997 552 603 01	for Mount Bracket heater Reinforcement plate Bracket Airbag		1	
19	900 378 222 09	Hexagon bolt M 6 X 16		4	
20	999 591 850 01	panel nut ST 4,2		X	
21	999 591 951 03	panel nut ST 4,2		X	

Model: 987 06

Model life 2006>>2008



Model: 987 06

Model life 2006>>2008

Pos	Part Number	Description	Remark	Qty	Model
1	996 731 511 00	Interior mirror Exterior mirror Interior mirror Discontinued part		1	
	996 731 511 00 01C	Satin black			
1	987 731 511 04	Interior mirror		1	
	987 731 511 04 01C	Black			
(1)	987 731 511 00	Interior mirror, automatic anti-dazzle		1	PR:267
	987 731 511 00 01C	Satin black			
2	997 731 811 00	Cover	left	1	PR:267
	997 731 811 00 01C	Interior mirror Satin black			
2	997 731 812 00	Cover	right	1	PR:267
	997 731 812 00 01C	Interior mirror Satin black			
3	997 731 619 00	Exterior mirror housing	left	1	
	997 731 619 00 G2L	primed			
(3)	997 731 620 00	Exterior mirror housing	right	1	
	997 731 620 00 G2L	primed			
4	997 731 219 00	Mirror base	left lhd	1	PR:098
	997 731 219 00 G2L	Exterior mirror primed			
		with:			
(4)	997 731 220 00	Wire set Mirror base	right lhd	1	PR:098
	997 731 220 00 G2L	Exterior mirror primed			
		with:			
(4)	997 731 219 01	Wire set Mirror base	left lhd	1	PR:537,098
	997 731 219 01 G2L	Exterior mirror primed			
		with:			
(4)	997 731 220 01	Wire set Mirror base	right lhd	1	PR:537,098
	997 731 220 01 G2L	Exterior mirror primed			
		with:			
(4)	997 731 219 02	Wire set Mirror base	left lhd	1	PR:098,267
	997 731 219 02 G2L	Exterior mirror primed			
		with:			
(4)	997 731 220 02	Wire set Mirror base	right lhd	1	PR:098,267
	997 731 220 02 G2L	Exterior mirror primed			
		with:			
(4)	997 731 219 03	Wire set Mirror base	left lhd	1	PR:267,537, 098
	997 731 219 03 G2L	Exterior mirror primed			
		with:			
(4)	997 731 220 03	Wire set Mirror base	right lhd	1	PR:267,537, 098
	997 731 220 03 G2L	Exterior mirror primed			
		with:			
(4)	997 731 219 04	Wire set Mirror base	left rhd	1	PR:099
	997 731 219 04 G2L	Exterior mirror primed			

Model: 987 06 Model life 2006>>2008

Pos	Part Number	Description	Remark	Qty	Model
(4)	997 731 220 04	Wire set Mirror base Exterior mirror primed	right rhd	1	PR:099
	997 731 220 04 G2L				
(4)	997 731 219 05	Wire set Mirror base Exterior mirror primed	left rhd	1	PR:099,538
	997 731 219 05 G2L				
(4)	997 731 220 05	Wire set Mirror base Exterior mirror primed	right rhd	1	PR:099,538
	997 731 220 05 G2L				
(4)	997 731 219 06	Wire set Mirror base Exterior mirror primed	left rhd	1	PR:099,267
	997 731 219 06 G2L				
(4)	997 731 220 06	Wire set Mirror base Exterior mirror primed	right rhd	1	PR:099,267
	997 731 220 06 G2L				
(4)	997 731 219 07	Wire set Mirror base Exterior mirror primed	left	1	PR:267,538
	997 731 219 07 G2L				
(4)	997 731 220 07	Wire set Mirror base Exterior mirror primed	right	1	PR:267,538
	997 731 220 07 G2L				
5	999 919 024 09	Wire set fillister hd. bolt 3,0 X 12		2	
6	997 731 519 00	plate Exterior mirror	left	1	
(6)	997 731 520 00	plate Exterior mirror	right	1	
7	999 141 043 02	fillister hd. bolt 3,0 X 14		8	
8	997 624 047 00	Adjusting motor Discontinued part		2	
8	997 624 047 01	Adjusting motor		2	
8	7PP 959 578 D	Adjusting motor Exterior mirror		2	PR:-537,-538
(8)	997 624 048 00	Adjusting motor Discontinued part		2	PR:537,538
(8)	997 624 048 01	Adjusting motor		2	PR:537,538
9	999 141 043 02	fillister hd. bolt M 3,0 X 14		6	
10	997 731 719 00	Trim for exterior mirror housing	left lower	1	
	997 731 719 00 G2L	primed			
(10)	997 731 720 00	Trim for exterior mirror housing	right lower	1	
	997 731 720 00 G2L	primed			
11	997 731 035 00	Mirror glass (flat)	left lhd	1	PR:098,270
(11)	997 731 035 01	Mirror (aspherical)	left lhd	1	PR:098,271

Model: 987 06 Model life 2006>>2008

Pos	Part Number	Description	Remark	Qty	Model
(11)	997 731 035 02	Aspherical Mirror glass (flat)	left lhd	1	PR:098,267, 270
		Dimmable D >> - MJ 2006			
(11)	997 731 035 04	Mirror glass (flat)	left lhd	1	PR:098,267, 270
		Dimmable D - MJ 2007>>			
(11)	997 731 035 03	Mirror (aspherical)	left lhd	1	PR:098,267, 271
		Aspherical Dimmable D >> - MJ 2006			
(11)	997 731 035 05	Mirror (aspherical)	left lhd	1	PR:098,267, 271
		Aspherical Dimmable D - MJ 2007>>			
(11)	997 731 037 00	Mirror glass (convex)	left rhd	1	PR:099
(11)	997 731 037 01	Mirror glass (convex)	left rhd	1	PR:099,267
		Dimmable D >> - MJ 2006			
(11)	997 731 037 02	Mirror glass (convex)	left rhd	1	PR:099,267
		Dimmable D - MJ 2007>>			
(11)	997 731 038 00	Mirror glass (convex)	right lhd	1	PR:098
(11)	997 731 038 01	Mirror glass (convex)	right lhd	1	PR:098 "ROK"
(11)	997 731 038 02	Mirror glass (convex)	right lhd	1	PR:215,098
(11)	997 731 038 03	Mirror glass (convex)	right lhd	1	PR:098,267
		Dimmable D >> - MJ 2006			
(11)	997 731 038 06	Mirror glass (convex)	right lhd	1	PR:098,267
		Dimmable D - MJ 2007>>			
(11)	997 731 038 04	Mirror glass (convex)	right lhd	1	PR:267,098 "ROK"
		Dimmable D >> - MJ 2006			
(11)	997 731 038 07	Mirror glass (convex)	right lhd	1	PR:267,098 "ROK"
		Dimmable D - MJ 2007>>			
(11)	997 731 038 05	Mirror glass (convex)	right lhd	1	PR:215,267, 098
		Dimmable D >> - MJ 2006			
(11)	997 731 038 08	Mirror glass (convex)	right lhd	1	PR:215,267, 098
		Dimmable D - MJ 2007>>			
(11)	997 731 036 00	Mirror glass (flat)	right rhd	1	PR:099,270
(11)	997 731 036 01	Mirror (aspherical)	right rhd	1	PR:099,271
		Aspherical			
(11)	997 731 036 02	Mirror glass (flat)	right rhd	1	PR:099,267, 270
		Dimmable D >> - MJ 2006			
(11)	997 731 036 04	Mirror glass (flat)	right rhd	1	PR:099,267, 270
		Dimmable D - MJ 2007>>			
(11)	997 731 036 03	Mirror (aspherical)	right rhd	1	PR:099,267, 271
		Aspherical			

Model: 987 06

Model life 2006>>2008

Pos	Part Number	Description	Remark	Qty	Model
(11)	997 731 036 05	Dimmable D >> - MJ 2006 Mirror (aspherical) Aspherical Dimmable	right rhd	1	PR:099,267, 271
12	999 073 345 09	D - MJ 2007>> Oval-head screw M 5 X 18		3	
13	997 537 731 00	Seal Cable plug Mirror base		1	
13	997 537 733 00	D >> - MJ 2006 Seal Cable plug Mirror base D - MJ 2007>>		1	

Model: 987 06 Model life 2006>>2008

Pos	Part Number	Description	Remark	Qty	Model
1	997 553 111 03	Centre console Carrier	front front	1	
2	999 507 476 01	Centre console Clamp 8,0 x 10,0/2,5		6	
3	999 507 971 01	panel nut st 4,2		X	
4	999 073 155 09	panel screw st 4,2 x 13		X	
5	997 553 117 05	Trim	left side	1	PR:-618, -619,-668, -669
		Leatherette			
	997 553 117 05 9L4	Black			
	997 553 117 05 9M5	Stone grey			
	997 553 117 05 9C6	Sand beige			
	997 553 117 05 9D7	sea blue			
	997 553 117 05 9E8	Palm green			
		D >> - MJ 2007			
(5)	997 553 118 05	Trim	right side	1	PR:-618, -619,-668, -669
		Leatherette			
	997 553 118 05 9L4	Black			
	997 553 118 05 9M5	Stone grey			
	997 553 118 05 9C6	Sand beige			
	997 553 118 05 9D7	sea blue			
	997 553 118 05 9E8	Palm green			
		D >> - MJ 2007			
5	997 553 117 06	Leather panel	left side	1	PR:981,618, 619,668,669
	997 553 117 06 FSA	black/grey			
	997 553 117 06 FSB	Stone grey/stone grey			
	997 553 117 06 FSC	Sand beige/sand beige			
	997 553 117 06 FSD	Sea blue/grey			
	997 553 117 06 FSE	Palmgreen/palmgreen			
		D >> - MJ 2007			
	997 553 117 06 FSF	Terracotta/terracotta			
	997 553 117 06 FSG	Cocoa/Cocoa			
	997 553 117 06 FSH	Darkgrey natural/grey			
	997 553 117 06 FSJ	Brown nat./brown nat.			
	997 553 117 06 FSP	Carrera Red			
		D - MJ 2008>>			
(5)	997 553 118 06	Leather panel	right side	1	PR:981,618, 619,668,669
	997 553 118 06 FSA	black/grey			
	997 553 118 06 FSB	Stone grey/stone grey			
	997 553 118 06 FSC	Sand beige/sand beige			
	997 553 118 06 FSD	Sea blue/grey			
	997 553 118 06 FSE	Palmgreen/palmgreen			
		D >> - MJ 2007			
	997 553 118 06 FSF	Terracotta/terracotta			
	997 553 118 06 FSG	Cocoa/Cocoa			
	997 553 118 06 FSH	Darkgrey natural/grey			
	997 553 118 06 FSJ	Brown nat./brown nat.			
	997 553 118 06 FSP	Carrera Red			
		D - MJ 2008>>			
-		Trim	side	1	
		with: preparation for telephone see illustration:			
6	999 591 508 02	Cage nut ST 4,2 for Mount	911-010 side	4	

Model: 987 06 Model life 2006>>2008

Pos	Part Number	Description	Remark	Qty	Model
6	999 591 508 01	Trim D >> - MJ 2006 Cage nut st 4,2 for Mount Trim	side	4	
7	999 073 226 09	D - MJ 2007>> panel screw ST 4,2 X 16 for Mount Trim	side	4	
8	997 553 361 01	Support	center	1	
9	999 084 629 01	Hexagon nut M6		4	
10	997 553 131 01	Cover Footwell outlet vent Carpet	left	1	
	997 553 131 01 A10	Black			
	997 553 131 01 B10	Stone grey			
	997 553 131 01 T10	Sand beige			
	997 553 131 01 E10	sea blue			
	997 553 131 01 J10	Palm green			
	D >> - MJ 2007				
	997 553 131 01 M10	Terracotta			
	997 553 131 01 R10	Cocoa			
	997 553 131 01 D11	Dark grey/natural			
	997 553 131 01 T11	Brown/natural			
	997 553 131 01 N10	Carrera Red			
(10)	997 553 132 01	D - MJ 2008>> Cover Footwell outlet vent Carpet	right lhd	1	PR:098,621
	997 553 132 01 A10	Black			
	997 553 132 01 B10	Stone grey			
	997 553 132 01 T10	Sand beige			
	997 553 132 01 E10	sea blue			
	997 553 132 01 J10	Palm green			
	D >> - MJ 2007				
	997 553 132 01 M10	Terracotta			
	997 553 132 01 R10	Cocoa			
	997 553 132 01 D11	Dark grey/natural			
	997 553 132 01 T11	Brown/natural			
	997 553 132 01 N10	Carrera Red			
(10)	997 553 132 02	D - MJ 2008>> Cover Footwell outlet vent Carpet	right	1	
	997 553 132 02 A10	Black			
	997 553 132 02 B10	Stone grey			
	997 553 132 02 T10	Sand beige			
	997 553 132 02 E10	sea blue			
	997 553 132 02 J10	Palm green			
	D >> - MJ 2007				
	997 553 132 02 M10	Terracotta			
	997 553 132 02 R10	Cocoa			
	997 553 132 02 D11	Dark grey/natural			
	997 553 132 02 T11	Brown/natural			
	997 553 132 02 N10	Carrera Red			
11	999 073 223 07	D - MJ 2008>> fillister hd. bolt M 6 X 25		2	

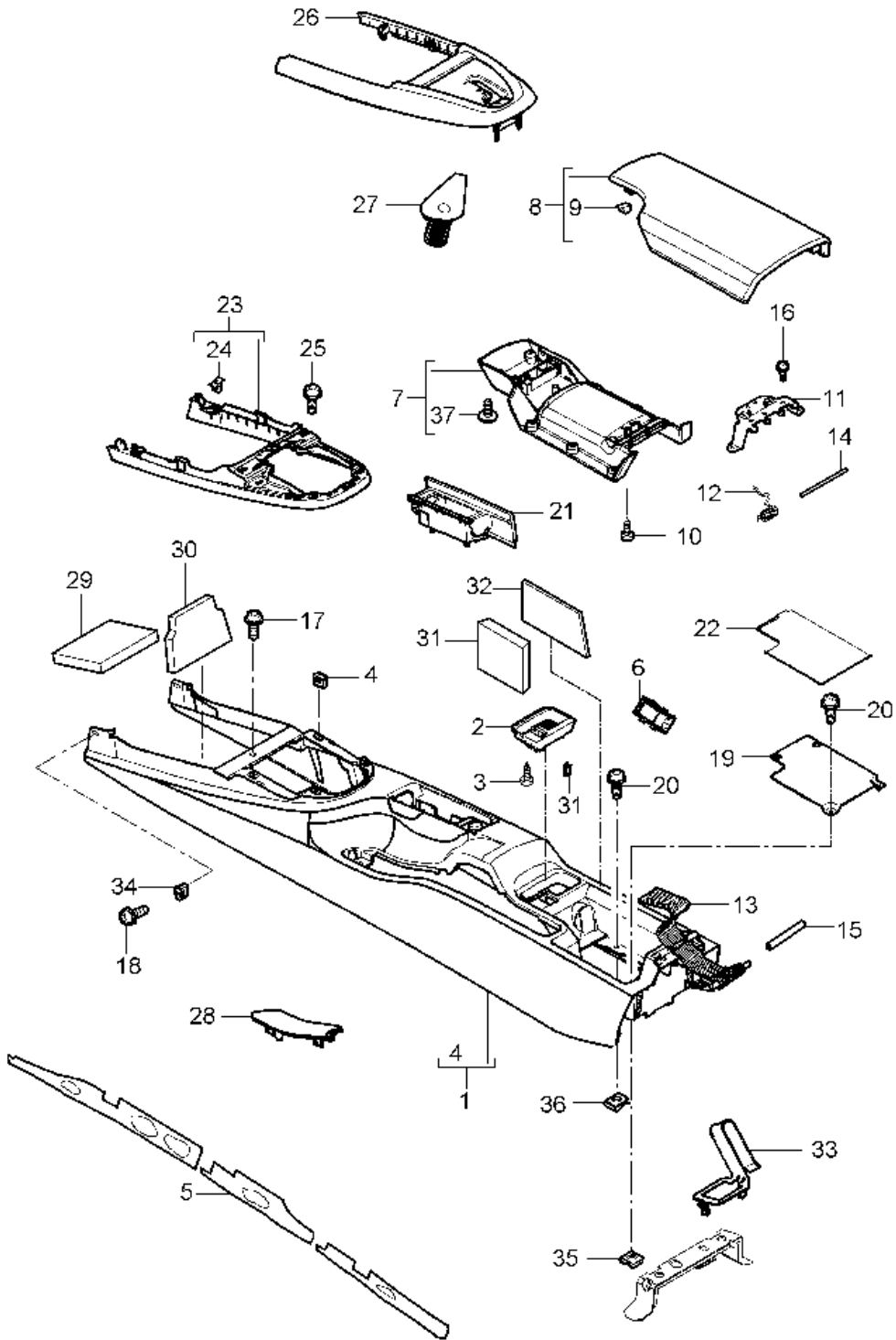
Model: 987 06

Model life 2006>>2008

Pos	Part Number	Description	Remark	Qty	Model
12	999 507 766 02	panel nut M 6		2	
13	997 553 143 01	Stowage compartment Centre console	front	1	
	997 553 143 01 D07	Volcano grey			
14	997 553 543 01	Insert for centre console		1	
		Stowage compartment			
15	999 919 164 09	fillister hd. bolt 5,0 X 12,0		X	

Model: 987 06

Model life 2006>>2008



Model: 987 06 Model life 2006>>2008

Pos	Part Number	Description	Remark	Qty	Model
(1)	997 553 901 00	Centre console	rear	1	
	997 553 901 00 A03	Black			
	997 553 901 00 5V7	Stone grey			
	997 553 901 00 5Z1	Sand beige			
	997 553 901 00 8W7	sea blue			
	997 553 901 00 5Y2	Palm green			
		D >> - MJ 2007			
	997 553 901 00 8X8	Terracotta			
	997 553 901 00 8P9	Cocoa			
	997 553 901 00 T13	Brown/natural			
	997 553 901 00 N23	Carrera Red			
		D - MJ 2008>>			
(1)	997 553 980 48	Centre console		1	PR:XMZ
		Leather			
	997 553 980 48 A11	Black			
	997 553 980 48 5X6	Stone grey			
	997 553 980 48 8G2	Sand beige			
	997 553 980 48 3S9	sea blue			
	997 553 980 48 4P2	Palm green			
		D >> - MJ 2007			
	997 553 980 48 9S5	Terracotta			
	997 553 980 48 9V6	Cocoa			
	997 553 980 48 D12	Dark grey/natural			
	997 553 980 48 T12	Brown/natural			
	997 553 980 48 N12	Carrera Red			
		D - MJ 2008>>			
(1)	997 553 980 52	Centre console		1	PR:XMJ
		Carbon			
	997 553 980 52 A35	Black			
(1)	997 553 980 02	Centre console	rear	1	PR:XJU, 370
		D >> - MJ 2008			
	997 553 980 02 S62	Sycamore wood			
(1)	997 553 980 02	Centre console	rear	1	PR:XJU, 438
		D >> - MJ 2008			
	997 553 980 02 S62	Sycamore wood			
(1)	997 553 980 32	Centre console	rear	1	PR:XJU, 376
		D >> - MJ 2008			
	997 553 980 32 S62	Sycamore wood			
(1)	997 553 980 32	Centre console	rear	1	PR:XJU, 378
		D >> - MJ 2008			
	997 553 980 32 S62	Sycamore wood			
(1)	997 553 980 32	Centre console	rear	1	PR:XJU, 389
		D - MJ 2008>> - MJ 2008			
	997 553 980 32 S62	Sycamore wood			
(1)	997 553 980 56	Centre console		1	PR:XJT
	997 553 980 56 S61	macassar			
(1)	997 553 980 60	Centre console		1	PR:XCK
	997 553 980 60 V04	Galvano silver			
(1)	997 553 980 64	Centre console		1	PR:XME
	997 553 980 64 041	Black			
	997 553 980 64 84A	guards red (Porsche)			
	997 553 980 64 B9A	Carrara white			
	997 553 980 64 12H	Speed yellow			
	997 553 980 64 92U	Arctic silver metallic			
	997 553 980 64 M3W	Carmon red metallic			
		D >> - MJ 2007			
	997 553 980 64 M5W	Lapis blue metallic			
		D >> - MJ 2007			
	997 553 980 64 M6W	Lagoon green metallic			
		D >> - MJ 2007			
	997 553 980 64 C9Z	Basalt black metallic			
	997 553 980 64 M7X	Atlas grey metallic			

Model: 987 06 Model life 2006>>2008

Pos	Part Number	Description	Remark	Qty	Model
	997 553 980 64 39C	Midnight Blue Metallic			
	997 553 980 64 6B4	Seal grey metallic			
	997 553 980 64 M7W	Meteor Grey Metallic			
		D - MJ 2007>>			
	997 553 980 64 2B4	Forest green metallic			
	997 553 980 64 3C8	Cobalt blue metallic			
	997 553 980 64 23F	Slate grey metallic			
	997 553 980 64 M7Z	GT Silver Metallic			
	997 553 980 64 M6X	Dark olive-metallic			
	997 553 980 64 M8W	Macadamia Metallic			
		D - MJ 2008>>			
	997 553 980 64 8A7	Ruby red metallic			
		D - MJ 2008>>			
	997 553 980 64 2B5	Malachite Green Metallic			
		D - MJ 2008>>			
(1)	997 553 980 64	Centre console		1	PR:XME, 758
		D - MJ 2008>> - MJ 2008			
	997 553 980 64 041	Black			
(1)	997 553 980 65	Centre console		1	PR:XME, 560, 758
		D - MJ 2008>> - MJ 2008			
	997 553 980 65 041	Black			
(1)	997 553 997 01	Protective film		2	
		Centre console			
		See technical manual			
		681749			
2	997 553 575 02	Insert		1	
		Locking mechanism			
		Centre console			
3	997 553 575 02 01C	Satin black			
	999 919 159 09	fillister hd. bolt		1	
		4 X 12			
4	999 591 210 40	expanding nut		4	
		4,2			
5	997 553 843 00	Sound absorber	left	1	
(5)	997 553 844 00	Sound absorber	right	1	
6	997 553 579 00	Dummy cover		1	
		Lacquered			
		D >> - MJ 2008			
	997 553 579 00 A03	Black			
	997 553 579 00 5V7	Stone grey			
	997 553 579 00 5Z1	Sand beige			
	997 553 579 00 8W7	sea blue			
	997 553 579 00 5Y2	Palm green			
		D >> - MJ 2007			
	997 553 579 00 8X8	Terracotta			
	997 553 579 00 8P9	Cocoa			
	997 553 579 00 T13	Brown/natural			
	997 553 579 00 N23	Carrera Red			
7	997 553 433 01	cover for center console	inner	1	
	997 553 433 01 01C	Satin black			
8	987 553 231 00	cover for center console	outer	1	CAYMAN
	987 553 231 00 1MZ	Black			
	987 553 231 00 1YP	Stone grey			
	987 553 231 00 1TK	Sand beige			
	987 553 231 00 1VM	sea blue			
	987 553 231 00 1UL	Palm green			
		D >> - MJ 2007			
(8)	997 553 231 01	Cover (leather)	outer	1	Cayman PR:981
	997 553 231 01 A11	Black			
	997 553 231 01 5X6	Stone grey			
	997 553 231 01 8G2	Sand beige			
	997 553 231 01 3S9	sea blue			

Model: 987 06 Model life 2006>>2008

Pos	Part Number	Description	Remark	Qty	Model
	997 553 231 01 4P2	Palm green D >> - MJ 2007			
	997 553 231 01 9S5	Terracotta			
	997 553 231 01 9V6	Cocoa			
	997 553 231 01 D12	Dark grey/natural			
	997 553 231 01 T12	Brown/natural			
	997 553 231 01 N12	Carrera Red D - MJ 2008>>			
(8)	997 553 231 01	Cover (leather)	outer	1	Cayman S
	997 553 231 01 A11	Black			
	997 553 231 01 5X6	Stone grey			
	997 553 231 01 8G2	Sand beige			
	997 553 231 01 3S9	sea blue			
	997 553 231 01 4P2	Palm green D >> - MJ 2007			
	997 553 231 01 9S5	Terracotta			
	997 553 231 01 9V6	Cocoa			
	997 553 231 01 D12	Dark grey/natural			
	997 553 231 01 T12	Brown/natural			
	997 553 231 01 N12	Carrera Red D - MJ 2008>>			
9	999 507 972 01	panel nut 3,5		8	
10	999 073 153 01	panel screw 3,5 X 14		8	
11	997 553 437 01	Hinge		1	
12	997 553 439 00	Leg spring		1	
13	997 553 441 00	Belt		1	
14	997 553 447 00	axle		1	
15	997 553 733 00	Locking pin		1	
16	999 919 159 09	fillister hd. bolt M4X12		2	
17	999 919 121 09	fillister hd. bolt 5 X 16 for Mount		2	
18	999 073 155 09	Centre console panel screw 4,2 X 13 for Mount		2	
19	997 553 615 01	Centre console Floor		1	
20	999 073 226 09	Centre console panel screw 4,2 X 16		X	
21	997 553 902 00	ashtray Lacquered		1	
	997 553 902 00 A03	Black			
	997 553 902 00 5V7	Stone grey			
	997 553 902 00 5Z1	Sand beige			
	997 553 902 00 8W7	sea blue			
	997 553 902 00 5Y2	Palm green D >> - MJ 2007			
	997 553 902 00 8X8	Terracotta			
	997 553 902 00 8P9	Cocoa			
	997 553 902 00 T13	Brown/natural			
	997 553 902 00 N23	Carrera Red D - MJ 2008>>			
(21)	997 553 982 00	ashtray Leather		1	PR:XMZ
	997 553 982 00 A11	Black			
	997 553 982 00 5X6	Stone grey			

Model: 987 06 Model life 2006>>2008

Pos	Part Number	Description	Remark	Qty	Model
	997 553 982 00 8G2	Sand beige			
	997 553 982 00 3S9	sea blue			
	997 553 982 00 4P2	Palm green			
		D >> - MJ 2007			
	997 553 982 00 9S5	Terracotta			
	997 553 982 00 9V6	Cocoa			
	997 553 982 00 D12	Dark grey/natural			
	997 553 982 00 T12	Brown/natural			
	997 553 982 00 N12	Carrera Red			
		D - MJ 2008>>			
(21)	997 553 982 01	ashtray		1	PR:XMJ
		Carbon			
	997 553 982 01 A35	Black			
(21)	997 553 982 02	ashtray		1	PR:XJU
	997 553 982 02 S62	Sycamore wood			
(21)	997 553 982 03	ashtray		1	PR:XJT
	997 553 982 03 S61	macassar			
(21)	997 553 982 04	ashtray		1	PR:XCK
		Aluminium look			
	997 553 982 04 V04	Galvano silver			
(21)	997 553 982 05	ashtray		1	PR:XME
		Lacquered			
	997 553 982 05 041	Black			
	997 553 982 05 84A	guards red (Porsche)			
	997 553 982 05 B9A	Carrara white			
	997 553 982 05 12H	Speed yellow			
	997 553 982 05 92U	Arctic silver metallic			
	997 553 982 05 M3W	Carmon red metallic			
		D >> - MJ 2007			
	997 553 982 05 M5W	Coral metallic			
		D >> - MJ 2007			
	997 553 982 05 M6W	Lagoon green metallic			
		D >> - MJ 2007			
	997 553 982 05 C9Z	Basalt black metallic			
	997 553 982 05 M7X	Atlas grey metallic			
	997 553 982 05 39C	Midnight Blue Metallic			
	997 553 982 05 6B4	Seal grey metallic			
	997 553 982 05 M7W	Meteor Grey Metallic			
		D - MJ 2007>>			
	997 553 982 05 2B4	Forest green metallic			
	997 553 982 05 3C8	Cobalt blue metallic			
	997 553 982 05 23F	Slate grey metallic			
	997 553 982 05 M7Z	GT Silver Metallic			
	997 553 982 05 M6X	Dark olive-metallic			
	997 553 982 05 M8W	Macadamia Metallic			
		D - MJ 2008>>			
	997 553 982 05 8A7	Ruby red metallic			
		D - MJ 2008>>			
	997 553 982 05 2B5	Malachite Green Metallic			
		D - MJ 2008>>			
(21)	997 553 982 05	ashtray		1	PR:XME, 758
		Lacquered			
		D - MJ 2008>> - MJ 2008			
	997 553 982 05 041	Black			
22	997 553 611 01	Insert for centre console		1	
23	997 553 261 05	Frame		1	CAYMAN
		Lacquered			
	997 553 261 05 D07	Volcano grey			
(23)	997 553 261 06	Frame		1	CAYMAN S
		Lacquered			
		D - MJ 2008>>			
	997 553 261 06 V04	Galvano silver			
(23)	987 553 261 01	Frame		1	PR:805

Model: 987 06 Model life 2006>>2008

Pos	Part Number	Description	Remark	Qty	Model
(23)	987 553 261 01 G2X 987 553 261 01	primed Frame D - MJ 2008>>		1	PR:758
24	987 553 261 01 G2X 999 507 533 02	primed Clamp 8,0 X 10,0/2,5		7	
25	999 073 155 09	panel screw 4,2 X 13		4	
26	997 553 241 02 997 553 241 02 A03 997 553 241 02 5V7 997 553 241 02 5Z1 997 553 241 02 8W7 997 553 241 02 5Y2 997 553 241 02 8X8 997 553 241 02 8P9 997 553 241 02 T13 997 553 241 02 N23	Cover Shift gate Lacquered Black Stone grey Sand beige sea blue Palm green D >> - MJ 2007 Terracotta Cocoa Brown/natural Carrera Red		1	PR:249
(26)	997 553 243 01 997 553 243 01 A03 997 553 243 01 5V7 997 553 243 01 5Z1 997 553 243 01 8W7 997 553 243 01 5Y2 997 553 243 01 8X8 997 553 243 01 8P9 997 553 243 01 T13 997 553 243 01 N23	Cover Shift gate Lacquered Black Stone grey Sand beige sea blue Palm green D >> - MJ 2007 Terracotta Cocoa Brown/natural Carrera Red		1	PR:480,481
27	996 552 687 00 996 552 687 00 01C	slide valve Black		1	PR:249
28	997 553 455 01 997 553 455 01 A03 997 553 455 01 5V7 997 553 455 01 5Z1 997 553 455 01 8W7 997 553 455 01 5Y2 997 553 455 01 8X8 997 553 455 01 8P9 997 553 455 01 T13	Cover Brake lever Lacquered D >> - MJ 2007 Black Stone grey Sand beige sea blue Palm green Terracotta Cocoa Brown/natural		1	
(28)	997 553 903 00 997 553 903 00 A03 997 553 903 00 5V7 997 553 903 00 5Z1 997 553 903 00 8W7 997 553 903 00 8X8 997 553 903 00 8P9 997 553 903 00 T13 997 553 903 00 N23	Cover Brake lever Lacquered D - MJ 2008>> Black Stone grey Sand beige sea blue Terracotta Cocoa Brown/natural Carrera Red		1	PR:XCK

Model: 987 06

Model life 2006>>2008

Pos	Part Number	Description	Remark	Qty	Model
		Brake lever			
	997 553 981 00 A11	Black			
	997 553 981 00 5X6	Stone grey			
	997 553 981 00 8G2	Sand beige			
	997 553 981 00 3S9	sea blue			
	997 553 981 00 4P2	Palm green			
	997 553 981 00 9S5	Terracotta			
	997 553 981 00 9V6	Cocoa			
	997 553 981 00 D12	Dark grey/natural			
	997 553 981 00 T12	Brown/natural			
	997 553 981 00 N12	Carrera Red			
(28)	997 553 981 00	Cover		1	PR:XJT
		Brake lever			
	997 553 981 00 A11	Black			
	997 553 981 00 5X6	Stone grey			
	997 553 981 00 8G2	Sand beige			
	997 553 981 00 3S9	sea blue			
	997 553 981 00 4P2	Palm green			
	997 553 981 00 9S5	Terracotta			
	997 553 981 00 9V6	Cocoa			
	997 553 981 00 D12	Dark grey/natural			
	997 553 981 00 T12	Brown/natural			
	997 553 981 00 N12	Carrera Red			
(28)	997 553 981 00	Cover		1	PR:XJU
		Brake lever			
	997 553 981 00 A11	Black			
	997 553 981 00 5X6	Stone grey			
	997 553 981 00 8G2	Sand beige			
	997 553 981 00 3S9	sea blue			
	997 553 981 00 4P2	Palm green			
	997 553 981 00 9S5	Terracotta			
	997 553 981 00 9V6	Cocoa			
	997 553 981 00 D12	Dark grey/natural			
	997 553 981 00 T12	Brown/natural			
	997 553 981 00 N12	Carrera Red			
(28)	997 553 981 00	Cover		1	PR:XME
		Brake lever			
	997 553 981 00 A11	Black			
	997 553 981 00 5X6	Stone grey			
	997 553 981 00 8G2	Sand beige			
	997 553 981 00 3S9	sea blue			
	997 553 981 00 4P2	Palm green			
	997 553 981 00 9S5	Terracotta			
	997 553 981 00 9V6	Cocoa			
	997 553 981 00 D12	Dark grey/natural			
	997 553 981 00 T12	Brown/natural			
	997 553 981 00 N12	Carrera Red			
(28)	997 553 981 00	Cover		1	PR:XMJ
		Brake lever			
	997 553 981 00 A11	Black			
	997 553 981 00 5X6	Stone grey			
	997 553 981 00 8G2	Sand beige			
	997 553 981 00 3S9	sea blue			
	997 553 981 00 4P2	Palm green			
	997 553 981 00 9S5	Terracotta			
	997 553 981 00 9V6	Cocoa			
	997 553 981 00 D12	Dark grey/natural			
	997 553 981 00 T12	Brown/natural			
	997 553 981 00 N12	Carrera Red			
(28)	997 553 981 06	Cover		1	PR:XMZ
		Brake lever			
	997 553 981 06 A11	Black			
	997 553 981 06 5X6	Stone grey			

Model: 987 06

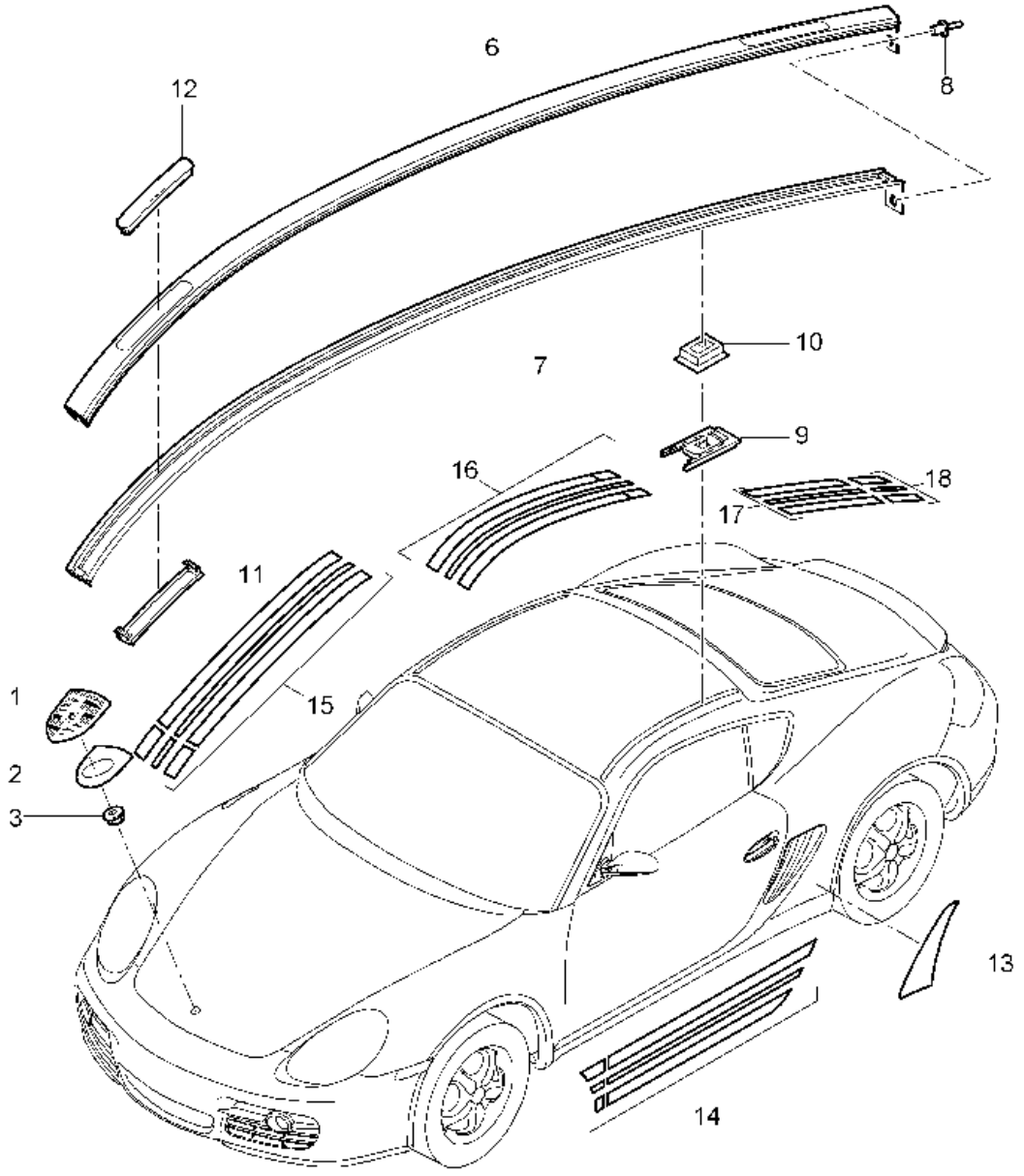
Model life 2006>>2008

Pos	Part Number	Description	Remark	Qty	Model
	997 553 981 06 8G2	Sand beige			
	997 553 981 06 3S9	sea blue			
	997 553 981 06 4P2	Palm green			
	997 553 981 06 9S5	Terracotta			
	997 553 981 06 9V6	Cocoa			
	997 553 981 06 D12	Dark grey/natural			
	997 553 981 06 T12	Brown/natural			
	997 553 981 06 N12	Carrera Red			
29	997 553 871 00	Filler piece Centre console		1	
30	997 553 873 00	Filler piece Centre console		1	
31	997 553 875 00	Filler piece Centre console		1	
32	997 553 877 00	Filler piece Centre console		1	
33	987 553 269 00	Bracket Shift cable		1	
34	999 591 215 40	expanding nut 4,2		2	
35	999 507 028 01	panel nut 4,2		X	
36	999 507 028 01	panel nut 4,2		X	
37	997 553 732 00	Rubber buffer Cover	inner	2	

Model: 987 06

Model life 2006>>2008

4 *Cayman S* 5



Model: 987 06

Model life 2006>>2008

Pos	Part Number	Description	Remark	Qty	Model
		inscriptions/lettering Decorative fittings Stone guard film			
1	997 559 211 00	Porsche crest		1	
2	7L5 853 611 B	Underlay		1	
3	999 591 423 03	Tapping nut		2	
4	987 559 239 00	inscription Lacquered Titanium metallic		1	CAYMAN
(4)	987 559 239 01	inscription Lacquered Satin aluminium		1	CAYMAN
(4)	987 559 984 01	inscription primed		1	CAYMAN
5	987 559 245 00	inscription S Satin aluminium		1	"S"
(5)	987 559 985 01	inscription S primed		1	"S"
6	987 559 401 00	Roof edge strip	left	1	
(6)	987 559 401 00 G2X	primed			
(6)	987 559 402 00	Roof edge strip	right	1	
(6)	987 559 402 00 G2X	primed			
7	987 559 721 00	Seal Roof edge strip	left	1	
(7)	987 559 722 00	Seal Roof edge strip	right	1	
8	999 507 499 40	Spreader rivet		2	
9	996 559 403 01	Clip Roof edge strip		6	
10	987 559 405 00	Adapter		6	
11	987 559 729 00	Bracket for Flap		4	
12	987 559 501 00	Flap	front	2	
(12)	987 559 501 00 G2X	primed			
(12)	987 559 503 00	Flap	rear	2	
(12)	987 559 503 00 G2X	primed			
13	987 504 825 01	Stone guard film Side part	left	1	
(13)	987 504 826 01	Stone guard film Side part	right	1	
(14)	987 559 444 00	trim foil for mudwing for Door and	right	1	PR:755
(14)	987 559 443 00	trim foil for mudwing for Door and	left	1	PR:755
15	987 559 447 00	Decorative film for Cover and	front	1	PR:755
15	987 559 447 02	Front apron Decorative film Cover and	front	1	PR:755
16	987 559 449 00	Front skirt Decorative film for Roof		1	PR:755

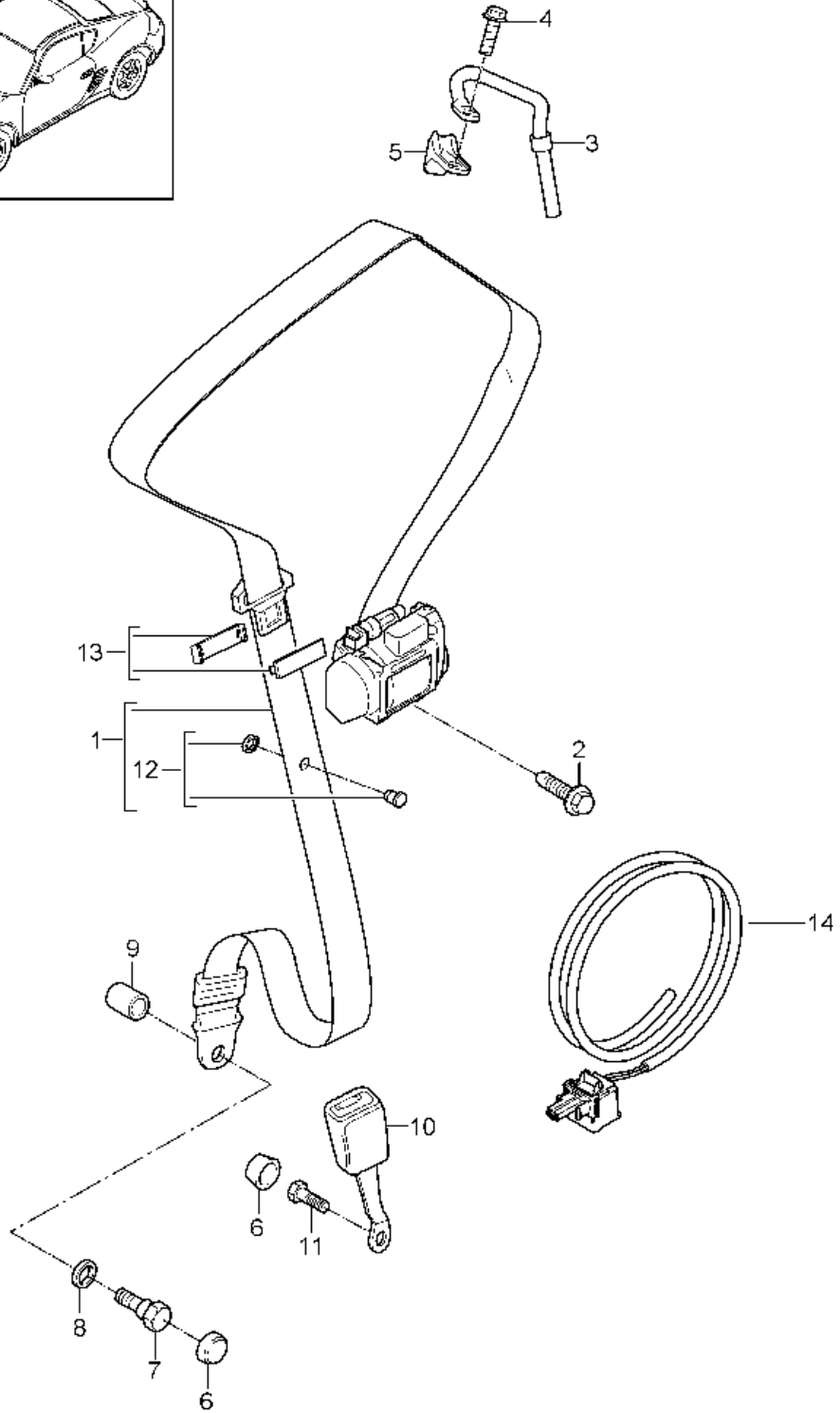
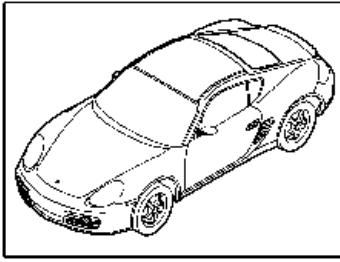
Model: 987 06

Model life 2006>>2008

Pos	Part Number	Description	Remark	Qty	Model
17	987 559 451 00	Decorative film for Rear lid		1	PR:755
18	987 559 453 00	Decorative film for rear spoiler		1	PR:755

Model: 987 06

Model life 2006>>2008

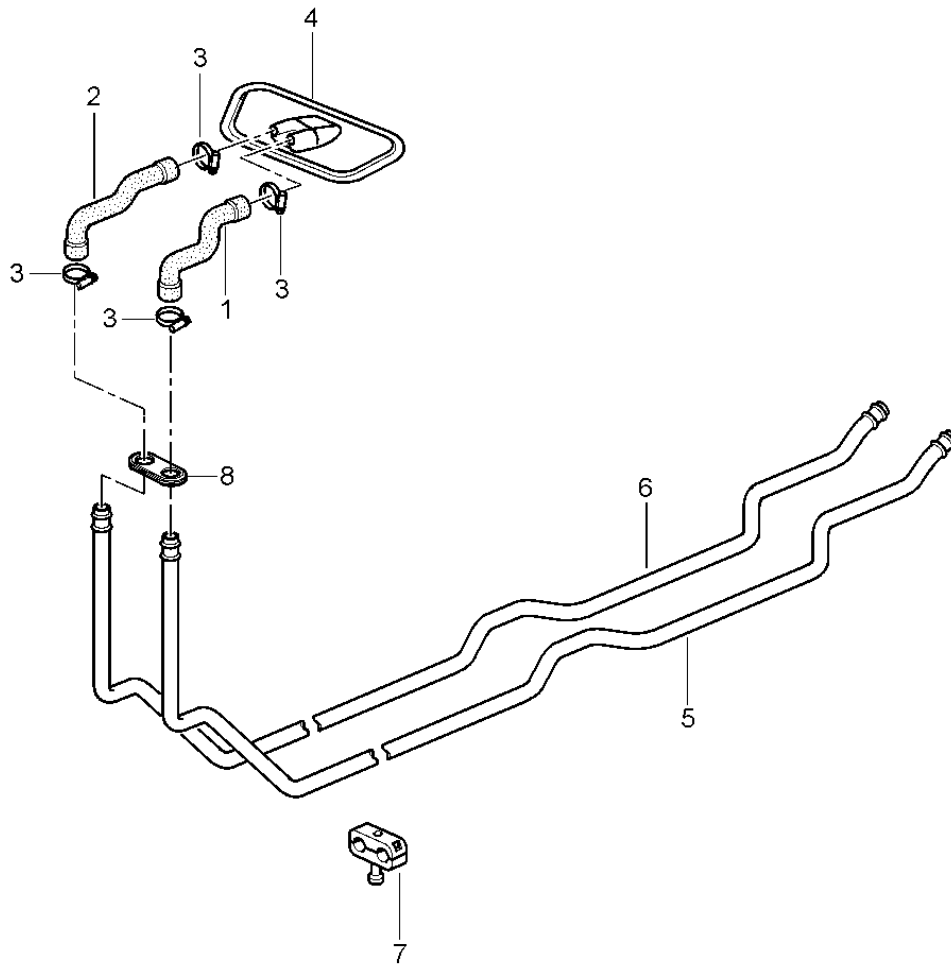
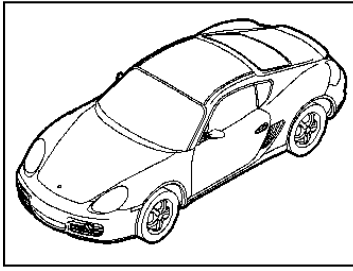


Model: 987 06 Model life 2006>>2008

Pos	Part Number	Description	Remark	Qty	Model
1	987 803 033 03	Seat belt		2	
	987 803 033 03 A23	Three-point safety belt			
	987 803 033 03 N13	Black			PR:555
	987 803 033 03 U01	guards red (Porsche)			PR:XSX
	987 803 033 03 V02	silver			PR:XSH
	987 803 033 03 V02	Speed yellow			PR:XSX
1	987 803 033 05	Three-point safety belt		2	
	987 803 033 05 6M4	Sand beige			PR:XST
2	999 073 361 01	Screw		2	
		7/16			
(3)	987 803 815 00	relay lever	left	1	
3	987 803 816 00	relay lever	right	1	
4	900 378 073 09	Hexagon bolt		2	
		10 X 25			
5	987 803 825 00	Support		2	
		Support for seatbelt			
6	811 857 845	Cover cap		4	
7	999 075 073 09	Hexagon bolt		2	
		7/16 - 20			
(7)	999 075 072 A2	Hexagon bolt		2	PR:388,389
		D - MJ 2008>>			
8	211 857 771	Washer		2	
(8)	999 028 022 01	Spring washer		1	PR:388,389
		D - MJ 2008>>			
-	999 025 275 A2	Washer		1	PR:388,389
		D - MJ 2008>>			
9	999 924 064 02	spacer sleeve		2	
		Discontinued part			
9	999 924 064 01	spacer sleeve		2	
(9)	997 803 663 00	spacer sleeve		1	PR:388,389
		D - MJ 2008>>			
10	996 803 183 08	Belt latch		1	
		(passenger side)			
(10)	997 803 183 01	Belt latch		1	
		(drivers side)			
10	997 803 183 04	Belt latch		1	PR:388
		(drivers side)			
		D - MJ 2008>>			
(10)	997 803 183 04	Belt latch		1	PR:389
		(drivers side)			
		D - MJ 2008>>			
(10)	997 803 183 05	Belt latch		1	PR:389
		(passenger side)			
		D - MJ 2008>>			
10	997 803 183 05	Belt latch		1	PR:388
		(passenger side)			
		D - MJ 2008>>			
11	999 218 101 02	Hexagon bolt		2	
		7/16 - 20			
12	955 803 056 00	knob		2	
	955 803 056 00 HCP	Black			
13	997 803 334 00	clamping piece		1	
		Seat belt			
14	997 803 334 00 01C	Black		X	
		Cable			
		for			
		Seat belt tensioner			
		see illustration:	902-010		

Model: 987 06

Model life 2006>>2008



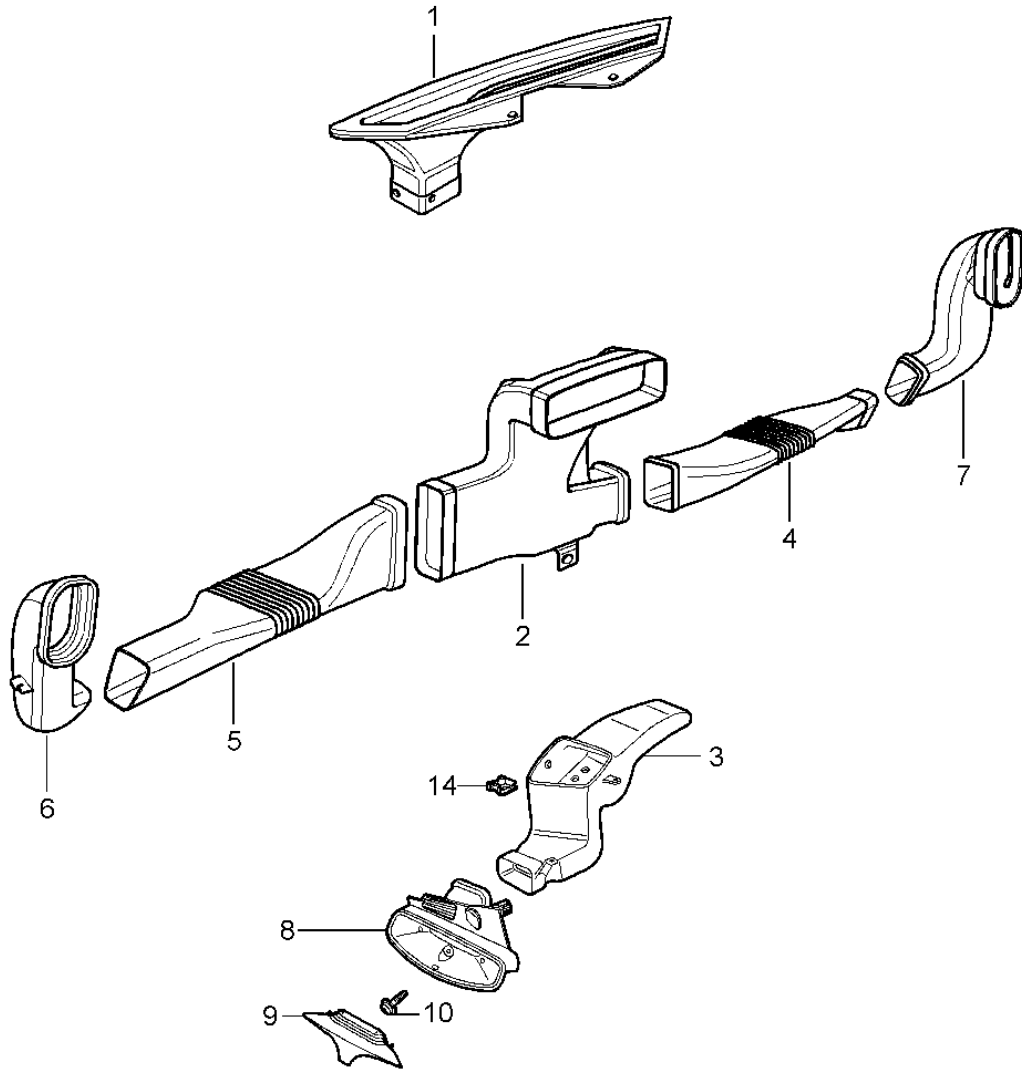
Model: 987 06

Model life 2006>>2008

Pos	Part Number	Description	Remark	Qty	Model
		Heating system 1			
		Feed line			
		return line			
1	996 572 583 04	Heating hose	lhd	1	PR:098
(1)	996 572 583 05	Heating hose	rhd	1	PR:099
2	996 572 585 04	Heating hose	lhd	1	PR:098
(2)	996 572 585 05	Heating hose	rhd	1	PR:099
3	999 512 441 02	Hose clamp		4	
4	996 572 263 02	Seal	lhd	1	PR:098
(4)	996 572 263 03	Seal	rhd	1	PR:099
5	987 572 681 00	Heater pipeline		1	
		Supply			
		Discontinued part			
6	987 572 683 00	Heater pipeline		1	
		Return line			
		Discontinued part			
7	999 511 230 40	Cable holder		4	
-	999 511 232 41	Rubber bush		4	
8	996 572 765 02	Grommet		1	

Model: 987 06

Model life 2006>>2008



Model: 987 06 Model life 2006>>2008

Pos	Part Number	Description	Remark	Qty	Model
1	997 572 631 00	heater Air distributor			
		Defroster nozzle for wind-screen	lhd	1	PR:098
(1)	997 572 631 01	Defroster nozzle for wind-screen	rhd	1	PR:099
2	997 572 171 00	Air distributor	lhd	1	PR:098
(2)	997 572 171 01	Air distributor	lhd	1	PR:098
3	997 572 793 00	Footwell outlet vent	lhd	1	PR:098,441,490
(3)	997 572 793 02	Footwell outlet vent	lhd	1	PR:098,680
(3)	997 572 793 01	Footwell outlet vent	rhd	1	PR:099,441,490
(3)	997 572 793 03	Footwell outlet vent	rhd	1	PR:099,680
4	997 572 464 00	Air guide	right lhd	1	PR:098
(4)	997 572 464 00	Air guide	right rhd	1	PR:099
5	997 572 463 00	Air guide	left lhd	1	PR:098
(5)	997 572 463 01	Air guide	left rhd	1	PR:099
6	987 572 767 00	Air guide	left lhd	1	PR:098
(6)	987 572 767 01	Air guide	left rhd	1	PR:099
7	987 572 768 00	Air guide	right rhd	1	PR:099
(7)	987 572 768 01	Air guide	right lhd	1	PR:098
8	997 572 396 02	Trim	lhd	1	PR:098,680
	997 572 396 02 01C	Satin black			
8	997 572 395 02	Trim	rhd	1	PR:099,680
	997 572 395 02 01C	Satin black			
8	997 572 396 03	Trim	lhd	1	PR:098,680
		Lacquered			
	997 572 396 03 5V7	Stone grey			
	997 572 396 03 5Y2	Palm green			
	997 572 396 03 5Z1	Sand beige			
	997 572 396 03 8P9	Cocoa			
	997 572 396 03 8W7	sea blue			
	997 572 396 03 8X8	Terracotta			
	997 572 396 03 T13	Brown/natural			
8	997 572 395 03	Trim	rhd	1	PR:099,680
		Lacquered			
	997 572 395 03 5V7	Stone grey			
	997 572 395 03 5Y2	Palm green			
	997 572 395 03 5Z1	Sand beige			
	997 572 395 03 8P9	Cocoa			
	997 572 395 03 8W7	sea blue			
	997 572 395 03 8X8	Terracotta			
	997 572 395 03 T13	Brown/natural			
9	997 572 798 02	Trim	lhd	1	PR:098,680
	997 572 798 02 01C	Satin black			
9	997 572 797 02	Trim	rhd	1	PR:099,680
	997 572 797 02 01C	Satin black			
10	997 572 798 03	Trim	lhd	1	PR:098,680
		Lacquered			
	997 572 798 03 5V7	Stone grey			
	997 572 798 03 5Y2	Palm green			
	997 572 798 03 5Z1	Sand beige			
	997 572 798 03 8P9	Cocoa			
	997 572 798 03 8W7	sea blue			
	997 572 798 03 8X8	Terracotta			
	997 572 798 03 T13	Brown/natural			
10	997 572 797 03	Trim	rhd	1	PR:099,680
		Lacquered			
	997 572 797 03 5V7	Stone grey			
	997 572 797 03 5Y2	Palm green			
	997 572 797 03 5Z1	Sand beige			
	997 572 797 03 8P9	Cocoa			

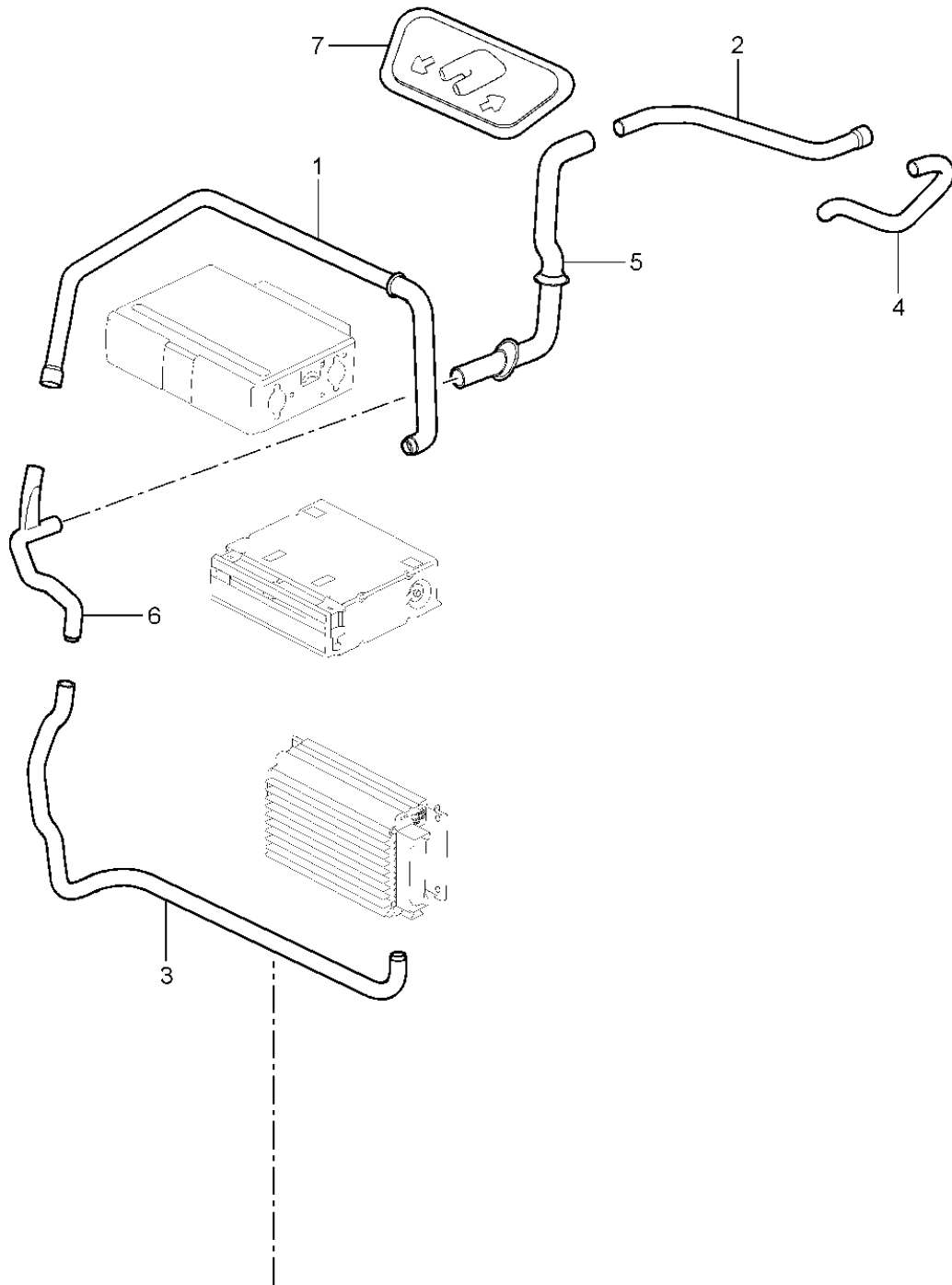
Model: 987 06

Model life 2006>>2008

Pos	Part Number	Description	Remark	Qty	Model
	997 572 797 03 8W7	sea blue			
	997 572 797 03 8X8	Terracotta			
	997 572 797 03 T13	Brown/natural			
11	999 073 345 09	Oval-head screw M 5 X 18		1	
12	999 507 785 02	panel nut st 4,2		3	
12	999 507 785 01	panel nut ST 4,2		3	

Model: 987 06

Model life 2006>>2008



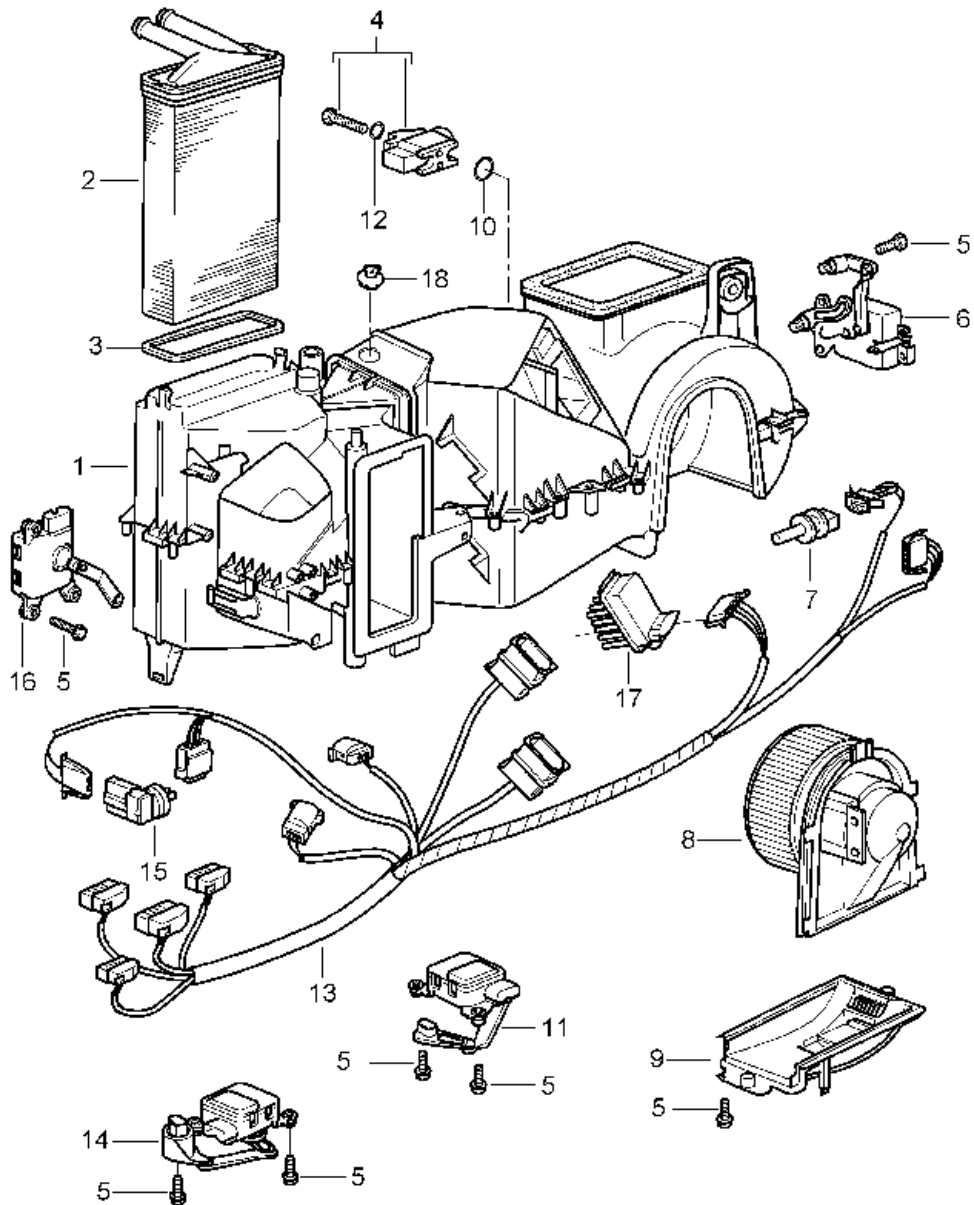
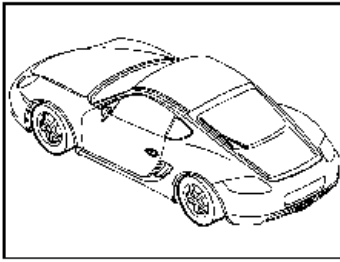
Model: 987 06

Model life 2006>>2008

Pos	Part Number	Description	Remark	Qty	Model
		Luggage compartment Cooling			PR:575
1	997 572 588 00	Air guide		1	PR:670,215, 072
(1)	997 572 588 01	Air guide		1	PR:664,670
2	997 572 582 00	Air guide		1	PR:072,670, 553,215
3	997 572 590 00	Air guide		1	PR:072,670, 553,215
4	997 572 580 00	Air guide		1	PR:072,670, 215,553
5	997 572 584 03	Air guide		1	PR:072,670, 215,553
6	997 572 586 06	Air guide		1	PR:072,670, 215,553
7	997 572 263 00	Seal		1	

Model: 987 06

Model life 2006>>2008



Model: 987 06

Model life 2006>>2008

Pos	Part Number	Description	Remark	Qty	Model
1	987 573 901 00	Air conditioner Individual parts Air conditioner	lhd	1	PR:098,572
		without: heat exchanger			
		with: evaporator			
(1)	997 573 901 04	Air conditioner	lhd	1	PR:098,573
		without: heat exchanger			
		with: evaporator			
(1)	987 573 901 01	Air conditioner	rhd	1	PR:099,572
		without: heat exchanger			
		with: evaporator			
(1)	996 573 901 01	Air conditioner	rhd	1	PR:099,573
		without: heat exchanger			
		with: evaporator			
2	997 572 129 00	heat exchanger		1	
3	996 572 913 00	Seal		1	
4	996 573 929 01	Expansion valve		1	
5	900 143 102 02	Bolt with washer		X	
6	996 573 915 00	actuator motor for fresh air flap	lhd	1	PR:098,573
		fresh air flap		1	
		Identification: >> >>		1	
		Black			
(6)	996 573 915 01	actuator motor for fresh air flap	rhd	1	PR:099,573
		Identification: >> >>			
		Black			
7	955 572 304 10	Temperature sensor		1	
8	996 624 107 01	Fan	lhd	1	PR:098
(8)	996 624 108 01	Fan	rhd	1	PR:099
9	996 573 905 00	Cover		1	
10	999 707 596 40	O-ring 14x1,82		1	
11	996 573 919 02	Servomotor Temperature valve	lhd	1	PR:098
		Identification: >> >>			
		pink			
(11)	996 573 919 03	Servomotor Temperature valve	rhd	1	PR:099
		Identification: >> >>			
		pink			
12	999 707 534 41	O-ring 17x2,00		1	
13	997 612 655 02	Wire set	lhd	1	PR:098,573
(13)	997 612 656 02	Wire set	rhd	1	PR:099,573
		D >> - MJ 2007			
(13)	997 612 656 04	Wire set	rhd	1	PR:099,573
		D - MJ 2008>>			
(13)	987 612 655 00	Wire set	lhd	1	PR:098,572
		D >> - MJ 2007			
(13)	987 612 655 02	Wire set	lhd	1	PR:098,572
		D - MJ 2008>>			
(13)	987 612 656 01	Wire set	rhd	1	PR:099,572
		D >> - MJ 2007			

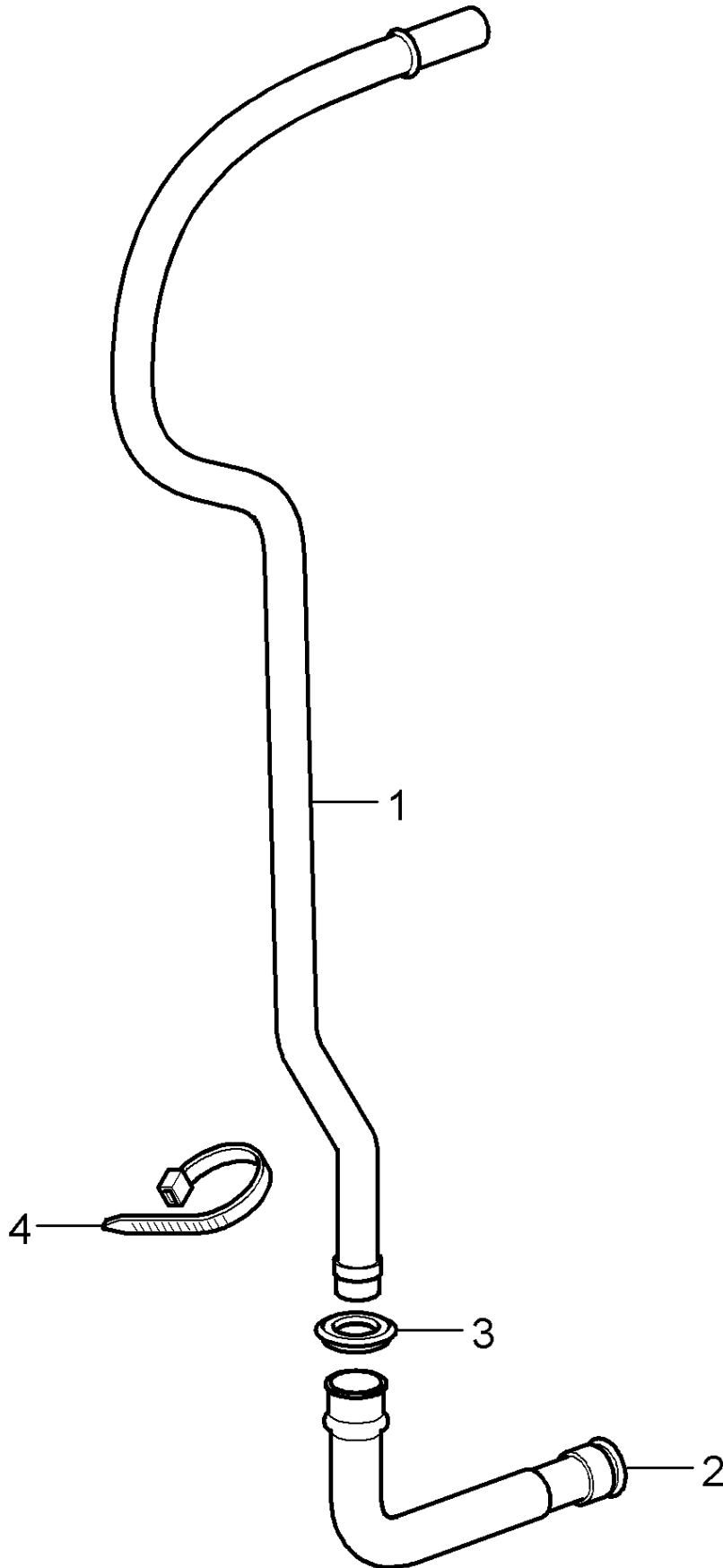
Model: 987 06

Model life 2006>>2008

Pos	Part Number	Description	Remark	Qty	Model
(13)	987 612 656 03	Wire set D - MJ 2008>>	rhd	1	PR:099,572
14	996 573 921 02	Servomotor for defroster flap Identification: >> >> yellow	lhd	1	PR:098
(14)	996 573 921 03	Servomotor for defroster flap Identification: >> >> yellow	rhd	1	PR:099
15	1H0 907 543 A	Temperature sensor		1	
16	996 573 917 02	central flap positioning motor Identification: >> >> green	lhd	1	PR:098
(16)	996 573 917 03	central flap positioning motor Identification: >> >> green	rhd	1	PR:099
17	996 573 923 00	Resistor		1	
-	996 573 927 00	Blower outlet sensor		1	PR:573
-	1H0 819 943	round hd. screw		2	
18	997 573 935 00	Bungs		1	

Model: 987 06

Model life 2006>>2008



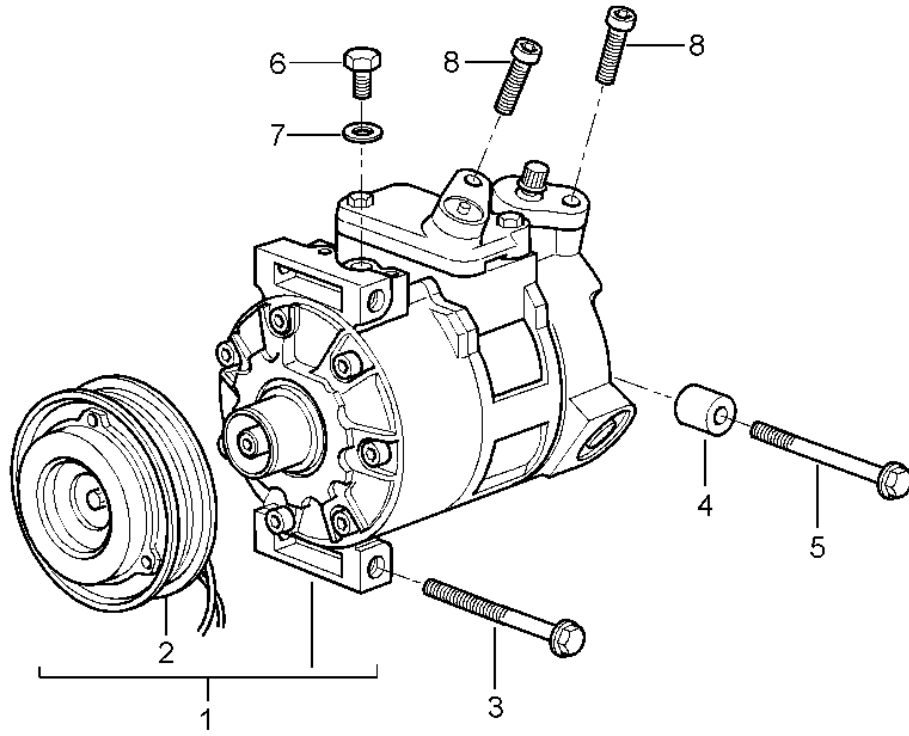
Model: 987 06

Model life 2006>>2008

Pos	Part Number	Description	Remark	Qty	Model
		water drain pipe			
		Mount			
		Air conditioner			
1	996 573 793 01	water drain pipe	lhd	1	PR:098
1	996 573 794 01	water drain pipe	rhd	1	PR:099
2	996 573 797 02	Connecting piece		1	
3	996 573 795 01	Grommet		1	
4	999 513 049 40	Cable ties		1	

Model: 987 06

Model life 2006>>2008



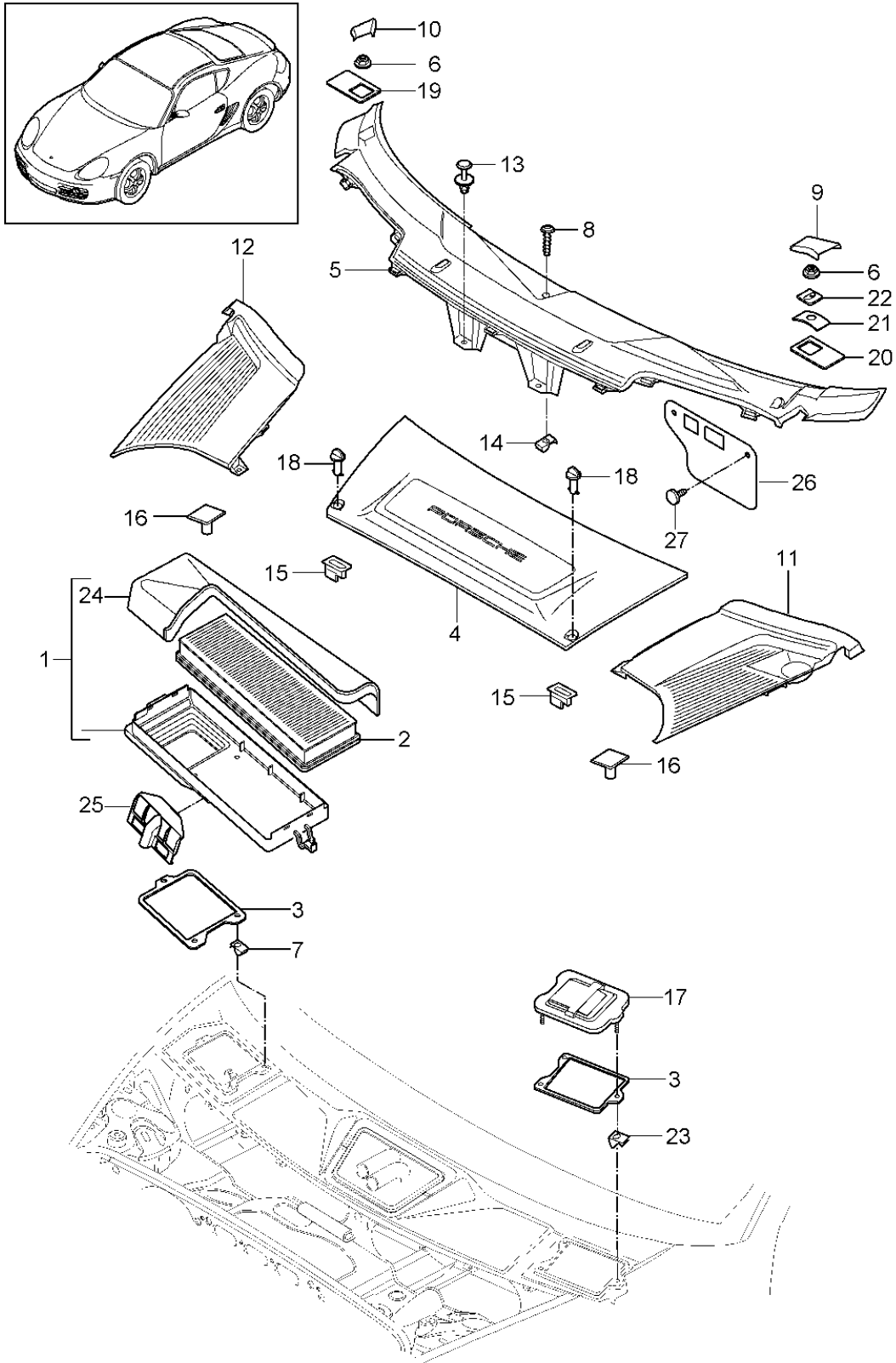
Model: 987 06

Model life 2006>>2008

Pos	Part Number	Description	Remark	Qty	Model
1	996 126 011 52	Compressor		1	
2	996 573 926 00	Compressor Magnetic coupling		1	
3	900 378 075 09	repair set Hexagon bolt		1	
4	996 126 102 52	M 8X90 Distance piece		1	
5	900 378 136 09	Hexagon bolt		1	
6	996 573 926 01	M 8X120 Oil filler screw		1	
7	996 573 926 02	seal ring		1	
8	900 067 252 02	Socket head bolt		2	
-	996 126 101 51	Console		1	
-	000 043 200 04	Compressor oil		1	
		250 ML			

Model: 987 06

Model life 2006>>2008



Model: 987 06 Model life 2006>>2008

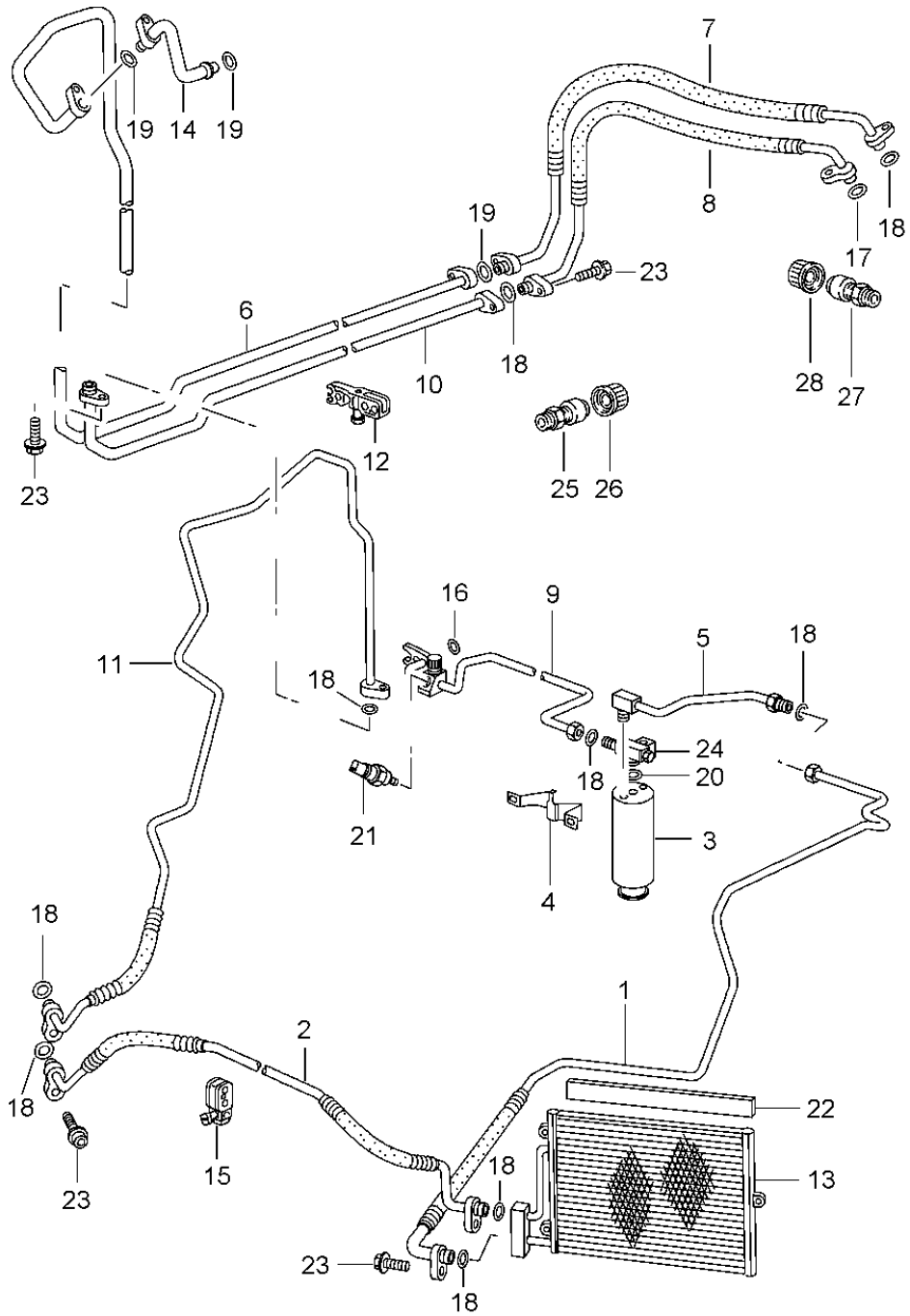
Pos	Part Number	Description	Remark	Qty	Model
1	997 572 019 02	Particulate filter housing	lhd	1	PR:098
1	997 572 019 03	Cowl panel covering housing	rhd	1	PR:099
2	997 571 219 01	Dust and pollen filter		1	
3	997 572 221 00	Seal		1	
4	997 572 567 04	Battery cover		1	
	997 572 567 04 FMT	Black Battery			
5	997 572 563 08	Cover	lhd	1	PR:098
		Scuttle			
	997 572 563 08 FMT	Black			
5	997 572 563 05	Cover	rhd	1	PR:099
		Discontinued part			
	997 572 563 05 FMT	Black			
(5)	997 572 563 09	Cover	rhd	1	PR:099
		Scuttle			
		Discontinued part			
	997 572 563 09 FMT	Black			
(5)	997 572 563 11	Cover	rhd	1	PR:099
		Scuttle			
	997 572 563 11 FMT	Black			
6	999 076 071 02	Hexagon nut		2	
		M6			
7	999 507 348 01	panel nut		3	
8	N 906 487 02	Oval hexagon socket head bolt		1	
9	997 572 569 04	Cover cap	left	2	PR:098
	997 572 569 04 FMT	Black			
9	997 572 569 05	Cover cap	left	2	PR:099
	997 572 569 05 FMT	Black			
10	997 572 570 04	Cover cap	right	1	PR:098
	997 572 570 04 FMT	Black			
10	997 572 570 05	Cover cap	right	1	PR:099
	997 572 570 05 FMT	Black			
11	997 572 361 06	Plenum chamber cover	left	1	
		Discontinued part			
	997 572 361 06 02A	Black			
11	997 572 361 07	Plenum chamber cover	left	1	
	997 572 361 07 02A	Black			
12	997 572 362 07	Plenum chamber cover	right	1	
		Discontinued part			
	997 572 362 07 02A	Black			
12	997 572 362 08	Plenum chamber cover	right	1	
	997 572 362 08 02A	Black			
13	999 507 497 40	Spreader rivet		2	
		8 X 14			
14	999 507 834 41	expanding nut		1	
		ST 4,8			
15	999 590 046 40	Cam disc		2	
16	999 902 046 40	catch		1	
17	997 572 419 02	Cover		2	
		D >> - MJ 2007			
17	997 572 419 03	Cover		2	
		D - MJ 2008>> - MJ 2008			
18	997 572 867 00	Locking bolt		2	
	997 572 867 00 02A	Black			
18	997 572 867 01	Locking bolt		2	
	997 572 867 01 02A	Black			
19	997 572 842 00	Pressure plate (passenger side)		1	
		D >> - MJ 2007			
		Discontinued part			
19	997 572 842 01	Pressure plate	right lhd	1	PR:098

Model: 987 06 Model life 2006>>2008

Pos	Part Number	Description	Remark	Qty	Model
19	997 572 842 02	(passenger side) D - MJ 2008>> Pressure plate (passenger side) D - MJ 2008>>	left rhd	1	PR:099
20	997 572 841 00	Pressure plate (drivers side)		1	
21	997 572 837 00	spring plate (drivers side)		1	
22	997 572 533 00	Retaining plate (drivers side)		1	
23	999 591 855 02	panel nut		3	
24	997 572 729 02	Dust and pollen filter insert Particulate filter	lhd	1	PR:098
(24)	997 572 729 03	Dust and pollen filter insert Particulate filter	rhd	1	PR:099
25	997 572 862 01	Support		1	
26	997 572 763 00	Cover		1	
27	999 703 432 40	Bungs 8,0 12,2 X 25		2	

Model: 987 06

Model life 2006>>2008

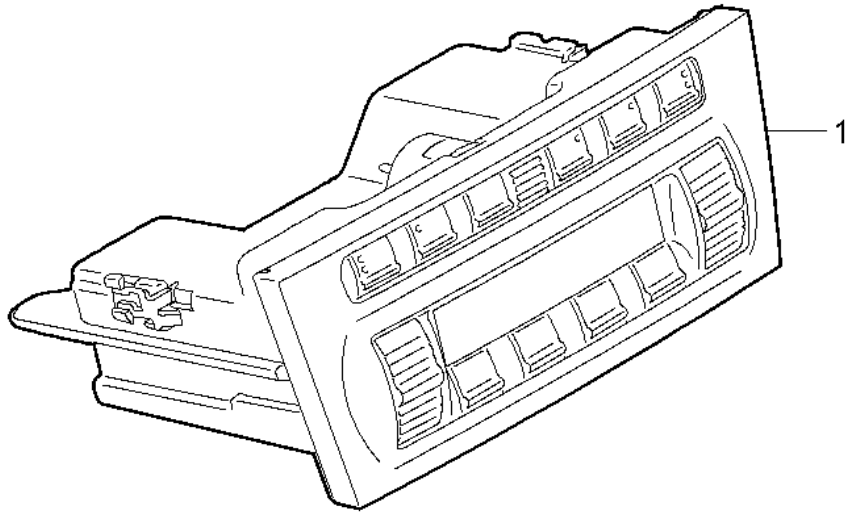


Model: 987 06 Model life 2006>>2008

Pos	Part Number	Description	Remark	Qty	Model
		refrigerant circuit			
1	997 573 105 02	Pressure line		1	
2	997 573 103 00	Pressure line		1	
3	944 573 143 01	Drier		1	
4	996 573 451 00	bracket for drier		1	
5	996 573 106 00	Refrigerant line		1	
6	996 573 091 01	suction line		1	
7	987 573 099 01	suction line		1	9720, 9721, 9722
8	987 573 097 03	Pressure line		1	9720, 9721, 9722
9	997 573 108 02	Pressure line	lhd	1	PR:098
(9)	997 573 108 01	Pressure line	rhd	1	PR:099
		Discontinued part			
(9)	997 573 108 03	Pressure line	rhd	1	PR:099
10	996 573 092 02	Pressure line		1	
11	997 573 094 00	Pressure line		1	
12	996 347 543 00	Cable holder		2	
13	996 573 111 03	Condenser		2	
14	996 573 093 06	suction line	lhd	1	PR:098
14	996 573 093 07	suction line	rhd	1	PR:099
15	996 347 543 00	Cable holder		X	
16	999 707 247 40	O-ring		2	
		7,5X2			
17	999 707 439 41	O-ring		8	
		23,8X2,4			
18	999 707 434 41	O-ring		8	
		10,6X2			
19	999 707 534 41	O-ring		X	
		17X2			
-	999 707 434 41	O-ring		5	
		10,6X2,0			
20	999 707 262 40	O-ring		X	
		6,7X1,8			
21	1K0 959 126 B	Pressure sensor		1	
		use if required:			
		Discontinued part			
(21)	955 613 137 01	Pressure sensor		1	
		use if required:			
		Discontinued part			
(21)	955 613 137 02	Pressure sensor		1	
-	999 707 555 41	O-ring		1	
		10,8 X 1,8			
22	996 573 711 00	Cover trim		2	
23	900 067 019 03	Socket head bolt		X	
24	993 573 243 00	Distributor		1	
		D >> - MJ 2006			
25	996 573 465 00	Valve		1	
		suction line			
26	944 573 663 02	Cap		1	
27	996 573 466 00	Pressure valve		1	
		Pressure line			
28	944 573 663 01	Cap		1	

Model: 987 06

Model life 2006>>2008

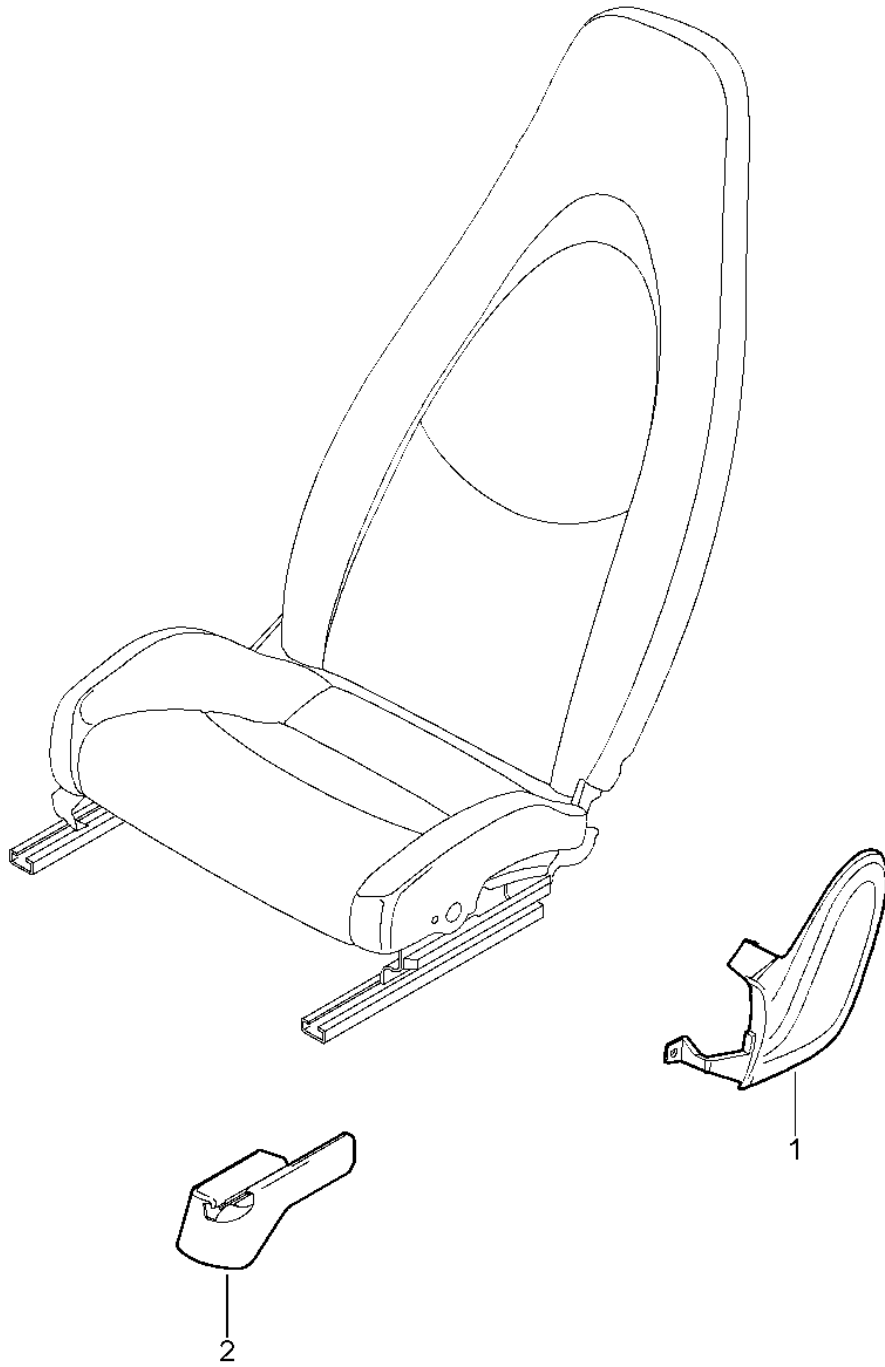


Model: 987 06 Model life 2006>>2008

Pos	Part Number	Description	Remark	Qty	Model
1	997 653 103 11	Control switch Control panel D >> - MJ 2007		1	PR:572
1	997 653 103 11 FMH 997 653 103 13	Volcano Grey/Black Mat Control panel D - MJ 2008>>		1	PR:572
(1)	997 653 103 13 FMH 997 653 113 11	Volcano Grey/Black Mat Control panel D >> - MJ 2007 Discontinued part		1	PR:572,342
(1)	997 653 113 11 FMH 997 653 113 12	Volcano Grey/Black Mat Control panel D >> - MJ 2007		1	PR:572,342
(1)	997 653 113 12 FMH 997 653 113 13	Volcano Grey/Black Mat Control panel D - MJ 2008>>		1	PR:572,342
(1)	997 653 113 13 FMH 997 653 101 11	Volcano Grey/Black Mat Control panel D >> - MJ 2007		1	PR:573
(1)	997 653 101 11 FMH 997 653 101 13	Volcano Grey/Black Mat Control panel D - MJ 2008>>		1	PR:573
(1)	997 653 101 13 FMH 997 653 111 11	Volcano Grey/Black Mat Control panel D >> - MJ 2007		1	PR:573,342
(1)	997 653 111 11 FMH 997 653 111 13	Volcano Grey/Black Mat Control panel D - MJ 2008>>		1	PR:573,342
	997 653 111 13 FMH	Volcano Grey/Black Mat			

Model: 987 06

Model life 2006>>2008



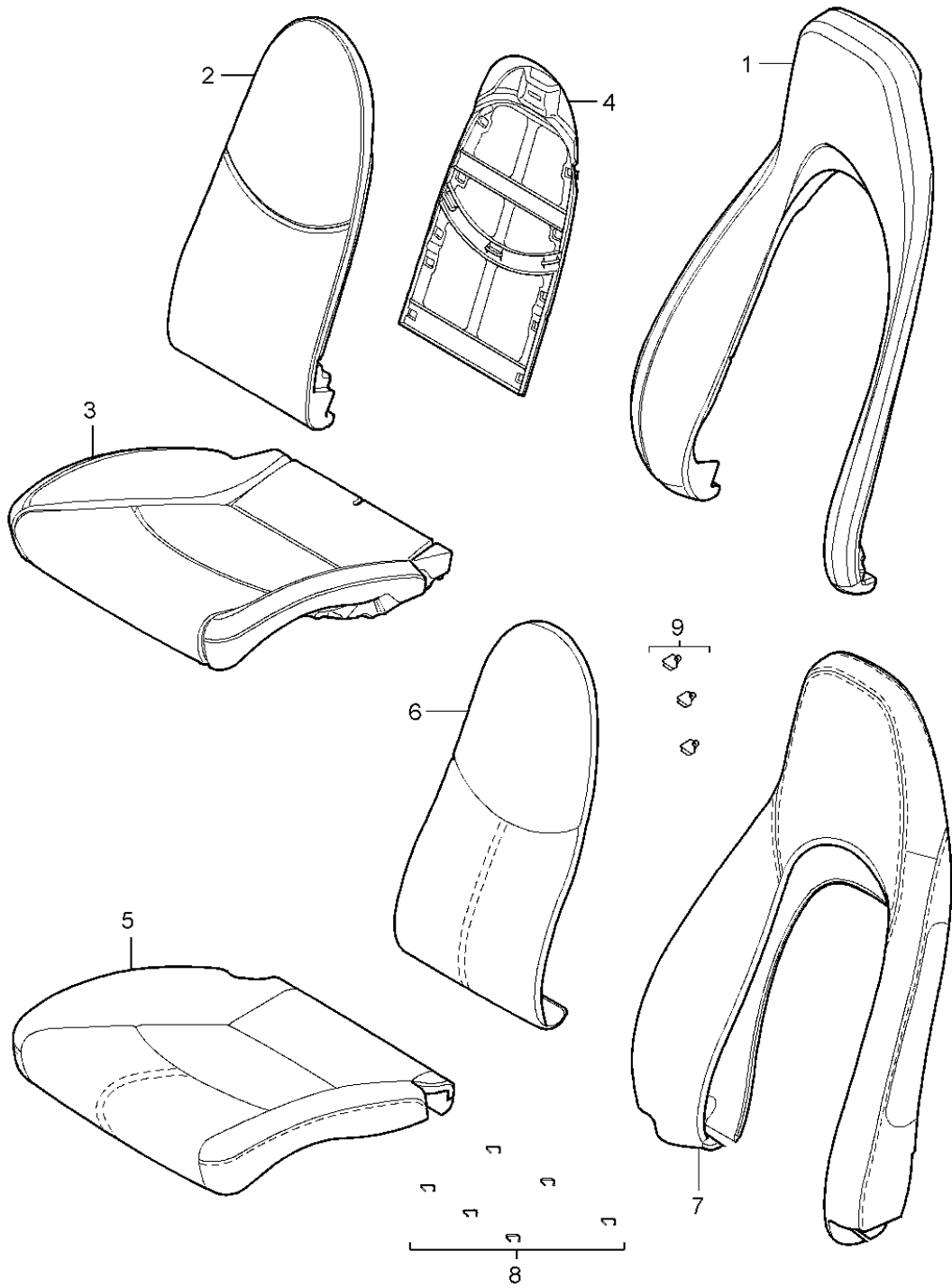
Model: 987 06

Model life 2006>>2008

Pos	Part Number	Description	Remark	Qty	Model
		Front seat Standard seat Comfort seat (complete) Not available			CAYMAN S/ CAYMAN
1	997 521 315 02	Cover panel Mounting component	left	1	PR:369,375, 377,437
	997 521 315 02 D07	Volcano grey			
(1)	997 521 316 02	Cover panel Mounting component	right	1	PR:370,376, 378,438
	997 521 316 02 D07	Volcano grey			
(1)	997 521 316 03	Cover panel Mounting component For vehicles with 'Advanced' airbag	right	1	PR:370,376, 378,438,560
	997 521 316 03 D07	Volcano grey			
2	997 521 359 01	Rail Seat rail	left	1	PR:369,375
	997 521 359 01 01C	Satin black			
(2)	997 521 360 01	Rail Seat rail	right	1	PR:370,376
	997 521 360 01 01C	Satin black			
(2)	997 521 361 00	Rail Seat rail	left	1	PR:370,376, 377,378,437, 438
	997 521 361 00 01C	Satin black			
(2)	997 521 362 00	Rail Seat rail	right	1	PR:369,375, 377,378,437, 438
	997 521 362 00 01C	Satin black			

Model: 987 06

Model life 2006>>2008



Model: 987 06 Model life 2006>>2008

Pos	Part Number	Description	Remark	Qty	Model
		Foam part Cover Standard seat Comfort seat			CAYMAN S/ CAYMAN
1	997 521 535 00	Foam part backrest	outer	2	PR:369,370, 437,438
2	997 521 581 00	Foam part backrest	center	2	PR:369,370, 375,376,377, 378,437,438
3	997 521 571 00	Foam part Seat cushion		1	PR:369,370, 437,438
(3)	997 521 571 03	Foam part Seat cushion For vehicles with 'Advanced' airbag		1	PR:370,438, 560
4	997 521 551 01	Backrest-padding support part		2	PR:369,370, 375,376,377, 378,437,438
5	987 521 161 00	Seat cover		2	PR:369,370, 950
	987 521 161 00 FLA	Black			
	987 521 161 00 FLD	Stone grey			
	987 521 161 00 FLG	Sand beige			
	987 521 161 00 FLK	sea blue			
	987 521 161 00 FLN	Palm green			
(5)	997 521 161 00	Seat cover		1	PR:369,370, 437,946
	997 521 161 00 FLB	Black			
	997 521 161 00 FLE	Stone grey			
	997 521 161 00 FLH	Sand beige			
	997 521 161 00 FLL	sea blue			
	997 521 161 00 FLO	Palm green			
(5)	997 521 161 01	Seat cover		1	PR:369,370, 437,983
	997 521 161 01 FLC	Black			
	997 521 161 01 FLF	Stone grey			
	997 521 161 01 FLJ	Sand beige			
	997 521 161 01 FLM	sea blue			
	997 521 161 01 FLP	Palm green			
	997 521 161 01 FLQ	Terracotta			
	997 521 161 01 FLR	Cocoa			
	997 521 161 01 BCA	Black/stone grey			
	997 521 161 01 VAA	Dark grey/natural			
	997 521 161 01 VAB	Brown/natural			
	997 521 161 01 VAC	Carrera Red			
(5)	997 521 161 02	Seat cover		1	PR:369,370, 437,982
	997 521 161 02 FLC	Black			
	997 521 161 02 FLF	Stone grey			
	997 521 161 02 FLJ	Sand beige			
	997 521 161 02 FLM	sea blue			
	997 521 161 02 FLP	Palm green			
	997 521 161 02 FLQ	Terracotta			
	997 521 161 02 FLR	Cocoa			
	997 521 161 02 BCA	Black/stone grey			
	997 521 161 02 VAA	Dark grey/natural			
	997 521 161 02 VAB	Brown/natural			
	997 521 161 02 VAC	Carrera Red			
6	987 521 151 00	Backrest cushion cover Centre part		2	PR:369,370, 950
	987 521 151 00 A15	Black			
	987 521 151 00 B15	Stone grey			
	987 521 151 00 T45	Sand beige			

Model: 987 06 Model life 2006>>2008

Pos	Part Number	Description	Remark	Qty	Model			
(6)	987 521 151 00 G15	Metropole blue		1	PR:369,370, 437,438,946			
	987 521 151 00 J45	Palm green						
	997 521 151 00	Backrest cushion cover						
		Centre part						
	997 521 151 00 A08	Black						
	997 521 151 00 5D6	Stone grey						
	997 521 151 00 T25	Sand beige						
(6)	997 521 151 00 3W7	sea blue		1	PR:369,370, 437,438,983			
	997 521 151 00 4Q2	Palm green						
	997 521 151 00	Backrest cushion cover						
		Centre part						
	997 521 151 00 8YR	Black						
	997 521 151 00 5X5	Stone grey						
	997 521 151 00 8G1	Sand beige						
	997 521 151 00 3S8	sea blue						
	997 521 151 00 4P1	Palm green						
	997 521 151 00 9N2	Terracotta						
	997 521 151 00 9Q3	Cocoa						
	997 521 151 00 D11	Dark grey/natural						
	997 521 151 00 T11	Brown/natural						
	997 521 151 00 N11	Carrera Red						
(6)	997 521 151 01	Backrest cushion cover		1	PR:369,370, 437,438,982			
		Centre part						
	997 521 151 01 8YR	Black						
	997 521 151 01 5X5	Stone grey						
	997 521 151 01 8G1	Sand beige						
	997 521 151 01 3S8	sea blue						
	997 521 151 01 4P1	Palm green						
	997 521 151 01 9N2	Terracotta						
	997 521 151 01 9Q3	Cocoa						
	997 521 151 01 D11	Dark grey/natural						
	997 521 151 01 T11	Brown/natural						
	997 521 151 01 N11	Carrera Red						
	7	987 521 141 00	backrest cover (alcantara)			left	1	PR:369,950
			Outer part					
987 521 141 00 FLA		Black						
987 521 141 00 FLD		Stone grey						
987 521 141 00 FLG		Sand beige						
987 521 141 00 FLK		sea blue						
987 521 141 00 FLN		Palm green						
(7)		987 521 142 00	backrest cover (alcantara)	right	1	PR:370,950		
			Outer part					
		987 521 142 00 FLA	Black					
		987 521 142 00 FLD	Stone grey					
		987 521 142 00 FLG	Sand beige					
		987 521 142 00 FLK	sea blue					
		987 521 142 00 FLN	Palm green					
(7)	987 521 141 01	Backrest cover	left	1	PR:369,437, 946			
		Outer part						
		D >> - MJ 2006						
	987 521 141 01 FLB	Black						
	987 521 141 01 FLE	Stone grey						
	987 521 141 01 FLH	Sand beige						
	987 521 141 01 FLL	sea blue						
	987 521 141 01 FLO	Palm green						
	(7)	987 521 142 01	Backrest cover			right	1	PR:370,438, 946
			Outer part					
			D >> - MJ 2006					
		987 521 142 01 FLB	Black					
		987 521 142 01 FLE	Stone grey					
		987 521 142 01 FLH	Sand beige					
987 521 142 01 FLO		Palm green						

Model: 987 06 Model life 2006>>2008

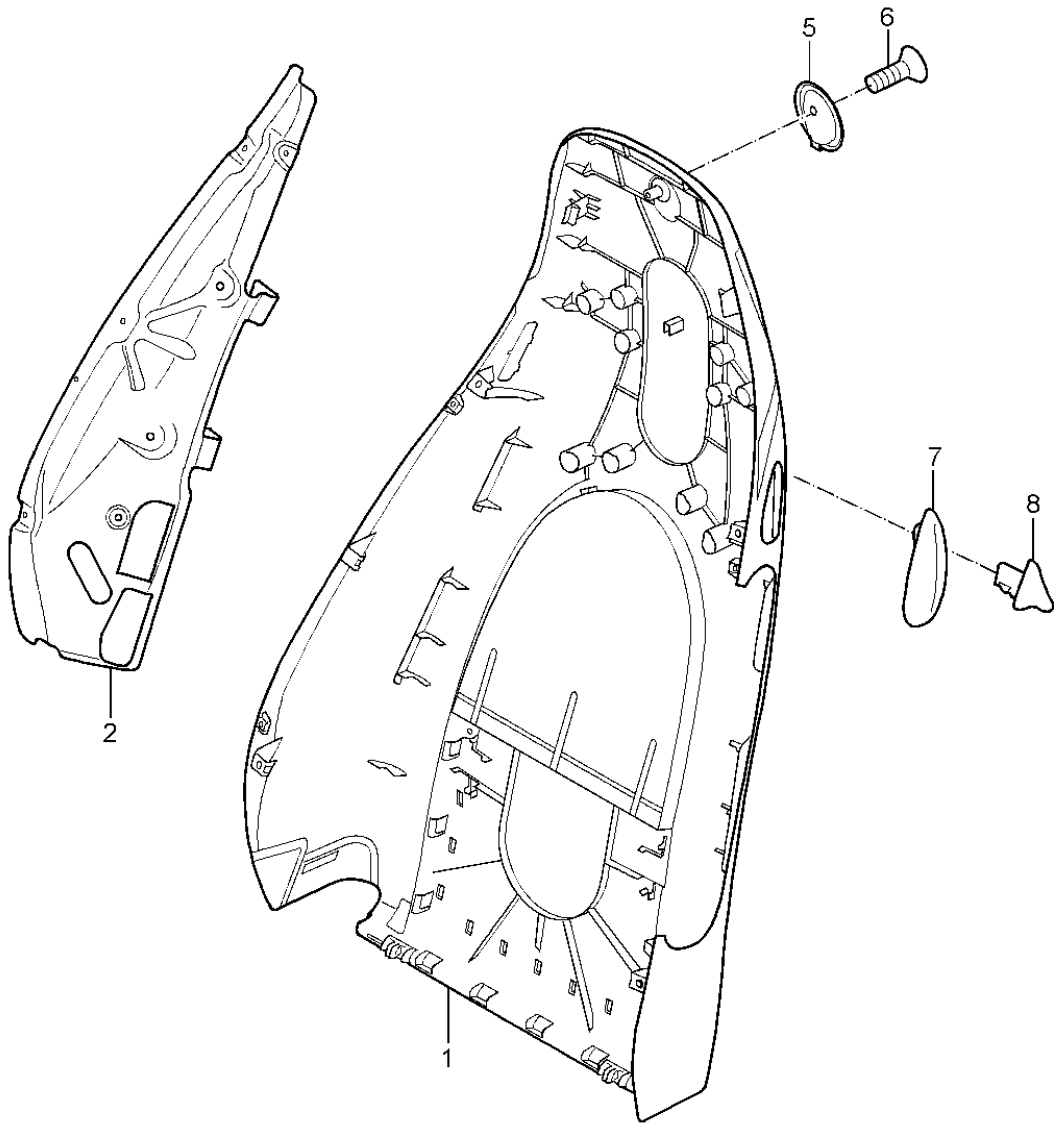
Pos	Part Number	Description	Remark	Qty	Model
(7)	987 521 141 03	Backrest cover D - MJ 2007>>	left	1	PR:369,437, 946
	987 521 141 03 FLB	Black			
	987 521 141 03 FLE	Stone grey			
	987 521 141 03 FLH	Sand beige			
	987 521 141 03 FLL	sea blue			
	987 521 141 03 FLO	Palm green			
(7)	987 521 142 03	Backrest cover Outer part D - MJ 2007>>	right	1	PR:370,438, 946
	987 521 142 03 FLB	Black			
	987 521 142 03 FLE	Stone grey			
	987 521 142 03 FLH	Sand beige			
	987 521 142 03 FLL	sea blue			
	987 521 142 03 FLO	Palm green			
(7)	987 521 141 02	Backrest cover Outer part	left	1	PR:369,437, 982,983, -541,-XSC
	987 521 141 02 FLC	Black			
	987 521 141 02 FLF	Stone grey			
	987 521 141 02 FLJ	Sand beige			
	987 521 141 02 FLM	sea blue			
	987 521 141 02 FLP	Palm green			
	987 521 141 02 FLQ	Terracotta			
	987 521 141 02 FLR	Cocoa			
	987 521 141 02 VAA	Dark grey/natural			
	987 521 141 02 VAB	Brown/natural			
(7)	987 521 142 02	Backrest cover Outer part	right	1	PR:370,438, 983,982, -541,-XSC
	987 521 142 02 FLC	Black			
	987 521 142 02 FLF	Stone grey			
	987 521 142 02 FLJ	Sand beige			
	987 521 142 02 FLM	sea blue			
	987 521 142 02 FLP	Palm green			
	987 521 142 02 FLQ	Terracotta			
	987 521 142 02 FLR	Cocoa			
	987 521 142 02 VAA	Dark grey/natural			
	987 521 142 02 VAB	Brown/natural			
(7)	987 521 941 00	Backrest cover Outer part D >> - MJ 2007		1	PR:XSC,946
	987 521 941 00 A08	Black			
	987 521 941 00 5D6	Stone grey			
	987 521 941 00 3W7	sea blue			
	987 521 941 00 4Q2	Palm green			
	987 521 941 00 T25	Sand beige			
(7)	987 521 941 03	Backrest cover Outer part D - MJ 2008>>		1	PR:XSC,946
	987 521 941 03 3W7	sea blue			
	987 521 941 03 T25	Sand beige			
	987 521 941 03 A08	Black			
	987 521 941 03 5D6	Stone grey			
(7)	987 521 941 04	Backrest cover Outer part		1	PR:XSC,946, 541
	987 521 941 04 3W7	sea blue			
	987 521 941 04 T25	Sand beige			
	987 521 941 04 5D6	Stone grey			
(7)	987 521 942 00	Backrest cover Outer part D >> - MJ 2007		1	PR:XSC,946
	987 521 942 00 A08	Black			

Model: 987 06 Model life 2006>>2008

Pos	Part Number	Description	Remark	Qty	Model
(7)	987 521 942 00 5D6	Stone grey		1	PR:XSC, 946
	987 521 942 00 3W7	sea blue			
	987 521 942 00 4Q2	Palm green			
	987 521 942 00 T25	Sand beige			
	987 521 942 03	Backrest cover Outer part D - MJ 2008>>			
	987 521 942 03 3W7	sea blue			
	987 521 942 03 T25	Sand beige			
(7)	987 521 942 03 A08	Black		1	PR:XSC, 946, 541
	987 521 942 03 5D6	Stone grey			
	987 521 942 04	Backrest cover Outer part			
	987 521 942 04 3W7	sea blue			
(7)	987 521 942 04 T25	Sand beige		1	PR:XSC, 369, 982, 437, 983
	987 521 942 04 5D6	Stone grey			
	987 521 941 01	Backrest cover Outer part			
	987 521 941 01 8YR	Black			
	987 521 941 01 5X5	Stone grey			
	987 521 941 01 8G1	Sand beige			
	987 521 941 01 3S8	sea blue			
	987 521 941 01 4P1	Palm green			
	987 521 941 01 9N2	Terracotta			
	987 521 941 01 9Q3	Cocoa			
	987 521 941 01 D11	Dark grey/natural			
	987 521 941 01 T11	Brown/natural			
	987 521 942 01	Backrest cover Outer part			
	987 521 942 01 8YR	Black			
987 521 942 01 5X5	Stone grey				
987 521 942 01 8G1	Sand beige				
987 521 942 01 3S8	sea blue				
987 521 942 01 4P1	Palm green				
987 521 942 01 9N2	Terracotta				
987 521 942 01 9Q3	Cocoa				
987 521 942 01 D11	Dark grey/natural				
987 521 942 01 T11	Brown/natural				
8	997 521 837 00	Clip Padding		6	
9	997 521 897 00	Seat Clip Backrest cover		5	

Model: 987 06

Model life 2006>>2008

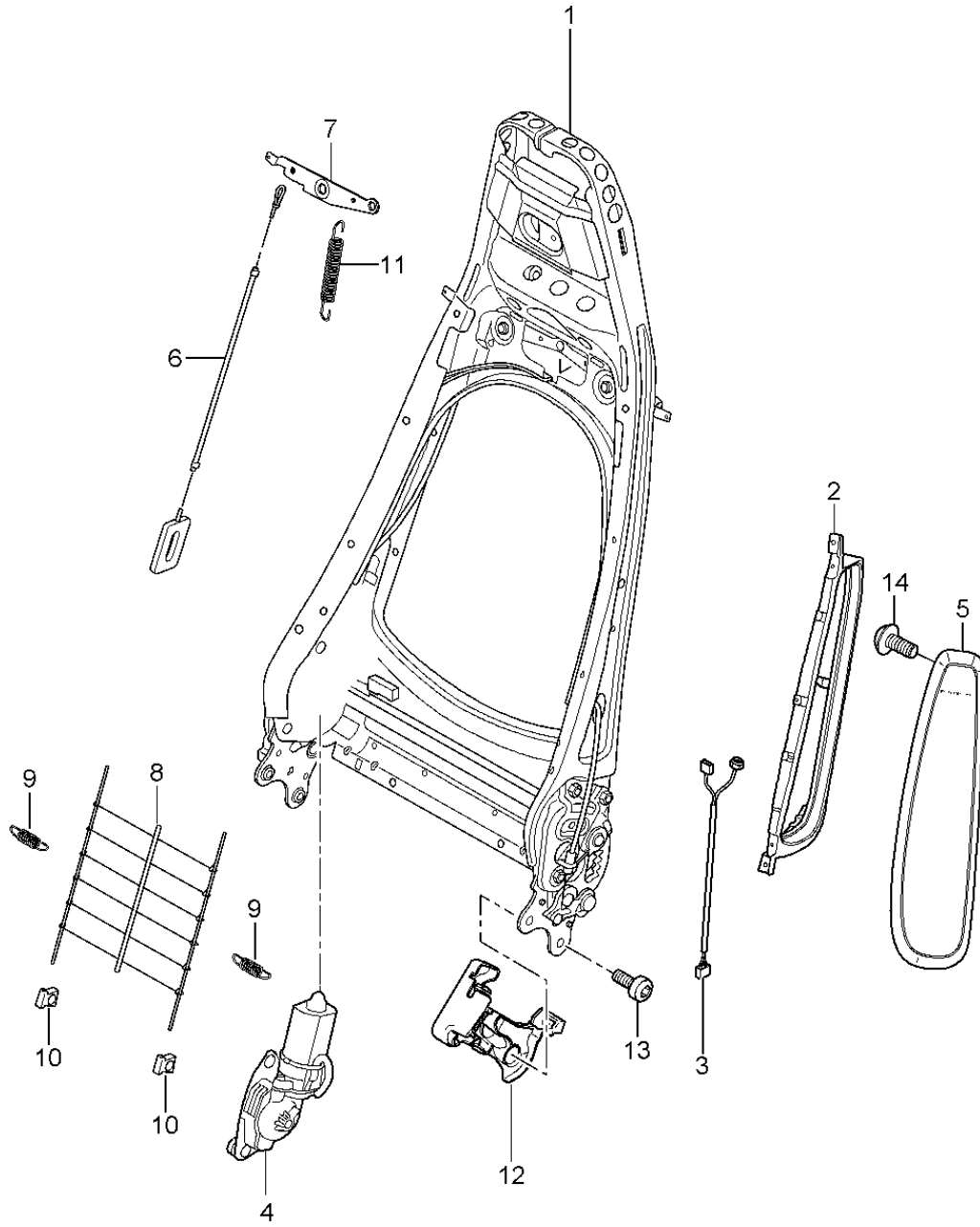


Model: 987 06 Model life 2006>>2008

Pos	Part Number	Description	Remark	Qty	Model
		Backrest shell Standard seat Comfort seat			CAYMAN S/ CAYMAN
1	987 521 303 02	Backrest shell	left	1	PR:369,437
	987 521 303 02 01C	Satin black			
(1)	987 521 304 02	Backrest shell	right	1	PR:370,438
	987 521 304 02 01C	Satin black			
(1)	987 521 303 04	Backrest shell	left	1	PR:369,437
	987 521 303 04 01C	Satin black			
(1)	987 521 304 04	Backrest shell	right	1	PR:370,438
	987 521 304 04 01C	Satin black			
(2)	997 521 319 00	Support	left	1	
2	997 521 320 00	Support	right	1	
		Backrest side bolster			
5	997 521 373 01	Coat hook		2	
	997 521 373 01 D07	Volcano grey			
6	999 919 199 09	countersunk bolt		1	
		Coat hook 5,0 X 25-M			
7	997 521 621 02	Rosette	left	1	PR:369,370, 437,438
		lever for folding backrest			
	997 521 621 02 D07	Volcano grey			
(7)	997 521 622 02	Rosette	right	1	PR:369,370, 437,438
		lever for folding backrest			
	997 521 622 02 D07	Volcano grey			
8	987 521 623 01	Actuator button	left	1	PR:375,376, 377,378
		lever for folding backrest			
	987 521 623 01 V05	Galvano silver			
(8)	987 521 624 01	Actuator button	right	1	PR:375,376, 377,378
		lever for folding backrest			
	987 521 624 01 V05	Galvano silver			
(8)	997 521 624 02	Actuator button	right	1	PR:437,438
		lever for folding backrest			
	997 521 624 02 V05	Galvano silver			
(8)	997 521 623 02	Actuator button	left	1	PR:437,438
		lever for folding backrest			
	997 521 623 02 V05	Galvano silver			

Model: 987 06

Model life 2006>>2008



Model: 987 06 Model life 2006>>2008

Pos	Part Number	Description	Remark	Qty	Model
1	997 521 329 00	Backrest frame Standard seat Comfort seat backrest frame	left a. right	2	CAYMAN S/ CAYMAN PR:369,370, 437,438
		without:			
(1)	997 521 329 02	Memory D >> - MJ 2007 backrest frame	left a. right	2	PR:369,370, 437,438
		without:			
(1)	997 521 329 01	Memory D - MJ 2008>> backrest frame	left a. right	2	PR:537,538
(1)	997 521 329 03	D >> - MJ 2007 backrest frame	left a. right	2	PR:537,538
		with:			
		Memory D - MJ 2008>>			
2	997 521 533 00	Cushion carrier	left	1	PR:369,437
(2)	997 521 534 00	Cushion carrier	right	1	PR:370,438
3	997 612 785 01	Side airbag unit			
(3)	997 612 786 01	Wire set	left	1	PR:537
		Wire set	right	1	PR:538
4	997 624 331 00	Side airbag unit			
		Electric motor	left a. right	1	PR:537,538
		Backrest frame			
		Memory			
(4)	997 624 321 00	Electric motor	left a. right	1	PR:369,370, 437,438
		Backrest frame			
		without:			
		Memory			
5	997 803 081 01	Side airbag unit	left	1	PR:369,437
	997 803 081 01 A03	Black			
	997 803 081 01 5V7	Stone grey			
	997 803 081 01 5Z1	Sand beige			
	997 803 081 01 8W7	sea blue			
	997 803 081 01 5Y2	Palm green			
	997 803 081 01 8X8	Terracotta			
	997 803 081 01 8P9	Cocoa			
	997 803 081 01 T13	Brown/natural			
	997 803 081 01 N23	Carrera Red			
		D - MJ 2008>>			
(5)	997 803 082 01	Side airbag unit	right	1	PR:370,438
	997 803 082 01 A03	Black			
	997 803 082 01 5V7	Stone grey			
	997 803 082 01 5Z1	Sand beige			
	997 803 082 01 8W7	sea blue			
	997 803 082 01 5Y2	Palm green			
	997 803 082 01 8X8	Terracotta			
	997 803 082 01 8P9	Cocoa			
	997 803 082 01 T13	Brown/natural			
	997 803 082 01 N23	Carrera Red			
		D - MJ 2008>>			
6	997 521 485 00	Bowden cable		2	
7	997 521 375 00	Backrest frame		1	
8	997 521 855 00	Release		1	
		Backrest frame		1	
9	997 521 893 00	Grille		2	
		Backrest frame		2	
10	997 521 895 00	tension spring		2	
		Grille		2	
11	997 521 797 00	Clip		1	
		Grille		1	
		tension spring		1	

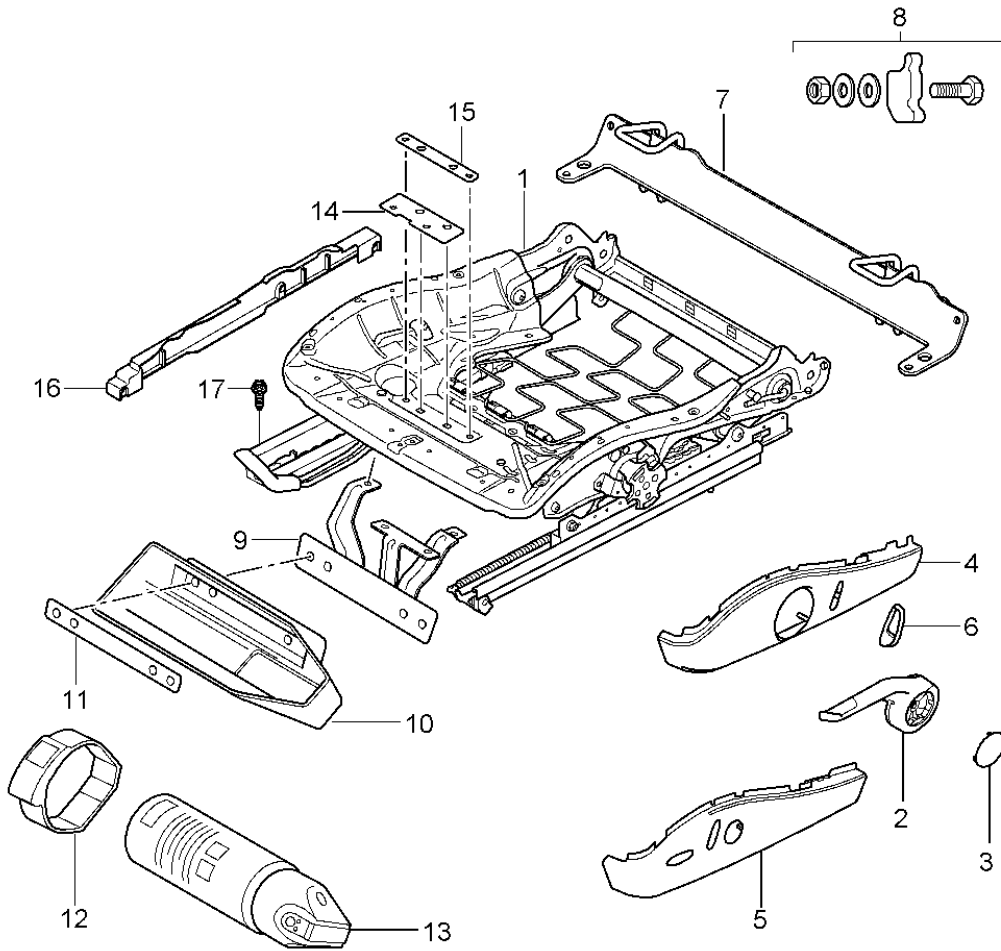
Model: 987 06

Model life 2006>>2008

Pos	Part Number	Description	Remark	Qty	Model
12	997 521 335 01	Release backrest			
		Trim	left	1	
	997 521 335 01 D07	Volcano grey			
(12)	997 521 336 01	Trim	right	1	
		Mounting component	inner		
	997 521 336 01 D07	Volcano grey			
13	999 073 375 09	Screw		4	
		M10 x 13,0			
		Mount			
		backrest			
		Seat frame			
14	999 073 306 09	Screw		2	
		Mount			
		Side airbag unit			

Model: 987 06

Model life 2006>>2008



Model: 987 06 Model life 2006>>2008

Pos	Part Number	Description	Remark	Qty	Model
		Seat frame Standard seat Comfort seat			CAYMAN S/ CAYMAN
1	997 521 201 00	Seat frame D >> - MJ 2006	left lhd	1	PR:098,369, 375
(1)	997 521 201 10	Seat frame Height adjustment Manually (drivers side) D - MJ 2007>>	left lhd lhd	1	PR:098,369, 375
(1)	997 521 202 00	Seat frame D >> - MJ 2007	right	1	PR:099,370, 376
(1)	997 521 202 19	Seat frame Height adjustment Manually (drivers side) D - MJ 2008>>	right rhd	1	PR:099,370, 376
(1)	997 521 201 04	Seat frame D >> - MJ 2006	left	1	PR:377,437
(1)	997 521 201 12	Seat frame D - MJ 2007>>	left	1	PR:377,437
(1)	997 521 202 10	Seat frame D >> - MJ 2006	right	1	PR:378,438
(1)	997 521 202 21	Seat frame Electric without: Memory D - MJ 2007>>	right	1	PR:378,438
(1)	997 521 201 05	Seat frame D - MJ 2007>>	left	1	PR:377,437, 537
(1)	997 521 201 13	Seat frame D - MJ 2007>>	left	1	PR:377,437, 537
(1)	997 521 202 11	Seat frame D >> - MJ 2006	right	1	PR:378,438, 538
(1)	997 521 202 22	Seat frame Electric Memory D - MJ 2007>>	right	1	PR:378,438, 538
(1)	997 521 201 03	Seat frame D >> - MJ 2006	left rhd	1	PR:099,369, 375
(1)	997 521 201 11	Seat frame Manually (passenger side) D - MJ 2007>>	left rhd rhd	1	PR:099,369, 375
(1)	997 521 202 06	Seat frame D - MJ 2006>> - MJ 2006	right	1	PR:370,376, 560
(1)	997 521 202 23	Seat frame Manually seat occupied recognition D - MJ 2007>>	right	1	PR:370,376, 560
(1)	997 521 202 12	Seat frame D - MJ 2006>> - MJ 2006	right	1	PR:378,438, 560
(1)	997 521 202 24	Seat frame Electric seat occupied recognition D - MJ 2007>>	right	1	PR:378,438, 560
(1)	997 521 202 05	Seat frame D >> - MJ 2006	right lhd	1	PR:098,370, 376
(1)	997 521 202 20	Seat frame Manually (passenger side) D - MJ 2007>>	right lhd lhd	1	PR:098,370, 376
2	997 521 627 01	Actuating lever	left	1	PR:369,375

Model: 987 06 Model life 2006>>2008

Pos	Part Number	Description	Remark	Qty	Model
(2)	997 521 627 01 V05 997 521 628 01	Height adjustment Galvano silver Actuating lever	right	1	PR:370,376
3	997 521 628 01 V05 997 521 629 01	Height adjustment Galvano silver Cover cap Actuating lever	left a. right	2	PR:369,370, 375,376
4	997 521 629 01 D07 997 521 325 06	Volcano grey Trim for switch	left	1	PR:369,375
(4)	997 521 325 06 D07 997 521 326 06	Volcano grey Trim for switch	right	1	PR:370,376
5	997 521 326 06 D07 997 521 325 07	without: For vehicles with 'Advanced' airbag Volcano grey Trim for switch	left	1	PR:437
5	997 521 325 07 D07 997 521 326 07	Volcano grey Trim for switch	right	1	PR:438
(5)	997 521 326 07 D07 997 521 326 09	without: For vehicles with 'Advanced' airbag Volcano grey Trim for switch	right	1	PR:370,376, 560
(5)	997 521 326 09 D07 997 521 326 10	Volcano grey Trim for switch	right	1	PR:438,560
6	997 521 326 10 D07 997 521 631 01	Volcano grey Actuator button backrest		1	PR:369,370, 375,376,377, 378
7	997 521 631 01 V05 997 521 061 01	Galvano silver Retainer plate child seat ISOFIX Not for: AUSTRALIEN		1	
8	997 521 961 01	1 set attachment parts Retainer plate		1	
9	997 521 251 00	Holder for fire extinguisher		1	PR:098,509
(9)	997 521 252 00	Holder for fire extinguisher		1	PR:099,509
10	997 521 607 00	Cup Fire extinguishers		1	PR:509
11	997 521 881 00	Holder for fire extinguisher Cup		1	PR:509
12	997 521 851 00	tensioning strap Fire extinguishers		1	PR:509
13	996 722 115 00	Fire extinguishers Information available		1	PR:509
14	997 521 841 00	Reinforcement	front	1	PR:509
15	997 521 843 00	Reinforcement	rear	1	PR:509
(16)	997 521 427 01	Cover Sensor Weight	left	1	PR:370,376, 378,438,560
16	997 521 427 01 01C 997 521 426 01	Satin black Cover Sensor Weight	right	1	PR:370,376, 378,438,560
17	997 521 426 01 01C 999 141 047 01	Satin black Torx screw Mount		4	

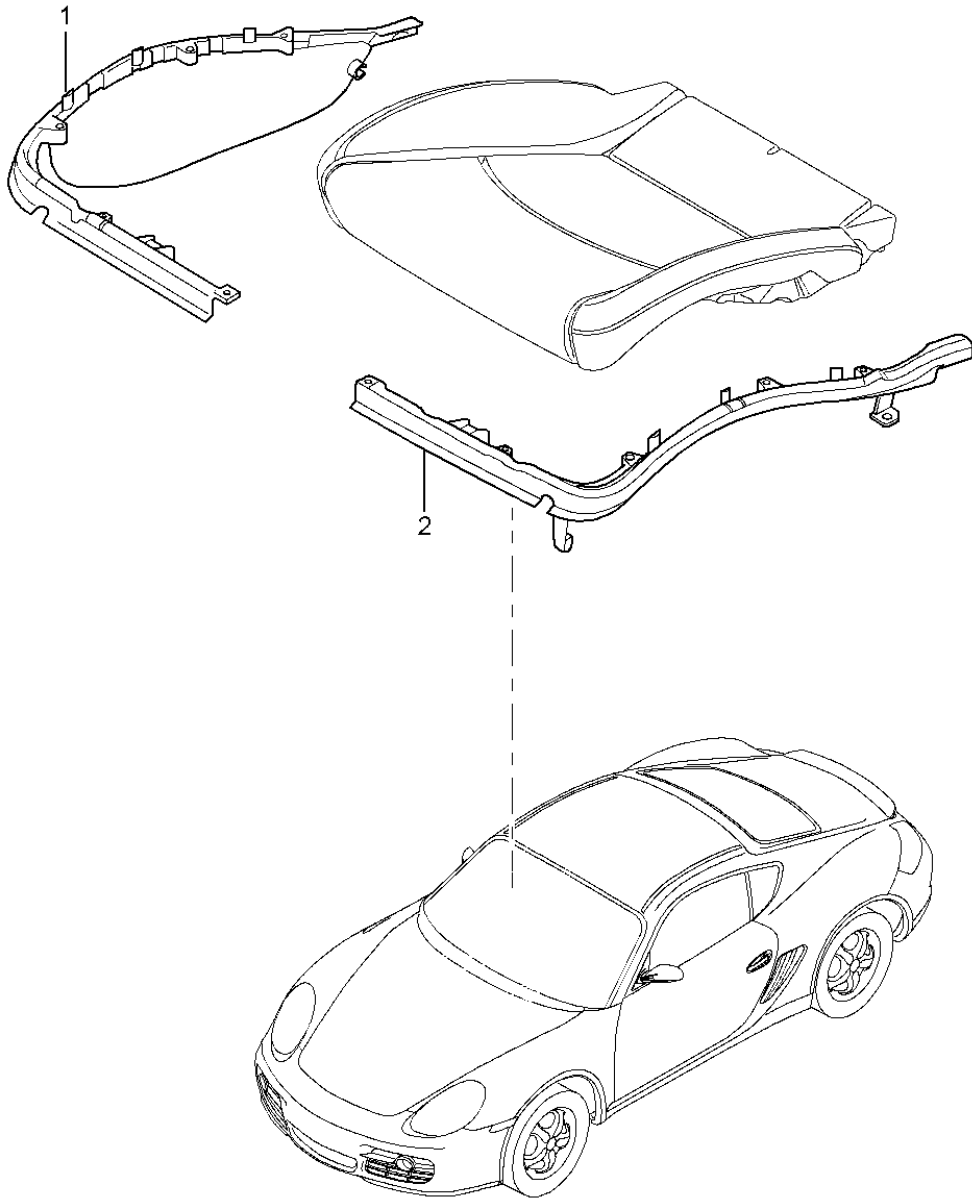
Model: 987 06

Model life 2006>>2008

Pos	Part Number	Description	Remark	Qty	Model
		Seat rail			

Model: 987 06

Model life 2006>>2008



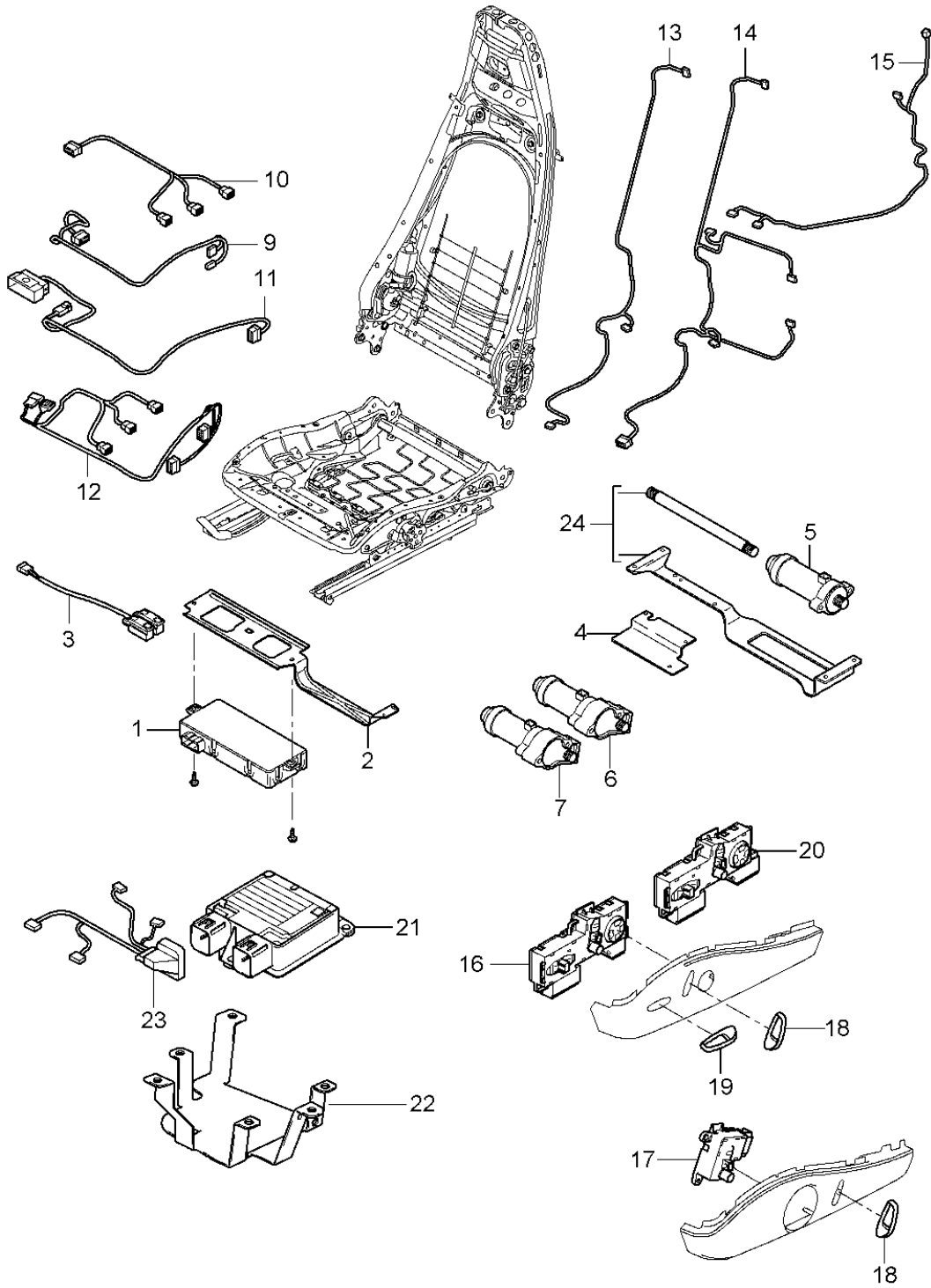
Model: 987 06

Model life 2006>>2008

Pos	Part Number	Description	Remark	Qty	Model
		Cushion carrier Frame Seat surface Standard seat Comfort seat			CAYMAN S/ CAYMAN
(1)	997 521 547 00	Frame	left inner	1	PR:370,376, 378,438
1	997 521 548 00	Frame	right inner	1	PR:369,375, 377,437
2	997 521 545 00	Frame	left outer	1	PR:369,375, 377,437
(2)	997 521 546 00	Frame	right outer	1	PR:370,376, 378,438
-	997 521 546 01	without: For vehicles with 'Advanced' airbag Frame with: For vehicles with 'Advanced' airbag	right outer	1	PR:370,376, 378,438,560

Model: 987 06

Model life 2006>>2008



Model: 987 06

Model life 2006>>2008

Pos	Part Number	Description	Remark	Qty	Model
		Wiring looms Control unit Switch Standard seat Comfort seat			CAYMAN S/ CAYMAN
1	997 618 537 07	Control unit		1	PR:537,538
2	997 521 643 00	Seating position control Retainer for control units		1	PR:537,538
3	997 613 725 00	Seating position control Switch		1	
(3)	997 613 725 00 V05	Seat adjuster Galvano silver		1	
	997 613 726 00	Switch		1	
	997 613 726 00 V05	Seat adjuster Galvano silver		1	
4	997 521 343 00	Bracket for compressor		1	
5	997 624 322 00	Electric motor Seat adjuster Lengthways		1	PR:437,438
(5)	997 624 332 00	without: Memory Electric motor Seat adjuster Lengthways		1	PR:537,538
6	997 624 322 00	with: Memory Electric motor Seat adjuster Height adjustment		1	PR:437,438
(6)	997 624 332 00	without: Memory Electric motor Seat adjuster Height adjustment		1	PR:537,538
7	997 624 323 00	with: Memory Electric motor Seat adjuster Tilt angle		1	PR:437,438
(7)	997 624 333 00	without: Memory Electric motor Seat adjuster Tilt angle		1	PR:537,538
9	997 612 684 00	with: Memory Wire set Seat adjuster		1	PR:537,538
10	997 612 690 00	Memory Wire set Lengthways Height adjustment		1	PR:537,538
11	997 612 682 01	Memory Wire set Switch		1	PR:369,370, 375,376
12	997 612 683 01	Seat adjuster Wire set Switch Seat adjuster		1	PR:437,438
13	997 612 689 00	without: Memory Wire set Lumbar support		1	PR:377,378, 437,438

Model: 987 06 Model life 2006>>2008

Pos	Part Number	Description	Remark	Qty	Model
		without:			
14	997 612 687 00	Memory Wire set Lumbar backrest		1	PR:537,538, 437,438
15	997 612 685 01	Memory Wire set backrest		1	PR:369,377, 375,437
(15)	997 612 686 01	Wire set backrest		1	PR:370,376, 378,438
16	997 613 721 01	switch for seat adjustment	left	1	PR:377,437, 537
	997 613 721 01 V05	Memory switch Galvano silver			
(16)	997 613 722 01	switch for seat adjustment	right	1	PR:378,438, 538
	997 613 722 01 V05	Memory switch Galvano silver			
17	997 613 714 00	switch for seat adjustment	right	1	PR:370,376
(17)	997 613 713 00	switch for seat adjustment Manually adjustable	left	1	PR:369,375
18	997 521 631 01	Actuator button		1	PR:369,370, 375
	997 521 631 01 V05	Galvano silver			PR:437,438
18	997 521 631 02	Actuator button D - MJ 2008>>		1	PR:369,370, 375
	997 521 631 02 V05	Galvano silver			PR:437,438
19	997 521 633 02	Actuator button		1	PR:377,378, 437
	997 521 633 02 V05	Galvano silver			
19	997 521 633 03	Actuator button D - MJ 2008>>		1	PR:377,378, 437
	997 521 633 03 V05	Galvano silver			
20	997 613 717 01	switch for seat adjustment	left	1	PR:377,437
		without:			
	997 613 717 01 V05	Memory Galvano silver			
20	997 613 717 02	switch for seat adjustment	left	1	PR:377,437
		without:			
	997 613 717 02 V05	Memory D - MJ 2008>> Galvano silver			
(20)	997 613 718 01	switch for seat adjustment	right	1	PR:378,438
		without:			
	997 613 718 01 V05	Memory Galvano silver			
(20)	997 613 718 02	switch for seat adjustment	right	1	PR:378,438
		without:			
	997 613 718 02 V05	Memory D - MJ 2008>> Galvano silver			
(21)	997 618 233 05	Control unit for seat occupied sensor		1	PR:370,376, 378,438,560
		D - MJ 2006>>			
(22)	997 521 646 00	Retainer for control units		1	PR:370,376, 378,438,560
		seat occupied recognition D - MJ 2006>>			
23	997 612 688 00	Wire set Control unit seat occupied recognition		1	PR:370,376, 378,438,560
		D - MJ 2006>>			
24	000 043 207 06	Pliable shaft		1	

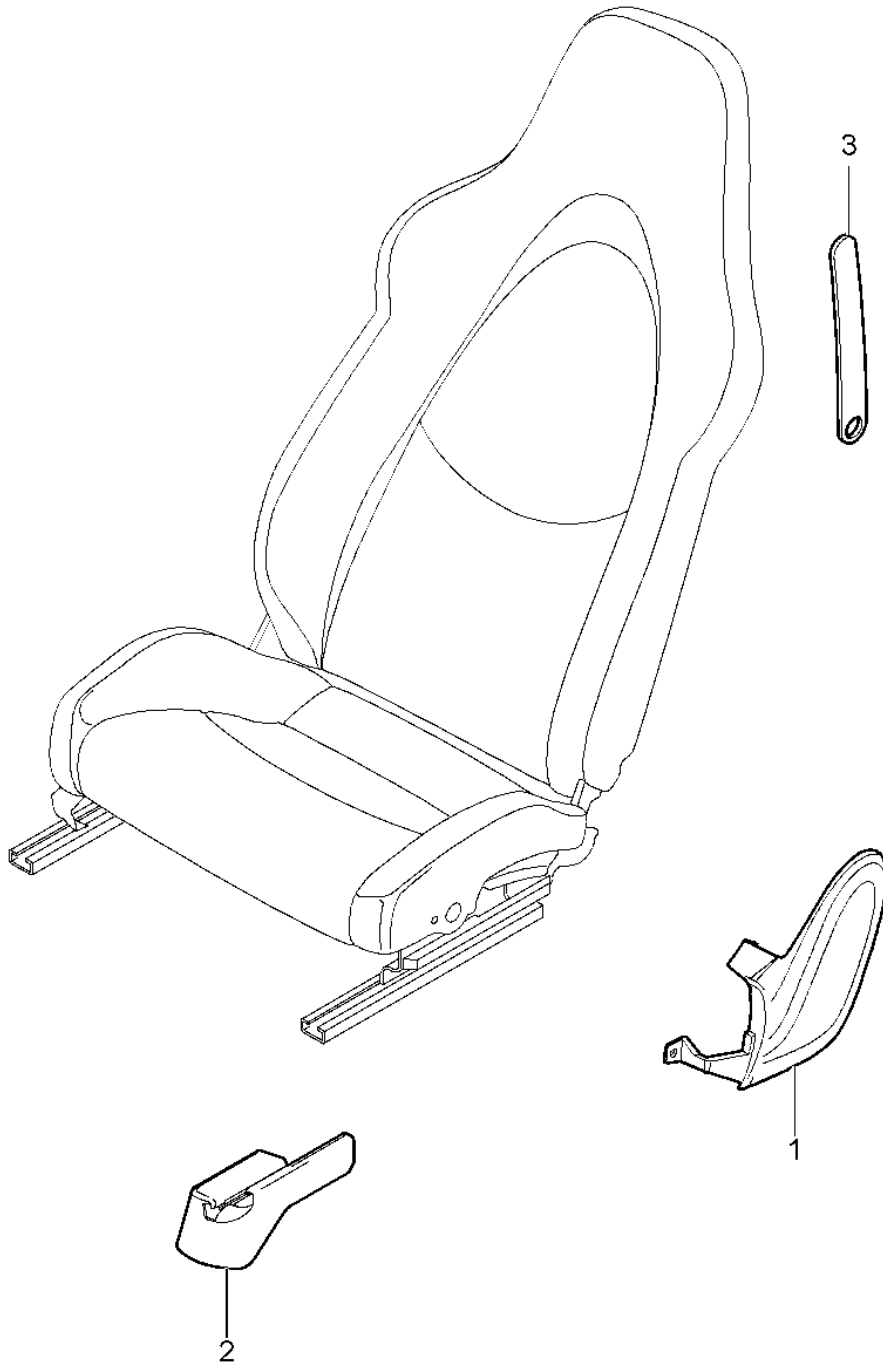
Model: 987 06

Model life 2006>>2008

Pos	Part Number	Description	Remark	Qty	Model
(24)	997 521 901 00	Adjusting motor Seat adjuster Lengthways repair set Pliable shaft Console for engine mounting		1	
-	999 650 973 40	Clip Mount Wire set seat occupied recognition		1	

Model: 987 06

Model life 2006>>2008

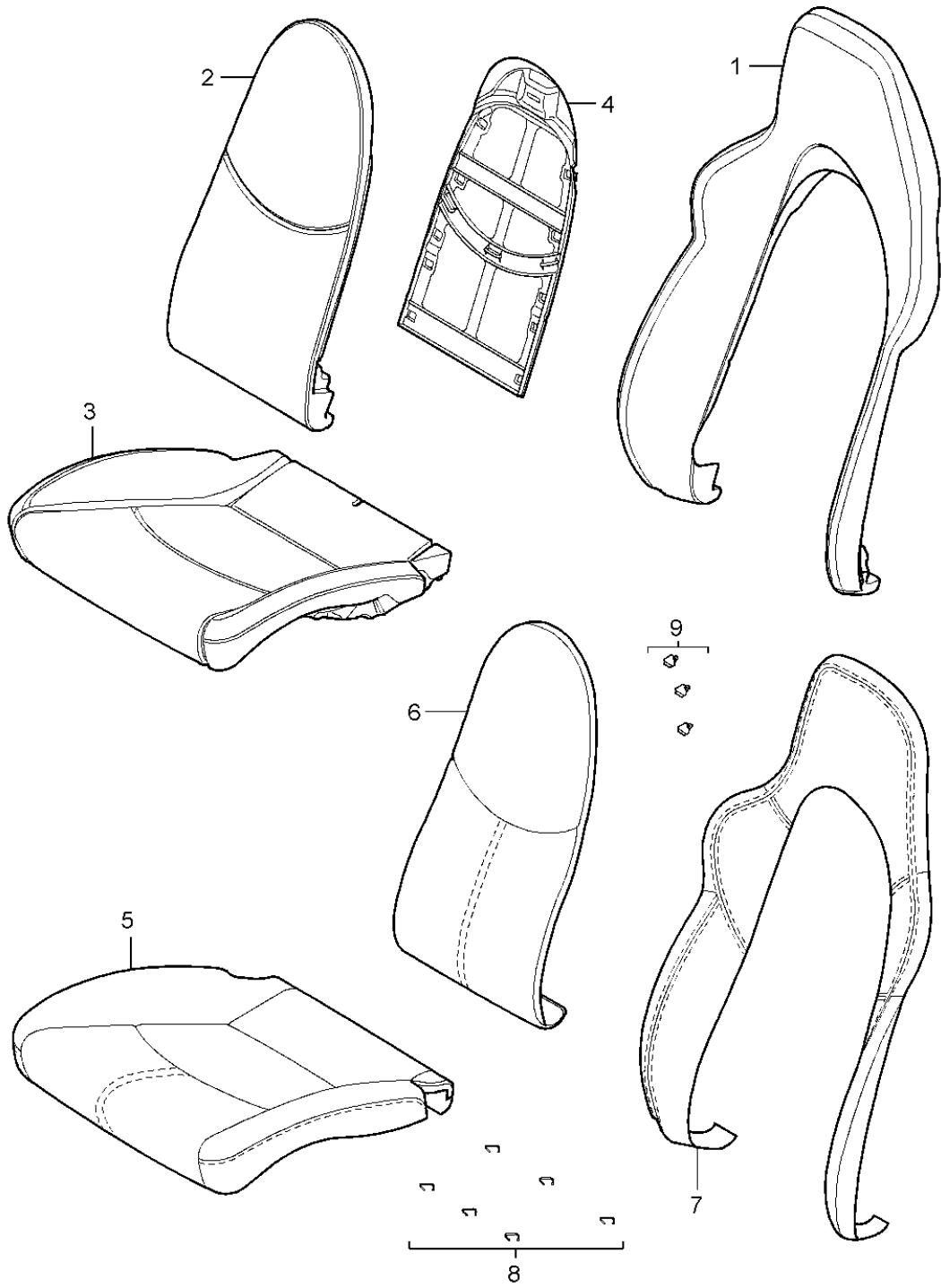


Model: 987 06 Model life 2006>>2008

Pos	Part Number	Description	Remark	Qty	Model
		Front seat sports seat (complete) Not available			CAYMAN S/ Cayman
1	997 521 315 02	Cover panel	left	1	PR:375,377
		Mounting component			
	997 521 315 02 D07	Volcano grey			
(1)	997 521 316 02	Cover panel	right	1	PR:376,378
		Mounting component			
	997 521 316 02 D07	Volcano grey			
(1)	997 521 316 03	Cover panel	right	1	PR:376,378, 560
		Mounting component			
		For vehicles with 'Advanced' airbag			
	997 521 316 03 D07	Volcano grey			
2	997 521 359 01	Rail	left	1	PR:375
		Seat rail			
	997 521 359 01 01C	Satin black			
(2)	997 521 360 01	Rail	right	1	PR:376
		Seat rail			
	997 521 360 01 01C	Satin black			
(2)	997 521 361 00	Rail	left	1	PR:376,377, 378
		Satin black			
(2)	997 521 362 00	Rail	right	1	PR:375,377, 378
		Satin black			
3	987 521 181 00	1 set attachment parts	left	1	PR:375,377
		Guide			
		Belt			
	987 521 181 00 8YR	Black			
	987 521 181 00 5X5	Stone grey			
	987 521 181 00 8G1	Sand beige			
	987 521 181 00 3S8	sea blue			
	987 521 181 00 4P1	Palm green			
	987 521 181 00 9N2	Terracotta			
	987 521 181 00 9Q3	Cocoa			
	987 521 181 00 D11	Dark grey/natural			
	987 521 181 00 T11	Brown/natural			
(3)	987 521 182 00	1 set attachment parts	right	1	PR:376,378
		Guide			
		Belt			
		(complete)			
	987 521 182 00 8YR	Black			
	987 521 182 00 5X5	Stone grey			
	987 521 182 00 8G1	Sand beige			
	987 521 182 00 3S8	sea blue			
	987 521 182 00 4P1	Palm green			
	987 521 182 00 9N2	Terracotta			
	987 521 182 00 9Q3	Cocoa			
	987 521 182 00 D11	Dark grey/natural			
	987 521 182 00 T11	Brown/natural			

Model: 987 06

Model life 2006>>2008



Model: 987 06 Model life 2006>>2008

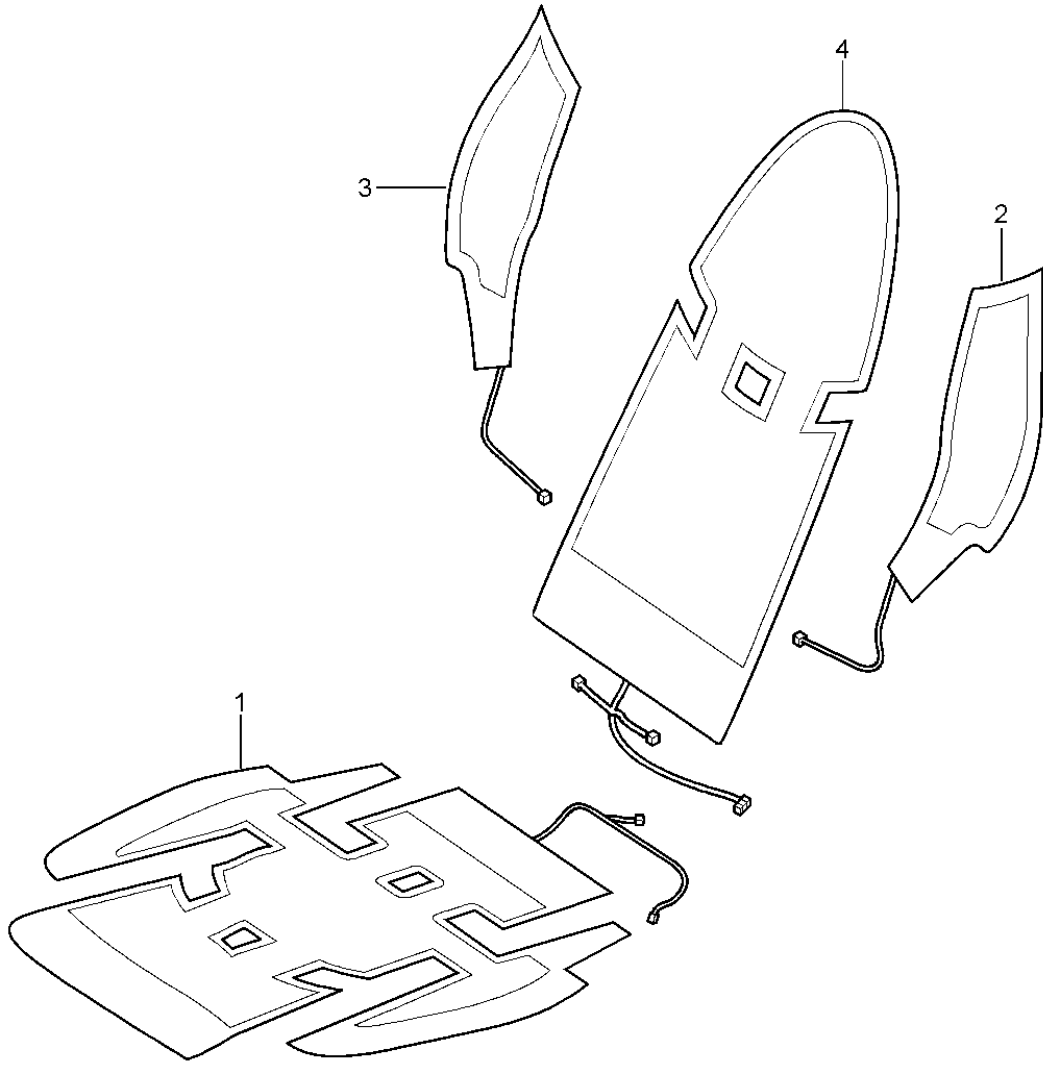
Pos	Part Number	Description	Remark	Qty	Model
		Foam part Cover sports seat			CAYMAN S/ CAYMAN
1	997 521 535 01	Foam part backrest	left a. right outer	2	PR:375,376
2	997 521 581 00	Foam part backrest	left a. right center	2	PR:375,376, 377,378
3	997 521 571 01	Foam part Seat cushion	left a. right	2	PR:375,376
(3)	997 521 571 02	Foam part Seat cushion	left a. right	2	PR:377,378
(3)	997 521 571 04	Foam part Seat cushion For vehicles with 'Advanced' airbag	right	2	PR:376,560
(3)	997 521 571 05	Foam part Seat cushion For vehicles with 'Advanced' airbag	right	2	PR:378,560
4	997 521 551 01	Backrest-padding support part	left a. right	2	PR:375,376, 377,378
5	997 521 161 03	Seat cover	left a. right	2	PR:375,376, 983
	997 521 161 03 FLC	Black			
	997 521 161 03 FLF	Stone grey			
	997 521 161 03 FLJ	Sand beige			
	997 521 161 03 FLM	sea blue			
	997 521 161 03 FLP	Palm green			
	997 521 161 03 FLQ	Terracotta			
	997 521 161 03 FLR	Cocoa			
	997 521 161 03 BCA	Black/stone grey			
	997 521 161 03 VAA	Dark grey/natural			
	997 521 161 03 VAB	Brown/natural			
	997 521 161 03 VAC	Carrera Red			
(5)	997 521 161 06	Seat cover	left a. right	2	PR:377,378, 983
	997 521 161 06 FLC	Black			
	997 521 161 06 FLF	Stone grey			
	997 521 161 06 FLJ	Sand beige			
	997 521 161 06 FLM	sea blue			
	997 521 161 06 FLP	Palm green			
	997 521 161 06 FLQ	Terracotta			
	997 521 161 06 FLR	Cocoa			
	997 521 161 06 BCA	Black/stone grey			
	997 521 161 06 VAA	Dark grey/natural			
	997 521 161 06 VAB	Brown/natural			
	997 521 161 06 VAC	Carrera Red			
6	997 521 151 00	Backrest cushion cover Centre part	left a. right	2	PR:375,376, 377,378,983
	997 521 151 00 8YR	Black			
	997 521 151 00 5X5	Stone grey			
	997 521 151 00 8G1	Sand beige			
	997 521 151 00 3S8	sea blue			
	997 521 151 00 4P1	Palm green			
	997 521 151 00 9N2	Terracotta			
	997 521 151 00 9Q3	Cocoa			
	997 521 151 00 D11	Dark grey/natural			
	997 521 151 00 T11	Brown/natural			
	997 521 151 00 N11	Carrera Red			
(6)	987 521 151 00	Backrest cushion cover Centre part Alcantara		2	PR:950
	987 521 151 00 A15	Black			

Model: 987 06 Model life 2006>>2008

Pos	Part Number	Description	Remark	Qty	Model
7	997 521 155 01	Backrest cover	left a. right	2	PR:375,376, 377,378,983
		Outer part			
	997 521 155 01 FLC	Black			
	997 521 155 01 FLF	Stone grey			
	997 521 155 01 FLJ	Sand beige			
	997 521 155 01 FLM	sea blue			
	997 521 155 01 FLP	Palm green			
	997 521 155 01 FLQ	Terracotta			
	997 521 155 01 FLR	Cocoa			
	997 521 155 01 VAA	Dark grey/natural			
	997 521 155 01 VAB	Brown/natural			
	997 521 155 01 VAC	Carrera Red			
(7)	997 521 941 02	Backrest cover		1	PR:XSC,983
		Outer part			
	997 521 941 02 8YR	Black			
	997 521 941 02 5X5	Stone grey			
	997 521 941 02 8G1	Sand beige			
	997 521 941 02 3S8	sea blue			
	997 521 941 02 4P1	Palm green			
	997 521 941 02 9N2	Terracotta			
	997 521 941 02 9Q3	Cocoa			
	997 521 941 02 D11	Dark grey/natural			
	997 521 941 02 T11	Brown/natural			
	997 521 941 02 N11	Carrera Red			
8	997 521 837 00	Clip		6	
		Padding			
		Seat			
9	997 521 897 00	Clip		5	
		Backrest cover			

Model: 987 06

Model life 2006>>2008



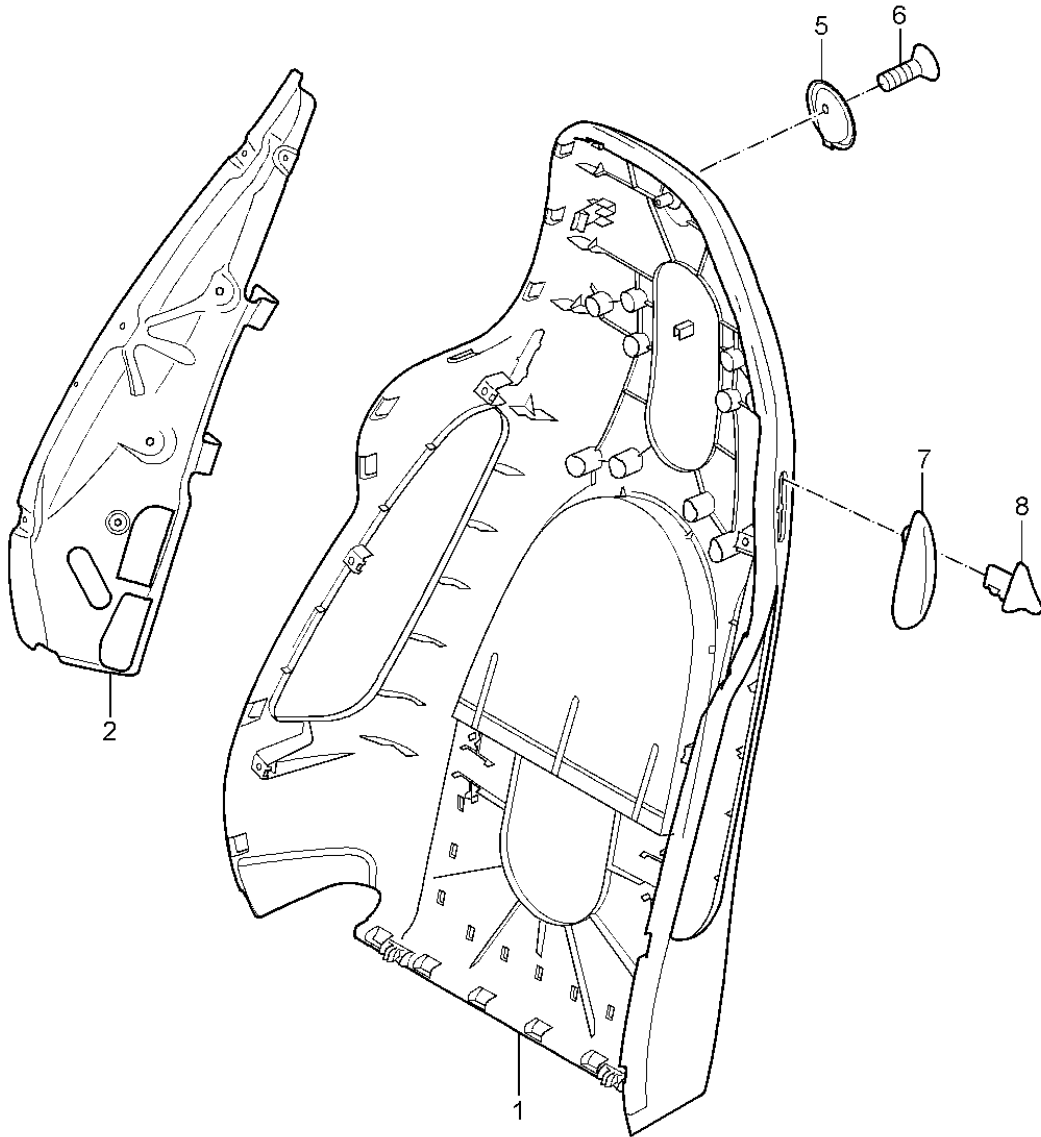
Model: 987 06

Model life 2006>>2008

Pos	Part Number	Description	Remark	Qty	Model
		Seat heater			
1	997 653 105 02	Heating element Seat cushion Standard seat Comfort seat	left a. right	2	CAYMAN S CAYMAN PR:342,369, 370,437,438
(1)	997 653 105 03	Heating element Seat cushion sports seat	left a. right	2	PR:342,375, 376,377,378
2	997 653 109 00	Heating element Backrest side bolster Standard seat Comfort seat	left	1	PR:342,369, 370,437,438
(2)	997 653 109 01	Heating element Backrest side bolster sports seat	left	1	PR:342,375, 376,377,378
3	997 653 110 00	Heating element Backrest side bolster Standard seat Comfort seat	right	1	PR:342,369, 370,437,438
(3)	997 653 110 01	Heating element Backrest side bolster sports seat	right	1	PR:342,375, 376,377,378
4	997 653 107 00	Heating element Backrest cushion	left a. right	2	PR:342

Model: 987 06

Model life 2006>>2008



Model: 987 06 Model life 2006>>2008

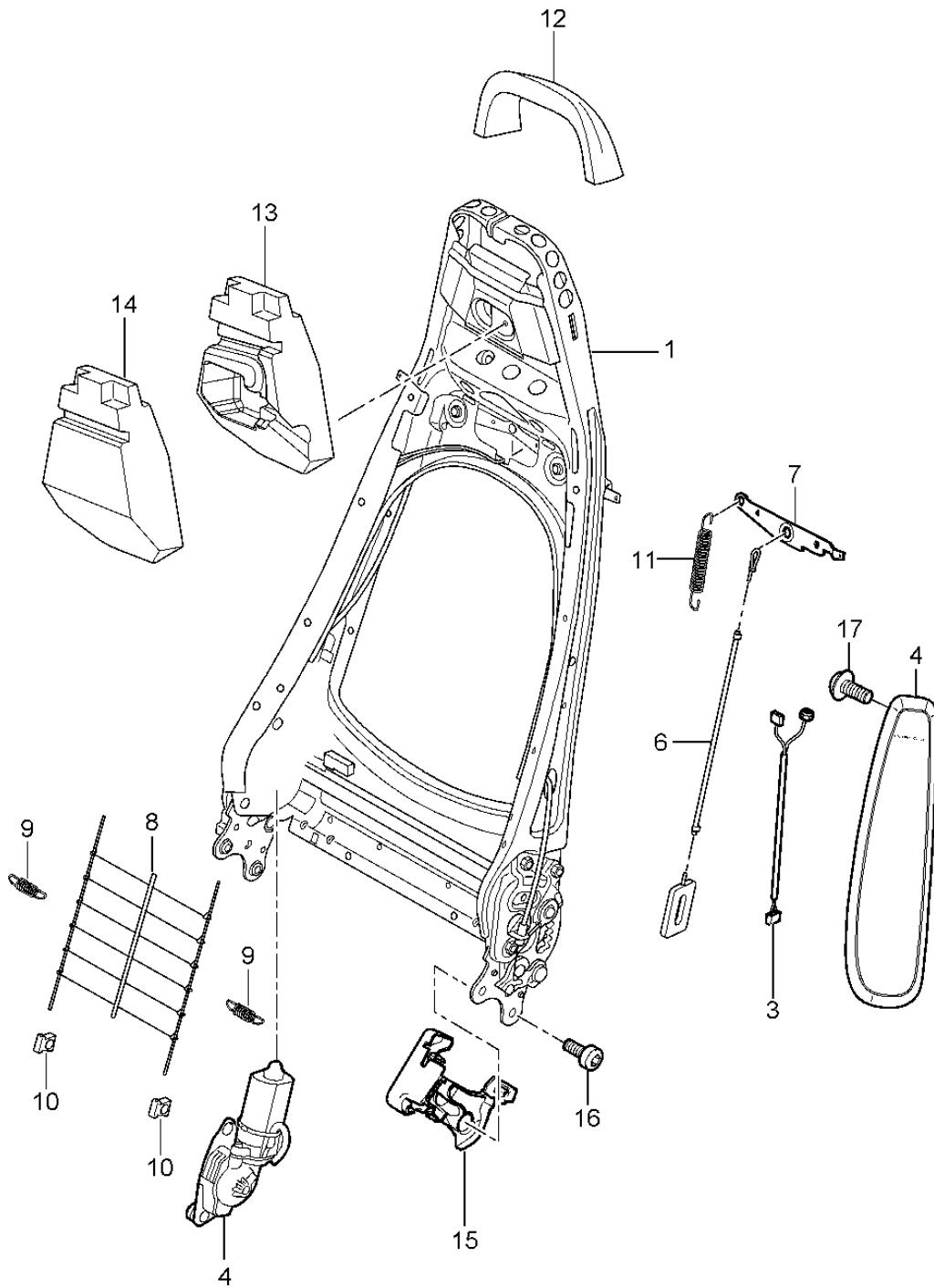
Pos	Part Number	Description	Remark	Qty	Model
1	987 521 303 05	Backrest shell sports seat	left	1	CAYMAN S CAYMAN PR:375,377
(1)	987 521 303 05 D07	Volcano grey			
(1)	987 521 304 05	Backrest shell	right	1	PR:376,378
	987 521 304 05 D07	Volcano grey			
(1)	987 521 981 00	Backrest shell	left	1	PR:XSA,375, 377
	987 521 981 00 041	Black			
	987 521 981 00 84A	guards red (Porsche)			
	987 521 981 00 12H	Speed yellow			
	987 521 981 00 B9A	Carrara white			
	987 521 981 00 92U	Arctic silver metallic			
	987 521 981 00 M3W	Carmon red metallic			
	987 521 981 00 M5W	Lapis blue metallic			
	987 521 981 00 M6W	Lagoon green metallic			
	987 521 981 00 C9Z	Basalt black metallic			
	987 521 981 00 M7X	Atlas grey metallic			
	987 521 981 00 39C	Midnight Blue Metallic			
	987 521 981 00 6B4	Seal grey metallic			
	987 521 981 00 2B4	Forest green metallic			
	987 521 981 00 3C8	Cobalt blue metallic			
	987 521 981 00 23F	Slate grey metallic			
	987 521 981 00 M6X	Dark olive-metallic			
	987 521 981 00 M7Z	GT Silver Metallic			
(1)	987 521 982 00	Backrest shell	right	1	PR:XSA,376, 378
	987 521 982 00 041	Black			
	987 521 982 00 84A	guards red (Porsche)			
	987 521 982 00 12H	Speed yellow			
	987 521 982 00 B9A	Carrara white			
	987 521 982 00 92U	Arctic silver metallic			
	987 521 982 00 M3W	Carmon red metallic			
	987 521 982 00 M5W	Lapis blue metallic			
	987 521 982 00 M6W	Lagoon green metallic			
	987 521 982 00 C9Z	Basalt black metallic			
	987 521 982 00 M7X	Atlas grey metallic			
	987 521 982 00 39C	Midnight Blue Metallic			
	987 521 982 00 6B4	Seal grey metallic			
	987 521 982 00 2B4	Forest green metallic			
	987 521 982 00 3C8	Cobalt blue metallic			
	987 521 982 00 23F	Slate grey metallic			
	987 521 982 00 M6X	Dark olive-metallic			
	987 521 982 00 M7Z	GT Silver Metallic			
(1)	987 521 981 01	Backrest shell	left	1	PR:XCG,375, 377
	987 521 981 01 V04	Galvano silver			
(1)	987 521 982 01	Backrest shell Lacquered Aluminium coloured	right	1	PR:XCG,376, 378
	987 521 982 01 V04	Galvano silver			
(1)	987 521 981 02	Backrest shell	left	1	PR:XSB,375, 377
	987 521 981 02 A11	Black			
	987 521 981 02 5X6	Stone grey			
	987 521 981 02 8G2	Sand beige			
	987 521 981 02 3S9	sea blue			
	987 521 981 02 4P2	Palm green			
	987 521 981 02 9S5	Terracotta			
	987 521 981 02 9V6	Cocoa			
	987 521 981 02 D12	Dark grey/natural			
	987 521 981 02 T12	Brown/natural			
(1)	987 521 982 02	Backrest shell	right	1	PR:XSB,376,

Model: 987 06 Model life 2006>>2008

Pos	Part Number	Description	Remark	Qty	Model
		Leather			378
	987 521 982 02 A11	Black			
	987 521 982 02 5X6	Stone grey			
	987 521 982 02 8G2	Sand beige			
	987 521 982 02 3S9	sea blue			
	987 521 982 02 4P2	Palm green			
	987 521 982 02 9S5	Terracotta			
	987 521 982 02 9V6	Cocoa			
	987 521 982 02 D12	Dark grey/natural			
	987 521 982 02 T12	Brown/natural			
(1)	987 521 981 03	Backrest shell	left	1	PR:XSB, 375, 377
		sports seat			
(1)	987 521 982 03	Backrest shell	right	1	PR:XSB, 376, 378
		sports seat			
2	997 521 319 00	Support	left	1	PR:375, 377
2	997 521 320 00	Support	right	1	PR:376, 378
		backrest			
5	997 521 373 01	Coat hook		2	
	997 521 373 01 D07	Volcano grey			
6	999 919 199 09	countersunk bolt		1	
		Coat hook			
		5,0 X 25-M			
7	997 521 621 03	Rosette	left	1	PR:375, 377
		lever for folding backrest			
	997 521 621 03 D07	Volcano grey			
(7)	997 521 622 03	Rosette	right	1	PR:376, 378
		lever for folding backrest			
	997 521 622 03 D07	Volcano grey			
8	987 521 623 01	Actuator button	left	1	PR:375, 376, 377, 378
		lever for folding backrest			
	987 521 623 01 V05	Galvano silver			
(8)	987 521 624 01	Actuator button	right	1	PR:375, 376, 377, 378
		lever for folding backrest			
	987 521 624 01 V05	Galvano silver			

Model: 987 06

Model life 2006>>2008



Model: 987 06 Model life 2006>>2008

Pos	Part Number	Description	Remark	Qty	Model
1	997 521 329 00	Backrest frame sports seat backrest frame	left a. right	2	CAYMAN S/ CAYMAN PR:375,376, 377,378
		without:			
(1)	997 521 329 02	Memory D >> - MJ 2007 backrest frame	left a. right	2	PR:375,376, 377,378
		without:			
(1)	997 521 329 01	Memory D - MJ 2008>> backrest frame	left a. right	2	PR:537,538
(1)	997 521 329 03	D >> - MJ 2007 backrest frame	left a. right	2	PR:537,538
		with:			
3	997 612 785 01	Memory D - MJ 2008>> Wire set	left	1	PR:537
(3)	997 612 786 01	Wire set	right	1	PR:538
4	997 624 331 00	Side airbag unit Electric motor Backrest frame	left a. right	1	PR:537,538
(4)	997 624 321 00	Memory Electric motor Backrest frame	left a. right	1	PR:375,376, 377,378
		without:			
5	997 803 081 01	Memory Side airbag unit	left	1	PR:375,377
(5)	997 803 081 01 D07	Volcano grey			
(5)	997 803 082 01	Side airbag unit	right	1	PR:376,378
(5)	997 803 082 01 D07	Volcano grey			
(5)	997 803 981 00	Side airbag unit	left	1	PR:XSG,375, 377
		D - MJ 2007>>			
	997 803 981 00 A03	Black			
	997 803 981 00 5V7	Stone grey			
	997 803 981 00 5Z1	Sand beige			
	997 803 981 00 5Y2	Palm green			
		D - MJ 2007>> - MJ 2007			
	997 803 981 00 8W7	sea blue			
	997 803 981 00 8X8	Terracotta			
	997 803 981 00 8P9	Cocoa			
	997 803 981 00 T13	Brown/natural			
	997 803 981 00 N23	Carrera Red			
(5)	997 803 981 00	D - MJ 2008>> Side airbag unit	left	1	PR:XSA,375, 377
		D - MJ 2007>>			
	997 803 981 00 A03	Black			
	997 803 981 00 5V7	Stone grey			
	997 803 981 00 5Z1	Sand beige			
	997 803 981 00 5Y2	Palm green			
		D - MJ 2007>> - MJ 2007			
	997 803 981 00 8W7	sea blue			
	997 803 981 00 8X8	Terracotta			
	997 803 981 00 8P9	Cocoa			
	997 803 981 00 T13	Brown/natural			
	997 803 981 00 N23	Carrera Red			
(5)	997 803 981 00	D - MJ 2008>> Side airbag unit	left	1	PR:XSB,375, 377
		D - MJ 2007>>			
	997 803 981 00 A03	Black			
	997 803 981 00 5V7	Stone grey			
	997 803 981 00 5Z1	Sand beige			
	997 803 981 00 5Y2	Palm green			
		D - MJ 2007>> - MJ 2007			

Model: 987 06

Model life 2006>>2008

Pos	Part Number	Description	Remark	Qty	Model
	997 803 981 00 8W7	sea blue			
	997 803 981 00 8X8	Terracotta			
	997 803 981 00 8P9	Cocoa			
	997 803 981 00 T13	Brown/natural			
	997 803 981 00 N23	Carrera Red			
		D - MJ 2008>>			
(5)	997 803 982 00	Side airbag unit	right	1	PR:XSG, 376, 378
		D - MJ 2007>>			
	997 803 982 00 A03	Black			
	997 803 982 00 5V7	Stone grey			
	997 803 982 00 5Z1	Sand beige			
	997 803 982 00 5Y2	Palm green			
		D - MJ 2007>> - MJ 2007			
	997 803 982 00 8W7	sea blue			
	997 803 982 00 8X8	Terracotta			
	997 803 982 00 8P9	Cocoa			
	997 803 982 00 T13	Brown/natural			
	997 803 982 00 N23	Carrera Red			
		D - MJ 2008>>			
(5)	997 803 982 00	Side airbag unit	right	1	PR:XSA, 376, 378
		D - MJ 2007>>			
	997 803 982 00 A03	Black			
	997 803 982 00 5V7	Stone grey			
	997 803 982 00 5Z1	Sand beige			
	997 803 982 00 5Y2	Palm green			
		D - MJ 2007>> - MJ 2007			
	997 803 982 00 8W7	sea blue			
	997 803 982 00 8X8	Terracotta			
	997 803 982 00 8P9	Cocoa			
	997 803 982 00 T13	Brown/natural			
	997 803 982 00 N23	Carrera Red			
		D - MJ 2008>>			
(5)	997 803 982 00	Side airbag unit	right	1	PR:XSB, 376, 378
		D - MJ 2007>>			
	997 803 982 00 A03	Black			
	997 803 982 00 5V7	Stone grey			
	997 803 982 00 5Z1	Sand beige			
	997 803 982 00 5Y2	Palm green			
		D - MJ 2007>> - MJ 2007			
	997 803 982 00 8W7	sea blue			
	997 803 982 00 8X8	Terracotta			
	997 803 982 00 8P9	Cocoa			
	997 803 982 00 T13	Brown/natural			
	997 803 982 00 N23	Carrera Red			
		D - MJ 2008>>			
6	997 521 485 00	Bowden cable		2	
		Backrest frame			
7	997 521 375 00	Release		1	
		Backrest frame			
8	997 521 855 00	Grille		1	
		Backrest frame			
9	997 521 893 00	tension spring		2	
		Inner spring			
10	997 521 895 00	Clip		2	
		Inner spring			
11	997 521 797 00	tension spring		1	
		Release			
		backrest			
12	997 521 885 00	Foam part	left a. right	1	PR:375, 376, 377, 378
		Head restraint	upper		
13	997 521 887 01	Foam part	left a. right	1	PR:377, 378
		Head restraint	center		
		Electric			

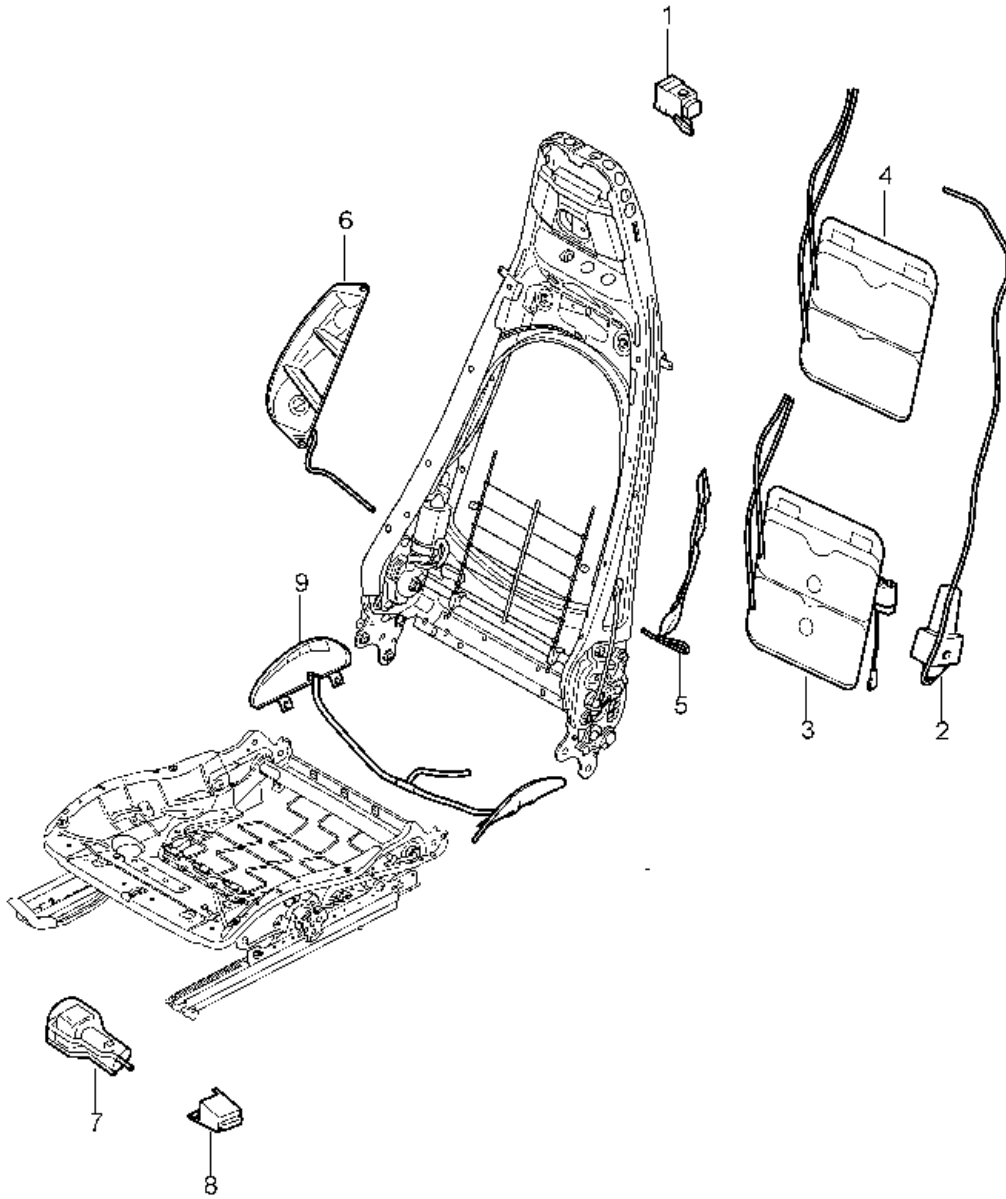
Model: 987 06

Model life 2006>>2008

Pos	Part Number	Description	Remark	Qty	Model
14	997 521 887 00	Foam part Head restraint	center	1	PR:375,376
15	997 521 335 01	Trim	left	1	
	997 521 335 01 D07	Volcano grey			
(15)	997 521 336 01	Trim	right	1	
		Mounting component	inner		
	997 521 336 01 D07	Volcano grey			
16	999 073 375 09	Screw M10 x 13,0 Mount backrest		4	
		Seat frame			
17	999 073 306 09	Screw Mount Side airbag unit		2	

Model: 987 06

Model life 2006>>2008

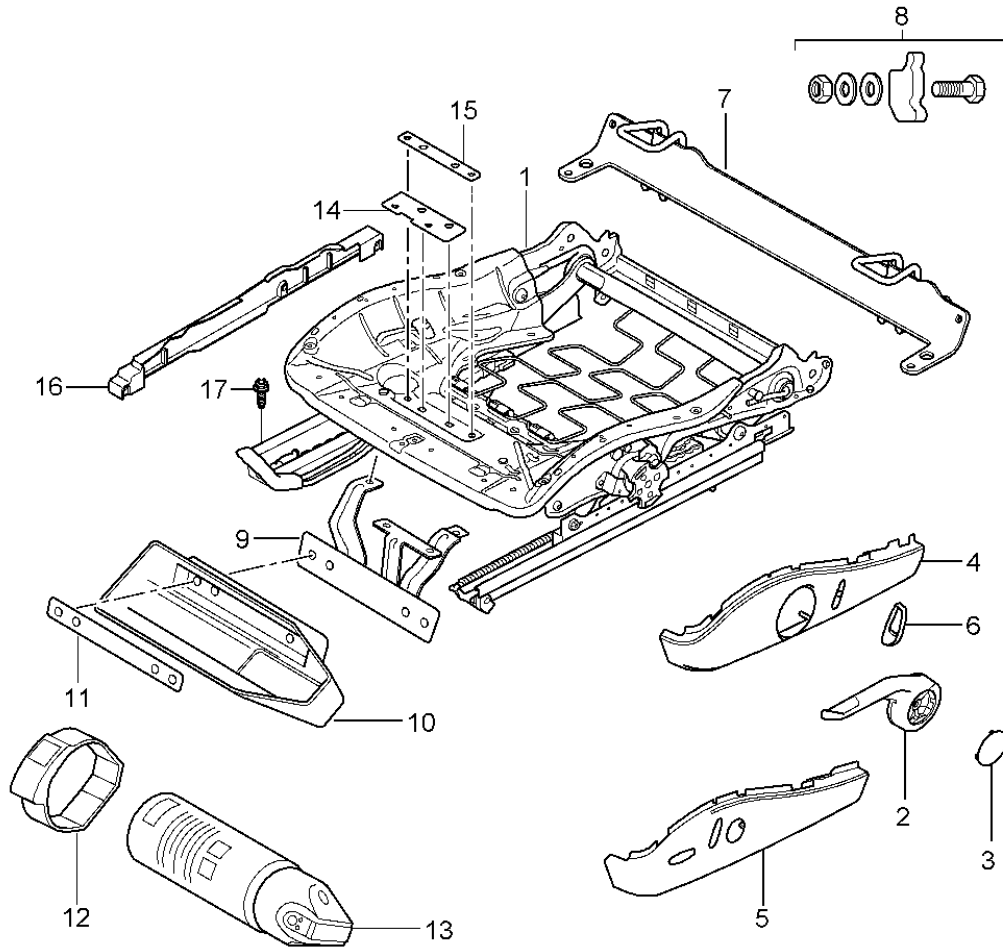


Model: 987 06 Model life 2006>>2008

Pos	Part Number	Description	Remark	Qty	Model
1	997 617 725 00	Lumbar support sports seat Valve Lumbar support without:		1	CAYMAN S/ CAYMAN PR:377,378, 437,438
(1)	997 617 726 00	Memory Valve Lumbar support Memory		1	PR:537,538
2	997 620 725 00	Compressor Lumbar support backrest		1	PR:377,378, 437,438
3	997 521 709 01	Lumbar support Memory		1	PR:377,378, 437,438,537, 538
4	997 521 709 00	Lumbar support without: Memory		1	PR:377,378, 437,438
5	997 521 711 00	container Air distributor		1	PR:377,378
6	997 521 712 00	Backrest side bolster container Air distributor		1	PR:377,378
7	997 620 727 00	Backrest side bolster Compressor Lumbar support Seat cushion		1	PR:377,378
8	997 617 727 00	Valve Adjustment Seat Wide		1	PR:377,378
9	997 521 713 01	container Air distributor Seat side bolster		1	PR:377,378

Model: 987 06

Model life 2006>>2008



Model: 987 06 Model life 2006>>2008

Pos	Part Number	Description	Remark	Qty	Model
1	997 521 201 00	Seat frame sports seat	left lhd	1	CAYMAN S/ CAYMAN
(1)	997 521 201 10	Seat frame D >> - MJ 2006	left lhd	1	PR:098,369, 375
(1)	997 521 202 00	Seat frame Height adjustment Manually (drivers side) D - MJ 2007>>	right rhd	1	PR:099,370, 376
(1)	997 521 202 19	Seat frame Height adjustment Manually (drivers side) D >> - MJ 2007	right rhd	1	PR:099,370, 376
(1)	997 521 201 04	Seat frame D >> - MJ 2006	left	1	PR:377,437
(1)	997 521 201 12	Seat frame D - MJ 2007>>	left	1	PR:377,437
(1)	997 521 202 10	Seat frame D >> - MJ 2006	right	1	PR:378,438
(1)	997 521 202 21	Seat frame Electric without: Memory D - MJ 2007>>	right	1	PR:378,438
(1)	997 521 201 05	Seat frame	left	1	PR:377,437, 537
(1)	997 521 201 13	Seat frame D - MJ 2007>>	left	1	PR:377,437, 537
(1)	997 521 202 11	Seat frame D >> - MJ 2006	right	1	PR:378,438, 538
(1)	997 521 202 22	Seat frame Electric Memory D - MJ 2007>>	right	1	PR:378,438, 538
(1)	997 521 201 03	Seat frame D >> - MJ 2006	left rhd	1	PR:099,369, 375
(1)	997 521 201 11	Seat frame Manually (passenger side) D - MJ 2007>>	left rhd	1	PR:099,369, 375
(1)	997 521 202 06	Seat frame D - MJ 2006>> - MJ 2006	right	1	PR:370,376, 560
(1)	997 521 202 23	Seat frame Manually seat occupied recognition D - MJ 2007>>	right	1	PR:370,376, 560
(1)	997 521 202 12	Seat frame D - MJ 2006>> - MJ 2006	right	1	PR:378,438, 560
(1)	997 521 202 24	Seat frame Electric seat occupied recognition D - MJ 2007>>	right	1	PR:378,438, 560
(1)	997 521 202 05	Seat frame D >> - MJ 2006	right lhd	1	PR:098,370, 376
(1)	997 521 202 20	Seat frame Manually (passenger side)	right lhd	1	PR:098,370, 376

Model: 987 06

Model life 2006>>2008

Pos	Part Number	Description	Remark	Qty	Model
2	997 521 627 01	D - MJ 2007>> Actuating lever Height adjustment	left	1	PR:369,375
(2)	997 521 627 01 V05	Galvano silver			
	997 521 628 01	Actuating lever Height adjustment	right	1	PR:370,376
	997 521 628 01 V05	Galvano silver			
3	997 521 629 01	Cover cap Actuating lever	left a. right	2	PR:369,370, 375,376
	997 521 629 01 D07	Volcano grey			
4	997 521 325 06	Trim for switch	left	1	PR:369,375
	997 521 325 06 D07	Volcano grey			
		without: For vehicles with 'Advanced' airbag			
(4)	997 521 326 06	Trim for switch	right	1	PR:370,376
	997 521 326 06 D07	Volcano grey			
		without: For vehicles with 'Advanced' airbag			
5	997 521 325 08	Trim for switch	left	1	PR:377
	997 521 325 08 D07	Volcano grey			
	997 521 325 08 V04	Galvano silver			
(5)	997 521 326 08	Trim for switch	right	1	PR:378
	997 521 326 08 D07	Volcano grey			
	997 521 326 08 V04	Galvano silver			
(5)	997 521 326 09	Trim for switch	right	1	PR:370,376, 560
		For vehicles with 'Advanced' airbag			
	997 521 326 09 D07	Volcano grey			
(5)	997 521 326 11	Trim for switch	right	1	PR:378,560
		For vehicles with 'Advanced' airbag			
	997 521 326 11 D07	Volcano grey			
6	997 521 631 01	Actuator button backrest	left a. right	1	PR:375,376, 377,378
	997 521 631 01 V05	Galvano silver			
7	997 521 061 01	Retainer plate child seat ISOFIX Not for: AUSTRALIEN		1	
8	997 521 961 01	1 set attachment parts Retainer plate		1	
9	997 521 251 00	Holder for fire extinguisher		1	PR:098,509
(9)	997 521 252 00	Holder for fire extinguisher		1	PR:099,509
10	997 521 607 00	Cup Fire extinguishers		1	PR:509
11	997 521 881 00	Holder for fire extinguisher Cup		1	PR:509
12	997 521 851 00	tensioning strap Fire extinguishers		1	PR:509
13	996 722 115 00	Fire extinguishers Information available		1	PR:509
14	997 521 841 00	Reinforcement	front	1	PR:509
15	997 521 843 00	Reinforcement	rear	1	PR:509
16	997 521 427 01	Cover Sensor Weight	left	1	PR:376,378, 560
	997 521 427 01 01C	Satin black			
(16)	997 521 426 01	Cover Sensor Weight	right	1	PR:376,378, 560

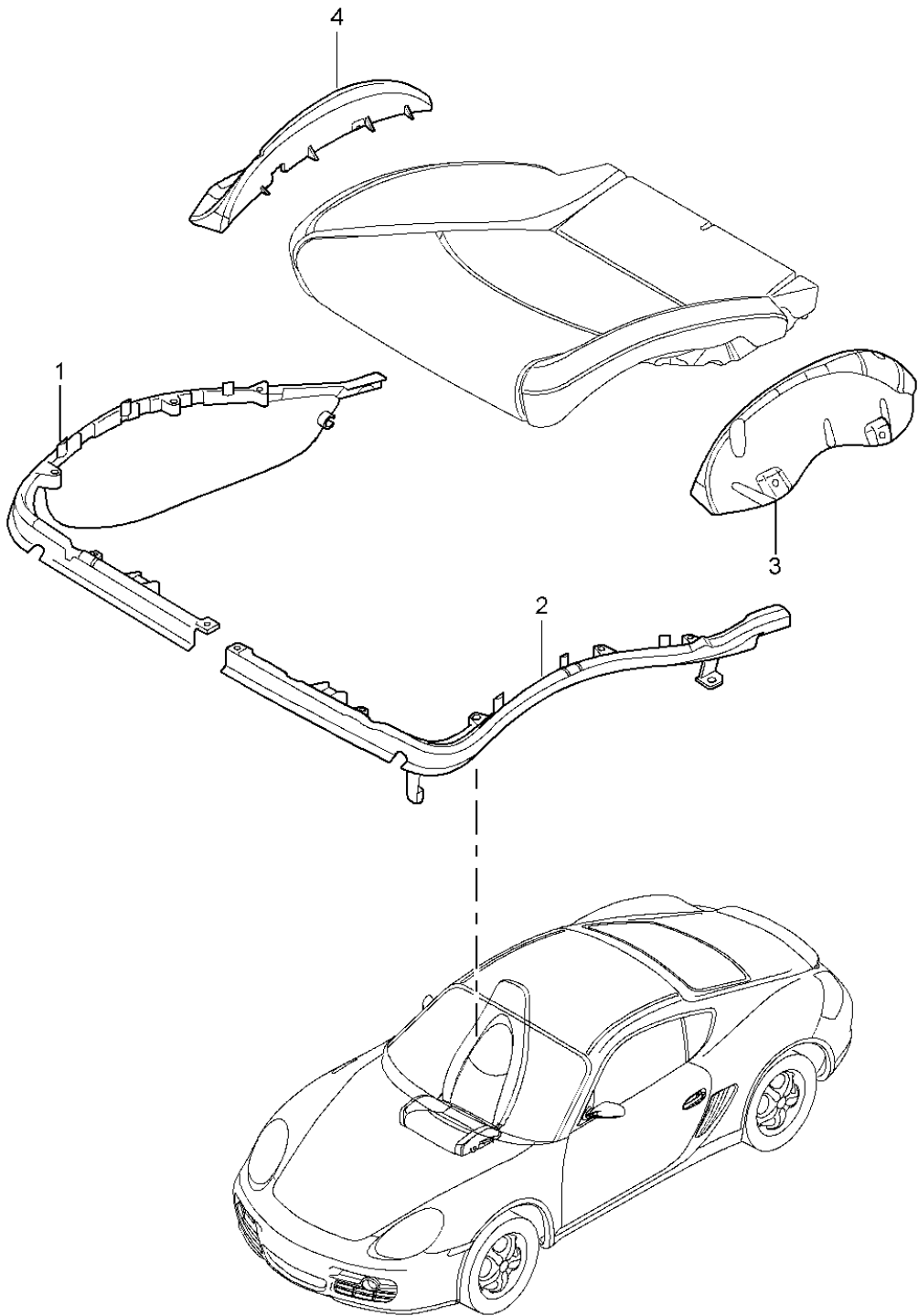
Model: 987 06

Model life 2006>>2008

Pos	Part Number	Description	Remark	Qty	Model
17	997 521 426 01 01C 999 141 047 01	Satin black Torx screw Mount Seat rail		4	

Model: 987 06

Model life 2006>>2008

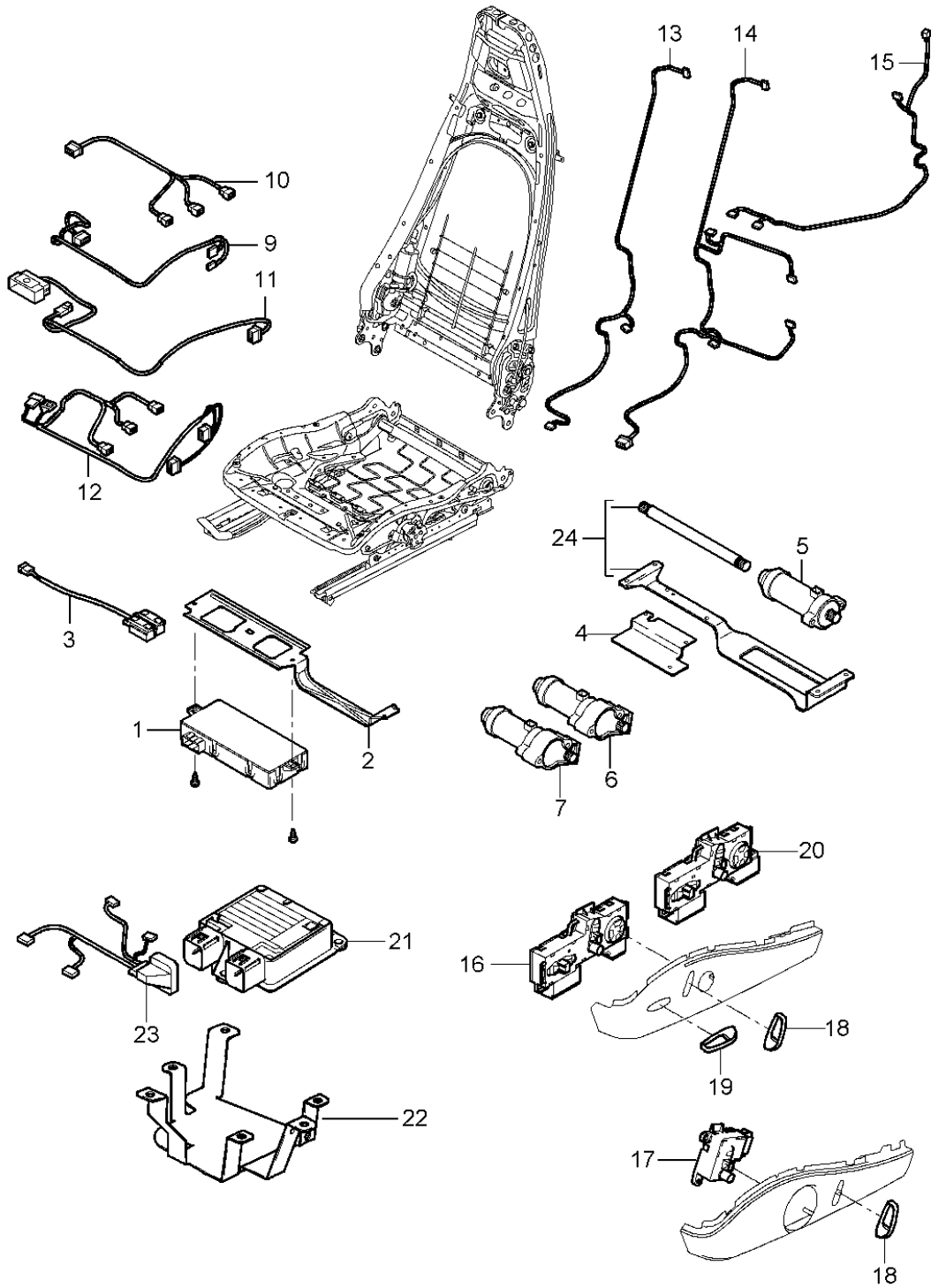


Model: 987 06 Model life 2006>>2008

Pos	Part Number	Description	Remark	Qty	Model
		Cushion carrier			CAYMAN S/ CAYMAN
		Frame			
		Seat surface			
		sports seat			
1	997 521 547 00	Frame	left	1	PR:376,378
(1)	997 521 548 00	Frame	right	1	PR:375,377
			inner		
(2)	997 521 545 00	Frame	left	1	PR:375,377
2	997 521 546 00	Frame	right	1	PR:376,378
			outer		
3	997 521 519 00	Support plate	left	1	PR:377,378
		Seat cushion			
4	997 521 520 00	Support plate	right	1	PR:377,378
		Seat cushion			
-	997 521 546 01	Frame	right	1	PR:376,378, 560
			outer		
		with:			
		For vehicles with 'Advanced' airbag			

Model: 987 06

Model life 2006>>2008



Model: 987 06

Model life 2006>>2008

Pos	Part Number	Description	Remark	Qty	Model
		Wiring looms Control unit Switch sports seat			CAYMAN S/ CAYMAN
1	997 618 537 07	Control unit		1	PR:537,538
2	997 521 643 00	Seating position control Retainer for control units Seating position control		1	PR:537,538
3	997 613 725 00	Switch		1	PR:377
	997 613 725 00 V05	Galvano silver			
(3)	997 613 726 00	Switch		1	PR:378
	997 613 726 00 V05	Galvano silver			
4	997 521 343 00	Bracket for compressor Electric motor		1	PR:377,378
5	997 624 322 00	Electric motor Seat adjuster Lengthways		1	PR:377,378
		without:			
(5)	997 624 332 00	Memory Electric motor Seat adjuster Lengthways		1	PR:537,538
		with:			
6	997 624 322 00	Memory Electric motor Seat adjuster Height adjustment		1	PR:377,378
		without:			
(6)	997 624 332 00	Memory Electric motor Seat adjuster Height adjustment		1	PR:537,538
		with:			
7	997 624 323 00	Memory Electric motor Seat adjuster Tilt angle		1	PR:377,378
		without:			
(7)	997 624 333 00	Memory Electric motor Seat adjuster Tilt angle		1	PR:537,538
		with:			
9	997 612 684 00	Memory Wire set Switch Seat adjuster		1	PR:537,538
10	997 612 690 00	Memory Wire set Height adjustment Lengthways		1	PR:537,538
11	997 612 682 01	Memory Wire set Switch		1	PR:375,376
12	997 612 691 01	Wire set Switch		1	PR:377,378
		without:			
		Memory			
12	997 612 691 02	D >> - MJ 2007 Wire set Switch		1	PR:377,378
		without:			
		Memory			

Model: 987 06 Model life 2006>>2008

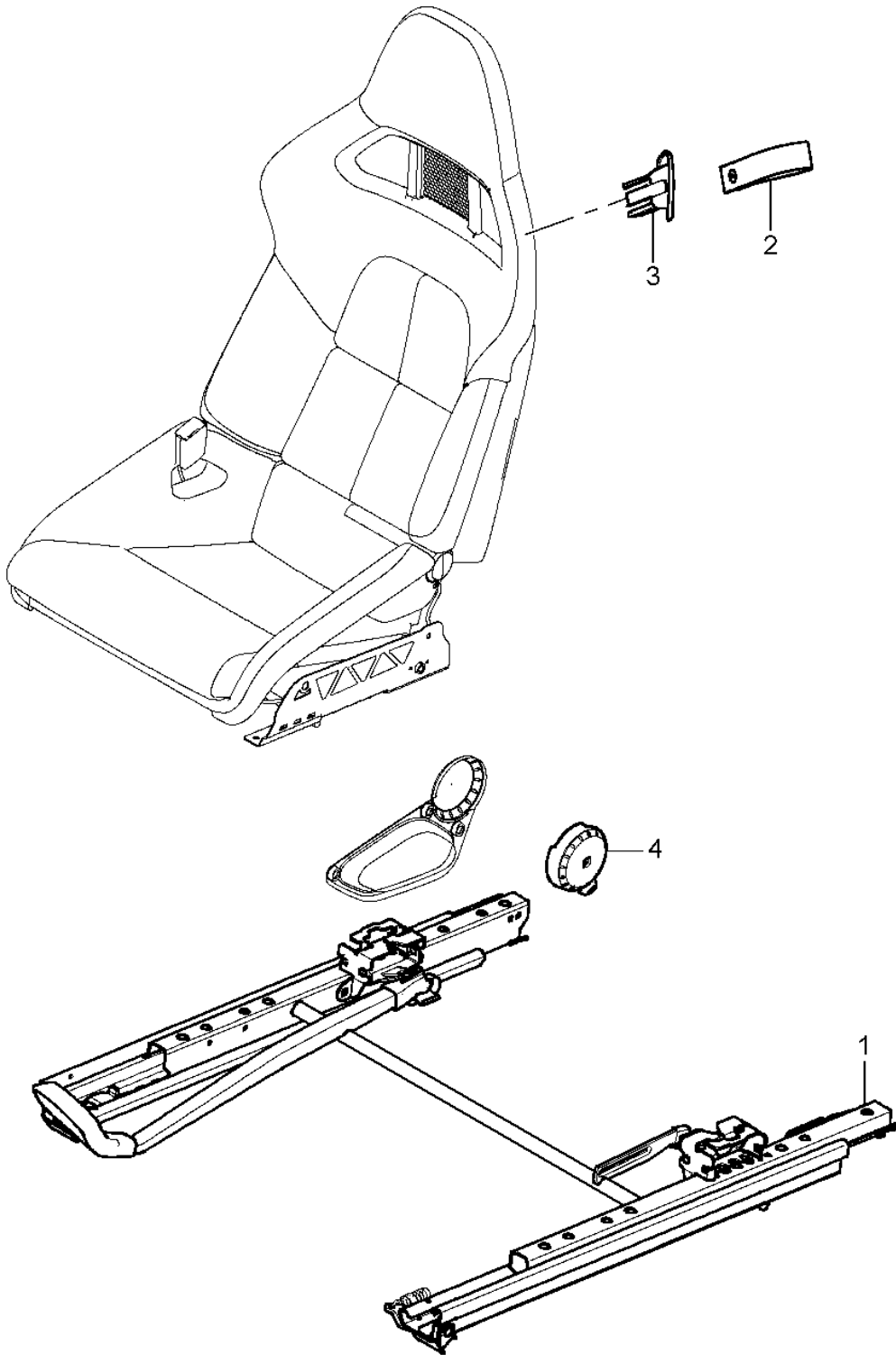
Pos	Part Number	Description	Remark	Qty	Model
13	997 612 689 00	D - MJ 2008>> Wire set Lumbar support without:		1	PR:377,378
14	997 612 692 00	Memory Wire set backrest Lumbar with:		1	PR:377,537
14	997 612 692 00	D >> - MJ 2007 Wire set backrest Lumbar with:		1	PR:378,538
14	997 612 692 01	D >> - MJ 2007 Wire set backrest Lumbar with:		1	PR:377,537
14	997 612 692 01	D - MJ 2008>> Wire set backrest Lumbar with:		1	PR:378,538
15	997 612 685 01	D - MJ 2008>> Wire set backrest without:	left	1	PR:375,377
(15)	997 612 686 01	Memory Wire set backrest without:	right	1	PR:376,378
16	997 613 721 01	Memory switch for seat adjustment	left	1	PR:377,537, 437
(16)	997 613 721 01 V05	Memory switch Galvano silver			
(16)	997 613 722 01	switch for seat adjustment Memory switch	right	1	PR:378,538, 438
17	997 613 722 01 V05	Galvano silver			
17	997 613 713 00	switch for seat adjustment	left	1	PR:375
(17)	997 613 714 00	switch for seat adjustment Manually adjustable	right	1	PR:376
18	997 521 631 01	Actuator button backrest		1	PR:375,376, 377,378
18	997 521 631 01 V05	Galvano silver			
18	997 521 631 02	Actuator button backrest D - MJ 2008>>		1	PR:375,376, 377,378
19	997 521 631 02 V05	Galvano silver			
19	997 521 633 02	Actuator button Seat cushion		1	PR:377,378
19	997 521 633 02 V05	Galvano silver			
19	997 521 633 03	Actuator button Seat cushion D - MJ 2008>>		1	PR:377,378
20	997 521 633 03 V05	Galvano silver			
20	997 613 717 01	switch for seat adjustment	left	1	PR:377,437

Model: 987 06 Model life 2006>>2008

Pos	Part Number	Description	Remark	Qty	Model
20	997 613 717 01 V05 997 613 717 02	without: Memory Galvano silver switch for seat adjustment	left	1	PR:377,437
(20)	997 613 717 02 V05 997 613 718 01	without: Memory D - MJ 2008>> Galvano silver switch for seat adjustment	right	1	PR:378,438
(20)	997 613 718 01 V05 997 613 718 02	without: Memory Galvano silver switch for seat adjustment	right	1	PR:378,438
21	997 613 718 02 V05 997 618 233 05	without: Memory D - MJ 2008>> Galvano silver Control unit for seat occupied sensor		1	PR:376,378, 560
22	997 521 646 00	Retainer for control units		1	PR:376,378, 560
23	997 612 688 00	seat occupied recognition Wire set		1	PR:376,378, 560
24	000 043 207 06	seat occupied recognition Pliable shaft Adjusting motor		1	
(24)	997 521 901 00	Lengthways repair set Pliable shaft		1	
-	999 650 973 40	Console for engine mounting Clip Mount Wire set seat occupied recognition		1	

Model: 987 06

Model life 2006>>2008

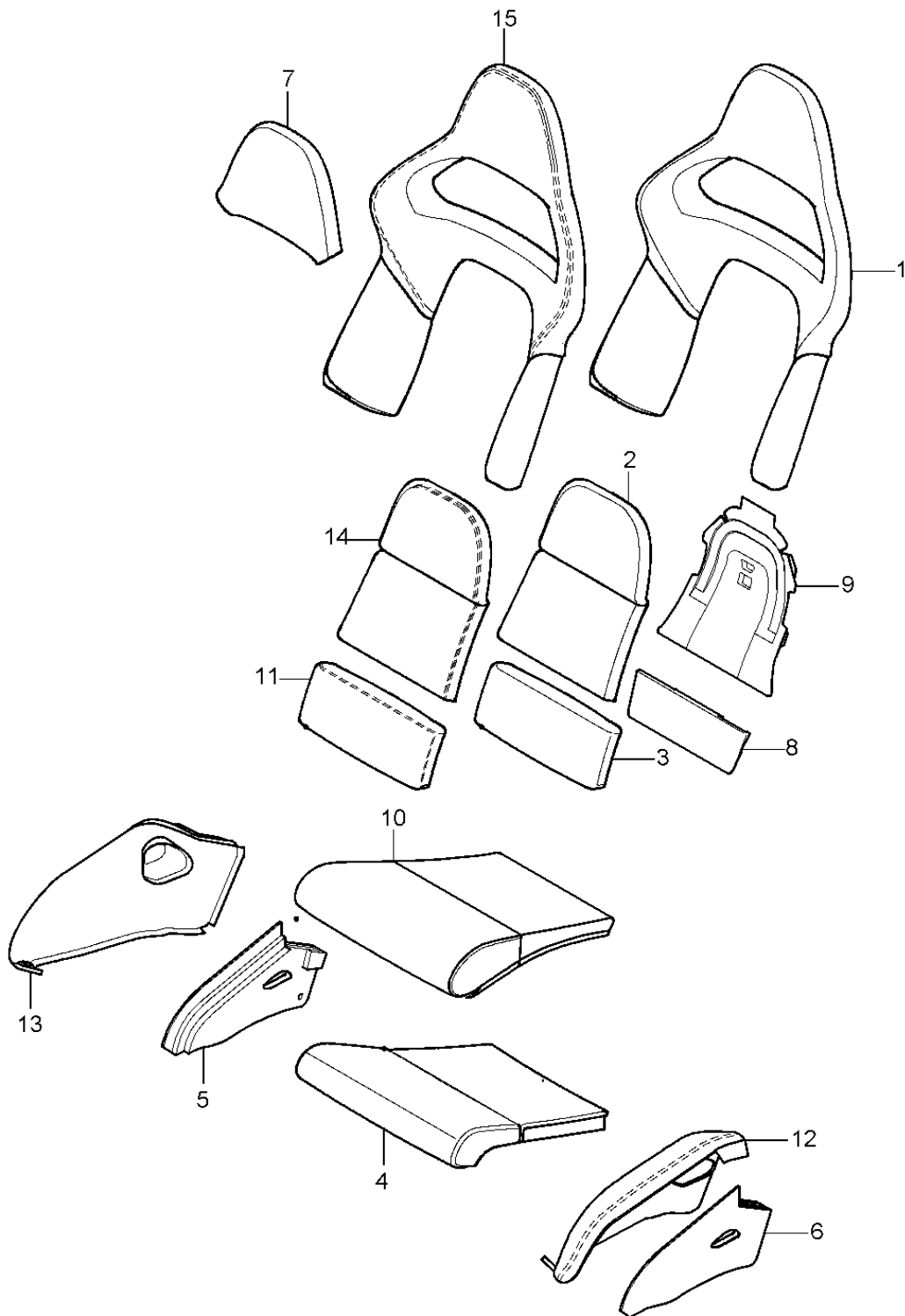


Model: 987 06 Model life 2006>>2008

Pos	Part Number	Description	Remark	Qty	Model
		bucket seat Collapsible (complete) Not available D - MJ 2008>>			
1	997 521 429 01	1 set of seat rails (drivers side)	left lhd	1	PR:098,388
(1)	997 521 430 01	1 set of seat rails (passenger side)	right lhd	1	PR:098,389
(1)	997 521 429 02	1 set of seat rails (passenger side)	left rhd	1	PR:099,388
(1)	997 521 430 02	1 set of seat rails (drivers side)	right rhd	1	PR:099,389
2	997 521 539 00	Pull loop Backrest frame	left	1	PR:388
	997 521 539 00 A80	Black			
(2)	997 521 540 00	Pull loop Backrest frame	right	1	PR:389
	997 521 540 00 A80	Black			
3	997 521 538 00	Rosette Pull loop Backrest frame	right	1	PR:389
	997 521 538 00 01C	Satin black			
(3)	997 521 537 00	Rosette Pull loop Backrest frame	left	1	PR:388
	997 521 537 00 01C	Satin black			
4	997 521 563 00	Trim Hinge	left inner	1	PR:388,389
	997 521 563 00 01C	Satin black			
(4)	997 521 564 00	Trim Hinge	right inner	1	PR:388,389
	997 521 564 00 01C	Satin black			

Model: 987 06

Model life 2006>>2008



Model: 987 06 Model life 2006>>2008

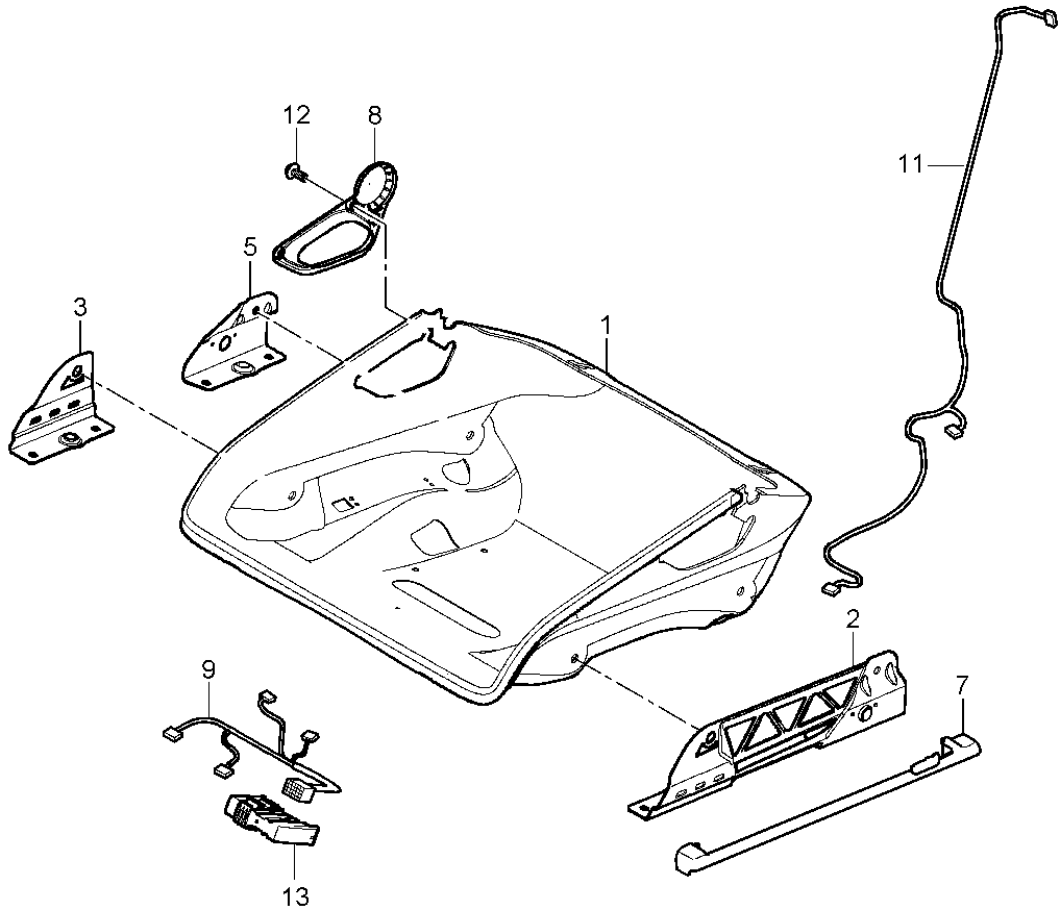
Pos	Part Number	Description	Remark	Qty	Model
1	997 521 447 00	Foam part Cover Seat and backrest surface bucket seat Collapsible D - MJ 2008>>		2	PR:388,389
2	997 521 448 00	Foam part backrest Outer part		2	PR:388,389
3	997 521 441 00	Foam part Seat cushion	rear	2	PR:388,389
4	997 521 440 00	Foam part Seat cushion	front	2	PR:388,389
5	997 521 443 00	Foam part Seat cushion	left side outer	1	PR:388
(5)	997 521 444 00	Foam part Seat cushion	side inner left side	1	PR:388
6	997 521 446 00	Foam part Seat cushion	right side outer	1	PR:389
(6)	997 521 445 00	Foam part Seat cushion	right side inner right	1	PR:389
7	997 521 458 00	Foam part Head restraint		2	PR:388,389
8	997 521 456 00	Foam part Seat cushion	rear	1	PR:388,389
9	997 521 457 00	Foam part backrest		1	PR:388,389
10	997 521 380 00	Seat cover	left a. right front	1	PR:388,389, 983
	997 521 380 00 8YR	Black			
	997 521 380 00 5X5	Stone grey			
	997 521 380 00 8G1	Sand beige			
	997 521 380 00 3S8	sea blue			
	997 521 380 00 9N2	Terracotta			
	997 521 380 00 9Q3	Cocoa			
	997 521 380 00 D11	Dark grey/natural			
	997 521 380 00 T11	Brown/natural			
	997 521 380 00 N11	Carrera Red			
11	997 521 381 00	Seat cover	rear	1	PR:388,389, 983
	997 521 381 00 8YR	Black			
	997 521 381 00 5X5	Stone grey			
	997 521 381 00 8G1	Sand beige			
	997 521 381 00 3S8	sea blue			
	997 521 381 00 9N2	Terracotta			
	997 521 381 00 9Q3	Cocoa			
	997 521 381 00 D11	Dark grey/natural			
	997 521 381 00 T11	Brown/natural			
	997 521 381 00 N11	Carrera Red			
12	997 521 383 00	Cover	left side outer	1	PR:388,983
	997 521 383 00 8YR	Black			
	997 521 383 00 5X5	Stone grey			
	997 521 383 00 8G1	Sand beige			
	997 521 383 00 3S8	sea blue			

Model: 987 06 Model life 2006>>2008

Pos	Part Number	Description	Remark	Qty	Model
13	997 521 383 00 9N2	Terracotta		1	PR:388,983
	997 521 383 00 9Q3	Cocoa			
	997 521 383 00 D11	Dark grey/natural			
	997 521 383 00 T11	Brown/natural			
	997 521 383 00 N11	Carrera Red			
	997 521 384 00	Seat cover (leather)			
	997 521 384 00 8YR	Black			
	997 521 384 00 5X5	Stone grey			
	997 521 384 00 8G1	Sand beige			
	997 521 384 00 3S8	sea blue			
(13)	997 521 384 00 9N2	Terracotta	left side inner	1	PR:388,983
	997 521 384 00 9Q3	Cocoa			
	997 521 384 00 D11	Dark grey/natural			
	997 521 384 00 T11	Brown/natural			
	997 521 384 00 N11	Carrera Red			
	997 521 386 00	Cover			
	997 521 386 00 8YR	Black			
	997 521 386 00 5X5	Stone grey			
	997 521 386 00 8G1	Sand beige			
	997 521 386 00 3S8	sea blue			
(13)	997 521 386 00 9N2	Terracotta	right side outer	1	PR:389,983
	997 521 386 00 9Q3	Cocoa			
	997 521 386 00 D11	Dark grey/natural			
	997 521 386 00 T11	Brown/natural			
	997 521 386 00 N11	Carrera Red			
	997 521 385 00	Seat cover (leather)			
	997 521 385 00 8YR	Black			
	997 521 385 00 5X5	Stone grey			
	997 521 385 00 8G1	Sand beige			
	997 521 385 00 3S8	sea blue			
14	997 521 385 00 9N2	Terracotta	right side inner	1	PR:389,983
	997 521 385 00 9Q3	Cocoa			
	997 521 385 00 D11	Dark grey/natural			
	997 521 385 00 T11	Brown/natural			
	997 521 385 00 N11	Carrera Red			
	997 521 387 00	Backrest centre part w. cover			
	997 521 387 00 8YR	Black			
	997 521 387 00 5X5	Stone grey			
	997 521 387 00 8G1	Sand beige			
	997 521 387 00 3S8	sea blue			
15	997 521 387 00 9N2	Terracotta	outer	1	PR:388,389, 983
	997 521 387 00 9Q3	Cocoa			
	997 521 387 00 D11	Dark grey/natural			
	997 521 387 00 T11	Brown/natural			
	997 521 387 00 N11	Carrera Red			
	997 521 388 00	backrest cover (leather)			
	997 521 388 00 8YR	Black			
	997 521 388 00 5X5	Stone grey			
	997 521 388 00 8G1	Sand beige			
	997 521 388 00 3S8	sea blue			
	997 521 388 00 9N2	Terracotta			
	997 521 388 00 9Q3	Cocoa			
	997 521 388 00 D11	Dark grey/natural			
	997 521 388 00 T11	Brown/natural			
	997 521 388 00 N11	Carrera Red			

Model: 987 06

Model life 2006>>2008

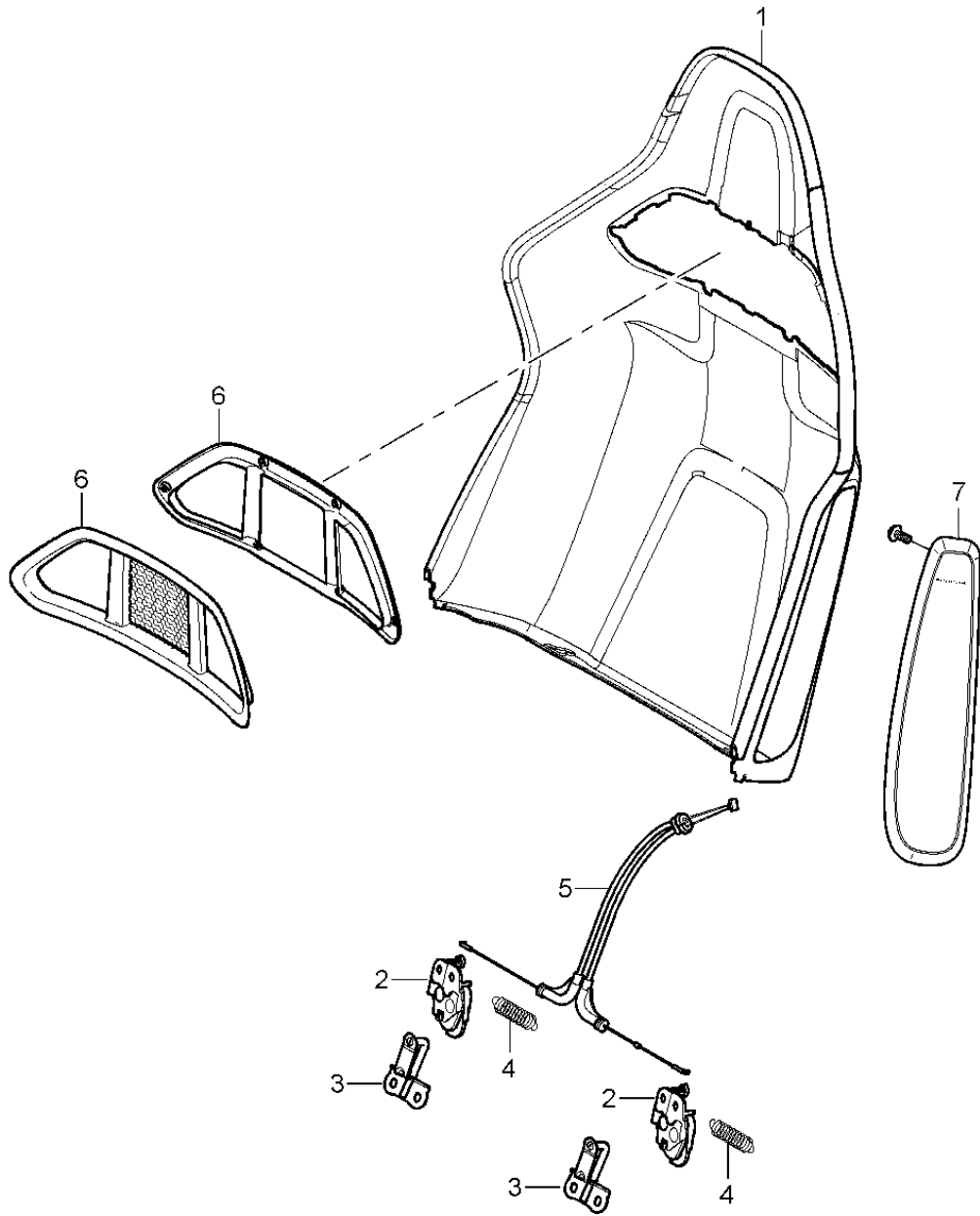


Model: 987 06 Model life 2006>>2008

Pos	Part Number	Description	Remark	Qty	Model
1	997 521 281 00	bucket seat Collapsible Seat frame Accessories D - MJ 2008>> Cup	left a. right	2	PR:388,389
(1)	997 521 182 00	Seat frame without: seat occupied recognition Cup Seat frame with: seat occupied recognition and Seat rail	right	1	PR:389,560
2	997 521 433 00	Adapter Seat frame Discontinued part	outer left	1	PR:388
(2)	997 521 434 00	Adapter Seat frame Discontinued part	outer right	1	PR:389
3	997 521 436 00	Adapter Seat frame Discontinued part	front, inner right	1	PR:388
4	997 521 435 00	Adapter Seat frame without: seat occupied recognition Discontinued part	front, inner left	1	PR:389
5	997 521 438 00	Adapter Seat frame Discontinued part	rear, inner right	1	PR:388
6	997 521 437 00	Adapter Seat frame without: seat occupied recognition Discontinued part	rear, inner left	1	PR:389
7	997 521 427 03	Cover Sensor seat occupied recognition	left	1	PR:389,560
(7)	997 521 427 03 01C 997 521 426 03	Satin black Cover Sensor seat occupied recognition	right	1	PR:389,560
8	997 521 426 03 01C 997 521 561 00	Satin black Trim Seat belt	left lower	1	PR:388,389
(8)	997 521 561 00 01C 997 521 562 00	Satin black Trim Seat belt	right lower	1	PR:388,389
9	997 521 562 00 01C 997 612 688 10	Satin black Wire set seat occupied recognition		1	PR:389,560
11	997 612 785 10	Wire set	left a. right	1	PR:388,389
12	999 141 049 01	Side airbag unit Oval-head screw Mount Trim Belt Seat cushion		3	
13	997 618 233 05	Control unit for seat occupied sensor		1	PR:560

Model: 987 06

Model life 2006>>2008

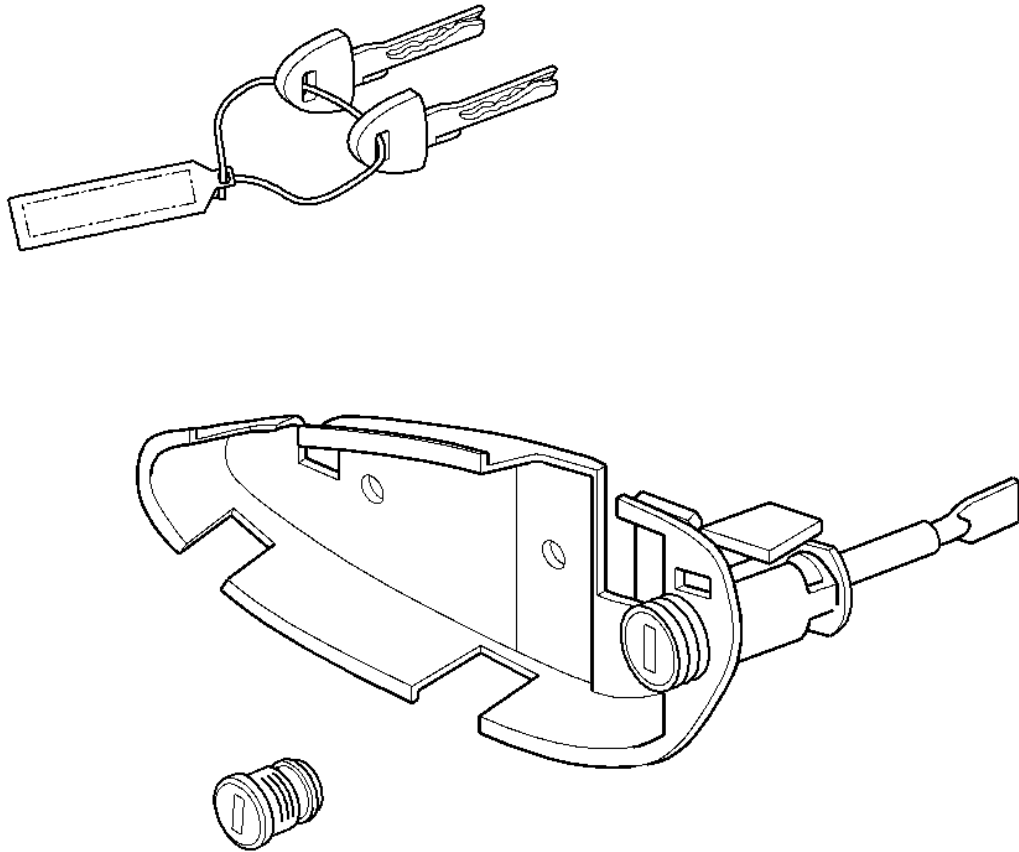


Model: 987 06 Model life 2006>>2008

Pos	Part Number	Description	Remark	Qty	Model
1	997 521 271 00	Backrest shell bucket seat Collapsible Accessories D - MJ 2008>>	left	1	PR:388
(1)	997 521 272 00	Backrest shell bucket seat Collapsible	right	1	PR:389
2	997 521 651 00	backrest lock	left	1	PR:388,389
(2)	997 521 652 00	backrest lock	right	1	PR:388,389
3	997 521 660 00	Closing element lock	left a. right	1	PR:388,389
4	997 521 650 00	Backrest shell tension spring lock	left a. right	1	PR:388,389
5	997 521 640 00	backrest Bowden cable Release backrest	left a. right	1	PR:388,389
6	997 521 330 00	Trim Seat belt	front	1	PR:388,389
(6)	997 521 330 00 01C	Satin black			
	997 521 531 00	Trim Seat belt	rear	1	PR:388,389
7	997 521 531 00 01C	Satin black			
	997 803 081 01	Side airbag unit	left	1	PR:388
(7)	997 803 081 01 A03	Black			
	997 803 082 01	Side airbag unit	right	1	PR:389
	997 803 082 01 A03	Front seat Black			

Model: 987 06

Model life 2006>>2008



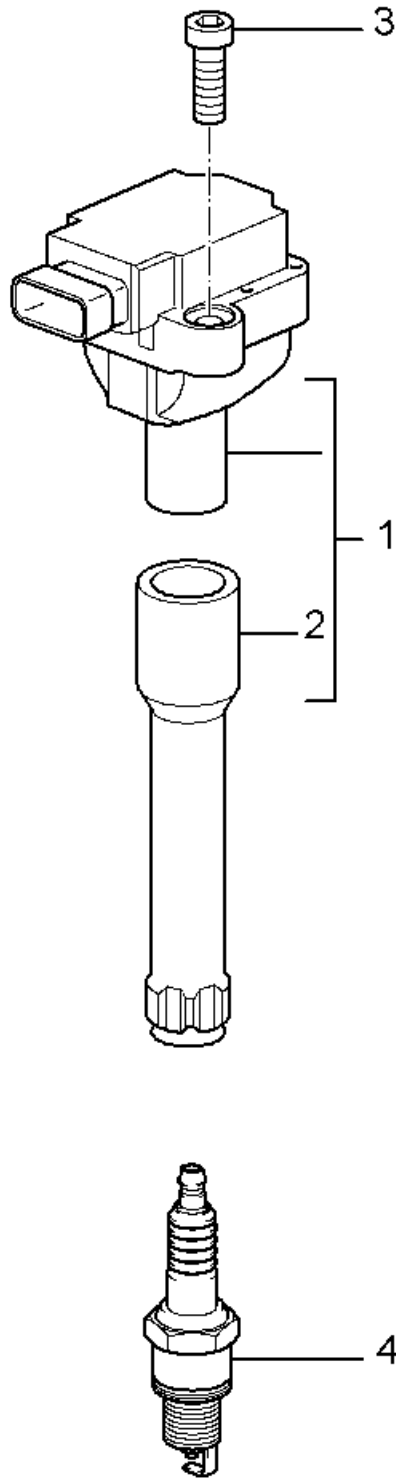
Model: 987 06

Model life 2006>>2008

Pos	Part Number	Description	Remark	Qty	Model
-	997 538 011 00	repair kits Set of locks comprising: Bracket Door handle, exterior Glove compartment lock key Key fob		1	PR:098
-	997 538 011 01	1 set of lock cylinders with handheld trans. & emerg. key		1	PR:099

Model: 987 06

Model life 2006>>2008



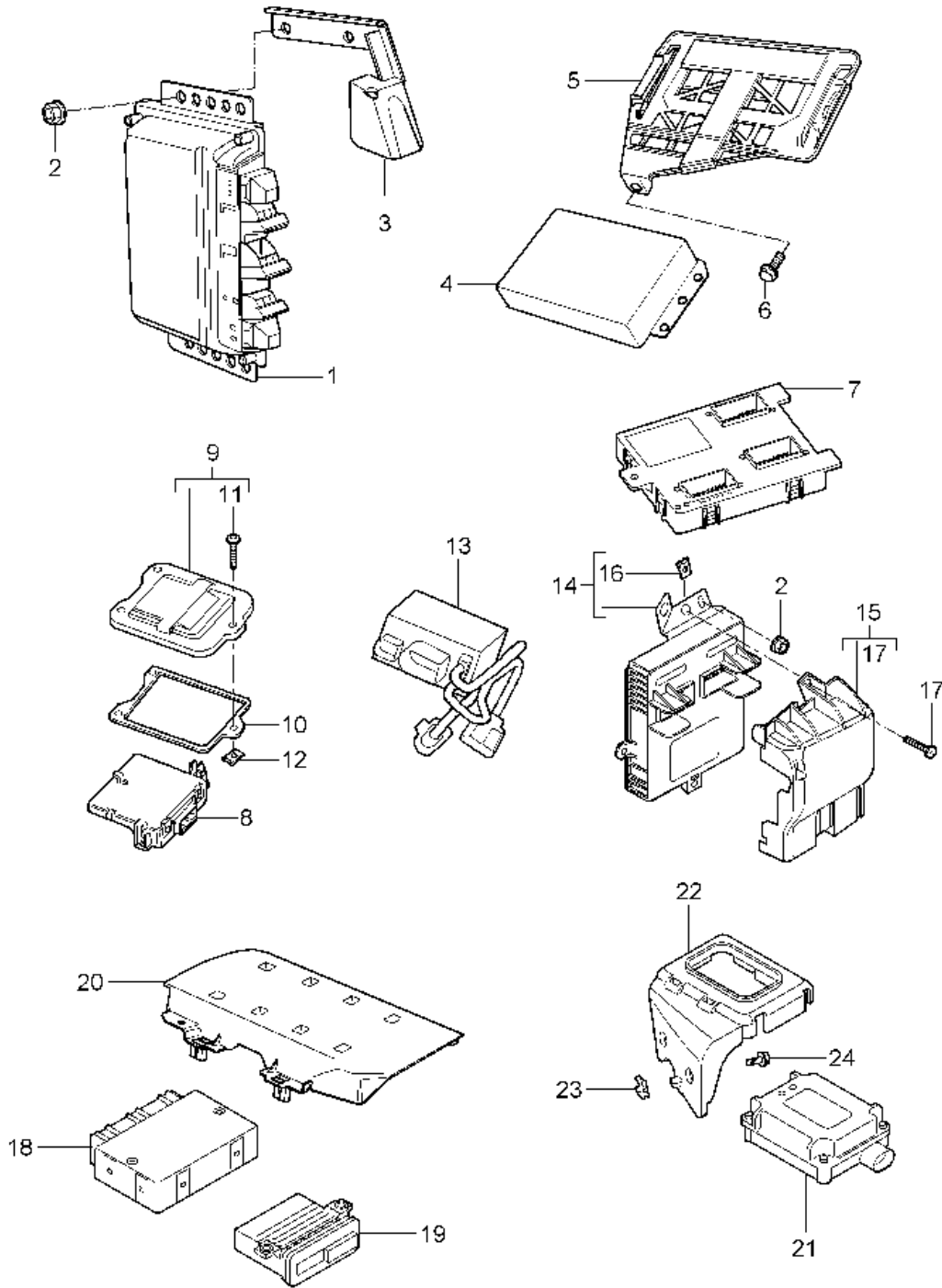
Model: 987 06

Model life 2006>>2008

Pos	Part Number	Description	Remark	Qty	Model
1	997 602 104 02	Ignition system ignition coil with spark plug connector		6	
			900 385 025 01	12	
		also use:			
2	996 602 105 00	spark plug connector		6	
3	900 387 008 01	Socket head bolt M 6 X 25		12	
(3)	900 385 025 01	Torx screw M 6 X 40		10	
4	999 170 223 90	Spark plug FGR 5KQE0		6	/22 9720,9721

Model: 987 06

Model life 2006>>2008

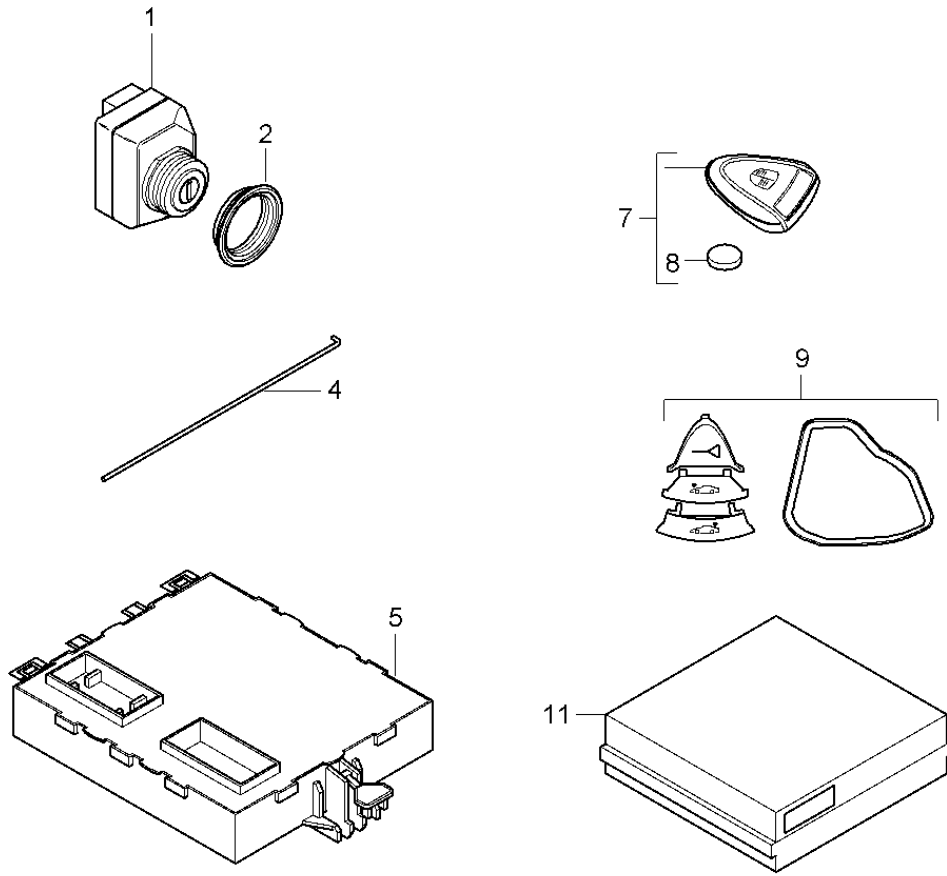


Model: 987 06 Model life 2006>>2008

Pos	Part Number	Description	Remark	Qty	Model
1	997 618 601 05	Control units Control unit		1	PR:-660
1	997 618 603 05	- dme - Control unit		1	PR:660
2	999 084 629 01	- dme - Hexagon nut		X	
(2)	999 084 635 01	M 6 Pull-off nut		3	PR:536
3	987 618 131 01	M 6 - SB Retaining plate		1	
4	987 618 272 07	Plug-protection Control unit		1	CAYMAN
(4)	987 618 342 07	Tiptronic Control unit		1	CAYMAN S
5	987 618 155 02	Tiptronic Retainer for control units		1	PR:249
6	900 378 035 01	Hexagon bolt		1	
7	997 610 102 06	M 6 X 16 Onboard supply control unit		1	
7	997 618 516 01	No longer use the part here Onboard supply control unit		1	
8	997 610 107 04	Control unit for gateway		1	
9	997 572 419 03	Cover		1	
10	997 572 221 00	Seal		1	
11	900 143 094 09	panel screw		3	
12	999 591 855 01	ST 4,8 X 19 panel nut		3	
13	997 618 436 01	ST 4,8 Control unit		1	
13	997 618 436 02	Cooling air control Discontinued part		1	
14	997 618 511 01	Control unit Cooling air control		1	
(14)	997 610 105 11	FRONT luggage compartment Control unit		1	PR:601
15	997 551 736 00	FRONT luggage compartment Cover for control unit		1	
16	999 507 462 09	panel nut		1	
17	999 073 061 02	4,8 panel screw		1	
18	997 618 260 08	4,8 X 16 Control unit		1	
19	996 618 171 03	Rear end Control unit for parking aid		1	PR:635
20	997 618 371 01	Retainer for control units		1	
-		Sensor			PR:635
21	997 618 225 03	see illustration: Control unit for	802-005	1	PR:608
21	997 618 227 02	opening garage door Control unit for		1	PR:607
21	997 618 227 03	opening garage door Discontinued part		1	PR:607
22	997 618 257 00	Control unit for opening garage door		1	
23	999 591 882 01	Bracket		2	
24	900 075 505 01	panel nut M 6		2	
		Bolt with washer M 6 X 20		2	

Model: 987 06

Model life 2006>>2008



Model: 987 06

Model life 2006>>2008

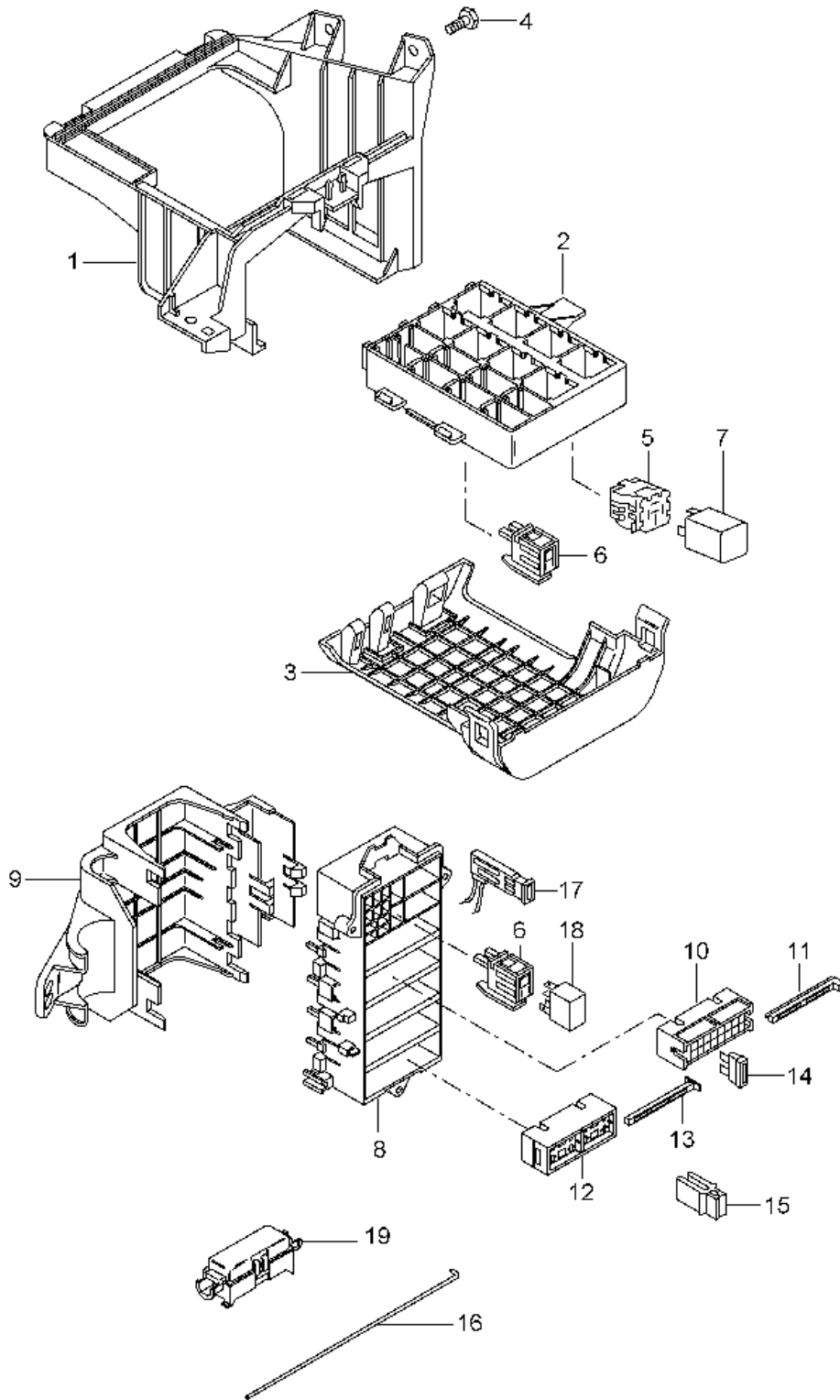
Pos	Part Number	Description	Remark	Qty	Model
1	997 618 159 04	Control units Immobiliser Central locking system Ignition/starter switch PORSCHE ACCESS SYSTEM Control unit		1	
2	997 618 759 00	Ignition/starter switch Nut		1	
-	997 618 361 00	Cover Release		1	
4	970 618 761 00	Handheld transmitter Emergency operation Release		1	
5	997 618 171 14	Ignition/starter switch Control unit for central locking PORSCHE ACCESS SYSTEM D >> - MJ 2007 Discontinued part		1	PR:524,534, 544
5	997 618 171 15	Control unit for central locking PORSCHE ACCESS SYSTEM		1	PR:524,534, 544
5	997 618 172 14	Control unit for central locking PORSCHE ACCESS SYSTEM D >> - MJ 2007 Discontinued part		1	PR:525,535, 545
5	997 618 172 15	Control unit for central locking PORSCHE ACCESS SYSTEM		1	PR:525,535, 545
5	997 618 172 16	Discontinued part Control unit for central locking PORSCHE ACCESS SYSTEM		1	PR:525,535, 545
-	997 612 051 01	Control unit for central locking PORSCHE ACCESS SYSTEM Aerial cable	lhd	1	PR:098,524, 534,544
-	997 612 050 01	for POS. 5 Aerial cable	lhd	1	PR:098,525, 535,544
-	997 612 051 51	for POS. 5 Aerial cable	rhd	1	PR:099,524, 534,544
-	997 612 050 51	for POS. 5 Aerial cable	rhd	1	PR:099,525, 535,545
-	987 637 253 00	for POS. 5 Retainer for aerial for Cable		1	
-	999 073 225 09	panel screw 4,8 X 16 for Cable		1	
-	928 612 636 01	Aerial Protective hose for Cable		1	
-	997 612 053 01	Aerial Connecting line	lhd	1	PR:098,665

Model: 987 06 Model life 2006>>2008

Pos	Part Number	Description	Remark	Qty	Model
-	997 612 054 01	Aerial amplifier Control unit POS. 5 Connecting line	rhd	1	PR:099,665
-	997 612 064 51	Aerial amplifier Control unit POS. 5 Aerial cable		1	PR:674
7	997 637 244 36	VEHICLE TRACKING SYSTEM Handheld transmitter		1	PR:524,534, 544
7	997 637 101 01	No longer use the part here Handheld transmitter		1	PR:524,534, 544
7	997 637 244 37	Handheld transmitter D - MJ 2007>> No longer use the part here		1	PR:525,535, 545
7	997 637 103 01	Handheld transmitter		1	PR:525,535, 545
(7)	997 637 244 38	Handheld transmitter D - MJ 2007>> No longer use the part here		1	PR:525,535, 545 "J.."
(7)	997 637 105 01	Handheld transmitter		1	PR:525,535, 545 "J.."
8	999 611 108 00	Battery for hand sender		1	
9	000 043 400 14	repair set Key Handheld transmitter Version Grey See workshop manual		1	
11	997 618 210 01	KD-NR.: 966237 Sensor for interior monitoring		1	
-		Alarm horn Tilt angle sensor see illustration:	903-000		PR:536,521

Model: 987 06

Model life 2006>>2008



Model: 987 06 Model life 2006>>2008

Pos	Part Number	Description	Remark	Qty	Model
		central electrics dashboard			
1	997 610 117 01	bracket for relay bracket	lhd	1	PR:098
(1)	997 610 118 00	bracket for relay bracket	rhd	1	PR:099
2	997 610 110 01	relay plate Mounting frame		1	
3	997 610 112 00	Cover Mounting frame		1	
4	900 378 155 01	Hexagon bolt M 6 X 16 ASP		2	
(4)	900 377 010 01	Hexagon nut M 6		1	
5	928 610 511 00	relay plate		X	
6	999 650 538 40	relay plate		X	
7		Relay			
(7)	999 657 014 90	Relay KL. X		1	
		relay location/code no.:	S4		
(7)	999 657 015 90	Relay KL. 86S		1	
		relay location/code no.:	S6		
(7)	999 657 015 90	Relay Rear window heating		1	
		relay location/code no.:	S7		
(7)	999 657 015 90	Relay Fuel pump		1	
		relay location/code no.:	S8		
(7)	999 657 013 90	Relay - dme -		1	
		relay location/code no.:	S11		
(7)	999 657 013 90	Relay heater		1	
		relay location/code no.:	S12		
(7)	999 657 013 90	Relay Headlight washer system		1	PR:288
		relay location/code no.:	S14		
(7)	999 657 013 90	Relay Starter		1	
		relay location/code no.:	S15		
(7)	999 657 013 90	Relay KL. 15		1	
		relay location/code no.:	S16		
8	997 610 340 00	Carrier		1	
9	997 610 341 00	Cover		1	
10	999 650 209 40	fuse holder		4	
11	999 650 210 40	slide valve		4	
12	999 650 750 40	fuse holder		1	
13	999 650 749 40	slide valve		1	
14	999 607 082 00	fuse 5 A		X	
(14)	999 607 083 00	fuse 7 , 5 A		X	
(14)	999 607 084 00	fuse 10 A		X	
(14)	999 607 085 00	fuse 15 A		X	
(14)	999 607 087 00	fuse 25 A		X	
(14)	999 607 088 00	fuse 30 A		X	
(14)	999 607 072 00	fuse 30 A Large		X	

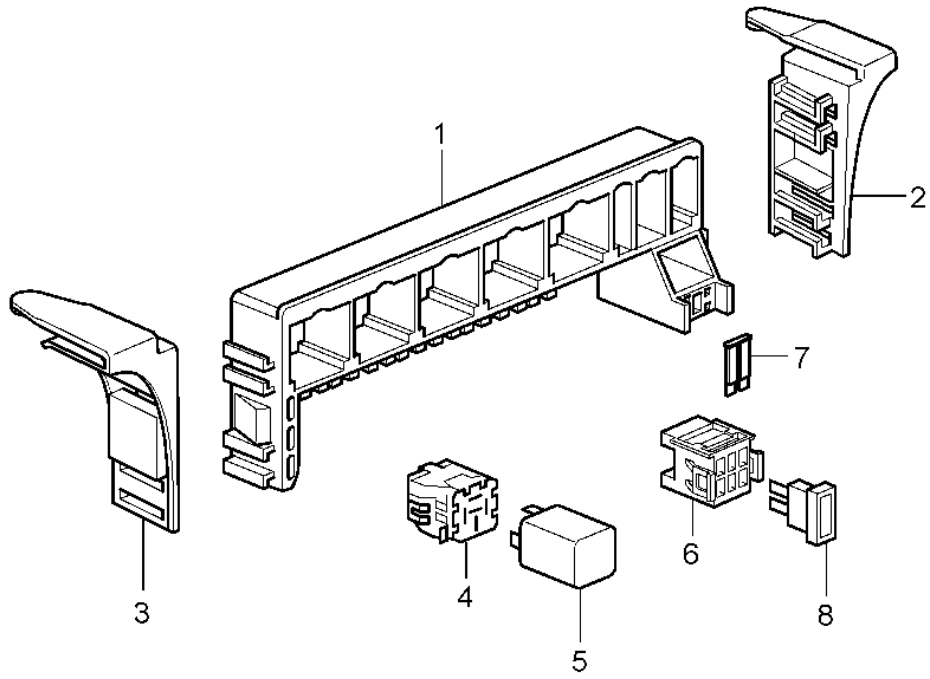
Model: 987 06

Model life 2006>>2008

Pos	Part Number	Description	Remark	Qty	Model
(14)	999 607 073 00	fuse 40 A Large		X	
15	999 107 300 40	Tool		X	
-	997 610 195 07	Assignment sticker		X	
16	997 618 761 00	fuse Emergency operation Release Ignition/starter switch Discontinued part		1	
16	970 618 761 00	Emergency operation Release Ignition/starter switch		1	
-		Emergency operation Cover			
17	996 610 240 00	Terminal clamp		1	
18	999 657 014 90	Relay		1	
19	997 610 915 00	fuse holder		1	
		with:			
-		fuse 80 A for Cooling air control Cover for housing fuse		X	
		see illustration:	807-002		

Model: 987 06

Model life 2006>>2008

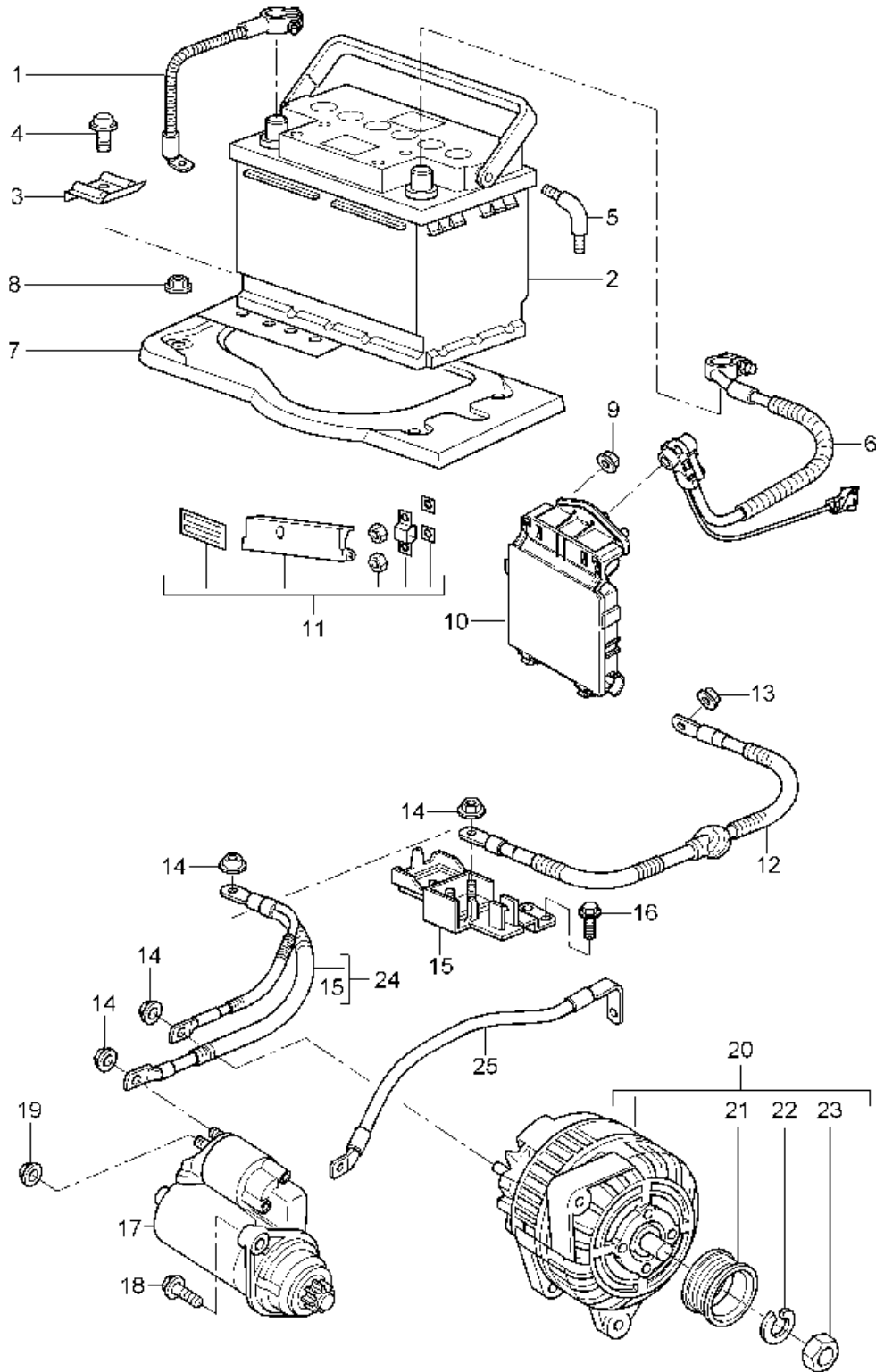


Model: 987 06 Model life 2006>>2008

Pos	Part Number	Description	Remark	Qty	Model
1	987 610 111 00	central electrics Rear end relay plate Mounting frame Discontinued part		1	
1	987 610 111 01	relay plate Mounting frame		1	
2	987 610 118 00	bracket for relay bracket	right	1	
3	987 610 117 00	bracket for relay bracket	left	1	
4	928 610 511 00	relay plate Large		X	
(4)	999 650 538 40	relay plate Small		X	
5		Relay			
(5)	964 615 215 00	Relay Air conditioning relay location/code no.:	S1	1	PR:573
(5)	999 657 018 90	Discontinued part relay for air conditioner relay location/code no.:	S1	1	PR:573
(5)	999 657 008 90	Relay Secondary pump relay location/code no.:	S2	1	PR:661
(5)	999 657 017 90	Discontinued part Relay Secondary pump relay location/code no.:	S2	1	PR:661
(5)	999 657 007 90	Relay Fan Engine bay relay location/code no.:	S8	1	
(5)	999 657 015 90	Discontinued part Relay Fan Engine bay relay location/code no.:	S8	1	
6	999 650 747 40	fuse holder		1	
7	999 650 748 40	Locking mechanism		1	
8	999 607 085 00	fuse 15 A		X	
(8)	999 607 073 00	fuse 40 A Large		X	PR:661

Model: 987 06

Model life 2006>>2008



Model: 987 06

Model life 2006>>2008

Pos	Part Number	Description	Remark	Qty	Model
		Battery			
		Power distributor			
		Starter			
		Alternator			
1	997 611 090 00	Earth line	lhd	1	PR:098
(1)	997 611 091 00	Earth line	rhd	1	PR:099
		use if required:			
-	900 377 010 01	Hexagon nut		1	
		M 6			
(2)	999 611 060 20	Battery		1	
		60 AH			
(2)	999 611 070 20	Battery		1	
		70 AH			
2	999 611 080 20	Battery		1	
		80 AH			
(2)	999 611 095 20	Battery		1	PR:200
		95 AH			
3	996 611 209 00	Rail		1	
		Battery			
4	900 378 017 01	Hexagon bolt		1	
		M 8 X 20			
5	893 915 507	Elbow fitting		1	
6	997 612 993 00	repair set	lhd	1	PR:098
		Cable			
		Battery			
		Power distributor			
		Discontinued part			
(6)	997 612 995 00	repair set	rhd	1	PR:099
		Cable			
		Battery			
		Power distributor			
		Discontinued part			
(6)	997 612 908 00	repair set	lhd	1	PR:098
		Wire set			
		Battery			
		Power distributor			
		see			
		Technical information			
		9789			
(6)	997 612 909 00	repair set	rhd	1	PR:099
		Wire set			
		Battery			
		Power distributor			
		see			
		Technical information			
		9789			
7	996 504 151 00	Battery console		1	
(7)	997 504 151 00	Carrier plate for battery		1	PR:200
-	996 504 622 00	Seal for battery tray		1	
8	999 084 630 01	Hexagon nut		4	
		VM 8 SB			
9	900 380 005 01	Nut		2	
		VM 8			
10	997 610 911 00	repair set		1	
		Replacement			
		Power distributor			
		comprising:			
-		Power distributor		1	
		without:			
-		Fuse element			
-		Hexagon nut		8	
		M 5			
-		Hexagon nut		3	

Model: 987 06 Model life 2006>>2008

Pos	Part Number	Description	Remark	Qty	Model
-		M 8			
-		Seal label		1	
11	997 610 912 00	red repair set Replacement		1	
-		Fuse element			
-		comprising:			
-		Fuse element		1	
-		50 AMPERE			
-		Fuse element		1	
-		70 AMPERE			
-		Fuse element		1	
-		80 AMPERE			
-		Hexagon nut		4	
-		M 5			
-		square washer		4	
-		Cover		1	
-		blue			
11	997 610 913 00	Seal label red repair set Replacement		1	
-		Fuse element			
-		comprising:			
-		Fuse element		1	
-		150 AMPERE			
-		Hexagon nut		2	
-		M 8			
-		square washer		2	
-		Cover			
-		blue			
-		Seal label		1	
12	987 612 090 02	red Cable Power distributor	lhd	1	PR:098
(12)	987 612 096 00	To Connection point Engine Cable Power distributor	rhd	1	PR:099
13	900 084 123 02	To Connection point Engine Hexagon nut		1	
14	900 377 003 03	M 8 Hexagon nut		4	
15	986 611 201 01	M 8 Connection point (complete)		1	
16	900 385 009 01	Torx screw		2	
17	996 604 103 00	BM 6 X 16 Starter		1	
18	900 385 097 01	1,7 KW Torx screw		2	
19	900 377 010 01	BM 10 X 35 Hexagon nut		1	
20	997 603 012 06	M 6 Alternator		1	PR:249
		with:			
		pulley			
		without:			
		Freewheel			
		D - MJ 2006>> - MJ 2006			

Model: 987 06 Model life 2006>>2008

Pos	Part Number	Description	Remark	Qty	Model
20	997 603 022 04	Alternator with: pulley without: Freewheel D - MJ 2007>>		1	PR:249
20	997 603 022 DX	Alternator with: pulley without: Freewheel D - MJ 2007>>		1	PR:249
(20)	997 603 012 07	Alternator with: pulley Freewheel D - MJ 2007>>		1	PR:480,481
(20)	997 603 012 09	Alternator with: pulley Freewheel D - MJ 2006>> - MJ 2006 Discontinued part		1	PR:480,481
(20)	997 603 012 JX	Alternator with: pulley Freewheel D - MJ 2006>> - MJ 2006		1	PR:480,481 -"CN."
(20)	997 603 022 05	Alternator with: pulley Freewheel D - MJ 2007>>		1	PR:480,481
(20)	997 603 022 EX	Alternator with: pulley Freewheel D - MJ 2007>>		1	PR:480,481 -"CN."
21	996 603 151 55	pulley without: Freewheel		1	PR:249
(21)	997 603 154 00	pulley with: Freewheel		1	PR:480,481
-	996 603 113 00	Protective cap for 3-phase alternator		1	PR:249
-	996 603 153 50	Protective cap		1	PR:480,481
22	N 012 016 1	spring ring B 16		1	
23	900 034 013 01	Hexagon nut M 16 X 1,5		1	
-		Fasteners Alternator			
-	900 385 097 01	Torx screw BM 10 X 35		1	
-	900 385 092 04	Torx screw BM 10 X 145		1	
24	987 607 019 01	Wire set Starter Alternator		1	
(24)	987 607 019 02	Wire set Starter D - MJ 2006>> - MJ 2006		1	

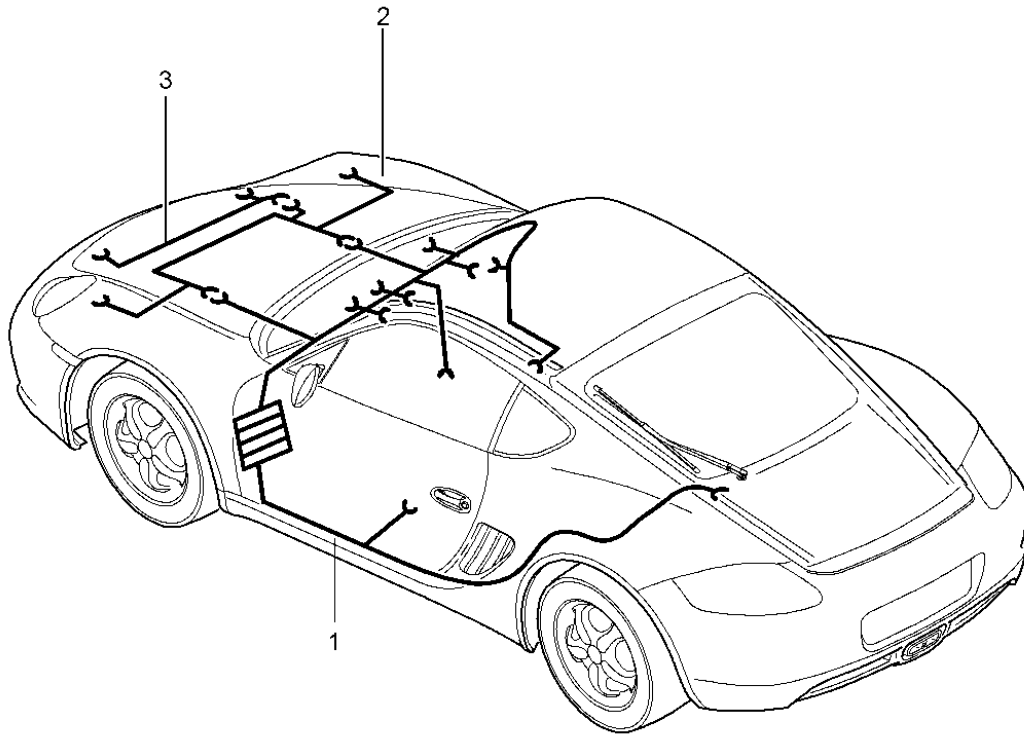
Model: 987 06

Model life 2006>>2008

Pos	Part Number	Description	Remark	Qty	Model
25	987 607 030 00	Alternator D - MJ 2007>> - MJ 2007 Earth line Body		1	
26	997 610 916 00	Engine repair set Screw bolt Power distributor comprising: Screw bolt Nut Seal label		1 1 2 1	

Model: 987 06

Model life 2006>>2008



Model: 987 06 Model life 2006>>2008

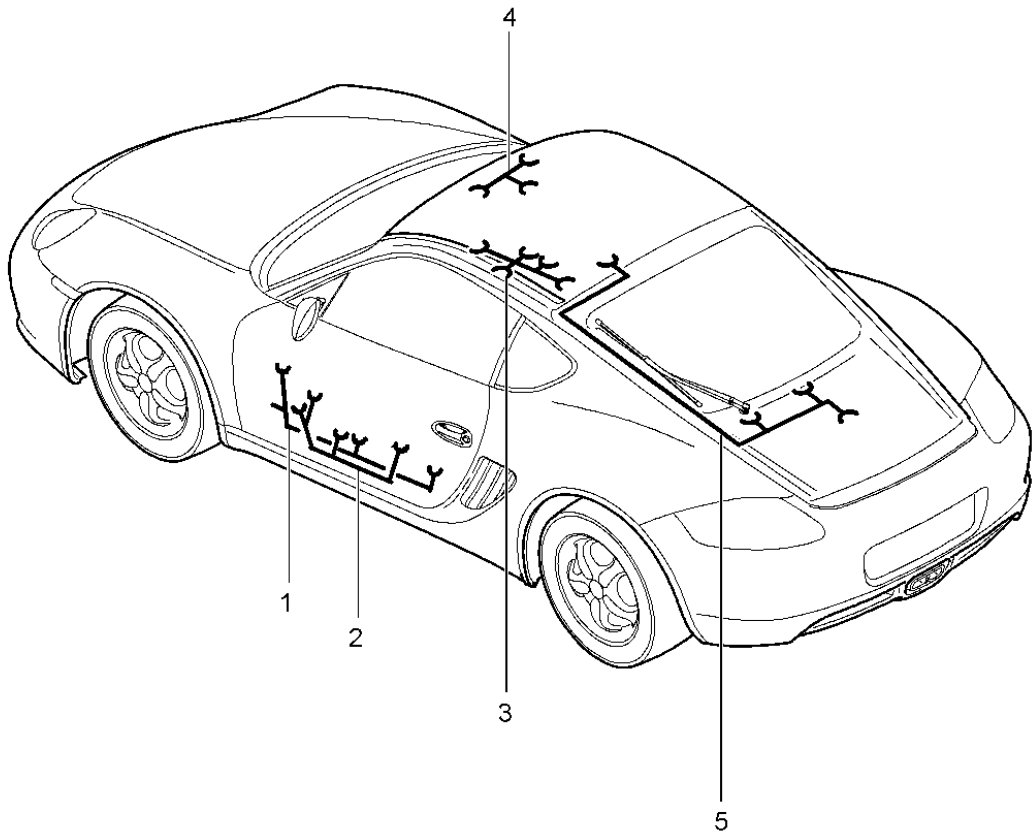
Pos	Part Number	Description	Remark	Qty	Model
1	987 612 903 00	Wiring looms Passenger compartment FRONT luggage compartment Trim Airbag Seat belt tensioner repair kits Shock absorbers anti-locking brake syst. -abs- brake pad wear display Front axle	front	1	
-	996 610 120 01	Wire set Passenger compartment Vehicle Ident. No. Indicate		1	
-	999 651 302 40	Bracket Socket Diagnostic connector		X	
-	999 651 284 40	Retaining clip Wire set Passenger compartment Sill		X	
2	987 612 520 10	Retaining clip Wire set Passenger compartment Sill		1	
2	987 612 520 11	Wire set FRONT luggage compartment No longer use the part here		1	
(2)	987 612 521 10	Wire set FRONT luggage compartment No longer use the part here		1	PR:601
(2)	987 612 521 11	Wire set FRONT luggage compartment		1	PR:601
-	997 610 215 01	Cable guide for Sensor		2	
3	987 612 502 00	Airbag Wire set Trim	front	1	
-	999 507 840 40	Cable holder for POS. 3		X	
-	997 612 781 25	Wire set Airbag (passenger side) Setting 1 Connector green		1	
-	997 612 783 00	Wire set Airbag (passenger side) Setting2 Connector yellow		1	
-	997 612 783 25	D >> - MJ 2007 Discontinued part Wire set Airbag (passenger side) Setting2		1	

Model: 987 06 Model life 2006>>2008

Pos	Part Number	Description	Remark	Qty	Model
-	997 612 992 00	Connector yellow Wire set Control unit Airbag Connection point Door		2	
-		Wire set Airbag Seat See group 8/17/06 8/17/21			
-	997 612 793 01	Wire set		2	
-	997 612 950 00	Seat belt tensioner repair set Wire set	front	2	PR:475
-	997 612 961 00	Shock absorbers Repair set for front axle Wire set	left front	1	
-	997 612 960 00	anti-locking brake syst. -abs- brake pad wear display Repair set for front axle Wire set	right front	1	
-		anti-locking brake syst. -abs- brake pad wear display repair set Wire set Rear axle			
		see illustration:	902-020		

Model: 987 06

Model life 2006>>2008



Model: 987 06 Model life 2006>>2008

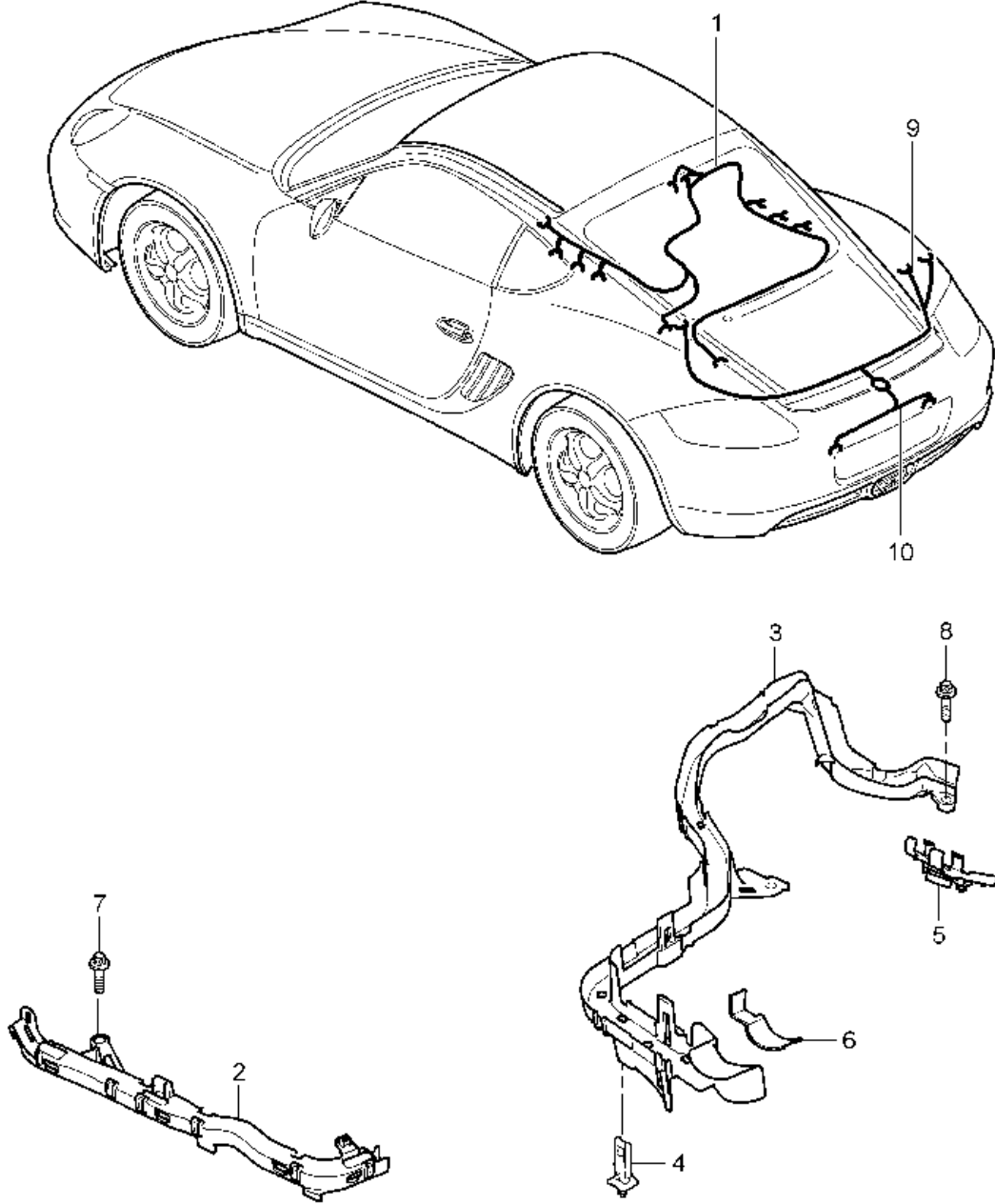
Pos	Part Number	Description	Remark	Qty	Model
1	997 612 642 05	Wiring looms doors Airbag Centre console Glove box Rear lid Wire set	lhd	1	PR:098
1	997 612 642 07	Assembly frame Driver's door D - MJ 2006>> - MJ 2006 Wire set	lhd	1	PR:098
(1)	997 612 644 55	Assembly frame Driver's door D - MJ 2007>> Wire set	rhd	1	PR:099
(1)	997 612 644 57	Assembly frame Driver's door D - MJ 2006>> - MJ 2006 Wire set	rhd	1	PR:099
(1)	997 612 643 55	Assembly frame Driver's door D - MJ 2007>> Wire set	lhd	1	PR:098
(1)	997 612 643 57	Assembly frame Passenger's door D - MJ 2006>> - MJ 2006 Wire set	lhd	1	PR:098
(1)	997 612 645 05	Assembly frame Passenger's door D - MJ 2007>> Wire set	rhd	1	PR:099
(1)	997 612 645 07	Assembly frame Passenger's door D - MJ 2006>> - MJ 2006 Wire set	rhd	1	PR:099
-	997 612 780 16	Assembly frame Passenger's door D - MJ 2007>> Wire set		2	
2	997 612 647 05	Airbag Wire set door panel Driver's door D - MJ 2006>> - MJ 2006	lhd	1	PR:098
2	997 612 647 07	Wire set door panel Driver's door F >> 98-8U753 595 F >> 98-8U773 372 D - MJ 2007>> - MJ 2008	lhd	1	PR:098 CAYMAN CAYMAN S
2	997 612 647 10	Wire set door panel Driver's door F 98-8U753 596>> F 98-8U773 373>> D - MJ 2008>>	lhd	1	PR:098 CAYMAN CAYMAN S
(2)	997 612 650 05	Wire set door panel Driver's door D - MJ 2006>> - MJ 2006	rhd	1	PR:099
(2)	997 612 650 07	Wire set door panel Driver's door	rhd	1	PR:099

Model: 987 06 Model life 2006>>2008

Pos	Part Number	Description	Remark	Qty	Model
(2)	997 612 648 05	D - MJ 2007>> Wire set door panel Passenger's door	lhd	1	PR:098
(2)	997 612 648 07	D - MJ 2006>> - MJ 2006 Wire set door panel Passenger's door F >> 98-8U753 595 F >> 98-8U773 372	lhd	1	PR:098 CAYMAN CAYMAN S
(2)	997 612 648 10	D - MJ 2007>> - MJ 2008 Wire set door panel Passenger's door F 98-8U753 596>> F 98-8U773 373>>	lhd	1	PR:098 CAYMAN CAYMAN S
(2)	997 612 649 05	D - MJ 2008>> Wire set door panel Passenger's door	rhd	1	PR:099
(2)	997 612 649 07	D - MJ 2006>> - MJ 2006 Wire set door panel Passenger's door	rhd	1	PR:099
3	997 612 652 75	D - MJ 2007>> Wire set Centre console		1	
4	997 612 651 00	Wire set Glove box		1	
5	987 612 670 50	Wire set Rear lid		1	

Model: 987 06

Model life 2006>>2008



Model: 987 06 Model life 2006>>2008

Pos	Part Number	Description	Remark	Qty	Model
1	987 607 011 06	Wiring looms Engine Rear end Licence plate light Parking aid repair kits for Shock absorbers anti-locking brake syst. -abs- brake pad wear display Rear axle		1	9720+ PR:481
1	987 607 011 08	Wire set Engine D - MJ 2006>> - MJ 2006		1	9720+ PR:481
1	987 607 011 10	Discontinued part Wire set Engine D - MJ 2007>>		1	9720+ PR:481
1	987 607 010 04	Wire set Engine D - MJ 2006>> - MJ 2006		1	9720+ PR:481, 660
1	987 607 010 06	Wire set Engine D - MJ 2007>> - MJ 2007		1	9720+ PR:481, 660
1	987 607 010 08	Discontinued part Wire set Engine D - MJ 2007>>		1	9720+ PR:481, 660
1	987 607 011 62	Wire set Engine D - MJ 2006>> - MJ 2006		1	9720, 9721+ PR:480
1	987 607 011 63	Discontinued part Wire set Engine D - MJ 2006>> - MJ 2006		1	9720, 9721+ PR:480
1	987 607 011 64	Wire set Engine D - MJ 2007>> - MJ 2007		1	9720, 9721+ PR:480
1	987 607 011 65	Discontinued part Wire set Engine D - MJ 2008>> - MJ 2008		1	/22 9720, 9721+ PR:480
1	987 607 010 61	Wire set Engine D - MJ 2006>> - MJ 2006		1	9720, 9721+ PR:480, 660
1	987 607 010 62	Discontinued part Wire set Engine D - MJ 2006>> - MJ 2006		1	9720, 9721+ PR:480, 660
1	987 607 010 63	Wire set Engine D - MJ 2006>> - MJ 2006		1	9720, 9721+ PR:480, 660

Model: 987 06 Model life 2006>>2008

Pos	Part Number	Description	Remark	Qty	Model
1	987 607 010 64	Engine D - MJ 2007>> - MJ 2007 Discontinued part Wire set		1	/22 9720,9721+ PR:480,660
1	987 607 011 05	Engine D - MJ 2007>> Wire set		1	9720,9721+ PR:249
1	987 607 011 07	Engine D - MJ 2006>> - MJ 2006 Discontinued part Wire set		1	9720,9721+ PR:249
1	987 607 011 09	Engine D - MJ 2006>> - MJ 2006 Wire set		1	9720,9721+ PR:249
1	987 607 011 11	Engine D - MJ 2007>> - MJ 2007 Discontinued part Wire set		1	/22 9720,9721+
1	987 607 010 03	Engine D - MJ 2007>> - MJ 2008 Wire set		1	9720,9721+ PR:249,660
1	987 607 010 05	Engine D - MJ 2006>> - MJ 2006 Discontinued part Wire set		1	9720,9721+ PR:249,660
1	987 607 010 07	Engine D - MJ 2006>> - MJ 2006 Wire set		1	9720,9721+ PR:249,660
1	987 607 010 09	Engine D - MJ 2007>> - MJ 2007 Discontinued part Wire set		1	/22 9720,9721+
-	999 702 324 40	Engine D - MJ 2007>> Grommet		1	
2	987 607 116 01	Air mass meter Cable guide		2	
3	997 607 110 00	Cable guide		1	
4	997 607 114 00	Crankcase housing Bracket		1	
5	987 607 126 00	Cable guide Bracket		1	
6	997 607 113 00	Cable guide Cover		1	
7	900 385 001 02	Cable guide Torx screw BM 8 X 20		2	
8	900 385 009 01	Torx screw BM 6 X 16		2	
9	987 612 904 00	Wire set Rear end Vehicle Ident. No. Indicate		1	
10	997 612 660 01	Wire set Licence plate light		1	
(10)	997 612 661 00	Wire set Parking aid Licence plate light		1	PR:635
(10)	997 612 661 01	Wire set Parking aid Licence plate light		1	PR:635
-	997 612 950 00	repair set	rear	2	PR:475

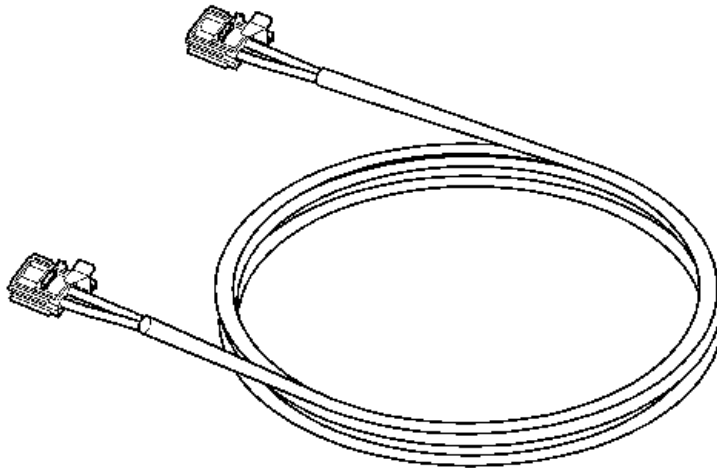
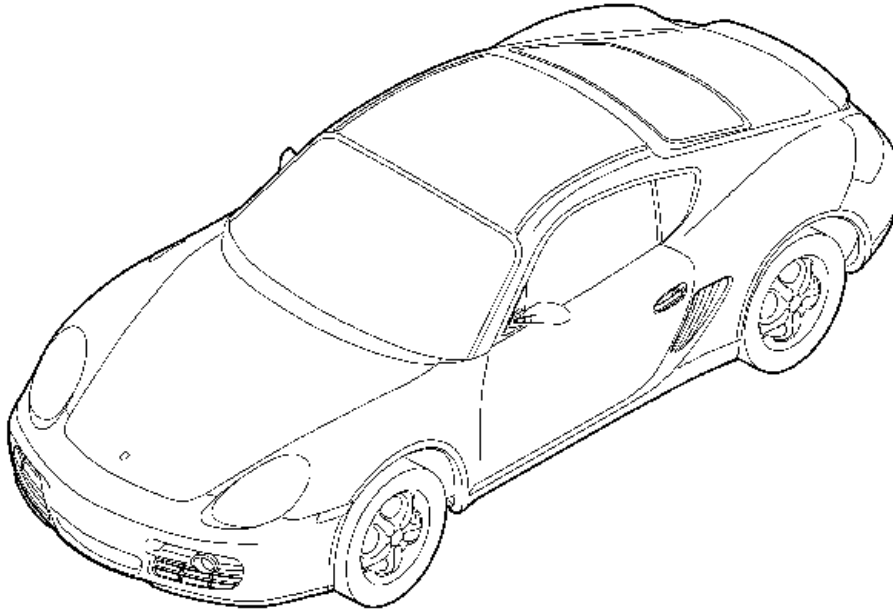
Model: 987 06

Model life 2006>>2008

Pos	Part Number	Description	Remark	Qty	Model
-	987 612 963 00	Wire set Shock absorbers Repair set for rear axle	left rear	1	
-	987 612 962 00	Wire set anti-locking brake syst. -abs- brake pad wear display Repair set for rear axle	right rear	1	
-		Wire set anti-locking brake syst. -abs- brake pad wear display repair set Wire set Front axle see illustration:	902-010		

Model: 987 06

Model life 2006>>2008



Model: 987 06 Model life 2006>>2008

Pos	Part Number	Description	Remark	Qty	Model
-		fibre optic wave conductor Module			
-	997 622 701 00	Passenger compartment fibre optic wave conductor Module	lhd	1	PR:098,670, 672,680,689, 692
-	997 622 701 50	fibre optic wave conductor Module	rhd	1	PR:099,670, 672,680,689, 692
-	997 622 702 00	fibre optic wave conductor Module	lhd	1	PR:098,666, 689
-	997 622 702 50	fibre optic wave conductor Module	rhd	1	PR:099,666, 689
-	997 622 703 00	fibre optic wave conductor Module	lhd	1	PR:098,666, 670,672,680, 692
-	997 622 703 50	fibre optic wave conductor Module	rhd	1	PR:099,666, 670,672,680, 692
-	999 650 091 40	Plug inserts fibre optic wave conductor Module		X	
-	997 610 122 00	FRONT luggage compartment Bracket		1	
-	996 610 132 00	Connection point Cable guide t-piece		X	
-	997 622 707 00	FRONT luggage compartment fibre optic wave conductor Module	lhd	1	PR:098,670, 672
-	997 622 707 50	fibre optic wave conductor Module	rhd	1	PR:099,670, 672
-	997 622 704 00	fibre optic wave conductor Module	lhd	1	PR:098,680
-	997 622 704 50	fibre optic wave conductor Module	rhd	1	PR:099,680
-	997 622 706 00	fibre optic wave conductor Module	lhd	1	PR:098,692
-	997 622 706 50	fibre optic wave conductor Module	rhd	1	PR:099,692
-	997 622 708 00	fibre optic wave conductor Module	lhd	1	PR:098,664, 692
-	997 622 710 00	fibre optic wave conductor Module	lhd	1	PR:098,670, 672,680
-	997 622 710 50	fibre optic wave conductor Module	rhd	1	PR:099,670, 672,680
-	997 622 714 00	fibre optic wave conductor Module	lhd	1	PR:098,670, 672,692
-	997 622 714 50	fibre optic wave conductor Module	rhd	1	PR:099,670, 672,692
-	997 622 715 00	fibre optic wave conductor Module	lhd	1	PR:098,664, 670,672,692
-	997 622 709 00	fibre optic wave conductor Module	lhd	1	PR:098,680, 692
-	997 622 709 50	fibre optic wave conductor Module	rhd	1	PR:099,680, 692
-	997 622 712 00	fibre optic wave conductor	lhd	1	PR:098,664, 680,692

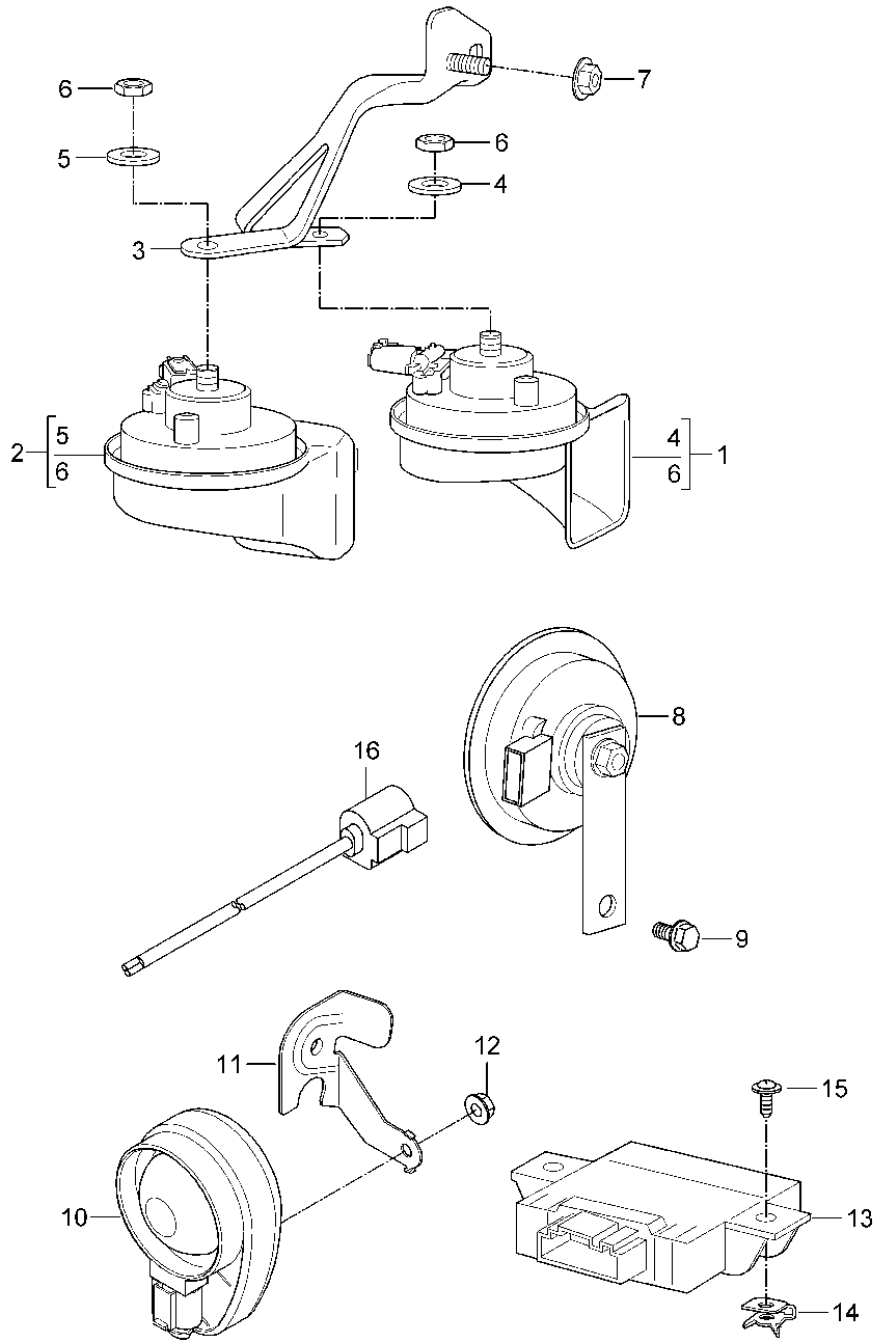
Model: 987 06

Model life 2006>>2008

Pos	Part Number	Description	Remark	Qty	Model
-	997 622 711 00	Module fibre optic wave conductor	lhd	1	PR:098,670, 672,680,692
-	997 622 711 50	Module fibre optic wave conductor	rhd	1	PR:099,670, 672,680,692
-	997 622 713 00	Module fibre optic wave conductor	lhd	1	PR:098,664, 670,672,680, 692
		Module			

Model: 987 06

Model life 2006>>2008



Model: 987 06 Model life 2006>>2008

Pos	Part Number	Description	Remark	Qty	Model
1	997 635 206 03	Fanfare Signal horn alarm system		1	
1	997 635 206 04	Fanfare High-pitched Discontinued part		1	
1	997 635 216 00	Fanfare High-pitched No longer use the part here		1	
-	997 612 947 00	Adapter cable see Technical information GR.9 NR.100/13 KD-NR.9050		1	
2	997 635 205 03	Fanfare Low-pitched Discontinued part		1	
2	997 635 205 04	Fanfare Low-pitched No longer use the part here		1	
(2)	997 635 215 00	Fanfare Low-pitched see Technical information GR.9 NR.100/13 KD-NR.9050		1	
-	997 612 947 00	Adapter cable see Technical information GR.9 NR.100/13 KD-NR.9050		1	
3	997 635 150 04	Bracket for fanfare Discontinued part		1	
3	997 635 150 05	Bracket for fanfare		1	
4		Washer High-pitched		1	
5		Washer Low-pitched		1	
6	900 034 001 03	Nut M 8 D >> - MJ 2007 Discontinued part		2	
6	900 034 001 04	Nut M 8		2	
7	900 377 003 03	Hexagon nut M 8		1	
8	996 637 117 03	Signal horn for alarm system		1	
8	996 637 117 05	Signal horn for alarm system Replacement for 996.637.117.03 use if required:	9P1 998 003 A	1	
9	900 075 459 01	Bolt with washer		1	

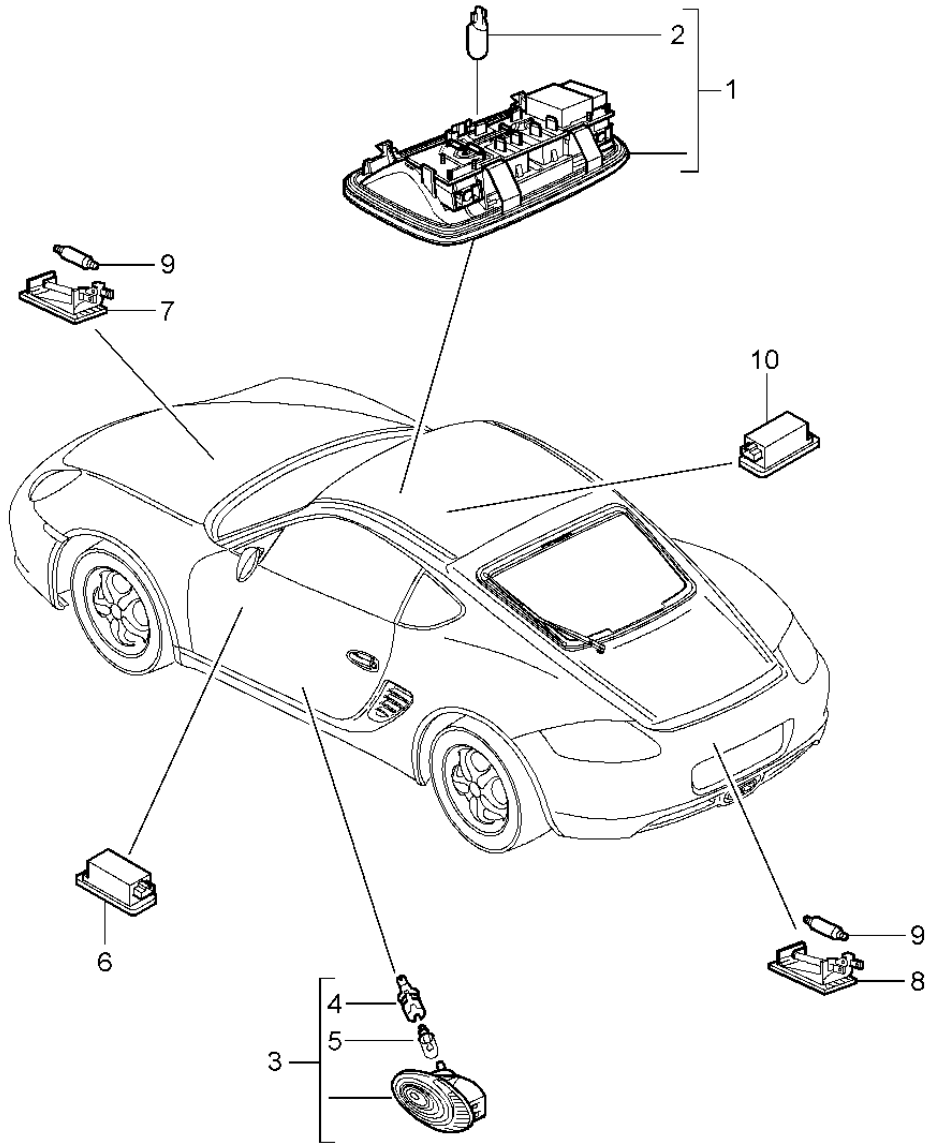
Model: 987 06

Model life 2006>>2008

Pos	Part Number	Description	Remark	Qty	Model
10	955 618 237 01	M 6 X 12 Z2 Alarm horn		1	PR:536
11	997 637 419 01	Bracket		1	PR:536
12	900 380 015 01	Hexagon nut M 6		1	PR:536
13	997 618 265 00	Control unit Tilt angle sensor		1	PR:521,536
14	999 591 742 01	panel nut 4,2		2	PR:521,536
15	999 073 155 09	panel screw 4,2 X 13		2	PR:521,536
16	9P1 998 003 A	Wire set Modification kit Signal horn		1	

Model: 987 06

Model life 2006>>2008



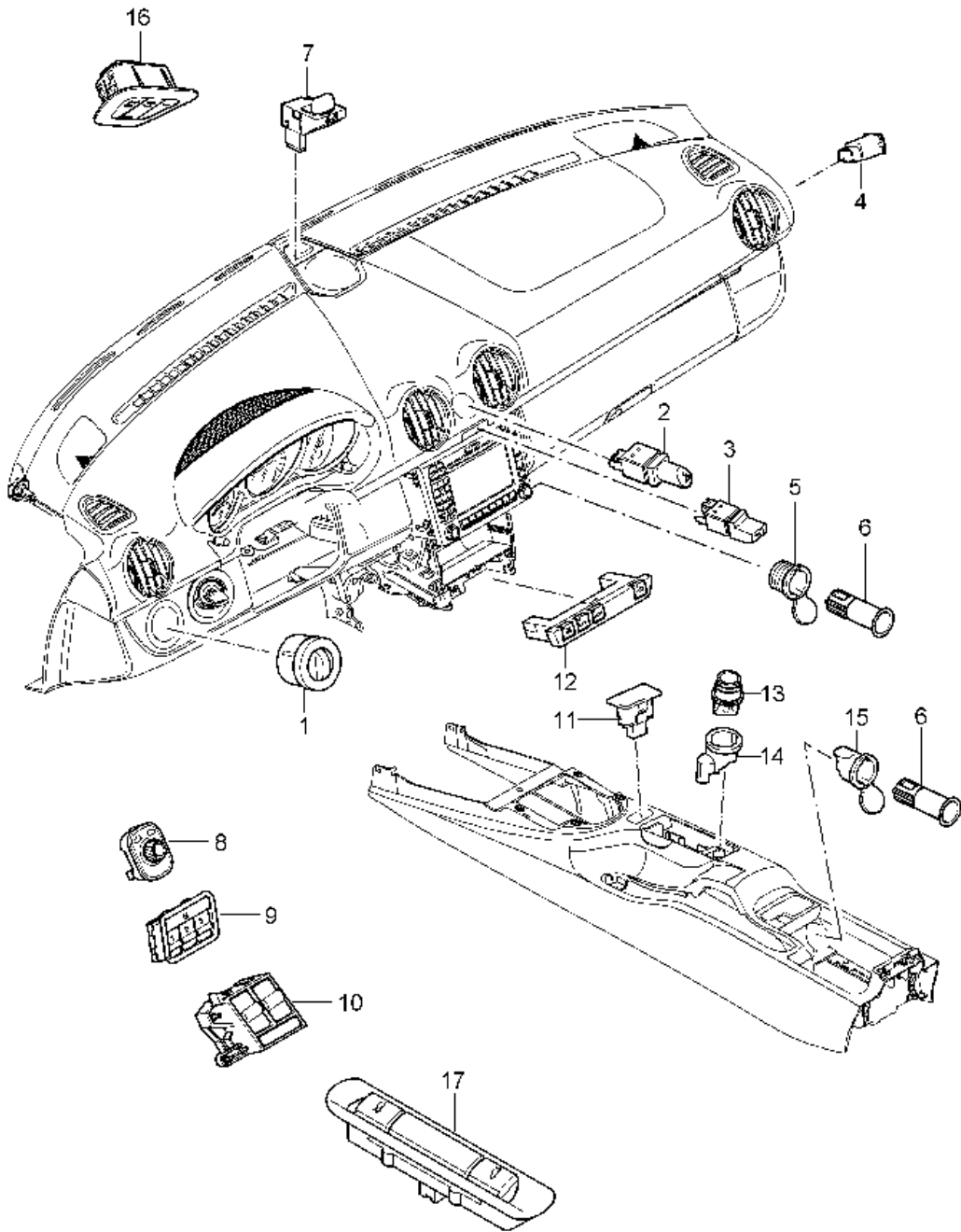
Model: 987 06

Model life 2006>>2008

Pos	Part Number	Description	Remark	Qty	Model
		Interior lights			
		Luggage compartment lamp			
		Engine compartment light			
		Glove box light			
		Footwell light			
1	987 632 057 00	interior light	lhd	1	PR:098
(1)	987 632 059 00	interior light	rhd	1	PR:099
2	999 631 134 90	bulb		2	
		6 W			
3	996 632 132 01	Door warning light		2	
(3)	996 632 135 00	Light		2	
		tray			
		Luggage			
4	161 949 111	Bulb holder		2	
5	999 631 032 90	bulb		2	
		5 W			
6	955 632 202 00	Light		2	
		Footwell			
7	997 632 201 00	Light	front	1	
		Luggage compartment			
8	997 632 125 00	Light	rear	1	
		Luggage compartment			
9	900 631 106 90	Linolite lamp		2	
		10 W			
10	997 632 071 00	Glove box light		1	
-	999 631 147 90	bulb		4	
		3 W			
		Vanity mirror			

Model: 987 06

Model life 2006>>2008



Model: 987 06 Model life 2006>>2008

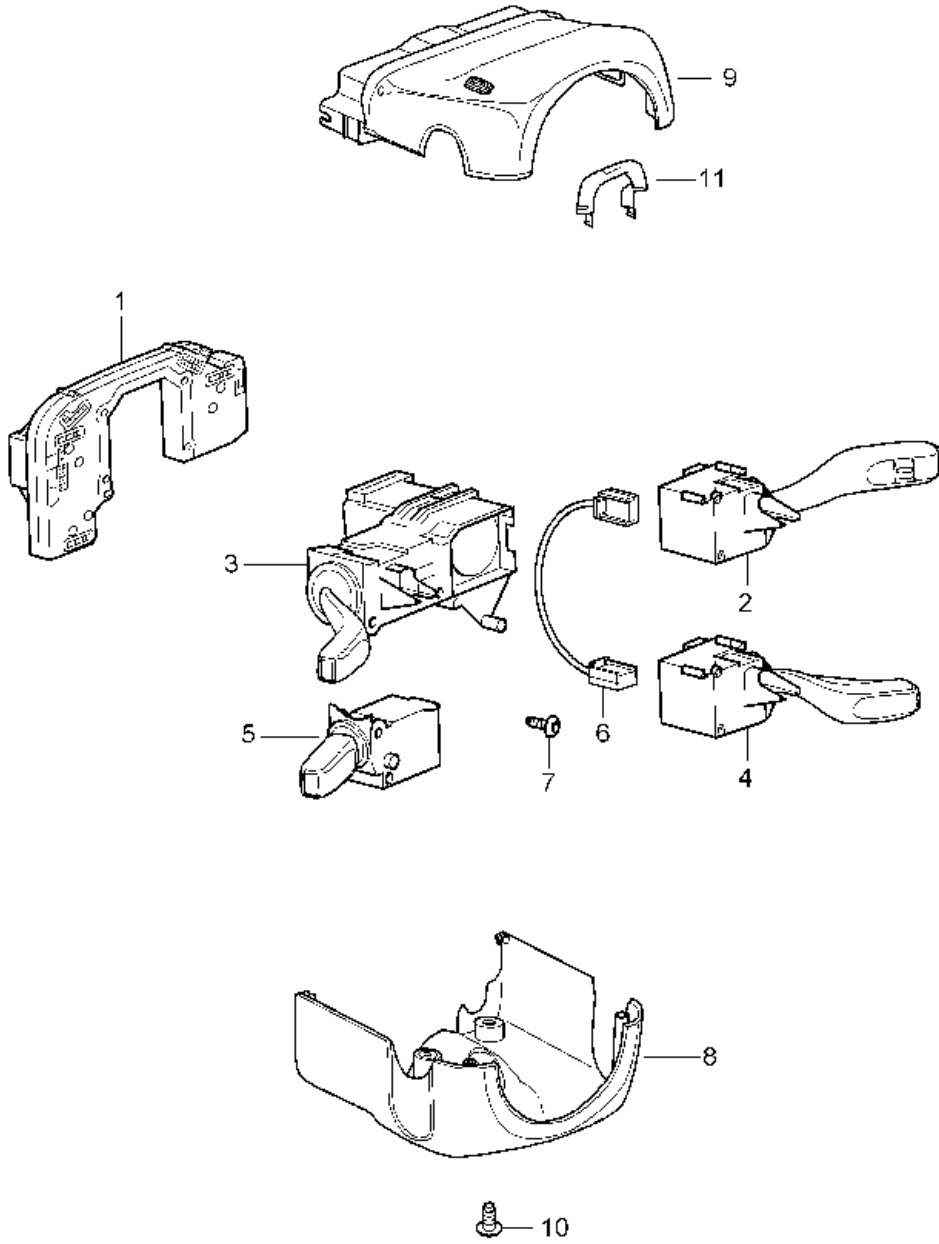
Pos	Part Number	Description	Remark	Qty	Model
1	997 613 535 01	Switch switch for lighting		1	
	997 613 535 01 A05	Matt black			
2	987 613 120 02	Hazard warning light sw.		1	
	987 613 120 02 A05	Matt black			
3	987 613 143 00	Switch Central locking system Discontinued part		1	
	987 613 143 00 A05	Matt black			
3	987 613 143 01	Switch Central locking system		1	
	987 613 143 01 A05	Matt black			
4	955 613 165 02	Switch Airbag		1	
	955 613 165 02 9B9	Satin black			
5	997 652 103 00	clamping ring		1	
		with:			
6	955 652 107 00	Cover Socket		2	
7	997 653 251 00	Sensor Air conditioning		1	
8	997 613 241 00	Switch Exterior mirror Discontinued part		1	
	997 613 241 00 A05	Matt black			
8	997 613 241 01	Switch Exterior mirror		1	
	997 613 241 01 A05	Matt black			
9	997 613 103 00	Memory switch Discontinued part	left	1	PR:537
	997 613 103 00 A05	Matt black			
9	997 613 103 01	Memory switch	left	1	PR:537
	997 613 103 01 A05	Matt black			
(9)	997 613 104 00	Memory switch	right	1	PR:538
	997 613 104 00 A05	Matt black			
10	997 613 151 04	Switch for electric window regulator (drivers side) Discontinued part	lhd	1	PR:098
	997 613 151 04 A05	Matt black			
10	997 613 151 05	Switch for electric window regulator (drivers side)	lhd	1	PR:098
	997 613 151 05 A05	Matt black			
(10)	997 613 152 04	Switch for electric window regulator (drivers side) Discontinued part	rhd	1	PR:099
	997 613 152 04 A05	Matt black			
(10)	997 613 152 05	Switch for electric window regulator (drivers side)	rhd	1	PR:099
	997 613 152 05 A05	Matt black			
(10)	997 613 156 04	Switch for electric window regulator (passenger side) Discontinued part	lhd	1	PR:098
	997 613 156 04 A05	Matt black			
(10)	997 613 156 05	Switch for electric window regulator (passenger side)	lhd	1	PR:098
	997 613 156 05 A05	Matt black			
(10)	997 613 155 04	Switch for electric	rhd	1	PR:099

Model: 987 06 Model life 2006>>2008

Pos	Part Number	Description	Remark	Qty	Model
(10)	997 613 155 04 A05 997 613 155 05	window regulator (passenger side) Matt black Switch for electric window regulator (passenger side)	rhd	1	PR:099
11	997 613 155 05 A05 997 641 165 00	Matt black warning lamp Airbag Discontinued part		1	
11	997 641 165 00 A05 997 641 165 01	Matt black warning lamp Airbag		1	
12	997 641 165 01 A05 997 613 139 00	Matt black Combined switch		1	PR:475,476, 639,640
(12)	997 613 139 00 FMH 997 613 137 00	Volcano Grey/Black Mat Combined switch		1	PR:476,639, 640
(12)	997 613 137 00 FMH 997 613 135 00	Volcano Grey/Black Mat Combined switch		1	PR:475,476
(12)	997 613 135 00 FMH 997 613 131 00	Volcano Grey/Black Mat Combined switch		1	PR:XLF,475, 476
(12)	997 613 131 00 FMH 997 613 133 00	Volcano Grey/Black Mat Combined switch		1	PR:476
(12)	997 613 133 00 FMH 997 613 129 00	Volcano Grey/Black Mat Combined switch		1	PR:XLF,476
13	997 613 129 00 FMH 997 652 101 00	Volcano Grey/Black Mat Cigarette lighter		1	
14	997 652 101 00 A05 997 652 102 00	Matt black Headlight unit		1	
15	997 652 104 00	clamping ring		1	
16	987 613 225 00	Cover Switch Garage door opener Discontinued part	with:	1	PR:607,608
16	987 613 225 00 A05 987 613 225 01	Matt black Switch Garage door opener		1	PR:607,608
17	987 613 225 01 A05 997 613 105 01	Matt black Switch Cover Discontinued part	front and rear	1	
17	997 613 105 01 A05 997 613 105 02	Matt black Switch Cover	front and rear	1	
	997 613 105 02 A05	Matt black			

Model: 987 06

Model life 2006>>2008



Model: 987 06 Model life 2006>>2008

Pos	Part Number	Description	Remark	Qty	Model
1	997 613 297 02	Steering column switch Electronic unit Discontinued part		1	
1	997 613 297 03	Electronic unit		1	
2	997 613 251 00	Wiper switch		1	
	997 613 251 00 01C	Satin black			
(2)	997 613 253 00	Wiper switch		1	PR:288
	997 613 253 00 01C	Satin black			
(2)	997 613 255 00	Wiper switch		1	PR:425
	997 613 255 00 01C	Satin black			
(2)	997 613 257 00	Wiper switch		1	PR:288,425
	997 613 257 00 01C	Satin black			
3	997 613 245 00	Direction indicator switch		1	
	997 613 245 00 01C	Satin black			
4	997 613 261 00	Switch		1	PR:454
		Cruise control			
	997 613 261 00 01C	Satin black			
5	997 613 265 00	switch for on-board computer		1	PR:659
	997 613 265 00 01C	Satin black			
6	997 622 674 00	Wire set		1	PR:454
		Cruise control			
7	N 909 068 01	Hex socket head locating bolt M 2,5 X 2,6 X 43,5-D		X	
8	997 552 475 02	Switch housing	lower	1	
	997 552 475 02 A03	Black			
(8)	997 552 475 03	Switch housing	lower	1	PR:454
	997 552 475 03 A03	Black			
8	997 552 979 00	Switch housing	lower	1	PR:XNS
		Leather			
	997 552 979 00 A11	Black			
	997 552 979 00 5X6	Stone grey			
	997 552 979 00 8G2	Sand beige			
	997 552 979 00 3S9	sea blue			
	997 552 979 00 4P2	Palm green			
	997 552 979 00 9S5	Terracotta			
	997 552 979 00 9V6	Cocoa			
	997 552 979 00 D12	Dark grey/natural			
	997 552 979 00 T12	Brown/natural			
	997 552 979 00 N12	Carrera Red			
(8)	997 552 979 01	Switch housing	lower	1	PR:XNS,454
		Leather			
	997 552 979 01 A11	Black			
	997 552 979 01 5X6	Stone grey			
	997 552 979 01 8G2	Sand beige			
	997 552 979 01 3S9	sea blue			
	997 552 979 01 4P2	Palm green			
	997 552 979 01 9S5	Terracotta			
	997 552 979 01 9V6	Cocoa			
	997 552 979 01 D12	Dark grey/natural			
	997 552 979 01 T12	Brown/natural			
	997 552 979 01 N12	Carrera Red			
9	997 552 273 02	Switch housing	upper	1	
	997 552 273 02 A03	Black			
9	997 552 997 00	Switch housing	upper	1	PR:XNS
		Leather			
	997 552 997 00 A11	Black			
	997 552 997 00 5X6	Stone grey			
	997 552 997 00 8G2	Sand beige			
	997 552 997 00 3S9	sea blue			
	997 552 997 00 4P2	Palm green			
	997 552 997 00 9S5	Terracotta			
	997 552 997 00 9V6	Cocoa			
	997 552 997 00 D12	Dark grey/natural			

Model: 987 06 Model life 2006>>2008

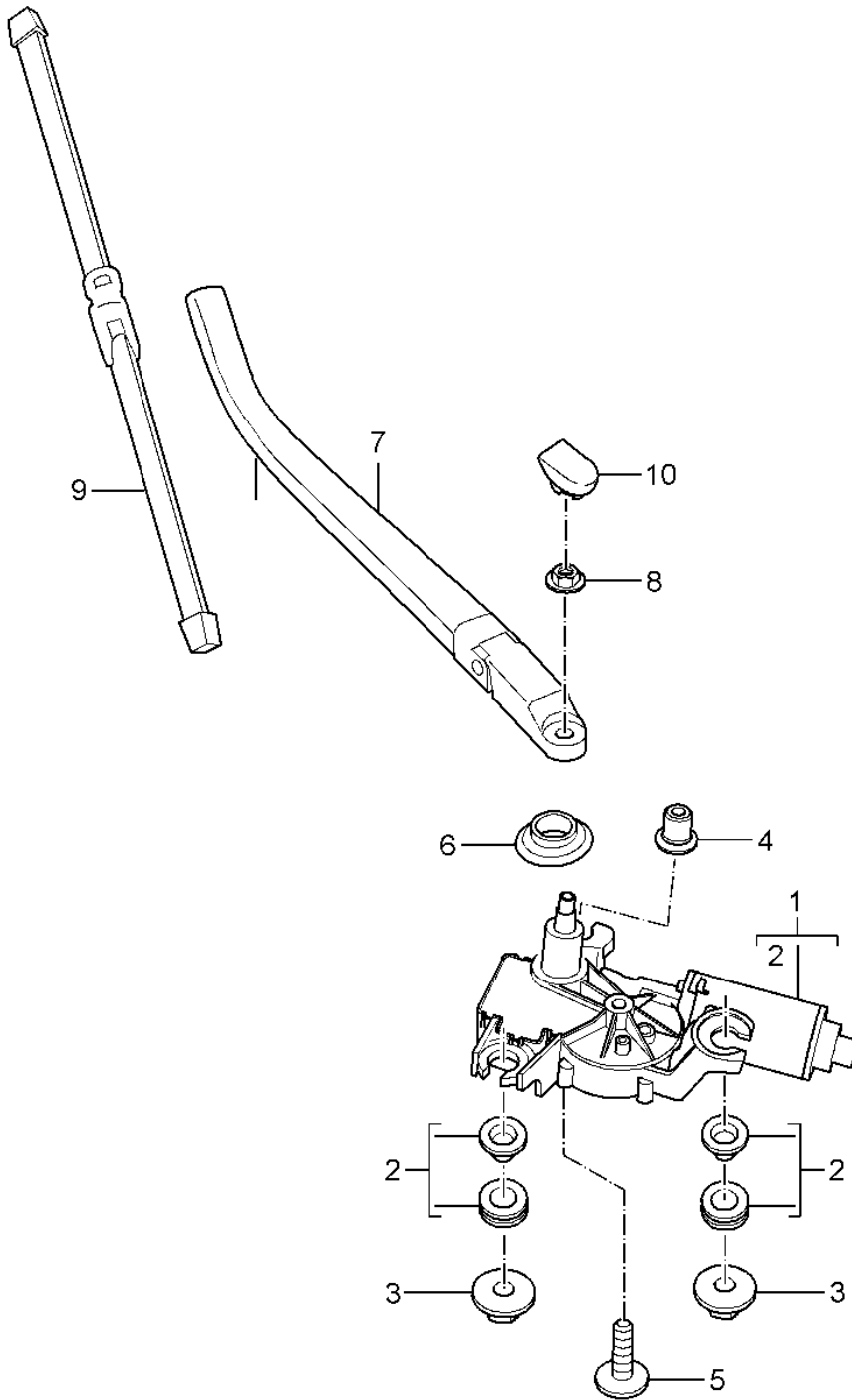
Pos	Part Number	Description	Remark	Qty	Model
10	997 552 997 00 T12	Brown/natural			
	997 552 997 00 N12	Carrera Red			
	999 919 136 01	fillister hd. bolt 3,5 X 18		3	
11	997 610 206 00	Cable guide		1	

Model: 987 06 Model life 2006>>2008

Pos	Part Number	Description	Remark	Qty	Model
		Windscreen wiper system, compl			
		Rain sensor			
1	997 624 105 01	Wiper motor	lhd	1	PR:098
(1)	997 624 106 01	Wiper motor	rhd	1	PR:099
2	997 628 235 01	Crank drive	lhd	1	PR:098
(2)	997 628 236 00	Crank drive	rhd	1	PR:099
		D >> - MJ 2007			
		Discontinued part			
(2)	997 628 236 01	Crank drive	rhd	1	PR:099
3	999 073 152 02	Torx screw		3	
		M 6 X 18			
4	900 076 064 02	Hexagon nut		3	
		M 8			
5	997 628 928 00	repair set		1	
		comprising:		1	
-		Bearing sleeve		1	
-		Rubber bush		1	
-		Bearing sleeve		1	
-		Rubber bush		1	
-		Clip		2	
6	999 075 075 01	Bolt with washer		3	
		M 6 X 22 SC			
7	987 628 027 00	Wiper arm	lhd	1	PR:098
		(drivers side)			
(7)	997 628 030 00	Wiper arm	rhd	1	PR:099
		(passenger side)			
8	997 628 029 00	Wiper arm	lhd	1	PR:098
		(passenger side)			
(8)	987 628 028 00	Wiper arm	rhd	1	PR:099
		(drivers side)			
9	996 628 901 08	1 set: wiper blades	front	1	
		(drivers side)			
		(passenger side)			
10	944 628 305 01	Cover cap		2	
11	987 612 693 00	Rain sensor		1	PR:267,268
		with:			
-	000 043 204 65	Wire set		1	
		Adhesive film			
		for			
		Rain sensor			

Model: 987 06

Model life 2006>>2008



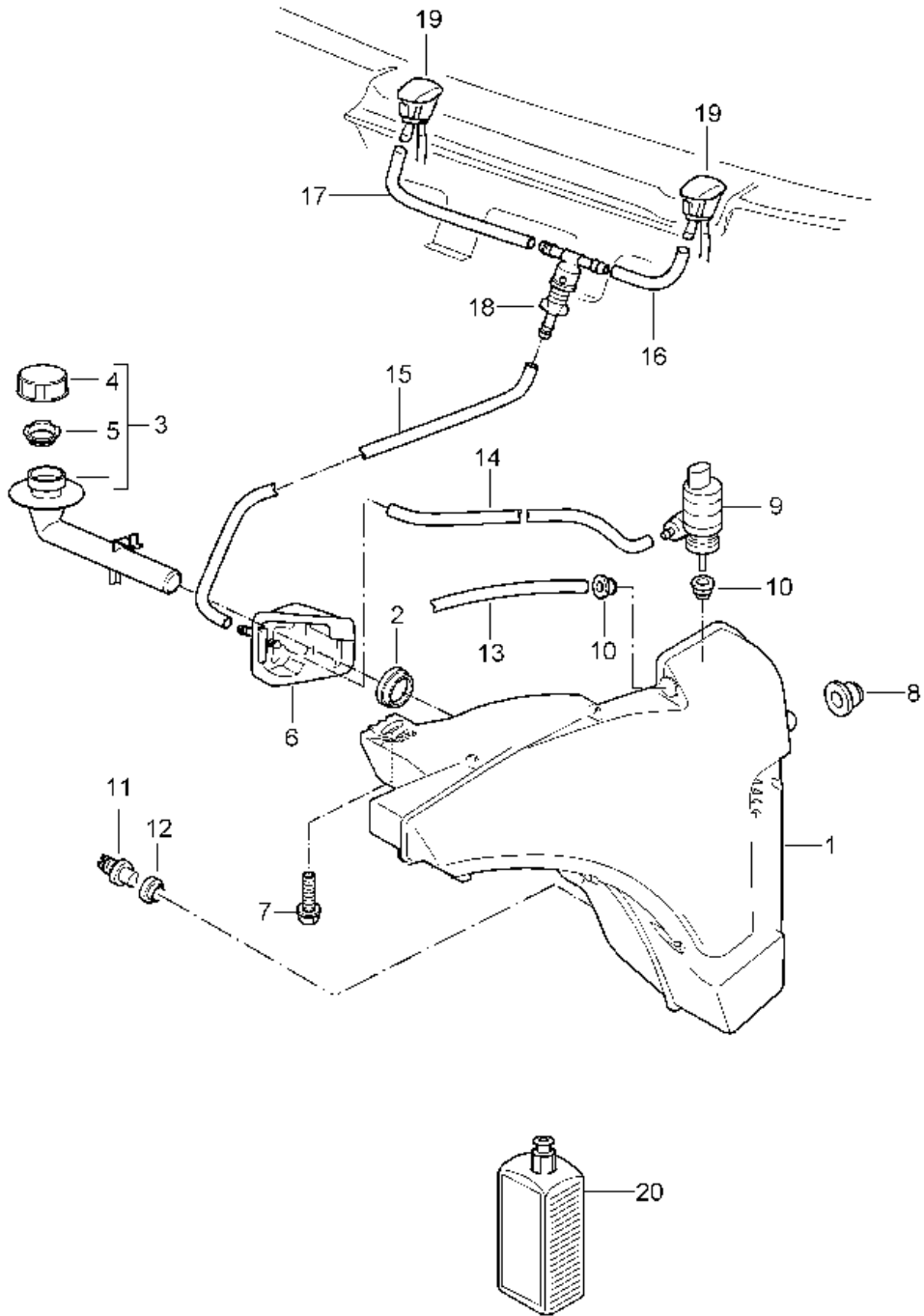
Model: 987 06

Model life 2006>>2008

Pos	Part Number	Description	Remark	Qty	Model
		Rear window wiper			PR:425
1	987 628 080 00	Wiper motor		1	
2	997 628 908 00	repair set		1	
-		comprising:			
-		Grommet		2	
-		bush		2	
3	999 076 078 01	Hexagon nut		2	
		M 6			
4	999 500 078 00	press insert nut		1	
5	999 073 468 01	Bolt with washer		1	
		M 6 X 22 SC			
6	987 628 273 00	Grommet		1	
7	987 628 169 00	Wiper arm		1	
8	900 377 003 03	Hexagon nut		1	
9	997 628 189 00	wiper blade	rear	1	
10	997 628 122 00	Cover cap		1	

Model: 987 06

Model life 2006>>2008



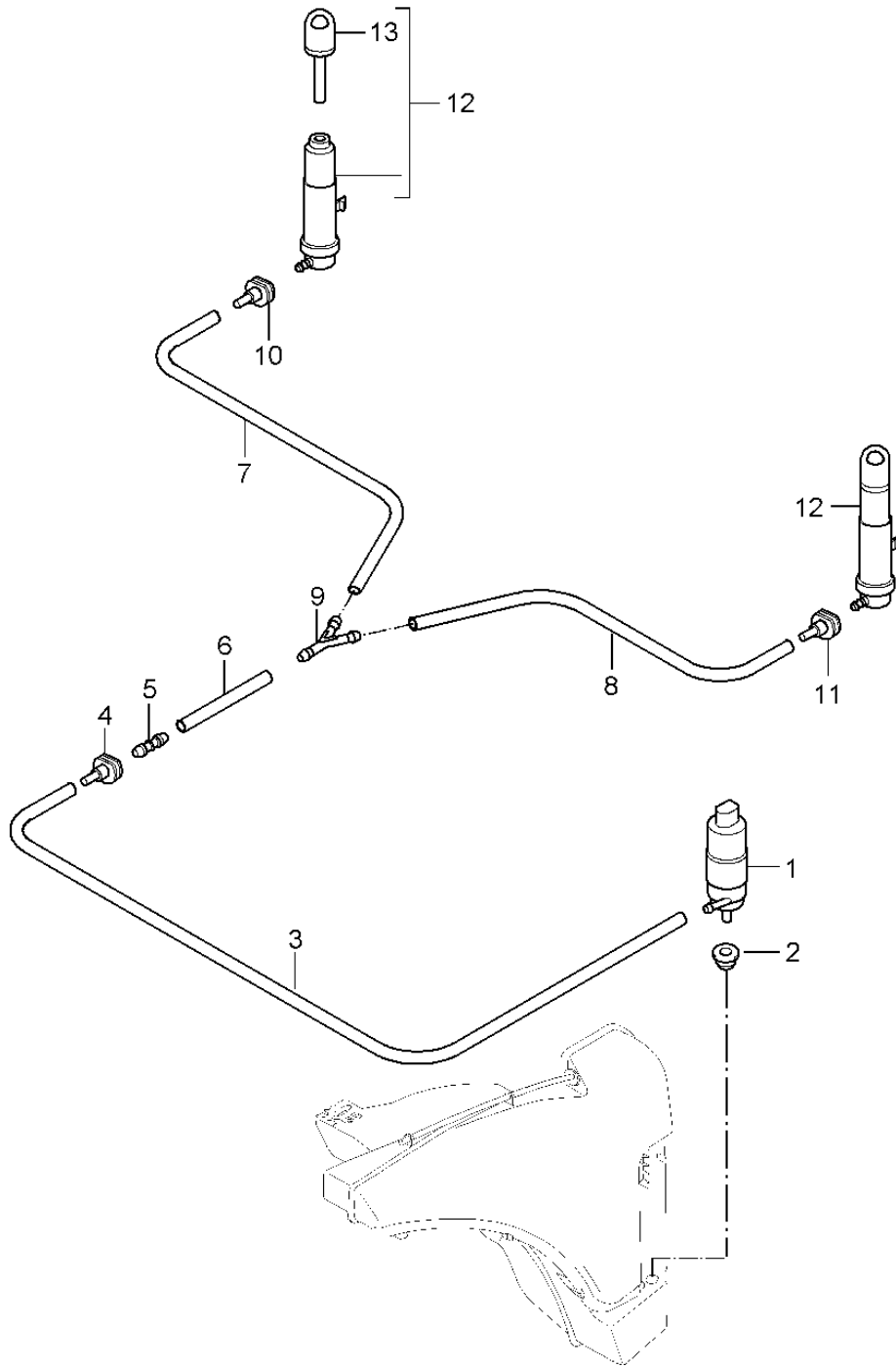
Model: 987 06

Model life 2006>>2008

Pos	Part Number	Description	Remark	Qty	Model
		Windscreen washer system			
1	997 528 701 01	Water reservoir		1	PR:288
(1)	997 528 701 00	Water reservoir		1	
2	996 528 711 00	Seal		1	
3	997 528 605 00	fuel filler neck		1	
4	996 528 607 00	Cover		1	
5	997 528 621 00	strainer		1	
6	996 528 615 01	Console		1	
-	999 137 091 40	Connector union		X	
		Repair material for Console 996.528.615.01			
7	900 378 154 01	Hexagon bolt AM 8 X 35 SB		1	
8	999 702 221 40	Grommet		2	
9	997 628 182 00	Windscreen washer system pump		1	
10	431 955 465 B	seal ring		2	
11	955 628 105 00	Water level switch		1	
12	955 528 721 00	Seal		1	
13	999 181 347 40	Breather line 273 MM		*	
-	999 181 815 40	Hose 5,0 X 2,5		*	
14		shorten to:	375 MM	1	
15		shorten to:	650 MM	1	
16		shorten to:	97 MM	1	
17		shorten to:	347 MM	1	
18	999 137 005 40	t-piece		1	
19	996 628 077 03	jet		2	
		D >> - MJ 2007			
19	997 628 077 00	jet		2	
		D - MJ 2008>> - MJ 2008			
20	999 901 017 42	Window cleaning solution 250 ML Summer		X	

Model: 987 06

Model life 2006>>2008



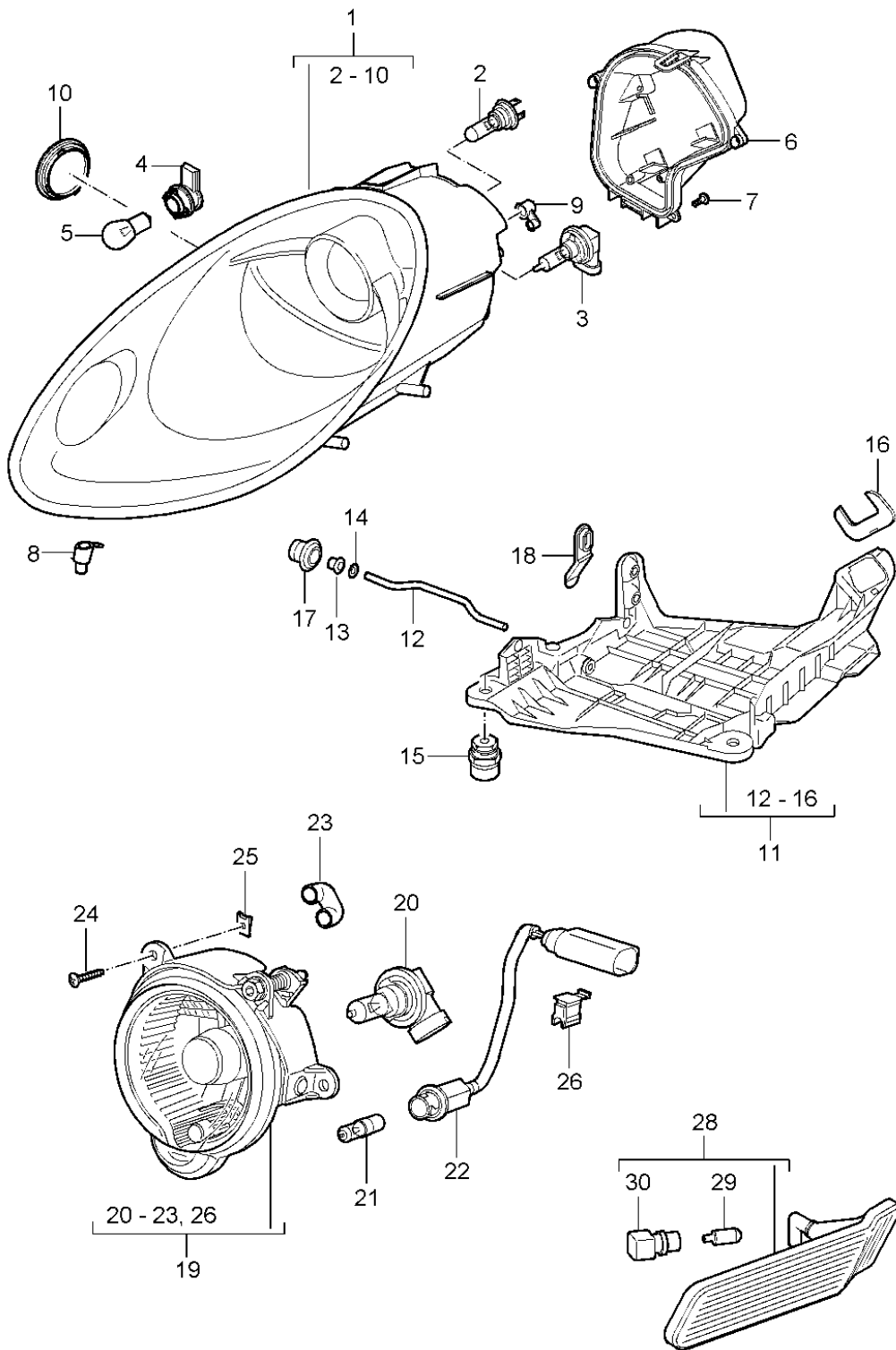
Model: 987 06

Model life 2006>>2008

Pos	Part Number	Description	Remark	Qty	Model
1	997 624 502 00	Headlight washer system Pump for headlight- washer system		1	PR:288
2	928 628 193 00	Seal		1	
-	000 043 204 79	Hose 8 X 3		*	
3		shorten to:	890 MM	1	
4	996 628 204 00	Coupling		1	
5	997 628 208 00	Hose connector		1	
-	999 181 760 40	Hose 10 X 3		*	
6		shorten to:	440 MM		
7		shorten to:	50 MM		
8		shorten to:	2140 MM		
9	999 137 093 40	Y-piece		1	
10	997 628 204 00	Coupling		1	
11	997 628 205 00	Coupling		1	
12	997 628 133 00	jet		2	
		D >> - MJ 2007			
		Discontinued part			
12	997 628 133 01	jet		2	
13	997 628 231 00	Nozzle head		2	

Model: 987 06

Model life 2006>>2008

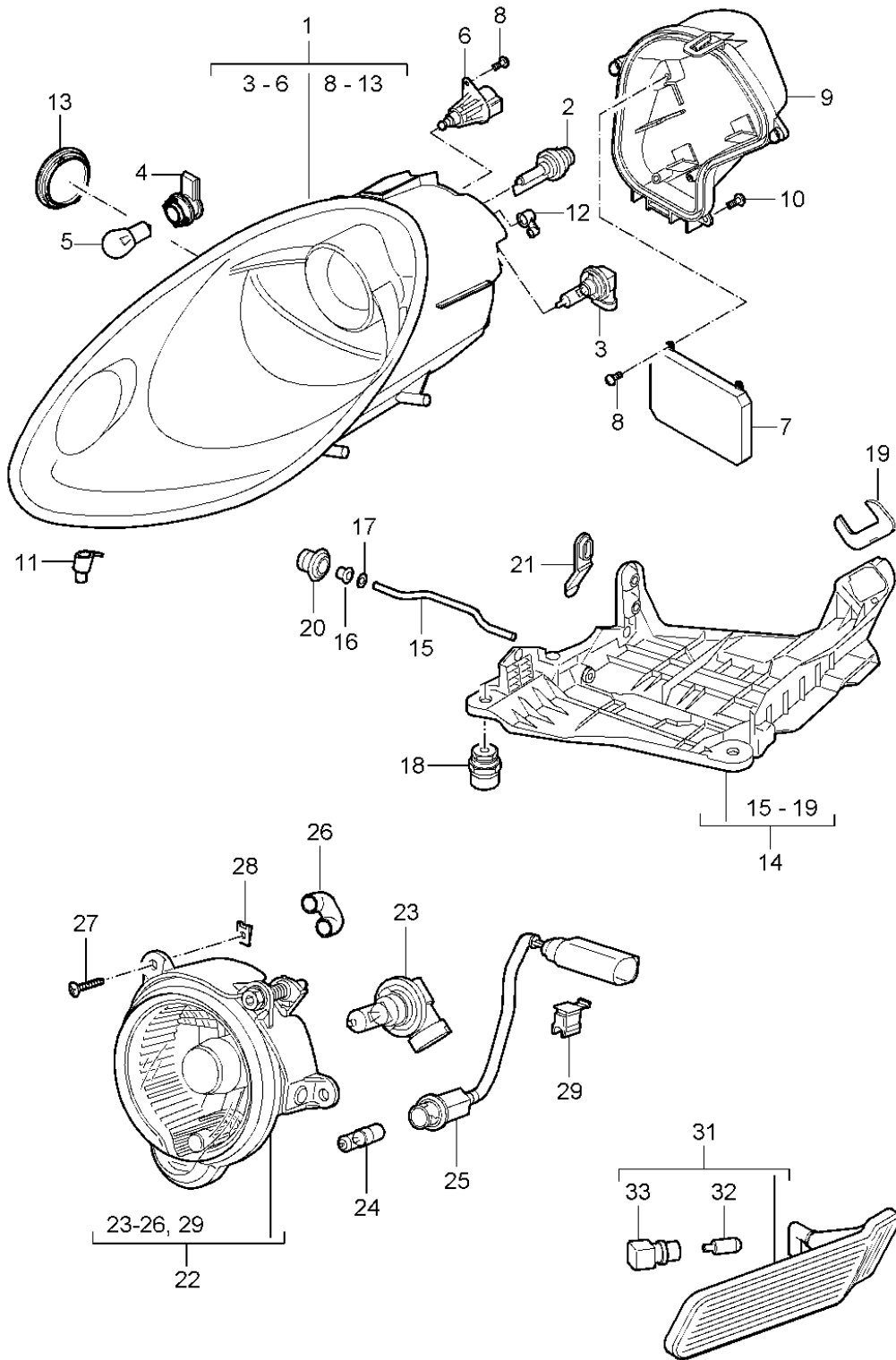


Model: 987 06 Model life 2006>>2008

Pos	Part Number	Description	Remark	Qty	Model
		Headlights			
		Additional headlight			
		Turn signal repeater			
1	987 631 163 02	Headlights	left	1	
(1)	987 631 164 02	Headlights	right	1	
(1)	987 631 163 11	Headlights	left	1	PR:492
(1)	987 631 164 11	Headlights	right	1	PR:492
2	999 631 133 91	Halogen bulb		2	
		H 7			
3	999 631 143 90	Halogen bulb		2	
		H 9			
4	987 631 153 00	Bulb holder		2	
		Turn signal indicator			
5	900 631 021 90	bulb		2	
		21 W			
6	997 631 101 00	Protective hood	left	1	
(6)	997 631 102 00	Protective hood	right	1	
7	997 631 191 00	Screw		4	
8	987 631 135 00	ventilation union		2	
9	997 631 249 00	Ventilation component		2	
10	987 631 107 00	End cap		2	
11	987 631 041 01	Mounting for main beam headl.	left	1	
(11)	987 631 042 01	Mounting for main beam headl.	right	1	
12	987 631 243 01	Retainer bracket		2	
13	997 631 272 00	Bearing bush		2	
14	900 116 004 09	Retaining washer		2	
15	997 631 194 00	Securing element		6	
		Discontinued part			
15	997 631 194 02	Securing element		6	
16	997 631 245 00	Locking mechanism		2	
		Connector housing			
17	999 703 413 40	Bungs		2	
18	993 631 170 03	Bungs		6	
-		Additional headlight			
19	987 631 083 01	Additional headlight	left	1	
(19)	987 631 084 00	Additional headlight	right	1	
		Discontinued part			
(19)	987 631 084 01	Additional headlight	right	1	
20	999 631 144 91	Halogen bulb		2	
		H 11			
21	999 631 140 90	bulb		2	
		H 6 W			
		Position light			
22	987 631 191 01	Bulb holder		2	
		Position light			
23	987 631 302 00	ventilation union		2	
24	999 073 080 02	Bolt with washer		6	
		ST 4,2 X 16			
25	999 507 768 02	panel nut		6	
		ST 4,2			
26	999 507 119 40	Clip		2	
28	987 631 033 02	Turn signal repeater	left	1	
(28)	987 631 034 02	Turn signal repeater	right	1	
29	999 631 138 90	bulb		2	
		5 W			
		yellow			
30	997 631 133 00	Bulb holder		2	

Model: 987 06

Model life 2006>>2008



Model: 987 06

Model life 2006>>2008

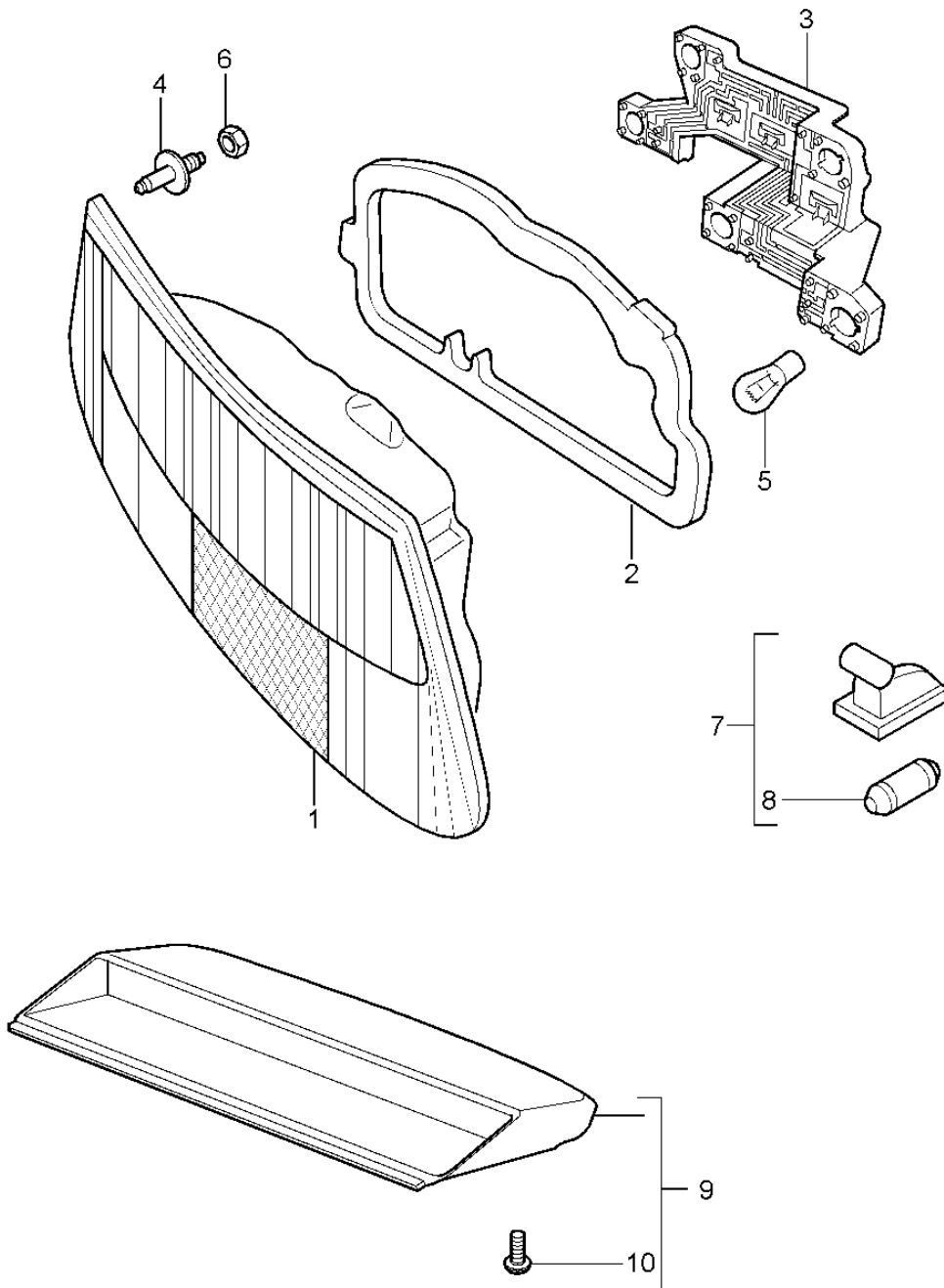
Pos	Part Number	Description	Remark	Qty	Model
-		Headlights Additional headlight Turn signal repeater Headlights without: Control unit and bulb XENON			PR:601
1	987 631 157 02	Headlights	left	1	
(1)	987 631 158 02	Headlights	right	1	
(1)	987 631 157 11	Headlights	left	1	PR:492
(1)	987 631 158 11	Headlights	right	1	PR:492
2	999 631 036 90	Gas discharge lamp - PHILIPS -		2	
3	999 631 144 91	Halogen bulb H 11		2	
4	987 631 153 00	Bulb holder Turn signal indicator		2	
5	900 631 021 90	bulb 21 W		2	
6	997 631 141 00	Servomotor Headlight range control		2	
7	997 631 183 00	Control unit		2	
8	997 631 199 00	Screw		6	
9	997 631 101 00	Protective hood	left	1	
(9)	997 631 102 00	Protective hood	right	1	
10	997 631 191 00	Screw		8	
11	987 631 135 00	ventilation union		2	
12	997 631 249 00	Ventilation component		2	
13	987 631 107 00	End cap		2	
14	987 631 041 01	Mounting for main beam headl.	left	1	
(14)	987 631 042 01	Mounting for main beam headl.	right	1	
15	987 631 243 01	Retainer bracket		2	
16	997 631 272 00	Bearing bush		2	
17	900 116 004 09	Retaining washer		2	
18	997 631 194 00	Securing element Discontinued part		6	
18	997 631 194 02	Securing element		6	
19	997 631 245 00	Locking mechanism Connector housing		2	
20	999 703 413 40	Bungs		2	
21	993 631 170 03	Bungs		6	
-		Additional headlight			
22	987 631 083 01	Additional headlight	left	1	
(22)	987 631 084 00	Additional headlight Discontinued part	right	1	
(22)	987 631 084 01	Additional headlight	right	1	
23	999 631 144 91	Halogen bulb H 11		2	
24	999 631 140 90	bulb H 6 W		2	
25	987 631 191 01	Position light Bulb holder Position light		2	
26	987 631 302 00	ventilation union		2	
27	999 073 080 02	Bolt with washer ST 4,2 X 16		6	
28	999 507 768 02	panel nut ST 4,2		6	
29	999 507 119 40	Clip		2	
31	987 631 033 02	Turn signal repeater	left	1	
(31)	987 631 034 02	Turn signal repeater	right	1	

Model: 987 06 Model life 2006>>2008

Pos	Part Number	Description	Remark	Qty	Model
32	999 631 138 90	bulb 5 W yellow		2	
33	997 631 133 00	Bulb holder		2	

Model: 987 06

Model life 2006>>2008



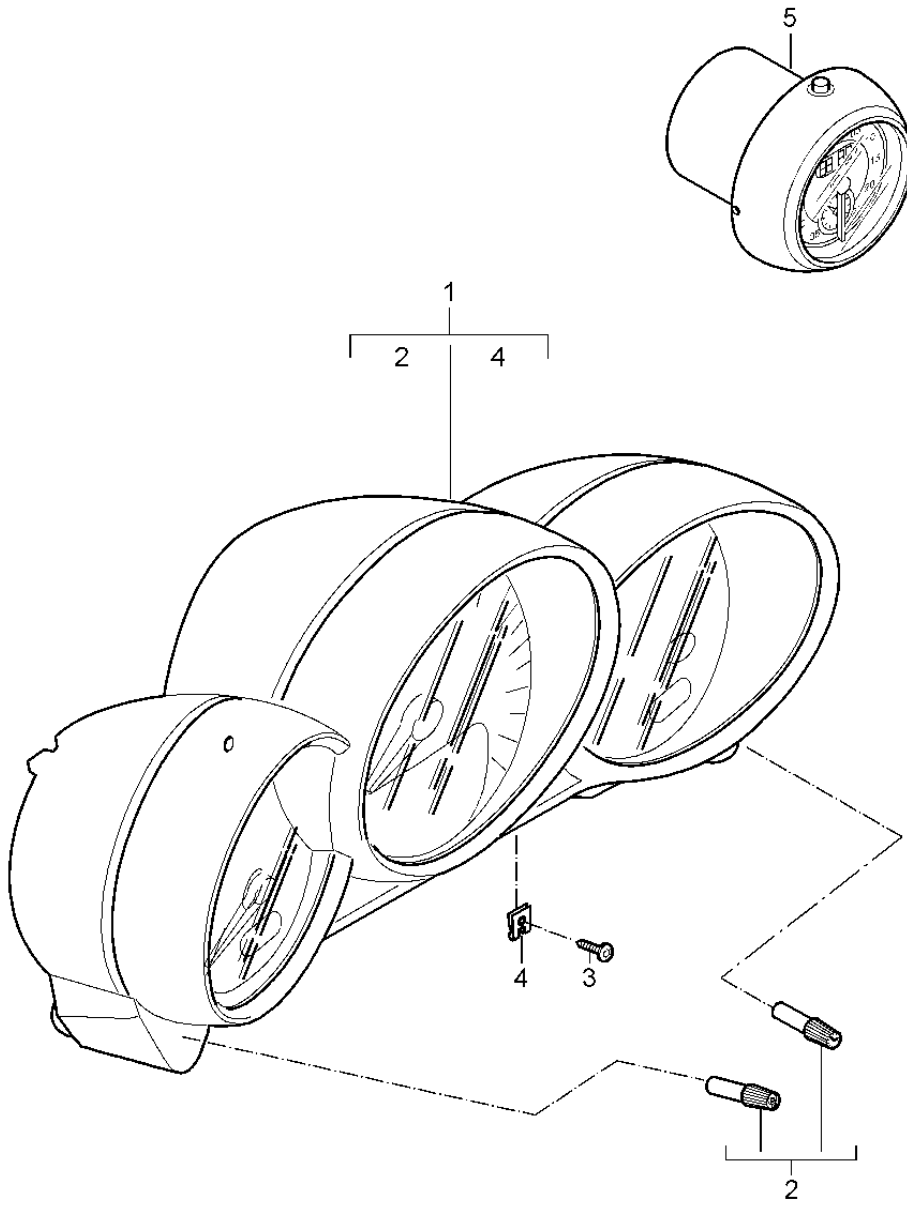
Model: 987 06

Model life 2006>>2008

Pos	Part Number	Description	Remark	Qty	Model
1	987 631 445 03	Rear light Licence plate light Additional brake light			
(1)	987 631 446 03	Tail light housing	left	1	
(1)	987 631 981 00	Tail light housing	right	1	
		Rear light (complete)	left	1	PR:XXF
(1)	987 631 982 00	D - MJ 2008>> - MJ 2008 Rear light (complete)	right	1	PR:XXF
		D - MJ 2008>> - MJ 2008			
2	987 631 440 00	Seal		2	
3	987 631 453 02	Bulb carrier	left	1	
(3)	987 631 454 02	Bulb carrier	right	1	
4	987 631 087 00	throttle control element		6	
5	900 631 022 90	bulb 21/5 W Tail light		1	
5	900 631 018 90	bulb 21 W white		1	
5	900 631 021 90	Back-up light bulb 21 W yellow		1	
5	900 631 017 90	Turn signal indicator bulb 21/4 W		1	
5	900 631 017 91	Rear fog light Tail light bulb 21/4 W		1	
6	999 076 056 01	Brake light Tail light Hexagon nut M 5		6	
7	997 631 620 01	Licence plate light Discontinued part		2	
7	997 631 620 02	Licence plate light		2	
8	900 631 025 90	bulb 12V 5W		2	
9	987 631 051 03	Additional brake light		1	
10	999 919 236 02	fillister hd. bolt 5,0 X 14,0		2	

Model: 987 06

Model life 2006>>2008



Model: 987 06 Model life 2006>>2008

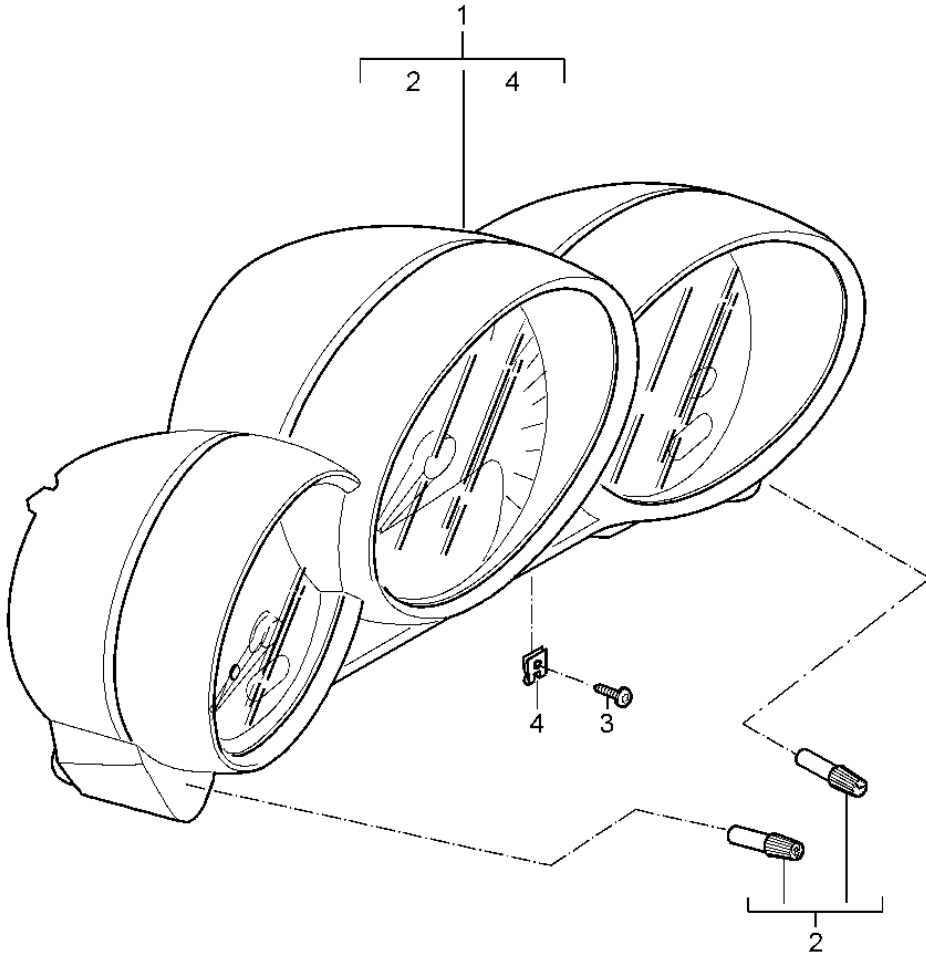
Pos	Part Number	Description	Remark	Qty	Model
-		Instruments Stopwatch See technical information GR. 9 NR. 5/09 KD - NR. 9025			
-		for Cayman			
1	987 641 105 32	Combi-instrument (complete)		1	PR:480,481
(1)	987 641 105 32 D07	Volcano grey			
(1)	987 641 106 32	Combi-instrument (complete)		1	PR:249
(1)	987 641 106 32 D07	Volcano grey			
1	987 641 107 32	Combi-instrument (complete)		1	PR:480,481 "GB."
(1)	987 641 107 32 D07	Volcano grey			
(1)	987 641 108 32	Combi-instrument (complete)		1	PR:249 "GB."
-		for Cayman S			
(1)	987 641 115 32	Combi-instrument (complete)		1	PR:480
(1)	987 641 115 32 D07	Volcano grey			
(1)	987 641 145 00	Combi-instrument (complete)		1	PR:480,755
(1)	987 641 145 00 D07	D - MJ 2008>> - MJ 2008 Volcano grey			
(1)	987 641 116 32	Combi-instrument (complete)		1	PR:249
(1)	987 641 116 32 D07	Volcano grey			
(1)	987 641 146 00	Combi-instrument (complete)		1	PR:249,755
(1)	987 641 146 00 D07	D - MJ 2008>> - MJ 2008 Volcano grey			
(1)	987 641 117 30	Combi-instrument (complete)		1	PR:480 "GB."
(1)	987 641 117 30 D07	D >> - MJ 2007 Discontinued part Volcano grey			
(1)	987 641 117 32	Combi-instrument (complete)		1	PR:480 "GB."
(1)	987 641 117 32 D07	Volcano grey			
(1)	987 641 147 00	Combi-instrument (complete)		1	PR:480,755 "GB."
(1)	987 641 147 00 D07	D - MJ 2008>> - MJ 2008 Volcano grey			
(1)	987 641 118 32	Combi-instrument (complete)		1	PR:249 "GB."
(1)	987 641 118 32 D07	Volcano grey			
(1)	987 641 148 00	Combi-instrument (complete)		1	PR:249,755 "GB."
(1)	987 641 148 00 D07	D - MJ 2008>> - MJ 2008 Volcano grey			
(1)	987 641 165 00	Combi-instrument D - MJ 2008>> - MJ 2008		1	PR:480,758
(1)	987 641 165 00 M7Z	GT Silver Metallic			
(1)	987 641 166 00	Combi-instrument D - MJ 2008>> - MJ 2008		1	PR:249,758
(1)	987 641 166 00 M7Z	GT Silver Metallic			

Model: 987 06 Model life 2006>>2008

Pos	Part Number	Description	Remark	Qty	Model
(1)	987 641 167 00	Combi-instrument D - MJ 2008>> - MJ 2008		1	PR:480,758 "GB."
(1)	987 641 167 00 M7Z 987 641 168 00	GT Silver Metallic Combi-instrument		1	PR:249,758 "GB."
2	987 641 168 00 M7Z 997 641 911 00	(complete) D - MJ 2008>> - MJ 2008 GT Silver Metallic knob throttle control element Trip meter and Clock		1	
3	999 073 155 09	panel screw 4,2 X 19		2	
4	999 507 403 02	U-clip 12,5		2	
5	987 641 301 23	Stopwatch Stopwatch Discontinued part		1	CAYMAN PR:025,639, 640
(5)	987 641 301 23 V05 987 641 301 23	Galvano silver Stopwatch D - MJ 2008>> - MJ 2008 Discontinued part		1	CAYMAN S PR:025,639, 640
5	987 641 301 23 V05 987 641 301 26	Galvano silver Stopwatch		1	CAYMAN PR:025,639, 640
(5)	987 641 301 26 V05 987 641 301 26	Galvano silver Stopwatch D - MJ 2008>> - MJ 2008		1	CAYMAN S PR:025,639, 640
(5)	987 641 301 26 V05 987 641 311 26	Galvano silver Stopwatch		1	CAYMAN S PR:026,639, 640
	987 641 311 26 V05	Galvano silver			

Model: 987 06

Model life 2006>>2008



Model: 987 06 Model life 2006>>2008

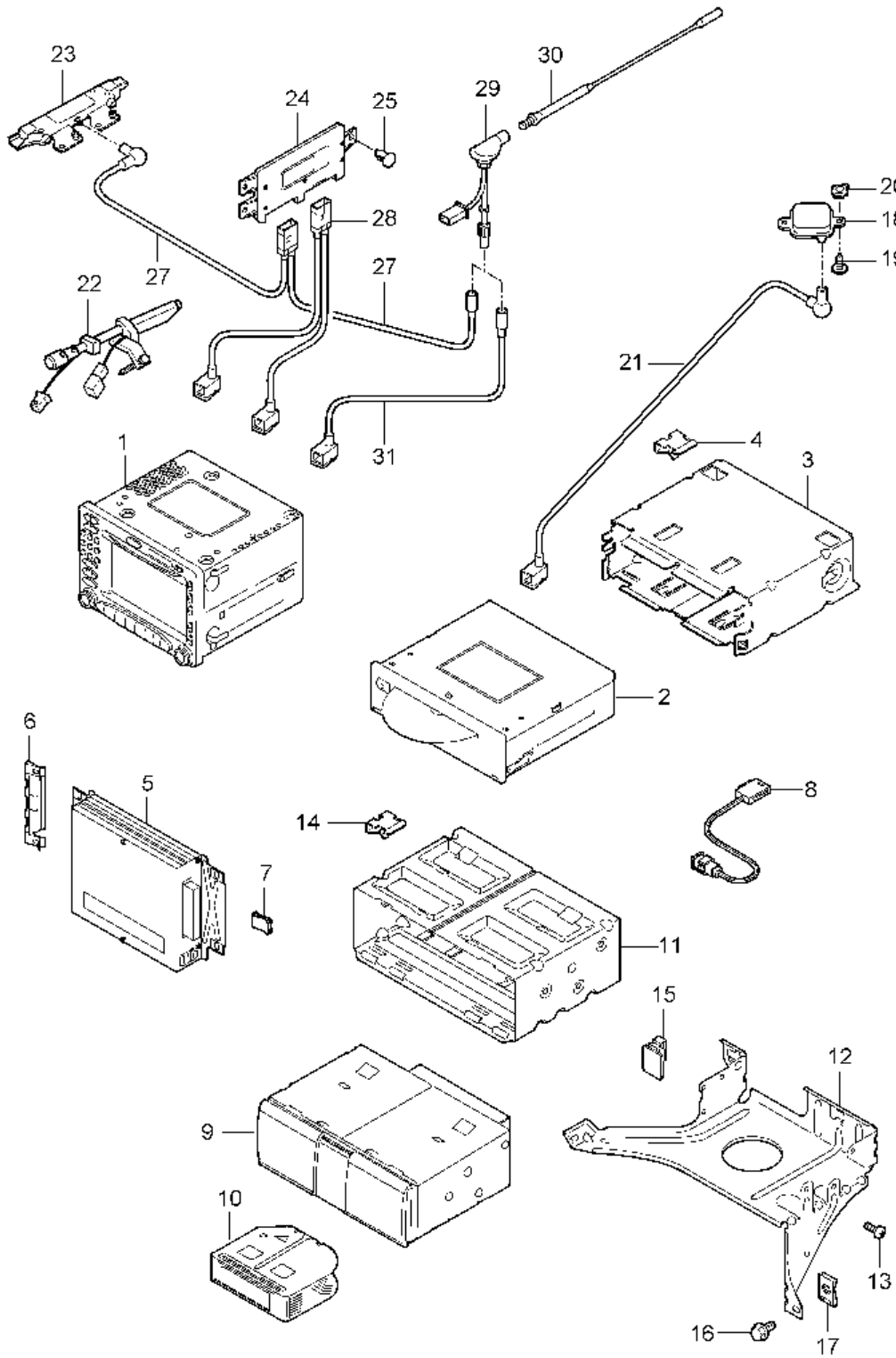
Pos	Part Number	Description	Remark	Qty	Model
-		Instruments Exclusive programme See technical information GR. 9 NR. 5/09 KD - NR. 9025			
-		for Cayman			
1	987 641 980 45	Combi-instrument (complete) Dial Lacquered		1	PR:480,481
	987 641 980 45 5Z1	Sand beige			PR:XFD
	987 641 980 45 8X8	Terracotta			PR:XFE
	987 641 980 45 T13	Brown/natural			PR:XFF
	987 641 980 45 84A	guards red (Porsche)			PR:XFG
	987 641 980 45 12H	Speed yellow			PR:XFH
	987 641 980 45 B9A	Carrara white			PR:XFJ
(1)	987 641 980 46	Combi-instrument (complete) Dial Lacquered		1	PR:249
	987 641 980 46 5Z1	Sand beige			PR:XFD
	987 641 980 46 8X8	Terracotta			PR:XFE
	987 641 980 46 T13	Brown/natural			PR:XFF
	987 641 980 46 84A	guards red (Porsche)			PR:XFG
	987 641 980 46 12H	Speed yellow			PR:XFH
	987 641 980 46 B9A	Carrara white			PR:XFJ
1	987 641 980 47	Combi-instrument (complete) Dial Lacquered		1	PR:480,481 "GB."
	987 641 980 47 5Z1	Sand beige			PR:XFD
	987 641 980 47 8X8	Terracotta			PR:XFE
	987 641 980 47 T13	Brown/natural			PR:XFF
	987 641 980 47 84A	guards red (Porsche)			PR:XFG
	987 641 980 47 12H	Speed yellow			PR:XFH
	987 641 980 47 B9A	Carrara white			PR:XFJ
(1)	987 641 980 48	Combi-instrument (complete) Dial Lacquered		1	PR:249 "GB."
	987 641 980 48 5Z1	Sand beige			PR:XFD
	987 641 980 48 8X8	Terracotta			PR:XFE
	987 641 980 48 T13	Brown/natural			PR:XFF
	987 641 980 48 84A	guards red (Porsche)			PR:XFG
	987 641 980 48 12H	Speed yellow			PR:XFH
	987 641 980 48 B9A	Carrara white			PR:XFJ
-		for Cayman S			
1	987 641 980 55	Combi-instrument (complete) Dial Lacquered		1	PR:480
	987 641 980 55 5Z1	Sand beige			PR:XFD
	987 641 980 55 8X8	Terracotta			PR:XFE
	987 641 980 55 T13	Brown/natural			PR:XFF
	987 641 980 55 84A	guards red (Porsche)			PR:XFG
	987 641 980 55 12H	Speed yellow			PR:XFH
	987 641 980 55 B9A	Carrara white			PR:XFJ
(1)	987 641 980 56	Combi-instrument (complete) Dial		1	PR:249

Model: 987 06 Model life 2006>>2008

Pos	Part Number	Description	Remark	Qty	Model		
1	987 641 980 56 5Z1	Lacquered Sand beige		1	PR:XFD		
	987 641 980 56 8X8	Terracotta			PR:XFE		
	987 641 980 56 T13	Brown/natural			PR:XFF		
	987 641 980 56 84A	guards red (Porsche)			PR:XFG		
	987 641 980 56 12H	Speed yellow			PR:XFH		
	987 641 980 56 B9A	Carrara white			PR:XFJ		
	987 641 980 57	Combi-instrument (complete) Dial			PR:480 "GB."		
	987 641 980 57 5Z1	Lacquered Sand beige			PR:XFD		
	987 641 980 57 8X8	Terracotta			PR:XFE		
	987 641 980 57 T13	Brown/natural			PR:XFF		
	987 641 980 57 84A	guards red (Porsche)			PR:XFG		
	987 641 980 57 12H	Speed yellow			PR:XFH		
	987 641 980 57 B9A	Carrara white			PR:XFJ		
	(1) 987 641 980 58	Combi-instrument (complete) Dial			PR:249 "GB."		
2	987 641 980 58 5Z1	Lacquered Sand beige		1	PR:XFD		
	987 641 980 58 8X8	Terracotta			PR:XFE		
	987 641 980 58 T13	Brown/natural			PR:XFF		
	987 641 980 58 84A	guards red (Porsche)			PR:XFG		
	987 641 980 58 12H	Speed yellow			PR:XFH		
	987 641 980 58 B9A	Carrara white			PR:XFJ		
	997 641 911 00	knob throttle control element Trip meter and Clock					
	3	999 073 155 09	panel screw			2	
			4,2 X 19				
	4	999 507 403 02	U-clip			2	

Model: 987 06

Model life 2006>>2008



Model: 987 06 Model life 2006>>2008

Pos	Part Number	Description	Remark	Qty	Model
-		Radio unit Amplifiers Navigation system Radio unit See catalogue Tequipment			
1	997 642 141 02	Control panel Discontinued part		1	PR:665
	997 642 141 02 FMH	Volcano Grey/Black Mat F >> 98-6U777 190 See technical information GR. 9 , NR. 13/05			
(1)	997 642 141 03	Control panel		1	PR:665
	997 642 141 03 FMH	Volcano Grey/Black Mat F >> 98-6U777 190 See technical information GR. 9 , NR. 13/05			
1	997 642 143 02	Control panel Discontinued part		1	PR:665,680
	997 642 143 02 FMH	Volcano Grey/Black Mat F >> 98-6U777 190 See technical information GR. 9 , NR. 13/05			
1	997 642 143 03	Control panel		1	PR:665,680
	997 642 143 03 FMH	Volcano Grey/Black Mat F >> 98-6U777 190 See technical information GR. 9 , NR. 13/05			
1	997 642 141 10	Control panel		1	PR:665
	997 642 141 10 FMH	Volcano Grey/Black Mat F 98-6U777 191>>			
1	997 642 143 10	Control panel		1	PR:665,680
	997 642 143 10 FMH	Volcano Grey/Black Mat F 98-6U777 191>>			
-	997 642 201 00	Rot. knob	left	1	
	997 642 201 00 A05	Matt black for Control panel			
-	997 642 202 00	Rot. knob	right	1	
	997 642 202 00 A05	Matt black for Control panel			
-	997 642 941 00	Control panel Trim drawer SIM card for		1	
-	900 187 038 02	Control panel panel screw ST 4,2 X 19 for Mount Radio unit and		1	
2	997 642 137 02	Control panel Centre console DVD-player Navigation system F >> 98-6U777 190		1	PR:670,672
2	997 642 157 00	DVD-player Navigation system F 98-6U777 191>>		1	PR:670,672
-	997 642 255 03	DVD-ROM for navigation system		1	PR:610

Model: 987 06 Model life 2006>>2008

Pos	Part Number	Description	Remark	Qty	Model
-	997 642 259 02	F >> 98-6U777 190 DVD-ROM for navigation system		1	PR:611
-	997 642 261 02	F >> 98-6U777 190 DVD-ROM for navigation system		1	PR:612
-	997 642 263 02	F >> 98-6U777 190 DVD-ROM for navigation system		1	PR:613
-	997 642 265 02	F >> 98-6U777 190 DVD-ROM for navigation system		1	PR:614
-	997 642 265 03	F >> 98-6U777 190 Discontinued part DVD-ROM for navigation system		1	PR:614
-	997 642 255 04	F >> 98-6U777 190 DVD-ROM for navigation system		1	PR:610
-	997 642 259 03	F 98-6U777 191>> D >> - MJ 2006 DVD-ROM for navigation system		1	PR:611
-	997 642 261 03	F 98-6U777 191>> D >> - MJ 2006 DVD-ROM for navigation system		1	PR:612
-	997 642 263 03	F 98-6U777 191>> D >> - MJ 2006 DVD-ROM for navigation system		1	PR:613
-	997 642 265 04	F 98-6U777 191>> D >> - MJ 2006 DVD-ROM for navigation system		1	PR:614
-	997 642 267 03	F 98-6U777 191>> D >> - MJ 2006 DVD-ROM for navigation system		1	PR:616
-	997 642 255 05	D - MJ 2007>> - MJ 2007 DVD-ROM for navigation system		1	PR:610
-	997 642 255 06	D - MJ 2008>> - MJ 2008 DVD-ROM for navigation system		1	PR:610
-	997 642 259 04	D - MJ 2007>> - MJ 2007 DVD-ROM for navigation system		1	PR:611
-	997 642 259 05	D - MJ 2008>> - MJ 2008 DVD-ROM for navigation system		1	PR:611
-	997 642 261 04	D - MJ 2007>> - MJ 2007 DVD-ROM for navigation system		1	PR:612
-	997 642 261 05	D - MJ 2008>> - MJ 2008 DVD-ROM for navigation system		1	PR:612
-	997 642 263 04	D - MJ 2007>> - MJ 2007 DVD-ROM for navigation system		1	PR:613
-	997 642 263 05	D - MJ 2008>> - MJ 2008 DVD-ROM for navigation system		1	PR:613

Model: 987 06

Model life 2006>>2008

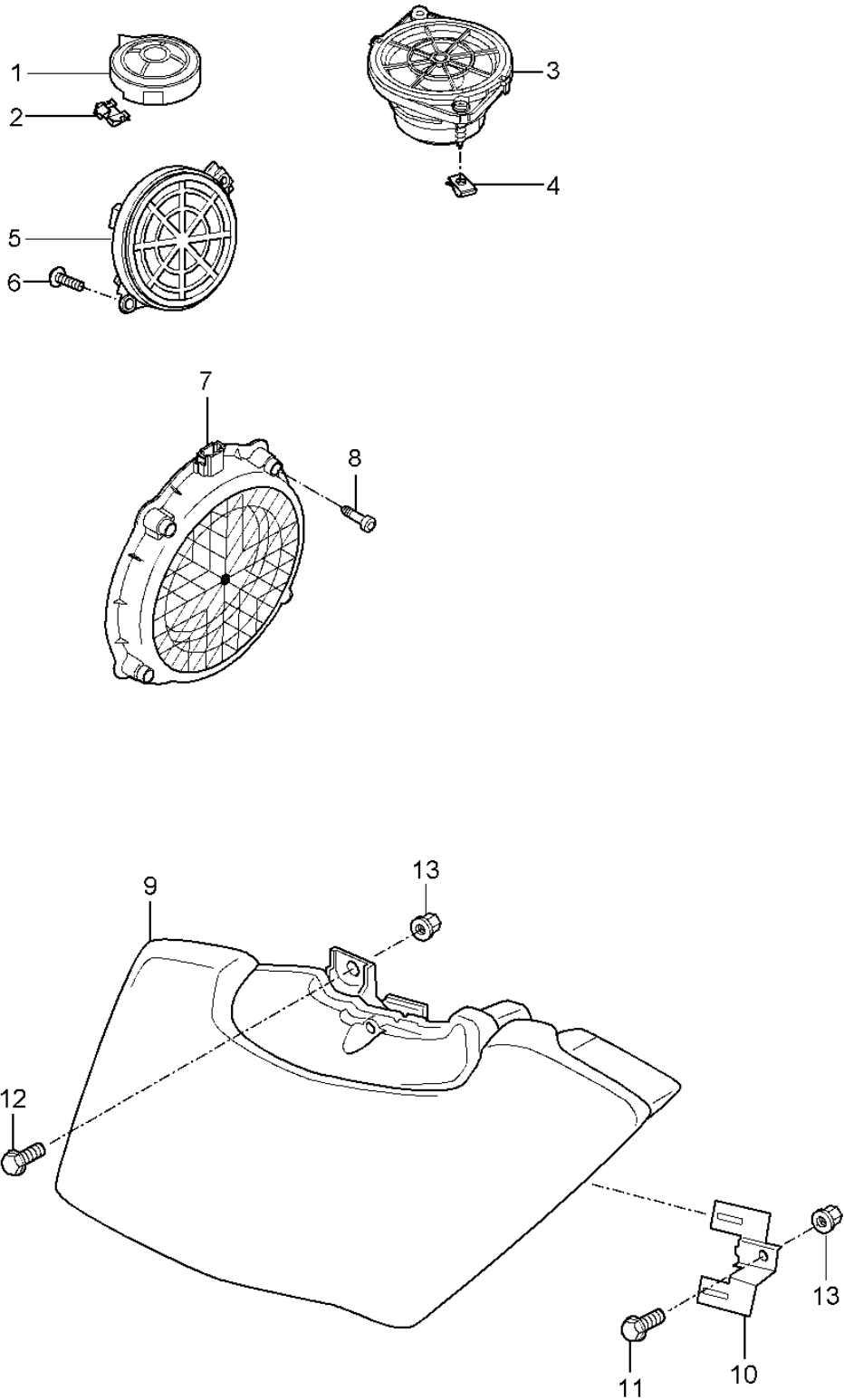
Pos	Part Number	Description	Remark	Qty	Model
-	997 642 265 05	system D - MJ 2008>> - MJ 2008 DVD-ROM for navigation system		1	PR:614
-	997 642 265 06	system D - MJ 2007>> - MJ 2007 DVD-ROM for navigation system		1	PR:614
-	997 642 267 04	system D - MJ 2008>> - MJ 2008 DVD-ROM for navigation system		1	PR:616
-	997 642 267 05	system D - MJ 2007>> - MJ 2007 DVD-ROM for navigation system		1	PR:616
-	997 642 148 02	system D - MJ 2008>> - MJ 2008 CD-ROM for electronic driver's logbook		1	PR:641
3	997 642 231 00	Bracket DVD device		1	PR:670,672
4	997 645 342 01	U-clip		4	
5	987 645 331 01	Amplifiers		1	PR:490
(5)	997 645 334 32	Amplifiers Note coding D - MJ 2006>> - MJ 2006 Discontinued part		1	PR:680
(5)	997 645 334 33	Amplifiers Note coding D - MJ 2006>>		1	PR:680
6	997 645 340 00	Securing clip		1	PR:490,680
7	999 507 532 01	U-clip		2	PR:490,680
8	997 646 307 02	microphone		1	PR:680
(8)	997 646 307 01	microphone		1	PR:618,666,680
-	997 610 233 00	Cable guide microphone D >> - MJ 2007		1	
-	997 610 233 01	Cable guide microphone D - MJ 2008>> - MJ 2008		1	
9	997 645 140 03	CD changers CDC 4 Adjustment Installation Attention		1	PR:692
10	996 645 113 00	Magazine CD changers		1	PR:692
11	997 645 222 00	bracket for cd-changer		1	PR:692
12	997 645 221 00	bracket for cd-changer		1	PR:664,692
13	900 146 024 01	flat round head bolt M 5 X 8		6	PR:692
14	997 645 342 01	U-clip		4	PR:692
15	999 703 501 40	Securing element		2	PR:664,692
16	900 378 179 09	Hexagon bolt M 6 X 16		2	PR:664,692
17	999 507 766 02	panel nut M 6		2	PR:664,692
18	997 642 105 00	Aerial GPS		1	PR:670,672
19	999 073 210 00	panel screw 4,8 X 13		1	PR:670,672
20	999 507 441 01	panel nut 4,8		1	PR:670,672
21	997 612 060 25	Aerial connection line DVD device		1	PR:670,672

Model: 987 06 Model life 2006>>2008

Pos	Part Number	Description	Remark	Qty	Model
22	987 647 105 00	Navigation system Aerial amplifier Radio unit		1	PR:441,694
-	987 612 052 50	Connecting line Aerial amplifier Radio unit		1	PR:441,694
23	997 647 117 00	Aerial amplifier	left	1	PR:440
(23)	997 647 118 00	Aerial amplifier	right	1	PR:440
24	997 647 124 00	Control unit		1	PR:440
25	999 591 904 40	Securing element		2	PR:440
27	997 612 066 00	Connecting line Aerial amplifier Control unit	lhd	1	PR:098,461, 665
(27)	997 612 066 50	Connecting line Aerial amplifier Control unit	rhd	1	PR:099,461, 665
(27)	997 612 055 00	Connecting line Aerial amplifier Control unit	lhd	1	PR:098,665
(27)	997 612 056 00	Connecting line Aerial amplifier Control unit	rhd	1	PR:099,665
(27)	997 612 062 50	Connecting line Aerial amplifier Control unit		1	PR:461,694
(28)	997 612 058 00	Connecting line Control unit Control panel or Radio unit		1	PR:665,694
29	997 647 221 00	aerial base		1	PR:461
30	997 647 223 00	rod-type aerial		1	PR:461
31	997 612 068 00	Connecting line aerial base Radio unit	lhd	1	PR:098,461, 694
(31)	997 612 068 50	Connecting line aerial base Radio unit	rhd	1	PR:099,461, 694
(31)	997 612 067 01	Connecting line aerial base Power supply		1	PR:461

Model: 987 06

Model life 2006>>2008

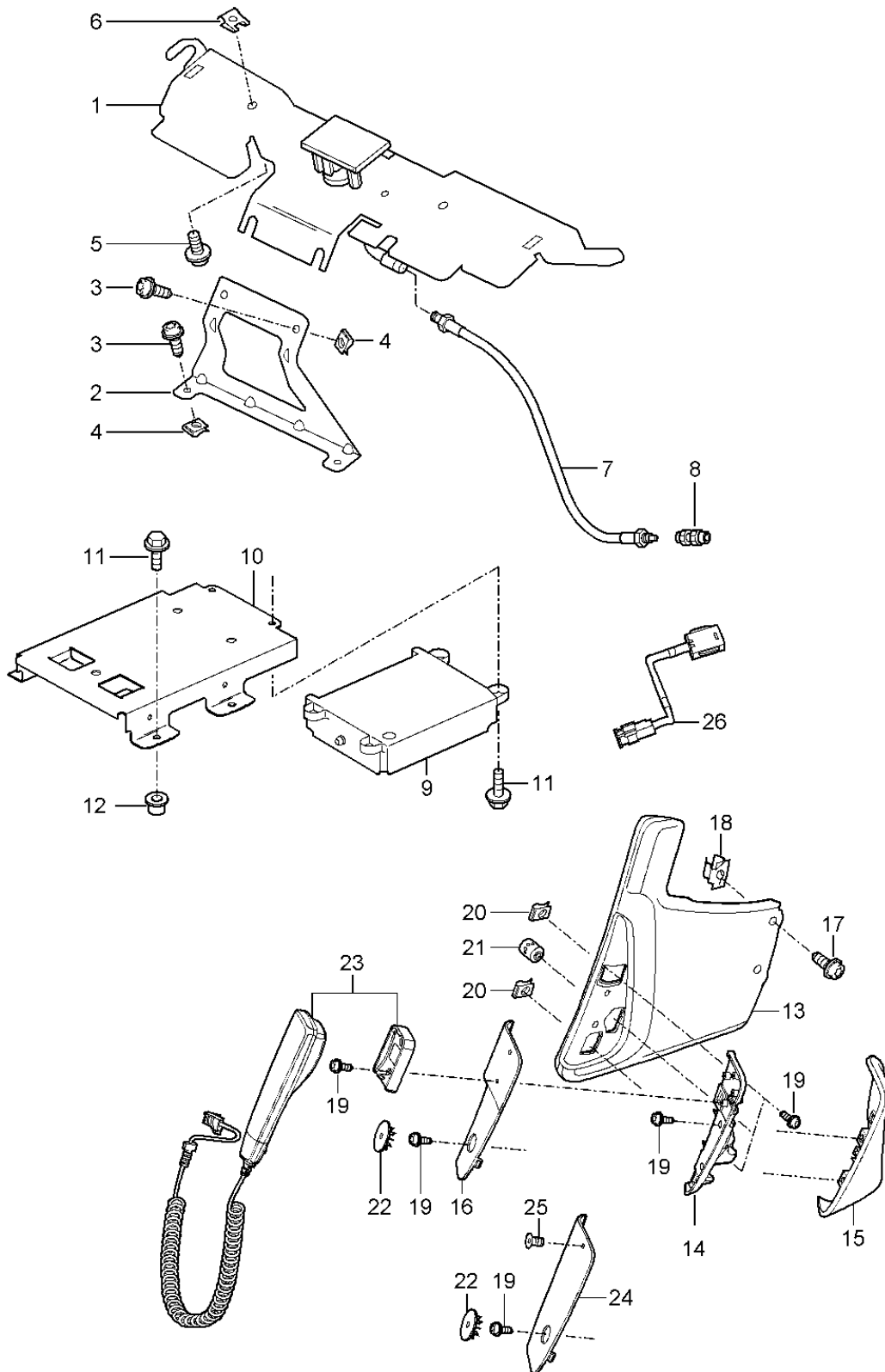


Model: 987 06 Model life 2006>>2008

Pos	Part Number	Description	Remark	Qty	Model
1	997 645 021 00	Loudspeaker Treble speaker dashboard		2	PR:441,490
(1)	997 645 025 00	Treble speaker dashboard		2	PR:680
2	999 591 303 01	U-clip		4	
3	997 645 033 00	Loudspeaker dashboard	center	1	PR:490
(3)	997 645 035 00	Loudspeaker dashboard	center	1	PR:680
4	999 507 971 01	panel nut 4,2		4	
5	997 645 543 00	Mid tone speaker Door and	rear	4	PR:490
(5)	997 645 545 00	Mid tone speaker Door and	rear	4	PR:680
6	999 919 164 09	fillister hd. bolt 5,0 X 12		8	
7	997 645 551 00	Bass loudspeaker		2	PR:441
7	997 645 553 00	Bass loudspeaker		2	PR:490
(7)	997 645 555 00	Bass loudspeaker		2	PR:680
8	900 067 012 03	Socket head bolt M 6 X 30		8	
-		Subwoofer			
9	997 645 566 00	Subwoofer	lhd	1	PR:098,680
	997 645 566 00 A10	Black			
	997 645 566 00 B10	Stone grey			
	997 645 566 00 T10	Sand beige			
	997 645 566 00 E10	sea blue			
	997 645 566 00 J10	Palm green			
	997 645 566 00 M10	Terracotta			
	997 645 566 00 R10	Cocoa			
	997 645 566 00 D11	Dark grey/natural			
	997 645 566 00 T11	Brown/natural			
	997 645 566 00 N10	Carrera Red			
(9)	997 645 567 00	Subwoofer	rhd	1	PR:099,680
	997 645 567 00 A10	Black			
	997 645 567 00 B10	Stone grey			
	997 645 567 00 T10	Sand beige			
	997 645 567 00 E10	sea blue			
	997 645 567 00 J10	Palm green			
	997 645 567 00 M10	Terracotta			
	997 645 567 00 R10	Cocoa			
	997 645 567 00 D11	Dark grey/natural			
	997 645 567 00 T11	Brown/natural			
	997 645 567 00 N10	Carrera Red			
10	997 645 569 00	Bracket for subwoofer		2	PR:680
11	900 378 035 01	Hexagon bolt M 6 X 16		2	PR:680
12	999 073 223 01	Bolt with washer M 6 X 25		1	PR:680
13	999 500 069 01	rivetted cap nut M 6		3	PR:680

Model: 987 06

Model life 2006>>2008



Model: 987 06 Model life 2006>>2008

Pos	Part Number	Description	Remark	Qty	Model
1	997 647 125 01	Telephone			PR:618,666
(1)	997 647 126 01	Telephone aerial	lhd	1	PR:098
2	997 647 127 00	Telephone aerial	rhd	1	PR:099
(2)	997 647 128 00	Bracket	lhd	1	PR:098
3	999 073 236 0A	Bracket	rhd	1	PR:099
		fillister hd. bolt		4	
		M 5 X 12 - Z2			
4	999 507 550 01	panel nut		4	
		M 5			
5	999 073 210 00	panel screw		2	
		4,8 X 13			
6	999 507 441 01	panel nut		2	
		4,8			
7	997 612 061 00	Connecting line		1	PR:618
(7)	997 612 989 05	Connecting line		1	PR:666
8	964 646 318 00	Adapter plug		1	PR:618
9	997 646 208 13	Control unit for telephone		1	PR:666
		F >> 98-6U777 190			
9	997 646 209 00	Control unit for telephone		1	PR:666
		F 98-6U777 191>>			
10	997 642 216 00	Bracket		1	PR:618,666
11	900 378 035 01	Hexagon bolt		4	PR:618,666
		M 6 X 16			
12	999 500 078 00	press insert nut		2	PR:618,666
		M 6			
		D - MJ 2006>> - MJ 2006			
(12)	999 507 766 02	panel nut		2	PR:618,666
		M 6			
		D - MJ 2007>>			
13	997 553 118 07	Leather panel	lhd	1	PR:098
			side		
	997 553 118 07 FSA	black/grey			
	997 553 118 07 FSB	Stone grey/stone grey			
	997 553 118 07 FSC	Sand beige/sand beige			
	997 553 118 07 FSD	Sea blue/grey			
	997 553 118 07 FSE	Palmgreen/palmgreen			
	997 553 118 07 FSF	Terracotta/terracotta			
	997 553 118 07 FSG	Cocoa/Cocoa			
	997 553 118 07 FSH	Darkgrey natural/grey			
	997 553 118 07 FSJ	Brown nat./brown nat.			
	997 553 118 07 FSP	Carrera Red/Carrera Red			
(13)	997 553 117 07	Leather panel	rhd	1	PR:099
			side		
	997 553 117 07 FSA	black/grey			
	997 553 117 07 FSB	Stone grey/stone grey			
	997 553 117 07 FSC	Sand beige/sand beige			
	997 553 117 07 FSD	Sea blue/grey			
	997 553 117 07 FSE	Palmgreen/palmgreen			
	997 553 117 07 FSF	Terracotta/terracotta			
	997 553 117 07 FSG	Cocoa/Cocoa			
	997 553 117 07 FSH	Darkgrey natural/grey			
	997 553 117 07 FSJ	Brown nat./brown nat.			
	997 553 117 07 FSP	Carrera Red/Carrera Red			
14	997 553 520 00	Adapter	lhd	1	PR:098
(14)	997 553 519 00	Adapter	rhd	1	PR:099
15	997 553 418 01	Trim	lhd	1	PR:098
	997 553 418 01 A11	Black			
	997 553 418 01 5X6	Stone grey			
	997 553 418 01 8G2	Sand beige			
	997 553 418 01 3S9	sea blue			
	997 553 418 01 4P2	Palm green			
	997 553 418 01 9S5	Terracotta			
	997 553 418 01 9V6	Cocoa			

Model: 987 06 Model life 2006>>2008

Pos	Part Number	Description	Remark	Qty	Model
	997 553 418 01 D12	Dark grey/natural			
	997 553 418 01 T12	Brown/natural			
	997 553 418 01 N12	Carrera Red			
(15)	997 553 417 01	Trim	rhd	1	PR:099
	997 553 417 01 A11	Black			
	997 553 417 01 5X6	Stone grey			
	997 553 417 01 8G2	Sand beige			
	997 553 417 01 3S9	sea blue			
	997 553 417 01 4P2	Palm green			
	997 553 417 01 9S5	Terracotta			
	997 553 417 01 9V6	Cocoa			
	997 553 417 01 D12	Dark grey/natural			
	997 553 417 01 T12	Brown/natural			
	997 553 417 01 N12	Carrera Red			
16	997 553 522 00	Carrier plate	lhd	1	PR:098,668
	997 553 522 00 01C	Satin black			
(16)	997 553 521 00	Carrier plate	rhd	1	PR:099,668
	997 553 521 00 01C	Satin black			
17	999 073 226 09	panel screw 4,2 X 16		2	
18	999 591 508 01	Cage nut 4,2		2	
19	999 073 155 09	panel screw 4,2 X 13		7	
20	999 507 028 01	panel nut 4,2		2	
21	999 507 645 02	Threaded piece 4,2		1	
22	997 553 751 00	Cover cap		1	
	997 553 751 00 01C	Satin black			
23	996 642 212 02	Telephone controls/receiver		1	PR:668
24	997 553 522 01	Carrier plate	lhd	1	PR:098,618
	997 553 522 01 01C	Satin black			
(24)	997 553 521 01	Carrier plate	rhd	1	PR:099,618
	997 553 521 01 01C	Satin black			
25	999 919 230 00	countersunk bolt 3 X 10		1	PR:618
26	997 646 307 00	microphone		1	PR:618,666
(26)	997 646 307 01	microphone		1	PR:618,666, 680
(26)	997 646 309 00	microphone		1	PR:675
-	997 610 233 00	D - MJ 2008>> - MJ 2008 Cable guide microphone		1	
-	997 610 233 01	D >> - MJ 2007 Cable guide microphone D - MJ 2008>> - MJ 2008		1	